

WFF-200W-48-C DATA SHEET

WFF-200W-48-C

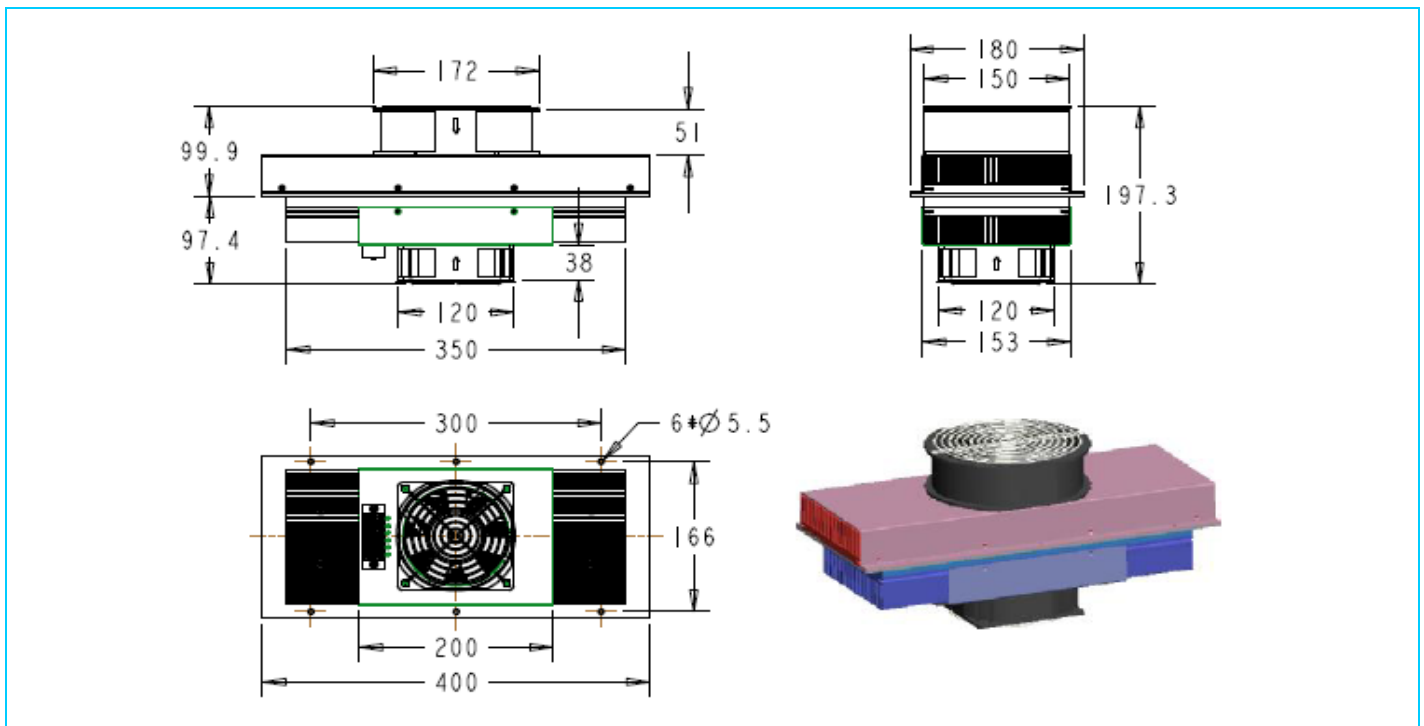
Thermoelectric Cooler Assembly-- Air to Air

SPECIFICATION

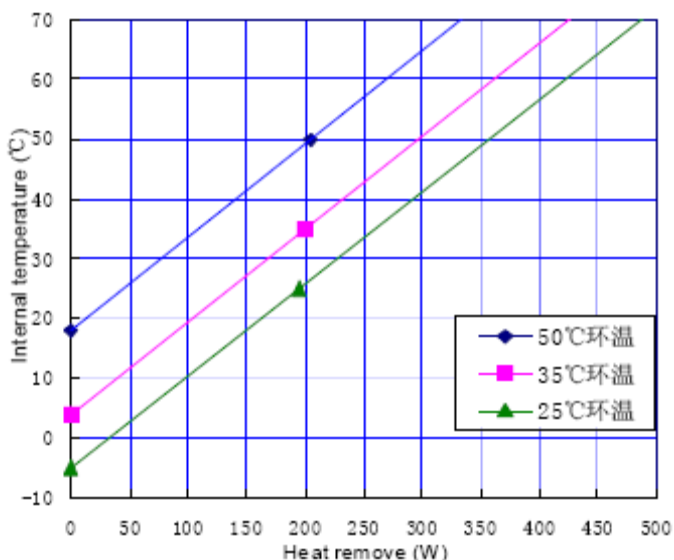
Part No.	WFF-200W-48-C
Max Cooling power	205W @ $\Delta T = 0^{\circ}\text{C}$
Voltage of Peltier cell	48V
Current of Peltier cell	Start 7.0 A / Working 5.6 A
Hot side fan	48V,0.25A
Cold side fan	48V,0.25A
Operating Temperature	-10~70°C
Weight	7.1 Kg
Note	Cool only



DIMENSION



PERFORMANCE CURVE



Note:

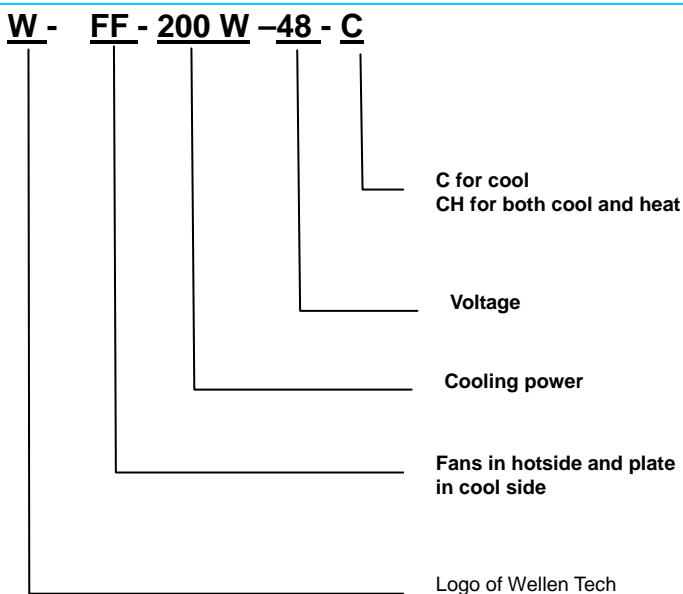
The performance curve give the example that when the internal temperature is 50°C and the environment temperature is 50°C, the cooler can transfer the 200W heat from inner side to the out side .

NOTES OF USE

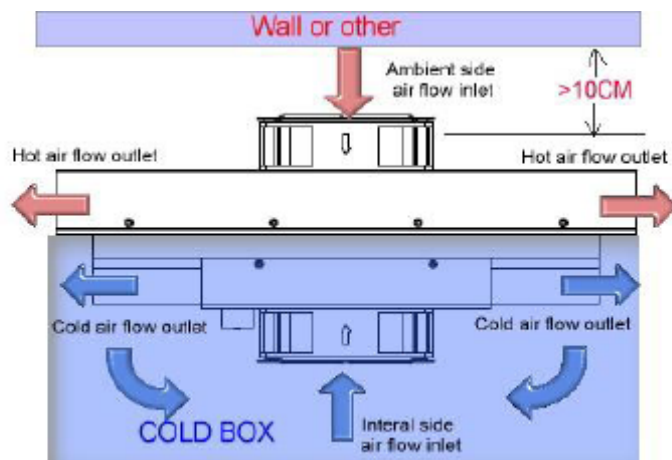
- Please use the 48 V DC power with the ripple less than 10%.
- The crystal of Te2Bi3 is fragile. Intense crash is forbidden even the height is 10-20cm.
- No water resistance. Please use in the without water.
- When mounting, please keep 10 cm distance with other substance.
- please do not use it ,when the temperature of the assembly or environment is higher than 70 °C,



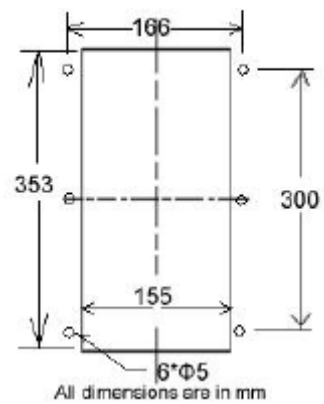
NAME METHOD



ABOUT MOUNTING



Mounting hole dimensions



All dimensions are in mm