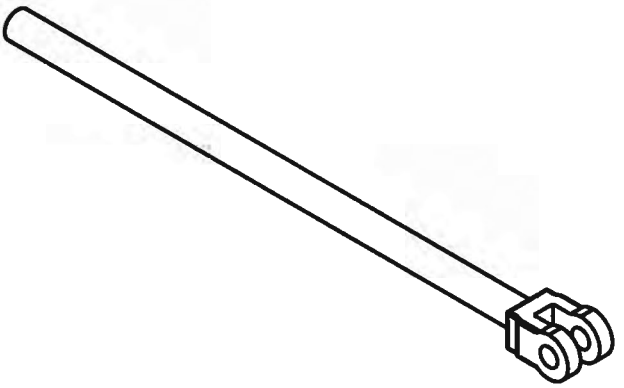
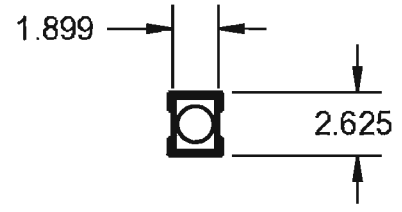
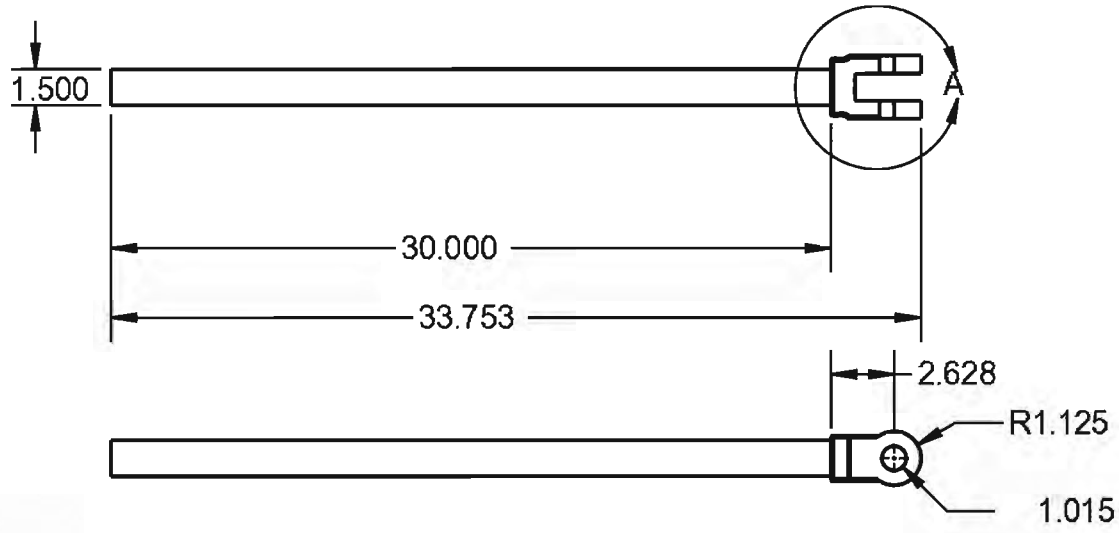


DETAIL A  
SCALE 1 : 4



LICENSE INFORMATION  
ALL INFORMATION RELEASE UNDER THE OSE  
LICENSE FOR DISTRIBUTIVE ECONOMICS  
FOR FURTHER INFORMATION GO TO:  
[OPENSOURCEECOLOGY.ORG/WIKI/LICENSE](http://OPENSOURCEECOLOGY.ORG/WIKI/LICENSE)

	NAME	DATE
DRAWN	F. Anzaldua	3/28/12
CHECKED		
APPR.		
UNLESS OTHERWISE SPECIFIED DIMENSIONS ARE IN INCHES		
ANGLES	.X	.XX
	.5	.5



PROJECT:  
LIFE TRAC III  
TITLE  
2.5X30X1.25 DA HYD  
CYL INNER SHAFT

SIZE	DWG. NO.	REV
A	PART NUMBER	

SCALE: 1:8 WEIGHT: SHEET 1 OF 1

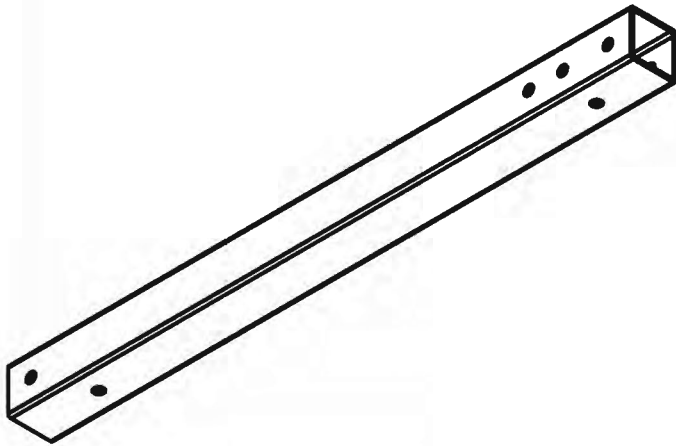
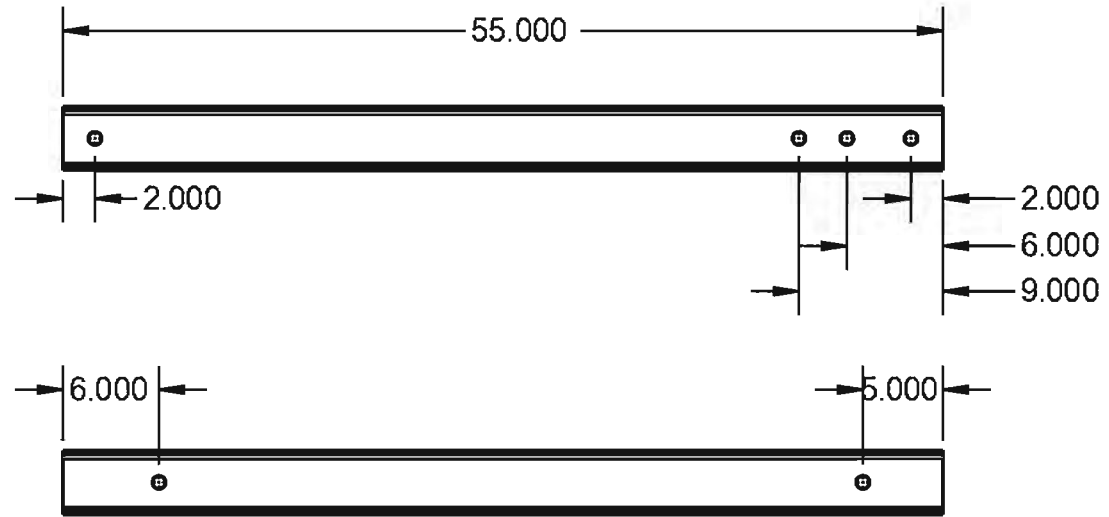
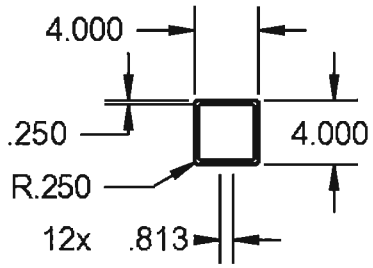
5

4

3

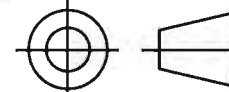
2

1



LICENSE INFORMATION  
 ALL INFORMATION RELEASE UNDER THE OSE  
 LICENSE FOR DISTRIBUTIVE ECONOMICS  
 FOR FURTHER INFORMATION GO TO:  
 OPENSOURCEECOLOGY.ORG/WIKI/LICENSE

	NAME	DATE
DRAWN	F. Anzaldua	3/28/12
CHECKED		
APPR.		
UNLESS OTHERWISE SPECIFIED DIMENSIONS ARE IN INCHES		
ANGLES	.X	.XX
	.5	.5



THIRD ANGLE PROJECTION

PROJECT: LIFE TRAC III		
TITLE <b>55 INCH FRONT- VERTICAL TUBE</b>		
SIZE <b>A</b>	DWG. NO. PART NUMBER	REV
SCALE: 1:12	WEIGHT:	SHEET 1 OF 1

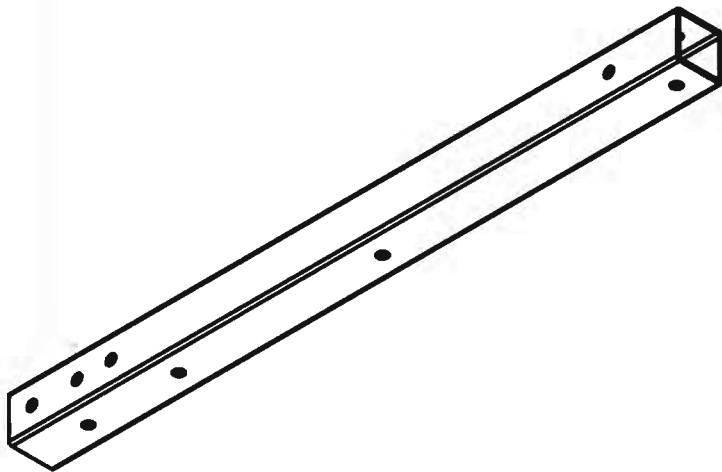
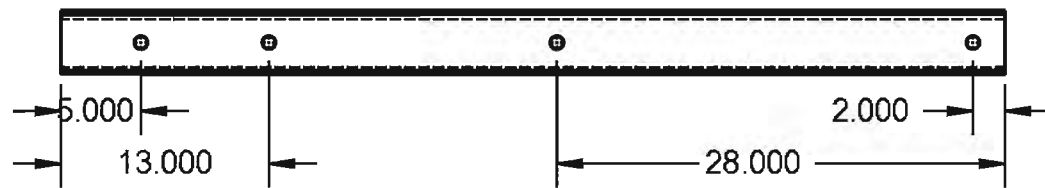
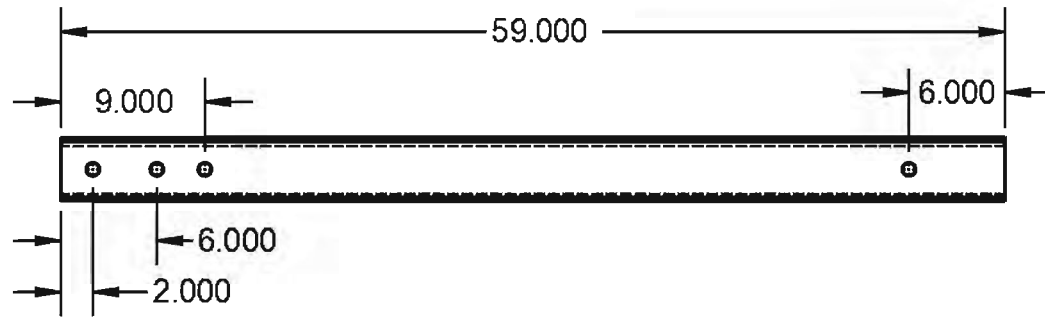
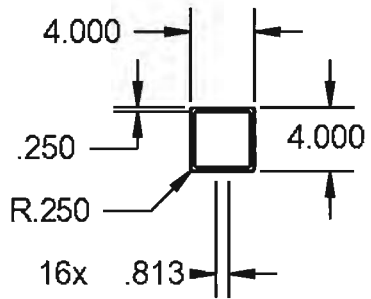
5

4

3

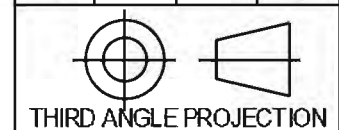
2

1



LICENSE INFORMATION  
 ALL INFORMATION RELEASE UNDER THE OSE  
 LICENSE FOR DISTRIBUTIVE ECONOMICS  
 FOR FURTHER INFORMATION GO TO:  
 OPENSOURCEECOLOGY.ORG/WIKI/LICENSE

	NAME	DATE
DRAWN	F. Anzaldua	3/28/12
CHECKED		
APPR.		
UNLESS OTHERWISE SPECIFIED DIMENSIONS ARE IN INCHES		
ANGLES	.X	.XX
	.5	.5



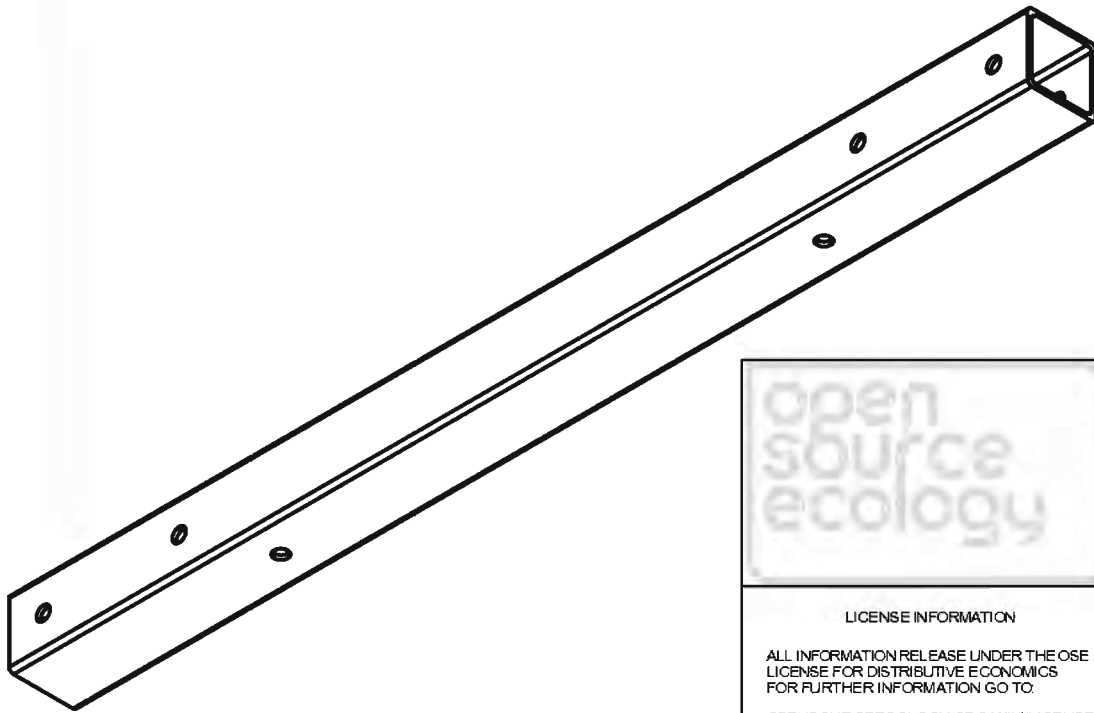
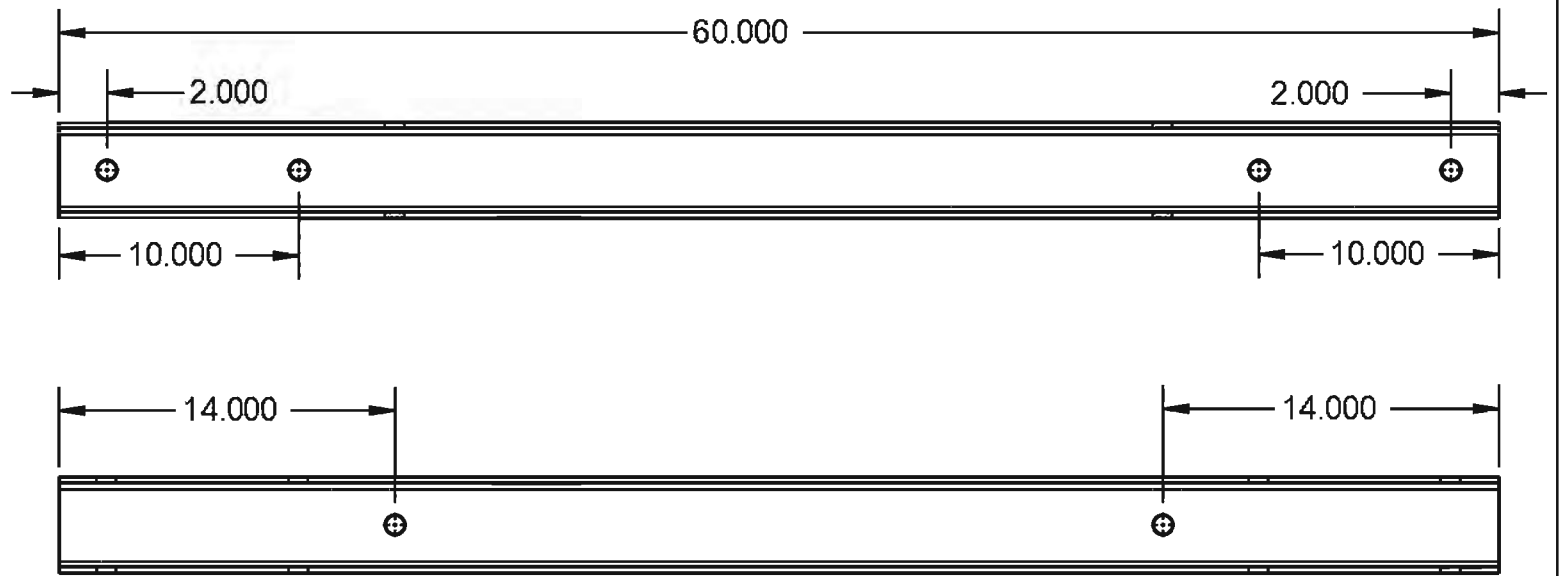
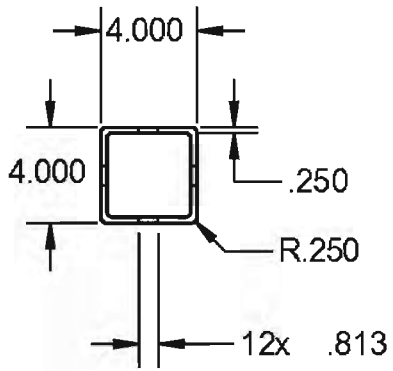
PROJECT:  
 LIFE TRAC III

TITLE  
**59 INCH REAR-  
 VERTICAL TUBE**

SIZE <b>A</b>	DWG. NO. PART NUMBER	REV
------------------	-------------------------	-----

SCALE: 1:12 WEIGHT: SHEET 1 OF 1

5 4 3 2 1

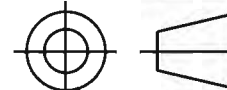


LICENSE INFORMATION

ALL INFORMATION RELEASE UNDER THE OSE  
LICENSE FOR DISTRIBUTIVE ECONOMICS  
FOR FURTHER INFORMATION GO TO:

OPENSOURCEECOLOGY.ORG/WIKI/LICENSE

	NAME	DATE
DRAWN	F. Anzaldua	3/28/12
CHECKED		
APPR.		
UNLESS OTHERWISE SPECIFIED DIMENSIONS ARE IN INCHES		
ANGLES	.X	.XX
	.5	.5



THIRD ANGLE PROJECTION

PROJECT:		LIFE TRAC III
TITLE		60 INCH UNDER BASE TUBE
SIZE	DWG. NO.	REV
A	PART NUMBER	
SCALE: 1:8	WEIGHT:	SHEET 1 OF 1

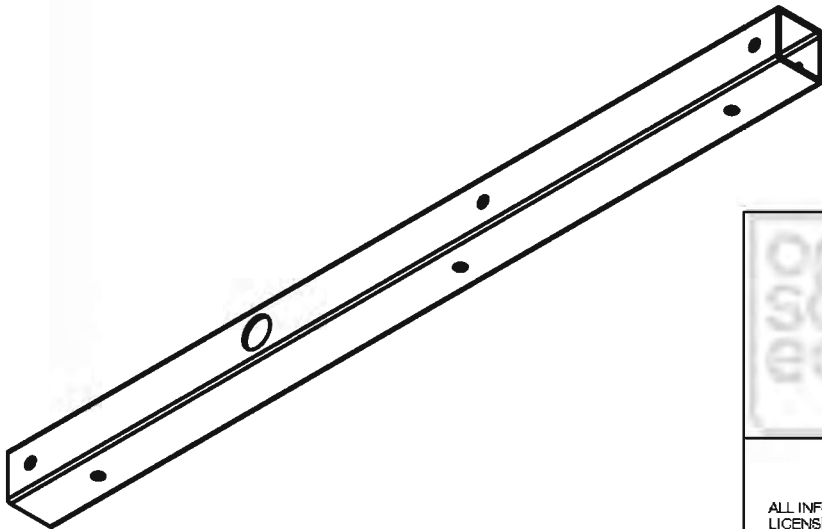
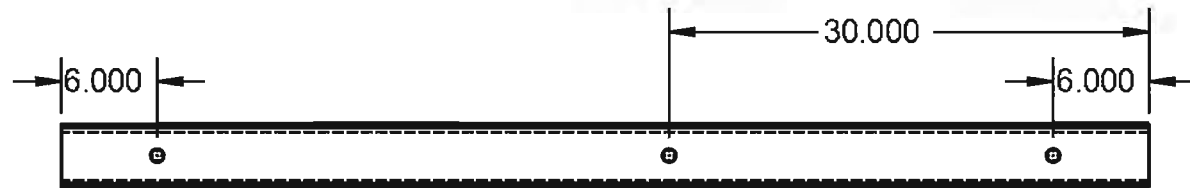
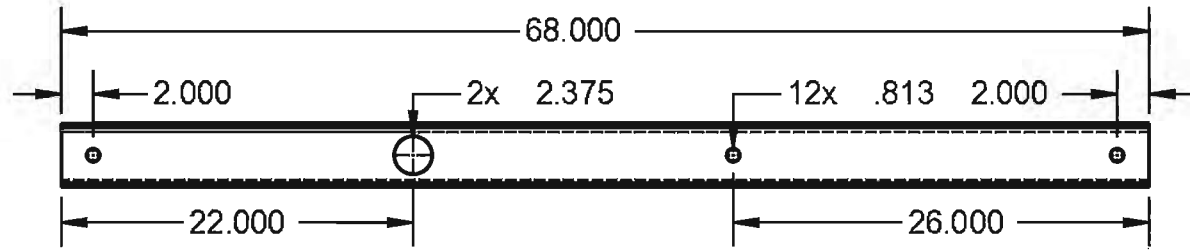
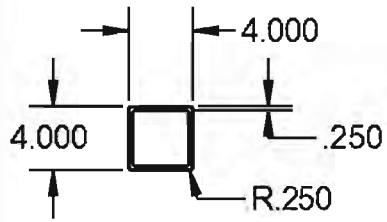
5

4

3

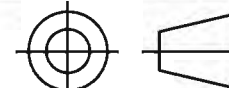
2

1



LICENSE INFORMATION  
ALL INFORMATION RELEASE UNDER THE OSE  
LICENSE FOR DISTRIBUTIVE ECONOMICS  
FOR FURTHER INFORMATION GO TO:  
[OPENSOURCEECOLOGY.ORG/GMWIKI/LICENSE](http://OPENSOURCEECOLOGY.ORG/GMWIKI/LICENSE)

	NAME	DATE
DRAWN	F. Anzaldua	3/28/12
CHECKED		
APPR.		
UNLESS OTHERWISE SPECIFIED DIMENSIONS ARE IN INCHES		
ANGLES	.X	.XX
	.5	.5



THIRD ANGLE PROJECTION

PROJECT:  
LIFE TRAC III

TITLE  
**68 INCH TOP  
N-S TUBE**

SIZE <b>A</b>	DWG. NO. PART NUMBER	REV
------------------	-------------------------	-----

SCALE: 1:12 WEIGHT: SHEET 1 OF 1

5

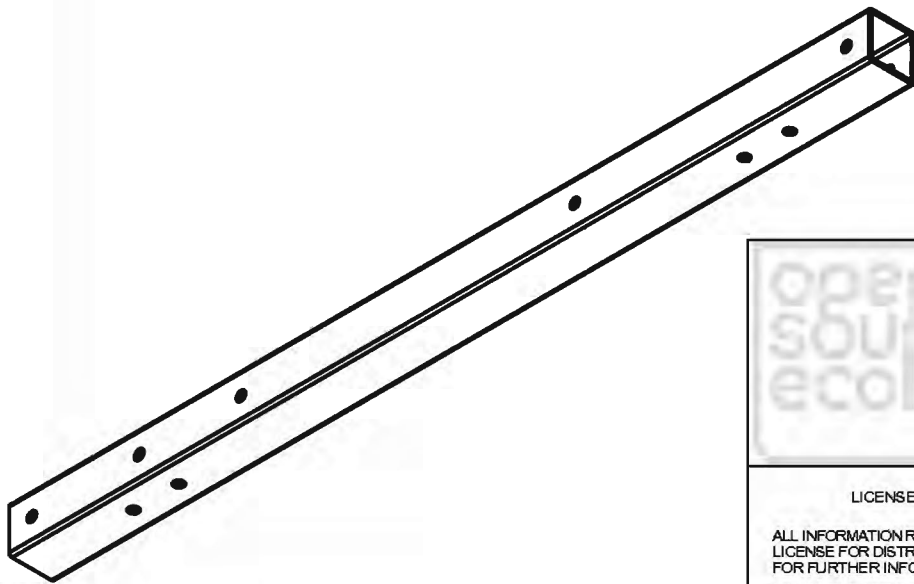
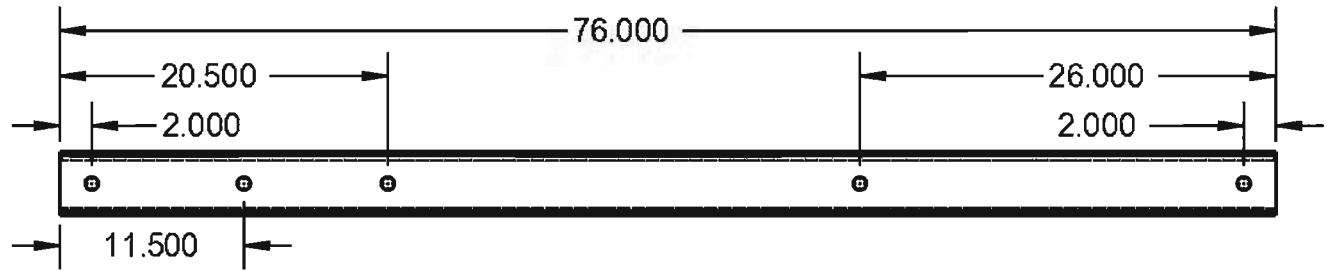
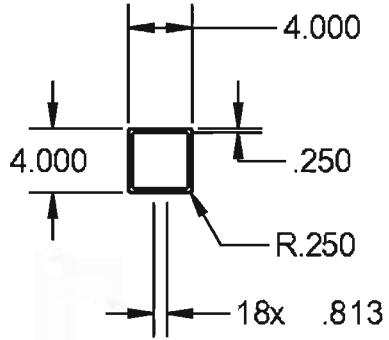
4

3

2

1

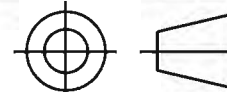




LICENSE INFORMATION

ALL INFORMATION RELEASE UNDER THE OSE  
LICENSE FOR DISTRIBUTIVE ECONOMICS  
FOR FURTHER INFORMATION GO TO:  
OPENSOURCEECOLOGY.ORG/WIKI/LICENSE

	NAME	DATE
DRAWN	F. Anzaldua	3/28/12
CHECKED		
APPR.		
UNLESS OTHERWISE SPECIFIED DIMENSIONS ARE IN INCHES		
ANGLES	.X	.XX
	.5	.5



THIRD ANGLE PROJECTION

PROJECT: LIFE TRAC III		
TITLE 76 INCH OUTER BASE TUBE		
SIZE <b>A</b>	DWG. NO. PART NUMBER	REV
SCALE: 1:12	WEIGHT:	SHEET 1 OF 1

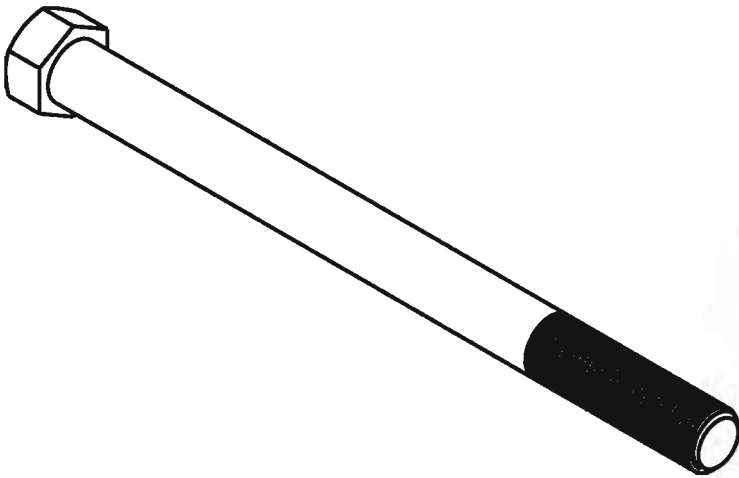
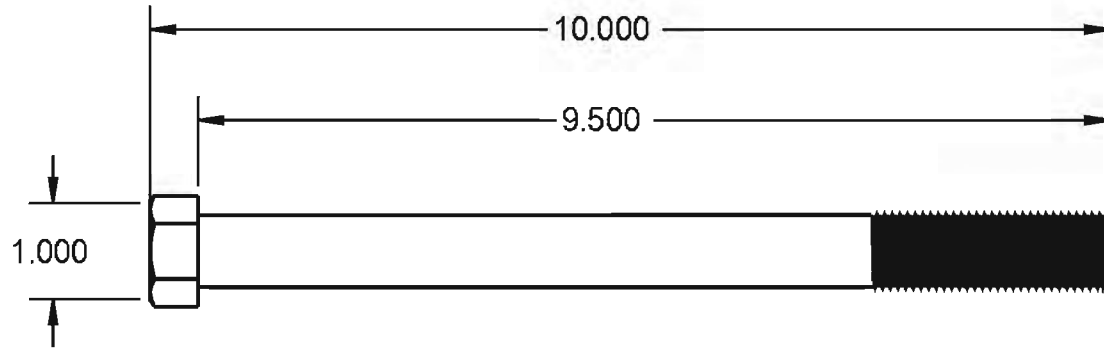
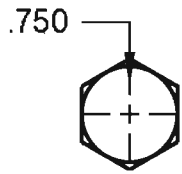
5

4

3

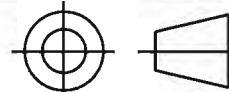
2

1



LICENSE INFORMATION  
 ALL INFORMATION RELEASE UNDER THE OSE  
 LICENSE FOR DISTRIBUTIVE ECONOMICS  
 FOR FURTHER INFORMATION GO TO:  
[OPENSOURCEECOLOGY.ORG/WIKI/LICENSE](http://OPENSOURCEECOLOGY.ORG/WIKI/LICENSE)

	NAME	DATE
DRAWN	F. Anzaldua	3/28/12
CHECKED		
APPR.		
UNLESS OTHERWISE SPECIFIED DIMENSIONS ARE IN INCHES		
ANGLES	.X	.XX
	.5	.5



THIRD ANGLE PROJECTION

PROJECT:  
LIFE TRAC III

TITLE  
**9.5 INCH BOLT**

SIZE <b>A</b>	DWG. NO. PART NUMBER	REV
------------------	-------------------------	-----

SCALE: 1:2	WEIGHT:	SHEET 1 OF 1
------------	---------	--------------

5

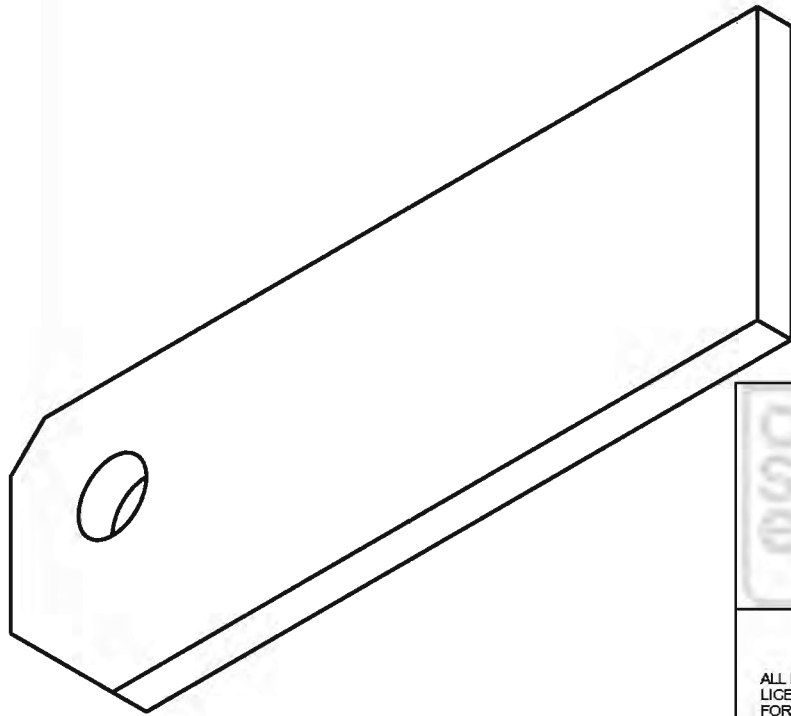
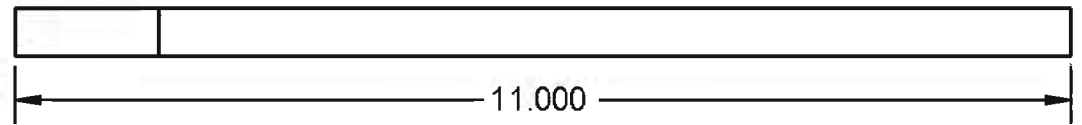
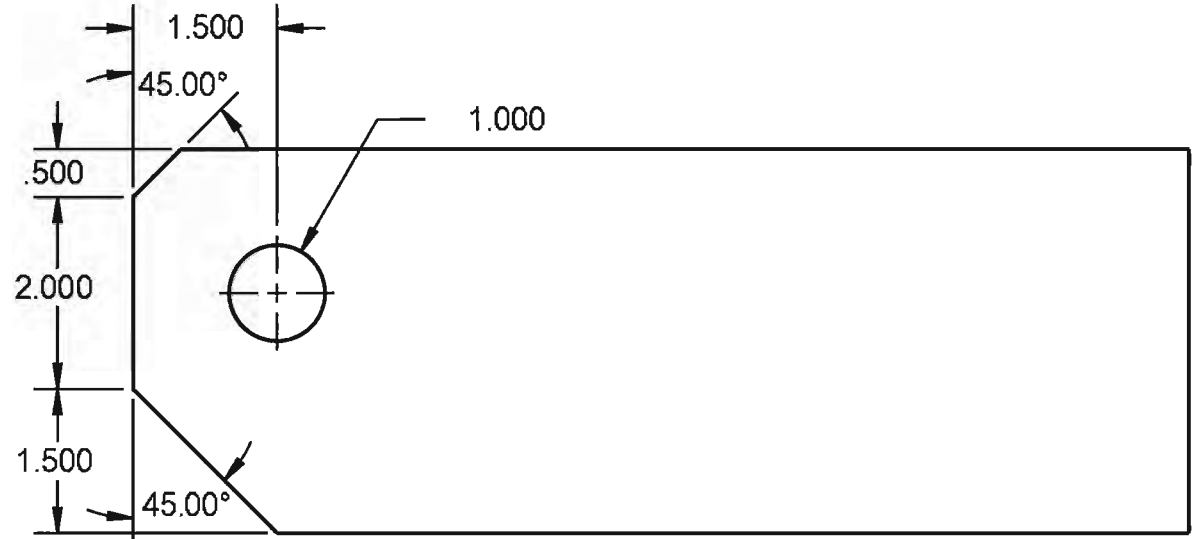
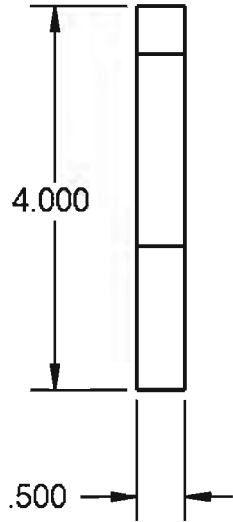
4

3

2

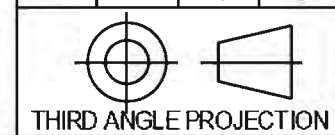
1





LICENSE INFORMATION  
ALL INFORMATION RELEASE UNDER THE OSE  
LICENSE FOR DISTRIBUTIVE ECONOMICS  
FOR FURTHER INFORMATION GO TO:  
[OPENSOURCEECOLOGY.ORG/GMWIKI/LICENSE](http://OPENSOURCEECOLOGY.ORG/GMWIKI/LICENSE)

	NAME	DATE
DRAWN	F. Anzaldua	3/28/12
CHECKED		
APPR.		
UNLESS OTHERWISE SPECIFIED DIMENSIONS ARE IN INCHES		
ANGLES	.X	.XX
	.5	.5



PROJECT: LIFE TRAC III		
TITLE <b>ADAPTER PLATE</b>		
SIZE <b>A</b>	DWG. NO. PART NUMBER	REV
SCALE: 1:2	WEIGHT:	SHEET 1 OF 1

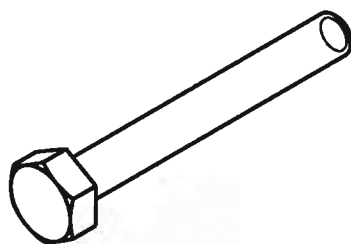
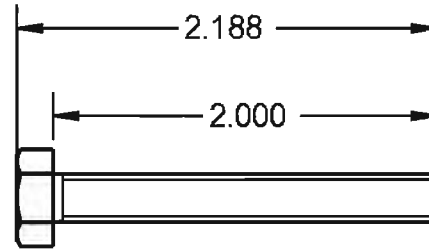
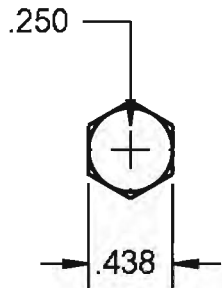
5

4

3

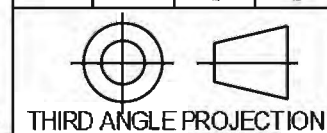
2

1



LICENSE INFORMATION  
 ALL INFORMATION RELEASE UNDER THE OSE  
 LICENSE FOR DISTRIBUTIVE ECONOMICS  
 FOR FURTHER INFORMATION GO TO:  
 OPENSOURCEECOLOGY.ORG/WIKI/LICENSE

	NAME	DATE
DRAWN	F. Anzaldua	3/28/12
CHECKED		
APPR		
UNLESS OTHERWISE SPECIFIED DIMENSIONS ARE IN INCHES		
ANGLES	.X	.XX
	.5	.5



PROJECT:		LIFE TRAC III
TITLE:		HEX BOLT_AI
SIZE	DWG. NO.	REV
A	PART NUMBER	
SCALE: 1:1	WEIGHT:	SHEET 1 OF 1

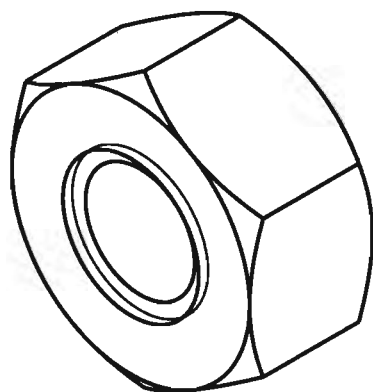
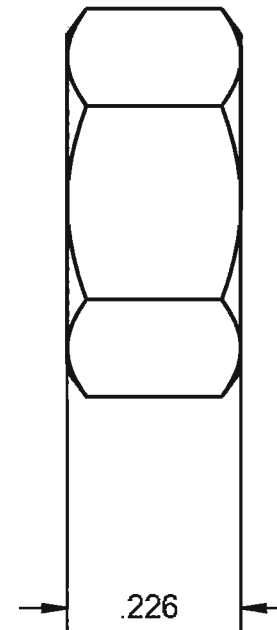
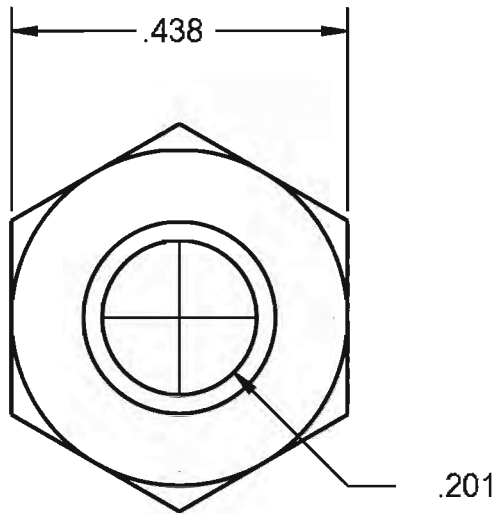
5

4

3

2

1



LICENSE INFORMATION  
 ALL INFORMATION RELEASE UNDER THE OSE  
 LICENSE FOR DISTRIBUTIVE ECONOMICS  
 FOR FURTHER INFORMATION GO TO:  
 OPENSOURCEECOLOGY.ORG/WIKI/LICENSE

	NAME	DATE
DRAWN	F. Anzaldua	3/28/12
CHECKED		
APPR.		
UNLESS OTHERWISE SPECIFIED DIMENSIONS ARE IN INCHES		
ANGLES	.X	.XX
	.5	.5



PROJECT: LIFE TRAC III		
TITLE HEX NUT_AI		
SIZE A	DWG. NO. PART NUMBER	REV
SCALE: 4:1	WEIGHT:	SHEET 1 OF 1

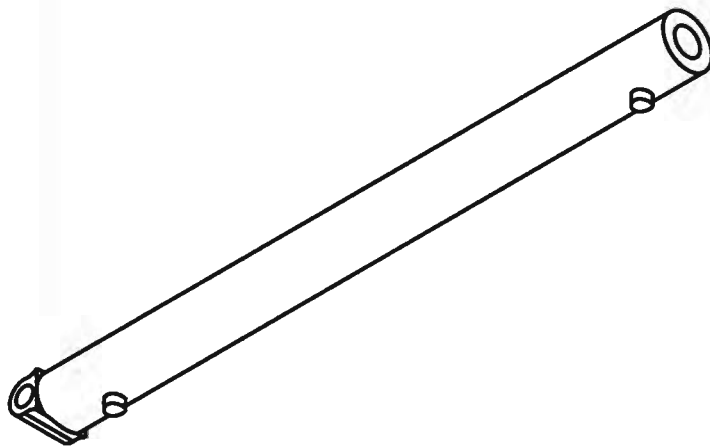
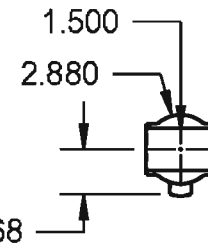
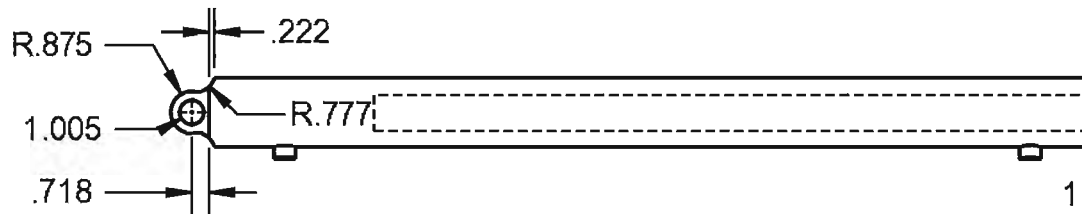
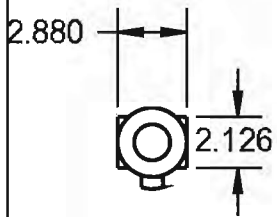
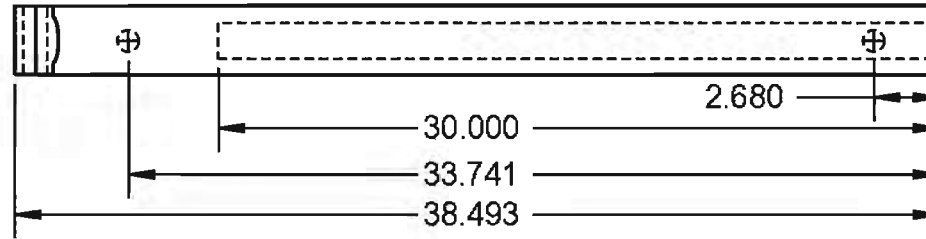
5

4

3

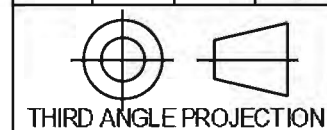
2

1



LICENSE INFORMATION  
 ALL INFORMATION RELEASE UNDER THE OSE  
 LICENSE FOR DISTRIBUTIVE ECONOMICS  
 FOR FURTHER INFORMATION GO TO:  
[OPENSOURCEECOLOGY.ORG/WIKI/LICENSE](http://OPENSOURCEECOLOGY.ORG/WIKI/LICENSE)

	NAME	DATE
DRAWN	F. Anzaldua	3/28/12
CHECKED		
APPR.		
UNLESS OTHERWISE SPECIFIED DIMENSIONS ARE IN INCHES		
ANGLES	.X	.XX .XXX
	.5	.5 .5



PROJECT:		LIFE TRAC III
TITLE:		2.5X30X1.25 DA HYD CYL
SIZE	DWG. NO.	REV
A	PART NUMBER	
SCALE: 1:8	WEIGHT:	SHEET 1 OF 1

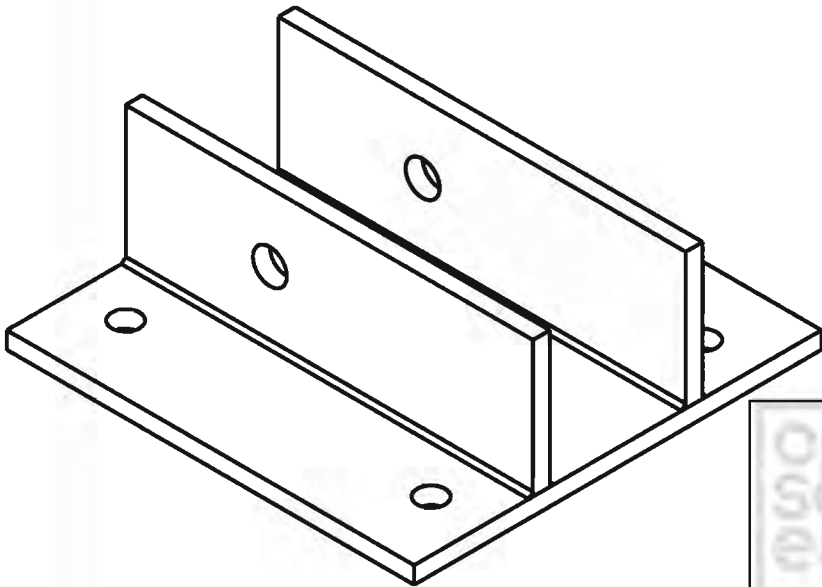
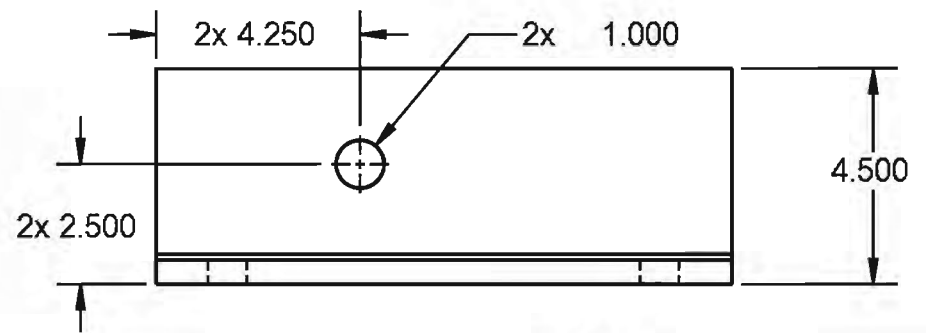
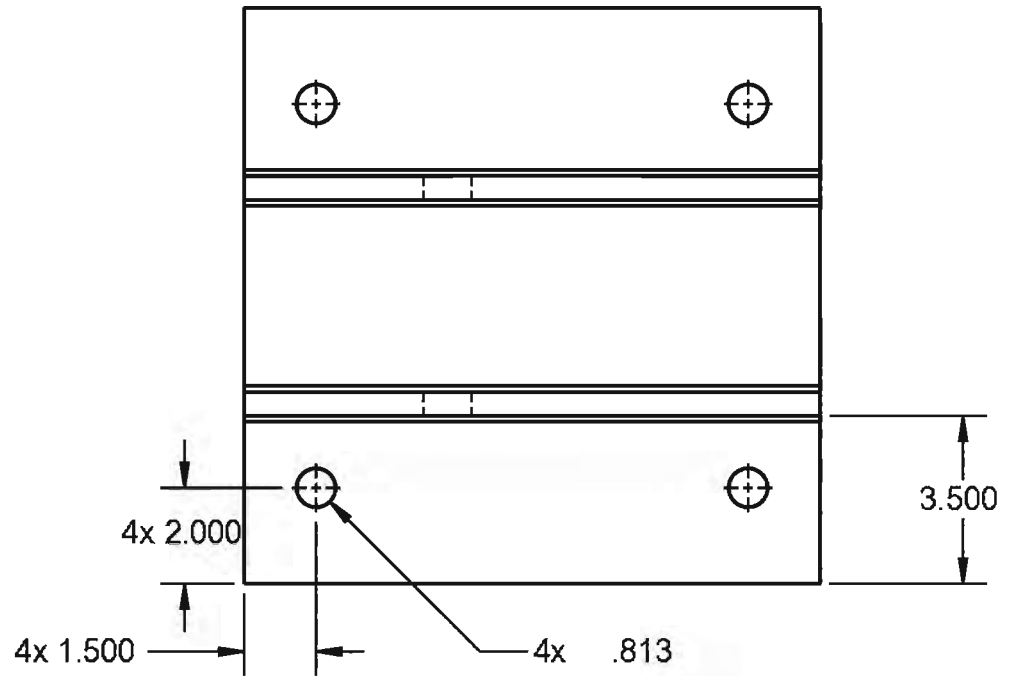
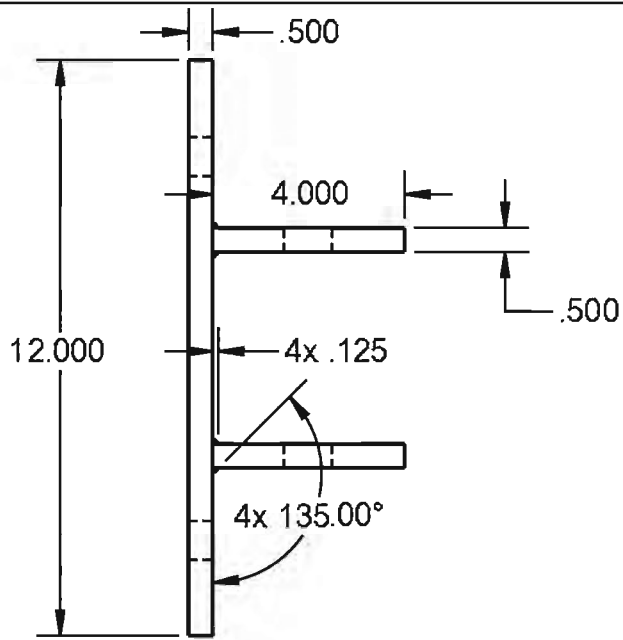
5

4

3

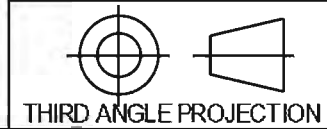
2

1



LICENSE INFORMATION  
 ALL INFORMATION RELEASE UNDER THE OSE  
 LICENSE FOR DISTRIBUTIVE ECONOMICS  
 FOR FURTHER INFORMATION GO TO:  
 OPENSOURCEECOLOGY.ORG/WIKI/LICENSE

	NAME	DATE
DRAWN	F. Anzaldua	3/28/12
CHECKED		
APPR.		
UNLESS OTHERWISE SPECIFIED DIMENSIONS ARE IN INCHES		
ANGLES	.X	.XX
	.5	.5



PROJECT: LIFE TRAC III		
TITLE HYDRAULIC CYLINDER BASE MOUNT		
SIZE <b>A</b>	DWG. NO. PART NUMBER	REV
SCALE: 1:4	WEIGHT:	SHEET 1 OF 1

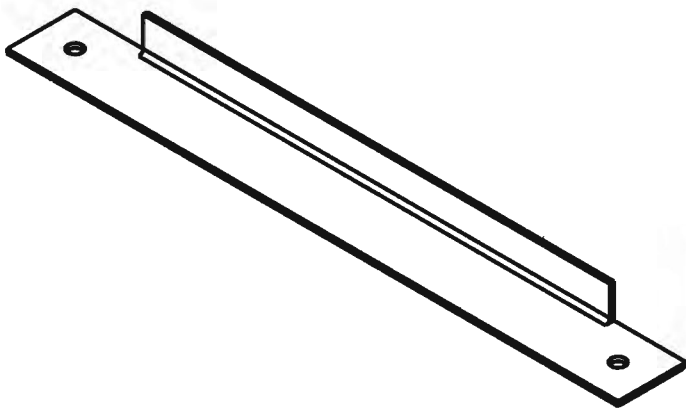
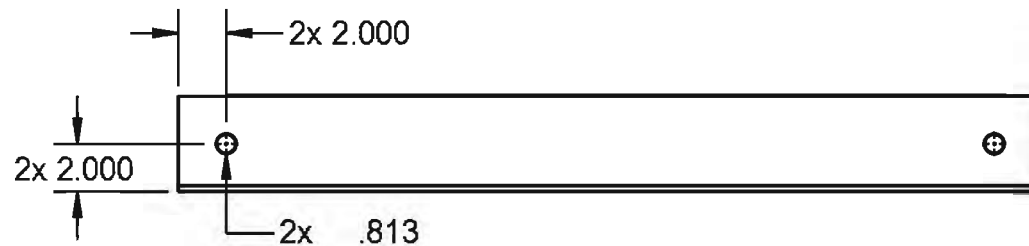
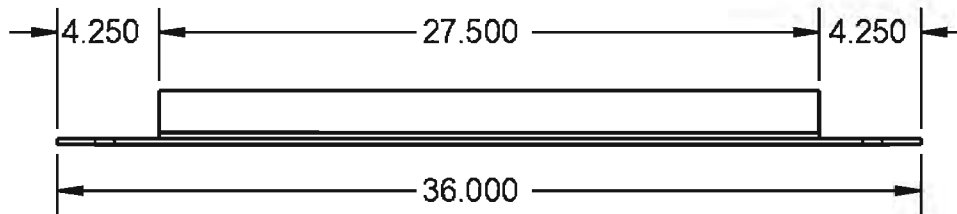
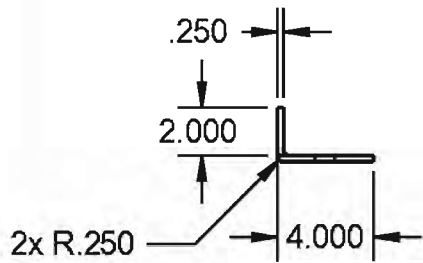
5

4

3

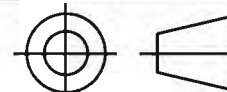
2

1



LICENSE INFORMATION  
 ALL INFORMATION RELEASE UNDER THE OSE  
 LICENSE FOR DISTRIBUTIVE ECONOMICS  
 FOR FURTHER INFORMATION GO TO:  
 OPENSOURCEECOLOGY.ORG/WIKI/LICENSE

	NAME	DATE
DRAWN	F. Anzaldua	3/28/12
CHECKED		
APPR.		
UNLESS OTHERWISE SPECIFIED DIMENSIONS ARE IN INCHES		
ANGLES	.X	.XX
	.5	.5



THIRD ANGLE PROJECTION

PROJECT:  
LIFE TRAC III

TITLE  
**HYDRAULIC  
VALVE MOUNT**

SIZE <b>A</b>	DWG. NO. PART NUMBER	REV
------------------	-------------------------	-----

SCALE: 1:8	WEIGHT:	SHEET 1 OF 1
------------	---------	--------------

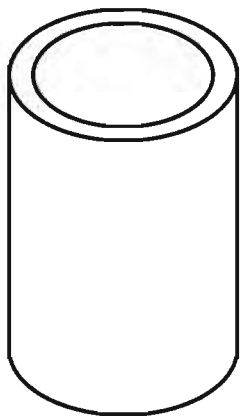
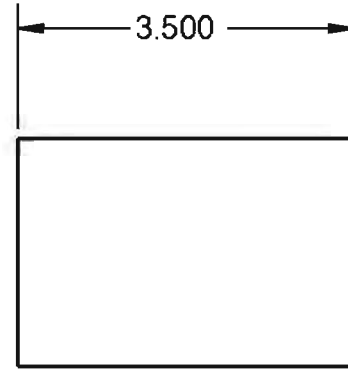
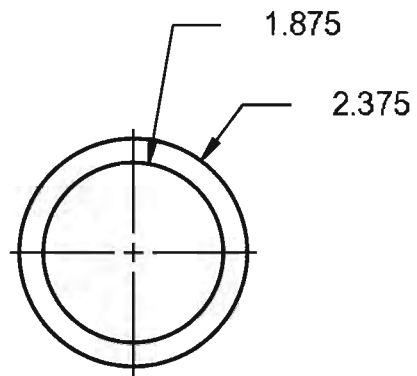
5

4

3

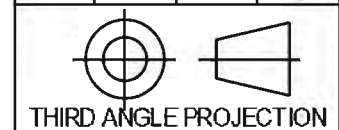
2

1



LICENSE INFORMATION  
 ALL INFORMATION RELEASE UNDER THE OSE  
 LICENSE FOR DISTRIBUTIVE ECONOMICS  
 FOR FURTHER INFORMATION GO TO:  
 OPENSOURCEECOLOGY.ORG/WIKI/LICENSE

	NAME	DATE
DRAWN	F. Anzaldua	3/28/12
CHECKED		
APPR.		
UNLESS OTHERWISE SPECIFIED DIMENSIONS ARE IN INCHES		
ANGLES	.X	.XX
	.5	.5



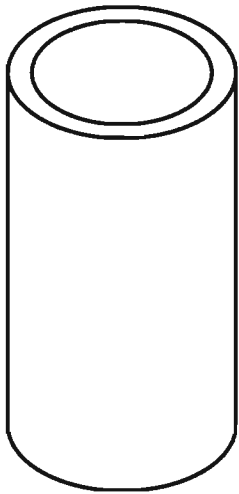
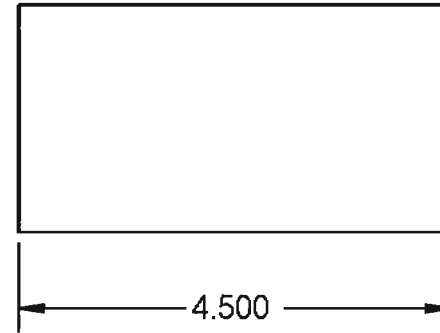
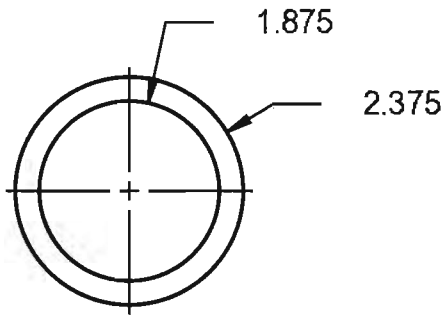
PROJECT:  
 LIFE TRAC III

TITLE  
**LOADER ARM 3.5 INCH  
 SUPPORT ROUND**

SIZE <b>A</b>	DWG. NO. PART NUMBER	REV
------------------	-------------------------	-----

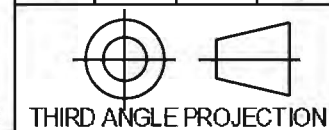
SCALE: 1:2	WEIGHT:	SHEET 1 OF 1
------------	---------	--------------

5 4 3 2 1



LICENSE INFORMATION  
 ALL INFORMATION RELEASE UNDER THE OSE  
 LICENSE FOR DISTRIBUTIVE ECONOMICS  
 FOR FURTHER INFORMATION GO TO:  
[OPENSOURCEECOLOGY.ORG/WIKI/LICENSE](http://OPENSOURCEECOLOGY.ORG/WIKI/LICENSE)

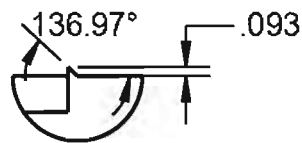
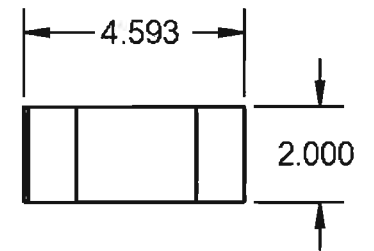
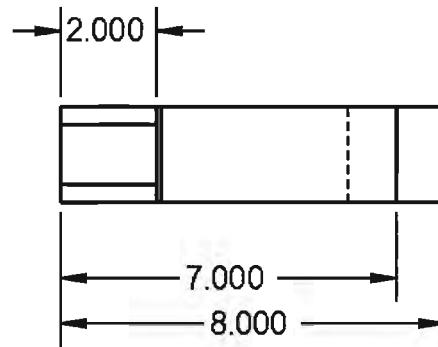
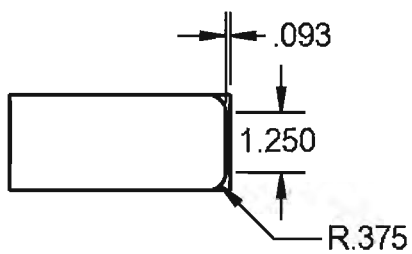
	NAME	DATE
DRAWN	F. Anzaldua	3/28/12
CHECKED		
APPR.		
UNLESS OTHERWISE SPECIFIED DIMENSIONS ARE IN INCHES		
ANGLES	.X	.XX
	.5	.5



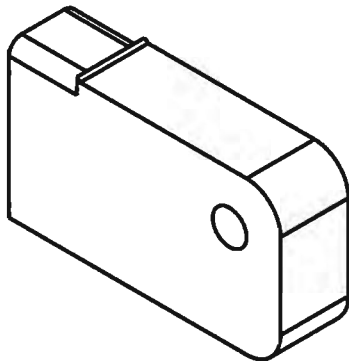
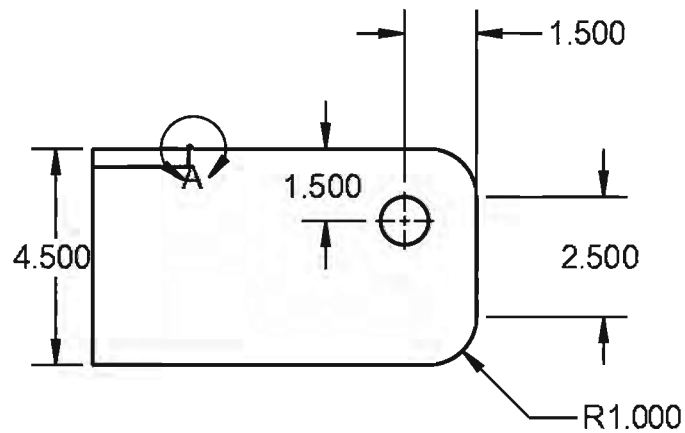
PROJECT:		LIFE TRAC III
TITLE		LOADER ARM 4.5 INCH SUPPORT ROUND
SIZE	DWG. NO.	REV
A	PART NUMBER	
SCALE: 1:2	WEIGHT:	SHEET 1 OF 1

5 4 3 2 1



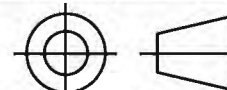


DETAIL A  
SCALE 1 : 2



LICENSE INFORMATION  
ALL INFORMATION RELEASE UNDER THE OSE  
LICENSE FOR DISTRIBUTIVE ECONOMICS  
FOR FURTHER INFORMATION GO TO:  
[OPENSOURCEECOLOGY.ORG/GMIKI/LICENSE](http://OPENSOURCEECOLOGY.ORG/GMIKI/LICENSE)

	NAME	DATE
DRAWN	F. Anzaldua	3/28/12
CHECKED		
APPR		
UNLESS OTHERWISE SPECIFIED DIMENSIONS ARE IN INCHES		
ANGLES	.X	.XX
	.5	.5



THIRD ANGLE PROJECTION

PROJECT: LIFE TRAC III		
TITLE <b>LOADER ARM ENDLUMP</b>		
SIZE <b>A</b>	DWG. NO. PART NUMBER	REV
SCALE: 1:4	WEIGHT:	SHEET 1 OF 1

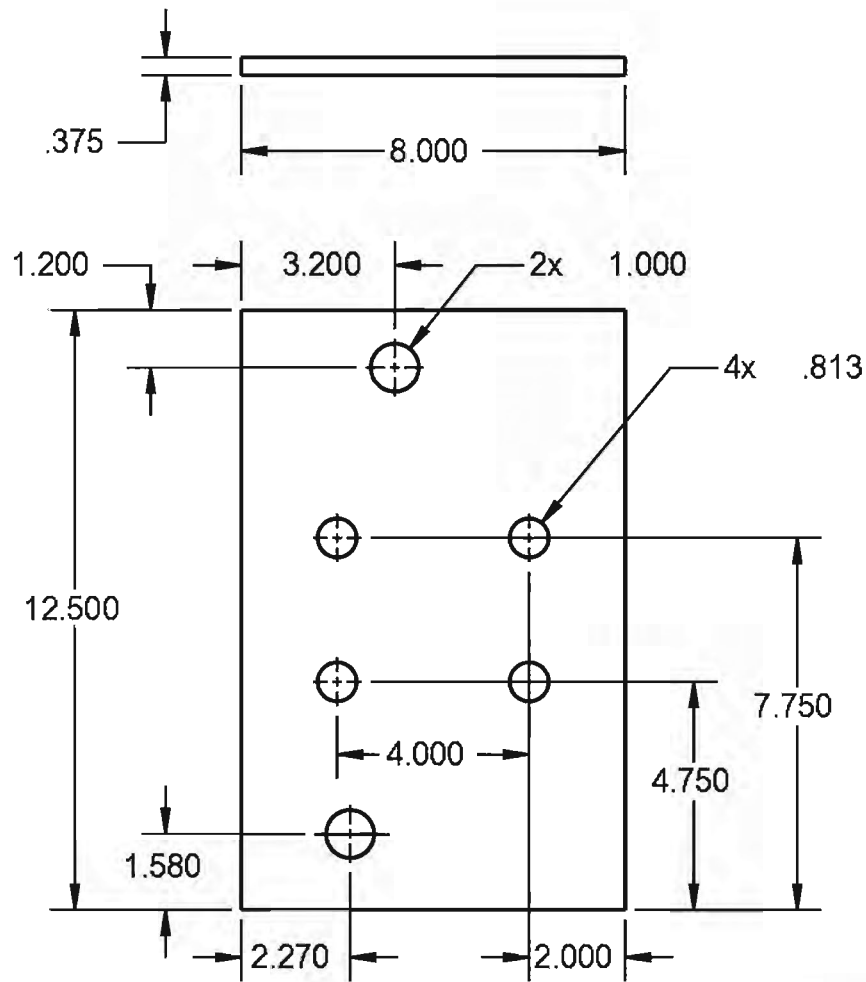
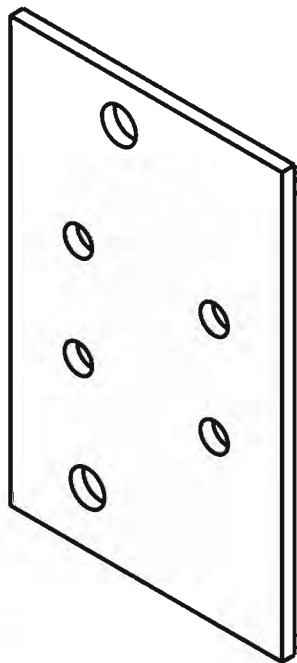
5

4

3

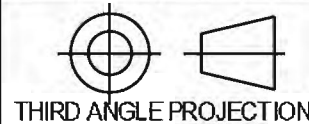
2

1



LICENSE INFORMATION  
 ALL INFORMATION RELEASE UNDER THE OSE  
 LICENSE FOR DISTRIBUTIVE ECONOMICS  
 FOR FURTHER INFORMATION GO TO:  
[OPENSOURCEECOLOGY.ORG/WIKI/LICENSE](http://OPENSOURCEECOLOGY.ORG/WIKI/LICENSE)

	NAME	DATE
DRAWN	F. Anzaldua	3/28/12
CHECKED		
APPR		
UNLESS OTHERWISE SPECIFIED DIMENSIONS ARE IN INCHES		
ANGLES	.X	.XX
	.5	.5



PROJECT:		LIFE TRAC III
TITLE		LOADER ARM HYDRAULIC MOUNT PLATE
SIZE	DWG. NO.	REV
A	PART NUMBER	
SCALE: 1:4	WEIGHT:	SHEET 1 OF 1

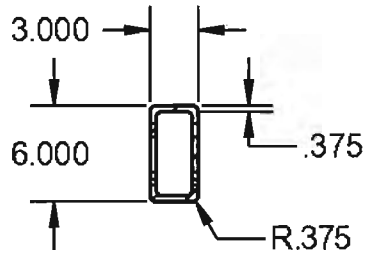
5

4

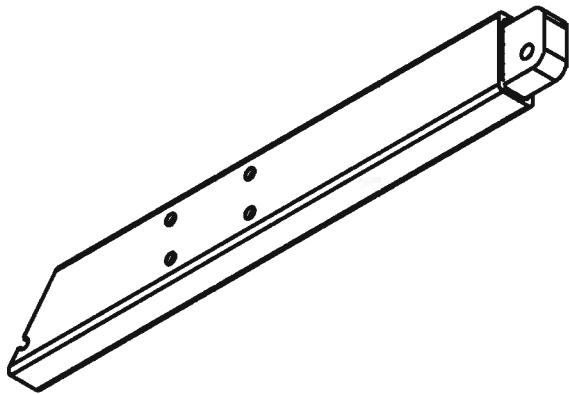
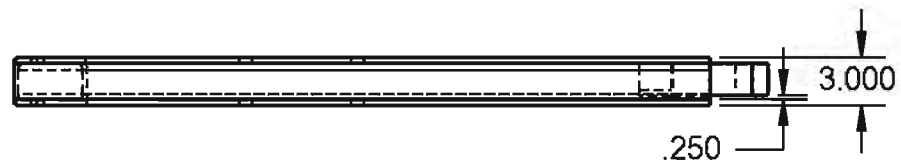
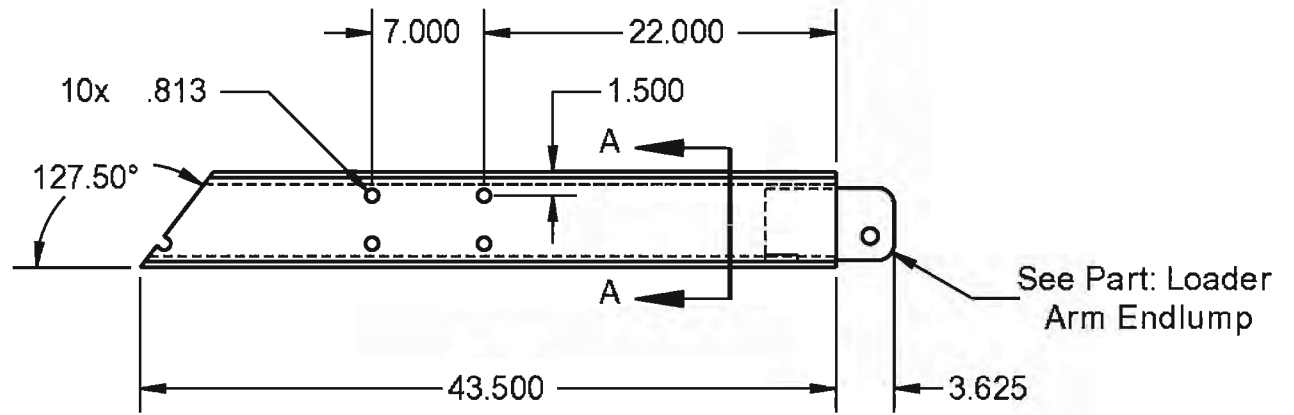
3

2

1



SECTION A-A



LICENSE INFORMATION  
 ALL INFORMATION RELEASE UNDER THE OSE  
 LICENSE FOR DISTRIBUTIVE ECONOMICS  
 FOR FURTHER INFORMATION GO TO:  
[OPENSOURCEECOLOGY.ORG/WIKI/LICENSE](http://OPENSOURCEECOLOGY.ORG/WIKI/LICENSE)

	NAME	DATE
DRAWN	F. Anzaldua	3/28/12
CHECKED		
APPR.		
UNLESS OTHERWISE SPECIFIED DIMENSIONS ARE IN INCHES		
ANGLES	.X	.XX
	.5	.5



PROJECT:		LIFE TRAC III
TITLE		<b>LOADER ARM LOWER</b>
SIZE	DWG. NO.	REV
<b>A</b>	PART NUMBER	
SCALE: 1:12	WEIGHT:	SHEET 1 OF 1

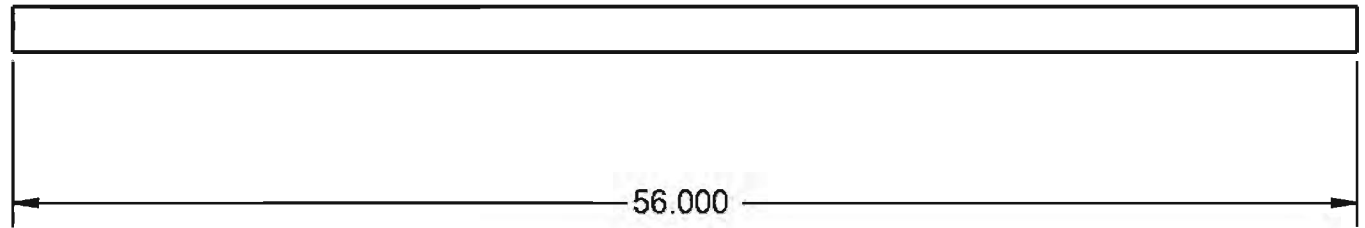
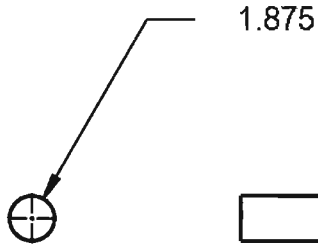
5

4

3

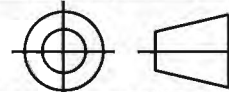
2

1



LICENSE INFORMATION  
ALL INFORMATION RELEASE UNDER THE OSE  
LICENSE FOR DISTRIBUTIVE ECONOMICS  
FOR FURTHER INFORMATION GO TO:  
[OPENSOURCEECOLOGY.ORG/WIKI/LICENSE](http://OPENSOURCEECOLOGY.ORG/WIKI/LICENSE)

	NAME	DATE	
DRAWN	F. Anzaldua	3/28/12	
CHECKED			
APPR			
UNLESS OTHERWISE SPECIFIED DIMENSIONS ARE IN INCHES			
ANGLES	.X	.XX	.XXX
	.5	.5	.5



THIRD ANGLE PROJECTION

PROJECT: LIFE TRAC III		
TITLE <b>LOADER ARM SHAFT</b>		
SIZE <b>A</b>	DWG. NO. PART NUMBER	REV
SCALE: 1:8	WEIGHT:	SHEET 1 OF 1

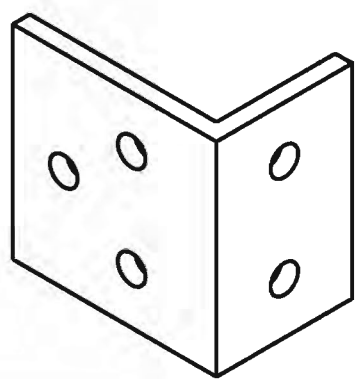
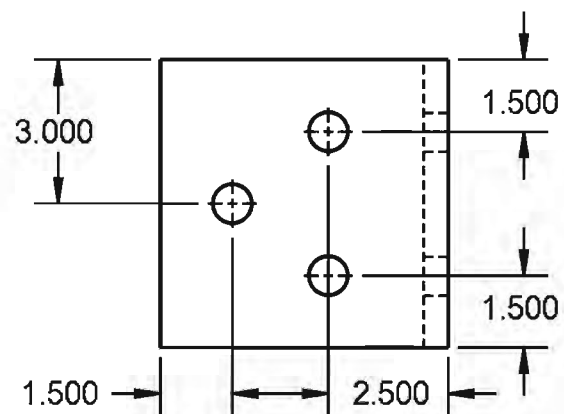
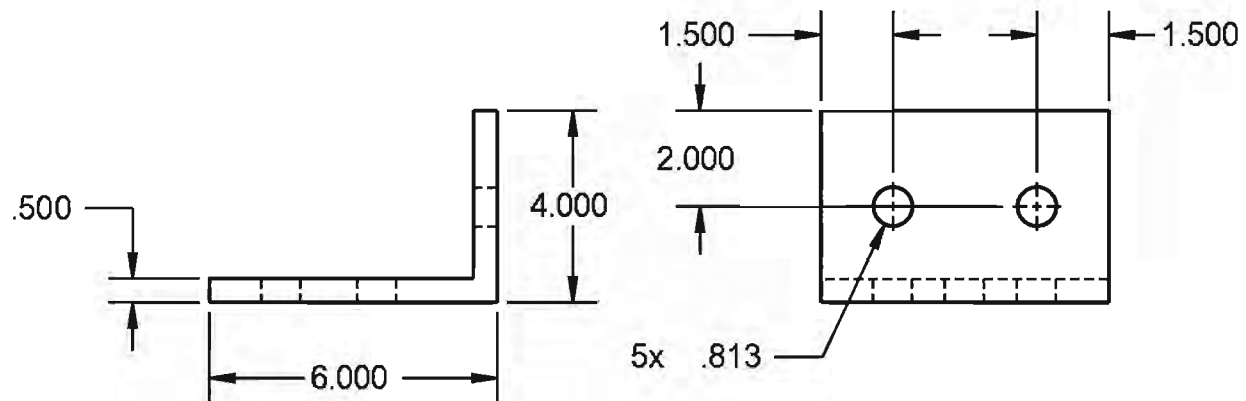
5

4

3

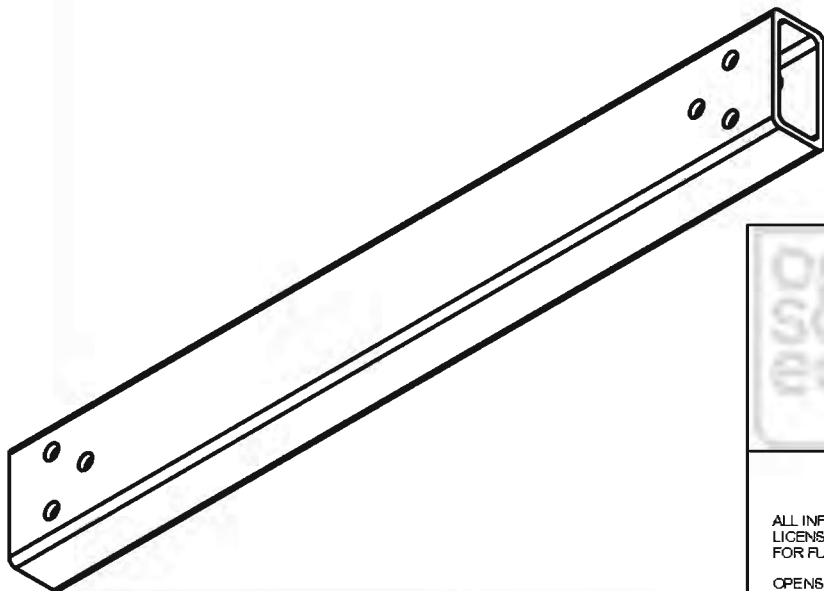
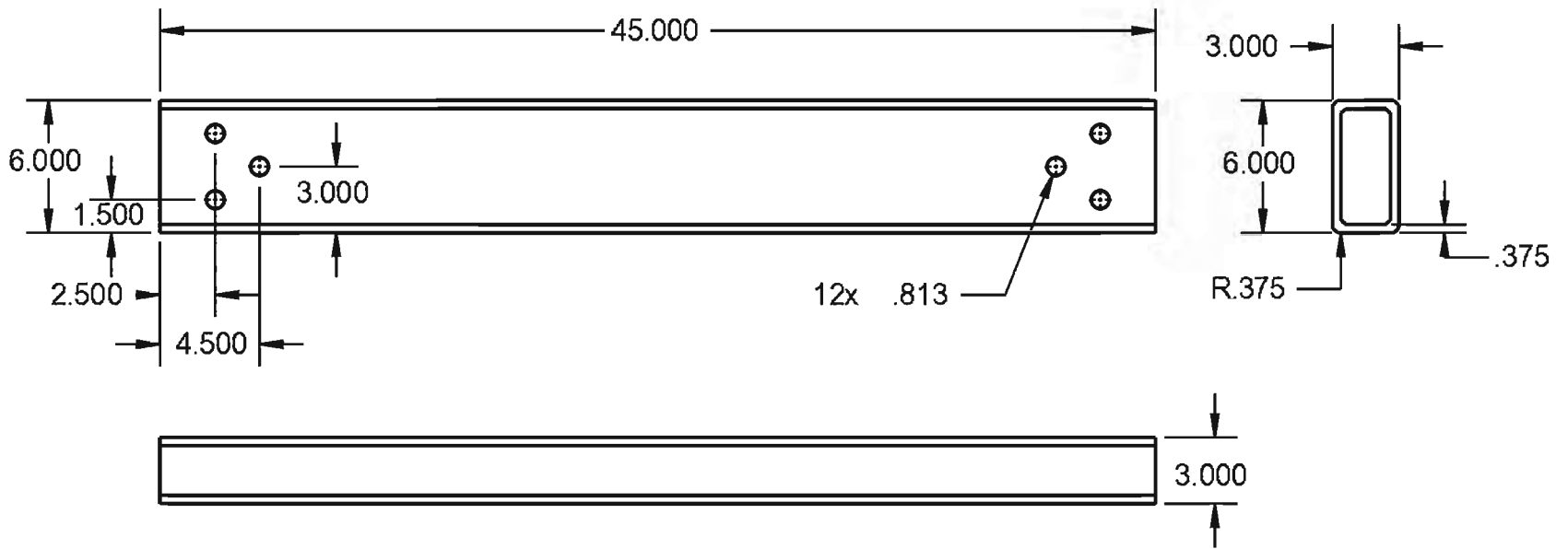
2

1



DRAWN		NAME	DATE	PROJECT:			
		F. Anzaldua	3/28/12	LIFE TRAC III			
CHECKED				TITLE			
APPR.				<b>LOADER ARM SUPPORT BEAM ANGLE IRON</b>			
UNLESS OTHERWISE SPECIFIED DIMENSIONS ARE IN INCHES							
ANGLES	.X	.XX	.XXX	SIZE	DWG. NO.	REV	
.5	.5	.5	.5	<b>A</b>	PART NUMBER		
LICENSE INFORMATION			THIRD ANGLE PROJECTION		SCALE: 1:4	WEIGHT:	SHEET 1 OF 1
ALL INFORMATION RELEASE UNDER THE OSE LICENSE FOR DISTRIBUTIVE ECONOMICS FOR FURTHER INFORMATION GO TO: <a href="http://OPENSOURCEECOLOGY.ORG/WIKI/LICENSE">OPENSOURCEECOLOGY.ORG/WIKI/LICENSE</a>							

5 4 3 2 1



LICENSE INFORMATION  
 ALL INFORMATION RELEASE UNDER THE OSE  
 LICENSE FOR DISTRIBUTIVE ECONOMICS  
 FOR FURTHER INFORMATION GO TO:  
 OPENSOURCEECOLOGY.ORG/WIKI/LICENSE

	NAME	DATE
DRAWN	F. Anzaldua	3/28/12
CHECKED		
APPR.		
UNLESS OTHERWISE SPECIFIED DIMENSIONS ARE IN INCHES		
ANGLES	.X	.XX
	.5	.5



PROJECT: LIFE TRAC III		
TITLE <b>LOADER ARM SUPPORT BEAM</b>		
SIZE <b>A</b>	DWG. NO. PART NUMBER	REV
SCALE: 1:8	WEIGHT:	SHEET 1 OF 1

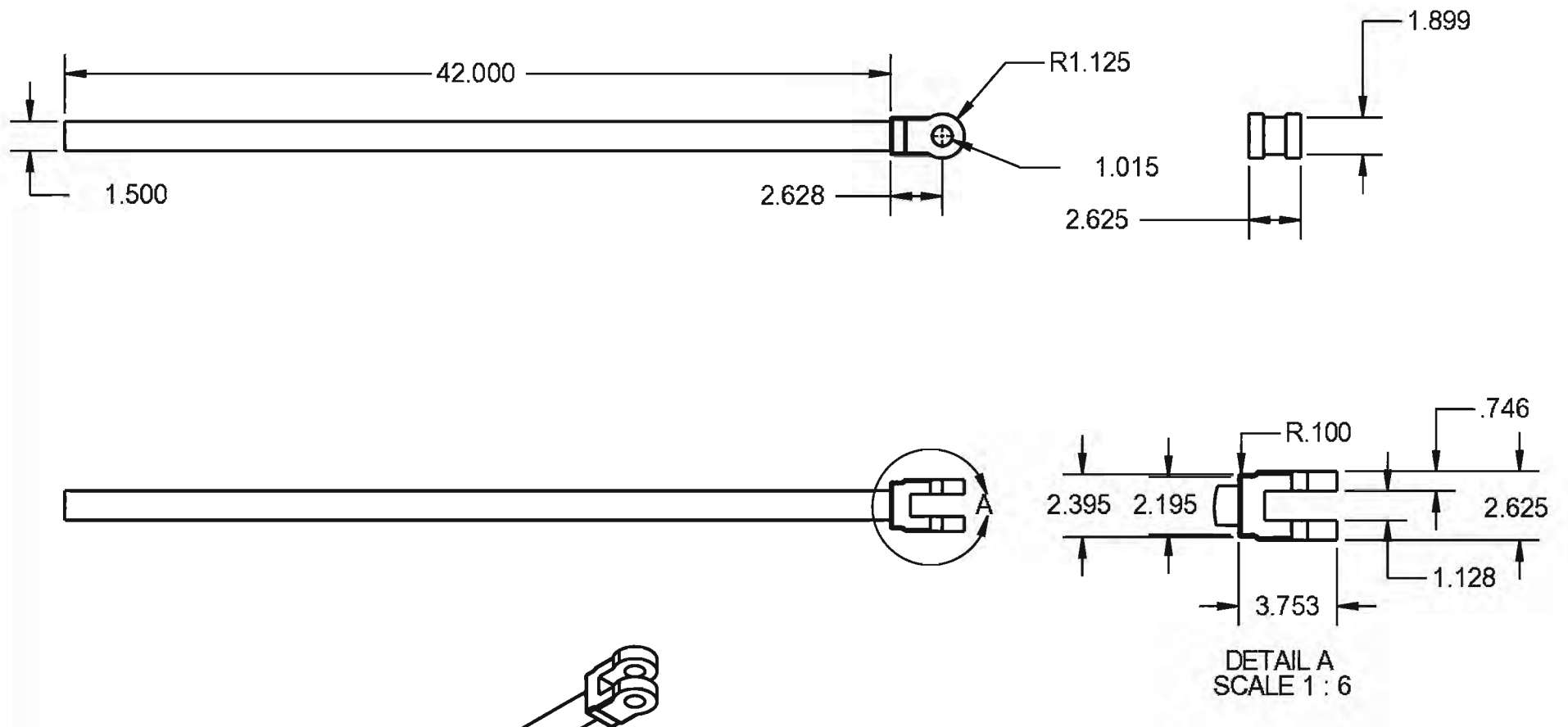
5

4

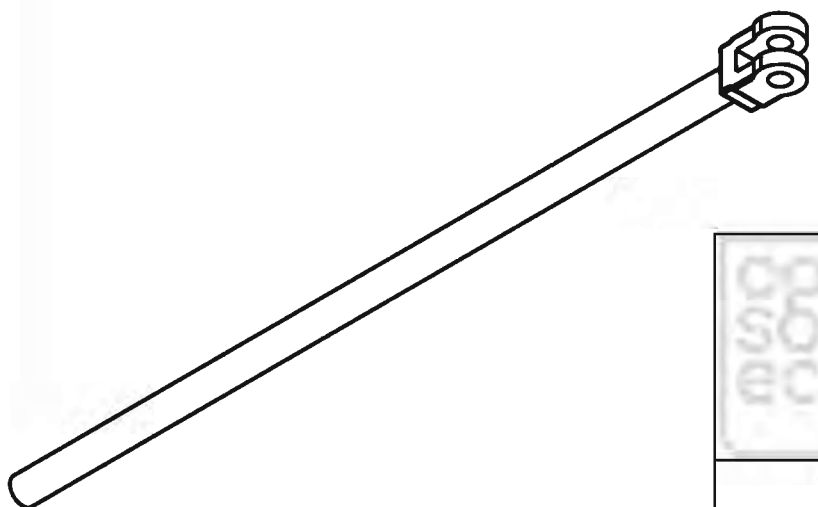
3

2

1



DETAIL A  
SCALE 1 : 6



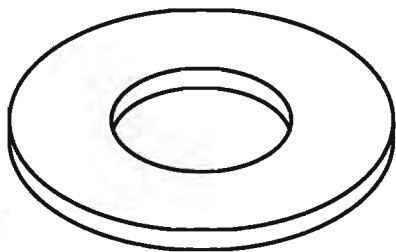
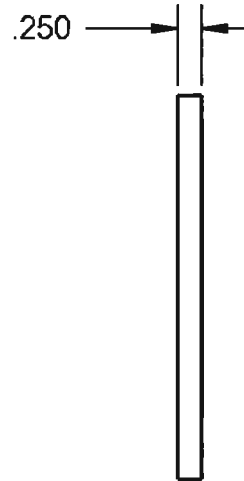
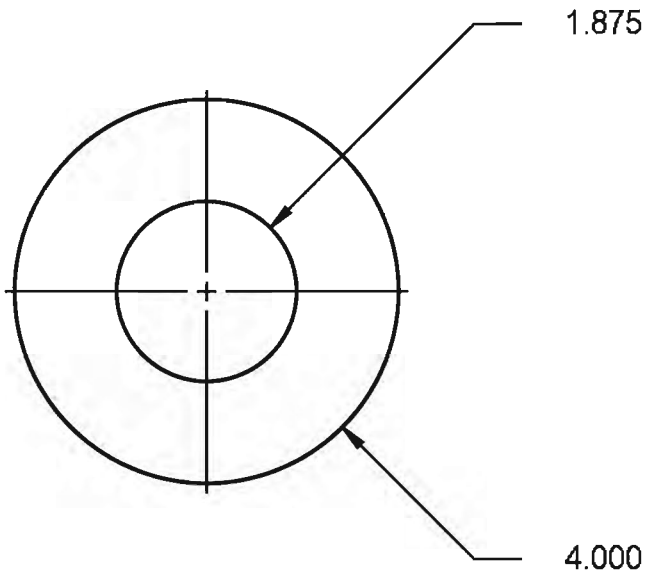
LICENSE INFORMATION  
ALL INFORMATION RELEASE UNDER THE OSE  
LICENSE FOR DISTRIBUTIVE ECONOMICS  
FOR FURTHER INFORMATION GO TO:  
OPENSOURCEECOLOGY.ORG/WIKI/LICENSE

	NAME	DATE
DRAWN	F. Anzaldua	3/28/12
CHECKED		
APPR.		
UNLESS OTHERWISE SPECIFIED DIMENSIONS ARE IN INCHES		
ANGLES	.X	.XX
	.5	.5



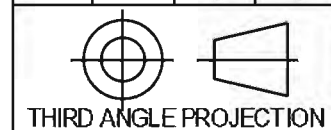
PROJECT: LIFE TRAC III		
TITLE 2.5X36X1.5 DA HYD CYL inner shaft		
SIZE A	DWG. NO. PART NUMBER	REV
SCALE: 1:8	WEIGHT:	SHEET 1 OF 1

5 4 3 2 1



LICENSE INFORMATION  
 ALL INFORMATION RELEASE UNDER THE OSE  
 LICENSE FOR DISTRIBUTIVE ECONOMICS  
 FOR FURTHER INFORMATION GO TO:  
 OPENSOURCEECOLOGY.ORG/WIKI/LICENSE

	NAME	DATE
DRAWN	F. Anzaldua	3/28/12
CHECKED		
APPR.		
UNLESS OTHERWISE SPECIFIED DIMENSIONS ARE IN INCHES		
ANGLES	.X	.XX
	.5	.5



PROJECT:  
LIFE TRAC III

TITLE  
**TITLE**

SIZE <b>A</b>	DWG. NO. PART NUMBER	REV
------------------	-------------------------	-----

SCALE: 1:2	WEIGHT:	SHEET 1 OF 1
------------	---------	--------------

5

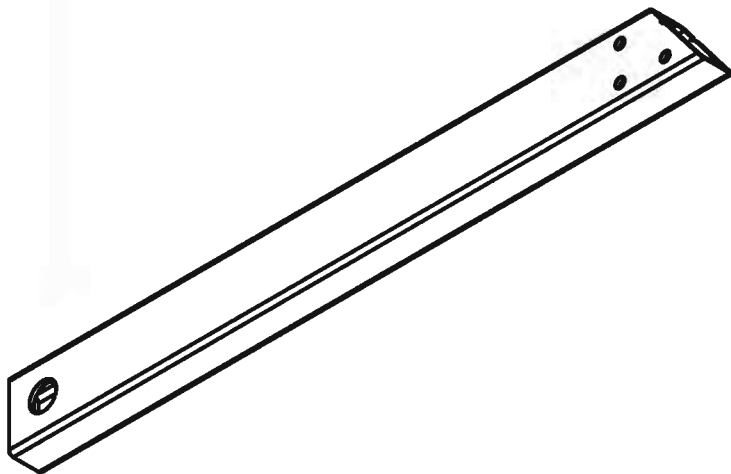
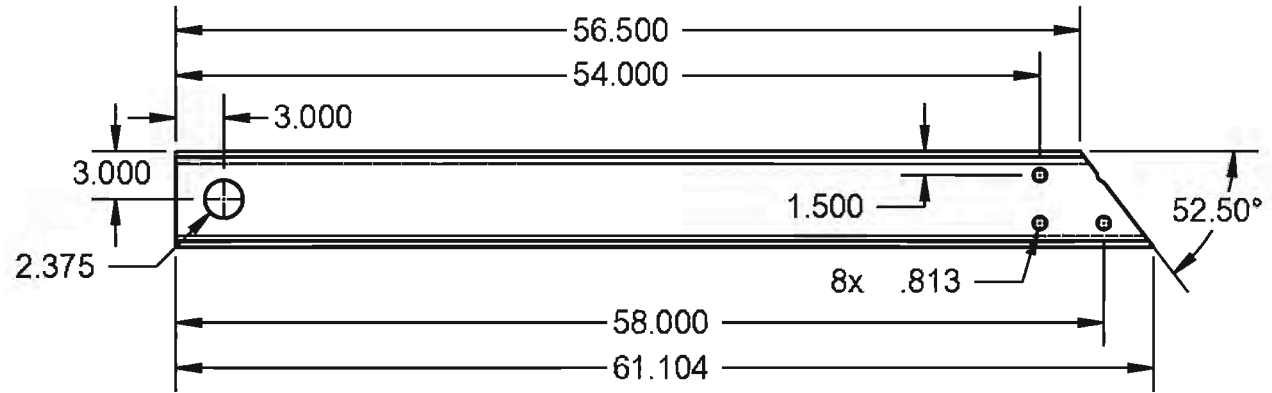
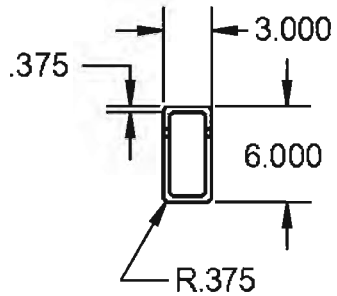
4

3

2

1





LICENSE INFORMATION  
 ALL INFORMATION RELEASE UNDER THE OSE  
 LICENSE FOR DISTRIBUTIVE ECONOMICS  
 FOR FURTHER INFORMATION GO TO:  
 OPENSOURCEECOLOGY.ORG/WIKI/LICENSE

	NAME	DATE
DRAWN	F. Anzaldua	3/28/12
CHECKED		
APPR.		
UNLESS OTHERWISE SPECIFIED DIMENSIONS ARE IN INCHES		
ANGLES	.X	.XX
	.5	.5
	.5	.5
THIRD ANGLE PROJECTION		

PROJECT: LIFE TRAC III		
TITLE <b>LOADER ARM UPPER</b>		
SIZE <b>A</b>	DWG. NO. PART NUMBER	REV
SCALE: 1:12	WEIGHT:	SHEET 1 OF 1

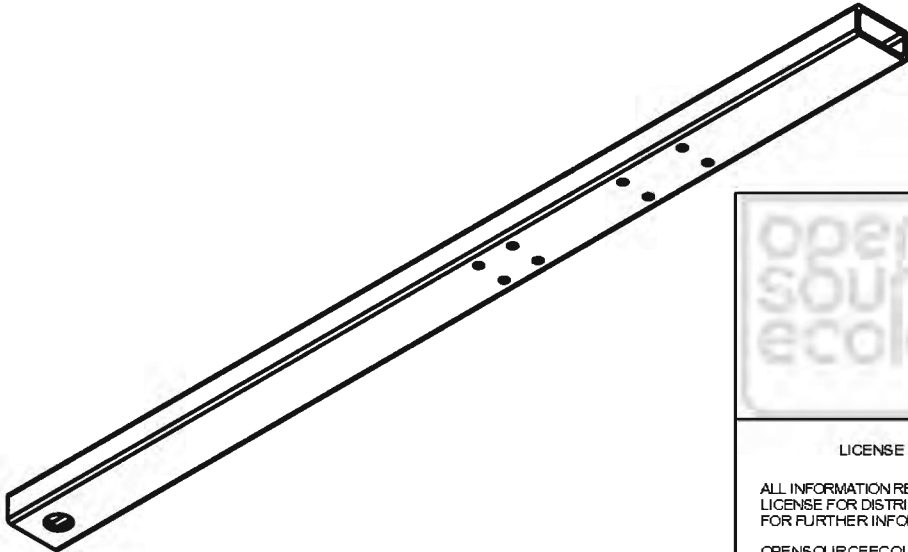
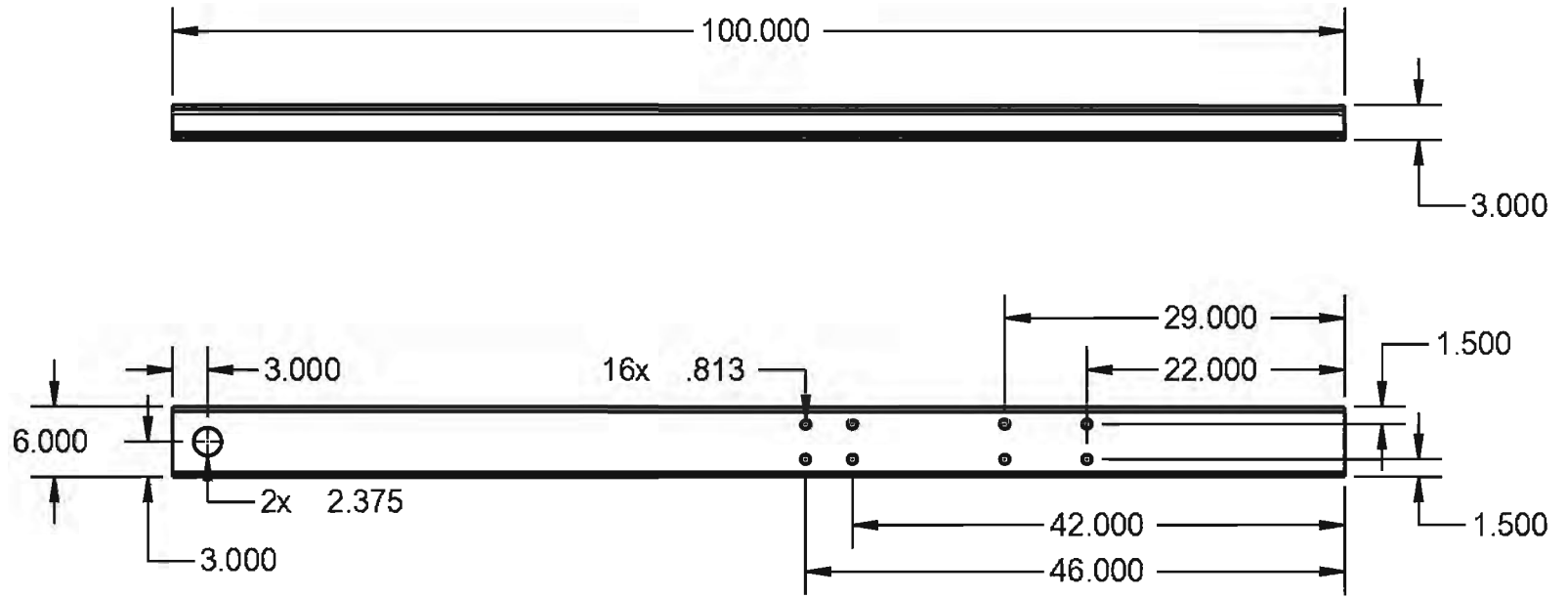
5

4

3

2

1



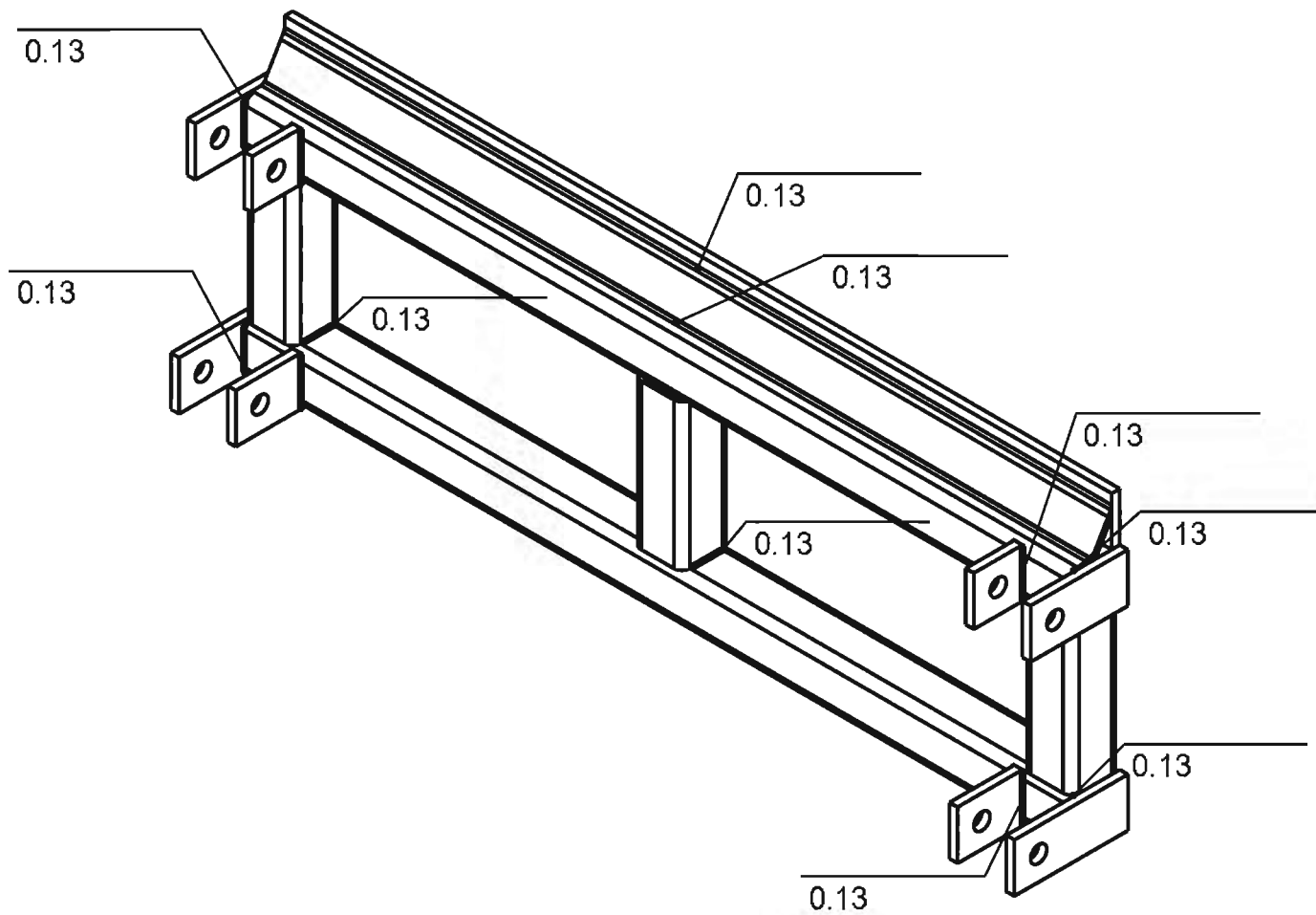
LICENSE INFORMATION  
 ALL INFORMATION RELEASE UNDER THE OSE  
 LICENSE FOR DISTRIBUTIVE ECONOMICS  
 FOR FURTHER INFORMATION GO TO:  
 OPENSOURCEECOLOGY.ORG/WIKI/LICENSE

	NAME	DATE
DRAWN	F. Anzaldua	3/28/12
CHECKED		
APPR.		
UNLESS OTHERWISE SPECIFIED DIMENSIONS ARE IN INCHES		
ANGLES	.X	.XX
	.5	.5



PROJECT: LIFE TRAC III		
TITLE LOADER ARM		
SIZE A	DWG. NO. PART NUMBER	REV
SCALE: 1:16	WEIGHT:	SHEET 1 OF 1

5 4 3 2 1



LICENSE INFORMATION  
 ALL INFORMATION RELEASE UNDER THE OSE  
 LICENSE FOR DISTRIBUTIVE ECONOMICS  
 FOR FURTHER INFORMATION GO TO:  
 OPENSOURCEECOLOGY.ORG/WIKI/LICENSE

	NAME	DATE
DRAWN	F. Anzaldua	3/28/12
CHECKED		
APPR.		
UNLESS OTHERWISE SPECIFIED DIMENSIONS ARE IN INCHES		
ANGLES	.X	.XX
	.5	.5
	.5	.5

PROJECT: LIFE TRAC III		
TITLE LOADER QUICK ATTACH PLATE WELDS		
SIZE <b>A</b>	DWG. NO. PART NUMBER	REV
SCALE: 1:8	WEIGHT:	SHEET 1 OF 1



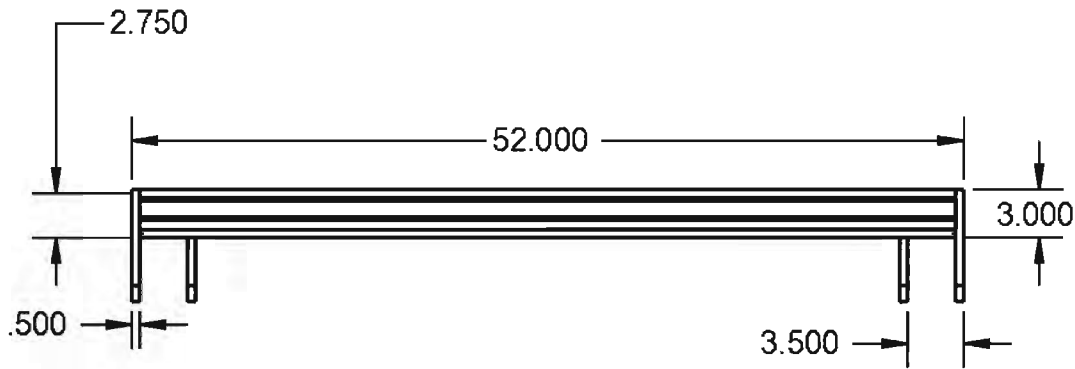
5

4

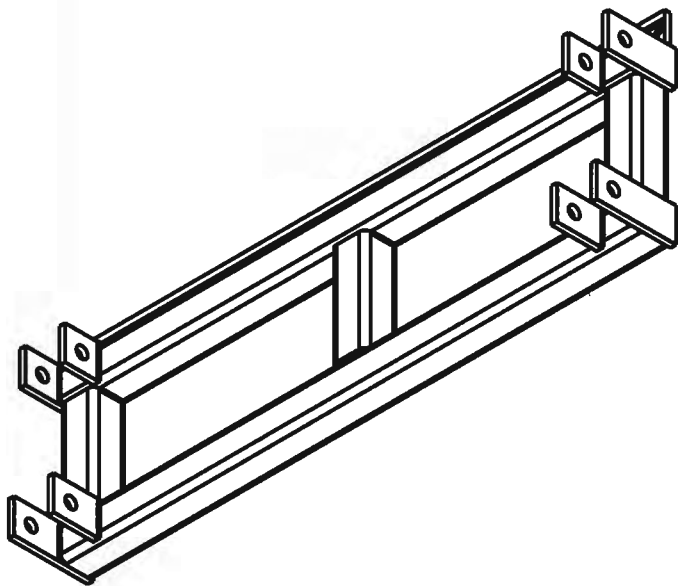
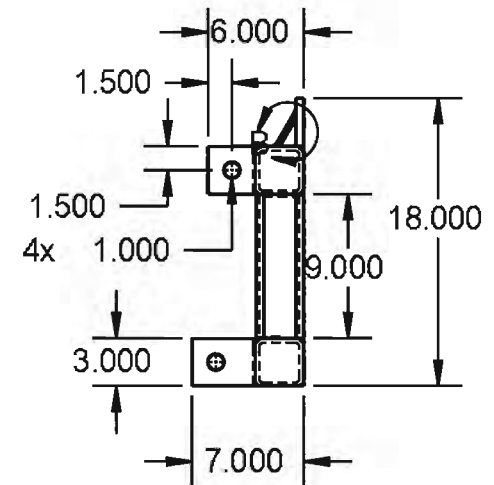
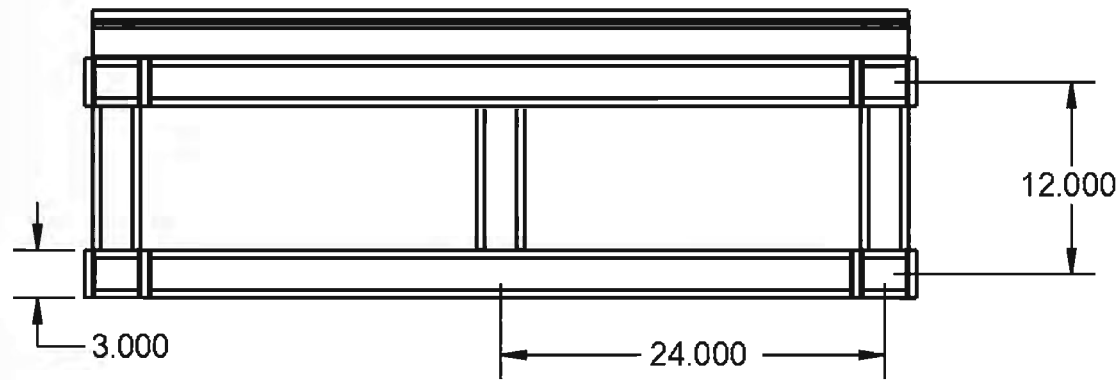
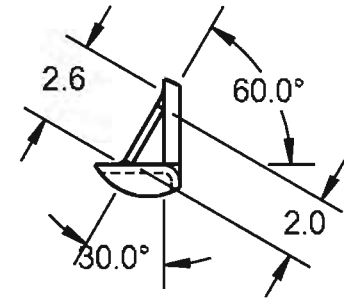
3

2

1



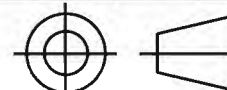
DETAIL B  
SCALE 1:6



LICENSE INFORMATION

ALL INFORMATION RELEASE UNDER THE OSE  
LICENSE FOR DISTRIBUTIVE ECONOMICS  
FOR FURTHER INFORMATION GO TO:  
[OPENSOURCEECOLOGY.ORG/WIKI/LICENSE](http://OPENSOURCEECOLOGY.ORG/WIKI/LICENSE)

	NAME	DATE
DRAWN	F. Anzaldua	3/28/12
CHECKED		
APPR.		
UNLESS OTHERWISE SPECIFIED DIMENSIONS ARE IN INCHES		
ANGLES	.X	.XX
	.5	.5



THIRD ANGLE PROJECTION

PROJECT:	LIFE TRAC III
TITLE	LOADER QUICK ATTACH PLATE

SIZE	DWG. NO.	REV
A	PART NUMBER	

SCALE: 1:12	WEIGHT:	SHEET 1 OF 1
-------------	---------	--------------

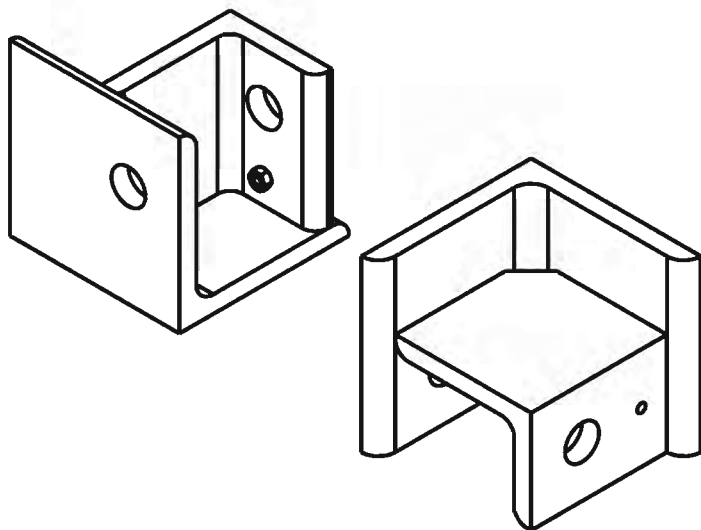
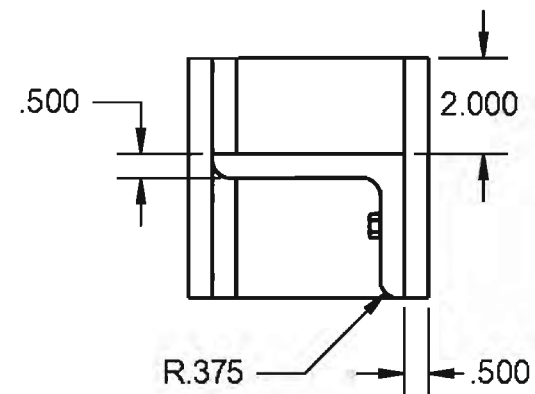
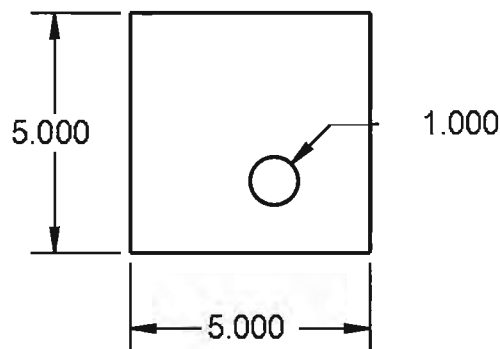
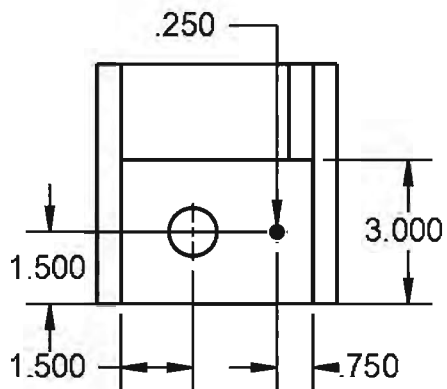
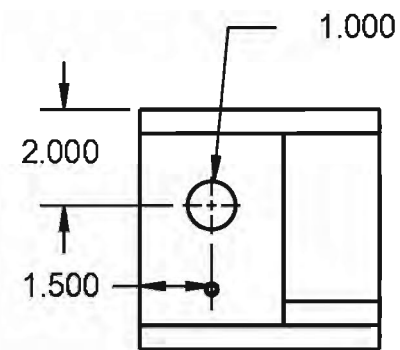
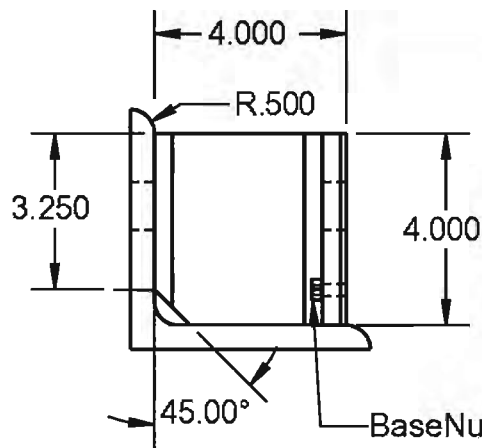
5

4

3

2

1



LICENSE INFORMATION  
 ALL INFORMATION RELEASE UNDER THE OSE  
 LICENSE FOR DISTRIBUTIVE ECONOMICS  
 FOR FURTHER INFORMATION GO TO:  
 OPENSOURCEECOLOGY.ORG/WIKI/LICENSE

	NAME	DATE
DRAWN	F. Anzaldua	3/28/12
CHECKED		
APPR.		
UNLESS OTHERWISE SPECIFIED DIMENSIONS ARE IN INCHES		
ANGLES	.X	.XX .XXX
	.5	.5 .5



PROJECT: LIFE TRAC III		
TITLE <b>NEW PISTON MOUNT</b>		
SIZE <b>A</b>	DWG. NO. PART NUMBER	REV
SCALE: 1:4	WEIGHT:	SHEET 1 OF 1

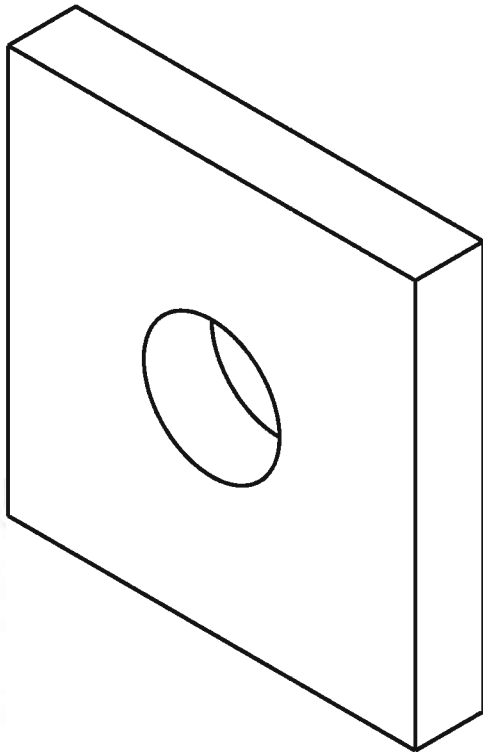
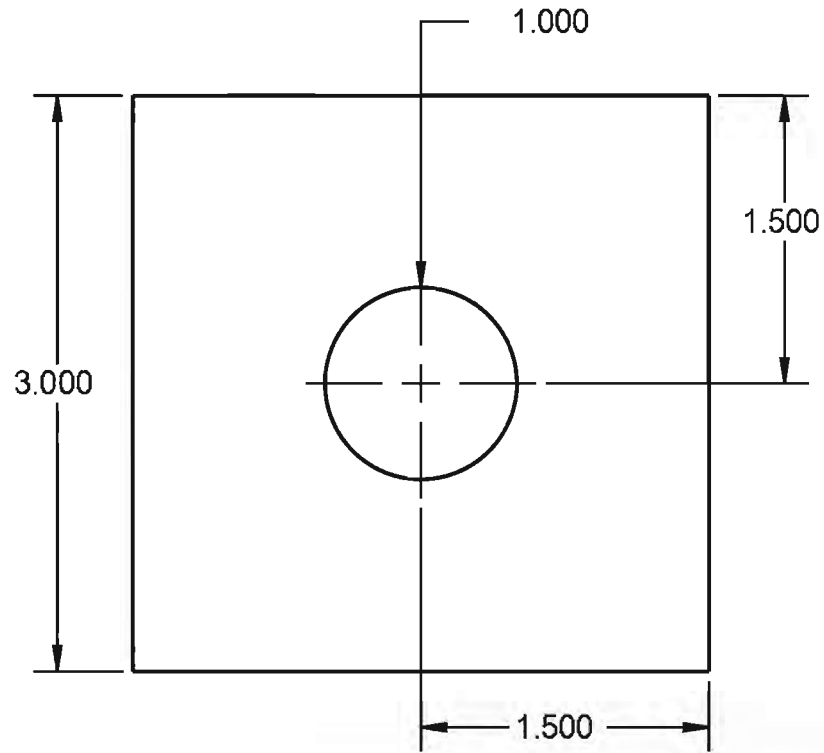
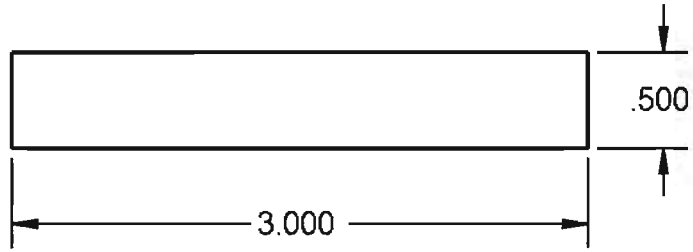
5

4

3

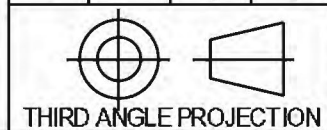
2

1



LICENSE INFORMATION  
 ALL INFORMATION RELEASE UNDER THE OSE  
 LICENSE FOR DISTRIBUTIVE ECONOMICS  
 FOR FURTHER INFORMATION GO TO:  
 OPENSOURCEECOLOGY.ORG/WIKI/LICENSE

	NAME	DATE
DRAWN	F. Anzaldua	3/28/12
CHECKED		
APPR.		
UNLESS OTHERWISE SPECIFIED DIMENSIONS ARE IN INCHES		
ANGLES	.X	.XX
	.5	.5



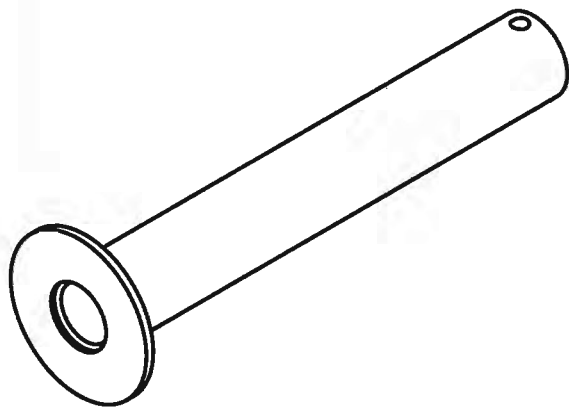
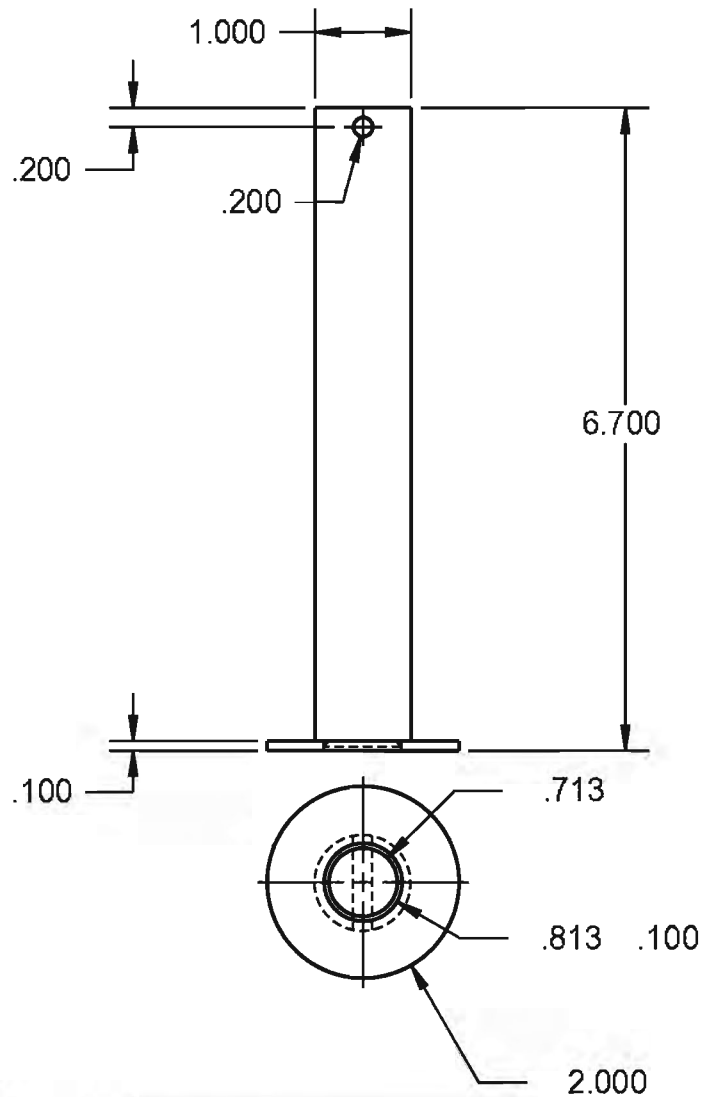
PROJECT:  
LIFE TRAC III

TITLE  
**NEW PLATE**

SIZE <b>A</b>	DWG. NO. PART NUMBER	REV
------------------	-------------------------	-----

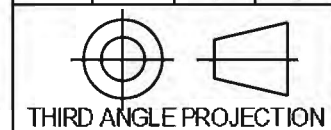
SCALE: 1:1 WEIGHT: SHEET 1 OF 1





LICENSE INFORMATION  
 ALL INFORMATION RELEASE UNDER THE OSE  
 LICENSE FOR DISTRIBUTIVE ECONOMICS  
 FOR FURTHER INFORMATION GO TO:  
 OPENSOURCEECOLOGY.ORG/WIKI/LICENSE

	NAME	DATE
DRAWN	F. Anzaldua	3/28/12
CHECKED		
APPR.		
UNLESS OTHERWISE SPECIFIED DIMENSIONS ARE IN INCHES		
ANGLES	.X	.XX
	.5	.5



PROJECT: LIFE TRAC III		
TITLE <b>1 INCH PIN (8IN LONG)</b>		
SIZE <b>A</b>	DWG. NO. PART NUMBER	REV
SCALE: 1:2	WEIGHT:	SHEET 1 OF 1

5

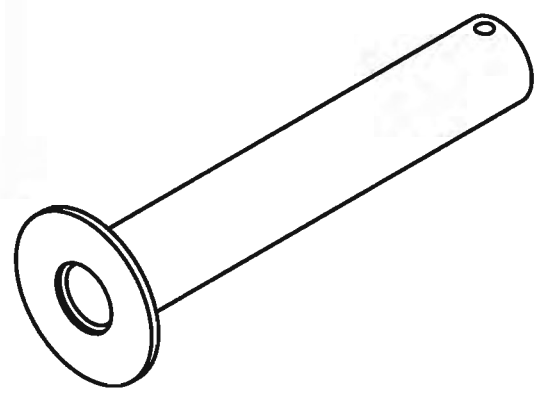
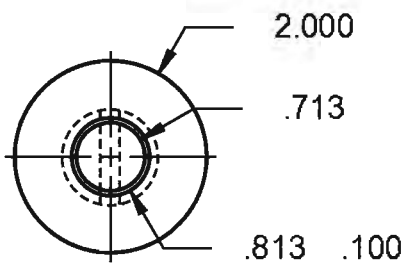
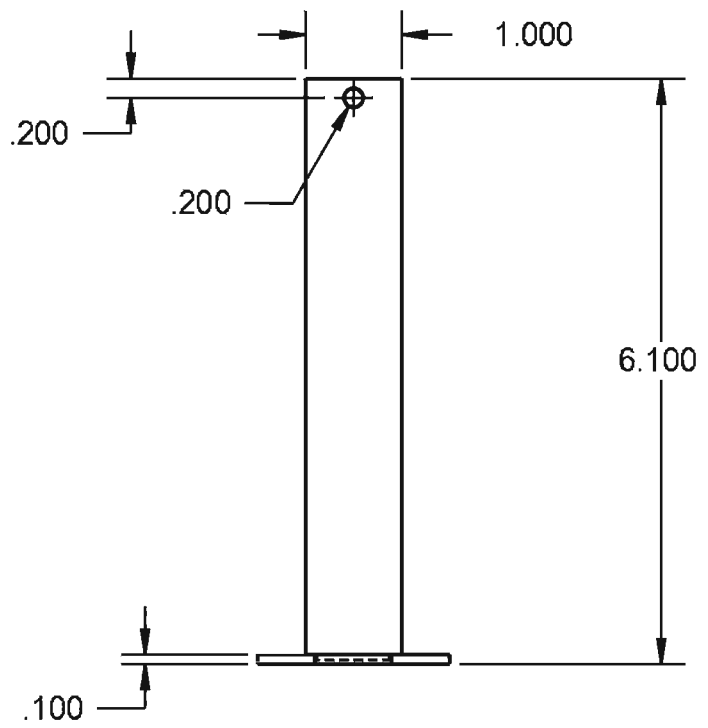
4

3

2

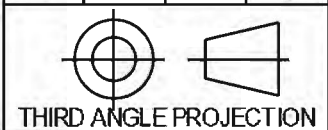
1





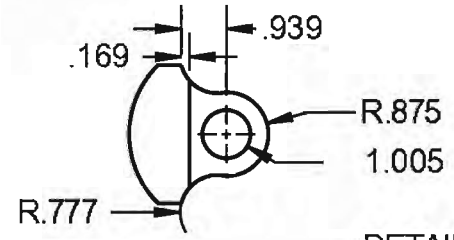
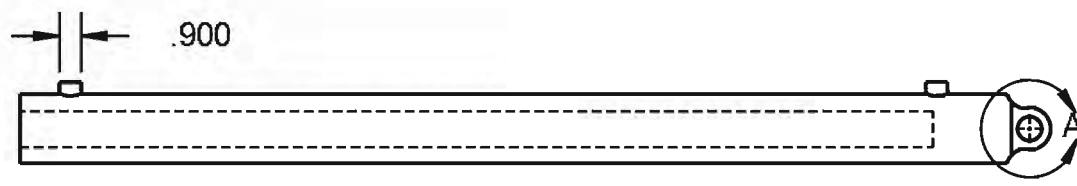
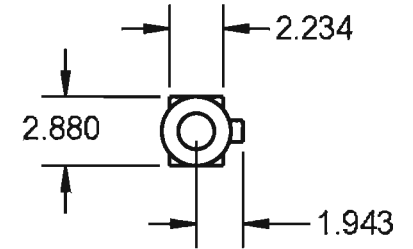
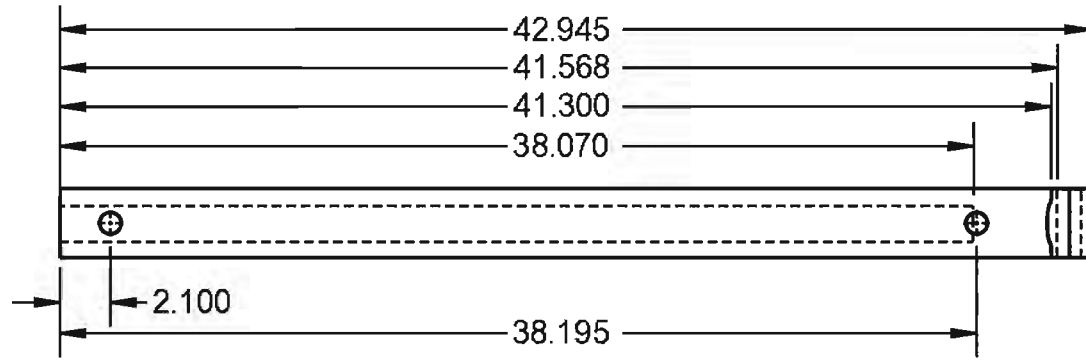
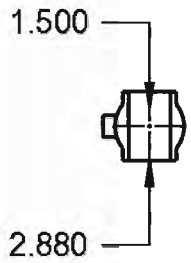
LICENSE INFORMATION  
 ALL INFORMATION RELEASE UNDER THE OSE  
 LICENSE FOR DISTRIBUTIVE ECONOMICS  
 FOR FURTHER INFORMATION GO TO:  
 OPENSOURCEECOLOGY.ORG/WIKI/LICENSE

	NAME	DATE
DRAWN	F. Anzaldua	3/28/12
CHECKED		
APPR.		
UNLESS OTHERWISE SPECIFIED DIMENSIONS ARE IN INCHES		
ANGLES	.X	.XX
	.5	.5

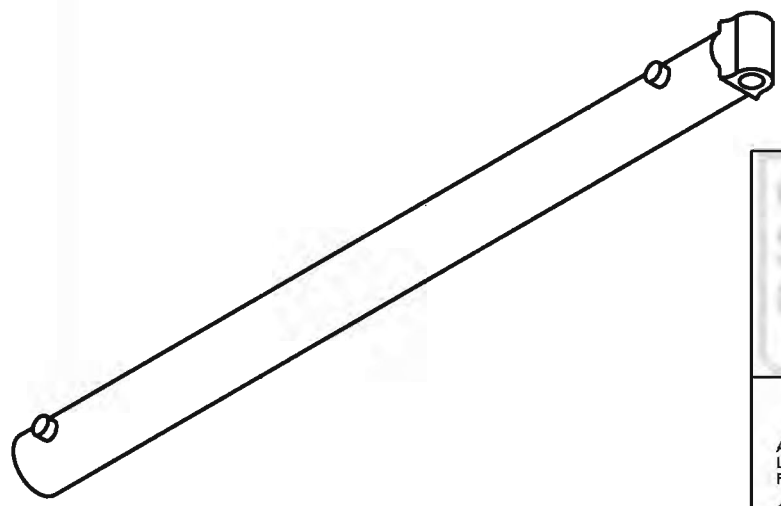


PROJECT: LIFE TRAC III		
TITLE <b>ONE INCH PIN</b>		
SIZE <b>A</b>	DWG. NO. PART NUMBER	REV
SCALE: 1:2	WEIGHT:	SHEET 1 OF 1

5 4 3 2 1

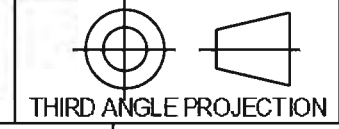


DETAIL A  
SCALE 1 : 4



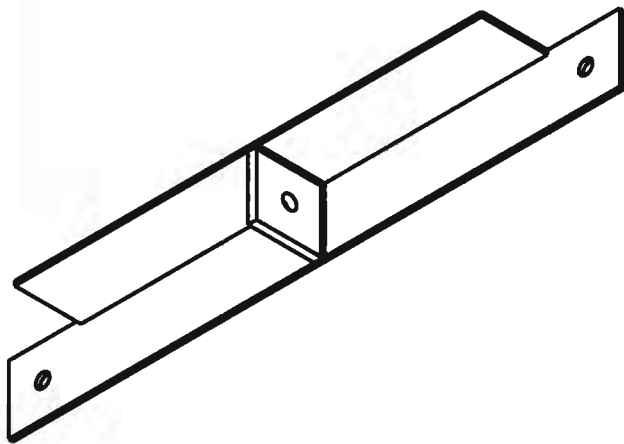
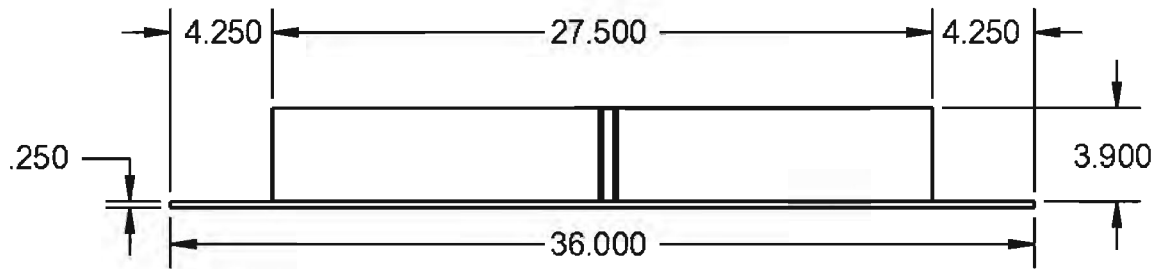
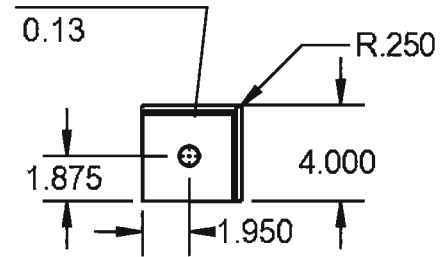
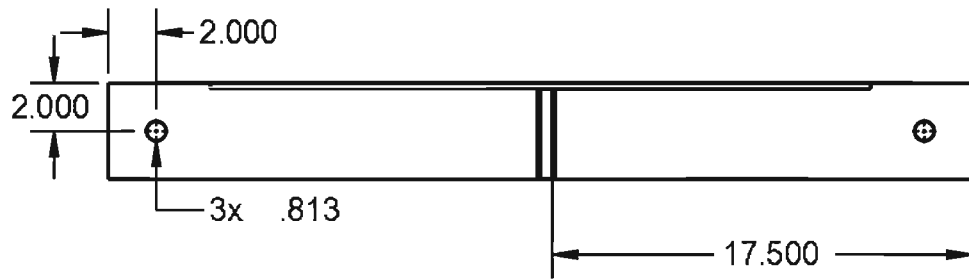
LICENSE INFORMATION  
ALL INFORMATION RELEASE UNDER THE OSE  
LICENSE FOR DISTRIBUTIVE ECONOMICS  
FOR FURTHER INFORMATION GO TO:  
[OPENSOURCEECOLOGY.ORG/GMWIKI/LICENSE](http://OPENSOURCEECOLOGY.ORG/GMWIKI/LICENSE)

	NAME	DATE
DRAWN	F. Anzaldua	3/28/12
CHECKED		
APPR.		
UNLESS OTHERWISE SPECIFIED DIMENSIONS ARE IN INCHES		
ANGLES	.X	.XX .XXX
	.5	.5 .5



PROJECT: LIFE TRAC III		
TITLE <b>2.5X36X1.5 DA HYD CYL</b>		
SIZE <b>A</b>	DWG. NO. PART NUMBER	REV
SCALE: 1:8	WEIGHT:	SHEET 1 OF 1

5 4 3 2 1



LICENSE INFORMATION  
 ALL INFORMATION RELEASE UNDER THE OSE  
 LICENSE FOR DISTRIBUTIVE ECONOMICS  
 FOR FURTHER INFORMATION GO TO:  
 OPENSOURCEECOLOGY.ORG/WIKI/LICENSE

	NAME	DATE
DRAWN	F. Anzaldua	3/28/12
CHECKED		
APPR.		
UNLESS OTHERWISE SPECIFIED DIMENSIONS ARE IN INCHES		
ANGLES	.X	.XX
	.5	.5



THIRD ANGLE PROJECTION

PROJECT: LIFE TRAC III		
TITLE POWER CUBE BOTTOM MOUNT		
SIZE A	DWG. NO. PART NUMBER	REV
SCALE: 1:8	WEIGHT:	SHEET 1 OF 1

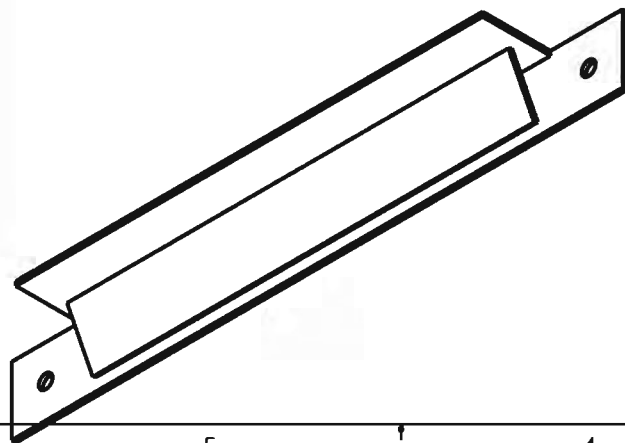
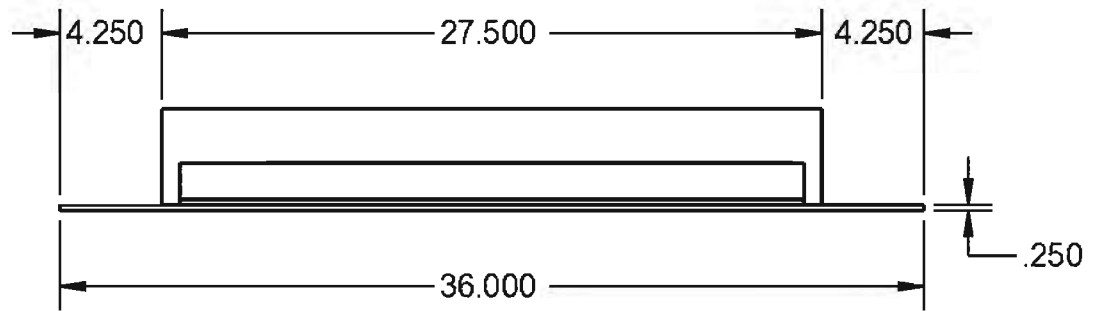
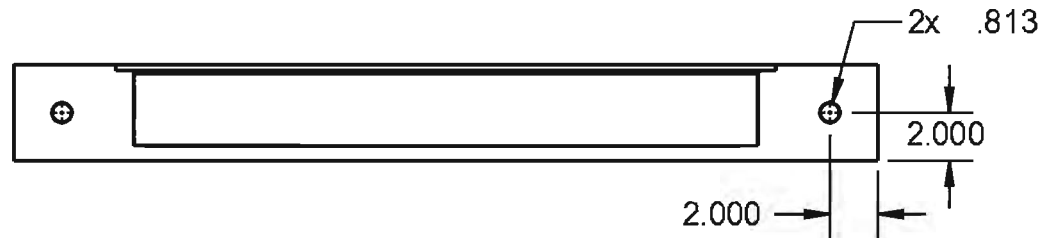
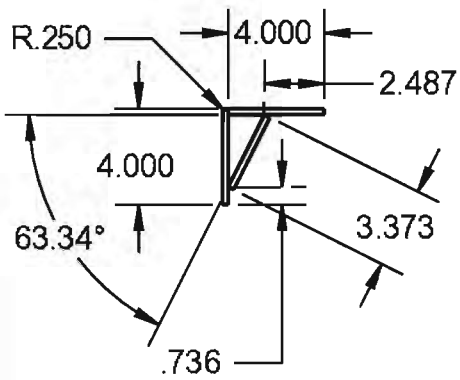
5

4

3

2

1



LICENSE INFORMATION  
 ALL INFORMATION RELEASE UNDER THE OSE  
 LICENSE FOR DISTRIBUTIVE ECONOMICS  
 FOR FURTHER INFORMATION GO TO:  
 OPENSOURCEECOLOGY.ORG/WIKI/LICENSE

	NAME	DATE	PROJECT:	
DRAWN	F. Anzaldua	3/28/12	LIFE TRAC III	
CHECKED			TITLE	
APPR.			POWER CUBE TOP MOUNT	
UNLESS OTHERWISE SPECIFIED DIMENSIONS ARE IN INCHES				
ANGLES	.X	.XX	.XXX	
	.5	.5	.5	



SIZE	DWG. NO.	REV
A	PART NUMBER	
SCALE: 1:8	WEIGHT:	SHEET 1 OF 1

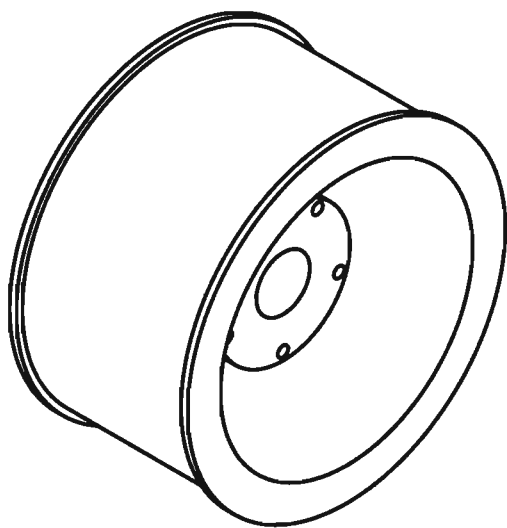
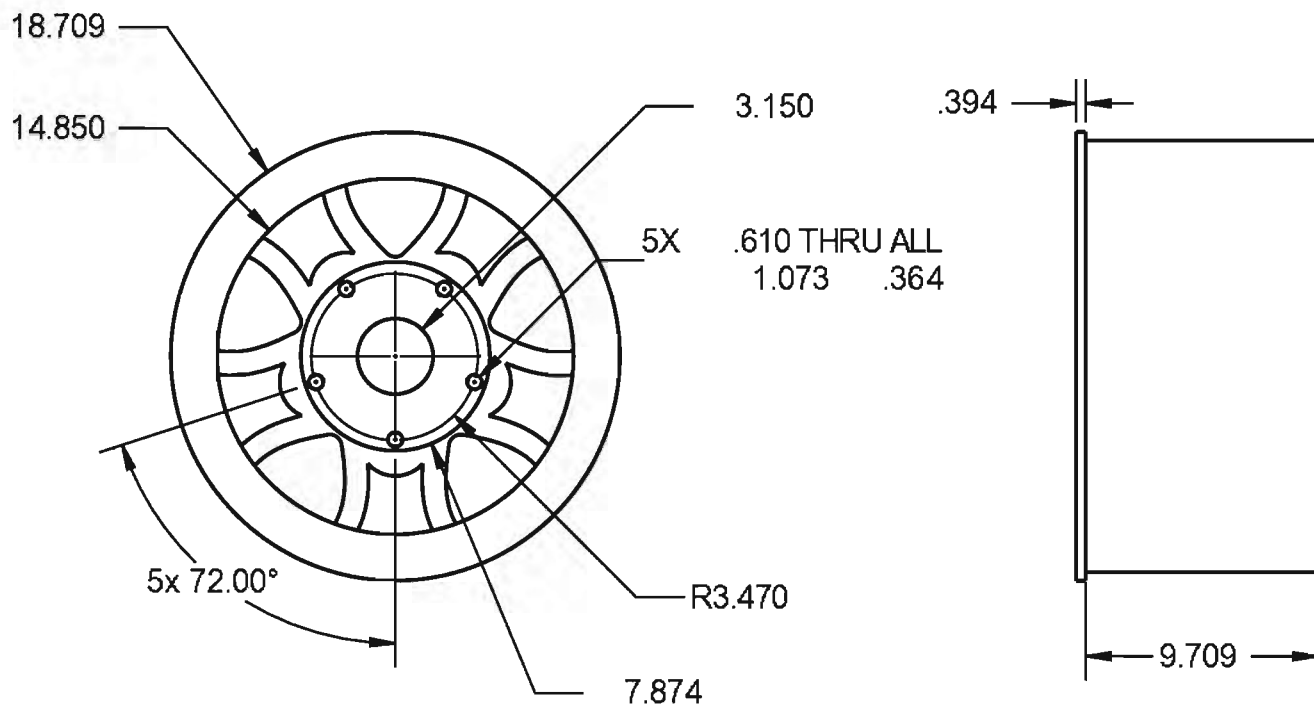
5

4

3

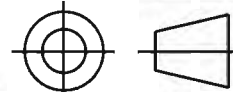
2

1



LICENSE INFORMATION  
 ALL INFORMATION RELEASE UNDER THE OSE  
 LICENSE FOR DISTRIBUTIVE ECONOMICS  
 FOR FURTHER INFORMATION GO TO:  
 OPENSOURCEECOLOGY.ORG/WIKI/LICENSE

	NAME	DATE
DRAWN	F. Anzaldua	3/28/12
CHECKED		
APPR.		
UNLESS OTHERWISE SPECIFIED DIMENSIONS ARE IN INCHES		
ANGLES	.X	.XX
	.5	.5



THIRD ANGLE PROJECTION

PROJECT: LIFE TRAC III		
TITLE RIM		
SIZE A	DWG. NO. PART NUMBER	REV
SCALE: 1:8	WEIGHT:	SHEET 1 OF 1

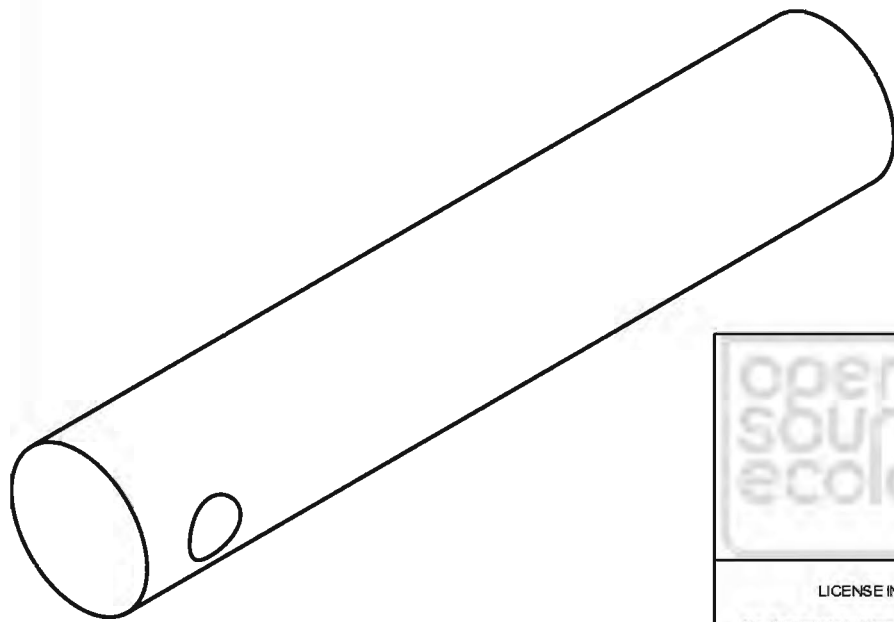
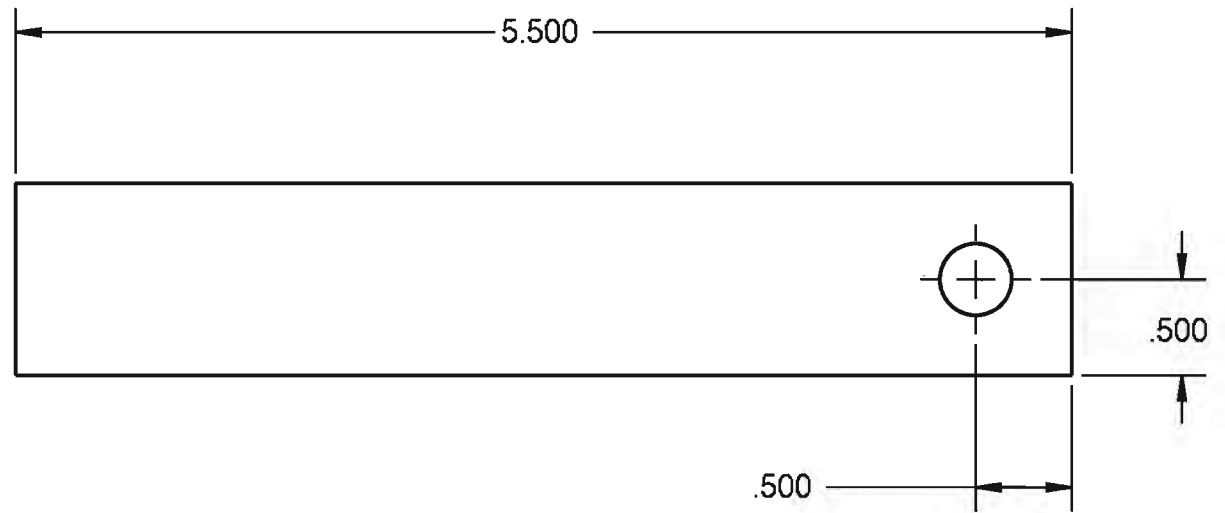
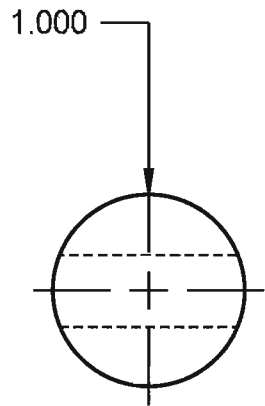
5

4

3

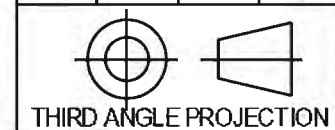
2

1



LICENSE INFORMATION  
 ALL INFORMATION RELEASE UNDER THE OSE  
 LICENSE FOR DISTRIBUTIVE ECONOMICS  
 FOR FURTHER INFORMATION GO TO:  
 OPENSOURCEECOLOGY.ORG/WIKI/LICENSE

	NAME	DATE
DRAWN	F. Anzaldua	3/28/12
CHECKED		
APPR.		
UNLESS OTHERWISE SPECIFIED DIMENSIONS ARE IN INCHES		
ANGLES	.X	.XX
	.5	.5



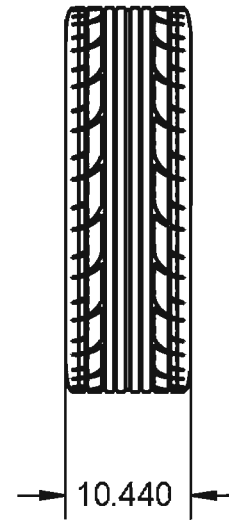
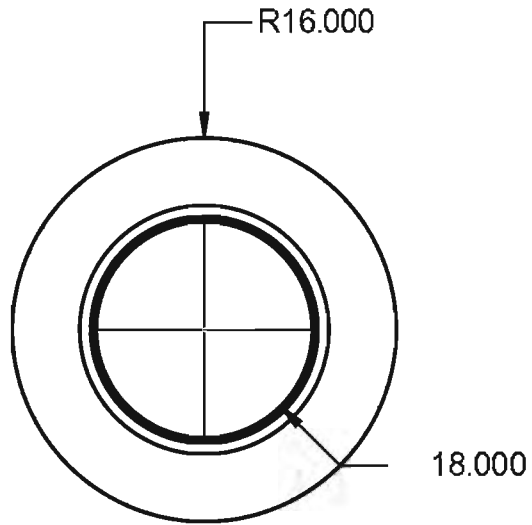
PROJECT:  
LIFE TRAC III

TITLE  
**ROD, 1 INCH**

SIZE <b>A</b>	DWG. NO. PART NUMBER	REV
------------------	-------------------------	-----

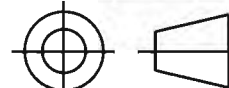
SCALE: 1:1 WEIGHT: SHEET 1 OF 1

5 4 3 2 1



LICENSE INFORMATION  
 ALL INFORMATION RELEASE UNDER THE OSE  
 LICENSE FOR DISTRIBUTIVE ECONOMICS  
 FOR FURTHER INFORMATION GO TO:  
 OPENSOURCEECOLOGY.ORG/WIKI/LICENSE

	NAME	DATE
DRAWN	F. Anzaldua	3/2/12
CHECKED		
APPR.		
UNLESS OTHERWISE SPECIFIED DIMENSIONS ARE IN INCHES		
ANGLES	.X	.XX
	.5	.5



THIRD ANGLE PROJECTION

PROJECT:  
LIFE TRAC III

TITLE  
**TIRE**

SIZE <b>A</b>	DWG. NO. PART NUMBER	REV
------------------	-------------------------	-----

SCALE: 1:16 WEIGHT: SHEET 1 OF 1

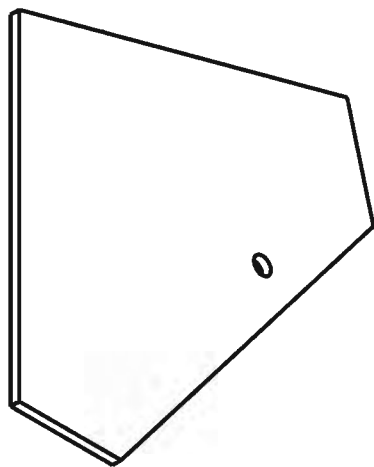
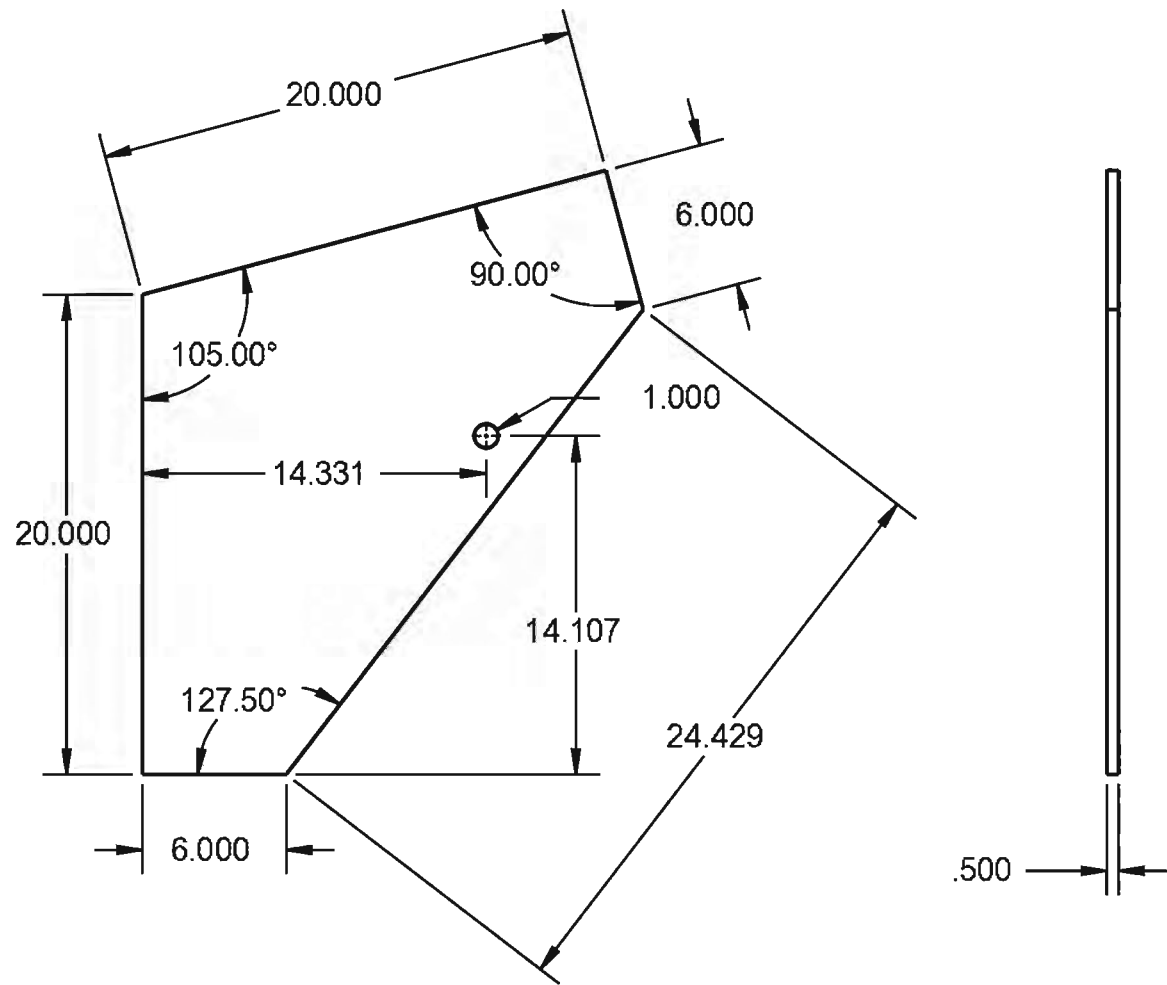
5

4

3

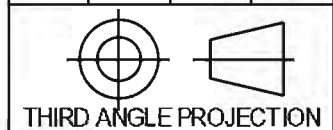
2

1



LICENSE INFORMATION  
 ALL INFORMATION RELEASE UNDER THE OSE  
 LICENSE FOR DISTRIBUTIVE ECONOMICS  
 FOR FURTHER INFORMATION GO TO:  
 OPENSOURCEECOLOGY.ORG/WIKI/LICENSE

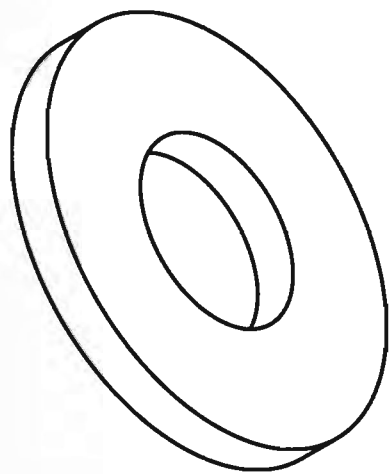
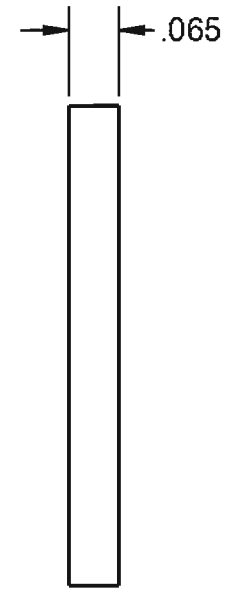
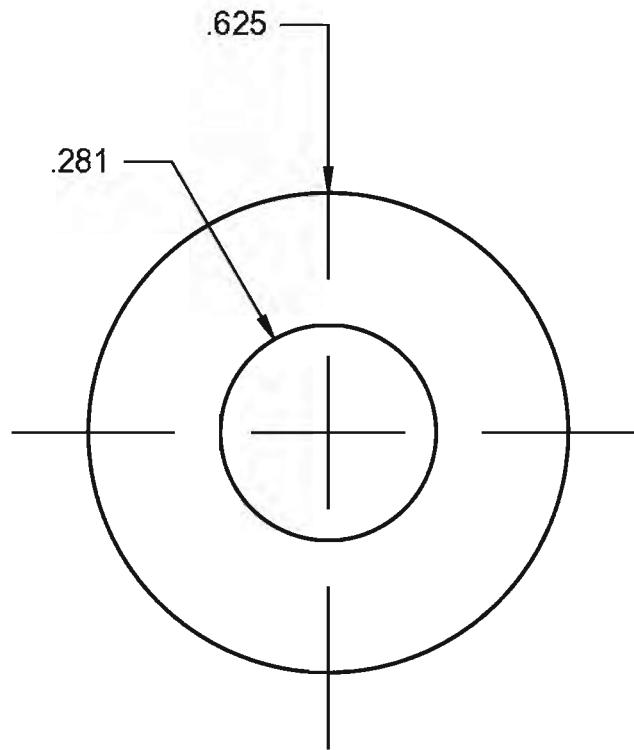
	NAME	DATE
DRAWN	F. Anzaldua	3/28/12
CHECKED		
APPR.		
UNLESS OTHERWISE SPECIFIED DIMENSIONS ARE IN INCHES		
ANGLES	.X	.XX
	.5	.5



PROJECT:		LIFE TRAC III	
TITLE		TOP LOADER PLATE HYDRAULIC	
SIZE	DWG. NO.	REV	
A	PART NUMBER		
SCALE: 1:8	WEIGHT:	SHEET 1 OF 1	

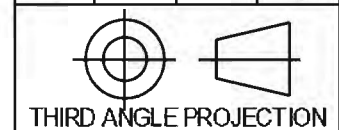
5 4 3 2 1





LICENSE INFORMATION  
 ALL INFORMATION RELEASE UNDER THE OSE  
 LICENSE FOR DISTRIBUTIVE ECONOMICS  
 FOR FURTHER INFORMATION GO TO:  
 OPENSOURCEECOLOGY.ORG/WIKI/LICENSE

	NAME	DATE
DRAWN	F. Anzaldua	3/28/12
CHECKED		
APPR.		
UNLESS OTHERWISE SPECIFIED DIMENSIONS ARE IN INCHES		
ANGLES	.X	.XX
	.5	.5

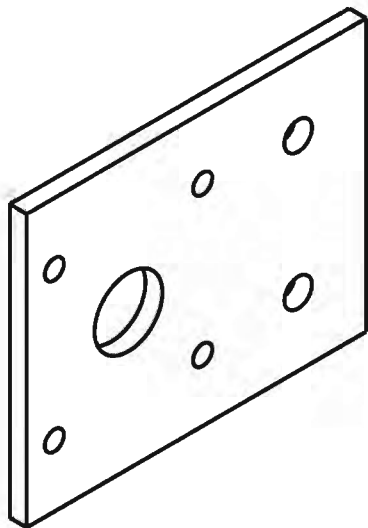
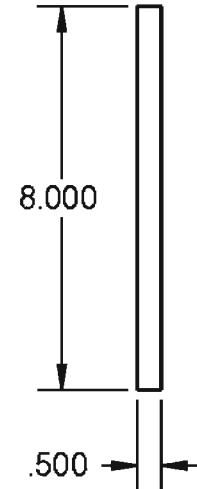
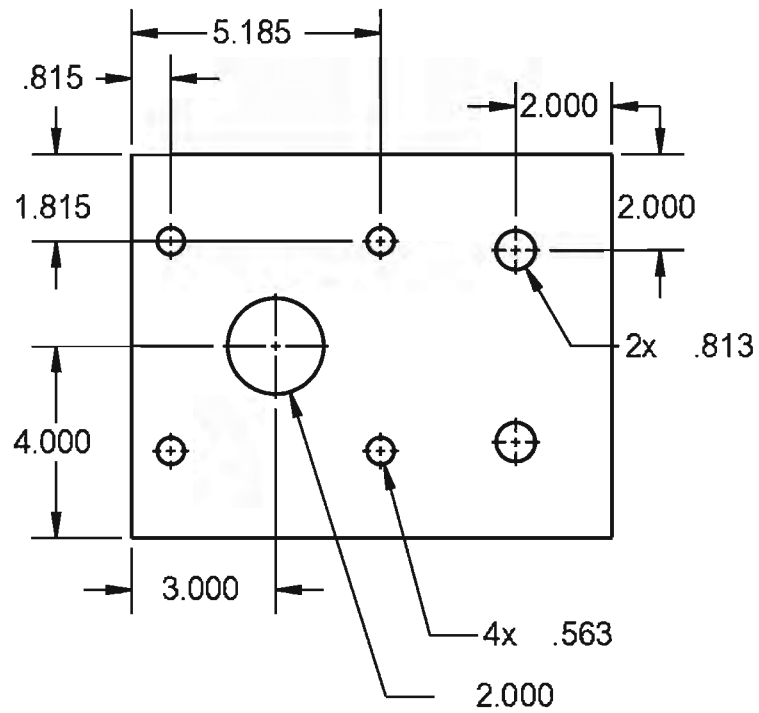


PROJECT:  
LIFE TRAC III

TITLE  
**WASHER  
0.250-WIDE**

SIZE <b>A</b>	DWG. NO. PART NUMBER	REV
------------------	-------------------------	-----

SCALE: 4:1	WEIGHT:	SHEET 1 OF 1
------------	---------	--------------



LICENSE INFORMATION  
 ALL INFORMATION RELEASE UNDER THE OSE  
 LICENSE FOR DISTRIBUTIVE ECONOMICS  
 FOR FURTHER INFORMATION GO TO:  
[OPENSOURCEECOLOGY.ORG/GMWIKI/LICENSE](http://OPENSOURCEECOLOGY.ORG/GMWIKI/LICENSE)

	NAME	DATE
DRAWN	F. Anzaldua	3/28/12
CHECKED		
APPR.		
UNLESS OTHERWISE SPECIFIED DIMENSIONS ARE IN INCHES		
ANGLES	.X	.XX
	.5	.5



PROJECT:		LIFE TRAC III
TITLE		WHEEL AXLE SHAFT HOLDING PLATE
SIZE	DWG. NO.	REV
A	PART NUMBER	
SCALE: 1:4	WEIGHT:	SHEET 1 OF 1

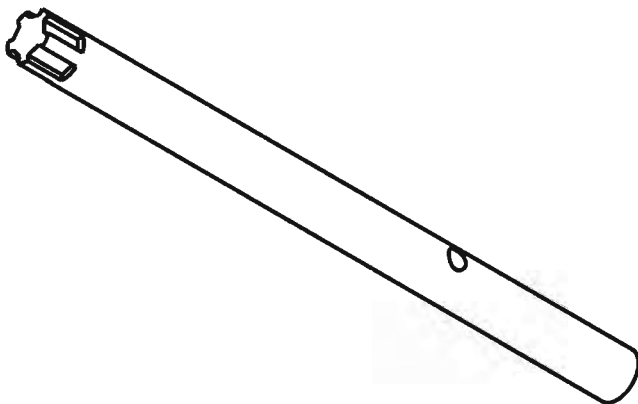
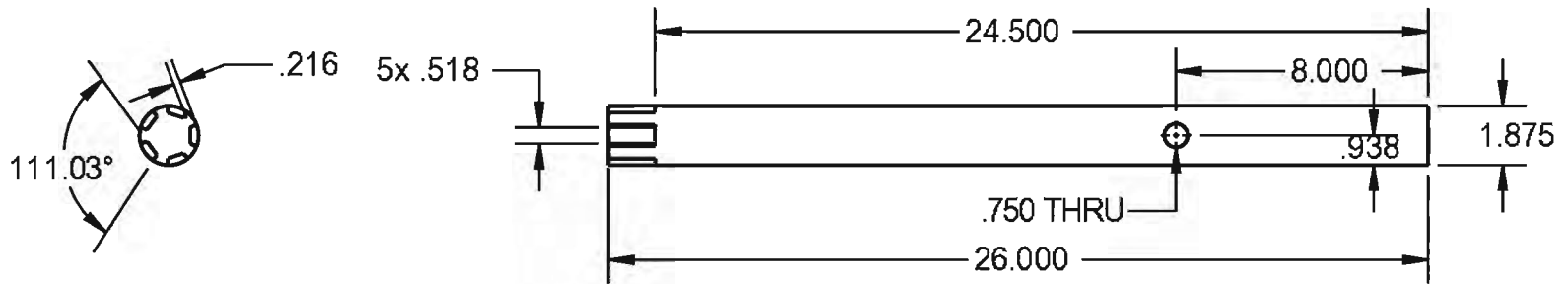
5

4

3

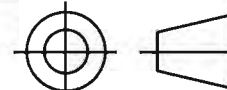
2

1



LICENSE INFORMATION  
 ALL INFORMATION RELEASE UNDER THE OSE  
 LICENSE FOR DISTRIBUTIVE ECONOMICS  
 FOR FURTHER INFORMATION GO TO:  
 OPENSOURCEECOLOGY.ORG/WIKI/LICENSE

	NAME	DATE
DRAWN	F. Anzaldua	3/28/12
CHECKED		
APPR.		
UNLESS OTHERWISE SPECIFIED DIMENSIONS ARE IN INCHES		
ANGLES	.X	.XX
	.5	.5



THIRD ANGLE PROJECTION

PROJECT: LIFE TRAC III		
TITLE <b>WHEEL AXLE SHAFT</b>		
SIZE <b>A</b>	DWG. NO. PART NUMBER	REV
SCALE: 1:6	WEIGHT:	SHEET 1 OF 1

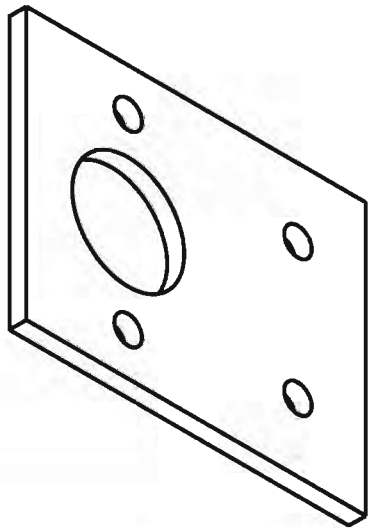
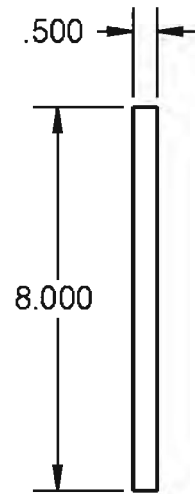
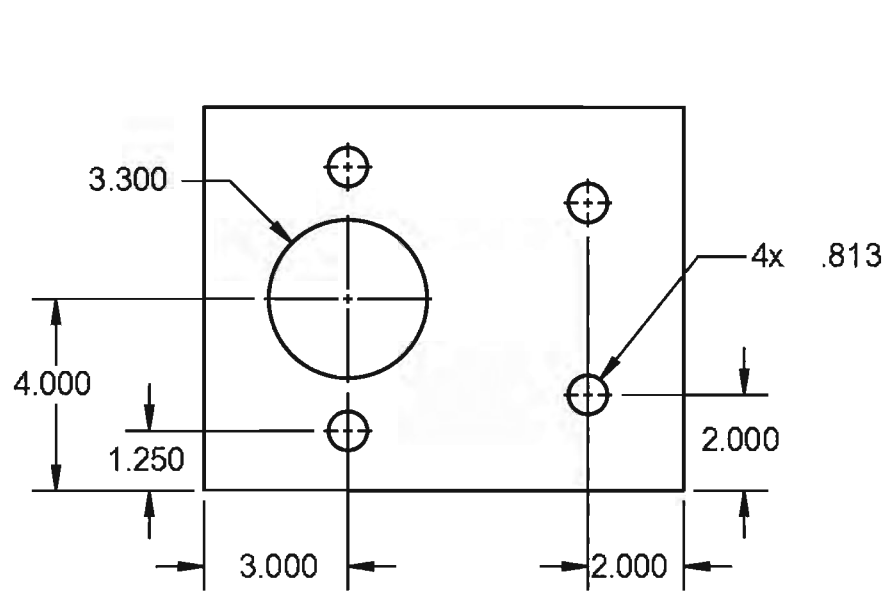
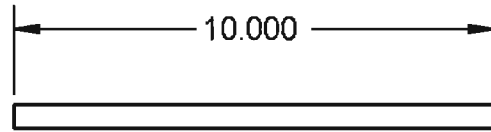
5

4

3

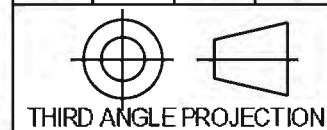
2

1



LICENSE INFORMATION  
 ALL INFORMATION RELEASE UNDER THE OSE  
 LICENSE FOR DISTRIBUTIVE ECONOMICS  
 FOR FURTHER INFORMATION GO TO:  
 OPENSOURCEECOLOGY.ORG/WIKI/LICENSE

	NAME	DATE
DRAWN	F. Anzaldua	3/28/12
CHECKED		
APPR.		
UNLESS OTHERWISE SPECIFIED DIMENSIONS ARE IN INCHES		
ANGLES	.X	.XX
	.5	.5



PROJECT: LIFE TRAC III		
TITLE WHEEL HYDRAULIC MOTOR INTERFACE PLATE		
SIZE <b>A</b>	DWG. NO. PART NUMBER	REV
SCALE: 1:4	WEIGHT:	SHEET 1 OF 1

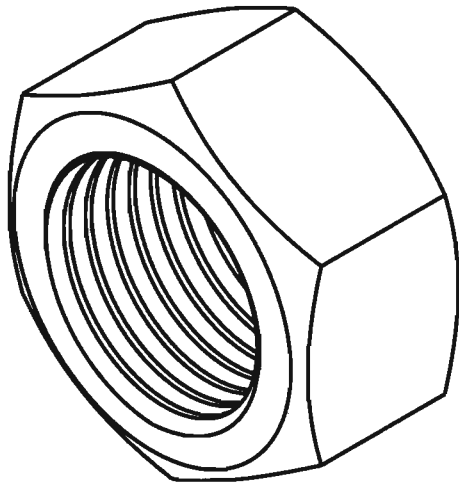
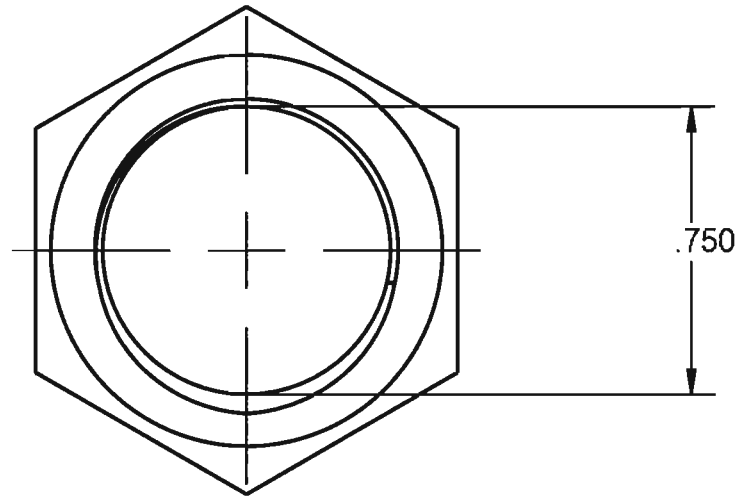
5

4

3

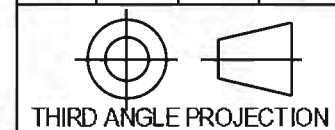
2

1



LICENSE INFORMATION  
 ALL INFORMATION RELEASE UNDER THE OSE  
 LICENSE FOR DISTRIBUTIVE ECONOMICS  
 FOR FURTHER INFORMATION GO TO:  
 OPENSOURCEECOLOGY.ORG/WIKI/LICENSE

	NAME	DATE
DRAWN	F. Anzaldua	3/28/12
CHECKED		
APPR.		
UNLESS OTHERWISE SPECIFIED DIMENSIONS ARE IN INCHES		
ANGLES	.X	.XX
	.5	.5



PROJECT:		LIFE TRAC III
TITLE		
3/4 INCH NUT		
SIZE	DWG. NO.	REV
A	PART NUMBER	
SCALE: 2:1	WEIGHT:	SHEET 1 OF 1

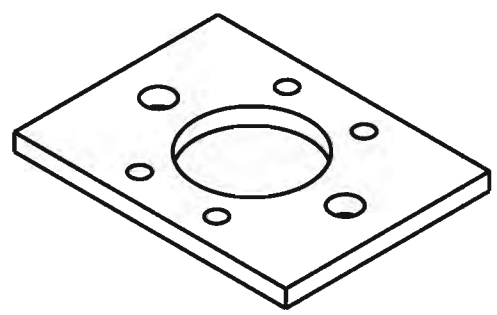
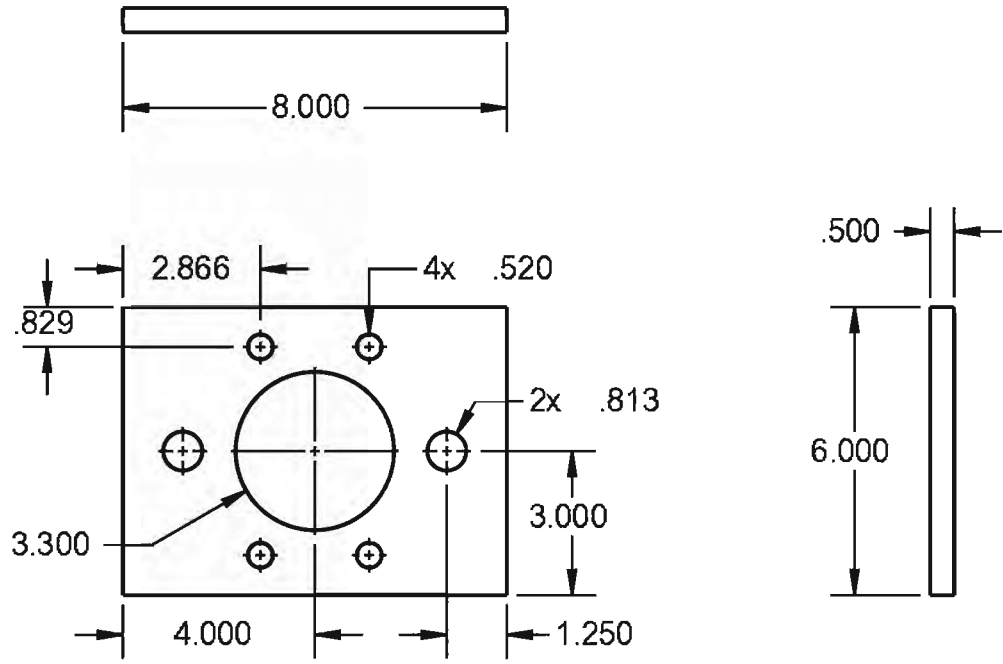
5

4

3

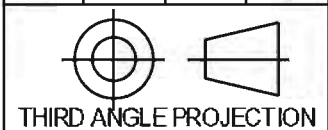
2

1



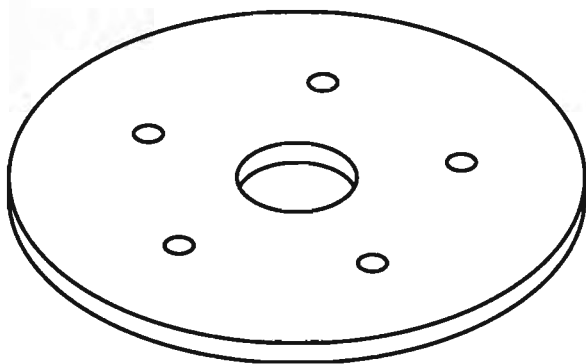
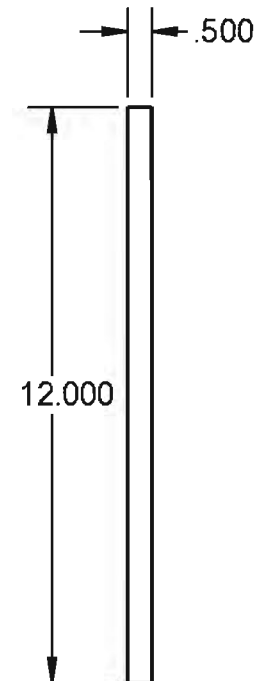
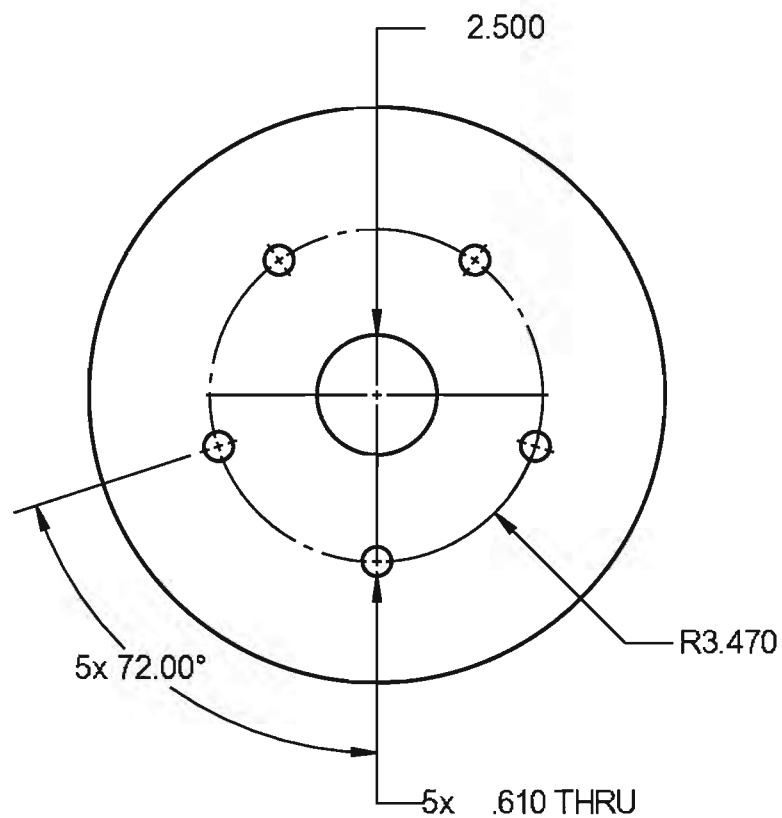
LICENSE INFORMATION  
 ALL INFORMATION RELEASE UNDER THE OSE  
 LICENSE FOR DISTRIBUTIVE ECONOMICS  
 FOR FURTHER INFORMATION GO TO:  
[OPENSOURCEECOLOGY.ORG/GMWIKI/LICENSE](http://OPENSOURCEECOLOGY.ORG/GMWIKI/LICENSE)

	NAME	DATE
DRAWN	F. Anzaldua	3/28/12
CHECKED		
APPR.		
UNLESS OTHERWISE SPECIFIED DIMENSIONS ARE IN INCHES		
ANGLES	.X	.XX
	.5	.5



PROJECT: LIFE TRAC III		
TITLE <b>WHEEL MOTOR QA PLATE</b>		
SIZE <b>A</b>	DWG. NO. PART NUMBER	REV
SCALE: 1:4	WEIGHT:	SHEET 1 OF 1

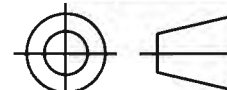
5 4 3 2 1



LICENSE INFORMATION

ALL INFORMATION RELEASE UNDER THE OSE  
 LICENSE FOR DISTRIBUTIVE ECONOMICS  
 FOR FURTHER INFORMATION GO TO:  
[OPENSOURCEECOLOGY.ORG/GWIKI/LICENSE](http://OPENSOURCEECOLOGY.ORG/GWIKI/LICENSE)

	NAME	DATE
DRAWN	F. Anzaldua	3/28/12
CHECKED		
APPR.		
UNLESS OTHERWISE SPECIFIED DIMENSIONS ARE IN INCHES		
ANGLES	.X	.XX
.5	.5	.5



THIRD ANGLE PROJECTION

PROJECT:		LIFE TRAC III	
TITLE			
<b>WHEEL MOUNT DISC</b>			
SIZE	DWG. NO.	REV	
<b>A</b>	PART NUMBER		
SCALE: 1:4	WEIGHT:	SHEET 1 OF 1	

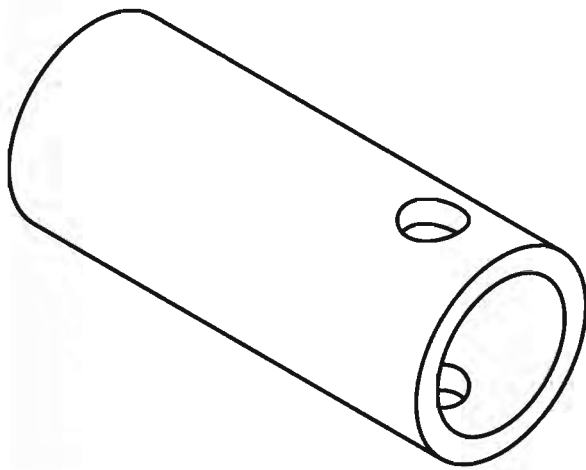
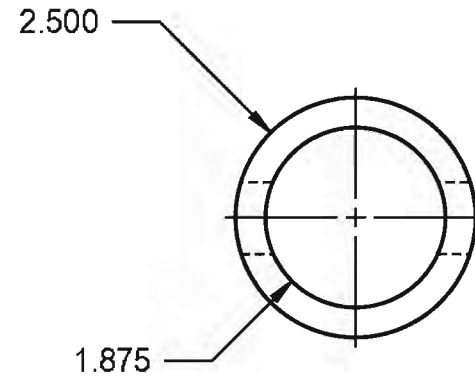
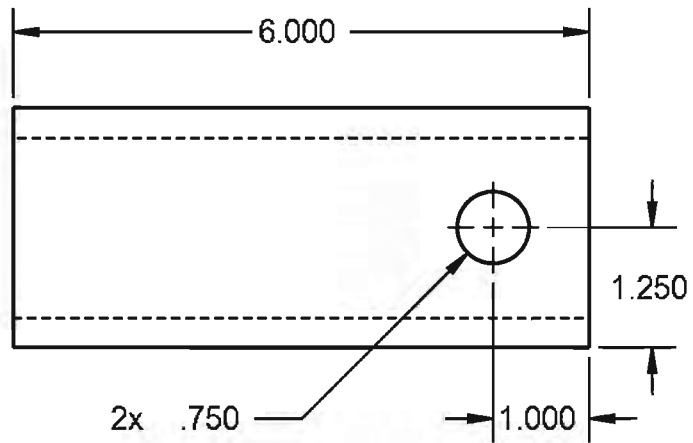
5

4

3

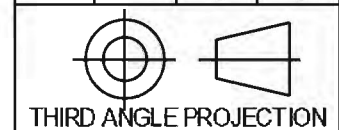
2

1



LICENSE INFORMATION  
 ALL INFORMATION RELEASE UNDER THE OSE  
 LICENSE FOR DISTRIBUTIVE ECONOMICS  
 FOR FURTHER INFORMATION GO TO:  
[OPENSOURCEECOLOGY.ORG/GMWIKI/LICENSE](http://OPENSOURCEECOLOGY.ORG/GMWIKI/LICENSE)

	NAME	DATE
DRAWN	F. Anzaldua	3/28/12
CHECKED		
APPR.		
UNLESS OTHERWISE SPECIFIED DIMENSIONS ARE IN INCHES		
ANGLES	.X	.XX
	.5	.5

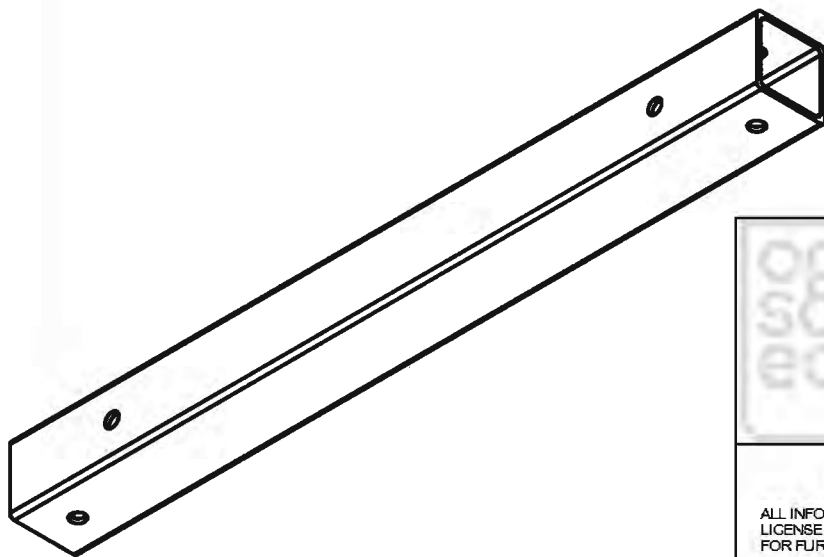
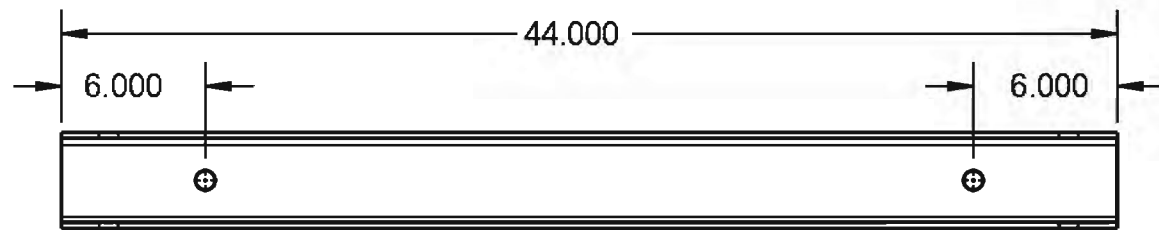
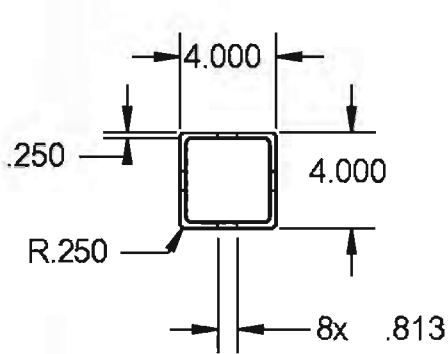


PROJECT: LIFE TRAC III		
TITLE <b>WHEEL MOUNT ROUND</b>		
SIZE <b>A</b>	DWG. NO. PART NUMBER	REV
SCALE: 1:2	WEIGHT:	SHEET 1 OF 1

5 4 3 2 1

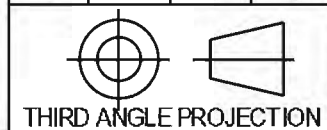






LICENSE INFORMATION  
 ALL INFORMATION RELEASE UNDER THE OSE  
 LICENSE FOR DISTRIBUTIVE ECONOMICS  
 FOR FURTHER INFORMATION GO TO:  
 OPENSOURCEECOLOGY.ORG/WIKI/LICENSE

	NAME	DATE
DRAWN	F. Anzaldua	3/28/12
CHECKED		
APPR.		
UNLESS OTHERWISE SPECIFIED DIMENSIONS ARE IN INCHES		
ANGLES	.X	.XX
	.5	.5



PROJECT: LIFE TRAC III		
TITLE <b>44 INCH TOP E-W TUBE</b>		
SIZE <b>A</b>	DWG. NO. PART NUMBER	REV
SCALE: 1:8	WEIGHT:	SHEET 1 OF 1

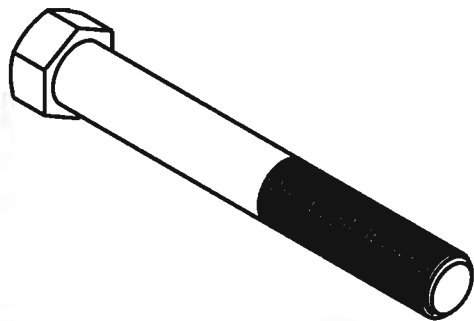
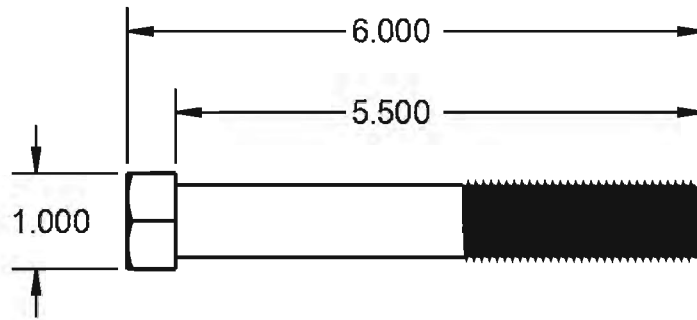
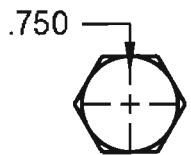
5

4

3

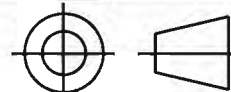
2

1



LICENSE INFORMATION  
 ALL INFORMATION RELEASE UNDER THE OSE  
 LICENSE FOR DISTRIBUTIVE ECONOMICS  
 FOR FURTHER INFORMATION GO TO:  
[OPENSOURCEECOLOGY.ORG/WIKI/LICENSE](http://OPENSOURCEECOLOGY.ORG/WIKI/LICENSE)

	NAME	DATE
DRAWN	F. Anzaldua	3/28/12
CHECKED		
APPR.		
UNLESS OTHERWISE SPECIFIED DIMENSIONS ARE IN INCHES		
ANGLES	.X	.XX
	.5	.5



THIRD ANGLE PROJECTION

PROJECT: LIFE TRAC III		
TITLE <b>5.5 INCH BOLT</b>		
SIZE <b>A</b>	DWG. NO. PART NUMBER	REV
SCALE: 1:2	WEIGHT:	SHEET 1 OF 1

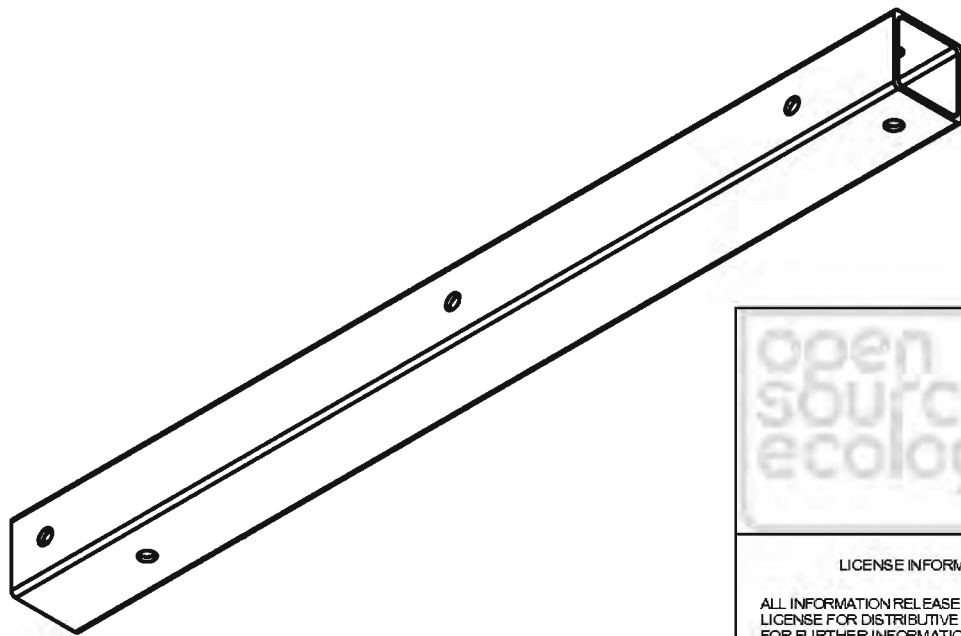
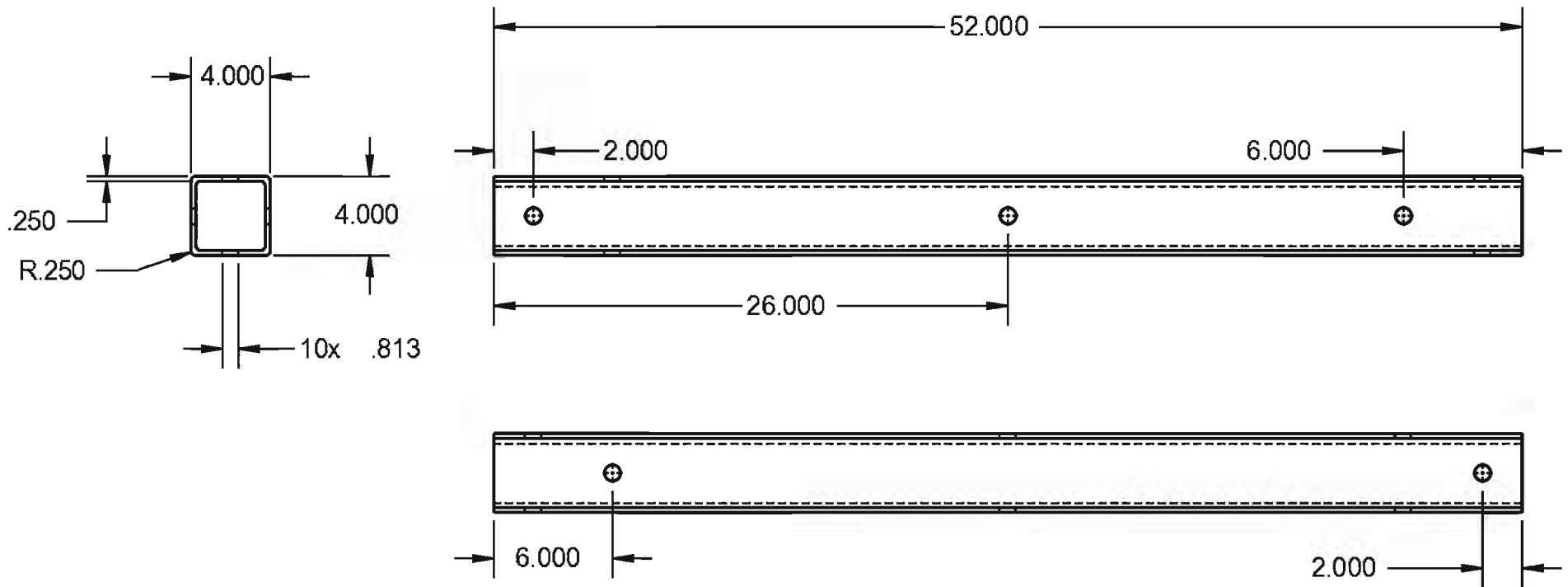
5

4

3

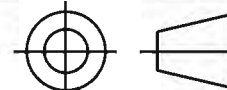
2

1



LICENSE INFORMATION  
 ALL INFORMATION RELEASE UNDER THE OSE  
 LICENSE FOR DISTRIBUTIVE ECONOMICS  
 FOR FURTHER INFORMATION GO TO:  
 OPENSOURCEECOLOGY.ORG/GWIKI/LICENSE

	NAME	DATE
DRAWN	F. Anzaldúa	3/28/12
CHECKED		
APPR.		
UNLESS OTHERWISE SPECIFIED DIMENSIONS ARE IN INCHES		
ANGLES	.X	.XX
	.5	.5



THIRD ANGLE PROJECTION

PROJECT:		LIFE TRAC III
TITLE		
52 INCH MIDDLE- VERTICAL TUBE		
SIZE	DWG. NO.	REV
A	PART NUMBER	
SCALE: 1:8	WEIGHT:	SHEET 1 OF 1

5

4

3

2

1