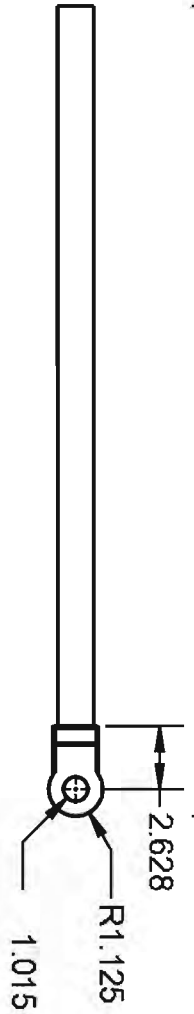
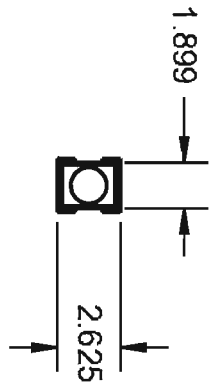
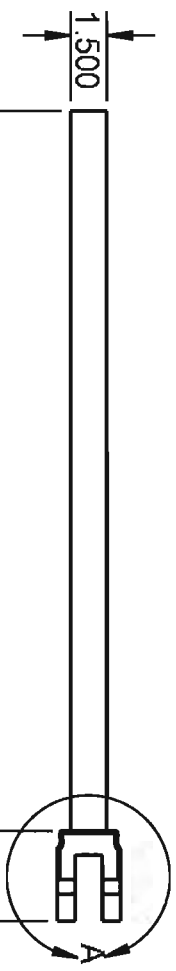
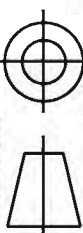


DETAIL A  
SCALE 1 : 4



LICENSE INFORMATION  
ALL INFORMATION RELEASE UNDER THE OSE  
LICENSE FOR DISTRIBUTIVE ECONOMICS  
FOR FURTHER INFORMATION GO TO:  
OPENSOURCEECOLOGY.ORG/WIKILICENSE

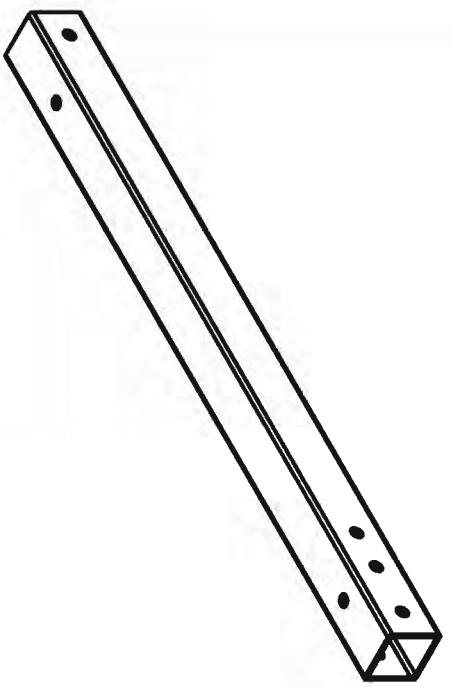
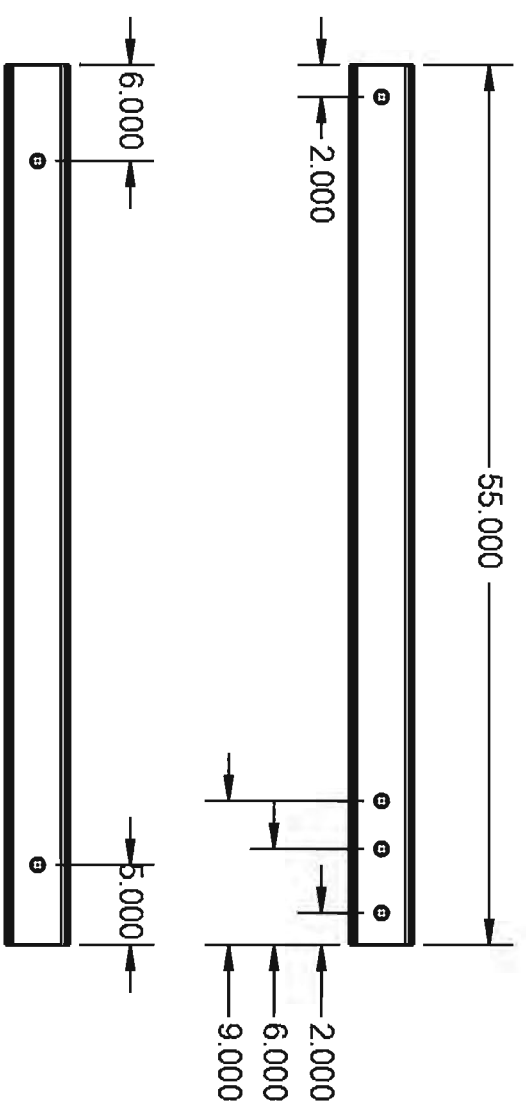
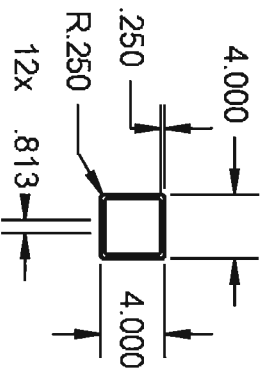
DRAWN	NAME	DATE
F. Anzaldua		3/28/12
CHECKED		
APPR.		
UNLESS OTHERWISE SPECIFIED DIMENSIONS ARE IN INCHES		
ANGLES	X	.XX
5	5	5



THIRD ANGLE PROJECTION

PROJECT:	LIFE TRAC III
TITLE:	2.5X30X1.25 DA HYD CYL INNER SHAFT
SIZE	DWG. NO.
A	PART NUMBER
SCALE: 1:8	WEIGHT:
SHEET 1 OF 1	REV

5 4 3 2 1



LICENSE INFORMATION  
 ALL INFORMATION RELEASED UNDER THIS OPEN SOURCE LICENSE IS FOR DISTRIBUTIVE ECONOMICS ONLY. FOR FURTHER INFORMATION GO TO: [OPEN.SOURCECOLLOIDY.ORG/WIKI/LICENSE](http://OPEN.SOURCECOLLOIDY.ORG/WIKI/LICENSE)

DRAWN	NAME	DATE
CHECKED	F. Anzaldua	3/28/12
APPR.		
UNLESS OTHERWISE SPECIFIED DIMENSIONS ARE IN INCHES		
ANGLES	X	XX
5	5	5



THIRD ANGLE PROJECTION

PROJECT:  
LIFE TRAC III

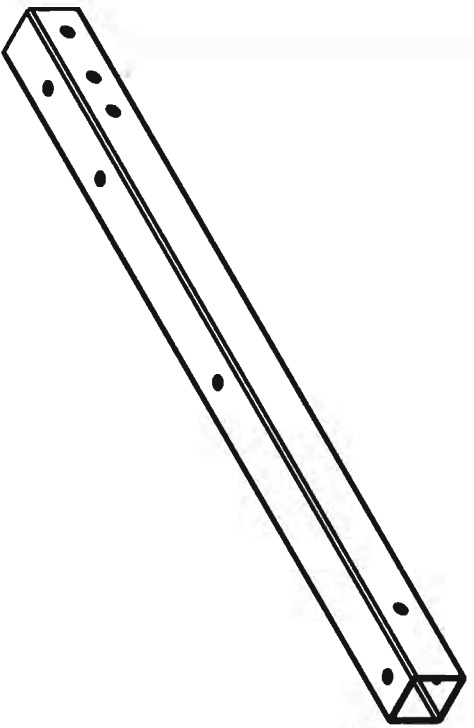
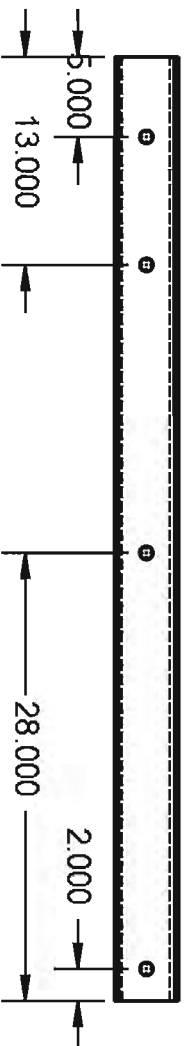
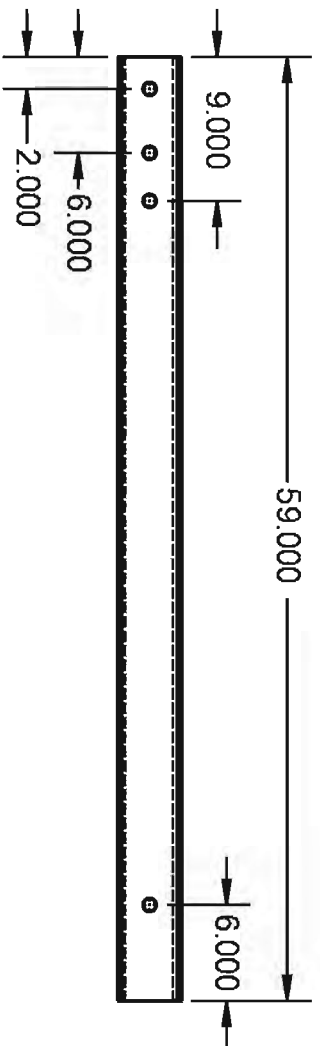
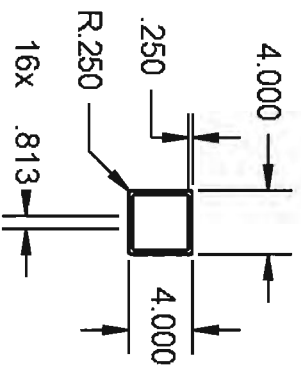
TITLE  
55 INCH FRONT-  
VERTICAL TUBE

SIZE DWG. NO. PART NUMBER REV

**A**

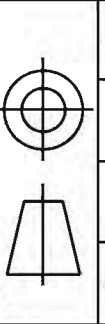
SCALE: 1:12 WEIGHT: SHEET 1 OF 1

5 4 3 2 1



LICENSE INFORMATION  
 ALL INFORMATION RELEASED UNDER THIS LICENSE IS FOR DISTRIBUTIVE ECONOMICS. FOR FURTHER INFORMATION GO TO:  
[OPEN.SOURCEECOLOGY.ORG/WIKI/LICENSE](http://OPEN.SOURCEECOLOGY.ORG/WIKI/LICENSE)

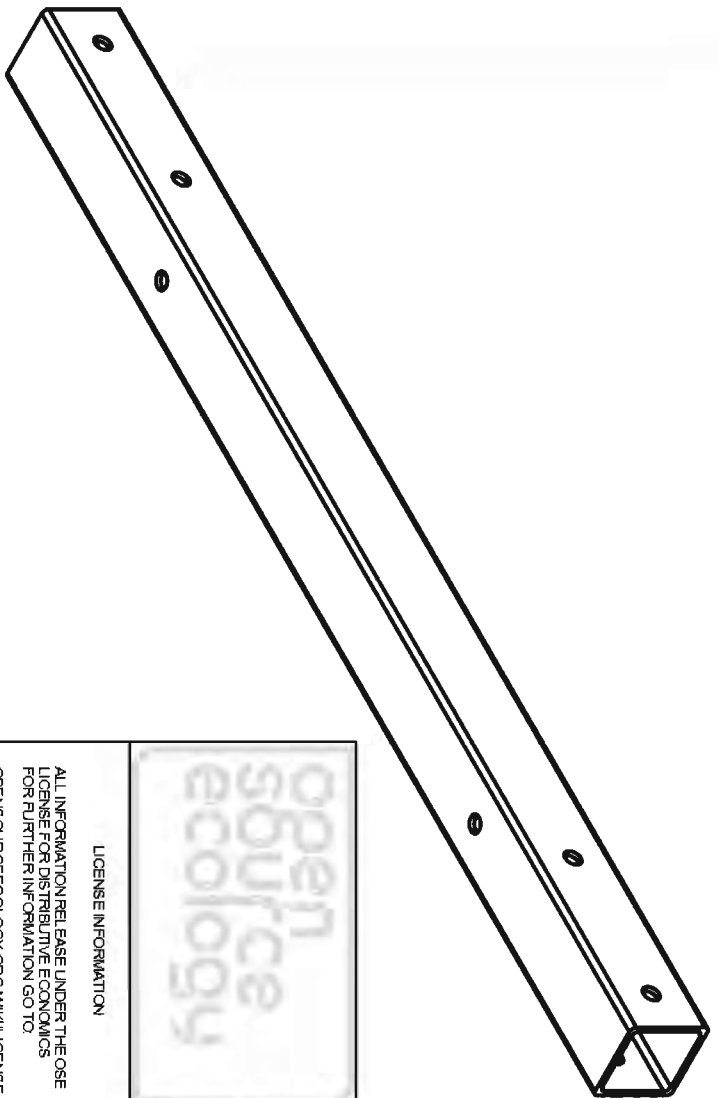
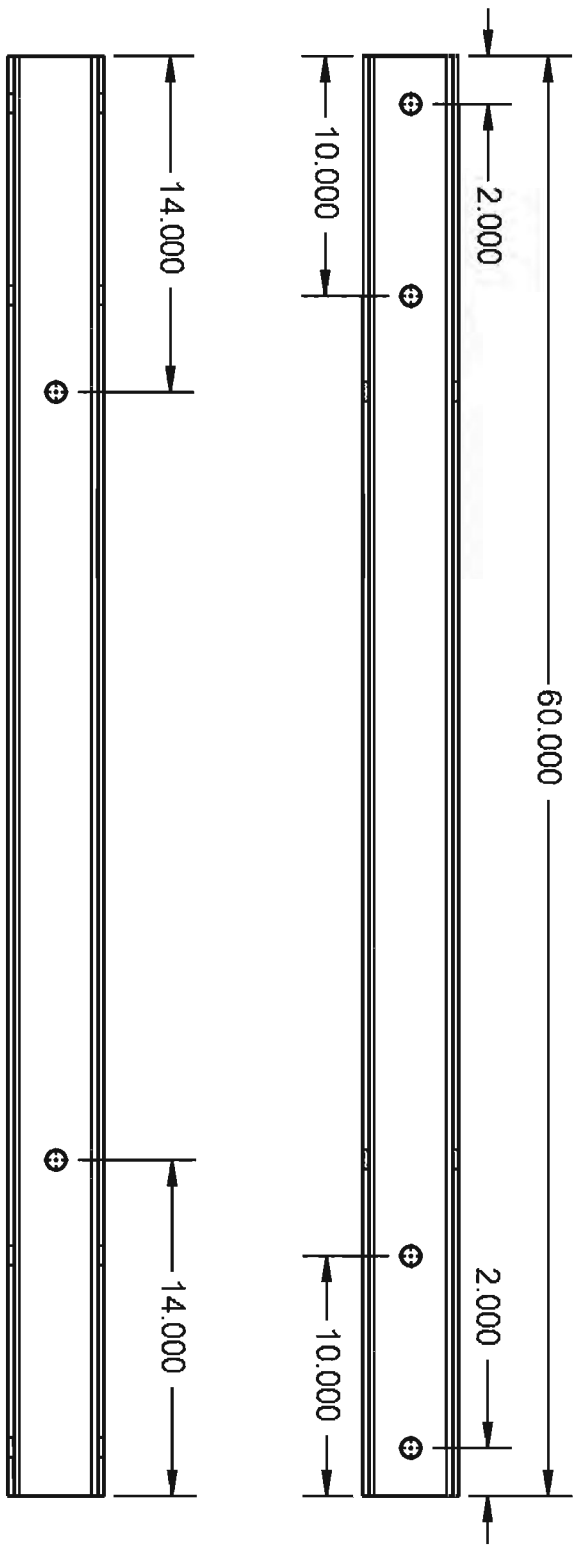
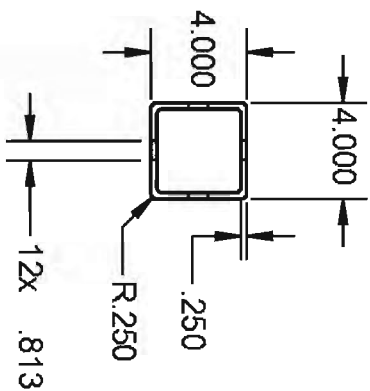
DRAWN	NAME	DATE
F. Anzaldua		3/28/12
CHECKED		
APPR.		
UNLESS OTHERWISE SPECIFIED DIMENSIONS ARE IN INCHES		
ANGLES	X	XX
5	5	5



THIRD ANGLE PROJECTION

PROJECT:	
LIFE TRAC III	
TITLE	
59 INCH REAR- VERTICAL TUBE	
SIZE	DWG. NO.
A	PART NUMBER
SCALE: 1:12	WEIGHT:
SHEET 1 OF 1	REV

5 4 3 2 1



LICENSE INFORMATION  
ALL INFORMATION RELEASE UNDER THE OSE  
LICENSE FOR DISTRIBUTIVE ECONOMICS  
FOR FURTHER INFORMATION GO TO:  
OPENSOURCEECOLOGY.ORG/WIKI/LICENSE

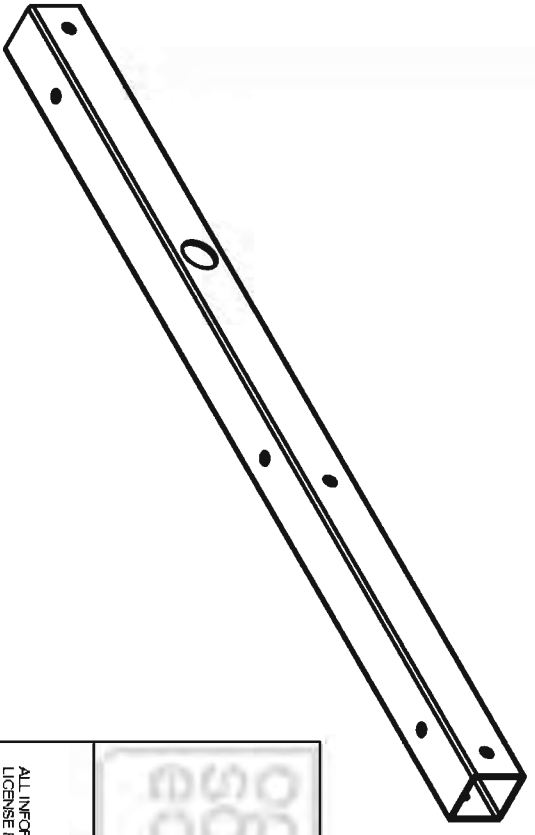
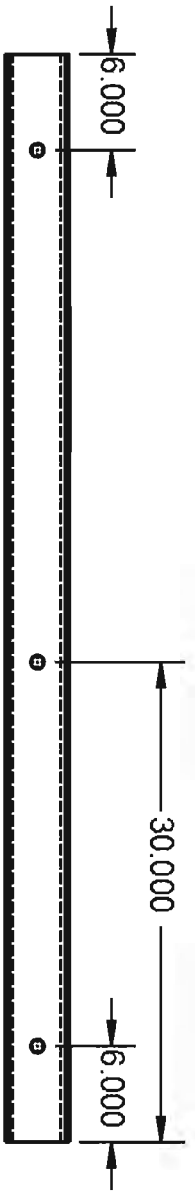
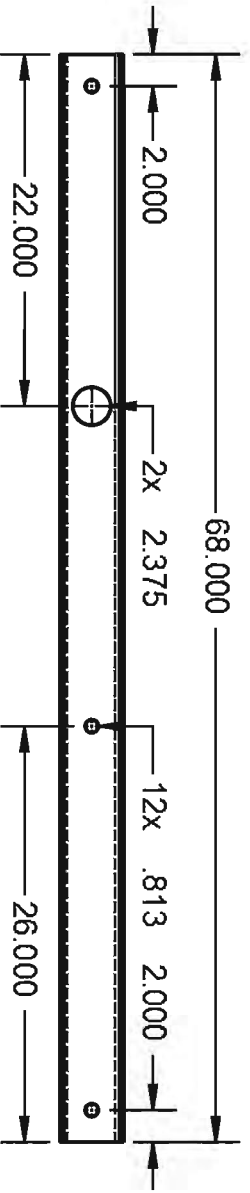
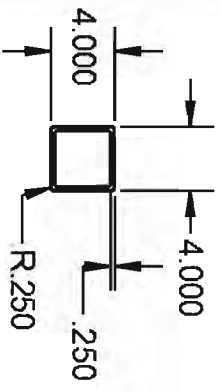
DRAWN	NAME	DATE
F. Anzaldua		8/28/12
CHECKED		
APPR.		
UNLESS OTHERWISE SPECIFIED DIMENSIONS ARE IN INCHES		
ANGLES	X	XX
5	5	5



THIRD ANGLE PROJECTION

PROJECT:	60 INCH UNDER BASE TUBE
TITLE:	LIFE TRAC III
SIZE	DWG. NO.
A	PART NUMBER
SCALE: 1:8	WEIGHT:
SHEET 1 OF 1	REV

5 4 3 2 1



LICENSE INFORMATION  
ALL INFORMATION RELEASE UNDER THE OSE  
LICENSE FOR DISTRIBUTIVE ECONOMICS  
FOR FURTHER INFORMATION GO TO:  
OPENSOURCEECOLOGY.ORG/WIKILICENSE

DRAWN	NAME	DATE
F. Anzaldúa		3/28/12
CHECKED		
APPR.		
UNLESS OTHERWISE SPECIFIED DIMENSIONS ARE IN INCHES		
ANGLES	X	XX
5	5	5



THIRD ANGLE PROJECTION

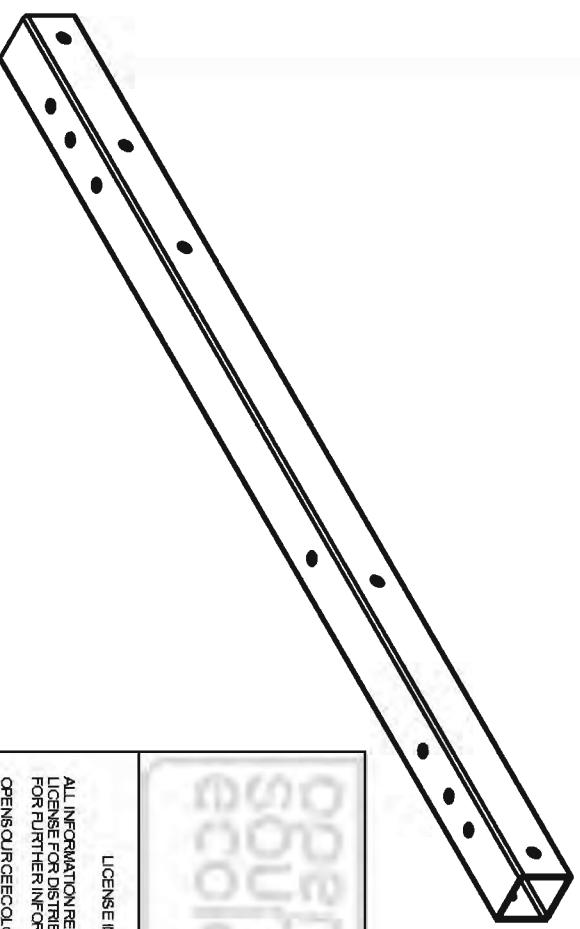
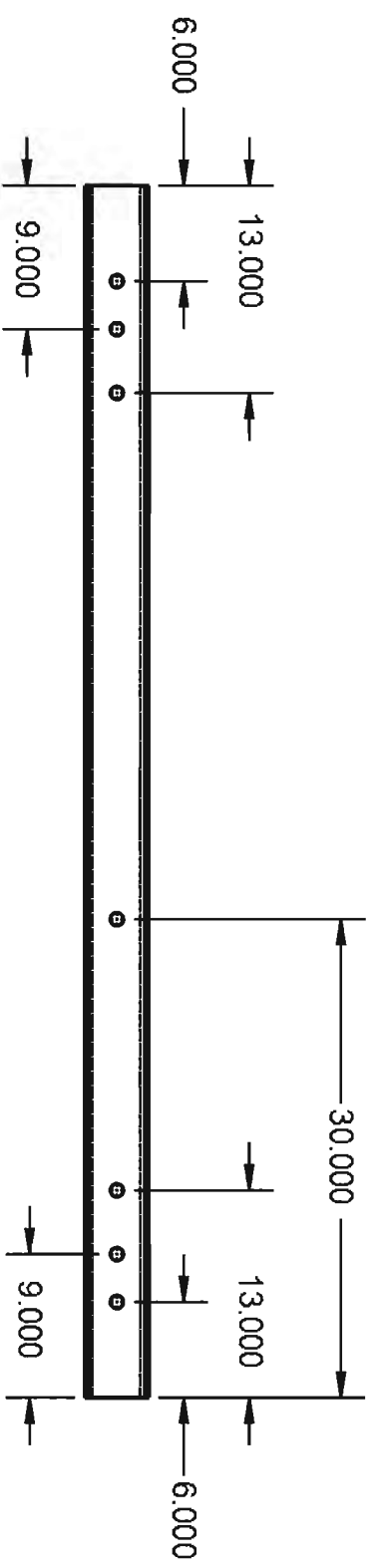
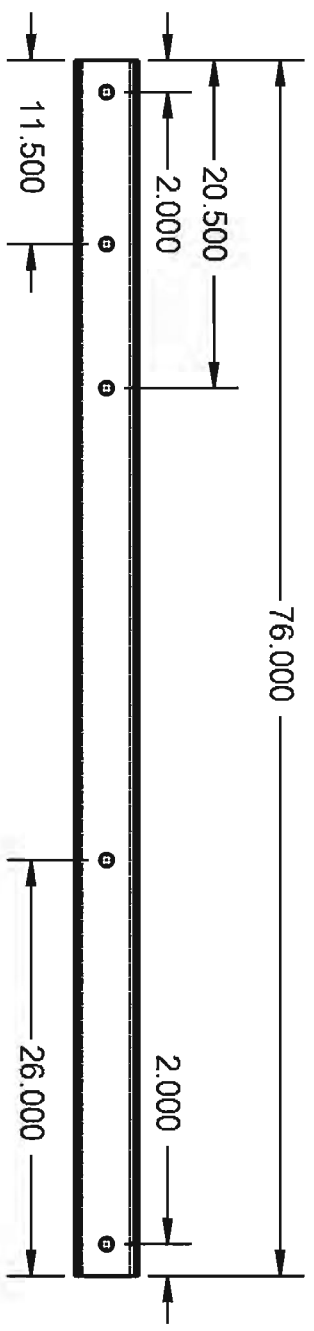
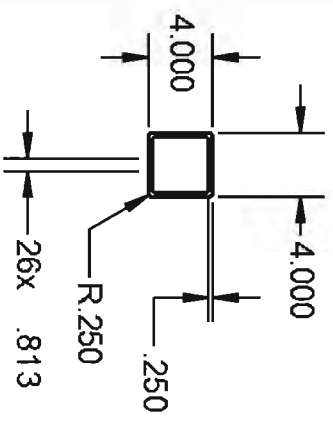
PROJECT:  
LIFE TRAC III

TITLE  
**68 INCH TOP  
N-S TUBE**

SIZE DWG. NO. PART NUMBER REV  
**A**

SCALE: 1:12 WEIGHT: SHEET 1 OF 1

5 4 3 2 1



LICENSE INFORMATION  
ALL INFORMATION RELEASE UNDER THE OSE  
LICENSE FOR DISTRIBUTIVE ECONOMICS  
FOR FURTHER INFORMATION GO TO:  
OPENOURCEECOLOGY.ORG/WIKI/LICENSE

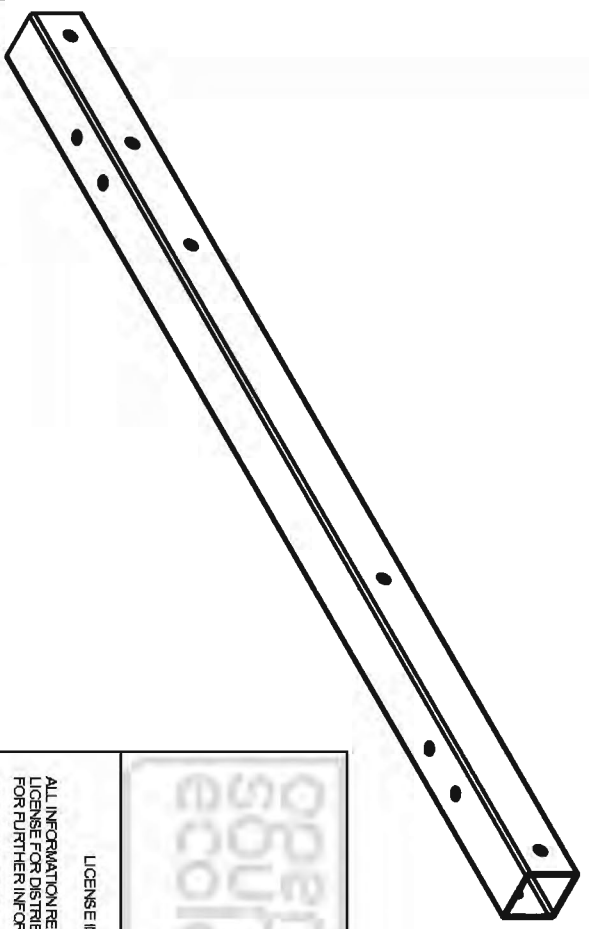
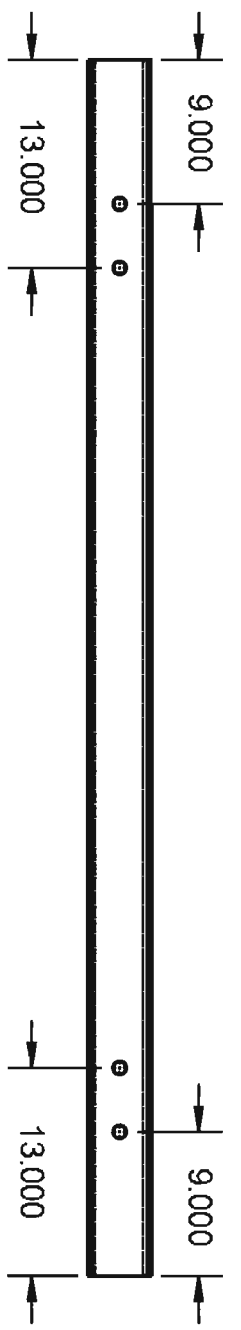
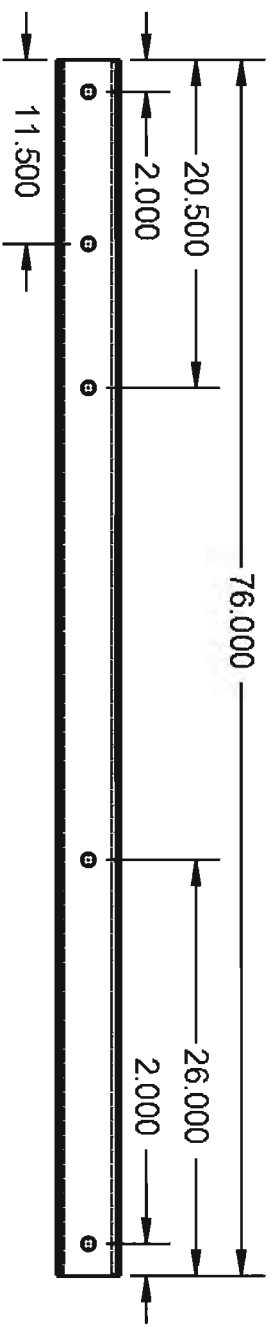
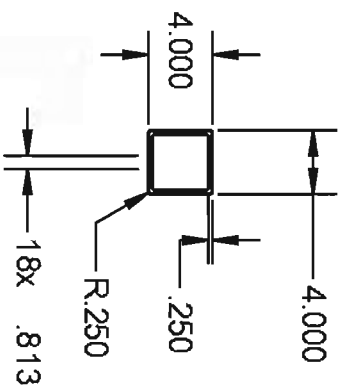
DRAWN	F. Anzaldua	DATE	3/28/12
CHECKED			
APPR.			
UNLESS OTHERWISE SPECIFIED DIMENSIONS ARE IN INCHES			
ANGLES	5	X	5
		XX	5
		XXX	5



THIRD ANGLE PROJECTION

PROJECT:	LIFE TRAC III
TITLE:	76 INCH INNER BASE TUBE
SIZE	DWG. NO.
<b>A</b>	PART NUMBER
SCALE: 1:12	WEIGHT:
SHEET 1 OF 1	REV

5 4 3 2 1



LICENSE INFORMATION  
ALL INFORMATION RELEASE UNDER THE OSE  
LICENSE FOR DISTRIBUTIVE ECONOMICS  
FOR FURTHER INFORMATION GO TO:  
OPEN.SOURCE.ECOLOGY.ORG/WIKI/LICENSE

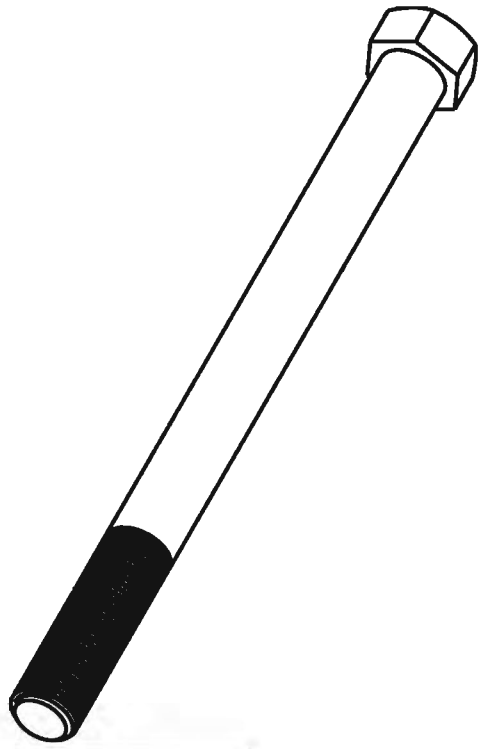
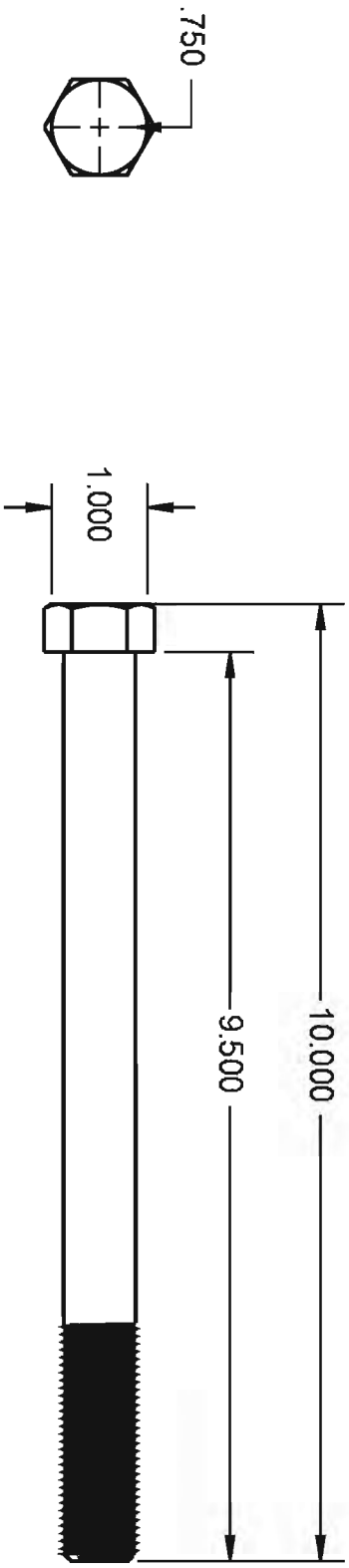
DRAWN	F. Anzaldúa	DATE	3/28/12
CHECKED			
APPR.			
UNLESS OTHERWISE SPECIFIED DIMENSIONS ARE IN INCHES			
ANGLES	5	X	5
		XX	5
		XXX	5



THIRD ANGLE PROJECTION

PROJECT:	LIFE TRAC III
TITLE:	76 INCH OUTER BASE TUBE
SIZE	A
DWG. NO.	
PART NUMBER	
SCALE: 1:12	WEIGHT:
SHEET 1 OF 1	

5 4 3 2 1



LICENSE INFORMATION  
 ALL INFORMATION RELEASE UNDER THE OPEN SOURCE LICENSE FOR DISTRIBUTIVE ECONOMICS FOR FURTHER INFORMATION GO TO:  
 OPENSOURCEECOLOGY.ORG/WIKI/LICENSE

DRAWN	F. Anzaldua	DATE	3/28/12
CHECKED			
APPR.			
UNLESS OTHERWISE SPECIFIED DIMENSIONS ARE IN INCHES			
ANGLES	X	XX	XXX
	5	5	5



THIRD ANGLE PROJECTION

PROJECT: LIFE TRAC III

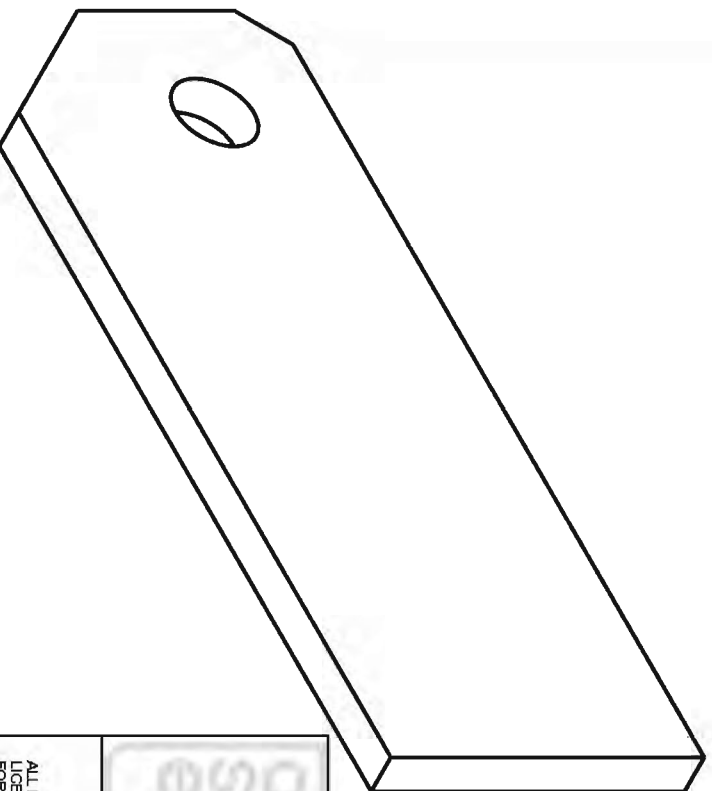
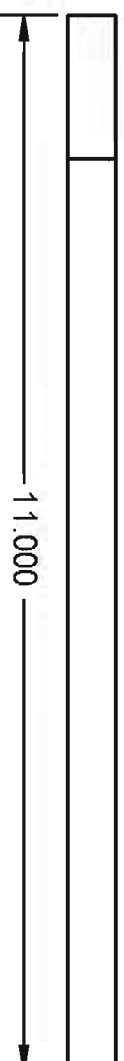
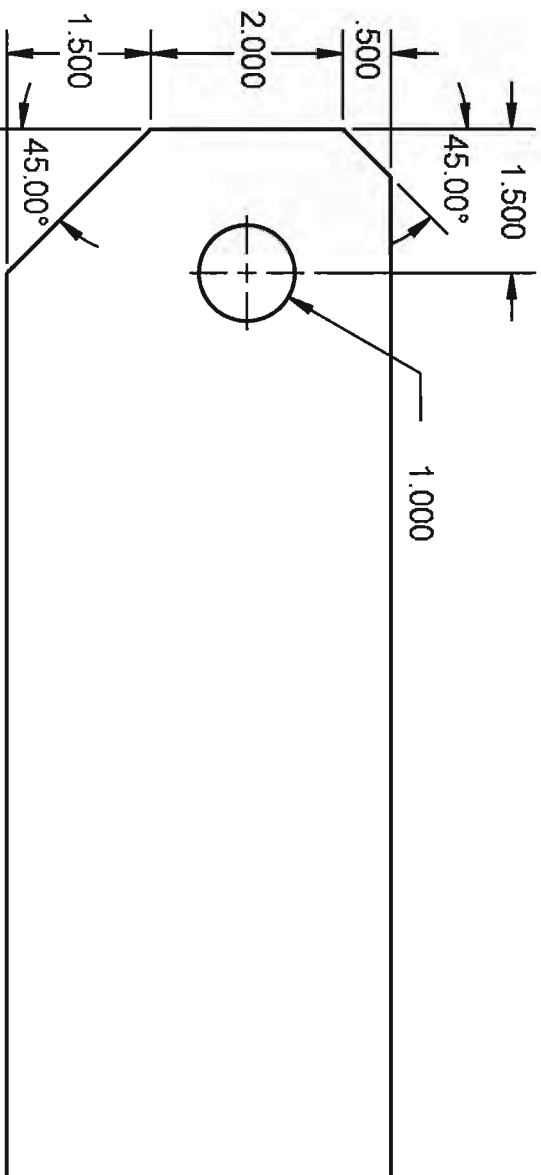
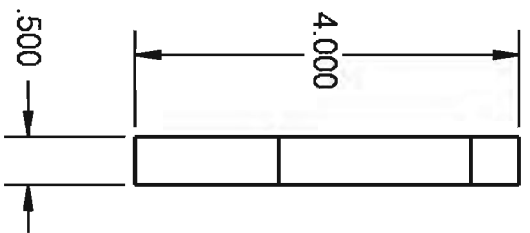
TITLE: 9.5 INCH BOLT

SIZE: A  
 DWG. NO.:  
 PART NUMBER:  
 REV:

SCALE: 1:2 WEIGHT: SHEET 1 OF 1

5 4 3 2 1





LICENSE INFORMATION  
ALL INFORMATION RELEASE UNDER THE OSE  
LICENSE FOR DISTRIBUTIVE ECONOMICS  
FOR FURTHER INFORMATION GO TO:  
OPENSOURCEECOLOGY.ORG/WIKILICENSE

DRAWN	F. Anzaldúa	DATE	3/28/12
CHECKED			
APPR.			
UNLESS OTHERWISE SPECIFIED DIMENSIONS ARE IN INCHES			
ANGLES	X	XX	XXX
	5	5	5



THIRD ANGLE PROJECTION

PROJECT:	LIFE TRAC III
TITLE	ADAPTER PLATE
SIZE	DWG. NO.
A	PART NUMBER
SCALE: 1:2	WEIGHT:
SHEET 1 OF 1	REV

5

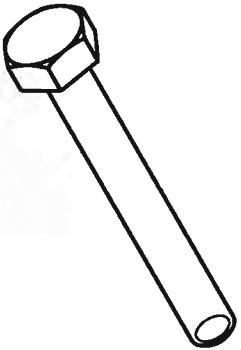
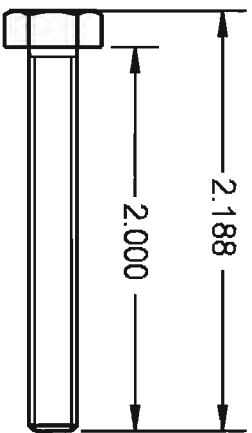
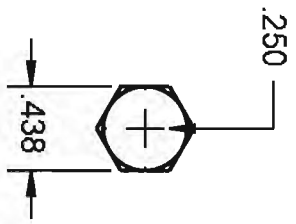
4

1

3

2

1



open source ecology

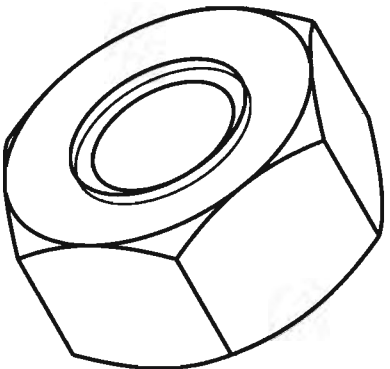
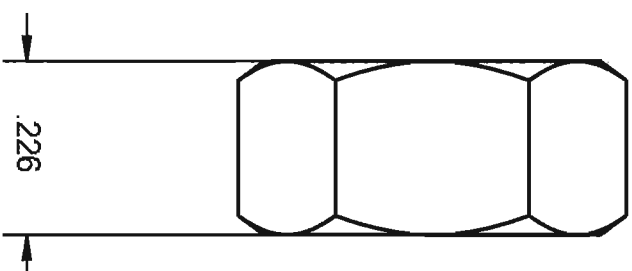
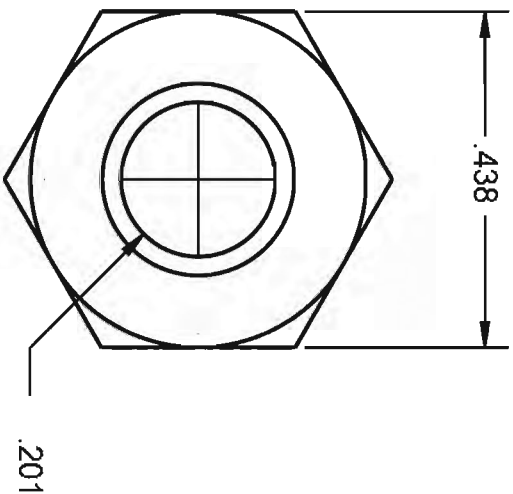
LICENSE INFORMATION

ALL INFORMATION RELEASED UNDER THIS LICENSE IS FOR DISTRIBUTIVE ECONOMIC PURPOSES ONLY. FOR FURTHER INFORMATION GO TO: [OPEN.SOURCE.ECOLOGY.ORG/WIKI/LICENSE](http://OPEN.SOURCE.ECOLOGY.ORG/WIKI/LICENSE)

DRAWN	NAME	DATE
F. Anzaldua		3/28/12
CHECKED		
APPR		
UNLESS OTHERWISE SPECIFIED DIMENSIONS ARE IN INCHES		
ANGLES	X	XX
5	5	5

PROJECT:		REV
LIFE TRAC III		
TITLE:		
HEX BOLT_A1		
SIZE	DWG. NO.	
A	PART NUMBER	
SCALE: 1:1	WEIGHT:	SHEET 1 OF 1

5 4 3 2 1



LICENSE INFORMATION  
 ALL INFORMATION RELEASED UNDER THIS OPEN SOURCE LICENSE IS FOR DISTRIBUTIVE ECONOMIC PURPOSES. FOR FURTHER INFORMATION GO TO: [OPENSOURCEECOLOGY.ORG/WIKI/LICENSE](http://OPENSOURCEECOLOGY.ORG/WIKI/LICENSE)

DRAWN	NAME	DATE
	F. Anzaldua	3/28/12
CHECKED		
APPR.		
UNLESS OTHERWISE SPECIFIED DIMENSIONS ARE IN INCHES		
ANGLES	X	XX
5	5	5



THIRD ANGLE PROJECTION

PROJECT:

LIFE TRAC III

TITLE

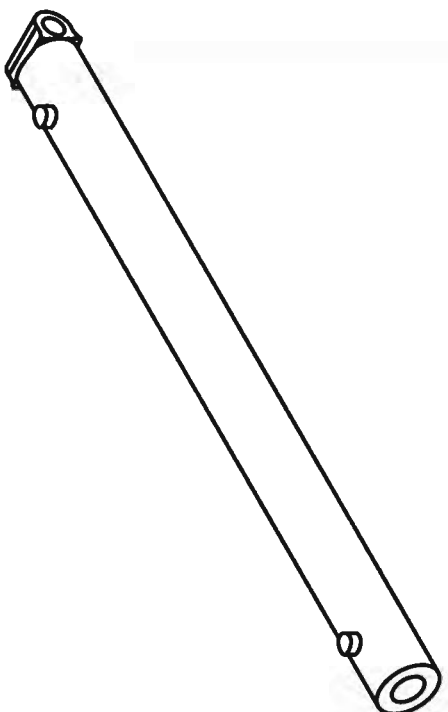
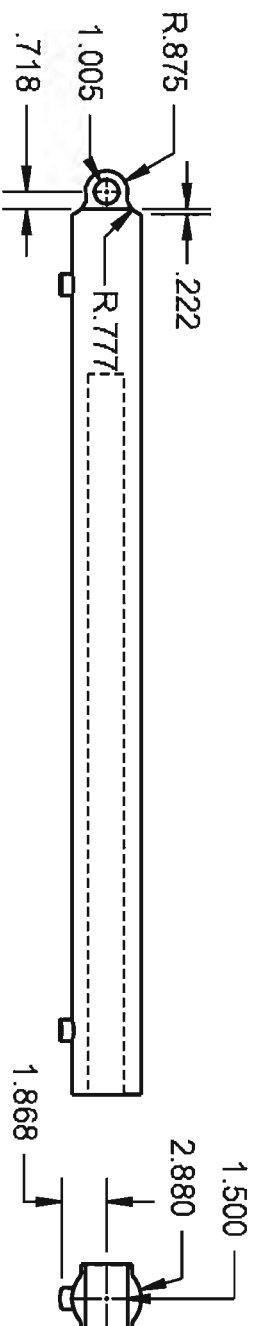
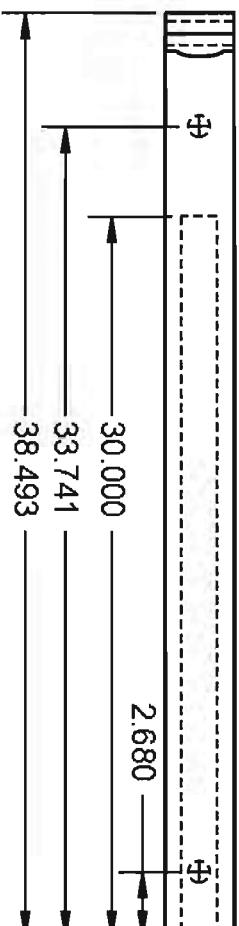
HEX NUT\_AI

SIZE DWG. NO. PART NUMBER REV

A

SCALE: 4:1 WEIGHT: SHEET 1 OF 1

5 4 3 2 1



LICENSE INFORMATION  
 ALL INFORMATION RELEASED UNDER THIS LICENSE FOR DISTRIBUTIVE ECONOMICS FOR FURTHER INFORMATION GO TO:  
[OPEN.SOURCECROLOGY.ORG/WIKI/LICENSE](http://OPEN.SOURCECROLOGY.ORG/WIKI/LICENSE)

DRAWN	NAME	DATE
F. Anzaldua		3/28/12
CHECKED		
APPR.		
UNLESS OTHERWISE SPECIFIED DIMENSIONS ARE IN INCHES		
ANGLES	X	XX
5	5	5

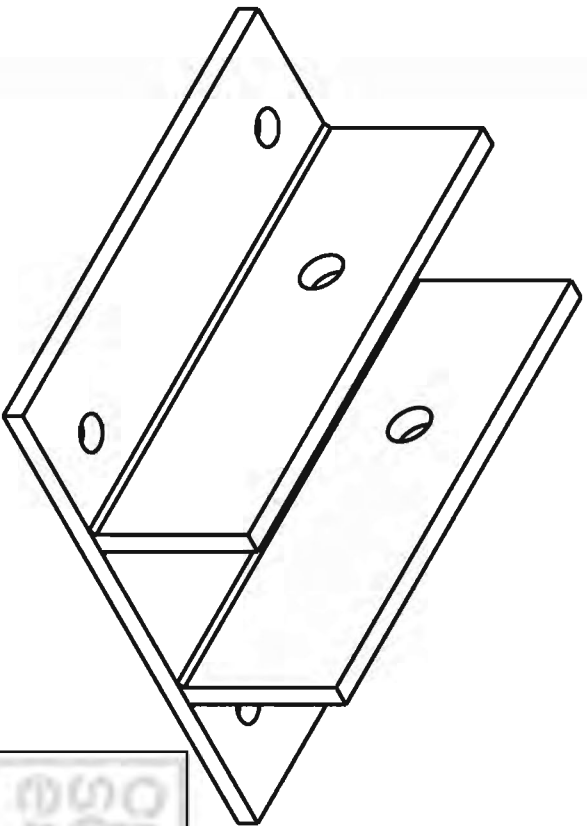
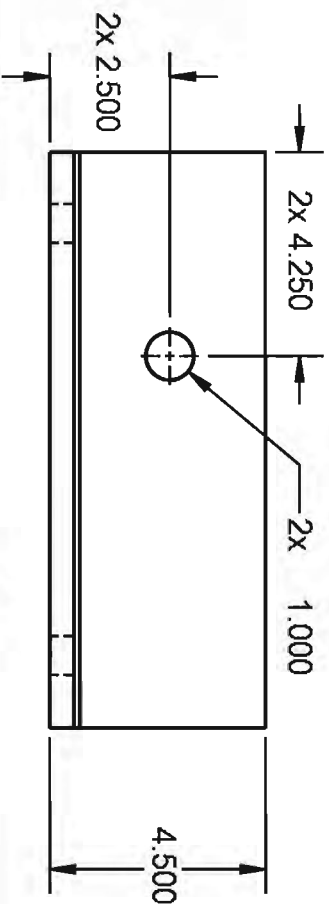
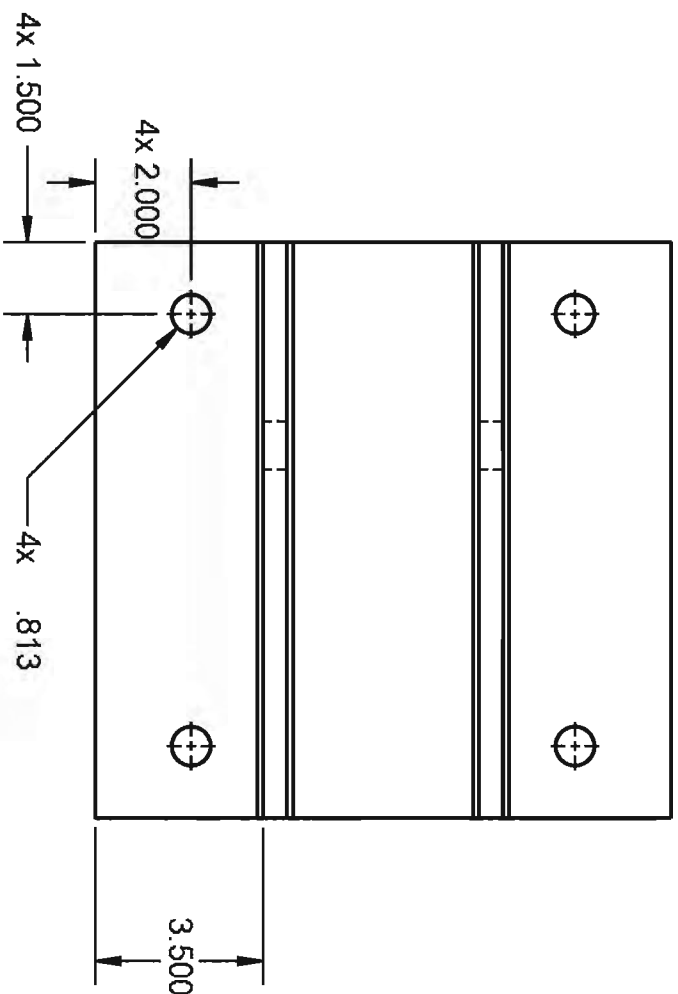
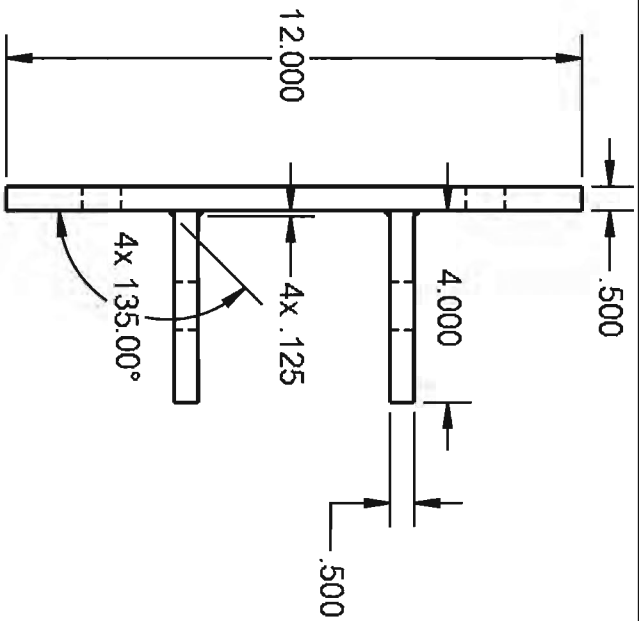


THIRD ANGLE PROJECTION

PROJECT: LIFE TRAC III  
 TITLE: 2.5X30X1.25 DA HYD CYL  
 SIZE: A  
 DWG. NO.:  
 PART NUMBER:  
 REV:

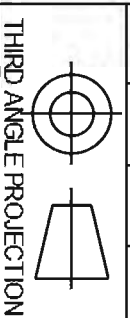
SCALE: 1:8 WEIGHT: SHEET 1 OF 1

5 4 3 2 1



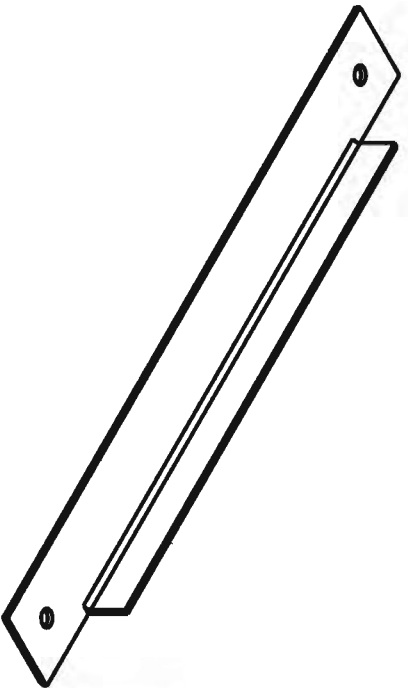
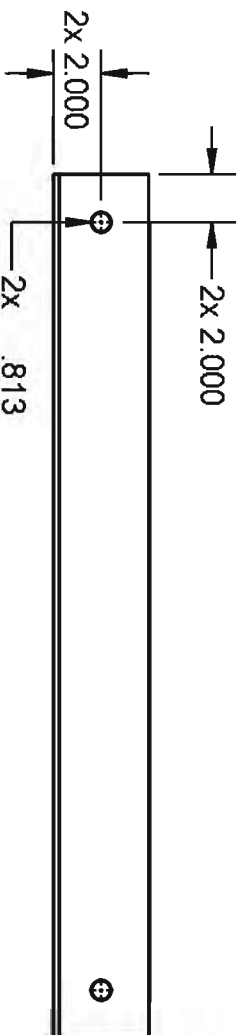
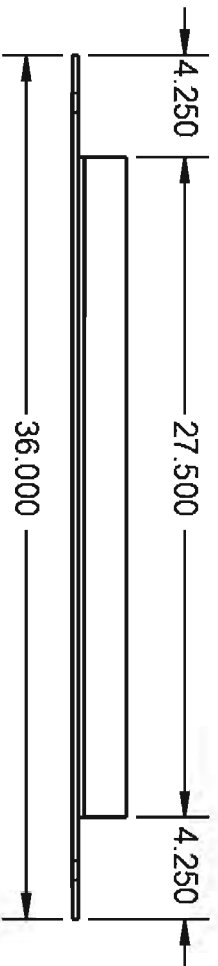
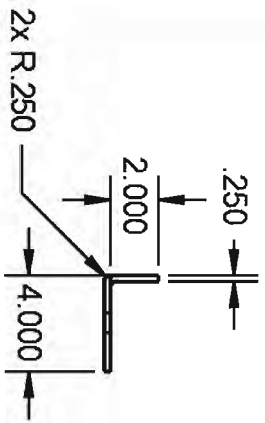
LICENSE INFORMATION  
 ALL INFORMATION RELEASE UNDER THE OPEN SOURCE LICENSE FOR DISTRIBUTIVE ECONOMICS FOR FURTHER INFORMATION GO TO:  
[OPENSOURCEECOLOGY.ORG/WIKI/LICENSE](http://OPENSOURCEECOLOGY.ORG/WIKI/LICENSE)

DRAWN	NAME	DATE
F. Anzaldua		3/28/12
CHECKED		
APPR.		
UNLESS OTHERWISE SPECIFIED DIMENSIONS ARE IN INCHES		
ANGLES	X	XX
5	5	5



PROJECT:	LIFE TRAC III
TITLE	HYDRAULIC CYLINDER BASE MOUNT
SIZE	DWG. NO.
A	PART NUMBER
SCALE: 1:4	WEIGHT:
SHEET 1 OF 1	REV

5 4 3 2 1



LICENSE INFORMATION  
 ALL INFORMATION RELEASE UNDER THE OSE  
 LICENSE FOR DISTRIBUTIVE ECONOMICS  
 FOR FURTHER INFORMATION GO TO:  
 OPENSOURCEECOLOGY.ORG/WIKI/LICENSE

DRAWN	NAME	DATE
CHECKED	F. Anzaldúa	3/28/12
APPR.		
UNLESS OTHERWISE SPECIFIED DIMENSIONS ARE IN INCHES		
ANGLES	X	XX
5	5	5



THIRD ANGLE PROJECTION

PROJECT:  
LIFE TRAC III

TITLE:  
**HYDRAULIC  
VALVE MOUNT**

SIZE: **A** DWG. NO. PART NUMBER REV

SCALE: 1:8 WEIGHT: SHEET 1 OF 1

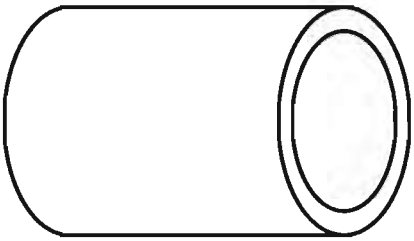
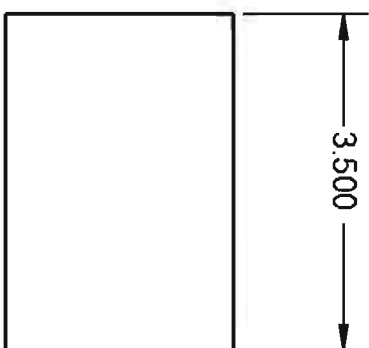
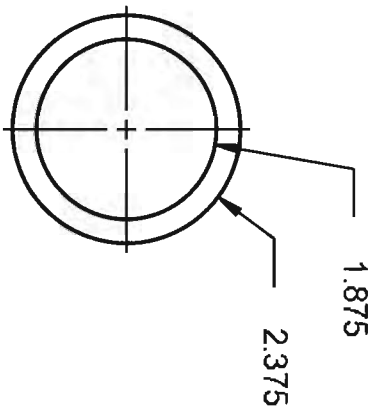
5

4

3

2

1



LICENSE INFORMATION  
 ALL INFORMATION RELEASE UNDER THE OSE  
 LICENSE FOR DISTRIBUTIVE ECONOMICS  
 FOR FURTHER INFORMATION GO TO:  
 OPENSOURCEECOLOGY.ORG/WIKILICENSE

DRAWN	F. Anzaldúa	DATE	3/28/12
CHECKED			
APPR.			
UNLESS OTHERWISE SPECIFIED DIMENSIONS ARE IN INCHES			
ANGLES	X	XX	XXX
	5	5	5



THIRD ANGLE PROJECTION

PROJECT:  
 LIFE TRAC III

TITLE  
**LOADER ARM 3.5 INCH  
 SUPPORT ROUND**

SIZE DWG. NO. PART NUMBER REV  
**A**

SCALE: 1:2 WEIGHT: SHEET 1 OF 1

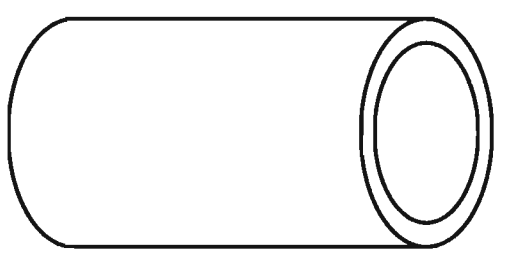
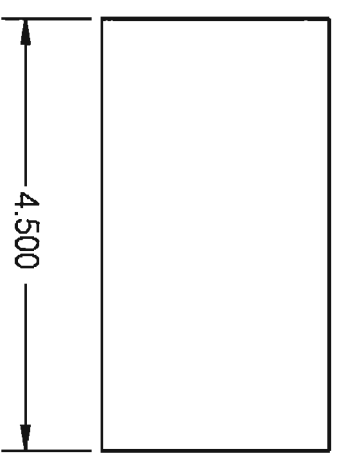
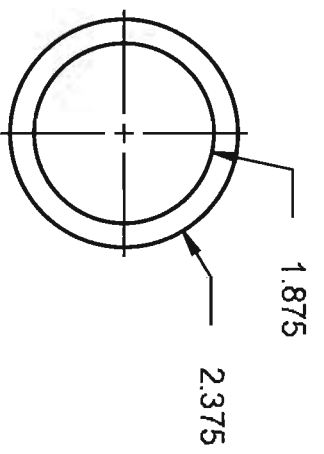
5

4

3

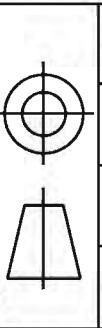
2

1



LICENSE INFORMATION  
 ALL INFORMATION RELEASE UNDER THE OSE  
 LICENSE FOR DISTRIBUTIVE ECONOMICS  
 FOR FURTHER INFORMATION GO TO:  
 OPENSOURCEECOLOGY.ORG/WIKILICENSE

DRAWN	F. Anzaldúa	DATE	3/28/12
CHECKED			
APPR.			
UNLESS OTHERWISE SPECIFIED DIMENSIONS ARE IN INCHES			
ANGLES	X	XX	XXX
	5	5	5



THIRD ANGLE PROJECTION

PROJECT:  
 LIFE TRAC III

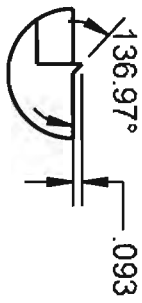
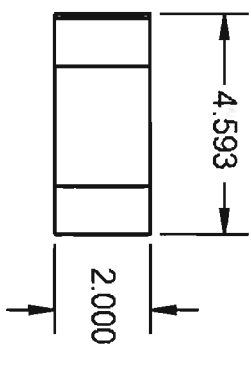
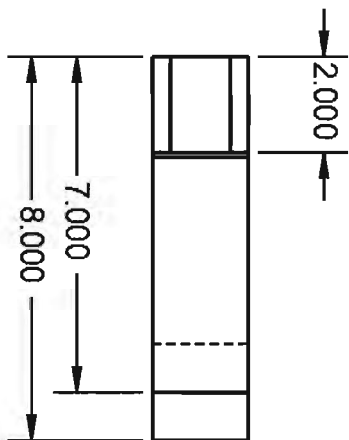
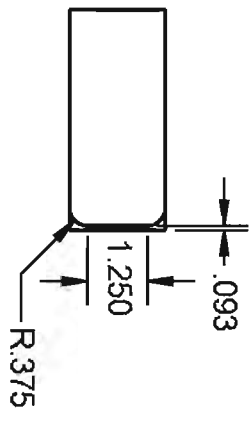
TITLE  
 LOADER ARM 4.5 INCH  
 SUPPORT ROUND

SIZE DWG. NO. PART NUMBER REV  
 A

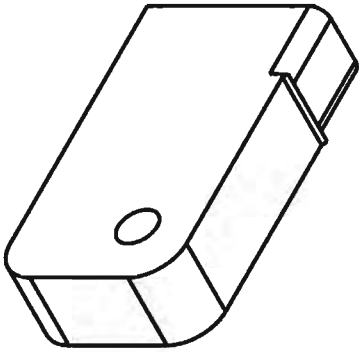
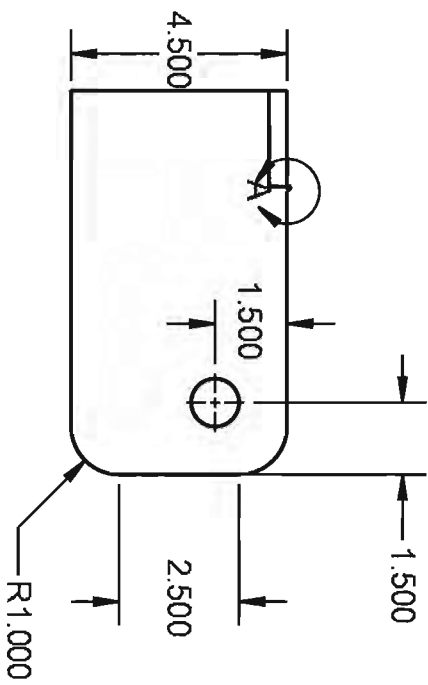
SCALE: 1:2 WEIGHT: SHEET 1 OF 1

5 4 3 2 1





DETAIL A  
SCALE 1:2



LICENSE INFORMATION  
ALL INFORMATION RELEASE UNDER THE OSE  
LICENSE FOR DISTRIBUTIVE ECONOMICS  
FOR FURTHER INFORMATION GO TO:  
OPENSOURCEECOLOGY.ORG/MILLICENISE

DRAWN	NAME	DATE
CHECKED	F. Anzaldua	3/28/12
APPR		
UNLESS OTHERWISE SPECIFIED DIMENSIONS ARE IN INCHES		
ANGLES	X	XX
5	5	5



PROJECT:	LIFE TRAC III	
TITLE	LOADER ARM ENDLUMP	
SIZE	DWG. NO.	REV
A	PART NUMBER	
SCALE: 1:4	WEIGHT:	SHEET 1 OF 1

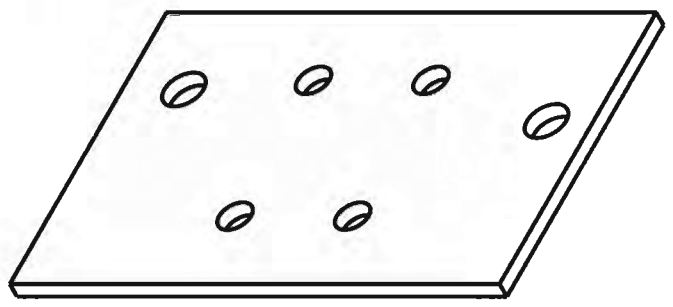
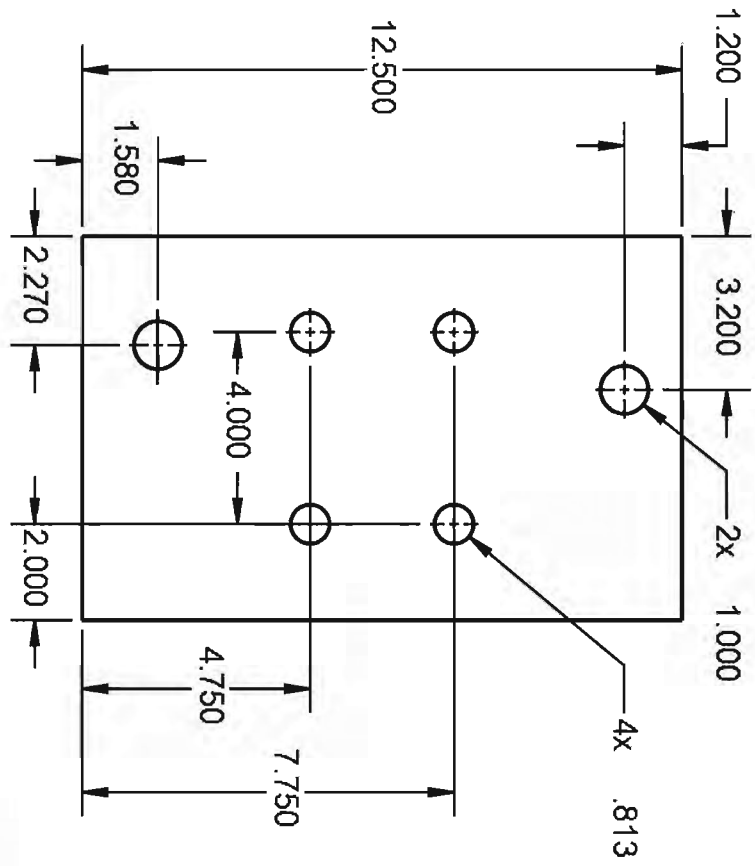
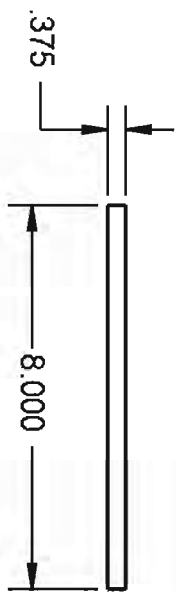
5

4

3

2

1



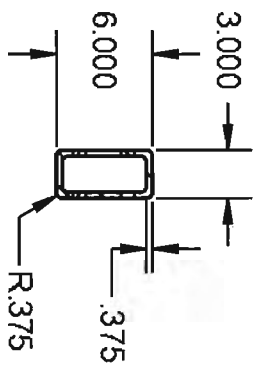
LICENSE INFORMATION  
 ALL INFORMATION RELEASE UNDER THE OSE  
 LICENSE FOR DISTRIBUTIVE ECONOMICS  
 FOR FURTHER INFORMATION GO TO:  
 OPENSOURCEECOLOGY.ORG/WIKILICENSE

DRAWN	F. Anzaldua	DATE	3/28/12
CHECKED			
APPR			
UNLESS OTHERWISE SPECIFIED DIMENSIONS ARE IN INCHES			
ANGLES	5	X	5
	5	XX	5
	5	XXX	5

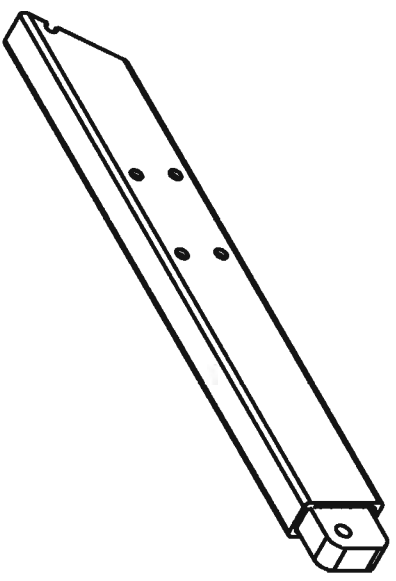
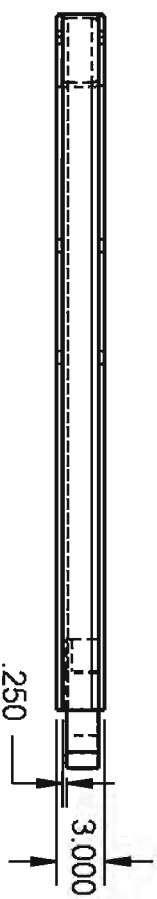
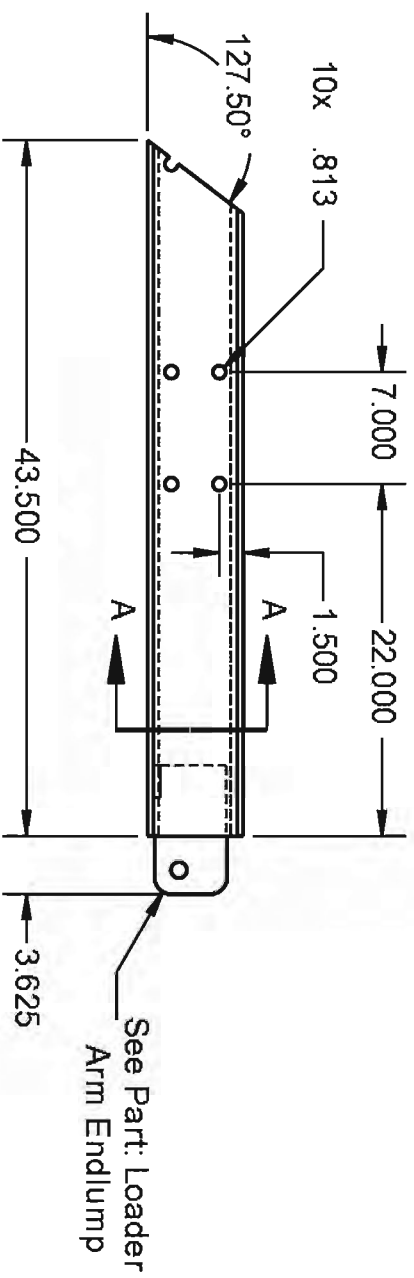


THIRD ANGLE PROJECTION

PROJECT:	LIFE TRAC III		
TITLE	LOADER ARM HYDRAULIC MOUNT PLATE		
SIZE	DWG. NO.	PART NUMBER	REV
A			
SCALE: 1:4	WEIGHT:	SHEET 1 OF 1	



SECTION A-A



LICENSE INFORMATION  
 ALL INFORMATION RELEASE UNDER THE OSE  
 LICENSE FOR DISTRIBUTIVE ECONOMICS  
 FOR FURTHER INFORMATION GO TO:  
 OPENSOURCEECOLOGY.ORG/WIKI/LICENSE

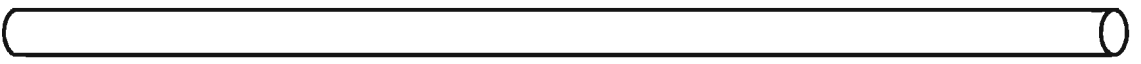
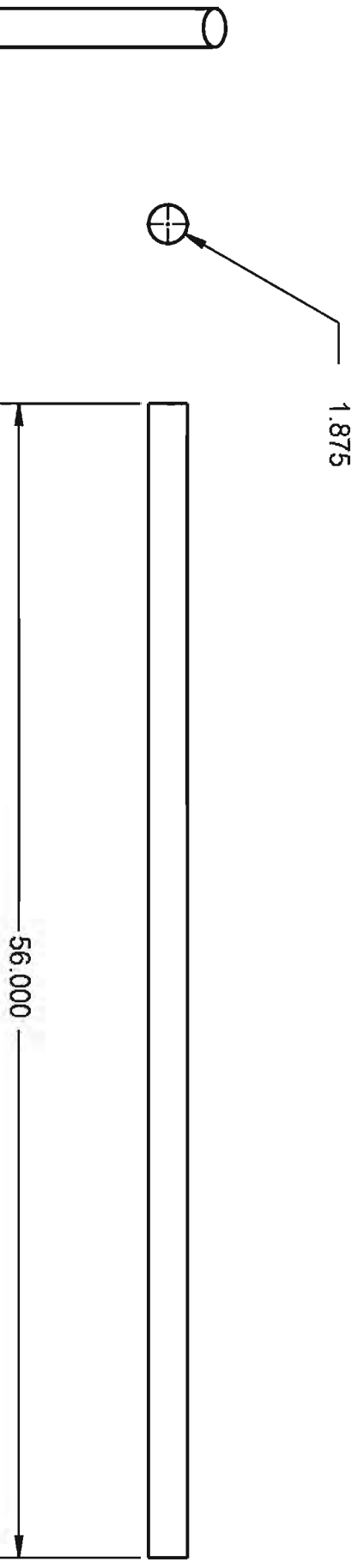
DRAWN	NAME	DATE
F. Anzaldua		3/28/12
CHECKED		
APPR.		
UNLESS OTHERWISE SPECIFIED DIMENSIONS ARE IN INCHES		
ANGLES	X	XX
5	5	5



THIRD ANGLE PROJECTION

PROJECT:	LIFE TRAC III
TITLE	LOADER ARM LOWER
SIZE	DWG. NO.
A	PART NUMBER
SCALE: 1:12	WEIGHT:
SHEET 1 OF 1	REV

5 4 3 2 1



**Open  
Source  
ecology**

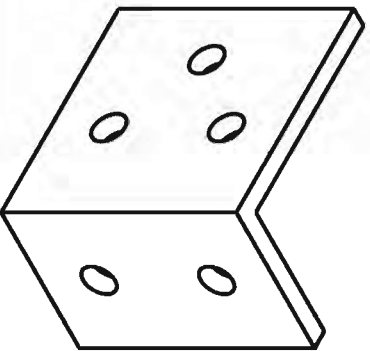
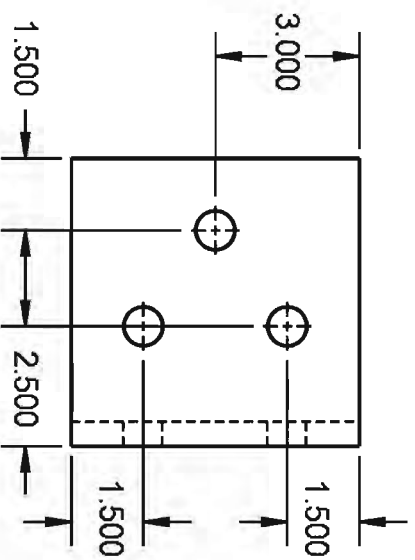
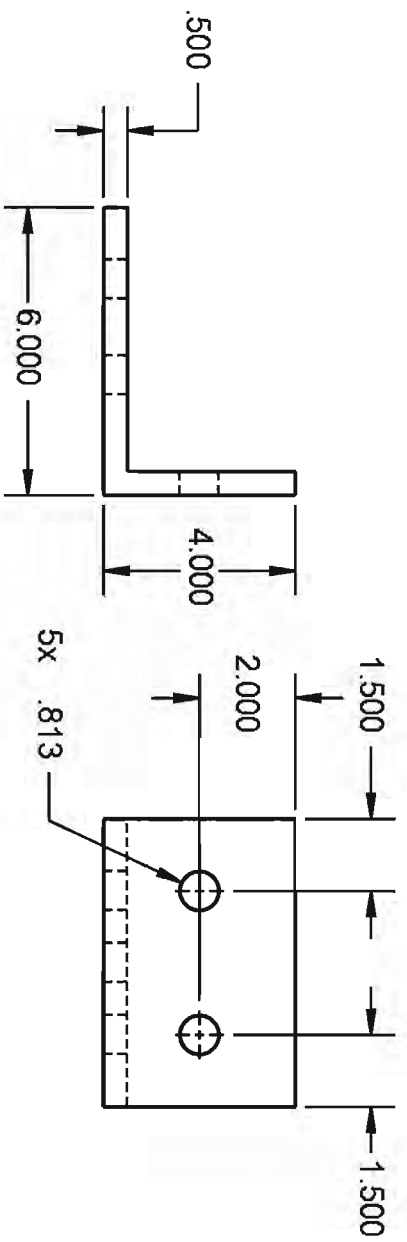
LICENSE INFORMATION

ALL INFORMATION RELEASE UNDER THE OPEN  
LICENSE FOR DISTRIBUTIVE ECONOMICS  
FOR FURTHER INFORMATION GO TO:  
OPEN.SOURCECLOGY.ORG/WIKI/LICENSE

DRAWN	F. Anzaldúa	DATE	3/28/12
CHECKED			
APPR			
UNLESS OTHERWISE SPECIFIED DIMENSIONS ARE IN INCHES			
ANGLES	X	XX	XXX
	5	5	5

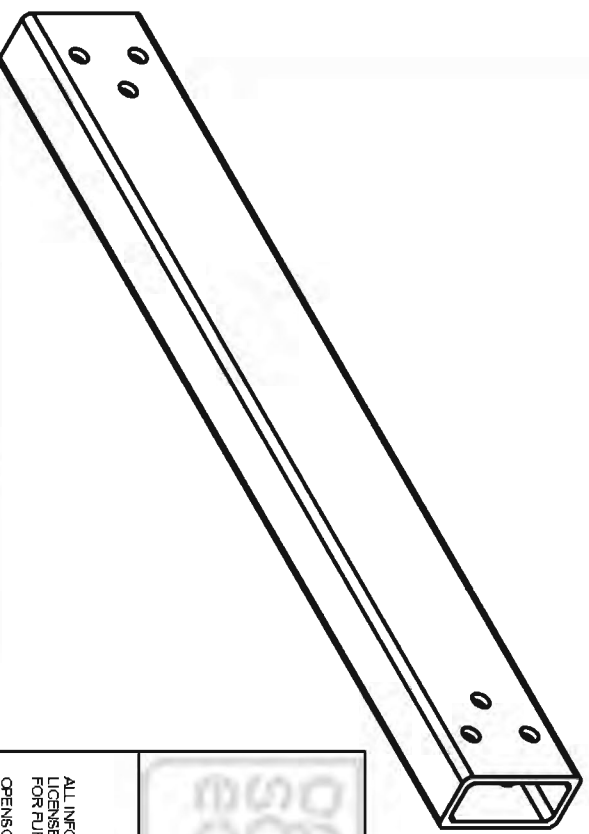
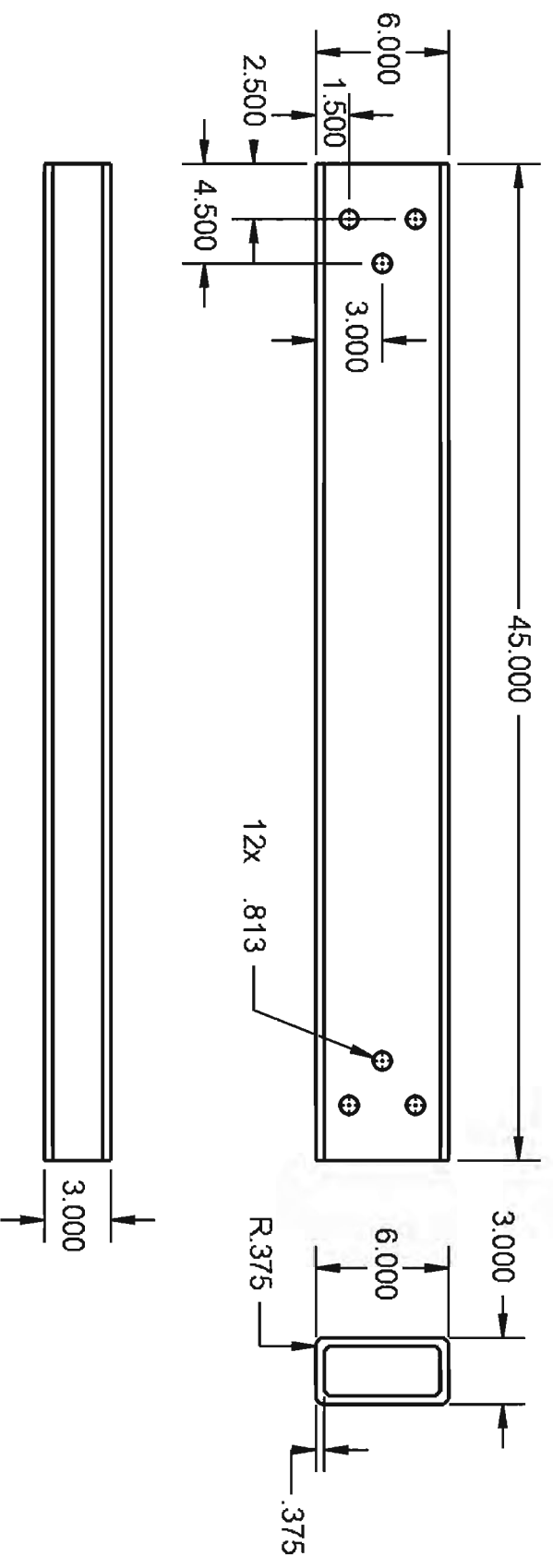
PROJECT:		LIFE TRAC III	
TITLE:			
<b>LOADER ARM SHAFT</b>		SIZE	REV
SCALE: 1:8		DWG. NO.	
WEIGHT:		PART NUMBER	
SHEET 1 OF 1			

5 4 3 2 1



ALL INFORMATION RELEASE UNDER THESE LICENSE FOR DISTRIBUTIVE ECONOMICS FOR FURTHER INFORMATION GO TO: OPENSOURCECLOGY.ORG/WILLICENSE		LICENSE INFORMATION	
DRAWN F. Anzaldúa 3/28/12		NAME DATE	
CHECKED		PROJECT: LIFE TRAC III	
APPR.		TITLE LOADER ARM SUPPORT BEAM ANGLE IRON	
UNLESS OTHERWISE SPECIFIED DIMENSIONS ARE IN INCHES		SIZE DWG. NO.	
ANGLES 5 5 X 5 .XX 5 .XXX 5		PART NUMBER	
THIRD ANGLE PROJECTION		SCALE: 1:4 WEIGHT: SHEET 1 OF 1	
REV		REV	

5 4 3 2 1



LICENSE INFORMATION  
 ALL INFORMATION RELEASE UNDER THE OSE  
 LICENSE FOR DISTRIBUTIVE ECONOMICS  
 FOR FURTHER INFORMATION GO TO:  
 OPENSOURCEECOLOGY.ORG/WIKILICENSE

DRAWN	NAME	DATE
F. Anzaldua		3/28/12
CHECKED		
APPR.		
UNLESS OTHERWISE SPECIFIED DIMENSIONS ARE IN INCHES		
ANGLES	X	XX
5	5	5



THIRD ANGLE PROJECTION

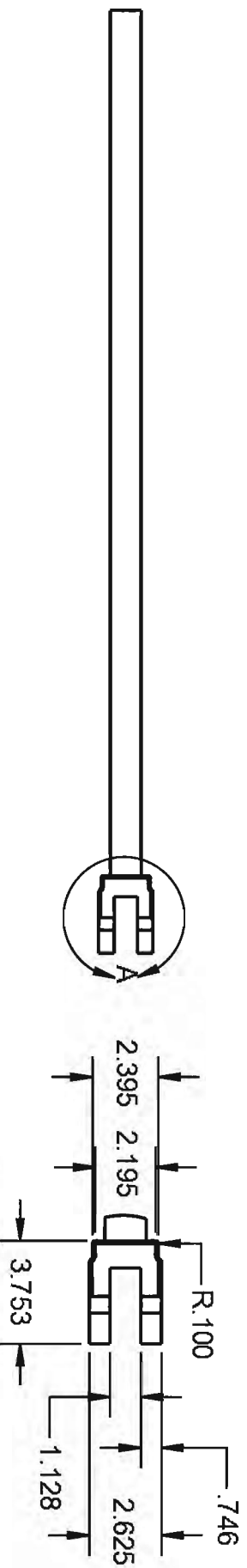
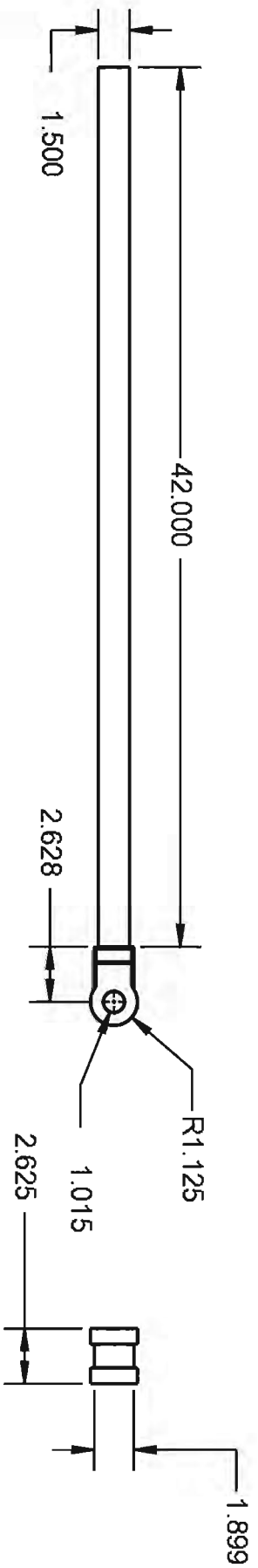
PROJECT:  
 LIFE TRAC III

TITLE  
**LOADER ARM  
 SUPPORT BEAM**

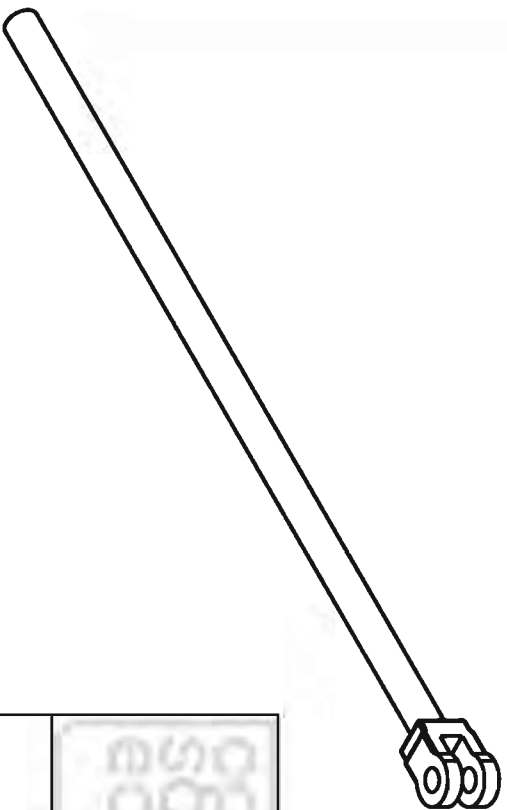
SIZE DWG. NO. PART NUMBER REV  
**A**

SCALE: 1:8 WEIGHT: SHEET 1 OF 1

5 4 3 2 1



DETAIL A  
SCALE 1 : 6



LICENSE INFORMATION  
ALL INFORMATION RELEASE UNDER THE OSE  
LICENSE FOR DISTRIBUTIVE ECONOMICS  
FOR FURTHER INFORMATION GO TO:  
OPENSOURCEECOLOGY.ORG/WIKILICENSE

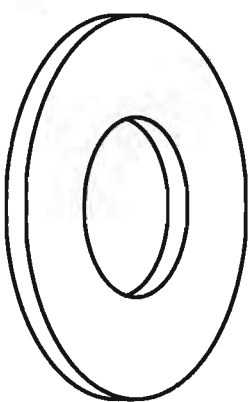
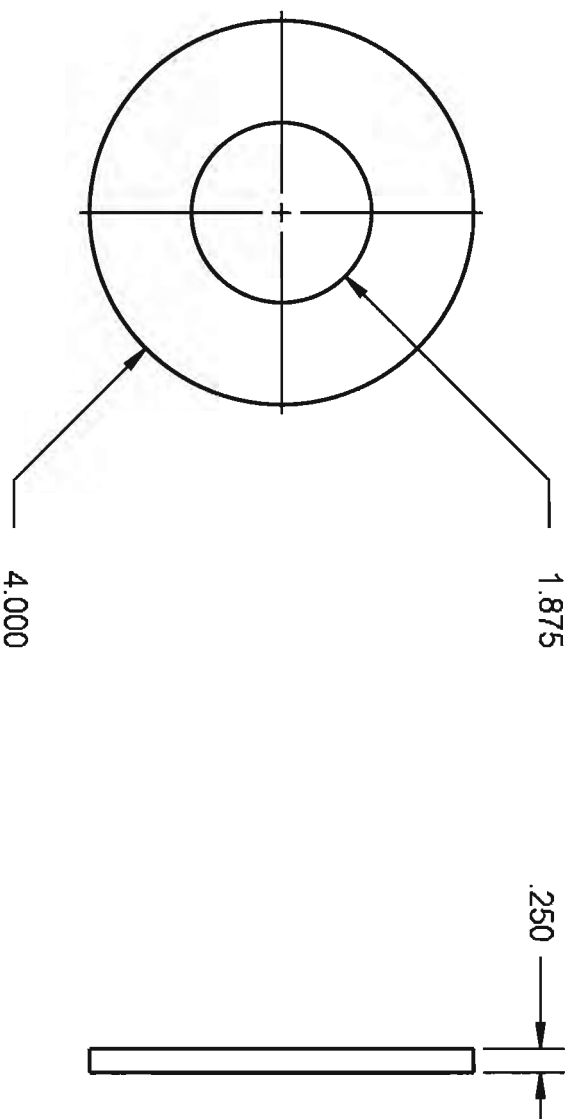
DRAWN	NAME	DATE
F. Anzaldúa		3/28/12
CHECKED		
APPR.		
UNLESS OTHERWISE SPECIFIED DIMENSIONS ARE IN INCHES		
ANGLES	X	XX
5	5	5



THIRD ANGLE PROJECTION

PROJECT:	LIFE TRAC III
TITLE	2.5X36X1.5 DA HYD CYL inner shaft
SIZE	A
DWG. NO.	PART NUMBER
SCALE: 1:8	WEIGHT:
SHEET 1 OF 1	REV

5 4 3 2 1



LICENSE INFORMATION  
 ALL INFORMATION RELEASED UNDER THIS LICENSE IS FOR DISTRIBUTIVE/ECONOMIC PURPOSES ONLY. FOR FURTHER INFORMATION GO TO: [OPENSOURCEECOLOGY.ORG/WIKI/LICENCE](http://OPENSOURCEECOLOGY.ORG/WIKI/LICENCE)

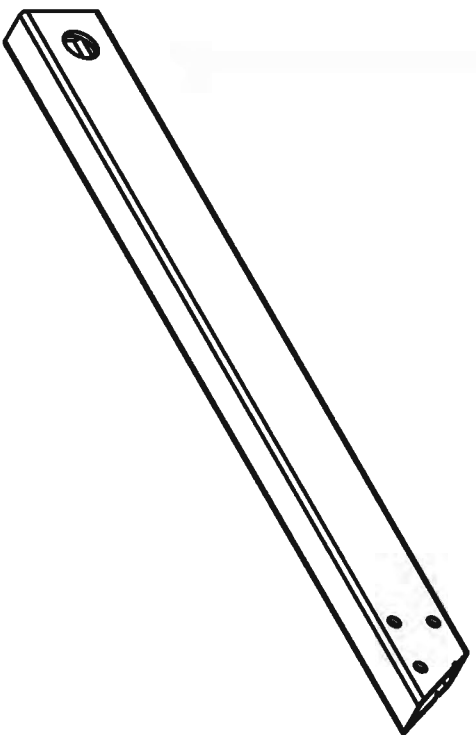
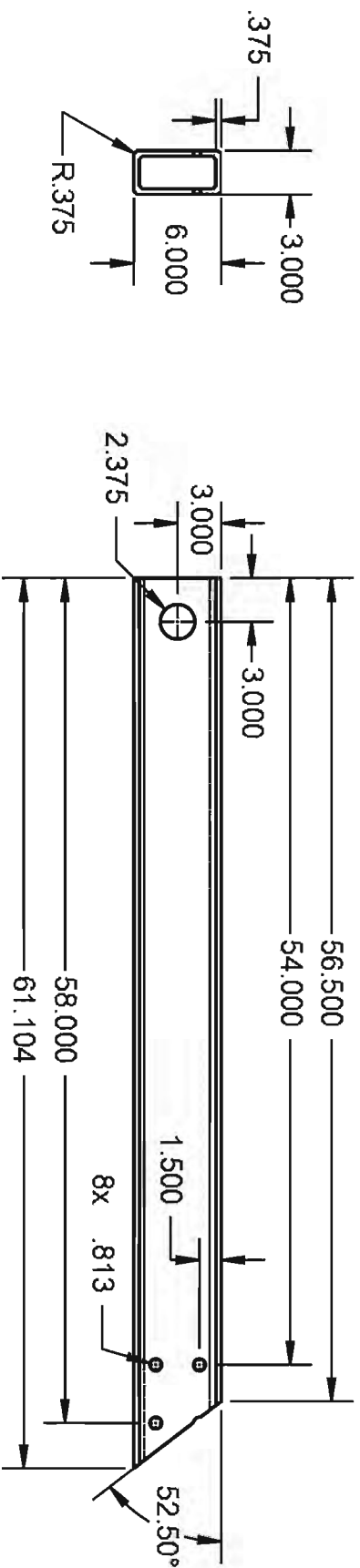
DRAWN	NAME	DATE
F. Anzaldua		3/28/12
CHECKED		
APPR.		
UNLESS OTHERWISE SPECIFIED DIMENSIONS ARE IN INCHES		
ANGLES	X	XX
5	5	5



PROJECT:	SIZE	DWG. NO.	REV
LIFE TRAC III	A	PART NUMBER	
TITLE	SCALE: 1:2	WEIGHT:	SHEET 1 OF 1
TITLE			

5 4 3 2 1





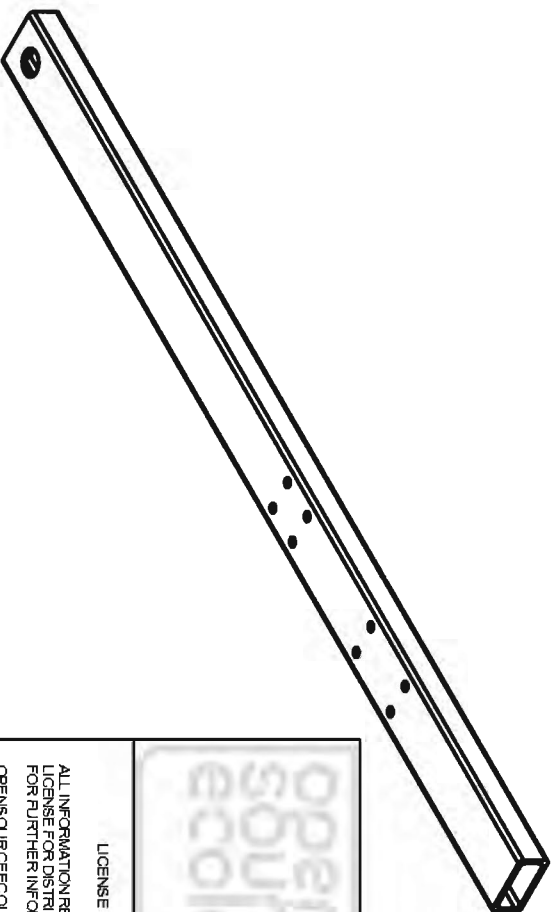
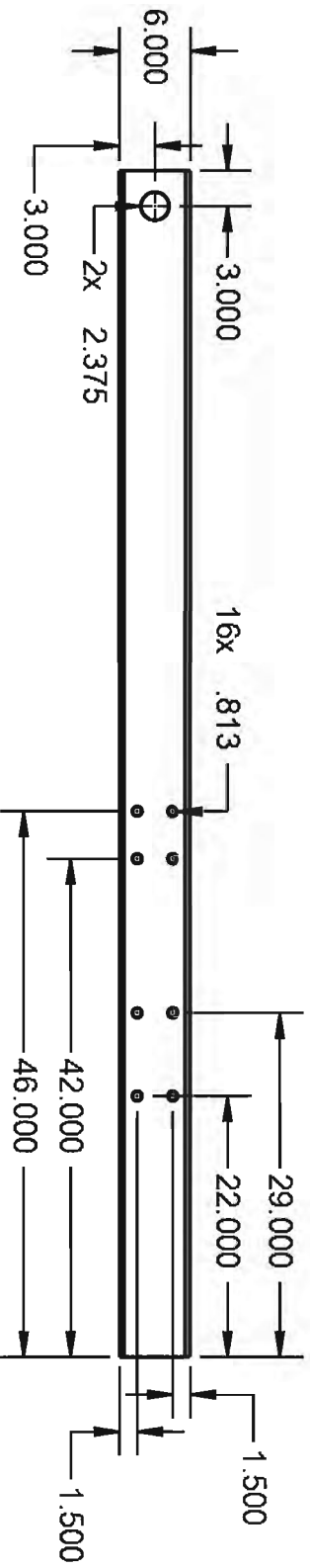
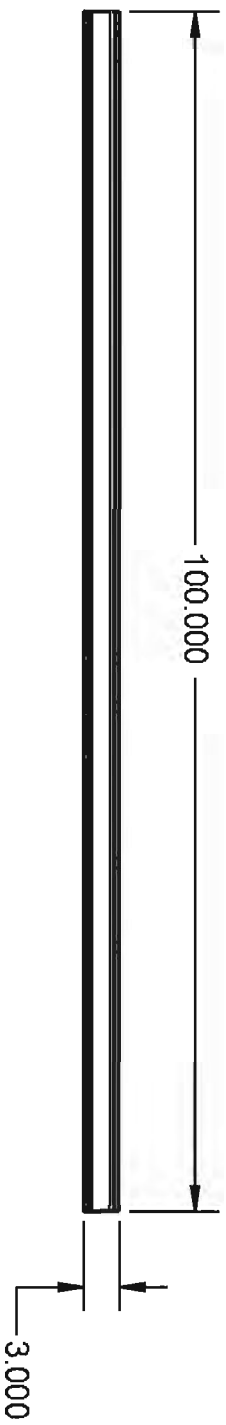
LICENSE INFORMATION  
 ALL INFORMATION RELEASED UNDER THIS LICENSE FOR DISTRIBUTIVE ECONOMICS FOR FURTHER INFORMATION GO TO:  
 OPENSOURCEECOLOGY.ORG/WIKI/LICENSE

DRAWN	NAME	DATE
CHECKED	F. Anzaldúa	3/28/12
APPR.		
UNLESS OTHERWISE SPECIFIED DIMENSIONS ARE IN INCHES		
ANGLES	X	XX
5	5	5



PROJECT:	LIFE TRAC III	
TITLE	LOADER ARM UPPER	
SIZE	DWG. NO.	REV
A	PART NUMBER	
SCALE: 1:12	WEIGHT:	SHEET 1 OF 1

5 4 3 2 1



LICENSE INFORMATION  
 ALL INFORMATION RELEASE UNDER THE OPEN SOURCE LICENSE FOR DISTRIBUTIVE ECONOMICS FOR FURTHER INFORMATION GO TO:  
[OPENSOURCEECOLOGY.ORG/WIKI/LICENSE](http://OPENSOURCEECOLOGY.ORG/WIKI/LICENSE)

DRAWN	NAME	DATE
F. Anzaldúa		3/28/12
CHECKED		
APPR.		
UNLESS OTHERWISE SPECIFIED DIMENSIONS ARE IN INCHES		
ANGLES	X	XX
5	5	5



PROJECT:

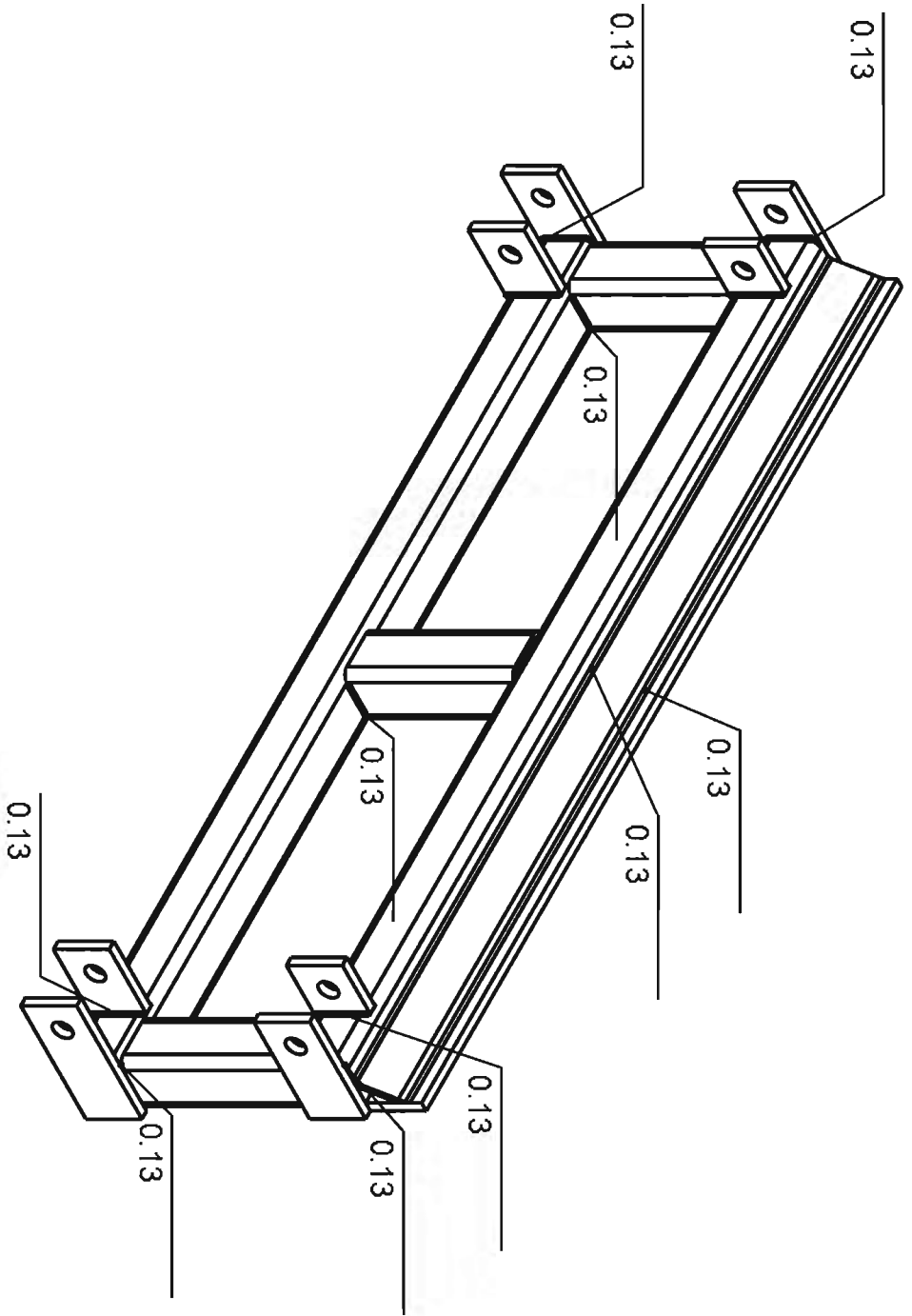
LIFE TRAC III

TITLE

**LOADER ARM**

SIZE	DWG. NO.	REV
<b>A</b>		
SCALE: 1:16	PART NUMBER	
WEIGHT:		
		SHEET 1 OF 1

5 4 3 2 1



LICENSE INFORMATION  
 ALL INFORMATION RELEASE UNDER THE OPEN SOURCE LICENSE FOR DISTRIBUTIVE ECONOMICS FOR FURTHER INFORMATION GO TO:  
[OPENSOURCEECOLOGY.ORG/WIKI/LICENCE](http://OPENSOURCEECOLOGY.ORG/WIKI/LICENCE)

DRAWN	NAME	DATE
F. Anzaldua		3/28/12
CHECKED		
APPR.		
UNLESS OTHERWISE SPECIFIED DIMENSIONS ARE IN INCHES		
ANGLES	X	XX
5	5	5

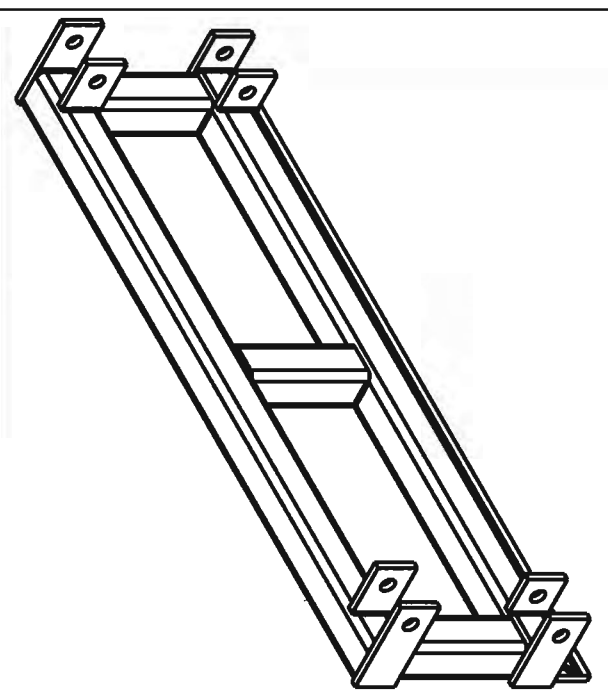
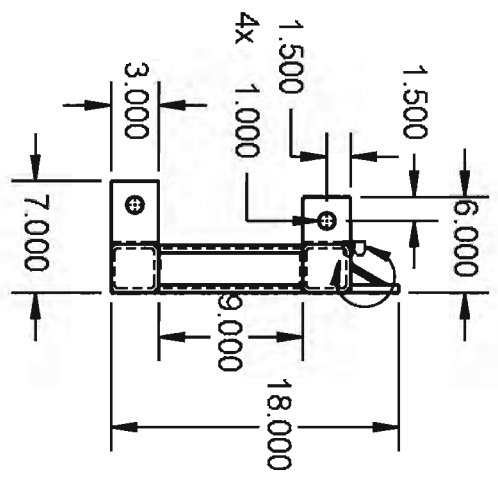
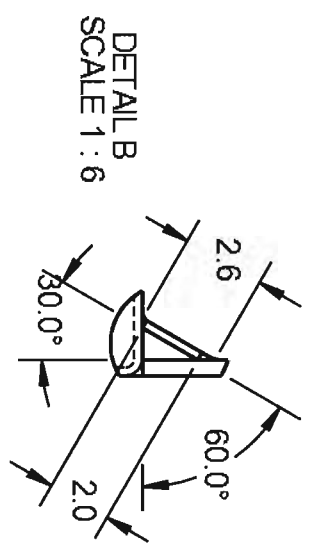
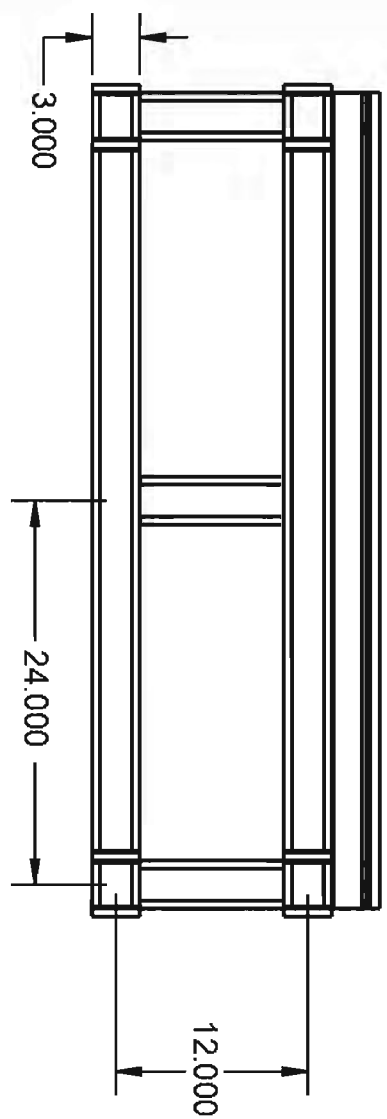
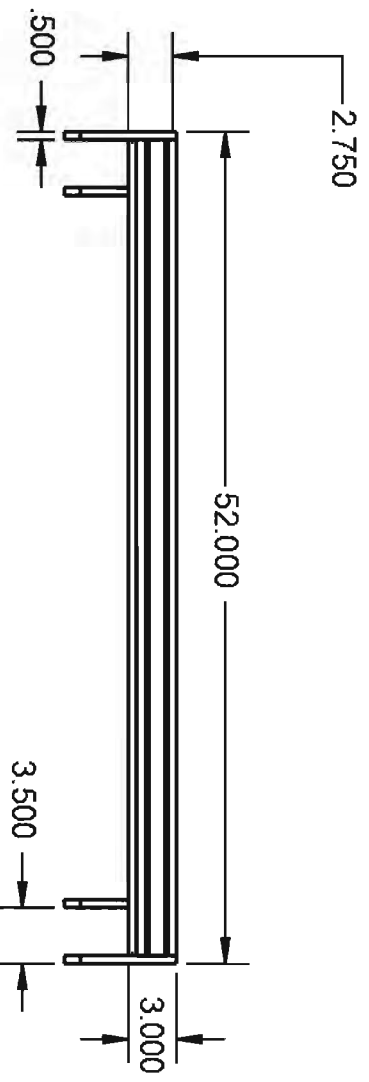


THIRD ANGLE PROJECTION

PROJECT:  
 LIFE TRAC III  
 TITLE  
**LOADER QUICK  
 ATTACH PLATE  
 WELDS**

SIZE	DWG. NO.	REV
<b>A</b>	PART NUMBER	
SCALE: 1:8	WEIGHT:	SHEET 1 OF 1

5 4 3 2 1

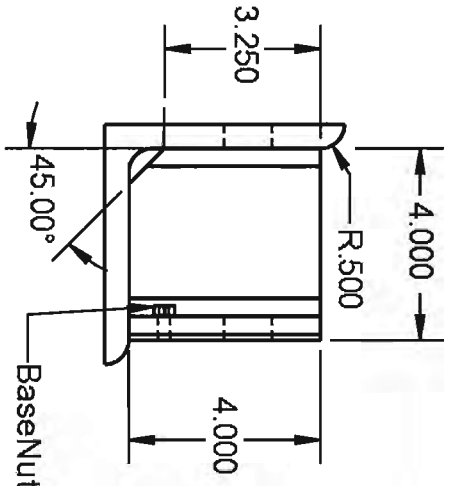
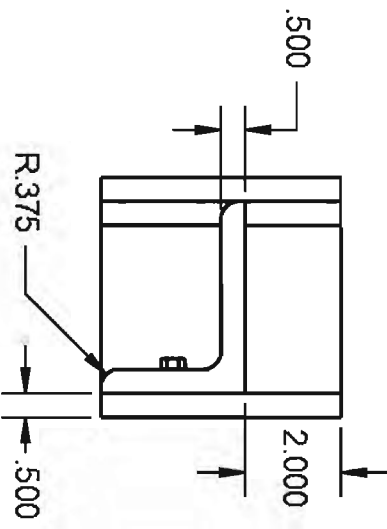
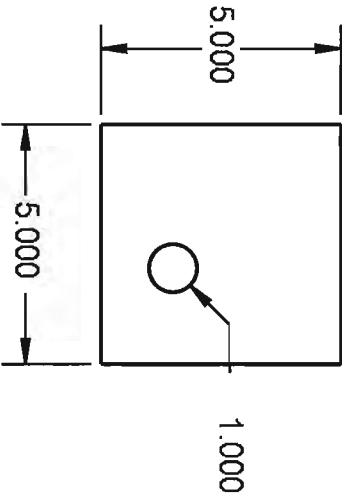
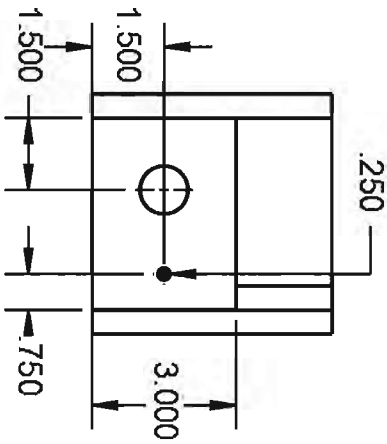


LICENSE INFORMATION  
ALL INFORMATION RELEASE UNDER THE OSE  
LICENSE FOR DISTRIBUTIVE ECONOMICS  
FOR FURTHER INFORMATION GO TO:  
OPENSOURCEECOLOGY.ORG/WIKI/LICENSE

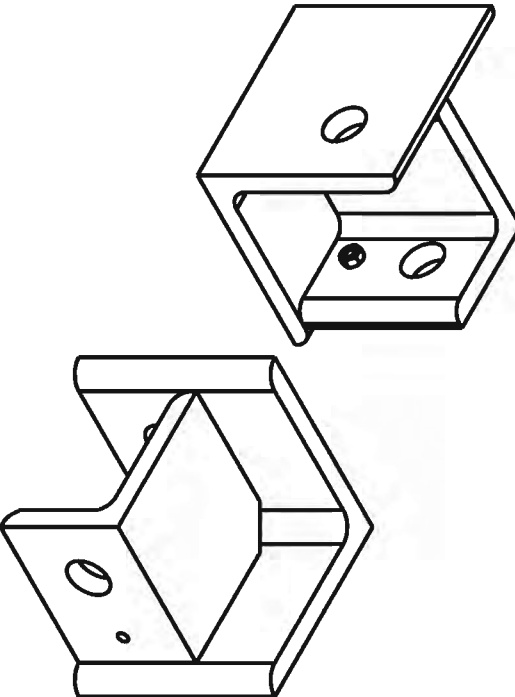
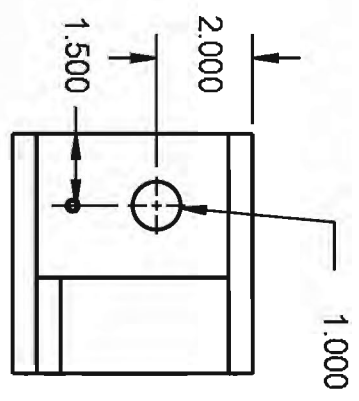
DRAWN	NAME	DATE
F. Anzaldúa		3/28/12
CHECKED		
APPR.		
UNLESS OTHERWISE SPECIFIED DIMENSIONS ARE IN INCHES		
ANGLES	X	XX
5	5	5
THIRD ANGLE PROJECTION		

PROJECT:	LIFE TRAC III
TITLE	LOADER QUICK ATTACH PLATE
SIZE	DWG. NO. A
SCALE: 1:12	PART NUMBER
WEIGHT:	REV
SHEET 1 OF 1	

5 4 3 2 1



BaseNut of Hex Nut\_ai



LICENSE INFORMATION  
 ALL INFORMATION RELEASE UNDER THE OPEN SOURCE LICENSE FOR DISTRIBUTIVE ECONOMICS FOR FURTHER INFORMATION GO TO: [OPENSOURCEECOLOGY.ORG/WIKI/LICENCE](http://OPENSOURCEECOLOGY.ORG/WIKI/LICENCE)

DRAWN	NAME	DATE
CHECKED	F. Anzaldúa	3/28/12
APPR.		
UNLESS OTHERWISE SPECIFIED DIMENSIONS ARE IN INCHES		
ANGLES	X	XX
	5	5

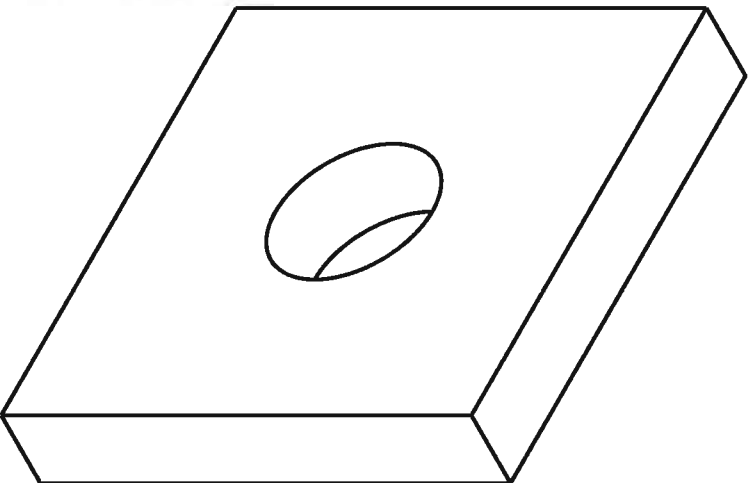
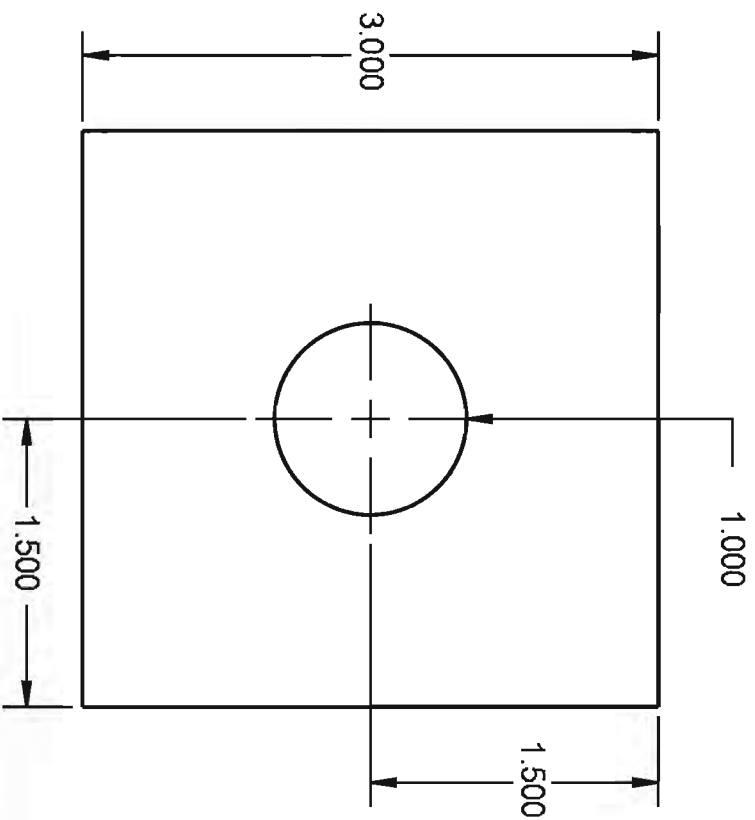
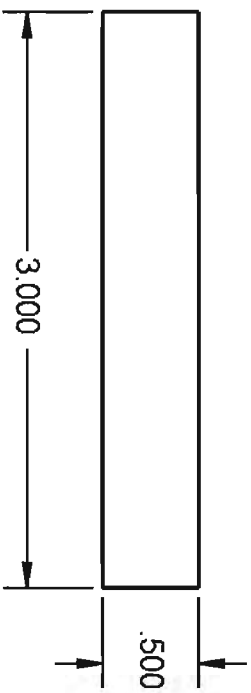


THIRD ANGLE PROJECTION

PROJECT: LIFE TRAC III  
 TITLE: NEW PISTON MOUNT

SIZE	DWG. NO.	REV
A	PART NUMBER	
SCALE: 1:4	WEIGHT:	SHEET 1 OF 1

5 4 3 2 1



LICENSE INFORMATION  
 ALL INFORMATION RELEASE UNDER THE OSE  
 LICENSE FOR DISTRIBUTIVE ECONOMICS  
 FOR FURTHER INFORMATION GO TO:  
 OPENSOURCEECOLOGY.ORG/MILLICENISE

DRAWN	NAME	DATE
F. Anzaldúa		8/28/12
CHECKED		
APPR.		
UNLESS OTHERWISE SPECIFIED DIMENSIONS ARE IN INCHES		
ANGLES	X	XX
5	5	5



THIRD ANGLE PROJECTION

PROJECT:  
 LIFE TRAC III

TITLE  
 NEW PLATE

SIZE	DWG. NO.	REV
A	PART NUMBER	
SCALE: 1:1	WEIGHT:	SHEET 1 OF 1

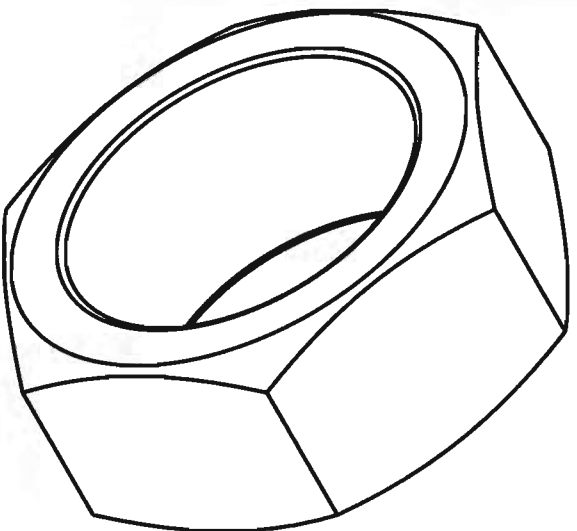
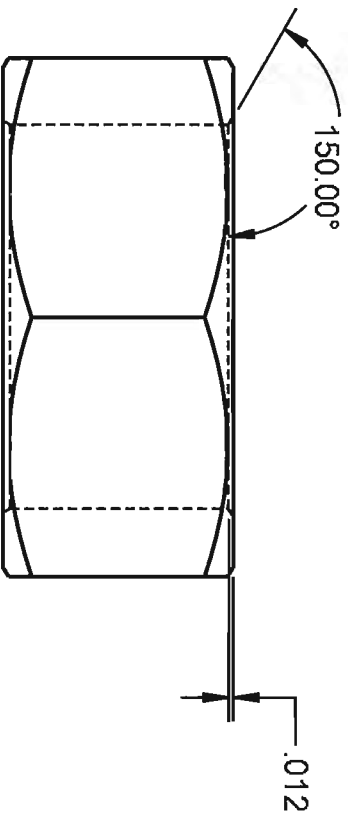
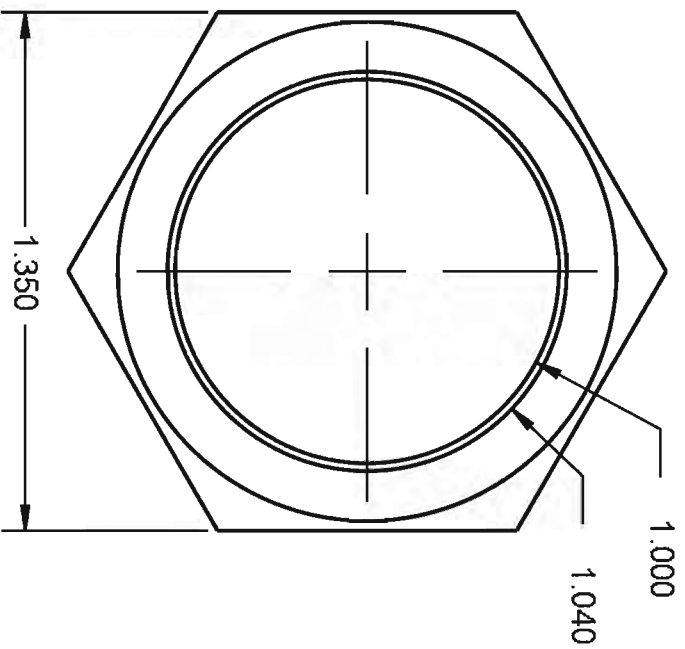
5

4

3

2

1



LICENSE INFORMATION  
 ALL INFORMATION RELEASED UNDER THE OSE  
 LICENSE FOR DISTRIBUTIVE ECONOMICS  
 FOR FURTHER INFORMATION GO TO:  
 OPENSOURCEECOLOGY.ORG/WIKILICENSE



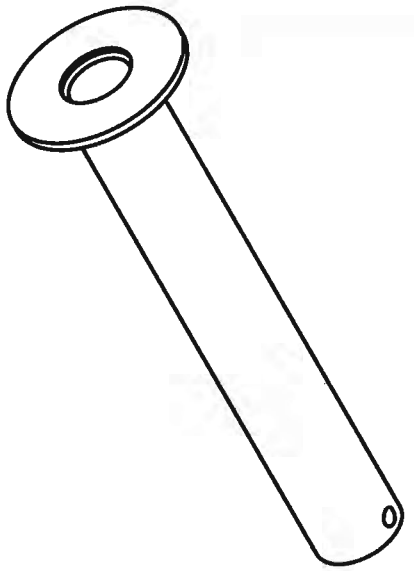
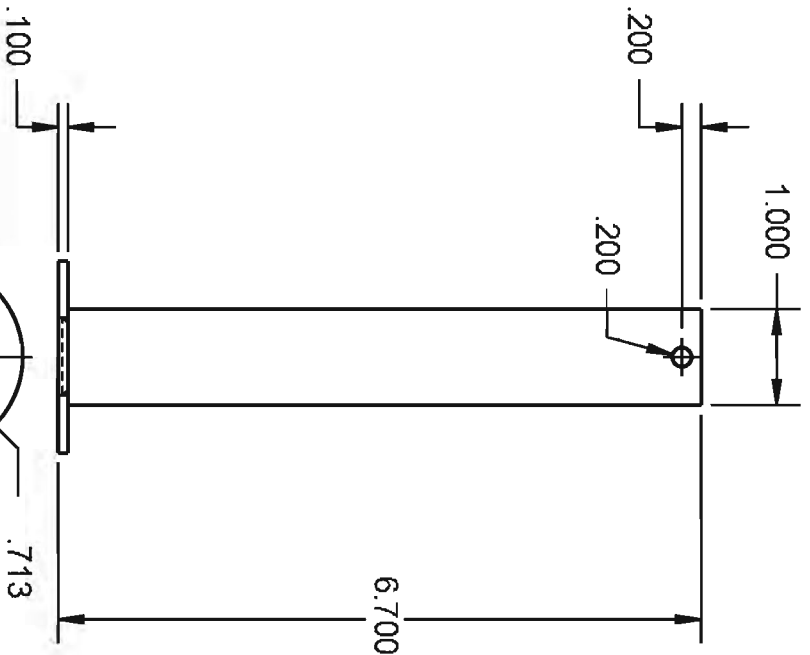
DRAWN	NAME	DATE
F. Anzaldua		3/28/12
CHECKED		
APPR.		
UNLESS OTHERWISE SPECIFIED DIMENSIONS ARE IN INCHES		
ANGLES	X	XX
5	5	5



THIRD ANGLE PROJECTION

PROJECT:	PROJECT:
LIFE TRAC III	
TITLE	
<b>1 INCH NUT        DRILLED OUT</b>	
SIZE	DWG. NO.
<b>A</b>	PART NUMBER
SCALE: 2:1	WEIGHT:
SHEET 1 OF 1	REV

5 4 3 2 1



LICENSE INFORMATION  
 ALL INFORMATION RELEASE UNDER THE OSE  
 LICENSE FOR DISTRIBUTIVE ECONOMICS  
 FOR FURTHER INFORMATION GO TO:  
 OPENSOURCEECOLOGY.ORG/WIKI/LICENSE

DRAWN	F. Anzaldua	DATE	3/28/12
CHECKED			
APPR.			
UNLESS OTHERWISE SPECIFIED DIMENSIONS ARE IN INCHES			
ANGLES	5	5	5
	X	XX	XXX

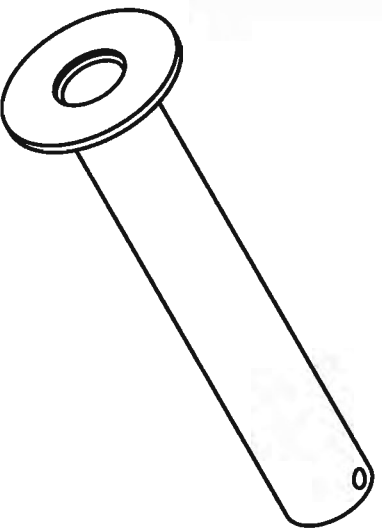
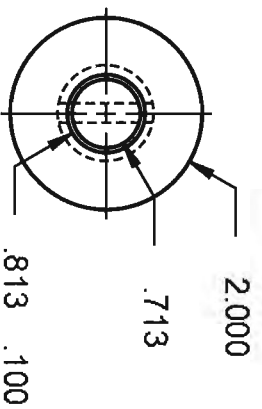
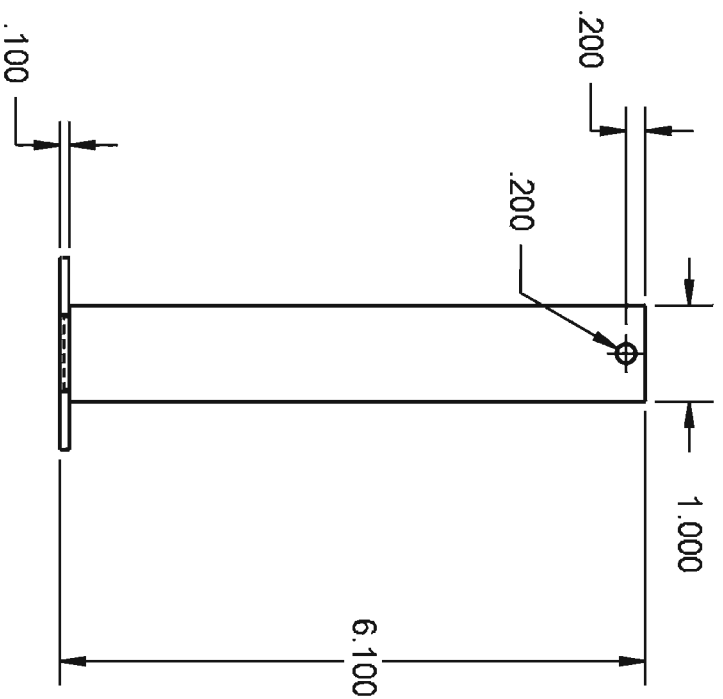


THIRD ANGLE PROJECTION

PROJECT:	LIFE TRAC III
TITLE	1 INCH PIN (8IN LONG)
SIZE	DWG. NO.
A	PART NUMBER
SCALE: 1:2	WEIGHT:
SHEET 1 OF 1	REV

5 4 3 2 1





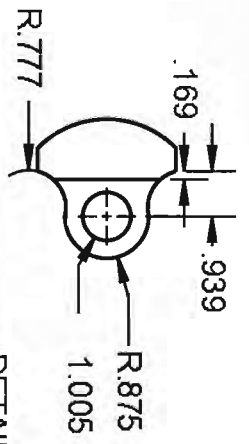
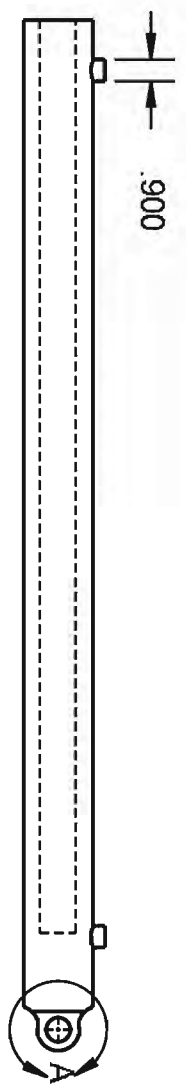
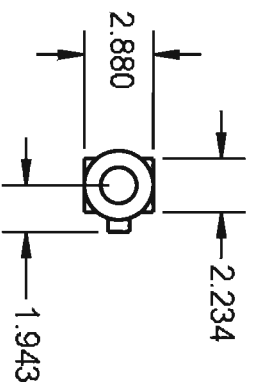
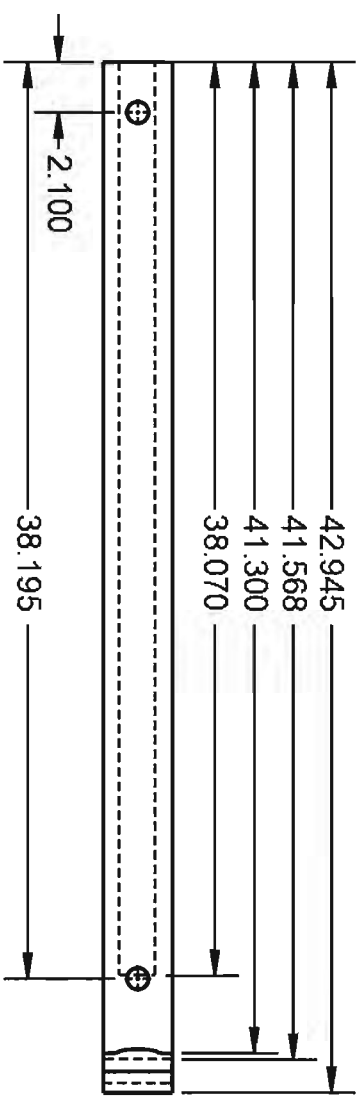
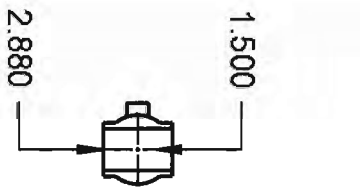
LICENSE INFORMATION  
 ALL INFORMATION RELEASE UNDER THE OSE  
 LICENSE FOR DISTRIBUTIVE ECONOMICS  
 FOR FURTHER INFORMATION GO TO:  
 OPENSOURCEECOLOGY.ORG/WIKI/LICENSE

DRAWN	NAME	DATE
F. Anzaldúa		3/28/12
CHECKED		
APPR.		
UNLESS OTHERWISE SPECIFIED DIMENSIONS ARE IN INCHES		
ANGLES	X	XX
5	5	5

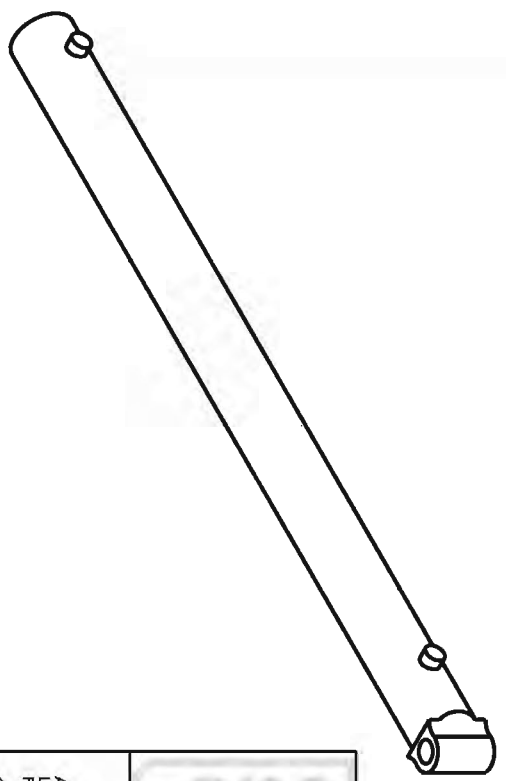


PROJECT:	ONE INCH PIN
TITLE	LIFE TRAC III
SIZE	DWG. NO.
A	PART NUMBER
SCALE: 1:2	WEIGHT:
SHEET 1 OF 1	REV

5 4 3 2 1



DETAIL A  
SCALE 1 : 4



LICENSE INFORMATION  
ALL INFORMATION RELEASE UNDER THE OPEN SOURCE LICENSE FOR DISTRIBUTIVE ECONOMICS FOR FURTHER INFORMATION GO TO: [OPENSOURCEECOLOGY.ORG/WIKI/LICENCE](http://OPENSOURCEECOLOGY.ORG/WIKI/LICENCE)

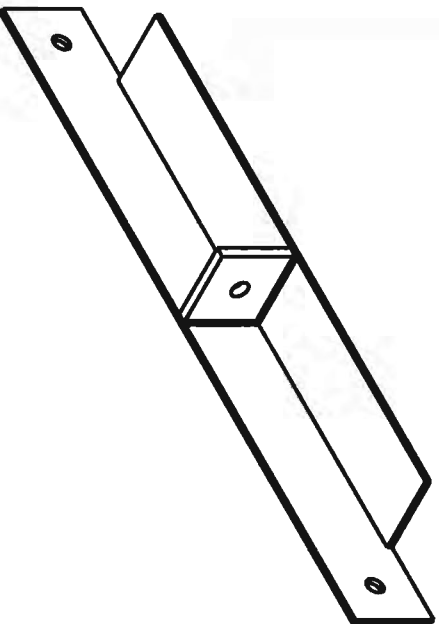
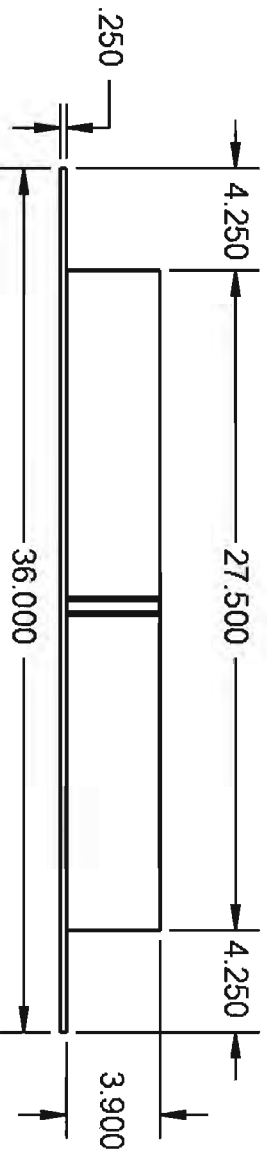
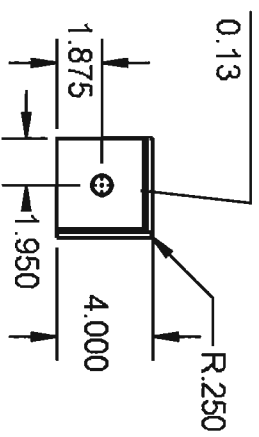
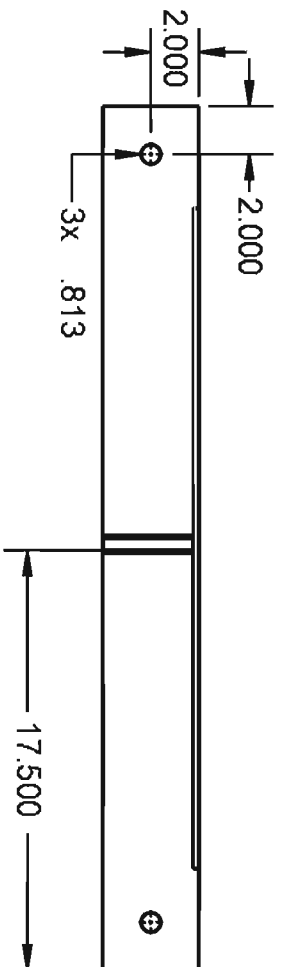
DRAWN	NAME	DATE
F. Anzaldua		3/28/12
CHECKED		
APPR.		
UNLESS OTHERWISE SPECIFIED DIMENSIONS ARE IN INCHES		
ANGLES	X	XX
	5	5
	5	5



THIRD ANGLE PROJECTION

PROJECT:	LIFE TRAC III
TITLE	2.5X36X1.5 DA HYD CYL
SIZE	DWG. NO.
A	PART NUMBER
SCALE: 1:8	WEIGHT:
SHEET 1 OF 1	REV

5 4 3 2 1



LICENSE INFORMATION  
 ALL INFORMATION RELEASED UNDER THIS OPEN SOURCE LICENSE IS FOR DISTRIBUTIVE ECONOMICS PURPOSES ONLY. FOR FURTHER INFORMATION GO TO: [OPENSOURCEECOLOGY.ORG/WIKI/LICENSE](http://OPENSOURCEECOLOGY.ORG/WIKI/LICENSE)

DRAWN	NAME	DATE
F. Anzaldua		3/28/12
CHECKED		
APPR.		
UNLESS OTHERWISE SPECIFIED DIMENSIONS ARE IN INCHES		
ANGLES	X	XX
5	5	5



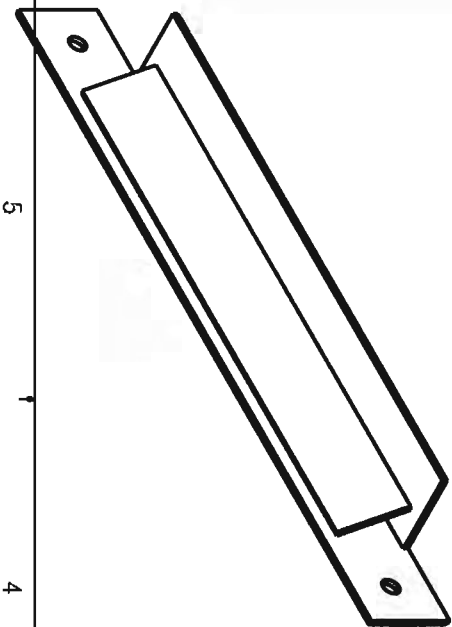
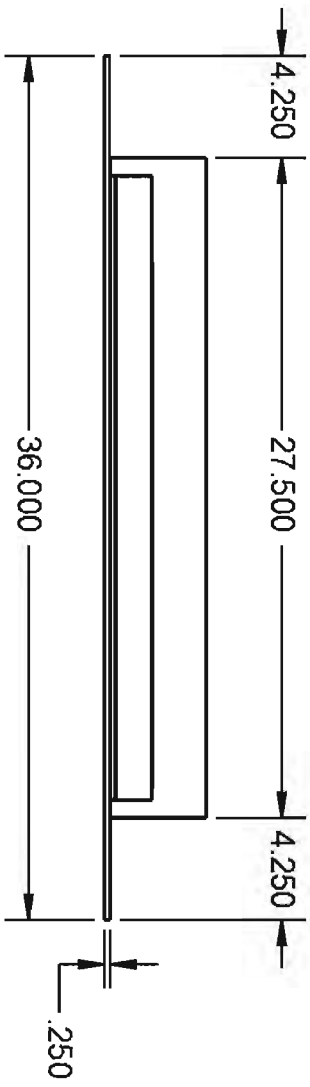
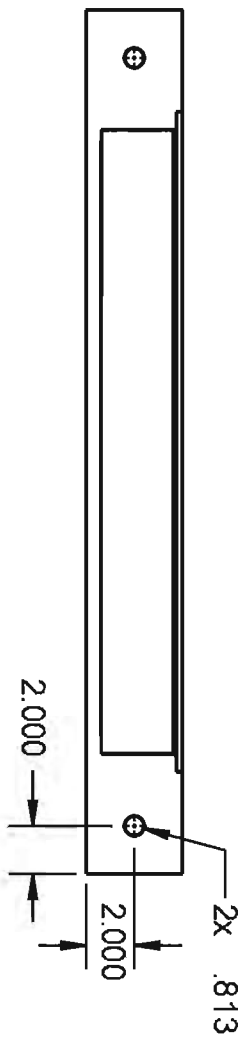
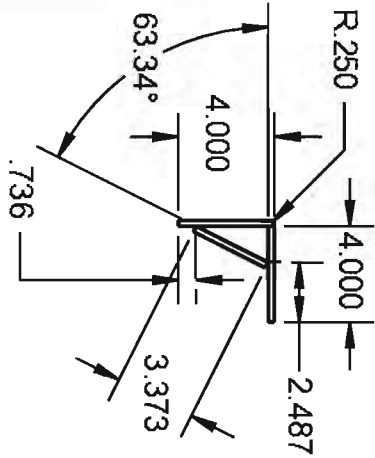
THIRD ANGLE PROJECTION

PROJECT:  
LIFE TRAC III

TITLE  
**POWER CUBE  
BOTTOM MOUNT**

SIZE	DWG. NO.	REV
<b>A</b>	PART NUMBER	
SCALE: 1:8	WEIGHT:	SHEET 1 OF 1

5 4 3 2 1



LICENSE INFORMATION  
 ALL INFORMATION RELEASE UNDER THE OSE  
 LICENSE FOR DISTRIBUTIVE ECONOMICS  
 FOR FURTHER INFORMATION GO TO  
 OPENSOURCEECOLOGY.ORG/WIKILICENSE

DRAWN	F. Anzaldua	DATE	3/28/12
CHECKED			
APPR.			
UNLESS OTHERWISE SPECIFIED DIMENSIONS ARE IN INCHES			
ANGLES	5	X	5
		XX	5
		XXX	5



THIRD ANGLE PROJECTION

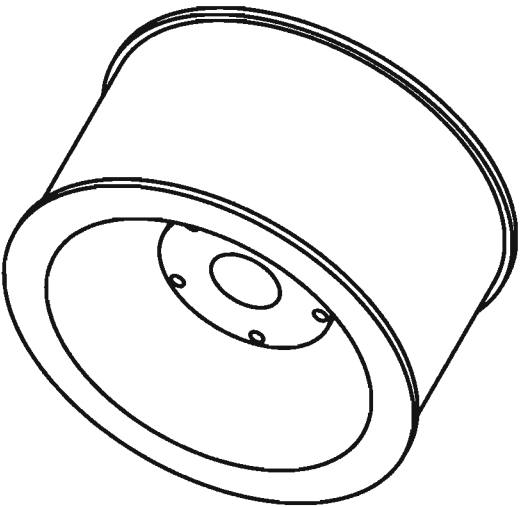
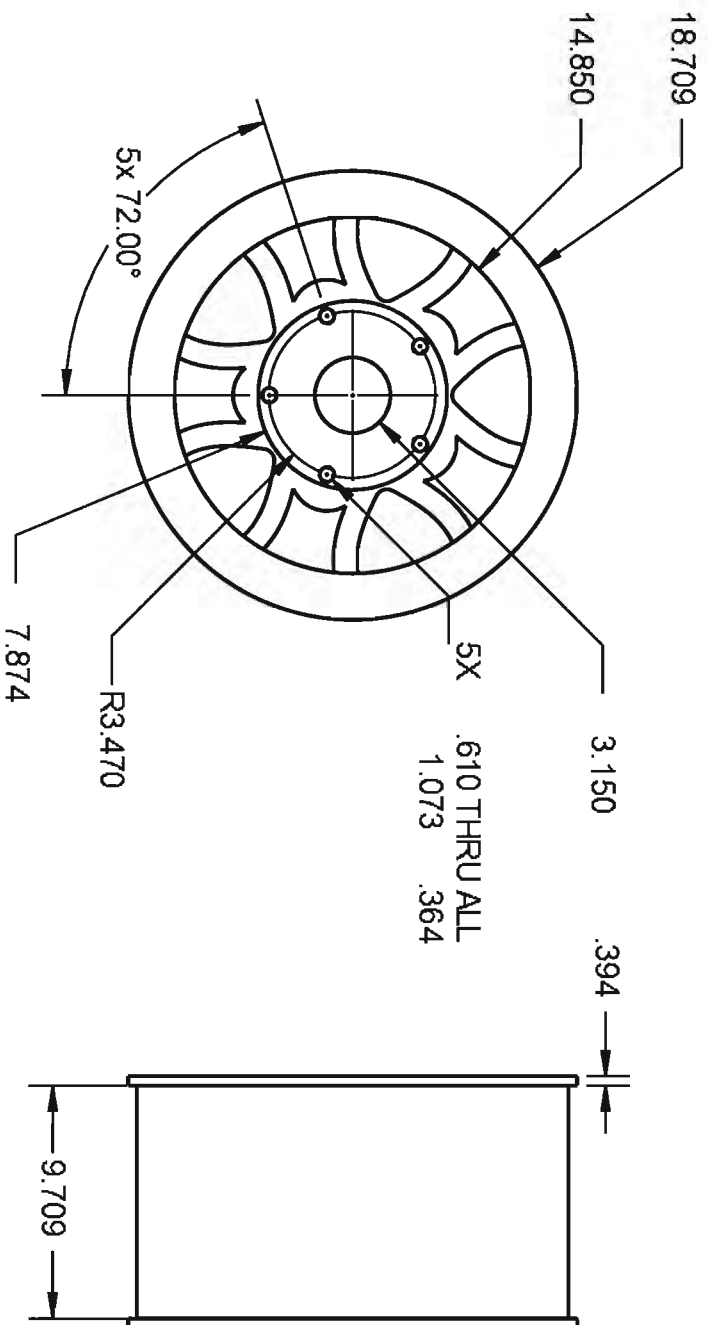
PROJECT:  
 LIFE TRAC III

TITLE:  
**POWER CUBE  
 TOP MOUNT**

SIZE: **A** DWG. NO. PART NUMBER REV

SCALE: 1:8 WEIGHT: SHEET 1 OF 1

5 4 3 2 1

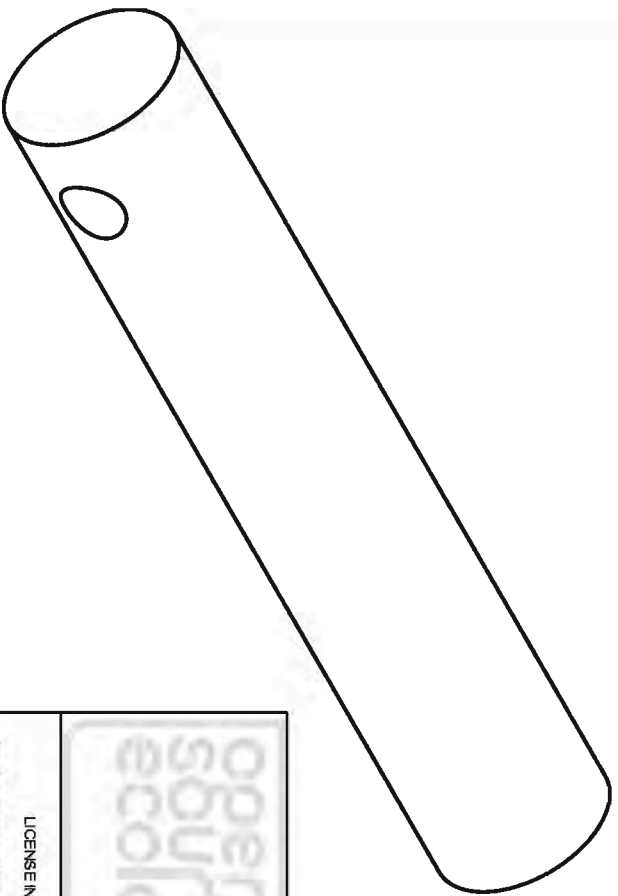
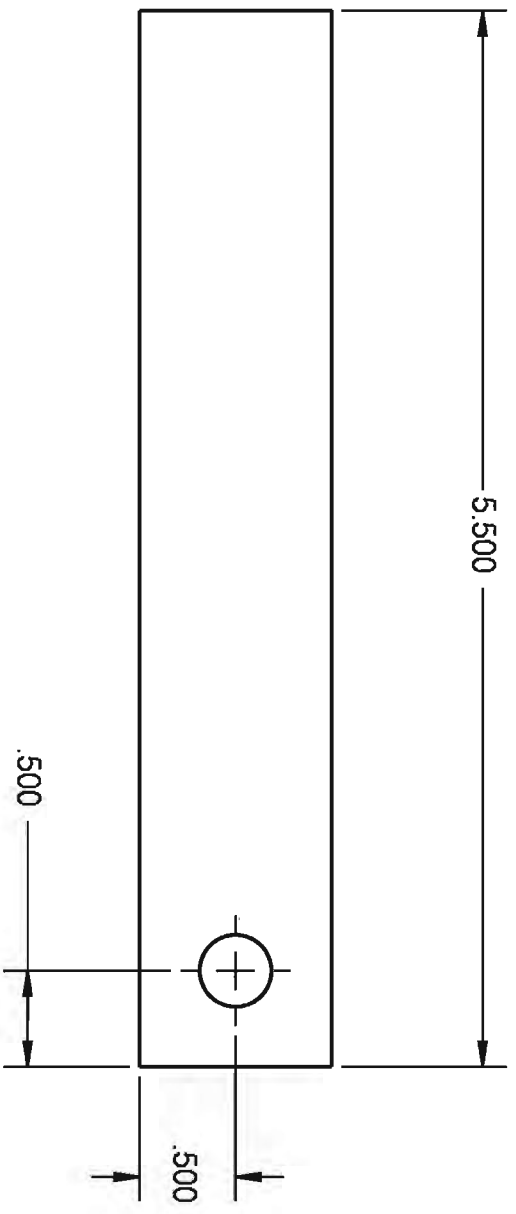
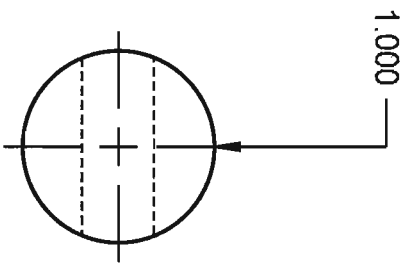


LICENSE INFORMATION  
 ALL INFORMATION RELEASE UNDER THE OSE  
 LICENSE FOR DISTRIBUTIVE ECONOMICS  
 FOR FURTHER INFORMATION GO TO:  
 OPENSOURCEECOLOGY.ORG/WIKI/LICENSE

DRAWN	F. Anzaldua	DATE	8/28/12
CHECKED			
APPR.			
UNLESS OTHERWISE SPECIFIED DIMENSIONS ARE IN INCHES			
ANGLES	5	X	5
		XX	5
		XXX	5

PROJECT:		LIFE TRAC III	
TITLE:		RIM	
SIZE	DWG. NO.	PART NUMBER	REV
A			
SCALE: 1:8	WEIGHT:	SHEET 1 OF 1	

5 4 3 2 1



**open**  
source  
ecology

LICENSE INFORMATION

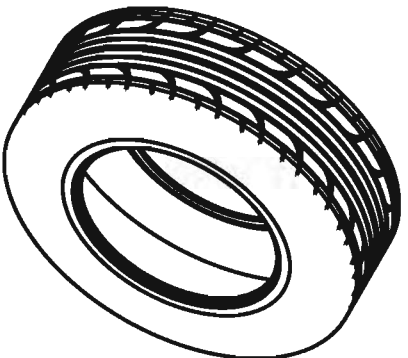
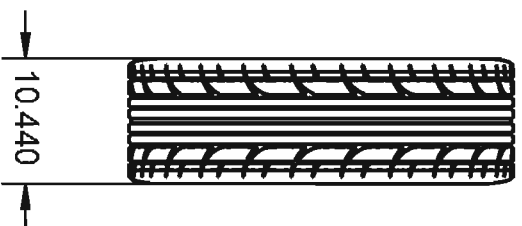
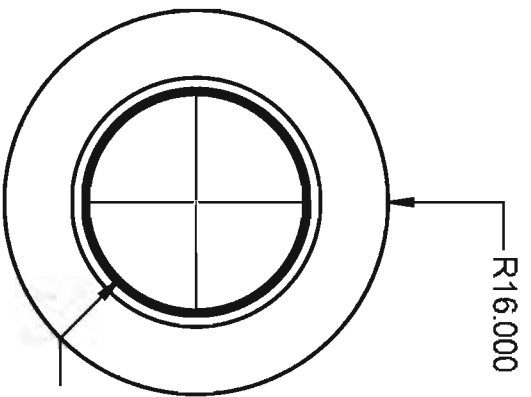
ALL INFORMATION RELEASE UNDER THE OGBE  
LICENSE FOR DISTRIBUTIVE ECONOMICS  
FOR FURTHER INFORMATION GO TO:  
OPENSOURCEECOLOGY.ORG/MILLICENISE

DRAWN	NAME	DATE
F. Anzaldua		3/28/12
CHECKED		
APPR.		
UNLESS OTHERWISE SPECIFIED DIMENSIONS ARE IN INCHES		
ANGLES	X	XX
5	5	5

PROJECT:		REV
LIFE TRAC III		
TITLE		
<b>ROD, 1 INCH</b>		
SIZE	DWG. NO.	
<b>A</b>		
SCALE: 1:1	PART NUMBER	
WEIGHT:		
SHEET 1 OF 1		



5 4 3 2 1



LICENSE INFORMATION  
 ALL INFORMATION RELEASED UNDER THIS LICENSE IS FOR DISTRIBUTIVE ECONOMIC PURPOSES. FOR FURTHER INFORMATION GO TO: [OPENSOURCEECOLOGY.ORG/WIKI/LICENCE](http://OPENSOURCEECOLOGY.ORG/WIKI/LICENCE)

DRAWN	F. Anzaldua	DATE	3/21/12
CHECKED			
APPR.			
UNLESS OTHERWISE SPECIFIED DIMENSIONS ARE IN INCHES			
ANGLES	X	XX	XXX
	5	5	5



THIRD ANGLE PROJECTION

PROJECT:

LIFE TRAC III

TITLE

TIRE

SIZE DWG. NO.

A

PART NUMBER

REV

SCALE: 1:16 WEIGHT:

SHEET 1 OF 1

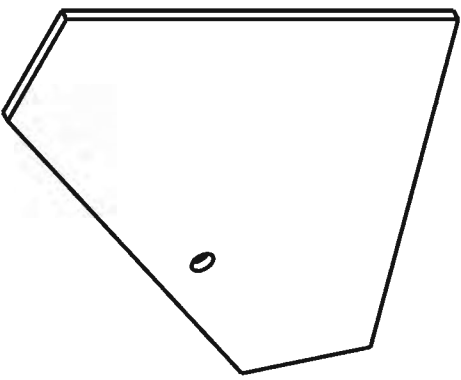
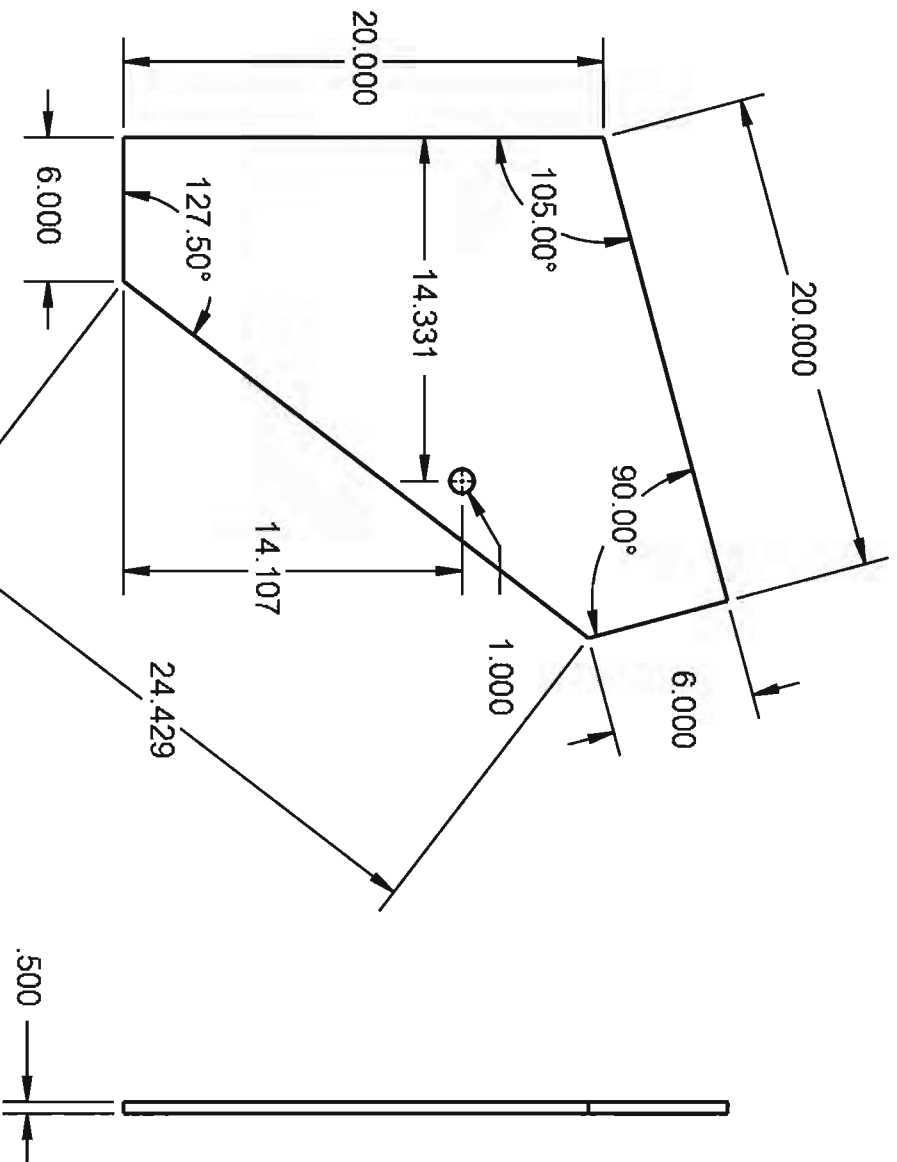
5

4

3

2

1



LICENSE INFORMATION  
 ALL INFORMATION RELEASE UNDER THE OSE  
 LICENSE FOR DISTRIBUTIVE ECONOMICS  
 FOR FURTHER INFORMATION GO TO:  
 OPENSOURCEECOLOGY.ORG/WIKI/LICENSE

DRAWN	NAME	DATE
F. Anzaldúa		3/28/12
CHECKED		
APPR.		
UNLESS OTHERWISE SPECIFIED DIMENSIONS ARE IN INCHES		
ANGLES	X	XX
5	5	5

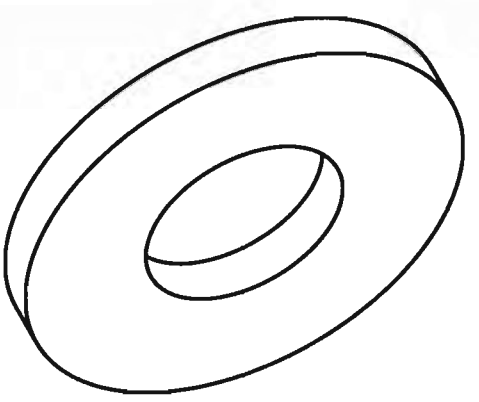
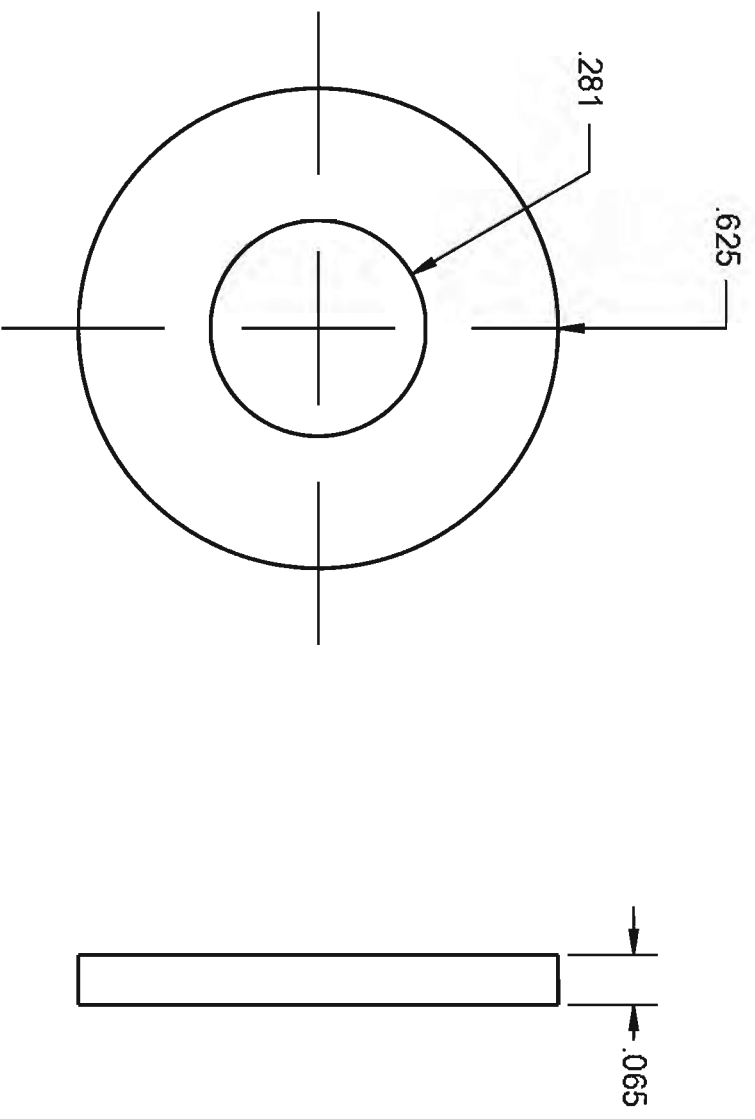


THIRD ANGLE PROJECTION

PROJECT:	LIFE TRAC III
TITLE	TOP LOADER PLATE HYDRAULIC
SIZE	DWG. NO.
A	PART NUMBER
SCALE: 1:8	WEIGHT:
SHEET 1 OF 1	REV

5 4 3 2 1





LICENSE INFORMATION  
 ALL INFORMATION RELEASE UNDER THE OSE  
 LICENSE FOR DISTRIBUTIVE ECONOMICS  
 FOR FURTHER INFORMATION GO TO:  
 OPENSOURCEECOLOGY.ORG/WIKI/LICENSE

DRAWN	NAME	DATE
F. Anzaldúa		3/28/12
CHECKED		
APPR.		
UNLESS OTHERWISE SPECIFIED DIMENSIONS ARE IN INCHES		
ANGLES	X	XX
5	5	5



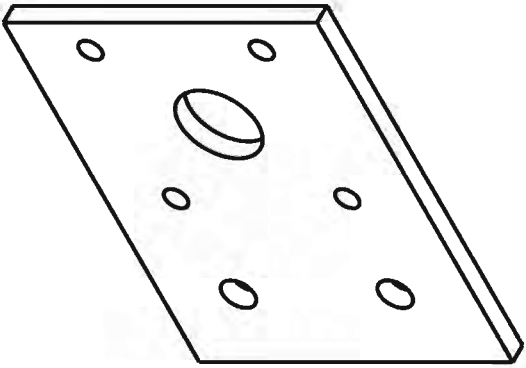
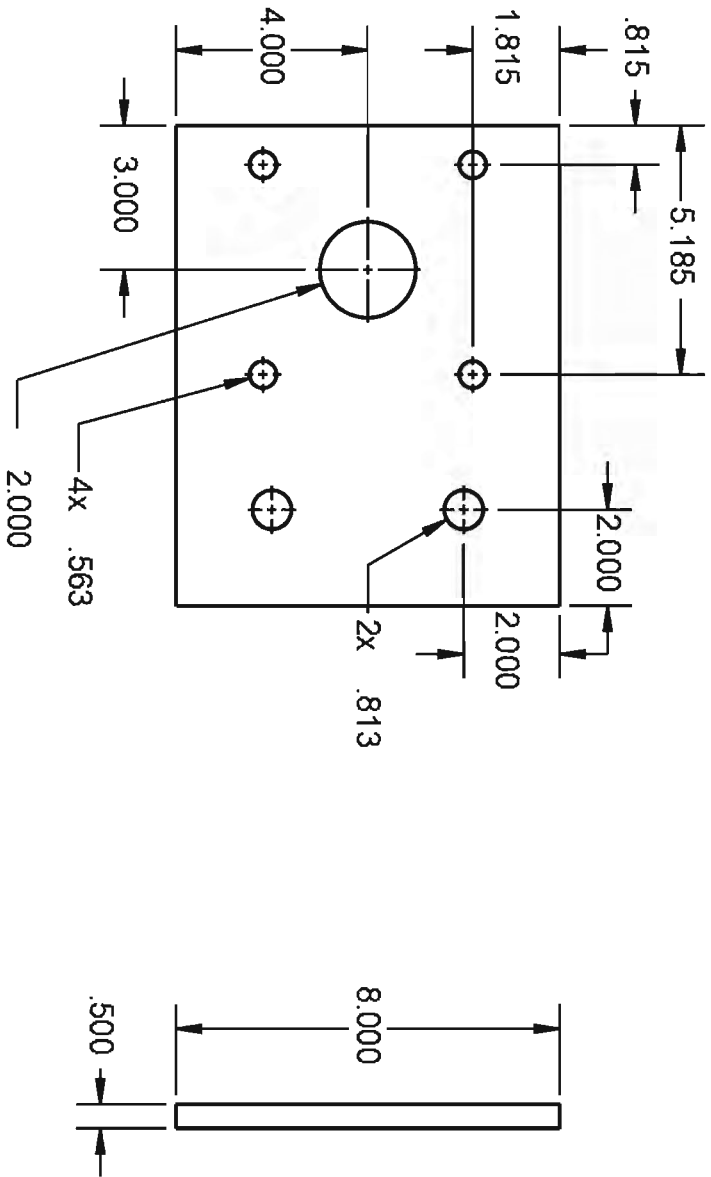
THIRD ANGLE PROJECTION

PROJECT:  
 LIFE TRAC III  
 TITLE  
**WASHER**  
**0.250-WIDE**

SIZE DWG. NO. PART NUMBER REV  
**A**

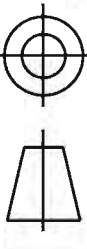
SCALE: 4:1 WEIGHT: SHEET 1 OF 1

5 4 3 2 1



LICENSE INFORMATION  
 ALL INFORMATION RELEASE UNDER THE OSE  
 LICENSE FOR DISTRIBUTIVE ECONOMICS  
 FOR FURTHER INFORMATION GO TO:  
 OPENSOURCEECOLOGY.ORG/WIKILICENSE

DRAWN	NAME	DATE
F. Anzaldua		3/28/12
CHECKED		
APPR.		
UNLESS OTHERWISE SPECIFIED DIMENSIONS ARE IN INCHES		
ANGLES	X	XX
5	5	5



THIRD ANGLE PROJECTION

PROJECT:	LIFE TRAC III
TITLE	WHEEL AXLE SHAFT HOLDING PLATE
SIZE	DWG. NO.
A	PART NUMBER
SCALE: 1:4	WEIGHT:
SHEET 1 OF 1	REV

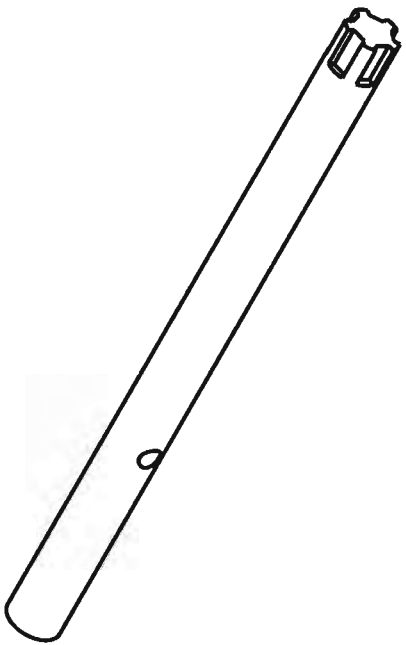
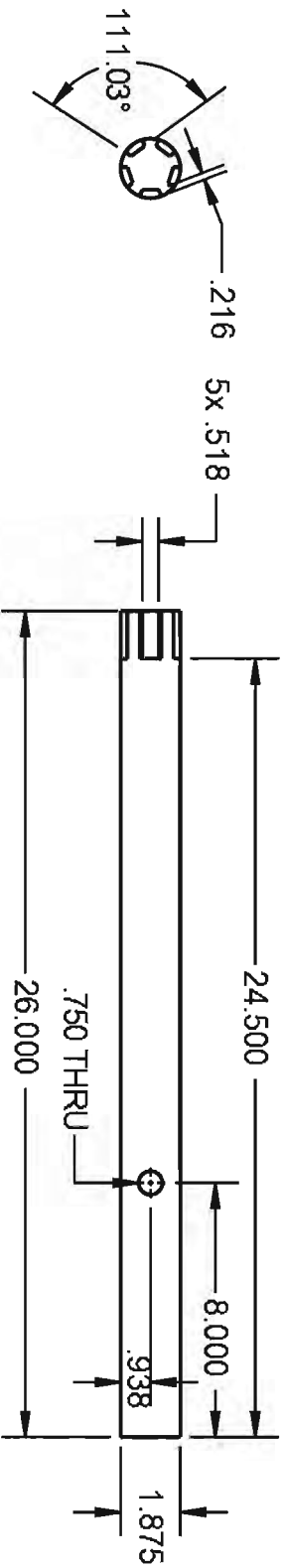
5

4

3

2

1



LICENSE INFORMATION  
 ALL INFORMATION RELEASED UNDER THIS LICENSE FOR DISTRIBUTIVE ECONOMICS FOR FURTHER INFORMATION GO TO:  
[OPENSOURCEECOLOGY.ORG/WIKI/LICENSE](http://OPENSOURCEECOLOGY.ORG/WIKI/LICENSE)

DRAWN	NAME	DATE
	F. Anzaldua	3/28/12
CHECKED		
APPR.		
UNLESS OTHERWISE SPECIFIED DIMENSIONS ARE IN INCHES		
ANGLES	X	XX
	5	5



THIRD ANGLE PROJECTION

PROJECT:  
LIFE TRAC III

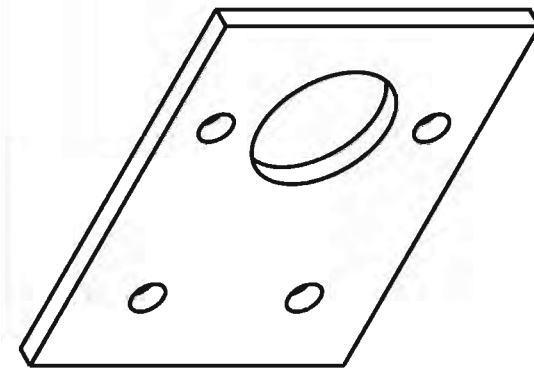
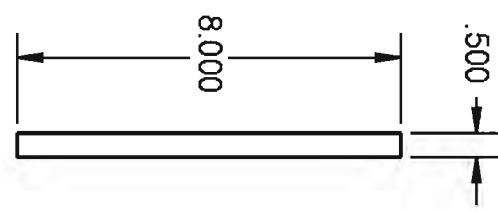
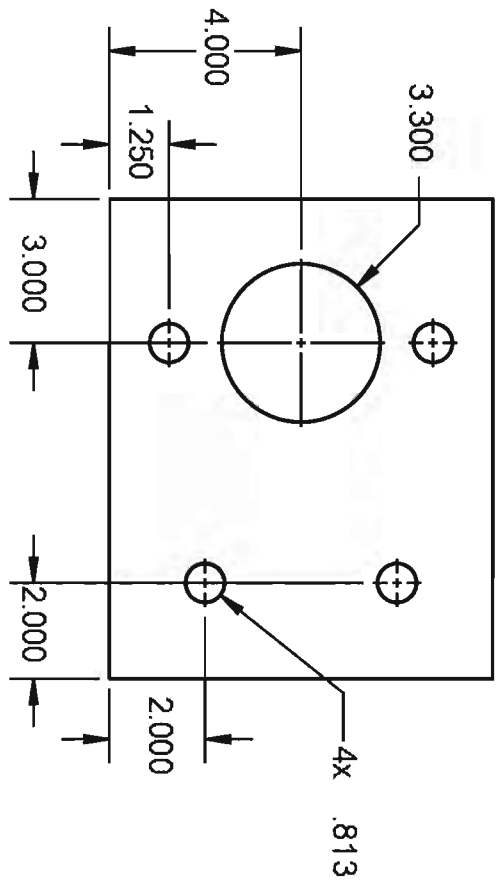
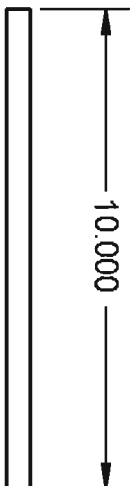
TITLE  
**WHEEL AXLE  
SHAFT**

SIZE DWG. NO. PART NUMBER REV

**A**

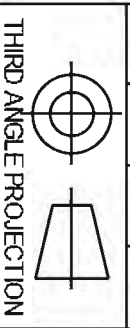
SCALE: 1:6 WEIGHT: SHEET 1 OF 1

5 4 3 2 1



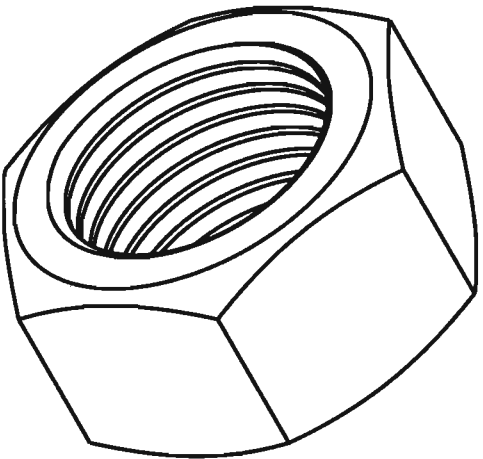
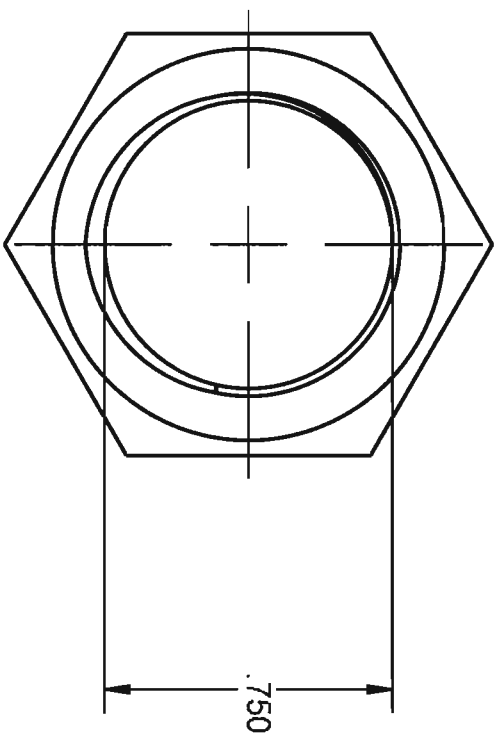
LICENSE INFORMATION  
 ALL INFORMATION RELEASE UNDER THE OPEN SOURCE LICENSE FOR DISTRIBUTIVE ECONOMICS FOR FURTHER INFORMATION GO TO: [OPENSOURCEECOLOGY.ORG/WIKI/LICENSE](http://OPENSOURCEECOLOGY.ORG/WIKI/LICENSE)

DRAWN	NAME	DATE
F. Anzaldua		3/28/12
CHECKED		
APPR.		
UNLESS OTHERWISE SPECIFIED DIMENSIONS ARE IN INCHES		
ANGLES	X	XX
5	5	5



PROJECT:	LIFE TRAC III
TITLE:	WHEEL HYDRAULIC MOTOR INTERFACE PLATE
SIZE	DWG. NO.
A	PART NUMBER
SCALE: 1:4	WEIGHT:
SHEET 1 OF 1	REV

5 4 3 2 1



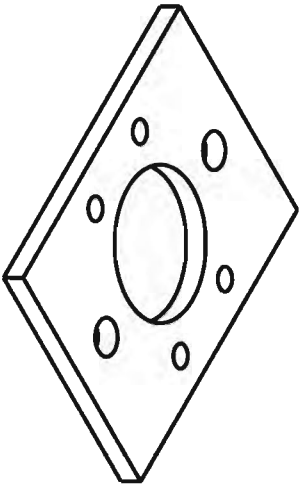
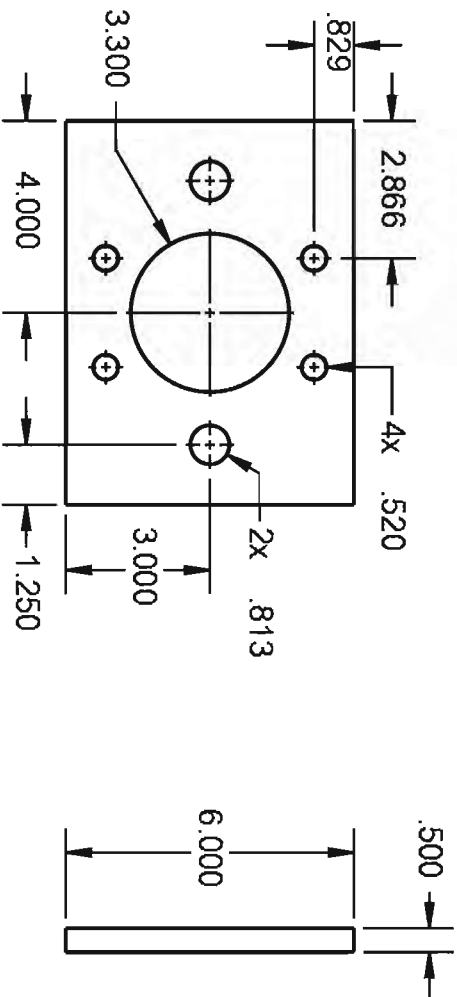
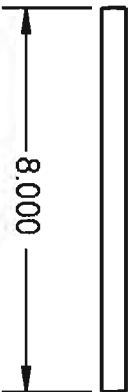
LICENSE INFORMATION  
 ALL INFORMATION RELEASE UNDER THE OSE  
 LICENSE FOR DISTRIBUTIVE ECONOMICS  
 FOR FURTHER INFORMATION GO TO:  
 OPENSOURCEECOLOGY.ORG/WIKILICENSE

DRAWN	NAME	DATE
F. Anzaldúa		3/28/12
CHECKED		
APPR.		
UNLESS OTHERWISE SPECIFIED DIMENSIONS ARE IN INCHES		
ANGLES	X	XX
5	5	5



PROJECT:	LIFE TRAC III	
TITLE	3/4 INCH NUT	
SIZE	DWG. NO.	REV
A	PART NUMBER	
SCALE: 2:1	WEIGHT:	SHEET 1 OF 1

5 4 3 2 1



LICENSE INFORMATION  
 ALL INFORMATION RELEASE UNDER THE OSE  
 LICENSE FOR DISTRIBUTIVE ECONOMICS  
 FOR FURTHER INFORMATION GO TO:  
 OPENSOURCEECOLOGY.ORG/WIKILICENSE

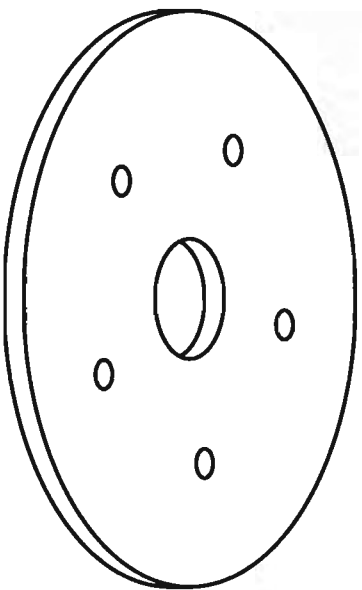
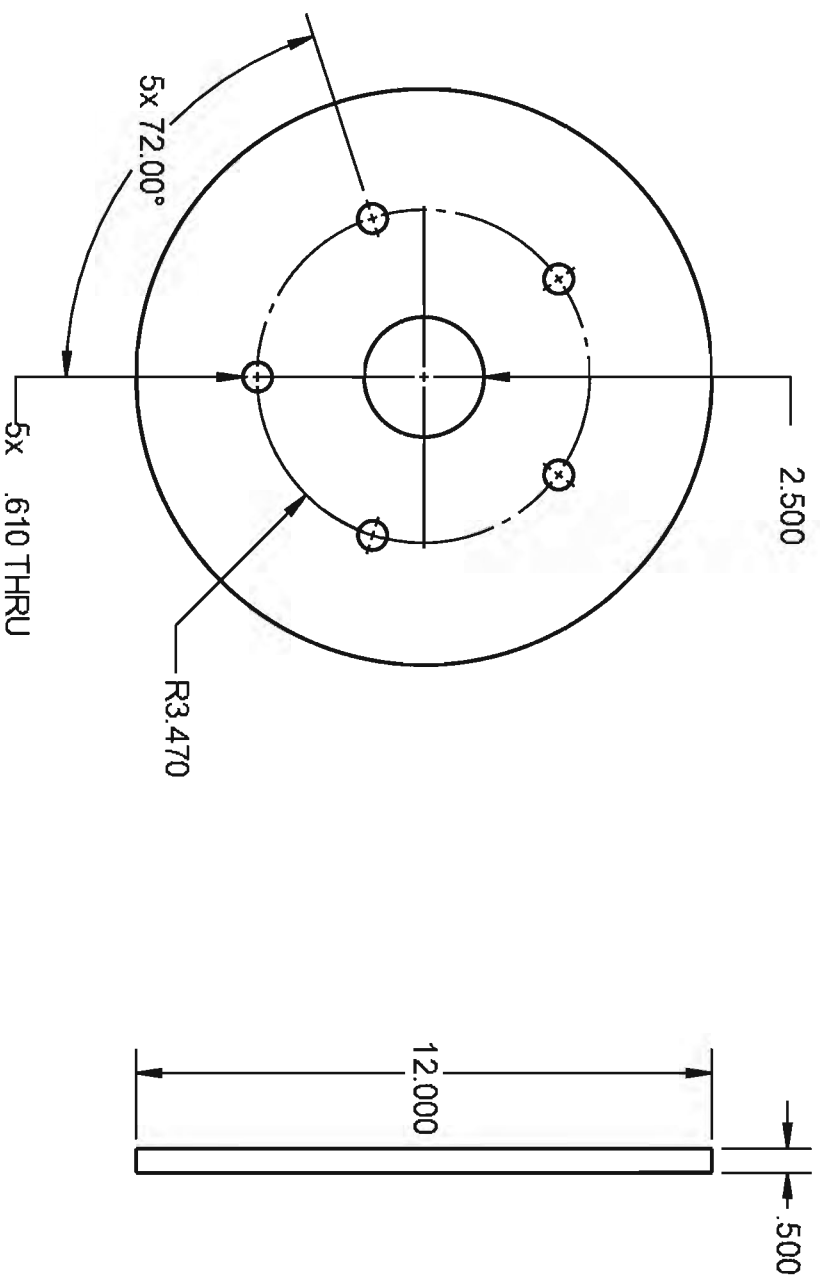
DRAWN	NAME	DATE
F. Anzaldúa		3/28/12
CHECKED		
APPR.		
UNLESS OTHERWISE SPECIFIED DIMENSIONS ARE IN INCHES		
ANGLES	X	XX
5	5	5



THIRD ANGLE PROJECTION

PROJECT:	LIFE TRAC III
TITLE:	WHEEL MOTOR QA PLATE
SIZE	DWG. NO.
A	PART NUMBER
SCALE: 1:4	WEIGHT:
SHEET 1 OF 1	REV

5 4 3 2 1



LICENSE INFORMATION  
 ALL INFORMATION RELEASE UNDER THESE  
 LICENSE FOR DISTRIBUTIVE ECONOMICS  
 FOR FURTHER INFORMATION GO TO  
 OPENSOURCEECOLOGY.ORG/WIKI/LICENSE

DRAWN	NAME	DATE
F. Anzaldúa		3/28/12
CHECKED		
APPR.		
UNLESS OTHERWISE SPECIFIED DIMENSIONS ARE IN INCHES		
ANGLES	X	XX
5	5	5



THIRD ANGLE PROJECTION

PROJECT:  
 LIFE TRAC III  
 TITLE  
**WHEEL  
 MOUNT DISC**

SIZE DWG. NO. PART NUMBER REV  
**A**  
 SCALE: 1:4 WEIGHT: SHEET 1 OF 1

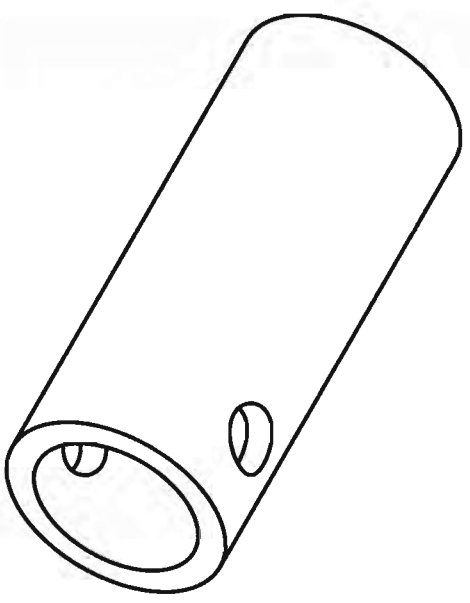
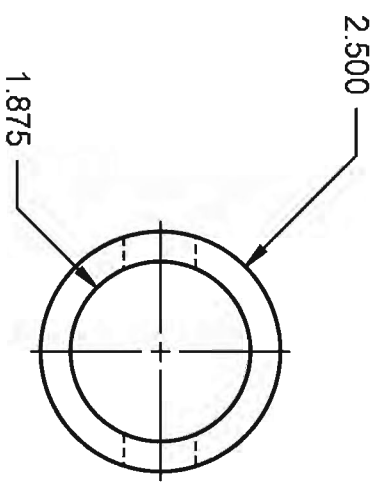
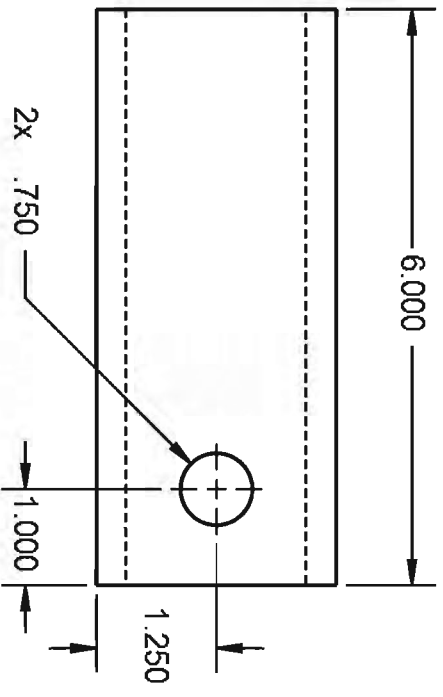
5

4

3

2

1



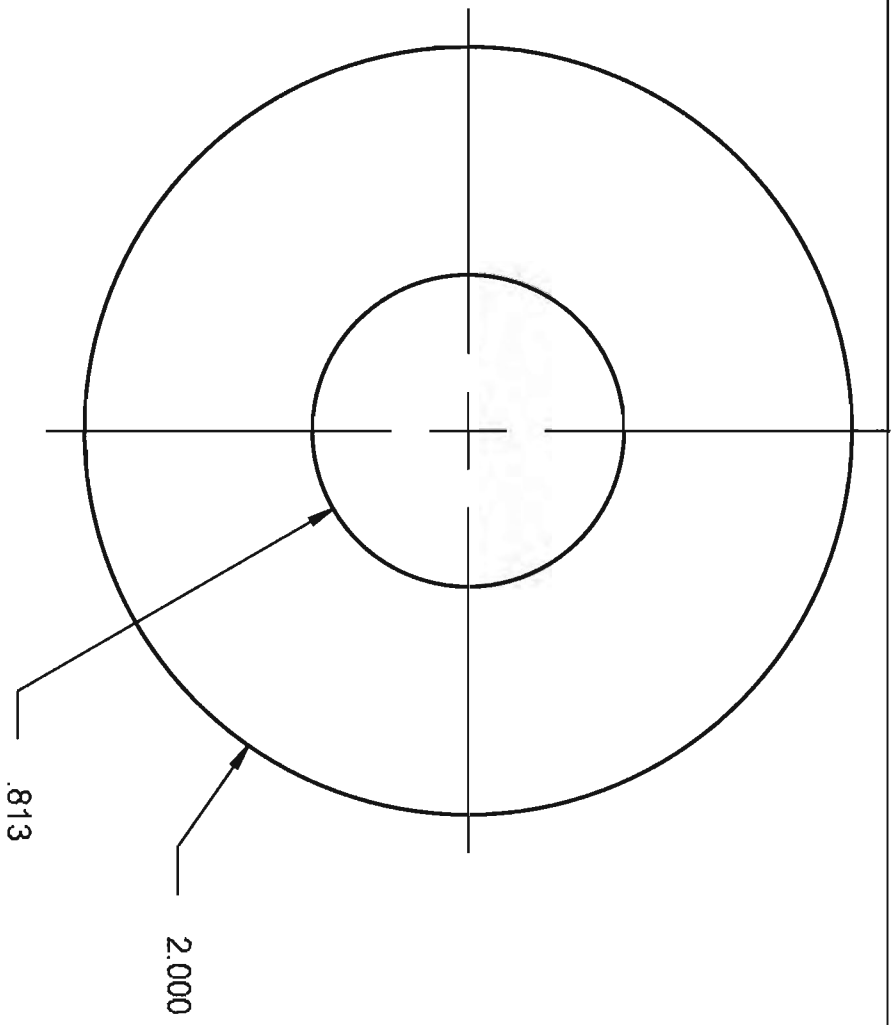
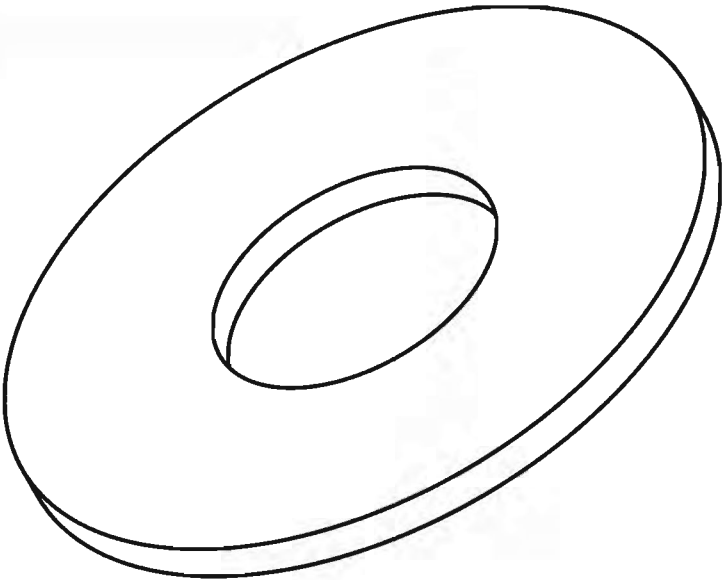
LICENSE INFORMATION  
 ALL INFORMATION RELEASED UNDER THIS OPEN SOURCE LICENSE IS FOR DISTRIBUTIVE ECONOMIC PURPOSES. FOR FURTHER INFORMATION GO TO: [OPENSOURCEECOLOGY.ORG/WHEELLICENSE](http://OPENSOURCEECOLOGY.ORG/WHEELLICENSE)

DRAWN	F. Anzaldua	DATE	3/28/12
CHECKED			
APPR.			
UNLESS OTHERWISE SPECIFIED DIMENSIONS ARE IN INCHES			
ANGLES	X	XX	XXX
	5	5	5

PROJECT:	LIFE TRAC III
TITLE:	<b>WHEEL MOUNT ROUND</b>
SIZE	A
DWG. NO.	PART NUMBER
SCALE: 1:2	WEIGHT:
SHEET 1 OF 1	REV

5 4 3 2 1





LICENSE INFORMATION  
 ALL INFORMATION RELEASED UNDER THIS LICENSE IS FOR DISTRIBUTIVE ECONOMICS. FOR FURTHER INFORMATION GO TO:  
[OPEN.SOURCEECOLOGY.ORG/WIKI/LICENSE](http://OPEN.SOURCEECOLOGY.ORG/WIKI/LICENSE)

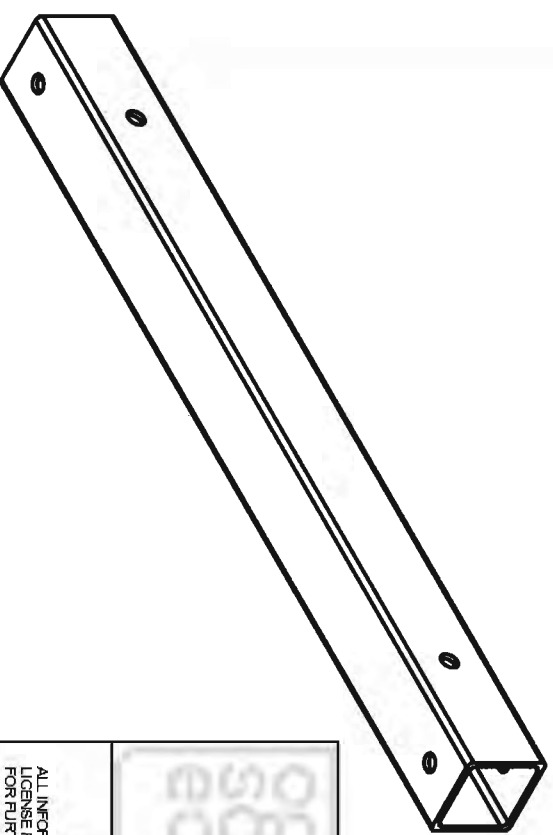
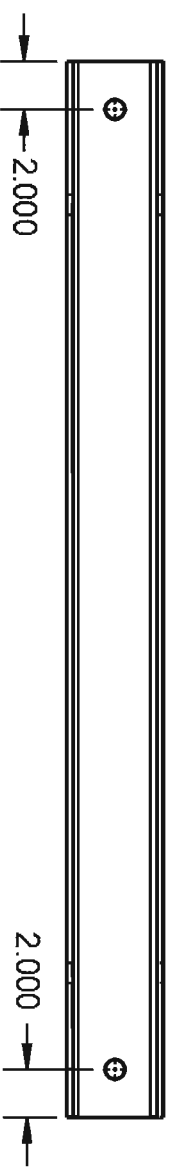
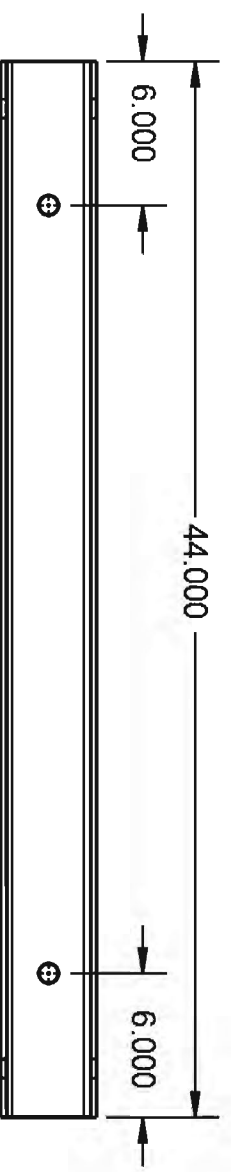
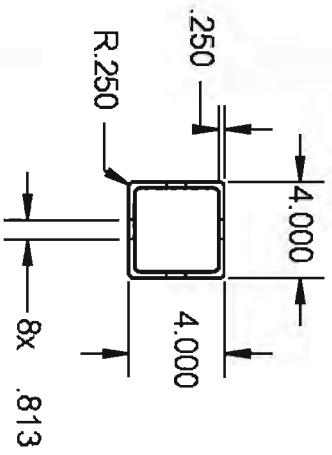
DRAWN	NAME	DATE
F. Anzaldua		3/28/12
CHECKED		
APPR.		
UNLESS OTHERWISE SPECIFIED DIMENSIONS ARE IN INCHES		
ANGLES	X	XX
5	5	5



THIRD ANGLE PROJECTION

PROJECT:	REV
LIFE TRAC III	
TITLE	
<b>3/4 INCH WASHER</b>	
SIZE	DWG. NO.
<b>A</b>	
SCALE: 2:1	PART NUMBER
WEIGHT:	
SHEET 1 OF 1	

5 4 3 2 1



LICENSE INFORMATION  
 ALL INFORMATION RELEASED UNDER THIS LICENSE FOR DISTRIBUTIVE ECONOMICS FOR FURTHER INFORMATION GO TO:  
 OPENSOURCEECOLOGY.ORG/WIKI/LICENSE

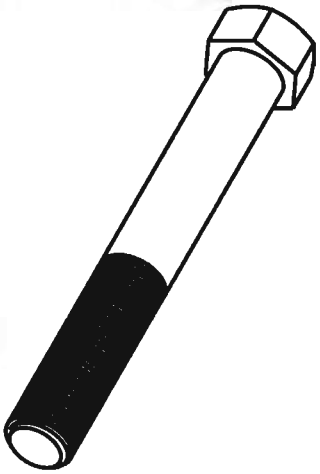
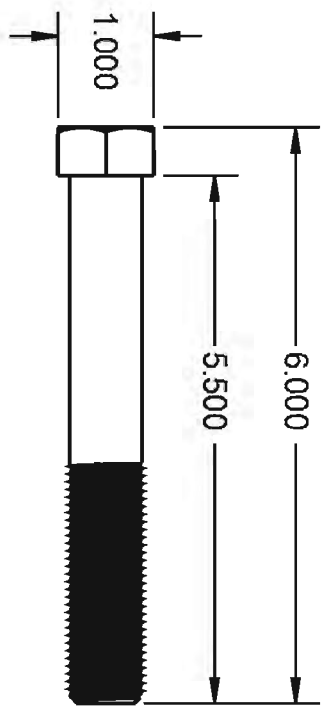
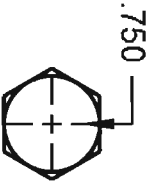
DRAWN	F. Anzaldua	DATE	3/28/12
CHECKED			
APPR.			
UNLESS OTHERWISE SPECIFIED DIMENSIONS ARE IN INCHES			
ANGLES	5	X	5
	5	XX	5
	5	XXX	5



THIRD ANGLE PROJECTION

PROJECT:	LIFE TRAC III
TITLE	44 INCH TOP E-W TUBE
SIZE	DWG. NO.
A	PART NUMBER
SCALE: 1:8	WEIGHT:
SHEET 1 OF 1	REV

5 4 3 2 1



LICENSE INFORMATION  
 ALL INFORMATION RELEASE UNDER THE OSE  
 LICENSE FOR DISTRIBUTIVE ECONOMICS  
 FOR FURTHER INFORMATION GO TO:  
 OPENSOURCEECOLOGY.ORG/WIKI/LICENSE

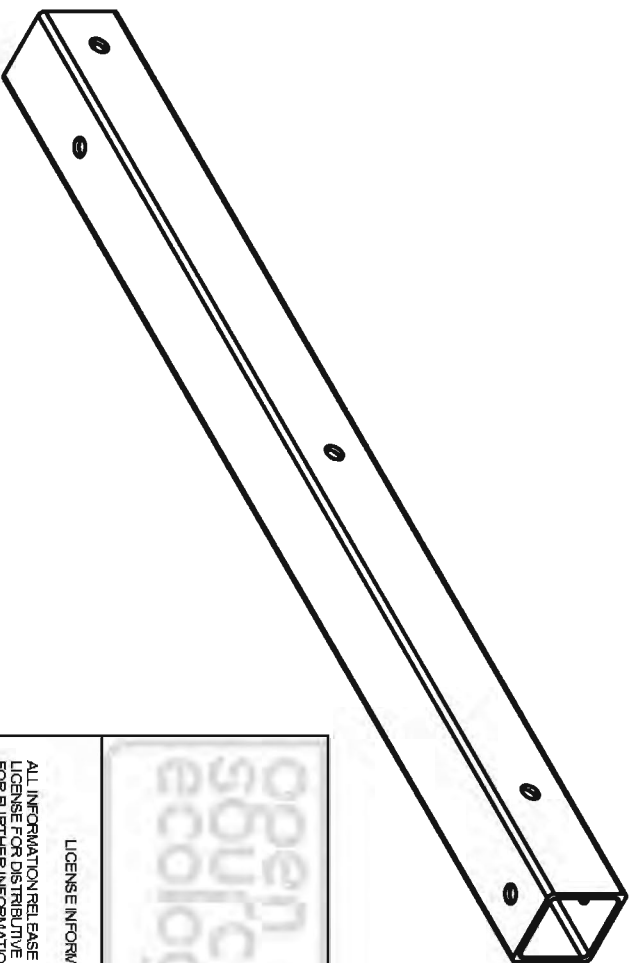
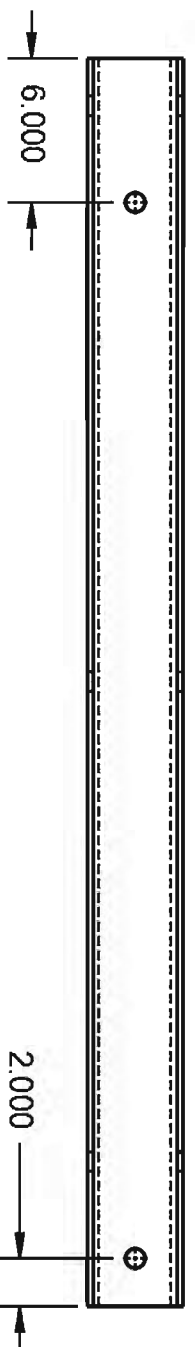
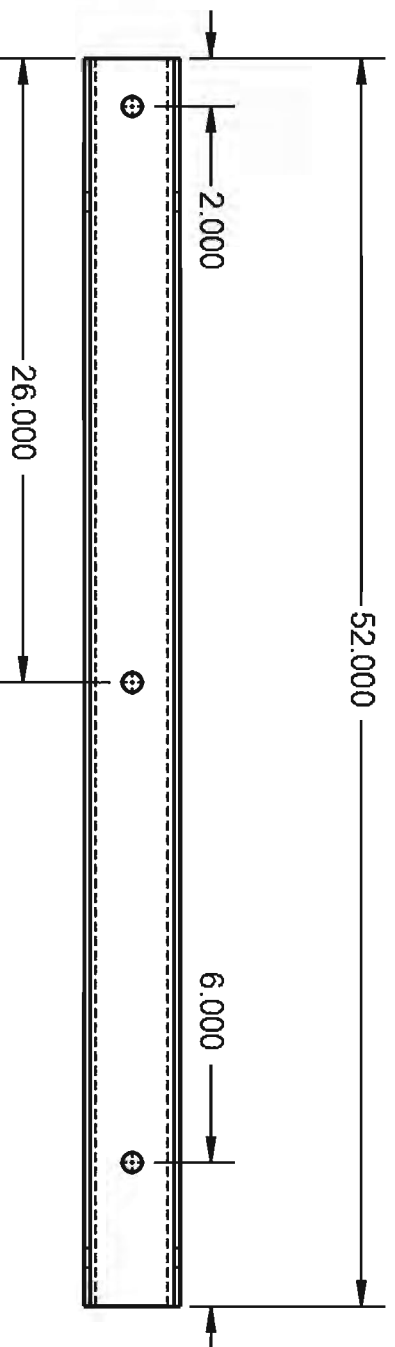
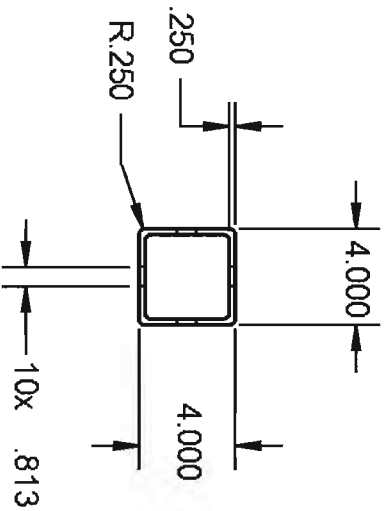
DRAWN	NAME	DATE
CHECKED	F. Anzaldúa	3/28/12
APPR.		
UNLESS OTHERWISE SPECIFIED DIMENSIONS ARE IN INCHES		
ANGLES	X	XX
5	5	5



THIRD ANGLE PROJECTION

PROJECT:	LIFE TRAC III
TITLE	5.5 INCH BOLT
SIZE	DWG. NO.
A	PART NUMBER
SCALE: 1:2	WEIGHT:
SHEET 1 OF 1	REV

5 4 3 2 1



LICENSE INFORMATION  
ALL INFORMATION RELEASE UNDER THE OSE  
LICENSE FOR DISTRIBUTIVE ECONOMICS  
FOR FURTHER INFORMATION GO TO:  
OPEN.SOURCE.ECOLOGY.ORG/MILLICENISE

DRAWN	NAME	DATE
Checked	F. Anzaidua	3/28/12
APPR.		
UNLESS OTHERWISE SPECIFIED DIMENSIONS ARE IN INCHES		
ANGLES	X	XX
5	5	5



THIRD ANGLE PROJECTION

PROJECT:	LIFE TRAC III
TITLE	52 INCH MIDDLE- VERTICAL TUBE
SIZE	DWG. NO.
A	PART NUMBER
SCALE: 1:8	WEIGHT:
SHEET 1 OF 1	REV

5 4 3 2 1