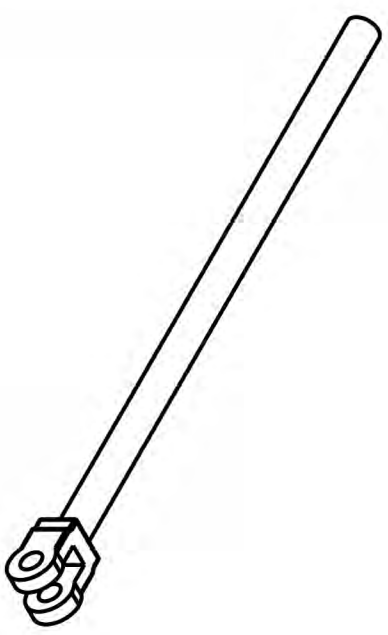
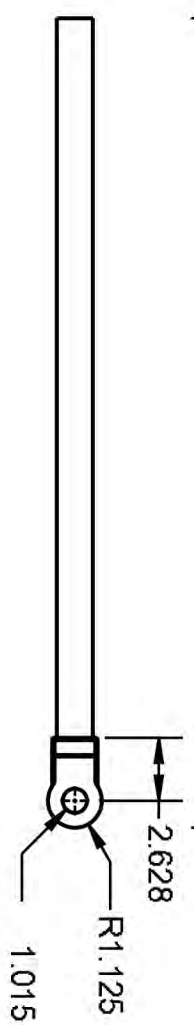
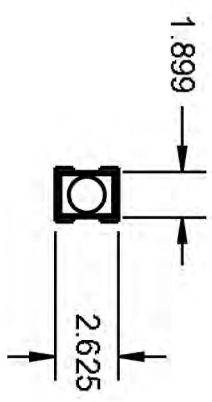
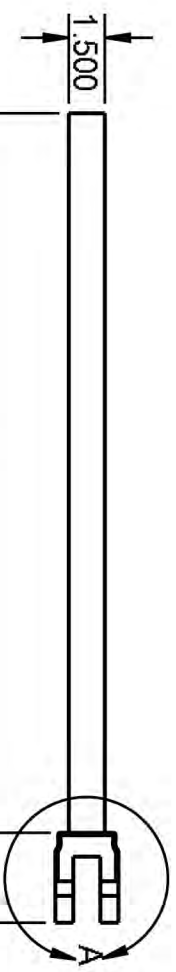
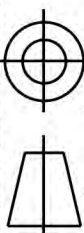


DETAIL A
SCALE 1:4



LICENSE INFORMATION
ALL INFORMATION RELEASE UNDER THE ORE
LICENSE FOR DISTRIBUTIVE ECONOMICS
FOR FURTHER INFORMATION GO TO:
OPENSOURCEECOLOGY.ORG/MILLICENISE

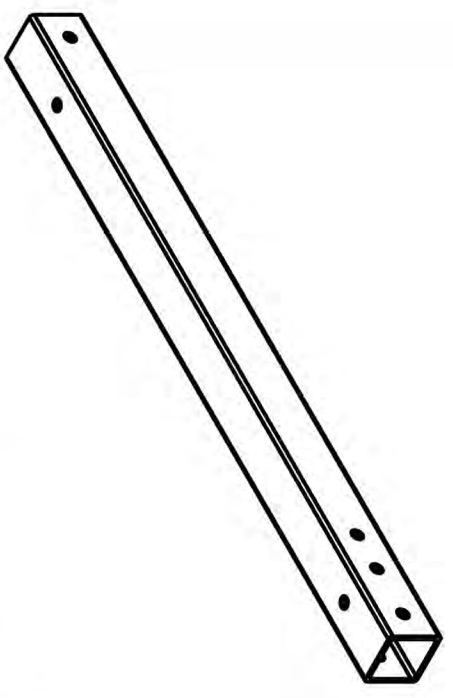
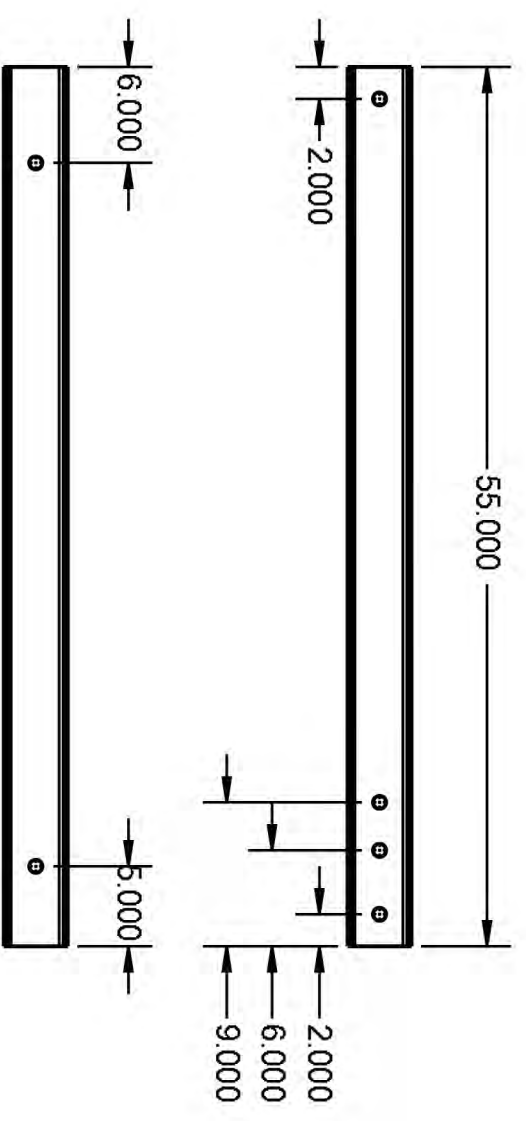
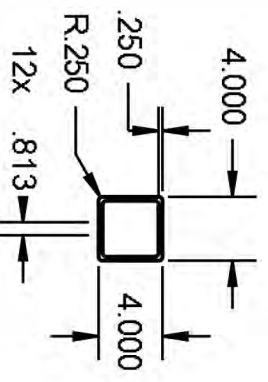
DRAWN	NAME	DATE
CHECKED	F. Anzaldua	3/28/12
APPR.		
UNLESS OTHERWISE SPECIFIED DIMENSIONS ARE IN INCHES.		
ANGLES	X	.XX
5	5	5



THIRD ANGLE PROJECTION

PROJECT:	LIFE TRAC III
TITLE	2.5X30X1.25 DA HYD CYL INNER SHAFT
SIZE	DWG. NO.
A	PART NUMBER
SCALE: 1:8	WEIGHT:
SHEET 1 OF 1	REV

5 4 3 2 1



LICENSE INFORMATION
ALL INFORMATION RELEASE UNDER THE ORE
LICENSE FOR DISTRIBUTIVE ECONOMICS
FOR FURTHER INFORMATION GO TO:
OPENSOURCEECOLOGY.ORG/WIKILICENSE

DRAWN	NAME	DATE
CHECKED	F. Anzaldua	3/28/12
APPR.		
UNLESS OTHERWISE SPECIFIED DIMENSIONS ARE IN INCHES		
ANGLES	X	XX
5	5	5



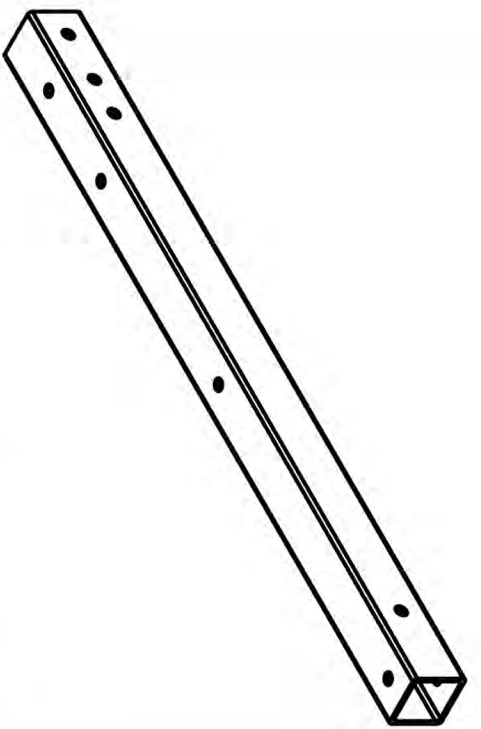
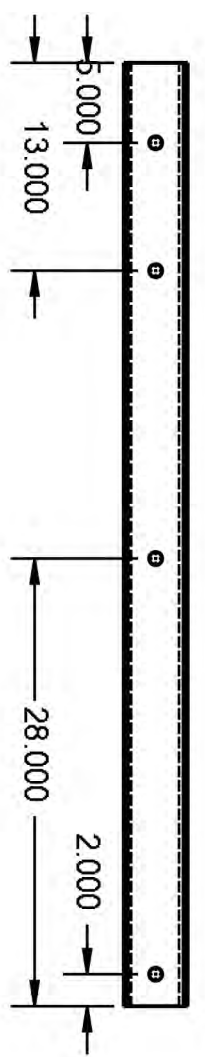
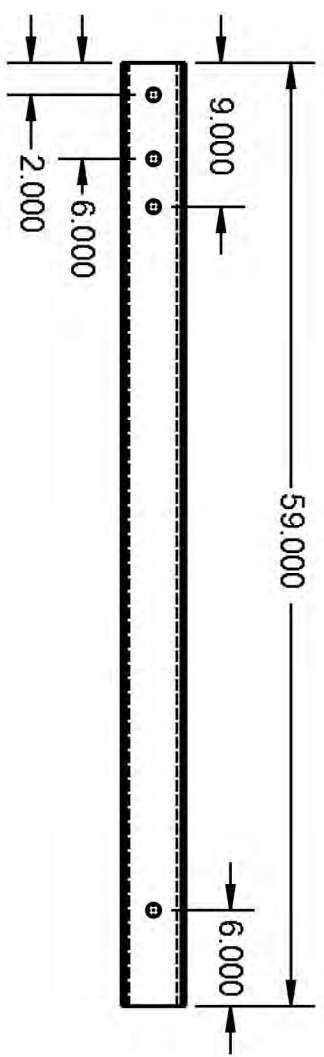
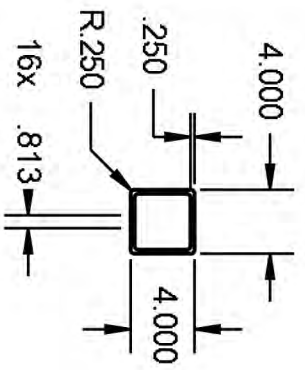
THIRD ANGLE PROJECTION

PROJECT:
LIFE TRAC III
TITLE
**55 INCH FRONT-
VERTICAL TUBE**

SIZE DWG. NO. PART NUMBER REV
A

SCALE: 1:12 WEIGHT: SHEET 1 OF 1

5 4 3 2 1



LICENSE INFORMATION
 ALL INFORMATION RELEASE UNDER THE ORE
 LICENSE FOR DISTRIBUTIVE ECONOMICS
 FOR FURTHER INFORMATION GO TO:
 OPENSOURCEECOLOGY.ORG/WIKILICENSE

DRAWN	NAME	DATE
F. Anzaldua		3/28/12
CHECKED		
APPR.		
UNLESS OTHERWISE SPECIFIED DIMENSIONS ARE IN INCHES		
ANGLES	X	XX
5	5	5

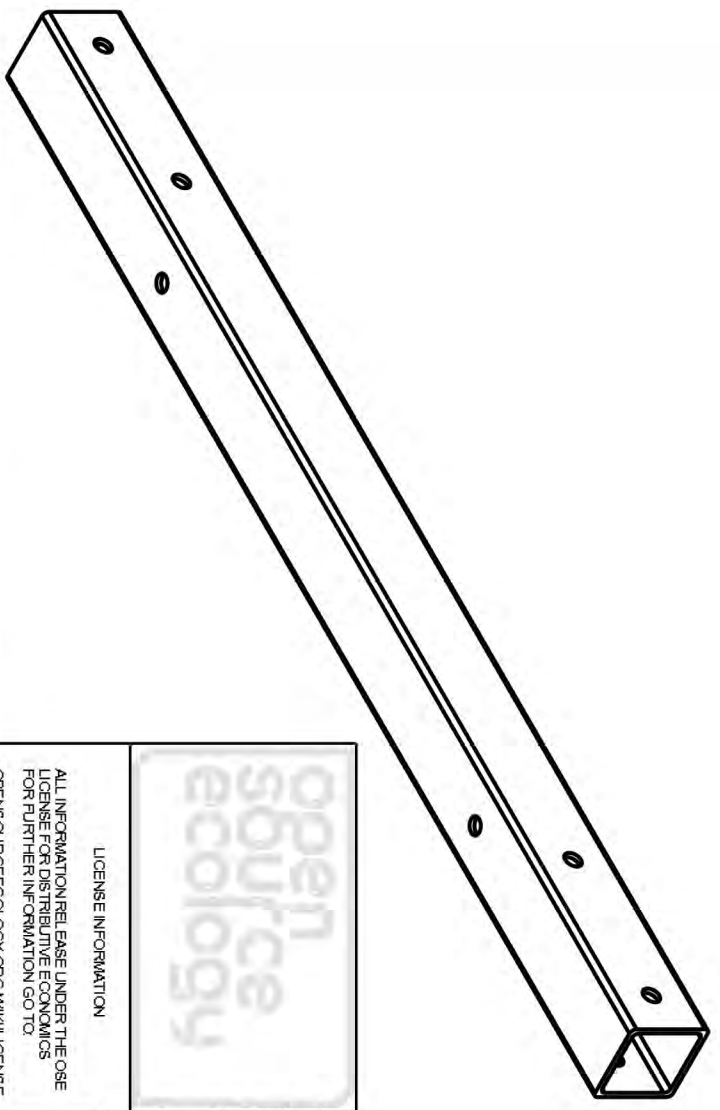
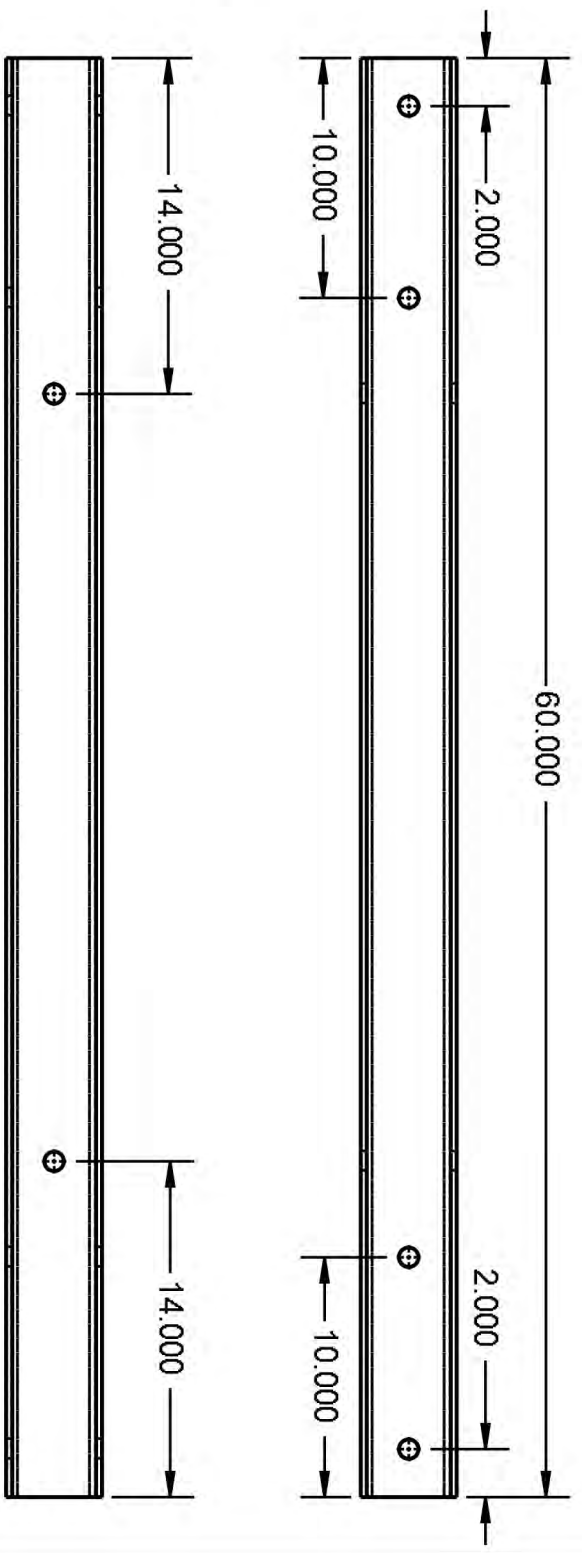
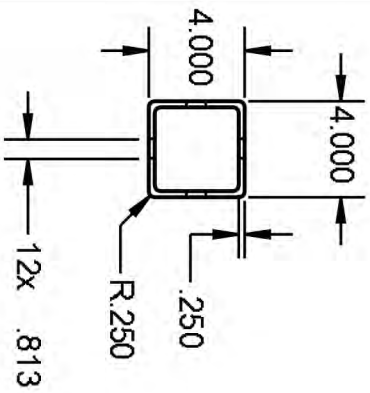


THIRD ANGLE PROJECTION

PROJECT:	
TITLE	LIFE TRAC III
SIZE	A
DWG. NO.	
PART NUMBER	
SCALE: 1:12	WEIGHT:
SHEET 1 OF 1	REV

59 INCH REAR-
 VERTICAL TUBE

5 4 3 2 1



LICENSE INFORMATION
ALL INFORMATION RELEASE UNDER THE OSE
LICENSE FOR DISTRIBUTIVE ECONOMICS
FOR FURTHER INFORMATION GO TO:
OPEN.SOURCEECOLOGY.ORG/WIKI/LICENSE

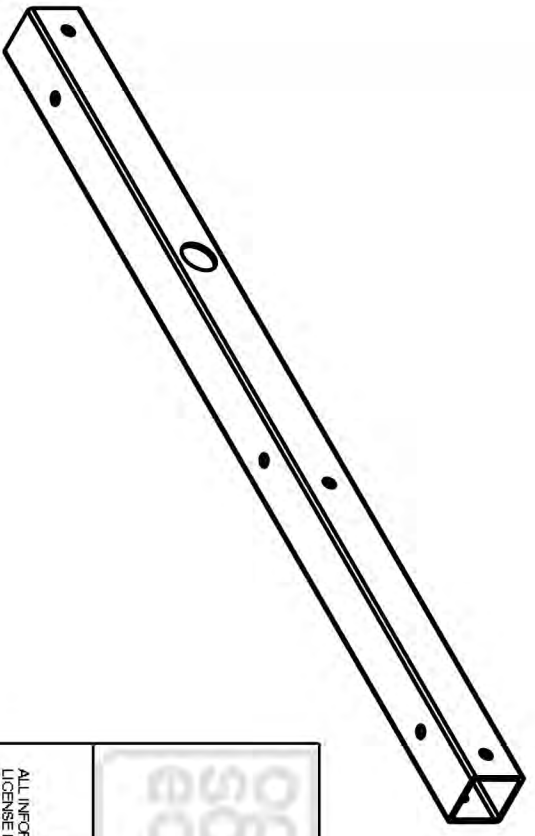
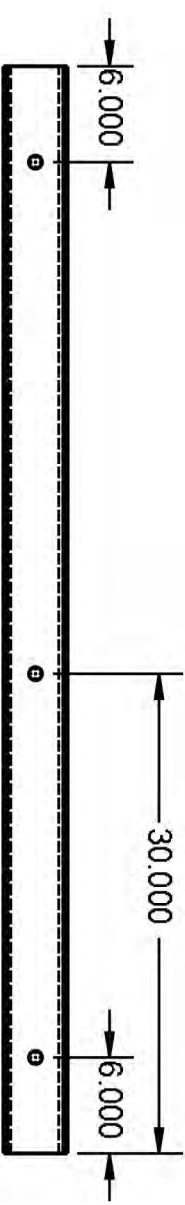
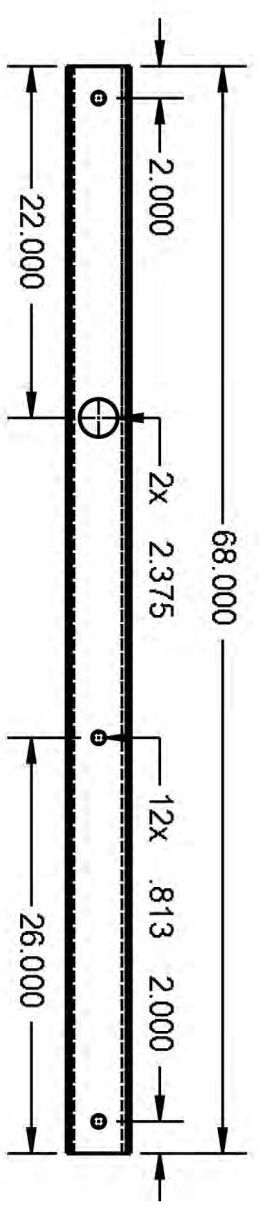
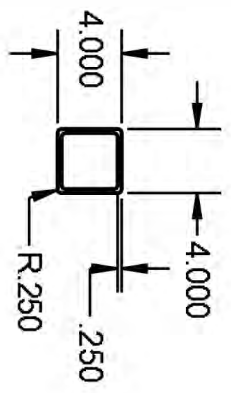
DRAWN	NAME	DATE
F. Anzaldua		3/28/12
CHECKED		
APPR.		
UNLESS OTHERWISE SPECIFIED DIMENSIONS ARE IN INCHES		
ANGLES	X	XX
5	5	5



THIRD ANGLE PROJECTION

PROJECT:	60 INCH UNDER BASE TUBE
TITLE	LIFE TRAC III
SIZE	DWG. NO.
A	PART NUMBER
SCALE: 1:8	WEIGHT:
SHEET 1 OF 1	REV

5 4 3 2 1



LICENSE INFORMATION
 ALL INFORMATION RELEASE UNDER THE ORE
 LICENSE FOR DISTRIBUTIVE ECONOMICS
 FOR FURTHER INFORMATION GO TO:
 OPENSOURCEECOLOGY.ORG/WIKILICENSE

DRAWN	NAME	DATE
F. Anzaldua		3/28/12
CHECKED		
APPR.		
UNLESS OTHERWISE SPECIFIED DIMENSIONS ARE IN INCHES		
ANGLES	X	.XX
5	5	5



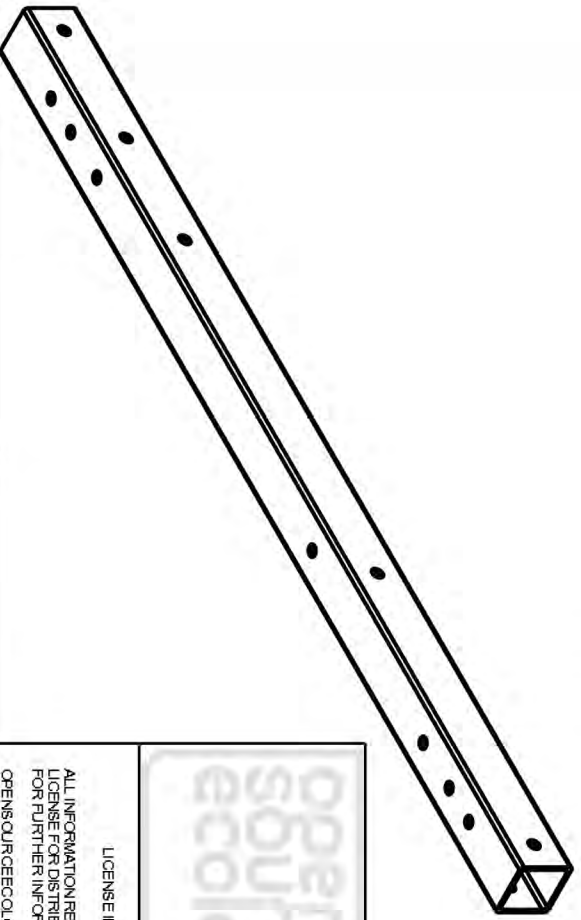
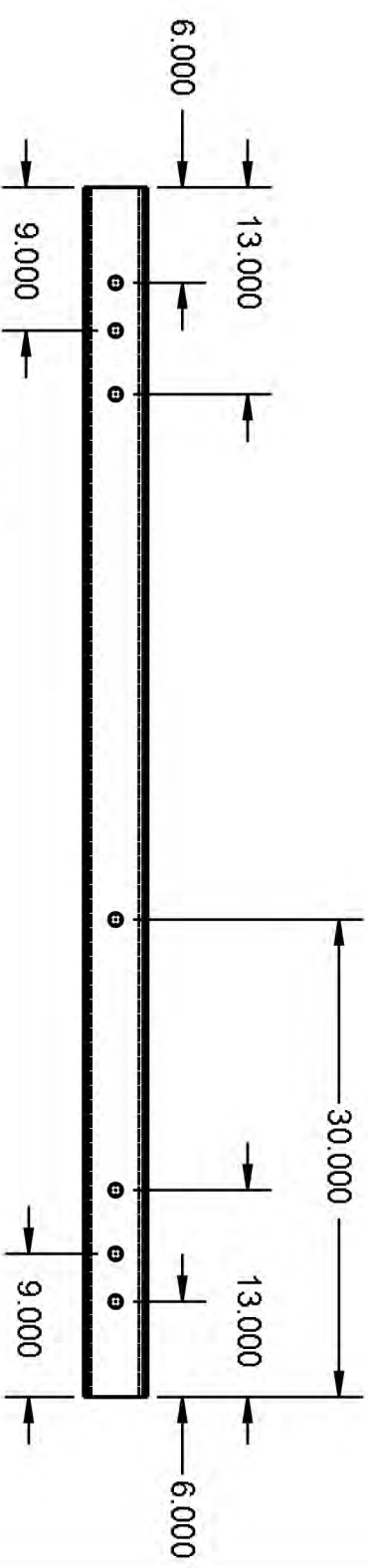
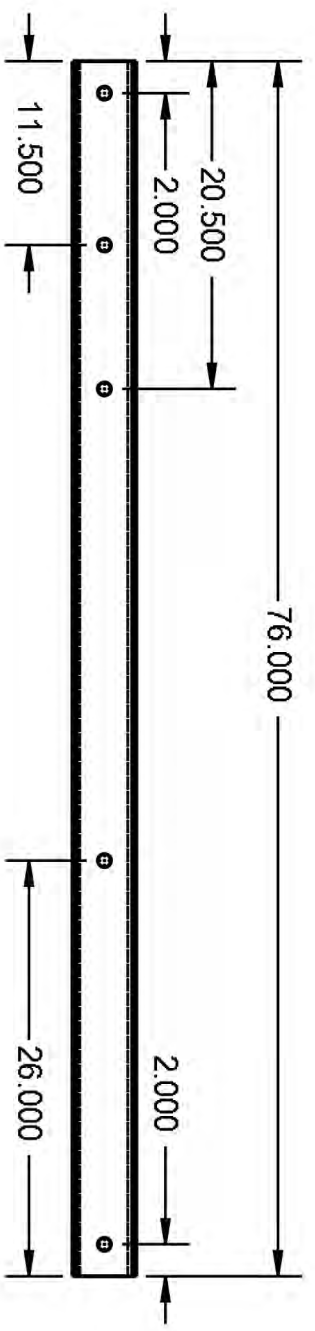
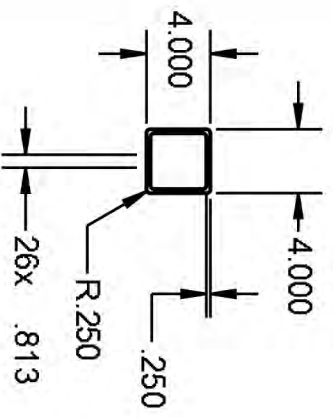
THIRD ANGLE PROJECTION

PROJECT:
 LIFE TRAC III
 TITLE
**68 INCH TOP
 N-S TUBE**

SIZE DWG. NO. PART NUMBER REV
A

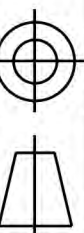
SCALE: 1:12 WEIGHT: SHEET 1 OF 1

5 4 3 2 1



LICENSE INFORMATION
ALL INFORMATION RELEASE UNDER THE ORE
LICENSE FOR DISTRIBUTIVE ECONOMICS
FOR FURTHER INFORMATION GO TO
OPEN.SOURCEECOLOGY.ORG/WIKILICENSE

DRAWN	NAME	DATE
F. Anzaldua		3/28/12
CHECKED		
APPR.		
UNLESS OTHERWISE SPECIFIED DIMENSIONS ARE IN INCHES		
ANGLES	X	XX
5	5	5

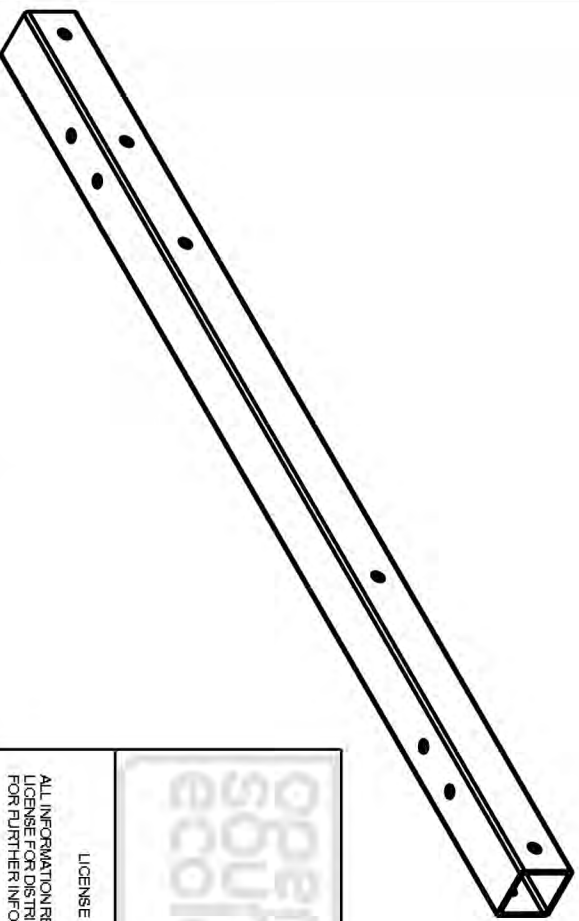
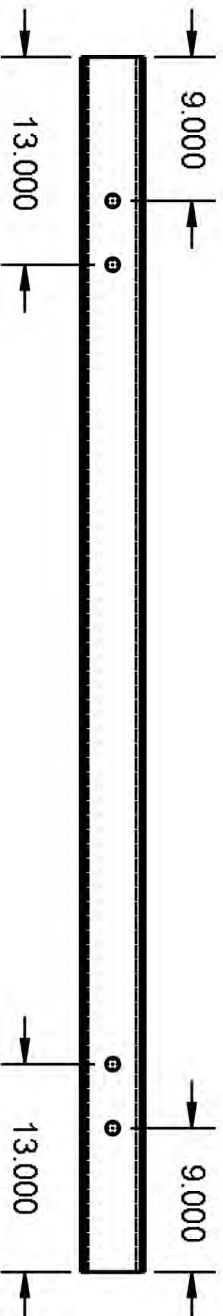
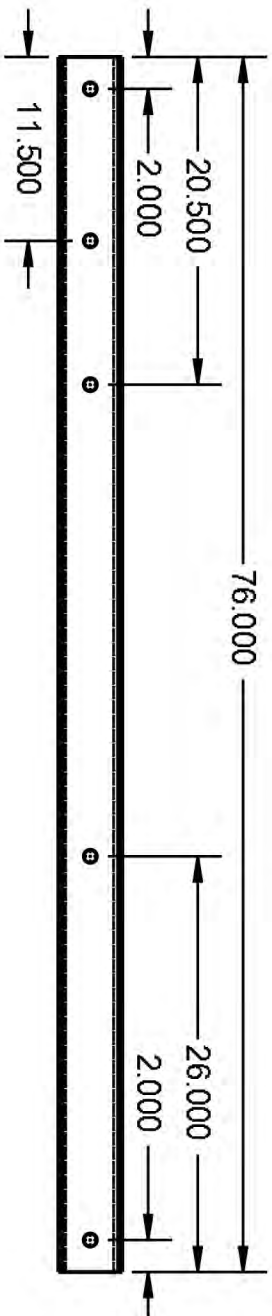
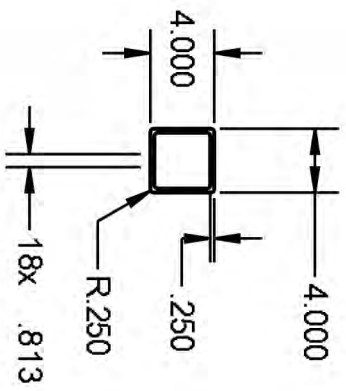


THIRD ANGLE PROJECTION

PROJECT:	
TITLE	LIFE TRAC III
SIZE	DWG. NO.
A	PART NUMBER
SCALE: 1:12	WEIGHT:
SHEET 1 OF 1	REV

76 INCH INNER
BASE TUBE

5 4 3 2 1



open
source
ecology

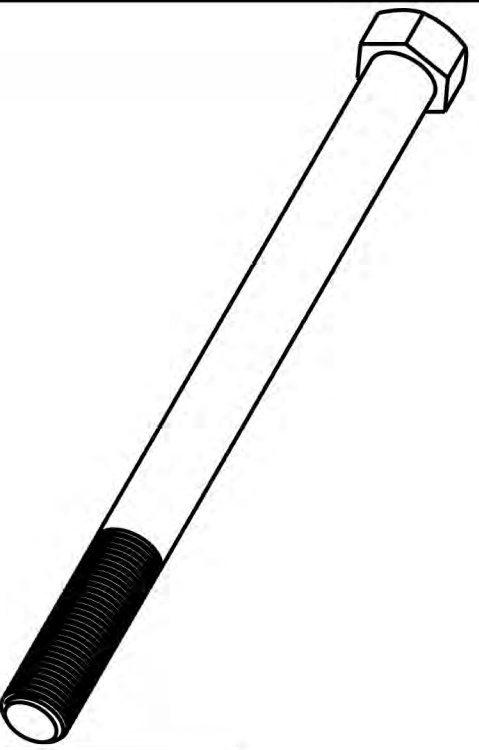
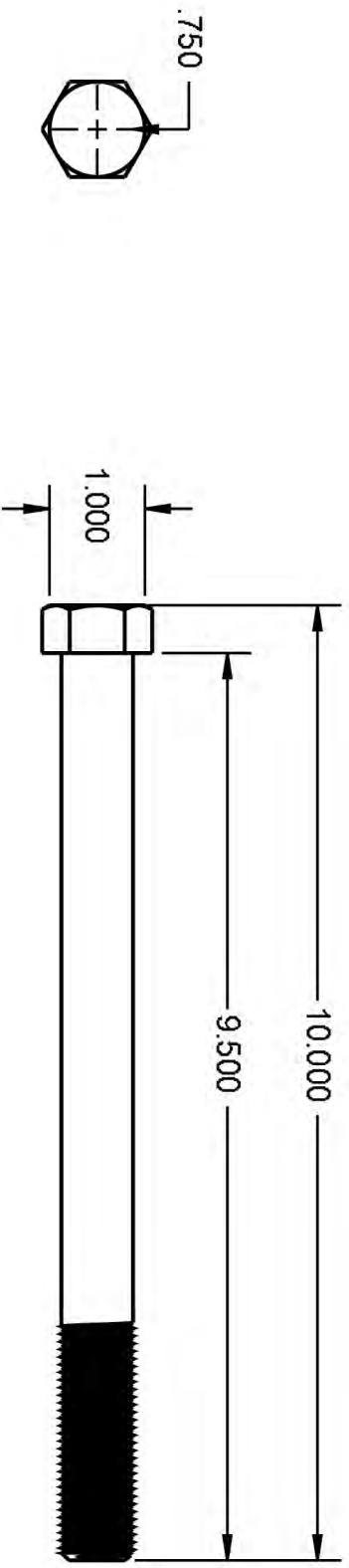
LICENSE INFORMATION

ALL INFORMATION RELEASE UNDER THE ORE
LICENSE FOR DISTRIBUTIVE ECONOMICS
FOR FURTHER INFORMATION GO TO:
OPEN.SOURCEECOLOGY.ORG/WIKILICENSE

DRAWN	NAME	DATE
F. Anzaldua		3/28/12
CHECKED		
APPR.		
UNLESS OTHERWISE SPECIFIED DIMENSIONS ARE IN INCHES		
ANGLES	X	XX
5	5	5

PROJECT:	LIFE TRAC III
TITLE	76 INCH OUTER BASE TUBE
SIZE	A
DWG. NO.	PART NUMBER
SCALE: 1:12	WEIGHT:
SHEET 1 OF 1	REV

5 4 3 2 1



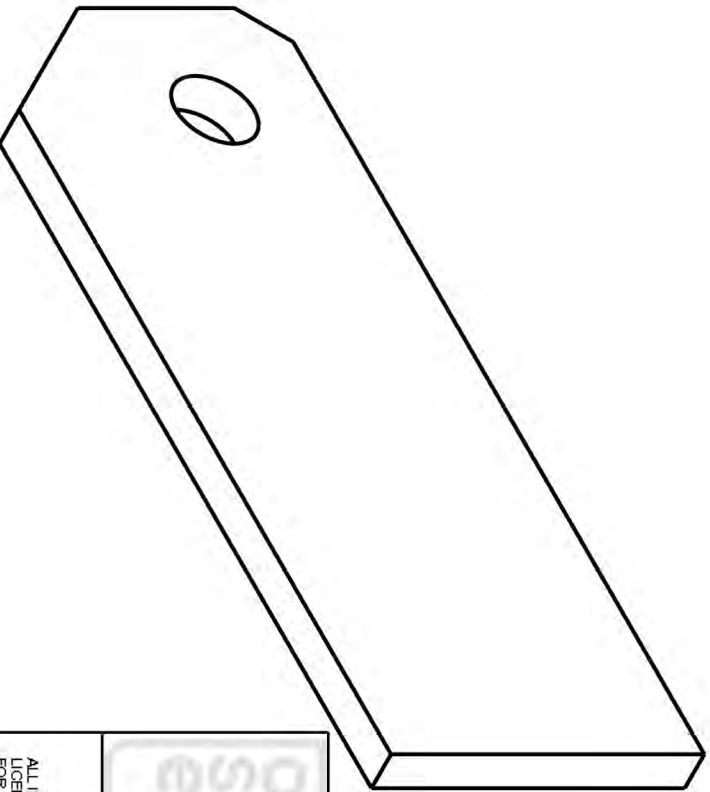
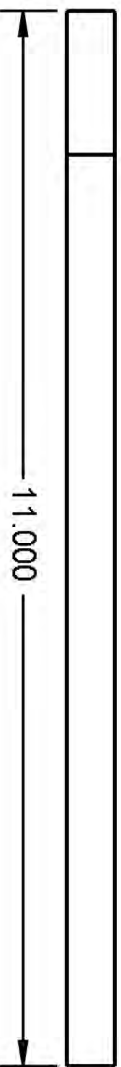
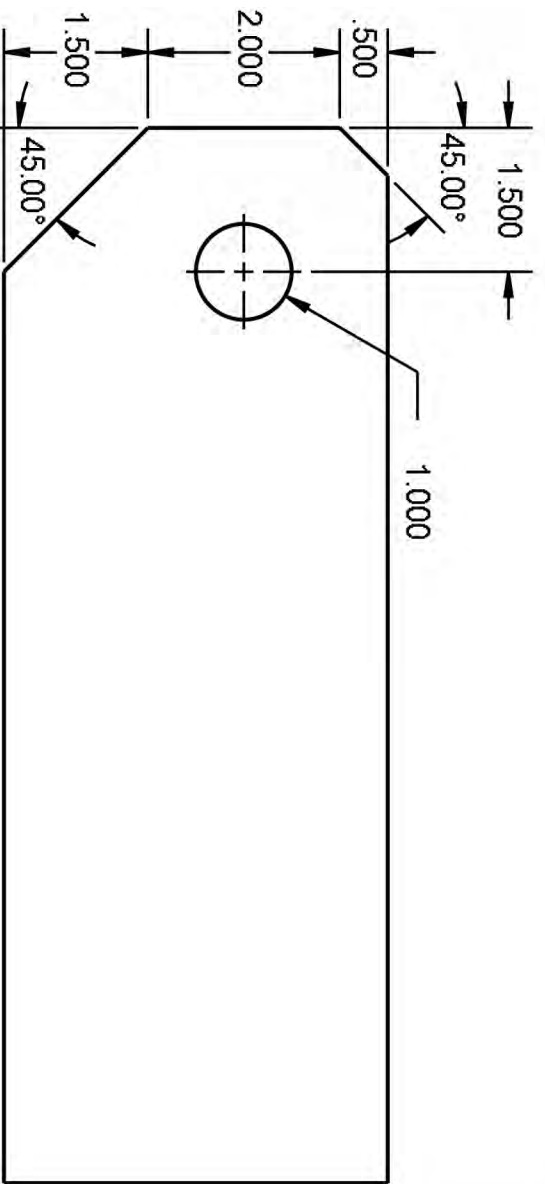
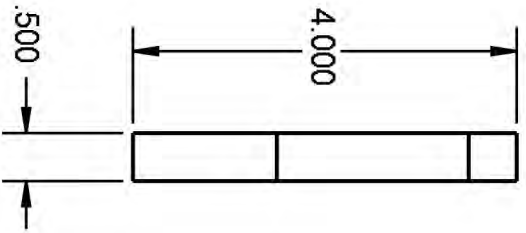
LICENSE INFORMATION
 ALL INFORMATION RELEASE UNDER THE ORE
 LICENSE FOR DISTRIBUTIVE ECONOMICS
 FOR FURTHER INFORMATION GO TO:
 OPENSOURCEECOLOGY.ORG/WIKILICENSE

DRAWN	NAME	DATE
CHECKED	F. Anzaldua	3/28/12
APPR.		
UNLESS OTHERWISE SPECIFIED DIMENSIONS ARE IN INCHES		
ANGLES	X	XX
5	5	5



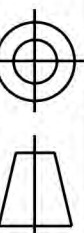
PROJECT:	LIFE TRAC III
TITLE	9.5 INCH BOLT
SIZE	DWG. NO.
A	PART NUMBER
SCALE: 1:2	WEIGHT:
SHEET 1 OF 1	REV

5 4 3 2 1



LICENSE INFORMATION
ALL INFORMATION RELEASE UNDER THE ORE
LICENSE FOR DISTRIBUTIVE ECONOMICS
FOR FURTHER INFORMATION GO TO:
OPENSOURCEECOLOGY.ORG/WIKILICENSE

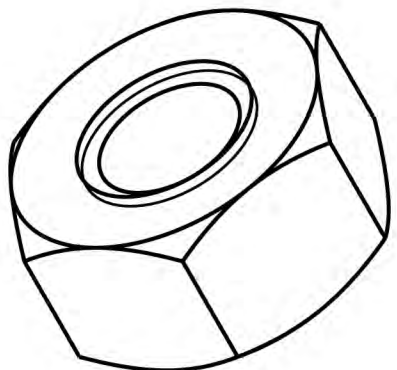
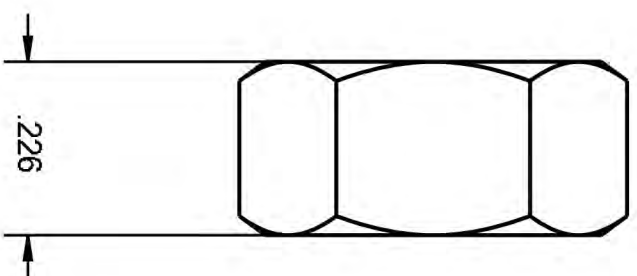
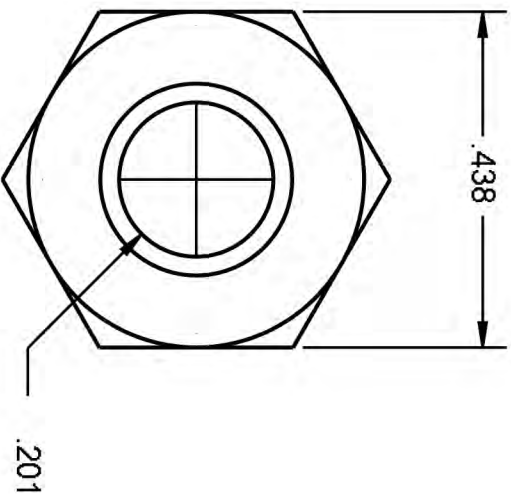
DRAWN	F. Anzaldúa	DATE	3/28/12
CHECKED			
APPR.			
UNLESS OTHERWISE SPECIFIED DIMENSIONS ARE IN INCHES			
ANGLES	5	X	5
		XX	5
		XXX	5



THIRD ANGLE PROJECTION

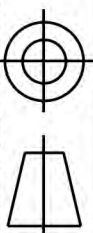
PROJECT:	LIFE TRAC III
TITLE	ADAPTER PLATE
SIZE	A
DWG. NO.	PART NUMBER
SCALE: 1:2	WEIGHT:
SHEET 1 OF 1	REV

5 4 3 2 1



LICENSE INFORMATION
 ALL INFORMATION RELEASE UNDER THE ORE
 LICENSE FOR DISTRIBUTIVE ECONOMICS
 FOR FURTHER INFORMATION GO TO:
 OPENSOURCEECOLOGY.ORG/WIKILICENSE

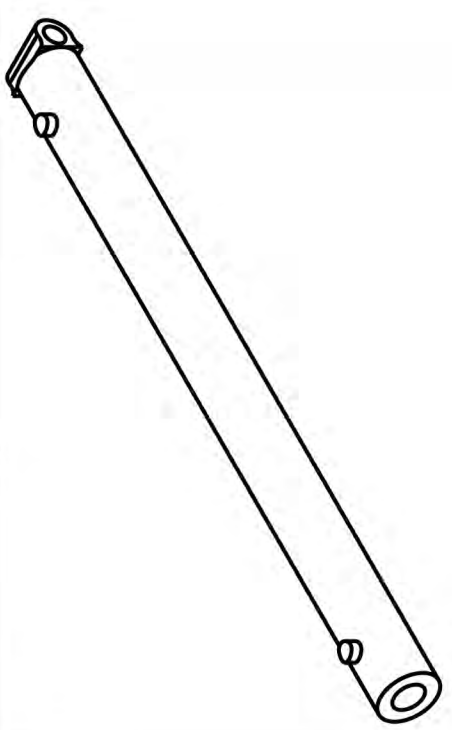
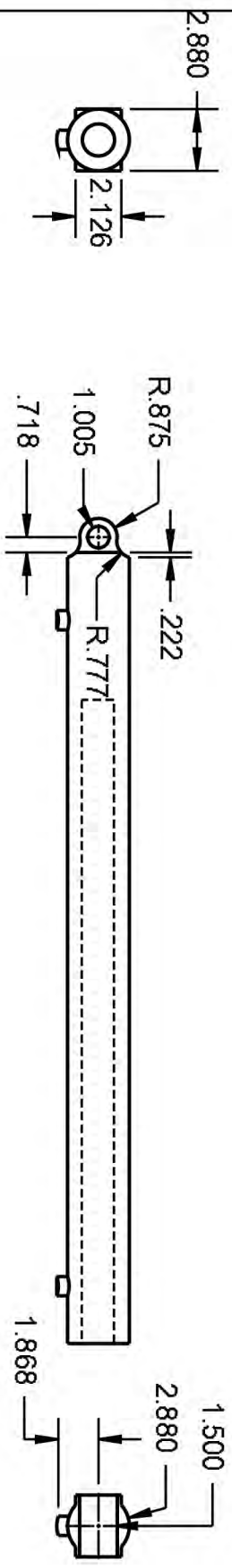
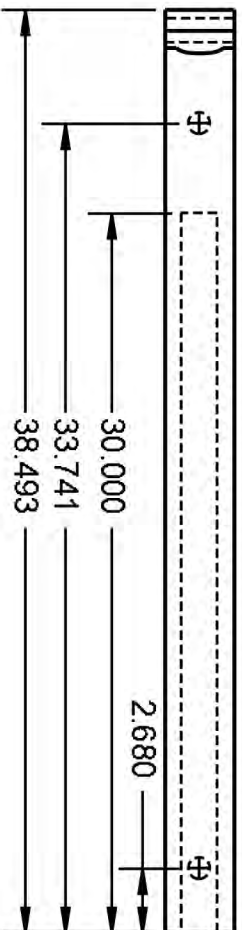
DRAWN	F. Anzaldua	DATE	3/28/12
CHECKED			
APPR.			
UNLESS OTHERWISE SPECIFIED DIMENSIONS ARE IN INCHES			
ANGLES	X	XX	XXX
	5	5	5



THIRD ANGLE PROJECTION

PROJECT:	LIFE TRAC III		
TITLE	HEX NUT_AI		
SIZE	DWG. NO.	PART NUMBER	REV
A			
SCALE: 4:1	WEIGHT:	SHEET 1 OF 1	

5 4 3 2 1



LICENSE INFORMATION
 ALL INFORMATION RELEASE UNDER THE ORE
 LICENSE FOR DISTRIBUTIVE ECONOMICS
 FOR FURTHER INFORMATION GO TO:
 OPENSOURCEECOLOGY.ORG/WIKILICENSE

DRAWN	NAME	DATE
CHECKED	F. Anzaldua	3/28/12
APPR.		
UNLESS OTHERWISE SPECIFIED DIMENSIONS ARE IN INCHES		
ANGLES	X	XX
5	5	5



THIRD ANGLE PROJECTION

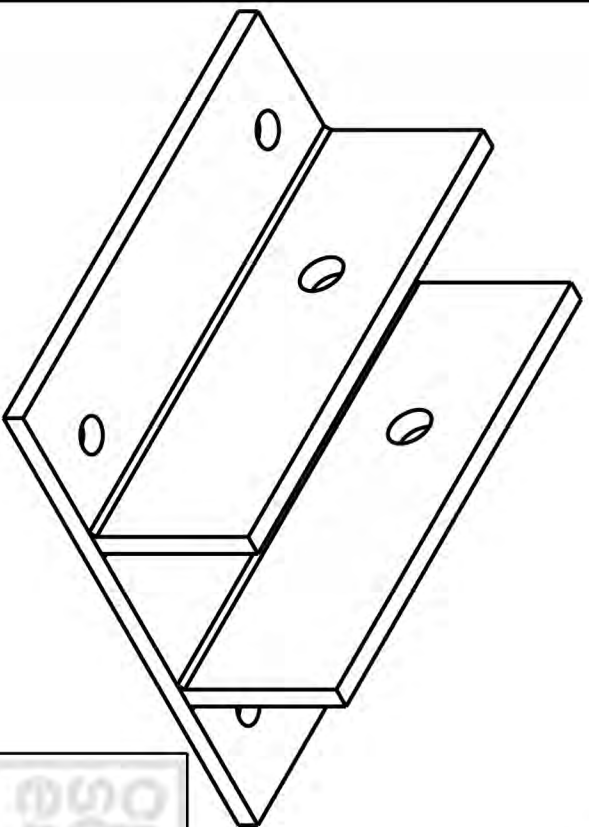
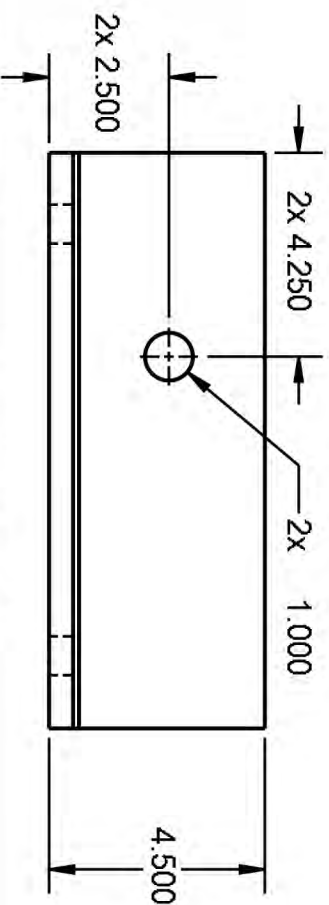
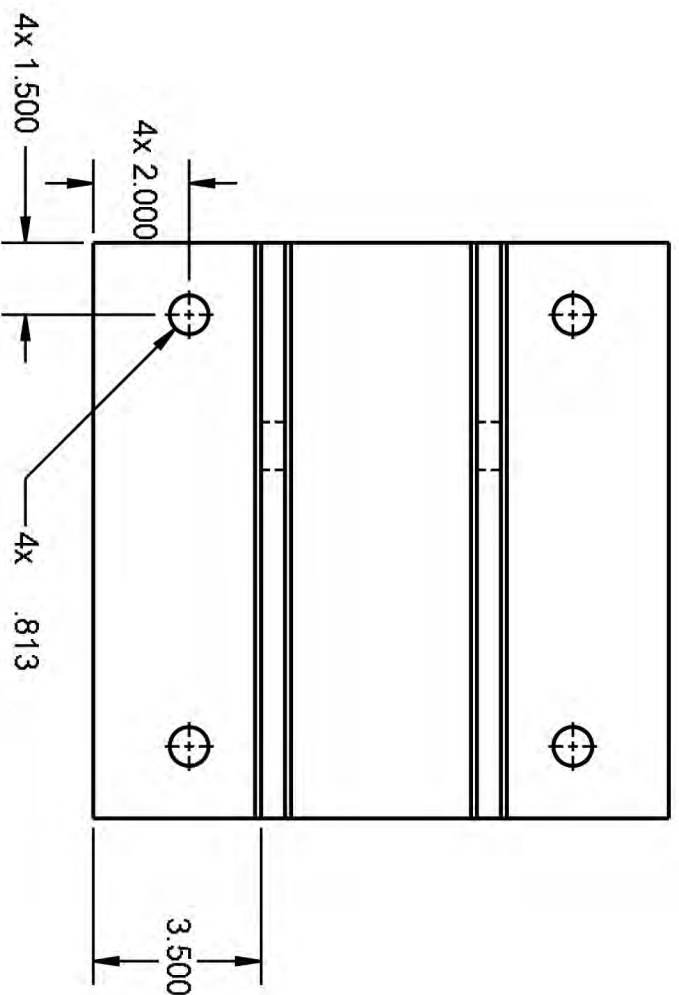
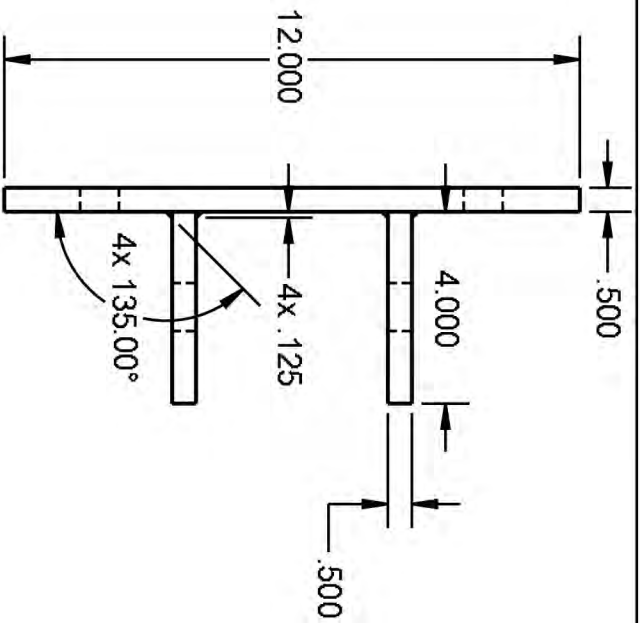
PROJECT:
LIFE TRAC III

TITLE
**2.5X30X1.25
 DA HYD CYL**

SIZE **A** DWG. NO. PART NUMBER REV

SCALE: 1:8 WEIGHT: SHEET 1 OF 1

5 4 3 2 1



LICENSE INFORMATION
 ALL INFORMATION RELEASE UNDER THE ORE
 LICENSE FOR DISTRIBUTIVE ECONOMICS
 FOR FURTHER INFORMATION GO TO:
 OPENSOURCEECOLOGY.ORG/WIKILICENSE

DRAWN	NAME	DATE
F. Anzaldua		3/28/12
CHECKED		
APPR.		
UNLESS OTHERWISE SPECIFIED DIMENSIONS ARE IN INCHES		
ANGLES	X	XX
5	5	5

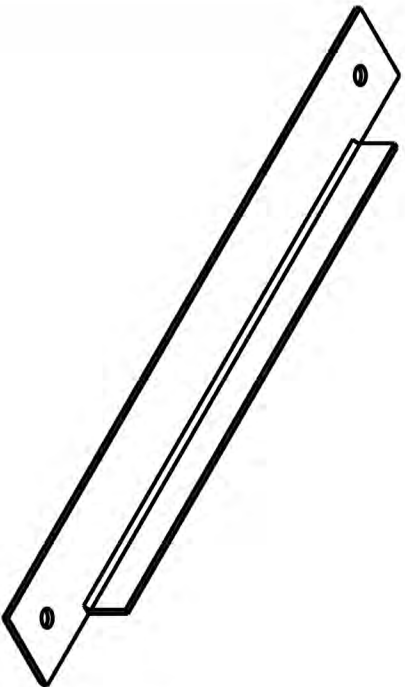
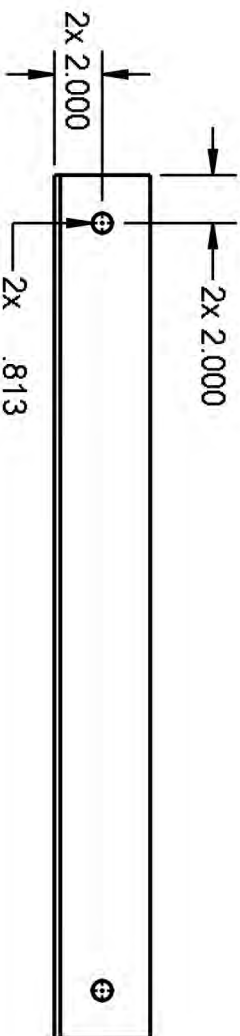
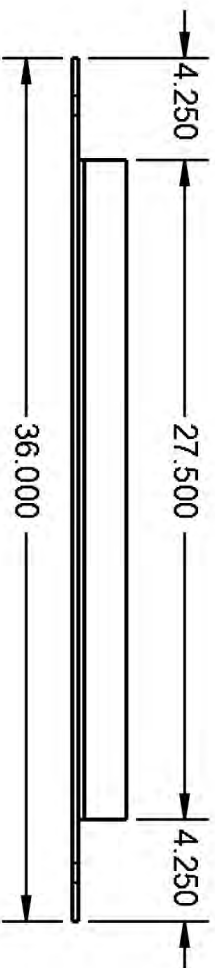
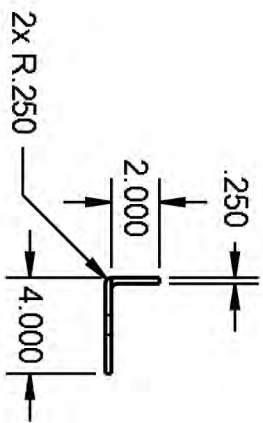


PROJECT:
LIFE TRAC III

TITLE
HYDRAULIC
CYLINDER BASE
MOUNT

SIZE: A
DWG. NO.:
PART NUMBER:
REV:

SCALE: 1:4
WEIGHT:
SHEET 1 OF 1



LICENSE INFORMATION

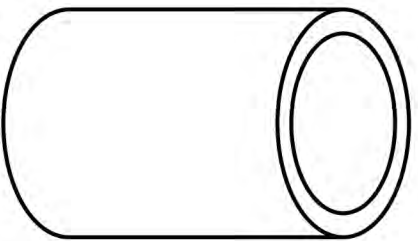
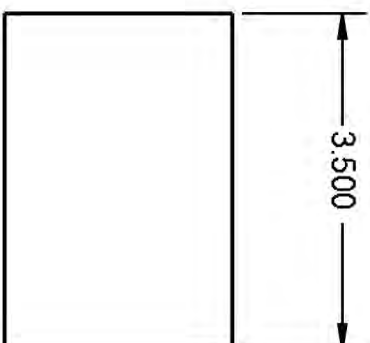
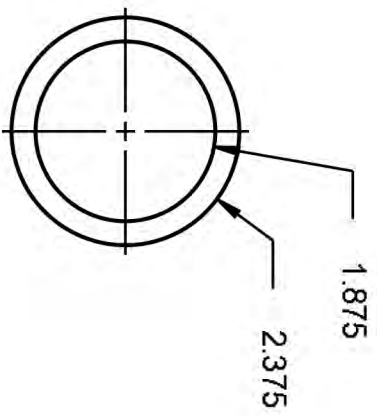
ALL INFORMATION RELEASE UNDER THE ORE
LICENSE FOR DISTRIBUTIVE ECONOMICS
FOR FURTHER INFORMATION GO TO:
OPENSOURCEECOLOGY.ORG/WIKILICENSE

DRAWN	NAME	DATE
F. Anzaldua		3/28/12
CHECKED		
APPR.		
UNLESS OTHERWISE SPECIFIED DIMENSIONS ARE IN INCHES		
ANGLES	X	XX
5	5	5



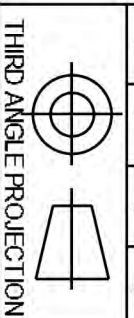
PROJECT:	LIFE TRAC III
TITLE	HYDRAULIC VALVE MOUNT
SIZE	DWG. NO.
A	PART NUMBER
SCALE: 1:8	WEIGHT:
SHEET 1 OF 1	REV

5 4 3 2 1



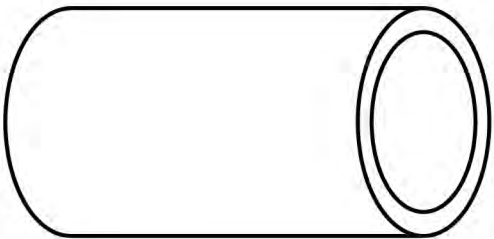
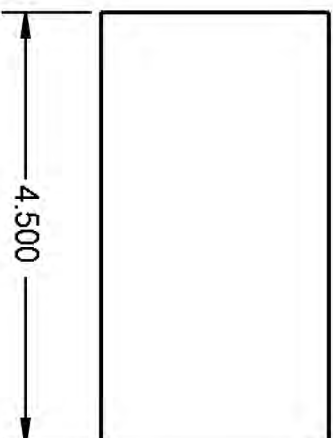
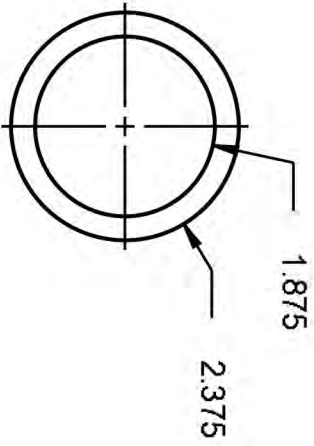
LICENSE INFORMATION
 ALL INFORMATION RELEASE UNDER THE ORE
 LICENSE FOR DISTRIBUTIVE ECONOMICS
 FOR FURTHER INFORMATION GO TO:
 OPENSOURCEECOLOGY.ORG/WIKILICENSE

DRAWN	F. Anzaldúa	DATE	3/28/12
CHECKED			
APPR.			
UNLESS OTHERWISE SPECIFIED DIMENSIONS ARE IN INCHES			
ANGLES	X	XX	XXX
	5	5	5



PROJECT:	LIFE TRAC III
TITLE	LOADER ARM 3.5 INCH SUPPORT ROUND
SIZE	A
DWG. NO.	
PART NUMBER	
REV	
SCALE: 1:2	WEIGHT:
SHEET 1 OF 1	

5 4 3 2 1



LICENSE INFORMATION
 ALL INFORMATION RELEASE UNDER THE ORE
 LICENSE FOR DISTRIBUTIVE ECONOMICS
 FOR FURTHER INFORMATION GO TO:
 OPENSOURCEECOLOGY.ORG/WIKILICENSE

DRAWN	NAME	DATE
F. Anzaldúa		3/28/12
CHECKED		
APPR.		
UNLESS OTHERWISE SPECIFIED DIMENSIONS ARE IN INCHES		
ANGLES	X	XX
5	5	5



PROJECT:	LIFE TRAC III
TITLE	LOADER ARM 4.5 INCH SUPPORT ROUND
SIZE	DWG. NO.
A	PART NUMBER
SCALE: 1:2	WEIGHT:
SHEET 1 OF 1	REV

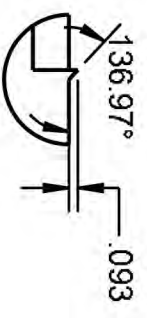
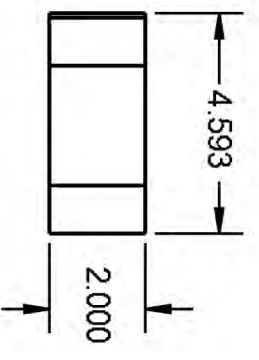
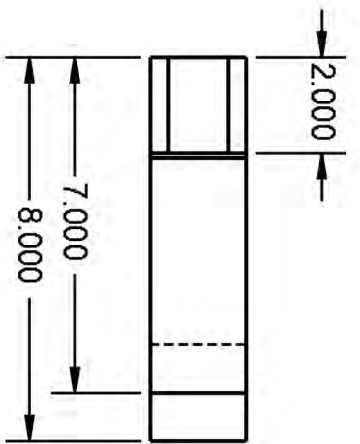
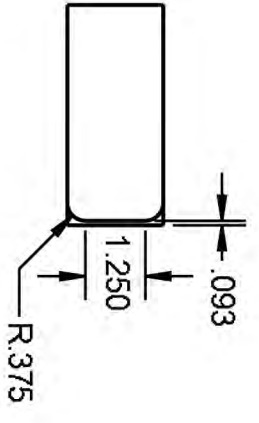
5

4

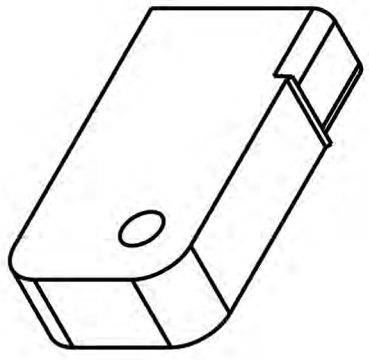
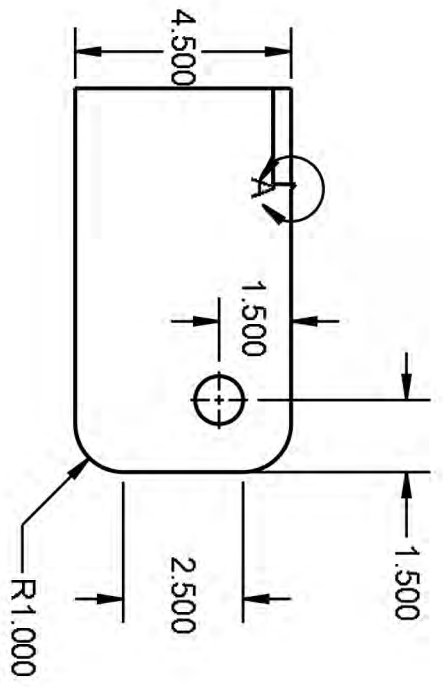
3

2

1



DETAIL A
SCALE 1:2

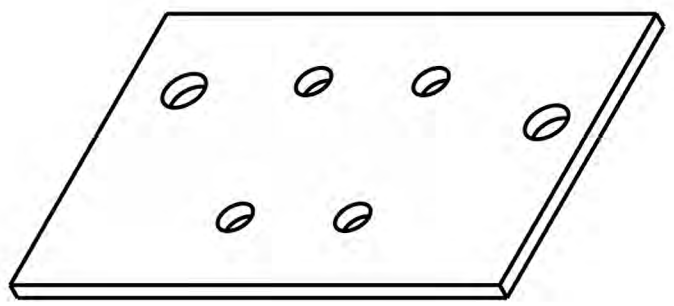
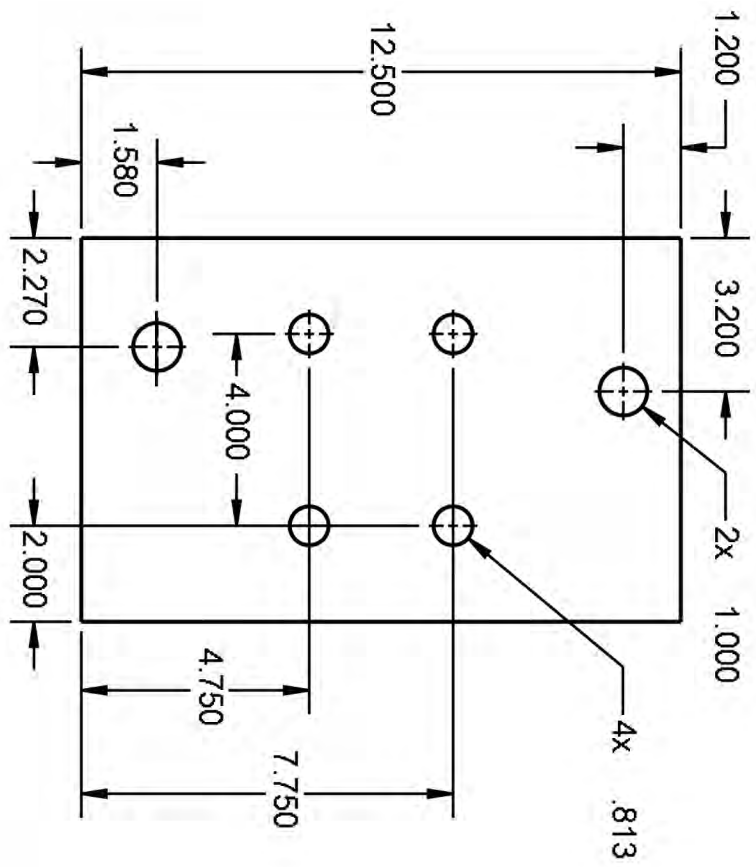
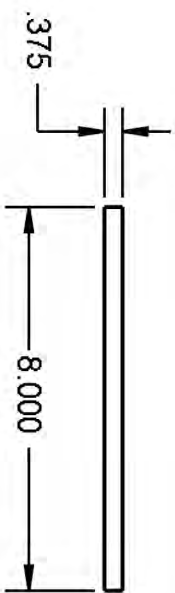


LICENSE INFORMATION
ALL INFORMATION RELEASE UNDER THE ORE
LICENSE FOR DISTRIBUTIVE ECONOMICS
FOR FURTHER INFORMATION GO TO:
OPENSOURCEECOLOGY.ORG/WIKILICENSE

DRAWN	NAME	DATE
CHECKED	F. Anzaldua	3/28/12
APPR.		
UNLESS OTHERWISE SPECIFIED DIMENSIONS ARE IN INCHES		
ANGLES	X	XX
	5	5
	5	5



PROJECT:	LIFE TRAC III
TITLE	LOADER ARM ENDLUMP
SIZE	DWG. NO.
A	PART NUMBER
SCALE: 1:4	WEIGHT:
SHEET 1 OF 1	REV



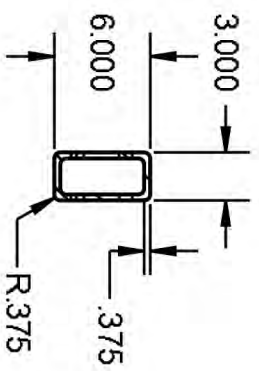
LICENSE INFORMATION
 ALL INFORMATION RELEASE UNDER THE ORE
 LICENSE FOR DISTRIBUTIVE ECONOMICS
 FOR FURTHER INFORMATION GO TO:
 OPENSOURCEECOLOGY.ORG/MILLICENISE

DRAWN	F. Anzaldua	DATE	3/28/12
CHECKED			
APPR.			
UNLESS OTHERWISE SPECIFIED DIMENSIONS ARE IN INCHES			
ANGLES	5	5	5
	X	XX	XXX

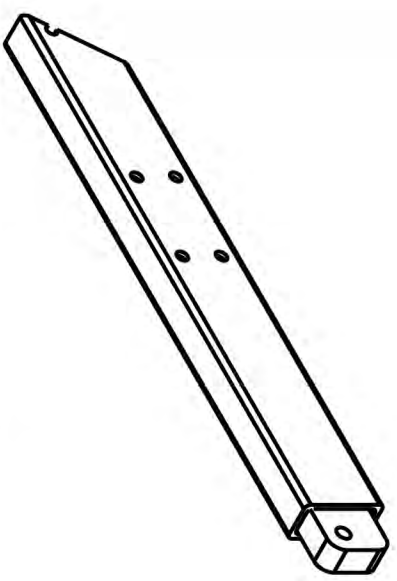
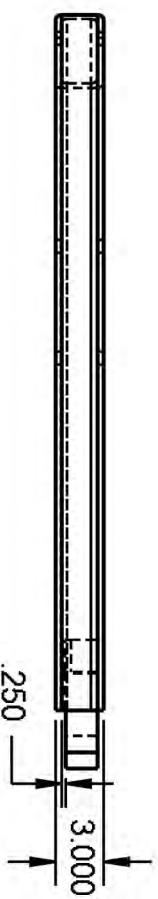
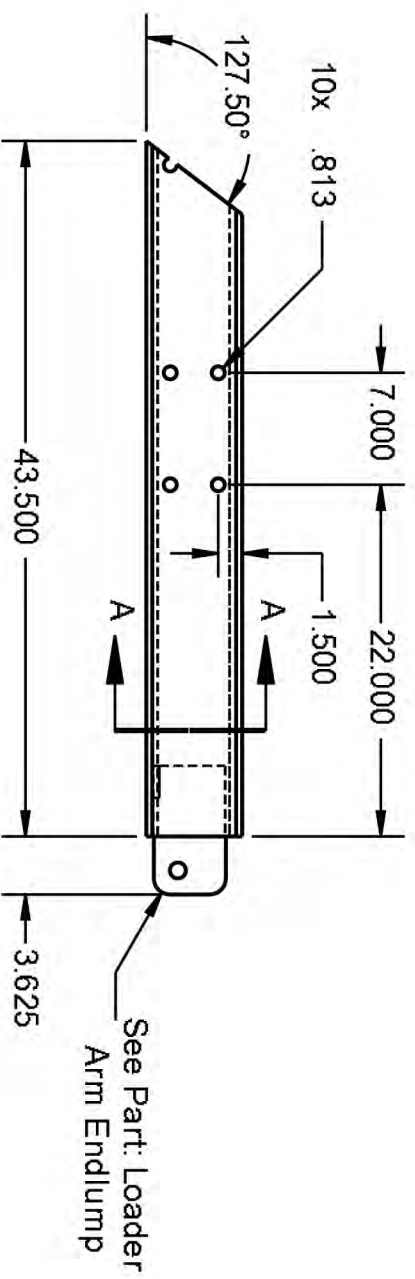


PROJECT:	LIFE TRAC III
TITLE	LOADER ARM HYDRAULIC MOUNT PLATE
SIZE	A
DWG. NO.	
PART NUMBER	
SCALE: 1:4	WEIGHT:
SHEET 1 OF 1	REV

5 4 3 2 1



SECTION A-A



5 4 3 2 1

open source ecology

LICENSE INFORMATION

ALL INFORMATION RELEASE UNDER THE ORE LICENSE FOR DISTRIBUTIVE ECONOMICS FOR FURTHER INFORMATION GO TO: OPENSOURCEECOLOGY.ORG/WIKILICENSE

DRAWN	NAME	DATE
CHECKED	F. Anzaldua	3/28/12
APPR.		
UNLESS OTHERWISE SPECIFIED DIMENSIONS ARE IN INCHES		
ANGLES	X	XX
5	5	5

PROJECT: LIFE TRAC III

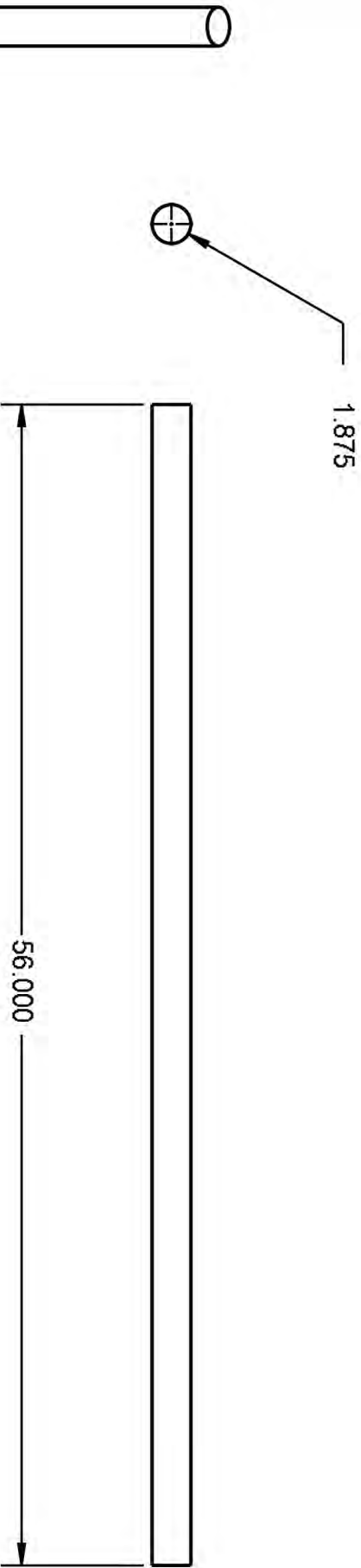
TITLE: **LOADER ARM LOWER**


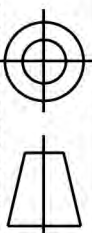
SIZE: **A** DWG. NO. PART NUMBER REV

SCALE: 1:12 WEIGHT: SHEET 1 OF 1

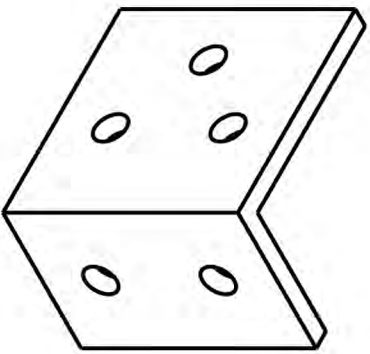
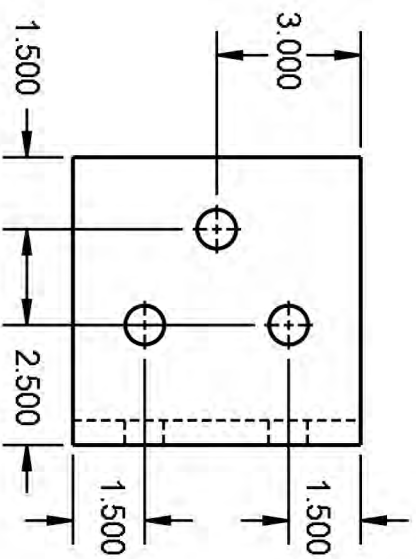
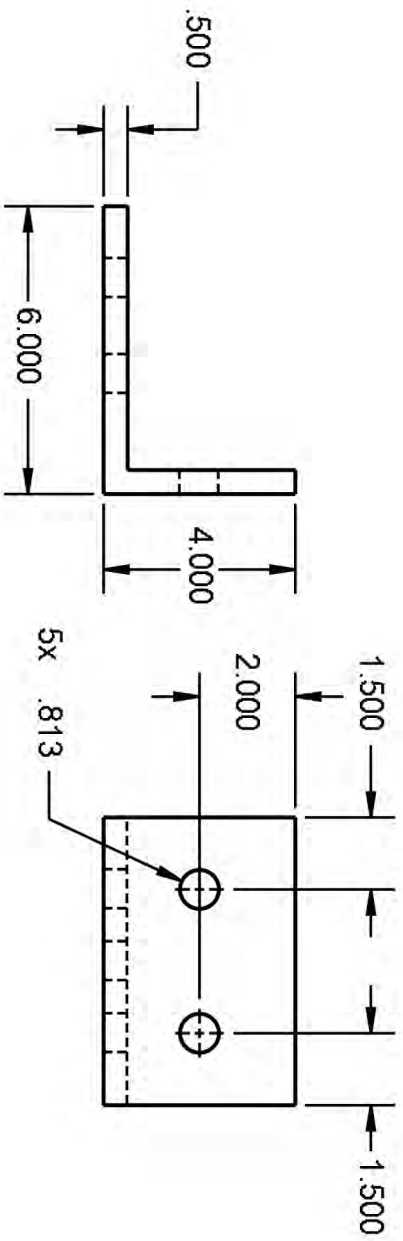


THIRD ANGLE PROJECTION



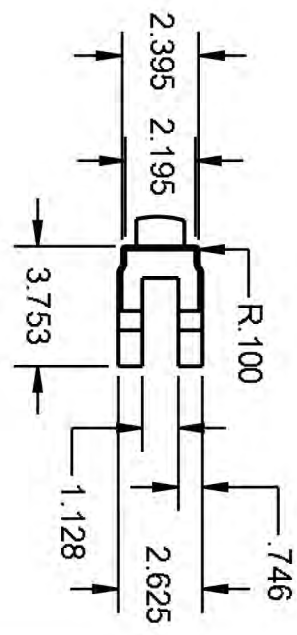
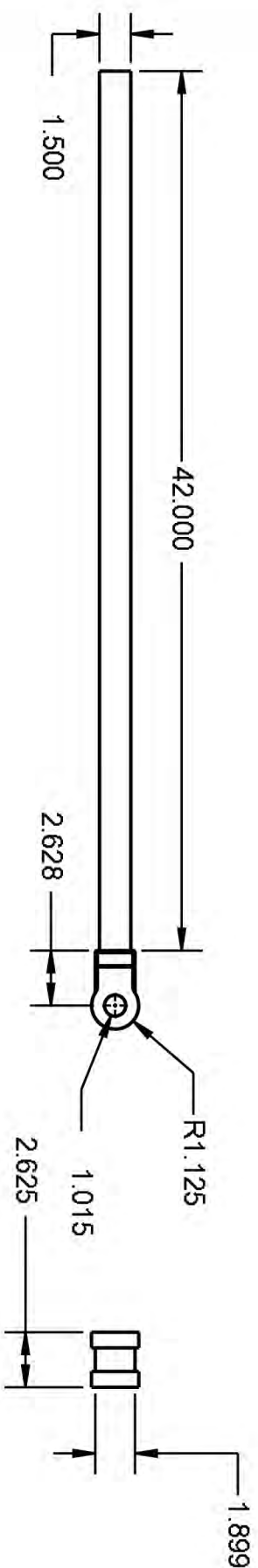
		PROJECT: LIFE TRAC III	
		TITLE: LOADER ARM SHAFT	
DRAWN F. Anzaldúa	NAME F. Anzaldúa	DATE 3/28/12	PROJECT: LIFE TRAC III
CHECKED APPR.	CHECKED APPR.	UNLESS OTHERWISE SPECIFIED DIMENSIONS ARE IN INCHES.	TITLE: LOADER ARM SHAFT
ANGLES 5	X 5	XX 5	XXX 5
THIRD ANGLE PROJECTION 		PROJECT: LIFE TRAC III	
LICENSE INFORMATION ALL INFORMATION RELEASE UNDER THE ORE LICENSE FOR DISTRIBUTIVE ECONOMICS FOR FURTHER INFORMATION GO TO: OPENSOURCEECOLOGY.ORG/MIILLICENSE		TITLE: LOADER ARM SHAFT	
SIZE A	DWG. NO.	PART NUMBER	REV
SCALE: 1:8	WEIGHT:	SHEET 1 OF 1	SHEET 1 OF 1

5 4 3 2 1

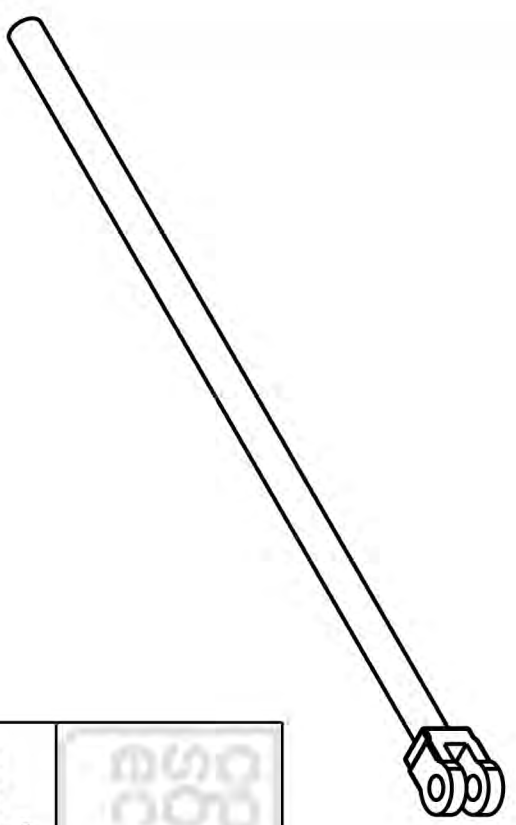


<p>ALL INFORMATION RELEASE UNDER THE ORE LICENSE FOR DISTRIBUTIVE ECONOMICS FOR FURTHER INFORMATION GO TO: OPENSOURCECOLL.OGV.ORG/WIKI/LICENSE</p>		<p>LICENSE INFORMATION</p>	
<p>THIRD ANGLE PROJECTION</p>		<p>PROJECT: LIFE TRAC III</p>	<p>REV</p>
<p>DRAWN</p>	<p>CHECKED</p>	<p>NAME</p>	<p>DATE</p>
<p>APPR.</p>	<p>UNLESS OTHERWISE SPECIFIED DIMENSIONS ARE IN INCHES</p>	<p>F. Anzaldua</p>	<p>3/28/12</p>
<p>ANGLES</p>	<p>X</p>	<p>XX</p>	<p>XXX</p>
<p>5</p>	<p>5</p>	<p>5</p>	<p>5</p>
<p>SIZE</p>	<p>DWG. NO.</p>	<p>TITLE</p>	
<p>A</p>	<p>PART NUMBER</p>	<p>LOADER ARM SUPPORT BEAM ANGLE IRON</p>	
<p>SCALE: 1:4</p>	<p>WEIGHT:</p>	<p>SHEET 1 OF 1</p>	

5 4 3 2 1



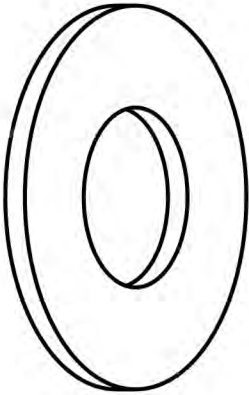
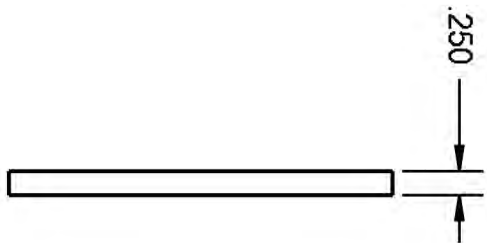
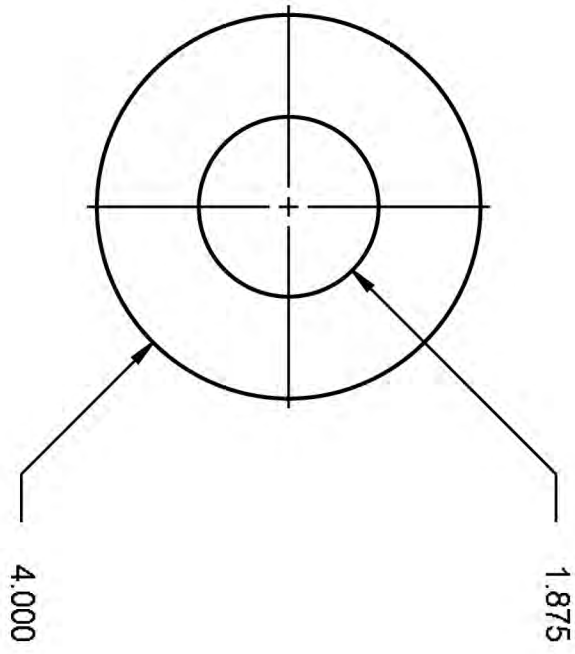
DETAIL A
SCALE 1:6



LICENSE INFORMATION
ALL INFORMATION RELEASE UNDER THE ORE
LICENSE FOR DISTRIBUTIVE ECONOMICS
FOR FURTHER INFORMATION GO TO:
OPENSOURCEECOLOGY.ORG/WIKILICENSE

DRAWN	NAME	DATE	THIRD ANGLE PROJECTION		
F. Anzaldua		3/28/12			
CHECKED					
APPR.					
UNLESS OTHERWISE SPECIFIED DIMENSIONS ARE IN INCHES			ANGLES	X	XX
			5	5	5

PROJECT:	SIZE	DWG. NO.	REV
LIFE TRAC III	A	PART NUMBER	
TITLE	SCALE: 1:8	WEIGHT:	SHEET 1 OF 1
2.5X36X1.5 DA HYD CYL inner shaft			



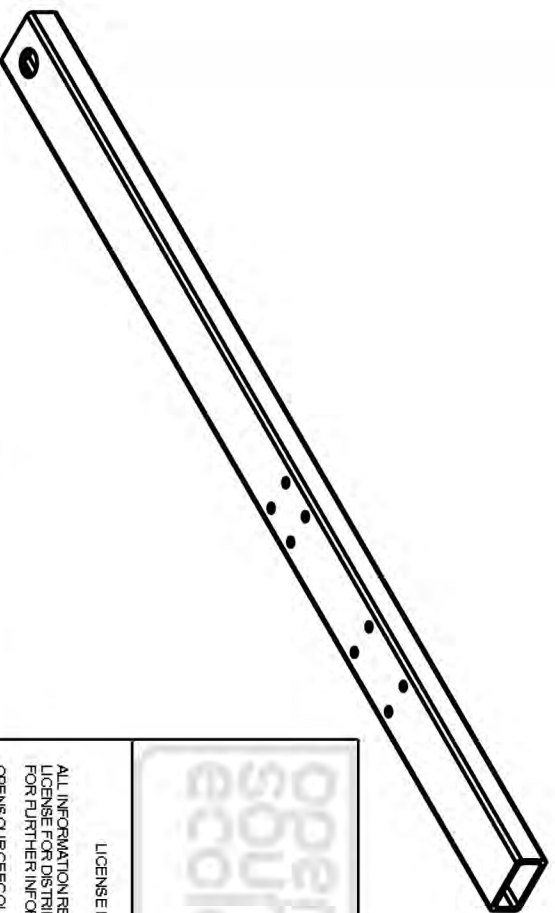
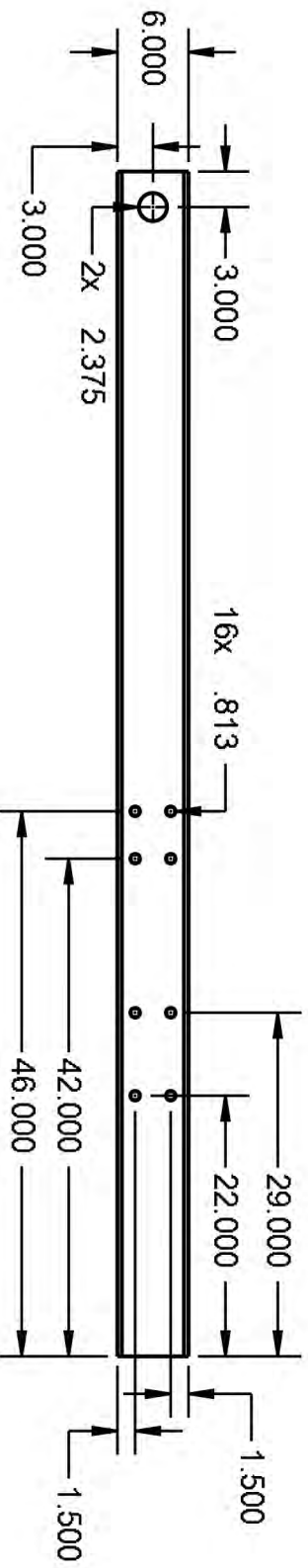
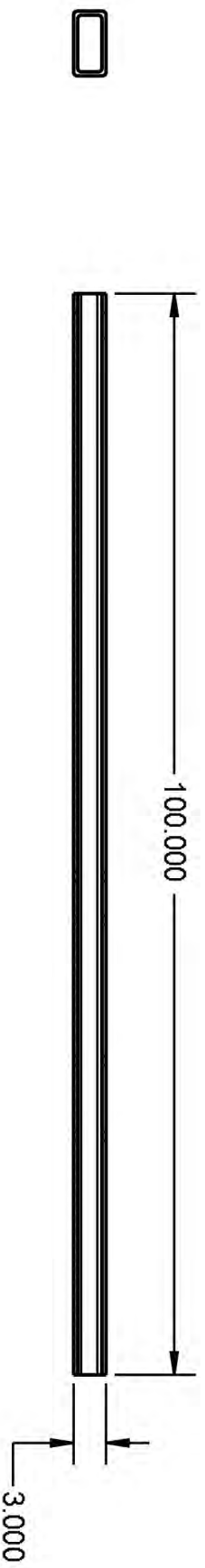
LICENSE INFORMATION
 ALL INFORMATION RELEASE UNDER THE ORE
 LICENSE FOR DISTRIBUTIVE ECONOMICS
 FOR FURTHER INFORMATION GO TO:
 OPENSOURCEECOLOGY.ORG/WIKILICENSE

DRAWN	NAME	DATE
CHECKED	F. Anzaldua	3/28/12
APPR.		
UNLESS OTHERWISE SPECIFIED DIMENSIONS ARE IN INCHES		
ANGLES	X	XX
5	5	5



PROJECT:	LIFE TRAC III	
TITLE	TITLE	
SIZE	DWG. NO.	REV
A	PART NUMBER	
SCALE: 1:2	WEIGHT:	SHEET 1 OF 1

5 4 3 2 1



LICENSE INFORMATION
 ALL INFORMATION RELEASE UNDER THE ORE
 LICENSE FOR DISTRIBUTIVE ECONOMICS
 FOR FURTHER INFORMATION GO TO:
 OPENSOURCEECOLOGY.ORG/WIKILICENSE

NAME	DATE	5	5	5	5
F. Anzaldúa	3/28/12	X	XX	XXX	
CHECKED					
APPR.					
UNLESS OTHERWISE SPECIFIED DIMENSIONS ARE IN INCHES					
ANGLES		5	5	5	5



PROJECT:

LIFE TRAC III

TITLE

LOADER ARM

SIZE DWG. NO. PART NUMBER REV

A

SCALE: 1:16 WEIGHT: SHEET 1 OF 1

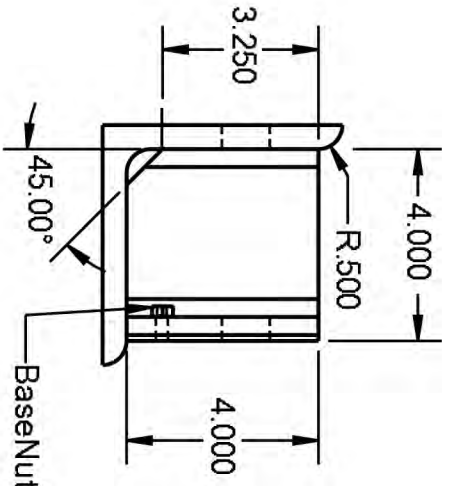
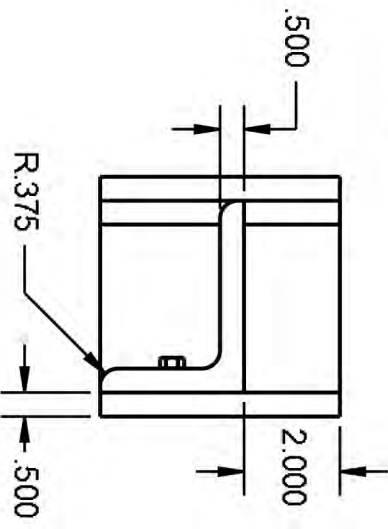
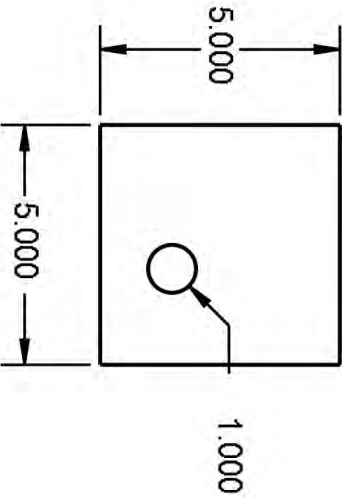
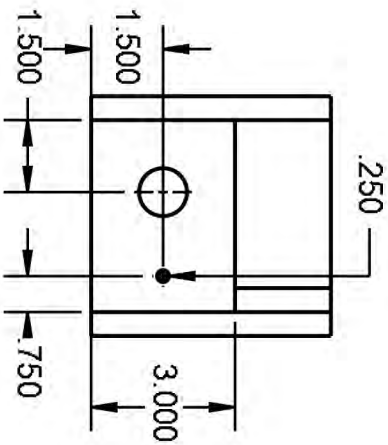
5

4

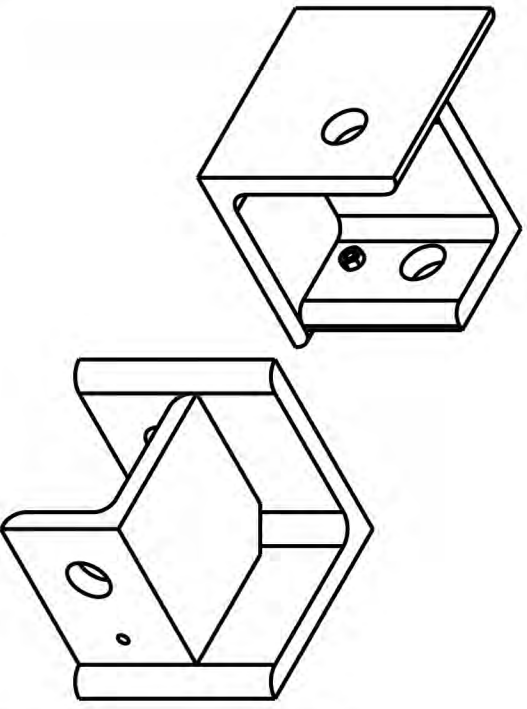
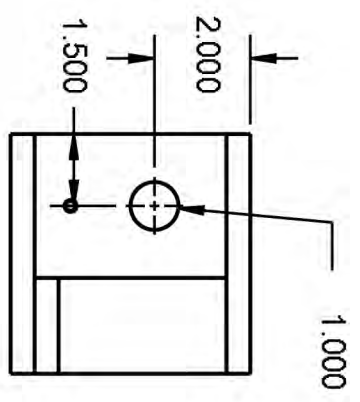
3

2

1



BaseNut of Hex Nut_ai



LICENSE INFORMATION
 ALL INFORMATION RELEASE UNDER THE ORE
 LICENSE FOR DISTRIBUTIVE ECONOMICS
 FOR FURTHER INFORMATION GO TO:
 OPENSOURCEECOLOGY.ORG/WIKILICENSE

DRAWN	NAME	DATE
F. Anzaldua		3/28/12
CHECKED		
APPR.		
UNLESS OTHERWISE SPECIFIED DIMENSIONS ARE IN INCHES		
ANGLES	X	XX
	5	5
	5	5



THIRD ANGLE PROJECTION

PROJECT:
 LIFE TRAC III
 TITLE
**NEW PISTON
 MOUNT**

SIZE	DWG. NO.	REV
A	PART NUMBER	
SCALE: 1:4	WEIGHT:	SHEET 1 OF 1

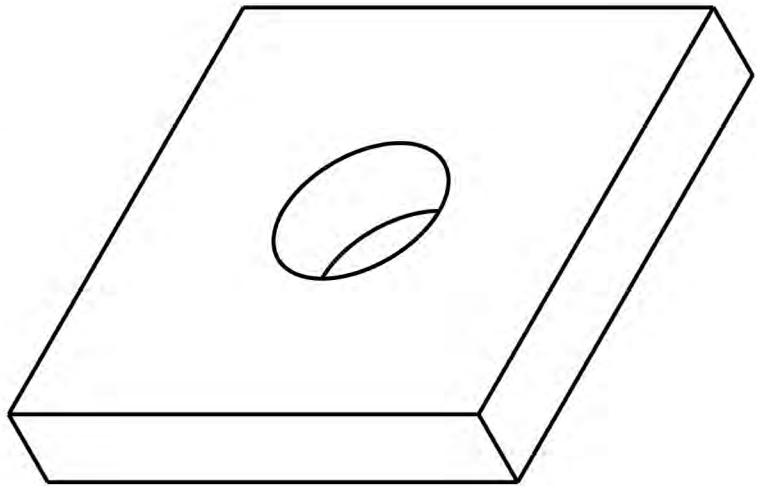
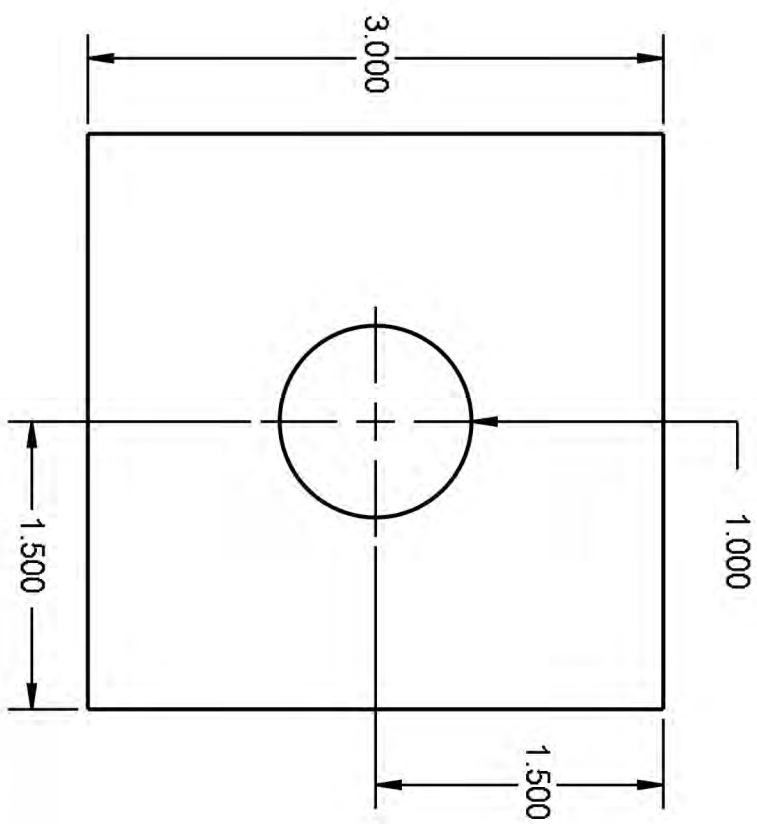
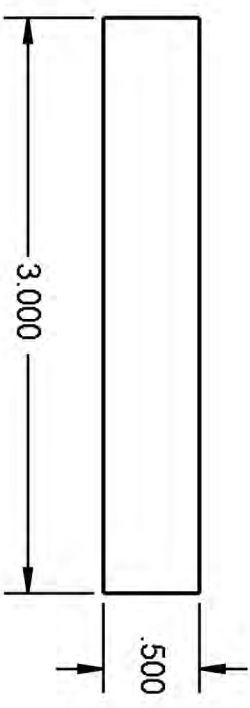
5

4

3

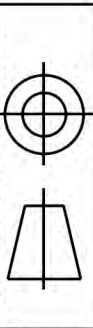
2

1



LICENSE INFORMATION
 ALL INFORMATION RELEASE UNDER THE ORE
 LICENSE FOR DISTRIBUTIVE ECONOMICS
 FOR FURTHER INFORMATION GO TO:
 OPENSOURCEECOLOGY.ORG/MILLICENSE

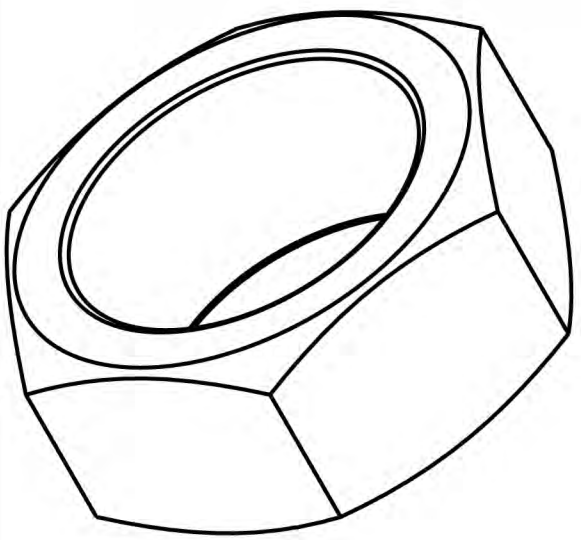
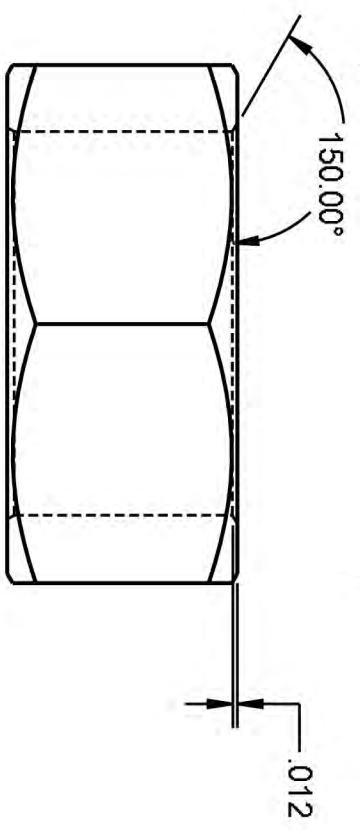
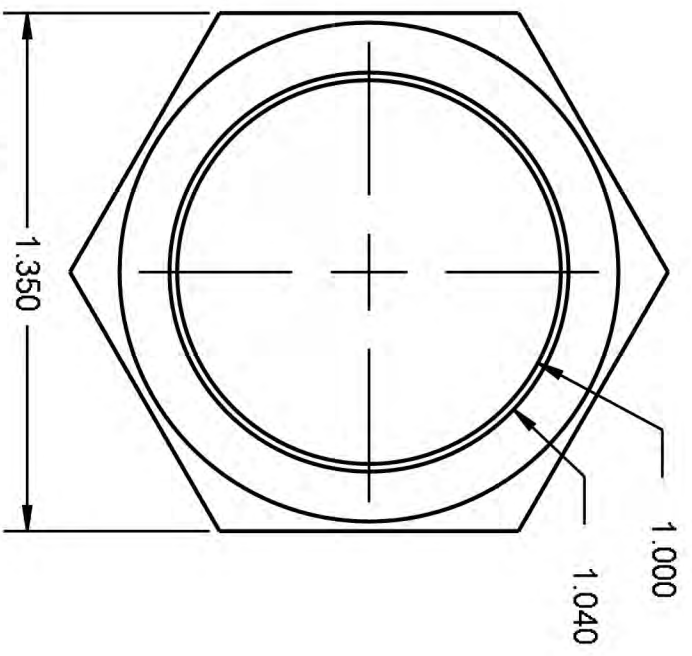
DRAWN	NAME	DATE
F. Anzaldua		3/28/12
CHECKED		
APPR.		
UNLESS OTHERWISE SPECIFIED DIMENSIONS ARE IN INCHES		
ANGLES	X	XX
5	5	5



THIRD ANGLE PROJECTION

PROJECT:	SIZE	DWG. NO.	REV
LIFE TRAC III	A	PART NUMBER	
TITLE	SCALE: 1:1	WEIGHT:	SHEET 1 OF 1
NEW PLATE			

5 4 3 2 1



LICENSE INFORMATION
ALL INFORMATION RELEASE UNDER THE ORE
LICENSE FOR DISTRIBUTIVE ECONOMICS
FOR FURTHER INFORMATION GO TO:
OPEN.SOURCEECOLOGY.ORG/WIKILICENSE

DRAWN	NAME	DATE
F. Anzaldua		3/28/12
CHECKED		
APPR.		
UNLESS OTHERWISE SPECIFIED DIMENSIONS ARE IN INCHES		
ANGLES	X	XX
5	5	5



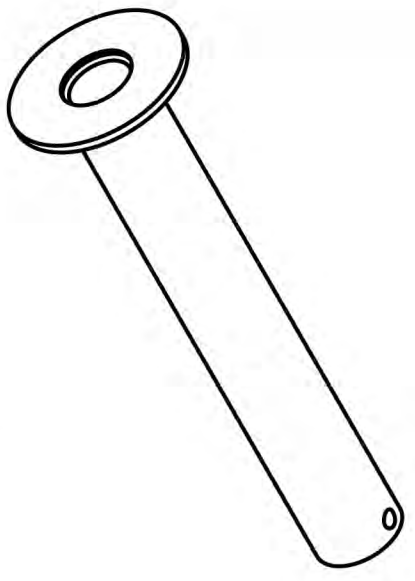
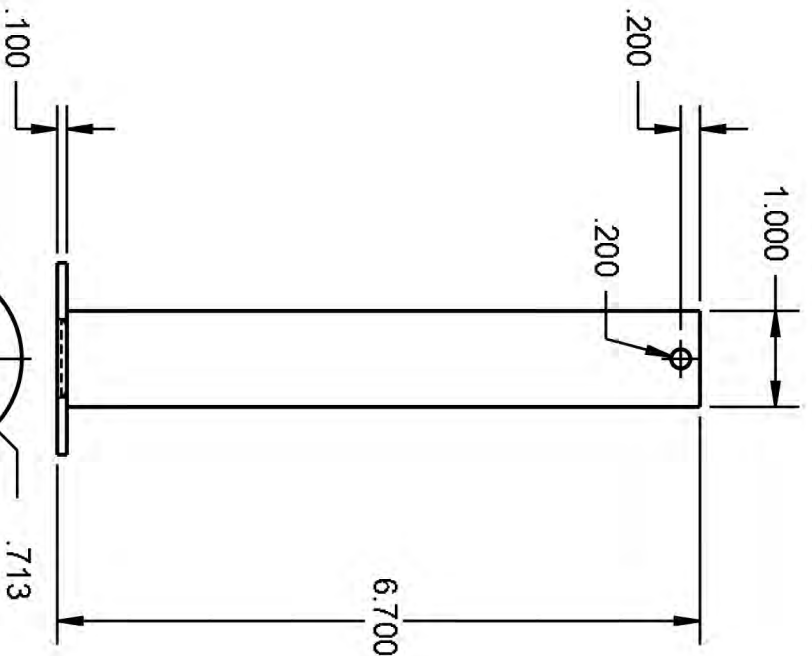
THIRD ANGLE PROJECTION

PROJECT:
LIFE TRAC III
TITLE
**1 INCH NUT
DRILLED OUT**

SIZE DWG. NO. PART NUMBER REV
A

SCALE: 2:1 WEIGHT: SHEET 1 OF 1

5 4 3 2 1



LICENSE INFORMATION
 ALL INFORMATION RELEASE UNDER THE ORE
 LICENSE FOR DISTRIBUTIVE ECONOMICS
 FOR FURTHER INFORMATION GO TO:
 OPENSOURCEECOLOGY.ORG/MIKILLICENSE

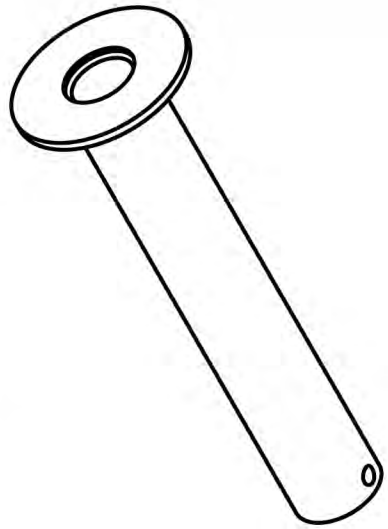
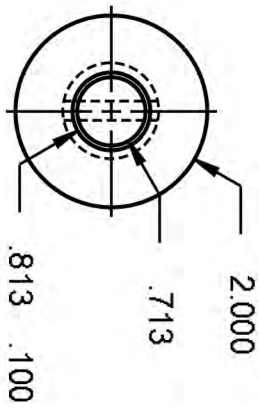
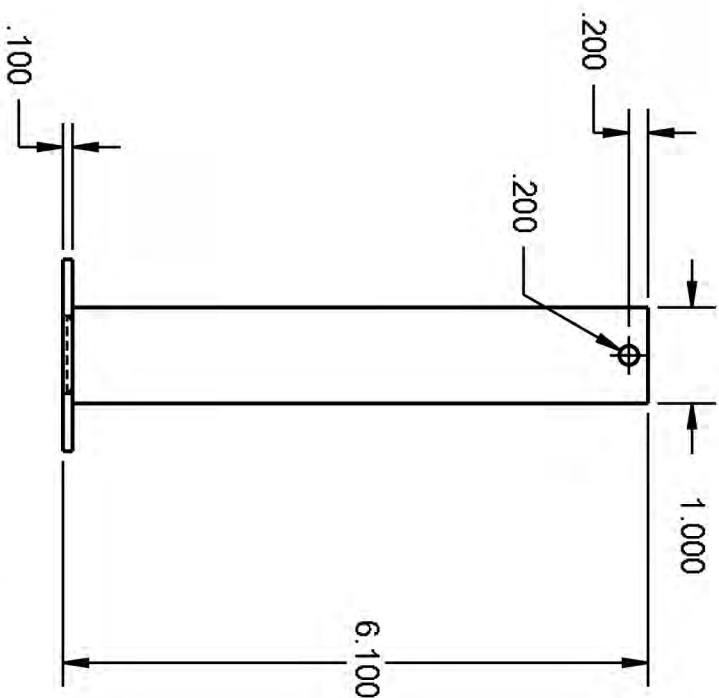
DRAWN	F. Anzaldua	DATE	3/28/12
CHECKED			
APPR.			
UNLESS OTHERWISE SPECIFIED DIMENSIONS ARE IN INCHES			
ANGLES	5	5	5
	X	XX	XXX



THIRD ANGLE PROJECTION

PROJECT:	LIFE TRAC III
TITLE	1 INCH PIN (8IN LONG)
SIZE	DWG. NO.
A	PART NUMBER
SCALE: 1:2	WEIGHT:
SHEET 1 OF 1	REV

5 4 3 2 1



LICENSE INFORMATION
 ALL INFORMATION RELEASE UNDER THE ORE
 LICENSE FOR DISTRIBUTIVE ECONOMICS
 FOR FURTHER INFORMATION GO TO:
 OPENSOURCEECOLOGY.ORG/WIKILICENSE

DRAWN	NAME	DATE
F. Anzaldúa		3/28/12
CHECKED		
APPR.		
UNLESS OTHERWISE SPECIFIED DIMENSIONS ARE IN INCHES		
ANGLES	X	XX
5	5	5



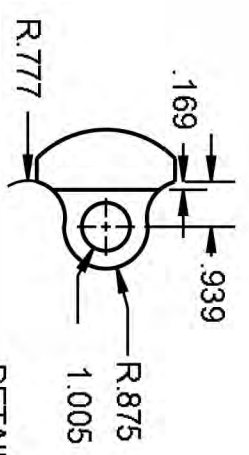
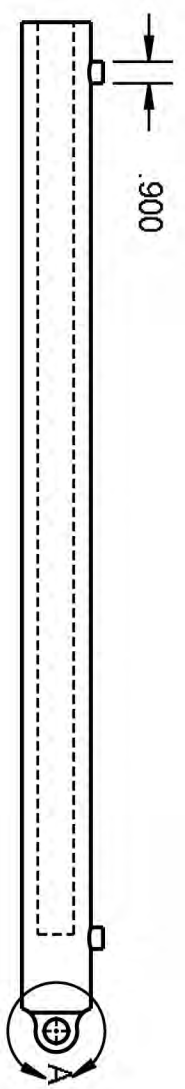
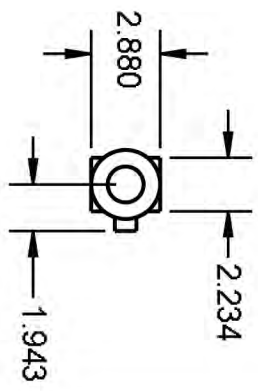
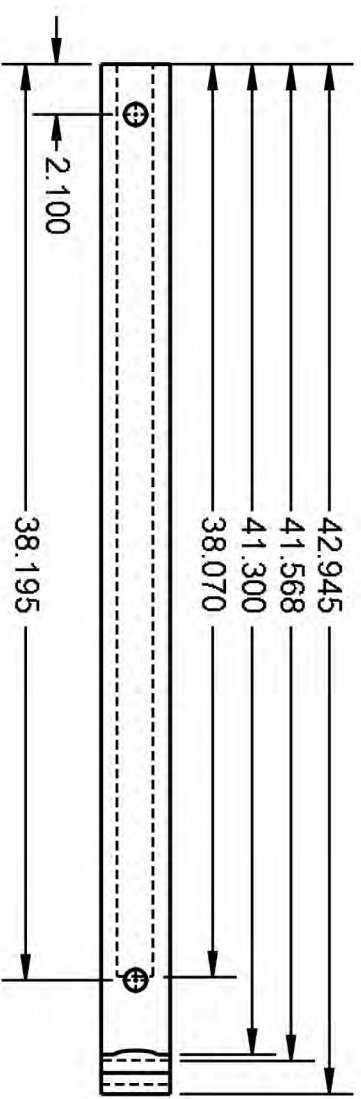
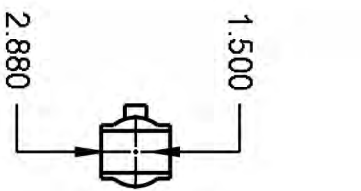
THIRD ANGLE PROJECTION

PROJECT:
 LIFE TRAC III
 TITLE
ONE INCH PIN

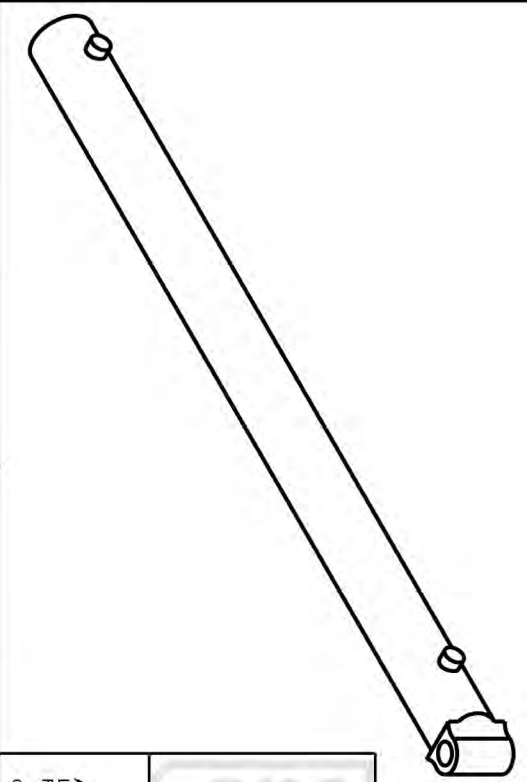
SIZE DWG. NO. PART NUMBER REV
A

SCALE: 1:2 WEIGHT: SHEET 1 OF 1

5 4 3 2 1



DETAIL A
SCALE 1 : 4

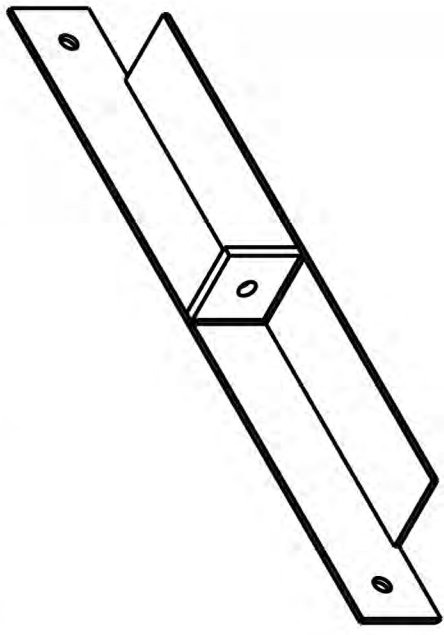
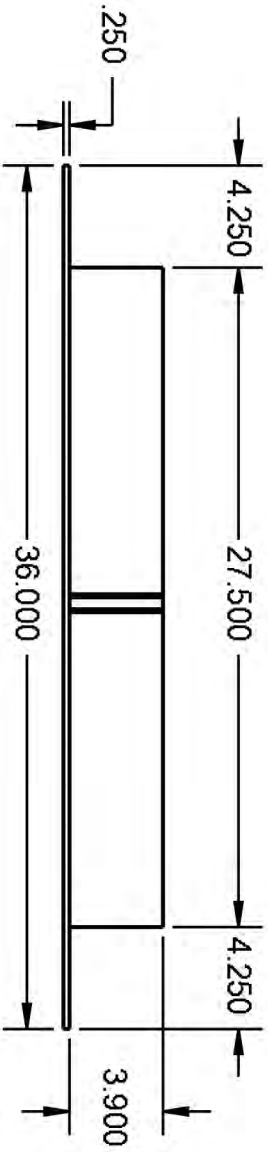
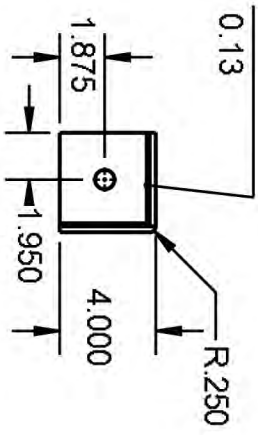
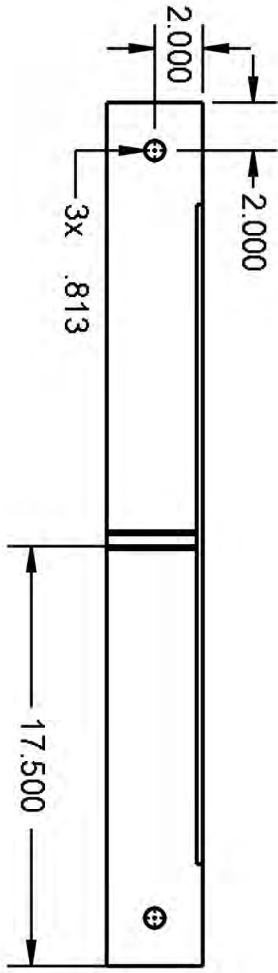


LICENSE INFORMATION
ALL INFORMATION RELEASE UNDER THE ORE
LICENSE FOR DISTRIBUTIVE ECONOMICS
FOR FURTHER INFORMATION GO TO:
OPENSOURCEECOLOGY.ORG/WIKILICENSE

NAME	DATE	PROJECT:
F. Anzaldua	3/28/12	LIFE TRAC III
DRAWN		TITLE
CHECKED		2.5X36X1.5 DA
APPR.		HYD CYL
UNLESS OTHERWISE SPECIFIED DIMENSIONS ARE IN INCHES		
ANGLES	X	XX
5	5	5
THIRD ANGLE PROJECTION		

SIZE	DWG. NO.	REV
A	PART NUMBER	
SCALE: 1:8	WEIGHT:	SHEET 1 OF 1

5 4 3 2 1



LICENSE INFORMATION
 ALL INFORMATION RELEASE UNDER THE ORE
 LICENSE FOR DISTRIBUTIVE ECONOMICS
 FOR FURTHER INFORMATION GO TO:
 OPENSOURCEECOLOGY.ORG/MIILLICENSE

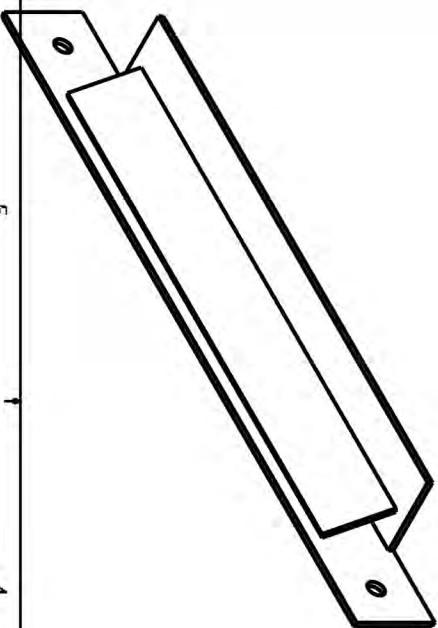
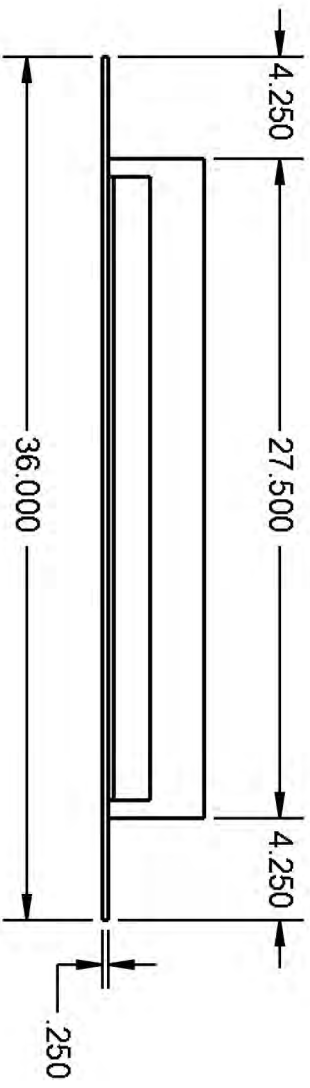
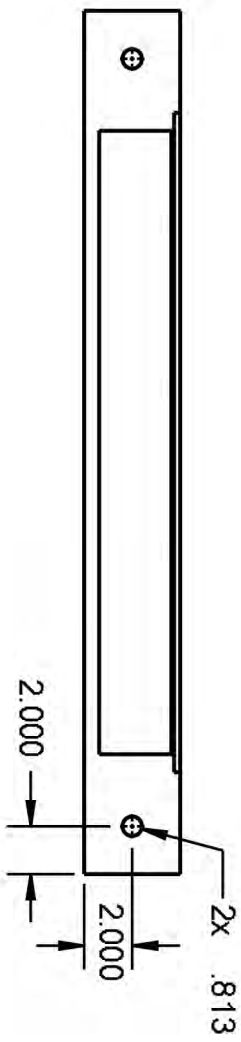
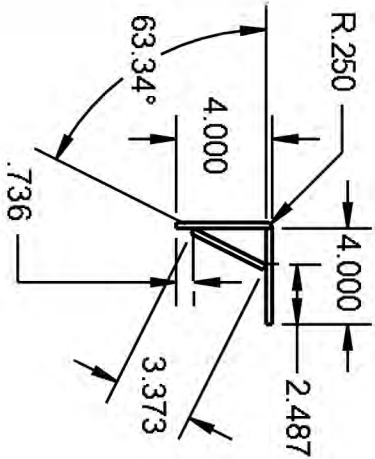
DRAWN	NAME	DATE
F. Anzaldua		3/28/12
CHECKED		
APPR.		
UNLESS OTHERWISE SPECIFIED DIMENSIONS ARE IN INCHES		
ANGLES	X	XX
5	5	5



THIRD ANGLE PROJECTION

PROJECT:	LIFE TRAC III
TITLE	POWER CUBE BOTTOM MOUNT
SIZE	DWG. NO.
A	PART NUMBER
SCALE: 1:8	WEIGHT:
SHEET 1 OF 1	REV

5 4 3 2 1



LICENSE INFORMATION
 ALL INFORMATION RELEASE UNDER THE ORE
 LICENSE FOR DISTRIBUTIVE ECONOMICS
 FOR FURTHER INFORMATION GO TO:
 OPENSOURCEECOLOGY.ORG/WIKILICENSE

DRAWN	NAME	DATE
F. Anzaldua		3/28/12
CHECKED		
APPR.		
UNLESS OTHERWISE SPECIFIED DIMENSIONS ARE IN INCHES		
ANGLES	X	XX
5	5	5



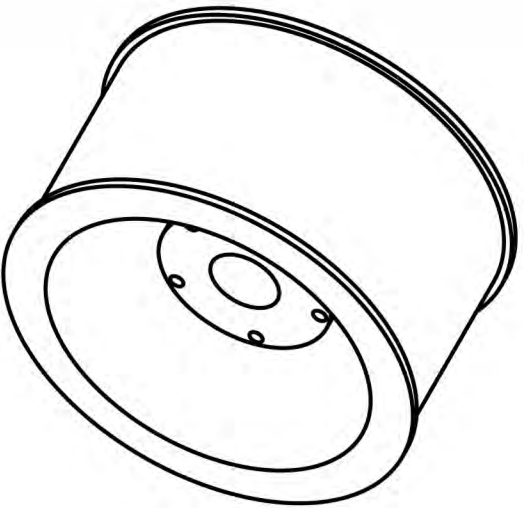
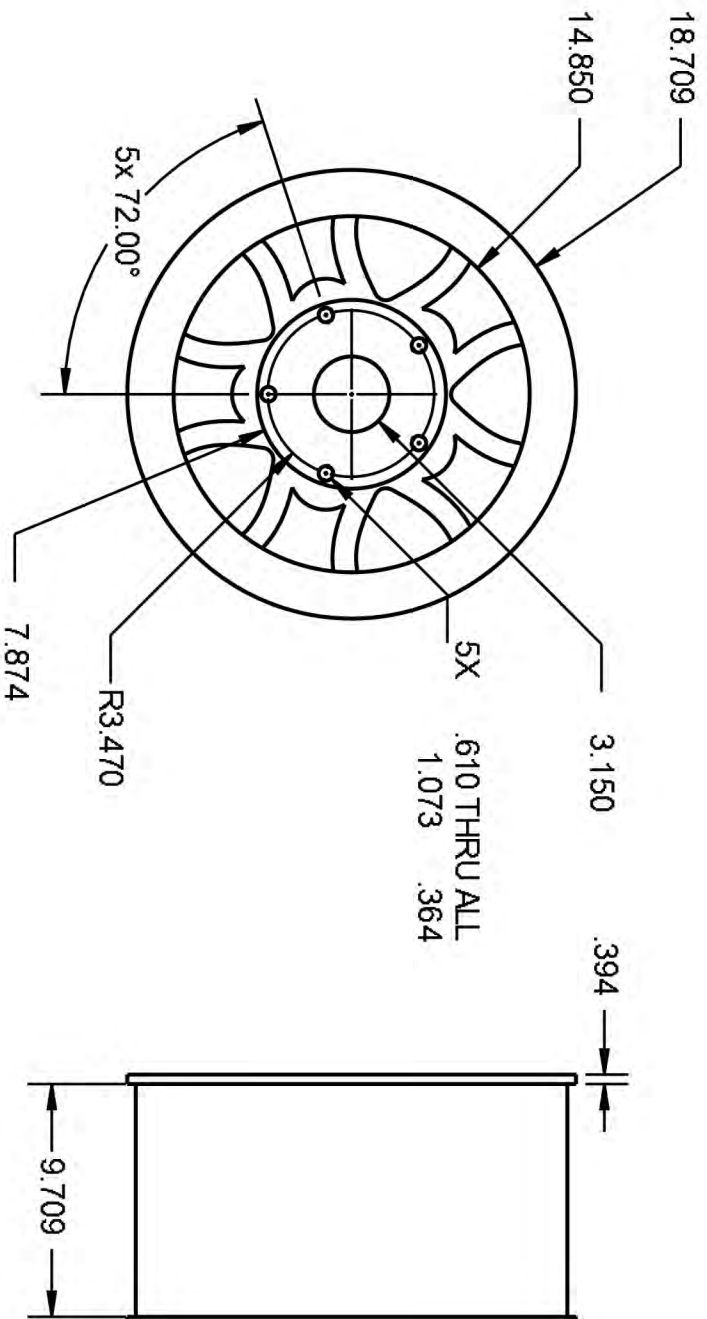
THIRD ANGLE PROJECTION

PROJECT:
 LIFE TRAC III
 TITLE
**POWER CUBE
 TOP MOUNT**

SIZE DWG. NO. PART NUMBER REV
A

SCALE: 1:8 WEIGHT: SHEET 1 OF 1

5 4 3 2 1



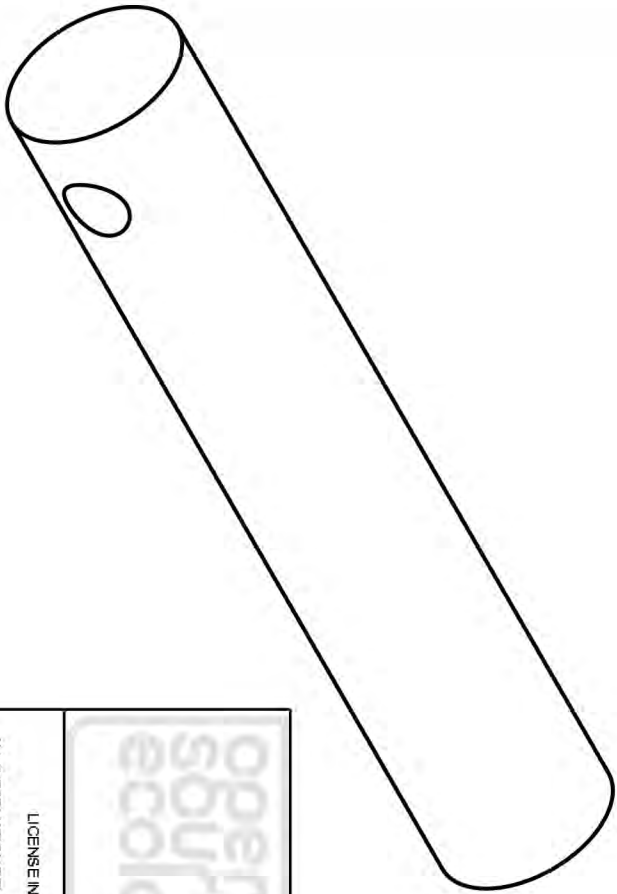
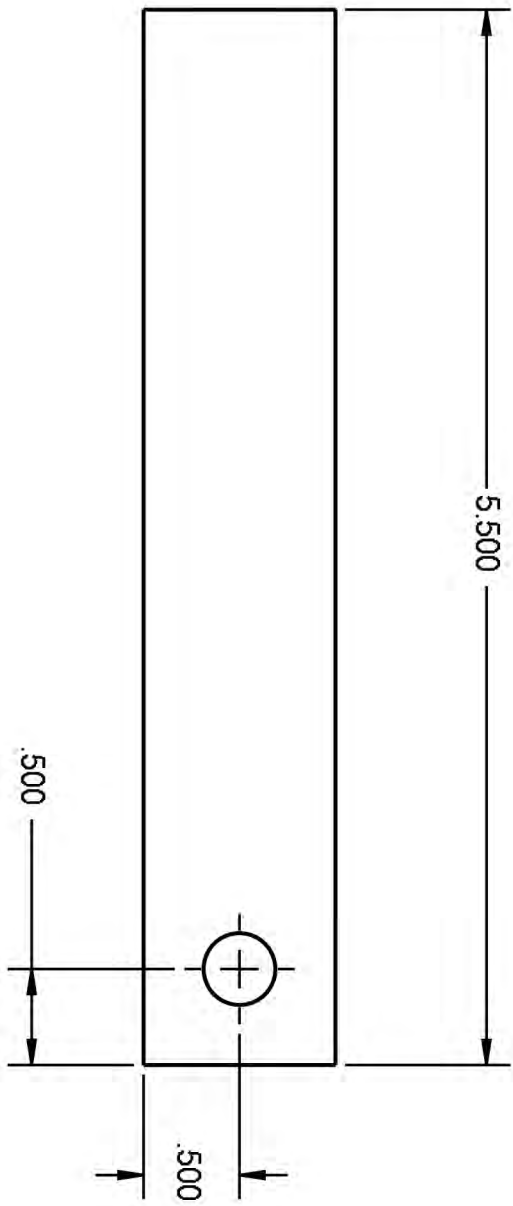
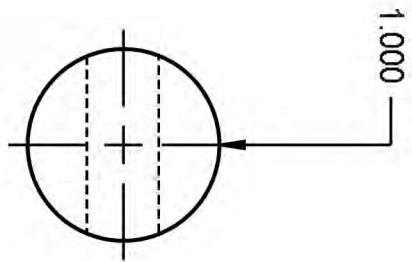
LICENSE INFORMATION
 ALL INFORMATION RELEASE UNDER THE OSE
 LICENSE FOR DISTRIBUTIVE ECONOMICS
 FOR FURTHER INFORMATION GO TO:
 OPEN.SOURCEECOLOGY.ORG/WIKILICENSE

DRAWN	NAME	DATE
F. Anzaldua		3/28/12
CHECKED		
APPR.		
UNLESS OTHERWISE SPECIFIED DIMENSIONS ARE IN INCHES		
ANGLES	X	XX
5	5	5



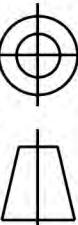
PROJECT:	LIFE TRAC III	
TITLE	RIM	
SIZE	DWG. NO.	REV
A	PART NUMBER	
SCALE: 1:8	WEIGHT:	SHEET 1 OF 1

5 4 3 2 1



LICENSE INFORMATION
 ALL INFORMATION RELEASE UNDER THE ORE
 LICENSE FOR DISTRIBUTIVE ECONOMICS
 FOR FURTHER INFORMATION GO TO:
 OPENSOURCEECOLOGY.ORG/WIKILICENSE

DRAWN	NAME	DATE
CHECKED	F. Anzaldua	3/28/12
APPR.		
UNLESS OTHERWISE SPECIFIED DIMENSIONS ARE IN INCHES.		
ANGLES	X	XX
5	5	5



THIRD ANGLE PROJECTION

PROJECT:

LIFE TRAC III

TITLE

ROD, 1 INCH

SIZE DWG. NO.

A

PART NUMBER

REV

SCALE: 1:1 WEIGHT:

SHEET 1 OF 1

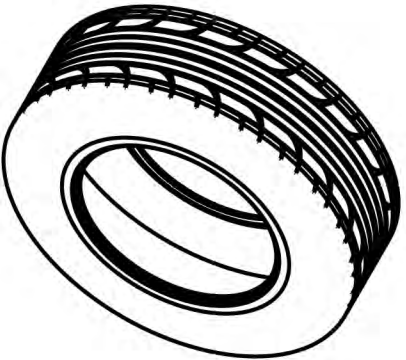
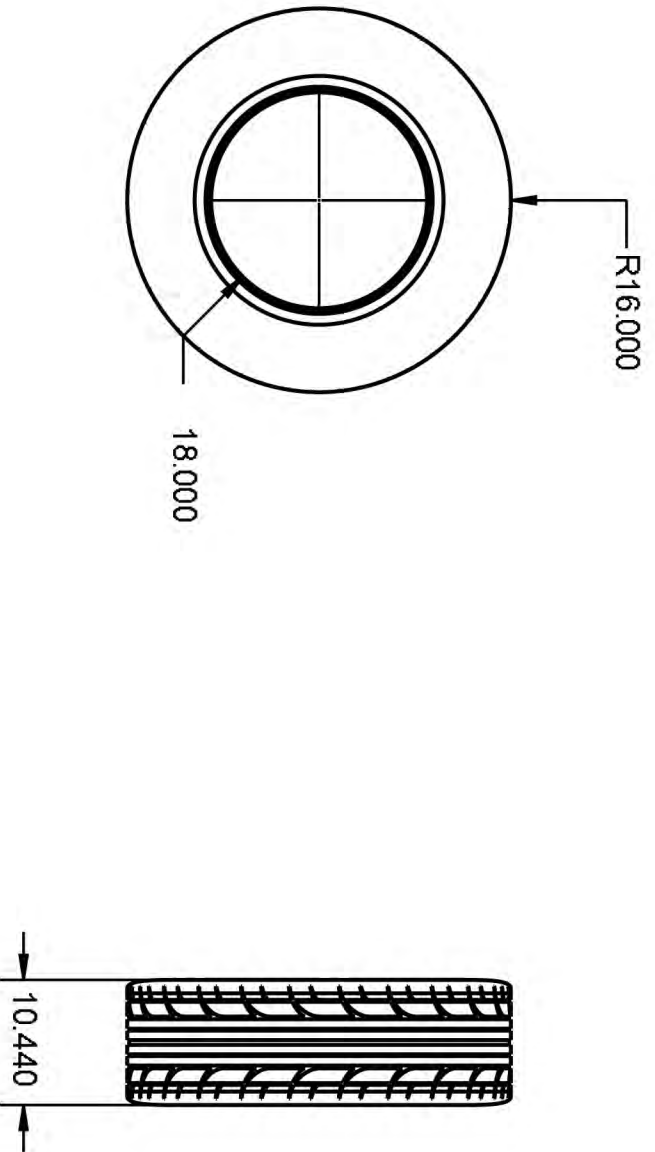
5

4

3

2

1



LICENSE INFORMATION
 ALL INFORMATION RELEASE UNDER THE OSE
 LICENSE FOR DISTRIBUTIVE ECONOMICS
 FOR FURTHER INFORMATION GO TO:
 OPEN.SOURCEECOLOGY.ORG/WIKILICENSE

DRAWN	F. Anzaldua	DATE	3/21/12
CHECKED			
APPR.			
UNLESS OTHERWISE SPECIFIED DIMENSIONS ARE IN INCHES			
ANGLES	X	XX	XXX
	5	5	5



PROJECT:	LIFE TRAC III		
TITLE	TIRE		
SIZE	DWG. NO.	PART NUMBER	REV
A			
SCALE: 1:16	WEIGHT:	SHEET 1 OF 1	

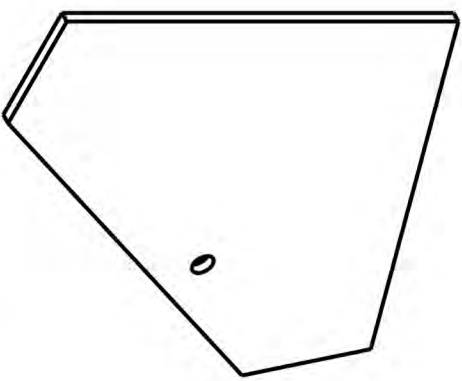
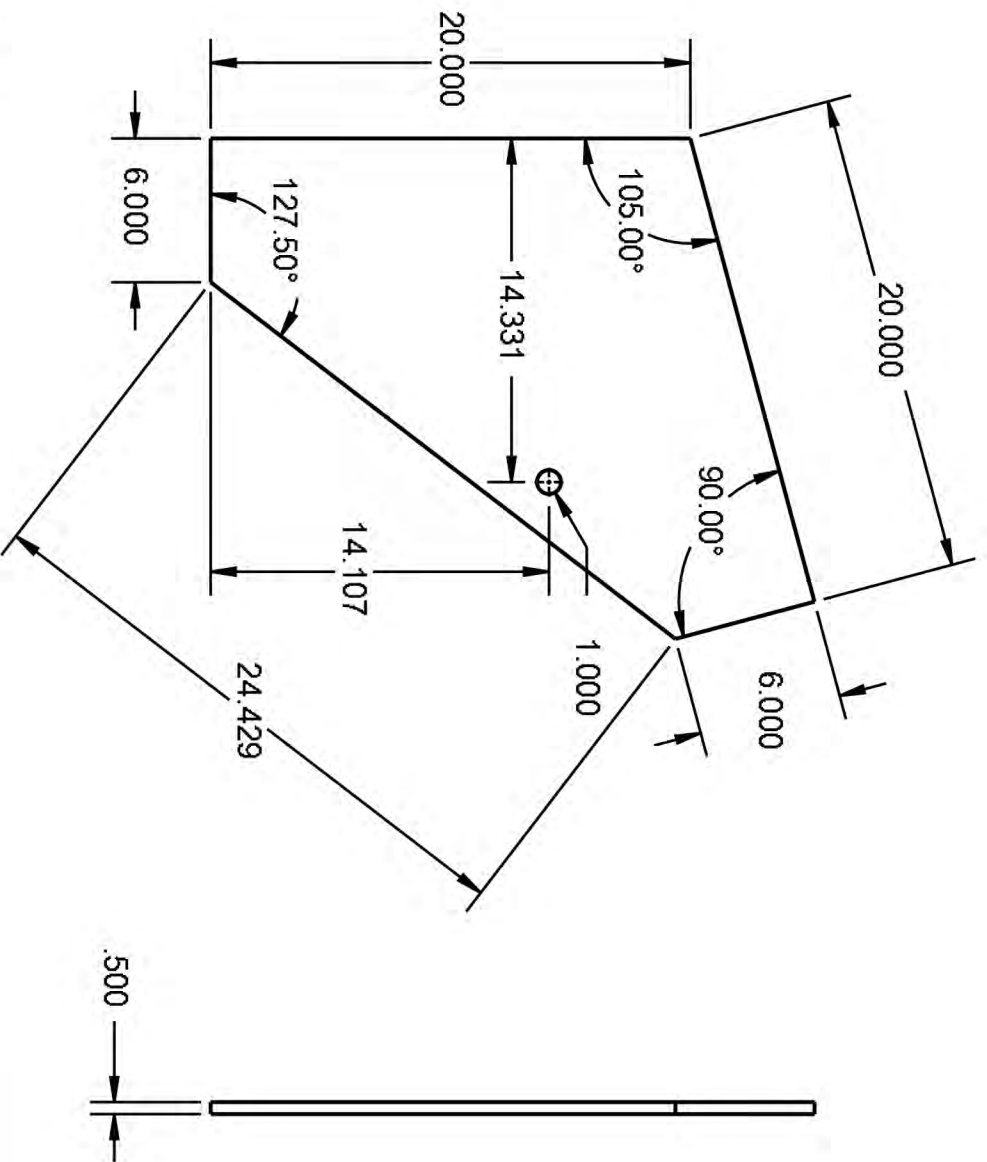
5

4

3

2

1



LICENSE INFORMATION
 ALL INFORMATION RELEASE UNDER THE ORE
 LICENSE FOR DISTRIBUTIVE ECONOMICS
 FOR FURTHER INFORMATION GO TO:
 OPENSOURCEECOLOGY.ORG/WIKILICENSE

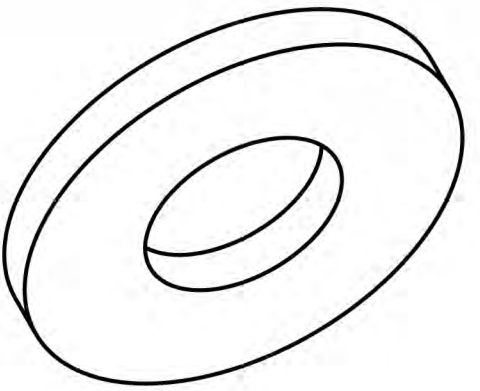
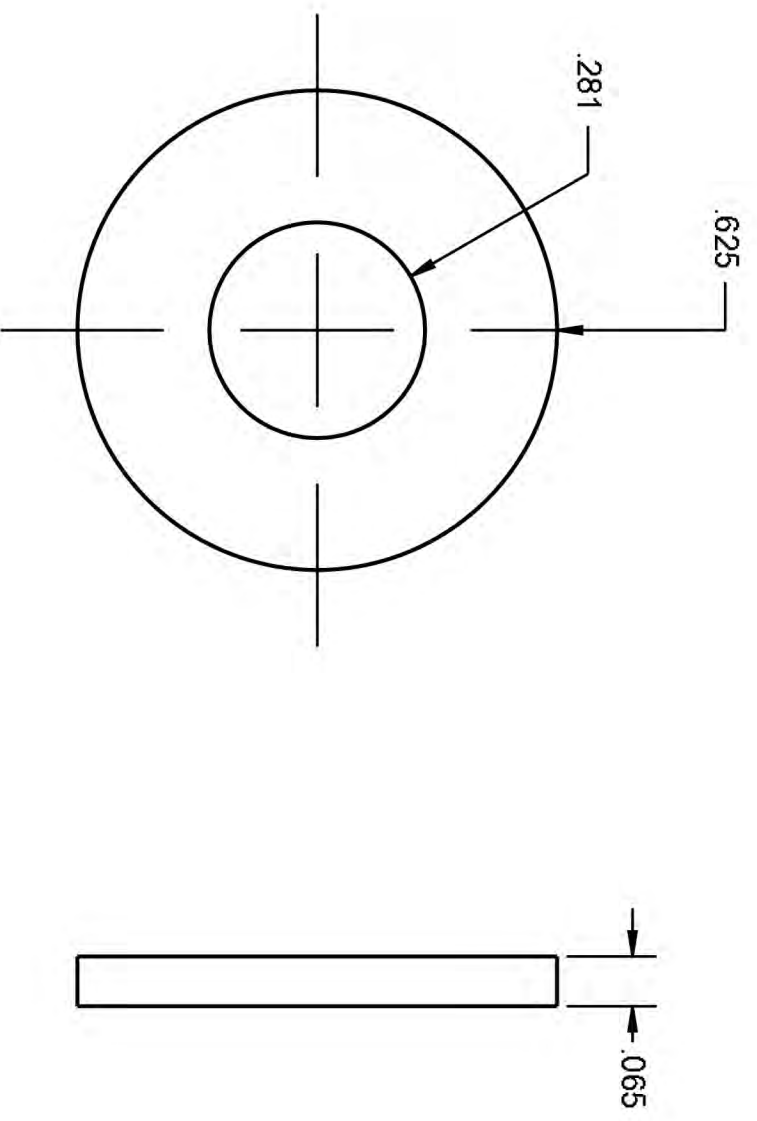
DRAWN	NAME	DATE
CHECKED	F. Anzaldua	3/28/12
APPR.		
UNLESS OTHERWISE SPECIFIED DIMENSIONS ARE IN INCHES		
ANGLES	X	XX
5	5	5



THIRD ANGLE PROJECTION

PROJECT:	LIFE TRAC III
TITLE	TOP LOADER PLATE HYDRAULIC
SIZE	DWG. NO.
A	PART NUMBER
SCALE: 1:8	WEIGHT:
SHEET 1 OF 1	REV

5 4 3 2 1



5 4 3 2 1

open
source
ecology

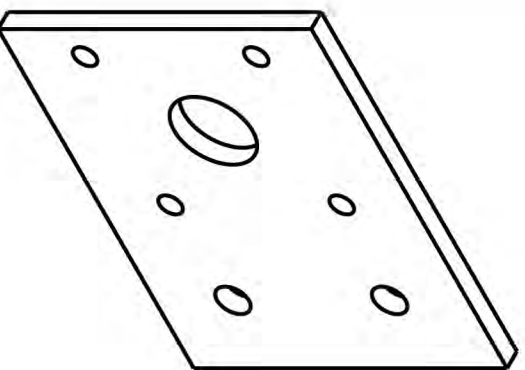
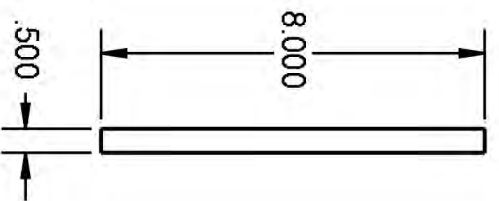
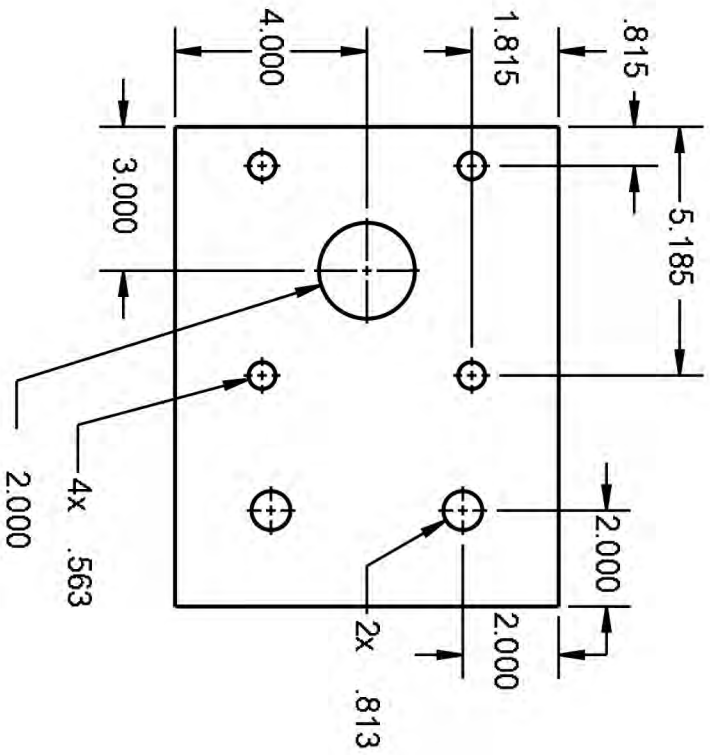
LICENSE INFORMATION

ALL INFORMATION RELEASE UNDER THE ORE
LICENSE FOR DISTRIBUTIVE ECONOMICS
FOR FURTHER INFORMATION GO TO:
OPEN.SOURCEECOLOGY.ORG/WIKILICENSE

DRAWN	NAME	DATE
CHECKED	F. Anzaldua	3/28/12
APPR.		
UNLESS OTHERWISE SPECIFIED DIMENSIONS ARE IN INCHES		
ANGLES	X	XX
5	5	5

PROJECT:		REV
LIFE TRAC III		
TITLE		
WASHER		
0.250-WIDE		
SIZE	DWG. NO.	
A	PART NUMBER	
SCALE: 4:1	WEIGHT:	
SHEET 1 OF 1		



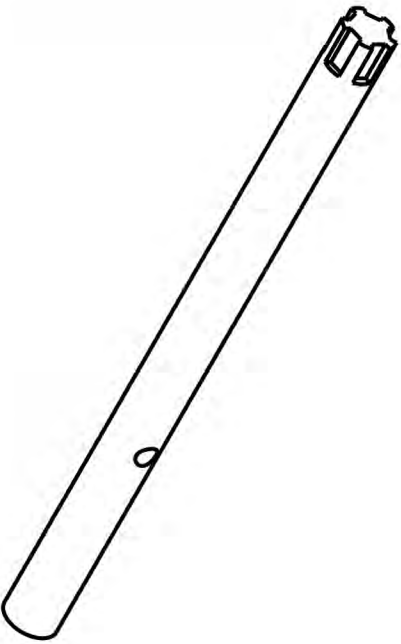
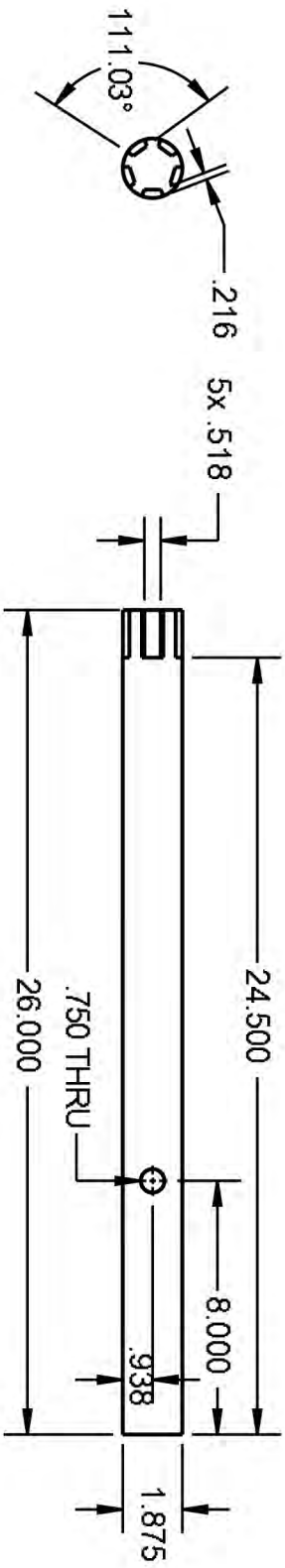


LICENSE INFORMATION
 ALL INFORMATION RELEASE UNDER THE ORE
 LICENSE FOR DISTRIBUTIVE ECONOMICS
 FOR FURTHER INFORMATION GO TO:
 OPENSOURCEECOLOGY.ORG/MILLICENISE

DRAWN	NAME	DATE
CHECKED	F. Anzaldua	3/28/12
APPR.		
UNLESS OTHERWISE SPECIFIED DIMENSIONS ARE IN INCHES		
ANGLES	X	XX
5	5	5



PROJECT:	LIFE TRAC III
TITLE	WHEEL AXLE SHAFT HOLDING PLATE
SIZE	DWG. NO.
A	PART NUMBER
SCALE: 1:4	WEIGHT:
SHEET 1 OF 1	REV



open source ecology

LICENSE INFORMATION

ALL INFORMATION RELEASE UNDER THE ORE
LICENSE FOR DISTRIBUTIVE ECONOMICS
FOR FURTHER INFORMATION GO TO:
OPENSOURCEECOLOGY.ORG/WIKILICENSE

DRAWN	NAME	DATE
CHECKED	F. Anzaldua	3/28/12
APPR.		
UNLESS OTHERWISE SPECIFIED DIMENSIONS ARE IN INCHES		
ANGLES	X	XX
5	5	5

PROJECT: LIFE TRAC III

TITLE: WHEEL AXLE SHAFT

SIZE: A

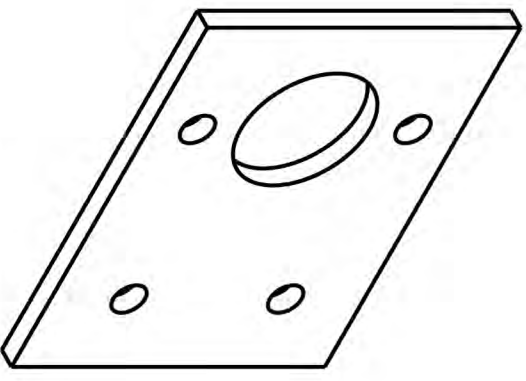
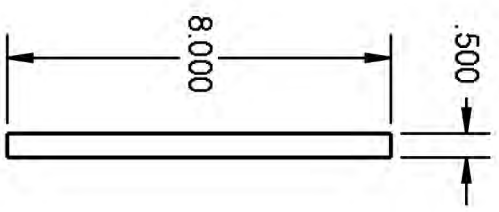
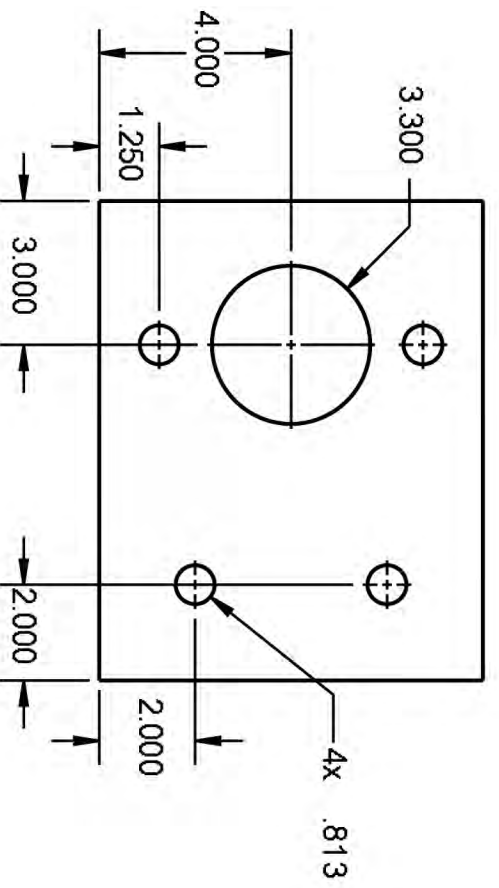
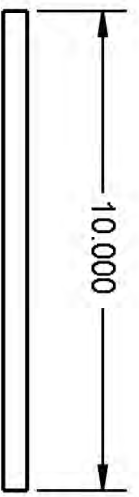
DWG. NO. PART NUMBER

SCALE: 1:6 WEIGHT: SHEET 1 OF 1

REV



5 4 3 2 1

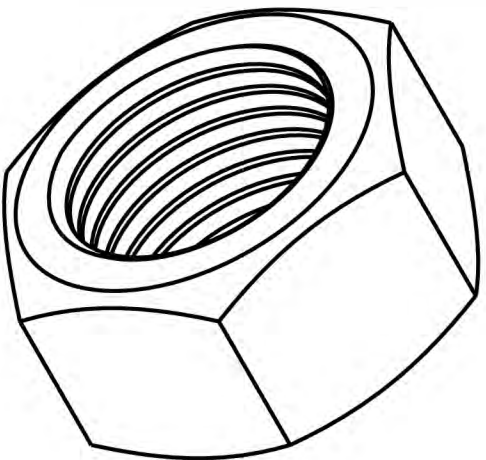
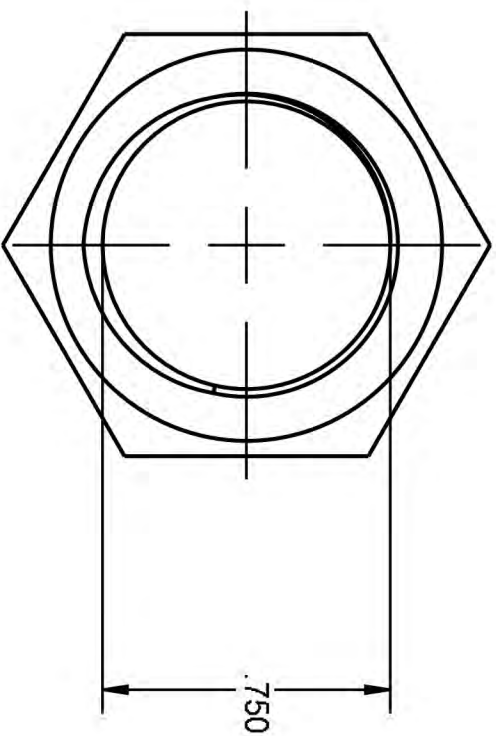


LICENSE INFORMATION
 ALL INFORMATION RELEASE UNDER THE ORE
 LICENSE FOR DISTRIBUTIVE ECONOMICS
 FOR FURTHER INFORMATION GO TO:
 OPENSOURCEECOLOGY.ORG/MIKILICENSE

DRAWN	NAME	DATE
F. Anzaldua		3/28/12
CHECKED		
APPR.		
UNLESS OTHERWISE SPECIFIED DIMENSIONS ARE IN INCHES.		
ANGLES	X	XX
5	5	5



PROJECT:	LIFE TRAC III
TITLE	WHEEL HYDRAULIC MOTOR INTERFACE PLATE
SIZE	DWG. NO.
A	PART NUMBER
SCALE: 1:4	WEIGHT:
SHEET 1 OF 1	REV



LICENSE INFORMATION
 ALL INFORMATION RELEASE UNDER THE ORE
 LICENSE FOR DISTRIBUTIVE ECONOMICS
 FOR FURTHER INFORMATION GO TO:
 OPENSOURCEECOLOGY.ORG/WIKILICENSE

DRAWN	NAME	DATE
	F. Anzaldua	3/28/12
CHECKED		
APPR.		
UNLESS OTHERWISE SPECIFIED DIMENSIONS ARE IN INCHES		
ANGLES	X	.XX
5	5	5

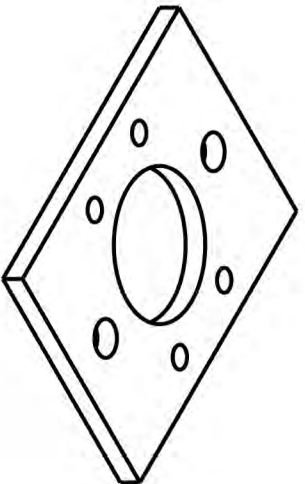
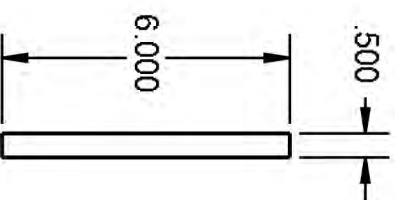
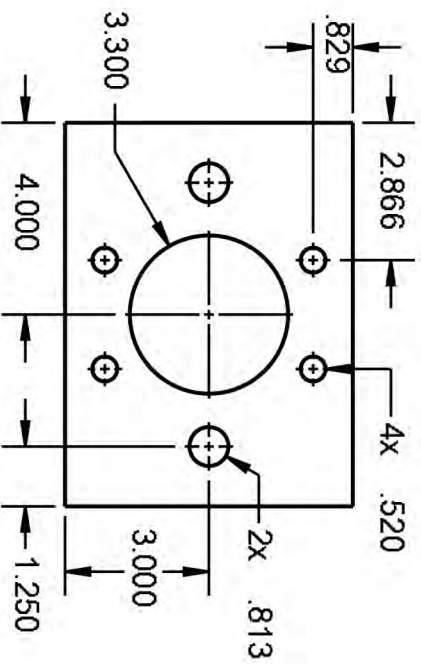
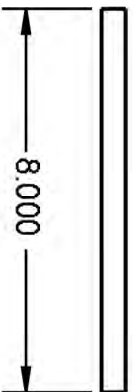


THIRD ANGLE PROJECTION

PROJECT:
 LIFE TRAC III
 TITLE
3/4 INCH NUT

SIZE	DWG. NO.	REV
A	PART NUMBER	
SCALE: 2:1	WEIGHT:	SHEET 1 OF 1

5 4 3 2 1

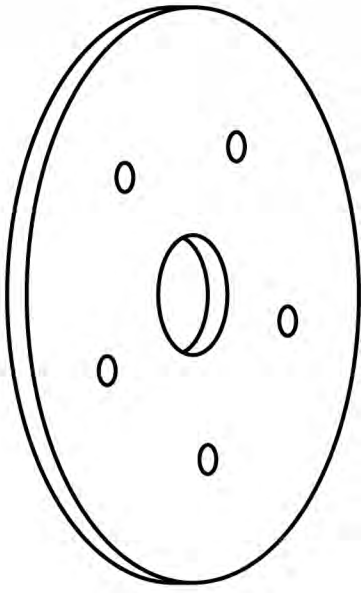
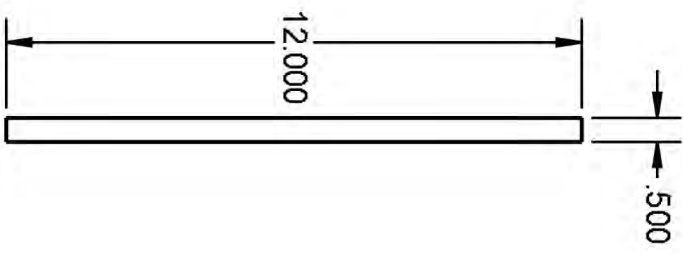
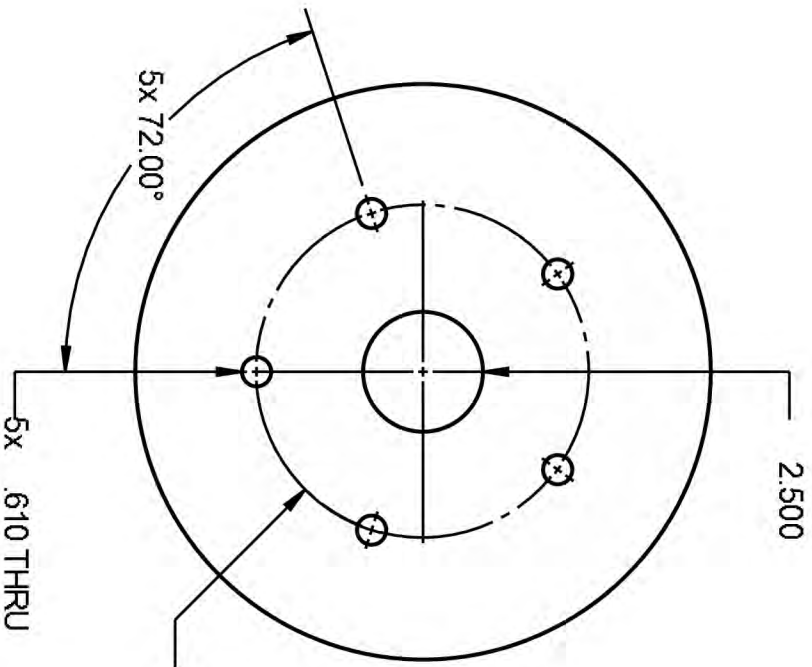


LICENSE INFORMATION
 ALL INFORMATION RELEASE UNDER THE ORE
 LICENSE FOR DISTRIBUTIVE ECONOMICS
 FOR FURTHER INFORMATION GO TO:
 OPENSOURCEECOLOGY.ORG/WIKILICENSE

DRAWN	NAME	DATE
F. Anzaldua		3/28/12
CHECKED		
APPR.		
UNLESS OTHERWISE SPECIFIED DIMENSIONS ARE IN INCHES		
ANGLES	X	XX
5	5	5



PROJECT:	LIFE TRAC III
TITLE	WHEEL MOTOR QA PLATE
SIZE	DWG. NO.
A	PART NUMBER
SCALE: 1:4	WEIGHT:
SHEET 1 OF 1	REV



LICENSE INFORMATION
 ALL INFORMATION RELEASE UNDER THE ORE
 LICENSE FOR DISTRIBUTIVE ECONOMICS
 FOR FURTHER INFORMATION GO TO:
 OPENSOURCEECOLOGY.ORG/MIILLICENSE

DRAWN	NAME	DATE
F. Anzaldua		3/28/12
CHECKED		
APPR.		
UNLESS OTHERWISE SPECIFIED DIMENSIONS ARE IN INCHES		
ANGLES	X	.XX
5	5	5



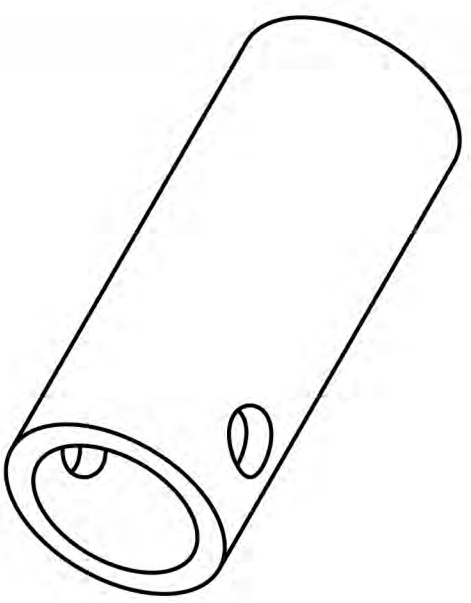
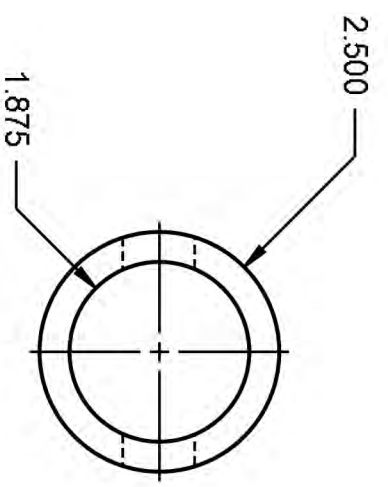
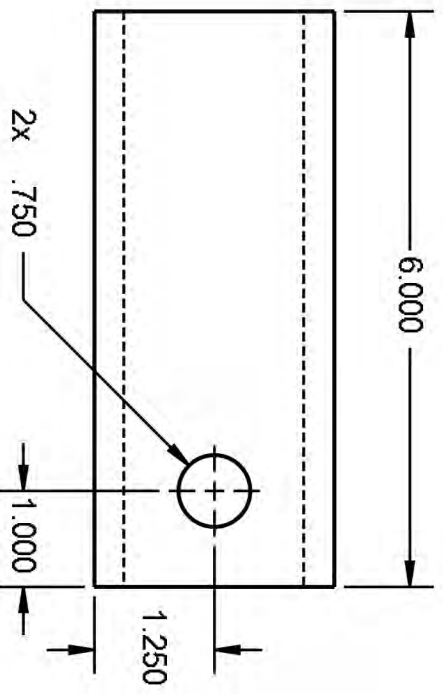
THIRD ANGLE PROJECTION

PROJECT:
 LIFE TRAC III
 TITLE
**WHEEL
 MOUNT DISC**

SIZE **A** DWG. NO. PART NUMBER REV

SCALE: 1:4 WEIGHT: SHEET 1 OF 1

5 4 3 2 1



LICENSE INFORMATION

ALL INFORMATION RELEASE UNDER THE ORE
LICENSE FOR DISTRIBUTIVE ECONOMICS
FOR FURTHER INFORMATION GO TO:
OPENSOURCEECOLOGY.ORG/WIKILICENSE

DRAWN	NAME	DATE
CHECKED	F. Anzaldua	3/28/12
APPR.		
UNLESS OTHERWISE SPECIFIED DIMENSIONS ARE IN INCHES		
ANGLES	X	XX
5	5	5



THIRD ANGLE PROJECTION

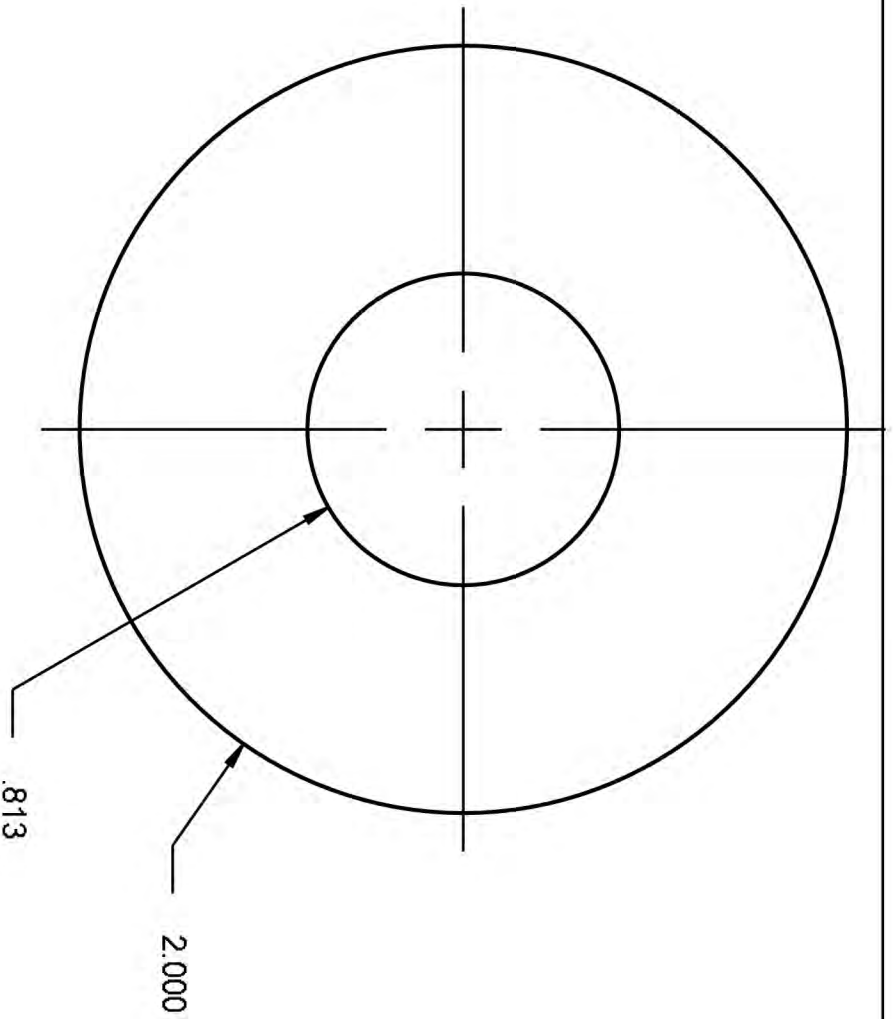
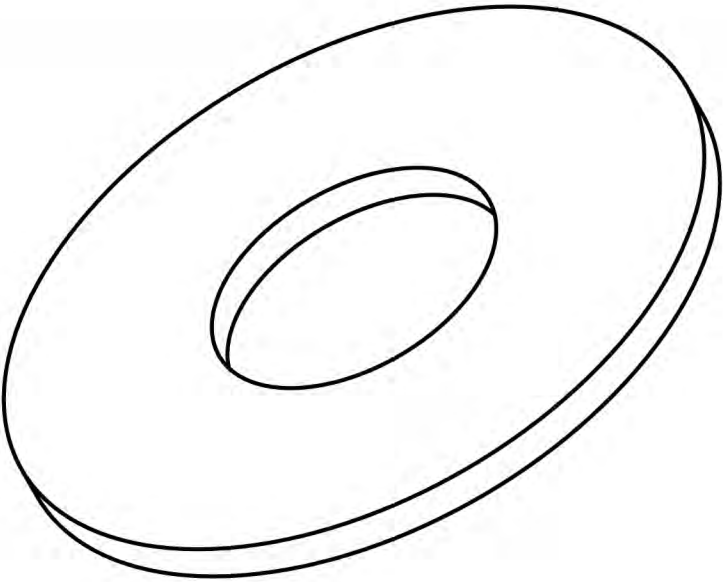
PROJECT:
LIFE TRAC III

TITLE
**WHEEL MOUNT
ROUND**

SIZE DWG. NO. PART NUMBER REV

A

SCALE: 1:2 WEIGHT: SHEET 1 OF 1





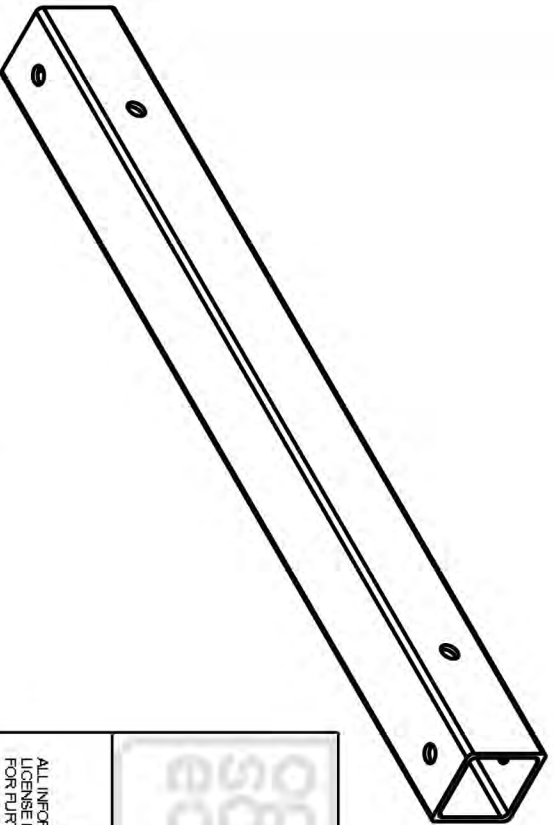
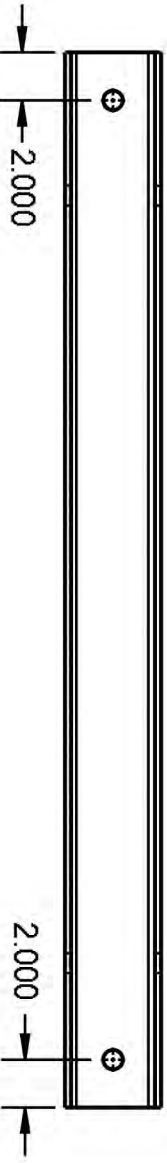
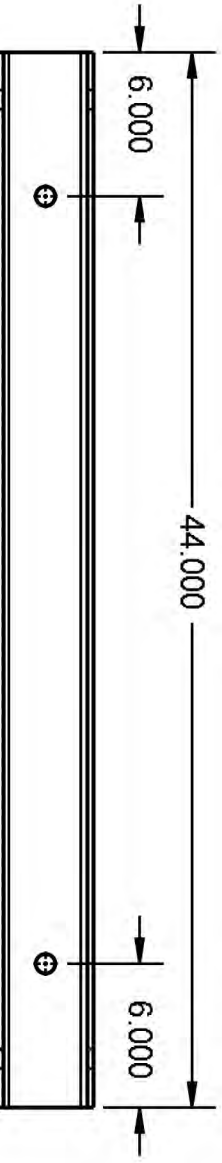
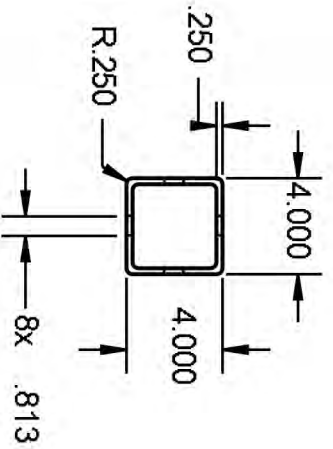
LICENSE INFORMATION
 ALL INFORMATION RELEASE UNDER THE OSE
 LICENSE FOR DISTRIBUTIVE ECONOMICS
 FOR FURTHER INFORMATION GO TO:
 OPENSOURCEECOLOGY.ORG/WIKILICENSE

DRAWN	NAME	DATE	
	F. Anzaldua	3/28/12	
CHECKED			
APPR.			
UNLESS OTHERWISE SPECIFIED DIMENSIONS ARE IN INCHES			
ANGLES	X	XX	XXX
5	5	5	5

PROJECT: LIFE TRAC III	TITLE: 3/4 INCH WASHER
SIZE: A	DWG. NO.
SCALE: 2:1	PART NUMBER
WEIGHT:	REV



5 4 3 2 1



5 4 3 2 1

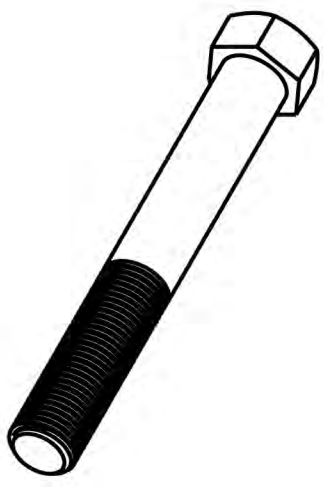
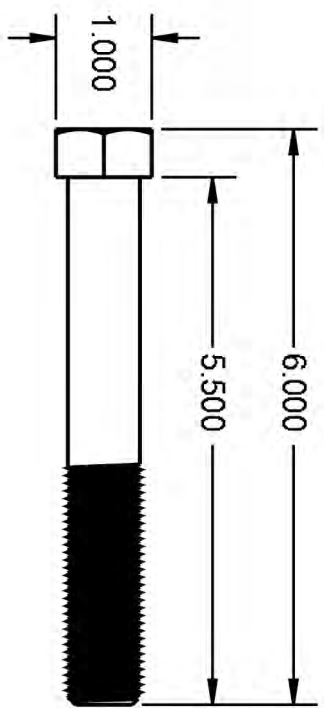
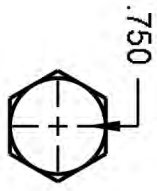
open
source
ecology

LICENSE INFORMATION
ALL INFORMATION RELEASE UNDER THE OSE
LICENSE FOR DISTRIBUTIVE ECONOMICS
FOR FURTHER INFORMATION GO TO:
OPENSOURCEECOLOGY.ORG/WIKILICENSE

DRAWN	NAME	DATE
F. Anzaldua		3/28/12
CHECKED		
APPR.		
UNLESS OTHERWISE SPECIFIED DIMENSIONS ARE IN INCHES		
ANGLES	X	XX
5	5	5

PROJECT:		REV
LIFE TRAC III		
TITLE		
44 INCH TOP E-WTUBE		
SIZE	DWG. NO.	
A	PART NUMBER	
SCALE: 1:8	WEIGHT:	SHEET 1 OF 1





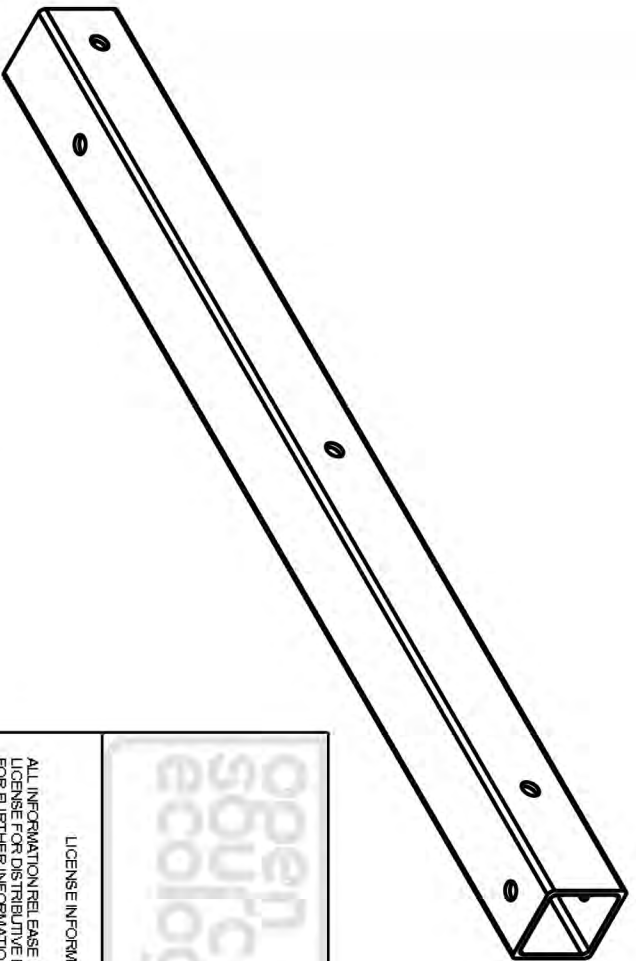
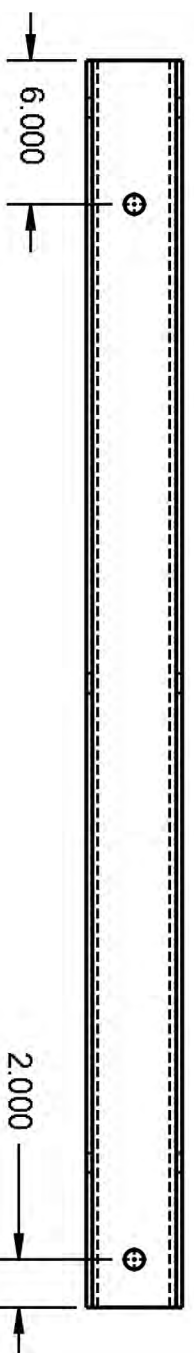
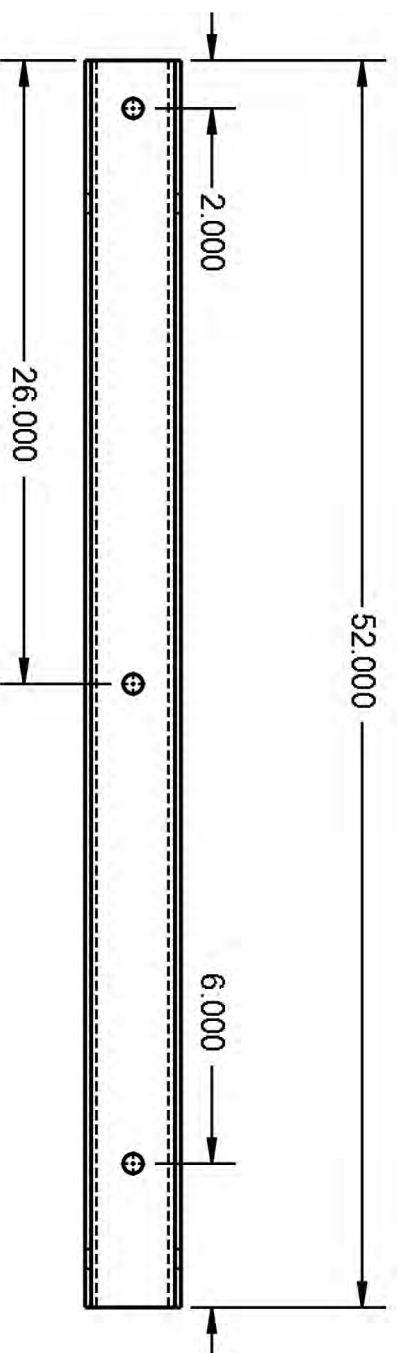
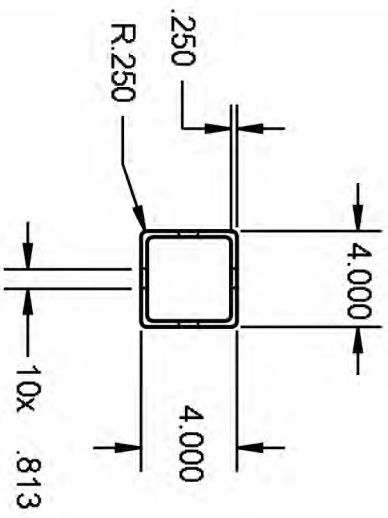
LICENSE INFORMATION
 ALL INFORMATION RELEASE UNDER THE ORE
 LICENSE FOR DISTRIBUTIVE ECONOMICS
 FOR FURTHER INFORMATION GO TO:
 OPENSOURCEECOLOGY.ORG/WIKILICENSE

DRAWN	NAME	DATE
CHECKED	F. Anzaldúa	3/28/12
APPR.		
UNLESS OTHERWISE SPECIFIED DIMENSIONS ARE IN INCHES		
ANGLES	X	XX
5	5	5



PROJECT:	LIFE TRAC III
TITLE	5.5 INCH BOLT
SIZE	DWG. NO.
A	PART NUMBER
SCALE: 1:2	WEIGHT:
SHEET 1 OF 1	REV

5 4 3 2 1



open source ecology

LICENSE INFORMATION

ALL INFORMATION RELEASE UNDER THE OSE
LICENSE FOR DISTRIBUTIVE ECONOMICS
FOR FURTHER INFORMATION GO TO:
OPEN.SOURCEECOLOGY.ORG/WIKI/LICENSE

DRAWN	NAME	DATE
CHECKED	F. Anzaidua	3/28/12
APPR.		
UNLESS OTHERWISE SPECIFIED DIMENSIONS ARE IN INCHES		
ANGLES	X	XX
5	5	5

PROJECT:	LIFE TRAC III
TITLE	52 INCH MIDDLE- VERTICAL TUBE
SIZE	DWG. NO.
A	PART NUMBER
SCALE: 1:8	WEIGHT:
SHEET 1 OF 1	REV



5 4 3 2 1