

Pre-stressed Hollow Core Slabs

SCIL Infracom Pvt. Ltd. Is a pioneer in manufacturing of Pre-stressed Hollow Core Slabs in India. SCIL has state-of-the-art technology to offer Pre-casted Pre-stressed Hollow Core Slabs with advanced extrusion technique.

These slabs are of lesser weight and are used for quick erection and early completion of Projects.

Product Range & Specifications

Sl. No	Description / Parameter	150mm / 6inch	250mm / 10inch
1	Thickness of the each Panel (mm)	150	250
2	Width of Each Panel (mm/feet)	1200/4	1200/4
3	Length of Each Panel allowed with Support (meters)	6	9
4	Strength of Concrete	M-50	M-50
5	Strand type (LRPC)	9.53	9.53
6	Self Weight (Kgs/Sq.m)	232	320

Advantages

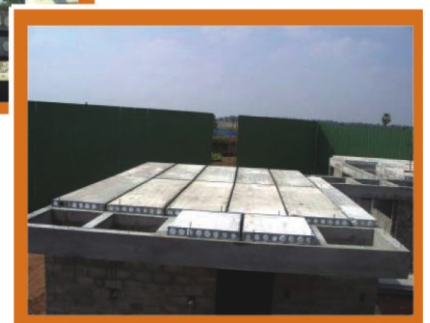
Less Weight: 40% lesser than conventional Concrete and this leads to lesser structural loads in design.

Quick Processing & Erection: Can be manufactured and erected quickly thereby savings on quick completion and early availability of Infrastructure.

Longer Span & Greater Loads: Allows less Beams & Columns and thereby more free and unobstructed Space.

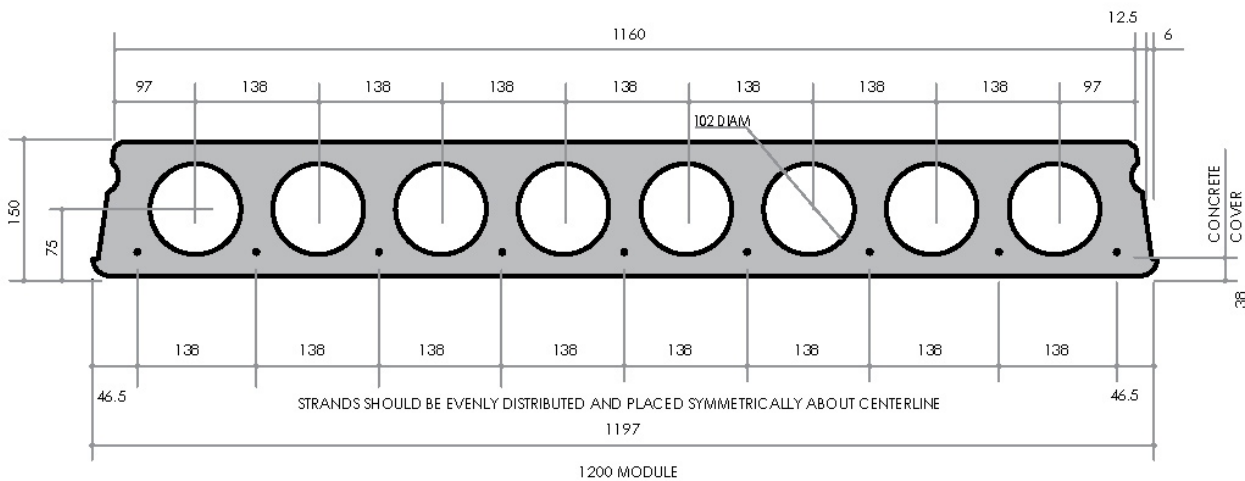
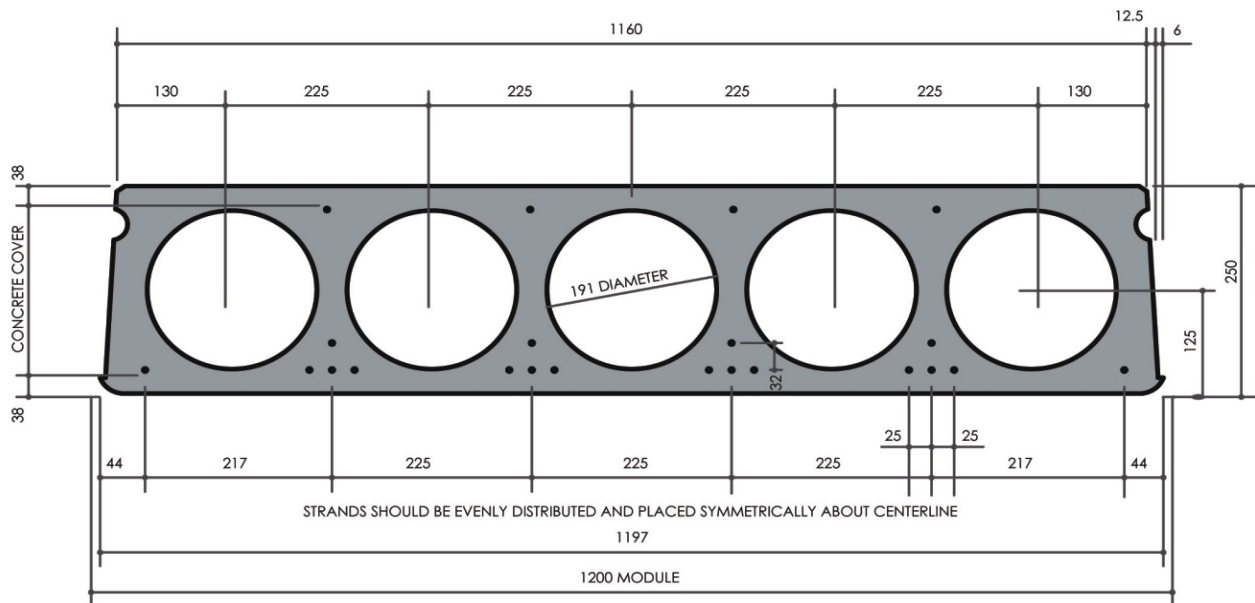
Multipurpose utilisation: Slabs can be used for compound walls by sliding in the panels horizontally in MS/Concrete Columns.

Competitive: 20% cheaper than conventional Slabs.



Applications

- ❖ Commercial & Residential complexes
- ❖ Auditoriums, Parking bays, Porticos, etc.,
- ❖ Compound Walls
- ❖ Row houses, Villas & Foot over bridges



SIPL

Regd. Office

SCIL Infracon Pvt. Ltd.
Block A, Kubera Towers,
Trimulgherry,
Secunderabad - 500015, A.P,

Marketing Office

Survey No.583, Laxmapur Road,
Village : Aliabad, Shameerpet (Mandal),
Rangareddy Dist, Hyderabad.
Mob: +91 98483 08088 / 93476 03839
E-mail : cpdsales@hbl.in