

NOSEN

螺升螺旋升降器

NOSEN Screw Jack



东莞罗升机电科技有限公司

Dongguan Nosen M & E Technology Co.,Ltd



* Contents

Company Profiles.....	2
Introduction.....	3
Technical Datasheet.....	4
Selection Guide.....	5~9
Screw Jack Lift Systems.....	10~11
Screw Top End Types Dimensions.....	12
RN-0.5T~RN-100T Dimensions.....	13~24



* Company Profiles

COMPANY HISTORY:

In 2003, established Yuanxin Mechanical&Electrical Accessory Shop, Located In Houjie town, Dongguan city, Guangdong Province.

In 2005, named NOSEN Mechanical&Electrical Factory, located in Chang'an town, Dongguan city, Guangdong province.

In 2006, established Shanghai NOSEN Mechanical&Electrical Equipment Co., Ltd.

In 2007, named Dongguan Mechanical&Electrical Equipment Co., Ltd.

In 2007, founded International Sales Department.

In 2008, established NOSEN International Industry(HK) Limited.

In 2008, Dongguan Mechanical&Electrical Equipment Co., Ltd moves to Houjie town, Dongguan city.

In 2009, NOSEN passed SGS international Certification.

In 2010, NOSEN passed ISO9001:2008 quality management systems certifications. Certificate No.104679.

In 2011, NOSEN named NOSEN M&E TECHNOLOGY CO., LTD

PRODUCTS HISTORY:

In 2003 R&D, Production and Sale 12 models Worm Gear Screw Jack RN-Series Trapezoidal Screw Jacks and Sale Taiwan, Japan Power Transmission Products.

In 2005, R&D, Production and Sale 7 models Worm Gear Screw Jack RNK-Series Ball Screw Jacks and 10 models Spiral Bevel Gearboxes.

In 2006, R&D, Production and Sale 8 models RNE Series Stainless Steel Vertical Agitator.

In 2009, R&D, Production and Sale Worm Gear Screw Jack RNS-Series, Patent Right No. 201020105770.X.

In 2010, R&D, Production and Sale Worm Gear Screw Jack RNF-Series. Patent Right No. 20102546844.3.

In 2011, R&D, Production and Sale Spiral Bevel Gearbox RNV-Series.

NOSEN ADVANTAGES:

- Professional technicians teams
- Competitive Price
- Professional
- High Quality
- The shorted lead time
- Small order acceptable
- The best before-sale, while-sale and after-sale service
- 1 years quality warrenty

SALES REGIONS:

European: BE, BG, DK, EG, FI, DE, GR, NL, PL, ES, SE, UK

America: USA, CA

Asia: IN, ID, MY, PH, QA, RU, SG, TH, VN

Oceania: AU, NZ

Africa: EG

REPRESENTATIVES COUNTRIES: DE



* Introduction

Models

RN-0.5T,1T,2T,3T,5T,10T,15T,20T,30T,40T,50T,100T

Components

worm gear, worm shaft, bearings, oil sealing, case iron gearbox, shaft cover, top cover, self-locking trapezoidal screw etc.

Speed of Travel

* Fast Speed

1 turn 1 mm travel

1500 mm/min

* Mid Speed

1 turn 0.5 mm travel

750 mm/min

* Low Speed L

1 turn 0.25 mm travel

375 mm/min

Lateral Force

Usually, screw jack only loads lift screw axial loading, don't permit to load any lateral force. Any lateral force will reduce screw jack working life, even damage screw jack. We suggest, lateral forces that may occur should be taken by an external guide rail.

Self-locking Function

RN-Series trapezoidal type screw is of self-locking. The self-locking function depends on a variety of parameters: large pitches, different gear ratios, lubrication, friction parameters, Ambient influences(such as high or low temperatures) , vibrations and mounting position.

Anti-rotation Devices

Single screw jack application, isn't guided and without any guide rails, lifting screw does not do linear motions, only rotation, especially light loading. If that is the case, need to extra add anti-rotation devices. NOSEN keyed screw jack solves this problem.

Stop Collar

Prevents the screw from being removed from the jack gearbox. Following clients requirement, we fit stop collar for screw jacks. The stop collar cannot be used as a fixed stop.

Accessory:

spiral bevel gearbox, hand wheel, electric motor, proteticve tube, rubber bellows, limited switches, coupling, flex link shaft, swivel mounting bases, pillow block bearing, counters etc.

Application Industries:

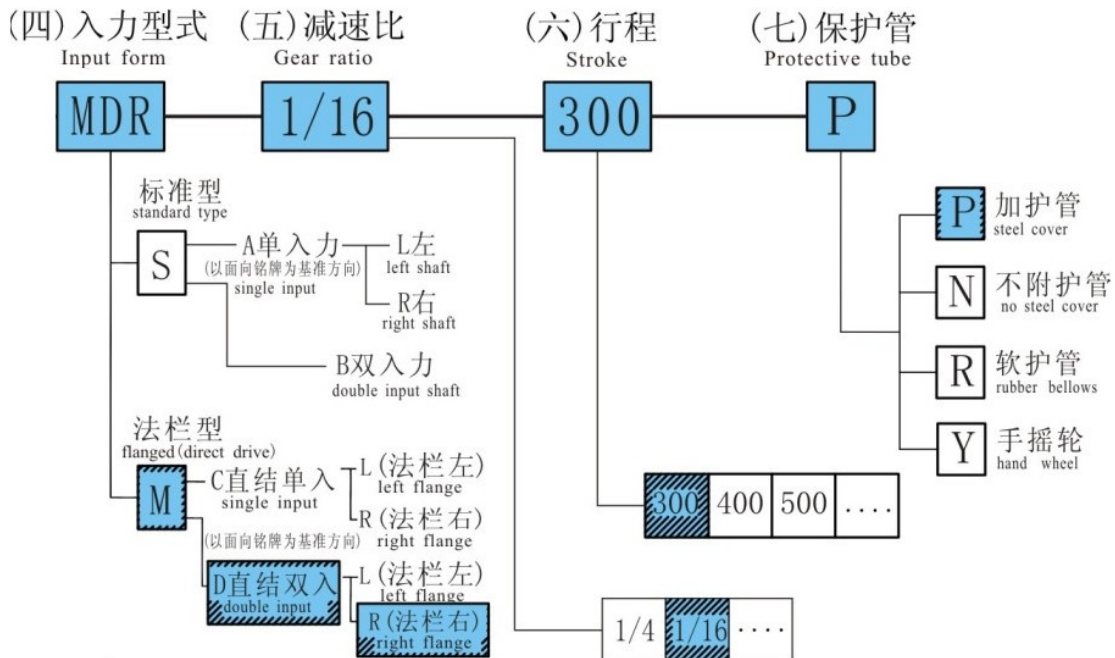
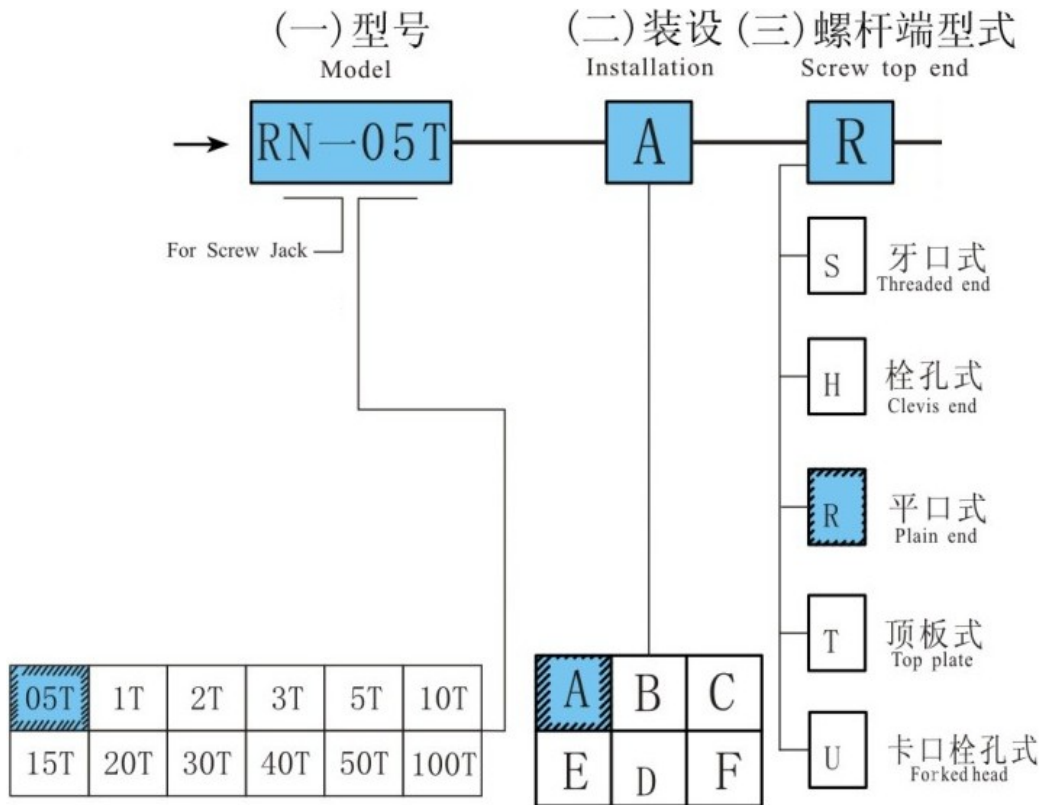
Precision lift table, Roll forming machines, Press machines, Tunnel Freezer, Surface-Gringing machines, Satellite dish antenna, Solar tracking system, Sluice gate, Theatre stage, Slitting line, Precision leveler, Powered straightener, Paper machines, Food processing machines, Textiles machines etc.



* Technical Datasheet

Input Horsepower and Lifting Load, Lifting Speed Connections																						
S.D=Screw Diameter(mm)			S.R=Speed Ration			S.L=Static Load (ton)						L.S=Lifting Speed(mm/min)										
S.P=Screw Pitch(mm)			I.H=Input Horsepower			W.L=Working Load (kgs)																
T.S=1 Turn Shaft, Travel Stroke (mm)																						
Model	S.D	S.L	S.R	T.S	1800RPM			1500RPM			1200RPM			900RPM			600RPM			300RPM		
	S.P				I.H	W.L	L.S	I.H	W.L	L.S	I.H	W.L	L.S	I.H	W.L	L.S	I.H	W.L	L.S	I.H	W.L	L.S
RN-05T	20mm P=5	0.5	1/5	1	0.2	100	1800	0.2	120	1500	0.2	160	1200	0.18	180	900	0.13	200	600	0.08	250	300
			1/10	0.5	0.1	100	900	0.19	160	750	0.13	190	600	0.1	200	450	0.08	230	300	0.05	280	150
			1/20	0.25	0.07	120	450	0.09	180	375	0.09	210	300	0.08	250	225	0.05	250	150	0.03	300	75
RN-1T	24mm P=5	1	1/5	1	0.5	250	1800	0.5	300	1500	0.5	360	1200	0.4	400	900	0.3	500	600	0.18	550	300
			1/10	0.5	0.2	250	900	0.25	300	750	0.3	450	600	0.25	500	450	0.2	550	300	0.1	600	150
			1/20	0.25	0.2	300	450	0.16	360	375	0.18	500	300	0.15	550	225	0.1	600	150	0.05	600	75
RN-2T	25mm P=5	2	1/5	1	0.93	500	1800	0.86	550	1500	0.87	700	1200	0.84	900	900	0.62	1000	600	0.5	1000	300
			1/10	0.5	0.5	500	900	0.5	550	750	0.5	700	600	0.5	1000	450	0.5	1000	300	0.25	1350	150
			1/20	0.25	0.5	600	450	0.5	700	375	0.5	900	300	0.5	1200	225	0.25	1350	150	0.25	1350	75
RN-3T	32mm P=6	3	1/6	1	1.31	700	1800	1.25	800	1500	1.18	950	1200	1.22	1300	900	1.12	1800	600	0.56	1800	300
			1/12	0.5	0.89	950	900	0.86	1100	750	0.81	1300	600	0.77	1650	450	0.62	2000	300	0.5	2000	150
			1/24	0.25	0.5	950	450	0.5	1100	375	0.5	1300	300	0.5	1650	225	0.5	2000	150	0.25	2000	75
RN-5T	38mm P=6	5	1/6	1	1.86	900	1800	1.72	1000	1500	1.66	1200	1200	1.55	1500	900	1.17	1700	600	0.72	2100	300
			1/12	0.5	1.47	1350	900	1.36	1500	750	1.31	1800	600	1.17	2150	450	0.78	2150	300	0.5	2500	150
			1/24	0.25	1.04	1800	450	0.96	2000	375	0.92	2400	300	0.73	2550	225	0.56	2900	150	0.5	2850	75
RN-10T	45mm P=8	10	1/8	1	2.84	1300	1800	2.64	1450	1500	2.48	1700	1200	2.3	2100	900	2.22	3050	600	1.75	4800	300
			1/16	0.5	1.5	1300	900	1.4	1450	750	1.31	1700	600	1.27	2200	450	1.17	3050	300	0.92	4800	150
			1/32	0.25	1.07	1750	450	1	1950	375	0.92	2250	300	0.86	2800	225	0.84	4100	150	0.65	6400	75
RN-15T	50mm P=8	15	1/8	1	2.69	1300	1800	2.5	1450	1500	2.35	1700	1200	2.17	2100	900	2.11	3050	600	1.66	4800	300
			1/16	0.5	1.42	1300	900	1.32	1450	750	1.24	1700	600	1.2	2200	450	1.11	3050	300	0.87	4800	150
			1/32	0.25	1.01	1750	450	0.94	1950	375	0.87	2250	300	0.81	2800	225	0.79	4100	150	0.61	6400	75
RN-20T	64mm P=10	20	1/8	1.25	3.57	1400	2250	3.24	1850	1875	3.01	1950	1500	2.84	2450	1125	2.59	3350	750	1.89	4900	375
			1/16	5/8	1.9	1600	1125	1.97	1850	937	1.84	2250	750	1.72	2800	562	1.58	3850	375	1.15	5600	187
			1/32	5/16	1.53	2400	562	1.57	2800	468	1.46	3350	375	1.44	4400	281	1.25	5750	187	0.92	8400	93
RN-30T	75mm P=12	30	1/12	1	4.86	1850	1800	4.71	2150	1500	4.55	2600	1200	4.27	3250	900	3.94	4500	600	2.8	6400	300
			1/18	2/3	3.56	1900	1200	3.59	2300	1000	3.44	2750	800	3.28	3500	600	2.94	4700	400	2.09	6700	200
			1/36	1/3	2.22	2200	600	2.19	2600	500	2.15	3200	400	1.97	3900	300	1.82	5400	200	1.61	9600	100
RN-40T	80mm P=12	40	1/12	1	5.56	1975	1800	5.39	2300	1500	5.11	2725	1200	5.1	3625	900	4.67	4975	600	3.32	7050	300
			1/18	2/3	4.29	2125	1200	4.29	2550	1000	4.07	3025	800	4.07	4025	600	3.67	5450	400	2.6	7725	200
			1/36	1/3	2.87	2625	600	2.78	3050	500	2.66	3650	400	2.67	4875	300	2.41	6600	200	1.88	10300	100
RN-50T	90mm P=14	50	1/7	2	12.7	2100	3600	12.3	2450	3000	12.1	2850	2400	11.5	4000	1800	11	5450	1200	7.83	7750	600
			1/14	1	7.72	2350	1800	7.66	2800	1500	7.47	3300	1200	7.23	4550	900	6.79	6200	600	4.79	8750	300
			1/28	0.5	5.46	3050	900	5.22	3500	750	5.24	4100	600	4.9	5850	450	4.66	7800	300	3.28	11000	150
RN-100T	100mm P=16	100	1/8	2	21.8	3500	3600	21.5	4000	3000	21.2	5400	2400	20.2	7100	1800	19.9	9850	1200	13	12950	600
			1/16	1	15.7	4300	1800	15.5	5400	1500	14.1	7200	1200	14.7	9450	900	12.9	11800	600	9.5	17350	300
			1/32	0.5	11.6	5500	900	12.8	6800	750	9.86	10000	600	10.1	14300	450	9.41	15750	300	7.78	26050	150

* Selection Guide



1. Model

RN-0.5T,RN-1T,RN-2T,RN-3T,RN-5T,RN-10T,RN-15T,RN-20T,RN-30T,RN-40T,RN-50T,RN-100T

Models show max static load (ton). RN-5T,max static load 5 tons.

Selecting correct, must consider dynamic load(work load), static load.

You must tell us below details:

* single jack or multiple jacks system arrangement?

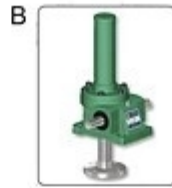
* each jack max dynamic load _____ kgs?

* each jack max static load _____ kgs?

2. Installation



Upright



Inverted

Translating Screw: lift screw rotation and do linear motion



Upright



Inverted

Keyed Screw: lift screw anti-rotation and do linear motion



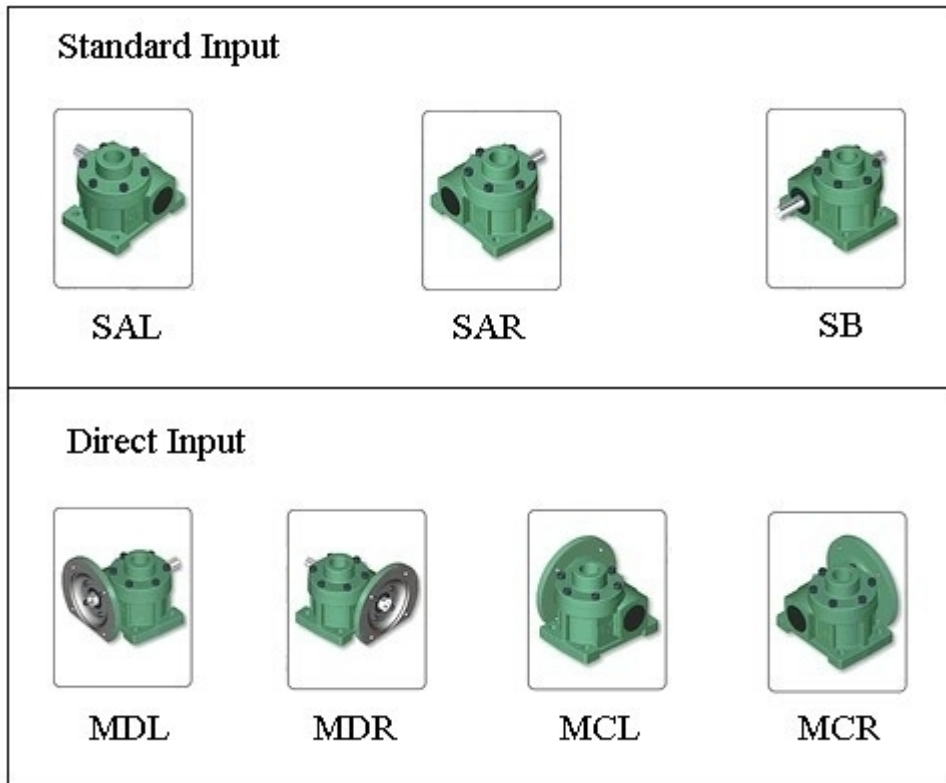
Upright



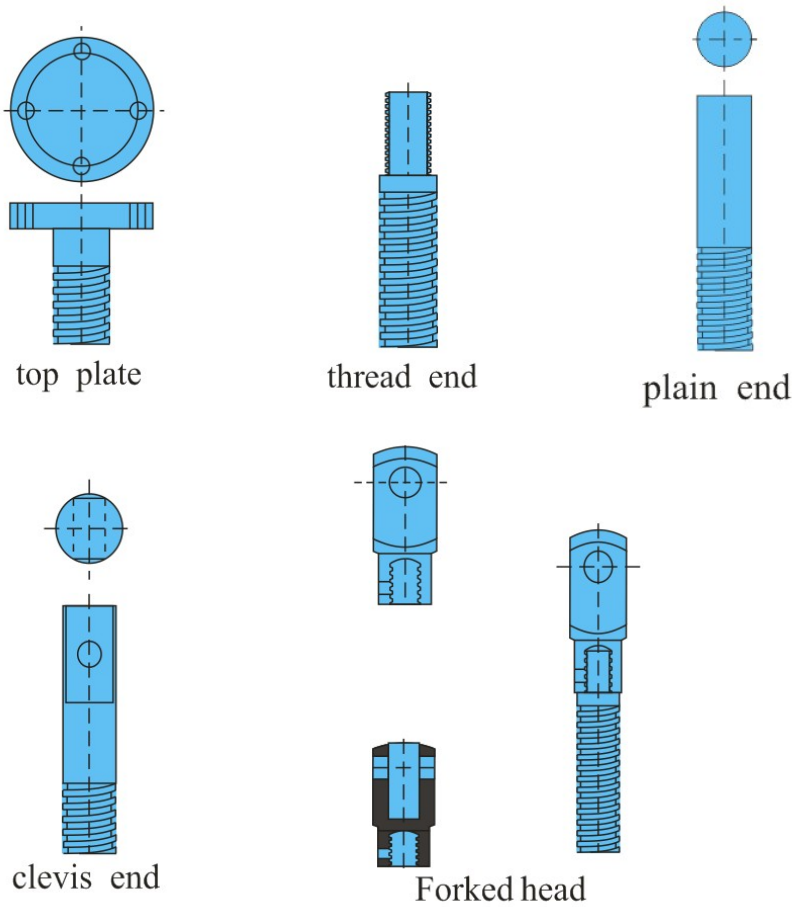
Inverted

Rotating Screw: lift screw fixed rotation,nut do linear motion

3. Input Forms



4. Screw Top End Types



5. Gear Ratio

Manual Operated

Fast speed: 1 full turn 1 mm travel

Mid speed: 1 full turn 0.5 mm travel

Low speed: 1 full turn 0.25 mm travel

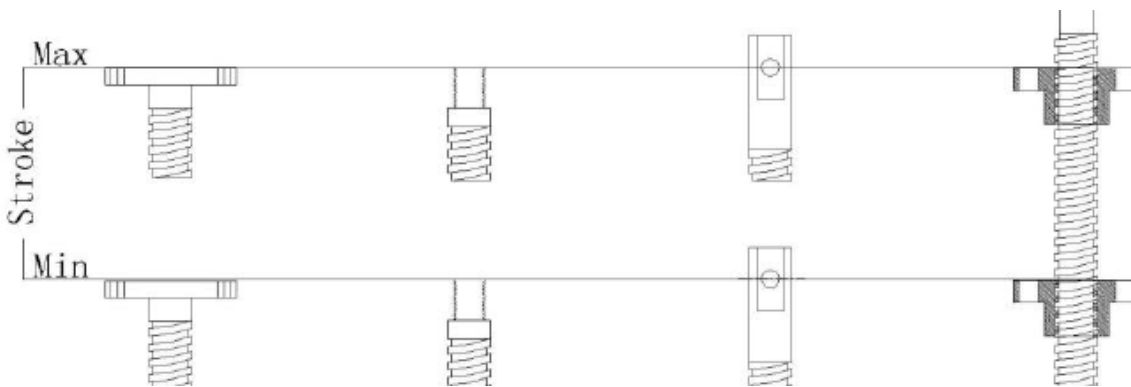
Electric Driven (input 1500 rpm)

Fast speed: 1500 mm/min

Mid speed: 750 mm/min

Low speed: 375 mm/min

6. Travel Stroke (mm)



7. Duty & Environment

Duty Cycles _____ times per day or _____ times per month

Ambient Temperature _____ °C

Conditions _____ (Clean / Dirty, Indoor / Outdoor)

8. Accessories



Steel Cover



Rubber Bellows



Hand Wheel



Bevel Gearbox



Vertical Motor



Horizontal Motor



Swivel Mounting Bases



Swivel Plates



Pillow Block Bearing



Inverter



Limit Switches

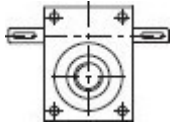


Counter

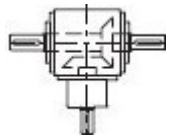
9. Design application sketch, very important

10. Special working conditions, please consult sales / engineers

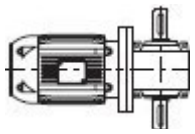
* Screw Jack Lift Systems



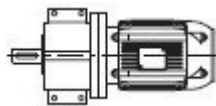
Cubical Screw Jack



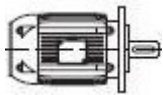
Spiral Bevel Gearbox



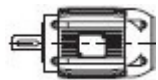
Worm Gear Reducer



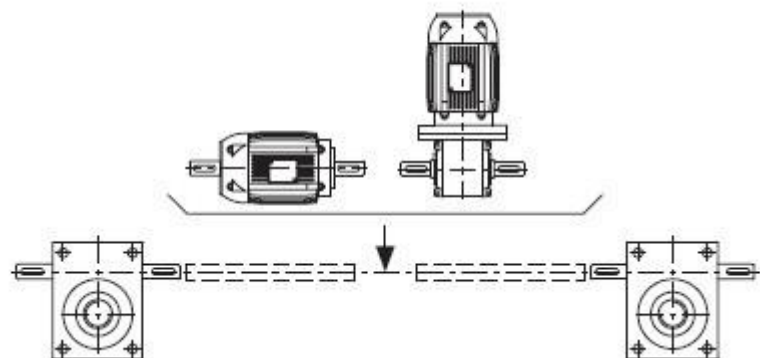
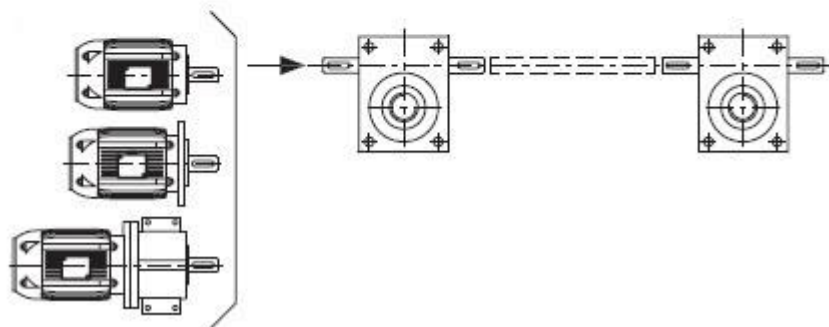
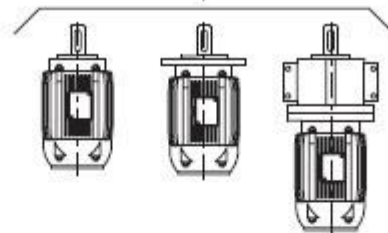
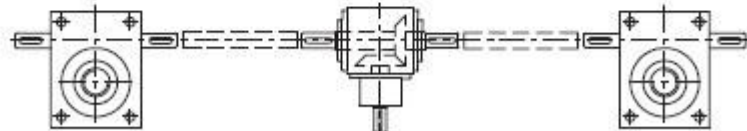
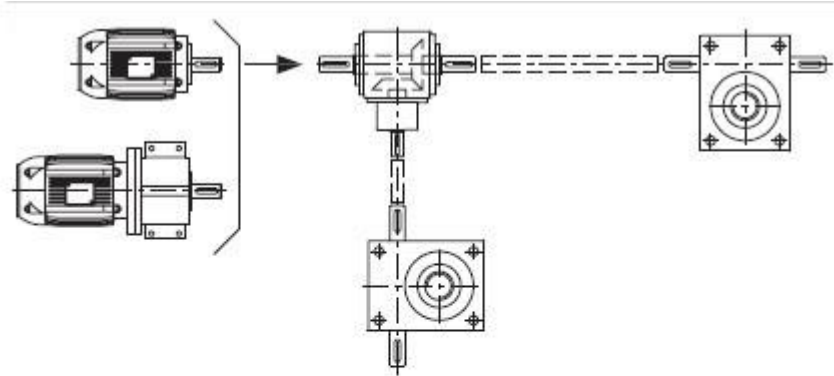
Gear Reducer
Planetary Gear Reducer



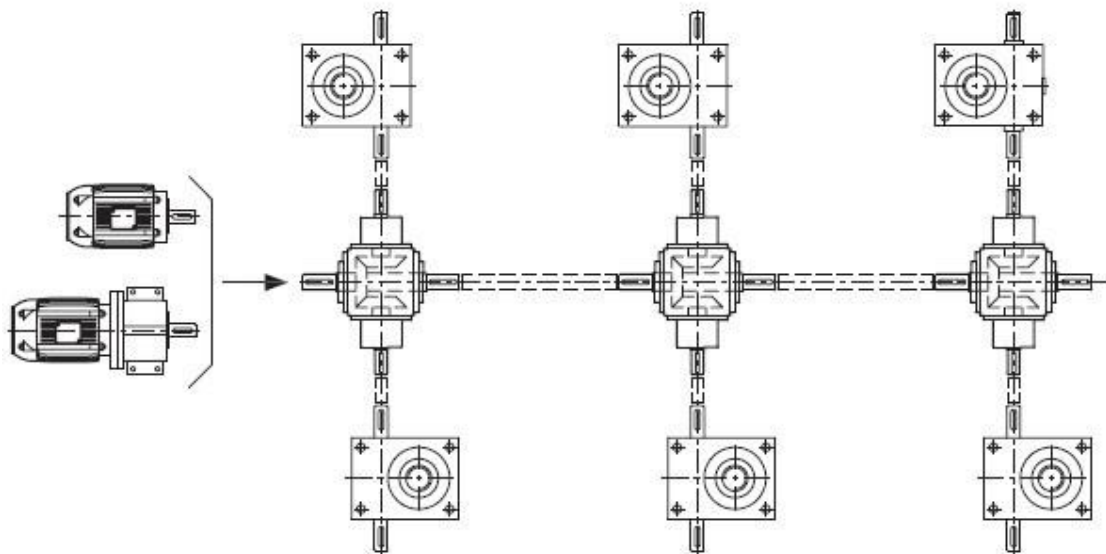
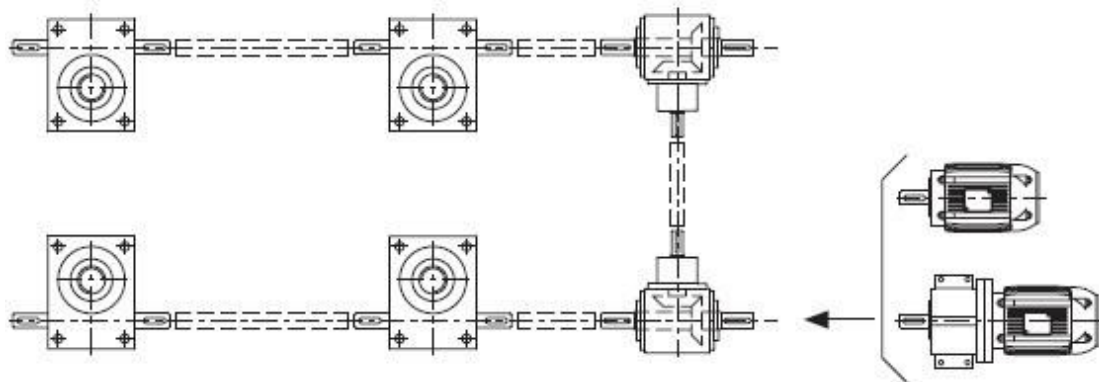
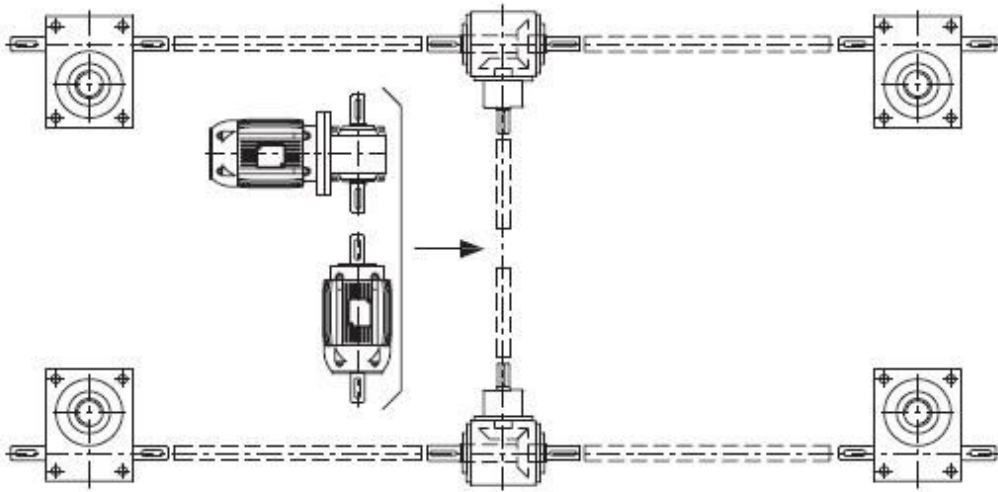
Flange Mounting
Electric Motor



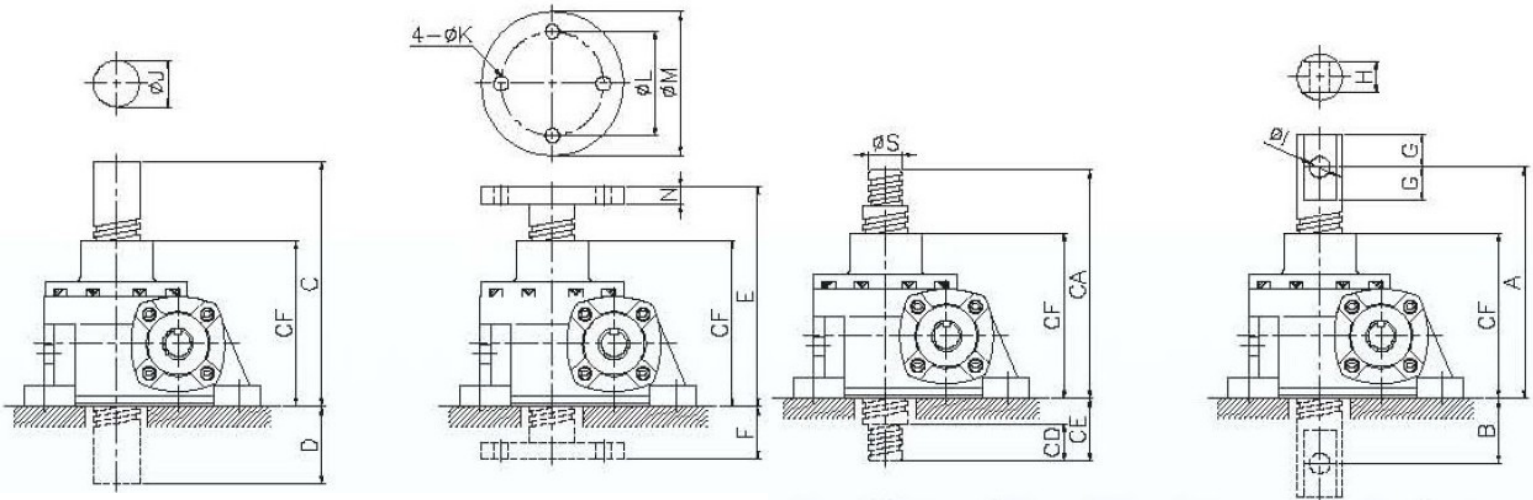
Foot Mounting
Electric Motor



* Screw Jack Lift Systems

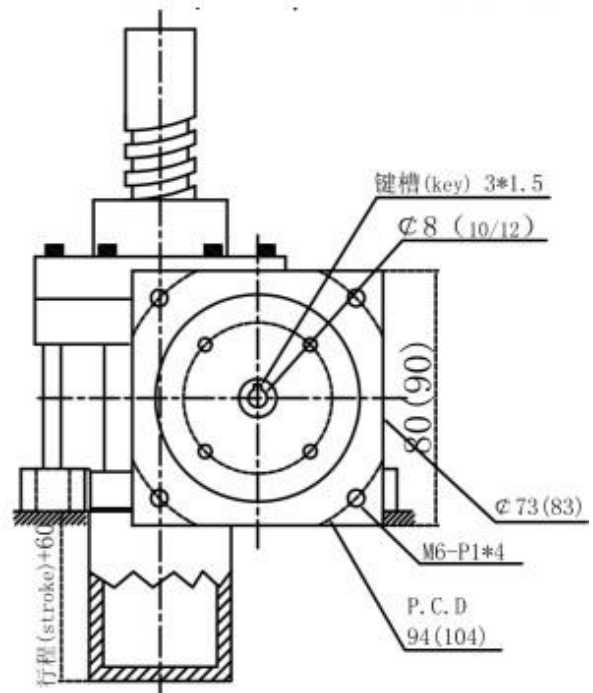
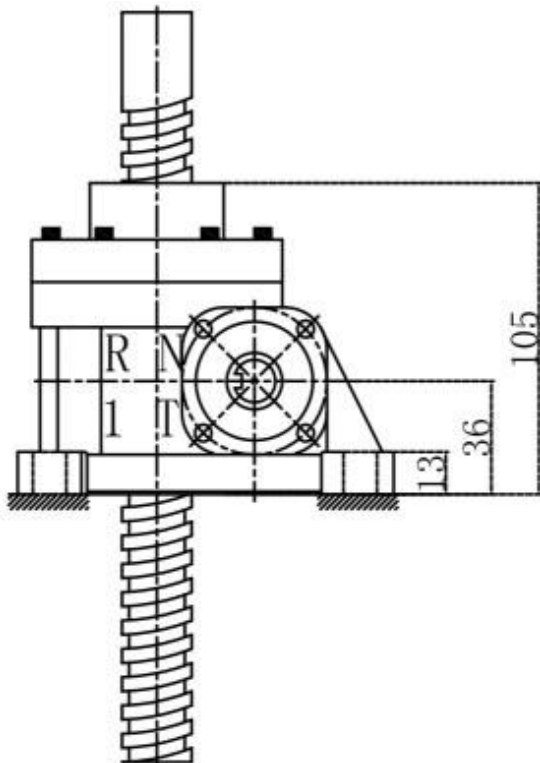
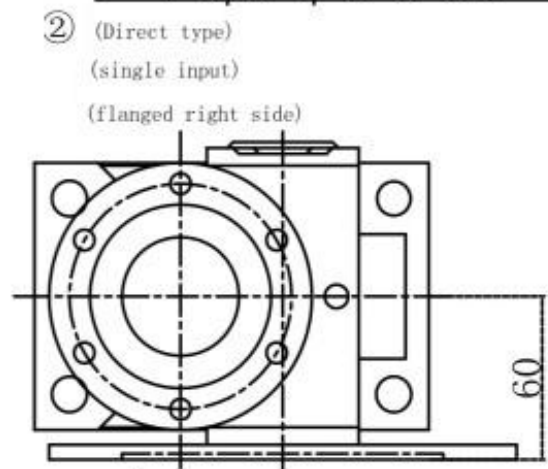
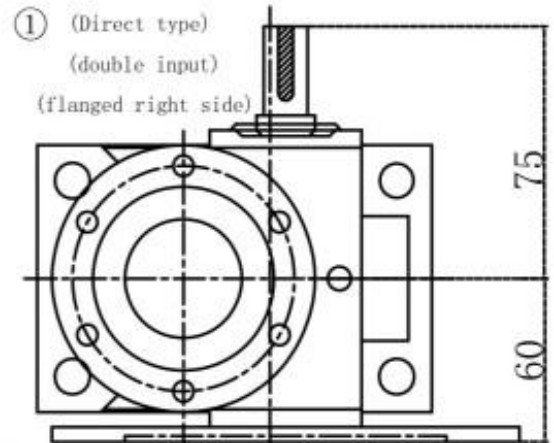
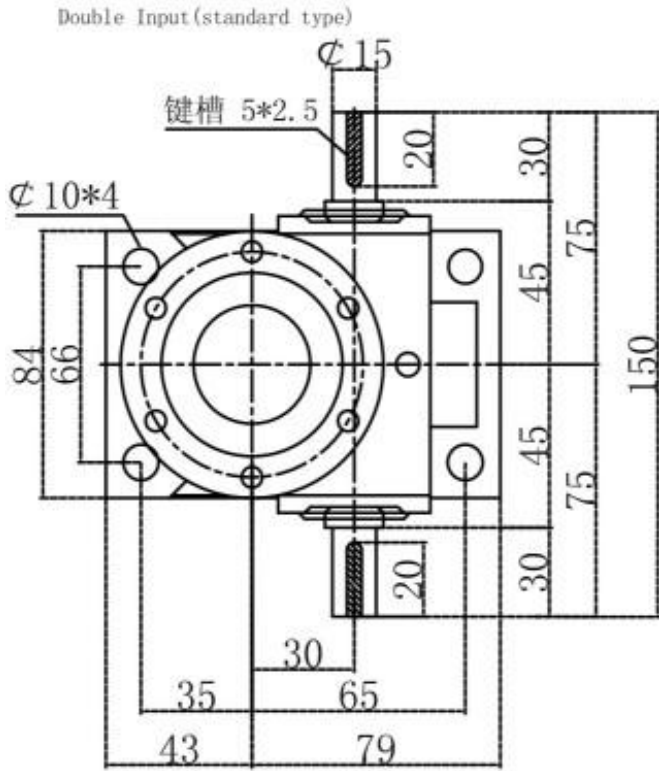


* Screw Top End Types Dimensions

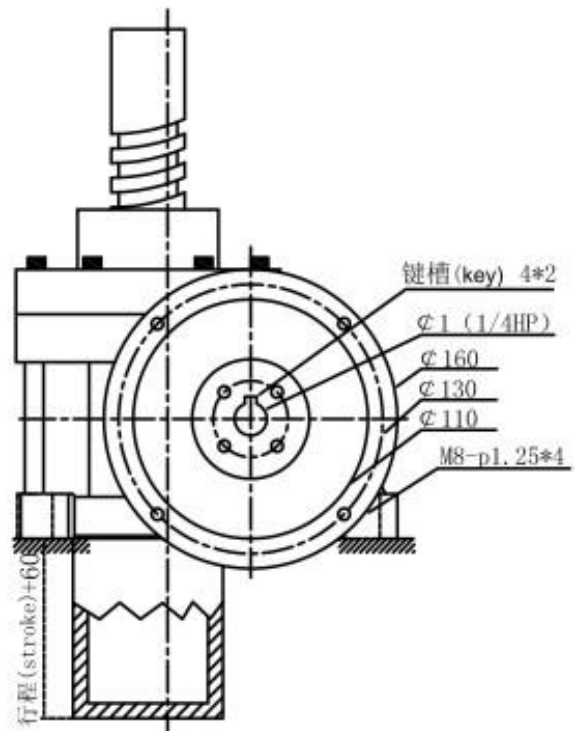
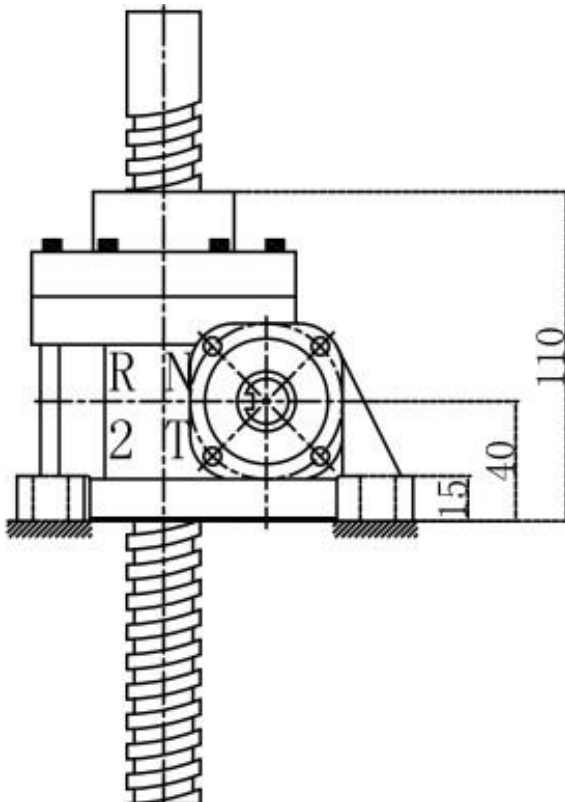
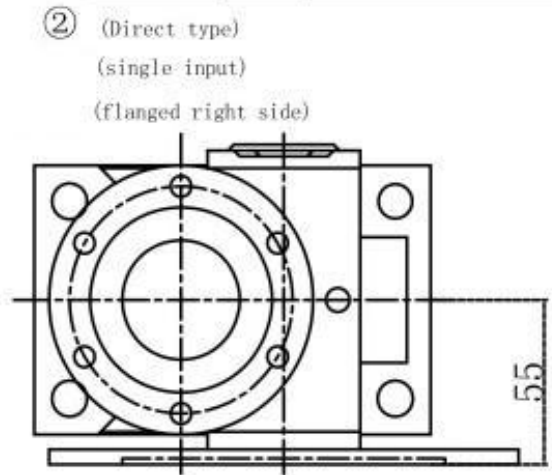
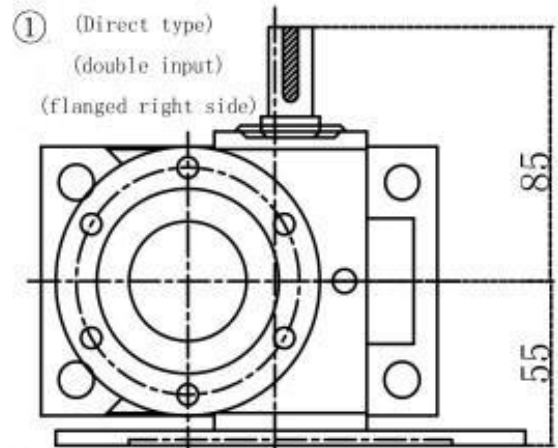
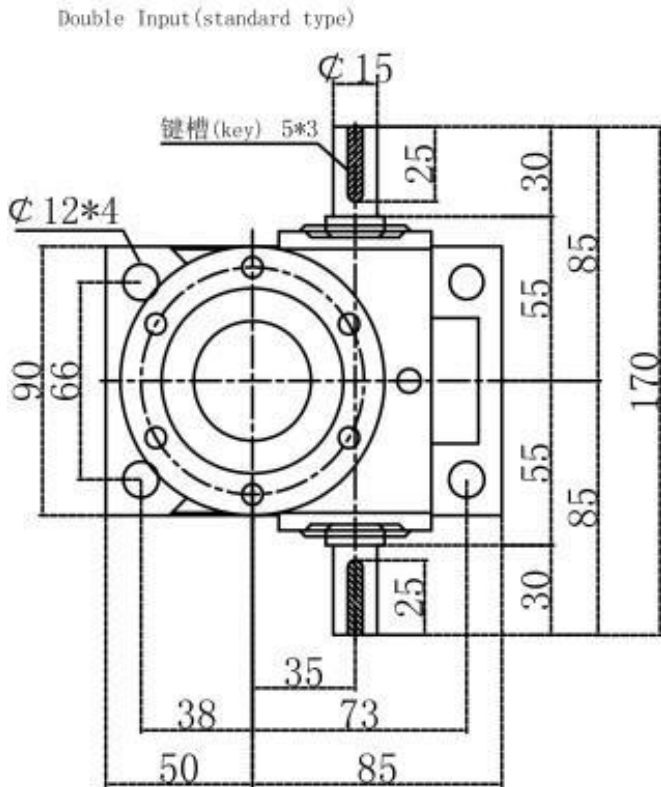


Model	A	B	C	CA	CD	CE	CF	D	E	F	G	H	I	J	K	L	M	N	S
RN-05T	135	35	155	130	25	30	100	55	130	25	15	16	8	20	8	55	70	10	M12*1.5
RN-1T	140	35	160	135	25	30	105	55	130	25	15	16	8	24	8	55	70	10	M16*1.5
RN-2T	165	55	165	150	28	40	110	55	135	25	20	16	12	25	10	70	88	10	M20*1.5
RN-3T	195	65	195	180	32	50	130	65	160	30	25	20	14	32	10	80	98	13	M22*2
RN-5T	195	65	195	180	35	50	130	65	160	30	25	25	16	38	12	90	114	13	M28*2
RN-10T	255	65	225	220	40	60	160	65	200	40	32	32	20	45	14	100	138	16	M32*2
RN-15T	255	95	225	220	45	60	160	65	210	50	32	36	24	50	18	110	148	20	M36*2
RN-20T	294	114	250	260	55	80	180	70	235	55	35	44	26	64	21	125	178	25	M42*2
RN-30T	355	135	295	300	65	80	220	75	285	65	44	56	35	75	21	140	188	28	M56*2
RN-40T	410	150	355	360	70	100	260	95	330	70	54	60	38	80	25	170	218	30	M64*2
RN-50T	480	165	429	435	75	120	315	114	390	75	64	70	45	90	27	200	248	32	M76*2
RN-100T	545	200	485	495	100	150	345	140	445	100	70	80	55	100	27	280	358	35	M80*2

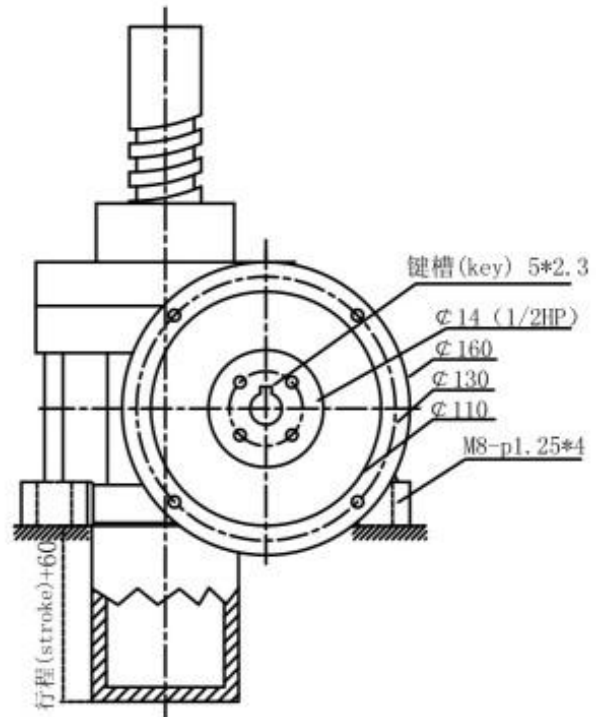
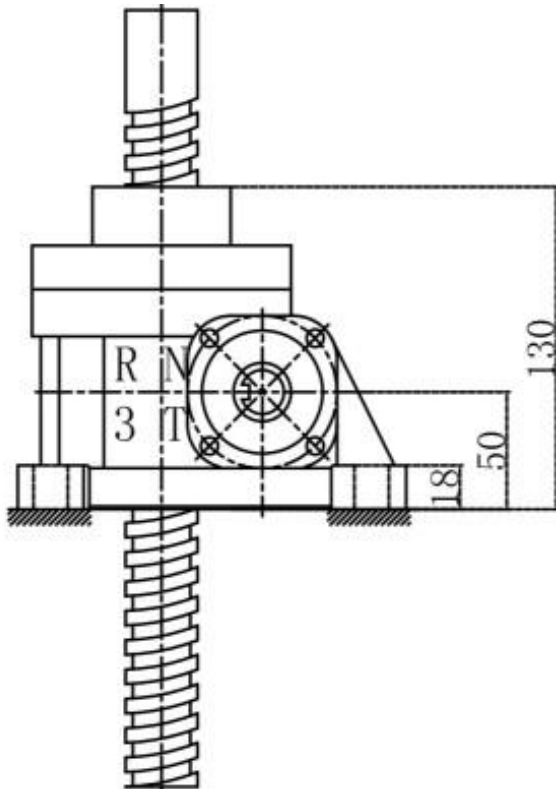
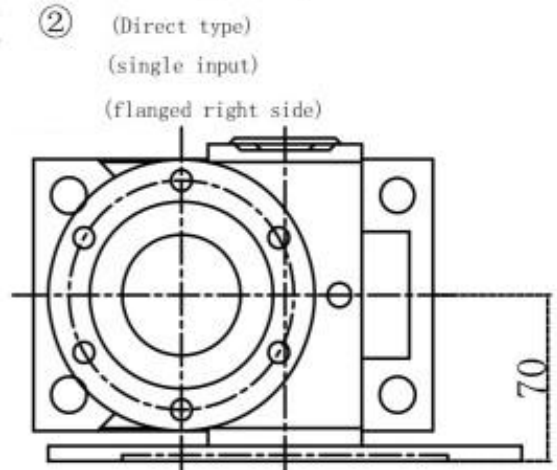
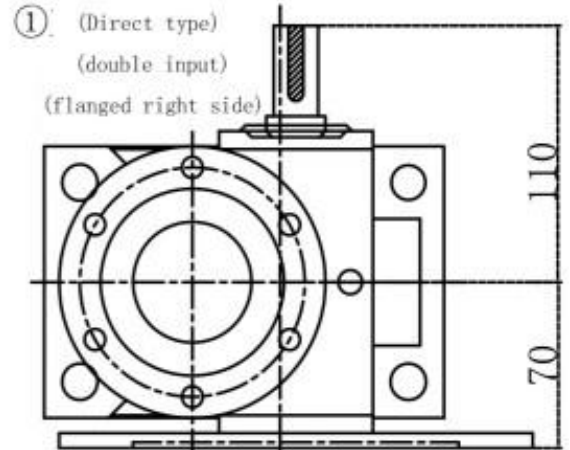
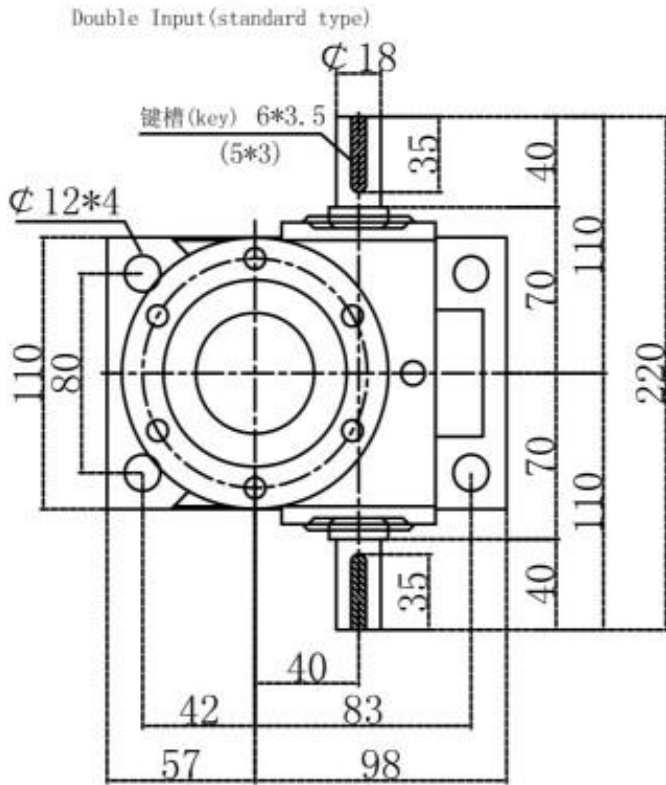
* RN-1T Dimension



* RN-2T Dimension

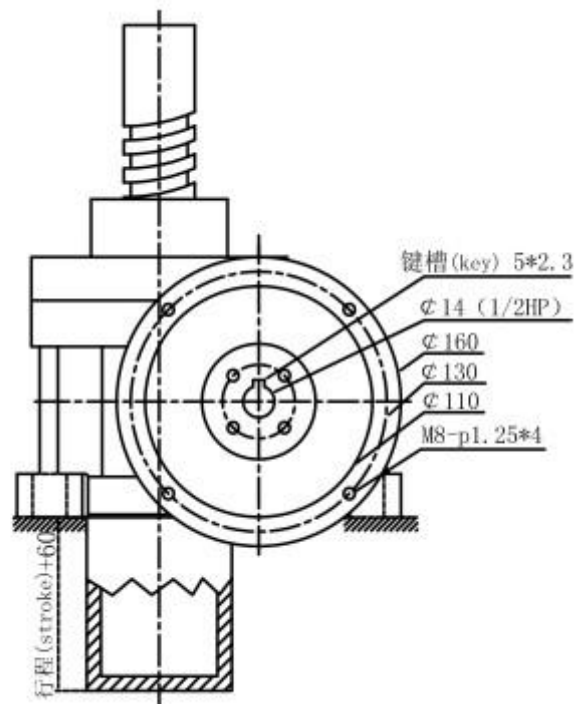
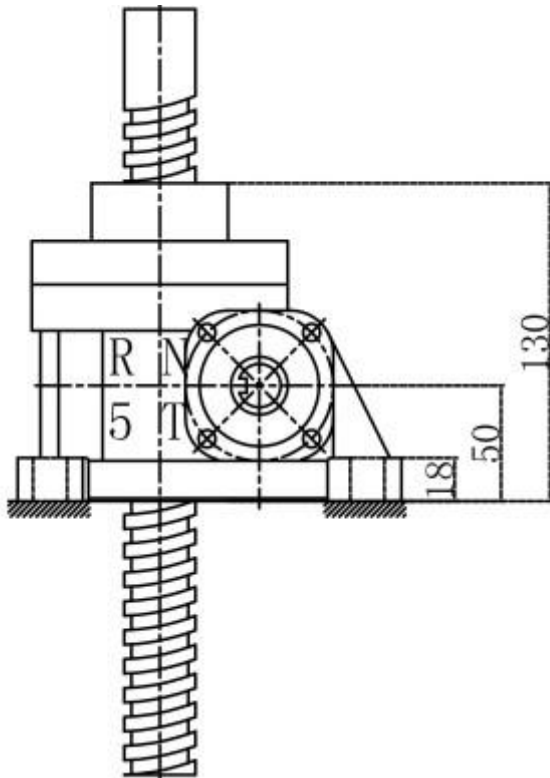
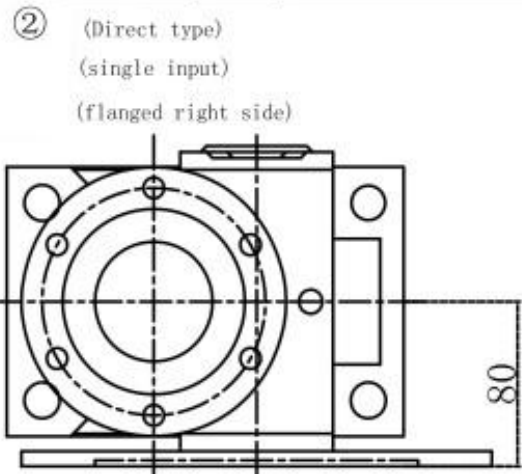
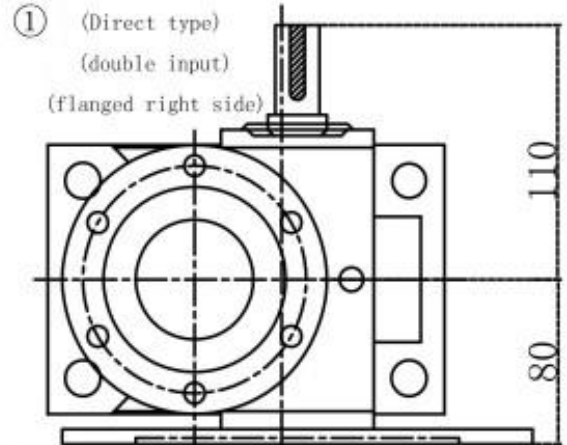
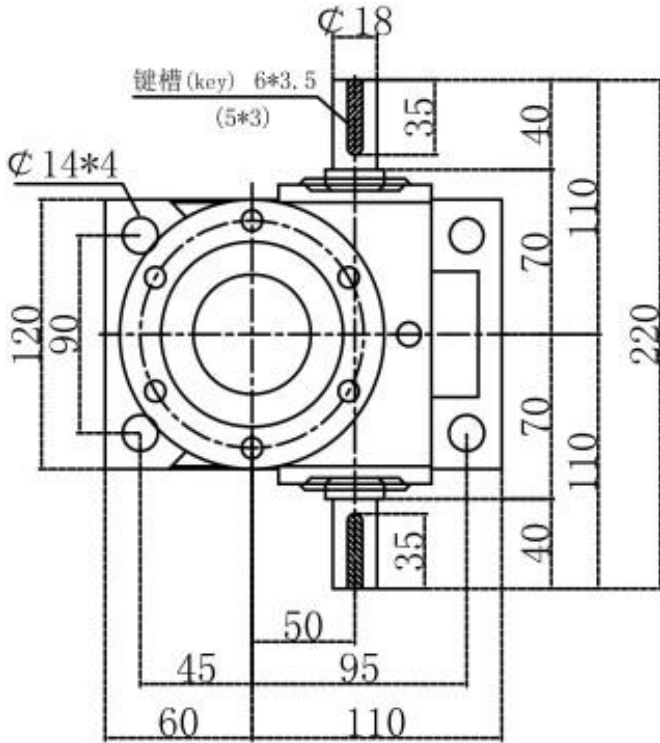


* RN-3T Dimension

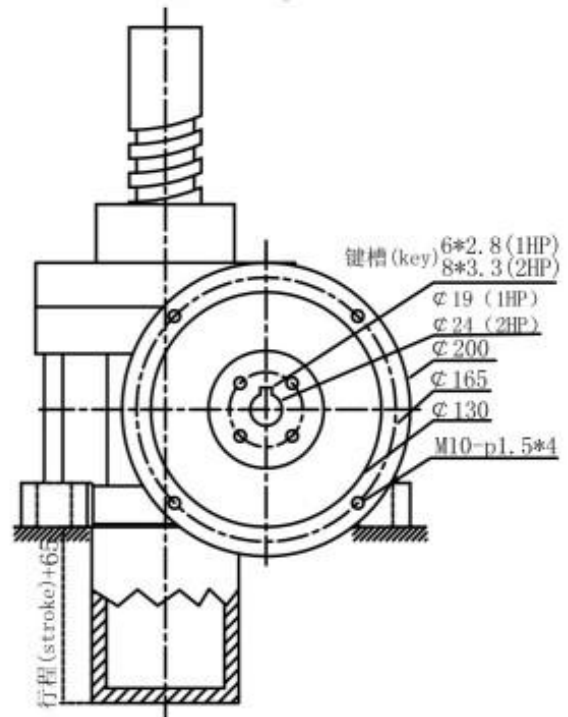
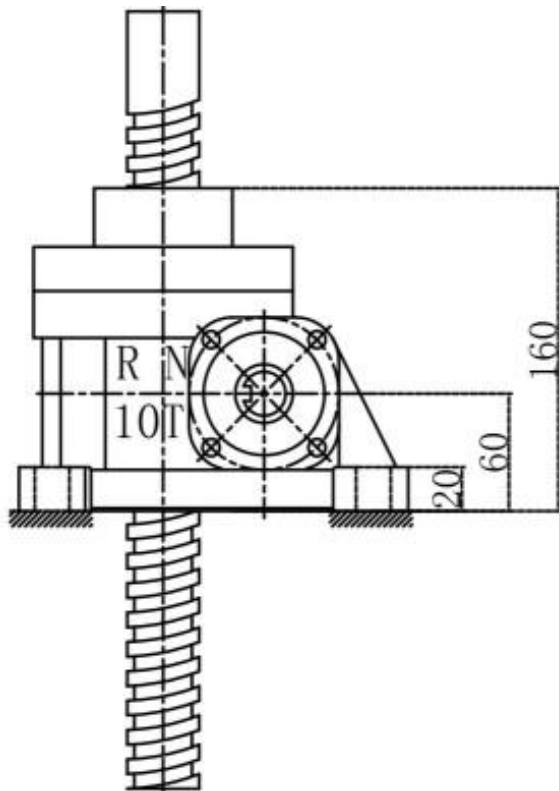
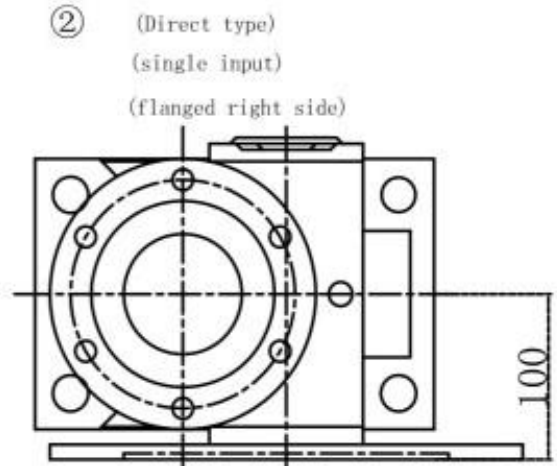
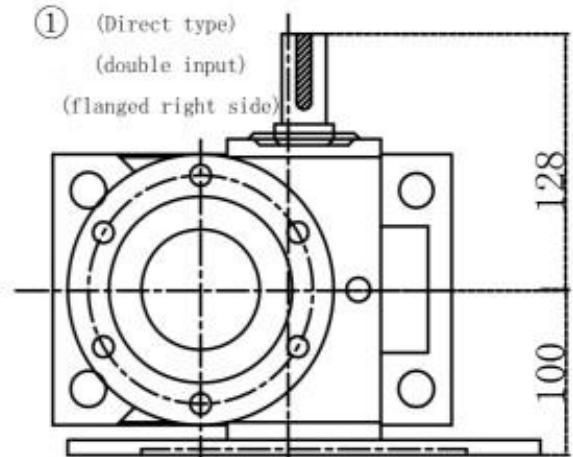
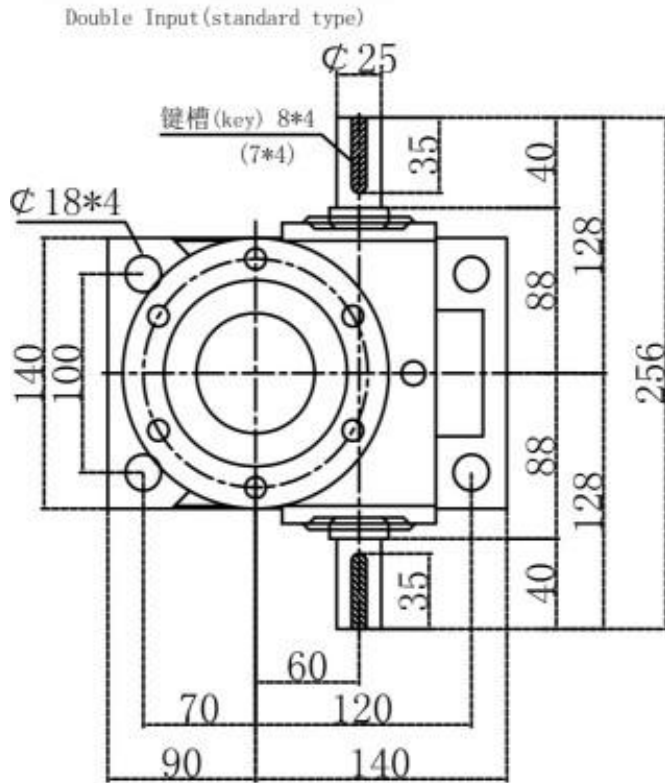


* RN-5T Dimension

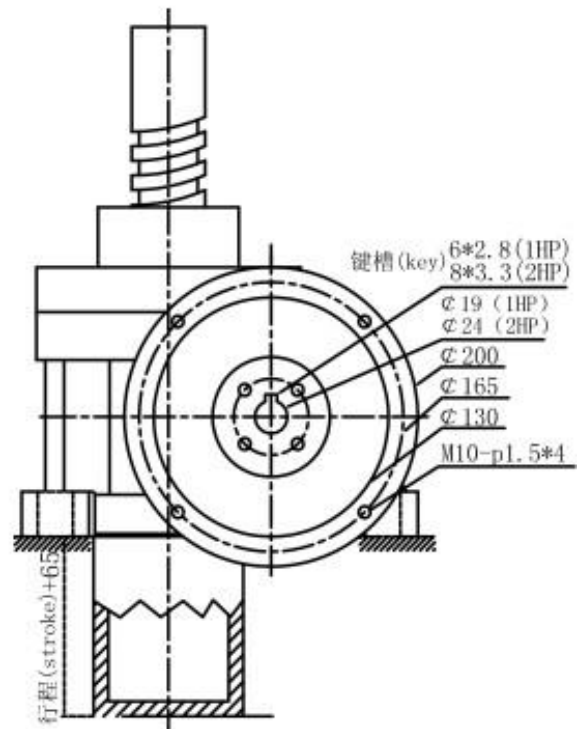
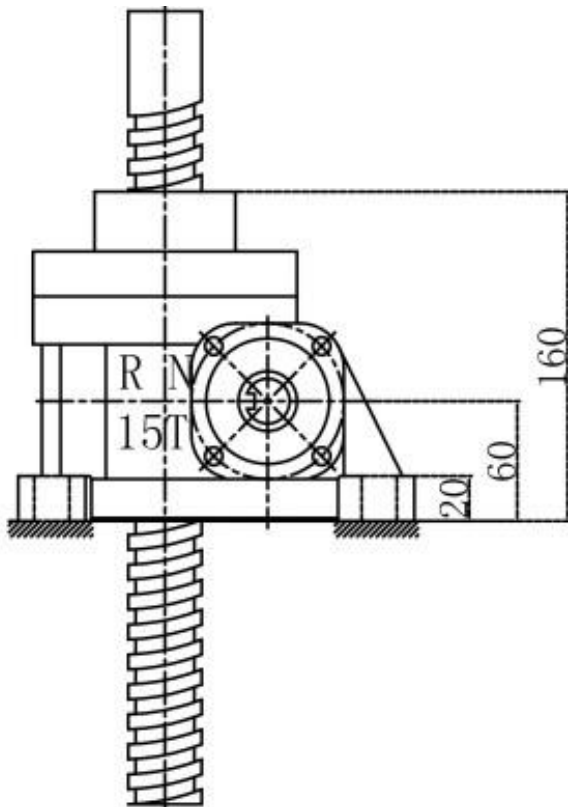
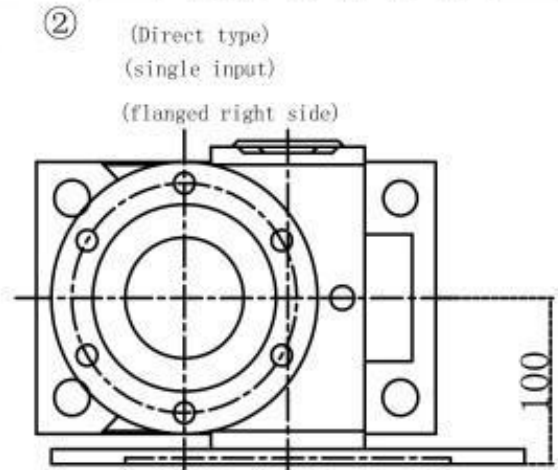
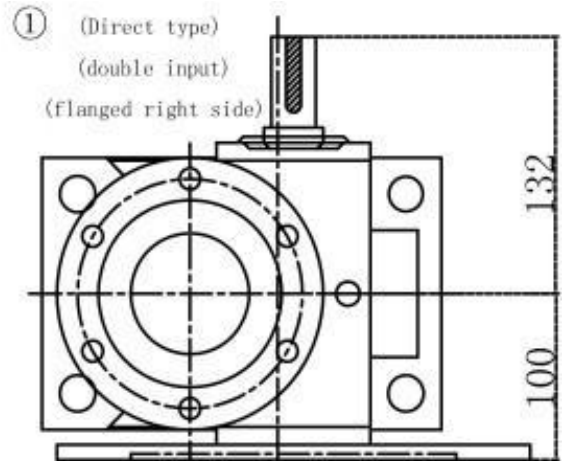
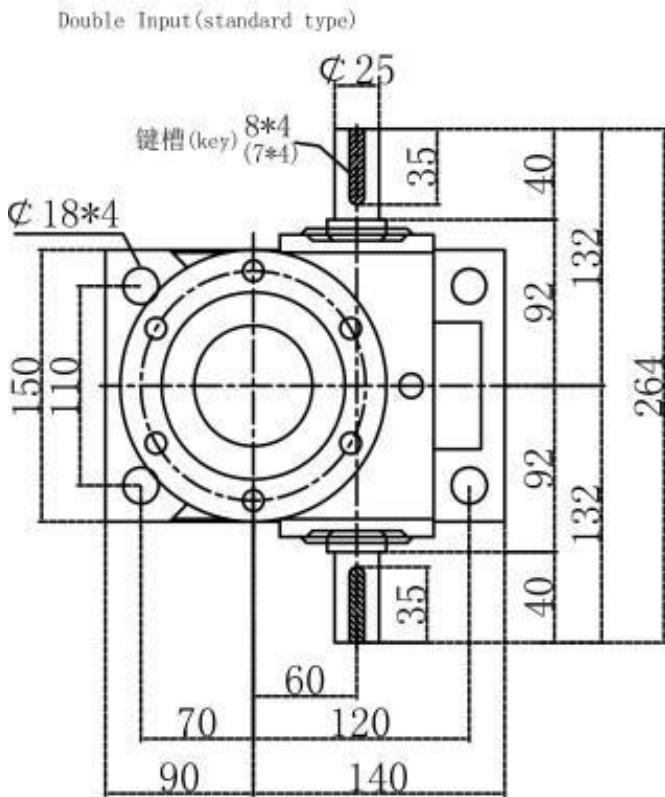
Double Input (standard type)



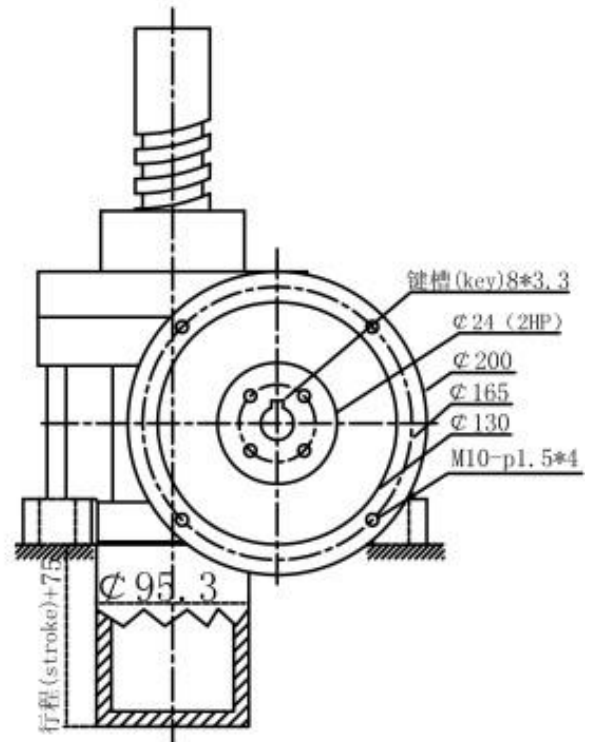
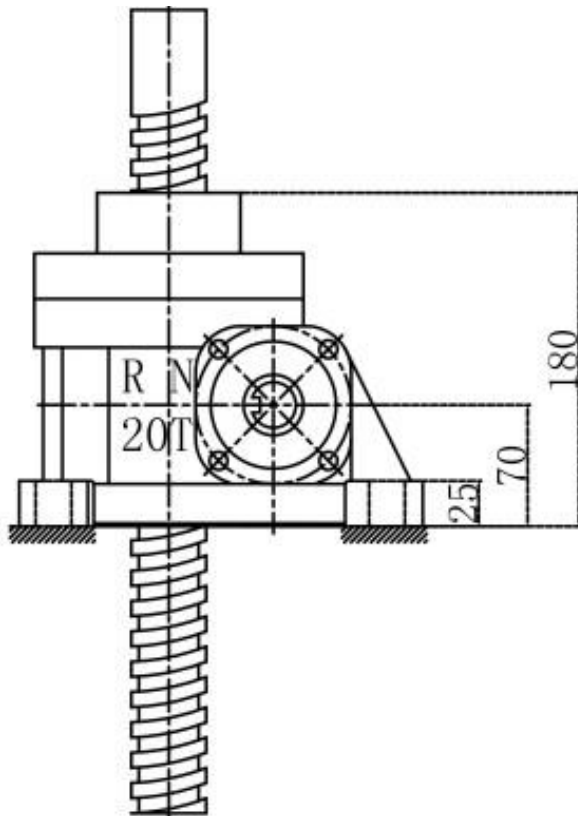
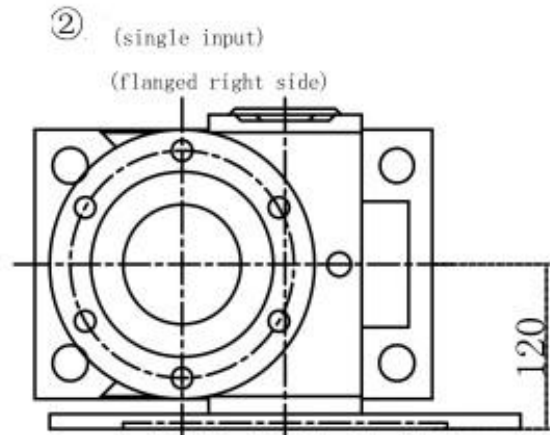
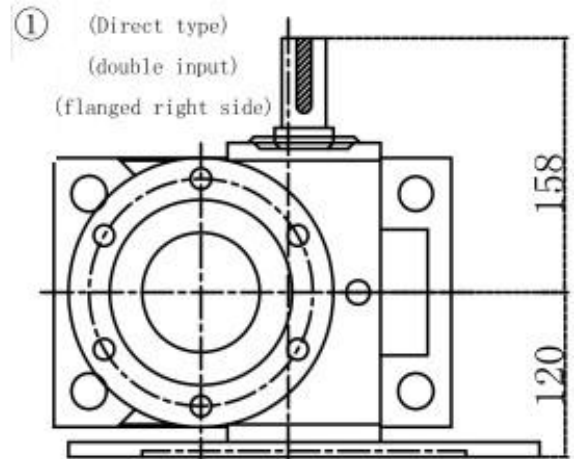
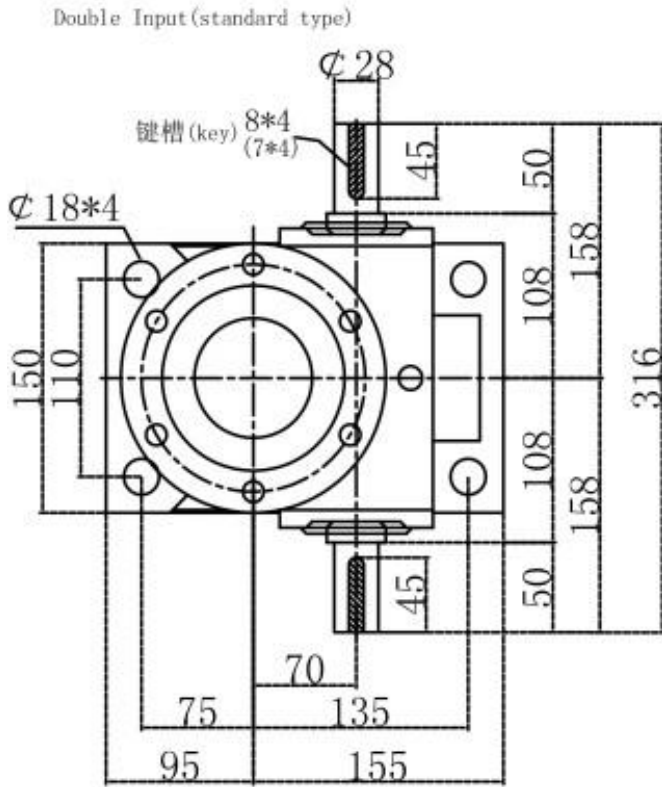
* RN-10T Dimension



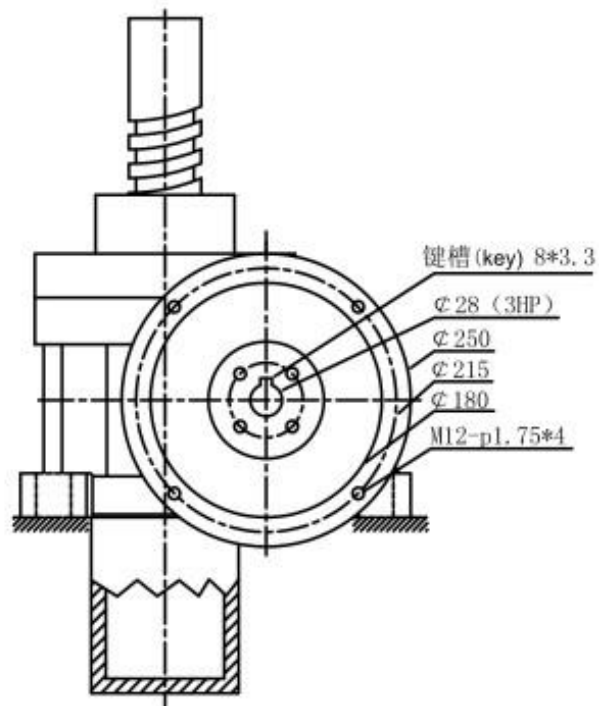
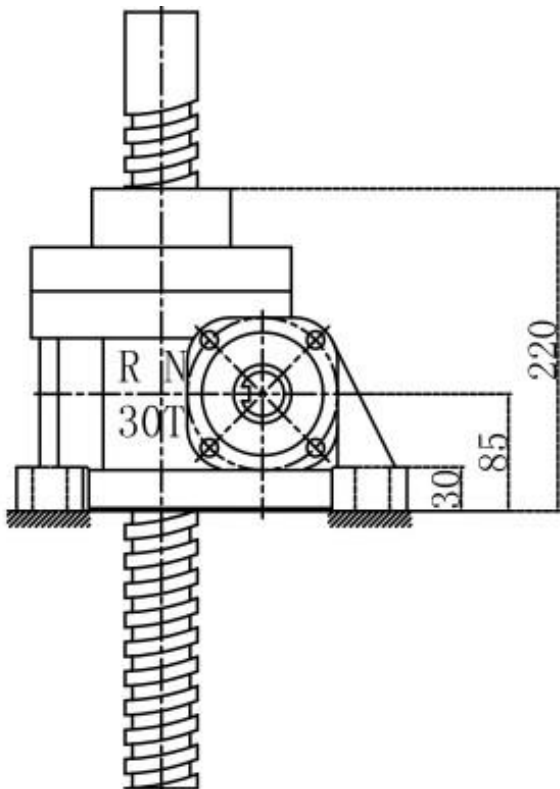
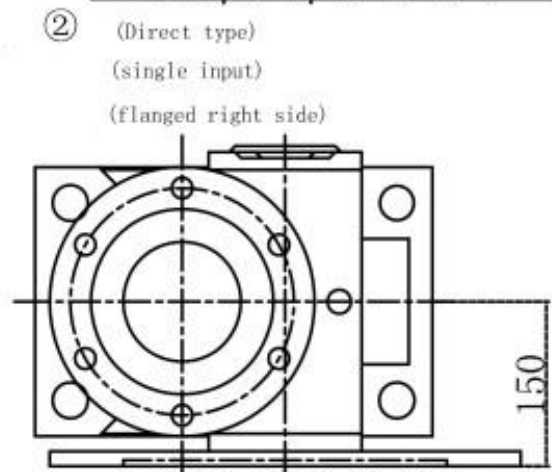
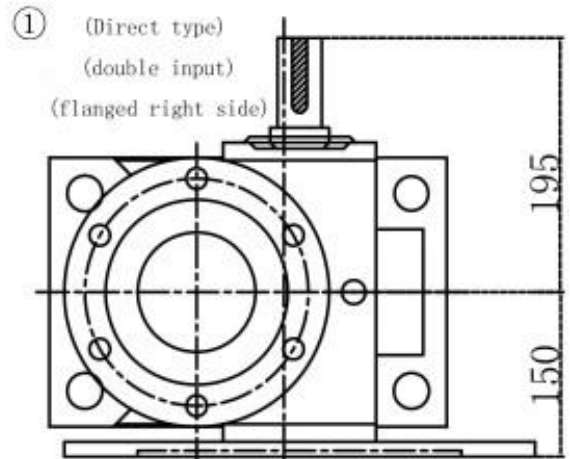
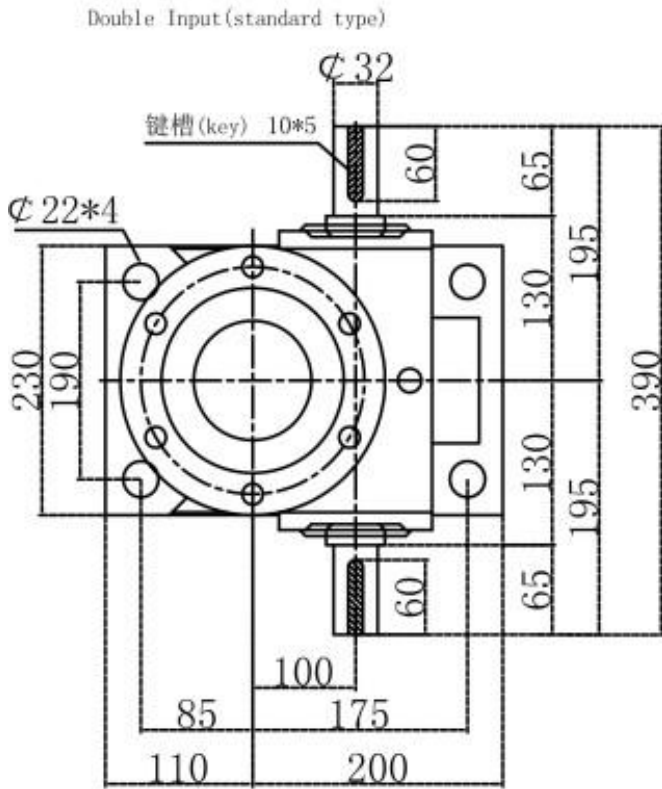
* RN-15T Dimension



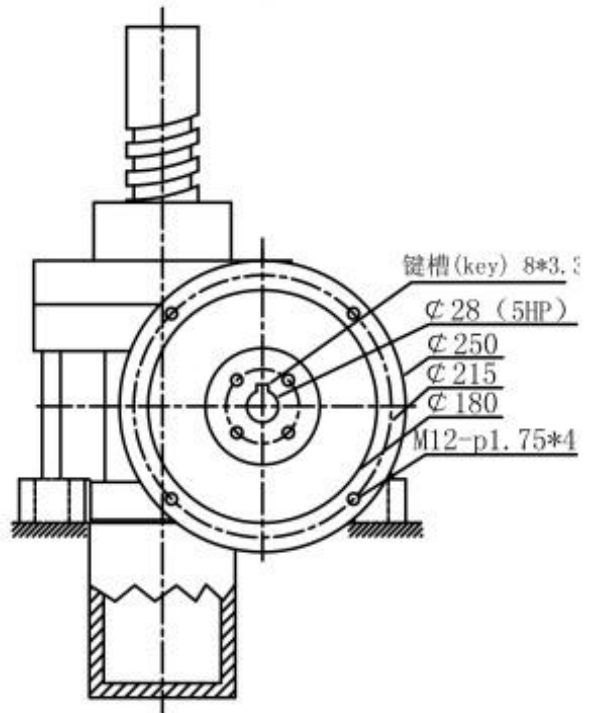
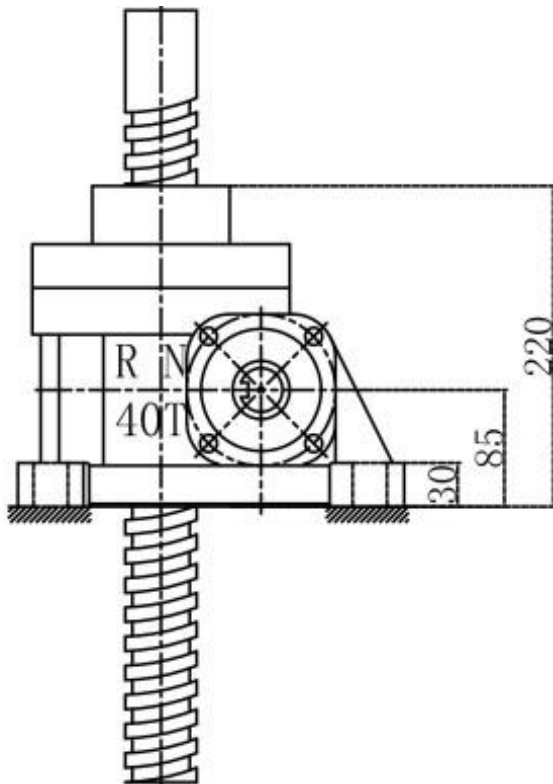
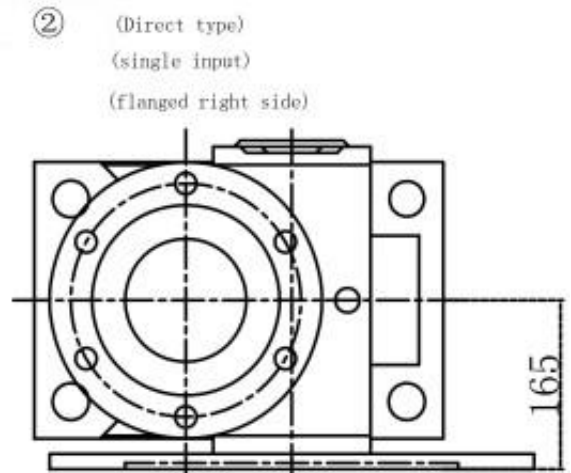
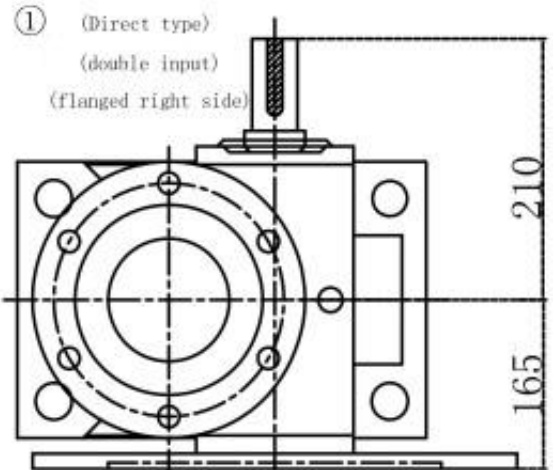
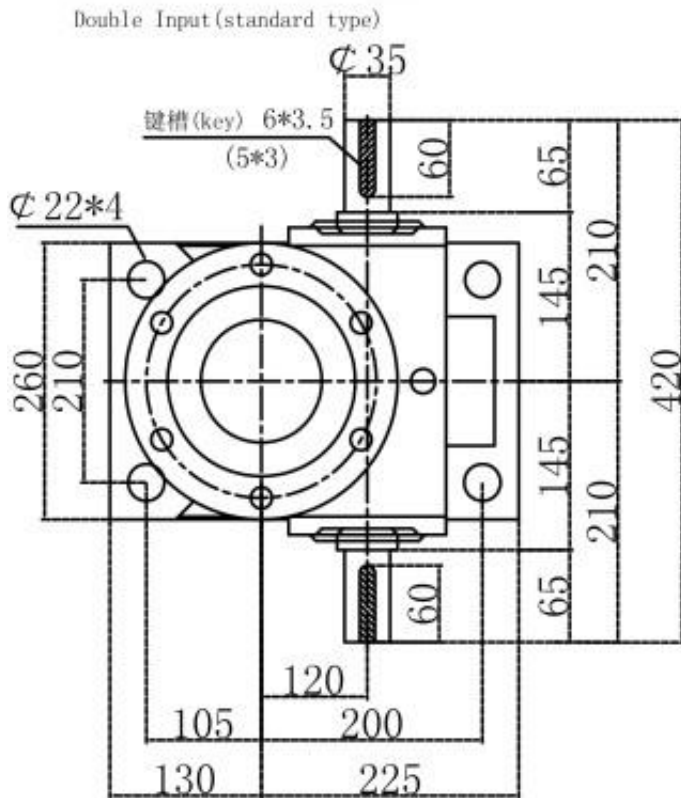
* RN-20T Dimension



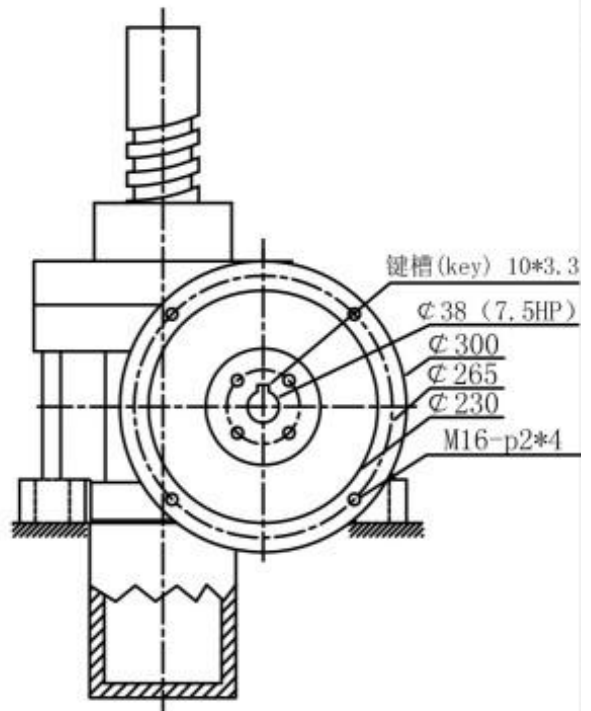
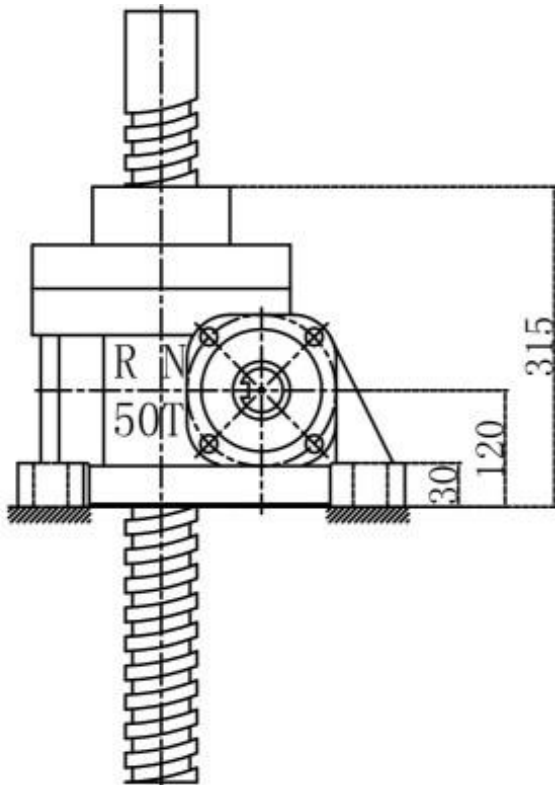
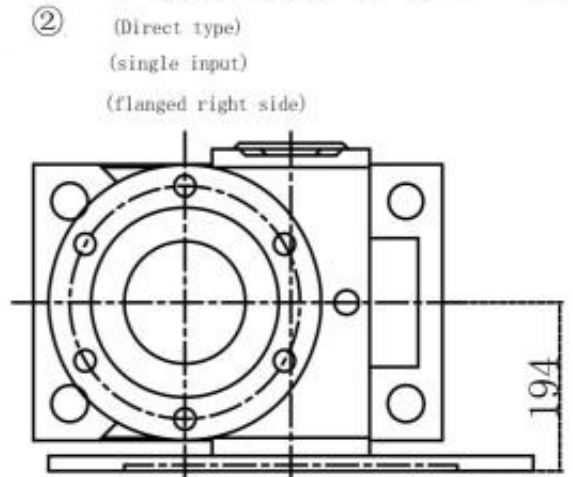
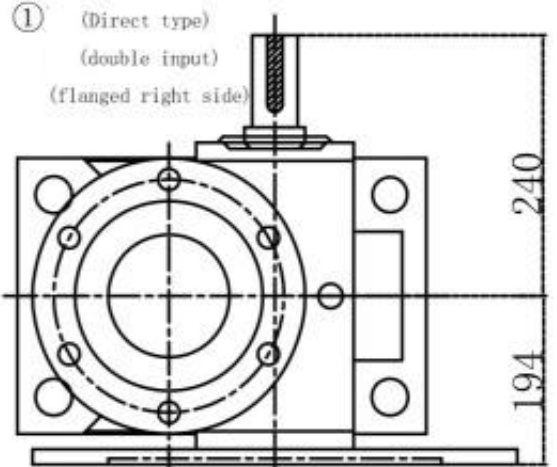
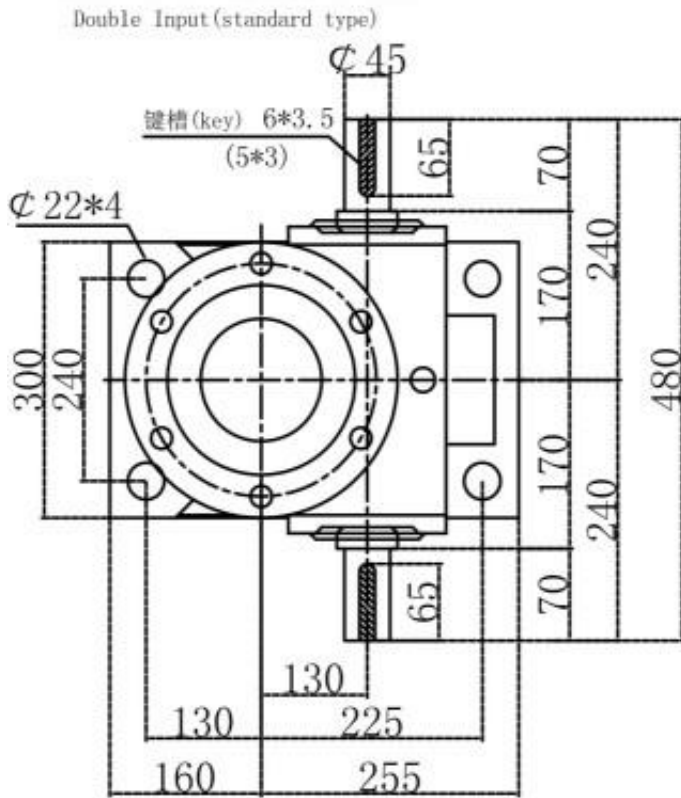
* RN-30T Dimension



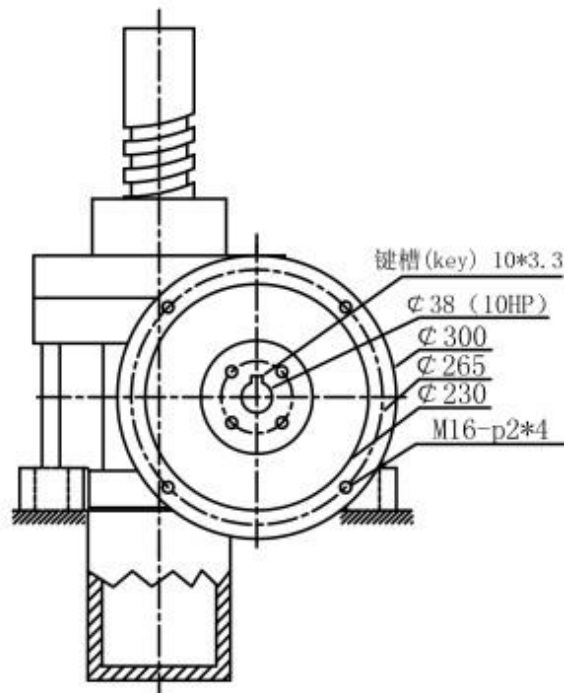
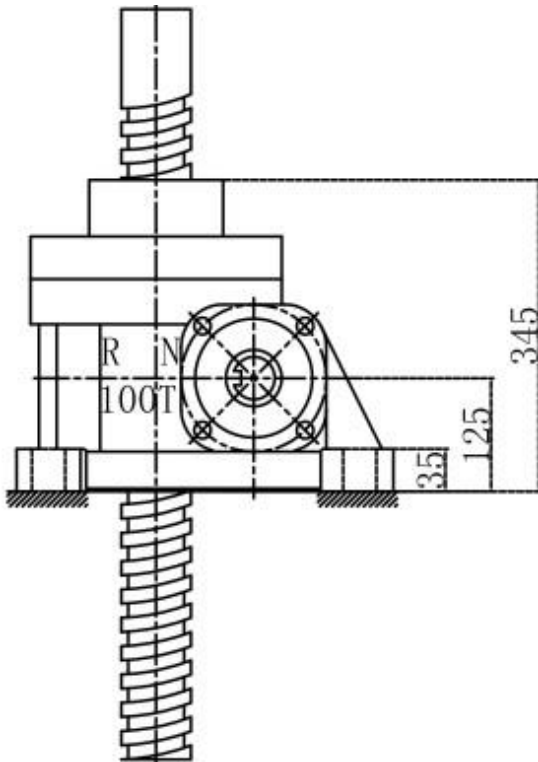
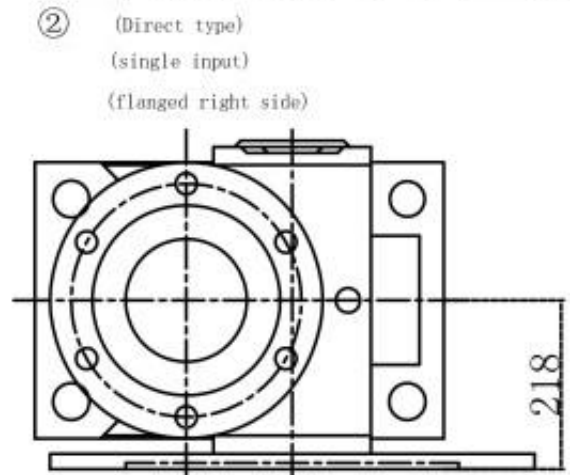
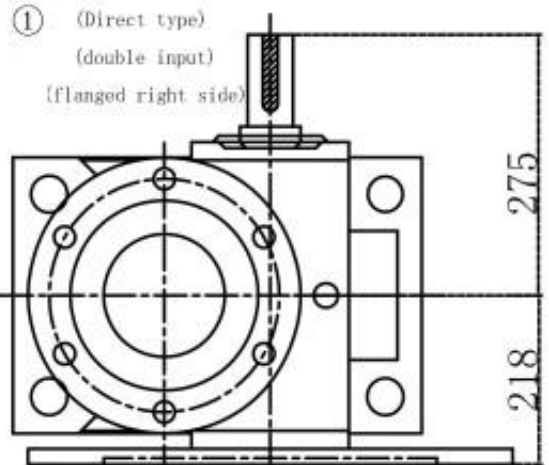
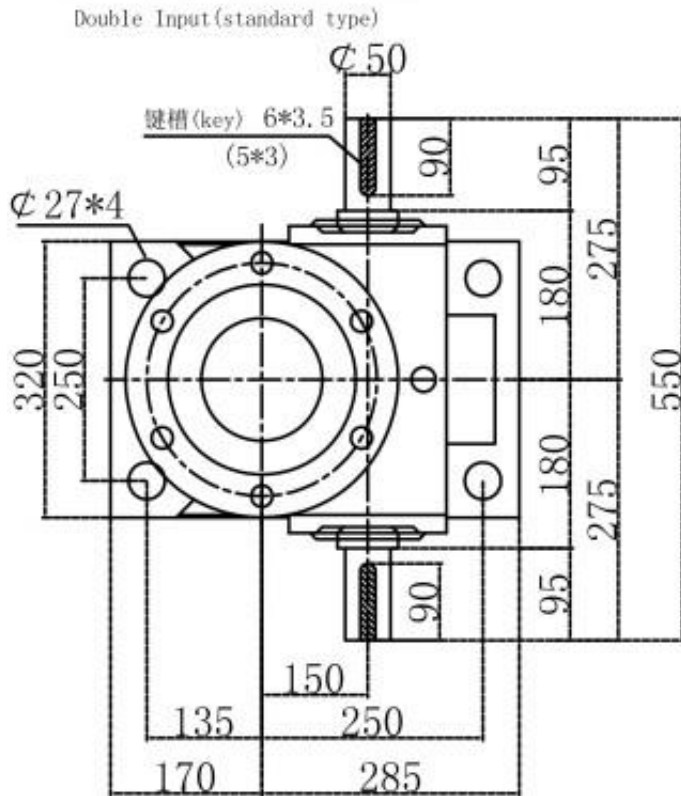
* RN-40T Dimension



* RN-50T Dimension



* RN-100T Dimension

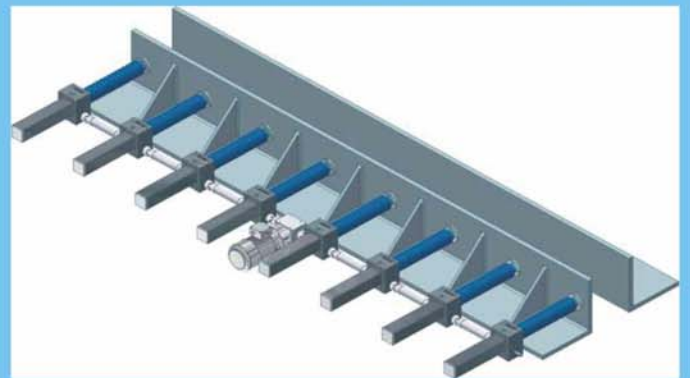
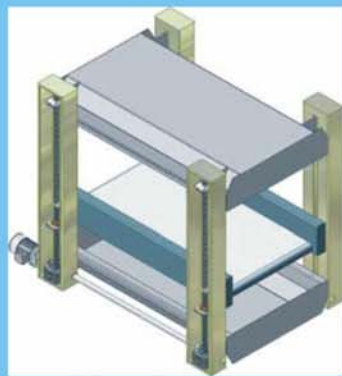
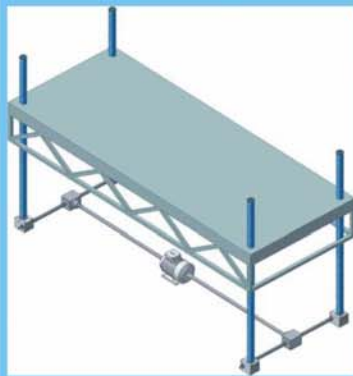
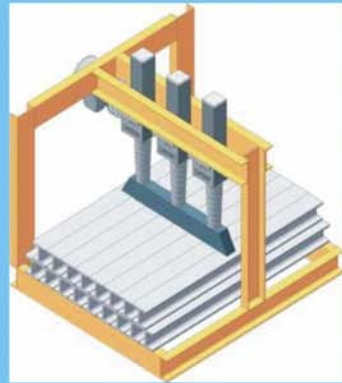




中文
English

[Http://www.nosen.cn](http://www.nosen.cn)

[Http://www.screwjack.com.cn](http://www.screwjack.com.cn)



Nosen M&E Technology Co., Ltd

Guangdong Address: Xinhaoyuan Industrial Park, Xitou Village, Houjie Town, Dongguan City, Guangdong Province, China

TEL: 86-769-85644651 85938358

FAX: 86-769-85644652

MSN: nosen28@hotmail.com

SKYPE: j.kuang88

YAHOO: j.kuang88@yahoo.com

Nosen International Industry HK Ltd

Hongkong Address: Flat1801A, 18/F., On Hong Commercial Bldg145 Hennessy Road, Wanchai, Hongkong

TEL: 852-39711675

FAX: 852-35430978