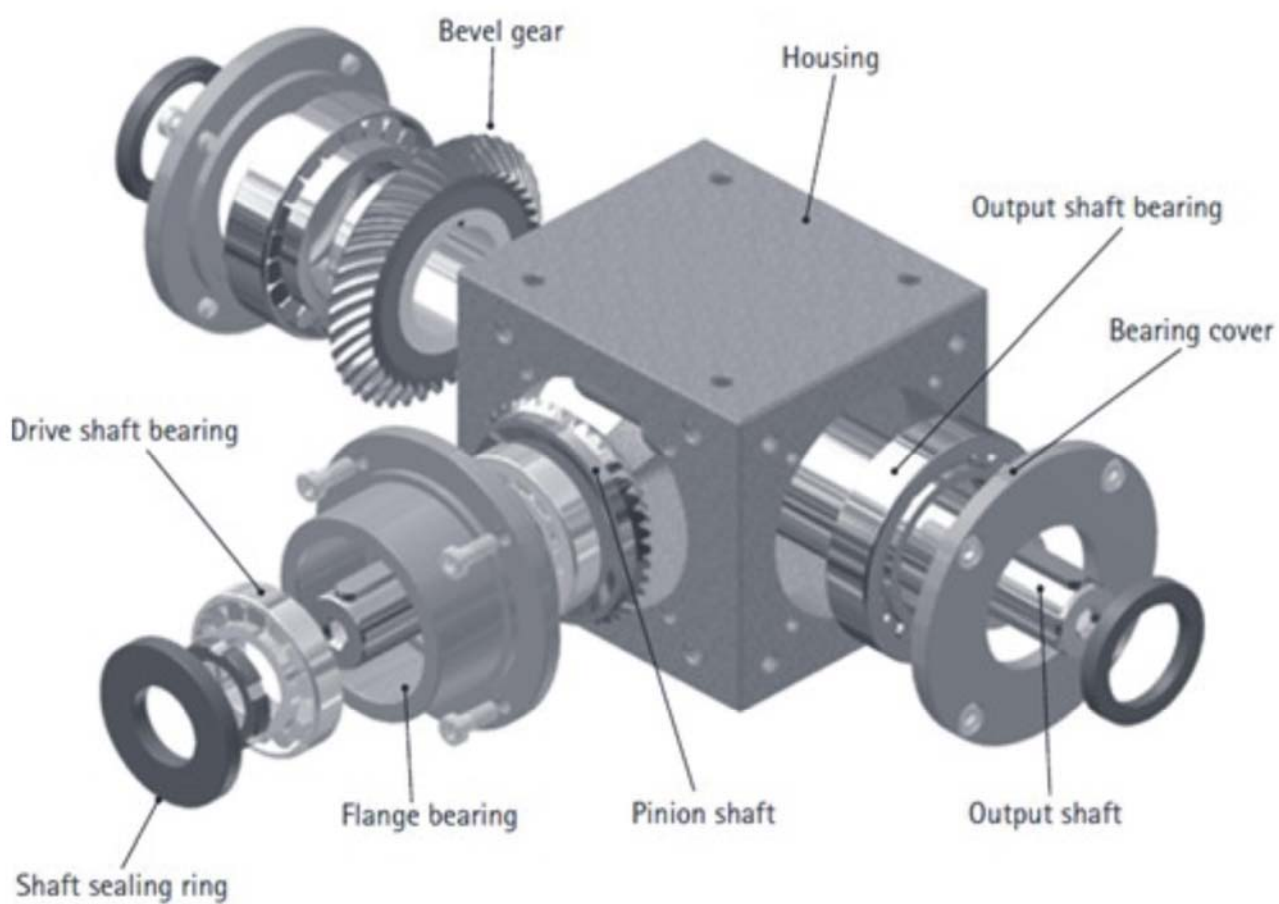


RNV 十字转向器

spiral bevel gearbox



RNV 十字转向器

spiral bevel gearbox



Introduction:

NOSEN spiral bevel gearbox RNV-Series, cubic shape of gearbox, european gearbox standard dimensions

Model: RNV-065, RNV-090, RNV-120, RNV-160, RNV-200, RNV-260

Function: right angles change transmission directions

Configurations: spiral bevel gears, bearings, gearbox, input and output shafts

Materials:

1. Spiral bevel gears: alloy steel, case hardened, be of high rigidity and wear resistance
2. Bearings: taper roller bearings, bear larger torque
3. Gearbox: cast iron, six faces of gearbox are machined by milling machine, gloss surfaces
4. Input&Output shaft: S45C, heat treated

Speed Ratio: 1:1, 2:1. Special ratio, following clients' orders

Transmission Efficiency: 95%

Gear Oil: HD320~680

Max Revolutions: 1450 rpm

Ambient Temperature: -20°C~+80°C, special temperature, consult our engineers

Noise Level: less than 80 dB

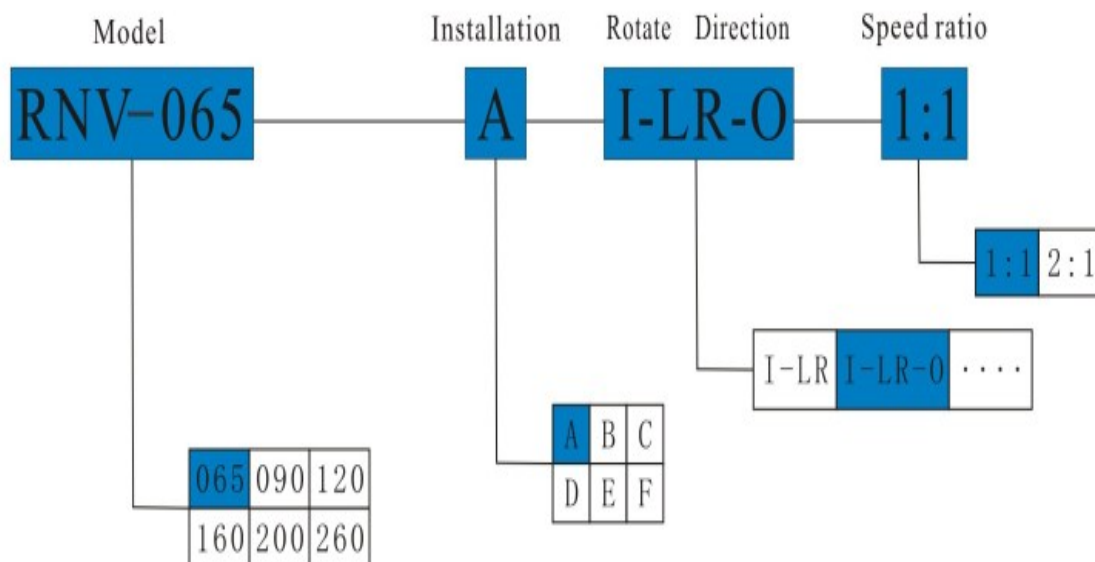
Temperature Level: less than 50°C

Test Equipments: noise meter and infrared thermometer

Application Industries:

diesel engine drive water pump, textile, food processing machine, medicine, rotary axis drives, conveyors, packaging equipment, material handling, automation and packaging etc

Selection Guide



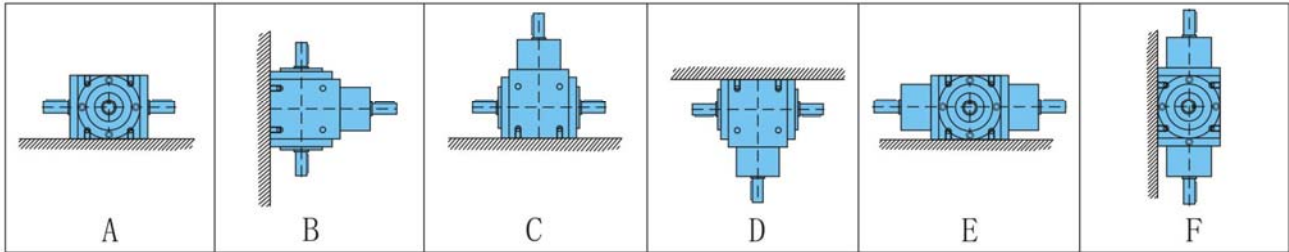
RNV 十字转向器

spiral bevel gearbox



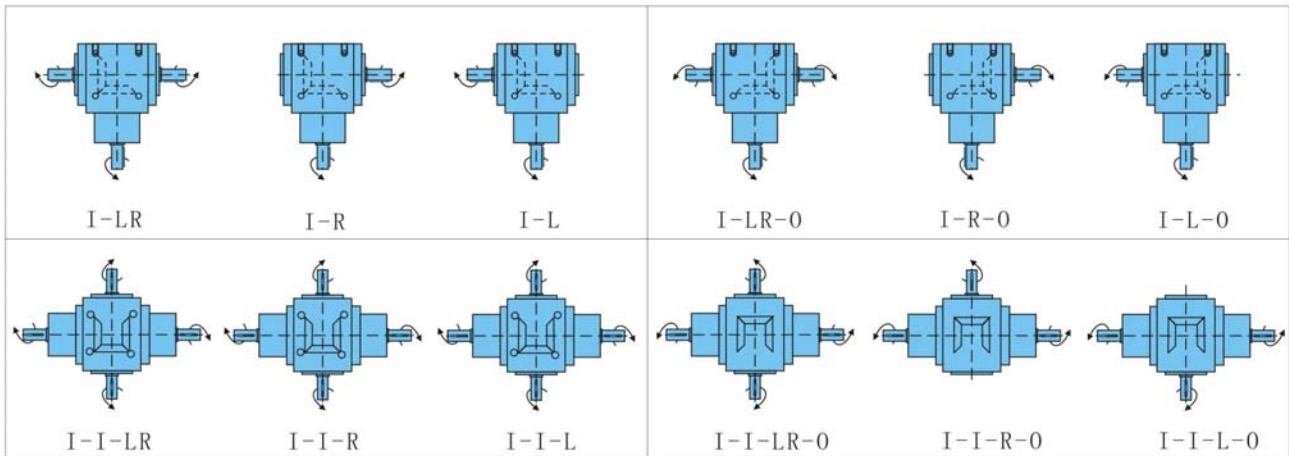
安装方式

Installations



转向代号

Rotate Directions



RNV-Series, Technical Datas Sheet

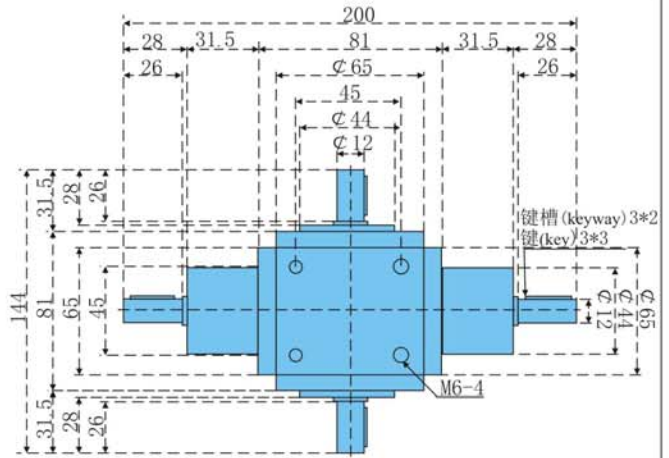
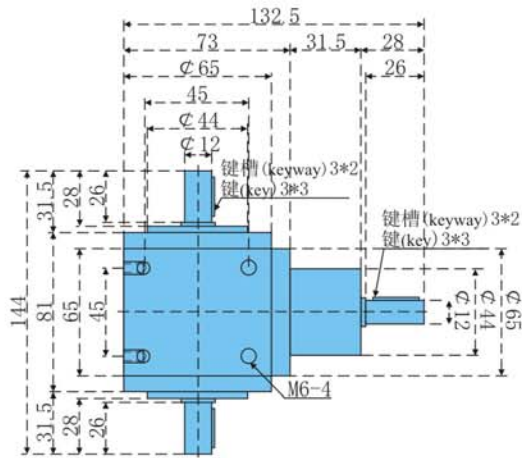
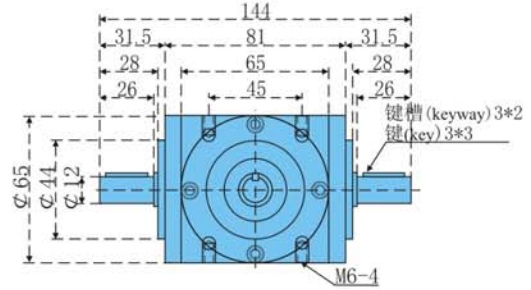
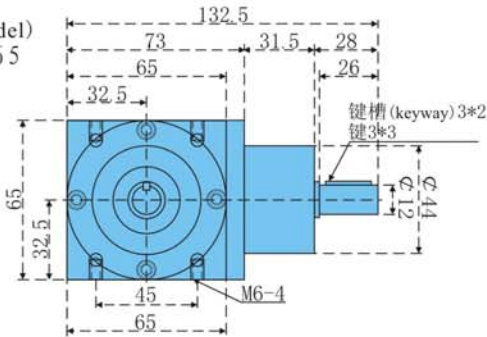
Model	Gear Ratio	1500 rpm		1000 rpm		750 rpm		500 rpm		250 rpm		50 rpm	
		Input (HP)	Torque (N.m)	Input (HP)	Torque (N.m)	Input (HP)	Torque (N.m)	Input (HP)	Torque (N.m)	Input (HP)	Torque (N.m)	Input (HP)	Torque (N.m)
RNV-065	1:1	2.4	11.6	1.76	12.61	1.43	13.66	1.1	15.76	0.63	18.5	0.13	18.62
	1:2	1.2	5.8	0.88	6.3	0.72	6.88	0.54	7.73	0.31	8.88	0.06	8.59
RNV-090	1:1	7.05	33.8	5	35.81	4.08	38.96	3	42.97	1.6	45.86	0.37	53
	1:2	2.97	14.3	2.28	16.33	1.76	16.81	1.25	17.91	0.66	18.91	0.13	18.62
RNV-120	1:1	18	86	13.52	96.83	11.34	108.29	8.45	121.04	4.52	129.49	0.96	137.51
	1:2	8	38.5	5.9	42.26	4.7	44.88	3.38	48.42	1.8	51.57	0.38	54.43
RNV-160	1:1	57.3	275	42.6	305.1	34.2	326.59	24.25	347.36	12.85	368.13	2.78	398.21
	1:2	27	129.6	19.84	142.09	15.4	147.06	11	157.56	5.88	168.45	1.3	186.21
RNV-200	1:1	99.2	476	74.9	536.43	61	582.51	45.5	651.74	26	744.85	5.5	787.82
	1:2	46.8	224.8	36.7	262.85	29.7	283.62	22.4	320.86	12.5	358.1	2.76	395.34
RNV-260	1:1	209	1005	154.3	1105.1	128.9	1230.91	97	1389.43	56.5	1618.61	12.8	1833.47
	1:2	104.7	502.6	77.2	552.91	64.5	615.93	47	673.23	26.8	767.77	6	859.44

RNV 十字转向器

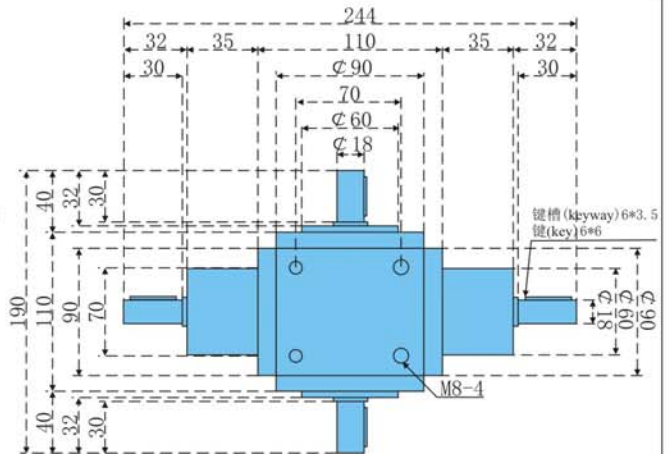
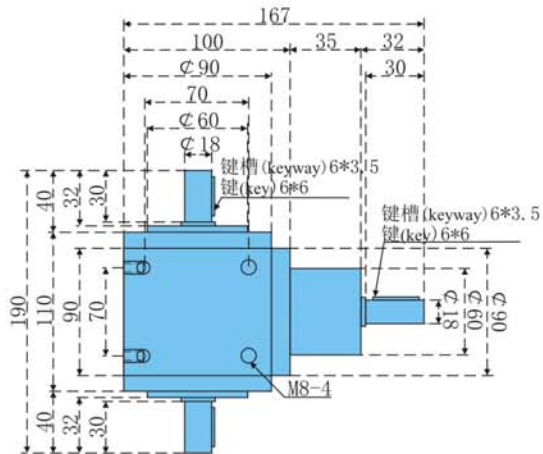
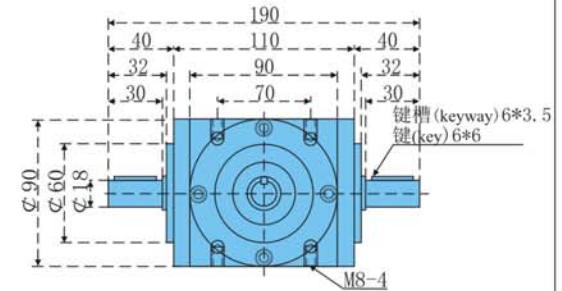
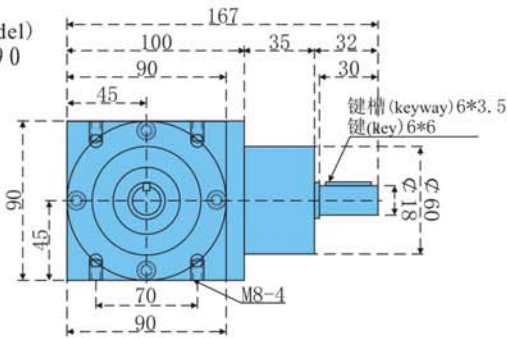
spiral bevel gearbox



型号 (model)
RNV-065



型号 (model)
RNV-090

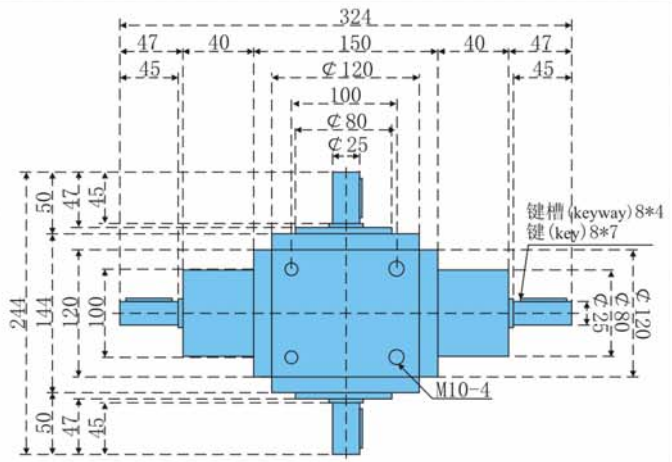
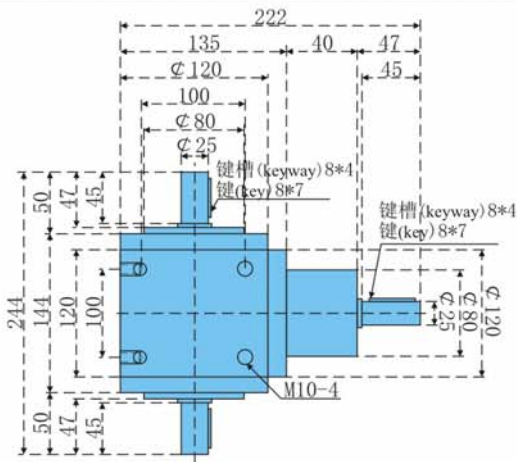
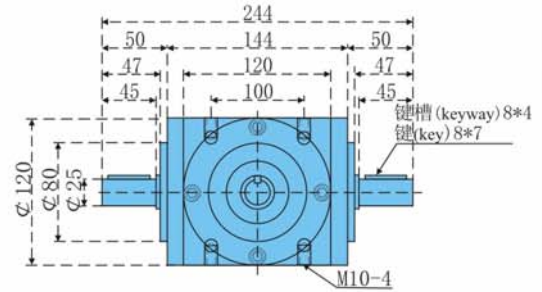
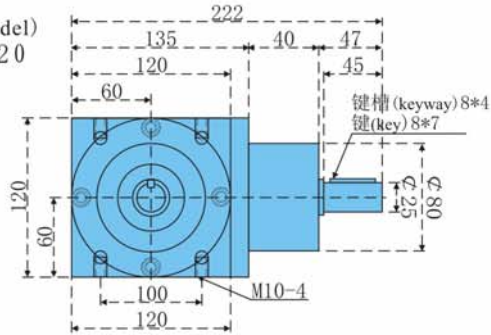


RNV 十字转向器

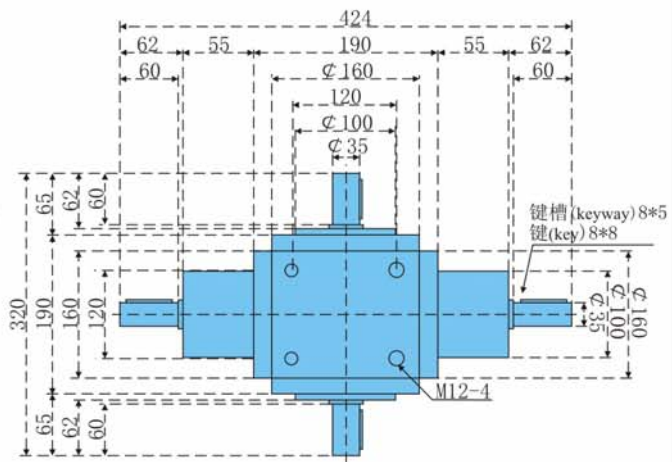
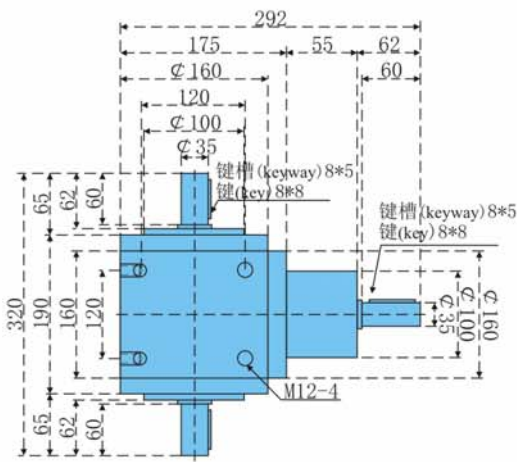
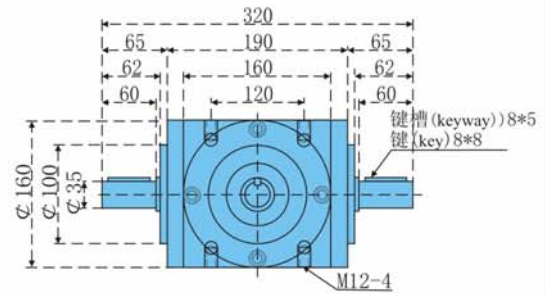
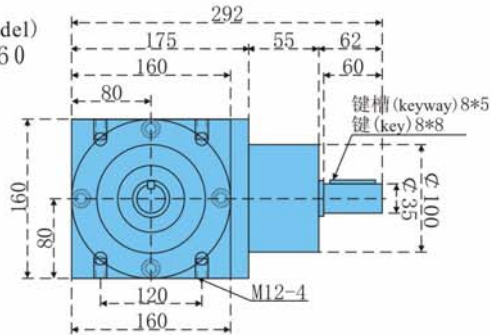
spiral bevel gearbox



型号 (model)
RNV-120



型号 (model)
RNV-160



RNV 十字转向器

spiral bevel gearbox

