





* Company

COMPANY HISTORY:

In 2003, established Yuanxin Mechanical&Electrical Accessory Shop, Located In Houjie town, Dongguan city, Guangdong Province.

In 2005, named NOSEN Mechanical&Electrical Factory, located in Chang'an town, Dongguan city, Guangdong province.

In 2006, established Shanghai NOSEN Mechanical&Electrical Equipment Co., Ltd.

In 2007, named Dongguan Mechanical&Electrical Equipment Co., Ltd.

In 2007, founded International Sales Department.

In 2008, established NOSEN International Industry(HK) Limited.

In 2008, Dongguan Mechanical&Electrical Equipment Co., Ltd moves to Houjie town, Dongguan city.

In 2009, NOSEN passed SGS international Certification.

In 2010, NOSEN passed ISO9001:2008 quality management systems certifications. Certificate No.104679.

In 2011, NOSEN named NOSEN M&E TECHNOLOGY CO., LTD

PRODUCTS HISTORY:

In 2003 R&D, Production and Sale 12 models Worm Gear Screw Jack RN-Series Trapezoidal Screw Jacks and Sale Taiwan, Japan Power Transmission Products.

In 2005, R&D, Production and Sale 7 models Worm Gear Screw Jack RNK-Series Ball Screw Jacks and 10 models Spiral Bevel Gearboxes.

In 2006, R&D, Production and Sale 8 models RNE Series Stainless Steel Vertical Agitator.

In 2009, R&D, Production and Sale Worm Gear Screw Jack RNS-Series, Patent Right No. 201020105770.X.

In 2010, R&D, Production and Sale Worm Gear Screw Jack RNF-Series. Patent Right No. 20102546844.3.

In 2011, R&D, Production and Sale Spiral Bevel Gearbox RNV-Series, Cubical Type.

NOSEN ADVANTAGES:

Professional technicians teams

Competitive Price

Professional

High Quality

The shortest lead time

Small order acceptable

The best before-sale, while-sale and after-sale service

1 years quality warranty

SALES REGIONS:

European: BE, BG, DK, EG, FI, DE, GR, NL, PL, ES, SE, UK

America: USA, CA

Asia: IN, ID, MY, PH, QA, RU, SG, TH, VN

Oceania: AU, NZ

Africa: EG

REPRESENTATIVES COUNTRIES: DE, PL

* Introduction

NOSEN standard type spiral bevel gearboxes available for continuous applications for power transmission. Light, medium and heavy duty reducers are available. Compared to worm gear reducer, spiral bevel gear box is of flexible operational capacity, high transmission torque and save more money.

Model: RN-2M, 4M, 6M, 7M, 8M, 10M, 12M, 16M, 20M, 25M.

2 ways,3ways,4 ways gearboxes are available.

Speed reducer and speed increaser are available.

Compact design,small gearbox sizes,low weight,easy to install anywhere.

Configuration

Spiral bevel gears,bearings,oil seals,cast iron housing,heat treated drive shafts,etc.

Materials

Spiral bevel gears is case-hardened with high rigidity and wear resistance,cast iron housing,45# steel heat treated drive shafts.

Gear Ratio

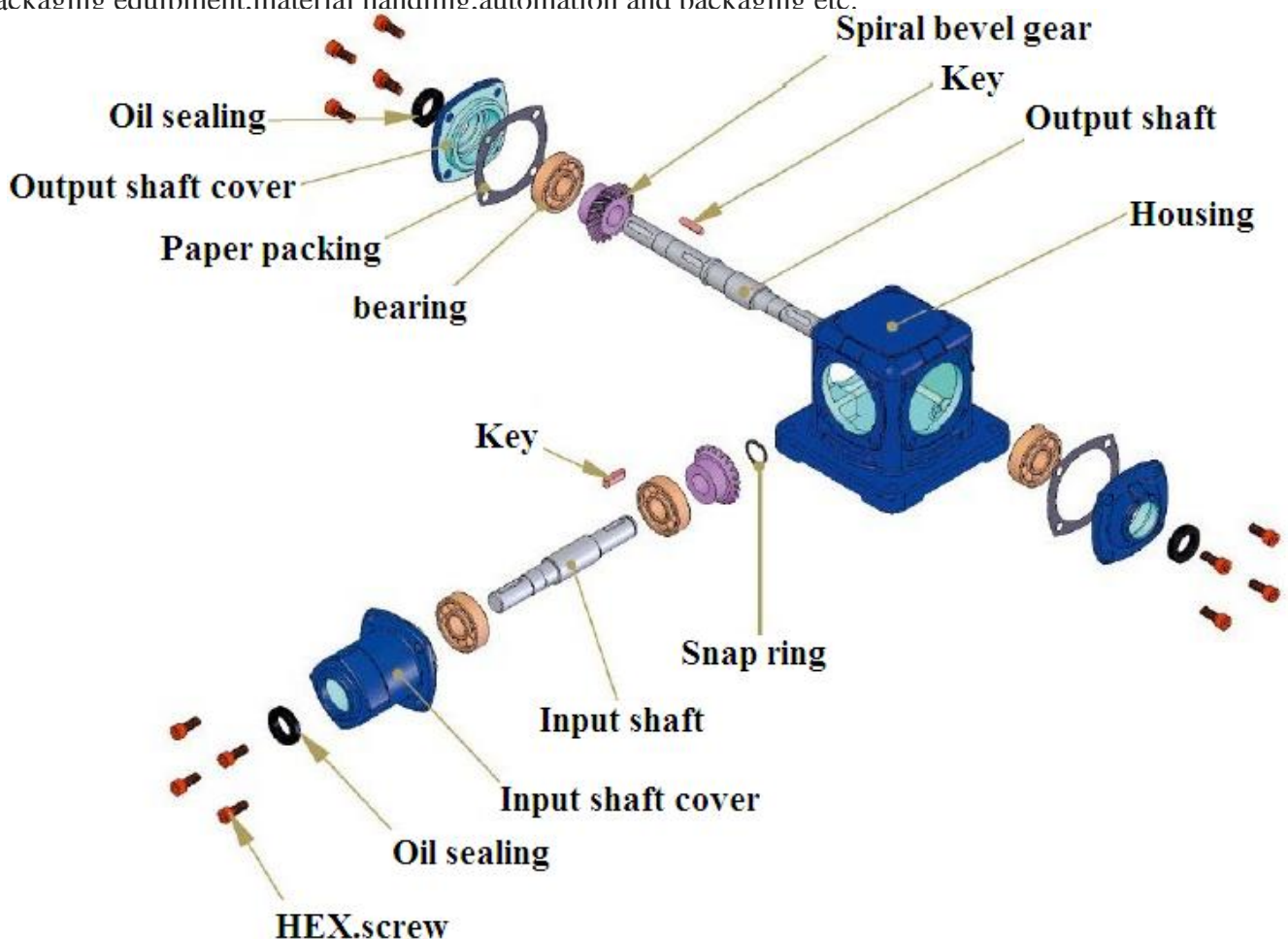
1:1, 1.5:1, 2:1, 2.5:1, 3:1, 4:1, 5:1

Efficiency %

95%~98%.

Application Industries

diesel engine drive water pump,textile,food processing machine,medicine,rotary axis drives, conveyors, packaging equipment.material handling.automation and packaging etc.

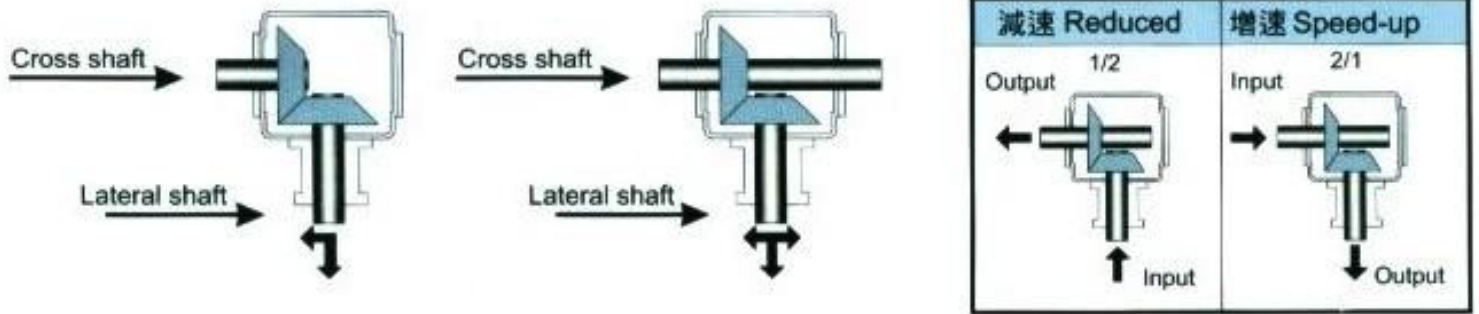


* Technical Datas Sheets

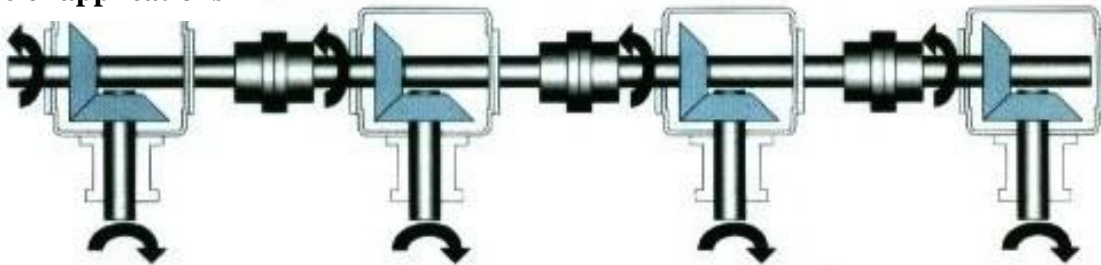
Ratio	rpm	RN-2M		RN-4M		RN-6M		RN-7M		RN-8M		RN-10M		RN-12M		RN-16M		RN-20M		RN-25M	
		N.m	kw	N.m	kw	N.m	kw	N.m	kw	N.m	kw	N.m	kw	N.m	kw	N.m	kw	N.m	kw	N.m	kw
1:1	1450	11.6	1.79	31.9	4.94	96.0	14.9	142	22.0	294	45.6	421	65.3	619	96.0	1019	163				
	1150	11.7	1.43	34.1	4.19	103	12.7	150	18.4	305	37.5	453	55.7	665	81.1	1098	139	1842	234		
	870	12.1	1.12	37.2	3.46	113	10.5	164	15.2	312	29.0	479	44.6	726	67.5	1186	114	2009	193	3489	335
	580	12.1	0.75	39.5	2.45	119	7.35	184	11.4	319	19.8	493	30.6	802	49.7	1343	85.9	2274	145	3940	252
	400	12.3	0.52	40.2	1.72	122	5.20	195	8.34	326	14.0	504	21.5	821	35.1	1499	66.1	2538	112	4410	195
	300	12.3	0.4	40.5	1.30	123	3.93	198	6.35	331	10.6	513	16.4	835	26.8	1637	54.1	2744	90.8	4792	159
	200	12.4	0.23	41.2	0.880	124	2.66	201	4.30	338	7.2	521	11.1	852	18.2	1784	39.3	3125	69	5390	119
	100	12.7	0.14	41.9	0.448	127	1.36	206	2.20	346	3.70	535	5.72	875	9.36	1842	20.3	3206	35.3	5439	60
	10	13.0	0.01	43.0	0.046	132.0	0.14	214	0.23	361	0.386	561	0.6	919	0.98	1940	2.14	3205	3.35	5713	6.3

Ratio	rpm	RN-2M		RN-4M		RN-6M		RN-7M		RN-8M		RN-10M		RN-12M		RN-16M		RN-20M		RN-25M	
		N.m	kw	N.m	kw	N.m	kw	N.m	kw	N.m	kw	N.m	kw	N.m	kw	N.m	kw	N.m	kw	N.m	kw
2:1	1450	12.1	0.94	42.8	3.32	102	7.90	137	10.6	180	14.0	305	23.6	516	40.0	921	73.7	1578	126		
	1150	12	0.74	43.4	2.67	104	6.39	139	8.55	183	11.3	309	19.0	516	31.7	938	59.5	1607	102	3146	199
	870	12	0.56	43.8	2.04	105	4.88	141	6.56	187	8.70	315	14.6	516	24.0	958	46	1646	79	3224	155
	580	11.9	0.37	44.4	1.38	108	3.34	144	4.47	191	5.92	322	10.0	524	16.3	980	31.3	1695	54.2	3332	107
	400	12.2	0.26	45.1	0.96	109	2.33	146	3.12	194	4.15	328	7.02	538	11.5	1000	22	1725	38	3420	75
	300	11.9	0.19	45.5	0.73	110	1.76	148	2.37	196	3.14	332	5.33	543	8.71	1009	16.7	1754	29	3479	58
	200	12.2	0.13	46.1	0.49	111	1.18	149	1.59	198	2.12	338	3.61	551	5.89	1029	11.3	1784	19.7	3557	39
	100	11.2	0.06	46.6	0.25	114	0.61	152	0.81	202	1.08	344	1.84	563	3.01	1058	5.84	1833	10.1	3646	20
	10	28.1	0.02	48.5	0.026	116	0.06	157	0.08	209	0.112	357	0.19	586	0.31	1098	0.61	1921	1.06	3822	2.1

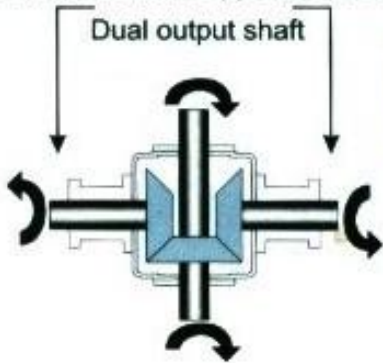
* Basic Type Of Transmission

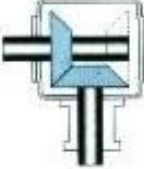
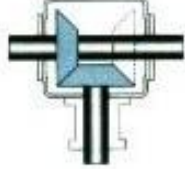
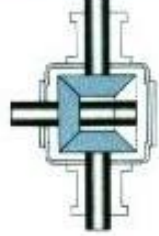



Example of applications





















Two sides rotate in opposite directions



單出力軸 Single output shaft		雙出力軸 Dual output shaft	
2 Shaft Type	3 Shaft Type	3 Shaft Type	4 Shaft Type
			

* Mounting & Lubrication

Mounting:

		卧式 Horizontal	吊掛式 Over Hung	側壁式 Side Wall		
ILR	ILR-O					
IR	IR-O					
IL	IL-O					
IUD	IUD-O					
IU	IU-O					
ID	ID-O					
ULR	ULR-O					
UR	UR-O					
UL	UL-O					
DLR	DLR-O					
DR	DR-O					
DL	DL-O					

Lubrication:

Proper application of lubricating oil will raise the efficiency and prolong the life of spiral bevel gearbox.

* The first 2 weeks or first 300 hours are break-in period. There might be some tiny metal powders during this time. Please clean interior and replace with new lubricating oil after break-in.

* For normal operation, replace lubricating oil every 500 hours whichever comes sooner.

The choices of lubricating oil:

HD320~680

Notes: For special operation, please consult our engineers

* Selection Guide

Spiral Bevel Gearbox Selection Guides



RN-4M-1/1-I-LR-0

NOSEN brand

Gearbox Model

Gear Ratio

Installation & Rotate Direction

Your Order Shall Kindly Specify:

1. Model
2. Installation & Rotate Directions
3. Gear Ratio

Check below the complete models selection explanations





* Selection Guide

1. Model

For example, input 5 kw, 4 pole motor drive, 1450 rpm, gear ratio 1:1.

We check technical datas sheet, RN-4M, 1450 rpm, 4.94 kw < required 5 kw, so RN-4M isn't available.

Then we check next model, RN-6M, 1450 rpm, 14.9 kw > required 5 kw, so RN-6M is available.

Ratio	rpm	RN-2M		RN-4M		RN-6M		RN-7M		RN-8M		RN-10M		RN-12M		RN-16M		RN-20M		RN-25M	
		N.m	kw	N.m	kw	N.m	kw	N.m	kw	N.m	kw	N.m	kw	N.m	kw	N.m	kw	N.m	kw	N.m	kw
1:1	1450	11.6	1.79	31.9	4.94	96.0	14.9	142	22.0	294	45.6	421	65.3	619	96.0	1019	163				
	1150	11.7	1.43	34.1	4.19	103	12.7	150	18.4	305	37.5	453	55.7	665	81.1	1098	139	1842	234		
	870	12.1	1.12	37.2	3.46	113	10.5	164	15.2	312	29.0	479	44.6	726	67.5	1186	114	2009	193	3489	335
	580	12.1	0.75	39.5	2.45	119	7.35	184	11.4	319	19.8	493	30.6	802	49.7	1343	85.9	2274	145	3940	252
	400	12.3	0.52	40.2	1.72	122	5.20	195	8.34	326	14.0	504	21.5	821	35.1	1499	66.1	2538	112	4410	195
	300	12.3	0.4	40.5	1.30	123	3.93	198	6.35	331	10.6	513	16.4	835	26.8	1637	54.1	2744	90.8	4792	159
	200	12.4	0.23	41.2	0.880	124	2.66	201	4.30	338	7.2	521	11.1	852	18.2	1784	39.3	3125	69	5390	119
	100	12.7	0.14	41.9	0.448	127	1.36	206	2.20	346	3.70	535	5.72	875	9.36	1842	20.3	3206	35.3	5439	60
	10	13.0	0.01	43.0	0.046	132.0	0.14	214	0.23	361	0.386	561	0.6	919	0.98	1940	2.14	3205	3.35	5713	6.3

For example, input 5 kw, 4 pole motor drive, 1450 rpm, gear ratio 1:1.

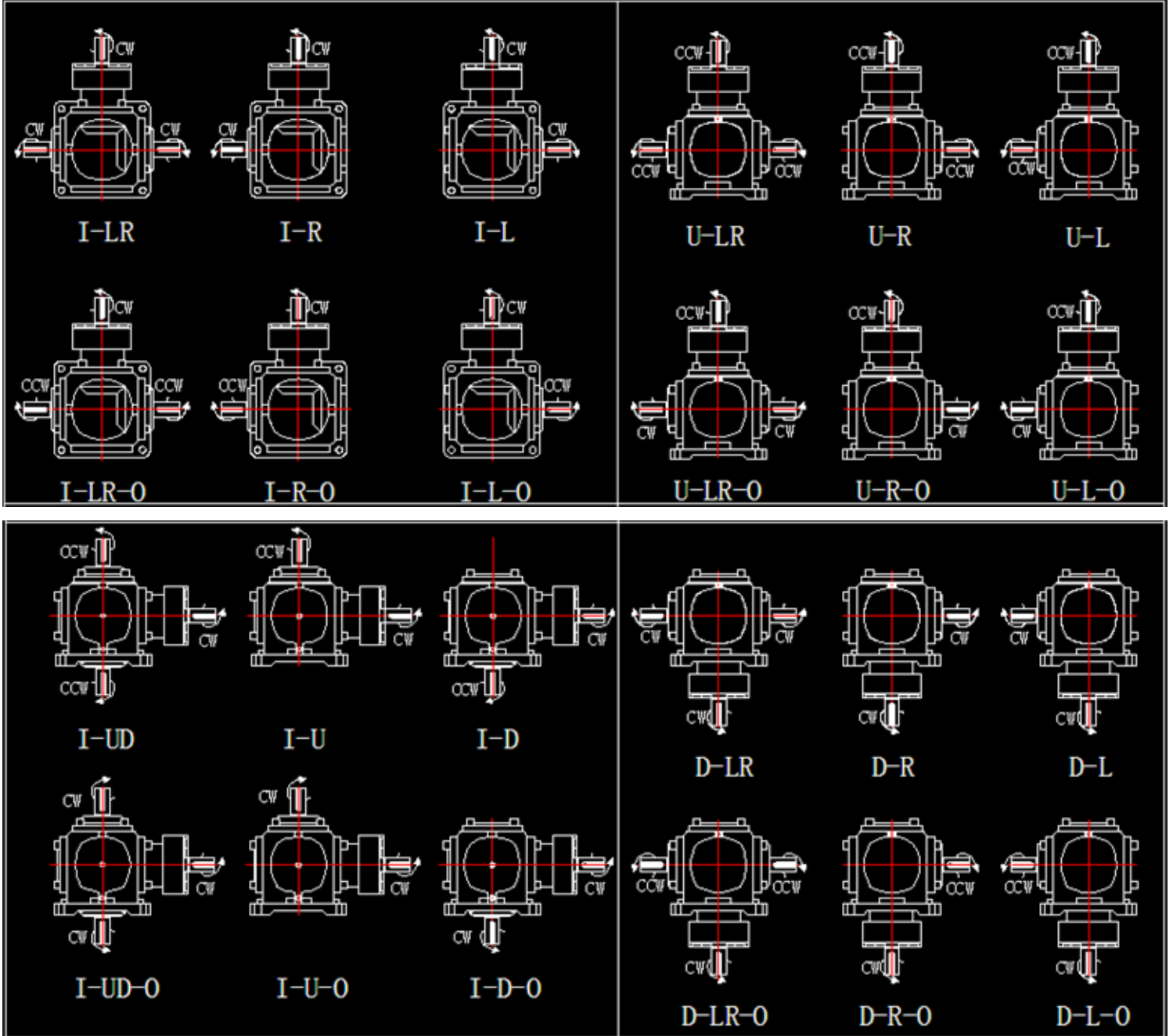
We check technical datas sheet, RN-4M, 1450 rpm, 4.94 kw < required 5 kw, so RN-4M isn't available.

Then we check next model, RN-6M, 1450 rpm, 14.9 kw > required 5 kw, so RN-6M is available.

Ratio	rpm	RN-2M		RN-4M		RN-6M		RN-7M		RN-8M		RN-10M		RN-12M		RN-16M		RN-20M		RN-25M	
		N.m	kw	N.m	kw	N.m	kw	N.m	kw	N.m	kw	N.m	kw	N.m	kw	N.m	kw	N.m	kw	N.m	kw
1:1	1450	11.6	1.79	31.9	4.94	96.0	14.9	142	22.0	294	45.6	421	65.3	619	96.0	1019	163				
	1150	11.7	1.43	34.1	4.19	103	12.7	150	18.4	305	37.5	453	55.7	665	81.1	1098	139	1842	234		
	870	12.1	1.12	37.2	3.46	113	10.5	164	15.2	312	29.0	479	44.6	726	67.5	1186	114	2009	193	3489	335
	580	12.1	0.75	39.5	2.45	119	7.35	184	11.4	319	19.8	493	30.6	802	49.7	1343	85.9	2274	145	3940	252
	400	12.3	0.52	40.2	1.72	122	5.20	195	8.34	326	14.0	504	21.5	821	35.1	1499	66.1	2538	112	4410	195
	300	12.3	0.4	40.5	1.30	123	3.93	198	6.35	331	10.6	513	16.4	835	26.8	1637	54.1	2744	90.8	4792	159
	200	12.4	0.23	41.2	0.880	124	2.66	201	4.30	338	7.2	521	11.1	852	18.2	1784	39.3	3125	69	5390	119
	100	12.7	0.14	41.9	0.448	127	1.36	206	2.20	346	3.70	535	5.72	875	9.36	1842	20.3	3206	35.3	5439	60
	10	13.0	0.01	43.0	0.046	132.0	0.14	214	0.23	361	0.386	561	0.6	919	0.98	1940	2.14	3205	3.35	5713	6.3

* Selection Guide

2. Installation & Rotate Directions



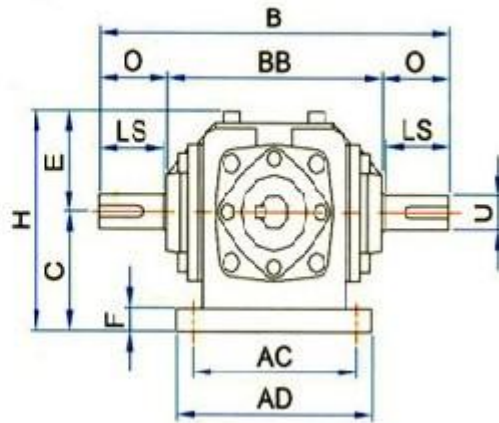
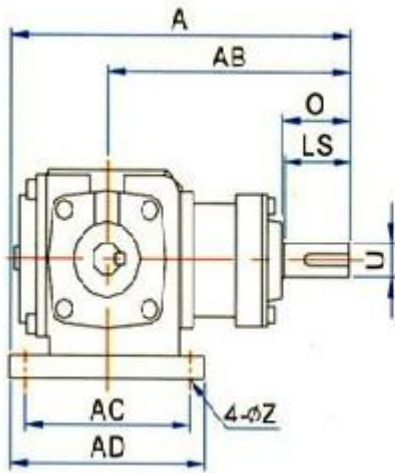
3. Gear Ratio

At present, regular spiral bevel gearbox ratios 1:1 & 2:1

Like others ratios 1.5:1, 2.5:1, 3:1, 4:1, 5:1, we can make them following clients requirements, but delivery time will be a little long.

* Dimensions

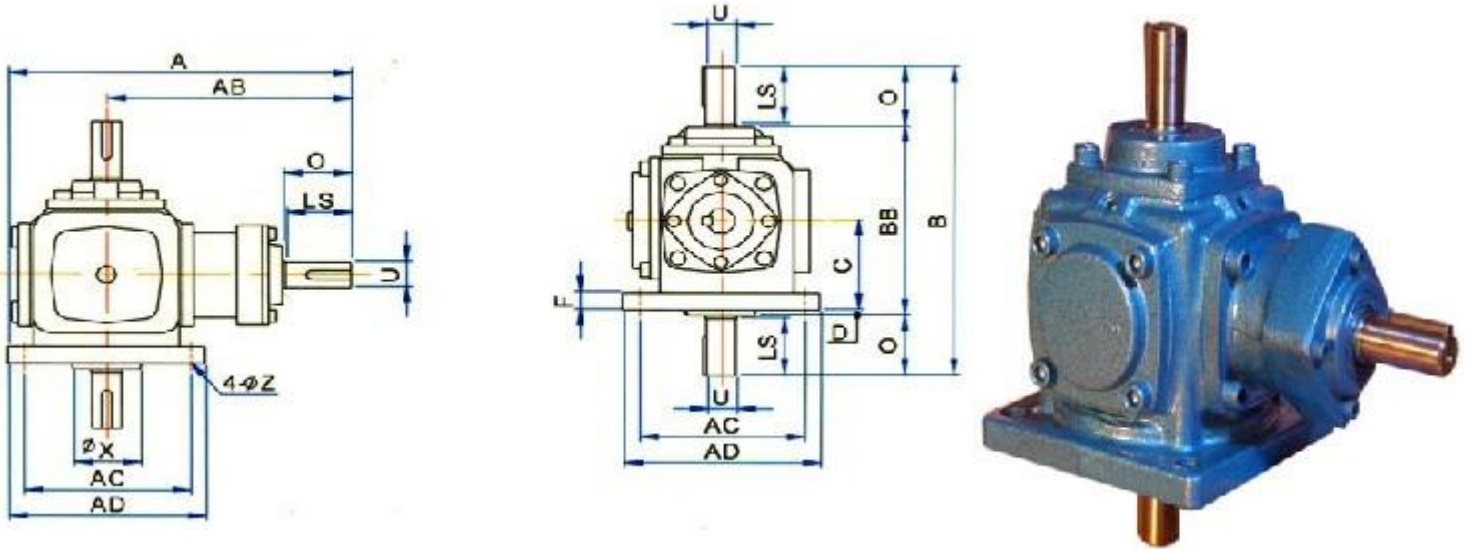
I-LR (-O)



Model	RN-2M	RN-4M	RN-6M	RN-8M	RN-10M	RN-12M	RN-16M	RN-20M	RN-25M
A	174	257.5	317	425.5	502.5	585	650	790	950
AB	124	180	222	308	360	415	455	545	660
O	35	40	54	78	95	106	110	110	135
LS	33	38	50	75	90	100	105	105	130
U	15	19	25	40	45	50	60	72	85
Z	4-φ9	4-φ10	4-φ14	4-φ14	4-φ16	4-φ21	4-φ25	8-φ21	8-φ24
AC	84	125	152	195	240	290	330	430	520
AD	100	155	190	235	285	340	390	490	580
B	180	232	314	416	480	550	630	720	860
BB	110	152	206	260	290	338	410	500	590
C	52	76	90	115	140	175	200	245	290
E	45	66	76	106	118	165	186	217	255
F	10	17	20	22	25	32	40	32	35
H	97	142	166	221	258	340	386	462	545
Key	5*3	6*3	8*4	10*5	14*5	14*5	18*5	20*5	22*5
Key L	20	25	35	55	80	75	90	90	100

* Dimensions

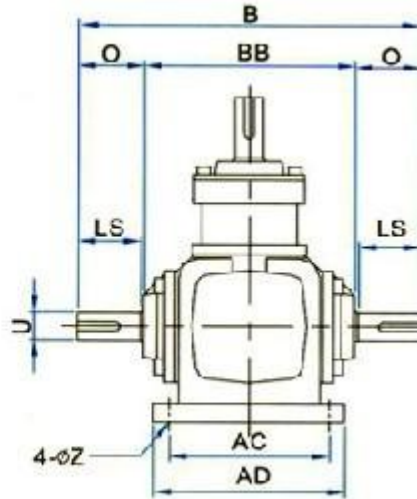
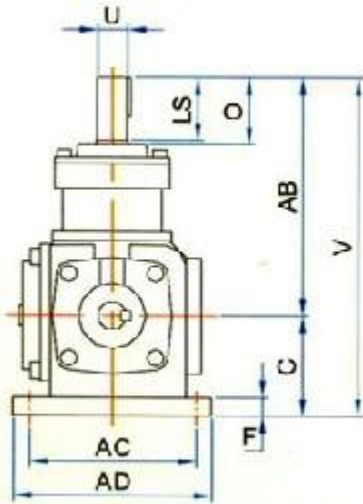
I-UD (-O)



Model	RN-2M	RN-4M	RN-6M	RN-8M	RN-10M	RN-12M	RN-16M	RN-20M	RN-25M
A	174	257.5	317	425.5	502.5	585	650	790	950
AB	124	180	222	308	360	415	455	545	660
O	35	40	54	78	95	106	110	110	135
LS	33	38	50	75	90	100	105	105	130
U	15	19	25	40	45	50	60	72	85
Z	4- \varnothing 9	4- \varnothing 10	4- \varnothing 14	4- \varnothing 14	4- \varnothing 16	4- \varnothing 21	4- \varnothing 25	8- \varnothing 21	8- \varnothing 24
AC	84	125	152	195	240	290	330	430	520
AD	100	155	190	235	285	340	390	490	580
B	180	232	314	416	480	550	630	720	860
BB	110	152	206	260	290	338	410	500	590
C	52	76	90	115	140	175	200	245	290
D	3	2	13	15	10	6	10	10	10
F	10	17	20	22	25	32	40	32	35
Key	5*3	6*3	8*4	10*5	14*5	14*5	18*5	20*5	22*5
Key L	20	25	35	55	80	75	90	90	100

* Dimensions

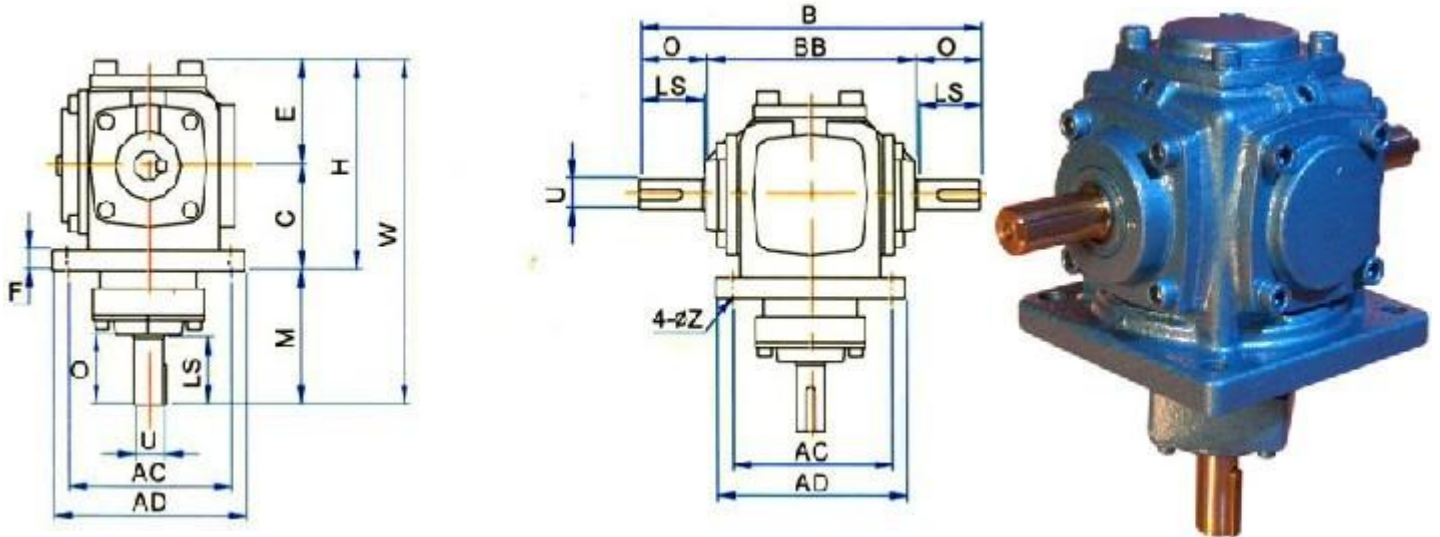
U-LR (-O)



Model	RN-2M	RN-4M	RN-6M	RN-8M	RN-10M	RN-12M	RN-16M	RN-20M	RN-25M
V	176	256	312	423	500	590	655	790	950
AB	124	180	222	308	360	415	455	545	660
O	35	40	54	78	95	106	110	110	135
LS	33	38	50	75	90	100	105	105	130
U	15	19	25	40	45	50	60	72	85
Z	4-φ9	4-φ10	4-φ14	4-φ14	4-φ16	4-φ21	4-φ25	8-φ21	8-φ24
AC	84	125	152	195	240	290	330	430	520
AD	100	155	190	235	285	340	390	490	580
B	180	232	314	416	480	550	630	720	860
BB	110	152	206	260	290	338	410	500	590
C	52	76	90	115	140	175	200	245	290
E	45	66	76	106	118	165	186	217	255
F	10	17	20	22	25	32	40	32	35
Key	5*3	6*3	8*4	10*5	14*5	14*5	18*5	20*5	22*5
Key L	20	25	35	55	80	75	90	90	100

* Dimensions

D-LR (-O)



Model	RN-2M	RN-4M	RN-6M	RN-8M	RN-10M	RN-12M	RN-16M	RN-20M	RN-25M
W	169	246	311.5	414	498	569	641	762	915
AB	124	180	222	308	360	415	455	545	660
O	35	40	54	78	95	106	110	110	135
LS	33	38	50	75	90	100	105	105	130
U	15	19	25	40	45	50	60	72	85
Z	4- \varnothing 9	4- \varnothing 10	4- \varnothing 14	4- \varnothing 14	4- \varnothing 16	4- \varnothing 21	4- \varnothing 25	8- \varnothing 21	8- \varnothing 24
AC	84	125	152	195	240	290	330	430	520
AD	100	155	190	235	285	340	390	490	580
B	180	232	314	416	480	550	630	720	860
BB	110	152	206	260	290	338	410	500	590
C	52	76	90	115	140	175	200	245	290
E	45	66	89.5	106	138	154	186	217	255
F	10	17	20	22	25	32	40	32	35
H	97	142	179.5	221	278	329	386	462	545
Key	5*3	6*3	8*4	10*5	14*5	14*5	18*5	20*5	22*5
Key L	20	25	35	55	80	75	90	90	100



* Contacts

* Factory & Office -- Dongguan city

NOSEN M&E TECHNOLOGY CO.,LTD

Address: Building F,Xinhaoyuan Industrial Park,Xitou Village,Houjie Town,Dongguan City,Guangdong Province,China

Postcode: 523952

Tel: + 86 769 85644651

Fax: + 86 769 85644652

Mobile: + 86 13532664175

Contact: Jack Kuang (sales manager)

Email: sales@screwjack.com.cn

nosen28@gmail.com

Skype: j.kuang88

MSN: nosen28@hotmail.com

* Office -- Kun Shan city

Address: Room 303,Building 28,Furong Garden District,Lujia Town,Suzhou Kunshan City,Jiangsu Province,China

Tel: + 86 512 55112855

Fax: + 86 512 55112856

Mobile: + 86 18952457825

Contact: Mr Peng(sales manager)

* Office -- Hong Kong

NOSEN INT'L INDUTRY(HK) LIMITED

Address: Flat1801A,18/F.,On Hong Commercial Bldg,145 Hennessy Road,Wanchai,Hongkong.

Tel: +852 39711675

Fax: +852 35430978

* Representative -- Germany

ARNOLD REITZ SYSTEMTECHNIK E.K.

ADD:Friedrich-Hornfeck-Stra ße 10 63628 Bad Soden-Salm ünster

Tel: 06056/740484

Fax:06056/740485

Contact: Arnold Reitz

* Representative -- Poland

PROXY MOTION

ADD: ul. Młodziejowa 26, 87-100 Toruń, Poland

Tel: 48 56 682 81 43

Fax: 48 56 682 81 41

Contact: Pawel Korzeniowski