



actuate with accuracy



Electrical Actuators & Valve Automation



www.cairindia.in



"Cair Euromatic Automation Pvt. Ltd." which was established in the year 2002 in the name of M/s. SDV Valves, is specialized in providing automation solution by manufacturing special Low Torque Valves suitable for mounting Actuators. Manufacturing is equipped with facilities like machining, assembly, pressure test and other related inspection. "Cair" products are manufactured under international standard, and according to the demand of markets, company also started dealing wide range of Electrical Actuator Series. We have evolved as a manufacturer of repute over the years & have constantly added new products to our range, which has resulted in a vast range. Now with the adoption of the latest CAD systems and CNC machine tool technology, "Cair Euromatic Automation Pvt. Ltd." is able to provide the best quality products.

Have a quick look at our products range

Electrical Rotary Actuators, Linear Actuators, Multi Turn Actuators, Control Valves, 2 Way Ball Valves, 3/4/5 Way Ball Valves, Butterfly Valves, Damper Valves.

"Cair" has its own Precision Investment Casting Foundry for Low Torque Actuated Valves. The Foundry has its own machine shop for Pattern equipment & Investment casting die making, more over we have in house Rubber, Plastic & Teflon Moulding Division based on the latest technology.

Continuous improvements to every aspect of our manufacturing and business practices have kept us at the forefront of our industry. Listening to our customer's needs and supplying what they want, at a reasonable price, on time, has been our philosophy and will remain so.

"Cair" sincerely wish to co-operate with new and regular customers in both domestic and international markets to create a wonderful future.

Our Sister Concerns M/s. SDV Valves





Index

No.

CONTENTS

Electrical Actuators



M O D Series Single Phase 230 VAC Rotary Actuator	01
A T Q Series Three Phase 415 VAC Rotary Actuator	03
A T M Series Three Phase 415 VAC Multi-Turn Actuator	05
V O Series Single Phase 230 VAC Linear Actuator	07
H L C Series 24 VAC Linear Actuator	09
R T D Series 24 VAC / DC Rotary Actuator	11

Mission :

To Provide the Industry with high quality and Cost-Effective products. We persist on continues improvement & Product innovation to keep our competitiveness.



"Cair" Offers Single Phase Quarter Turn Electrical Actuator for Valves and Engineering use.

Single Phase

Electrical Actuator - Rotary

Features

- Torque : 15 Nm to 4000 Nm
- Made of Aluminium Alloy which can resist against heat, Acid, Alkali, Water proof, Dust proof.
- Low Power Consumption, high efficiency and excellent weatherproof heavy-duty motor.
- Stabilized start speed to effectively avoid water hammering to prolong the service of life tubes.
- Advanced design manual operation without any clutch to prevent user from injury.
- All the joint on the housing are armed with waterproofing seal (IP 67), which is appropriate for use in outdoor environment.
- Continuous mechanism position indication.
- Low noise level.
- Built - in Thermal Protection which prevent motor burning out.
- Auto de-clutch wheel type manual override. (Model : MOD - 2-1 to MOD -12).

Key type Manual override (Model MOD-1, MOD-2)

Various Options

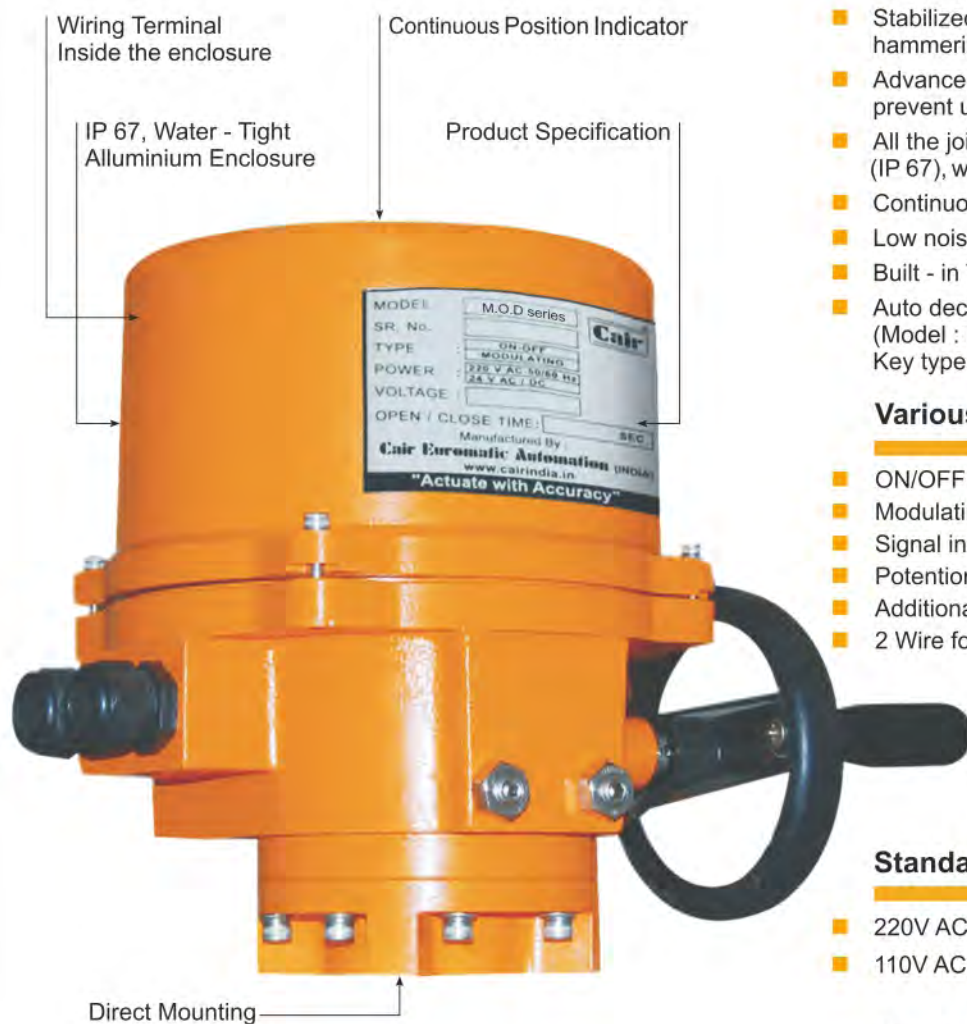
- ON/OFF Type
- Modulating Control.
- Signal input - 4 ~ 20mA/1 ~ 5V DC / 2 ~ 10V DC.
- Potentiometer Feedback.
- Additional Limit Switches (2 Units).
- 2 Wire for ON/OFF Operation.

Standard Voltage

- 220V AC~240V AC - Single Phase
- 110V AC, & 24V DC (on request)

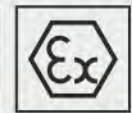
Application

- Widely used in the Fields Such as Petroleum, Chemical Industry, Power Plant, Metallurgy, Pharmacy, Paper Industry, Energy, Water Treatment Vessel, Textile, Food Processing Building, Automation etc...



Advanced Design
Auto de-clutchable
hand-wheel

MOD series



actuate with accuracy



2 Way Ball Valve
Electrical Actuator
Operated

Size :
1/2" to 4" Screwed
1/2" to 12" Flanged to
150 # / 300# / 600#

MOC :
WCB / SS 304 / SS 316 /
SS 316L / Polypropylene /
UPVC

Replaceable Seat :
PTFE / Glass Filled PTFE/CFT

Temp. :
220° C

**Standard Design &
Manufacturing :**
BS 5351 / BS 6755



3 Way / 4 Way / 5 Way
Ball Valve Electrical
Actuator Operated

Size :
1/2" to 4" Screwed
1/2" to 8" Flanged to 150 # / 300# / 600#

MOC :
WCB / SS 304 / SS 316 / SS 316L

Replaceable Seat :
PTFE / Glass Filled PTFE / CFT

Temp. :
220° C

Port :
'L' Port / 'T' Port / 'X' Port

Standard Design & Manufacturing :
BS 5351 / BS 6755



Butterfly Valve (Rubber Lined)
Electrical Actuator
Operated

Size :
1 1/2" to 72"

MOC :
CI / SGI / WCB / SS 304 / SS 316 / SS 316 L

Replaceable Seat :
Nitrile (NBR) EPDM / VITON /
TEFLON Muffler

Ends :
Wafer / Double Flanged / Lug Type

Rating :
PN 6 / PN 10 / PN 16 / PN 20 / PN 25

Standard Design & Manufacturing :
API 609 Category A / BS 5155 /
MSS SP-67 / AWWA C-504



High Performance S/Steel
Butterfly Valve Electrical
Actuator Operated

Size :
1 1/2" to 72"

MOC :
CI / WCB / SS 304 / SS 316 / SS 316 L

Replaceable Seat :
PTFE / Glass Filled TEFLON / VITON /
Metal to Metal (Temp.600°C)

Ends :
Wafer / Double Flanged / Lug Type

Rating :
150# / 300#

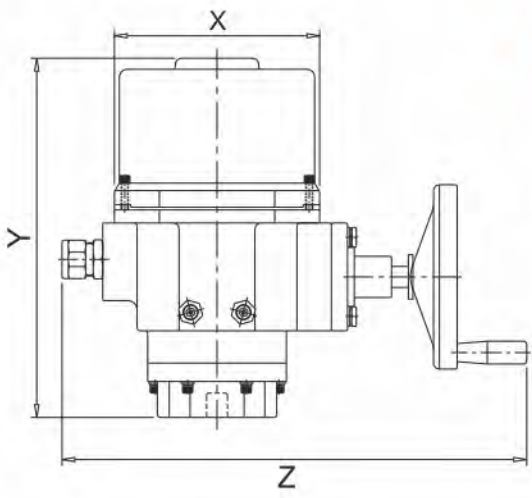
Standard Design & Manufacturing :
API 609 Category B / MSS SP-68 / AWWA C-504

Inspection & Testing :
API 598 / BS 6755

Dimensions

(All dimensions are in MM)

Technical Specification Table



MODEL NO.	Y	X	Z	MODEL NO.	POWER (WATT)	TORQUE (NM)	ROTATION TIME (Sec/90°)
MOD S	48	107	---	MOD S	3/4	15	23
MOD 1	152	106	----	MOD 1	10	35	10
MOD 2	160	170	----	MOD 2	15	50	15
MOD 2-1	195	106	170	MOD 2-1	15	50	15
MOD 2-2	195	106	170	MOD 2-2	15	100	22
MOD 3-1	264	179	364	MOD 3-1	40	180	27
MOD 4	336	220	399	MOD 4	90	400	27
MOD 6	336	220	399	MOD 6	90	600	35
MOD 8	299	255	395	MOD 8	90	800	66
MOD 10	299	255	395	MOD 10	140	1000	66
MOD 11	342	---	490	MOD 11	300	2000	45
MOD 12	541	---	506	MOD 12	220	3000	95
MOD 13	541	---	506	MOD 13	300	4000	95

Note: As improvements are made time to time, Specifications in this brochure are subject to revise without notice. (REV.-02)

"Cair" Offers Three Phase Quarter Turn Electrical Actuator for Valves and Engineering use.

Three Phase

Electrical Actuator - Rotary

Features

- Torque : 30 Nm to 12000 Nm
- Standard enclosure to water jet proof will water tight proof IP 67
- Squirrel cage motor is of encapsulated type, on high stall torque and low inherent force for seating & unseating of valves. All motors are integrated with build-in thermal protection.
- A pair of limit switches are activated by means of simple, reliable & adjustable cam plates, mounted directly and driven by center column. The unique cam plate design does not allow over travel of limit switches.
- Electric actuators on 100 Nm and above are install with torque switches for over-load protection.

Various Options

- General basic ON/OFF type
- ON/OFF type with integral starter
- Modulating Control.
- Signal input - 4 ~ 20mA/1 ~ 5V DC / 2 ~ 10V DC.
- Potentiometer Feedback.
- Additional Limit Switches (2 Units).

Standard Voltage

- 415 VAC / 380 VAC - Three Phase
- 230 VAC - Three Phase (on request)

Application

- Widely used in the fields such as petroleum, Chemical Industry, Power plant, Metallurgy, Pharmacy, Paper Industry, Energy, Water treatment vessel, Textile, Food processing Building, Automation etc...

1 each for open & close position (adjustable) are for over travel protection

Correct size of handwheel to ensure adequate strength



Direct Mounting

Engage by pulling the lever & turning the handwheel, declutch when power supply is switch on and hand wheel does not turn as extra safety feature.

Product Specification

ATQ series



actuate with accuracy



2 Way Ball Valve
Electrical Actuator
Operated

Size :
1/2" to 4" Screwed
1/2" to 12" Flanged to
150 # / 300# / 600#

MOC :
WCB / SS 304 / SS 316 /
SS 316L / Polypropylene /
UPVC

Replaceable Seat :
PTFE / Glass Filled PTFE

Temp. :
220° C

**Standard Design &
Manufacturing :**
BS 5351 / BS 6755



3 Way / 4 Way / 5 Way
Ball Valve Flanged Electrical
Actuator Operated

Size :
1/2" to 4" Screwed
1/2" to 8" Flanged to 150 # / 300 # / 600#

MOC :
WCB / SS 304 / SS 316 / SS 316L

Replaceable Seat :
PTFE / Glass Filled PTFE

Temp. :
220° C

Port :
'L' Port / 'T' Port / 'X' Port

Standard Design & Manufacturing :
BS 5351 / BS 6755



Butterfly Valve (Rubber Lined)
Electrical
Actuator Operated

Size :
1 1/2" to 72"

MOC :
CI / SGI / WCB / SS 304 / SS 316 / SS 316 L

Replaceable Seat :
Nitrile (NBR) EPDM / VITON /
TEFLON Muffler

Ends :
Wafer / Double Flanged / Lug Type

Rating :
PN 6 / PN 10 / PN 16 / PN 20 / PN 25

Standard Design & Manufacturing :
API 609 Category A / BS 5155 /
MSS SP-67 / C-504 / AWWA C-504



High Performance S/Steel
Butterfly Valve Electrical
Actuator Operated

Size :
1 1/2" to 72"

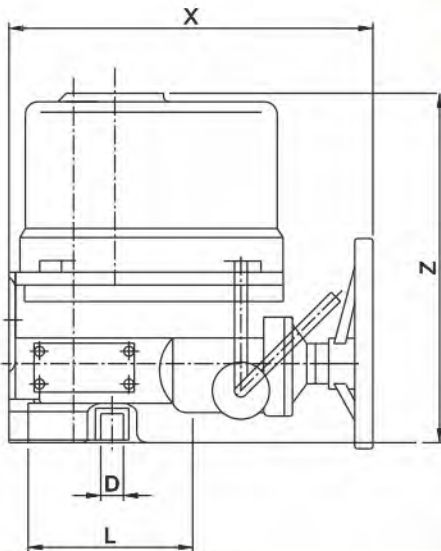
MOC :
CI / WCB / SS 304 / SS 316 / SS 316 L

Replaceable Seat :
PTFE / Glass Filled TEFLON / VITON /
Metal to Metal (Temp.600°C)

Ends :
Wafer / Double Flanged / Lug Type

Rating :
150# / 300#

Standard Design & Manufacturing :
API 609 Category B / MSS SP-68 / AWWA C-504
Inspection & Testing :
API 598 / BS 6755



Dimensions

(All dimensions
are in MM)

MODEL NO.	D	L	X	Z
ATQ - 5	14	102	241	256
ATQ - 10	22	102	241	265
ATQ - 20	22	125	272	263
ATQ - 60	42	175	331	342
ATQ - 100	42	175	331	342
ATQ - 150	50	210	257	505
ATQ - 200	50	210	375	505
ATQ - 250	50	210	357	505
ATQ - 400				
ATQ - 600				
ATQ - 800				
ATQ - 1200				

On Request

Technical Specification Table

MODEL NO.	POWER (WATT)	TORQUE (NM)	ROTATION TIME (Sec/90°)
ATQ - 5	10	50	14 / 17
ATQ - 10	25	100	14 / 17
ATQ - 20	60	200	17 / 20
ATQ - 60	120	600	24 / 29
ATQ - 100	200	1000	24 / 29
ATQ - 150	180	1500	75 / 90
ATQ - 200	200	2000	75 / 90
ATQ - 250	200	2500	75 / 90
ATQ - 400	370	4000	60
ATQ - 600	550	6000	60
ATQ - 800	1010	8000	60
ATQ - 1200	2200	12000	60

Note: As improvements are made time to time, Specifications in this brochure are subject to revise without notice.

(REV-02)

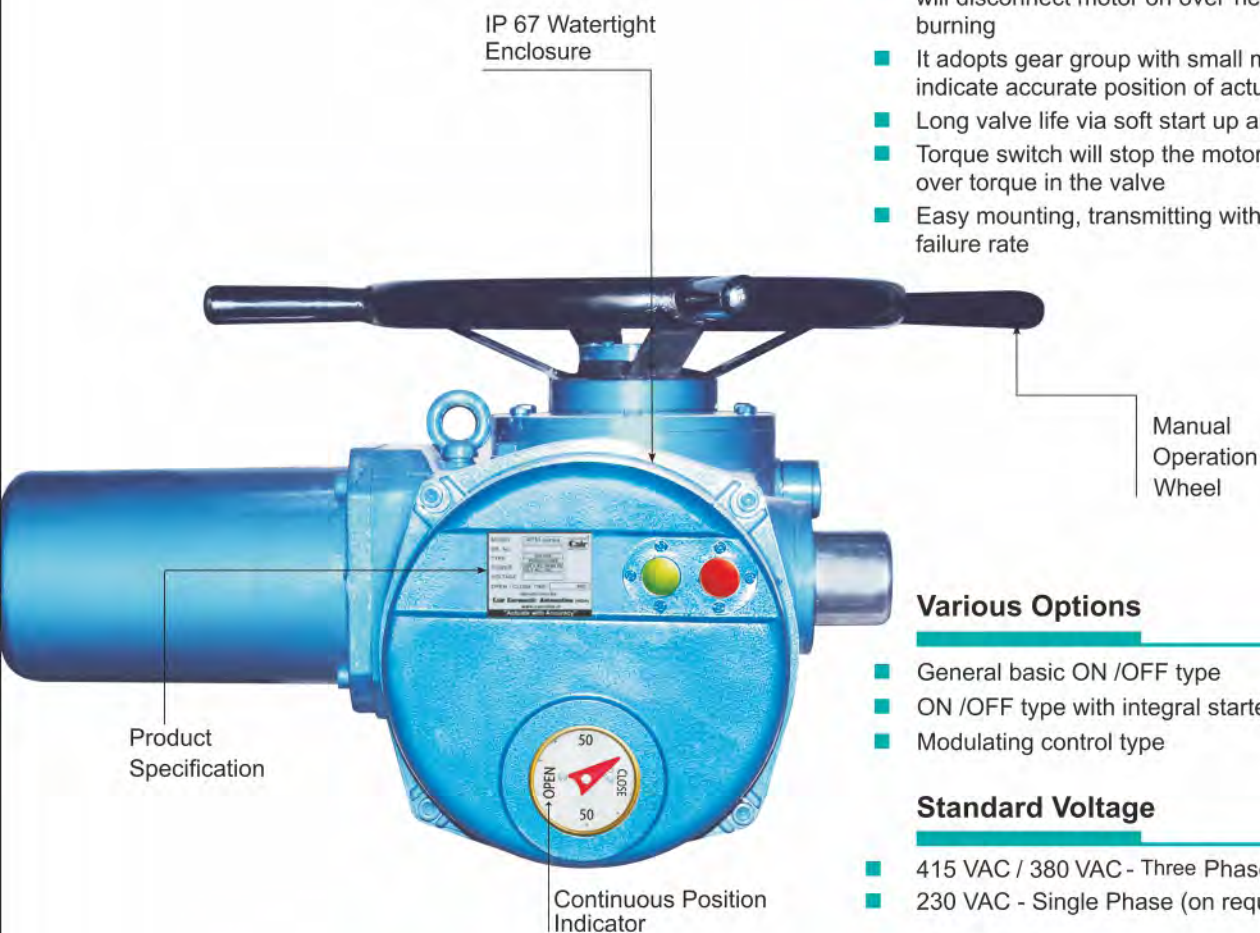
“Cair” Offers Multi Turn, Electrical Actuator Suitable for Gate Valve, Knife Gate Valve and Sluice Valve.

Three Phase

Electrical Actuator Multi-Turn

Features

- Torque - : 100 Nm to 2400 Nm
- Types - : basic version with integral starters with modulating controller, remote sensor operated intelligent series
- All joints on the housing are armed with waterproofing seal (IP 67) which is appropriate for use in outdoor environment
- Thermo switches embedded in motor winding of actuator will disconnect motor on over heating and protect for burning
- It adopts gear group with small modules fitting which can indicate accurate position of actuators
- Long valve life via soft start up and gradual closing
- Torque switch will stop the motor automatically in case of over torque in the valve
- Easy mounting, transmitting with equilibrium and low failure rate



Various Options

- General basic ON /OFF type
- ON /OFF type with integral starter
- Modulating control type

Standard Voltage

- 415 VAC / 380 VAC - Three Phase
- 230 VAC - Single Phase (on request)

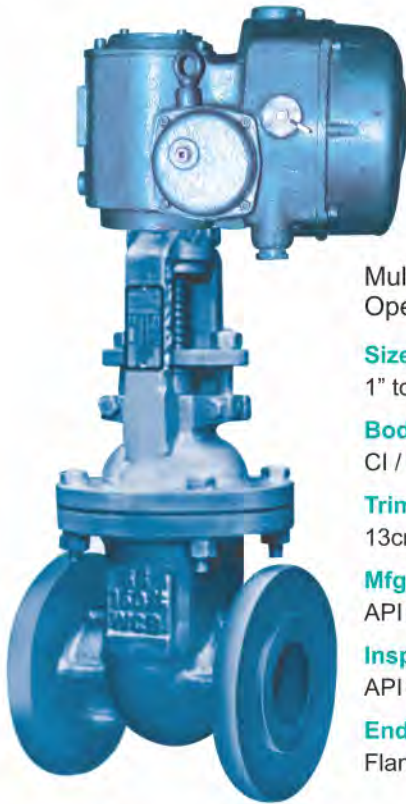
Application

- Widely used in the fields such as Petroleum, Chemical Industry, Power Plant, Metallurgy, Pharmacy, Paper Industry, Energy, Water Treatment Vessel, Textile, Food Processing, Building, Automation etc.

ATM series



actuate with accuracy



Multi Turn Electrical Actuator
Operated Gate Valve / Sluice Valve

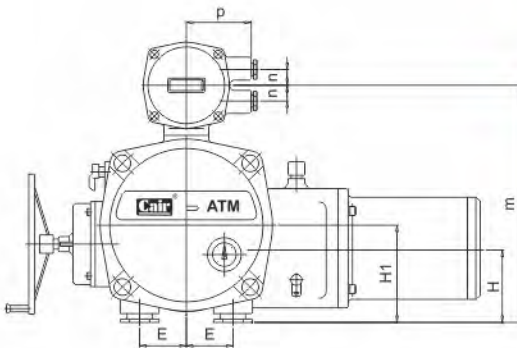
- Size :**
1" to 40"
- Body/ Bonnet :**
CI / WCB / SS304 / SS316
- Trims :**
13cr. / 18cr. 8N
- Mfg. std :**
API 600
- Insp of Test std :**
API 598
- Ends :**
Flanged to 150# / 300# / 600#



Multi Turn Electrical Actuator
Operated Knife Gate Valve

- Size :**
1½" to 30"
- Body :**
CI / WCB / SS304 / SS316
- Knife Plate :**
CI / WCB / SS304 / SS316
- Seat :**
Nitrile/Silicon/Metal to Metal
- Packing :**
PTFE
- Insp of Test std :**
MSS SP-81
- Ends :**
Flanged / Lugged to
ans 16.5 RF (150#)

(For any special requirement please contact factory)



Dimensions (All dimensions are in MM)

MODEL NO.	E	n	m	p	H	H1
ATM-10	65	25	314	100	85	112
ATM-20	65	25	314	100	85	112
ATM-30	65	25	314	100	85	112
ATM-40	65	25	314	100	85	112
ATM-60	85	25	367	100	110	146
ATM-90	85	25	368	100	121	157
ATM-120	On Request					
ATM-160	On Request					
ATM-240	On Request					

Technical Specification Table

MODEL NO.	POWER (Kw)	TORQUE (Nm)	PERMISSIBLE STEM DIA (mm)
ATM-10	0.55	100	40
ATM-20	0.55	200	40
ATM-30	0.75	300	40
ATM-40	1.1	400	40
ATM-60	1.5	600	65
ATM-90	2.2	900	78
ATM-120	3.0	1200	78
ATM-160	4.0	1600	96
ATM-240	5.5	2400	96

Note: As improvements are made time to time, Specifications in this brochure are subject to revise without notice. (REV.-02)

"Cair" Offers Linear Electrical Actuator for Globe Valve Suitable for High Temperature Thermic Fluid and Steam Applications.

Single Phase

Electrical Actuator - Linear

Features

- Torque : 150 Kgf to 1000 Kgf
- Actuator are designed with linear output giving high thrust
- All the joints on the housing are armed with waterproofing seal (IP 67) which is appropriate for use in outdoor environment
- Split phase reversible capacitor start-run motor having magnetic rotor acts as a prime mover
- Manual operation facility is provided to operate valve in case of power failure or during installation of actuator on valve

Various Options

- ON/OFF Type
- Modulating Control.
- Signal input - 4 ~ 20mA / 1 ~ 5V DC / 2 ~ 10V DC.
- Potentiometer Feedback.
- Additional Limit Switches (2 Units).

Standard Voltage

- 220 VAC ~ 240 VAC -Single Phase

Application

- Widely used in the fields such as petroleum, Chemical Industry, Power plant, Metallurgy, Pharmacy, Paper Industry Energy, Water treatment vessel, Textile, Food processing Building, Automation, Thermic Fluid lines for furnace & Steam boilers





actuate with accuracy



**Globe Type Control Valve
High Temperature Design
Electrical Actuator Operated**

Size :
½" to 4" Screwed
½" to 12" Flanged to 150 # / 300 #

Type :
2 Way / 3 Way

MOC :
CI / WCB / SS 304 / SS 316

Bonnet :
Standard & Extended with FINS type

Internals :
S.S. 410 [304 / 316 on request]

Gland Packing :
Teflon / Grafoil

Trim Design :
Contoured Parabolic / Cage Guided /
Pressure Balanced

Size :
½" to 12"

Characteristic :
Linear / Equal Percentage / ON - OFF

End Connection :
Flanged end to end ANSI B16.5 CL 150
[300 / 600 on request]

Pressure Ratings :
ANSI B16.5 CL 150 / 300 / 600

Leakage :
ANSI B16.104 CL IV for metal to metal
seating. (Class V & Class VI leak tightness
with soft seating on request)



**Globe Type Control Valve
Electrical Actuator Operated**

Size :
½" to 4" Screwed
½" to 12" Flanged to 150 # / 300 #

Type :
2 Way / 3 Way

MOC :
CI / WCB / SS 304 / SS 316

Bonnet :
Standard & Extended

Internals :
S.S. 410 [304 / 316 on request]

Gland Packing :
Teflon / Grafoil

Trim Design :
Contoured Parabolic / Cage Guided /
Pressure Balanced

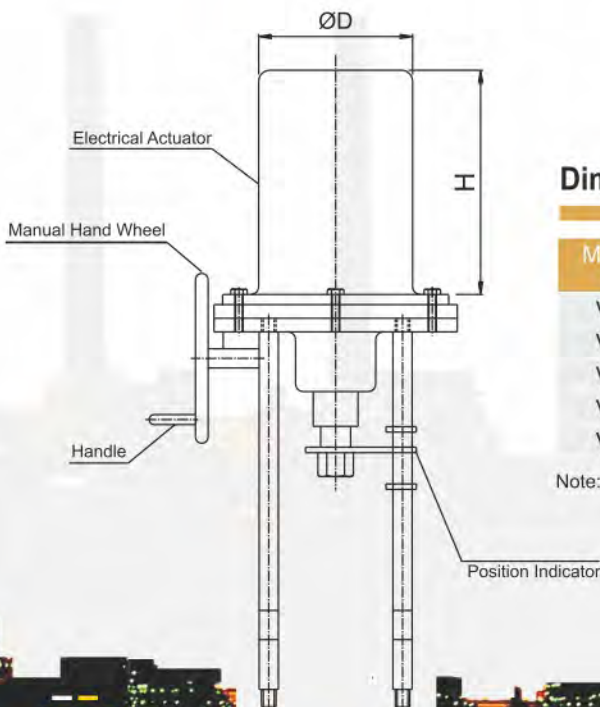
Size :
½" to 12"

Characteristic :
Linear / Equal Percentage / ON - OFF

End Connection :
Flanged end to end ANSI B16.5 CL 150
[300 / 600 on request]

Pressure Ratings :
ANSI B16.5 CL 150 / 300 / 600

Leakage :
ANSI B16.104 CL IV for metal to metal
seating. (Class V & Class VI leak tightness
with soft seating on request)



Dimensions (All dimensions are in MM)

MODEL NO.	ØD	H
VO-1	125	85
VO-2	150	100
VO-3	165	200
VO-4	On Request	
VO-5	On Request	

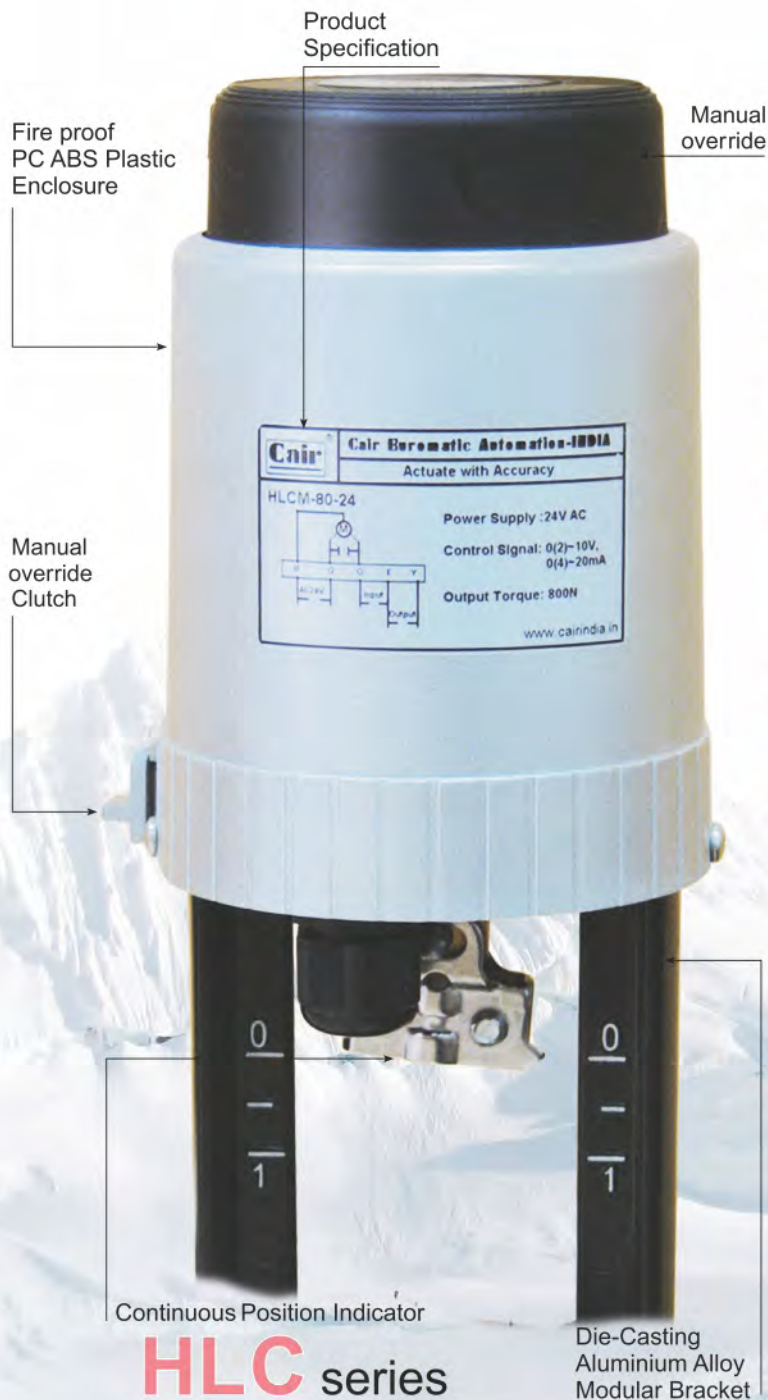
Technical Specification Table

MODEL NO.	POWER (WATT)	TORQUE (Kgf)	OPERATING TIME & STROKE
VO-1	10	150	0.3 mm/sec
VO-2	20	300	0.3 mm/sec
VO-3	100	600	0.5 mm/sec
VO-4	140	800	0.5 mm/sec
VO-5	-	1000	on request

Note: As improvements are made time to time, Specifications in this brochure are subject to revise without notice. (REV.-02)

“Cair” Offers General HLC Actuator, an Electromechanical Linear Actuator Compact Version Suitable for Y type Valve Body or other Valves Linear Straight Pattern Control Valve.

Linear Control Electrical Actuator 24 VAC



Features

- Torque : 800 N to 6500 N
- Light weight, compact modular concept for easy mounting on all types of control valves
- Bi-directional synchronous Motor with magnetism cluth
- Fireproof ABS Plastic enclosure
- Degree of Protection IP 54
- Stabilized start speed to effectively avoid water hammering to prolong the service of fluid lines
- Low noise level
- Continuous position indicator

Various Options

- ON / OFF Type
- Modulating Control.
- Signal input - 4 ~ 20mA / 0 ~ 10VDC
- Potentiometer Feedback.
- Additional Limit Switches (2 Nos).

Standard Voltage

- 24 VAC
- 230 VAC

Application

- 2 Way / 3 Way Mixing diverting hot / Cold Water Lines in heating & Ventilation systems, Steam Flow control, Linear flow characteristic with 2 Way / 3 Way bypass lines

HLC series



actuate with accuracy



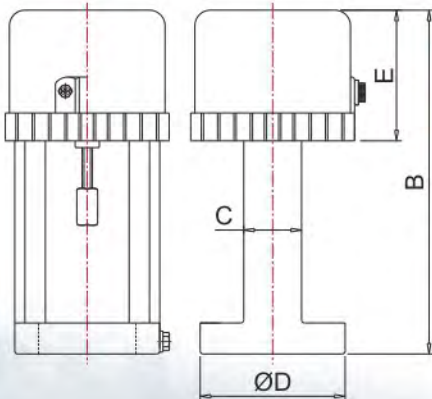
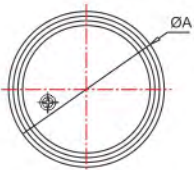
Y Type Control Valve Electrical Actuator Operated

Size :
 ½" to 4" Screwed / Triclover
 ½" to 4" Flanged to 150 #
MOC :
 SS 304 / SS 316 / SS 316 L
Replaceable Seat :
 PTFE / Glass Filled PTFE
Temp. :
 Fluid Temp. 180°C



2 Way / 3 Way Straight Pattern Control Valve Electrical Actuator Operated

Size :
 ½" to 4" Screwed / Triclover
 ½" to 4" Flanged to 150 #
MOC :
 SS 304 / SS 316 / SS 316 L
Replaceable Seat :
 PTFE / Glass Filled PTFE
Temp. :
 Fluid Temp. 180°C



Dimensions

(All dimensions are in MM)

MODEL NO.	ØA	B	C	ØD	E
HLC - 80	94	154	29.5	80	64
HLC - 100	93	210.5	24	88.75	125.5
HLC - 250	186	323	35	80	150
HLC - 400	186	323	35	80	150

Technical Specification Table

MODEL NO.	POWER (WATT)	TORQUE (Nm)	OPERATING TIME & STROKE
HLC-80	12 VA	800	50 HZ:4.6 s/mm
			60 HZ:3.8 s/mm
HLC-100	12 VA	1000	50 HZ:8.3 s/mm
			60 HZ:6.9 s/mm
HLC-250	12 VA	2500	50 HZ:4.6 s/mm
			60 HZ:3.8 s/mm
HLC-400	12 VA	4000	50 HZ:8.3 s/mm
			60 HZ:6.9 s/mm
HLC-650			On Request

Note: As improvements are made time to time, Specifications in this brochure are subject to revise without notice. (REV.-02)

"Cair" Introduces New Generation Actuators with Sophisticated Modular Concept Allows Actuator to Be Adapted to Almost all Types of Quarter Turn Valves, Dampers for HVAC Industry.

Rotary Motion

Electrical Actuator 24 VAC / DC

Reversible switch for change of direction of rotation

Universal V-clamp Option : Reversible clamp for short shaft mounting Form-fit adaptor for square shaft

Manual override pushbutton

Product Specification



Features

- Torque : 4 Nm to 40 Nm
- Spring return / Non Spring return type
- New generation, Low power consumption, better accuracy and longer service life
- Brushless DC Motors with reversible switch option to change rotation direction
- Degree of Protection IP 54
- Mounting on short shaft is feasible compact
- Light weight, eye-catching Esthetic Look
- Angle of Rotation adjustable by Mechanical stopper
- Low Noise Level

Various Options

- ON / OFF Type
- Modulating Control.
- Signal input 4 ~ 20mA / 0 ~ 10VDC
- Potentiometer Feedback.
- Additional Limit Switches (2 Units)

Standard Voltage

- 24 V AC / DC
- 230 VAC

Application

- For Air control in Damper for HVAC systems fire and smoke control in Damper for HVAC systems, Cold & Hot water lines Process Industry.

RTD series



actuate with accuracy



2 Way Ball Valve
Electrical Actuator Operated

Size :
½" to 3" Screwed to BSP
½" to 3" Flanged to 150 #

MOC :
WCB / SS 304 / SS 316 / SS 316L / Polypropylene / UPVC

Replaceable Seat :
PTFE / Glass Filled PTFE

Temp. :
150°C

Standard Design & Manufacturing :
BS 5351 / BS 6755



3 Way / 4 Way / 5 Way Ball Valve
Electrical Actuator Operated

Size :
½" to 2½" Screwed to BSP
½" to 2½" Flanged to 150 #

MOC :
WCB / SS 304 / SS 316 / SS 316L

Replaceable Seat :
PTFE / Glass Filled PTFE

Temp. :
150°C

Port :
'L' Port / 'T' Port / 'X' Port

Standard Design & Manufacturing :
BS 5351 / BS 6755



Butterfly Valve (Rubber Lined)
Electrical Actuator Operated

Size :
½" to 4"

MOC :
CI / SGI / WCB / SS 304 / SS 316

Replaceable Seat :
Nitrile (NBR) EPDM / VITON / TEFLON Muffler

Ends :
Wafer / Flanged / Lug Type

Rating :
PN 6 / PN 10 / PN 16

Standard Design & Manufacturing :
API 609 Category A / BS 5155 / MSS SP-67 / C-504



High Performance S/Steel Butterfly Valve
Electrical Actuator Operated

Size :
1½" to 6"

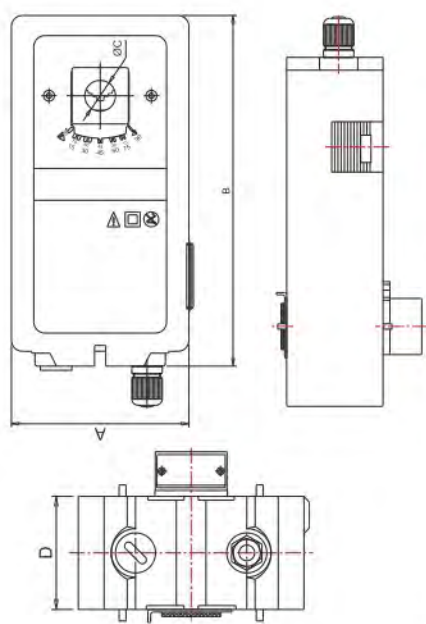
MOC :
WCB / SS 304 / SS 316 / SS 316 L

Replaceable Seat :
PTFE / Glass Filled TEFLON / VITON

Ends :
Wafer / Flanged / Lug Type

Standard Design & Manufacturing :
API 609 Category B / MSS SP-68

Inspection & Testing :
API 598 / BS 6755



Dimensions

(All dimensions are in MM)

MODEL NO.	A	B	ØC	D
RTD 4-24	83	140	17.5	63.25
RTD06-24	83	140	17.5	63.25
RTD10-24	83	140	17.5	63.25
RTD16-24	101.5	194.5	22	50.75
RTD25-24	101.5	194.5	22	50.75
RTD40-24	101.5	194.5	22	50.75

Technical Specification Table

MODEL NO.	POWER Consumption	TORQUE (Nm)	ROTATION TIME (Sec/90°)
RTD / RTDM-4	4 VA	4	90-108
RTD / RTDM-6	5 VA	6	50-90
RTD / RTDM-10	6 VA	10	70-100
RTD / RTDM-16	5.5 VA	16	80
RTD / RTDM-25	7.5 VA	25	120
RTD / RTDM-40	7.5 VA	40	150

Note: As improvements are made time to time, Specifications in this brochure are subject to revise without notice. (REV.-02)



Manufactured By :



Cair euromatic automation pvt. ltd.

Ahmedabad, INDIA.
www.cairindia.in

Available At:

