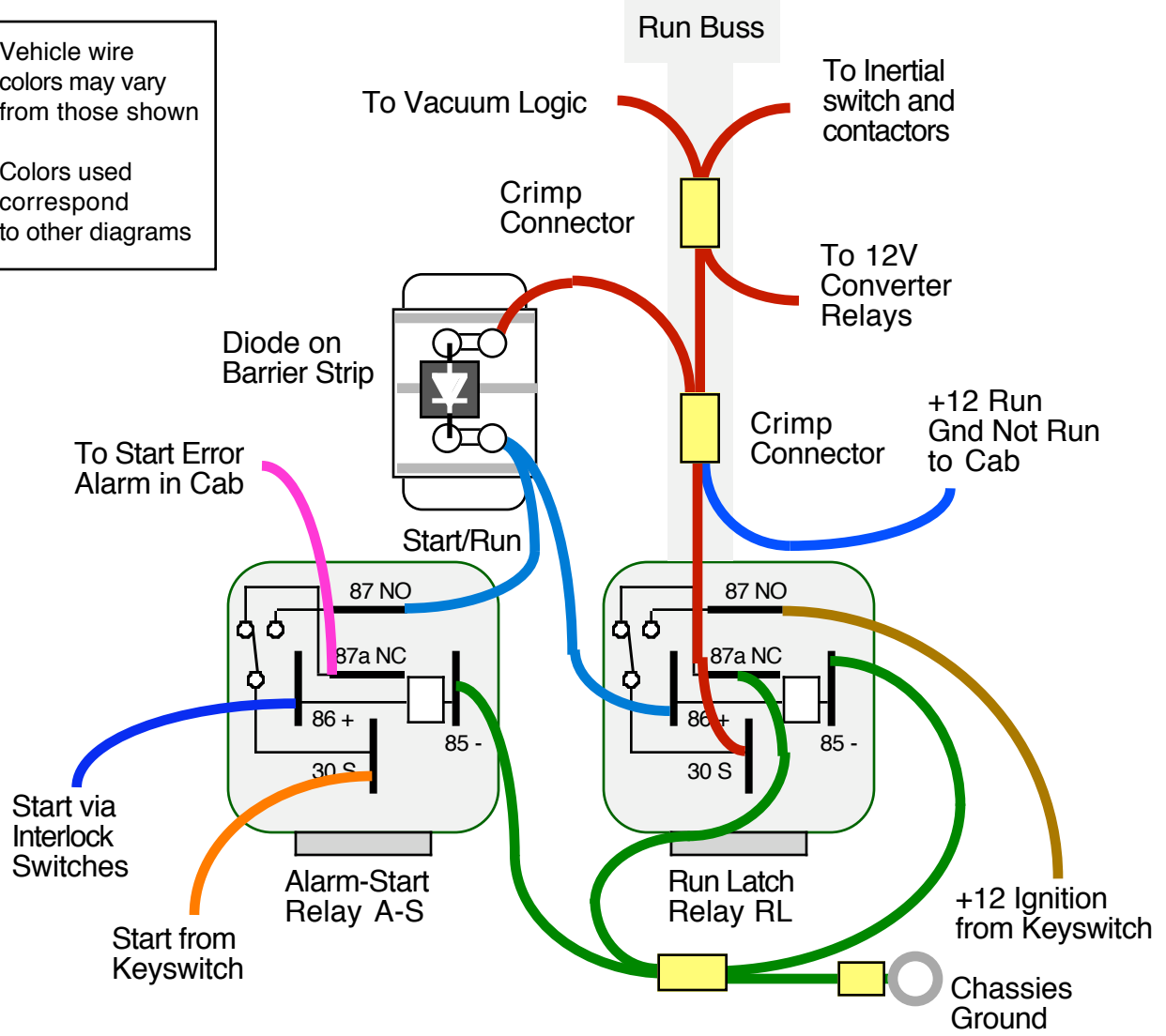


Start - Run Relay Wiring Guide

Caution: Some automotive relays have different orientation of the mounting tab, but pin orientation is generally standardized.

Vehicle wire colors may vary from those shown
Colors used correspond to other diagrams



For wiring diagram see Start-Run Logic with Error Alarm

<http://en.wikipedia.org/wiki/Image:WPEVStartRunWires.png>
View for current image and notes
Wikipedia License cc-sa