

VIVOTEK Fixed Dome Series Mounting kit

User's Manual

Using AM-518 mounting adapter
and compatible accessories

Rev. 1.1b

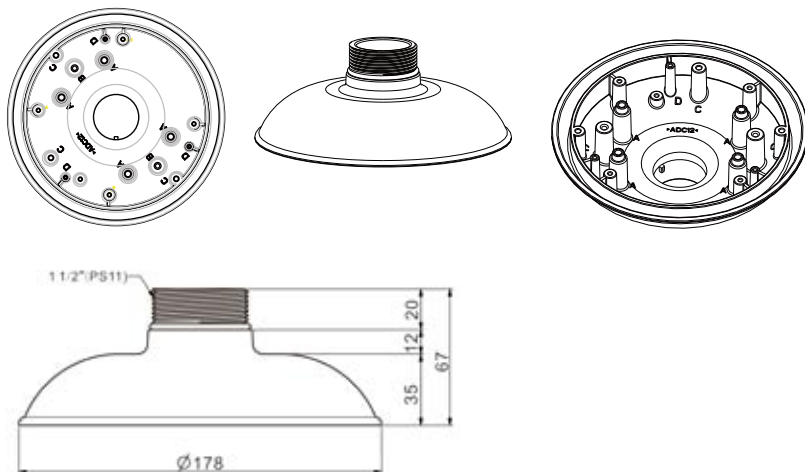
Revision History:

Rev. 1.1: Added Fisheye camera mounting details.

Rev. 1.1a: Updated the model names of compatible accessories.

Rev. 1.1b: Added supported models, FD8335H, FD8135H, and FD8372.

AM-518 Mounting Adapter Mechanical Drawing



AM-518 Mounting Adapter Package Contents



Compatible VIVOTEK Cameras

Outdoor series	FD8362, FD8362E, FD8361, FD8335H, FD7141, FD7141V, FE8171V, FD8372
Indoor series	FD8161, FD8162, FD8135H, FD7131, FD7132

II Compatible Accessories

Compatible Accessories (1): AM-311 Pole Mount Bracket



Compatible Accessories (2): AM-411 Corner Mount Bracket



Compatible Accessories (3): AM-711 Junction Box



Compatible Accessories (4): AM-212 Wall Mount Bracket



Compatible Accessories (5-1): AM-114 Pendant Head

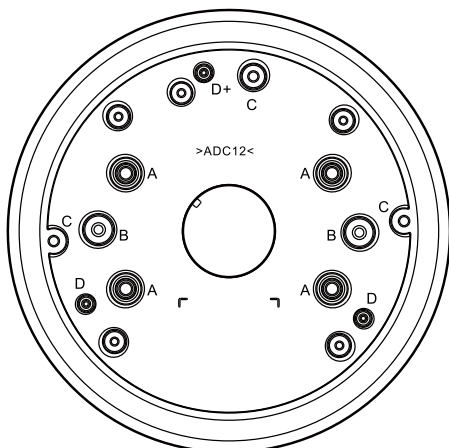


Compatible Accessories (5-2): AM-115 Pendant Pipe



III Mounting & Cabling

Mounting Hole Definitions







Above are the locations of different groups of mounting holes for matching different cameras:

Hole Type	Applicable Cameras
A	FD8362E, FD8362, FD8361, FD8335H, FD7141, FD7141V, and FD8372.
B	FD8161, FD7131, FD7132
C	FD8162, FD8135H
D	FE8171V

Align the mounting holes on your mounting plate (outdoor series) or on the camera (indoor series) to match those on the mounting adapter.

For cabling and configuration details with each camera, please refer to their documentation. Refer to the table below for the screws to be used with each type of mounting holes:

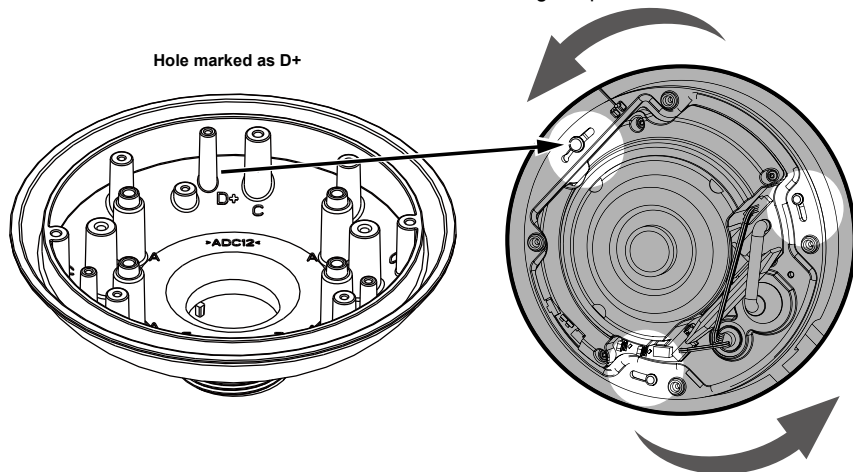
Screw Description	Quantity	Applies to	
M5X10 Phillips pan head	4	A	
M4X20 Phillips pan head	2	B	
M4X12 Phillips pan head	3	C	
M3X10 Phillips pan head	3	D / D+	



NOTE:

Due to its unique mechanical design, the mounting procedure for an FE8171V fisheye camera is specifically described as follows:

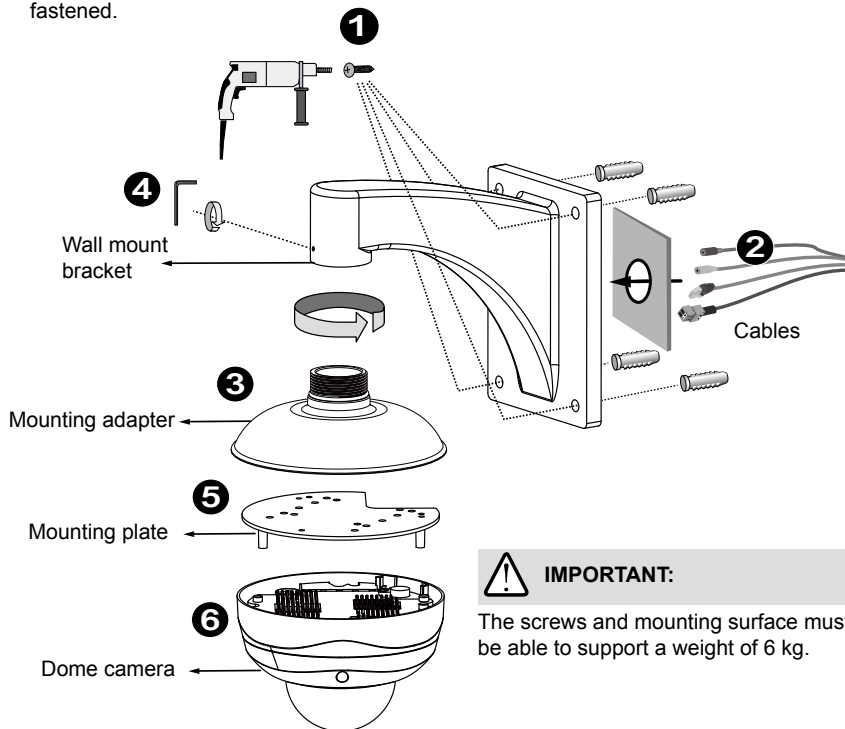
1. Remove the camera's top cover.
2. Fasten 2 included screws to the D holes (not the D+ hole).
3. Align the camera with the mounting adapter and let the 2 screws enter the key holes located on the side where the camera's cabling interfaces reside, e.g., the Ethernet port.
4. Rotate the camera counter-clockwise. You can then see the D+ hole through the slotted screw hole (in front of the Micro SD slot).
5. Fasten screws to secure the camera with the mounting adapter.



Wall Mount Installation

Below is a general, sample procedure using a Wall mount bracket:

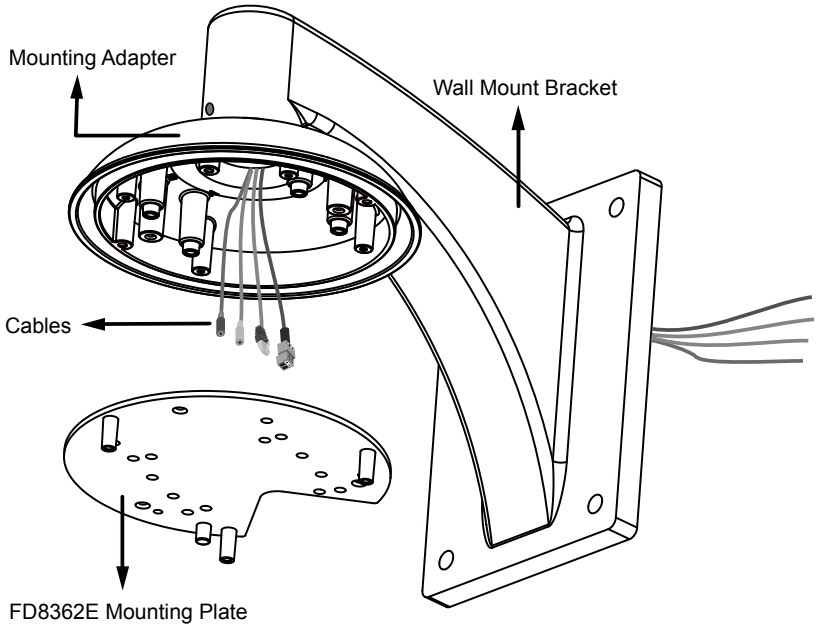
1. Locate the position where you want to install the wall mount bracket and camera. Drill holes on the wall for securing the bracket and for routing the cables.
Secure the bracket by hammering anchors into the wall and then fasten screws through it.
2. Route power lines and other cables through the wall and the bracket.
3. Attach the mounting adapter to the bracket by rotating it clockwise until it is tightly fastened.



4. Use the included hex wrench to secure the mounting adapter to the wall mount bracket.
5. For models using the A holes (please refer to the mounting hole diagram on the previous page), secure its mounting plate to the mounting adapter above.
For the indoor models, mounting plates are not necessary.
6. For outdoor models - secure the camera to the mounting plate.
For indoor models - secure the camera directly to the mounting adapter.

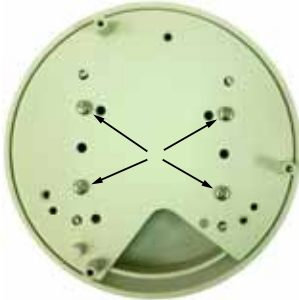
When cabling is done, proceed with initial setup such as enabling network access, focus tuning, or zooming. When done, secure the outer dome cover.

Below is a closer view on routing cables and matching a mounting plate.

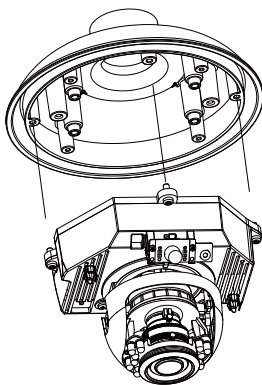


NOTE:

Use the correct type of screws when installing cameras to the mounting adapter. Refer to page 5 for the screw type. The sample mounting positions for FD8362E (or FD8335H and FD8372) are shown below.



Shown on the right is an exemplary illustration for the FD8135H and FD1862 indoor cameras. Refer to page 5 for the screw type.

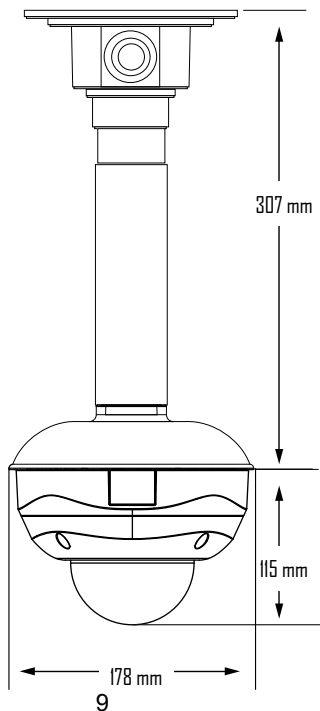
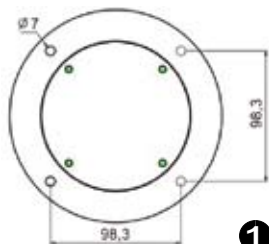


Pendant Pipe Installation

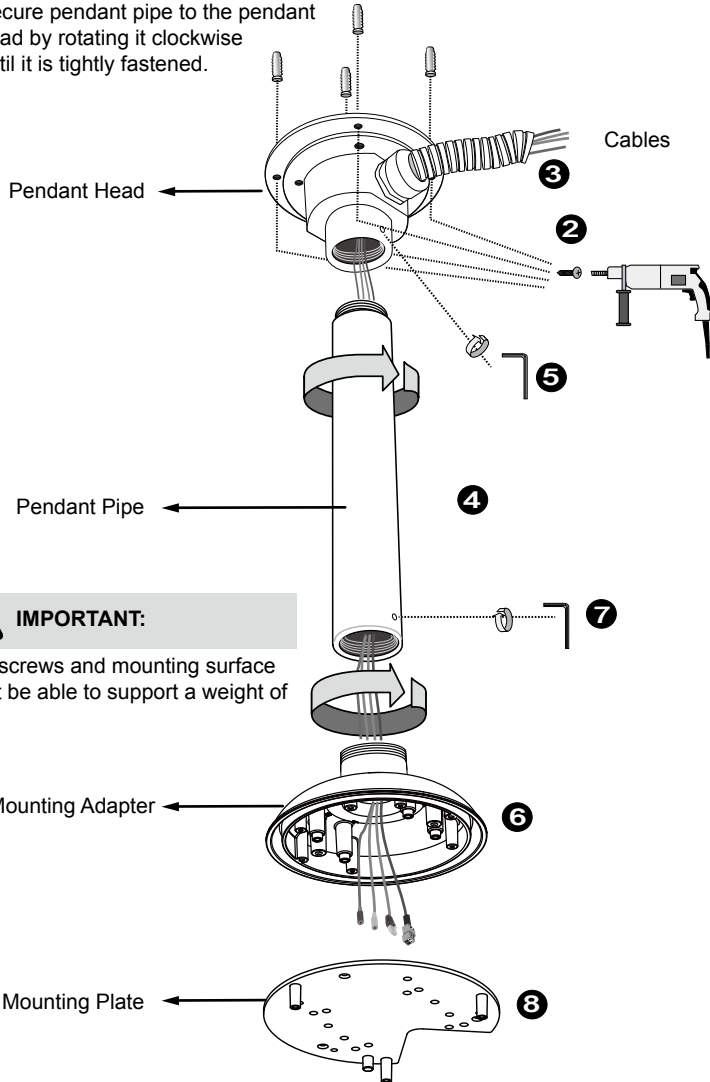
Below is a sample procedure using a Pendant pipe:

1. Determine a hard surface ceiling location, and use the four mounting holes on the pendant head to mark the positions where holes will be drilled to secure the pendant head.

Note that screws are user-supplied and they should be 11mm long at least.



2. Locate the position where you want to install the pendant pipe and camera. Drill holes on the ceiling for securing the pendant head. Secure the pendant head by hammering anchors into the ceiling and then fasten screws through it.
3. Route power lines and other cables through the side bushing and/or conduits (user-supplied), and through the pendant pipe.
4. Secure pendant pipe to the pendant head by rotating it clockwise until it is tightly fastened.



IMPORTANT:

The screws and mounting surface must be able to support a weight of 6 kg.

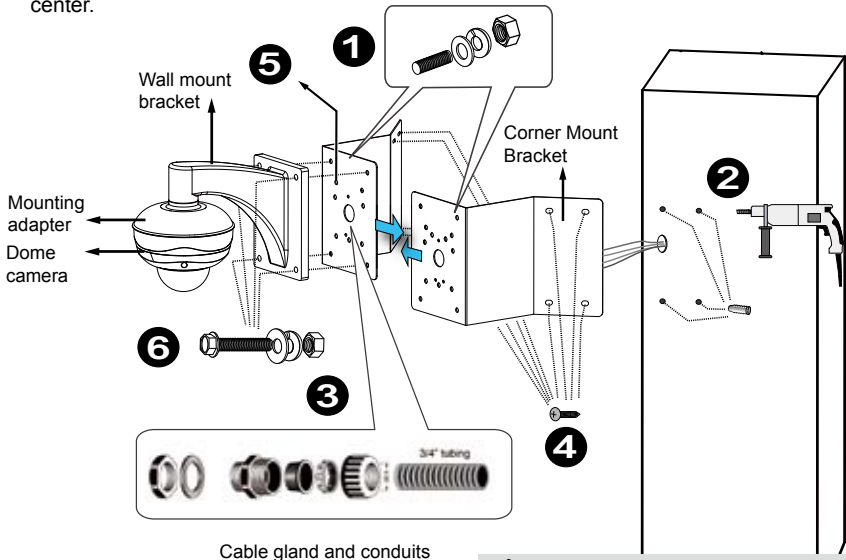
5. Secure the connection using the included hex wrench.
6. Attach mounting adapter to the pendant pipe by rotating it clockwise until it is tightly fastened.
7. Secure the connection using the included hex wrench.
8. For models using the A holes (please refer to the mounting hole diagram on page 8), secure its mounting plate to the mounting adapter above.
 - For the indoor models, mounting plates are not necessary.
 - For outdoor models - secure the camera to the mounting plate.
 - For indoor models -secure the camera directly to the mounting adapter.

When cabling is done, proceed with initial setup such as enabling network access, focus tuning, or zooming. When done, secure the outer dome cover.

Corner Mount Installation

Below is a general, sample procedure using a Corner mount bracket:

1. Combine the two brackets together using the included nuts and washers.
2. Align the assembled brackets with the desired position. Align screw holes on the brackets against the wall. Drill holes on the wall for securing the bracket and for routing the cables. Hammer anchors into the wall.
3. Route power lines and other cables through the included cable gland, conduits (separately purchased), and install the cable gland to the brackets' through hole in the center.



IMPORTANT:

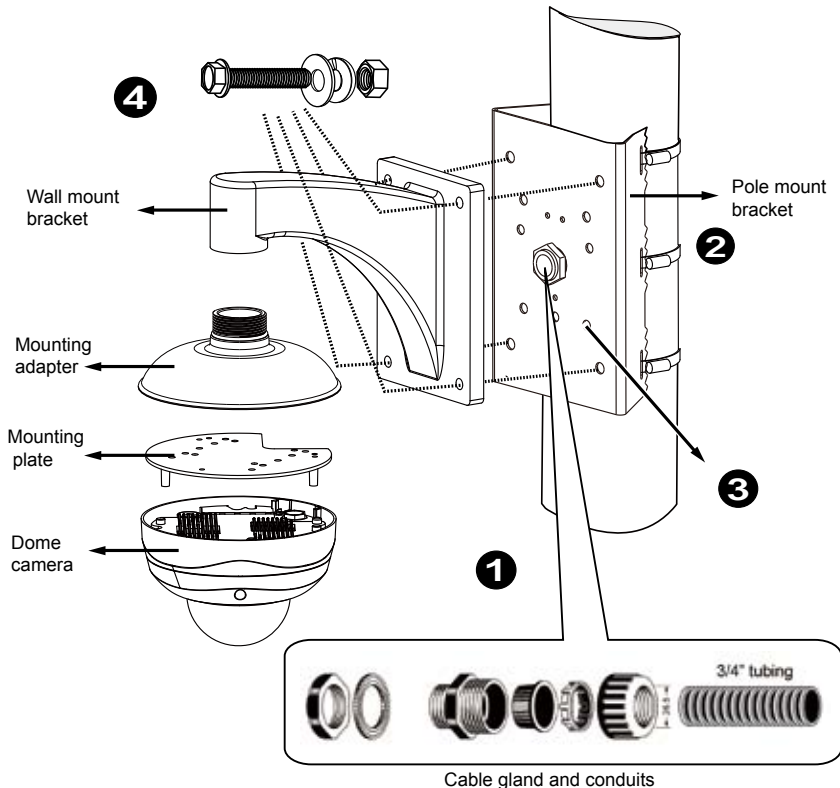
The screws and mounting surface must be able to support a weight of 6 kg.

4. Secure corner mount brackets to the wall. Screws are user-supplied.
5. Fill the unused holes on the bracket with the included silicone stoppers.
6. Use the included hex bolts, washers, and nuts to secure a wall mount bracket to the corner mount bracket.
7. The rest of the mounting procedure is identical to those described in the **Wall Mount installation on page 7**.

Pole Mount Installation

Below is a general, sample procedure using a Pole mount bracket:

1. Route power lines and other cables through the included cable gland, pass them through conduits (separately purchased), and install the cable gland to the pole mount bracket.
2. Locate the position where you want to install the pole mount bracket and camera. Unwrap the stainless belts, feed them through the openings on the sides of the bracket, and then strap them around the pole. Use a pincer and flathead screwdriver to fasten the bracket to the pole.
3. Fill the unused screw holes using the included silicone stoppers.



The rest of the mounting procedure is identical to those described in the **Wall Mount installation on page 7**.