

 Stay ahead.

Innovate2013

The IBM Technical Summit

開發者大會





最安全、更可靠，大型主機夯應用

溫德賢 / Derek Wen
台灣 IBM 公司 資訊科技服務事業群
資深資訊工程顧問

Innovate2013

The IBM Technical Summit

開發者大會





Topic

- 夯應用在主機的特性及優勢
- 大型主機的夯應用在台灣
- Stay Ahead ，先馳得點 的主機應用服務



使用量持續成長的 IBM 主機

- “I predict that the last mainframe will be unplugged on March 15, 1996”

– Stewart Alsop, former InfoWorld columnist (and Fortune Magazine),
March, 1991



- 自1992年以來，主機的MIPS的年成長量超過**30%**
- 自1996年以來，主機的營收超過**\$30B** 以上 (從最後一部主機應該要被拆下的時間算起...)
- 但自1991年以來，主機有許多的**改變!**



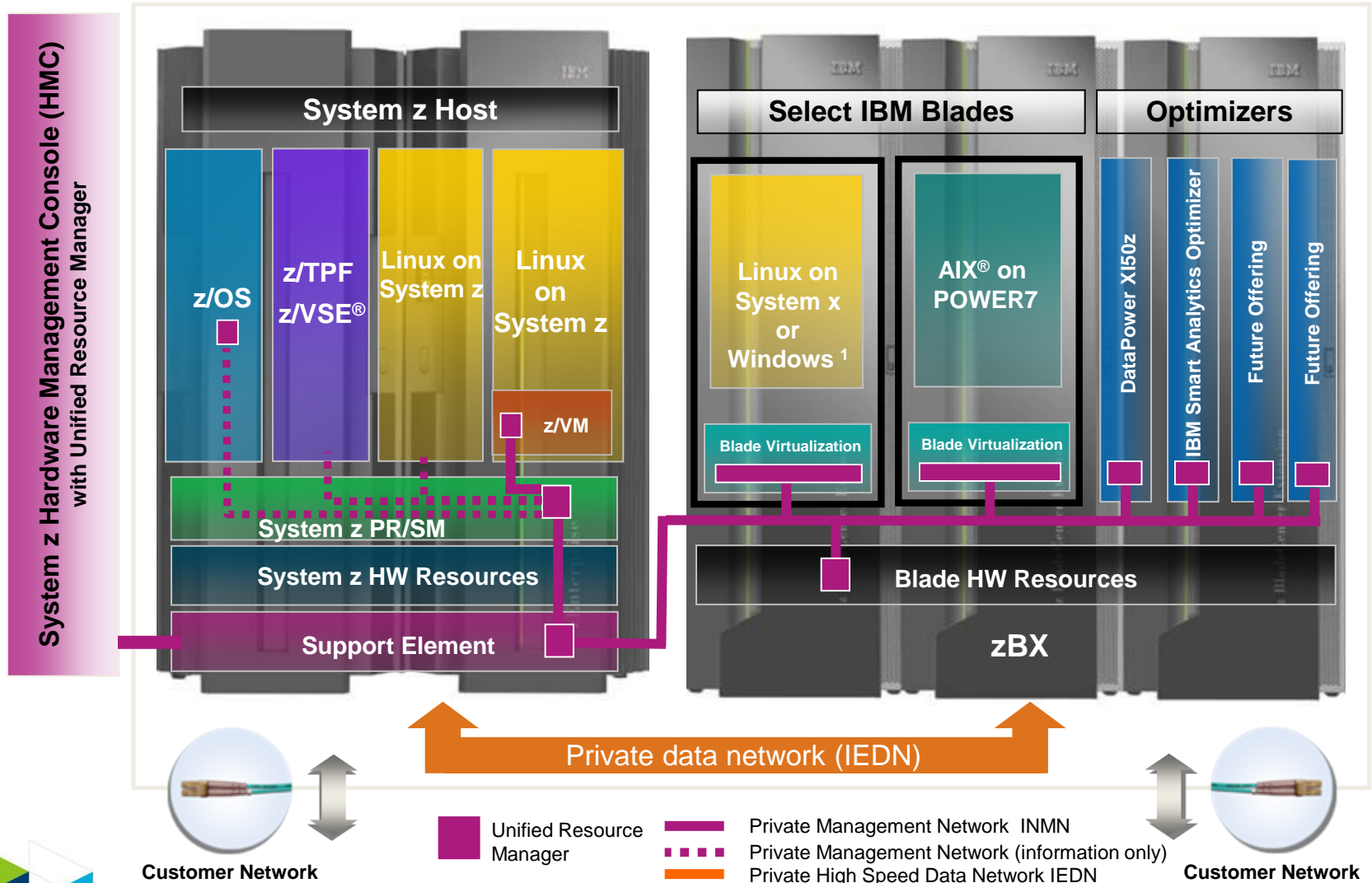


IBM 主機客戶現況

- 從一份主機使用者的調查
 - **60**個全球性的銀行有**59**個使用主機
 - **20**個全球性的保險公司有**18**個使用主機
 - **9**個全球性的醫療保健公司有**7**個使用主機
 - **9**個全球性的零售商公司有**7**個使用主機
 - 全美的財訊前**500大**人壽，資產管理，意外保險公司
 - 平均主機容量**15,000 MIPS** 持續成長中
 - 營收的成長**兩倍**於在主機的花費的成長
 - Compared with “IT Spending is Growing twice as fast as GDP Growth Worldwide”



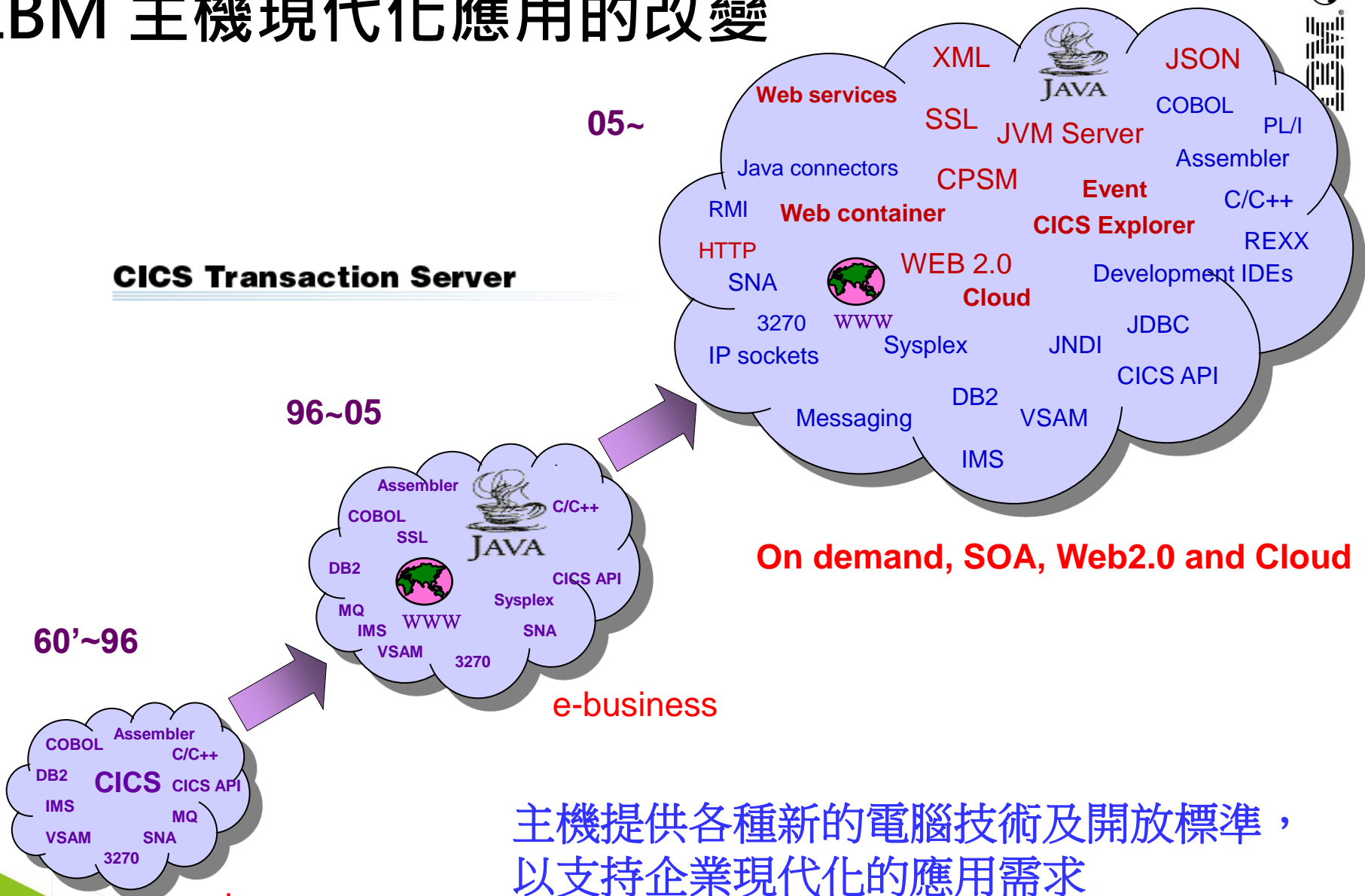
新一代的全能主機



IBM 主機現代化應用的改變



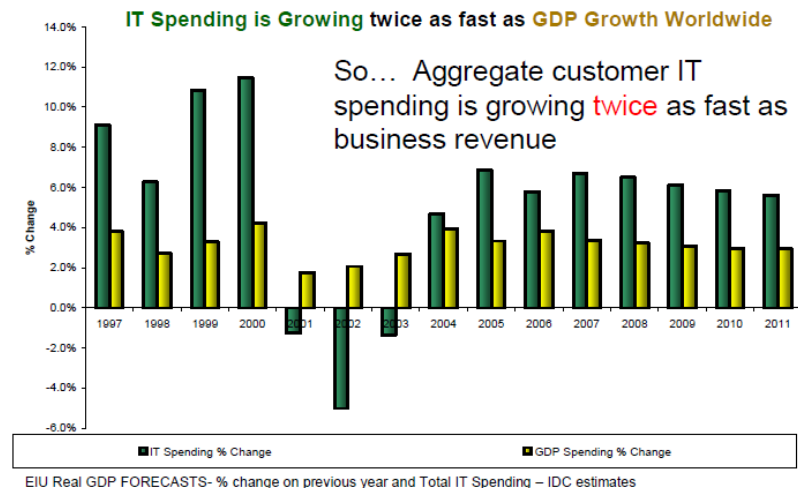
CICS Transaction Server



主機提供各種新的電腦技術及開放標準，
以支持企業現代化的應用需求

投資主機符合經濟效益

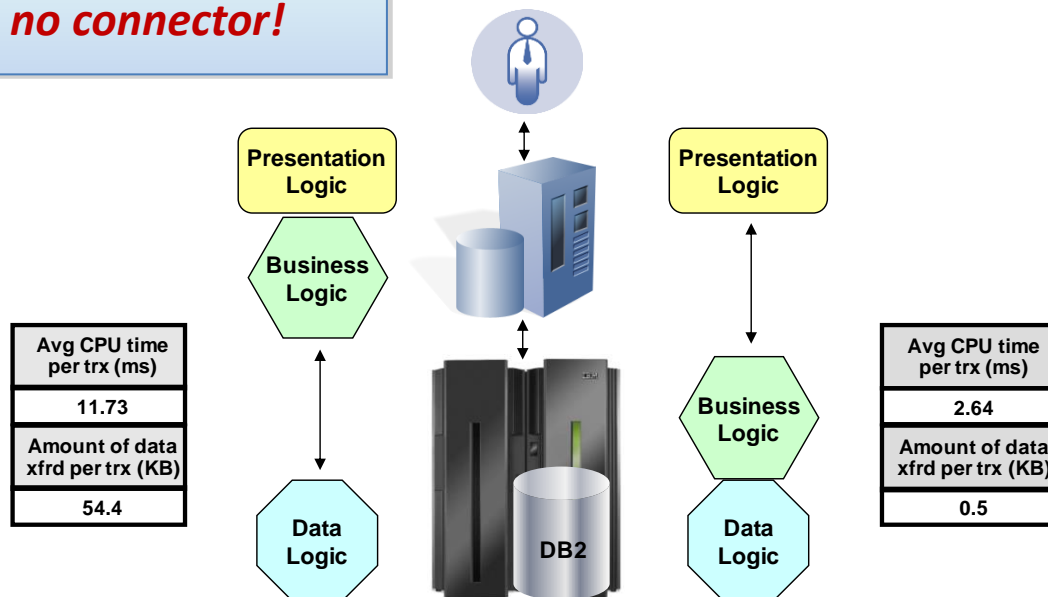
- 對**585**個大型或成長中主機客戶進行的調查：
 - 平均營收成長 **14.6%**
 - 平均營利成長 **21.3%**
 - 平均MIPS成長 **23.5%**
 - 平均主機HW and SW 花費成長 **6.4%**
- 客戶延用原有主機服務來提供新的服務，控制資訊花費成長只有營收成長的**一半**
- 但依據IDC調查，企業平均資訊花費成長是營收成長的**二倍**



整合在主機的效能提昇

- When Application and Data are in the same z/OS
 - Up to **34%** overall CPU savings
 - **52%** more throughput
 - DB2 z/OS: JDBC Local (Type 2) now yields **28%-38%** better results
 - CICS Transaction Gateway (CTG) Local is **18%** more efficient

The best connector is no connector!



More information

WPS z/OS performance report: [in the performance library](#)
 WebSphere z/OS co-location paper: [in the techdocs library](#)





新一代主機的特性及優勢

- Plays a **central role** in the daily operations of the world's largest organizations – and the daily lives of most people.
- Is known for its **reliability, security, and enormous processing capabilities**.
- Is designed for **processing large scale workloads** and serving thousands of users and transactions concurrently.
- Is managed by highly skilled technical support staff.
- Runs a **variety** of operating systems.

核心 大量 可靠 安全 即時 多樣 經濟





Topic

- 夯應用在主機的特性及優勢
- 大型主機的夯應用在台灣
- Stay Ahead ，先馳得點 的主機應用服務



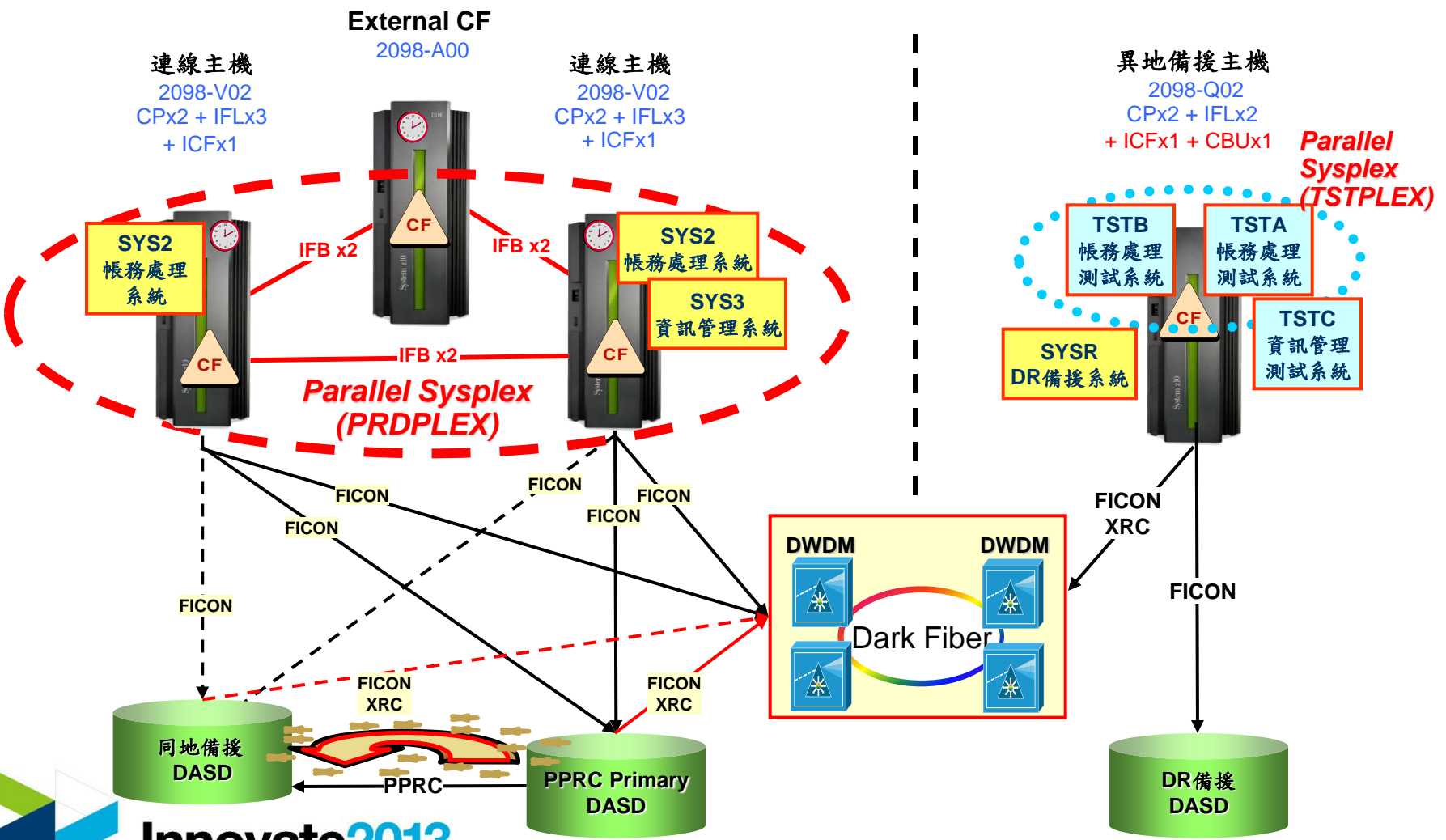


主機
夯應用

主機平行處理服務

主中心

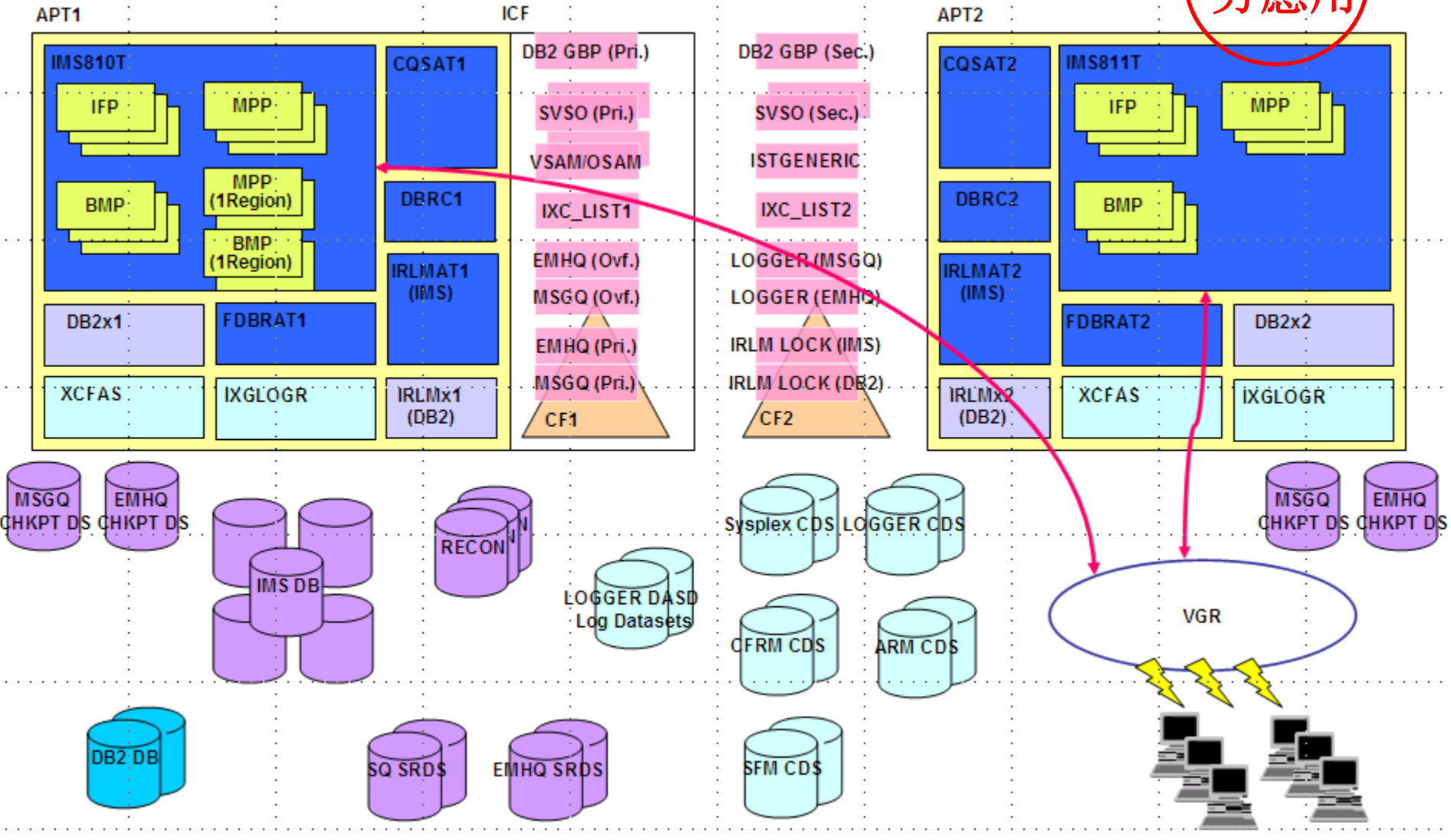
備援中心



主機
夯應用

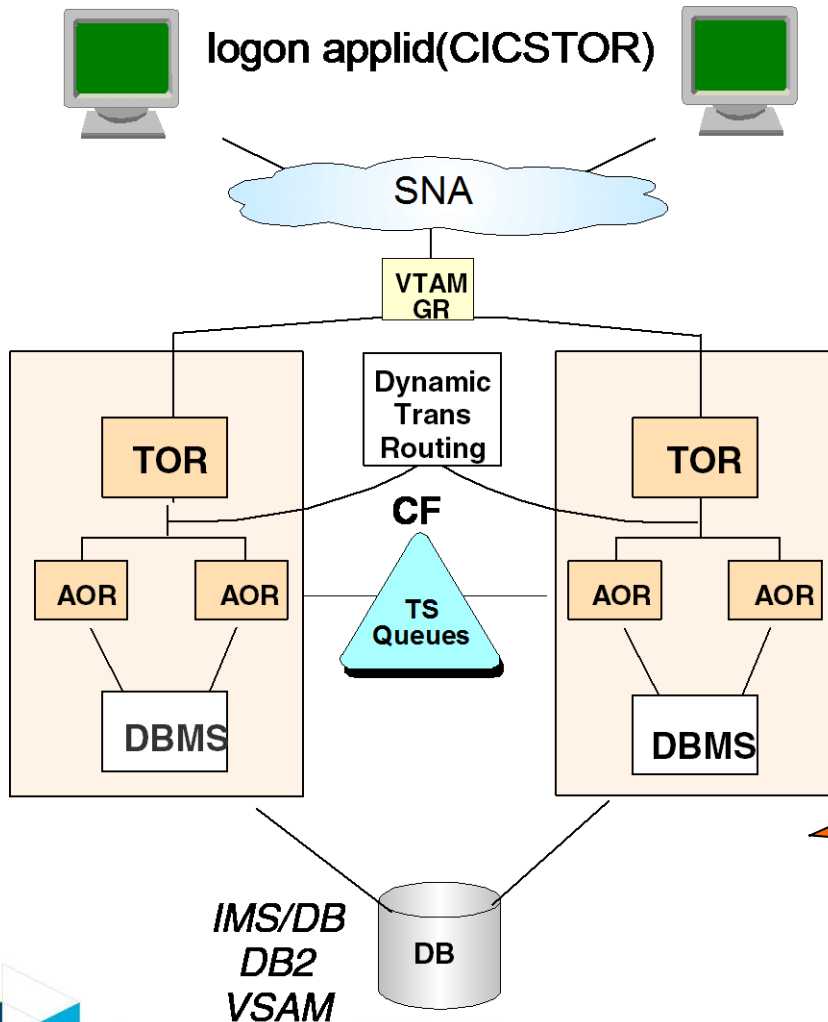


IMS 平行處理及負載平衡





CICSplex 平行處理及負載平衡

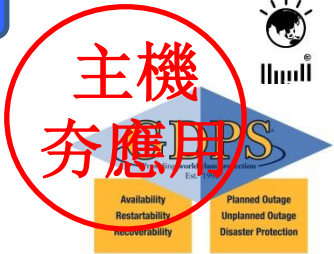


Dynamic session balancing across TORs using VTAM Generic Resource

Dynamic transaction routing across AORs using CICSplex SM

File system sharing via DB2 group attach, VSAM RLS or CICS function shipping





GDPS 高可用度與異地備援自動化服務

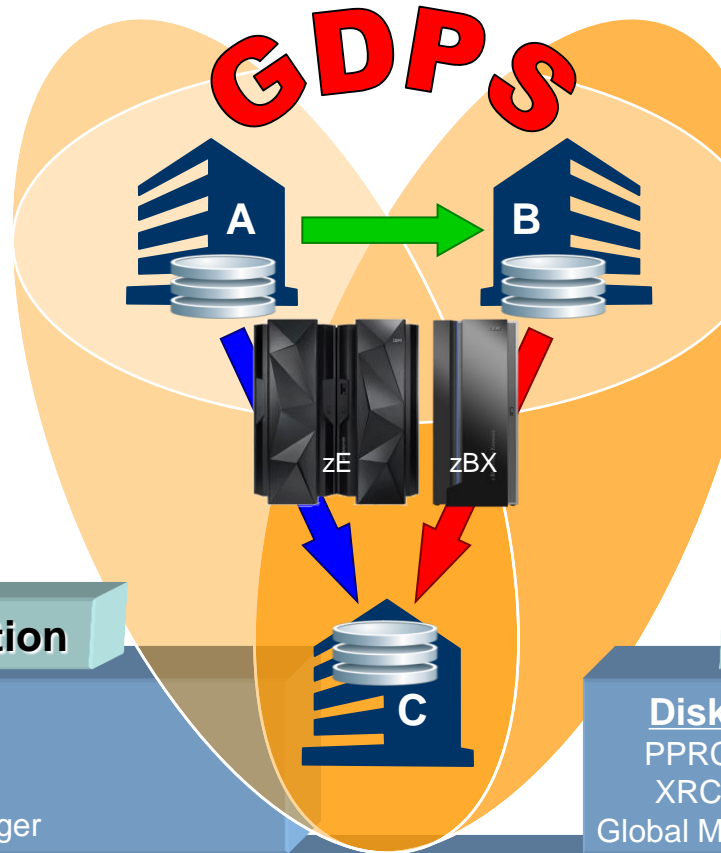
15 years and still going strong

Manage & Automate

- **Central Point of Control**
System z and Distributed Servers
Remote Copy Infrastructure
- **Real-time Monitoring & Alert Mgt.**
- **Automated Recovery**
Planned & Unplanned Outages
- **Site Management**
Single or Multiple Sites
- **Automated Provisioning**
System z CBU

Solutions

- GDPS/PPRC HM PPRC HyperSwap Manager
- GDPS/PPRC PPRC (Metro Mirror)
- GDPS/XRC XRC (z/OS Global Mirror)
- GDPS/GM Global Mirror
- GDPS/MzGM z/OS Metro Global Mirror
- GDPS/MGM Metro Global Mirror
- GDPS/A-A Active-Active
- VTS GRID VTS Remote Mirroring



System Automation

SA for z/OS
NetView for z/OS
SA Multi-Platform
SA Application Manager

Replication

Disk PPRC XRC Global Mirror	Tape VTS GRID Mirroring	Software InfoSphere for DB2 InfoSphere for IMS
---	--------------------------------------	---

Technology



主機
夯應用

主機 TCP/IP 防護機制

◆ 在系統層面上保護資料：

- System Availability
 - Protect system against unwanted access and denial of service (DoS) attacks from network
- Identification and Authentication
 - Verify identity of users
- Access Control
 - Protect data and other system resources from unauthorized access

◆ 保護在網路上傳送的資料：

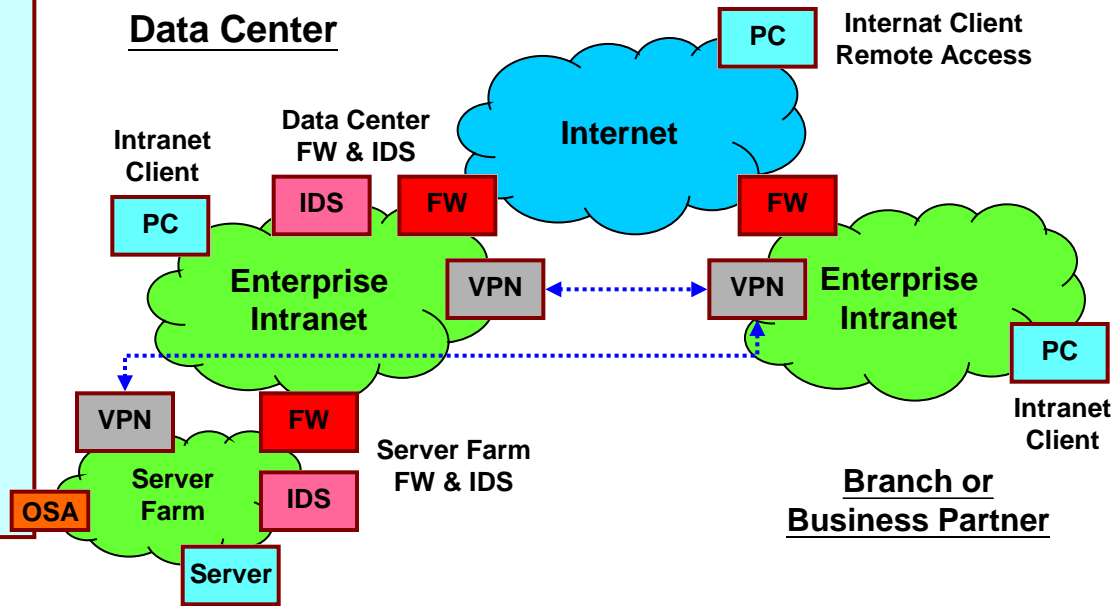
- Data Origin Authentication
 - Verify that data was originated by claimed sender
- Message Integrity
 - Verify contents were unchanged in transit
- Data Privacy
 - Conceals clear text using encryption

z/OS Communication Server IP Security System & Resource Protection:

- ✓ IP Filtering
- ✓ Intrusion Detection Service (IDS)
- ✓ TN3270 LU Mapping
- ✓ TCP/IP Resource Protection
- ✓ Operations and Administration Security

Network Security:

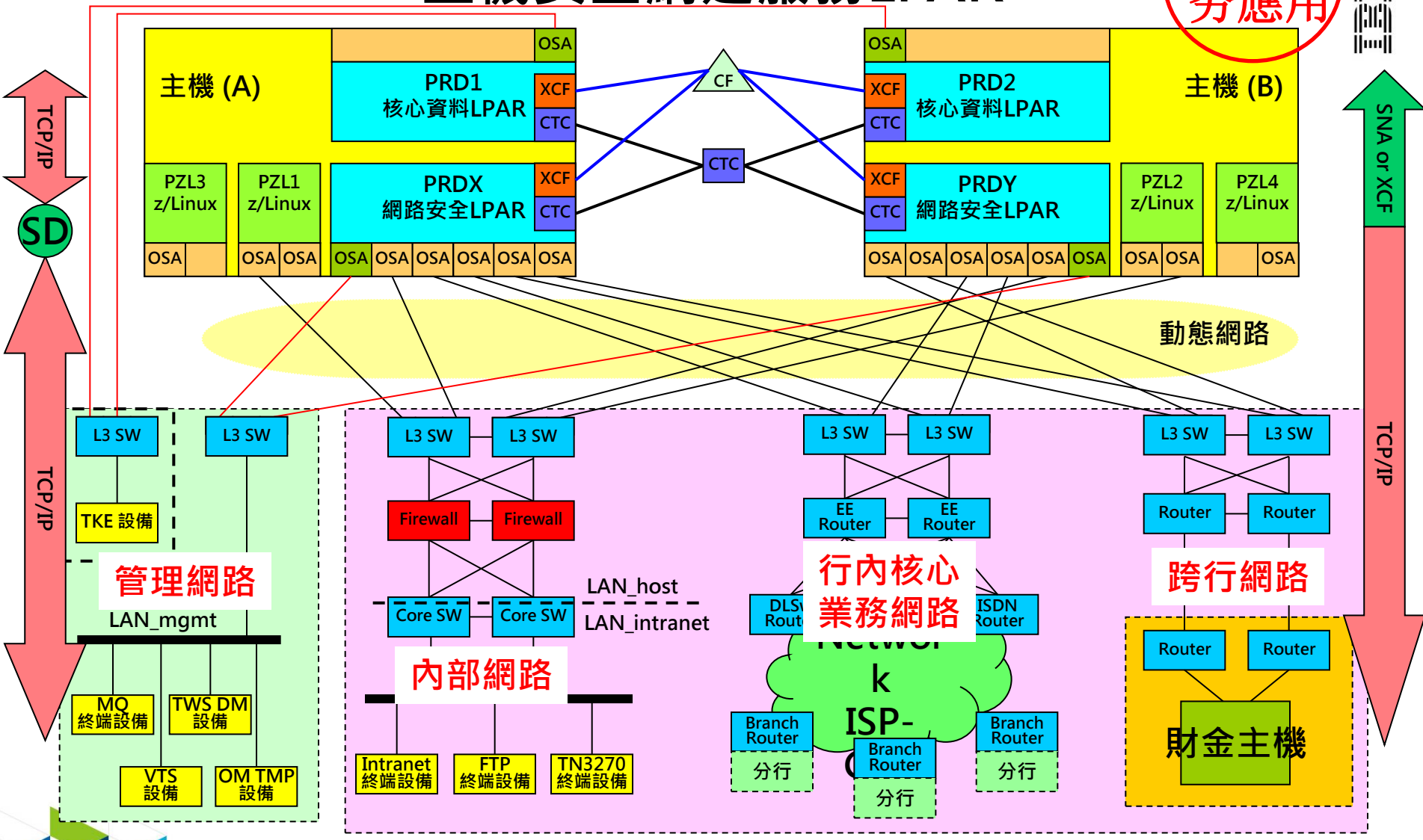
- ✓ Transparent Application Security
- ✓ IP Security (IPSec & VPN)
 - ✓ Built-in Application Security
 - ✓ TN3270 SSL/TLS Support
 - ✓ FTP TLS Support
- ✓ Secure Network Services
 - ✓ SNMPv3 Authentication
 - ✓ OSPF Authentication
- ✓ Quality of Services (QoS)
- ✓ Policy-based Routing



主機
夯應用



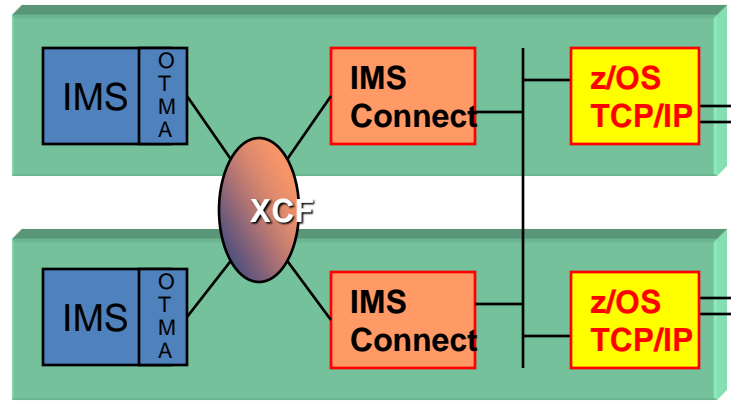
主機安全網通服務LPAR



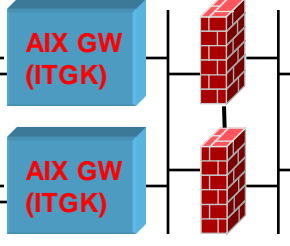


IMS Connect 財金跨行連線

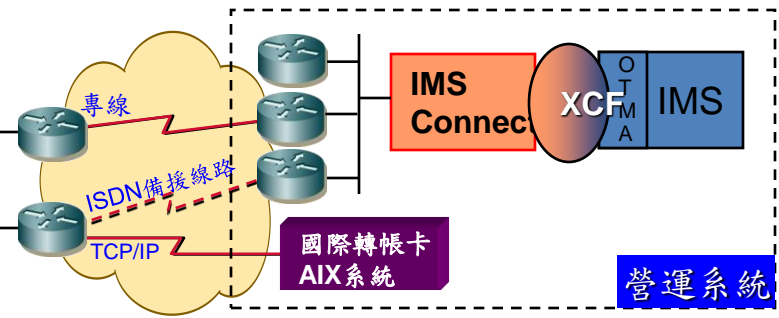
資訊中心 → 營運系統



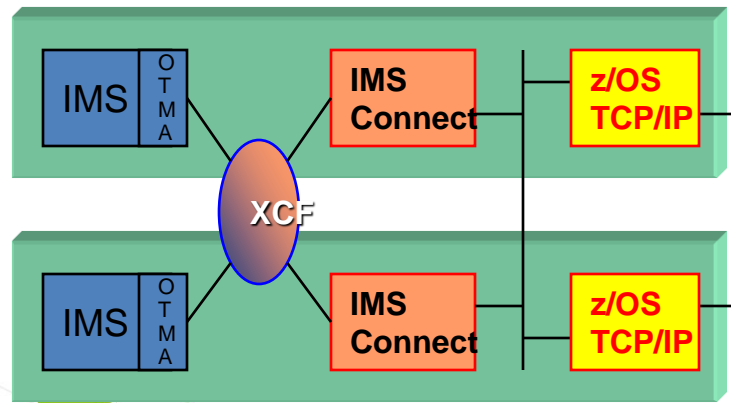
營運系統
Broker (Redundant)
A/A Mode
HA FW



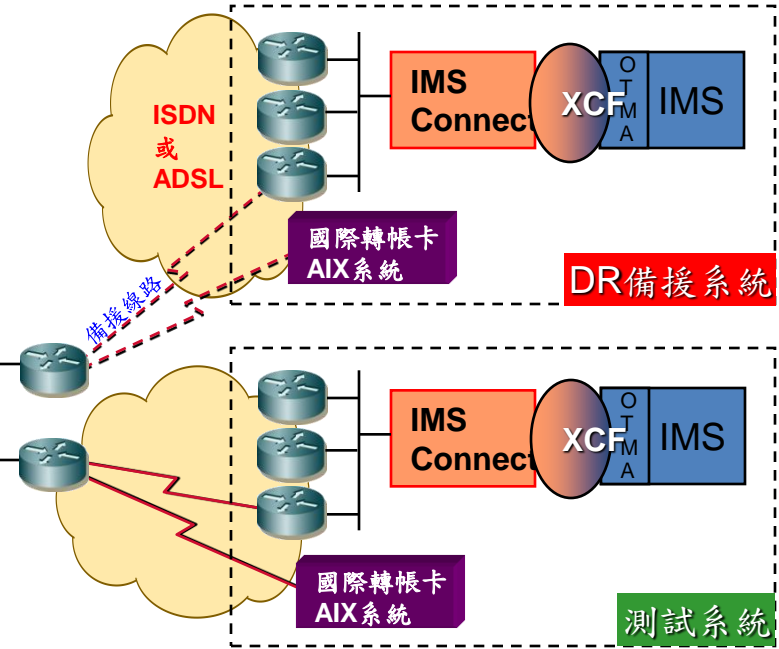
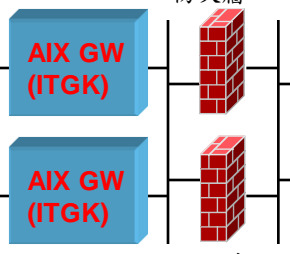
FISC跨行交易和國際轉帳卡業務系統



DR備援中心 → 測試系統/DR備援系統



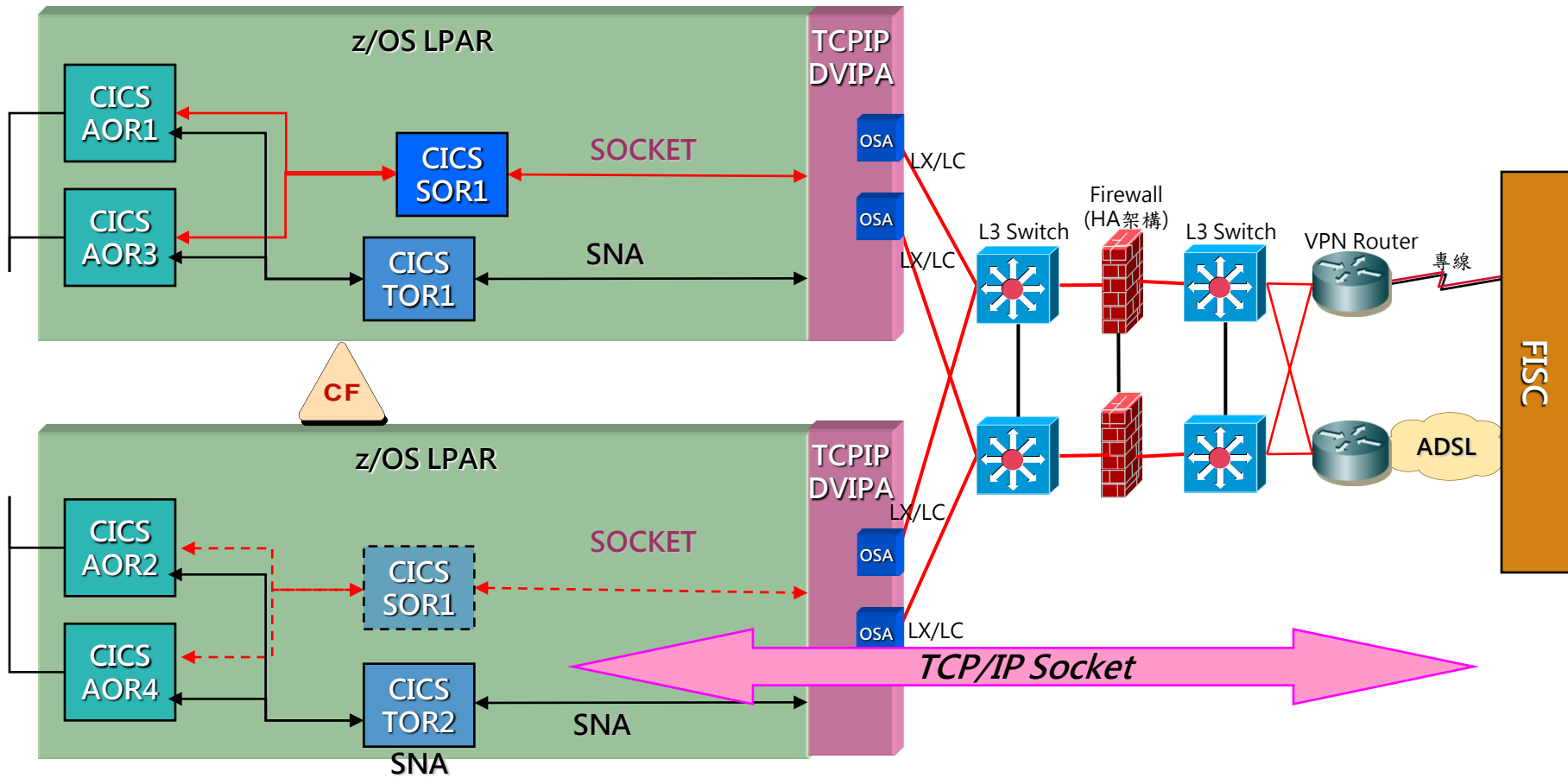
DR系統
Broker
DR系統
防火牆





主機
夯應用

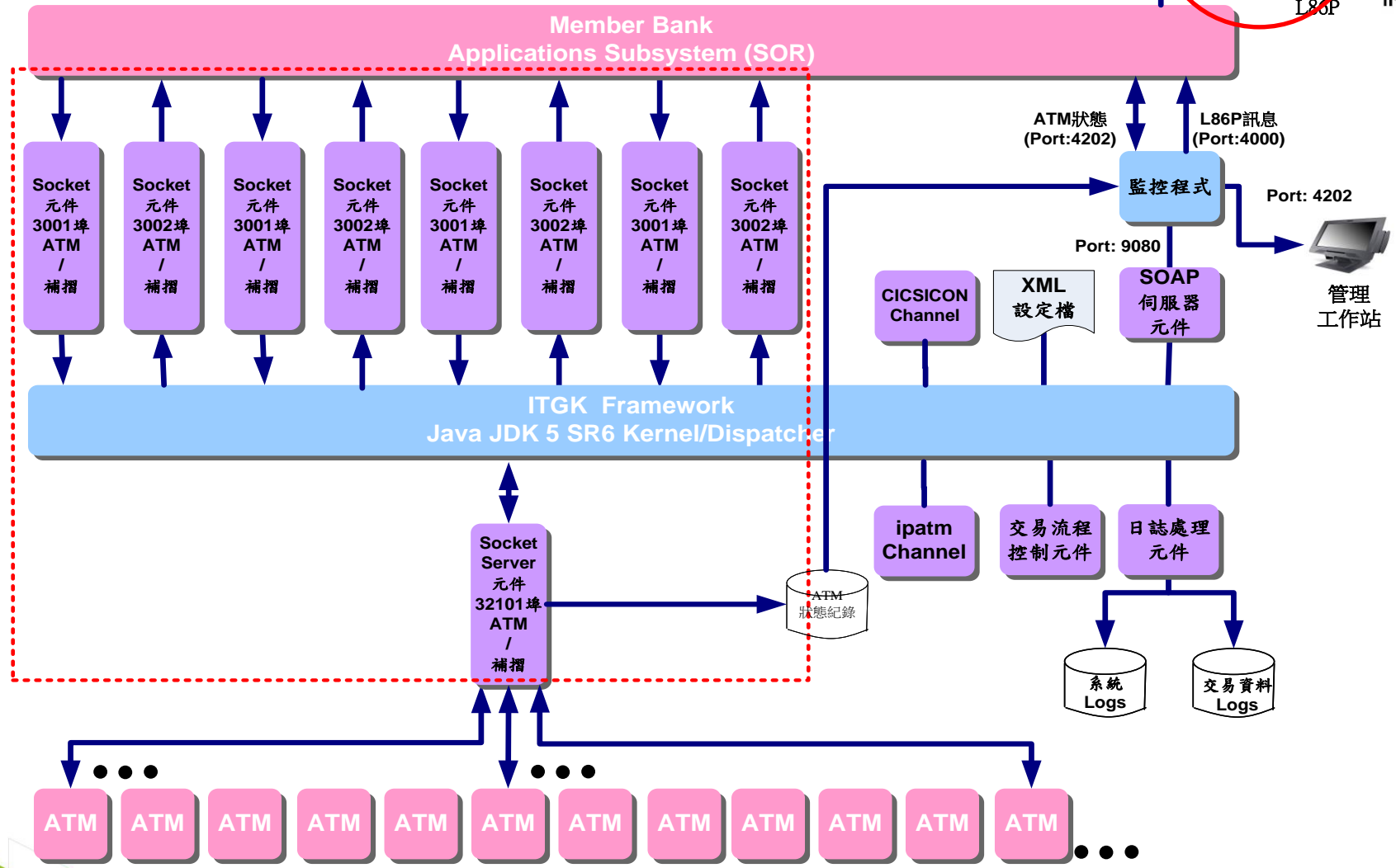
CICS Sockets 財金跨行連線





主機
夯應用
L80P

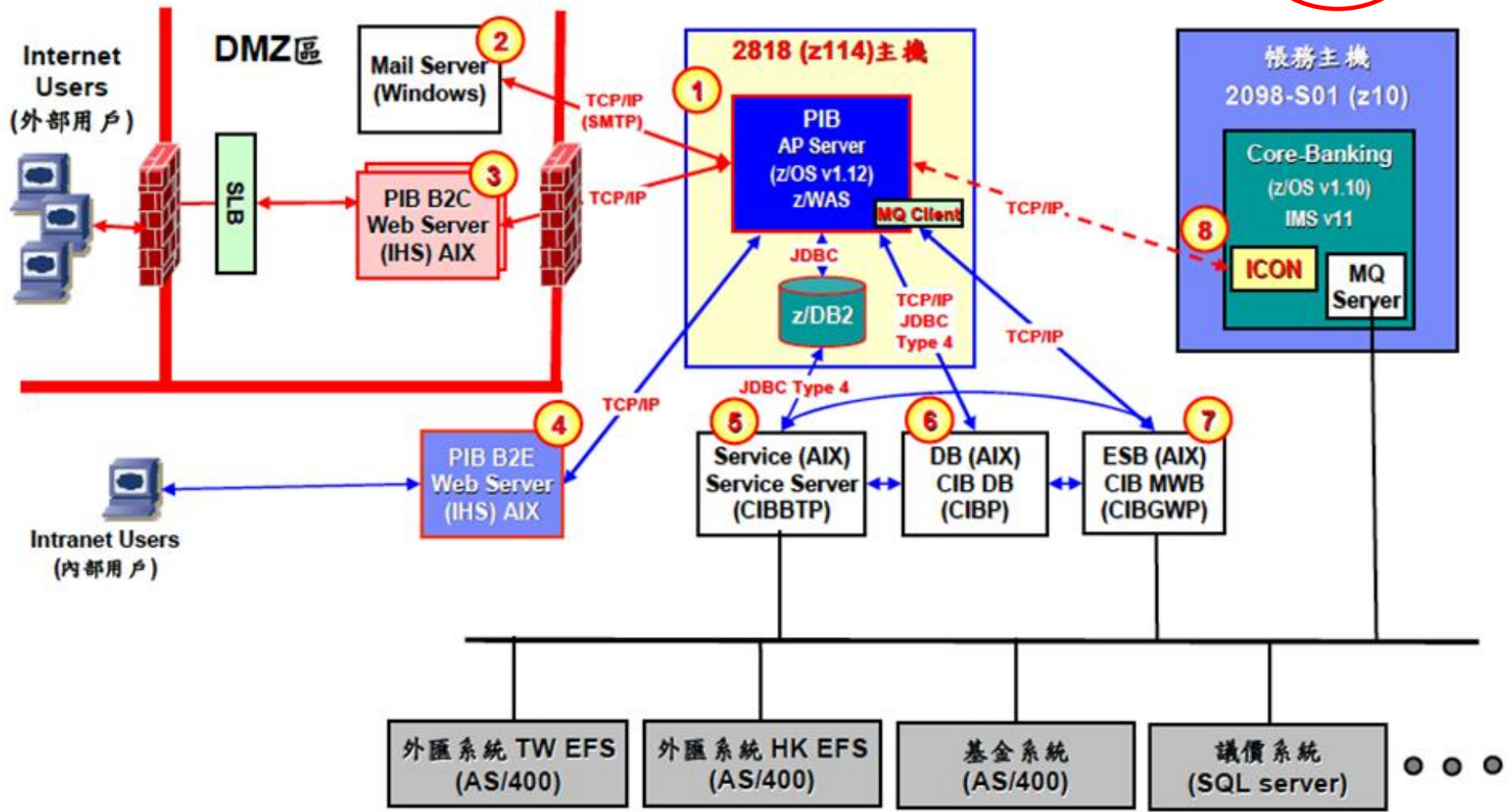
TCPIP ATM 管理系統 on zLinux



主機
夯應用



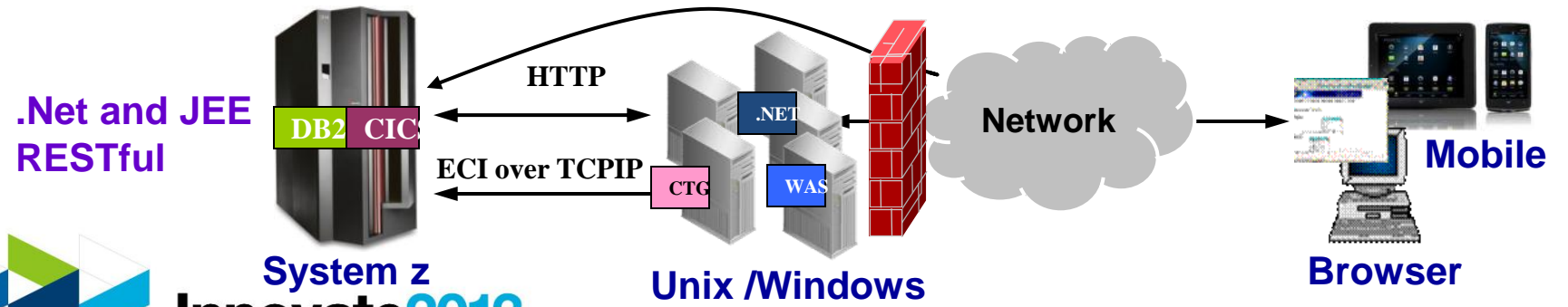
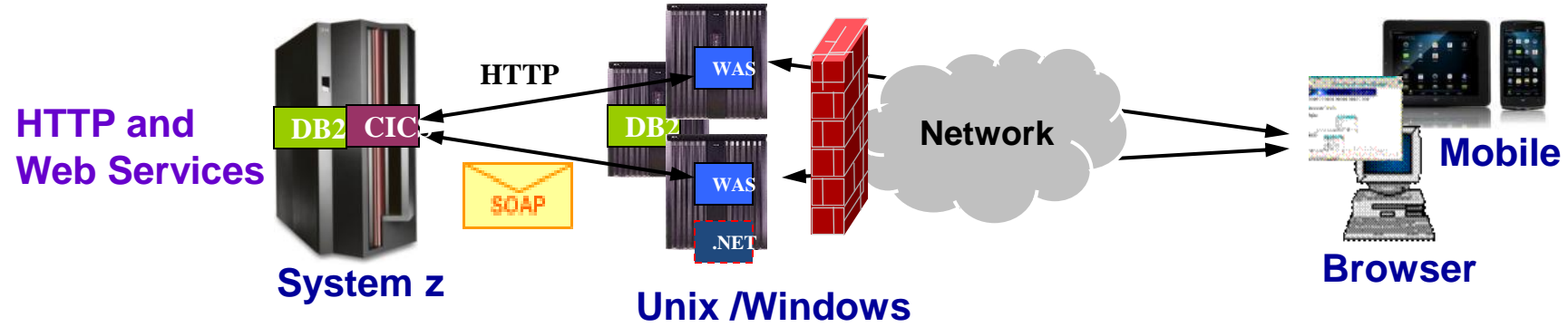
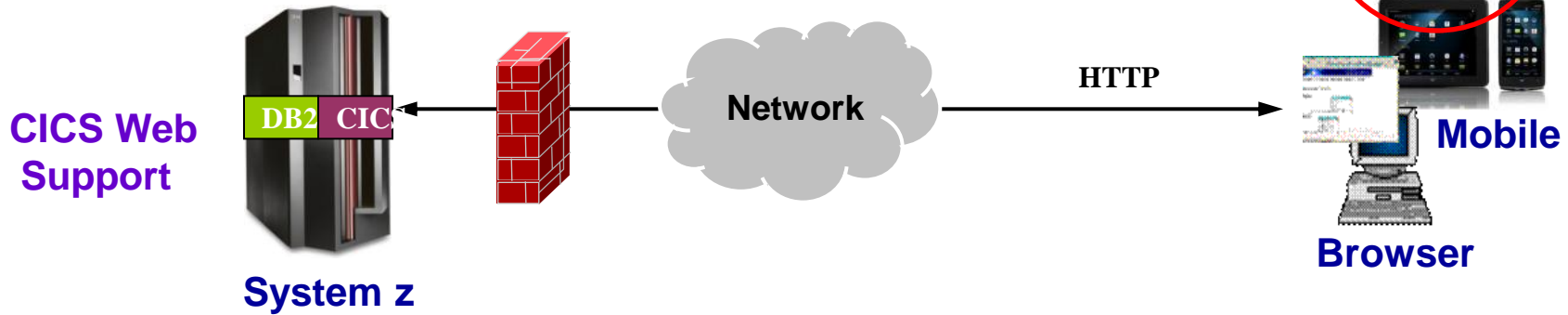
個人網路銀行 on zWAS





主機
夯應用

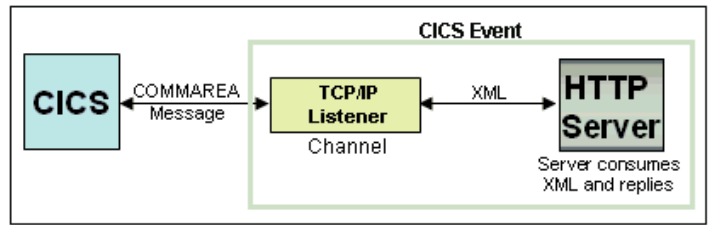
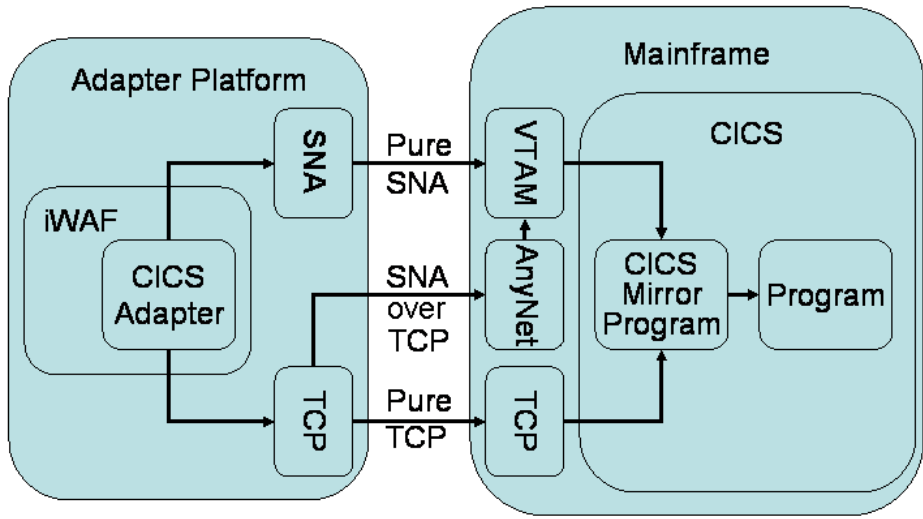
CICS Web and Web Services





主機
夯應用

CICS 整合SAP作業



- The adapter enables the following functions:
 - Connecting to CICS.
 - Executing **COMMAREA** programs.
 - Mapping **XML messages** to and from CICS data structures.
 - Listening for events triggered in CICS.

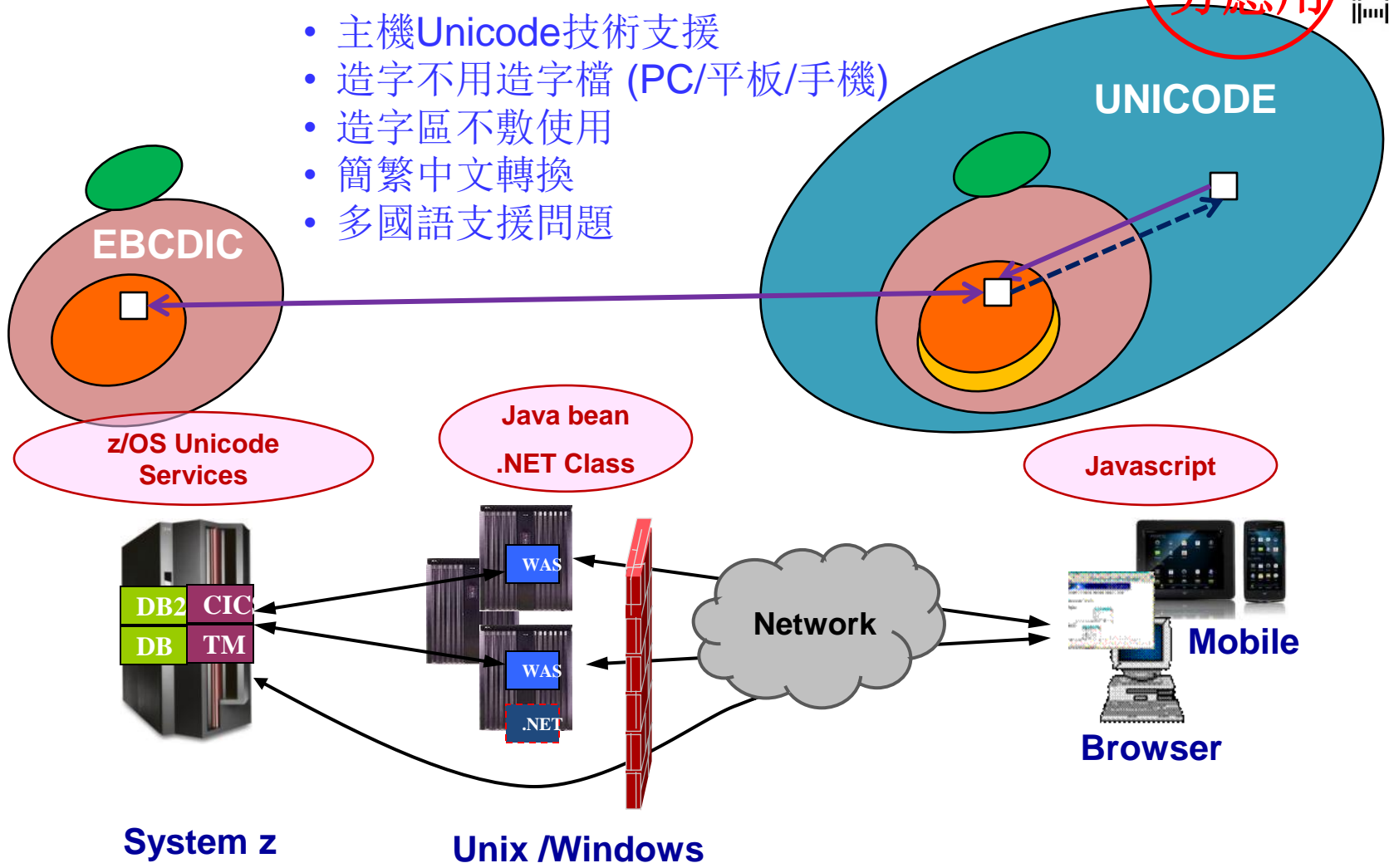




主機
夯應用

主機中文轉碼整合解決方案

- 主機Unicode技術支援
- 造字不用造字檔 (PC/平板/手機)
- 造字區不敷使用
- 簡繁中文轉換
- 多國語支援問題



核心

大量

可靠

安全

即時

多樣

經濟

即時，不間斷的資料庫監控

主機
夯應用



InfoSphere Guardium

1. Prevent data breaches 防止數據洩露
 - Protect against cybercriminals & rogue insiders
2. Assure data governance 保證數據治理
 - Prevent unauthorized changes to sensitive data by privileged users
3. Reduce cost of compliance 降低合規成本
 - Automated & centralized controls across:
 - ✓ DBMS platforms (Oracle, DB2, SQL Server, ...)
 - ✓ Enterprise applications (ERP, CRM, HR, analytics, ...)
 - ✓ Compliance initiatives (SOX, PCI, data privacy)
 - ✓ Business units & distributed data centers
 - Minimal performance impact
 - No changes to databases or applications





Topic

- 夯應用在主機的特性及優勢
- 大型主機的夯應用在台灣
- Stay Ahead ，先馳得點 的主機應用服務





zNALC – 優惠計價方案

System z New Application License Charges (zNALC) for z/OS

- **Attractive pricing** for z/OS operating system for **qualified new workloads** on the System z platform
- Customers looking to add new applications to System z as well as existing NALC and z/OS.e customers will be interested in zNALC.

zNALC provides:

- Single Qualified New Workload pricing metric across System z product line
- LPAR-level granularity
 - Sub-capacity announced and supported – no need for full machine dedicated to new workload
- zNALC ‘Qualified New Workload’ Criteria replaces NALC Fixed Application List
 - A wider choice of workloads
- Improved z/OS pricing
 - Incremental Price/Performance improvements including Parallel Sysplex® Aggregation
- No separate z/OS product or product number



zNALC – 更多符合 New Workload 應用



- zNALC can provide more choice of qualifying applications*
- zNALC provides a definition of Qualified Applications:
 - Qualifies a range of commercially available UNIX and Microsoft Windows applications
 - Qualifies a range of enterprise application data serving workloads
 - Qualifies a range of **Java™ language business applications** running under **WebSphere Application Server** and **CICS Transaction Server**
 - See the zNALC announcement letter for terms, conditions, and details
- NALC was applicable only to a short list of select applications
- z/OS.e disables or disallows certain products, applications, and workloads

* zNALC is available only on LPARs dedicated to a qualified new workload application. In general, qualified applications are those that IBM considers 'new workload', such as Java language business applications running under WebSphere Application Server, Lotus® Domino™, SAP, PeopleSoft, and Siebel among others.





CICS TS Value Unit Edition – 僅適用於新的 Java 應用及服務

超值優惠 - 回應客戶對於軟體計價的要求

新的 Java 應用*

使用最新的 64-bit, Java 7, multithreaded JVMSERVER 架構, 提供高可擴充性。

快速提供服務*

使用最新的 CICS Java 支援功能, 快速的整合現有的 CICS 應用, 提供現代化的服務

協同現有應用作業

不需提昇現有後台作業系統, 即可使用 CICS TS V5.1 提供的新功能, 開發新的應用服務

CICS TS V5 VUE (OTC)

CICS liberty profile 提供新的現代化網頁作業*

IBM Business Rules for z/OS 提供新的動態開發模型*

zNALC LPAR (特別計價 z/OS)

DPL

CICS TS V5, V4 or V3 (MLC)

現有 CICS COBOL, PL1, C/C++, ASM 核心應用系統

一般 LPAR (正常計價 z/OS)



CICS Transaction Service V5.1 Web Container

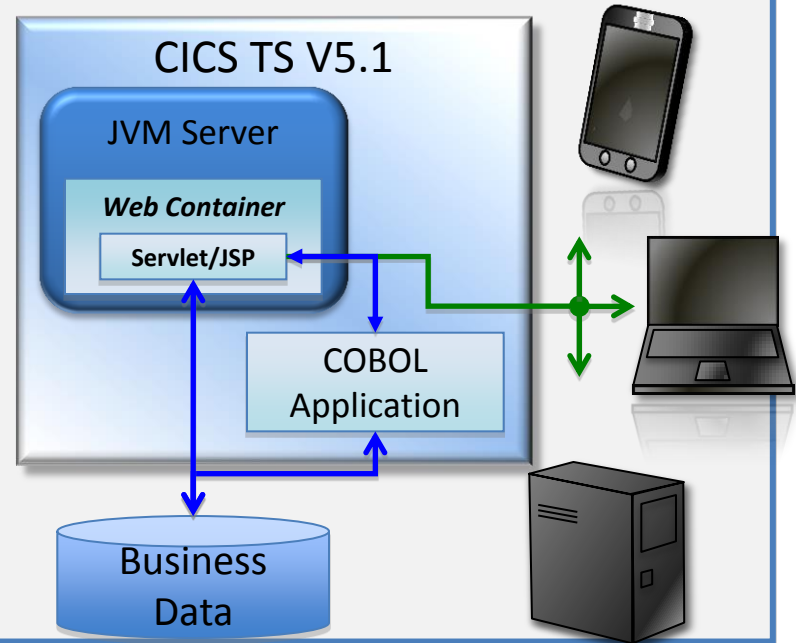


Build rich web experiences for critical applications

The web container enables...

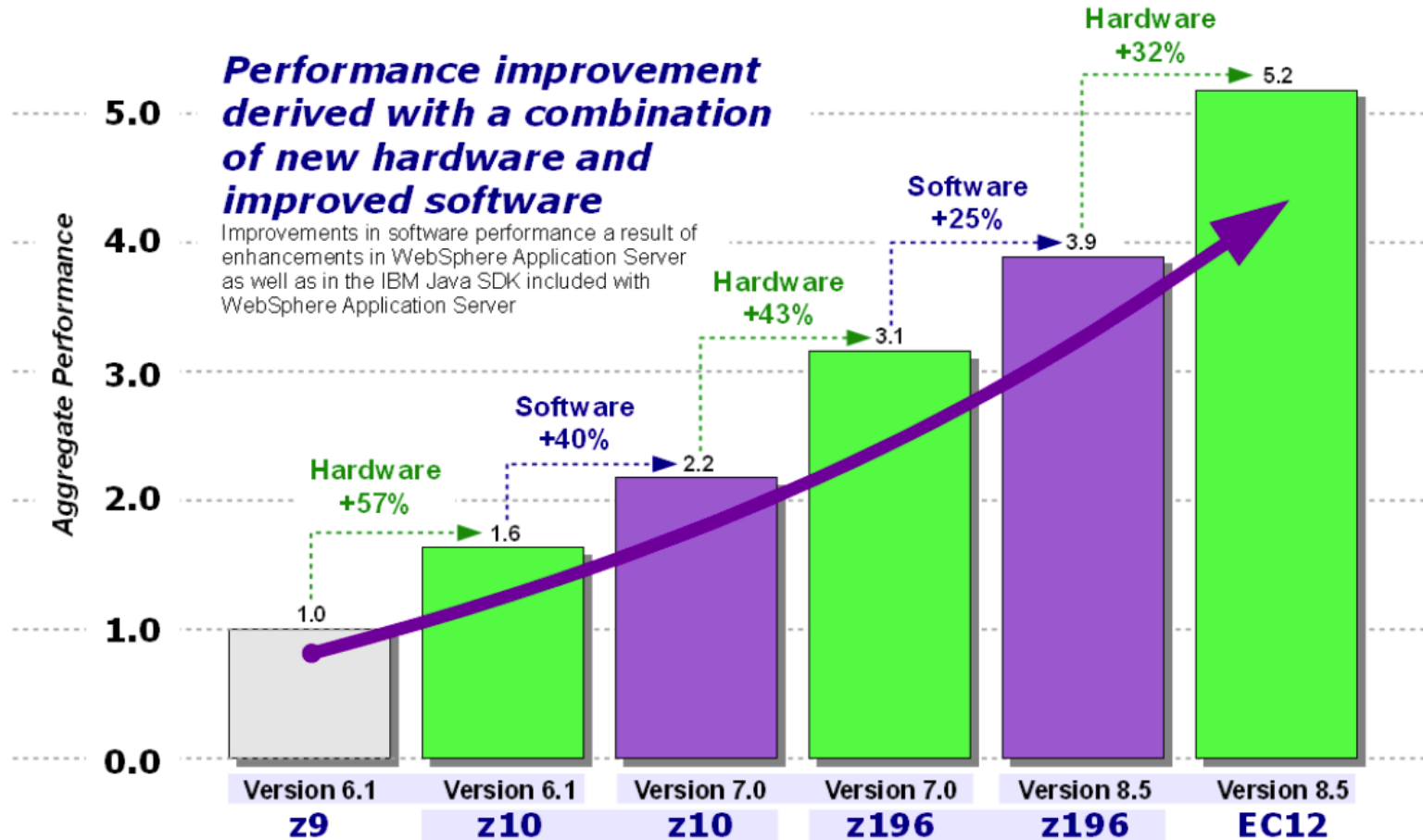
- A **production-ready web container** with CICS qualities of service
- Deployment of lightweight **Java servlets** and **Java Server Pages (JSP)**
- Improved performance through local access to CICS applications and data
- Rapid roll-out of interface updates through OSGi-packaged deployments
- Full integration with first-class applications and platforms
- Technology built on the WebSphere Application Server **Liberty profile** for compatibility

The best connector is no connector!



主機Java的效能

IBM持續的創新承諾，大幅提昇主機Java的運行效率



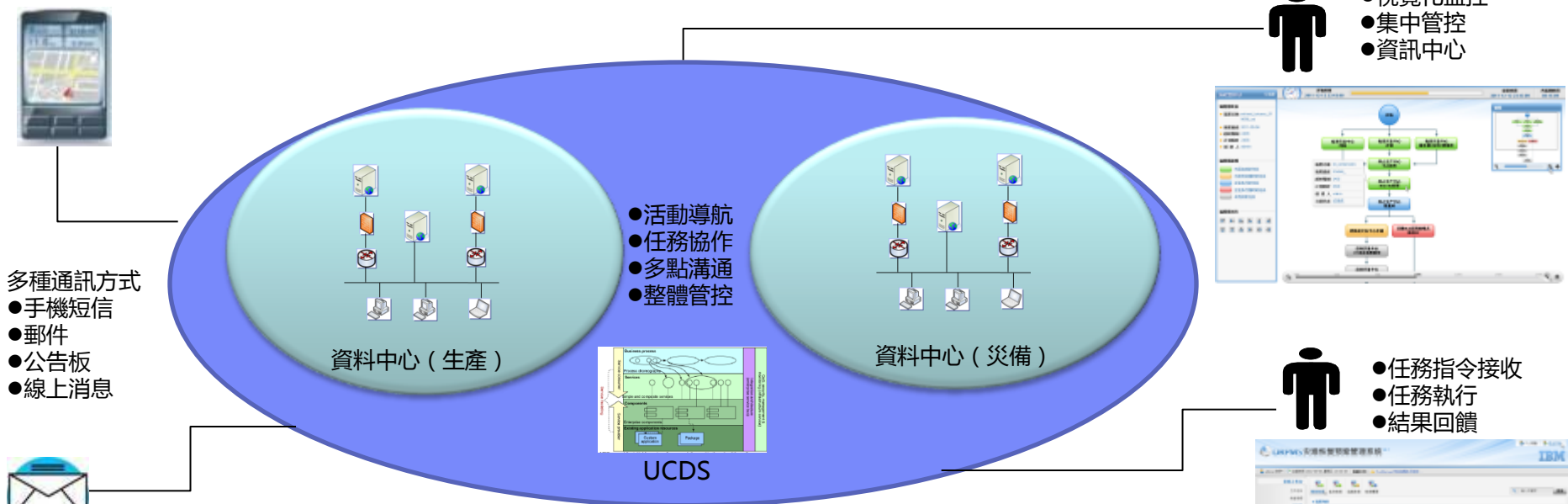
Performance measurement conducted in a controlled environment under specific conditions. Your results may vary based on many factors that influence overall system performance. Results here are not a promise of similar results. Results here are for traditional WebSphere Application Server z/OS and not the new Liberty Profile server. Test measured maximum achievable throughput transactions per second with overall CPU held near 100%. Version 8 not shown here because Version 8 and Version 8.5 are roughly equivalent in performance profile. Workload based on "DayTrader" benchmark sample. Details on the DayTrader application may be found at this URL: <https://cwiki.apache.org/GMOxDOC20/daytrader.html>





UCDS 災備統一智能指揮平台

UCDS整體功能描述



- 多種通訊方式
- 手機短信
 - 郵件
 - 公告板
 - 線上消息

- 視覺化監控
- 集中管控
- 資訊中心

- 任務指令接收
- 任務執行
- 結果回饋

- 視覺化管控視圖，為領導決策提供服務
- 通過自動化手段實現任務協作
- 統一的多形式溝通平臺
- 對組織、人員、流程等進行管理與版本控制
- 自動生成事件總結報告





CICS TS Feature Pack for Mobile Extensions

Mobile extensions – simplified integration with mobile devices

Scalable platform

CICS TS V5.1's advanced scalability makes it the ideal platform for managing mobile workloads

Service enablement

COBOL, C/C++, PL/I and Java programs can be RESTful service providers

Agile integration

JSON data and RESTful interface makes integration with mobile devices simple and efficient

Available on CICS TS V4.2 & V5.1

Via Worklight Server

Worklight Server



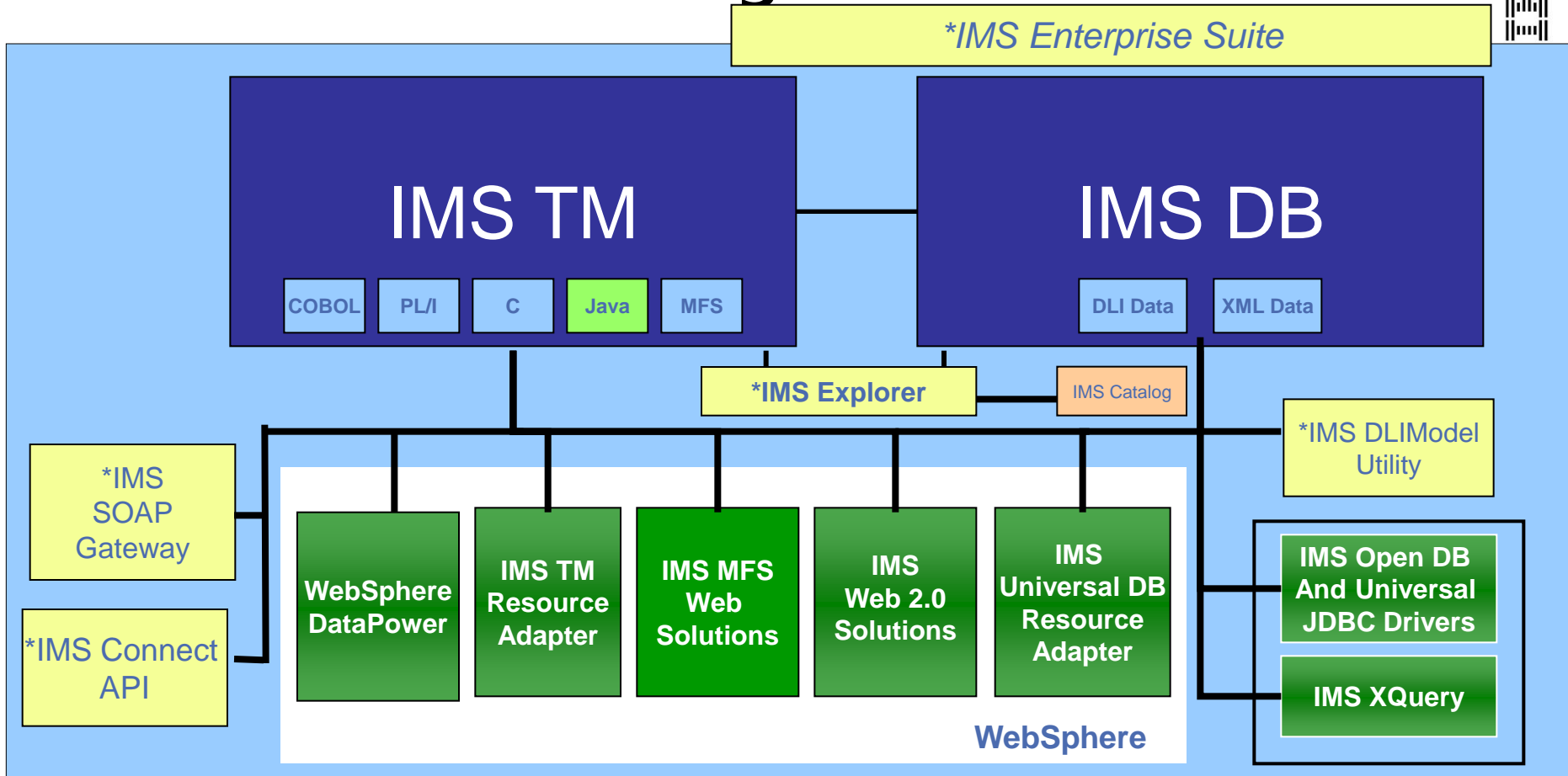
COBOL, PL/I, C/C++, and Java Services

Direct to CICS





IMS SOA Integration Suite



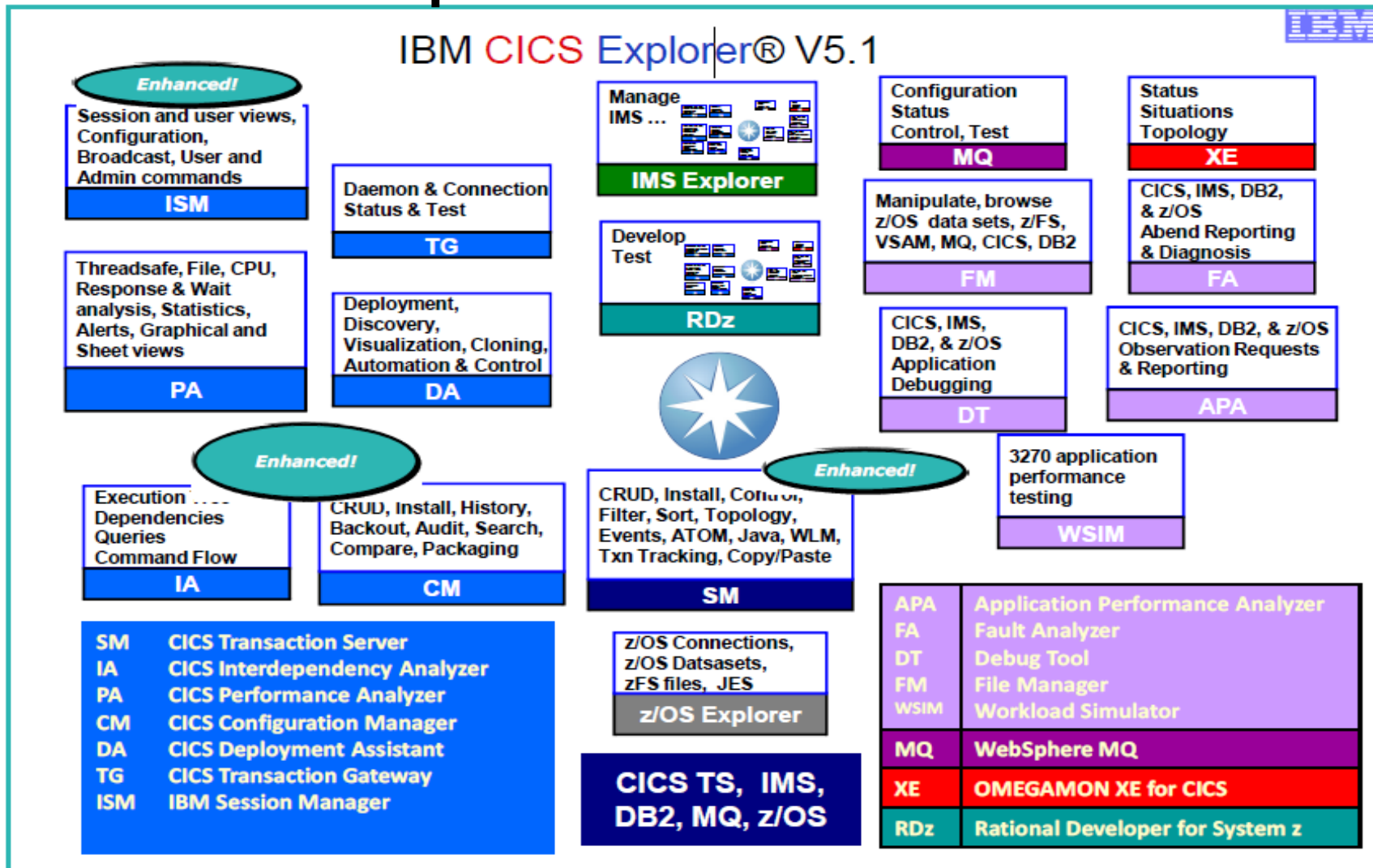
Service Oriented Architecture (SOA)

Web Services, SOAP, XML, Java, SCA/SDO, XQuery, Web 2.0





IBM Explorer for z/OS Tools





© Copyright IBM Corporation 2012. All rights reserved. The information contained in these materials is provided for informational purposes only, and is provided AS IS without warranty of any kind, express or implied. IBM shall not be responsible for any damages arising out of the use of, or otherwise related to, these materials. Nothing contained in these materials is intended to, nor shall have the effect of, creating any warranties or representations from IBM or its suppliers or licensors, or altering the terms and conditions of the applicable license agreement governing the use of IBM software. References in these materials to IBM products, programs, or services do not imply that they will be available in all countries in which IBM operates. Product release dates and/or capabilities referenced in these materials may change at any time at IBM's sole discretion based on market opportunities or other factors, and are not intended to be a commitment to future product or feature availability in any way. IBM, the IBM logo, Rational, the Rational logo, Telelogic, the Telelogic logo, and other IBM products and services are trademarks of the International Business Machines Corporation, in the United States, other countries or both. Other company, product, or service names may be trademarks or service marks of others.

