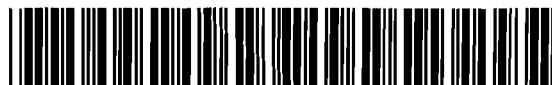


---

# RS-232 Cables Addendum



HP Part No. E2090-90019  
Printed in USA April 1994





**HP Computer Museum**  
**[www.hpmuseum.net](http://www.hpmuseum.net)**

**For research and education purposes only.**

The following four tables list recommended HP RS-232 cables and adapters. Consult your instrument's operating manual for information on which status lines are used for handshaking. Recommended cables and adapters are shown in **boldface** type; the others are listed because they may work better in some applications.

**HP 34401A, 33120A, 53131A to PC or Printer**

<b>Instrument Connector</b>	<b>Computer/Printer Connector</b>	<b>HP Cable Part Number</b>	<b>HP Adapter Part Number</b>	<b>Length</b>
9-pin M	25-pin M	24542H	none	3m (9ft 11in)
		24542U	5181-6641 <sup>1</sup>	3m (9ft 11in)
		<b>F1047-80002<sup>2</sup></b>	<b>5181-6641<sup>2</sup></b>	2.5m (8ft 2.5in)
9-pin M	25-pin F	24542G	none	3m (9ft 11in)
		24542U	5181-6640 <sup>1</sup>	3m (9ft 11in)
		<b>F1047-80002<sup>2</sup></b>	<b>5181-6640<sup>1</sup></b>	2.5m (8ft 2.5in)
9-pin M	9-pin M	24542U	none	3m (9ft 11in)
		24542H & 24542M	none	6m (19ft 10in)
		<b>F1047-80002<sup>2</sup></b>	none	2.5m (8ft 2.5in)

1 One of four adapters in HP 34399A RS-232 Adapter Kit. Kit includes four adapters to go from DB9 Female cable (HP 34398A) to PC/printer DB25 male or female, or to modem DB9 Female or DB25 Female.

2 Part of HP 34398A RS-232 Cable Kit. HP 34398A comes with RS-232, 9-pin female to 9-pin female Null modem/printer cable and one adapter 9-pin male to 25-pin female (HP PN 5181-6641). The adapter is also included in HP 34399A above.



**HP 34401A, 33120A, 53131A to Modem**

<b>Instrument Connector</b>	<b>Computer/Printer Connector</b>	<b>HP Cable Part Number</b>	<b>HP Adapter Part Number</b>	<b>Length</b>
9-pin M	25-pin F	24542M	none	3m (9ft 10in)
		24542U	5181-6642 <sup>1</sup>	3m (9ft 10in)
		<b>F1047-80002<sup>2</sup></b>	<b>5181-6642<sup>1</sup></b>	2.5m (8ft 2.5in)
9-pin M	9-pin F	24542U	5181-6639 <sup>1</sup>	3m (9ft 10in)
		<b>F1047-80002<sup>2</sup></b>	<b>5181-6639<sup>1</sup></b>	2.5m (8ft 2.5in)

1 One of four adapters in HP 34399A RS-232 Adapter Kit. Kit includes four adapters to go from DB9 Female cable (HP 34398A) to PC/printer DB25 male or female, or to modem DB9 Female or DB25 Female.

2 Part of HP 34398A RS-232 Cable Kit. HP 34398A comes with RS-232, 9-pin female to 9-pin female Null modem/printer cable and one adapter 9-pin male to 25-pin female (HP PN 5181-6641). The adapter is also included in HP 34399A above.

**HP 54600 series to Modem**

<b>Instrument Connector</b>	<b>Computer/Printer Connector</b>	<b>HP Cable Part Number</b>	<b>HP Adapter Part Number</b>	<b>Length</b>
25-pin F	25-pin F	24542G	5181-6642 <sup>1</sup>	3m (9ft 10in)
25-pin F	9-pin F	24542G	5181-6639 <sup>1</sup>	3m (9ft 10in)
		<b>24542M</b>	none	3m (9ft 10in)

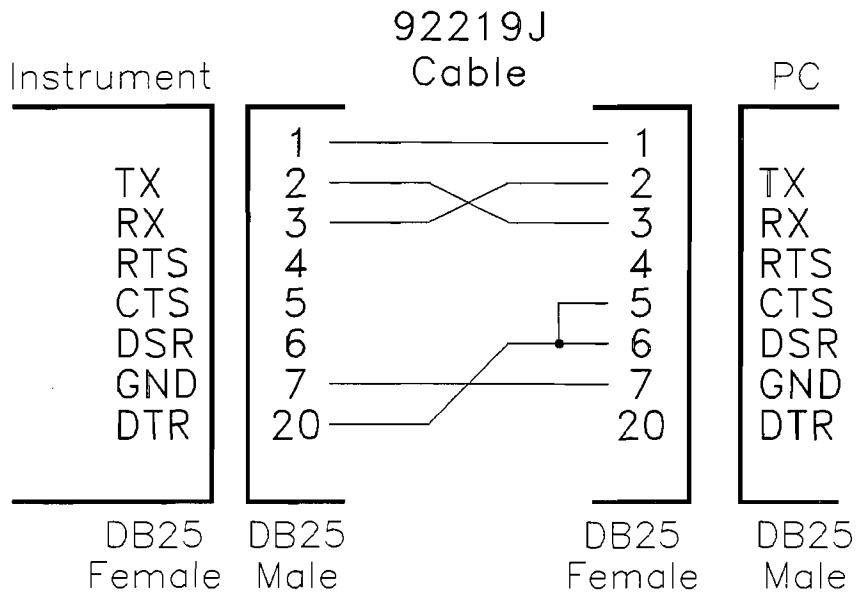
1 One of four adapters in HP 34399A RS-232 Adapter Kit. Kit includes four adapters to go from DB9 Female cable (HP 34398A) to PC/printer DB25 male or female, or to modem DB9 Female or DB25 Female.

**HP 54600 series to PC/Printer**

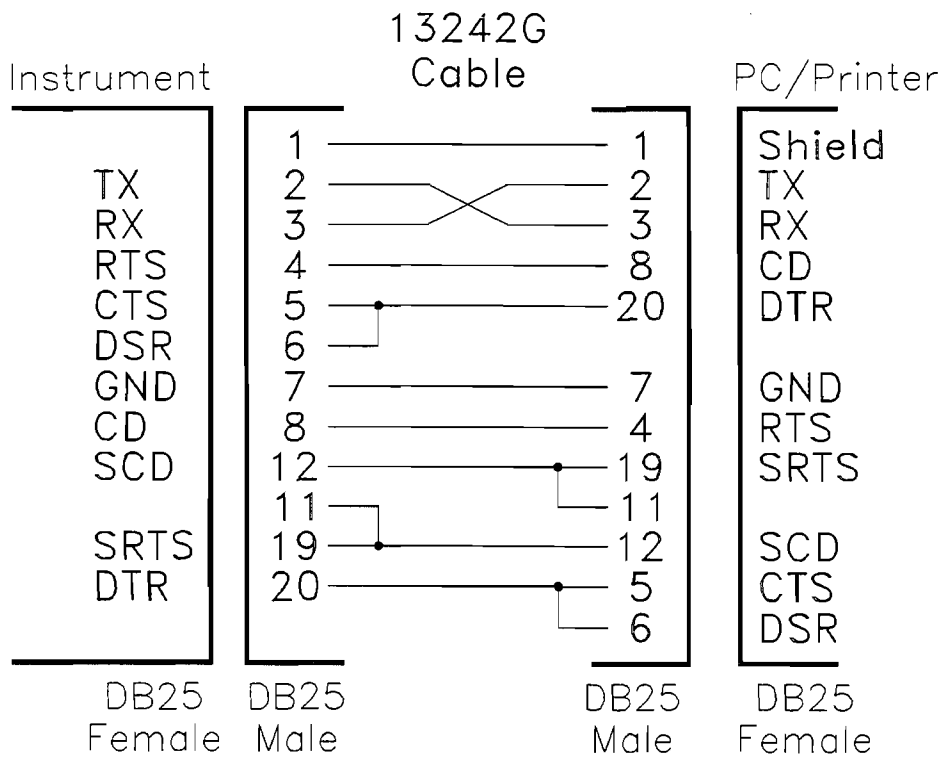
<b>Instrument Connector</b>	<b>Computer/Printer Connector</b>	<b>HP Cable Part Number</b>	<b>HP Adapter Part Number</b>	<b>Length</b>
25-pin F	25-pin M	17255D		1.2m (3.9ft)
		C2913A		1.2m (3.9ft)
		<b>24542G</b>	<b>5181-6641<sup>1</sup></b>	3m (9.9ft)
25-pin F	25-pin F	13242G		5m (16.7ft)
		17255M		1.5m (3.9ft)
		C2914A		1.2m (3.9ft)
		<b>24542G</b>	<b>5181-6640<sup>1</sup></b>	3m (9.9ft)
25-pin F	9-pin M	<b>24542G</b>	none	3m (9.9ft)
		24542U	5181-6640 <sup>1</sup>	3m(9ft 11in)
		F1047-80002 <sup>2</sup>	5181-6640 <sup>1</sup>	2.5m (8ft 2.5in)

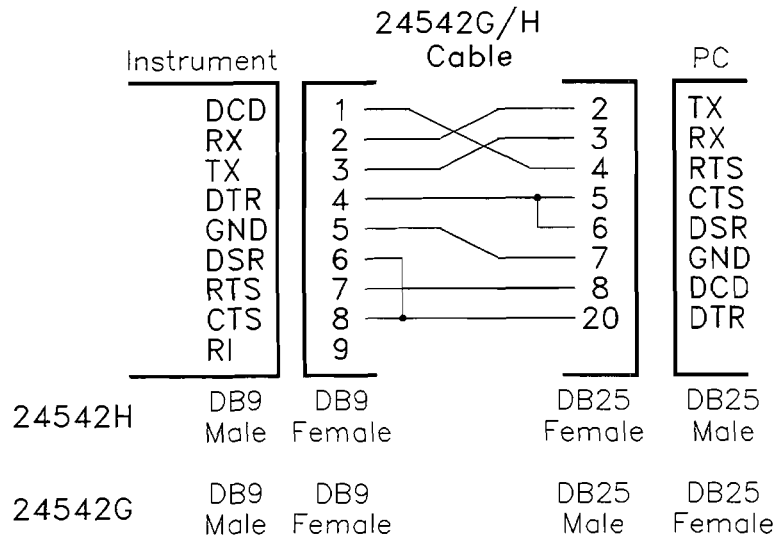
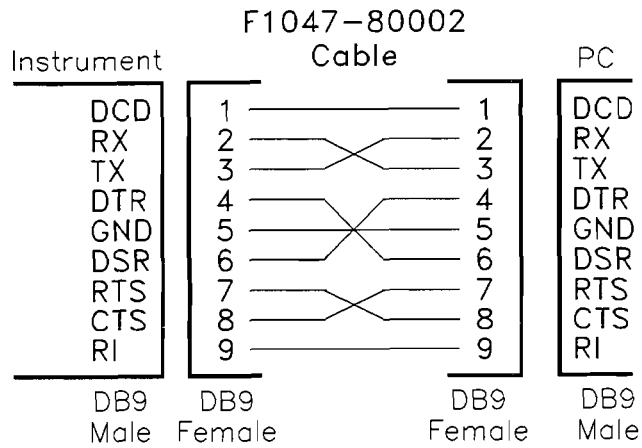
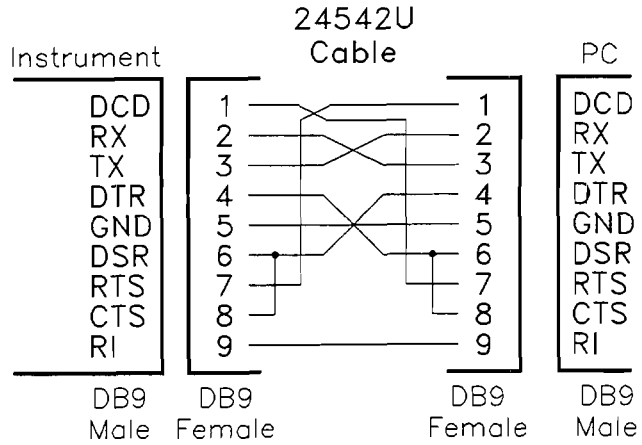
1 One of four adapters in HP 34399A RS-232 Adapter Kit. Kit includes four adapters to go from DB9 Female cable (HP 34398A) to PC/printer DB25 male or female, or to modem DB9 Female or DB25 Female.

2 Part of HP 34398A RS-232 Cable Kit. HP 34398A comes with RS-232, 9-pin female to 9-pin female Null modem/printer cable and one adapter 9-pin male to 25-pin female (HP PN 5181-6641). The adapter is also included in HP 34399A above.



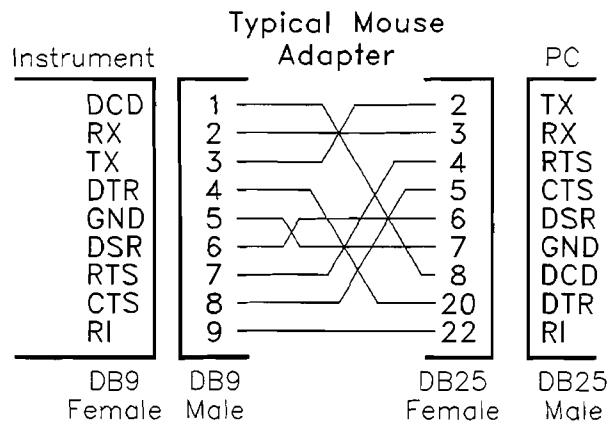
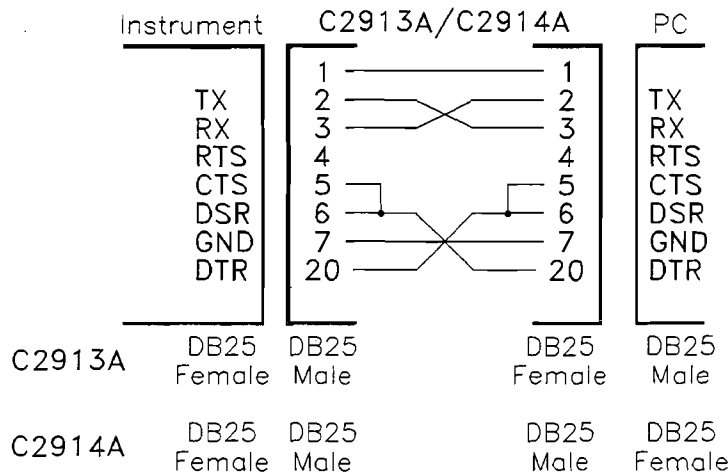
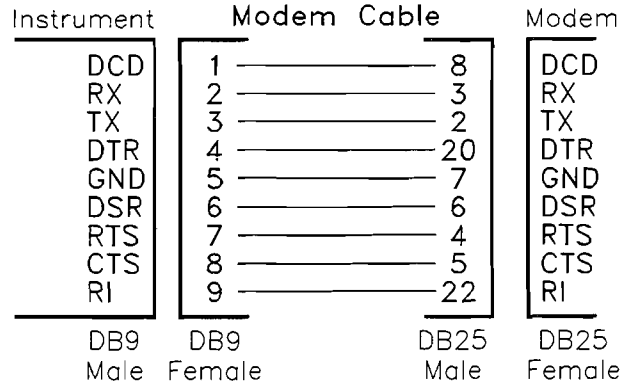
Note: The 92219J is directional. This cable may work differently when swapped end to end.







### 24542M



A mouse adapter works well as a 9 pin to 25 pin adapter with a PC.

