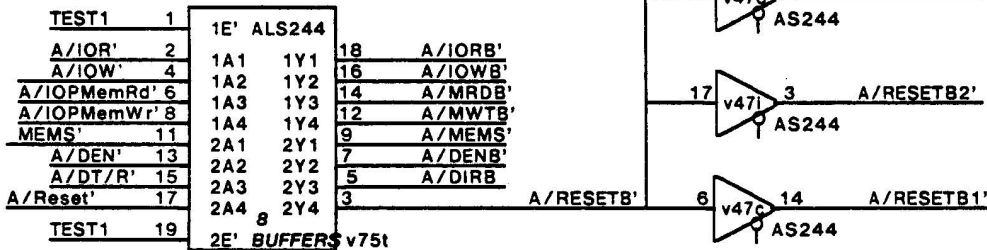
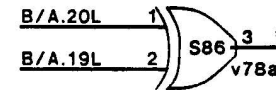
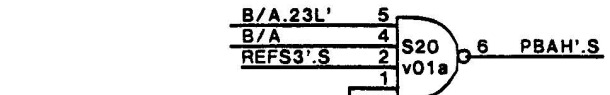
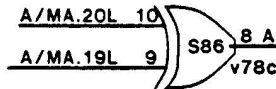
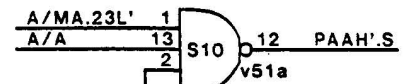
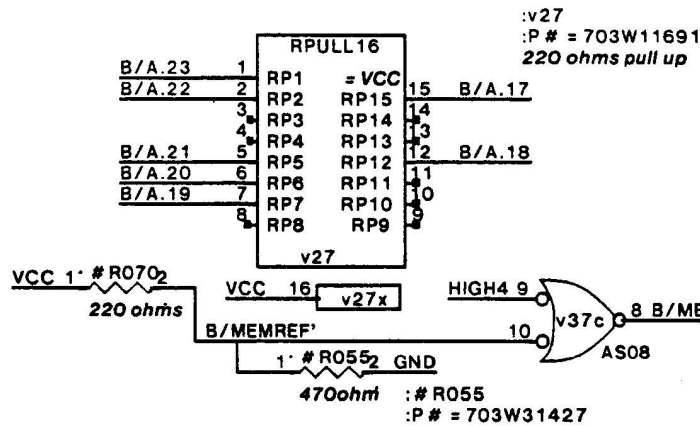
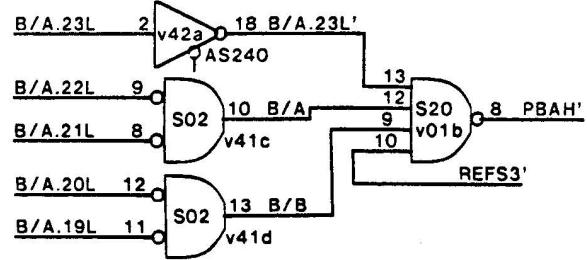
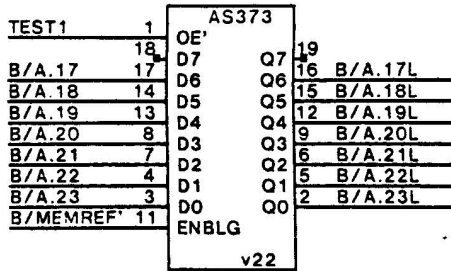
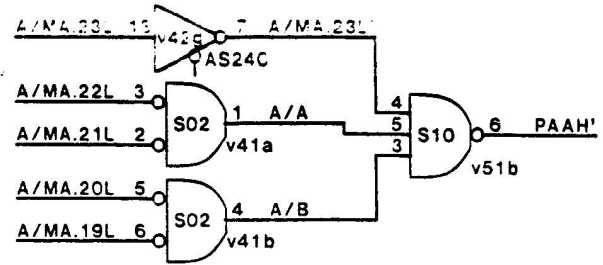
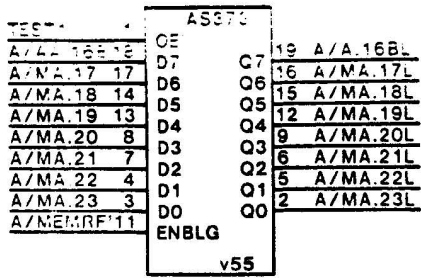
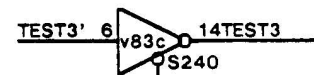
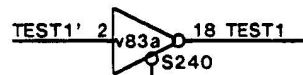
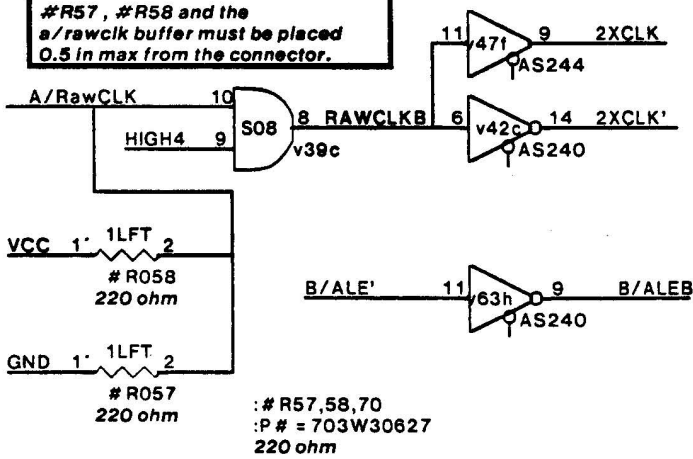
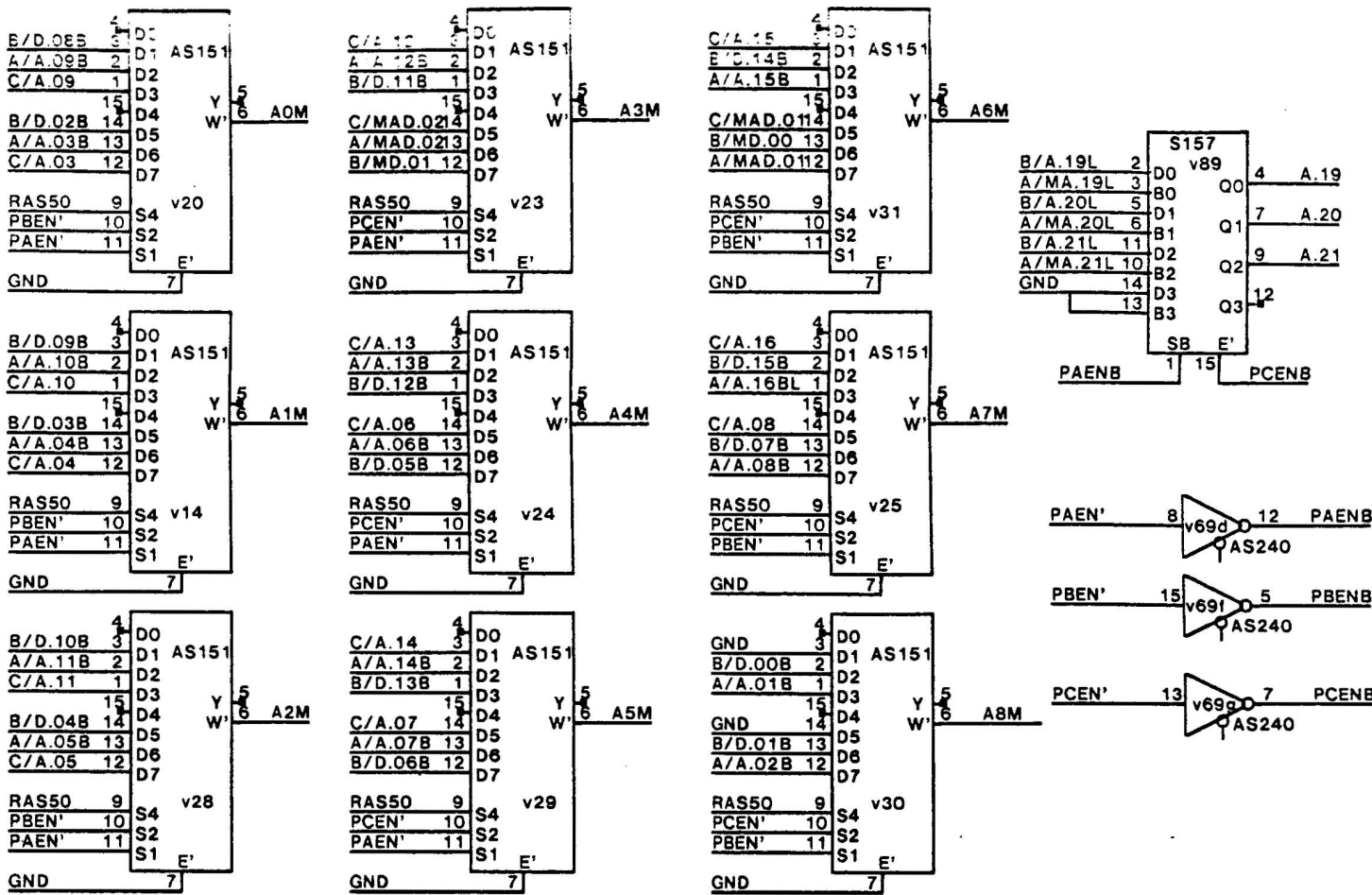


DCM Board with Standard Cell DDC

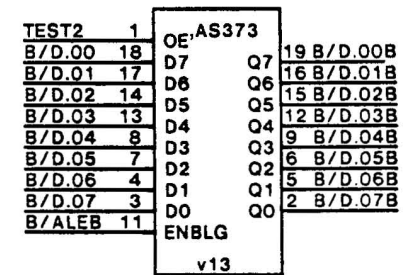
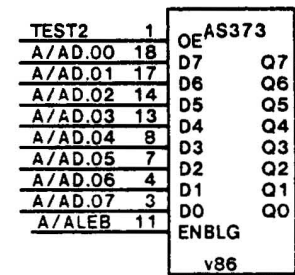
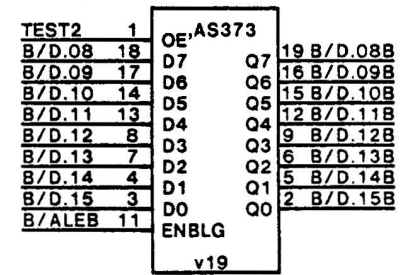
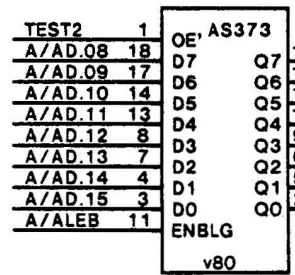
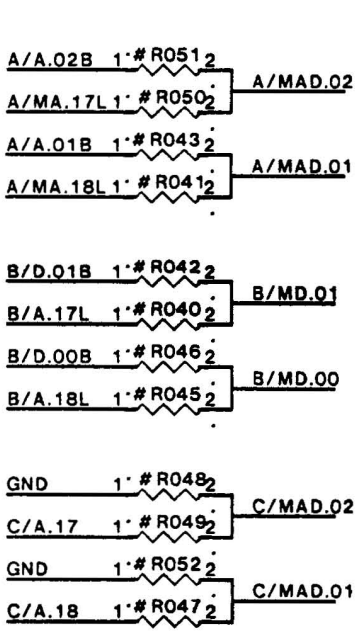


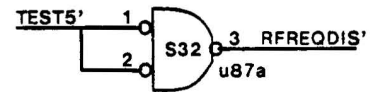
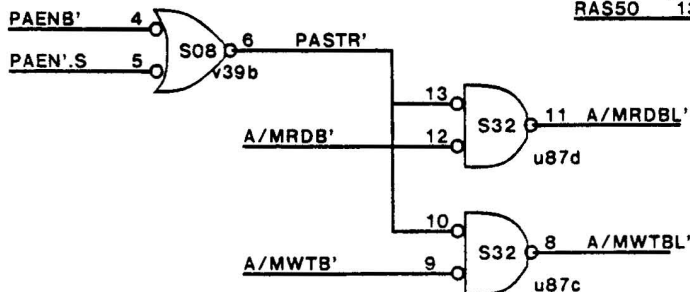
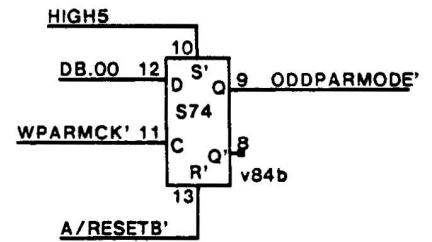
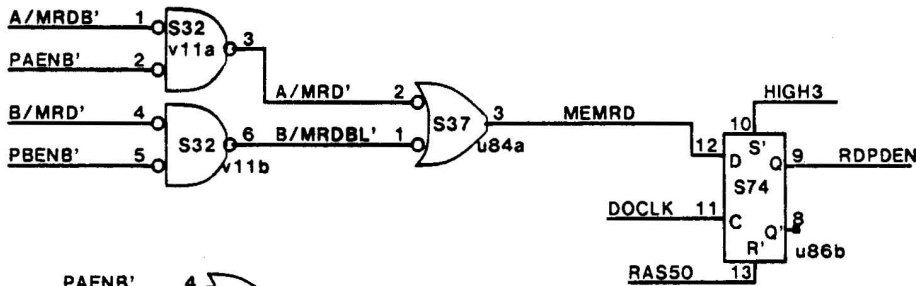
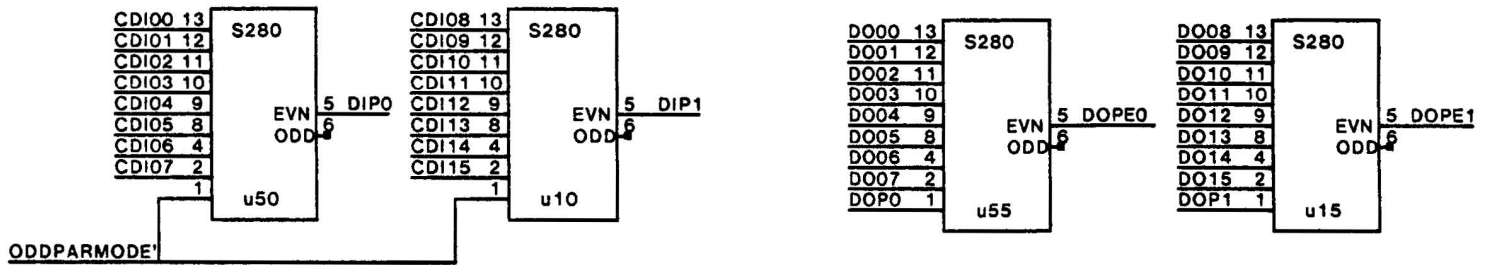
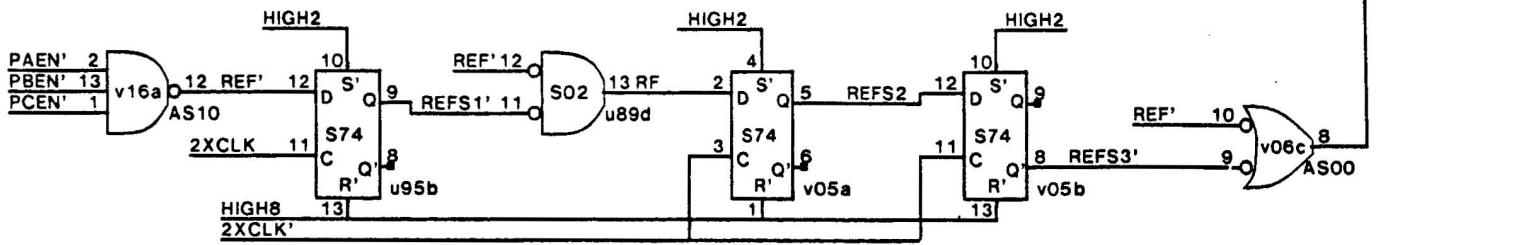
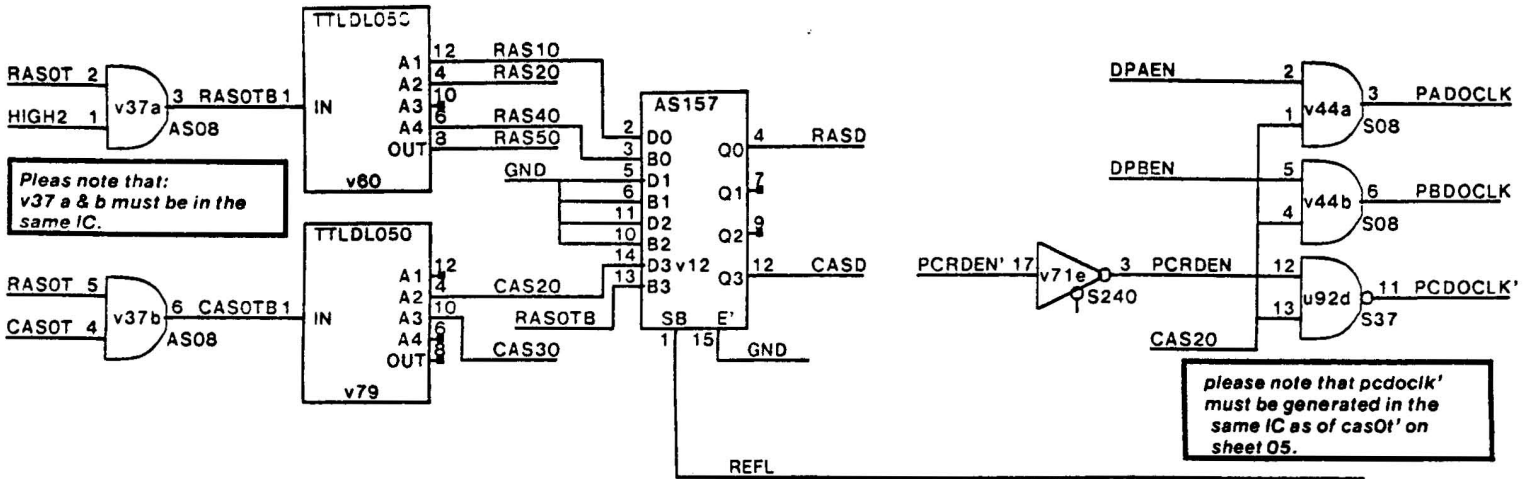
#R57, #R58 and the a/rawclk buffer must be placed 0.5 in max from the connector.

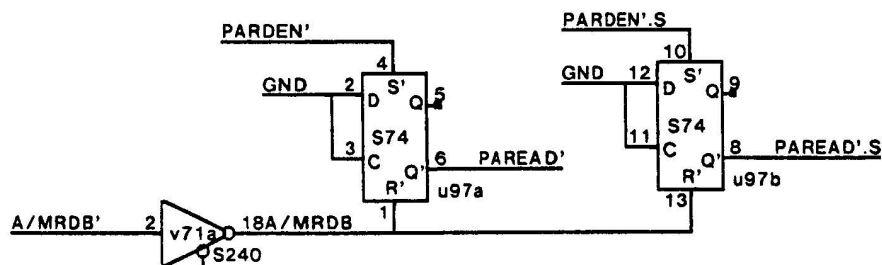
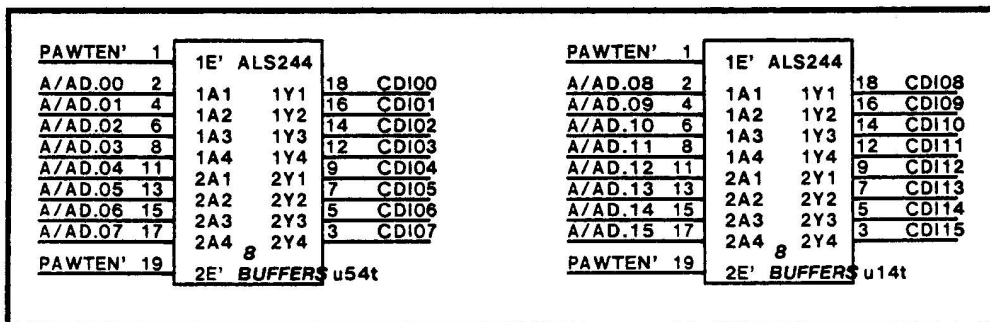
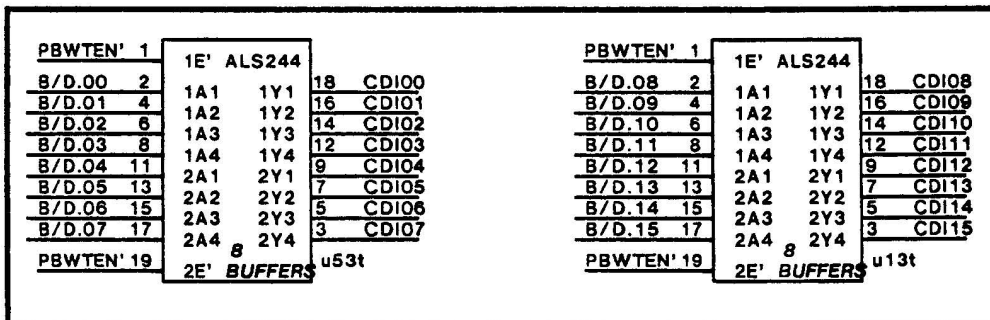
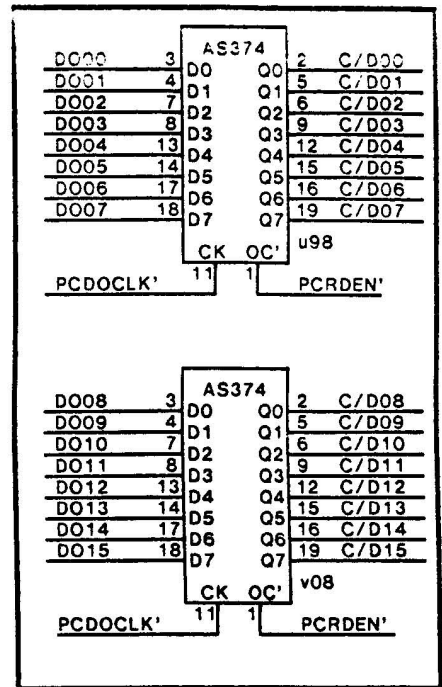
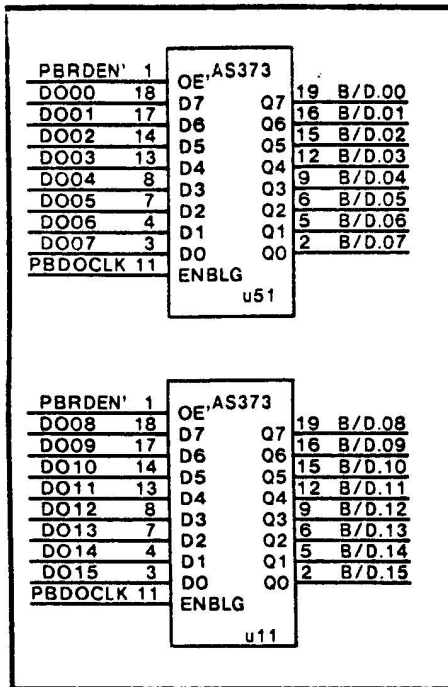
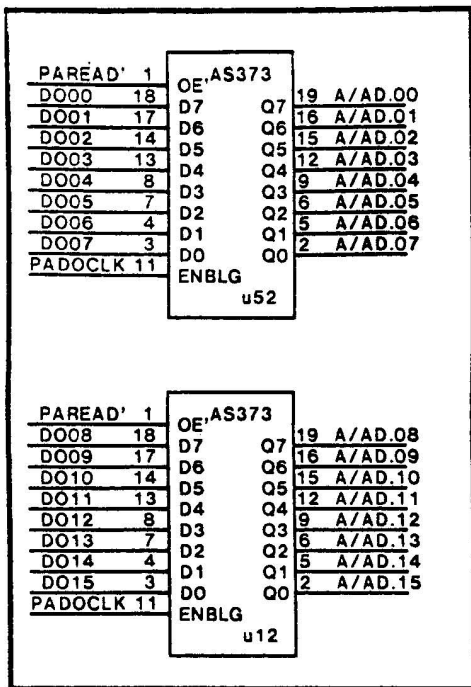




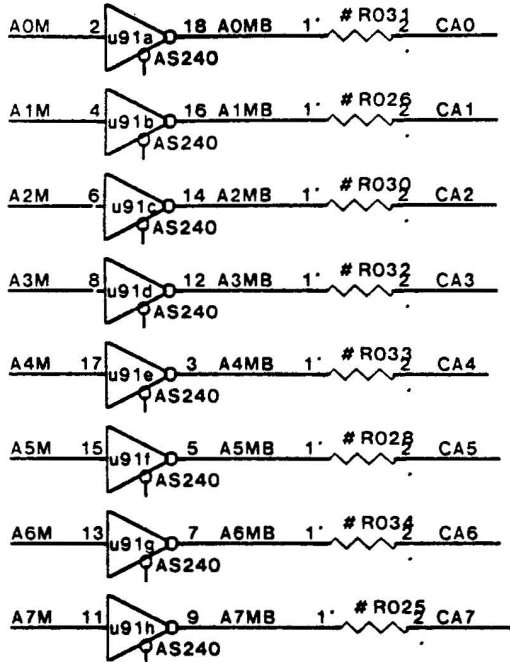
:# R40-43,45-52
 :P # = 103P10005
 O OHMS



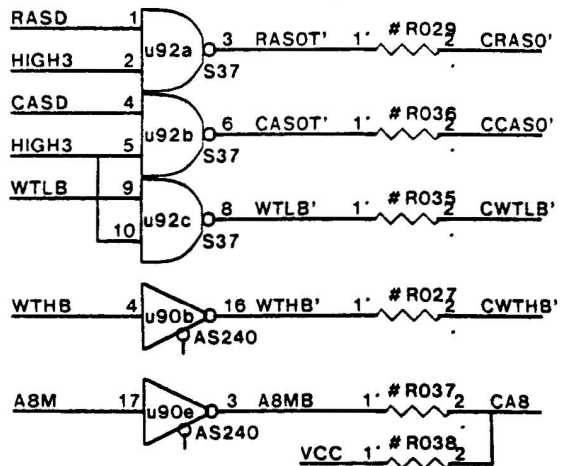




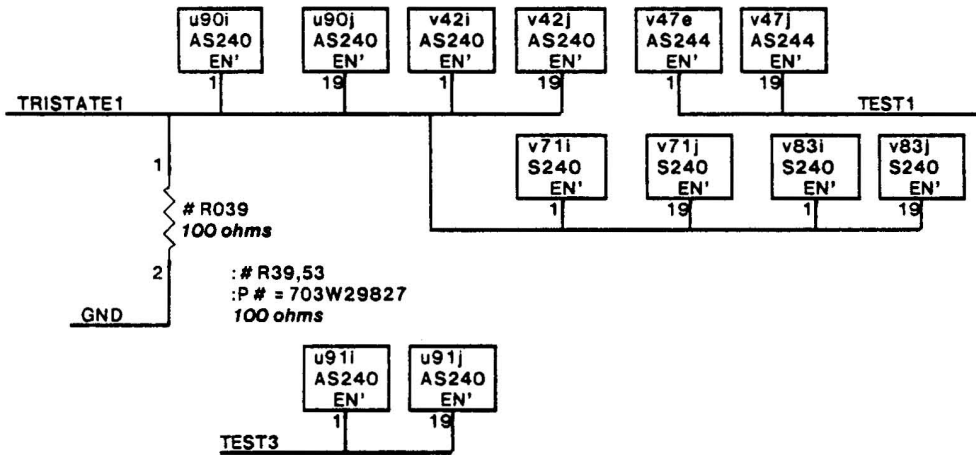
ras0', cas0' and pdcclk' on sheet 03 must be kept in the same IC.



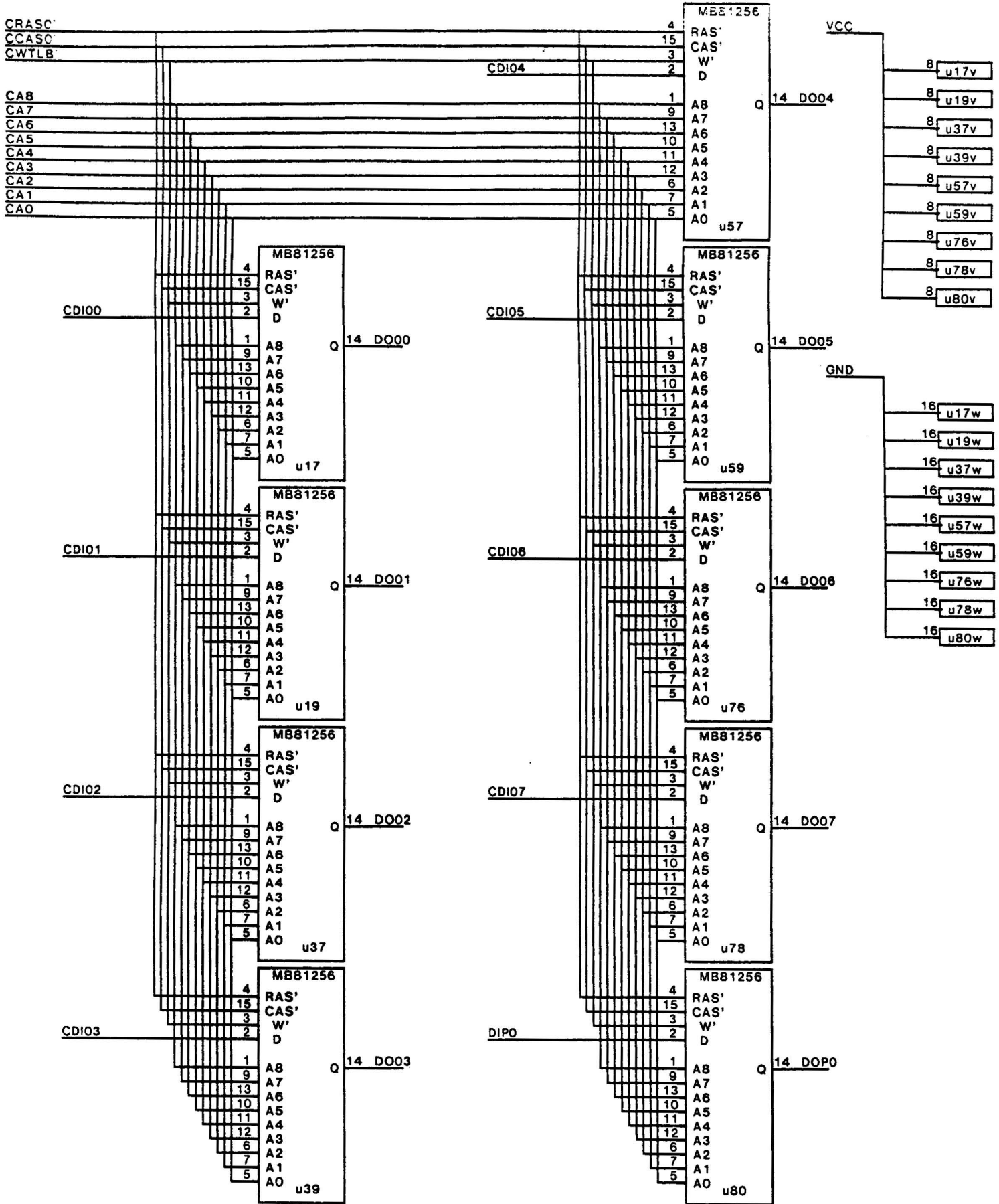
:# R25-28,30-35.37 :# R29,36
 :P # = 703W28727 :P # = 703W27827
 36 ohms 15 OHMS

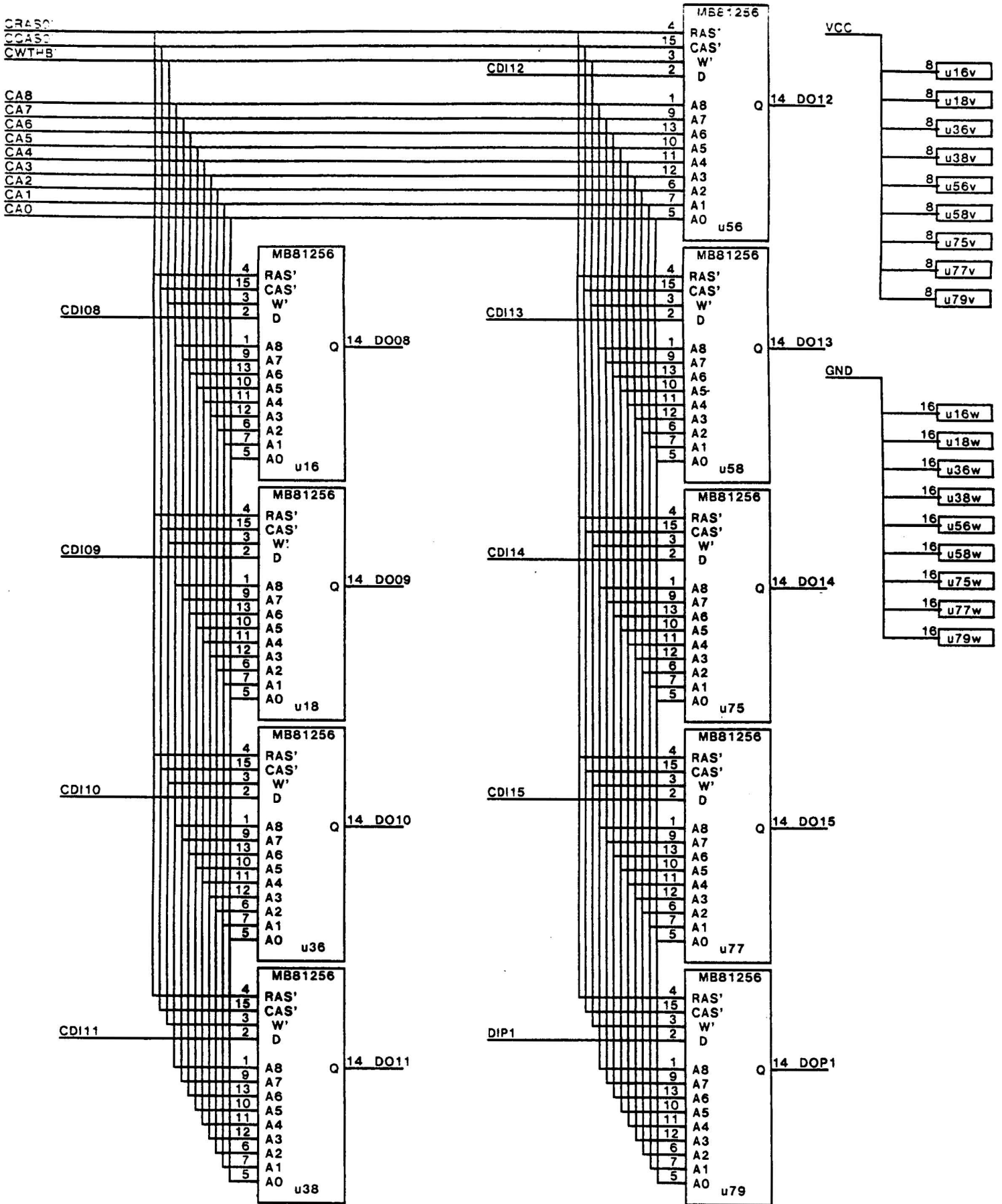


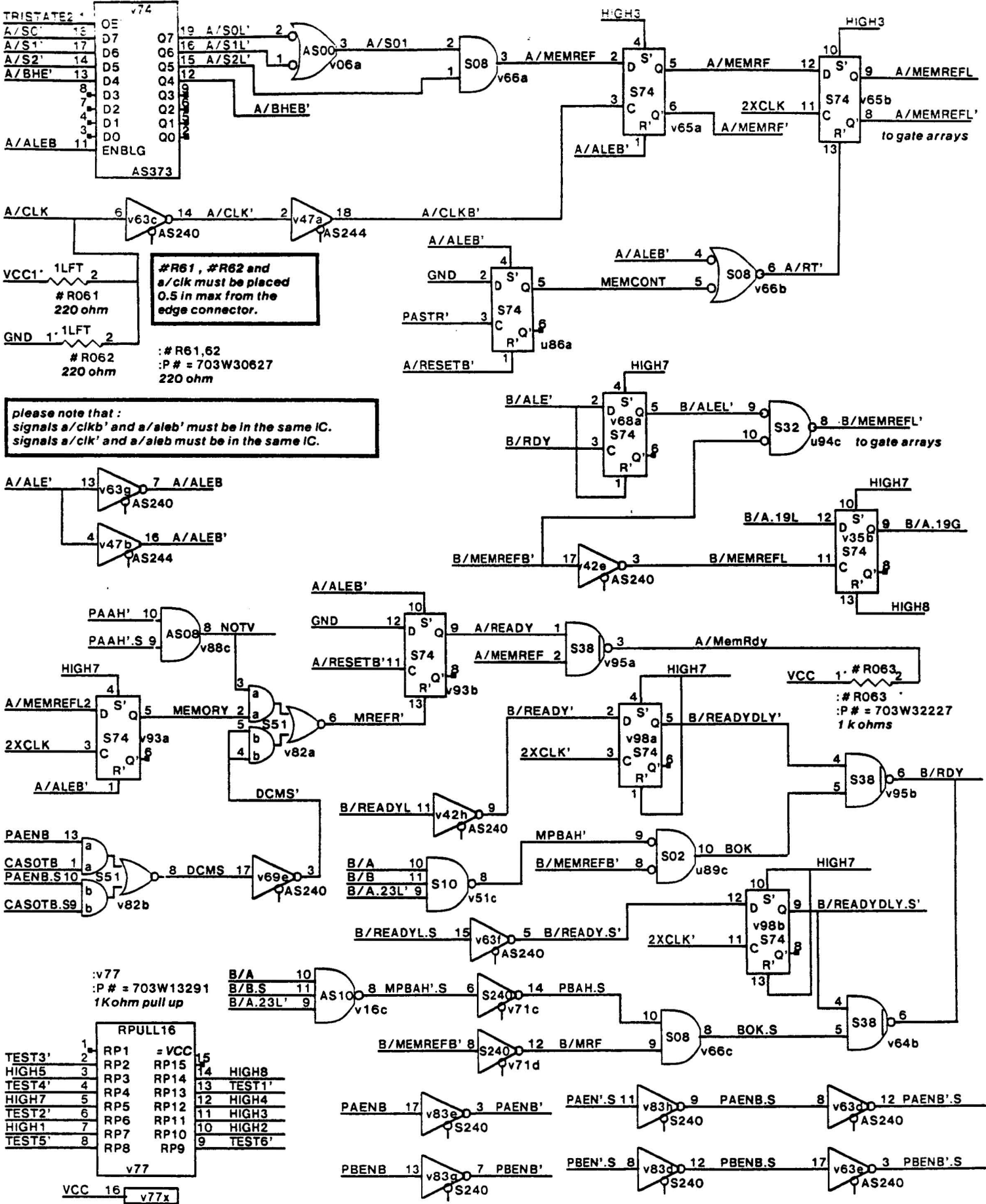
:# R38
 :P # = 703W32227
 1 K OHMS

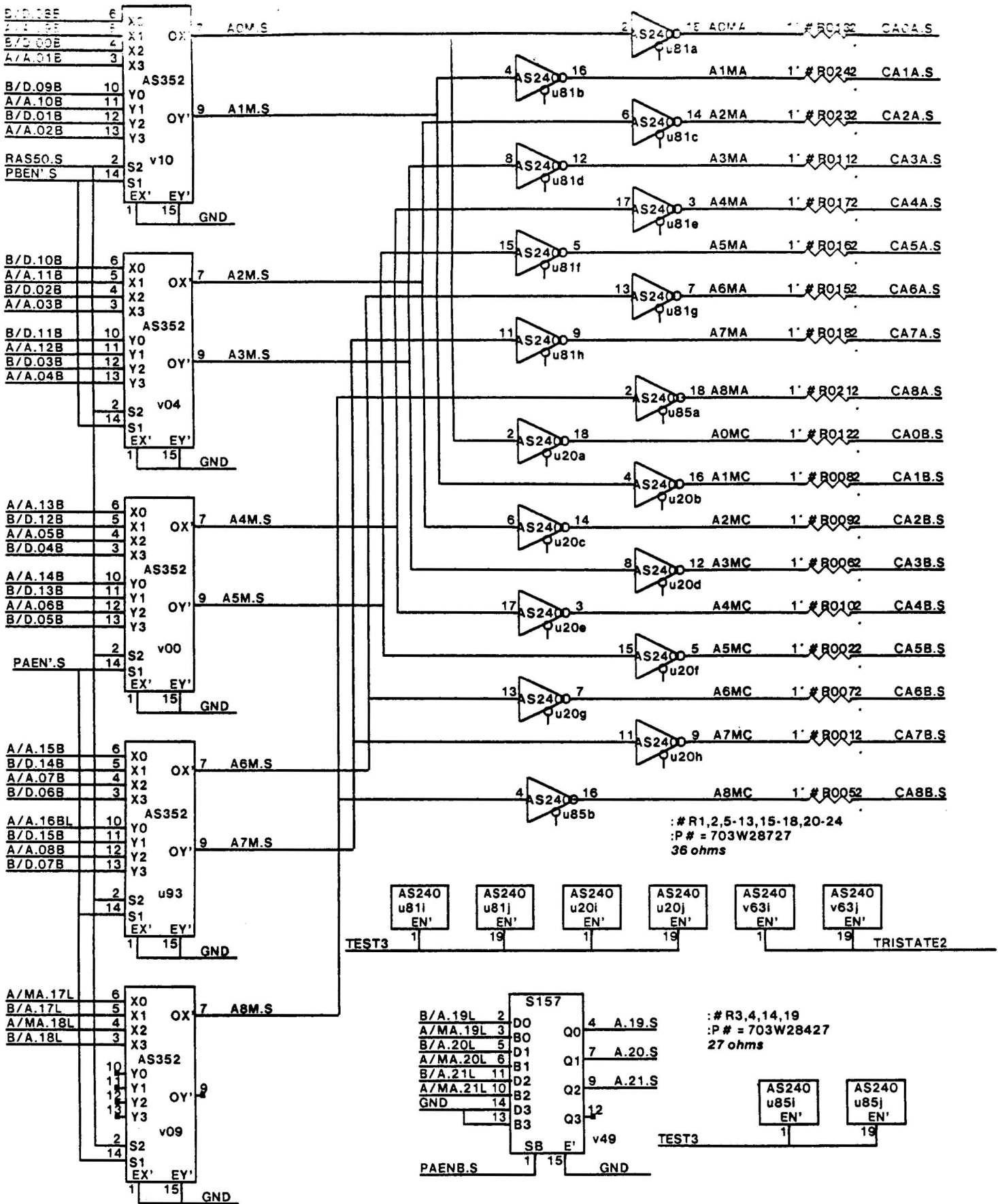


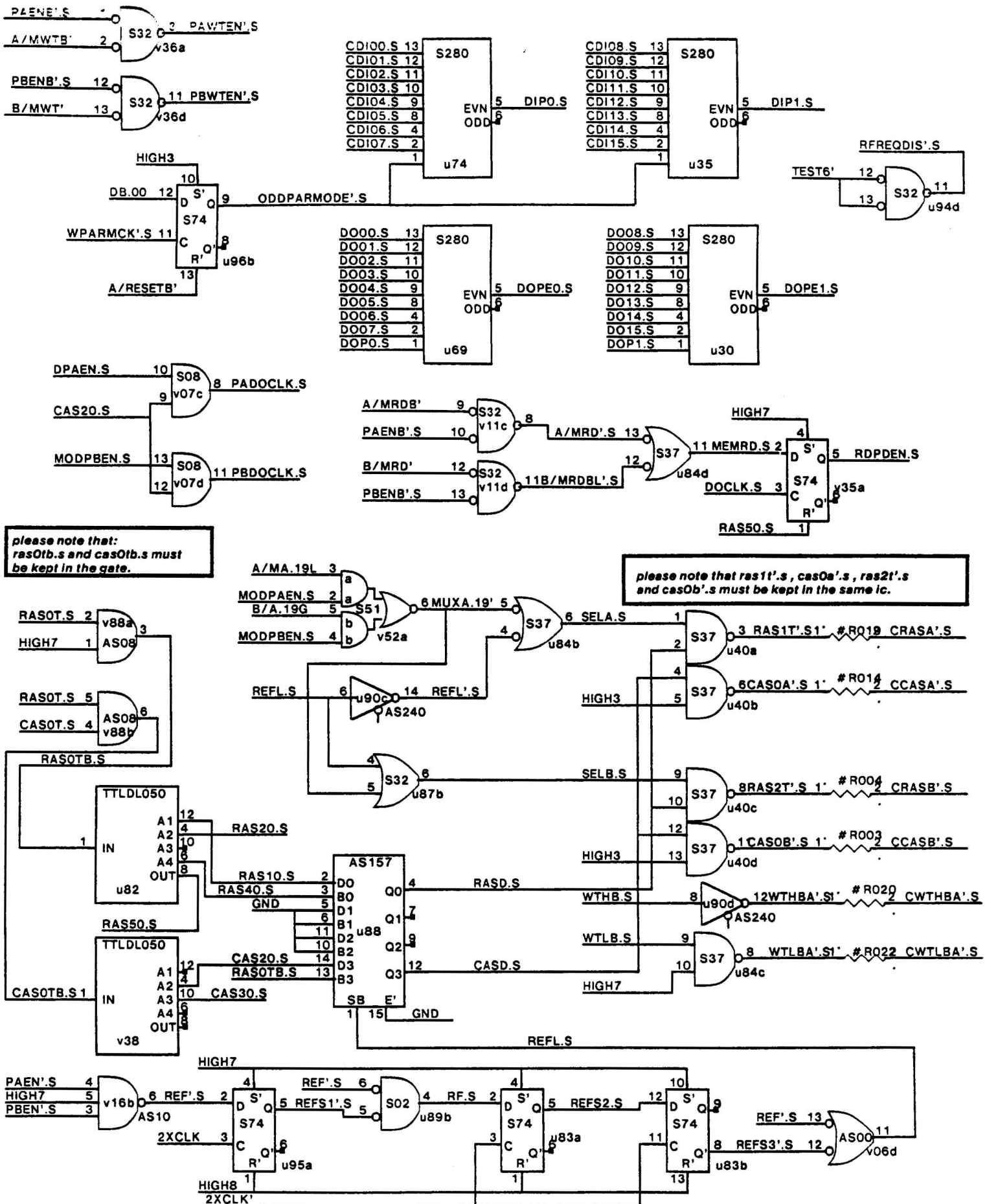
:# R39,53
 :P # = 703W29827
 100 ohms

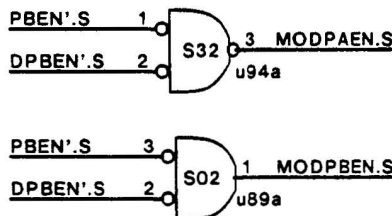
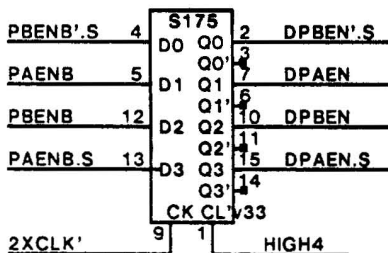
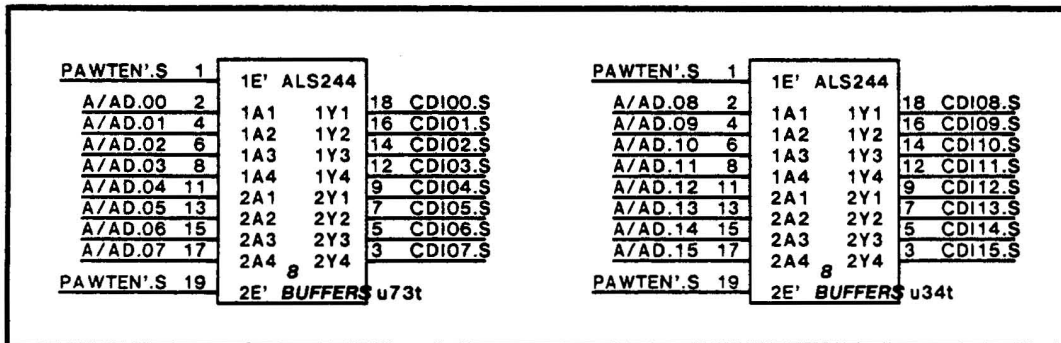
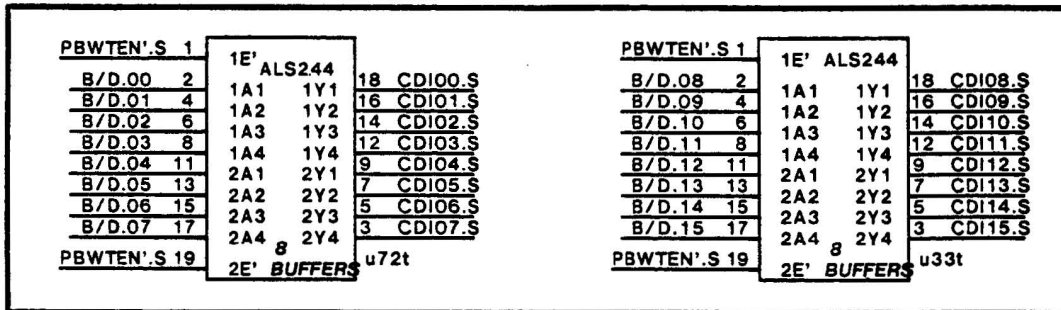
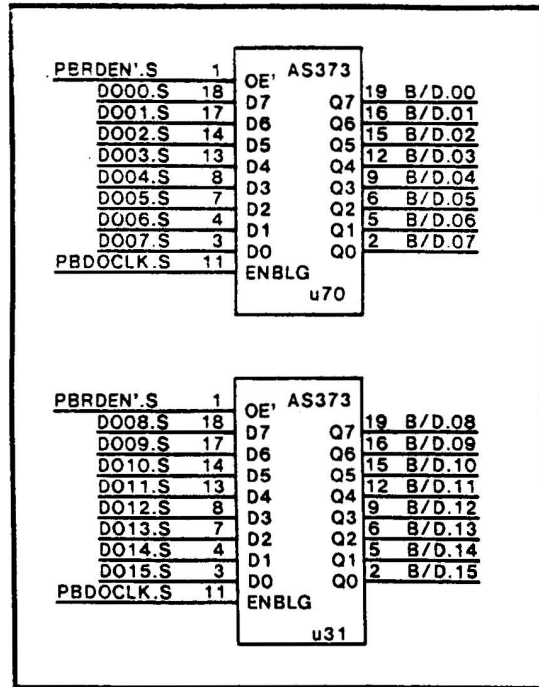
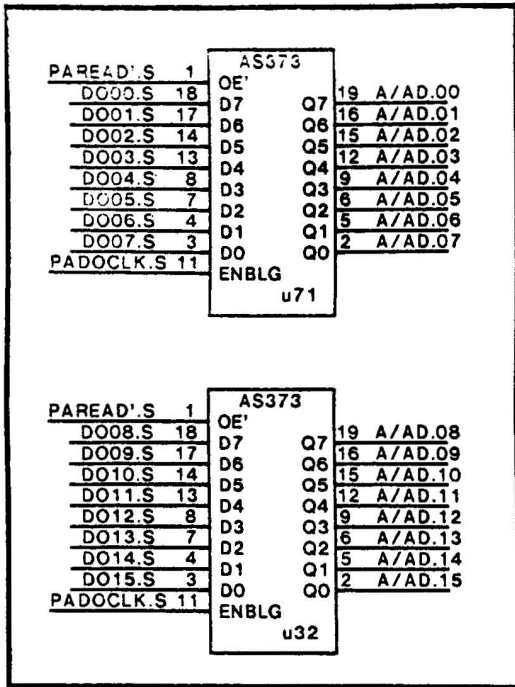


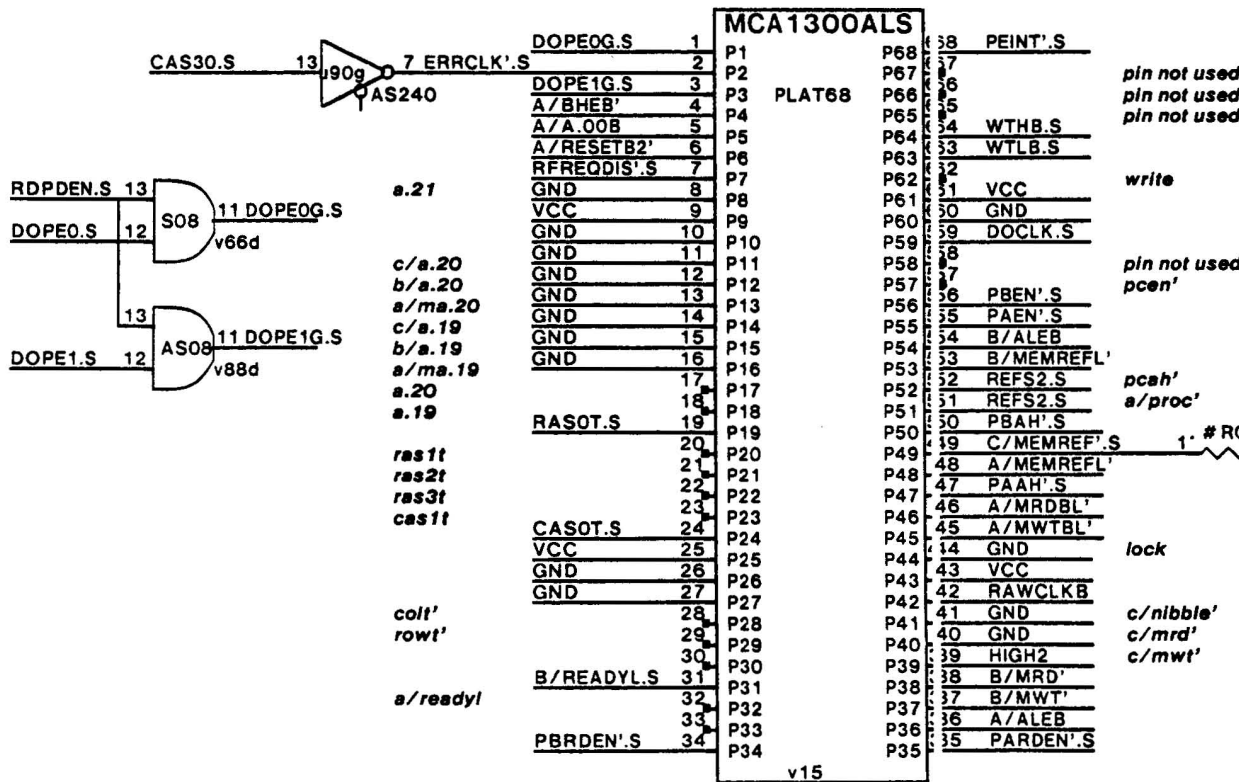
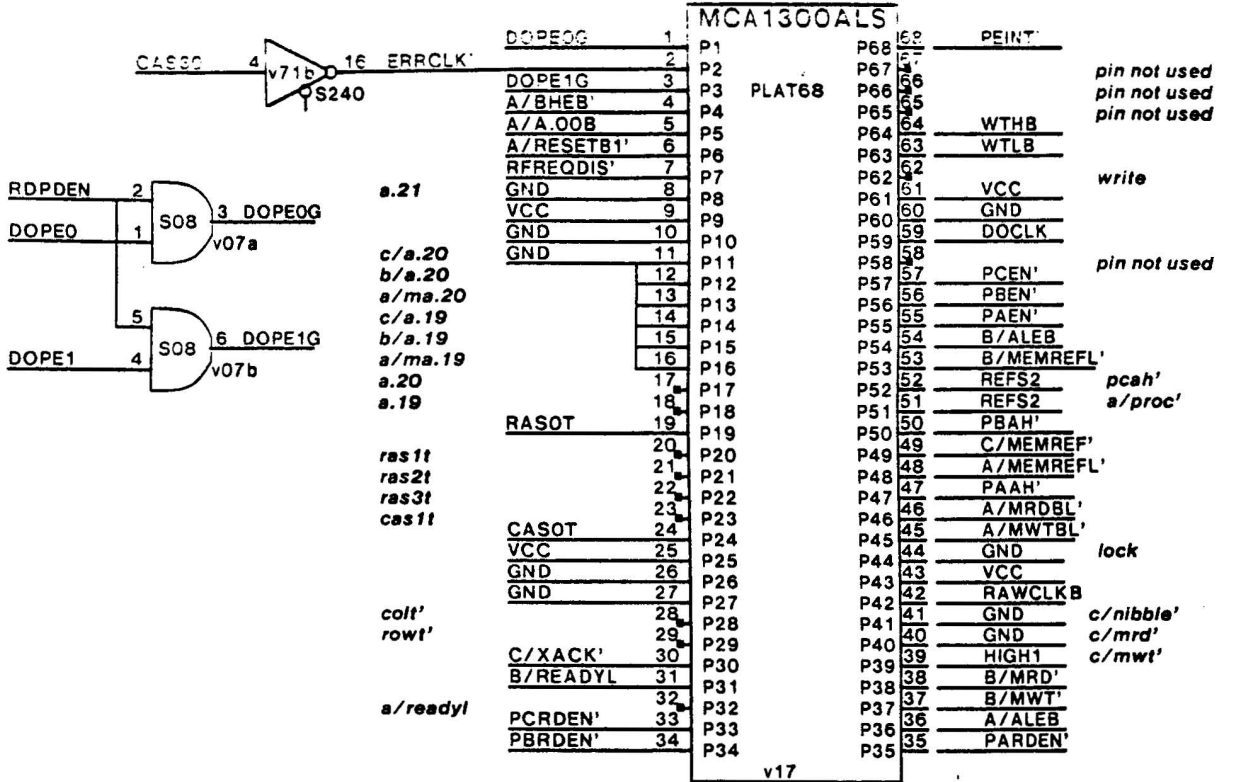


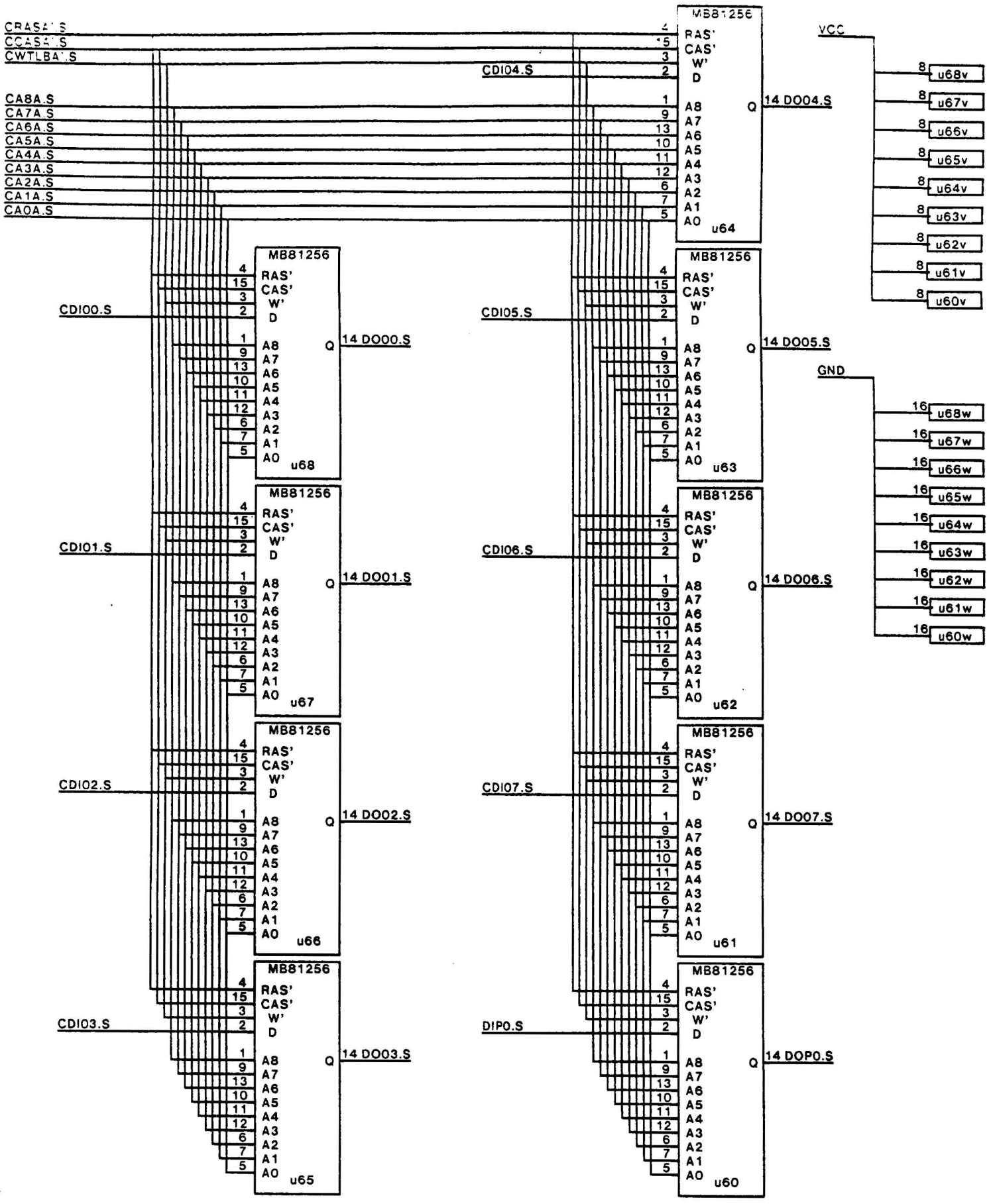


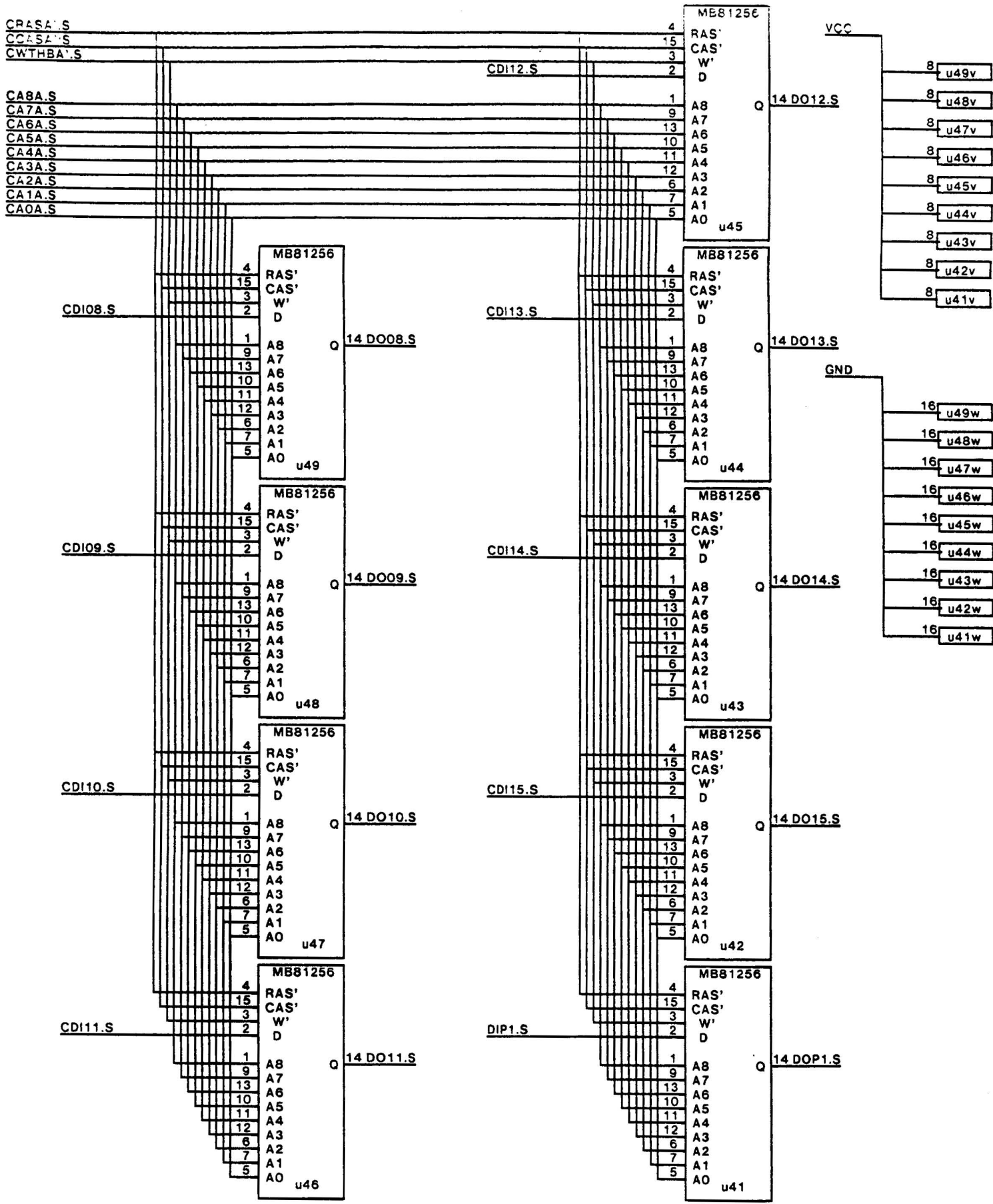


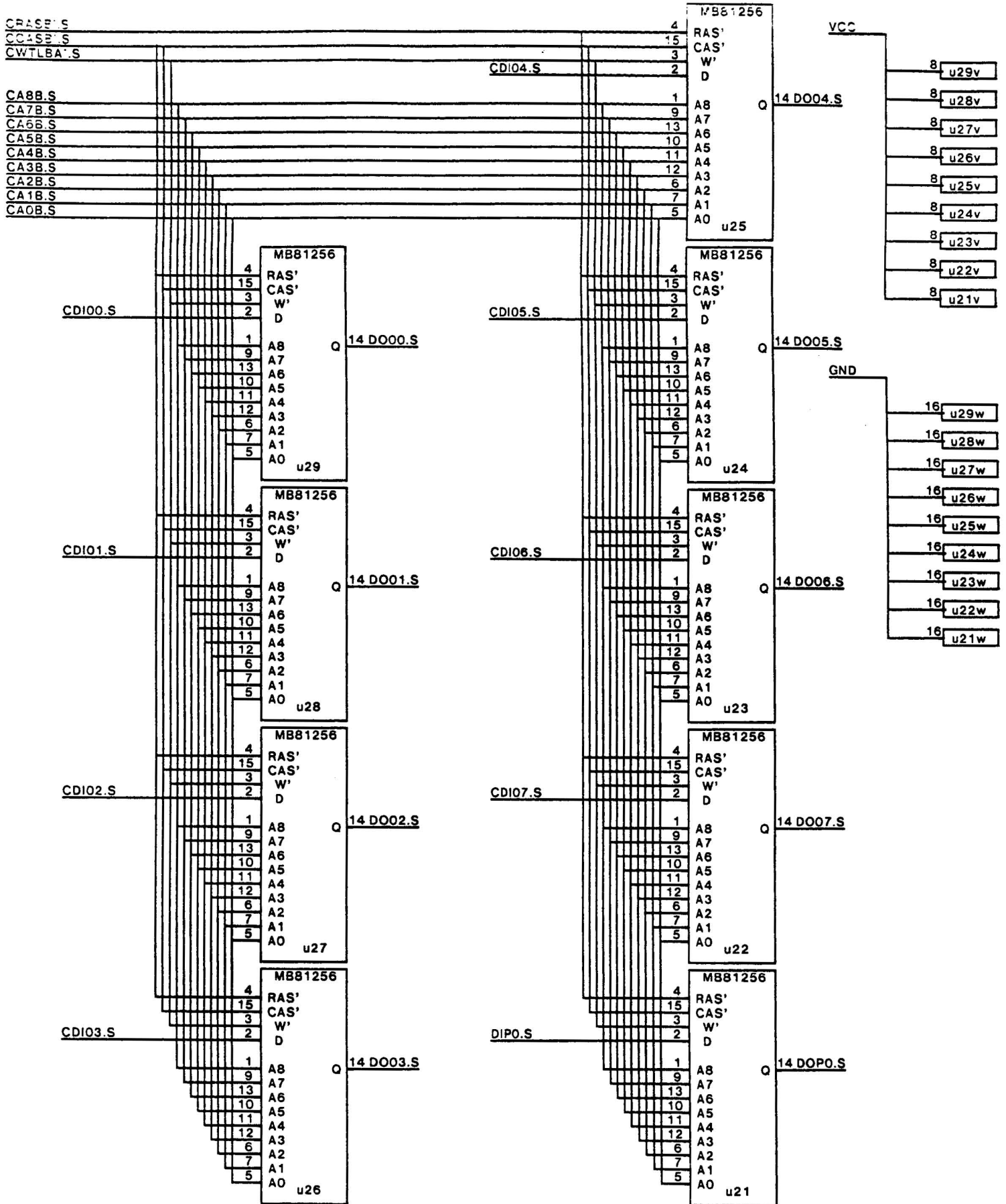


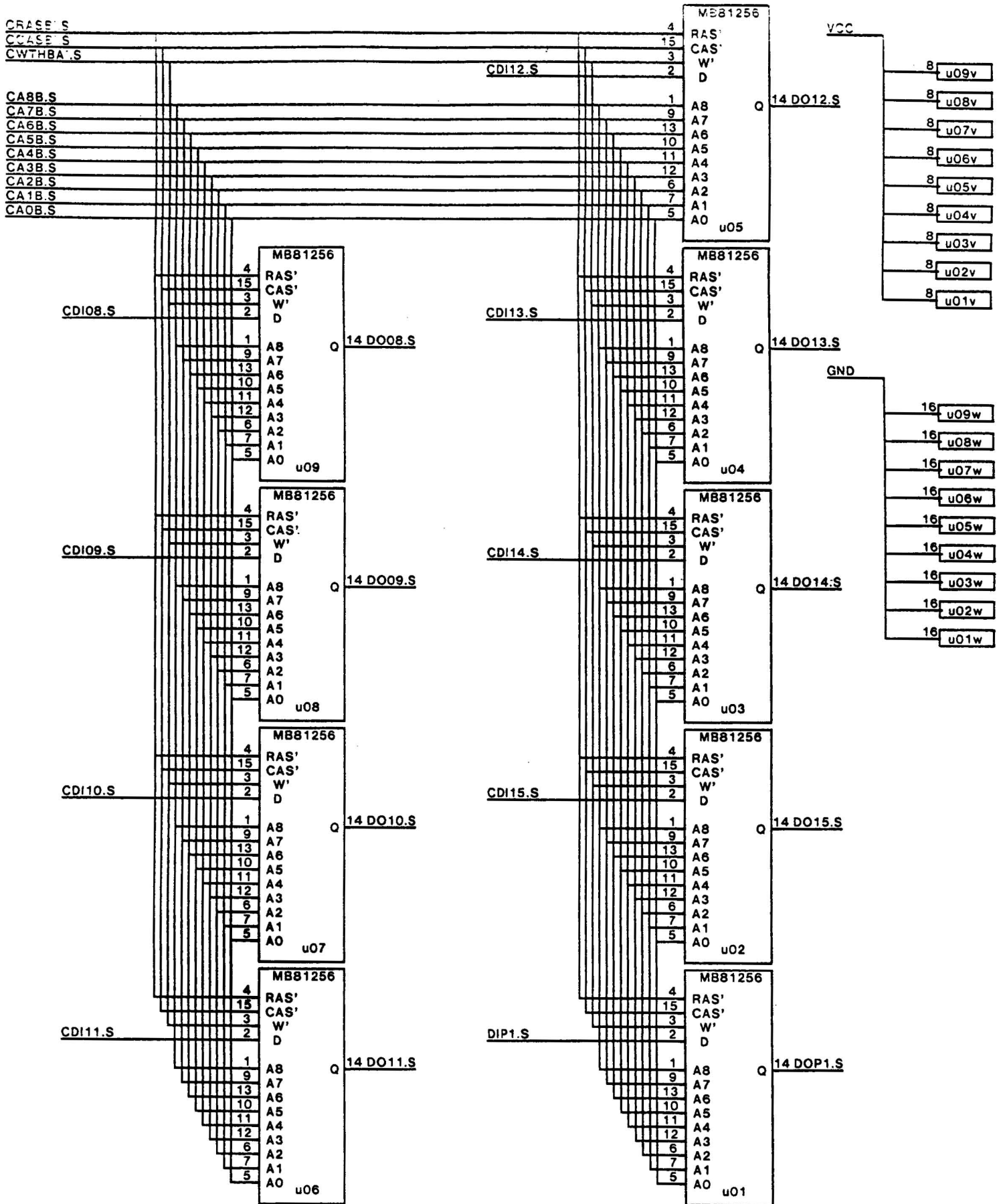


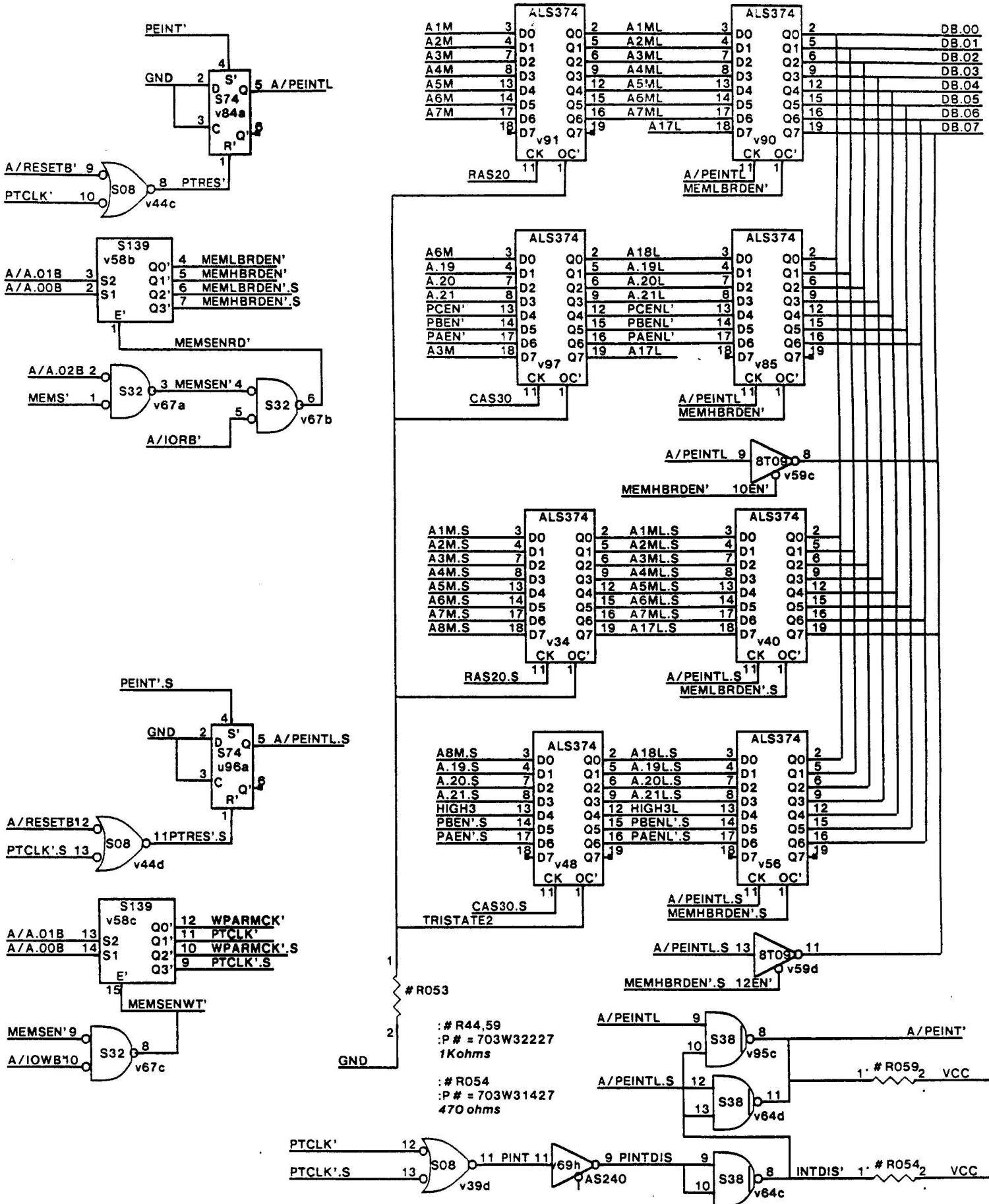












ADDRESS MAP:

E800 - EBFF VCS'
EC00 - EC7F WCS'
EC80 - ECFF GACS'
ED00 - ED1F CURS' (ED60/ED6X Software Reset)
ED80 - EDFF CMPS'

Standard Cell DDC:

- EC80 - Display Ctrl Reg
- EC81 - Border Pattern Lo
- EC82 - Border Pattern Hi
- EC83 - Cursor Word No.

- EC84 - Cursor Offset
- EC85 - Cursor Line No. Lo
- EC86 - Cursor Line No. Hi

- EC88 - No. of Quadwords/Line
- EC89 - Bit Map Start Addr. Lo
- EC8A - Bit Map Start Addr Hi
- ECCC - Display size/Controller type

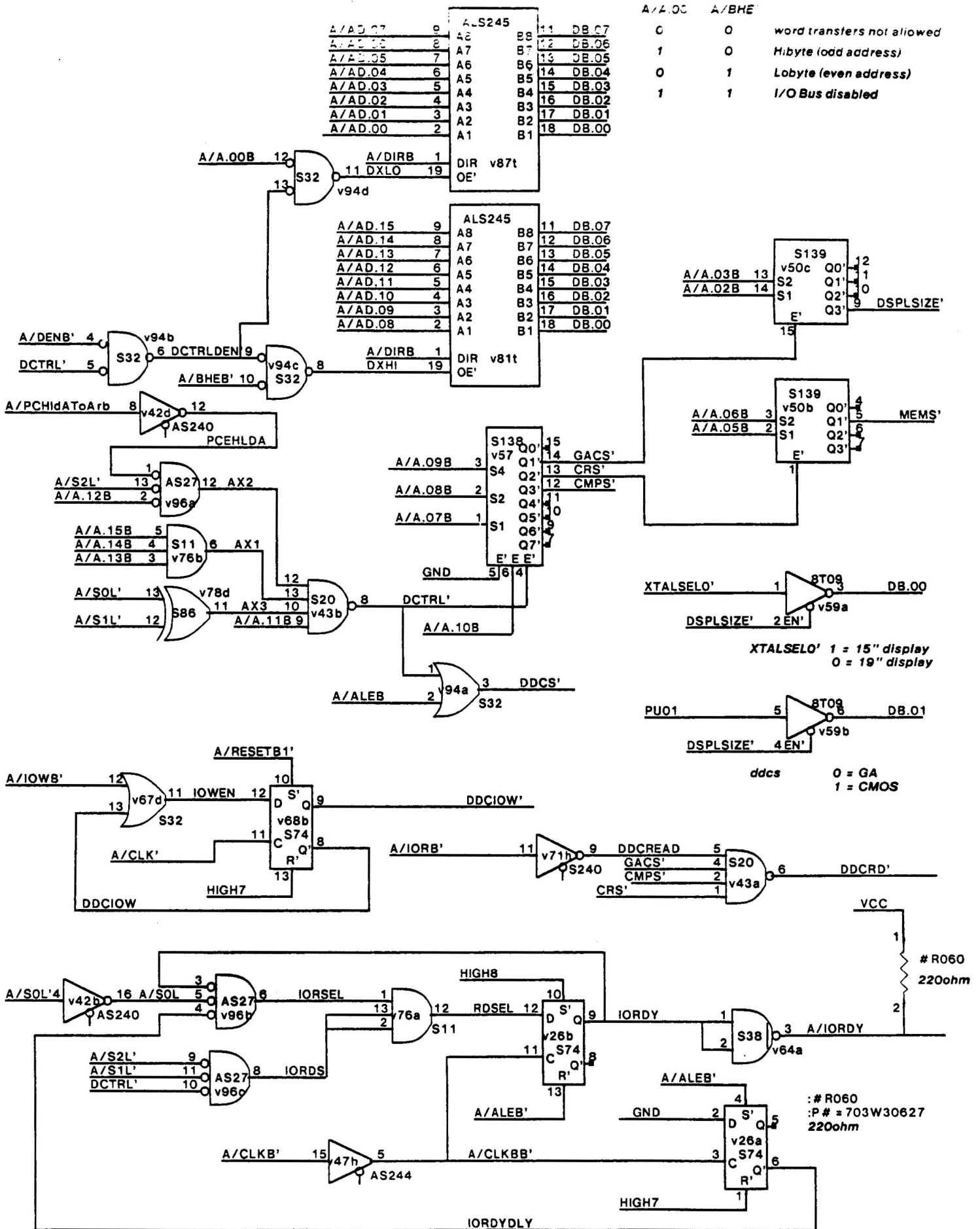
bit 0 1 : 15"
 0 : 19"

bit 1 0 : Cmos
 1 : Gate Array

CRS:

- ED00 - ED1F Cursor Buffer
- ED20 - ED2F MEMS'

XEROX	PROPRIETARY NOTE ON COVER SHEET APPLIES TO ALL SHEETS	DWG SIZE A4	DWG NO. 156P03346	SHEET REV. A
	TITLE SCHEMATIC, DCM/DDC		SHEET 18 OF	



A/A.0C	A/BHE	
0	0	word transfers not allowed
1	0	HiByte (odd address)
0	1	LoByte (even address)
1	1	I/O Bus disabled

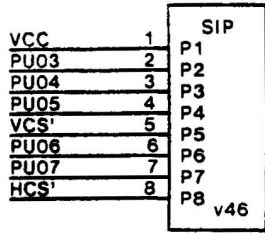
XTALSELO' 1 = 15" display
0 = 19" display

ddcs 0 = GA
1 = CMOS

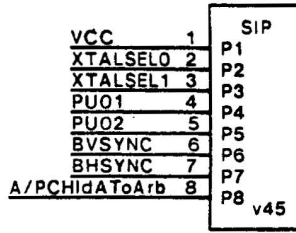
#R060
P# = 703W30627
220ohm

CMOS DISPLAY CONTROLLER

	1	P1 PLAT119	P119	19	
	2	P2	P118	18	GND
	3	P3 v32	P117	17	
	4	P4	P116	16	C/D00
C/XACK'	5	P5	P115	15	C/D01
RAWCLKB	6	P6	P114	14	C/D02
C/MEMREF'	7	P7	P113	13	C/D03
C/A.03	8	P8	P112	12	C/D04
C/A.04	9	P9	P111	11	C/D05
C/A.05	10	P10	P110	10	C/D06
C/A.06	11	P11	P109	09	C/D07
C/A.07	12	P12	P108	08	C/D08
C/A.08	13	P13	P107	07	C/D09
C/A.09	14	P14	P106	06	C/D10
VCC	15	P15	P105	05	C/D11
C/A.10	16	P16	P104	04	C/D12
C/A.11	17	P17	P103	03	C/D13
C/A.12	18	P18	P102	02	C/D14
C/A.13	19	P19	P101	01	C/D15
C/A.14	20	P20	P100	00	DB.07
C/A.15	21	P21	P99	9	DB.06
C/A.16	22	P22	P98	8	DB.05
C/A.17	23	P23	P97	7	DB.04
C/A.18	24	P24	P96	6	DB.03
C/A.19	25	P25	P95	5	DB.02
C/A.20	26	P26	P94	4	
	27	P27	P93	3	VCC
	28	P28	P92	2	
	29	P29	P91	1	
	30	P30	P90	0	
	31	P31	P89	9	
	32	P32	P88	8	
GND	33	P33	P87	7	
	34	P34	P86	6	DB.01
WC	35	P35	P85	5	DB.00
PXLCLK/4	36	P36	P84	4	A/RESETB3'
BHSYNC	37	P37	P83	3	DDCS'
BVSYNC	38	P38	P82	2	A/A.10B
VID.3	39	P39	P81	1	A/A.09B
VID.2	40	P40	P80	0	A/A.08B
VID.1	41	P41	P79	9	A/A.07B
VID.0	42	P42	P78	8	A/A.06B
CSWR'	43	P43	P77	7	A/A.05B
VCS'	44	P44	P76	6	GND
HCS'	45	P45	P75	5	A/A.04B
CSA.09	46	P46	P74	4	A/A.03B
CSA.08	47	P47	P73	3	A/A.02B
CSA.07	48	P48	P72	2	A/A.01B
CSA.06	49	P49	P71	1	A/A.00B
CSA.05	50	P50	P70	0	DDCIOW'
CSA.04	51	P51	P69	9	DDCRD'
CSA.03	52	P52	P68	8	
CSA.02	53	P53	P67	7	CSD.00
CSA.01	54	P54	P66	6	CSD.01
CSA.00	55	P55	P65	5	CSD.02
CSD.03	56	P56	P64	4	
	57	P57	P63	3	
VCC	58	P58	P62	2	
	59	P59	P61	1	
	60	P60		0	



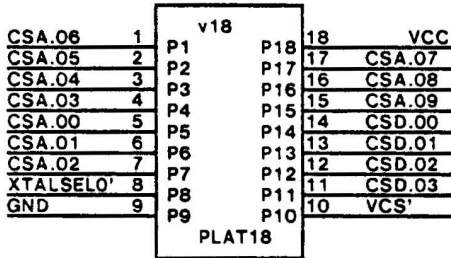
1 Kohm
Pull ups



1 Kohm
Pull ups

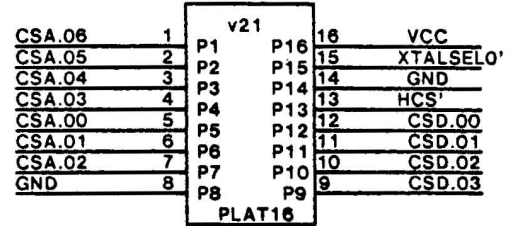
:v45,46
:P# = 703W20690

This device is a 27S185
2K x 4 Prom (60ns access)



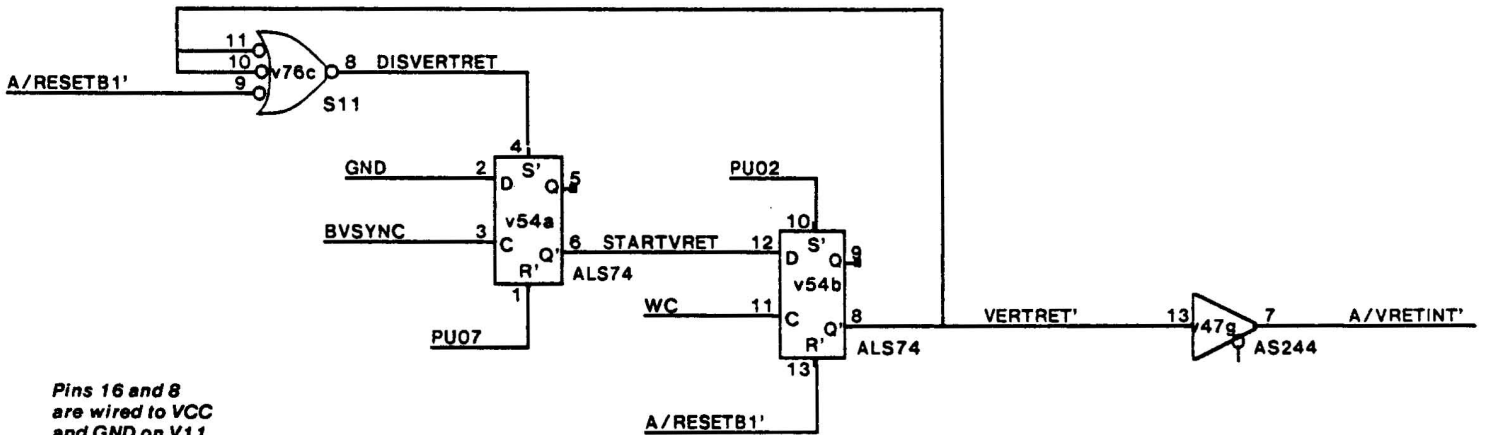
Vert Control Store

This device is a 27S21
256 x 4 Prom (45ns access)

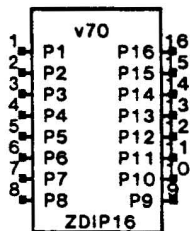
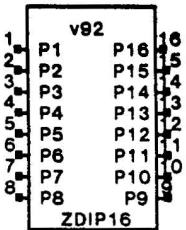


Horz Control Store

Depending upon XTALSELO' the values
read from the control stores will be
for either the 15" or 19" display.

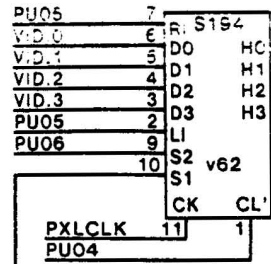


Pins 16 and 8
are wired to VCC
and GND on V11

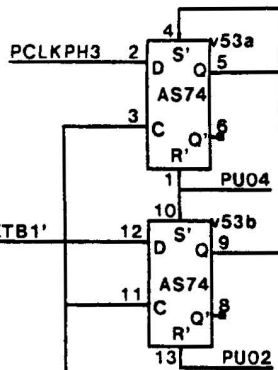
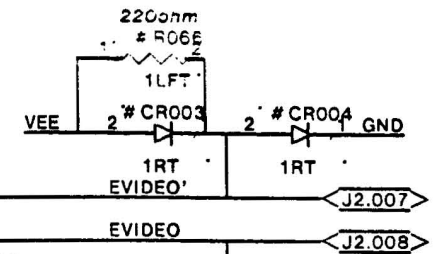


Video shift register

AS74 tpd 9
 AS194 ts 8
 17
 Max. freq = 58.82MHz



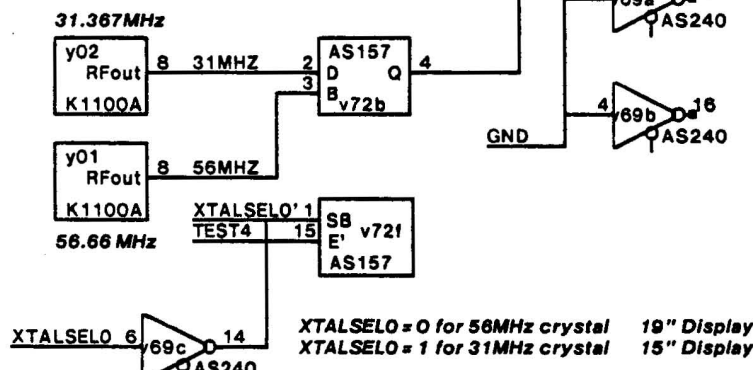
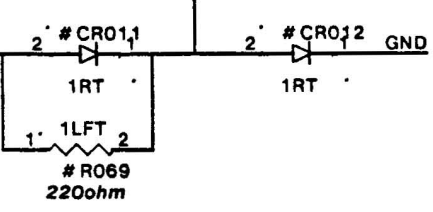
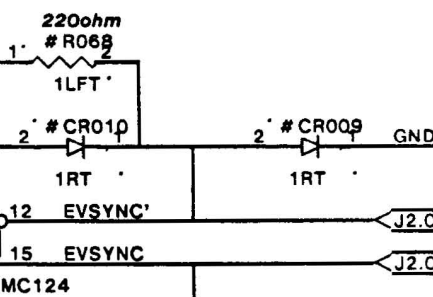
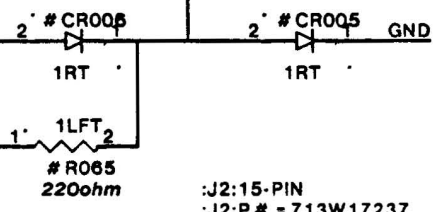
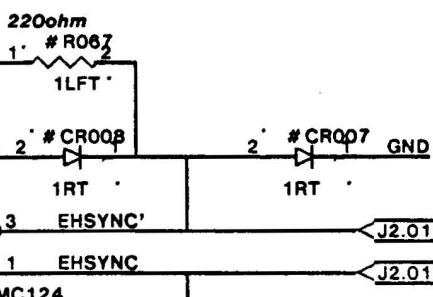
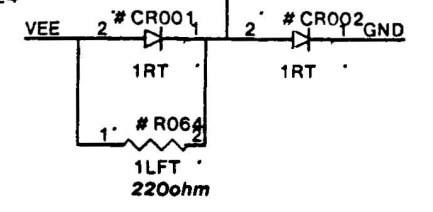
This device is an AS194.



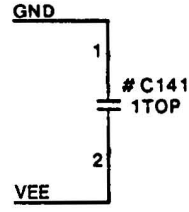
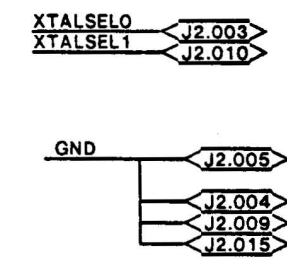
Clock generator

Max. freq. at which clock generator will operate is
 AS175 tpd 10
 AS74 ts 4.5
 Tperiod 14.5 ns
 Max. freq = 68.965MHz

:# R056
 :P# = 703W32227
 1 K ohms

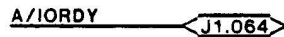
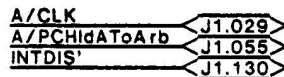
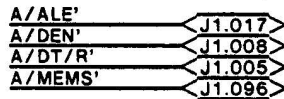
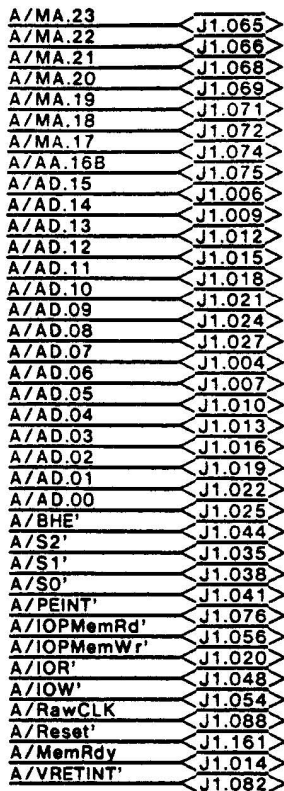


XTALSELO = 0 for 58MHz crystal 19" Display
 XTALSELO = 1 for 31MHz crystal 15" Display

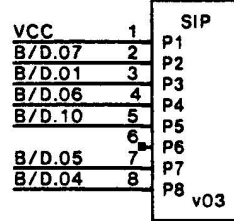
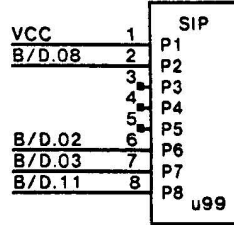
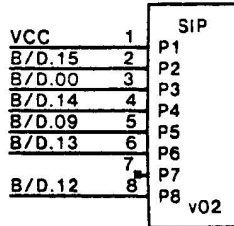
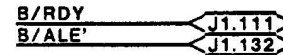
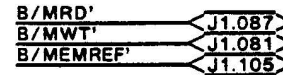
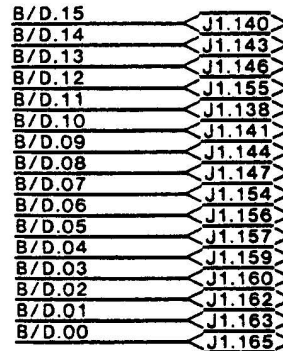
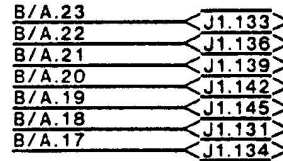


:# R64-69 :P# = 703W30627 220ohm
 :# CR1-12 :P# = 707W01987 SD103A
 :# C141 :P# = 102P01187 0.1 uf

86 BUS INTERFACE SIGNALS



MESA BUS INTERFACE SIGNALS

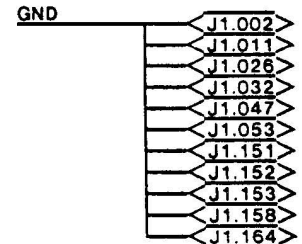
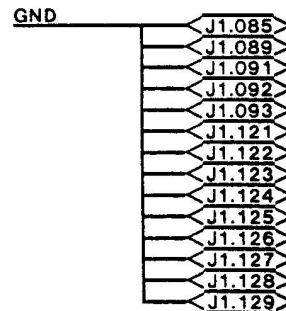
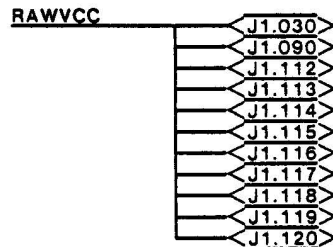
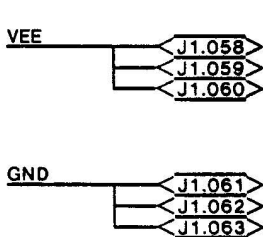


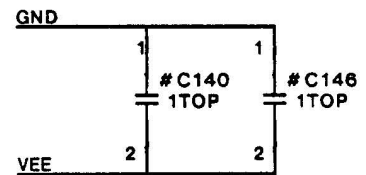
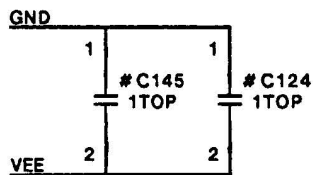
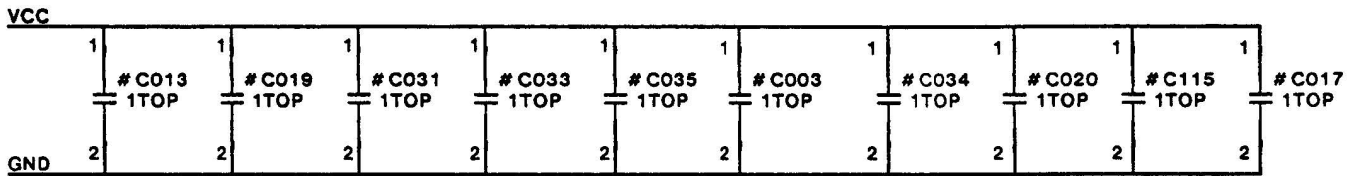
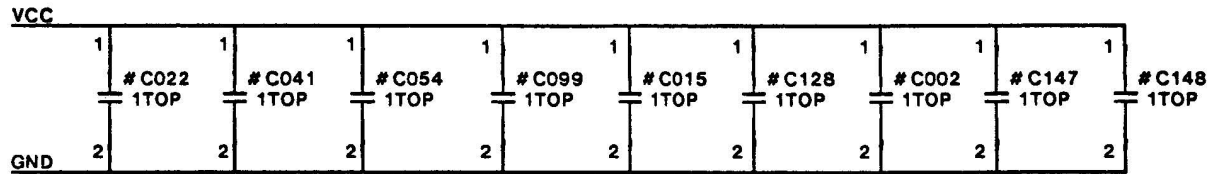
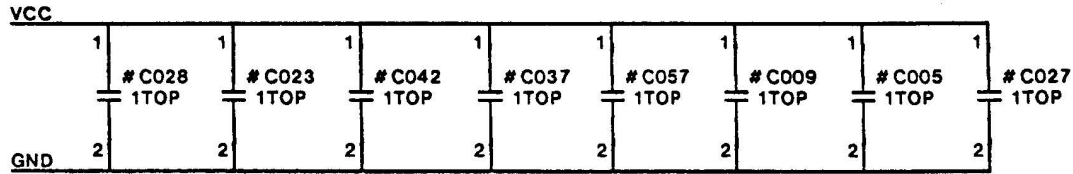
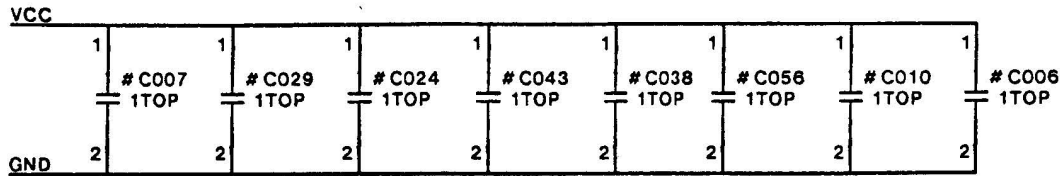
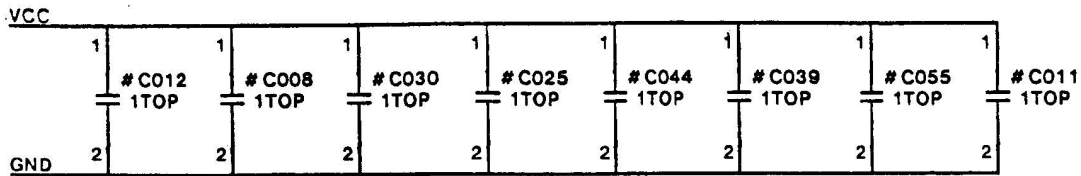
600 ohms sip

J1:165-PIN
J1:P# = 713W30640

:v2-3,99
:P# = 703W20790

POWER CONNECTIONS





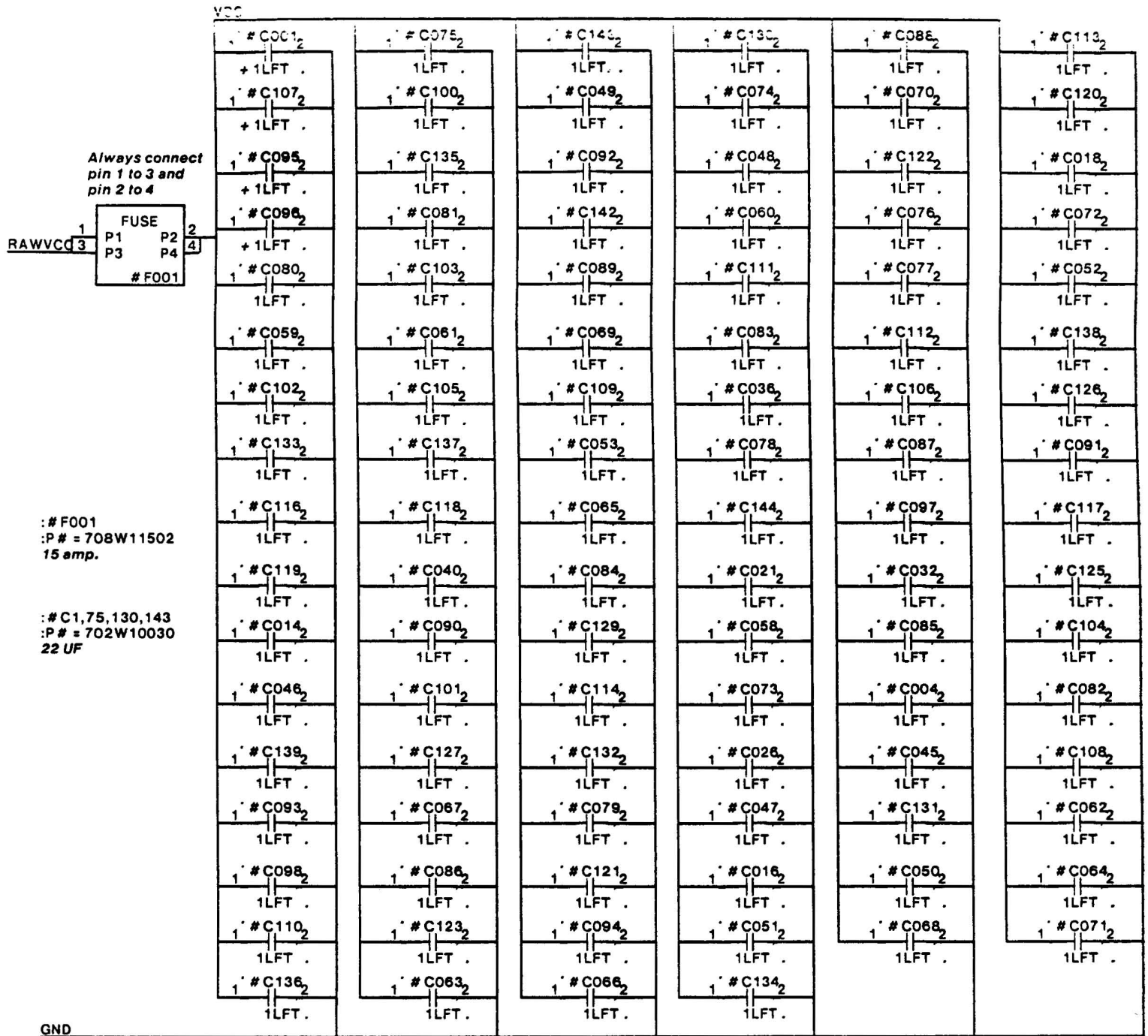
:# C140
:P # = 702W05418
0.47 uf

:# C146
:P # = 702W10030
22.0 uf

:# C2-3,5-13,15,19-20,22-25,27-31,33-34,41-44,99
:P # = 102P01187
0.1uf

:# C17,35,37-39,54-57,115,124,128,145,147,148
:P # = 102P01187
0.1uf

XEROX	PROPRIETARY NOTE ON COVER SHEET APPLIES TO ALL SHEETS		DWG SIZE A4	DWG NO. 156P03346		SHEET REV. A
	TITLE SCHEMATIC, DCM/DDC			SHEET 24 OF		



: # C4,14,16,18,21,26,32,36,40,45-53,58-74,76-98,100-114,116-123,125-127,129,131-139,142,144
: P # = 102P01187
0.1 UF

NOTE : a. Each dram shall have a 0.1 uf cap.

b. Each 20 pin IC shall have a 0.1 uf cap

c. one 0.1 uf cap should be used for three 14 / 16 pin ICs

d. four AL. Capacitors (22 uf) should be used for memory.

XEROX	PROPRIETARY NOTE ON COVER SHEET APPLIES TO ALL SHEETS	DWG SIZE	DWG NO. 156P03346	SHEET REV.
	TITLE SCHEMATIC, DCM/DDC	A4	SHEET 25 OF	A

Comments:

- 1) Designator notation notes: u1-99 = U1-99, v0-99 = U100-199, w0-99 = U200-299
- 2) The last item on lines below, preceded by a semicolon (;), is the schematic page number on which the test point, connector or signal information originates.
- 3) Line with no page number was a continuation of the previous line.

J1	.002	GND	;23	J1	.075	A/AA.16B	;23
J1	.004	A/AD.07	;23	J1	.076	A/PEINT'	;23
J1	.005	A/DT/R'	;23	J1	.081	B/MWT'	;23
J1	.006	A/AD.15	;23	J1	.082	A/VRETINT'	;23
J1	.007	A/AD.06	;23	J1	.085	GND	;23
J1	.008	A/DEN'	;23	J1	.087	B/MRD'	;23
J1	.009	A/AD.14	;23	J1	.088	A/RawCLK	;23
J1	.010	A/AD.05	;23	J1	.089	GND	;23
J1	.011	GND	;23	J1	.090	RAWVCC	;23
J1	.012	A/AD.13	;23	J1	.091	GND	;23
J1	.013	A/AD.04	;23	J1	.092	GND	;23
J1	.014	A/MemRdy	;23	J1	.093	GND	;23
J1	.015	A/AD.12	;23	J1	.096	A/MEMS'	;23
J1	.016	A/AD.03	;23	J1	.105	B/MEMREF'	;23
J1	.017	A/ALE'	;23	J1	.111	B/RDY	;23
J1	.018	A/AD.11	;23	J1	.112	RAWVCC	;23
J1	.019	A/AD.02	;23	J1	.113	RAWVCC	;23
J1	.020	A/IOPMemWr'	;23	J1	.114	RAWVCC	;23
J1	.021	A/AD.10	;23	J1	.115	RAWVCC	;23
J1	.022	A/AD.01	;23	J1	.116	RAWVCC	;23
J1	.024	A/AD.09	;23	J1	.117	RAWVCC	;23
J1	.025	A/AD.00	;23	J1	.118	RAWVCC	;23
J1	.026	GND	;23	J1	.119	RAWVCC	;23
J1	.027	A/AD.08	;23	J1	.120	RAWVCC	;23
J1	.029	A/CLK	;23	J1	.121	GND	;23
J1	.030	RAWVCC	;23	J1	.122	GND	;23
J1	.032	GND	;23	J1	.123	GND	;23
J1	.035	A/S2'	;23	J1	.124	GND	;23
J1	.038	A/S1'	;23	J1	.125	GND	;23
J1	.041	A/S0'	;23	J1	.126	GND	;23
J1	.044	A/BHE'	;23	J1	.127	GND	;23
J1	.047	GND	;23	J1	.128	GND	;23
J1	.048	A/IOR'	;23	J1	.129	GND	;23
J1	.053	GND	;23	J1	.130	INTDIS'	;23
J1	.054	A/IOW'	;23	J1	.131	B/A.18	;23
J1	.055	A/PCHIdAToArb	;23	J1	.132	B/ALE'	;23
J1	.056	A/IOPMemRd'	;23	J1	.133	B/A.23	;23
J1	.058	VEE	;23	J1	.134	B/A.17	;23
J1	.059	VEE	;23	J1	.136	B/A.22	;23
J1	.060	VEE	;23	J1	.138	B/D.11	;23
J1	.061	GND	;23	J1	.139	B/A.21	;23
J1	.062	GND	;23	J1	.140	B/D.15	;23
J1	.063	GND	;23	J1	.141	B/D.10	;23
J1	.064	A/IORDY	;23	J1	.142	B/A.20	;23
J1	.065	A/MA.23	;23	J1	.143	B/D.14	;23
J1	.066	A/MA.22	;23	J1	.144	B/D.09	;23
J1	.068	A/MA.21	;23	J1	.145	B/A.19	;23
J1	.069	A/MA.20	;23	J1	.146	B/D.13	;23
J1	.071	A/MA.19	;23	J1	.147	B/D.08	;23
J1	.072	A/MA.18	;23	J1	.151	GND	;23
J1	.074	A/MA.17	;23	J1	.152	GND	;23

XEROX	PROPRIETARY NOTE ON COVER SHEET APPLIES TO ALL SHEETS		DWG SIZE A4	DWG NO. 156P03346		SHEET REV. A
	TITLE	SCHMATIC, DCM/DDC		SHEET	26 OF	

J1 .153 GND ;23
 J1 .154 B/D.07 ;23
 J1 .155 B/D.12 ;23
 J1 .156 B/D.06 ;23
 J1 .157 B/D.05 ;23
 J1 .158 GND ;23
 J1 .159 B/D.04 ;23
 J1 .160 B/D.03 ;23
 J1 .161 A/Reset' ;23
 J1 .162 B/D.02 ;23
 J1 .163 B/D.01 ;23
 J1 .164 GND ;23
 J1 .165 B/D.00 ;23

J2 .001 EVSYNC ;22
 J2 .002 EVSYNC' ;22
 J2 .003 XTALSELO ;22
 J2 .004 GND ;22
 J2 .005 GND ;22
 J2 .007 EVIDEO' ;22
 J2 .008 EVIDEO ;22
 J2 .009 GND ;22
 J2 .010 XTALSEL1 ;22
 J2 .012 EHSYNC' ;22
 J2 .013 EHSYNC ;22
 J2 .015 GND ;22

2XCLK': v42.14o ;01
 2XCLK': v05.3i, v05.11i ;03
 2XCLK': v98.3i ;08
 2XCLK': v98.11i ;08
 2XCLK': u83.3i, u83.11i ;10
 2XCLK': v33.9i ;11

2XCLK: v47.9o ;01
 2XCLK: u95.11i ;03
 2XCLK: v93.3i ;08
 2XCLK: v65.11i ;08
 2XCLK: u95.3i ;10

31MHZ: y02.8o, v72.2i ;22

56MHZ: y01.8o, v72.3i ;22

A.19.S: v49.4o ;09
 A.19.S: v48.4i ;17

A.19: v89.4o ;02
 A.19: v97.4i ;17

A.19L.S: v48.5o, v56.4i ;17

A.19L: v97.5o, v85.4i ;17

A.20.S: v49.7o ;09
 A.20.S: v48.7i ;17

A.20: v89.7o ;02

A.20: v97.7i ;17

A.20L.S: v48.6o, v56.7i ;17

A.20L: v97.6o, v85.7i ;17

A.21.S: v49.9o ;09

A.21.S: v48.8i ;17

A.21: v89.9o ;02

A.21: v97.8i ;17

A.21L.S: v48.9o, v56.8i ;17

A.21L: v97.9o, v85.8i ;17

A/A.00B: v86.19o ;02

A/A.00B: v17.5i ;12

A/A.00B: v15.5i ;12

A/A.00B: v58.2i ;17

A/A.00B: v58.14i ;17

A/A.00B: v94.12i ;19

A/A.00B: v32.71o ;20

A/A.01B: #R043.1i ;02

A/A.01B: v86.16o ;02

A/A.01B: v30.1i ;02

A/A.01B: v10.3i ;09

A/A.01B: v58.3i ;17

A/A.01B: v58.13i ;17

A/A.01B: v32.72o ;20

A/A.02B: #R051.1i ;02

A/A.02B: v86.15o ;02

A/A.02B: v30.12i ;02

A/A.02B: v10.13i ;09

A/A.02B: v67.2i ;17

A/A.02B: v50.14i ;19

A/A.02B: v32.73o ;20

A/A.03B: v86.12o ;02

A/A.03B: v20.13i ;02

A/A.03B: v04.3i ;09

A/A.03B: v50.13i ;19

A/A.03B: v32.74o ;20

A/A.04B: v86.9o ;02

A/A.04B: v14.13i ;02

A/A.04B: v04.13i ;09

A/A.04B: v32.75o ;20

A/A.05B: v86.6o ;02

A/A.05B: v28.13i ;02

A/A.05B: v00.4i ;09

A/A.05B: v50.2i ;19

A/A.05B: v32.77o ;20

A/A.06B: v86.5o ;02

A/A.06B: v24.13i ;02

A/A.06B: v00.12i ;09
 A/A.06B: v50.3i ;19
 A/A.06B: v32.78o ;20

A/A.07B: v86.2o ;02
 A/A.07B: v29.13i ;02
 A/A.07B: u93.4i ;09
 A/A.07B: v57.1i ;19
 A/A.07B: v32.79o ;20

A/A.08B: v80.19o ;02
 A/A.08B: v25.12i ;02
 A/A.08B: u93.12i ;09
 A/A.08B: v57.2i ;19
 A/A.08B: v32.80o ;20

A/A.09B: v80.16o ;02
 A/A.09B: v20.2i ;02
 A/A.09B: v10.5i ;09
 A/A.09B: v57.3i ;19
 A/A.09B: v32.81o ;20

A/A.10B: v80.15o ;02
 A/A.10B: v14.2i ;02
 A/A.10B: v10.11i ;09
 A/A.10B: v57.6i ;19
 A/A.10B: v32.82o ;20

A/A.11B: v80.12o ;02
 A/A.11B: v28.2i ;02
 A/A.11B: v04.5i ;09
 A/A.11B: v43.9i ;19

A/A.12B: v80.9o ;02
 A/A.12B: v23.2i ;02
 A/A.12B: v04.11i ;09
 A/A.12B: v96.2i ;19

A/A.13B: v80.6o ;02
 A/A.13B: v24.2i ;02
 A/A.13B: v00.6i ;09
 A/A.13B: v76.3i ;19

A/A.14B: v80.5o ;02
 A/A.14B: v29.2i ;02
 A/A.14B: v00.10i ;09
 A/A.14B: v76.4i ;19

A/A.15B: v80.2o ;02
 A/A.15B: v31.1i ;02
 A/A.15B: u93.6i ;09
 A/A.15B: v76.5i ;19

A/A.16BL: v55.19o ;01
 A/A.16BL: v25.1i ;02
 A/A.16BL: u93.10i ;09

A/A: v41.1o, v51.5i ;01
 A/A: v51.13i ;01

A/AA.16B: v55.18i ;01
 A/AA.16B: J1.075 ;23

A/AD.00: v86.18i ;02
 A/AD.00: u54.2i ;04
 A/AD.00: u52.19o ;04
 A/AD.00: u73.2i ;11
 A/AD.00: u71.19o ;11
 A/AD.00: v87.2i ;19
 A/AD.00: J1.025 ;23

A/AD.01: v86.17i ;02
 A/AD.01: u54.4i ;04
 A/AD.01: u52.16o ;04
 A/AD.01: u73.4i ;11
 A/AD.01: u71.16o ;11
 A/AD.01: v87.3i ;19
 A/AD.01: J1.022 ;23

A/AD.02: v86.14i ;02
 A/AD.02: u54.6i ;04
 A/AD.02: u52.15o ;04
 A/AD.02: u73.6i ;11
 A/AD.02: u71.15o ;11
 A/AD.02: v87.4i ;19
 A/AD.02: J1.019 ;23

A/AD.03: v86.13i ;02
 A/AD.03: u54.8i ;04
 A/AD.03: u52.12o ;04
 A/AD.03: u73.8i ;11
 A/AD.03: u71.12o ;11
 A/AD.03: v87.5i ;19
 A/AD.03: J1.016 ;23

A/AD.04: v86.8i ;02
 A/AD.04: u54.11i ;04
 A/AD.04: u52.9o ;04
 A/AD.04: u73.11i ;11
 A/AD.04: u71.9o ;11
 A/AD.04: v87.6i ;19
 A/AD.04: J1.013 ;23

A/AD.05: v86.7i ;02
 A/AD.05: u54.13i ;04
 A/AD.05: u52.6o ;04
 A/AD.05: u73.13i ;11
 A/AD.05: u71.6o ;11
 A/AD.05: v87.7i ;19
 A/AD.05: J1.010 ;23

A/AD.06: v86.4i ;02
 A/AD.06: u54.15i ;04
 A/AD.06: u52.5o ;04
 A/AD.06: u73.15i ;11
 A/AD.06: u71.5o ;11
 A/AD.06: v87.8i ;19
 A/AD.06: J1.007 ;23

XEROX	PROPRIETARY NOTE ON COVER SHEET APPLIES TO ALL SHEETS		DWG SIZE A4	DWG NO. 156P03346		SHEET REV. A
	TITLE SCHEMATIC, DCM/DDC			SHEET 28 OF		

A/AD.07: v86.3i ;02
 A/AD.07: u54.17i ;04
 A/AD.07: u52.2o ;04
 A/AD.07: u73.17i ;11
 A/AD.07: u71.2o ;11
 A/AD.07: v87.9i ;19
 A/AD.07: J1.004 ;23

 A/AD.08: v80.18i ;02
 A/AD.08: u14.2i ;04
 A/AD.08: u12.19o ;04
 A/AD.08: u34.2i ;11
 A/AD.08: u32.19o ;11
 A/AD.08: v81.2i ;19
 A/AD.08: J1.027 ;23

 A/AD.09: v80.17i ;02
 A/AD.09: u14.4i ;04
 A/AD.09: u12.16o ;04
 A/AD.09: u34.4i ;11
 A/AD.09: u32.16o ;11
 A/AD.09: v81.3i ;19
 A/AD.09: J1.024 ;23

 A/AD.10: v80.14i ;02
 A/AD.10: u14.6i ;04
 A/AD.10: u12.15o ;04
 A/AD.10: u34.6i ;11
 A/AD.10: u32.15o ;11
 A/AD.10: v81.4i ;19
 A/AD.10: J1.021 ;23

 A/AD.11: v80.13i ;02
 A/AD.11: u14.8i ;04
 A/AD.11: u12.12o ;04
 A/AD.11: u34.8i ;11
 A/AD.11: u32.12o ;11
 A/AD.11: v81.5i ;19
 A/AD.11: J1.018 ;23

 A/AD.12: v80.8i ;02
 A/AD.12: u14.11i ;04
 A/AD.12: u12.9o ;04
 A/AD.12: u34.11i ;11
 A/AD.12: u32.9o ;11
 A/AD.12: v81.6i ;19
 A/AD.12: J1.015 ;23

 A/AD.13: v80.7i ;02
 A/AD.13: u14.13i ;04
 A/AD.13: u12.6o ;04
 A/AD.13: u34.13i ;11
 A/AD.13: u32.6o ;11
 A/AD.13: v81.7i ;19
 A/AD.13: J1.012 ;23

 A/AD.14: v80.4i ;02
 A/AD.14: u14.15i ;04

A/AD.14: u12.5o ;04
 A/AD.14: u34.15i ;11
 A/AD.14: u32.5o ;11
 A/AD.14: v81.8i ;19
 A/AD.14: J1.009 ;23

 A/AD.15: v80.3i ;02
 A/AD.15: u14.17i ;04
 A/AD.15: u12.2o ;04
 A/AD.15: u34.17i ;11
 A/AD.15: u32.2o ;11
 A/AD.15: v81.9i ;19
 A/AD.15: J1.006 ;23

 A/ALE': v47.4i, v63.13i ;08
 A/ALE': J1.017 ;23

 A/ALEB': v66.4i ;08
 A/ALEB': v93.1i ;08
 A/ALEB': v47.16o ;08
 A/ALEB': v93.10i ;08
 A/ALEB': v65.1i ;08
 A/ALEB': u86.4i ;08
 A/ALEB': v26.13i ;19
 A/ALEB': v26.4i ;19

 A/ALEB: v86.11i ;02
 A/ALEB: v80.11i ;02
 A/ALEB: v74.11i ;08
 A/ALEB: v63.7o ;08
 A/ALEB: v17.36o ;12
 A/ALEB: v15.36o ;12
 A/ALEB: v94.2i ;19

 A/B.S: v78.8o, v51.2i ;01

 A/B: v41.4o, v51.3i ;01

 A/BHE': v74.13i ;08
 A/BHE': J1.044 ;23

 A/BHEB': v74.12o ;08
 A/BHEB': v17.4i ;12
 A/BHEB': v15.4i ;12
 A/BHEB': v94.10i ;19

 A/CLK': v63.14o, v47.2i ;08
 A/CLK': v68.11i ;19

 A/CLK: #R061.2o, #R062.2o, v63.6i ;08
 A/CLK: J1.029 ;23

 A/CLKB': v47.18o, v65.3i ;08
 A/CLKB': v47.15i ;19

 A/CLKBB': v26.11i, v47.5o, v26.3i ;19

 A/DEN': v75.13i ;01
 A/DEN': J1.008 ;23

XEROX	PROPRIETARY NOTE ON COVER SHEET APPLIES TO ALL SHEETS		DWG SIZE A4	DWG NO. 156P03346	SHEET REV. A
	TITLE SCHEMATIC, DCM/DDC		SHEET 29	OF	

A/DENB': v75.7o ;01
A/DENB': v94.4i ;19

A/DIRB: v75.5o ;01
A/DIRB: v87.1i ;19
A/DIRB: v81.1i ;19

A/DT/R': v75.15i ;01
A/DT/R': J1.005 ;23

A/IOPMemRd': v75.6i ;01
A/IOPMemRd': J1.056 ;23

A/IOPMemWr': v75.8i ;01
A/IOPMemWr': J1.020 ;23

A/IOR': v75.2i ;01
A/IOR': J1.048 ;23

A/IORB': v75.18o ;01
A/IORB': v67.5i ;17
A/IORB': v71.11i ;19

A/IORDY: #R060.2i, v64.3o ;19
A/IORDY: J1.064 ;23

A/IOW': v75.4i ;01
A/IOW': J1.054 ;23

A/IOWB': v75.16o ;01
A/IOWB': v67.10i ;17
A/IOWB': v67.12i ;19

A/MA.17: v55.17i ;01
A/MA.17: J1.074 ;23

A/MA.17L: v55.16o ;01
A/MA.17L: #R050.1i ;02
A/MA.17L: v09.6i ;09

A/MA.18: v55.14i ;01
A/MA.18: J1.072 ;23

A/MA.18L: v55.15o ;01
A/MA.18L: #R041.1i ;02
A/MA.18L: v09.4i ;09

A/MA.19: v55.13i ;01
A/MA.19: J1.071 ;23

A/MA.19L: v55.12o ;01
A/MA.19L: v41.6i ;01
A/MA.19L: v78.9i ;01
A/MA.19L: v89.3i ;02
A/MA.19L: v49.3i ;09
A/MA.19L: v52.3i ;10

A/MA.20: v55.8i ;01

A/MA.20: J1.069 ;23

A/MA.20L: v55.9o ;01
A/MA.20L: v41.5i ;01
A/MA.20L: v78.10i ;01
A/MA.20L: v89.6i ;02
A/MA.20L: v49.6i ;09

A/MA.21: v55.7i ;01
A/MA.21: J1.068 ;23

A/MA.21L: v55.6o ;01
A/MA.21L: v41.2i ;01
A/MA.21L: v89.10i ;02
A/MA.21L: v49.10i ;09

A/MA.22: v55.4i ;01
A/MA.22: J1.066 ;23

A/MA.22L: v55.5o ;01
A/MA.22L: v41.3i ;01

A/MA.23: v55.3i ;01
A/MA.23: J1.065 ;23

A/MA.23L': v51.1i ;01
A/MA.23L': v42.7o, v51.4i ;01

A/MA.23L: v55.2o ;01
A/MA.23L: v42.13i ;01

A/MAD.01: #R041.2o, #R043.2o ;02
A/MAD.01: v31.12i ;02

A/MAD.02: #R050.2o, #R051.2o ;02
A/MAD.02: v23.13i ;02

A/MemRdy: v95.3o, #R063.2o ;08
A/MemRdy: J1.014 ;23

A/MEMREF: v66.3o, v65.2i ;08
A/MEMREF: v95.2i ;08

A/MEMREFL': v65.8o ;08
A/MEMREFL': v17.48o ;12
A/MEMREFL': v15.48o ;12

A/MEMREFL: v65.9o ;08
A/MEMREFL: v93.2i ;08

A/MEMRF': v55.11i ;01
A/MEMRF': v65.6o ;08

A/MEMRF: v65.5o, v65.12i ;08

A/MEMS': v75.9o ;01
A/MEMS': J1.096 ;23

A/MRD'.S: v11.8o, u84.13i ;10

XEROX	PROPRIETARY NOTE ON COVER SHEET APPLIES TO ALL SHEETS		DWG SIZE A4	DWG NO. 156P03346		SHEET REV. A
	TITLE SCHEMATIC, DCM/DDC			SHEET 30 OF		

A/MRD': v11.3o, u84.2i ;03
 A/MRDB': v75.14o ;01
 A/MRDB': u87.12i ;03
 A/MRDB': v11.1i ;03
 A/MRDB': v71.2i ;04
 A/MRDB': v11.9i ;10
 A/MRDB: u97.1i, v71.18o, u97.13i ;04
 A/MRDBL': u87.11o ;03
 A/MRDBL': v17.46o ;12
 A/MRDBL': v15.46o ;12
 A/MWTB': v75.12o ;01
 A/MWTB': v36.5i ;03
 A/MWTB': u87.9i ;03
 A/MWTB': v36.2i ;10
 A/MWTBL': u87.8o ;03
 A/MWTBL': v17.45o ;12
 A/MWTBL': v15.45o ;12
 A/PCH1dAToArb: v42.8i ;19
 A/PCH1dAToArb: v45.8i ;21
 A/PCH1dAToArb: J1.055 ;23
 A/PEINT': #R059.1i, v64.11o ;17
 A/PEINT': v95.8o
 A/PEINT': J1.076 ;23
 A/PEINTL.S: v59.13i ;17
 A/PEINTL.S: v64.12i ;17
 A/PEINTL.S: u96.5o ;17
 A/PEINTL.S: v40.11i ;17
 A/PEINTL.S: v56.11i ;17
 A/PEINTL: v95.9i ;17
 A/PEINTL: v59.9i ;17
 A/PEINTL: v84.5o ;17
 A/PEINTL: v90.11i ;17
 A/PEINTL: v85.11i ;17
 A/RawCLK: #R058.2o, #R057.2o ;01
 A/RawCLK: v39.10i
 A/RawCLK: J1.088 ;23
 A/READY: v93.9o, v95.1i ;08
 A/Reset': v75.17i ;01
 A/Reset': J1.161 ;23
 A/RESETB': v47.17i, v47.8i, v75.3o ;01
 A/RESETB': v47.6i
 A/RESETB': v84.13i ;03
 A/RESETB': u86.1i ;08
 A/RESETB': v93.11i ;08
 A/RESETB': u96.13i ;10

A/RESETB': v44.9i ;17
 A/RESETB': v44.12i ;17
 A/RESETB1': v47.14o ;01
 A/RESETB1': v17.6i ;12
 A/RESETB1': v68.10i ;19
 A/RESETB1': v76.9i ;21
 A/RESETB1': v54.13i ;21
 A/RESETB1': v53.12i ;22
 A/RESETB2': v47.3o ;01
 A/RESETB2': v15.6i ;12
 A/RESETB3': v47.12o ;01
 A/RESETB3': v32.84o ;20
 A/RT': v66.6o, v65.13i ;08
 A/S0': v74.18i ;08
 A/S0': J1.041 ;23
 A/S01: v06.3o, v66.2i ;08
 A/S0L': v74.19o, v06.2i ;08
 A/S0L': v78.13i ;19
 A/S0L': v42.4i ;19
 A/S0L: v42.16o, v96.5i ;19
 A/S1': v74.17i ;08
 A/S1': J1.038 ;23
 A/S1L': v74.16o, v06.1i ;08
 A/S1L': v78.12i ;19
 A/S1L': v96.11i ;19
 A/S2': v74.14i ;08
 A/S2': J1.035 ;23
 A/S2L': v74.15o, v66.1i ;08
 A/S2L': v96.13i ;19
 A/S2L': v96.9i ;19
 A/VRETINT': v47.7o ;21
 A/VRETINT': J1.082 ;23
 AOM.S: u20.2i, v10.7o, u81.2i ;09
 AOM: v20.6o ;02
 AOM: u91.2i ;05
 AOMA: u81.18o, #R013.1i ;09
 AOMB: u91.18o, #R031.1i ;05
 AOMC: u20.18o, #R012.1i ;09
 A17L.S: v34.19o, v40.18i ;17

XEROX	PROPRIETARY NOTE ON COVER SHEET APPLIES TO ALL SHEETS		DWG SIZE A4	DWG NO. 156P03346	SHEET REV. A
	TITLE SCHEMATIC, DCM/DDC		SHEET 31	OF	

A17L: v97.19o ;17
A17L: v90.18i ;17

A18L.S: v48.2o, v56.3i ;17
A18L: v97.2o, v85.3i ;17

A1M.S: v10.9o, u20.4i, u81.4i ;09
A1M.S: v34.3i ;17

A1M: v14.6o ;02
A1M: u91.4i ;05
A1M: v91.3i ;17

A1MA: u81.16o, #R024.1i ;09
A1MB: u91.16o, #R026.1i ;05
A1MC: u20.16o, #R008.1i ;09

A1ML.S: v34.2o, v40.3i ;17
A1ML: v91.2o, v90.3i ;17

A2M.S: v04.7o, u20.6i, u81.6i ;09
A2M.S: v34.4i ;17

A2M: v28.6o ;02
A2M: u91.6i ;05
A2M: v91.4i ;17

A2MA: u81.14o, #R023.1i ;09
A2MB: u91.14o, #R030.1i ;05
A2MC: u20.14o, #R009.1i ;09

A2ML.S: v34.5o, v40.4i ;17
A2ML: v91.5o, v90.4i ;17

A3M.S: v04.9o, u20.8i, u81.8i ;09
A3M.S: v34.7i ;17

A3M: v23.6o ;02
A3M: u91.8i ;05
A3M: v91.7i ;17
A3M: v97.18i ;17

A3MA: u81.12o, #R011.1i ;09
A3MB: u91.12o, #R032.1i ;05
A3MC: u20.12o, #R006.1i ;09

A3ML.S: v34.6o, v40.7i ;17
A3ML: v91.6o, v90.7i ;17

A4M.S: v00.7o, u20.17i, u81.17i ;09
A4M.S: v34.8i ;17

A4M: v24.6o ;02
A4M: u91.17i ;05
A4M: v91.8i ;17

A4MA: u81.3o, #R017.1i ;09
A4MB: u91.3o, #R033.1i ;05
A4MC: u20.3o, #R010.1i ;09

A4ML.S: v34.9o, v40.8i ;17
A4ML: v91.9o, v90.8i ;17

A5M.S: v00.9o, u20.15i, u81.15i ;09
A5M.S: v34.13i ;17

A5M: v29.6o ;02
A5M: u91.15i ;05
A5M: v91.13i ;17

A5MA: u81.5o, #R016.1i ;09
A5MB: u91.5o, #R028.1i ;05
A5MC: u20.5o, #R002.1i ;09

A5ML.S: v34.12o, v40.13i ;17
A5ML: v91.12o, v90.13i ;17

A6M.S: u93.7o, u20.13i, u81.13i ;09
A6M.S: v34.14i ;17

A6M: v31.6o ;02
A6M: u91.13i ;05
A6M: v91.14i ;17
A6M: v97.3i ;17

A6MA: u81.7o, #R015.1i ;09
A6MB: u91.7o, #R034.1i ;05
A6MC: u20.7o, #R007.1i ;09

A6ML.S: v34.15o, v40.14i ;17
A6ML: v91.15o, v90.14i ;17

A7M.S: u93.9o, u20.11i, u81.11i ;09
A7M.S: v34.17i ;17

A7M: v25.6o ;02
A7M: u91.11i ;05
A7M: v91.17i ;17

XEROX	PROPRIETARY NOTE ON COVER SHEET APPLIES TO ALL SHEETS		DWG SIZE A4	DWG NO. 156P03346	SHEET REV. A
	TITLE SCHEMATIC, DCM/DDC		SHEET 32 OF		

A7MA: u81.9o, #R018.1i ;09
A7MB: u91.9o, #R025.1i ;05
A7MC: u20.9o, #R001.1i ;09
A7ML.S: v34.16o, v40.17i ;17
A7ML: v91.16o, v90.17i ;17
A8M.S: v09.7o, u85.4i, u85.2i ;09
A8M.S: v34.18i ;17
A8M.S: v48.3i ;17
A8M: v30.6o ;02
A8M: u90.17i ;05
A8MA: u85.18o, #R021.1i ;09
A8MB: u90.3o, #R037.1i ;05
A8MC: u85.16o, #R005.1i ;09
AX1: v76.6o, v43.13i ;19
AX2: v96.12o, v43.12i ;19
AX3: v78.11o, v43.10i ;19
B/A.17: v22.17i ;01
B/A.17: v27.15o ;01
B/A.17: J1.134 ;23
B/A.17L: v22.16o ;01
B/A.17L: #R040.1i ;02
B/A.17L: v09.5i ;09
B/A.18: v22.14i ;01
B/A.18: v27.12o ;01
B/A.18: J1.131 ;23
B/A.18L: v22.15o ;01
B/A.18L: #R046.1i ;02
B/A.18L: v09.3i ;09
B/A.19: v22.13i ;01
B/A.19: v27.7i ;01
B/A.19: J1.145 ;23
B/A.19G: v35.9o ;08
B/A.19G: v52.5i ;10
B/A.19L: v22.12o ;01
B/A.19L: v41.11i ;01
B/A.19L: v78.2i ;01
B/A.19L: v89.2i ;02
B/A.19L: v35.12i ;08
B/A.19L: v49.2i ;09
B/A.20: v22.8i ;01
B/A.20: v27.6i ;01
B/A.20: J1.142 ;23
B/A.20L: v22.9o ;01
B/A.20L: v41.12i ;01
B/A.20L: v78.1i ;01
B/A.20L: v89.5i ;02
B/A.20L: v49.5i ;09
B/A.21: v22.7i ;01
B/A.21: v27.5i ;01
B/A.21: J1.139 ;23
B/A.21L: v22.6o ;01
B/A.21L: v41.8i ;01
B/A.21L: v89.11i ;02
B/A.21L: v49.11i ;09
B/A.22: v22.4i ;01
B/A.22: v27.2i ;01
B/A.22: J1.136 ;23
B/A.22L: v22.5o ;01
B/A.22L: v41.9i ;01
B/A.23: v22.3i ;01
B/A.23: v27.1i ;01
B/A.23: J1.133 ;23
B/A.23L': v42.18o, v01.13i ;01
B/A.23L': v01.5i ;01
B/A.23L': v51.9i ;08
B/A.23L': v16.9i ;08
B/A.23L: v22.2o ;01
B/A.23L: v42.2i ;01
B/A: v41.10o, v01.12i ;01
B/A: v01.4i ;01
B/A: v51.10i ;08
B/A: v16.10i ;08
B/ALE': v63.11i ;01
B/ALE': v68.1i, v68.2i ;08
B/ALE': J1.132 ;23
B/ALEB: v63.9o ;01
B/ALEB: v19.11i ;02
B/ALEB: v13.11i ;02
B/ALEB: v17.54o ;12
B/ALEB: v15.54o ;12
B/ALEL': v68.5o, u94.9i ;08
B/B.S: v78.3o, v01.1i ;01
B/B.S: v16.11i ;08
B/B: v41.13o, v01.9i ;01

XEROX	PROPRIETARY NOTE ON COVER SHEET APPLIES TO ALL SHEETS		DWG SIZE A4	DWG NO. 156P03346	SHEET REV. A
	TITLE SCHEMATIC, DCM/DDC		SHEET 33	OF	

B/B: v51.11i ;08

B/D.00: v13.18i ;02
B/D.00: u51.19o ;04
B/D.00: u53.2i ;04
B/D.00: u70.19o ;11
B/D.00: u72.2i ;11
B/D.00: J1.165 ;23
B/D.00: v02.3i ;23

B/D.00B: v13.19o ;02
B/D.00B: #R046.1i ;02
B/D.00B: v30.2i ;02
B/D.00B: v10.4i ;09

B/D.01: v13.17i ;02
B/D.01: u51.16o ;04
B/D.01: u53.4i ;04
B/D.01: u70.16o ;11
B/D.01: u72.4i ;11
B/D.01: J1.163 ;23
B/D.01: v03.3i ;23

B/D.01B: v13.16o ;02
B/D.01B: #R042.1i ;02
B/D.01B: v30.13i ;02
B/D.01B: v10.12i ;09

B/D.02: v13.14i ;02
B/D.02: u51.15o ;04
B/D.02: u53.6i ;04
B/D.02: u70.15o ;11
B/D.02: u72.6i ;11
B/D.02: J1.162 ;23
B/D.02: u99.6i ;23

B/D.02B: v13.15o ;02
B/D.02B: v20.14i ;02
B/D.02B: v04.4i ;09

B/D.03: v13.13i ;02
B/D.03: u51.12o ;04
B/D.03: u53.8i ;04
B/D.03: u70.12o ;11
B/D.03: u72.8i ;11
B/D.03: J1.160 ;23
B/D.03: u99.7i ;23

B/D.03B: v13.12o ;02
B/D.03B: v14.14i ;02
B/D.03B: v04.12i ;09

B/D.04: v13.8i ;02
B/D.04: u51.9o ;04
B/D.04: u53.11i ;04
B/D.04: u70.9o ;11
B/D.04: u72.11i ;11
B/D.04: J1.159 ;23
B/D.04: v03.8i ;23

B/D.04B: v13.9o ;02
B/D.04B: v28.14i ;02
B/D.04B: v00.3i ;09

B/D.05: v13.7i ;02
B/D.05: u51.6o ;04
B/D.05: u53.13i ;04
B/D.05: u70.6o ;11
B/D.05: u72.13i ;11
B/D.05: J1.157 ;23
B/D.05: v03.7i ;23

B/D.05B: v13.6o ;02
B/D.05B: v24.12i ;02
B/D.05B: v00.13i ;09

B/D.06: v13.4i ;02
B/D.06: u51.5o ;04
B/D.06: u53.15i ;04
B/D.06: u70.5o ;11
B/D.06: u72.15i ;11
B/D.06: J1.156 ;23
B/D.06: v03.4i ;23

B/D.06B: v13.5o ;02
B/D.06B: v29.12i ;02
B/D.06B: u93.3i ;09

B/D.07: v13.3i ;02
B/D.07: u51.2o ;04
B/D.07: u53.17i ;04
B/D.07: u70.2o ;11
B/D.07: u72.17i ;11
B/D.07: J1.154 ;23
B/D.07: v03.2i ;23

B/D.07B: v13.2o ;02
B/D.07B: v25.13i ;02
B/D.07B: u93.13i ;09

B/D.08: v19.18i ;02
B/D.08: u11.19o ;04
B/D.08: u13.2i ;04
B/D.08: u31.19o ;11
B/D.08: u33.2i ;11
B/D.08: J1.147 ;23
B/D.08: u99.2i ;23

B/D.08B: v19.19o ;02
B/D.08B: v20.3i ;02
B/D.08B: v10.6i ;09

B/D.09: v19.17i ;02
B/D.09: u11.16o ;04
B/D.09: u13.4i ;04
B/D.09: u31.16o ;11
B/D.09: u33.4i ;11
B/D.09: J1.144 ;23

XEROX	PROPRIETARY NOTE ON COVER SHEET APPLIES TO ALL SHEETS		DWG SIZE A4	DWG NO. 156P03346	SHEET REV. A
	TITLE SCHEMATIC, DCM/DDC		SHEET 34	OF	

B/D.09: v02.5i ;23

B/D.09B: v19.16o ;02
B/D.09B: v14.3i ;02
B/D.09B: v10.10i ;09

B/D.10: v19.14i ;02
B/D.10: u11.15o ;04
B/D.10: u13.6i ;04
B/D.10: u31.15o ;11
B/D.10: u33.6i ;11
B/D.10: J1.141 ;23
B/D.10: v03.5i ;23

B/D.10B: v19.15o ;02
B/D.10B: v28.3i ;02
B/D.10B: v04.6i ;09

B/D.11: v19.13i ;02
B/D.11: u11.12o ;04
B/D.11: u13.8i ;04
B/D.11: u31.12o ;11
B/D.11: u33.8i ;11
B/D.11: J1.138 ;23
B/D.11: u99.8i ;23

B/D.11B: v19.12o ;02
B/D.11B: v23.1i ;02
B/D.11B: v04.10i ;09

B/D.12: v19.8i ;02
B/D.12: u11.9o ;04
B/D.12: u13.11i ;04
B/D.12: u31.9o ;11
B/D.12: u33.11i ;11
B/D.12: J1.155 ;23
B/D.12: v02.8i ;23

B/D.12B: v19.9o ;02
B/D.12B: v24.1i ;02
B/D.12B: v00.5i ;09

B/D.13: v19.7i ;02
B/D.13: u11.6o ;04
B/D.13: u13.13i ;04
B/D.13: u31.6o ;11
B/D.13: u33.13i ;11
B/D.13: J1.146 ;23
B/D.13: v02.6i ;23

B/D.13B: v19.6o ;02
B/D.13B: v29.1i ;02
B/D.13B: v00.11i ;09

B/D.14: v19.4i ;02
B/D.14: u11.5o ;04
B/D.14: u13.15i ;04
B/D.14: u31.5o ;11
B/D.14: u33.15i ;11

B/D.14: J1.143 ;23
B/D.14: v02.4i ;23

B/D.14B: v19.5o ;02
B/D.14B: v31.2i ;02
B/D.14B: u93.5i ;09

B/D.15: v19.3i ;02
B/D.15: u11.2o ;04
B/D.15: u13.17i ;04
B/D.15: u31.2o ;11
B/D.15: u33.17i ;11
B/D.15: J1.140 ;23
B/D.15: v02.2i ;23

B/D.15B: v19.2o ;02
B/D.15B: v25.2i ;02
B/D.15B: u93.11i ;09

B/MD.00: #R045.2o, #R046.2o ;02
B/MD.00: v31.13i ;02

B/MD.01: #R040.2o, #R042.2o ;02
B/MD.01: v23.12i ;02

B/MEMREF': #R055.1i, #R070.2o ;01
B/MEMREF': v37.10i
B/MEMREF': v22.11i ;01
B/MEMREF': J1.105 ;23

B/MEMREFB': v37.8o ;01
B/MEMREFB': v71.8i ;08
B/MEMREFB': u89.8i ;08
B/MEMREFB': u94.10i, v42.17i ;08

B/MEMREFL': u94.8o ;08
B/MEMREFL': v17.53o ;12
B/MEMREFL': v15.53o ;12

B/MEMREFL: v42.3o, v35.11i ;08

B/MRD': v11.4i ;03
B/MRD': v11.12i ;10
B/MRD': v17.38o ;12
B/MRD': v15.38o ;12
B/MRD': J1.087 ;23

B/MRDBL'.S: v11.11o, u84.12i ;10

B/MRDBL': v11.6o, u84.1i ;03

B/MRF: v71.12o, v66.9i ;08

B/MWT': v36.9i ;03
B/MWT': v36.13i ;10
B/MWT': v17.37o ;12
B/MWT': v15.37o ;12
B/MWT': J1.081 ;23

XEROX	PROPRIETARY NOTE ON COVER SHEET APPLIES TO ALL SHEETS		DWG SIZE A4	DWG NO. 156P03346	SHEET REV. A
	TITLE SCHEMATIC, DCM/DDC		SHEET 35	OF 07	

B/RDY: v68.3i ;08	C/A.12: v32.18i ;20
B/RDY: v64.6o, v95.6o ;08	C/A.13: v24.3i ;02
B/RDY: J1.111 ;23	C/A.13: v32.19i ;20
B/READY': v42.9o, v98.2i ;08	C/A.14: v29.3i ;02
B/READY.S': v63.5o, v98.12i ;08	C/A.14: v32.20i ;20
B/READYDLY': v98.5o, v95.4i ;08	C/A.15: v31.3i ;02
B/READYDLY.S': v64.4i, v98.9o ;08	C/A.15: v32.21i ;20
B/READYL.S: v63.15i ;08	C/A.16: v25.3i ;02
B/READYL.S: v15.31i ;12	C/A.16: v32.22i ;20
B/READYL: v42.11i ;08	C/A.17: #R049.1i ;02
B/READYL: v17.31i ;12	C/A.17: v32.23i ;20
BHSYNC: v32.37i ;20	C/A.18: #R047.1i ;02
BHSYNC: v45.7i ;21	C/A.18: v32.24i ;20
BHSYNC: v73.7i ;22	C/A.19: v32.25i ;20
BOK.S: v66.8o, v64.5i ;08	C/A.20: v32.26i ;20
BOK: u89.10o, v95.5i ;08	C/D00: u98.2o ;04
BVSYNC: v32.38i ;20	C/D00: v32.116o ;20
BVSYNC: v54.3i ;21	C/D01: u98.5o ;04
BVSYNC: v45.6i ;21	C/D01: v32.115o ;20
BVSYNC: v73.10i ;22	C/D02: u98.6o ;04
C/A.03: v20.12i ;02	C/D02: v32.114o ;20
C/A.03: v32.8i ;20	C/D03: u98.9o ;04
C/A.04: v14.12i ;02	C/D03: v32.113o ;20
C/A.04: v32.9i ;20	C/D04: u98.12o ;04
C/A.05: v28.12i ;02	C/D04: v32.112o ;20
C/A.05: v32.10i ;20	C/D05: u98.15o ;04
C/A.06: v24.14i ;02	C/D05: v32.111o ;20
C/A.06: v32.11i ;20	C/D06: u98.16o ;04
C/A.07: v29.14i ;02	C/D06: v32.110o ;20
C/A.07: v32.12i ;20	C/D07: u98.19o ;04
C/A.08: v25.14i ;02	C/D07: v32.109o ;20
C/A.08: v32.13i ;20	C/D08: v08.2o ;04
C/A.09: v20.1i ;02	C/D08: v32.108o ;20
C/A.09: v32.14i ;20	C/D09: v08.5o ;04
C/A.10: v14.1i ;02	C/D09: v32.107o ;20
C/A.10: v32.16i ;20	C/D10: v08.6o ;04
C/A.11: v28.1i ;02	C/D10: v32.106o ;20
C/A.11: v32.17i ;20	C/D11: v08.9o ;04
C/A.12: v23.3i ;02	C/D11: v32.105o ;20

XEROX	PROPRIETARY NOTE ON COVER SHEET APPLIES TO ALL SHEETS		DWG SIZE	DWG NO. 156P03346	SHEET REV.
	TITLE	SCHEMATIC, DCM/DDC	A4	SHEET 36 OF	A

C/D12: v08.12o ;04
 C/D12: v32.104o ;20

 C/D13: v08.15o ;04
 C/D13: v32.103o ;20

 C/D14: v08.16o ;04
 C/D14: v32.102o ;20

 C/D15: v08.19o ;04
 C/D15: v32.101o ;20

 C/MAD.01: #R047.2o, #R052.2o ;02
 C/MAD.01: v31.14i ;02

 C/MAD.02: #R049.2o, #R048.2o ;02
 C/MAD.02: v23.14i ;02

 C/MEMREF'.S: v15.49o, #R044.1i ;12

 C/MEMREF': v17.49o ;12
 C/MEMREF': v32.7i ;20

 C/XACK': v17.30i ;12
 C/XACK': v32.5i ;20

 CA0: #R031.2o ;05
 CA0: u59.5i, u76.5i, u78.5i ;06
 CA0: u80.5i, u17.5i, u19.5i
 CA0: u37.5i, u39.5i, u57.5i
 CA0: u58.5i, u75.5i, u77.5i ;07
 CA0: u79.5i, u16.5i, u18.5i
 CA0: u36.5i, u38.5i, u56.5i

 CAO.A.S: #R013.2o ;09
 CAO.A.S: u63.5i, u62.5i, u61.5i ;13
 CAO.A.S: u60.5i, u68.5i, u67.5i
 CAO.A.S: u66.5i, u65.5i, u64.5i
 CAO.A.S: u44.5i, u43.5i, u42.5i ;14
 CAO.A.S: u41.5i, u49.5i, u48.5i
 CAO.A.S: u47.5i, u46.5i, u45.5i

 CAO.B.S: #R012.2o ;09
 CAO.B.S: u24.5i, u23.5i, u22.5i ;15
 CAO.B.S: u21.5i, u29.5i, u28.5i
 CAO.B.S: u27.5i, u26.5i, u25.5i
 CAO.B.S: u04.5i, u03.5i, u02.5i ;16
 CAO.B.S: u01.5i, u09.5i, u08.5i
 CAO.B.S: u07.5i, u06.5i, u05.5i

 CA1: #R026.2o ;05
 CA1: u59.7i, u76.7i, u78.7i ;06
 CA1: u80.7i, u17.7i, u19.7i
 CA1: u37.7i, u39.7i, u57.7i
 CA1: u58.7i, u75.7i, u77.7i ;07
 CA1: u79.7i, u16.7i, u18.7i
 CA1: u36.7i, u38.7i, u56.7i

CA1A.S: #R024.2o ;09
 CA1A.S: u63.7i, u62.7i, u61.7i ;13
 CA1A.S: u60.7i, u68.7i, u67.7i
 CA1A.S: u66.7i, u65.7i, u64.7i
 CA1A.S: u44.7i, u43.7i, u42.7i ;14
 CA1A.S: u41.7i, u49.7i, u48.7i
 CA1A.S: u47.7i, u46.7i, u45.7i

 CA1B.S: #R008.2o ;09
 CA1B.S: u24.7i, u23.7i, u22.7i ;15
 CA1B.S: u21.7i, u29.7i, u28.7i
 CA1B.S: u27.7i, u26.7i, u25.7i
 CA1B.S: u04.7i, u03.7i, u02.7i ;16
 CA1B.S: u01.7i, u09.7i, u08.7i
 CA1B.S: u07.7i, u06.7i, u05.7i

 CA2: #R030.2o ;05
 CA2: u59.6i, u76.6i, u78.6i ;06
 CA2: u80.6i, u17.6i, u19.6i
 CA2: u37.6i, u39.6i, u57.6i
 CA2: u58.6i, u75.6i, u77.6i ;07
 CA2: u79.6i, u16.6i, u18.6i
 CA2: u36.6i, u38.6i, u56.6i

 CA2A.S: #R023.2o ;09
 CA2A.S: u63.6i, u62.6i, u61.6i ;13
 CA2A.S: u60.6i, u68.6i, u67.6i
 CA2A.S: u66.6i, u65.6i, u64.6i
 CA2A.S: u44.6i, u43.6i, u42.6i ;14
 CA2A.S: u41.6i, u49.6i, u48.6i
 CA2A.S: u47.6i, u46.6i, u45.6i

 CA2B.S: #R009.2o ;09
 CA2B.S: u24.6i, u23.6i, u22.6i ;15
 CA2B.S: u21.6i, u29.6i, u28.6i
 CA2B.S: u27.6i, u26.6i, u25.6i
 CA2B.S: u04.6i, u03.6i, u02.6i ;16
 CA2B.S: u01.6i, u09.6i, u08.6i
 CA2B.S: u07.6i, u06.6i, u05.6i

 CA3: #R032.2o ;05
 CA3: u59.12i, u76.12i, u78.12i ;06
 CA3: u80.12i, u17.12i, u19.12i
 CA3: u37.12i, u39.12i, u57.12i
 CA3: u58.12i, u75.12i, u77.12i ;07
 CA3: u79.12i, u16.12i, u18.12i
 CA3: u36.12i, u38.12i, u56.12i

 CA3A.S: #R011.2o ;09
 CA3A.S: u63.12i, u62.12i, u61.12i ;13
 CA3A.S: u60.12i, u68.12i, u67.12i
 CA3A.S: u66.12i, u65.12i, u64.12i
 CA3A.S: u44.12i, u43.12i, u42.12i ;14
 CA3A.S: u41.12i, u49.12i, u48.12i
 CA3A.S: u47.12i, u46.12i, u45.12i

 CA3B.S: #R006.2o ;09
 CA3B.S: u24.12i, u23.12i, u22.12i ;15
 CA3B.S: u21.12i, u29.12i, u28.12i

XEROX	PROPRIETARY NOTE ON COVER SHEET APPLIES TO ALL SHEETS		DWG SIZE A4	DWG NO. 156P03346	SHEET REV. A
	TITLE SCHEMATIC, DCM/DDC		SHEET 37	OF	

CA3B.S: u27.12i, u26.12i, u25.12i
 CA3B.S: u04.12i, u03.12i, u02.12i ;16
 CA3B.S: u01.12i, u09.12i, u08.12i
 CA3B.S: u07.12i, u06.12i, u05.12i

CA4: #R033.2o ;05
 CA4: u59.11i, u76.11i, u78.11i ;06
 CA4: u80.11i, u17.11i, u19.11i
 CA4: u37.11i, u39.11i, u57.11i
 CA4: u58.11i, u75.11i, u77.11i ;07
 CA4: u79.11i, u16.11i, u18.11i
 CA4: u36.11i, u38.11i, u56.11i

CA4A.S: #R017.2o ;09
 CA4A.S: u63.11i, u62.11i, u61.11i ;13
 CA4A.S: u60.11i, u68.11i, u67.11i
 CA4A.S: u66.11i, u65.11i, u64.11i
 CA4A.S: u44.11i, u43.11i, u42.11i ;14
 CA4A.S: u41.11i, u49.11i, u48.11i
 CA4A.S: u47.11i, u46.11i, u45.11i

CA4B.S: #R010.2o ;09
 CA4B.S: u24.11i, u23.11i, u22.11i ;15
 CA4B.S: u21.11i, u29.11i, u28.11i
 CA4B.S: u27.11i, u26.11i, u25.11i
 CA4B.S: u04.11i, u03.11i, u02.11i ;16
 CA4B.S: u01.11i, u09.11i, u08.11i
 CA4B.S: u07.11i, u06.11i, u05.11i

CA5: #R028.2o ;05
 CA5: u59.10i, u76.10i, u78.10i ;06
 CA5: u80.10i, u17.10i, u19.10i
 CA5: u37.10i, u39.10i, u57.10i
 CA5: u58.10i, u75.10i, u77.10i ;07
 CA5: u79.10i, u16.10i, u18.10i
 CA5: u36.10i, u38.10i, u56.10i

CA5A.S: #R016.2o ;09
 CA5A.S: u63.10i, u62.10i, u61.10i ;13
 CA5A.S: u60.10i, u68.10i, u67.10i
 CA5A.S: u66.10i, u65.10i, u64.10i
 CA5A.S: u44.10i, u43.10i, u42.10i ;14
 CA5A.S: u41.10i, u49.10i, u48.10i
 CA5A.S: u47.10i, u46.10i, u45.10i

CA5B.S: #R002.2o ;09
 CA5B.S: u24.10i, u23.10i, u22.10i ;15
 CA5B.S: u21.10i, u29.10i, u28.10i
 CA5B.S: u27.10i, u26.10i, u25.10i
 CA5B.S: u04.10i, u03.10i, u02.10i ;16
 CA5B.S: u01.10i, u09.10i, u08.10i
 CA5B.S: u07.10i, u06.10i, u05.10i

CA6: #R034.2o ;05
 CA6: u59.13i, u76.13i, u78.13i ;06
 CA6: u80.13i, u17.13i, u19.13i
 CA6: u37.13i, u39.13i, u57.13i
 CA6: u58.13i, u75.13i, u77.13i ;07
 CA6: u79.13i, u16.13i, u18.13i

CA6: u36.13i, u38.13i, u56.13i

CA6A.S: #R015.2o ;09
 CA6A.S: u63.13i, u62.13i, u61.13i ;13
 CA6A.S: u60.13i, u68.13i, u67.13i
 CA6A.S: u66.13i, u65.13i, u64.13i
 CA6A.S: u44.13i, u43.13i, u42.13i ;14
 CA6A.S: u41.13i, u49.13i, u48.13i
 CA6A.S: u47.13i, u46.13i, u45.13i

CA6B.S: #R007.2o ;09
 CA6B.S: u24.13i, u23.13i, u22.13i ;15
 CA6B.S: u21.13i, u29.13i, u28.13i
 CA6B.S: u27.13i, u26.13i, u25.13i
 CA6B.S: u04.13i, u03.13i, u02.13i ;16
 CA6B.S: u01.13i, u09.13i, u08.13i
 CA6B.S: u07.13i, u06.13i, u05.13i

CA7: #R025.2o ;05
 CA7: u59.9i, u76.9i, u78.9i ;06
 CA7: u80.9i, u17.9i, u19.9i
 CA7: u37.9i, u39.9i, u57.9i
 CA7: u58.9i, u75.9i, u77.9i ;07
 CA7: u79.9i, u16.9i, u18.9i
 CA7: u36.9i, u38.9i, u56.9i

CA7A.S: #R018.2o ;09
 CA7A.S: u63.9i, u62.9i, u61.9i ;13
 CA7A.S: u60.9i, u68.9i, u67.9i
 CA7A.S: u66.9i, u65.9i, u64.9i
 CA7A.S: u44.9i, u43.9i, u42.9i ;14
 CA7A.S: u41.9i, u49.9i, u48.9i
 CA7A.S: u47.9i, u46.9i, u45.9i

CA7B.S: #R001.2o ;09
 CA7B.S: u24.9i, u23.9i, u22.9i ;15
 CA7B.S: u21.9i, u29.9i, u28.9i
 CA7B.S: u27.9i, u26.9i, u25.9i
 CA7B.S: u04.9i, u03.9i, u02.9i ;16
 CA7B.S: u01.9i, u09.9i, u08.9i
 CA7B.S: u07.9i, u06.9i, u05.9i

CA8: #R038.2o, #R037.2o ;05
 CA8: u59.1i, u76.1i, u78.1i ;06
 CA8: u80.1i, u17.1i, u19.1i
 CA8: u37.1i, u39.1i, u57.1i
 CA8: u58.1i, u75.1i, u77.1i ;07
 CA8: u79.1i, u16.1i, u18.1i
 CA8: u36.1i, u38.1i, u56.1i

CA8A.S: #R021.2o ;09
 CA8A.S: u63.1i, u62.1i, u61.1i ;13
 CA8A.S: u60.1i, u68.1i, u67.1i
 CA8A.S: u66.1i, u65.1i, u64.1i
 CA8A.S: u44.1i, u43.1i, u42.1i ;14
 CA8A.S: u41.1i, u49.1i, u48.1i
 CA8A.S: u47.1i, u46.1i, u45.1i

CA8B.S: #R005.2o ;09

XEROX	PROPRIETARY NOTE ON COVER SHEET APPLIES TO ALL SHEETS		DWG SIZE A4	DWG NO. 156P03346	SHEET REV. A
	TITLE SCHEMATIC, DCM/DDC		SHEET 38	OF	

CA8B.S: u24.1i, u23.1i, u22.1i ;15
 CA8B.S: u21.1i, u29.1i, u28.1i
 CA8B.S: u27.1i, u26.1i, u25.1i
 CA8B.S: u04.1i, u03.1i, u02.1i ;16
 CA8B.S: u01.1i, u09.1i, u08.1i
 CA8B.S: u07.1i, u06.1i, u05.1i

 CAS0A'.S: u40.6o, #R014.1i ;10

 CAS0B'.S: u40.11o, #R003.1i ;10

 CAS0T': u92.6o, #R036.1i ;05

 CAS0T.S: v88.4i ;10
 CAS0T.S: v15.24i ;12

 CAS0T: v37.4i ;03
 CAS0T: v17.24i ;12

 CAS0TB.S: v82.9i ;08
 CAS0TB.S: v88.6o, v38.1i ;10

 CAS0TB: v37.6o, v79.1i ;03
 CAS0TB: v82.1i ;08

 CAS20.S: v38.4o, u88.14i ;10
 CAS20.S: v07.12i, v07.9i ;10

 CAS20: v79.4o, v12.14i ;03
 CAS20: u92.13i, v44.4i, v44.1i ;03

 CAS30.S: v38.10o ;10
 CAS30.S: u90.13i ;12
 CAS30.S: v48.11i ;17

 CAS30: v79.10o ;03
 CAS30: v71.4i ;12
 CAS30: v97.11i ;17

 CASD.S: u88.12o, u40.12i, u40.4i ;10

 CASD: v12.12o ;03
 CASD: u92.4i ;05

 CCASO': #R036.2o ;05
 CCASO': u59.15i, u76.15i, u78.15i ;06
 CCASO': u80.15i, u17.15i, u19.15i
 CCASO': u37.15i, u39.15i, u57.15i
 CCASO': u58.15i, u75.15i, u77.15i ;07
 CCASO': u79.15i, u16.15i, u18.15i
 CCASO': u36.15i, u38.15i, u56.15i

 CCASA'.S: #R014.2o ;10
 CCASA'.S: u63.15i, u62.15i ;13
 CCASA'.S: u61.15i, u60.15i
 CCASA'.S: u68.15i, u67.15i
 CCASA'.S: u66.15i, u65.15i
 CCASA'.S: u64.15i
 CCASA'.S: u44.15i, u43.15i ;14

CCASA'.S: u42.15i, u41.15i
 CCASA'.S: u49.15i, u48.15i
 CCASA'.S: u47.15i, u46.15i
 CCASA'.S: u45.15i

 CCASB'.S: #R003.2o ;10
 CCASB'.S: u24.15i, u23.15i ;15
 CCASB'.S: u22.15i, u21.15i
 CCASB'.S: u29.15i, u28.15i
 CCASB'.S: u27.15i, u26.15i
 CCASB'.S: u25.15i
 CCASB'.S: u04.15i, u03.15i ;16
 CCASB'.S: u02.15i, u01.15i
 CCASB'.S: u09.15i, u08.15i
 CCASB'.S: u07.15i, u06.15i
 CCASB'.S: u05.15i

 CDI00.S: u74.13i ;10
 CDI00.S: u72.18o ;11
 CDI00.S: u73.18o ;11
 CDI00.S: u68.2i ;13
 CDI00.S: u29.2i ;15

 CDI00: u50.13i ;03
 CDI00: u54.18o ;04
 CDI00: u53.18o ;04
 CDI00: u17.2i ;06

 CDI01.S: u74.12i ;10
 CDI01.S: u72.16o ;11
 CDI01.S: u73.16o ;11
 CDI01.S: u67.2i ;13
 CDI01.S: u28.2i ;15

 CDI01: u50.12i ;03
 CDI01: u54.16o ;04
 CDI01: u53.16o ;04
 CDI01: u19.2i ;06

 CDI02.S: u74.11i ;10
 CDI02.S: u72.14o ;11
 CDI02.S: u73.14o ;11
 CDI02.S: u66.2i ;13
 CDI02.S: u27.2i ;15

 CDI02: u50.11i ;03
 CDI02: u54.14o ;04
 CDI02: u53.14o ;04
 CDI02: u37.2i ;06

 CDI03.S: u74.10i ;10
 CDI03.S: u72.12o ;11
 CDI03.S: u73.12o ;11
 CDI03.S: u65.2i ;13
 CDI03.S: u26.2i ;15

 CDI03: u50.10i ;03
 CDI03: u54.12o ;04
 CDI03: u53.12o ;04

XEROX	PROPRIETARY NOTE ON COVER SHEET APPLIES TO ALL SHEETS		DWG SIZE A4	DWG NO. 156P03346		SHEET REV. A
	TITLE SCHEMATIC, DCM/DDC			SHEET 39	OF	

CDI03: u39.2i ;06
 CDI04.S: u74.9i ;10
 CDI04.S: u72.9o ;11
 CDI04.S: u73.9o ;11
 CDI04.S: u64.2i ;13
 CDI04.S: u25.2i ;15
 CDI04: u50.9i ;03
 CDI04: u54.9o ;04
 CDI04: u53.9o ;04
 CDI04: u57.2i ;06
 CDI05.S: u74.8i ;10
 CDI05.S: u72.7o ;11
 CDI05.S: u73.7o ;11
 CDI05.S: u63.2i ;13
 CDI05.S: u24.2i ;15
 CDI05: u50.8i ;03
 CDI05: u54.7o ;04
 CDI05: u53.7o ;04
 CDI05: u59.2i ;06
 CDI06.S: u74.4i ;10
 CDI06.S: u72.5o ;11
 CDI06.S: u73.5o ;11
 CDI06.S: u62.2i ;13
 CDI06.S: u23.2i ;15
 CDI06: u50.4i ;03
 CDI06: u54.5o ;04
 CDI06: u53.5o ;04
 CDI06: u76.2i ;06
 CDI07.S: u74.2i ;10
 CDI07.S: u72.3o ;11
 CDI07.S: u73.3o ;11
 CDI07.S: u61.2i ;13
 CDI07.S: u22.2i ;15
 CDI07: u50.2i ;03
 CDI07: u54.3o ;04
 CDI07: u53.3o ;04
 CDI07: u78.2i ;06
 CDI08.S: u35.13i ;10
 CDI08.S: u34.18o ;11
 CDI08.S: u33.18o ;11
 CDI08.S: u49.2i ;14
 CDI08.S: u09.2i ;16
 CDI08: u10.13i ;03
 CDI08: u14.18o ;04
 CDI08: u13.18o ;04
 CDI08: u16.2i ;07
 CDI09.S: u35.12i ;10
 CDI09.S: u34.16o ;11

CDI09.S: u33.16o ;11
 CDI09.S: u48.2i ;14
 CDI09.S: u08.2i ;16
 CDI09: u10.12i ;03
 CDI09: u14.16o ;04
 CDI09: u13.16o ;04
 CDI09: u18.2i ;07
 CDI10.S: u35.11i ;10
 CDI10.S: u34.14o ;11
 CDI10.S: u33.14o ;11
 CDI10.S: u47.2i ;14
 CDI10.S: u07.2i ;16
 CDI10: u10.11i ;03
 CDI10: u14.14o ;04
 CDI10: u13.14o ;04
 CDI10: u36.2i ;07
 CDI11.S: u35.10i ;10
 CDI11.S: u34.12o ;11
 CDI11.S: u33.12o ;11
 CDI11.S: u46.2i ;14
 CDI11.S: u06.2i ;16
 CDI11: u10.10i ;03
 CDI11: u14.12o ;04
 CDI11: u13.12o ;04
 CDI11: u38.2i ;07
 CDI12.S: u35.9i ;10
 CDI12.S: u34.9o ;11
 CDI12.S: u33.9o ;11
 CDI12.S: u45.2i ;14
 CDI12.S: u05.2i ;16
 CDI12: u10.9i ;03
 CDI12: u14.9o ;04
 CDI12: u13.9o ;04
 CDI12: u56.2i ;07
 CDI13.S: u35.8i ;10
 CDI13.S: u34.7o ;11
 CDI13.S: u33.7o ;11
 CDI13.S: u44.2i ;14
 CDI13.S: u04.2i ;16
 CDI13: u10.8i ;03
 CDI13: u14.7o ;04
 CDI13: u13.7o ;04
 CDI13: u58.2i ;07
 CDI14.S: u35.4i ;10
 CDI14.S: u34.5o ;11
 CDI14.S: u33.5o ;11
 CDI14.S: u43.2i ;14
 CDI14.S: u03.2i ;16

XEROX	PROPRIETARY NOTE ON COVER SHEET APPLIES TO ALL SHEETS		DWG SIZE A4	DWG NO. 156P03346	SHEET REV. A
	TITLE SCHEMATIC, DCM/DDC		SHEET 40	OF	

CDI14: u10.4i ;03
CDI14: u14.5o ;04
CDI14: u13.5o ;04
CDI14: u75.2i ;07

CDI15.S: u35.2i ;10
CDI15.S: u34.3o ;11
CDI15.S: u33.3o ;11
CDI15.S: u42.2i ;14
CDI15.S: u02.2i ;16

CDI15: u10.2i ;03
CDI15: u14.3o ;04
CDI15: u13.3o ;04
CDI15: u77.2i ;07

CMPS': v57.12o ;19
CMPS': v43.2i ;19

CRASO': #R029.2o ;05
CRASO': u59.4i, u76.4i, u78.4i ;06
CRASO': u80.4i, u17.4i, u19.4i
CRASO': u37.4i, u39.4i, u57.4i
CRASO': u58.4i, u75.4i, u77.4i ;07
CRASO': u79.4i, u16.4i, u18.4i
CRASO': u36.4i, u38.4i, u56.4i

CRASA'.S: #R019.2o ;10
CRASA'.S: u63.4i, u62.4i, u61.4i ;13
CRASA'.S: u60.4i, u68.4i, u67.4i
CRASA'.S: u66.4i, u65.4i, u64.4i
CRASA'.S: u44.4i, u43.4i, u42.4i ;14
CRASA'.S: u41.4i, u49.4i, u48.4i
CRASA'.S: u47.4i, u46.4i, u45.4i

CRASB'.S: #R004.2o ;10
CRASB'.S: u24.4i, u23.4i, u22.4i ;15
CRASB'.S: u21.4i, u29.4i, u28.4i
CRASB'.S: u27.4i, u26.4i, u25.4i
CRASB'.S: u04.4i, u03.4i, u02.4i ;16
CRASB'.S: u01.4i, u09.4i, u08.4i
CRASB'.S: u07.4i, u06.4i, u05.4i

CRS': v57.13o, v50.1i ;19
CRS': v43.1i ;19

CSA.00: v32.55i ;20
CSA.00: v21.5i ;21
CSA.00: v18.5i ;21

CSA.01: v32.54i ;20
CSA.01: v18.6i ;21
CSA.01: v21.6i ;21

CSA.02: v32.53i ;20
CSA.02: v21.7i ;21
CSA.02: v18.7i ;21

CSA.03: v32.52i ;20

CSA.03: v18.4i ;21
CSA.03: v21.4i ;21

CSA.04: v32.51i ;20
CSA.04: v18.3i ;21
CSA.04: v21.3i ;21

CSA.05: v32.50i ;20
CSA.05: v18.2i ;21
CSA.05: v21.2i ;21

CSA.06: v32.49i ;20
CSA.06: v18.1i ;21
CSA.06: v21.1i ;21

CSA.07: v32.48i ;20
CSA.07: v18.17o ;21

CSA.08: v32.47i ;20
CSA.08: v18.16o ;21

CSA.09: v32.46i ;20
CSA.09: v18.15o ;21

CSD.00: v32.67o ;20
CSD.00: v21.12o ;21
CSD.00: v18.14o ;21

CSD.01: v32.66o ;20
CSD.01: v21.11o ;21
CSD.01: v18.13o ;21

CSD.02: v32.65o ;20
CSD.02: v21.10o ;21
CSD.02: v18.12o ;21

CSD.03: v32.56i ;20
CSD.03: v21.9o ;21
CSD.03: v18.11o ;21

CSWR': v32.43i ;20

CWTHB': #R027.2o ;05
CWTHB': u58.3i, u75.3i, u77.3i ;07
CWTHB': u79.3i, u16.3i, u18.3i
CWTHB': u36.3i, u38.3i, u56.3i

CWTHBA'.S: #R020.2o ;10
CWTHBA'.S: u44.3i, u43.3i, u42.3i ;14
CWTHBA'.S: u41.3i, u49.3i, u48.3i
CWTHBA'.S: u47.3i, u46.3i, u45.3i
CWTHBA'.S: u04.3i, u03.3i, u02.3i ;16
CWTHBA'.S: u01.3i, u09.3i, u08.3i
CWTHBA'.S: u07.3i, u06.3i, u05.3i

CWTLB': #R035.2o ;05
CWTLB': u59.3i, u76.3i, u78.3i ;06
CWTLB': u80.3i, u17.3i, u19.3i
CWTLB': u37.3i, u39.3i, u57.3i

XEROX	PROPRIETARY NOTE ON COVER SHEET APPLIES TO ALL SHEETS		DWG SIZE A4	DWG NO. 156P03346	SHEET REV. A
	TITLE SCHEMATIC, DCM/DDC		SHEET 41	OF	

CWTLBA'.S: #R022.2o ;10
 CWTLBA'.S: u63.3i, u62.3i, u61.3i ;13
 CWTLBA'.S: u60.3i, u68.3i, u67.3i
 CWTLBA'.S: u66.3i, u65.3i, u64.3i
 CWTLBA'.S: u24.3i, u23.3i, u22.3i ;15
 CWTLBA'.S: u21.3i, u29.3i, u28.3i
 CWTLBA'.S: u27.3i, u26.3i, u25.3i

DB.00: v84.12i ;03
 DB.00: u96.12i ;10
 DB.00: v85.2o, v40.2o, v56.2o ;17
 DB.00: v90.2o
 DB.00: v81.18o ;19
 DB.00: v87.18o ;19
 DB.00: v59.3o ;19
 DB.00: v32.85o ;20

DB.01: v85.5o, v40.5o, v56.5o ;17
 DB.01: v90.5o
 DB.01: v81.17o ;19
 DB.01: v87.17o ;19
 DB.01: v59.6o ;19
 DB.01: v32.86o ;20

DB.02: v85.6o, v40.6o, v56.6o ;17
 DB.02: v90.6o
 DB.02: v81.16o ;19
 DB.02: v87.16o ;19
 DB.02: v32.95o ;20

DB.03: v85.9o, v40.9o, v56.9o ;17
 DB.03: v90.9o
 DB.03: v81.15o ;19
 DB.03: v87.15o ;19
 DB.03: v32.96o ;20

DB.04: v85.12o, v40.12o, v56.12o ;17
 DB.04: v90.12o
 DB.04: v81.14o ;19
 DB.04: v87.14o ;19
 DB.04: v32.97o ;20

DB.05: v85.15o, v40.15o, v56.15o ;17
 DB.05: v90.15o
 DB.05: v81.13o ;19
 DB.05: v87.13o ;19
 DB.05: v32.98o ;20

DB.06: v85.16o, v40.16o, v56.16o ;17
 DB.06: v90.16o
 DB.06: v81.12o ;19
 DB.06: v87.12o ;19
 DB.06: v32.99o ;20

DB.07: v59.8o, v40.19o, v59.11o ;17
 DB.07: v90.19o
 DB.07: v81.11o ;19
 DB.07: v87.11o ;19

DB.07: v32.100o ;20

DCMS': v82.4i, v82.5i, v69.3o ;08

DCMS: v82.8o, v69.17i ;08

DCTRL': v96.10i ;19

DCTRL': v94.1i, v43.8o, v57.4i ;19

DCTRL': v94.5i ;19

DCTRLDEN': v94.13i, v94.6o, v94.9i ;19

DDCIOW': v68.9o ;19

DDCIOW': v32.70o ;20

DDCIOW: v67.13i, v68.8o ;19

DDCRD': v43.6o ;19

DDCRD': v32.69o ;20

DDCREAD: v71.9o, v43.5i ;19

DDCS': v94.3o ;19

DDCS': v32.83o ;20

DIP0.S: u74.5o ;10

DIP0.S: u60.2i ;13

DIP0.S: u21.2i ;15

DIP0: u50.5o ;03

DIP0: u80.2i ;06

DIP1.S: u35.5o ;10

DIP1.S: u41.2i ;14

DIP1.S: u01.2i ;16

DIP1: u10.5o ;03

DIP1: u79.2i ;07

DISVERTRET: v76.8o, v54.4i ;21

D000.S: u69.13i ;10

D000.S: u71.18i ;11

D000.S: u70.18i ;11

D000.S: u68.14o ;13

D000.S: u29.14o ;15

D000: u55.13i ;03

D000: u51.18i ;04

D000: u98.3i ;04

D000: u52.18i ;04

D000: u17.14o ;06

D001.S: u69.12i ;10

D001.S: u71.17i ;11

D001.S: u70.17i ;11

D001.S: u67.14o ;13

D001.S: u28.14o ;15

XEROX	PROPRIETARY NOTE ON COVER SHEET APPLIES TO ALL SHEETS		DWG SIZE A4	DWG NO. 156P03346	SHEET REV. A
	TITLE SCHEMATIC, DCM/DDC			SHEET 42 OF	

D001: u55.12i ;03
D001: u51.17i ;04
D001: u98.4i ;04
D001: u52.17i ;04
D001: u19.14o ;06

D002.S: u69.11i ;10
D002.S: u71.14i ;11
D002.S: u70.14i ;11
D002.S: u66.14o ;13
D002.S: u27.14o ;15

D002: u55.11i ;03
D002: u51.14i ;04
D002: u98.7i ;04
D002: u52.14i ;04
D002: u37.14o ;06

D003.S: u69.10i ;10
D003.S: u71.13i ;11
D003.S: u70.13i ;11
D003.S: u65.14o ;13
D003.S: u26.14o ;15

D003: u55.10i ;03
D003: u51.13i ;04
D003: u98.8i ;04
D003: u52.13i ;04
D003: u39.14o ;06

D004.S: u69.9i ;10
D004.S: u71.8i ;11
D004.S: u70.8i ;11
D004.S: u64.14o ;13
D004.S: u25.14o ;15

D004: u55.9i ;03
D004: u51.8i ;04
D004: u98.13i ;04
D004: u52.8i ;04
D004: u57.14o ;06

D005.S: u69.8i ;10
D005.S: u71.7i ;11
D005.S: u70.7i ;11
D005.S: u63.14o ;13
D005.S: u24.14o ;15

D005: u55.8i ;03
D005: u51.7i ;04
D005: u98.14i ;04
D005: u52.7i ;04
D005: u59.14o ;06

D006.S: u69.4i ;10
D006.S: u71.4i ;11
D006.S: u70.4i ;11
D006.S: u62.14o ;13
D006.S: u23.14o ;15

D006: u55.4i ;03
D006: u51.4i ;04
D006: u98.17i ;04
D006: u52.4i ;04
D006: u76.14o ;06

D007.S: u69.2i ;10
D007.S: u71.3i ;11
D007.S: u70.3i ;11
D007.S: u61.14o ;13
D007.S: u22.14o ;15

D007: u55.2i ;03
D007: u51.3i ;04
D007: u98.18i ;04
D007: u52.3i ;04
D007: u78.14o ;06

D008.S: u30.13i ;10
D008.S: u32.18i ;11
D008.S: u31.18i ;11
D008.S: u49.14o ;14
D008.S: u09.14o ;16

D008: u15.13i ;03
D008: u11.18i ;04
D008: v08.3i ;04
D008: u12.18i ;04
D008: u16.14o ;07

D009.S: u30.12i ;10
D009.S: u32.17i ;11
D009.S: u31.17i ;11
D009.S: u48.14o ;14
D009.S: u08.14o ;16

D009: u15.12i ;03
D009: u11.17i ;04
D009: v08.4i ;04
D009: u12.17i ;04
D009: u18.14o ;07

D010.S: u30.11i ;10
D010.S: u32.14i ;11
D010.S: u31.14i ;11
D010.S: u47.14o ;14
D010.S: u07.14o ;16

D010: u15.11i ;03
D010: u11.14i ;04
D010: v08.7i ;04
D010: u12.14i ;04
D010: u36.14o ;07

D011.S: u30.10i ;10
D011.S: u32.13i ;11
D011.S: u31.13i ;11
D011.S: u46.14o ;14

XEROX	PROPRIETARY NOTE ON COVER SHEET APPLIES TO ALL SHEETS		DWG SIZE A4	DWG NO. 156P03346		SHEET REV. A
	TITLE	SCHEMATIC, DCM/DDC		SHEET	43 OF	

D011.S: u06.14o ;16
D011: u15.10i ;03
D011: u11.13i ;04
D011: v08.8i ;04
D011: u12.13i ;04
D011: u38.14o ;07

D012.S: u30.9i ;10
D012.S: u32.8i ;11
D012.S: u31.8i ;11
D012.S: u45.14o ;14
D012.S: u05.14o ;16

D012: u15.9i ;03
D012: u11.8i ;04
D012: v08.13i ;04
D012: u12.8i ;04
D012: u56.14o ;07

D013.S: u30.8i ;10
D013.S: u32.7i ;11
D013.S: u31.7i ;11
D013.S: u44.14o ;14
D013.S: u04.14o ;16

D013: u15.8i ;03
D013: u11.7i ;04
D013: v08.14i ;04
D013: u12.7i ;04
D013: u58.14o ;07

D014.S: u30.4i ;10
D014.S: u32.4i ;11
D014.S: u31.4i ;11
D014.S: u43.14o ;14
D014.S: u03.14o ;16

D014: u15.4i ;03
D014: u11.4i ;04
D014: v08.17i ;04
D014: u12.4i ;04
D014: u75.14o ;07

D015.S: u30.2i ;10
D015.S: u32.3i ;11
D015.S: u31.3i ;11
D015.S: u42.14o ;14
D015.S: u02.14o ;16

D015: u15.2i ;03
D015: u11.3i ;04
D015: v08.18i ;04
D015: u12.3i ;04
D015: u77.14o ;07

DOCLK.S: v35.3i ;10
DOCLK.S: v15.59o ;12

DOCLK: u86.11i ;03
DOCLK: v17.59o ;12

DOP0.S: u69.1i ;10
DOP0.S: u60.14o ;13
DOP0.S: u21.14o ;15

DOP0: u55.1i ;03
DOP0: u80.14o ;06

DOP1.S: u30.1i ;10
DOP1.S: u41.14o ;14
DOP1.S: u01.14o ;16

DOP1: u15.1i ;03
DOP1: u79.14o ;07

DOPE0.S: u69.5o ;10
DOPE0.S: v66.12i ;12

DOPE0: u55.5o ;03
DOPE0: v07.1i ;12

DOPE0G.S: v66.11o ;12
DOPE0G.S: v15.1i ;12

DOPE0G: v07.3o ;12
DOPE0G: v17.1i ;12

DOPE1.S: u30.5o ;10
DOPE1.S: v88.12i ;12

DOPE1: u15.5o ;03
DOPE1: v07.4i ;12

DOPE1G.S: v88.11o ;12
DOPE1G.S: v15.3i ;12

DOPE1G: v07.6o ;12
DOPE1G: v17.3i ;12

DPAEN.S: v07.10i ;10
DPAEN.S: v33.15o ;11

DPAEN: v44.2i ;03
DPAEN: v33.7o ;11

DPBEN'.S: v33.2o ;11
DPBEN'.S: u94.2i ;11
DPBEN'.S: u89.2i ;11

DPBEN: v44.5i ;03
DPBEN: v33.10o ;11

DSPLSIZE': v50.9o ;19
DSPLSIZE': v59.2i ;19
DSPLSIZE': v59.4i ;19

DXHI: v94.8o, v81.19i ;19

XEROX	PROPRIETARY NOTE ON COVER SHEET APPLIES TO ALL SHEETS		DWG SIZE A4	DWG NO. 156P03346	SHEET REV. A
	TITLE SCHEMATIC, DCM/DDC		SHEET 44	OF	

DXLO: v94.11o, v87.19i ;19

EHSYNC': #CR007.2i, #R067.2o ;22
EHSYNC': #CR008.1o, v73.3o, J2.012

EHSYNC: #CR005.2i, #R065.2o ;22
EHSYNC: #CR006.1o, v73.1o, J2.013

ERRCLK'.S: u90.7o, v15.2i ;12

ERRCLK': v71.16o, v17.2i ;12

EVIDEO': #CR004.2i, #R066.2o ;22
EVIDEO': #CR003.1o, v73.4o, J2.007

EVIDEO: #CR002.2i, #R064.2o ;22
EVIDEO: #CR001.1o, v73.2o, J2.008

EVSYNC': #CR009.2i, #R068.2o ;22
EVSYNC': #CR010.1o, v73.12o
EVSYNC': J2.002

EVSYNC: #CR012.2i, #R069.2o ;22
EVSYNC: #CR011.1o, v73.15o, J2.001

GACS': v57.14o, v50.15i ;19
GACS': v43.4i ;19

GND: #R055.2o ;01
GND: #R057.1i ;01
GND: #R052.1i ;02
GND: #R048.1i ;02
GND: v20.7i ;02
GND: v14.7i ;02
GND: v28.7i ;02
GND: v23.7i ;02
GND: v24.7i ;02
GND: v29.7i ;02
GND: v31.7i ;02
GND: v30.7i ;02
GND: v25.7i ;02
GND: v30.3i ;02
GND: v30.14i ;02
GND: v89.13i, v89.14i ;02
GND: v12.15i ;03
GND: v12.6i, v12.11i, v12.10i ;03
GND: v12.5i
GND: u97.3i, u97.2i ;04
GND: u97.11i, u97.12i ;04
GND: #R039.2i ;05
GND: u17.16i, u19.16i, u37.16i ;06
GND: u39.16i, u57.16i, u59.16i
GND: u76.16i, u78.16i, u80.16i
GND: u16.16i, u18.16i, u36.16i ;07
GND: u38.16i, u56.16i, u58.16i
GND: u75.16i, u77.16i, u79.16i
GND: u86.2i ;08
GND: v93.12i ;08

GND: #R062.1i ;08
GND: v09.15i, v09.1i ;09
GND: u93.15i, u93.1i ;09
GND: v00.15i, v00.1i ;09
GND: v04.15i, v04.1i ;09
GND: v10.15i, v10.1i ;09
GND: v49.15i ;09
GND: v49.13i, v49.14i ;09
GND: u88.15i ;10
GND: u88.6i, u88.11i, u88.10i ;10
GND: u88.5i
GND: v17.10i ;12
GND: v17.12i, v17.13i, v17.14i ;12
GND: v17.15i, v17.16i, v17.11i
GND: v17.26i ;12
GND: v17.27i ;12
GND: v17.60o ;12
GND: v17.41o ;12
GND: v17.40o ;12
GND: v17.8i ;12
GND: v17.44o ;12
GND: v15.10i ;12
GND: v15.26i ;12
GND: v15.27i ;12
GND: v15.60o ;12
GND: v15.11i ;12
GND: v15.14i ;12
GND: v15.8i ;12
GND: v15.44o ;12
GND: v15.12i ;12
GND: v15.13i ;12
GND: v15.15i ;12
GND: v15.16i ;12
GND: v15.41o ;12
GND: v15.40o ;12
GND: u68.16i, u67.16i, u66.16i ;13
GND: u65.16i, u64.16i, u63.16i
GND: u62.16i, u61.16i, u60.16i
GND: u49.16i, u48.16i, u47.16i ;14
GND: u46.16i, u45.16i, u44.16i
GND: u43.16i, u42.16i, u41.16i
GND: u29.16i, u28.16i, u27.16i ;15
GND: u26.16i, u25.16i, u24.16i
GND: u23.16i, u22.16i, u21.16i
GND: u09.16i, u08.16i, u07.16i ;16
GND: u06.16i, u05.16i, u04.16i
GND: u03.16i, u02.16i, u01.16i
GND: v84.3i, v84.2i ;17
GND: u96.3i, u96.2i ;17
GND: #R053.2i ;17
GND: v57.5i ;19
GND: v26.2i ;19
GND: v32.76o ;20
GND: v32.33i ;20
GND: v32.118o ;20
GND: v21.8i ;21
GND: v21.14o ;21
GND: v18.9i ;21
GND: v54.2i ;21

XEROX	PROPRIETARY NOTE ON COVER SHEET APPLIES TO ALL SHEETS		DWG SIZE A4	DWG NO. 156P03346	SHEET REV. A
	TITLE SCHEMATIC, DCM/DDC			SHEET 45 OF	

GND: #CR002.1o ;22
 GND: #CR004.1o ;22
 GND: #CR012.1o ;22
 GND: #CR009.1o ;22
 GND: #CR005.1o ;22
 GND: #CR007.1o ;22
 GND: J2.004, J2.009, J2.015 ;22
 GND: J2.005
 GND: #C141.1i ;22
 GND: v69.4i, v69.2i ;22
 GND: J1.062, J1.063, J1.061 ;23
 GND: J1.089, J1.091, J1.092 ;23
 GND: J1.093, J1.121, J1.122
 GND: J1.123, J1.124, J1.125
 GND: J1.126, J1.127, J1.128
 GND: J1.129, J1.085
 GND: J1.011, J1.026, J1.032 ;23
 GND: J1.047, J1.053, J1.151
 GND: J1.152, J1.153, J1.158
 GND: J1.164, J1.002
 GND: #C055.2i, #C039.2i, #C044.2i ;24
 GND: #C025.2i, #C030.2i, #C008.2i
 GND: #C012.2i, #C011.2i
 GND: #C010.2i, #C056.2i, #C038.2i ;24
 GND: #C043.2i, #C024.2i, #C029.2i
 GND: #C007.2i, #C006.2i
 GND: #C005.2i, #C009.2i, #C057.2i ;24
 GND: #C037.2i, #C042.2i, #C023.2i
 GND: #C028.2i, #C027.2i
 GND: #C147.2i, #C002.2i, #C128.2i ;24
 GND: #C015.2i, #C099.2i, #C054.2i
 GND: #C041.2i, #C022.2i, #C148.2i
 GND: #C145.1i, #C124.1i ;24
 GND: #C115.2i, #C020.2i, #C034.2i ;24
 GND: #C003.2i, #C035.2i, #C033.2i
 GND: #C031.2i, #C019.2i, #C013.2i
 GND: #C017.2i
 GND: #C140.1i, #C146.1i ;24
 GND: #C068.2o, #C050.2o, #C131.2o ;25
 GND: #C045.2o, #C004.2o, #C085.2o
 GND: #C032.2o, #C097.2o, #C087.2o
 GND: #C106.2o, #C112.2o, #C077.2o
 GND: #C076.2o, #C122.2o, #C070.2o
 GND: #C088.2o, #C134.2o, #C051.2o
 GND: #C016.2o, #C047.2o, #C026.2o
 GND: #C073.2o, #C058.2o, #C021.2o
 GND: #C144.2o, #C078.2o, #C036.2o
 GND: #C083.2o, #C111.2o, #C060.2o
 GND: #C048.2o, #C074.2o, #C130.2o
 GND: #C066.2o, #C094.2o, #C121.2o
 GND: #C079.2o, #C132.2o, #C114.2o
 GND: #C129.2o, #C084.2o, #C065.2o
 GND: #C053.2o, #C109.2o, #C069.2o
 GND: #C089.2o, #C142.2o, #C092.2o
 GND: #C049.2o, #C143.2o, #C063.2o
 GND: #C123.2o, #C086.2o, #C067.2o
 GND: #C127.2o, #C101.2o, #C090.2o
 GND: #C040.2o, #C118.2o, #C137.2o
 GND: #C105.2o, #C061.2o, #C103.2o

GND: #C081.2o, #C135.2o, #C100.2o
 GND: #C075.2o, #C136.2o, #C110.2o
 GND: #C098.2o, #C093.2o, #C139.2o
 GND: #C046.2o, #C014.2o, #C119.2o
 GND: #C116.2o, #C133.2o, #C102.2o
 GND: #C059.2o, #C080.2o, #C096.2o
 GND: #C095.2o, #C107.2o, #C001.2o
 GND: #C071.2o, #C064.2o, #C062.2o
 GND: #C108.2o, #C082.2o, #C104.2o
 GND: #C125.2o, #C117.2o, #C091.2o
 GND: #C126.2o, #C138.2o, #C052.2o
 GND: #C072.2o, #C018.2o, #C120.2o
 GND: #C113.2o

HCS': v32.45i ;20
 HCS': v21.13o ;21
 HCS': v46.8i ;21

HIGH1: v77.7i ;08
 HIGH1: v17.39o ;12

HIGH2: u95.10i ;03
 HIGH2: v37.1i ;03
 HIGH2: v05.4i ;03
 HIGH2: v05.10i ;03
 HIGH2: v77.10o ;08
 HIGH2: v15.39o ;12

HIGH3: u86.10i ;03
 HIGH3: u92.10i, u92.5i ;05
 HIGH3: u92.2i ;05
 HIGH3: v77.11o ;08
 HIGH3: v65.10i ;08
 HIGH3: v65.4i ;08
 HIGH3: u96.10i ;10
 HIGH3: u40.5i ;10
 HIGH3: u40.13i ;10
 HIGH3: v48.13i ;17

HIGH3L: v48.12o, v56.13i ;17

HIGH4: v39.9i ;01
 HIGH4: v37.9i ;01
 HIGH4: v77.12o ;08
 HIGH4: v33.1i ;11

HIGH5: v84.10i ;03
 HIGH5: v77.3i ;08

HIGH7: v77.5i ;08
 HIGH7: v68.4i ;08
 HIGH7: v93.4i ;08
 HIGH7: v35.10i ;08
 HIGH7: v98.1i, v98.4i ;08
 HIGH7: v98.13i, v98.10i ;08
 HIGH7: v88.1i ;10
 HIGH7: u83.4i, u95.4i, u83.10i ;10
 HIGH7: v16.5i ;10
 HIGH7: v35.4i ;10

XEROX	PROPRIETARY NOTE ON COVER SHEET APPLIES TO ALL SHEETS		DWG SIZE A4	DWG NO. 156P03346	SHEET REV. A
	TITLE SCHEMATIC, DCM/DDC		SHEET 46	OF	

HIGH7: u84.10i ;10
 HIGH7: v68.13i ;19
 HIGH7: v26.1i ;19

 HIGH8: v05.1i, u95.13i, v05.13i ;03
 HIGH8: v77.14o ;08
 HIGH8: v35.13i ;08
 HIGH8: u83.1i, u95.1i, u83.13i ;10
 HIGH8: v26.10i ;19

 INTDIS': v64.13i, v95.10i, v64.8o ;17
 INTDIS': #R054.1i
 INTDIS': J1.130 ;23

 IORDS: v96.8o, v76.2i, v76.13i ;19

 IORDY: v64.2i, v96.3i, v26.9o ;19
 IORDY: v64.1i

 IORDYDLY: v96.4i, v26.6o ;19

 IORSEL: v96.6o, v76.1i ;19

 IOWEN: v67.11o, v68.12i ;19

 MEMCONT: u86.5o, v66.5i ;08

 MEMHBRDEN'.S: v58.7o ;17
 MEMHBRDEN'.S: v59.12i ;17
 MEMHBRDEN'.S: v56.1i ;17

 MEMHBRDEN': v58.5o ;17
 MEMHBRDEN': v59.10i ;17
 MEMHBRDEN': v85.1i ;17

 MEMLBRDEN'.S: v58.6o ;17
 MEMLBRDEN'.S: v40.1i ;17

 MEMLBRDEN': v58.4o ;17
 MEMLBRDEN': v90.1i ;17

 MEMORY: v93.5o, v82.2i ;08

 MEMRD.S: u84.11o, v35.2i ;10

 MEMRD: u84.3o, u86.12i ;03

 MEMS': v75.11i ;01
 MEMS': v67.1i ;17
 MEMS': v50.5o ;19

 MEMSEN': v67.3o, v67.4i ;17
 MEMSEN': v67.9i ;17

 MEMSENRD': v58.1i, v67.6o ;17

 MEMSENWT': v67.8o, v58.15i ;17

 MODPAEN.S: v52.2i ;10

MODPAEN.S: u94.3o ;11

 MODPBEN.S: v07.13i ;10
 MODPBEN.S: v52.4i ;10
 MODPBEN.S: u89.1o ;11

 MPBAH'.S: v16.8o, v71.6i ;08

 MPBAH': v51.8o, u89.9i ;08

 MREFR': v82.6o, v93.13i ;08

 MUXA.19': u87.5i, v52.6o, u84.5i ;10

 NOTV: v82.3i, v88.8o ;08

 ODDPARMODE'.S: u74.1i, u96.9o ;10
 ODDPARMODE'.S: u35.1i

 ODDPARMODE': u50.1i, u10.1i ;03
 ODDPARMODE': v84.9o ;03

 PAAH'.S: v51.12o ;01
 PAAH'.S: v88.9i ;08
 PAAH'.S: v15.47o ;12

 PAAH': v51.6o ;01
 PAAH': v88.10i ;08
 PAAH': v17.47o ;12

 PADOCLK.S: v07.8o ;10
 PADOCLK.S: u71.11i ;11
 PADOCLK.S: u32.11i ;11

 PADOCLK: v44.3o ;03
 PADOCLK: u12.11i ;04
 PADOCLK: u52.11i ;04

 PAEN'.S: v39.5i ;03
 PAEN'.S: v83.11i ;08
 PAEN'.S: u93.14i, v09.14i, v00.14i ;09
 PAEN'.S: v16.4i ;10
 PAEN'.S: v15.55o ;12
 PAEN'.S: v48.17i ;17

 PAEN': v20.11i ;02
 PAEN': v14.11i ;02
 PAEN': v28.11i ;02
 PAEN': v23.11i ;02
 PAEN': v24.11i ;02
 PAEN': v29.11i ;02
 PAEN': v69.8i ;02
 PAEN': v16.2i ;03
 PAEN': v17.55o ;12
 PAEN': v97.17i ;17

 PAENB'.S: v63.12o ;08
 PAENB'.S: v36.1i ;10
 PAENB'.S: v11.10i ;10

XEROX	PROPRIETARY NOTE ON COVER SHEET APPLIES TO ALL SHEETS		DWG SIZE A4	DWG NO. 156P03346		SHEET REV. A
	TITLE	SCHEMATIC, DCM/DDC		SHEET	47 OF	

PAENB': v36.4i ;03
 PAENB': v39.4i ;03
 PAENB': v11.2i ;03
 PAENB': v83.3o ;08

 PAENB.S: v82.10i ;08
 PAENB.S: v83.9o, v63.8i ;08
 PAENB.S: v49.1i ;09
 PAENB.S: v33.13i ;11

 PAENB: v69.12o ;02
 PAENB: v89.1i ;02
 PAENB: v83.17i ;08
 PAENB: v82.13i ;08
 PAENB: v33.5i ;11

 PAENL'.S: v48.16o, v56.17i ;17

 PAENL': v97.16o, v85.17i ;17

 PARDEN'.S: u97.10i ;04
 PARDEN'.S: v15.35o ;12

 PARDEN': u97.4i ;04
 PARDEN': v17.35o ;12

 PAREAD'.S: u97.8o ;04
 PAREAD'.S: u71.1i ;11
 PAREAD'.S: u32.1i ;11

 PAREAD': u52.1i ;04
 PAREAD': u12.1i ;04
 PAREAD': u97.6o ;04

 PASTR': v39.6o, u87.13i, u87.10i ;03
 PASTR': u86.3i ;08

 PAWTEN'.S: v36.3o ;10
 PAWTEN'.S: u73.1i ;11
 PAWTEN'.S: u73.19i ;11
 PAWTEN'.S: u34.1i ;11
 PAWTEN'.S: u34.19i ;11

 PAWTEN': v36.6o ;03
 PAWTEN': u54.1i ;04
 PAWTEN': u54.19i ;04
 PAWTEN': u14.1i ;04
 PAWTEN': u14.19i ;04

 PBAH'.S: v01.6o ;01
 PBAH'.S: v15.50o ;12

 PBAH': v01.8o ;01
 PBAH': v17.50o ;12

 PBAH.S: v71.14o, v66.10i ;08

 PBDOCLK.S: v07.11o ;10

PBDOCLK.S: u70.11i ;11
 PBDOCLK.S: u31.11i ;11

 PBDOCLK: v44.6o ;03
 PBDOCLK: u51.11i ;04
 PBDOCLK: u11.11i ;04

 PBEN'.S: v83.8i ;08
 PBEN'.S: v04.14i, v10.14i ;09
 PBEN'.S: v16.3i ;10
 PBEN'.S: u94.1i ;11
 PBEN'.S: u89.3i ;11
 PBEN'.S: v15.56o ;12
 PBEN'.S: v48.14i ;17

 PBEN': v20.10i ;02
 PBEN': v14.10i ;02
 PBEN': v28.10i ;02
 PBEN': v30.11i ;02
 PBEN': v25.11i ;02
 PBEN': v31.11i ;02
 PBEN': v69.15i ;02
 PBEN': v16.13i ;03
 PBEN': v17.56o ;12
 PBEN': v97.14i ;17

 PBENB'.S: v63.3o ;08
 PBENB'.S: v36.12i ;10
 PBENB'.S: v11.13i ;10
 PBENB'.S: v33.4i ;11

 PBENB': v36.10i ;03
 PBENB': v11.5i ;03
 PBENB': v83.7o ;08

 PBENB.S: v83.12o, v63.17i ;08

 PBENB: v69.5o ;02
 PBENB: v83.13i ;08
 PBENB: v33.12i ;11

 PBENL'.S: v48.15o, v56.14i ;17

 PBENL': v97.15o, v85.14i ;17

 PBRDEN'.S: u70.1i ;11
 PBRDEN'.S: u31.1i ;11
 PBRDEN'.S: v15.34i ;12

 PBRDEN': u51.1i ;04
 PBRDEN': u11.1i ;04
 PBRDEN': v17.34i ;12

 PBWTEN'.S: v36.11o ;10
 PBWTEN'.S: u72.1i ;11
 PBWTEN'.S: u72.19i ;11
 PBWTEN'.S: u33.1i ;11
 PBWTEN'.S: u33.19i ;11

XEROX	PROPRIETARY NOTE ON COVER SHEET APPLIES TO ALL SHEETS		DWG SIZE A4	DWG NO. 156P03346	SHEET REV. A
	TITLE SCHEMATIC, DCM/DDC			SHEET 48 OF	

PBWTEN': v36.8o ;03
PBWTEN': u53.1i ;04
PBWTEN': u53.19i ;04
PBWTEN': u13.1i ;04
PBWTEN': u13.19i ;04

PCDOCLK': u92.11o ;03
PCDOCLK': u98.11i ;04
PCDOCLK': v08.11i ;04

PCEHLDA: v96.1i, v42.12o ;19

PCEN': v29.10i ;02
PCEN': v24.10i ;02
PCEN': v23.10i ;02
PCEN': v25.10i ;02
PCEN': v30.10i ;02
PCEN': v31.10i ;02
PCEN': v69.13i ;02
PCEN': v16.1i ;03
PCEN': v17.57o ;12
PCEN': v97.13i ;17

PCENB: v69.7o ;02
PCENB: v89.15i ;02

PCENL': v97.12o, v85.13i ;17

PCLKPH2: v61.7o ;22
PCLKPH2: v61.12i ;22

PCLKPH3: v53.2i ;22
PCLKPH3: v61.10o ;22

PCRDEN': v71.17i ;03
PCRDEN': u98.1i ;04
PCRDEN': v08.1i ;04
PCRDEN': v17.33i ;12

PCRDEN: v71.3o, u92.12i ;03

PEINT'.S: v15.68o ;12
PEINT'.S: u96.4i ;17

PEINT': v17.68o ;12
PEINT': v84.4i ;17

PINT: v39.11o, v69.11i ;17

PINTDIS: v64.10i, v69.9o, v64.9i ;17

PTCLK'.S: v58.9o ;17
PTCLK'.S: v39.13i ;17
PTCLK'.S: v44.13i ;17

PTCLK': v58.11o ;17
PTCLK': v39.12i ;17
PTCLK': v44.10i ;17

PTRES'.S: v44.11o, u96.1i ;17

PTRES': v44.8o, v84.1i ;17

PU01: v59.5i ;19
PU01: v45.4i ;21

PU02: v45.5i ;21
PU02: v54.10i ;21
PU02: v53.13i ;22

PU03: v46.2i ;21
PU03: v73.6i ;22

PU04: v46.3i ;21
PU04: v62.1i ;22
PU04: v53.10i, v53.1i ;22

PU05: v46.4i ;21
PU05: v62.2i ;22
PU05: v62.7i ;22

PU06: v46.6i ;21
PU06: v62.9i ;22

PU07: v46.7i ;21
PU07: v54.1i ;21

PXLCLK/4: v32.36i ;20
PXLCLK/4: #R056.2o, v61.2o ;22
PXLCLK/4: v61.5i ;22

PXLCLK: v62.11i ;22
PXLCLK: v61.9i ;22
PXLCLK: v72.4o, v53.11i, v53.3i ;22

RASOT': u92.3o, #R029.1i ;05

RASOT.S: v88.2i ;10
RASOT.S: v88.5i ;10
RASOT.S: v15.19i ;12

RASOT: v37.2i ;03
RASOT: v37.5i ;03
RASOT: v17.19i ;12

RASOTB.S: u82.1i, v88.3o ;10
RASOTB.S: u88.13i ;10

RASOTB: v37.3o, v60.1i ;03
RASOTB: v12.13i ;03

RAS10.S: u82.12o, u88.2i ;10

RAS10: v60.12o, v12.2i ;03

RAS1T'.S: u40.3o, #R019.1i ;10

RAS20.S: u82.4o ;10

XEROX	PROPRIETARY NOTE ON COVER SHEET APPLIES TO ALL SHEETS		DWG SIZE A4	DWG NO. 156P03346		SHEET REV. A
	TITLE SCHEMATIC, DCM/DDC			SHEET 49	OF	

RAS20.S: v34.11i ;17
 RAS20: v60.4o ;03
 RAS20: v91.11i ;17
 RAS2T'.S: u40.8o, #R004.1i ;10
 RAS40.S: u82.6o, u88.3i ;10
 RAS40: v60.6o, v12.3i ;03
 RAS50.S: v04.2i, v00.2i, u93.2i ;09
 RAS50.S: v09.2i, v10.2i
 RAS50.S: u82.8o ;10
 RAS50.S: v35.1i ;10
 RAS50: v20.9i ;02
 RAS50: v14.9i ;02
 RAS50: v28.9i ;02
 RAS50: v29.9i ;02
 RAS50: v24.9i ;02
 RAS50: v23.9i ;02
 RAS50: v31.9i ;02
 RAS50: v25.9i ;02
 RAS50: v30.9i ;02
 RAS50: v60.8o ;03
 RAS50: u86.13i ;03
 RASD.S: u88.4o, u40.10i, u40.2i ;10
 RASD: v12.4o ;03
 RASD: u92.1i ;05
 RAWCLKB: v47.11i, v39.8o, v42.6i ;01
 RAWCLKB: v17.42o ;12
 RAWCLKB: v15.42o ;12
 RAWCLKB: v32.6i ;20
 RAWVCC: J1.090, J1.112, J1.113 ;23
 RAWVCC: J1.114, J1.115, J1.116
 RAWVCC: J1.117, J1.118, J1.119
 RAWVCC: J1.120, J1.030
 RAWVCC: #F001.1i, #F001.3i ;25
 RDPDEN.S: v35.5o ;10
 RDPDEN.S: v88.13i, v66.13i ;12
 RDPDEN: u86.9o ;03
 RDPDEN: v07.5i, v07.2i ;12
 RDSEL: v76.12o, v26.12i ;19
 REF'.S: v16.6o, u95.2i ;10
 REF'.S: v06.13i ;10
 REF'.S: u89.6i ;10
 REF': v16.12o, u95.12i ;03
 REF': v06.10i ;03
 REF': u89.12i ;03
 REFL'.S: u90.14o, u84.4i ;10
 REFL.S: u88.1i, v06.11o ;10
 REFL.S: u87.4i, u90.6i ;10
 REFL: v12.1i, v06.8o ;03
 REFS1'.S: u95.5o, u89.5i ;10
 REFS1': u95.9o, u89.11i ;03
 REFS2.S: u83.5o, u83.12i ;10
 REFS2.S: v15.51o ;12
 REFS2.S: v15.52o ;12
 REFS2: v05.5o, v05.12i ;03
 REFS2: v17.51o ;12
 REFS2: v17.52o ;12
 REFS3'.S: v01.2i ;01
 REFS3'.S: u83.8o, v06.12i ;10
 REFS3': v01.10i ;01
 REFS3': v05.8o, v06.9i ;03
 RF.S: u89.4o, u83.2i ;10
 RF: u89.13o, v05.2i ;03
 RFREQDIS'.S: u94.11o ;10
 RFREQDIS'.S: v15.7i ;12
 RFREQDIS': u87.3o ;03
 RFREQDIS': v17.7i ;12
 RSTSYNC': v53.9o, v53.4i, v61.1i ;22
 SELA.S: u84.6o, u40.1i ;10
 SELB.S: u87.6o, u40.9i ;10
 SERVIDEO: v62.12o, v73.5i ;22
 STARTVRET: v54.6o, v54.12i ;21
 TEST1': v83.2i ;01
 TEST1': v77.13o ;08
 TEST1: v83.18o ;01
 TEST1: v55.1i ;01
 TEST1: v22.1i ;01
 TEST1: v75.1i ;01
 TEST1: v75.19i ;01
 TEST1: v47.19i, v47.1i ;05
 TEST2': v83.4i ;01
 TEST2': v77.6i ;08

XEROX	PROPRIETARY NOTE ON COVER SHEET APPLIES TO ALL SHEETS		DWG SIZE A4	DWG NO. 156P03346	SHEET REV. A
	TITLE SCHEMATIC, DCM/DDC		SHEET 50 OF		


```

TEST2: v83.16o ;01
TEST2: v80.1i ;02
TEST2: v86.1i ;02
TEST2: v19.1i ;02
TEST2: v13.1i ;02

TEST3': v83.6i ;01
TEST3': v77.2i ;08

TEST3: v83.14o ;01
TEST3: u91.1i, u91.19i ;05
TEST3: u85.1i, u85.19i ;09
TEST3: u20.1i, u81.19i, u81.1i ;09
TEST3: u20.19i

TEST4': v83.15i ;01
TEST4': v77.4i ;08

TEST4: v83.5o ;01
TEST4: v69.19i, v69.1i ;22
TEST4: v72.15i ;22

TEST5': u87.2i, u87.1i ;03
TEST5': v77.8i ;08

TEST6': v77.9o ;08
TEST6': u94.13i, u94.12i ;10

TRISTATE1: v42.1i, v71.1i, v71.19i ;05
TRISTATE1: v83.1i, v83.19i
TRISTATE1: u90.19i, u90.1i
TRISTATE1: #R039.1i, v42.19i

TRISTATE2: v74.1i ;08
TRISTATE2: v63.19i, v63.1i ;09
TRISTATE2: #R053.1i, v34.1i ;17
TRISTATE2: v97.1i, v91.1i, v48.1i

VCC: v27.16i ;01
VCC: #R058.1i ;01
VCC: #R070.1i ;01
VCC: #R038.1i ;05
VCC: u17.8i, u19.8i, u37.8i ;06
VCC: u39.8i, u57.8i, u59.8i
VCC: u76.8i, u78.8i, u80.8i
VCC: u16.8i, u18.8i, u36.8i ;07
VCC: u38.8i, u56.8i, u58.8i
VCC: u75.8i, u77.8i, u79.8i
VCC: v77.16i ;08
VCC: #R063.1i ;08
VCC: #R061.1i ;08
VCC: v17.9i ;12
VCC: v17.25i ;12
VCC: v17.43o ;12
VCC: v17.61o ;12
VCC: v15.25i ;12
VCC: v15.9i ;12
VCC: v15.61o ;12
VCC: v15.43o ;12

VCC: #R044.2o ;12
VCC: u68.8i, u67.8i, u66.8i ;13
VCC: u65.8i, u64.8i, u63.8i
VCC: u62.8i, u61.8i, u60.8i
VCC: u49.8i, u48.8i, u47.8i ;14
VCC: u46.8i, u45.8i, u44.8i
VCC: u43.8i, u42.8i, u41.8i
VCC: u29.8i, u28.8i, u27.8i ;15
VCC: u26.8i, u25.8i, u24.8i
VCC: u23.8i, u22.8i, u21.8i
VCC: u09.8i, u08.8i, u07.8i ;16
VCC: u06.8i, u05.8i, u04.8i
VCC: u03.8i, u02.8i, u01.8i
VCC: #R059.2o ;17
VCC: #R054.2o ;17
VCC: #R060.1i ;19
VCC: v32.15i ;20
VCC: v32.58i ;20
VCC: v32.93o ;20
VCC: v18.18o ;21
VCC: v21.16o ;21
VCC: v45.1i ;21
VCC: v46.1i ;21
VCC: v73.9i ;22
VCC: #R056.1i ;22
VCC: v02.1i ;23
VCC: v03.1i ;23
VCC: u99.1i ;23
VCC: #C010.1i, #C056.1i, #C038.1i ;24
VCC: #C043.1i, #C024.1i, #C029.1i
VCC: #C007.1i, #C006.1i
VCC: #C005.1i, #C009.1i, #C057.1i ;24
VCC: #C037.1i, #C042.1i, #C023.1i
VCC: #C028.1i, #C027.1i
VCC: #C147.1i, #C002.1i, #C128.1i ;24
VCC: #C015.1i, #C099.1i, #C054.1i
VCC: #C041.1i, #C022.1i, #C148.1i
VCC: #C115.1i, #C020.1i, #C034.1i ;24
VCC: #C003.1i, #C035.1i, #C033.1i
VCC: #C031.1i, #C019.1i, #C013.1i
VCC: #C017.1i
VCC: #C055.1i, #C039.1i, #C044.1i ;24
VCC: #C025.1i, #C030.1i, #C008.1i
VCC: #C012.1i, #C011.1i
VCC: #C088.1i, #C070.1i, #C122.1i ;25
VCC: #C076.1i, #C077.1i, #C112.1i
VCC: #C106.1i, #C087.1i, #C097.1i
VCC: #C032.1i, #C085.1i, #C004.1i
VCC: #C045.1i, #C131.1i, #C050.1i
VCC: #C068.1i, #C130.1i, #C074.1i
VCC: #C048.1i, #C060.1i, #C111.1i
VCC: #C083.1i, #C036.1i, #C078.1i
VCC: #C144.1i, #C021.1i, #C058.1i
VCC: #C073.1i, #C026.1i, #C047.1i
VCC: #C016.1i, #C051.1i, #C134.1i
VCC: #C143.1i, #C049.1i, #C092.1i
VCC: #C142.1i, #C089.1i, #C069.1i
VCC: #C109.1i, #C053.1i, #C065.1i
VCC: #C084.1i, #C129.1i, #C114.1i

```

XEROX	PROPRIETARY NOTE ON COVER SHEET APPLIES TO ALL SHEETS		DWG SIZE A4	DWG NO. 156P03346	SHEET REV. A
	TITLE SCHEMATIC, DCM/DDC		SHEET 51	OF	

VCC: #C132.1i, #C079.1i, #C121.1i
VCC: #C094.1i, #C066.1i, #C075.1i
VCC: #C100.1i, #C135.1i, #C081.1i
VCC: #C103.1i, #C061.1i, #C105.1i
VCC: #C137.1i, #C118.1i, #C040.1i
VCC: #C090.1i, #C101.1i, #C127.1i
VCC: #C067.1i, #C086.1i, #C123.1i
VCC: #C063.1i, #C001.1i, #C107.1i
VCC: #C095.1i, #C096.1i, #F001.4o
VCC: #F001.2o, #C080.1i, #C059.1i
VCC: #C102.1i, #C133.1i, #C116.1i
VCC: #C119.1i, #C014.1i, #C046.1i
VCC: #C139.1i, #C093.1i, #C098.1i
VCC: #C110.1i, #C136.1i, #C113.1i
VCC: #C120.1i, #C018.1i, #C072.1i
VCC: #C052.1i, #C138.1i, #C126.1i
VCC: #C091.1i, #C117.1i, #C125.1i
VCC: #C104.1i, #C082.1i, #C108.1i
VCC: #C062.1i, #C064.1i, #C071.1i

WPARAMCK': v58.12o ;17

WTHB': u90.16o, #R027.1i ;05

WTHB.S: u90.8i ;10

WTHB.S: v15.64o ;12

WTHB: u90.4i ;05

WTHB: v17.64o ;12

WTHBA'.S: u90.12o, #R020.1i ;10

WTLB': u92.8o, #R035.1i ;05

WTLB.S: u84.9i ;10

WTLB.S: v15.63o ;12

WTLB: u92.9i ;05

WTLB: v17.63o ;12

VCS': v32.44i ;20

VCS': v18.10o ;21

VCS': v46.5i ;21

WTLBA'.S: u84.8o, #R022.1i ;10

XTALSELO': v59.1i ;19

XTALSELO': v18.8i ;21

XTALSELO': v21.15o ;21

XTALSELO': v69.14o, v72.1i ;22

XTALSELO: v45.2i ;21

XTALSELO: J2.003 ;22

XTALSELO: v69.6i ;22

XTALSEL1: v45.3i ;21

XTALSEL1: J2.010 ;22

VEE: #R067.1i, #CR008.2i ;22

VEE: #R065.1i, #CR006.2i ;22

VEE: #R068.1i, #CR010.2i ;22

VEE: #R069.1i, #CR011.2i ;22

VEE: #C141.2i ;22

VEE: #R066.1i, #CR003.2i ;22

VEE: #R064.1i, #CR001.2i ;22

VEE: J1.059, J1.060, J1.058 ;23

VEE: #C145.2i, #C124.2i ;24

VEE: #C140.2i, #C146.2i ;24

VERTRET': v76.11i, v76.10i, v54.8o ;21

VERTRET': v47.13i

VID.0: v32.42i ;20

VID.0: v62.6i ;22

VID.1: v32.41i ;20

VID.1: v62.5i ;22

VID.2: v32.40i ;20

VID.2: v62.4i ;22

VID.3: v32.39i ;20

VID.3: v62.3i ;22

VIDSREGLD: v62.10i, v53.5o, v61.4i ;22

WC: v32.35i ;20

WC: v54.11i ;21

WPARAMCK'.S: u96.11i ;10

WPARAMCK'.S: v58.10o ;17

WPARAMCK': v84.11i ;03

XEROX	PROPRIETARY NOTE ON COVER SHEET APPLIES TO ALL SHEETS	DWG SIZE A4	DWG NO. 156P03346		SHEET REV. A
	TITLE SCHEMATIC, DCM/DDC		SHEET 52	OF	