

WD1002S-WX2
Winchester
Disk Controller
OEM Manual

Making the leading edge work for you.

WESTERN DIGITAL
C O R P O R A T I O N

WD1002S-WX2

Winchester

Disk Controller

OEM Manual

Document No.: 79-000029

2445 McCabe Way
Irvine, California 92714
(714) 863-0503
(714) 863-0102
TWX 910-595-1139

July 1985

**COPYRIGHT © 1985 WESTERN DIGITAL CORP.
ALL RIGHTS RESERVED**

This document is protected by copyright, and contains information proprietary to Western Digital Corp. Any copying, adaptation, distribution, public performance, or public display of this document without the express written consent of Western Digital Corp. is strictly prohibited. The receipt or possession of this document does not convey any rights to reproduce or distribute its contents, or to manufacture, use, or sell anything that may describe, in whole or in part, without the specific written consent of Western Digital Corp.

TABLE OF CONTENTS

SECTION 1 INTRODUCTION

1.1	Document Scope	1-1
1.2	Description	1-1
1.3	Features	1-1
1.4	Operation	1-3
1.4.1	Bi-Directional Control/Data Bus	1-3
1.4.2	Address Decoding Logic	1-3
1.4.3	Configuration Jumpers	1-3
1.4.4	Bios ROM	1-3
1.4.5	WD11C00-17 Logic Array	1-3
1.4.6	WD10C20 Winchester Data Separator and Write Precompensation Device	1-3
1.4.7	Sector Buffer RAM	1-3
1.4.8	WD1010A-05 Winchester Disk Controller	1-4
1.4.9	WD1015 Buffer Manager Control Processor	1-4
1.4.10	Reset Logic	1-4

SECTION 2 SPECIFICATIONS

2.1	General	2-1
2.2	Electrical	2-1
2.2.1	Host Interface	2-1
2.2.2	Drive Interface	2-1
2.2.3	WD10C20	2-1
2.2.4	Power	2-1
2.3	Physical	2-2
2.4	Environmental	2-2

SECTION 3 INTERFACE CONNECTIONS

3.1	Organization	3-1
3.2	Host Interface	3-1
3.3	Drive Interface	3-2
3.3.1	Drive Control	3-2
3.4	Drive Data Connector	3-4

SECTION 4 INTERFACE TIMING

4.1	Timing	4-1
-----	--------	-----

SECTION 5 COMMAND DESCRIPTION

5.1	General	5-1
5.2	I/O Port Description	5-2
5.2.1	Port 320	5-2
5.2.2	Port 321	5-2
5.2.3	Port 322	5-3
5.2.4	Port 323	5-3
5.3	Command Block	5-3
5.4	Test Drive Ready (Class 0, OP Code 00)	5-4
5.4.1	Possible Error Codes	5-4

5.5.	Recalibrate (Class 0, OP Code 01)	5-4
5.5.1	Possible Error Codes	5-4
5.6	Read Status of Last Operation (Class 0, OP Code 03)	5-5
5.7	Format Drive Starting at Desired Track (Class 0, OP Code 04)	5-7
5.7.1	Possible Error Codes	5-8
5.7.2	Interleaving	5-8
5.8	Verify Sectors (Class 0, OP Code 05)	5-8
5.8.1	Possible Error Codes	5-8
5.9	Format Track (Class 0, OP Code 06)	5-9
5.10	Format Bad Track (Class 0, OP Code 07)	5-9
5.11	Read Sectors (Class 0, OP Code 08)	5-9
5.11.1	Possible Error Codes	5-9
5.12	Write Sectors (Class 0, OP Code 0A)	5-9
5.12.1	Possible Error Codes	5-9
5.13	Seek (Class 0, OP Code 0B)	5-9
5.13.1	Possible Error Codes	5-9
5.14	Initialize Drive Parameters (Class 0, OP Code 0C)	5-10
5.15	Read ECC Burst Error Length (Class 0, OP Code 0D)	5-10
5.16	Read Sector Buffer (Class 0, OP Code 0E)	5-10
5.17	Write Sector Buffer (Class 0, OP Code 0F)	5-10
5.18	Execute Sector Buffer Diagnostic (Class E, OP Code 00)	5-10
5.18.1	Possible Error Codes	5-10
5.19	Execute Drive Diagnostic (Class E, OP Code 03)	5-10
5.19.1	Possible Error Codes	5-10
5.20	Controller Diagnostics (Class E, OP Code 04)	5-10
5.20.1	WD1010A-05 Test	5-11
5.20.2	WD11C00-17 ECC Test	5-11
5.20.3	Sector Buffer Test	5-11
5.20.4	WD1015 RAM Test	5-11
5.20.5	WD1015 ROM Test	5-11
5.20.6	Possible Error Codes	5-11
5.21	Read Long (Class E, OP Code 05)	5-11
5.21.1	Possible Error Codes	5-11
5.22	Write Long (Class E, OP Code 06)	5-11
5.22.1	Possible Error Codes	5-11

SECTION 6 THEORY OF OPERATION

6.1	General	6-1
6.2	Buses	6-1
6.2.1	Host Interface Address Bus A0 through A19	6-1
6.2.2	Host Interface Data/Command Bus D0 through D7	6-1
6.2.3	WD1002S-WX2 Intraboard Command/Status Bus BD0 through BD7	6-1
6.2.4	WD1002S-WX2 Intraboard Command/Data Bus AD0 through AD7	6-1
6.2.5	WD1002S-WX2 Intraboard Address Bus RA0 through RA10	6-1
6.3	Bus Protocol	
6.3.1	Selection Phase	6-3
6.3.2	Command Phase	6-3
6.3.3	Data Phase	6-3
6.3.3.1	Programmed I/O Data Transfer	6-3
6.3.3.2	DMA Data Transfer	6-3

6.4	Device Address Decoder	6-4
6.5	Bios ROM	6-4
6.6	Configuration Jumpers	6-4
6.7	WD11C00-17 Logic Array	6-4
6.7.1	Status, Read, and Write Ports	6-4
6.7.2	Sector Buffer RAM Addressing and Control	6-4
6.7.3	ECC Circuitry	6-5
6.7.4	Reset Timing Circuitry	6-5
6.8	WD1015 Buffer Manager Control Processor	6-5
6.8.1	Exception Handling	6-6
6.9	Sector Buffer	6-6
6.10	WD1010A-05 Winchester Disk Controller	6-6
6.11	WD10C20 Self-Adjusting Data Separator	6-7
6.11.1	Clock Generator	6-7
6.11.2	Write Precompensation Circuit	6-7
6.11.3	Data Separator	6-7

SECTION 7 INSTALLATION

7.1	Hardware and Software Installation	7-1
7.2	Jumper Installation and Locations	7-1
7.3	Bios ROM Installation	7-3

LIST OF TABLES

TABLE	TITLE	PAGE
1-1	WD1015 Description.....	1-4
3-1	Host Interface Connector (P1) Pin Description.....	3-1
3-2	Drive Control Connector (J1) Pin Description.....	3-3
3-3	Drive Data Connectors – J2, J3.....	3-5
4-1	Host I/O or BIOS Read Timing.....	4-1
4-2	DMA I/O Read Timing.....	4-2
4-3	Host I/O Write Timing.....	4-3
4-4	DMA I/O Write Timing.....	4-4
5-1	Command Summary.....	5-1
5-2	I/O Port Descriptions.....	5-2
5-3	Hardware Status.....	5-2
5-4	Stepping Rate Codes.....	5-4
5-5	Controller Returned Error Codes.....	5-6
7-1	Jumper Selectable Options (W1 through W5).....	7-1
7-2	SW1 Jumper Block Description.....	7-2

LIST OF ILLUSTRATIONS

FIGURE	TITLE	PAGE
1-1	WD1002S-WX2 Functional Block Diagram	1-2
4-1	Host I/O or BIOS Read Timing	4-1
4-2	DMA I/O Read Timing	4-2
4-3	Host I/O Write Timing	4-3
4-4	DMA I/O Write Timing	4-4
5-1	Command Block Description	5-3
5-2	Four Status Bytes	5-5
5-3	Format	5-7
5-4	17 Sectors with a 3:1 Interleave	5-8
6-2	WD1002S-WX2 Detailed Block Diagram	6-2
7-1	Jumper Locations	7-3
7-2	Bios Rom Socket Connections	7-3

SECTION I

INTRODUCTION

1.1 DOCUMENT SCOPE

This document provides the user with the information required to design related software drivers and interface connections for efficient use of the WD1002S-WX2 Winchester Disk Controller Board. It is to the user's advantage to become familiar with the following related documents:

WD11C00-17 Logic Array Data Sheet
WD10C20 Winchester Data Separator and
Write Precompensation Device Data Sheet
WD1010-05 Winchester Disk
Controller Data Sheet
WD1010 Winchester Disk
Controller Application Note
WD1015 Buffer Manager Control
Processor Data Sheet
ST-506 Micro Winchester Disk
Interface ST506
Seagate Technology
Scotts Valley, Cal.

1.2 DESCRIPTION

The WD1002S-WX2 is a stand-alone, general purpose Winchester Disk Controller. The WD1002S-WX2 interfaces up to two Winchester Disk drives and a Host Processor, e.g. an IBM XT.

The Winchester interface conforms to the Seagate Technology ST506 interface. All necessary receivers and drivers are included on the board, allowing direct connection to the disk drive(s).

A separate computer access port enables communications between the Host and disk controller. An 8-bit bi-directional bus and appropriate control signals comprise this port. Disk read or write data, status information, and command parameters are transferred via this bus. An on-board data buffer allows bus transfers to be executed independently of the drive's data transfer.

The WD1002S-WX2 is based on a proprietary chip set consisting of the WD11C00-17, WD1010A-05, WD10C20, and WD1015.

1.3 FEATURES

- 8-BIT BI-DIRECTIONAL BUS HOST INTERFACE
- IBM XT WINCHESTER CONTROLLER EMULATION, IBM PC HOST INTERFACE

- WD10C20 WINCHESTER DATA SEPARATOR AND WRITE PRECOMPENSATION DEVICE
- WD11C00-17 LOGIC ARRAY
- DATA RATES UP TO 5 MBITS/SEC
- CONTROLS UP TO 2 DRIVES USING SEAGATE TECHNOLOGY ST506
- SUPPORTS DRIVES OF ANY CONFIGURATION UP TO 1024 CYLINDERS AND 16 R/W HEADS WITH THE WD1015-24 OR 8 R/W HEADS WITH THE WD1015-14
- THE CONTROLLED DRIVES NEED NOT BE OF THE SAME CAPACITY OR CONFIGURATION
- ERROR CORRECTION ON DATA FIELD ERRORS, CRC ID FIELD VERIFICATION
- 32 BIT ECC POLYNOMIAL FOR ERROR DETECTION AND CORRECTION
- READ AND WRITE LONG COMMANDS FOR CHECKING ERROR CORRECTION CIRCUITRY
- SELECTABLE AUTOMATIC RETRIES ON ALL ERRORS
- AUTOMATIC RESTORE AND RE-SEEK ON ALL SEEK ERRORS
- AUTOMATIC FORMATTING
- 512 BYTES PER SECTOR
- SECTOR INTERLEAVE CAPABILITY
- MULTIPLE SECTOR READS AND WRITES
- OVERLAPPED SEEK CAPABILITY ON BUFFERED-STEP DRIVES
- SUPPORTS IMPLIED SEEKS ON ALL COMMANDS
- INTERNAL DIAGNOSTICS
- DMA TRANSFER CAPABILITY
- SUPPORTS INTERRUPTS, INTERRUPT REQUESTS, AND DMA REQUEST SHARING
- INCLUDES SOCKET FOR USER SUPPLIED 2716, 2732, OR 2764 ROM
- BIOS AVAILABLE

1.4 OPERATION

This section provides an operational overview of the WD1002S-WX2 Winchester Disk Controller. For a detailed explanation, refer to Section 6 (Theory of Operation). As illustrated in Figure 1-1, the WD1002S-WX2 consists of the following components:

- Bi-directional Control/Data Bus
- Address Decoding Logic
- Configuration Switches
- Basic Input/Output System (BIOS) ROM
- WD11C00-17
- WD10C20
- Sector Buffer RAM
- WD1010A-05
- WD1015
- Reset Logic

1.4.1 BI-DIRECTIONAL CONTROL/DATA BUS

The 8-bit, bi-directional bus transmits addresses, commands, data, and status information. This bus links the WD1002S-WX2 to the Host. Specifically, this bus transmits data between the Host and Sector Buffer RAM.

1.4.2 ADDRESS DECODING LOGIC

The purpose of this logic is to decode a valid device address from the Host.

1.4.3 CONFIGURATION JUMPERS

These jumpers configure the WD1002S-WX2 for different disk drive capacities.

1.4.4 BIOS ROM

The Host, after powering up, interrogates its ports to determine what devices are connected. The Host uses information supplied by the BIOS ROM to perform an install operation. Then, during normal operation, the BIOS operates much like a driver that is resident in the Host's memory space. The BIOS ROM is addressed at Host memory locations C8000-C8FFF. The BIOS is addressed by the A0 through A19 bus. Outputs to the Host are via the Intraboard Command/Status bus (BD0 through BD7) and Host Interface Data/Command bus (D0 through D7).

1.4.5 WD11C00-17

The WD11C00-17 incorporates several functions in a single package. Implementation of these functions occurs by combining random logic and specialized circuits. The WD11C00-17 contains the following circuits:

- Status ports
- Read and write ports
- Sector Buffer RAM addressing and control
- ECC
- Reset timing

The WD11C00-17 connects directly to the Host Interface Data/Command and Intraboard Command/Data (AD0-AD7) buses.

1.4.6 WD10C20

The WD10C20 performs phase-locked loop data synchronization on read data from the Winchester drives. This device also conditions write data to be recorded on the disk. The WD10C20 includes both frequency and phase detection. Zero phase error start-up circuitry eliminates problems due to asymmetry. The WD10C20 requires no adjustments and contains all data synchronization and write precompensation circuitry in a single device.

1.4.7 SECTOR BUFFER RAM

The Sector Buffer RAM is a 2K x 8 RAM. The Sector Buffer allows Host data transfers independent of the actual drive data transfer rate. The Sector Buffer temporarily stores the following information:

- Sector data during Read and Write Commands
- Disk format information during a Format Command
- Drive characteristics during a Set Parameters Command

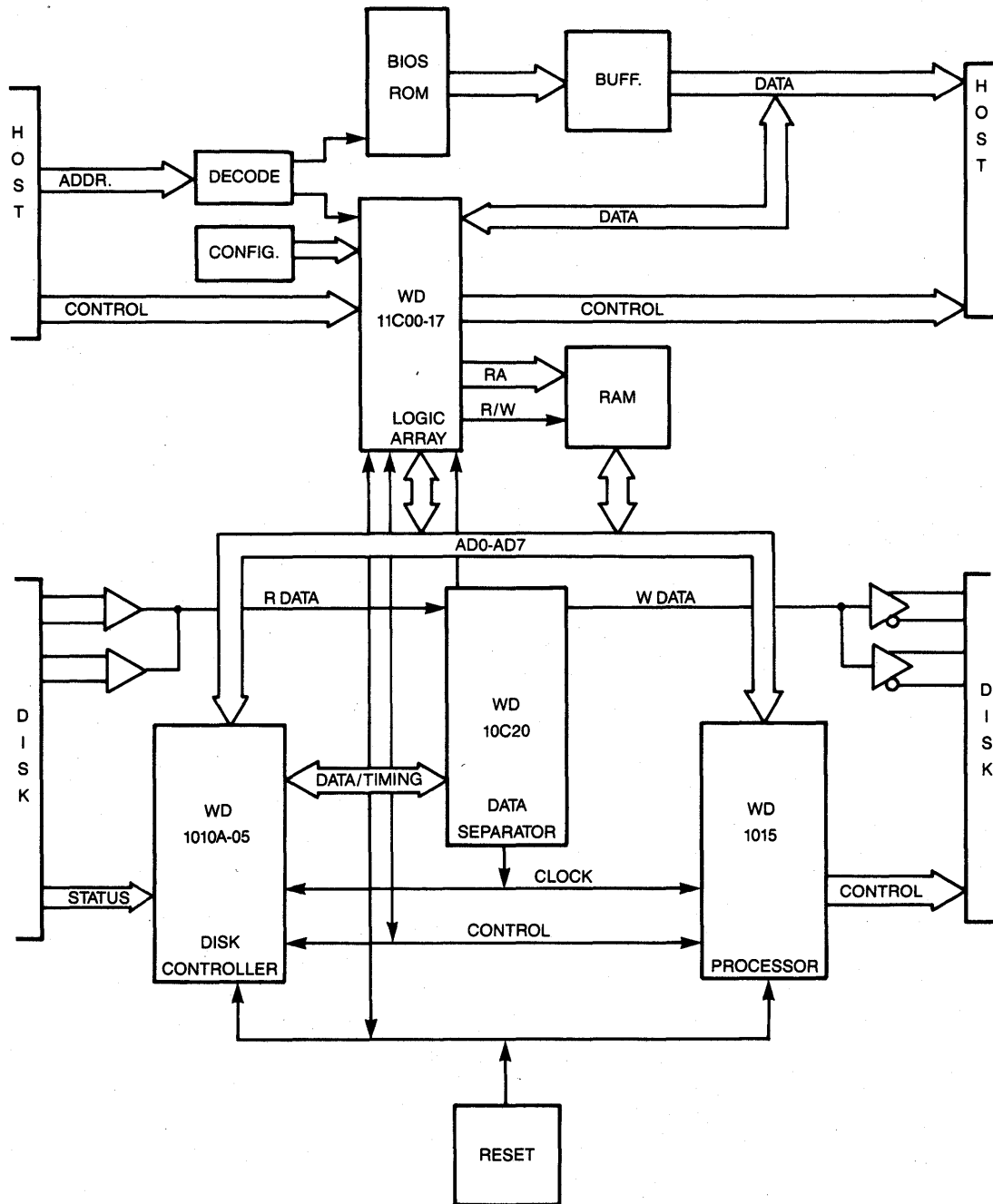


FIGURE 1-1. WD1002S-WX2 FUNCTIONAL BLOCK DIAGRAM

1.4.8 WD1010A-05

The primary function of the WD1010A-05 is to control data transfers between the disk and the Sector Buffer. Data transfers take place after the WD1015 Buffer Manager Control Processor positions the selected head over the desired track. The WD1010A-05 receives the parameters and commands from the WD1015 via the AD0 through AD7 bus. The WD1010A-05 interprets the parameter or command, determines which sectors are involved, and whether a read, write, or format function is required.

1.4.9 WD1015

The WD1015 manages and controls all commands and communications between the Host and WD1010A-05. The WD1015 controls ECC and CRC functions.

There are two versions of the WD1015. Table 1-1 describes the differences between the two versions of the WD1015. The acronym WD1015 refers to both versions. When a specific reference is made to a specific version, the appropriate acronym is used.

TABLE 1-1. WD1015 DESCRIPTION

FUNCTION	WD1015-14	WD1015-24	REMARKS
Execution of automatic self-test after Reset command or power-up	Yes	No	
Supports 16 heads	No	Yes	The WD1015-14 supports up to eight heads. The WD1015-14 uses the <u>REDUCED WRITE CURRENT (RWC)</u> signal. The WD1015-24 supports up to 16 heads. The WD1015-24 uses the <u>RWC</u> pin on J1 as <u>HEAD SELECT 3 (HS3)</u> . Refer to Sections 3 and 7 for further details.
3.5 seconds time-out on single track steps	No	Yes	3.5 seconds time-out allows removable/servo drives time to create servo map. WD1015-14 allows 1 second.
Bit 4 of opcode in Command Control	Valid	Don't care	Refer to Section 5 for further details.
Step rates			Refer to Section 5 for further details.
Format Bad Track			Refer to Section 5 for further details.

1.4.10 RESET LOGIC

The Reset Logic initializes the internal circuitry of the WD1002S-WX2 during the power-up process or a low voltage condition. The Reset Logic also disables the WRITE GATE signal. Disabling WRITE GATE prevents writing spurious data to the disk drive during power up, power down or a low voltage condition.

SECTION II SPECIFICATIONS

2.1 GENERAL

This section contains the overall specifications for the WD1002S-WX2 Winchester Disk Controller.

2.2 ELECTRICAL

2.2.1 HOST INTERFACE

Type	IBM PC
Max Cable Length	Connects directly to Host motherboard with a 62 pin card edge connector

2.2.2 DRIVE INTERFACE

Encoding Method	MFM
Cylinders per Drive	Up to 1024
Sectors per Track	17
Bytes per Sector	512
Heads	8 with WD1015-14 16 with WD1015-24
Drive Selects	2
Stepping Rates	70μsec, 200μsec, 3msec (WD1015-14) 18 μsec, 30 μsec, 45μsec, 60μsec, 75μsec, 210μsec, 3msec (WD1015-24)
Data Transfer Rate	5Mbits/sec (ST506)
Write Precomp Time	12nsec
Sectoring	Soft
CRC Polynomial	$X^{16} + X^{12} + X^5 + 1$
ECC Polynomial	$X^{32} + X^{28} + X^{26} + X^{19} +$ $X^{17} + X^{10} + X^6 + X^2 + 1$
Reciprocal ECC Polynomial	$X^{32} + X^{30} + X^{26} + X^{22} +$ $X^{15} + X^{13} + X^6 + X^4 + 1$
Miscorrection Prob.	5 bit correction = $< 1.6 E-5$
Non-detection Prob.	$< 2.3 E-10$
Correction Span	Up to 11-bit burst
Max Cable Length:	
Control (Total Daisy Chain)	3 meters (10 ft.)
Data (Radial-each)	3 meters (10 ft.)

2.2.3 WD10C20

Acquisition Time	$< \text{or} = 12.8\mu\text{s}$
Capture Range	$\pm 2.2\%$ to 1ns after 12.8μs acquisition
Bit Jitter Tolerance	$\pm 34\text{ns}$ (min. of 40 db after acquisition)
Asymmetry Tolerance	34ns (write precompensation turned off; as measured over constant RCLK pattern)

2.2.4 POWER

Voltage	5V $\pm 5\%$
Current	0.8 amps max.
Ripple	0.1 volts max., 25 mV typical
Voltage	+12V $\pm 10\%$
Current	10 mA. max.

2.3 PHYSICAL

Form factor	IBM PC
Length	20.6 centimeters (8.1 inches)
Width	9.78 centimeters (3.85 inches)
Height (max. including board, components & leads)	1.27 centimeters (0.50 inches)

2.4 ENVIRONMENTAL

Ambient Temperature	0°C (32°F) to 55°C (131°F)
Relative Humidity	10% to 95% non-condensing
Altitude	0 to 3000 meters (10,000 ft.)
Air Flow	100 lin ft/min. at 0.5" from component surfaces.
MTBF	10,000 POH
MTTR	30 Minutes

SECTION III

INTERFACE CONNECTIONS

3.1 ORGANIZATION

The WD1002S-WX2 has four on-board connectors for user application.

P1 Host interface: 62 pin IBM PC compatible card edge connector.

J1 Drive control: 34 pin dual row header connector daisy-chained to two drives. The control signals at the second drive from the WD1002S-WX2 (no more than a total length of 3 meters or 10 feet) are terminated with a 220 ohm resistor to +5V and a 330 ohm

resistor to ground.

J2, J3 Drive data: 20 pin dual row header connectors, radially connected each to its own drive.

3.2 HOST INTERFACE

Connector P1 pins A1 through A31 are on the component side of the board and B1 through B31 are on the artwork side. Table 3-1 describes the Host interface connector (P1) pin assignments and functions.

TABLE 3-1. HOST INTERFACE CONNECTOR (P1) PIN DESCRIPTION

PIN NUMBER	MNEMONIC	SIGNAL NAME	I/O	FUNCTION
A1		Not Connected		
A2 thru A9	D7 thru D0	DATA 7 thru DATA 0	I/O	8-Bit, tri-state, bi-directional bus. It is used to transmit data between the Host and Sector Buffer, the Command Block to the WD1015, status and drive configuration to the Host. The BIOS transmits parameter information and commands to the Host via this bus.
A10		Not Connected		
A11	AEN	ADDRESS ENABLE	I	AEN is asserted during a DMA mode of operation making the I/O ports 320 hex thru 323 hex inaccessible to the Host. Data transfers and intra-bus control is initiated by asserting DACK3. The BIOS ROM can still be addressed via A0-A19.
A12 thru A31	A19 thru A0	ADDRESS BUS A19 thru A0	I	A0 thru A9 are used during programmed I/O mode of operation to address ports 320 hex thru 323 hex. They are inhibited during DMA by AEN. A0 thru A19 addresses the BIOS ROM regardless of the state of AEN.
B1	GND	GROUND		
B2	RST	RESET	I	When asserted, RST places the WD1002S-WX2 into its initial power-up state.
B3	+5VDC	+5VDC		+5VDC
B4	IRQ2	INTERRUPT REQUEST LEVEL 2	O	The WD1002S-WX2 asserts IRQ2 to interrupt the Host upon the completion of a command. Use of IRQ2 is jumper selectable. Use of IRQ5 is standard. Refer to Section 7 for further details on jumper selectable options.
B5 thru B8		Not Connected		
B9	+12VDC	+12VDC		+12VDC
B10	GND	GROUND		
B11		Not Connected		

TABLE 3-1. HOST INTERFACE CONNECTOR (P1) PIN DESCRIPTION (CONT'D.)

PIN NUMBER	MNEMONIC	SIGNAL NAME	I/O	FUNCTION
B12	$\overline{\text{MEMR}}$	$\overline{\text{MEMORY READ}}$	I	The Host, to read the BIOS ROM places the address on A0 thru A19, asserts $\overline{\text{MEMR}}$ and receives the data via D0 thru D7 data bus.
B13	$\overline{\text{IOW}}$	$\overline{\text{I/O WRITE}}$	I	The Host or DMA controller asserts $\overline{\text{IOW}}$ when a data byte is to be written to the WD1002S-WX2.
B14	$\overline{\text{IOR}}$	$\overline{\text{I/O READ}}$	I	The Host or DMA controller asserts $\overline{\text{IOR}}$ when a data or status byte is to be read from the WD1002S-WX2.
B15	$\overline{\text{DACK3}}$	$\overline{\text{DMA ACKNOWLEDGE CHANNEL 3}}$	I	The DMA controller asserts $\overline{\text{DACK3}}$ in response to DRQ3 sent by the WD1002S-WX2. $\overline{\text{DACK3}}$ enables DMA data transfer, bypassing port 320 which was disabled by AEN.
B16	DRQ3	DMA REQUEST CHANNEL 3	O	WD1002S-WX2 asserts DRQ3 to inform the DMA controller that data is available for transfer.
B17 thru B22		Not Connected		
B23	IRQ5	INTERRUPT REQUEST LEVEL 5	O	The WD1002S-WX2 asserts IRQ5 to interrupt the Host upon the completion of a command.
B24 thru B28		Not Connected		
B29	+5VDC	+5VDC		+5VDC
B30		Not Connected		
B31	GND	GROUND		

3.3 DRIVE INTERFACE

3.3.1 DRIVE CONTROL

Control signals are common to all drives and are daisy-chained to the drives from a single connector, J1. To terminate the control signals properly, the last drive in the daisy-chain must have a 220/330 ohm resistor pack installed. Table 3-2 describes the drive control connector (J1) pin assignments and functions.

TABLE 3-2. DRIVE CONTROL CONNECTOR (J1) PIN DESCRIPTION

SIG. GND.	SIG. PIN	MNEMONIC	SIGNAL NAME	I/O	DESCRIPTION
1	2	RWC/HS3	REDUCE WRITE CURRENT/HEAD SELECT 3	O	The WD1015-14 allows this pin to be used as the \overline{RWC} pin. The WD1015-24 uses this pin as $\overline{HS3}$. Refer to Section 7 for further details. \overline{RWC} is used by the drive to reduce the write current on the inner cylinders. This lessens the bit shift caused by the greater bit density on these cylinders. \overline{RWC} is asserted when the specified cylinder is reached. $\overline{HS3}$ is one of four Head Select signals decoded by the drive to select one of 16 R/W heads.
3	4	$\overline{HS2}$	HEAD SELECT 2	O	$\overline{HS2}$ is one of three (or four) Head Select signals decoded by the drive to select one of eight (or 16) R/W heads.
5	6	\overline{WG}	WRITE GATE	O	\overline{WG} is asserted when valid data is to be written. It is used by the drive to enable the write current to the head. WD1002S-WX2 de-asserts this signal when a \overline{WF} is detected. Circuitry is included to ensure the output does not glitch during power on, power down or power failure.
7	8	\overline{SC}	SEEK COMPLETE	I	\overline{SC} informs the WD1002S-WX2 that the selected head has reached the desired cylinder and has stabilized. Since \overline{SC} is not checked after a Seek Command, overlapped seeks are allowed.
9	10	$\overline{TK000}$	TRACK 000	I	The drive asserts this signal when the heads are positioned over the outermost cylinder, cylinder 0.
11	12	\overline{WF}	WRITE FAULT	I	\overline{WF} is asserted by the drive when a write error occurs. The command in progress aborts and no other command can be executed while this signal is asserted.
13	14	$\overline{HS0}$	HEAD SELECT 0	O	$\overline{HS0}$ is one of three (or four) Head Select signals decoded by the drive to select one of eight (or 16) R/W heads.
15		GND	GROUND		
	16		Not Connected		
17	18	$\overline{HS1}$	HEAD SELECT 1	O	$\overline{HS1}$ is one of three (or four) Head Select signals decoded by the drive to select one of eight (or 16) R/W heads.
19	20	\overline{INDEX}	INDEX PULSE	I	This signal indicates the start of a track. It is used as a synchronization point during formatting and as a time out mechanism for retries. This signal pulses once for each revolution of the disk.

TABLE 3-2. DRIVE CONTROL CONNECTOR (J1) PIN DESCRIPTION (CONT'D.)

SIG. GND.	SIG. PIN	MNEMONIC	SIGNAL NAME	I/O	DESCRIPTION
21	22	$\overline{\text{DRDY}}$	$\overline{\text{DRIVE READY}}$	I	The drive asserts this signal when the motor is up to speed. No Read or Write commands can be performed if this signal is not asserted.
23	24	$\overline{\text{STEP}}$	$\overline{\text{STEP PULSE}}$	O	$\overline{\text{STEP}}$, along with $\overline{\text{DIRIN}}$, positions the heads to the desired cylinder. $\overline{\text{STEP}}$ pulses the stepping motor at the rate specified by the SP bits in the Command Block and is controlled by the WD1015. $\overline{\text{DIRIN}}$ specifies the direction.
25	26	$\overline{\text{DSEL 0}}$	$\overline{\text{DRIVE SELECT 0}}$	O	$\overline{\text{DSEL 0}}$ is the decoded output of the SDH Register within the WD1010A-05, latched and sent to the drive by the WD1015 to select drive 0.
27	28	$\overline{\text{DSEL 1}}$	$\overline{\text{DRIVE SELECT 1}}$	O	$\overline{\text{DSEL 1}}$ is the decoded output of the SDH Register within the WD1010A-05, latched and sent to the drive by the WD1015 to select drive 1.
29 thru 32			Not Connected		
33	34	$\overline{\text{DIRIN}}$	$\overline{\text{DIRECTION IN}}$	O	$\overline{\text{DIRIN}}$ determines the direction the R/W heads take when stepped. Asserted = in, de-asserted = out.

3.4 DRIVE DATA CONNECTOR

The data is differential in nature and must be connected to each drive with its own cable, drive 0 to J2 and drive 1 to J3. It should be a flat ribbon cable, or twisted pair, less than 3 meters (10 feet) in length. The connector is a 20 pin vertical header on 0.25 centimeter (0.1 inch) center. Table 3-3 describes the drive data connectors (J2 and J3) pin assignments and functions.

TABLE 3-3. DRIVE DATA CONNECTORS – J2, J3

SIG. GND.	SIG. PIN	I/O	SIGNAL NAME
	1		NC
2			GND
	3		NC
4			GND
	5		NC
6			GND
	7		NC
8			GND
	9		NC
	10		NC
11			GND
12			GND
	13	O	+ MFM Write Data
	14	O	- MFM Write Data
15			GND
16			GND
	17	I	+ MFM Read Data
	18	I	- MFM Read Data
19			GND
20			GND

SECTION IV

INTERFACE TIMING

4.1 TIMING

Timing diagrams are shown in Figures 4-1 through 4-4 and their values are listed in Tables 4-1 through 4-4 respectively. Since the Controller I/O ports can be accessed by either the Host system DMA Controller or the Host processor, timing is given

for both cases. The processor executes I/O and memory reads from the ports and the on-board BIOS ROM, and writes to the ports. DMA is used for data transfers between the data I/O port and the Host RAM.

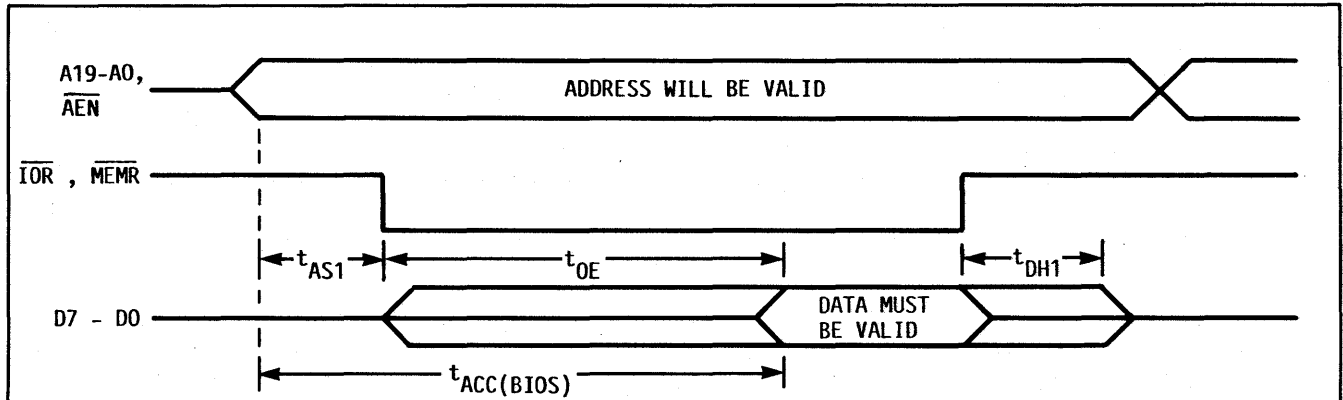


FIGURE 4-1 HOST I/O OR BIOS READ TIMING

TABLE 4-1 HOST I/O OR BIOS READ TIMING

SYMBOL	CHARACTERISTIC	MIN.	MAX.
t_{AS1}	Address Setup Time	50	
t_{ACC}	Address Access Time (BIOS)		250
t_{OE}	Output Enable Time		175
t_{DH1}	Data Hold Time	0	

NOTE: All units in Table 4-1 are in nsec.

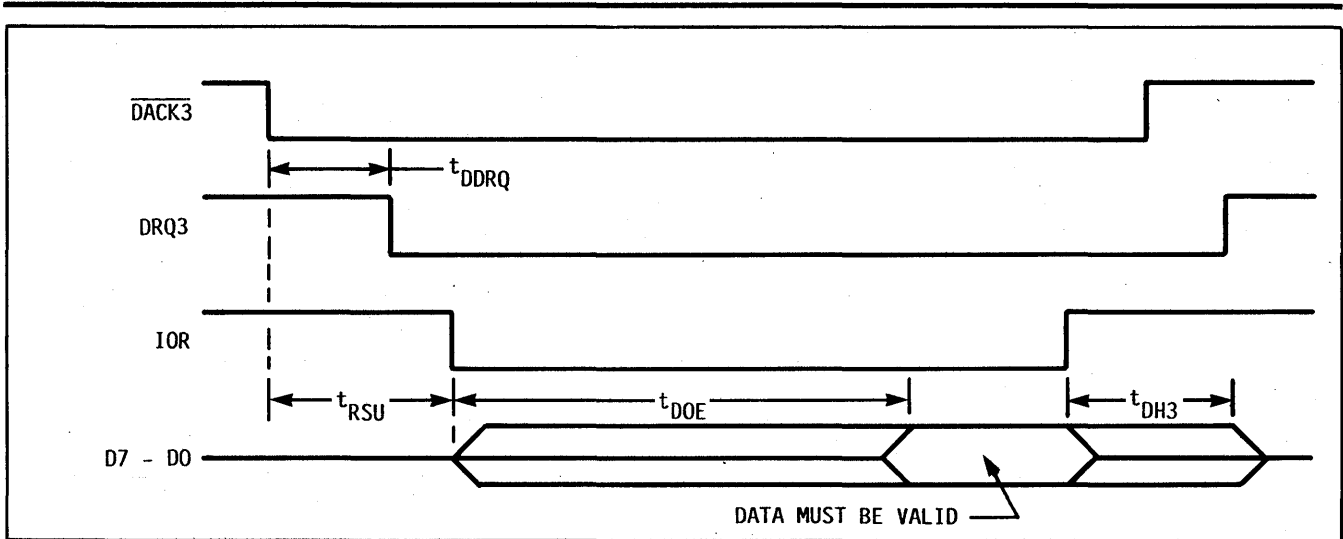


FIGURE 4-2 DMA I/O READ TIMING

Table 4-2 DMA I/O READ TIMING

SYMBOL	CHARACTERISTIC	MIN.	MAX.
t_{DDRQ}	DRQ3 De-assert Delay	20	45
t_{RSU}	Read Setup Time	7	
t_{DOE}	Data Output Enable		175
t_{DH3}	Data Hold Time	0	

NOTE: All units in Table 4-2 are in nsec.

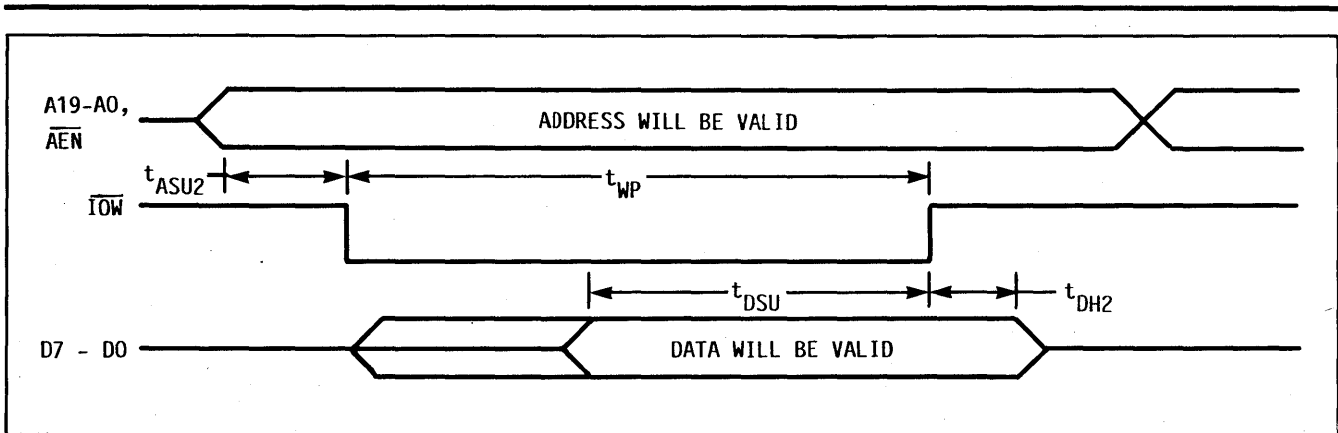


FIGURE 4-3 HOST I/O WRITE TIMING

TABLE 4-3 HOST I/O WRITE TIMING

SYMBOL	CHARACTERISTIC	MIN.
t_{ASU2}	Address Setup Time	50
t_{WP}	Write Pulse Time (I/O)	100
t_{DSU}	Data Setup Time	50
t_{DH2}	Data Hold Time	0

NOTE: All units in Table 4-3 are in nsec.

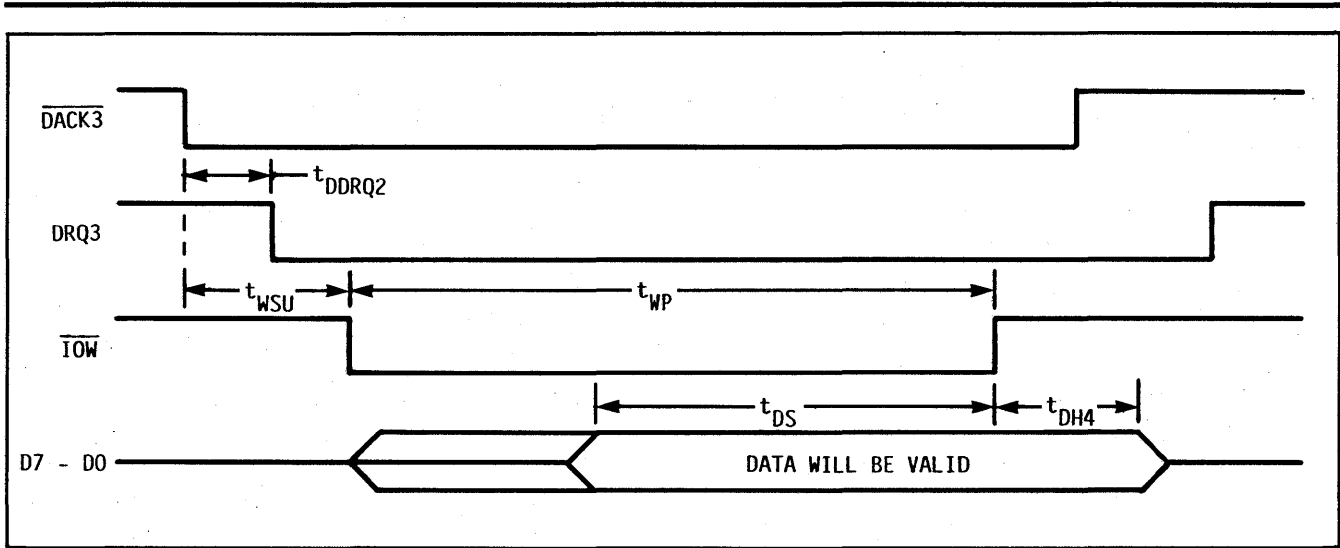


FIGURE 4-4 DMA I/O WRITE TIMING

TABLE 4-4 DMA I/O WRITE TIMING

SYMBOL	CHARACTERISTIC	MIN.	MAX.
t_{DDRQ}	DRQ3 De-assert Delay	20	45
t_{WSU}	Write Setup Time	7	
t_{WP}	Write Pulse Width	100	
t_{DS}	Data Setup Time	50	
t_{DH4}	Data Hold Time	0	

NOTE: All units in Table 4-4 are in nsec.

SECTION V

COMMAND DESCRIPTION

5.1 GENERAL

This section provides a detailed description of the Command Block format and function of the 19 commands supported by the WD1002S-WX2. Fourteen of the commands are operational and

five are diagnostic. An explanation of how the commands perform their function is discussed in Section 6 Theory of Operation. Table 5-1 lists a summary of the commands.

TABLE 5-1. COMMAND SUMMARY

COMMAND	PARAMETERS (Refer to Figure 5-1)								
	OP CODE	DRV	HD	CYL	SEC	BLK/INT	R1	R2	STEP
TEST DRIVE READY	00	V	n	n	n	n	n	n	n
RECALIBRATE	01	V	n	n	n	n	V	n	n
READ STATUS OF LAST OPERATION	03	V	n	n	n	n	n	n	n
FORMAT DRIVE	04	V	V	V	DR	V (INT)	V	n	V
VERIFY SECTORS	05	V	V	V	V	V (BLK)	V	V	V
FORMAT TRACK	06	V	V	V	DR	V (INT)	V	n	V
FORMAT BAD TRACK	07	V	V	V	DR	V (INT)	V	n	V
READ SECTORS	08	V	V	V	V	V (BLK)	V	V	V
WRITE SECTORS	0A	V	V	V	V	V (BLK)	V	n	V
SEEK	0B	V	V	V	DR	n	V	n	V
INITIALIZE DRIVE PARAMETERS	0C	V	n	n	n	n	n	n	n
READ ECC BURST ERROR LENGTH	0D	V	n	n	n	n	n	n	n
READ SECTOR BUFFER	0E	n	n	n	n	n	n	n	n
WRITE SECTOR BUFFER	0F	n	n	n	n	n	n	n	n
EXECUTE SECTOR BUFFER DIAGNOSTIC	E0	n	n	n	n	n	n	n	n
EXECUTE DRIVE DIAGNOSTIC	E3	V	n	n	n	n	V	n	V
EXECUTE CONTROLLER DIAGNOSTIC	E4	n	n	n	n	n	n	n	n
READ LONG	E5	V	V	V	V	V (BLK)	V	n	V
WRITE LONG	E6	V	V	V	V	V (BLK)	V	n	V

LEGEND:

- V Must be a valid parameter.
- DR Not used but must be within a valid parameter range.
- n Not used (should be 0 for future compatibility).
- INT Interleave
- BLK Block Count

5.2 I/O PORT DESCRIPTION

There are four contiguous I/O ports addressed 320 hexadecimal through 323 hexadecimal. Each port is bi-directional. The functions of the I/O

ports are listed in Table 5-2. These ports are used for all communication between the Host and Controller.

TABLE 5-2. I/O PORT DESCRIPTIONS

ADDRESS	READ PORT FUNCTION	WRITE PORT FUNCTION
320	READ DATA	WRITE DATA
321	READ WD1002S-WX2 HRDWR STATUS	WD1002S-WX2 RESET*
322	READ DRIVE CONFIGURATION INFO	WD1002S-WX2 SELECT
323	Not Used	WRITE DMA AND INTERRUPT MASK REGISTER

*NOTE

The WD1015-14 automatically executes self-tests after either a Reset command or upon power-up. The WD1015-24 **DOES NOT** automatically execute self-test after either a Reset command or upon power-up. A WD BIOS performs an Execute Controller Diagnostic command as part of the install sequence after power-up regardless of the version of WD1015 on-board. If the Host software interrogates WD1015-24 after a Reset; the WD1015-24 returns good status. The Host must issue an Execute Controller Diagnostic command to perform the WD1015-24 self-test.

5.2.1 PORT 320

This is a bi-directional path over which data, commands, parameters, and status are passed.

5.2.2 PORT 321

The Host reads this port to interrogate the hardware status. This status byte can be read at any time, including command execution. The status bits are identified in Table 5-3.

TABLE 5-3. HARDWARE STATUS

BIT							
7	6	5	4	3	2	1	0
d	d	IRQ	DRQ	BSY	C/D	I/O	REQ

d Not used.

IRQ Interrupt Request. Assertion (set to 1) signifies that an interrupt is pending.

DRQ DMA request bit. Assertion (set to 1) signals the Host that the WD1002S-WX2 is ready for a DMA transfer to take place. The direction of the transfer is defined by the I/O bit.

BSY Busy bit. Assertion (set to 1) signals the Host that the WD1002S-WX2 is busy executing a command and is unable to accept another command.

C/D Control/Data. Tells the Host which type of transfer the WD1002S-WX2 is expecting. 0 = a command or status byte, 1 = data.

I/O Input/Output. Identifies the direction of transfers between the Host and WD1002S-WX2. The terms input and output are relative to the Host. 1 = input, 0 = output.

REQ Request bit. A handshake signal for data transfers between the Host and WD1002S-WX2. The WD1002S-WX2 asserts (sets to 1) this bit when it is ready for data to be transferred between it and the Host. **REQ must be valid for every byte transferred to the Host.**

The Host writes to this port to generate a MR (Master Reset) on the WD1002S-WX2. When writing to this port, the data byte is ignored.

Resetting a WD1002S-WX2 with a WD1015-14 causes automatic execution of a self-test. Automatic execution of self-test does not occur with the WD1015-24. If the Host software interrogates WD1015-24 after a Reset; the WD1015-24 returns good status. The Host must issue an execute Controller Diagnostic command to perform the WD1015-24 self-test.

5.2.3 PORT 322

Reading Port 322 returns a 4-bit drive configuration code in bits 0 through 3. The two least significant bits correspond to drive 1, the two most significant bits to drive 0. The configuration of these bits is established with jumpers on the controller at SW1. Western Digital sets the configuration jumpers to one. Section 7 shows how to set them up for a specific drive.

The two bits associated with each drive is capable of addressing one of four different configuration tables. Both drives can address the same or different tables. The table required by the drive is determined by its formatted capacity. Table 0 = 5MB, 1 = 24MB, 2 = 15MB, 3 = 10MB (default table) with 62-000042-01 and 62-000042-11 WD BIOS. Table 0 = 20MB, Table 1 = 10MB, Table 2 = 20MB, Table 3 = 10MB (default table) with 62-000042-12 WD BIOS.

The parameters established by these tables are:

- Number of Cylinders
- Number of Heads
- The Starting Cylinder for RWC (Reduced Write Current).
- The Starting Cylinder for Write Precomp
- Maximum Correctable Error Burst Length
- Retries Allowed, Stable or Immediate ECC Correction, Step Rate.

Writing to port 322 selects the WD1002S-WX2, sets the Busy bit in the Status Register and prepares it to receive a command. When writing to port 322, the data byte is ignored.

5.2.4 PORT 323

Reading this port has no function.

Writing to this port controls the enabling of the interrupt and DMA request signals to the Host. The bits in this port are defined as follows:

BIT							
7	6	5	4	3	2	1	0
d	d	d	d	d	d	IRQEN	DRQEN

IRQEN Interrupt Request Enable. When asserted (set to one), enables interrupts to the Host.

DRQEN DMA Request Enable. When asserted (set to one), enables DMA requests to the Host.

d Not used.

5.3 COMMAND BLOCK

The Host first selects the WD1002S-WX2 by asserting $\overline{I/O}$ while at the same time addressing port 322 with the A0 through A19 address bus. The WD1002S-WX2 then asserts the BSY (BUSY) bit in the Status Register. The Host by asserting $\overline{I/O}$ and addressing port 321 reads the status, finding REQ asserted transmits the first byte of the six byte Command Block to the WD1015. REQ is de-asserted for the second byte of the Command Block transfer. Assertion and de-assertion of REQ must occur for each byte transferred. Figure 5-1 defines the bytes within the Command Block, Table 5-1 is a summary of the commands, Section 6 Theory of Operation explains the hand shake between the Host and WD1002S-WX2 while loading the Command Block in the WD1015.

BYTE	BITS							
	7	6	5	4	3	2	1	0
0	OP CODE							
1	0	0	D	HEAD NUMBER				
2	CYLINDER NUMBER MSB			SECTOR NUMBER				
3	CYLINDER NUMBER LSB							
4	BLOCK COUNT OR INTERLEAVE							
5	R1	R2	0	0	0	SP	SP	SP

FIGURE 5-1. COMMAND BLOCK DESCRIPTION

OP Code: Operation Code identifies the type and function of the command. Bits 7, 6, and 5 designate whether the command is operational (O) or diagnostic (E). Bits 4 through 0 select the function of the command, i.e. Read, Write, etc.

NOTE

The WD1015-24 firmware ignores bit four of byte 0 (op code).

D Drive number, selects one of two drives zero or one.

Head Number Designates the head to be used on the selected drive. 0 through 15. Selection of heads eight through 15 requires WD1015-24.

Cylinder Number MSB and LSB	Designates the cylinder containing the sector(s) to be used by the command. 0 through 1024.
Sector Number	Specifies the starting sector used by the command.
Block Count or Interleave	Block count specifies the number of sectors to be used by a Read, Write, Read Long, or Write Long command. A block count of zero equals 256 sectors. Interleave is used by the Format commands. The maximum interleave is equal to the sectors-per-track minus one. (See Section 5.7.2 for an explanation of interleaving.)
R1	General disk error retry disable bit. R1 controls the retry for all errors except a Data ECC error. With R1 asserted the WD1002S-WX2 makes no attempt to retry an error operation. Instead it aborts the command and sets the appropriate status in the Status Register. Because the disk is soft sectored an ID field error may cause the WD1002S-WX2 to retry for two disk revolutions. With R1 de-asserted, the WD 1002S-WX2 retries the operation for ten disk revolutions before aborting the command and setting the status bit. In the case of an ID Not Found Error the WD1002S-WX2 does a restore to track zero and seeks back to the desired track after the first ten disk revolutions and retries for ten disk revolutions before aborting and setting the error status.
R2	ECC Error retry bit. With R2 = 1 an attempt is made to correct the error on the first syndrome. R2 = 0 there must be two consecutive like syndromes before an attempt is made to correct the error.
SP	The Step Code is used to select the rate at which step pulses are issued to the drive. Table 5-4 defines the rates corresponding to each step pulse code.

TABLE 5-4. STEPPING RATE CODES

BITS			STEPPING RATES	
2	1	0	WD1015-14	WD1015-24
0	0	0	3 msec. per step*	3 msec. per step*
0	0	1	3 msec. per step	45µsec. per step
0	1	0	3 msec. per step	60µsec. per step
0	1	1	3 msec. per step	18µsec. per step
1	0	0	200µsec. per step	210µsec. per step
1	0	1	70µsec. per step	75µsec. per step
1	1	0	3 msec. per step	30µsec. per step
1	1	1	3 msec. per step	18µsec. per step

* This is the preferred 3 msec. step code.

5.4 TEST DRIVE READY
(CLASS 0, OP CODE 00)

This command selects the drive specified by the DRV bit in the Command Block and interrogates the $\overline{\text{DRDY}}$, $\overline{\text{WF}}$, and $\overline{\text{SC}}$ signals returned by that drive. If $\overline{\text{WF}}$ and $\overline{\text{SC}}$ are de-asserted and $\overline{\text{DRDY}}$ asserted, the command returns an error code of 00 No Error Detected.

5.4.1 POSSIBLE ERROR CODES

03 Write Fault 04 Drive Not Ready
08 Drive Still Seeking

5.5 RECALIBRATE
(CLASS 0, OP CODE 01)

This command moves the Read/Write heads to track 0. The $\overline{\text{SC}}$ signal from the drive controls the stepping rate of this command. Therefore, this command is slower than commands that implement the implied seek and make use of the stepping rate designated by the SP bits in the Command Block.

NOTE
Timeout on each step during a Recalibrate command is 1 second with a WD1015-14. Timeout on each step during a Recalibrate is 3.5 seconds with a WD1015-24. The 3.5 second timeout supports removable Winchester.

5.5.1 POSSIBLE ERROR CODES

03 Write Fault 04 Drive Not Ready
06 Track Zero Not Found

5.6 READ STATUS OF LAST OPERATION (CLASS 0, OP CODE 03)

Upon termination of a command the WD1002S-WX2 develops a Command Completion Byte, deasserts the BSY bit, and if IRQEN had been enabled, asserts IRQ5. If IRQEN had not been asserted, it is the responsibility of the Host to read port 321 to determine that the WD1002S-WX2 is no longer busy. Once the Host determines that a command has terminated, it must read the Command Completion Byte to learn which drive has terminated and whether an error had occurred. To do this the Host reads port 320. The format of the Command Completion Byte is as follows:

BIT							
7	6	5	4	3	2	1	0
0	0	D	0	0	0	E	0

D = Number of the drive terminating. 0 = drive 0. 1 = drive 1. E = 1 if an error occurred.

If the Command Completion Byte indicates the occurrence of an error, issue a Read Status command for the drive indicating the error. Performance of a Read Status command before any other command execution prevents loss of the error status. When a Read Status of the last operation is written to port 320 the WD1002S-WX2 responds with four bytes of status as shown in Figure 5-2.

BYTE	BITS							
	7	6	5	4	3	2	1	0
0	AV	0	ERROR CODE					
1	0	0	D	HEAD NUMBER				
2	CYLINDER NUMBER MSB			SECTOR NUMBER				
3	CYLINDER NUMBER LSB							

AV Address valid bit. Indicates that the Head, Cylinder, and Sector fields are valid.

Error Codes are shown in Table 5-5.

All other bits are the same as those defined in the Command Block definitions.

FIGURE 5-2. FOUR STATUS BYTES

When an error occurs during a multiple sector data transfer (read or write), this command returns the address of the failing sector. If the Read Status command is issued after any of the format commands or the Verify Desired Sectors command, the address returned by the WD1002S-WX2 points one sector beyond the last track formatted or checked, if there was no error. If there was an error, then the address returned points to the track in error.

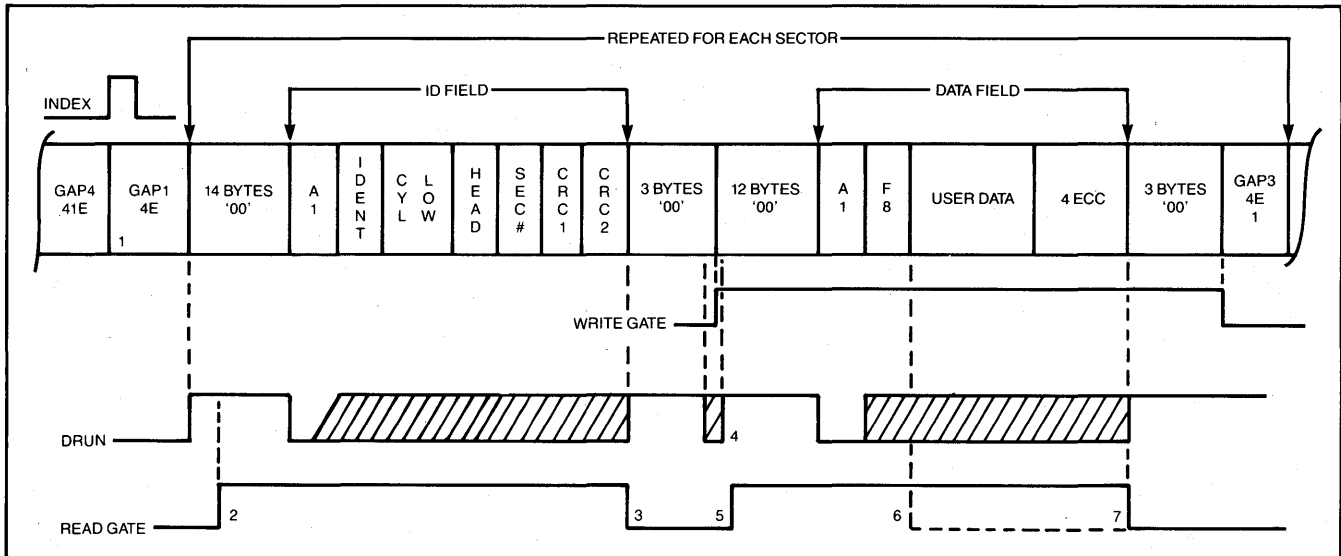
TABLE 5-5. CONTROLLER RETURNED ERROR CODES

HEX CODE	DEFINITION
00	No error detected.
02	No \overline{SC} signal from the drive. The WD1002S-WX2 has not received a \overline{SC} from the drive within one second (3.5 seconds with WD1015-24) following the last step pulse of a non-buffered seek operation.
03	Write Fault signal received from the drive. This error is reported when the WD1002S-WX2 detects \overline{WF} asserted by a drive either at the completion of a Sector Data Transfer or after initially selecting a drive and the drive indicates ready.
04	Drive Not Ready. The WD1002S-WX2 reports this error when \overline{DRDY} is not received from the drive at the time selection is attempted, or is de-asserted after the drive has been selected.
06	Track 0 Not Found. This error is reported during a Recalibrate command if $\overline{TK000}$ is not received from the drive before stepping the Read/Write Heads 1024 steps.
08	Drive Still Seeking. This status is returned in response to a Test Drive Ready command when a drive performing a buffered seek has not yet asserted \overline{SC} .
11	Uncorrectable Data Error. The ECC logic detected an error burst greater than its correction capabilities. The data in the Sector Buffer is not sent to the Host.
12	Data Address Mark Not Found. The proper Sector ID was read by the drive but failed to detect the Data Address Mark.
15	Seek Error. The desired Sector ID field could not be found on the selected track, or a CRC error occurred on the ID field.
18	Correctable Data Error. An error occurred in the data field that was within the tolerance of the ECC logic and was corrected. The data in the Sector Buffer is transmitted to the Host. This status is set as a warning to the Host that a marginal condition may exist.
19	Track Is Flagged Bad. A sector had been encountered that has the Bad Block Mark set in the ID Field. The Format Bad Track command records this bit in all sectors of the designated flagging them all as bad. No retries are attempted in response to this error.
20	Invalid Command. The WD1002S-WX2 has received a command with an invalid class or op code, Interleave Factor.
21	Illegal Sector Address. This error is asserted when a command attempts to address a sector beyond the capacity of the drive. This could be at the time the command is issued, or in the case of a multiple sector transfer, after the last available sector has been used.
30	Sector Buffer Error. An error occurred while performing Sector Buffer Diagnostics (Command Code E0 and E4). A disk drive is not involved in this test.
31	Controller ROM checksum Error. A ROM checksum error was detected during the Controller Diagnostic command (E4).
32	ECC Polynomial Error. During the Controller Diagnostic command (E4), the hardware ECC generator (WD11C00-17) failed its test.

5.7 FORMAT DRIVE STARTING AT DESIRED TRACK (CLASS 0, OP CODE 04)

The WD1002S-WX2 first positions the Read/Write heads to track zero. Then using the parameters specified in the Command Block, positions the heads to the desired track. Formatting always starts with the first sector of the track, regardless of the value of SEC. Even so, SEC must be within the allowable limits. A sample of what is recorded in each sector is shown in Figure 5-3. The data

recorded in the Data Field is defaulted to whatever is in the Sector Buffer at the time. The logical sector numbering is specified by the interleave value (INT) included in the Command Block. If a hard error occurs while formatting a track, the WD1002S-WX2 stops the format operation and returns an error code.



ID FIELD

A1 = A1 hex with 0A hex clock

IDENT = Bits 1, 0 = Cylinder High
FE = 0-255 Cylinders
FF = 256-511 Cylinders
FC = 512-767 Cylinders
FD = 768-1023 Cylinders

HEAD = Bits 0, 1, 2 = Head Number
Bits 3, 4 = 00
Bits 5, 6 = Sector Size (10)
Bit 7 = Bad Block Mark

Sec # = Logical Sector Number

DATA FIELD

A1 = A1 hex with 0A hex clock

F8 = Data Address Mark; Normal Clock

USER = Data Field 512 Bytes

NOTES:

- GAP 1 and 3 length equals 22 bytes.
- The decision to assert RG is made 2 bytes after the start of DRUN.
- RG de-asserted:
 - If DRUN does not last until A1
 - When any part of ID does not match the one expected.
 - After CRC if correct ID has been read.
- Write splice recorded on disk by asserting WG.
- RG is suppressed until after write splice.
- Not a proper A1 or F8, set DAM error.
- Sector size as stated in ID field, plus four for ECC.

FIGURE 5-3. FORMAT

5.7.1 POSSIBLE ERROR CODES

02 No Seek Complete	03 Write Fault
04 Disk Not Ready	06 Track Zero Not Found
20 Invalid Command	21 Illegal Sector Address

5.7.2 INTERLEAVING

When physically sequential sectors on the disk are to be read, each sector reaches the read/write head before a read or write operation can be set up. The disk must then make a complete rotation to pick up the next sector. When an attempt is made to read all 17 sectors on a particular track, 17 rotations or approximately one fourth of a second per 8K bytes are required. This performance can be significantly improved by interleaving, a technique that allows the system to read or write more than one sector per rotation.

For a system requiring less than two sector times to process the data it has read and to set up for the next read operation, the second logical sector is physically placed three sectors away from the first. The controller can now read the second sector with minimal delay. This three-to-one interleave factor allows a potential reading of the entire track in less than three rotations. In the example given, the throughput is increased by a factor of 5.6.

The simplest way to determine the optimum interleave for any particular system is through experimentation. If the system maintains its directories or virtual memory-swapping areas in a certain place on the disk, it sometimes makes sense to have more than one interleave.

To simplify driver software, the WD1002S-WX2 automatically writes the logical sector number of each sector in its ID field. Figure 5-4 is an example of an interleave table for a 17-sector track with 3:1 interleave. The WD1002S-WX2 accepts any interleave value between zero and one less than the number of sectors per track. An interleave of zero is automatically converted to one, and a value out of range results in an error code 20, Invalid Command Error.

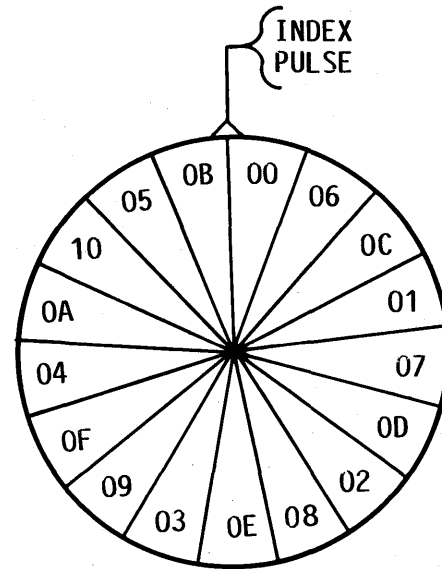


FIGURE 5-4.
17 SECTORS WITH A 3:1 INTERLEAVE

5.8 VERIFY SECTORS (CLASS 0, OP CODE 05)

This command reads from 1 to 256 sectors, as specified by BLK in the Command Block, beginning at the sector specified by HD CYL and SEC. If an error occurs during a multiple sector read, the heads remain positioned at the track containing the error. The Host then issues a Read Status of Last Disk Operation command to determine the error code. To continue the operation, the Host calculates the difference between the number of sectors desired and the number of sectors completed and issues another Seek command to access the remaining sectors.

5.8.1 POSSIBLE ERROR CODES

02 No Seek Complete	03 Write Fault
04 Drive Not Ready	06 Track Zero Not Found
12 Data Address Mark Not Found	15 Seek Error
19 Track Flagged Bad	21 Illegal Disk Address

5.9 FORMAT TRACK (CLASS 0, OP CODE 06)

This command is identical to the Format Drive command, except that only the track specified by the command is formatted. This command can be used to clear the Bad Track Flag, or reformat individual tracks.

5.10 FORMAT BAD TRACK (CLASS 0, OP CODE 07)

This command is the same as the Format Track command, except that the Bad Track Flag is set in the ID field.

5.11 READ SECTORS (CLASS 0, OP CODE 08)

This command reads from 1 to 256 sectors as specified by BLK in the Command Block, beginning at the sector defined by CYL SEC and Head. An uncorrectable error during a multiple sector read causes the operation to terminate at the error sector. The Host then issues a Read Status of Last Disk Operation command to determine the type of error. To continue the operation, the Host calculates the difference between the number of sectors desired and the number of sectors completed, then issues another Read command to access the remaining sectors. Error code 06 can only be asserted if the R1 bit = 0 and the ID Field has not been read for 10 disk revolutions. This causes the WD1002S-WX2 to recalibrate the heads and seek back to the desired track. If track zero is not detected within 1024 steps, Error Code 06 is set. If R1 = 1 the WD1002S-WX2 aborts the command after a maximum of two disk revolutions, therefore no attempt is made to position the heads to track zero.

5.11.1 POSSIBLE ERROR CODES

02 No Seek Complete	03 Write Fault
04 Drive Not Ready	06 Track Zero Not Found
11 Uncorrectable ECC Error	12 Data Address Mark Not Found
15 Seek Error	18 Correctable ECC Error
19 Track Flagged Bad	21 Illegal Sector Address

5.12 WRITE SECTORS (CLASS 0, OP CODE 0A)

This command writes from 1 to 256 sectors as specified by BLK in the Command Block. The multiple sector transfer scheme works the same as the Read command. Error code 06 can only be asserted if the R1 bit is 0 and the ID Field has

not been read for 10 disk revolutions. This causes the WD1002S-WX2 to recalibrate the heads and seek back to the desired track. If track zero is not detected within 1024 steps, Error Code 06 is set. If R1 is 1 the WD1002S-WX2 aborts the command on the first failure to read an ID Field, therefore no attempt to position the heads to track zero is made.

5.12.1 POSSIBLE ERROR CODES

02 No Seek Complete	03 Write Fault
04 Drive Not Ready	06 Track Zero Not Found
12 Data Address Mark Not Found	15 Seek Error
19 Track Flagged Bad	21 Illegal Disk Address

5.13 SEEK (CLASS 0, OP CODE 0B)

This command selects the head and initiates a seek to the track specified by HD and CYL in the Command Block. The \overline{SC} signal line is not sampled to allow buffered seeks. The cylinder must be in range. The drive must be formatted. Drives employing buffered steps can be issued step pulses at a high speed freeing the WD1002S-WX2 for other operations. The WD1002S-WX2 does not wait for the drive to complete the seek to return a Command Completion Status. If the return status shows no error, the seek was issued correctly. If there is an error, the seek was not issued. After transferring the status, another command can be issued to either drive. If the WD1002S-WX2 receives a command other than Test Drive Ready for a drive that is still seeking, it asserts BSY and waits for \overline{SC} to be asserted before executing the command. If the command is a Test Drive Ready, it executes and returns an 08 Drive Still Seeking Error. The time-out for non-buffered seeks. For buffered seeks, the WD1015 checks \overline{SC} before a Read or Write (next command).

The rate at which the Step Pulses are issued to the drive is controlled by the SP bits in the Command Block. The drive buffers these pulses and steps at its own rate. This allows the WD1002S-WX2 to continue about its own business, possibly starting the other drive seeking to a new track, without having to wait for the \overline{SC} from the first drive. Refer to Table 5.4 for the available stepping rates.

5.13.1 POSSIBLE ERROR CODES

03 Write Fault	04 Drive Not Ready
15 Seek Error	

5.14 INITIALIZE DRIVE PARAMETERS (CLASS 0, OP CODE 0C)

The WD1002S-WX2 is capable of controlling two drives with different formatted capacity. The BIOS contains four Winchester parameter tables. The configuration jumpers address the proper Winchester parameter table during the BIOS install cycle at power up. Refer to Section 7 for details on these jumper settings. When the Host reads port 322 and discovers a change in drives, it issues this command, followed by the 8-byte block of drive parameters listed below:

- Maximum Number of Cylinders
(2 bytes, 1024 max.)
- Maximum Number of Heads
(1 byte, 8 or 16 heads)
- Starting Reduced Write Current Cylinder
(2 bytes, 1024 max.)
- Starting Write Precompensation Cylinder
(2 bytes, 1024 max.)
- Maximum ECC Data Burst Length
(1 byte, 11 max.)

A typical set of parameters for a 10MB drive is as follows:

- | | |
|-----------------|---------------------------|
| 306 cylinders | 4 heads |
| RWC at cylinder | Write Precomp at cylinder |
| 153 | 153 |
- 11-bit burst error length (Western Digital Corp. recommends using a maximum ECC burst length of five or less to ensure optimum integrity of data recovered).

For the exact parameters it is necessary to refer to the specifications for the BIOS in use on the specified board.

5.15 READ ECC BURST ERROR LENGTH (CLASS 0, OP CODE 0D)

This command is only valid following a correctable ECC error. It transfers one byte indicating the length of the error. The error length is determined by counting the first through last bit in the error.

5.16 READ SECTOR BUFFER (CLASS 0, OP CODE 0E)

This command transfers the 512 bytes of data currently residing in the Sector Buffer to the Host.

5.17 WRITE SECTOR BUFFER (CLASS 0, OP CODE 0F)

This command writes 512 bytes of data from the Host into the WD1002S-WX2 Sector Buffer.

5.18 EXECUTE SECTOR BUFFER DIAGNOSTIC (CLASS E, OP CODE 00)

This command executes a 9-pass test that uses a 9-byte pattern (0, 1, 2, 4, 8, 10, 20, 40, and 80 hex) that is written to the Sector Buffer, then read back. After each successful completion, the whole pattern is shifted one byte position and repeated.

NOTE

The WD Format Drive Utility in the WD BIOS executes this command before physical formatting of the drive. Thus, the data fields are formatted with this 0, 1, 2, 4, 8, 10, 20, 40, and 80 hex pattern.

5.18.1 POSSIBLE ERROR CODES

30 Data error.

5.19 EXECUTE DRIVE DIAGNOSTIC (CLASS E, OP CODE 03)

This command tests both the drive and the drive-to-WD1002S-WX2 interface. The WD1002S-WX2 sends Recalibrate and Seek commands to the selected drive and reads sector zero of each track verifying both ID and data fields. The WD1002S-WX2 does not perform any write operations.

5.19.1 POSSIBLE ERROR CODES

02 No Seek Complete	03 Write Fault
04 Drive Not Ready	06 Track Zero Not Found
12 Data Address Mark	15 Seek Error
Not Found	

5.20 EXECUTE CONTROLLER DIAGNOSTICS (CLASS E, OP CODE 04)

Regardless of the version of the WD1015 on the WD1002S-WX2, the WD1002S-WX2 executes this command when the Host issues a command code of E4 hex to the CCB. The WD1015-14 automatically executes this command after system Reset (RST on connector P1 B2 asserted), write to port 321 hex, or power-up. The WD1015-24 only automatically executes this command when an on-board WD BIOS performs an install sequence after power-up.

Once started, this command continues to run until an error occurs, or the Host selects the WD1002S-WX2 by writing to port 322. If an error occurs when this command has been started at power up, an error code is output at pins 27, 28, and 29 of the WD1015. These are the Head Select 0, 1, and 2 signals and can be monitored at the Drive Control

Connector J1 pins 14, 18, and 4. The error codes generated under this condition are not the same as those reported by a Read Status command.

- 1 – WD1010A-05 Error
- 2 – WD11C00-17 ECC Error
- 3 – Sector Buffer Error
- 4 – WD1015 RAM Error
- 5 – WD1015 ROM Error

5.20.1 WD1010A-05 TEST

A pattern is written to and read from the WD1010A-05's Sector Count and Sector Number Registers.

5.20.2 WD11C00-17 ECC TEST

The WD11C00-17 is enabled during the read portion of the Sector Buffer Test. After the contents of the Sector Buffer have been read, the ECC not 0 (pin 20) of the WD11C00-17 is monitored, it should be asserted indicating non-zero Check Bytes. The internal check pattern is then fed back into the chip and pin 20 monitored again. This time it should not be asserted, indicating a Check Byte pattern of zero.

5.20.3 SECTOR BUFFER TEST

The hex pattern 00, 01, 02, 04, 08, 10, 20, 40, 80 is written throughout the entire Sector Buffer and then read to make sure it is correct. The entire contents of the Sector Buffer is then shifted one byte position and read again. This procedure is repeated nine times verifying that every bit in the Sector Buffer can be set and reset.

The WD11C00-17 is enabled during the read functions to verify the operability of that device.

5.20.4 WD1015 RAM TEST

This tests the 100 bytes of internal RAM in the same manner as the Sector Buffer test.

5.20.5 WD1015 ROM TEST

This test verifies the ability to address and read all 2K bytes of internal ROM, using an add and rotate algorithm to generate a single byte result. This result is then compared with the Sumcheck located in the last page of memory.

5.20.6 POSSIBLE ERROR CODES

- 30 Sector Buffer Error
- 31 ROM Sumcheck Error
- 32 ECC Error

5.21 READ LONG (CLASS E, OP CODE 05)

The Host first performs a normal Write command, writing known data, that produces a predictable ECC character, then performs a Readlong command. This command reads the data from the disk without generating any ECC bytes of its own. Instead it reads the four ECC bytes from the disk, as though reading data, resulting in 512 plus 4 for a total of 516 bytes of data. The Host, knowing what the data and ECC bytes are supposed to be, can now determine whether any errors that have occurred, are a result of a data or ECC failure.

5.21.1 POSSIBLE ERROR CODES

- 02 No Seek Complete
- 03 Write Fault
- 04 Drive Not Ready
- 06 Track Zero Not Found
- 12 Data Address Mark Not Found
- 15 Seek Error
- 21 Illegal Disk Address
- 19 Track Flagged Bad

5.22 WRITE LONG (CLASS E, OP CODE 06)

After performing the Write normal/Readlong routine to determine that the WD1002S-WX2 is able to write data and generate correct ECC bytes, the Host can execute a Writelong and Read normal routine. This verifies the ability of the WD1002S-WX2 to read the data correctly and generate 4-zero ECC bytes or if an error was forced, correct it. The Writelong command does not generate ECC bytes, instead the Host supplies them along with a known data pattern. Then, performing a normal Read command, the Host can determine whether non-zero ECC bytes are caused by a Read failure or ECC generation failure. (This procedure could be performed prior to the Write normal/Readlong).

5.22.1 POSSIBLE ERROR CODES

- 02 No Seek Complete
- 03 Write Fault
- 04 Drive Not Ready
- 06 Track Zero Not Found
- 12 Data Address Mark Not Found
- 15 Seek Error
- 21 Illegal Disk Address
- 19 Track Flagged Bad

SECTION VI

THEORY OF OPERATION

6.1 GENERAL

The WD1002S-WX2 Winchester Controller interfaces an IBM PC or IBM-compatible PC with a maximum of two Seagate Technology ST506-compatible disk drives. Western Digital bases the WD1002S-WX2 architecture on the WD1010A-05 Winchester Disk Controller, WD1015-14 (WD1015-24) Buffer Manager Control Processor, WD11C00-17 Logic Array, WD10C20 Winchester Data Separator and Write Precompensation Device, and BIOS ROM. Therefore, this theory of operation focuses upon these devices. Figure 6-1 is a functional block diagram of the WD1002S-WX2.

6.2 BUSES

This section describes the five buses used by the WD1002S-WX2. Two of the buses are extensions of the Host data and address buses. The other three buses are internal to the WD1002S-WX2. All buses transmit either addresses, commands, data or status information.

6.2.1 HOST INTERFACE ADDRESS BUS A0 THROUGH A19

The Host uses this bus during programmed I/O to address the eight I/O ports 320 hexadecimal through 327 hexadecimal. The Host also addresses the BIOS ROM with address C8000-C8FFF on this bus.

6.2.2 HOST INTERFACE DATA/COMMAND BUS D0 THROUGH D7

This is a bi-directional data bus linking the WD1002S-WX2 to the Host. It is used for the transmittal of data between the Host and Sector Buffer, the Command Control Block (CCB) to the WD1015, and the drive configuration and status to the Host.

6.2.3 WD1002S-WX2 INTRABOARD COMMAND/STATUS BUS BD0 THROUGH BD7

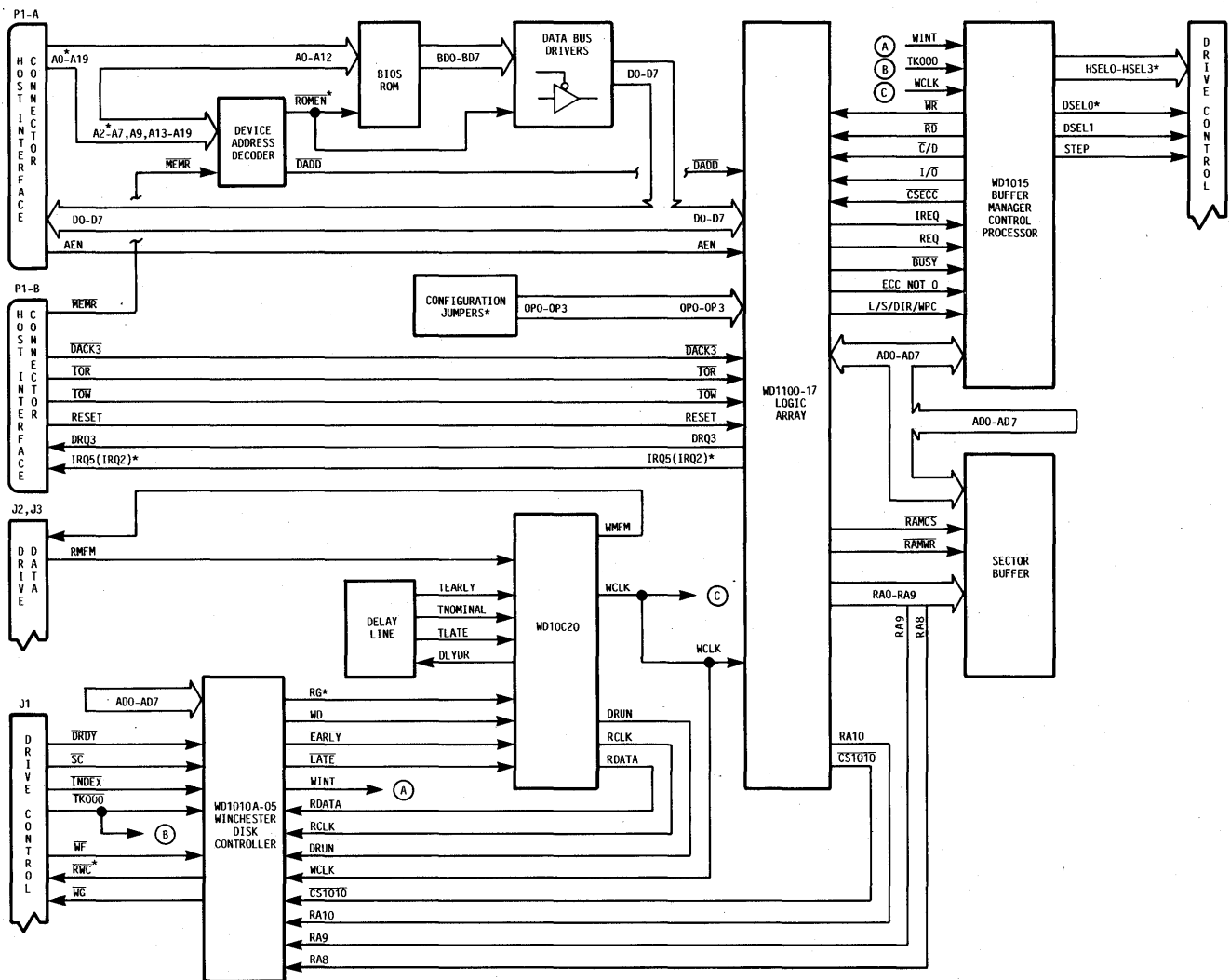
This is a read only bus connecting the BIOS ROM to D0 through D7, through a bus drivers controlled by \overline{ROMEN} . When the Host requests information from the BIOS, the Host addresses the BIOS and enables the bus drivers. The information passes from BD0 - BD7 to D0 - D7. The information transfer between the BIOS and Host follows standard bus protocol.

6.2.4 WD1002S-WX2 INTRABOARD COMMAND/STATUS BUS AD0 THROUGH AD7

This is a bi-directional bus linking the WD1015, WD1010A-05, WD11C00-17, and Sector Buffer. Data, commands, control information and status all pass through this bus. This bus is linked to the D0 through D7 bus by the WD11C00-17.

6.2.5 WD1002S-WX2 INTRABOARD ADDRESS BUS RA0 THROUGH RA10

This bus addresses the Sector Buffer and WD1010A-05 Task File, as well as signaling the WD1010A-05 that the end of the data field has been reached and the ECC is starting. The Task File address is preset into the WD11C00-17 Sector Address Counter which in turn places it on the RA0 through RA10 bus. The Task File address is eight bits long.



*REFER TO SECTION 7 FOR DETAILED INFORMATION ON JUMPER LOCATIONS AND FUNCTIONS.

FIGURE 6-2. WD102S-WX2 DETAILED BLOCK DIAGRAM

6.3 BUS PROTOCOL

The Host and WD102S-WX2 protocol consists of the following bus phases:

- Select
- Command
- Data
- Completion

Normal execution occurs in the order listed above.

Depending upon the type of command being executed, the Data phase does not always occur. Also, depending upon the type of errors detected by the WD1015 or WD1010A-05, an immediate skip to the Completion phase can occur. Execution of the Completion phase always occurs regardless of the command or error.

6.3.1 SELECTION PHASE

The Host selects this phase to start execution of a command by the WD1002S-WX2. The WD11C00-17 asserts $\overline{\text{BUSY}}$ to acknowledge selection of the WD1002S-WX2. The Host can sample $\overline{\text{BUSY}}$ by reading port 321 hex. For power-up and at the end of every command, the WD1002S-WX2 asserts the hardware status bits required for proper handshake as follows:

$\overline{\text{BUSY}}$
 $\overline{\text{C}} (\overline{\text{C/D}})$
 $\overline{\text{I}} (\overline{\text{I/O}})$
REQ

When the Host reads the WD1002S-WX2 hardware status the WD11C00-17 complements $\overline{\text{BUSY}}$ and $\overline{\text{C/D}}$ and drives these signals onto the Host data bus. Sections 5.2.1 through 5.2.4 describe the I/O ports in detail.

6.3.2 COMMAND PHASE

Following the Selection phase, the Host sends the six byte Command Control Block (CCB). Transfer of the require assertion of the hardware status bits, $\overline{\text{BUSY}}$, $\overline{\text{C}} (\overline{\text{C/D}})$, $\overline{\text{I}} (\overline{\text{I/O}})$, and REQ. The WD11C00-17 sends the CCB to page 0 of the Sector Buffer. The WD1015 retrieves the CCB from the Sector Buffer to execute the command. Once this phase is entered, the only way the Host can abort command execution is by asserting RESET. The Host can reissue commands when the WD1002S-WX2 de-asserts $\overline{\text{BUSY}}$. Section 5.3 describes the CCB format.

6.3.3 DATA PHASE

After decoding a command and checking for any illegal parameters, the WD1015 sets up the Host for the Data phase depending upon whether the WD1015 needs the data first to execute the command. Otherwise, the Data phase is entered, after the command is executed by the WD1015, as in the case of a Read Command. Assertion of D ($\overline{\text{C/D}}$) defines the Data phase. The state of the $\text{I}/\overline{\text{O}}$ signal and the command determines the direction of the data transfer. Assertion of I ($\text{I}/\overline{\text{O}}$) indicates data input to the Host. Assertion of $\overline{\text{O}}$ ($\text{I}/\overline{\text{O}}$) indicates data output from the Host.

6.3.3.1 Programmed I/O Data Transfer

The Host usually transfers commands and data in programmed I/O mode except disk data transfers. Disk data transfers can be either programmed I/O or DMA. To the WD1002S-WX2, both methods of data transfer are identical except for the generation of the handshake signals by the WD11C00-17. The WD11C00-17 does not generate the $\overline{\text{DRQ3}}$ signal in programmed I/O mode. $\overline{\text{IOR}}$ and $\overline{\text{IOW}}$ transfer the data when the WD1015 asserts the hardware status bits.

The WD1002S-WX2 I/O ports reside in Host memory address locations 320 hex through 323 hex. (The WD1002S-WX2 allows jumper selection of the I/O port addresses. Refer to Section 7 for further information.) All WD1002S-WX2 port accesses are made in programmed I/O mode. Address enable (AEN) indicates Host control over the buses and connects the I/O channel to the WD1002S-WX2. A0 through A9 address the Host memory locations. A0 and A1 select one of the four ports. $\overline{\text{IOR}}$ and $\overline{\text{IOW}}$ select the port function. Depending upon the addressed port function, the Host bus may not be used. Section 5.2 describes the I/O ports and their functions. Section 4 describes interface timing for programmed I/O data transfers.

6.3.3.2 DMA Data Transfer

The Host must configure the WD1002S-WX2 for DMA mode before transfer data between the Sector Buffer and Host. The Host writes to port 323 hex to enable DMA mode prior to issuing a command. With DMA enabled, no access of port 320 is required to transfer data. The Host can then sense $\overline{\text{DRQ3}}$ at the start of a byte transfer. Assertion of $\overline{\text{DACK3}}$ by the Host causes the WD11C00-17 to de-assert $\overline{\text{DRQ3}}$. Data transfer between the Sector Buffer and Host is then controlled by the Host using $\overline{\text{IOW}}$ and $\overline{\text{IOR}}$ signals as in programmed I/O mode. When $\overline{\text{DACK3}}$ is de-asserted, $\overline{\text{DRQ3}}$ is asserted by the WD11C00-17. This process repeats until all the data is transferred. De-assertion of REQ signals the end of the DMA transfer. Section 4 describes interface timing for DMA data transfers.

6.3.4 COMPLETION PHASE

The Host senses the Completion phase by sampling IRQ5 (IRQ2 is a jumper selectable option. Refer to Section 7.) or by polling the $\overline{\text{BUSY}}$ signal. IRQ5 is available as a port 321 status bit. The Host totally controls IRQ5 by writing to port 323. The WD11C00-17 generates IRQ5 when the Host issues the write to port 323. The Host must disable interrupts before reading the Command Completion byte from the WD1002S-WX2. If the Host does not disable the WD1002S-WX2 interrupts, then the WD1002S-WX2 continuously interrupts the Host. The completion code can be read by the Host when the WD11C00-17 asserts the following hardware status signals:

$\overline{\text{BUSY}}$
C (C/ $\overline{\text{D}}$)
I (I/ $\overline{\text{O}}$)
REQ

A completion code of zero indicates no error occurred. A non-zero value indicates occurrence of an error during command execution. The Host can obtain additional information about the error by executing a Read Status Command. In this case, the Data phase is implemented at command completion by the WD1002S-WX2.

The WD1015 makes the command completion byte available to the Host at port 320 after command completion. This byte contains the drive number of the drive that completion status is valid and an error bit. Section 5.6 describes the format of the command completion byte.

6.4 DEVICE ADDRESS DECODER

The Device Address Decoder generates $\overline{\text{ROM ENABLE}}$ (ROMEN) and $\overline{\text{DEVICE ADDRESS CODE}}$ (DADD). ROMEN allows the Host to address the BIOS ROM and enables the ROM Data Bus Drivers to place the BIOS ROM information on the Host Interface Data/Command Bus. ROMEN is derived from a valid BIOS address and MEMR. DADD is asserted when address 320 or 324 is present on the address bus.

6.5 BIOS ROM

The BIOS ROM contains firmware driver routines for Winchester disk control. These routines, when installed, reside in Host memory space C8000 hex through C8FFF hex. The BIOS routines are only entered via software interrupts. If your Host

operating system is designed to supply the BIOS ROM information, then the WD1002S-WX2 BIOS ROM is not required to operate the controller.

6.6 CONFIGURATION JUMPERS

These jumpers configure the WD1002S-WX2 for different disk drive capacities. Pull-up resistors internal to the WD11C00-17 normally tie the OPTION 0 through 3 (OP0 through OP3) signals to +5V. Installation of a jumper connects the signal to ground. Section 7 describes the Configuration Jumper location and settings for disk drive capacities.

6.7 WD11C00-17 LOGIC ARRAY

The WD11C00-17 Logic Array incorporates several functions in a single package. Implementation of these functions occurs by combining random logic and specialized circuits. The WD11C00-17 contains the following circuits:

- Status ports
- Read and write ports
- Sector Buffer RAM addressing and control
- ECC
- Reset timing

The WD11C00-17 connects directly to the multiplexed address/data bus, AD0 - AD7.

6.7.1 STATUS, READ, AND WRITE PORTS

Section 5.2 describes these ports' functions. Section 6.3 describes the operation of these ports.

6.7.2 SECTOR BUFFER RAM ADDRESSING AND CONTROL

A counter in the WD11C00-17 generates RAM ADDRESS 0 through 9 (RA0 through RA9). The upper three address bits (RA7, RA8, and RA9) are resettable by the WD1015. This allows the WD1015 to address a range of 8 pages with 256 bytes in each page. The address of any byte within a page can be set by the WD1015 by generating dummy RAM accesses to increment the address counters to the proper address.

In addition to addressing the Sector Buffer, the upper three counter bits (RA8, RA9, and RA10) are used to address the WD1010A-05 Task File when the Sector Buffer is not being used. A Sector Buffer access ends when the Sector Buffer is empty or full. Therefore, the WD11C00-17 asserts RA10.

Assertion of RA10 causes de-assertion of DRQ3. This informs the Host that the Sector Buffer is either empty or full, signals the end of the data field, and indicates the start of the ECC field to the WD11C00-17 ECC logic.

Assertion of RA3 when the Command bus phase ends indicates to the WD1015 placement of the CCB in the Sector Buffer.

6.7.3 ECC CIRCUITRY

During a write operation, the WD1010A-05 receives the data from the Sector Buffer. The WD11C00-17 generates and appends the four byte ECC to the data stream. Proper placement of the ECC requires determination of the end of the data stream. Assertion of RA10 by the WD11C00-17 address counter indicates RAM overflow and the end of the data stream. After writing the ECC to the disk, the WD11C00-17 ECC circuitry supplies all zero bytes to the AD0 through AD7 bus as long as ECC function is selected.

During a read operation, the ECC circuitry re-computes the ECC. Comparison of the previously written ECC and computed ECC occurs at the end of the data stream. (Assertion of RA10 indicates end of the data stream.) The ECC circuitry records the result of the comparison. Any additional writes to the Sector Buffer are ignored. If the result of the comparison is non-zero, then the WD11C00-17 asserts ECC NOT 0 signal. Assertion of ECC NOT 0 enables the WD1015 to attempt error correction.

For diagnostic purposes, during Writelong and Readlong commands the ECC generation and checking is disabled. A Writelong command causes the WD11C00-17 to accept any four bytes from the Host, and stores the bytes internally. These bytes are written to the disk unaltered. A Readlong command causes the WD11C00-17 to accept the four bytes written on the disk. These bytes are passed to the Host unaltered. This allows the Host to induce errors anywhere in the data stream and check for predictable results. Sections 5.21 and 5.22 describe these commands.

During sector reads and writes, CRC error detection capability is used for the I.D. fields. The data field on a hard disk uses error correction for a single burst up to 11 bits in error. The bit correction span is user programmable. Use the 11 bit correction span sparingly or only for diagnostic purposes. Eleven bit error correction spans signifi-

cantly reduce error detection for multiple error bursts. A five bit correction span is adequate for most applications.

6.7.4 RESET TIMING CIRCUITRY

For a reset, the WD1002S-WX2 executes a power-up sequence to setup internal parameters and initializes the on-board circuitry properly. The WD1002S-WX2 design requires a minimum warm reset pulse width of 15µsec. The Reset Timing circuitry provides a warm reset pulse of 1.35 msec. For a cold start, the minimum reset required pulse width is 10 msec. The Reset Timing circuitry provides a cold reset pulse of 128 msec.

To detect any power up diagnostic failures, the Host should issue an Execute Controller Diagnostic command if the WD1002S-WX2 DOES NOT use either a WD1015-14 or a WD BIOS. The WD1015-14 automatically performs an Execute Controller Diagnostic command after power-up or a software reset. A WD BIOS issues an Execute Controller Diagnostic command as part of the install sequence regardless of the version of the WD1015 on-board.

6.8 WD1015 BUFFER MANAGER CONTROL PROCESSOR

The WD1015 is a self contained CPU designed to receive commands from the Host. Firmware in the WD1015 translates the Host command format into the WD1010A-05 format. The WD1015 controls any programmable retries and data error correction.

There are two versions of the WD1015 for the WD1002S-WX2. The WD1015-14 supports up to eight heads. The WD1015-14 uses the REDUCED WRITE CURRENT (RWC) signal. The WD1015-24 supports up to 16 heads. The WD1015-24 uses the RWC pin on J1 as HEAD SELECT 3 (HSEL3). The acronym WD1015 refers to both versions. When a specific reference is made to a specific version, the appropriate acronym is used.

The WD1015 controls the transfer of information within the WD1002S-WX2 and maintains the necessary copies of the WD1010A-05 Task Files. The WD1015 accesses the CCB in the Sector Buffer. Prior to the command being issued to the WD1010A-05 by the WD1015, the drive and head select information is set in a port latch for the drive interface (DSEL0, DSEL1, and HSEL0 through HSEL3). The heads are stepped, if required, by the STEP signal and positioned over the

desired cylinder. The CCB is translated and issued to the WD1010A-05, after observing the required protocol. At the end of command execution, the WD1010A-05 asserts WINT. The WD1015 polls WINT.

The WD1015 controls multiple sector transfers without the Host reissuing the command. The WD1015 breaks all multiple sector transfers into a series of single sector commands to the WD1010A-05. The WD1015 provides head changes and steps as required between WD1010A-05 commands until the block count is satisfied. There can be many WD1010A-05 interrupts (WINT) for one Host command. However, the WD1015 enables the WD11C00-17 to send only one interrupt to the Host at the end of the transfer.

6.8.1 EXCEPTION HANDLING

No commands can be executed by the WD1010A-05 with DRDY de-asserted, SC de-asserted, or WF asserted. In these cases, the WD1015 aborts the issued command. No attempts are made to recover from these conditions.

Before any data transfer can take place, the WD1010A-05 attempts to read the I.D. field of the logical block address specified. If any errors are detected in this process, the WD1010A-05 attempts to read the I.D. field until two index pulses are detected. If the I.D. field can not be read, the WD1015 reissues the command once each disk revolution for ten disk revolutions to recover from the error. If this is unsuccessful, the WD1015 performs an Autorestore. The Autorestore recalibrates the selected logical unit and performs a re-seek to the logical block address specified. The WD1010A-05 attempts to read the I.D. field once each disk revolution for ten disk revolutions. If the error is unrecoverable, the operation is terminated. The error reported is the last error encountered, assuming that the same error is responsible for any attempted retries.

A similar operation is performed on all missing Data Address Marks during a read operation. If the I.D. field can be read correctly, data transfer between the Host and WD1010A-05 can take place. For a write operation, the location of the desired I.D. field is all that is required to write data to the disk from the Sector Buffer. Multiple sector transfers are broken into single sector transfers as described in Section 6.8. For a read operation, the data field is corrected, if possible, before being transferred to the Host.

The WD1015 controls the operation of the WD11C00-17 ECC circuitry. During the transfer of data from the Sector Buffer to the disk, the WD11C00-17 computes a four byte ECC that is appended to the end of the data transferred to the WD1010A-05 and recorded on the disk. During data transfers from the WD1010A-05 to the Sector Buffer, the WD11C00-17 uses the ECC circuitry to validate the data. If data is corrupted, the WD1015 performs retries and correction. A maximum of eight retries are attempted if two consecutive syndromes do not match. Correction is attempted only when two consecutive syndromes match. If the error is uncorrectable, the operation is terminated.

All exception handling results in a loss of at least one disk revolution.

6.9 SECTOR BUFFER

The Sector Buffer consists of a 2KB by 8 bit RAM that is used to hold data or the CCB. Only the lower 1KB of the RAM is actually used. Therefore, the terms upper and lower in the succeeding paragraph are relative to the lower 1KB of the RAM.

The lower half of the RAM is used mainly for the CCB, status and error information, and storage for the ECC bytes. The eight bytes of drive characteristics from the Host during an Initialize Drive Parameters command are also stored in page zero of the RAM. The sector data is stored in the upper half of the RAM. The Sector Buffer also holds the information to be recorded on the disk during a Format command in exactly the same way as a sector of data written to the disk.

6.10 WD1010A-05 WINCHESTER DISK CONTROLLER

The WD1010A-05 is a single chip device designed for use with Seagate Technology ST506 and other compatible disk drives. All disk commands are started by the WD1015 after the CCB has been read and properly translated. The primary purpose of the WD1010A-05 is to control data (this includes data separation for Read Data) transfer between the disk and the Sector Buffer after the WD1015 has positioned the selected head over the desired track. The WD1010A-05 can position the disk heads, but this capability is not used in the design because the desired step rates are not supported by the WD1010A-05. Refer to the WD1010-05 data sheet in the Western Digital Storage Management Products Handbook for further details on the WD1010A-05.

6.11 WD10C20

The WD10C20 interfaces the disk drive to the other circuitry on the WD1002S-WX2. The WD10C20 contains two major circuits. These two circuits are the Write Precompensation circuitry and data synchronization.

6.11.1 CLOCK GENERATOR

A 10 MHz fundamental frequency crystal is required by the WD10C20. The crystal frequency is used as a reference clock and then divided by two for a WRITE CLOCK (WCLK) which is used to produce MFM write data for the disk. These clock sources are provided by the WD10C20.

The WD1015 uses the 5 MHz WCLK, provided by the WD10C20, giving an instruction cycle time of 3.0µsec. Most instructions execute in two cycles or 6.0µsec.

6.11.2 WRITE PRECOMPENSATION CIRCUIT

The generation of MFM Write Data takes place in the WD1010A-05. The WD1010A-05 accepts a byte of data and a WCLK to internally produce MFM data. The MFM data is now totally compatible with the required format for transmission to the disk via line drivers with one exception. Due to decreasing radius on the physical surface of the disk, the inside tracks have less circumference and therefore exhibit an increase in recording flux density over the outside tracks. This increase in flux density aggravates a problem known as dynamic bit shift.

Dynamic bit shift comes about as a result of one bit on the disk (a flux reversal) influencing an adjacent bit. The result is to shift the leading edge of both bits closer together or further apart than originally recorded. The net result is that enough jitter is added to the data recorded on the inside tracks to make them harder to recover without error.

Write precompensation is used to reduce the effect of dynamic bit shift on the recorded data. It is a method of predicting which direction a particular bit is shifted and intentionally writing that bit out of position in the opposite direction from the expected shift. This is performed by examining two data bits: the last one written and the present one to be written to the disk. A comparison of these bits produces one of three signals: EARLY, NOMINAL, or LATE. These signals are used with a delay line (intervals of 12nsec) to cause the leading

edge of the data or clock bit to be written EARLY, LATE, or on time (NOMINAL).

The WD1015 enables or disables the generation of these write precompensation signals by controlling the LS signal. Assertion of LS enables write precompensation. De-assertion of LS disables write precompensation and the NOMINAL output is asserted.

The WD10C20 internal logic performs the write precompensation. The MFM write pulses are applied to internal logic. The WMFM output depends upon the state of the three write precompensation signals. From here, the data is converted to a differential form and then transmitted to the disk drive.

6.11.3 DATA SEPARATOR

Data is recorded on the disks using MFM techniques. This technique requires clock bits to be recorded only when two successive data bits are missing in the serial data stream. In other words, if two successive data bits are zeroes, then a clock pulse is generated. A logical one data bit is recorded as a pulse and a logical zero is recorded as not pulse. The fact that clock bits are not recorded with every data bit cell requires circuitry that can remain in synchronization with data during the absence of clock bits. Synchronous decoding of MFM data streams requires the decoder circuitry to synthesize clock bit timing when clocks are missing and synchronize to clock bits when they are present. This is accomplished by using a phase locked oscillator employing an error amplifier and filter to synchronize with and hold a specific phase relationship to the data and clock bits in the data stream. The phase lock occurs at the crystal frequency, which in turn is used to synthesize a clock called RCLK with a frequency one half of the crystal frequency. This synthesized clock is used to separate data bits from clock bits by the external logic for deserialization into bytes.

Refer to the WD10C20 Data Sheet for further details.

SECTION VII INSTALLATION

7.1 HARDWARE AND SOFTWARE INSTALLATION

This section briefly describes installation of the WD1002S-WX2 in an IBM PC or IBM-compatible computer.

1. Ensure system power is off.
2. Insert WD1002S-WX2 in computer chassis and connect drive cables. (J1 = control cable, J2 = drive 0 cable, J3 = drive 1 cable.)
3. Power up the system.
4. Insert IBM PCDOS 2.0 or IBM PCDOS 2.1 diskette.

CAUTION

Performing steps 5 through 9 destroys any data presently on the disk.

5. Load DEBUG utility by typing "debug" and ENTER after the DOS prompt.
6. Initiate the WX2FMT (format) program by typing the following command line: -g=c800:5
7. Press "y" to begin formatting drive 0 (logical drive C).
8. To format drive 1 or second drive in a daisy chain, reload DEBUG utility. Type "RAX" and ENTER. Prompt returns "AX 0000". Type

"0103", ENTER which defines relative drive number and interleave factor (01 = relative drive number; 03 = interleave factor). Type "G=C800:5", ENTER, and type "y" to begin formatting drive 1 (logical drive D).

9. Run standard DOS utilities, FDISK and FORMAT.

7.2 JUMPER INSTALLATION AND LOCATIONS

The WD1002S-WX2 is configured for the standard IBM PCXT with jumper plugs installed at W3, W4, and W6. No jumpers are required at W5 and W7. To change the configuration, a jumper plug can be installed in the appropriate block. Installation of jumpers on W5 and W7 requires carefully cutting an etch and placing a jumper plug onto the Jumpered position. To restore the standard setting, move the jumper plug to the Standard position. Table 7-1 describes these jumpers and options. Table 7-2 describes the drive configuration jumpers and an INTERRUPT REQUEST (IRQ) jumper in SW1. Figure 7-1 illustrates the locations of W1 through W7 and SW1.

TABLE 7-1. JUMPER SELECTABLE OPTIONS (W1 THROUGH W5)

JUMPER	FUNCTION	PIN	DESCRIPTION
W1, W2			For Western Digital Manufacturing use only.
W3	Standard: Jumpered:	1-2 1-2	Closed by etch or jumper. Enables BIOS ROM. Open. Disables BIOS ROM.
W4	Standard: Jumpered:	2-3 1-2	Selects primary port 320 hex. Selects secondary port 324 hex. Requires custom BIOS.
			NOTE The WD1002S-WX2 provides two sets of I/O ports. The primary port addresses are 320 through 323 hex. The secondary port addresses are 324 through 327 hex. However, secondary ports on the WD1002S-WX2 are NOT supported by any version DOS.
W5	Standard: Jumpered:	1-2 2-3	Selects 2732 or 2764 BIOS ROM size. Selects 2716 BIOS ROM size. W5 pin 1-2 etch must be cut.
W6	Standard: Jumpered:	2-3 1-2	8 head configuration, RWC used. 16 head configuration, RWC not used, requires custom BIOS ROM and WD1015-24.
W7	Standard: Jumpered:	1-2 2-3	Selects IRQ5. Selects IRQ2. SW1 position 8 must also be jumpered (closed) and W7 pin 1-2 etch must be cut.

TABLE 7-2. SW1 JUMPER BLOCK DESCRIPTION
WD BIOS 62-000042-01 (ROM) or 62-000042-11 (EPROM)

BIOS TABLE	FORMATTED CAPACITY	POSITION		DRIVE TYPE	HEADS	NUMBER OF CYLINDERS	PRE-COMP RWC
		1 2 DRIVE 1	3 4 DRIVE 0				
3	10MB	1 1	1 1	ST412 Seagate	4	306	0 None
2	15MB	0 1	0 1	ST419 Seagate	6	306	256 RWC = 128
1	26MB	1 0	1 0	5820 Evotek	8	375	0 None
0	5MB	0 0	0 0	ST506 Seagate	2	306	0 None
WD BIOS 62-000042-12 (EPROM)							
3	10MB	1 1	1 1	ST412 Seagate	4	306	0 None
2	20MB	0 1	0 1	ST225 Seagate	4	612	128 None
1	10MB	1 0	1 0	3012 MiniScribe	2	612	128 RWC = 128
0	20MB	0 0	0 0	HH725 Microscience	4	612	None None

Factory sets jumpers for BIOS Table 3. Position 5 of SW1 select IRQ5 (factory setting) or IRQ2. 1 = IRQ5. 0 = IRQ2. Positions 6, 7, and 8 of SW1 are reserved.

LEGEND: 1 = no jumper installed, ties input to +5vdc. 0 = jumper installed, ties input to ground.

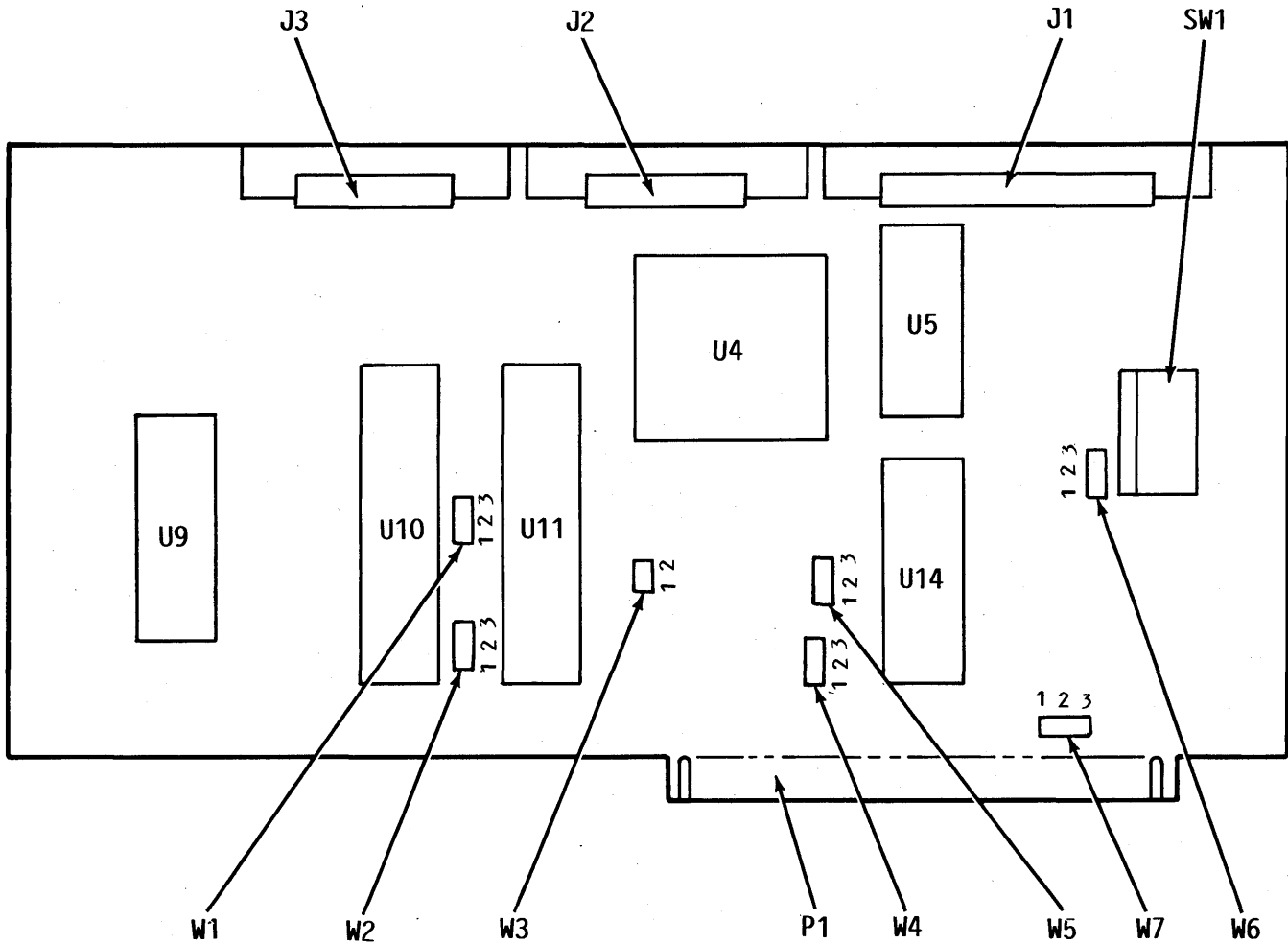


FIGURE 7-1. JUMPER LOCATIONS

7.3 BIOS ROM INSTALLATION

The WD1002S-WX2 firmware driver routines, supplied by Western Digital Corporation, reside in a 4KB x 8 bit EPROM. This BIOS ROM is available in three sizes as follows:

- 2716 2KB x 8 bit
- 2732 4KB x 8 bit (standard from the factory)
- 2764 8KB x 8 bit

The WD1002S-WX2 provides a 28 pin DIP socket for the BIOS ROM. This socket accommodates a 2732 or 2764 JEDEC EPROM. Figure 7-2 illustrates the standard connections for the 2732 or 2764. These connections can be modified to support a 2716. Perform the following steps to modify the standard connections:

1. Cut the etch between pads 1 and 2 on W5
2. Jumper pad 3 to pad 2
3. Wire pins 20 and 26 as shown.
4. Plug BIOS in the socket. Pin 1 of the 2716 BIOS should be in position 3 of the socket.

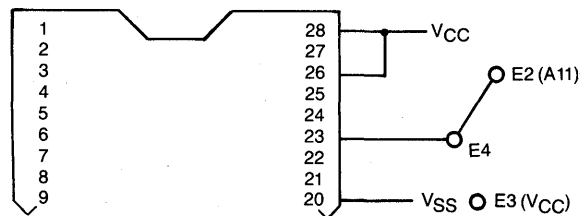


FIGURE 7-2. BIOS ROM SOCKET CONNECTIONS

WESTERN DIGITAL
C O R P O R A T I O N

2445 McCabe Way
Irvine, California 92714
(714) 863-0102 TWX 910-595-1139