

VS-7100 COMPUTER SYSTEM

Models:

VS-7110

VS-7120

VS-7150

COMPANY PROPRIETARY STATEMENT

This document is the property of Wang Laboratories, Inc. All information contained herein is considered Company Proprietary, and its use is restricted solely to assisting you in servicing Wang products. Neither this document nor its contents may be disclosed, copied, revealed, or used in whole or in part for any other purpose without the prior written permission of Wang Laboratories, Inc. This document must be returned upon request of Wang Laboratories, Inc.

**Customer Engineering
Product Maintenance Manual**

741-1721-A

COMPANY CONFIDENTIAL

PREFACE

This document is the Product Maintenance Manual (PMM) for the Wang VS-7100 Computer System. The manual is organized in accordance with Customer Engineering Technical Documentation's approved PMM outline. The scope of this manual reflects the type of maintenance philosophy selected for this product.

The purpose of this manual is to provide the Wang-trained Customer Engineer (CE) with sufficient instructions to operate, troubleshoot, and repair the VS-7100 Computer System. The manual will be updated on a regular schedule or as necessary. Such updates will be published either as Publication Update Bulletins (PUBs) or as full revisions.

The first edition of this manual was published under the title of "VS-150 Computer System", part number 741-1721.

Second Edition (May, 1987)

Use of the material in this document is authorized only for the purpose stated in the Preface, above.

© Copyright 1986, 1987 Wang Laboratories, Inc.

WARNING

*
* DO NOT OPEN THE SWITCHING POWER SUPPLY UNDER ANY *
* CIRCUMSTANCE. EXTREMELY DANGEROUS VOLTAGE AND *
* CURRENT LEVELS (IN EXCESS OF 300 VOLTS DC AND UN- *
* LIMITED CURRENT) ARE PRESENT WITHIN THE POWER SUPPLY. *
*
* DO NOT ATTEMPT TO REPAIR THE SWITCHING POWER *
* SUPPLY; IT IS FIELD REPLACEABLE ONLY. *
*
* AFTER POWERING THE UNIT DOWN AND DISCONNECTING THE AC *
* POWER CONNECTOR FROM THE POWER SOURCE RECEPTACLE, *
* ALLOW ONE MINUTE BEFORE REMOVING THE POWER SUPPLY TO *
* PROVIDE ADEQUATE TIME FOR ANY RESIDUAL VOLTAGE TO *
* DRAIN THROUGH THE BLEEDER RESISTORS. *
*

WARNING

*
* THIS COMPUTER EQUIPMENT HAS BEEN VERIFIED AS FCC CLASS A. *
*

IN ORDER TO MAINTAIN COMPLIANCE WITH FCC CLASS A
VERIFICATION, THE FOLLOWING CONDITIONS MUST BE
ADHERED TO DURING NORMAL OPERATION OF EQUIPMENT.

- ALL COVERS MUST BE ON SYSTEM AND SECURED IN THE PROPER MANNER.
- ALL INTERNAL CABLES MUST BE ROUTED IN THE ORIGINAL MANNER
WITHIN THE CABLE CLAMPS PROVIDED FOR THAT PURPOSE.
- ALL EXTERNAL CABLING MUST BE SECURED AND THE PROPER
CABLE USED TO ENSURE THAT CABLE SHIELDING IS PROPERLY
GROUNDED TO THE CABLE CLAMPS PROVIDED.
- ALL HARDWARE MUST BE PROPERLY SECURED.

The last page before the back cover is a comment sheet.
Please take the time to fill out the comment sheet and return it,
via the Home Office mail pouch, addressed to:

Wang Laboratories, Inc.
Customer Engineering Technical Documentation
M/S 082-370
437 South Union Street
Lawrence, Mass.
01843-9984

TABLE OF CONTENTS

SECTION 1	INTRODUCTION	Page
1.1	Scope and Purpose	1-1
1.2	Organization and Layout	1-1
1.3	Abbreviations and Symbols Used In This Manual	1-1
SECTION 2	IDENTIFICATION	
2.1	System Components	2-1
2.2	Major Mainframe Assemblies	2-2
2.3	Major SCU Assemblies	2-6
SECTION 3	CONTROLS AND INDICATORS	
3.1	General	3-1
3.2	Controls	3-1
3.3	Indicators	3-3
3.4	Power Distribution Assembly and Controls	3-7
3.5	Power Supplies and Controls	3-8
3.6	Control Panel	3-10
3.6.1	Power On/Off Pushbuttons	3-10
3.6.2	System Reset Pushbutton	3-10
3.6.3	Operator Console Reset Pushbutton	3-10
3.6.4	Key Switch	3-10
3.7	Main Memory Size	3-13
3.7.1	Main Memory Size Selection	3-13
3.8	IOC Switches	3-13
SECTION 4	OPERATION	
4.1	General	4-1
4.2	Importance Of Following Power Up or Down Procedures	4-1
4.3	Power-Up Procedures	4-1
4.4	IPL Procedures	4-2
4.5	Standard Power-Down Procedure	4-7
4.6	Power Failure Procedure	4-8
SECTION 5	PREVENTIVE MAINTENANCE	
5.1	General	5-1
5.2	Test Equipment	5-1
5.3	Materials	5-1
5.4	Preventive Maintenance Schedule	5-1
5.5	Peripheral Preventive Maintenance	5-1

TABLE OF CONTENTS (CONT)

SECTION 6 TROUBLESHOOTING

6.1	General	6-1
6.1.1	Test Equipment	6-1
6.2	Off-Line Diagnostics	6-1
6.2.1	Power-Up Diagnostics	6-2
6.2.2	Accessing DCS Diagnostics	6-2
6.2.3	Running DCS Diagnostics	6-6
6.2.3.1	HELP Menu	6-7
6.2.3.2	DCS Test Screens	6-7
6.2.3.3	IOC Diagnostic Switch Settings	6-9
6.2.3.3.1	Multiline TC IOC Diagnostic Switch Settings	6-10
6.2.3.3.2	Gate Array TC Controller Loopback Test Switch Settings	6-11
6.2.3.3.3	CIU BLANC IOC Switch Settings	6-12
6.2.4	Off-Line Diagnostics Error Management	6-14
6.2.4.1	Intermittent Error Looping	6-14
6.2.4.2	I/O BIT Monitor Errors	6-14
6.2.4.2.1	MLTC IOC Loopback Test Error Codes	6-15
6.2.4.2.2	GATC Control Panel LED BIT Error Display	6-15
6.2.4.2.3	CIU I/O Monitor Error Codes	6-16
6.2.4.3	DCS Log	6-16
6.3	On-Line Diagnostics	6-17
6.3.1	VS On-Line VSTEST Monitor	6-17
6.3.1.1	Main Screen	6-17
6.3.1.2	Log Program Output Screen	6-18
6.3.1.3	Device Class Selection Screen	6-18
6.3.1.4	System Configuration Screens	6-18
6.3.1.5	Message Screen	6-20
6.3.2	VS On-Line Workstation Exerciser (WSEX)	6-20
6.3.2.1	Hardware Tested	6-20
6.3.2.2	Running WSEX	6-20
6.3.2.3	WSEX Automatic Tests	6-21
6.3.2.4	WSEX Interactive Tests	6-22
6.3.2.5	WSEX Error Codes	6-22
6.3.2.6	WSEX Error Messages	6-24
6.3.3	VS On-Line Disk Exerciser (DISKEX)	6-24
6.3.3.1	Hardware Tested	6-24
6.3.3.2	Running DISKEX	6-25
6.3.3.3	DISKEX Tests	6-25
6.3.3.4	DISKEX Error Codes	6-26
6.3.3.5	DISKEX Error Messages	6-28
6.3.4	VS On-Line Printer Exerciser (PREX)	6-28
6.3.4.1	Hardware Tested	6-29
6.3.4.2	Running PREX	6-29
6.3.4.3	PREX Tests	6-29
6.3.4.4	PREX Error Codes	6-31
6.3.4.5	PREX Error Messages	6-32
6.3.5	VS On-Line Tape Exerciser (TPEX)	6-32
6.3.5.1	Hardware Tested	6-33

TABLE OF CONTENTS (CONT)

6.3.5.2	Running TPEX	6-33
6.3.5.3	TPEX Tests	6-33
6.3.5.4	TPEX Error Codes	6-34
6.3.6	CIU On-Line Testing	6-42
6.4	Memory Dump Procedures	6-42
6.4.1	Control Mode Dump	6-42
6.4.1.1	Errors Requiring Control Mode Dump	6-43
6.4.1.2	Control Mode Dump Procedure	6-44
6.4.1.3	Forcing The System Into Control Mode for Dump	6-49
6.4.1.4	Control Mode Dump Stops	6-50
6.4.2	Continuable and Snapshot Dumps	6-51
6.4.2.1	Requirements for Continuable and Snapshot Dumps	6-51
6.4.2.2	Invoking The Snapshot Dump	6-52
6.4.2.3	Running Continuable and Snapshot Dumps	6-52
6.4.2.4	Continuable Dump and Automatic IPL	6-53
6.5	SCU Error Log	6-54
6.6	Service Log	6-56
6.6.1	Accessing The Service Log	6-56
6.6.2	Database Options	6-57
6.7	Troubleshooting Procedures	6-57

SECTION 7 REPAIR

7.1	General	7-1
7.2	Removal and Replacement Procedures	7-1
7.2.1	Top Cover Removal and Replacement	7-2
7.2.2	Left Front Air Inlet Panel Removal and Replacement	7-4
7.2.3	Left and Right Side Panel Removal and Replacement	7-5
7.2.4	CP Circuit Board Removal and Replacement	7-6
7.2.4.1	210-8830 Floating Point Unit Removal and Replacement	7-8
7.2.4.2	210-8846 External Clock Board Removal	7-9
	and Replacement	
7.2.4.3	210-9831 Central Processing Unit Removal and	7-10
	Replacement	
7.2.4.4	210-9832 Address Generation Unit Removal and	7-11
	Replacement	
7.2.4.5	210-9833 Address Translation Unit Removal and	7-12
	Replacement	
7.2.4.6	210-8835 Support Control Unit Removal and Replacement	7-13
7.2.4.7	210-9834 Memory Control Unit Removal and Replacement	7-14
7.2.4.8	210-8703/210-8703-1 Main Memory Removal and	7-15
	Replacement	
7.2.4.9	210-9836 System Bus Interface Removal and Replacement	7-17
7.2.5	IOC Circuit Board Removal and Replacement	7-18
7.2.5.1	23V67 (210-9809-A) Serial IOC Removal and Replacement	7-19
7.2.5.2	270-0975 Serial IOC APA	7-20
7.2.5.3	FiberWay Active Port Assembly Removal and Replacement	7-21

TABLE OF CONTENTS (CONT)

7.2.5.4	6550 Gate Array TC Controller Assembly	7-22
	Removal and Replacement	
7.2.5.5	23V98-1/2/3/4 (210-8785) Disk Drive IOC Removal and	7-25
	Replacement	
7.2.5.6	23V95-1 (210-8790) Kennedy Tape IOC Removal and	7-27
	Replacement	
7.2.5.7	23V95-2 (210-8789-A) Telex Tape IOC Removal and	7-28
	Replacement	
7.2.5.8	23V86/96 (210-8491) Multiline TC IOC Removal and	7-29
	Replacement	
7.2.5.9	Multiline TC Back Panel Assembly	7-31
7.2.5.10	23V79 (210-8392-A) CIU BLANC IOC Removal	7-32
	and Replacement	
7.2.5.11	279-0722 CAB Board/Single Chan. Modem Assembly Removal	7-34
	and Replacement	
7.2.5.12	WangNet P-Band Modem Removal and Replacement	7-36
7.2.6	210-8809 Power Supply Controller Board Removal	7-38
7.2.7	Power Supply Controller Board Replacement	7-39
7.2.8	Power Distribution Unit Removal	7-39
7.2.9	Power Distribution Unit Replacement	7-39
7.2.10	AC On/Off Circuit Breaker Removal	7-41
7.2.11	AC On/Off Circuit Breaker Replacement	7-41
7.2.12	210-8715 AC Distribution Board Removal	7-42
7.2.13	AC Distribution Board Replacement	7-42
7.2.14	SCU Professional Computer (PC) Removal	7-43
7.2.15	SCU Professional Computer (PC) Replacement	7-43
7.2.16	Control Panel Pushbutton Bulb Removal and Replacement	7-46
7.2.17	Control Panel Assembly Removal	7-47
7.2.18	Control Panel Assembly Replacement	7-48
7.2.19	SCU PC Floppy Disk Drive Removal	7-49
7.2.20	SCU PC Floppy Disk Drive Replacement	7-50
7.2.21	210-8816 DC Distribution Board Removal	7-51
7.2.22	DC Power Distribution Board Replacement	7-52
7.2.23	Multioutput Switching Power Supply Removal	7-53
7.2.24	Multioutput Switching Power Supply Replacement	7-55
7.2.25	Rear Fan Removal	7-56
7.2.26	Rear Fan Replacement	7-57

SECTION 8 ADJUSTMENTS

8.1	General	8-1
8.2	Test Equipment	8-1
8.3	Electrical Adjustments	8-1
8.3.1	Power Supply Adjustments	8-1
8.3.2	Power Supply Controller Adjustments	8-3

TABLE OF CONTENTS (CONT)

SECTION 9 UNPACKING AND SETUP

9.1	General	9-1
9.2	Installation Site Check	9-1
9.3	Publications	9-2
9.4	Test Equipment	9-2
9.5	Unpacking	9-2
9.5.1	Claims Information	9-3
9.5.2	Unpacking The Mainframe	9-4
9.5.3	Unpacking The Peripherals	9-10
9.6	Mainframe Inspection	9-11
9.6.1	Peripheral Inspection	9-11
9.7	Mainframe Power Source	9-12
9.7.1	208/240 V AC Domestic Power Source	9-12
9.8	Initial Mainframe Power-Up	9-13
9.8.1	DC Voltage Checks	9-13
9.8.1.1	Power Supply Adjustments	9-13
9.8.1.2	Power Supply Controller Adjustments	9-15
9.9	IPL Procedures	9-18
9.9.1	IPLing The VS-7100	9-18
9.9.2	SCU Software Installation	9-26
9.9.3	IPL Errors	9-29
9.9.4	Version Checking During IPL	9-30
9.10	Peripheral Interconnection	9-32
9.10.1	I/O Connector Assembly To IOC Cabling	9-32
9.10.2	Serial Connectors	9-32
9.10.3	P-Band Connectors	9-37
9.10.4	Cable Concentrator	9-39
9.10.5	Disk Cable Connectors	9-40
9.10.6	Telecommunication Connectors	9-42
9.10.7	Cable Interface Unit (CIU) Connectors	9-44
9.10.8	Kennedy Tape Drive Connectors	9-45
9.10.9	Telex Tape Drive Connectors	9-46
9.11	Remote Maintenance	9-47

SECTION 10 FUNCTIONAL DESCRIPTION

10.1	Introduction	10-1
10.2	System Overview	10-1
10.2.1	Processor Section	10-1
10.2.2.1	Central Processor Unit	10-1
10.2.2.2	Floating Point Unit	10-1
10.2.2.3	Address Generation Unit	10-2
10.2.2.4	Address Translation Unit	10-2
10.2.2	Memory Control Unit	10-2
10.2.3	Main Memory	10-2
10.2.4	Support Control Unit	10-2
10.2.5	System Bus Interface	10-3
10.2.6	Input/Output Controller	10-3

TABLE OF CONTENTS (CONT)

SECTION 11 SPECIFICATIONS

11.1	Hardware	11-1
11.2	Software/Diagnostic Requirements	11-2
11.2.1	Software	11-2
11.2.2	Diagnostics	11-3

SECTION 12 ILLUSTRATED PARTS

12.1	Introduction	12-1
12.2	Major Mainframe Assemblies	12-2
12.2.1	Top Cover	12-2
12.2.2	Cabinet	12-3
12.2.3	Hinged Door	12-4
12.2.4	Air Inlet Panel	12-5
12.2.5	Card Cage	12-6
12.2.6	Exhaust Fan	12-7
12.2.7	Control Panel	12-8
12.2.8	Multioutput Power Supply	12-9
12.2.9	Ac Power Distribution Unit	12-10
12.2.10	Dc Power Distribution Unit	12-11
12.3	Support Control Unit, Monitor, and Keyboard	12-12
12.4	Multiline Telecommunications Assembly	12-13
12.5	Gate Array Telecommunications Assembly	12-14
12.6	VS-7100 Power Cabling	12-15

APPENDIX A

A-1	General	A-1
-----	---------------	-----

LIST OF ILLUSTRATIONS

Figure	Title	Page
2-1	System Components	2-1
2-2	Major Mainframe Assemblies (Front View)	2-2
2-3	Major Mainframe Assemblies (Rear View)	2-3
2-4	Major Mainframe Assemblies (Left Side View)	2-4
2-5	Major Mainframe Assemblies (Right Side View)	2-5
2-6	Major SCU Assemblies	2-6
3-1	Power Distribution Unit	3-7
3-2	Multioutput Power Supply	3-8
3-3	Power Supply Controller Board	3-9
3-4	Control Panel and Diskette Drive	3-11
3-5	SCU Local/Remote Switch	3-12
3-6	FiberWay Active Port Assembly Controls and Indicators	3-14
3-7	Multiline TC Back Panel Indicators	3-15
3-8	6550 Gate Array TC Back Panel Indicators	3-16
4-1	Console Processor Menu Screen	4-2
4-2	System Console Default Screen	4-3
4-3	Workstation Initialization Screen	4-4
4-4	SYSGEN Configuration File Screen	4-4
6-1	System Console Menu Screen	6-2
6-2	Workstation Emulation Menu Screen	6-3
6-3	System Console Menu Screen in Service Mode	6-4
6-4	Diagnostics Disclaimer Screen	6-5
6-5	DCS Diagnostic Selection Menu Screen	6-6
6-6	DCS HELP Menu Screen	6-7
6-7	Possible DCS Diagnostic Screen	6-8
6-8	IOC 4-Position Diagnostic Switch Settings	6-10
6-9	Multiline TC IOC 8-Position Diagnostic Switch	6-11
6-10	Switch L272 Settings For CIU BLANC IOC Off-line Test	6-13
6-11	Switch L272 Settings For CIU CAB IOC Off-line Test	6-13
6-12	Switch L272 Settings For External Loopback Test	6-14
6-13	Workstation Interrupted by HELP Screen	6-20
6-14	WSEX Error Message Format	6-24
6-15	DISKEX Error Message Format	6-28
6-16	PREX Error Message Format	6-32
6-17	System Console Processor Menu	6-45
6-18	VS Control Mode Screen	6-46
6-19	Control Mode Dump Device Address Screen	6-47
6-20	Sample Continuable Dump Screen	6-52
6-21	SCU Error Log Screen	6-55
6-22	Set Error Log Defaults Screen	6-55
6-23	Service Log Database Options Screen	6-56

LIST OF ILLUSTRATIONS (CONT)

6-24	Power Troubleshooting Flow Chart (1 of 4)	6-58
6-24	Power Troubleshooting Flow Chart (2 of 4)	6-59
6-24	Power Troubleshooting Flow Chart (3 of 4)	6-60
6-24	Power Troubleshooting Flow Chart (4 of 4)	6-61
6-25	Power Controller Board Connectors	6-62
7-1	Top Cover Removal	7-2
7-2	Top Cover Removal	7-3
7-3	Top Cover Removal	7-3
7-4	Left Front Air Inlet Panel Removal	7-4
7-5	Left and Right Side Panel Removal	7-5
7-6	VS-7100 Front Door	7-6
7-7	VS-7100 Card cage	7-7
7-8	210-8830 Floating Point Unit	7-8
7-9	210-8846 External Clock Board	7-9
7-10	210-9838/9839/9931 Central Processing Unit	7-10
7-11	210-9832 Address Generation Unit	7-11
7-12	210-9833 Address Translation Unit	7-12
7-13	210-8835 Support Control Unit	7-13
7-14	210-9834 Memory Control Unit	7-14
7-15	210-8703 Main Memory	7-15
7-16	210-9836 System Bus Interface	7-17
7-17	IOC Diagnostic Switch Setting For Power-Up	7-18
	(Except 23V79 [210-8392] CIU BLANC IOC)	
7-18	23V67 Serial IOC	7-19
7-19	270-0975 APA Assembly	7-20
7-20	Daisy Chained APA Assemblies	7-20
7-21	FiberWay Active Port Assembly Removal	7-21
7-22	6550 Gate Array TC Back Panel Assembly	7-22
7-23	210-8714 CPU/Gate Array Board with Cabling	7-23
7-24	210-8713 GATC Driver/Receiver Board	7-23
7-25	210-8714 CPU/Gate Array Board	7-24
7-26	23V98 Disk Drive IOC	7-25
7-27	Disk Drive Device Type Switch Settings	7-26
7-28	23V95-1 Kennedy Tape IOC	7-27
7-29	23V95-2 Telex Tape IOC	7-28
7-30	23V86/96 Multiline TC (MLTC) IOC	7-29
7-31	Multiline TC Back Panel Assembly	7-31
7-32	23V79 CIU BLANC IOC	7-32
7-33	BLANC IOC Functions Switch (L272) Normal Settings	7-33
7-34	23V79 CIU CAB Board	7-34
7-35	Single Channel 10 Megabit Duobinary Modem	7-35
7-36	WangNet P-Band Modem Panel Assembly	7-36
7-37	WangNet P-Band Modem Removal	7-37
7-38	210-8809 Power Supply Controller Board.	7-38
7-39	PDU Removal	7-40
7-40	PDU Removal	7-40
7-41	AC On/Off Circuit Breaker Removal	7-41

LIST OF ILLUSTRATIONS (CONT)

7-42	210-8715 AC Distribution Removal	7-42
7-43	SCU PC Removal and Replacement	7-44
7-44	SCU PC Removal and Replacement	7-45
7-45	Control Panel Pushbutton Bulb Removal	7-46
	and Replacement	
7-46	272-0055 Control Panel Removal	7-47
7-47	272-0055 Control Panel Removal	7-48
7-48	SCU PC Floppy Disk Drive Removal	7-49
7-49	SCU PC Floppy Disk Drive Replacement	7-50
7-50	210-8816 DC Distribution Board Removal	7-51
7-51	210-8816 DC Distribution Board Removal	7-52
7-52	Multioutput Power Supply Wiring Connections	7-54
7-53	Multioutput Power Supply Removal	7-55
7-54	Rear Fan Removal	7-56
7-55	Rear Fan Removal	7-57
8-1	Multioutput Power Supply	8-3
8-2	Power Supply Controller Board	8-4
8-3	Environment Test Screen	8-5
9-1	Unpacking the Mainframe (1 of 6)	9-4
9-2	Unpacking the Mainframe (2 of 6)	9-5
9-3	Unpacking the Mainframe (3 of 6)	9-6
9-4	Unpacking the Mainframe (4 of 6)	9-7
9-5	Unpacking the Mainframe (5 of 6)	9-8
9-6	Unpacking the Mainframe (6 of 6)	9-9
9-7	208/240 Volt AC Power Source Requirements for VS-7100 Mainframes	9-12
9-8	Multioutput Power Supply	9-14
9-9	Power Supply Controller Board	9-16
9-10	Environment Test Screen	9-17
9-11	Console Processor Menu Screen	9-19
9-12	Modified System Console Screen in Service Mode	9-20
9-13	System Console Default Screen	9-21
9-14	Workstation Initialization Screen	9-22
9-15	SYSGEN Configuration File Screen	9-23
9-16	SCU Install Utility Menu	9-27
9-17	SCU Install Utility Screen	9-28
9-18	Sample Version Warning Screen	9-31
9-19	VS-7100 I/O Panel Basic Positions	9-33
9-20	VS-7100 SCU Connector Panel	9-34
9-21	Electrical APA BNC/TNC Connector Assembly	9-35
9-22	FiberWay APA Connector Assembly	9-35
9-23	APA and P-Band Modem Connections	9-36
9-24	WangNet P-Band Modem Assembly	9-37
9-25	WangNet P-Band Modem Rear Panel Assembly	9-38
9-26	VS-7100 Cable Concentrator Rear Panel	9-39

LIST OF ILLUSTRATIONS (CONT)

9-27	Cable Concentrator Connections	9-39
9-28	270-1006 "A" and "B" Cable Connector Assembly	9-41
9-29	Multiline TC (MLTC) Connector Panel	9-42
9-30	Gate Array TC Connector Panel	9-43
9-31	CIU 10 MBPS Modem Connector Assembly	9-44
9-32	270-1005 Kennedy Tape Drive Connector Assembly	9-45
9-33	270-1007 Telex Tape Drive Connector Assembly	9-46

LIST OF TABLES

<u>Table</u>	<u>Title</u>	<u>Page</u>
3-1	VS-7100 Controls	3-1
3-2	VS-7100 Indicators	3-3
3-3	Multiline TC Back Panel Displays (RS-232 Operation)	3-4
3-4	Multiline TC Back Panel Displays (RS-366 Operation)	3-4
3-5	Multiline TC Back Panel Displays (X.21 Operation)	3-4
3-6	Multiline TC Back Panel Displays (RS-449 Operation)	3-5
3-7	Gate Array Back Panel Displays (3270 Operation)	3-5
3-8	Gate Array Back Panel Displays (Remote WangNet [WSN] Point to Point and Multipoint Operation)	3-5
3-9	Gate Array Back Panel Displays (Teletex Operation)	3-6
6-1	Special Diagnostic Functions	6-8
6-2	GATC Loopback Diagnostic Switch Settings	6-12
6-3	MLTC IOC Loopback Test Error Codes	6-15
6-4	CIU I/O Bit Monitor Error Codes	6-16
6-5	System Configuration Screen Status Messages	6-18
6-6	WSEX Subtest Codes	6-22
6-7	WSEX Error Type Codes	6-23
6-8	WSEX Error Codes For All Tests	6-23
6-9	Additional WSEX Error Codes	6-24
6-10	DISKEX Subtest Codes	6-26
6-11	DISKEX Error Type Codes	6-26
6-12	DISKEX Cylinder Address Test Error Codes	6-26
6-13	DISKEX Data Test Error Codes	6-27
6-14	DISKEX Command Test Error Codes	6-27
6-15	DISKEX Seek Max/Min Test Error Codes	6-27
6-16	DISKEX System Error Codes	6-28
6-17	PREX Error Codes	6-31
6-18	TPEX Initialization Error Codes	6-34
6-19	Test 0 Command Test Error Codes	6-35
6-20	Test 1 Tape Movement Test Error Codes	6-39
6-21	Test 2 Variable Data Length Test Error Codes	6-40
6-22	Test 3 Tape Creep Test Error Codes	6-40
6-23	Test 4 Random Operations Test Error Codes	6-41
6-24	Test 5 Rewind Test Error Codes	6-41
6-25	Test 6 Density Check Test Error Codes	6-41
6-26	IPL and CPINIT Errors	6-43
6-27	Machine Check Error Codes	6-44
6-28	Control Mode Stops	6-50
7-1	Main Memory Size Selection Jumpers (L133) (Memory Size In Megabytes)	7-14
7-2	Main Memory Jumper Configurations	7-15
7-3a	Correct Main Memory Board Installation Example	7-16
7-3b	Incorrect Main Memory Board Installation Example	7-16

LIST OF TABLES (CONT)

7-4	VS-7100 IOC List	7-18
7-5	Disk Drive Types (Formatted)	7-26
7-6	23V86/96 Multiline TC IOC Port Select Switch	7-30
	Settings For Loopback Test	
7-7	BLANC IOC Functions Switch (L272)	7-33
7-8	Multioutput Power Supply Wiring Color Codes	7-55
8-1	Power Supply Voltage Measurements	8-2
8-2	DC Voltage Address Switch SW3 Settings	8-3
8-3	A/D Output Values At Hex Displays	8-4
8-4	DC Voltages On SCU Screen	8-5
9-1	Publications Sources	9-2
9-2	VS-7100 Models	9-2
9-3	VS-7100 Upgrades	9-3
9-4	DVM Voltage Measurements 208/240 V AC Receptacle	9-12
9-5	Power Supply Voltage Measurements	9-15
9-6	DC Voltage Address Switch SW3 Settings	9-15
9-7	A/D Output Values At Hex Displays	9-17
9-8	DC Voltages On SCU Screen	9-18
9-9	IPL Errors	9-30
9-10	Version Checking Status Error Messages	9-31
11-1	Hardware Specifications	11-1
11-2	Architecture	11-2
11-3	Minimum Software Requirements	11-2
11-4	Built-In Test (BIT) Programs	11-3
11-5	Other Diagnostics	11-3
12-1	VS-7100 PCB Complement	12-17
12-2	SCU (PC) PCB Complement	12-18
12-3	VS-150/300/7100/7300 PCB Cross Reference	12-18
12-4	VS-7100 Power Supply	12-19

SECTION

1

INTRODUCTION

TABLE OF CONTENTS

SECTION 1	INTRODUCTION	Page
1.1	Scope and Purpose	1-1
1.2	Organization and Layout	1-1
1.3	Abbreviations and Symbols Used In This Manual	1-1

SECTION 1

INTRODUCTION

1.1 SCOPE AND PURPOSE

This manual contains detailed information for the installation, maintenance, and repair of the Wang VS-7100 Computer System. It provides procedures for unpacking and setup, adjustment, and removal/replacement of field-replaceable assemblies. An Illustrated Parts Breakdown (IPB) section provides a list of field-replaceable units (FRUs) by part number for ordering replaceable parts.

The purpose of this manual is to provide the field engineer with the information necessary to install, maintain, and repair the VS-7100 in the field. Familiarity with large VS systems is recommended for the effective use of this manual.

1.2 ORGANIZATION AND LAYOUT

The manual is organized into twelve sections based on the Illustrated Manual outline. Some sections may not apply because of the nature of this particular product. In this case, a brief statement of explanation is provided on the section title page. Each section of this manual covers a different topic and attempts to cover the topic as completely as possible based on the information available at the time. Wherever possible, illustrations, consisting of line art with callouts, are used to support and clarify the text.

1.3 ABBREVIATIONS AND SYMBOLS USED IN THIS MANUAL

<u>ABBREVIATION/SYMBOL</u>	<u>DEFINITION</u>
A/D	Analog-to-Digital
AC	Alternating current
AGU	Address Generation Unit
ANSI	American National Standards Institute
APA	Active Port Assembly
ASSY	Assembly
ATU	Address Translation Unit
BIT	Built In Test
BPI	Bits Per Inch
CC	Cable Concentrator
CIU BLANC	Cable Interface Unit Broadband Local Area Network
CIU CAB	Cable Interface Unit Contention Access Based
CM	Control Mode
CMD	Cartridge Module Drive
CP	Central Processor
CPU	Central Processing Unit
DC	Direct current
DCS	Diagnostic Control System

INTRODUCTION

ABBREVIATION/SYMBOL

DEFINITION

DIP	Dual In-line Package
DISKEX	Disk Exerciser
DOS	Disk Operating System
DRAM	Data Random Access Memory
DVM	Digital voltmeter
EAPA	Electrically Active Port Assembly
ECC	Error Correction Code
EIA	Electronic Industries Association
EOT	End of Tape
FCC	Federal Communications Commission
FMD	Fixed Module Drive
FPU	Floating Point Unit
FRU	Field-replaceable unit
FTU	Field Test Unit
GATC	Gate Array Telecommunications
I/O	Input/Output
IOC	Input/Output Controller
IOP	Input/Output Processor
IOSW	Input/Output Status Word
IPB	Illustrated Parts Breakdown
IPC	InterProcessor Communications
IPL	Initial Program Load
KG	Kilogram
LED	Light-Emitting Diode
MBPS	Megabits Per Second
MCU	Memory Control Unit
MLTC	Multiline Telecommunications
MM	Main Memory
MODEM	Modulator/Demodulator
NEMA	National Electrical Manufacturers Association
NRZI	Nonreturn To Zero
OS	Operating System
P-BAND	Peripheral Band
P/N	Part number
PC (SCU)	Professional Computer (Support Control Unit)
PCA	Printed circuit assembly
PCW	Program Control Word
PDA	Physical Device Address
PDU	Power Distribution Unit
PE	Phase Encoded
PF	Program Function
PM	Preventive maintenance
PREX	Printer Exerciser
RAM	Random Access Memory
RF	Radio Frequency
RSD	Removable Storage Drive
SBI	System Bus Interface
SCL	Serial Communications Link
SCU (PC)	Support Control Unit (Professional Computer)
SIOC	Serial Input/Output Controller
SMD	Storage Module Drive
SPB	Support Packet Bus

<u>ABBREVIATION/SYMBOL</u>	<u>DEFINITION</u>
SPS	Switching Power Supply
SQB	Status Qualifier Byte
SVC	Supervisor Call
SW	Switch
SYSGEN	System Generation
TAC	Technical Assistance Center
TC	Telecommunications
TP	Test Point
TPEX	Tape Exerciser
V	Volts
VS	Virtual Storage
VTOC	Volume Table of Contents
W/S	Workstation
WLI P/N	Wang Laboratories, Inc. Part Number
WSEX	Workstation Exerciser

SECTION

2

IDENTIFICATION

TABLE OF CONTENTS

SECTION 2	IDENTIFICATION	Page
2.1	System Components	2-1
2.2	Major Mainframe Assemblies	2-2
2.3	Major SCU Assemblies	2-6

LIST OF ILLUSTRATIONS

<u>Figure</u>	<u>Title</u>	<u>Page</u>
2-1	System Components	2-1
2-2	Major Mainframe Assemblies (Front View)	2-2
2-3	Major Mainframe Assemblies (Rear View)	2-3
2-4	Major Mainframe Assemblies (Left Side View)	2-4
2-5	Major Mainframe Assemblies (Right Side View)	2-5
2-6	Major SCU Assemblies	2-6

SECTION 2 IDENTIFICATION

2.1 SYSTEM COMPONENTS

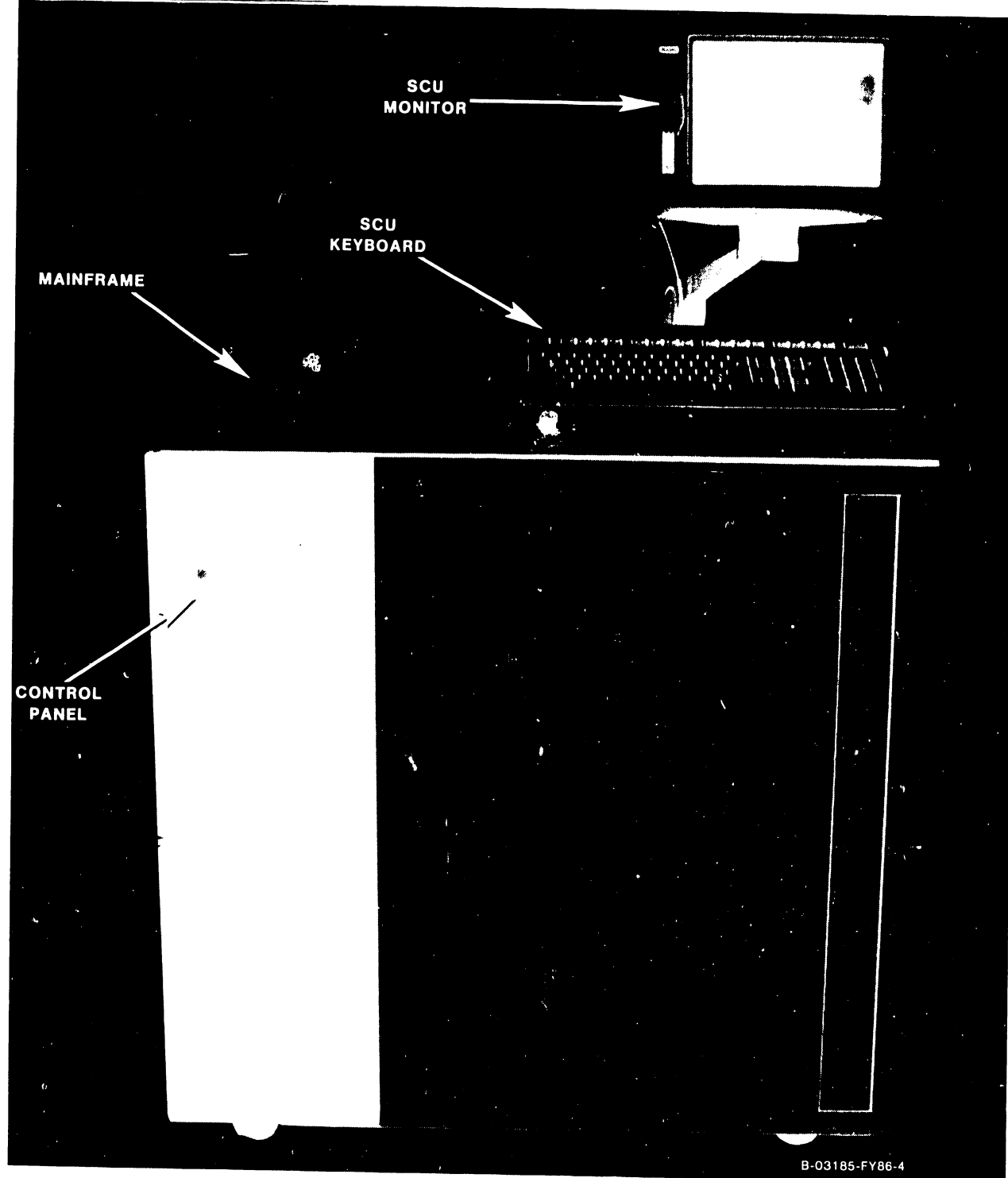


Figure 2-1. System Components

B-03185-FY86-4

IDENTIFICATION

2.2 MAJOR MAINFRAME ASSEMBLIES

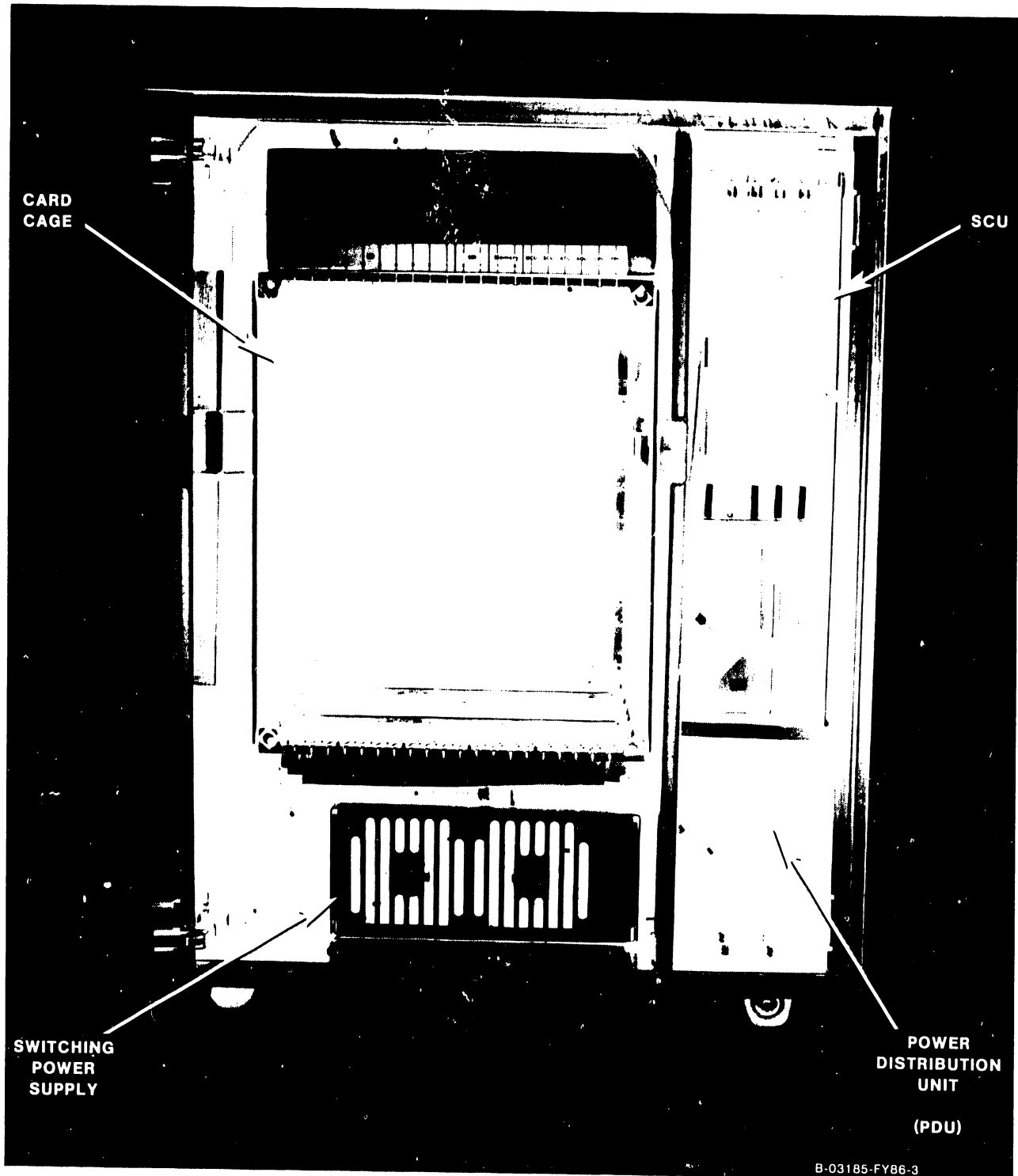


Figure 2-2. Major Mainframe Assemblies (Front View)

2.2 MAJOR MAINFRAME ASSEMBLIES

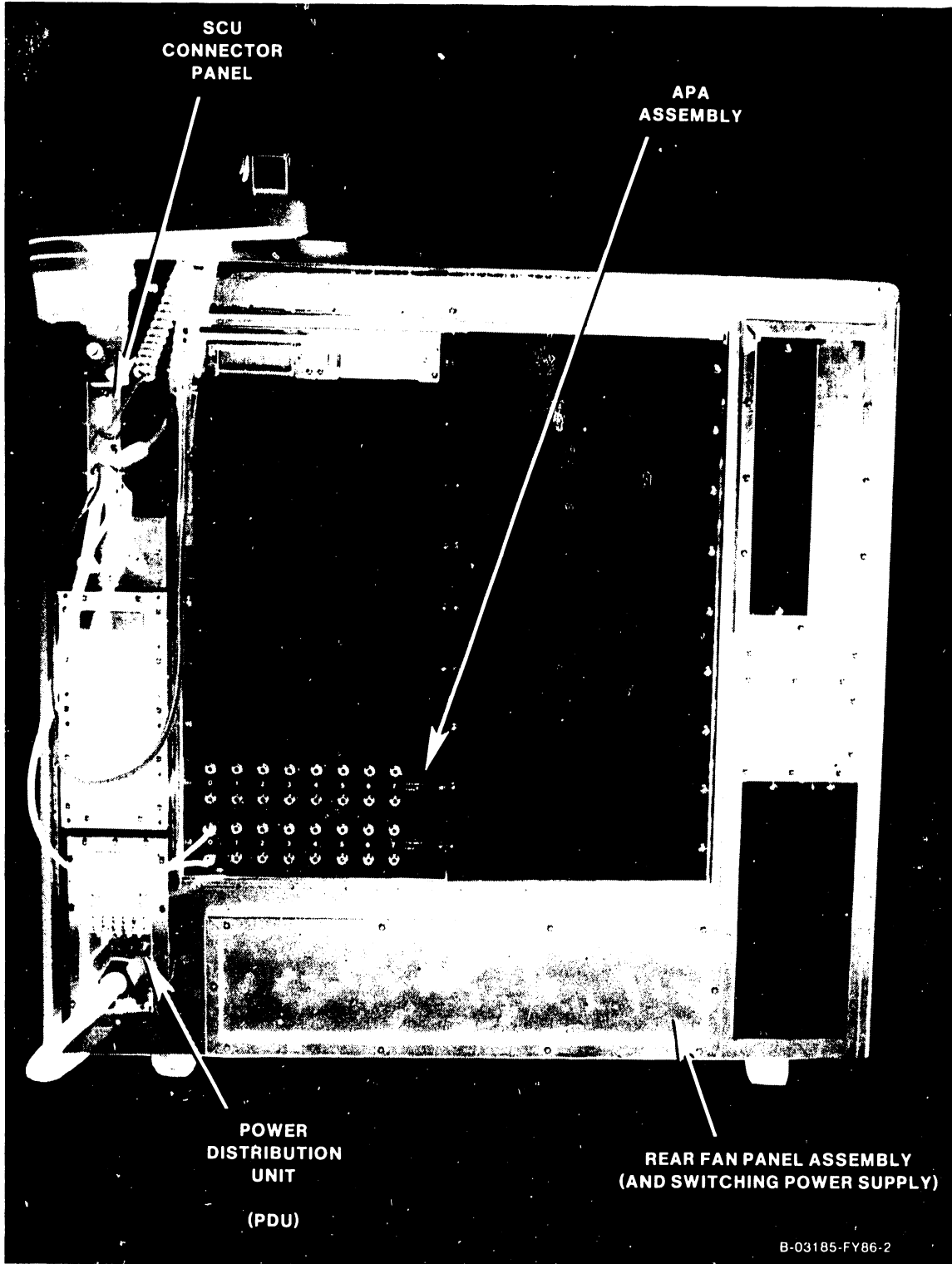


Figure 2-3. Major Mainframe Assemblies (Rear View)

IDENTIFICATION

2.2 MAJOR MAINFRAME ASSEMBLIES

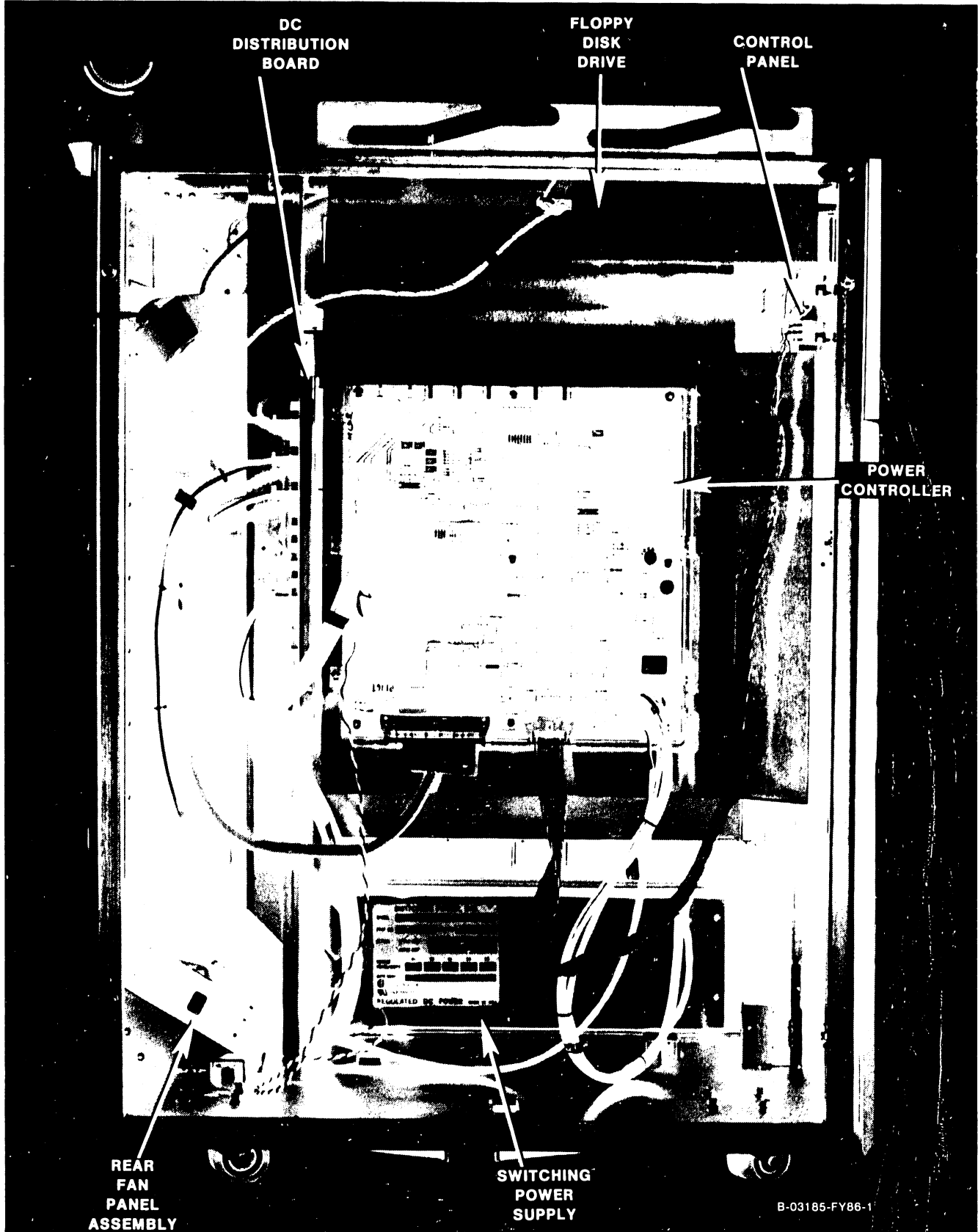
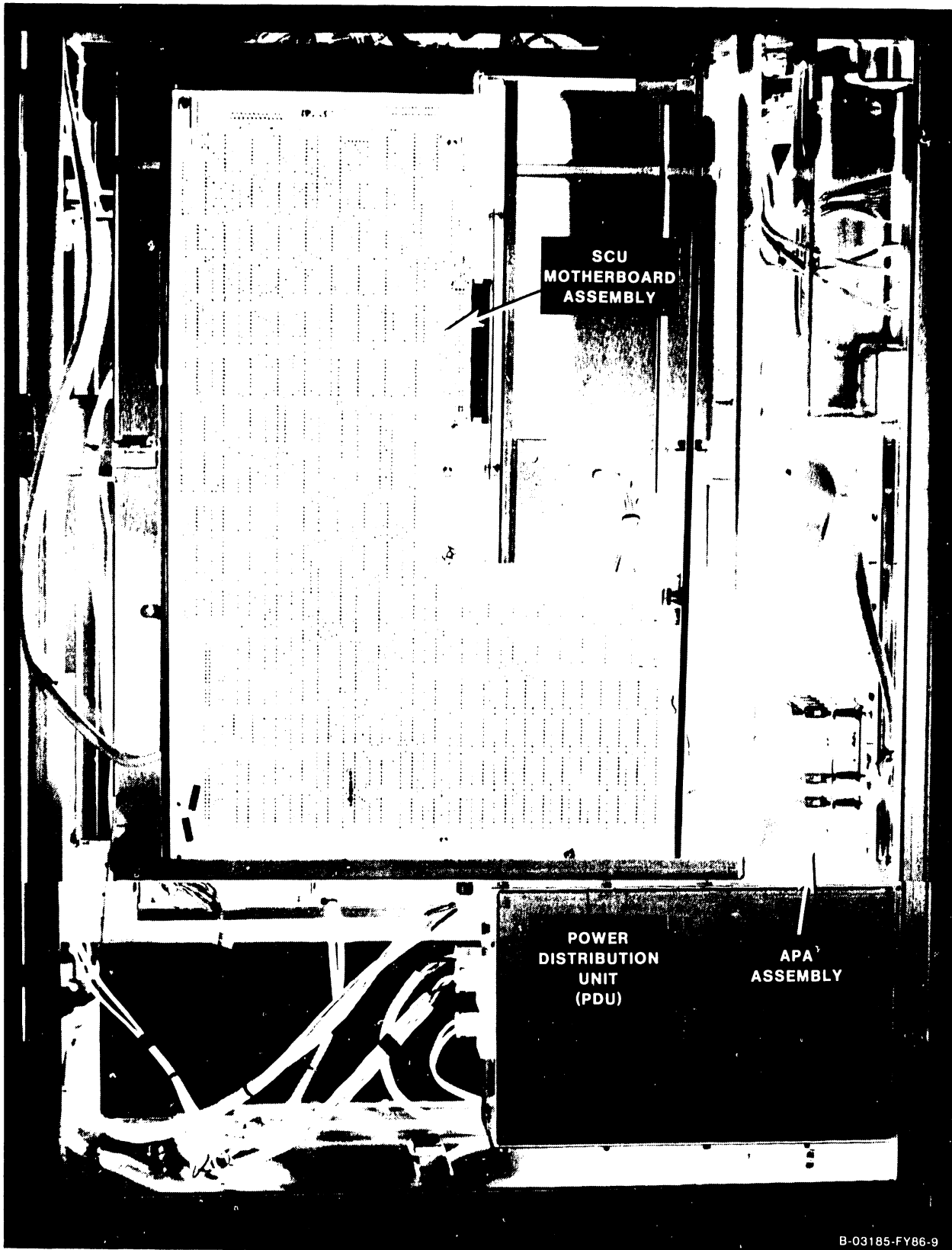


Figure 2-4. Major Mainframe Assemblies (Left Side View)

2.2 MAJOR MAINFRAME ASSEMBLIES



B-03185-FY86-9

Figure 2-5. Major Mainframe Assemblies (Right Side View)

IDENTIFICATION

2.3 MAJOR SCU ASSEMBLIES

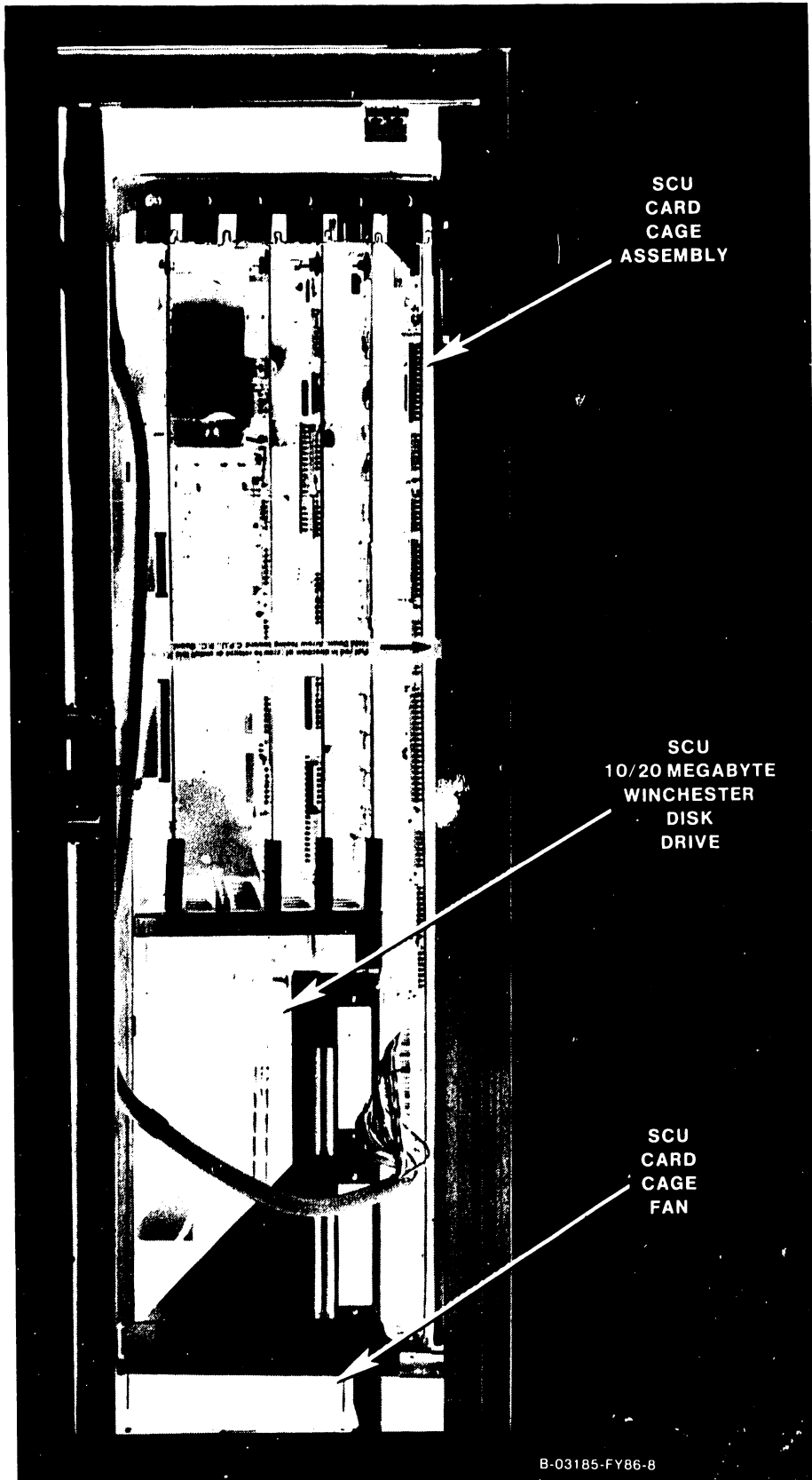


Figure 2-6. Major SCU Assemblies

SECTION
3
CONTROLS
AND
INDICATORS

TABLE OF CONTENTS

SECTION 3	CONTROLS AND INDICATORS	<u>Page</u>
3.1	General	3-1
3.2	Controls	3-1
3.3	Indicators	3-3
3.4	Power Distribution Assembly and Controls	3-7
3.5	Power Supplies and Controls	3-8
3.6	Control Panel	3-10
3.6.1	Power On/Off Pushbuttons	3-10
3.6.2	System Reset Pushbutton	3-10
3.6.3	Operator Console Reset Pushbutton	3-10
3.6.4	Key Switch	3-10
3.7	Main Memory Size	3-13
3.7.1	Main Memory Size Selection	3-13
3.8	IOC Switches	3-13

LIST OF ILLUSTRATIONS

<u>Figure</u>	<u>Title</u>	<u>Page</u>
3-1	Power Distribution Unit	3-7
3-2	Multioutput Power Supply	3-8
3-3	Power Supply Controller Board	3-9
3-4	Control Panel and Diskette Drive	3-11
3-5	SCU Local/Remote Switch	3-12
3-6	FiberWay Active Port Assembly Controls and Indicators	3-14
3-7	Multiline TC Back Panel Indicators	3-15
3-8	6550 Gate Array TC Back Panel Indicators	3-16

LIST OF TABLES

<u>Table</u>	<u>Title</u>	<u>Page</u>
3-1	VS-7100 Controls	3-1
3-2	VS-7100 Indicators	3-3
3-3	Multiline TC Back Panel Displays (RS-232 Operation)	3-4
3-4	Multiline TC Back Panel Displays (RS-366 Operation)	3-4
3-5	Multiline TC Back Panel Displays (X.21 Operation)	3-4
3-6	Multiline TC Back Panel Displays (RS-449 Operation)	3-5
3-7	Gate Array Back Panel Displays (3270 Operation)	3-5
3-8	Gate Array Back Panel Displays (Remote WangNet [WSN] Point to Point and Multipoint Operation)	3-5
3-9	Gate Array Back Panel Displays (Teletex Operation)	3-6

SECTION 3

CONTROLS AND INDICATORS

3.1 GENERAL

This section provides information on the controls and indicators used on the VS-7100, including power control and main memory size selection.

3.2 CONTROLS

Table 3-1 below lists the controls, their location, type, and function.

Table 3-1. VS-7100 Controls

<u>Control Name And Type</u>	<u>Location</u>	<u>Purpose</u>	<u>Normal Position</u>
Ac On/Off (Circuit breaker)	Power Distribution Unit	Provides ac power to power supplies, Power Supply Controller board, and mainframe fans.	On (1)
Power On (Lighted pushbutton)	Control Panel	Turns dc power on.	Open (not active)
Power Off (Lighted pushbutton)	Control Panel	Turns dc power off.	Open (not active)
System Reset (Pushbutton)	Control Panel	Resets system, clears main memory, enters Control Mode.	Open (not active)
Operator Console Reset (Pushbutton)	Control Panel	Resets SCU (PC) only.	Open (not active)
1. Remote Service 2. Remote Admin. 3. Normal Control	Control Panel	Remote diagnostics. RSAF operation. All Cntrl Panel controls function when power on.	Normal Control
4. Control Lock (Key switch)		Disables power on.	

CONTROLS AND INDICATORS

Table 3-1. VS-7100 Controls (Cont'd)

<u>Control Name And Type</u>	<u>Location</u>	<u>Purpose</u>	<u>Normal Position</u>
V1 (+5A), V2 (+12) V3 (-5) V4 (-12) (Adjustment pots)	Multioutput SPS	Adjusts power supply voltages up or down as needed.	Various (Section 8)
SW1 (Power On) (Pushbutton)	Power Supply Controller	Turns dc power on. Parallel to Control Panel On pushbutton.	Open (not active)
SW2 (Power Off) (Pushbutton)	Power Supply Controller	Turns dc power off. Parallel to Control Panel Off pushbutton.	Open (not active)
SW3 - Voltage Address (DIP switch)	Power Supply Controller	Addresses hex displays that are used to zero A/D converter.	Various
R18 through R22 (Five adjustment pots)	Power Supply Controller	Calibrate A/D (Analog/ Digital) converter for individual dc voltages.	Various (Section 8)
Local/Remote (Toggle switch)	SCU (PC) Local Comm Data Link board	Selects PC IPL operation (Local) or workstation operation (Remote)	Local
IOC Diagnostic Switch (DIP switch)	All IOCs	Permits IOC diagnostic functions.	All Off (open) (Section 7)
Disk Drive Device Type (DIP switch)	Disk Drive IOC	Selects disk drive types connected to system.	Various (Section 7)
Port Select (DIP switch)	Multiline TC (MLTC) IOC	Selects TC ports on MLTC for loopback test.	All Closed (On)
Gate Array Clear (Pushbutton)	Gate Array TC Connector Assembly	ReIPL CPU/Gate Array (210-8714 board)	Open (not active)
Gate Array Switch (DIP switch)	CPU/Gate Array (210-8714) board	Memory configuration and loopback test selection.	5,6 closed, rest open
CIU IOC Functions (DIP switch)	BLANC IOC	Selects configuration, diagnostics, and re- pair functions.	All Open (Off) (Section 7)

3.3 INDICATORS

Tables 3-2 through 3-9 lists the indicators found on the VS-7100 followed by a brief description of their purpose. Locations of the indicators are shown in figures 3-1 through 3-8. There are no indicators on any of the circuit boards comprising the VS-7100 mainframe PCB chassis. Any errors are displayed on the SCU screen.

Table 3-2. VS-7100 Indicators

<u>Indicator Name And Type</u>	<u>Location</u>	<u>Purpose</u>	<u>Normal Indication</u>
Power On lamp (Power On pushbutton)	Control Panel	Shows dc power is on.	On
Power Off lamp (Power Off pushbutton)	Control Panel	Shows dc power is off.	Off
LED1 - LED5 (Five voltage sensing LEDs)	Power Supply Controller	Shows dc voltages are on. Does not show accuracy.	On (LED 2 [+5VB] comes on but is not used.)
L3, L4 (Two Hex displays)	Power Supply Controller	Used to zero A/D converters.	Hex 7E (Minus) Hex 80 (Zero) Hex 82 (Plus)
Diskette Activity LED	Front of SCU minidiskette drive	Shows drive in use (head loaded)/ not in use.	On (in use) Off (not in use)
TC Displays (Up to 4 LED displays)	MLTC Connect- or Assembly	Shows interchange signals between mo- dem and controller.	Refer to Tables 3-3 thru 3-6.
TC Display (One display with 8 LEDs)	Gate Array TC Back Panel	Shows interchange signals between mo- dem and controller.	Refer to Tables 3-7 thru 3-9.

CONTROLS AND INDICATORS

NOTES

1. Tables 3-3 to 3-6 show EIA (Electronic Industries Association) interchange signals between the modem and the MLTC controller.
2. For the MLTC, all LEDs are normally on or blinking during the BIT (Built In Test). If the BIT fails, the software controlled LED will go off.

Table 3-3. Multiline TC Back Panel Displays (RS-232 Operation)

<u>Indicator Name And Type</u>	<u>Purpose</u>
LED1	Data Set Ready
LED2	Data Terminal Ready
LED3	Carrier Detect
LED4	Software Controlled
LED5	Transmitted Data
LED6	Request-to-Send
LED7	Clear-to-Send
LED8	Received Data

Table 3-4. Multiline TC Back Panel Displays (RS-366 Operation)

<u>Indicator Name And Type</u>	<u>Purpose</u>
LED1	Data Line Occupied
LED2	Call Origination Status
LED3	Present Next Digit
LED4	Abandon Call and Retry
LED5	Digit Present
LED6	Call Request Present
LED7	Software Controlled

Table 3-5. Multiline TC Back Panel Displays (X.21 Operation)

<u>Indicator Name And Type</u>	<u>Purpose</u>
LED1	Transmitted data
LED2	Data Terminal Ready
LED3	Received Data
LED4	Indication
LED5	Software Controlled

CONTROLS AND INDICATORS

Table 3-6. Multiline TC Back Panel Displays (RS-449 Operation)

<u>Indicator Name And Type</u>	<u>Purpose</u>
LED1	Carrier Detect
LED2	Clear-to-Send

NOTE

Tables 3-7 to 3-9 show EIA (Electronic Industries Association) interchange signals between the modem and the Gate Array controller. Read the Gate Array LEDs from left to right.

Table 3-7. Gate Array Back Panel Displays (3270 Operation)

<u>Indicator Name And Type</u>	<u>Purpose</u>
LED1	Received Data
LED2	Transmitted Data
LED3	Clear-to-Send
LED4	Request-to-Send
LED5	Data Carrier Detect
LED6	Data Terminal Detected
LED7	Data Set Ready
LED8	Power Indicator

**Table 3-8. Gate Array Back Panel Displays
(Remote WangNet [WSN] Point to Point and Multipoint Operation)**

<u>Indicator Name And Type</u>	<u>Purpose</u>
LED1	System Activity
LED2	Received Valid Data
LED3	Transmitter Active
LED4	Data Carrier Detected
LED5	Virtual Circuit Active
LED6	Activity to VS
LED7	TC Controller Refusing New Traffic
LED8	Diagnostic Mode

CONTROLS AND INDICATORS

Table 3-9. Gate Array Back Panel Displays
(Teletex Operation)

Indicator Name And Type	Purpose
LED1	Document Received
LED2	Receive Memory Full
LED5	Transmitting Document
LED6	Receiving Document
LED7 (Note 1)	O.S. Code Active
LED8 (Note 2)	Normal Operation

NOTES

1. Blinks at a 3-second rate when Operating System code is active.
2. On for normal operation. Blinks for a hardware problem or fatal software error.

3.4 POWER DISTRIBUTION ASSEMBLY AND CONTROLS

Ac input power to the VS-7100 is 208/240 volts ac, split (single) phase. Ac neutral is not used in domestic mainframes. (Refer to Section 9.) The ac is supplied to the mainframe through the Power Distribution Unit (PDU) assembly, figure 3-1. The assembly is mounted on the lower right rear of the mainframe and contains a 20 amp mainframe ac On/Off circuit breaker, the ac line filter, and the ac voltage distribution terminal board. The DC Voltage Distribution board is mounted behind the air plenum, next to the Power Supply Controller, on the left side of the mainframe.

Moving the ac On/Off circuit breaker to the right (1) turns on 12 card cage fans and four back panel fans, and supplies ac to the Power Supply Controller board and to the dc switching power supply. However, the power supplies are not activated.

Ac power is removed from the mainframe by moving the ac On/Off circuit breaker to the left (0).

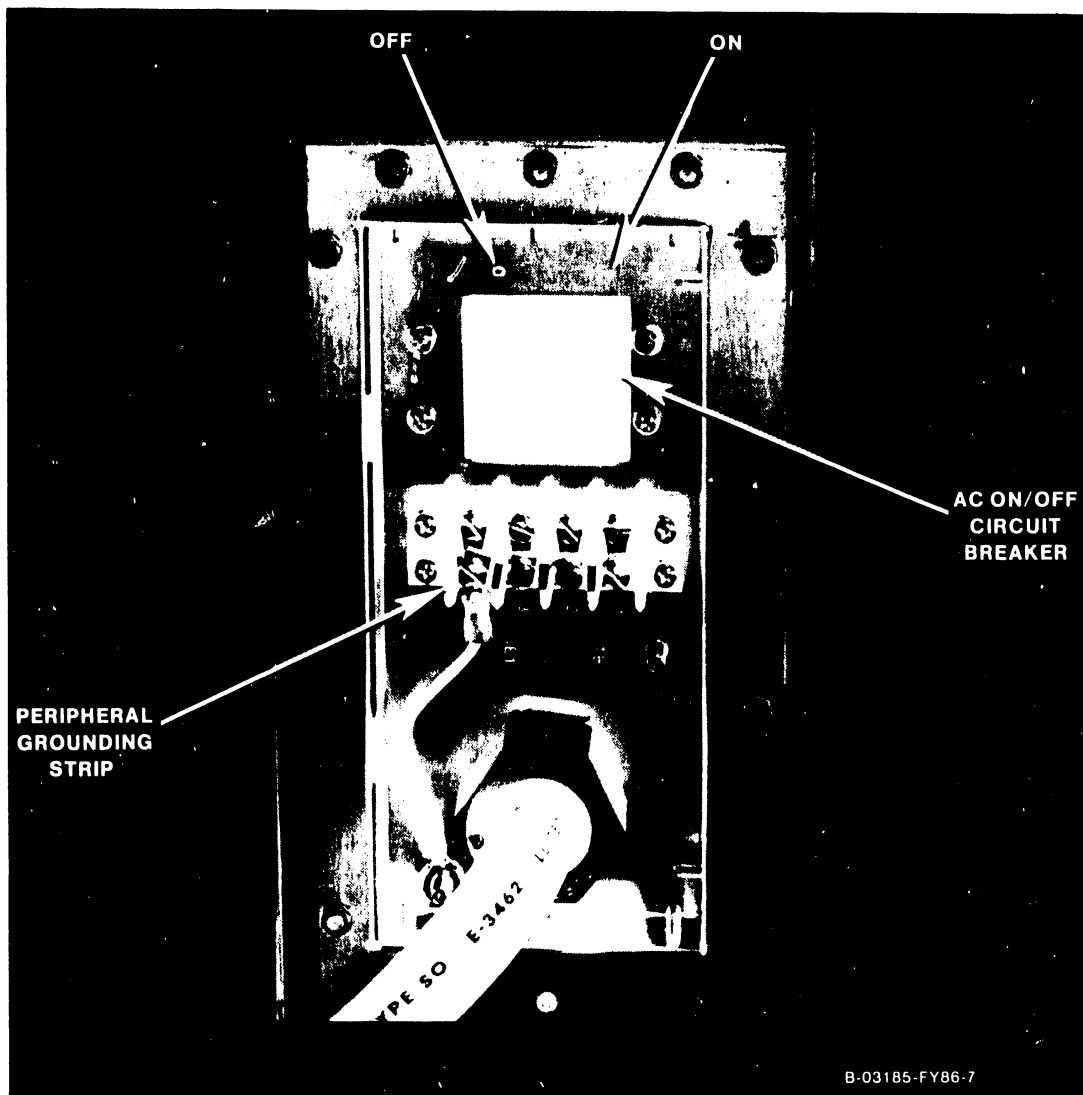


Figure 3-1. Power Distribution Unit

CONTROLS AND INDICATORS

3.5 POWER SUPPLIES AND CONTROLS

The VS-7100 contains one switching power supply, figure 3-2. The supply is a multioutput 1800 watt supply generating +5 V at 300 amps, -5 V at 10 amps, +12 V at 20 amps, and -12 V at 5 amps. Each voltage is adjusted and regulated at the power supply.

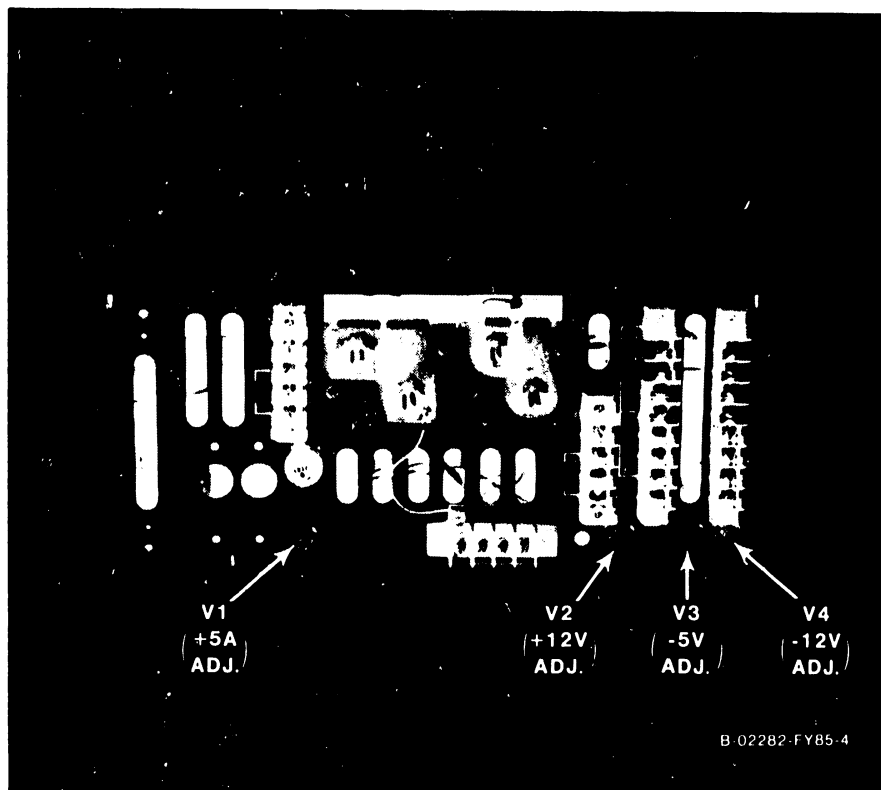
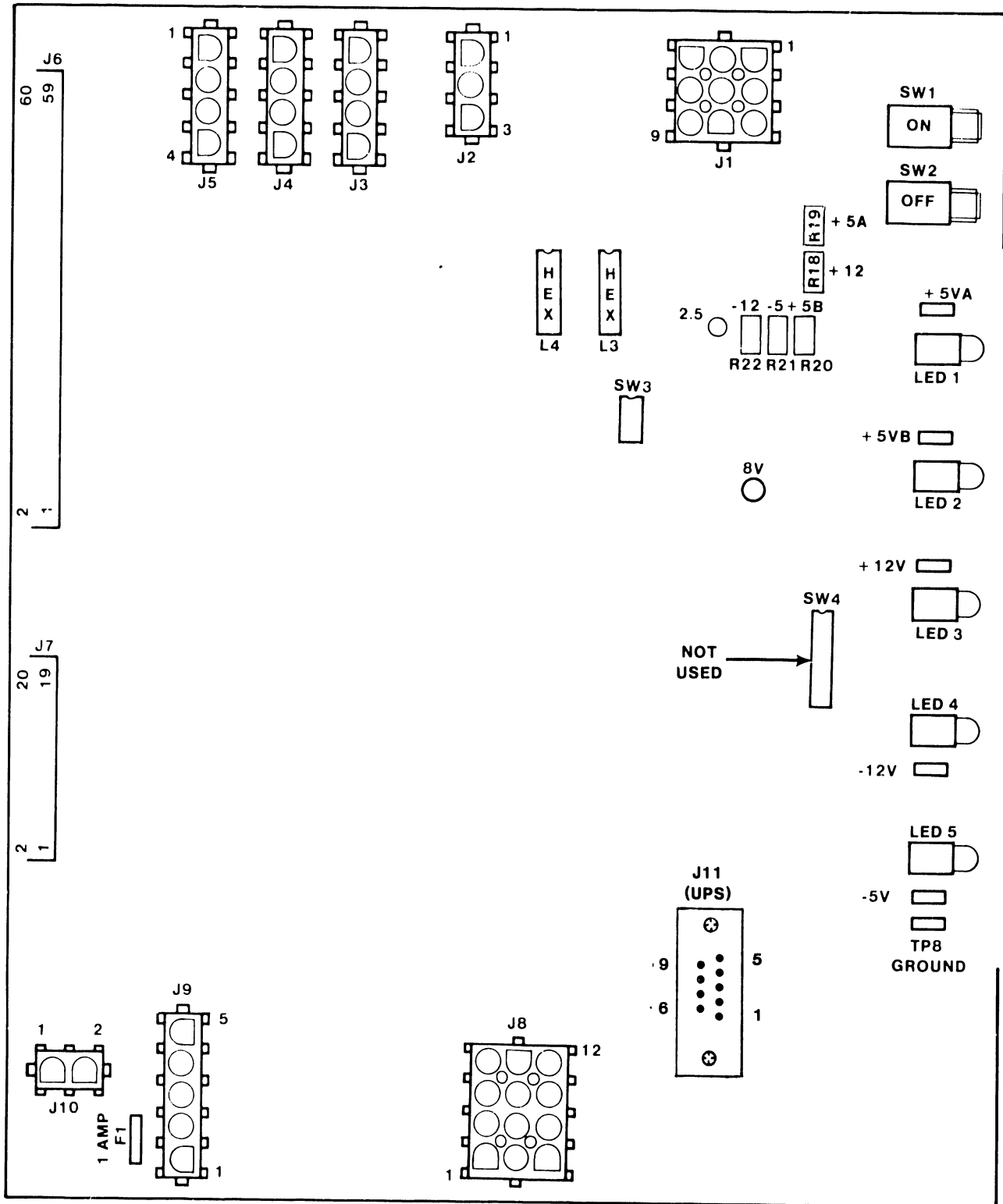


Figure 3-2. Multioutput Power Supply

CONTROLS AND INDICATORS



B-03175-FY86-12

Figure 3-3. Power Supply Controller Board

CONTROLS AND INDICATORS

3.6 CONTROL PANEL

Located in the top left corner of the mainframe, the Control Panel, figure 3-4, contains four buttons and one key switch as follows: Power Off pushbutton; Power On pushbutton; System Reset pushbutton; Operator Console Reset pushbutton, and Remote Service/Remote Admin./Normal Control/Control Lock switch.

3.6.1 POWER ON/OFF PUSHBUTTONS

Pressing the Power On pushbutton causes the Power Supply Controller to energize the switching power supplies. Pressing the Power Off pushbutton causes the Power Supply Controller to deenergize the switching power supplies.

3.6.2 SYSTEM RESET PUSHBUTTON

The System Reset pushbutton, when pressed, resets the system, clearing main memory and entering Control Mode.

3.6.3 OPERATOR CONSOLE RESET PUSHBUTTON

The Operator Console Reset pushbutton, when pressed, resets only the SCU, clearing SCU memory. It does not affect the CPU mainframe. It also resets the Z80 CPU on the SCU Local Comm. Processor. The Z80 then starts executing from memory location 0000.

3.6.4 KEY SWITCH

The 4-position Control Panel key switch controls the following functions:

- a. Remote Service position permits running remote diagnostics, running off-line DCS diagnostics, viewing the SCU error log, and other service mode functions.
- b. Remote Admin. position permits the Remote System Administrator Facility features to be run. Other users can log on and run any available VS functions. It also allows entry into offline diagnostics.
- c. Normal Control permits all Control Panel controls to function once power is applied. All SCU functions can be run, as well as all Operator Console functions. Users can log on and run any available VS functions.
- d. Control Lock disables Power On when the system is powered off. No SCU tasks can be run from the Operator's Console, but system activity can be monitored. Other workstation users can log on and run any available VS functions. The key can be inserted and removed in this position only.

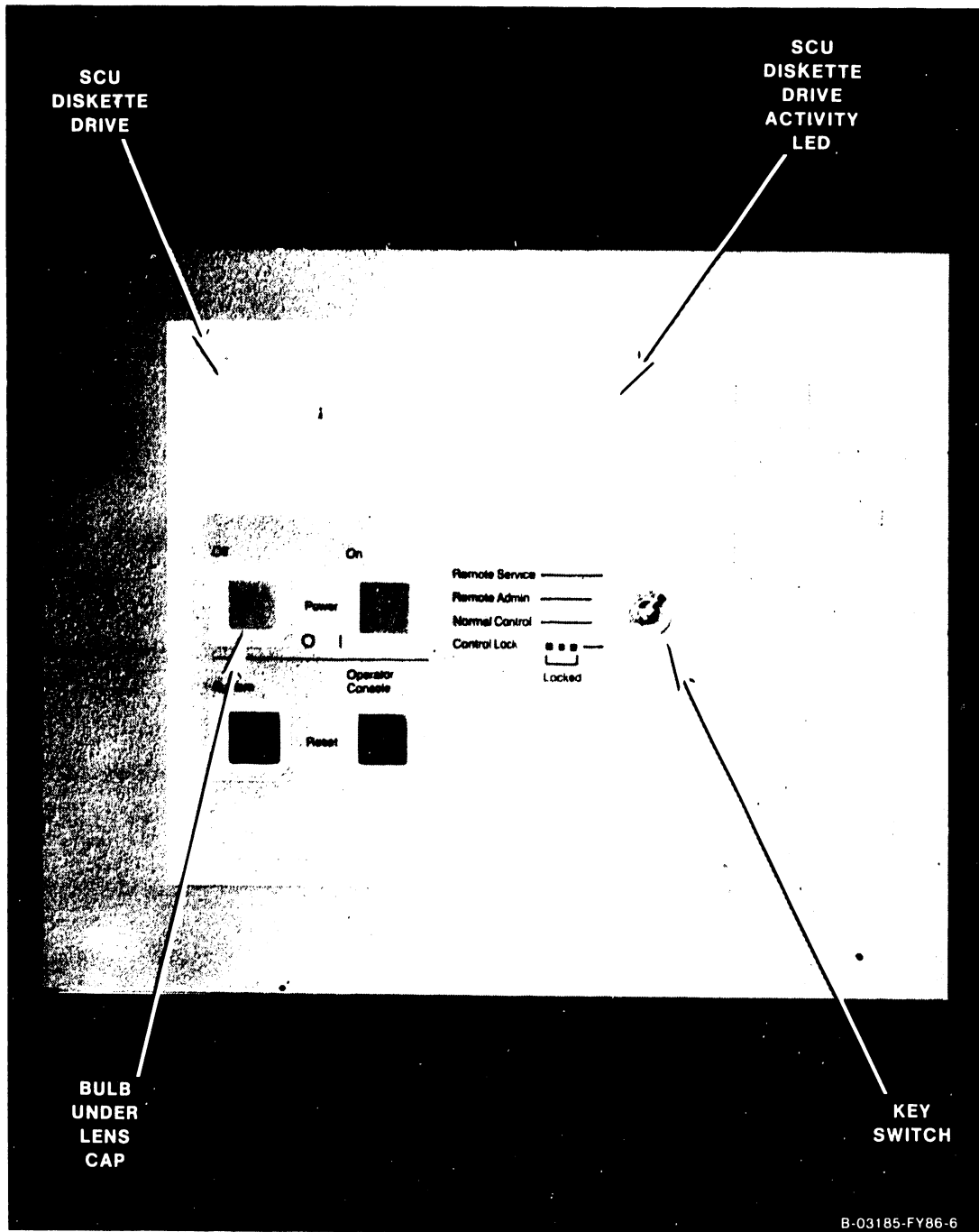


Figure 3-4. Control Panel And Diskette Drive

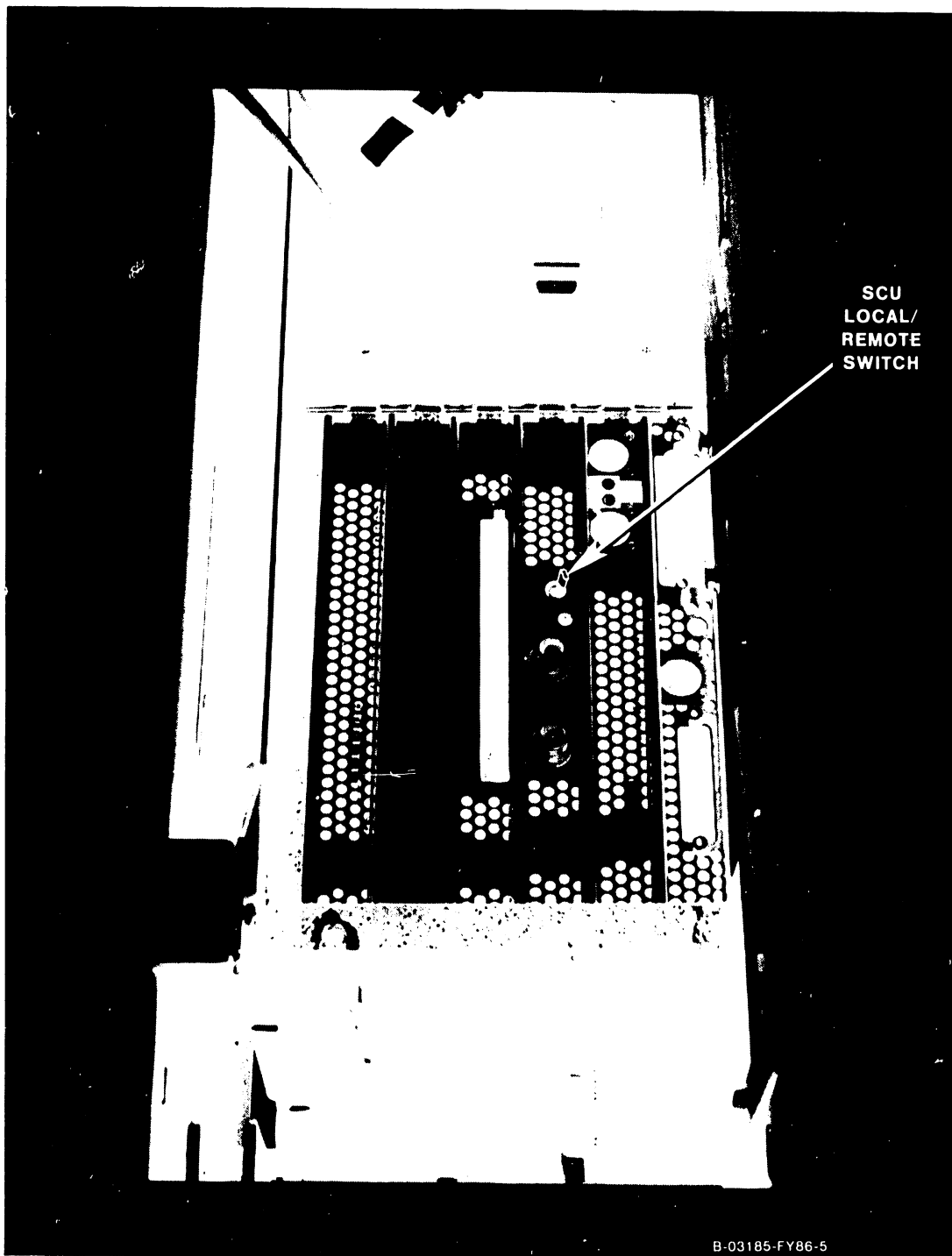


Figure 3-5. SCU Local/Remote Switch

3.7 MAIN MEMORY SIZE

Memory can range in size from a minimum of 4 megabytes to a maximum of 16 megabytes, using 256K byte x 1-bit RAM chips. Each main memory board contains either 4 megabytes half-loaded (210-8703), or 8-megabytes fully loaded (210-8703-1).

3.7.1 MAIN MEMORY SIZE SELECTION

The Memory Control Unit (MCU) board has an 8-position jumper block, of which five positions are used to determine the maximum size of main memory. Refer to Section 7 for the jumper locations and configurations. Incorrect altering of the jumpers, or altering of the jumpers without adding the correct number of memory boards, can result in CP hang-ups and loss of data. Adding a board without altering the jumpers results in no change in apparent memory size to the CP.

Each main memory board also contains a 8-position jumper block used to determine whether the board is half-loaded or fully loaded with 256K byte x 1-bit RAM chips. Refer to Section 7 for the jumper locations and configurations.

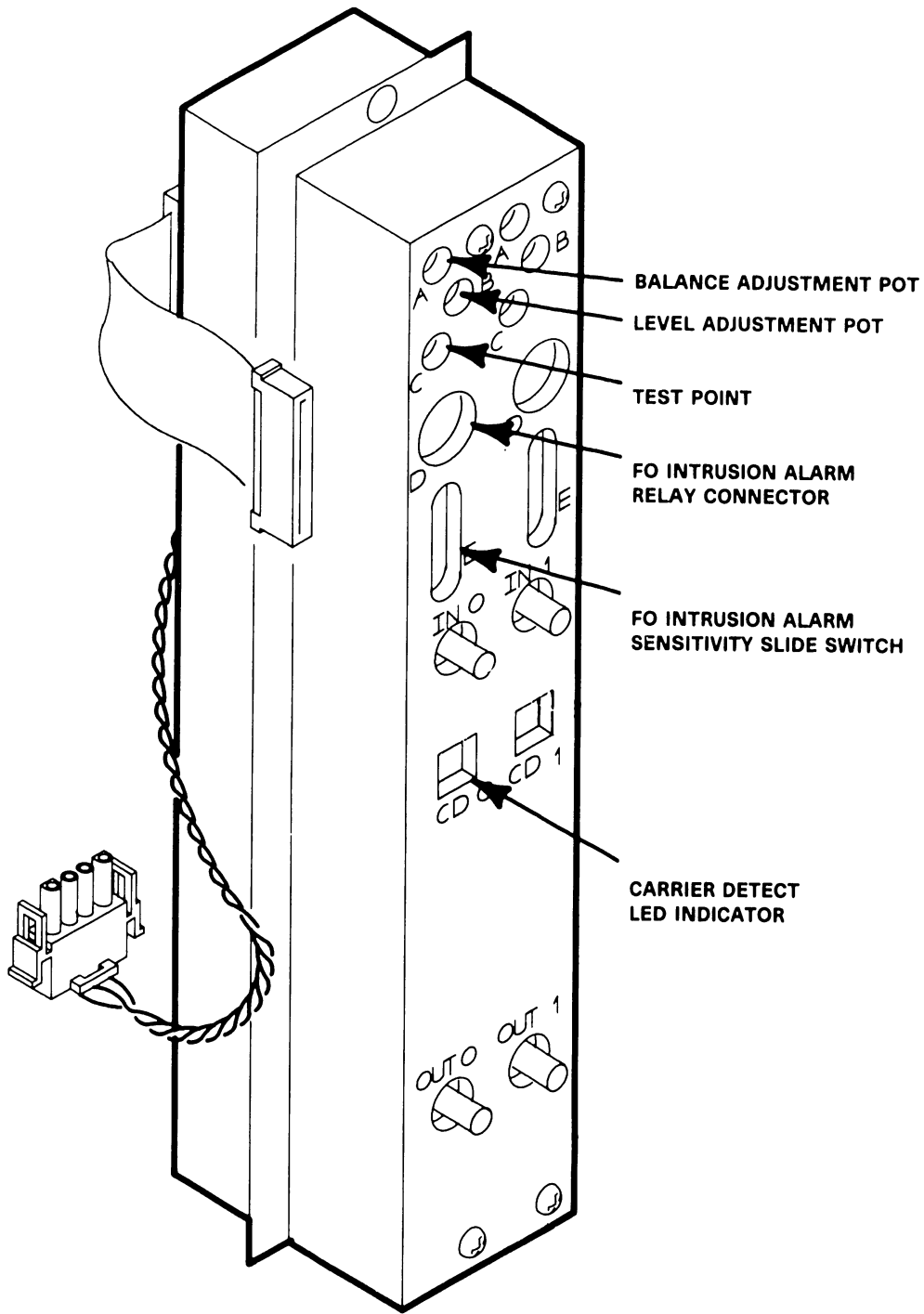
3.8 IOC SWITCHES

The IOCs do not have the Bus Adapter and I/O slot selection DIP switches that are used on the VS-85/VS-100. Each IOC has an Identification (ID) Register that is set by the position of the IOC in the backplane. The CPU reads the ID Register to determine the type and position of the IOC.

The only switch common to each IOC is a 4-position diagnostic DIP switch. Refer to Section 7 for the normal switch settings and Section 6 for the switch functions and test positions.

The 23V98 Disk Drive IOC does have two 8-position disk device type DIP switches; the 23V96 Multiline TC IOC has an 8-position port select DIP switch for loopback tests; and the 23V79 CIU BLANC IOC has an 8-position CIU Functions DIP switch. Refer to Section 7 for the switch settings.

CONTROLS AND INDICATORS



B-03713-FY87-1

NOTE

For an explanation of controls and indicators for the FiberWay Active Port Assembly, refer to the Remote Cluster Switch and Fiber Optic Active Port Assembly Product Maintenance Manual.

Figure 3-6. FiberWay Active Port Assembly Controls and Indicators

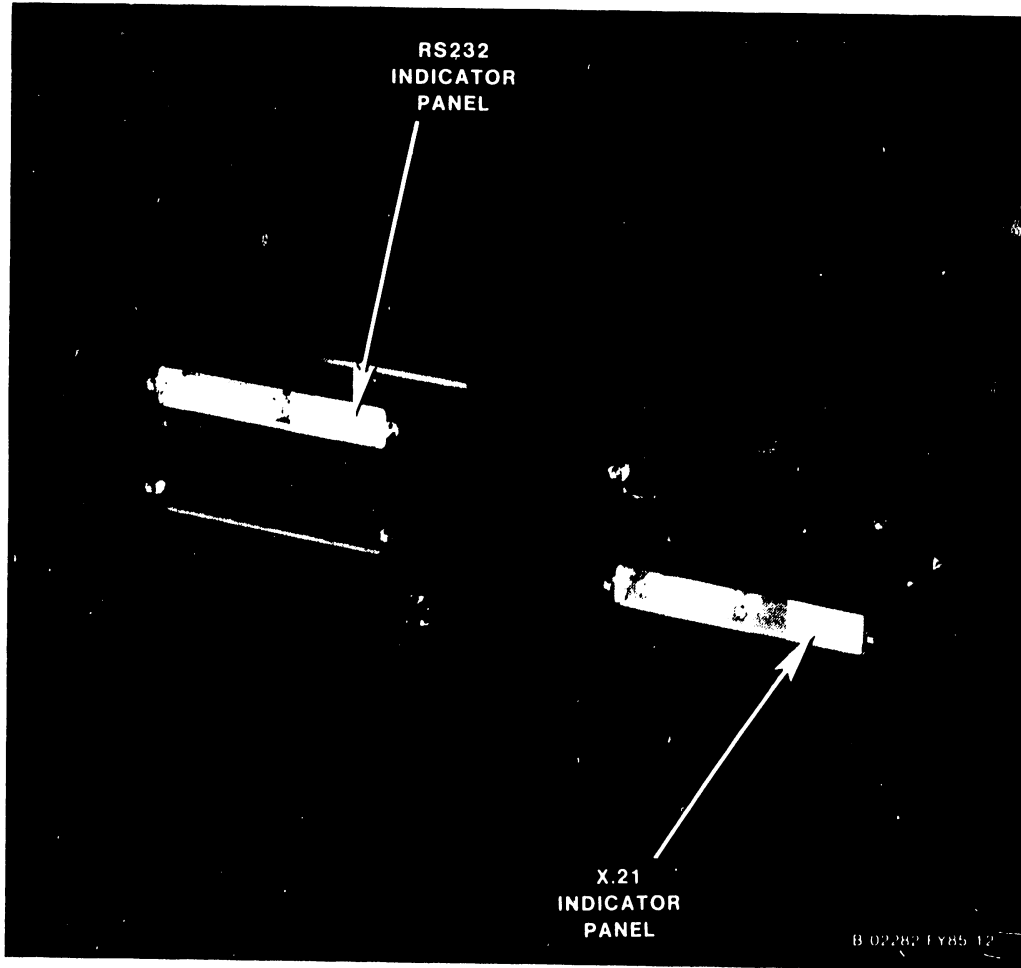


Figure 3-7. Multiline TC Back Panel Indicators

CONTROLS AND INDICATORS

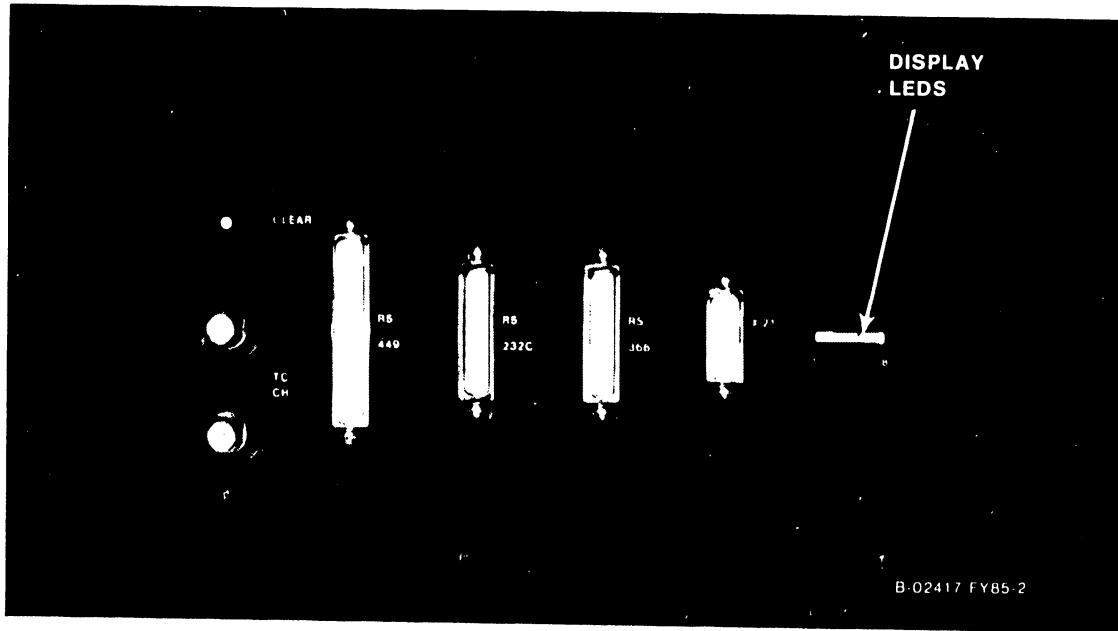


Figure 3-8. 6550 Gate Array TC Back Panel Indicators

SECTION

4

OPERATION

TABLE OF CONTENTS

SECTION 4	OPERATION	Page
4.1	General	4-1
4.2	Importance Of Following Power Up or Down Procedures	4-1
4.3	Power-Up Procedures	4-1
4.4	IPL Procedures	4-2
4.5	Standard Power-Down Procedure	4-7
4.6	Power Failure Procedure	4-8

LIST OF ILLUSTRATIONS

<u>Figure</u>	<u>Title</u>	<u>Page</u>
4-1	Console Processor Menu Screen	4-2
4-2	System Console Default Screen	4-3
4-3	Workstation Initialization Screen	4-4
4-4	SYSGEN Configuration File Screen	4-4

SECTION 4

OPERATION

4.1 GENERAL

This section details the power-up, IPL, and power-down procedures for the VS-7100.

4.2 IMPORTANCE OF FOLLOWING POWER UP OR DOWN PROCEDURES

The following summary describes general rules that must be followed when powering a VS-7100 system up or down:

- Always power the mainframe up before powering up disk drives and tape drives. Always power the mainframe down after powering down the disk drives and tape drives. Failure to follow this procedure can result in disk or tape VTOC damage or data loss.
- When powering down, the system must be in Control Mode.

The Volume Table of Contents (VTOC) resides at the beginning of each disk pack. If the VTOC is damaged, two conditions may occur: I/O errors occur upon IPL and the VS Workstation Emulation - Initialization In Progress screen remains displayed. Although many of the original files may remain intact, the VTOC is inaccessible.

NOTE

Crash-tolerant or media-tolerant volumes can help protect VTOC integrity.

In addition to this VTOC integrity problem, other conditions may cause the writing of random blocks of data to the disk. These conditions include power failures, surges, or fluctuations, or a possible hardware malfunction.

4.3 POWER-UP PROCEDURES

1. Power up all workstations and printers.
2. Turn ON the mainframe ac On/Off circuit breaker.
3. Make sure the Control Panel key switch is in Normal Control position.
4. Power up the mainframe and the SCU by pressing the Control Panel On pushbutton, located above the diskette drive door.
5. Power up the disk drives.

OPERATION

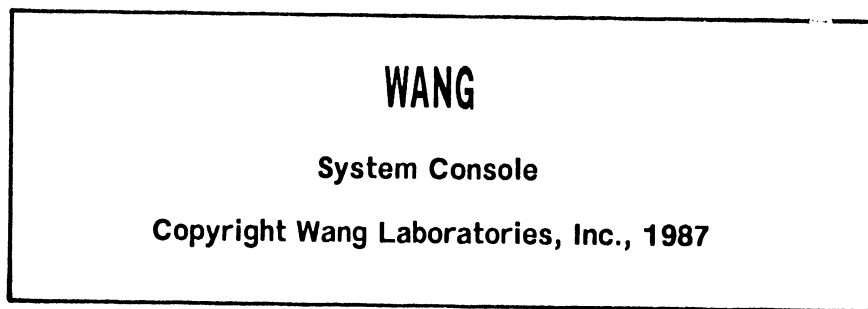
4.4 IPL PROCEDURES

1. Press the System Reset pushbutton and then press the Operator Console Reset pushbutton.
2. After a pause, the SCU start-up sequence is invoked and start-up messages appear on the SCU screen:

"WANG SUPPORT CONTROL UNIT REV. X.XX"
"01 Start From Winchester"

3. Followed by:

"Wang Support Control Unit - BIOS X.XX"
"MS-DOS Version X.XX"



4. The Console Processor Menu screen then appears.

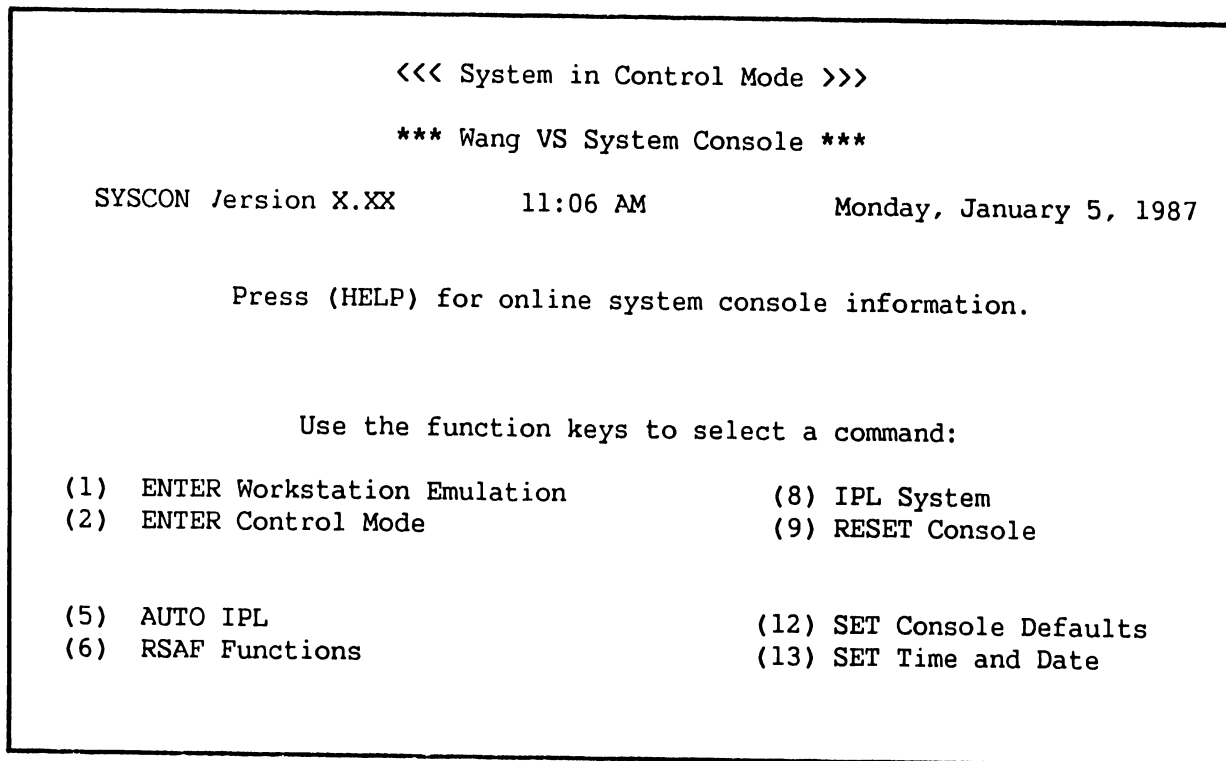


Figure 4-1. Console Processor Menu Screen

NOTE

The functions that the key switch allows in any one of the four key switch positions are highlighted on the Console Processor Menu screen.

5. If necessary, press HELP for an explanation of the PF key functions.
6. a. Press PF5 (AUTO IPL). This message appears:
"WARNING!! This function resets the system, RETURN to proceed or PF16 to abort"
 - b. Press RETURN. (If the console defaults need modifying, or if the CPU code has not been loaded, a CPU or IPL error may appear. Go to step 7. If there are no changes necessary, or no CPU or IPL errors appear, go to step 11.)
7. Press PF12 (SET Console Defaults). The System Console Default screen appears.

<<< System in Control Mode >>>

*** VS System Console Defaults ***

Select a PF key to perform the indicated function:

Auto IPL device	IPLDEV = R 0100
CPU microcode filename	CPUCODE = /SCU/OBJ87159.CP8
FPU microcode filename	FPUCODE = /SCU/FPUMCA59.MEM
Soft-Boot microcode filename	SBCODE =
WS emulator options	WSOPTION = -PC
Pass console Date/Time to VSOS	TIMEDATE = Y
Warning message before a reset	WARNING = Y
Main memory dump support	MMDUMP = N

(9) Modify Defaults (10) Load System Microcode (16) Exit

Figure 4-2. System Console Default Screen

OPERATION

- a. If defaults are incorrect, press PF9 (Modify Defaults), make corrections as shown in figure 4-2, press RETURN, and/or:

NOTES

1. For CPU microcode file without FPU support, enter /SCU/OBJ87059.CP8
 2. For CPU microcode file with FPU support, enter /SCU/OBJ87159.CP8
 3. For FPU microcode file, enter /SCU/FPUMCA59.MEM
- b. Whether defaults were corrected or not, press PF10 (Load System Microcode).
8. Press PF16 (Exit), and the Console Processor Menu screen (figure 4-1) reappears.
 9. Press PF5 (AUTO IPL). This message appears:
"WARNING: This function resets the system, RETURN to proceed or PF16 to abort"
 10. Press RETURN.
 11. The Workstation Initialization screen, figure 4-3, appears.

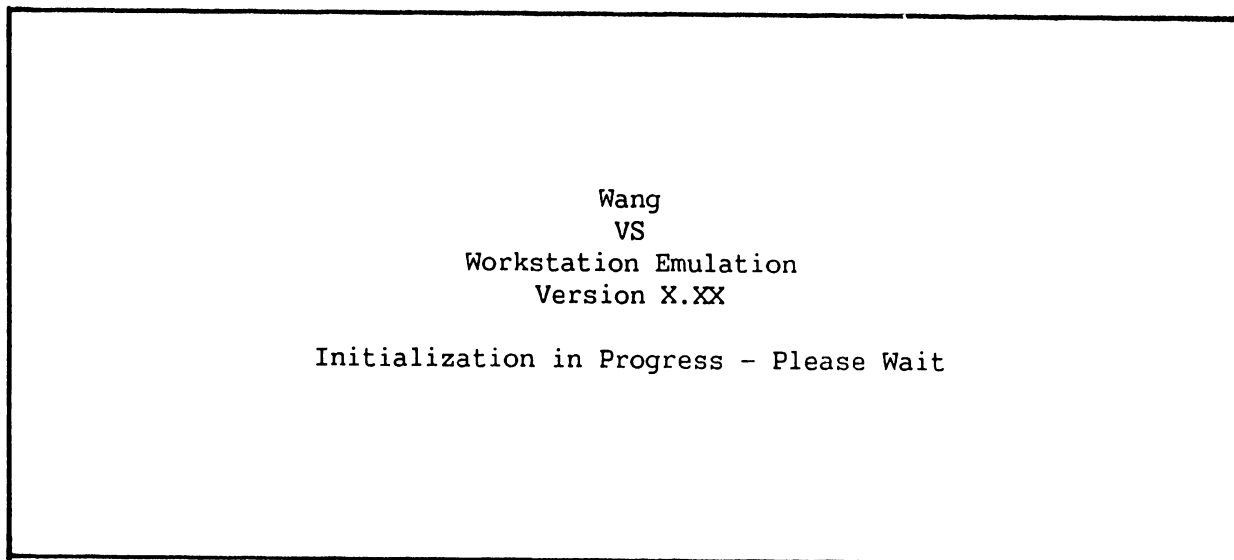


Figure 4-3. Workstation Initialization Screen

12. The SYSGEN Configuration File screen appears.

***MESSAGE M001 BY SYSGEN

INFORMATION REQUIRED BY PROGRAM @SYSGEN@

ACTIVE SUBPROGRAM IS @SYSGEN@

Copyright, Wang laboratories, Inc. 1985

Specify the name of the system configuration file and press (ENTER)

-or-

Press (1) to use one workstation and one disk.

SYSFILE = @CONFIG@

SYSLIB = @SYSTEM@

Specify the communications configuration file to be use, if any

COMMFILE = *****

COMMLIB = @SYSTEM@

Inhibit logons at all workstations?

LOGONS = NO■

Load Micro Code to all devices?

LMCODE = NO■

Inhibit dumping continuable halts?

CMDUMP = NO■

Figure 4-4. SYSGEN Configuration File Screen

NOTE

If the IPL was unsuccessful and an "IPL failed" message is received, refer to paragraph 9.9.3, IPL Errors

13. a. On the SYSGEN Configuration File screen, enter the names of the configuration files and the system library to be used. The field for the communications configuration file is blank. Fill in the communications configuration file field only if communications are going to be used. To change one of these values, move the cursor to the appropriate field and enter in the new information. Then, press RETURN.

NOTE

If the system is being IPLed for the first time, the default values of @CONFIG@ and @SYSTEM@ are used for the configuration file and system library, respectively. After IPLing for the first time, configuration files can be created using GENEDIT. Refer to the VS Software Bulletin Release 7.12.

OPERATION

- b. After the values have been entered, the VS-7100 stores them in a start-up file. At the next IPL, the system displays the stored values and allows them to be changed.
 - c. The prompt "Inhibit logons at all workstations?" allows workstation logons to be inhibited. If "YES" is entered, only the SCU user can log on. The default value is "NO", which allows logons at all workstations, which were enabled before this IPL.
 - d. The prompt "Load Micro Code to all devices" lets microcode be loaded to each workstation (including remote workstations) as part of the IPL procedure. If "Yes" is entered, microcode is loaded to each workstation and the IPL process is significantly slower. This option is used when a workstation is hung up or when the workstation configuration has been changed. The default value is "No".
 - e. The prompt "Inhibit dumping continuable halts" allows disabling of the Continuable Dump for errors that do not require reIPL. If "Yes" is entered, Continuable Dumps which do not reIPL the system are not performed and system processing continues with the system error in effect. If "No" is entered, all Continuable Dumps occur. The default value is No. Refer to Section 6 for more information on the Continuable Dump.
14. Press RETURN when finished with the SYSGEN Configuration File screen. (Or, to bring up a minimum configuration of one workstation [W/S0] and one disk, without changing the default values, just press PF1.)

NOTE

The IPL procedure automatically activates any remote workstations that have been configured via the remote workstation parameters in the GENEDIT procedure.

15. After pressing RETURN from the SYSGEN Configuration File screen, the VS-7100 checks to determine if any of the critical operating system components are obsolete or incompatible. If no problems are detected, the IPL continues and the message "System Generation in Progress" appears on the SCU screen.
- a. If incompatibilities exist that can cause problems, the IPL is stopped and a warning message is displayed by @SYSGEN@.
16. The message "I/O Subsystem Load in Progress" appears on the SCU screen.
17. a. If the SCU real time clock is not usable, the date and time screen appears. Enter the correct date and time and press RETURN.
- b. This screen also allows changing the amount of memory available for use. The default value is the total amount of physical memory for the system. To change the value, move the cursor to the field, enter the new value, and press RETURN.

18. The message "System Initialization in Progress" appears on the SCU screen.

NOTE

In the event of an IPL/Sysinit error that does not appear on the IPL screen (e.g. the system does not complete the IPL and hangs), enter Enhanced Control Mode (figure 6-18) and check low memory location Hex F00. Additional IPL error messages will be displayed in ASCII code at this location. (This applies to OS 7.1X.XX, or higher.)

The VS-7100 is now initialized and ready for operation. VS workstation emulation is running on the SCU and the Operator's screen is displayed. To log on from the SCU;

1. Press PF1 and the VS Logon screen appears.
2. Enter the User ID and Password. (As this is the first time that the system has been IPLed and logged onto, use "CSG" for the User ID and leave the Password field blank.)
3. Press RETURN. The User screen is displayed.

4.5 STANDARD POWER-DOWN PROCEDURE

The VS-7100 can be either partially or completely powered down.

CAUTION

It is essential to power the mainframe down after powering down disk drives and tape drives. Failure to power the system down correctly may result in disk and tape information loss.

NOTE

Always power down all workstations before powering down the mainframe. The 4200 Series workstations cause Error 7203 (read and test data error) if they are not powered down before the mainframe. Power down the workstations and continue with the system power-down procedure.

To completely power down the system, perform the following from Workstation 0, the SCU:

OPERATION

1. Inhibit further logons by pressing PF6 (INTERACTIVE Tasks) or PF13 (WORKSTATIONS) from the Operator's Console Menu.
2. Notify all users to log off the system by pressing PF14 (SYSTEM Options - Broadcast SYSTEM MESSAGE). Use PF6 from the Operator's Console to verify that all users have done so.
3. Inhibit the execution of any pending background procedures by pressing PF3 (PROCEDURE Queue) on the Operator's Console Menu.
4. Press PF9 (PRINTERS) on the Operator's Console Menu to idle all printers by changing their status.
5. Press PF7 to deactivate the background task through the Control Proc Initiation command (NON-INTERACTIVE Tasks) on the Operator's Console Menu.
6. Log off from the SCU.
7. Press CONTROL, then press SHIFT and CANCEL simultaneously to exit workstation emulation. The Workstation Emulation Menu appears. Use the space bar to select "Suspend Emulation" and press EXEC.
8. The Console Processor screen appears. Press PF2, ENTER Control Mode.
9. Power down all workstations.
10. Unload the cartridge tape drive, if any, by pressing the On-line pushbutton on the front of the drive.
11. Unload the nine-track tape drives, if any, by pressing the On-line and then the Rewind pushbuttons. When the nine-track tape drive has reached its load point, press the Rewind pushbutton again and wait until it is rewound. Once rewound, finish powering down tape drives by pressing the Power pushbutton on each drive.
12. Power down all disk drives.
13. Power down the mainframe and SCU by pressing the Power Off pushbutton.

If a partial power-down procedure is being performed, the system can be left in Control Mode without powering down every device. For a partial power-down of the system, perform steps 7 and 8, and 10 through 13.

To bring a system up from a complete power-down state, follow the complete standard procedure in paragraph 4.3 for powering up the system. To bring a system up from a partial power-down state, follow the power-up procedure described in paragraph 4.3, starting with step 4.

4.6 POWER FAILURE PROCEDURE

Once power is restored, bring the VS-7100 back up by pressing the On pushbutton and reIPL. Follow the IPL procedure in paragraph 4.4.

SECTION

5

**PREVENTIVE
MAINTENANCE**

TABLE OF CONTENTS

SECTION 5	PREVENTIVE MAINTENANCE	<u>Page</u>
5.1	General	5-1
5.2	Test Equipment	5-1
5.3	Materials	5-1
5.4	Preventive Maintenance Schedule	5-1
5.5	Peripheral Preventive Maintenance	5-1

SECTION 5

PREVENTIVE MAINTENANCE

5.1 GENERAL

This section contains information on preventive maintenance for the VS-7100 including a PM schedule and test equipment required.

5.2 TEST EQUIPMENT

<u>Description</u>	<u>WLI P/N</u>
Power Supply Test Jumper	220-2342

5.3 MATERIALS

No special materials are necessary to perform mainframe PM.

5.4 PREVENTIVE MAINTENANCE SCHEDULE

PM for the mainframe should be performed at six month intervals, (in conjunction with a service call if no PM has been performed within six months), and is as follows:

<u>Item</u>	<u>Procedure</u>	<u>Notes</u>
1. Mainframe interior	Inspect	Look for dust & loose hardware. Clean.
2. Air inlet panel filter	Clean	Vacuum and/or wash
3. SCU (PC) diskette read/write heads	Inspect/clean	Refer to Professional Computer manual
4. SCU (PC) fan, power supply fan, card cage fans, & rear panel fans	Inspect	Replace damaged or defective fan(s). Replace power supply if fan damaged or defective. (Section 7)
5. Power supply voltages	Check/adjust	Paragraph 8.3.1
6. Mainframe & peripherals	Run diagnostics	Refer to Section 6 or applicable maintenance manuals

5.5 PERIPHERAL PREVENTIVE MAINTENANCE

Refer to the appropriate documents for PM procedures for all VS-7100 associated peripherals.

SECTION

6

TROUBLESHOOTING

TABLE OF CONTENTS

SECTION 6	TROUBLESHOOTING	Page
6.1	General	6-1
6.1.1	Test Equipment	6-1
6.2	Off-Line Diagnostics	6-1
6.2.1	Power-Up Diagnostics	6-2
6.2.2	Accessing DCS Diagnostics	6-2
6.2.3	Running DCS Diagnostics	6-6
6.2.3.1	HELP Menu	6-7
6.2.3.2	DCS Test Screens	6-7
6.2.3.3	IOC Diagnostic Switch Settings	6-9
6.2.3.3.1	Multiline TC IOC Diagnostic Switch Settings	6-10
6.2.3.3.2	Gate Array TC Controller Loopback Test Switch Settings	6-11
6.2.3.3.3	CIU BLANC IOC Switch Settings	6-12
6.2.4	Off-Line Diagnostics Error Management	6-14
6.2.4.1	Intermittent Error Looping	6-14
6.2.4.2	I/O BIT Monitor Errors	6-14
6.2.4.2.1	MLTC IOC Loopback Test Error Codes	6-15
6.2.4.2.2	GATC Control Panel LED BIT Error Display	6-15
6.2.4.2.3	CIU I/O Monitor Error Codes	6-16
6.2.4.3	DCS Log	6-16
6.3	On-Line Diagnostics	6-17
6.3.1	VS On-Line VSTEST Monitor	6-17
6.3.1.1	Main Screen	6-17
6.3.1.2	Log Program Output Screen	6-18
6.3.1.3	Device Class Selection Screen	6-18
6.3.1.4	System Configuration Screens	6-18
6.3.1.5	Message Screen	6-20
6.3.2	VS On-Line Workstation Exerciser (WSEX)	6-20
6.3.2.1	Hardware Tested	6-20
6.3.2.2	Running WSEX	6-20
6.3.2.3	WSEX Automatic Tests	6-21
6.3.2.4	WSEX Interactive Tests	6-22
6.3.2.5	WSEX Error Codes	6-22
6.3.2.6	WSEX Error Messages	6-24
6.3.3	VS On-Line Disk Exerciser (DISKEX)	6-24
6.3.3.1	Hardware Tested	6-24
6.3.3.2	Running DISKEX	6-25
6.3.3.3	DISKEX Tests	6-25
6.3.3.4	DISKEX Error Codes	6-26
6.3.3.5	DISKEX Error Messages	6-28
6.3.4	VS On-Line Printer Exerciser (PREX)	6-28
6.3.4.1	Hardware Tested	6-29
6.3.4.2	Running PREX	6-29
6.3.4.3	PREX Tests	6-29
6.3.4.4	PREX Error Codes	6-31

TABLE OF CONTENTS (CONT)

6.3.4.5	PREX Error Messages	6-32
6.3.5	VS On-Line Tape Exerciser (TPEX)	6-32
6.3.5.1	Hardware Tested	6-33
6.3.5.2	Running TPEX	6-33
6.3.5.3	TPEX Tests	6-33
6.3.5.4	TPEX Error Codes	6-34
6.3.6	CIU On-Line Testing	6-42
6.4	Memory Dump Procedures	6-42
6.4.1	Control Mode Dump	6-42
6.4.1.1	Errors Requiring Control Mode Dump	6-43
6.4.1.2	Control Mode Dump Procedure	6-44
6.4.1.3	Forcing The System Into Control Mode for Dump	6-49
6.4.1.4	Control Mode Dump Stops	6-50
6.4.2	Continuable and Snapshot Dumps	6-51
6.4.2.1	Requirements for Continuable and Snapshot Dumps	6-51
6.4.2.2	Invoking The Snapshot Dump	6-52
6.4.2.3	Running Continuable and Snapshot Dumps	6-52
6.4.2.4	Continuable Dump and Automatic IPL	6-53
6.5	SCU Error Log	6-54
6.6	Service Log	6-56
6.6.1	Accessing The Service Log	6-56
6.6.2	Database Options	6-57
6.7	Troubleshooting Procedures	6-57

LIST OF ILLUSTRATIONS

<u>Figure</u>	<u>Title</u>	<u>Page</u>
6-1	System Console Menu Screen	6-2
6-2	Workstation Emulation Menu Screen	6-3
6-3	System Console Menu Screen in Service Mode	6-4
6-4	Diagnostics Disclaimer Screen	6-5
6-5	DCS Diagnostic Selection Menu Screen	6-6
6-6	DCS HELP Menu Screen	6-7
6-7	Possible DCS Diagnostic Screen	6-8
6-8	IOC 4-Position Diagnostic Switch Settings	6-10
6-9	Multiline TC IOC 8-Position Diagnostic Switch	6-11
6-10	Switch L272 Settings For CIU BLANC IOC Off-line Test	6-13
6-11	Switch L272 Settings For CIU CAB IOC Off-line Test	6-13
6-12	Switch L272 Settings For External Loopback Test	6-14
6-13	Workstation Interrupted by HELP Screen	6-20
6-14	WSEX Error Message Format	6-24
6-15	DISKEX Error Message Format	6-28
6-16	PREX Error Message Format	6-32

LIST OF ILLUSTRATIONS (CONT)

6-17	System Console Processor Menu	6-45
6-18	VS Control Mode Screen	6-46
6-19	Control Mode Dump Device Address Screen	6-47
6-20	Sample Continuable Dump Screen	6-52
6-21	SCU Error Log Screen	6-55
6-22	Set Error Log Defaults Screen	6-55
6-23	Service Log Database Options Screen	6-56
6-24	Power Troubleshooting Flow Chart (1 of 4)	6-58
6-24	Power Troubleshooting Flow Chart (2 of 4)	6-59
6-24	Power Troubleshooting Flow Chart (3 of 4)	6-60
6-24	Power Troubleshooting Flow Chart (4 of 4)	6-61
6-25	Power Controller Board Connectors	6-62

LIST OF TABLES

<u>Table</u>	<u>Title</u>	<u>Page</u>
6-1	Special Diagnostic Functions	6-8
6-2	GATC Loopback Diagnostic Switch Settings	6-12
6-3	MLTC IOC Loopback Test Error Codes	6-15
6-4	CIU I/O Bit Monitor Error Codes	6-16
6-5	System Configuration Screen Status Messages	6-18
6-6	WSEX Subtest Codes	6-22
6-7	WSEX Error Type Codes	6-23
6-8	WSEX Error Codes For All Tests	6-23
6-9	Additional WSEX Error Codes	6-24
6-10	DISKEX Subtest Codes	6-26
6-11	DISKEX Error Type Codes	6-26
6-12	DISKEX Cylinder Address Test Error Codes	6-26
6-13	DISKEX Data Test Error Codes	6-27
6-14	DISKEX Command Test Error Codes	6-27
6-15	DISKEX Seek Max/Min Test Error Codes	6-27
6-16	DISKEX System Error Codes	6-28
6-17	PREX Error Codes	6-31
6-18	TPEX Initialization Error Codes	6-34
6-19	Test 0 Command Test Error Codes	6-35
6-20	Test 1 Tape Movement Test Error Codes	6-39
6-21	Test 2 Variable Data Length Test Error Codes	6-40
6-22	Test 3 Tape Creep Test Error Codes	6-40
6-23	Test 4 Random Operations Test Error Codes	6-41
6-24	Test 5 Rewind Test Error Codes	6-41
6-25	Test 6 Density Check Test Error Codes	6-41
6-26	IPL and CPINIT Errors	6-43
6-27	Machine Check Error Codes	6-44
6-28	Control Mode Stops	6-50

SECTION 6

TROUBLESHOOTING

6.1 GENERAL

This section provides information on diagnostics, memory dumps, power fault isolation, error log, and the service log. With these troubleshooting tools, most of the problems that occur in the system can be located and repaired. Two types of diagnostics are available in the VS-7100: off-line diagnostics which are used to test the central processor (CP), memory, and input/output controllers (IOCs) at power-up or Control Panel reset prior to initial program load (IPL) or after board replacement; and on-line diagnostics which provide general purpose utilities and exercisers for peripherals. All diagnostics should be run before turning the system over to the customer at installation or whenever system integrity is questionable.

6.1.1 TEST EQUIPMENT

Description	WLI P/N
RS232 Loopback Plug	421-0025
RS232/366 Loopback Plug	420-1041
RS449 Loopback Plug	270-3193
X.21 Loopback Plug	421-0010
20 dB Loopback Pad (2 each)	336-2002
Coax Cable (1 foot)	220-0314
Cable Simulator (optional)	190-0744

6.2 OFF-LINE DIAGNOSTICS

The VS-7100 off-line diagnostics are contained in an application program called the Diagnostic Control System (DCS), which runs under MSDOS in the Support Control Unit (SCU). The DCS is a collection of Central Processor (CP), Memory, and IOC diagnostics that resides on the Winchester fixed disk within the Professional Computer (PC) section of the SCU. DCS diagnostics may be run from the SCU, which consists of the PC and the SCU interface board, even when the VS system is not functioning.

NOTE

The customer cannot use the system while the off-line diagnostics are running.

TROUBLESHOOTING

6.2.1 POWER-UP DIAGNOSTICS

At power-up (or Control Panel reset), the DCS automatically invokes the Confidence Diagnostic, which determines, to a high degree of certainty, whether the system will IPL and run. The Confidence Diagnostic consists of the CPU Unit Diagnostic and the I/O Built-in Test (BIT) Monitor.

The CPU Unit Diagnostic is a partial test of the central processor, targeting primarily the interboard signals. The I/O BIT Monitor tests all of the IOCs installed in the system, including both the controller and device adapter sections of the boards.

If an error occurs at any point in the Confidence Diagnostic, the diagnostic halts and an error message is displayed on the SCU console, including the error code and the most likely failing field-replaceable unit (FRU).

6.2.2 ACCESSING DCS DIAGNOSTICS

The DCS diagnostics are accessed from the Wang VS System Console Menu. See figure 6-1. The System Console Menu screen appears at power-up after the SCU software is loaded.

```
*** Wang VS System Console ***

SYSCON Version X.X.X           2:44 PM           Monday January 5, 1987

Press (HELP) for online system console information.

Use the function keys to select a command:

(1) ENTER Workstation Emulation      (8) IPL System
(2) ENTER Control Mode                (9) RESET Console

(5) AUTO IPL                          (12) SET Console Defaults
(6) RSAF Functions                    (13) SET Time and Date
```

Figure 6-1. System Console Menu Screen

NOTE

The position of the Control Panel key switch determines which of the items in the above menu are available. Available items will be highlighted. To access off-line diagnostics, the key must be in the "Remote Service" position.

The System Console Menu may also be reached by the following method:

1. Press CONTROL, then SHIFT + CANCEL simultaneously from the VS Operator's Console, VS Command Processor Menu, or the VS Logon screen to exit workstation emulation.
2. The Workstation Emulation Menu screen appears. (See figure 6-2).
3. Space down to "Suspend Emulation" and press EXEC.
4. The Wang VS System Console Menu screen appears.

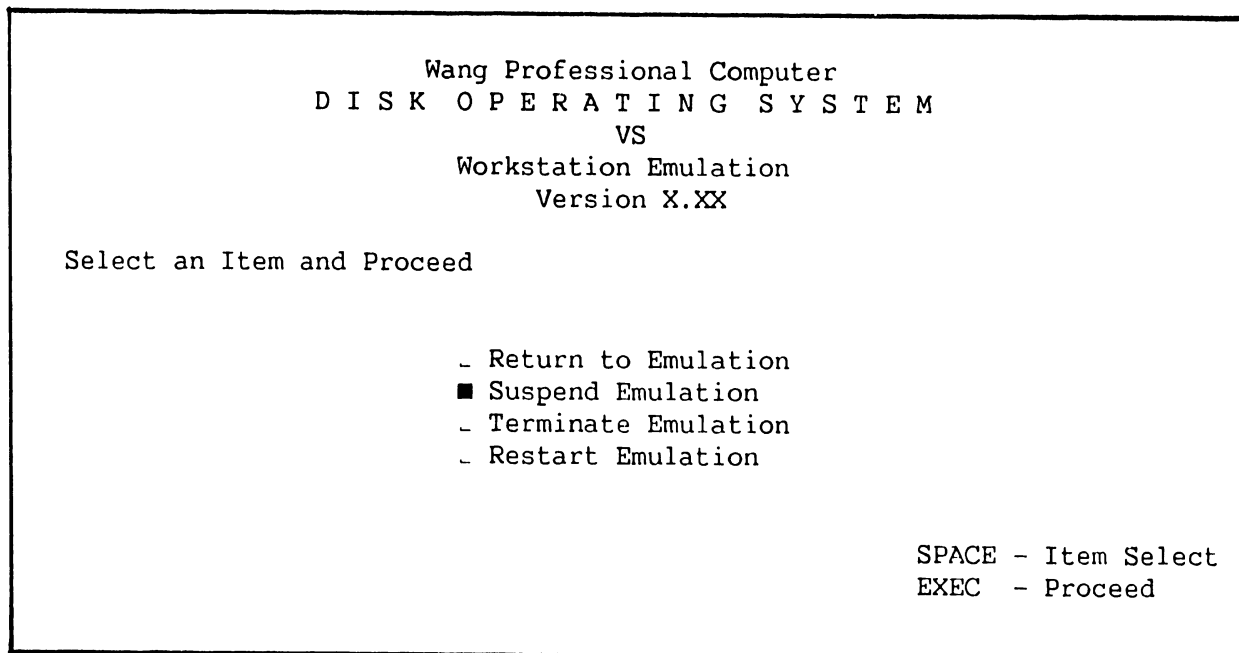


Figure 6-2. Workstation Emulation Menu Screen

Certain elements of the System Console Menu are password-protected to prevent unauthorized use of some SYSCON facilities. These elements are not immediately displayed. They include (3) ENTER Service Log mode and (4) ENTER Off-line Diagnostics. To enable these and other menu picks, perform the following steps:

1. Go to the System Console Menu screen.
2. Ensure that the key switch is in the "Remote Service" position.

TROUBLESHOOTING

3. Enter the following password:

CSG + current time (four digits) as displayed on the System Console screen. Example: If time is 9:30 (am or pm), enter 0930.

NOTE

While entering the password, the keyboard beeper will sound as each key is pressed. This is normal. It is intended to discourage unauthorized personnel from enabling the full System Console Menu.

4. Several previously undisplayed menu picks will appear. See figure 6-3. The System Console is now in the "service mode." (The service mode can be terminated by pressing PF key 10 or turning the key switch out of the "Remote Service" position.)

```
*** Wang VS System Console ***

SYSCON Version X.X.X           2:44 PM           Monday January 5, 1987

Press (HELP) for online system console information.

Use the function keys to select a command:

(1) ENTER Workstation Emulation      (8) IPL System
(2) ENTER Control Mode               (9) RESET Console
(3) ENTER Service Log Mode           (10) Terminate Service Mode
(4) ENTER Offline Diagnostics        (11) SHOW Error Log
(5) AUTO IPL                         (12) SET Console Defaults
(6) RSAF Functions                   (13) SET Time and Date
(29) Install Software                (32) Wang PC Emulation
```

Figure 6-3. System Console Menu Screen in Service Mode

NOTE

It is possible that the DCS may not find the Super-Bal test file on disk. Before running the offline diagnostics, it will be necessary to change the source of the CPU Microcode File. Press PF12 (SET

Console Defaults). The System Console Default screen appears. (Figure 9-15). Press PF9 (Modify Defaults). Change the CPU Microcode File from OBJVSE.CP8 to C:/SCU/OBJVSE.CP8, and press RETURN. Press PF10 (Load System Microcode), and Press PF16 (Exit) to get back to the Console Processor screen.

5. Press PF key 4 from the System Console Menu and the Diagnostics Disclaimer screen appears. See figure 6-4.

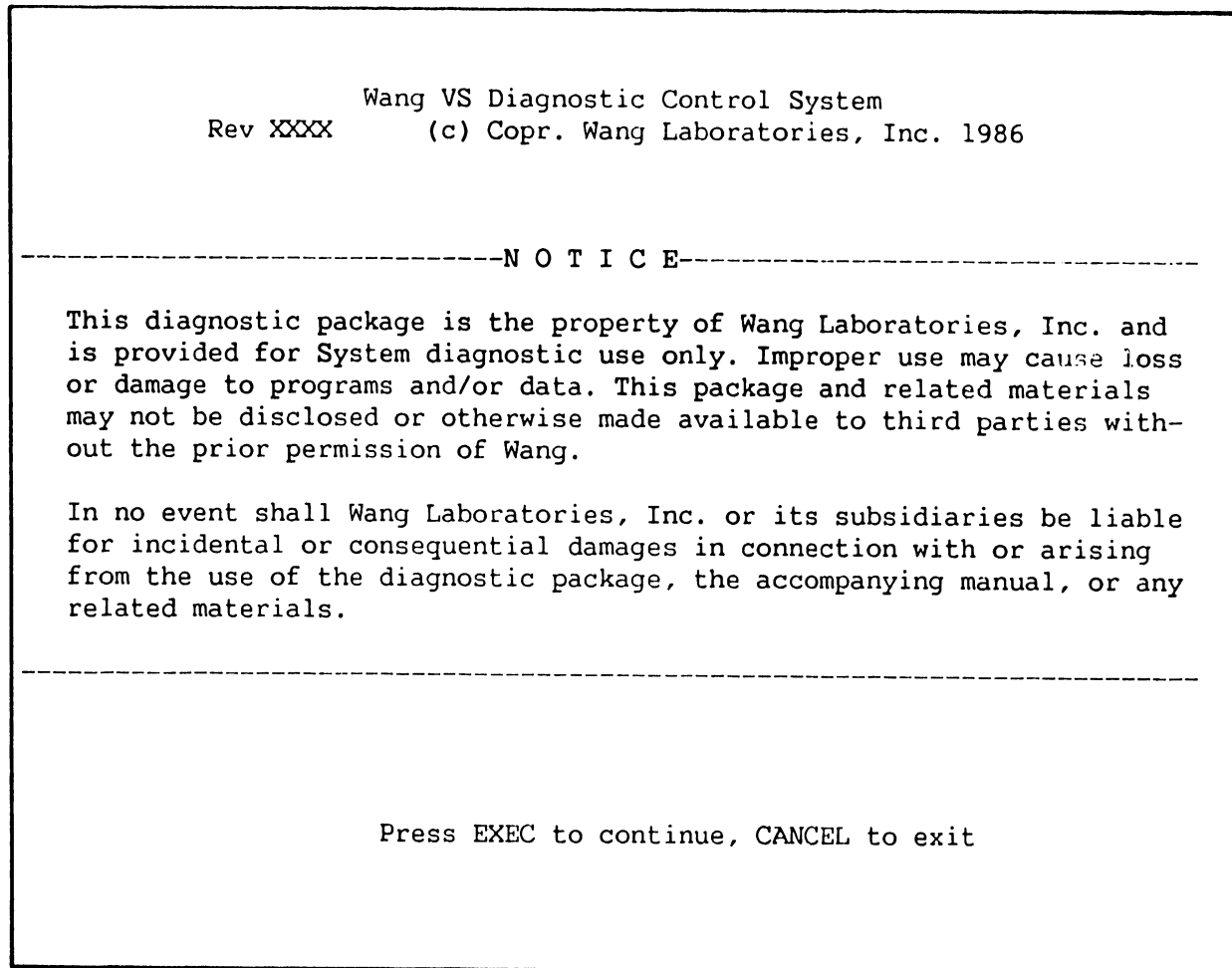


Figure 6-4. Diagnostics Disclaimer Screen

6. From the Diagnostics Disclaimer screen, press EXEC to bring up the DCS Diagnostic Selection Menu. See figure 6-5.

NOTE

The AGU and FPU diagnostics require DCS Rev 2695 or higher.

TROUBLESHOOTING

	Wang VS Diagnostic Control System	hh/mm
Rev XXXX	(c) Copr. Wang Laboratories, Inc. 1986	
01 PCI Test		
┌ SCUI Test		
┌ CP8 Static Test		
┌ CP8 Self Test		
┌ AGU, ESU Test		
┌ ATU Test		
┌ SCU / Memory Test		
┌ CPU / Memory Test		
┌ SBI Test		
┌ I/O BIT Monitor		
┌ CPU Unit Test		
┌ FPU Test		
┌ SuperBal		
┌ VSXXX Environment		
	SPACE - item position	
	INSERT - select	
	DELETE - deselect	
	SHIFT+INSERT - hex #	
	EXEC - proceed	
HELP is available		

Figure 6-5. DCS Diagnostic Selection Menu Screen

6.2.3 RUNNING DCS DIAGNOSTICS

NOTES

1. SHIFT+INSERT allows selection of elements to be tested when multiple elements, such as dual CPUs, are in the system. This feature is for the VS-7300 series. The default selection for SHIFT+INSERT is 01. Use the default selection for the VS-7100 series.
2. For best results, run the diagnostics in the order in which they are listed on the menu.

To choose a particular diagnostic from the DCS Menu (figure 6-5 above), position the cursor next to the desired diagnostic using the SPACEBAR, press SHIFT+INSERT to select the diagnostic and to enter the element value. (Both will be highlighted).

Press EXEC to run the diagnostic. More than one diagnostic or all diagnostics may be selected at one time.

To deselect a single diagnostic, go to the DCS Menu, position the cursor next to the diagnostic to be deselected, and press DELETE. The diagnostic will be dehighlighted on the DCS Menu and will not execute until it is reselected. To deselect all selected diagnostics, press CANCEL. To terminate a diagnostic, press SHIFT + CANCEL. Also use SHIFT + CANCEL to exit the DCS program from the selection menu.

6.2.3.1 HELP Menu

The DCS HELP Menu (figure 6-6 below) is an operator aid that allows the user to display the DCS help text file, display the currently executing diagnostic's help text file, display the DCS log file, and employ the VS Interface Utility. HELP is accessed by pressing the HELP key or SHIFT + HELP keys at any time. The function keys have no effect during the help feature but their state can be changed.

```

                Wang VS Diagnostic Control System                hh/mm
Rev XXXX      (c) Copr. Wang Laboratories, Inc. 1986

                H E L P  M E N U

    ■ Display DCS help file
    - Display current diagnostic's help file
    - Display log
    - VS Interface Utility

                SPACE - item select
                EXEC  - proceed
                CANCEL - exit menu

DCS rev XXXX

```

Figure 6-6. DCS HELP Menu Screen

6.2.3.2 DCS Test Screens

Once a diagnostic is selected and EXEC is pressed, a screen specific to that diagnostic is displayed. This screen provides information including the sequence number, the diagnostic rev number and name, the error count, the currently executing diagnostic or test, and the DCS status.

Most of the DCS diagnostic screens are similar with the exception of the VS Environment Diagnostic and the I/O BIT Monitor. Some diagnostics contain menus of their own which allow the user to select or deselect one or more tests within the diagnostic. Tests on these menus are selected and deselected the same way that diagnostics are selected and deselected from the DCS Selection menu. A possible diagnostic screen is shown below in figure 6-7.

TROUBLESHOOTING

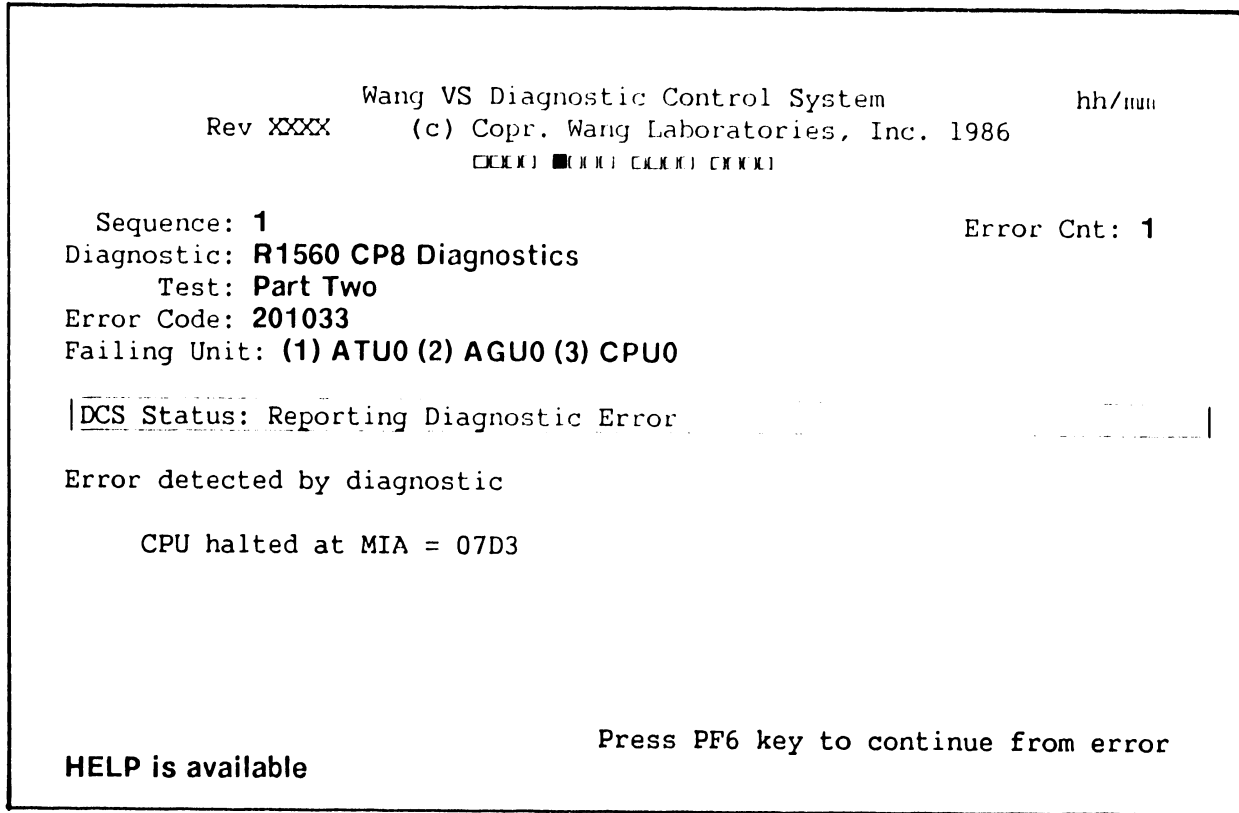


Figure 6-7. Possible DCS Diagnostic Screen

The row of boxes on the third line of the screen indicates which optional functions (if any) are enabled. The boxes correspond to function keys 1 thru 16. Each function key acts as an on/off switch to enable or disable the particular action that the key controls. A filled box indicates the function is enabled; an empty box indicates the function is disabled. Table 6-1 below lists the controlling function keys, the function name, and a description of each function.

Table 6-1. Special Diagnostic Functions

PF KEY	Function	Description
2	Loop on Error	When an error is reported, the DCS will instruct the diagnostic to loop on the error. The DCS will also count and display the number of times the loop is executed.
3	Loop on Test	The DCS instructs the diagnostic to loop on the just completed test. The DCS counts and displays the number of times the loop is executed.

Table 6-1. Special Diagnostic Functions (Cont'd)

PF KEY	Function	Description
4	Loop on Diagnostic	The DCS instructs the diagnostic to loop on itself. The DCS counts and displays the number of times the loop is executed.
5	Stop on Error	When an error is reported, the DCS stops and waits for the user to press PF key 6 before continuing the diagnostic.
6	Step - from	This key is used to continue from a stop on error, to disable the current looping function without using the loop function key, and to continue from a pause state without turning off the pause function.
7	Log Screen	Enters current screen into the log.
8	Pause	The DCS will pause on requests (calls) from the diagnostic to the DCS before the requested function is performed. PF key 6 can be used to continue or the function can be disabled.
9	Not used	
10	Not used	
11	Not used	
12	Not used	
13	Not used	
14	Not used	
15	Not used	
16	Next Diagnostic	Abort the currently executing diagnostic and load and execute the next diagnostic in the sequence.

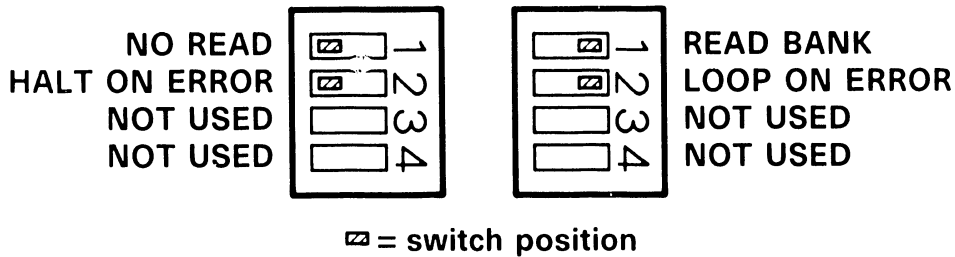
6.2.3.3 IOC Diagnostic Switch Settings

Each VS-7100 IOC board is equipped with a 4-position diagnostic DIP switch which is used in conjunction with the I/O Built-in Test (BIT) Monitor. The switch settings and functions are shown below in figure 6-8.

TROUBLESHOOTING

NOTE

For normal BIT operation, all switch positions should be OFF (left).



B 030631-886-1

Figure 6-8. IOC 4-Position Diagnostic Switch Settings

6.2.3.3.1 Multiline TC IOC Diagnostic Switch Settings

The Multiline Telecommunications (MLTC) board contains an 8-position switch (in addition to the 4-position diagnostic switch) which is used in conjunction with the BIT. All positions of the 8-position switch must be closed (ON) to execute normal BIT routines. See figure 6-9.

Two modes of operation for the Multiline BIT are selectable via the 8-position switch: Single Channel Mode and Burn In Mode.

Single Channel Mode allows the testing of one channel at a time. This mode requires that the correct loopback connector plug be installed on the channel being tested: RS-232 Loopback Connector - WLI P/N 421-0025, RS-366 (ACU) Loopback Connector - WLI P/N 420-1104, or X.21 Loopback Connector - WLI P/N 421-0010.

The pin-out for Loopback Plug WLI P/N 421-0025 is as follows:

From Pin	To/From Pin	To/From Pin	To/From Pin
2	3	
4	5 22
6	8 20
11	15 17 24
12	13 19
14	16	

Burn-In Mode repeatedly executes the BIT tests until an error is encountered or the BIT is terminated by the user. To select Burn-In Mode, open switch position 8 and close all other switch positions. This mode requires 16 channels (any type) with loopback plugs installed in each channel.

SW8	SW7	SW6	SW5	SW4	SW3	SW2	SW1	
				Closed	Closed	Closed	Closed	Select Port 0 (If 5 Open)
				Closed	Closed	Closed	Open	Select Port 1 (")
				Closed	Closed	Open	Closed	Select Port 2 (")
				Closed	Closed	Open	Open	Select Port 3 (")
				Closed	Open	Closed	Closed	Select Port 4 (")
				Closed	Open	Closed	Open	Select Port 5 (")
				Closed	Open	Open	Closed	Select Port 6 (")
				Closed	Open	Open	Open	Select Port 7 (")
				Open	Closed	Closed	Closed	Select Port 8 (")
				Open	Closed	Closed	Open	Select Port 9 (")
				Open	Closed	Open	Closed	Select Port 10 (")
				Open	Closed	Open	Open	Select Port 11 (")
				Open	Open	Closed	Closed	Select Port 12 (")
				Open	Open	Closed	Open	Select Port 13 (")
				Open	Open	Open	Closed	Select Port 14 (")
				Open	Open	Open	Open	Select Port 15 (")
				Closed	-----			Deselects single channel mode.
				Open	-----			Selects single chan. mode (Sws. 1 → 4 select chan.)
				-----				Not used
				Closed	-----			Deselects burn-in
				Open	-----			Selects burn-in

Figure 6-9. Multiline TC IOC 8-Position Diagnostic Switch

6.2.3.3.2 Gate Array TC Controller Loopback Test Switch Settings

CAUTION

Do NOT run the X.21 loopback test with the RS-449 loopback connector in place. Do NOT run the RS-449 loopback test with the X.21 loopback connector in place. Failure to observe this caution may result in severe damage to the board.

TROUBLESHOOTING

SW1, an 8-position DIP switch on the Gate Array Telecommunications (GATC) controller, is used to enable loopback testing and to select the interface(s) to be used for loopback testing. Refer to table 6-2 for appropriate switch settings.

Table 6-2. GATC Loopback Diagnostic Switch Settings

SWITCH POSITION								FUNCTION
1	2	3	4	5	6	7	8	
1	0	0	0	1	1	0	1	RS-232-C external loopback
0	1	0	0	1	1	0	1	RS-232-C/RS-366 external loopback
0	0	1	0	1	1	0	1	RS-449 external loopback
1	1	1	0	1	1	0	1	RS-232-C/RS-366/RS-449 external loopback
0	0	1	0	1	1	1	1	X.21 external loopback
1	1	1	0	1	1	1	1	RS-232-C/RS-366/X.21 external loopback

1 = switch closed; 0 = switch open

NOTE

1. If loopback test is selected (switch 8 in "1" closed position), ensure that appropriate loopback connectors are installed.
2. When performing external RS-232-C loopback test, shunt P1 on the 210-8712 board (R1) must be in the NULL/LOOPBACK position. If it is not, the test will fail. For R0 boards, the CLK0 pin must be reconnected with a short jumper wire. Refer to schematics.

Use only the following loopback connectors for the GATC:

- RS-232-C (WLI P/N 420-1041)
- RS-232-C/RS-366 (WLI P/N 420-1041)
- RS-449 (WLI P/N 270-3193)
- X.21 (WLI P/N 421-0010)

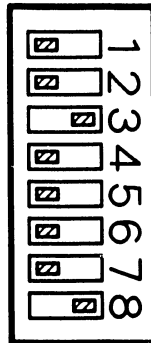
NOTE

An option for external loopback testing on powerup can be exercised provided that SW1 switch settings are correct and loopback connectors are installed prior to power-up or system reset.

6.2.3.3.3 CIU BLANC IOC Switch Settings

For normal power-up BIT switch settings, refer to Section 7.

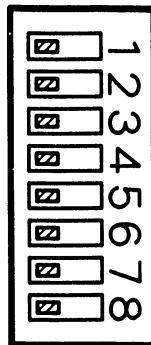
- a. Off-line BLANC IOC testing - set the switch at L272 on the 210-8392-A BLANC board as shown in figure 6-10 and execute the I/O Bit Monitor from the DCS Diagnostic Selection Menu, figure 6-5. The monitor will display the CIU slot location. Error codes are given in table 6-4.



= switch position

Figure 6-10. Switch L272 Settings For CIU BLANC IOC Off-line Test

- b. Off-Line CAB IOC testing - set SW1 on the BLANC IOC as shown in figure 6-11 and execute the I/O Bit Monitor. This will test the BLANC, CAB, and the 8-bit bidirectional bus between the boards.



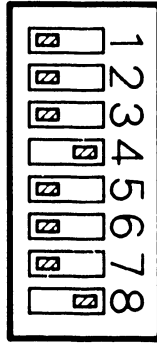
= switch position

Figure 6-11. Switch L272 Settings For CIU CAB IOC Off-line Test

- c. Off-Line Modem testing - set SW1 on the BLANC IOC (figure 6-12). Connect either a 40 db loopback test pad, consisting of two 20 db pads (WLI P/N 336-2002) and one 1-ft cable (WLI P/N 220-0314), or a cable simulator (WLI P/N 190-0744) to the transmit and receive connectors of the modem. Execute the I/O Bit Monitor and let the monitor to run for at least three complete passes. Error codes are given in table 6-4.

CAUTION

Do NOT run the external loopback test with live WangNet cables connected to the modem. The test will cause the WangNet contention fields to drop out of synchronization.



☑ = switch position

B 030631 Y86 2

Figure 6-12. Switch L272 Settings For External Loopback Test

6.2.4 OFF-LINE DIAGNOSTICS ERROR MANAGEMENT

When an error occurs while the off-line diagnostics are running, the DCS displays the following additional information on the diagnostic screen:

- Error Code - a six-character code (3 bytes) consisting of the diagnostic number, the test number, and the error code.
- Failing Unit - the three most likely defective field-replaceable units (FRUs), listed in descending order of probability.
- Detailed Error Message

In addition, the DCS log will be updated and the error count will be incremented (unless DCS is looping on error). If Stop on Error is selected, the DCS will stop and wait until PF key 6 (continue) is pressed. When the DCS continues, it will check to see if Loop on Error is selected. If so, the error loop count will be adjusted and control returned to the diagnostic indicating loop on error. The appropriate status messages will be displayed by the DCS.

6.2.4.1 Intermittent Error Looping

When a diagnostic comes to the end of a test, the DCS will check to see if the diagnostic was looping on error (an error occurred and Loop on Error is set). If so, this indicates that the error did not occur again. The DCS will then initiate the Loop on Test function, display an Intermittent Loop status, and indicate to the diagnostic to loop on test. When looping on an intermittent error, the test loop count and the error loop count will be affected.

6.2.4.2 I/O BIT Monitor Errors

I/O BIT Monitor Diagnostic errors are indicated on the diagnostic screen by an error code and the word "fail" next to the IOC slot number. An error code which may be encountered from time to time is FFFF. This code indicates that the IOC did not respond.

When the I/O BIT Monitor does not recognize an IOC, N/A (not available) will be displayed on the I/O BIT Monitor Diagnostic screen next to the I/O slot number. If an IOC board is physically present in a slot and N/A is displayed next to its slot number, the 8086 (or associated circuitry) on the board is bad and the IOC must be replaced. Some IOC failures put garbage on the I/O bus thus causing other IOCs to fail the BIT diagnostic. The bad IOC in this case will have "N/A" next to its slot number.

6.2.4.2.1 MLTC IOC Loopback Test Error Codes

The following table explains error codes XX51 thru XX55, which may be encountered during the IOC loopback test. The first two digits of the error code identify the interface port number and half-panel. The table uses error code XX52 (failure in RS-232 tests) as an example.

Table 6-3. MLTC IOC Loopback Test Error Codes

<u>Error Code</u>	<u>Port Number</u>	<u>Half-panel Number</u>
0152	0	1
0252	1	1
0352	2	1
0452	3	1
0552	0	2
0652	1	2
0752	2	2
0852	3	2
0952	0	3
1052	1	3
1152	2	3
1252	3	3
1352	0	4
1452	1	4
1552	2	4
1652	3	4

6.2.4.2.2 GATC Control Panel LED BIT Error Display

NOTE

If switch 8 of SW1 is ON (closed), the loop on program function is enabled, allowing for continuous looping through all of the tests in the diagnostic PROM. Run time is approximately 30 seconds. Successful completion of each loop is indicated by LED 7 ON and LED 8 flashing. LED 7 will be turned OFF after the memory tests have been completed on each consecutive loop.

TROUBLESHOOTING

The GATC controller assembly contains an eight-LED display that indicates the pass/fail status of the GATC BIT. The following LED display indicates a successful BIT execution:

<u>1</u>	<u>2</u>	<u>3</u>	<u>4</u>	<u>5</u>	<u>6</u>	<u>7</u>	<u>8</u>
OFF	OFF	OFF	OFF	OFF	OFF	ON	FLASHING

If any other combination is displayed, the BIT has failed. When an error occurs, the operating system (OS) cannot access the GATC.

6.2.4.2.3 CIU I/O Monitor Error Codes

Table 6-4. CIU I/O Bit Monitor Error Codes

<u>Error Code</u>	<u>Failing Unit</u>
X0XX	BLANC
X1XX	CAB
X2XX	Modem

NOTES

1. Third digit indicates failing component.
2. X equals don't care.

6.2.4.3 DCS Log

The DCS log, accessed through the DCS HELP Menu, is used to keep a record of errors that occur while running the diagnostics. Two types of log entry formats are possible. The first format consists of what will automatically be logged at the occurrence of an error, including: the current time, the diagnostic name, test, error code, failing unit, and a condensed copy of what was displayed in the message area. The second format is a picture of the DCS screen at the time the error occurred. This screen will be logged when the PF 7 key is pressed.

6.3 ON-LINE DIAGNOSTICS

In addition to the off-line and stand-alone diagnostics described above, the VS-7100 contains several on-line programs that may be executed while the customer is running. These programs are a series of four exercisers that test the following peripherals: workstations, disk drives, tape drives, and printers. The diagnostics, along with a monitor program, are part of a VS on-line test package called "VSTEST" located in library @SYSTST@.

6.3.1 VS ON-LINE VSTEST MONITOR

The VS On-line Monitor is the user interface for VSTEST. The monitor runs under the control of Operating System (OS) Release 6.20 and later releases. With releases prior to Release 7.20.00, however, the monitor cannot be used to do the following:

- Test workstations and printers unless they are first released via the operator's console.
- Test the disk ECC function.
- Do seek tests on disks in shared use.

The monitor allows the user to test in either of two modes:

- Noninteractive - no user intervention is required. Once started, tests run to completion automatically.
- Interactive - user intervention required to control and monitor tests.

The advantage of the noninteractive mode is its ease of use. The advantage of the interactive mode is its list of options; it allows the user to test individual device functions. The noninteractive mode is used to test workstations, disk drives, tape drives, and printers. The interactive mode is used to test only workstations, disk drives, and tape drives. Help screens displayed while the monitor is in a particular mode relate only to that mode.

The VS On-line Monitor provides a series of screens which allows the user to initiate, control, and monitor the testing process. These screens include:

- Main Screen
- Log Program Output Screen
- Device Class Selection Screen
- System Configuration Screens
- Message Screen

6.3.1.1 Main Screen

The Main Screen is displayed whenever the user enters the Monitor. From it the user can go to the Log Program Output Screen, the Device Class Selection Screen, or the Message Screen. These three screens give the user access to any feature offered by the Monitor.

TROUBLESHOOTING

6.3.1.2 Log Program Output Screen

This screen allows the user to select options for logging messages received by the Monitor from VSTEST diagnostic programs during the testing process. From this screen the user can return to the Main Screen.

6.3.1.3 Device Class Selection Screen

This screen allows the user to deal with all devices at a time in one or more device classes. Options include: (1) initiate noninteractive testing, (2) cancel testing, or (3) select the class of devices for which to view the System Configuration Screens. From the Device Class Selection Screen, the user can go to the System Configuration Screens, the Message Screen, or back to the Main Screen.

6.3.1.4 System Configuration Screens

These screens allow the user to deal with one or more devices at a time in a single device class. Options include: (1) initiate noninteractive testing, (2) cancel testing, or (3) initiate interactive testing on one device at a time. From the System Configuration Screens the user can go to the Message Screen or back to the Device Class Selection Screen.

The following messages (table 6-5) may appear in the status columns of the System Configuration Screens. These messages provide information about the device or the test program associated with the device.

Table 6-5. System Configuration Screen Status Messages

<u>Status Message</u>	<u>Definition</u>
AL	Standard ANSI-type labels (tape only).
CNCLNG	The program which has been testing the device is being cancelled.
DT	The device is detached.
ERR004	The volume on which the requested test program file resides is not mounted.
ERR008	The volume on which the requested test program file resides is being used exclusively by another task.
ERR012	The Monitor is unable to initiate the requested test program.
ERR016	The library in which the requested test program file resides cannot be found.
ERR020	The requested test program file cannot be found.
ERR024	Not used.
ERR028	Not used.

Table 6-5. System Configuration Screen Status Messages (Cont'd)

Status Message	Definition
ERR032	A disk VTOC error has occurred on the volume on which the test program file resides. FDX1 and FDX2 do not agree.
ERR036	A disk VTOC error has occurred on the volume on which the test program file resides. FDX2 and FDR do not agree.
ERR040	The name of the file, library, or volume associated with the requested test program has been incorrectly specified.
ERR044	The VTOC for the volume on which the requested program file resides is unreliable.
ERR048	An attempt to scratch a procedure that spawned a test program requested at an earlier time has failed.
ERR052	The requested test program is already in progress.
EX	Exclusive use (tape or disk). The volume may be accessed (read or written to) and dismounted by the mounting user only. This program is not the mounting user.
F	Fixed disk.
IL	Standard IBM-type labels (tape only).
LOADING	The requested test program is being loaded (initiated).
NL	No labels are present on the volume (disk or tape).
NM	Not mounted (disk or tape).
PR	Protected use (disk only). The volume may be read by any user but updated and dismounted by the mounting user only. This program is not the mounting user.
PRTTSK	The device (printer only) is under the control of the system printer task. It can not be determined if the device is idle, waiting for a print file, or printing.
R	Removable disk.
RLSD	The device (workstation or printer) is released from operating system control and may be acquired by any task.
RR	Restricted removal (disk only). The volume may be accessed (read or written to) by any user but dismounted by the mounting user only. This program is not the mounting user.
SH	Shared access (disk and tape). The volume may be accessed (read and written to) and dismounted by any user.
SL	Standard Wang VS labels (disk only).
SYSTEM	The device (printer only) is under the control of an unknown system task.
TESTING	The device is now being tested by a program initiated by this monitor.
TSKMGR	The device (workstation only) is under the control of the system task manager.
WP	The device (printer only) is under the control of the word processor printer task.

TROUBLESHOOTING

6.3.1.5 Message Screen

This screen displays the messages received by the Monitor from the test programs. From this screen the user can return to the last screen viewed.

6.3.2 VS ON-LINE WORKSTATION EXERCISER (WSEX)

The VS On-line Workstation Exerciser (WSEX) is a test program that verifies proper operation of workstations by exercising workstation functions. WSEX tests both the controller and the workstation.

6.3.2.1 Hardware Tested

All devices which have a device class equal to "WORKSTATION" and which support normal WS I/O are supported by this program.

6.3.2.2 Running WSEX

WSEX operates under the control of the VS On-line Monitor, and all user interface is through the Monitor. To run WSEX, select WORKSTATIONS from the On-line Monitor Device Class Selection screen and press RETURN. Position the cursor next to the workstation(s) you wish to test on the System Configuration screen, press PF1 (Select), type a nonblank character, and press RETURN. Normally the test program requires no user interaction other than initiating the tests. However, by pressing the HELP key at the workstation under test, options are made available to terminate testing, continue with automatic testing, or enter the interactive mode which requires user intervention. See figure 6-13.

WSEX/WORKSTATION EXERCISER INTERRUPTED

PLEASE SELECT ONE OF THE FOLLOWING:

PF1/INDENT - TO CONTINUE AUTOMATIC DISPLAY TESTS.

PF4/FORMAT - TO SELECT INTERACTIVE TESTS.

PF16/GO TO PAGE - TO TERMINATE TESTING OF THIS WORKSTATION.

THIS WORKSTATION IS CURRENTLY BEING TESTED. IF YOU WISH TO USE THIS WORKSTATION NORMALLY THEN PLEASE PRESS THE PF16 OR THE GO TO PAGE KEY. IF YOU WANT THE AUTOMATIC TESTING TO RESUME THEN PRESS THE PF1 OR THE INDENT KEY. TO TEST THE KEYBOARD AND RUN OTHER NONAUTOMATIC TESTS THEN PRESS PF4 OR THE FORMAT KEY.

Figure 6-13. Workstation Interrupted by HELP Screen

The tests are divided into two parts: automatic tests consisting of screen display and functional tests, and interactive tests including keystroke verification and visual attribute displays.

6.3.2.3 WSEX Automatic Tests

1. Screen Display Tests
 - a. Even Parity Bit Cell Test - verifies ability of every location of display memory to hold even parity data patterns.
 - b. Odd Parity Bit Cell Test - verifies ability of every location of display memory to hold odd parity data patterns.
 - c. Row Count Test - verifies that each can hold data different from another row.
 - d. Column Count Test - verifies that each column can hold data different from another column.
2. Display Control Tests
 - a. Write and Read Tab Stops - verifies that the correct maximum number of tab stops can be programmed and that tab stops are reset correctly when reprogrammed.
 - b. Write and Read Field Attribute Characters - verifies that fields, written with various attributes and then read, are set correctly.
 - c. Write with Roll Down - verifies the ability of the workstation to correctly roll down rows and to not alter the rows above the roll down row.
 - d. Write with Erase Modifiable Field to Pseudoblanks - ensures that modifiable fields can be erased to pseudoblanks by command.
 - e. Write with Erase and Protect Rest of Screen - ensures that rows below the designated row are erased and protected by the Erase and Protect command.
 - f. Read Altered with Selected Fields - verifies that selected and only selected fields can be read with the Read Altered command.
 - g. Read and Read Altered with Blinking Fields - ensures that the link attribute changes to normal when the screen is read.
 - h. Read and Read Altered with Pseudoblanks - verifies that when modifiable fields are read, all pseudoblanks within the fields are changed to blanks.
 - i. Write Selected - ensures that data, written into selected fields in first and last rows, are changed.

TROUBLESHOOTING

- j. Rotating Character Test - verifies that all locations of the display can hold all possible patterns of data.

6.3.2.4 WSEX Interactive Tests

These tests are invoked either by selecting I/A Tests from the On-line Monitor Device Class screen or by pressing the HELP key on the workstation under test and pressing either PF4 or the FORMAT key from the WSEX INTERRUPTED screen. All of the automatic tests are available from the interactive test screen in addition to the three interactive tests described below. The difference is that the user now has the choice of selecting one, several, or all of the automatic tests. Several options are also made available to the user including: loop on test, halt on error, continue on error, pause, etc. The three tests that require user intervention are:

1. Data Entry Into Selected Attribute Test - validates data entry into fields with various attributes. The test verifies that protected fields have not been changed, upper-case only fields contain only upper case, and numeric only fields contain only numbers, "+" and/or ".".
2. Keystroke Verification/Selected Fields Modification Test - verifies the correct recognition of function keys, confirmation of changes to field, and positioning to tab stops.
3. Cursor Positioning Test - ensures that the cursor is correctly positioned under program control.

6.3.2.5 WSEX Error Codes

WSEX error codes (tables 6-6 thru 6-9) are four characters long and are divided into two subfields. The first character defines the subtest that was active at the time the error occurred, the second character defines the error type, and the last two characters are type qualifiers.

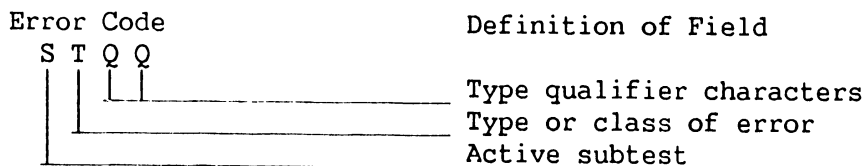


Table 6-6. WSEX Subtest Codes

Subtest Code	Test Name	Run Sequence
A	Write/Read Field Attribute Test	6
B	Write with Erase to Pseudoblanks Test	9
C	Cursor Position Test (I)	18
D	Data Entry into Selected Fields Test (I)	16

Table 6-6. WSEX Subtest Codes (Cont'd)

Subtest Code	Test Name	Run Sequence
E	Even Parity Display Test	1
F	Read Altered with Selected Fields Test	11
G	Read/Read Altered with Blink Test	12
H	Read/Read Altered with Pseudoblink Test	13
I	Column Count Test	4
J	Row Count Test	3
K	Keystroke Verification Test (I)	17
O	Odd Parity Display Test	2
P	Write with Erase and Protect Test	10
R	Rotating Character Test	15
S	Initial Setup Code	
T	Tab Stop Write/Read Test	5
U	Write with Roll Down Test	7
V	Write with Roll Up Test	8
W	Write Selected Test	14

Table 6-7. WSEX Error Type Codes

Type Code	Definition
V	System service (cannot acquire resource or inconsistent)
S	IOSW soft status (corrected error)
T	XIO check timeout error after 10 seconds
H	IOSW hard status (noncorrected error)
F	IOSW fatal status (hard error - cannot continue)
X	XIO return code error
C	Missing XIO check (never received check on XIO)
D	Data miscompare

The following error codes apply to all WSEX tests. Replace the asterisk with one of the subtest codes from table 6-6.

Table 6-8. WSEX Error Codes For All Tests

Error Code	Definition
*D00	Data Miscompare (read after write)
*F00	Fatal IOSW Error (cannot continue)
*H00	Hard IOSW Error
*S00	Soft IOSW Error
*T00	XIO Timed out after 20 seconds
*X??	XIO Return Code Error (??=decimal ret code)

TROUBLESHOOTING

Table 6-9. Additional WSEX Error Codes

Error Code	Definition
CD80	Cursor position test; cursor in wrong position
DD10	Data entry test; lower-case entry in upper case field
DD20	Data entry test; nonnumeric entry in numeric field
System-related Error Codes	
SV00	Get heap memory SVC failed
SV01	Get heap memory SVC failed
SV02	Get heap memory SVC failed
SV03	Get heap memory SVC failed
SV04	Get heap memory SVC failed
SV08	Not a workstation at specified address
SV09	Not a supported workstation at specified address
SV10	Cannot reserve a workstation
SV20	Device address > 255
SV30	Cannot create message port (SYSTEM getheap problem)

6.3.2.6 WSEX Error Messages

WSEX error messages consist of lines of up to six fields. These fields are: unit under test address, program identifier code, error code, program title/function, routine or subtest that was active at the time of failure, and error description. See the sample below in figure 6-14.

```
UNIT ADDRESS          PROGRAM TITLE
 /   /   /           /   /   /
 /   /   /   PROGRAM IDENTIFIER /   /   /   ACTIVE SUBTEST
 /   /   /   ERROR CODE       /   /   /   ERROR DESCRIPTION
 /   /   /   /               /   /   /
0065 WSX0 RH00 WSEX/Workstation Test, Rotating Characters, Hard Error
```

Figure 6-14. WSEX Error Message Format

6.3.3 VS ON-LINE DISK EXERCISER (DISKEX)

The VS On-line Disk Exerciser (DISKEX) is a test program that verifies proper disk operation by exercising disk drive functions. DISKEX tests both the controller and the drive.

6.3.3.1 Hardware Tested

All devices which have a device class equal to "DISK" are supported by this program. For a device with a removable volume, DISKEX will attempt to mount a volume on that drive. If no volume is physically present, no testing is done. Only volumes which have a standard label and which allow read/write

access to the exerciser are tested. If a device contains both a fixed and a removable volume, each is treated as a separate device.

6.3.3.2 Running DISKEX

DISKEX operates under the control of the VSTEST On-line Monitor, and all user interface is through the Monitor. To run DISKEX, select DISKS from the On-line Monitor Device Class Selection screen and press RETURN. Position the cursor next to the disk(s) you wish to test on the System Configuration screen, press PF1 (Select), type a nonblank character, and press RETURN. No user interaction is required once the tests have been initiated.

6.3.3.3 DISKEX Tests

The following tests are currently supported by the DISKEX program:

1. Seek Max/Min Test - ensures that the OS, microcode, controller, and drive support positioning of the heads on the first and last cylinders of the disk. This test also ensures that seeks to a cylinder which does not exist are detected and inhibited.

NOTE

Under the current implementation, this test is performed only if the volume can be remounted Bypass Label Processing.

2. Command Test - verifies data transfer commands by ensuring that the correct block and length was written and read.
3. Cylinder Address Test - performs a butterfly pattern cylinder address test (convergent/divergent) that checks the mechanical positioning hardware, the analog controlling circuits, and the digital seek circuits.

NOTE

Under the current implementation, this test is performed only if the volume can be remounted Bypass Label Processing.

4. Random Data Test - consists of three subtests which ensure that all blocks within the file can hold unique data, check the write/verify and read commands, and ensure correctness of randomly written and generated data by reading it and comparing it to the original data.

TROUBLESHOOTING

6.3.3.4 DISKEX Error Codes

DISKEX error codes (tables 6-10 thru 6-16) are four characters long and are divided into two subfields. The first character defines the subtest that was active at the time the error occurred, the second character defines the error type, and the last two characters are type qualifiers.

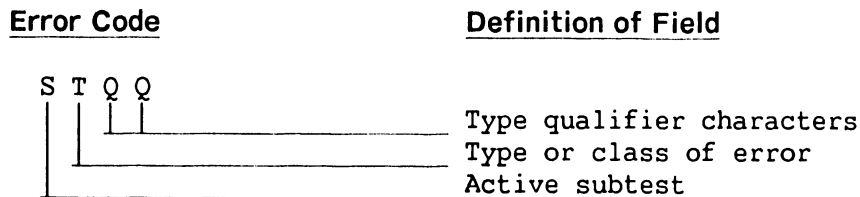


Table 6-10. DISKEX Subtest Codes

<u>Subtest Code</u>	<u>Test Name</u>
I	Command Test
D	Data Test
E	ECC Test
M	Seek to Max/Min Test
C	Cylinder Address Test
S	Initial Set Up Code

Table 6-11. DISKEX Error Type Codes

<u>Type Code</u>	<u>Definition</u>
V	System service (cannot acquire resource or inconsistent)
S	IOSW soft status (corrected error)
H	IOSW hard status (noncorrected error)
F	IOSW fatal status (hard error - cannot continue)
X	XIO return code error
Z	XIO return code error (expected code is not 12)
C	Missing XIO check (never received check on XIO)
D	Data transfer incorrect
R	Rea VTOC error
M	Volume remount return code error

Table 6-12. DISKEX Cylinder Address Test Error Codes

<u>Error Code</u>	<u>Definition</u>
CC00	XIO complete is missing
CF00	Fatal IOSW error (intervention required)

Table 6-12. DISKEX Cylinder Address Test Error Codes (Cont'd)

<u>Error Code</u>	<u>Definition</u>
CH00	Hard IOSW error
CS00	Soft IOSW error
CX??	XIO return code error (VOL XIO)
CM??	Volume remount error (EXIT vol IO)

Table 6-13. DISKEX Data Test Error Codes

<u>Error Code</u>	<u>Definition</u>
DC00	XIO complete is missing
DD00	Data miscompare (read data which was not written)
DF00	Fatal IOSW error (intervention required)
DH00	Hard IOSW error
DS00	Soft IOSW error
DX??	XIO return code error (FILE XIO)

Table 6-14. DISKEX Command Test Error Codes

<u>Error Code</u>	<u>Definition</u>
IC00	XIO complete is missing
ID00	Data miscompare (read data which was not written)
ID80	Read of 1 BLK modified more than 1 BLK of memory
ID90	Wrote 1 BLK but modified more than 1 file BLK
IF00	Fatal IOSW error (intervention required)
IH00	Hard IOSW error
IS00	Soft IOSW error
IR??	VTOC return code error
IX??	XIO return code error (FILE XIO)

Table 6-15. DISKEX Seek Max/Min Test Error Codes

<u>Error Code</u>	<u>Definition</u>
MC00	XIO complete is missing
MF00	Fatal IOSW error (intervention required)
MH00	Hard IOSW error
MS00	Soft IOSW error
MZ??	XIO return code should be 12, but is not
MX??	XIO return code error (VOL XIO)
MM??	Volume remount error (EXIT vol IO)

TROUBLESHOOTING

Table 6-16. DISKEX System Error Codes

<u>Error Code</u>	<u>Definition</u>
SV00	Get Heap memory SVC failed (buffer 0)
SV01	Get Heap memory SVC failed (buffer 1)
SV02	Get Heap memory SVC failed (buffer 2)
SV08	Not a disk device at specified address
SV20	Device address greater than 255
SV30	Cannot create message port (SYSTEM getheap problem)

6.3.3.5 DISKEX Error Messages

DISKEX error messages consist of lines of up to six fields. These fields are: unit under test address, program identifier code, error code, program title/function, routine or subtest that was active at the time of failure, and error description. See the sample below in figure 6-15.

UNIT ADDRESS	PROGRAM IDENTIFIER	PROGRAM TITLE	ACTIVE SUBTEST	ERROR DESCRIPTION
0065	DKX0	ID00	DISKEX/Disk Exerciser, Command Test,	Data Miscompare Error

Figure 6-15. DISKEX Error Message Format

6.3.4 VS ON-LINE PRINTER EXERCISER (PREX)

The VS On-line Printer Exerciser (PREX) is a test program that verifies proper printer operation by exercising printer functions. PREX tests all daisy wheel, matrix, band, and chain train printers currently recognizable by the operating system. It also attempts to support experimental printers.

The printer exerciser program requires that at least one printer recognizable to the operating system be attached to the system. The program also requires that the status of the printer to be tested is RELEASED. Beginning with OS Release 7.3 this will be done by PREX. With prior releases, the user can release a printer from either the Command Processor Menu or the Operator's Console Menu.

6.3.4.1 Hardware Tested

The following printers are currently supported by PREX:

2221V	2281V	5533K	5577
2231V2	2281WR	5535	5581WD
2233	2281WCR	5535K	6581W
2233K	5521	5570	6581WC
2235	5521I	5571	DWOS20
2235K	5521IK	5573	DWOS55
2263V1	5521K	5573-1	OK555
2263V2	55312	5574	TPI1
2263V3	55312K	5574-1	XPRTW
2273V1	5533	5575	XPVRT

The following printers are NOT supported by PREX:

LPS12	IP41D	5590
-------	-------	------

6.3.4.2 Running PREX

PREX operates under the control of the VSTEST On-line Monitor, and all user interface is through the Monitor. To run PREX, select PRINTERS from the On-line Monitor Device Class Selection screen and press RETURN. Position the cursor next to the unit number of the printer you wish to test on the System Configuration screen, press PF1 (Select), type a nonblank character, and press RETURN. No user interaction is required once the tests have been initiated.

The program produces hard copy output on the printer under test. This output should be checked and verified by the CE. The standard format for the output is as follows:

- Three blank lines
- Underscored test name
- Two blank lines
- Test header line(s) describing what will be done
- Test output
- One blank line
- Test trailer line(s) providing information on how to evaluate test output

6.3.4.3 PREX Tests

The VS On-line Printer Exerciser consists of the following tests:

1. HOF (Channel 1) Test - checks the ability of a printer to respond correctly to print control bytes that specify vertical format spacing to head of form.
2. Data Bus Test - checks the output of the serial interface unit and the integrity of the parallel data bus. All bit positions are tested

TROUBLESHOOTING

- in both the ON and OFF positions. Compare test output with the bit specifications in the test headers.
3. Character Set Test - prints the entire character set of the printer and the corresponding hexadecimal values (00 thru 7F) of the characters in a four column format with appropriate header lines. Compare the output against the specifications in the appropriate printer user manual.
 4. Spiral Pattern Test - prints the entire character set in consecutive print positions on a line. Succeeding lines are printed with each character shifted by one print position to produce a spiral or diagonal effect until all characters are printed in every print position. Inspect the output for alignment, bad print positions, and any other apparent abnormality.
 5. Overstrike Test - prints three full lines, each line consisting of a different pair of dissimilar characters in the same print position. This test also verifies the ability of the printer to correctly respond to print control bytes which specify vertical movement of zero lines. Inspect the output for proper registration of the overstruck characters from one end of the line to the other.
 6. Carriage Width Test - demonstrates the carriage width of the printer by printing a series of increasing length test records which are less than, equal to, or greater than the actual carriage width. The test pattern consists of repeating groups of the characters "123456789-." Count the complete groups and add the partial groups on the right (if any) to find the actual printable line length.
 7. Vertical Format Test - checks the ability of the printer to respond correctly to print control bytes that specify spacing to a vertical tab position (channel 5). Vertical tab positions occur every six lines from top of form.

NOTE

If the printer being tested is equipped with a Vertical Format Unit (VFU), correct results from this test depend upon having the Wang-supplied Vertical Format Tape mounted (the paper must be properly aligned). The use of any nonstandard Vertical Format Tape will produce ambiguous results.

8. Print Quality Test - prints series of full-width "M" and full-height "Z" characters to aid the user in determining if the print quality adjustments are set correctly. The test informs the user about what specific faults to look for in each part of the test.
9. Matrix Pattern Test - prints a pattern consisting of 5 x 5 character blocks on matrix printers. Characters are chosen so that all elements of the dot matrix are activated.

10. Worst Case Pattern Test - prints a series of lines consisting of a character pattern chosen to maximize print wheel rotation on daisy wheel printers.
11. Expanded Print Test - checks the ability of most matrix printers to correctly respond to print control bytes which specify double-width characters.

6.3.4.4 PREX Error Codes

PREX error codes (table 6-17) consist of four characters. The first two characters define the area of the program in which the error occurred:

- IN - error occurred during program startup (initialization).
- OP - error occurred in the routine that sets up the User File Block and opens the printer file.
- XP - error occurred in the routine that performs I/O to the printer.
- RP - error occurred in the routine that builds print records.

The last two characters are sequence designators and have no special significance. The most likely type of errors to occur will be I/O errors, especially error code XP05.

Table 6-17. PREX Error Codes

<u>Error Code</u>	<u>Definition</u>
IN00	The monitor has specified an invalid device address at task creation time. (The text portion of the error message will display the invalid device address as received from the monitor in the parameter passing area.)
IN01	The program is not able to reserve the device to be tested. The UNITRES SVC has failed for some reason. (The text portion of the error message will include the return code.)
IN02	The program is not able to create a port for the receipt of messages from the monitor. The CREATE SVC has failed for some reason other than the specification of a port name which already exists on the system. If a duplicate port name is specified, the program will retry the CREATE with other port names until successful.
IN03	The program is not able to obtain memory space required for a print buffer. The GETHEAP SVC has failed for some reason. (The text portion of the error message will include the return code.)
OP00	The device specified by the monitor for testing is not a printer.
OP01	The User File Block for the printer to be tested indicates that the file is open when it should be closed.

TROUBLESHOOTING

Table 6-17. PREX Error Codes (Cont'd)

Error Code	Definition
OP02	The program is unable to open the file for the printer. The OPEN SVC has failed for some reason. (The text portion of the error message will include the UFB file status bytes which are analyzed for some values in order to provide additional information.)
XP00	The program has determined that the file is not open or the User File Block is bad.
XP01	The data length specified for the call to XIO is negative.
XP02	The data length specified for the call to XIO is greater than 2048 bytes.
XP03	The call to XIO was unsuccessful. The XIO SVC has failed for some reason. (The text portion of the error message will include the return code which is analyzed for some values in order to provide additional information.)
XP04	I/O completion did not occur within the time limit.
XP05	Unexpected IOSW bit(s) set. (The IOSW is analyzed bit by bit in order to present additional text information in the message.)
RP00	Attempt to move text string into work buffer was unsuccessful.
RP01	Attempt to build a print record in the print buffer was unsuccessful.

6.3.4.5 PREX Error Messages

PREX error messages consist of lines of up to five fields. These fields are: error code, program identifier code, program title/function, area of the program where the error occurred, and error description. See the sample error message below in figure 6-16.

```
      ERROR CODE          PROGRAM TITLE
      /          /          /          /
      /          /          /          /
      /          /          /          /
      /          /          /          /
IN00 PRX0 PREX/Printer Exerciser, Program Startup, Parameter Error
```

Figure 6-16. PREX Error Message Format

6.3.5 VS ON-LINE TAPE EXERCISER (TPEX)

The VS On-line Tape Exerciser (TPEX) is a test program that verifies proper operation of tape drives by exercising tape drive functions. TPEX tests the tape drive, the formatter, and the VS tape Input/Output Controller (IOC).

6.3.5.1 Hardware Tested

TPEX tests all Kennedy and Telex tape drives configured in the VS-7100 Computer System.

6.3.5.2 Running TPEX

TPEX operates under the control of the VSTEST On-line Monitor, and all user interface is through the monitor. To run TPEX, select TAPES from the On-line Monitor Device Class Selection screen and press RETURN. Position the cursor next to the unit number of the tape drive you wish to test on the System Configuration screen, press PF1 (Select), type a nonblank character, and press RETURN.

NOTE

To decrease the time it takes to run this program, use a tape reel with 600 feet of tape.

Normally no user interaction is required once the tests have been initiated. However, TPEX may also be run in the interactive mode. In this mode, a Test Selection screen allows the selection of one or more tests.

6.3.5.3 TPEX Tests

1. Basic Command Code Test - performs a comprehensive check of command decode and execution circuitry and a limited check of the data transfer circuitry of the tape unit and IOC.
2. Tape Movement Test - executes all of the tape movement commands to verify that they are working. This test verifies that the tape drive is able to sense the Tape Mark character and position itself anywhere on tape.
3. Variable Data Length Test - writes and reads variable length data patterns (18 bytes to 30K bytes) to ensure that the tape drive can position the tape head and read the data correctly.
4. Tape Creep Test - exercises the ability of the tape to properly position the tape at records. Functions checked include the tape capstan servo circuitry and areas of the mechanical feed path. This test is divided into two subtests:
 - The first subtest checks for record overlap when a number of Backspace/Write commands are issued.
 - The second subtest checks the start/stop timing between records.
5. Random Operations Test - verifies correct operation of the tape subsystem using a series of commands, data, and data length values. Functions tested include Write, Read, spacing commands, random data

TROUBLESHOOTING

values (0 - 65536), and random data count values (0 - 32512).

6. Rewind Test - verifies proper rewind of the tape after End of Tape (EOT) has been sensed.
7. Write at High Density and Read at Low Density - tests the Kennedy dual density tape drive by writing at high density (1600 bpi PE mode for nine track and 800 bpi NRZI for seven track) and reading at low density (800 bpi NRZI for nine track and 556 bpi NRZI for seven track).
8. Write at Low Density and Read at High Density - tests the Kennedy dual density tape drive by writing at low density (800 bpi NRZI for nine track and 556 bpi NRZI for seven track) and reading at high density (1600 bpi PE mode for nine track and 800 bpi NRZI for seven track).

6.3.5.4 TPEX Error Codes

TPEX error codes (tables 6-18 thru 6-25) are four characters long and are divided into the following three categories:

- 0000 - All characters numeric. The first character is the test number, the second character is the routine number, and the third and fourth characters are the number of the error in that routine. Most of the error codes are of this type.
- S000 - Character "S" indicates a Supervisor Call (SVC), the normal interface between user programs and and supervisory routines. The second and third characters indicate the number of the supervisor call and the last character indicates the number of the error in that supervisor call.
- DV00 - "DV" indicates a device error. The last two characters are the error number.

Table 6-18. TPEX Initialization Error Codes

<u>Error Code</u>	<u>Definition</u>
DV00	Device address given by user is beyond range for devices.
S000	Tried to open the tape drive and received an error indication from the Open SVC00.
S280	Device given by the user is not a tape.
S300	Tried to mount the tape drive and received an error indication from the mount SVC30.
S360	Program is unable to find a message port that is not in use.
S361	Create macro tried to create a port but received a getmem error.

Table 6-19. Test 0 Command Test Error Codes

<u>Error Code</u>	<u>Definition</u>
Subtest 0 - Write, Read, and Rewind Verification	
0000	Rewind to load point and check for load point bit in the Input/Output Status Word (IOSW). If bit not set, additional message is displayed.
0001	Write of 2048 bytes to the tape drive using the data 0000 was attempted but a tape I/O error occurred.
0002	Write of 2048 bytes to the tape drive using the data A95B was attempted but a tape I/O error occurred.
0003	Write of 2048 bytes to the tape drive using the data FF00 was attempted but a tape I/O error occurred.
0004	Rewind to load point and check the load point bit in the Input Output Status Word (IOSW).
0005	Read of 2048 bytes from the tape drive expecting data 0000 was attempted. A tape I/O error or data compare error occurred.
0006	Read of 2048 bytes from the tape drive expecting data A95B was attempted. A tape I/O error or data compare error occurred.
0007	Read of 2048 bytes from the tape drive expecting data FF00 was attempted. A tape I/O error or data compare error occurred.
Subtest 1 - Erase Command Test	
0100	Rewind to load point and check for load point bit in the Input/Output Status Word (IOSW). If bit not set, additional message is displayed.
0101	Write of 2048 bytes to the tape drive using the data 3A3A was attempted. A tape I/O error or data compare error occurred.
0102	Erase Tape Command was issued to attempt to write an erase gap on tape but a tape I/O error occurred.
0103	Write of 2048 bytes to the tape drive using the data FFFF was attempted but a tape I/O error occurred.
0104	Write of 2048 bytes to the tape drive using the data 5B5B was attempted but a tape I/O error occurred.
0105	Erase Tape Command was issued to attempt to write an erase gap on tape but a tape I/O error occurred.

TROUBLESHOOTING

Table 6-19. Test 0 Command Test Error Codes (Cont'd)

<u>Error Code</u>	<u>Definition</u>
0106	Write of 2048 bytes to the tape drive using data C5C5 was attempted but a tape I/O error occurred.
0107	Read of 2048 bytes from the tape drive expecting data 3A3A was attempted. A tape I/O error or data compare error occurred.
0108	Read of 2048 bytes from the tape drive expecting data FFFF was attempted. A tape I/O error or data compare error occurred.
0109	Read of 2048 bytes from the tape drive expecting data 5B5B was attempted. A tape I/O error or data compare error occurred.
010A	Read of 2048 bytes from the tape drive expecting data C5C5 was attempted. A tape I/O error or data compare error occurred.

Subtest 2 - Back Space Block Test

0200	Rewind to load point and check for load point bit in the Input/Output Status Word (IOSW). If bit not set, additional message is displayed.
0201	Write of 2048 bytes to the tape drive using the data FFFF was attempted but a tape I/O error occurred.
0202	Write of 2048 bytes to the tape drive using the data 0000 was attempted but a tape I/O error occurred.
0203	Write of 2048 bytes to the tape drive using the data A95B was attempted but a tape I/O error occurred.
0204	Back Space Block Command was attempted but a tape I/O error occurred or read of 2048 bytes from the tape drive expecting A95B was attempted and a tape I/O or data compare error occurred.
0205	Back Space Block Command was attempted twice but a tape I/O error occurred or a read of 2048 bytes was attempted twice. The first read expected data 0000 and the second read expected data A95B. A tape I/O error or a data compare error was detected.
0206	Back Space Block Command was attempted three times but a tape I/O error occurred or a read of 2048 bytes was attempted three times. The first read expected data FFFF, the second expected data 0000, and the third expected data A95B. A tape I/O error or a data compare error occurred.

Table 6-19. Test 0 Command Test Error Codes (Cont'd)

Error Code	Definition
Subtest 3 - Forward Space Block Test	
0300	Rewind to load point and check for load point bit in the Input/Output Status Word (IOSW). If bit not set, additional message is displayed.
0301	Read of 2048 bytes from the tape drive expecting data FFFF was attempted. A tape I/O error or a data compare error occurred.
0302	Forward Space Block Command gave a tape I/O error when executed.
0303	Read of 2048 bytes from the tape drive expecting data A95B was attempted. A tape I/O error or data compare error occurred.
Subtest 4 - Write Tape Mark Test	
0400	Rewind to load point and check for load point bit in the Input/Output Status Word (IOSW). If bit not set, additional message is displayed.
0401	Write of three records of 2048 bytes each using the data patterns FF00, 0000, and 5BA9 was attempted but a tape I/O error occurred.
0402	Indicates a rewind and read of two records. A tape I/O error or data compare error occurred.
0403	Write Tape Mark Command was attempted at record three but a tape I/O error occurred.
0404	Tape was rewound to load point and the first two records were read expecting data FF00 and 0000. Third record, written over by the tape mark, was read and the read buffer was checked to see if data was transferred. The command in error is displayed.
Subtest 5 - Forward Space File Command Test	
0500	Rewind to load point and check for load point bit in the Input/Output Status Word (IOSW). If bit not set, additional message is displayed.
0501	Write of 2048 bytes to the tape drive using the data A95B was attempted but a tape I/O error occurred.
0502	Write Tape Mark Command was attempted at record three but a tape I/O error occurred.

TROUBLESHOOTING

Table 6-19. Test 0 Command Test Error Codes (Cont'd)

<u>Error Code</u>	<u>Definition</u>
0503	Write of 2048 bytes to the tape drive using the data 00FF was attempted but a tape I/O error occurred.
0504	Rewind to load point and forward space to file mark was attempted but a tape I/O error occurred or the load point status bit was not as expected.
0505	Read of 2048 bytes from the tape drive expecting data 00FF was attempted. A tape I/O error or data compare error occurred.
Subtest 6 - Back Space File Command Test	
0600	Rewind to load point and check for load point bit in the Input/Output Status Word (IOSW). If bit not set, additional message is displayed.
0600	Rewind to load point and check load point bit in IOSW.
0601	Write of 2048 bytes to the tape drive using data FFFF or Write Tape Mark Command was attempted but a tape I/O error occurred.
0602	Write of 2048 bytes to the tape drive using data 0000 or Write Tape Mark Command was attempted but a tape I/O error occurred.
0603	Write of 2048 bytes to the tape drive using data A9A9 or Write Tape Mark Command was attempted but a tape I/O error occurred.
0604	Tape I/O error occurred after the Back Space File Command was issued or the tape mark bit in the IOSW is not set.
0605	Read Tape Mark and checked to see if Tape Mark bit in IOSW was set. Read record three expecting data A9A9, performed two Back Space Files, and sensed the Tape Mark. Tape Mark status bit not as expected or incorrect length status bit not as expected.
0606	Read Tape Mark and checked to see if Tape Mark bit in the IOSW was set. Read record 2 expecting data 0000. Tape Mark status bit not as expected or incorrect length status bit not as expected.
0607	Back Space File command executed until load point sensed. If load point not sensed, additional error message displayed.

Table 6-20. Test 1 Tape Movement Test Error Codes

Error Code	Definition
Subtest 0 - Write Two Files for Testing	
1000	Rewind to load point was attempted to start Tape Movement Test and failed because of rewind command error or load point bit in IOSW was not sensed.
1001	Attempted to write a file (File 1) of two 2048 byte records and a Tape Mark, for the Tape Movement Test.
1002	Attempted to write file a (File 2) of two 2048 byte records, a Tape Mark, an Erase gap, two more records, and two Tape Marks.
1003	Attempted to read a 2K block from File 1 and checked to see if data was correct.
1004	Attempted to back space to load point and sense the load point bit in the IOSW but a tape I/O error occurred. If load point bit not set, additional message is displayed.
1005	Attempted to position the tape at the first tape mark by issuing the Forward Space Block Command twice, but a tape I/O error occurred.
1006	Attempted to read a tape mark and checked to see if any data was transferred. Then a Back Space File to Tape mark was executed. A tape I/O error occurred after executing one of these commands.
1007	Attempted to read and check record 2 of File 1 by issuing the Back Space Block Command or the Read Command. A tape I/O error resulted.
1008	Attempted to Forward Space file to the next Tape Mark but a tape I/O error occurred.
1009	Attempted to read and check record 1 of File 1 but a tape I/O error occurred.
100A	Attempted to Forward Space File to the first Tape Mark of File 2 but a tape I/O error occurred.
100B	Attempted to sense a Tape Mark after forward spacing but a tape I/O error occurred.
100C	Attempted to sense a Tape Mark after back spacing but a tape I/O error occurred.
100D	Attempted to place the tape at the first Tape Mark of File 2 by issuing the Back Space File Command but a tape I/O error occurred.

TROUBLESHOOTING

Table 6-20. Test 1 Tape Movement Test Error Codes (Cont'd)

<u>Error Code</u>	<u>Definition</u>
100E	Attempted to read record 1 of File 2 after a Back Space Block and a Forward Space File to position the tape.
100F	Attempted to rewind to load point, write a record, read the record, and sense the Phase Encode (PE) ID Burst on the tape. If the ID Burst is sensed, then the PE bit in the IOSW will be set. (Only for Telex tape drives.)
1010	Attempted to rewind to load point, write a record, read the record, and sense the Phase Encode (PE) ID Burst on the tape. If the ID Burst is sensed, then the PE bit in the IOSW will be set. (Only for Kennedy tape drives.)

Table 6-21. Test 2 Variable Data Length Test Error Codes

<u>Error Code</u>	<u>Definition</u>
Subtest 0 - Write and Read Various Data Lengths	
2000	In an attempt to write and read variable length records, a tape I/O error occurred while executing a Write, Back Space Block, or Read command.
2100	In an attempt to write a 2048 byte record and read it with a data length of 256 bytes, a tape I/O error occurred while executing a Write, Back Space Block, or Read command. If the Illegal Length (IL) bit in the IOSW is not set after the read, an additional message is displayed.

Table 6-22. Test 3 Tape Creep Test Error Codes

<u>Error Code</u>	<u>Definition</u>
Subtest 0 - Capstan Servo Circuitry Check	
3000	Attempted to write and read records with different data lengths of 2048, 4096, 8192, and 16384 bytes. A tape I/O error occurred while executing a Write, Back Space Block, or a Read command.
3001	
3002	
Subtest 1 - Mechanical Feed Path Check	
3100	Attempted to write and read records with different data lengths of 2048, 4096, 8192, and 16384 bytes. A tape I/O error occurred while executing a Write, Back Space
3101	

Table 6-22. Test 3 Tape Creep Test Error Codes (Cont'd)

<u>Error Code</u>	<u>Definition</u>
3102	Block, or a Read command.

Table 6-23. Test 4 Random Operations Test Error Codes

<u>Error Code</u>	<u>Definition</u>
Subtest 0 - Random Writes and Reads	
4000	Attempted to write and read records of random data lengths and random data until end of tape was sensed. A tape I/O error occurred while executing a Write, Back Space Block, or Read command.
4001	
4002	

Table 6-24. Test 5 Rewind Test Error Codes

<u>Error Code</u>	<u>Definition</u>
Subtest 0 - Timed Rewind from End of Tape	
5000	Attempted to rewind the tape from end of tape to beginning of tape and checked to ensure that the time to do it did not exceed seven minutes. A tape I/O error occurred while executing the Rewind Command. If the rewind to load point exceeds seven minutes, an additional message is displayed.

Table 6-25. Test 6 Density Check Test Error Codes

<u>Error Code</u>	<u>Definition</u>
Subtest 0 - Write at High Density and Read at Low Density	
6000	Attempted to write a 2048 byte record in high density and read it at low density. A tape I/O error occurred while executing the Write, Back Space Block, or Read Command.
6001	
6002	
Subtest 1 - Write at Low Density and Read at High Density	
6100	Attempted to write a 2048 byte record in low density and read it at high density. A tape I/O error occurred while executing the Write, Back Space Block, or Read Command.
6101	
6102	

TROUBLESHOOTING

6.3.6 CIU ON-LINE TESTING

All WCS/CSN diagnostics under WSNMON, such as Connect, Sync, Thruput, and Propagation test, are supported between the Inboard CIU and the Outboard CIUs.

TCTESTER is also supported on the Inboard CIU. However, internal and remote loopback capabilities are not yet available. To run TCTESTER on any CIU, bring up the receiver on one system and the transmitter on another system. To run TCTESTER on an Outboard CIU, the microcode must be a revision level 2.05.11 or higher. Refer to TSB SWG-6107 for TCTESTER ordering procedures.

6.4 MEMORY DUMP PROCEDURES

In the VS-7100, there are three procedures for completing memory dumps:

- Control Mode Dump
- Continuable Dump
- Snapshot Dump

6.4.1 CONTROL MODE DUMP

Control Mode is a central processor state in which normal program execution is suspended and certain other facilities (mainly diagnostic and initialization) are made available to the user. The system automatically enters Control Mode when problems are encountered that prevent it from proceeding with normal operations. These problems may be either hardware or software related. The user may also force the system into Control Mode. Once in Control Mode, the VS-7100 uses the SCU (as Workstation 0) to communicate with the user. While in Control Mode, the user may initiate a Control Mode dump. After completing the Control Mode dump, the user must reIPL the system.

The Control Mode dump program copies the entire contents of main memory to another storage medium to capture the state of the system when a problem occurred. The VS-7100 can use magnetic tape (except cartridge tape, 25V29), floppy diskettes, or disks for the storage medium. An analyst will use this dump information to determine the cause of the system problem.

There are two conditions under which a Control Mode dump should be taken:

- The machine has experienced a fatal error and a message describing that error is displayed on Workstation 0.
- The system appears to be hung, to be looping, a task has been abnormally terminated, a dedicated system task is cancelled, or a situation has occurred where the system manager or Wang customer engineer determines a dump is necessary.

NOTE

All required workstation operations must be performed from Workstation 0.

6.4.1.1 Errors Requiring Control Mode Dump**NOTE**

For a list of Operating System errors that require a Control Mode dump, refer to Appendix A. If one of those errors occurs, follow the procedure in paragraph 6.4.1.2.

Table 6-26 below lists IPL and CP Initialization errors. The table lists the Program Control Words (PCWs) displayed on Workstation 0 as well as an explanation of each.

Table 6-26. IPL and CPINIT Errors

<u>IPL Error #</u>	<u>PCW Display</u>	<u>IPL Error Message</u>
001	00FFFF02 40000000	Not enough memory for IPL
002	00FFFF04 40000000	I/O error
003	00FFFF06 40000000	No system file on volume
004	00FFFF08 40000000	Bad VTOC on IPL'd volume
005	00FFFF10 40000000	O/S code spans > 9 extents
006	00FFFF12 40000000	SIO command rejected
007	00FFFF14 40000000	VS-7100 cannot load IOC microcode
008	00FFFF16 40000000	MVF - not root volume

<u>CPINIT Error #</u>	<u>PCW Display</u>	<u>CPINIT Error Message</u>
001	00EEEE02 40000000	System not built to CPU type
002	00EEEE04 40000000	CPU microcode version invalid
003	00EEEE06 40000000	Program Check
004	00EEEE08 40000000	Operating system linkage error
005	00EEEE10 40000000	IPLTEXT version invalid

TROUBLESHOOTING

The following machine check error codes are defined for the VS-7100:

Table 6-27. Machine Check Error Codes

HEX Code	Reason
01	Main memory multiple bit ECC error.
0F	Default trap taken.
10	AGU error received. Invalid state in instruction queue.
20	I/O interrupt line received with no active IOSW in the I/O processor status table.
21	Power fail interrupt received.
22	Spare control exception trap taken.
41	Translation buffer parity error.
42	Illegal state - external cache probe.
44	Illegal state - internal cache probe
50	System bus parity error.

The following conditions result in the micromachine hanging (branch to self):

- Control store parity error (IC = FE1)
- Single step microinstruction trap (IC = FE2)
- Microinstruction address compare trap (IC = FE3Z)

6.4.1.2 Control Mode Dump Procedure

Throughout this procedure the following rules apply:

- Zeroes must be entered where indicated.
- When entering information defined in the procedure, begin at the current cursor position. Do not reposition the cursor.
- The asterisk (*) represents the value of a position and must not be changed during the process of preparing the dump.
- In any place in these procedures where an instruction says "enter 0000****0000", enter the zeroes and skip over the asterisks by using the cursor control keys.

Any data on the disk or tape will be overwritten by the dump. Make sure that data stored on the dump medium is no longer needed. If the system has been configured with an optional dump file by using the DISKINIT program, the dump may be placed onto a disk volume as a file. Use the dump file if possible. If the dump is to be written to a preallocated dump file, there's no need to be concerned about the other data stored on the medium. It won't be overwritten. However, data stored by a previous dump in a preallocated dump file will be overwritten. As standard procedure after performing the dump, copy the data from the preallocated dump file to another area on disk or to another magnetic tape, then run the PATCH utility on the preallocated dump file.

TROUBLESHOOTING

When the system experiences a fatal error and enters Control Mode, the screen freezes and the keyboard locks. The message "<<>>" appears on the top line of the SCU screen.

NOTE

On W/S 0, a Control Mode dump procedure will be displayed below the "<<>>" message. Ignore this procedure; it is not correct for the VS-7100.

1. When the 4-letter error code appears at the top of the screen, write it down. Refer to Appendix A for an explanation of the error code. From the SCU, press CONTROL, then press SHIFT and CANCEL simultaneously to exit workstation emulation. The Workstation Emulation Menu appears. Press the SPACEBAR to select "Suspend Emulation." Press EXEC and the VS-7100 System Console Processor Menu appears. See figure 6-17.

```
*** Wang VS System Console ***

SYSCON Version X.X.X           2:44 PM           Monday January 5, 1987

Press (HELP) for online system console information.

Use the function keys to select a command:

(1) ENTER Workstation Emulation      (8) IPL System
(2) ENTER Control Mode                (9) RESET Console

(5) AUTO IPL                          (12) SET Console Defaults
(6) RSAF Functions                    (13) SET Time and Date
```

Figure 6-17. System Console Processor Menu

TROUBLESHOOTING

- From the System Console Processor Menu, press PF key 2 to select "ENTER Control Mode." The VS Central Processor Control screen appears
- Press PF key 1. The VS Enhanced Control Mode screen appears. (Figure 6-18.)

```
VS Enhanced Control Mode

<Enter Command>
:
                                CPU-ID: 00
PCW: 00000000 00000000   R0:  00000000 00000000   CR0:  00000000 00000000
                                R2:  00000000 00000000   CR2:  00000000 00000000
@PC: 00000000 00000000   R4:  00000000 00000000   CR4:  00000000 00000000
                                R6:  00000000 00000000   CR6:  00000000 00000000
FL0: 00000000 00000000   R8:  00000000 00000000   CR8:  00000000 00000000
FL2: 00000000 00000000   R10: 00000000 00000000  CR10: 00000000 00000000
FL4: 00000000 00000000   R12: 00000000 00000000  CR12: 00000000 00000000
FL6: 00000000 00000000   R14: 00000000 00000000  CR14: 00000000 00000000

Physical Memory Display  Phys. addr = 00000000

00000000: 00000000 00000000 00000000 00000000 00000000  | .....|
00000010: 00000000 00000000 00000000 00000000 00000000  | .....|
00000020: 00000000 00000000 00000000 00000000 00000000  | .....|
00000030: 00000000 00000000 00000000 00000000 00000000  | .....|
00000040: 00000000 00000000 00000000 00000000 00000000  | .....|
00000050: 00000000 00000000 00000000 00000000 00000000  | .....|
00000060: 00000000 00000000 00000000 00000000 00000000  | .....|
00000070: 00000000 00000000 00000000 00000000 00000000  | .....|
```

Figure 6-18. VS Enhanced Control Mode Screen

The cursor is on the command line, which is the colon below the message "<Enter Command>."

Enter M and press RETURN. Use the cursor control keys to move the cursor to the first digit of the second block of numbers that are directly next to the PCW prompt. For example, if the PCW number is 0000AAAA 40030000, move the cursor to the "4." Enter 0 (zero) and press RETURN.

The cursor automatically returns to the command line. Enter X and press RETURN.

- When the VS-7100 Console Processor Menu appears, press PF 1 to select "ENTER Workstation Emulation." Press EXEC.

TROUBLESHOOTING

5. The message "DUMP TO PREALLOCATED FILE? YES/NO" appears on the screen. If a disk dump file, preallocated by the DISKINIT utility, is available and ready, enter YES. Otherwise, enter NO and go to Step 6.

NOTE

Ensure that the dump disk contains a dump file, that the dump file is large enough to hold the memory contents of the system, and that the disk is ready.

6. If you responded YES to Step 4, this message appears: "PLEASE ENTER DISK LABEL." Enter the label of the disk with the preallocated dump file. If the label is good, the disk is ready, and the file is large enough, the program proceeds to Step 8.
7. If you responded NO to the question in Step 4, the SCU displays a screen similar to the one shown in figure 6-19.

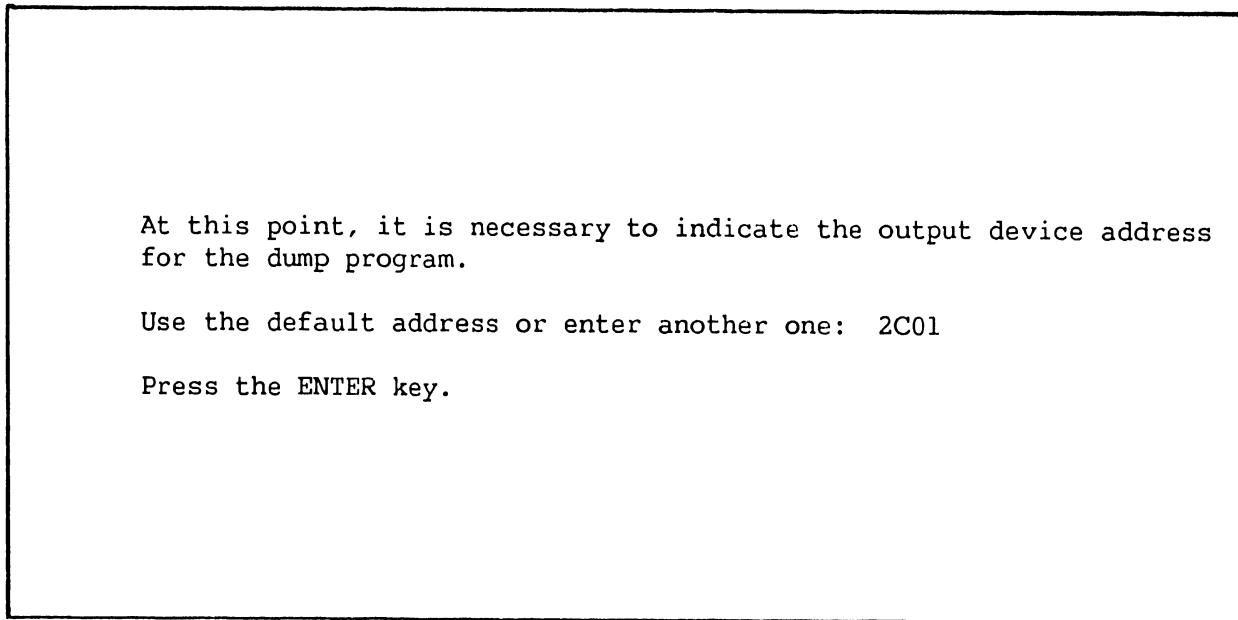


Figure 6-19. Control Mode Dump Device Address Screen

Press RETURN to use the default dump address or change the Physical Device Address (PDA) and press RETURN. The VS-7100 has a default dump device set at IPL which is the lowest numbered tape. Calculate a new PDA as follows:

- a. Determine the IOC and write down the first six bits from the IOC list below.

TROUBLESHOOTING

<u>IOC</u>	<u>Binary Representation</u>
IOC 1	0010 00
IOC 2	0010 01
IOC 3	0010 10
IOC 4	0010 11
IOC 5	0011 00
IOC 6	0011 01
IOC 7	0011 10

- b. Determine the device number and write down the last ten bits. Convert the binary number to a four-digit hexadecimal number. The result is the PDA. Refer to the example below.

If the IOC used is IOC 2 (binary 0010 01) and the device number is 1 (binary 00 0000 0001), the PDA is determined as follows:

	<u>IOC Number</u>	<u>Device Number</u>		
	<u>(high 6 bits)</u>	<u>(low 10 bits)</u>		
Binary	0 0 1 0	0 1 0 0	0 0 0 0	0 0 0 1
Hexadecimal	2	4	0	1

The Physical Device Address = 2401.

8. The program displays the following message: "PLEASE MOUNT DUMP MEDIA." Physically mount the requested media.
9. The Dump program begins execution when it detects that the device is ready. The Dump program displays a blinking message: "DUMP IN PROGRESS."
10. The Dump program continues to execute. It may stop for one of three reasons:
 - a. The dump has successfully completed. This is indicated by the message: "DUMP COMPLETE -- PLEASE PRINT I/O ERROR LOG AFTER IPL." Dismount the dump volume and proceed to Step 10.
 - b. An I/O error has occurred. This is indicated by the display: "I/O ERROR DUMP NOT POSSIBLE TO COMPLETE." The dump cannot continue, but a partial dump has been completed. Dismount the dump volume and proceed to Step 10. If the dump device is tape and it is write protected, you must return to Step 1.
 - c. The mounted volume is full. Another dump volume is required. This is indicated by the display: "PLEASE MOUNT ADDITIONAL DUMP MEDIA." Dismount the full volume and proceed to Step 7 to mount another volume.
11. ReIPL the system, and print the I/O Error Log.

12. Run the LISTVTOC utility to verify the VTOCs of all disk volumes that were on-line at the time of the system failure. Do not verify the dump disks.
13. If you used a preallocated dump file, run the PATCH utility on that file. The PATCH utility frees the dump file to be automatically overwritten at the time of the next dump. To run the PATCH utility, follow these steps:
 - a. From the VS Command Processor, press PF1, Run Program or Procedure. Specify PATCH in the PROGRAM field and press ENTER.
 - b. On the first PATCH utility screen, enter the dump file filename, library, and volume. For the preallocated dump file, the filename is @CMDUMP@ and the library is @SYSDUMP. For the OPTION field, enter VERIFY. For the ADDRESS field, enter 0. Press ENTER.
 - c. The data parameter field on the screen shows the hexadecimal code for the first 16 bytes of the file. Change the first eight digits to 0. For the OPTION field, enter REPLACE. Press ENTER.
 - d. To exit from PATCH, enter QUIT at the OPTION field.
14. Call the local Wang software analyst and send the following information:
 - The dump in machine-readable form.
 - A task dump, if one was generated.
 - The error code you wrote down in Step 1.
 - A Software Problem Report Form (800-5104).
 - The I/O Error Log.
 - An explanation of what was happening at the time the system malfunctioned and the present status of hardware and software. If the dump was a partial one, indicate that on the dump report.

6.4.1.3 Forcing The System Into Control Mode for Dump

If the system appears to be hung or a Control Mode dump is required for some other reason, the system may be forced into Control Mode by using the following procedure:

1. Exit workstation emulation. Press CONTROL, then press SHIFT and CANCEL simultaneously. From the Workstation Emulation Menu, press the spacebar to select Suspend Emulation and press EXEC. From the VS-7100 Console Processor Menu, press PF key 2 (ENTER Control Mode). The VS Central Processor Control screen appears. Press PF key 1. The VS Enhanced Control Mode screen appears.
2. Record the displayed PCW for future reference.

TROUBLESHOOTING

3. Enter M 00000700 00000000 on the PCW line, and press RETURN. The starting address of the dump program is 0700.
4. Type X and press RETURN to exit from Control Mode and begin execution of the dump program. To return to workstation emulation, select Workstation Emulation from the Console Mode Menu and press EXEC.
5. Follow instructions in paragraph 6.4.1.2 from step 3.

6.4.1.4 Control Mode Dump Stops

If the system encounters a problem at some point in the Control Mode dump program, a Control Mode stop will occur. The system notifies the user by displaying the PCW in one of the following formats:

- ***** SSSS**** where ** is valid PCW information and SSSS is a code that indicates the dump program status.
- ****AAAA SSSS**** where ** and SSSS have the same meaning as above. AAAA is the resume PCW address and a pointer to a storage location. The user must modify this location in order for the dump program to continue.

NOTE

There may be up to a thirty second delay between Control Mode stops.

The status codes are summarized below in table 6-28.

Table 6-28. Control Mode Stops

<u>PCW/Status Code</u>	<u>Description</u>
0000AAAA <u>40000000</u>	Dump completed successfully.
0000AAAA <u>40010000</u>	Dump in progress; continue from here.
0000AAAA <u>40020000</u>	Please mount additional dump media.
0000AAAA <u>40030000</u>	Please mount dump media.
0000AAAA <u>40040000</u>	Dump to preallocated file? The options are YES and NO.
0000AAAA <u>40050000</u>	Please enter disk label.
0000AAAA <u>40060000</u>	Enter Dump Device PDA.

Table 6-28. Control Mode Stops (Cont'd)

<u>PCW/Status Code</u>	<u>Description</u>
0000AAAA 40070000	Must enter YES or NO only.
0000AAAA 40080000	Volume Name must be alphanumeric.
0000AAAA 400B0000	Disk selected not found or not available.
0000AAAA 400C0000	Disk selected does not have Dump file.
0000AAAA 400D0000	Selected Disk Dump file is too small.
0000AAAA 400F0000	I/O error; dump not possible to complete.

For more detailed information on Control Mode Stops and instructions on how to continue the dump after a stop has occurred, refer to the VS Field Guide.

6.4.2 CONTINUABLE AND SNAPSHOT DUMPS

A continuable dump is a type of memory dump that occurs automatically (if enabled) when certain system errors are encountered. The continuable dump provides information similar to that provided by the Control Mode dump but in less time. A continuable dump does not cause system operation to halt. Instead, system operation is suspended, the continuable dump is completed, and system operation continues. During most continuable dumps, users notice only a 15-second workstation freeze. Logging off is not necessary and reIPL is not required for most continuable dump errors. For those errors requiring reIPL, an automatic reIPL is performed at the end of the dump and all users must log on again.

The snapshot dump is a continuable dump that the user invokes manually when memory dump information is needed. VS-7100 operations are suspended, the dump is completed, and operations are automatically continued.

On the SYSGEN Configuration File screen of the IPL procedure (refer to paragraph 9.9.1), the prompt "Inhibit dumping continuable halts?" allows the user to enable or disable the continuable dump. If you answered NO, all continuable dumps proceed as described below. If you answered YES, continuable halts that do not require reIPL are not run. The error remains and system operations may be affected.

The continuable dump is invoked automatically when the system errors listed in Appendix A occur.

6.4.2.1 Requirements for Continuable and Snapshot Dumps

Both continuable and snapshot dumps require the allocation of a special file for storing the dump information. All continuable and snapshot dump

TROUBLESHOOTING

information must be dumped to disk. Run DISKINIT to set up the file @CMDUMP@ in library @SYSDUMP. This file must be available on at least one volume at all times to ensure that the continuable or snapshot dump can be completed. If the default dump file is on a number of available volumes, the dump information is stored in the first default file that the system finds.

6.4.2.2 Invoking The Snapshot Dump

The snapshot dump executes in a similar manner and provides the same information as the continuable dump. The difference between them is that the user invokes the snapshot dump manually.

To invoke the snapshot dump, perform the following procedure:

- From the VS Command Processor, press PF11 to enter Operator's Mode.
- From the Operator's Console Menu, press PF14 to enter System Options.
- From the System Options Menu, press PF10 to initiate the snapshot dump.

6.4.2.3 Running Continuable and Snapshot Dumps

Under most conditions, the continuable dump and the snapshot dump are completed without user intervention. After they are invoked, either automatically or manually, the screen in figure 6-20 appears on Workstation 0. All other workstations freeze for the duration of the dump.

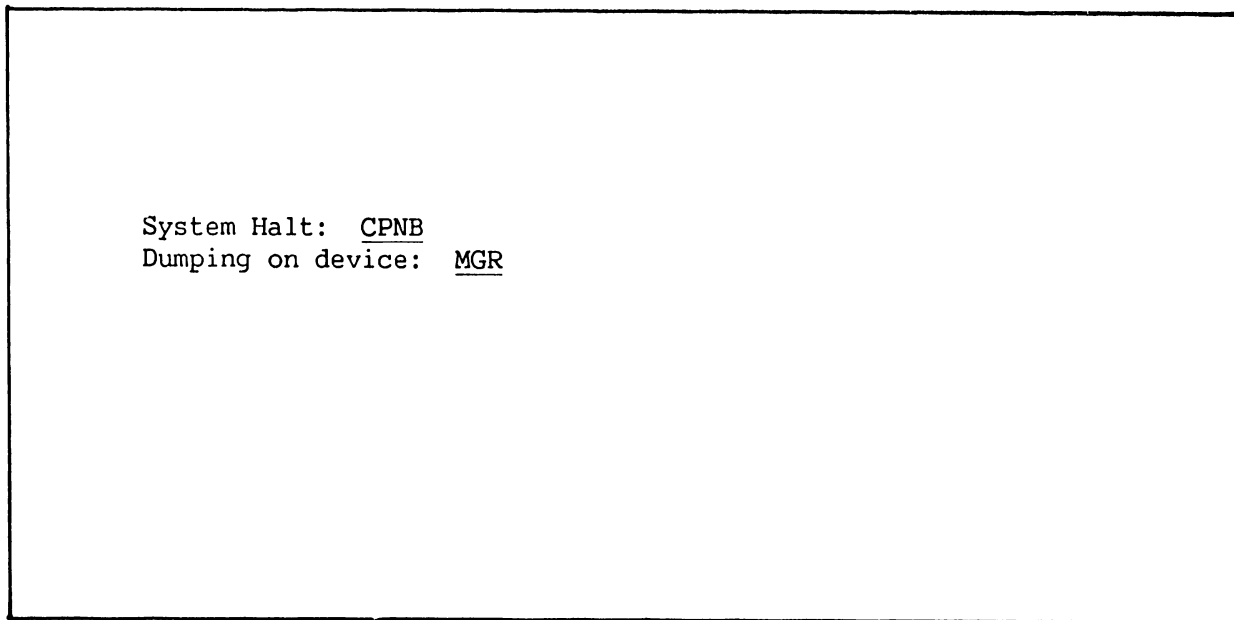


Figure 6-20. Sample Continuable Dump Screen

When either dump is complete, the message "Dump Completed Successfully" appears on Workstation 0. Press HELP to return to the Operator's Console and the task that was running before the dump. Work can also continue as usual on other users' workstations when the dump is complete. All dump information is available through the @CMDUMP@ file on library @SYSDUMP. To save the information, run COPY from VS Command Processor PF1, Run Program. Send the dump file information to the local software analyst to report the system error.

To make the @CMDUMP@ file available for the next continuable or snapshot dump, run PATCH. This utility changes the first four bytes of a file to indicate that the file can be overwritten.

To run PATCH, follow these steps:

1. From the VS Command Processor, press PF1, Run Program or Procedure. Specify PATCH in the PROGRAM field and press ENTER.
2. On the first PATCH utility screen, enter the dump file name, library, and volume. If you used the preallocated dump file, the filename is @CMDUMP@ and the library is @SYSDUMP. For the OPTION field, enter VERIFY. For the ADDRESS field, enter 0. Press ENTER.
3. The data parameter field on the screen shows the hexadecimal code for the first 16 bytes of the file. Change the first eight digits to 0. For the OPTION field, enter REPLACE. Press ENTER.
4. To exit from PATCH, enter QUIT at the OPTION field.

If you do not run PATCH on @CMDUMP@, the next continuable or snapshot dump is interrupted. Before it can continue, you have to specify what is to be done with the dump information. Four options appear on the continuable (or snapshot) dump screen:

- Press PF1 -- Ignore the current dump and continue processing.
- Press PF3 -- Overwrite the previous dump information with the current information; the previous information would be lost.
- Press PF16 -- Enter Control Mode.
- Specify another device to send the dump information; it must have the @CMDUMP@ file already allocated on library @SYSDUMP.

Once you make a selection, the continuable or snapshot dump proceeds normally. After a continuable dump is completed, send the information to the software analyst. The analyst uses the dump information to determine what caused the error.

6.4.2.4 Continuable Dump and Automatic IPL

There are some system errors that require reIPL after the continuable dump. In those situations, the continuable dump proceeds as described in paragraph 6.4.2.3. At its completion, the dump automatically reIPLs the system.

TROUBLESHOOTING

During an automatic reIPL after a continuable dump, Workstation 0 displays the message "ReIPLing from device XXXXXXX." This message remains on the screen until the Wang VS logon screen appears. Then, the standard information messages appear. The configuration files last specified on the SYSGEN configuration file screen are used and the date and time are automatically updated.

When the operator's console or logon screen appears, the system is ready for use again. All users are required to log on again.

6.5 SCU ERROR LOG

The SCU error log provides a means of tracking system errors and their frequency in the following areas: main memory (MM), central processor (CP), and power supply (PS). The error log is accessed from the System Console screen in the service mode. To enter the error log, perform the following:

NOTE

The system I/O error log is still available.

1. Go to the System Console screen.
2. Turn the key switch to the "Remote Service" position.
3. Enter the following password:

CSG + current time (four digits), as displayed on the System Console screen. Example: If time is 9:30 (am or pm), enter 0930.

NOTE

While entering the password, the keyboard beeper will sound as each key is pressed. This is normal. It is intended to discourage unauthorized personnel from enabling the full System Console Menu.

4. Several previously undisplayed menu picks will appear. See figure 6-21. The System Console is now in the "service mode." (The service mode can be terminated by pressing PF key 10 or turning the key switch out of the "Remote Service" position.)
5. Press PF key 11 to access the error log.

The following screen appears:

<u>Main Memory Error Log</u>						Page 1
<u>Memory Operation</u>	<u>Level</u>	<u>Address</u>	<u>Time</u>	<u>Date</u>	<u>Count</u>	<u>Comments</u>
Refresh	03	00000000	00:02:53	01-01-86	01	Multiple Bit
<hr/>						
(1) MM error log		(5)	First page	(DELETE)	Delete entries	
(2) CP error log		(6)	Last page	(8)	Set defaults	
(3) PS error log		(PREV)	Previous page	(9)	Exit	
(4) SBI error log		(NEXT)	Next page			

Figure 6-21. SCU Error Log Screen

Use the PF keys indicated on the screen to access other error logs, set defaults, page through a particular error log, delete entries, or exit screen.

To set error log defaults, press PF key 8. The following screen appears.

<u>Set Error Log Defaults</u>					
<u>Memory Error Rate and Error Counts</u>					
MER = X error every XXX hours				MEC = XXX errors	
PCR = X check every XXX hours				PEC = XXX errors	
<u>Voltage Ranges</u>			<u>Interrupt Status</u>		
<u>Power Supply</u>	<u>High</u>	<u>Low</u>	<u>Level</u>	<u>Element</u>	<u>Status</u>
+5VA	+X.XXX	+X.XXX	1	CPU	Enabled
+5VB	+X.XXX	+X.XXX	1	MCU	Enabled
-5V	-X.XXX	-X.XXX	1	SBI	Disabled
+12V	+XX.XXX	+XX.XXX	1	SCU	Enabled
-12V	-XX.XXX	-XX.XXX	1	PWR	Enabled
				SYSR	Enabled
<hr/>					
(1) MM error log	(8)	Set defaults	(12)	Enable/disable SBI	(16) Exit
(2) CP error log	(9)	Modify defaults	(13)	Enable/disable SCU	
(3) PS error log	(10)	Enable/disable CPU	(14)	Enable/disable PWR	
(4) SBI error log	(11)	Enable/disable MCU	(15)	Enable/disable SYSR	

Figure 6-22. Set Error Log Defaults Screen

TROUBLESHOOTING

This screen displays the count of various types of memory errors, allows entering high and low power supply voltage values, and allows enabling/disabling various system elements.

6.6 SERVICE LOG

The VS-7100 provides a facility for documenting the system's hardware configuration, software configuration, and maintenance history. This facility is called the "Service Log." The Service Log contains an easily accessible and modifiable database, which can prove to be a valuable aid in tracking system problems.

6.6.1 ACCESSING THE SERVICE LOG

Because of the nature of the data contained in the Service Log, its access, along with several other System Console Menu picks, is password-protected to prevent entry by unauthorized personnel. To enter the Service Log, perform the following:

1. Perform steps 1 thru 4 in paragraph 6.5.
2. Press PF key 3 to bring up the Service Log Database Options screen. See figure 6-23.

<u>Professional Computer Database</u>		<u>Database Options</u>
<u>Record Definitions</u>		
<u>View Definitions</u>	<u>Comment</u>	
Hardware Config		
Hardware Config		
Software Config		
Software Config		
Maintenance History	Instructions Here	
Maintenance History	Instructions Here	
<hr/>		
■ Access Data	- Create Record Definition	
- Edit Definition	- Create View Definition	REPLC - Change Database
- Delete Definition		EXECUTE - Select Option
		CANCEL - Exit

Figure 6-23. Service Log Database Options Screen

6.6.2 DATABASE OPTIONS

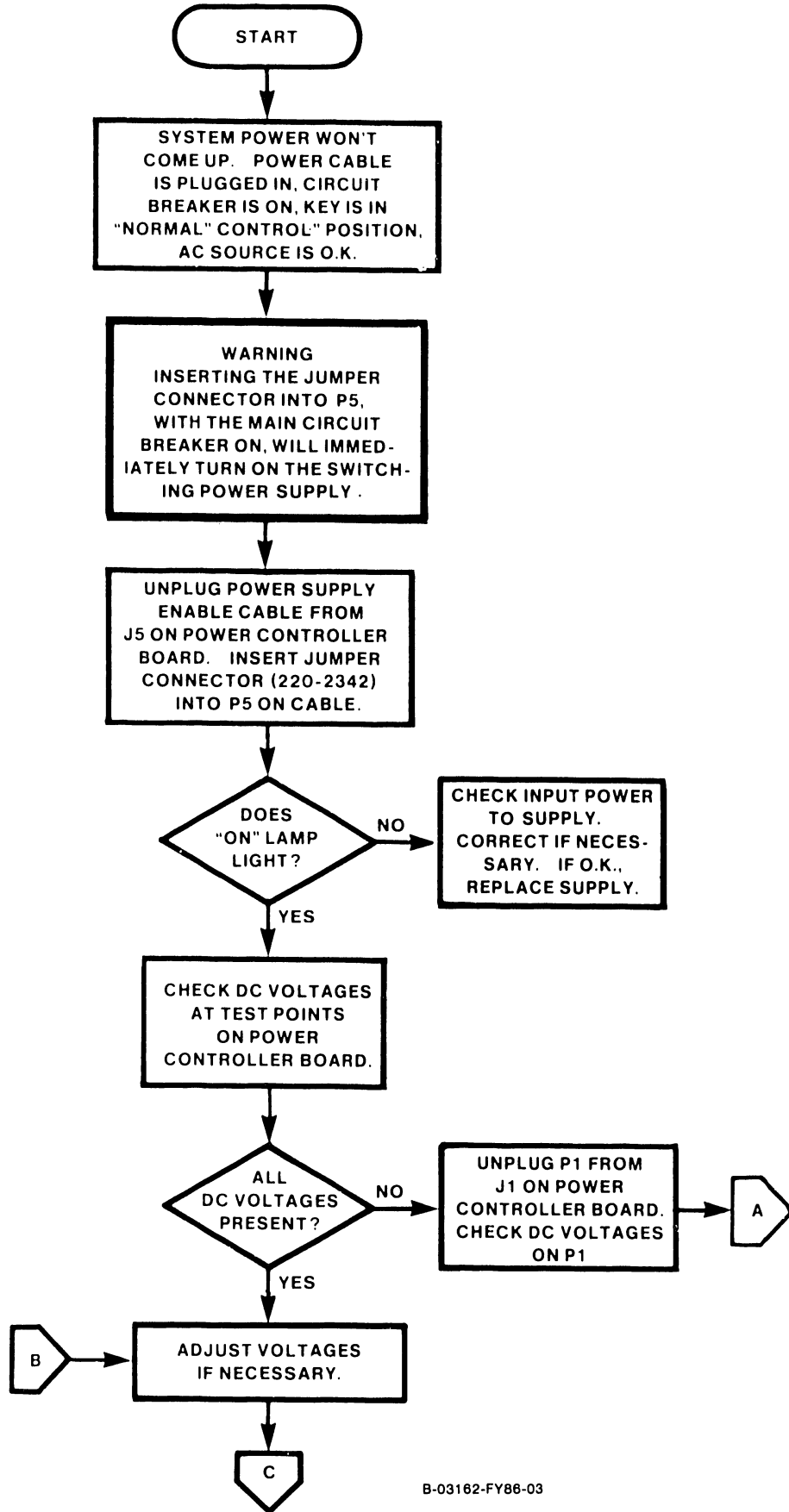
The following database options (see figure 6-23) allow the user to retrieve, modify, create, and delete service log definitions and data.

1. Access Data - allows user to retrieve, create, update, and delete information pertaining to the system's hardware configuration, software configuration, and maintenance history. Press SPACEBAR to position acceptance block and cursor, and press EXEC. Press SPACEBAR to select View Definition and press EXEC. Page through multiple screen loads using the NORTH and SOUTH cursor movement keys. Use "Maintenance History" to record system problems and fixes.
2. Edit Definition - allows user to modify record definitions and comments. Also allows user to create, update, and delete field name, data type, and record length. Press SPACEBAR to position acceptance block and cursor, and press EXEC.
3. Delete Definition - allows user to erase record definitions. Press SPACEBAR to position acceptance block and cursor, and press EXEC.
4. Create Record Definition - allows user to add new record definitions and comments, as well as field name, data type, and record length. Press SPACEBAR to position acceptance block and cursor, and press EXEC.
5. Create View Definition - allows user to add new view definitions and comments, as well as field names. Press SPACEBAR to position acceptance block and cursor, and press EXEC. Use INSERT to select record definition and press EXEC.

6.7 TROUBLESHOOTING PROCEDURES

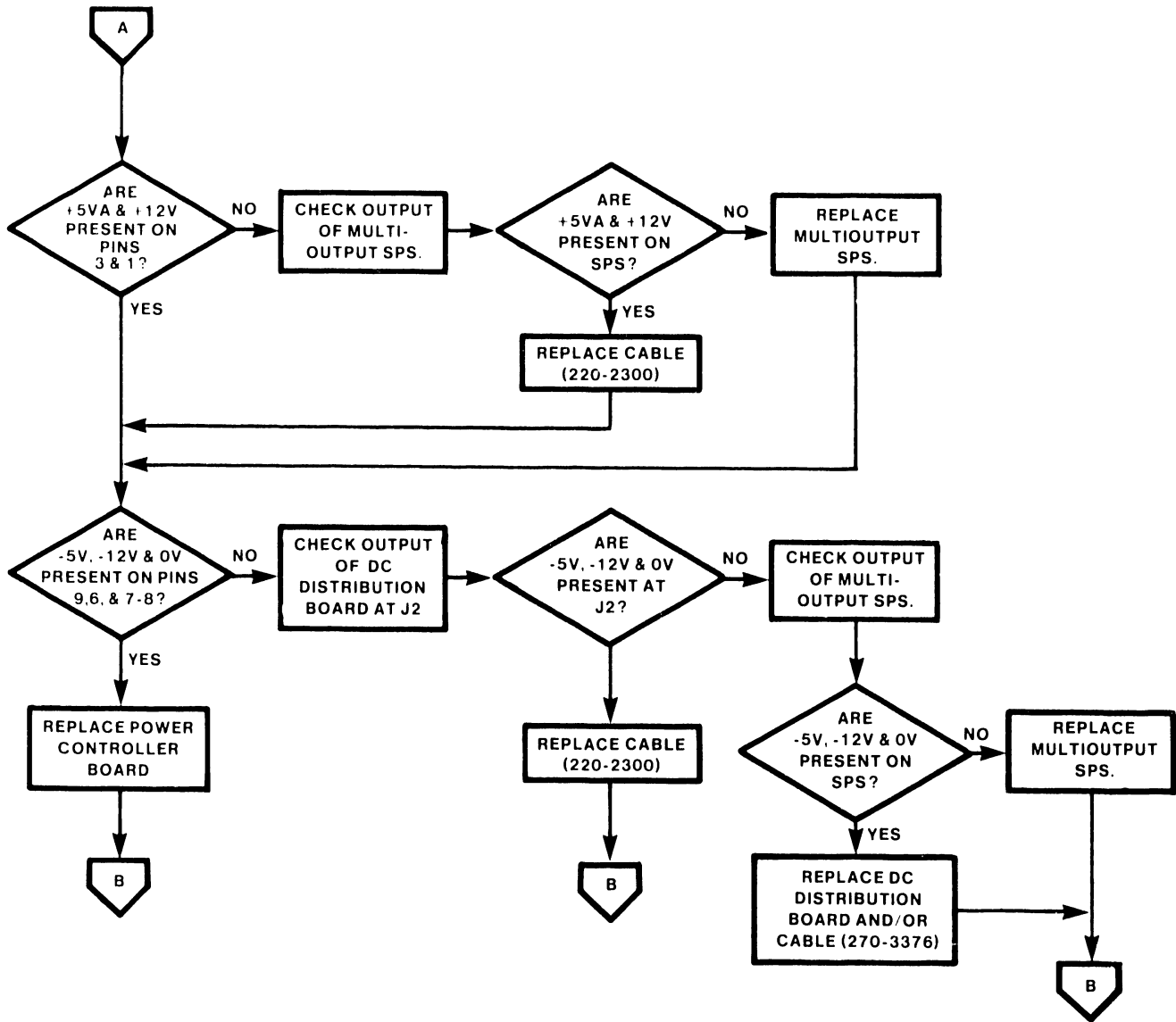
This section provides procedures, in flow chart form (figure 6-24), for troubleshooting power problems in the VS-7100 Computer System. These flow charts are intended as a guide and not a comprehensive treatment of all possible power troubleshooting techniques. Use figure 6-25 for ease in locating the various connectors on the Power Controller board. Heed the warnings that precede two of the steps in the flow charts.

TROUBLESHOOTING



B-03162-FY86-03

Figure 6-24. Power Troubleshooting Flow Chart (1 of 4)



B-03162-FY86-05

Figure 6-24. Power Troubleshooting Flow Chart (2 of 4)

TROUBLESHOOTING

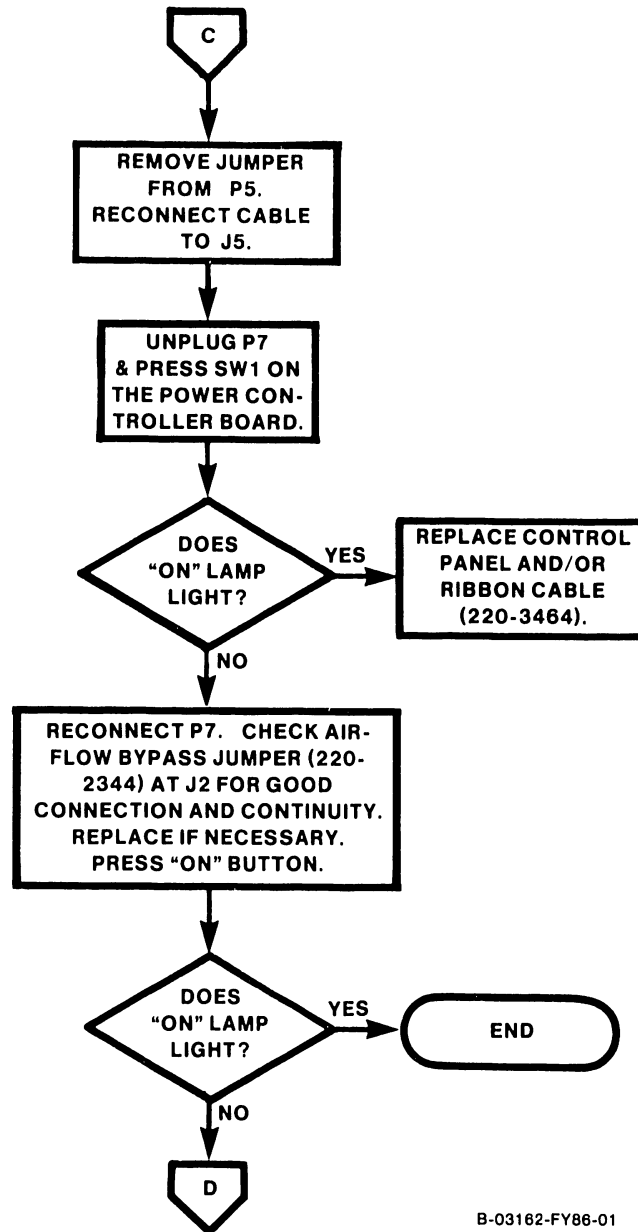
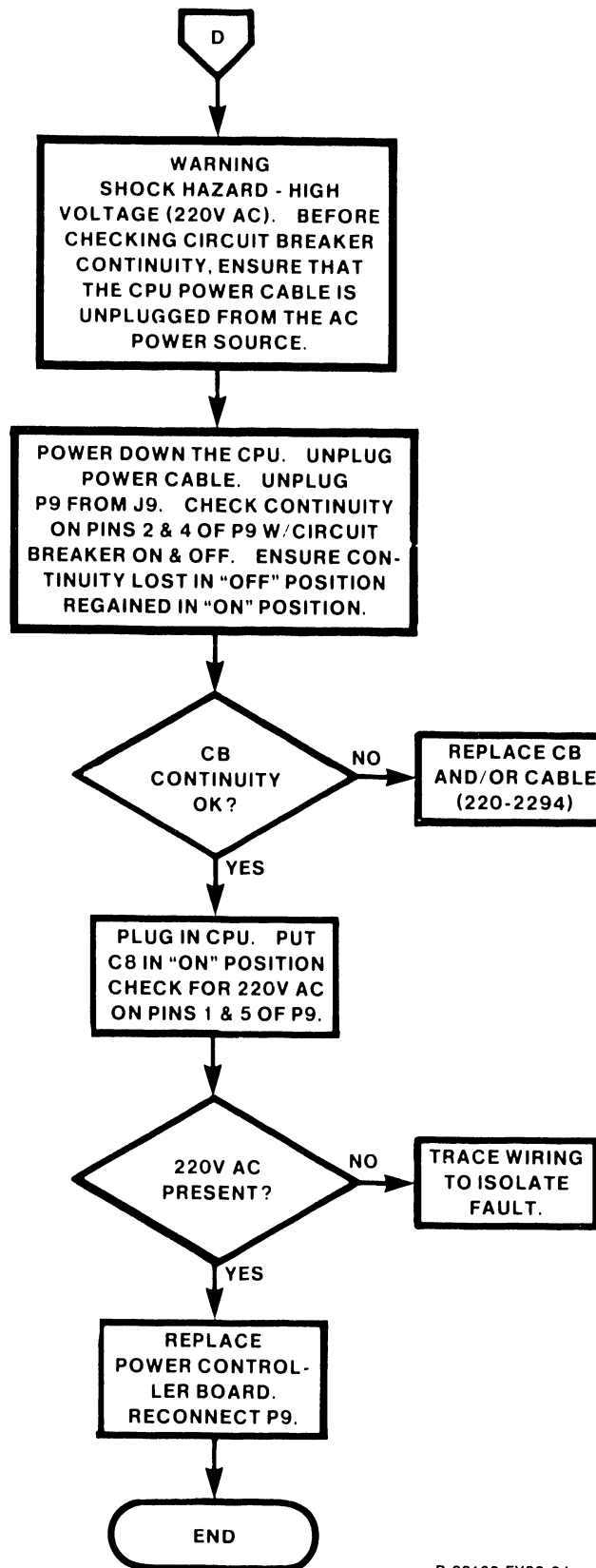


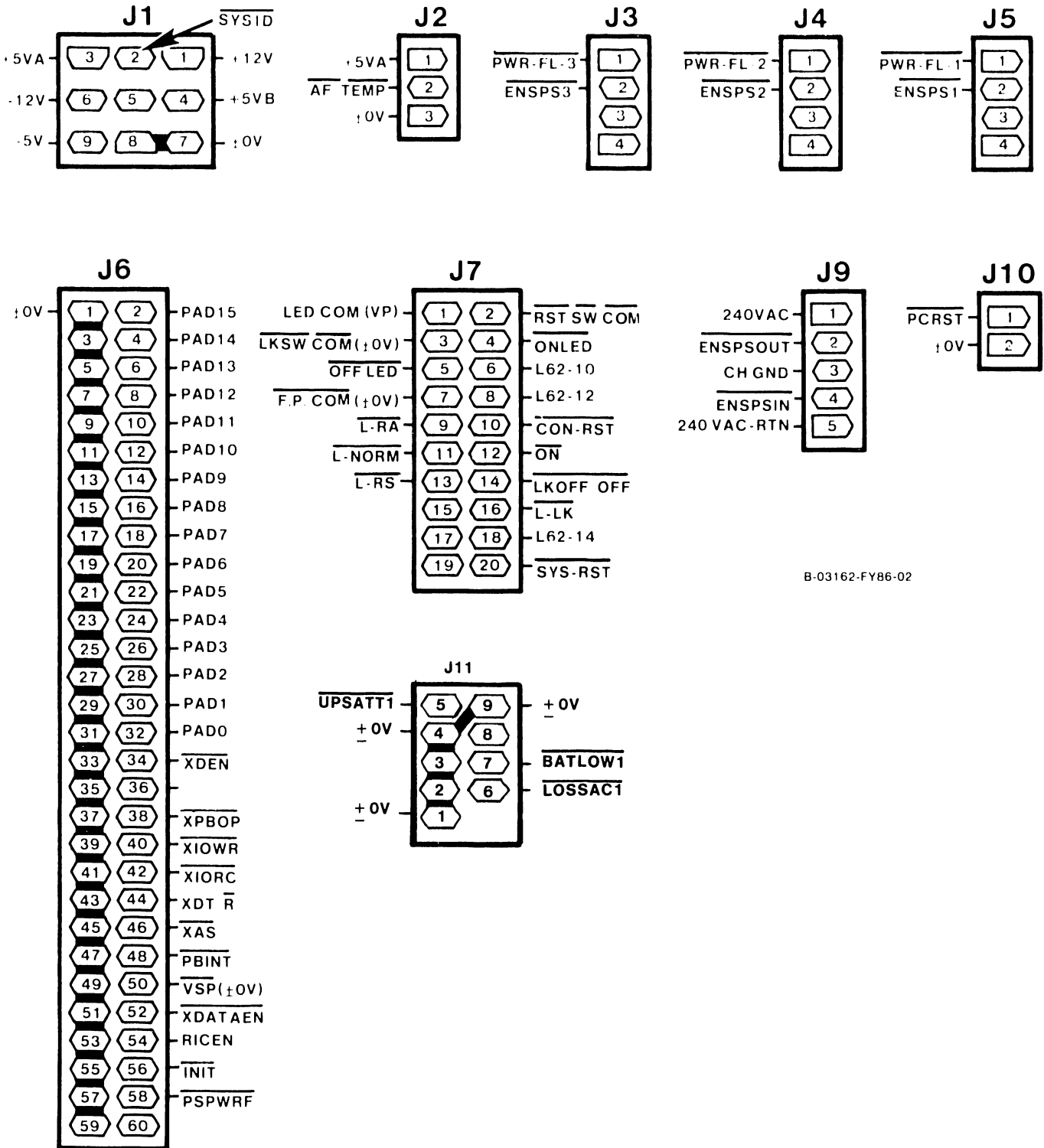
Figure 6-24. Power Troubleshooting Flow Chart (3 of 4)



B-03162-FY86-04

Figure 6-24. Power Troubleshooting Flow Chart (4 of 4)

TROUBLESHOOTING



B-03162-FY86-02

Figure 6-25. Power Controller Board Connectors

SECTION

7

REPAIR

TABLE OF CONTENTS

SECTION 7	REPAIR	Page
7.1	General	7-1
7.2	Removal and Replacement Procedures	7-1
7.2.1	Top Cover Removal and Replacement	7-2
7.2.2	Left Front Air Inlet Panel Removal and Replacement	7-4
7.2.3	Left and Right Side Panel Removal and Replacement	7-5
7.2.4	CP Circuit Board Removal and Replacement	7-6
7.2.4.1	210-8830 Floating Point Unit Removal and Replacement	7-8
7.2.4.2	210-8846 External Clock Board Removal	7-9
	and Replacement	
7.2.4.3	210-9831 Central Processing Unit Removal and	7-10
	Replacement	
7.2.4.4	210-9832 Address Generation Unit Removal and	7-11
	Replacement	
7.2.4.5	210-9833 Address Translation Unit Removal and	7-12
	Replacement	
7.2.4.6	210-8835 Support Control Unit Removal and Replacement	7-13
7.2.4.7	210-9834 Memory Control Unit Removal and Replacement	7-14
7.2.4.8	210-8703/210-8703-1 Main Memory Removal and	7-15
	Replacement	
7.2.4.9	210-9836 System Bus Interface Removal and Replacement	7-17
7.2.5	IOC Circuit Board Removal and Replacement	7-18
7.2.5.1	23V67 (210-9809-A) Serial IOC Removal and Replacement	7-19
7.2.5.2	270-0975 Serial IOC APA	7-20
7.2.5.3	FiberWay Active Port Assembly Removal and Replacement	7-21
7.2.5.4	6550 Gate Array TC Controller Assembly	7-22
	Removal and Replacement	
7.2.5.5	23V98-1/2/3/4 (210-8785) Disk Drive IOC Removal and	7-25
	Replacement	
7.2.5.6	23V95-1 (210-8790) Kennedy Tape IOC Removal and	7-27
	Replacement	
7.2.5.7	23V95-2 (210-8789-A) Telex Tape IOC Removal and	7-28
	Replacement	
7.2.5.8	23V86/96 (210-8491) Multiline TC IOC Removal and	7-29
	Replacement	
7.2.5.9	Multiline TC Back Panel Assembly	7-31
7.2.5.10	23V79 (210-8392-A) CIU BLANC IOC Removal	7-32
	and Replacement	
7.2.5.11	279-0722 CAB Board/Single Chan. Modem Assembly Removal	7-34
	and Replacement	
7.2.5.12	WangNet P-Band Modem Removal and Replacement	7-36
7.2.6	210-8809 Power Supply Controller Board Removal	7-38
7.2.7	Power Supply Controller Board Replacement	7-39
7.2.8	Power Distribution Unit Removal	7-39
7.2.9	Power Distribution Unit Replacement	7-39
7.2.10	AC On/Off Circuit Breaker Removal	7-41
7.2.11	AC On/Off Circuit Breaker Replacement	7-41
7.2.12	210-8715 AC Distribution Board Removal	7-42

TABLE OF CONTENTS (CONT)

7.2.13	AC Distribution Board Replacement	7-42
7.2.14	SCU Professional Computer (PC) Removal	7-43
7.2.15	SCU Professional Computer (PC) Replacement	7-43
7.2.16	Control Panel Pushbutton Bulb Removal and Replacement	7-46
7.2.17	Control Panel Assembly Removal	7-47
7.2.18	Control Panel Assembly Replacement	7-48
7.2.19	SCU PC Floppy Disk Drive Removal	7-49
7.2.20	SCU PC Floppy Disk Drive Replacement	7-50
7.2.21	210-8816 DC Distribution Board Removal	7-51
7.2.22	DC Power Distribution Board Replacement	7-52
7.2.23	Multioutput Switching Power Supply Removal	7-53
7.2.24	Multioutput Switching Power Supply Replacement	7-55
7.2.25	Rear Fan Removal	7-56
7.2.26	Rear Fan Replacement	7-57

LIST OF ILLUSTRATIONS

<u>Figure</u>	<u>Title</u>	<u>Page</u>
7-1	Top Cover Removal	7-2
7-2	Top Cover Removal	7-3
7-3	Top Cover Removal	7-3
7-4	Left Front Air Inlet Panel Removal	7-4
7-5	Left and Right Side Panel Removal	7-5
7-6	VS-7100 Front Door	7-6
7-7	VS-7100 Card cage	7-7
7-8	210-8830 Floating Point Unit	7-8
7-9	210-8846 External Clock Board	7-9
7-10	210-9838/9839/9931 Central Processing Unit	7-10
7-11	210-9832 Address Generation Unit	7-11
7-12	210-9833 Address Translation Unit	7-12
7-13	210-8835 Support Control Unit	7-13
7-14	210-9834 Memory Control Unit	7-14
7-15	210-8703 Main Memory	7-15
7-16	210-9836 System Bus Interface	7-17
7-17	IOC Diagnostic Switch Setting For Power-Up	7-18
	(Except 23V79 [210-8392] CIU BLANC IOC)	
7-18	23V67 Serial IOC	7-19
7-19	270-0975 APA Assembly	7-20
7-20	Daisy Chained APA Assemblies	7-20
7-21	FiberWay Active Port Assembly Removal	7-21
7-22	6550 Gate Array TC Back Panel Assembly	7-22
7-23	210-8714 CPU/Gate Array Board with Cabling	7-23
7-24	210-8713 GATC Driver/Receiver Board	7-23
7-25	210-8714 CPU/Gate Array Board	7-24
7-26	23V98 Disk Drive IOC	7-25
7-27	Disk Drive Device Type Switch Settings	7-26

LIST OF ILLUSTRATIONS (CONT)

7-28	23V95-1 Kennedy Tape IOC	7-27
7-29	23V95-2 Telex Tape IOC	7-28
7-30	23V86/96 Multiline TC (MLTC) IOC	7-29
7-31	Multiline TC Back Panel Assembly	7-31
7-32	23V79 CIU BLANC IOC	7-32
7-33	BLANC IOC Functions Switch (L272) Normal Settings	7-33
7-34	23V79 CIU CAB Board	7-34
7-35	Single Channel 10 Megabit Duobinary Modem	7-35
7-36	WangNet P-Band Modem Panel Assembly	7-36
7-37	WangNet P-Band Modem Removal	7-37
7-38	210-8809 Power Supply Controller Board	7-38
7-39	PDU Removal	7-40
7-40	PDU Removal	7-40
7-41	AC On/Off Circuit Breaker Removal	7-41
7-42	210-8715 AC Distribution Removal	7-42
7-43	SCU PC Removal and Replacement	7-44
7-44	SCU PC Removal and Replacement	7-45
7-45	Control Panel Pushbutton Bulb Removal	7-46
	and Replacement	
7-46	272-0055 Control Panel Removal	7-47
7-47	272-0055 Control Panel Removal	7-48
7-48	SCU PC Floppy Disk Drive Removal	7-49
7-49	SCU PC Floppy Disk Drive Replacement	7-50
7-50	210-8816 DC Distribution Board Removal	7-51
7-51	210-8816 DC Distribution Board Removal	7-52
7-52	Multioutput Power Supply Wiring Connections	7-54
7-53	Multioutput Power Supply Removal	7-55
7-54	Rear Fan Removal	7-56
7-55	Rear Fan Removal	7-57

LIST OF TABLES

<u>Table</u>	<u>Title</u>	<u>Page</u>
7-1	Main Memory Size Selection Jumpers (L133)	7-14
	(Memory Size In Megabytes)	
7-2	Main Memory Jumper Configurations	7-15
7-3a	Correct Main Memory Board Installation Example	7-16
7-3b	Incorrect Main Memory Board Installation Example	7-16
7-4	VS-7100 IOC List	7-18
7-5	Disk Drive Types (Formatted)	7-26
7-6	23V86/96 Multiline TC IOC Port Select Switch	7-30
	Settings For Loopback Test	
7-7	BLANC IOC Functions Switch (L272)	7-33
7-8	Multioutput Power Supply Wiring Color Codes	7-55

SECTION 7

REPAIR

7.1 GENERAL

This section consists of removal and replacement procedures for field-replaceable components in the VS-7100 mainframe.

CAUTION

*
* THIS COMPUTER EQUIPMENT HAS BEEN VERIFIED AS FCC CLASS A. *
*

IN ORDER TO MAINTAIN COMPLIANCE WITH FCC CLASS A VERIFICATION, THE FOLLOWING CONDITIONS MUST BE ADHERED TO DURING NORMAL OPERATION OF EQUIPMENT.

- ALL COVERS MUST BE ON SYSTEM AND SECURED IN THE PROPER MANNER.
- ALL INTERNAL CABLES MUST BE ROUTED IN THE ORIGINAL MANNER WITHIN THE CABLE CLAMPS PROVIDED FOR THAT PURPOSE.
- ALL EXTERNAL CABLING MUST BE SECURED AND THE PROPER CABLE USED TO ENSURE THAT CABLE SHIELDING IS PROPERLY GROUNDED TO THE CABLE CLAMPS PROVIDED.
- ALL HARDWARE MUST BE PROPERLY SECURED.

7.2 REMOVAL AND REPLACEMENT PROCEDURES

These paragraphs describe the steps involved in removing and replacing or reinstalling all major field-replaceable components in the VS-7100 mainframe.

REPAIR

7.2.1 TOP COVER REMOVAL AND REPLACEMENT

Remove the top cover as follows: (Figures 7-1, 7-2, and 7-3.)

WARNING

The top cover is heavy. Be careful when performing the following steps.

1. At the rear of the cabinet, three Phillips head bolts secure the top cover to the mainframe. Loosen and remove the bolts.
2. Push on the cover until the cover starts to move forward. (Don't pry the cover with a screwdriver and don't let the cover become cocked.)

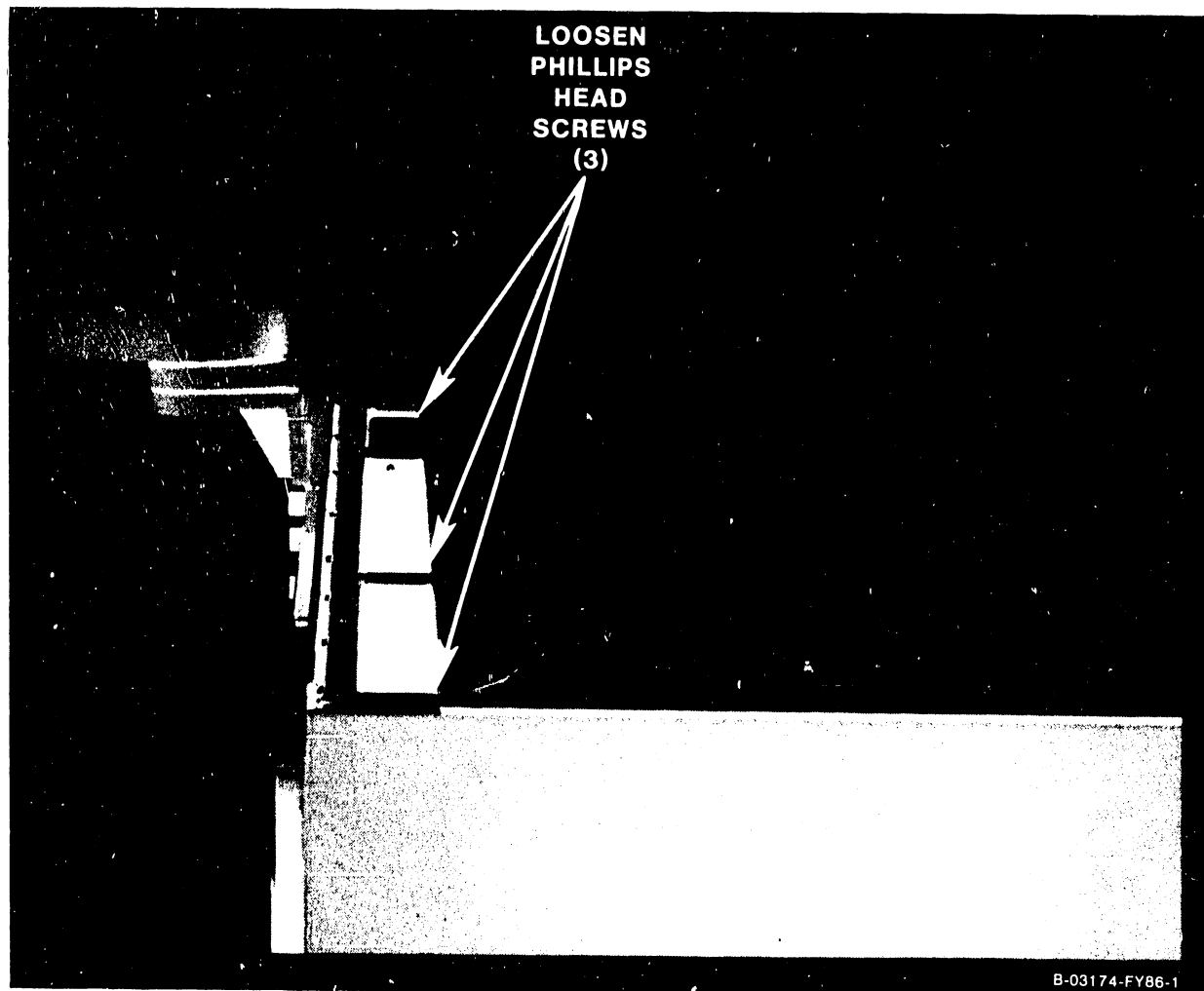


Figure 7-1. Top Cover Removal

3. From the front of the mainframe, grasp the front and rear of the cover and pull it forward about 6".

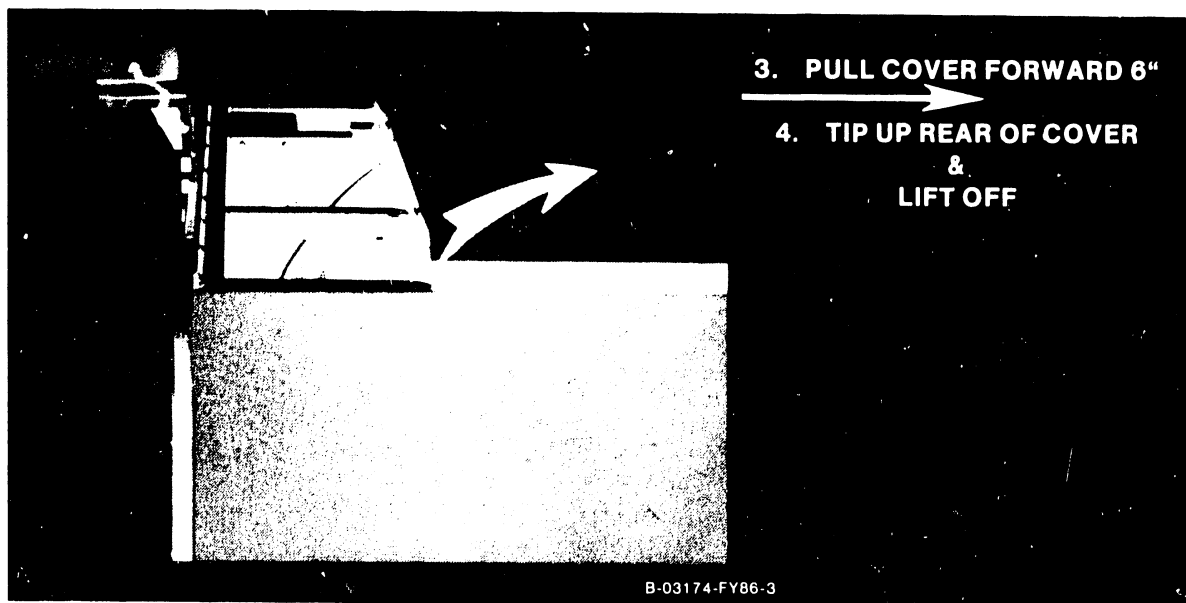


Figure 7-2. Top Cover Removal

4. As the cover moves forward, it will rise in the left and right cam brackets. When the cover is free of the cam brackets, tip it up, and carefully lift it off the mainframe.

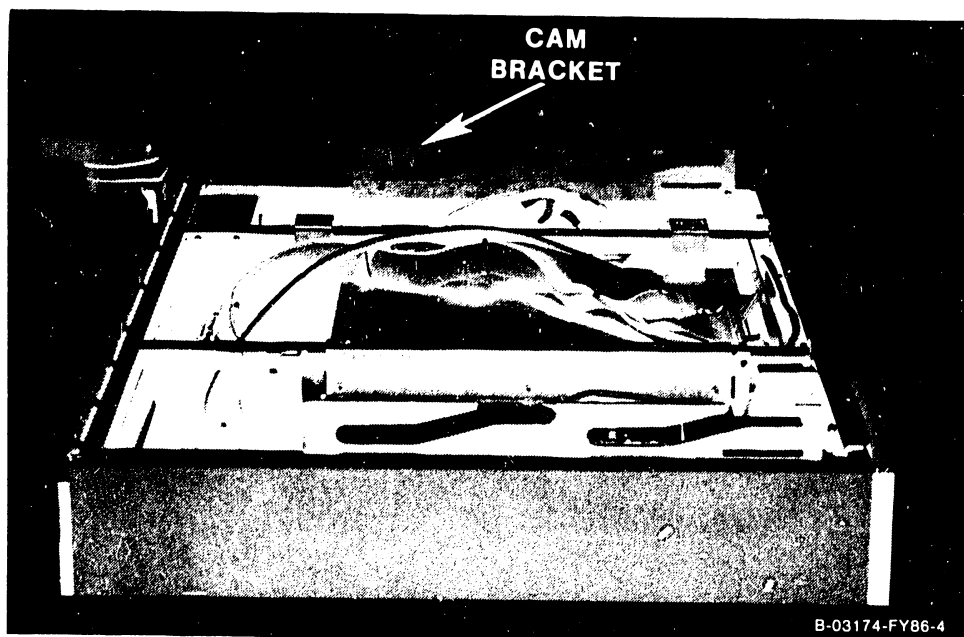


Figure 7-3. Top Cover Removal

REPAIR

Reinstall the top cover as follows:

1. Reinstall the top cover by reversing the removal procedure.
2. Carefully slide the top cover back into the cover cam brackets.
3. Alternately tighten the bolts. Don't let the cover become cocked.

7.2.2 LEFT FRONT AIR INLET PANEL REMOVAL AND REPLACEMENT

Remove the left front air inlet panel as follows: (Figure 7-4.)

1. The panel is mounted using two ball studs and two screws. Open the front hinged door and remove the two Air Inlet Panel mounting screws from the left hand support. Grasp the top left corner of the panel and pull it straight out, then lift off the panel.

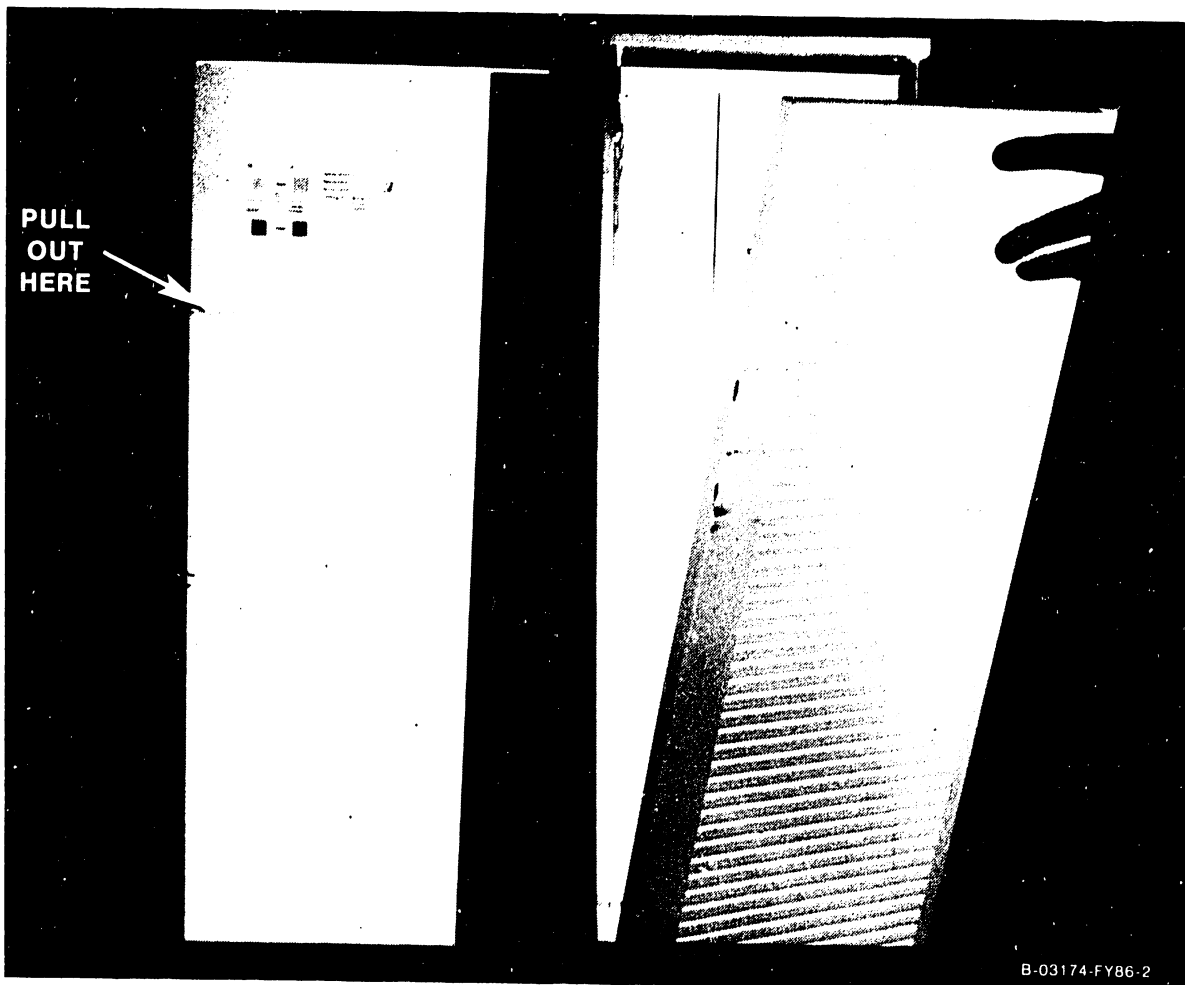


Figure 7-4. Left Front Air Inlet Panel Removal

2. Reinstall the left front panel by reversing the removal procedure.

7.2.3 LEFT AND RIGHT SIDE PANEL REMOVAL AND REPLACEMENT

Remove the left or right side panel as follows: (Figure 7-5.)

1. Remove the top cover as described in paragraph 7.2.1.
2. Each side panel rests on four latch buttons mounted on the frame. Lift the panel up slightly from the bottom until the latch buttons are centered in the latch button cutouts on the panel. Then pull out the panel.

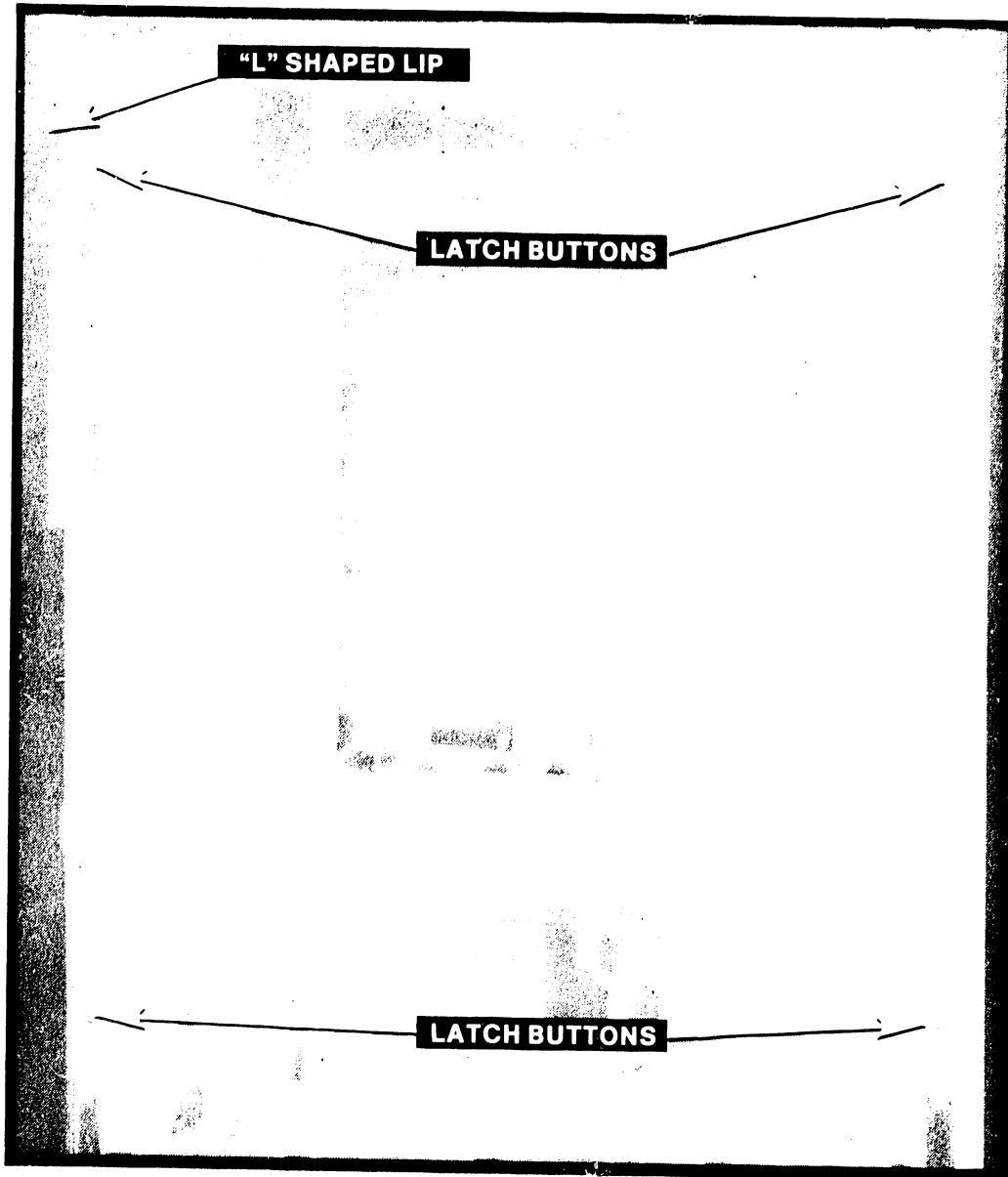


Figure 7-5. Left and Right Side Panel Removal

Reinstall the side panels as follows:

1. Reinstall the side panels by reversing the removal procedure.
2. The panels must be reinstalled with the "L" shaped lip edge toward the rear of the mainframe.

REPAIR

7.2.4 CP CIRCUIT BOARD REMOVAL AND REPLACEMENT

There are eight different CP boards found in the VS-7100. The removal and replacement procedures for the different boards are given in the order in which they are found in the backplane (figure 7-7). A board locator label is mounted on the front of the card cage.

1. Open the front hinged door by turning the top and bottom keyed latches (figure 7-6) counterclockwise, then unlock the slam latch, and remove the black card cage cover by turning the 1/2 turn fasteners.

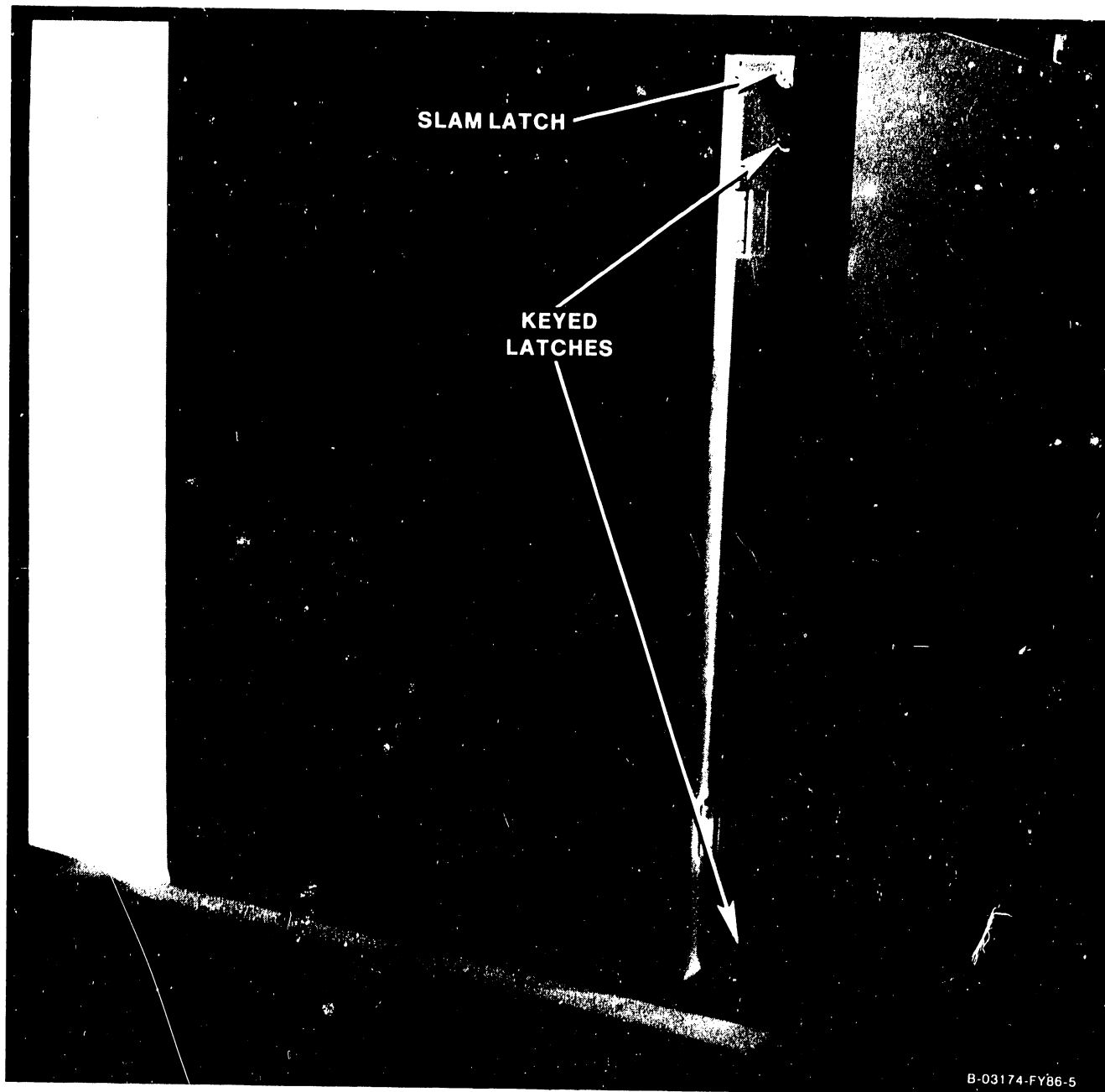


Figure 7-6. VS-7100 Front Door

CAUTION

Be careful when replacing the large, flexible VS-7100 boards. Make sure that all boards are seated properly in the correct backplane slots. Don't damage the sockets when inserting the boards. Make sure all boards have their component sides facing to the left when viewed from the chassis front.

I/O	S	S	M	M	M	S	A	A	C	F
	B	B	M	M	C	C	T	G	P	P
	I	I	1	0	U	U	U	U	U	U
	0	1								

20 19 18 17 16 15 14 13 12 11 10 9 8 7 6 5 4 3 2 1

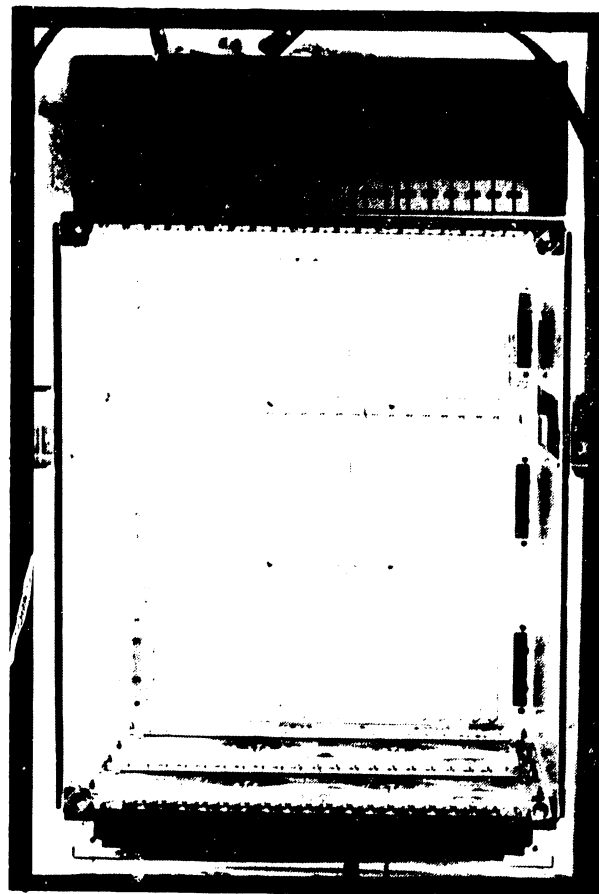


Figure 7-7. VS-7100 Card Cage

REPAIR

7.2.4.1 210-9830 Floating Point Unit Removal and Replacement

1. The 210-9830 Floating Point Unit is used in the VS-7150 only.
2. Enter Control Mode from the Support Control Unit (SCU) Console Mode Menu, and power down the disk drives.
3. Power down the mainframe by pressing the Control Panel Power Off pushbutton (or SW2, Off, on the Power Supply Controller).
4. Open the front hinged door (paragraph 7.2.4).
5. Each circuit board is held in place by two snap locks. One snap lock tab fits under the edge of the top board guide plate and the second snap lock fits under the edge of the bottom board guide plate.
6. Remove the Floating Point Unit (FPU) (figure 7-8) from backplane slot #1 by lifting the snap locks to free the board from the card cage connectors. Once the board is free of the connectors, ease it forward in the board guides and out of the board cage.
7. Insert the new Floating Point Unit in the board guides and slide it back to the backplane.
8. Make sure the board edge connectors are lined up with the backplane connector slots and the snap lock tabs are under the guide plates.
9. Push back on the snap locks to seat the board in the backplane.

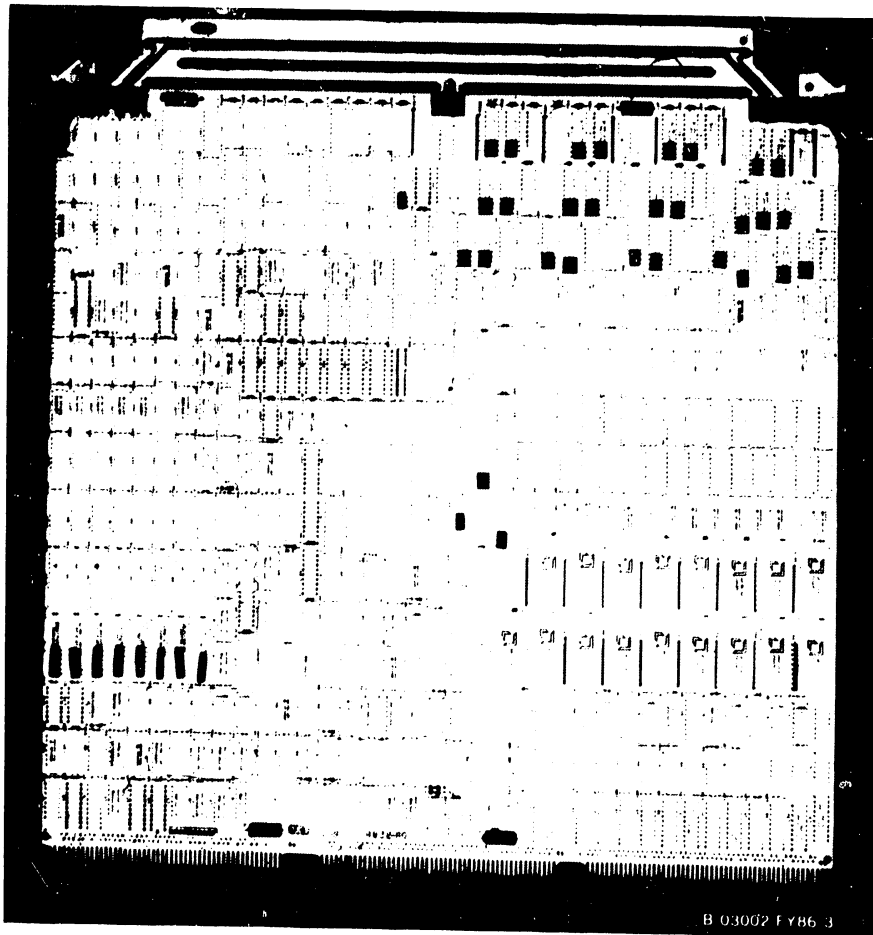


Figure 7-8. 210-9830 Floating Point Unit

7.2.4.2 210-8846 External Clock Board Removal and Replacement

1. The External Clock board (figure 7-9) supplies system clock to maintain centralized system component synchronization. It is located on the rear of the backplane at slot #1 (FPU slot), connector B (J1-B).
2. Power down the system as described in paragraph 7.2.4.1.
3. Remove enough of the left I/O half panels to allow access to the backplane.
4. Remove the External Clock board from J1-B by pushing open the snap-lock tabs.
5. Install the new External Clock board at J1-B (with pin 1 of J1 at the top of the board). Push in on the board until the snaplocks close and lock the board in place.

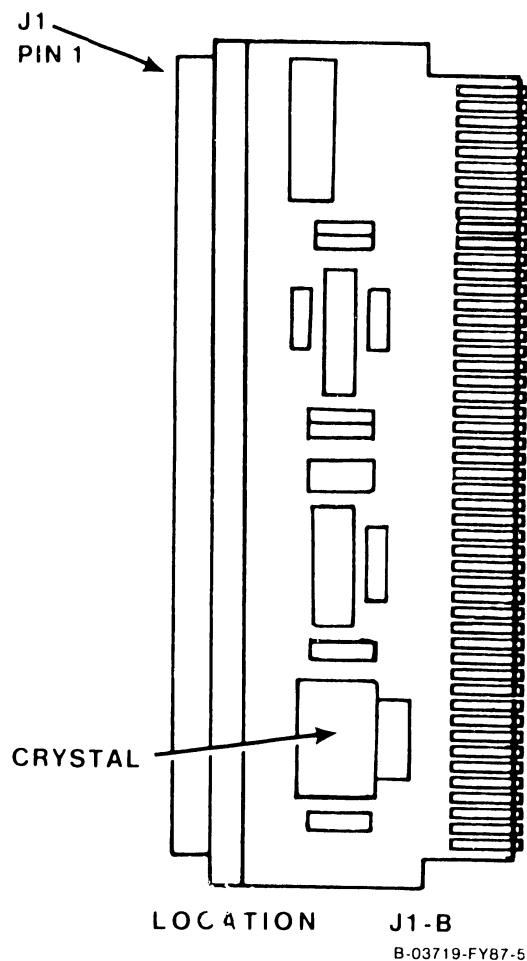


Figure 7-9. 210-8846 External Clock Board

REPAIR

7.2.4.3 210-9838/9839/9931 Central Processing Unit Removal and Replacement

1. The Central Processing Units (CPU) used in the VS-7100 series are:
 - a. 210-9838 (VS-7110)
 - b. 210-9839 (VS-7120)
 - c. 210-9931 (VS-7150)
2. Before removing the CPU, figure 7-10, from backplane slot #2 disconnect the 50-pin cable from J1.
3. Remove the CPU in the manner described in 7.2.4.1.
4. After checking the CPU Clock jumpers at L50 and SPB (Support Packet Bus) Target ID jumpers at L172 (figure 7-10), install the new CPU.
5. Reconnect the 50-pin cable to J1.

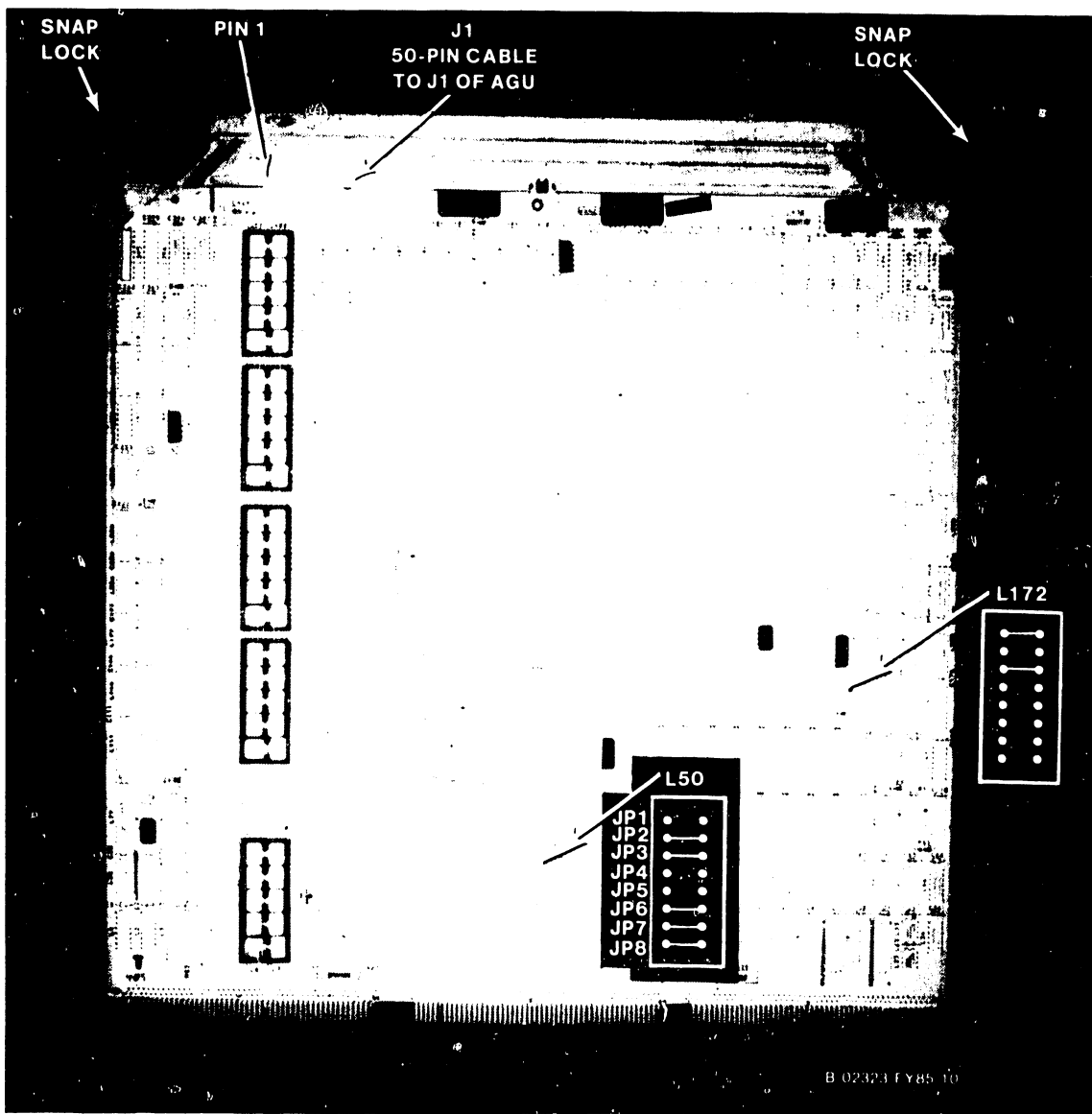


Figure 7-10. 210-9838/9839/9931 Central Processing Unit

7.2.4.4 210-9832 Address Generation Unit Removal and Replacement

1. Before removing the Address Generation Unit (AGU), figure 7-11, from backplane slot #3 disconnect the 50-pin cables from J1 and J2.
2. Remove the AGU in the manner described in 7.2.4.1.
3. After checking the oscillator jumpers at L212 (figure 7-11), install the new AGU.
4. Reconnect the 50-pin cables to J1 and J2.

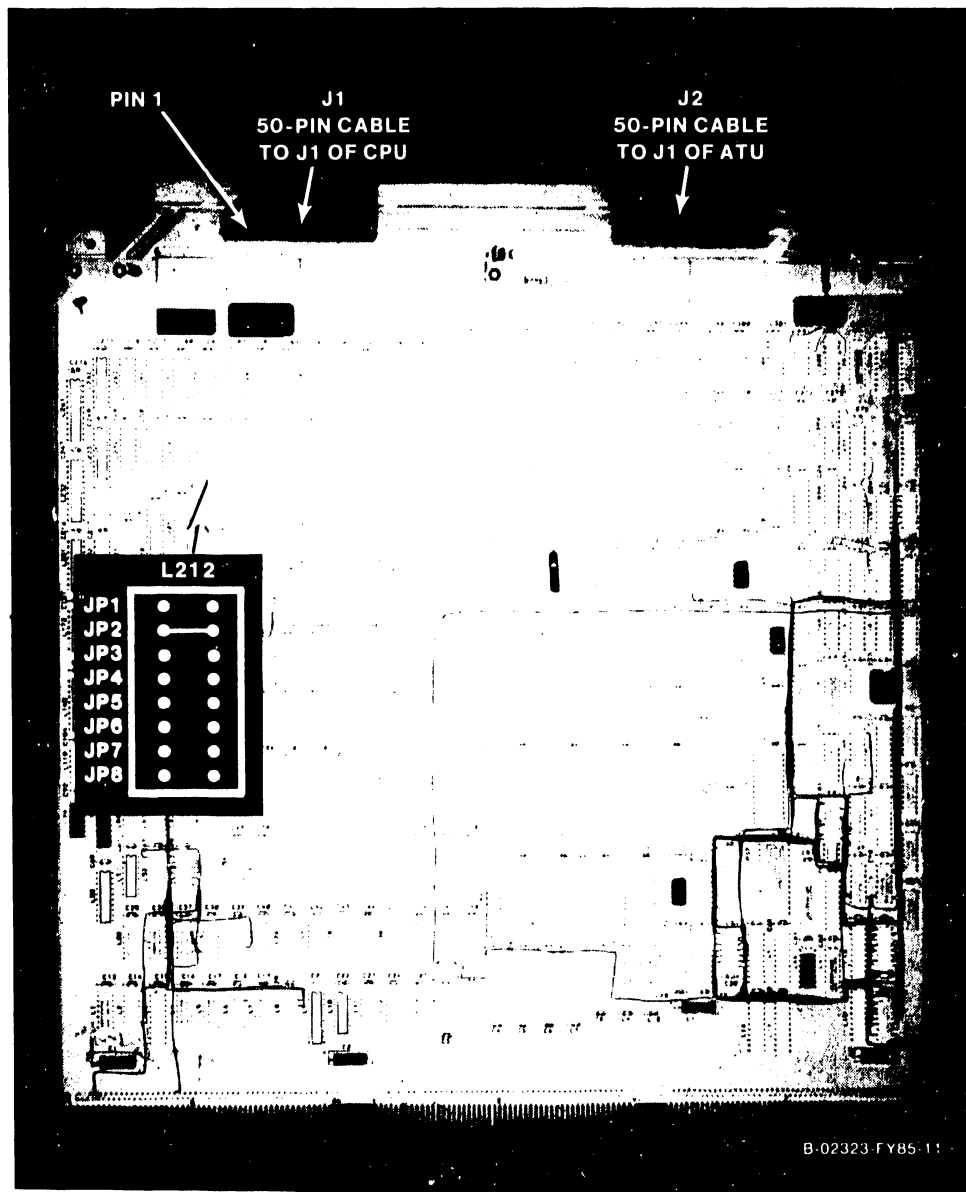


Figure 7-11. 210-9832 Address Generation Unit

REPAIR

7.2.4.5 210-9833 Address Translation Unit Removal and Replacement

1. Before removing the Address Translation Unit (ATU), figure 7-12, from backplane slot #4 disconnect the 50-pin cable from J1.
2. Remove the ATU in the manner described in 7.2.4.1.
3. After checking the IPC Destination Processor jumpers at L364 as shown in figure 7-12, install the new ATU.
4. Reconnect the 50-pin cable to J1.

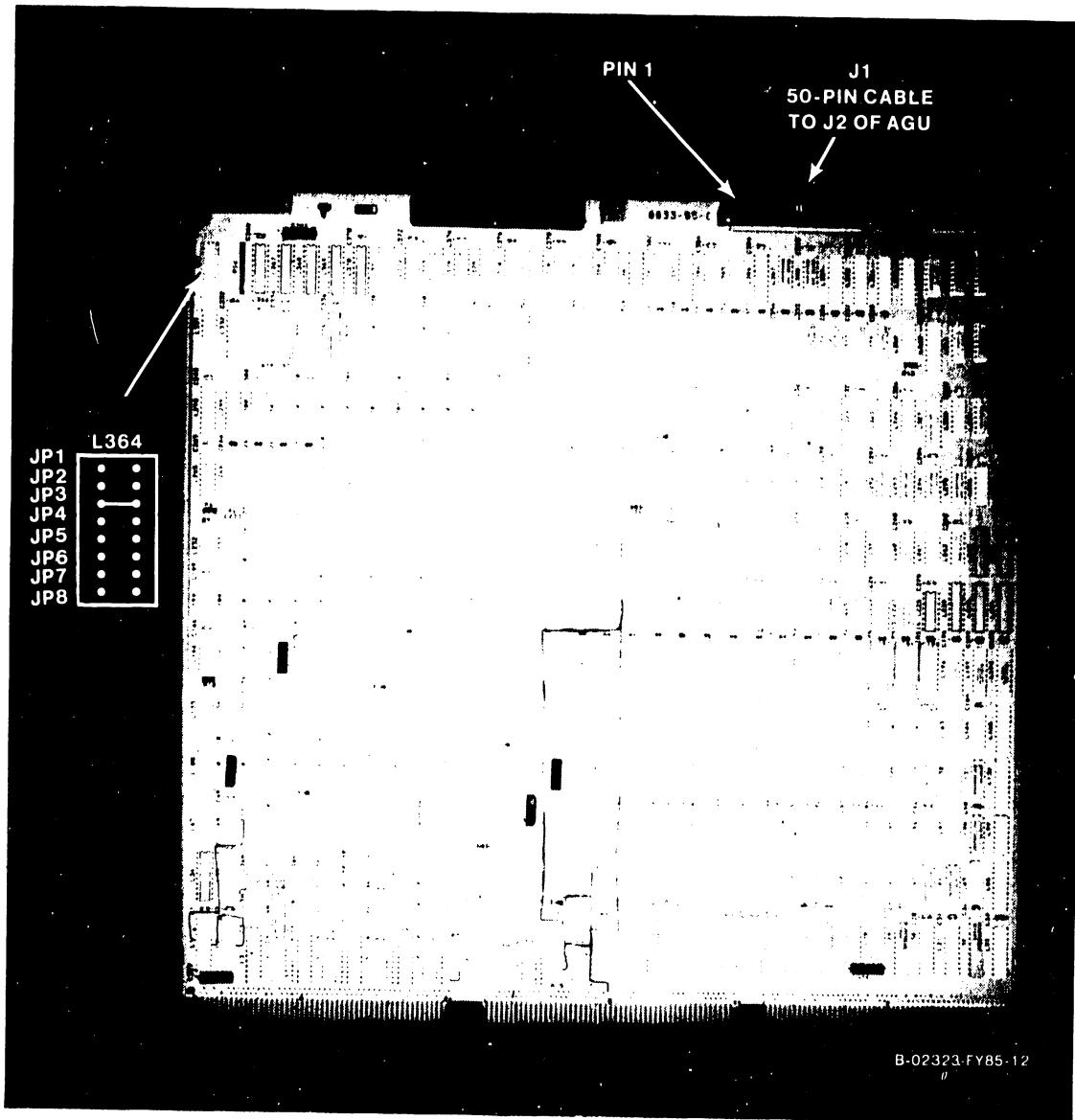


Figure 7-12. 210-9833 Address Translation Unit

7.2.4.6 210-8835 Support Control Unit Removal and Replacement

NOTE

The diagnostics refer to this board as the Support Control Unit Interface (SCUI).

1. Remove the Support Control Unit (SCU) (figure 7-13) from backplane slot #5 in the manner described in 7.2.4.1. There are no cables, switches, or jumpers on the SCU.
2. Install the new SCU.

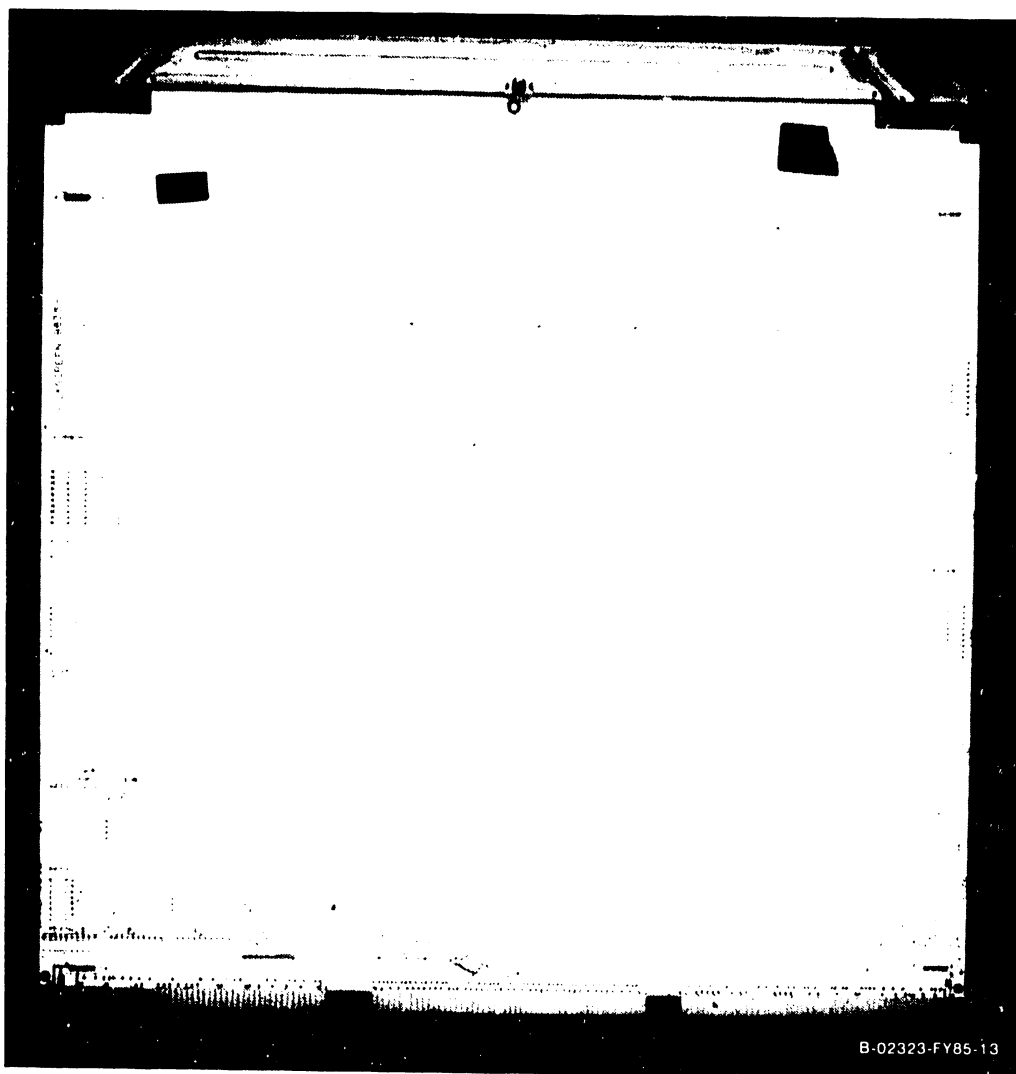


Figure 7-13. 210-8835 Support Control Unit

7.2.4.7 210-9834 Memory Control Unit Removal and Replacement

1. Remove the Memory Control Unit (MCU) (figure 7-14) from backplane slot #6 in the manner described in 7.2.4.1. No cables are on the MCU.
2. After checking the MCU System Address ID jumpers at L67, MCU Support Packet Bus ID jumpers at L133, and Main Memory Size Selection jumpers at L133 (figure 7-14 and table 7-1), install the new MCU.

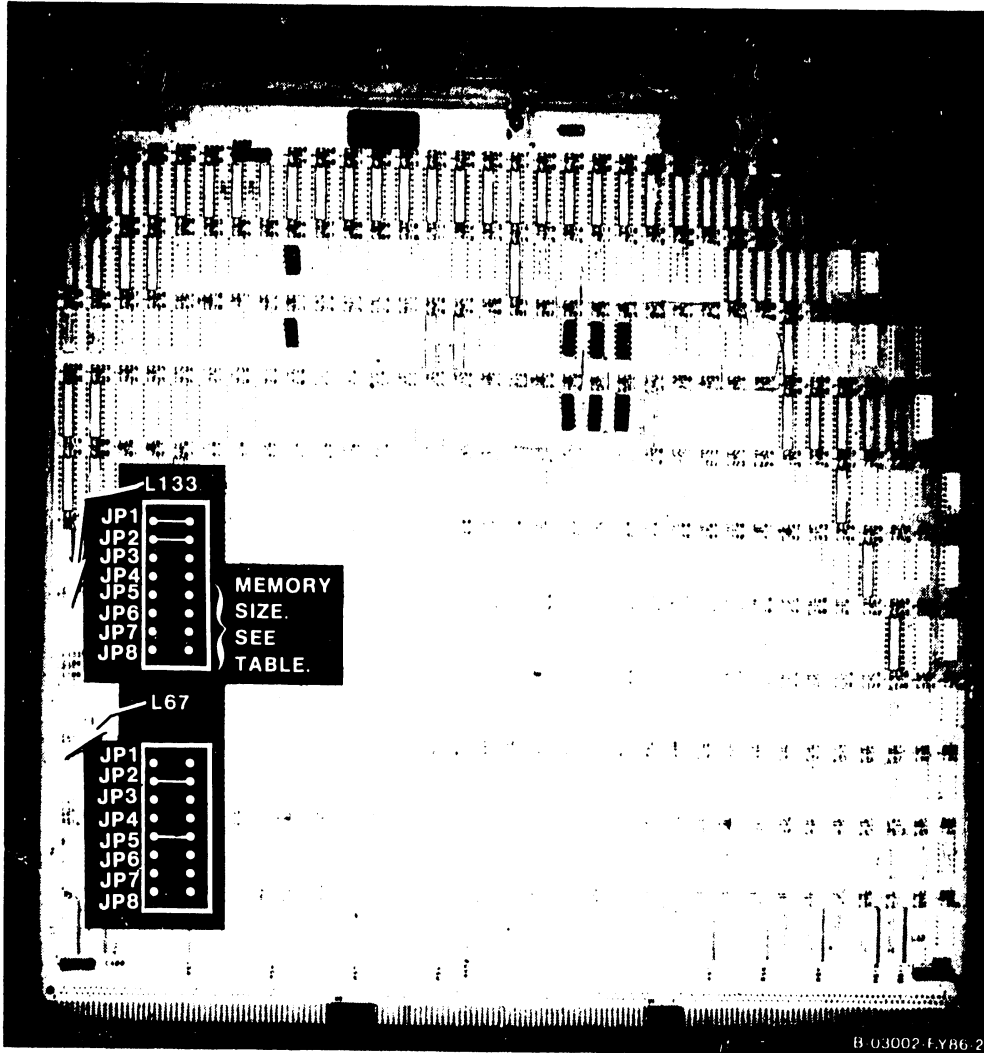


Figure 7-14. 210-9834 Memory Control Unit

Table 7-1. Main Memory Size Selection Jumpers (L133)
(Memory Size In Megabytes)

		4	8	12	16
<u>Memory Size</u>		<u>M</u>	<u>M</u>	<u>M</u>	<u>M</u>
Jumper	JP4	■		■	
Jumper	JP5		■	■	
Jumper	JP6				■
Jumper	JP7				
Jumper	JP8				

7.2.4.8 210-8703/210-8703-1 Main Memory Removal and Replacement

1. Remove the Main Memory board(s) (figure 7-15) from memory slots #0 through #3 as described in 7.2.4.1.
2. After checking the Memory Module DRAM Loading (table 7-2), install the new Main Memory board. (A 210-8703 board is half-loaded and contains 4 megabytes, while a 210-8703-1 is fully loaded and contains 8 megabytes.) Refer to tables 7-3a and 7-3b for installation examples.
3. If installing a new board means the main memory capacity will change, refer to paragraph 7.2.4.6 for Main Memory Size Selection Jumpers.

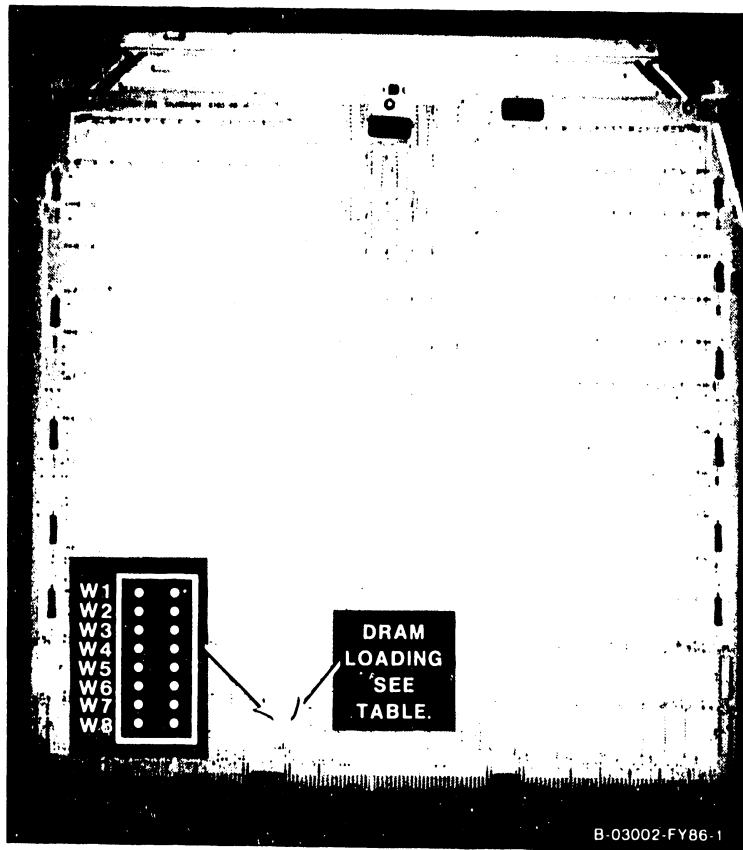


Figure 7-15. 210-8703 Main Memory

Table 7-2. Main Memory Jumper Configurations

Memory Module DRAM Loading	W1	W2	W3	W4	W5	W6	W7	W8	W9	W10
256K Full Load (8 Meg.)		■				■		■		
256K Half Load (4 Meg.)			■	■	■			■		

NOTE

1. ■ = Jumper in.

NOTES

1. Table 7-3a shows how fully loaded main memory boards must be installed before (to the right of) half loaded main memory boards.
2. Table 7-3b **IS NOT** a legitimate configuration and is given only as an example of incorrect main memory board installation.

Table 7-3a. Correct Main Memory Board Installation Example

<u>Board Location For 12 Megabytes</u>	<u>Main Memory Board Part Numbers</u>
First board	210-8703-1 (8 megabytes)
Second board	210-8703 (4 megabytes)

CAUTION

The following table is used only as an example of an **INCORRECT** main memory board installation configuration. **DO NOT** install main memory boards in this type of configuration because main memory errors will occur.

Table 7-3b. Incorrect Main Memory Board Installation Example

<u>Board Location For 12 Megabytes</u>	<u>Main Memory Board Part Numbers</u>
First board	210-8703 (4 megabytes)
Second board	210-8703-1 (8 megabytes)

7.2.4.9 210-9836 System Bus Interface Removal and Replacement

1. Remove the System Bus Interface(s) (SBI) (figure 7-16) from SBI back-plane slot(s) #0 or #1 in the manner described in 7.2.4.1.
2. After checking the I/O Clock Speed jumpers at L125, SBI Identification jumpers at L74, and SPB (Support Packet Bus) Target ID jumpers at L113 (figure 7-16), install the new SBI.

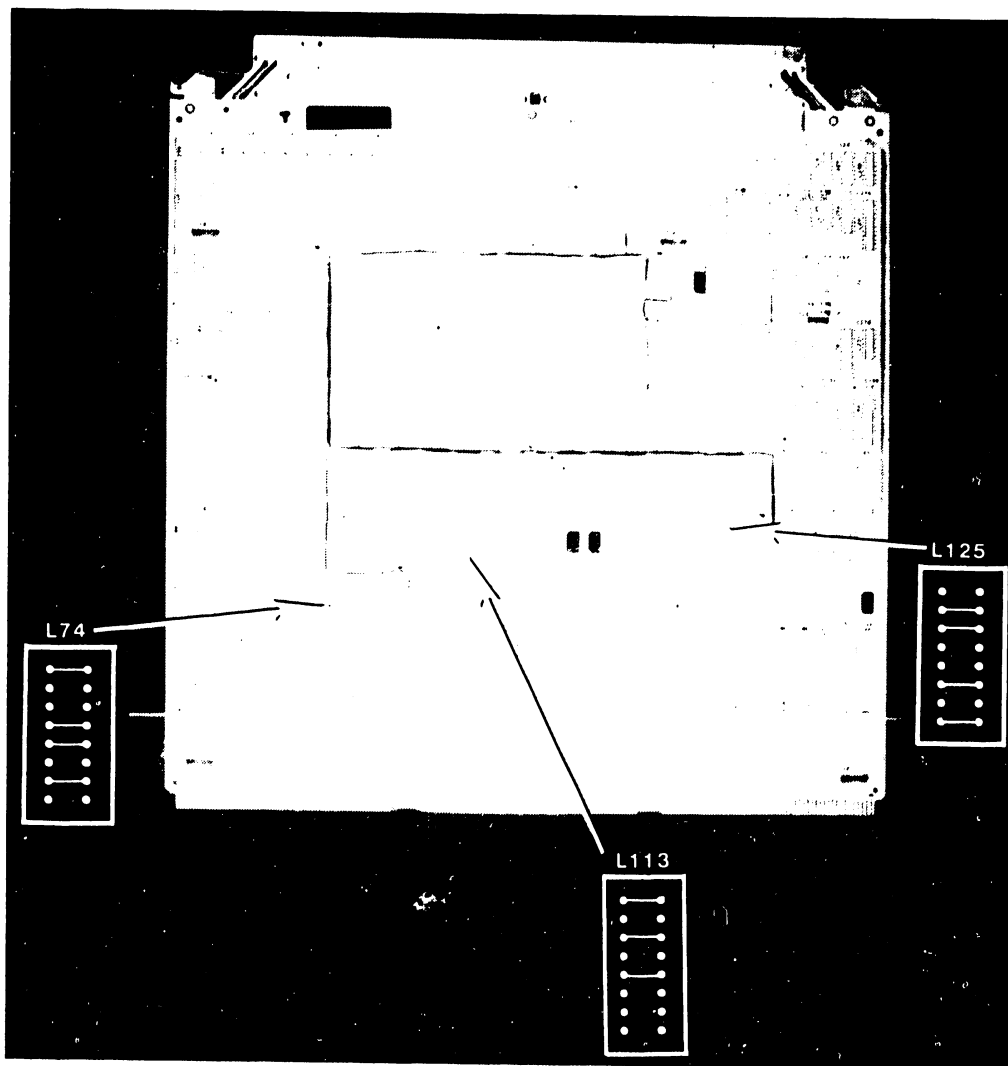


Figure 7-16. 210-9836 System Bus Interface

REPAIR

7.2.5 IOC CIRCUIT BOARD REMOVAL AND REPLACEMENT

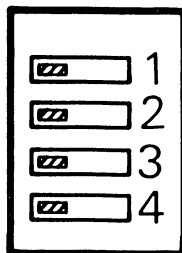
There are six different IOC assemblies used in the VS-7100. The removal and replacement procedures for the different assemblies are given in the order in which they are found in the backplane, table 7-4.

NOTE

In the VS-7100, convention requires that I/O slot #1 be reserved for a 23V98 Disk Drive IOC, and I/O slot #3 be reserved for a 23V67 Serial IOC.

Table 7-4. IOC List

IOC Type	WLI Part Number	IOC Priority	Physical Backplane Slot Number
System Bus Interface	210-9836		SBI #0 (SBI #1 for 2nd SBI)
SMD (23V98-1/2/3/4)	210-8785	1	I/O #1
32-Port Serial (23V67)	210-9809	3	I/O #3
Kennedy Tape (23V95-1)	210-8790		
Telex Tape (23V95-2)	210-8789		
Multiline TC (23V86/96)	210-8491A		
CIU BLANC (23V79)	210-8392A		



▨ = switch position

NOTE

This switch is set the same for all IOCs except the 23V79 CIU BLANC IOC. See each IOC for the location of the switch.

Figure 7-17. IOC Diagnostic Switch Setting For Power-Up
(Except 23V79 [210-8392] CIU BLANC IOC)

7.2.5.1 23V67 (210-9809-A) Serial IOC Removal and Replacement

1. The 23V67 drives up to four Active Port Assemblies mounted on the rear panel or in the Cable Concentrator unit. Each APA drives up to eight serial device ports. The IOC also supports FiberWay, the 6550 Gate Array TC controller, and the P-Band WangNet modems, via the Cable Concentrator. Connector J1 on the IOC is always reserved for P-Band. No other type of devices should be connected to J1.
2. Disconnect all cables from the top of the 23V67 Serial IOC (figure 7-18). Note the position of all cables for later reassembly.
3. Remove the IOC as described in 7.2.4.1.
4. After checking the Diagnostic switch setting at L194 as shown in figure 7-17, install the new 23V67.
5. Reconnect all cables.

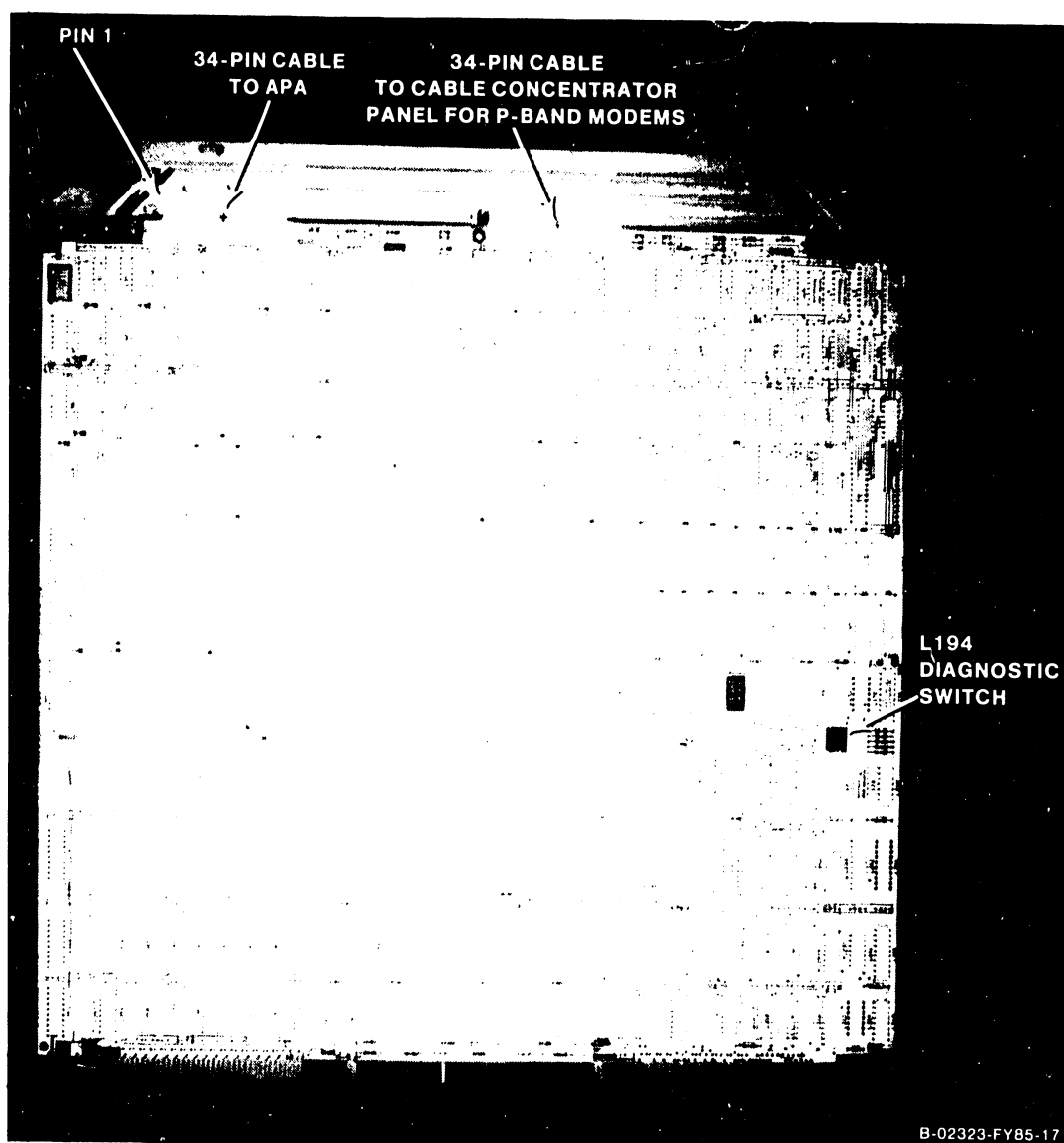


Figure 7-18. 23V67 Serial IOC

REPAIR

7.2.5.2 270-0975 Serial IOC APA

1. The 270-0975 Serial Active Port assembly (APA) consists of the 210-8504 APA board and the 210-8509 BNC/TNC board. The assembly is daisy chained to include up to four APA back panels.
2. Figure 7-19 shows one assembly and figure 7-20 shows four assemblies daisy chained. The last APA must be terminated at J2 with a 210-8503 terminator board.

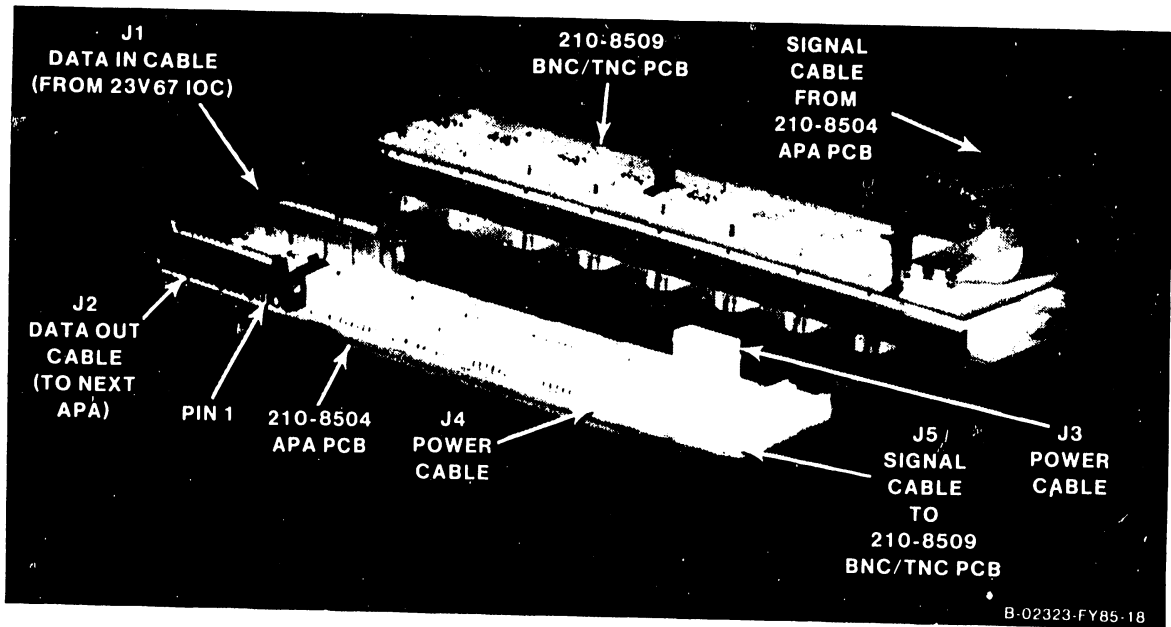


Figure 7-19. 270-0975 APA Assembly

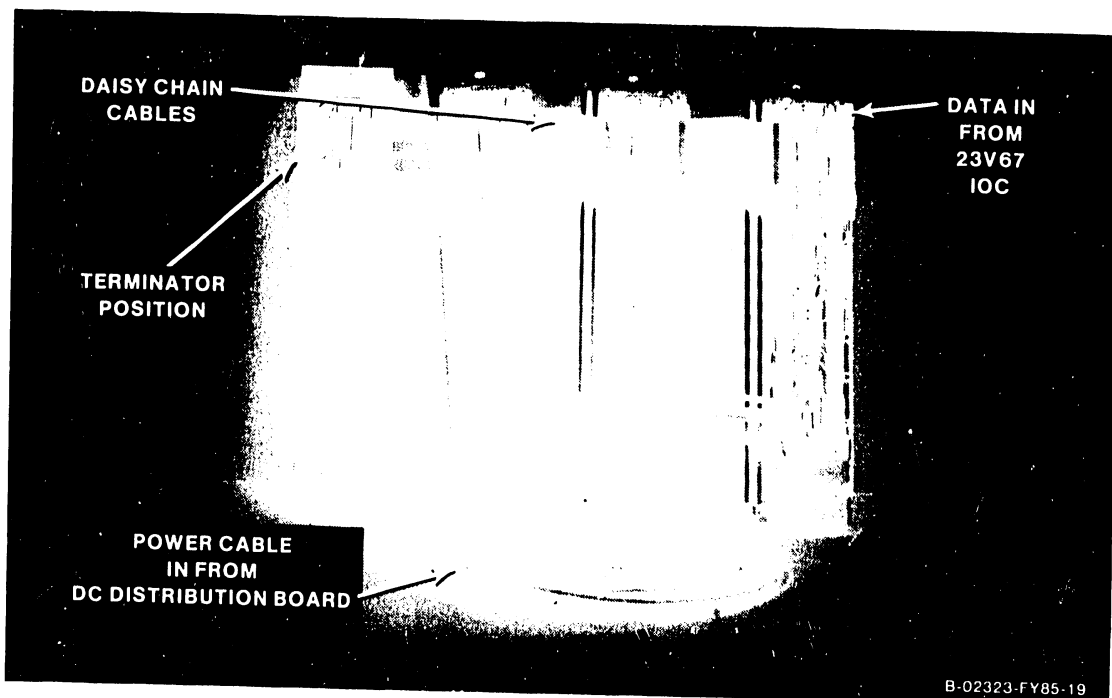


Figure 7-20. Daisy Chained APA Assemblies

7.2.5.3 FiberWay Active Port Assembly (FWAPA) Removal and Replacement

1. Disconnect the fiber-optic cables from the front of the FWAPA panel assembly.
2. Disconnect the power jumper cables and/or the FWAPA power cable from the FiberWay active port assembly (FWAPA) to be removed. See figure 7-21.
3. Disconnect the 220-3234 data jumper cables and/or the 220-3471 data ribbon cable from the FWAPA to be removed.
4. Remove the two Phillips head screws that secure the FWAPA to the front of the enclosure.
5. Remove the FWAPA.
6. To replace the FWAPA, reverse the removal procedure.
7. Make sure that a terminator board (210-8503) is installed in the last FWAPA in the group.

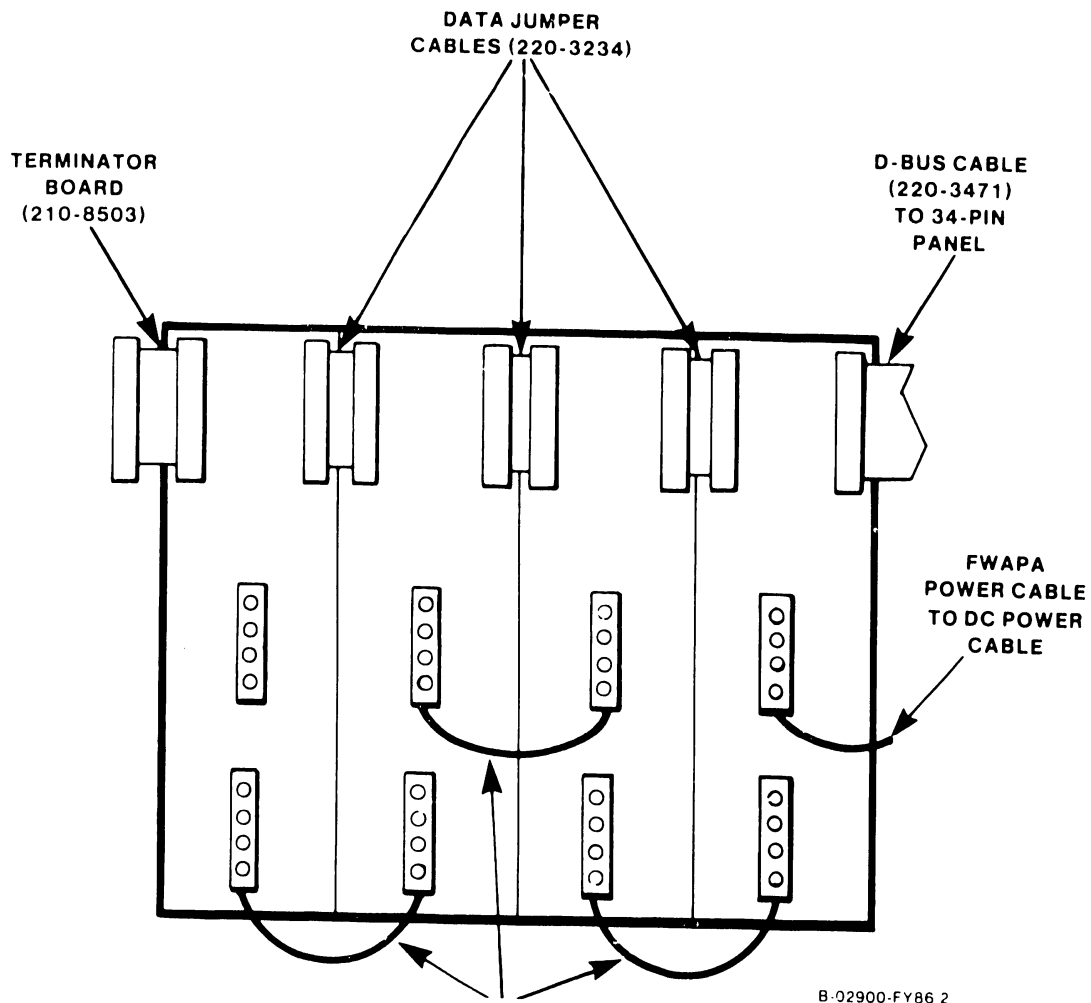


Figure 7-21. FiberWay Active Port Assembly Removal

REPAIR

7.2.5.4 6550 Gate Array TC Controller Panel Assembly Removal and Replacement

1. The 6550 Gate Array TC panel assembly consists of one 210-8714 CPU/Gate Array board, one 210-8713 Driver/Receiver board, and one 210-8712 Connect board. Order and replace the entire 6550 Gate Array assembly (WLI P/N 270-1016). Do not replace individual boards.
2. Disconnect the coaxial cable from the BNC/TNC connectors, and the modem cables from the TC connectors of the GATC panel assembly. (Figure 7-22).
3. Disconnect the power cable from J3 of the 210-8714 CPU/Gate Array board. (Figure 7-23).
4. Remove the four Phillips head screws that secure the GATC panel assembly to the mainframe.
5. Remove the GATC panel assembly.
6. Before installing the new assembly, check the jumpers J1 and J2 on the 210-8713 Driver/Receiver board for X.21 protocol as shown in figure 7-24.
7. On the 210-8714 CPU board, check the 8-position DIP switch at SW1, and the jumpers at J5 and J6 as shown in figure 7-25. (Switches 5 and 6 are On for support of 128K byte Gate Array without X.21 protocol; switches 5, 6, and 7 are On for support of 128K byte Gate Array with X.21 protocol; all other switches should be off.)
8. Install the new Gate Array assembly and reconnect the cables.

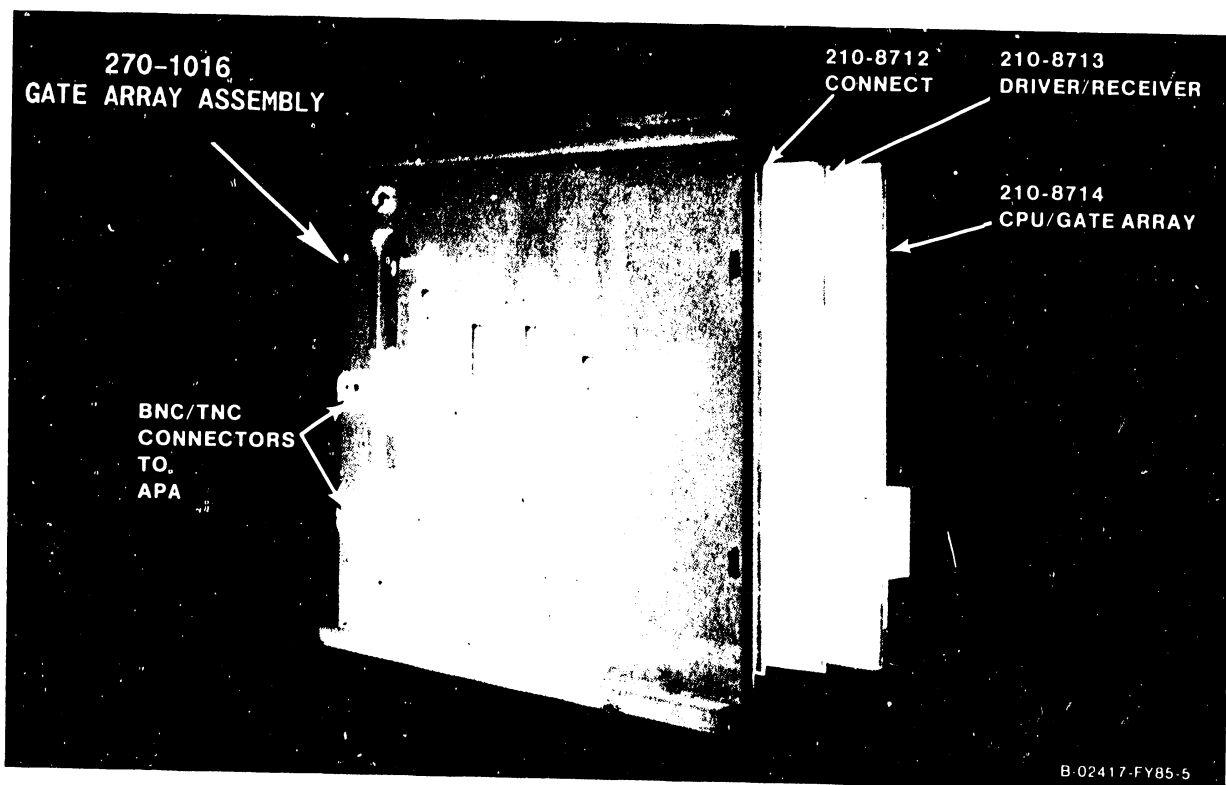


Figure 7-22. 6550 Gate Array TC Panel Assembly

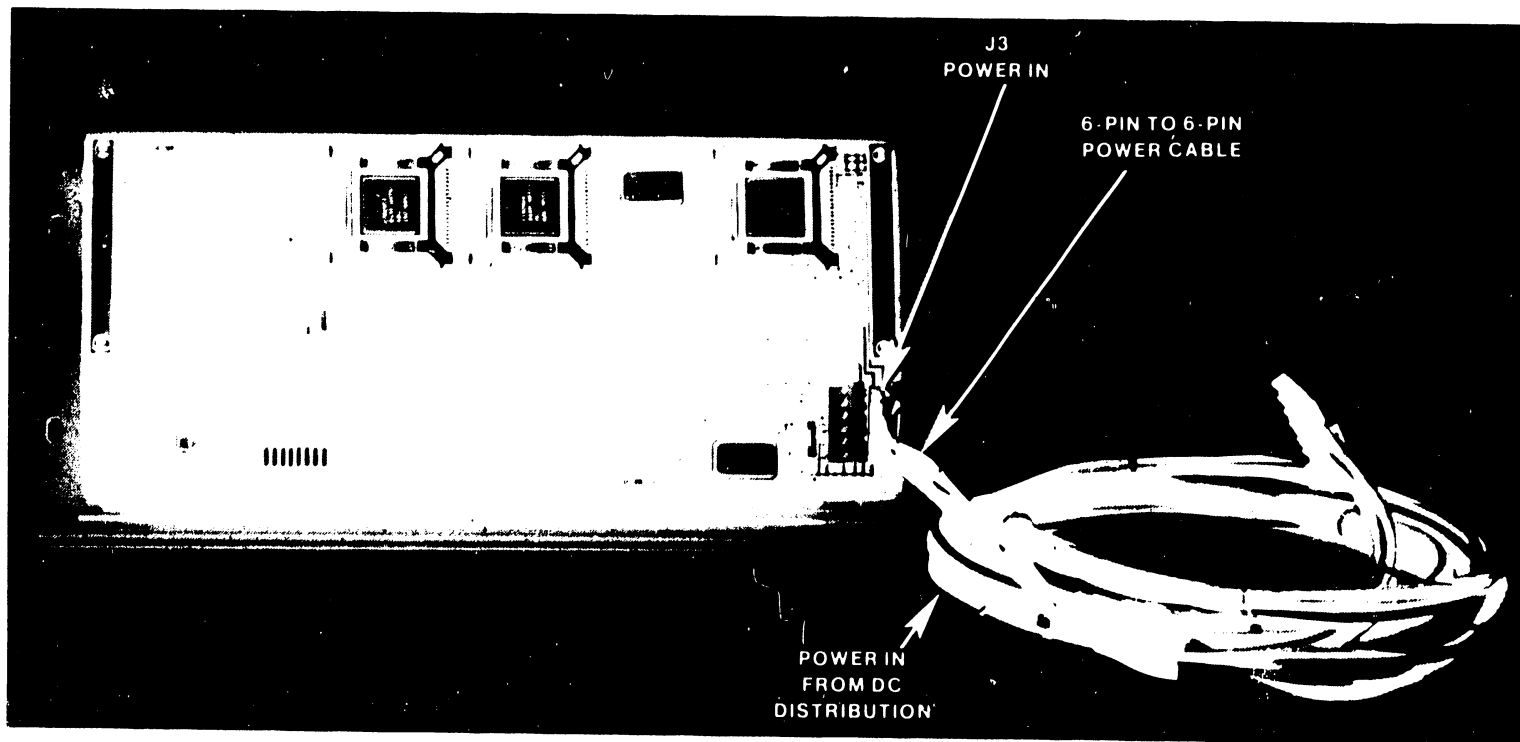


Figure 7-23. 210-8714 CPU/Gate Array Board with Cabling

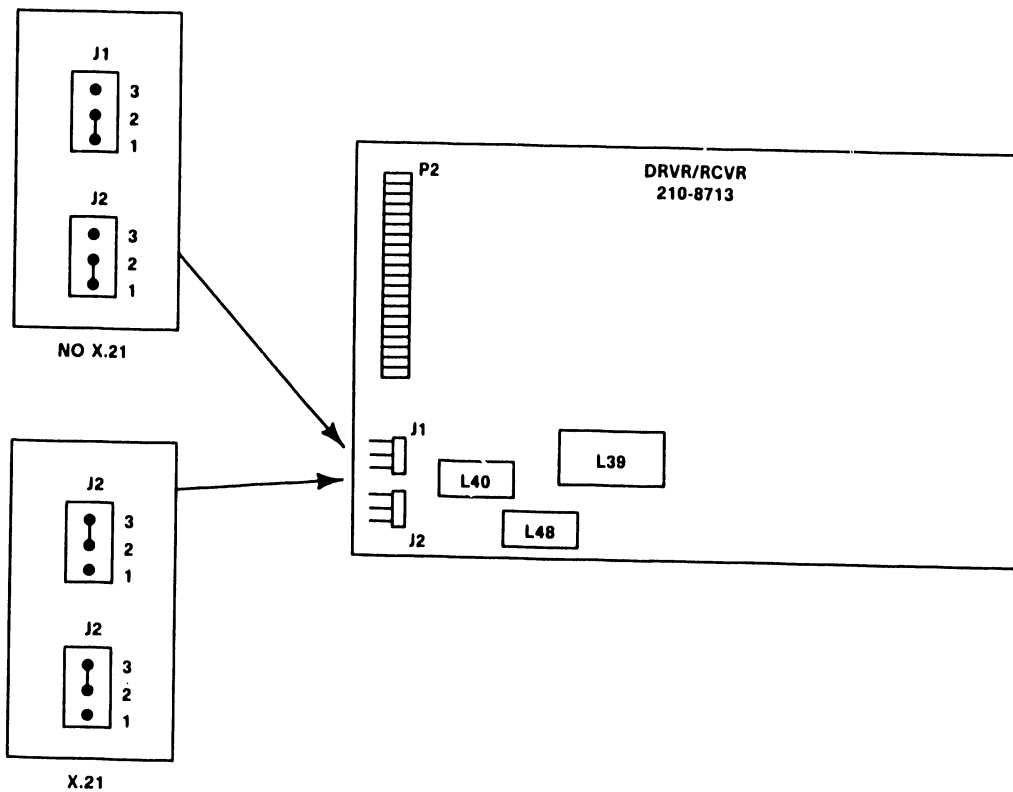


Figure 7-24. 210-8713 GATC Driver/Receiver Board

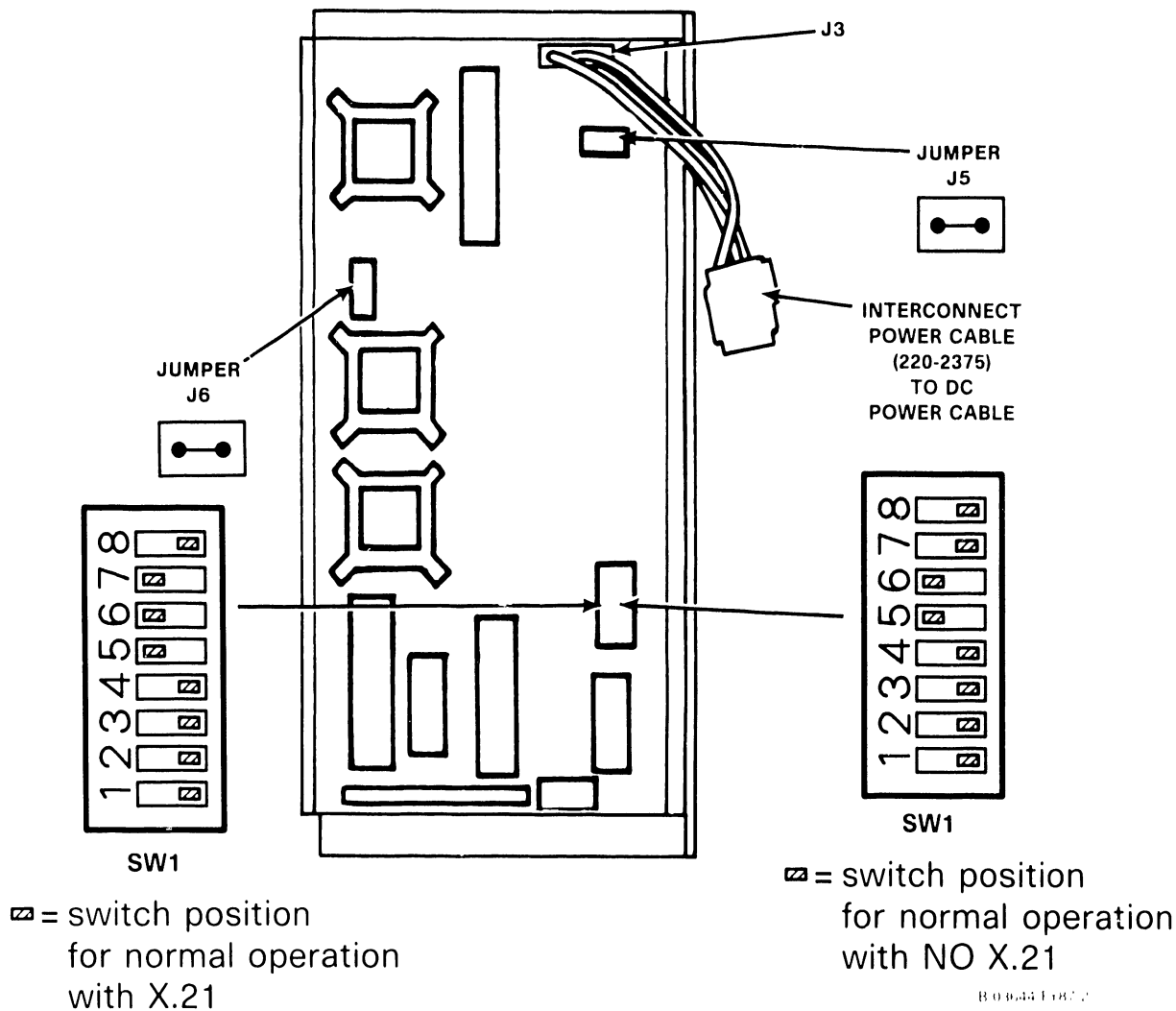


Figure 7-25. 210-8714 CPU/Gate Array Board

NOTES

- Existing 210-8712 E0/R0 board now provides a clock on RS-232 nonstandard interface pin 11. This board is compatible only with existing Wang 2228N Null Modems.
- Existing 210-8712 E0/R0 board is supported by the RS-232 Loopback Plug, WLI P/N 420-1040, and the RS-232/366 Loopback Plug, WLI P/N 420-1041.

7.2.5.5 23V98-1/2/3/4 (210-8785-D/C/B/A) Disk Drive IOC Removal and Replacement

1. Disconnect all cables from the top of the 23V98 Disk Drive IOC (figure 7-26). Note the position of all cables for later reassembly.
2. Remove the IOC as described in 7.2.4.1.
3. Check the device type switches (figures 7-26 and 7-27, and table 7-5). The two 8-position disk device type switches, SW1 (L76) and SW2 (L51), define the type of drive connected to the 23V98 IOC, ports 0-3. Set the switches for the type of drive(s) connected to the IOC.
4. After checking the Diagnostic switch setting at L247 as shown in figure 7-17, install the new 23V98.
5. Reconnect all cables.

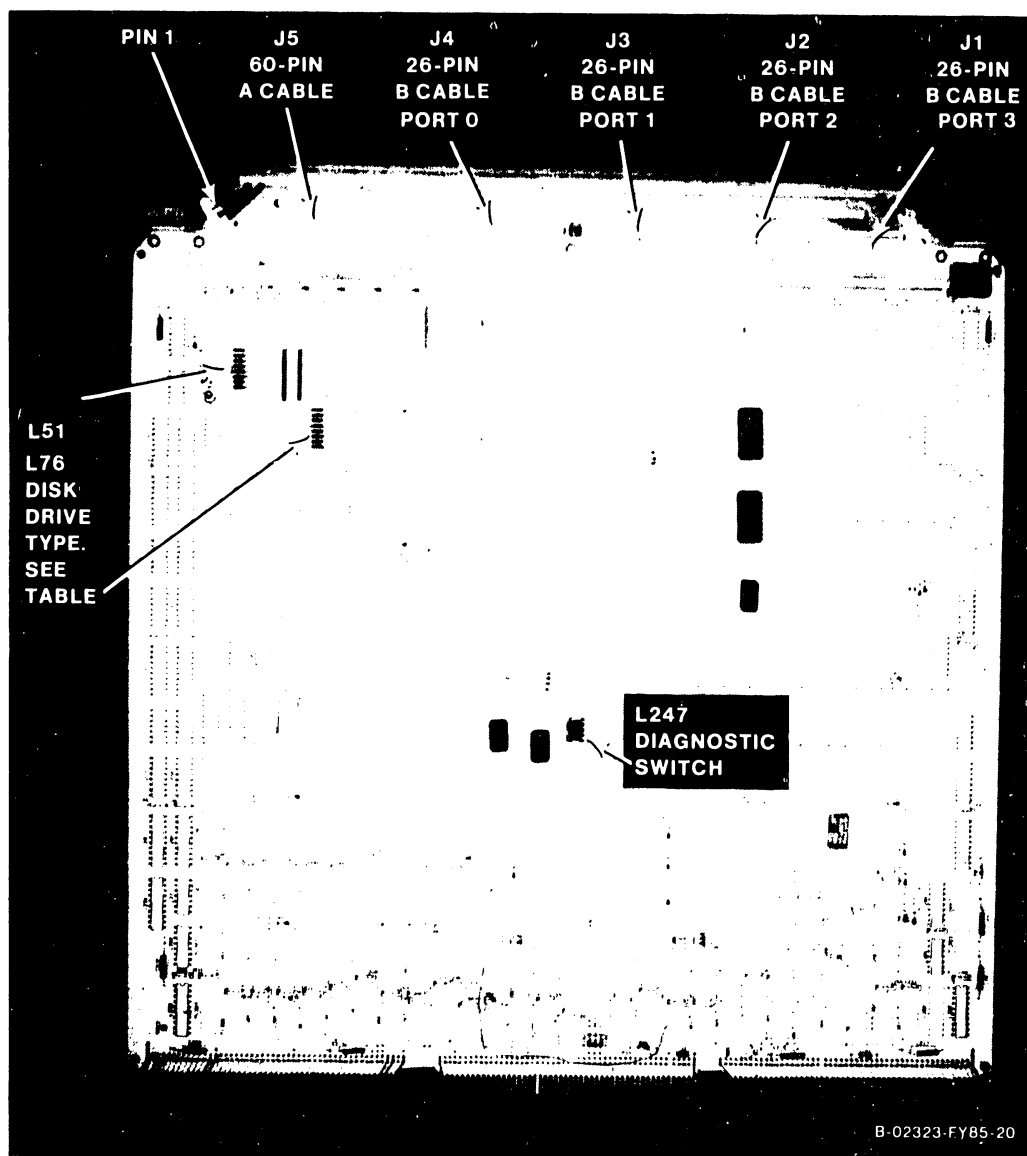


Figure 7-26. 23V98 Disk Drive IOC

REPAIR

	Open (Off)	Closed (On)	
Bit 1	1		
Bit 2	2		Port
Bit 3	3		0
Bit 4	4		
Bit 1	5		
Bit 2	6		Port
Bit 3	7		1
Bit 4	8		

SW2 (L51)

	Open (Off)	Closed (On)	
Bit 1	1		
Bit 2	2		Port
Bit 3	3		2
Bit 4	4		
Bit 1	5		
Bit 2	6		Port
Bit 3	7		3
Bit 4	8		

SW1 (L76)

Figure 7-27. Disk Drive Device Type Switch Settings.

Table 7-5. Disk Drive Types (Formatted)

Drive Type	Bit 1	Bit 2	Bit 3	Bit 4	Hex Code
75Meg SMD/76Meg RSD	Closed	Closed	Closed	Closed	0
288Meg SMD	Open	Closed	Closed	Closed	1
76Meg NEC	Open	Closed	Closed	Open	9
147Meg NEC	Closed	Open	Closed	Open	A
600Meg FMD	Open	Open	Closed	Open	B
454Meg CDC/FSD	Closed	Closed	Open	Open	C
314Meg CDC/FSD	Open	Closed	Open	Open	D
No Drive	Open	Open	Open	Open	F

7.2.5.6 23V95-1 (210-8790-A) Kennedy Tape IOC Removal and Replacement

1. Disconnect all cables from the top of the 23V95-1 Kennedy Tape IOC (figure 7-28). Note the position of all cables for later reassembly.
2. Remove the IOC as described in 7.2.4.1.
3. After checking the Diagnostic switch setting at L130 as shown in figure 7-17, install the new 23V95-1.
4. Reconnect all cables.

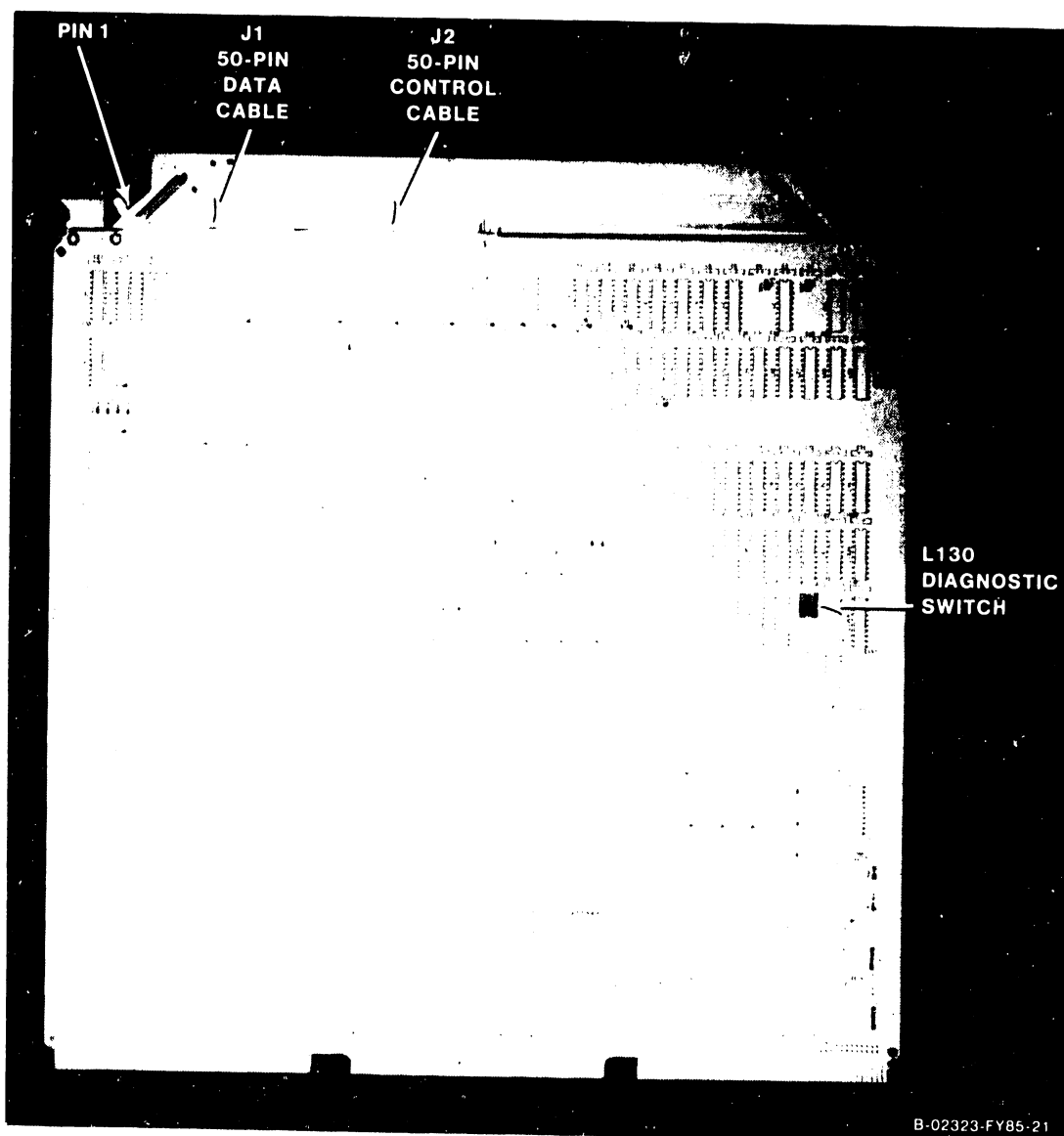


Figure 7-28. 23V95-1 Kennedy Tape IOC

REPAIR

7.2.5.7 23V95-2 (210-8789-A) Telex Tape IOC Removal and Replacement

1. Disconnect all cables from the top of the 23V95-2 Telex Tape IOC (figure 7-29). Note the position of all cables for later reassembly.
2. Remove the IOC as described in 7.2.4.1.
3. After checking the Diagnostic switch setting at SW1 as shown in figure 7-17, install the new 23V95-2.
4. Reconnect all cables.

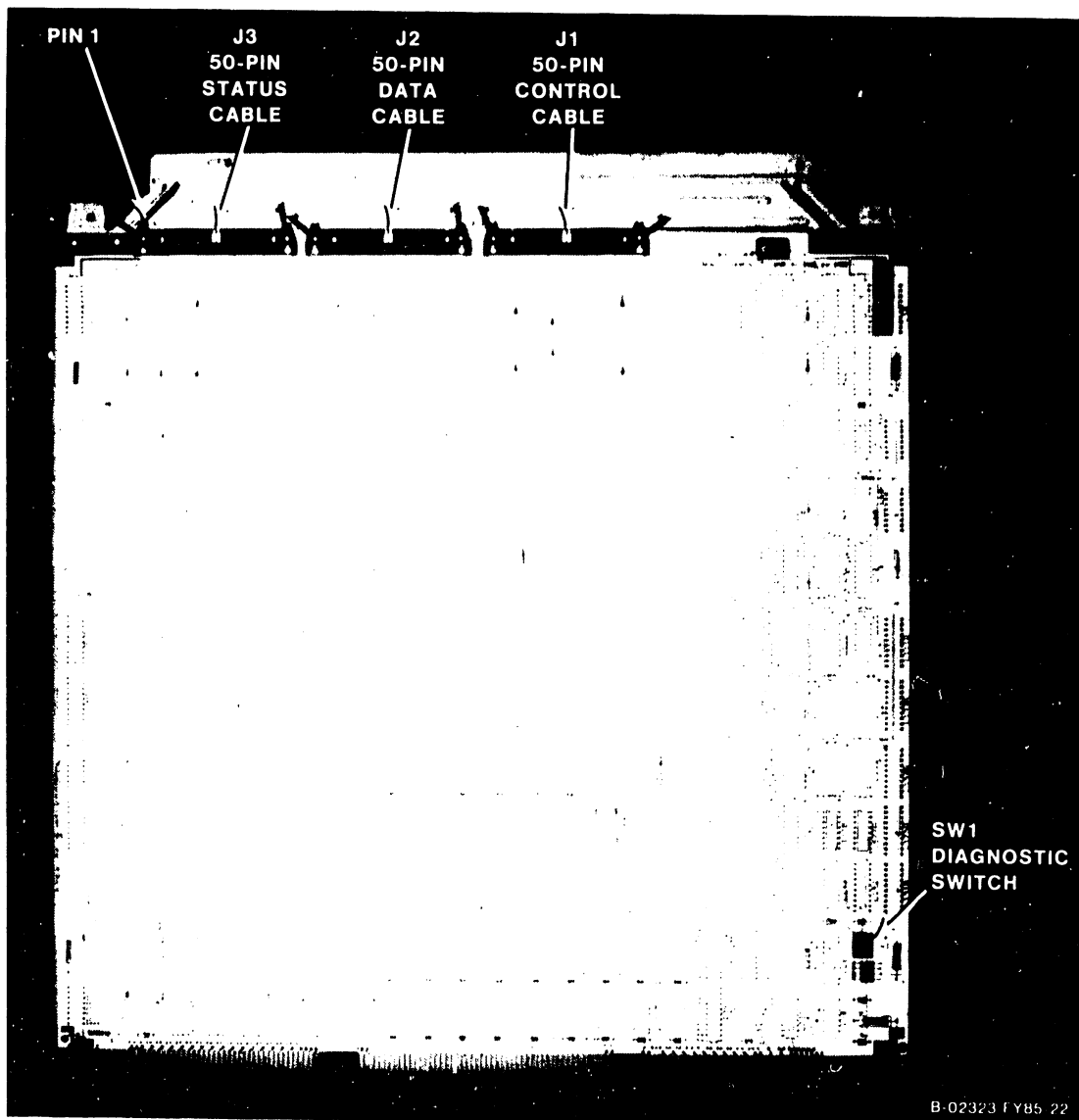


Figure 7-29. 23V95-2 Telex Tape IOC

7.2.5.8 23V86/96 (210-8491) Multiline TC IOC Removal and Replacement

1. The 23V86/96 drives up to four Multiline TC (MLTC) back panels. Each back panel drives up to four TC lines.
2. Disconnect all cables from the top of the 23V86/96 Multiline TC IOC (figure 7-30). Note the position of all cables for later reassembly.
3. Remove the IOC as described in 7.2.4.1.
4. Check the 8-position port select loop back test switch at L220. (Figure 7-30, and table 7-6.) For normal power-up, all switches are on.
5. After checking the Diagnostic switch setting at L202 as shown in figure 7-17, install the new 23V86/96.
6. Reconnect all cables.

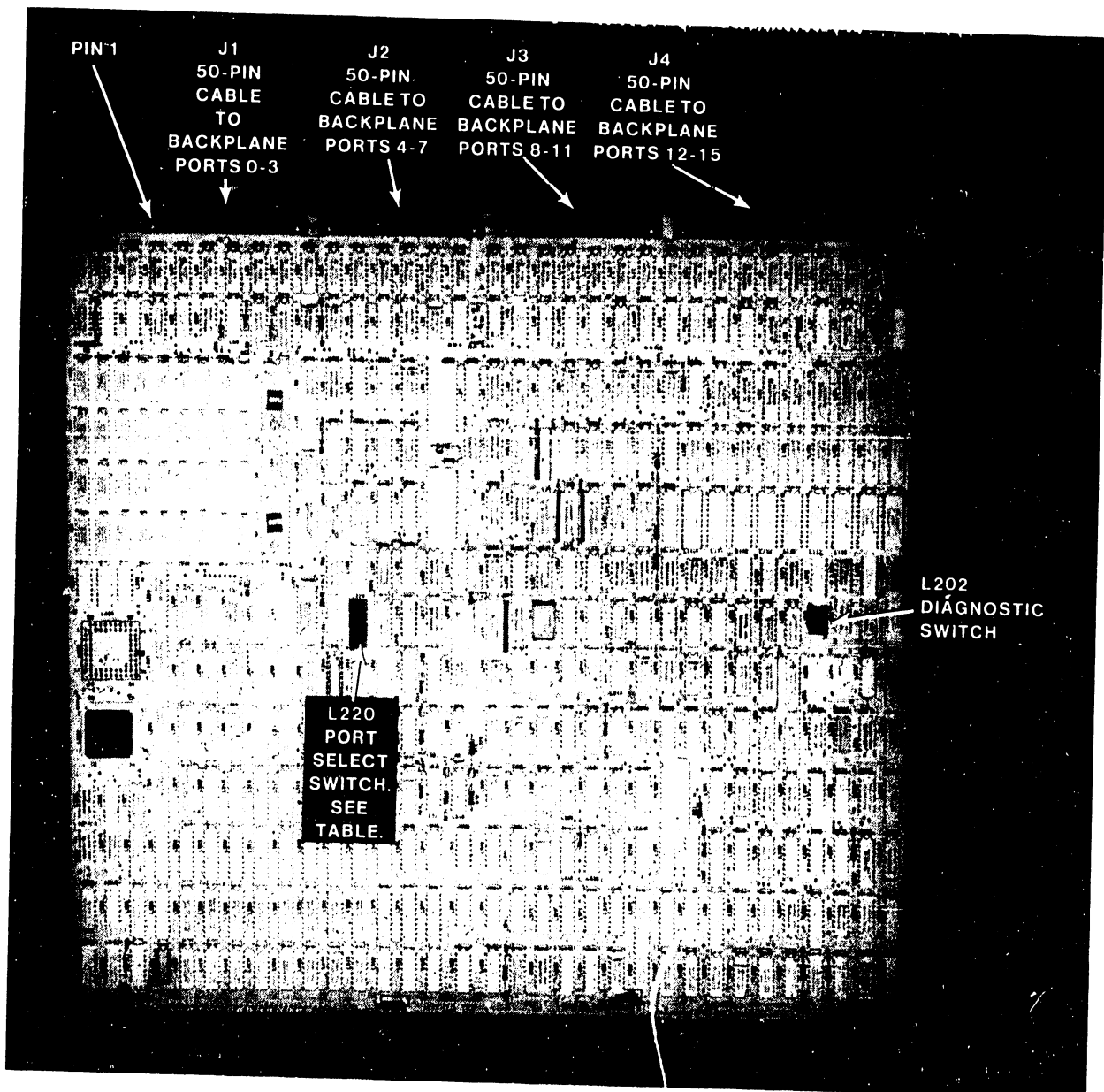


Figure 7-30. 23V86/96 Multiline TC (MLTC) IOC

REPAIR

Table 7-6. 23V86/96 Multiline TC IOC Port Select
Switch Settings For Loopback Test

SW8	SW7	SW6	SW5	SW4	SW3	SW2	SW1	
				Closed	Closed	Closed	Closed	Select Port 0 (If 5 Open)
				Closed	Closed	Closed	Open	Select Port 1 (")
				Closed	Closed	Open	Closed	Select Port 2 (")
				Closed	Closed	Open	Open	Select Port 3 (")
				Closed	Open	Closed	Closed	Select Port 4 (")
				Closed	Open	Closed	Open	Select Port 5 (")
				Closed	Open	Open	Closed	Select Port 6 (")
				Closed	Open	Open	Open	Select Port 7 (")
				Open	Closed	Closed	Closed	Select Port 8 (")
				Open	Closed	Closed	Open	Select Port 9 (")
				Open	Closed	Open	Closed	Select Port 10 (")
				Open	Closed	Open	Open	Select Port 11 (")
				Open	Open	Closed	Closed	Select Port 12 (")
				Open	Open	Closed	Open	Select Port 13 (")
				Open	Open	Open	Closed	Select Port 14 (")
				Open	Open	Open	Open	Select Port 15 (")
				Closed	-----			Deselects single channel mode.
				Open	-----			Selects single chan. mode (Sws. 1 - 4 select chan.)
					-----			Not used
				Closed	-----			Deselects burn-in
				Open	-----			Selects burn-in

NOTES

1. Location of switch is L220.
2. For normal operation, all L202 Diagnostic switches must be as shown in figure 7-30, and all L220 switches must be Closed (on).
3. To select burn-in, switch 8 Open (off), all others Closed (on).

7.2.5.9 Multiline TC Back Panel Assembly Removal and Replacement

1. The Multiline TC back panel assembly consists of one Serial Communications Link (SCL) subassembly with panel, two Block Connector boards, and up to four interface subassemblies with displays. Replace subassemblies, not individual boards. The Block Connector can be replaced individually.
2. Figure 7-31 shows the Multiline TC back panel assembly, with cabling.

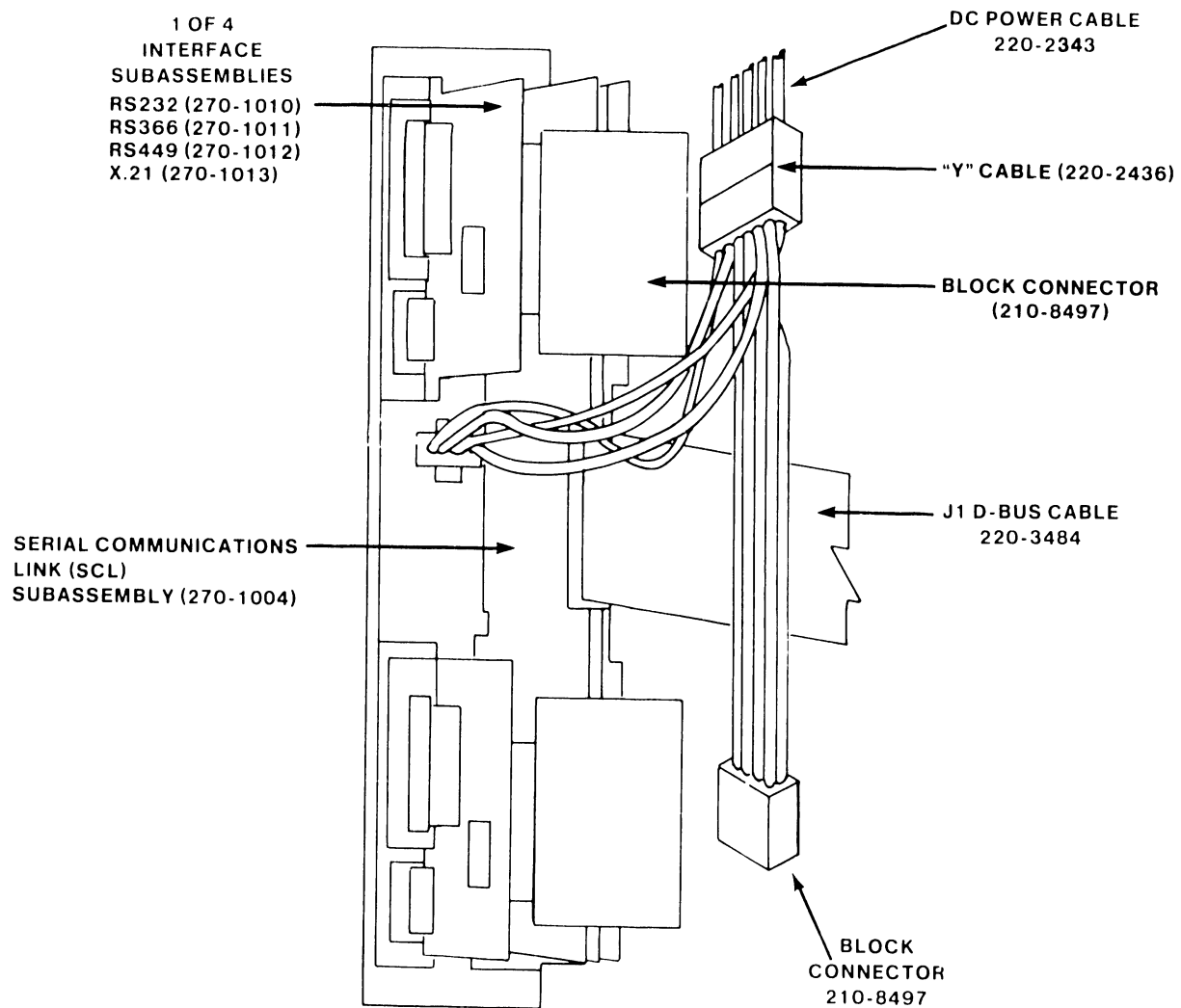


Figure 7-31. Multiline TC Back Panel Assembly

REPAIR

7.2.5.10 23V79 (210-8392-A) CIU BLANC IOC Removal and Replacement

1. Disconnect the cable from the top of the 23V79 CIU BLANC IOC (figure 7-32). Note the position of all cables for later reassembly.
2. Remove the IOC as described in 7.2.5.1.
3. After checking the 8-position CIU Functions switch setting at L272 as shown in figures 7-32 and 7-33, install the new 23V79.
4. Reconnect the cable.

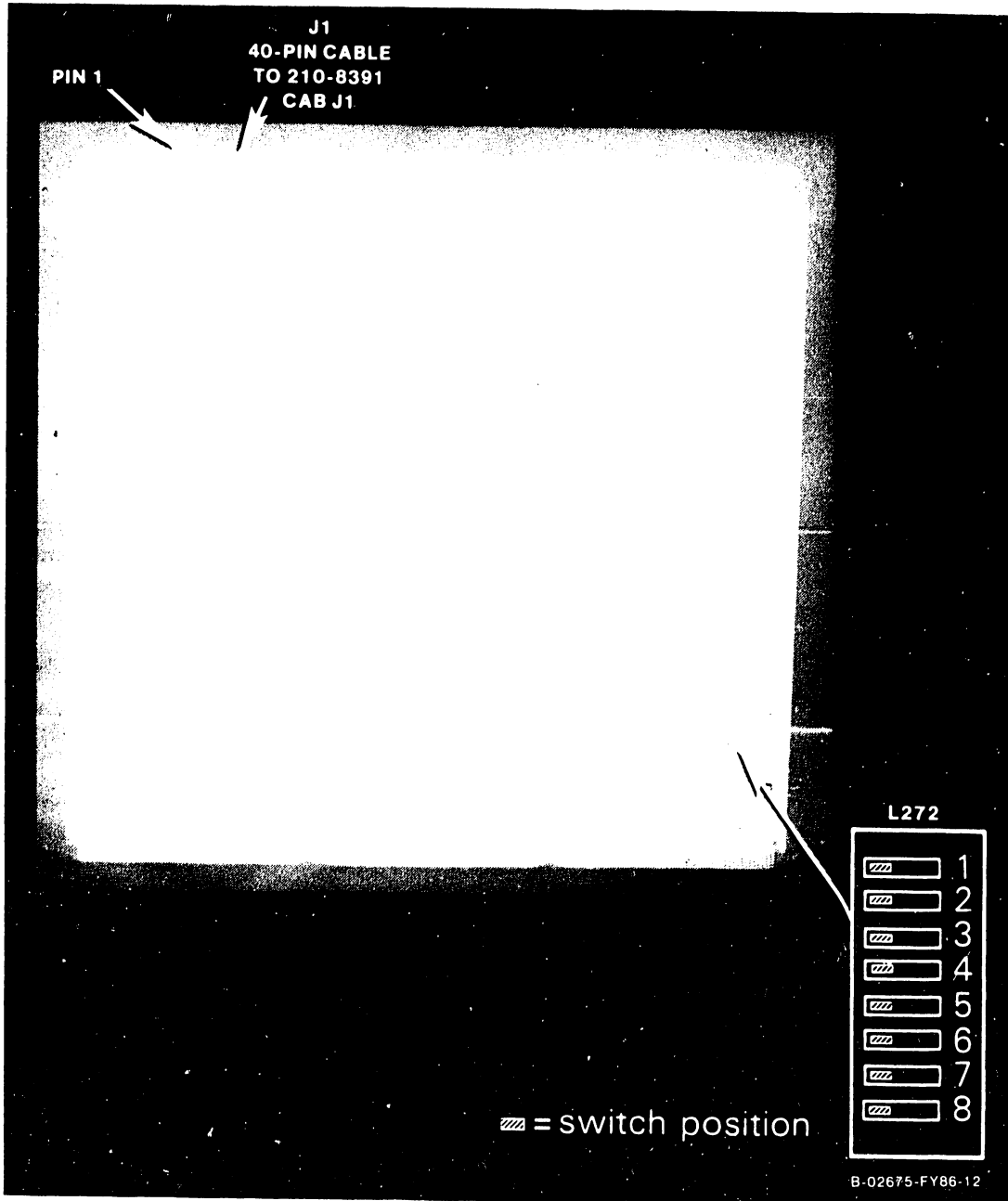
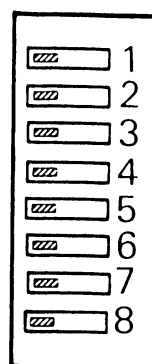


Figure 7-32. 23V79 CIU BLANC IOC

Table 7-7. BLANC IOC Functions Switch (L272)

SW#	Function
1	Not used
2	Not used
3	
Open	CAB/modem present
Closed	CAB/modem not present
4	
Open	No External Loopback Test
Closed	External Loopback Test
5	
Open	Don't loop on BIT test
Closed	Loop on BIT test
6	
Open	CIU installed in VS
Closed	CIU installed in test bed
7	Not used
8	
Open	All other switches not valid
Closed	All other switches valid



▨ = switch position

B-02675-FY86-10

Figure 7-33. BLANC IOC Functions Switch (L272) Normal Settings

REPAIR

7.2.5.11 279-0722 CAB Board/Single Chan. Modem Assembly Removal/Replacement

1. The 279-0722 CIU CAB board/Single Channel 10MBPS RF Modem must be replaced as an entire assembly. The 210-8391 CIU CAB board (figure 7-34) is mounted on top of the Single Channel modem (figure 7-35).
2. Remove the top cover as described in paragraph 7.2.1 and the left side panel as described in paragraph 7.2.3.
3. Disconnect the transmit and receive cables from the front of the modem.
4. Disconnect the 40-pin signal cable from J2 of the CAB board.
5. Disconnect the 3-pin power connector from J3 of the CAB board.
6. Disconnect the 5-pin power connector from J2 of the modem.
7. Remove the two Phillips head screws securing the CAB/Modem assembly to the mainframe and remove the assembly.
8. After checking the 3-position jumper shown in figure 7-34, install the new assembly.
9. Reconnect all cables.

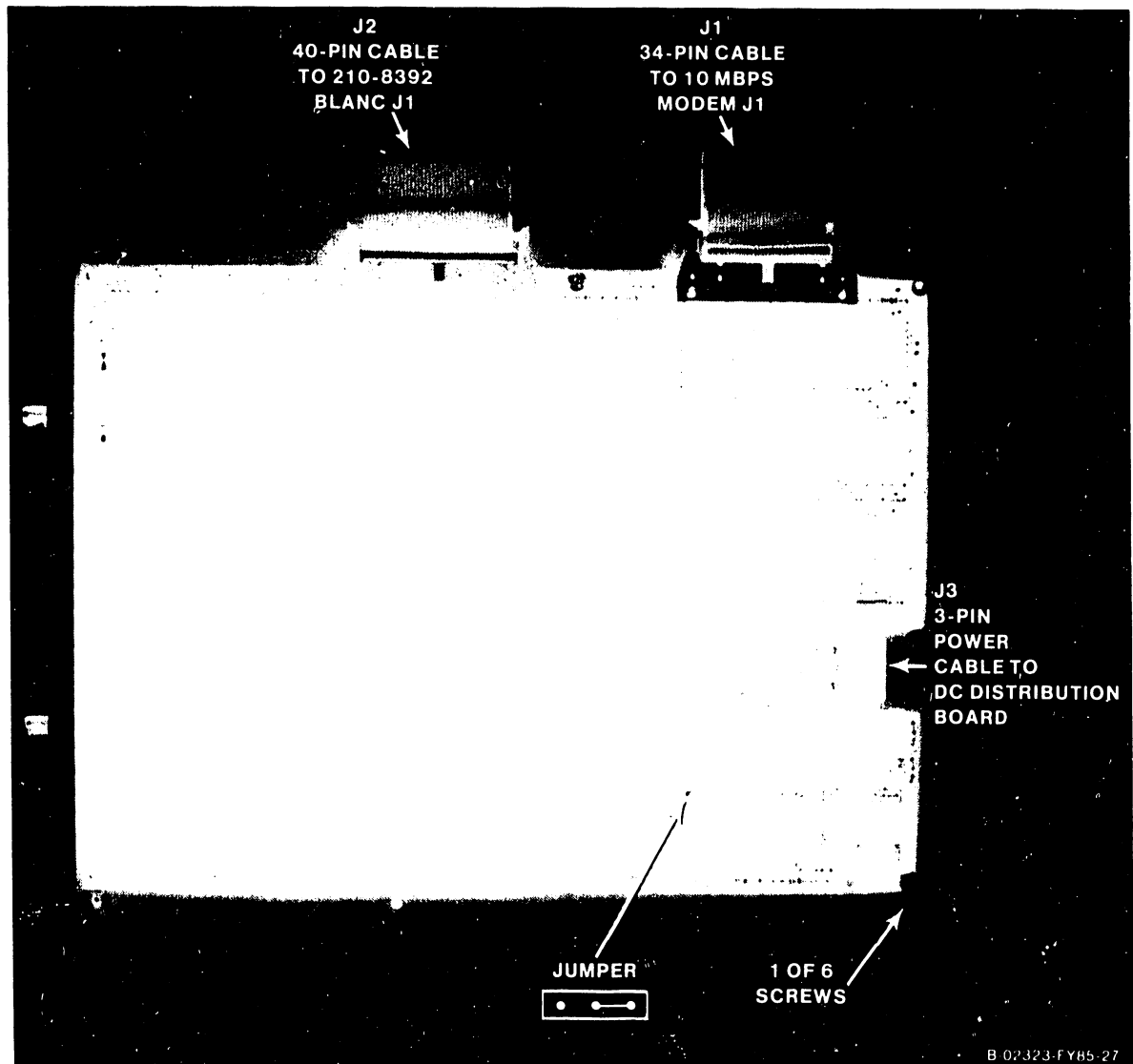


Figure 7-34. 23V79 CIU CAB Board

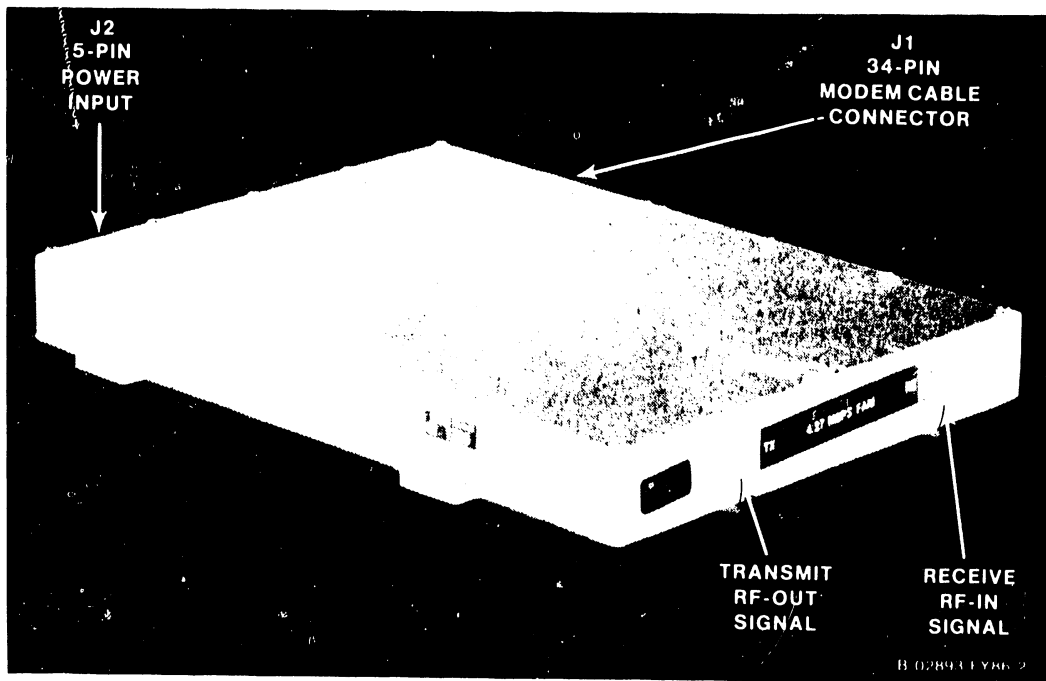
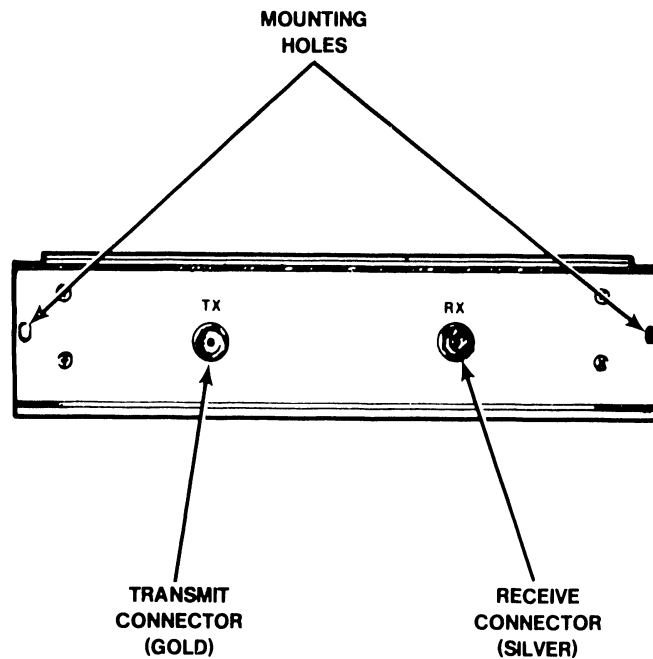


Figure 7-35. Single Channel 10 Megabit Duobinary Modem

REPAIR

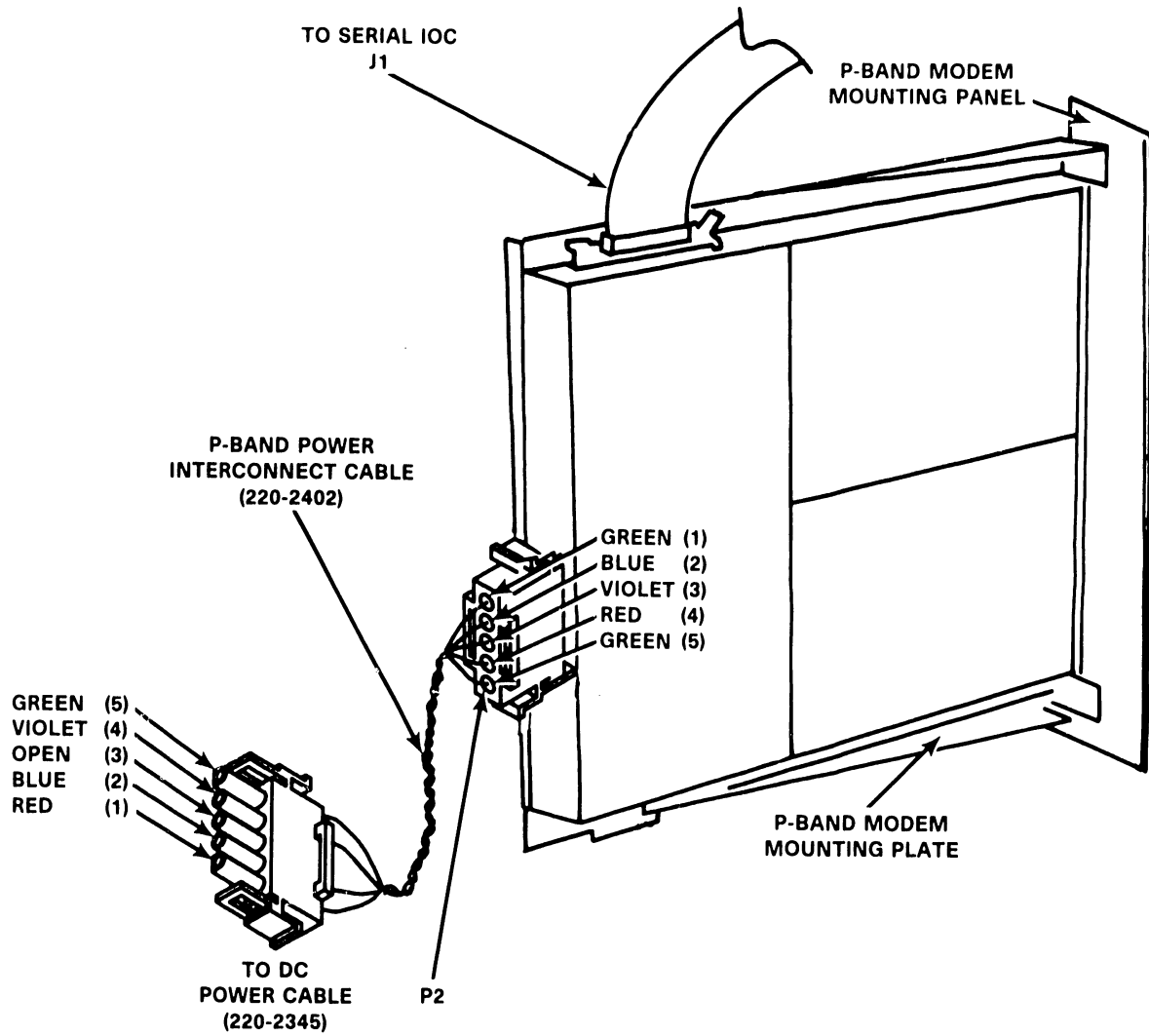
7.2.5.12 WangNet P-Band Modem Removal and Replacement

1. Remove the top cover as described in paragraph 7.2.1 and the left side panel as described in paragraph 7.2.3.
2. Disconnect the cables from the transmit (gold) and the receive (silver) connectors on the front of the P-Band modem panel assembly. (Figure 7-36.)
3. Disconnect the power cable from J2 on the P-Band modem panel assembly. (Figure 7-37.)
4. Disconnect the 32-pin ribbon cable from P1 on the P-Band modem panel assembly.
5. Remove the modem panel assembly.
6. Remove the two Phillips head screws that secure the P-Band modem to the rear panel of the VS-7100. (Figure 7-36.)
7. Do not replace the entire assembly; only the modem. Remove the six screws that secure the modem to the mounting plate and remove the plate. Remove the four screws that secure the modem to the mounting panel and remove the panel. (Figure 7-37.)
8. Remount the modem.
9. Reinstall all cables.



B-02983-FY86-4

Figure 7-36. WangNet P-Band Modem Panel Assembly



B-02983-FY86-1

Figure 7-37. WangNet P-Band Modem Removal

REPAIR

7.2.6 210-8809 POWER SUPPLY CONTROLLER BOARD REMOVAL

Remove the Power Supply Controller board as follows:

1. Enter Control Mode from the SCU Console Mode Menu.
2. Power down the mainframe by pressing the Control Panel Power Off pushbutton (or SW2, Off, on the Power Supply Controller).
3. Turn off the ac On/Off circuit breaker located on the Power Distribution Unit at the right rear of the mainframe.
4. Remove the top cover and left side cover.
5. Disconnect the 9-pin cable connector from J1 of the Power Supply Controller board.
6. Disconnect the 2-pin jumper connector (WLI P/N 220-2344) from J2.
7. Disconnect the 4-pin cable connector from J5.
8. Disconnect the 60-pin cable connector from J6.
9. Disconnect the 20-pin cable connector from J7.
10. Disconnect the 5-pin cable connector from J9.
11. Disconnect the 2-pin cable connector from J10.
12. Disconnect the 9-pin optional Uninterruptable Power Supply (UPS) cable connector from J11.
13. Remove the six Phillips head screws from the board plastic cover standoffs and remove the plastic cover.
14. Remove the six standoffs.
15. Remove the three Phillips head screws from the board.
16. Remove the board.

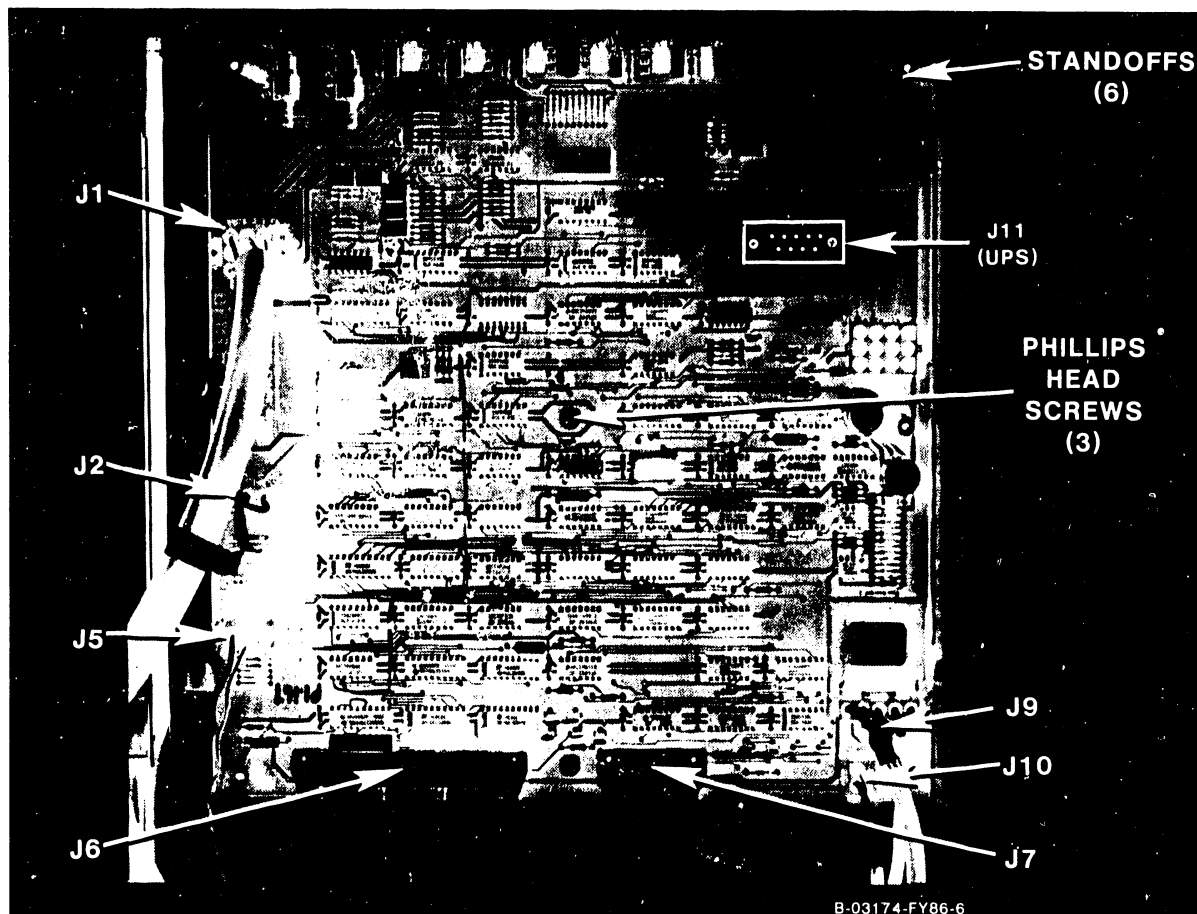


Figure 7-38. 210-8809 Power Supply Controller Board

7.2.7 POWER SUPPLY CONTROLLER BOARD REPLACEMENT

1. To reinstall the Power Supply Controller board, reverse the removal procedure.

NOTE

Switch 4, the Battery Backup Time switch, is not used with the VS-7100.

2. Make sure that all cable connectors are reconnected correctly.
3. Power up the system and check and adjust the power supply (paragraph 8.3.1), and the Power Supply Controller (paragraph 8.3.2).

7.2.8 POWER DISTRIBUTION UNIT REMOVAL

The Power Distribution Unit (PDU) is mounted on the right rear of the mainframe, below the SCU. (Figures 7-39 and 7-40.)

WARNING

Because of the high operating voltages passing through the PDU, power down the mainframe and disconnect the mainframe power connector from the power source receptacle before performing the following removal/replacement procedures.

Remove the PDU as follows:

1. Enter Control Mode from the SCU Console Mode Menu.
2. Power down the mainframe by pressing the Control Panel Power Off pushbutton (or SW2, Off, on the Power Supply Controller).
3. Turn off the ac On/Off circuit breaker located on the Power Distribution Unit at the right rear of the mainframe.
4. Disconnect the ac power input connector from the power source receptacle.
5. Remove the top cover and right side panel.
6. Disconnect all ac distribution cable(s) connectors from the AC Distribution board at the rear of the PDU. Note the 5-wire cable connected to J1 (the standalone connector) of the AC Distribution board. This cable must be reconnected to J1 only.
7. Remove the 14 hex head screws securing the PDU to the mainframe and remove the PDU and ac input power cable.

7.2.9 POWER DISTRIBUTION UNIT REPLACEMENT

1. To reinstall the PDU, reverse the removal procedure.
2. Make sure that the 5-wire cable is reconnected to J1 of the AC Distribution board, and all other power wiring is reconnected correctly.

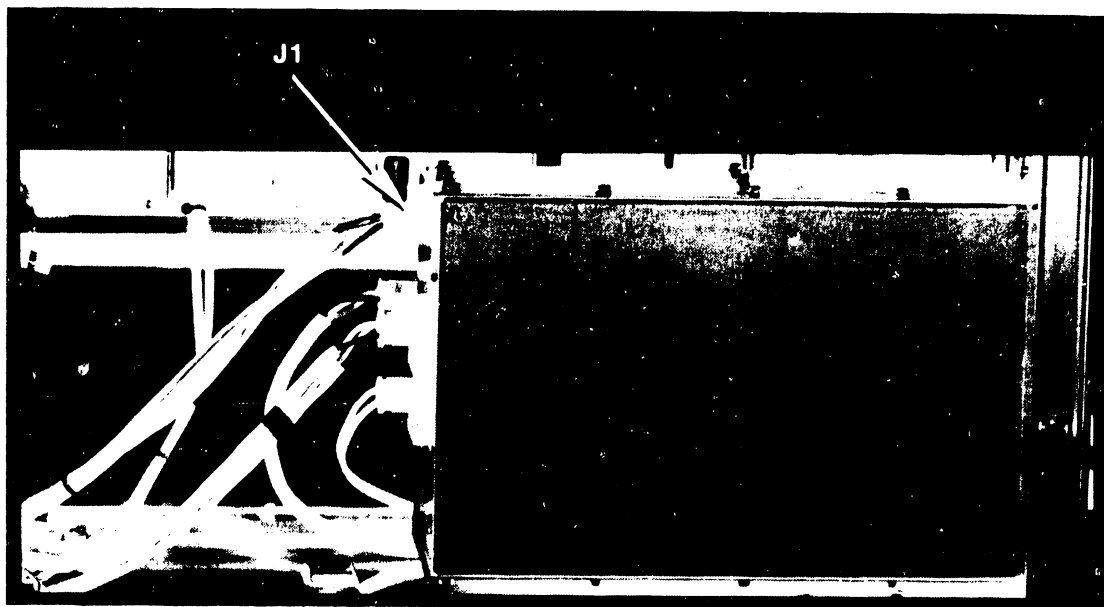


Figure 7-39. PDU Removal

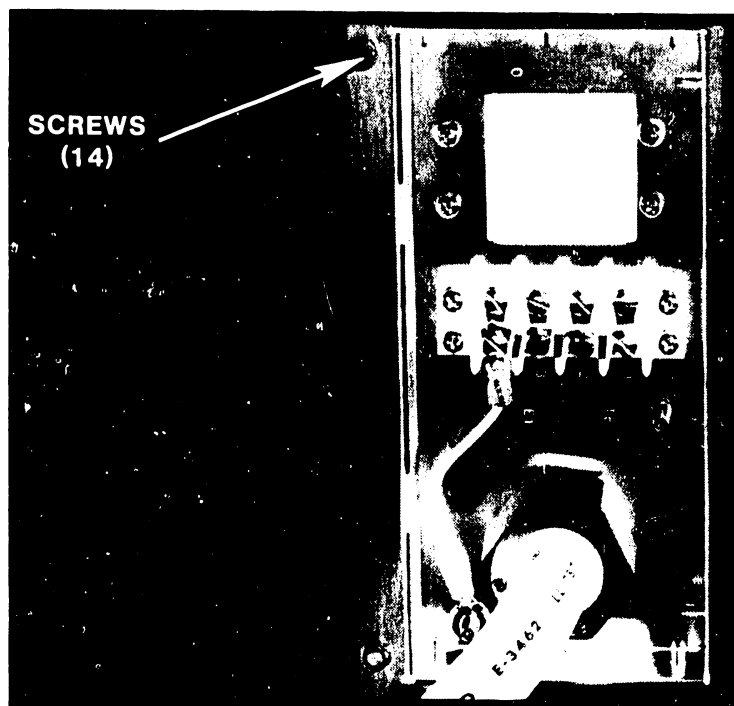


Figure 7-40. PDU Removal

7.2.10 AC ON/OFF CIRCUIT BREAKER REMOVAL

The ac On/Off circuit breaker is mounted inside the PDU (figure 7-41) and can be replaced without replacing the entire PDU. The PDU must first be removed from the mainframe.

Remove the circuit breaker as follows: (Figure 7-41.)

1. With the PDU out of the mainframe (paragraph 7.2.8.), remove the 29 hex head screws securing the PDU cover and remove the cover.
2. Disconnect the power input cable wiring to the circuit breaker. Note the orientation and color coding of the power wiring to the circuit breaker for reinstallation of the new circuit breaker.
3. Remove the four Phillips head screws securing the circuit breaker to the front of the PDU and remove the circuit breaker.

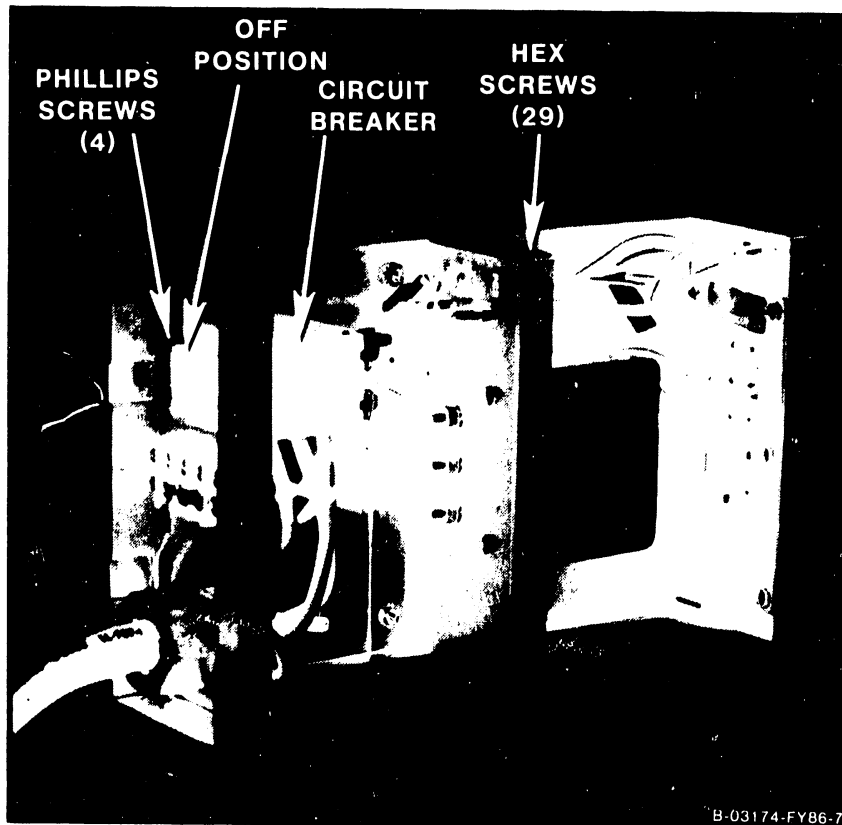


Figure 7-41. AC On/Off Circuit Breaker Removal

7.2.11 AC ON/OFF CIRCUIT BREAKER REPLACEMENT

1. To reinstall the circuit breaker, reverse the removal procedure.
2. Make sure the power input cable wiring to the circuit breaker is rewired correctly.
3. Make sure the circuit breaker is ON (1) when pushed to the right and OFF (0) when pushed to the left.
4. Reinstall the PDU in the mainframe.
5. Make sure that the 5-wire cable is reconnected to J1 of the AC Distribution board, and all other power wiring is reconnected correctly.

REPAIR

7.2.12 210-8715 AC DISTRIBUTION BOARD REMOVAL

The AC Distribution board is mounted on the rear of the PDU. (Figure 7-42.) The PDU must first be removed from the mainframe.

Remove the AC Distribution board as follows:

1. With the PDU out of the mainframe (paragraph 7.2.8.), remove the 29 hex head screws securing the PDU cover and remove the cover.
2. Disconnect the three wires (blue, green, and brown) at TB1 of the AC Distribution board. Note the orientation and color coding of the wiring to TB1 for reinstallation of the new circuit board.
3. Remove the six Phillips head screws securing the circuit board to the PDU and remove the circuit board.

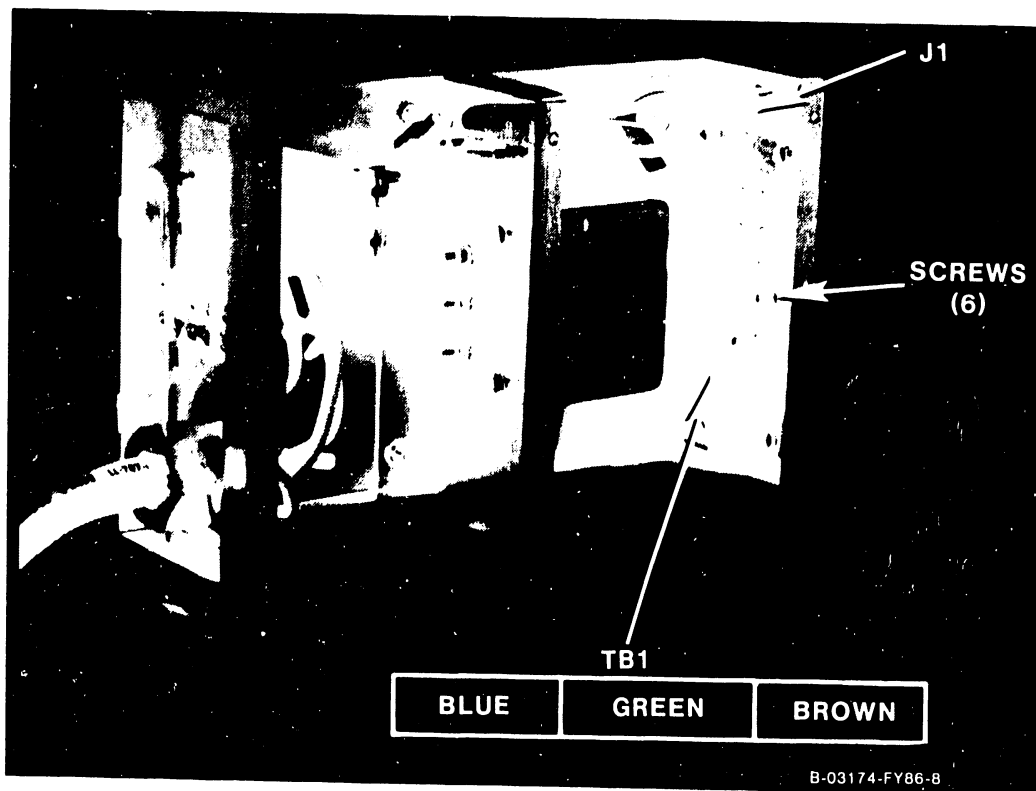


Figure 7-42. 210-8715 AC Distribution Removal

7.2.13 AC DISTRIBUTION BOARD REPLACEMENT

1. To reinstall the AC Distribution board, reverse the removal procedure.
2. Make sure the the three wires to are correctly reconnected to TB1.
3. Reinstall the PDU in the mainframe.
4. Make sure that the 5-wire cable is reconnected to J1 of the AC Distribution board, and all other power wiring is reconnected correctly.

7.2.14 SCU PROFESSIONAL COMPUTER (PC) REMOVAL

The SCU (PC) is mounted internally at the right side of the mainframe behind the front door. SCU PCBs can be removed individually. The mainframe front door is opened for SCU PCB access and the mainframe top cover is removed for SCU cable access. However, if it is necessary to remove the entire SCU chassis, proceed as follows: (Figures 7-43 and 7-44.)

1. Enter Control Mode from the SCU Console Mode Menu.
2. Power down the mainframe by pressing the Control Panel Power Off pushbutton (or SW2, Off, on the Power Supply Controller).
3. Turn off the ac On/Off circuit breaker located on the Power Distribution Unit at the right rear of the mainframe.
4. Remove the top cover and right side panel.
5. Disconnect the 4-pin keyboard cable connector from J3 of the SCU CPU board.
6. Disconnect the 25-pin remote diagnostic cable connector from J4 (RS-232 connector) of the SCU CPU board.
7. Disconnect the 34-pin floppy drive signal cable connector from J5 of the SCU CPU board.
8. Disconnect the 8-pin monitor video cable connector from J1 of the SCU Monochrome Monitor board.
9. Disconnect the 5-pin monitor power cable connector from J2 of the SCU Monochrome Monitor board.
10. Disconnect the coax cable from the BNC/TNC connectors of the Local Comm. Data Link board.
11. Disconnect the 60-pin signal cable connector from the SCU Professional Computer Interface (PCI) option board.
12. Remove the two Phillips screws securing the SCU chassis mounting plate to the frame.
13. Carefully lift up the SCU chassis slightly until the chassis mounting plate is out of the mounting plate slots.
14. With the chassis raised, disconnect the 15-pin power cable connector under the SCU chassis mounting plate.

NOTE

On newer VS-7100 systems, this connector may be at the front of the SCU chassis mounting plate.

15. Lift, tilt to the left, and maneuver the chassis out of the mainframe.
16. The SCU fan is secured to the bottom of the mounting plate by four screws. The 2-pin fan power connector is located behind the SCU 10 megabyte disk drive.
17. Refer to the Professional Computer Product Maintenance Manual for disassembly/reassembly procedures and replacement parts.

7.2.15 SCU PROFESSIONAL COMPUTER (PC) REPLACEMENT

1. To reinstall the SCU, reverse the removal procedure.
2. Make sure that all cable connectors are reconnected correctly.
3. Make sure that the Local/Remote switch on the Local Comm. Data Link board is in the Local position.

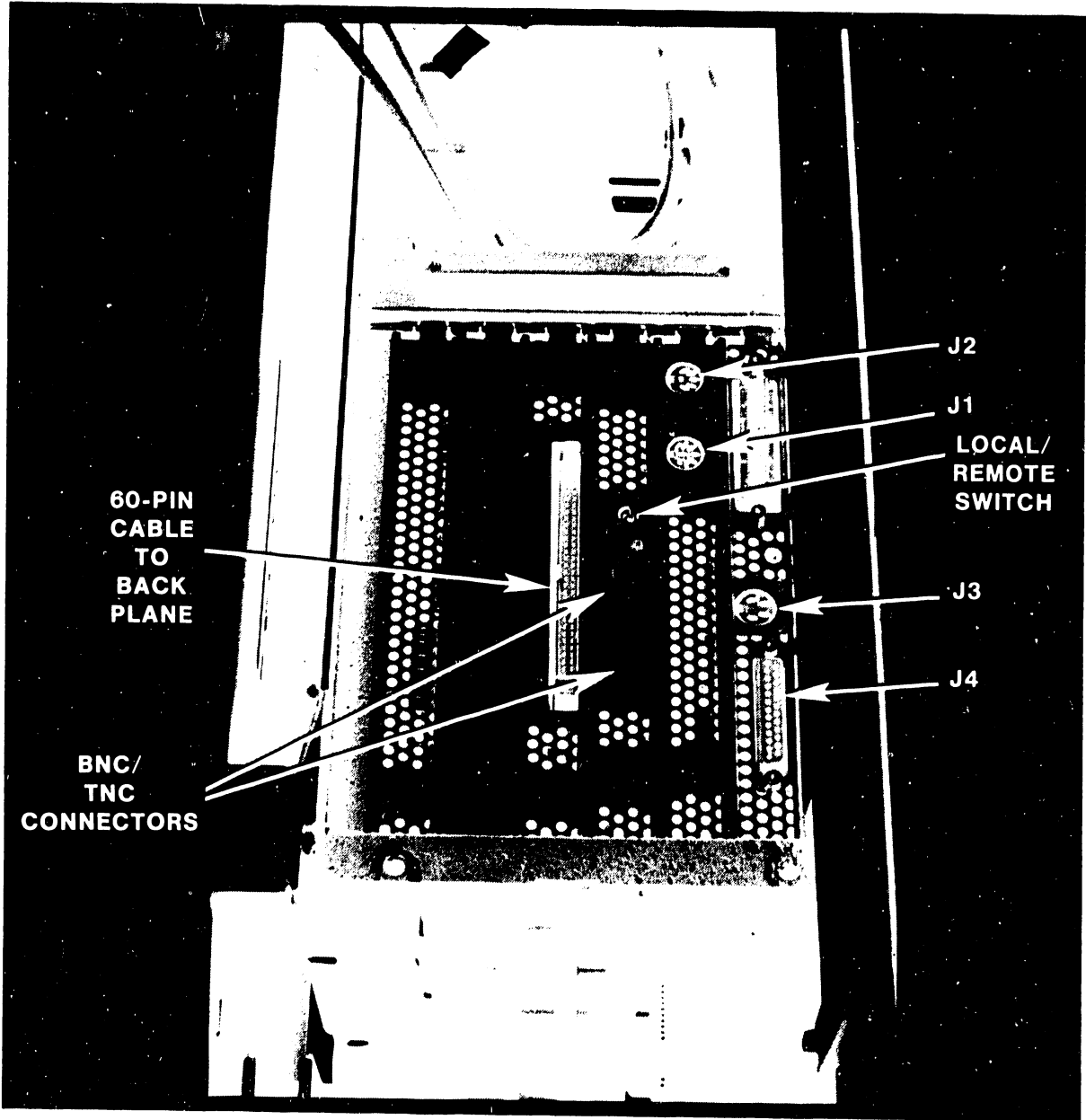


Figure 7-43. SCU PC Removal and Replacement

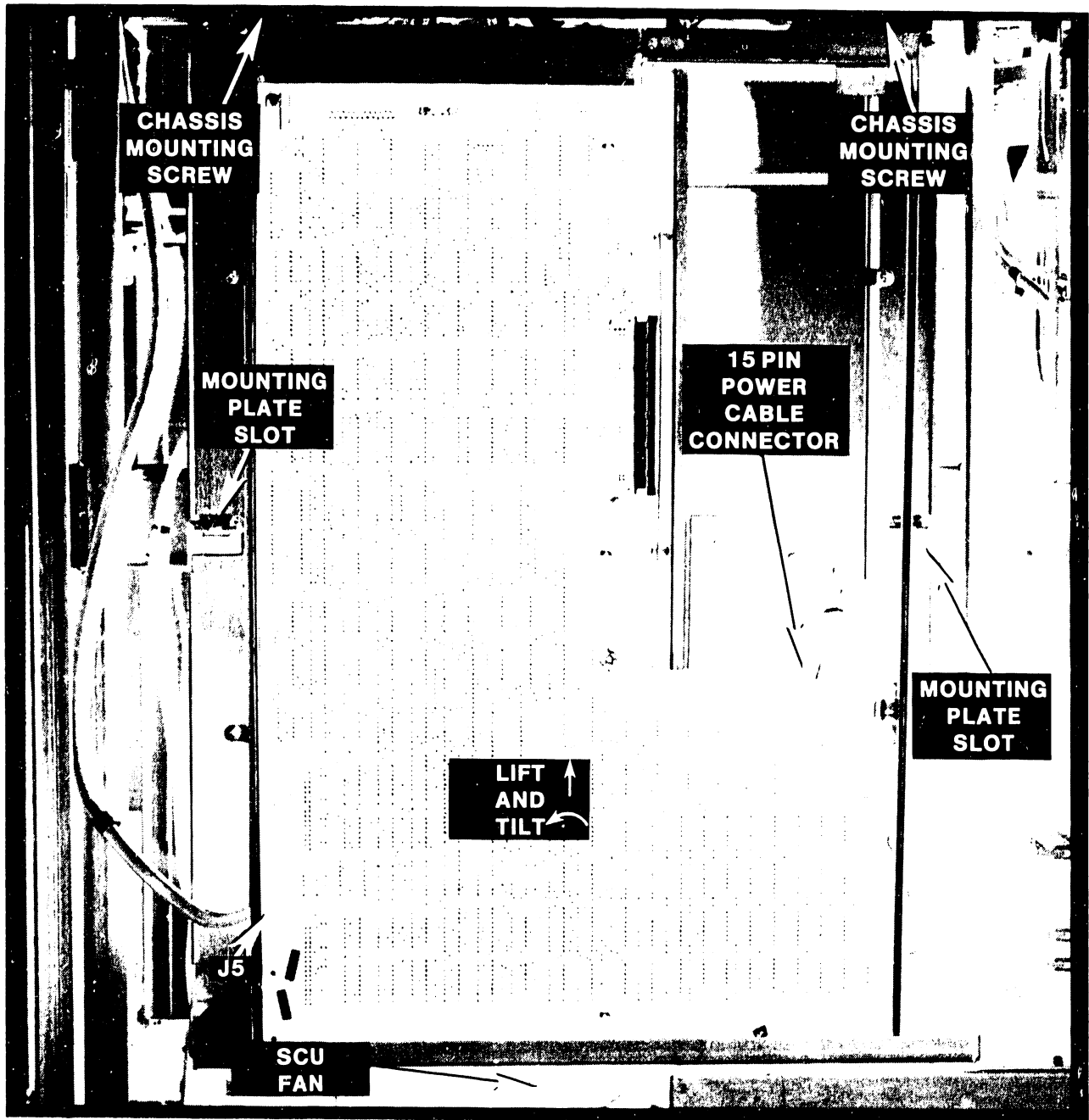


Figure 7-44. SCU PC Removal and Replacement

REPAIR

7.2.16 CONTROL PANEL PUSHBUTTON BULB REMOVAL AND REPLACEMENT

Each of the Control Panel pushbuttons contains an incandescent bulb. Remove and replace the bulbs as follows: (Figure 7-45.)

1. Enter Control Mode from the SCU Console Mode Menu.
2. Power down the mainframe by pressing the Control Panel Power Off pushbutton (or SW2, Off, on the Power Supply Controller).
3. Turn off the ac On/Off circuit breaker located on the Power Distribution Unit at the right rear of the mainframe.
4. With a small screwdriver, pry (top and bottom) the lens cap out of the pushbutton.
5. Pull the small silver lever on the bottom of the pushbutton forward until the bulb pops out.
6. Replace the bulb by pushing it into the pushbutton.
7. Replace the lens cap.

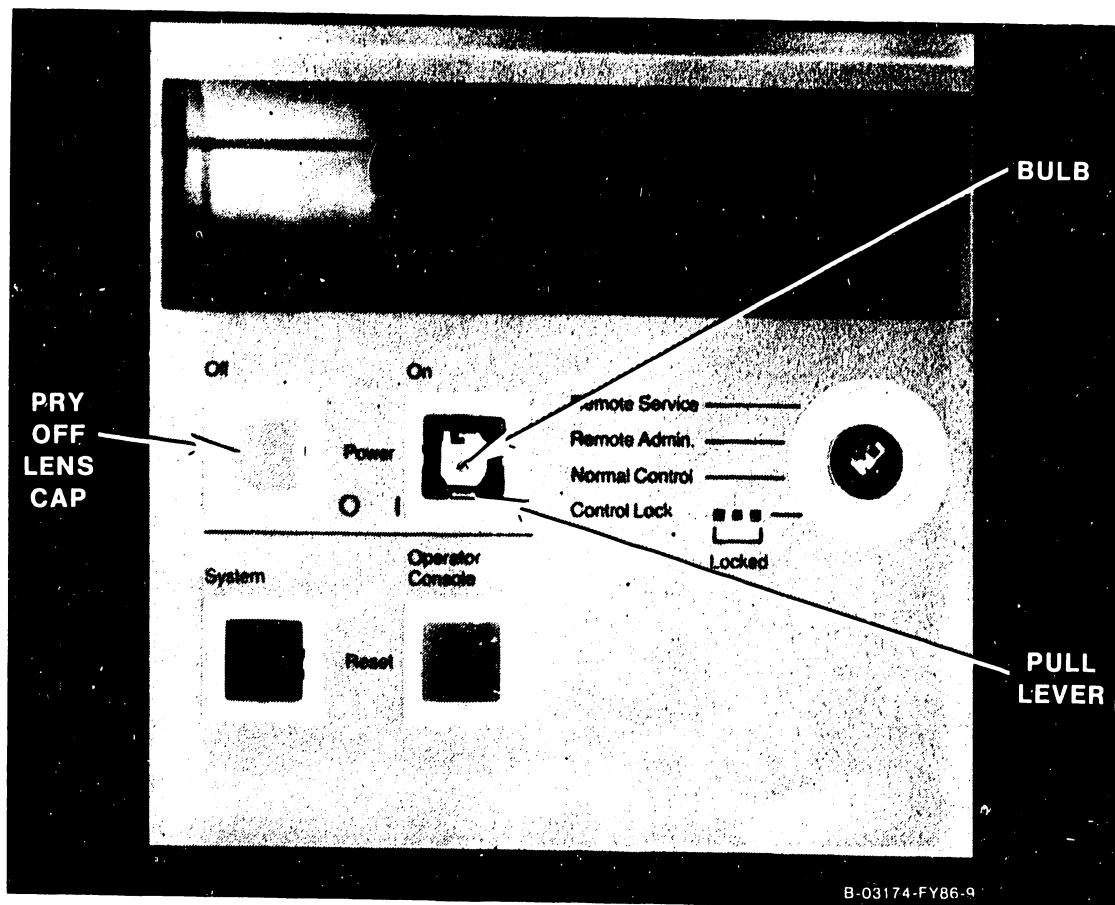


Figure 7-45. Control Panel Pushbutton Bulb Removal and Replacement

7.2.17 CONTROL PANEL ASSEMBLY REMOVAL

The Control Panel assembly is mounted inside the top left corner of the mainframe. Remove the 270-5037 Control Panel assembly as follows: (Figures 7-46 and 7-47.)

1. Enter Control Mode from the SCU Console Mode Menu.
2. Power down the mainframe by pressing the Control Panel Power Off pushbutton (or SW2, Off, on the Power Supply Controller).
3. Turn off the ac On/Off circuit breaker located on the Power Distribution Unit at the right rear of the mainframe.
4. Remove the top cover, left side panel, and left front air inlet panel.
5. Disconnect the 20-pin signal cable from the J7 of the Power Supply Controller. Cut the cable clamp loop directly below the Control Panel.
6. Disconnect the 34-pin signal cable from J1 of the floppy disk drive.
7. Disconnect the 3-pin power cable from J2 of the floppy disk drive.
8. Remove the Phillips screws securing the right side and back side of the floppy disk drive holding bracket to the Control Panel mounting bracket.

NOTE

On some older VS-7100 models, there may be three Phillips screws securing the left side of the floppy holding bracket.

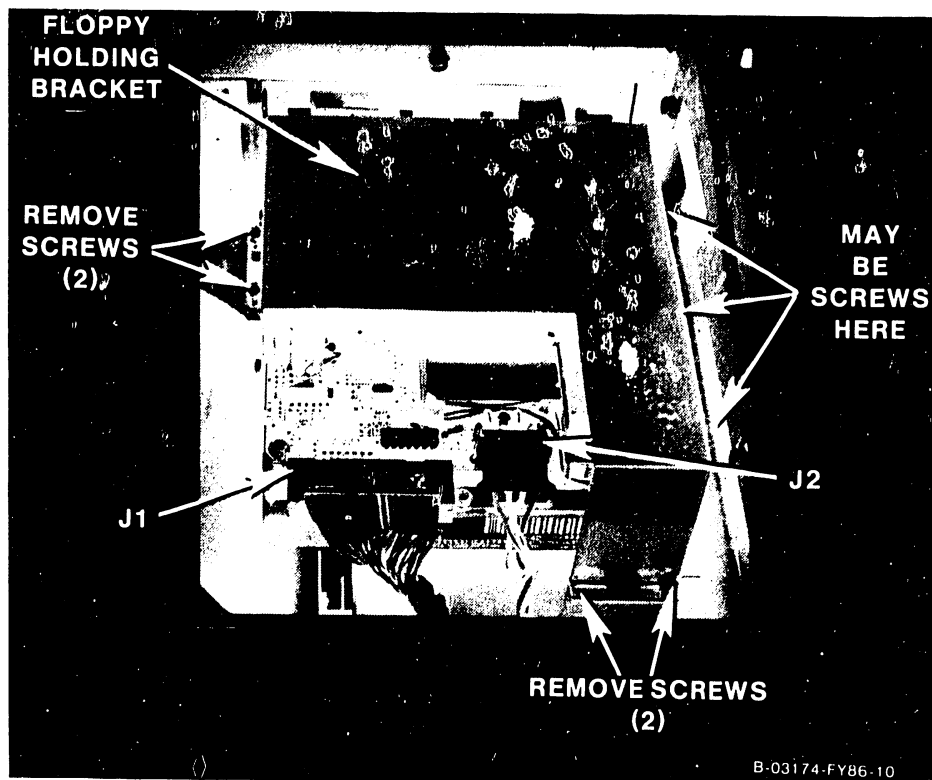


Figure 7-46. 272-0055 Control Panel Removal

REPAIR

9. Tilt down the front of the Control Panel assembly and remove it from the mainframe.

NOTE

Remove the floppy disk drive and the floppy disk drive holding bracket (paragraph 7.2.19) and save them for reinstallation of the new Control Panel assembly.

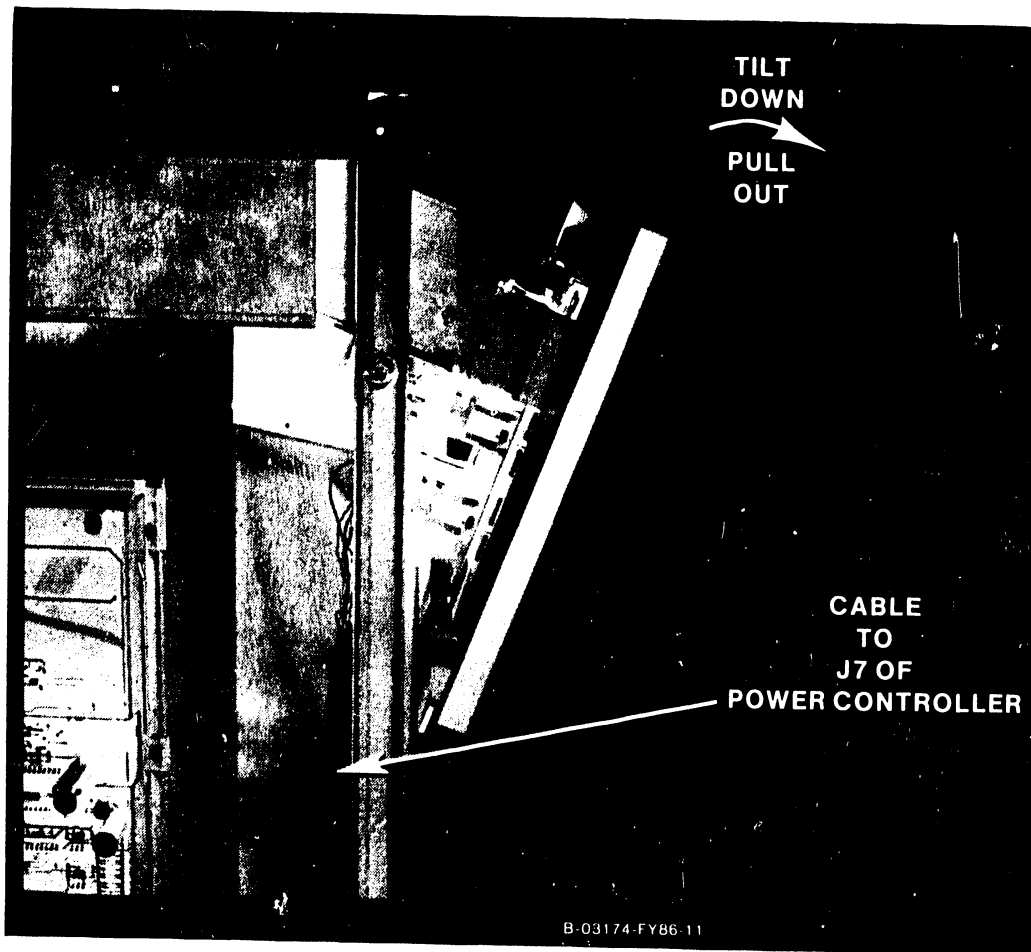


Figure 7-47. 272-0055 Control Panel Removal

7.2.18 CONTROL PANEL ASSEMBLY REPLACEMENT

1. To reinstall the Control Panel assembly, reverse the removal procedure.
2. Make sure that all cable connectors are reconnected correctly.

7.2.19 SCU PC FLOPPY DISK DRIVE REMOVAL

The SCU floppy disk drive (WLI P/N 278-4045) is mounted in the Control Panel assembly. Remove the floppy disk drive as follows: (Figure 7-48.)

1. Remove the Control Panel assembly (paragraph 7.2.17).
2. Remove the two screws on each side securing the floppy disk drive to the floppy disk drive holding bracket.
3. Remove the floppy drive.
4. Remove the four lock nuts securing the front of the floppy disk drive holding bracket to the Control Panel casting.
5. Remove and save the holding bracket for reinstallation.

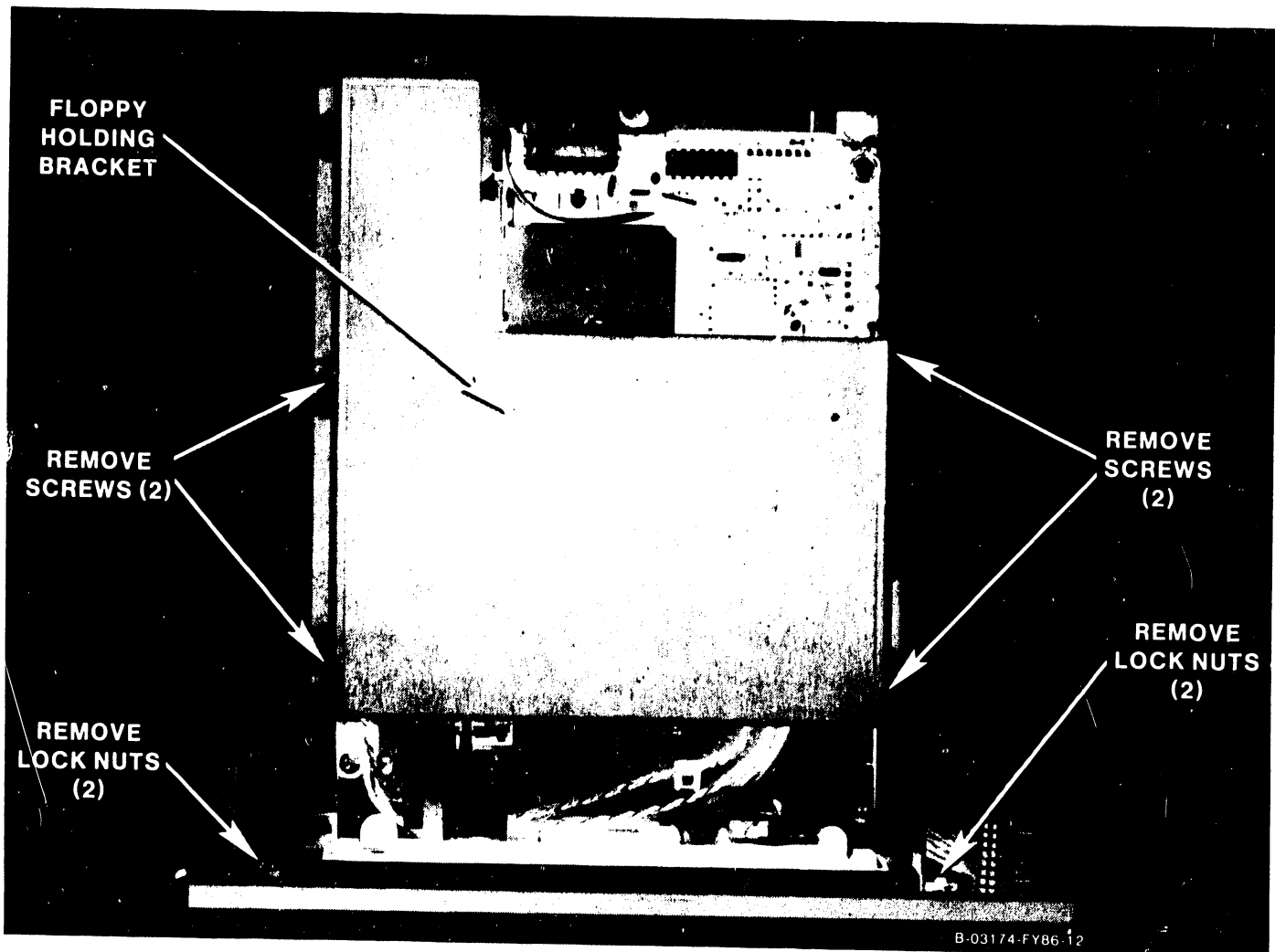


Figure 7-48. SCU PC Floppy Disk Drive Removal

REPAIR

7.2.20 SCU PC FLOPPY DISK DRIVE REPLACEMENT

1. To reinstall the floppy disk drive and the holding bracket, reverse the removal procedure.
2. Check the floppy disk drive jumpers as shown in figure 7-49.
3. Make sure there is a 220 ohm DIP terminator package, WLI P/N 333-0818, next to J1 on the floppy disk drive.
4. Reinstall the Control Panel assembly (paragraph 7.2.18).
5. Make sure that all cable connectors are reconnected correctly.

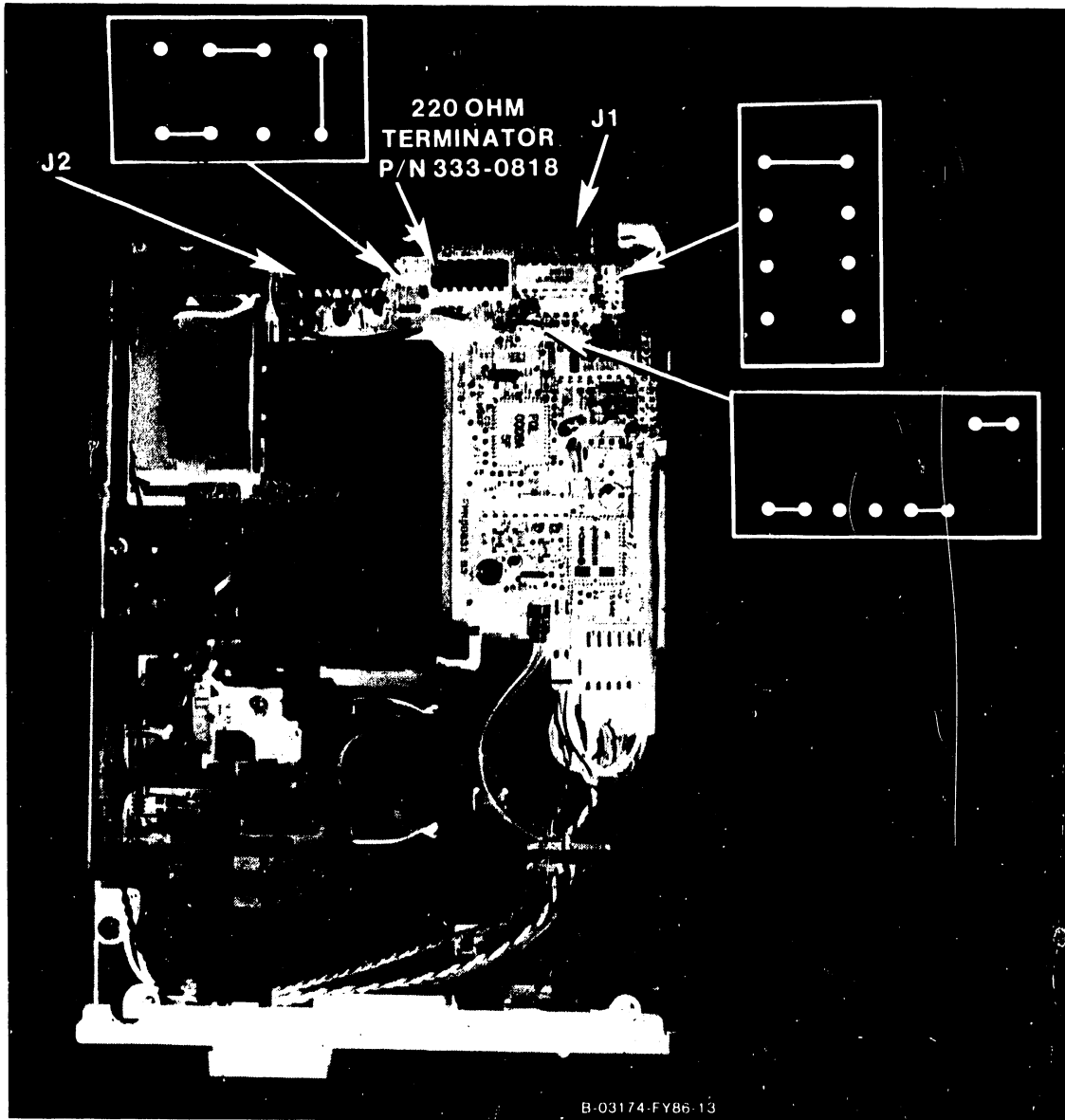


Figure 7-49. SCU PC Floppy Disk Drive Replacement

7.2.21 210-8816 DC DISTRIBUTION BOARD REMOVAL

The DC Distribution board is mounted on the left rear side of the card cage assembly, to the upper right of the Power Supply Controller board. (Figures 7-50 and 7-51.)

Remove the DC Distribution board as follows:

1. Enter Control Mode from the SCU Console Mode Menu.
2. Power down the mainframe by pressing the Control Panel Power Off pushbutton (or SW2, Off, on the Power Supply Controller).
3. Turn off the ac On/Off circuit breaker located on the Power Distribution Unit at the right rear of the mainframe.
4. Remove the top cover and left side panel.
5. Disconnect all cable connectors from the DC Distribution board.
6. Disconnect all wires from the 7-connector terminal strip at the bottom of the board.
7. Remove the four locknuts securing the board cover and remove the cover.

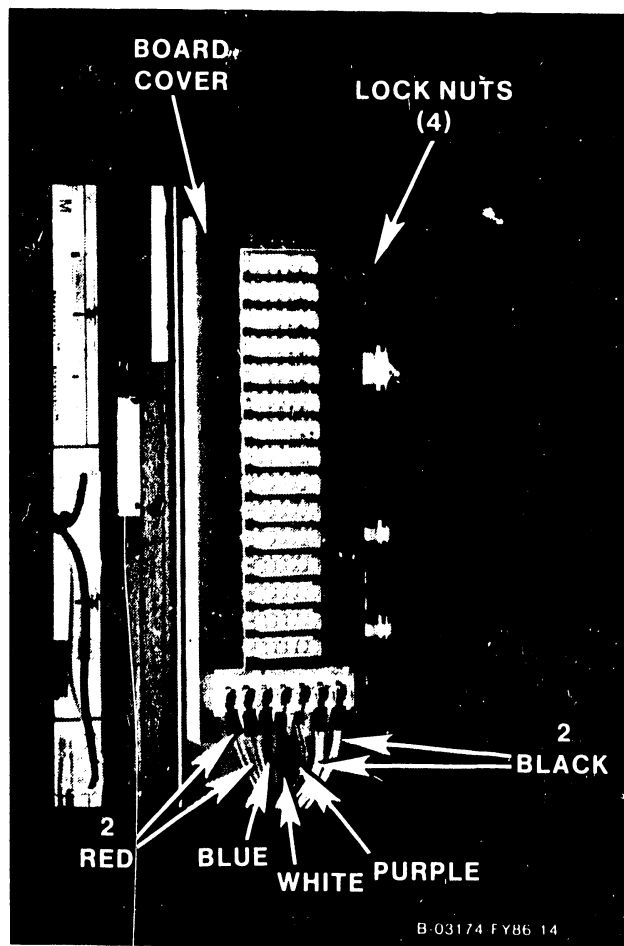


Figure 7-50. 210-8816 DC Distribution Board Removal

REPAIR

8. Remove the six Phillips screws from the board standoffs, and remove the board.

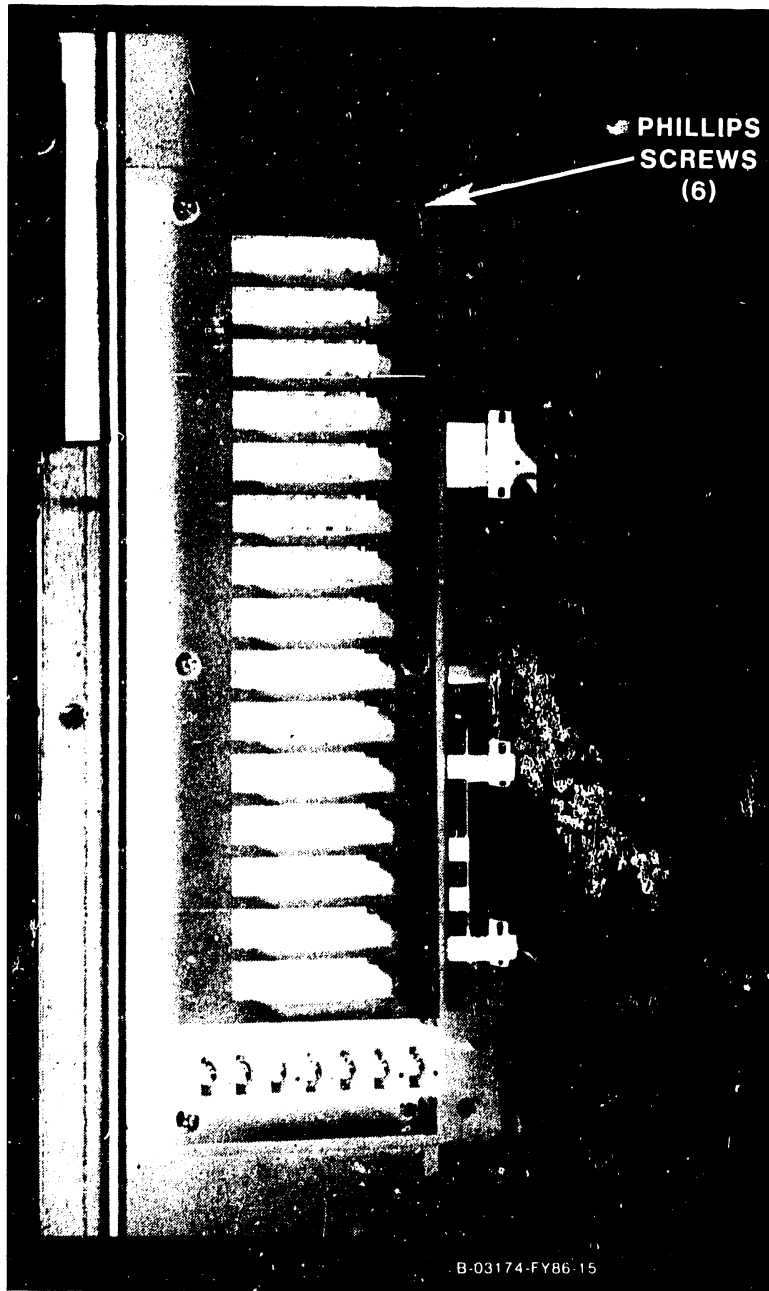


Figure 7-51. 210-8816 DC Distribution Board Removal

7.2.22 DC POWER DISTRIBUTION BOARD REPLACEMENT

1. To reinstall the DC Distribution board, reverse the removal procedure.
2. Make sure that all cables and wires are correctly reconnected to the DC Distribution board.

7.2.23 MULTIOUTPUT SWITCHING POWER SUPPLY ASSEMBLY REMOVAL

Remove the multioutput switching power supply assembly (270-5035) as follows:

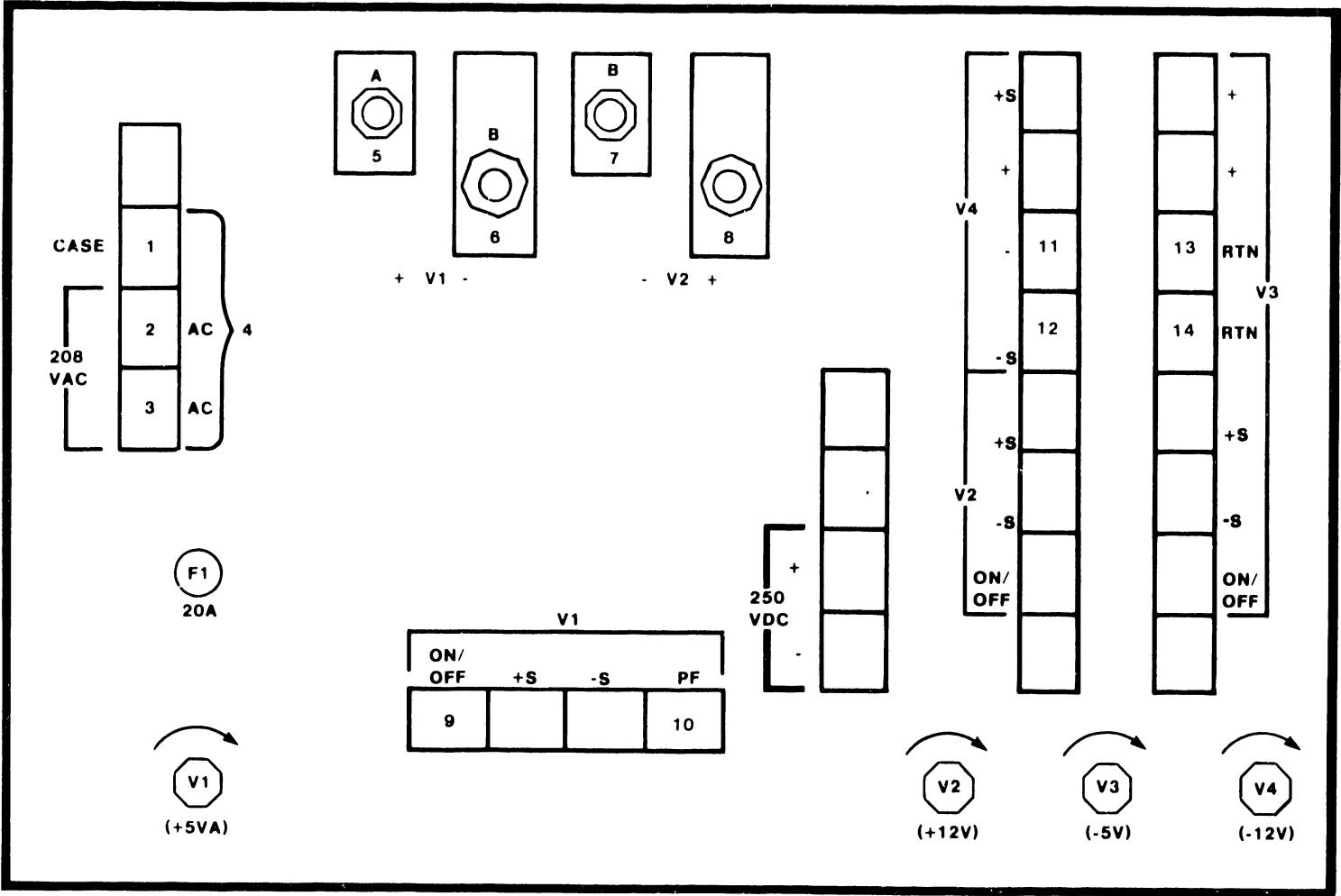
WARNING

```

*****
*
*   DO NOT OPEN THE SWITCHING POWER SUPPLY UNDER ANY
*   CIRCUMSTANCE.  EXTREMELY DANGEROUS VOLTAGE AND
*   CURRENT LEVELS (IN EXCESS OF 300 VOLTS DC AND UN-
*   LIMITED CURRENT) ARE PRESENT WITHIN THE POWER SUPPLY.
*
*   DO NOT ATTEMPT TO REPAIR THE SWITCHING POWER
*   SUPPLY; IT IS FIELD REPLACEABLE ONLY.
*
*   AFTER POWERING THE UNIT DOWN AND DISCONNECTING THE AC
*   POWER CONNECTOR FROM THE POWER SOURCE RECEPTACLE,
*   ALLOW ONE MINUTE BEFORE REMOVING THE POWER SUPPLY TO
*   PROVIDE ADEQUATE TIME FOR ANY RESIDUAL VOLTAGE TO
*   DRAIN THROUGH THE BLEEDER RESISTORS.
*
*****

```

1. Enter Control Mode from the SCU Console Mode Menu.
2. Power down the mainframe by pressing the Control Panel Power Off pushbutton (or SW2, Off, on the Power Supply Controller).
3. Turn off the ac On/Off circuit breaker.
4. Open the front hinged door.
5. Remove and set aside the rear fan panel assembly (paragraph 7.2.25).
6. Remove at least 2 bottom left and right I/O panels to allow access to the power supply.
7. All wiring is color coded as listed in table 7-8. Using figures 7-52, 7-53, and table 7-8, disconnect the bus bars and wiring from the power supply terminals.



- | | | | | |
|------------------|--|---------------|--------------|-----------------|
| A - +5V BUS BAR | 1 - GREEN | 5 - RED (5) | 8 - BLUE (4) | 11 - VIOLET (1) |
| B - ± 0V BUS BAR | 2 - BLUE | 6 - BLACK (3) | 9 - RED | 12 - VIOLET (1) |
| | 3 - BROWN | 7 - BLACK (2) | 10 - BLUE | 13 - WHITE (1) |
| | 4 - BLACK SHIELD
(CONTAINS 1, 2, & 3) | | | 14 - WHITE (1) |

B-03141-FY86-1

Figure 7-52. Multiooutput Power Supply Wiring Connections

Table 7-8. Multioutput Power Supply
Wiring Color Codes

Voltage	Color Code
220 ac	Black shield
+5	Red
-5	White
+12	Blue
-12	Violet
+/- 0	Black

8. Remove the two Phillips screws securing the power supply assembly to the mainframe base at the front of the cabinet.
9. Pull the assembly forward and out the front of the mainframe.

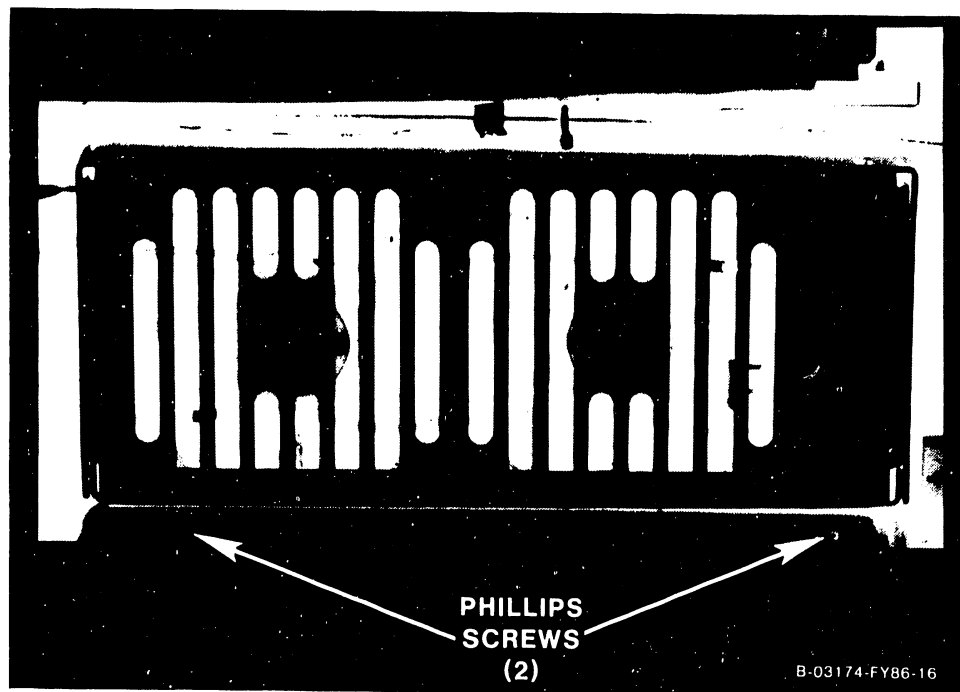


Figure 7-53. Multioutput Power Supply Removal

7.2.24 MULTIOUTPUT SWITCHING POWER SUPPLY REPLACEMENT

1. To reinstall the multioutput power supply, reverse the removal procedure.
2. Reinstall all of the power supply wiring as shown in figure 7-52 and table 7-8.
3. Power up the system and check and adjust the power supply voltages as described in paragraph 8.3.1.

REPAIR

7.2.25 REAR FAN REMOVAL

Remove the rear fans as follows: (figure 5-54)

1. Enter Control Mode from the SCU Console Mode Menu.
2. Power down the mainframe by pressing the Control Panel Power Off pushbutton (or SW2, Off, on the Power Supply Controller).
3. Turn off the ac On/Off circuit breaker.
4. Remove the 10 Phillips screws securing the rear fan support panel to the mainframe.
5. Pull out the fan support panel.

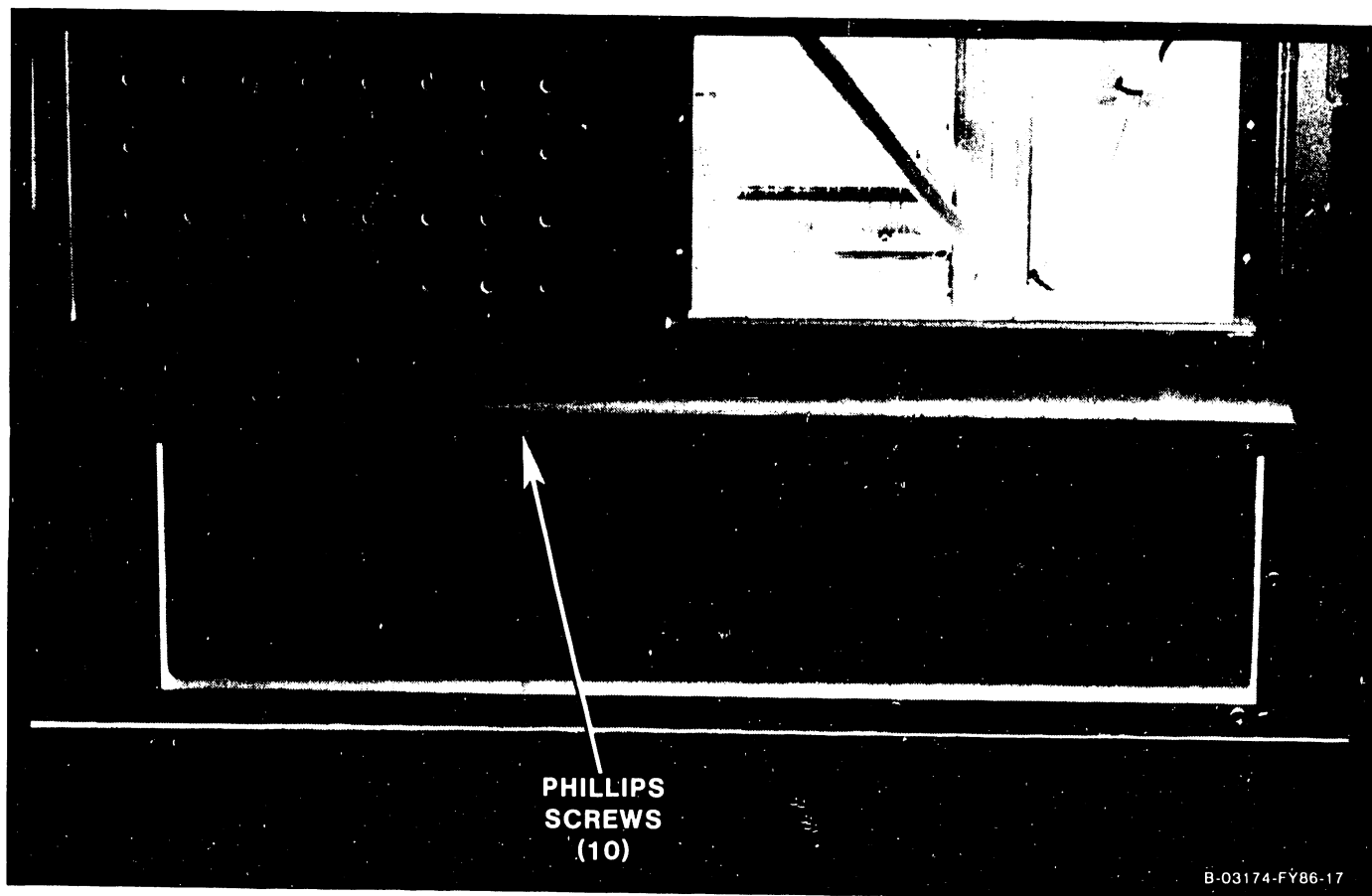


Figure 7-54. Rear Fan Removal

6. Disconnect the 2-pin ac power connector at the defective fan.
7. Remove the fan.

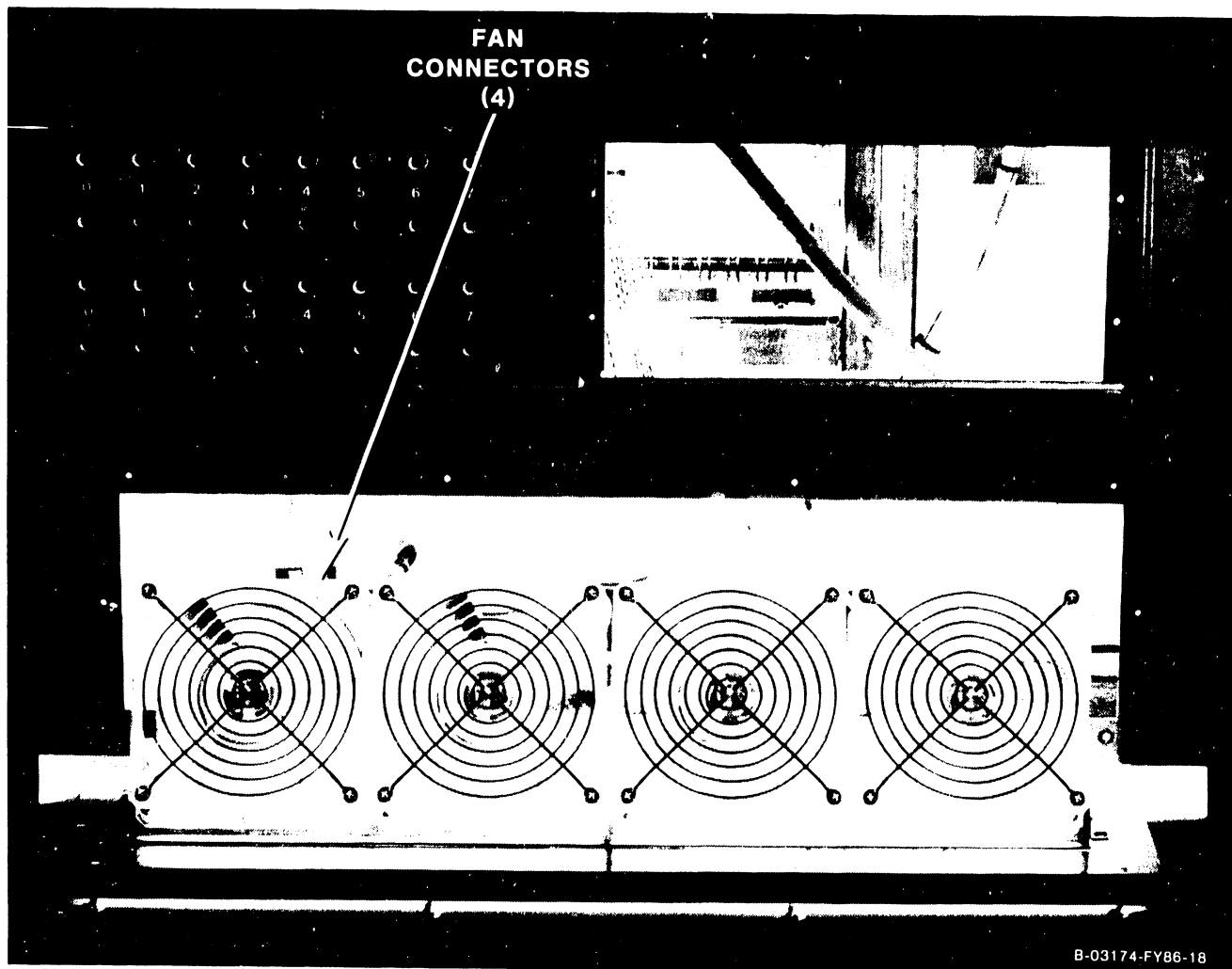


Figure 7-55. Rear Fan Removal

7.2.26 REAR FAN REPLACEMENT

1. To reinstall the fans and support panel, reverse the removal procedure.

SECTION

8

ADJUSTMENTS

TABLE OF CONTENTS

SECTION 8	ADJUSTMENTS	Page
8.1	General	8-1
8.2	Test Equipment	8-1
8.3	Electrical Adjustments	8-1
8.3.1	Power Supply Adjustments	8-1
8.3.2	Power Supply Controller Adjustments	8-3

LIST OF ILLUSTRATIONS

Figure	Title	Page
8-1	Multioutput Power Supply	8-3
8-2	Power Supply Controller Board	8-4
8-3	Environment Test Screen	8-5

LIST OF TABLES

Table	Title	Page
8-1	Power Supply Voltage Measurements	8-2
8-2	DC Voltage Address Switch SW3 Settings	8-3
8-3	A/D Output Values At Hex Displays	8-4
8-4	DC Voltages On SCU Screen	8-5

SECTION 8

ADJUSTMENTS

8.1 GENERAL

This section provides information on adjustments for the VS-7100 mainframe.

8.2 TEST EQUIPMENT

<u>Description</u>	<u>WLI P/N</u>
Power Supply Test Jumper	220-2342

8.3 ELECTRICAL ADJUSTMENTS

8.3.1 POWER SUPPLY ADJUSTMENTS

1. Remove the top cover and the left side panel (paragraphs 7.2.1 and 7.2.3).

WARNING

The fans will still be running.

2. Remove the Phillips screws from the lower rear fan panel and set aside the panel.
3. Press the Control Panel On button or SW1 (On) on the Power Supply Controller. Make sure the On lamp on the Control Panel and the voltage sensing LEDs 1 → 5 on the Power Supply Controller are lit. If the LEDs are not lit or go out after a few seconds, there is a problem with the multioutput power supply, or the Power Supply Controller board. No adjustments can be done until the problem is corrected. Do the following:

NOTE

LED2 (+5VB) should light but it is not used.

ADJUSTMENTS

- a. Remove the 4-pin connector from J5 of the Power Supply Controller board. (Figure 8-2.)

WARNING

Inserting the test jumper as described below in step b will immediately turn on the multioutput power supply if the ac On/Off circuit breaker is on.

- b. Insert the Power Supply Test Plug (WLI P/N 220-2342) into P5, the control cable to the power supply.
 - c. If the power supply comes up and stays up, the power supply is good. (Refer to Section 6 for troubleshooting procedures for the 210-8809 Power Supply Controller board.) If the power supply still does not come up, replace the supply. (Paragraph 7.2.23.)
 - d. Disconnect the test jumper and reconnect the cable to J5.
4. The following power supply voltages should be measured at the test points on the Power Supply Controller. Adjust the voltages to the readings listed below using the potentiometers on the front of the multioutput power supply at the rear of the mainframe (figure 8-1).

Table 8-1. Power Supply Voltage Measurements

<u>Test Point</u>	<u>Adjust (P/S)</u>	<u>Volts</u>	<u>Minimum</u>	<u>Maximum</u>	<u>AC Ripple Limits</u>
TP+5V	V1	+5.0A	+4.96	+5.04	35mV RMS
TP+12V	V2	+12.0	+11.96	+12.04	or
TP-5V	V3	-5.0	-4.96	-5.04	50mV Pk-Pk
TP-12V	V4	-12.0	-11.96	-12.04	for all
TPGROUND		+/-0	+/-0	+/-0	

NOTE

It is better to have the +5 V adjusted more toward the maximum than toward the minimum.

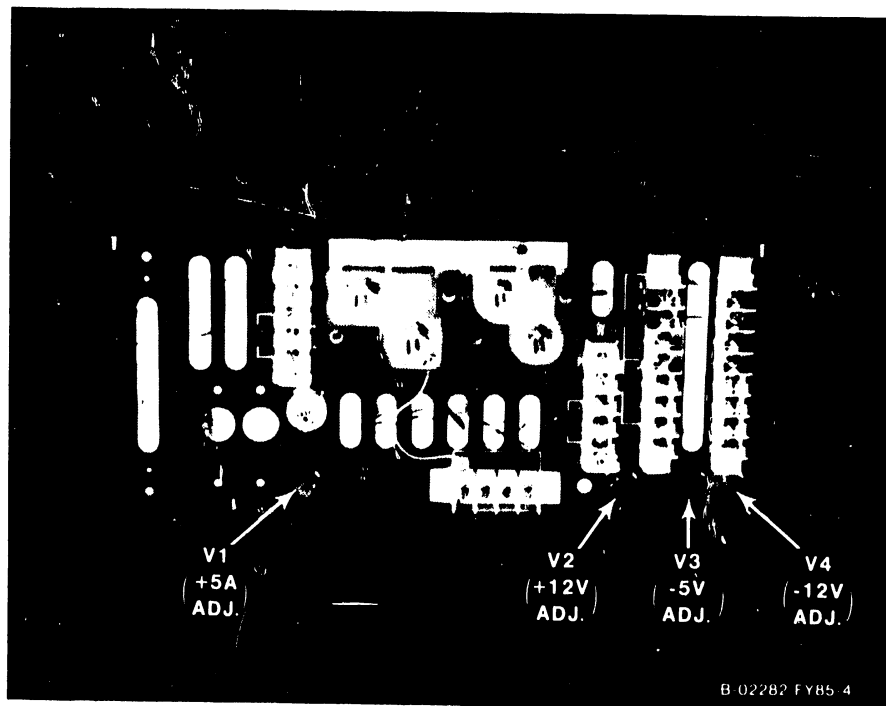


Figure 8-1. Multioutput Power Supply

8.3.2 POWER SUPPLY CONTROLLER ADJUSTMENTS

1. Although there are no adjustments, measure the calibration voltages on the Power Supply Controller board (figure 8-2), at:
 - a. TP 8 for 8 volts.
 - b. TP 2.5 for 2.5 volts.
2. Set the 4-bit Voltage Address switch SW3 (table 8-2) on the Power Supply Controller board to the A/D input to be calibrated.

Table 8-2. DC Voltage Address Switch SW3 Settings

Voltage	Bit 1	Bit 2	Bit 3	Bit 4
-5.0	Closed	Open	Open	X
-12.0	Open	Closed	Open	X
+12.0	Closed	Closed	Open	X
+5.0	Closed	Open	Closed	X

NOTES

1. Open = Off
2. Closed = On
3. X = don't care (bit 4 not used)

ADJUSTMENTS

- Look at the two hex displays on the Power Supply Controller board. Using the potentiometers on the Power Supply Controller board, adjust the A/D outputs to the hex display values as shown in table 8-3. Change the Voltage Address switch for each voltage to be calibrated.

Table 8-3. A/D Output Values At Hex Displays

Voltage	Adjust	Minimum Hex Value	Exact Hex Value	Maximum Hex Value
-5.0	R21	7E	80	82
-12.0	R22	7E	80	82
+12.0	R18	7E	80	82
+5.0	R19	7E	80	82

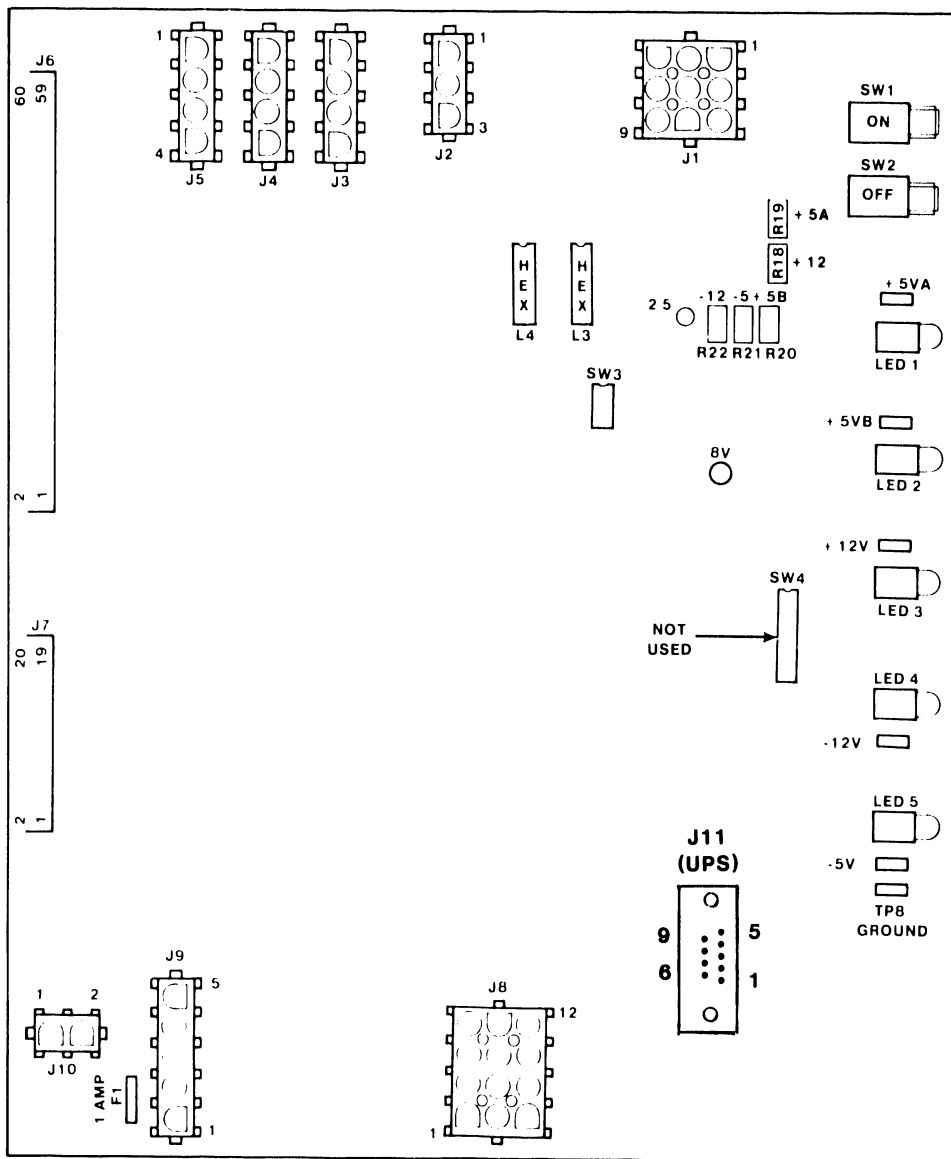


Figure 8-2. Power Supply Controller Board.

- From the System Console Screen Menu in Service Mode, enter offline diagnostics. (Refer to Section 6).

5. From the DCS Diagnostic Selection Menu, select the VS Environment. (Figure 8-3).

```

mm/dd/yy           Wang VS Diagnostic Control System           hh:mm:ss
                   Rev XXXX   (c) Copr. Wang Laboratories, Inc. 1986
                   □□□□ ■□□□ □□□□ □□□□

Sequence: 1                               Error Cnt: 0
Diagnostic: R1684 VSXXX Environment
Test: Display

-----|-----
| DCS Status: Diagnostic Executing |-----|

Voltage Readings = +5.000  +5.000  -5.000  +12.00  -12.00

SCU Control Registers = 4700 78FF           SCU Status Registers = 86C0 1000

CPU SCR = 0800           MCU SCR = 0800           MCU ELog = 8063 E007 0707
SBI0 SCR = 0048          SBI Status = 0000          SBI0 ELog = 0000 00B8 0023

Front Panel key switch is set to REMOTE DIAGNOSTIC

System Reset has been pressed           AC power has been cycled

-----|-----

HELP is available

```

Figure 8-3. Environment Test Screen

6. Look at the Environment Test Screen on the Support Control Unit (SCU) screen. The voltages shown in table 8-4 will appear on the screen.

NOTE

Do not rely on the Environment Test Screen on the SCU to adjust the voltages. It is strictly a monitor and will not respond quickly enough to do a reliable voltage adjustment. Adjust the A/D outputs while viewing the hex display.

Table 8-4. DC Voltages On SCU Screen

<u>Voltage</u>	<u>Minimum</u>	<u>Maximum</u>
+5.0	+4.96	+5.04
-5.0	-4.96	-5.04
+12.0	+11.96	+12.04
-12.0	-11.96	-12.04

SECTION

9

UNPACKING

AND

SETUP

TABLE OF CONTENTS

SECTION 9	UNPACKING AND SETUP	Page
9.1	General	9-1
9.2	Installation Site Check	9-1
9.3	Publications	9-2
9.4	Test Equipment	9-2
9.5	Unpacking	9-2
9.5.1	Claims Information	9-3
9.5.2	Unpacking The Mainframe	9-4
9.5.3	Unpacking The Peripherals	9-10
9.6	Mainframe Inspection	9-11
9.6.1	Peripheral Inspection	9-11
9.7	Mainframe Power Source	9-12
9.7.1	208/240 V AC Domestic Power Source	9-12
9.8	Initial Mainframe Power-Up	9-13
9.8.1	DC Voltage Checks	9-13
9.8.1.1	Power Supply Adjustments	9-13
9.8.1.2	Power Supply Controller Adjustments	9-15
9.9	IPL Procedures	9-18
9.9.1	IPLing The VS-7100	9-18
9.9.2	SCU Software Installation	9-26
9.9.3	IPL Errors	9-29
9.9.4	Version Checking During IPL	9-30
9.10	Peripheral Interconnection	9-32
9.10.1	I/O Connector Assembly To IOC Cabling	9-32
9.10.2	Serial Connectors	9-32
9.10.3	P-Band Connectors	9-37
9.10.4	Cable Concentrator	9-39
9.10.5	Disk Cable Connectors	9-40
9.10.6	Telecommunication Connectors	9-42
9.10.7	Cable Interface Unit (CIU) Connectors	9-44
9.10.8	Kennedy Tape Drive Connectors	9-45
9.10.9	Telex Tape Drive Connectors	9-46
9.11	Remote Maintenance	9-47

LIST OF ILLUSTRATIONS

<u>Figure</u>	<u>Title</u>	<u>Page</u>
9-1	Unpacking the Mainframe (1 of 6)	9-4
9-2	Unpacking the Mainframe (2 of 6)	9-5
9-3	Unpacking the Mainframe (3 of 6)	9-6
9-4	Unpacking the Mainframe (4 of 6)	9-7
9-5	Unpacking the Mainframe (5 of 6)	9-8
9-6	Unpacking the Mainframe (6 of 6)	9-9
9-7	208/240 Volt AC Power Source Requirements for VS-7100 Mainframes	9-12

LIST OF ILLUSTRATIONS (CONT)

9-8	Multioutput Power Supply	9-14
9-9	Power Supply Controller Board	9-16
9-10	Environment Test Screen	9-17
9-11	Console Processor Menu Screen	9-19
9-12	Modified System Console Screen in Service Mode	9-20
9-13	System Console Default Screen	9-21
9-14	Workstation Initialization Screen	9-22
9-15	SYSGEN Configuration File Screen	9-23
9-16	SCU Install Utility Menu	9-27
9-17	SCU Install Utility Screen	9-28
9-18	Sample Version Warning Screen	9-31
9-19	VS-7100 I/O Panel Basic Positions	9-33
9-20	VS-7100 SCU Connector Panel	9-34
9-21	Electrical APA BNC/TNC Connector Assembly	9-35
9-22	FiberWay APA Connector Assembly	9-35
9-23	APA and P-Band Modem Connections	9-36
9-24	WangNet P-Band Modem Assembly	9-37
9-25	WangNet P-Band Modem Rear Panel Assembly	9-38
9-26	VS-7100 Cable Concentrator Rear Panel	9-39
9-27	Cable Concentrator Connections	9-39
9-28	270-1006 "A" and "B" Cable Connector Assembly	9-41
9-29	Multiline TC (MLTC) Connector Panel	9-42
9-30	Gate Array TC Connector Panel	9-43
9-31	CIU 10 MBPS Modem Connector Assembly	9-44
9-32	270-1005 Kennedy Tape Drive Connector Assembly	9-45
9-33	270-1007 Telex Tape Drive Connector Assembly	9-46

LIST OF TABLES

<u>Table</u>	<u>Title</u>	<u>Page</u>
9-1	Publications Sources	9-2
9-2	VS-7100 Models	9-2
9-3	VS-7100 Upgrades	9-3
9-4	DVM Voltage Measurements 208/240 V AC Receptacle	9-12
9-5	Power Supply Voltage Measurements	9-15
9-6	DC Voltage Address Switch SW3 Settings	9-15
9-7	A/D Output Values At Hex Displays	9-17
9-8	DC Voltages On SCU Screen	9-18
9-9	IPL Errors	9-30
9-10	Version Checking Status Error Messages	9-31

SECTION 9

UNPACKING AND SETUP

9.1 GENERAL

This section describes the procedures for unpacking, inspecting, and installing the VS-7100 mainframe. Also included in this section are instructions for system interconnection. Refer to Section 4, Operation; Section 7, Repair; and Section 6, Troubleshooting, of this manual for more information needed to complete installation. Actual installation should not begin until the site requirements have been met.

9.2 INSTALLATION SITE CHECK

Prior to installation, the following conditions must have been met:

1. All site plans should have been approved by both the customer and a Customer Service Representative.
2. All building alterations must have been completed and inspected.
3. All electrical wiring, air conditioning, and telecommunications (TC) modifications must have been installed and tested. (The following TC equipment should have been ordered for remote maintenance support:)
 - a. Telephone line. (A dedicated line is not required.)
 - b. Telephone.
 - c. Either of the following modular connecting blocks for the telephone:
 - 1) RJ11C jack for desk top telephones
 - 2) RF11W jack for flush mounted wall telephones

NOTE

RF11W flush mount wall phone jack can be used with the "T" connector and a desk top phone, but a wall mounted phone cannot be used.

4. The preinstallation inspection is to be performed two weeks prior to delivery. At this time, the service representative will check the site for compliance with VS site specifications. The service representative will bring any unsatisfactory conditions noted to the attention of the customer for correction.

UNPACKING AND SETUP

NOTE

Before installing a VS-7100, the minimum specifications described in the Customer Site Planning Guide (WLI P/N 700-5978) should be met. Failure to meet these requirements can be cause for the service representative to deem a site unsuitable for the proper functioning of a VS-7100 system. (Refer to table 9-1 as a source for other publications concerning site requirements and information that will be helpful in installing the VS-7100.)

9.3 PUBLICATIONS

Table 9-1. Publications Sources

<u>Publication Title</u>	<u>WLI P/N</u>
Technical Documentation Catalog/Index	741-0000
Wang Customer Resource Catalog	700-7647

9.4 TEST EQUIPMENT

<u>Description</u>	<u>WLI P/N</u>
Power Supply Test Jumper	220-2342

9.5 UNPACKING

Before unpacking the VS-7100, check all packing slips to make sure that the proper equipment has been delivered. Refer to the model number information below. After checking packing slips, inspect all shipping containers for damage (crushed corners, punctures, etc.).

Table 9-2. VS-7100 Models

<u>Model Number</u>	<u>WLI P/N</u>	<u>Description</u>
VS-7110-4	157/177-7471	4,096KB Main Memory
VS-7110-8	157/177-7472	8,192KB Main Memory
VS-7120-4	157/177-7473	4,096KB Main Memory
VS-7120-8	157/177-7474	8,192KB Main Memory
VS-7150-4	157/177-7424	4,096KB Main Memory
VS-7150-8	157/177-7425	8,192KB Main Memory

NOTES

1. Part number prefix 157 = 50Hz. ac line frequency mainframes.
2. Part number prefix 177 = 60Hz. ac line frequency mainframes.

Table 9-3. VS-7100 Upgrades

Model Number	WLI P/N	Description
VS-MEM-4	200-1234	4 megabyte memory upgrade
VS-MEM-8	200-1235	8 megabyte memory upgrade

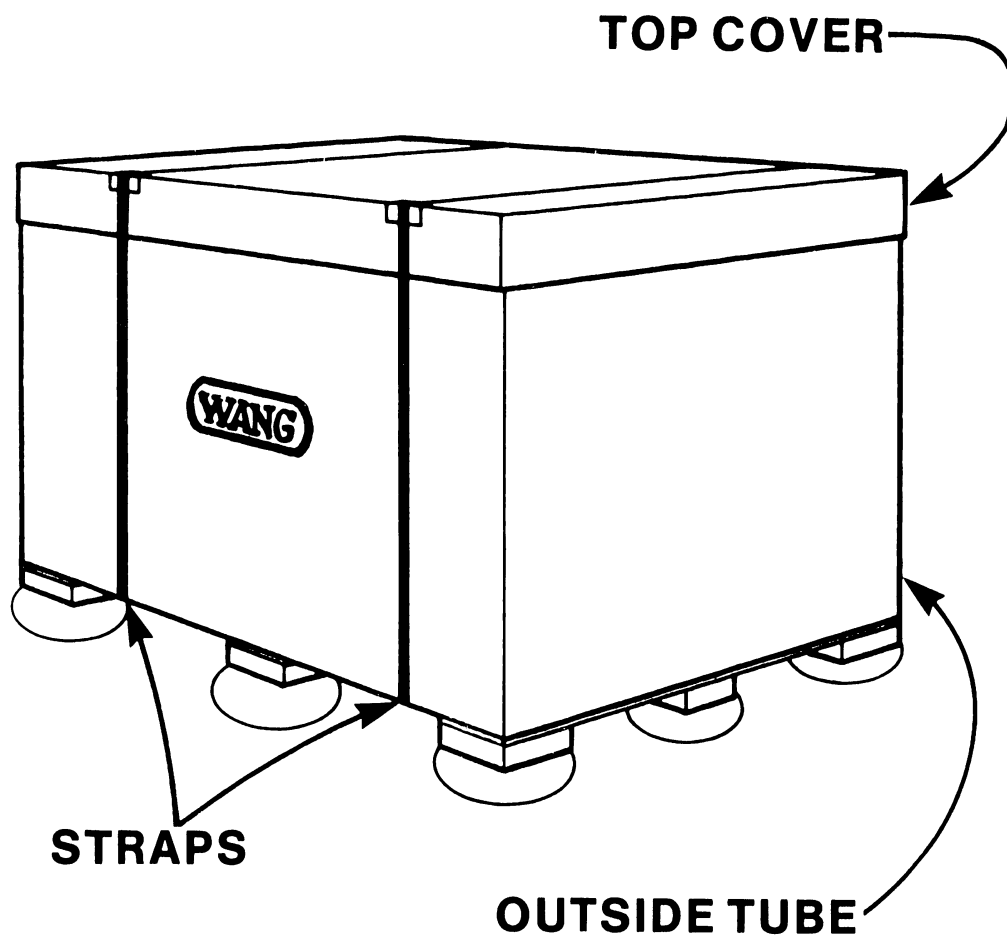
9.5.1 CLAIMS INFORMATION

If damage is discovered during inspection, notify your manager.

UNPACKING AND SETUP

9.5.2 UNPACKING THE MAINFRAME

1. Cut and remove the strapping that secures the top cover and outside tube to the shipping pallet. (If the strapping is metal be careful that it does not spring out and away from the shipping container.)
2. Remove the top cover and the outside tube.

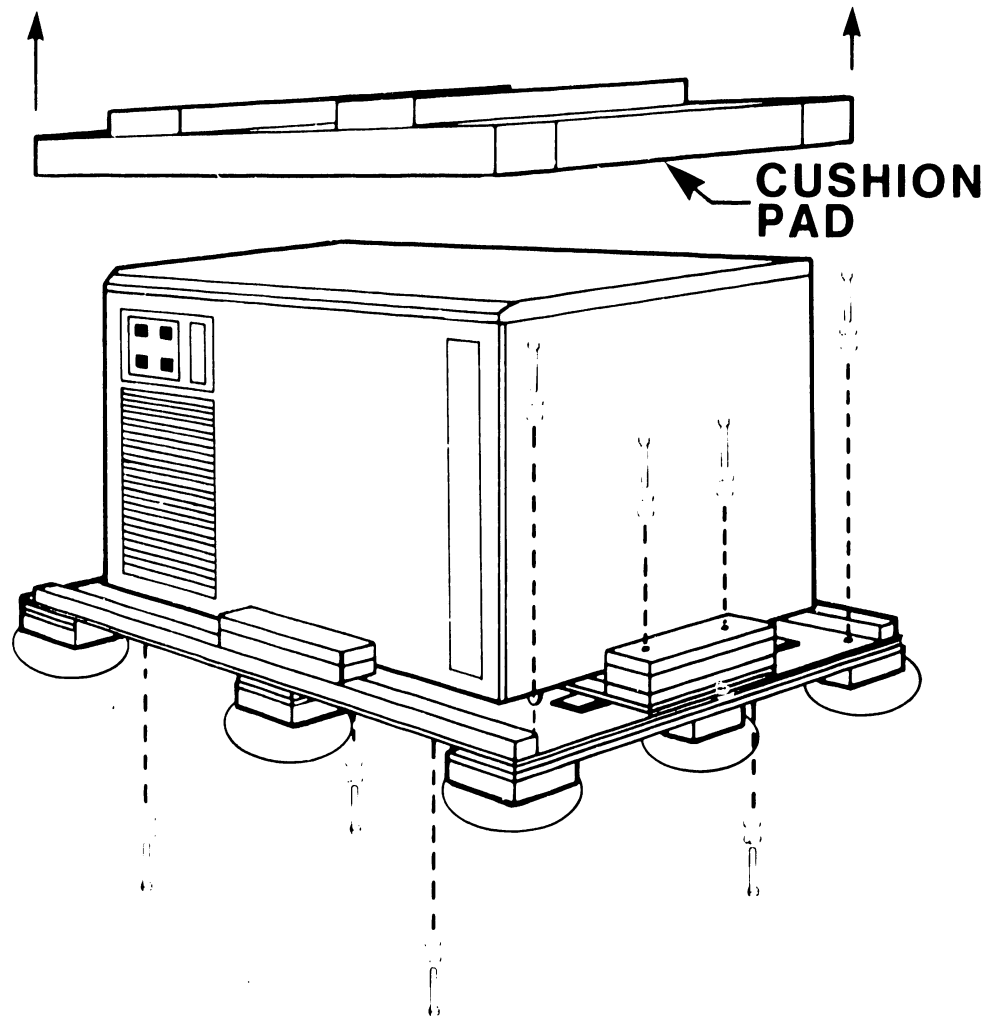


B-03175-FY86-1

Figure 9-1. Unpacking the Mainframe (1 of 6)

UNPACKING AND SETUP

3. Remove the top cushion pad and plastic wrap covering the mainframe cabinet.
4. Remove the shipping bolts securing the mainframe cabinet and the support assembly to the pallet.



B-03175-FY86-2

Figure 9-2. Unpacking the Mainframe (2 of 6)

UNPACKING AND SETUP

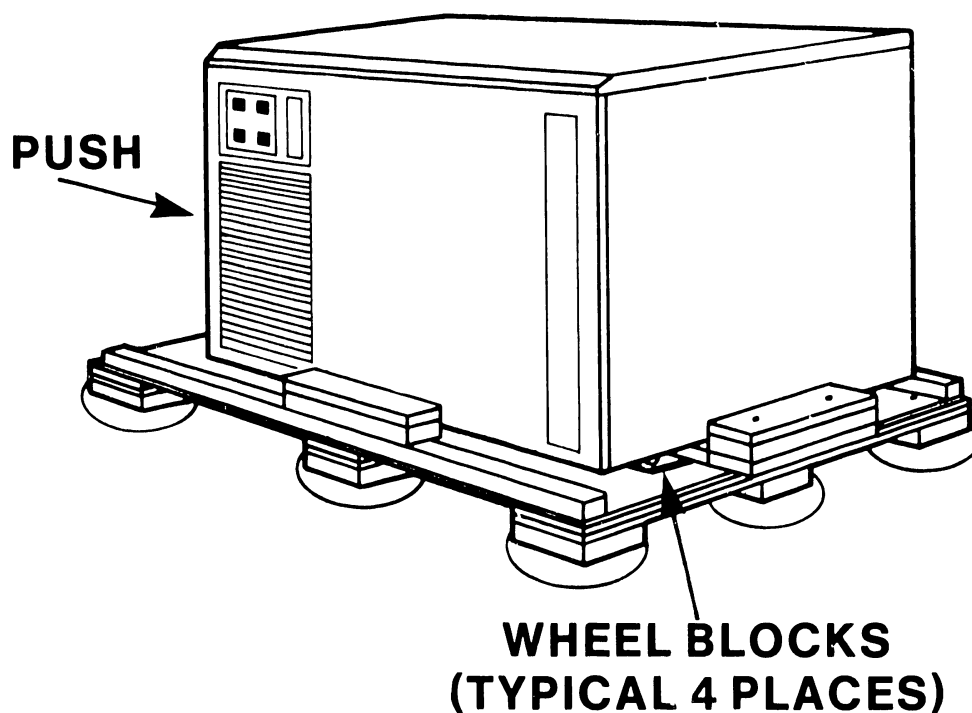
WARNING

The mainframe cabinet weighs 550 pounds (250kg). Be careful when performing the following steps.

5. Push the mainframe 1" or 2", enough to position the casters on the wheel blocks.

NOTE

An alternate method is to pry up each corner of the mainframe cabinet at a time with a piece of 2"x4" lumber (if available). Then swivel each caster up onto the wheel blocks.

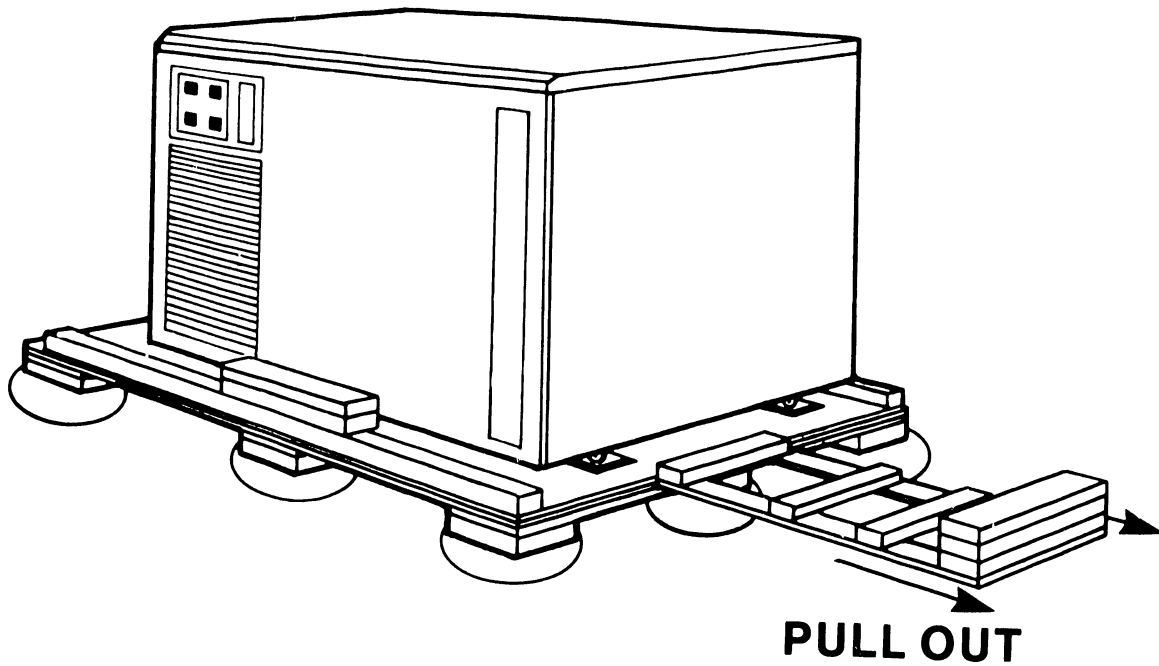


B-03175-FY86-3

Figure 9-3. Unpacking the Mainframe (3 of 6)

UNPACKING AND SETUP

6. Pull out and remove the support assembly.



B-03175-FY86-4

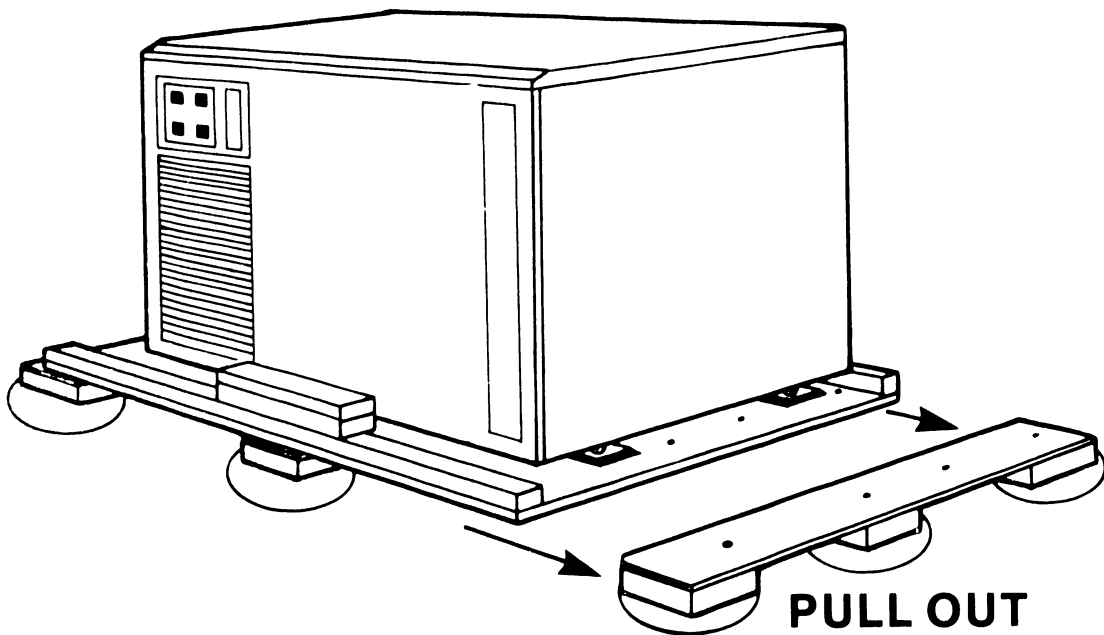
Figure 9-4. Unpacking the Mainframe (4 of 6)

UNPACKING AND SETUP

WARNING

The mainframe cabinet will begin to tilt down when the cushion assembly is pulled out from under the pallet.

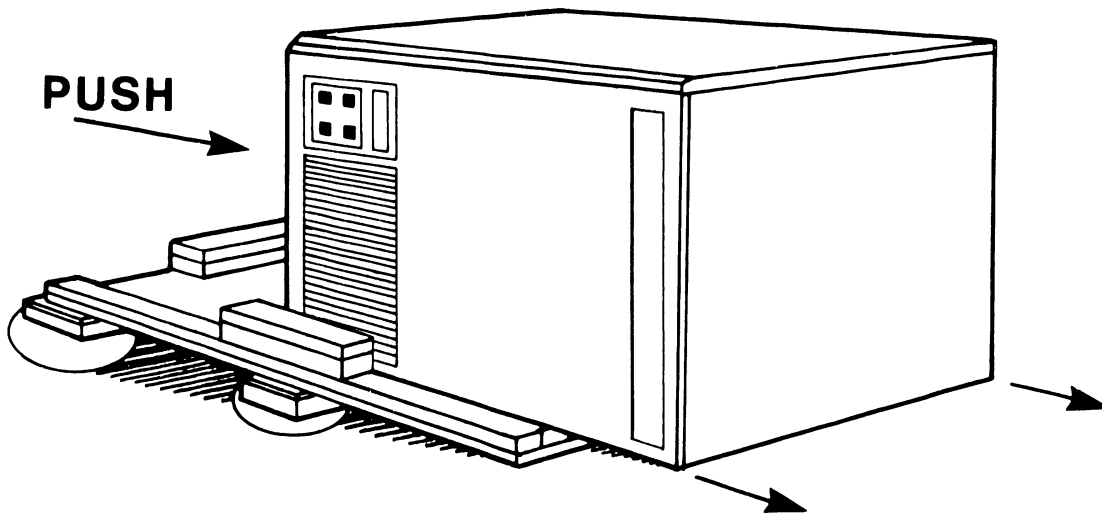
7. Pull the cushion assembly out from under the pallet.



B-03175-FY86-5

Figure 9-5. Unpacking the Mainframe (5 of 6)

8. Carefully push the cabinet off the pallet.



B 03175-FY86-6

Figure 9-6. Unpacking the Mainframe (6 of 6)

UNPACKING AND SETUP

9. Move the cabinet to its permanent location.
10. Once the cabinet is in place, check the service clearances as listed below.

<u>Service Clearances</u>	<u>Inches</u>	<u>Centimeters</u>
Front	36	91.4
Rear	36	91.4
Left	24	60.9
Right	24	60.9
Top	36	91.4

9.5.3 UNPACKING THE PERIPHERALS

Before proceeding, carefully unpack all peripherals according to procedures outlined in applicable maintenance manuals. As each unit is unpacked, check it for any obvious shipping damage. Refer to paragraph 9.5.1 if any damage is seen.

CAUTION

```
*****  
*                                                                 *  
* THIS COMPUTER EQUIPMENT HAS BEEN VERIFIED AS FCC CLASS A. *  
*                                                                 *  
*****
```

IN ORDER TO MAINTAIN COMPLIANCE WITH FCC CLASS A
VERIFICATION, THE FOLLOWING CONDITIONS MUST BE
ADHERED TO DURING NORMAL OPERATION OF EQUIPMENT.

- ALL COVERS MUST BE ON SYSTEM AND SECURED IN THE PROPER MANNER.
- ALL INTERNAL CABLES MUST BE ROUTED IN THE ORIGINAL MANNER WITHIN THE CABLE CLAMPS PROVIDED FOR THAT PURPOSE.
- ALL EXTERNAL CABLING MUST BE SECURED AND THE PROPER CABLE USED TO ENSURE THAT CABLE SHIELDING IS PROPERLY GROUNDED TO THE CABLE CLAMPS PROVIDED.
- ALL HARDWARE MUST BE PROPERLY SECURED.

9.6 MAINFRAME INSPECTION

NOTE

Quality assurance procedures and tests have shown that VS mainframes arriving on the customer's premises require only visual inspection, voltage checks, software loading, and cabling. Therefore, the following inspection and installation procedures for all VS mainframes are in effect.

DO NOT REMOVE PRINTED CIRCUIT BOARDS FOR INSPECTION

DO NOT CLEAN PRINTED CIRCUIT BOARD CONTACTS WITH AN ERASER

INSPECT CPU MAINFRAME VISUALLY

REPORT INSTALLATION PROBLEMS ON THE INSTALLATION REPORT AND STATE SPECIFIC CAUSES OF FAILURE

1. Remove the top, front, and side covers from the VS-7100 cabinet. (Refer to Section 7.)
2. Remove the shipping protector from the SCU floppy diskette drive.
3. Inspect the interior of the mainframe for packing material or such shipping damage as broken connectors and loose fastening hardware.
4. Refer to the shipping list to make sure that the correct circuit boards have been shipped.
5. Make sure all circuit boards are properly seated in the backplane.
6. Carefully inspect the backplane and the power supply and Support Control Unit (SCU) fans for obvious damage.
7. Inspect the power supply assemblies for damage and loose connections. At this time, make sure that all power supply connections are tight.
8. If necessary, vacuum clean the unit.
9. Do not reassemble the mainframe at this time.
10. If damage is discovered at any time during the inspection, follow the reporting procedure in paragraph 9.5.1

9.6.1 PERIPHERAL INSPECTION

After inspecting the mainframe, carefully inspect each peripheral according to procedures outlined in the applicable maintenance manuals. If damage is discovered at any time during the peripheral inspection, follow the reporting procedure in paragraph 9.5.1.

UNPACKING AND SETUP

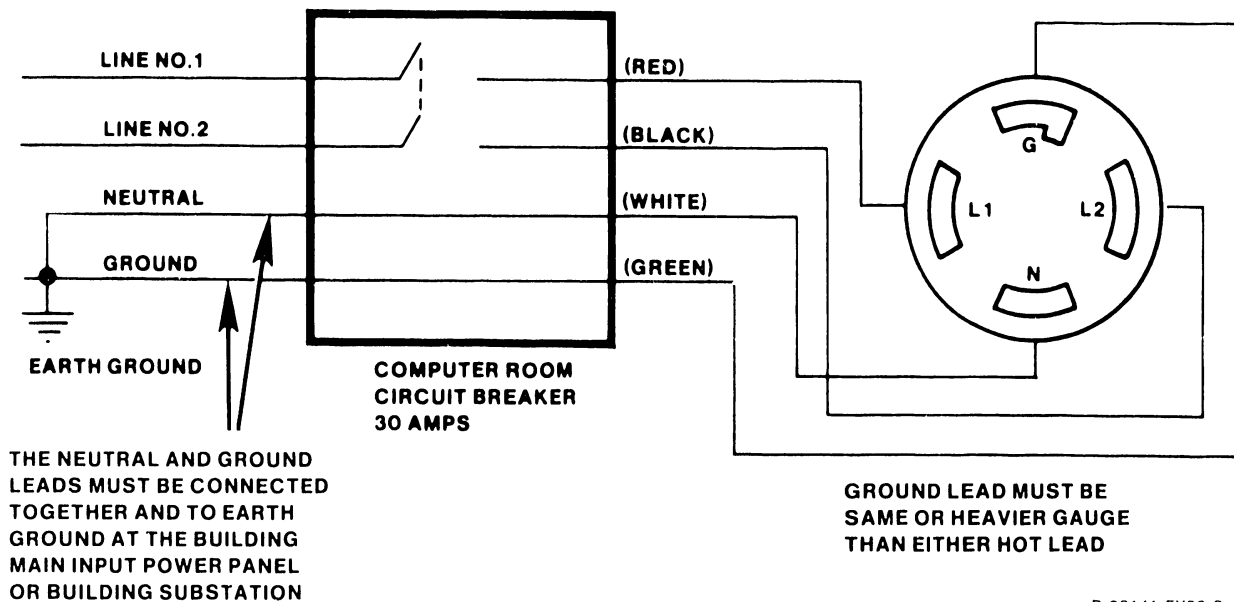
9.7 MAINFRAME POWER SOURCE

9.7.1 208/240 V AC DOMESTIC POWER SOURCE

Even though ac neutral is not used in domestic VS-7100 mainframes, any existing properly installed VS-100 mainframe power service (figure 9-7) can be used without modification. New service must be installed as shown in figure 9-7. Before completing the mainframe reassembly and peripheral equipment installation, use a digital voltmeter (DMV) to check the receptacle for proper wiring and service (table 9-4). Make sure that the receptacle meets all specified requirements before proceeding with the installation.

CAUTION

Failure to verify the input power service can result in damage to mainframe circuits and connected peripherals.



B-03141-FY86-2

	<u>RECEPTACLE BODY</u>	<u>MATCHING CONNECTOR</u>
NEMA Configuration	L14-30IGR	L14-30P
Hubbel Part Number	IG2710	2711

Figure 9-7. 208/240 Volt AC Power Source Requirements for VS-7100 Mainframes.

Table 9-4. DVM Voltage Measurements
208/240 V AC Receptacle

<u>Measure From</u>	<u>Acceptable DMV Readings</u>
Ac Hot (L1) to Ground	120 V ac (+/-10%)
Ac Hot (L2) to Ground	120 V ac (+/-10%)
Ac Hot (L1) to Ac Hot (L2)	208/240 V ac (+/-10%)

9.8 INITIAL MAINFRAME POWER-UP

1. After making sure that the ac On/Off circuit breaker is OFF, plug the mainframe power connector into the power source receptacle.
2. Perform the following:
 - a. Turn ON the mainframe ac On/Off circuit breaker.

9.8.1 DC VOLTAGE CHECKS

9.8.1.1 Power Supply Adjustments

1. Remove the left side panel (Section 7).
2. Remove the screws from the rear fan panel and set aside the panel.
3. Press the Control Panel On button or SW1 (On) on the Power Supply Controller. Make sure the On lamp on the Control Panel and the voltage sensing LEDs 1 → 5 on the Power Supply Controller are lit. If the LEDs are not lit or go out after a few seconds, there is a problem with the power supply, or the Power Supply Controller board. No adjustments can be done until the problem is corrected. Do the following:
 - a. Remove the 4-pin connector from J5 of the Power Supply Controller board. (Figure 9-9.)

WARNING

Inserting the test jumper as described in step b (below) will immediately turn on the switching power supply if the ac On/Off circuit breaker is on.

- b. Insert the Power Supply Test Plug (WLI P/N 220-2342) into P5, the control cable to the power supply.
 - c. If the power supply comes up and stays up, the power supply is good. (Refer to Section 6 for troubleshooting procedures for the 210-8809 Power Supply Controller board.) If the power supply still does not come up, replace the supply. (Section 7.)
 - d. Disconnect the test jumper and reconnect the cable to J4 or J5 on the Power Supply Controller.
4. The following power supply voltages should be measured at the test points on the Power Supply Controller. Adjust the voltages to the readings listed below using the potentiometers on the front of the switching power supply at the rear of the mainframe (figure 9-8).

UNPACKING AND SETUP

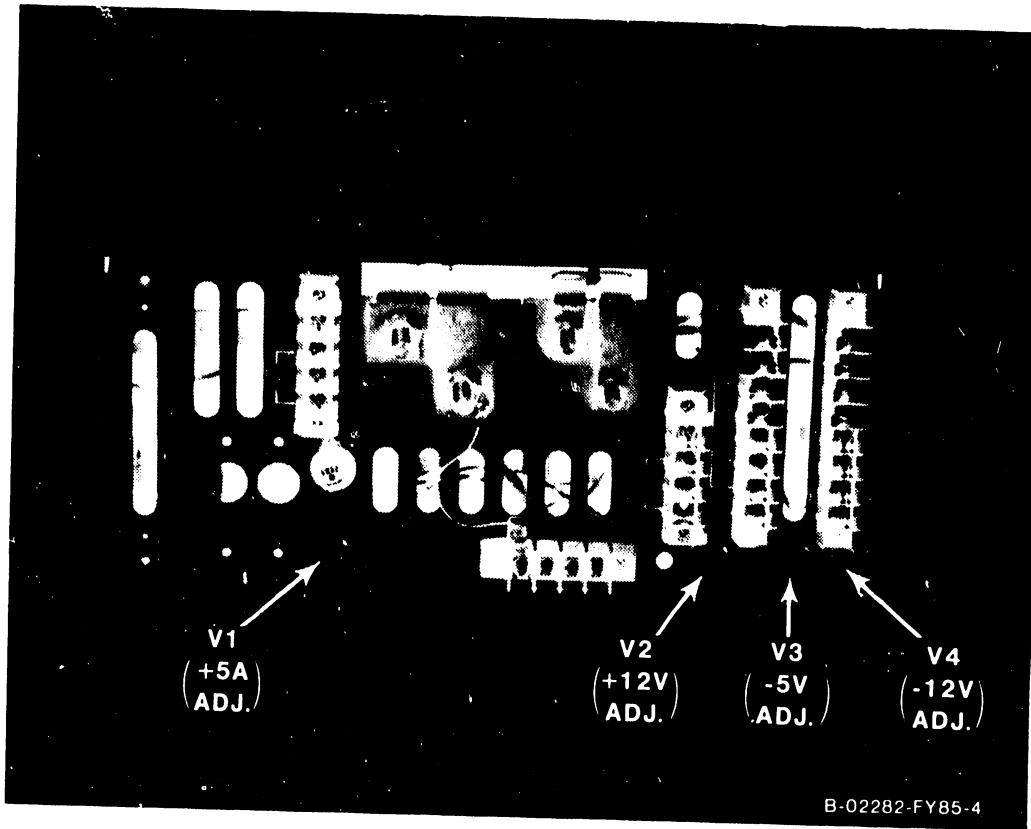


Figure 9-8. Multioutput Power Supply

Table 9-5. Power Supply Voltage Measurements

Test Point	Adjust (P/S)	Volts	Minimum	Maximum	AC Ripple Limits
TP+5V	V1	+5.0	+4.96	+5.04	35mV RMS
TP+12V	V2	+12.0	+11.96	+12.04	or
TP-5V	V3	-5.0	-4.96	-5.04	50mV Pk-to-Pk
TP-12V	V4	-12.0	-11.96	-12.04	for all.
TPGROUND		+/-0	+/-0	+/-0	

NOTE

1. It is better to have the +5 V adjusted more toward the maximum than toward the minimum.

9.8.1.2 Power Supply Controller Adjustments

1. Although there are no adjustments, measure the calibration voltages on the Power Supply Controller board (figure 9-9), at:
 - a. TP 8 for 8 volts.
 - b. TP 2.5 for 2.5 volts.
2. Set the 4-bit Voltage Address switch SW3 (table 9-6) on the Power Supply Controller board to the A/D input be adjusted.

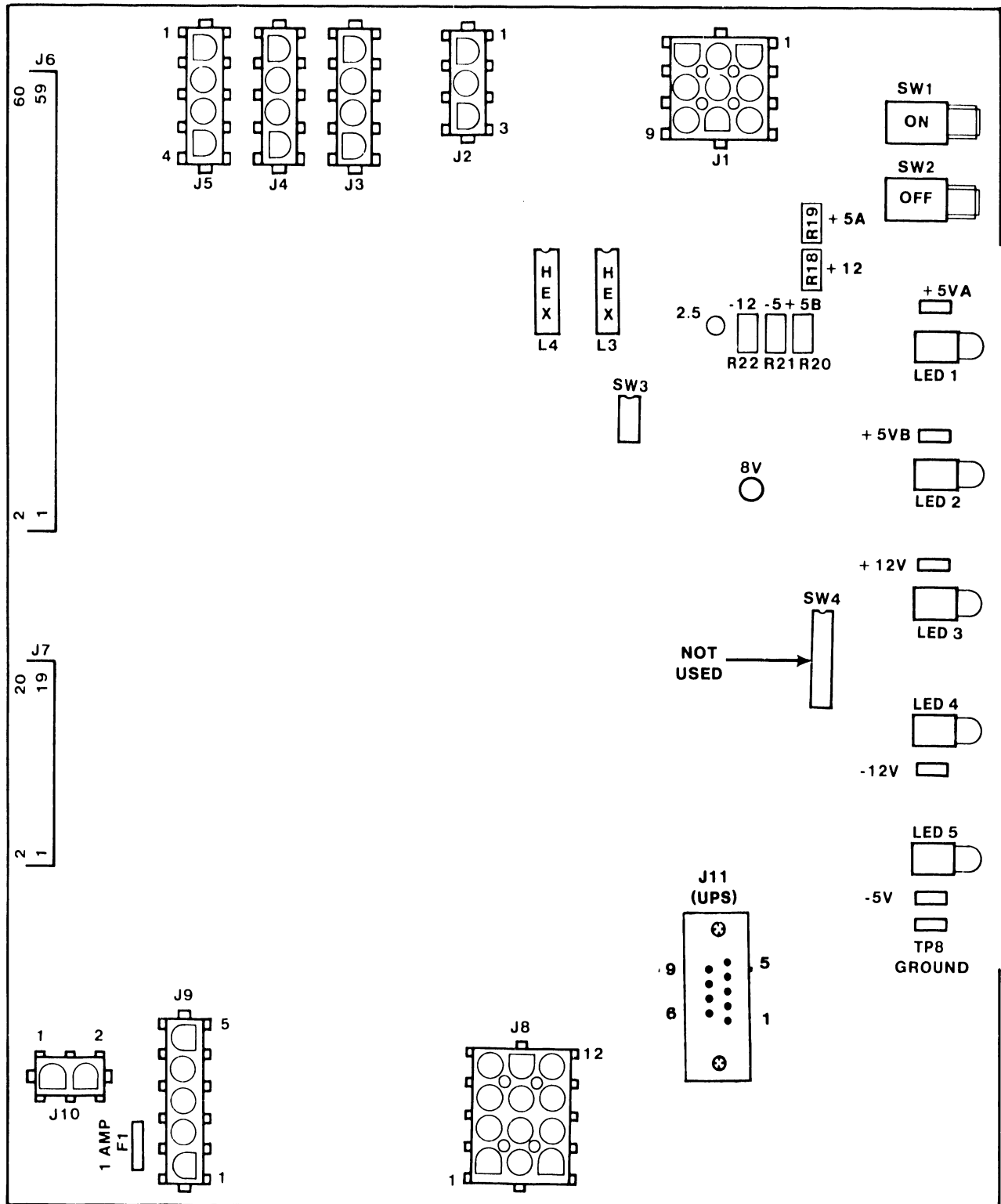
Table 9-6. DC Voltage Address Switch SW3 Settings

Voltage	Bit 1	Bit 2	Bit 3	Bit 4
-5.0	Closed	Open	Open	X
-12.0	Open	Closed	Open	X
+12.0	Closed	Closed	Open	X
+5.0	Closed	Open	Closed	X

NOTES

1. Open = Off
2. Closed = On
3. X = don't care (bit 4 not used)

UNPACKING AND SETUP



B-03175-FY86-12

Figure 9-9. Power Supply Controller Board

- Look at the two hex displays on the Power Supply Controller board. Using the potentiometers on the Power Supply Controller board, adjust the A/D outputs to the hex display values as shown in table 9-7. Change the Voltage Address switch for each voltage to be measured/adjusted.

Table 9-7. A/D Output Values At Hex Displays

Voltage	Adjust	Minimum Hex Value	Exact Hex Value	Maximum Hex Value
-5.0	R21	7E	80	82
-12.0	R22	7E	80	82
+12.0	R18	7E	80	82
+5.0	R19	7E	80	82

- From the System Console Menu screen, enter diagnostic mode. (Refer to Section 6).
- From the DCS Diagnostic Selection Menu screen, select the VSXXX Environment. (Figure 9-10).

```

mm/dd/yy           Wang VS Diagnostic Control System           hh:mm:ss
                   Rev XXXX   (c) Copr. Wang Laboratories, Inc. 1986
                   □□□□ ■□□□ □□□□ □□□□

Sequence: 1                               Error Cnt: 0
Diagnostic: R1684 VSXXX Environment
Test: Display

-----
DCS Status: Diagnostic Executing
-----

Voltage Readings = +5.000  +5.000  -5.000  +12.00  -12.00
SCU Control Registers = 4700 78FF           SCU Status Registers = 86C0 1000
CPU SCR = 0800           MCU SCR = 0800           MCU ELog = 8063 E007 0707
SBI0 SCR = 0048          SBI Status = 0000          SBI0 ELog = 0000 00B8 0023

Front Panel key switch is set to REMOTE SERVICE

System reset has been pressed           AC power has been cycled

-----
HELP is available
    
```

Figure 9-10. Environment Test Screen

UNPACKING AND SETUP

6. Look at the Environment Test Screen on the Support Control Unit (SCU) screen. The voltages shown in table 9-8 appear on the screen.

NOTE

Do not rely on the Environment Test Screen on the SCU to adjust the voltages. It is strictly a monitor and will not respond quickly enough to do a reliable voltage adjustment. Adjust the A/D outputs while viewing the hex display.

Table 9-8. DC Voltages On
SCU Screen

<u>Voltage</u>	<u>Minimum</u>	<u>Maximum</u>
+5.0	+4.96	+5.04
-5.0	-4.96	-5.04
+12.0	+11.96	+12.04
-12.0	-11.96	-12.04

9.9 IPL PROCEDURES

If the voltage checks are correct, the system can be IPLed. If the system fails to IPL, the software may have to be installed on the SCU. Refer to paragraph 9.9.2. Make sure that the following have been connected to the system.

1. The SCU must be connected to to Port 0 of the APA panel for the first SIO IOC. (Figures 9-19, 9-20, and 9-21.)
2. The "B" cable of the system disk is attached to the top left "B" cable connector, labeled "0", of the disk connector assembly in the rear panel for the first disk IOC. (Figure 9-28.) The "B" cable from this connector assembly must be connected to J4 of the 23V98 Disk IOC in I/O slot #1.

9.9.1 IPLING THE VS-7100

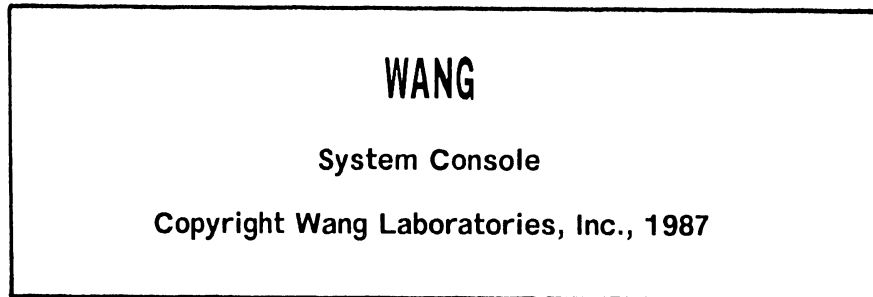
Follow this procedure to perform an IPL..

1. Make sure the Control Panel key switch is in Normal Control position.
2. Power up the system disk drive.
3. Press the System Reset pushbutton and then press the Operator Console Reset pushbutton.
4. After a pause, the SCU start-up sequence is invoked and start-up messages appear on the SCU screen:

"WANG SUPPORT CONTROL UNIT REV. X.XX"
"01 Start From Winchester"

5. Followed by:

"Wang Support Control Unit - BIOS X.XX"
"MS-DOS Version X.XX"



6. The Console Processor Menu screen then appears.

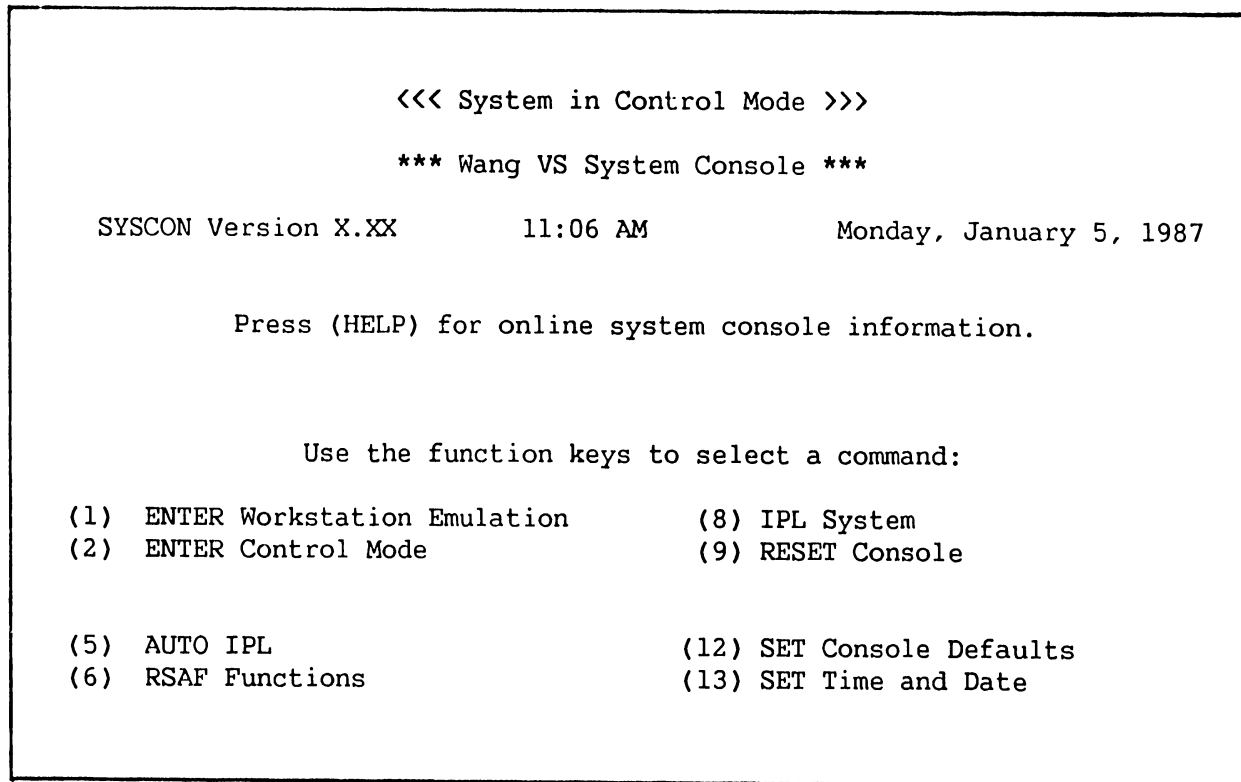


Figure 9-11. Console Processor Menu Screen

NOTE

The functions that the key switch allows in any one of the four key switch positions are highlighted on the Console Processor Menu screen.

UNPACKING AND SETUP

Certain elements of the System Console Menu are password-protected to prevent unauthorized use of some SYSCON facilities. These elements are not immediately displayed.

7. If it is necessary to load any SCU software, do step 7. If no software is to be loaded, go to step 8.
 - a. Place the Control Panel key switch in the "Remote Service" position.
 - b. Type in the following password:

CSG, plus the current four digit time as displayed on the System Console Menu screen. Example: If time is 9:30 (am or pm), enter 0930.

NOTE

The password will not appear on the screen. Also, while entering the password, the keyboard beeper will sound as each key is pressed. This is normal. It is intended to keep unauthorized personnel from enabling the full System Console Menu.

- c. A Console Processor Menu screen in service mode, figure 9-12, will appear.

```
*** Wang VS System Console ***

SYSCON Version X.X.X           2:44 PM           Monday January 5, 1987

Press (HELP) for online system console information.

Use the function keys to select a command:

(1) ENTER Workstation Emulation      (8) IPL System
(2) ENTER Control Mode                (9) RESET Console
(3) ENTER Service Log Mode           (10) Terminate Service Mode
(4) ENTER Offline Diagnostics        (11) SHOW Error Log
(5) AUTO IPL                          (12) SET Console Defaults
(6) RSAF Functions                    (13) SET Time and Date
(29) Install Software                 (32) Wang PC Emulation
```

Figure 9-12. Modified System Console Screen in Service Mode

UNPACKING AND SETUP

- d. Insert the diskette to be loaded in the diskette drive and close the door.
 - e. Press PF29 (Shift + Cancel), for Install Software. The diskette will begin loading onto the SCU disk drive.
 - f. Upon a successful load, a "Diskette installed" message will appear and the system will return to the modified Console Processor Menu screen in service mode.
 - g. If no more software is to be loaded, press PF10, Terminate Service Mode, and return the key switch to the "Normal Control".
8. a. Press PF5 (AUTO IPL). This message appears:
- "WARNING: This function resets the system, RETURN to proceed or PF16 to abort"**
- b. Press RETURN. (If the console defaults need modifying, or if the CPU code has not been loaded, a CPU or IPL error may appear. Go to step 9. If there are no changes necessary, or no CPU or IPL errors appear, go to step 13.)
9. Press PF12 (SET Console Defaults). The System Console Default screen appears.

```

      <<< System in Control Mode >>>

      *** VS System Console Defaults ***

Select a PF key to perform the indicated function:

-----

Auto IPL device           IPLDEV   = R 0100
CPU microcode filename   CPUCODE  = /SCU/OBJ87159.CP8
FPU microcode filename   FPUCODE  = /SCU/FPUMCA59.MEM
Soft-Boot microcode filename SBCODE   =
WS emulator options      WSOPTION = -PC
Pass console Date/Time to VSOS  TIMEDATE = Y
Warning message before a reset  WARNING  = Y
Main memory dump support  MMDUMP   = N

-----

(9) Modify Defaults      (10) Load System Microcode      (16) Exit
```

Figure 9-13. System Console Default Screen

UNPACKING AND SETUP

- a. If defaults are incorrect, press PF9 (Modify Defaults), make corrections as shown in figure 9-13, press RETURN, and/or:

NOTES

1. For CPU microcode file without FPU support, enter /SCU/OBJ87059.CP8
 2. For CPU microcode file with FPU support, enter /SCU/OBJ87159.CP8
 3. For FPU microcode file, enter /SCU/FPUMCA59.MEM
 4. WS emulator options are:
 - O - emulate OIS 5536-4 terminal
 - A - emulate Alliance 5536-4 terminal
 - C - emulate VS-2256C terminal
 - S - emulate VS-2246S terminal
 - W - select 256-character font mapping
 - F - select mini-archiving capability
 - P - select immediate return to emulation by-passing Workstation Emulation menu when ENTER terminal emulation selected from Console Processor menu.
- b. Whether defaults were corrected or not, press PF10 (Load System Microcode).
10. Press PF16 (Exit) and the Console Processor Menu screen (figure 9-11) reappears.
 11. Press PF5 (AUTO IPL). This message appears:
"WARNING: This function resets the system, RETURN to proceed or PF16 to abort"
 12. Press RETURN.
 13. The Workstation Initialization Screen, figure 9-14, appears.

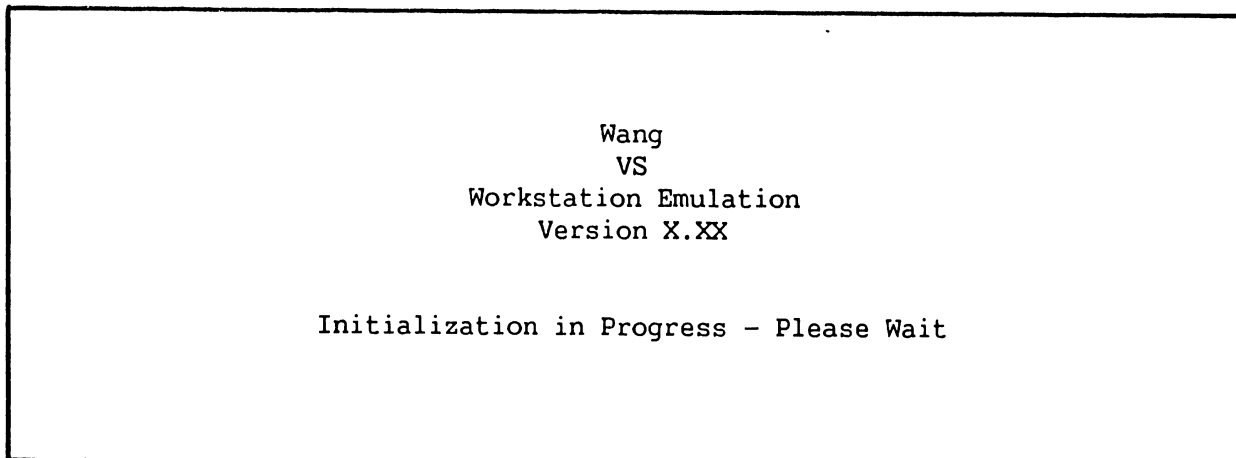


Figure 9-14. Workstation Initialization Screen

14. The SYSGEN Configuration File screen (figure 9-15) appears.

```

***MESSAGE M001 BY SYSGEN

      INFORMATION REQUIRED BY PROGRAM @SYSGEN@

      ACTIVE SUBPROGRAM IS @SYSGEN@

      Copyright, Wang laboratories, Inc. 1985

Specify the name of the system configuration file and press (ENTER)
      -or-
Press (1) to use one workstation and one disk.

      SYSFILE = @CONFIG@
      SYSLIB  = @SYSTEM@

Specify the communications configuration file to be use, if any

      COMMFILE = *****
      COMMLIB  = @SYSTEM@

Inhibit logons at all workstations?          LOGONS = NO■
Load Micro Code to all devices?             LMCODE = NO■
Inhibit dumping continuable halts?         CMDUMP = NO■

```

Figure 9-15. SYSGEN Configuration File Screen

NOTE

If the IPL was unsuccessful and an "IPL failed" message is received, refer to paragraph 9.9.3, IPL Errors

15. a. On the SYSGEN Configuration File screen, enter the names of the configuration files and the system library to be used. The field for the communications configuration file is blank. Fill in the communications configuration file field only if communications are going to be used. To change one of these values, move the cursor to the appropriate field and enter in the new information. Then, press RETURN.

UNPACKING AND SETUP

NOTE

If the system is being IPLed for the first time, the default values of @CONFIG@ and @SYSTEM@ are used for the configuration file and system library, respectively. After IPLing for the first time, configuration files can be created using GENEDIT. Refer to the VS Software Bulletin Release 7.12.

- b. After the values have been entered, the VS-7100 stores them in a start-up file. At the next IPL, the system displays the stored values and allows them to be changed.
 - c. The prompt "Inhibit logons at all workstations?" allows workstation logons to be inhibited. If "YES" is entered, only the SCU user can log on. The default value is "NO", which allows logons at all workstations, which were enabled before this IPL.
 - d. The prompt "Load Micro Code to all devices" lets microcode be loaded to each workstation (including remote workstations) as part of the IPL procedure. If "Yes" is entered, microcode is loaded to each workstation and the IPL process is significantly slower. This option is used when a workstation is hung up or when the workstation configuration has been changed. The default value is "No".
 - e. The prompt "Inhibit dumping continuable halts" allows disabling of the Continuable Dump for errors that do not require reIPL. If "Yes" is entered, Continuable Dumps which do not reIPL the system are not performed and system processing continues with the system error in effect. If "No" is entered, all Continuable Dumps occur. The default value is No. Refer to Section 6 for more information on the Continuable Dump.
16. Press RETURN when finished with the SYSGEN Configuration File screen. (Or, to bring up a minimum configuration of one workstation [W/S0] and one disk, without changing the default values, just press PF1.)

NOTE

The IPL procedure automatically activates any remote workstations that have been configured via the remote workstation parameters in the GENEDIT procedure.

17. After pressing RETURN from the SYSGEN Configuration File screen, the VS-7100 checks to determine if any of the critical operating system components are obsolete or incompatible. If no problems are detected, the IPL continues and the message "**System Generation in Progress**" appears on the SCU screen.

UNPACKING AND SETUP

- a. If incompatibilities exist that can cause problems, the IPL is stopped and a warning message is displayed by @SYSGEN@.
18. The message "I/O Subsystem Load in Progress" appears on the SCU screen.
19.
 - a. If the SCU real time clock is not usable, the date and time screen appears. Enter the correct date and time, and press RETURN.
 - b. This screen also allows changing the amount of memory available for use. The default value is the total amount of physical memory for the system. To change the value, move the cursor to the field, enter the new value, and press RETURN.
20. The message "System Initialization in Progress" appears on the SCU screen.

NOTE

In the event of an IPL/Sysinit error that does not appear on the IPL screen (e.g. the system does not complete the IPL and hangs), enter Enhanced Control Mode (figure 6-18) and check low memory location Hex F00. Additional IPL error messages will be displayed in ASCII code at this location. (This applies to OS 7.1X.XX, or higher.)

The VS-7100 is now initialized and ready for operation. VS workstation emulation is running on the SCU and the Operator's screen is displayed. To log on from the SCU;

1. Press PF1 and the VS Logon screen appears.
2. Enter the User ID and Password. (As this is the first time that the system has been IPLed and logged onto, use "CSG" for the User ID and leave the Password field blank.)
3. Press RETURN. The User screen is displayed.

Usually, the SCU is Workstation 0; while workstation emulation is running, perform all Workstation 0 tasks from the SCU. See Chapter 3 of the VS-300 Processor Handbook for information on running the SCU; see Chapter 4 for procedures for running Operator's tasks.

Once workstation emulation is running on the SCU, it is interrupted when one of several conditions occur. When workstation emulation is suspended, Workstation 0 functions are maintained by the SCU; however, they are not displayed on the screen. The conditions interrupting workstation emulation are:

1. Exiting workstation emulation (press CONTROL, then press SHIFT and CANCEL simultaneously, then select Suspend Emulation and press EXEC). (Returns to figure 9-11, the Console Processor Menu screen.)

UNPACKING AND SETUP

2. The VS-7100 enters Control Mode automatically.

If a system element, such as an IOC, fails, the VS-7100 does not automatically enter Control Mode. Rather, it displays the problem on the screen and continues operation.

After Control Mode is manually invoked and then exited, workstation emulation has to be selected from the Console Mode menu to reenter Operator's mode.

9.9.2 SCU SOFTWARE INSTALLATION

The SCU and SCU Installation utility software are stored on the floppy diskettes that are auto-enclosed with the VS-7100. Generally, SCU software need only be installed if the system failed to IPL, or if the SCU fixed drive (the SCU Winchester) is damaged (e.g., during a power outage).

1. If the system is not already powered up:
 - a. Make sure that the key switch on the Control Panel is turned to the Normal Control position.
 - b. Power up the mainframe and W/S 0 (SCU) by pressing the Power On pushbutton on the Control Panel. Don't power on external disk drives.
2. If the system is already powered up, enter Control Mode, power off any external disk drives, and exit Control Mode. Then, press the Operator Console Reset pushbutton.
3. Watch the SCU keyboard. As soon as the keyboard lights go out and the beep signal sounds, press the HELP key.
4. When the Options menu appears on the SCU screen:
 - a. Insert the Install diskette in the diskette drive and close the door.
 - b. Press D. (Re-direct Start)
 - c. Press A.
 - d. Press Return.
5. The start-up message appears on the SCU screen:
"01 Start From Drive A"
6. Followed by:
"Wang Support Control Unit - BIOS X.XX"
"MS-DOS Version X.XX"
"Loading Menu"
7. The SCU Install Utility menu appears. (See figure 9-16.)

```

mm/dd/yy           Wang Laboratories, Inc.           hh:mm:ss
                   Support Control Unit Install Utility
                   Version XX.XX.XX

Select an Item and Proceed

                   ■ Analyze Winchester Disk
                   _ Format Winchester Disk
                   _ Realign and Format Winchester
                   _ Install SCU Software

                   SPACE BAR - Item Select
                   EXECUTE  - Proceed
                   CANCEL   - Previous Menu

```

Figure 9-16. SCU Install Utility Menu

This menu presents four choices:

- a. Analyze Winchester Disk - This utility checks the Winchester disk; it corrects inconsistencies in the File Allocation Table (FAT) and reports the number of extents.
 - b. Format Winchester Disk - This utility erases all existing files and prepares the Winchester to accept new files. It takes about 6 minutes.
 - c. Realign and Format Winchester - This utility does a complete reformatting of the Winchester, including several passes across the disk to erase current files and file information. It takes about 1 hour and 40 minutes to complete.
 - d. Install SCU software - This utility loads the SCU software onto the Winchester.
8. a. Press the space bar (or press "F") to select Format Winchester Disk. (Formatting takes about six minutes.)
- b. Press EXEC. The following message appears on the screen:
- ```
"Format version X.X.XX"
"Type 'Winchester' to begin formatting C:"
```
- c. Enter Winchester and press RETURN. The following messages appear on the screen during formatting:
- ```
"Formatting..."
"Writing Winchester"
"Building Winchester FAT table..."
```

UNPACKING AND SETUP

- d. When formatting is complete, this request appears on the screen:
"Volume label (11 characters, RETURN for none)?"
Either label the volume or press RETURN for no label.
 - e. The following message appears on the screen:
"Format Completed..."
"----- bytes total disk space"
"----- bytes available on disk"
 - f. Figure 9-16, the SCU Install Utility menu, reappears.
9. Select the Install SCU Software option from the Support Control Unit Install Utility menu and press EXEC. The **"Setting up Winchester"** message appears, followed by the SCU Install Utility screen, figure 9-17.

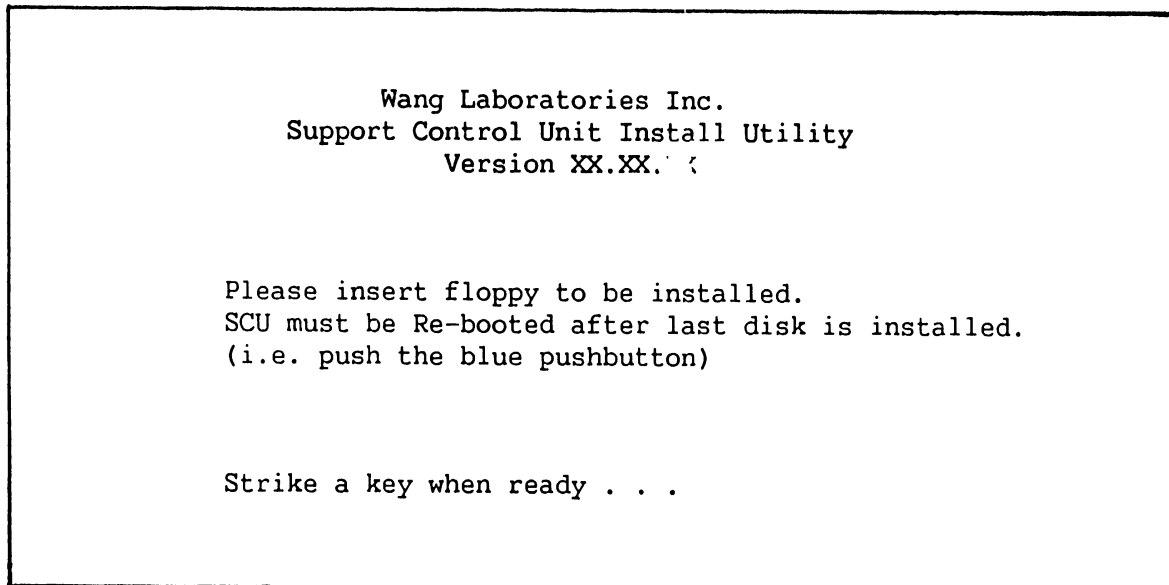


Figure 9-17. SCU Install Utility Screen

10. Remove the Install diskette from the diskette drive. Insert any one of the other SCU software diskettes in the diskette drive. It does not matter which one is used first, or if the same diskette is accidentally inserted twice. Close the diskette drive door.

NOTE

Once the Install has been used to start up the Install utility, do not copy it. If it is accidentally copied, terminate the Install utility (step 15) and repeat the installation procedure.

11. Press any key to initiate the installation. The message **"Copying"** with the list of files as they are being copied appear on the screen.
 - a. If this error message appears:
**"Not ready reading drive A
Abort, Retry, Ignore?"**
 - 1). Check the arrows on the diskette to make sure that the diskette has been inserted properly in the drive.
 - 2). Make sure that the diskette door is completely closed.
 - 3). Restart the Install utility by pressing "R".
 - b. If this error message appears:
**"Write protect error writing drive A
Abort, Retry, Ignore?"**
 - 1). Remove the diskette from the drive, remove the write-protect tab, and insert the diskette into the drive. Close the door.
 - 2). Restart the Install utility by pressing "R".
12. After the files from the diskette are copied to the Winchester, the following message appears:
**"diskette installed.
Please remove floppy from drive.
Strike a key when ready."**
13. Remove the diskette from the drive and press any key. The Install Utility screen, figure 9-17, reappears. Insert another diskette and press any key. Repeat this step until the files from all the diskettes have been copied.
14. After the files from the last diskette have been copied, remove any diskette from the diskette drive and leave the diskette drive door open. Terminate the Install utility.
15. Press the Operator Console Reset pushbutton on the Control Panel. The SCU start-up messages appear, followed by the Command Processor screen.

9.9.3 IPL ERRORS

There are four major errors that can be encountered in an unsuccessful IPL. Table 9-9 lists the errors and the action necessary to correct them. Refer to table 6-26 for IPL errors.

Table 9-9. IPL Errors

Error	Description	What To Do
IPL Failed, No SQB (Status Qualifier Byte) received from IOC	The request to the IOC was made, but not acknowledged.	Check the second digit of the 4-digit hexadecimal IPL device number; it may reference an invalid IOC. Change the number and reIPL. Press System Reset pushbutton.
IPL failed, no interrupt received from IOC	This indicates a system bus problem.	Check all four digits of the hexadecimal IPL device number to see if the number is valid. Change the number and reIPL. Press the System Reset pushbutton.
IPL failed, invalid SQB (Status Qualifier Byte)	The IOC may be experiencing a problem.	IPL from another device; change the 4-digit hexadecimal IPL device number for the new device and reIPL. Press the System Reset pushbutton.
IPL failed: Intervention required.	The IPL drive is not powered on, or, the disk be damaged, or the drive may be defective.	Power on the drive, change the disk, or change the IPL drive. If changing the IPL drive, change the 4-digit hexadecimal IPL device number. ReIPL the system. Press the System Reset pushbutton.

9.9.4 VERSION CHECKING DURING IPL

If any operating system component cannot be found or has no version number or too low a version number, the system displays the Version Warning screen (figure 9-18) on the SCU.

The Version Warning screen lists all the operating system and bus processor components checked, up to and including the component that causes the "Fatal Error" message to appear on the screen. The sample Version Warning screen (figure 9-18) lists the entire set of operating system and bus processor components to be checked. The entry for any component causing a version number problem is blinking. The current version of the NUCLEUS file is listed at the top of the screen. This screen also lists component information, such as component name, the minimal (oldest) version that will run with the current NUCLEUS file, and the current version number for that component and its status.

WARNING			
Some components of the WANG VS OPERATING SYSTEM could not be identified as the latest versions for the current NUCLEUS file (rel X.XX.XX)			
<u>Component</u>	<u>Minimal Version</u>	<u>Current Version</u>	<u>Status</u>
@SYSGEN@	07.06.02	07.06.03	
@SYSSVC@	07.06.06	07.06.06	
@SYSTSK@	07.06.06	06.30.57	FATAL ERROR
@TSKMGR@	07.06.03	07.06.03	
@OPER@	07.06.05	07.06.05	
@SYSCPR@	07.06.02	07.06.02	
@SHARER@	07.06.03	07.06.03	
@PRTTSK@	07.06.02	07.06.02	
@MCBP@	07.06.03	07.06.03	
DEVLST	07.06.30	07.06.25	WARNING
You may continue by pressing ENTER			

Figure 9-18. Sample Version Warning Screen

The Status field located on the Version Warning screen indicates a status error message if the component is in error. The status error messages are listed in table 9-10.

Table 9-10. Version Checking Status Error Messages

<u>Message</u>	<u>Definition</u>	<u>Components</u>
(blank)	No problems are detected.	
WARNING	A version problem exists with this component, though it is not critical enough to halt system initialization.	@PRTTSK@ @SHARER@ DEVLST
FATAL ERROR	IPL procedures cannot continue. Obtain a current, compatible version of the component and then reIPL.	@SYSGEN@ @SYSTSK@ @OPER@ @SYSCPR@ @TSKMGR@

UNPACKING AND SETUP

If the VS-7100 cannot determine a component's version number, the Current Version field displays UNKNOWN as the version number. This error usually occurs if the file does not exist. If no fatal problems exist (i.e., "NonFatal Error"), continue the IPL procedure by pressing RETURN. If, when pressing RETURN, there is a "Fatal Error", the VS-7100 enters Control Mode.

If the system detects a version number problem with the @SYSSVC@ component, it may not display the Version Warning screen and it may enter Control Mode. Depending on the version numbers of @SYS000@ and @SYSSVC@, the following message is displayed on the workstation screen:

CURRENT @SYS000@ CANNOT SUPPORT CURRENT @SYSSVC@

When the system enters Control Mode, the Control Mode Dump procedure may have to be performed, as described in Section 6.

9.10 PERIPHERAL INTERCONNECTION

After the system has been IPLed and SYSGEN has been run, power down the mainframe and connect all peripheral devices according to the configuration created during GENEDIT. See figures 9-19 through 9-33, the following paragraphs, and appropriate documents for cabling procedures.

9.10.1 I/O CONNECTOR ASSEMBLY TO IOC CABLING

Before installing cables in the connector assemblies at the rear of the mainframe, check all cables between the assemblies and associated IOCs. The SCU must be connected to Port 0 of the APA panel for the first SIO IOC.

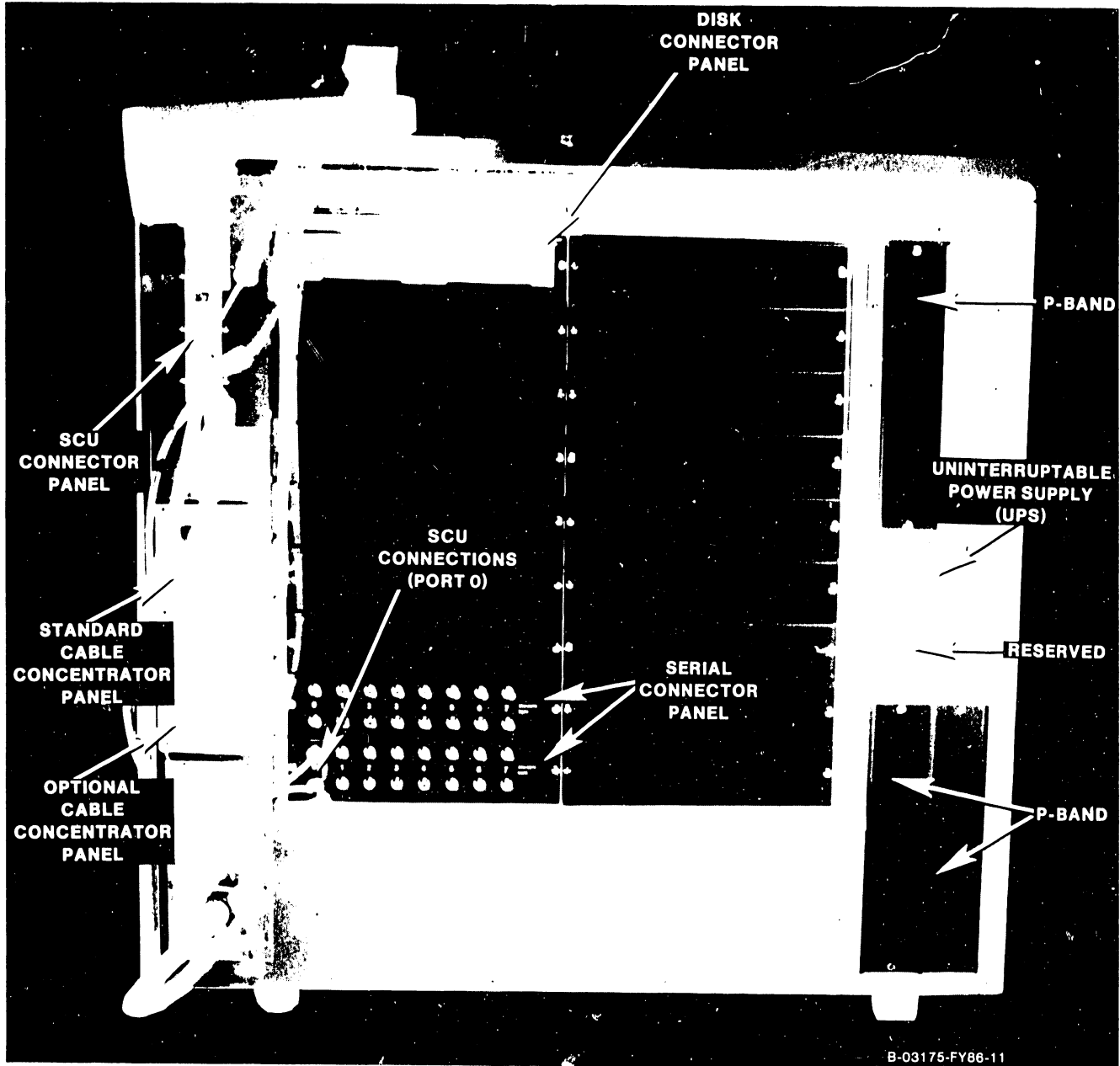
Make sure that the "B" cable of the system disk is attached to the top left "B" cable connector, labeled "0", of the disk connector assembly in the rear panel for the first disk IOC. The "B" cable from this connector assembly must be connected to J4 of the 23V98 Disk IOC in I/O slot #1.

9.10.2 SERIAL CONNECTORS

Serial I/O devices (workstations, printers, etc.) connect to the mainframe by means of standard BNC/TNC connectors mounted on 16-connector (8-port) Active Port Assembly (APA), WLI P/N 270-0975. Maximum cable length for these devices is 2000 feet. The APAs connect to J2 of the 23V67 Serial IOCs through a 34-pin ribbon cable. Four APAs are supported by each 23V67 IOC. See figure 9-21.

The 23V67 IOC also supports the 6550 Gate Array TC controller (paragraph 9.10.6), and the existing WangNet P-Band 19-channel Global modem and the new 28-channel Global modem (paragraph 9.10.3). Connector J1 on the IOC is always reserved for P-Band. No other type of devices should be connected to J1.

The APAs, 6550 Gate Array TC controller, and the WangNet P-Band Global modems can also be housed in the free standing Cable Concentrator unit. (Figures 9-23, 9-26 and 9-27.)



B-03175-FY86-11

Figure 9-19. VS-7100 I/O Panel Basic Positions

UNPACKING AND SETUP

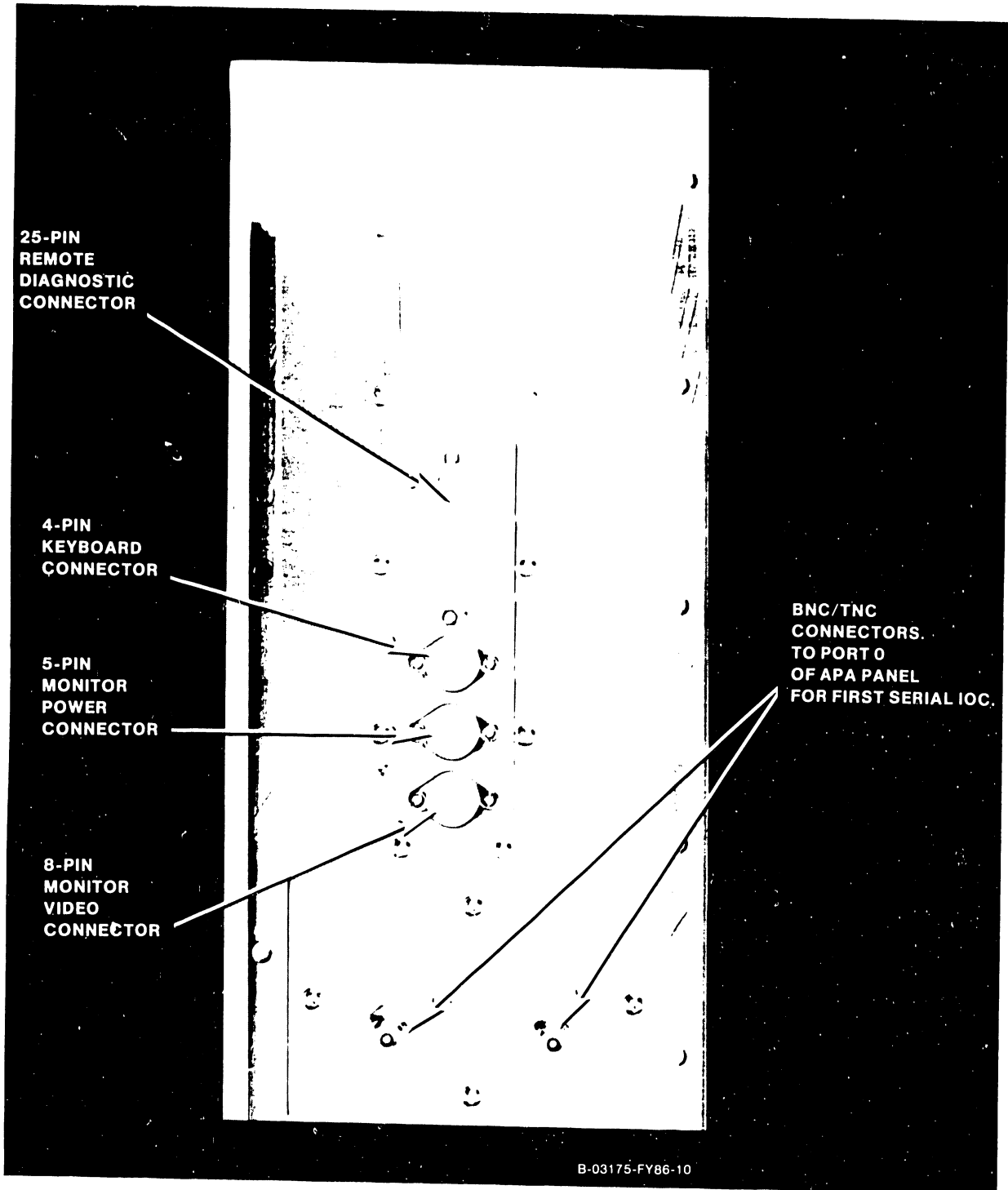


Figure 9-20. VS-7100 SCU Connector Panel

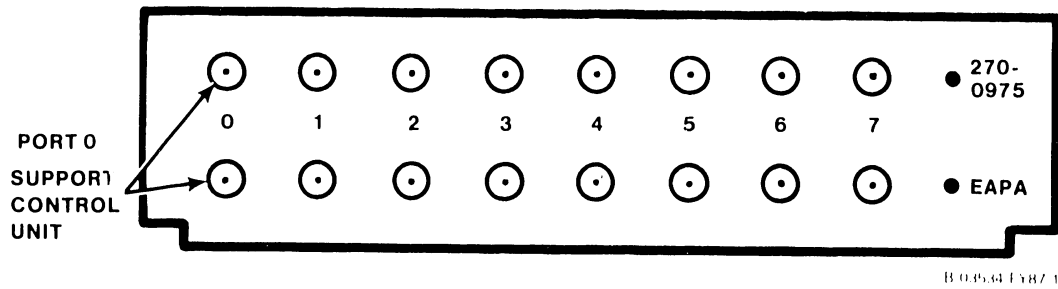


Figure 9-21. Electrical APA BNC/TNC Connector Assembly

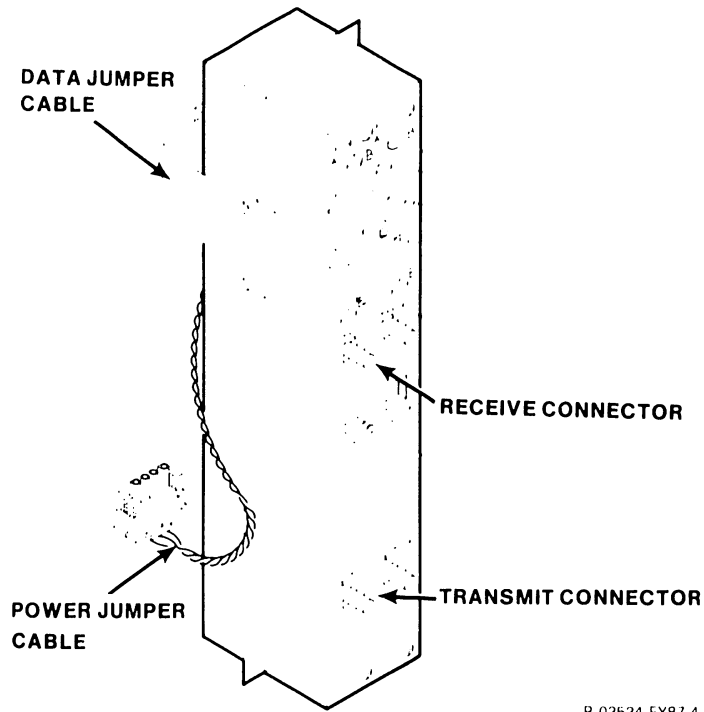
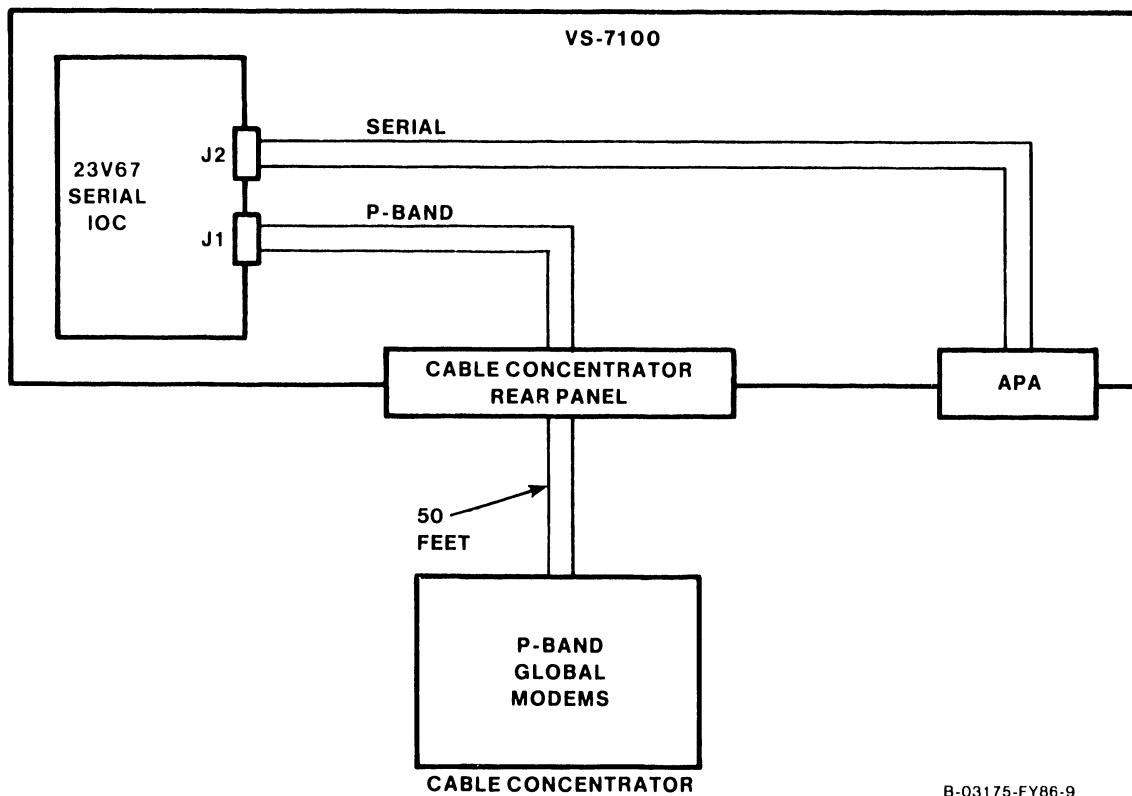


Figure 9-22. FiberWay APA Connector Assembly

UNPACKING AND SETUP



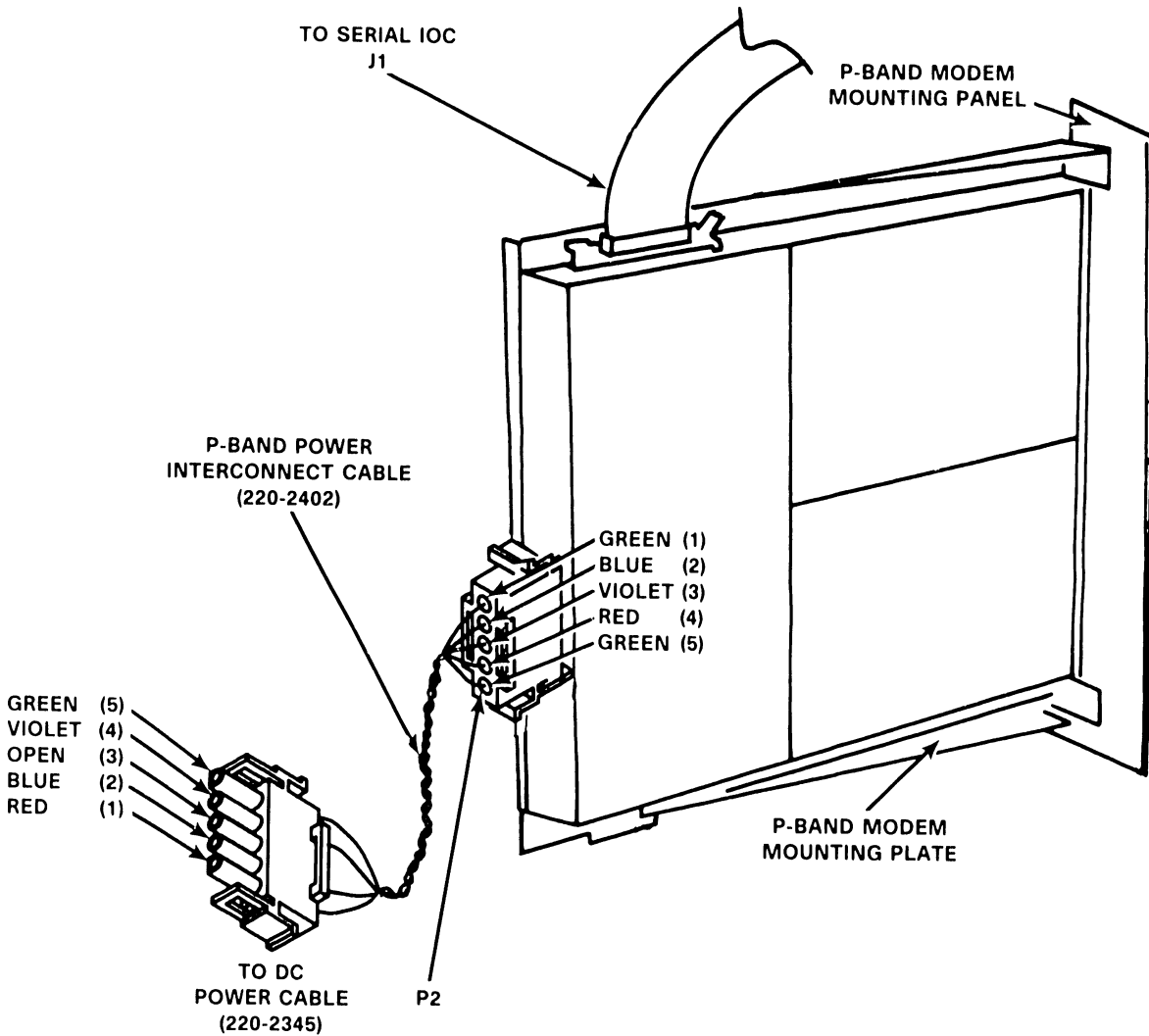
B-03175-FY86-9

Figure 9-23. APA and P-Band Modem Connections

9.10.3 P-BAND CONNECTORS

The WangNet Peripheral Band (P-Band) is supported by the 23V67 Serial IOC. Connector J1 on the IOC is always reserved for the P-Band. P-Band supports Ergo Workstations and Netmux.

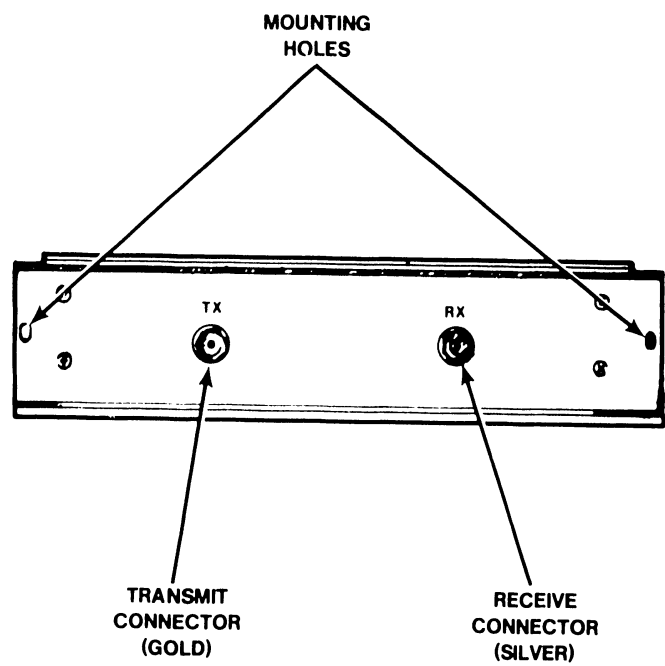
The complete Peripheral Band assembly model number is 23V67W-19, which includes the Serial IOC, Global Modem assembly, all interconnecting cables, and hardware.



B 0,983 F Y86 1

Figure 9-24. WangNet P-Band Modem Assembly

UNPACKING AND SETUP

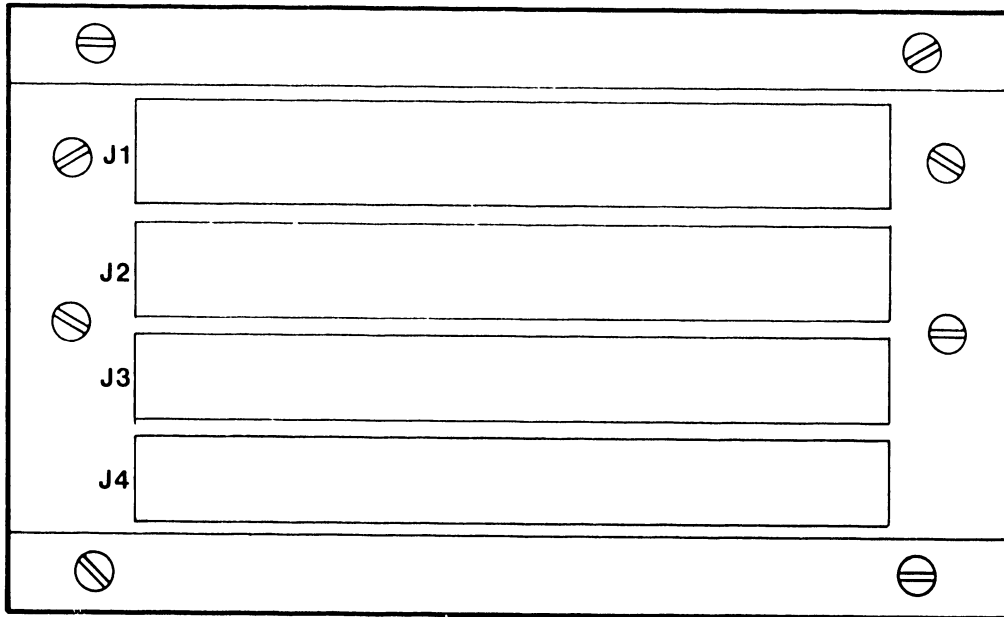


B-02983 F Y86-4

Figure 9-25. WangNet P-Band Modem Rear Panel Assembly

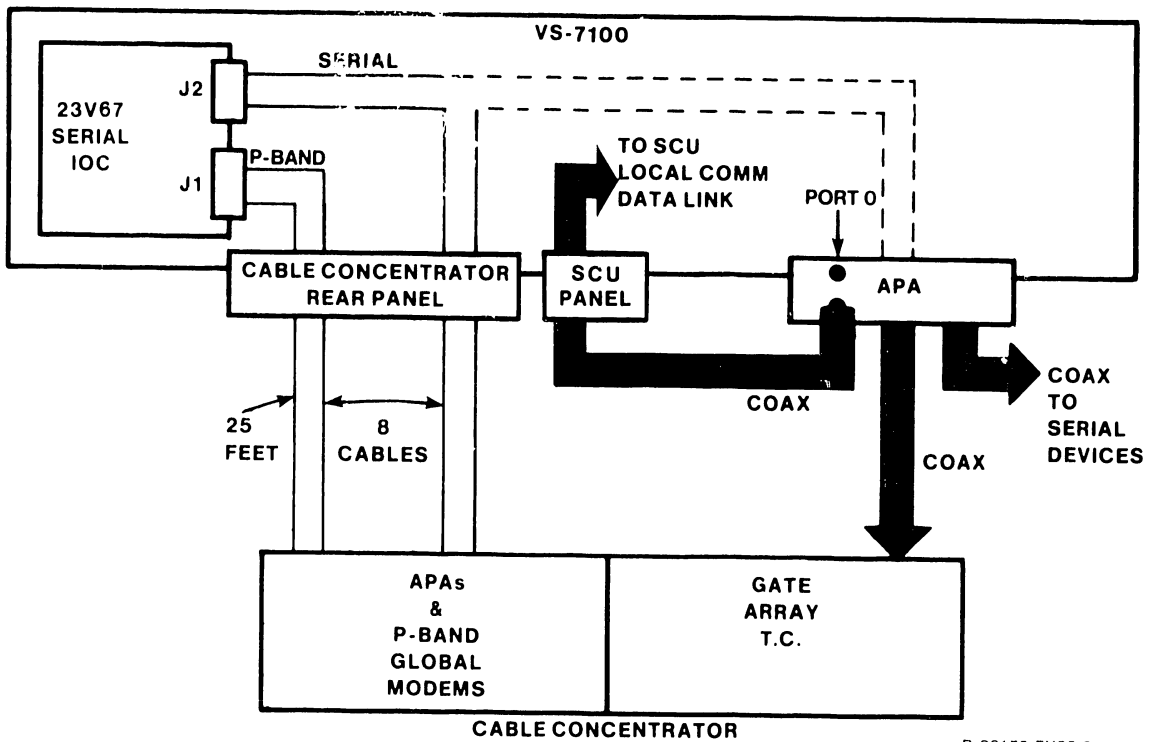
9.10.4 CABLE CONCENTRATOR

The Cable Concentrator is a free standing unit used to house APA and Gate Array TC connector panels, and WangNet P-Band modems.



B-03175-FY86-7

Figure 9-26. VS-7100 Cable Concentrator Rear Panel



B-03175-FY86-8

Figure 9-27. Cable Concentrator Connections

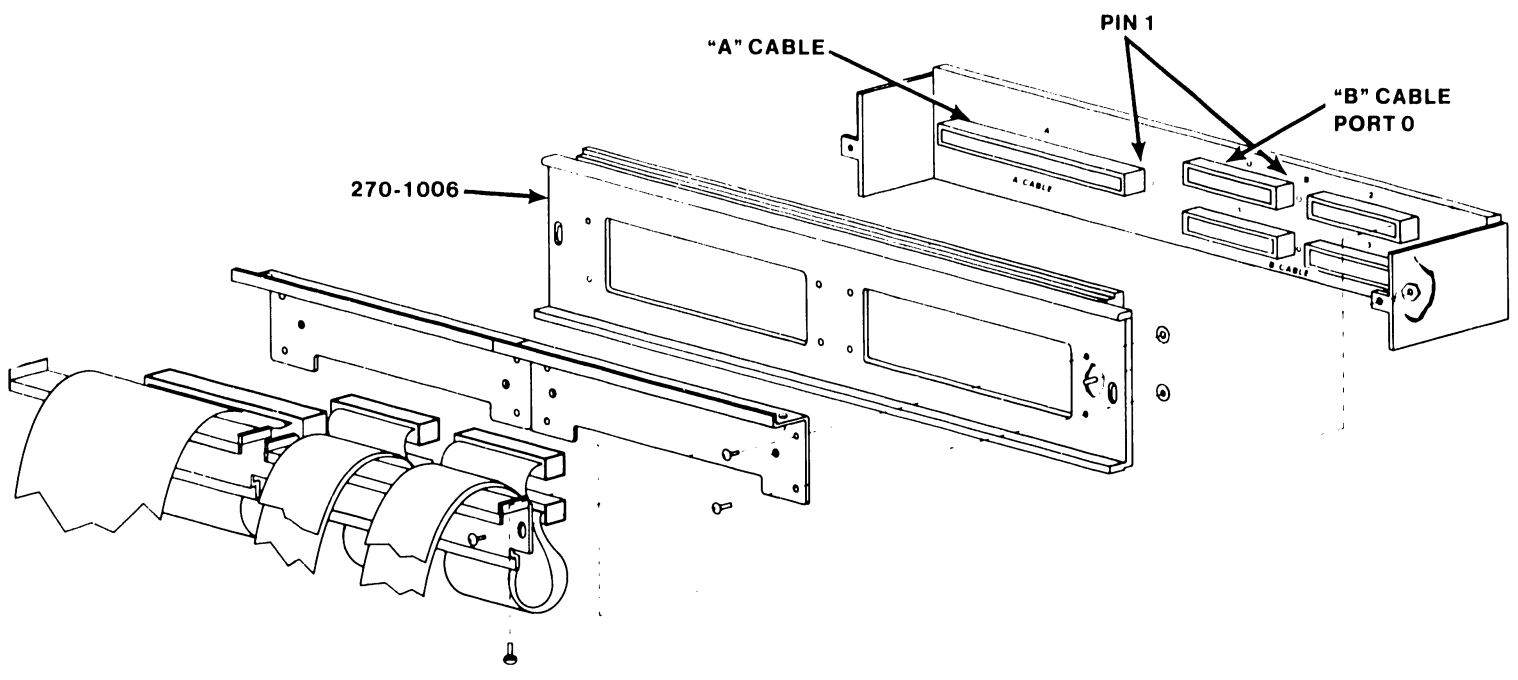
UNPACKING AND SETUP

9.10.5 DISK CABLE CONNECTORS

Two types of disk cable connectors are located on the disk connector assembly, WLI P/N 270-1006. The four narrow connectors are 26-pin sockets for the "B" cable connections; the wide connector is a 60-pin socket for the "A" cable connection.

Before connecting an external disk cable, prepare it as follows, if necessary:

1. Remove the cover plate from the disk connector assembly.
2. Remove 4 inches of plastic sheathing from one end of the cable.
3. Disassemble the cable clamps on the cover plate by removing the Phillips screws on either side of the clamp. (Figure 9-28.)
4. Lay the shielded section of the external "A" disk cable against the face of the clamp at the right side of the plate. Leave 1/4 inch of foil exposed.
5. Lay the shielded section of the external "B" disk cable(s) against the face of the clamp at the left side of the plate. Group all four "B" cables on the left side. Leave 1/4 inch of foil exposed.
6. Reassemble the cable clamps by installing the two Phillips screws removed in step 3. Make sure that pin 1 of the cables are oriented properly and tighten the clamp screws until solid contact with the shield is made. DO NOT overtighten the Phillips screws, as this could damage the disk cables.
7. Plug the cables into the cable connectors on the disk connector assembly. The top left "B" cable connector attaches to Port 0 of the associated 23V98 Disk IOC, the bottom left "B" cable connector attaches to Port 1, and so forth. The extreme left connector on the assembly attaches the "A" cable daisy-chained through each drive to the VS-7100 mainframe.
8. Reinstall the disk connector assembly cover plate.



B-02442-FY85-7

Figure 9-28. 270-1006 "A" and "B" Cable Connector Assembly

UNPACKING AND SETUP

9.10.6 TELECOMMUNICATION CONNECTORS

If either the Multiline TC (MLTC) or the Gate Array option is to be installed, the TC cables must be attached to a MLTC connector assembly, or Gate Array connector assembly, WLI P/N 270-1016, at the rear of the mainframe (or on the Cable Concentrator).

Each MLTC assembly provides 16 ports in support of only one type of TC protocol at a time. If the customer's TC requirement calls for support of Automatic Calling Units (ACU), each ACU requires one RS232C port link and one RS366 port link. Currently, each VS-7100 supports two MLTC options for a total of 32 ports.

The Gate Array supports only one type of TC protocol at a time. Support of two types of protocols requires a second Gate Array assembly. A single Gate Array assembly must be reinitialized (reIPL'ed) to support another type of protocol.

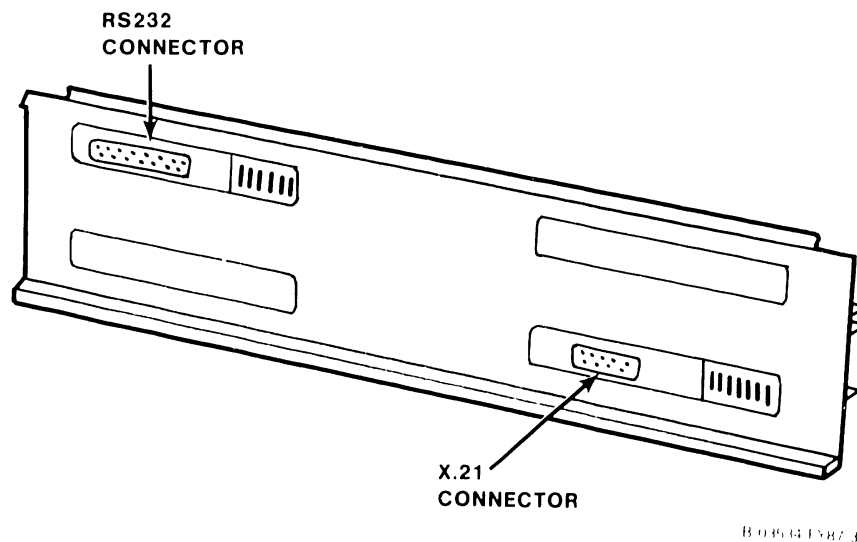
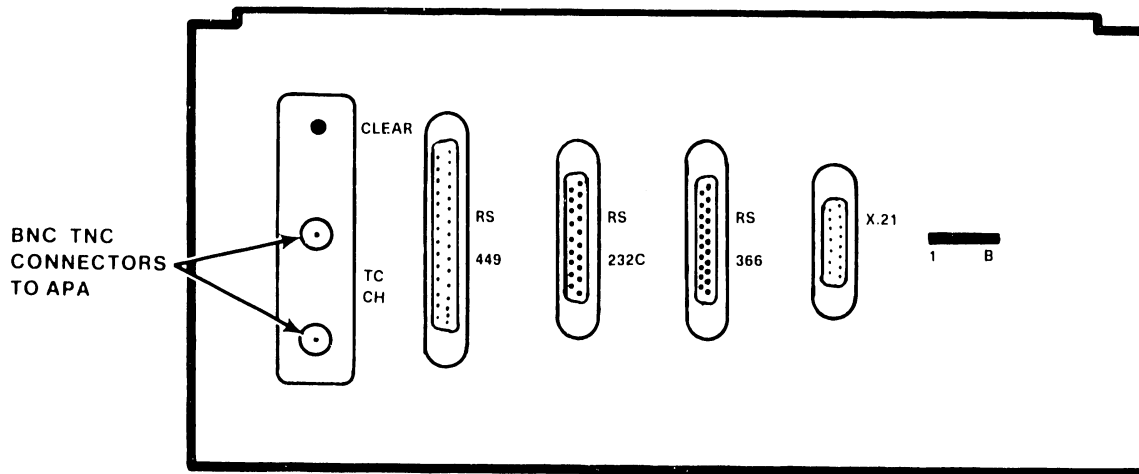


Figure 9-29. Multiline TC (MLTC) Connector Panel



B 03534 FY87 2

Figure 9-30. Gate Array TC Connector Panel

UNPACKING AND SETUP

9.10.7 CABLE INTERFACE UNIT (CIU) CONNECTORS

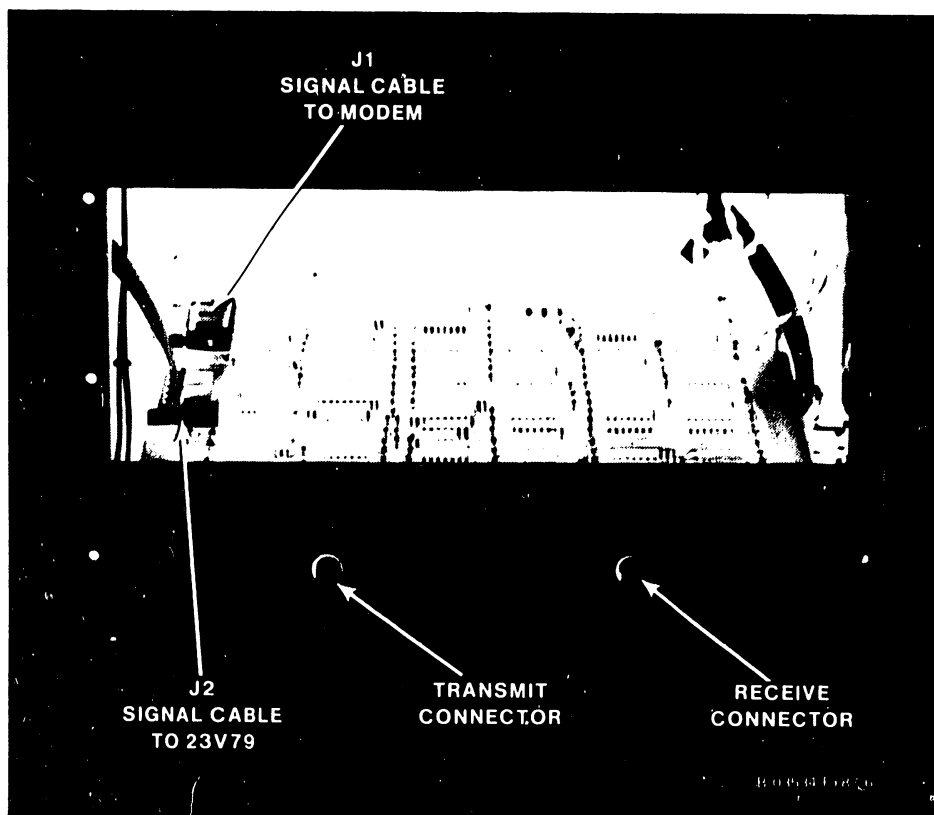
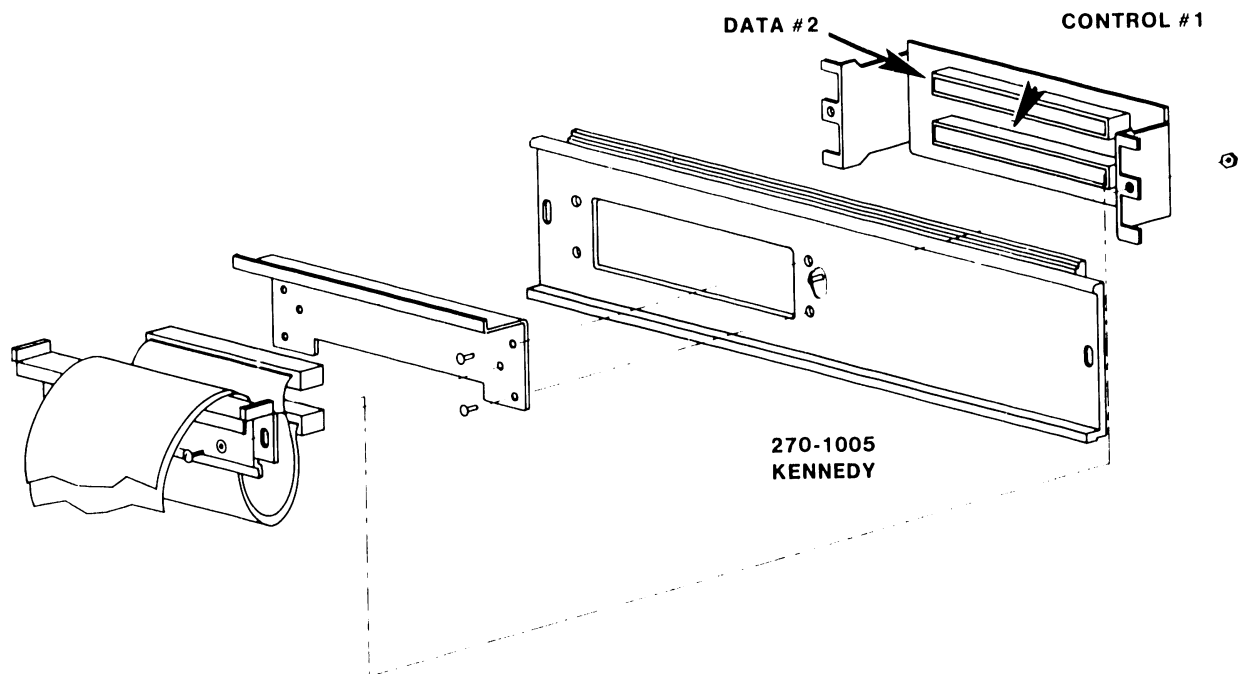


Figure 9-31. CIU 10 MBPS Modem Connector Assembly

9.10.8 KENNEDY TAPE DRIVE CONNECTORS

The Kennedy tape connector assembly (WLI P/N 270-1005) is used when one or more Kennedy tape drives are connected to the mainframe. Two 50-pin sockets (labeled Control #1 and Data #2) are located on the assembly for connection to the drives. Note the orientation of the cable plugs when inserting them into the 50-pin sockets.



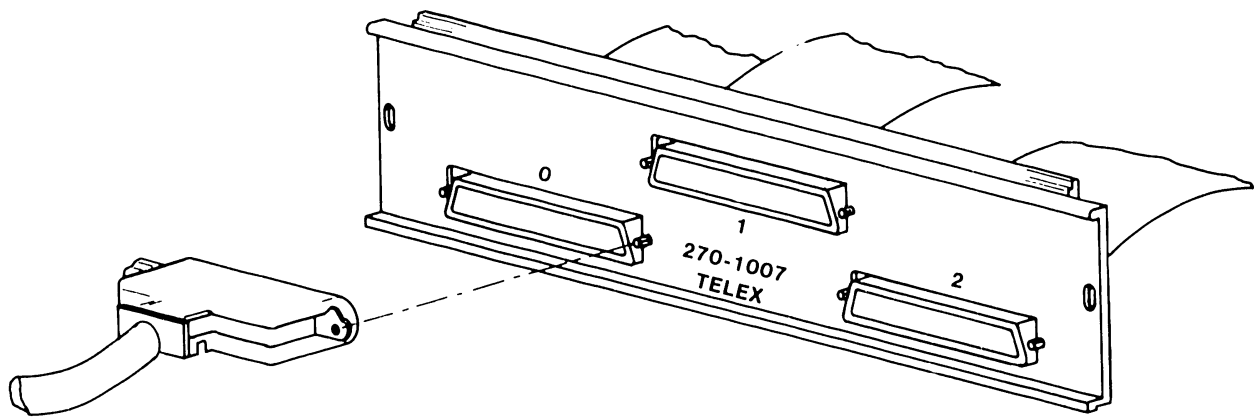
B-02442-FY85-6

Figure 9-32. 270-1005 Kennedy Tape Drive Connector Assembly

UNPACKING AND SETUP

9.10.9 TELEX TAPE DRIVE CONNECTORS

The Telex tape connector assembly (WLI P/N 270-1007) is used when one or more Telex tape drives are connected to the mainframe. Three 50-pin sockets (labeled 0, 1, and 2) are located on the assembly for connection to the drives. Note the orientation of the cable plugs when inserting them into the 50-pin sockets.



B-02442-FY85-8

Figure 9-33. 270-1007 Telex Tape Drive Connector Assembly

9.11 REMOTE MAINTENANCE

Remote maintenance is provided through the Remote System Administrator Facility, version 2 (RSAF2).

Basic functions that can be run on a remote VS-7100 by the Remote Maintenance Center using RSAF2 are:

1. IPL the remote VS-7100 system
2. Place the remote VS-7100 into Control Mode
3. Enter Workstation Emulation
4. Reset the remote RSAF workstation
5. Run on-line and off-line diagnostics

The following restrictions apply to RSAF:

1. Not able to power on remote systems
2. Not able to power off remote systems

Remote site hardware requirements are:

1. Dedicated switched telephone line - customer supplied
2. Rotary dial or pushbutton telephone - customer supplied
3. Wang WA3451 modem (WLI P/N 725-0110) - supplied with the VS-7100
4. "T" connector (WLI P/N 726-8089) - supplied with the modem

NOTE

Items 2, 3, and 4 are not required if the modem supplied is a Wang Telemodem, WTM2400.

Software requirements are:

1. VS-RMP-SO-9 - two diskettes containing the remote maintenance software. One diskette is the actual RSAF2 software, while the other diskette is used to load the RSAF2 software onto the SCU's Winchester disk drive. (Refer to Focus article, dated October 31, 1986.)

To prepare the site for remote maintenance:

1. Reference Technical Service Bulletin (TSB) HWG 7003 for remote maintenance certification requirements.
2. Reference VS Remote System Administrator Facility (RSAF) product maintenance manual.
3. Call the Call Control Center when the system is ready for certification.

SECTION

10

**FUNCTIONAL
DESCRIPTION**

TABLE OF CONTENTS

SECTION 10 FUNCTIONAL DESCRIPTION		Page
10.1	Introduction	10-1
10.2	System Overview	10-1
10.2.1	Processor Section	10-1
10.2.2.1	Central Processor Unit	10-1
10.2.2.2	Floating Point Unit	10-1
10.2.2.3	Address Generation Unit	10-2
10.2.2.4	Address Translation Unit	10-2
10.2.2	Memory Control Unit	10-2
10.2.3	Main Memory	10-2
10.2.4	Support Control Unit	10-2
10.2.5	System Bus Interface	10-3
10.2.6	Input/Output Controller	10-3

SECTION 10

FUNCTIONAL DESCRIPTION

10.1 INTRODUCTION

The VS-7100 is based on the CP8 processor architecture and the CP8 system bus. The VS-7100 series has three models: the 7110, 7120, and the 7150. The VS-7110 has a 240 nanosecond CPU microinstruction time, the VS-7120 has a 180 nanosecond CPU microinstruction time, and the VS-7150 has a 120 nanosecond CPU microinstruction time.

10.2 SYSTEM OVERVIEW

These paragraphs discuss the basic blocks of the CP8 processor architecture used in the VS-7100 systems.

10.2.1 PROCESSOR SECTION

The VS-7100 processor section consists of four printed circuit boards (PCBs): Central Processing Unit, Floating-Point Unit, Address Generation Unit, and Address Translation Unit.

The majority of the processor section interconnecting signals are transmitted through the backplane of the motherboard. The D-Bus, a 32-bit bidirectional motherboard bus, is the main link between all four units of the processor section.

10.2.2.1 Central Processor Unit

The Central Processor Unit (CPU) contains the Arithmetic Logic Unit (ALU), registers, control store memory, address control circuits, and all CPU support logic. It does the majority of the systems computation.

The primary task of the CPU is to execute the machine instruction set and monitor the results of execution. The CPU contains facilities for addressing physical main memory, fetching and storing information, arithmetic and logical processing of data, sequencing instructions in the desired order, and initiating communication between main memory and external devices.

10.2.2.2 Floating Point Unit

The Floating-Point Unit (FPU), used in the VS-7150 only, is a high performance processor that executes the normal and extended floating-point instruction set. The FPU processes both single precision (one word) and double precision (two words) floating-point instructions, and communicates with the

FUNCTIONAL DESCRIPTION

CPU via the D-Bus. It uses multiplication table PROMs and advanced floating-point algorithms to provide enhanced performance. The FPU will run in parallel with the CPU and do all floating-point mantissa and exponent calculations.

10.2.2.3 Address Generation Unit

The Address Generation Unit (AGU) contains the instruction queue, the address generation logic, the system Real Time Clock (RTC), and the Exponent Sign Unit (ESU). The AGU computes the microsubroutine dispatch address and the system macrocode operand virtual address. The ESU aids the CPU in the processing of floating-point macroinstructions by processing the exponent and the sign.

10.2.2.4 Address Translation Unit

The Address Translation Unit (ATU) contains the Short Address Translation Buffer, the physical address logic, 32K bytes of cache memory, and the Reference and Change Table. The ATU is the connecting point of the computing element with the rest of the system. All address and data information entering or leaving the processor section is processed by the ATU. It supports Inter-processor Communications (IPCs) to and from the CPU, and octal main memory reads. The ATU maintains constant validation of cache memory by monitoring all main memory writes.

10.2.2 MEMORY CONTROL UNIT

The Memory Control Unit (MCU) is the interface between the main memory and the rest of the system. The MCU decodes and executes all main memory commands, routes address and data information to and from main memory, and contains the error correction logic.

10.2.3 MAIN MEMORY

Main Memory capacity is 8, 12, or 16 megabytes. Each main memory board contains either 4 megabytes half-loaded, or 8-megabytes fully loaded.

Each main memory board, with up to 312 256K byte x 1-bit data RAM chips, is divided into two even and two odd doubleword planes. A doubleword is two 32-bit data words, plus 7 Error Correction Code (ECC) bits for each data word, for a total of 78 bits. The VS-7100 alternates between even and odd doubleword planes on the same board. Pairs of boards are not required.

10.2.4 SUPPORT CONTROL UNIT

The Support Control Unit (SCU) is the interface between the Professional Computer (PC) and the rest of the system. Normally the PC drives all SCU operations. However, the PC can be interrupted by another element requesting assistance.

10.2.5 SYSTEM BUS INTERFACE

The System Bus Interface (SBI) is the interface between the CP8 system bus and the I/O bus. All of the major buses, except the 78-bit Main Memory Bus, are connected to the SBI. Bus errors and status are assembled in the SBI's Error Register. All major SBI data paths are double latched on both input and output. This increases throughput by making simultaneous parallel operations possible. Command, address, and data are all synchronized as they pass through the SBI on both input and output operations.

10.2.6 INPUT/OUTPUT CONTROLLER

The Input/Output Controller (IOC) contains three major functions on a single board:

- The I/O controller
- The I/O arbitration logic
- The device adapter

The I/O controller and the I/O arbitration logic are common to all IOCs. The device adapter (D/A) is device dependent. A 32-bit I/O Bus, 16-bit 8086-2 microprocessor, and a 33-megabyte I/O transfer rate provide a significant increase in performance over the VS-100 system. The IOCs have local RAM buffer storage that allows inspection, modification, and rewrite of device data without having to access main memory. There is a path for D/A to D/A communications, via the IPC network, between fully buffered IOCs.

The device adapters have more intelligent control than other VS series IOPs. After the IOC has initiated a Direct memory Access (DMA) operation, the device adapter can then operate independently.

SECTION

11

SPECIFICATIONS

TABLE OF CONTENTS

SECTION 11 SPECIFICATIONS		<u>Page</u>
11.1	Hardware	11-1
11.2	Software/Diagnostic Requirements	11-2
11.2.1	Software	11-2
11.2.2	Diagnostics	11-3

LIST OF TABLES

<u>Table</u>	<u>Title</u>	<u>Page</u>
11-1	Hardware Specifications	11-1
11-2	Architecture	11-2
11-3	Minimum Software Requirements	11-2
11-4	Built-In Test (BIT) Programs	11-3
11-5	Other Diagnostics	11-3

SECTION 11

SPECIFICATIONS

11.1 HARDWARE

Table 11-1. Hardware Specifications

DIMENSIONS			
		<u>INCHES</u>	<u>CENTIMETERS</u>
	Width	36.0	91.4
	Height	36.0	91.4
	Depth	26.0	66.0
SERVICE CLEARANCES			
		<u>INCHES</u>	<u>CENTIMETERS</u>
	Front	36	91.4
	Rear	36	91.4
	Left	24	60.9
	Right	24	60.9
	Top	36	91.4
NET WEIGHT			
		<u>POUNDS</u>	<u>KILOGRAMS</u>
		550	250
POWER REQUIREMENTS			
	Volts	208/240 V, 50/60Hz	
	Ac Variation	+/- 10%	
	Amps	12.0 Start up 12.0 Run	
	Watts	1600	
	Dedicated Circuit	Yes. With 30 amp. circuit breaker in the computer room.	
HEAT OUTPUT			
		<u>BTU/HR</u>	<u>KCAL/HR</u>
		5440	1376
TEMPERATURE			
		<u>MINIMUM</u>	<u>MAXIMUM</u>
	Fahrenheit	+60°	+90°
	Celsius	+15.5°	+32.2°

SPECIFICATIONS

HUMIDITY		<u>MINIMUM</u>	<u>MAXIMUM</u>
	Noncondensing	20%	80%

ALTITUDE (Note)		<u>FEET</u>	<u>METERS</u>
	Maximum	10,000	3048

CABLE LENGTH		<u>FEET</u>	<u>METERS</u>
	Power	8	2.8

NOTE

Tape drives installed above 4000 ft. (1200 meters) and disk drives installed above 6500 ft. (1960 meters) require high-altitude options.

Table 11-2. Architecture

Minimum Main Memory	4MB	Maximum # of disks drives @ 1.8MB	24
Maximum Main Memory	16MB	Maximum # of IOCs	10
Incremental Main Memory	4MB	Maximum # of disks drives @ 1.2MB	24
Cache Memory	32KB	Maximum # of tape IOCs	8
Maximum disk storage	20GB	Maximum # of TC IOCs	8
Concurrent processes	255	Background tasks	63
Concurrent serial W/Ss'	128	Concurrent W/Ss' & printers	178
CPU data path	32-bit	Main Memory data path	64-bit
I/O data path	32-bit	Word length	32-bit
Virtual address space/user	8MB	Virtual address space/process	8MB
System bus bandwidth	66.6MB/s	I/O bandwidth	33.3MB/s

11.2 SOFTWARE/DIAGNOSTIC REQUIREMENTS

11.2.1 SOFTWARE

Table 11-3. Minimum Software Requirements

<u>Software</u>	<u>Version</u>	<u>Comments</u>	<u>WLI P/N</u>
VS-7100 SCU	1.04.05	Has CP8 CPU ucode & DCS package (Includes FPU ucode)	195-4682-9
Operating System	7.12.XX		195-4681-7

11.2.2 DIAGNOSTICS

Table 11-4. Built-In Test (BIT) Programs

<u>Diagnostic Name</u>	<u>PROM Rev.</u>	<u>Package P/N</u>
928 Serial IOC	5684 1	295-4721-D
SMD Disk IOC	56A4 2	295-4724-D
Kennedy Tape IOC	5684 1	295-4730-D
Telex Tape IOC	5684 1	295-4731-D
Multiline TC IOC	5724	295-4729-DC
Inboard CIU	56A4 1	295-4927-DA

Table 11-5. Other Diagnostics

<u>Diagnostic Name</u>	<u>Version</u>	<u>Package P/N</u>
Uniboot (Boot Loader)	846C	295-2479-3
FTU Off-line	6385	295-2759-3
VOLCOPY	8181	702-0122-A
TCTESTR	6660	295-5181-5

NOTES

1. Complete 295 package part numbers include diskette and documentation.
2. Diskette only part numbers (702) are shown if no package part numbers are available.

SECTION 12
ILLUSTRATED
PARTS

TABLE OF CONTENTS

SECTION 12 ILLUSTRATED PARTS		Page
12.1	Introduction	12-1
12.2	Major Mainframe Assemblies	12-2
12.2.1	Top Cover	12-2
12.2.2	Cabinet	12-3
12.2.3	Hinged Door	12-4
12.2.4	Air Inlet Panel	12-5
12.2.5	Card Cage	12-6
12.2.6	Exhaust Fan	12-7
12.2.7	Control Panel	12-8
12.2.8	Multioutput Power Supply	12-9
12.2.9	Ac Power Distribution Unit	12-10
12.2.10	Dc Power Distribution Unit	12-11
12.3	Support Control Unit, Monitor, and Keyboard	12-12
12.4	Multiline Telecommunications Assembly	12-13
12.5	Gate Array Telecommunications Assembly	12-14
12.6	VS-7100 Power Cabling	12-15

LIST OF TABLES

<u>Table</u>	<u>Title</u>	<u>Page</u>
12-1	VS-7100 PCB Complement	12-17
12-2	SCU (PC) PCB Complement	12-18
12-3	VS-150/300/7100/7300 PCB Cross Reference	12-18
12-4	VS-7100 Power Supply	12-19

SECTION 12

ILLUSTRATED PARTS

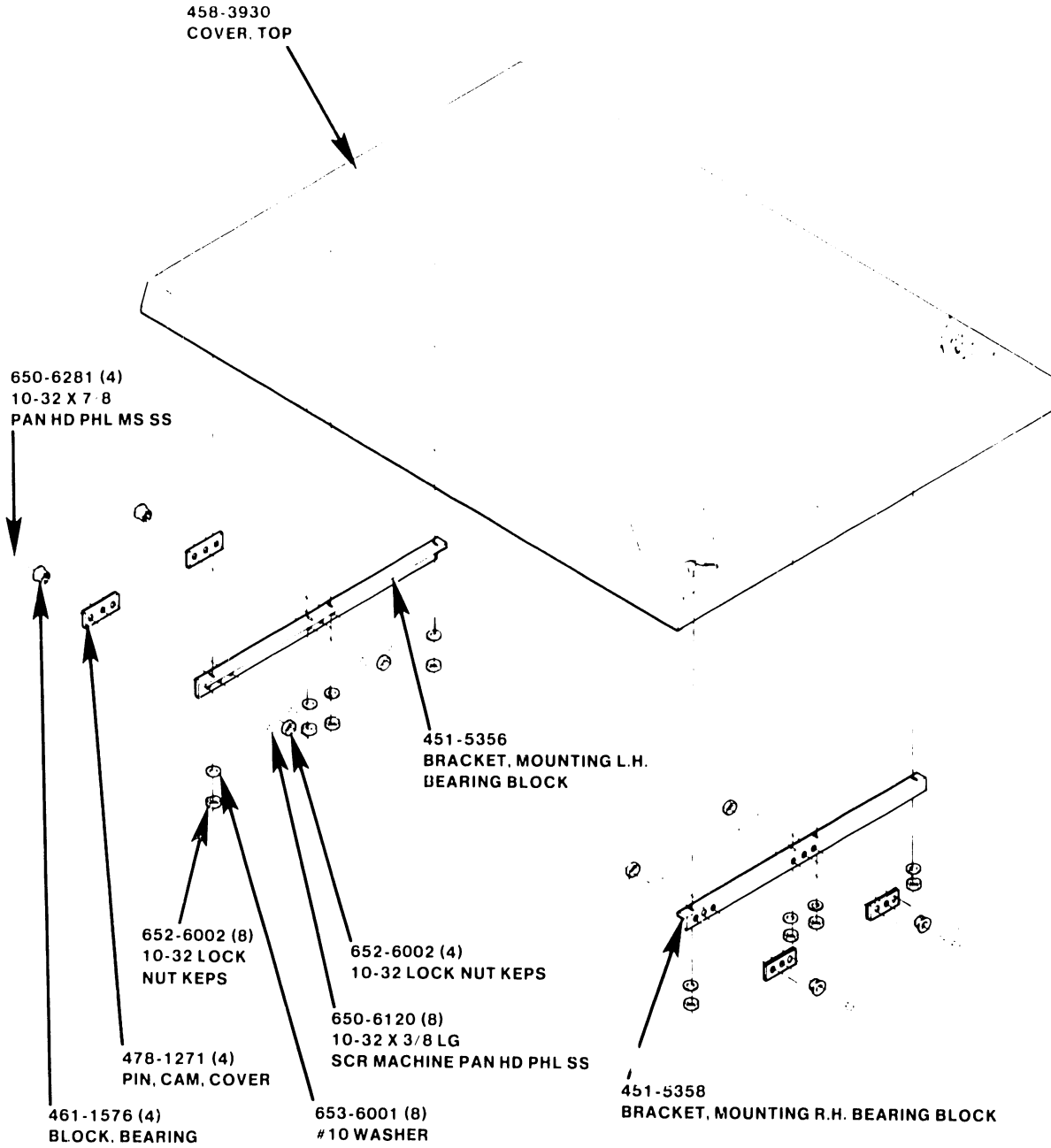
12.1 INTRODUCTION

This section contains the illustrated parts breakdown for the VS-7100 Computer System. Use this IPB for part number identification when ordering field-replaceable components.

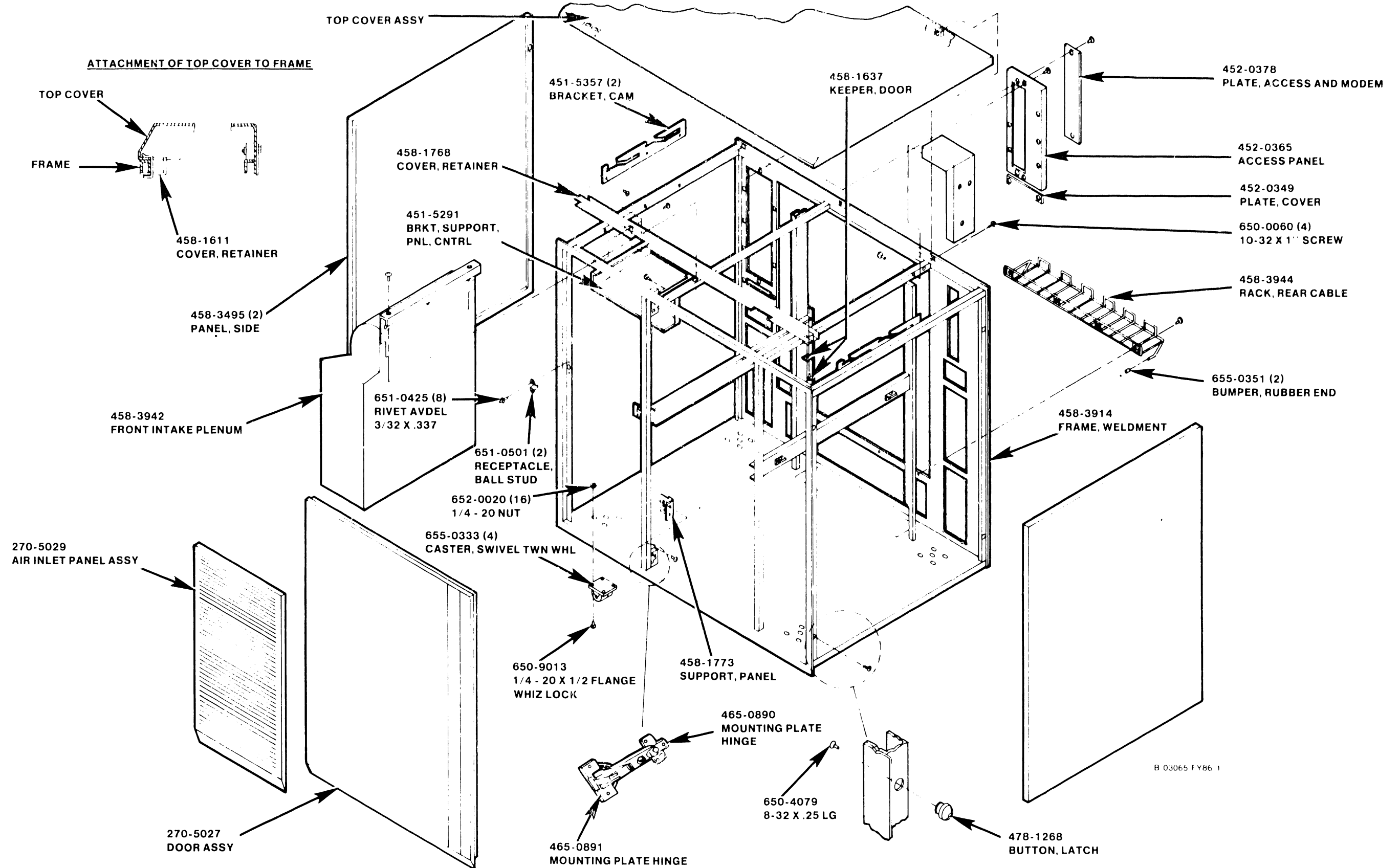
ILLUSTRATED PARTS

12.2 MAJOR MAINFRAME ASSEMBLIES

12.2.1 TOP COVER



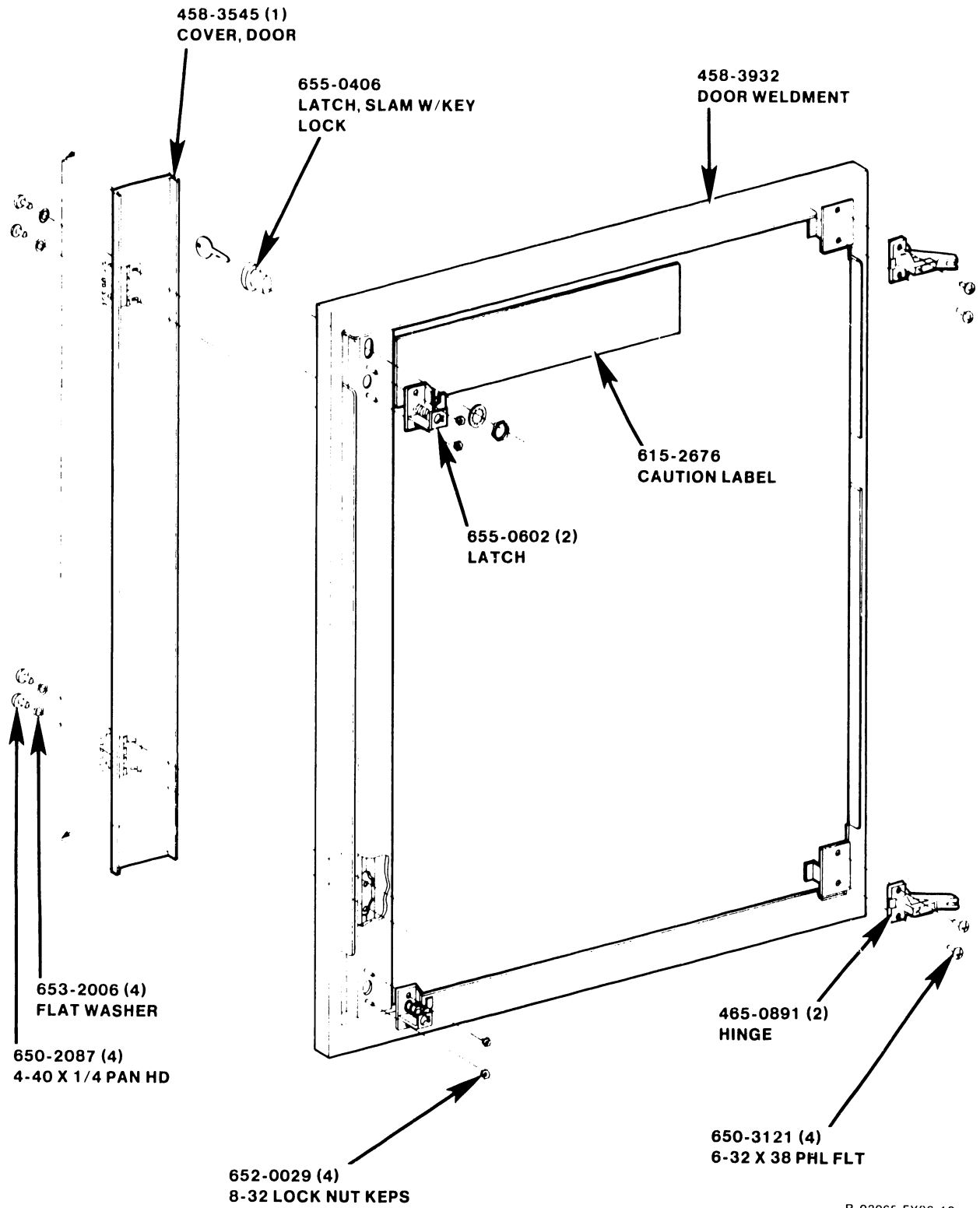
12.2.2 CABINET



B 03065 F Y86 1

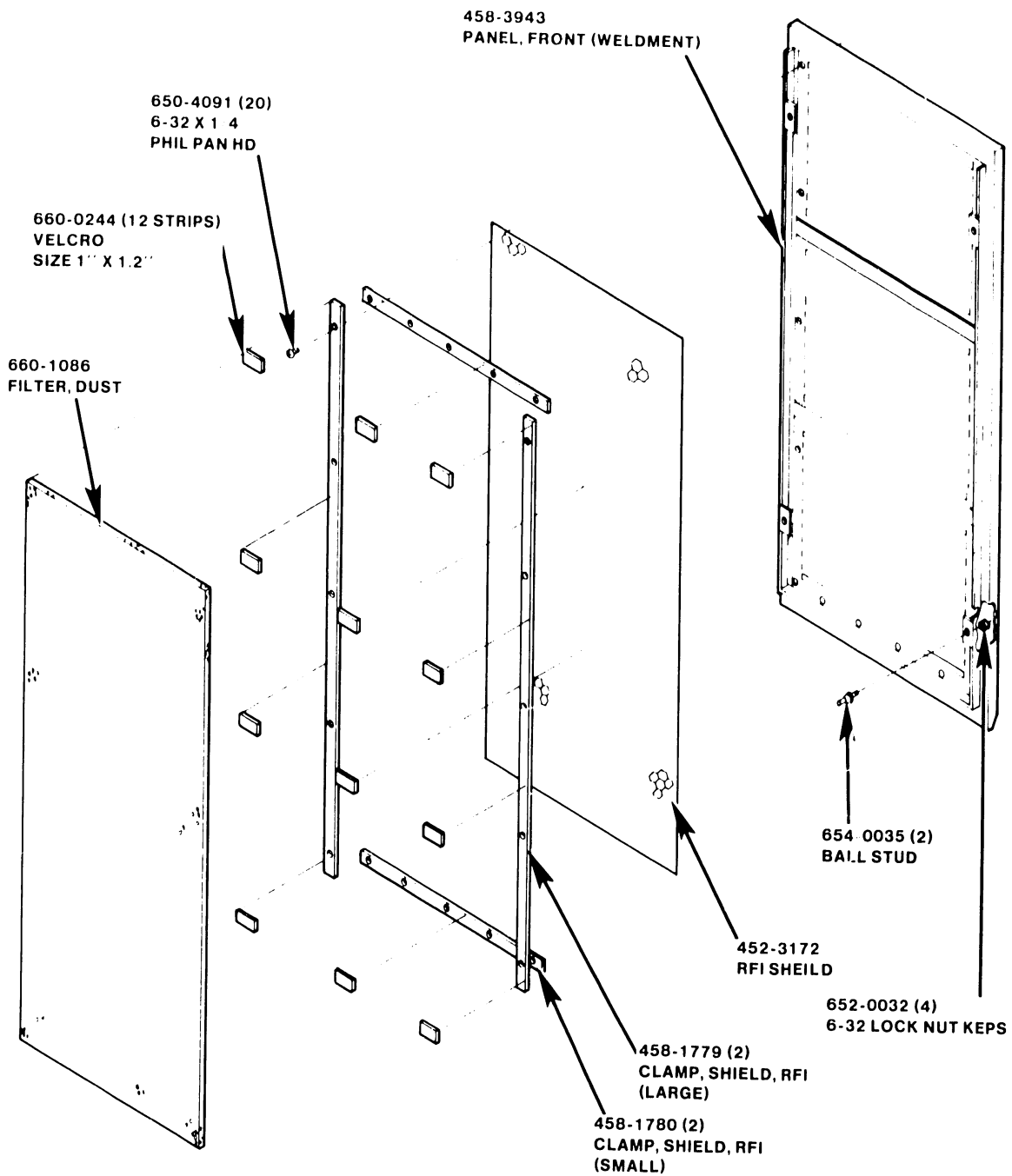
ILLUSTRATED PARTS

12.2.3 HINGED DOOR



ILLUSTRATED PARTS

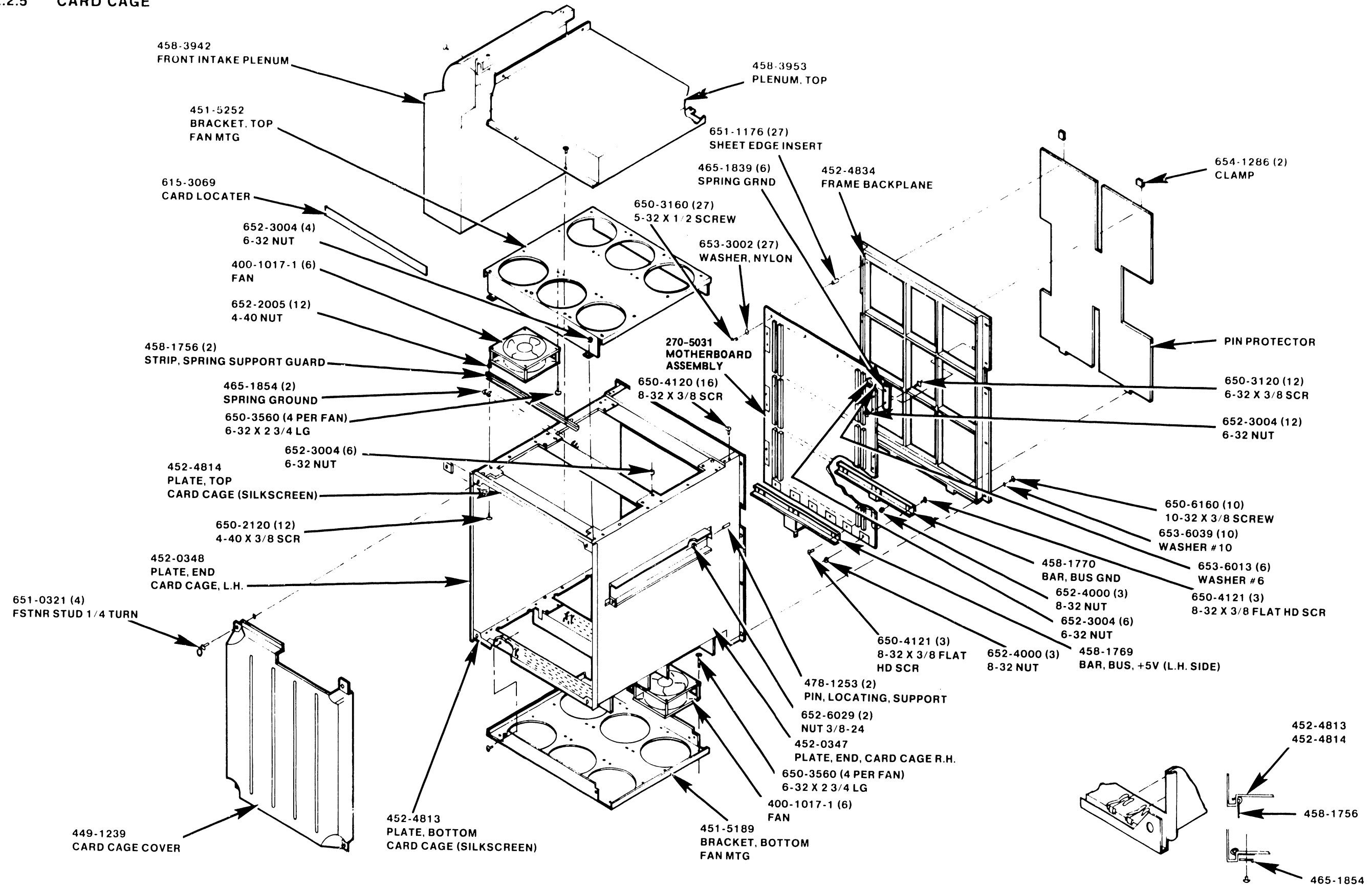
12.2.4 AIR INLET PANEL



B-03065-FY86-6

ILLUSTRATED PARTS

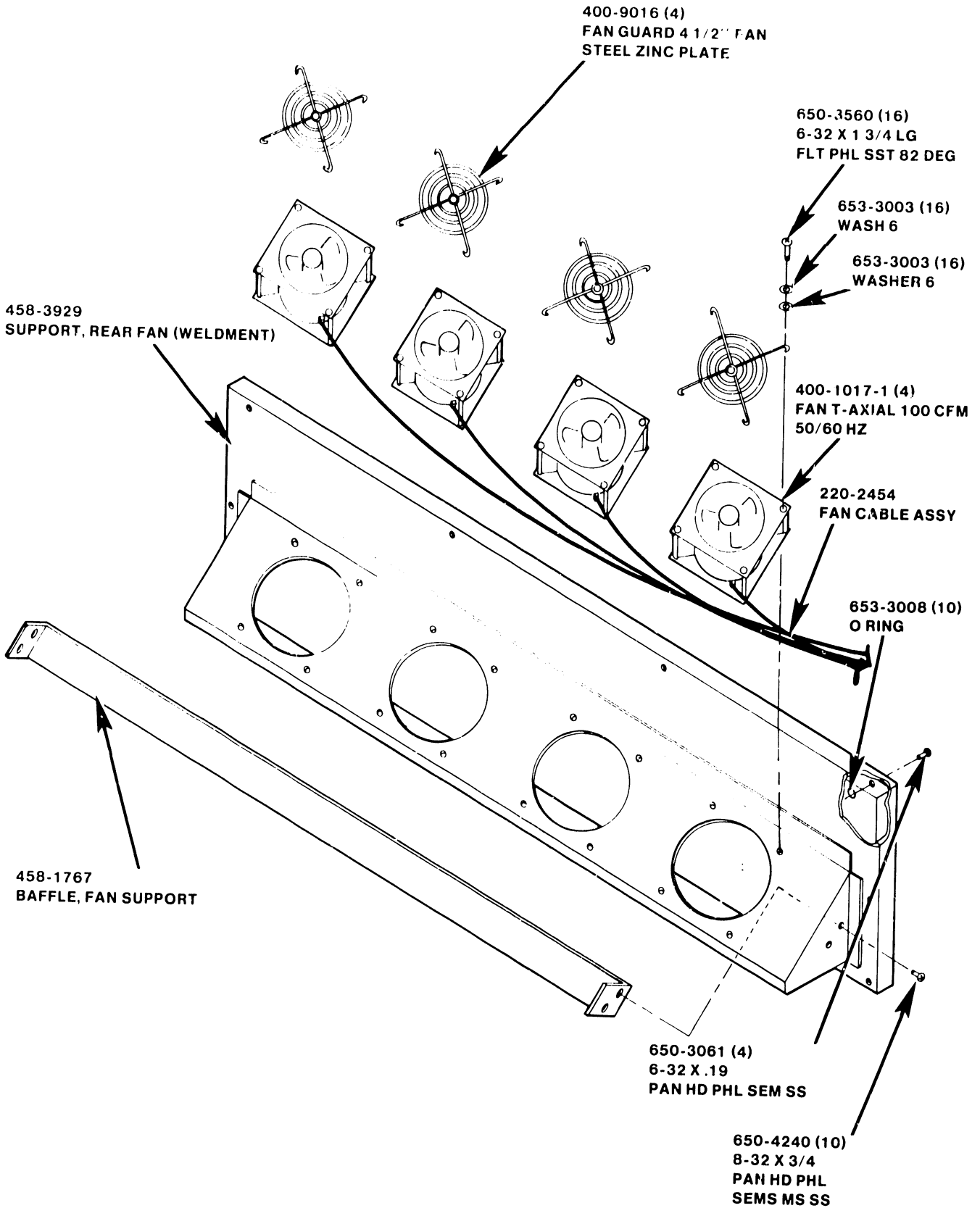
12.2.5 CARD CAGE



B 03065 F 100 2

ILLUSTRATED PARTS

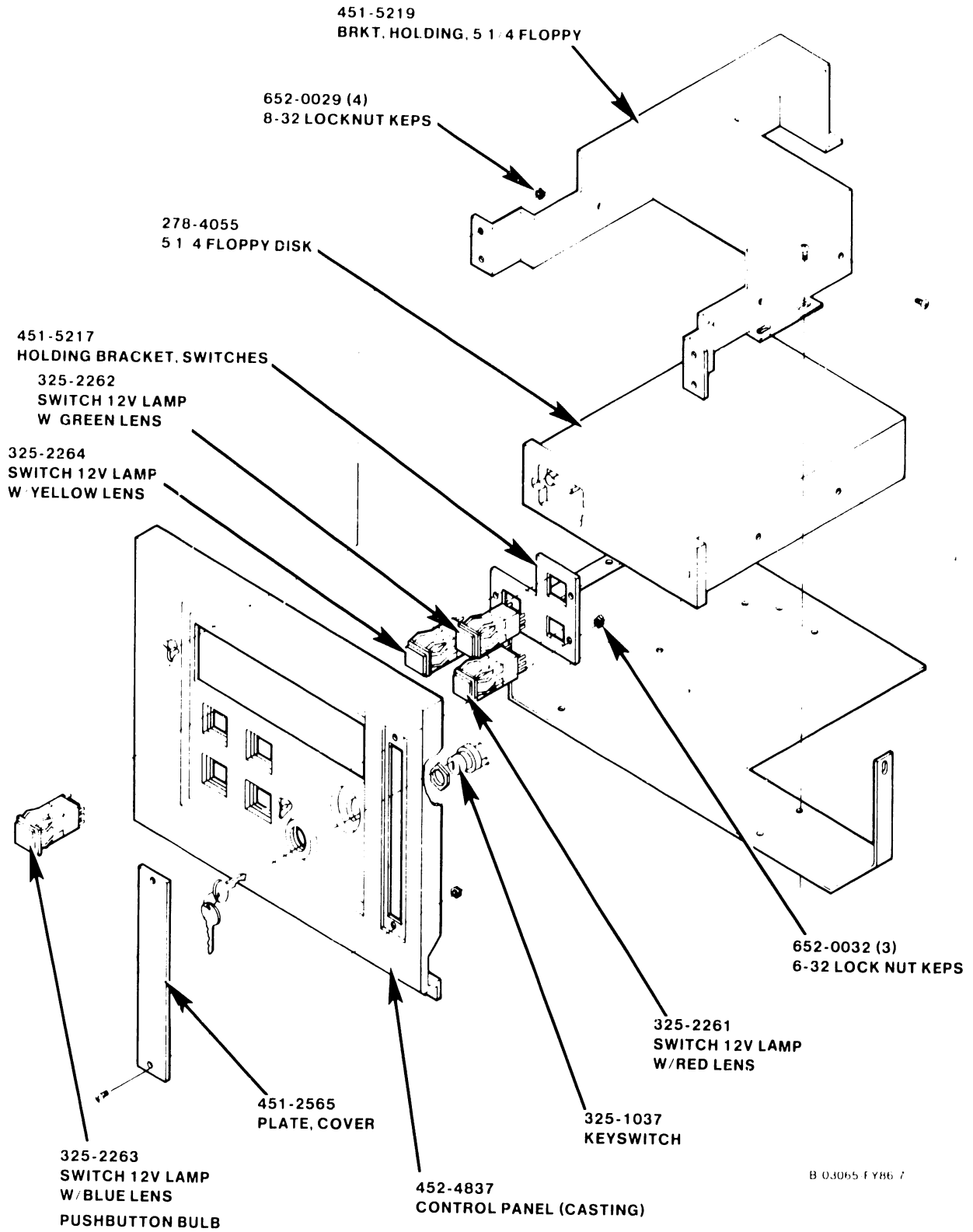
12.2.6 EXHAUST FAN



B-03065-FY86-8

ILLUSTRATED PARTS

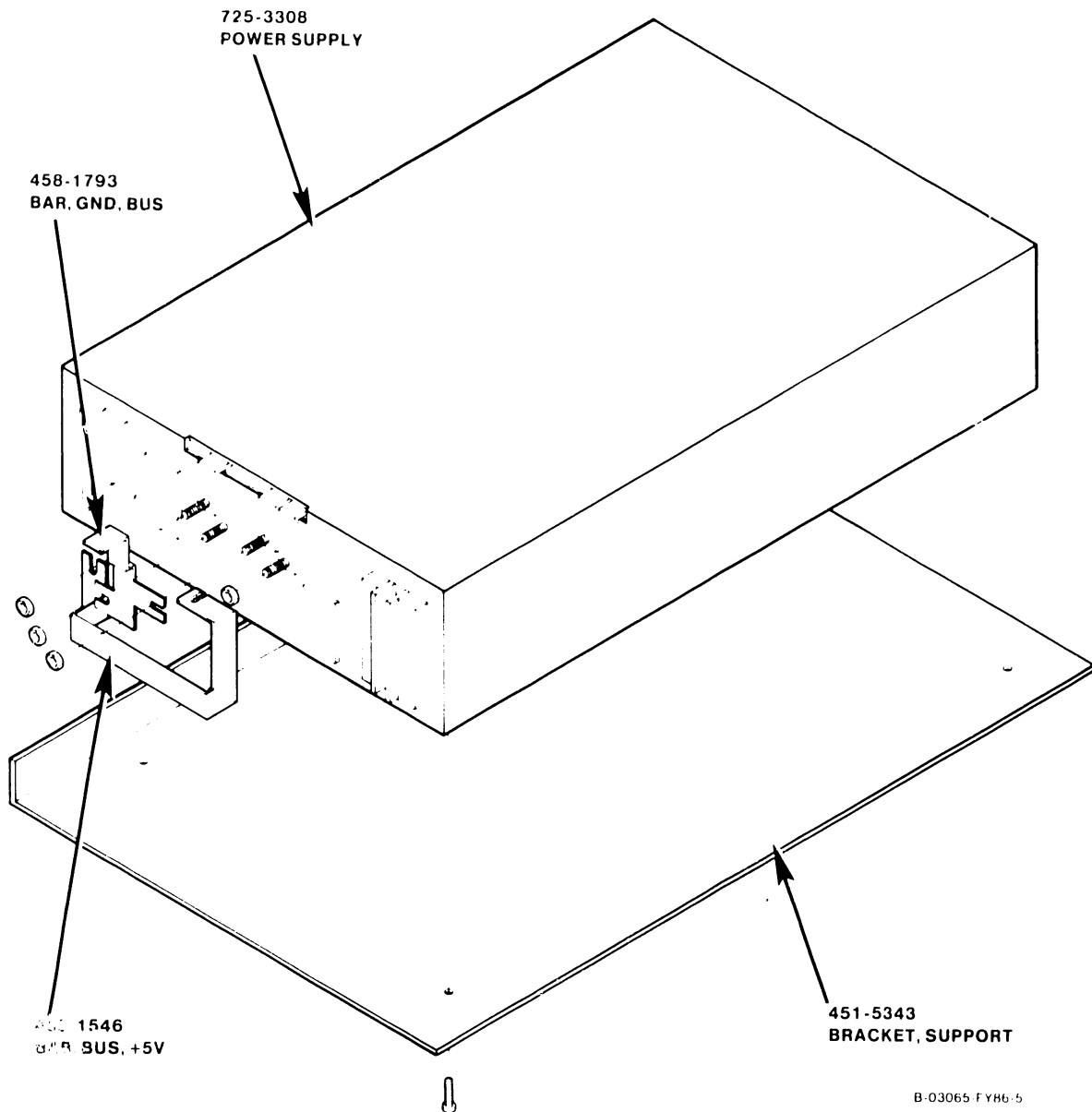
12.2.7 CONTROL PANEL



12.2.8 MULTIOUTPUT POWER SUPPLY

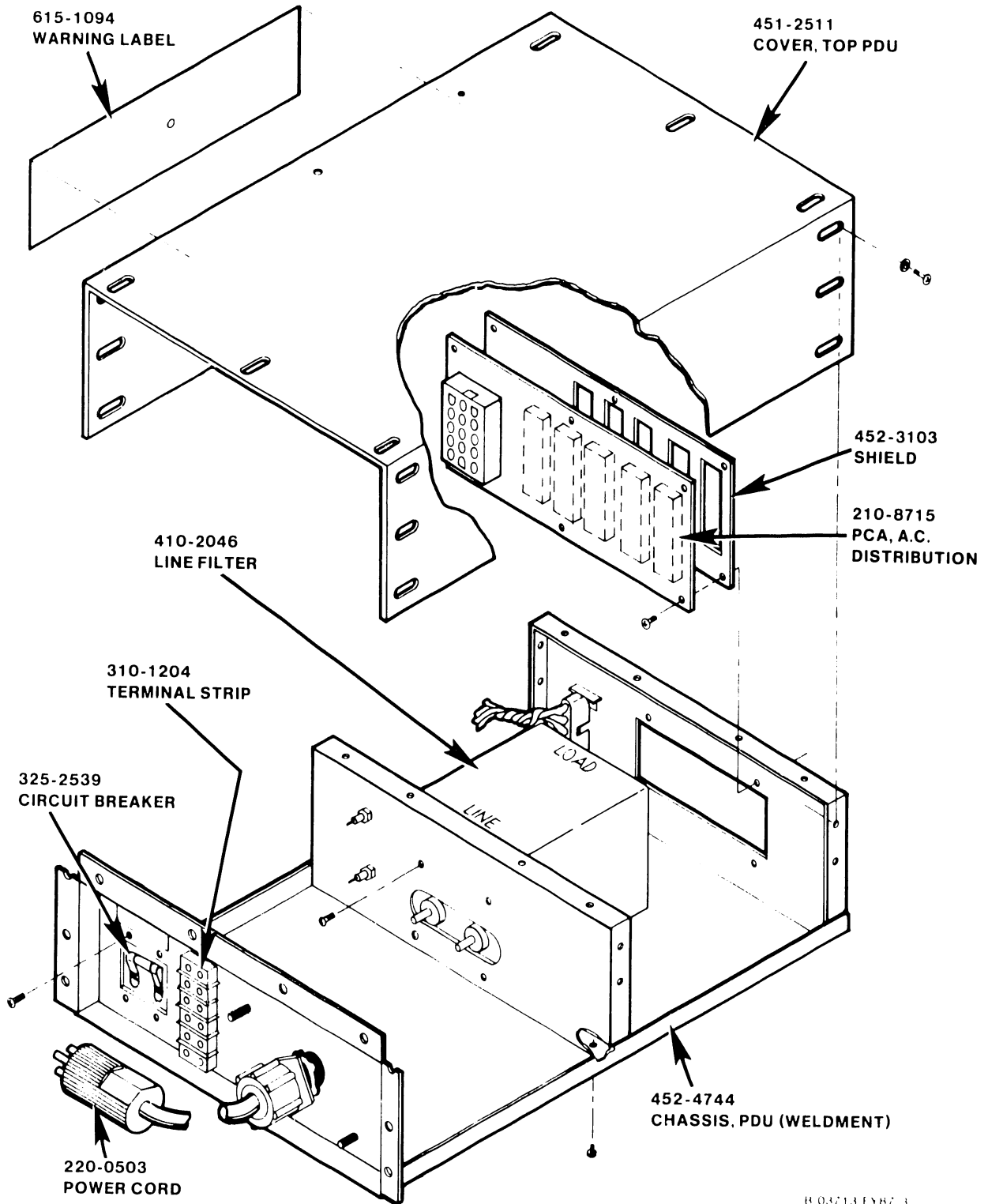
NOTE

Order the entire multioutput switching power supply assembly, **WLI P/N 270-5035**.
DO NOT order individual power supply components.

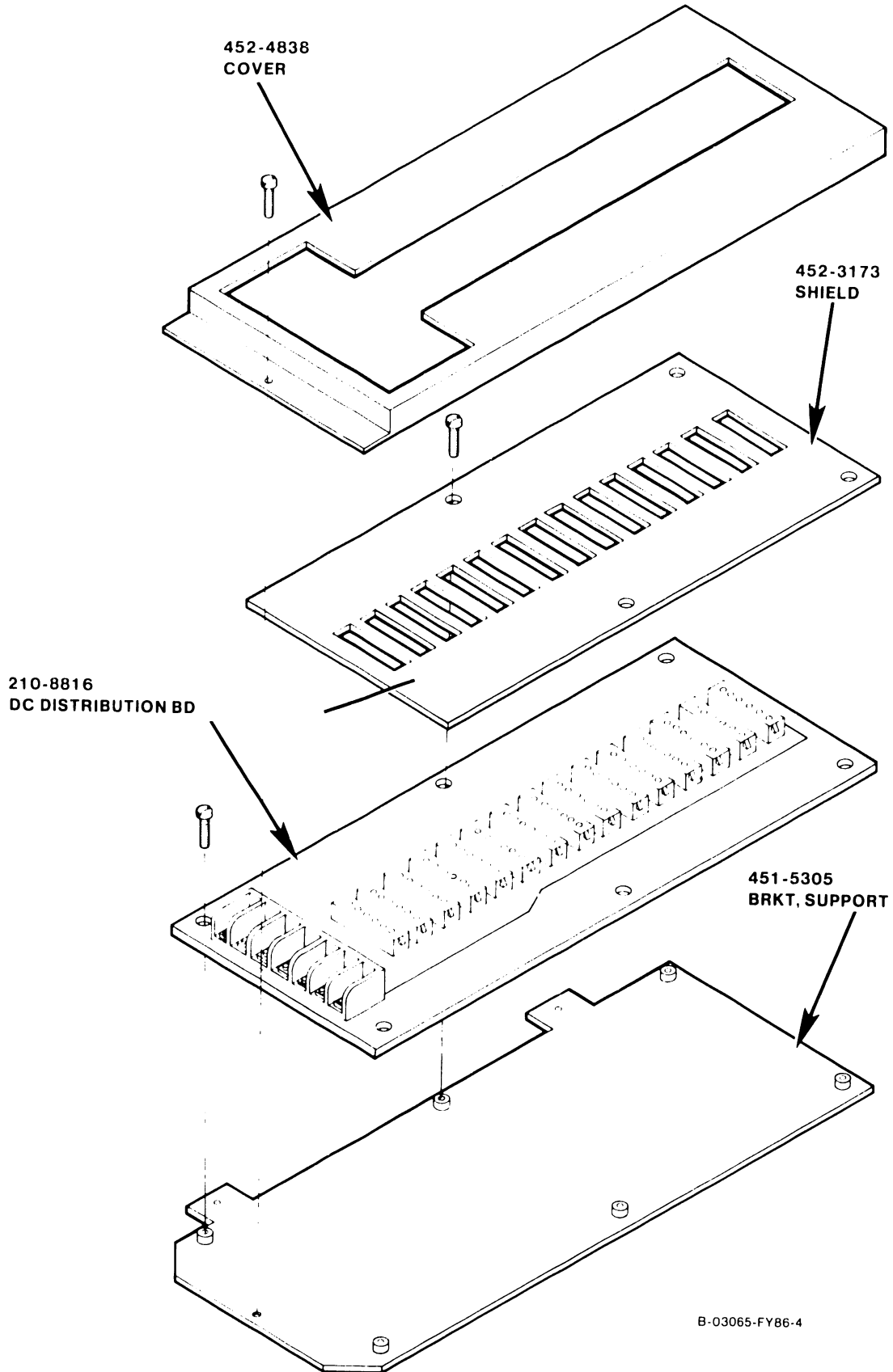


ILLUSTRATED PARTS

12.2.9 AC POWER DISTRIBUTION UNIT

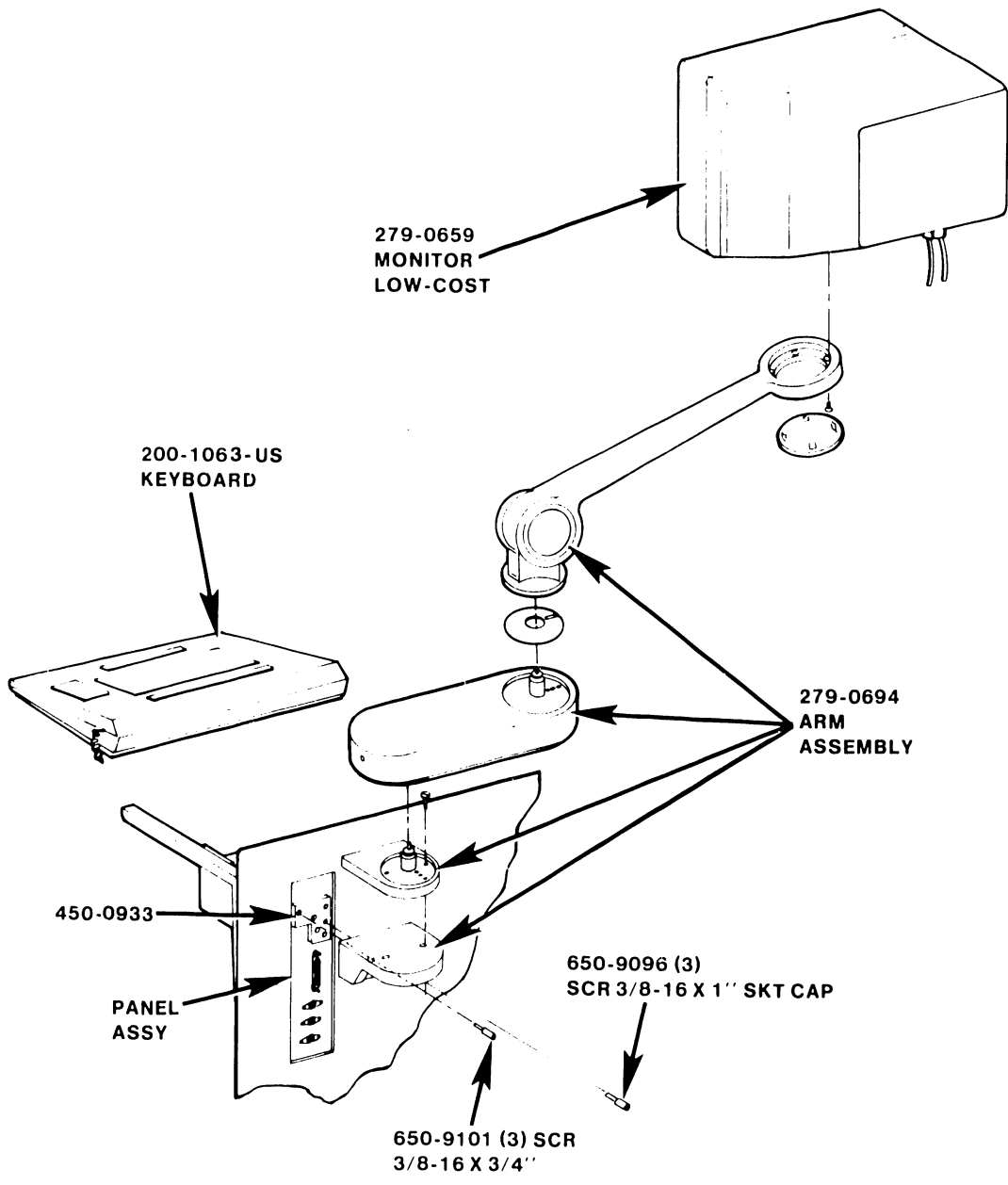


12.2.10 DC POWER DISTRIBUTION UNIT



ILLUSTRATED PARTS

12.3 SUPPORT CONTROL UNIT, MONITOR, AND KEYBOARD

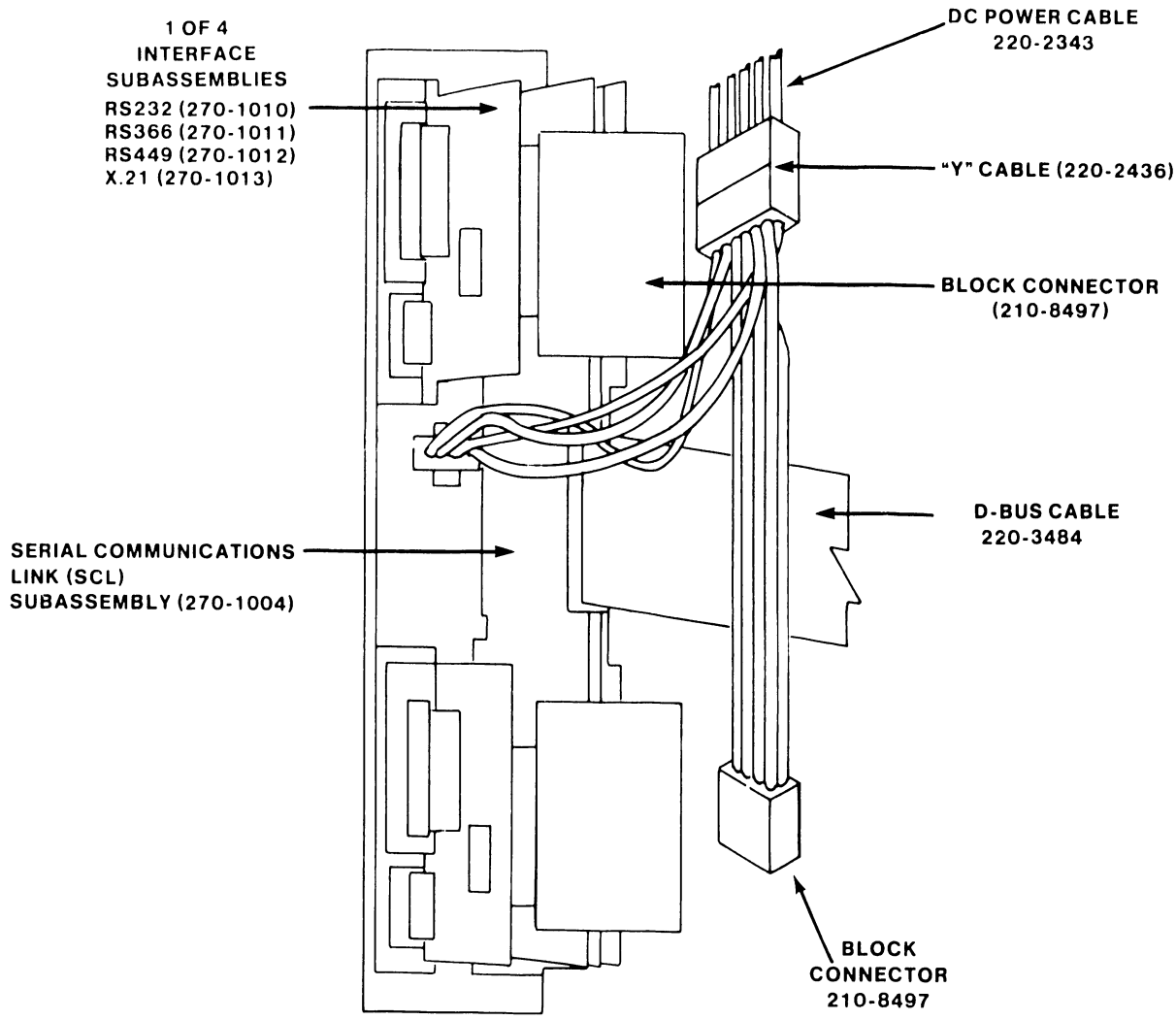


B-03713-FY87-2

VS-7100 SCU Components

Description	WLI P/N
Support Control Unit	279-5459
Winchester Disk Drive, 10 Megabyte	278-4035
Winchester Disk Drive, 20 Megabyte	278-4062

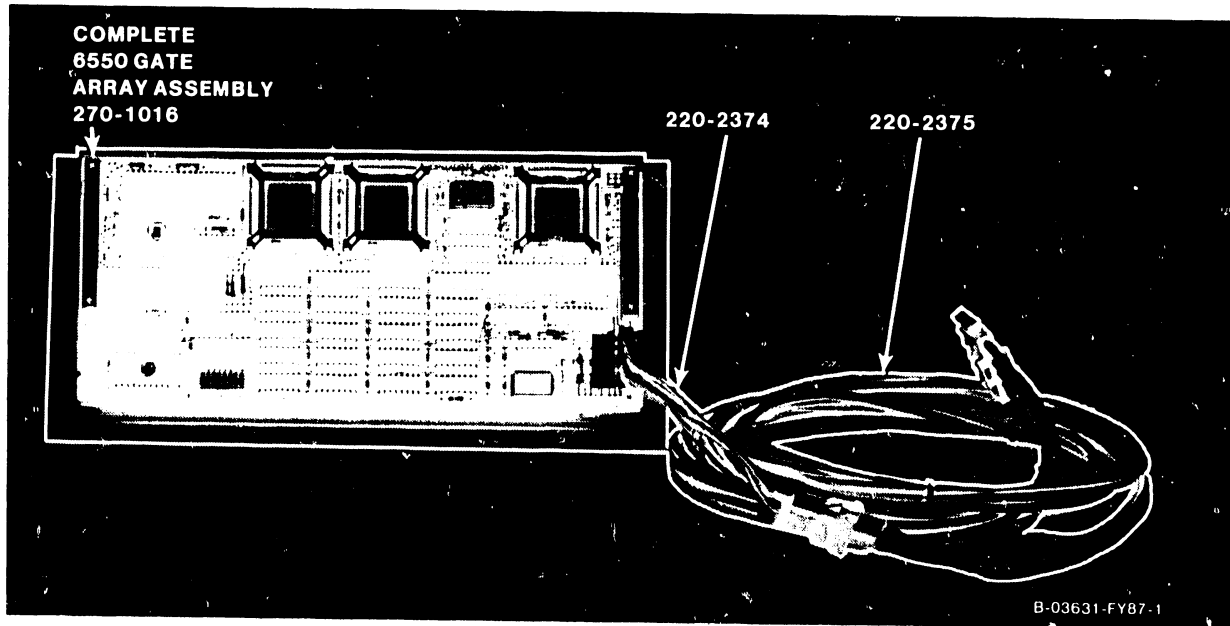
12.4 MULTILINE TELECOMMUNICATIONS ASSEMBLY



B-03631-FY87-6

ILLUSTRATED PARTS

12.5 GATE ARRAY TELECOMMUNICATIONS ASSEMBLY



ILLUSTRATED PARTS

THIS PAGE LEFT INTENTIONALLY BLANK

Table 12-1. VS-7100 PCB Complement

Board Description	WLI P/N
AC Distribution	210-8715
APA (Active Port Assembly) Rcv/Dr.	210-8504
APA Terminator	210-8503
Address Generation Unit	210-9832
Address Translation Unit	210-9833
BNC/TNC (APA) Terminator	210-8509
Backplane (Motherboard) (Note)	210-9837
Block Connector (MLTC)	210-8497
CIU BLANC IOC (23V79)	210-8392-A
CIU CAB IOC (23V79)	210-8391
Central Processing Unit (VS-7110)	210-9838
" " " (VS-7120)	210-9839
" " " (VS-7150)	210-9831
" " " (VS-7150)	210-9931
DC Distribution	210-8816
External Clock Board	210-8846
Floating Point Unit (VS-7150 only)	210-9830
Kennedy Tape IOC (23V95-1)	210-8790-A
Main Memory (4 megabytes)	210-8703
Main Memory (8 megabytes)	210-8703-1
Memory Control Unit	210-9834
Multiline TC Controller IOC (23V96)	210-8491-A
Power Supply Controller	210-8809
RS232A Interface (MLTC)	210-8494
RS366 Interface (MLTC)	210-8495
RS449 Interface (MLTC)	210-8730
SMD IOC (23V98-1)	210-8785-D
" " (23V98-2)	210-8785-C
" " (23V98-3)	210-8785-B
" " (23V98-4)	210-8785-A
Serial Communications Link (MLTC)	210-8496-A
Serial IOC (23V67)	210-9809-A
Support Control Unit	210-8835
Support Control Unit Paddle Board	210-8710
System Bus Interface	210-9836-1
Telex Tape IOC (23V95-2)	210-8789-A
X.21 Interface (MLTC)	210-8493

NOTE

Order motherboard assembly WLI P/N 270-5031.

ILLUSTRATED PARTS

Table 12-2. SCU (PC) PCB Complement

Board Description	WLI P/N
CPU (256KB) (P/N unique to VS-7100)	210-9521-1B
Monochrome Monitor	210-9343-A
PCI (PC to SCU Interface) (P/N unique to VS-7100)	210-8377
Single Board Local Comm. Option	210-8310-A
Winchester Controller	210-9025-A
Motherboard	210-9237

Table 12-3. VS-150/300/7100/7300 PCB Cross Reference

Description	WLI P/N	Current E-Rev.	150	300	7110	7120	7150	7310	7320
FPU	210-8830	3		X					
FPU	210-9830	1	X	X			X	X	X
CPU	210-8831	4		X					
CPU	210-9231	3		X					
CPU	210-9831	6	X				X	X	X
CPU	210-9931	1					X	X	X
CPU	210-9839	1				X			
CPU	210-9838	1			X				
AGU	210-8832	5		X					
AGU	210-9832	1	X		X	X	X	X	X
ATU	210-8833	4		X					
ATU	210-9833	3	X		X	X	X	X	X
SCU	210-8835	1	X	X	X	X	X	X	X
MCU	210-8834	4		X					
MCU	210-9834	1	X		X	X	X	X	X
4MB Memory	210-8703	3	X	X	X	X	X	X	X
8MB Memory	210-8703-1	3	X	X	X	X	X	X	X
SBI	210-8836	2		X					
SBI	210-9236	2		X					
SBI	210-9836	2	X		X	X	X	X	X
Backplane	210-8837	0		X					
Backplane	210-8838	1						X	X
Backplane	210-9837	1	X		X	X	X		

Table 12-3. VS-150/300/7100/7300 PCB Cross Reference (Cont)

Description	WLI P/N	Current	150	300	7110	7120	7150	7310	7320
		E-Rev.							
Power Cont.	210-8709	6		X					
Power Cont.	210-8809	2	X	X	X	X	X	X	X
Ext. Clock	210-8846	0			X	X	X	X	X
PTU	210-9840	0						X	
SCU Paddle	210-8710	1	X	X	X	X	X	X	X
Ser/P-Band	210-8609	6	X	X					
Ser/P-Band	210-9809	1			X	X	X	X	X

NOTE

X = use at current E-Revision Level

Table 12-4 VS-7100 Power Supply

Power Supply Description	WLI P/N
Multioutput supply (1800 watt)	270-5035

APPENDIX A

APPENDIX A

A.1 GENERAL

This appendix provides: VS-7100 Signal Mnemonics, System Errors Requiring a Control Mode Dump, System Errors Causing Continuable Dump, Version Checking Status Error Messages, and I/O Controllers and Supported Devices.

APPENDIX A

SIGNAL MNEMONICS

SIGNAL	DEFINITION
A-Port	Selects which operand is fed to A-Port
ACK	Acknowledge
AGRF	Address Generator Register File (AGU)
AGU	Address Generation Unit
ALU	Arithmetic Logic Unit
APA	Active Port Assembly
ATU	Address Translation Unit
AWS	Archiving Workstation
B-Port	Selects which operand is fed to B-Port
BCR	Bus Control Register
BLANC	Broadband Local Area Network Controller
BSR	Bus Status Register
C OUT R	Command Out Register
CA GEN	Case branch address Generator (CPU)
CAB	Contention Access Based
CHG	Page Changed flag (ATU)
CID	Command Identification
CIU	Cable Interface Unit
COMP	Comparator
CPU	Central Processing Unit
CRE	Current Ring of Execution
CSMA/CD	Carrier Sense Multiple Access Collision Detection
CSPA	Carry Save Propagate Adder
Clock	Controls instruction cycle time (microinstruction field)
DA GEN	Dispatch Address Generator
DAG	Dispatch Address Generator
DB BUFF	D-Bus Buffer. Buffers virtual address to D-Bus
DCC	Decimal Correction Constant register (CPU)
DMA	Direct memory Access
DMUX	Switches MIBR or MAC0 data to MAC1
DR	Display Register
DSA	Data Store Address
DSBS	Data Store Block Select
DSL	Data Store Latch
DVR	Diagnostic Visibility Register
DWBX	Double Word Cache Block crossing
DXAG	Dispatch Exception Address Generator
E-APA	Electric Active Port Assembly
ESU	Exponent Sign Unit. Performs exponent and sign operations
FPU	Floating Point Unit
HDLC	High Data Link Control (CIU)
IAE	Instruction Address Execute Register
ICTRL	Interrupt Controller
IDR	Identification Register
IIOC	Illegal I/O Command (SBI)
ILLMGS	Illegal Message type. SBI status
IOC	Input/Output Controllers

SIGNAL MNEMONICS (CONT)

SIGNAL	DEFINITION
IPC-SBP	Sysbus parity error SBI status
IPCC	InterProcessor Communication Control
IPCR	InterProcessor Communication Register
IPCR	IPC Register
IQ	Instruction Queue (Latches, MUXs, and IR0-3 on the SGU)
IR MUX	Input Register Multiplexers
IR0-3	Instruction Registers 0 through 3
IR1,2	Input Registers 1 and 2
IRE	Instruction Registers Execute
IRE	Instruction Registers
ISMA	Illegal System Memory Address
ISMPA	Illegal System Memory Page Access
ITMR	Interval Timer
IVEAD	Invalid Effective Address Detect
LAT	Long Address Translation
MAC0	Microaddress Control 0 (CPU)
MAC1	Microaddress Control 1 (CPU)
MAG COMP	Magnitude Comparator. Compares CRE to read/write page protect
MC Bus	Memory Control Bus
MCIB	Memory Control Input Buffer
MCU	Memory Control Unit
MIA BUFF	Microinstruction Address Buffer
MIA DRVR	Microinstruction Address Driver
MIAC	Microinstruction Address Comparator
MIAC	Microinstruction Address Comparator (CPU)
MIBR	Microinstruction Address Branch Address Register (CPU)
MIR	Microinstruction Register
MOP-SBP	Memory Operation System Bus Parity Error. SBI status
MSRX	Microstate Register Transceiver
MSRX	Microstate Register Transceiver. Holds microaddress (CPU)
NACK(NAK)	Negative Acknowledge
NIA	Next Instruction Address
NMI	Nonmaskable Interrupt
NVRAM	NonVolatile Random Access Memory
OR1-3	Output Registers 1 through 3
PAR	Physical Address Register
PC	Professional Computer
PCI	Processor Control Interface
PCW	Program Control Word
PFLT	I/O Protection Fault. SBI status
PIAR	Physical Instruction Address Register
PRMD	Protection RAM Data
PSR	Processor State Register
PTENB	Protection RAM ENaBle
R/C MUX	Reference/Change Multiplexer
RAM	Random Access Memory
REF	Page Referenced flag (ATU)

SIGNAL MNEMONICS (CONT)

SIGNAL	DEFINITION
RTRB	Read Transport Reordering Buffer
SAIR	System Address bus Input Register
SAOR	System Address bus Output Register
SBI	System Bus Interface
SBMRPE	System Bus Memory Read Parity Error (SBI)
SBT	Start Bus Transfer. An 8086 I/O initialization command (IOC)
SCM	Support Command Mode. Single microinstruction sequencing
SCR	Support Command Register
SCR	Segment Control Register (ATU)
SCU	Support Control Unit
SCUI	Support Control Unit Interrupt Trap. Microlevel interrupt
SDIR	System Data bus Input Register
SDOR	System Data bus Output Register (SCU)
SMDE	System Memory Data Error (SBI)
SPB	Support Packet Bus. SCU diagnostic control bus
SPDR	Support Packet Data Register (CPU)
SPDR	Support Packet Data Register
SPU	Satellite Processing Unit (same as IOC or CPU)
SR REG	Save Return microaddress REGISTER (CPU)
SRMR	Save Return Microinstruction REGISTER (CPU)
SX BUFF	Sign Extend Buffer
TBBP	Translation Buffer ByPass buffer
TBTA	Translation Buffer Tag Address
TM BUFF	Translation/Memory Buffer
TRA	Trap Return Address
TSA MUX	Tag Store Address Multiplexer
TSPL	Tag Store Pipe Line
TV GEN	Trap Vector Generator (CPU)
VA BUFF	Virtual Address Buffer. Buffers address to VARs
VA MUX	Virtual Address Multiplexer
VAR	Virtual Address Register
VAR1,2	Virtual Address Registers 1 and 2
VMAD	Virtual Address illegal Address Detection. SBI status
VTPM	Valid Tag Parity Memory
WCSX	Writable Control Store register/transceiver
WIQD	Write Instruction Queue
WR-A	Working register for ALU calculations
WR-B	Working register for ALU calculations
WSO	Workstation number zero
XMAL	External Memory Address Latch
XMIA	Execute Microinstruction Address register

SYSTEM ERRORS REQUIRING A CONTROL MODE DUMP

<u>ERROR HALT</u>	<u>EXPLANATION</u>
CLMM	An attempt has been made to set the clock comparator from the first TQEL on the timer queue, but the TQEL time value is for the next day (ie: the midnight TQEL is missing).
CLQE	An attempt has been made to set the clock comparator from the first TQEL on the timer queue, but the queue is empty.
FMIP	While searching through the available block list, the next-in-chain link was found to be pointing to the current block.
FMRC	While searching through the available block list, the next-in-chain link was found to be pointing to the current block.
FMRN	While searching through the available block list, the next-in-chain link was found to be pointing to the current block.
GMIC	An attempt has been made to obtain a block from the nonresident memory pool, but the memory chain links were found to be invalid.
GMIP	A memory block of sufficient size was found to satisfy the request, however, the block was page-aligned but not a complete page.
GMRL	While searching through the available block list, the next-in-chain link was found to be pointing to the current block.
GMRN	While searching through the available block list, the next-in-chain link was found to be pointing to the current block.
IOBA	Invalid physical address found in IAL.
IOIH	TCBFLGS3IGIGH is set. Ignore 'HELP'
IOIP	Invalid PPB chain. In attempting to locate the PPB for an IOP (for a given device), the PPB chain was found to be empty.
IOMQ	An IORE has been queued more than once on the IOQ for a device; IORE Address = IORECHN Address.
IOPS	An SIO has been attempted to a device that requires Presentation Services.

APPENDIX A

SYSTEM ERRORS REQUIRING A CONTROL MODE DUMP (CONT)

<u>ERROR HALT</u>	<u>EXPLANATION</u>
PCNR	The program check interrupt handler was activated, but no TCB is active.
PCNT	A program check has occurred in a 'nucleus' task (pager, IO timeout task).
PCPR	A page fault program check interrupt has occurred which is a page fault recursion error.
PGBI	Block number beyond the last extent in the pagefile. (In converting from block-in-file to block-on-volume an invalid block number was obtained.)
PGBT	The paging task was unable to block the faulting task on page frame semaphore.
PGFS	The paging task was unable to find a free page frame semaphore for the faulting task.
PGIP	An attempt has been made to reload the SCRs for the faulting TCB, however, the physical address of the RN table is invalid (indicated from the LPA instruction).
PGIV	A request has been made to mark the paging file with 'No Info' for the input virtual address (VA), but the VA is invalid (cannot be located within the RN table).
PGNS	The paging task was unable to find the required page frame semaphore in the PFSA list.
PGNW	The paging task has detected the nonreentrant use of a reentrant file (i.e., an attempt to page out to a nonwritable file).
PGPS	The paging task was unable to locate the PF semaphore used to block tasks waiting for the current page-in completion.
PGPT	The paging task was unable to locate the page table associated with this file (i.e., the block is beyond the end of the file).
PGQE	The paging task has been activated, however, all of the pager queues are empty.
PPBA	An attempt has been made to return a block to the system page pool but the block is not in use (in use bit already clear).
PPPE	A free block has been requested from the system page pool but none is available.

SYSTEM ERRORS REQUIRING A CONTROL MODE DUMP (CONT)

<u>ERROR HALT</u>	<u>EXPLANATION</u>
SCEE	A nonreturnable entry has been made to the scheduler to dispatch a task and the scheduler has returned to the caller.
SCIE	The scheduler was activated but the event code supplied to the scheduler was invalid.
SCIS	A task (TCB) is being unblocked from a semaphore (SEMA) and the semaphore has an invalid type.
SGCT	While setting up and initializing the VTOC cache, a call to GETMEM to obtain space for the cache descriptor table has failed.
SGDD	The system was unable to destroy the TC scan work area after DLP initialization.
SGDI	The system was unable to destroy the IOP scan work area after IOCT initialization.
SGIS	The system was unable to create a block in heap storage for use as an IOP specification block.
SGIW	The system was unable to create a block in heap storage for use as an IOP scan work area.
SGLU	The system was unable to locate the UCB for the specified device.
SGNP	While setting up and initializing the VTOC cache, the available PFT chain was found to be empty.
SGSP	The system was unable to obtain a block through the GETBLK interface to use as a PPB for an IOP.
SGTS	The system was unable to create a block in heap storage for use as a TC specification block.
SGTW	The system was unable to create a block in heap storage for use as a TC scan work area.
SI3J	The FDR1 block for the JS1 system services file indicates that there are more than three extents for the file.
SI3S	The FDR1 block for the Segment 1 SVC file indicates that there are more than three extents for the file.
SIFV	The system was unable to free the Segment 0 memory used as the volume label work area.

APPENDIX A

SYSTEM ERRORS REQUIRING A CONTROL MODE DUMP (CONT)

ERROR HALT	EXPLANATION
SIGV	The system was unable to allocate Segment 0 memory to prepare for volume IO (used as a volume label work area to mount accessible disks).
SIIE	An IO Error has occurred while loading the disk IOC microcode. The error is contained within LOWIOSW general and error status fields (i.e., failure was defined as 'Normal Completion' not being obtained).
SIIV	The VCB chain was discovered to be broken while the system was searching the chain during the mounting of accessible disks.
SILF	The FDR1 block for the translation library JSI system services file could not be found.
SIMB	The system was unable to allocate segment memory to read the fault tolerant bit map of a mounted volume.
SIMD	The system was unable to allocate Segment 0 memory to read FDX1 of a mounted disk volume.
SIMF	An attempt to obtain memory for the FLUB for a paging file has failed.
SIMP	An attempt to obtain memory for the system page pool descriptors (SPPD) has failed.
SIRF	During system initialization, a read fail occurred when trying to read FDR1 from the system VTOC.
SIRL	A disk read fail has occurred during disk IOC load. The reason for the error is contained within LOWIOSW general and error status fields (i.e., failure was defined as 'Normal Completion' not being obtained).
SIVC	While attempting to scratch any existing Segment 2 paging files, the system VCB chain was found to be invalid. The VCB end-of-chain was detected without locating the required VCB.
SIWS	The system was unable to release Workstation 0 to the task manager after the completion of system initialization.
USNT	An attempt was made to cancel a task on the system via ZAPTASK, but an unrecoverable error makes continuation of this service questionable (probably task not found).
BLIP	Invalid PPB chain. The PPB chain in the MCB was to be accessed to insert the newly created PPB, but the first entry on the PPB chain was zero.

SYSTEM ERRORS CAUSING CONTINUABLE DUMP

<u>ERROR HALT</u>	<u>EXPLANATION</u>
BLNP	The system was unable to locate the PPB for the specified device.
BLNT	A call to GETBLK was made for individual block allocation but no TCB address was given in the parameter list.
CHFE	The CHECK post wait handler was unable to destroy the sub-task.
CHII	An invalid IOSW has been received from the IOP.
CHLT	The CHECK post wait handler was unable to locate the parent TCB for the requested task number.
CHNP	An attempt to locate the PPB associated with this device (R1) has failed.
CHTL	An attempt to locate the linkage table entry for translation library routine WV17STRT was unsuccessful.
CPNB	An error has been returned from GETHEAP after an attempt to obtain the command processor's buffers from the system pool.
CPPS	Presentation services failed to establish a connection with the remote system and the LOGOFF SVC was entered. However, the logoff was unsuccessful.
CPTM	For the task manager, a false logoff was set and LOGOFF SVC was entered. However, the logoff was unsuccessful.
DBIV	VCB chain invalid. While searching through the VCB chain and sorting the available volumes for paging eligibility, the system volume VCB was not located.
DPPT	The system was unable to locate the page table for a file. Given that multiple page tables exist, the system has searched all PTs chained into this FLUB and has been unable to locate the required page number within the file.
DTIB	DTI has encountered a failure in converting block-in-file to block-on-volume for Segment 2 paging file.
DTIF	DTI has encountered a FLUB not belonging to the SHARER that does not match a Segment 2 paging file FLUB owned by the user task.

SYSTEM ERRORS CAUSING CONTINUABLE DUMP (CONT)

<u>ERROR HALT</u>	<u>EXPLANATION</u>
DTIP	While attempting to unmap a physical page, the page frame number was found to be invalid.
DTLP	Given that multiple page tables exist, an attempt to locate a page table for a file (FLUB) has failed.
DTXE	DTI has received an error return code from XIO on attempting to write out the paging file block.
DUMP*	WM27 calls snapshot dump if the task that PC'd was a system task.
GHNP	No PFB was found within the ETCB for this GETHEAP call.
IDMA	IPC destroy was unable to cancel a mailbox alias.
IKSV	During the invoke task for one of the system tasks, a search of the VCB chain for the system volume was unsuccessful.
IRG2	A call to IWAIT to wait on a temporary mailbox did not result in a return message.
IRMM	IPC retrieve was unable to move a message body from the message buffer to the user specified area. The error response code from PAGRMAP is still held in the local variable area RETCODE (referenced through R11).
MLNF	While searching the FLUB chain, no FLUB with a name matching the file name in work area was found.
MLNO	While searching the OFB file chain, no OFB with OFDTCB = CPUTCB was located.
MLNP	The system was unable to locate the PPB for the specified device.
MLQI	During the close phase of microcode load, prior to freeing the OFB and IORE, a check was made to see if the IORE was still queued on the UCB and the IORE was found to be queued.
PCDU*	WS50 causes a task to suspend, then calls a continuable dump. It Will result in a task crash.
RAOR*	It is not possible to open or read the alias file.
*	After the continuable Dump is completed, the system continues without a reIPL.

SYSTEM ERRORS CAUSING CONTINUABLE DUMP (CONT)

<u>ERROR HALT</u>	<u>EXPLANATION</u>
RARB	An attempt to obtain nonresident memory as a read buffer for the alias file has failed.
RARF*	It is not possible to read the alias file.
RAUM	An attempt to allocate memory from the heap for use in the open alias file routine as a UFB has failed.
RRMB	No message buffer was found chained to the TCB for this XTERM call.
RRNP	No PFB was found within the ETCB for this XTERM call.
RSIS	An invalid Segment 1 SVC invocation during system initialization has occurred.
SRCN	TCBINSMC is negative. The only legal values are nonnegative.
SRSN	TCBSMECBK for the resource in question is negative. The only legal values are nonnegative.
TIDC	After attempting to map the debugger code for this task, an error response was returned from the MAP SVC.
TIDD	After attempting to unmap the debugger data for this task, an error response was returned from the UNMAP SVC.
TIDU	After attempting to unmap the DMS shared area for this task, an error response was returned from the UNMAP SVC.
TIID	After successfully mapping the debug code for this task, it is the wrong debug file. This was determined by checking the address at which debug should have been mapped against the address at which it was actually mapped.
TIIE	After completing the necessary task initialization, control has been returned to SYSINIT when it should not have been possible to return.
TILT	After attempting to map the linkage table for this task, an error response was returned from the MAP SVC.
*	After the continuable Dump is completed, the system continues without a reIPL.

APPENDIX A

SYSTEM ERRORS CAUSING CONTINUABLE DUMP (CONT)

ERROR HALT	EXPLANATION
TIMD	After attempting to map the DMS services for this task, an error response was returned from the MAP SVC.
TIMH	After attempting to map the IPC header buffers for this task, an error response was returned from the MAP SVC.
TIMS	After attempting to map the Segment 1 system SVCs for this task, an error response was returned from the MAP SVC.
TIS1	After attempting to unmap the Segment 1 SVCs for this task, an error response was returned from the UNMAP SVC.
TISA	After successfully mapping the system services for this task, it was impossible to find the system services address in the linkage table.
TISD	An attempt to obtain memory for the DMS vector table has failed. This table is allocated only once, when the first task is initialized.
TISM	After attempting to map the DMS shared area for this task, an error response was returned from the MAP SVC.
TISS	After attempting to map the system services for this task, an error response was returned from the MAP SVC.
TIST	An attempt to obtain memory for the TRN vector table has failed. This table is allocated only once, when the first task is initialized.
TITL	After attempting to map the translation library for this task, an error response was returned from the MAP SVC.
TIUB	After attempting to unmap the IPC bodies region for this task, an error response was returned from the UNMAP SVC.
TIUD	After attempting to unmap the DMS file for this task, an error response was returned from the UNMAP SVC.
TIUE	After completing the necessary termination functions and invoking UNLINK, control has been returned to SYSINIT when it should not have been possible to return. Exit from UNLINK should have been to the task quit code.
TIUL	After attempting to unmap the linkage table for this task, an error response was returned from the UNMAP SVC.

SYSTEM ERRORS CAUSING CONTINUABLE DUMP (CONT)

<u>ERROR HALT</u>	<u>EXPLANATION</u>
TIUS	After attempting to unmap the system services for this task, an error response was returned from the UNMAP SVC.
TIUT	After attempting to unmap the translation library for this task, an error response was returned from the UNMAP SVC.
TIWD	After successfully mapping the DMS services for this task, it is shown to be the wrong SVC file. This was determined by checking the address at which DMS should have been mapped against the address at which it was actually mapped.
TIWS	After successfully mapping the Segment 1 system SVCs for this task, further checking shows it to be the wrong SVC file. This could mean that either the original 8-MB file was incorrectly mapped in or an attempt to subsequently map the 16 MB version also failed.
ULDM*	UNLINK has invoked the system service to destroy a mailbox and an error response has been returned.
ULDT	UNLINK has invoked the system service to destroy the trace buffers and an error response has been returned.
ULFP	UNLINK has invoked the system service to unfix the disk diagnostics pages that were allocated to this task and received an error response.
ULNF	UNLINK was unable to locate the current Segment 1 FLUB on the system FLUB chain in order to free the FLUB.
ULNL	UNLINK decremented the task's current link level (ETCB) and the resulting link level was negative.
ULNP	A PFB SAVE area has not been located in a level stack. A search of all this task's active process level stacks for for one which contains the PFB (comparing against stack minimum and maximum values in the stack header) has failed.
ULPC	Having adjusted the necessary stack(s), it is now no longer possible to locate any PFB via the ETCB PFB chain.
ULUM	UNLINK was attempting to unmap each MAPB on the specified MAPB chain when, for one MAPB, an error response was received from UNMAP.
*	After the continuable Dump is completed, the system continues without a reIPL.

APPENDIX A

VERSION CHECKING STATUS ERROR MESSAGES

<u>MESSAGE</u>	<u>DEFINITION</u>	<u>COMPONENTS</u>
(blank)	No problems are detected.	
WARNING	A version problem exists with this component, though it is not critical enough to halt system initialization.	@PRTTSK@ @SHARER@ DEVLIST
FATAL ERROR	IPL procedures cannot continue. Obtain a current, compatible version of the component and then reIPL.	@SYSGEN@ @SYSTSK@ @OPER@ @JYSCPR@ @TSKMGR@

I/O CONTROLLERS AND SUPPORTED DEVICES

This appendix lists, according to the input/output controller (IOC), the supported devices for the VS-7100.

<u>VS-7300 IOC</u>	<u>TYPE OF IOC</u>	<u>DEVICES SUPPORTED</u>
23V98-4	Disk	2265V-1 75 MB removable drive (SMD) 2265V-2 288 MB removable drive (SMD) 2265V-3 620 MB fixed drive (FMD) 2268V-1 76 MB fixed drive (WINC) 2268V-2 147 MB fixed drive (WINC) 2268V-3 314 MB fixed drive (WINC) 2268V-4 454 MB fixed drive (WINC)
23V67	32 port serial	2529V 6400 bpi cartridge tape drive 2238V1 Streamer tape 2246S-2B 32K Serial DP workstation 2246C 32K Combined DP/WP workstation 2276C-3 Combined archiving workstation 4250-VS Combined archiving workstation 2256C 64KB combined workstation 4205 Monochrome combined workstation 4210 Monochrome DP workstation 4230/4230A 64KB monochrome combined workstation 4245 Color combined workstation 5300/VS-IIS64 Combined workstation 5300W/VS Combined workstation 5300/VS-AL-AUD Combined workstation 5300/VS-AUD Combined workstation 6300/VS-64 Combined workstation, including graphics 8100 Advent Graphics workstation 5533 100-cps matrix printer 5535 180-cps matrix printer 5573 250-lpm band printer 5574 600-lpm band printer 5575 Printer-IIS/DP 5577V High density matrix printer 5577A High density matrix printer 6581W 40-cps daisy printer 6581WC-1 Printer-IIS/DP/ALLIANCE DW/OS-55 55-cps daisy printer LPS-8 Laser printer (WP only) LPS-12 Laser printer (WP only) LIS-12V Printer-IIS/DP LIS-12A Printer-ALLIANCE LIS-24 Laser printer (WP only)

APPENDIX A

I/O CONTROLLERS AND SUPPORTED DEVICES (CONT)

<u>VS-7300 IOC</u>	<u>TYPE OF IOC</u>	<u>DEVICES SUPPORTED</u>
23V67	32 port serial	6554/TCB Telecommunications Processor CIU-B WangNet SystemBand Modem 6550 Gate Array TCB
23V86/96	Multiline Telecommuni- cations	2110 Workstation 4220 Binary synchronous remote workstation 2246R Remote workstation 2281 Remote daisy printer 2233 Remote matrix printer 2235 Remote matrix printer 2273V-1 Remote band printer
23V95-1	Tape	2209V Kennedy tape drive
23V95-2	Tape	2219V Telex tape drive 2248V-1 tre-density tape drive
23V79	WangBand CIU	

WANG

LABORATORIES, INC

ONE INDUSTRIAL AVENUE, LOWELL, MASSACHUSETTS 01851, TEL. (617) 459-5000, TWX 710 343-6769, TELEX 94-7421

PRINTED IN U.S.A.

COMPANY CONFIDENTIAL

END