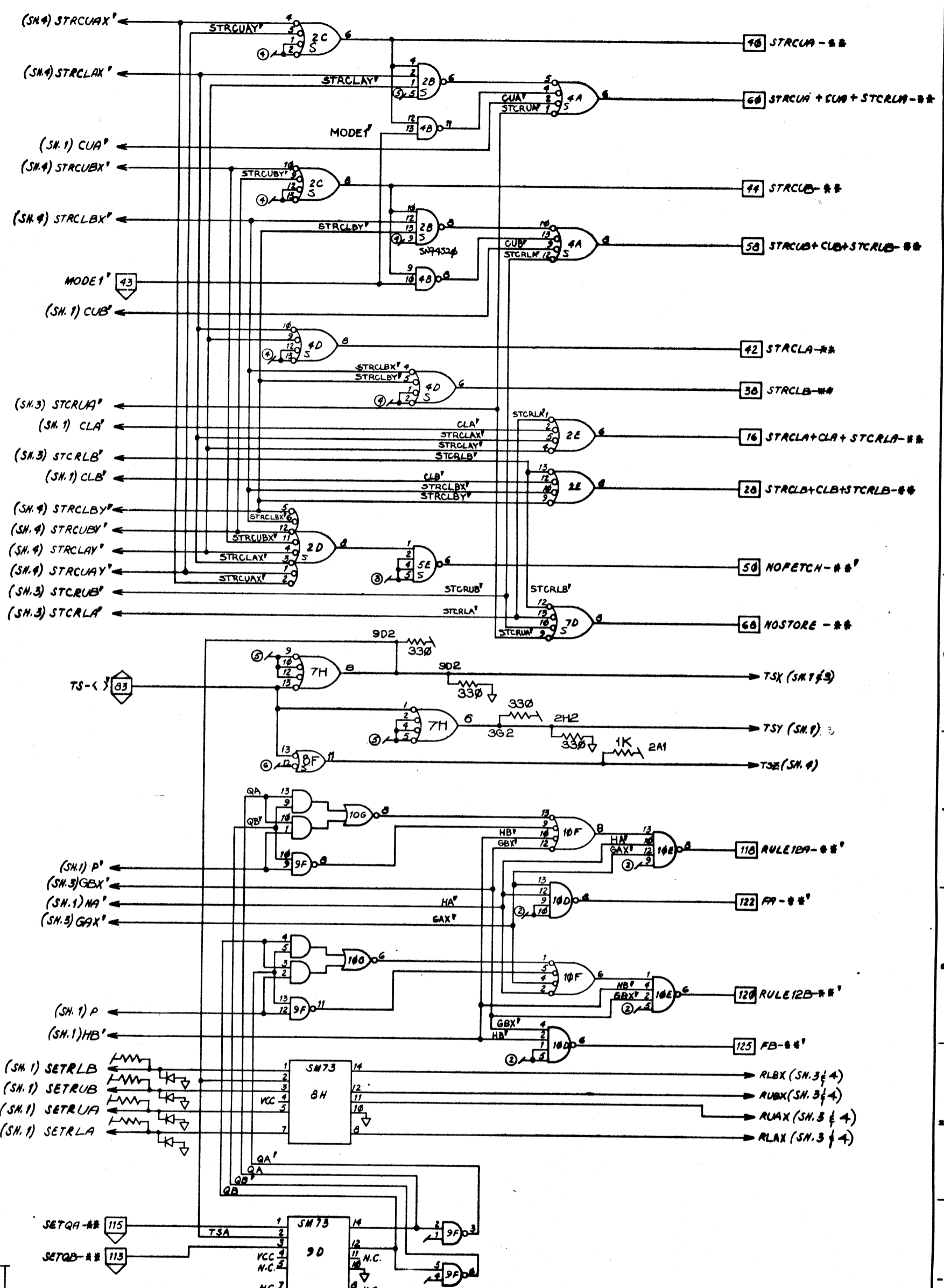


L00014
 BARTLEY
 BARTLEY
 COMPUTER
 CORPORATION
 ST. LOUIS
 MO.
 63112
 DWA S-1170
 CONTROL CARD 1
 (J.K.L.M)
 FIRST USED ON MIFM
 L00014 . 2

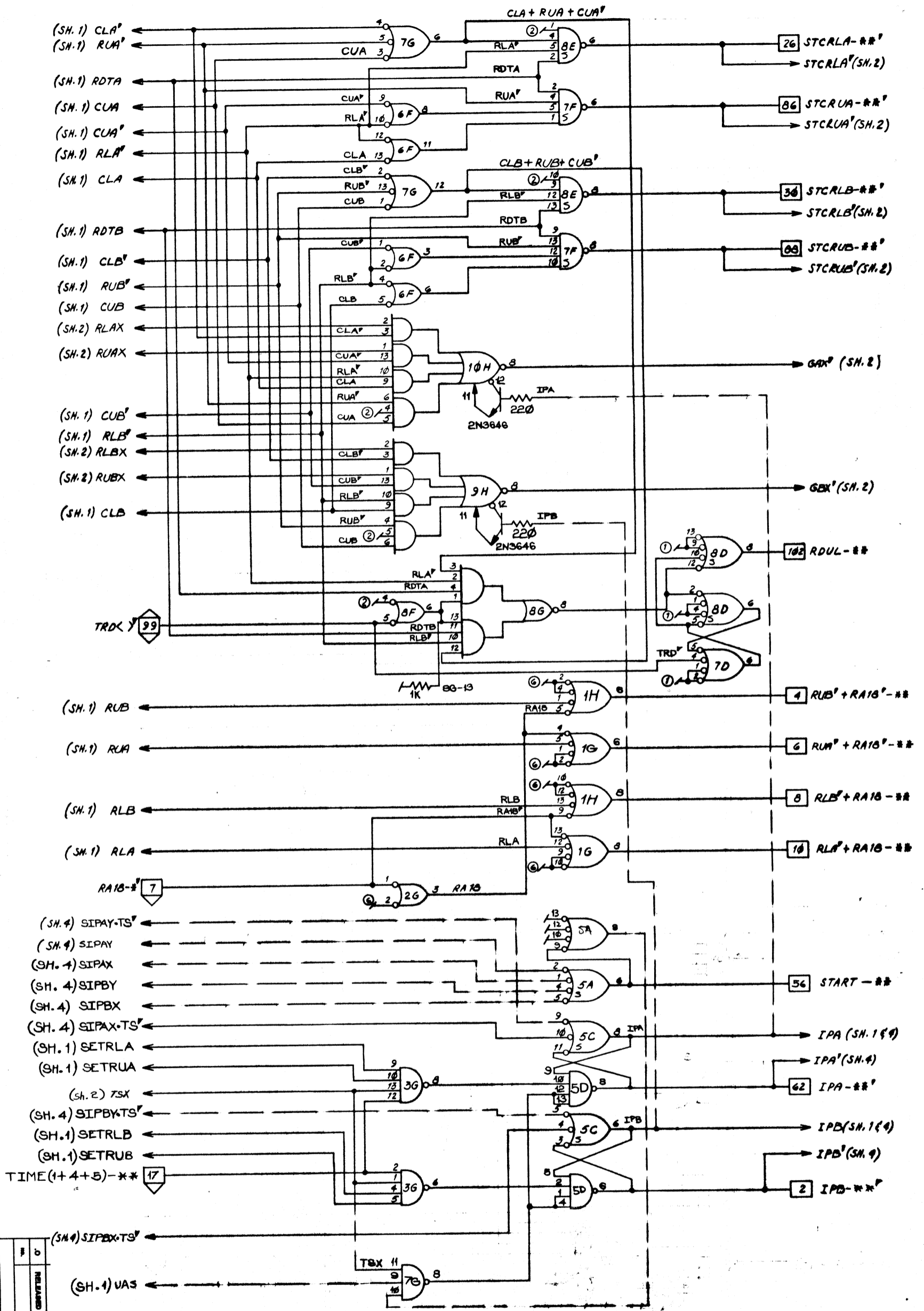
- 1,3,5,9,13,18,20,22,24,25,27,29
 31,33,35,37,39,41,44,48,49,52
 53,55,57,59,61,63,64,65,67,70
 72,74,76,78,80,82,84,85,87,
 90,92,94,96,98,100,101,103-105,
 110,112,114,116,124,126

0+5
 0.1μf TYP. 70 PLACES

- NOTES:
 1. PULLUPS ON SM73 INPUTS = 150Ω,
 UNLESS NOTED.
 2. ALL DIODES = DA803
 3.
- | | |
|----|-----|
| J0 | B1 |
| J1 | B4 |
| K0 | B6 |
| L0 | D10 |
| L1 | D24 |
| M0 | D27 |
| M1 | D29 |
| M2 | B32 |

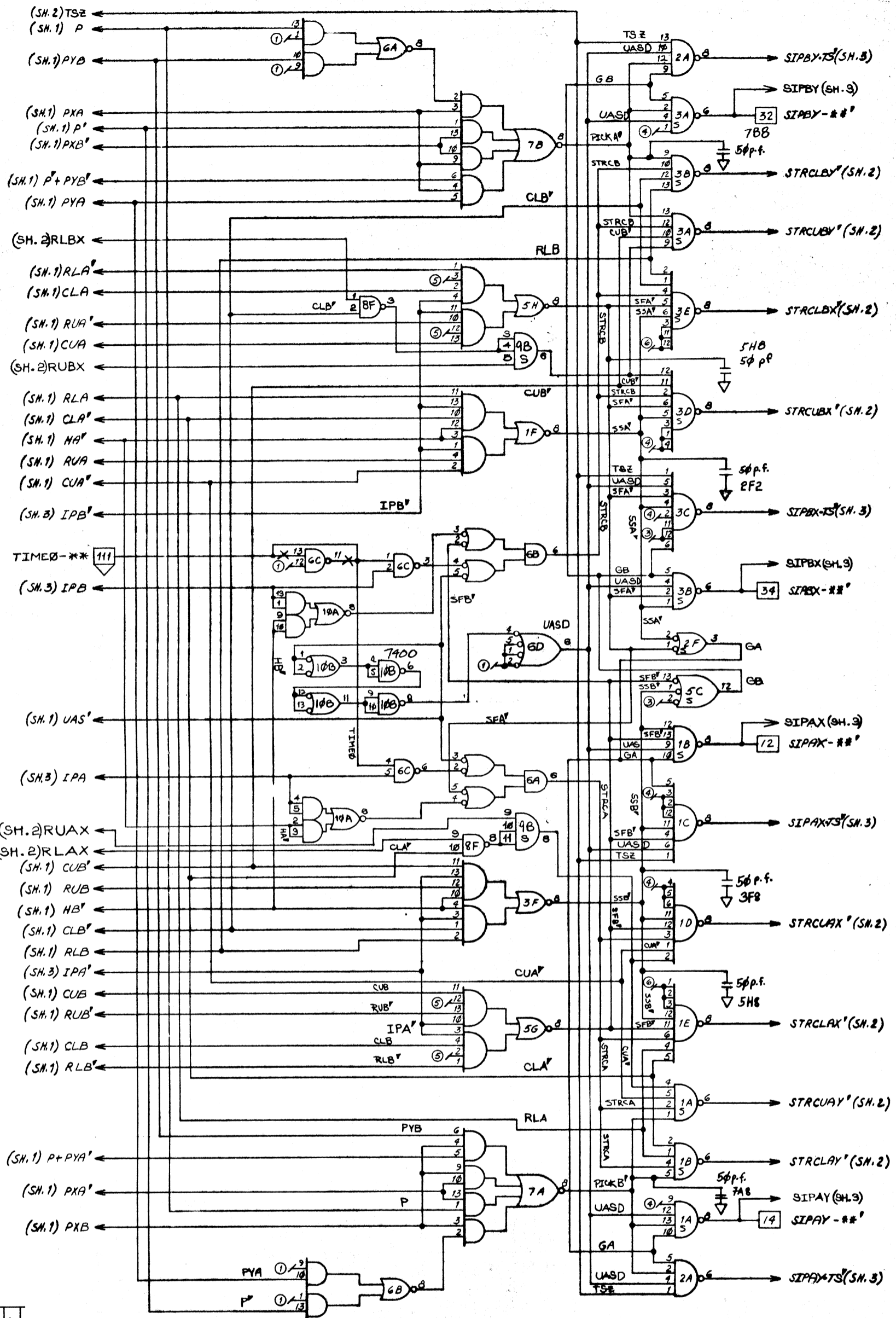


L00014.1	
	STULLOH
	DM 5-11-70
2	4
CONTROL CARD 1 (T.K.L.M.)	
FIRST USED ON MIFM	
L00014 .2	



L00014.1	
Berkeley Computer Corporation	STOUGH
DATE: 8/2/70	DESIGNER: J.K.L.M.
REV: S-11-R	FIRST USED ON M/F W
3	4
L00014.2	
CONTROL CARD 1	

RELEASED	DATE	BY	REASON



100019.1

RELEAS

Berkeley Computer Corporation

DATE: 8/4/70

TIME: 5:11-70

PROJECT: FIRST USED ON MTFM

BY: (J.K.L.M)

NO. 4

REV. 4

100019.2

CONTROL CARD 1