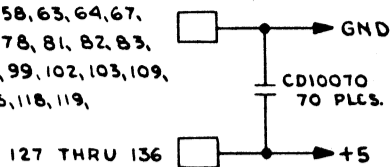
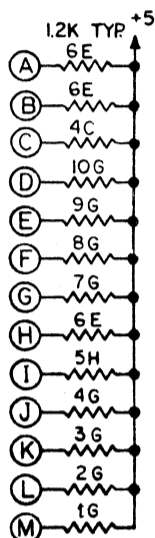


3, 7, 10, 15, 16, 19, 21, 23,
28, 30, 35, 37, 38, 39, 42,
50, 51, 55, 57, 58, 63, 64, 67,
71, 73, 74, 77, 78, 81, 82, 83,
87, 90, 93, 94, 99, 102, 103, 109,
110, 113, 114, 115, 118, 119,

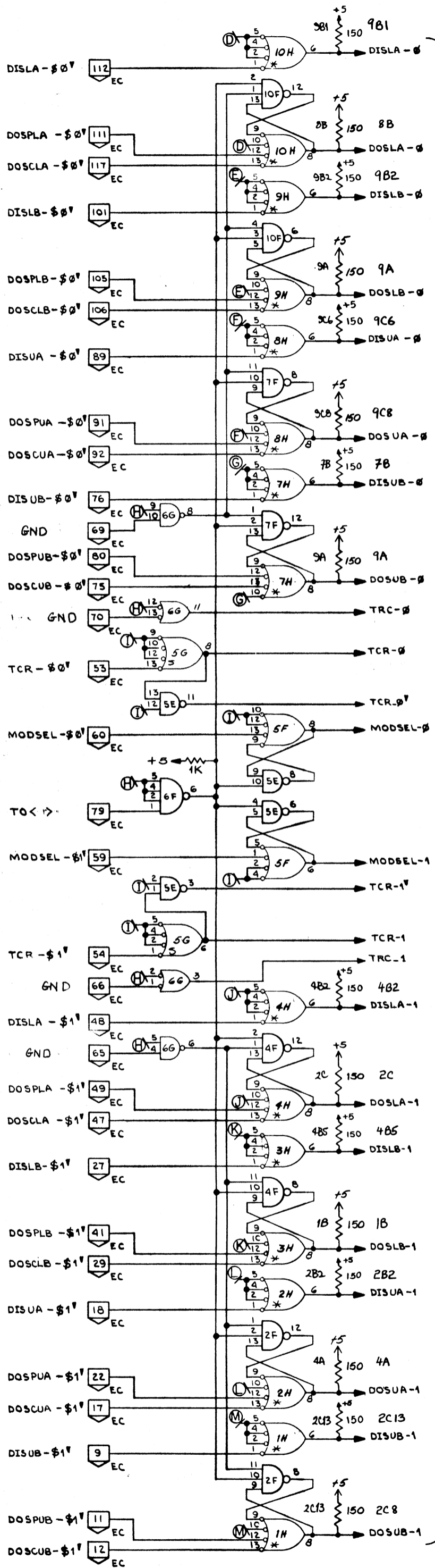


NOTES: UNLESS OTHERWISE SPECIFIED,

1. ALL RESISTOR VALUES ARE IN OHMS, 1/8W. MAX TOL 10%.
2. \$ INDICATES J, K, L, OR M.
3. * = 0, 10, 18
- 4.
5. DIODES ARE QD10805
6. * WITHIN A GATE INDICATES SELECTED FAST MODULE.



- (0-7) { -J- A2
-K- A3
-L- A7
-M- A8
- (8,17) { -J-
-K-
-L-
-M- } SEE L01040
- (9-16) { -J- A13
-K- A14
-L- A18
-M- A19
- (18-25) { -J- A26
-K- A27
-L- A31
-M- A32



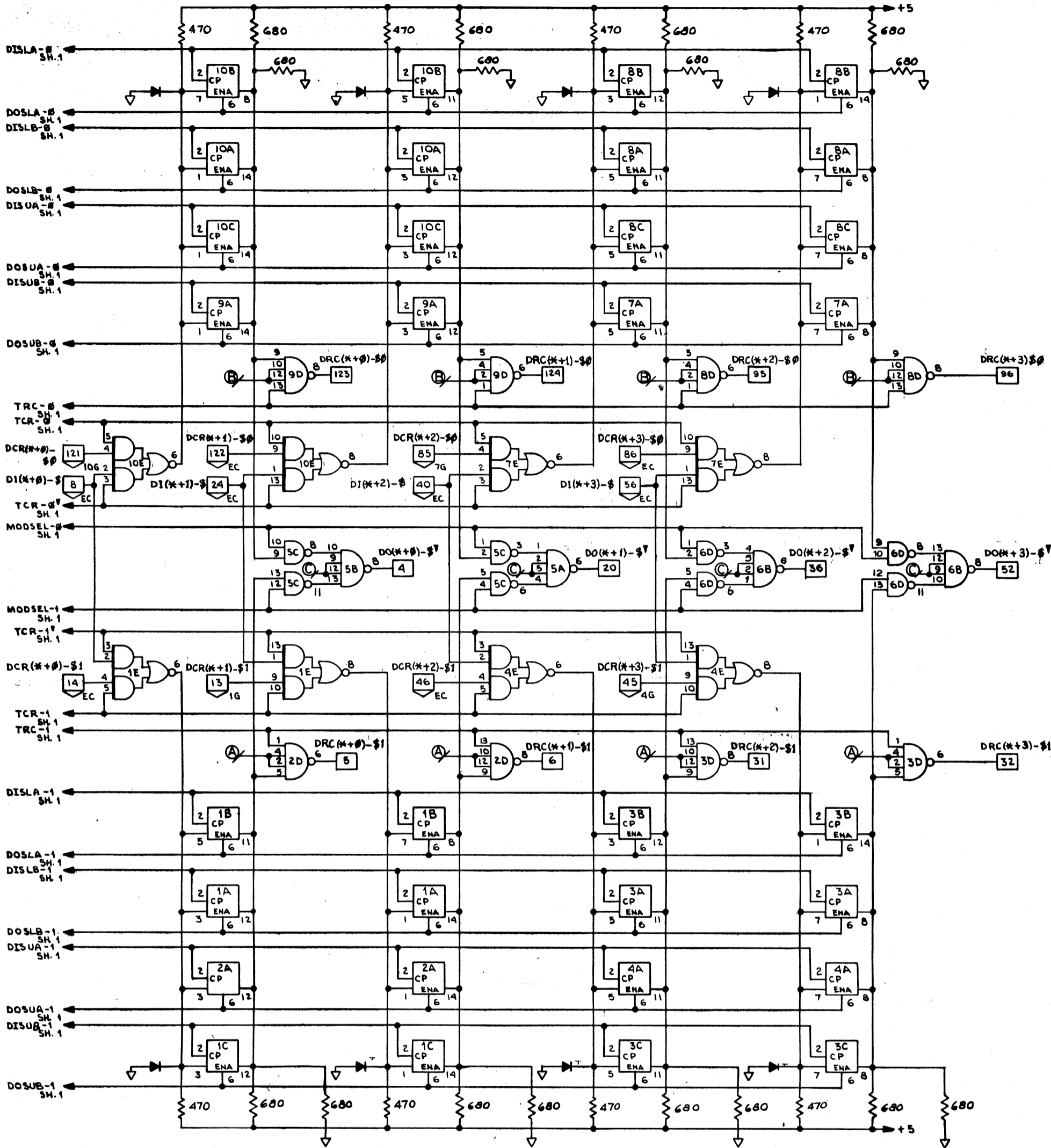
L00006		RELEASED	
		S. TULLOH Designer Date: 2/2/70	
DATA REGISTER BITS (0-7), (10-17), (18-25).		TITLE NETWORKS	
FIRST USED ON: ML FM 1 3		PART NUMBER L00006	

BIT 0

BIT 1

BIT 2

BIT 3



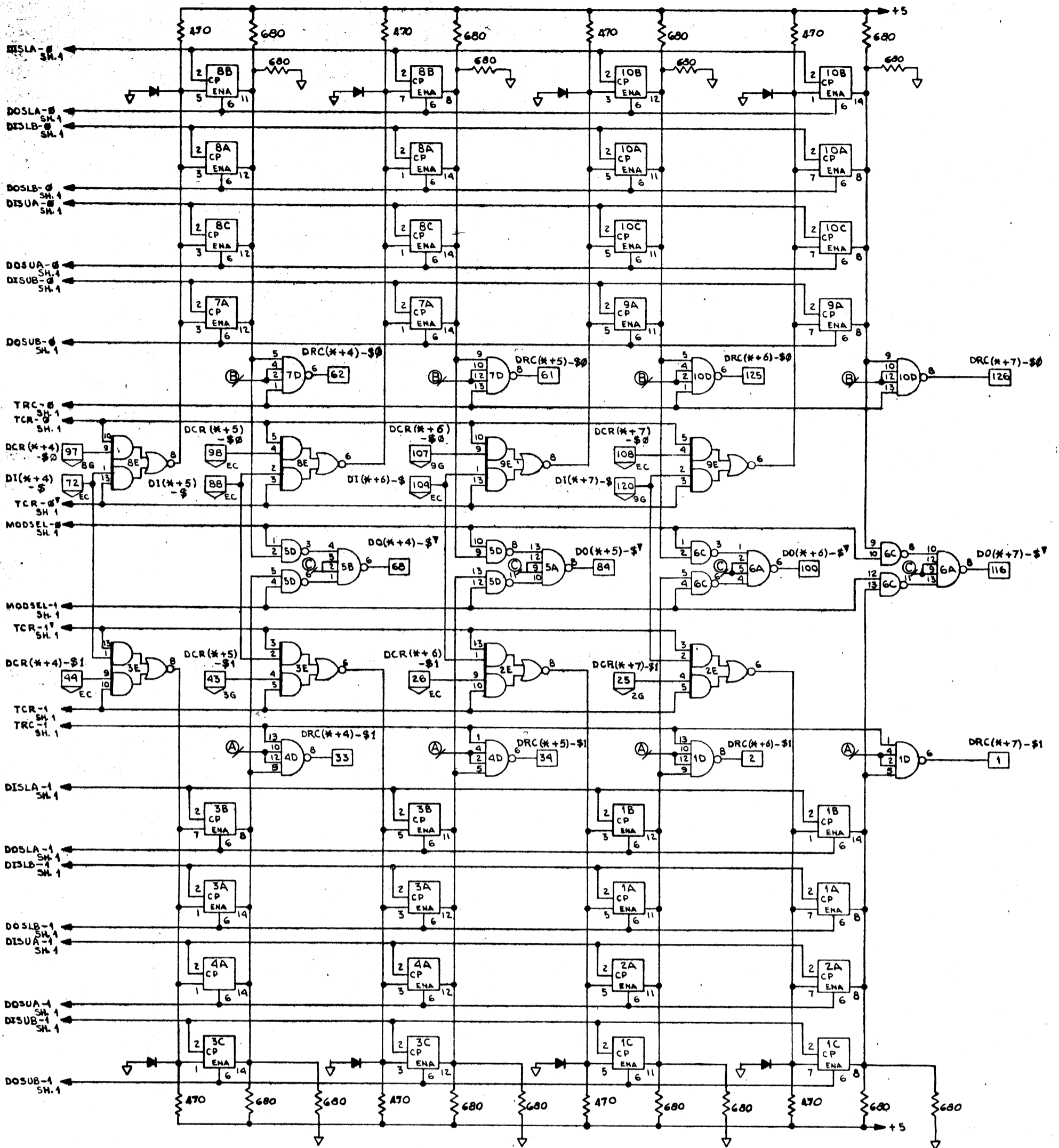
L00006	
S-7760H Rectifier Part No. 21210 Date: 11-13-70 Q145200	DATA REGISTER BITS (0-7), (10-17), (18-25) FIRST USED ON ML FM 2 3 L00006A

BIT 4

BIT 5

BIT 6

BIT 7



L00006

REVISIONS

NO.	DATE	REVISIONS
1		RELEASED
2		
3		

STULLGOTT
N. CALDWELL
2/21/70
4-22-70

DATA REGISTER
BITS (0-7), (10-17), (18-25)
FIRST USED ON ME FM
L00006