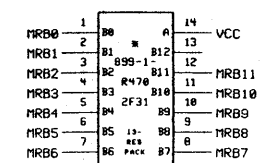
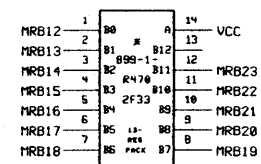
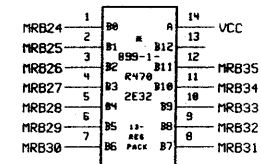
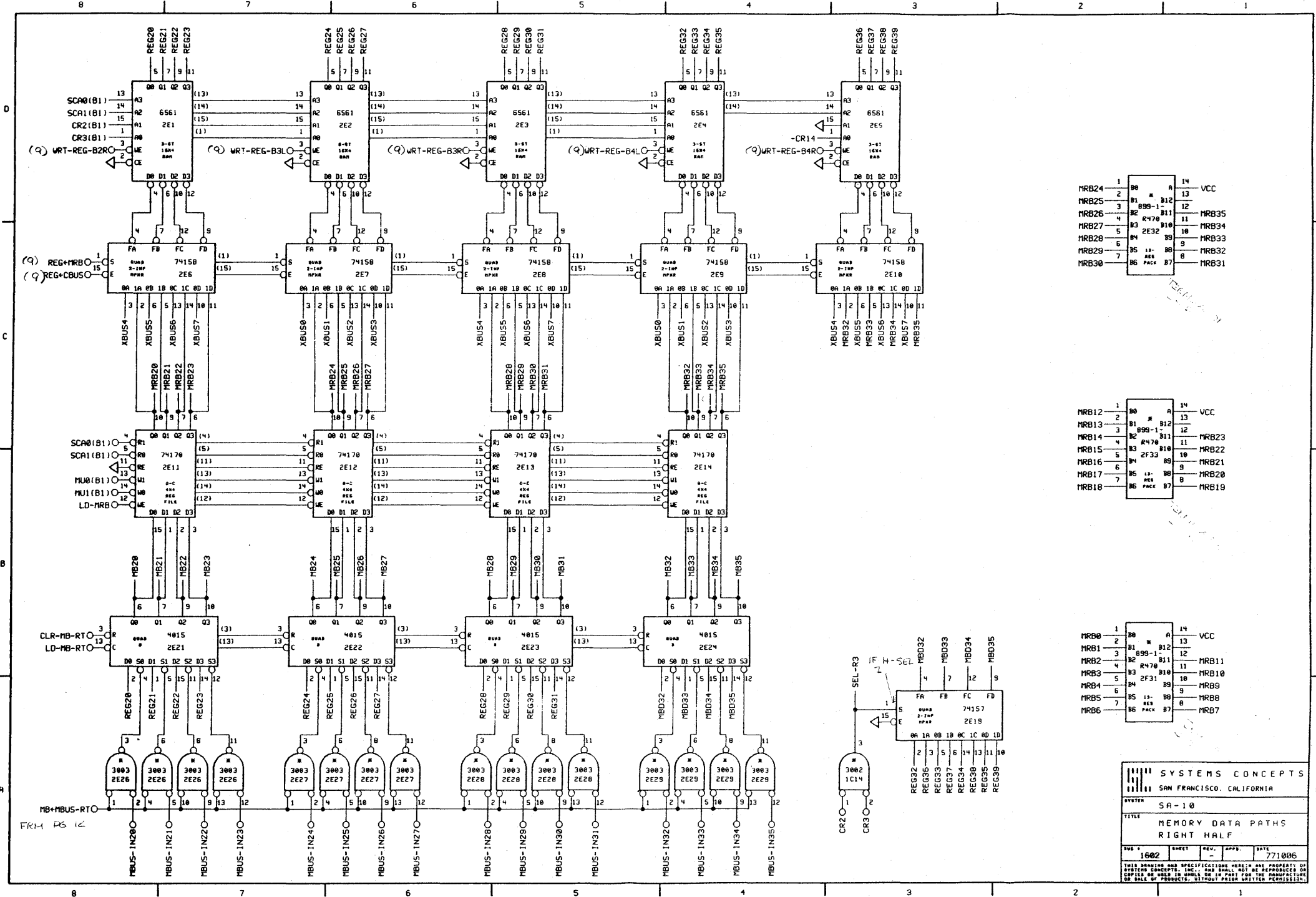


SYSTEMS CONCEPTS			
SAN FRANCISCO, CALIFORNIA			
SYSTEM	SA-10		
TITLE	MEMORY DATA PATHS LEFT HALF		
DATE	SHEET	REV.	DATE
7/10/66	1	-	7/10/66
<small>THIS DRAWING AND SPECIFICATIONS HEREIN ARE PROPERTY OF SYSTEMS CONCEPTS, INC. AND SHALL NOT BE REPRODUCED OR COPIED OR USED IN WHOLE OR IN PART FOR THE MANUFACTURE OR SALE OF PRODUCTS, WITHOUT PRIOR WRITTEN PERMISSION.</small>			

MEMORY BUS P44

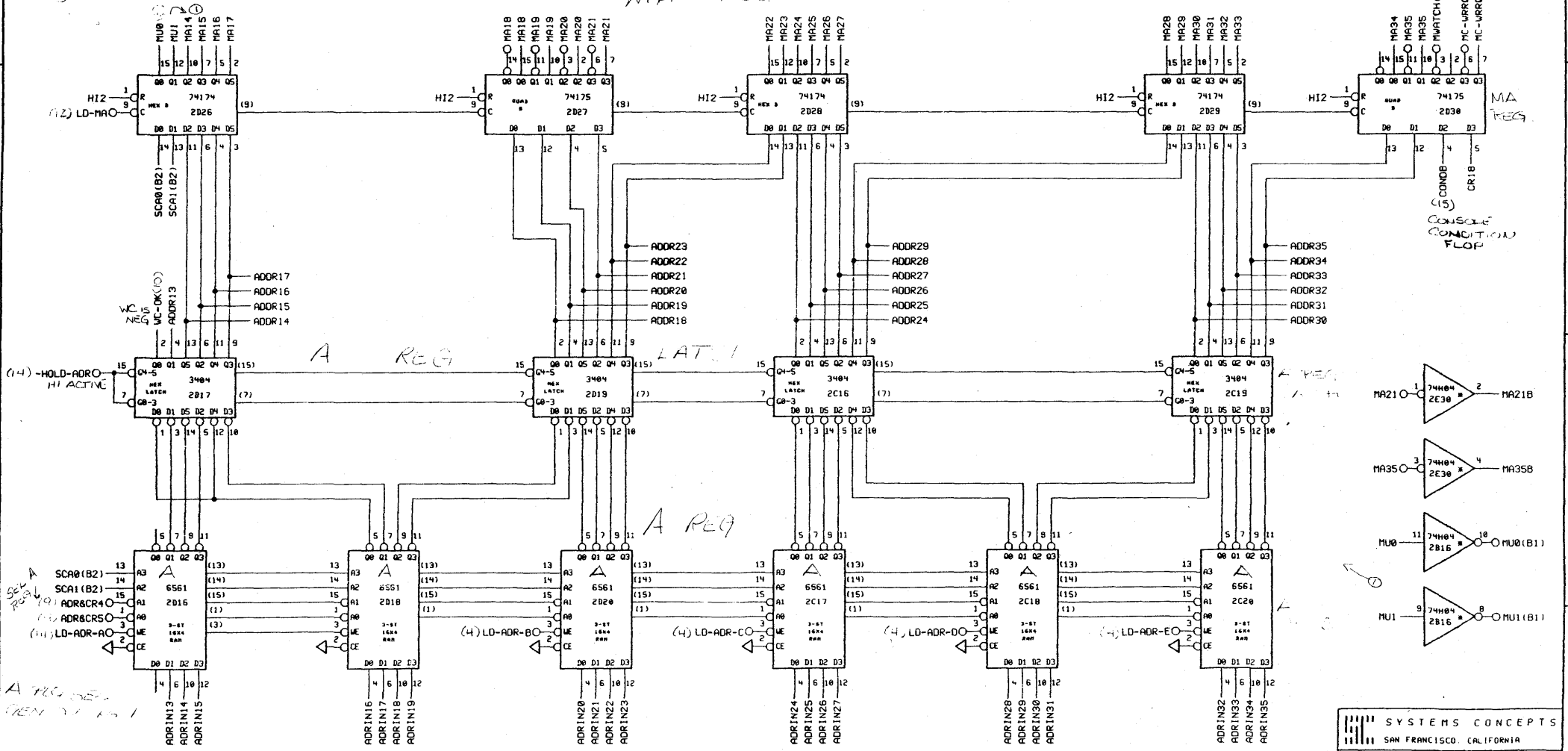


SYSTEMS CONCEPTS	
SAN FRANCISCO, CALIFORNIA	
SYSTEM	SA-10
TITLE	MEMORY DATA PATHS RIGHT HALF
REV. #	1602
SHEET	-
APP.	
DATE	771006
<small>THIS DRAWING AND SPECIFICATIONS HEREIN ARE PROPERTY OF SYSTEMS CONCEPTS, INC., AND SHALL NOT BE REPRODUCED OR COPIED OR USED IN WHOLE OR IN PART FOR THE MANUFACTURE OR SALE OF PRODUCTS, WITHOUT PRIOR WRITTEN PERMISSION.</small>	

FKM PS 1C

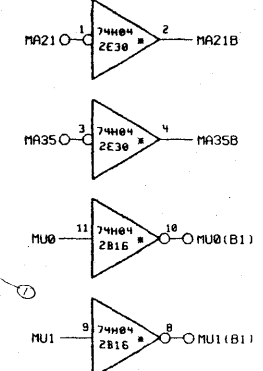
A REG'S
 0 = WORD COUNT
 1 = COMMAND ADDRESS
 2 = PC
 3 = ADDRESS ON ENTRY

MA REG'S

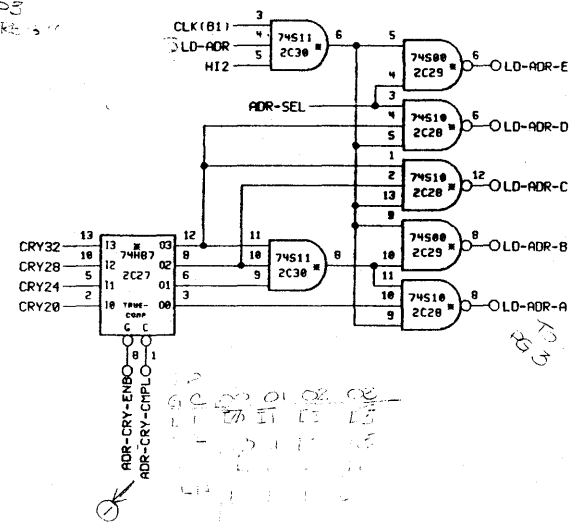
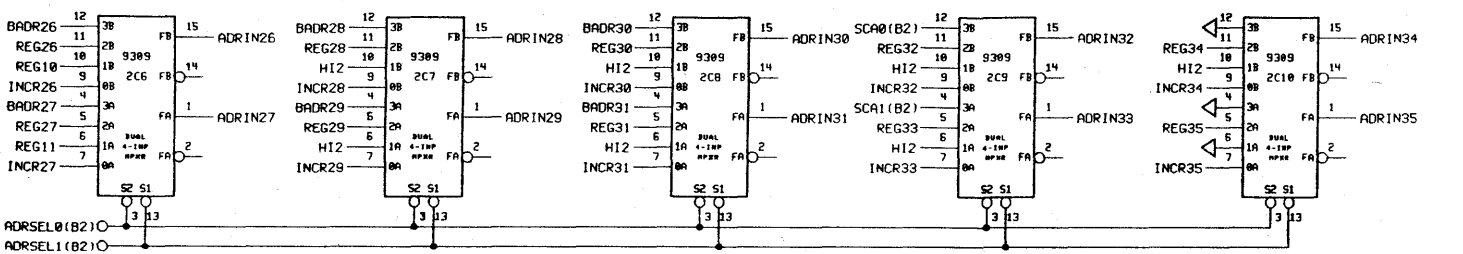
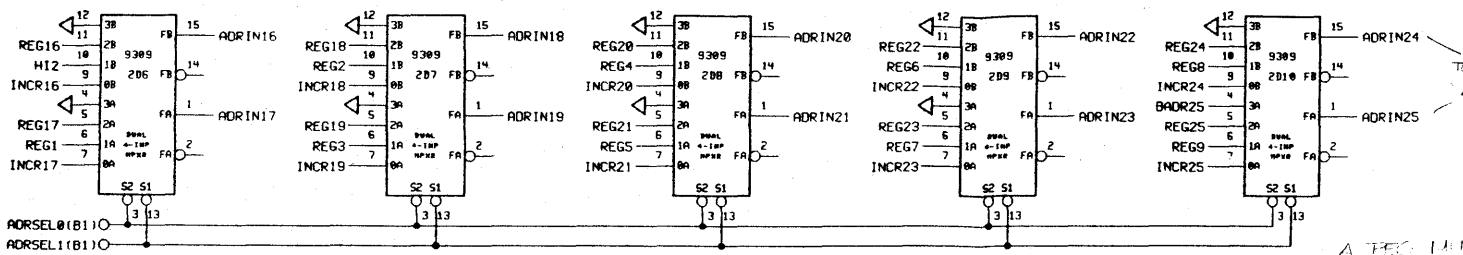


(43,12)
 MATCH(15) MARKS HIGH CYC FOR
 CONSOLE DISPLAY
 MC-WRRO
 MC-WRRQ

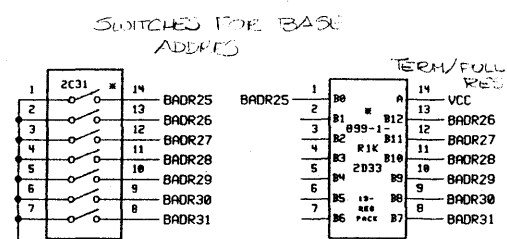
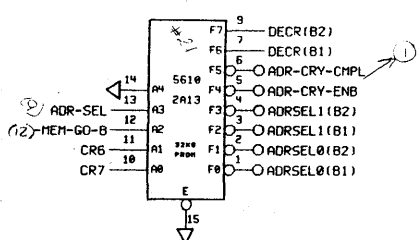
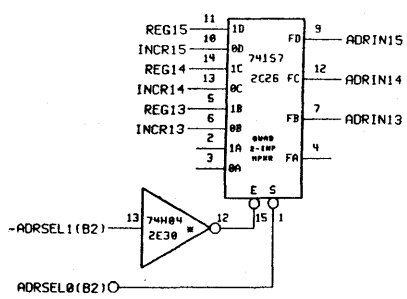
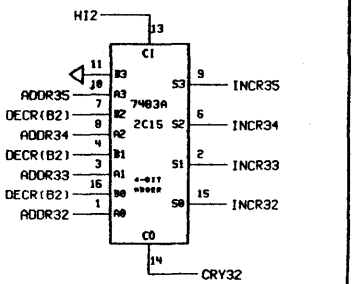
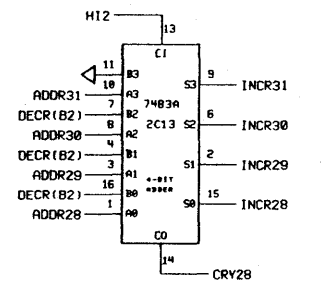
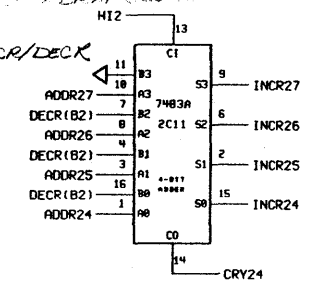
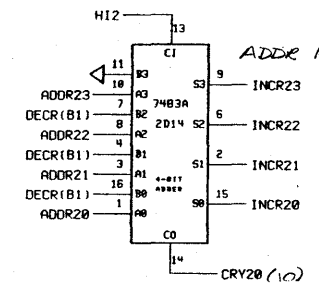
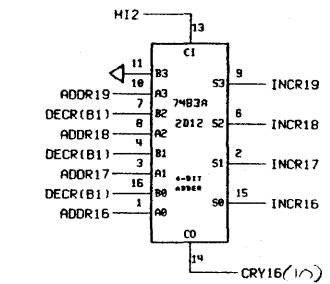
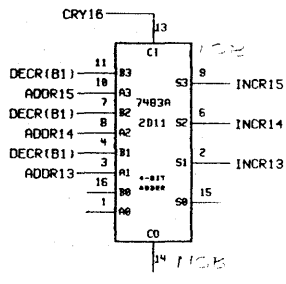
CONSOLE
 CONDITION
 FLOW



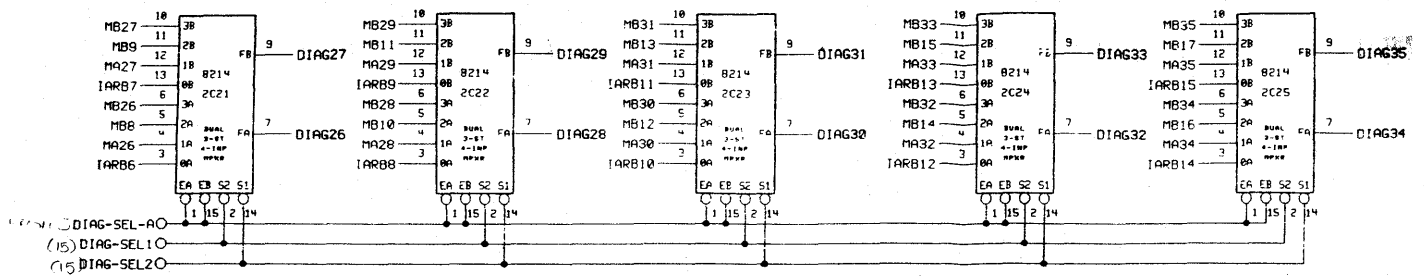
SYSTEMS CONCEPTS			
SAN FRANCISCO, CALIFORNIA			
SYSTEM	SA-10		
TITLE	MEMORY ADDRESS STORAGE		
DWG #	SHEET	REV.	DATE
1603	-	-	771130
THIS DRAWING AND SPECIFICATIONS HEREIN ARE PROPERTY OF SYSTEMS CONCEPTS, INC. NO REPRODUCTION OR COPIES OR USE TO WHOLE OR IN PART FOR THE MANUFACTURE OR SALE OF PRODUCTS, WITHOUT PRIOR WRITTEN PERMISSION.			



*BALL ADDR + 2H - 1 OR + 2
LEADS AT INPUTS OF MULT
BY READING FROM BALL
TO BALL 503 35*



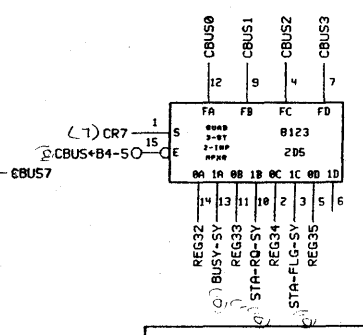
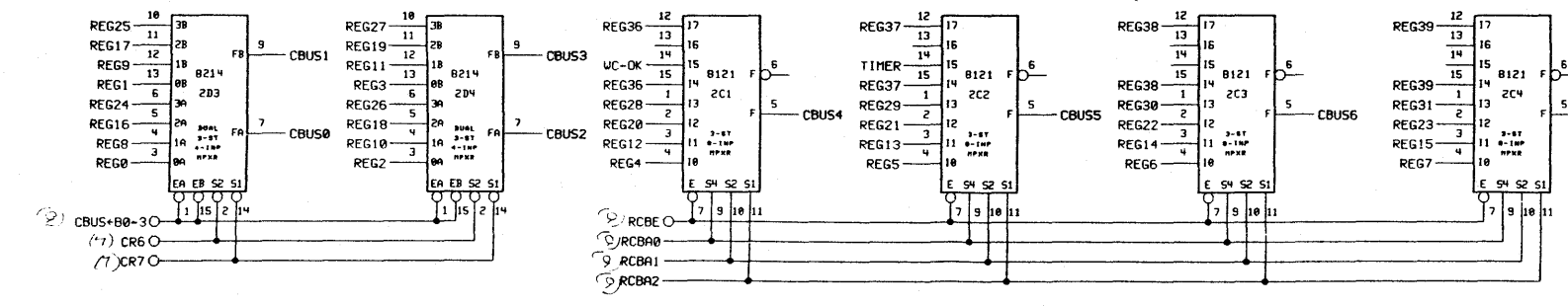
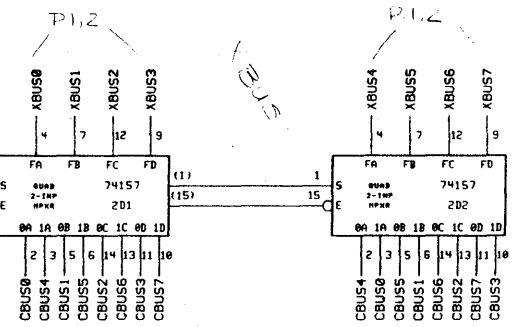
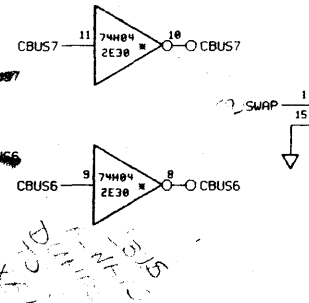
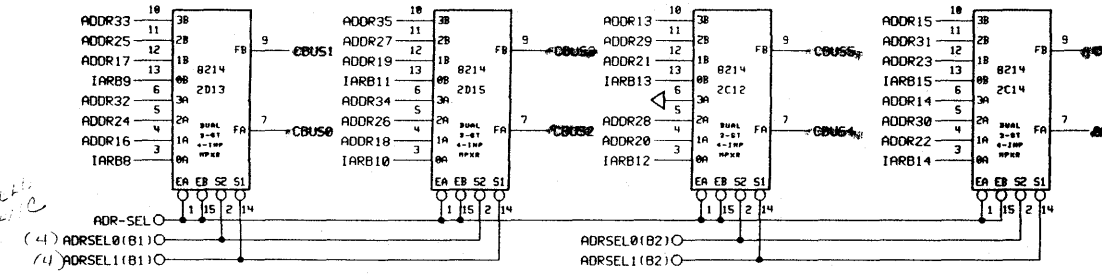
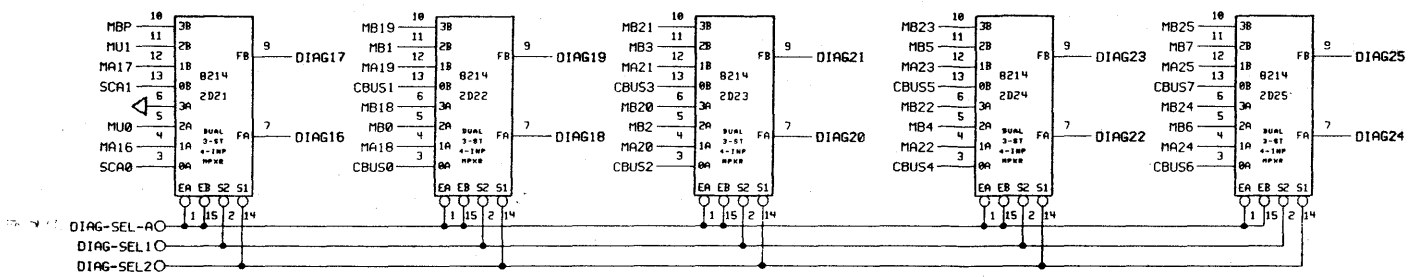
SYSTEMS CONCEPTS			
SAN FRANCISCO, CALIFORNIA			
SYSTEM SA-10			
TITLE MEMORY ADDRESS INPUTS & ADDER			
SHEET 1007	SHEET -	REV. -	DATE 7/11/68
<small>THIS DRAWING AND SPECIFICATIONS HEREIN ARE PROPERTY OF SYSTEMS CONCEPTS, INC. NO PART OF THIS DRAWING OR SPECIFICATIONS MAY BE REPRODUCED OR TRANSMITTED IN ANY FORM OR BY ANY MEANS, WITHOUT PRIOR WRITTEN PERMISSION.</small>			



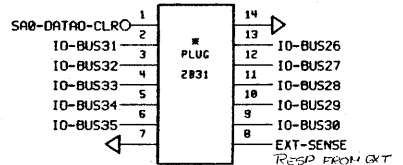
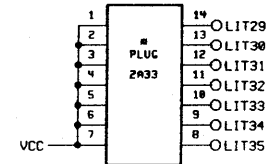
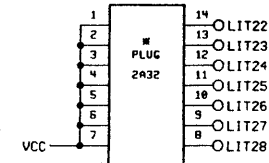
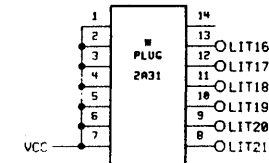
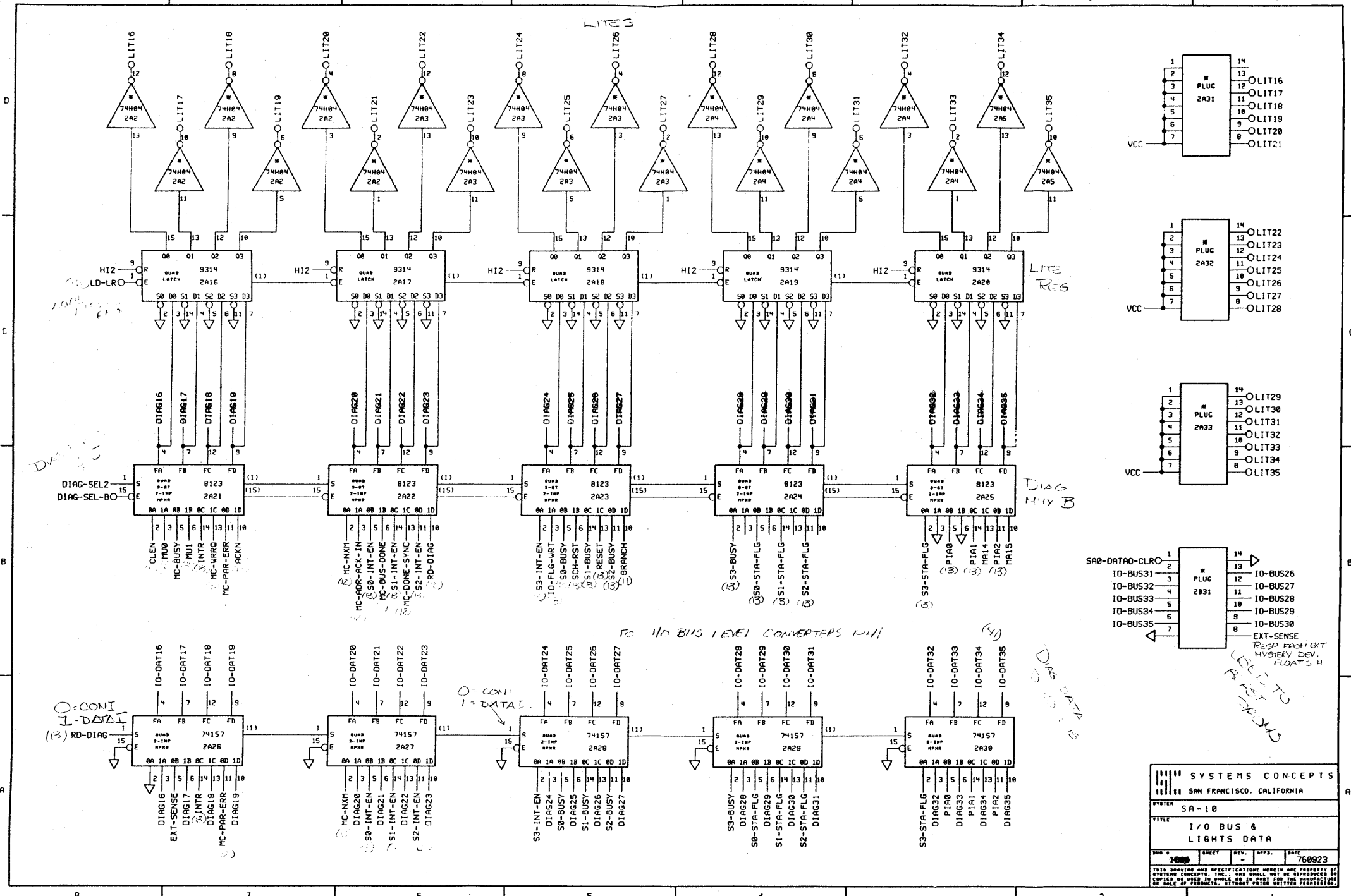
COND BUS 8021 8022 8023 8024 8025
DATA

- 1 - MA
- 2 - MULT 1 MB LEFT
- 3 - MULT 2 MB RIGHT

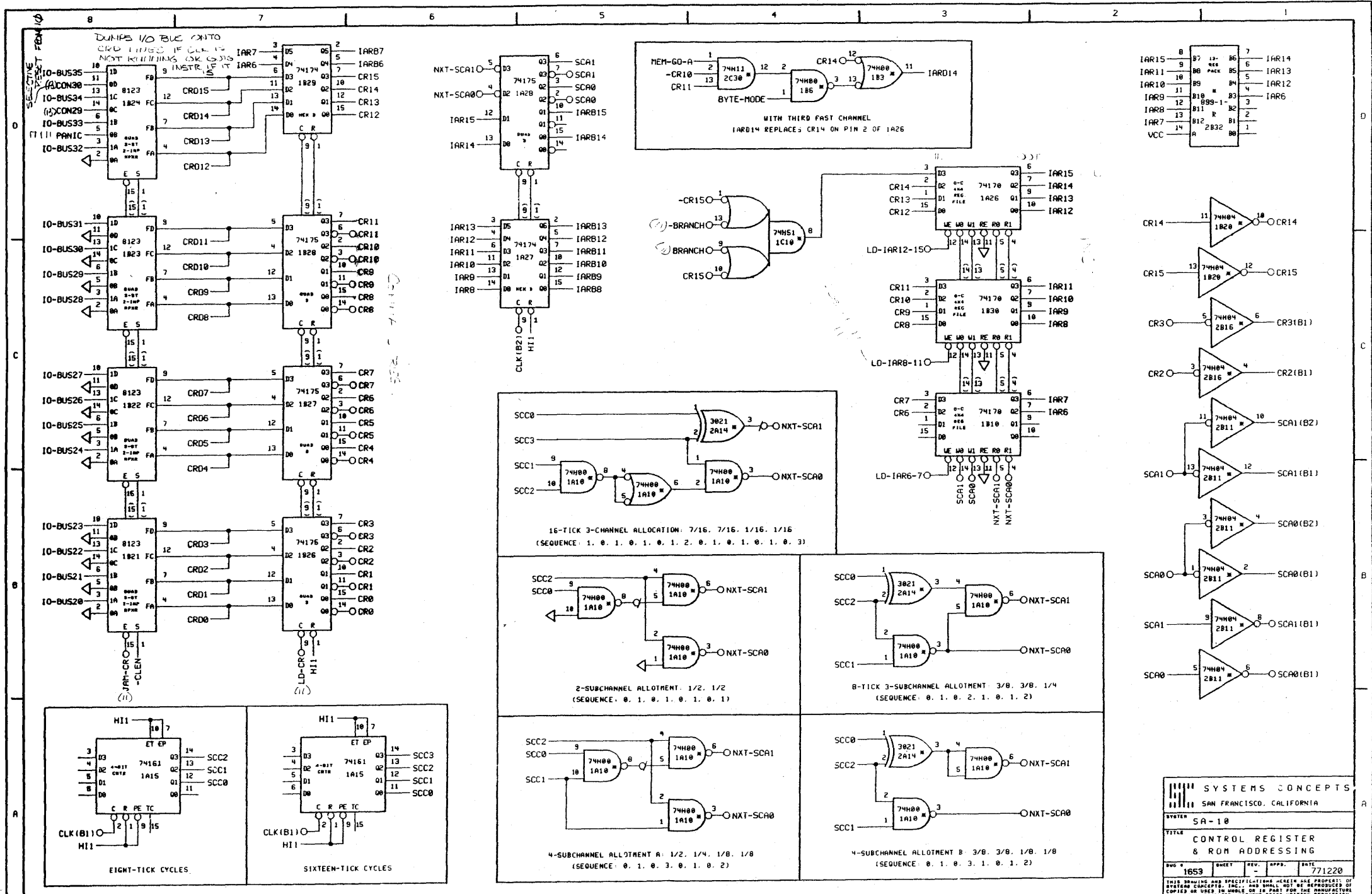
- DIAG MULT SEL B
- 1 - MULT 1 COND BUS 8021 8022 8023 8024
 - 5 - MULT 2 COND BUS 8025 8026 8027 8028



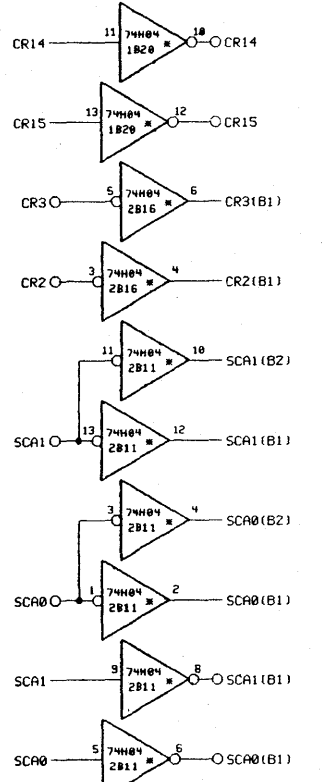
SYSTEMS CONCEPTS	
SAN FRANCISCO, CALIFORNIA	
SYSTEM SA-10	
TITLE CBUS & DIAGNOSTIC MULTIPLEXERS	
REV. 0	DATE 7/8/62
THIS DOCUMENT AND SPECIFICATIONS HEREIN ARE PROPERTY OF SYSTEMS CONCEPTS, INC., AND SHALL NOT BE REPRODUCED OR COPIED OR USED IN WHOLE OR IN PART FOR THE MANUFACTURE OR SALE OF PRODUCTS, WITHOUT PRIOR WRITTEN PERMISSION.	



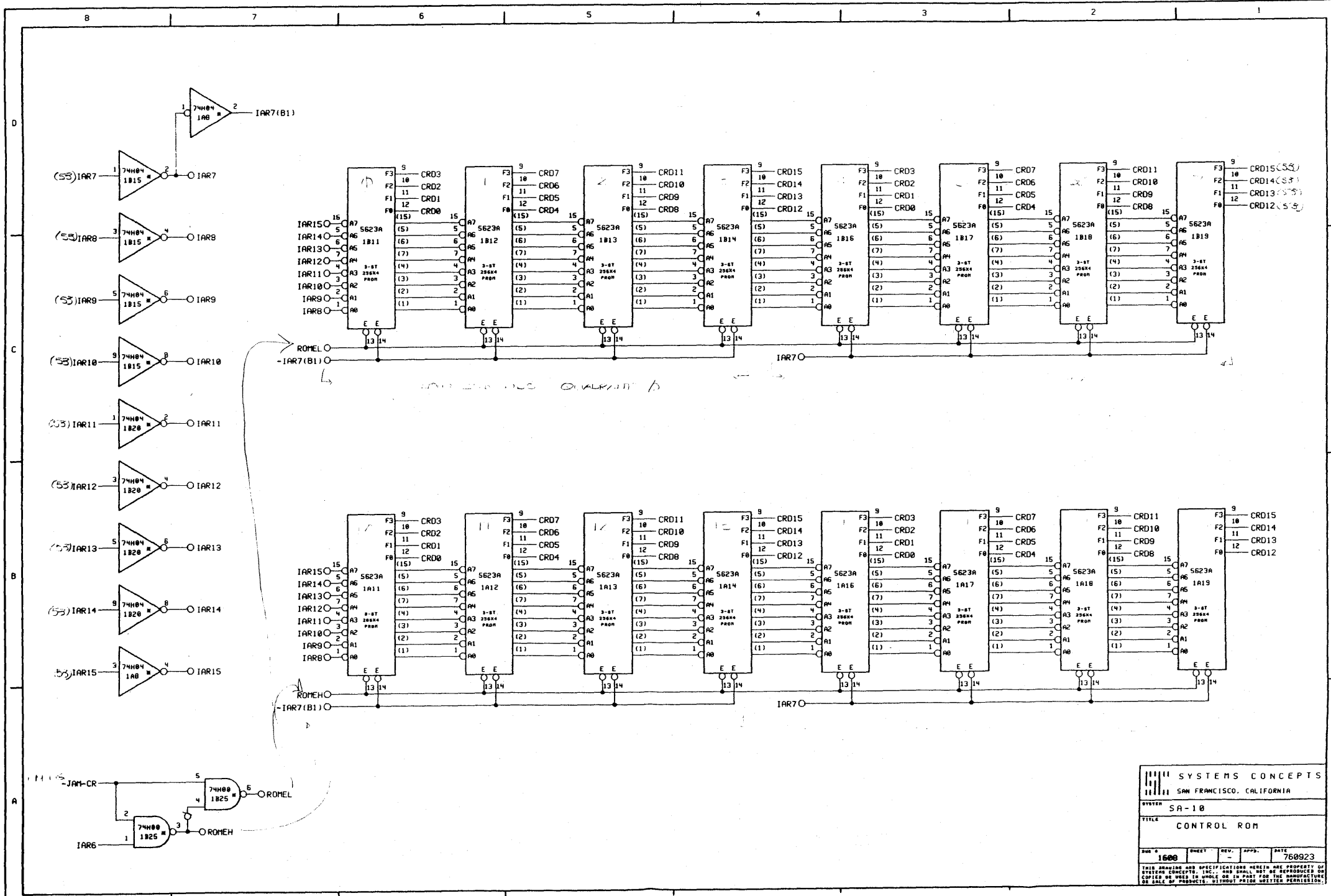
SYSTEMS CONCEPTS			
SAN FRANCISCO, CALIFORNIA			
SYSTEM SA-10			
TITLE I/O BUS & LIGHTS DATA			
DOC #	SHEET	REV.	DATE
10000			760923
<small>THIS DRAWING AND SPECIFICATIONS HEREIN ARE PROPERTY OF SYSTEMS CONCEPTS, INC. AND SHALL NOT BE REPRODUCED OR USED IN ANY MANNER WITHOUT PRIOR WRITTEN PERMISSION OF SYSTEMS CONCEPTS, INC.</small>			



IAR15	8	B7	12	B6	7	IAR14
IAR11	9	B8	11	B5	6	IAR13
IAR10	10	B9	10	B4	5	IAR12
IAR9	11	B10	9	B3	4	IAR6
IAR8	12	B11	8	B2	3	IAR5
IAR7	13	B12	7	B1	2	IAR4
IAR6	14	B13	6	B0	1	IAR3
VCC	15	A	2832	B0	1	IAR2

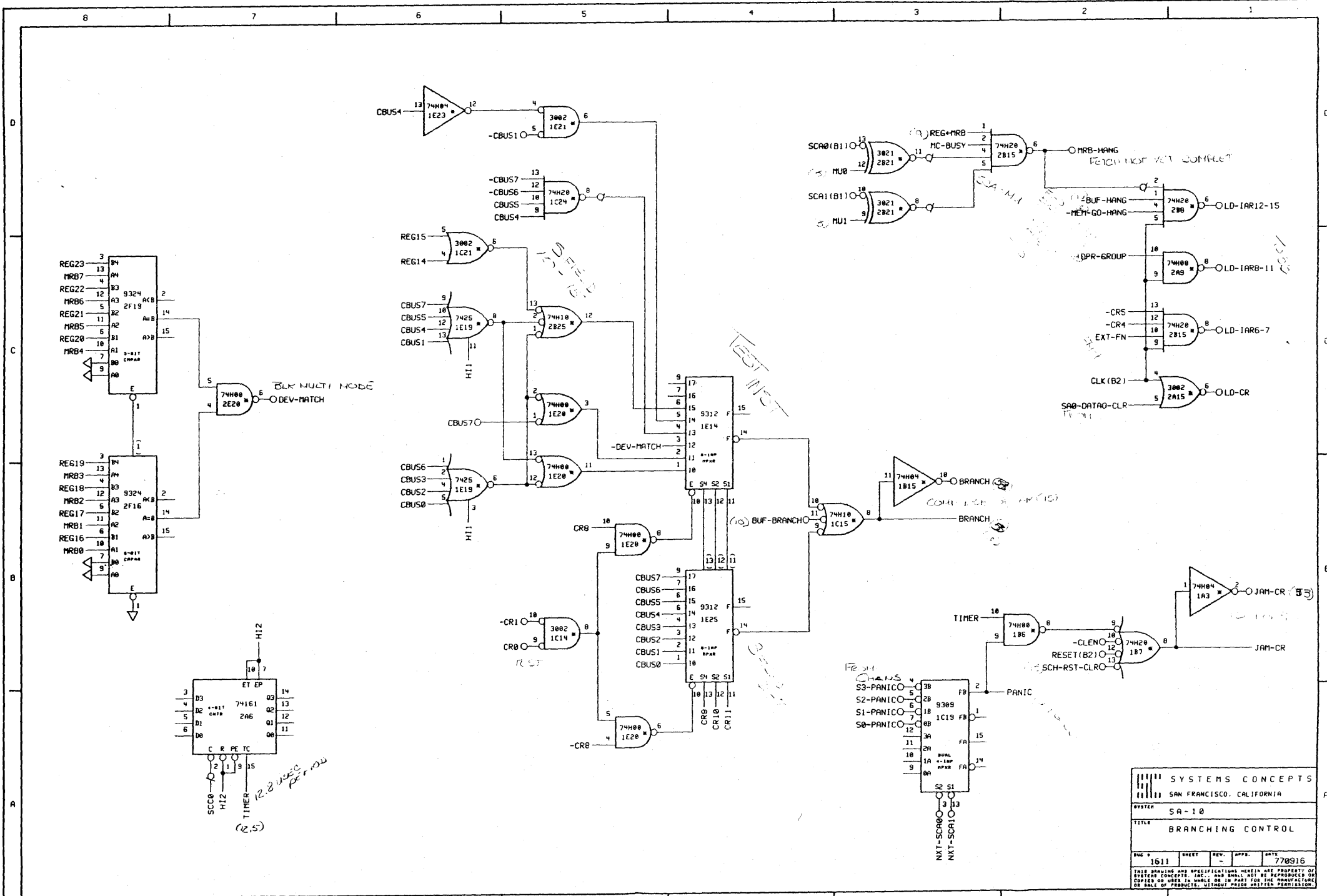


SYSTEMS CONCEPTS			
SAN FRANCISCO, CALIFORNIA			
SYSTEM	SA-10		
TITLE	CONTROL REGISTER & ROM ADDRESSING		
NO. 1653	SHEET	REV.	DATE 7/71220
THIS DRAWING AND SPECIFICATIONS HEREIN ARE PROPERTY OF SYSTEMS CONCEPTS, INC. AND SHALL NOT BE REPRODUCED OR COPIED OR USED IN WHOLE OR IN PART FOR THE MANUFACTURE OR SALE OF PRODUCTS, WITHOUT PRIOR WRITTEN PERMISSION.			

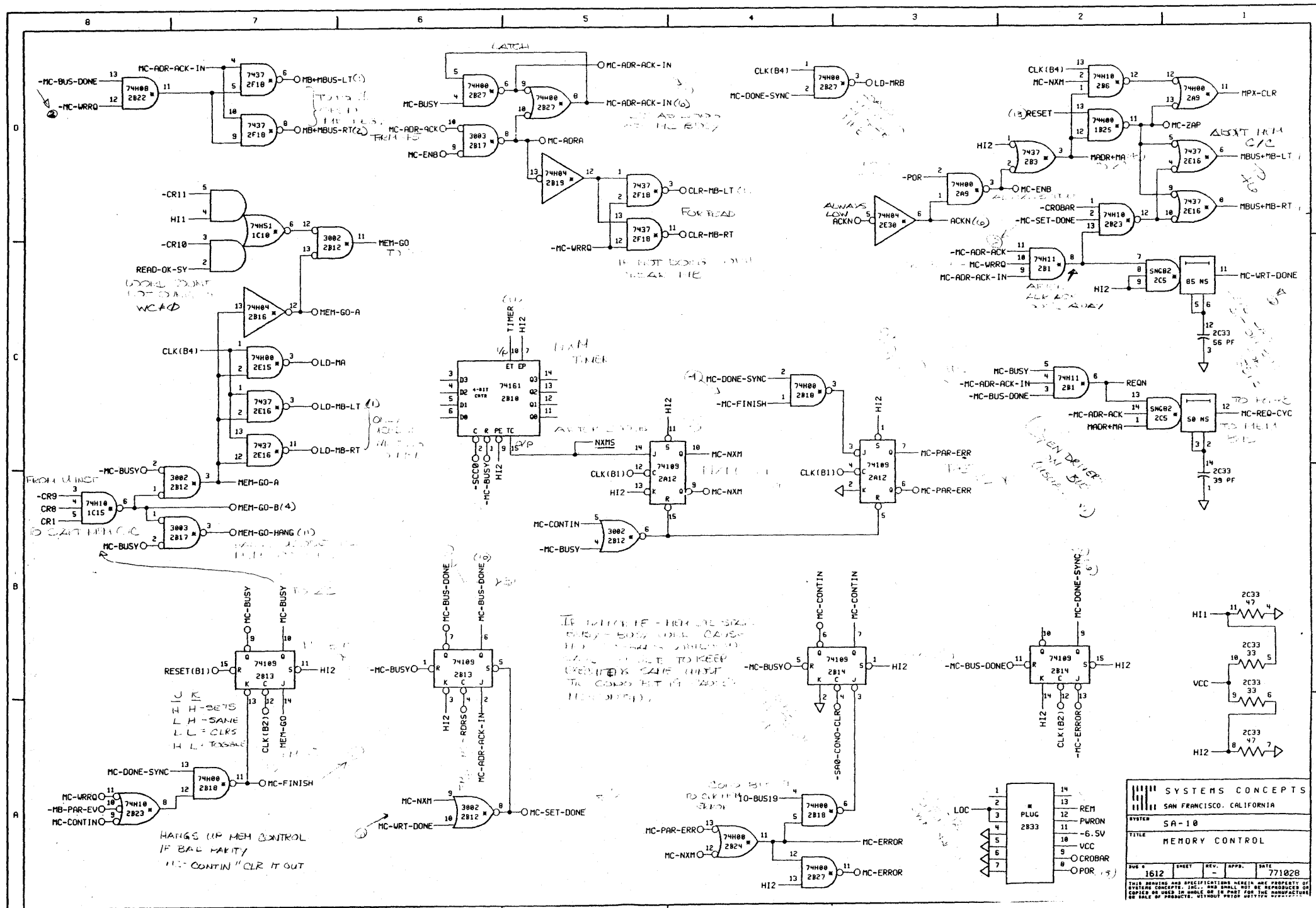


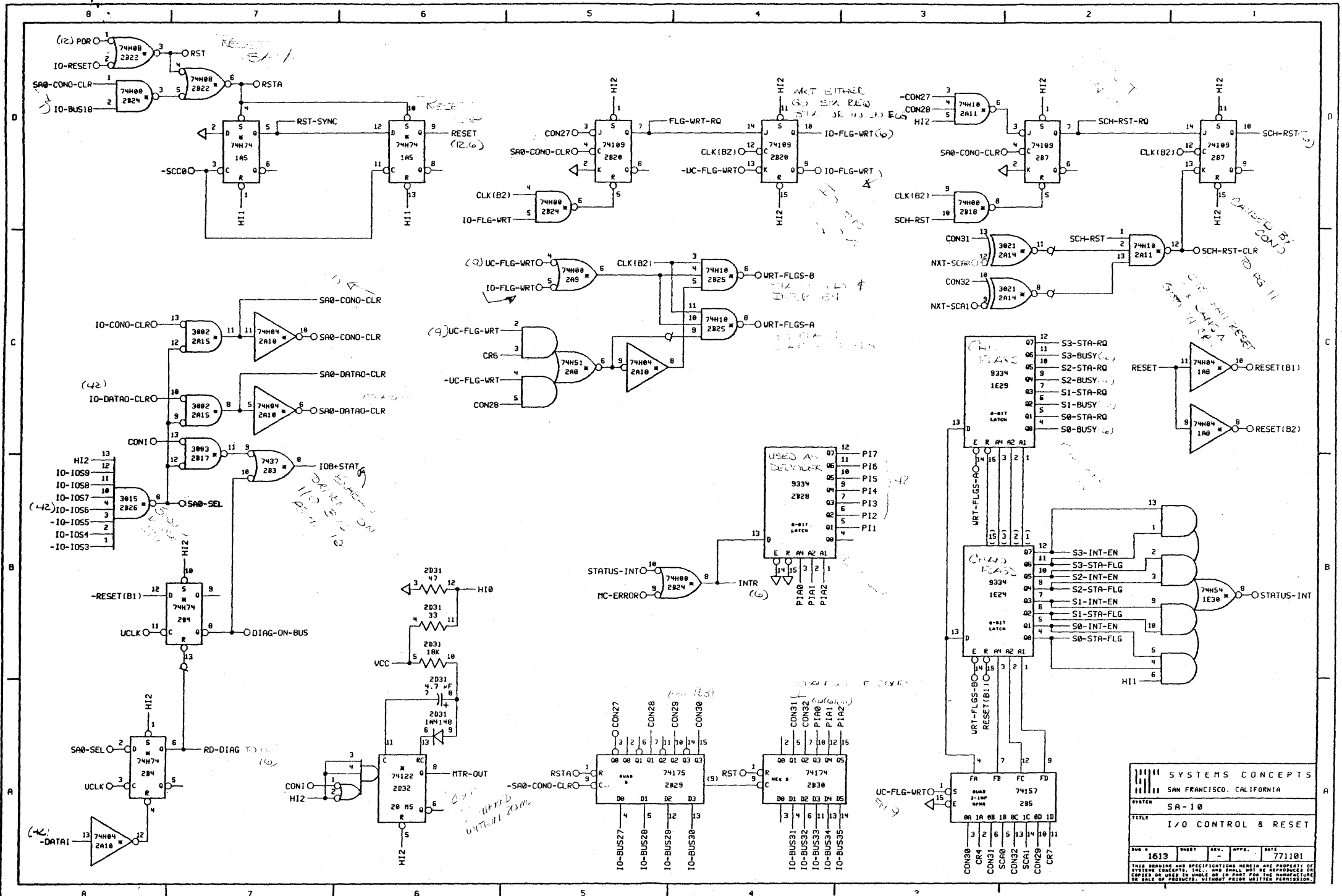
SYSTEMS CONCEPTS			
SAN FRANCISCO, CALIFORNIA			
SYSTEM SA-10			
TITLE CONTROL ROM			
REV. 1608	APP. -	DATE 760923	

THIS DRAWING AND SPECIFICATIONS HEREIN ARE PROPERTY OF SYSTEMS CONCEPTS, INC. AND SHALL NOT BE REPRODUCED OR COPIED OR USED IN WHOLE OR IN PART FOR THE MANUFACTURE OR SALE OF PRODUCTS WITHOUT WRITTEN PERMISSION.

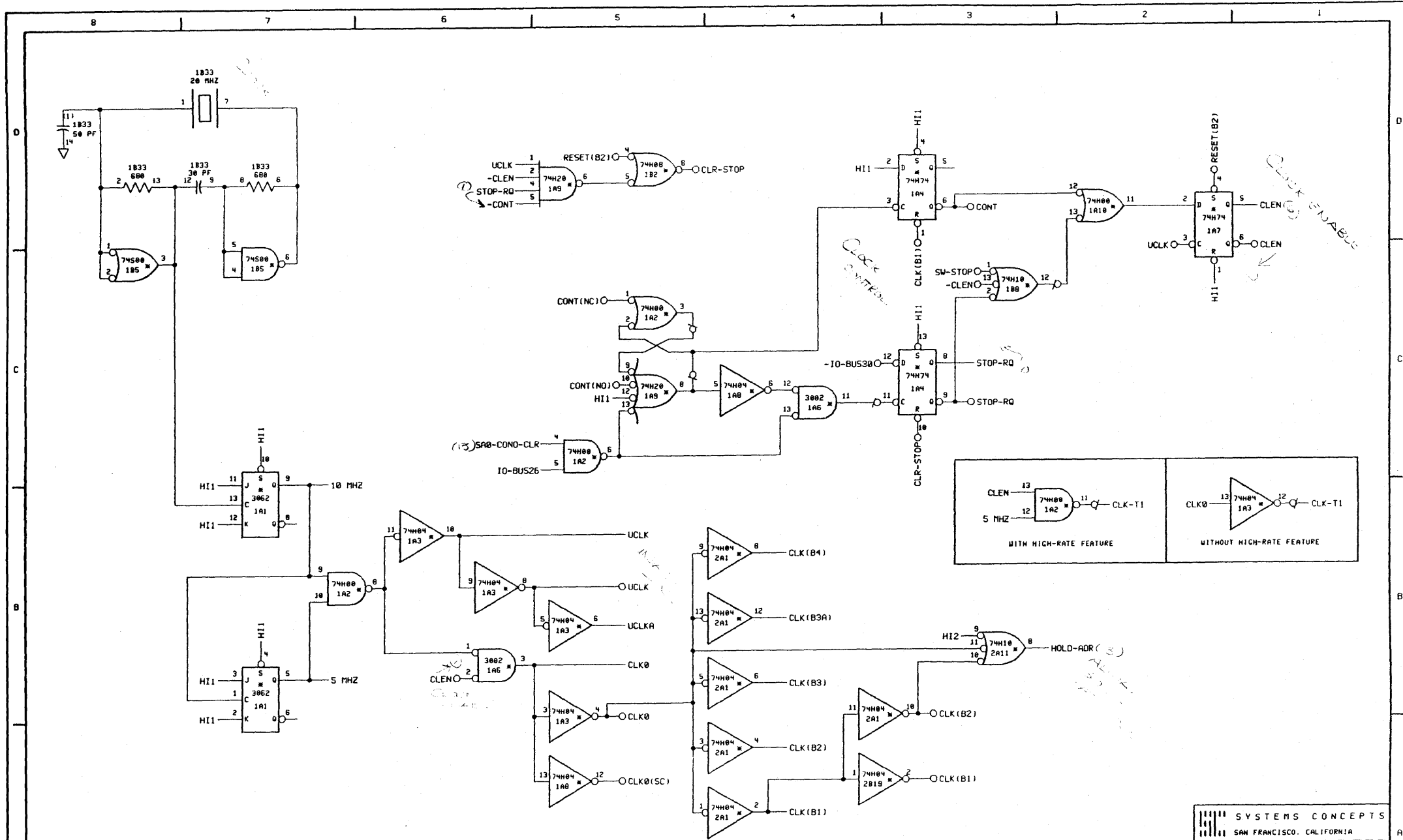


SYSTEMS CONCEPTS				
SAN FRANCISCO, CALIFORNIA				
SYSTEM SA-10				
TITLE BRANCHING CONTROL				
FIG #	SHEET	REV.	APP.	DATE
1611				770916
THIS DRAWING AND SPECIFICATIONS HEREIN ARE PROPERTY OF SYSTEMS CONCEPTS, INC., AND SHALL NOT BE REPRODUCED OR COPIED OR USED IN WHOLE OR IN PART FOR THE MANUFACTURE OF ANY OF PRODUCTS, WITHOUT PRIOR WRITTEN PERMISSION.				

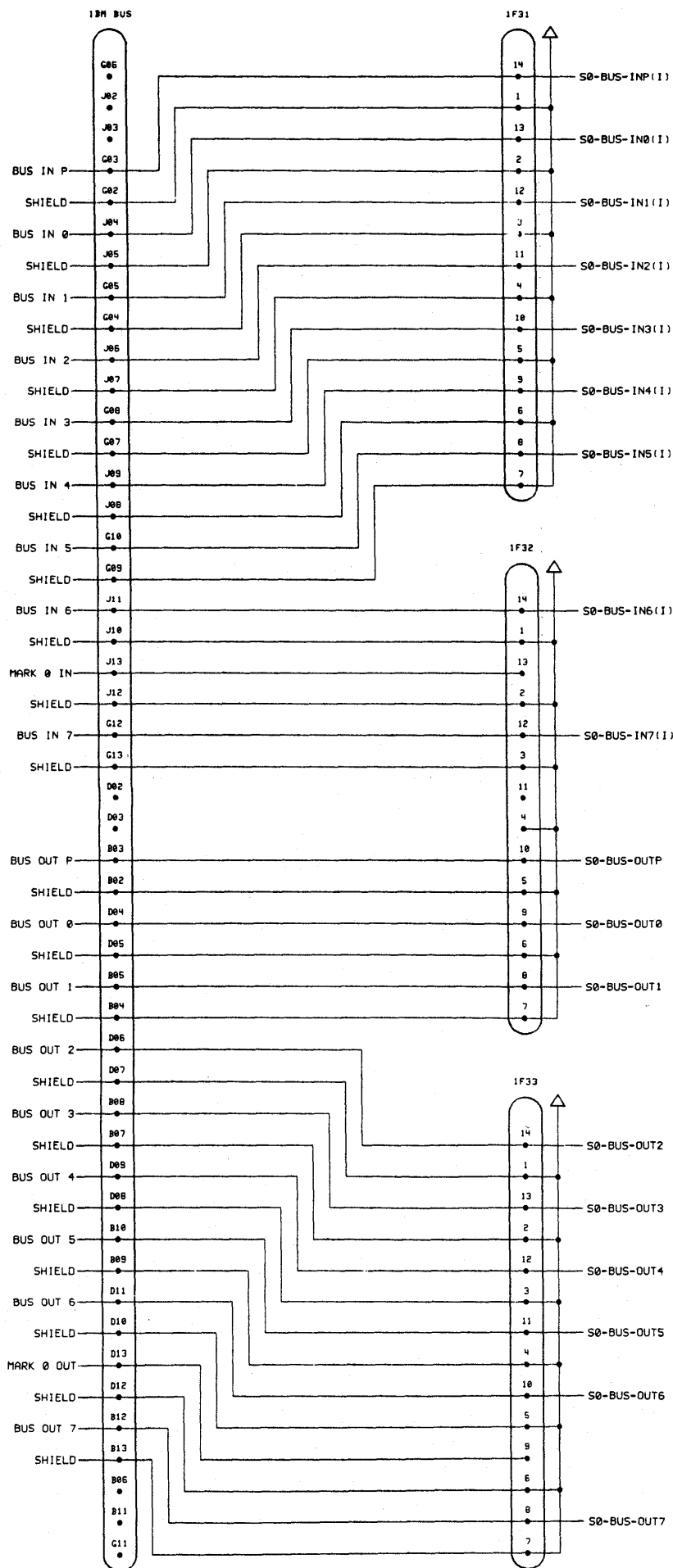




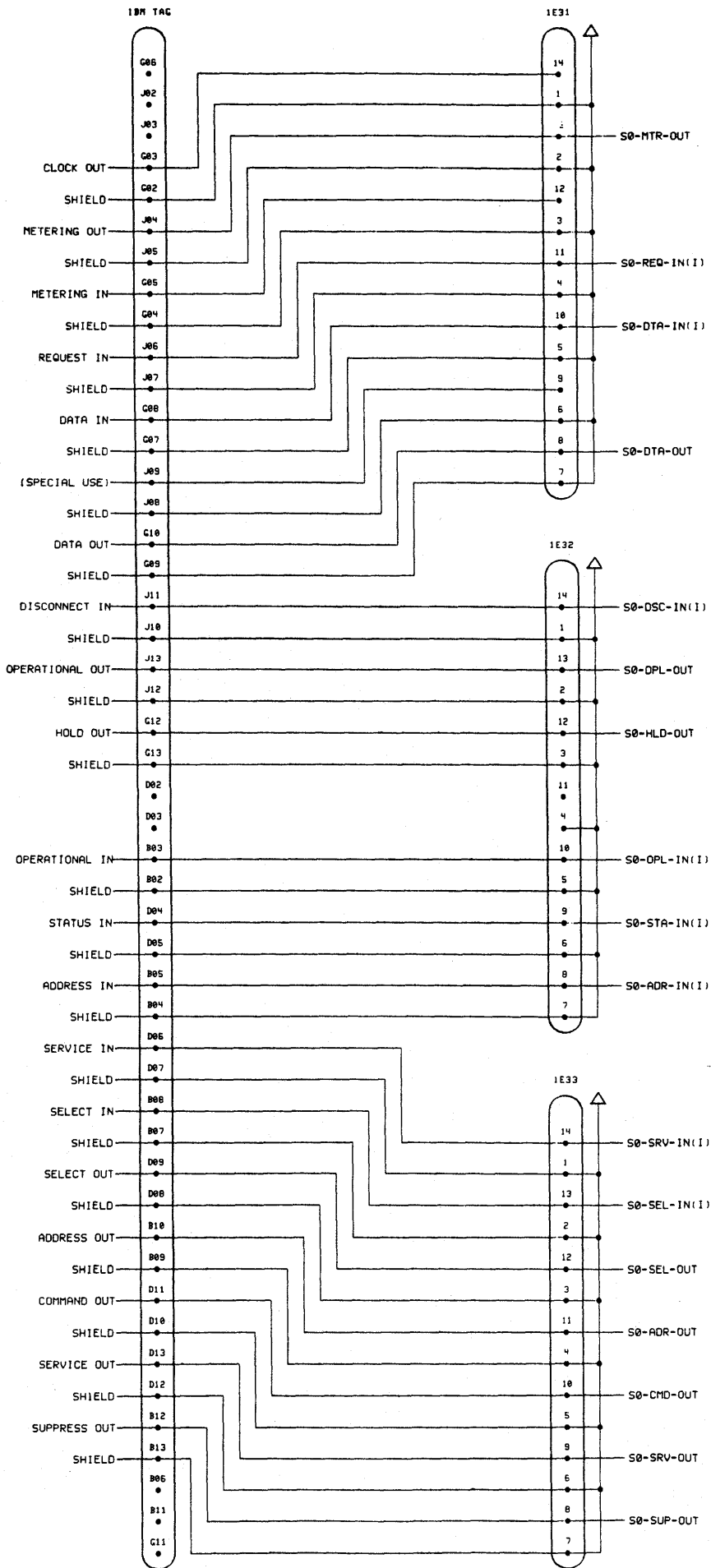
SYSTEMS CONCEPTS			
SAN FRANCISCO, CALIFORNIA			
PROJECT SA-10			
TITLE I/O CONTROL & RESET			
SHEET 1613	SHEET	REV.	DATE 7/11/01
THIS DRAWING AND SPECIFICATIONS HEREIN ARE PROPERTY OF SYSTEMS CONCEPTS, INC. AND SHALL NOT BE REPRODUCED OR SALE OF PRODUCTS WITHOUT PRIOR WRITTEN PERMISSION.			



SYSTEMS CONCEPTS			
SAN FRANCISCO, CALIFORNIA			
SYSTEM	SA-10		
TITLE	CLOCK CONTROL & BUFFERS		
DWG #	SHEET	REV.	DATE
1614	-	-	770916
THIS DRAWING AND SPECIFICATIONS HEREIN ARE PROPERTY OF SYSTEMS CONCEPTS, INC., AND SHALL NOT BE REPRODUCED OR COPIED, OR USED IN WHOLE OR IN PART FOR THE MANUFACTURE			

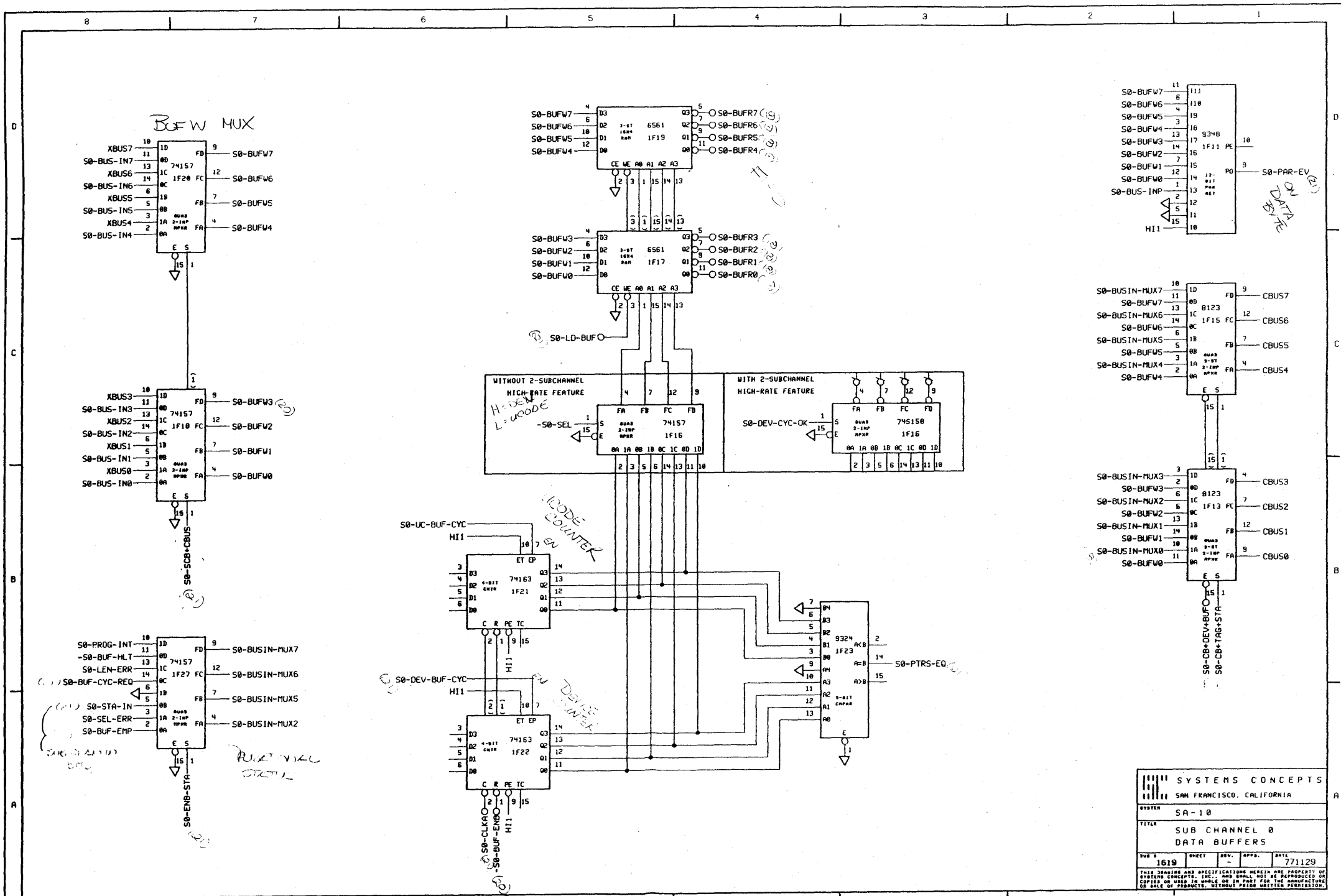


SYSTEMS CONCEPTS
 SAN FRANCISCO, CALIFORNIA
 SYSTEM SA-10
 SUB CHANNEL 0
 IBM BUS INTERFACE
 DATE 1/6/66
 DRAWN BY [signature]
 CHECKED BY [signature]
 APPROVED BY [signature]
 160914

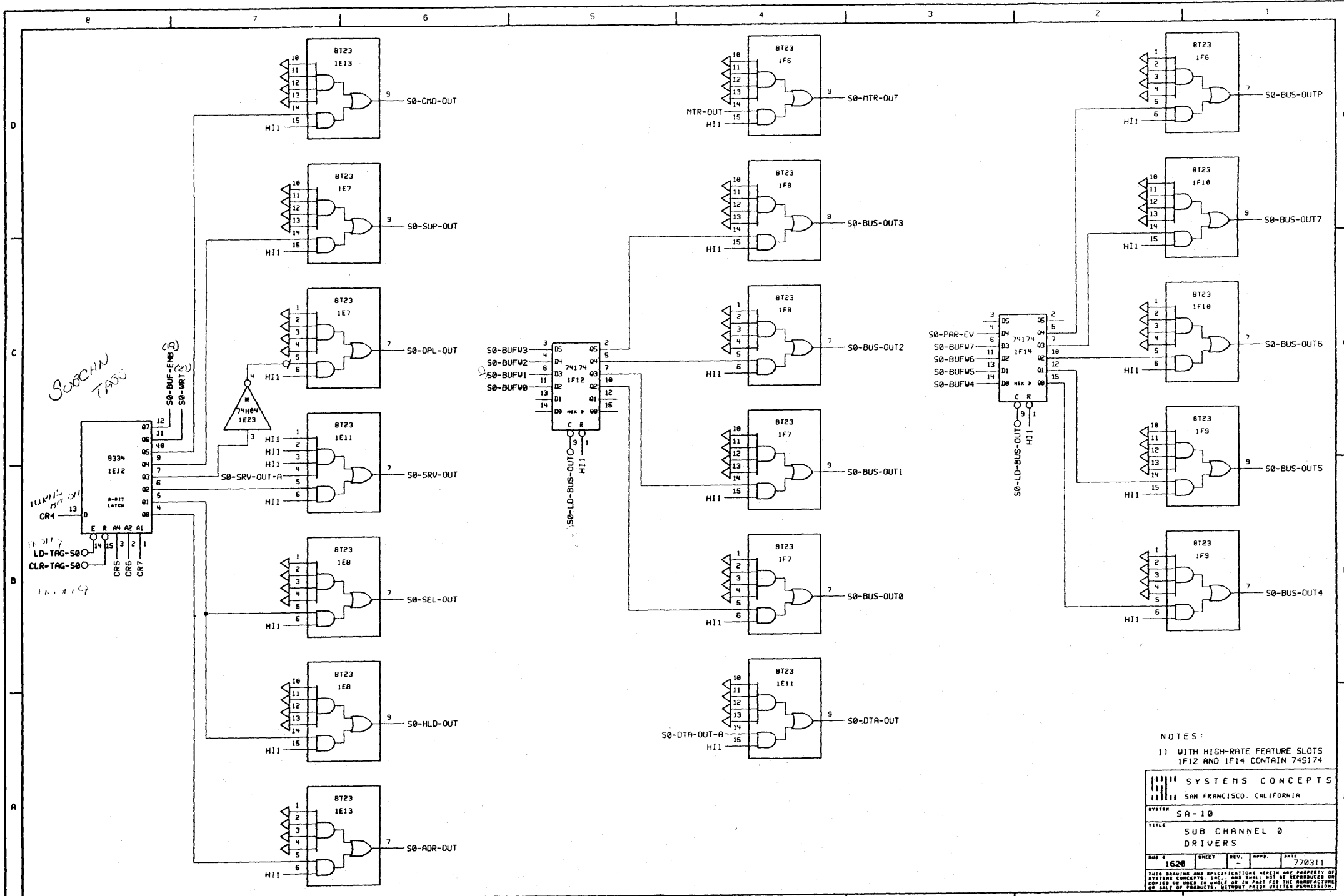


SYSTEMS CONCEPTS
 SAN FRANCISCO, CALIFORNIA
 MODEL SA-10
 TITLE SUB CHANNEL 0
 IBM TAG INTERFACE
 PART NO. 769917
 DATE 10/17/67

THIS DOCUMENT AND THE INFORMATION CONTAINED HEREIN ARE THE PROPERTY OF INTERNATIONAL BUSINESS MACHINES CORPORATION AND ARE LOANED TO YOU BY CONTRACT. IT IS TO BE USED ONLY FOR THE PURPOSES SPECIFIED IN THE CONTRACT. IT IS TO BE RETURNED TO INTERNATIONAL BUSINESS MACHINES CORPORATION AT THE END OF THE PROJECT. WITHOUT FURTHER WRITTEN PERMISSION.



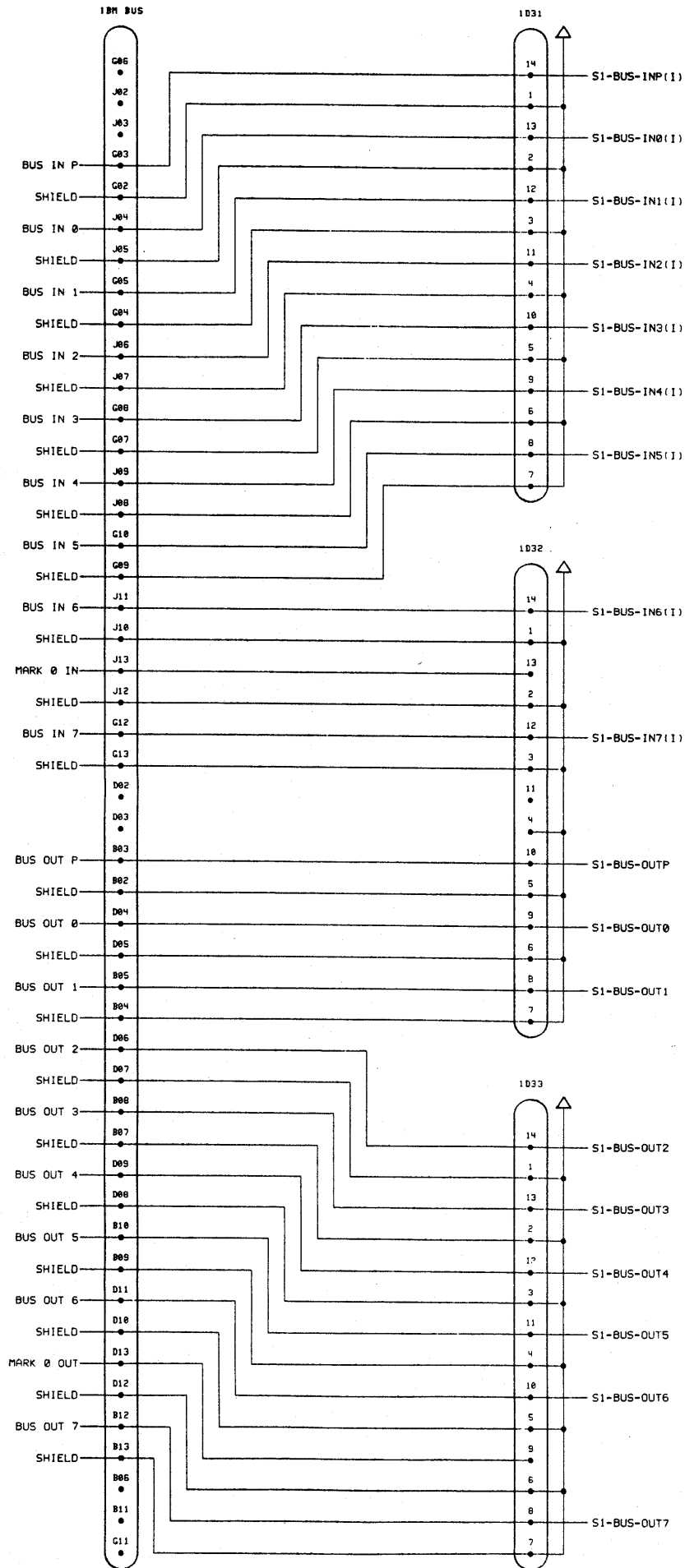
SYSTEMS CONCEPTS			
SAN FRANCISCO, CALIFORNIA			
SYSTEM SA-10			
TITLE SUB CHANNEL 0 DATA BUFFERS			
DWG NO	SHEET	REV.	DATE
1519	-	-	771129
<small>THIS DRAWING AND SPECIFICATIONS HEREIN ARE PROPERTY OF SYSTEMS CONCEPTS, INC., AND SHALL NOT BE REPRODUCED OR COPIED OR USED IN WHOLE OR IN PART FOR THE MANUFACTURE OR SALE OF PRODUCTS, WITHOUT PRIOR WRITTEN PERMISSION.</small>			



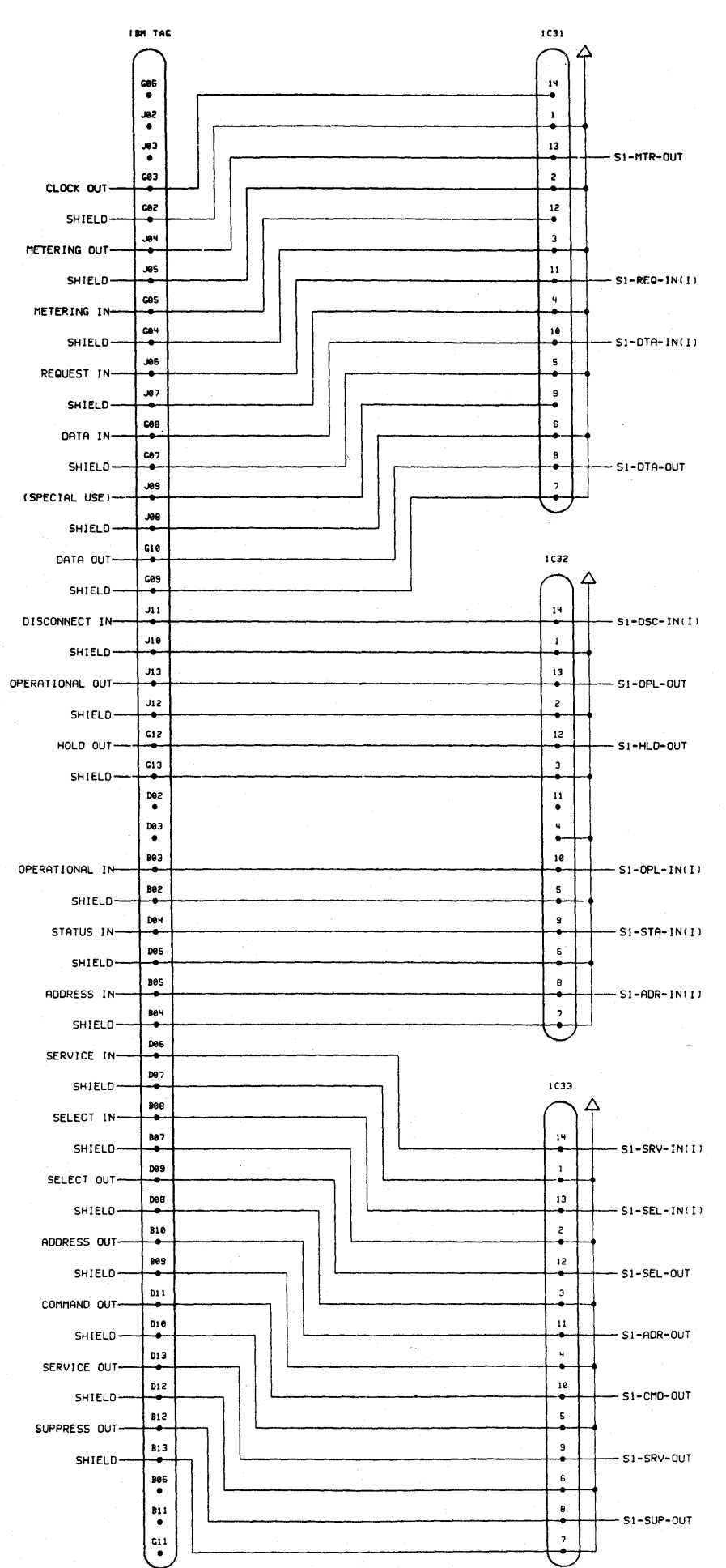
NOTES:
 1) WITH HIGH-RATE FEATURE SLOTS
 1F12 AND 1F14 CONTAIN 74S174

SYSTEMS CONCEPTS			
SAN FRANCISCO, CALIFORNIA			
SYSTEM SA-10			
TITLE SUB CHANNEL 0 DRIVERS			
SUB #	SHEET	REV.	DATE
1620			770311

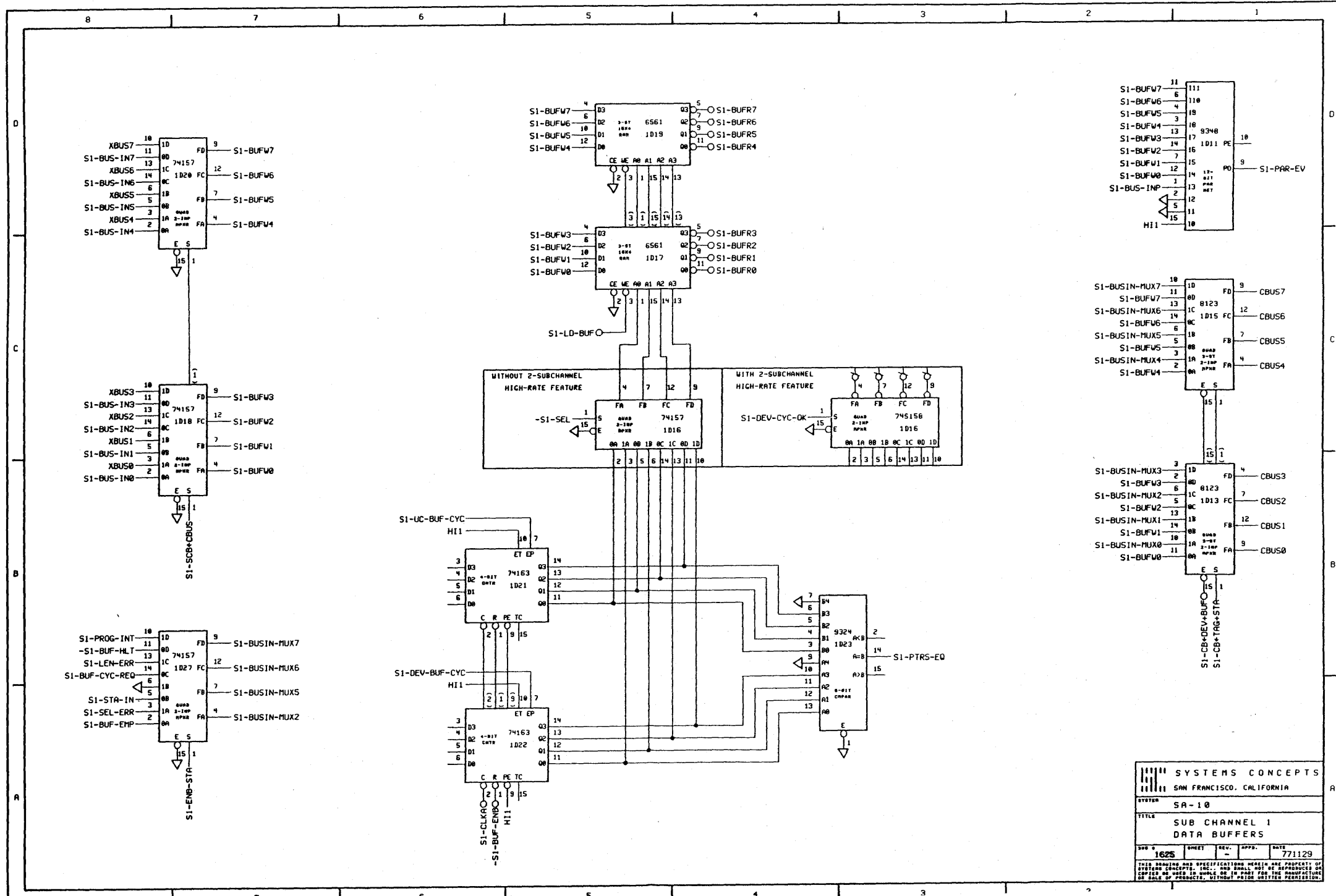
THIS DRAWING AND SPECIFICATIONS HEREIN ARE PROPERTY OF SYSTEMS CONCEPTS, INC. AND SHALL NOT BE REPRODUCED OR COPIED IN WHOLE OR IN PART FOR THE MANUFACTURE OR SALE OF PRODUCTS, WITHOUT PRIOR WRITTEN PERMISSION.



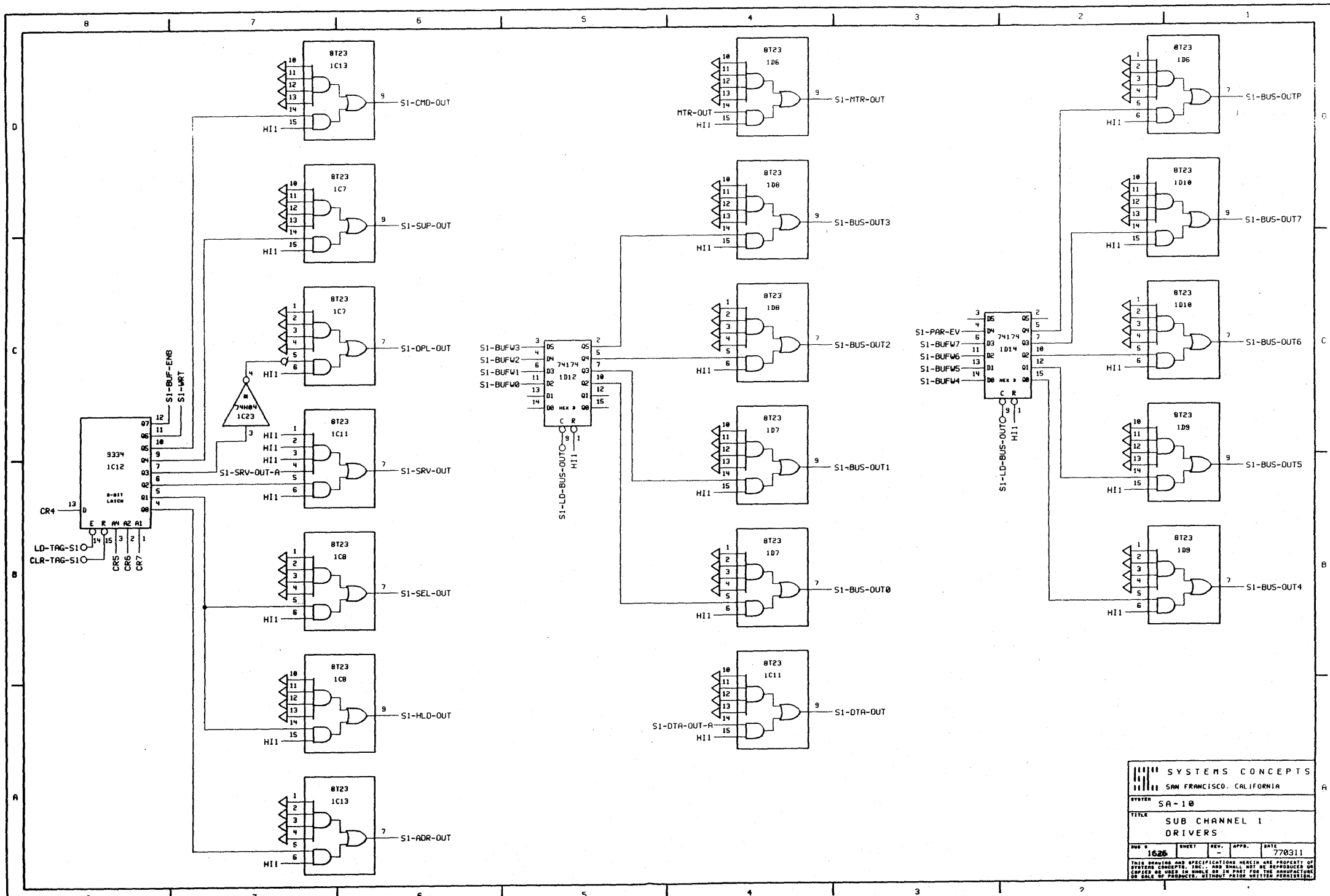
IBM SYSTEMS CONCEPTS
 SAN FRANCISCO, CALIFORNIA
 SYSTEM: SA-10
 TITLE: SUB CHANNEL 1
 IBM BUS INTERFACE
 DRAWING NO: 1022
 DATE: 7/26/64
 DESIGNED BY: [blank]
 CHECKED BY: [blank]
 APPROVED BY: [blank]



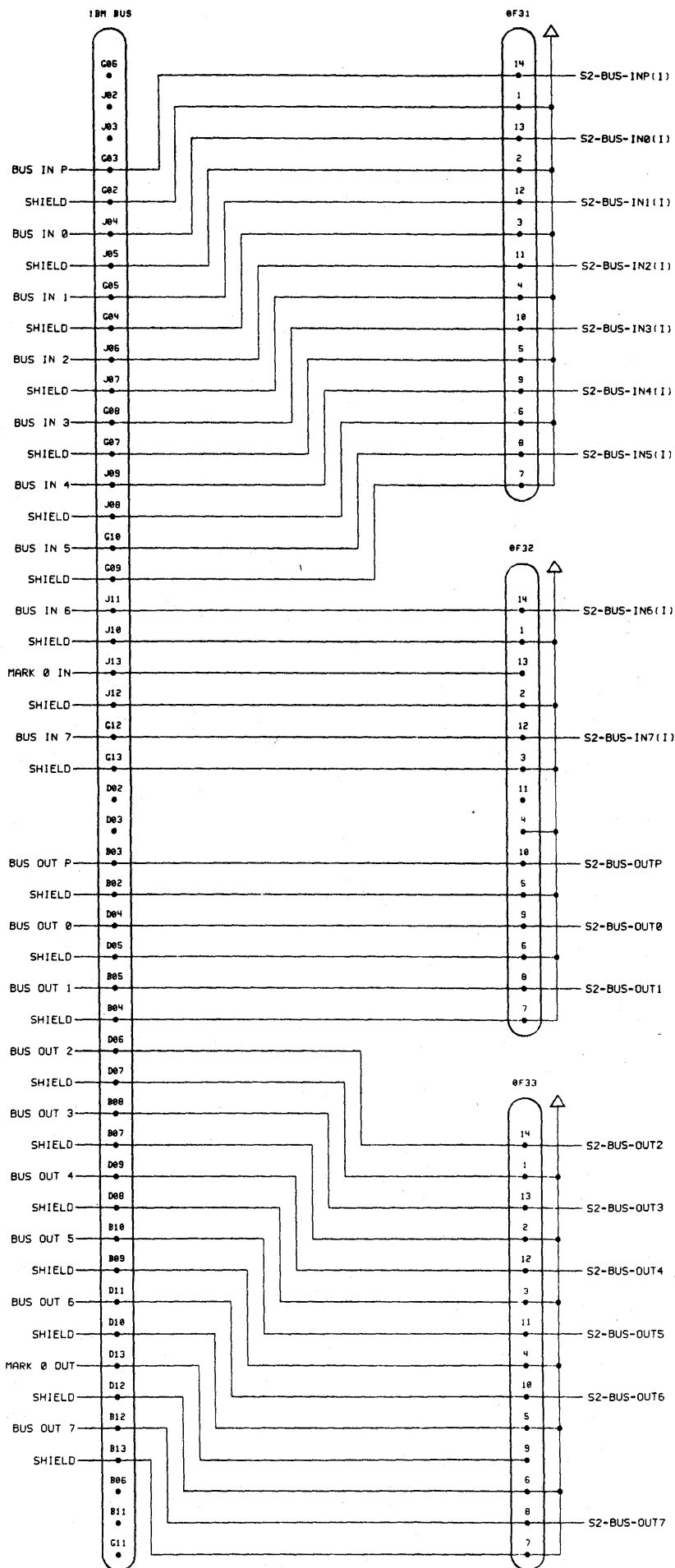
IBM SYSTEMS CONCEPTS
 1111 SAN FRANCISCO, CALIFORNIA
 ORDER SA-10
 TITLE SUB CHANNEL 1
 IBM TAG INTERFACE
 DATE 7/60817
 1608
 760817



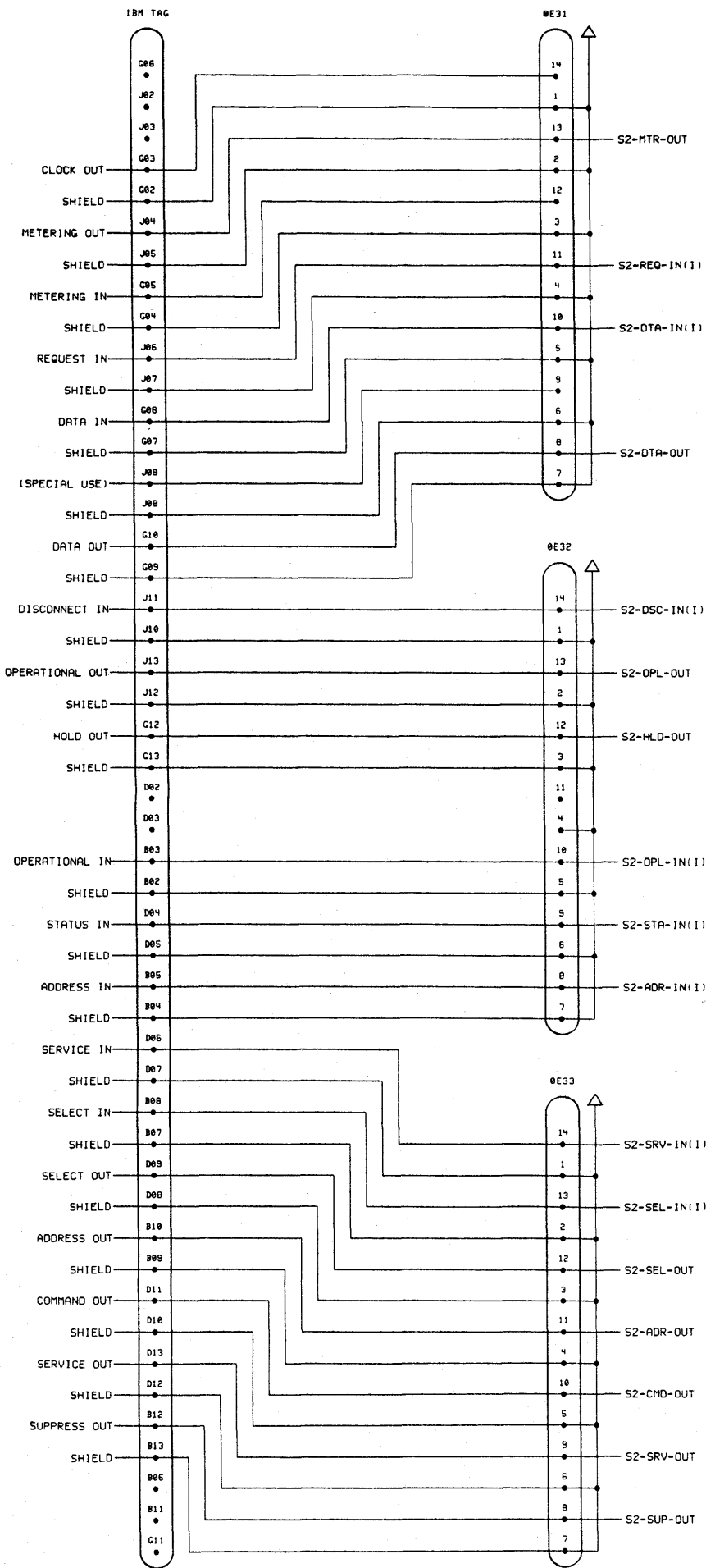
SYSTEMS CONCEPTS				
SAN FRANCISCO, CALIFORNIA				
SYSTEM SA-10				
TITLE SUB CHANNEL 1 DATA BUFFERS				
REV. 1625	DESIGN	REV.	APPD.	DATE 771129
THIS DRAWING AND SPECIFICATIONS HEREIN ARE PROPERTY OF SYSTEMS CONCEPTS, INC., AND SHALL NOT BE REPRODUCED OR COPIED IN ANY MANNER OR FOR THE MANUFACTURE OR SALE OF PRODUCTS, WITHOUT PRIOR WRITTEN PERMISSION.				



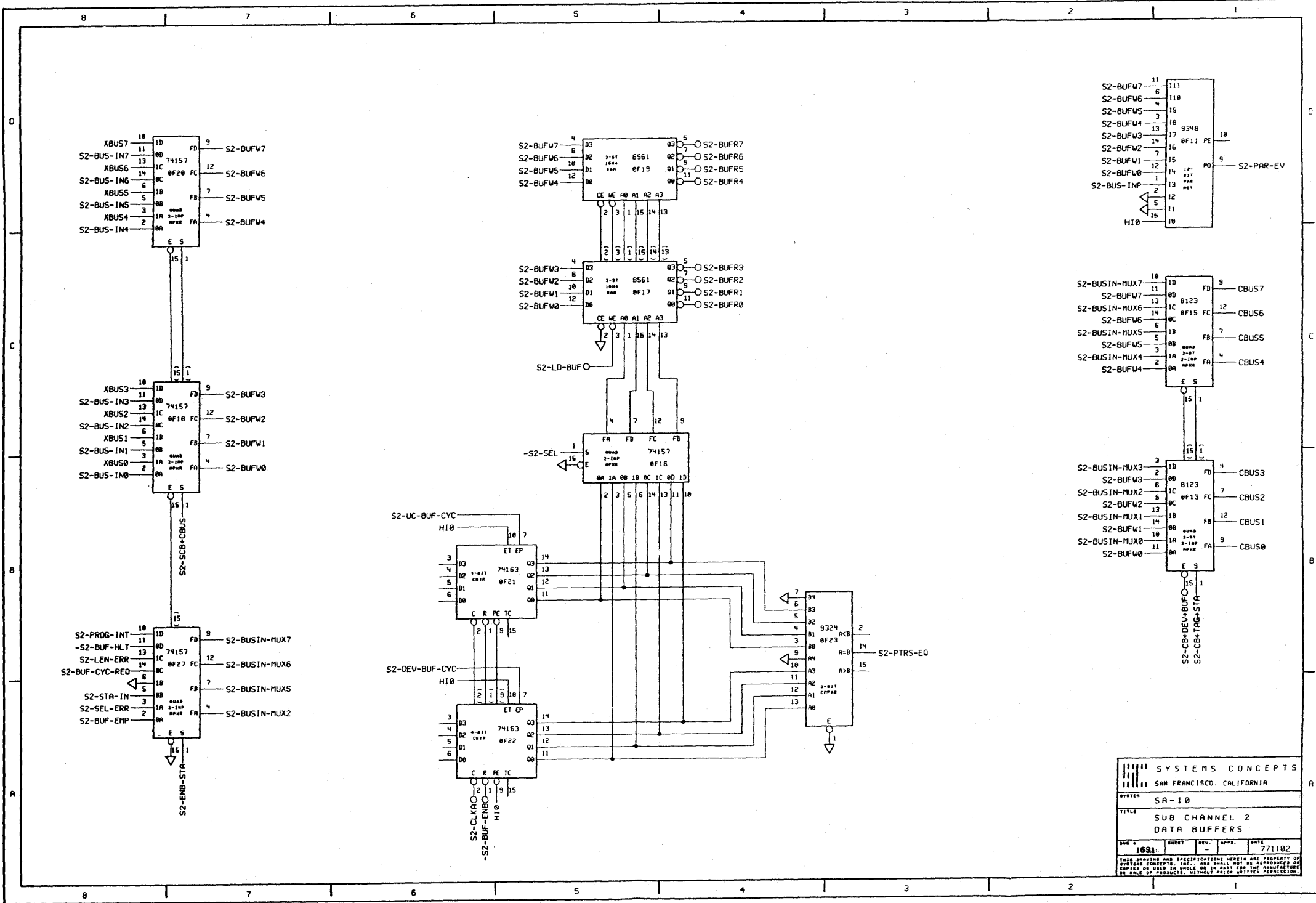
SYSTEMS CONCEPTS				
SAN FRANCISCO, CALIFORNIA				
SYSTEM SA-10				
TITLE SUB CHANNEL 1 DRIVERS				
NO. 9	1626	SHEET	REV.	DATE 7/78311
THIS DRAWING AND SPECIFICATIONS HEREIN ARE PROPERTY OF SYSTEMS CONCEPTS, INC. AND SHALL NOT BE REPRODUCED OR COPIED OR USED IN WHOLE OR IN PART FOR THE MANUFACTURE OR SALE OF PRODUCTS, WITHOUT PRIOR WRITTEN PERMISSION.				



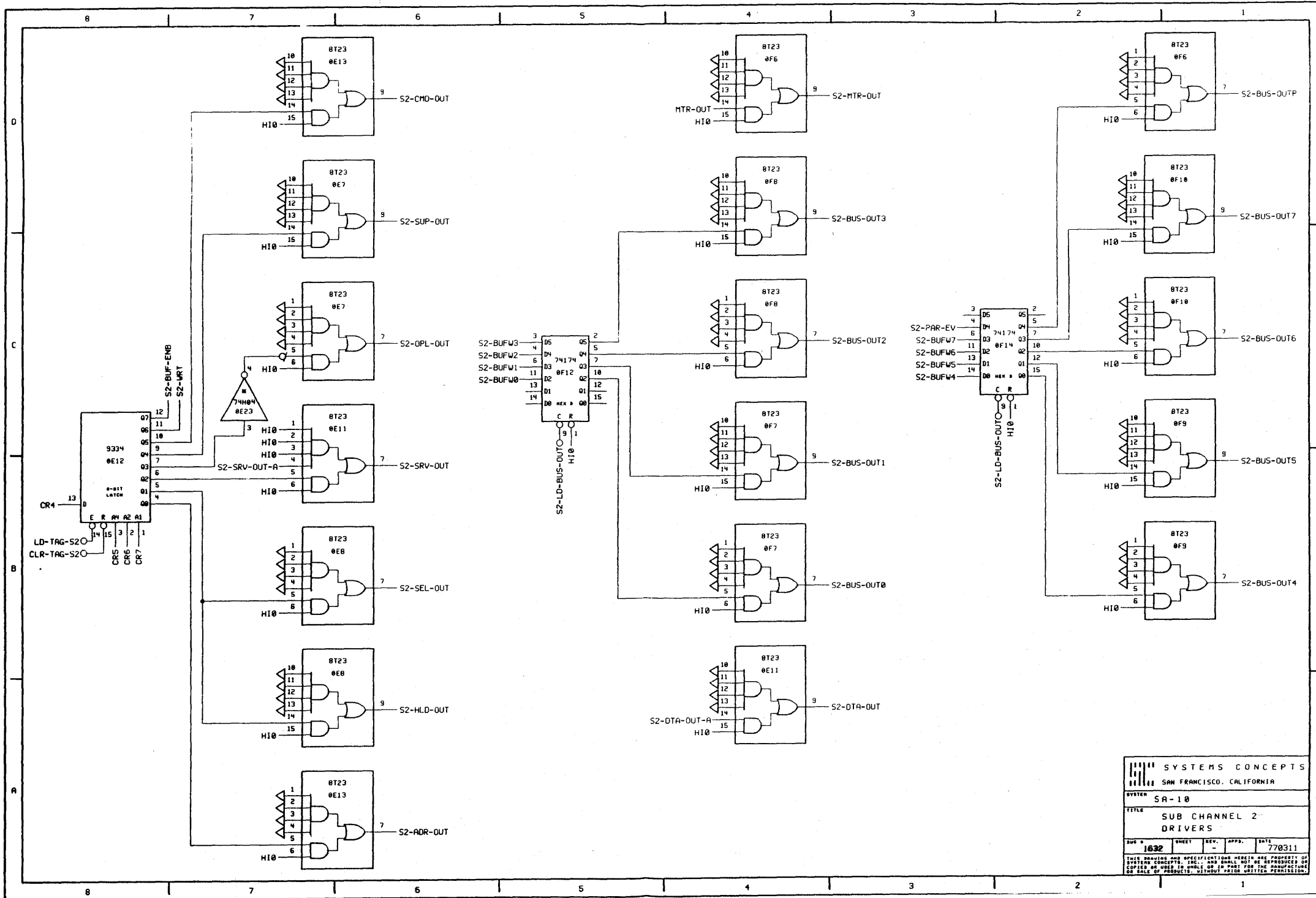
IBM SYSTEMS CONCEPTS
 SAN FRANCISCO, CALIFORNIA
 TITLE: SUB CHANNEL 2
 IBM BUS INTERFACE
 SYSTEM: SA-10
 SHEET: 1 OF 2
 DATE: 7/68
 DRAWN BY: [Name]
 CHECKED BY: [Name]
 APPROVED BY: [Name]



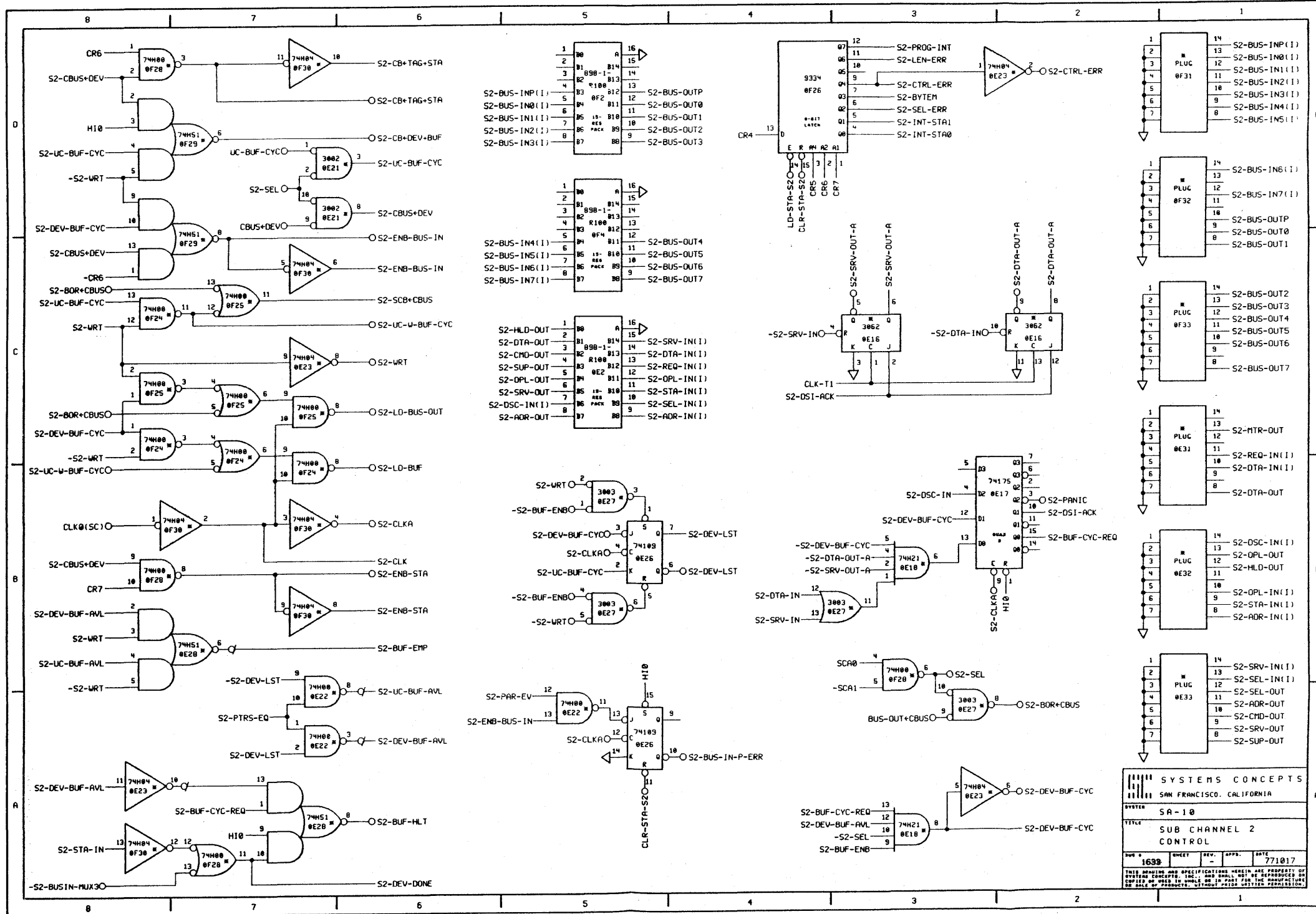
ILLINOIS SYSTEMS CONCEPTS
 1111 SAN FRANCISCO, CALIFORNIA
 SYSTEM SA-10
 SUB CHANNEL 2
 IBM TAG INTERFACE
 1628
 760917



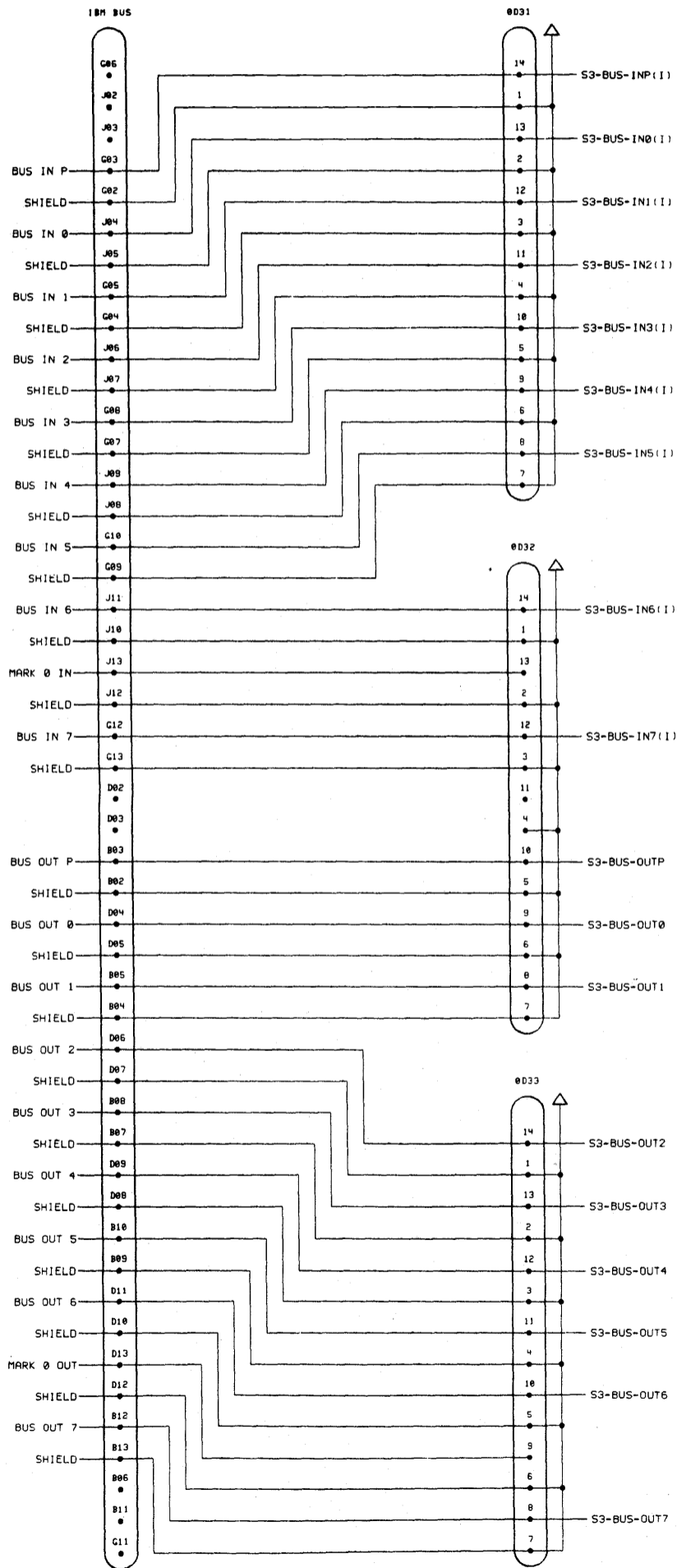
SYSTEMS CONCEPTS
 SAN FRANCISCO, CALIFORNIA
 SYSTEM SA-10
 TITLE SUB CHANNEL 2 DATA BUFFERS
 DWG # 1634 SHEET REV. APPR. DATE 771102
THIS DRAWING AND SPECIFICATIONS HEREIN ARE PROPERTY OF SYSTEMS CONCEPTS, INC. AND SHALL NOT BE REPRODUCED OR COPIED OR USED IN WHOLE OR IN PART FOR THE MANUFACTURE OR SALE OF PRODUCTS, WITHOUT PRIOR WRITTEN PERMISSION.



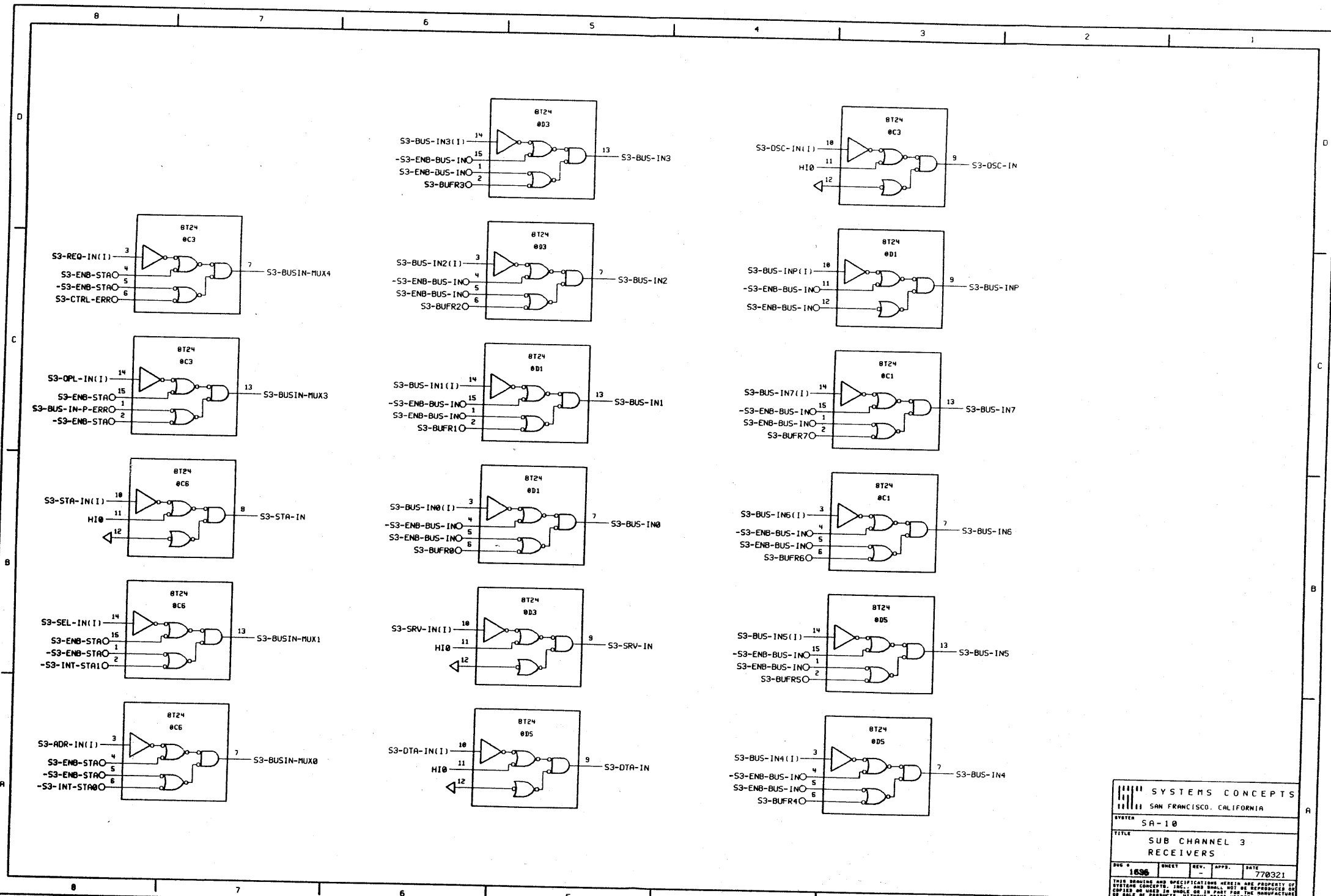
SYSTEMS CONCEPTS			
SAN FRANCISCO, CALIFORNIA			
SYSTEM SA-10			
TITLE SUB CHANNEL 2 DRIVERS			
SHEET	REV.	APP.	DATE
1632	-	-	770311
THIS DRAWING AND SPECIFICATIONS HEREIN ARE PROPERTY OF SYSTEMS CONCEPTS, INC., AND SHALL NOT BE REPRODUCED OR COPIED IN ANY MANNER OR IN PART FOR THE PROMOTION OR SALE OF PRODUCTS, WITHOUT PRIOR WRITTEN PERMISSION.			



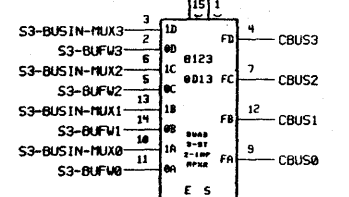
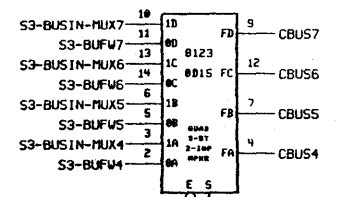
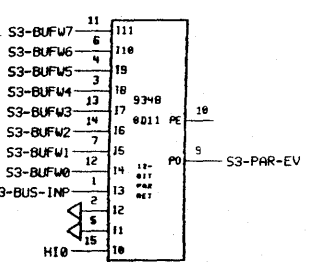
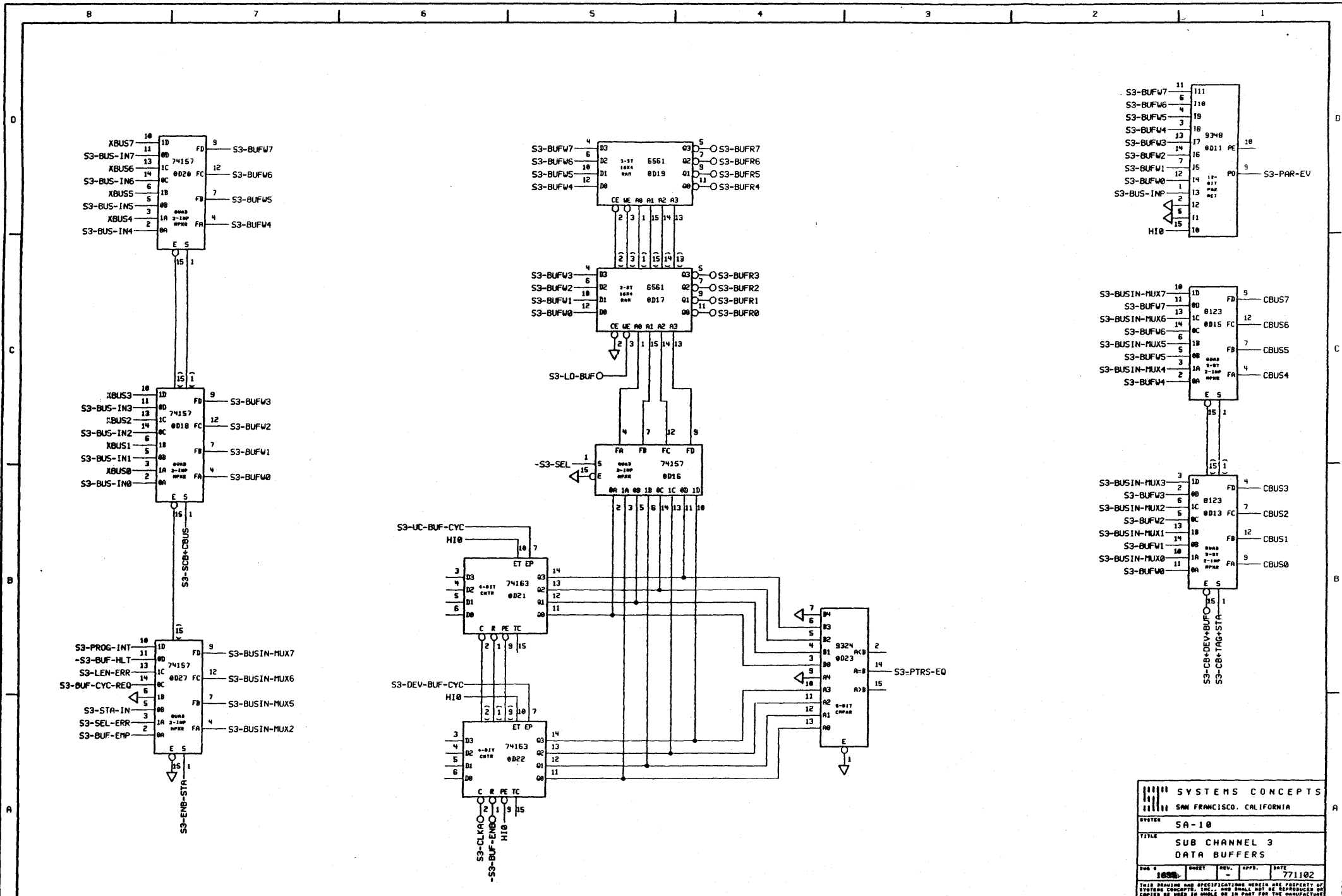
SYSTEMS CONCEPTS				
SAN FRANCISCO, CALIFORNIA				
BYTER SA-10				
TITLE SUB CHANNEL 2 CONTROL				
REV. 1639	DESIGN	REV.	APP.	DATE 771017
THIS DRAWING AND SPECIFICATIONS HEREIN ARE PROPERTY OF SYSTEMS CONCEPTS, INC. AND SHALL NOT BE REPRODUCED OR COPIED IN ANY MANNER OR IN PART FOR THE MANUFACTURE OF ANY PRODUCT, WITHOUT PRIOR WRITTEN PERMISSION OF SYSTEMS CONCEPTS, INC.				



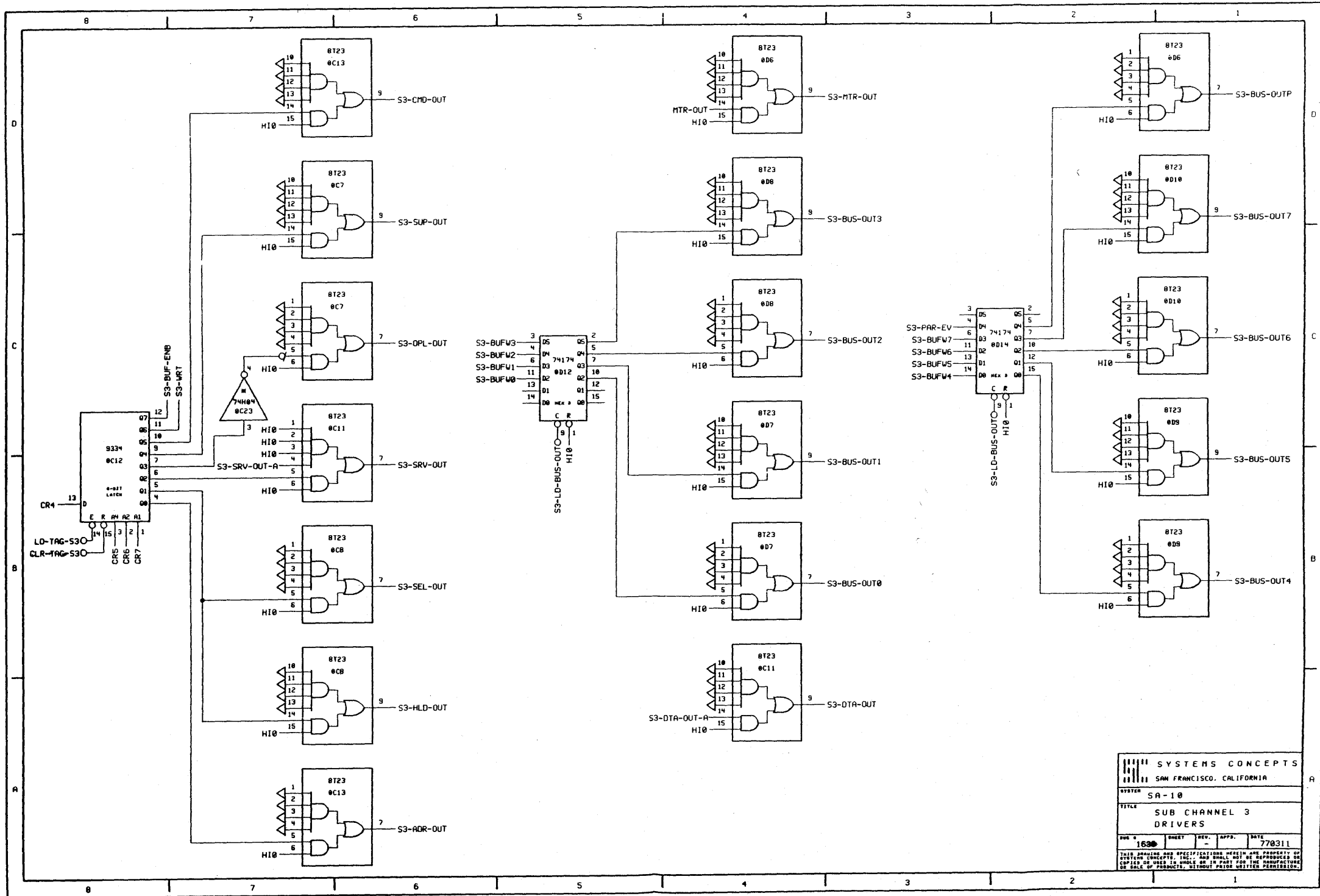
SYSTEMS CONCEPTS
 SUB CHANNEL 3
 IBM BUS INTERFACE
 SA-10
 1634
 760914



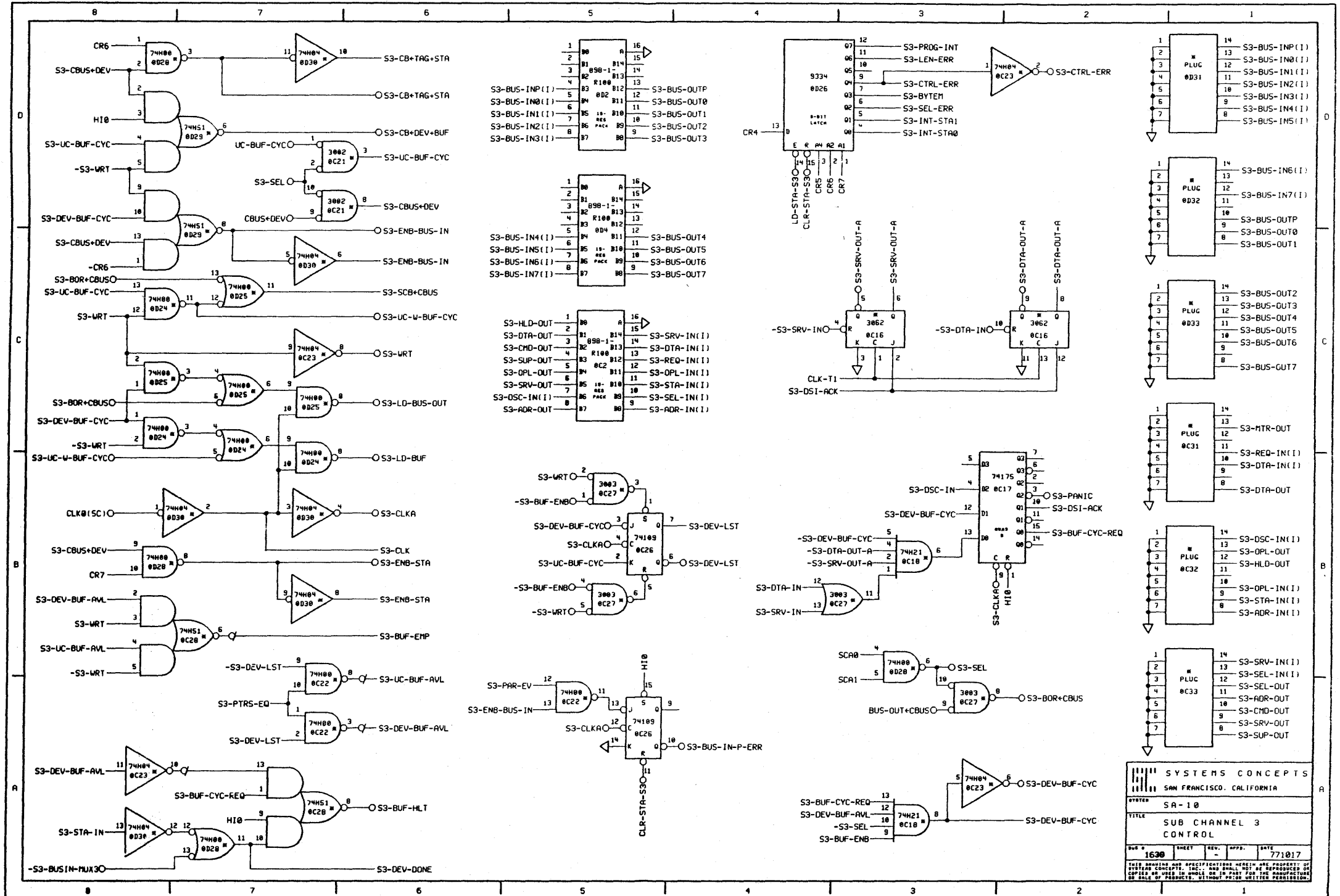
SYSTEMS CONCEPTS				
SAN FRANCISCO, CALIFORNIA				
SYSTEM	SA-10			
TITLE	SUB CHANNEL 3 RECEIVERS			
REV. #	1696	DATE	770321	
<small>THIS DRAWING AND SPECIFICATIONS HEREIN ARE PROPERTY OF SYSTEMS CONCEPTS, INC., AND SHALL NOT BE REPRODUCED OR COPIED OR USED IN WHOLE OR IN PART FOR THE MANUFACTURE OR SALE OF PRODUCTS, WITHOUT PRIOR WRITTEN PERMISSION.</small>				



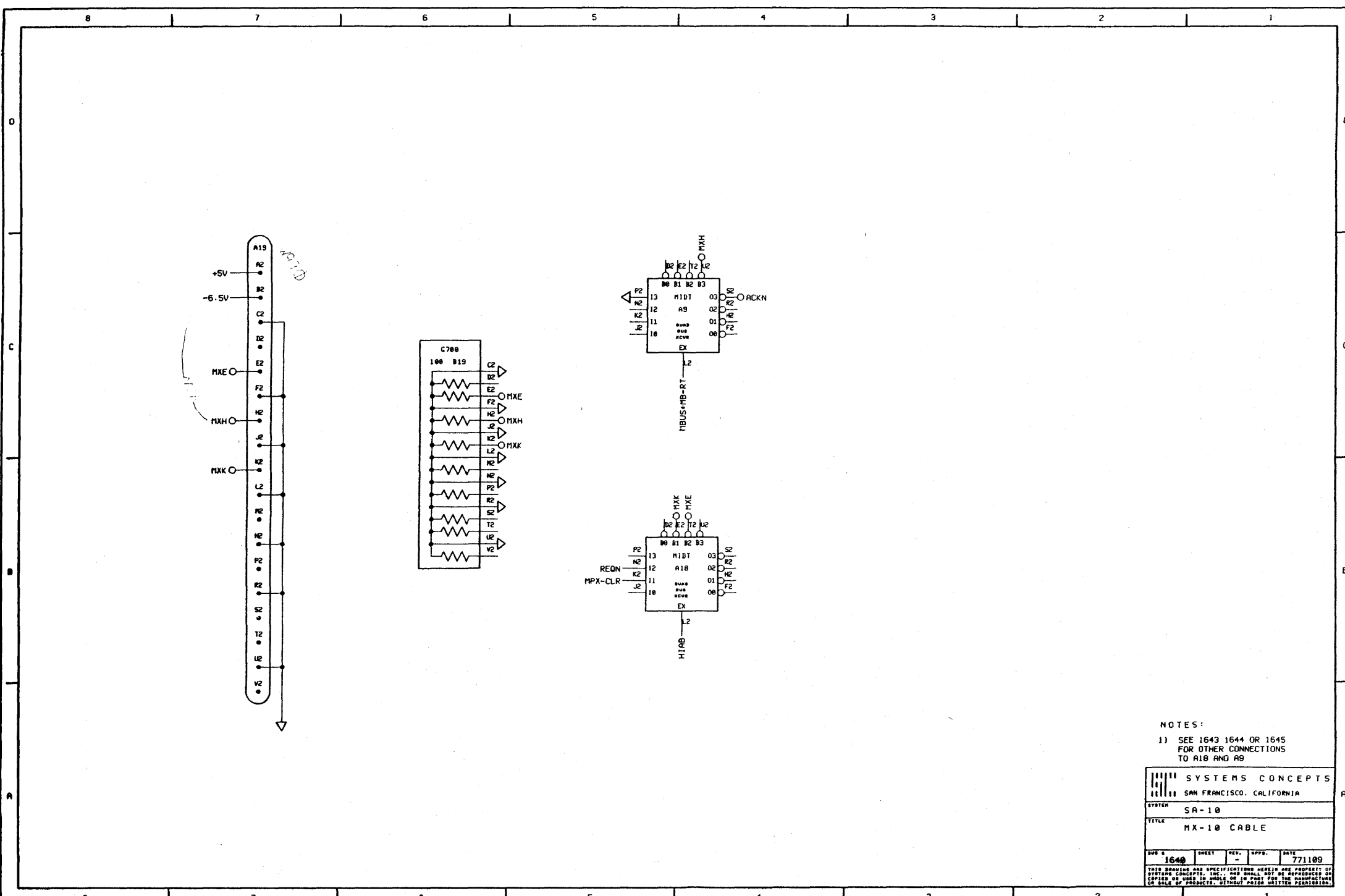
SYSTEMS CONCEPTS				
SAN FRANCISCO, CALIFORNIA				
SYSTEM	SA-10			
TITLE	SUB CHANNEL 3 DATA BUFFERS			
REV. 1	DATE	APP. 1	REV. 1	DATE
1000				771102
THIS DRAWING AND SPECIFICATIONS HEREIN ARE PROPERTY OF SYSTEMS CONCEPTS, INC., AND SHALL NOT BE REPRODUCED OR COPIED OR USED IN WHOLE OR IN PART FOR THE MANUFACTURE OR SALE OF PRODUCTS WITHOUT WRITTEN PER. THE MANUFACTURER				



SYSTEMS CONCEPTS			
SAN FRANCISCO, CALIFORNIA			
SYSTEM SA-10			
TITLE SUB CHANNEL 3 DRIVERS			
REV. 1	SHEET 1	REV. -	DATE 770311
THIS DRAWING AND SPECIFICATIONS HEREIN ARE PROPERTY OF SYSTEM CONCEPTS, INC., AND SHALL NOT BE REPRODUCED OR COPIED OR USED IN WHOLE OR IN PART FOR THE MANUFACTURE OF ANY PRODUCT, WITHOUT PRIOR WRITTEN PERMISSION.			

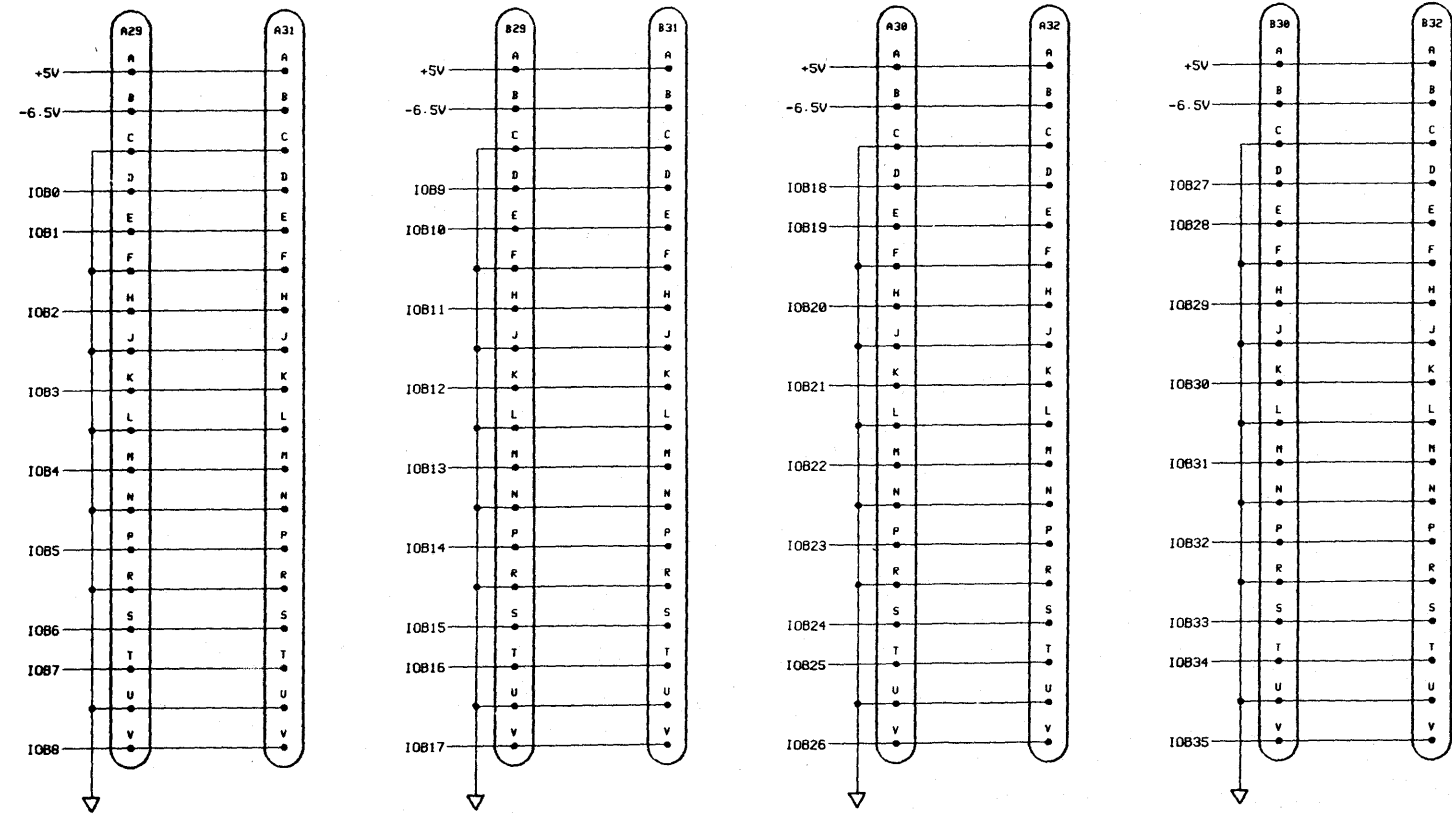
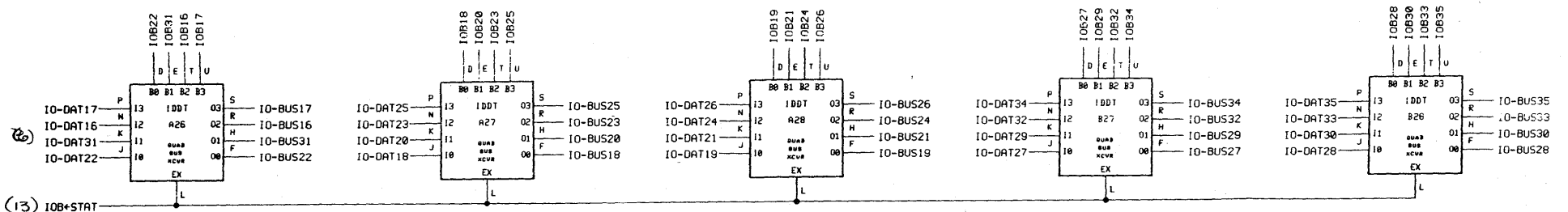


SYSTEMS CONCEPTS			
SAN FRANCISCO, CALIFORNIA			
DATE	SA - 10		
TITLE	SUB CHANNEL 3 CONTROL		
DWG NO	SHEET	REV.	DATE
1630			771017
THIS DRAWING AND SPECIFICATIONS HEREIN ARE PROPERTY OF SYSTEMS CONCEPTS, INC., AND SHALL NOT BE REPRODUCED OR USED IN ANY MANNER WITHOUT PRIOR WRITTEN PERMISSION.			

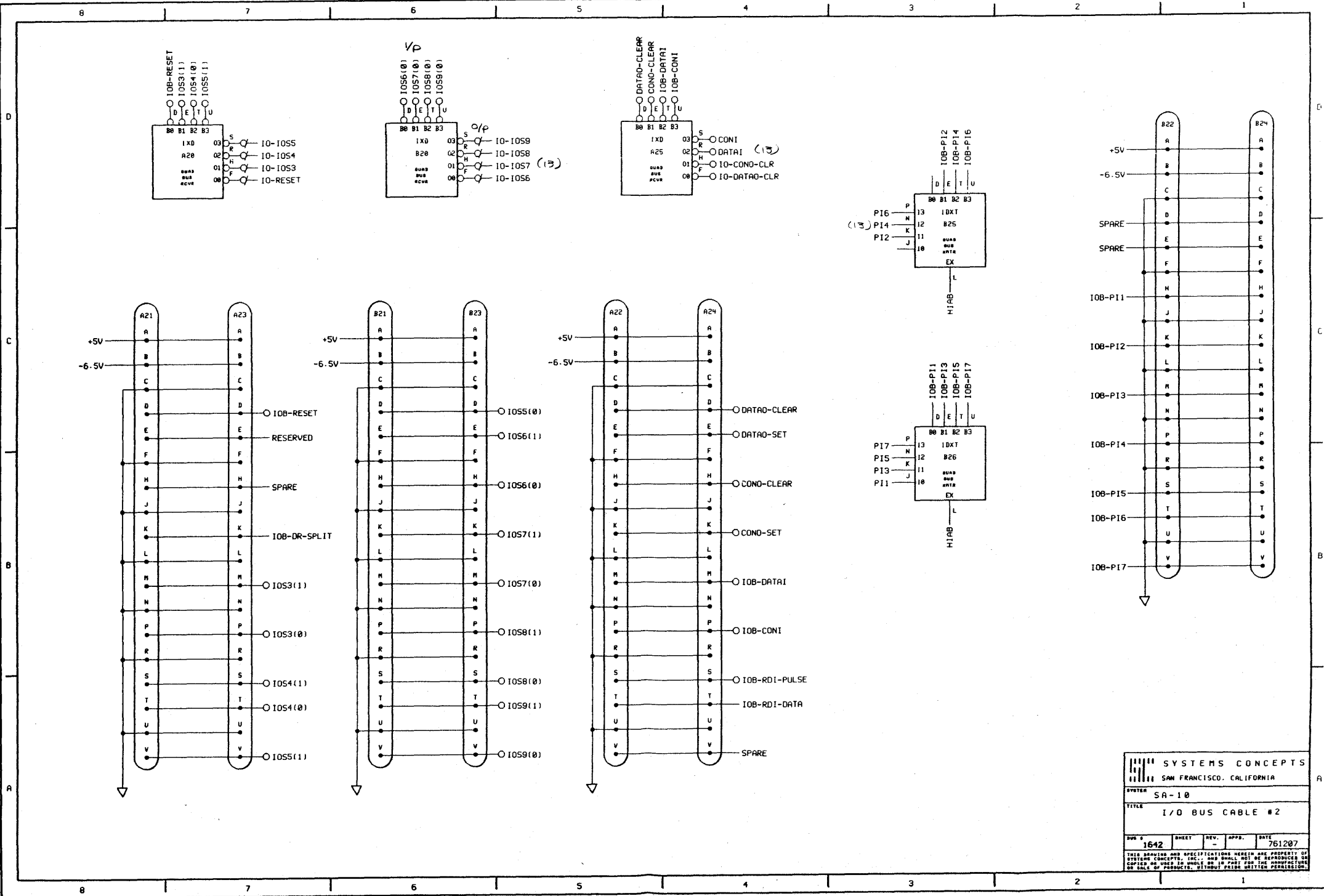


NOTES:
 1) SEE 1643 1644 OR 1645
 FOR OTHER CONNECTIONS
 TO A18 AND A9

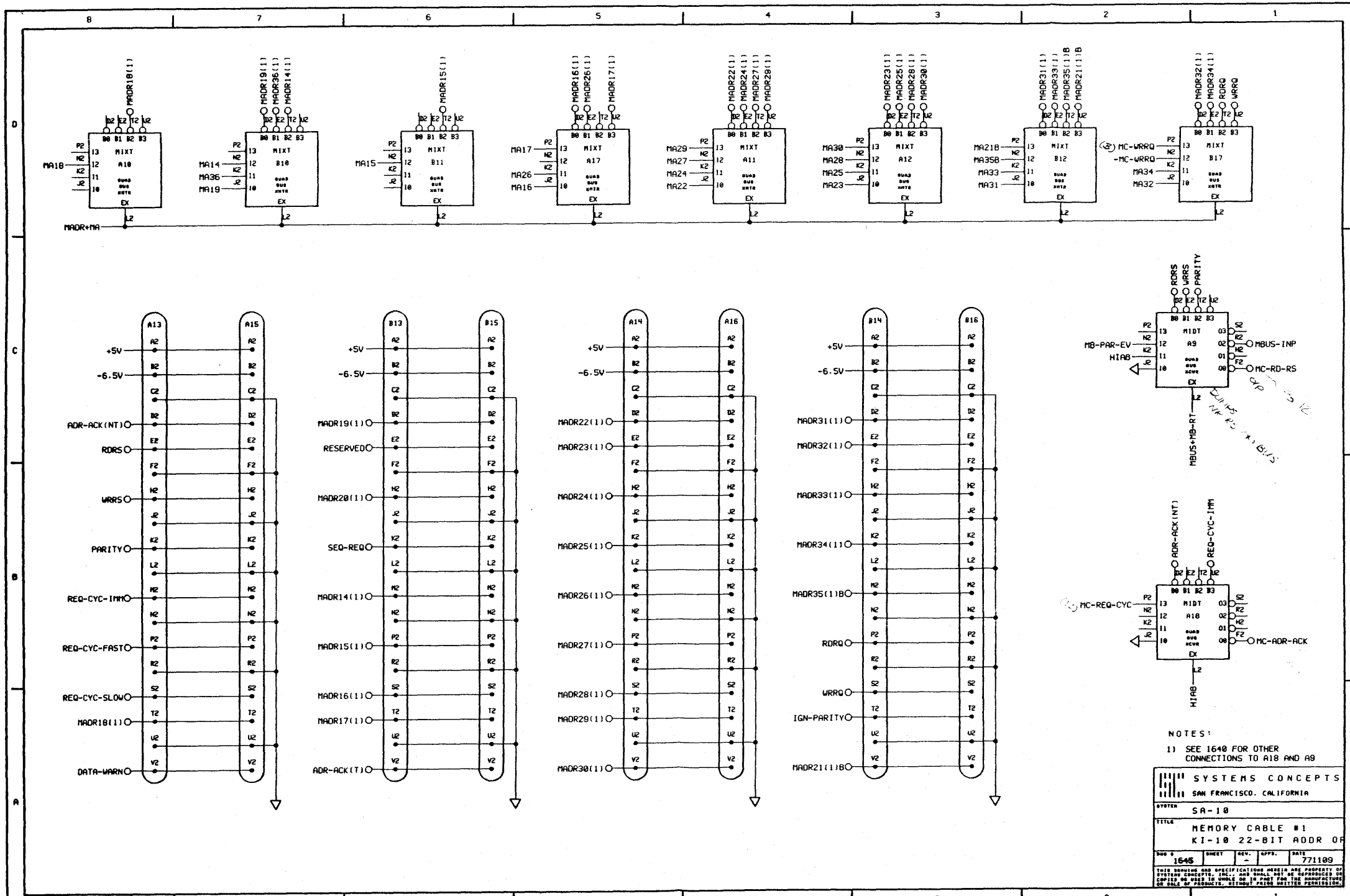
SYSTEMS CONCEPTS SAN FRANCISCO, CALIFORNIA			
SYSTEM SA-10			
TITLE MX-10 CABLE			
DATE 1644	SHEET	REV. -	APPD. DATE 771109
THIS DRAWING AND SPECIFICATIONS HEREIN ARE PROPERTY OF SYSTEMS CONCEPTS, INC. AND SHALL NOT BE REPRODUCED OR USED IN WHOLE OR IN PART FOR THE MANUFACTURE OF ANY PRODUCT WITHOUT PRIOR WRITTEN PERMISSION OF SYSTEMS CONCEPTS, INC.			



SYSTEMS CONCEPTS				
SAN FRANCISCO, CALIFORNIA				
SYSTEM SA-10				
TITLE I/O BUS CABLE #1				
REV. 1041	SHEET -	REV. -	APPD. -	DATE 761207
THIS DRAWING AND SPECIFICATIONS HEREIN ARE PROPERTY OF SYSTEMS CONCEPTS, INC. AND SHALL NOT BE REPRODUCED OR COPIED OR USED IN WHOLE OR IN PART FOR THE MANUFACTURE OR SALE OF PRODUCTS, WITHOUT PRIOR WRITTEN PERMISSION.				

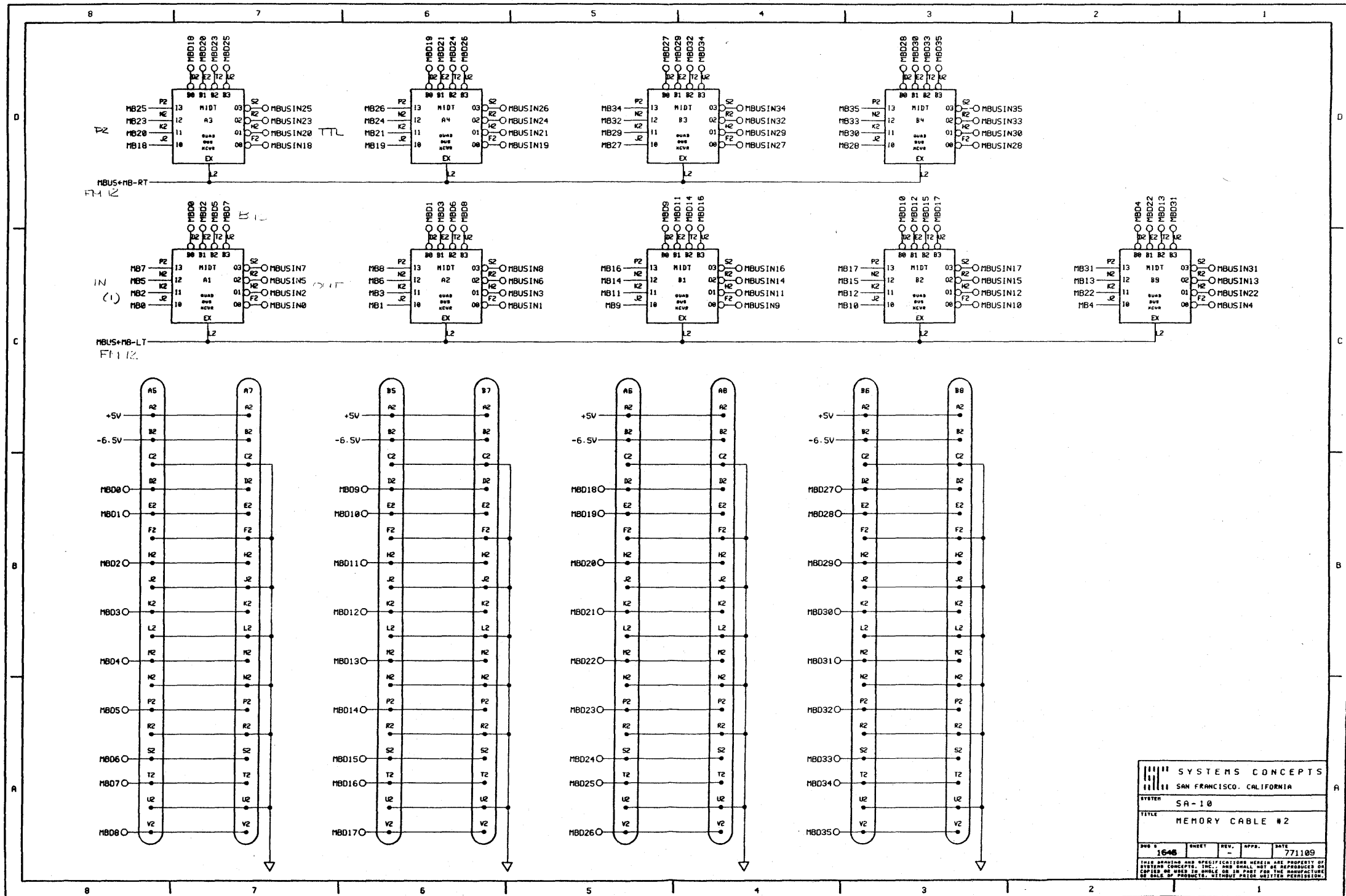


SYSTEMS CONCEPTS			
SAN FRANCISCO, CALIFORNIA			
SYSTEM SA-10			
TITLE I/O BUS CABLE #2			
DWG # 1642	SHEET -	REV. -	DATE 761207
<small>THIS DRAWING AND SPECIFICATIONS HEREIN ARE PROPERTY OF SYSTEMS CONCEPTS, INC. AND SHALL NOT BE REPRODUCED OR COPIED OR USED IN WHOLE OR IN PART FOR THE MANUFACTURE OR SALE OF PRODUCTS, WITHOUT WRITTEN PERMISSION.</small>			

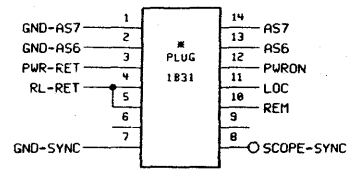
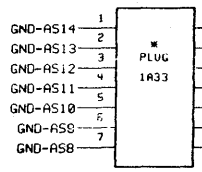
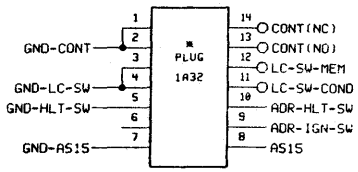
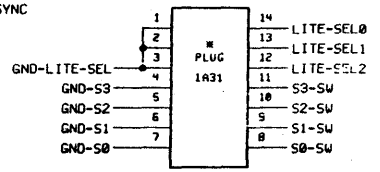
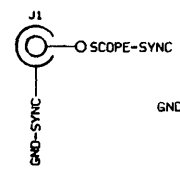
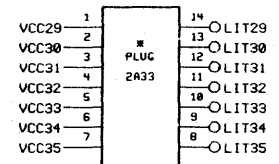
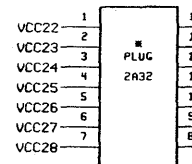
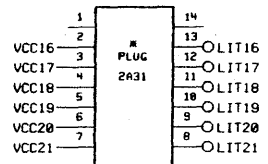
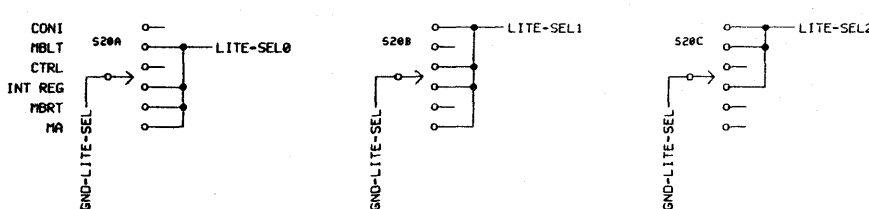
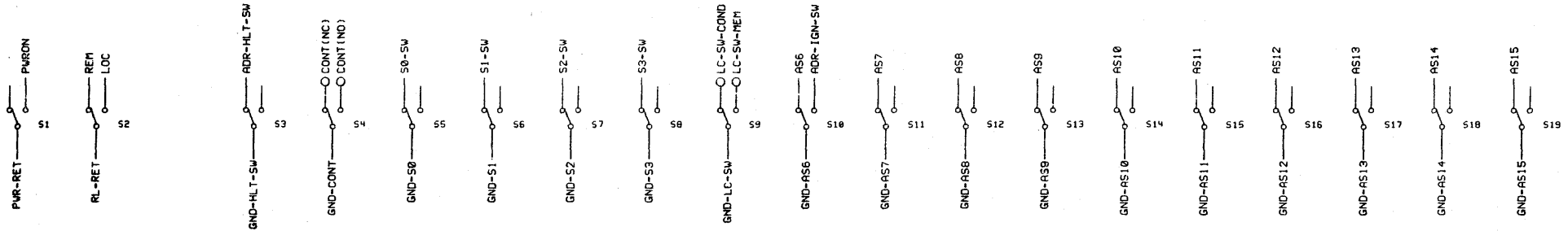
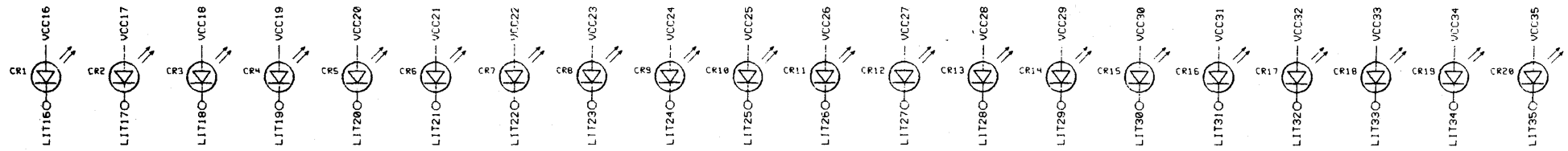


NOTES:
 1) SEE 1640 FOR OTHER CONNECTIONS TO A18 AND A9

SYSTEMS CONCEPTS			
SAN FRANCISCO, CALIFORNIA			
SYSTEM			
SA-10			
TITLE			
MEMORY CABLE #1			
KI-10 22-BIT ADDR OF			
DATE	SHEET	REV.	DATE
1645	-	-	771109



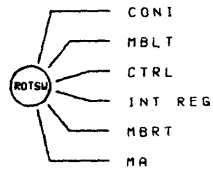
SYSTEMS CONCEPTS				
SAN FRANCISCO, CALIFORNIA				
SYSTEM SA-10				
TITLE MEMORY CABLE #2				
SUB # 1648	SHEET -	REV. -	APPR. -	DATE 771109
<small>THIS DRAWING AND SPECIFICATIONS HEREIN ARE PROPERTY OF SYSTEMS CONCEPTS, INC. AND SHALL NOT BE REPRODUCED OR COPIED IN WHOLE OR IN PART FOR THE MANUFACTURE OR SALE OF PRODUCTS, WITHOUT PRIOR WRITTEN PERMISSION.</small>				



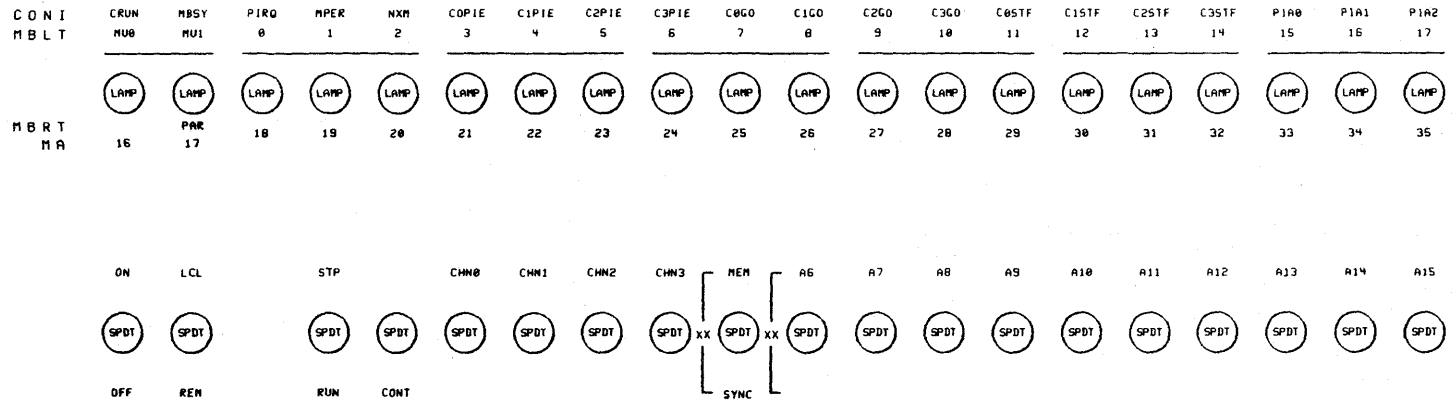
NOTES:
 1) ALL TOGGLE SWITCHES ARE SHOWN OFF (DOWN) EXCEPT CONT WHICH IS SHOWN NOT DEPRESSED.

SYSTEMS CONCEPTS				
SAN FRANCISCO, CALIFORNIA				
SYSTEM SA-10				
TITLE CONSOLE LIGHTS & SWITCHES				
SUB 9	SHEET	REV.	APP.	DATE
1842	-	-	-	770404
THIS DRAWING AND SPECIFICATIONS HEREIN ARE PROPERTY OF SYSTEM CONCEPTS, INC., AND SHALL NOT BE REPRODUCED OR COPIED OR USED IN WHOLE OR IN PART FOR THE MANUFACTURE OR SALE OF PRODUCTS, WITHOUT WRITTEN PERMISSION.				

SA-10
SUBSYSTEM ADAPTOR



SYNC



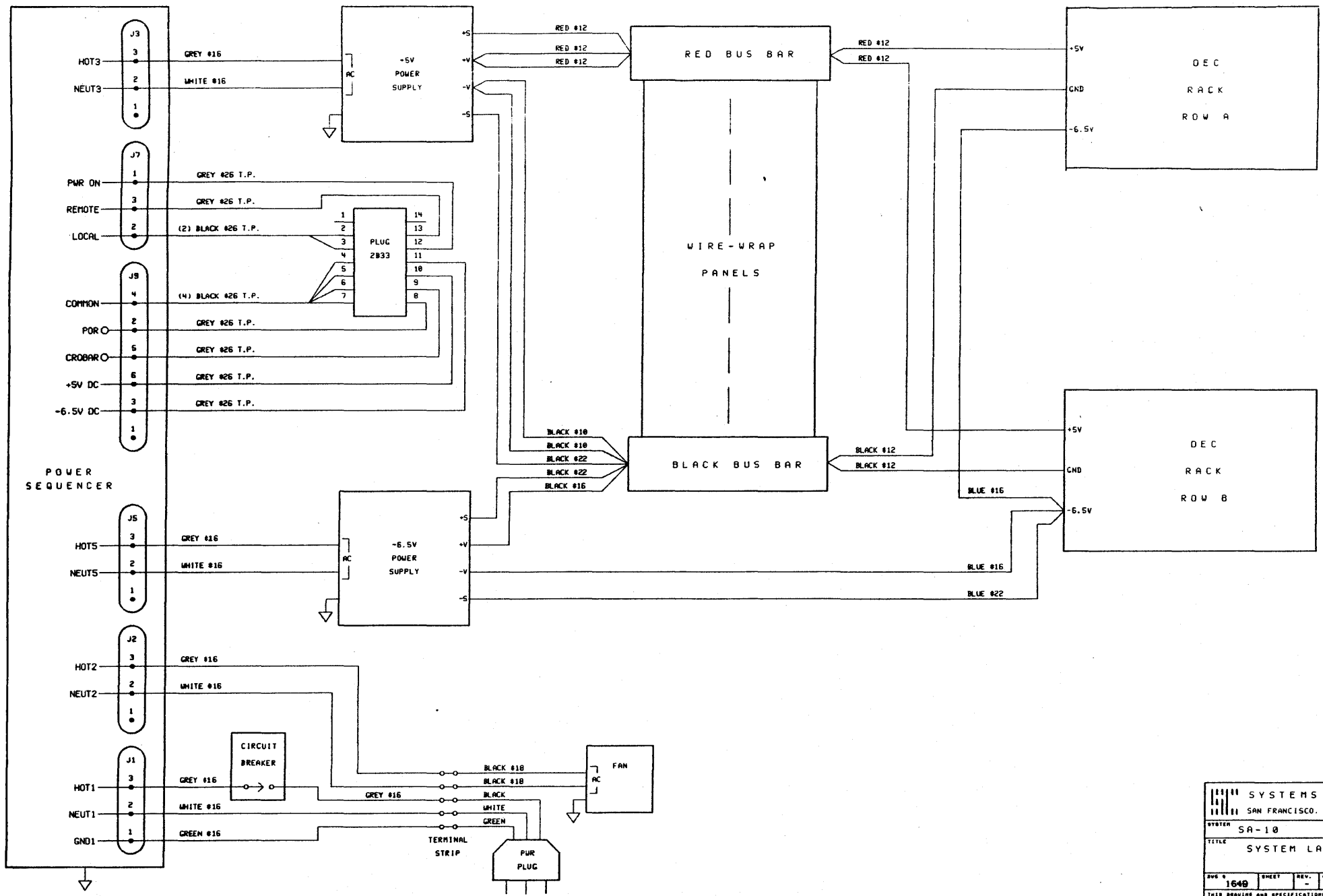
SYSTEMS CONCEPTS
SAN FRANCISCO, CALIFORNIA

SYSTEM SA-10

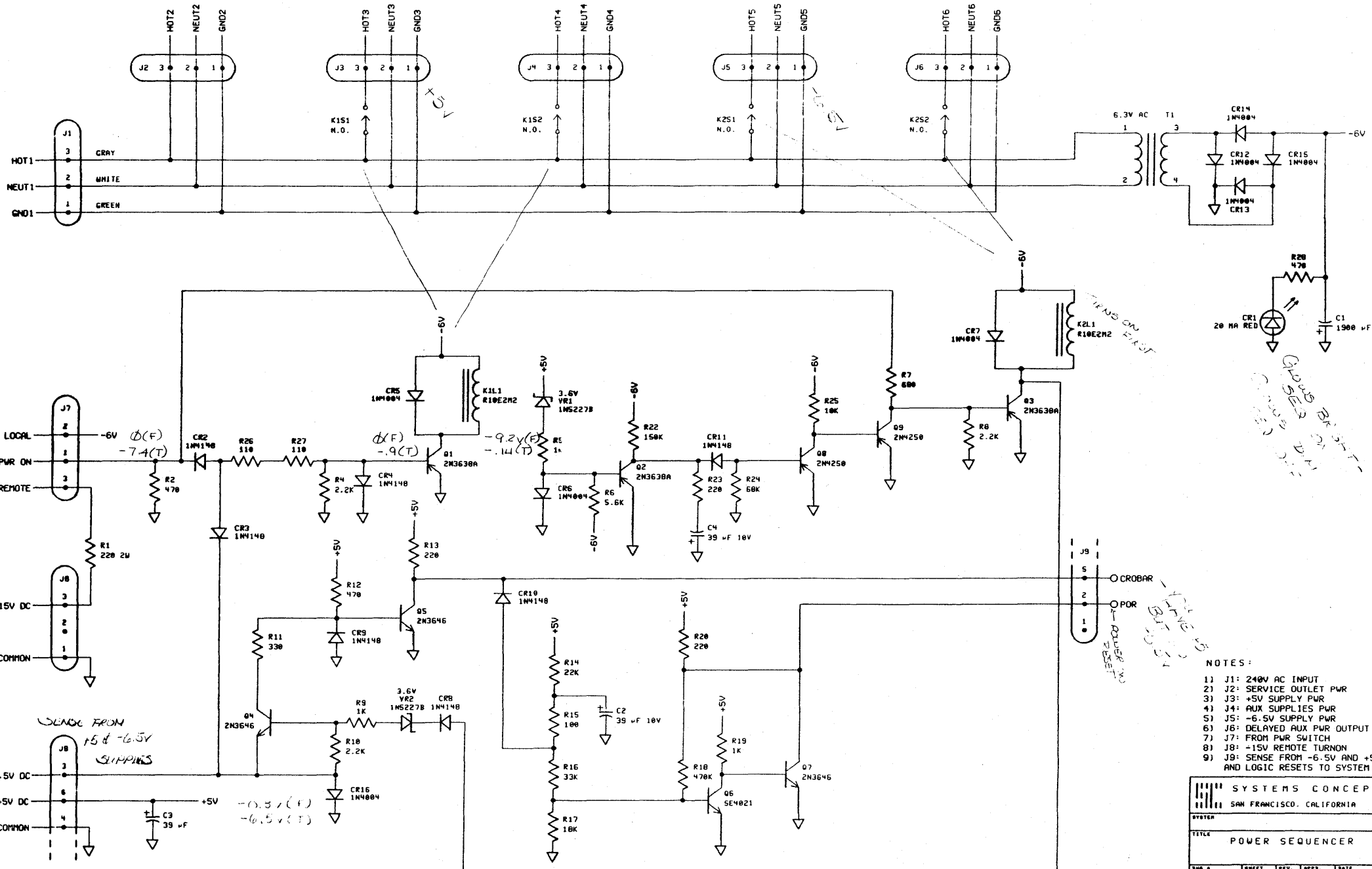
TITLE CONSOLE LAYOUT

1640	SHEET	REV.	APPD.	DATE
				770322

THIS DRAWING AND SPECIFICATIONS HEREIN ARE PROPERTY OF SYSTEMS CONCEPTS, INC., AND SHALL NOT BE REPRODUCED OR COPIED OR USED IN WHOLE OR IN PART FOR THE MANUFACTURE OR SALE OF PRODUCTS WITHOUT PRIOR WRITTEN PERMISSION.



SYSTEMS CONCEPTS				
SAN FRANCISCO, CALIFORNIA				
SYSTEM SA-10				
TITLE SYSTEM LAYOUT				
AVG #	SHEET	REV.	APPS.	DATE
1649		-		770323
THIS DRAWING AND SPECIFICATIONS HEREIN ARE PROPERTY OF SYSTEMS CONCEPTS, INC., AND SHALL NOT BE REPRODUCED OR COPIED IN ANY MANNER OR BY ANY MEANS WITHOUT THE WRITTEN CONSENT OF SYSTEMS CONCEPTS, INC.				



- NOTES:
- 1) J1: 240V AC INPUT
 - 2) J2: SERVICE OUTLET PWR
 - 3) J3: +5V SUPPLY PWR
 - 4) J4: AUX SUPPLIES PWR
 - 5) J5: -6.5V SUPPLY PWR
 - 6) J6: DELAYED AUX PWR OUTPUT
 - 7) J7: FROM PWR SWITCH
 - 8) J8: -15V REMOTE TURNON
 - 9) J9: SENSE FROM -6.5V AND +5V AND LOGIC RESETS TO SYSTEM

SYSTEMS CONCEPTS				
SAN FRANCISCO, CALIFORNIA				
SYSTEM				
TITLE				
POWER SEQUENCER				
3900	SHEET	REV.	APP.	DATE
3900				770513

THIS DRAWING AND SPECIFICATIONS HEREIN ARE PROPERTY OF SYSTEMS CONCEPTS, INC., AND SHALL NOT BE REPRODUCED OR COPIED IN WHOLE OR IN PART FOR THE MANUFACTURE OR SALE OF PRODUCTS, WITHOUT PRIOR WRITTEN PERMISSION.