

IC23

ABT MULTIBYTE ADVANCED BiCMOS BUS INTERFACE LOGIC

1991

INTEGRATED CIRCUITS

DATA HANDBOOK

ABT
MULTIBYTE™ Advanced BiCMOS
Bus Interface Logic

B | O | O | K | I | C | 2 | 3 | 1 | 9 | 6 | 1 | 1

Signetics

Philips Semiconductors



PHILIPS

ABT MULTIBYTE™ Advanced BiCMOS Bus Interface Logic

MULTIBYTE is a Signetics trademark.

Signetics

Philips Semiconductors



PHILIPS

Signetics reserves the right to make changes, without notice, in the products, including circuits, standard cells, and/or software, described or contained herein in order to improve design and/or performance. Signetics assumes no responsibility or liability for the use of any of these products, conveys no license or title under any patent, copyright, or mask work right to these products, and makes no representations or warranties that these products are free from patent, copyright, or mask work right infringement, unless otherwise specified. Applications that are described herein for any of these products are for illustrative purposes only. Signetics makes no representation or warranty that such applications will be suitable for the specified use without further testing or modification.

LIFE SUPPORT APPLICATIONS

Signetics' Products are not designed for use in life support appliances, devices, or systems where malfunction of a Signetics Product can reasonably be expected to result in a personal injury. Signetics' customers using or selling Signetics' Products for use in such applications do so at their own risk and agree to fully indemnify Signetics for any damages resulting in such improper use or sale.

Signetics registers eligible circuits under
the Semiconductor Chip Protection Act.

© Copyright 1991 Signetics Company

All rights reserved.

Preface

Signetics would like to thank you for your interest in our products.

This handbook is meant to replace our 1990 *ABT Advanced BiCMOS Interface Logic* data manual. It contains full Product Specifications for some parts covered by Preliminary data in the previous manual. In addition, there are Product or Preliminary Specifications on many new ABT or MB interface products. The MB2000 and MB4000 series are composed of two and four byte wide versions of the most used interface components. These devices offer you all the benefits of QUBiC, our truly integrated BiCMOS process. Using our fastest bipolar modules, combined with a sub-micron CMOS you get high performance: very high speed, plus low, low power, plus high output drive, plus excellent noise immunity, are now combined with the space-saving advantages of "multiple byte" configurations in a single package.

Congratulations on making the right selection for your 1990's design needs.

Advanced BiCMOS Products

Product Status

DEFINITIONS

Data Sheet Identification	Product Status	Definition
<i>Objective Specification</i>	Formative or In Design	This data sheet contains the design target or goal specifications for product development. Specifications may change in any manner without notice.
<i>Preliminary Specification</i>	Preproduction Product	This data sheet contains a preliminary data and supplementary data will be published at a later date. Signetics reserves the right to make changes at any time without notice in order to improve design and supply the best possible products.
<i>Product Specification</i>	Full Production	This data sheet contains Final Specifications. Signetics reserves the right to make changes at any time without notice in order to improve design and supply the best possible product.

Contents

Preface	iii
Product Status	iv
Section 1 — General Information	1
Alphanumeric Index.....	3
Functional Index	5
Ordering Information	8
Section 2 — Introduction	9
Introduction to ABT and MULTIBYTE	11
Quality and Reliability	15
Section 3 — Family Specifications	25
Family Specifications	27
Data Sheet Specification Guide	29
Definitions of Symbols	30
Section 4 — ABT Bus Interface Logic Data Sheets	33
Section 5 — MULTIBYTE Bus Interface Logic Data Sheets	275
Section 6 — Application Notes	335
AN230 SPICE support for 74ABT/MB2XXX	337
AN602 Printed circuit board test fixtures for high-speed logic.....	345
Section 7 — Package Outlines	361
Section 8 — Sales Offices	373
Office Listing	375



Section 1

General Information

INDEX

Alphanumeric Index	3
Functional Index	5
Ordering Information	8

10/10/20

10/10/20

10/10/20

10/10/20

10/10/20

10/10/20

10/10/20

Alphanumeric Index

74ABTXXX FAMILY

TYPE NO.	DESCRIPTION	PAGE
74ABT125	Quad buffer (3-State)	35
74ABT126	Quad buffer (3-State)	38
74ABT240	Octal inverting buffer (3-State)	41
74ABT241	Octal buffer/line driver (3-State)	45
74ABT244	Octal buffer line driver (3-State)	52
74ABT245	Octal transceiver with direction pin (3-State)	59
74ABT273	Octal D flip-flop	66
74ABT373	Octal D-type transparent latch (3-State)	73
74ABT374	Octal D-type flip-flop; positive-edge trigger (3-State)	83
74ABT377	Octal D-type flip-flop with enable	92
74ABT534	Octal D-type flip-flop, inverting (3-State)	100
74ABT540	Octal buffer, inverting (3-State)	109
74ABT541	Octal buffer/line driver (3-State)	112
74ABT543	Octal latched transceiver with dual enable (3-State)	119
74ABT544	Octal latched transceiver with dual enable, inverting	130
74ABT573	Octal D-type transparent latch (3-State)	134
74ABT574	Octal D-type flip-flop (3-State)	144
74ABT620	Octal transceiver with dual enable, inverting	153
74ABT623	Octal transceiver with dual enable, non-inverting (3-State)	156
74ABT640	Octal transceiver with direction pin, inverting (3-State)	163
74ABT646	Octal bus transceiver/register (3-State)	166
74ABT648	Octal bus transceiver/register, inverting (3-State)	178
74ABT651	Transceiver/register, inverting (3-State)	191
74ABT652	Transceiver/register, non-inverting (3-State)	195
74ABT657	Octal transceiver with parity generator/checker (3-State)	199
74ABT821	10-bit D-type flip-flop; positive-edge trigger (3-State)	209
74ABT823	9-bit D-type flip-flop with reset and enable; (3-State)	213
74ABT827	10-bit buffer/line driver, non-inverting (3-State)	217
74ABT833	Octal transceiver with parity generator/checker (3-State)	220
74ABT834	Octal inverting transceiver with parity generator/checker (3-State)	224
74ABT841	10-bit bus interface latch (3-State)	228
74ABT843	9-bit bus interface latch with set and reset (3-State)	231
74ABT845	8-bit bus interface latch with set and reset (3-State)	235
74ABT853	8-bit transceiver with 9-bit parity checker/generator and flag latch (3-State)	238
74ABT854	8-bit inverting transceiver with 9-bit parity checker/generator and flag latch (3-State)	242
74ABT861	10-bit bus transceiver (3-State)	246
74ABT863	9-bit bus transceiver (3-State)	249
74ABT899	9-bit dual latch transceiver with 8-bit parity generator/checker (3-State)	253
74ABT2952	Octal registered transceiver (3-State)	257
74ABT2953	Octal registered transceiver, inverting (3-State)	266

Alphanumeric Index

MBXXXX FAMILY

TYPE NO.	DESCRIPTION	PAGE
MB2052	Dual octal registered transceiver (3-State).....	277
MB2053	Dual octal registered transceiver, inverting (3-State).....	282
MB2240	16-bit inverting buffer/line driver (3-State).....	287
MB2241	16-bit buffer/line driver (3-State).....	290
MB2244	16-bit buffer/line driver (3-State).....	293
MB2245	Dual octal transceivers with direction pins (3-State).....	298
MB2373	Dual octal D-type transparent latch (3-State).....	302
MB2374	Dual octal D-type flip-flop; positive-edge trigger (3-State).....	306
MB2541	Dual octal buffer/line drivers (3-State).....	310
MB2543	Dual octal latched transceivers with dual enable (3-State).....	313
MB2623	Dual octal transceiver with dual enable, non-inverting (3-State).....	318
MB2646	Dual octal bus transceivers/registers (3-State).....	321
MB2652	Dual octal transceivers/registers, non-inverting (3-State).....	326
MB4245	Quad octal transceivers with direction pins (3-State).....	331

Functional Index

74ABTXXX FAMILY

TYPE NO.	DESCRIPTION	PAGE
Buffers/Line Drivers		
74ABT125	Quad buffer (3-State)	35
74ABT126	Quad buffer (3-State)	38
74ABT240	Octal inverting buffer (3-State)	41
74ABT241	Octal buffer/line driver (3-State)	45
74ABT244	Octal buffer line driver (3-State)	52
74ABT540	Octal buffer, inverting (3-State)	109
74ABT541	Octal buffer/line driver (3-State)	112
74ABT827	10-bit buffer/line driver, non-inverting (3-State)	217
Flip-Flops		
74ABT273	Octal D flip-flop	66
74ABT374	Octal D-type flip-flop; positive-edge trigger (3-State)	83
74ABT377	Octal D-type flip-flop with enable	92
74ABT534	Octal D-type flip-flop, inverting (3-State)	100
74ABT574	Octal D-type flip-flop (3-State)	144
74ABT821	10-bit D-type flip-flop; positive-edge trigger (3-State)	209
74ABT823	9-bit D-type flip-flop with reset and enable; (3-State)	213
Transceivers		
74ABT245	Octal transceiver with direction pin (3-State)	59
74ABT620	Octal transceiver with dual enable, inverting	153
74ABT623	Octal transceiver with dual enable, non-inverting (3-State)	156
74ABT640	Octal transceiver with direction pin, inverting (3-State)	163
74ABT657	Octal transceiver with parity generator/checker (3-State)	199
74ABT833	Octal transceiver with parity generator/checker (3-State)	220
74ABT834	Octal inverting transceiver with parity generator/checker (3-State)	224
74ABT853	8-bit transceiver with 9-bit parity checker/generator and flag latch (3-State)	238
74ABT854	8-bit inverting transceiver with 9-bit parity checker/generator and flag latch (3-State)	242
74ABT861	10-bit bus transceiver (3-State)	246
74ABT863	9-bit bus transceiver (3-State)	249
Registered Transceivers		
74ABT543	Octal latched transceiver with dual enable (3-State)	119
74ABT544	Octal latched transceiver with dual enable, inverting	130
74ABT646	Octal bus transceiver/register (3-State)	166
74ABT648	Octal bus transceiver/register, inverting (3-State)	178
74ABT651	Transceiver/register, inverting (3-State)	191
74ABT652	Transceiver/register, non-inverting (3-State)	195
74ABT2952	Octal registered transceiver (3-State)	257
74ABT2953	Octal registered transceiver, inverting (3-State)	266
Latches		
74ABT373	Octal D-type transparent latch (3-State)	73
74ABT573	Octal D-type transparent latch (3-State)	134
74ABT841	10-bit bus interface latch (3-State)	228
74ABT843	9-bit bus interface latch with set and reset (3-State)	231
74ABT845	8-bit bus interface latch with set and reset (3-State)	235
74ABT899	9-bit dual latch transceiver with 8-bit parity generator/checker (3-State)	253

Functional Index

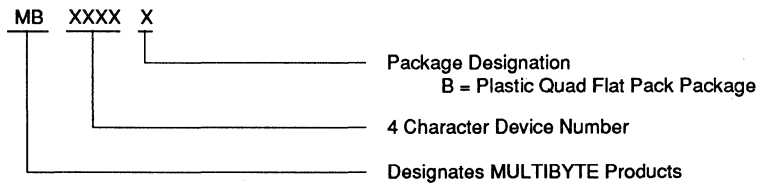
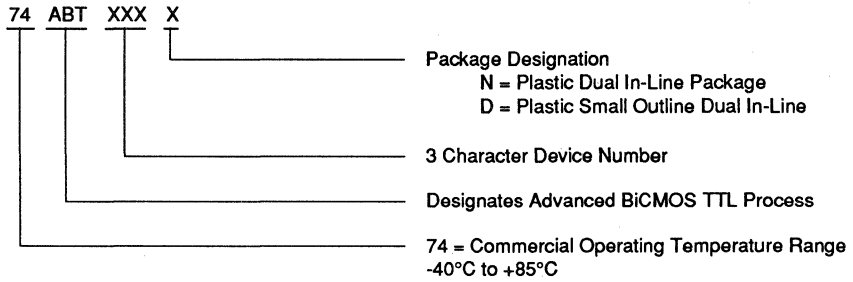
TYPE NO.	DESCRIPTION	PAGE
Devices with Parity		
74ABT657	Octal transceiver with parity generator/checker (3-State)	199
74ABT833	Octal transceiver with parity generator/checker (3-State)	220
74ABT834	Octal inverting transceiver with parity generator/checker (3-State)	224
74ABT853	8-bit transceiver with 9-bit parity checker/generator and flag latch (3-State)	238
74ABT854	8-bit inverting transceiver with 9-bit parity checker/generator and flag latch (3-State)	242
74ABT899	9-bit dual latch transceiver with 8-bit parity generator/checker (3-State)	253

Functional Index

MBXXXX FAMILY

TYPE NO.	DESCRIPTION	PAGE
Buffers/Line Drivers		
MB2240	16-bit inverting buffer/line driver (3-State)	287
MB2241	16-bit buffer/line driver (3-State)	290
MB2244	16-bit buffer/line driver (3-State)	293
MB2541	Dual octal buffer/line drivers (3-State)	310
Flip-Flops		
MB2374	Dual octal D-type flip-flop; positive-edge trigger (3-State)	306
Transceivers		
MB2245	Dual octal transceivers with direction pins (3-State)	298
MB2623	Dual octal transceiver with dual enable, non-inverting (3-State)	318
MB4245	Quad octal transceivers with direction pins (3-State)	331
Registered Transceivers		
MB2052	Dual octal registered transceiver (3-State)	277
MB2053	Dual octal registered transceiver, inverting (3-State)	282
MB2543	Dual octal latched transceivers with dual enable (3-State)	313
MB2646	Dual octal bus transceivers/registers (3-State)	321
MB2652	Dual octal transceivers/registers, non-inverting (3-State)	326
Latches		
MB2373	Dual octal D-type transparent latch (3-State)	302

Ordering Information



TEMPERATURE RANGE	DEVICE NUMBER	PACKAGE STYLE
T _{amb} = -40°C to +85°C	74ABTXXX	D = Plastic Small Outline N = Plastic Dual In-Line
	MBXXXX	B = Plastic Quad Flat Pack

Section 2

Introduction

INDEX

Introduction to ABT and MULTIBYTE.....	11
Quality and Reliability	15

Introduction to ABT and MULTIBYTE

INTRODUCTION

A true BiCMOS process, such as QUBiC, gives an integrated circuit designer a great deal of freedom in approaching the optimum requirement goals of the system designer. The input and output structures can be designed in such a way that they are optimum from a system standpoint. Noise characteristics such as ground bounce and EMI can be minimized without performance degradation. Speed can be maximized towards that of the fastest bipolar devices and power dissipation can be greatly reduced below even pure CMOS approaches.

QUBiC PROCESS

The QUBiC BiCMOS process from Signetics is truly a major achievement in semiconductor process technology. With equal emphasis on optimization of the CMOS as well as the bipolar devices, the process offers 13GHz bipolar NPN devices, one micron NMOS devices, and one micron PMOS devices, altogether with three layers of Al/Cu interconnect. The devices are completely free of latch-up, have high ESD protection, show no electro-

migration, and, due to low bipolar reverse leakage currents and lightly doped CMOS drains, show extremely long reliability lifetimes. From an electrical performance standpoint, the results of this process are clear.

AC CHARACTERISTICS

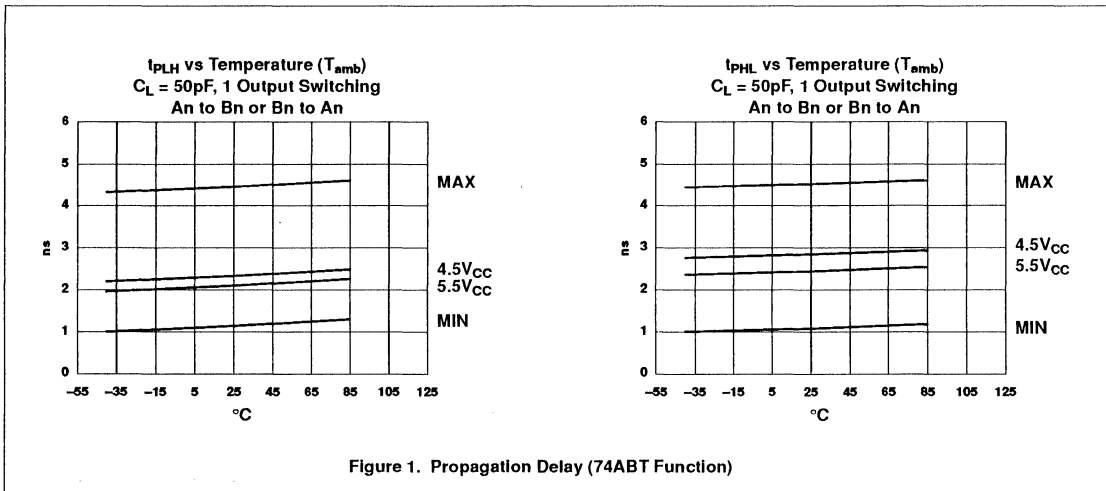
Speed is almost always the first characteristic considered when choosing an integrated circuit. With bus frequencies constantly on the rise and the demand for greater data transfer rates continuously increasing, bus interface devices have become especially sensitive to speed. Figure 1 clearly shows the advantage of Signetics ABT Advanced BiCMOS interface devices.

Supply voltage and temperature stability is also an important feature of a product. Figure 1 shows the propagation delay versus change in the supply voltage and change in temperature. The temperature stability of ABT and MULTIBYTE devices is again a by-product of the process technology. A bipolar transistor generally becomes faster with increases in temperature and a CMOS transis-

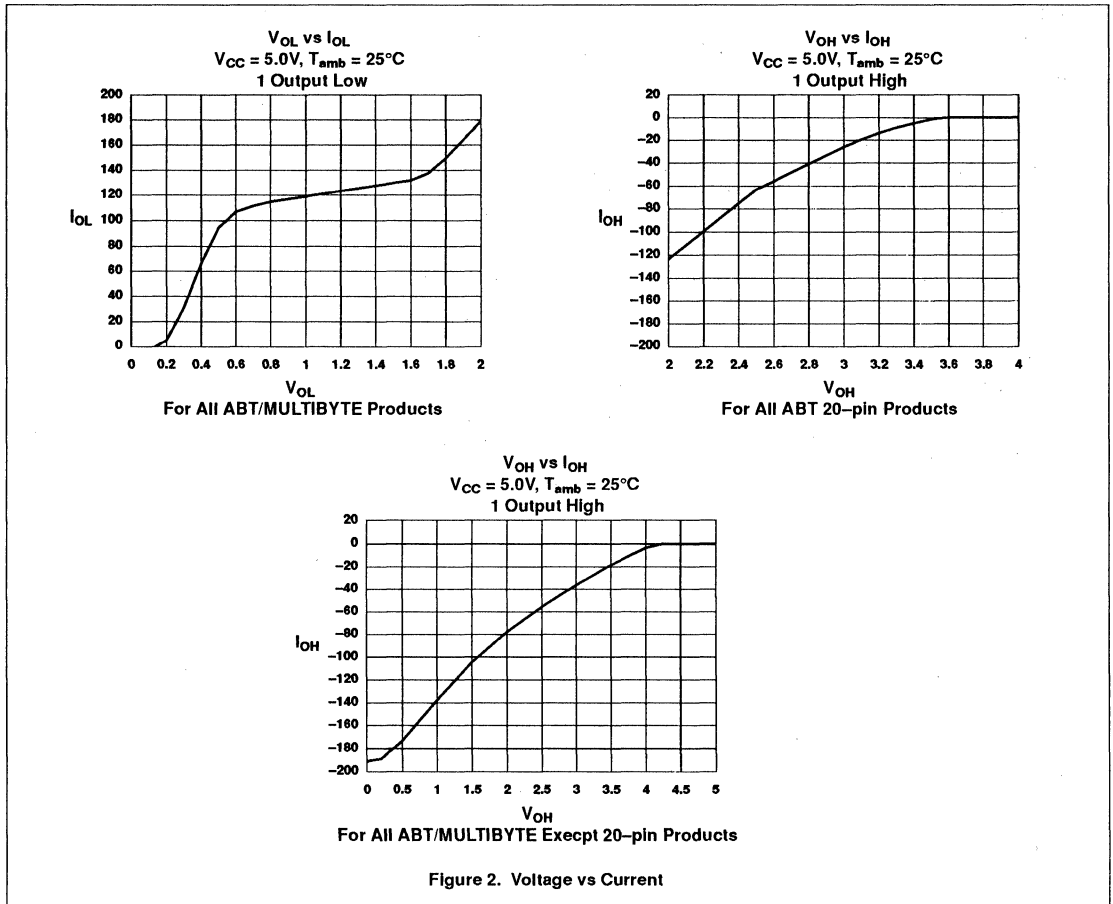
tor slows down with an increase in temperature. The effective addition of these two phenomena create the desirable feature shown in the figure. The flat slope of these curves essentially removes the variables of power supply and temperature from a designer's list of considerations. It also ensures that the device will be more resistant to unexpected system deviations from supply and temperature norms.

INPUT CHARACTERISTICS

The ABT Advanced BiCMOS and MULTIBYTE bus interface devices have TTL input electrical levels, guaranteed switching between 0.8V and 2.0V (typically 1.6V) in order to be driven by TTL or CMOS level buses. They have the desired CMOS characteristic of very low input current loading and input capacitance in the 3 - 4pF range. This feature ensures that the devices lightly load the buses they are interfacing to, allowing the devices to be driven from lower output current devices on a local bus, thus allowing higher system integration.



Introduction to ABT and MULTIBYTE



OUTPUT CHARACTERISTICS

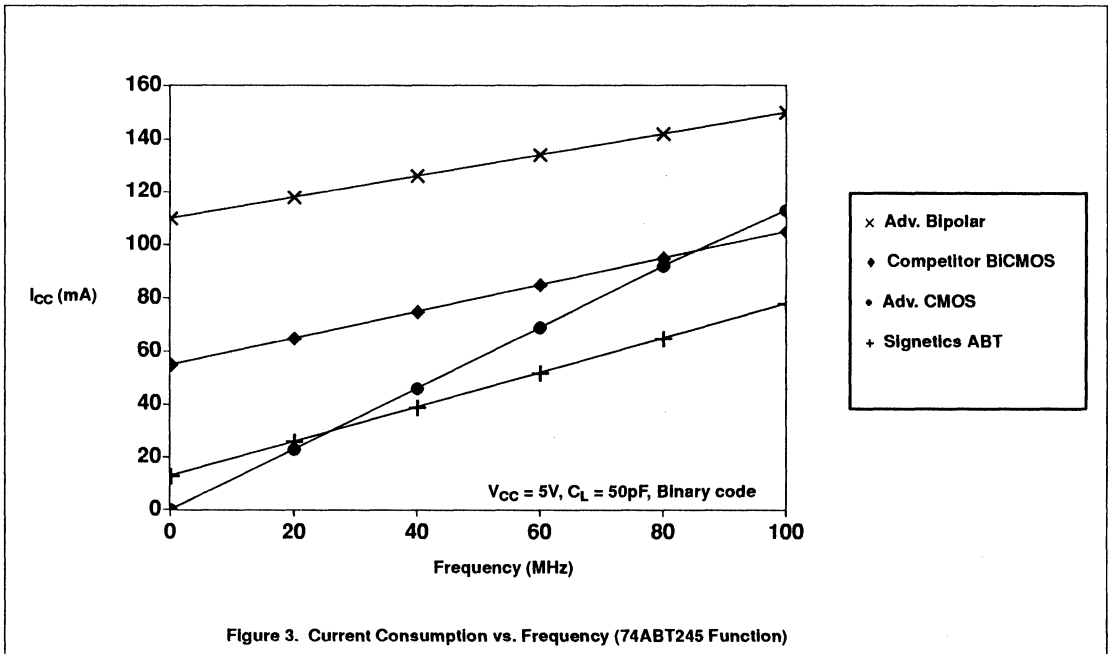
The BiCMOS interface devices have TTL output electrical levels, guaranteeing a V_{OL} of 0.55V (typically 0.4V) while sinking 64mA and guaranteeing a V_{OH} level of 2.0V (typically 3.1V) while sourcing 32mA. Unlike a pure bipolar output structure, these outputs will effectively "turn-off" when the output is in the High state or the disabled state and will not

contribute to I_{CC} . This causes I_{CCH} and I_{CC} values to be essentially zero. When the output is in the Low state, the device will show some I_{CCL} but this value is less than most equivalent bipolar devices by a factor of three to four.

In order to effectively drive heavily loaded local bus applications or almost all backplane or system bus applications, high output cur-

rent drivers are required. The Signetics ABT and MULTIBYTE devices provide as standard 64mA I_{OL} , enough current for nearly all bus driving applications. Figure 2 shows the output current versus voltage characteristic for an ABT output structure. This clearly shows the ability of the output to source and sink large amounts of current to and from the bus to which it is interfaced.

Introduction to ABT and MULTIBYTE

**POWER DISSIPATION**

Device power dissipation is of greater concern now than it was only a few years ago. The largest influence on this trend is almost certainly the move towards smaller, more compact systems and their related reliability concerns. Along with this, the increased popularity of surface mount devices has driven heat dissipation specifications towards zero. No longer can ten interface devices sitting disabled on a bus be allowed to dissipate five watts of power. The ABT and MULTIBYTE devices from Signetics will be guaranteed to

dissipate typically zero power (mW) when disabled or in the High state.

It is certainly true that static power dissipation is not the entire story. The device, after all, will be in a critical path and will, therefore, be under some pressure from the devices to which they are interfaced to operate. Figure 3 illustrates the relative current consumption of a popular octal device when the device is under operation. Each output is loaded with a 50pF load and counts through a binary code from 00000000 to 11111111 at the given frequency.

It is common knowledge that pure CMOS devices perform rather poorly with respect to power dissipation at very high frequencies. It can also be noted, however, that pure bipolar devices also show a positive, non-zero slope of I_{CC} versus frequency. The figure shows that the ABT BiCMOS parts will consume roughly the same amount of delta current versus delta frequency (slope) as bipolar/other BiCMOS, but its overall magnitude is approximately 100mA less than a pure bipolar approach over the entire frequency range and 40mA less than a competing BiCMOS approach.

April 1991

Introduction to ABT and MULTIBYTE

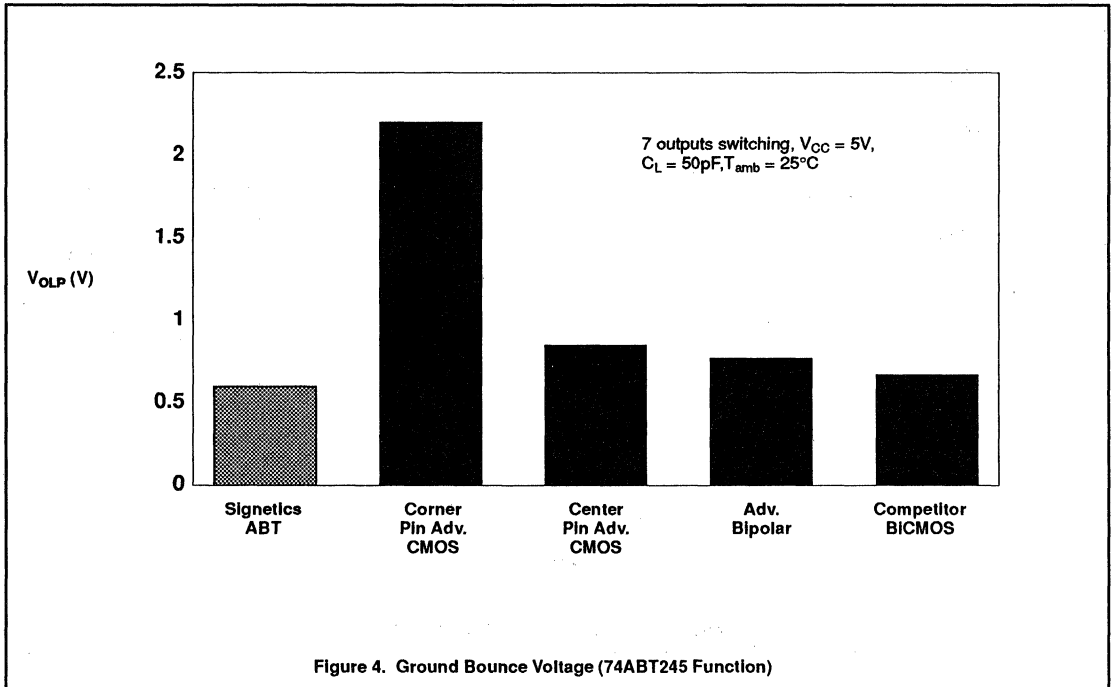


Figure 4. Ground Bounce Voltage (74ABT245 Function)

NOISE

Ground and V_{CC} noise generated by an integrated circuit has been greatly recognized as an undesirable feature that needs to be addressed by the IC manufacturer and not by the system designer alone. Supply noise causes numerous problems ranging from propagation delay degradation to logic errors to EMI/FCC failures. Considerable attention has been focused on noise and its related issues and Figure 4 shows a comparison of various devices available and their equivalent

ground bounce voltage (V_{OLP}). Signetics 74ABTXXX devices have been responsibly designed to exhibit less than 800mV of ground noise which can be observed in Figure 4.

CONCLUSION

Signetics Advanced BICMOS interface logic begins a new chapter in interface logic performance. Using a new revolutionary integrated bipolar and CMOS process, the de-

vices allow for faster, high drive applications while lowering power dissipation to previously unreachable levels. High speed and high drive were not acquired at the cost of high power dissipation, increased bus loading, or increased noise. Together with support from the widest range international supplier of logic devices in the world, Signetics 74ABTXXX Advanced BICMOS interface logic devices have become the high performance interface logic of choice.

Quality and Reliability

SIGNETICS' QUALITY PROGRAM

In 1979, Signetics recognized that quality was becoming a major competitive issue, not only in the semiconductor business but also in other industries. Increases in the volume of products imported from the Far East (steel, automobiles, and consumer products) sent strong signals that new competitive forces were at work.

An investigation into a variety of quality programs was started. The company realized that quality improvement would require a contribution from all employees. Management commitment and participation, however, was recognized as the primary prerequisite for this program to work successfully. Resources required for the resolution of defects were under management control.

In 1980 a program was developed which focused on quality management. Rearranging previous quality control philosophies, we developed a decentralized, distributed quality organization and simultaneously installed a Quality Improvement Process (QIP) based on the 14-Step Improvement program advocated by Phil Crosby. The process was formally begun company-wide in 1981. Since then substantial progress has been made in every aspect of our operations. From incoming raw material conformance to improvements in clerical errors — every department and individual is involved and striving for Zero Defects. Zero Accept sampling plans and Zero Defects warranties are evidence of our ongoing commitment to and progress in quality. Over the past decade, Signetics has achieved a 90 fold improvement in product electrical quality, 30 fold improvement in product mechanical quality and a 20 fold improvement in product reliability.

Today the quality improvement process has evolved to Total Quality Management (TQM) having a far-reaching impact on all aspects of our business. Customers are provided with products of refined electrical and mechanical quality. TQM requires a clear set of management principles which mandate systems and measurements consistent with stated objectives. TQM endorses and utilizes the seven major examination categories of the U.S.A. Malcolm Baldrige National Quality Award. Together, the examination categories address all major components of an integrated, prevention based system built around continuous improvement and customer satisfaction.

ZERO DEFECTS WARRANTY

In recent years, American industry has demanded increased product quality of its IC suppliers in order to meet growing international competitive pressure. As a result of this

quality focus, it is becoming clear that what once was thought to be unattainable— Zero Defects—is, in fact, achievable.

Signetics offers a Zero Defects Warranty which states that we will take back an entire lot if a single defective part is found. This precedent setting warranty implemented in 1985 effectively ended the IC industry's "war of the AQLs" (Acceptable Quality Levels). The ongoing efforts of IC suppliers to reduce PPM (Parts Per Million) defect levels is now a competitive customer service measure. This intense commitment to quality provides an advantage to today's electronics OEM. That advantage can be summed up in four words: **Reduced Cost of Ownership.**

As IC customers look beyond purchase price to the total cost of doing business with a vendor, it is apparent that a quality-conscious supplier represents a viable cost reduction resource. Consistent high-quality circuits reduce requirements for expensive test equipment and personnel, and allow for smaller inventories, less rework, and fewer field failures. Programs such as Self Qualification and Ship-To-Stock implemented in 1984 and Cycle Time Management (CTM) implemented in 1990 help reduce cost of ownership.

STATISTICAL PROCESS CONTROL (SPC)

Although application of statistics in our process development and manufacturing activities goes back to the early 1970's, the corporate-wide emphasis on Statistical Process Control (SPC) did not come until mid-1984.

A natural evolution of our quality improvement process made introduction of SPC and other related programs an inevitable event. SPC was, therefore, introduced under the QIP umbrella. The Crosby definition of Quality, "Conformance To Requirements (Specification)" was expanded to include "Conformance To Specified Targets". The measurement definition of "continuous improvement" was expanded to include "Continuous Reduction of Variability Around the Specified Target".

The objective of SPC is to introduce a systematic and scientific approach to business and manufacturing activities. This approach utilizes sound statistical theory. Managers are expected to be able to turn data into information and to make decisions solely on data (not perception).

The most critical and challenging aspect of implementing SPC is the establishment of a discipline within the operating areas so that decision making is fundamentally based on

verifiable data and so that actions are documented. The other is the realization that statistical tools merely point out the problems but are not themselves solutions. The burden of action on the process is still on the shoulders of the person that implemented it. In order to implement SPC effectively, three steps are continually followed:

Documenting and understanding the process and using process flow charts and component diagrams.

1. Establishing data collection systems and using SPC tools to identify process problems and opportunities for improvement.
2. Acting on the process and establishing guidelines to monitor and maintain process control.
3. Acting on the process and establishing guidelines to monitor and maintain process control.

Repeating steps 1-3 again.

These fundamentals are the basis of establishing specifications and operating philosophy with respect to SPC. We believe a solid foundation creates a permanent system and accelerates our quality improvement process.

CYCLE TIME MANAGEMENT

Cycle Time Management efforts are focused on Design-Development Process Responsiveness and Make-Market Process Responsiveness. Both are aimed at reducing the cycle time of tasks from current performance (Baseline) to entitlement (Using Existing Resources) then to improved entitlement and theoretical limit. Design-Development focuses on getting the right products and processes to production within the market window interval. Make-Market concentrates on getting product into the customers hands within Customer Lead Time Requirements. Cycle time management directly links to quality improvement in its requirement for task barrier identification at the root cause level and removal of those barriers (e.g. eliminating causes of rejects thereby eliminating rework or product sort). Also, the acceleration of results from reducing cycle time increases the frequency of events thereby increasing the cycles of learning required for quality improvement.

QUALITY PERFORMANCE

Our Quality Improvement Process has influenced our entire production cycle - from the purchases of raw materials to the shipment of finished product. The involvement of all areas of the company has resulted in

Quality and Reliability

impressive quality improvements. A traditional quality gauge is final electrical and visual/mechanical product defect levels as measured upon first submittal results at outgoing Quality Assurance gates; Estimated Process Quality. This is the PPM Level at our outgoing inspection for all accepted and rejected lots. (See Figures 1 and 2.) Current product shipments routinely record below 20PPM (Parts Per Million) electrical defect levels and 150PPM visual/mechanical defect levels. Since we utilize zero accept sampling on all

finished production inspection, any lot with one or more rejects is 100 percent rejected.

The most meaningful measure in our product quality is how we measure up to our customer's expectations. Many customers routinely send us incoming inspection data on our products. One major mainframe manufacturer has reported zero defects in electrical, visual-mechanical, and hermeticity and has reported a 100 percent lot acceptance rate on the Standard Products Group product for

over a year. Signetics is very appreciative of the recognition given by customers. In the past 3 years, Signetics has received over 50 formal commendation plaques from customers in recognition of Quality, Delivery and Service. Due to this type of performance, an increasing number of our customers are eliminating expensive incoming inspection testing and have begun implementation of the Ship-to-Stock Program. (See Figure 3.)

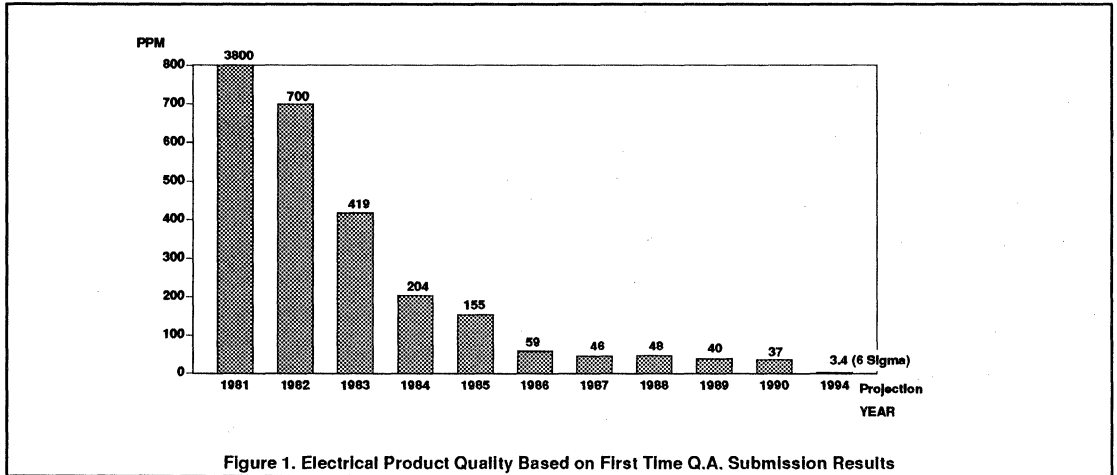


Figure 1. Electrical Product Quality Based on First Time Q.A. Submission Results

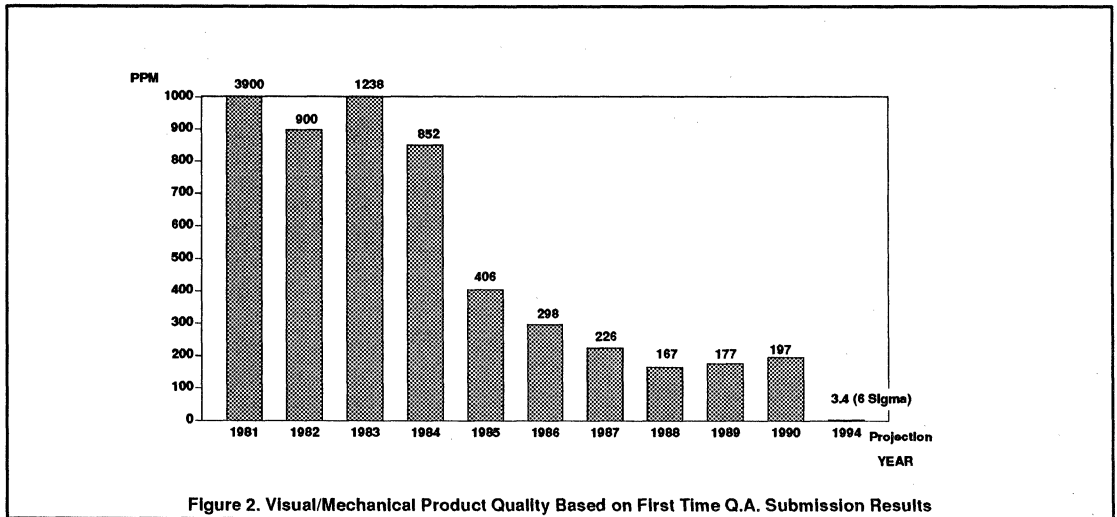


Figure 2. Visual/Mechanical Product Quality Based on First Time Q.A. Submission Results

Quality and Reliability

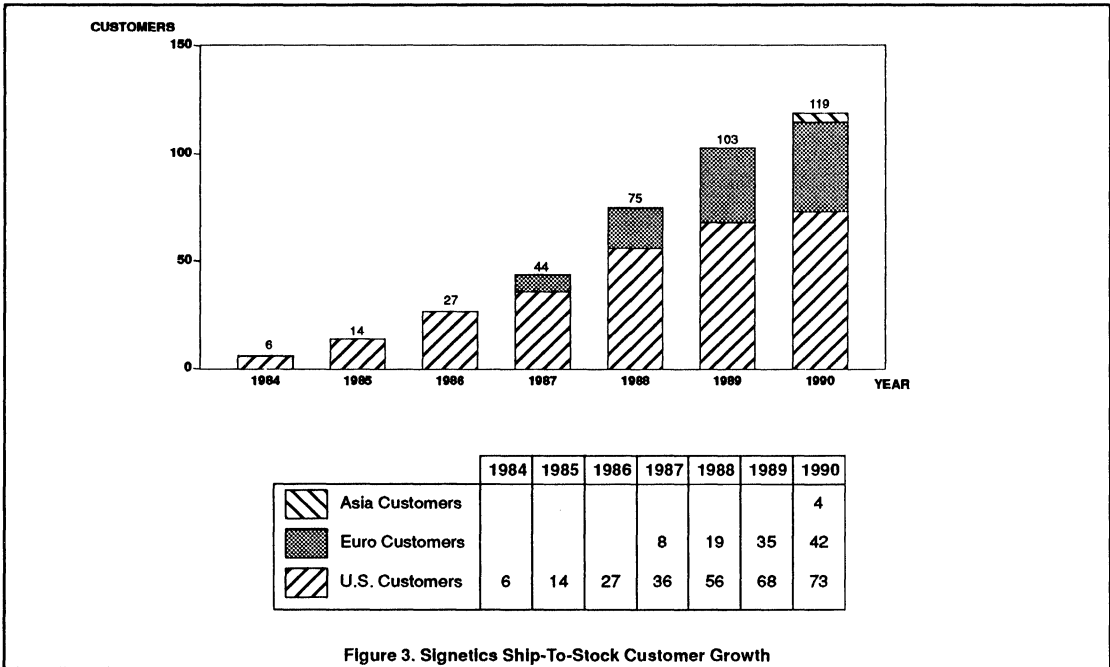


Figure 3. Signetics Ship-To-Stock Customer Growth

SHIP-TO-STOCK PROGRAM

Ship-to-Stock is a formal program developed at the request of our customers to help them reduce their costs by eliminating incoming test and inspection. Through close work with these customers in our quality improvement program, they became confident that our defect rates were so low that the redundancy of incoming inspections and testing was not only expensive, but unnecessary. They also saw that added component handling increased the potential of causing defects.

Ship-to-Stock is a joint program between Signetics and a customer which formally certifies specific parts to go directly into the customer's assembly line or inventory. This program was developed at the request of several major manufacturers after they had worked with us and had a chance to experience the data exchange and joint corrective action occurring as part of our quality improvement program.

Manufacturers using large volumes of ICs, those who are evaluating Just-in-Time delivery programs, or those who want to reduce or avoid high-cost incoming inspection are strongly encouraged to participate in this worthwhile program. Contact your local sales representative for further assistance and

information on how to participate in this program.

SUMMARY

The Quality Improvement Program has had a far-reaching impact on all aspects of our business. It has, of course, provided our customers with products of improved electrical and mechanical quality and has provided us with a method of managing product reliability improvement to ensure that our products continue to perform as specified.

The corrective action teams that work to eliminate the cause of defects are committed to producing highly reliable integrated circuits and, as demonstrated by our continually improved product reliability performance, we are well on the way to achieving our objective, **ZERO DEFECTS.**

RELIABILITY ASSURANCE PROGRAMS

Focus on Product Reliability

From 1981 to 1984, continuing improvements in process and material quality had a significant impact on product reliability.

Since 1984, the company has intensified its effort to markedly improve product reliability. Corporate Reliability Engineering, Group and Plant Reliability Units and Manufacturing Engineering work jointly on numerous improvement activities. These focused activities enhance the reliability of future products by providing improved methods for reliability assessment, increased understanding of failure physics, advanced analytical techniques, and aid in the development of material and processes.

RELIABILITY MEASUREMENT PROGRAMS

Comprehensive product and process qualification programs have been developed to assure that our customers are receiving highly reliable products for their critical applications. Additionally, ongoing reliability monitoring programs, SURE III and Product Monitor, sample standard production on a regularly established basis (see Table 1).

Quality and Reliability

Table 1. Reliability Assurance Programs

RELIABILITY FUNCTION	TYPICAL STRESS	FREQUENCY
New Process Qualification	High Temperature Operating Life Temperature-Humidity, Biased, Static High Temperature Storage Life Pressure Pot Temperature Cycle	Each new wafer fab process
New Product Qualification	High Temperature Operating Life Temperature-Humidity, Biased, Static High Temperature Storage Life Pressure Pot Temperature Cycle Electrostatic Discharge Characterization	Each new product family
SURE III	High Temperature Operating Life Temperature-Humidity, Biased, Static High Temperature Storage Life Pressure Pot Temperature Cycle	Each fab process family, every four weeks
Product Monitor	Pressure Pot	Each plastic package type and technology family at each assembly plant, every week

DESCRIPTION OF STRESSES

High Temperature Operating Life

Static High Temperature Life (SHTL) stressing applies static DC bias to the device. This has specific merit in detecting ionic contamination problems which require continuous uninterrupted bias to drive contaminants to the silicon surface. The voltage bias must be maintained until the devices are cooled down to room temperature from the elevated life test temperature. Dynamic High Temperature Life (DHTL) stressing is not as effective in detecting such problems because the bias continuously changes, intermittently generating and healing the problem. For this reason, SHTL has typically been used as the accelerated life stress for Logic products. DHTL is useful for products such as memory and micro-processor/controller where a large portion of the area can only be accessed by dynamic means.

HTSL-High Temperature Storage Life

This stress exposes the parts to elevated temperatures (150°C-175°C) with no applied bias. For plastic packages, 175°C is the high end of its safe temperature region without accelerating untypical failure mechanisms. This test is intended to accelerate potential mechanical package-related failure mechanisms such as Gold-Aluminum bond integrity and other process instabilities.

THBS-Temperature-Humidity, Biased, Static

The accelerated temperature and humidity bias is performed at 85°C and 85% relative humidity (85°C/ 85% RH). In general, the worst case bias condition is the one which

minimizes the device power dissipations and maximizes the applied voltages. Higher power dissipations tend to lower the humidity level at the chip surface and lessen the corrosion susceptibility.

TMCL-Temperature-Cycling, Air to Air

The device is cycled between the specified upper and lower temperature without power in an air or Nitrogen environment. Normal temperature extremes are -65°C and +150°C with a minimum 10 minute dwell and 5 minute transition per MIL-STD-883C, Method 1010.5, Condition C. This is a good test to measure the overall package to die mechanical compatibility, because the thermal expansion coefficients of the plastic are normally very much higher than those of the die and leadframe. However, for large die the stress may be too severe and induce failures that would not be expected in a real application.

PPOT-Pressure Pot

This stress exposes the devices to saturated steam at elevated temperature and pressure. The standard condition is 20 PSIG which occurs at a temperature of 127°C and 100% RH. The stress is used to test the moisture resistance of plastic encapsulated devices. The plastic encapsulant is not a moisture barrier and will saturate with moisture within 72 hours. Since the chip is not powered up the chip temperature and relative humidity will be the same as the autoclave once equilibrium is reached. Because the steam environment has an unlimited supply of moisture and ample temperature to catalyze thermally activated events, it is effective at detecting corrosion problems, contamination induced leakage problems, and general glassivation stability

and integrity. It is also a good test for both package integrity (cracks in the package), and for die cracks (the moisture swells the plastic enough to stress the die; also the moisture causes leakage paths in the crack itself).

PRODUCT AND PROCESS PROGRAMS

Qualification activity is centered around new products and processes and changes in products and processes. The goal is to assure that the products can meet the qualification requirements prior to general release, and on an ongoing basis to demonstrate conformance to those requirements. The nature and extent of reliability stressing required depends on the type of change and the amount of applicable reliability data available.

A full qualification may include Early Failure Rate (EFR), Intrinsic Failure Rate (IFR), and Environmental Endurance Stressing. Such stress plans are reserved for introductions or changes that involve new or untested material or processes and, as such should be subjected to the maximum reliability interrogation. This normally entails a full range of biased and unbiased temperature and humidity stresses along with thermo-mechanical stresses.

For changes that are of limited scope, the full range of qualification stressing may not be warranted. In these instances, the nature and extent of the change is examined and only those stresses which provide a valuable measure of the change, or those which will detect potential weakness, are performed.

Quality and Reliability

SELF-QUAL PROGRAM (SQP)

Self-Qual is a joint program between Signetics and a customer that formally communicates the qualification activities for a new or changed product, process, or material. The Self-Qual process provides our customer's engineering groups an opportunity to participate in the development of the qualification plan. During the qualification process, customers may audit the project, and can receive interim updates of qualification progress. Upon completion, formal detailed engineering reports are provided.

The major impact to the customer comes from the reduced workload on the component engineering and qualification groups. These engineering resources generally divide their time between routine qualification activity and problem resolution on critical components. By eliminating the need to perform qualification for one of the basic vendor changes the customer component engineer can spend more of his time resolving the critical product issues. In addition, the total amount of stress hardware needed to perform qualification life tests and other environmental evaluations can be reduced, saving the customer facility costs and reducing operating expense.

Self-Qual is a no-risk proposition for the customer. Each Self-Qual proposal provides a detailed description of what we are changing and why. It includes a detailed plan of what we intend to do to establish the reliability of the products affected. If the customer wishes to have product added to the plan or select some additional stresses, or prefers alternative stress conditions, Signetics will do everything possible to accommodate those requests. After that, if the customer is still uncomfortable with the recommended change, they are under no obligation to accept our data, and they may also perform their own qualification program. Customers who are interested in participating in this program should contact their local sales representative or the Corporate Reliability Engineering department directly.

SURE III RELIABILITY MONITORING PROGRAM

In order to implement an improvement program, a standard measure of performance was needed. The results from the SURE III Reliability Monitoring Program are used as basic ongoing measures of product reliability performance. This program samples all

generic families of products manufactured and utilizes standardized stress methods and test procedures. This system is augmented by new product and process qualification activities and infant mortality monitoring programs. A measurement philosophy was adopted based on the premise of continual improvement toward our performance standard of zero defects. We also increased our standard Pressure Pot stress conditions from 15 PSIG/1215C to 20 PSIG/1275C. This reduced stress duration from 168 hours to 72 hours, and increased high volume sampling, which increased sensitivity to low defect levels. Our standard monitoring program, SURE III, includes the stress conditions as described in Table 2. The continuous improvement results are shown in Figure 4. Signetics Reliability Index as Failure Per Million (FPM). The FPM value includes all rejects from all accelerated stresses divided by total units submitted to all stresses. This is a relative number used to manage continuous reliability improvement. It should not be interpreted as an expected failure rate. Failure rate information is provided in the Signetics Product Reliability Summary Report available to all customers.

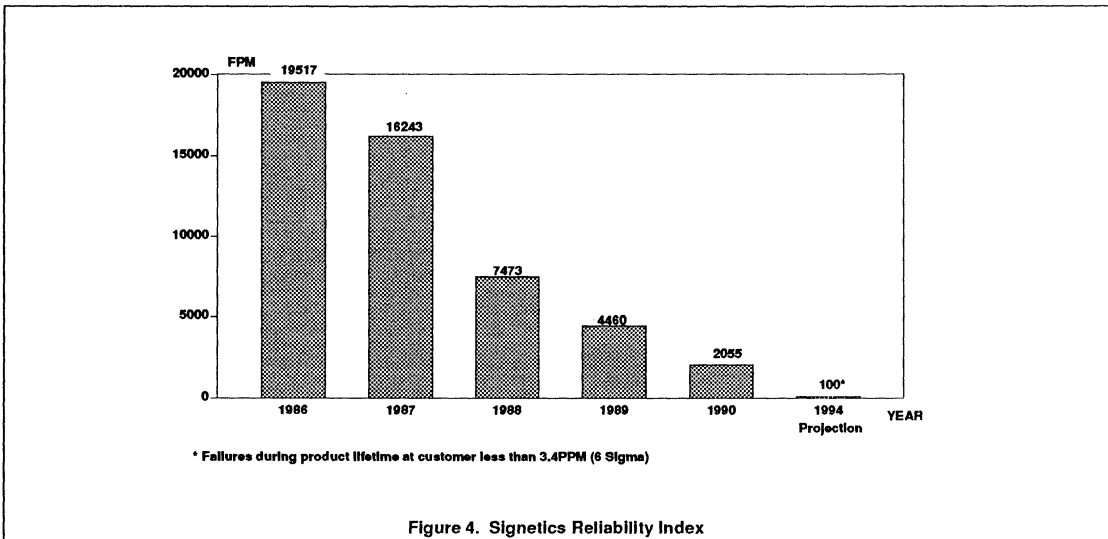


Figure 4. Signetics Reliability Index

Quality and Reliability

PRODUCT MONITOR

In addition to the SURE III program, each assembly plant performs Pressure Pot (20PSIG, 1275C, 72hours) reliability monitors on a weekly basis for each molded package type by pin count. The purpose of this program is to monitor the consistency of the assembly operations for such attributes as molding quality and die attach and wire bond integrity. This data is reported back to manufacturing operations and corporate and group reliability and quality assurance departments by electronic mail each week.

RELIABILITY EVALUATION

In addition to the product performance monitors encompassed in the SURE III program, Corporate and Group Reliability Engineering departments sustain a broad range of evaluation and qualification activities. Included in the engineering process are:

- Evaluation and qualification of new or changed materials, assembly/wafer-fab processes and equipment, product designs, facilities, and subcontractors.
- Devices or generic group failure rate studies.

- Advanced environmental stress development.
- Failure mechanism characterization and corrective action/prevention reporting.

The environmental stresses utilized in the engineering programs are similar to those utilized for the SURE III program; however, more highly accelerated conditions and extended durations typify these engineering projects. Additional stress systems such as biased pressure pot, power-temperature cycling, and cycle-biased temperature-humidity, are often included in some evaluation programs.

STRESS FACILITY QUALITY

Quality improvement has reached all functional areas of the company, and the reliability stress laboratories are no exception. Corporate Reliability Laboratory (CRL) is one of the many areas where the benefits of the quality improvement process pays repeated dividends.

CRL utilizes stress which accelerate failure rates hundreds to thousands of times, requiring precision and control to make reliability data meaningful. Stress loading schedules are maintained with absolute regularity and chambers are never off-line beyond scheduled loading plans. Board currents are recorded prior to and at each interval on biased stresses, and monitoring of in-oven currents is conducted daily.

Thermal modeling of the Temperature Cycling systems has been accomplished and all loads are carefully weighed to ensure that thermal ramps are consistent.

Pressure Pot and Biased Pressure Pot systems utilize microprocessor controllers, and are accurate to within 0.1 degree centigrade. Saturation is guaranteed via automatic timing circuits, and a host of fail-safe controls ensure that test groups are never damaged.

Electrostatic discharge (ESD) handling precautions are standard procedures in the laboratories, and the occurrences of devices lost, zapped, or overstressed have become almost non-existent.

Table 2. SURE III Reliability Monitoring Programs

RELIABILITY FUNCTION	STRESS CONDITIONS
Static High Temperature Operating Life (SHTL)	$T_j \geq 150^\circ\text{C}$, $T_A = 125^\circ\text{C}$ to 150°C , Biased condition = Static, $V_{CC} = \text{MAX}$, Duration = 1000 hours
High Temperature Storage Life (HTSL)	$T_A = 150^\circ\text{C}$, Biased condition = None, Duration = 1000 hours
Temperature-Humidity, Biased, Static (THBS)	$T_A = 85^\circ\text{C} \pm 3^\circ\text{C}$, Humidity = 85% RH $\pm 5\%$, Biased condition = Static, $V_{CC} = \text{MAX}$, Duration = 1000 hours
Temperature Cycling (TMCL)	$T_A = -65^\circ\text{C}$ ($+0^\circ\text{C}$ - 10°C) to $+150^\circ\text{C}$ ($+10^\circ\text{C}$ - 0°C), Air-to-Air, Dwell time = 10 minutes minimum each extreme, Biased condition = None, Duration = 1000 cycles for plastic package, 300 cycles for ceramic package
Pressure Pot	$T_A = 127^\circ\text{C} \pm 2^\circ\text{C}$, 20 PSIG ± 0.5 PSIG (PPOT), 100% saturated steam, Biased condition = None, Duration = 72 hours

NOTE: $V_{CC} = \text{MAX}$ is generally equal to $V_{CC} = \text{MAX}$ as specified in data handbook

Quality and Reliability

RELIABILITY IMPROVEMENT PROGRAMS

Recent reliability improvement programs that enhance product reliability performance include a series of activities addressing failure rate reduction in thermal cycling stresses, particularly on large die. Other reliability improvement programs involved the use of Silicon Nitride and other technologically advanced passivation systems to increase the high humidity resistance of sensitive products.

Reducing early life failures became a major focus in 1986. Numerous corrective action teams established high volume monitors capable of accurately describing parts per million (PPM) level infant failure rates. From data produced via these monitors, improvement in wafer fabrication process and assembly

process technologies occurred to minimize integrated circuits defect levels. The Early Failure Rate (EFR) level was driven from 521 FPM in 1987, 398 FPM in 1988, 252 FPM in 1989 to less than 100 FPM in 1990.

MANUFACTURING FACILITIES

Signetics, as part of a multinational corporation, utilize manufacturing facilities for wafer fabrication, package assembly, and test in three states and five overseas countries as shown in Table 3. Wafer fabrication is performed in fabs which report to the Product Groups. Assembly operations in Utah, Korea, and Thailand report to the Vice President of Assembly Manufacturing Operations (AMO). Assembly subcontractors (Alphatec, Anam,

Hyundai, MEC, Pebei, Team and Rohm) are scheduled and controlled through the AMO organization. Assembly subcontractors process all product to Signetics' specifications and materials. We have on-site quality assurance personnel at each subcontractor site to audit assembly processes and procedures.

TYPICAL IC MANUFACTURING FLOW

The manufacturing process for integrated circuits begins with wafer fabrication. The wafers are then electrically sorted, assembled, and tested prior to customer shipment. Quality assurance inspections are utilized throughout the manufacturing process.

Table 3. Product Manufacturing

FACILITIES	DESIGNATION	LOCATION	PROCESS OR PACKAGE FAMILIES
Wafer Fabrication	Fab 01	Sunnyvale, California, USA	Bipolar, Linear, Junction Isolated and Quality Assurance
	Fab 21	Orem, Utah, USA	Bipolar Gold Doped, Schottky, Oxide Isolated, ECL, PLD and Quality Assurance
	Fab 22	Albuquerque, New Mexico, USA	NMOS, CMOS, ACMOS, BiCMOS, EPROM and Quality Assurance
	Fab 23	Albuquerque, New Mexico, USA	CMOS EPROM, Flash EPROM and Quality Assurance
	Fab 92 (MOS #2)	Nijmegen, The Netherlands	HC(T) CMOS Logic and Quality Assurance
Assembly	Alphatec	Bangkok, Thailand	Ceramic DIP and Quality Assurance
	Anam	Seoul, Korea	Plastic SO, PLCC, Metal Can and Quality Assurance
	Hyundai	Ichon, Kyungki, Korea	Plastic DIP, Ceramic DIP and Quality Assurance
	MEC	Osaka, Japan	Plastic SO EIAJ, QFP and Quality Assurance
	Orem	Orem, Utah, USA	Ceramic DIP, Flat Pack, QFP, PGA and Quality Assurance
	Pebei	Kaosiung, Taiwan	Plastic DIP, SO, SSOP, PLCC, and Quality Assurance
	SigKor	Seoul, Korea	Plastic DIP, SO, PLCC, and Quality Assurance
	Sig Thai	Bangkok, Thailand	Plastic DIP and Quality Assurance
	Team	Manila, Philippines	Plastic DIP and Quality Assurance
Rohm	Kyoto, Japan	Plastic QFP and Quality Assurance	
Test	TA03/04	Sunnyvale, California, USA	Wafer Sort, Final Test and Quality Assurance
	SigKor	Seoul, Korea	Final Test and Quality Assurance
	SigThai	Bangkok, Thailand	Final Test and Quality Assurance
	Albuquerque	Albuquerque, New Mexico, USA	Wafer Test and Quality Assurance
	Orem	Orem, Utah, USA	Military Final Test and Quality Assurance

Quality and Reliability

Table 4. Package Construction

ITEMS	PLASTIC DIP	SO AND PLCC	CERAMIC DIP(CERDIP)	CERAMIC FLAT PACK
Lead Frame	Copper, 194 Alloy	Copper, 194 or PMC102	Alloy-42	Alloy-42
Lead Finish	Tin/Lead Solder Dip (60/40)	Tin/Lead Solder Dip (60/40) or Solder Plate (80/20)	Tin/Lead Solder Dip (60/40)	Tin/Lead Solder Dip (60/40)
Bond Area Finish	Silver Spot	Silver Spot	Silver Spot	Silver Spot
Die Attach	Silver Filled Polyimide or Thermoplastic	Silver Filled Polyimide or Thermoplastic	Silver Filled Glass	Silver Filled Glass
Bond Wire	Gold, 1.0-1.3 mils in Diameter	Gold, 1.0-1.3 mils in Diameter	Aluminum, 1.0-1.3 mils in Diameter	Aluminum, 1.0-1.3 mils in Diameter
Wire Bonding Die Lead Frame	Thermosonic Ball Stitch	Thermosonic Ball Stitch	Ultrasonic Stitch	Ultrasonic Stitch
Package Material	Novolac Epoxy	Novolac Epoxy	Ceramic	Ceramic

SPECIAL PROCESSING

SUPR II LEVEL B –

For our customers who require an infant mortality rate level less than that normally provided for our standard products (typically less than 1000PPM), we offer our Signetics Upgraded Product Reliability (SUPR) program.

Devices are burned-in per Signetics specification 850-227 schematics for a minimum of 21 hours at junction temperature between 155°C to 175°C. For a 1.0eV activation energy, 21 hours at 155°C is equivalent to 168 hours at 125°C.

Following burn-in, all devices are cooled down under bias and tested within 96 hours. All devices are tested before and after burn-in, yield calculated and compared to Percent Defective Allowed (PDA). If a lot fails PDA, it is investigated and good units submitted to a second burn-in. All "SUPR II B" devices carry a "B" marking.

The SUPR program was introduced in 1972 to improve quality and reliability and was expanded in 1975 to SUPR II A which included the burn-in option, SUPR II B. With the implementation of the Signetics Quality Improvement Process in 1980, standard product quality levels and guarantees caught up and passed SUPR II. All processing, except for burn-in, is now standard. The Signetics standard warranty is Zero Defects.

"Evaluation of Early Failure Levels and The Effectiveness of Burn-In" is available upon request through your local sales office. This brochure is an aid for those users and purchasers of integrated circuits who need to make a decision regarding burn-in.

PUBLICATIONS

Signetics routinely publishes documents supporting the Quality and Reliability Improvement Process. The following significant documents are currently available.

IC Quality Series

Quality and Reliability Policy Manual (850-8000)

This manual is the starting point for understanding the policies of Signetics pursuant to constantly improving the high standards of quality and reliability in the manufacture of monolithic integrated circuits. Responsibilities and authority of organizations are defined along with governing specifications and operator instruction documents.

Supplier Partnership Guide

This booklet defines Signetics philosophy, policy and requirements for establishing strategic partnerships with raw material suppliers.

Product Symbol Formats

This publication provides a guide for determining standard product symbol format and content for decoding inventory and product in field usage since 1980. Since date code 8717, Signetics has symbolized the assembly start computer Lot ID on commercial products providing full traceability back to start of wafer fabrication.

Quality Attributes EDI System

This manual defines system requirements for Electronic Data Interchange (EDI) of Quality Attributes (pass/fail) Data.

Monthly Product Outgoing Quality Summary Reports

Estimated Process Quality (EPQ) in PPM for electrical, visual/ mechanical and hermetical by part number or by family.

Statistical Process Control

This booklet introduces the Signetics SPC system including terminologies, philosophy, organization, training and implementation strategy and status.

Ship-To-Stock Program

This booklet defines the "joint program" requirements of Signetics and the customer to formally certify specific products to go directly into the assembly line or inventory with reduced or no incoming inspection thereby reducing cost of ownership.

Customer Return Immediate Service Program (CRISP)

This booklet defines the joint responsibilities of Signetics and the customer to assure that correlation samples are investigated and results reported per the Signetics 1-4-5 cycle time commitments.

Quality and Reliability Improvement Process

This booklet tells the story of the 1980 Signetics Quality Improvement Program evolving into the Quality Improvement Process (QIP) which is the foundation of all Signetics efforts aimed at total customer satisfaction. The March 1988 publication describes the story. More recent booklets contain updated foils only, without much text.

Quality and Reliability

IC Reliability Series

Signetics Reliability Handbook

This handbook is a detailed guide to Signetics Reliability Qualification and Monitoring activities. It includes reference sections that deal with the application and statistics of integrated circuit reliability issues.

Product Reliability Summary

Yearly, SURE III monitoring data is summarized and published for all product families in a Product Reliability Summary. Summaries like this one provide a detailed overview of product family performance and estimates the reliability of those products in use conditions.

Quarterly Reliability Update

Detailed results, by part number, package type, date code, assembly location, and by stress and test interval are routinely published in the Signetics Quarterly Reliability Update. The "Update" is available at the end of each quarter, and contains the results of reliability monitors which completed during the previous quarter, plus approximately 3 years of history for each product family.

SMD Reliability (The Reliability and Durability of Surface Mount Packages)

In support of Signetics' leadership in Surface Mount Device (SMD) technology, we have

published in-depth studies and evaluations on the reliability and durability of SMD packages. The Surface Mount Reliability report covers evaluation of products after exposure to the unique environments created by various SMD soldering and cleaning processes.

Process Technology and Manufacturing Facility Roadmap

This document defines the various process technologies in production in Signetics manufacturing facilities, and defines in detail, the fab and assembly processes and locations qualified to produce all released products.

Thermal Characteristics of Integrated Circuit Packages

This is a comprehensive collection of thermal characterization data for all packages manufactured by Signetics. Thermal resistance data to *Case*, and to *Ambient* are provided. Details on airflow effects and die size are included.

SSQP – Signetics Self-Qual Program-Reports

In addition to the regular publications of reliability monitor results, a special program for the publication of qualification proposals and final engineering reports has been in place

since January of 1984. Self-Qual Reports are available on all major process changes and introductions, thereby reducing customer cost of ownership.

Evaluation of Early Failure Levels and the Effectiveness of Burn-In

This report provides results of the Signetics Early Failure Rate (EFR) program implemented in 1986 to identify and eliminate root causes of infant mortality and to aid users of IC components faced with a decision regarding Burn-In of purchased integrated circuits.

DATA AVAILABILITY

The previously referenced documents are available to all our customers. Many are available in your local sales office, or from:

Corporate Quality System Group
Mail Stop #35
811 East Arques Avenue
P. O. Box 3409
Sunnyvale, CA 94088-3409, USA

where you can be placed on a standard mailing list for all documentation which meet your requirement(s).

Section 3

Family Specifications

INDEX

Family Specifications	27
Data Sheet Specification Guide	29
Definitions of Symbols	31

Family Specifications

GENERAL

These family specifications cover the common electrical ratings and characteristics of the entire 74ABT family, unless otherwise specified in the individual device data sheet.

INTRODUCTION

The 74ABT Advanced BiCMOS family

combines the low power dissipation and low noise of BiCMOS with the high speed and high output drive of our bipolar modules.

The basic family of devices designated as 74ABTXXX will operate at BiCMOS input logic levels for high noise immunity, negligible quiescent supply and

input current. It is operated from a power supply of 4.5 to 5.5V.

HANDLING MOS DEVICES

Inputs and outputs are protected against electrostatic effects in a wide variety of device-handling situations. However, to be totally safe, it is desirable to take handling precautions into account.

RECOMMENDED OPERATING CONDITIONS

SYMBOL	PARAMETER	LIMITS		UNIT
		Min	Max	
V_{CC}	DC supply voltage	4.5	5.5	V
V_I	Input voltage	0	V_{CC}	V
V_{IH}	High-level input voltage	2.0		V
V_{IL}	Input voltage		0.8	V
I_{OH}	High level output current		-32	mA
I_{OL}	Low level output current		64	mA
$\Delta t/\Delta v$	Input transition rise or fall rate	0	5	ns/V
T_{amb}	Operating free-air temperature range	-40	+85	°C

ABSOLUTE MAXIMUM RATINGS^{1, 2}

SYMBOL	PARAMETER	CONDITIONS	RATING	UNIT
V_{CC}	DC supply voltage		-0.5 to +7.0	V
I_{IK}	DC input diode current	$V_I < 0$	-18	mA
V_I	DC input voltage ³		-1.2 to +7.0	V
I_{OK}	DC output diode current	$V_O < 0$	-50	mA
V_{OUT}	DC output voltage ³	output in Off or High state	-0.5 to +5.5	V
I_{OUT}	DC output current	output in Low state	128	mA
T_{stg}	Storage temperature range		-65 to 150	°C

NOTES:

- Stresses beyond those listed may cause permanent damage to the device. These are stress ratings only and functional operation of the device at these or any other conditions beyond those indicated under "recommended operating conditions" is not implied. Exposure to absolute-maximum-rated conditions for extended periods may affect device reliability.
- The performance capability of a high-performance integrated circuit in conjunction with its thermal environment can create junction temperatures which are detrimental to reliability. The maximum junction temperature of this integrated circuit should not exceed 150°C.
- The input and output voltage ratings may be exceeded if the input and output current ratings are observed.

Family Specifications

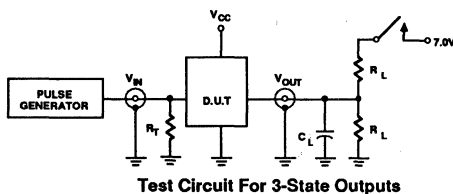
DC ELECTRICAL CHARACTERISTICS

SYMBOL	PARAMETER	TEST CONDITIONS	LIMITS					UNIT
			T _{amb} = +25°C			T _{amb} = -40°C to +85°C		
			Min	Typ	Max	Min	Max	
V _{IK}	Input clamp voltage	V _{CC} = 4.5V; I _{IK} = -18mA		-0.9	-1.2		-1.2	V
V _{OH}	High-level output voltage	V _{CC} = 4.5V; I _{OH} = -3mA; V _I = V _{IL} or V _{IH}	2.5	2.9		2.5		V
		V _{CC} = 5.0V; I _{OH} = -3mA; V _I = V _{IL} or V _{IH}	3.0	3.4		3.0		
		V _{CC} = 4.5V; I _{OH} = -32mA; V _I = V _{IL} or V _{IH}	2.0	2.4		2.0		
V _{OL}	Low-level output voltage	V _{CC} = 4.5V; I _{OL} = 64mA; V _I = V _{IL} or V _{IH}		0.42	0.55		0.55	V
I _I	Input leakage current	V _{CC} = 5.5V; V _I = GND or 5.5V		±0.01	±1.0		±1.0	µA
I _{OZH}	3-State output High current	V _{CC} = 5.5V; V _O = 2.7V; V _I = V _{IL} or V _{IH}		5.0	50		50	µA
I _{OZL}	3-State output Low current	V _{CC} = 5.5V; V _O = 0.5V; V _I = V _{IL} or V _{IH}		-5.0	-50		-50	µA
I _O	Short-circuit output current ¹	V _{CC} = 5.5V; V _O = 2.5V	-50	-100	-180	-50	-180	mA
I _{CCH}	Quiescent supply current	V _{CC} = 5.5V; Outputs High; V _I = GND or V _{CC}		0.5	50		50	µA
I _{CCL}		V _{CC} = 5.5V; Outputs Low; V _I = GND or V _{CC}		24	30		30	mA
I _{CCZ}		V _{CC} = 5.5V; Outputs 3-State; V _I = GND or V _{CC}		0.5	50		50	µA
ΔI _{CC}	Additional supply current per input pin ²	Outputs enabled, one input at 3.4V, other inputs at V _{CC} or GND; V _{CC} = 5.5V		0.5	1.5		1.5	mA
		Outputs 3-State, one data input at 3.4V, other inputs at V _{CC} or GND; V _{CC} = 5.5V		0.5	50		50	µA
		Outputs 3-State, one enable input at 3.4V, other inputs at V _{CC} or GND; V _{CC} = 5.5V		0.5	1.5		1.5	mA

NOTES:

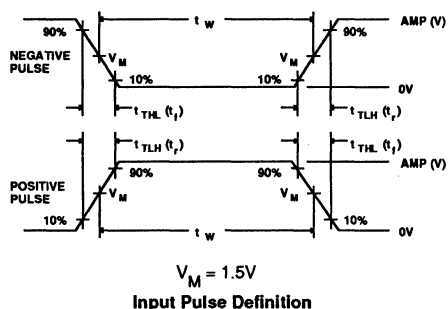
1. Not more than one output should be tested at a time, and the duration of the test should not exceed one second.
2. This is the increase in supply current for each input at 3.4V.

TEST CIRCUIT AND WAVEFORMS



SWITCH POSITION

TEST	SWITCH
t _{pLZ}	closed
t _{pZL}	closed
All other	open



DEFINITIONS

- R_L = Load resistor; see AC CHARACTERISTICS for value.
- C_L = Load capacitance includes jig and probe capacitance; see AC CHARACTERISTICS for value.
- R_T = Termination resistance should be equal to Z_{OUT} of pulse generators.

FAMILY	INPUT PULSE REQUIREMENTS				
	Amplitude	Rep. Rate	t _w	t _R	t _F
74ABT	3.0V	1MHz	500ns	2.5ns	2.5ns

Data Sheet Specification Guide

INTRODUCTION

The 74ABT data sheets have been designed for ease-of-use. A minimum of cross-referencing for more information is needed.

TYPICAL PROPAGATION DELAY AND FREQUENCY

The typical propagation delays listed at the top of the data sheets are the average of t_{PLH} and t_{PHL} for a typical data path through the device with a 50pF load.

For clocked devices, the maximum frequency of operation is also given. The typical operating frequency is the maximum device operating frequency with a 50% duty factor and no constraints on t_R and t_F .

LOGIC SYMBOLS

Two logic symbols are given for each device - the conventional one (Logic Symbol) which explicitly shows the internal logic (except for complex logic) and the IEEE/IEC Logic Symbol.

The IEEE/IEC has been developing a very powerful symbolic language that can show the relationship of each input of a digital logic current to each output without explicitly showing the internal logic.

ABSOLUTE MAXIMUM RATINGS

The Absolute Maximum Ratings table lists the maximum limits to which the device can be subjected without damage. This does not imply that the device will function at these extreme conditions, only that, when these conditions are removed and the device operated within the Recommended Operating Conditions, it will still be functional and its useful life will not have been shortened.

RECOMMENDED OPERATING CONDITIONS

The "Recommended Operating Conditions" table lists the operating ambient temperature and the conditions under

which the limits in the "DC Characteristics" and "AC Characteristics" table will be met. The table should not be seen as a set of limits guaranteed by the manufacturer, but as the conditions used to test the devices and guarantee that they will then meet the limits in the DC and AC Characteristics tables.

TEST CIRCUITS

Good high-frequency wiring practices should be used in test circuits. Capacitor leads should be as short as possible to minimize ripples on the output waveform transitions and undershoot. Generous ground metal (preferably a ground plane) should be used for the same reasons. A V_{CC} decoupling capacitor should be provided at the test socket, also with short leads. Input signals should have rise and fall times of 3ns, a signal swing of 0V to V_{CC} ; a 5MHz square wave is recommended for most propagation delay tests. The repetition rate must be increased for testing f_{MAX} . Two pulse generators are usually required for testing such parameters as setup time, hold time and removal time. f_{MAX} is also tested with 3ns input rise and fall times, with a 50% duty factor, but for typical f_{MAX} as high as 150MHz, there are no constraints on rise and fall times.

DC CHARACTERISTICS

The "DC Characteristics" table reflects the DC limits used during testing. The values published are guaranteed.

The threshold values of V_{IH} and V_{IL} are applied to the inputs, the output voltages will be those published in the "DC Characteristics" table. There is a tendency, by some, to use the published V_{IH} and V_{IL} thresholds to test a device for functionality in a "function-table exerciser" mode. This frequently causes problems because of the noise present at the test head of automated test equipment with cables up to 1 meter. Parametric tests, such as those used for the output levels under the V_{IH} and V_{IL} conditions are done fairly slowly, in

the order of milliseconds, so that there is no noise at the inputs when the outputs are measured. But in functionality testing, the outputs are measured much faster, so there can be noise on the inputs, before the device has assumed its final and correct output state. Thus, never use V_{IH} and V_{IL} to test the functionality of any ABT device type; instead, use input voltages of V_{CC} (for the High state) and 0V (for the Low state). In no way does this imply that the devices are noise-sensitive in the final system.

In the data sheets, it may appear strange that the typical V_{IL} is higher than the maximum V_{IL} . However, this is because V_{ILMAX} is the maximum V_{IL} (guaranteed) for all devices that will be recognized as a logic Low. However, typically a higher V_{IL} will also be recognized as a logic Low. Conversely, the typical V_{IH} is lower than its minimum guaranteed level.

The quiescent supply current I_{CC} is the leakage current of all the reversed-biased diodes and the OFF-state MOS transistors.

AC CHARACTERISTICS

The "AC Characteristics" table lists the guaranteed limits when a device is tested under the conditions given in the AC Test Circuits and Waveform section.

Propagation delay

The data included in this section is meant to aid the designer in understanding system performance over a wider range of operating temperatures and load conditions, as well as at varying voltages. It should be noted that these design characteristics are not 100% tested but should very closely reflect actual device performance over the ranges specified.

Definitions of Symbols

DEFINITIONS OF SYMBOLS AND TERMS USED IN ABT DATA SHEETS

Current

Positive current is defined as conventional current flow into a device.

Negative current is defined as conventional current flow out of a device.

I_{CCH} Quiescent power supply current; the current flowing into the V_{CC} supply terminal when the output is at the High level.

I_{CCL} Quiescent power supply current; the current flowing into the V_{CC} supply terminal when the output is at the Low level.

I_{CCZ} Quiescent power supply current; the current flowing into the V_{CC} supply terminal when the output is in the disabled mode.

ΔI_{CC} Additional quiescent supply current per input pin at a specified input voltage and V_{CC} .

I_{GND} Quiescent power supply current; the current flowing into the GND terminal.

I_I Input leakage current; the current flowing into a device at a specified input voltage and V_{CC} .

I_{IK} Input diode current; the current flowing into a device at a specified input voltage.

I_{IO} Input/output source or sink current; the current flowing into a device at a specified input/output voltage.

I_O Output source or sink current; the current flowing into a device at a specified output voltage.

I_{OH} High level output source current; the current into an output with input conditions applied that, according to the product specification, will establish a High level at the output. Current out of the output is given as a negative value.

I_{OL} Low level output source current; the current into an output with input conditions applied that, according to the product specification, will establish a Low level at the output. Current out of the output is given as a negative value.

I_{OK} Output diode current; the current flowing into a device at a specified output voltage.

I_{OZ} OFF-state output current; the leakage current flowing into the output of a 3-State device in the OFF-state, when the output is connected to V_{CC} or GND.

Voltages

All voltages are referenced to GND (ground), which is typically 0V.

GND Supply voltage; for a device with a single negative power supply, the most negative power supply, used as the reference level for other voltages; typically ground.

V_{CC} Supply voltage; the most positive potential on the device.

V_{EE} Supply voltage; one of two (GND and V_{EE}) negative power supplies.

V_H Hysteresis voltage; difference between the trigger levels when applying a positive and a negative-going input signal.

V_{IH} High-level input voltage; the range of input voltages that represents a logic High-level in the system.

V_{IL} Low-level input voltage; the range of input voltages that represents a logic Low-level in the system.

V_{OH} High-level output voltage; the range of voltages at an output terminal with a specified output loading and supply voltage. Device inputs are conditioned to establish a High-level at the output.

V_{OHP} Maximum (peak) voltage induced on a quiescent High-level output during switching of other outputs.

V_{OHV} Minimum (valley) voltage induced on a quiescent High-level output during switching of other outputs.

V_{OL} Low-level output voltage; the range of voltages at an output terminal with a specified output loading and supply voltage. Device inputs are conditioned to establish a Low-level at the output.

V_{OLP} Maximum (peak) voltage induced on a quiescent Low-level output during switching of other outputs.

V_{OLV} Minimum (valley) voltage induced on a quiescent Low-level output during switching of other outputs.

V_{T+} Trigger threshold voltage; positive-going signal.

V_{T-} Trigger threshold voltage; negative-going signal.

Definitions of Symbols

Capacitances

C_I	Input capacitance; the capacitance measured at a terminal connected to an input of a device.
$C_{I/O}$	Input/Output capacitance; the capacitance measured at a terminal connected to an I/O pin (e.g. a transceiver).
C_L	Output load capacitance; the capacitance connected to an output terminal including jig and probe capacitance.
C_{PD}	Power dissipation capacitance; the capacitance used to determine the dynamic power dissipation per logic function when no extra load is provided to the device.

AC Switching Parameters

f_I	Input frequency; for combinatorial logic devices the maximum number of inputs and outputs switching in accordance with the device function table. For sequential logic devices the clock frequency using alternate High and Low for data input or using the toggle mode, whichever is applicable.
f_O	Output frequency; each output.
f_{MAX}	Maximum clock frequency; clock input waveforms should have a 50% duty factor and be such as to cause the outputs to be switching from 10% V_{CC} to 90% V_{CC} in accordance with device function table.
t_H	Hold time; the interval immediately following the active transition of the timing pulse (usually the clock pulse) or following the transition of the control input to its latching level, during which interval the data to be recognized must be maintained at the input to ensure their continued recognition. A negative hold time indicates that the correct logic level may be released prior to the timing pulse and still be recognized.

t_R, t_F	Clock input rise and fall times; 10% and 90% values.
t_{PHL}	Propagation delay time: The time between specified reference points on the input and the output waveforms with the output changing from the defined High-level to Low-level.
t_{PLH}	Propagation delay time: The time between specified reference points on the input and the output waveforms with the output changing from the defined Low-level to High-level.
t_{PHZ}	Output Disable time from High level to a 3-State output: The delay time between the specified reference points on the input and output voltage waveforms with the 3-State output changing from the High-level to a high impedance "OFF" state.
t_{PLZ}	Output Disable time from Low level of a 3-State output: The delay time between the specified reference points on the input and output voltage waveforms with the 3-State output changing from the Low-level to a high impedance "OFF" state.
t_{PZH}	Output Enable time to a High level of a 3-State output: The delay time between the specified reference points on the input and output voltage waveforms with the 3-State output changing from a high impedance "OFF" state to a High-level.
t_{PZL}	Output Enable time to a Low level of a 3-State output: The delay time between the specified reference points on the input and output voltage waveforms with the 3-State output changing from a high impedance "OFF" state to a Low level.

t_{REC}	Recovering time: The time between the reference point on the trailing edge of an asynchronous input control pulse and the reference point on the activating edge of a synchronous (clock) pulse input such that the device will respond to the synchronous input.
t_S	Setup time; the interval immediately preceding the active transition of the timing pulse (usually the clock pulse) or preceding the transition of the control input to its latching level, during which interval data to be recognized must be maintained at the input to ensure their recognition. A negative setup time indicates that the correct logic level may be initiated sometime after the active transition of the timing pulse and still be recognized.
t_{THL}	Output transition time; the time between two specified reference points on a waveform, normally 90% and 10% points, that is changing from High-to-Low.
t_{TLH}	Output transition time; the time between two specified reference points on a waveform, normally 10% and 90% points, that is changing from Low-to-High.
t_W	Pulse width: The time between the reference point on the leading and trailing edges of a pulse.

Section 4

ABT Bus Interface Logic

Data Sheets

INDEX

74ABT125	Quad buffer (3-State)	35
74ABT126	Quad buffer (3-State)	38
74ABT240	Octal inverting buffer (3-State)	41
74ABT241	Octal buffer/line driver (3-State)	45
74ABT244	Octal buffer line driver (3-State)	52
74ABT245	Octal transceiver with direction pin (3-State)	59
74ABT273	Octal D flip-flop	66
74ABT373	Octal D-type transparent latch (3-State)	73
74ABT374	Octal D-type flip-flop; positive-edge trigger (3-State)	83
74ABT377	Octal D-type flip-flop with enable	92
74ABT534	Octal D-type flip-flop, inverting (3-State)	100
74ABT540	Octal buffer, inverting (3-State)	109
74ABT541	Octal buffer/line driver (3-State)	112
74ABT543	Octal latched transceiver with dual enable (3-State)	119
74ABT544	Octal latched transceiver with dual enable, inverting	130
74ABT573	Octal D-type transparent latch (3-State)	134
74ABT574	Octal D-type flip-flop (3-State)	144
74ABT620	Octal transceiver with dual enable, inverting	153
74ABT623	Octal transceiver with dual enable, non-inverting (3-State)	156
74ABT640	Octal transceiver with direction pin, inverting (3-State)	163
74ABT646	Octal bus transceiver/register (3-State)	166
74ABT648	Octal bus transceiver/register, inverting (3-State)	178
74ABT651	Transceiver/register, inverting (3-State)	191
74ABT652	Transceiver/register, non-inverting (3-State)	195
74ABT657	Octal transceiver with parity generator/checker (3-State)	199
74ABT821	10-bit D-type flip-flop; positive-edge trigger (3-State)	209
74ABT823	9-bit D-type flip-flop with reset and enable; (3-State)	213
74ABT827	10-bit buffer/line driver, non-inverting (3-State)	217
74ABT833	Octal transceiver with parity generator/checker (3-State)	220
74ABT834	Octal inverting transceiver with parity generator/ checker (3-State)	224
74ABT841	10-bit bus interface latch (3-State)	228
74ABT843	9-bit bus interface latch with set and reset (3-State)	231
74ABT845	8-bit bus interface latch with set and reset (3-State)	235
74ABT853	8-bit transceiver with 9-bit parity checker/generator and flag latch (3-State)	238
74ABT854	8-bit inverting transceiver with 9-bit parity checker/ generator and flag latch (3-State)	242
74ABT861	10-bit bus transceiver (3-State)	246
74ABT863	9-bit bus transceiver (3-State)	249
74ABT899	9-bit dual latch transceiver with 8-bit parity generator/ checker (3-State)	253
74ABT2952	Octal registered transceiver (3-State)	257
74ABT2953	Octal registered transceiver, inverting (3-State)	266

Quad buffer (3-State)

74ABT125

FEATURES

- Quad bus interface
- 3-State buffers
- Output capability: +64mA/-32mA
- Latch-up protection exceeds 500mA per Jedec JC40.2 Std 17
- ESD protection exceeds 2000 V per MIL STD 883C Method 3015.6 and 200 V per Machine Model

DESCRIPTION

The 74ABT125 high-performance BiCMOS device combines low static and dynamic power dissipation with high speed and high output drive.

The 74ABT125 device is an quad buffer that is ideal for driving bus lines. The device features four Output Enables ($\overline{OE}0$, $\overline{OE}1$, $\overline{OE}2$, $\overline{OE}3$), each controlling one of the 3-State outputs.

QUICK REFERENCE DATA

SYMBOL	PARAMETER	CONDITIONS $T_{amb} = 25^{\circ}\text{C}; \text{GND} = 0\text{V}$	TYPICAL	UNIT
t_{PLH} t_{PHL}	Propagation delay An to Yn	$C_L = 50\text{pF}; V_{CC} = 5\text{V}$	2.9	ns
C_{IN}	Input capacitance	$V_I = 0\text{V}$ or V_{CC}	4	pF
C_{OUT}	Output capacitance	$V_I = 0\text{V}$ or V_{CC}	7	pF
I_{CCZ}	Total supply current	Outputs Disabled; $V_{CC} = 5.5\text{V}$	500	nA

ORDERING INFORMATION

PACKAGES	TEMPERATURE RANGE	ORDER CODE
14-pin plastic DIP	-40°C to +85°C	74ABT125N
14-pin plastic SOL	-40°C to +85°C	74ABT125D

FUNCTION TABLE

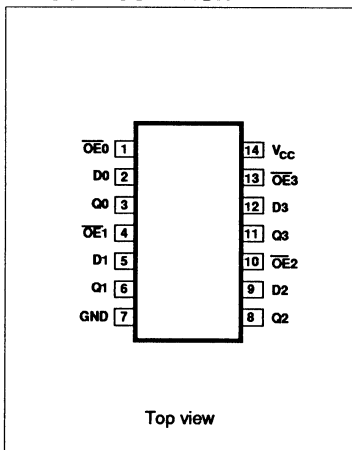
INPUTS		OUTPUT
$\overline{OE}n$	Dn	Qn
L	L	L
L	H	H
H	X	Z

- H = High voltage level
- L = Low voltage level
- X = Don't care
- Z = High impedance "off" state

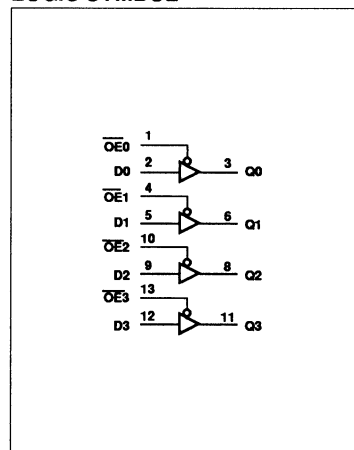
PIN DESCRIPTION

PIN NUMBER	SYMBOL	FUNCTION
2, 5, 9, 12	D0 - D3	Data inputs
3, 6, 8, 11	Q0 - Q3	Data outputs
1, 4, 10, 13	$\overline{OE}0 - \overline{OE}3$	Data outputs
7	GND	Ground (0V)
14	V_{CC}	Positive supply voltage

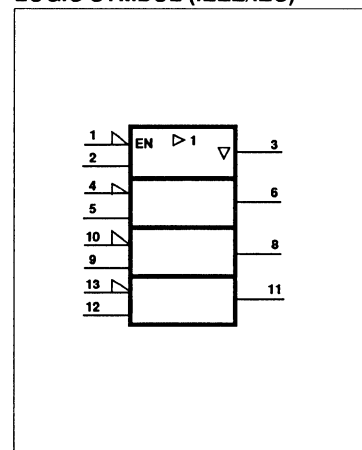
PIN CONFIGURATION



LOGIC SYMBOL



LOGIC SYMBOL (IEEE/IEC)



Quad buffer (3-State)

74ABT125

ABSOLUTE MAXIMUM RATINGS^{1, 2}

SYMBOL	PARAMETER	CONDITIONS	RATING	UNIT
V_{CC}	DC supply voltage		-0.5 to +7.0	V
I_{IK}	DC input diode current	$V_I < 0$	-18	mA
V_I	DC input voltage ³		-1.2 to +7.0	V
I_{OK}	DC output diode current	$V_O < 0$	-50	mA
V_{OUT}	DC output voltage ³	output in Off or High state	-0.5 to +5.5	V
I_{OUT}	DC output current	output in Low state	128	mA
T_{stg}	Storage temperature range		-65 to 150	°C

NOTES:

- Stresses beyond those listed may cause permanent damage to the device. These are stress ratings only and functional operation of the device at these or any other conditions beyond those indicated under "recommended operating conditions" is not implied. Exposure to absolute-maximum-rated conditions for extended periods may affect device reliability.
- The performance capability of a high-performance integrated circuit in conjunction with its thermal environment can create junction temperatures which are detrimental to reliability. The maximum junction temperature of this integrated circuit should not exceed 150°C.
- The input and output voltage ratings may be exceeded if the input and output current ratings are observed.

RECOMMENDED OPERATING CONDITIONS

SYMBOL	PARAMETER	LIMITS		UNIT
		Min	Max	
V_{CC}	DC supply voltage	4.5	5.5	V
V_I	Input voltage	0	V_{CC}	V
V_{IH}	High-level input voltage	2.0		V
V_{IL}	Input voltage		0.8	V
I_{OH}	High level output current		-32	mA
I_{OL}	Low level output current		64	mA
$\Delta V/\Delta t$	Input transition rise or fall rate	0	5	ns/V
T_{amb}	Operating free-air temperature range	-40	+85	°C

Quad buffer (3-State)

74ABT125

DC ELECTRICAL CHARACTERISTICS

SYMBOL	PARAMETER	TEST CONDITIONS	LIMITS					UNIT
			T _{amb} = +25°C			T _{amb} = -40°C to +85°C		
			Min	Typ	Max	Min	Max	
V _{IK}	Input clamp voltage	V _{CC} = 4.5V; I _{IK} = -18mA		-0.9	-1.2		-1.2	V
V _{OH}	High-level output voltage	V _{CC} = 4.5V; I _{OH} = -3mA; V _I = V _{IL} or V _{IH}	2.5	2.9		2.5		V
		V _{CC} = 5.0V; I _{OH} = -3mA; V _I = V _{IL} or V _{IH}	3.0	3.4		3.0		
		V _{CC} = 4.5V; I _{OH} = -32mA; V _I = V _{IL} or V _{IH}	2.0	2.4		2.0		
V _{OL}	Low-level output voltage	V _{CC} = 4.5V; I _{OL} = 64mA; V _I = V _{IL} or V _{IH}		0.42	0.55		0.55	V
I _I	Input leakage current	V _{CC} = 5.5V; V _I = GND or 5.5V		±0.01	±1.0		±1.0	µA
I _{OZH}	3-State output High current	V _{CC} = 5.5V; V _O = 2.7V; V _I = V _{IL} or V _{IH}		5.0	50		50	µA
I _{OZL}	3-State output Low current	V _{CC} = 5.5V; V _O = 0.5V; V _I = V _{IL} or V _{IH}		-5.0	-50		-50	µA
I _O	Short-circuit output current ¹	V _{CC} = 5.5V; V _O = 2.5V	-50	-100	-180	-50	-180	mA
I _{COH}	Quiescent supply current	V _{CC} = 5.5V; Outputs High; V _I = GND or V _{CC}		0.5	50		50	µA
I _{COL}		V _{CC} = 5.5V; Outputs Low; V _I = GND or V _{CC}		24	30		30	mA
I _{CCZ}		V _{CC} = 5.5V; Outputs 3-State; V _I = GND or V _{CC}		0.5	50		50	µA
ΔI _{CC}	Additional supply current per input pin ²	Outputs enabled, one input at 3.4V, other inputs at V _{CC} or GND; V _{CC} = 5.5V		0.5	1.5		1.5	mA
		Outputs 3-State, one data input at 3.4V, other inputs at V _{CC} or GND; V _{CC} = 5.5V		0.5	50		50	µA
		Outputs 3-State, one enable input at 3.4V, other inputs at V _{CC} or GND; V _{CC} = 5.5V		0.5	1.5		1.5	mA

NOTES:

- Not more than one output should be tested at a time, and the duration of the test should not exceed one second.
- This is the increase in supply current for each input at 3.4V.

Quad buffer (3-State)

74ABT126

FEATURES

- Quad bus interface
- 3-State buffers
- Output capability: +64mA/-32mA
- Latch-up protection exceeds 500mA per Jeduc JC40.2 Std 17
- ESD protection exceeds 2000 V per MIL STD 883C Method 3015.6 and 200 V per Machine Model

DESCRIPTION

The 74ABT126 high-performance BiCMOS device combines low static and dynamic power dissipation with high speed and high output drive.

The 74ABT126 device is an quad buffer that is ideal for driving bus lines. The device features four Output Enables (OE0, OE1, OE2, OE3), each controlling one of the 3-State outputs.

FUNCTION TABLE

INPUTS		OUTPUT
OE _n	D _n	Q _n
H	L	L
H	H	H
L	X	Z

- H = High voltage level
- L = Low voltage level
- X = Don't care
- Z = High impedance "off" state

QUICK REFERENCE DATA

SYMBOL	PARAMETER	CONDITIONS T _{amb} = 25°C; GND = 0V	TYPICAL	UNIT
t _{PLH} t _{PHL}	Propagation delay A _n to Y _n	C _L = 50pF; V _{CC} = 5V	2.9	ns
C _{IN}	Input capacitance	V _I = 0V or V _{CC}	4	pF
C _{OUT}	Output capacitance	V _I = 0V or V _{CC}	7	pF
I _{CCZ}	Total supply current	Outputs Disabled; V _{CC} = 5.5V	500	nA

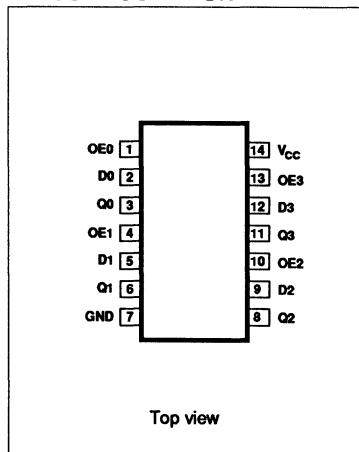
ORDERING INFORMATION

PACKAGES	TEMPERATURE RANGE	ORDER CODE
14-pin plastic DIP	-40°C to +85°C	74ABT126N
14-pin plastic SOL	-40°C to +85°C	74ABT126D

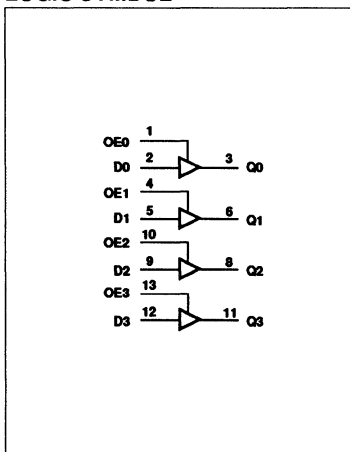
PIN DESCRIPTION

PIN NUMBER	SYMBOL	FUNCTION
2, 5, 9, 12	D0 - D3	Data inputs
3, 6, 8, 11	Q0 - Q3	Data outputs
1, 4, 10, 13	OE0 - OE3	Data outputs
7	GND	Ground (0V)
14	V _{CC}	Positive supply voltage

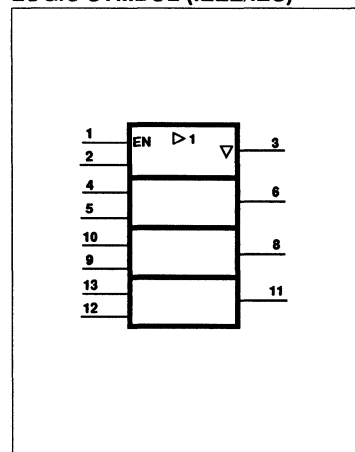
PIN CONFIGURATION



LOGIC SYMBOL



LOGIC SYMBOL (IEEE/IEC)



Quad buffer (3-State)

74ABT126

ABSOLUTE MAXIMUM RATINGS^{1, 2}

SYMBOL	PARAMETER	CONDITIONS	RATING	UNIT
V_{CC}	DC supply voltage		-0.5 to +7.0	V
I_{IK}	DC input diode current	$V_I < 0$	-18	mA
V_I	DC input voltage ³		-1.2 to +7.0	V
I_{OK}	DC output diode current	$V_O < 0$	-50	mA
V_{OUT}	DC output voltage ³	output in Off or High state	-0.5 to +5.5	V
I_{OUT}	DC output current	output in Low state	128	mA
T_{stg}	Storage temperature range		-65 to 150	°C

NOTES:

1. Stresses beyond those listed may cause permanent damage to the device. These are stress ratings only and functional operation of the device at these or any other conditions beyond those indicated under "recommended operating conditions" is not implied. Exposure to absolute-maximum-rated conditions for extended periods may affect device reliability.
2. The performance capability of a high-performance integrated circuit in conjunction with its thermal environment can create junction temperatures which are detrimental to reliability. The maximum junction temperature of this integrated circuit should not exceed 150°C.
3. The input and output voltage ratings may be exceeded if the input and output current ratings are observed.

RECOMMENDED OPERATING CONDITIONS

SYMBOL	PARAMETER	LIMITS		UNIT
		Min	Max	
V_{CC}	DC supply voltage	4.5	5.5	V
V_I	Input voltage	0	V_{CC}	V
V_{IH}	High-level input voltage	2.0		V
V_{IL}	Input voltage		0.8	V
I_{OH}	High level output current		-32	mA
I_{OL}	Low level output current		64	mA
$\Delta t/\Delta v$	Input transition rise or fall rate	0	5	ns/V
T_{amb}	Operating free-air temperature range	-40	+85	°C

Quad buffer (3-State)

74ABT126

DC ELECTRICAL CHARACTERISTICS

SYMBOL	PARAMETER	TEST CONDITIONS	LIMITS					UNIT
			T _{amb} = +25°C			T _{amb} = -40°C to +85°C		
			Min	Typ	Max	Min	Max	
V _{IK}	Input clamp voltage	V _{CC} = 4.5V; I _{IK} = -18mA		-0.9	-1.2		-1.2	V
V _{OH}	High-level output voltage	V _{CC} = 4.5V; I _{OH} = -3mA; V _I = V _{IL} or V _{IH}	2.5	2.9		2.5		V
		V _{CC} = 5.0V; I _{OH} = -3mA; V _I = V _{IL} or V _{IH}	3.0	3.4		3.0		
		V _{CC} = 4.5V; I _{OH} = -32mA; V _I = V _{IL} or V _{IH}	2.0	2.4		2.0		
V _{OL}	Low-level output voltage	V _{CC} = 4.5V; I _{OL} = 64mA; V _I = V _{IL} or V _{IH}		0.42	0.55		0.55	V
I _I	Input leakage current	V _{CC} = 5.5V; V _I = GND or 5.5V		±0.01	±1.0		±1.0	µA
I _{OZH}	3-State output High current	V _{CC} = 5.5V; V _O = 2.7V; V _I = V _{IL} or V _{IH}		5.0	50		50	µA
I _{OZL}	3-State output Low current	V _{CC} = 5.5V; V _O = 0.5V; V _I = V _{IL} or V _{IH}		-5.0	-50		-50	µA
I _O	Short-circuit output current ¹	V _{CC} = 5.5V; V _O = 2.5V	-50	-100	-180	-50	-180	mA
I _{CCH}	Quiescent supply current	V _{CC} = 5.5V; Outputs High; V _I = GND or V _{CC}		0.5	50		50	µA
I _{CCL}		V _{CC} = 5.5V; Outputs Low; V _I = GND or V _{CC}		24	30		30	mA
I _{CCZ}		V _{CC} = 5.5V; Outputs 3-State; V _I = GND or V _{CC}		0.5	50		50	µA
ΔI _{CC}	Additional supply current per input pin ²	Outputs enabled, one input at 3.4V, other inputs at V _{CC} or GND; V _{CC} = 5.5V		0.5	1.5		1.5	mA
		Outputs 3-State, one data input at 3.4V, other inputs at V _{CC} or GND; V _{CC} = 5.5V		0.5	50		50	µA
		Outputs 3-State, one enable input at 3.4V, other inputs at V _{CC} or GND; V _{CC} = 5.5V		0.5	1.5		1.5	mA

NOTES:

- Not more than one output should be tested at a time, and the duration of the test should not exceed one second.
- This is the increase in supply current for each input at 3.4V.

Octal inverting buffer (3-State)

74ABT240

FEATURES

- Octal bus interface
- 3-State buffers
- Output capability: +64mA/-32mA
- Latch-up protection exceeds 500mA per Jedec JC40.2 Std 17
- ESD protection exceeds 2000 V per MIL STD 883C Method 3015.6 and 200 V per Machine Model

DESCRIPTION

The 74ABT240 high-performance BiCMOS device combines low static and dynamic power dissipation with high speed and high output drive.

The 74ABT240 device is an octal inverting buffer that is ideal for driving bus lines. The device features two Output Enables (1OE, 2OE), each controlling four of the 3-State outputs.

QUICK REFERENCE DATA

SYMBOL	PARAMETER	CONDITIONS $T_{amb} = 25^{\circ}\text{C}; \text{GND} = 0\text{V}$	TYPICAL	UNIT
t_{PLH} t_{PHL}	Propagation delay A_n to \bar{Y}_n	$C_L = 50\text{pF}; V_{CC} = 5\text{V}$	3.5	ns
C_{IN}	Input capacitance	$V_I = 0\text{V}$ or V_{CC}	4	pF
C_{OUT}	Output capacitance	$V_I = 0\text{V}$ or V_{CC}	7	pF
I_{CCZ}	Total supply current	Outputs disabled; $V_{CC} = 5.5\text{V}$	500	nA

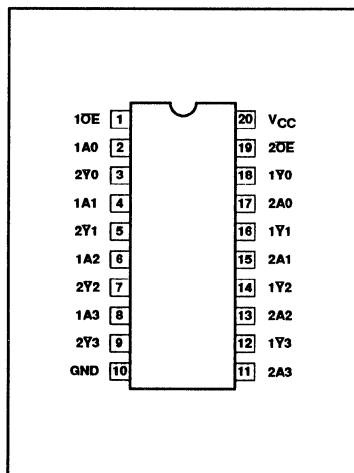
ORDERING INFORMATION

PACKAGES	TEMPERATURE RANGE	ORDER CODE
20-pin plastic DIP	-40°C to +85°C	74ABT240N
20-pin plastic SOL	-40°C to +85°C	74ABT240D

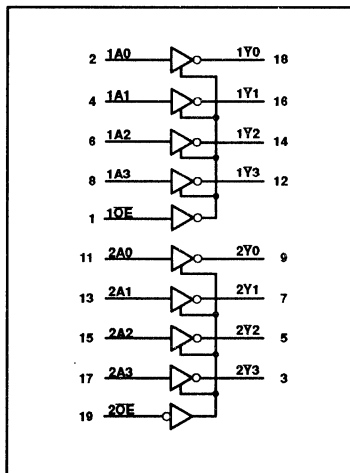
PIN DESCRIPTION

PIN NUMBER	SYMBOL	NAME AND FUNCTION
2, 4, 6, 8	1A0 - 1A3	Data inputs
11, 13, 15, 17	2A0 - 2A3	Data inputs
18, 16, 14, 12	1Y0 - 1Y3	Data outputs
9, 7, 5, 3	2Y0 - 2Y3	Data outputs
1, 19	1OE, 2OE	Output enables
10	GND	Ground (0V)
20	V _{CC}	Positive supply voltage

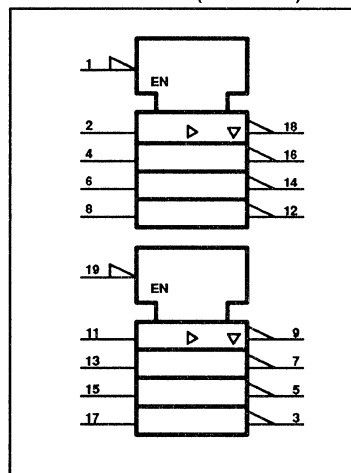
PIN CONFIGURATION



LOGIC SYMBOL



LOGIC SYMBOL (IEEE/IEC)



Octal inverting buffer (3-State)

74ABT240

FUNCTION TABLE

INPUTS				OUTPUTS	
1OE	1An	2OE	2An	1Yn	1Yn
L	L	L	L	H	H
L	H	L	H	L	L
H	X	H	X	Z	Z

ABSOLUTE MAXIMUM RATINGS^{1, 2}

SYMBOL	PARAMETER	CONDITIONS	RATING	UNIT
V_{CC}	DC supply voltage		-0.5 to +7.0	V
I_{IK}	DC input diode current	$V_I < 0$	-18	mA
V_I	DC input voltage ³		-1.2 to +7.0	V
I_{OK}	DC output diode current	$V_O < 0$	-50	mA
V_{OUT}	DC output voltage ³	output in Off or High state	-0.5 to +5.5	V
I_{OUT}	DC output current	output in Low state	128	mA
T_{stg}	Storage temperature range		-65 to 150	°C

NOTES:

- Stresses beyond those listed may cause permanent damage to the device. These are stress ratings only and functional operation of the device at these or any other conditions beyond those indicated under "recommended operating conditions" is not implied. Exposure to absolute-maximum-rated conditions for extended periods may affect device reliability.
- The performance capability of a high-performance integrated circuit in conjunction with its thermal environment can create junction temperatures which are detrimental to reliability. The maximum junction temperature of this integrated circuit should not exceed 150°C.
- The input and output voltage ratings may be exceeded if the input and output current ratings are observed.

RECOMMENDED OPERATING CONDITIONS

SYMBOL	PARAMETER	LIMITS		UNIT
		Min	Max	
V_{CC}	DC supply voltage	4.5	5.5	V
V_I	Input voltage	0	V_{CC}	V
V_{IH}	High level input voltage	2.0		V
V_{IL}	Input voltage		0.8	V
I_{OH}	High level output current		-32	mA
I_{OL}	Low level output current		64	mA
$\Delta t/\Delta v$	Input transition rise or fall rate	0	5	ns/V
T_{amb}	operating free-air temperature range	-40	+85	°C

Octal inverting buffer (3-State)

74ABT240

DC ELECTRICAL CHARACTERISTICS

SYMBOL	PARAMETER	TEST CONDITIONS	LIMITS					UNIT
			T _{amb} = +25°C			T _{amb} = -40°C to +85°C		
			Min	Typ	Max	Min	Max	
V _{IK}	Input clamp voltage	V _{CC} = 4.5V; I _{IK} = -18mA		-0.9	-1.2		-1.2	V
V _{OH}	High-level output voltage	V _{CC} = 4.5V; I _{OH} = -3mA; V _I = V _{IL} or V _{IH}	2.5	2.9		2.5		V
		V _{CC} = 5.0V; I _{OH} = -3mA; V _I = V _{IL} or V _{IH}	3.0	3.4		3.0		V
		V _{CC} = 4.5V; I _{OH} = -32mA; V _I = V _{IL} or V _{IH}	2.0	2.4		2.0		V
V _{OL}	Low-level output voltage	V _{CC} = 4.5V; I _{OL} = 64mA; V _I = V _{IL} or V _{IH}		0.42	0.55		0.55	V
I _I	Input leakage current	V _{CC} = 5.5V; V _I = GND or 5.5V		±0.01	±1.0		±1.0	µA
I _{OZH}	3-State output High current	V _{CC} = 5.5V; V _O = 2.7V; V _I = V _{IL} or V _{IH}		5.0	50		50	µA
I _{OZL}	3-State output Low current	V _{CC} = 5.5V; V _O = 0.5V; V _I = V _{IL} or V _{IH}		-5.0	-50		-50	µA
I _O	Short-circuit output current ¹	V _{CC} = 5.5V; V _O = 2.5V	-50	-100	-180	-50	-180	mA
I _{COH}	Quiescent supply current	V _{CC} = 5.5V; Outputs High, V _I = GND or V _{CC}		0.5	50		50	µA
I _{COL}		V _{CC} = 5.5V; Outputs Low, V _I = GND or V _{CC}		24	30		30	mA
I _{CCZ}		V _{CC} = 5.5V; Outputs 3-State; V _I = GND or V _{CC}		0.5	50		50	µA
ΔI _{CC}	Additional supply current per input pin ²	Outputs enabled, one input at 3.4V, other inputs at V _{CC} or GND; V _{CC} = 5.5V		0.5	1.5		0.5	mA
		Outputs 3-State, one data input at 3.4V, other inputs at V _{CC} or GND; V _{CC} = 5.5V		0.5	50		50	µA
		Outputs 3-State, one enable input at 3.4V, other inputs at V _{CC} or GND; V _{CC} = 5.5V		0.5	1.5		0.5	mA

NOTES:

- 1 Not more than one output should be tested at a time, and the duration of the test should not exceed one second.
- 2 This is the increase in supply current for each input at 3.4V.

Octal buffer/line driver (3-State)

74ABT241

FEATURES

- Octal bus interface
- 3-State buffers
- Output capability: +64mA/-32mA
- Latch-up protection exceeds 500mA per Jødec JC40.2 Std 17
- ESD protection exceeds 2000 V per MIL STD 883C Method 3015.6 and 200 V per Machine Model

DESCRIPTION

The 74ABT241 high-performance BiCMOS device combines low static and dynamic power dissipation with high speed and high output drive.

The 74ABT241 device is an octal buffer that is ideal for driving bus lines. The device features two Output Enables ($\overline{1OE}$, 2OE), each controlling four of the 3-State outputs.

QUICK REFERENCE DATA

SYMBOL	PARAMETER	CONDITIONS $T_{amb} = 25^{\circ}\text{C}; \text{GND} = 0\text{V}$	TYPICAL	UNIT
t_{PLH} t_{PHL}	Propagation delay An to Yn	$C_L = 50\text{pF}; V_{CC} = 5\text{V}$	2.9	ns
C_{IN}	Input capacitance	$V_I = 0\text{V}$ or V_{CC}	4	pF
C_{OUT}	Output capacitance	$V_I = 0\text{V}$ or V_{CC}	7	pF
I_{CCZ}	Total supply current	Outputs Disabled; $V_{CC} = 5.5\text{V}$	500	nA

ORDERING INFORMATION

PACKAGES	TEMPERATURE RANGE	ORDER CODE
20-pin plastic DIP	-40°C to +85°C	74ABT241N
20-pin plastic SOL	-40°C to +85°C	74ABT241D

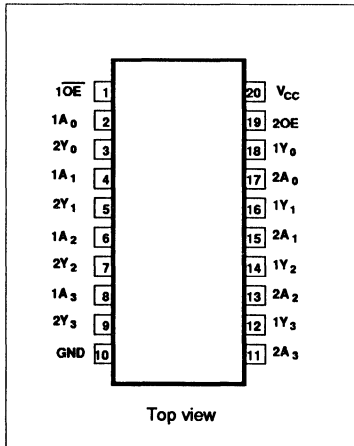
FUNCTION TABLE

INPUTS				OUTPUT	
$\overline{1OE}$	1An	2OE	2An	1Yn	2Yn
L	L	H	L	L	L
L	H	H	H	H	H
H	X	L	X	Z	Z

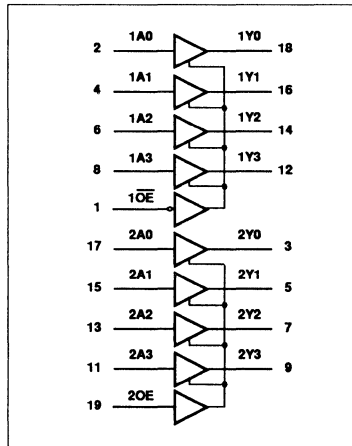
PIN DESCRIPTION

PIN NUMBER	SYMBOL	FUNCTION
2, 4, 6, 8	1A0 - 1A3	Data inputs
17, 15, 13, 11	2A0 - 2A3	Data inputs
18, 16, 14, 12	1Y0 - 1Y3	Data outputs
3, 5, 7, 9	2Y0 - 2Y3	Data outputs
1, 19	$\overline{1OE}$, 2OE	Output enables
10	GND	Ground (0V)
20	V_{CC}	Positive supply voltage

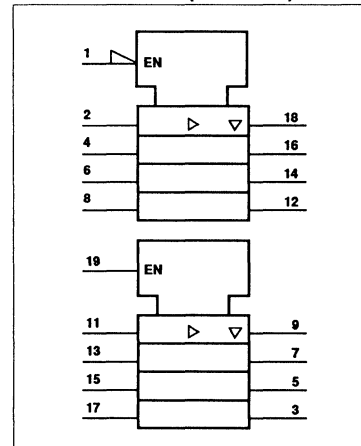
PIN CONFIGURATION



LOGIC SYMBOL



LOGIC SYMBOL (IEEE/IEC)



Octal buffer/line driver (3-State)

74ABT241

ABSOLUTE MAXIMUM RATINGS^{1, 2}

SYMBOL	PARAMETER	CONDITIONS	RATING	UNIT
V_{CC}	DC supply voltage		-0.5 to +7.0	V
I_{IK}	DC input diode current	$V_I < 0$	-18	mA
V_I	DC input voltage ³		-1.2 to +7.0	V
I_{OK}	DC output diode current	$V_O < 0$	-50	mA
V_{OUT}	DC output voltage ³	output in Off or High state	-0.5 to +5.5	V
I_{OUT}	DC output current	output in Low state	128	mA
T_{stg}	Storage temperature range		-65 to 150	°C

NOTES:

1. Stresses beyond those listed may cause permanent damage to the device. These are stress ratings only and functional operation of the device at these or any other conditions beyond those indicated under "recommended operating conditions" is not implied. Exposure to absolute-maximum-rated conditions for extended periods may affect device reliability.
2. The performance capability of a high-performance integrated circuit in conjunction with its thermal environment can create junction temperatures which are detrimental to reliability. The maximum junction temperature of this integrated circuit should not exceed 150°C.
3. The input and output voltage ratings may be exceeded if the input and output current ratings are observed.

RECOMMENDED OPERATING CONDITIONS

SYMBOL	PARAMETER	LIMITS		UNIT
		Min	Max	
V_{CC}	DC supply voltage	4.5	5.5	V
V_I	Input voltage	0	V_{CC}	V
V_{IH}	High-level input voltage	2.0		V
V_{IL}	Input voltage		0.8	V
I_{OH}	High level output current		-32	mA
I_{OL}	Low level output current		64	mA
$\Delta V/\Delta t$	Input transition rise or fall rate	0	5	ns/V
T_{amb}	Operating free-air temperature range	-40	+85	°C

Octal buffer/line driver (3-State)

74ABT241

DC ELECTRICAL CHARACTERISTICS

SYMBOL	PARAMETER	TEST CONDITIONS	LIMITS					UNIT
			T _{amb} = +25°C			T _{amb} = -40°C to +85°C		
			Min	Typ	Max	Min	Max	
V _{IK}	Input clamp voltage	V _{CC} = 4.5V; I _{IK} = -18mA		-0.9	-1.2		-1.2	V
V _{OH}	High-level output voltage	V _{CC} = 4.5V; I _{OH} = -3mA; V _I = V _{IL} or V _{IH}	2.5	2.9		2.5		V
		V _{CC} = 5.0V; I _{OH} = -3mA; V _I = V _{IL} or V _{IH}	3.0	3.4		3.0		
		V _{CC} = 4.5V; I _{OH} = -32mA; V _I = V _{IL} or V _{IH}	2.0	2.4		2.0		
V _{OL}	Low-level output voltage	V _{CC} = 4.5V; I _{OL} = 64mA; V _I = V _{IL} or V _{IH}		0.42	0.55		0.55	V
I _I	Input leakage current	V _{CC} = 5.5V; V _I = GND or 5.5V		±0.01	±1.0		±1.0	µA
I _{OZH}	3-State output High current	V _{CC} = 5.5V; V _O = 2.7V; V _I = V _{IL} or V _{IH}		5.0	50		50	µA
I _{OZL}	3-State output Low current	V _{CC} = 5.5V; V _O = 0.5V; V _I = V _{IL} or V _{IH}		-5.0	-50		-50	µA
I _O	Short-circuit output current ¹	V _{CC} = 5.5V; V _O = 2.5V	-50	-100	-180	-50	-180	mA
I _{CCH}	Quiescent supply current	V _{CC} = 5.5V; Outputs High; V _I = GND or V _{CC}		0.5	50		50	µA
I _{CCL}		V _{CC} = 5.5V; Outputs Low; V _I = GND or V _{CC}		24	30		30	mA
I _{CCZ}		V _{CC} = 5.5V; Outputs 3-State; V _I = GND or V _{CC}		0.5	50		50	µA
ΔI _{CC}	Additional supply current per input pin ²	Outputs enabled, one input at 3.4V, other inputs at V _{CC} or GND; V _{CC} = 5.5V		0.5	1.5		1.5	mA
		Outputs 3-State, one data input at 3.4V, other inputs at V _{CC} or GND; V _{CC} = 5.5V		0.5	50		50	µA
		Outputs 3-State, one enable input at 3.4V, other inputs at V _{CC} or GND; V _{CC} = 5.5V		0.5	1.5		1.5	mA

NOTES:

- Not more than one output should be tested at a time, and the duration of the test should not exceed one second.
- This is the increase in supply current for each input at 3.4V.

Octal buffer/line driver (3-State)

74ABT241

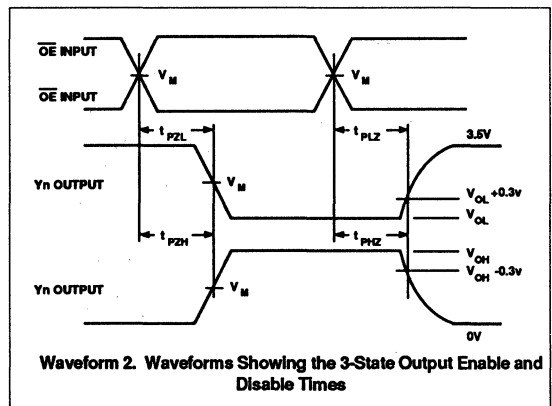
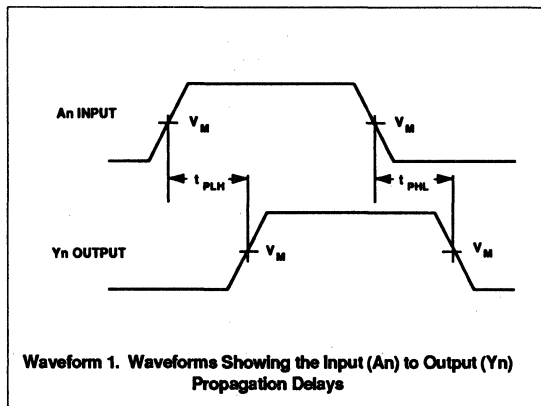
AC CHARACTERISTICS

GND = 0V; $t_R = t_F = 2.5\text{ns}$; $C_L = 50\text{pF}$, $R_L = 500\Omega$

SYMBOL	PARAMETER	WAVEFORM	LIMITS					UNIT
			$T_{\text{amb}} = +25^\circ\text{C}$ $V_{\text{CC}} = +5.0\text{V}$			$T_{\text{amb}} = -40^\circ\text{C to } +85^\circ\text{C}$ $V_{\text{CC}} = +5.0\text{V} \pm 0.5\text{V}$		
			Min	Typ	Max	Min	Max	
t_{PLH} t_{PHL}	Propagation delay An to Yn	1	1.0	2.6	4.1	1.0	4.6	ns
t_{PZH} t_{PZL}	Output enable time to High and Low level	2	1.1	3.0	6.3	1.1	6.8	ns
t_{PHZ} t_{PLZ}	Output disable time from High and Low level	2	1.6	4.6	6.1	1.6	7.1	ns

AC WAVEFORMS

($V_M = 1.5\text{V}$, $V_{\text{IN}} = \text{GND to } 3.0\text{V}$)



TEST CIRCUIT AND WAVEFORMS

Test Circuit For 3-State Outputs

Input Pulse Definition

$V_M = 1.5\text{V}$

SWITCH POSITION

TEST	SWITCH
t_{PLZ}	closed
t_{PZL}	closed
All other	open

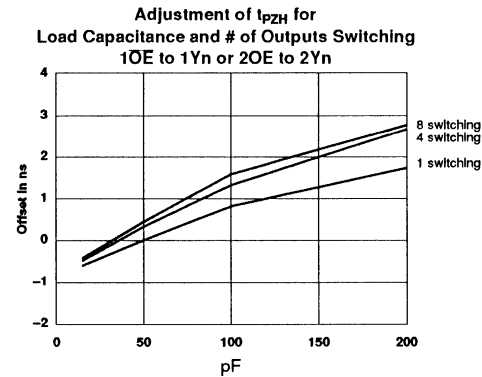
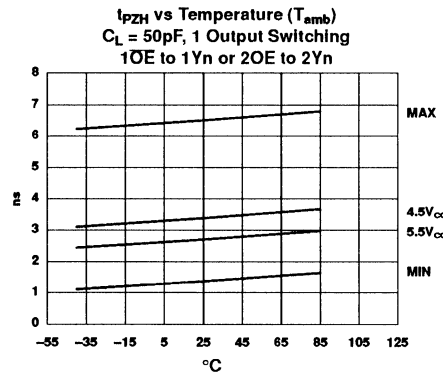
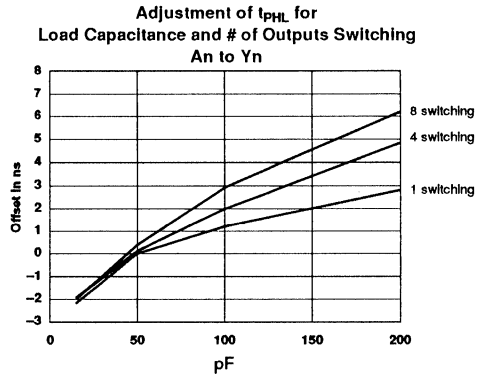
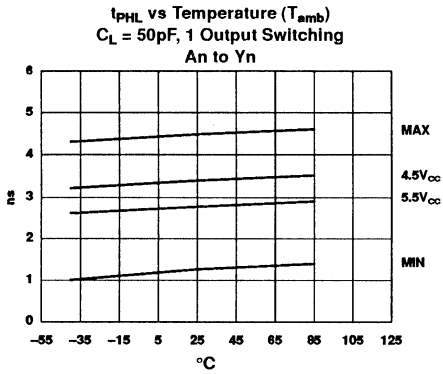
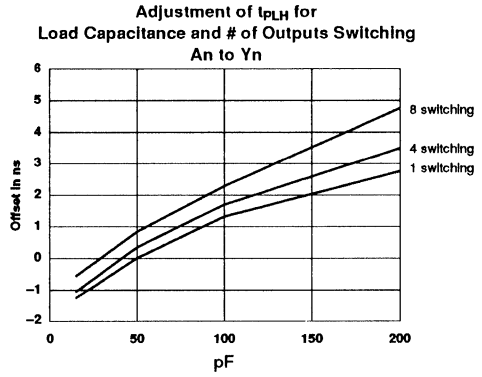
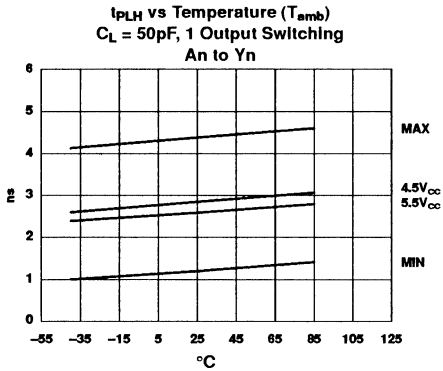
DEFINITIONS

R_L = Load resistor; see AC CHARACTERISTICS for value.
 C_L = Load capacitance includes jig and probe capacitance; see AC CHARACTERISTICS for value.
 R_T = Termination resistance should be equal to Z_{OUT} of pulse generators.

FAMILY	INPUT PULSE REQUIREMENTS				
	Amplitude	Rep. Rate	t_w	t_R	t_F
74ABT	3.0V	1MHz	500ns	2.5ns	2.5ns

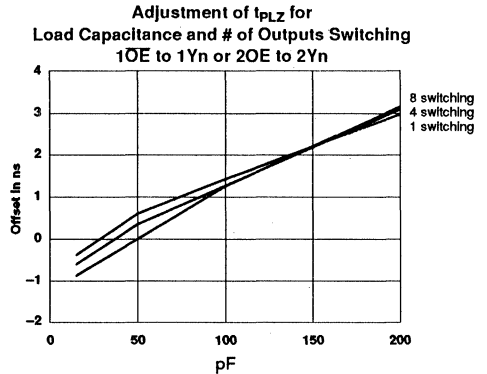
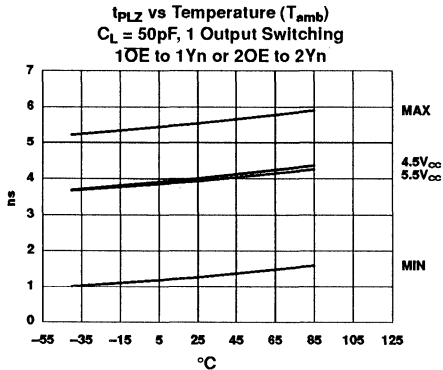
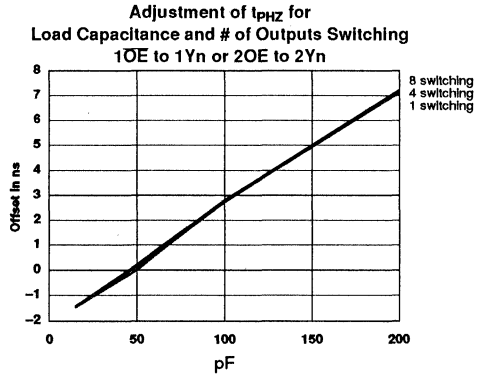
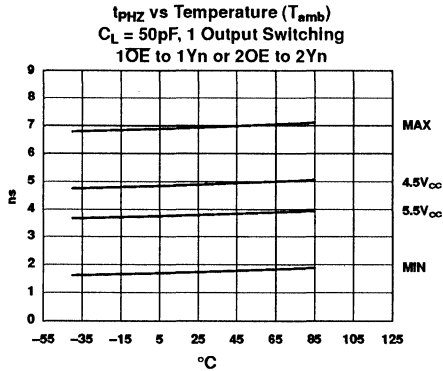
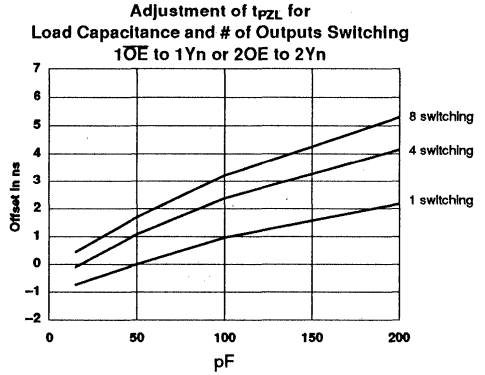
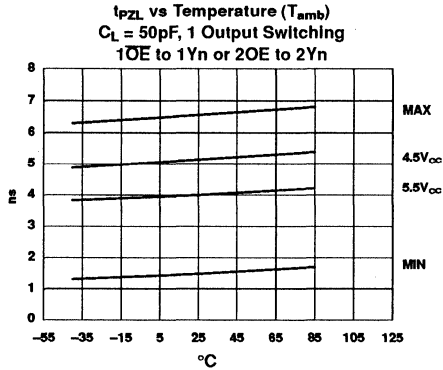
Octal buffer/line driver (3-State)

74ABT241



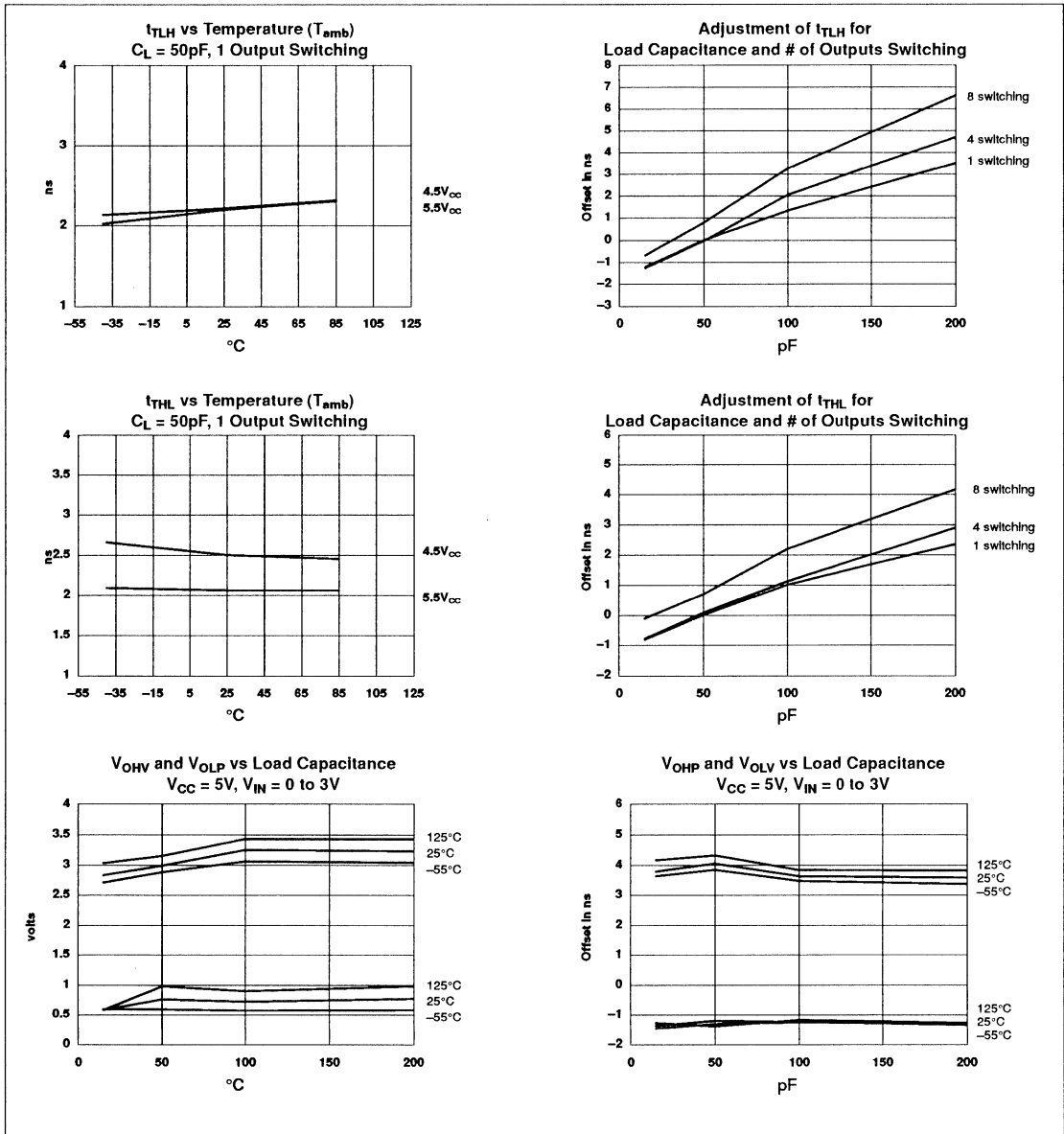
Octal buffer/line driver (3-State)

74ABT241



Octal buffer/line driver (3-State)

74ABT241



Octal buffer/line driver (3-State)

74ABT244

FEATURES

- Octal bus interface
- 3-State buffers
- Output capability: +64 mA/-32mA
- Latch-up protection exceeds 500mA per Jedec JC40.2 Std 17
- ESD protection exceeds 2000 V per MIL STD 883C Method 3015.6 and 200 V per Machine Model

DESCRIPTION

The 74ABT244 high-performance BICMOS device combines low static and dynamic power dissipation with high speed and high output drive.

The 74ABT244 device is an octal buffer that is ideal for driving bus lines. The device features two Output Enables (1OE, 2OE), each controlling four of the 3-State outputs.

QUICK REFERENCE DATA

SYMBOL	PARAMETER	CONDITIONS T _{amb} = 25°C; GND = 0V	TYPICAL	UNIT
t _{PLH} t _{PHL}	Propagation delay An to Yn	C _L = 50pF; V _{CC} = 5V	2.9	ns
C _{IN}	Input capacitance	V _I = 0V or V _{CC}	4	pF
C _{OUT}	Output capacitance	V _I = 0V or V _{CC}	7	pF
I _{CCZ}	Total supply current	Outputs disabled; V _{CC} = 5.5V	500	nA

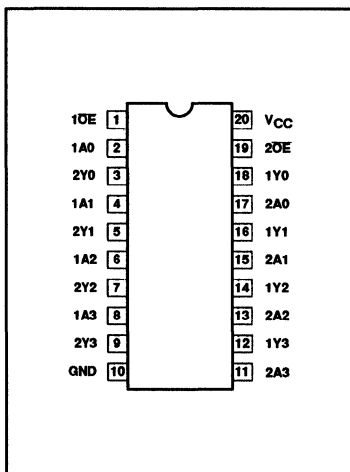
ORDERING INFORMATION

PACKAGES	TEMPERATURE RANGE	ORDER CODE
20-pin plastic DIP	-40°C to +85°C	74ABT244N
20-pin plastic SOL	-40°C to +85°C	74ABT244D

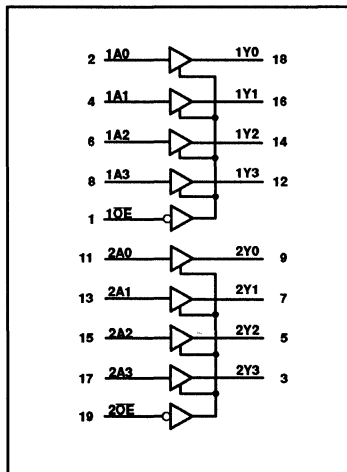
PIN DESCRIPTION

PIN NUMBER	SYMBOL	NAME AND FUNCTION
2, 4, 6, 8	1A0 - 1A3	Data inputs
11, 13, 15, 17	2A0 - 2A3	Data inputs
18, 16, 14, 12	1Y0 - 1Y3	Data outputs
9, 7, 5, 3	2Y0 - 2Y3	Data outputs
1, 19	1OE, 2OE	Output enables
10	GND	Ground (0V)
20	V _{CC}	Positive supply voltage

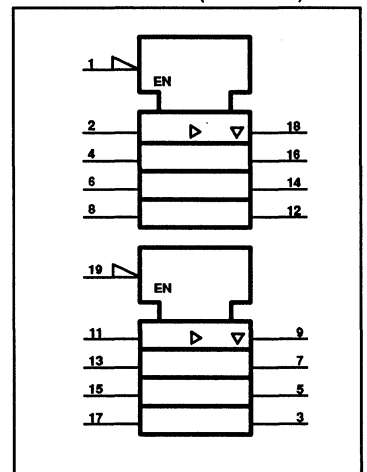
PIN CONFIGURATION



LOGIC SYMBOL



LOGIC SYMBOL (IEEE/IEC)



Octal buffer/line driver (3–State)

74ABT244

FUNCTION TABLE

INPUTS				OUTPUTS	
1OE	1An	2OE	2An	1Yn	1Yn
L	L	L	L	L	L
L	H	L	H	H	H
H	X	H	X	Z	Z

ABSOLUTE MAXIMUM RATINGS^{1, 2}

SYMBOL	PARAMETER	CONDITIONS	RATING	UNIT
V _{CC}	DC supply voltage		–0.5 to +7.0	V
I _{IK}	DC input diode current	V _I < 0	–18	mA
V _I	DC input voltage ³		–1.2 to +7.0	V
I _{OK}	DC output diode current	V _O < 0	–50	mA
V _{OUT}	DC output voltage ³	output in Off or High state	–0.5 to +5.5	V
I _{OUT}	DC output current	output in Low state	128	mA
T _{stg}	Storage temperature range		–65 to 150	°C

NOTES:

- Stresses beyond those listed may cause permanent damage to the device. These are stress ratings only and functional operation of the device at these or any other conditions beyond those indicated under "recommended operating conditions" is not implied. Exposure to absolute–maximum–rated conditions for extended periods may affect device reliability.
- The performance capability of a high–performance integrated circuit in conjunction with its thermal environment can create junction temperatures which are detrimental to reliability. The maximum junction temperature of this integrated circuit should not exceed 150°C.
- The input and output voltage ratings may be exceeded if the input and output current ratings are observed.

RECOMMENDED OPERATING CONDITIONS

SYMBOL	PARAMETER	LIMITS		UNIT
		Min	Max	
V _{CC}	DC supply voltage	4.5	5.5	V
V _I	Input voltage	0	V _{CC}	V
V _{IH}	High level input voltage	2.0		V
V _{IL}	Input voltage		0.8	V
I _{OH}	High level output current		–32	mA
I _{OL}	Low level output current		64	mA
Δt/ΔV	Input transition rise or fall rate	0	5	ns/V
T _{amb}	operating free–air temperature range	–40	+85	°C

Octal buffer/line driver (3–State)

74ABT244

DC ELECTRICAL CHARACTERISTICS

SYMBOL	PARAMETER	TEST CONDITIONS	LIMITS					UNIT
			T _{amb} = +25°C			T _{amb} = -40°C to +85°C		
			Min	Typ	Max	Min	Max	
V _{IK}	Input clamp voltage	V _{CC} = 4.5V; I _{IK} = -18mA		-0.9	-1.2		-1.2	V
V _{OH}	High-level output voltage	V _{CC} = 4.5V; I _{OH} = -3mA; V _I = V _{IL} or V _{IH}	2.5	2.9		2.5		V
		V _{CC} = 5.0V; I _{OH} = -3mA; V _I = V _{IL} or V _{IH}	3.0	3.4		3.0		V
		V _{CC} = 4.5V; I _{OH} = -32mA; V _I = V _{IL} or V _{IH}	2.0	2.4		2.0		V
V _{OL}	Low-level output voltage	V _{CC} = 4.5V; I _{OL} = 64mA; V _I = V _{IL} or V _{IH}		0.42	0.55		0.55	V
I _I	Input leakage current	V _{CC} = 5.5V; V _I = GND or 5.5V		±0.01	±1.0		±1.0	μA
I _{OZH}	3–State output High current	V _{CC} = 5.5V; V _O = 2.7V; V _I = V _{IL} or V _{IH}		5.0	50		50	μA
I _{OZL}	3–State output Low current	V _{CC} = 5.5V; V _O = 0.5V; V _I = V _{IL} or V _{IH}		-5.0	-50		-50	μA
I _O	Short-circuit output current ¹	V _{CC} = 5.5V; V _O = 2.5V	-50	-100	-180	-50	-180	mA
I _{CCH}	Quiescent supply current	V _{CC} = 5.5V; Outputs High, V _I = GND or V _{CC}		0.5	50		50	μA
I _{CCL}		V _{CC} = 5.5V; Outputs Low, V _I = GND or V _{CC}		24	30		30	mA
I _{CCZ}		V _{CC} = 5.5V; Outputs 3–State; V _I = GND or V _{CC}		0.5	50		50	μA
ΔI _{CC}	Additional supply current per input pin ²	Outputs enabled, one input at 3.4V, other inputs at V _{CC} or GND; V _{CC} = 5.5V		0.5	1.5		0.5	mA
		Outputs 3–State, one data input at 3.4V, other inputs at V _{CC} or GND; V _{CC} = 5.5V		0.5	50		50	μA
		Outputs 3–State, one enable input at 3.4V, other inputs at V _{CC} or GND; V _{CC} = 5.5V		0.5	1.5		0.5	mA

NOTES:

- Not more than one output should be tested at a time, and the duration of the test should not exceed one second.
- This is the increase in supply current for each input at 3.4V.

AC CHARACTERISTICS

GND = 0V; t_R = t_F = 2.5ns; C_L = 50pF, R_L = 500Ω

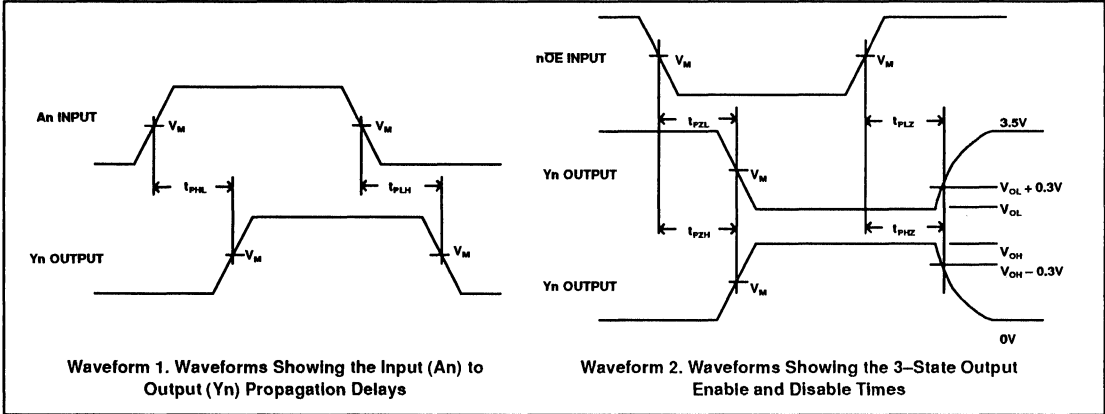
SYMBOL	PARAMETER	WAVEFORM	74ABT244						UNIT
			T _{amb} = +25°C V _{CC} = +5.0V			T _{amb} = -40°C to +85°C V _{CC} = +5.0V ±0.5V			
			Min	Typ	Max	Min	Max		
t _{PLH} t _{PHL}	Propagation delay An to Yn	1	1.0 1.0	2.6 2.9	4.1 4.2	1.0 1.0	4.6 4.6	ns	
t _{PZH} t _{PZL}	Output enable time to High and Low level	2	1.1 2.1	3.1 4.1	4.6 5.6	1.1 2.1	5.1 6.1	ns	
t _{PHZ} t _{PLZ}	Output disable time from High and Low level	2	2.1 1.7	4.1 3.7	5.6 5.2	2.1 1.7	6.6 5.7	ns	

Octal buffer/line driver (3-State)

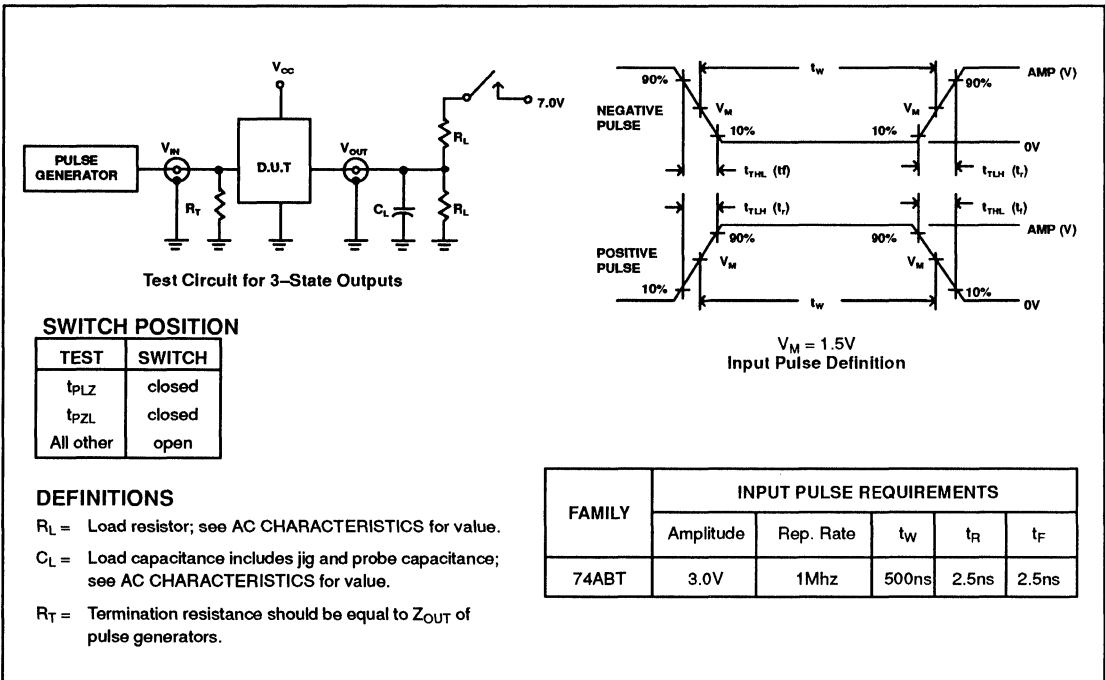
74ABT244

AC WAVEFORMS

$V_M = 1.5V$, $V_{IN} = GND$ to $3.0V$

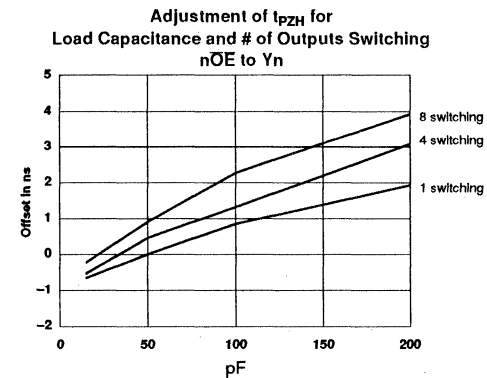
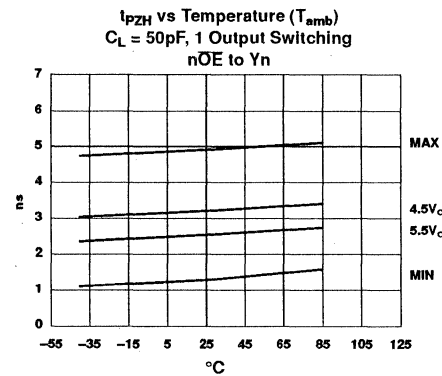
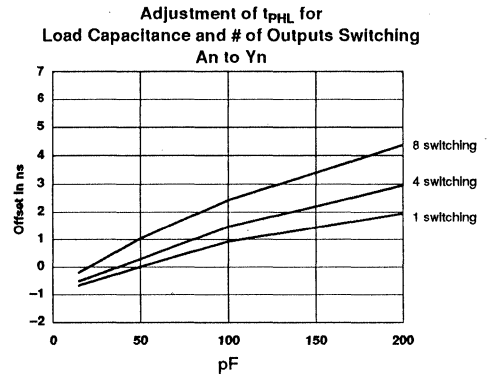
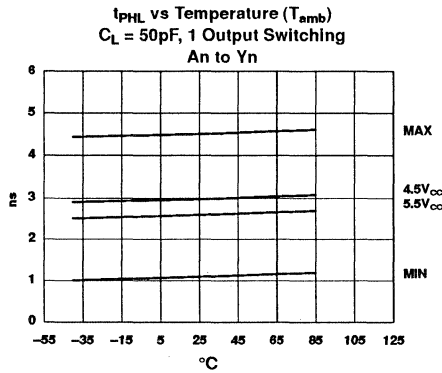
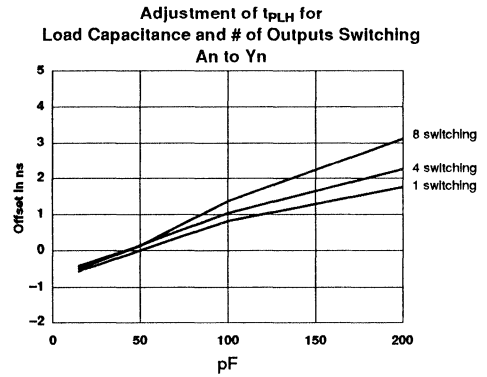
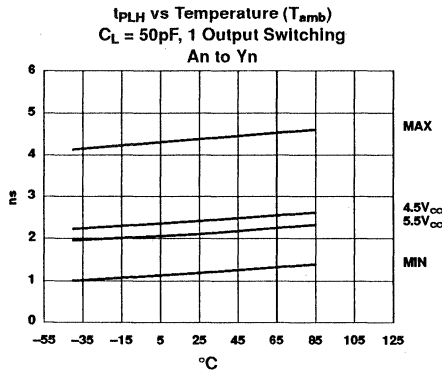


TEST CIRCUIT AND WAVEFORMS



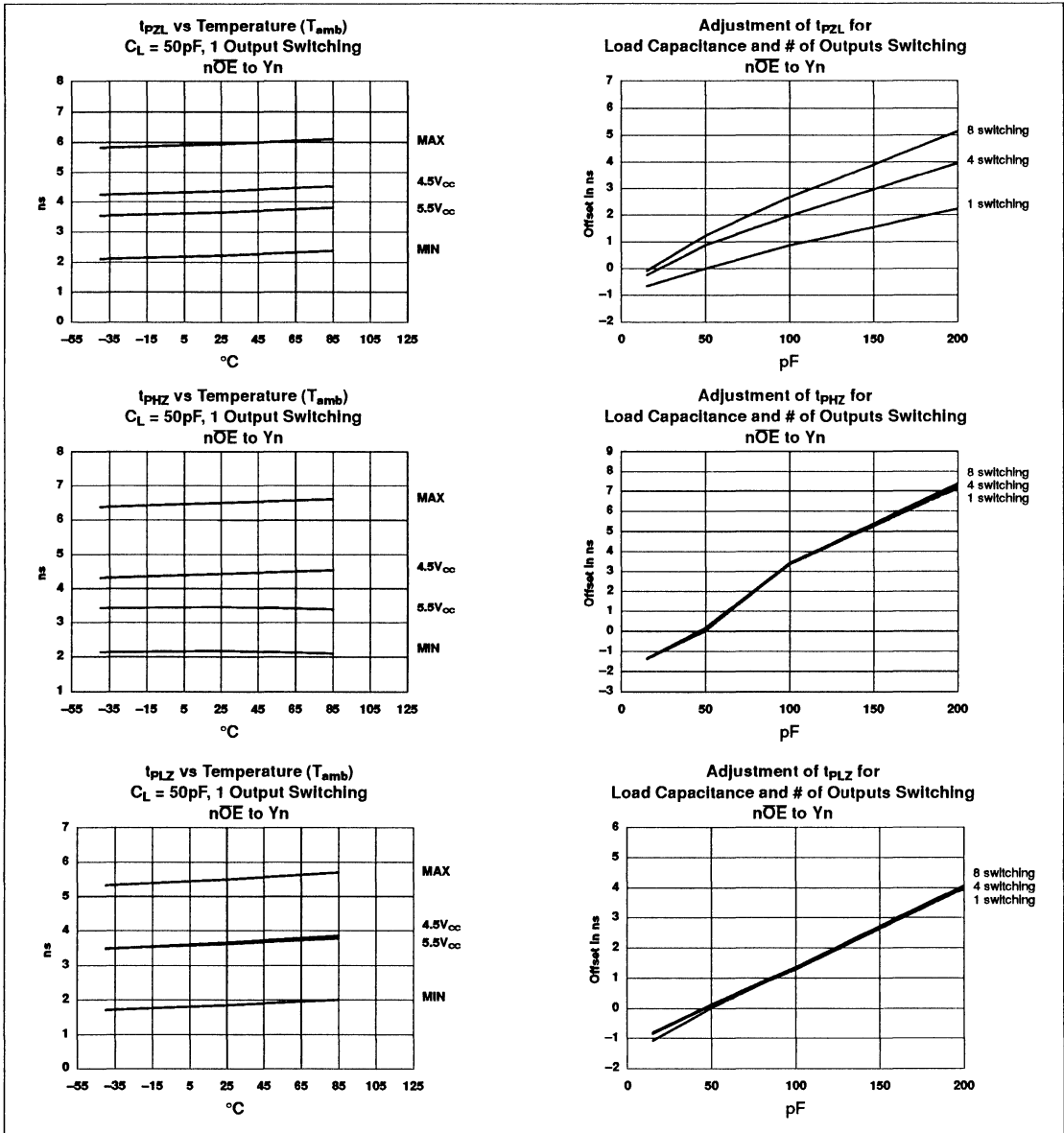
Octal buffer/line driver (3-State)

74ABT244



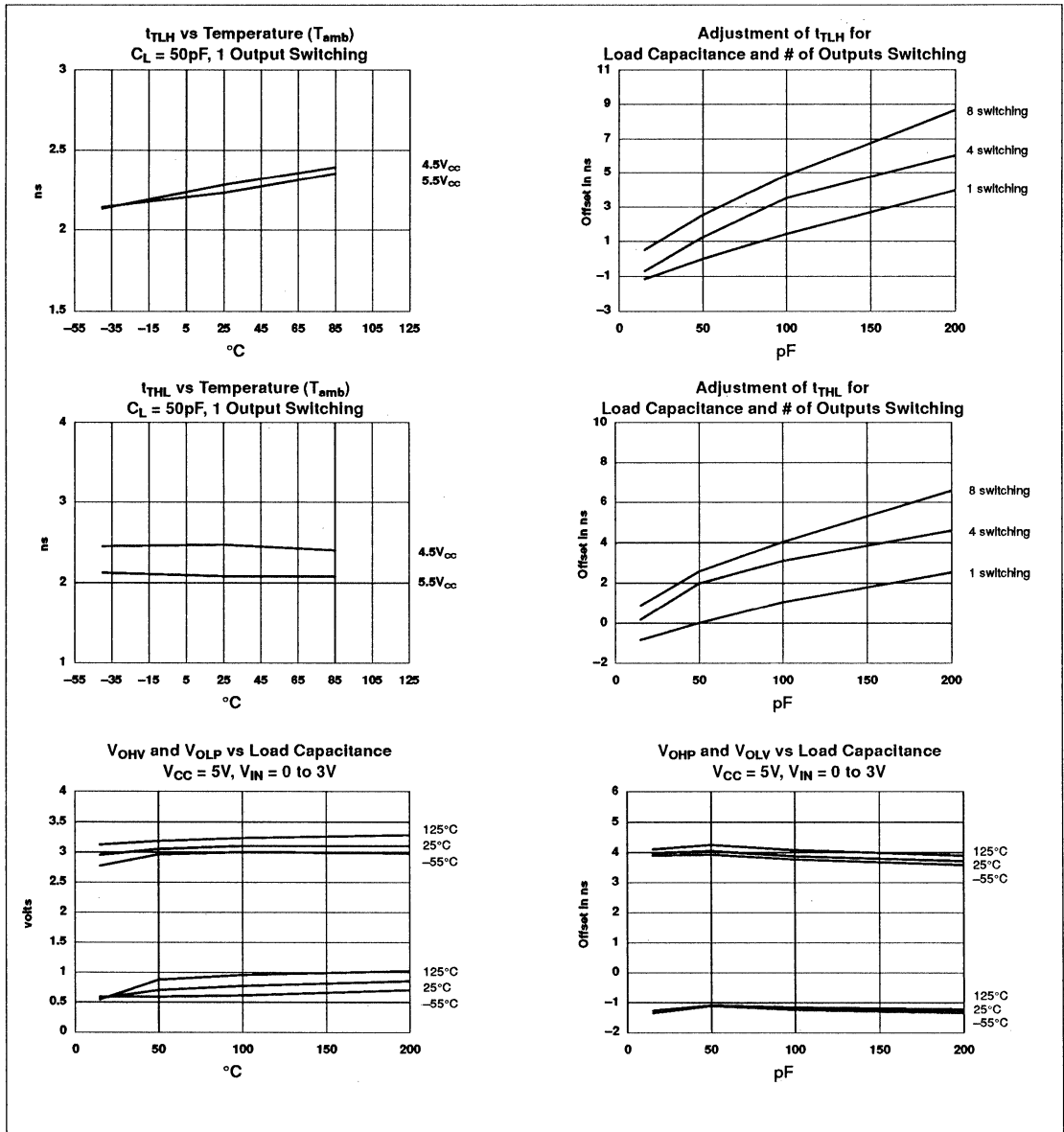
Octal buffer/line driver (3-State)

74ABT244



Octal buffer/line driver (3-State)

74ABT244



Octal transceiver with direction pin (3-State)

74ABT245

FEATURES

- Octal bidirectional bus interface
- 3-State buffers
- Output capability: +64mA/-32mA
- Latch-up protection exceeds 500mA per Jedec JC40.2 Std 17
- ESD protection exceeds 2000 V per MIL STD 883C Method 3015.6 and 200 V per Machine Model

DESCRIPTION

The 74ABT245 high-performance BiCMOS device combines low static and dynamic power dissipation with high speed and high output drive.

The 74ABT245 device is an octal transceiver featuring non-inverting 3-State bus compatible outputs in both send and receive directions. The control function implementation minimizes external timing requirements. The device features an Output Enable (\overline{OE}) input for easy cascading and a Direction (DIR) input for direction control.

FUNCTION TABLE

INPUTS		INPUTS/OUTPUTS	
\overline{OE}	DIR	A _n	B _n
L	L	A = B	Inputs
L	H	Inputs	B = A
H	X	Z	Z

QUICK REFERENCE DATA

SYMBOL	PARAMETER	CONDITIONS $T_{amb} = 25^{\circ}C; GND = 0V$	TYPICAL	UNIT
t_{PLH} t_{PHL}	Propagation delay An to Bn, or Bn to An	$C_L = 50pF; V_{CC} = 5V$	2.9	ns
$C_{DIR, \overline{OE}}$	Input capacitance	$V_I = 0V$ or V_{CC}	4	pF
C_{IO}	I/O pin capacitance	$V_I = 0V$ or V_{CC}	7	pF
I_{CCZ}	Total supply current	Outputs Disabled; $V_{CC} = 5.5V$	500	nA

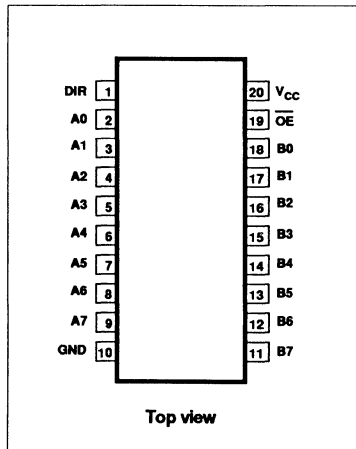
ORDERING INFORMATION

PACKAGES	TEMPERATURE RANGE	ORDER CODE
20-pin plastic DIP	-40°C to +85°C	74ABT245N
20-pin plastic SOL	-40°C to +85°C	74ABT245D

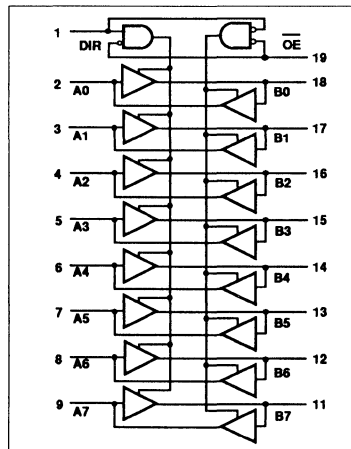
PIN DESCRIPTION

PIN NUMBER	SYMBOL	FUNCTION
1	DIR	Direction control input
2, 3, 4, 5 6, 7, 8, 9	A0 - A7	Data inputs/outputs (A side)
18, 17, 16, 15 14, 13, 12, 11	B0 - B7	Data inputs/outputs (B side)
19	\overline{OE}	Output enable
10	GND	Ground (0V)
20	V_{CC}	Positive supply voltage

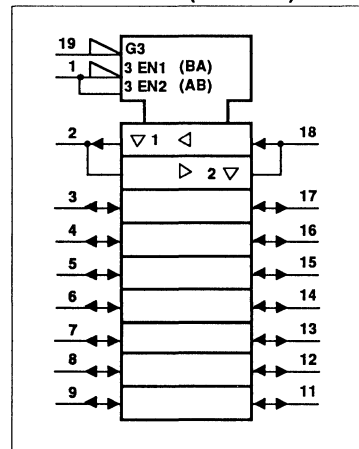
PIN CONFIGURATION



LOGIC SYMBOL



LOGIC SYMBOL (IEEE/IEC)



Octal transceiver with direction pin (3-State)

74ABT245

ABSOLUTE MAXIMUM RATINGS^{1, 2}

SYMBOL	PARAMETER	CONDITIONS	RATING	UNIT
V _{CC}	DC supply voltage		-0.5 to +7.0	V
I _{IK}	DC input diode current	V _I < 0	-18	mA
V _I	DC input voltage ³		-1.2 to +7.0	V
I _{OK}	DC output diode current	V _O < 0	-50	mA
V _{OUT}	DC output voltage ³	output in Off or High state	-0.5 to +5.5	V
I _{OUT}	DC output current	output in Low state	128	mA
T _{stg}	Storage temperature range		-65 to 150	°C

NOTES:

1. Stresses beyond those listed may cause permanent damage to the device. These are stress ratings only and functional operation of the device at these or any other conditions beyond those indicated under "recommended operating conditions" is not implied. Exposure to absolute-maximum-rated conditions for extended periods may affect device reliability.
2. The performance capability of a high-performance integrated circuit in conjunction with its thermal environment can create junction temperatures which are detrimental to reliability. The maximum junction temperature of this integrated circuit should not exceed 150°C.
3. The input and output voltage ratings may be exceeded if the input and output current ratings are observed.

RECOMMENDED OPERATING CONDITIONS

SYMBOL	PARAMETER	LIMITS		UNIT
		Min	Max	
V _{CC}	DC supply voltage	4.5	5.5	V
V _I	Input voltage	0	V _{CC}	V
V _{IH}	High-level input voltage	2.0		V
V _{IL}	Input voltage		0.8	V
I _{OH}	High level output current		-32	mA
I _{OL}	Low level output current		64	mA
ΔV/ΔV	Input transition rise or fall rate	0	5	ns/V
T _{amb}	Operating free-air temperature range	-40	+85	°C

Octal transceiver with direction pin (3-State)

74ABT245

DC ELECTRICAL CHARACTERISTICS

SYMBOL	PARAMETER	TEST CONDITIONS	LIMITS					UNIT
			$T_{amb} = +25^{\circ}\text{C}$			$T_{amb} = -40^{\circ}\text{C}$ to $+85^{\circ}\text{C}$		
			Min	Typ	Max	Min	Max	
V_{IK}	Input clamp voltage	$V_{CC} = 4.5\text{V}; I_{IK} = -18\text{mA}$		-0.9	-1.2		-1.2	V
V_{OH}	High-level output voltage	$V_{CC} = 4.5\text{V}; I_{OH} = -3\text{mA}; V_I = V_{IL}$ or V_{IH}	2.5	2.9		2.5		V
		$V_{CC} = 5.0\text{V}; I_{OH} = -3\text{mA}; V_I = V_{IL}$ or V_{IH}	3.0	3.4		3.0		
		$V_{CC} = 4.5\text{V}; I_{OH} = -32\text{mA}; V_I = V_{IL}$ or V_{IH}	2.0	2.4		2.0		
V_{OL}	Low-level output voltage	$V_{CC} = 4.5\text{V}; I_{OL} = 64\text{mA}; V_I = V_{IL}$ or V_{IH}		0.42	0.55		0.55	V
I_I	Input leakage current	Control pins	$V_{CC} = 5.5\text{V}; V_I = \text{GND}$ or 5.5V	± 0.01	± 1.0		± 1.0	μA
		Data pins	$V_{CC} = 5.5\text{V}; V_I = \text{GND}$ or 5.5V	5	100		100	
$I_{IH} + I_{OZH}$	3-State output High current	$V_{CC} = 5.5\text{V}; V_O = 2.7\text{V}; V_I = V_{IL}$ or V_{IH}		5.0	50		50	μA
$I_{IL} + I_{OZL}$	3-State output Low current	$V_{CC} = 5.5\text{V}; V_O = 0.5\text{V}; V_I = V_{IL}$ or V_{IH}		-5.0	-50		-50	μA
I_O	Short-circuit output current ¹	$V_{CC} = 5.5\text{V}; V_O = 2.5\text{V}$	-50	-100	-180	-50	-180	mA
I_{CCH}	Quiescent supply current	$V_{CC} = 5.5\text{V};$ Outputs High; $V_I = \text{GND}$ or V_{CC}		0.5	50		50	μA
I_{CCL}		$V_{CC} = 5.5\text{V};$ Outputs Low; $V_I = \text{GND}$ or V_{CC}		24	30		30	mA
I_{CCZ}		$V_{CC} = 5.5\text{V};$ Outputs 3-State; $V_I = \text{GND}$ or V_{CC}		0.5	50		50	μA
ΔI_{CC}	Additional supply current per input pin ²	Outputs enabled, one input at 3.4V, other inputs at V_{CC} or GND; $V_{CC} = 5.5\text{V}$		0.5	1.5		1.5	mA
		Outputs 3-State, one data input at 3.4V, other inputs at V_{CC} or GND; $V_{CC} = 5.5\text{V}$		0.5	50		50	μA
		Outputs 3-State, one enable input at 3.4V, other inputs at V_{CC} or GND; $V_{CC} = 5.5\text{V}$		0.5	1.5		1.5	mA

NOTES:

- Not more than one output should be tested at a time, and the duration of the test should not exceed one second.
- This is the increase in supply current for each input at 3.4V.

Octal transceiver with direction pin (3-State)

74ABT245

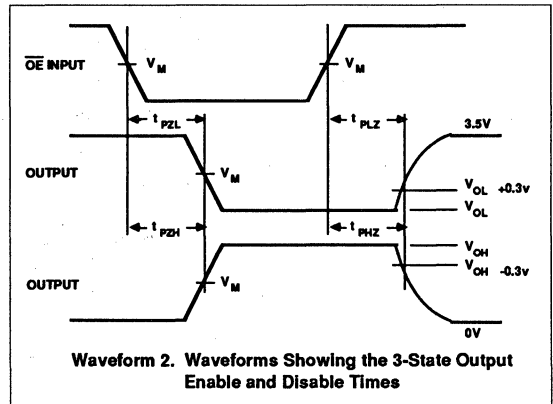
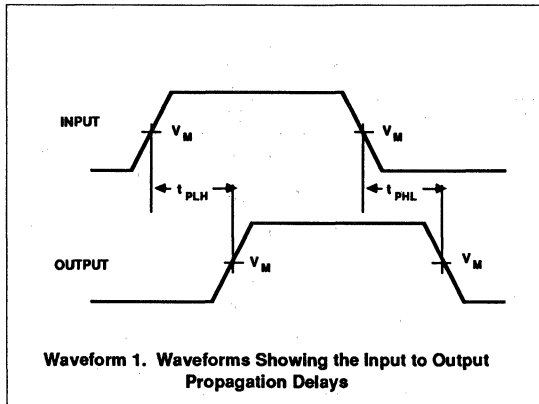
AC CHARACTERISTICS

GND = 0V; $t_R = t_F = 2.5\text{ns}$; $C_L = 50\text{pF}$, $R_L = 500\Omega$

SYMBOL	PARAMETER	WAVEFORM	LIMITS					UNIT
			$T_{\text{amb}} = +25^\circ\text{C}$ $V_{CC} = +5.0\text{V}$			$T_{\text{amb}} = -40^\circ\text{C to } +85^\circ\text{C}$ $V_{CC} = +5.0\text{V} \pm 0.5\text{V}$		
			Min	Typ	Max	Min	Max	
t_{PLH} t_{PHL}	Propagation delay An to Bn or Bn to An	1	1.0	2.2	4.1	1.0	4.6	ns
t_{PZH} t_{PZL}	Output enable time to High and Low level	2	1.3	2.9	4.8	1.3	5.3	ns
t_{PHZ} t_{PLZ}	Output disable time from High and Low level	2	2.7	4.7	6.2	2.7	7.2	ns
			2.3	4.0	5.8	2.3	6.3	

AC WAVEFORMS

($V_M = 1.5\text{V}$, $V_{\text{IN}} = \text{GND to } 3.0\text{V}$)



TEST CIRCUIT AND WAVEFORMS

Test Circuit For 3-State Outputs

Input Pulse Definition

$V_M = 1.5\text{V}$

SWITCH POSITION

TEST	SWITCH
t_{PLZ}	closed
t_{PZL}	closed
All other	open

DEFINITIONS

R_L = Load resistor; see AC CHARACTERISTICS for value.

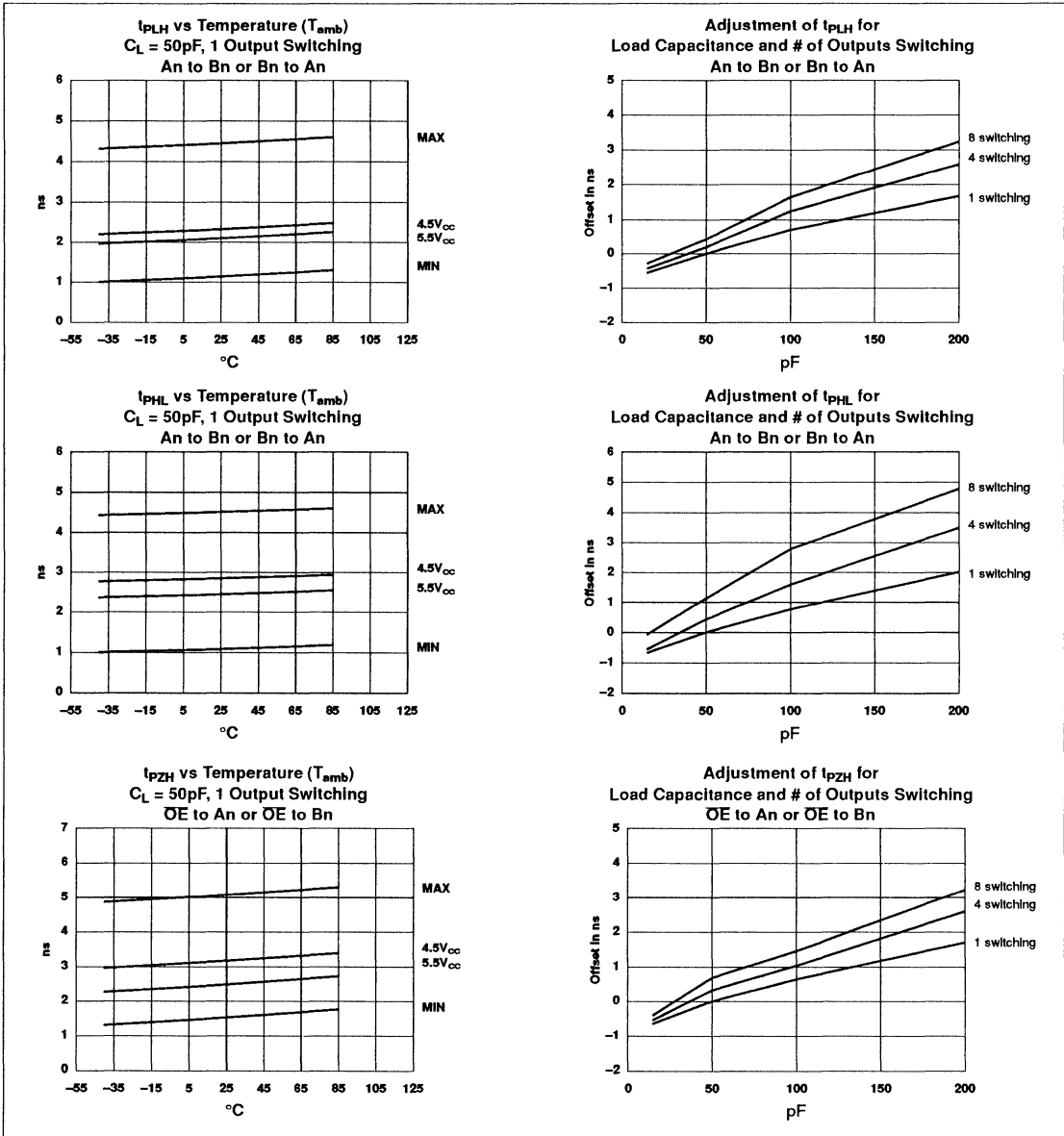
C_L = Load capacitance includes jig and probe capacitance; see AC CHARACTERISTICS for value.

R_T = Termination resistance should be equal to Z_{OUT} of pulse generators.

FAMILY	INPUT PULSE REQUIREMENTS				
	Amplitude	Rep. Rate	t_w	t_R	t_F
74ABT	3.0V	1MHz	500ns	2.5ns	2.5ns

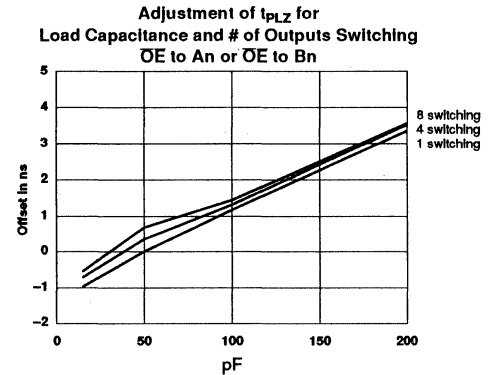
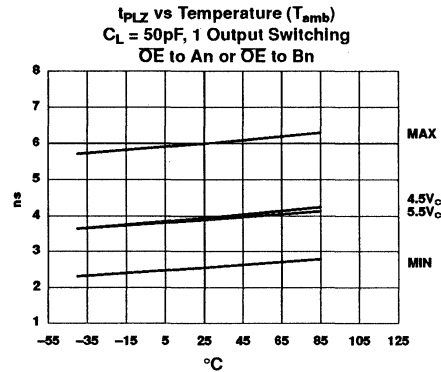
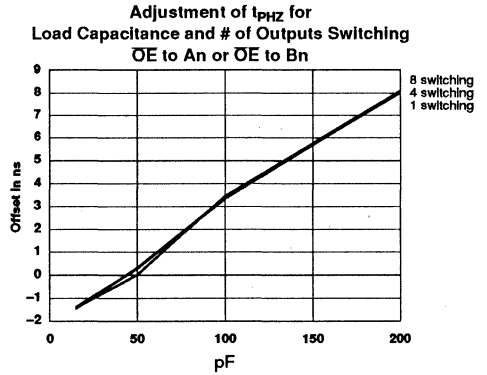
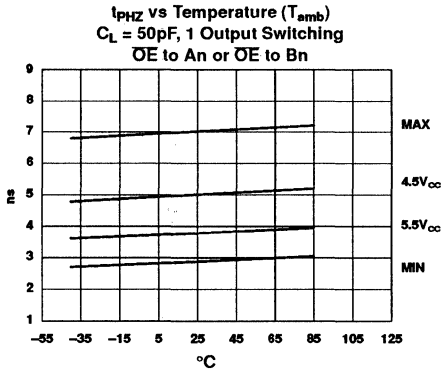
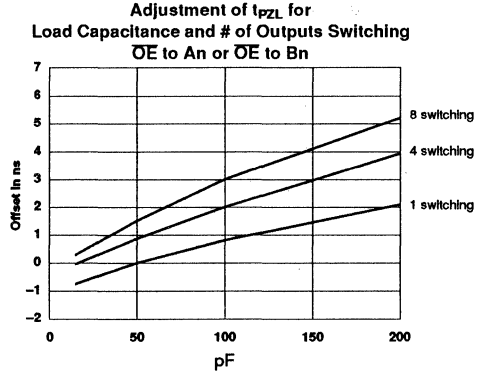
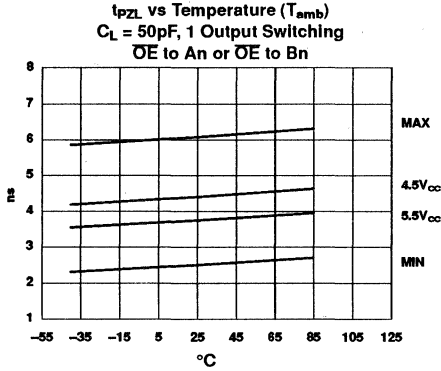
Octal transceiver with direction pin (3-State)

74ABT245



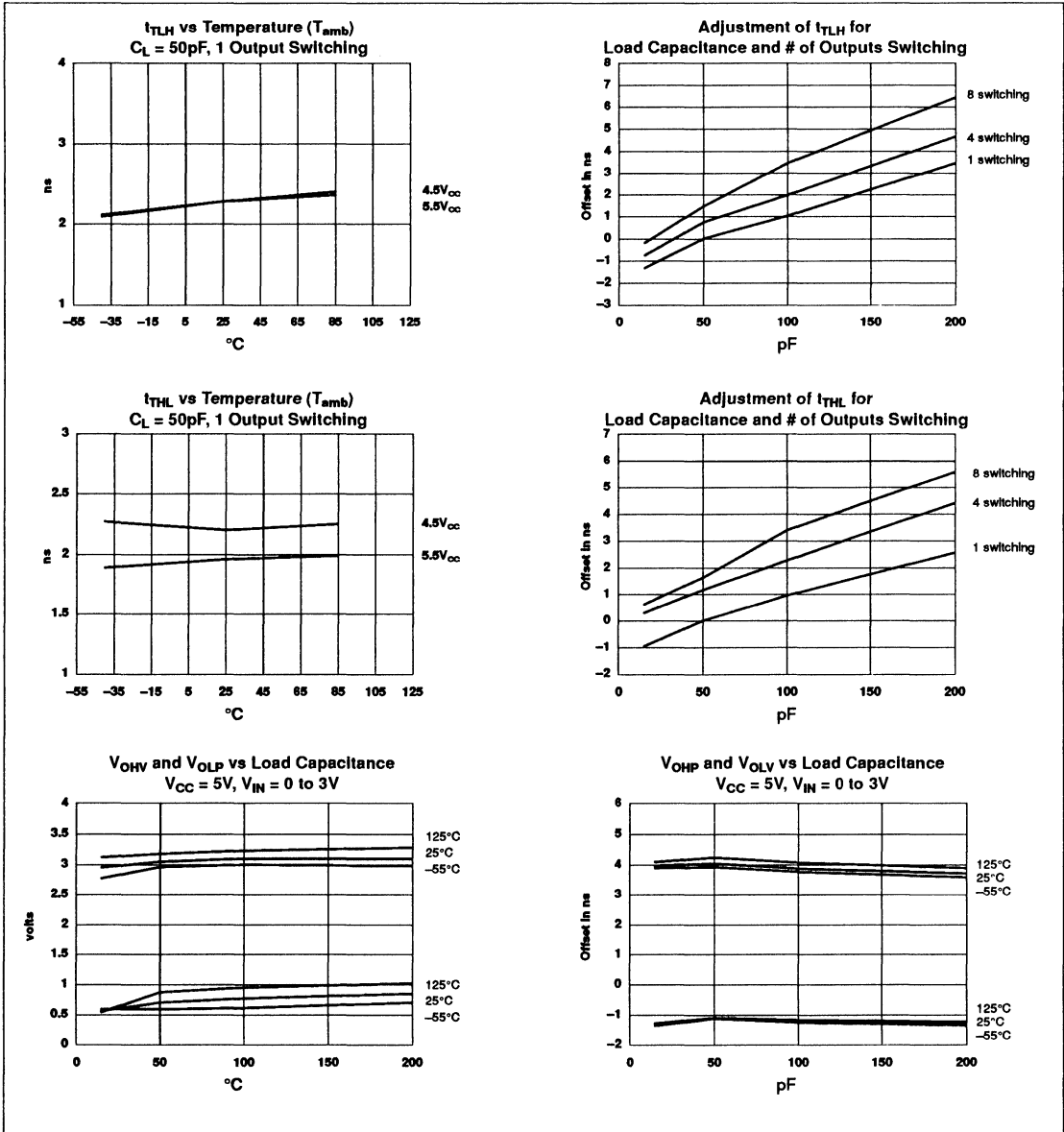
Octal transceiver with direction pin (3-State)

74ABT245



Octal transceiver with direction pin (3-State)

74ABT245



Octal D flip-flop

74ABT273

FEATURES

- Eight edge-triggered D-type flip-flops
- Buffered common clock
- Buffered asynchronous Master Reset
- See 74ABT377 for clock enable version
- See 74ABT373 for transparent latch version
- See 74ABT374 for 3-State version

DESCRIPTION

The 74ABT273 has eight edge-triggered D-type flip-flops with individual D inputs and Q outputs. The common buffered Clock (CP) and Master Reset (MR) inputs load and reset (clear) all flip-flops simultaneously.

The register is fully edge-triggered. The state of each D input, one setup time before the Low-to-High clock transition, is transferred to the corresponding flip-flop's Q output.

All outputs will be forced Low independent of Clock or Data inputs by a Low voltage level on the MR input. The device is useful for applications where the true output only is required and the CP and MR are common elements.

QUICK REFERENCE DATA

SYMBOL	PARAMETER	CONDITIONS $T_{amb} = 25^{\circ}C; GND = 0V$	TYPICAL	UNIT
t_{PLH} t_{PHL}	Propagation delay CP to Qn	$C_L = 50pF; V_{CC} = 5V$	5.3	ns
C_{IN}	Input capacitance	$V_I = 0V \text{ or } V_{CC}$	3.5	pF
C_{OUT}	Output capacitance	$V_I = 0V \text{ or } V_{CC}$	7	pF
I_{CCZ}	Total supply current	Outputs Disabled; $V_{CC} = 5.5V$	500	nA

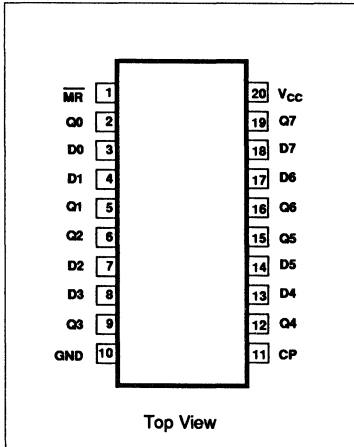
ORDERING INFORMATION

PACKAGES	TEMPERATURE RANGE	ORDER CODE
20-pin plastic DIP	-40°C to +85°C	74ABT273N
20-pin plastic SOL	-40°C to +85°C	74ABT273D

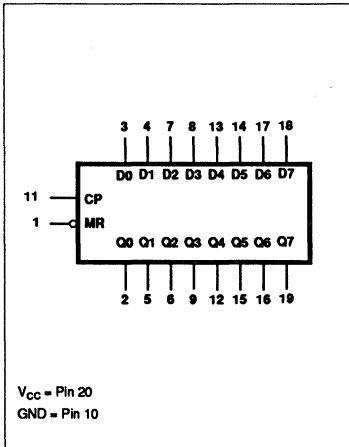
PIN DESCRIPTION

PIN NUMBER	SYMBOL	NAME AND FUNCTION
11	CP	Clock Pulse input (active rising edge)
3, 4, 7, 8 13, 14, 17, 18	D0 - D7	Data inputs
2, 5, 6, 9 12, 15, 16, 19	Q0 - Q7	Data outputs
1	MR	Master Reset input (active-Low)
10	GND	Ground (0V)
20	V _{CC}	Positive supply voltage

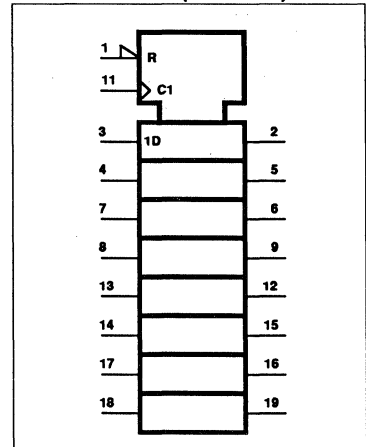
PIN CONFIGURATION



LOGIC SYMBOL



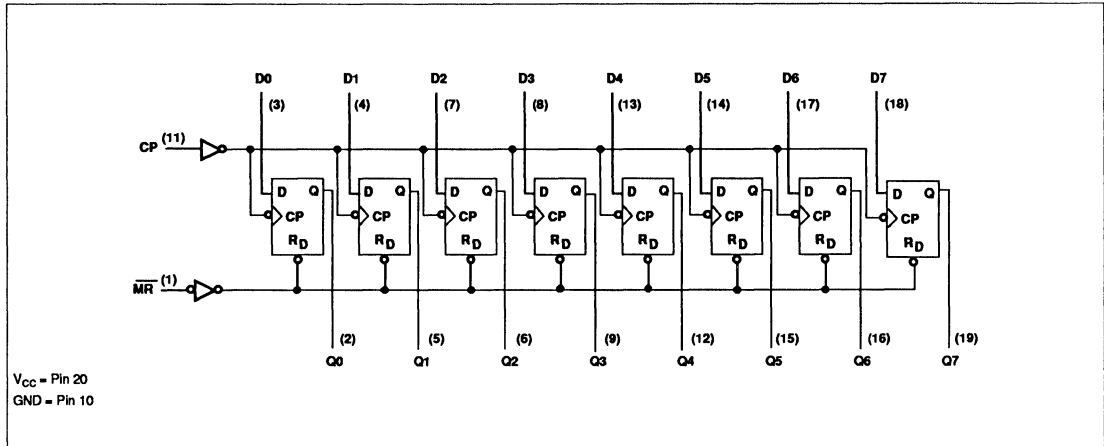
LOGIC SYMBOL (IEEE/IEC)



Octal D flip-flop

74ABT273

LOGIC DIAGRAM



FUNCTION TABLE

INPUTS			OUTPUTS	OPERATING MODE
\overline{MR}	CP	D_n	Q0 - Q7	
L	X	X	L	Reset (clear)
H	↑	h	H	Load "1"
H	↑	l	L	Load "0"

- H = High voltage level
- h = High voltage level one set-up time prior to the Low-to-High clock transition
- L = Low voltage level
- l = Low voltage level one set-up time prior to the Low-to-High clock transition
- X = Don't care
- ↑ = Low-to-High clock transition

ABSOLUTE MAXIMUM RATINGS^{1, 2}

SYMBOL	PARAMETER	CONDITIONS	RATING	UNIT
V_{CC}	DC supply voltage		-0.5 to +7.0	V
I_{IK}	DC input diode current	$V_I < 0$	-18	mA
V_I	DC input voltage ³		-1.2 to +7.0	V
I_{OK}	DC output diode current	$V_O < 0$	-50	mA
V_{OUT}	DC output voltage ³	output in Off or High state	-0.5 to +5.5	V
I_{OUT}	DC output current	output in Low state	128	mA
T_{stg}	Storage temperature range		-65 to 150	°C

NOTES:

1. Stresses beyond those listed may cause permanent damage to the device. These are stress ratings only and functional operation of the device at these or any other conditions beyond those indicated under "recommended operating conditions" is not implied. Exposure to absolute-maximum-rated conditions for extended periods may affect device reliability.
2. The performance capability of a high-performance integrated circuit in conjunction with its thermal environment can create junction temperatures which are detrimental to reliability. The maximum junction temperature of this integrated circuit should not exceed 150°C.
3. The input and output voltage ratings may be exceeded if the input and output current ratings are observed.

Octal D flip-flop

74ABT273

RECOMMENDED OPERATING CONDITIONS

SYMBOL	PARAMETER	LIMITS		UNIT
		Min	Max	
V_{CC}	DC supply voltage	4.5	5.5	V
V_I	Input voltage	0	V_{CC}	V
V_{IH}	High-level input voltage	2.0		V
V_{IL}	Input voltage		0.8	V
I_{OH}	High level output current		-32	mA
I_{OL}	Low level output current		64	mA
$\Delta t/\Delta v$	Input transition rise or fall rate	0	5	ns/V
T_{amb}	Operating free-air temperature range	-40	+85	°C

DC ELECTRICAL CHARACTERISTICS

SYMBOL	PARAMETER	TEST CONDITIONS	LIMITS					UNIT
			$T_{amb} = +25^{\circ}\text{C}$			$T_{amb} = -40^{\circ}\text{C}$ to $+85^{\circ}\text{C}$		
			Min	Typ	Max	Min	Max	
V_{IK}	Input clamp voltage	$V_{CC} = 4.5\text{V}; I_{IK} = -18\text{mA}$		-0.9	-1.2		-1.2	V
V_{OH}	High-level output voltage	$V_{CC} = 4.5\text{V}; I_{OH} = -3\text{mA}; V_I = V_{IL}$ or V_{IH}	2.5	2.9		2.5		V
		$V_{CC} = 5.0\text{V}; I_{OH} = -3\text{mA}; V_I = V_{IL}$ or V_{IH}	3.0	3.4		3.0		
		$V_{CC} = 4.5\text{V}; I_{OH} = -32\text{mA}; V_I = V_{IL}$ or V_{IH}	2.0	2.4		2.0		
V_{OL}	Low-level output voltage	$V_{CC} = 4.5\text{V}; I_{OL} = 64\text{mA}; V_I = V_{IL}$ or V_{IH}		0.42	0.55		0.55	V
I_I	Input leakage current	$V_{CC} = 5.5\text{V}; V_I = \text{GND}$ or 5.5V		± 0.01	± 1.0		± 1.0	μA
I_O	Short-circuit output current ¹	$V_{CC} = 5.5\text{V}; V_O = 2.5\text{V}$	-50	-100	-180	-50	-180	mA
I_{CCH}	Quiescent supply current	$V_{CC} = 5.5\text{V}; \text{Outputs High}; V_I = \text{GND}$ or V_{CC}		0.5	50		50	μA
I_{CCL}		$V_{CC} = 5.5\text{V}; \text{Outputs Low}; V_I = \text{GND}$ or V_{CC}		24	30		30	mA
ΔI_{CC}	Additional supply current per input pin ²	$V_{CC} = 5.5\text{V}; \text{One input at } 3.4\text{V}, \text{ other inputs at } V_{CC}$ or GND		0.5	1.5		1.5	mA

NOTES:

1. Not more than one output should be tested at a time, and the duration of the test should not exceed one second.
2. This is the increase in supply current for each input at 3.4V.

Octal D flip-flop

74ABT273

AC CHARACTERISTICSGND = 0V; $t_R = t_F = 2.5\text{ns}$; $C_L = 50\text{pF}$, $R_L = 500\Omega$

SYMBOL	PARAMETER	WAVEFORM	LIMITS					UNIT
			$T_{\text{amb}} = +25^\circ\text{C}$ $V_{\text{CC}} = +5.0\text{V}$			$T_{\text{amb}} = -40^\circ\text{C to } +85^\circ\text{C}$ $V_{\text{CC}} = +5.0\text{V} \pm 0.5\text{V}$		
			Min	Typ	Max	Min	Max	
f_{MAX}	Maximum clock frequency	Waveform 1	150	200		150		MHz
t_{PLH} t_{PHL}	Propagation delay CP to Qn	Waveform 1	2.5 3.3	4.5 5.3	6.0 6.8	2.5 3.3	6.5 7.3	ns
t_{PHL}	Propagation delay $\overline{\text{MR}}$ to Qn	Waveform 2	2.5	4.5	6.0	2.5	7.0	ns

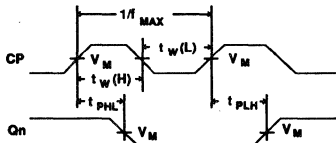
AC SETUP REQUIREMENTSGND = 0V; $t_R = t_F = 2.5\text{ns}$; $C_L = 50\text{pF}$, $R_L = 500\Omega$

SYMBOL	PARAMETER	WAVEFORM	LIMITS					UNIT
			$T_{\text{amb}} = +25^\circ\text{C}$ $V_{\text{CC}} = +5.0\text{V}$			$T_{\text{amb}} = -40^\circ\text{C to } +85^\circ\text{C}$ $V_{\text{CC}} = +5.0\text{V} \pm 0.5\text{V}$		
			Min	Typ	Max	Min	Max	
$t_s(\text{H})$ $t_s(\text{L})$	Setup time, High or Low Dn to CP	Waveform 3	2.0 2.5			2.0 2.5		ns
$t_h(\text{H})$ $t_h(\text{L})$	Hold time, High or Low Dn to CP	Waveform 3	0.7 0.7			0.7 0.7		ns
$t_w(\text{H})$ $t_w(\text{L})$	Clock Pulse width High or Low	Waveform 1	3.3 3.3			3.3 3.3		ns
$t_w(\text{L})$	Master Reset Pulse width, Low	Waveform 2	3.3			3.3		ns
t_{REC}	Recovery time $\overline{\text{MR}}$ to CP	Waveform 2	2.0			2.0		ns

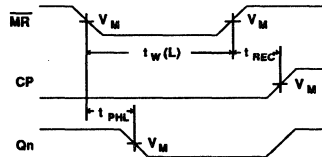
Octal D flip-flop

74ABT273

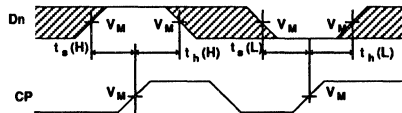
AC WAVEFORMS



Waveform 1. Propagation Delay, Clock Input To Output, Clock Pulse Width, and Maximum Clock Frequency



Waveform 2. Master Reset Pulse Width, Master Reset to Output Delay and Master Reset to Clock Recovery Time

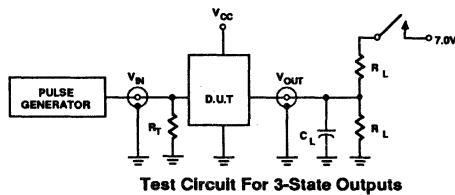


Waveform 3. Data Setup And Hold Times

NOTE: For all waveforms, $V_M = 1.5V$.

The shaded areas indicate when the input is permitted to change for predictable output performance.

TEST CIRCUIT AND WAVEFORMS



Test Circuit For 3-State Outputs

SWITCH POSITION

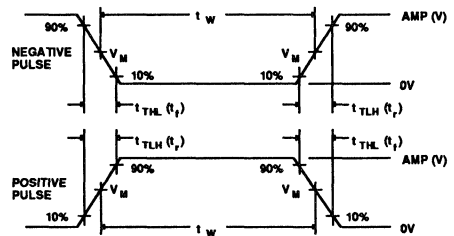
TEST	SWITCH
t_{PLZ}	closed
t_{pZL}	closed
All other	open

DEFINITIONS

R_L = Load resistor; see AC CHARACTERISTICS for value.

C_L = Load capacitance includes jig and probe capacitance; see AC CHARACTERISTICS for value.

R_T = Termination resistance should be equal to Z_{OUT} of pulse generators.

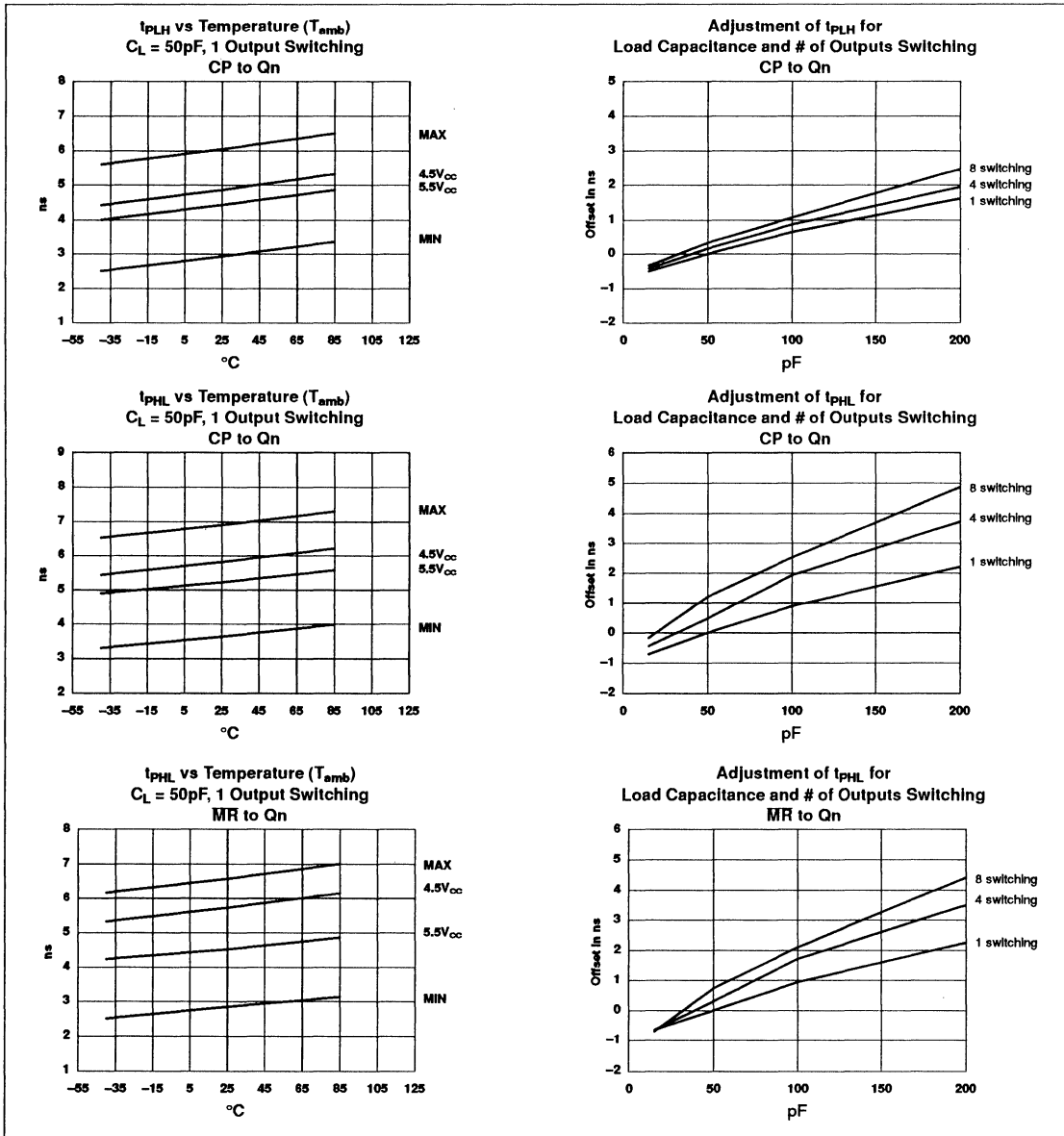


$V_M = 1.5V$
Input Pulse Definition

FAMILY	INPUT PULSE REQUIREMENTS				
	Amplitude	Rep. Rate	t_w	t_R	t_F
74ABT	3.0V	1MHz	500ns	2.5ns	2.5ns

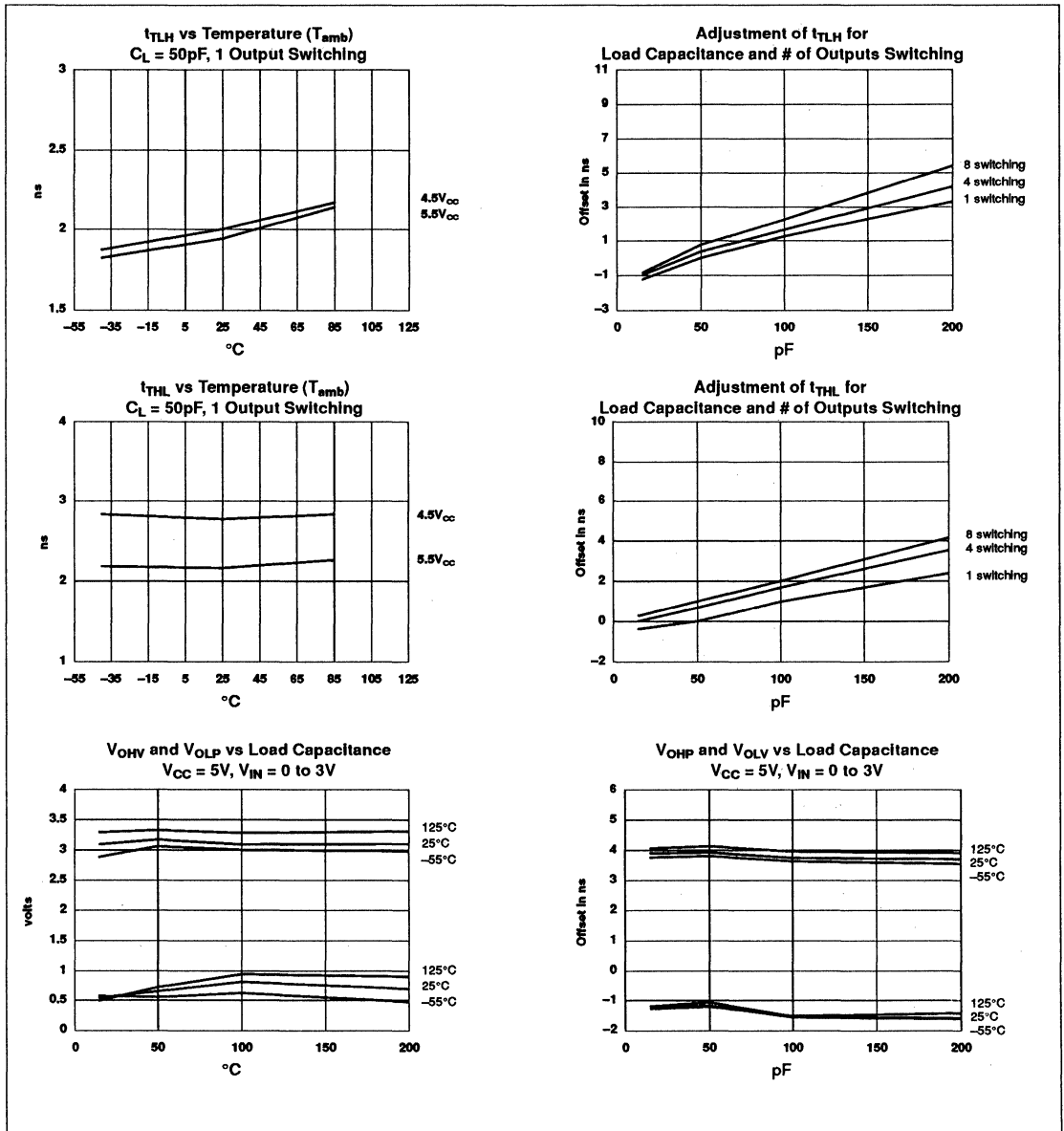
Octal D-type flip-flop

74ABT273



Octal D-type flip-flop

74ABT273



Octal D-type transparent latch (3-State)

74ABT373

FEATURES

- 8-bit transparent latch
- 3-State output buffers
- Output capability: +64mA/-32mA
- Latch-up protection exceeds 500mA per JEDEC JC40.2 Std 17
- ESD protection exceeds 2000 V per MIL STD 883C Method 3015.6 and 200 V per Machine Model

DESCRIPTION

The 74ABT373 high-performance BiCMOS device combines low static and dynamic power dissipation with high speed and high output drive.

The 74ABT373 device is an octal transparent latch coupled to eight 3-State output buffers. The two sections of the device are controlled independently by Enable (E) and Output Enable (\overline{OE}) control gates.

The data on the D inputs are transferred to the latch outputs when the Latch Enable (E) input is High. The latch remains transparent to the data

QUICK REFERENCE DATA

SYMBOL	PARAMETER	CONDITIONS $T_{amb} = 25^{\circ}\text{C}; \text{GND} = 0\text{V}$	TYPICAL	UNIT
t_{PLH} t_{PHL}	Propagation delay Dn to Qn	$C_L = 50\text{pF}; V_{CC} = 5\text{V}$	4.2	ns
C_{IN}	Input capacitance	$V_I = 0\text{V}$ or V_{CC}	4	pF
C_{OUT}	Output capacitance	$V_I = 0\text{V}$ or V_{CC}	7	pF
I_{CCZ}	Total supply current	Outputs Disabled; $V_{CC} = 5.5\text{V}$	500	nA

ORDERING INFORMATION

PACKAGES	TEMPERATURE RANGE	ORDER CODE
20-pin plastic DIP	-40°C to +85°C	74ABT373N
20-pin plastic SOL	-40°C to +85°C	74ABT373D

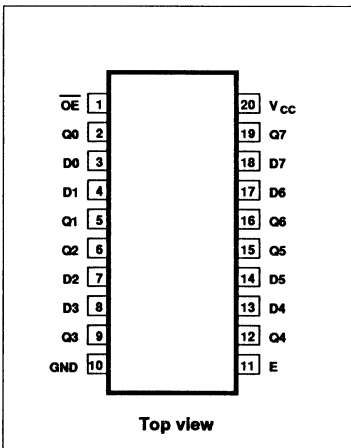
inputs while E is High, and stores the data that is present one setup time before the High-to-Low enable transition.

The 3-State output buffers are designed to drive heavily loaded 3-State buses, MOS memories, or MOS microprocessors. The active-Low Output Enable

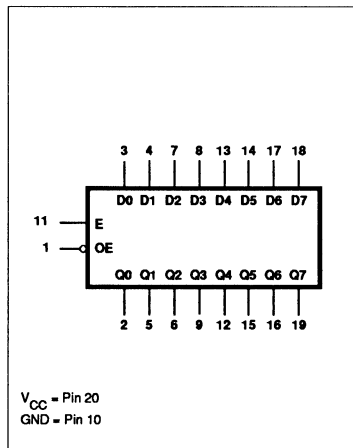
(\overline{OE}) controls all eight 3-State buffers independent of the latch operation.

When \overline{OE} is Low, the latched or transparent data appears at the outputs. When \overline{OE} is High, the outputs are in the High-impedance "OFF" state, which means they will neither drive nor load the bus.

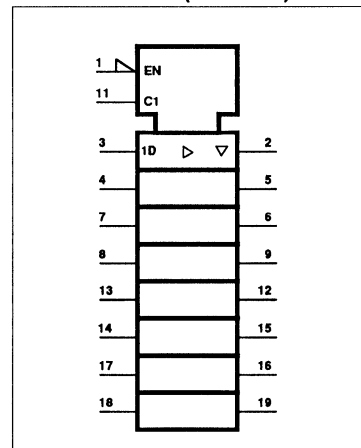
PIN CONFIGURATION



LOGIC SYMBOL



LOGIC SYMBOL (IEEE/IEC)



Octal D-type transparent latch (3-State)

74ABT373

PIN DESCRIPTION

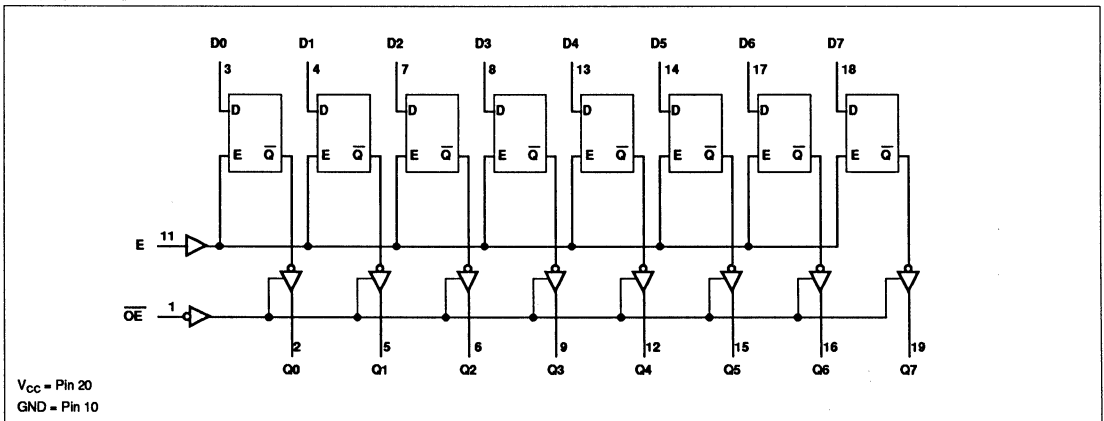
PIN NUMBER	SYMBOL	NAME AND FUNCTION
1	\overline{OE}	Output enable input (active Low)
3, 4, 7, 8, 13 14, 17, 18	Dn - Dn	Data inputs
2, 5, 6, 9, 12 15, 16, 19	Qn - Qn	3-State Outputs
11	E	Enable input (active High)
10	GND	Ground (0V)
20	V _{CC}	Positive supply voltage

FUNCTION TABLE

INPUTS			INTERNAL	OUTPUTS	OPERATING MODE
\overline{OE}	E	Dn	REGISTER	Q0 - Q7	
L	H	L	L	L	Enable and read register
L	H	H	H	H	
L	↓	l	L	L	Latch and read register
L	↓	h	H	H	
L	L	X	NC	NC	Hold
H	L	X	NC	Z	Disable outputs
H	H	Dn	Dn	Z	

- H = High voltage level
- h = High voltage level one set-up time prior to the High-to-Low E transition
- L = Low voltage level
- l = Low voltage level one set-up time prior to the High-to-Low E transition
- NC = No change
- X = Don't care
- Z = High impedance "off" state
- ↓ = High-to-Low E transition

LOGIC DIAGRAM



Octal D-type transparent latch (3-State)

74ABT373

ABSOLUTE MAXIMUM RATINGS^{1, 2}

SYMBOL	PARAMETER	CONDITIONS	RATING	UNIT
V_{CC}	DC supply voltage		-0.5 to +7.0	V
I_{IK}	DC input diode current	$V_I < 0$	-18	mA
V_I	DC input voltage ³		-1.2 to +7.0	V
I_{OK}	DC output diode current	$V_O < 0$	-50	mA
V_{OUT}	DC output voltage ³	output in Off or High state	-0.5 to +5.5	V
I_{OUT}	DC output current	output in Low state	128	mA
T_{sig}	Storage temperature range		-65 to 150	°C

NOTES:

1. Stresses beyond those listed may cause permanent damage to the device. These are stress ratings only and functional operation of the device at these or any other conditions beyond those indicated under "recommended operating conditions" is not implied. Exposure to absolute-maximum-rated conditions for extended periods may affect device reliability.
2. The performance capability of a high-performance integrated circuit in conjunction with its thermal environment can create junction temperatures which are detrimental to reliability. The maximum junction temperature of this integrated circuit should not exceed 150°C.
3. The input and output voltage ratings may be exceeded if the input and output current ratings are observed.

RECOMMENDED OPERATING CONDITIONS

SYMBOL	PARAMETER	LIMITS		UNIT
		Min	Max	
V_{CC}	DC supply voltage	4.5	5.5	V
V_I	Input voltage	0	V_{CC}	V
V_{IH}	High-level input voltage	2.0		V
V_{IL}	Input voltage		0.8	V
I_{OH}	High level output current		-32	mA
I_{OL}	Low level output current		64	mA
$\Delta V/\Delta t$	Input transition rise or fall rate	0	5	ns/V
T_{amb}	Operating free-air temperature range	-40	+85	°C

Octal D-type transparent latch (3-State)

74ABT373

DC ELECTRICAL CHARACTERISTICS

SYMBOL	PARAMETER	TEST CONDITIONS	LIMITS					UNIT
			T _{amb} = +25°C			T _{amb} = -40°C to +85°C		
			Min	Typ	Max	Min	Max	
V _{IK}	Input clamp voltage	V _{CC} = 4.5V; I _{IK} = -18mA		-0.9	-1.2		-1.2	V
V _{OH}	High-level output voltage	V _{CC} = 4.5V; I _{OH} = -3mA; V _I = V _{IL} or V _{IH}	2.5	2.9		2.5		V
		V _{CC} = 5.0V; I _{OH} = -3mA; V _I = V _{IL} or V _{IH}	3.0	3.4		3.0		
		V _{CC} = 4.5V; I _{OH} = -32mA; V _I = V _{IL} or V _{IH}	2.0	2.4		2.0		
V _{OL}	Low-level output voltage	V _{CC} = 4.5V; I _{OL} = 64mA; V _I = V _{IL} or V _{IH}		0.42	0.55		0.55	V
I _I	Input leakage current	V _{CC} = 5.5V; V _I = GND or 5.5V		±0.01	±1.0		±1.0	µA
I _{OZH}	3-State output High current	V _{CC} = 5.5V; V _O = 2.7V; V _I = V _{IL} or V _{IH}		5.0	50		50	µA
I _{OZL}	3-State output Low current	V _{CC} = 5.5V; V _O = 0.5V; V _I = V _{IL} or V _{IH}		-5.0	-50		-50	µA
I _O	Short-circuit output current ¹	V _{CC} = 5.5V; V _O = 2.5V	-50	-100	-180	-50	-180	mA
I _{CCH}	Quiescent supply current	V _{CC} = 5.5V; Outputs High; V _I = GND or V _{CC}		0.5	50		50	µA
I _{CCL}		V _{CC} = 5.5V; Outputs Low; V _I = GND or V _{CC}		24	30		30	mA
I _{CCZ}		V _{CC} = 5.5V; Outputs 3-State; V _I = GND or V _{CC}		0.5	50		50	µA
ΔI _{CC}	Additional supply current per input pin ²	V _{CC} = 5.5V; One input at 3.4V, other inputs at V _{CC} or GND		0.5	1.5		1.5	mA

NOTES:

1. Not more than one output should be tested at a time, and the duration of the test should not exceed one second.
2. This is the increase in supply current for each input at 3.4V.

Octal D-type transparent latch (3-State)

74ABT373

AC CHARACTERISTICS

GND = 0V; $t_R = t_F = 2.5\text{ns}$; $C_L = 50\text{pF}$, $R_L = 500\Omega$

SYMBOL	PARAMETER	WAVEFORM	LIMITS					UNIT
			$T_{\text{amb}} = +25^\circ\text{C}$ $V_{\text{CC}} = +5.0\text{V}$			$T_{\text{amb}} = -40^\circ\text{C to } +85^\circ\text{C}$ $V_{\text{CC}} = +5.0\text{V} \pm 0.5\text{V}$		
			Min	Typ	Max	Min	Max	
t_{PLH} t_{PHL}	Propagation delay Dn to Qn	Waveform 2	1.9 2.2	3.2 4.2	5.4 5.7	1.9 2.2	5.9 6.2	ns
t_{PLH} t_{PHL}	Propagation delay E to Qn	Waveform 1	2.6 3.2	4.0 5.2	6.1 6.7	2.2 3.2	6.6 7.2	ns
t_{PZH} t_{PZL}	Output enable time to High and Low level	Waveform 4 Waveform 5	1.2 2.7	3.2 4.7	4.7 6.2	1.2 2.7	5.2 6.7	ns
t_{PHZ} t_{PLZ}	Output disable time from High and Low level	Waveform 4 Waveform 5	2.5 2.0	4.9 4.2	6.4 6.0	2.5 2.0	6.9 6.5	ns

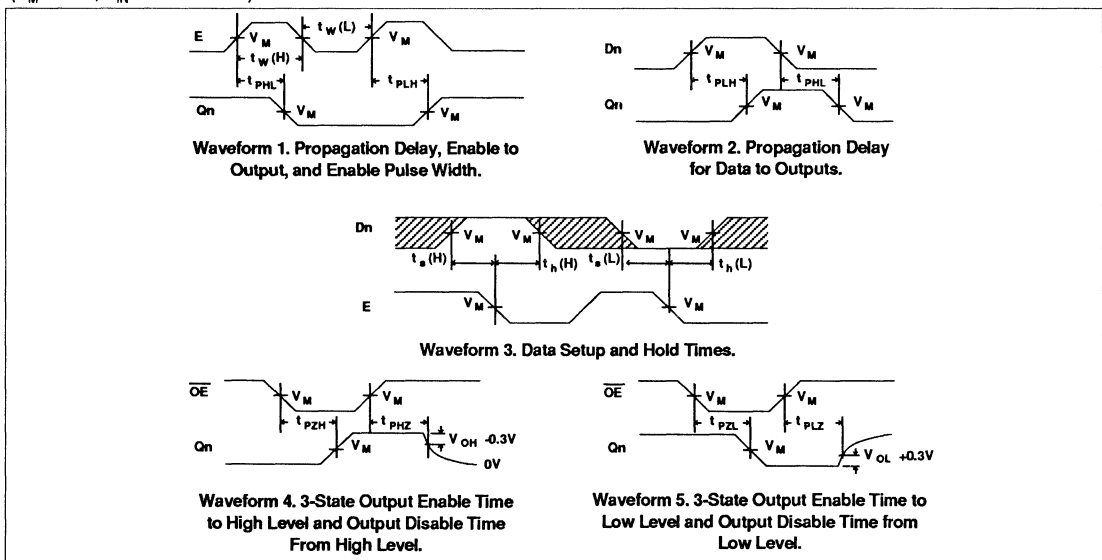
AC SETUP REQUIREMENTS

GND = 0V; $t_R = t_F = 2.5\text{ns}$; $C_L = 50\text{pF}$, $R_L = 500\Omega$

SYMBOL	PARAMETER	WAVEFORM	LIMITS					UNIT
			$T_{\text{amb}} = +25^\circ\text{C}$ $V_{\text{CC}} = +5.0\text{V}$			$T_{\text{amb}} = -40^\circ\text{C to } +85^\circ\text{C}$ $V_{\text{CC}} = +5.0\text{V} \pm 0.5\text{V}$		
			Min	Typ	Max	Min	Max	
$t_s(\text{H})$ $t_s(\text{L})$	Set-up time Dn to E	Waveform 3	1.9 1.5			1.9 1.5		ns
$t_h(\text{H})$ $t_h(\text{L})$	Hold time Dn to E	Waveform 3	1.0 1.0			1.0 1.0		ns
$t_w(\text{H})$	E pulse width, High or Low	Waveform 1	3.3			3.3		ns

AC WAVEFORMS

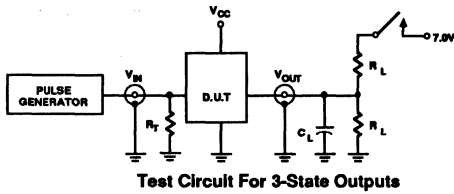
($V_M = 1.5\text{V}$, $V_{\text{IN}} = \text{GND to } 3.0\text{V}$)



Octal D-type transparent latch (3-State)

74ABT373

TEST CIRCUIT AND WAVEFORMS



Test Circuit For 3-State Outputs

SWITCH POSITION

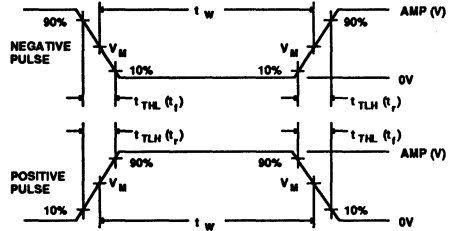
TEST	SWITCH
t_{PLZ}	closed
t_{PZL}	closed
All other	open

DEFINITIONS

R_L = Load resistor; see AC CHARACTERISTICS for value.

C_L = Load capacitance includes jig and probe capacitance; see AC CHARACTERISTICS for value.

R_T = Termination resistance should be equal to Z_{OUT} of pulse generators.

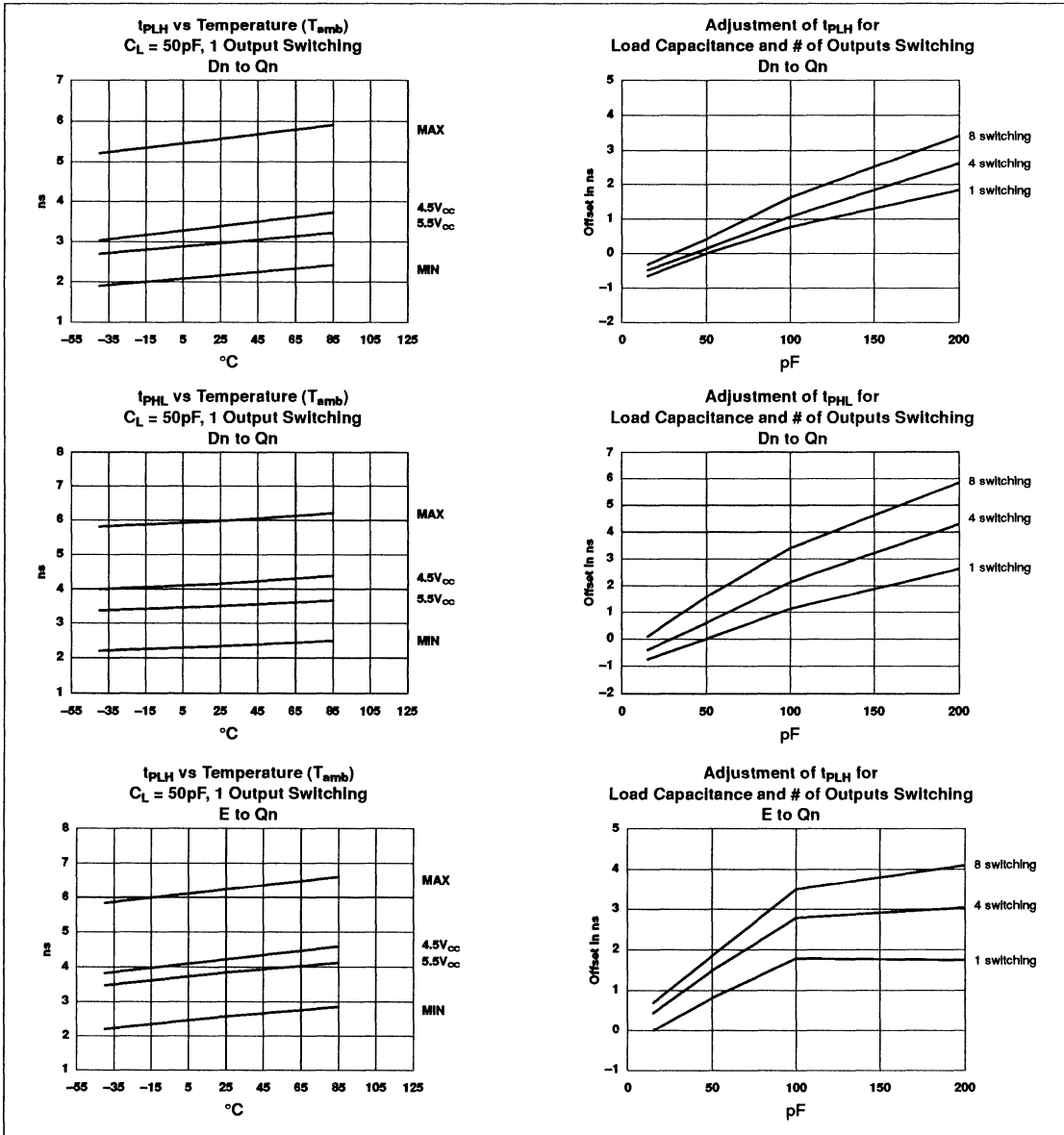


$V_M = 1.5V$
Input Pulse Definition

FAMILY	INPUT PULSE REQUIREMENTS				
	Amplitude	Rep. Rate	t_w	t_R	t_F
74ABT	3.0V	1MHz	500ns	2.5ns	2.5ns

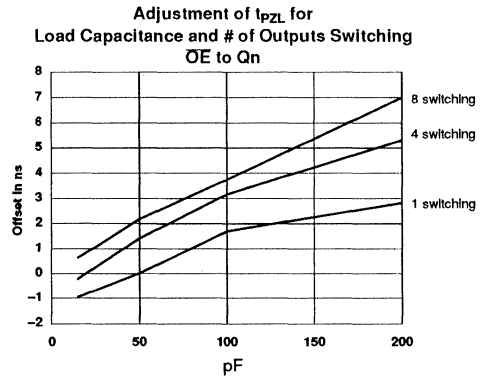
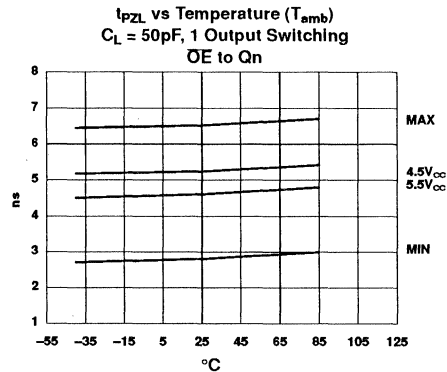
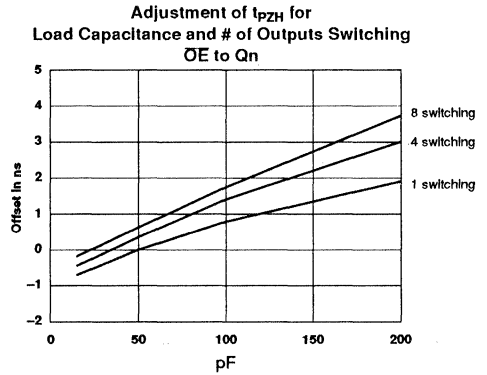
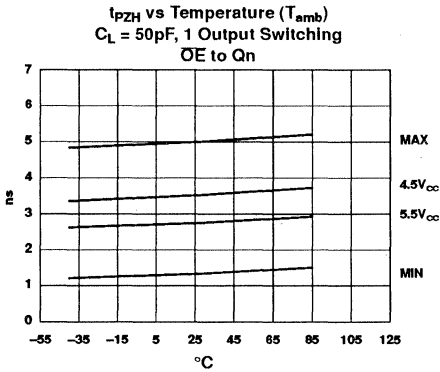
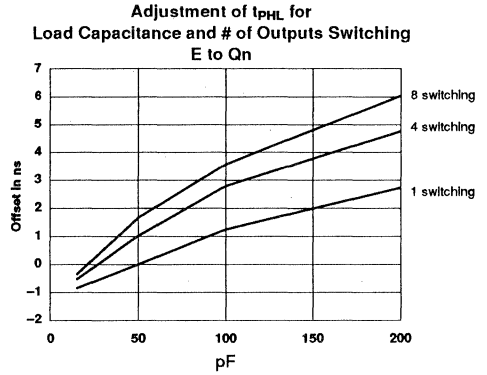
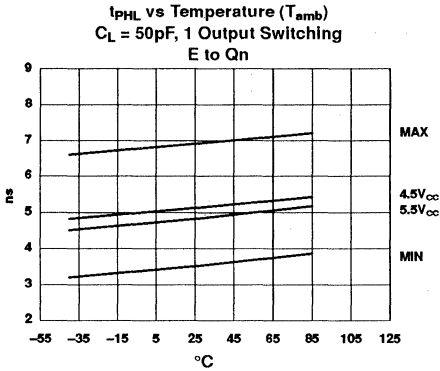
Octal D-type transparent latch (3-State)

74ABT373



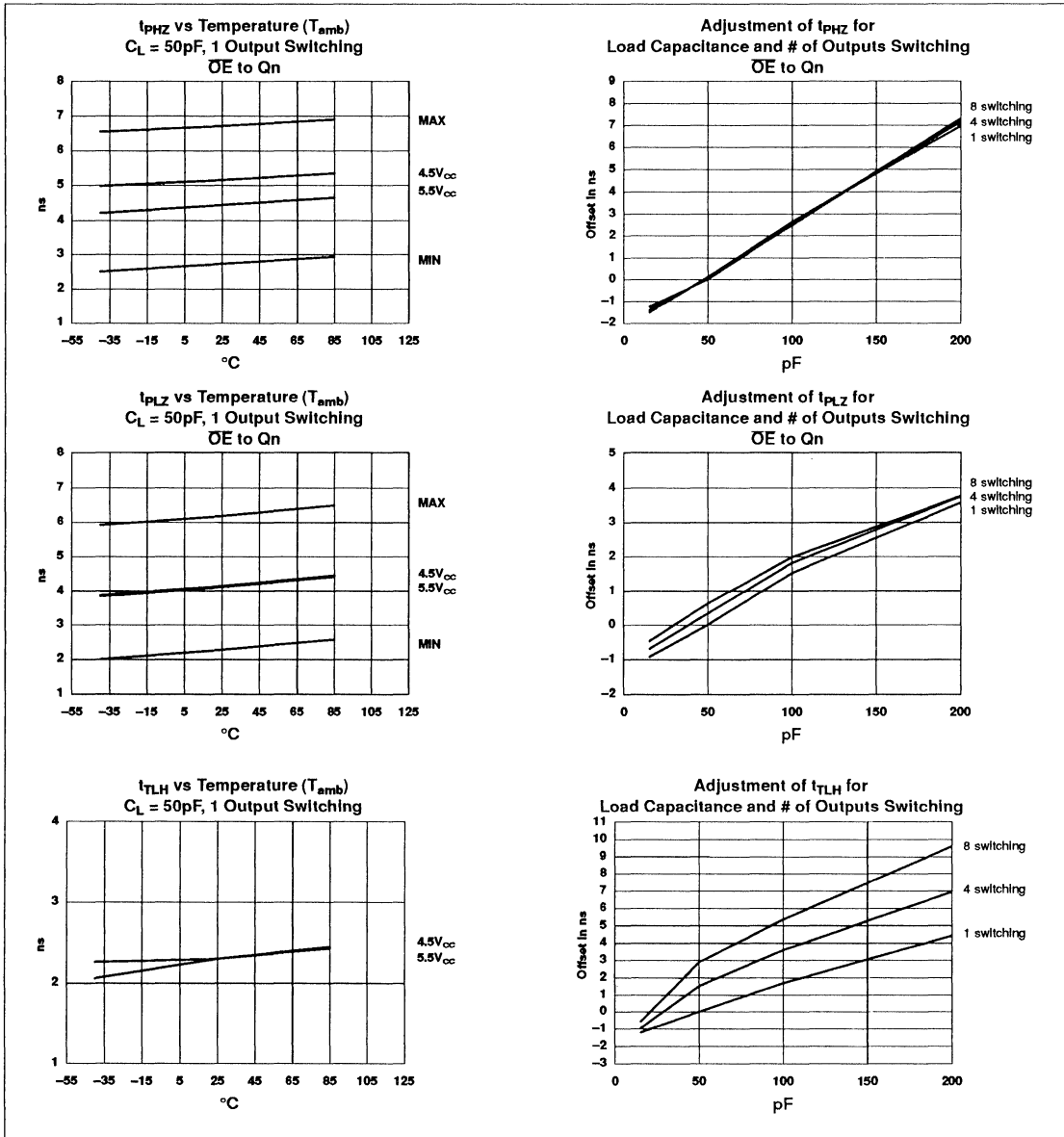
Octal D-type transparent latch (3-State)

74ABT373



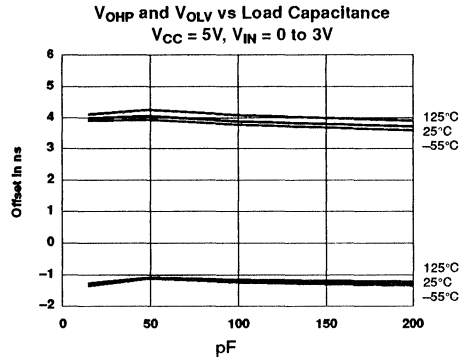
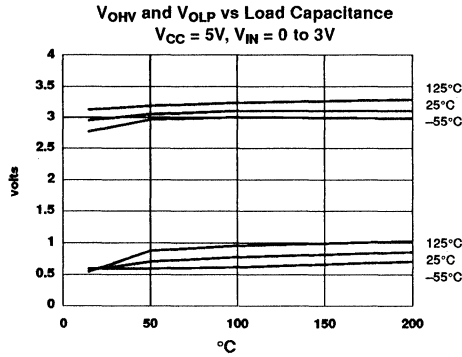
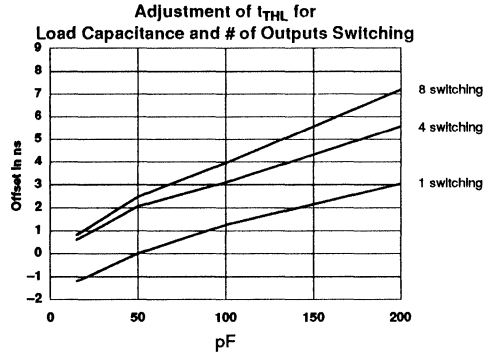
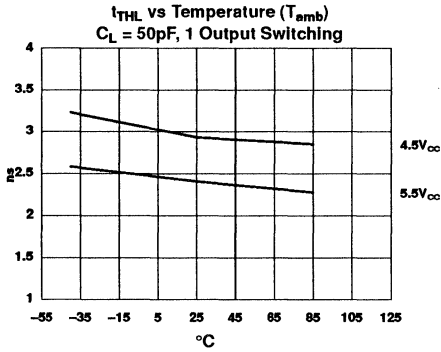
Octal D-type transparent latch (3-State)

74ABT373



Octal D-type transparent latch (3-State)

74ABT373



Octal D-type flip-flop; positive-edge trigger (3-State)

74ABT374

FEATURES

- 8-bit positive edge triggered register
- 3-State output buffers
- Output capability: +64mA/-32mA
- Latch-up protection exceeds 500mA per Jedec JC40.2 Std 17
- ESD protection exceeds 2000 V per MIL STD 883C Method 3015.6 and 200 V per Machine Model

DESCRIPTION

The 74ABT374 high-performance BiCMOS device combines low static and dynamic power dissipation with high speed and high output drive.

The 74ABT374 is an 8-bit, edge triggered register coupled to eight 3-State output buffers. The two sections of the device are controlled independently by the clock (CP) and Output Enable (\overline{OE}) control gates.

The register is fully edge triggered. The state of each D input, one set-up time before the Low-to-High clock transition, is transferred to the corresponding flip-flop's Q output.

QUICK REFERENCE DATA

SYMBOL	PARAMETER	CONDITIONS $T_{amb} = 25^{\circ}\text{C}; \text{GND} = 0\text{V}$	TYPICAL	UNIT
t_{PLH} t_{PHL}	Propagation delay CP to Q_n	$C_L = 50\text{pF}; V_{CC} = 5\text{V}$	4.8	ns
C_{IN}	Input capacitance	$V_I = 0\text{V}$ or V_{CC}	4	pF
C_{OUT}	Output capacitance	$V_I = 0\text{V}$ or V_{CC}	7	pF
I_{CCZ}	Total supply current	Outputs Disabled; $V_{CC} = 5.5\text{V}$	500	nA

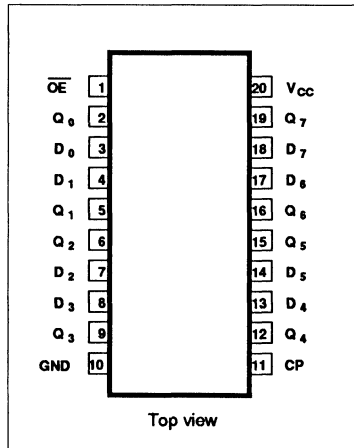
ORDERING INFORMATION

PACKAGES	TEMPERATURE RANGE	ORDER CODE
20-pin plastic DIP	-40°C to +85°C	74ABT374N
20-pin plastic SOL	-40°C to +85°C	74ABT374D

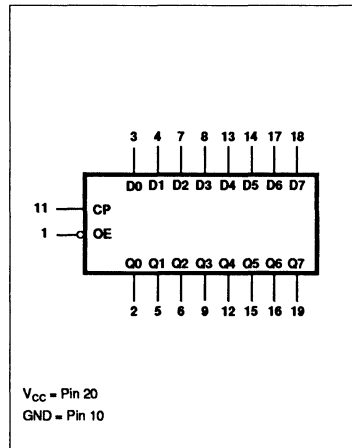
The 3-State output buffers are designed to drive heavily loaded 3-State buses, MOS memories, or MOS microprocessors. The active-Low Output Enable (\overline{OE}) controls all eight 3-State buffers independent of the clock operation.

When \overline{OE} is Low, the stored data appears at the outputs. When \overline{OE} is High, the outputs are in the High-impedance "OFF" state, which means they will neither drive nor load the bus.

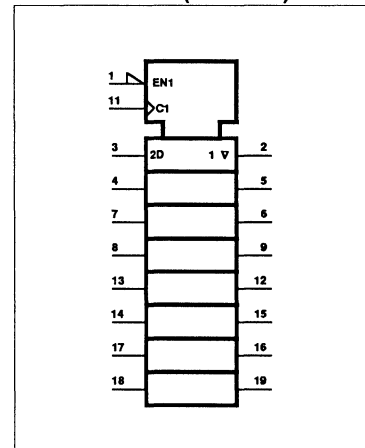
PIN CONFIGURATION



LOGIC SYMBOL



LOGIC SYMBOL (IEEE/IEC)



Octal D-type flip-flop; positive-edge trigger (3-State)

74ABT374

PIN DESCRIPTION

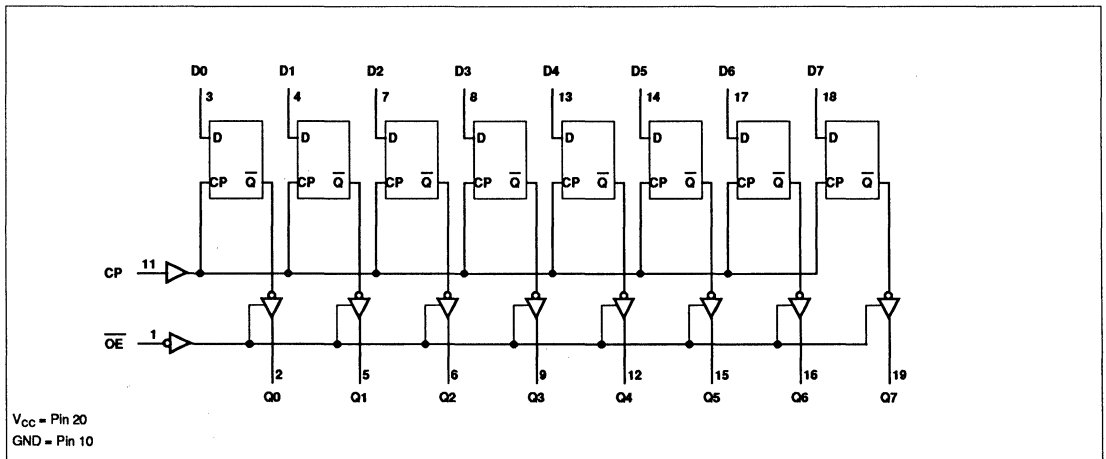
PIN NUMBER	SYMBOL	FUNCTION
1	\overline{OE}	Output Enable input (active Low)
3, 4, 7, 8, 13, 14, 17, 18	D0 - D7	Data inputs
2, 5, 6, 9, 12, 15, 16, 19	Q0 - Q7	Data outputs
11	CP	Clock Pulse input (active rising edge)
10	GND	Ground (0V)
20	V _{CC}	Positive supply voltage

FUNCTION TABLE

INPUTS			INTERNAL	OUTPUTS	OPERATING MODE
\overline{OE}	CP	D _n	REGISTER	Q0 - Q7	
L	↑	l	L	L	Load and read register
L	↑	h	H	H	
L	↔	X	NC	NC	Hold
H	↔	X	NC	Z	Disable outputs
H	↑	D _n	D _n	Z	

- H = High voltage level
- h = High voltage level one set-up time prior to the Low-to-High clock transition
- L = Low voltage level
- l = Low voltage level one set-up time prior to the Low-to-High clock transition
- NC = No change
- X = Don't care
- Z = High impedance "off" state
- ↑ = Low-to-High clock transition
- ↔ = Not a Low-to-High clock transition

LOGIC DIAGRAM



Octal D-type flip-flop; positive-edge trigger (3-State)

74ABT374

ABSOLUTE MAXIMUM RATINGS^{1, 2}

SYMBOL	PARAMETER	CONDITIONS	RATING	UNIT
V_{CC}	DC supply voltage		-0.5 to +7.0	V
I_{IK}	DC input diode current	$V_I < 0$	-18	mA
V_I	DC input voltage ³		-1.2 to +7.0	V
I_{OK}	DC output diode current	$V_O < 0$	-50	mA
V_{OUT}	DC output voltage ³	output in Off or High state	-0.5 to +5.5	V
I_{OUT}	DC output current	output in Low state	128	mA
T_{stg}	Storage temperature range		-65 to 150	°C

NOTES:

1. Stresses beyond those listed may cause permanent damage to the device. These are stress ratings only and functional operation of the device at these or any other conditions beyond those indicated under "recommended operating conditions" is not implied. Exposure to absolute-maximum-rated conditions for extended periods may affect device reliability.
2. The performance capability of a high-performance integrated circuit in conjunction with its thermal environment can create junction temperatures which are detrimental to reliability. The maximum junction temperature of this integrated circuit should not exceed 150°C.
3. The input and output voltage ratings may be exceeded if the input and output current ratings are observed.

RECOMMENDED OPERATING CONDITIONS

SYMBOL	PARAMETER	LIMITS		UNIT
		Min	Max	
V_{CC}	DC supply voltage	4.5	5.5	V
V_I	Input voltage	0	V_{CC}	V
V_{IH}	High-level input voltage	2.0		V
V_{IL}	Input voltage		0.8	V
I_{OH}	High level output current		-32	mA
I_{OL}	Low level output current		64	mA
$\Delta V/\Delta t$	Input transition rise or fall rate	0	5	ns/V
T_{amb}	Operating free-air temperature range	-40	+85	°C

Octal D-type flip-flop; positive-edge trigger (3-State)

74ABT374

DC ELECTRICAL CHARACTERISTICS

SYMBOL	PARAMETER	TEST CONDITIONS	LIMITS					UNIT
			T _{amb} = +25°C			T _{amb} = -40°C to +85°C		
			Min	Typ	Max	Min	Max	
V _{IK}	Input clamp voltage	V _{CC} = 4.5V; I _{IK} = -18mA		-0.9	-1.2		-1.2	V
V _{OH}	High-level output voltage	V _{CC} = 4.5V; I _{OH} = -3mA; V _I = V _{IL} or V _{IH}	2.5	2.9		2.5		V
		V _{CC} = 5.0V; I _{OH} = -3mA; V _I = V _{IL} or V _{IH}	3.0	3.4		3.0		
		V _{CC} = 4.5V; I _{OH} = -32mA; V _I = V _{IL} or V _{IH}	2.0	2.4		2.0		
V _{OL}	Low-level output voltage	V _{CC} = 4.5V; I _{OL} = 64mA; V _I = V _{IL} or V _{IH}		0.42	0.55		0.55	V
I _I	Input leakage current	V _{CC} = 5.5V; V _I = GND or 5.5V		±0.01	±1.0		±1.0	µA
I _{OZH}	3-State output High current	V _{CC} = 5.5V; V _O = 2.7V; V _I = V _{IL} or V _{IH}		5.0	50		50	µA
I _{OZL}	3-State output Low current	V _{CC} = 5.5V; V _O = 0.5V; V _I = V _{IL} or V _{IH}		-5.0	-50		-50	µA
I _O	Short-circuit output current ¹	V _{CC} = 5.5V; V _O = 2.5V	-50	-100	-180	-50	-180	mA
I _{CCH}	Quiescent supply current	V _{CC} = 5.5V; Outputs High; V _I = GND or V _{CC}		0.5	50		50	µA
I _{CCL}		V _{CC} = 5.5V; Outputs Low; V _I = GND or V _{CC}		24	30		30	mA
I _{CCZ}		V _{CC} = 5.5V; Outputs 3-State; V _I = GND or V _{CC}		0.5	50		50	µA
ΔI _{CC}	Additional supply current per input pin ²	V _{CC} = 5.5V; One input at 3.4V, other inputs at V _{CC} or GND		0.5	1.5		1.5	mA

NOTES:

1. Not more than one output should be tested at a time, and the duration of the test should not exceed one second.
2. This is the increase in supply current for each input at 3.4V.

Octal D-type flip-flop; positive-edge trigger (3-State)

74ABT374

AC CHARACTERISTICS

GND = 0V; $t_R = t_F = 2.5\text{ns}$; $C_L = 50\text{pF}$, $R_L = 500\Omega$

SYMBOL	PARAMETER	WAVEFORM	LIMITS					UNIT
			$T_{\text{amb}} = +25^\circ\text{C}$ $V_{\text{CC}} = +5.0\text{V}$			$T_{\text{amb}} = -40^\circ\text{C to } +85^\circ\text{C}$ $V_{\text{CC}} = +5.0\text{V} \pm 0.5\text{V}$		
			Min	Typ	Max	Min	Max	
f_{MAX}	Maximum Clock frequency	Waveform 1	150	200		150		MHz
t_{PLH} t_{PHL}	Propagation delay CP to Qn	Waveform 1	2.2 3.1	3.9 4.8	5.7 6.6	2.2 3.1	6.2 7.1	ns
t_{PZH} t_{PZL}	Output enable time to High and Low level	Waveform 3 Waveform 4	1.2 2.7	3.2 4.7	4.7 6.2	1.2 2.7	5.2 6.7	ns
t_{PHZ} t_{PLZ}	Output disable time from High and Low level	Waveform 3 Waveform 4	2.5 2.0	4.8 4.0	6.0 6.0	2.5 2.0	6.5 6.5	ns

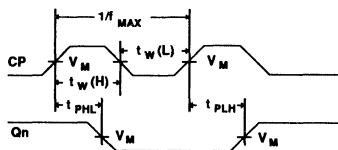
AC SETUP REQUIREMENTS

GND = 0V; $t_R = t_F = 2.5\text{ns}$; $C_L = 50\text{pF}$, $R_L = 500\Omega$

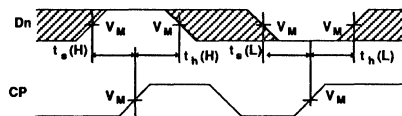
SYMBOL	PARAMETER	WAVEFORM	LIMITS					UNIT
			$T_{\text{amb}} = +25^\circ\text{C}$ $V_{\text{CC}} = +5.0\text{V}$			$T_{\text{amb}} = -40^\circ\text{C to } +85^\circ\text{C}$ $V_{\text{CC}} = +5.0\text{V} \pm 0.5\text{V}$		
			Min	Typ	Max	Min	Max	
$t_s(\text{H})$ $t_s(\text{L})$	Set-up time Dn to CP	Waveform 2	1.0 1.5			1.0 1.5		ns
$t_h(\text{H})$ $t_h(\text{L})$	Hold time Dn to CP	Waveform 2	1.0 1.0			1.0 1.0		ns
$t_w(\text{H})$	CP pulse width, High or Low	Waveform 1	3.3			3.3		ns

AC WAVEFORMS

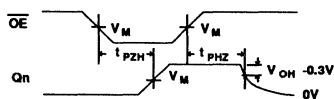
($V_M = 1.5\text{V}$, $V_{\text{IN}} = \text{GND to } 3.0\text{V}$)



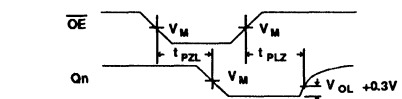
Waveform 1. Propagation Delay, Clock Input To Output, Clock Pulse Width, and Maximum Clock Frequency



Waveform 2. Data Setup And Hold Times



Waveform 3. 3-State Output Enable Time To High Level And Output Disable Time From High Level



Waveform 4. 3-State Output Enable Time To Low Level And Output Disable Time From Low Level

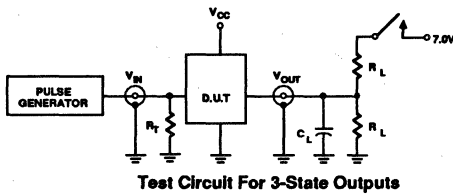
NOTE: For all waveforms, $V_M = 1.5\text{V}$

The shaded areas indicate when the input is permitted to change for predictable output performance.

Octal D-type flip-flop; positive-edge trigger (3-State)

74ABT374

TEST CIRCUIT AND WAVEFORMS



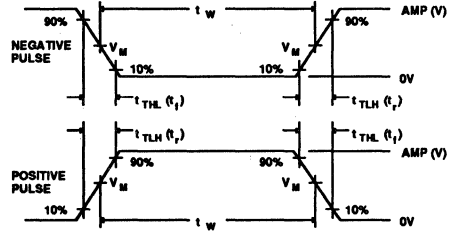
Test Circuit For 3-State Outputs

SWITCH POSITION

TEST	SWITCH
t_{PLZ}	closed
t_{PZL}	closed
All other	open

DEFINITIONS

- R_L = Load resistor; see AC CHARACTERISTICS for value.
- C_L = Load capacitance includes jig and probe capacitance; see AC CHARACTERISTICS for value.
- R_T = Termination resistance should be equal to Z_{OUT} of pulse generators.

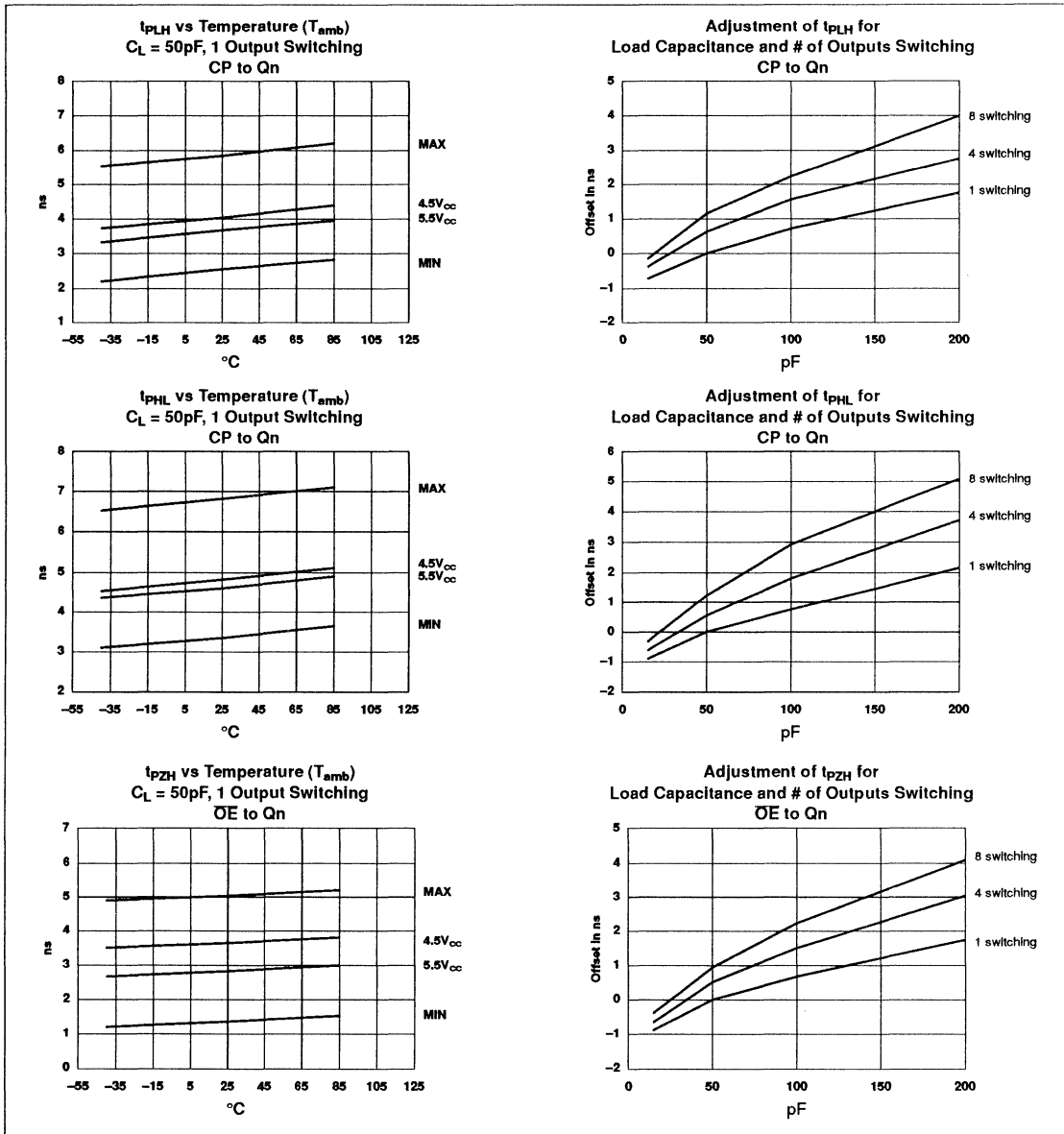


$V_M = 1.5V$
Input Pulse Definition

FAMILY	INPUT PULSE REQUIREMENTS				
	Amplitude	Rep. Rate	t_W	t_R	t_F
74ABT	3.0V	1MHz	500ns	2.5ns	2.5ns

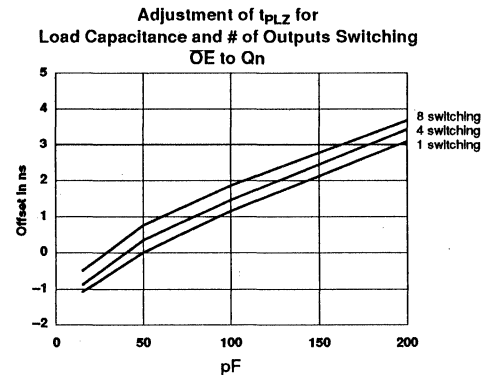
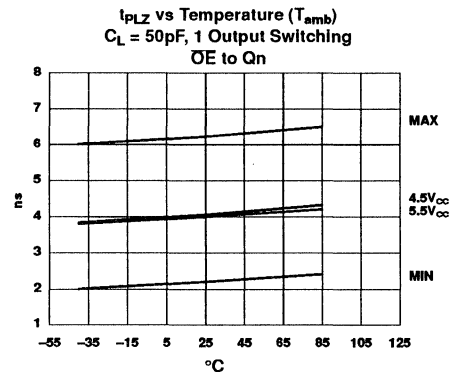
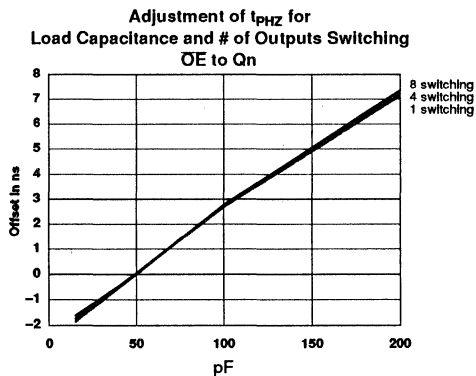
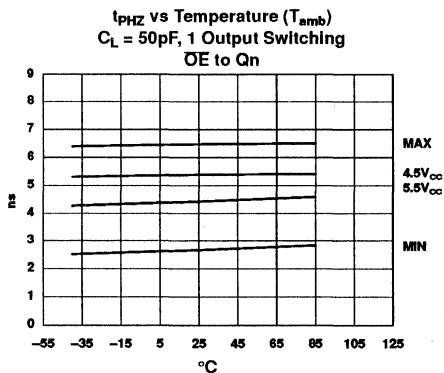
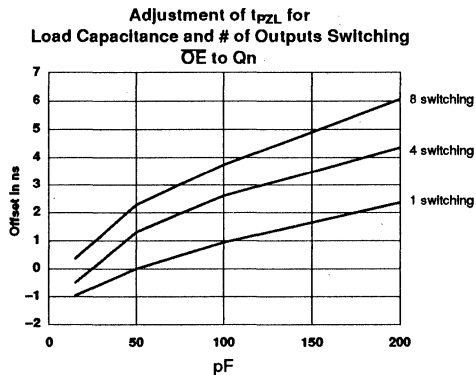
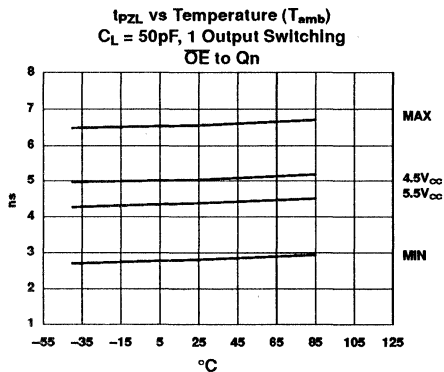
Octal D-type flip-flop; positive-edge trigger (3-State)

74ABT374



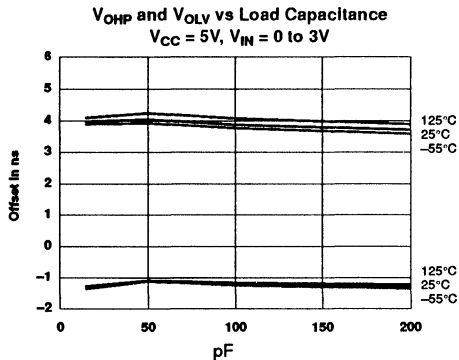
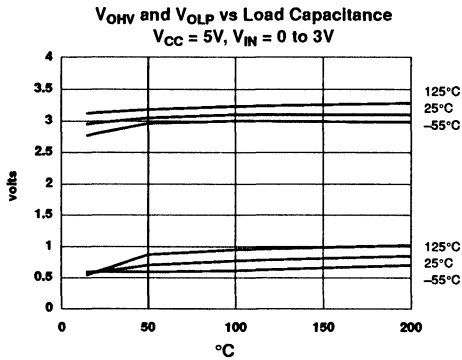
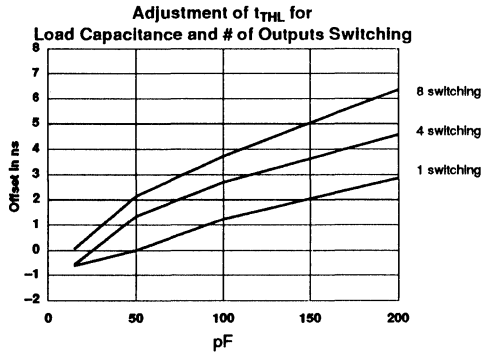
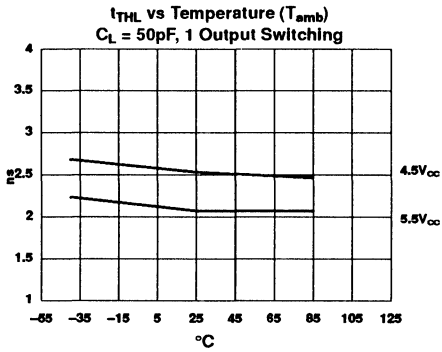
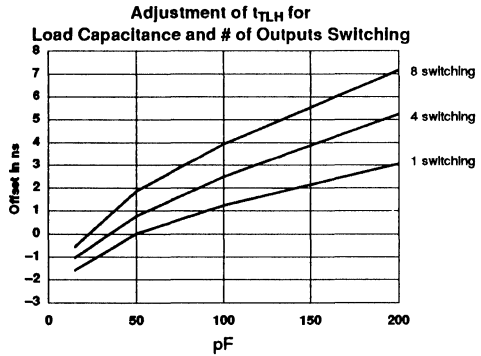
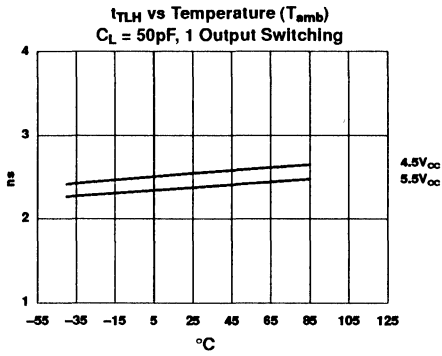
Octal D-type flip-flop; positive-edge trigger (3-State)

74ABT374



Octal D-type flip-flop; positive-edge trigger (3-State)

74ABT374



Octal D-type flip-flop with enable

74ABT377

FEATURES

- Ideal for addressable register applications
- 8-bit positive edge triggered register
- Enable for address and data synchronization applications
- Output capability: +64mA/-32mA
- Latch-up protection exceeds 500mA per Jedec JC40.2 Std 17
- ESD protection exceeds 2000 V per MIL STD 883C Method 3015.6 and 200 V per Machine Model

DESCRIPTION

The 74ABT377 high-performance BiCMOS device combines low static and dynamic power dissipation with high speed and high output drive.

The 74ABT377 has 8 edge-triggered D-type flip-flops with individual D inputs and Q outputs. The common buffered clock (CP) input loads all flip-flops simultaneously when the Enable (\bar{E}) input is Low.

The register is fully edge triggered. The state of each D input, one set-up time before the Low-to-High clock transition, is transferred to the corresponding flip-flop's Q output.

The \bar{E} input must be stable one setup time prior to the Low-to-High clock transition for predictable operation.

QUICK REFERENCE DATA

SYMBOL	PARAMETER	CONDITIONS	TYPICAL	UNIT
		$T_{amb} = 25^{\circ}\text{C}; \text{GND} = 0\text{V}$		
t_{PLH} t_{PHL}	Propagation delay CP to Qn	$C_L = 50\text{pF}; V_{CC} = 5\text{V}$	5.3	ns
C_{IN}	Input capacitance	$V_I = 0\text{V or } V_{CC}$	4	pF
C_{OUT}	Output capacitance	$V_I = 0\text{V or } V_{CC}$	7	pF
I_{CCZ}	Total supply current	Outputs Disabled; $V_{CC} = 5.5\text{V}$	500	nA

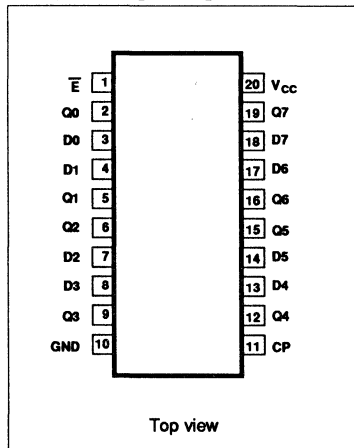
ORDERING INFORMATION

PACKAGES	TEMPERATURE RANGE	ORDER CODE
20-pin plastic DIP	-40°C to +85°C	74ABT377N
20-pin plastic SOL	-40°C to +85°C	74ABT377D

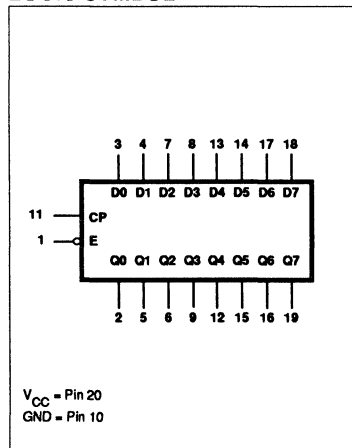
PIN DESCRIPTION

PIN NUMBER	SYMBOL	NAME AND FUNCTION
1	\bar{E}	Enable input (active Low)
3, 4, 7, 8, 13, 14, 17, 18	D0 - D7	Data inputs
2, 5, 6, 9, 12, 15, 16, 19	Q0 - Q7	Data outputs
11	CP	Clock Pulse input (active rising edge)
10	GND	Ground (0V)
20	V_{CC}	Positive supply voltage

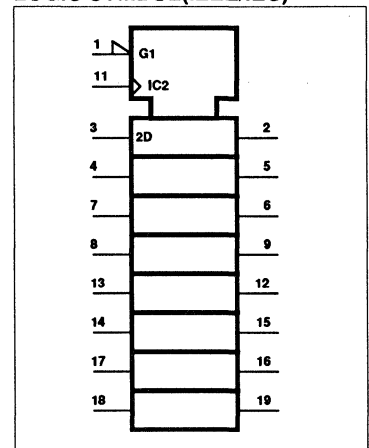
PIN CONFIGURATION



LOGIC SYMBOL



LOGIC SYMBOL (IEEE/IEC)



Octal D-type flip-flop with enable

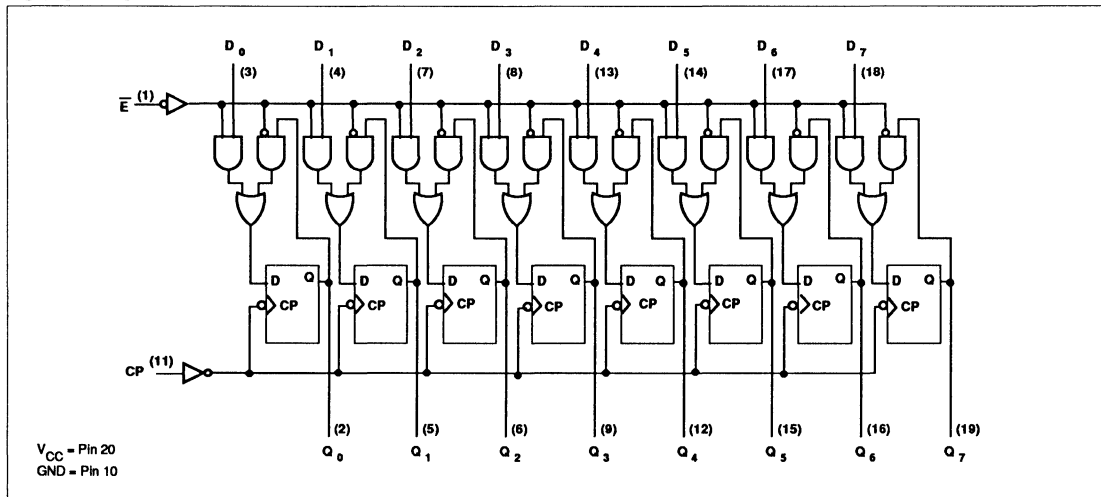
74ABT377

FUNCTION TABLE

INPUTS			OUTPUTS	OPERATING MODE
\bar{E}	CP	D _n	Q _n	
l	↑	h	H	Load "1"
l	↑	l	L	Load "0"
h	↑	X	no change	Hold (do nothing)
H	X	X	no change	

H = High voltage level
 h = High voltage level one set-up time prior to the Low-to-High clock transition
 L = Low voltage level
 l = Low voltage level one set-up time prior to the Low-to-High clock transition
 X = Don't care
 ↑ = Low-to-High clock transition

LOGIC DIAGRAM



Octal D-type flip-flop with enable

74ABT377

ABSOLUTE MAXIMUM RATINGS^{1, 2}

SYMBOL	PARAMETER	CONDITIONS	RATING	UNIT
V _{CC}	DC supply voltage		-0.5 to +7.0	V
I _{IK}	DC input diode current	V _I < 0	-18	mA
V _I	DC input voltage ³		-1.2 to +7.0	V
I _{OK}	DC output diode current	V _O < 0	-50	mA
V _{OUT}	DC output voltage ³	output in Off or High state	-0.5 to +5.5	V
I _{OUT}	DC output current	output in Low state	128	mA
T _{stg}	Storage temperature range		-65 to 150	°C

NOTES:

- Stresses beyond those listed may cause permanent damage to the device. These are stress ratings only and functional operation of the device at these or any other conditions beyond those indicated under "recommended operating conditions" is not implied. Exposure to absolute-maximum-rated conditions for extended periods may affect device reliability.
- The performance capability of a high-performance integrated circuit in conjunction with its thermal environment can create junction temperatures which are detrimental to reliability. The maximum junction temperature of this integrated circuit should not exceed 150°C.
- The input and output voltage ratings may be exceeded if the input and output current ratings are observed.

RECOMMENDED OPERATING CONDITIONS

SYMBOL	PARAMETER	LIMITS		UNIT
		Min	Max	
V _{CC}	DC supply voltage	4.5	5.5	V
V _I	Input voltage	0	V _{CC}	V
V _{IH}	High-level input voltage	2.0		V
V _{IL}	Input voltage		0.8	V
I _{OH}	High level output current		-32	mA
I _{OL}	Low level output current		64	mA
Δt/ΔV	Input transition rise or fall rate	0	5	ns/V
T _{amb}	Operating free-air temperature range	-40	+85	°C

Octal D-type flip-flop with enable

74ABT377

DC ELECTRICAL CHARACTERISTICS

SYMBOL	PARAMETER	TEST CONDITIONS	LIMITS					UNIT
			T _{amb} = +25°C			T _{amb} = -40°C to +85°C		
			Min	Typ	Max	Min	Max	
V _{IK}	Input clamp voltage	V _{CC} = 4.5V; I _{IK} = -18mA		-0.9	-1.2		-1.2	V
V _{OH}	High-level output voltage	V _{CC} = 4.5V; I _{OH} = -3mA; V _I = V _{IL} or V _{IH}	2.5	2.9		2.5		V
		V _{CC} = 5.0V; I _{OH} = -3mA; V _I = V _{IL} or V _{IH}	3.0	3.4		3.0		
		V _{CC} = 4.5V; I _{OH} = -32mA; V _I = V _{IL} or V _{IH}	2.0	2.4		2.0		
V _{OL}	Low-level output voltage	V _{CC} = 4.5V; I _{OL} = 64mA; V _I = V _{IL} or V _{IH}		0.42	0.55		0.55	V
I _I	Input leakage current	V _{CC} = 5.5V; V _I = GND or 5.5V		±0.01	±1.0		±1.0	μA
I _{OZH}	3-State output High current	V _{CC} = 5.5V; V _O = 2.7V; V _I = V _{IL} or V _{IH}		5.0	50		50	μA
I _{OZL}	3-State output Low current	V _{CC} = 5.5V; V _O = 0.5V; V _I = V _{IL} or V _{IH}		-5.0	-50		-50	μA
I _O	Short-circuit output current ¹	V _{CC} = 5.5V; V _O = 2.5V	-50	-100	-180	-50	-180	mA
I _{CCH}	Quiescent supply current	V _{CC} = 5.5V; Outputs High; V _I = GND or V _{CC}		0.5	50		50	μA
I _{CCL}		V _{CC} = 5.5V; Outputs Low; V _I = GND or V _{CC}		24	30		30	mA
I _{CCZ}		V _{CC} = 5.5V; Outputs 3-State; V _I = GND or V _{CC}		0.5	50		50	μA
ΔI _{CC}	Additional supply current per input pin ²	V _{CC} = 5.5V; One input at 3.4V, other inputs at V _{CC} or GND		0.5	1.5		1.5	mA

NOTES:

1. Not more than one output should be tested at a time, and the duration of the test should not exceed one second.
2. This is the increase in supply current for each input at 3.4V.

Octal D-type flip-flop with enable

74ABT377

AC CHARACTERISTICS

GND = 0V; $t_R = t_F = 2.5\text{ns}$; $C_L = 50\text{pF}$, $R_L = 500\Omega$

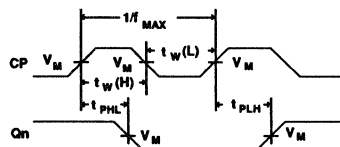
SYMBOL	PARAMETER	WAVEFORM	LIMITS					UNIT
			$T_{\text{amb}} = +25^\circ\text{C}$ $V_{\text{CC}} = +5.0\text{V}$			$T_{\text{amb}} = -40^\circ\text{C to } +85^\circ\text{C}$ $V_{\text{CC}} = +5.0\text{V } \pm 0.5\text{V}$		
			Min	Typ	Max	Min	Max	
f_{MAX}	Maximum clock frequency	Waveform 1	150	200		150		MHz
t_{PLH} t_{PHL}	Propagation delay CP to Qn	Waveform 1	2.2 3.1	4.5 5.3	6.0 6.8	2.2 3.1	6.5 7.3	ns

AC SETUP REQUIREMENTS

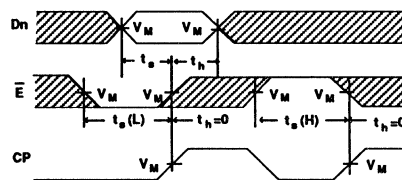
GND = 0V; $t_R = t_F = 2.5\text{ns}$; $C_L = 50\text{pF}$, $R_L = 500\Omega$

SYMBOL	PARAMETER	WAVEFORM	LIMITS					UNIT
			$T_{\text{amb}} = +25^\circ\text{C}$ $V_{\text{CC}} = +5.0\text{V}$			$T_{\text{amb}} = -40^\circ\text{C to } +85^\circ\text{C}$ $V_{\text{CC}} = +5.0\text{V } \pm 0.5\text{V}$		
			Min	Typ	Max	Min	Max	
$t_s(\text{H})$ $t_s(\text{L})$	Setup time, High or Low Dn to CP	Waveform 2	2.0			2.0		ns
$t_h(\text{H})$ $t_h(\text{L})$	Hold time, High or Low Dn to CP	Waveform 2	1.0			1.0		ns
$t_s(\text{H})$ $t_s(\text{L})$	Setup time, High or Low \bar{E} to CP	Waveform 2	3.0			3.0		ns
$t_h(\text{H})$ $t_h(\text{L})$	Hold time, High or Low \bar{E} to CP	Waveform 2	1.0			1.0		ns
$t_w(\text{H})$ $t_w(\text{L})$	Clock Pulse width High or Low	Waveform 1	3.3			3.3		ns

AC WAVEFORMS



Waveform 1. Propagation Delay, Clock Input To Output, Clock Pulse Width, and Maximum Clock Frequency



Waveform 2. Data And Enable Setup And Hold Times

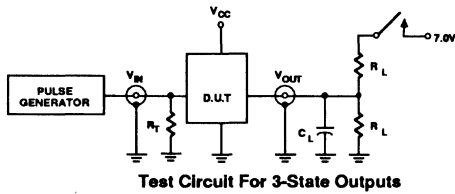
NOTE: For all waveforms, $V_M = 1.5\text{V}$.

The shaded areas indicate when the input is permitted to change for predictable output performance.

Octal D-type flip-flop with enable

74ABT377

TEST CIRCUIT AND WAVEFORMS



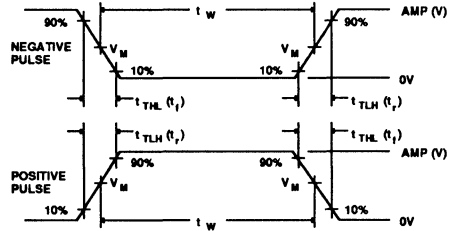
Test Circuit For 3-State Outputs

SWITCH POSITION

TEST	SWITCH
t_{PLZ}	closed
t_{PZL}	closed
All other	open

DEFINITIONS

- R_L = Load resistor; see AC CHARACTERISTICS for value.
- C_L = Load capacitance includes jig and probe capacitance; see AC CHARACTERISTICS for value.
- R_T = Termination resistance should be equal to Z_{OUT} of pulse generators.

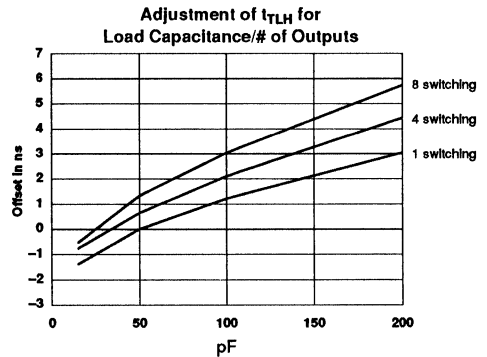
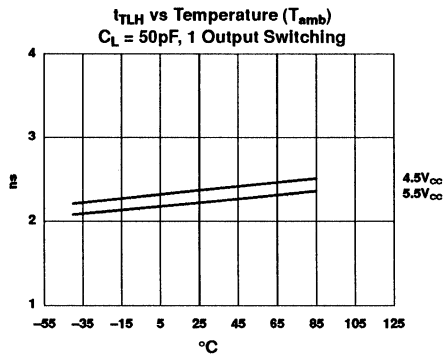
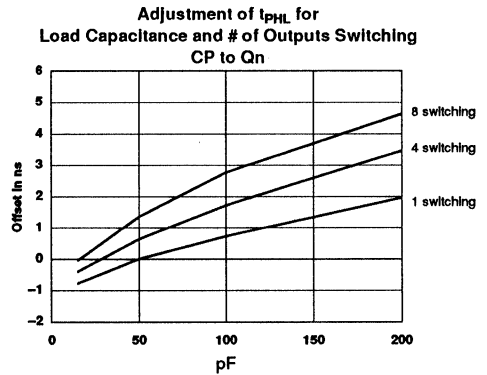
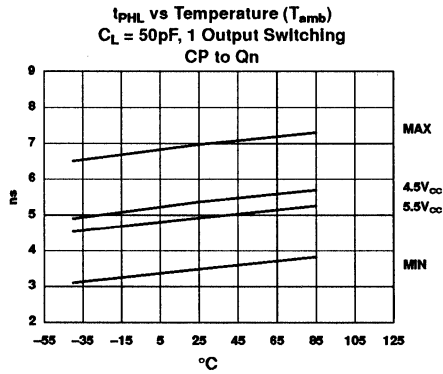
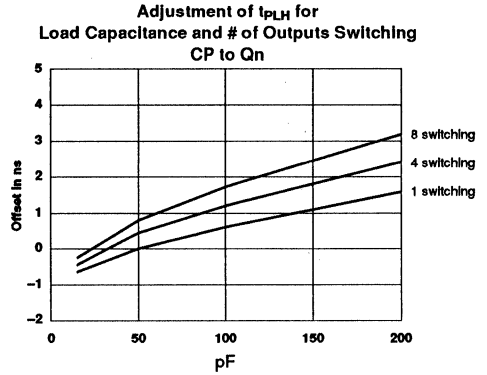
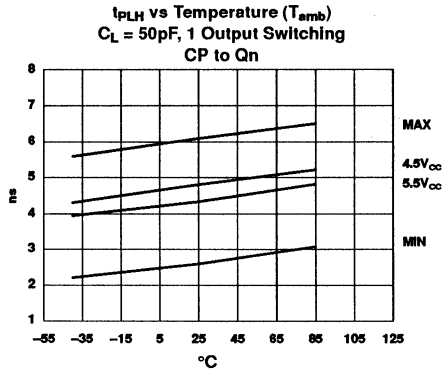


$V_M = 1.5V$
Input Pulse Definition

FAMILY	INPUT PULSE REQUIREMENTS				
	Amplitude	Rep. Rate	t_W	t_R	t_F
74ABT	3.0V	1MHz	500ns	2.5ns	2.5ns

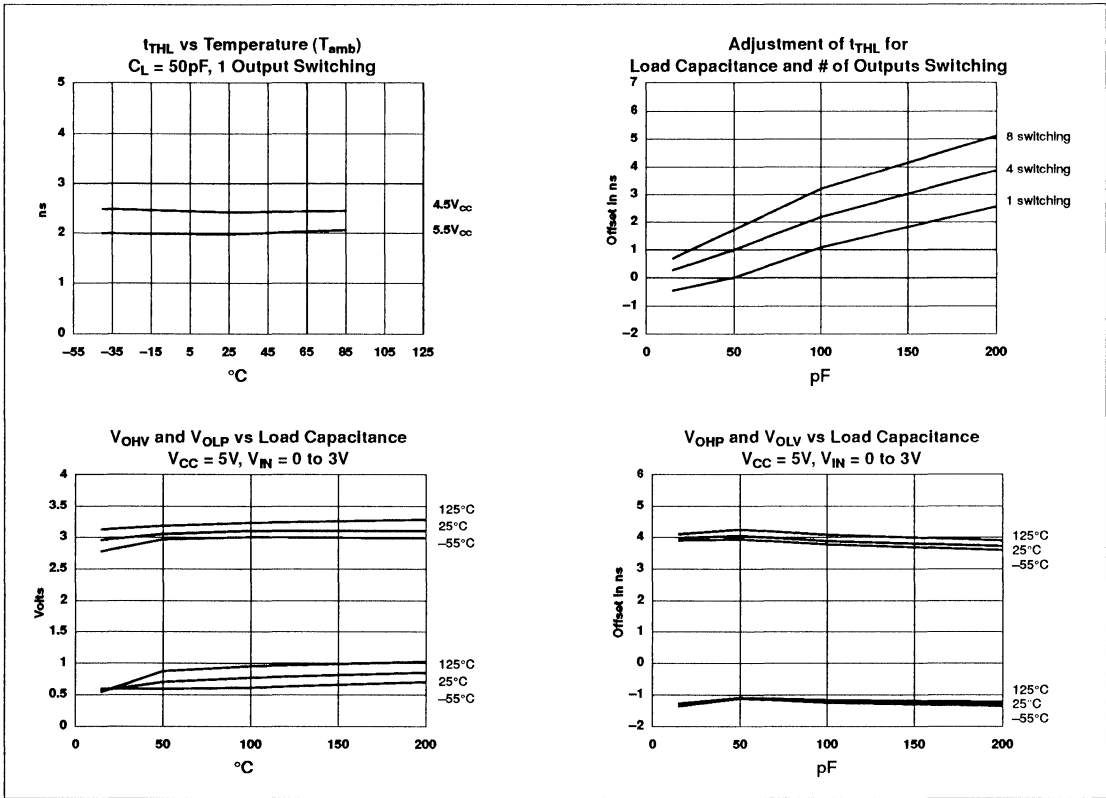
Octal D-type flip-flop with enable

74ABT377



Octal D-type flip-flop with enable

74ABT377



Octal D-type flip-flop, inverting (3-State)

74ABT534

FEATURES

- 8-bit positive edge triggered register
- 3-State output buffers
- Output capability: +64mA/-32mA
- Latch-up protection exceeds 500mA per Jeduc JC40.2 Std 17
- ESD protection exceeds 2000 V per MIL STD 883C Method 3015.6 and 200 V per Machine Model

DESCRIPTION

The 74ABT534 high-performance BiCMOS device combines low static and dynamic power dissipation with high speed and high output drive.

The 74ABT534 is an 8-bit, edge triggered register coupled to eight 3-State output buffers. The two sections of the device are controlled independently by the clock (CP) and Output Enable (OE) control gates.

The register is fully edge triggered. The state of each D input, one set-up time before the Low-to-High clock transition, is inverted and transferred to the corresponding flip-flop's output.

QUICK REFERENCE DATA

SYMBOL	PARAMETER	CONDITIONS	TYPICAL	UNIT
		$T_{amb} = 25^{\circ}\text{C}; \text{GND} = 0\text{V}$		
t_{PLH} t_{PHL}	Propagation delay CP to Qn	$C_L = 50\text{pF}; V_{CC} = 5\text{V}$	6.0	ns
C_{IN}	Input capacitance	$V_I = 0\text{V}$ or V_{CC}	4	pF
C_{OUT}	Output capacitance	$V_I = 0\text{V}$ or V_{CC}	7	pF
I_{CCZ}	Total supply current	Outputs Disabled; $V_{CC} = 5.5\text{V}$	500	nA

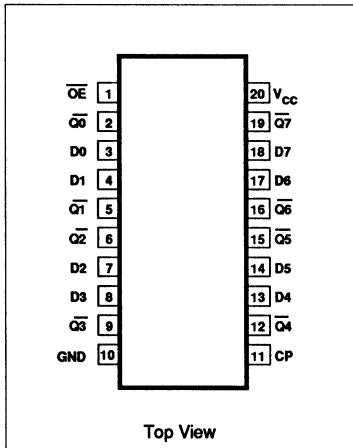
ORDERING INFORMATION

PACKAGES	TEMPERATURE RANGE	ORDER CODE
20-pin plastic DIP	-40°C to +85°C	74ABT534N
20-pin plastic SOL	-40°C to +85°C	74ABT534D

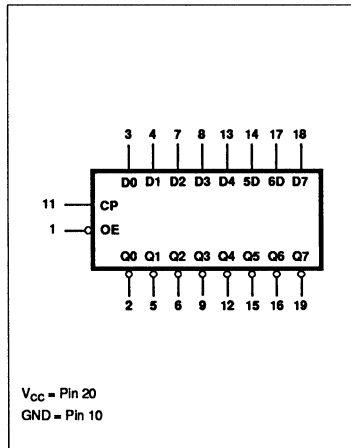
The 3-State output buffers are designed to drive heavily loaded 3-State buses, MOS memories, or MOS microprocessors. The active-Low Output Enable (OE) controls all eight 3-State buffers independent of the latch operation.

When $\overline{\text{OE}}$ is Low, the latched or transparent data appears at the outputs. When OE is High, the outputs are in the High-impedance "OFF" state, which means they will neither drive nor load the bus.

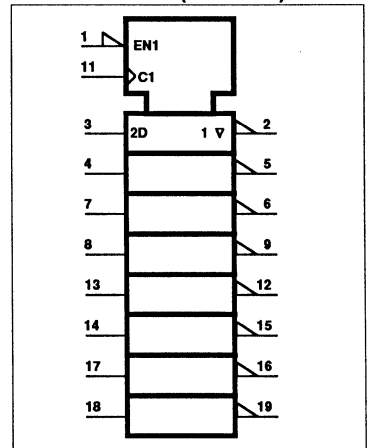
PIN CONFIGURATION



LOGIC SYMBOL



LOGIC SYMBOL (IEEE/IEC)



Octal D-type flip-flop, inverting (3-State)

74ABT534

PIN DESCRIPTION

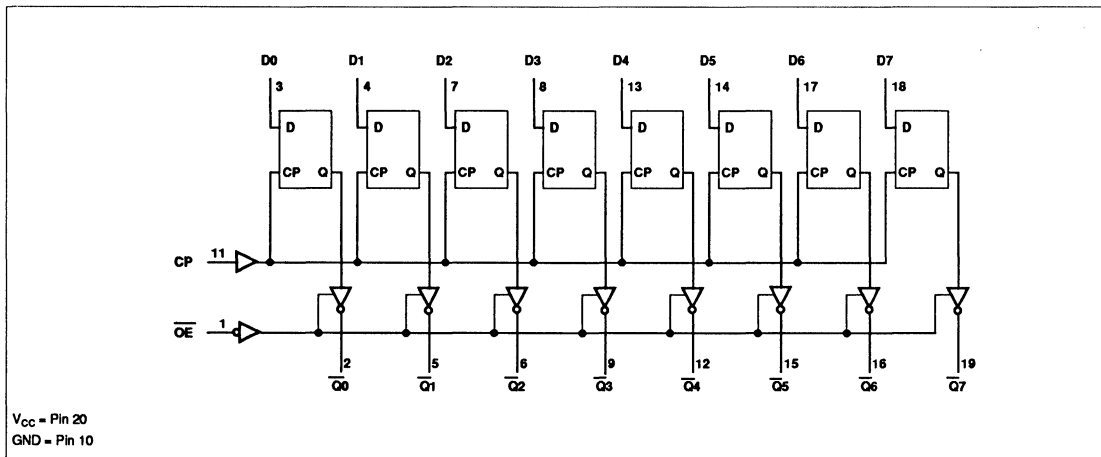
PIN NUMBER	SYMBOL	NAME AND FUNCTION
1	\overline{OE}	Output Enable input (active Low)
3, 4, 7, 8, 13 14, 17, 18	D0 - D7	Data inputs
2, 5, 6, 9, 12 15, 16, 19	$\overline{Q0} - \overline{Q7}$	Inverting 3-State outputs
11	CP	Clock Pulse input (active rising edge)
10	GND	Ground (0V)
20	V _{CC}	Positive supply voltage

FUNCTION TABLE

INPUTS			INTERNAL REGISTER	OUTPUTS	OPERATING MODE
\overline{OE}	CP	D _n		$\overline{Q0} - \overline{Q7}$	
L	↑	l	L	H	Load and read register
L	↑	h	H	L	
L	≠	X	NC	NC	Hold
H	≠	X	NC	Z	Disable outputs
H	↑	D _n	D _n	Z	

- H = High voltage level
- h = High voltage level one set-up time prior to the Low-to-High clock transition
- L = Low voltage level
- l = Low voltage level one set-up time prior to the Low-to-High clock transition
- NC = No change
- X = Don't care
- Z = High impedance "off" state
- ↑ = Low-to-High clock transition
- ≠ = Not a Low-to-High clock transition

LOGIC DIAGRAM



Octal D-type flip-flop, inverting (3-State)

74ABT534

ABSOLUTE MAXIMUM RATINGS^{1, 2}

SYMBOL	PARAMETER	CONDITIONS	RATING	UNIT
V _{CC}	DC supply voltage		-0.5 to +7.0	V
I _{IK}	DC input diode current	V _I < 0	-18	mA
V _I	DC input voltage ³		-1.2 to +7.0	V
I _{OK}	DC output diode current	V _O < 0	-50	mA
V _{OUT}	DC output voltage ³	output in Off or High state	-0.5 to +5.5	V
I _{OUT}	DC output current	output in Low state	128	mA
T _{sig}	Storage temperature range		-65 to 150	°C

NOTES:

- Stresses beyond those listed may cause permanent damage to the device. These are stress ratings only and functional operation of the device at these or any other conditions beyond those indicated under "recommended operating conditions" is not implied. Exposure to absolute-maximum-rated conditions for extended periods may affect device reliability.
- The performance capability of a high-performance integrated circuit in conjunction with its thermal environment can create junction temperatures which are detrimental to reliability. The maximum junction temperature of this integrated circuit should not exceed 150°C.
- The input and output voltage ratings may be exceeded if the input and output current ratings are observed.

RECOMMENDED OPERATING CONDITIONS

SYMBOL	PARAMETER	LIMITS		UNIT
		Min	Max	
V _{CC}	DC supply voltage	4.5	5.5	V
V _I	Input voltage	0	V _{CC}	V
V _{IH}	High-level input voltage	2.0		V
V _{IL}	Input voltage		0.8	V
I _{OH}	High level output current		-32	mA
I _{OL}	Low level output current		64	mA
Δt/Δv	Input transition rise or fall rate	0	5	ns/V
T _{amb}	Operating free-air temperature range	-40	+85	°C

Octal D-type flip-flop, inverting (3-State)

74ABT534

DC ELECTRICAL CHARACTERISTICS

SYMBOL	PARAMETER	TEST CONDITIONS	LIMITS					UNIT
			$T_{amb} = +25^{\circ}\text{C}$			$T_{amb} = -40^{\circ}\text{C}$ to $+85^{\circ}\text{C}$		
			Min	Typ	Max	Min	Max	
V_{IK}	Input clamp voltage	$V_{CC} = 4.5\text{V}; I_{IK} = -18\text{mA}$		-0.9	-1.2		-1.2	V
V_{OH}	High-level output voltage	$V_{CC} = 4.5\text{V}; I_{OH} = -3\text{mA}; V_I = V_{IL} \text{ or } V_{IH}$	2.5	2.9		2.5		V
		$V_{CC} = 5.0\text{V}; I_{OH} = -3\text{mA}; V_I = V_{IL} \text{ or } V_{IH}$	3.0	3.4		3.0		
		$V_{CC} = 4.5\text{V}; I_{OH} = -32\text{mA}; V_I = V_{IL} \text{ or } V_{IH}$	2.0	2.4		2.0		
V_{OL}	Low-level output voltage	$V_{CC} = 4.5\text{V}; I_{OL} = 64\text{mA}; V_I = V_{IL} \text{ or } V_{IH}$		0.42	0.55		0.55	V
I_I	Input leakage current	$V_{CC} = 5.5\text{V}; V_I = \text{GND or } 5.5\text{V}$		± 0.01	± 1.0		± 1.0	μA
I_{OZH}	3-State output High current	$V_{CC} = 5.5\text{V}; V_O = 2.7\text{V}; V_I = V_{IL} \text{ or } V_{IH}$		5.0	50		50	μA
I_{OZL}	3-State output Low current	$V_{CC} = 5.5\text{V}; V_O = 0.5\text{V}; V_I = V_{IL} \text{ or } V_{IH}$		-5.0	-50		-50	μA
I_O	Short-circuit output current ¹	$V_{CC} = 5.5\text{V}; V_O = 2.5\text{V}$	-50	-100	-180	-50	-180	mA
I_{CCH}	Quiescent supply current	$V_{CC} = 5.5\text{V}; \text{Outputs High}; V_I = \text{GND or } V_{CC}$		0.5	50		50	μA
I_{CCL}		$V_{CC} = 5.5\text{V}; \text{Outputs Low}; V_I = \text{GND or } V_{CC}$		24	30		30	mA
I_{CCZ}		$V_{CC} = 5.5\text{V}; \text{Outputs 3-State}; V_I = \text{GND or } V_{CC}$		0.5	50		50	μA
ΔI_{CC}	Additional supply current per input pin ²	$V_{CC} = 5.5\text{V}; \text{One input at } 3.4\text{V}, \text{ other inputs at } V_{CC} \text{ or GND}$		0.5	1.5		1.5	mA

NOTES:

- Not more than one output should be tested at a time, and the duration of the test should not exceed one second.
- This is the increase in supply current for each input at 3.4V.

Octal D-type flip-flop, inverting (3-State)

74ABT534

AC CHARACTERISTICS

GND = 0V; $t_R = t_F = 2.5\text{ns}$; $C_L = 50\text{pF}$, $R_L = 500\Omega$

SYMBOL	PARAMETER	WAVEFORM	LIMITS					UNIT
			$T_{\text{amb}} = +25^\circ\text{C}$ $V_{\text{CC}} = +5.0\text{V}$			$T_{\text{amb}} = -40^\circ\text{C to } +85^\circ\text{C}$		
			Min	Typ	Max	Min	Max	
f_{MAX}	Maximum Clock frequency	Waveform 1	125	175		125		MHz
t_{PLH} t_{PHL}	Propagation delay CP to Qn	Waveform 1	2.6 3.4	5.1 6.0	5.9 6.7	2.6 3.4	6.7 7.6	ns
t_{PZH} t_{PZL}	Output enable time to High and Low level	Waveform 3 Waveform 4	1.0 2.6	3.3 5.0	4.2 5.8	1.0 2.6	5.0 6.8	ns
t_{PHZ} t_{PLZ}	Output disable time from High and Low level	Waveform 3 Waveform 4	2.4 2.3	5.3 5.1	6.6 5.8	2.4 2.3	7.3 6.5	ns

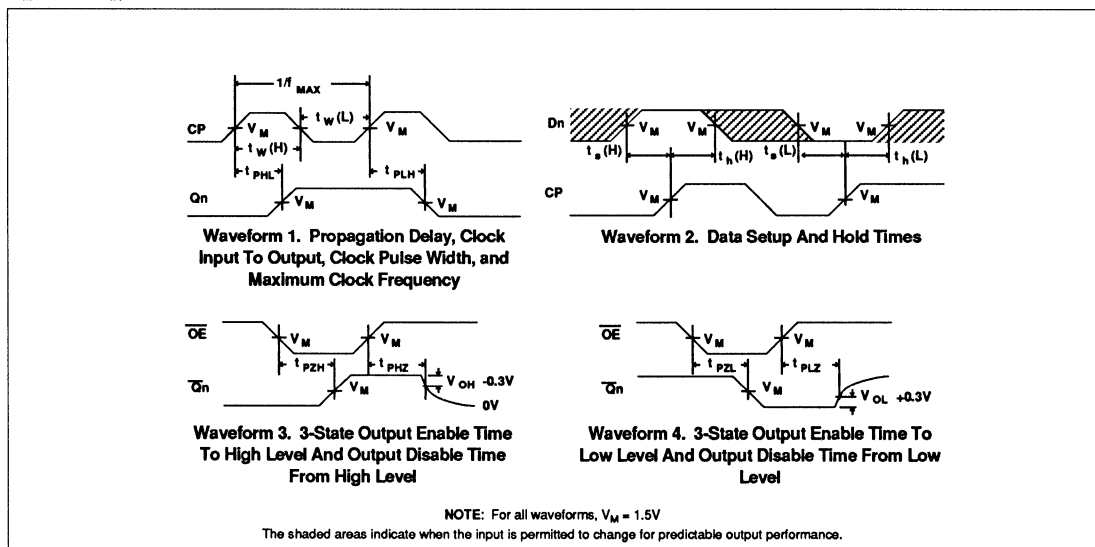
AC SETUP REQUIREMENTS

GND = 0V; $t_R = t_F = 2.5\text{ns}$; $C_L = 50\text{pF}$, $R_L = 500\Omega$

SYMBOL	PARAMETER	WAVEFORM	LIMITS					UNIT
			$T_{\text{amb}} = +25^\circ\text{C}$ $V_{\text{CC}} = +5.0\text{V}$			$T_{\text{amb}} = -40^\circ\text{C to } +85^\circ\text{C}$ $V_{\text{CC}} = +5.0\text{V} \pm 0.5\text{V}$		
			Min	Typ	Max	Min	Max	
$t_s(\text{H})$ $t_s(\text{L})$	Set-up time Dn to CP	Waveform 2	1.6 2.2			1.6 2.2		ns
$t_h(\text{H})$ $t_h(\text{L})$	Hold time Dn to CP	Waveform 2	0.5 0.5			0.5 0.5		ns
$t_W(\text{H})$	CP pulse width, High or Low	Waveform 1	3.5 3.5			3.5 3.5		ns

AC WAVEFORMS

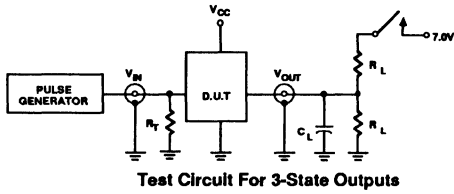
($V_M = 1.5\text{V}$, $V_{\text{IN}} = \text{GND to } 3.0\text{V}$)



Octal D-type flip-flop, inverting (3-State)

74ABT534

TEST CIRCUIT AND WAVEFORMS



Test Circuit For 3-State Outputs

SWITCH POSITION

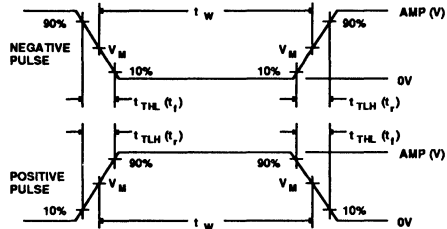
TEST	SWITCH
t_{PLZ}	closed
t_{PZL}	closed
All other	open

DEFINITIONS

R_L = Load resistor; see AC CHARACTERISTICS for value.

C_L = Load capacitance includes jig and probe capacitance; see AC CHARACTERISTICS for value.

R_T = Termination resistance should be equal to Z_{OUT} of pulse generators.

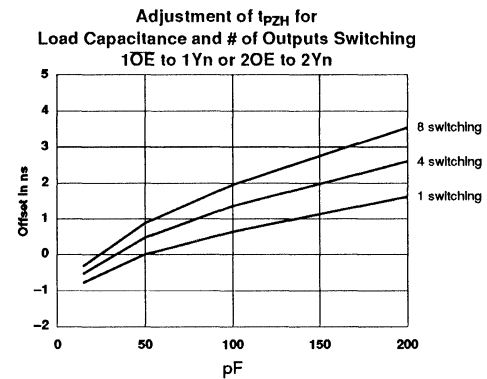
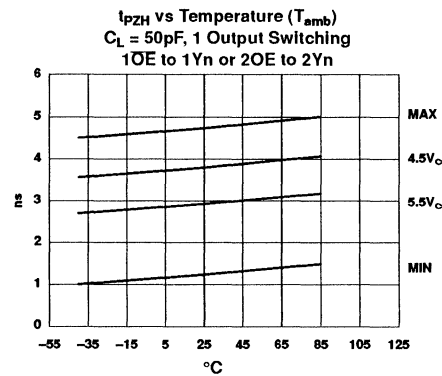
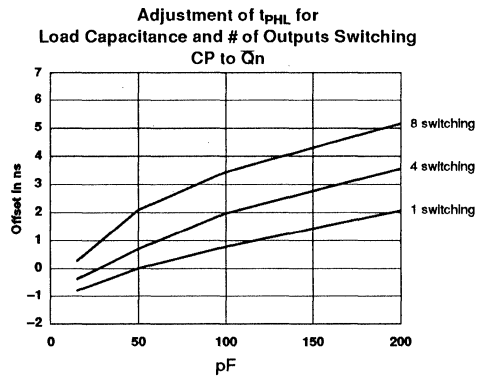
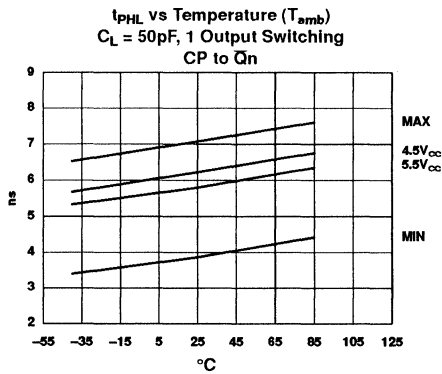
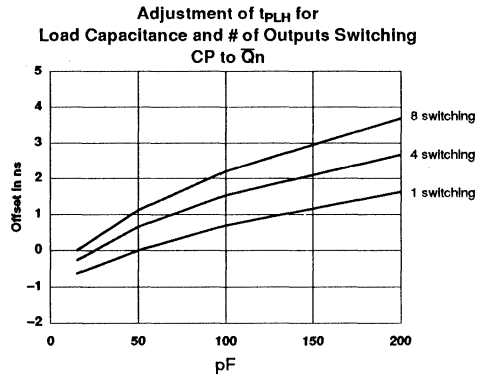
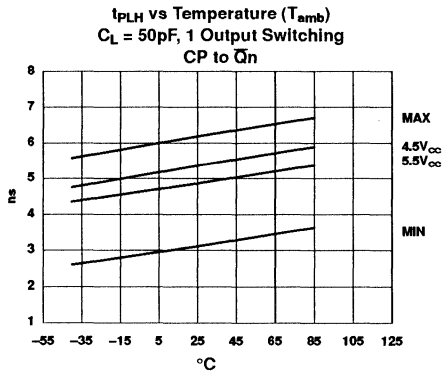


$V_M = 1.5V$
Input Pulse Definition

FAMILY	INPUT PULSE REQUIREMENTS				
	Amplitude	Rep. Rate	t_w	t_R	t_F
74ABT	3.0V	1MHz	500ns	2.5ns	2.5ns

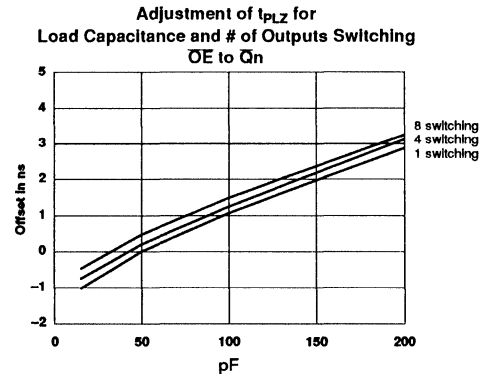
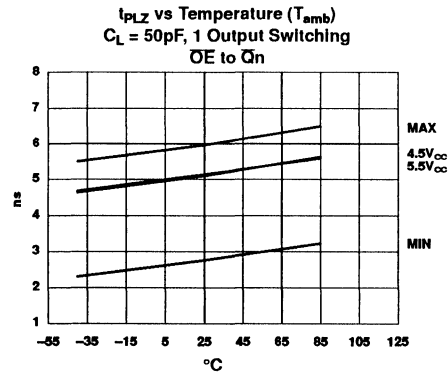
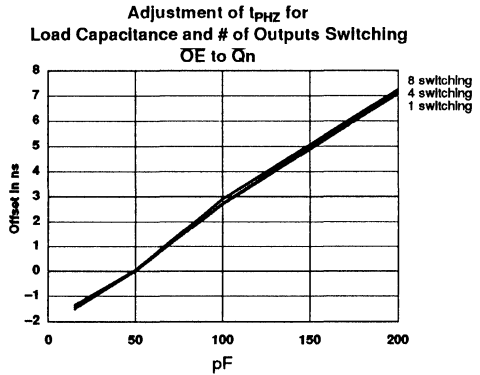
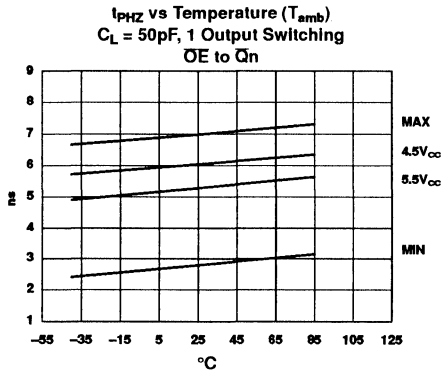
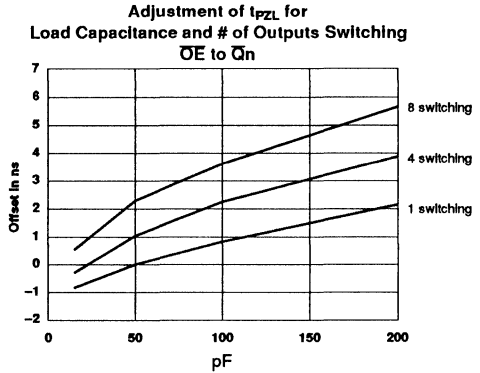
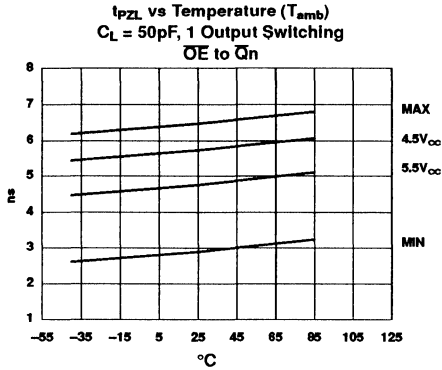
Octal D-type flip-flop, inverting (3-State)

74ABT534



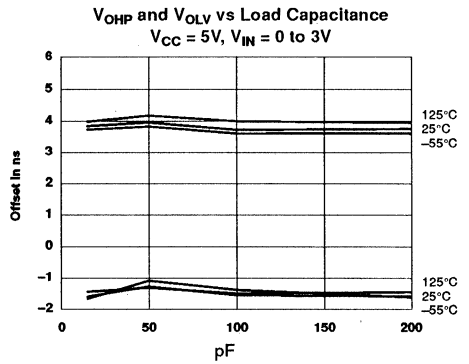
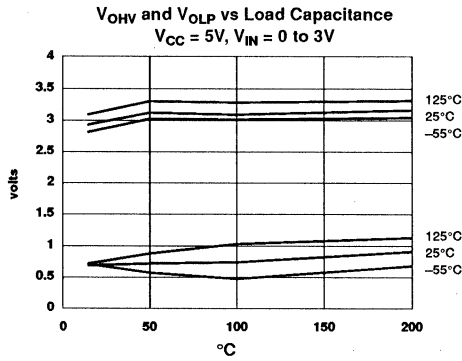
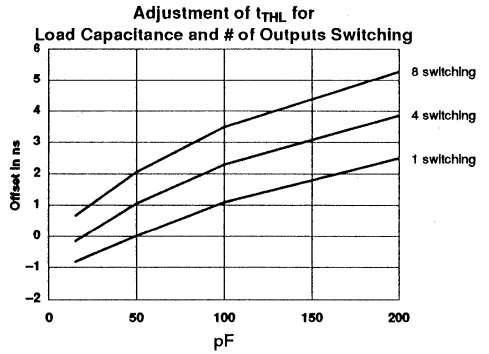
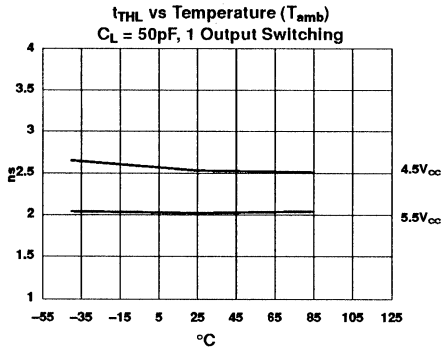
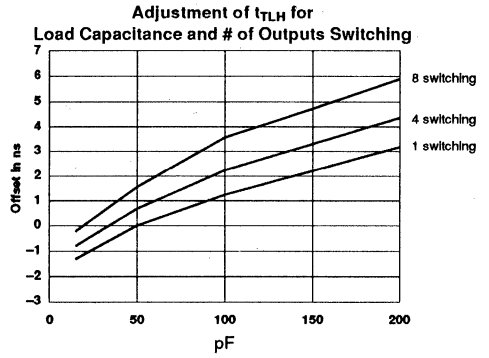
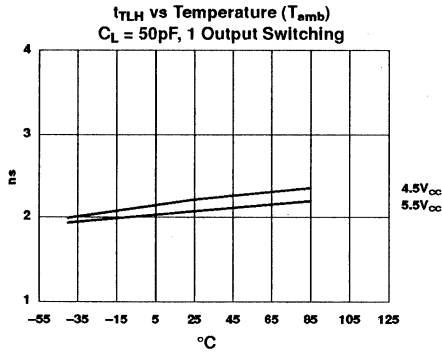
Octal D-type flip-flop, inverting (3-State)

74ABT534



Octal D-type flip-flop, inverting (3-State)

74ABT534



Octal buffer, inverting (3-State)

74ABT540

FEATURES

- Octal bus interface
- 3-State buffers
- Efficient pinout to facilitate PC board layout
- Output capability: +64mA/-32mA
- Latch-up protection exceeds 500mA per Jedec JC40.2 Std 17
- ESD protection exceeds 2000 V per MIL STD 883C Method 3015.6 and 200 V per Machine Model

DESCRIPTION

The 74ABT540 high-performance BiCMOS device combines low static and dynamic power dissipation with high speed and high output drive.

The 74ABT540 device is an inverting octal buffer that is ideal for driving bus lines. The device features input and outputs on opposite sides of the package to facilitate printed circuit board layout.

FUNCTION TABLE

INPUTS			OUTPUTS
$\overline{OE}0$	$\overline{OE}1$	In	$\overline{Y}n$
L	L	L	H
L	L	H	L
X	H	X	Z
H	X	X	Z

- H = High voltage level
- L = Low voltage level
- X = Don't care
- Z = High impedance "off" state

QUICK REFERENCE DATA

SYMBOL	PARAMETER	CONDITIONS $T_{amb} = 25^{\circ}C; GND = 0V$	TYPICAL	UNIT
t_{PLH} t_{PHL}	Propagation delay An to Yn	$C_L = 50pF; V_{CC} = 5V$	2.9	ns
C_{IN}	Input capacitance	$V_I = 0V \text{ or } V_{CC}$	4	pF
C_{OUT}	Output capacitance	$V_I = 0V \text{ or } V_{CC}$	7	pF
I_{CCZ}	Total supply current	Outputs Disabled; $V_{CC} = 5.5V$	500	nA

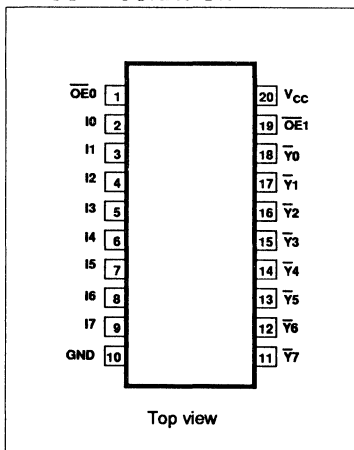
ORDERING INFORMATION

PACKAGES	TEMPERATURE RANGE	ORDER CODE
20-pin plastic DIP	-40°C to +85°C	74ABT540N
20-pin plastic SOL	-40°C to +85°C	74ABT540D

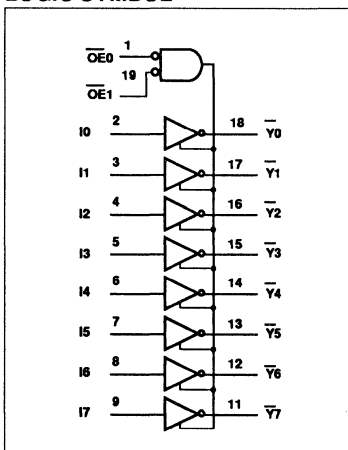
PIN DESCRIPTION

PIN NUMBER	SYMBOL	NAME AND FUNCTION
2, 3, 4, 5 6, 7, 8, 9	In	Data inputs
18, 17, 16, 15 14, 13, 12, 11	$\overline{Y}n$	Data outputs
1, 19	$\overline{OE}0, \overline{OE}1$	Output enables
10	GND	Ground (0V)
20	V_{CC}	Positive supply voltage

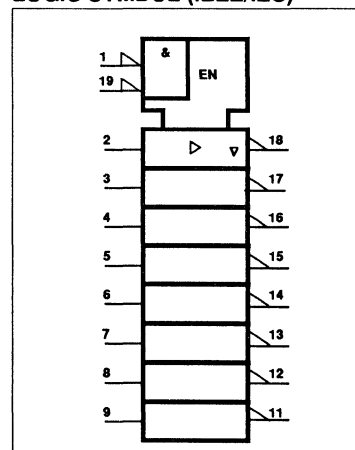
PIN CONFIGURATION



LOGIC SYMBOL



LOGIC SYMBOL (IEEE/IEC)



Octal buffer, inverting (3-State)

74ABT540

ABSOLUTE MAXIMUM RATINGS^{1, 2}

SYMBOL	PARAMETER	CONDITIONS	RATING	UNIT
V_{CC}	DC supply voltage		-0.5 to +7.0	V
I_{IK}	DC input diode current	$V_I < 0$	-18	mA
V_I	DC input voltage ³		-1.2 to +7.0	V
I_{OK}	DC output diode current	$V_O < 0$	-50	mA
V_{OUT}	DC output voltage ³	output in Off or High state	-0.5 to +5.5	V
I_{OUT}	DC output current	output in Low state	128	mA
T_{stg}	Storage temperature range		-65 to 150	°C

NOTES:

1. Stresses beyond those listed may cause permanent damage to the device. These are stress ratings only and functional operation of the device at these or any other conditions beyond those indicated under "recommended operating conditions" is not implied. Exposure to absolute-maximum-rated conditions for extended periods may affect device reliability.
2. The performance capability of a high-performance integrated circuit in conjunction with its thermal environment can create junction temperatures which are detrimental to reliability. The maximum junction temperature of this integrated circuit should not exceed 150°C.
3. The input and output voltage ratings may be exceeded if the input and output current ratings are observed.

RECOMMENDED OPERATING CONDITIONS

SYMBOL	PARAMETER	LIMITS		UNIT
		Min	Max	
V_{CC}	DC supply voltage	4.5	5.5	V
V_I	Input voltage	0	V_{CC}	V
V_{IH}	High-level input voltage	2.0		V
V_{IL}	Input voltage		0.8	V
I_{OH}	High level output current		-32	mA
I_{OL}	Low level output current		64	mA
$\Delta t/\Delta v$	Input transition rise or fall rate	0	5	ns/V
T_{amb}	Operating free-air temperature range	-40	+85	°C

Octal buffer, inverting (3-State)

74ABT540

DC ELECTRICAL CHARACTERISTICS

SYMBOL	PARAMETER	TEST CONDITIONS	LIMITS					UNIT
			T _{amb} = +25°C			T _{amb} = -40°C to +85°C		
			Min	Typ	Max	Min	Max	
V _{IK}	Input clamp voltage	V _{CC} = 4.5V; I _{IK} = -18mA		-0.9	-1.2		-1.2	V
V _{OH}	High-level output voltage	V _{CC} = 4.5V; I _{OH} = -3mA; V _I = V _{IL} or V _{IH}	2.5	2.9		2.5		V
		V _{CC} = 5.0V; I _{OH} = -3mA; V _I = V _{IL} or V _{IH}	3.0	3.4		3.0		
		V _{CC} = 4.5V; I _{OH} = -32mA; V _I = V _{IL} or V _{IH}	2.0	2.4		2.0		
V _{OL}	Low-level output voltage	V _{CC} = 4.5V; I _{OL} = 64mA; V _I = V _{IL} or V _{IH}		0.42	0.55		0.55	V
I _I	Input leakage current	V _{CC} = 5.5V; V _I = GND or 5.5V		±0.01	±1.0		±1.0	μA
I _{OZH}	3-State output High current	V _{CC} = 5.5V; V _O = 2.7V; V _I = V _{IL} or V _{IH}		5.0	50		50	μA
I _{OZL}	3-State output Low current	V _{CC} = 5.5V; V _O = 0.5V; V _I = V _{IL} or V _{IH}		-5.0	-50		-50	μA
I _O	Short-circuit output current ¹	V _{CC} = 5.5V; V _O = 2.5V	-50	-100	-180	-50	-180	mA
I _{CCH}	Quiescent supply current	V _{CC} = 5.5V; Outputs High; V _I = GND or V _{CC}		0.5	50		50	μA
I _{CCL}		V _{CC} = 5.5V; Outputs Low; V _I = GND or V _{CC}		24	30		30	mA
I _{CCZ}		V _{CC} = 5.5V; Outputs 3-State; V _I = GND or V _{CC}		0.5	50		50	μA
ΔI _{CC}	Additional supply current per input pin ²	Outputs enabled, one input at 3.4V, other inputs at V _{CC} or GND; V _{CC} = 5.5V		0.5	1.5		1.5	mA
		Outputs 3-State, one data input at 3.4V, other inputs at V _{CC} or GND; V _{CC} = 5.5V		0.5	50		50	μA
		Outputs 3-State, one enable input at 3.4V, other inputs at V _{CC} or GND; V _{CC} = 5.5V		0.5	1.5		1.5	mA

NOTES:

1. Not more than one output should be tested at a time, and the duration of the test should not exceed one second.
2. This is the increase in supply current for each input at 3.4V.

Octal buffer/line driver (3-State)

74ABT541

FEATURES

- Octal bus interface
- Functions similar to the 'ABT241
- Provides ideal interface and increases fan-out of MOS Micro-processors
- Efficient pinout to facilitate PC board layout
- 3-State buffer outputs sink 64mA and source 32mA
- Latch-up protection exceeds 500mA per Jedec JC40.2 Std 17
- ESD protection exceeds 2000 V per MIL STD 883C Method 3015.6 and 200 V per Machine Model

DESCRIPTION

The 74ABT541 high-performance BiCMOS device combines low static and dynamic power dissipation with high speed and high output drive.

The 74ABT541 is an octal buffer that is ideal for driving bus lines. The outputs are all capable of sinking 64mA and sourcing 32mA. The device features inputs and outputs on opposite sides of the package to facilitate printed circuit board layout.

QUICK REFERENCE DATA

SYMBOL	PARAMETER	CONDITIONS $T_{amb} = 25^{\circ}\text{C}; \text{GND} = 0\text{V}$	TYPICAL	UNIT
t_{PLH} t_{PHL}	Propagation delay In to Yn	$C_L = 50\text{pF}; V_{CC} = 5\text{V}$	2.9	ns
C_{IN}	Input capacitance	$V_1 = 0\text{V or } V_{CC}$	4	pF
C_{OUT}	Output capacitance	$V_1 = 0\text{V or } V_{CC}$	7	pF
I_{CCZ}	Total supply current	Outputs Disabled; $V_{CC} = 5.5\text{V}$	500	nA

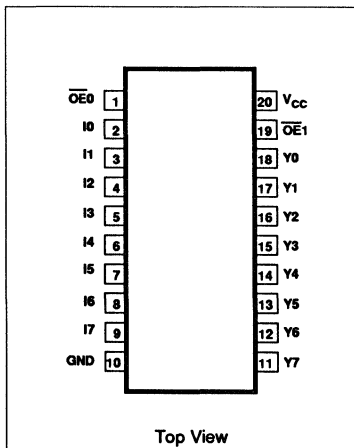
ORDERING INFORMATION

PACKAGES	TEMPERATURE RANGE	ORDER CODE
20-pin plastic DIP	-40°C to +85°C	74ABT541N
20-pin plastic SOL	-40°C to +85°C	74ABT541D

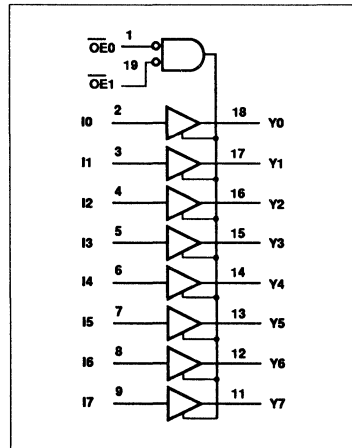
PIN DESCRIPTION

PIN NUMBER	SYMBOL	NAME AND FUNCTION
2, 3, 4, 5 6, 7, 8, 9	In	Data inputs
18, 17, 16, 15 14, 13, 12, 11	Yn	Data outputs
1, 19	$\overline{\text{OE}}_0, \overline{\text{OE}}_1$	Output enables
10	GND	Ground (0V)
20	V_{CC}	Positive supply voltage

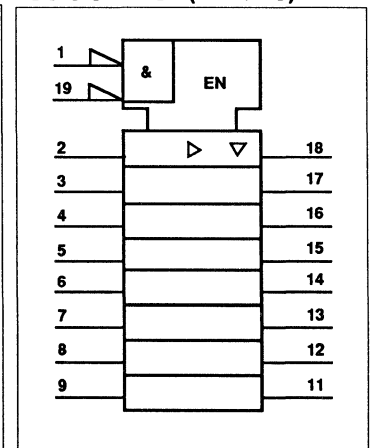
PIN CONFIGURATION



LOGIC SYMBOL



LOGIC SYMBOL (IEEE/IEC)



Octal buffer/line driver (3-State)

74ABT541

FUNCTION TABLE

INPUTS			OUTPUT
$\overline{OE}0$	$\overline{OE}1$	In	Yn
L	L	L	L
L	L	H	H
X	H	X	Z
H	X	X	Z

ABSOLUTE MAXIMUM RATINGS^{1, 2}

SYMBOL	PARAMETER	CONDITIONS	RATING	UNIT
V_{CC}	DC supply voltage		-0.5 to +7.0	V
I_{IK}	DC input diode current	$V_I < 0$	-18	mA
V_I	DC input voltage ³		-1.2 to +7.0	V
I_{OK}	DC output diode current	$V_O < 0$	-50	mA
V_{OUT}	DC output voltage ³	output in Off or High state	-0.5 to +5.5	V
I_{OUT}	DC output current	output in Low state	128	mA
T_{stg}	Storage temperature range		-65 to 150	°C

NOTES:

- Stresses beyond those listed may cause permanent damage to the device. These are stress ratings only and functional operation of the device at these or any other conditions beyond those indicated under "recommended operating conditions" is not implied. Exposure to absolute-maximum-rated conditions for extended periods may affect device reliability.
- The performance capability of a high-performance integrated circuit in conjunction with its thermal environment can create junction temperatures which are detrimental to reliability. The maximum junction temperature of this integrated circuit should not exceed 150°C.
- The input and output voltage ratings may be exceeded if the input and output current ratings are observed.

RECOMMENDED OPERATING CONDITIONS

SYMBOL	PARAMETER	LIMITS		UNIT
		Min	Max	
V_{CC}	DC supply voltage	4.5	5.5	V
V_I	Input voltage	0	V_{CC}	V
V_{IH}	High-level input voltage	2.0		V
V_{IL}	Input voltage		0.8	V
I_{OH}	High level output current		-32	mA
I_{OL}	Low level output current		64	mA
$\Delta t/\Delta V$	Input transition rise or fall rate	0	5	ns/V
T_{amb}	Operating free-air temperature range	-40	+85	°C

Octal buffer/line driver (3-State)

74ABT541

DC ELECTRICAL CHARACTERISTICS

SYMBOL	PARAMETER	TEST CONDITIONS	LIMITS					UNIT
			T _{amb} = +25°C			T _{amb} = -40°C to +85°C		
			Min	Typ	Max	Min	Max	
V _{IK}	Input clamp voltage	V _{CC} = 4.5V; I _{IK} = -18mA		-0.9	-1.2		-1.2	V
V _{OH}	High-level output voltage	V _{CC} = 4.5V; I _{OH} = -3mA; V _I = V _{IL} or V _{IH}	2.5	2.9		2.5		V
		V _{CC} = 5.0V; I _{OH} = -3mA; V _I = V _{IL} or V _{IH}	3.0	3.4		3.0		
		V _{CC} = 4.5V; I _{OH} = -32mA; V _I = V _{IL} or V _{IH}	2.0	2.4		2.0		
V _{OL}	Low-level output voltage	V _{CC} = 4.5V; I _{OL} = 64mA; V _I = V _{IL} or V _{IH}		0.42	0.55		0.55	V
I _I	Input leakage current	V _{CC} = 5.5V; V _I = GND or 5.5V		±0.01	±1.0		±1.0	µA
I _{OZH}	3-State output High current	V _{CC} = 5.5V; V _O = 2.7V; V _I = V _{IL} or V _{IH}		5.0	50		50	µA
I _{OZL}	3-State output Low current	V _{CC} = 5.5V; V _O = 0.5V; V _I = V _{IL} or V _{IH}		-5.0	-50		-50	µA
I _O	Short-circuit output current ¹	V _{CC} = 5.5V; V _O = 2.5V	-50	-100	-180	-50	-180	mA
I _{CCH}	Quiescent supply current	V _{CC} = 5.5V; Outputs High; V _I = GND or V _{CC}		0.5	50		50	µA
I _{CCL}		V _{CC} = 5.5V; Outputs Low; V _I = GND or V _{CC}		24	30		30	mA
I _{CCZ}		V _{CC} = 5.5V; Outputs 3-State; V _I = GND or V _{CC}		0.5	50		50	µA
ΔI _{CC}	Additional supply current per input pin ²	Outputs enabled, one input at 3.4V, other inputs at V _{CC} or GND; V _{CC} = 5.5V		0.5	1.5		1.5	mA
		Outputs 3-State, one data input at 3.4V, other inputs at V _{CC} or GND; V _{CC} = 5.5V		0.5	50		50	µA
		Outputs 3-State, one enable input at 3.4V, other inputs at V _{CC} or GND; V _{CC} = 5.5V		0.5	1.5		1.5	mA

NOTES:

- Not more than one output should be tested at a time, and the duration of the test should not exceed one second.
- This is the increase in supply current for each input at 3.4V.

Octal buffer/line driver (3-State)

74ABT541

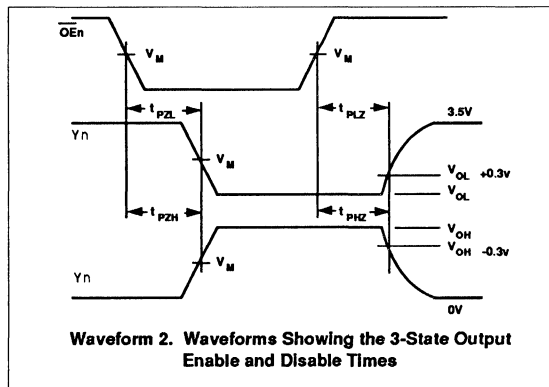
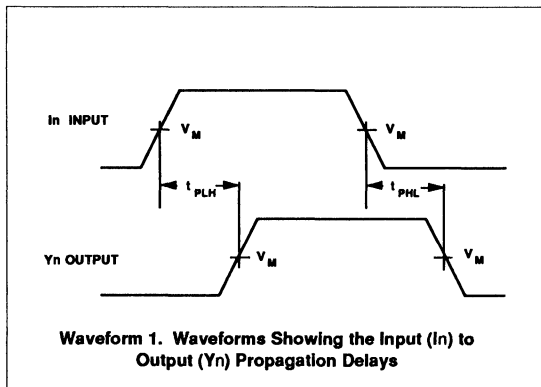
AC CHARACTERISTICS

GND = 0V; $t_R = t_F = 2.5\text{ns}$; $C_L = 50\text{pF}$, $R_L = 500\Omega$

SYMBOL	PARAMETER	WAVEFORM	LIMITS				UNIT	
			$T_{\text{amb}} = +25^\circ\text{C}$ $V_{\text{CC}} = +5.0\text{V}$			$T_{\text{amb}} = -40^\circ\text{C to } +85^\circ\text{C}$ $V_{\text{CC}} = +5.0\text{V} \pm 0.5\text{V}$		
			Min	Typ	Max	Min		Max
t_{PLH} t_{PHL}	Propagation delay An to Yn	1	1.0	2.6	4.1	1.0	4.6	ns
t_{PZH} t_{PZL}	Output enable time to High and Low level	2	1.1	3.1	4.8	1.1	5.3	ns
t_{PHZ} t_{PLZ}	Output disable time from High and Low level	2	2.1	5.1	6.6	2.1	7.1	ns
			1.7	4.7	6.2	1.7	6.7	

AC WAVEFORMS

($V_M = 1.5\text{V}$, $V_{\text{IN}} = \text{GND to } 3.0\text{V}$)



TEST CIRCUIT AND WAVEFORMS

Test Circuit For 3-State Outputs

SWITCH POSITION

TEST	SWITCH
t_{PLZ}	closed
t_{PZL}	closed
All other	open

DEFINITIONS

R_L = Load resistor; see AC CHARACTERISTICS for value.

C_L = Load capacitance includes jig and probe capacitance; see AC CHARACTERISTICS for value.

R_T = Termination resistance should be equal to Z_{OUT} of pulse generators.

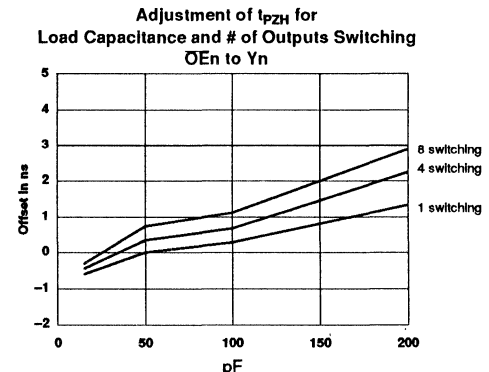
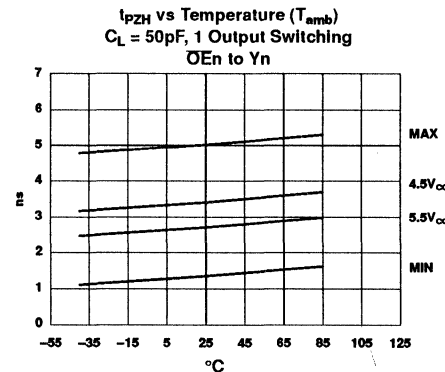
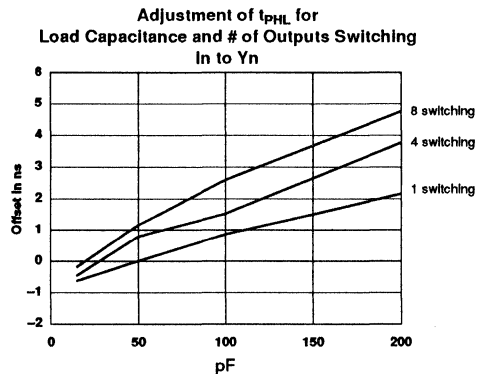
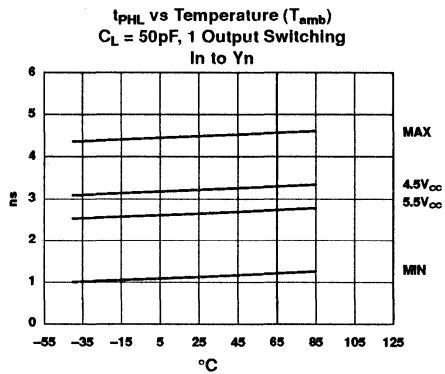
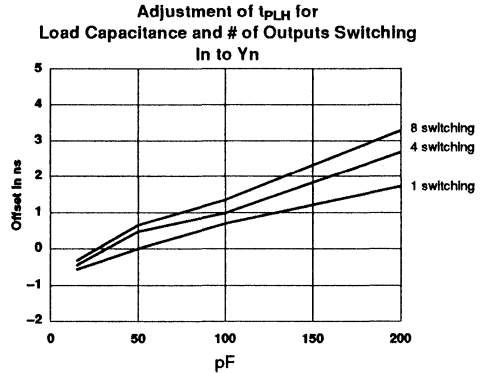
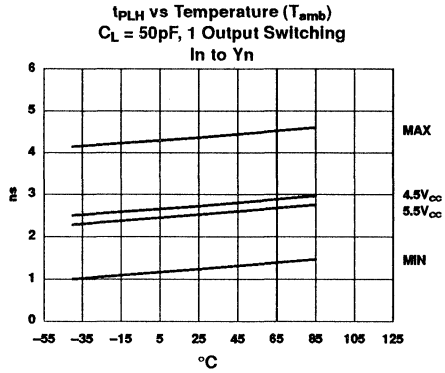
Input Pulse Definition

$V_M = 1.5\text{V}$

FAMILY	INPUT PULSE REQUIREMENTS				
	Amplitude	Rep. Rate	t_w	t_r	t_f
74ABT	3.0V	1MHz	500ns	2.5ns	2.5ns

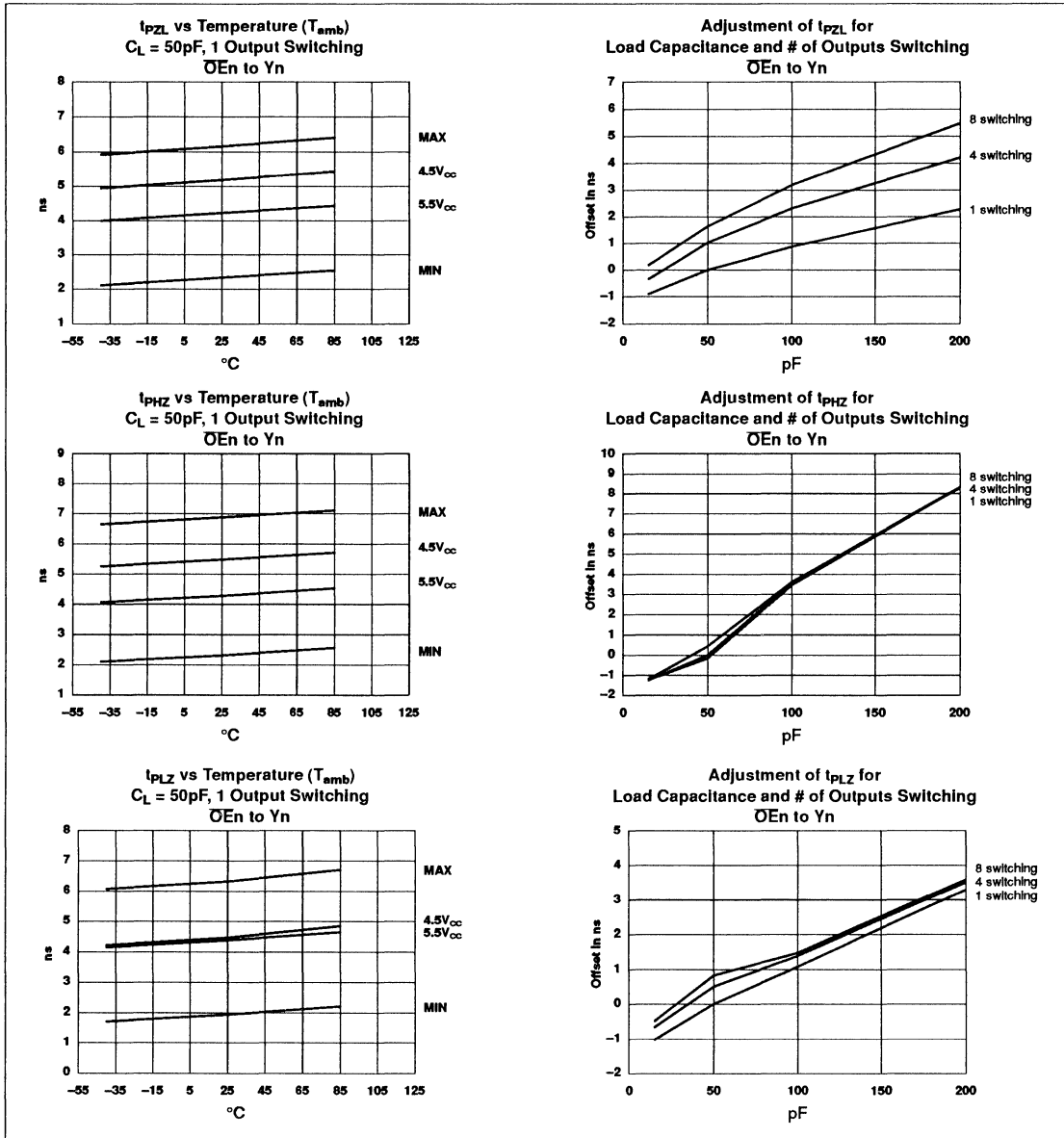
Octal buffer/line driver (3-State)

74ABT541



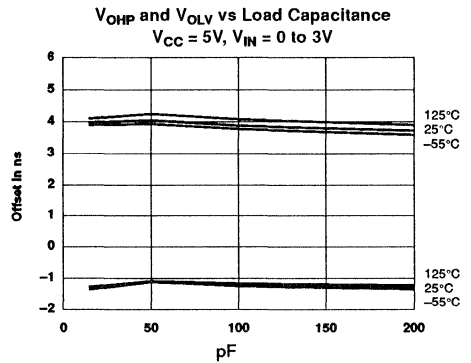
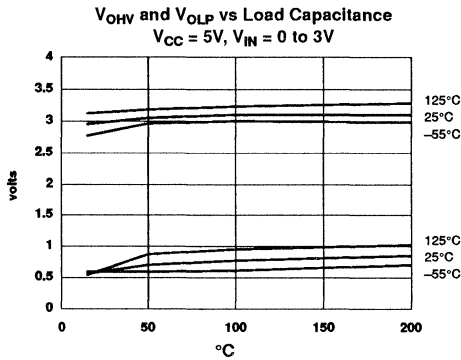
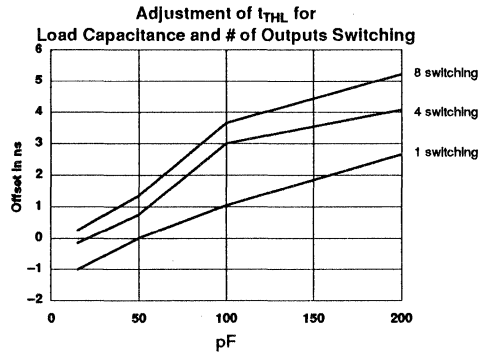
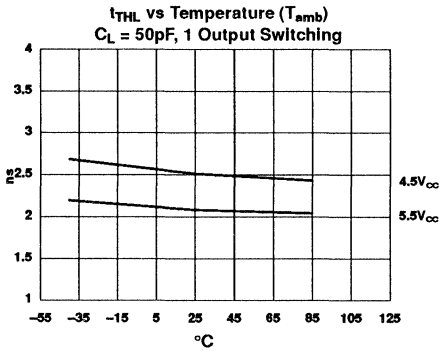
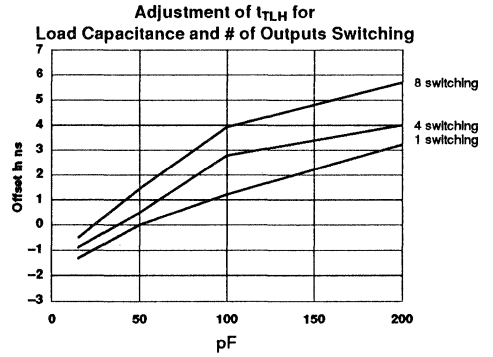
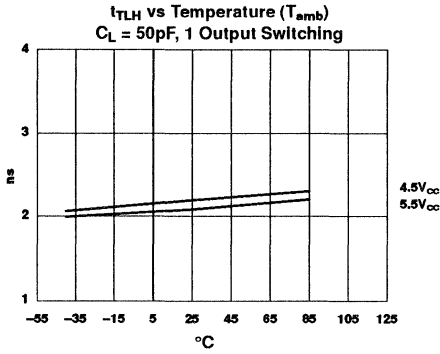
Octal buffer/line driver (3-State)

74ABT541



Octal buffer/line driver (3-State)

74ABT541



Octal latched transceiver with dual enable (3-State)

74ABT543

FEATURES

- Combines 74ABT245 and 74ABT373 type functions in one device
- 8-bit octal transceiver with D-type latch
- Back-to-back registers for storage
- Separate controls for data flow in each direction
- Output capability: +64mA/-32mA
- Latch-up protection exceeds 500mA per Jeduc JC40.2 Std 17
- ESD protection exceeds 2000 V per MIL STD 883C Method 3015.6 and 200 V per Machine Model

DESCRIPTION

The 74ABT543 high-performance BiCMOS device combines low static and dynamic power dissipation with high speed and high output drive.

The 74ABT543 Octal Registered Transceiver contains two sets of D-type latches for temporary storage of data flowing in either direction. Separate Latch Enable (LEAB, LEBA) and Output Enable (\overline{OEAB} , \overline{OEBA}) inputs are provided for each register to permit independent control of data transfer in either direction. The outputs are guaranteed to sink 64mA.

FUNCTIONAL DESCRIPTION

The 74ABT543 contains two sets of eight D-type latches, with separate control

QUICK REFERENCE DATA

SYMBOL	PARAMETER	CONDITIONS $T_{amb} = 25^{\circ}\text{C}; \text{GND} = 0\text{V}$	TYPICAL	UNIT
t_{PLH} t_{PHL}	Propagation delay A _n to B _n	$C_L = 50\text{pF}; V_{CC} = 5\text{V}$	4.4	ns
C_{IN}	Input capacitance	$V_I = 0\text{V}$ or V_{CC}	4	pF
C_{IO}	I/O capacitance	$V_I = 0\text{V}$ or V_{CC}	7	pF
I_{CCZ}	Total supply current	Outputs Disabled; $V_{CC} = 5.5\text{V}$	500	nA

ORDERING INFORMATION

PACKAGES	TEMPERATURE RANGE	ORDER CODE
24-pin plastic DIP (300mil)	-40°C to +85°C	74ABT543N
24-pin plastic SOL (300mil)	-40°C to +85°C	74ABT543D

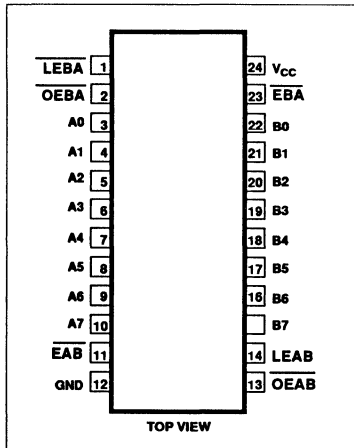
PIN DESCRIPTION

PIN NUMBER	SYMBOL	NAME AND FUNCTION
14, 1	$\overline{LEAB} / \overline{LEBA}$	A to B / B to A Latch Enable input (Active Low)
11, 23	$\overline{EAB} / \overline{EBA}$	A to B / B to A Enable input (Active Low)
13, 2	$\overline{OEAB} / \overline{OEBA}$	A to B / B to A Output Enable input (Active Low)
3, 4, 5, 6 7, 8, 9, 10	A0 - A7	Port A, 3-State outputs
22, 21, 20, 19 18, 17, 16, 15	B0 - B7	Port B, 3-State outputs
12	GND	Ground (0V)
24	V_{CC}	Positive supply voltage

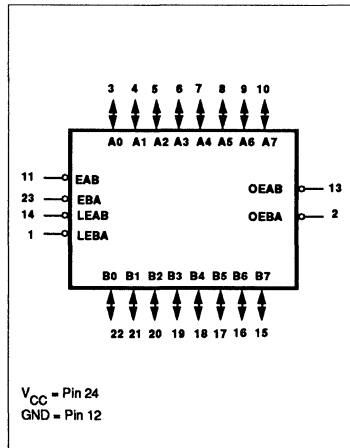
pins for each set. Using data flow from A to B as an example, when the A-to-B Enable (\overline{EAB}) input and the A-to-B Latch Enable (\overline{LEAB}) input are Low the A-to-B path is transparent. A subse-

quent Low-to High transition of the \overline{LEAB} signal puts the A data into the latches where it is stored and the B outputs no longer change with the A input. *(continued)*

PIN CONFIGURATION

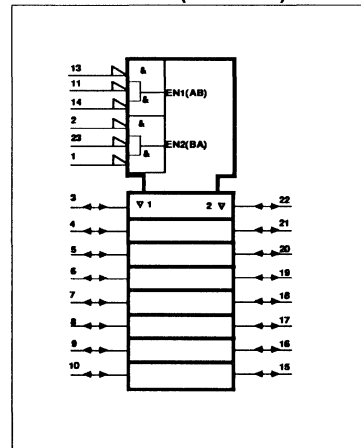


LOGIC SYMBOL



V_{CC} = Pin 24
GND = Pin 12

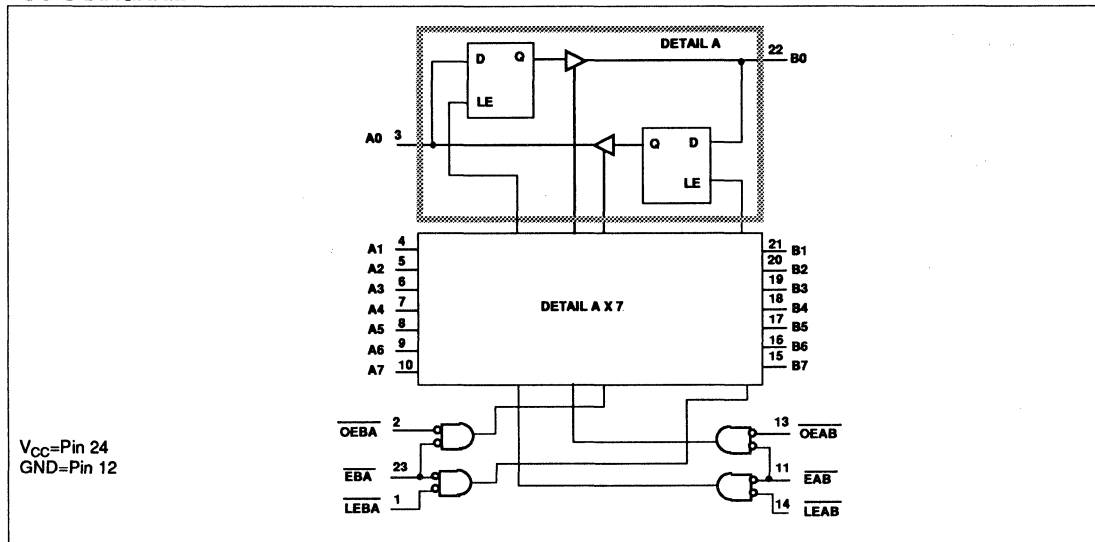
LOGIC SYMBOL (IEEE/IEC)



Octal latched transceiver with dual enable (3-State)

74ABT543

LOGIC DIAGRAM



puts. With \overline{EAB} and \overline{OEAB} both Low, the 3-State B output buffers are active and display the data present at the outputs of the A latches.

Control of data flow from B to A is similar, but using the \overline{EBA} , \overline{LEBA} , and \overline{OEBA} inputs.

FUNCTION TABLE

INPUTS			DATA	OUTPUTS	STATUS
$\overline{OE}XX$	EXX	$\overline{LE}XX$			
H	X	X	X	Z	Disabled
X	H	X	X	Z	Disabled
L	↑	L	h	Z	Disabled + Latch
L	↑	L	l	Z	
L	L	↑	h	H	Latch + Display
L	L	↑	l	L	
L	L	L	H	H	Transparent
L	L	L	L	L	
L	L	H	X	NC	Hold

H= High voltage level

L= Low voltage level

h= High state must be present one setup time before the Low-to-High transition of $\overline{LE}XX$ or EXX (XX=AB or BA)

l = Low state must be present one setup time before the Low-to-High transition of $\overline{LE}XX$ or EXX (XX=AB or BA)

↑ =Low-to-High transition of $\overline{LE}XX$ or EXX (XX=AB or BA)

X=Don't care

NC=No change

Z =High impedance "off" state

Octal latched transceiver with dual enable (3-State)

74ABT543

ABSOLUTE MAXIMUM RATINGS^{1, 2}

SYMBOL	PARAMETER	CONDITIONS	RATING	UNIT
V_{CC}	DC supply voltage		-0.5 to +7.0	V
I_{IK}	DC input diode current	$V_I < 0$	-18	mA
V_I	DC input voltage ³		-1.2 to +7.0	V
I_{OK}	DC output diode current	$V_O < 0$	-50	mA
V_{OUT}	DC output voltage ³	output in Off or High state	-0.5 to +5.5	V
I_{OUT}	DC output current	output in Low state	128	mA
T_{stg}	Storage temperature range		-65 to 150	°C

NOTES:

1. Stresses beyond those listed may cause permanent damage to the device. These are stress ratings only and functional operation of the device at these or any other conditions beyond those indicated under "recommended operating conditions" is not implied. Exposure to absolute-maximum-rated conditions for extended periods may affect device reliability.
2. The performance capability of a high-performance integrated circuit in conjunction with its thermal environment can create junction temperatures which are detrimental to reliability. The maximum junction temperature of this integrated circuit should not exceed 150°C.
3. The input and output voltage ratings may be exceeded if the input and output current ratings are observed.

RECOMMENDED OPERATING CONDITIONS

SYMBOL	PARAMETER	LIMITS		UNIT
		Min	Max	
V_{CC}	DC supply voltage	4.5	5.5	V
V_I	Input voltage	0	V_{CC}	V
V_{IH}	High-level input voltage	2.0		V
V_{IL}	Input voltage		0.8	V
I_{OH}	High level output current		-32	mA
I_{OL}	Low level output current		64	mA
$\Delta t/\Delta v$	Input transition rise or fall rate	0	10	ns/V
T_{amb}	Operating free-air temperature range	-40	+85	°C

Octal latched transceiver with dual enable (3-State)

74ABT543

DC ELECTRICAL CHARACTERISTICS

SYMBOL	PARAMETER	TEST CONDITIONS	LIMITS					UNIT
			T _{amb} = +25°C			T _{amb} = -40°C to +85°C		
			Min	Typ	Max	Min	Max	
V _{IK}	Input clamp voltage	V _{CC} = 4.5V; I _{IK} = -18mA		-0.9	-1.2		-1.2	V
V _{OH}	High-level output voltage	V _{CC} = 4.5V; I _{OH} = -3mA; V _I = V _{IL} or V _{IH}	2.5	3.5		2.5		V
		V _{CC} = 5.0V; I _{OH} = -3mA; V _I = V _{IL} or V _{IH}	3.0	4.0		3.0		
		V _{CC} = 4.5V; I _{OH} = -32mA; V _I = V _{IL} or V _{IH}	2.0	2.6		2.0		
V _{OL}	Low-level output voltage	V _{CC} = 4.5V; I _{OL} = 64mA; V _I = V _{IL} or V _{IH}		0.42	0.55		0.55	V
I _I	Input leakage current	Control pins	V _{CC} = 5.5V; V _I = GND or 5.5V		±0.01	±1.0	±1.0	µA
		Data pins	V _{CC} = 5.5V; V _I = GND or 5.5V		5	100	100	
I _{IH} + I _{OZH}	3-State output High current	V _{CC} = 5.5V; V _O = 2.7V; V _I = V _{IL} or V _{IH}		5.0	50		50	µA
I _{IL} + I _{OZL}	3-State output Low current	V _{CC} = 5.5V; V _O = 0.5V; V _I = V _{IL} or V _{IH}		-5.0	-50		-50	µA
I _O	Short-circuit output current ¹	V _{CC} = 5.5V; V _O = 2.5V	-50	-80	-180	-50	-180	mA
I _{CCH}	Quiescent supply current	V _{CC} = 5.5V; Outputs High; V _I = GND or V _{CC}		0.5	50		50	µA
I _{CCL}		V _{CC} = 5.5V; Outputs Low; V _I = GND or V _{CC}		20	30		30	mA
I _{CCZ}		V _{CC} = 5.5V; Outputs 3-State; V _I = GND or V _{CC}		0.5	50		50	µA
ΔI _{CC}	Additional supply current per input pin ²	One input at 3.4V, other inputs at V _{CC} or GND; V _{CC} = 5.5V		0.3	1.5		1.5	mA

NOTES:

- Not more than one output should be tested at a time, and the duration of the test should not exceed one second.
- This is the increase in supply current for each input at 3.4V.

Octal latched transceiver with dual enable (3-State)

74ABT543

AC ELECTRICAL CHARACTERISTICSGND = 0V; $t_r = t_f = 2.5\text{ns}$; $C_L = 50\text{pF}$, $R_L = 500\Omega$

SYMBOL	PARAMETER	WAVEFORM	LIMITS					UNIT
			$T_{\text{amb}} = +25^\circ\text{C}$ $V_{\text{CC}} = 5\text{V}$			$T_{\text{amb}} = -40^\circ\text{C to } +85^\circ\text{C}$ $V_{\text{CC}} = 5\text{V}\pm 0.5\text{V}$		
			Min	Typ	Max	Min	Max	
t_{PLH} t_{PHL}	Propagation delay An to Bn, Bn to An	Waveform 2	1.9 1.9	4.4 4.4	5.9 5.9	1.9 1.9	6.9 6.9	ns
t_{PLH} t_{PHL}	Propagation delay $\overline{\text{LEBA}}$ to An, $\overline{\text{LEAB}}$ to Bn	Waveform 1, 2	1.6 2.1	4.1 4.6	5.6 6.1	1.6 2.1	6.6 7.1	ns
t_{PZH} t_{PZL}	Output enable time $\overline{\text{OEBA}}$ to An, $\overline{\text{OEAB}}$ to Bn	Waveform 4 Waveform 5	1.4 2.5	3.9 5.0	5.4 6.5	1.4 2.5	6.4 7.5	ns
t_{PHZ} t_{PLZ}	Output disable time $\overline{\text{OEBA}}$ to An, $\overline{\text{OEAB}}$ to Bn	Waveform 4 Waveform 5	3.4 3.0	5.9 5.5	7.4 7.0	3.4 3.0	8.4 8.0	ns
t_{PZH} t_{PZL}	Output enable time $\overline{\text{EBA}}$ to An, $\overline{\text{EAB}}$ to Bn	Waveform 4 Waveform 5	1.4 2.5	3.9 5.0	5.4 6.5	1.4 2.5	6.4 7.5	ns
t_{PHZ} t_{PLZ}	Output disable time $\overline{\text{EBA}}$ to An, $\overline{\text{EAB}}$ to Bn	Waveform 4 Waveform 5	3.4 3.0	5.9 5.5	7.4 7.0	3.4 3.0	8.4 8.0	ns

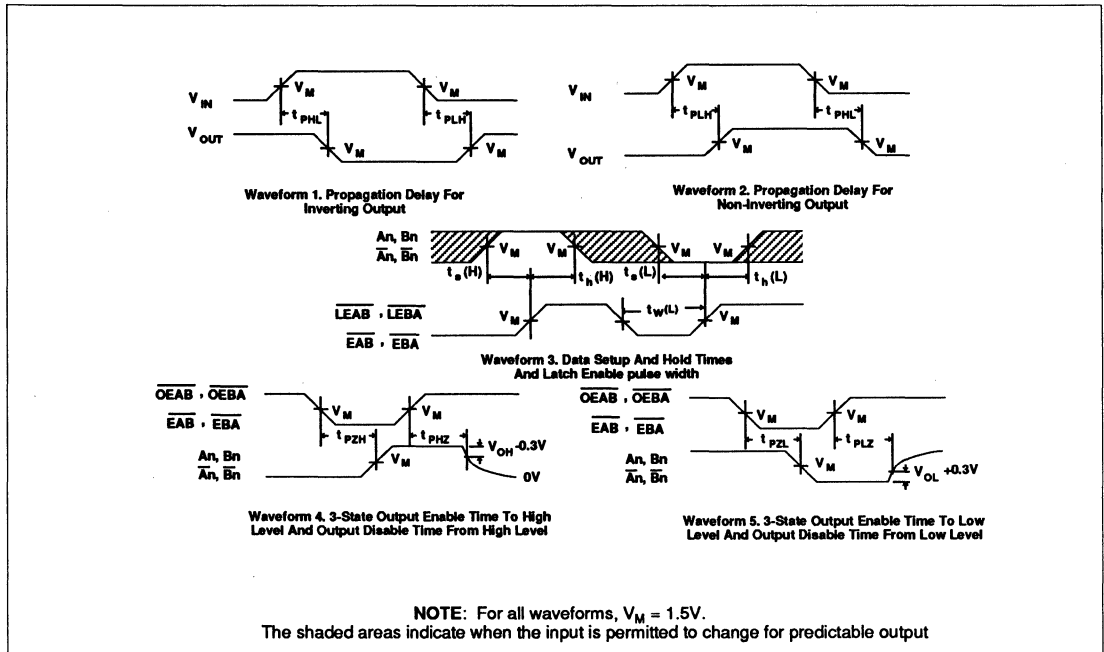
AC SETUP REQUIREMENTS

SYMBOL	PARAMETER	WAVEFORM	LIMITS					UNIT
			$T_{\text{amb}} = +25^\circ\text{C}$ $V_{\text{CC}} = 5\text{V}$			$T_{\text{amb}} = -40^\circ\text{C to } +85^\circ\text{C}$ $V_{\text{CC}} = 5\text{V}\pm 0.5\text{V}$		
			Min	Typ	Max	Min	Max	
$t_s(\text{H})$ $t_s(\text{L})$	Setup time An to $\overline{\text{LEAB}}$, Bn to $\overline{\text{LEBA}}$	Waveform 3	3.5 3.0			3.5 3.0		ns
$t_h(\text{H})$ $t_h(\text{L})$	Hold time An to $\overline{\text{LEAB}}$, Bn to $\overline{\text{LEBA}}$	Waveform 3	0.5 0.5			0.5 0.5		ns
$t_s(\text{H})$ $t_s(\text{L})$	Setup time An to $\overline{\text{EAB}}$, Bn to $\overline{\text{EBA}}$	Waveform 3	3.5 3.0			3.5 3.0		ns
$t_h(\text{H})$ $t_h(\text{L})$	Hold time An to $\overline{\text{EAB}}$, Bn to $\overline{\text{EBA}}$	Waveform 3	0.5 0.5			0.5 0.5		ns
$t_w(\text{L})$	Latch enable pulse width, Low	Waveform 3	3.5			3.5		ns

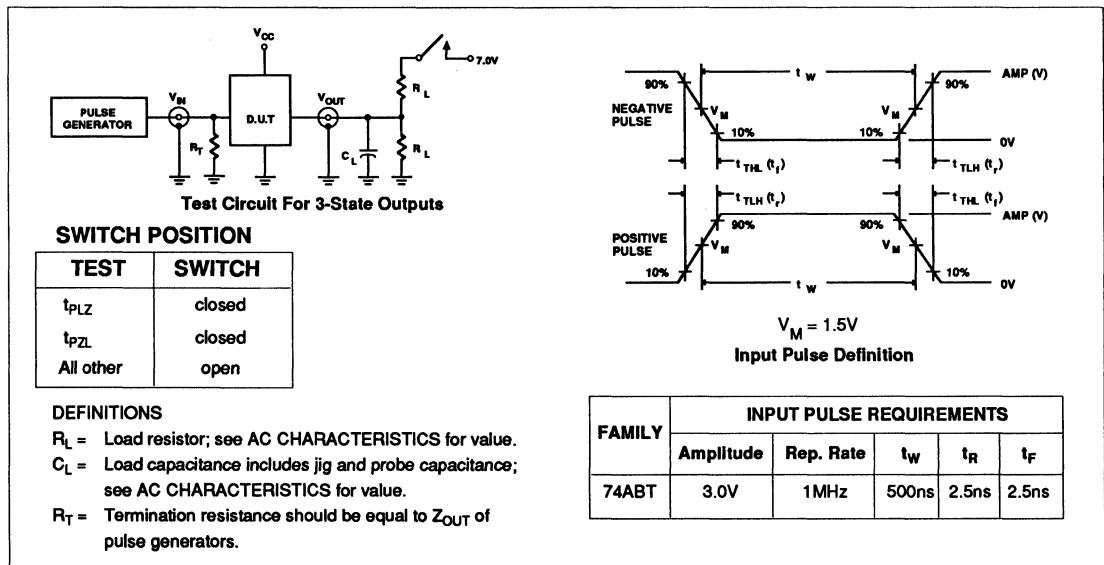
Octal latched transceiver with dual enable (3-State)

74ABT543

AC WAVEFORMS

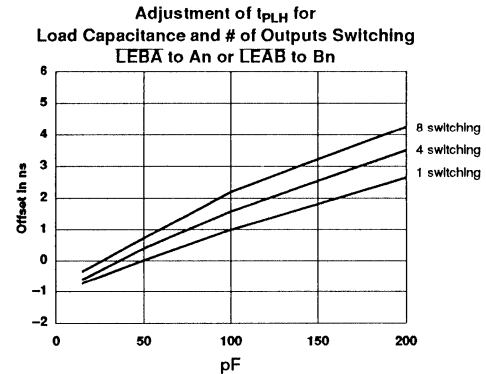
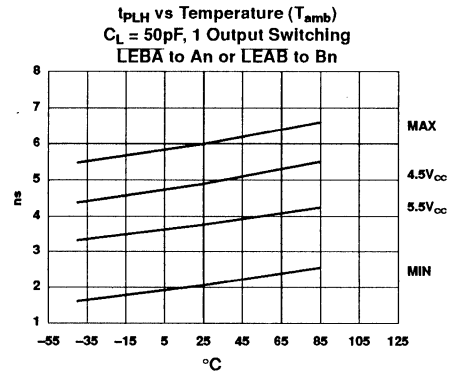
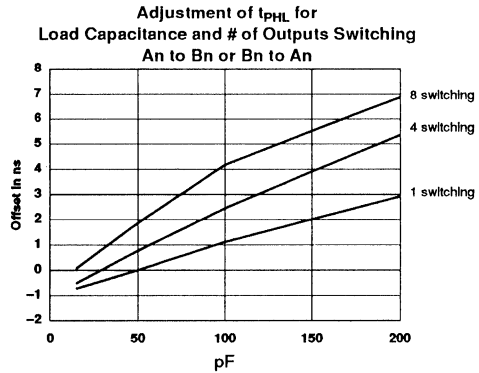
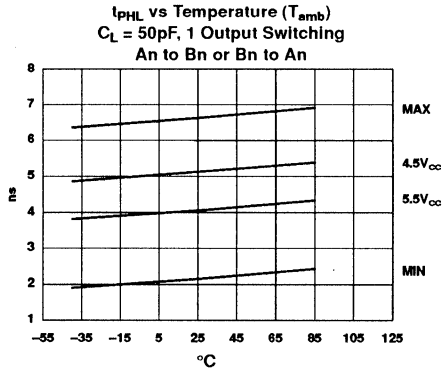
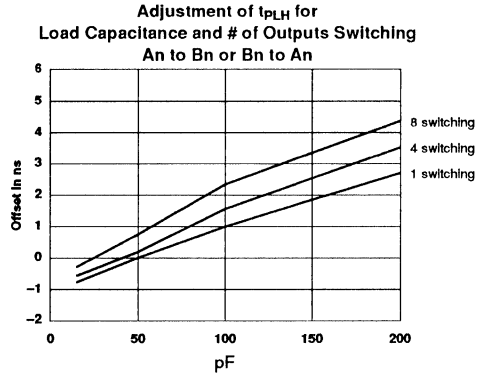
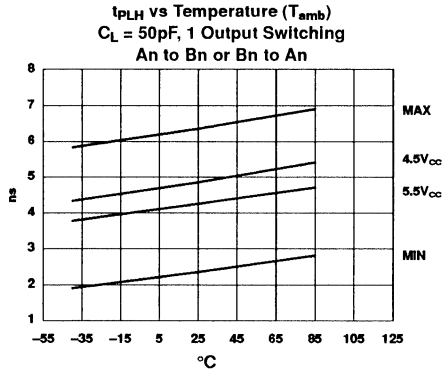


TEST CIRCUIT AND WAVEFORMS



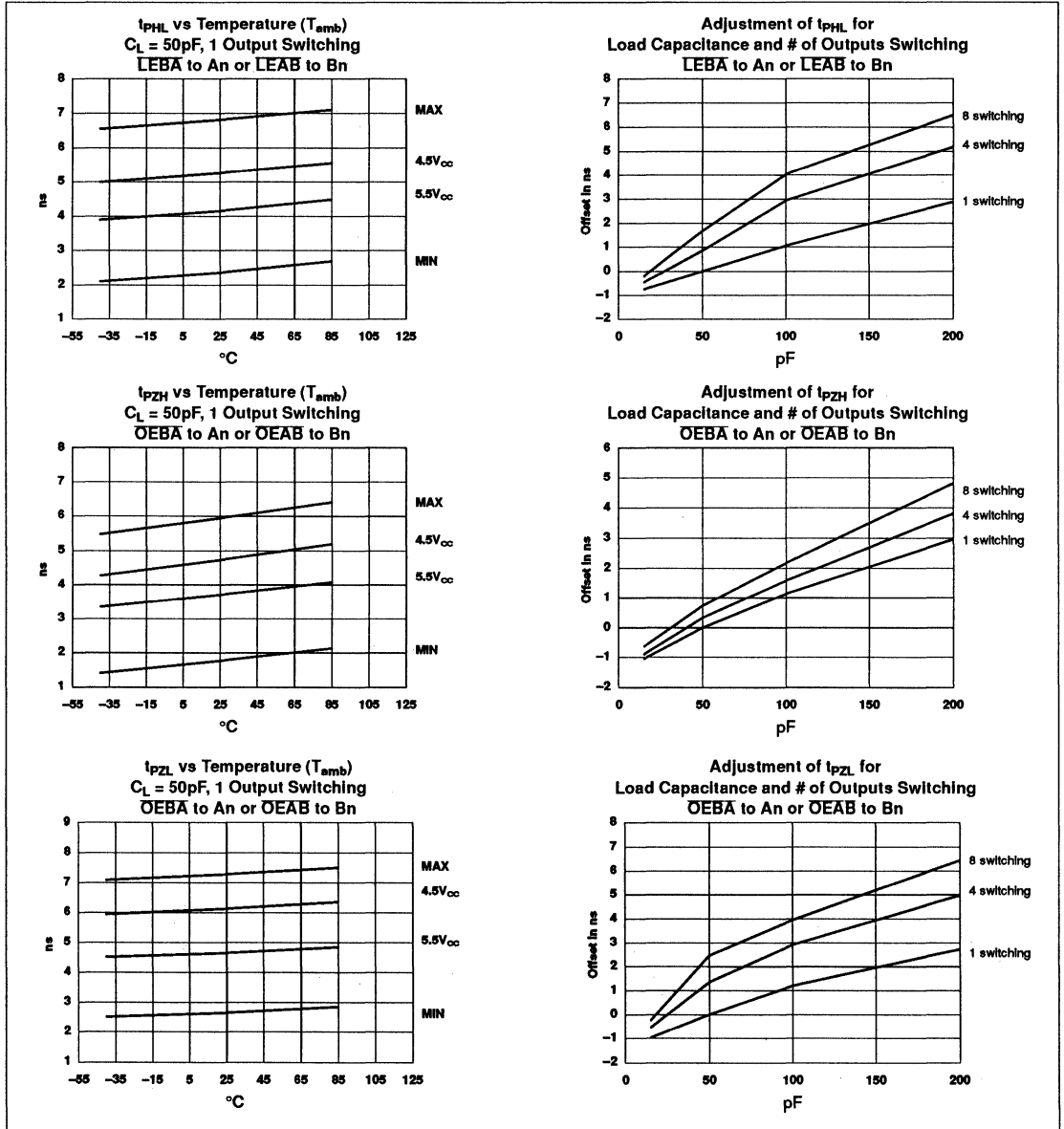
Octal latched transceiver with dual enable (3-State)

74ABT543



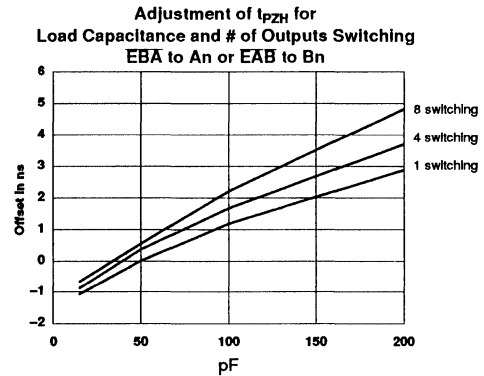
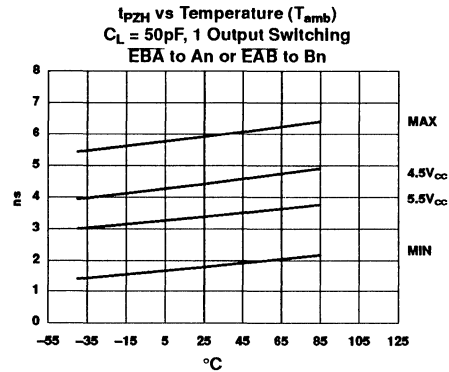
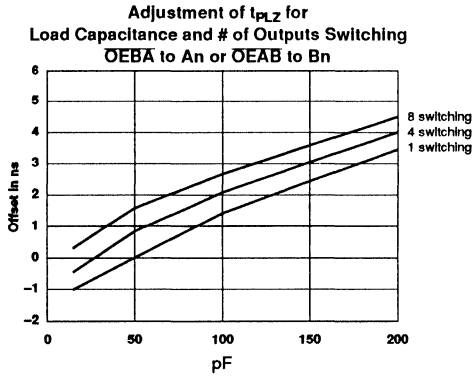
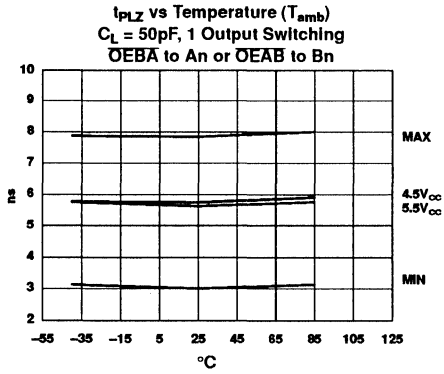
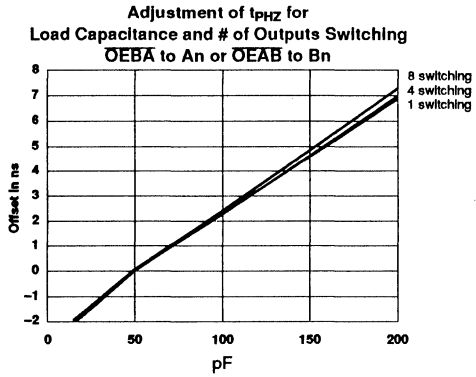
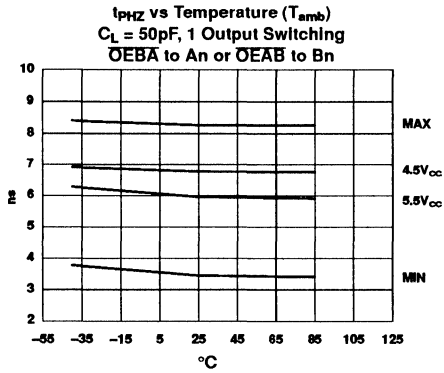
Octal latched transceiver with dual enable (3-State)

74ABT543



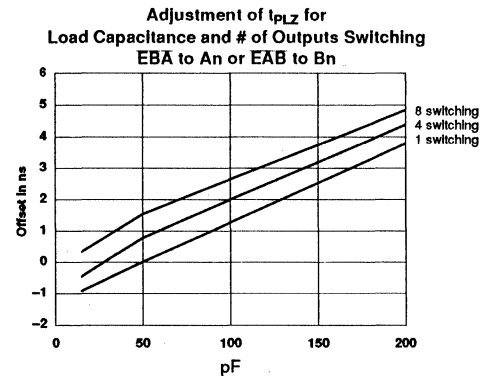
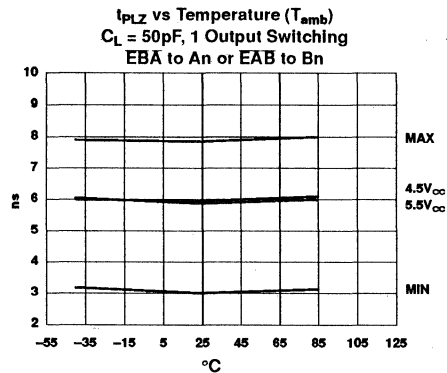
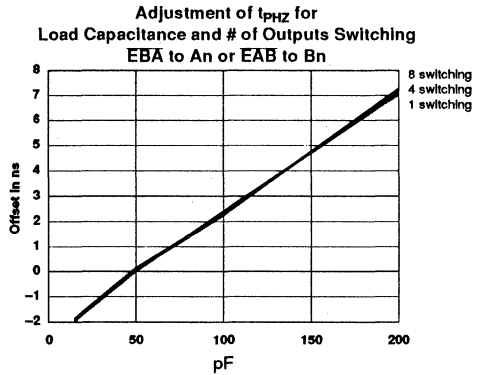
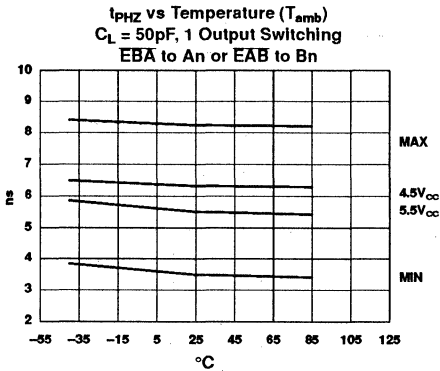
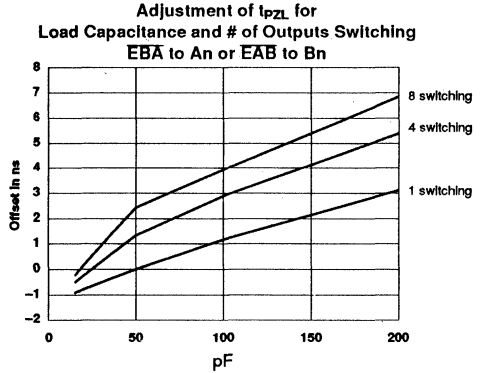
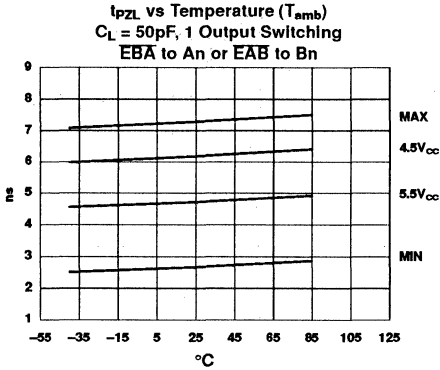
Octal latched transceiver with dual enable (3-State)

74ABT543



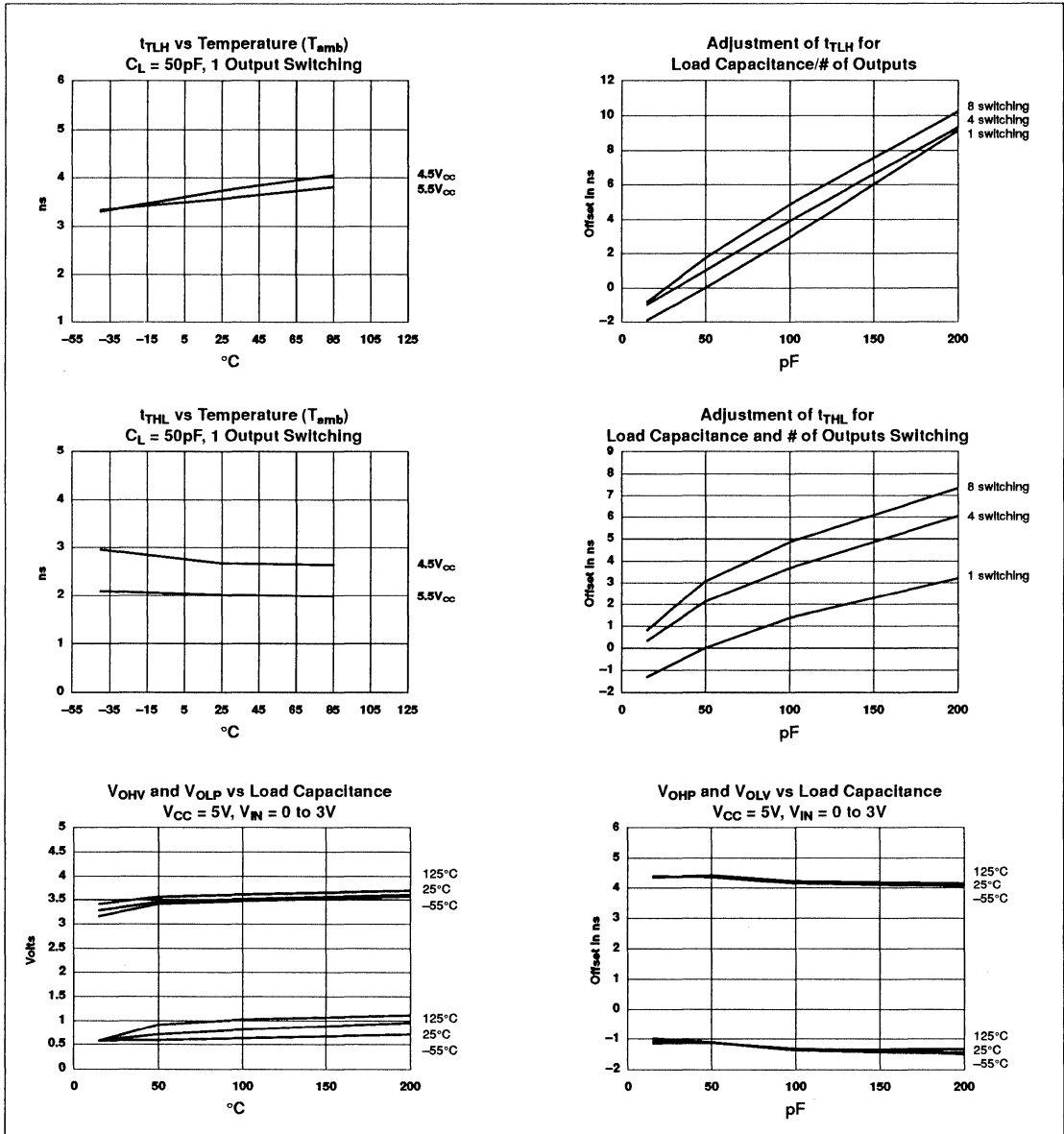
Octal latched transceiver with dual enable (3-State)

74ABT543



Octal latched transceiver with dual enable (3-State)

74ABT543



Octal latched transceiver with dual enable, inverting

74ABT544

FEATURES

- Combines 74ABT245 and 74ABT373 type functions in one device
- 8-bit octal transceiver with D-type latch
- Back-to-back registers for storage
- Separate controls for data flow in each direction
- 3-State buffer outputs sink 64mA and source 32mA
- Latch-up protection exceeds 500mA per Jedec JC40.2 Std 17
- ESD protection exceeds 2000 V per MIL STD 883C Method 3015.6 and 200 V per Machine Model

DESCRIPTION

The 74ABT544 high-performance BiCMOS device combines low static and dynamic power dissipation with high speed and high output drive.

The 74ABT544 Octal Registered Transceiver contains two sets of D-type latches for temporary storage of data flowing in either direction. Separate Latch Enable (\overline{LEAB} , \overline{LEBA}) and Output Enable (\overline{OEAB} , \overline{OEBA}) inputs are provided for each register to permit independent control of inputting and outputting in either direction of data flow. The outputs are guaranteed to sink 64mA.

QUICK REFERENCE DATA

SYMBOL	PARAMETER	CONDITIONS $T_{amb} = 25^{\circ}\text{C}; \text{GND} = 0\text{V}$	TYPICAL	UNIT
t_{PLH} t_{PHL}	Propagation delay A to Bn	$C_L = 50\text{pF}; V_{CC} = 5\text{V}$	4.3	ns
C_{IN}	Input capacitance $\overline{LE}, \overline{E}, \overline{OE}$	$V_I = 0\text{V or } V_{CC}$	4	pF
C_{OUT}	I/O capacitance	$V_I = 0\text{V or } V_{CC}$	7	pF
I_{CCZ}	Total supply current	Outputs Disabled; $V_{CC} = 5.5\text{V}$	500	nA

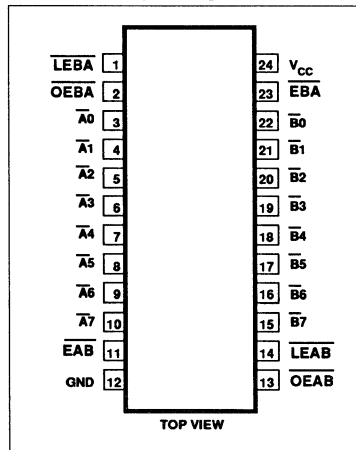
ORDERING INFORMATION

PACKAGES	TEMPERATURE RANGE	ORDER CODE
24-pin plastic DIP (300mil)	-40°C to +85°C	74ABT544N
24-pin plastic SOL (300mil)	-40°C to +85°C	74ABT544D

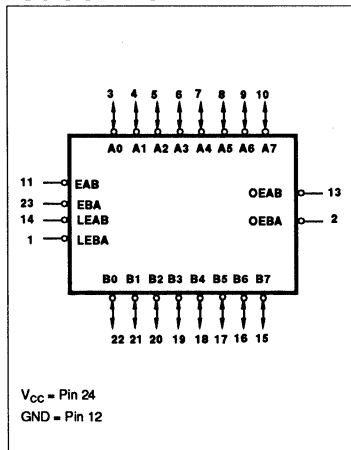
PIN DESCRIPTION

PIN NUMBER	SYMBOL	NAME AND FUNCTION
14, 1	$\overline{LEAB} / \overline{LEBA}$	A to B / B to A Latch Enable input (Active Low)
11, 23	$\overline{EAB} / \overline{EBA}$	A to B / B to A Enable input (Active Low)
13, 2	$\overline{OEAB} / \overline{OEBA}$	A to B / B to A Output Enable input (Active Low)
3, 4, 5, 6 7, 8, 9, 10	$\overline{A0} - \overline{A7}$	Port \overline{A} , 3-State outputs
22, 21, 20, 19 18, 17, 16, 15	$\overline{B0} - \overline{B7}$	Port \overline{B} , 3-State outputs
12	GND	Ground (0V)
24	V_{CC}	Positive supply voltage

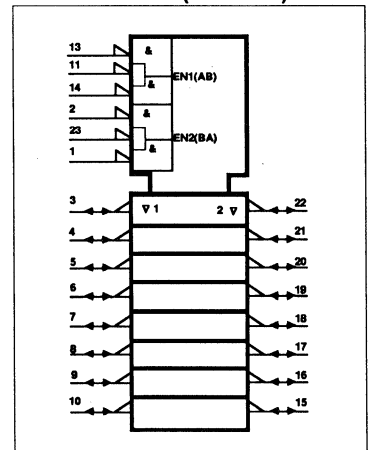
PIN CONFIGURATION



LOGIC SYMBOL



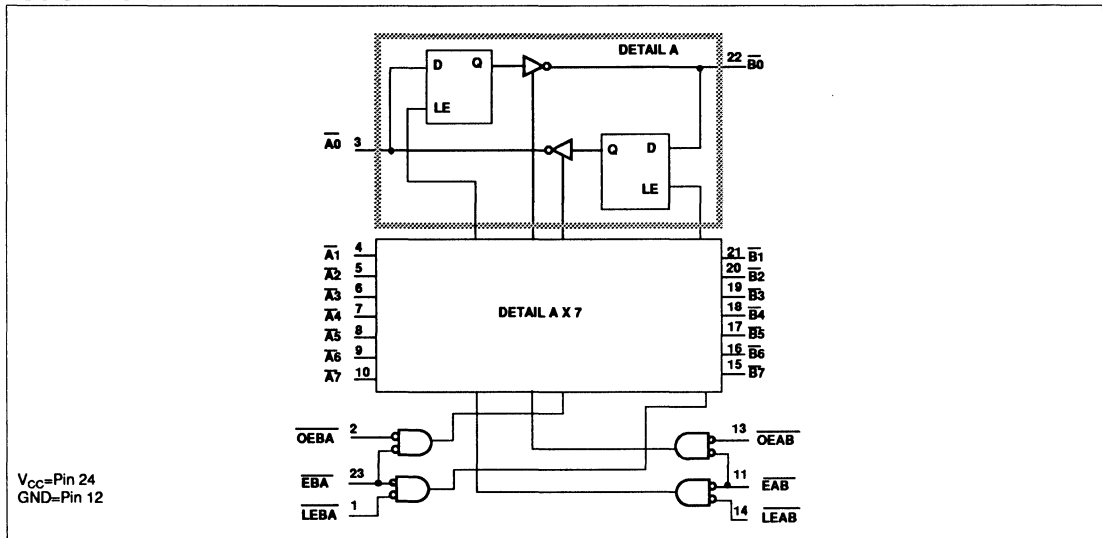
LOGIC SYMBOL (IEEE/IEC)



Octal latched transceiver with dual enable, inverting

74ABT544

LOGIC DIAGRAM



FUNCTIONAL DESCRIPTION

The 'ABT544 contains two sets of eight D-type latches, with separate control pins for each set. Using data flow from A to B as an example, when the A-to-B Enable ($\overline{\text{EAB}}$) input and the A-to-B Latch Enable ($\overline{\text{LEAB}}$) input are Low the

A-to-B path is transparent. A subsequent Low-to-High transition of the $\overline{\text{LEAB}}$ signal puts the A data into the latches where it is stored and the B outputs no longer change with the A inputs. With $\overline{\text{EAB}}$ and $\overline{\text{OEAB}}$ both Low, the 3-State B output buffers are active

and invert the data present at the outputs of the A latches.

Control of data flow from B to A is similar, but using the $\overline{\text{EBA}}$, $\overline{\text{LEBA}}$, and $\overline{\text{OEBA}}$ inputs.

FUNCTION TABLE

OE $\overline{\text{XX}}$	INPUTS		DATA	OUTPUTS	STATUS
	$\overline{\text{EXX}}$	LE $\overline{\text{XX}}$			
H	X	X	X	Z	Disabled
X	H	X	X	Z	Disabled
L	\uparrow	L	h	Z	Disabled + Latch
L	\uparrow	L	l	Z	
L	L	\uparrow	h	L	Latch + Display
L	L	\uparrow	l	H	
L	L	L	H	L	Transparent
L	L	L	L	H	
L	L	H	X	NC	Hold

H= High voltage level

L= Low voltage level

h= High state must be present one setup time before the Low-to-High transition of $\overline{\text{LEXX}}$ or $\overline{\text{EXX}}$ (XX=AB or BA)

l= Low state must be present one setup time before the Low-to-High transition of $\overline{\text{LEXX}}$ or $\overline{\text{EXX}}$ (XX=AB or BA)

\uparrow =Low-to-High transition of $\overline{\text{LEXX}}$ or $\overline{\text{EXX}}$ (XX=AB or BA)

X=Don't care

NC=No change

Z=High impedance "off" state

Octal latched transceiver with dual enable, inverting

74ABT544

ABSOLUTE MAXIMUM RATINGS^{1, 2}

SYMBOL	PARAMETER	CONDITIONS	RATING	UNIT
V _{CC}	DC supply voltage		-0.5 to +7.0	V
I _{IK}	DC input diode current	V _I < 0	-18	mA
V _I	DC input voltage ³		-1.2 to +7.0	V
I _{OK}	DC output diode current	V _O < 0	-50	mA
V _{OUT}	DC output voltage ³	output in Off or High state	-0.5 to +5.5	V
I _{OUT}	DC output current	output in Low state	128	mA
T _{stg}	Storage temperature range		-65 to 150	°C

NOTES:

1. Stresses beyond those listed may cause permanent damage to the device. These are stress ratings only and functional operation of the device at these or any other conditions beyond those indicated under "recommended operating conditions" is not implied. Exposure to absolute-maximum-rated conditions for extended periods may affect device reliability.
2. The performance capability of a high-performance integrated circuit in conjunction with its thermal environment can create junction temperatures which are detrimental to reliability. The maximum junction temperature of this integrated circuit should not exceed 150°C.
3. The input and output voltage ratings may be exceeded if the input and output current ratings are observed.

RECOMMENDED OPERATING CONDITIONS

SYMBOL	PARAMETER	LIMITS		UNIT
		Min	Max	
V _{CC}	DC supply voltage	4.5	5.5	V
V _I	Input voltage	0	V _{CC}	V
V _{IH}	High-level input voltage	2.0		V
V _{IL}	Input voltage		0.8	V
I _{OH}	High level output current		-32	mA
I _{OL}	Low level output current		64	mA
ΔV/ΔV	Input transition rise or fall rate	0	10	ns/V
T _{amb}	Operating free-air temperature range	-40	+85	°C

Octal latched transceiver with dual enable, inverting

74ABT544

DC ELECTRICAL CHARACTERISTICS

SYMBOL	PARAMETER	TEST CONDITIONS	LIMITS					UNIT
			T _{amb} = +25°C			T _{amb} = -40°C to +85°C		
			Min	Typ	Max	Min	Max	
V _{IK}	Input clamp voltage	V _{CC} = 4.5V; I _{IK} = -18mA		-0.9	-1.2		-1.2	V
V _{OH}	High-level output voltage	V _{CC} = 4.5V; I _{OH} = -3mA; V _I = V _{IL} or V _{IH}	2.5	3.5		2.5		V
		V _{CC} = 5.0V; I _{OH} = -3mA; V _I = V _{IL} or V _{IH}	3.0	4.0		3.0		
		V _{CC} = 4.5V; I _{OH} = -32mA; V _I = V _{IL} or V _{IH}	2.0	2.6		2.0		
V _{OL}	Low-level output voltage	V _{CC} = 4.5V; I _{OL} = 64mA; V _I = V _{IL} or V _{IH}		0.42	0.55		0.55	V
I _I	Input leakage current	Control pins V _{CC} = 5.5V; V _I = GND or 5.5V		±0.01	±1.0		±1.0	µA
		Data pins V _{CC} = 5.5V; V _I = GND or 5.5V		5	100		100	
I _{IH} + I _{OZH}	3-State output High current	V _{CC} = 5.5V; V _O = 2.7V; V _I = V _{IL} or V _{IH}		5.0	50		50	µA
I _{IL} + I _{OZL}	3-State output Low current	V _{CC} = 5.5V; V _O = 0.5V; V _I = V _{IL} or V _{IH}		-5.0	-50		-50	µA
I _O	Short-circuit output current ¹	V _{CC} = 5.5V; V _O = 2.5V	-50	-80	-180	-50	-180	mA
I _{CCH}	Quiescent supply current	V _{CC} = 5.5V; Outputs High; V _I = GND or V _{CC}		0.5	50		50	µA
I _{CCL}		V _{CC} = 5.5V; Outputs Low; V _I = GND or V _{CC}		20	30		30	mA
I _{CCZ}		V _{CC} = 5.5V; Outputs 3-State; V _I = GND or V _{CC}		0.5	50		50	µA
ΔI _{CC}	Additional supply current per input pin ²	One input at 3.4V, other inputs at V _{CC} or GND; V _{CC} = 5.5V		0.3	1.5		1.5	mA

NOTES:

- Not more than one output should be tested at a time, and the duration of the test should not exceed one second.
- This is the increase in supply current for each input at 3.4V.

Octal D-type transparent latch (3-State)

74ABT573

DESCRIPTION

- 74ABT573 is broadside pinout version of 74ABT373
- Inputs and outputs on opposite side of package allow easy interface to microprocessors
- 3-State Outputs for bus interfacing
- Common output enable
- Latch-up protection exceeds 500mA per JEDEC JC40.2 Std 17
- ESD protection exceeds 2000 V per MIL STD 883C Method 3015.6 and 200 V per Machine Model

DESCRIPTION

The 74ABT573 high-performance BiCMOS device combines low static and dynamic power dissipation with high speed and high output drive.

The 74ABT573 device is an octal transparent latch coupled to eight 3-State output buffers. The two sections of the device are controlled independently by Enable (E) and Output Enable (\overline{OE}) control gates. The 74ABT573 is functionally identical to the 74ABT373 but has a broadside pinout configuration to facilitate PC board layout and allow easy interface with microprocessors.

QUICK REFERENCE DATA

SYMBOL	PARAMETER	CONDITIONS $T_{amb} = 25^{\circ}\text{C}; \text{GND} = 0\text{V}$	TYPICAL	UNIT
t_{PLH} t_{PHL}	Propagation delay Dn to Qn	$C_L = 50\text{pF}; V_{CC} = 5\text{V}$	4.2	ns
C_{IN}	Input capacitance	$V_I = 0\text{V}$ or V_{CC}	4	pF
C_{OUT}	Output capacitance	$V_I = 0\text{V}$ or V_{CC}	7	pF
I_{CCZ}	Total supply current	Outputs Disabled; $V_{CC} = 5.5\text{V}$	500	nA

ORDERING INFORMATION

PACKAGES	TEMPERATURE RANGE	ORDER CODE
20-pin plastic DIP	-40°C to +85°C	74ABT573N
20-pin plastic SOL	-40°C to +85°C	74ABT573D

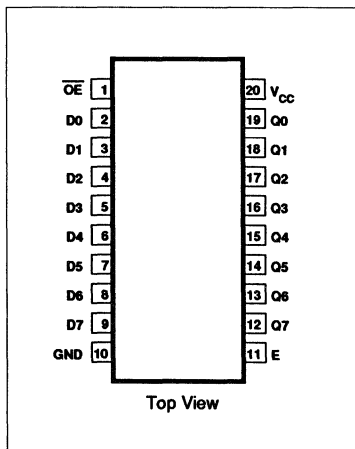
The data on the D inputs are transferred to the latch outputs when the Latch Enable (E) input is High. The latch remains transparent to the data inputs while E is High, and stores the data that is present one setup time before the High-to-Low enable transition.

The 3-State output buffers are designed to drive heavily loaded 3-State buses, MOS memories, or MOS microproces-

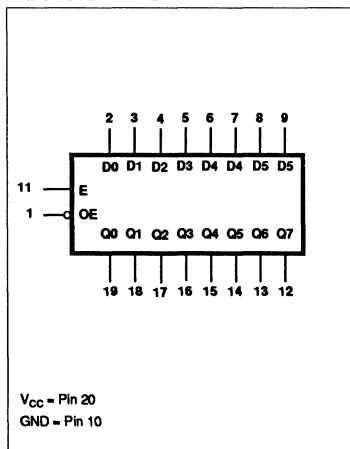
sors. The active-Low Output Enable (\overline{OE}) controls all eight 3-State buffers independent of the latch operation.

When \overline{OE} is Low, the latched or transparent data appears at the outputs. When \overline{OE} is High, the outputs are in the High-impedance "OFF" state, which means they will neither drive nor load the bus.

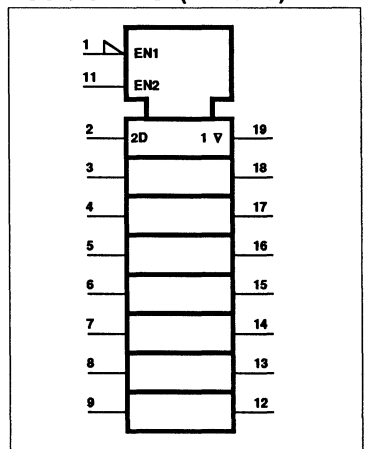
PIN CONFIGURATION



LOGIC SYMBOL



LOGIC SYMBOL (IEEE/IEC)



Octal D-type transparent latch (3-State)

74ABT573

PIN DESCRIPTION

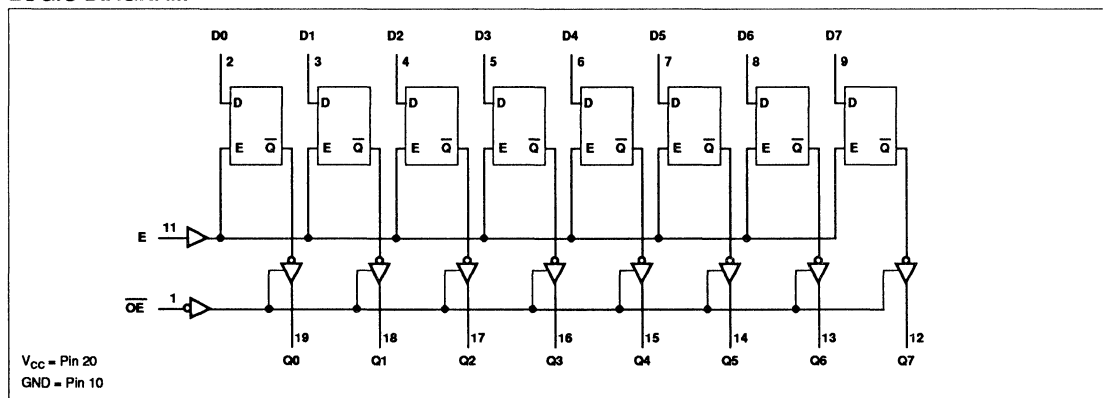
PIN NUMBER	SYMBOL	NAME AND FUNCTION
1	\overline{OE}	Output enable input (active Low)
2, 3, 4, 5 6, 7, 8, 9	D0 - D7	Data inputs
19, 18, 17, 16 15, 14, 13, 12	Q0 - Q7	3-State Outputs
11	E	Enable input (active High)
10	GND	Ground (0V)
20	V _{CC}	Positive supply voltage

FUNCTION TABLE

INPUTS			INTERNAL REGISTER	OUTPUTS	OPERATING MODE
\overline{OE}	E	D _n		Q0 - Q7	
L	H	L	L	L	Enable and read register
L	H	H	H	H	
L	↓	l	L	L	Latch and read register
L	↓	h	H	H	
L	L	X	NC	NC	Hold
H	L	X	NC	Z	Disable outputs
H	H	D _n	D _n	Z	

H = High voltage level
 h = High voltage level one set-up time prior to the High-to-Low E transition
 L = Low voltage level
 l = Low voltage level one set-up time prior to the High-to-Low E transition
 NC = No change
 X = Don't care
 Z = High impedance "off" state
 ↓ = High-to-Low E transition

LOGIC DIAGRAM



Octal D-type transparent latch (3-State)

74ABT573

ABSOLUTE MAXIMUM RATINGS^{1, 2}

SYMBOL	PARAMETER	CONDITIONS	RATING	UNIT
V _{CC}	DC supply voltage		-0.5 to +7.0	V
I _{IK}	DC input diode current	V _I < 0	-18	mA
V _I	DC input voltage ³		-1.2 to +7.0	V
I _{OK}	DC output diode current	V _O < 0	-50	mA
V _{OUT}	DC output voltage ³	output in Off or High state	-0.5 to +5.5	V
I _{OUT}	DC output current	output in Low state	128	mA
T _{stg}	Storage temperature range		-65 to 150	°C

NOTES:

- Stresses beyond those listed may cause permanent damage to the device. These are stress ratings only and functional operation of the device at these or any other conditions beyond those indicated under "recommended operating conditions" is not implied. Exposure to absolute-maximum-rated conditions for extended periods may affect device reliability.
- The performance capability of a high-performance integrated circuit in conjunction with its thermal environment can create junction temperatures which are detrimental to reliability. The maximum junction temperature of this integrated circuit should not exceed 150°C.
- The input and output voltage ratings may be exceeded if the input and output current ratings are observed.

RECOMMENDED OPERATING CONDITIONS

SYMBOL	PARAMETER	LIMITS		UNIT
		Min	Max	
V _{CC}	DC supply voltage	4.5	5.5	V
V _I	Input voltage	0	V _{CC}	V
V _{IH}	High-level input voltage	2.0		V
V _{IL}	Input voltage		0.8	V
I _{OH}	High level output current		-32	mA
I _{OL}	Low level output current		64	mA
Δt/Δv	Input transition rise or fall rate	0	5	ns/V
T _{amb}	Operating free-air temperature range	-40	+85	°C

Octal D-type transparent latch (3-State)

74ABT573

DC ELECTRICAL CHARACTERISTICS

SYMBOL	PARAMETER	TEST CONDITIONS	LIMITS					UNIT
			T _{amb} = +25°C			T _{amb} = -40°C to +85°C		
			Min	Typ	Max	Min	Max	
V _{IK}	Input clamp voltage	V _{CC} = 4.5V; I _{IK} = -18mA		-0.9	-1.2		-1.2	V
V _{OH}	High-level output voltage	V _{CC} = 4.5V; I _{OH} = -3mA; V _I = V _{IL} or V _{IH}	2.5	2.9		2.5		V
		V _{CC} = 5.0V; I _{OH} = -3mA; V _I = V _{IL} or V _{IH}	3.0	3.4		3.0		
		V _{CC} = 4.5V; I _{OH} = -32mA; V _I = V _{IL} or V _{IH}	2.0	2.4		2.0		
V _{OL}	Low-level output voltage	V _{CC} = 4.5V; I _{OL} = 64mA; V _I = V _{IL} or V _{IH}		0.42	0.55		0.55	V
I _I	Input leakage current	V _{CC} = 5.5V; V _I = GND or 5.5V		±0.01	±1.0		±1.0	μA
I _{OZH}	3-State output High current	V _{CC} = 5.5V; V _O = 2.7V; V _I = V _{IL} or V _{IH}		5.0	50		50	μA
I _{OZL}	3-State output Low current	V _{CC} = 5.5V; V _O = 0.5V; V _I = V _{IL} or V _{IH}		-5.0	-50		-50	μA
I _O	Short-circuit output current ¹	V _{CC} = 5.5V; V _O = 2.5V	-50	-100	-180	-50	-180	mA
I _{CCH}	Quiescent supply current	V _{CC} = 5.5V; Outputs High; V _I = GND or V _{CC}		0.5	50		50	μA
I _{CCL}		V _{CC} = 5.5V; Outputs Low; V _I = GND or V _{CC}		24	30		30	mA
I _{CCZ}		V _{CC} = 5.5V; Outputs 3-State; V _I = GND or V _{CC}		0.5	50		50	μA
ΔI _{CC}	Additional supply current per input pin ²	V _{CC} = 5.5V; One input at 3.4V, other inputs at V _{CC} or GND		0.5	1.5		1.5	mA

NOTES:

1. Not more than one output should be tested at a time, and the duration of the test should not exceed one second.
2. This is the increase in supply current for each input at 3.4V.

Octal D-type transparent latch (3-State)

74ABT573

AC CHARACTERISTICS

GND = 0V; $t_R = t_F = 2.5\text{ns}$; $C_L = 50\text{pF}$, $R_L = 500\Omega$

SYMBOL	PARAMETER	WAVEFORM	LIMITS					UNIT
			$T_{\text{amb}} = +25^\circ\text{C}$ $V_{\text{CC}} = +5.0\text{V}$			$T_{\text{amb}} = -40^\circ\text{C to } +85^\circ\text{C}$ $V_{\text{CC}} = +5.0\text{V} \pm 0.5\text{V}$		
			Min	Typ	Max	Min	Max	
t_{PLH} t_{PHL}	Propagation delay Dn to Qn	Waveform 2	1.9 2.2	3.2 4.2	5.4 5.7	1.9 2.2	5.9 6.2	ns
t_{PLH} t_{PHL}	Propagation delay E to Qn	Waveform 1	2.2 3.2	4.0 5.2	6.1 6.7	2.2 3.2	6.6 7.2	ns
t_{PZH} t_{PZL}	Output enable time to High and Low level	Waveform 4 Waveform 5	1.2 2.7	3.2 4.7	4.7 6.2	1.2 2.7	5.2 6.7	ns
t_{PHZ} t_{PLZ}	Output disable time from High and Low level	Waveform 4 Waveform 5	2.5 2.0	4.9 4.2	6.4 6.0	2.5 2.0	6.9 6.5	ns

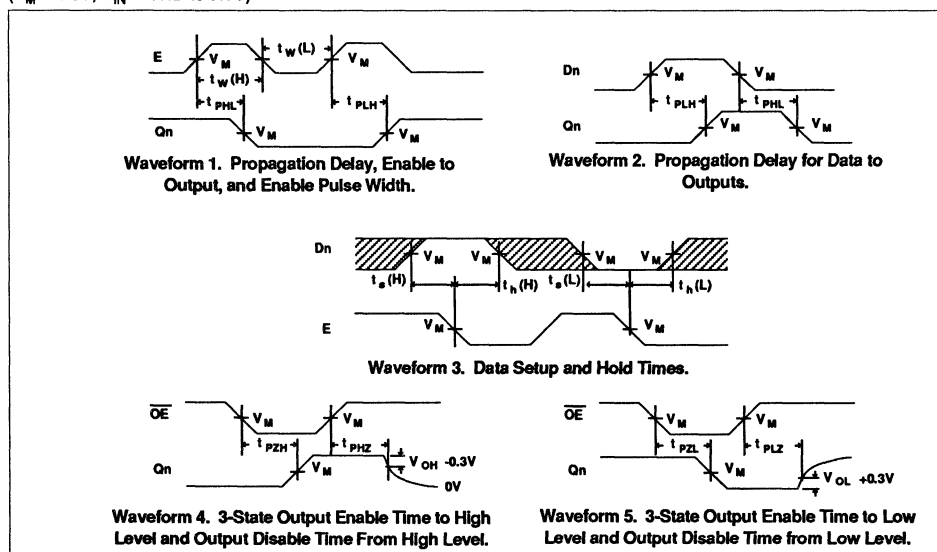
AC SETUP REQUIREMENTS

GND = 0V; $t_R = t_F = 2.5\text{ns}$; $C_L = 50\text{pF}$, $R_L = 500\Omega$

SYMBOL	PARAMETER	WAVEFORM	LIMITS					UNIT
			$T_{\text{amb}} = +25^\circ\text{C}$ $V_{\text{CC}} = +5.0\text{V}$			$T_{\text{amb}} = -40^\circ\text{C to } +85^\circ\text{C}$ $V_{\text{CC}} = +5.0\text{V} \pm 0.5\text{V}$		
			Min	Typ	Max	Min	Max	
$t_s(\text{H})$ $t_s(\text{L})$	Set-up time Dn to E	Waveform 3	1.9 1.5			1.9 1.5		ns
$t_h(\text{H})$ $t_h(\text{L})$	Hold time Dn to E	Waveform 3	1.0 1.0			1.0 1.0		ns
$t_w(\text{H})$	E pulse width, High or Low	Waveform 1	3.3			3.3		ns

AC WAVEFORMS

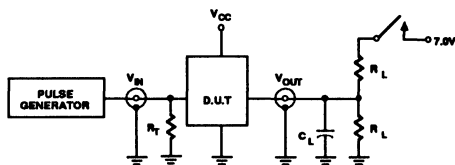
($V_M = 1.5\text{V}$, $V_{\text{IN}} = \text{GND to } 3.0\text{V}$)



Octal D-type transparent latch (3-State)

74ABT573

TEST CIRCUIT AND WAVEFORMS



Test Circuit For 3-State Outputs

SWITCH POSITION

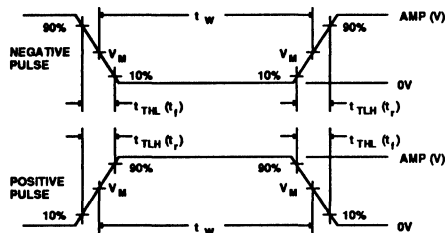
TEST	SWITCH
t_{PLZ}	closed
t_{PZL}	closed
All other	open

DEFINITIONS

R_L = Load resistor; see AC CHARACTERISTICS for value.

C_L = Load capacitance includes jig and probe capacitance; see AC CHARACTERISTICS for value.

R_T = Termination resistance should be equal to Z_{OUT} of pulse generators.



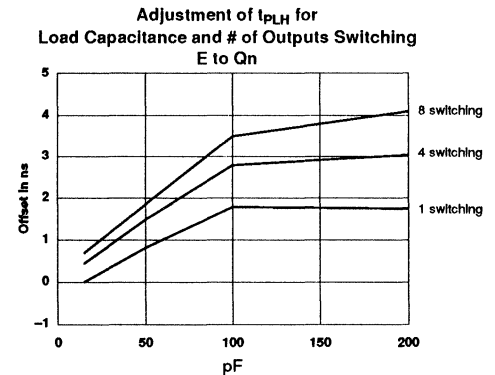
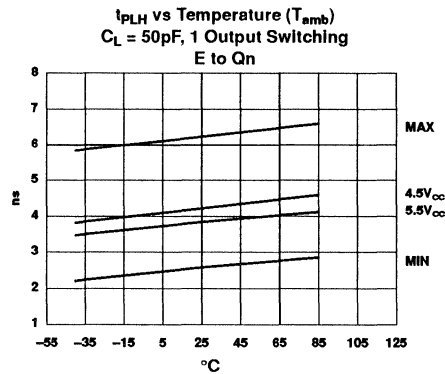
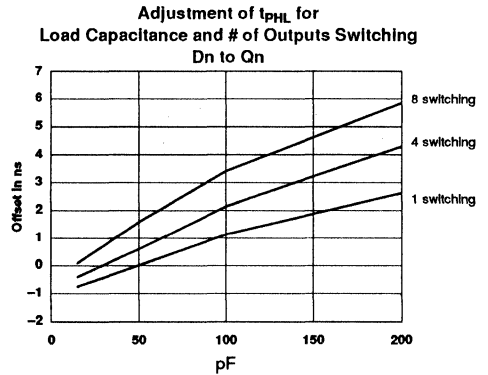
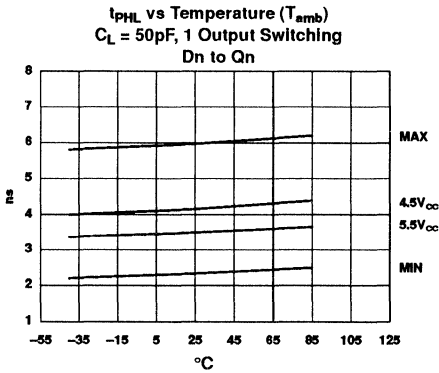
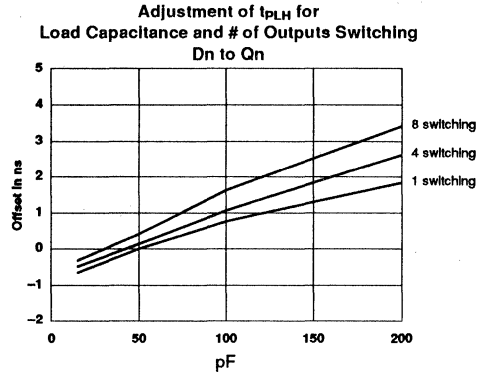
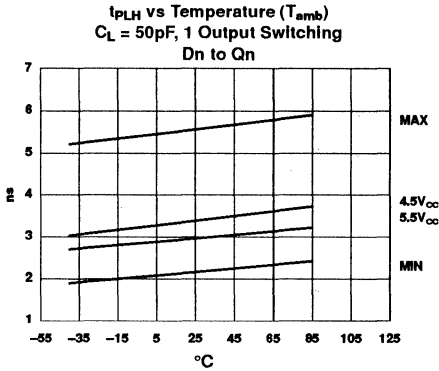
$V_M = 1.5V$

Input Pulse Definition

FAMILY	INPUT PULSE REQUIREMENTS				
	Amplitude	Rep. Rate	t_w	t_R	t_F
74ABT	3.0V	1MHz	500ns	2.5ns	2.5ns

Octal D-type transparent latch (3-State)

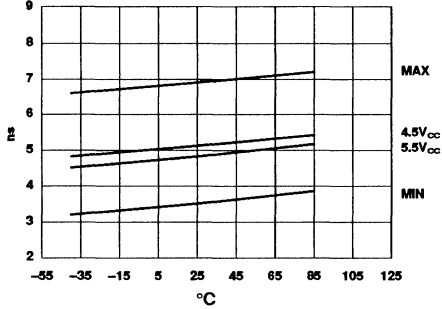
74ABT573



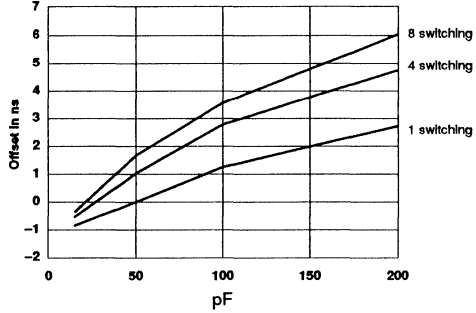
Octal D-type transparent latch (3-State)

74ABT573

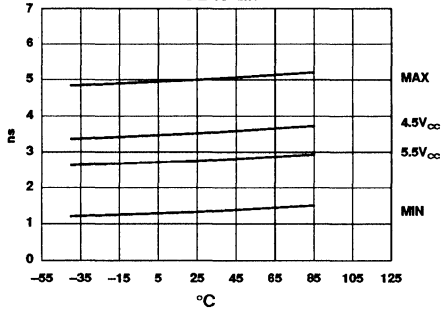
t_{PHL} vs Temperature (T_{amb})
 $C_L = 50pF$, 1 Output Switching
 E to Qn



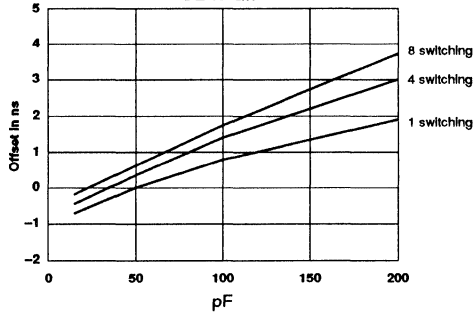
Adjustment of t_{PHL} for Load Capacitance and # of Outputs Switching
 E to Qn



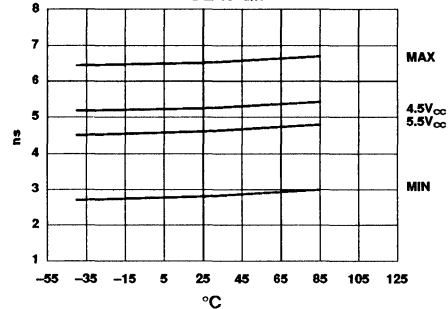
t_{PZH} vs Temperature (T_{amb})
 $C_L = 50pF$, 1 Output Switching
 OE to Qn



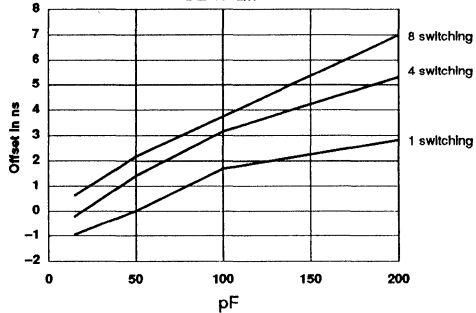
Adjustment of t_{PZH} for Load Capacitance and # of Outputs Switching
 OE to Qn



t_{PZL} vs Temperature (T_{amb})
 $C_L = 50pF$, 1 Output Switching
 OE to Qn

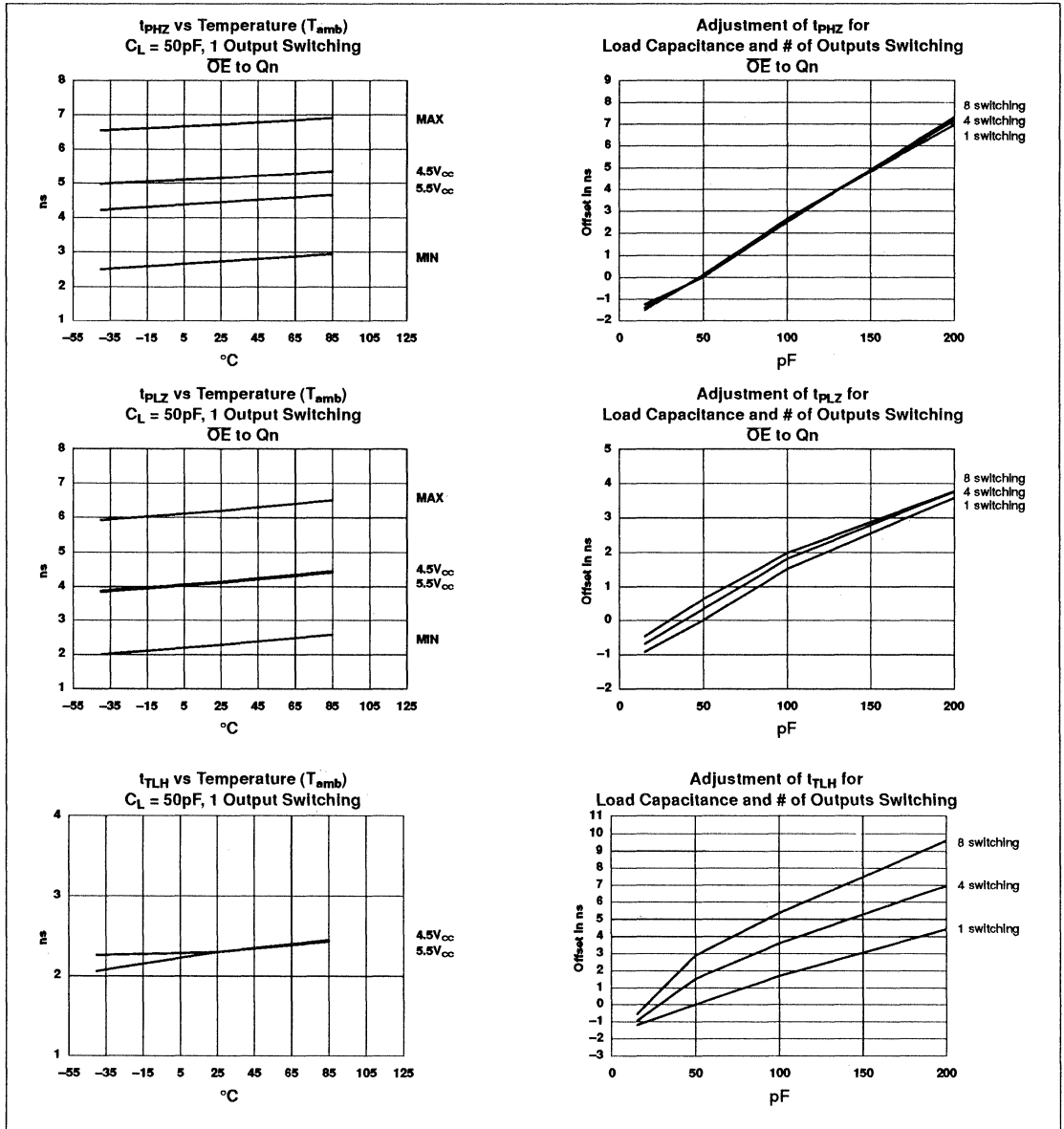


Adjustment of t_{PZL} for Load Capacitance and # of Outputs Switching
 OE to Qn



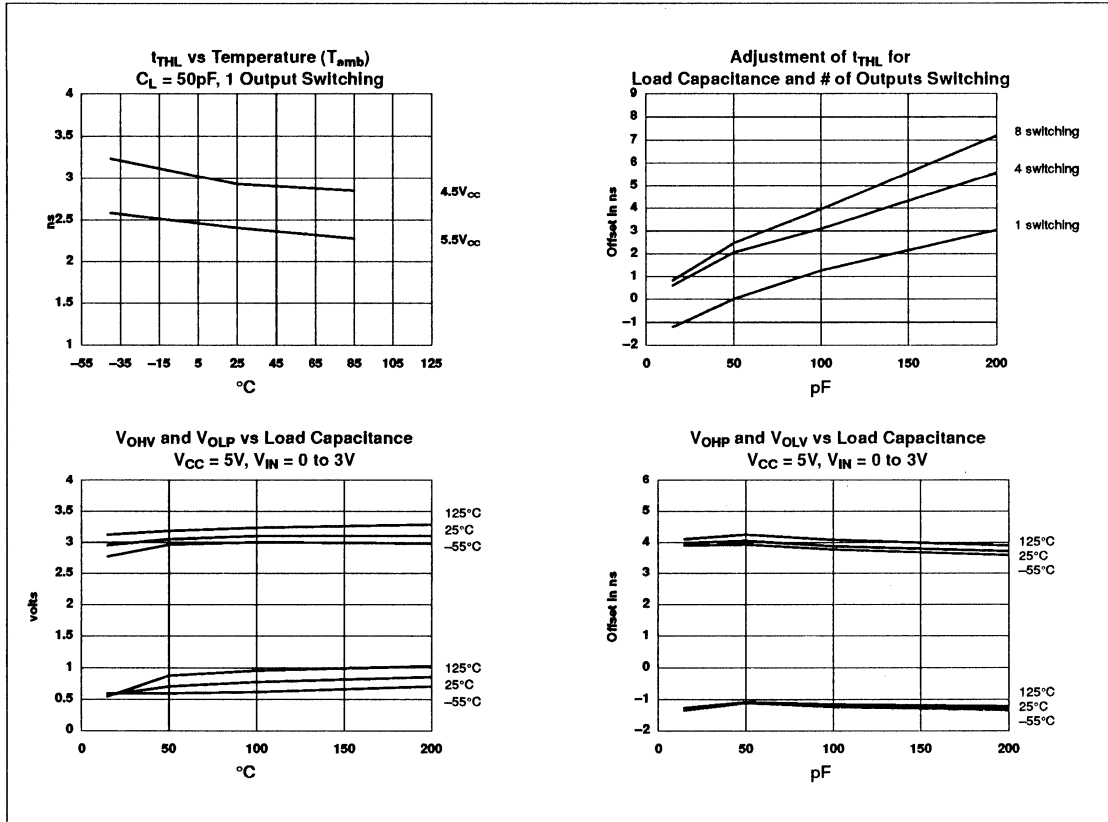
Octal D-type transparent latch (3-State)

74ABT573



Octal D-type transparent latch (3-State)

74ABT573



Octal D-type flip-flop (3-State)

74ABT574

FEATURES

- 74ABT574 is broadside pinout version of 74ABT374
- Inputs and outputs on opposite side of package allow easy interface to microprocessors
- 3-State outputs for bus interfacing
- Common output enable
- Latch-up protection exceeds 500mA per Jedec JC40.2 Std 17
- ESD protection exceeds 2000 V per MIL STD 883C Method 3015.6 and 200 V per Machine Model

DESCRIPTION

The 74ABT574 high-performance BiCMOS device combines low static and dynamic power dissipation with high speed and high output drive.

The 74ABT574 device is an 8-bit, edge triggered register coupled to eight 3-State output buffers. The two sections of the device are controlled independently by clock (CP) and Output Enable (\overline{OE}) control gates. The state of each D input (one set-up time before the Low-

QUICK REFERENCE DATA

SYMBOL	PARAMETER	CONDITIONS $T_{amb} = 25^{\circ}C; GND = 0V$	TYPICAL	UNIT
t_{PLH} t_{PHL}	Propagation delay CP to Q_n	$C_L = 50pF; V_{CC} = 5V$	4.8	ns
C_{IN}	Input capacitance	$V_I = 0V$ or V_{CC}	4	pF
C_{OUT}	Output capacitance	$V_I = 0V$ or V_{CC}	7	pF
I_{CCZ}	Total supply current	Outputs Disabled; $V_{CC} = 5.5V$	500	nA

ORDERING INFORMATION

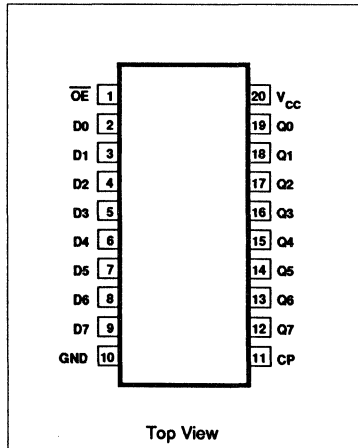
PACKAGES	TEMPERATURE RANGE	ORDER CODE
20-pin plastic DIP	-40°C to +85°C	74ABT574N
20-pin plastic SOL	-40°C to +85°C	74ABT574D

to-High clock transition) is transferred to the corresponding flip-flop's Q output.

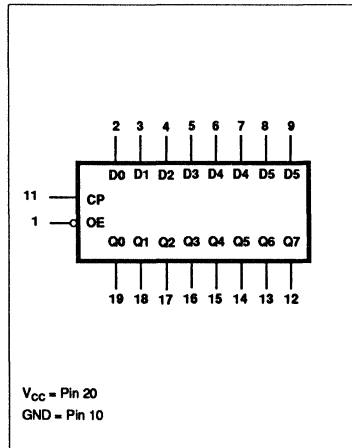
The 3-State output buffers are designed to drive heavily loaded 3-State buses, MOS memories, or MOS microprocessors. The active-Low Output Enable (\overline{OE}) controls all eight 3-State buffers

independent of the clock operation. When \overline{OE} is Low, the data appears at the outputs. When \overline{OE} is High, the outputs are in a high impedance "off" state, which means they will neither drive nor load the bus.

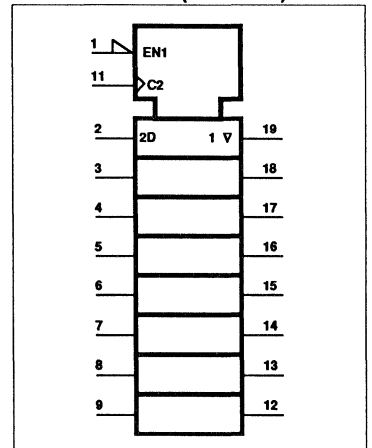
PIN CONFIGURATION



LOGIC SYMBOL



LOGIC SYMBOL (IEEE/IEC)



Octal D-type flip-flop (3-State)

74ABT574

PIN DESCRIPTION

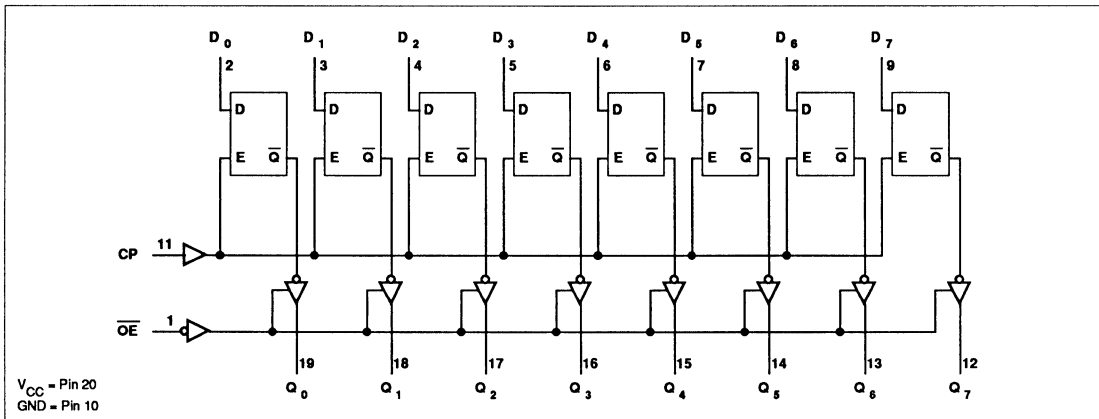
PIN NUMBER	SYMBOL	NAME AND FUNCTION
1	\overline{OE}	Output enable input (active Low)
2, 3, 4, 5 6, 7, 8, 9	D0 - D7	Data inputs
19, 18, 17, 16 15, 14, 13, 12	Q0 - Q7	3-State Outputs
11	CP	Clock Pulse input (active rising edge)
10	GND	Ground (0V)
20	V _{CC}	Positive supply voltage

FUNCTION TABLE

INPUTS			INTERNAL REGISTER	OUTPUTS	OPERATING MODE
\overline{OE}	CP	Dn		Q0 - Q7	
L	↑	l	L	L	Load and read register
L	↑	h	H	H	
L	↔	X	NC	NC	Hold
H	↑	Dn	Dn	Z	Disable outputs
H	X	X	X	Z	

- H = High voltage level
- h = High voltage level one set-up time prior to the High-to-Low E transition
- L = Low voltage level
- l = Low voltage level one set-up time prior to the High-to-Low E transition
- NC = No change
- X = Don't care
- Z = High impedance "off" state
- ↑ = Low-to-High clock transition
- ↔ = Not a Low-to-High clock transition

LOGIC DIAGRAM



Octal D-type flip-flop (3-State)

74ABT574

ABSOLUTE MAXIMUM RATINGS^{1, 2}

SYMBOL	PARAMETER	CONDITIONS	RATING	UNIT
V_{CC}	DC supply voltage		-0.5 to +7.0	V
I_{IK}	DC input diode current	$V_I < 0$	-18	mA
V_I	DC input voltage ³		-1.2 to +7.0	V
I_{OK}	DC output diode current	$V_O < 0$	-50	mA
V_{OUT}	DC output voltage ³	output in Off or High state	-0.5 to +5.5	V
I_{OUT}	DC output current	output in Low state	128	mA
T_{stg}	Storage temperature range		-65 to 150	°C

NOTES:

- Stresses beyond those listed may cause permanent damage to the device. These are stress ratings only and functional operation of the device at these or any other conditions beyond those indicated under "recommended operating conditions" is not implied. Exposure to absolute-maximum-rated conditions for extended periods may affect device reliability.
- The performance capability of a high-performance integrated circuit in conjunction with its thermal environment can create junction temperatures which are detrimental to reliability. The maximum junction temperature of this integrated circuit should not exceed 150°C.
- The input and output voltage ratings may be exceeded if the input and output current ratings are observed.

RECOMMENDED OPERATING CONDITIONS

SYMBOL	PARAMETER	LIMITS		UNIT
		Min	Max	
V_{CC}	DC supply voltage	4.5	5.5	V
V_I	Input voltage	0	V_{CC}	V
V_{IH}	High-level input voltage	2.0		V
V_{IL}	Input voltage		0.8	V
I_{OH}	High level output current		-32	mA
I_{OL}	Low level output current		64	mA
$\Delta t/\Delta v$	Input transition rise or fall rate	0	5	ns/V
T_{amb}	Operating free-air temperature range	-40	+85	°C

Octal D-type flip-flop (3-State)

74ABT574

DC ELECTRICAL CHARACTERISTICS

SYMBOL	PARAMETER	TEST CONDITIONS	LIMITS					UNIT
			T _{amb} = +25°C			T _{amb} = -40°C to +85°C		
			Min	Typ	Max	Min	Max	
V _{IK}	Input clamp voltage	V _{CC} = 4.5V; I _{IK} = -18mA		-0.9	-1.2		-1.2	V
V _{OH}	High-level output voltage	V _{CC} = 4.5V; I _{OH} = -3mA; V _I = V _{IL} or V _{IH}	2.5	2.9		2.5		V
		V _{CC} = 5.0V; I _{OH} = -3mA; V _I = V _{IL} or V _{IH}	3.0	3.4		3.0		
		V _{CC} = 4.5V; I _{OH} = -32mA; V _I = V _{IL} or V _{IH}	2.0	2.4		2.0		
V _{OL}	Low-level output voltage	V _{CC} = 4.5V; I _{OL} = 64mA; V _I = V _{IL} or V _{IH}		0.42	0.55		0.55	V
I _I	Input leakage current	V _{CC} = 5.5V; V _I = GND or 5.5V		±0.01	±1.0		±1.0	μA
I _{OZH}	3-State output High current	V _{CC} = 5.5V; V _O = 2.7V; V _I = V _{IL} or V _{IH}		5.0	50		50	μA
I _{OZL}	3-State output Low current	V _{CC} = 5.5V; V _O = 0.5V; V _I = V _{IL} or V _{IH}		-5.0	-50		-50	μA
I _O	Short-circuit output current ¹	V _{CC} = 5.5V; V _O = 2.5V	-50	-100	-180	-50	-180	mA
I _{CCH}	Quiescent supply current	V _{CC} = 5.5V; Outputs High; V _I = GND or V _{CC}		0.5	50		50	μA
I _{CCL}		V _{CC} = 5.5V; Outputs Low; V _I = GND or V _{CC}		24	30		30	mA
I _{CCZ}		V _{CC} = 5.5V; Outputs 3-State; V _I = GND or V _{CC}		0.5	50		50	μA
ΔI _{CC}	Additional supply current per input pin ²	V _{CC} = 5.5V; One input at 3.4V, other inputs at V _{CC} or GND		0.5	1.5		1.5	mA

NOTES:

1. Not more than one output should be tested at a time, and the duration of the test should not exceed one second.
2. This is the increase in supply current for each input at 3.4V.

Octal D-type flip-flop (3-State)

74ABT574

AC CHARACTERISTICS

GND = 0V; $t_R = t_F = 2.5\text{ns}$; $C_L = 50\text{pF}$, $R_L = 500\Omega$

SYMBOL	PARAMETER	WAVEFORM	LIMITS					UNIT
			$T_{\text{amb}} = +25^\circ\text{C}$ $V_{\text{CC}} = +5.0\text{V}$			$T_{\text{amb}} = -40^\circ\text{C to } +85^\circ\text{C}$ $V_{\text{CC}} = +5.0\text{V} \pm 0.5\text{V}$		
			Min	Typ	Max	Min	Max	
f_{MAX}	Maximum Clock frequency	Waveform 1	150	200		150		MHz
t_{PLH} t_{PHL}	Propagation delay CP to Qn	Waveform 1	2.2 3.0	3.9 4.8	6.2 6.6	2.2 3.0	6.8 7.1	ns
t_{PZH} t_{PZL}	Output enable time to High and Low level	Waveform 3 Waveform 4	1.0 2.5	3.3 4.7	4.3 5.9	1.0 2.5	5.1 6.7	ns
t_{PHZ} t_{PLZ}	Output disable time from High and Low level	Waveform 3 Waveform 4	2.4 2.0	4.9 4.0	6.2 5.8	2.4 2.0	7.0 6.5	ns

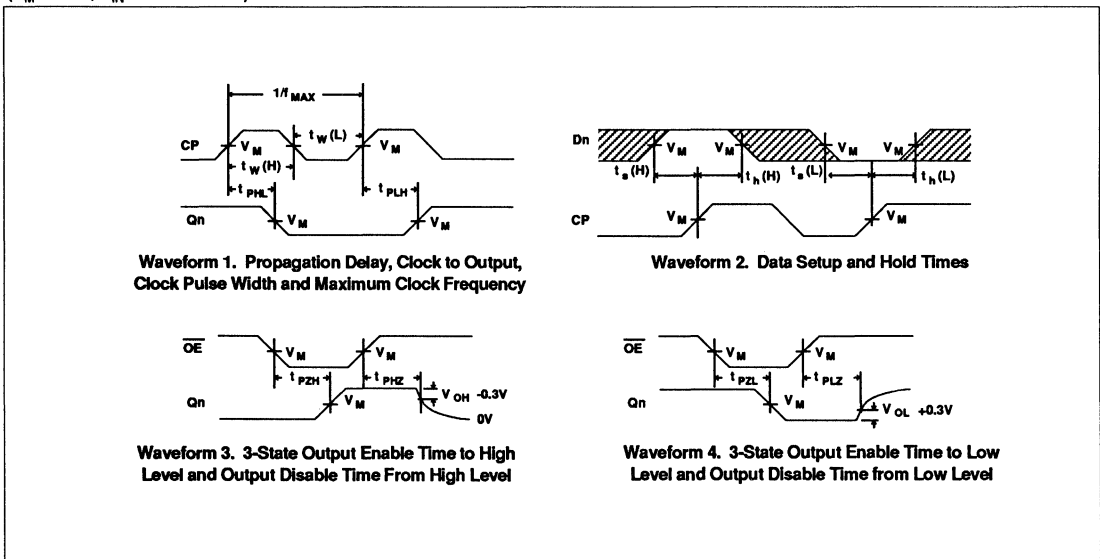
AC SETUP REQUIREMENTS

GND = 0V; $t_R = t_F = 2.5\text{ns}$; $C_L = 50\text{pF}$, $R_L = 500\Omega$

SYMBOL	PARAMETER	WAVEFORM	LIMITS					UNIT
			$T_{\text{amb}} = +25^\circ\text{C}$ $V_{\text{CC}} = +5.0\text{V}$			$T_{\text{amb}} = -40^\circ\text{C to } +85^\circ\text{C}$ $V_{\text{CC}} = +5.0\text{V} \pm 0.5\text{V}$		
			Min	Typ	Max	Min	Max	
$t_s(\text{H})$ $t_s(\text{L})$	Set-up time Dn to CP	Waveform 2	1.0 1.5			1.0 1.5		ns
$t_h(\text{H})$ $t_h(\text{L})$	Hold time Dn to CP	Waveform 2	1.0 1.0			1.0 1.0		ns
$t_w(\text{H})$ $t_w(\text{L})$	CP pulse width, High or Low	Waveform 1	3.3 3.3			3.3 3.3		ns

AC WAVEFORMS

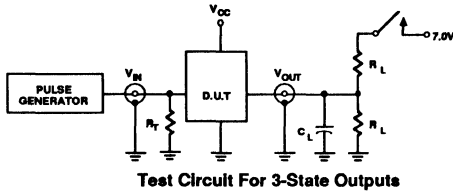
($V_M = 1.5\text{V}$, $V_{\text{IN}} = \text{GND to } 3.0\text{V}$)



Octal D-type flip-flop (3-State)

74ABT574

TEST CIRCUIT AND WAVEFORMS



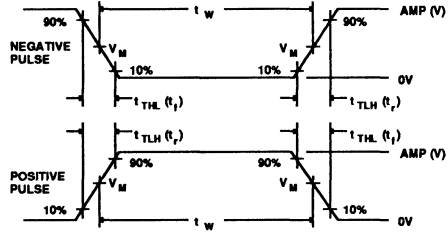
Test Circuit For 3-State Outputs

SWITCH POSITION

TEST	SWITCH
t_{PLZ}	closed
t_{pZL}	closed
All other	open

DEFINITIONS

- R_L = Load resistor; see AC CHARACTERISTICS for value.
- C_L = Load capacitance includes jig and probe capacitance; see AC CHARACTERISTICS for value.
- R_T = Termination resistance should be equal to Z_{OUT} of pulse generators.



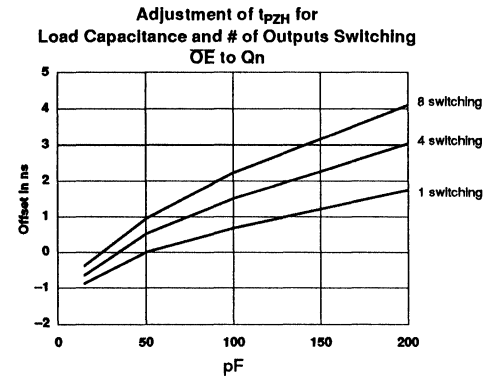
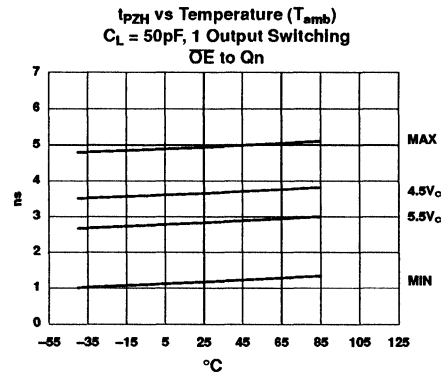
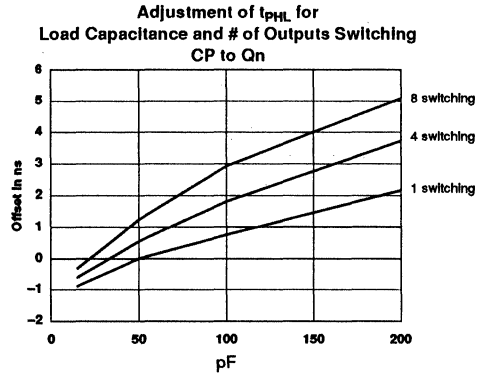
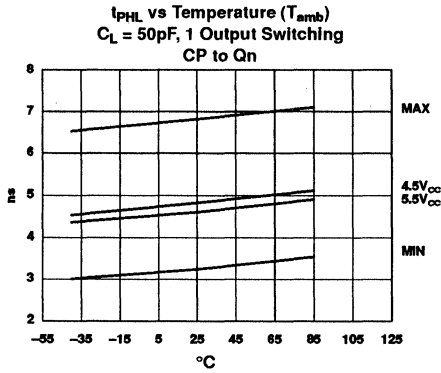
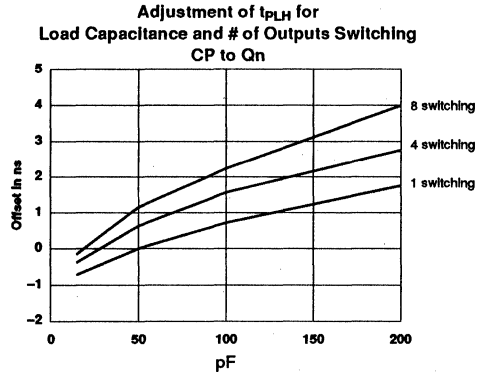
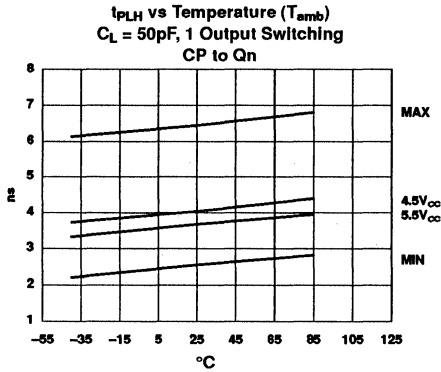
$V_M = 1.5V$

Input Pulse Definition

FAMILY	INPUT PULSE REQUIREMENTS				
	Amplitude	Rep. Rate	t_W	t_R	t_F
74ABT	3.0V	1MHz	500ns	2.5ns	2.5ns

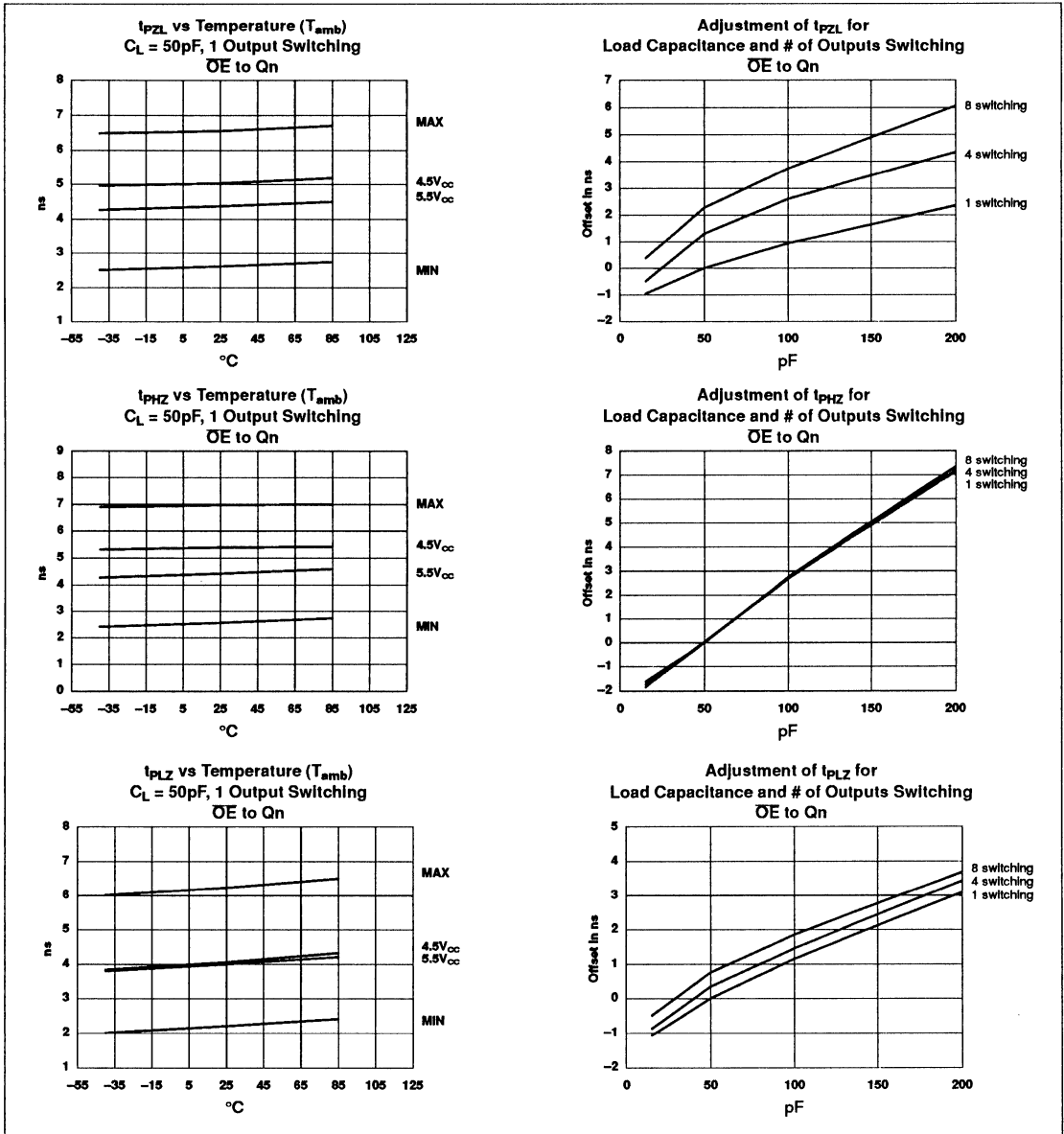
Octal D-type flip-flop (3-State)

74ABT574



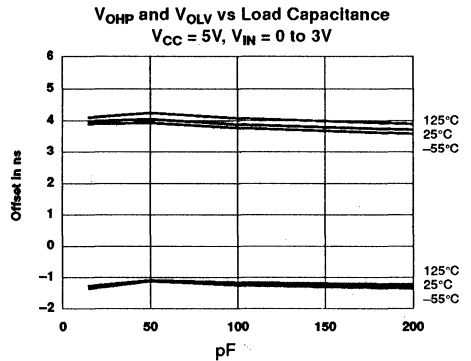
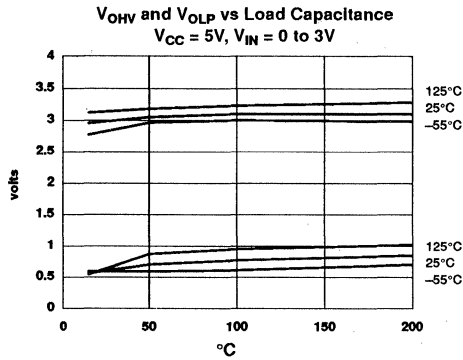
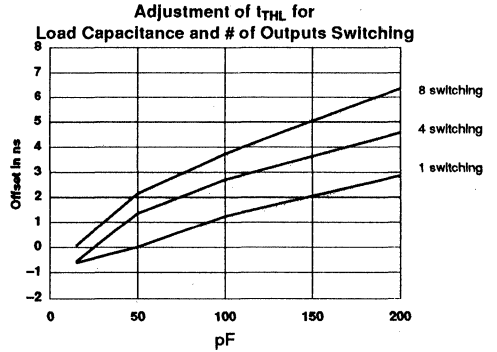
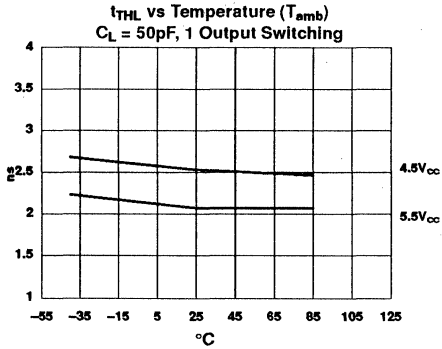
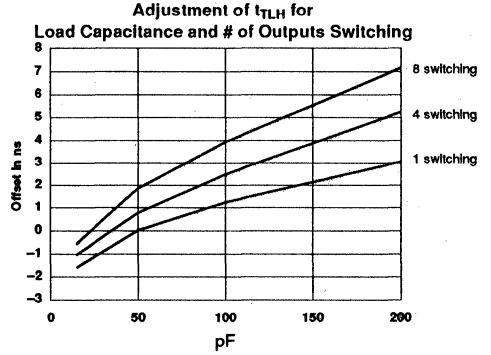
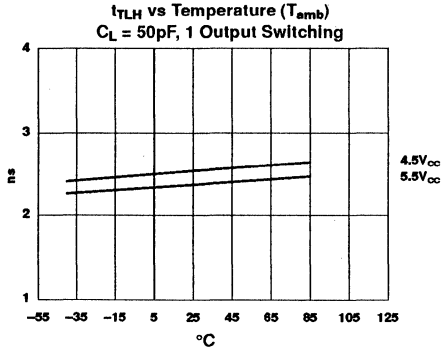
Octal D-type flip-flop (3-State)

74ABT574



Octal D-type flip-flop (3-State)

74ABT574



Octal transceiver with dual enable, inverting

74ABT620

FEATURES

- Octal bidirectional bus interface
- 3-State buffer outputs sink 64mA and source 32mA
- Latch-up protection exceeds 500mA per Jeduc JC40.2 Std 17
- ESD protection exceeds 2000 V per MIL STD 883C Method 3015.6 and 200 V per Machine Model

DESCRIPTION

The 74ABT620 high-performance BiCMOS device combines low static and dynamic power dissipation with high speed and high output drive.

The 74ABT620 device is an octal transceiver featuring inverting 3-State bus compatible outputs in both send and receive directions. The 74ABT620 is designed for asynchronous two-way communication between data buses. The control function implementation allows for maximum flexibility in timing. This device allows data transmission from the A bus to the B bus or from the B bus to the A bus, depending upon the logic levels at the Enable inputs (\overline{OEBA} and OEAB). The Enable inputs can be used to disable the device so that the buses are effectively isolated.

QUICK REFERENCE DATA

SYMBOL	PARAMETER	CONDITIONS $T_{amb} = 25^{\circ}\text{C}; \text{GND} = 0\text{V}$	TYPICAL	UNIT
t_{PLH} t_{PHL}	Propagation delay An to Bn, or Bn to An	$C_L = 50\text{pF}; V_{CC} = 5\text{V}$	3.5	ns
C_{IN}	Input capacitance OE, \overline{OE}	$V_I = 0\text{V}$ or V_{CC}	4	pF
C_{OUT}	I/O capacitance	$V_I = 0\text{V}$ or V_{CC}	7	pF
I_{CCZ}	Total supply current	Outputs Disabled; $V_{CC} = 5.5\text{V}$	500	nA

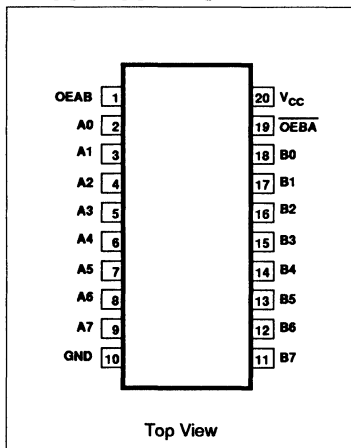
ORDERING INFORMATION

PACKAGES	TEMPERATURE RANGE	ORDER CODE
20-pin plastic DIP	-40°C to +85°C	74ABT620N
20-pin plastic SOL	-40°C to +85°C	74ABT620D

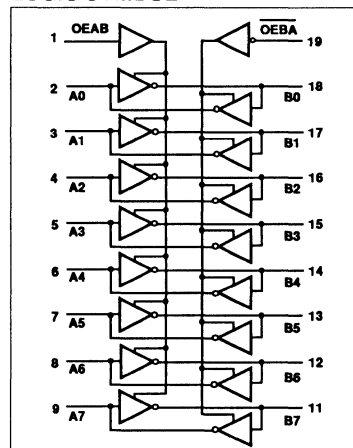
PIN DESCRIPTION

PIN NUMBER	SYMBOL	NAME AND FUNCTION
1	OEAB	Output Enable input
2, 3, 4, 5 6, 7, 8, 9	A0 - A7	Data inputs/outputs (A side)
18, 17, 16, 15 14, 13, 12, 11	B0 - B7	Data inputs/outputs (B side)
19	\overline{OEBA}	Output Enable input
10	GND	Ground (0V)
20	V_{CC}	Positive supply voltage

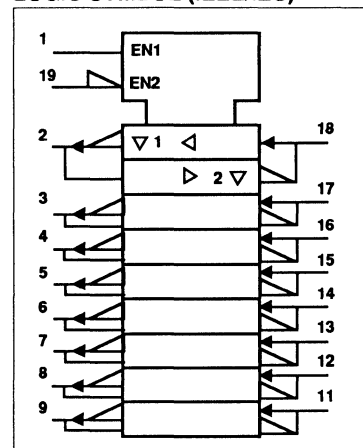
PIN CONFIGURATION



LOGIC SYMBOL



LOGIC SYMBOL (IEEE/IEC)



Octal transceiver with dual enable, inverting

74ABT620

FUNCTION TABLE

INPUTS		INPUTS / OUTPUTS	
OEBA	OEAB	A _n	B _n
L	L	\bar{B}_n	Inputs
H	H	Inputs	\bar{A}_n
H	L	Z	Z
L	H	\bar{B}_n Inputs or Inputs	Inputs \bar{A}_n

ABSOLUTE MAXIMUM RATINGS^{1, 2}

SYMBOL	PARAMETER	CONDITIONS	RATING	UNIT
V _{CC}	DC supply voltage		-0.5 to +7.0	V
I _{IK}	DC input diode current	V _I < 0	-18	mA
V _I	DC input voltage ³		-1.2 to +7.0	V
I _{OK}	DC output diode current	V _O < 0	-50	mA
V _{OUT}	DC output voltage ³	output in Off or High state	-0.5 to +5.5	V
I _{OUT}	DC output current	output in Low state	128	mA
T _{stg}	Storage temperature range		-65 to 150	°C

NOTES:

- Stresses beyond those listed may cause permanent damage to the device. These are stress ratings only and functional operation of the device at these or any other conditions beyond those indicated under "recommended operating conditions" is not implied. Exposure to absolute-maximum-rated conditions for extended periods may affect device reliability.
- The performance capability of a high-performance integrated circuit in conjunction with its thermal environment can create junction temperatures which are detrimental to reliability. The maximum junction temperature of this integrated circuit should not exceed 150°C.
- The input and output voltage ratings may be exceeded if the input and output current ratings are observed.

RECOMMENDED OPERATING CONDITIONS

SYMBOL	PARAMETER	LIMITS		UNIT
		Min	Max	
V _{CC}	DC supply voltage	4.5	5.5	V
V _I	Input voltage	0	V _{CC}	V
V _{IH}	High-level input voltage	2.0		V
V _{IL}	Input voltage		0.8	V
I _{OH}	High level output current		-32	mA
I _{OL}	Low level output current		64	mA
Δt/Δv	Input transition rise or fall rate	0	5	ns/V
T _{amb}	Operating free-air temperature range	-40	+85	°C

Octal transceiver with dual enable, inverting

74ABT620

DC ELECTRICAL CHARACTERISTICS

SYMBOL	PARAMETER	TEST CONDITIONS	LIMITS					UNIT	
			T _{amb} = +25°C			T _{amb} = -40°C to +85°C			
			Min	Typ	Max	Min	Max		
V _{IK}	Input clamp voltage	V _{CC} = 4.5V; I _{IK} = -18mA		-0.9	-1.2		-1.2	V	
V _{OH}	High-level output voltage	V _{CC} = 4.5V; I _{OH} = -3mA; V _I = V _{IL} or V _{IH}	2.5	2.9		2.5		V	
		V _{CC} = 5.0V; I _{OH} = -3mA; V _I = V _{IL} or V _{IH}	3.0	3.4		3.0			
		V _{CC} = 4.5V; I _{OH} = -32mA; V _I = V _{IL} or V _{IH}	2.0	2.4		2.0			
V _{OL}	Low-level output voltage	V _{CC} = 4.5V; I _{OL} = 64mA; V _I = V _{IL} or V _{IH}		0.42	0.55		0.55	V	
I _I	Input leakage current	Control pins	V _{CC} = 5.5V; V _I = GND or 5.5V			±0.01	±1.0	±1.0	μA
		Data pins	V _{CC} = 5.5V; V _I = GND or 5.5V			5	100	100	
I _{IH} + I _{OZH}	3-State output High current	V _{CC} = 5.5V; V _O = 2.7V; V _I = V _{IL} or V _{IH}		5.0	50		50	μA	
I _{IL} + I _{OZL}	3-State output Low current	V _{CC} = 5.5V; V _O = 0.5V; V _I = V _{IL} or V _{IH}		-5.0	-50		-50	μA	
I _O	Short-circuit output current ¹	V _{CC} = 5.5V; V _O = 2.5V	-50	-100	-180	-50	-180	mA	
I _{CCH}	Quiescent supply current	V _{CC} = 5.5V; Outputs High; V _I = GND or V _{CC}		0.5	50		50	μA	
I _{CCL}		V _{CC} = 5.5V; Outputs Low; V _I = GND or V _{CC}		24	30		30	mA	
I _{CCZ}		V _{CC} = 5.5V; Outputs 3-State; V _I = GND or V _{CC}		0.5	50		50	μA	
ΔI _{CC}	Additional supply current per input pin ²	Outputs enabled, one input at 3.4V, other inputs at V _{CC} or GND; V _{CC} = 5.5V		0.5	1.5		1.5	mA	
		Outputs 3-State, one data input at 3.4V, other inputs at V _{CC} or GND; V _{CC} = 5.5V		0.5	50		50	μA	
		Outputs 3-State, one enable input at 3.4V, other inputs at V _{CC} or GND; V _{CC} = 5.5V		0.5	1.5		1.5	mA	

NOTES:

- Not more than one output should be tested at a time, and the duration of the test should not exceed one second.
- This is the increase in supply current for each input at 3.4V.

Octal transceiver with dual enable, non-inverting (3-State)

74ABT623

FEATURES

- Octal bidirectional bus interface
- 3-State buffers
- Output capability: +64 mA/-32mA
- Latch-up protection exceeds 500mA per Jedec JC40.2 Std 17
- ESD protection exceeds 2000 V per MIL STD 883C Method 3015.6 and 200 V per Machine Model

DESCRIPTION

The 74ABT623 high-performance BiCMOS device combines low static and dynamic power dissipation with high speed and high output drive.

The 74ABT623 device is an octal transceiver featuring non-inverting 3-State bus compatible outputs in both send and receive directions. The 74ABT623 is designed for asynchronous two-way communication between data buses. *(continued)*

FUNCTION TABLE

INPUTS		INPUTS/OUTPUTS	
\overline{OEBA}	OEAB	An	Bn
L	L	A = B	Inputs
H	H	Inputs	B = A
H	L	Z	Z
L	H	A=B	B=A

QUICK REFERENCE DATA

SYMBOL	PARAMETER	CONDITIONS $T_{amb} = 25^{\circ}C; GND = 0V$	TYPICAL	UNIT
t_{PLH} t_{PHL}	Propagation delay An to Bn, or Bn to An	$C_L = 50pF; V_{CC} = 5V$	2.9	ns
C_{OExx}	Input capacitance	$V_I = 0V$ or V_{CC}	4	pF
C_{iO}	I/O pin capacitance	$V_I = 0V$ or V_{CC}	7	pF
I_{CCZ}	Total supply current	Outputs Disabled; $V_{CC} = 5.5V$	500	nA

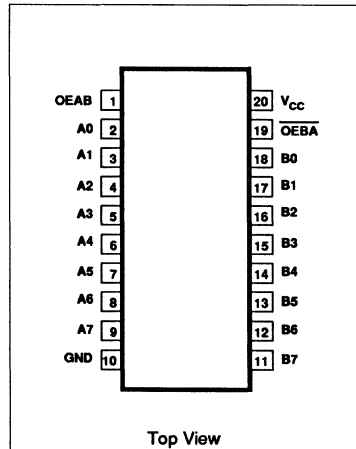
ORDERING INFORMATION

PACKAGES	TEMPERATURE RANGE	ORDER CODE
20-pin plastic DIP	-40°C to +85°C	74ABT623N
20-pin plastic SOL	-40°C to +85°C	74ABT623D

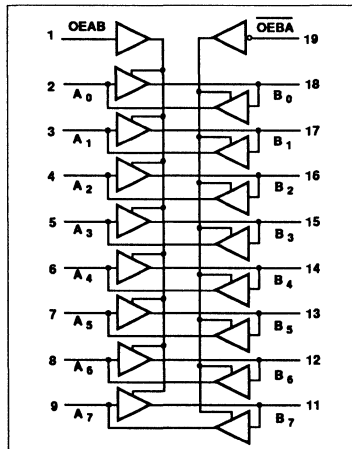
PIN DESCRIPTION

PIN NUMBER	SYMBOL	FUNCTION
1	OEAB	Output Enable input
2, 3, 4, 5 6, 7, 8, 9	A0 - A7	Data inputs/outputs (A side)
18, 17, 16, 15 14, 13, 12, 11	B0 - B7	Data inputs/outputs (B side)
19	\overline{OEBA}	Output Enable input
10	GND	Ground (0V)
20	V_{CC}	Positive supply voltage

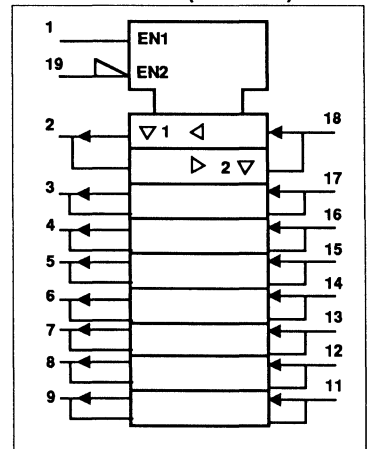
PIN CONFIGURATION



LOGIC SYMBOL



LOGIC SYMBOL (IEEE/IEC)



Octal transceiver with dual enable, non-inverting (3-State)

74ABT623

The control function implementation allows for maximum flexibility in timing. This device allows data transmission

from the A bus to the B bus or from the B bus to the A bus, depending upon the logic levels at the Enable inputs (OEBA

and OEAB). The Enable inputs can be used to disable the device so that the buses are effectively isolated.

ABSOLUTE MAXIMUM RATINGS^{1, 2}

SYMBOL	PARAMETER	CONDITIONS	RATING	UNIT
V_{CC}	DC supply voltage		-0.5 to +7.0	V
I_{IK}	DC input diode current	$V_I < 0$	-18	mA
V_I	DC input voltage ³		-1.2 to +7.0	V
I_{OK}	DC output diode current	$V_O < 0$	-50	mA
V_{OUT}	DC output voltage ³	output in Off or High state	-0.5 to +5.5	V
I_{OUT}	DC output current	output in Low state	128	mA
T_{stg}	Storage temperature range		-65 to 150	°C

NOTES:

- Stresses beyond those listed may cause permanent damage to the device. These are stress ratings only and functional operation of the device at these or any other conditions beyond those indicated under "recommended operating conditions" is not implied. Exposure to absolute-maximum-rated conditions for extended periods may affect device reliability.
- The performance capability of a high-performance integrated circuit in conjunction with its thermal environment can create junction temperatures which are detrimental to reliability. The maximum junction temperature of this integrated circuit should not exceed 150°C.
- The input and output voltage ratings may be exceeded if the input and output current ratings are observed.

RECOMMENDED OPERATING CONDITIONS

SYMBOL	PARAMETER	LIMITS		UNIT
		Min	Max	
V_{CC}	DC supply voltage	4.5	5.5	V
V_I	Input voltage	0	V_{CC}	V
V_{IH}	High-level input voltage	2.0		V
V_{IL}	Input voltage		0.8	V
I_{OH}	High level output current		-32	mA
I_{OL}	Low level output current		64	mA
$\Delta t/\Delta v$	Input transition rise or fall rate	0	5	ns/V
T_{amb}	Operating free-air temperature range	-40	+85	°C

Octal transceiver with dual enable, non-inverting (3-State)

74ABT623

DC ELECTRICAL CHARACTERISTICS

SYMBOL	PARAMETER	TEST CONDITIONS	LIMITS					UNIT
			T _{amb} = +25°C			T _{amb} = -40°C to +85°C		
			Min	Typ	Max	Min	Max	
V _{IK}	Input clamp voltage	V _{CC} = 4.5V; I _{IK} = -18mA		-0.9	-1.2		-1.2	V
V _{OH}	High-level output voltage	V _{CC} = 4.5V; I _{OH} = -3mA; V _I = V _{IL} or V _{IH}	2.5	2.9		2.5		V
		V _{CC} = 5.0V; I _{OH} = -3mA; V _I = V _{IL} or V _{IH}	3.0	3.4		3.0		
		V _{CC} = 4.5V; I _{OH} = -32mA; V _I = V _{IL} or V _{IH}	2.0	2.4		2.0		
V _{OL}	Low-level output voltage	V _{CC} = 4.5V; I _{OL} = 64mA; V _I = V _{IL} or V _{IH}		0.42	0.55		0.55	V
I _I	Input leakage current	Control pins V _{CC} = 5.5V; V _I = GND or 5.5V		±0.01	±1.0		±1.0	µA
		Data pins V _{CC} = 5.5V; V _I = GND or 5.5V		5	100		100	
I _{IH} + I _{OZH}	3-State output High current	V _{CC} = 5.5V; V _O = 2.7V; V _I = V _{IL} or V _{IH}		5.0	50		50	µA
I _{IL} + I _{OZL}	3-State output Low current	V _{CC} = 5.5V; V _O = 0.5V; V _I = V _{IL} or V _{IH}		-5.0	-50		-50	µA
I _O	Short-circuit output current ¹	V _{CC} = 5.5V; V _O = 2.5V	-50	-100	-180	-50	-180	mA
I _{CCH}	Quiescent supply current	V _{CC} = 5.5V; Outputs High; V _I = GND or V _{CC}		0.5	50		50	µA
I _{CCL}		V _{CC} = 5.5V; Outputs Low; V _I = GND or V _{CC}		24	30		30	mA
I _{CCZ}		V _{CC} = 5.5V; Outputs 3-State; V _I = GND or V _{CC}		0.5	50		50	µA
ΔI _{CC}	Additional supply current per input pin ²	Outputs enabled, one input at 3.4V, other inputs at V _{CC} or GND; V _{CC} = 5.5V		0.5	1.5		1.5	mA
		Outputs 3-State, one data input at 3.4V, other inputs at V _{CC} or GND; V _{CC} = 5.5V		0.5	50		50	µA
		Outputs 3-State, one enable input at 3.4V, other inputs at V _{CC} or GND; V _{CC} = 5.5V		0.5	1.5		1.5	mA

NOTES:

- Not more than one output should be tested at a time, and the duration of the test should not exceed one second.
- This is the increase in supply current for each input at 3.4V.

Octal transceiver with dual enable, non-inverting (3-State)

74ABT623

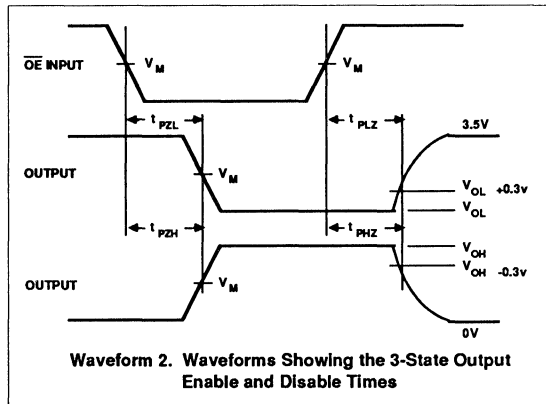
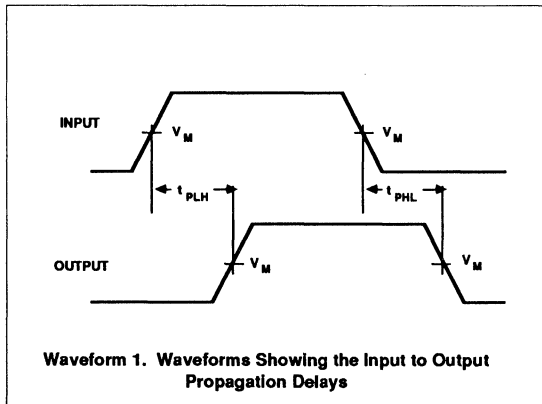
AC CHARACTERISTICS

GND = 0V; $t_R = t_F = 2.5\text{ns}$; $C_L = 50\text{pF}$, $R_L = 500\Omega$

SYMBOL	PARAMETER	WAVEFORM	LIMITS					UNIT
			$T_{\text{amb}} = +25^\circ\text{C}$ $V_{CC} = +5.0\text{V}$			$T_{\text{amb}} = -40^\circ\text{C to } +85^\circ\text{C}$ $V_{CC} = +5.0\text{V} \pm 0.5\text{V}$		
			Min	Typ	Max	Min	Max	
t_{PLH} t_{PHL}	Propagation delay An to Bn or Bn to An	1	1.0	2.8	4.1	1.0	4.6	ns
t_{PZH} t_{PZL}	Output enable time to High and Low level	2	1.7	4.8	6.5	1.7	7.5	ns
t_{PHZ} t_{PLZ}	Output disable time from High and Low level	2	1.7	5.0	6.5	1.7	7.5	ns

AC WAVEFORMS

($V_M = 1.5\text{V}$, $V_{IN} = \text{GND to } 3.0\text{V}$)



TEST CIRCUIT AND WAVEFORMS

Test Circuit For 3-State Outputs

Input Pulse Definition

$V_M = 1.5\text{V}$

SWITCH POSITION

TEST	SWITCH
t_{PLZ}	closed
t_{PZL}	closed
All other	open

DEFINITIONS

$R_L =$ Load resistor; see AC CHARACTERISTICS for value.

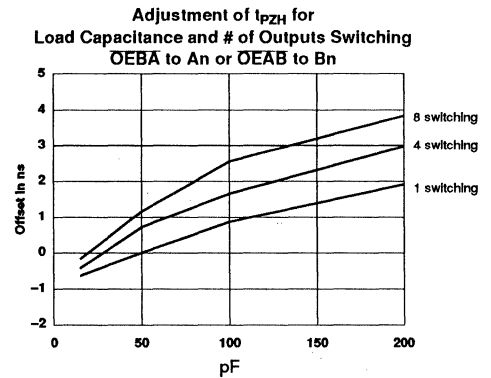
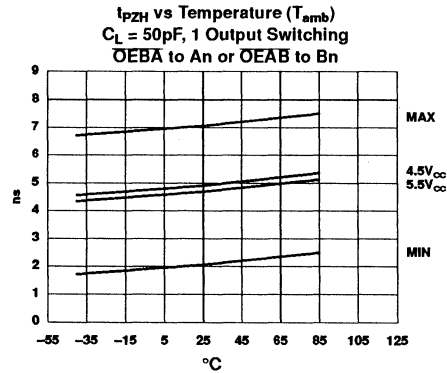
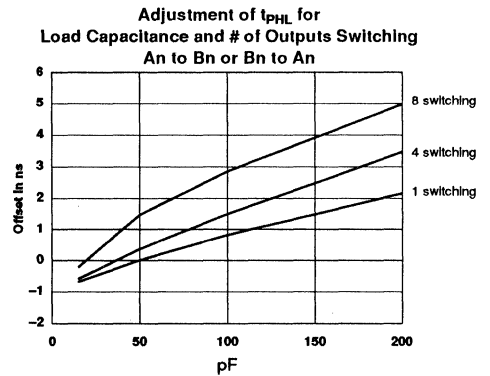
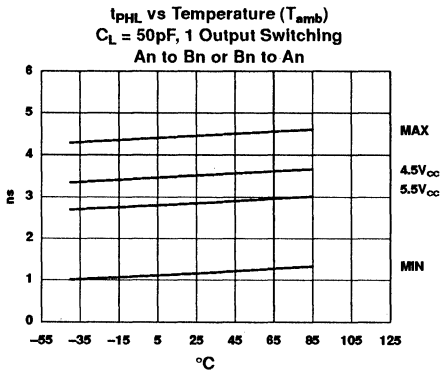
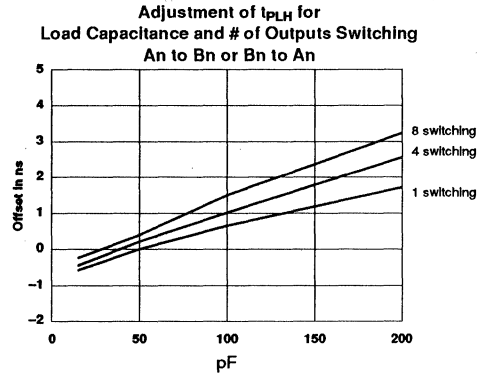
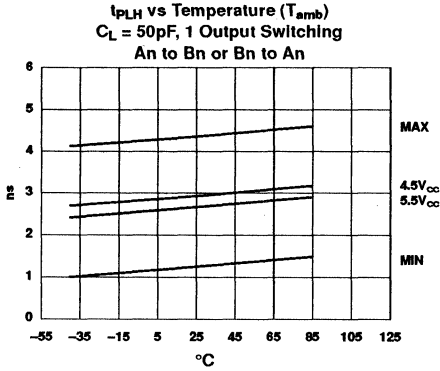
$C_L =$ Load capacitance includes jig and probe capacitance; see AC CHARACTERISTICS for value.

$R_T =$ Termination resistance should be equal to Z_{OUT} of pulse generators.

FAMILY	INPUT PULSE REQUIREMENTS				
	Amplitude	Rep. Rate	t_w	t_R	t_F
74ABT	3.0V	1MHz	500ns	2.5ns	2.5ns

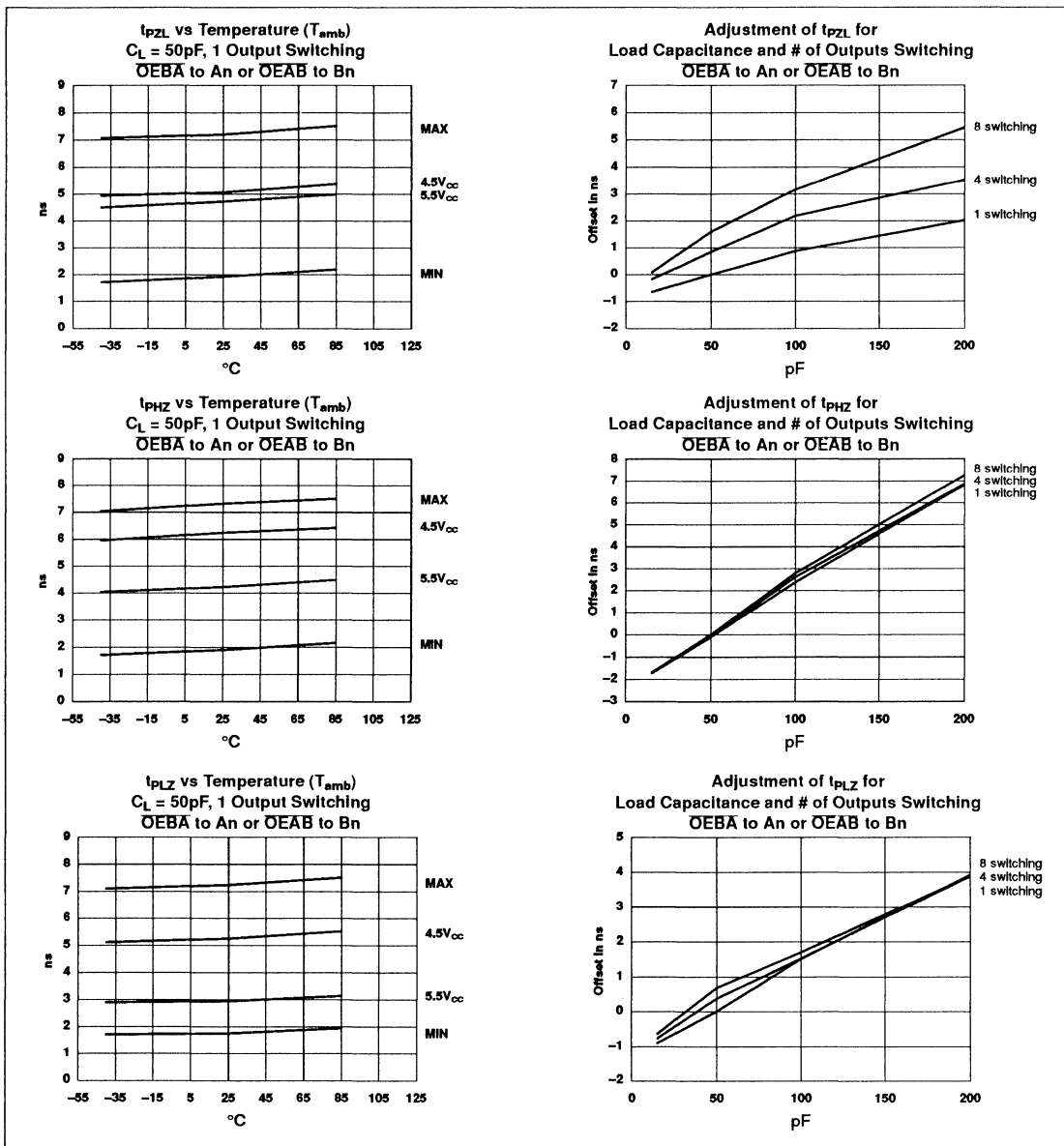
Octal transceiver with dual enable, non-inverting (3-State)

74ABT623



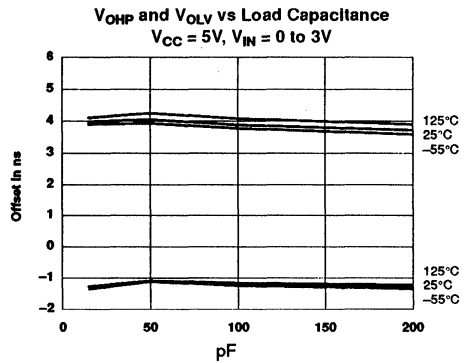
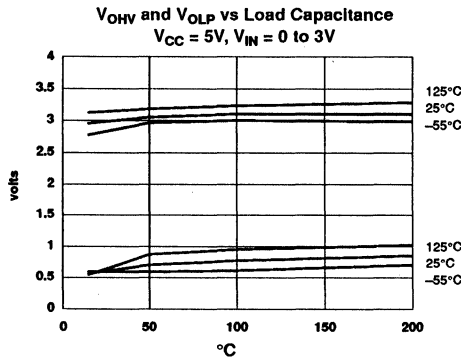
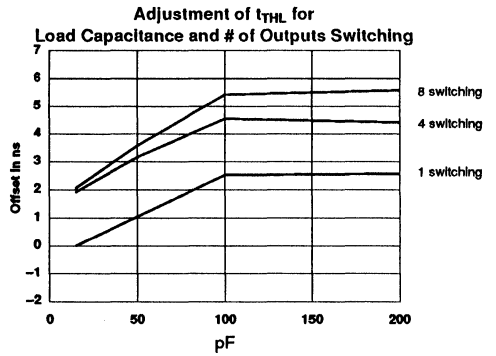
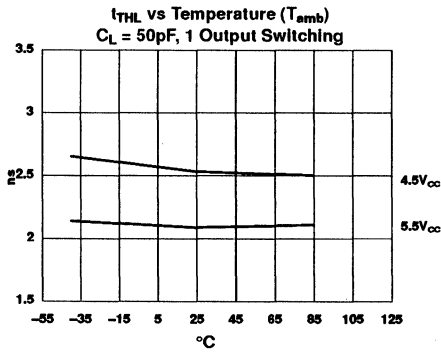
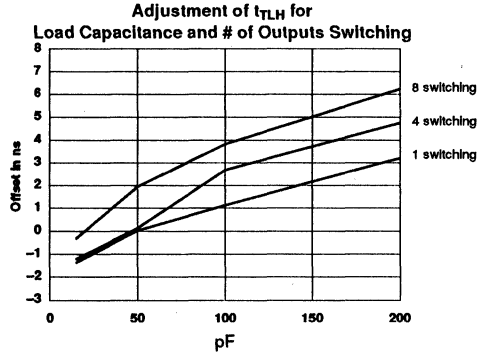
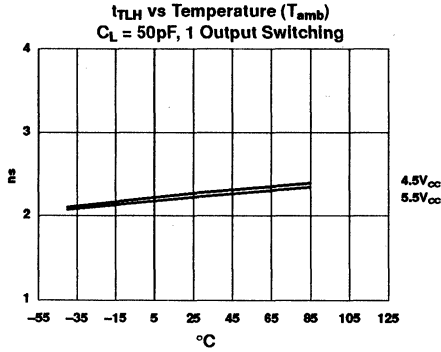
Octal transceiver with dual enable, non-inverting (3-State)

74ABT623



Octal transceiver with dual enable, non-inverting (3-State)

74ABT623



Octal transceiver with direction pin, inverting (3-State)

74ABT640

FEATURES

- Octal bidirectional bus interface
- Output capability: +64 mA/-32mA
- Latch-up protection exceeds 500mA per Jedec JC40.2 Std 17
- ESD protection exceeds 2000 V per MIL STD 883C Method 3015.6 and 200 V per Machine Model

DESCRIPTION

The 74ABT640 high-performance BiCMOS device combines low static and dynamic power dissipation with high speed and high output drive.

The 74ABT640 device is an octal transceiver featuring inverting 3-State bus compatible outputs in both send and receive directions. The control function implementation minimizes external timing requirements. The device features an Output Enable (\overline{OE}) input for easy cascading and a Direction (DIR) input for direction control.

FUNCTION TABLE

INPUTS		INPUTS/OUTPUTS	
\overline{OE}	DIR	A _n	B _n
L	L	\overline{B}_n	Inputs
L	H	Inputs	\overline{A}_n
H	X	Z	Z

QUICK REFERENCE DATA

SYMBOL	PARAMETER	CONDITIONS $T_{amb} = 25^\circ\text{C}; \text{GND} = 0\text{V}$	TYPICAL	UNIT
t_{PLH} t_{PHL}	Propagation delay A _n to B _n , or B _n to A _n	$C_L = 50\text{pF}; V_{CC} = 5\text{V}$	3.5	ns
C_{IN}	Input capacitance DIR, \overline{OE}	$V_I = 0\text{V}$ or V_{CC}	4	pF
C_{IO}	I/O capacitance	$V_I = 0\text{V}$ or V_{CC}	7	pF
I_{CCZ}	Total supply current	Outputs Disabled; $V_{CC} = 5.5\text{V}$	500	nA

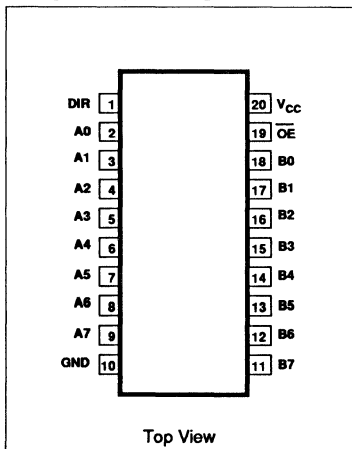
ORDERING INFORMATION

PACKAGES	TEMPERATURE RANGE	ORDER CODE
20-pin plastic DIP	-40°C to +85°C	74ABT640N
20-pin plastic SOL	-40°C to +85°C	74ABT640D

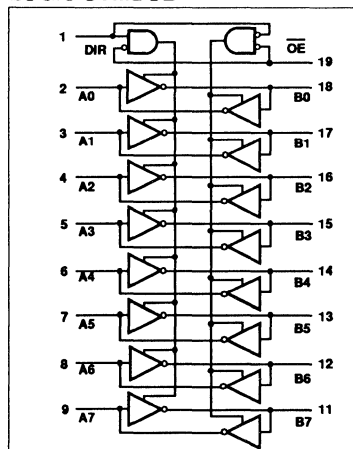
PIN DESCRIPTION

PIN NUMBER	SYMBOL	NAME AND FUNCTION
1	DIR	Direction control input
2, 3, 4, 5 6, 7, 8, 9	A0 - A7	Data inputs/outputs (A side)
18, 17, 16, 15 14, 13, 12, 11	B0 - B7	Data inputs/outputs (B side)
19	\overline{OE}	Output enable
10	GND	Ground (0V)
20	V_{CC}	Positive supply voltage

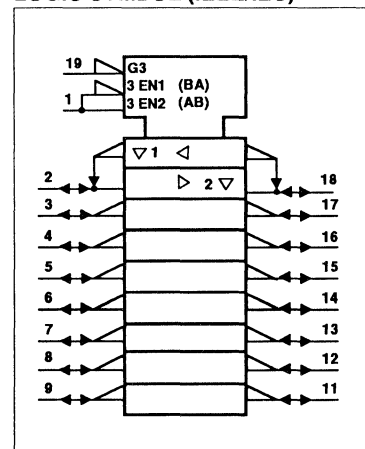
PIN CONFIGURATION



LOGIC SYMBOL



LOGIC SYMBOL (IEEE/IEC)



Octal transceiver with direction pin, inverting (3-State)

74ABT640

ABSOLUTE MAXIMUM RATINGS^{1, 2}

SYMBOL	PARAMETER	CONDITIONS	RATING	UNIT
V_{CC}	DC supply voltage		-0.5 to +7.0	V
I_{IK}	DC input diode current	$V_I < 0$	-18	mA
V_I	DC input voltage ³		-1.2 to +7.0	V
I_{OK}	DC output diode current	$V_O < 0$	-50	mA
V_{OUT}	DC output voltage ³	output in Off or High state	-0.5 to +5.5	V
I_{OUT}	DC output current	output in Low state	128	mA
T_{stg}	Storage temperature range		-65 to 150	°C

NOTES:

- Stresses beyond those listed may cause permanent damage to the device. These are stress ratings only and functional operation of the device at these or any other conditions beyond those indicated under "recommended operating conditions" is not implied. Exposure to absolute-maximum-rated conditions for extended periods may affect device reliability.
- The performance capability of a high-performance integrated circuit in conjunction with its thermal environment can create junction temperatures which are detrimental to reliability. The maximum junction temperature of this integrated circuit should not exceed 150°C.
- The input and output voltage ratings may be exceeded if the input and output current ratings are observed.

RECOMMENDED OPERATING CONDITIONS

SYMBOL	PARAMETER	LIMITS		UNIT
		Min	Max	
V_{CC}	DC supply voltage	4.5	5.5	V
V_I	Input voltage	0	V_{CC}	V
V_{IH}	High-level input voltage	2.0		V
V_{IL}	Input voltage		0.8	V
I_{OH}	High level output current		-32	mA
I_{OL}	Low level output current		64	mA
$\Delta V/\Delta t$	Input transition rise or fall rate	0	5	ns/V
T_{amb}	Operating free-air temperature range	-40	+85	°C

Octal transceiver with direction pin, inverting (3-State)

74ABT640

DC ELECTRICAL CHARACTERISTICS

SYMBOL	PARAMETER		TEST CONDITIONS	LIMITS					UNIT
				T _{amb} = +25°C			T _{amb} = -40°C to +85°C		
				Min	Typ	Max	Min	Max	
V _{IK}	Input clamp voltage		V _{CC} = 4.5V; I _{IK} = -18mA		-0.9	-1.2		-1.2	V
V _{OH}	High-level output voltage		V _{CC} = 4.5V; I _{OH} = -3mA; V _I = V _{IL} or V _{IH}	2.5	2.9		2.5		V
			V _{CC} = 5.0V; I _{OH} = -3mA; V _I = V _{IL} or V _{IH}	3.0	3.4		3.0		
			V _{CC} = 4.5V; I _{OH} = -32mA; V _I = V _{IL} or V _{IH}	2.0	2.4		2.0		
V _{OL}	Low-level output voltage		V _{CC} = 4.5V; I _{OL} = 64mA; V _I = V _{IL} or V _{IH}		0.42	0.55		0.55	V
I _I	Input leakage current	Control pins	V _{CC} = 5.5V; V _I = GND or 5.5V		±0.01	±1.0		±1.0	μA
		Data pins	V _{CC} = 5.5V; V _I = GND or 5.5V		5	100		100	
I _{IH} + I _{OZH}	3-State output High current		V _{CC} = 5.5V; V _O = 2.7V; V _I = V _{IL} or V _{IH}		5.0	50		50	μA
I _{IL} + I _{OZL}	3-State output Low current		V _{CC} = 5.5V; V _O = 0.5V; V _I = V _{IL} or V _{IH}		-5.0	-50		-50	μA
I _O	Short-circuit output current ¹		V _{CC} = 5.5V; V _O = 2.5V	-50	-100	-180	-50	-180	mA
I _{CCH}	Quiescent supply current		V _{CC} = 5.5V; Outputs High; V _I = GND or V _{CC}		0.5	50		50	μA
I _{CCL}			V _{CC} = 5.5V; Outputs Low; V _I = GND or V _{CC}		24	30		30	mA
I _{CCZ}			V _{CC} = 5.5V; Outputs 3-State; V _I = GND or V _{CC}		0.5	50		50	μA
ΔI _{CC}	Additional supply current per input pin ²		Outputs enabled, one input at 3.4V, other inputs at V _{CC} or GND; V _{CC} = 5.5V		0.5	1.5		1.5	mA
			Outputs 3-State, one data input at 3.4V, other inputs at V _{CC} or GND; V _{CC} = 5.5V		0.5	50		50	μA
			Outputs 3-State, one enable input at 3.4V, other inputs at V _{CC} or GND; V _{CC} = 5.5V		0.5	1.5		1.5	mA

NOTES:

1. Not more than one output should be tested at a time, and the duration of the test should not exceed one second.
2. This is the increase in supply current for each input at 3.4V.

Octal bus transceiver/register (3-State)

74ABT646

FEATURES

- Combines 'ABT245 and 'ABT374 type functions in one device
- Independent registers for A and B buses
- Multiplexed real-time and stored data
- Outputs sink 64mA and source 32mA
- Latch-up protection exceeds 500mA per Jedec JC40.2 Std 17
- ESD protection exceeds 2000 V per MIL STD 883C Method 3015.6 and 200 V per Machine Model

DESCRIPTION

The 74ABT646 high-performance BiCMOS device combines low static and dynamic power dissipation with high speed and high output drive.

The 74ABT646 Transceiver/Register consists of bus transceiver circuits with 3-State outputs, D-type flip-flops, and control circuitry arranged for multiplexed transmission of data directly from the input bus or from the internal registers. Data on the A or B bus will be clocked into the registers as the appropriate clock pin goes High. Output Enable (OE) and DIR pins are provided to control the transceiver function. In the transceiver mode, data present at the high impedance port may be stored in either the A or B register or both.

The select (SAB, SBA) pins determine whether data is stored or transferred through the device in real-time. The DIR determines which bus will receive data

QUICK REFERENCE DATA

SYMBOL	PARAMETER	CONDITIONS $T_{amb} = 25^{\circ}C; GND = 0V$	TYPICAL	UNIT
t_{PLH} t_{PHL}	Propagation delay An to Bn, or Bn to An	$C_L = 50pF; V_{CC} = 5V$	4.4	ns
C_{IN}	Input capacitance CP, S, OE	$V_I = 0V \text{ or } V_{CC}$	4	pF
C_{IO}	I/O capacitance	$V_I = 0V \text{ or } V_{CC}$	7	pF
I_{CCZ}	Total supply current	Outputs Disabled; $V_{CC} = 5.5V$	500	nA

ORDERING INFORMATION

PACKAGES	TEMPERATURE RANGE	ORDER CODE
24-pin plastic DIP (300mil)	-40°C to +85°C	74ABT646N
24-pin plastic SOL (300mil)	-40°C to +85°C	74ABT646D

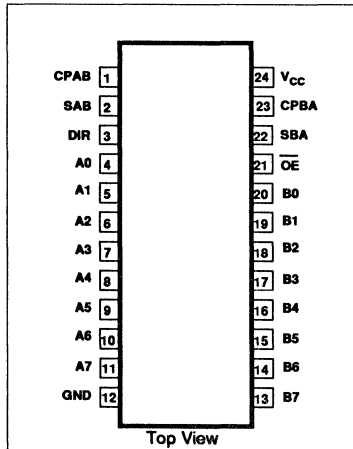
PIN DESCRIPTION

PIN NUMBER	SYMBOL	NAME AND FUNCTION
1, 23	CPAB / CPBA	Clock input A to B / Clock input B to A
2, 22	SAB / SBA	Select input A to B / Select input B to A
3	DIR	Direction control input
4, 5, 6, 7 8, 9, 10, 11	A0 - A7	Data inputs/outputs (A side)
20, 19, 18, 17 16, 15, 14, 13	B0 - B7	Data inputs/outputs (B side)
21	OE	Output enable input
12	GND	Ground (0V)
24	V _{CC}	Positive supply voltage

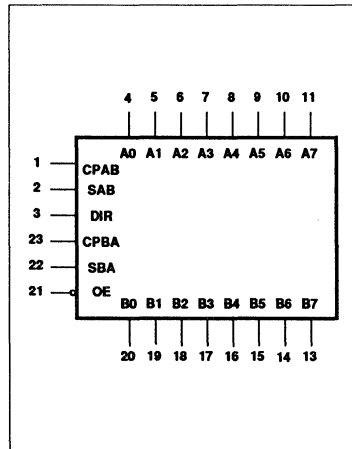
when the OE is active Low. In the isolation mode (OE = High), data from Bus A may be stored in the B register and/or data from Bus B may be stored

in the A register. When an output function is disabled, the input function is still enabled and may be used to store (continued)

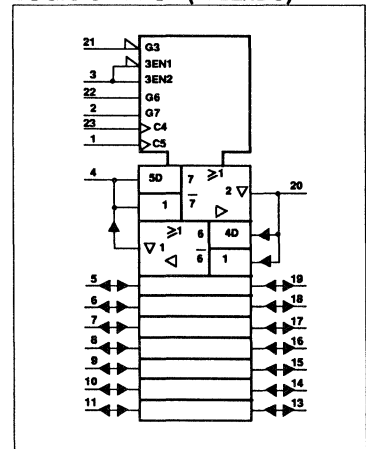
PIN CONFIGURATION



LOGIC SYMBOL



LOGIC SYMBOL (IEEE/IEC)



Octal bus transceiver/register (3-State)

74ABT646

and transmit data. Only one of the two buses, A or B may be driven at a time. The following examples demonstrate

the four fundamental bus management functions that can be performed with the 74ABT646.

FUNCTION TABLE

INPUTS						DATA I/O		OPERATING MODE
\overline{OE}	DIR	CPAB	CPBA	SAB	SBA	A0-A7	B0-B7	
X	X	↑	X	X	X	Input	Unspecified*	Store A, B unspecified*
X	X	X	↑	X	X	Unspecified*	Input	Store B, A unspecified*
H	X	↑	↑	X	X	Input	Input	Store A and B data Isolation, hold storage
H	X	H or L	H or L	X	X			
L	L	X	X	X	L	Output	Input	Real time B data to A bus Stored B data to A bus
L	L	X	H or L	X	H			
L	H	X	X	L	X	Input	Output	Real time A data to B bus Stored A data to B bus
L	H	H or L	X	H	X			

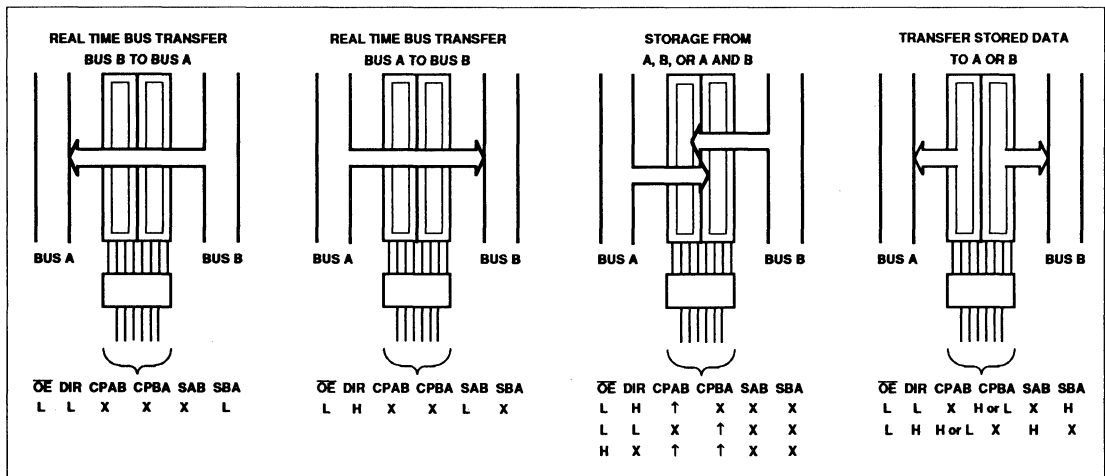
H = High voltage level

L = Low voltage level

X = Don't care

↑ = Low-to-High clock transition

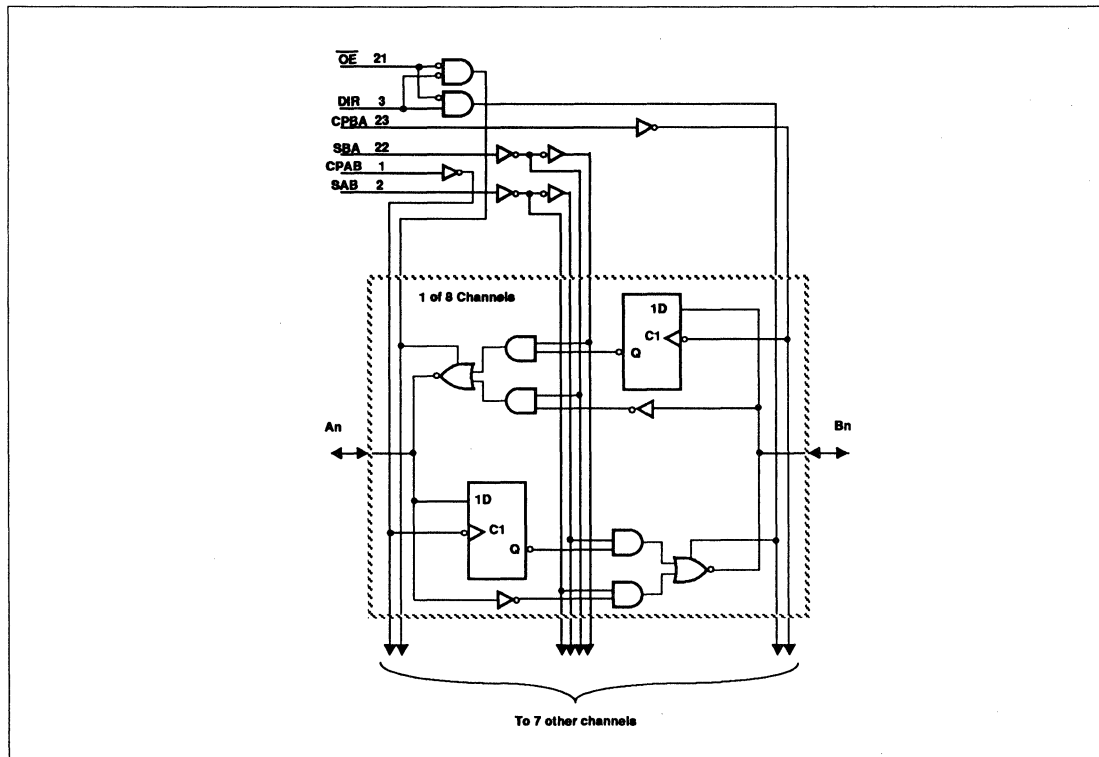
* = The data output function may be enabled or disabled by various signals at the \overline{OE} and DIR inputs. Data input functions are always enabled, i.e., data at the bus pins will be stored on every Low-to-High transition of the clock.



Octal bus transceiver/register (3-State)

74ABT646

LOGIC DIAGRAM



ABSOLUTE MAXIMUM RATINGS^{1, 2}

SYMBOL	PARAMETER	CONDITIONS	RATING	UNIT
V _{CC}	DC supply voltage		-0.5 to +7.0	V
I _{IK}	DC input diode current	V _I < 0	-18	mA
V _I	DC input voltage ³		-1.2 to +7.0	V
I _{OK}	DC output diode current	V _O < 0	-50	mA
V _{OUT}	DC output voltage ³	output in Off or High state	-0.5 to +5.5	V
I _{OUT}	DC output current	output in Low state	128	mA
T _{stg}	Storage temperature range		-65 to 150	°C

NOTES:

1. Stresses beyond those listed may cause permanent damage to the device. These are stress ratings only and functional operation of the device at these or any other conditions beyond those indicated under "recommended operating conditions" is not implied. Exposure to absolute-maximum-rated conditions for extended periods may affect device reliability.
2. The performance capability of a high-performance integrated circuit in conjunction with its thermal environment can create junction temperatures which are detrimental to reliability. The maximum junction temperature of this integrated circuit should not exceed 150°C.
3. The input and output voltage ratings may be exceeded if the input and output current ratings are observed.

Octal bus transceiver/register (3-State)

74ABT646

RECOMMENDED OPERATING CONDITIONS

SYMBOL	PARAMETER	LIMITS		UNIT
		Min	Max	
V_{CC}	DC supply voltage	4.5	5.5	V
V_I	Input voltage	0	V_{CC}	V
V_{IH}	High-level input voltage	2.0		V
V_{IL}	Input voltage		0.8	V
I_{OH}	High level output current		-32	mA
I_{OL}	Low level output current		64	mA
$\Delta I/\Delta V$	Input transition rise or fall rate	0	10	ns/V
T_{amb}	Operating free-air temperature range	-40	+85	°C

DC ELECTRICAL CHARACTERISTICS

SYMBOL	PARAMETER		TEST CONDITIONS	LIMITS					UNIT
				$T_{amb} = +25^\circ\text{C}$			$T_{amb} = -40^\circ\text{C}$ to $+85^\circ\text{C}$		
				Min	Typ	Max	Min	Max	
V_{IK}	Input clamp voltage		$V_{CC} = 4.5\text{V}; I_{IK} = -18\text{mA}$		-0.9	-1.2		-1.2	V
V_{OH}	High-level output voltage		$V_{CC} = 4.5\text{V}; I_{OH} = -3\text{mA}; V_I = V_{IL}$ or V_{IH}	2.5	3.5		2.5		V
			$V_{CC} = 5.0\text{V}; I_{OH} = -3\text{mA}; V_I = V_{IL}$ or V_{IH}	3.0	4.0		3.0		
			$V_{CC} = 4.5\text{V}; I_{OH} = -32\text{mA}; V_I = V_{IL}$ or V_{IH}	2.0	2.6		2.0		
V_{OL}	Low-level output voltage		$V_{CC} = 4.5\text{V}; I_{OL} = 64\text{mA}; V_I = V_{IL}$ or V_{IH}		0.42	0.55		0.55	V
I_I	Input leakage current	Control pins	$V_{CC} = 5.5\text{V}; V_I = \text{GND}$ or 5.5V		± 0.01	± 1.0		± 1.0	μA
		Data pins	$V_{CC} = 5.5\text{V}; V_I = \text{GND}$ or 5.5V		5	100		100	
$I_{IH} + I_{OZH}$	3-State output High current		$V_{CC} = 5.5\text{V}; V_O = 2.7\text{V}; V_I = V_{IL}$ or V_{IH}		5.0	50		50	μA
$I_{IL} + I_{OZL}$	3-State output Low current		$V_{CC} = 5.5\text{V}; V_O = 0.5\text{V}; V_I = V_{IL}$ or V_{IH}		-5.0	-50		-50	μA
I_O	Short-circuit output current ¹		$V_{CC} = 5.5\text{V}; V_O = 2.5\text{V}$	-50	-80	-180	-50	-180	mA
I_{CCH}	Quiescent supply current		$V_{CC} = 5.5\text{V}; \text{Outputs High}; V_I = \text{GND}$ or V_{CC}		0.5	50		50	μA
I_{CCL}			$V_{CC} = 5.5\text{V}; \text{Outputs Low}; V_I = \text{GND}$ or V_{CC}		20	30		30	mA
I_{CCZ}			$V_{CC} = 5.5\text{V}; \text{Outputs 3-State}; V_I = \text{GND}$ or V_{CC}		0.5	50		50	μA
ΔI_{CC}	Additional supply current per input pin ²		One input at 3.4V, other inputs at V_{CC} or GND; $V_{CC} = 5.5\text{V}$		0.3	1.5		1.5	mA

NOTES:

1. Not more than one output should be tested at a time, and the duration of the test should not exceed one second.
2. This is the increase in supply current for each input at 3.4V.

Octal bus transceiver/register (3-State)

74ABT646

AC CHARACTERISTICS

GND = 0V; $t_R = t_F = 2.5\text{ns}$; $C_L = 50\text{pF}$, $R_L = 500\Omega$

SYMBOL	PARAMETER	WAVEFORM	74ABT646					UNIT
			$T_{\text{amb}} = +25^\circ\text{C}$ $V_{\text{CC}} = +5.0\text{V}$			$T_{\text{amb}} = -40^\circ\text{C to } +85^\circ\text{C}$ $V_{\text{CC}} = +5.0\text{V} \pm 0.5\text{V}$		
			Min	Typ	Max	Min	Max	
f_{MAX}	Maximum clock frequency	Waveform 1	125	180		125		MHz
t_{PLH} t_{PHL}	Propagation delay CPAB to Bn or CPBA to An	Waveform 1	2.2 1.7	5.3 5.9	6.8 7.4	2.2 1.7	7.8 8.4	ns
t_{PLH} t_{PHL}	Propagation delay An to Bn or Bn to An	Waveform 1	1.5 1.5	4.4 4.4	5.9 5.9	1.5 1.5	6.9 6.9	ns
t_{PLH} t_{PHL}	Propagation delay SAB to Bn or SBA to An	Waveform 2, 3	1.5 1.5	4.6 5.4	6.1 6.9	1.5 1.5	7.1 7.9	ns
t_{PZH} t_{PZL}	Output Enable time $\overline{\text{OE}}$ to An or Bn	Waveform 2, 3	1.0 2.1	3.8 5.1	5.3 7.4	1.0 2.1	6.3 8.8	ns
t_{PHZ} t_{PLZ}	Output Disable time $\overline{\text{OE}}$ to An or Bn	Waveform 5 Waveform 6	1.5 1.5	6.2 5.7	7.3 7.0	1.5 1.5	8.3 7.5	ns
t_{PZH} t_{PZL}	Output Enable time DIR to An or Bn	Waveform 5 Waveform 6	1.2 2.5	4.2 5.5	5.7 9.0	1.2 2.5	6.7 9.5	ns
t_{PHZ} t_{PLZ}	Output Disable time DIR to An or Bn	Waveform 5 Waveform 6	1.5 1.5	5.2 5.7	6.7 7.2	1.5 1.5	7.7 8.2	ns

AC SETUP REQUIREMENTS

GND = 0V; $t_R = t_F = 2.5\text{ns}$; $C_L = 50\text{pF}$, $R_L = 500\Omega$

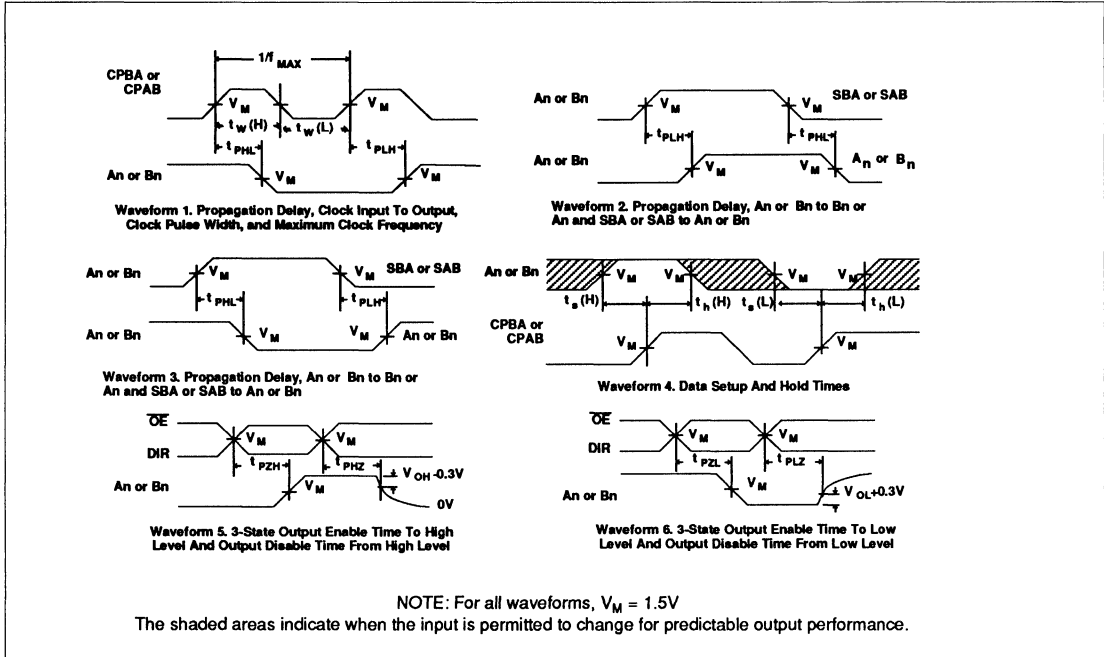
SYMBOL	PARAMETER	WAVEFORM	74ABT646					UNIT
			$T_{\text{amb}} = +25^\circ\text{C}$ $V_{\text{CC}} = +5.0\text{V}$			$T_{\text{amb}} = -40^\circ\text{C to } +85^\circ\text{C}$ $V_{\text{CC}} = +5.0\text{V} \pm 0.5\text{V}$		
			Min	Typ	Max	Min	Max	
$t_{\text{s(H)}}$ $t_{\text{s(L)}}$	Setup time, High or Low An to CPAB or Bn to CPBA	Waveform 4	3.5 3.0			3.5 3.0		ns
$t_{\text{h(H)}}$ $t_{\text{h(L)}}$	Hold time, High or Low An to CPAB or Bn to CPBA	Waveform 4	0.0 0.0			0.0 0.0		ns
$t_{\text{w(H)}}$ $t_{\text{w(L)}}$	Pulse width, High or Low CPAB or CPBA	Waveform 1	4.0 4.0			4.0 4.0		ns

Octal bus transceiver/register (3-State)

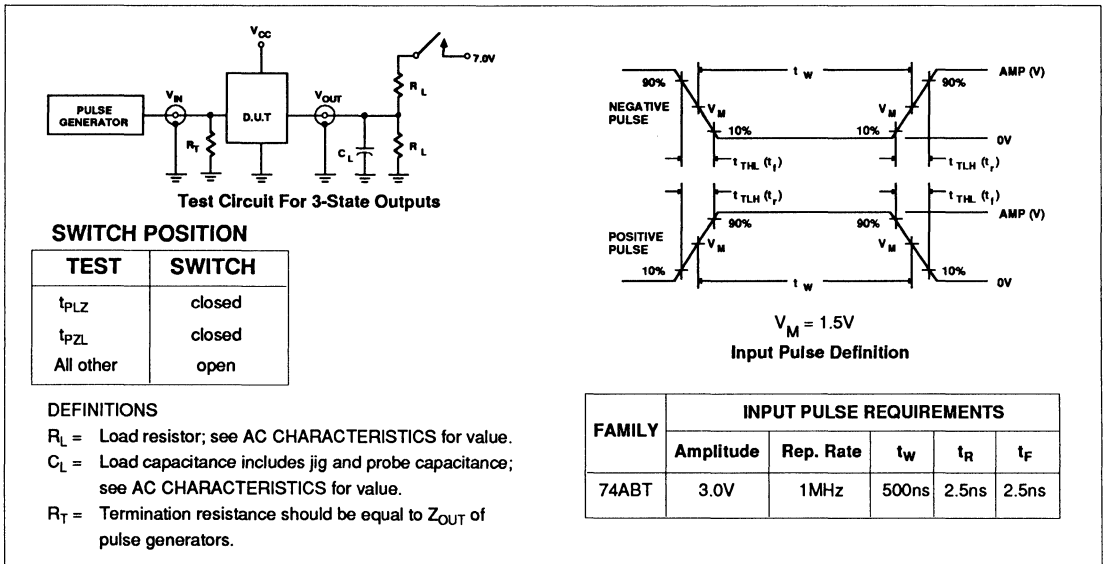
74ABT646

AC WAVEFORMS

($V_M = 1.5V$, $V_{IN} = GND$ to $3.0V$)

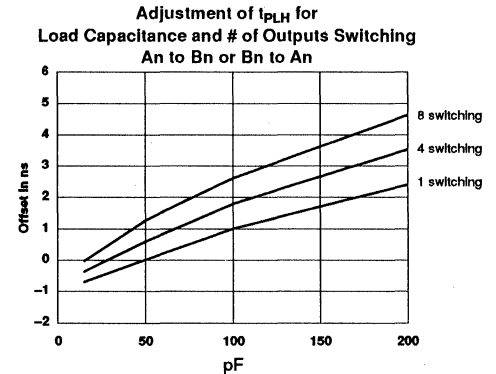
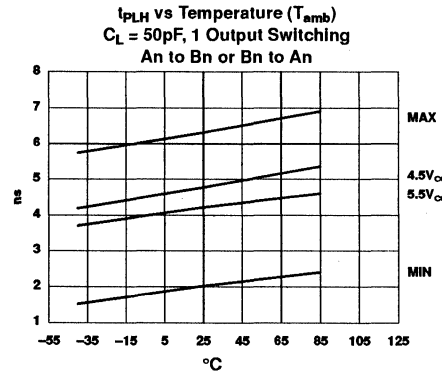
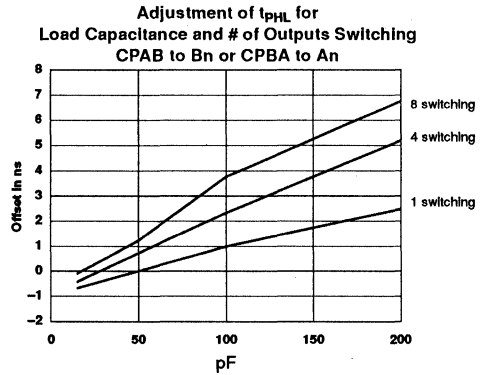
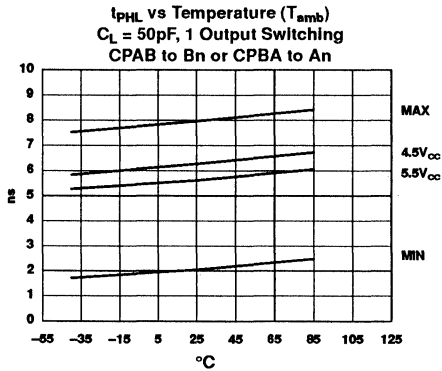
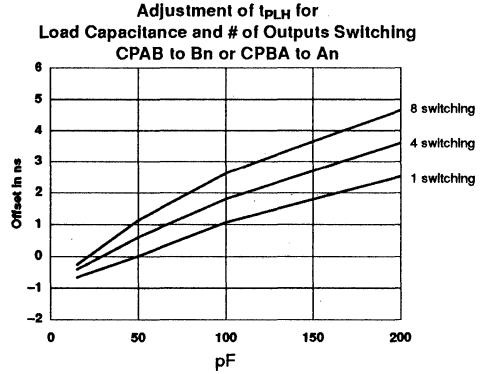
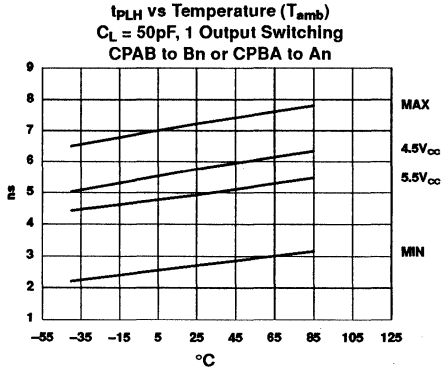


TEST CIRCUIT AND WAVEFORMS



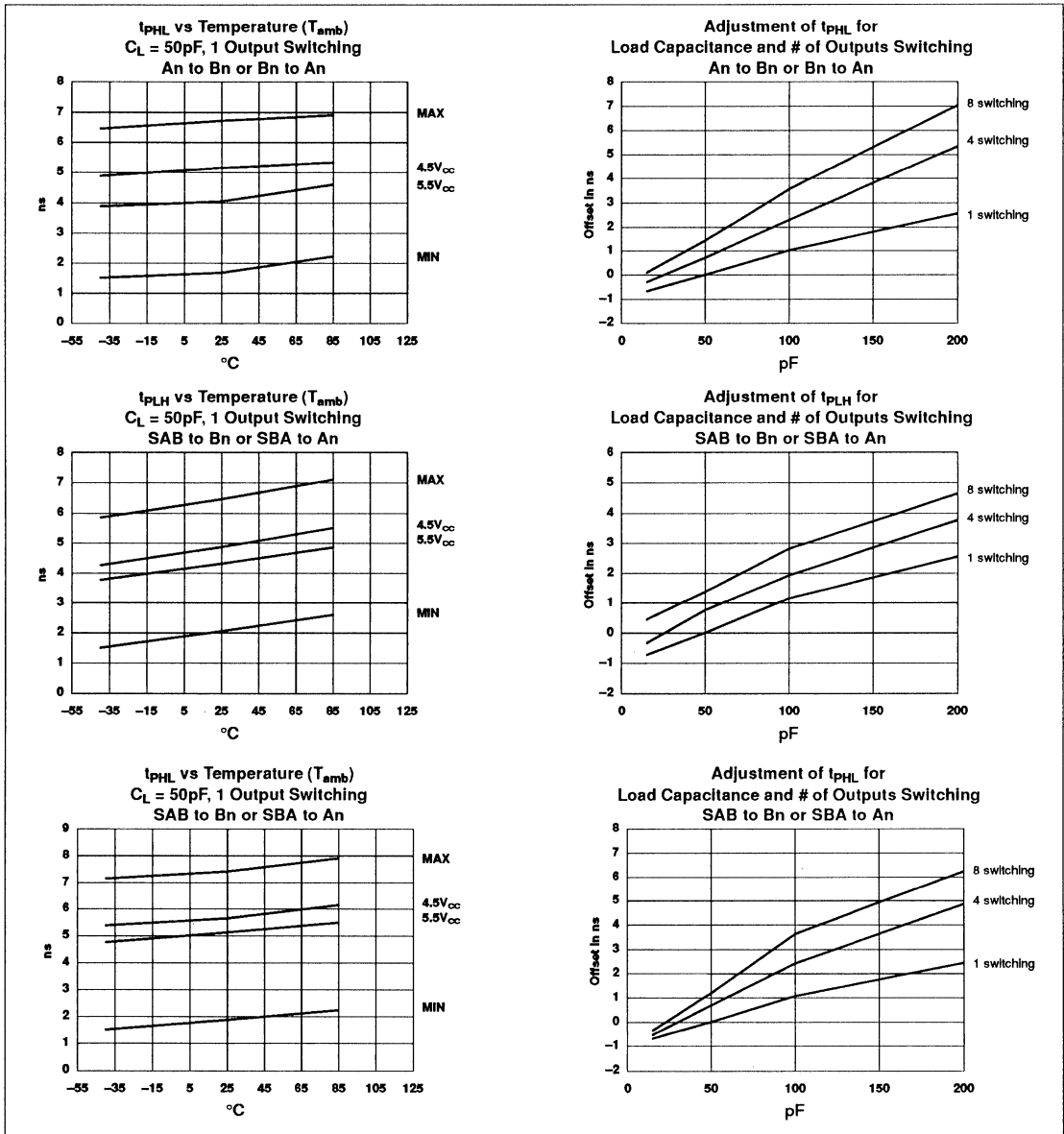
Octal bus transceiver/register (3-State)

74ABT646



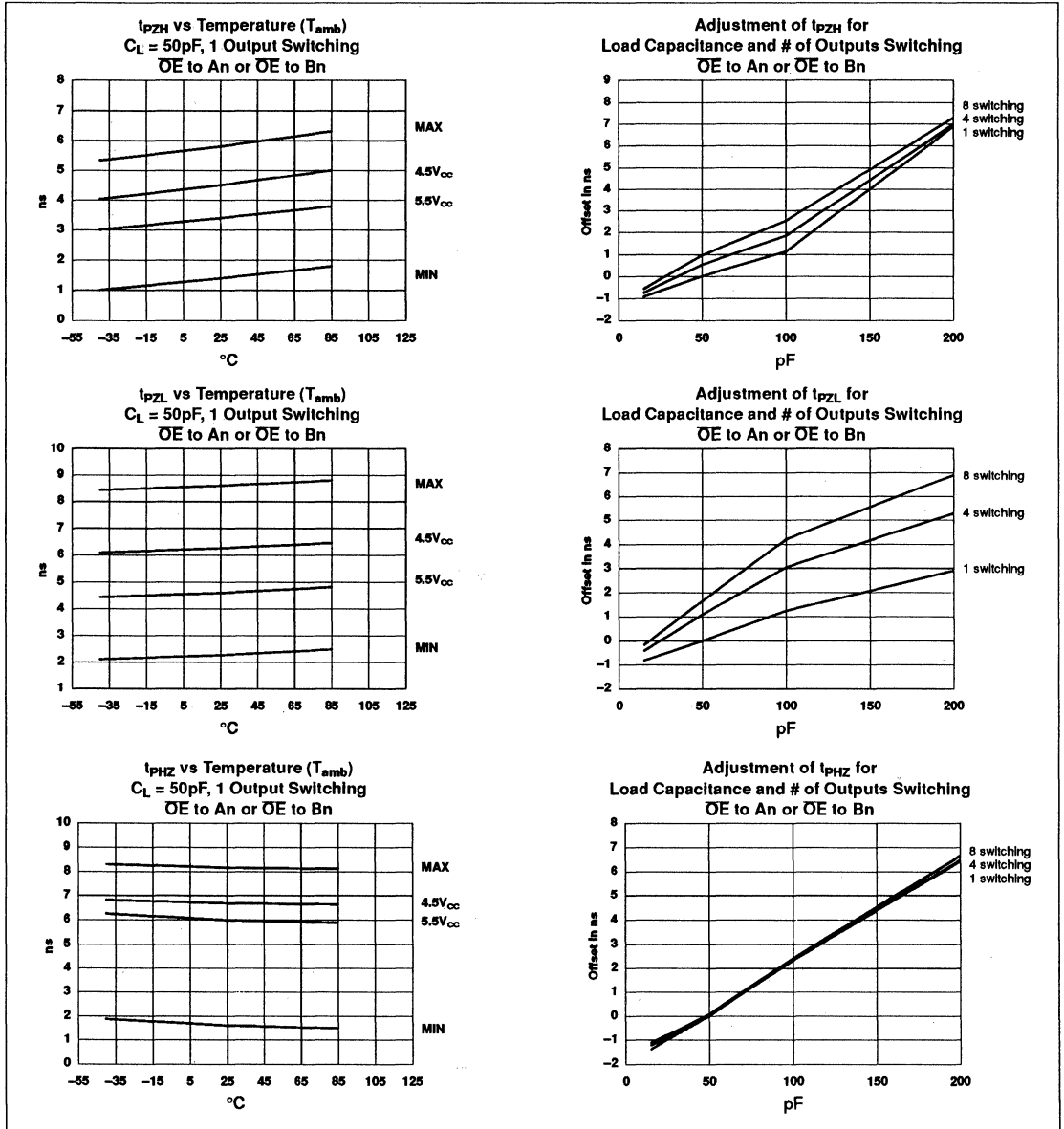
Octal bus transceiver/register (3-State)

74ABT646



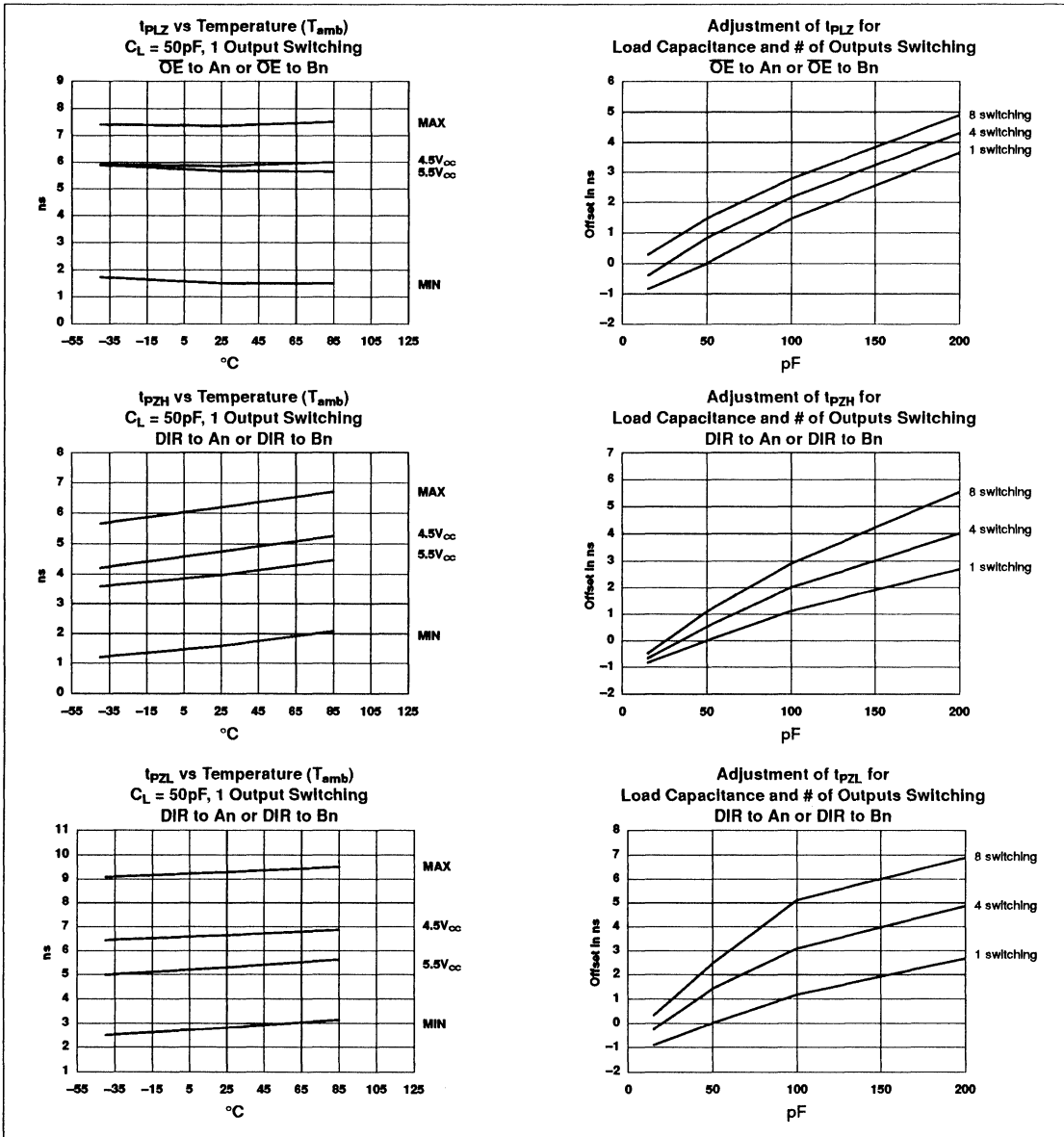
Octal bus transceiver/register (3-State)

74ABT646



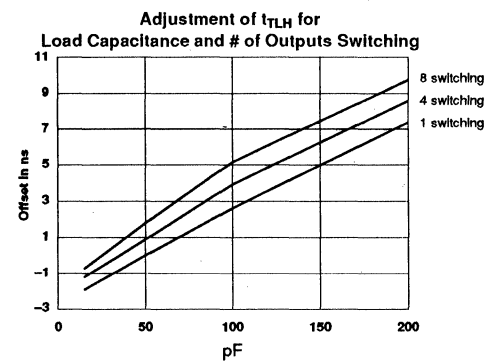
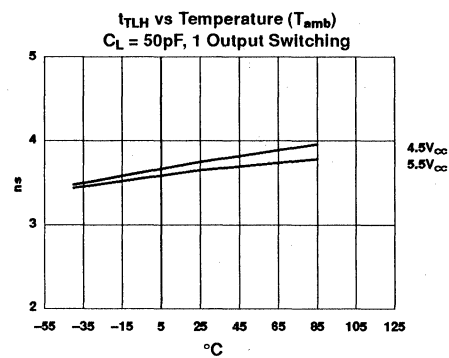
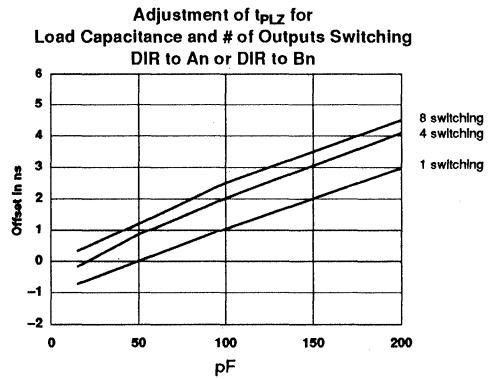
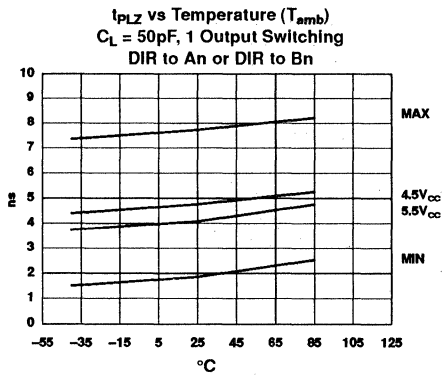
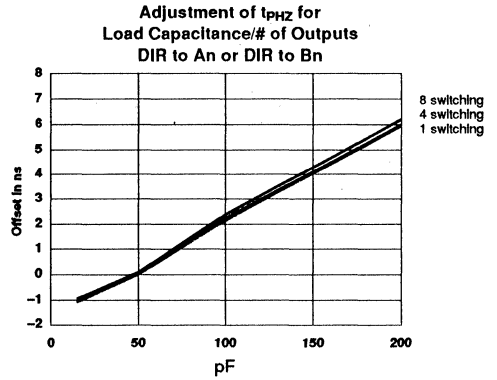
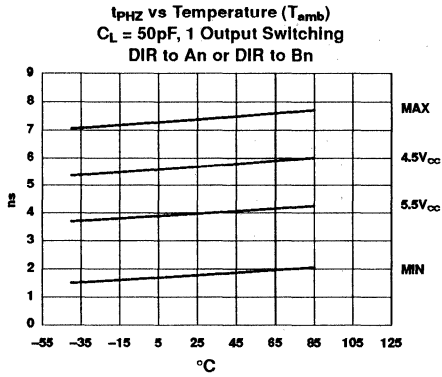
Octal bus transceiver/register (3-State)

74ABT646



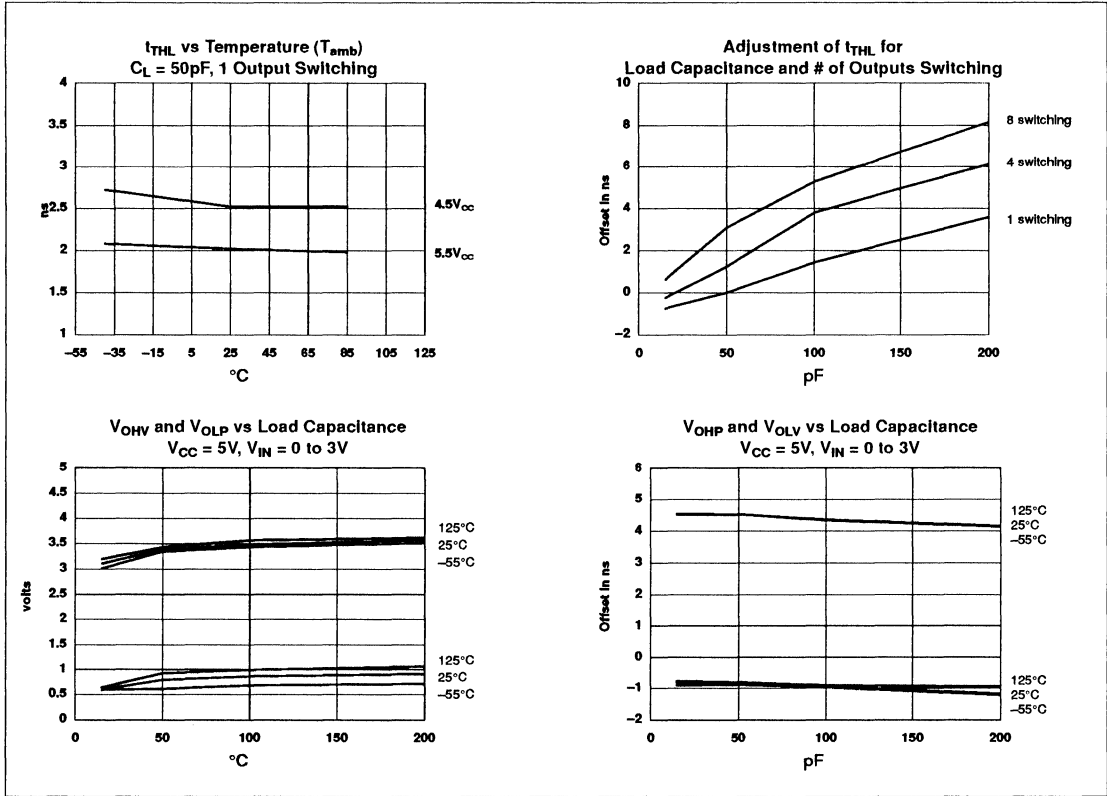
Octal bus transceiver/register (3-State)

74ABT646



Octal bus transceiver/register (3-State)

74ABT646



Octal bus transceiver/register, inverting (3-State)

74ABT648

FEATURES

- Combines 74ABT245 and 74ABT374 type functions in one device
- Independent registers for A and B buses
- Multiplexed real-time and stored data
- Output capability: +64mA/-32mA
- Latch-up protection exceeds 500mA per Jedec JC40.2 Std 17
- ESD protection exceeds 2000 V per MIL STD 883C Method 3015.6 and 200 V per Machine Model

DESCRIPTION

The 74ABT648 high-performance BiCMOS device combines low static and dynamic power dissipation with high speed and high output drive.

The 74ABT648 Transceiver/Register consists of bus transceiver circuits with Inverting 3-State outputs, D-type flip-flops, and control circuitry arranged for multiplexed transmission of data directly from the input bus or from the internal registers. Data on the A or B bus will be clocked into the registers as the appropriate clock pin goes High. Output Enable (\overline{OE}) and DIR pins are provided to control the transceiver function. In the transceiver mode, data present at the high impedance port may be stored in either the A or B register or both.

(continued)

QUICK REFERENCE DATA

SYMBOL	PARAMETER	CONDITIONS $T_{amb} = 25^{\circ}\text{C}; \text{GND} = 0\text{V}$	TYPICAL	UNIT
t_{PLH} t_{PHL}	Propagation delay $\overline{A_n}$ to $\overline{B_n}$, or $\overline{B_n}$ to $\overline{A_n}$	$C_L = 50\text{pF}; V_{CC} = 5\text{V}$	5.9	ns
C_{IN}	Input capacitance CP, S, \overline{OE} , DIR	$V_I = 0\text{V}$ or V_{CC}	4	pF
C_{VO}	I/O capacitance	$V_I = 0\text{V}$ or V_{CC}	7	pF
I_{CCZ}	Total supply current	Outputs Disabled; $V_{CC} = 5.5\text{V}$	500	nA

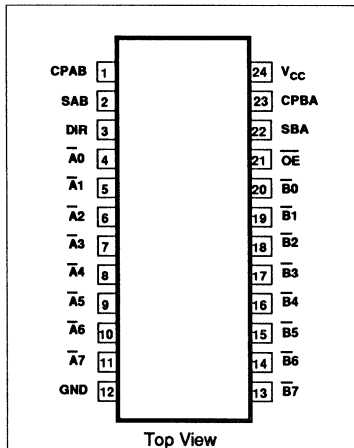
ORDERING INFORMATION

PACKAGES	TEMPERATURE RANGE	ORDER CODE
24-pin plastic DIP (300mil)	-40°C to +85°C	74ABT648N
24-pin plastic SOL (300mil)	-40°C to +85°C	74ABT648D

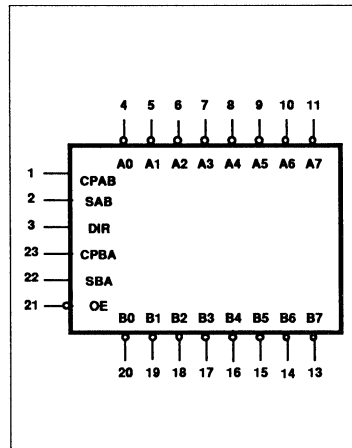
PIN DESCRIPTION

PIN NUMBER	SYMBOL	NAME AND FUNCTION
1, 23	CPAB / CPBA	Clock input A to B / Clock input B to A
2, 22	SAB / SBA	Select input A to B / Select input B to A
3	DIR	Direction control input
4, 5, 6, 7 8, 9, 10, 11	$\overline{A_0} - \overline{A_7}$	Data inputs/outputs (A side)
20, 19, 18, 17 16, 15, 14, 13	$\overline{B_0} - \overline{B_7}$	Data inputs/outputs (B side)
21	\overline{OE}	Output enable input
12	GND	Ground (0V)
24	V_{CC}	Positive supply voltage

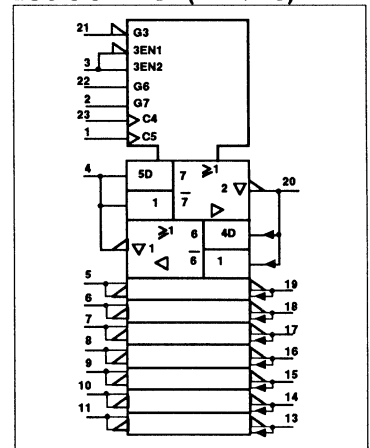
PIN CONFIGURATION



LOGIC SYMBOL



LOGIC SYMBOL (IEEE/IEC)



Octal bus transceiver/register, inverting (3-State)

74ABT648

The select (SAB, SBA) pins determine whether data is stored or transferred through the device in real-time. The DIR determines which bus will receive data when the OE is active Low. In the isolation mode (\overline{OE} = High), data from Bus

A may be stored in the B register and/or data from Bus B may be stored in the A register. Outputs from real-time, or stored register will be inverted. When an output function is disabled, the input function is still enabled and may be

used to store and transmit data. Only one of the two buses, A or B may be driven at a time. The following examples demonstrate the four fundamental bus management functions that can be performed with the 74ABT648.

FUNCTION TABLE

INPUTS						DATA I/O		OPERATING MODE
OE	DIR	CPAB	CPBA	SAB	SBA	A0-A7	B0-B7	
X	X	↑	X	X	X	Input	Unspecified*	Store A, B unspecified*
X	X	X	↑	X	X	Unspecified*	Input	Store B, A unspecified*
H	X	↑	↑	X	X	Input	Input	Store A and B data Isolation, hold storage
H	X	H or L	H or L	X	X			
L	L	X	X	X	L	Output	Input	Real time \overline{B} data to A bus Stored \overline{B} data to A bus
L	L	X	H or L	X	H			
L	H	X	X	L	X	Input	Output	Real time \overline{A} data to B bus Stored \overline{A} data to B bus
L	H	H or L	X	H	X			

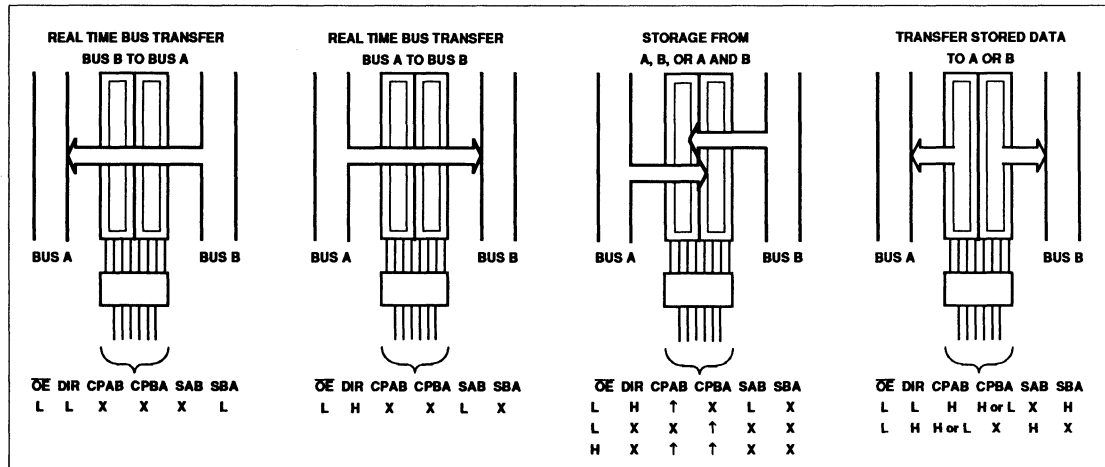
H = High voltage level

L = Low voltage level

X = Don't care

↑ = Low-to-High clock transition

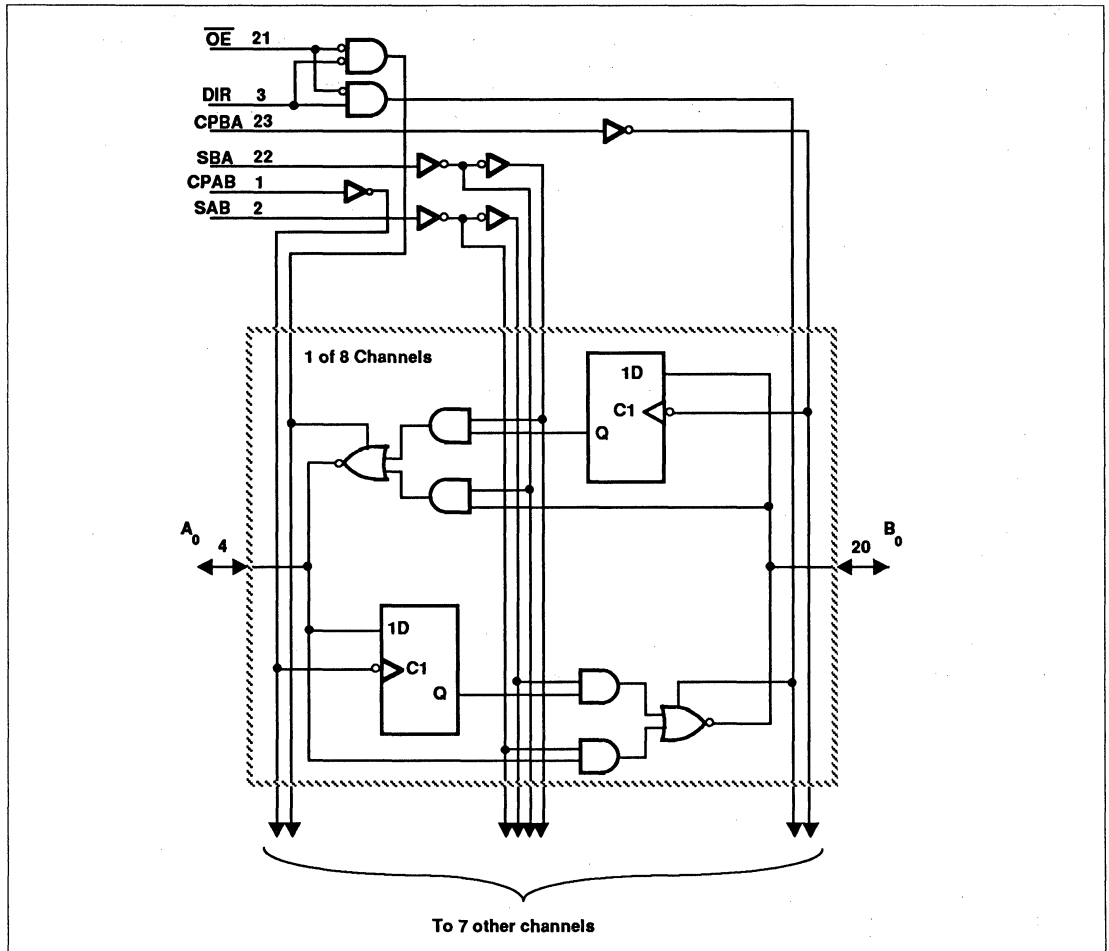
* = The data output function may be enabled or disabled by various signals at the \overline{OE} and DIR inputs. Data input functions are always enabled, i.e., data at the bus pins will be stored on every Low-to-High transition of the clock.



Octal bus transceiver/register, inverting (3-State)

74ABT648

LOGIC DIAGRAM



Octal bus transceiver/register, inverting (3-State)

74ABT648

ABSOLUTE MAXIMUM RATINGS^{1, 2}

SYMBOL	PARAMETER	CONDITIONS	RATING	UNIT
V_{CC}	DC supply voltage		-0.5 to +7.0	V
I_{IK}	DC input diode current	$V_I < 0$	-18	mA
V_I	DC input voltage ³		-1.2 to +7.0	V
I_{OK}	DC output diode current	$V_O < 0$	-50	mA
V_{OUT}	DC output voltage ³	output in Off or High state	-0.5 to +5.5	V
I_{OUT}	DC output current	output in Low state	128	mA
T_{stg}	Storage temperature range		-65 to 150	°C

NOTES:

1. Stresses beyond those listed may cause permanent damage to the device. These are stress ratings only and functional operation of the device at these or any other conditions beyond those indicated under "recommended operating conditions" is not implied. Exposure to absolute-maximum-rated conditions for extended periods may affect device reliability.
2. The performance capability of a high-performance integrated circuit in conjunction with its thermal environment can create junction temperatures which are detrimental to reliability. The maximum junction temperature of this integrated circuit should not exceed 150°C.
3. The input and output voltage ratings may be exceeded if the input and output current ratings are observed.

RECOMMENDED OPERATING CONDITIONS

SYMBOL	PARAMETER	LIMITS		UNIT
		Min	Max	
V_{CC}	DC supply voltage	4.5	5.5	V
V_I	Input voltage	0	V_{CC}	V
V_{IH}	High-level input voltage	2.0		V
V_{IL}	Input voltage		0.8	V
I_{OH}	High level output current		-32	mA
I_{OL}	Low level output current		64	mA
$\Delta V/\Delta t$	Input transition rise or fall rate	0	10	ns/V
T_{amb}	Operating free-air temperature range	-40	+85	°C

Octal bus transceiver/register, inverting (3-State)

74ABT648

DC ELECTRICAL CHARACTERISTICS

SYMBOL	PARAMETER	TEST CONDITIONS	LIMITS					UNIT
			T _{amb} = +25°C			T _{amb} = -40°C to +85°C		
			Min	Typ	Max	Min	Max	
V _{IK}	Input clamp voltage	V _{CC} = 4.5V; I _{IK} = -18mA		-0.9	-1.2		-1.2	V
V _{OH}	High-level output voltage	V _{CC} = 4.5V; I _{OH} = -3mA; V _I = V _{IL} or V _{IH}	2.5	3.5		2.5		V
		V _{CC} = 5.0V; I _{OH} = -3mA; V _I = V _{IL} or V _{IH}	3.0	4.0		3.0		
		V _{CC} = 4.5V; I _{OH} = -32mA; V _I = V _{IL} or V _{IH}	2.0	2.6		2.0		
V _{OL}	Low-level output voltage	V _{CC} = 4.5V; I _{OL} = 64mA; V _I = V _{IL} or V _{IH}		0.42	0.55		0.55	V
I _I	Input leakage current	Control pins V _{CC} = 5.5V; V _I = GND or 5.5V		±0.01	±1.0		±1.0	µA
		Data pins V _{CC} = 5.5V; V _I = GND or 5.5V		5	100		100	
I _{IH} + I _{OZH}	3-State output High current	V _{CC} = 5.5V; V _O = 2.7V; V _I = V _{IL} or V _{IH}		5.0	50		50	µA
I _{IL} + I _{OZL}	3-State output Low current	V _{CC} = 5.5V; V _O = 0.5V; V _I = V _{IL} or V _{IH}		-5.0	-50		-50	µA
I _O	Short-circuit output current ¹	V _{CC} = 5.5V; V _O = 2.5V	-50	-80	-180	-50	-180	mA
I _{COH}	Quiescent supply current	V _{CC} = 5.5V; Outputs High; V _I = GND or V _{CC}		0.5	50		50	µA
I _{CCL}		V _{CC} = 5.5V; Outputs Low; V _I = GND or V _{CC}		20	30		30	mA
I _{CCZ}		V _{CC} = 5.5V; Outputs 3-State; V _I = GND or V _{CC}		0.5	50		50	µA
ΔI _{CC}	Additional supply current per input pin ²	One input at 3.4V, other inputs at V _{CC} or GND; V _{CC} = 5.5V		0.3	1.5		1.5	mA

NOTES:

- Not more than one output should be tested at a time, and the duration of the test should not exceed one second.
- This is the increase in supply current for each input at 3.4V.

Octal bus transceiver/register, inverting (3-State)

74ABT648

AC CHARACTERISTICS

GND = 0V; $t_R = t_F = 2.5\text{ns}$; $C_L = 50\text{pF}$, $R_L = 500\Omega$

SYMBOL	PARAMETER	WAVEFORM	74ABT648					UNIT
			$T_{\text{amb}} = +25^\circ\text{C}$ $V_{\text{CC}} = +5.0\text{V}$			$T_{\text{amb}} = -40^\circ\text{C to } +85^\circ\text{C}$ $V_{\text{CC}} = +5.0\text{V} \pm 0.5\text{V}$		
			Min	Typ	Max	Min	Max	
f_{MAX}	Maximum clock frequency	Waveform 1	125	200		125		Mhz
t_{PLH} t_{PHL}	Propagation delay CPAB to $\overline{\text{Bn}}$ or CPBA to $\overline{\text{An}}$	Waveform 1	2.2 3.1	5.3 5.9	6.8 7.4	2.2 3.1	7.8 8.4	ns
t_{PLH} t_{PHL}	Propagation delay $\overline{\text{An}}$ to $\overline{\text{Bn}}$ or $\overline{\text{Bn}}$ to $\overline{\text{An}}$	Waveform 2, 3	1.0 1.7	3.5 4.2	5.0 5.5	1.0 1.7	6.0 6.2	ns
t_{PLH} t_{PHL}	Propagation delay SAB to $\overline{\text{Bn}}$ or SBA to $\overline{\text{An}}$	Waveform 2, 3	1.7 2.5	4.6 5.3	5.9 6.8	1.7 2.5	6.9 7.8	ns
t_{PZH} t_{PZL}	Output Enable time $\overline{\text{OE}}$ to $\overline{\text{An}}$ or $\overline{\text{Bn}}$	Waveform 5 Waveform 6	1.4 2.7	3.8 5.1	5.3 6.4	1.4 2.7	6.3 7.5	ns
t_{PZH} t_{PZL}	Output Enable time DIR to $\overline{\text{An}}$ or $\overline{\text{Bn}}$	Waveform 5 Waveform 6	1.9 2.9	4.2 5.6	5.4 6.9	1.9 2.9	6.4 7.8	ns
t_{PHZ} t_{PLZ}	Output Disable time $\overline{\text{OE}}$ to $\overline{\text{An}}$ or $\overline{\text{Bn}}$	Waveform 5 Waveform 6	4.2 3.7	6.2 5.7	7.3 7.0	4.2 3.7	8.3 7.5	ns
t_{PHZ} t_{PLZ}	Output Disable time DIR to $\overline{\text{An}}$ or $\overline{\text{Bn}}$	Waveform 5 Waveform 6	2.1 2.1	4.2 4.5	6.7 7.2	2.1 2.1	7.4 8.2	ns

AC SETUP REQUIREMENTS

GND = 0V; $t_R = t_F = 2.5\text{ns}$; $C_L = 50\text{pF}$, $R_L = 500\Omega$

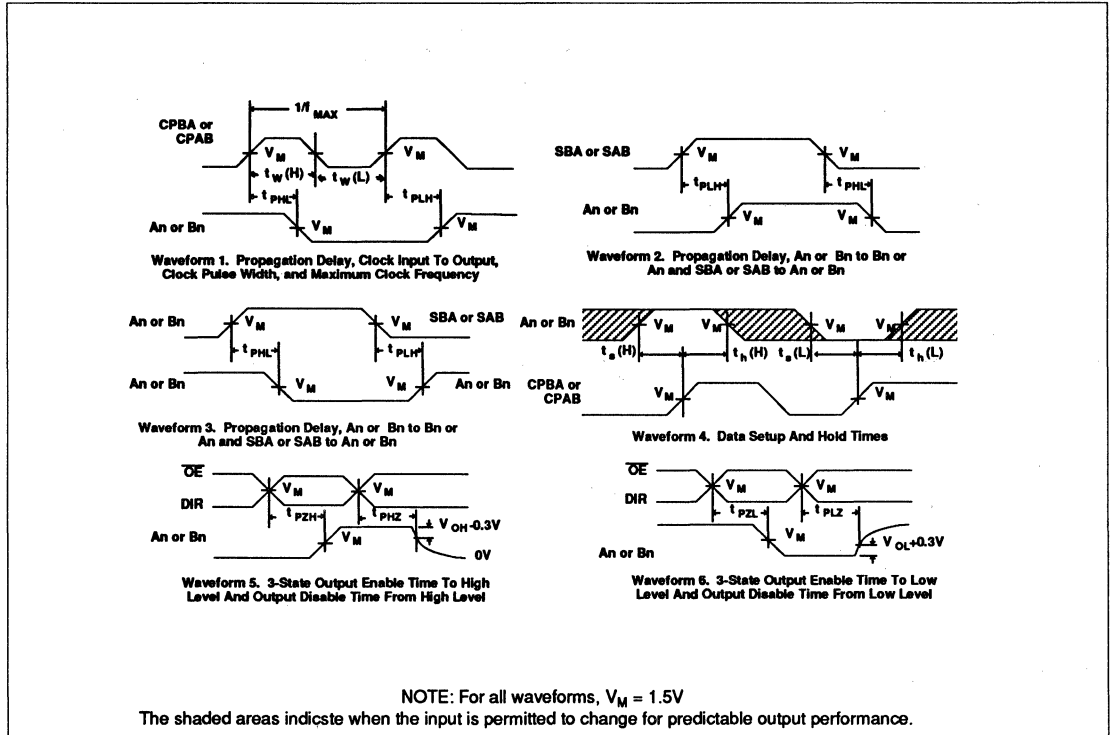
SYMBOL	PARAMETER	WAVEFORM	74ABT648					UNIT
			$T_{\text{amb}} = +25^\circ\text{C}$ $V_{\text{CC}} = +5.0\text{V}$			$T_{\text{amb}} = -40^\circ\text{C to } +85^\circ\text{C}$ $V_{\text{CC}} = +5.0\text{V} \pm 0.5\text{V}$		
			Min	Typ	Max	Min	Max	
$t_s(\text{H})$ $t_s(\text{L})$	Setup time, High or Low $\overline{\text{An}}$ to CPAB or $\overline{\text{Bn}}$ to CPBA	Waveform 4	3.0 2.5	1.5 1.0		3.0 2.5		ns
$t_h(\text{H})$ $t_h(\text{L})$	Hold time, High or Low $\overline{\text{An}}$ to CPAB or $\overline{\text{Bn}}$ to CPBA	Waveform 4	0.0 0.0	-1.0 -1.0		0.0 0.0		ns
$t_w(\text{H})$ $t_w(\text{L})$	Pulse width, High or Low CPAB or CPBA	Waveform 1	3.5 4.0	2.5 3.0		3.5 4.0		ns

Octal bus transceiver/register, inverting (3-State)

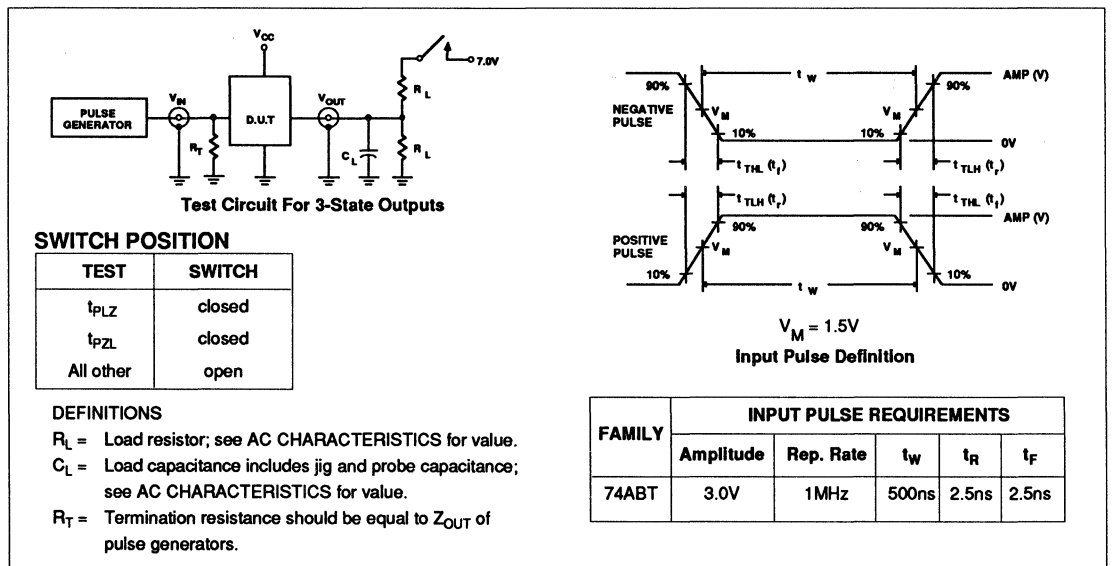
74ABT648

AC WAVEFORMS

($V_M = 1.5V$, $V_{IN} = GND$ to $3.0V$)

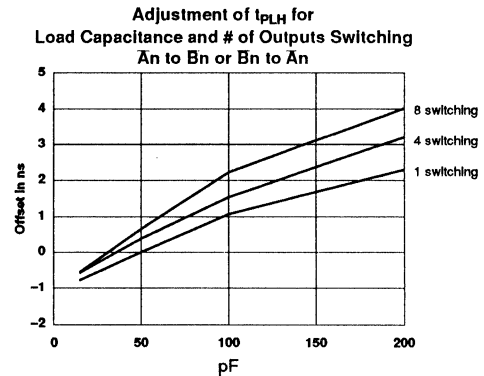
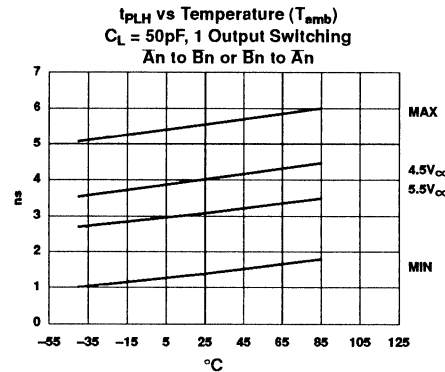
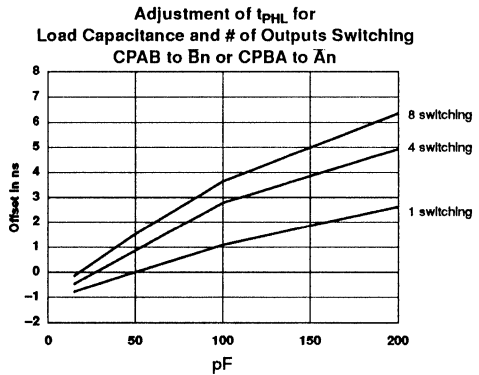
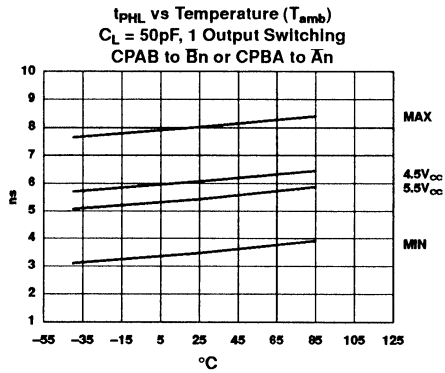
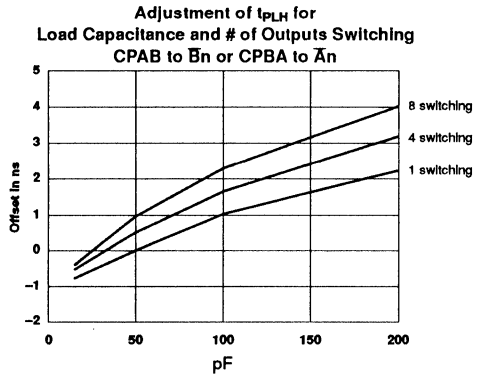
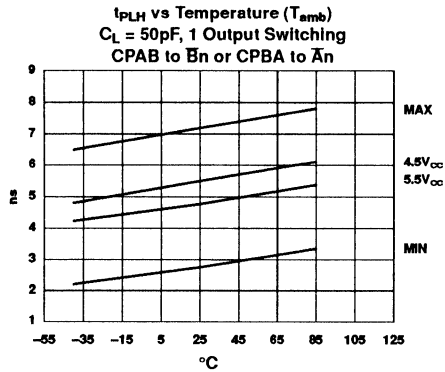


TEST CIRCUIT AND WAVEFORMS



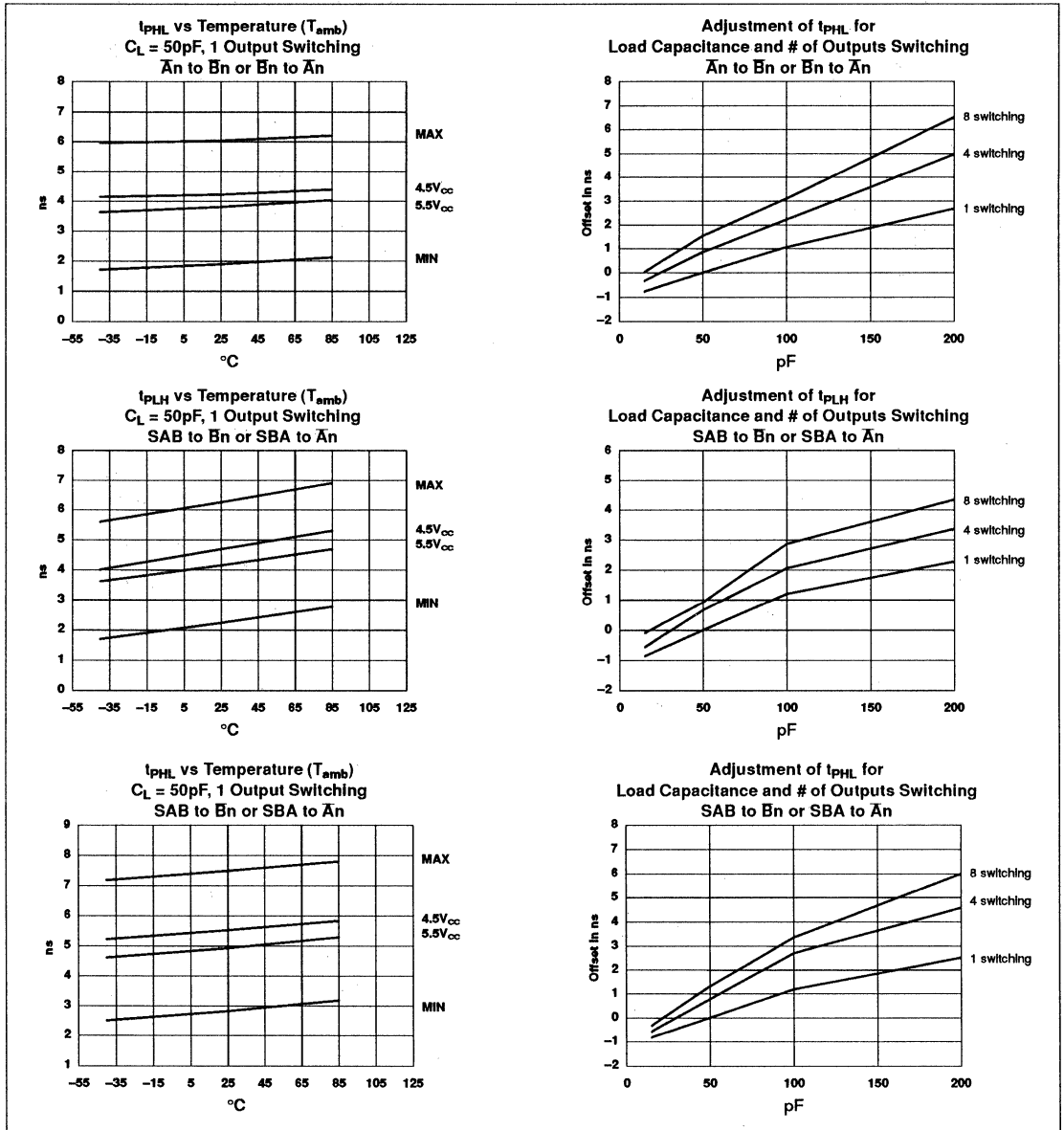
Octal bus transceiver/register, inverting (3-State)

74ABT648



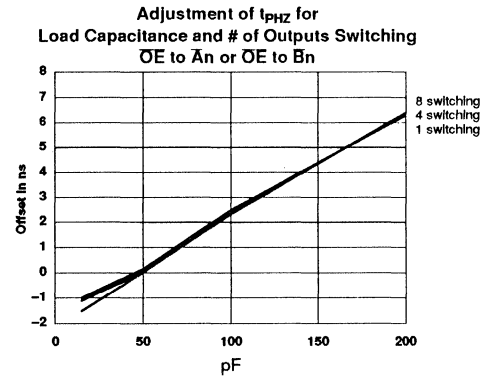
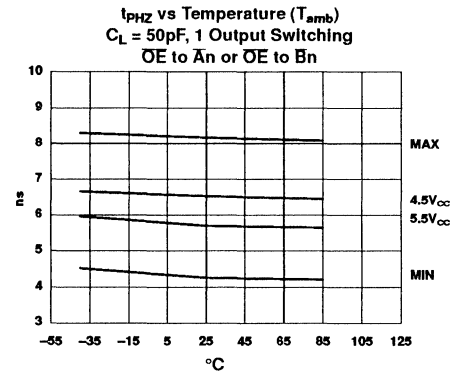
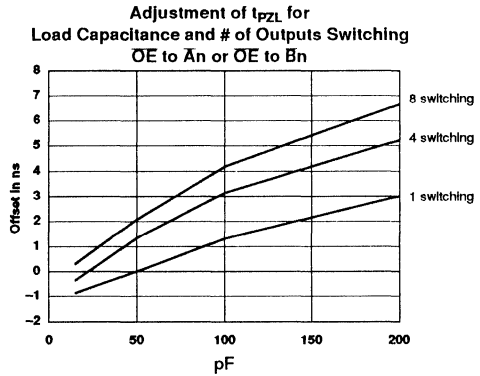
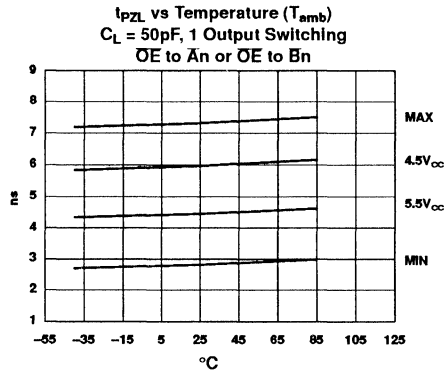
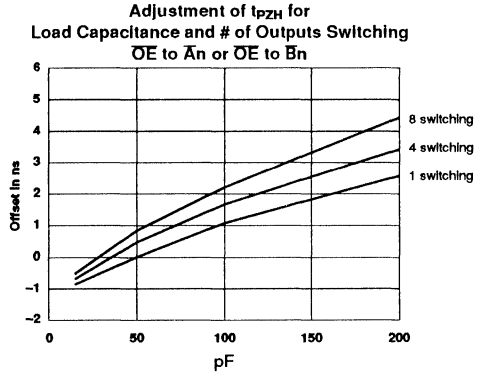
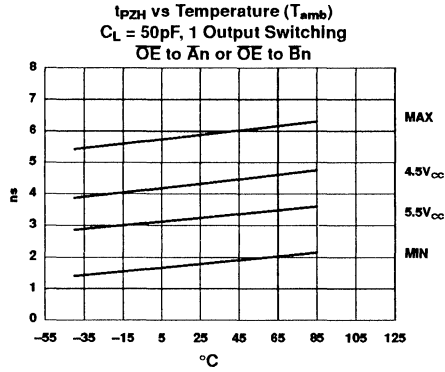
Octal bus transceiver/register, inverting (3-State)

74ABT648



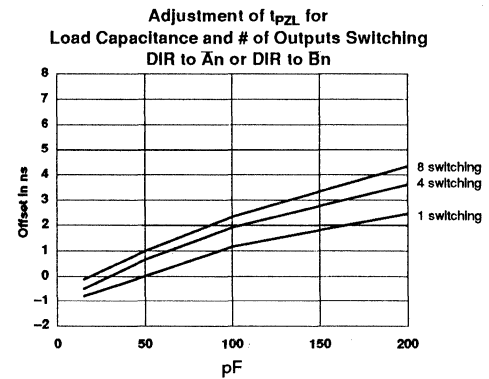
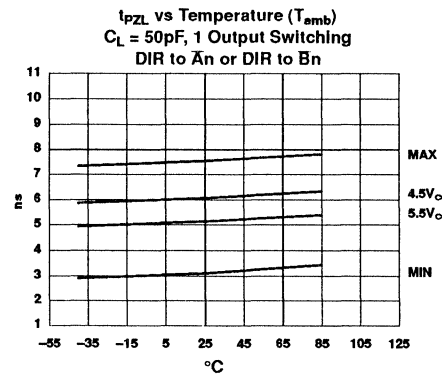
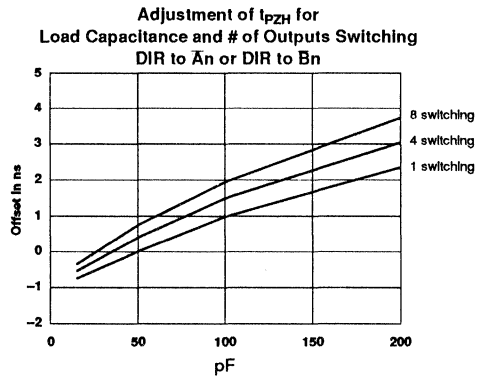
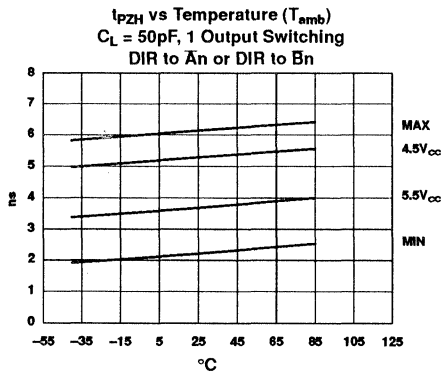
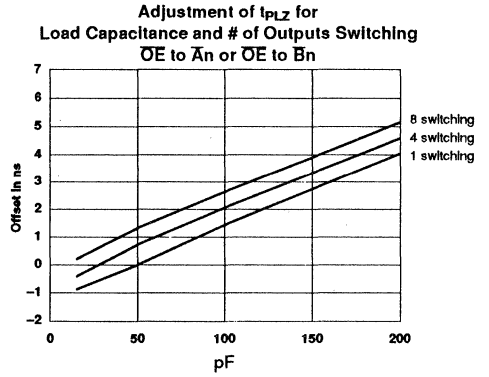
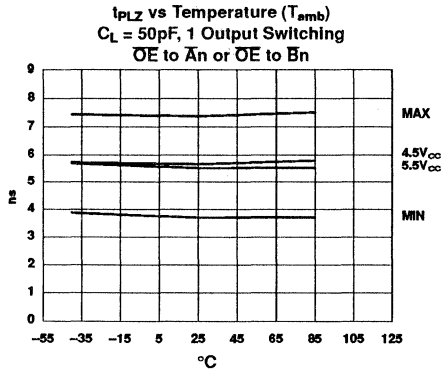
Octal bus transceiver/register, inverting (3-State)

74ABT648



Octal bus transceiver/register, inverting (3-State)

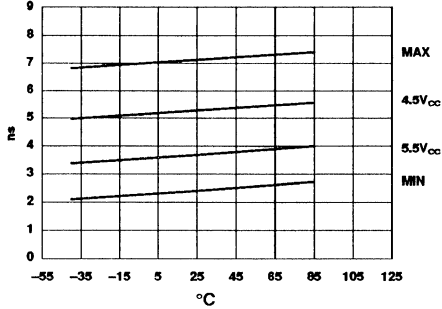
74ABT648



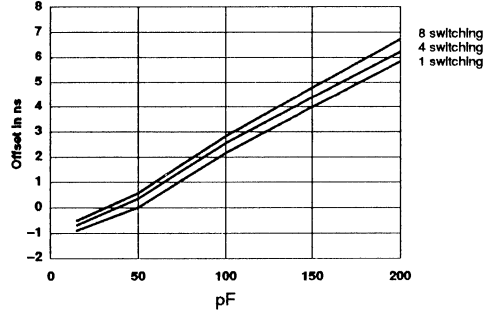
Octal bus transceiver/register, inverting (3-State)

74ABT648

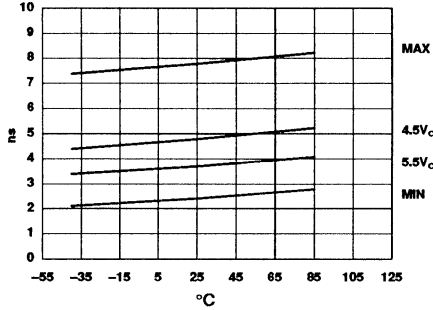
t_{PHZ} vs Temperature (T_{amb})
 $C_L = 50\text{pF}$, 1 Output Switching
 DIR to \bar{A}_n or DIR to \bar{B}_n



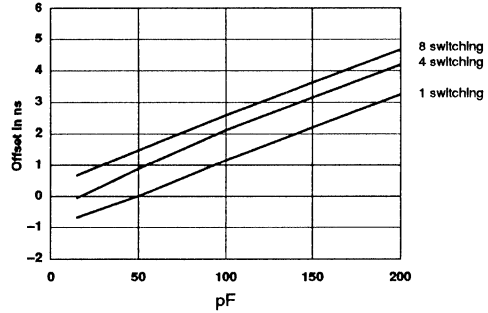
Adjustment of t_{PHZ} for Load Capacitance/# of Outputs Switching
 DIR to \bar{A}_n or DIR to \bar{B}_n



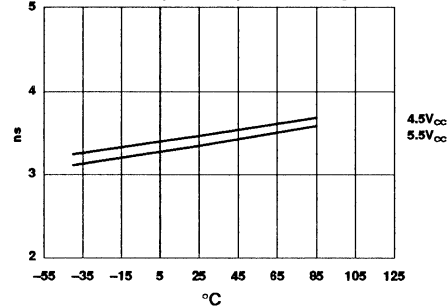
t_{PLZ} vs Temperature (T_{amb})
 $C_L = 50\text{pF}$, 1 Output Switching
 DIR to \bar{A}_n or DIR to \bar{B}_n



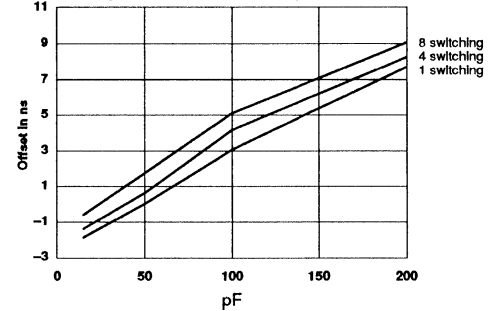
Adjustment of t_{PLZ} for Load Capacitance and # of Outputs Switching
 DIR to \bar{A}_n or DIR to \bar{B}_n



t_{TLH} vs Temperature (T_{amb})
 $C_L = 50\text{pF}$, 1 Output Switching

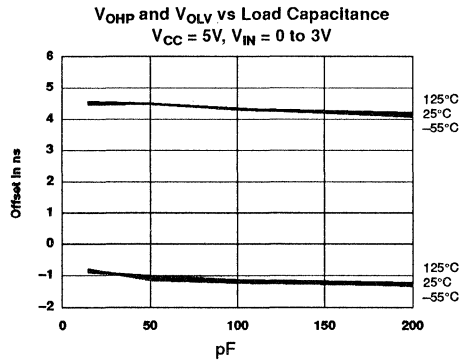
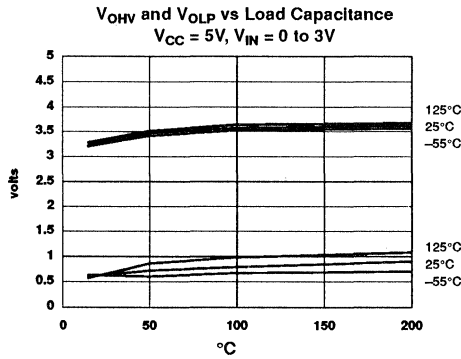
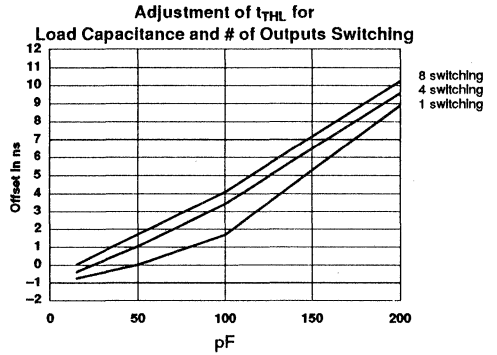
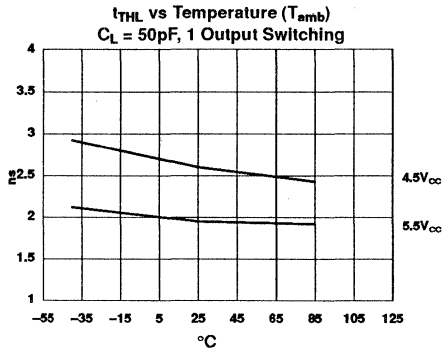


Adjustment of t_{TLH} for Load Capacitance and # of Outputs Switching



Octal bus transceiver/register, inverting (3-State)

74ABT648



Transceiver/register, inverting (3-State)

74ABT651

FEATURES

- Independent registers for A and B buses
- The 74ABT651 is the inverting version of the 74ABT652.
- Multiplexed real-time and stored data
- 3-State outputs
- Output capability: +64mA/-32mA
- Latch-up protection exceeds 500mA per Jedec JC40.2 Std 17
- ESD protection exceeds 2000 V per MIL STD 883C Method 3015.6 and 200 V per Machine Model

DESCRIPTION

The 74ABT651 high-performance BiCMOS device combines low static and dynamic power dissipation with high speed and high output drive.

The 74ABT651 Transceiver/ Register consists of bus transceiver circuits with 3-State, inverting outputs, D-type flip-flops, and control circuitry arranged for multiplexed transmission of data directly from the input bus or the internal registers. Data on the A or B bus will be clocked into the registers as the appropriate clock pin goes High. Output Enable (OEAB, OEBA) and Select (SAB, SBA) pins are provided for bus management.

QUICK REFERENCE DATA

SYMBOL	PARAMETER	CONDITIONS $T_{amb} = 25^{\circ}\text{C}; \text{GND} = 0\text{V}$	TYPICAL	UNIT
t_{PLH} t_{PHL}	Propagation delay CPAB or CPBA to An or Bn	$C_L = 50\text{pF}; V_{CC} = 5\text{V}$	5.4	ns
C_{IN}	Input capacitance	$V_I = 0\text{V}$ or V_{CC}	4	pF
C_{OUT}	Output capacitance	$V_I = 0\text{V}$ or V_{CC}	7	pF
I_{CCZ}	Total supply current	Outputs Disabled; $V_{CC} = 5.5\text{V}$	500	nA

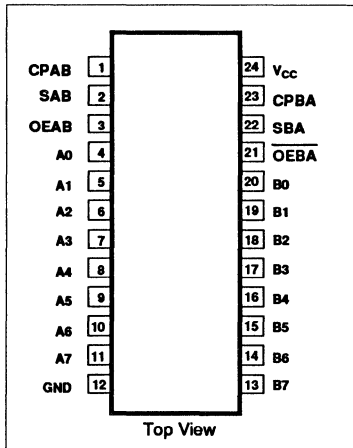
ORDERING INFORMATION

PACKAGES	TEMPERATURE RANGE	ORDER CODE
24-pin plastic DIP (300mil)	-40°C to +85°C	74ABT651N
24-pin plastic SOL (300mil)	-40°C to +85°C	74ABT651D

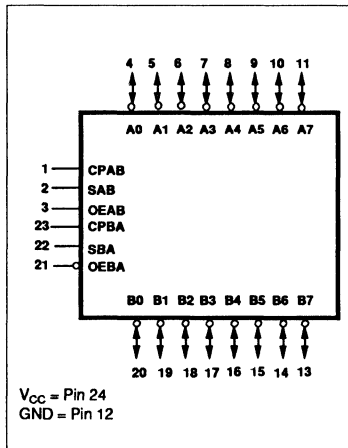
PIN DESCRIPTION

PIN NUMBER	SYMBOL	NAME AND FUNCTION
1, 23	CPAB / CPBA	Clock input A to B / Clock input B to A
2, 22	SAB / SBA	Select input A to B / Select input B to A
3, 21	OEAB / OEBA	Output enable inputs
4, 5, 6, 7 8, 9, 10, 11	A0 - A7	Data inputs/outputs (A side)
20, 19, 18, 17 16, 15, 14, 13	B0 - B7	Data inputs/outputs (B side)
12	GND	Ground (0V)
24	V_{CC}	Positive supply voltage

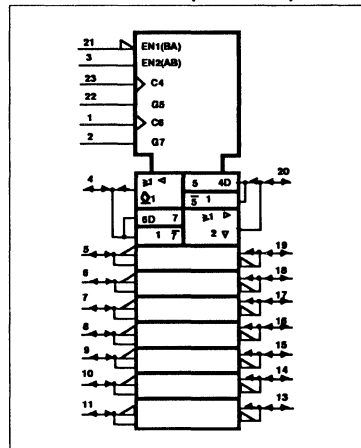
PIN CONFIGURATION



LOGIC SYMBOL



LOGIC SYMBOL (IEEE/IEC)



Transceiver/register, inverting (3-State)

74ABT651

FUNCTION TABLE

INPUTS					DATA I/O		OPERATING MODE
OEAB	OEBA	CPAB	CPBA	SAB SBA	An	Bn	
L	H	H or L	H or L	X X	Input	Input	Isolation Store A and B data
X	H	↑	H or L	X X	Input	Unspecified output *	Store A, Hold B Store A in both registers
L	X	H or L	↑	X X	Unspecified output *	Input	Hold A, Store B Store B in both registers
L	L	X	X	X L	Output	Input	Real time \bar{B} data to A bus Stored \bar{B} data to A bus
H	H	X	X	L X	Input	Output	Real time \bar{A} data to B bus Store \bar{A} data to B bus
H	L	H or L	H or L	H H	Output	Output	Stored \bar{A} data to B bus Stored \bar{B} data to A bus

H= High voltage level
L= Low voltage level

*= The data output function may be enabled or disabled by various signals at the OEBA and OEAB inputs. Data input functions are always enabled, i.e., data at the bus pins will be stored on every Low-to-High transition of the clock.

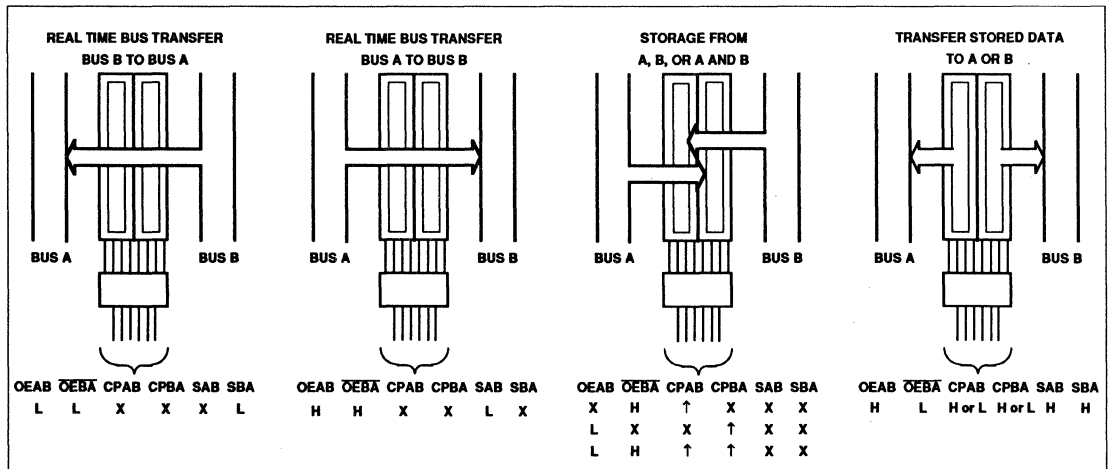
↑ = Low-to-High clock transition
X = Don't care

** If Select control = L, then clocks can occur simultaneously. If Select control = H, the clocks must be staggered in order to load both registers.

The following examples demonstrate the four fundamental bus-management functions that can be performed with the 'ABT651.

The select pins determine whether data is stored or transferred through the device in real time.

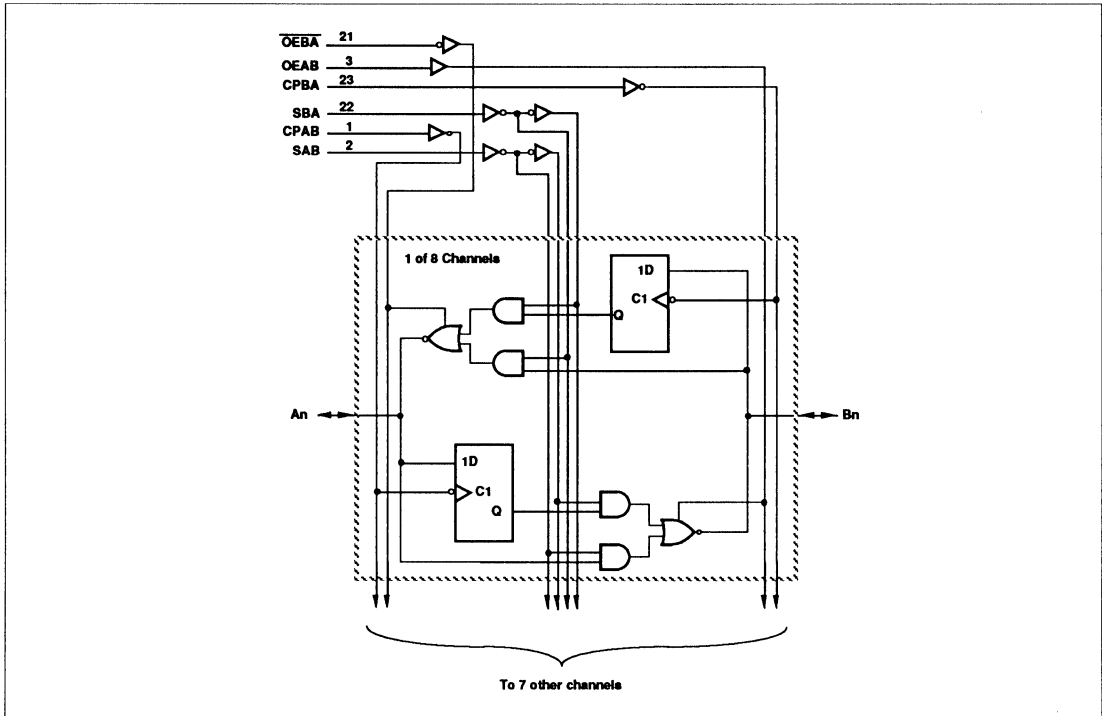
The output enable pins determine the direction of the data flow.



Transceiver/register, inverting (3-State)

74ABT651

LOGIC DIAGRAM



ABSOLUTE MAXIMUM RATINGS^{1, 2}

SYMBOL	PARAMETER	CONDITIONS	RATING	UNIT
V _{CC}	DC supply voltage		-0.5 to +7.0	V
I _{IK}	DC input diode current	V _I < 0	-18	mA
V _I	DC input voltage ³		-1.2 to +7.0	V
I _{OK}	DC output diode current	V _O < 0	-50	mA
V _{OUT}	DC output voltage ³	output in Off or High state	-0.5 to +5.5	V
I _{OUT}	DC output current	output in Low state	128	mA
T _{stg}	Storage temperature range		-65 to 150	°C

NOTES:

1. Stresses beyond those listed may cause permanent damage to the device. These are stress ratings only and functional operation of the device at these or any other conditions beyond those indicated under "recommended operating conditions" is not implied. Exposure to absolute-maximum-rated conditions for extended periods may affect device reliability.
2. The performance capability of a high-performance integrated circuit in conjunction with its thermal environment can create junction temperatures which are detrimental to reliability. The maximum junction temperature of this integrated circuit should not exceed 150°C.
3. The input and output voltage ratings may be exceeded if the input and output current ratings are observed.

Transceiver/register, inverting (3-State)

74ABT651

RECOMMENDED OPERATING CONDITIONS

SYMBOL	PARAMETER	LIMITS		UNIT
		Min	Max	
V _{CC}	DC supply voltage	4.5	5.5	V
V _I	Input voltage	0	V _{CC}	V
V _{IH}	High-level input voltage	2.0		V
V _{IL}	Input voltage		0.8	V
I _{OH}	High level output current		-32	mA
I _{OL}	Low level output current		64	mA
ΔV/ΔV	Input transition rise or fall rate	0	10	ns/V
T _{amb}	Operating free-air temperature range	-40	+85	°C

DC ELECTRICAL CHARACTERISTICS

SYMBOL	PARAMETER	TEST CONDITIONS	LIMITS					UNIT
			T _{amb} = +25°C			T _{amb} = -40°C to +85°C		
			Min	Typ	Max	Min	Max	
V _{IK}	Input clamp voltage	V _{CC} = 4.5V; I _{IK} = -18mA		-0.9	-1.2		-1.2	V
V _{OH}	High-level output voltage	V _{CC} = 4.5V; I _{OH} = -3mA; V _I = V _{IL} or V _{IH}	2.5	3.5		2.5		V
		V _{CC} = 5.0V; I _{OH} = -3mA; V _I = V _{IL} or V _{IH}	3.0	4.0		3.0		
		V _{CC} = 4.5V; I _{OH} = -32mA; V _I = V _{IL} or V _{IH}	2.0	2.6		2.0		
V _{OL}	Low-level output voltage	V _{CC} = 4.5V; I _{OL} = 64mA; V _I = V _{IL} or V _{IH}		0.42	0.55		0.55	V
I _I	Input leakage current	Control pins V _{CC} = 5.5V; V _I = GND or 5.5V		±0.01	±1.0		±1.0	μA
		Data pins V _{CC} = 5.5V; V _I = GND or 5.5V		5	100		100	
I _{IH} + I _{OZH}	3-State output High current	V _{CC} = 5.5V; V _O = 2.7V; V _I = V _{IL} or V _{IH}		5.0	50		50	μA
I _{IL} + I _{OZL}	3-State output Low current	V _{CC} = 5.5V; V _O = 0.5V; V _I = V _{IL} or V _{IH}		-5.0	-50		-50	μA
I _O	Short-circuit output current ¹	V _{CC} = 5.5V; V _O = 2.5V	-50	-80	-180	-50	-180	mA
I _{CCH}	Quiescent supply current	V _{CC} = 5.5V; Outputs High; V _I = GND or V _{CC}		0.5	50		50	μA
I _{CCL}		V _{CC} = 5.5V; Outputs Low; V _I = GND or V _{CC}		20	30		30	mA
I _{CCZ}		V _{CC} = 5.5V; Outputs 3-State; V _I = GND or V _{CC}		0.5	50		50	μA
ΔI _{CC}	Additional supply current per input pin ²	One input at 3.4V, other inputs at V _{CC} or GND; V _{CC} = 5.5V		0.3	1.5		1.5	mA

NOTES:

- Not more than one output should be tested at a time, and the duration of the test should not exceed one second.
- This is the increase in supply current for each input at 3.4V.

Transceiver/register, non-inverting (3-State)

74ABT652

FEATURES

- Independent registers for A and B buses
- Multiplexed real-time and stored data
- 3-State outputs
- Output capability: +64mA/-32mA
- Latch-up protection exceeds 500mA per Jedec JC40.2 Std 17
- ESD protection exceeds 2000 V per MIL STD 883C Method 3015.6 and 200 V per Machine Model

DESCRIPTION

The 74ABT652 high-performance BiCMOS device combines low static and dynamic power dissipation with high speed and high output drive.

The 74ABT652 Transceiver/ Register consists of bus transceiver circuits with 3-State outputs, D-type flip-flops, and control circuitry arranged for multiplexed transmission of data directly from the input bus or the internal registers. Data on the A or B bus will be clocked into the registers as the appropriate clock pin goes High. Output Enable (OEAB, OEBA) and Select (SAB, SBA) pins are provided for bus management.

QUICK REFERENCE DATA

SYMBOL	PARAMETER	CONDITIONS $T_{amb} = 25^{\circ}\text{C}; \text{GND} = 0\text{V}$	TYPICAL	UNIT
t_{PLH} t_{PHL}	Propagation delay CPAB or CPBA to Anor Bn	$C_L = 50\text{pF}; V_{CC} = 5\text{V}$	5.4	ns
C_{IN}	Input capacitance	$V_I = 0\text{V}$ or V_{CC}	4	pF
C_{OUT}	Output capacitance	$V_I = 0\text{V}$ or V_{CC}	7	pF
I_{CCZ}	Total supply current	Outputs Disabled; $V_{CC} = 5.5\text{V}$	500	nA

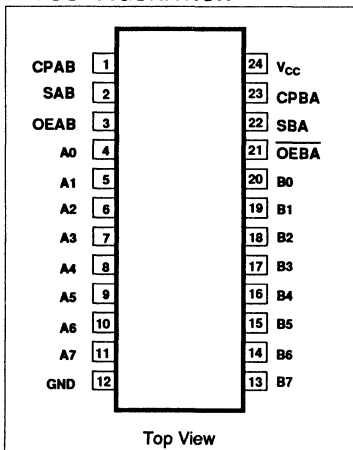
ORDERING INFORMATION

PACKAGES	TEMPERATURE RANGE	ORDER CODE
24-pin plastic DIP (300mil)	-40°C to +85°C	74ABT652N
24-pin plastic SOL (300mil)	-40°C to +85°C	74ABT652D

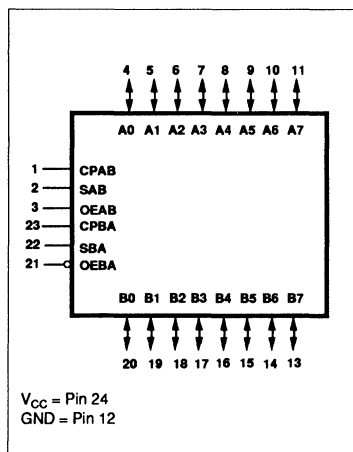
PIN DESCRIPTION

PIN NUMBER	SYMBOL	NAME AND FUNCTION
1, 23	CPAB / CPBA	Clock input A to B / Clock input B to A
2, 22	SAB / SBA	Select input A to B / Select input B to A
3, 21	OEAB / OEBA	Output enable inputs
4, 5, 6, 7 8, 9, 10, 11	A0 - A7	Data inputs/outputs (A side)
20, 19, 18, 17 16, 15, 14, 13	B0 - B7	Data inputs/outputs (B side)
12	GND	Ground (0V)
24	V_{CC}	Positive supply voltage

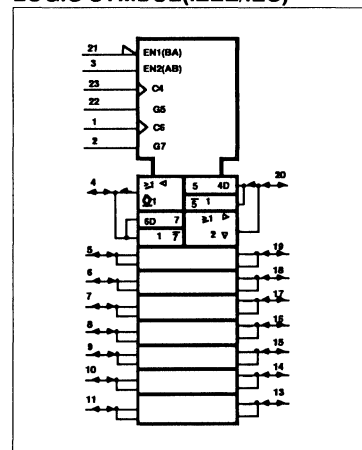
PIN CONFIGURATION



LOGIC SYMBOL



LOGIC SYMBOL(IEEE/IEC)



Transceiver/register, non-inverting (3-State)

74ABT652

FUNCTION TABLE

INPUTS				DATA I/O		OPERATING MODE		
OEAB	OEBA	CPAB	CPBA	SAB	SBA		An	Bn
L	H	H or L	H or L	X	X	Input	Input	Isolation Store A and B data
L	H	↑	↑	X	X	Input	Unspecified output *	Store A, Hold B Store A in both registers
X	H	↑	H or L	**	X	Unspecified output *	Input	Hold A, Store B Store B in both registers
L	X	H or L	↑	X	X	Output	Input	Real time B data to A bus Stored B data to A bus
L	L	X	X	X	L	Input	Output	Real time A data to B bus Store A data to B bus
L	L	X	H or L	X	H	Output	Output	Stored A data to B bus Stored B data to A bus

H = High voltage level

L = Low voltage level

* = The data output function may be enabled or disabled by various signals at the OEBA and OEAB inputs. Data input functions are always enabled, i.e., data at the bus pins will be stored on every Low-to-High transition of the clock.

↑ = Low-to-High clock transition

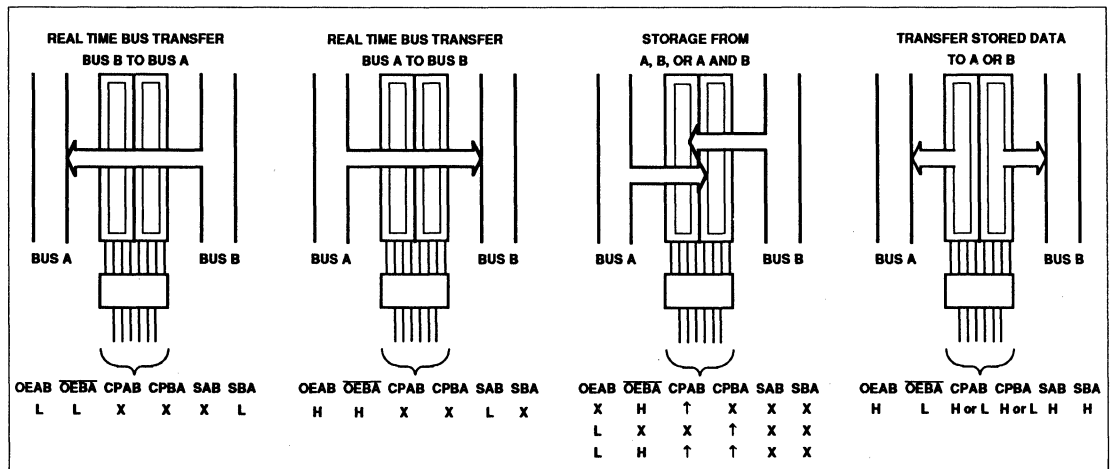
X = Don't care

** If Select control = L, then clocks can occur simultaneously. If Select control = H, the clocks must be staggered in order to load both registers.

The following examples demonstrate the four fundamental bus-management functions that can be performed with the 74ABT652.

The select pins determine whether data is stored or transferred through the device in real time.

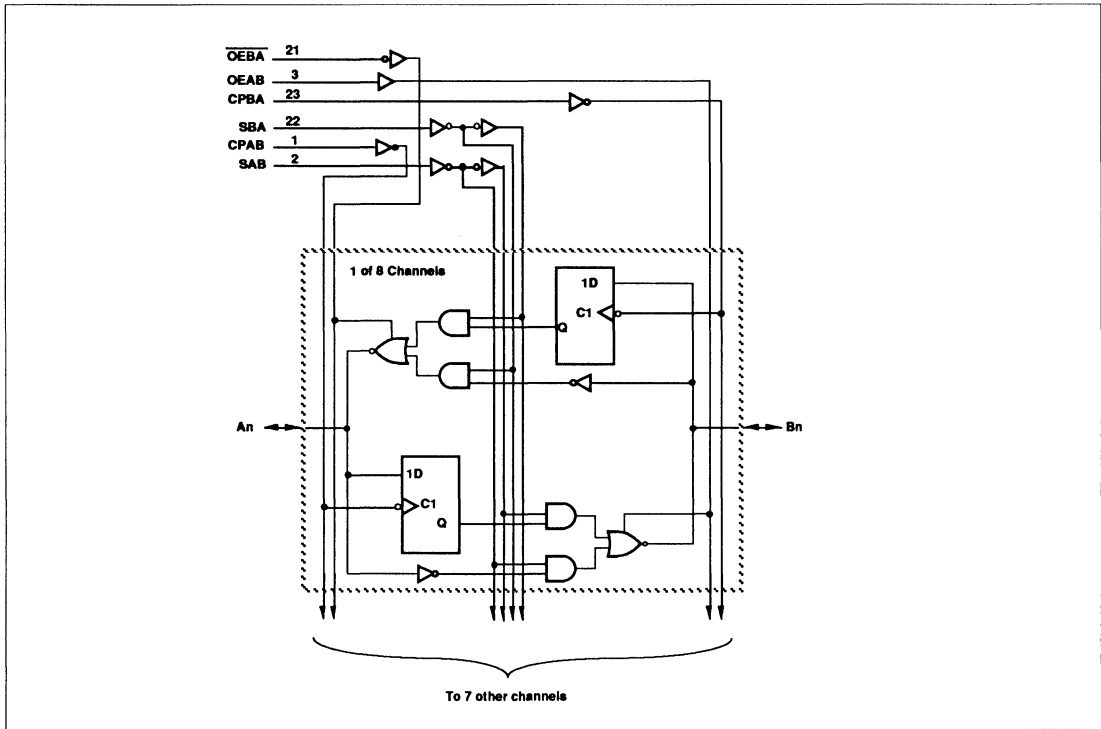
The output enable pins determine the direction of the data flow.



Transceiver/register, non-inverting (3-State)

74ABT652

LOGIC DIAGRAM



ABSOLUTE MAXIMUM RATINGS^{1, 2}

SYMBOL	PARAMETER	CONDITIONS	RATING	UNIT
V_{CC}	DC supply voltage		-0.5 to +7.0	V
I_{IK}	DC input diode current	$V_I < 0$	-18	mA
V_I	DC input voltage ³		-1.2 to +7.0	V
I_{OK}	DC output diode current	$V_O < 0$	-50	mA
V_{OUT}	DC output voltage ³	output in Off or High state	-0.5 to +5.5	V
I_{OUT}	DC output current	output in Low state	128	mA
T_{stg}	Storage temperature range		-65 to 150	°C

NOTES:

1. Stresses beyond those listed may cause permanent damage to the device. These are stress ratings only and functional operation of the device at these or any other conditions beyond those indicated under "recommended operating conditions" is not implied. Exposure to absolute-maximum-rated conditions for extended periods may affect device reliability.
2. The performance capability of a high-performance integrated circuit in conjunction with its thermal environment can create junction temperatures which are detrimental to reliability. The maximum junction temperature of this integrated circuit should not exceed 150°C.
3. The input and output voltage ratings may be exceeded if the input and output current ratings are observed.

Transceiver/register, non-inverting (3-State)

74ABT652

RECOMMENDED OPERATING CONDITIONS

SYMBOL	PARAMETER	LIMITS		UNIT
		Min	Max	
V_{CC}	DC supply voltage	4.5	5.5	V
V_I	Input voltage	0	V_{CC}	V
V_{IH}	High-level input voltage	2.0		V
V_{IL}	Input voltage		0.8	V
I_{OH}	High level output current		-32	mA
I_{OL}	Low level output current		64	mA
$\Delta t/\Delta v$	Input transition rise or fall rate	0	10	ns/V
T_{amb}	Operating free-air temperature range	-40	+85	°C

DC ELECTRICAL CHARACTERISTICS

SYMBOL	PARAMETER		TEST CONDITIONS	LIMITS					UNIT	
				$T_{amb} = +25^\circ\text{C}$			$T_{amb} = -40^\circ\text{C}$ to $+85^\circ\text{C}$			
				Min	Typ	Max	Min	Max		
V_{IK}	Input clamp voltage		$V_{CC} = 4.5\text{V}; I_{IK} = -18\text{mA}$		-0.9	-1.2		-1.2	V	
V_{OH}	High-level output voltage		$V_{CC} = 4.5\text{V}; I_{OH} = -3\text{mA}; V_I = V_{IL}$ or V_{IH}	2.5	3.5		2.5		V	
			$V_{CC} = 5.0\text{V}; I_{OH} = -3\text{mA}; V_I = V_{IL}$ or V_{IH}	3.0	4.0		3.0			
			$V_{CC} = 4.5\text{V}; I_{OH} = -32\text{mA}; V_I = V_{IL}$ or V_{IH}	2.0	2.6		2.0			
V_{OL}	Low-level output voltage		$V_{CC} = 4.5\text{V}; I_{OL} = 64\text{mA}; V_I = V_{IL}$ or V_{IH}		0.42	0.55		0.55	V	
I_I	Input leakage current	Control pins	$V_{CC} = 5.5\text{V}; V_I = \text{GND}$ or 5.5V		± 0.01	± 1.0		± 1.0	μA	
		Data pins	$V_{CC} = 5.5\text{V}; V_I = \text{GND}$ or 5.5V		5	100		100		
$I_{IH} + I_{OZH}$	3-State output High current		$V_{CC} = 5.5\text{V}; V_O = 2.7\text{V}; V_I = V_{IL}$ or V_{IH}		5.0	50		50	μA	
$I_{IL} + I_{OZL}$	3-State output Low current		$V_{CC} = 5.5\text{V}; V_O = 0.5\text{V}; V_I = V_{IL}$ or V_{IH}		-5.0	-50		-50	μA	
I_O	Short-circuit output current ¹		$V_{CC} = 5.5\text{V}; V_O = 2.5\text{V}$		-50	-80	-180	-50	-180	mA
I_{CCH}	Quiescent supply current		$V_{CC} = 5.5\text{V};$ Outputs High; $V_I = \text{GND}$ or V_{CC}		0.5	50		50	μA	
I_{CCL}			$V_{CC} = 5.5\text{V};$ Outputs Low; $V_I = \text{GND}$ or V_{CC}		20	30		30	mA	
I_{CCZ}			$V_{CC} = 5.5\text{V};$ Outputs 3-State; $V_I = \text{GND}$ or V_{CC}		0.5	50		50	μA	
ΔI_{CC}	Additional supply current per input pin ²		One input at 3.4V, other inputs at V_{CC} or GND; $V_{CC} = 5.5\text{V}$		0.3	1.5		1.5	mA	

NOTES:

- Not more than one output should be tested at a time, and the duration of the test should not exceed one second.
- This is the increase in supply current for each input at 3.4V.

Octal transceiver with parity generator/checker (3-State)

74ABT657

FEATURES

- Combinational functions in one package
- Low static and dynamic power dissipation with high speed and high output drive
- Output capability: +64mA/-32mA
- Latch-up protection exceeds 500mA per Jedec JC40.2 Std 17
- ESD protection exceeds 2000 V per MIL STD 883C Method 3015.6 and 200 V per Machine Model

DESCRIPTION

The 74ABT657 high-performance BiCMOS device combines low static and dynamic power dissipation with high speed and high output drive.

The 74ABT657 is an octal transceiver featuring non-inverting buffers with 3-State outputs and an 8-bit parity generator/checker, and is intended for bus-oriented applications. The buffers have a guaranteed current sinking capability of 64mA. The Transmit/Receive (T/\bar{R}) input determines the direction of the data flow through the bidirectional transceivers. Transmit (active-High) enables data from A ports to B ports; Receive (active-Low) enables data from B ports to A ports.

The Output Enable (\overline{OE}) input disables both the A and B ports by placing them in a high impedance condition when the

QUICK REFERENCE DATA

SYMBOL	PARAMETER	CONDITIONS $T_{amb} = 25^{\circ}C; GND = 0V$	TYPICAL	UNIT
t_{PLH} t_{PHL}	Propagation delay An to Bn or Bn to An	$C_L = 50pF; V_{CC} = 5V$	3.3	ns
C_{IN}	Input capacitance	$V_I = 0V$ or V_{CC}	4	pF
C_{OUT}	Output capacitance	$V_I = 0V$ or V_{CC}	7	pF
I_{CCZ}	Total supply current	Outputs Disabled; $V_{CC} = 5.5V$	500	nA

ORDERING INFORMATION

PACKAGES	TEMPERATURE RANGE	ORDER CODE
24-pin plastic DIP (300mil)	-40°C to +85°C	74ABT657N
24-pin plastic SOL (300mil)	-40°C to +85°C	74ABT657D

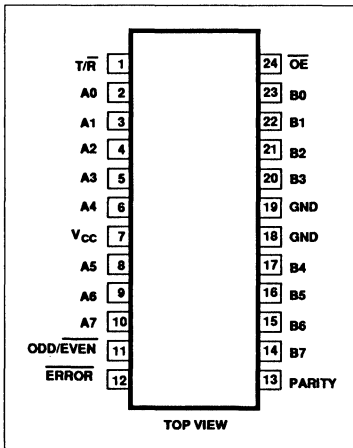
\overline{OE} input is High. The parity select (ODD/EVEN) input gives the user the option of odd or even parity systems. The parity (PARITY) pin is an output from the generator/checker when transmitting from the port A to B ($T/\bar{R} = \text{High}$) and an input when receiving from port B to A port ($T/\bar{R} = \text{Low}$). When transmitting ($T/\bar{R} = \text{High}$) the parity select (ODD/EVEN) input is set, then the A port data is polled to determine the number of High bits. The parity (PARITY) output then goes to the logic state determined by the parity select (ODD/EVEN) setting and by the number of High bits on port A. For example, if the parity select (ODD/EVEN) is set Low (even parity), and the number of High bits on port A is odd, then the parity

(PARITY) output will be High, transmitting even parity. If the number of High bits on port A is even, then the parity (PARITY) output will be Low, keeping even parity. When in receive mode ($T/\bar{R} = \text{Low}$) the B port is polled to determine the number of High bits. If parity select (ODD/EVEN) is Low (even parity) and the number of Highs on port B is:

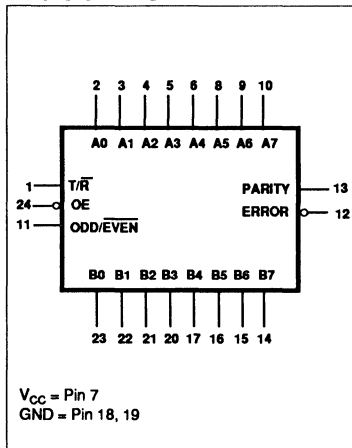
(1) odd and the parity (PARITY) input is High, then ERROR will be High, signifying no error.

(2) even and the parity (PARITY) input is High, then ERROR will be asserted Low, indicating an error.

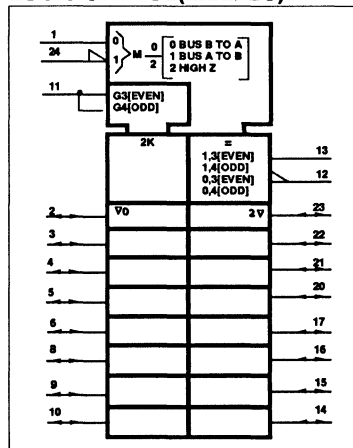
PIN CONFIGURATION



LOGIC SYMBOL



LOGIC SYMBOL (IEEE/IEC)



Octal transceiver with parity generator/checker (3-State)

74ABT657

PIN DESCRIPTION

PIN NUMBER	SYMBOL	NAME AND FUNCTION
13	PARITY	Parity output
11	ODD/EVEN	Parity select input
12	$\overline{\text{ERROR}}$	Error output
1	T/ $\overline{\text{R}}$	Transmission/Receive input
2, 3, 4, 5, 6 8, 9, 10	A0 - A7	A port 3-State outputs
23, 22, 21, 20 17, 16, 15, 14	B0 - B7	B port 3-State outputs
24	$\overline{\text{OE}}$	Output enable input active low
18, 19	GND	Ground (0V)
7	V _{CC}	Positive supply voltage

FUNCTION TABLE

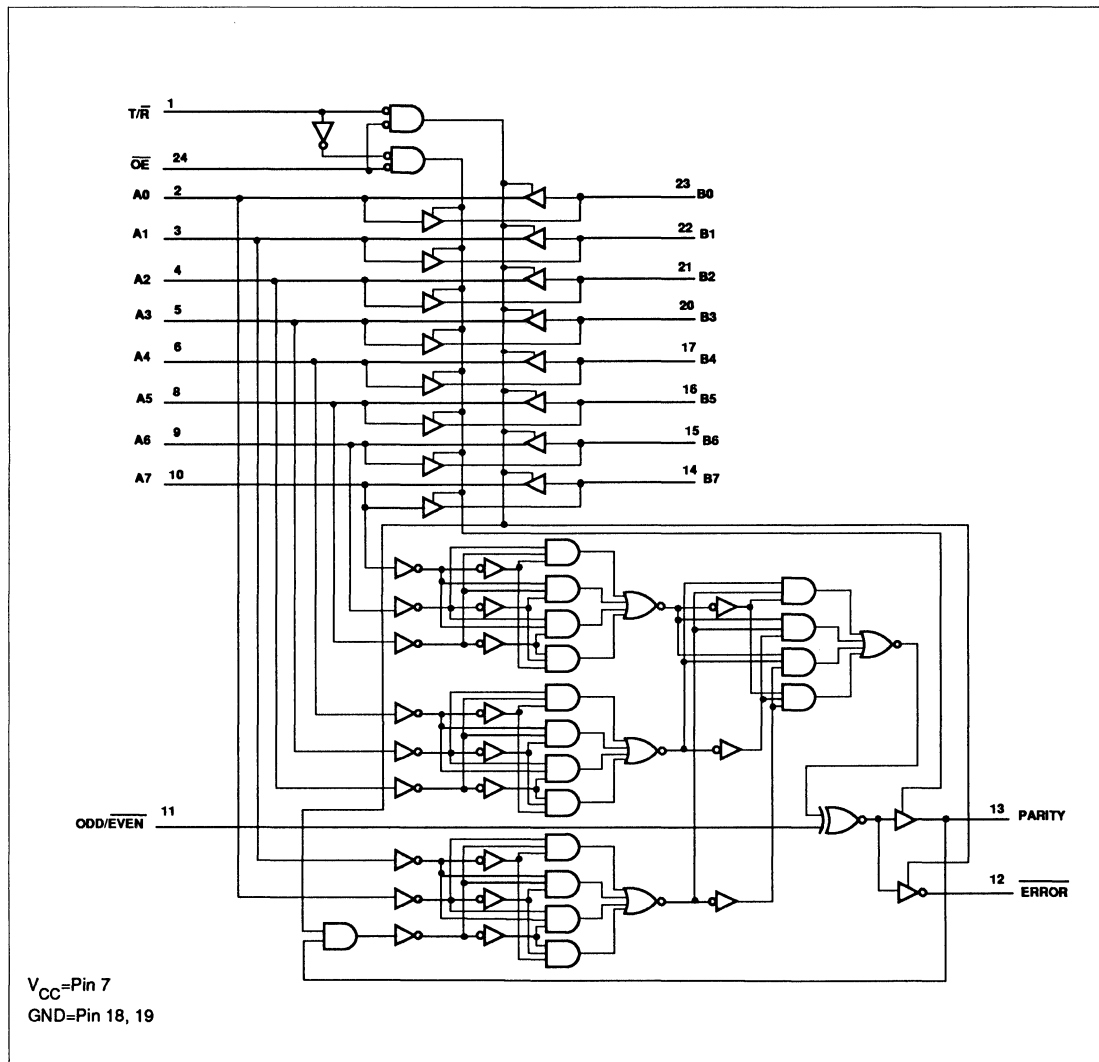
NUMBER OF INPUTS THAT ARE HIGH	INPUTS			INPUT/ OUTPUT	OUTPUTS	
	$\overline{\text{OE}}$	T/ $\overline{\text{R}}$	ODD/EVEN	PARITY	$\overline{\text{ERROR}}$	OUTPUTS MODE
0, 2, 4, 6, 8	L	H	H	H	Z	Transmit
	L	H	L	L	Z	Transmit
	L	L	H	H	H	Receive
	L	L	H	L	L	Receive
	L	L	L	H	L	Receive
	L	L	L	L	L	Receive
1, 3, 5, 7	L	H	H	L	Z	Transmit
	L	H	L	H	Z	Transmit
	L	L	H	H	L	Receive
	L	L	H	L	H	Receive
	L	L	L	H	H	Receive
	L	L	L	L	L	Receive
Don't care	H	X	X	Z	Z	3-state

- H = High voltage level
 L = Low voltage level
 X = Don't care
 Z = High impedance "off" state

Octal transceiver with parity generator/checker (3-State)

74ABT657

LOGIC DIAGRAM



Octal transceiver with parity generator/checker (3-State)

74ABT657

ABSOLUTE MAXIMUM RATINGS^{1, 2}

SYMBOL	PARAMETER	CONDITIONS	RATING	UNIT
V _{CC}	DC supply voltage		-0.5 to +7.0	V
I _{IK}	DC input diode current	V _I < 0	-18	mA
V _I	DC input voltage ³		-1.2 to +7.0	V
I _{OK}	DC output diode current	V _O < 0	-50	mA
V _{OUT}	DC output voltage ³	output in Off or High state	-0.5 to +5.5	V
I _{OUT}	DC output current	output in Low state	128	mA
T _{stg}	Storage temperature range		-65 to 150	°C

NOTES:

- Stresses beyond those listed may cause permanent damage to the device. These are stress ratings only and functional operation of the device at these or any other conditions beyond those indicated under "recommended operating conditions" is not implied. Exposure to absolute-maximum-rated conditions for extended periods may affect device reliability.
- The performance capability of a high-performance integrated circuit in conjunction with its thermal environment can create junction temperatures which are detrimental to reliability. The maximum junction temperature of this integrated circuit should not exceed 150°C.
- The input and output voltage ratings may be exceeded if the input and output current ratings are observed.

RECOMMENDED OPERATING CONDITIONS

SYMBOL	PARAMETER	LIMITS		UNIT
		Min	Max	
V _{CC}	DC supply voltage	4.5	5.5	V
V _I	Input voltage	0	V _{CC}	V
V _{IH}	High-level input voltage	2.0		V
V _{IL}	Input voltage		0.8	V
I _{OH}	High level output current		-32	mA
I _{OL}	Low level output current		64	mA
Δt/Δv	Input transition rise or fall rate	0	5	ns/V
T _{amb}	Operating free-air temperature range	-40	+85	°C

Octal transceiver with parity generator/checker (3-State)

74ABT657

DC ELECTRICAL CHARACTERISTICS

SYMBOL	PARAMETER		TEST CONDITIONS	LIMITS					UNIT
				T _{amb} = +25°C			T _{amb} = -40°C to +85°C		
				Min	Typ	Max	Min	Max	
V _{IK}	Input clamp voltage		V _{CC} = 4.5V; I _{IK} = -18mA		-0.9	-1.2		-1.2	V
V _{OH}	High-level output voltage		V _{CC} = 4.5V; I _{OH} = -3mA; V _I = V _{IL} or V _{IH}	2.5	3.5		2.5		V
			V _{CC} = 5.0V; I _{OH} = -3mA; V _I = V _{IL} or V _{IH}	3.0	4.0		3.0		
			V _{CC} = 4.5V; I _{OH} = -32mA; V _I = V _{IL} or V _{IH}	2.0	2.6		2.0		
V _{OL}	Low-level output voltage		V _{CC} = 4.5V; I _{OL} = 64mA; V _I = V _{IL} or V _{IH}		0.42	0.55		0.55	V
I _I	Input leakage current	Control pins	V _{CC} = 5.5V; V _I = GND or 5.5V		±0.01	±1.0		±1.0	µA
		Data pins	V _{CC} = 5.5V; V _I = GND or 5.5V		5	100		100	
I _{IH} + I _{OZH}	3-State output High current		V _{CC} = 5.5V; V _O = 2.7V; V _I = V _{IL} or V _{IH}		5.0	50		50	µA
I _{IL} + I _{OZL}	3-State output Low current		V _{CC} = 5.5V; V _O = 0.5V; V _I = V _{IL} or V _{IH}		-5.0	-50		-50	µA
I _O	Short-circuit output current ¹		V _{CC} = 5.5V; V _O = 2.5V	-50	-80	-180	-50	-180	mA
I _{CCH}	Quiescent supply current		V _{CC} = 5.5V; Outputs High; V _I = GND or V _{CC}		0.5	50		50	µA
I _{CCL}			V _{CC} = 5.5V; Outputs Low; V _I = GND or V _{CC}		20	30		30	mA
I _{CCZ}			V _{CC} = 5.5V; Outputs 3-State; V _I = GND or V _{CC}		0.5	50		50	µA
ΔI _{CC}	Additional supply current per input pin ²		One input at 3.4V, other inputs at V _{CC} or GND; V _{CC} = 5.5V		0.3	1.5		1.5	mA

NOTES:

1. Not more than one output should be tested at a time, and the duration of the test should not exceed one second.
2. This is the increase in supply current for each input at 3.4V.

Octal transceiver with parity generator/checker (3-State)

74ABT657

AC ELECTRICAL CHARACTERISTICS

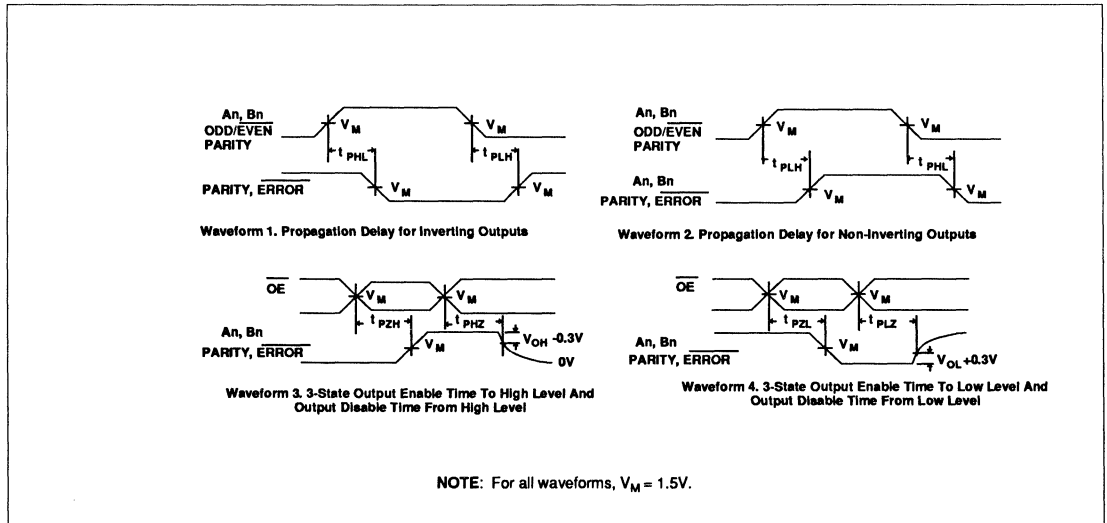
GND = 0V; $t_R = t_F = 2.5\text{ns}$; $C_L = 50\text{pF}$; $R_L = 500\Omega$

SYMBOL	PARAMETER	TEST CONDITION	74ABT657					UNIT
			$T_{\text{amb}} = +25^\circ\text{C}$ $V_{\text{CC}} = +5.0\text{V}$			$T_{\text{amb}} = -40^\circ\text{C to } +85^\circ\text{C}$ $V_{\text{CC}} = +5.0\text{V} \pm 0.5\text{V}$		
			Min	Typ	Max	Min	Max	
t_{PLH} t_{PHL}	Propagation delay An to Bn or Bn to An	Waveform 2	1.1 1.2	3.3 3.0	5.0 4.3	1.1 1.2	5.5 4.8	ns
t_{PLH} t_{PHL}	Propagation delay An to PARITY	Waveform 1,2	2.6 3.2	6.5 7.0	9.1 9.4	2.6 3.2	11.0 11.3	ns
t_{PLH} t_{PHL}	Propagation delay ODD/EVEN to PARITY, ERROR	Waveform 1,2	1.7 1.9	5.0 5.0	6.8 6.7	1.7 1.9	7.7 7.6	ns
t_{PLH} t_{PHL}	Propagation delay Bn to ERROR	Waveform 1,2	5.3 5.2	9.2 9.6	12.1 12.9	5.3 5.2	15.1 15.7	ns
t_{PLH} t_{PHL}	Propagation delay PARITY to ERROR	Waveform 1,2	2.8 3.5	6.0 6.4	8.1 8.3	2.8 3.5	10.1 10.2	ns
t_{PZH} t_{PZL}	Output Enable time ¹ to High or Low level	Waveform 3 Waveform 4	1.3 1.9	3.8 4.4	5.6 7.0	1.3 1.9	6.7 8.2	ns
t_{PHZ} t_{PLZ}	Output Disable time from High or Low level	Waveform 3 Waveform 4	3.1 3.4	5.1 5.4	7.0 7.6	3.1 3.4	10.5 8.0	ns

NOTE:

1. These delay times reflect the 3-State recovery time only and do not include the delay through the buffers and the parity check circuitry which affect the ERROR output. To assure VALID information at the ERROR pin, time must be allowed for the signal to propagate through the drivers (B to A), through the parity check circuitry (same as A to PARITY), and to the ERROR output. VALID data at the ERROR pin \geq (B to A) + (A to PARITY).

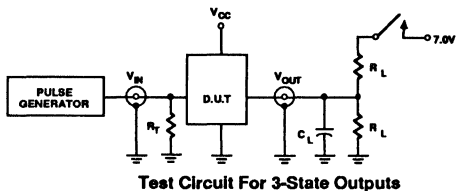
AC WAVEFORMS



Octal transceiver with parity generator/checker (3-State)

74ABT657

TEST CIRCUIT AND WAVEFORMS



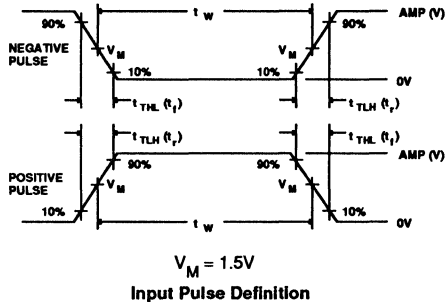
Test Circuit For 3-State Outputs

SWITCH POSITION

TEST	SWITCH
t_{PLZ}	closed
t_{PZL}	closed
All other	open

DEFINITIONS

- R_L = Load resistor; see AC CHARACTERISTICS for value.
- C_L = Load capacitance includes jig and probe capacitance; see AC CHARACTERISTICS for value.
- R_T = Termination resistance should be equal to Z_{OUT} of pulse generators.

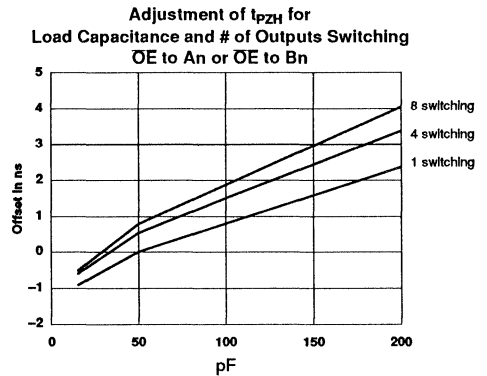
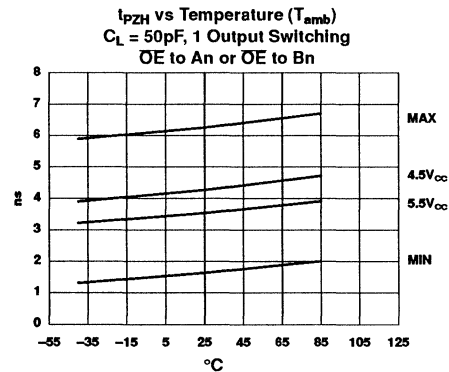
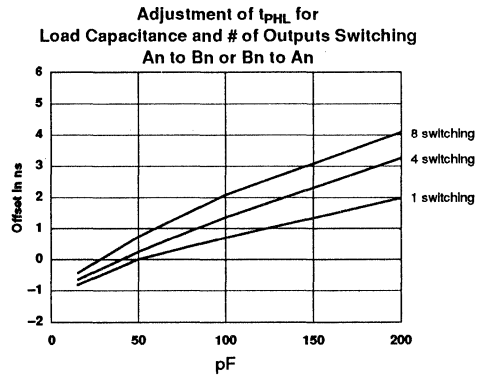
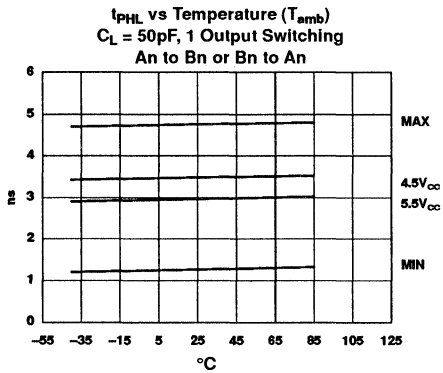
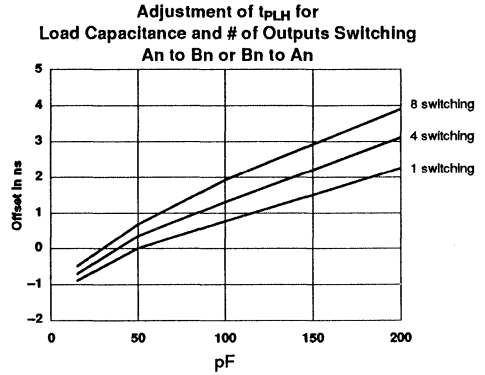
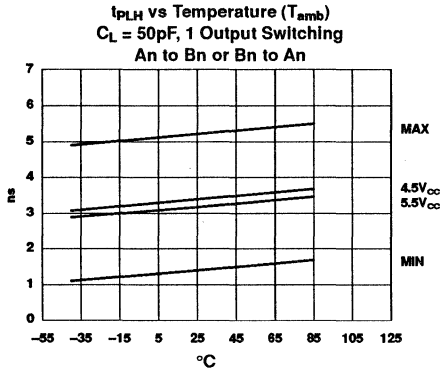


Input Pulse Definition

FAMILY	INPUT PULSE REQUIREMENTS				
	Amplitude	Rep. Rate	t_w	t_R	t_F
74ABT	3.0V	1MHz	500ns	2.5ns	2.5ns

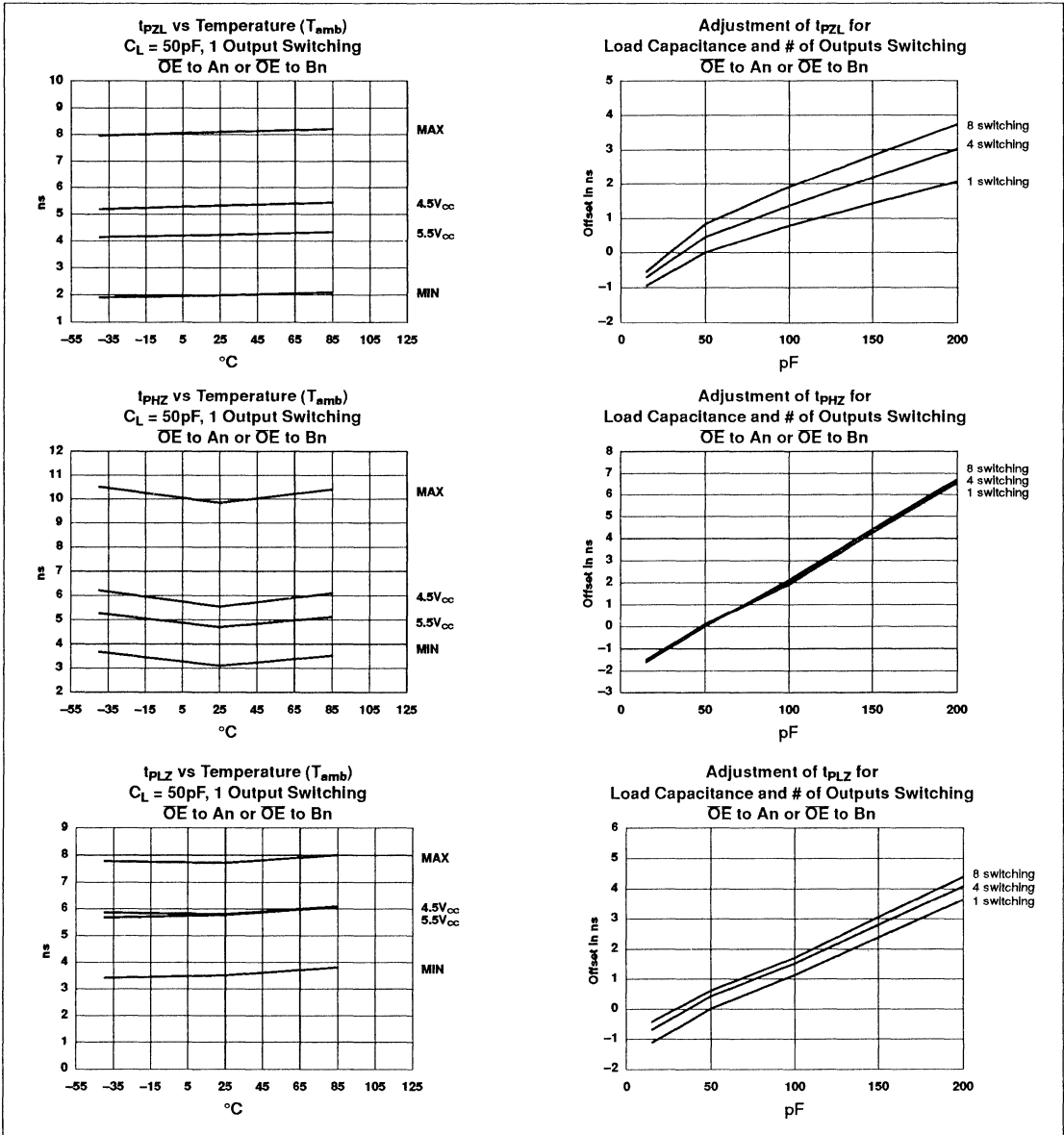
Octal transceiver with parity generator/checker (3-State)

74ABT657



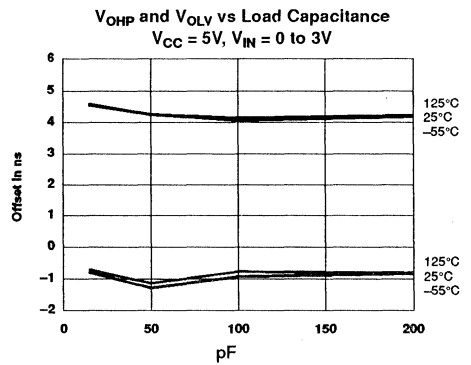
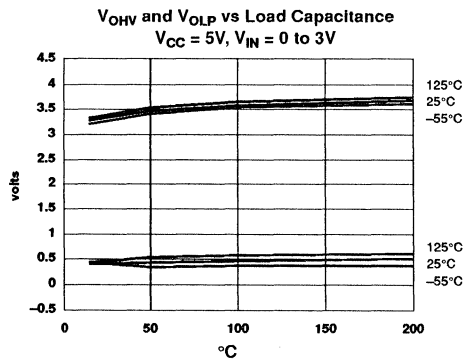
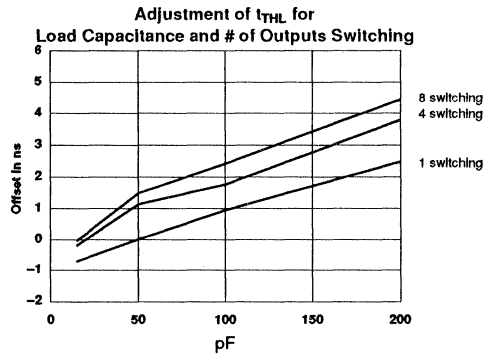
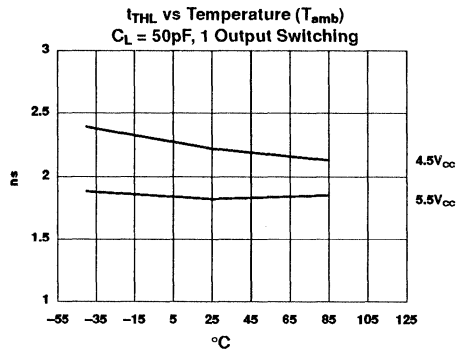
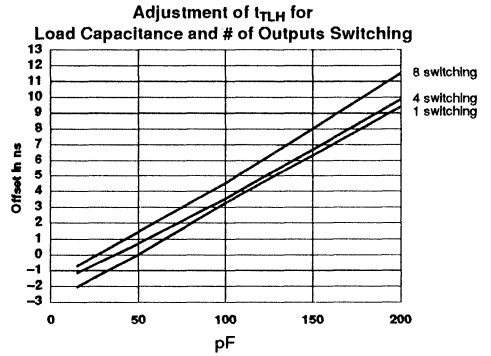
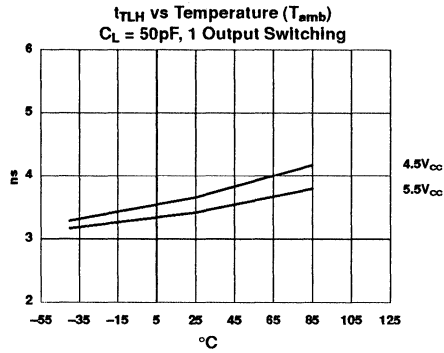
Octal transceiver with parity generator/checker (3-State)

74ABT657



Octal transceiver with parity generator/checker (3-State)

74ABT657



10-bit D-type flip-flop; positive-edge trigger (3-State)

74ABT821

FEATURES

- High speed parallel registers with positive edge-triggered D-type flip-flops
- Ideal where high speed, light loading, or increased fan-in are required with MOS microprocessors
- Output capability: +64mA/-32mA
- Latch-up protection exceeds 500mA per Jedec JC40.2 Std 17
- ESD protection exceeds 2000 V per MIL STD 883C Method 3015.6 and 200 V per Machine Model

DESCRIPTION

The 74ABT821 high-performance BiCMOS device combines low static and dynamic power dissipation with high speed and high output drive.

The 74ABT821 Bus interface Register is designed to eliminate the extra packages required to buffer existing registers and provide extra data width for wider data/address paths of buses carrying parity.

The 'ABT821 is a buffered 10-bit wide version of the 'ABT374/'ABT534 functions.

The 'ABT821 is a 10-bit, edge triggered register coupled to ten 3-State output

QUICK REFERENCE DATA

SYMBOL	PARAMETER	CONDITIONS $T_{amb} = 25^{\circ}\text{C}; \text{GND} = 0\text{V}$	TYPICAL	UNIT
t_{PLH} t_{PHL}	Propagation delay CP to Qn	$C_L = 50\text{pF}; V_{CC} = 5\text{V}$	5.4	ns
C_{IN}	Input capacitance	$V_I = 0\text{V}$ or V_{CC}	4	pF
C_{OUT}	Output capacitance	$V_I = 0\text{V}$ or V_{CC}	7	pF
I_{CCZ}	Total supply current	Outputs Disabled; $V_{CC} = 5.5\text{V}$	500	nA

ORDERING INFORMATION

PACKAGES	TEMPERATURE RANGE	ORDER CODE
24-pin plastic DIP	-40°C to +85°C	74ABT821N
24-pin plastic SOL	-40°C to +85°C	74ABT821D

buffers. The two sections of the device are controlled independently by the clock (CP) and Output Enable (\overline{OE}) control gates.

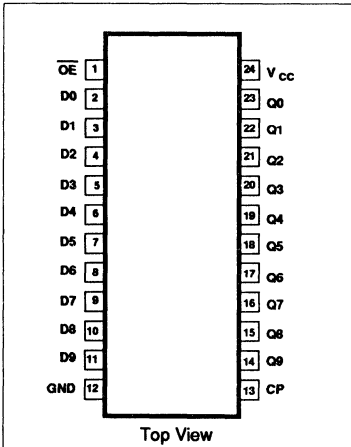
The register is fully edge triggered. The state of each D input, one set-up time before the Low-to-High clock transition is transferred to the corresponding flip-flop's Q output.

The 3-State output buffers are designed to drive heavily loaded 3-State buses,

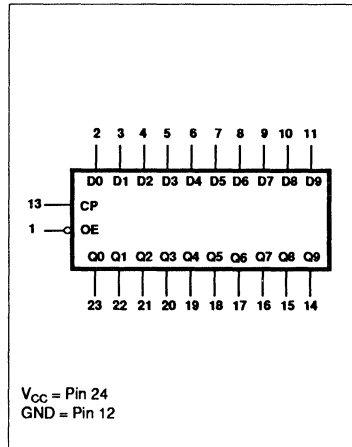
MOS memories, or MOS microprocessors.

The active Low Output Enable (\overline{OE}) controls all ten 3-State buffers independent of the register operation. When \overline{OE} is Low, the data in the register appears at the outputs. When \overline{OE} is High, the outputs are in high impedance "off" state, which means they will neither drive nor load the bus.

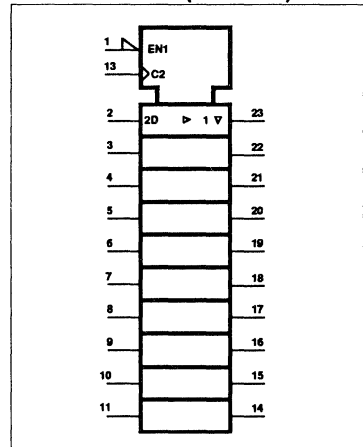
PIN CONFIGURATION



LOGIC SYMBOL



LOGIC SYMBOL (IEEE/IEC)



10-bit D-type flip-flop; positive-edge trigger (3-State)

74ABT821

PIN DESCRIPTION

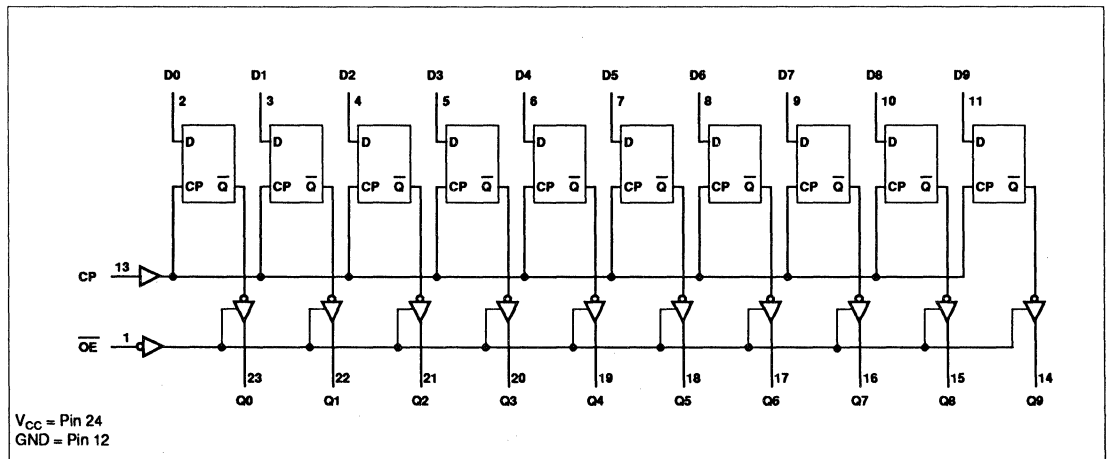
PIN NUMBER	SYMBOL	NAME AND FUNCTION
1	\overline{OE}	Output Enable input (active Low)
2, 3, 4, 5, 6, 7, 8, 9, 10, 11	D0 - D9	Data inputs
14, 15, 16, 17, 18, 19, 20, 21, 22, 23	Q0 - Q9	Data outputs
13	CP	Clock Pulse input (active rising edge)
12	GND	Ground (0V)
24	V _{CC}	Positive supply voltage

FUNCTION TABLE

INPUTS			INTERNAL REGISTER	OUTPUTS	OPERATING MODE
\overline{OE}	CP	Dn		Q0 - Q9	
L	↑	l	L	L	Load and read register
L	↑	h	H	H	
L	↔	X	NC	NC	Hold
H	↔	X	NC	Z	Disable outputs
H	↑	Dn	Dn	Z	

- H = High voltage level
- h = High voltage level one set-up time prior to the Low-to-High clock transition
- L = Low voltage level
- l = Low voltage level one set-up time prior to the Low-to-High clock transition
- NC = No change
- X = Don't care
- Z = High impedance "off" state
- ↑ = Low-to-High clock transition
- ↔ = Not a Low-to-High clock transition

LOGIC DIAGRAM



10-bit D-type flip-flop; positive-edge trigger (3-State)

74ABT821

ABSOLUTE MAXIMUM RATINGS^{1, 2}

SYMBOL	PARAMETER	CONDITIONS	RATING	UNIT
V _{CC}	DC supply voltage		-0.5 to +7.0	V
I _{IK}	DC input diode current	V _I < 0	-18	mA
V _I	DC input voltage ³		-1.2 to +7.0	V
I _{OK}	DC output diode current	V _O < 0	-50	mA
V _{OUT}	DC output voltage ³	output in Off or High state	-0.5 to +5.5	V
I _{OUT}	DC output current	output in Low state	128	mA
T _{stg}	Storage temperature range		-65 to 150	°C

NOTES:

- Stresses beyond those listed may cause permanent damage to the device. These are stress ratings only and functional operation of the device at these or any other conditions beyond those indicated under "recommended operating conditions" is not implied. Exposure to absolute-maximum-rated conditions for extended periods may affect device reliability.
- The performance capability of a high-performance integrated circuit in conjunction with its thermal environment can create junction temperatures which are detrimental to reliability. The maximum junction temperature of this integrated circuit should not exceed 150°C.
- The input and output voltage ratings may be exceeded if the input and output current ratings are observed.

RECOMMENDED OPERATING CONDITIONS

SYMBOL	PARAMETER	LIMITS		UNIT
		Min	Max	
V _{CC}	DC supply voltage	4.5	5.5	V
V _I	Input voltage	0	V _{CC}	V
V _{IH}	High-level input voltage	2.0		V
V _{IL}	Input voltage		0.8	V
I _{OH}	High level output current		-32	mA
I _{OL}	Low level output current		64	mA
ΔV/ΔV	Input transition rise or fall rate	0	5	ns/V
T _{amb}	Operating free-air temperature range	-40	+85	°C

10-bit D-type flip-flop; positive-edge trigger (3-State)

74ABT821

DC ELECTRICAL CHARACTERISTICS

SYMBOL	PARAMETER	TEST CONDITIONS	LIMITS					UNIT
			T _{amb} = +25°C			T _{amb} = -40°C to +85°C		
			Min	Typ	Max	Min	Max	
V _{IK}	Input clamp voltage	V _{CC} = 4.5V; I _{IK} = -18mA		-0.9	-1.2		-1.2	V
V _{OH}	High-level output voltage	V _{CC} = 4.5V; I _{OH} = -3mA; V _I = V _{IL} or V _{IH}	2.5	2.9		2.5		V
		V _{CC} = 5.0V; I _{OH} = -3mA; V _I = V _{IL} or V _{IH}	3.0	3.4		3.0		
		V _{CC} = 4.5V; I _{OH} = -32mA; V _I = V _{IL} or V _{IH}	2.0	2.4		2.0		
V _{OL}	Low-level output voltage	V _{CC} = 4.5V; I _{OL} = 64mA; V _I = V _{IL} or V _{IH}		0.42	0.55		0.55	V
I _I	Input leakage current	V _{CC} = 5.5V; V _I = GND or 5.5V		±0.01	±1.0		±1.0	µA
I _{OZH}	3-State output High current	V _{CC} = 5.5V; V _O = 2.7V; V _I = V _{IL} or V _{IH}		5.0	50		50	µA
I _{OZL}	3-State output Low current	V _{CC} = 5.5V; V _O = 0.5V; V _I = V _{IL} or V _{IH}		-5.0	-50		-50	µA
I _O	Short-circuit output current ¹	V _{CC} = 5.5V; V _O = 2.5V	-50	-100	-180	-50	-180	mA
I _{CCH}	Quiescent supply current	V _{CC} = 5.5V; Outputs High; V _I = GND or V _{CC}		0.5	50		50	µA
I _{CCL}		V _{CC} = 5.5V; Outputs Low; V _I = GND or V _{CC}		30	38		38	mA
I _{CCZ}		V _{CC} = 5.5V; Outputs 3-State; V _I = GND or V _{CC}		0.5	50		50	µA
ΔI _{CC}	Additional supply current per input pin ²	V _{CC} = 5.5V; One input at 3.4V, other inputs at V _{CC} or GND		0.5	1.5		1.5	mA

NOTES:

- Not more than one output should be tested at a time, and the duration of the test should not exceed one second.
- This is the increase in supply current for each input at 3.4V.

9-bit D-type flip-flop with reset and enable; (3-State)

74ABT823

FEATURES

- High speed parallel registers with positive edge-triggered D-type flip-flops
- Ideal where high speed, light loading, or increased fan-in are required with MOS microprocessors
- Output capability: +64mA/-32mA
- Latch-up protection exceeds 500mA per Jedec JC40.2 Std 17
- ESD protection exceeds 2000 V per MIL STD 883C Method 3015.6 and 200 V per Machine Model

DESCRIPTION

The 74ABT823 Bus interface Register is designed to eliminate the extra packages required to buffer existing registers and provide extra data width for wider data/address paths of buses carrying parity.

The 'ABT823 is a 9-bit wide buffered register with Clock Enable (\overline{CE}) and Master Reset (\overline{MR}) which are ideal for parity bus interfacing in high microprogrammed systems.

The register is fully edge-triggered. The state of each D input, one set-up time before the Low-to-High clock transition is transferred to the corresponding flip-flop's Q output.

QUICK REFERENCE DATA

SYMBOL	PARAMETER	CONDITIONS		
		$T_{amb} = 25^{\circ}\text{C}; \text{GND} = 0\text{V}$		
t_{PLH} t_{PHL}	Propagation delay CP to Qn	$C_L = 50\text{pF}; V_{CC} = 5\text{V}$	5.4	ns
C_{IN}	Input capacitance	$V_I = 0\text{V or } V_{CC}$	4	pF
C_{OUT}	Output capacitance	$V_I = 0\text{V or } V_{CC}$	7	pF
I_{CCZ}	Total supply current	Outputs Disabled; $V_{CC} = 5.5\text{V}$	500	nA

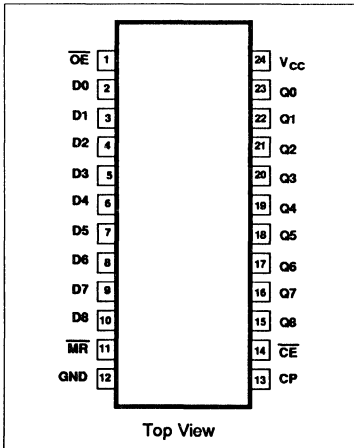
ORDERING INFORMATION

PACKAGES	TEMPERATURE RANGE	ORDER CODE
24-pin plastic DIP	-40°C to +85°C	74ABT823N
24-pin plastic SOL	-40°C to +85°C	74ABT823D

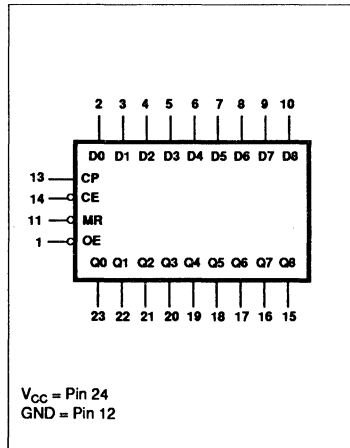
PIN DESCRIPTION

PIN NUMBER	SYMBOL	NAME AND FUNCTION
1	\overline{OE}	Output Enable input (active Low)
2, 3, 4, 5, 6, 7, 8, 9, 10	D0 - D8	Data inputs
15, 16, 17, 18, 19, 20, 21, 22, 23	Q0 - Q8	Data outputs
13	CP	Clock Pulse input (active rising edge)
14	\overline{CE}	Clock Enable input (active Low)
11	\overline{MR}	Master Reset input (active Low)
12	GND	Ground (0V)
24	V_{CC}	Positive supply voltage

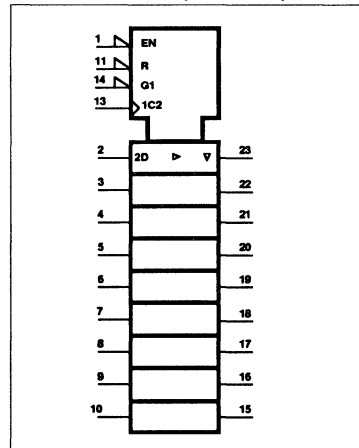
PIN CONFIGURATION



LOGIC SYMBOL



LOGIC SYMBOL(IEEE/IEC)



9-bit D-type flop with reset and enable; (3-State)

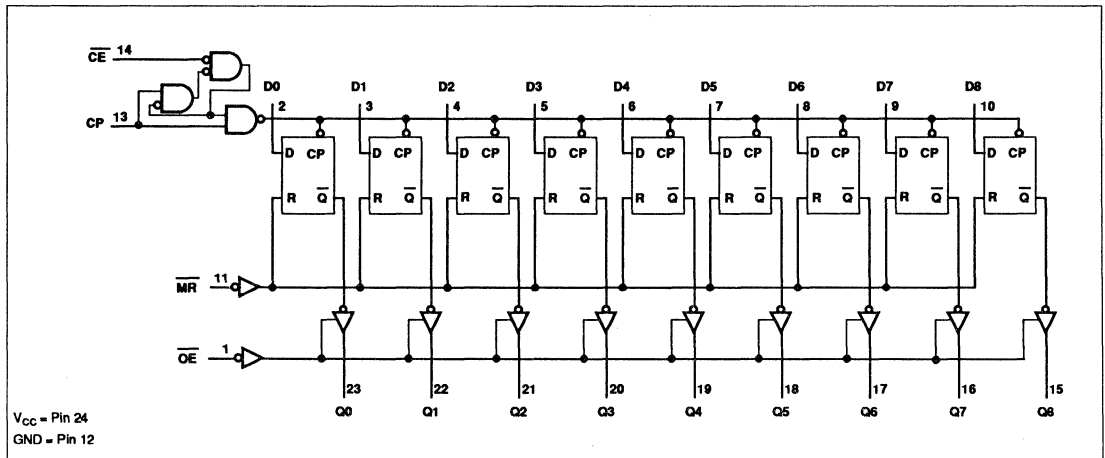
74ABT823

FUNCTION TABLE

INPUTS					OUTPUTS	OPERATING MODE
\overline{OE}	\overline{MR}	\overline{CE}	CP	Dn	Q0 - Q8	
L	L	X	X	X	L	Clear
L	H	L	↑	h	H	Load and read data
L	H	L	↑	l	L	
L	H	H	≠	X	NC	Hold
H	X	X	X	X	Z	High impedance

- H = High voltage level
- h = High voltage level one set-up time prior to the Low-to-High clock transition
- L = Low voltage level
- l = Low voltage level one set-up time prior to the Low-to-High clock transition
- NC = No change
- X = Don't care
- Z = High impedance "off" state
- ↑ = Low-to-High clock transition
- ≠ = Not a Low-to-High clock transition

LOGIC DIAGRAM



9-bit D-type flip-flop with reset and enable; (3-State)

74ABT823

RECOMMENDED OPERATING CONDITIONS

SYMBOL	PARAMETER	LIMITS		UNIT
		Min	Max	
V_{CC}	DC supply voltage	4.5	5.5	V
V_I	Input voltage	0	V_{CC}	V
V_{IH}	High-level input voltage	2.0		V
V_{IL}	Input voltage		0.8	V
I_{OH}	High level output current		-32	mA
I_{OL}	Low level output current		64	mA
$\Delta t/\Delta v$	Input transition rise or fall rate	0	5	ns/V
T_{amb}	Operating free-air temperature range	-40	+85	°C

ABSOLUTE MAXIMUM RATINGS^{1, 2}

SYMBOL	PARAMETER	CONDITIONS	RATING	UNIT
V_{CC}	DC supply voltage		-0.5 to +7.0	V
I_{IK}	DC input diode current	$V_I < 0$	-18	mA
V_I	DC input voltage ³		-1.2 to +7.0	V
I_{OK}	DC output diode current	$V_O < 0$	-50	mA
V_{OUT}	DC output voltage ³	output in Off or High state	-0.5 to +5.5	V
I_{OUT}	DC output current	output in Low state	128	mA
T_{stg}	Storage temperature range		-65 to 150	°C

NOTES:

1. Stresses beyond those listed may cause permanent damage to the device. These are stress ratings only and functional operation of the device at these or any other conditions beyond those indicated under "recommended operating conditions" is not implied. Exposure to absolute-maximum-rated conditions for extended periods may affect device reliability.
2. The performance capability of a high-performance integrated circuit in conjunction with its thermal environment can create junction temperatures which are detrimental to reliability. The maximum junction temperature of this integrated circuit should not exceed 150°C.
3. The input and output voltage ratings may be exceeded if the input and output current ratings are observed.

9-bit D-type flip-flop with reset and enable; (3-State)

74ABT823

DC ELECTRICAL CHARACTERISTICS

SYMBOL	PARAMETER	TEST CONDITIONS	LIMITS					UNIT
			T _{amb} = +25°C			T _{amb} = -40°C to +85°C		
			Min	Typ	Max	Min	Max	
V _{IK}	Input clamp voltage	V _{CC} = 4.5V; I _{IK} = -18mA		-0.9	-1.2		-1.2	V
V _{OH}	High-level output voltage	V _{CC} = 4.5V; I _{OH} = -3mA; V _I = V _{IL} or V _{IH}	2.5	2.9		2.5		V
		V _{CC} = 5.0V; I _{OH} = -3mA; V _I = V _{IL} or V _{IH}	3.0	3.4		3.0		
		V _{CC} = 4.5V; I _{OH} = -32mA; V _I = V _{IL} or V _{IH}	2.0	2.4		2.0		
V _{OL}	Low-level output voltage	V _{CC} = 4.5V; I _{OL} = 64mA; V _I = V _{IL} or V _{IH}		0.42	0.55		0.55	V
I _I	Input leakage current	V _{CC} = 5.5V; V _I = GND or 5.5V		±0.01	±1.0		±1.0	µA
I _{OZH}	3-State output High current	V _{CC} = 5.5V; V _O = 2.7V; V _I = V _{IL} or V _{IH}		5.0	50		50	µA
I _{OZL}	3-State output Low current	V _{CC} = 5.5V; V _O = 0.5V; V _I = V _{IL} or V _{IH}		-5.0	-50		-50	µA
I _O	Short-circuit output current ¹	V _{CC} = 5.5V; V _O = 2.5V	-50	-100	-180	-50	-180	mA
I _{CCH}	Quiescent supply current	V _{CC} = 5.5V; Outputs High; V _I = GND or V _{CC}		0.5	50		50	µA
I _{CCL}		V _{CC} = 5.5V; Outputs Low; V _I = GND or V _{CC}		27	34		34	mA
I _{CCZ}		V _{CC} = 5.5V; Outputs 3-State; V _I = GND or V _{CC}		0.5	50		50	µA
ΔI _{CC}	Additional supply current per input pin ²	V _{CC} = 5.5V; One input at 3.4V, other inputs at V _{CC} or GND		0.5	1.5		1.5	mA

NOTES:

1. Not more than one output should be tested at a time, and the duration of the test should not exceed one second.
2. This is the increase in supply current for each input at 3.4V.

10-bit buffer/line driver, non-inverting (3-State)

74ABT827

FEATURES

- Ideal where high speed, light bus loading and increased fan-in are required
- Flow through pinout architecture for microprocessor oriented applications
- Outputs capability: +64mA/-32mA
- Slim 300 mil-wide plastic 24-pin package
- Pinout and function compatible with AMD 29827

DESCRIPTION

The 74ABT827 high-performance BiCMOS device combines low static and dynamic power dissipation with high speed and high output drive.

The 74ABT827 10-bit buffers provide high performance bus interface buffering for wide data/address paths or buses carrying parity. They have NOR Output Enables ($\overline{OE}0$, $\overline{OE}1$) for maximum control flexibility.

QUICK REFERENCE DATA

SYMBOL	PARAMETER	CONDITIONS $T_{amb} = 25^{\circ}C$; $GND = 0V$	TYPICAL	UNIT
t_{PLH} t_{PHL}	Propagation delay CP to Qn	$C_L = 50pF$; $V_{CC} = 5V$	2.9	ns
C_{IN}	Input capacitance	$V_I = 0V$ or V_{CC}	4	pF
C_{OUT}	Output capacitance	$V_I = 0V$ or V_{CC}	7	pF
I_{CCZ}	Total supply current	Outputs Disabled; $V_{CC} = 5.5V$	500	nA

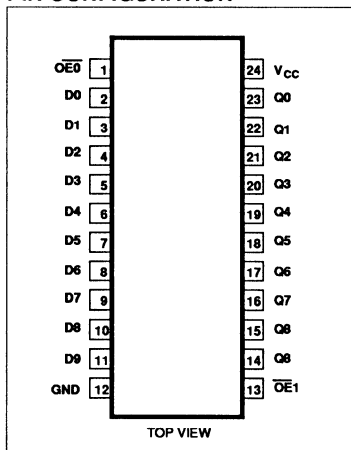
ORDERING INFORMATION

PACKAGES	TEMPERATURE RANGE	ORDER CODE
24-pin plastic DIP	-40°C to +85°C	74ABT827N
24-pin plastic SOL	-40°C to +85°C	74ABT827D

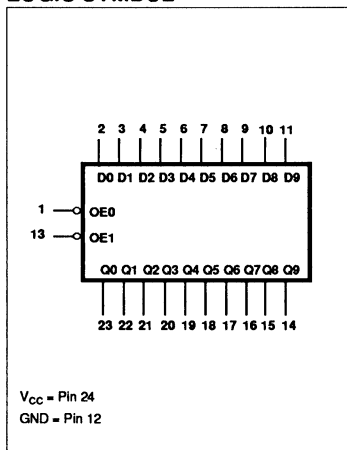
PIN DESCRIPTION

PIN NUMBER	SYMBOL	NAME AND FUNCTION
1, 13	$\overline{OE}0$ $\overline{OE}1$	Output Enable inputs (active Low)
2, 3, 4, 5, 6, 7 8, 9, 10, 11	D0 - D9	Data inputs
14, 15, 16, 17, 18 19, 20, 21, 22, 23	Q0 - Q9	Data outputs
12	GND	Ground (0V)
24	V_{CC}	Positive supply voltage

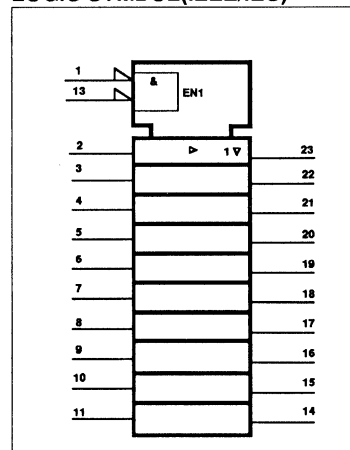
PIN CONFIGURATION



LOGIC SYMBOL



LOGIC SYMBOL (IEEE/IEC)



10-bit buffer/line driver, non-inverting (3-State)

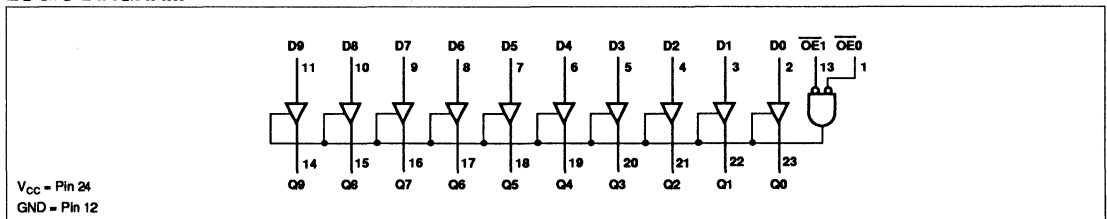
74ABT827

FUNCTION TABLE

INPUTS		OUTPUTS	OPERATING MODE
$\overline{OE}n$	Dn	Qn	
L	L	L	Transparent
L	H	H	Transparent
H	X	Z	High impedance

H = High voltage level
 L = Low voltage level
 X = Don't care
 Z = High impedance "off" state

LOGIC DIAGRAM

ABSOLUTE MAXIMUM RATINGS^{1, 2}

SYMBOL	PARAMETER	CONDITIONS	RATING	UNIT
V_{CC}	DC supply voltage		-0.5 to +7.0	V
I_{IK}	DC input diode current	$V_I < 0$	-18	mA
V_I	DC input voltage ³		-1.2 to +7.0	V
I_{OK}	DC output diode current	$V_O < 0$	-50	mA
V_{OUT}	DC output voltage ³	output in Off or High state	-0.5 to +5.5	V
I_{OUT}	DC output current	output in Low state	128	mA
T_{stg}	Storage temperature range		-65 to 150	°C

NOTES:

- Stresses beyond those listed may cause permanent damage to the device. These are stress ratings only and functional operation of the device at these or any other conditions beyond those indicated under "recommended operating conditions" is not implied. Exposure to absolute-maximum-rated conditions for extended periods may affect device reliability.
- The performance capability of a high-performance integrated circuit in conjunction with its thermal environment can create junction temperatures which are detrimental to reliability. The maximum junction temperature of this integrated circuit should not exceed 150°C.
- The input and output voltage ratings may be exceeded if the input and output current ratings are observed.

10-bit buffer/line driver, non-inverting (3-State)

74ABT827

RECOMMENDED OPERATING CONDITIONS

SYMBOL	PARAMETER	LIMITS		UNIT
		Min	Max	
V_{CC}	DC supply voltage	4.5	5.5	V
V_I	Input voltage	0	V_{CC}	V
V_{IH}	High-level input voltage	2.0		V
V_{IL}	Input voltage		0.8	V
I_{OH}	High level output current		-32	mA
I_{OL}	Low level output current		64	mA
$\Delta t/\Delta v$	Input transition rise or fall rate	0	5	ns/V
T_{amb}	Operating free-air temperature range	-40	+85	°C

DC ELECTRICAL CHARACTERISTICS

SYMBOL	PARAMETER	TEST CONDITIONS	LIMITS					UNIT
			$T_{amb} = +25^{\circ}\text{C}$			$T_{amb} = -40^{\circ}\text{C}$ to $+85^{\circ}\text{C}$		
			Min	Typ	Max	Min	Max	
V_{IK}	Input clamp voltage	$V_{CC} = 4.5\text{V}; I_{IK} = -18\text{mA}$		-0.9	-1.2		-1.2	V
V_{OH}	High-level output voltage	$V_{CC} = 4.5\text{V}; I_{OH} = -3\text{mA}; V_I = V_{IL}$ or V_{IH}	2.5	2.9		2.5		V
		$V_{CC} = 5.0\text{V}; I_{OH} = -3\text{mA}; V_I = V_{IL}$ or V_{IH}	3.0	3.4		3.0		
		$V_{CC} = 4.5\text{V}; I_{OH} = -32\text{mA}; V_I = V_{IL}$ or V_{IH}	2.0	2.4		2.0		
V_{OL}	Low-level output voltage	$V_{CC} = 4.5\text{V}; I_{OL} = 64\text{mA}; V_I = V_{IL}$ or V_{IH}		0.42	0.55		0.55	V
I_I	Input leakage current	$V_{CC} = 5.5\text{V}; V_I = \text{GND}$ or 5.5V		± 0.01	± 1.0		± 1.0	μA
I_{OZH}	3-State output High current	$V_{CC} = 5.5\text{V}; V_O = 2.7\text{V}; V_I = V_{IL}$ or V_{IH}		5.0	50		50	μA
I_{OZL}	3-State output Low current	$V_{CC} = 5.5\text{V}; V_O = 0.5\text{V}; V_I = V_{IL}$ or V_{IH}		-5.0	-50		-50	μA
I_O	Short-circuit output current ¹	$V_{CC} = 5.5\text{V}; V_O = 2.5\text{V}$	-50	-100	-180	-50	-180	mA
I_{CCH}	Quiescent supply current	$V_{CC} = 5.5\text{V};$ Outputs High; $V_I = \text{GND}$ or V_{CC}		0.5	50		50	μA
I_{CCL}		$V_{CC} = 5.5\text{V};$ Outputs Low; $V_I = \text{GND}$ or V_{CC}		30	38		38	mA
I_{CCZ}		$V_{CC} = 5.5\text{V};$ Outputs 3-State; $V_I = \text{GND}$ or V_{CC}		0.5	50		50	μA
ΔI_{CC}	Additional supply current per input pin ²	Outputs enabled, one input at 3.4V, other inputs at V_{CC} or GND; $V_{CC} = 5.5\text{V}$		0.5	1.5		1.5	mA
		Outputs 3-State, one data input at 3.4V, other inputs at V_{CC} or GND; $V_{CC} = 5.5\text{V}$		0.5	50		50	μA
		Outputs 3-State, one enable input at 3.4V, other inputs at V_{CC} or GND; $V_{CC} = 5.5\text{V}$		0.5	1.5		1.5	mA

NOTES:

1. Not more than one output should be tested at a time, and the duration of the test should not exceed one second.
2. This is the increase in supply current for each input at 3.4V.

Octal transceiver with parity generator/checker (3-State)

74ABT833

FEATURES

- Low static and dynamic power dissipation with high speed and high output drive
- Open-collector $\overline{\text{ERROR}}$ output
- Functionally equivalent to AMD AM29833
- Output capability: +64mA/-32mA
- Latch-up protection exceeds 500mA per Jedec JC40.2 Std 17
- ESD protection exceeds 2000 V per MIL STD 883C Method 3015.6 and 200 V per Machine Model

DESCRIPTION

The 74ABT833 high-performance BiCMOS device combines low static and dynamic power dissipation with high speed and high output drive.

The 74ABT833 is an octal transceiver with a parity generator/checker and is intended for bus-oriented applications.

When Output Enable A ($\overline{\text{OEA}}$) is High, it will place the A outputs in a high impedance state. Output Enable B ($\overline{\text{OEB}}$) controls the B outputs in the same way.

QUICK REFERENCE DATA

SYMBOL	PARAMETER	CONDITIONS $T_{\text{amb}} = 25^{\circ}\text{C}; \text{GND} = 0\text{V}$	TYPICAL	UNIT
t_{PLH} t_{PHL}	Propagation delay An to Bn or Bnto An	$C_L = 50\text{pF}; V_{\text{CC}} = 5\text{V}$	2.9	ns
t_{PLH} t_{PHL}	Propagation delay An to PARITY	$C_L = 50\text{pF}; V_{\text{CC}} = 5\text{V}$	6.1	ns
C_{IN}	Input capacitance	$V_I = 0\text{V}$ or V_{CC}	4	pF
C_{OUT}	Output capacitance	$V_I = 0\text{V}$ or V_{CC}	7	pF
I_{CCZ}	Total supply current	Outputs Disabled; $V_{\text{CC}} = 5.5\text{V}$	500	nA

ORDERING INFORMATION

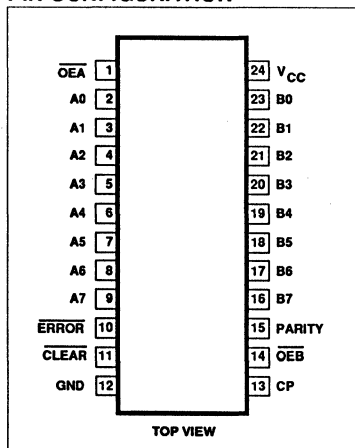
PACKAGES	TEMPERATURE RANGE	ORDER CODE
24-pin plastic DIP (300mil)	-40°C to +85°C	74ABT833N
24-pin plastic SOL (300mil)	-40°C to +85°C	74ABT833D

The parity generator creates an odd parity output (PARITY) when $\overline{\text{OEB}}$ is Low. When $\overline{\text{OEA}}$ is low, the parity of the B port, including the PARITY input, is checked for odd parity. When an error is detected, the error data is sent to the input of a storage register. If a Low-to-High transition happens at the clock input (CP), the error data is stored in the register and the Open-collector error

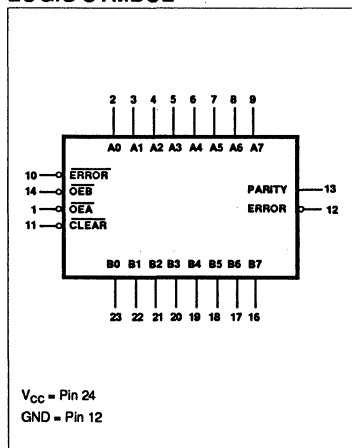
flag ($\overline{\text{ERROR}}$) will go Low. The error flag register is cleared with a Low pulse on the CLEAR input.

If both $\overline{\text{OEA}}$ and $\overline{\text{OEB}}$ are Low, data will flow from the A bus to the B bus and the part is forced into an error condition which creates an inverted PARITY output. This error condition can be used by the designer for system diagnostics.

PIN CONFIGURATION



LOGIC SYMBOL



Octal transceiver with parity generator/checker (3-State)

74ABT833

PIN DESCRIPTION

SYMBOL	PIN NUMBER	NAME AND FUNCTION
A0 - A7	2, 3, 4, 5, 6, 7, 8, 9	A port 3-State inputs/outputs
B0 - B7	23, 22, 21, 20, 19, 18, 17, 16	B port 3-State inputs/outputs
\overline{OEA}	1	Enables the A outputs when Low
\overline{OEB}	14	Enables the B outputs when Low
PARITY	15	Parity output
\overline{ERROR}	10	Error output
\overline{CLEAR}	11	Clears the error flag register when Low
CP	13	Clock input
GND	12	Ground (0V)
V _{CC}	24	Positive supply voltage

FUNCTION TABLE

MODE	INPUTS						OUTPUT AND I/O			
	\overline{OEB}	\overline{OEA}	\overline{CLEAR}	CP	An Σ of Highs	Bn [†] Σ of Highs	A	B	PARITY	\overline{ERROR} [‡]
A data to B bus and generate parity	L	H	X	X	Odd Even	NA	NA	A	L H	NA
B data to A bus and check parity	H	L	H	↑	NA	Odd Even	B	NA	NA	H L
Clear error flag register	X	X	L	X	X	X	X	NA	NA	H
A bus and B bus disabled [§]	H	H	H L H H	‡ ‡ ↑ ↑	X X Odd Even	X	Z	Z	Z	NC H H L
A data to B bus and generate inverted parity (Forced-error)	L	L	X	X	Odd Even	NA	NA	A	H L	NA

ERROR FLAG FUNCTION TABLE

MODE	INPUTS		Internal node Point "P"	Output Pre-state ERROR _{n-1}	OUTPUT
	\overline{CLEAR}	CP			\overline{ERROR}
Sample	H	↑	H	H	H
	H	↑	X	L	L
	H	↑	L	X	L
Clear	L	X	X	X	H

H = High voltage level steady state

L = Low voltage level steady state

X = Don't care

NA = Not applicable

NC = No change

Z = High-impedance "OFF" state

† = Summation of High-level inputs includes PARITY along with Bn inputs

‡ = Output states shown assume the ERROR output was previously High

§ In this mode, the ERROR output, when clocked, shows inverted parity of the A bus

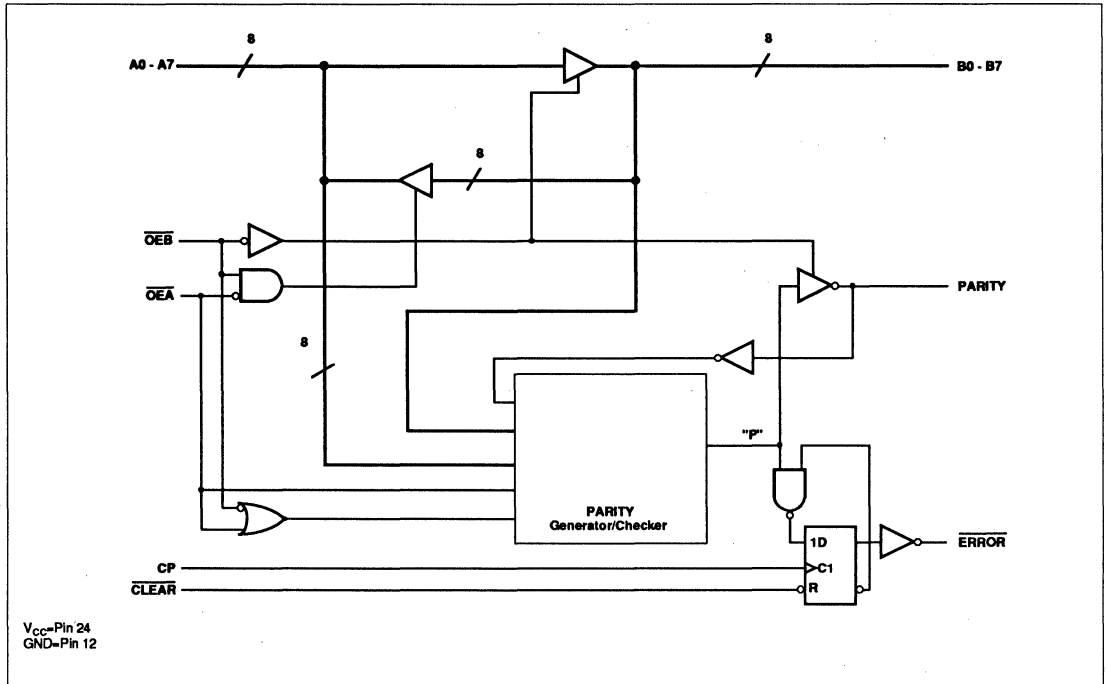
↑ = Low-to-High clock transition

‡ = Not a Low-to-High clock transition

Octal transceiver with parity generator/checker (3-State)

74ABT833

LOGIC DIAGRAM



ABSOLUTE MAXIMUM RATINGS^{1,2}

SYMBOL	PARAMETER	CONDITIONS	RATING	UNIT
V_{CC}	DC supply voltage		-0.5 to +7.0	V
I_{IK}	DC input diode current	$V_I < 0$	-18	mA
V_I	DC input voltage ³		-1.2 to +7.0	V
I_{OK}	DC output diode current	$V_O < 0$	-50	mA
V_{OUT}	DC output voltage ³	output in Off or High state	-0.5 to +5.5	V
I_{OUT}	DC output current	output in Low state	128	mA
T_{stg}	Storage temperature range		-65 to 150	°C

NOTES:

- Stresses beyond those listed may cause permanent damage to the device. These are stress ratings only and functional operation of the device at these or any other conditions beyond those indicated under "recommended operating conditions" is not implied. Exposure to absolute-maximum-rated conditions for extended periods may affect device reliability.
- The performance capability of a high-performance integrated circuit in conjunction with its thermal environment can create junction temperatures which are detrimental to reliability. The maximum junction temperature of this integrated circuit should not exceed 150°C.
- The input and output voltage ratings may be exceeded if the input and output current ratings are observed.

Octal transceiver with parity generator/checker (3-State)

74ABT833

RECOMMENDED OPERATING CONDITIONS

SYMBOL	PARAMETER	LIMITS		UNIT
		Min	Max	
V_{CC}	DC supply voltage	4.5	5.5	V
V_I	Input voltage	0	V_{CC}	V
V_{IH}	High-level input voltage	2.0		V
V_{IL}	Input voltage		0.8	V
I_{OH}	High level output current		-32	mA
I_{OL}	Low level output current		64	mA
$\Delta t/\Delta v$	Input transition rise or fall rate	0	5	ns/V
T_{amb}	Operating free-air temperature range	-40	+85	°C

DC ELECTRICAL CHARACTERISTICS

SYMBOL	PARAMETER	TEST CONDITIONS	LIMITS					UNIT
			$T_{amb} = +25^\circ\text{C}$			$T_{amb} = -40^\circ\text{C}$ to $+85^\circ\text{C}$		
			Min	Typ	Max	Min	Max	
V_{IK}	Input clamp voltage	$V_{CC} = 4.5\text{V}; I_{IK} = -18\text{mA}$		-0.9	-1.2		-1.2	V
I_{OH}	High-level output current ERROR only	$V_{CC} = 4.5\text{V}; V_{OH} = 4.5\text{V}; V_I = V_{IL}$ or V_{IH}			20		20	μA
V_{OH}	High-level output voltage	$V_{CC} = 4.5\text{V}; I_{OH} = -3\text{mA}; V_I = V_{IL}$ or V_{IH}	2.5	3.5		2.5		V
		$V_{CC} = 5.0\text{V}; I_{OH} = -3\text{mA}; V_I = V_{IL}$ or V_{IH}	3.0	4.0		3.0		
		$V_{CC} = 4.5\text{V}; I_{OH} = -32\text{mA}; V_I = V_{IL}$ or V_{IH}	2.0	2.6		2.0		
V_{OL}	Low-level output voltage	$V_{CC} = 4.5\text{V}; I_{OL} = 64\text{mA}; V_I = V_{IL}$ or V_{IH}		0.42	0.55		0.55	V
I_I	Input leakage current	Control pins		± 0.01	± 1.0		± 1.0	μA
		Data pins		5	100		100	
$I_{IH} + I_{OZH}$	3-State output High current	$V_{CC} = 5.5\text{V}; V_O = 2.7\text{V}; V_I = V_{IL}$ or V_{IH}		5.0	50		50	μA
$I_{IL} + I_{OZL}$	3-State output Low current	$V_{CC} = 5.5\text{V}; V_O = 0.5\text{V}; V_I = V_{IL}$ or V_{IH}		-5.0	-50		-50	μA
I_O	Short-circuit output current ¹	$V_{CC} = 5.5\text{V}; V_O = 2.5\text{V}$	-50	-80	-180	-50	-180	mA
I_{CCH}	Quiescent supply current	$V_{CC} = 5.5\text{V};$ Outputs High; $V_I = \text{GND}$ or V_{CC}		0.5	50		50	μA
I_{CCL}		$V_{CC} = 5.5\text{V};$ Outputs Low; $V_I = \text{GND}$ or V_{CC}		20	30		30	mA
I_{CCZ}		$V_{CC} = 5.5\text{V};$ Outputs 3-State; $V_I = \text{GND}$ or V_{CC}		0.5	50		50	μA
ΔI_{CC}	Additional supply current per input pin ²	One input at 3.4V, other inputs at V_{CC} or GND; $V_{CC} = 5.5\text{V}$		0.3	1.5		1.5	mA

NOTES:

1. Not more than one output should be tested at a time, and the duration of the test should not exceed one second.
2. This is the increase in supply current for each input at 3.4V.

Octal inverting transceiver with parity generator/checker (3-State)

74ABT834

FEATURES

- Low static and dynamic power dissipation with high speed and high output drive
- Open-collector $\overline{\text{ERROR}}$ output
- Functionally equivalent to AMD AM29834
- Output capability: +64mA/-32mA
- Latch-up protection exceeds 500mA per Jedec JC40.2 Std 17
- ESD protection exceeds 2000 V per MIL STD 883C Method 3015.6 and 200 V per Machine Model

DESCRIPTION

The 74ABT834 high-performance BiCMOS device combines low static and dynamic power dissipation with high speed and high output drive.

The 74ABT834 is an octal inverting transceiver with a parity generator/checker and is intended for bus-oriented applications.

When Output Enable A ($\overline{\text{OEA}}$) is High, it will place the A outputs in a high impedance state. Output Enable B ($\overline{\text{OEB}}$) controls the B outputs in the same way.

QUICK REFERENCE DATA

SYMBOL	PARAMETER	CONDITIONS $T_{\text{amb}} = 25^{\circ}\text{C}; \text{GND} = 0\text{V}$	TYPICAL	UNIT
t_{PLH} t_{PHL}	Propagation delay Anto Bn or Bnto An	$C_L = 50\text{pF}; V_{\text{CC}} = 5\text{V}$	2.9	ns
t_{PLH} t_{PHL}	Propagation delay An to PARITY	$C_L = 50\text{pF}; V_{\text{CC}} = 5\text{V}$	6.1	ns
C_{IN}	Input capacitance	$V_1 = 0\text{V}$ or V_{CC}	4	pF
C_{OUT}	Output capacitance	$V_1 = 0\text{V}$ or V_{CC}	7	pF
I_{CCZ}	Total supply current	Outputs Disabled; $V_{\text{CC}} = 5.5\text{V}$	500	nA

ORDERING INFORMATION

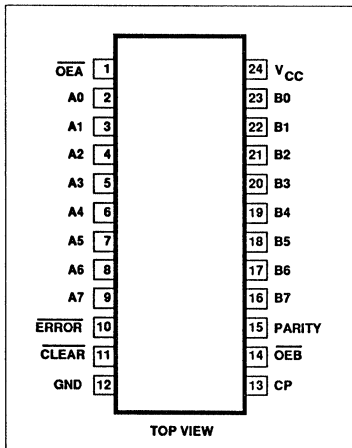
PACKAGES	TEMPERATURE RANGE	ORDER CODE
24-pin plastic DIP (300mil)	-40°C to +85°C	74ABT834N
24-pin plastic SOL (300mil)	-40°C to +85°C	74ABT834D

The parity generator creates an odd parity output (PARITY) when $\overline{\text{OEB}}$ is Low. When $\overline{\text{OEA}}$ is low, the parity of the B port, including the PARITY input, is checked for odd parity. When an error is detected, the error data is sent to the input of a storage register. If a Low-to-High transition happens at the clock input (CP), the error data is stored in the register and the Open-collector error

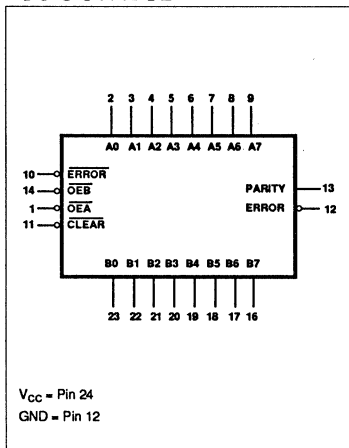
flag ($\overline{\text{ERROR}}$) will go Low. The error flag register is cleared with a Low pulse on the CLEAR input.

If both $\overline{\text{OEA}}$ and $\overline{\text{OEB}}$ are Low, data will flow from the A bus to the B bus and the part is forced into an error condition which creates an inverted PARITY output. This error condition can be used by the designer for system diagnostics.

PIN CONFIGURATION



LOGIC SYMBOL



Octal inverting transceiver with parity generator/checker (3-State)

74ABT834

PIN DESCRIPTION

SYMBOL	PIN NUMBER	NAME AND FUNCTION
A0 - A7	2, 3, 4, 5, 6, 7, 8, 9	A port 3-State inputs/outputs
B0 - B7	23, 22, 21, 20, 19, 18, 17, 16	B port 3-State inputs/outputs
\overline{OEA}	1	Enables the A outputs when Low
\overline{OEB}	14	Enables the B outputs when Low
PARITY	15	Parity output
\overline{ERROR}	10	Error output
\overline{CLEAR}	11	Clears the error flag register when Low
CP	13	Clock input
GND	12	Ground (0V)
V _{CC}	24	Positive supply voltage

FUNCTION TABLE

MODE	INPUTS						OUTPUT AND I/O			
	\overline{OEB}	\overline{OEA}	\overline{CLEAR}	CP	A _n Σ of Highs	B _n † Σ of Highs	A	B	PARITY	\overline{ERROR} ‡
A data to B bus and generate parity	L	H	X	X	Odd Even	NA	NA	\overline{A}	L H	NA
B data to A bus and check parity	H	L	H	↑	NA	Odd Even	\overline{B}	NA	NA	H L
Clear error flag register	X	X	L	X	X	X	X	NA	NA	H L
A bus and B bus disabled§	H	H	H L H H	‡ ‡ ↑ ↑	X X Odd Even	X	Z	Z	Z	NC H H L
A data to B bus and generate inverted parity (Forced-error)	L	L	X	X	Odd Even	NA	NA	\overline{A}	H L	NA

ERROR FLAG FUNCTION TABLE

MODE	INPUTS		Internal node Point "P"	Output Pre-state \overline{ERROR}_{n-1}	OUTPUT
	\overline{CLEAR}	CP			\overline{ERROR}
Sample	H	↑	H	H	H
	H	↑	X	L	L
	H	↑	L	X	L
Clear	L	X	X	X	H

H = High voltage level steady state

L = Low voltage level steady state

X = Don't care

NA = Not applicable

NC = No change

Z = High-impedance "OFF" state

† = Summation of High-level Inputs includes PARITY along with B_n inputs

‡ = Output states shown assume the ERROR output was previously High

§ In this mode, the ERROR output, when clocked, shows inverted parity of the A bus

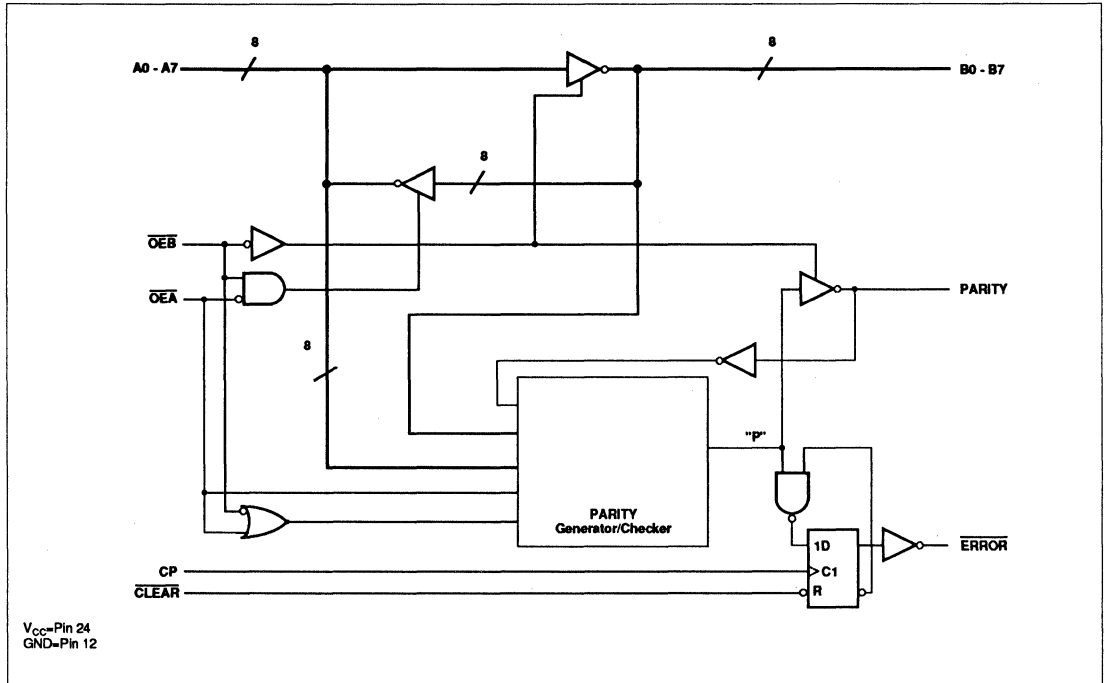
↑ = Low-to-High clock transition

‡ = Not a Low-to-High clock transition

Octal inverting transceiver with parity generator/checker (3-State)

74ABT834

LOGIC DIAGRAM



ABSOLUTE MAXIMUM RATINGS^{1, 2}

SYMBOL	PARAMETER	CONDITIONS	RATING	UNIT
V _{CC}	DC supply voltage		-0.5 to +7.0	V
I _{IK}	DC input diode current	V _I < 0	-18	mA
V _I	DC input voltage ³		-1.2 to +7.0	V
I _{OK}	DC output diode current	V _O < 0	-50	mA
V _{OUT}	DC output voltage ³	output in Off or High state	-0.5 to +5.5	V
I _{OUT}	DC output current	output in Low state	128	mA
T _{stg}	Storage temperature range		-65 to 150	°C

NOTES:

1. Stresses beyond those listed may cause permanent damage to the device. These are stress ratings only and functional operation of the device at these or any other conditions beyond those indicated under "recommended operating conditions" is not implied. Exposure to absolute-maximum-rated conditions for extended periods may affect device reliability.
2. The performance capability of a high-performance integrated circuit in conjunction with its thermal environment can create junction temperatures which are detrimental to reliability. The maximum junction temperature of this integrated circuit should not exceed 150°C.
3. The input and output voltage ratings may be exceeded if the input and output current ratings are observed.

Octal inverting transceiver with parity generator/checker (3-State)

74ABT834

RECOMMENDED OPERATING CONDITIONS

SYMBOL	PARAMETER	LIMITS		UNIT
		Min	Max	
V_{CC}	DC supply voltage	4.5	5.5	V
V_I	Input voltage	0	V_{CC}	V
V_{IH}	High-level input voltage	2.0		V
V_{IL}	Input voltage		0.8	V
I_{OH}	High level output current		-32	mA
I_{OL}	Low level output current		64	mA
$\Delta V/\Delta t$	Input transition rise or fall rate	0	5	ns/V
T_{amb}	Operating free-air temperature range	-40	+85	°C

DC ELECTRICAL CHARACTERISTICS

SYMBOL	PARAMETER	TEST CONDITIONS	LIMITS						UNIT
			$T_{amb} = +25^\circ\text{C}$			$T_{amb} = -40^\circ\text{C}$ to $+85^\circ\text{C}$			
			Min	Typ	Max	Min	Max		
V_{IK}	Input clamp voltage	$V_{CC} = 4.5\text{V}; I_{IK} = -18\text{mA}$		-0.9	-1.2				V
I_{OH}	High-level output current ERROR only	$V_{CC} = 4.5\text{V}; V_{OH} = 4.5\text{V}; V_I = V_{IL}$ or V_{IH}			20		20		μA
V_{OH}	High-level output voltage	$V_{CC} = 4.5\text{V}; I_{OH} = -3\text{mA}; V_I = V_{IL}$ or V_{IH}	2.5	3.5		2.5		V	
		$V_{CC} = 5.0\text{V}; I_{OH} = -3\text{mA}; V_I = V_{IL}$ or V_{IH}	3.0	4.0		3.0			
		$V_{CC} = 4.5\text{V}; I_{OH} = -32\text{mA}; V_I = V_{IL}$ or V_{IH}	2.0	2.6		2.0			
V_{OL}	Low-level output voltage	$V_{CC} = 4.5\text{V}; I_{OL} = 64\text{mA}; V_I = V_{IL}$ or V_{IH}		0.42	0.55		0.55	V	
I_I	Input leakage current	Control pins		± 0.01	± 1.0		± 1.0	μA	
		Data pins	$V_{CC} = 5.5\text{V}; V_I = \text{GND}$ or 5.5V	5	100		100		
$I_{IH} + I_{OZH}$	3-State output High current	$V_{CC} = 5.5\text{V}; V_O = 2.7\text{V}; V_I = V_{IL}$ or V_{IH}		5.0	50		50	μA	
$I_{IL} + I_{OZL}$	3-State output Low current	$V_{CC} = 5.5\text{V}; V_O = 0.5\text{V}; V_I = V_{IL}$ or V_{IH}		-5.0	-50		-50	μA	
I_O	Short-circuit output current ¹	$V_{CC} = 5.5\text{V}; V_O = 2.5\text{V}$	-50	-80	-180	-50	-180	mA	
I_{CCH}	Quiescent supply current	$V_{CC} = 5.5\text{V}; \text{Outputs High}; V_I = \text{GND}$ or V_{CC}		0.5	50		50	μA	
I_{CCL}		$V_{CC} = 5.5\text{V}; \text{Outputs Low}; V_I = \text{GND}$ or V_{CC}		20	30		30	mA	
I_{CCZ}		$V_{CC} = 5.5\text{V}; \text{Outputs 3-State}; V_I = \text{GND}$ or V_{CC}		0.5	50		50	μA	
ΔI_{CC}	Additional supply current per input pin ²	One input at 3.4V, other inputs at V_{CC} or GND; $V_{CC} = 5.5\text{V}$		0.3	1.5		1.5	mA	

NOTES:

1. Not more than one output should be tested at a time, and the duration of the test should not exceed one second.
2. This is the increase in supply current for each input at 3.4V.

10-bit bus interface latch (3-State)

74ABT841

FEATURES

- High speed parallel latches
- Extra data width for wide address/ data paths or buses carrying parity
- Ideal where high speed, light loading, or increased fan-in are required as with MOS microprocessors
- Output capability: +64mA/-32mA
- Slim Dip 300 mil package
- Broadside pinout
- Pin-for-pin and function compatible with AMD AM29841

DESCRIPTION

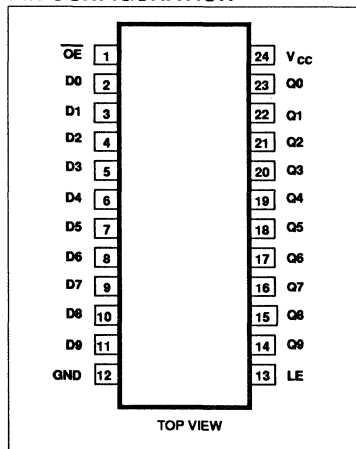
The 74ABT841 bus interface latch is designed to provide extra data width for wider address/data paths of buses carrying parity.

The 74ABT841 is functionally, and pin compatible to the AMD AM29841.

The 74ABT841 consists of ten D-type latches with 3-State outputs. The flip-flops appear transparent to the data when Latch Enable (LE) is High. This allows asynchronous operation, as the output transition follows the data in transition. On the LE High-to-Low transition, the data that meets the setup and hold time is latched.

Data appears on the bus when the Output Enable (\overline{OE}) is Low. When \overline{OE} is High the output is in the High-impedance state.

PIN CONFIGURATION



QUICK REFERENCE DATA

SYMBOL	PARAMETER	CONDITIONS $T_{amb} = 25^{\circ}C; GND = 0V$	TYPICAL	UNIT
t_{PLH} t_{PHL}	Propagation delay Dn to Qn	$C_L = 50pF; V_{CC} = 5V$	4.0	ns
C_{IN}	Input capacitance	$V_I = 0V \text{ or } V_{CC}$	4	pF
C_{OUT}	Output capacitance	$V_I = 0V \text{ or } V_{CC}$	7	pF
I_{CCZ}	Total supply current	Outputs Disabled; $V_{CC} = 5.5V$	500	nA

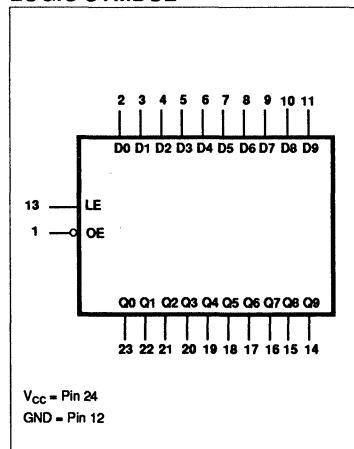
ORDERING INFORMATION

PACKAGES	TEMPERATURE RANGE	ORDER CODE
24-pin plastic DIP	-40°C to +85°C	74ABT841N
24-pin plastic SOL	-40°C to +85°C	74ABT841D

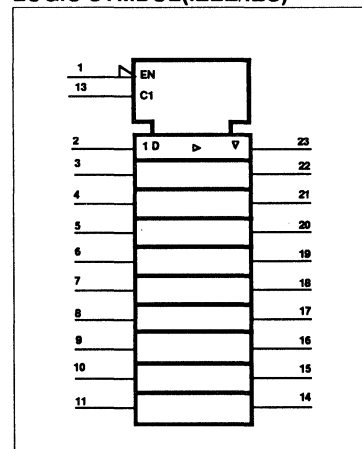
PIN DESCRIPTION

PIN NUMBER	SYMBOL	NAME AND FUNCTION
1	\overline{OE}	Output Enable input (active Low)
2, 3, 4, 5, 6, 7 8, 9, 10, 11	D0 - D9	Data inputs
14, 15, 16, 17, 18 19, 20, 21, 22, 23	Q0 - Q9	Data outputs
13	LE	Latch Enable input (active falling edge)
12	GND	Ground (0V)
24	V_{CC}	Positive supply voltage

LOGIC SYMBOL



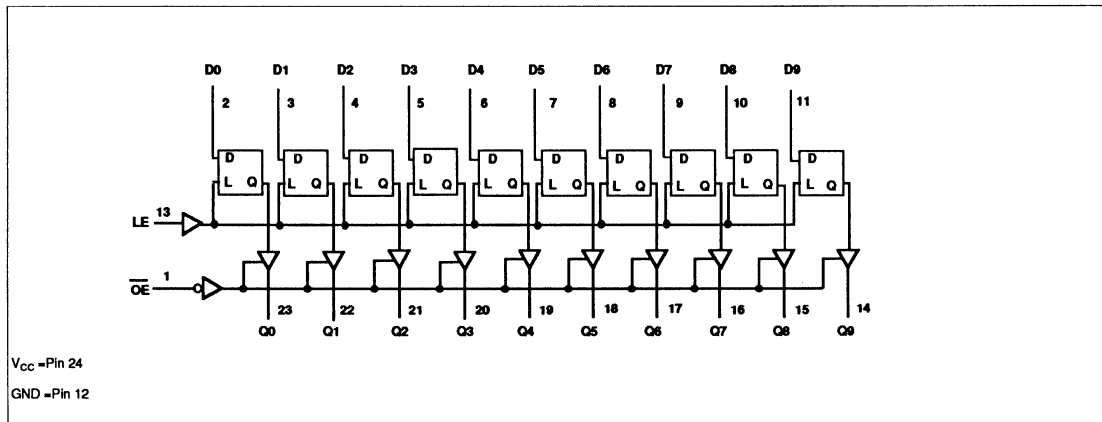
LOGIC SYMBOL (IEEE/IEC)



10-bit bus interface latch (3-State)

74ABT841

LOGIC DIAGRAM



FUNCTION TABLE

INPUTS			OUTPUTS	OPERATING MODE
\overline{OE}	LE	D _n	Q _n	
L	H	L	L	Transparent
L	H	H	H	
L	↓	l	L	Latched
L	↓	h	H	
H	X	X	Z	High impedance
L	L	X	NC	Hold

H= High voltage level

L= Low voltage level

h= High state one setup time before the High-to-Low LE transition

l= Low state one setup time before the High-to-Low LE transition

↓= High-to-Low transition

X=Don't care

NC=No change

Z =High impedance "off" state

ABSOLUTE MAXIMUM RATINGS^{1, 2}

SYMBOL	PARAMETER	CONDITIONS	RATING	UNIT
V _{CC}	DC supply voltage		-0.5 to +7.0	V
I _{IK}	DC input diode current	V _I < 0	-18	mA
V _I	DC input voltage ³		-1.2 to +7.0	V
I _{OK}	DC output diode current	V _O < 0	-50	mA
V _{OUT}	DC output voltage ³	output in Off or High state	-0.5 to +5.5	V
I _{OUT}	DC output current	output in Low state	128	mA
T _{stg}	Storage temperature range		-65 to 150	°C

NOTES:

1. Stresses beyond those listed may cause permanent damage to the device. These are stress ratings only and functional operation of the device at these or any other conditions beyond those indicated under "recommended operating conditions" is not implied. Exposure to absolute-maximum-rated conditions for extended periods may affect device reliability.

2. The performance capability of a high-performance integrated circuit in conjunction with its thermal environment can create junction temperatures which are detrimental to reliability. The maximum junction temperature of this integrated circuit should not exceed 150°C.

3. The input and output voltage ratings may be exceeded if the input and output current ratings are observed.

10-bit bus interface latch (3-State)

74ABT841

RECOMMENDED OPERATING CONDITIONS

SYMBOL	PARAMETER	LIMITS		UNIT
		Min	Max	
V_{CC}	DC supply voltage	4.5	5.5	V
V_I	Input voltage	0	V_{CC}	V
V_{IH}	High-level input voltage	2.0		V
V_{IL}	Input voltage		0.8	V
I_{OH}	High level output current		-32	mA
I_{OL}	Low level output current		64	mA
$\Delta t/\Delta v$	Input transition rise or fall rate	0	5	ns/V
T_{amb}	Operating free-air temperature range	-40	+85	°C

DC ELECTRICAL CHARACTERISTICS

SYMBOL	PARAMETER		TEST CONDITIONS	LIMITS					UNIT
				$T_{amb} = +25^\circ\text{C}$			$T_{amb} = -40^\circ\text{C}$ to $+85^\circ\text{C}$		
				Min	Typ	Max	Min	Max	
V_{IK}	Input clamp voltage		$V_{CC} = 4.5\text{V}; I_{IK} = -18\text{mA}$		-0.9	-1.2		-1.2	V
V_{OH}	High-level output voltage		$V_{CC} = 4.5\text{V}; I_{OH} = -3\text{mA}; V_I = V_{IL}$ or V_{IH}	2.5	3.5		2.5		V
			$V_{CC} = 5.0\text{V}; I_{OH} = -3\text{mA}; V_I = V_{IL}$ or V_{IH}	3.0	4.0		3.0		
			$V_{CC} = 4.5\text{V}; I_{OH} = -32\text{mA}; V_I = V_{IL}$ or V_{IH}	2.0	2.6		2.0		
V_{OL}	Low-level output voltage		$V_{CC} = 4.5\text{V}; I_{OL} = 64\text{mA}; V_I = V_{IL}$ or V_{IH}		0.42	0.55		0.55	V
I_I	Input leakage current	Control pins	$V_{CC} = 5.5\text{V}; V_I = \text{GND}$ or 5.5V		± 0.01	± 1.0		± 1.0	μA
		Data pins	$V_{CC} = 5.5\text{V}; V_I = \text{GND}$ or 5.5V		5	100		100	
$I_{IH} + I_{OZH}$	3-State output High current		$V_{CC} = 5.5\text{V}; V_O = 2.7\text{V}; V_I = V_{IL}$ or V_{IH}		5.0	50		50	μA
$I_{IL} + I_{OZL}$	3-State output Low current		$V_{CC} = 5.5\text{V}; V_O = 0.5\text{V}; V_I = V_{IL}$ or V_{IH}		-5.0	-50		-50	μA
I_O	Short-circuit output current ¹		$V_{CC} = 5.5\text{V}; V_O = 2.5\text{V}$	-50	-80	-180	-50	-180	mA
I_{CCH}	Quiescent supply current		$V_{CC} = 5.5\text{V};$ Outputs High; $V_I = \text{GND}$ or V_{CC}		0.5	50		50	μA
I_{CCL}			$V_{CC} = 5.5\text{V};$ Outputs Low; $V_I = \text{GND}$ or V_{CC}		30	38		38	mA
I_{CCZ}			$V_{CC} = 5.5\text{V};$ Outputs 3-State; $V_I = \text{GND}$ or V_{CC}		0.5	50		50	μA
ΔI_{CC}	Additional supply current per input pin ²		One input at 3.4V, other inputs at V_{CC} or GND; $V_{CC} = 5.5\text{V}$		0.3	1.5		1.5	mA

NOTES:

1. Not more than one output should be tested at a time, and the duration of the test should not exceed one second.
2. This is the increase in supply current for each input at 3.4V.

9-bit bus interface latch with set and reset (3-State)

74ABT843

FEATURES

- High speed parallel latches
- Extra data width for wide address/ data paths or buses carrying parity
- Ideal where high speed, light loading, or increased fan-in are required as with MOS microprocessors
- Output capability: +64mA/-32mA
- Slim Dip 300 mil package
- Broadside pinout
- Pin-for-pin and function compatible with AMD AM29843

DESCRIPTION

The 'ABT843 consists of nine D-type latches with 3-State outputs. In addition to the LE and OE pins, the 'ABT843 has a Master Reset (\overline{MR}) pin and Preset (\overline{PRE}) pin. These pins are ideal for parity bus interfacing in high performance systems. When \overline{MR} is Low, the outputs are Low if \overline{OE} is Low. When \overline{MR} is High, data can be entered into the latch. When \overline{PRE} is Low, the outputs are High, if \overline{OE} is Low. \overline{PRE} overrides \overline{MR} .

The 'ABT843 is functionally, and pin compatible to the AMD AM29843.

QUICK REFERENCE DATA

SYMBOL	PARAMETER	CONDITIONS $T_A = 25^\circ\text{C}; \text{GND} = 0\text{V}$	TYPICAL	UNIT
t_{PLH} t_{PHL}	Propagation delay Dn to Qn	$C_L = 50\text{pF}; V_{CC} = 5\text{V}$	4.0	ns
C_{IN}	Input capacitance	$V_I = 0\text{V}$ or V_{CC}	4	pF
C_{OUT}	Output capacitance	$V_I = 0\text{V}$ or V_{CC}	7	pF
I_{CCZ}	Total supply current	Outputs Disabled; $V_{CC} = 5.5\text{V}$	500	nA

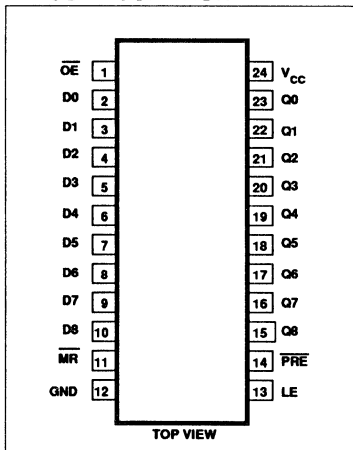
ORDERING INFORMATION

PACKAGES	TEMPERATURE RANGE	ORDER CODE
24-pin plastic DIP	-40°C to +85°C	74ABT843N
24-pin plastic SOL	-40°C to +85°C	74ABT843D

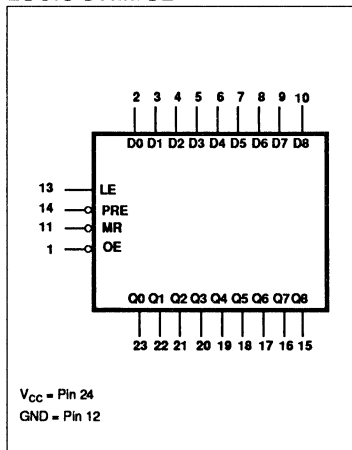
PIN DESCRIPTION

PIN NUMBER	SYMBOL	NAME AND FUNCTION
1	\overline{OE}	Output Enable input (active Low)
2, 3, 4, 5, 6 7, 8, 9, 10	D0 - D8	Data inputs
15, 16, 17, 18, 19 20, 21, 22, 23	Q0 - Q8	Data outputs
11	\overline{MR}	Master Reset input (active Low)
13	LE	Latch Enable input (active falling edge)
14	\overline{PRE}	Preset input (active Low)
12	GND	Ground (0V)
24	V_{CC}	Positive supply voltage

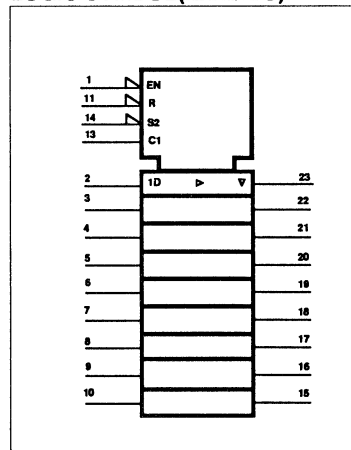
PIN CONFIGURATION



LOGIC SYMBOL



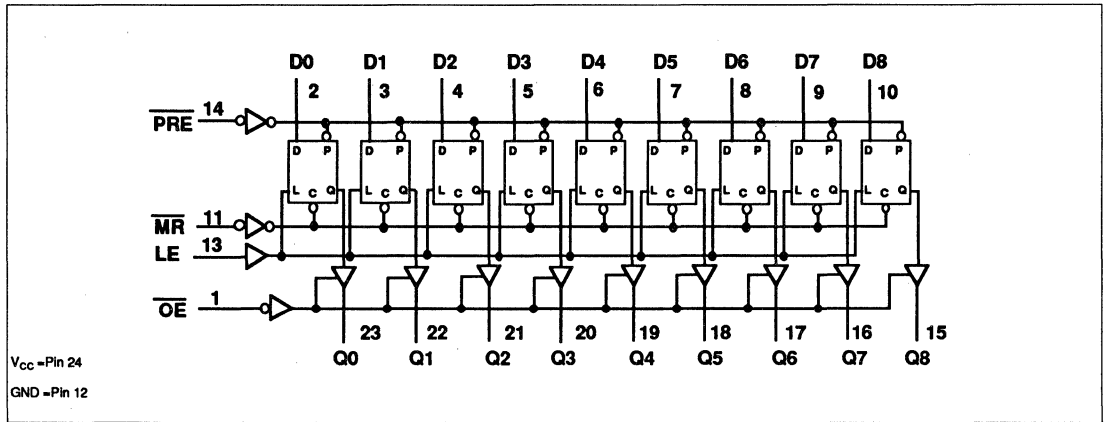
LOGIC SYMBOL (IEEE/IEC)



9-bit bus interface latch with set and reset (3-State)

74ABT843

LOGIC DIAGRAM



FUNCTION TABLE

INPUTS					OUTPUTS	OPERATING MODE
OE	PRE	MR	LE	Dn	Qn	
L	L	X	X	X	H	Preset
L	H	L	X	X	L	Clear
L	H	H	H	L	L	Transparent
L	H	H	H	H	H	
L	H	H	↓	l	L	Latched
L	H	H	↓	h	H	
H	X	X	X	X	Z	High impedance
L	H	H	L	X	NC	Hold

H= High voltage level

L= Low voltage level

h= High state one setup time before the High-to-Low LE transition

l=Low state one setup time before the High-to-Low LE transition

↓=High-to-Low transition

X=Don't care

NC=No change

Z =High impedance "off " state

9-bit bus interface latch with set and reset (3-State)

74ABT843

ABSOLUTE MAXIMUM RATINGS^{1, 2}

SYMBOL	PARAMETER	CONDITIONS	RATING	UNIT
V_{CC}	DC supply voltage		-0.5 to +7.0	V
I_{IK}	DC input diode current	$V_I < 0$	-18	mA
V_I	DC input voltage ³		-1.2 to +7.0	V
I_{OK}	DC output diode current	$V_O < 0$	-50	mA
V_{OUT}	DC output voltage ³	output in Off or High state	-0.5 to +5.5	V
I_{OUT}	DC output current	output in Low state	128	mA
T_{sig}	Storage temperature range		-65 to 150	°C

NOTES:

1. Stresses beyond those listed may cause permanent damage to the device. These are stress ratings only and functional operation of the device at these or any other conditions beyond those indicated under "recommended operating conditions" is not implied. Exposure to absolute-maximum-rated conditions for extended periods may affect device reliability.
2. The performance capability of a high-performance integrated circuit in conjunction with its thermal environment can create junction temperatures which are detrimental to reliability. The maximum junction temperature of this integrated circuit should not exceed 150°C.
3. The input and output voltage ratings may be exceeded if the input and output current ratings are observed.

RECOMMENDED OPERATING CONDITIONS

SYMBOL	PARAMETER	LIMITS		UNIT
		Min	Max	
V_{CC}	DC supply voltage	4.5	5.5	V
V_I	Input voltage	0	V_{CC}	V
V_{IH}	High-level input voltage	2.0		V
V_{IL}	Input voltage		0.8	V
I_{OH}	High level output current		-32	mA
I_{OL}	Low level output current		64	mA
$\Delta V/\Delta v$	Input transition rise or fall rate	0	5	ns/V
T_{amb}	Operating free-air temperature range	-40	+85	°C

9-bit bus interface latch with set and reset (3-State)

74ABT843

DC ELECTRICAL CHARACTERISTICS

SYMBOL	PARAMETER	TEST CONDITIONS	LIMITS					UNIT
			T _{amb} = +25°C			T _{amb} = -40°C to +85°C		
			Min	Typ	Max	Min	Max	
V _{IK}	Input clamp voltage	V _{CC} = 4.5V; I _{IK} = -18mA		-0.9	-1.2		-1.2	V
V _{OH}	High-level output voltage	V _{CC} = 4.5V; I _{OH} = -3mA; V _I = V _{IL} or V _{IH}	2.5	3.5		2.5		V
		V _{CC} = 5.0V; I _{OH} = -3mA; V _I = V _{IL} or V _{IH}	3.0	4.0		3.0		
		V _{CC} = 4.5V; I _{OH} = -32mA; V _I = V _{IL} or V _{IH}	2.0	2.6		2.0		
V _{OL}	Low-level output voltage	V _{CC} = 4.5V; I _{OL} = 64mA; V _I = V _{IL} or V _{IH}		0.42	0.55		0.55	V
I _I	Input leakage current	Control pins V _{CC} = 5.5V; V _I = GND or 5.5V		±0.01	±1.0		±1.0	µA
		Data pins V _{CC} = 5.5V; V _I = GND or 5.5V		5	100		100	
I _{IH} + I _{OZH}	3-State output High current	V _{CC} = 5.5V; V _O = 2.7V; V _I = V _{IL} or V _{IH}		5.0	50		50	µA
I _{IL} + I _{OZL}	3-State output Low current	V _{CC} = 5.5V; V _O = 0.5V; V _I = V _{IL} or V _{IH}		-5.0	-50		-50	µA
I _O	Short-circuit output current ¹	V _{CC} = 5.5V; V _O = 2.5V	-50	-80	-180	-50	-180	mA
I _{CCH}	Quiescent supply current	V _{CC} = 5.5V; Outputs High; V _I = GND or V _{CC}		0.5	50		50	µA
I _{CCL}		V _{CC} = 5.5V; Outputs Low; V _I = GND or V _{CC}		28	34		34	mA
I _{CCZ}		V _{CC} = 5.5V; Outputs 3-State; V _I = GND or V _{CC}		0.5	50		50	µA
ΔI _{CC}	Additional supply current per input pin ²	One input at 3.4V, other inputs at V _{CC} or GND; V _{CC} = 5.5V		0.3	1.5		1.5	mA

NOTES:

1. Not more than one output should be tested at a time, and the duration of the test should not exceed one second.
2. This is the increase in supply current for each input at 3.4V.

8-bit bus interface latch with set and reset (3-State)

74ABT845

FEATURES

- High speed parallel latches
- Extra data width for wide address/ data paths or buses carrying parity
- Ideal where high speed, light loading, or increased fan-in are required as with MOS microprocessors
- Output capability: +64mA/-32mA
- Slim Dip 300 mil package
- Broadside pinout
- Pin-for-pin and function compatible with AMD AM29845

DESCRIPTION

The 'ABT845 consists of eight D-type latches with 3-state outputs. In addition to the LE, OE, MR and PRE pins, the 'ABT845 has two additional OE pins making a total of three Output Enables (OE0, OE1, OE2) pins. The multiple Output Enables (OE0, OE1, OE2) allow multiuser control of the interface, e.g., CS, DMA, and RD/W \bar{R} .

The 'ABT845 is functionally, and pin compatible to the AMD AM29845.

QUICK REFERENCE DATA

SYMBOL	PARAMETER	CONDITIONS T _A = 25°C; GND = 0V	TYPICAL	UNIT
t _{PLH} t _{PHL}	Propagation delay Dn to Qn	C _L = 50pF; V _{CC} = 5V	4.0	ns
C _{IN}	Input capacitance	V _I = 0V or V _{CC}	4	pF
C _{OUT}	Output capacitance	V _I = 0V or V _{CC}	7	pF
I _{CCZ}	Total supply current	Outputs Disabled; V _{CC} = 5.5V	500	nA

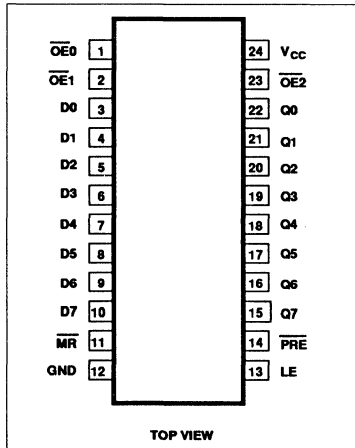
ORDERING INFORMATION

PACKAGES	TEMPERATURE RANGE	ORDER CODE
24-pin plastic DIP	-40°C to +85°C	74ABT845N
24-pin plastic SOL	-40°C to +85°C	74ABT845D

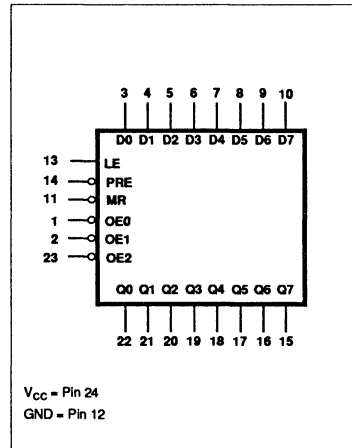
PIN DESCRIPTION

PIN NUMBER	SYMBOL	NAME AND FUNCTION
1, 2, 23	OE0 - OE2	Output Enable input (active Low)
3, 4, 5, 6 7, 8, 9, 10	D0 - D7	Data inputs
15, 16, 17, 18 19, 20, 21, 22	Q0 - Q7	Data outputs
11	MR	Master Reset input (active Low)
13	LE	Latch Enable input (active falling edge)
14	PRE	Preset input (active Low)
12	GND	Ground (0V)
24	V _{CC}	Positive supply voltage

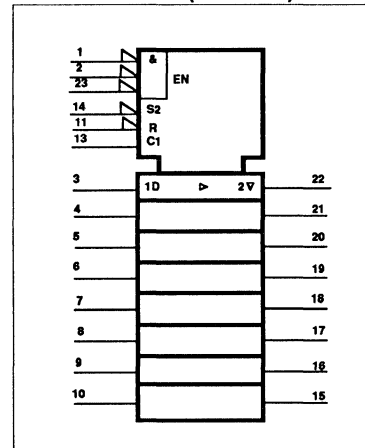
PIN CONFIGURATION



LOGIC SYMBOL



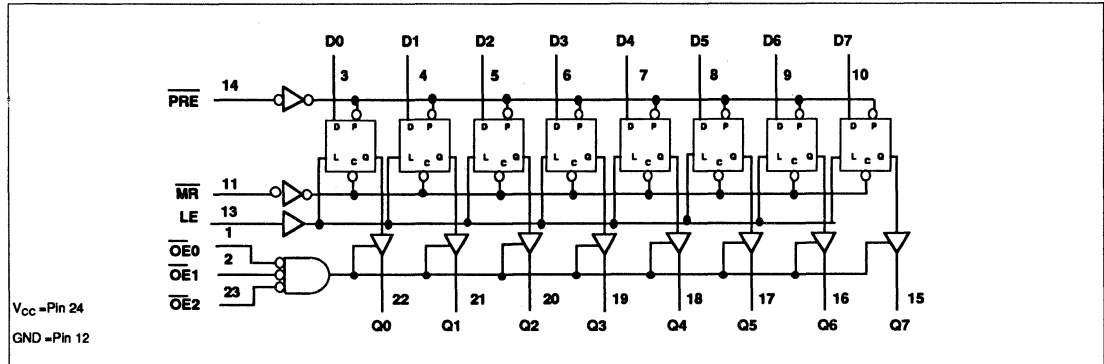
LOGIC SYMBOL (IEEE/IEC)



8-bit bus interface latch with set and reset (3-State)

74ABT845

LOGIC DIAGRAM



FUNCTION TABLE

INPUTS					OUTPUTS	OPERATING MODE
OE _n	PRE	MR	LE	D _n	Q _n	
L	L	X	X	X	H	Preset
L	H	L	X	X	L	Clear
L	H	H	H	L	L	Transparent
L	H	H	H	H	H	
L	H	H	↓	l	L	Latched
L	H	H	↓	h	H	
H	X	X	X	X	Z	High impedance
L	H	H	L	X	NC	Hold

H= High voltage level

L= Low voltage level

h= High state one setup time before the High-to-Low LE transition

l=Low state one setup time before the High-to-Low LE transition

↓=High-to-Low transition

X=Don't care

NC=No change

Z =High impedance "off" state

ABSOLUTE MAXIMUM RATINGS^{1, 2}

SYMBOL	PARAMETER	CONDITIONS	RATING	UNIT
V _{CC}	DC supply voltage		-0.5 to +7.0	V
I _{IK}	DC input diode current	V _I < 0	-18	mA
V _I	DC input voltage ³		-1.2 to +7.0	V
I _{OK}	DC output diode current	V _O < 0	-50	mA
V _{OUT}	DC output voltage ³	output in Off or High state	-0.5 to +5.5	V
I _{OUT}	DC output current	output in Low state	128	mA
T _{stg}	Storage temperature range		-65 to 150	°C

NOTES:

1. Stresses beyond those listed may cause permanent damage to the device. These are stress ratings only and functional operation of the device at these or any other conditions beyond those indicated under "recommended operating conditions" is not implied. Exposure to absolute-maximum-rated conditions for extended periods may affect device reliability.

2. The performance capability of a high-performance integrated circuit in conjunction with its thermal environment can create junction temperatures which are detrimental to reliability. The maximum junction temperature of this integrated circuit should not exceed 150°C.

3. The input and output voltage ratings may be exceeded if the input and output current ratings are observed.

8-bit bus interface latch with set and reset (3-State)

74ABT845

RECOMMENDED OPERATING CONDITIONS

SYMBOL	PARAMETER	LIMITS		UNIT
		Min	Max	
V_{CC}	DC supply voltage	4.5	5.5	V
V_I	Input voltage	0	V_{CC}	V
V_{IH}	High-level input voltage	2.0		V
V_{IL}	Input voltage		0.8	V
I_{OH}	High level output current		-32	mA
I_{OL}	Low level output current		64	mA
$\Delta V/\Delta V$	Input transition rise or fall rate	0	5	ns/V
T_{amb}	Operating free-air temperature range	-40	+85	°C

DC ELECTRICAL CHARACTERISTICS

SYMBOL	PARAMETER	TEST CONDITIONS	LIMITS					UNIT
			$T_{amb} = +25^{\circ}\text{C}$			$T_{amb} = -40^{\circ}\text{C}$ to $+85^{\circ}\text{C}$		
			Min	Typ	Max	Min	Max	
V_{IK}	Input clamp voltage	$V_{CC} = 4.5\text{V}; I_{IK} = -18\text{mA}$		-0.9	-1.2		-1.2	V
V_{OH}	High-level output voltage	$V_{CC} = 4.5\text{V}; I_{OH} = -3\text{mA}; V_I = V_{IL} \text{ or } V_{IH}$	2.5	2.9		2.5		V
		$V_{CC} = 5.0\text{V}; I_{OH} = -3\text{mA}; V_I = V_{IL} \text{ or } V_{IH}$	3.0	3.4		3.0		
		$V_{CC} = 4.5\text{V}; I_{OH} = -32\text{mA}; V_I = V_{IL} \text{ or } V_{IH}$	2.0	2.4		2.0		
V_{OL}	Low-level output voltage	$V_{CC} = 4.5\text{V}; I_{OL} = 64\text{mA}; V_I = V_{IL} \text{ or } V_{IH}$		0.42	0.55		0.55	V
I_I	Input leakage current	$V_{CC} = 5.5\text{V}; V_I = \text{GND or } 5.5\text{V}$		± 0.01	± 1.0		± 1.0	μA
I_{OZH}	3-State output High current	$V_{CC} = 5.5\text{V}; V_O = 2.7\text{V}; V_I = V_{IL} \text{ or } V_{IH}$		5.0	50		50	μA
I_{OZL}	3-State output Low current	$V_{CC} = 5.5\text{V}; V_O = 0.5\text{V}; V_I = V_{IL} \text{ or } V_{IH}$		-5.0	-50		-50	μA
I_O	Short-circuit output current ¹	$V_{CC} = 5.5\text{V}; V_O = 2.5\text{V}$	-50	-100	-180	-50	-180	mA
I_{CCH}	Quiescent supply current	$V_{CC} = 5.5\text{V}; \text{Outputs High}; V_I = \text{GND or } V_{CC}$		0.5	50		50	μA
I_{CCL}		$V_{CC} = 5.5\text{V}; \text{Outputs Low}; V_I = \text{GND or } V_{CC}$		24	30		30	mA
I_{CCZ}		$V_{CC} = 5.5\text{V}; \text{Outputs 3-State}; V_I = \text{GND or } V_{CC}$		0.5	50		50	μA
ΔI_{CC}	Additional supply current per input pin ²	$V_{CC} = 5.5\text{V}; \text{One input at } 3.4\text{V}, \text{ other inputs at } V_{CC} \text{ or GND}$		0.5	1.5		1.5	mA

NOTES:

1. Not more than one output should be tested at a time, and the duration of the test should not exceed one second.
2. This is the increase in supply current for each input at 3.4V.

8-bit transceiver with 9-bit parity checker/ generator and flag latch (3-State)

74ABT853

FEATURES

- Low static and dynamic power dissipation with high speed and high output drive
- Open-collector $\overline{\text{ERROR}}$ output
- Functionally equivalent to AMD AM29853
- Output capability: +64mA/-32mA
- Latch-up protection exceeds 500mA per Jedec JC40.2 Std 17
- ESD protection exceeds 2000 V per MIL STD 883C Method 3015.6 and 200 V per Machine Model

DESCRIPTION

The 74ABT853 high-performance BiCMOS device combines low static and dynamic power dissipation with high speed and high output drive.

The 74ABT853 is an octal transceiver with a parity generator/checker and is intended for bus-oriented applications.

When Output Enable A ($\overline{\text{OEA}}$) is High, it will place the A outputs in a high impedance state. Output Enable B ($\overline{\text{OEB}}$) controls the B outputs in the same way.

QUICK REFERENCE DATA

SYMBOL	PARAMETER	CONDITIONS $T_{amb} = 25^{\circ}\text{C}; \text{GND} = 0\text{V}$	TYPICAL	UNIT
t_{PLH} t_{PHL}	Propagation delay An to Bn or Bn to An	$C_L = 50\text{pF}; V_{CC} = 5\text{V}$	2.9	ns
t_{PLH} t_{PHL}	Propagation delay An to PARITY	$C_L = 50\text{pF}; V_{CC} = 5\text{V}$	6.1	ns
C_{IN}	Input capacitance	$V_1 = 0\text{V}$ or V_{CC}	4	pF
C_{OUT}	Output capacitance	$V_1 = 0\text{V}$ or V_{CC}	7	pF
I_{CCZ}	Total supply current	Outputs Disabled; $V_{CC} = 5.5\text{V}$	500	nA

ORDERING INFORMATION

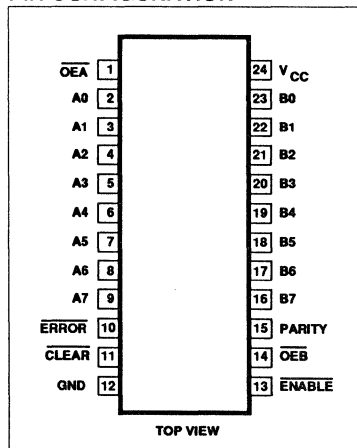
PACKAGES	TEMPERATURE RANGE	ORDER CODE
24-pin plastic DIP (300mil)	-40°C to +85°C	74ABT853N
24-pin plastic SOL (300mil)	-40°C to +85°C	74ABT853D

The parity generator creates an odd parity output (PARITY) when $\overline{\text{OEB}}$ is Low. When $\overline{\text{OEA}}$ is Low, the parity of the B port, including the PARITY input, is checked for odd parity. When an error is detected, the error data is sent to the input of a latch. The error data can then be passed, stored, cleared, or

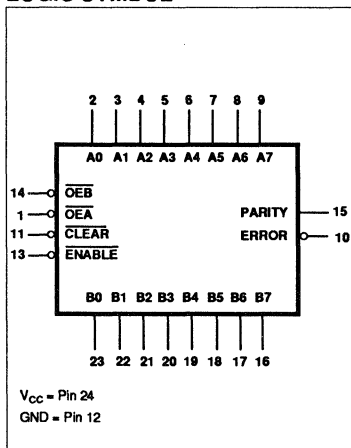
sampled depending on the $\overline{\text{ENABLE}}$ and $\overline{\text{CLEAR}}$ control signals.

If both $\overline{\text{OEA}}$ and $\overline{\text{OEB}}$ are Low, data will flow from the A bus to the B bus and the part is forced into an error condition which creates an inverted PARITY output. This error condition can be used by the designer for system diagnostics.

PIN CONFIGURATION



LOGIC SYMBOL



8-bit transceiver with 9-bit parity checker/generator and flag latch (3-State)

74ABT853

PIN DESCRIPTION

SYMBOL	PIN NUMBER	NAME AND FUNCTION
A0 - A7	2, 3, 4, 5, 6, 7, 8, 9	A port 3-State inputs/outputs
B0 - B7	23, 22, 21, 20, 19, 18, 17, 16	B port 3-State inputs/outputs
$\overline{OE}A$	1	Enables the A outputs when Low
$\overline{OE}B$	14	Enables the B outputs when Low
PARITY	15	Parity output
ERROR	10	Error output
\overline{CLEAR}	11	Clears the error flag register when Low
ENABLE	13	Enable input (active low)
GND	12	Ground (0V)
V _{CC}	24	Positive supply voltage

FUNCTION TABLE

MODE	INPUTS						OUTPUT AND I/O			
	$\overline{OE}B$	$\overline{OE}A$	\overline{CLEAR}	CP	An Σ of Highs	Bn† Σ of Highs	A	B	PARITY	ERROR‡
A data to B bus and generate parity	L	H	X	X	Odd Even	NA	NA	A	L H	NA
B data to A bus and check parity	H	L	H	↑	NA	Odd Even	B	NA	NA	H L
Clear error flag register	X	X	L	X	X	X	X	NA	NA	H
A bus and B bus disabled §	H	H	H L H H	‡ ‡	X X Odd Even	X	Z	Z	Z	NC H H L
A data to B bus and generate inverted parity (Forced-error)	L	L	X	X	Odd Even	NA	NA	A	H L	NA

ERROR FLAG FUNCTION TABLE

MODE	INPUTS		Internal node Point "P"	OUTPUT
	\overline{CLEAR}	ENABLE		ERROR
Transparent	L	L	L	L
	L	L	H	H
Sample	H	L	L	L
	H	L	H	H
Clear	L	H	X	H
Store	H	H	L	L
	H	H	H	H

H = High voltage level steady state

L = Low voltage level steady state

X = Don't care

NA = Not applicable

NC = No change

Z = High-impedance "OFF" state

† = Summation of High-level inputs includes PARITY along with Bn inputs

‡ = Output states shown assume the ERROR output was previously High

§ In this mode, the ERROR output, when clocked, shows inverted parity of the A bus

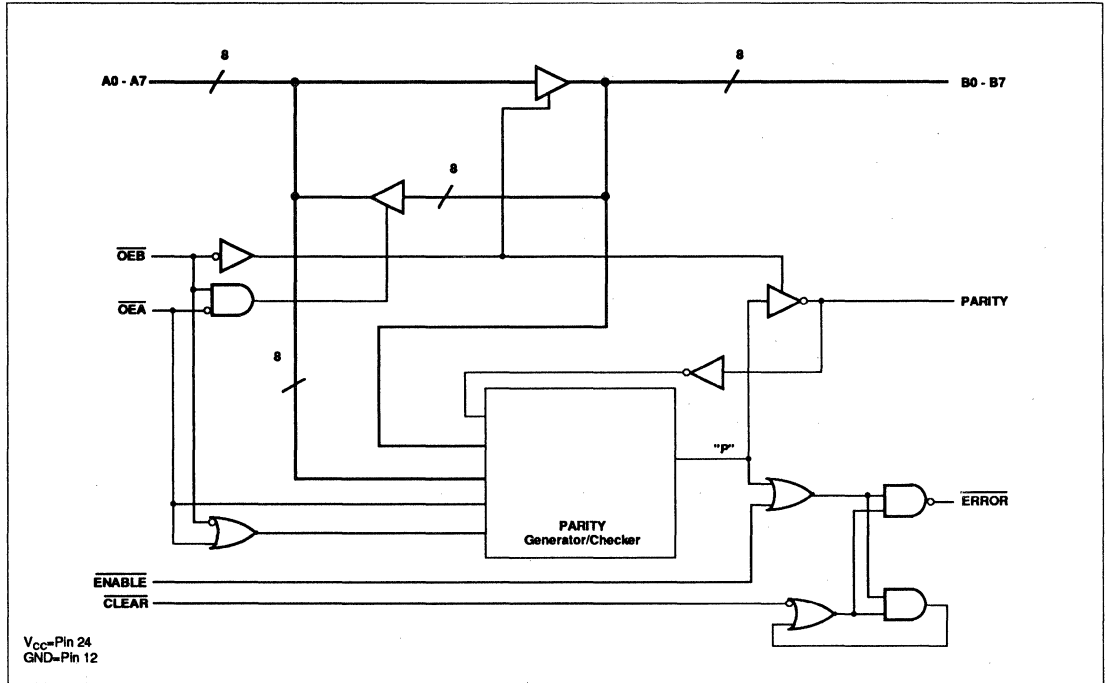
↑ = Low-to-High clock transition

‡ = Not a Low-to-High clock transition

8-bit transceiver with 9-bit parity checker/generator and flag latch (3-State)

74ABT853

LOGIC DIAGRAM



ABSOLUTE MAXIMUM RATINGS^{1, 2}

SYMBOL	PARAMETER	CONDITIONS	RATING	UNIT
V _{CC}	DC supply voltage		-0.5 to +7.0	V
I _{IK}	DC input diode current	V _I < 0	-18	mA
V _I	DC input voltage ³		-1.2 to +7.0	V
I _{OK}	DC output diode current	V _O < 0	-50	mA
V _{OUT}	DC output voltage ³	output in Off or High state	-0.5 to +5.5	V
I _{OUT}	DC output current	output in Low state	128	mA
T _{stg}	Storage temperature range		-65 to 150	°C

NOTES:

1. Stresses beyond those listed may cause permanent damage to the device. These are stress ratings only and functional operation of the device at these or any other conditions beyond those indicated under "recommended operating conditions" is not implied. Exposure to absolute-maximum-rated conditions for extended periods may affect device reliability.
2. The performance capability of a high-performance integrated circuit in conjunction with its thermal environment can create junction temperatures which are detrimental to reliability. The maximum junction temperature of this integrated circuit should not exceed 150°C.
3. The input and output voltage ratings may be exceeded if the input and output current ratings are observed.

8-bit transceiver with 9-bit parity checker/generator and flag latch (3-State)

74ABT853

RECOMMENDED OPERATING CONDITIONS

SYMBOL	PARAMETER	LIMITS		UNIT
		Min	Max	
V_{CC}	DC supply voltage	4.5	5.5	V
V_I	Input voltage	0	V_{CC}	V
V_{IH}	High-level input voltage	2.0		V
V_{IL}	Input voltage		0.8	V
I_{OH}	High level output current		-32	mA
I_{OL}	Low level output current		64	mA
$\Delta V/\Delta V$	Input transition rise or fall rate	0	5	ns/V
T_{amb}	Operating free-air temperature range	-40	+85	°C

DC ELECTRICAL CHARACTERISTICS

SYMBOL	PARAMETER	TEST CONDITIONS	LIMITS					UNIT
			$T_{amb} = +25^{\circ}\text{C}$			$T_{amb} = -40^{\circ}\text{C}$ to $+85^{\circ}\text{C}$		
			Min	Typ	Max	Min	Max	
V_{IK}	Input clamp voltage	$V_{CC} = 4.5\text{V}; I_{IK} = -18\text{mA}$		-0.9	-1.2		-1.2	V
I_{OH}	High-level output current ERROR only	$V_{CC} = 4.5\text{V}; V_{OH} = 4.5\text{V}; V_I = V_{IL}$ or V_{IH}			20		20	μA
V_{OH}	High-level output voltage	$V_{CC} = 4.5\text{V}; I_{OH} = -3\text{mA}; V_I = V_{IL}$ or V_{IH}	2.5	3.5		2.5		V
		$V_{CC} = 5.0\text{V}; I_{OH} = -3\text{mA}; V_I = V_{IL}$ or V_{IH}	3.0	4.0		3.0		
		$V_{CC} = 4.5\text{V}; I_{OH} = -32\text{mA}; V_I = V_{IL}$ or V_{IH}	2.0	2.6		2.0		
V_{OL}	Low-level output voltage	$V_{CC} = 4.5\text{V}; I_{OL} = 64\text{mA}; V_I = V_{IL}$ or V_{IH}		0.42	0.55		0.55	V
I_I	Input leakage current	Control pins $V_{CC} = 5.5\text{V}; V_I = \text{GND}$ or 5.5V		± 0.01	± 1.0		± 1.0	μA
		Data pins $V_{CC} = 5.5\text{V}; V_I = \text{GND}$ or 5.5V		5	100		100	
$I_{IH} + I_{OZH}$	3-State output High current	$V_{CC} = 5.5\text{V}; V_O = 2.7\text{V}; V_I = V_{IL}$ or V_{IH}		5.0	50		50	μA
$I_{IL} + I_{OZL}$	3-State output Low current	$V_{CC} = 5.5\text{V}; V_O = 0.5\text{V}; V_I = V_{IL}$ or V_{IH}		-5.0	-50		-50	μA
I_O	Short-circuit output current ¹	$V_{CC} = 5.5\text{V}; V_O = 2.5\text{V}$	-50	-80	-180	-50	-180	mA
I_{CCH}	Quiescent supply current	$V_{CC} = 5.5\text{V};$ Outputs High; $V_I = \text{GND}$ or V_{CC}		0.5	50		50	μA
I_{CCL}		$V_{CC} = 5.5\text{V};$ Outputs Low; $V_I = \text{GND}$ or V_{CC}		20	30		30	mA
I_{CCZ}		$V_{CC} = 5.5\text{V};$ Outputs 3-State; $V_I = \text{GND}$ or V_{CC}		0.5	50		50	μA
ΔI_{CC}	Additional supply current per input pin ²	One input at 3.4V, other inputs at V_{CC} or GND; $V_{CC} = 5.5\text{V}$		0.3	1.5		1.5	mA

NOTES:

1. Not more than one output should be tested at a time, and the duration of the test should not exceed one second.
2. This is the increase in supply current for each input at 3.4V.

8-bit inverting transceiver with 9-bit parity checker/ generator and flag latch (3-State)

74ABT854

FEATURES

- Low static and dynamic power dissipation with high speed and high output drive
- Open-collector $\overline{\text{ERROR}}$ output
- Functionally equivalent to AMD AM29854
- Output capability: +64mA/-32mA
- Latch-up protection exceeds 500mA per Jeduc JC40.2 Std 17
- ESD protection exceeds 2000 V per MIL STD 883C Method 3015.6 and 200 V per Machine Model

DESCRIPTION

The 74ABT854 high-performance BiCMOS device combines low static and dynamic power dissipation with high speed and high output drive.

The 74ABT854 is an octal inverting transceiver with a parity generator/checker and is intended for bus-oriented applications.

When Output Enable A ($\overline{\text{OEA}}$) is High, it will place the A outputs in a high impedance state. Output Enable B ($\overline{\text{OEB}}$) controls the B outputs in the same way.

QUICK REFERENCE DATA

SYMBOL	PARAMETER	CONDITIONS $T_{\text{amb}} = 25^{\circ}\text{C}; \text{GND} = 0\text{V}$	TYPICAL	UNIT
t_{PLH} t_{PHL}	Propagation delay An to $\overline{\text{Bn}}$ or $\overline{\text{Bn}}$ to $\overline{\text{An}}$	$C_L = 50\text{pF}; V_{\text{CC}} = 5\text{V}$	2.9	ns
t_{PLH} t_{PHL}	Propagation delay An to PARITY	$C_L = 50\text{pF}; V_{\text{CC}} = 5\text{V}$	6.1	ns
C_{IN}	Input capacitance	$V_1 = 0\text{V}$ or V_{CC}	4	pF
C_{OUT}	Output capacitance	$V_1 = 0\text{V}$ or V_{CC}	7	pF
I_{CCZ}	Total supply current	Outputs Disabled; $V_{\text{CC}} = 5.5\text{V}$	500	nA

ORDERING INFORMATION

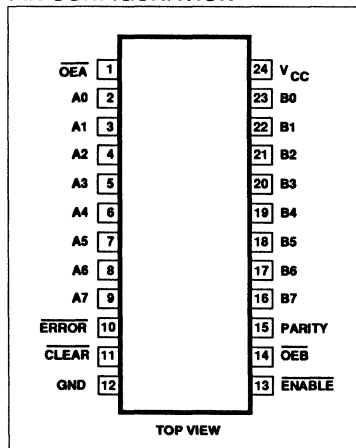
PACKAGES	TEMPERATURE RANGE	ORDER CODE
24-pin plastic DIP (300mil)	-40°C to +85°C	74ABT854N
24-pin plastic SOL (300mil)	-40°C to +85°C	74ABT854D

The parity generator creates an odd parity output (PARITY) when $\overline{\text{OEB}}$ is Low. When $\overline{\text{OEA}}$ is Low, the parity of the B port, including the PARITY input, is checked for odd parity. When an error is detected, the error data is sent to the input of a latch. The error data can then be passed, stored, cleared, or

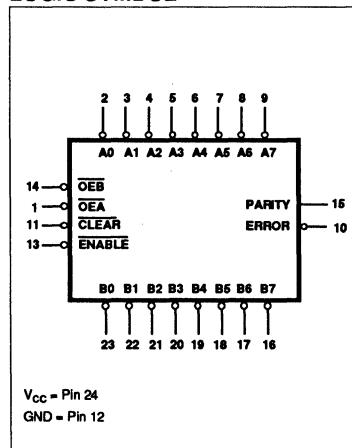
sampled depending on the $\overline{\text{ENABLE}}$ and $\overline{\text{CLEAR}}$ control signals.

If both $\overline{\text{OEA}}$ and $\overline{\text{OEB}}$ are Low, data will flow from the A bus to the B bus and the part is forced into an error condition which creates an inverted PARITY output. This error condition can be used by the designer for system diagnostics.

PIN CONFIGURATION



LOGIC SYMBOL



8-bit inverting transceiver with 9-bit parity checker/
generator and flag latch (3-State)

74ABT854

PIN DESCRIPTION

SYMBOL	PIN NUMBER	NAME AND FUNCTION
A0 - A7	2, 3, 4, 5, 6, 7, 8, 9	A port 3-State inputs/outputs
B0 - B7	23, 22, 21, 20, 19, 18, 17, 16	B port 3-State inputs/outputs
$\overline{OE}A$	1	Enables the A outputs when Low
$\overline{OE}B$	14	Enables the B outputs when Low
PARITY	15	Parity output
\overline{ERROR}	10	Error output
\overline{CLEAR}	11	Clears the error flag register when Low
\overline{ENABLE}	13	Enable input (active low)
GND	12	Ground (0V)
V _{CC}	24	Positive supply voltage

FUNCTION TABLE

MODE	INPUTS						OUTPUT AND I/O			
	$\overline{OE}B$	$\overline{OE}A$	\overline{CLEAR}	CP	An Σ of Highs	Bn† Σ of Highs	A	B	PARITY	ERROR‡
A data to B bus and generate parity	L	H	X	X	Odd Even	NA	NA	\overline{A}	L H	NA
B data to A bus and check parity	H	L	H	↑	NA	Odd Even	\overline{B}	NA	NA	H L
Clear error flag register	X	X	L	X	X	X	X	NA	NA	H
A bus and B bus disabled §	H	H	H L H H	‡ ‡	X X Odd Even	X	Z	Z	Z	NC H H L
A data to B bus and generate inverted parity (Forced-error)	L	L	X	X	Odd Even	NA	NA	\overline{A}	H L	NA

ERROR FLAG FUNCTION TABLE

MODE	INPUTS		Internal node Point "P"	OUTPUT
	\overline{CLEAR}	\overline{ENABLE}		ERROR
Transparent	L	L	L	L
	L	L	H	H
Sample	H	L	L	L
	H	L	H	H
Clear	L	H	X	H
Store	H	H	L	L
	H	H	H	H

H = High voltage level steady state

L = Low voltage level steady state

X = Don't care

NA = Not applicable

NC = No change

Z = High-impedance "OFF" state

↑ = Summation of High-level Inputs includes PARITY along with Bn Inputs

‡ = Output states shown assume the ERROR output was previously High

§ In this mode, the ERROR output, when clocked, shows inverted parity of the A bus

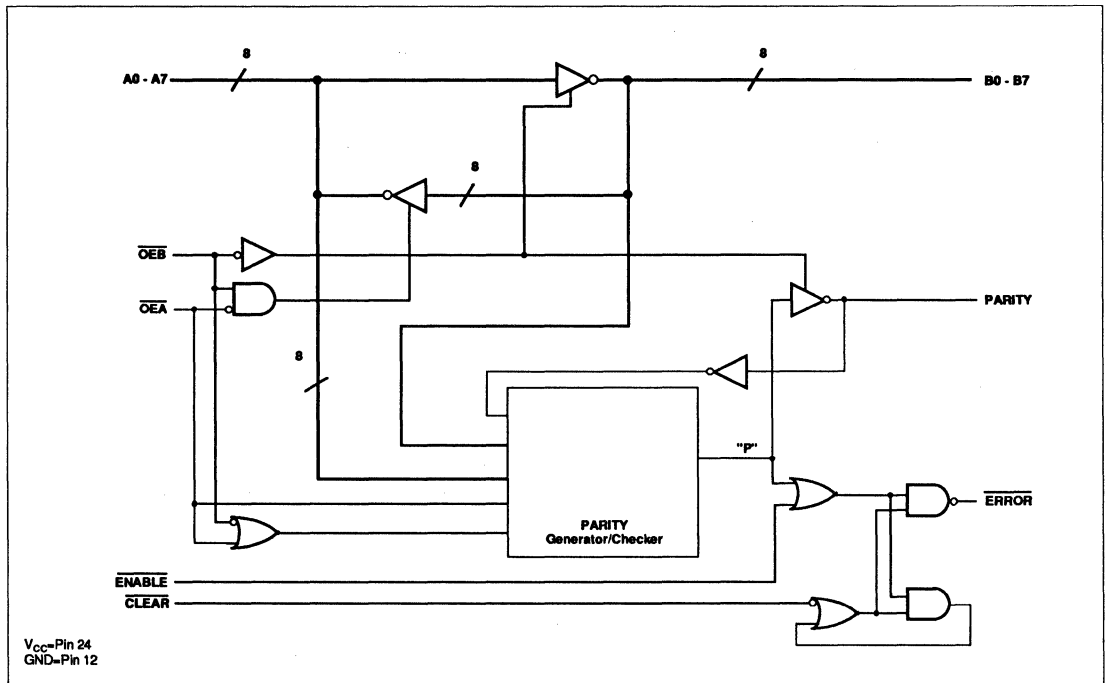
↑ = Low-to-High clock transition

‡ = Not a Low-to-High clock transition

8-bit inverting transceiver with 9-bit parity checker/ generator and flag latch (3-State)

74ABT854

LOGIC DIAGRAM



ABSOLUTE MAXIMUM RATINGS^{1, 2}

SYMBOL	PARAMETER	CONDITIONS	RATING	UNIT
V _{CC}	DC supply voltage		-0.5 to +7.0	V
I _{IK}	DC input diode current	V _I < 0	-18	mA
V _I	DC input voltage ³		-1.2 to +7.0	V
I _{OK}	DC output diode current	V _O < 0	-50	mA
V _{OUT}	DC output voltage ³	output in Off or High state	-0.5 to +5.5	V
I _{OUT}	DC output current	output in Low state	128	mA
T _{stg}	Storage temperature range		-65 to 150	°C

NOTES:

- Stresses beyond those listed may cause permanent damage to the device. These are stress ratings only and functional operation of the device at these or any other conditions beyond those indicated under "recommended operating conditions" is not implied. Exposure to absolute-maximum-rated conditions for extended periods may affect device reliability.
- The performance capability of a high-performance integrated circuit in conjunction with its thermal environment can create junction temperatures which are detrimental to reliability. The maximum junction temperature of this integrated circuit should not exceed 150°C.
- The input and output voltage ratings may be exceeded if the input and output current ratings are observed.

8-bit inverting transceiver with 9-bit parity checker/ generator and flag latch (3-State)

74ABT854

RECOMMENDED OPERATING CONDITIONS

SYMBOL	PARAMETER	LIMITS		UNIT
		Min	Max	
V_{CC}	DC supply voltage	4.5	5.5	V
V_I	Input voltage	0	V_{CC}	V
V_{IH}	High-level input voltage	2.0		V
V_{IL}	Input voltage		0.8	V
I_{OH}	High level output current		-32	mA
I_{OL}	Low level output current		64	mA
$\Delta t/\Delta v$	Input transition rise or fall rate	0	5	ns/V
T_{amb}	Operating free-air temperature range	-40	+85	°C

DC ELECTRICAL CHARACTERISTICS

SYMBOL	PARAMETER	TEST CONDITIONS	LIMITS					UNIT
			$T_{amb} = +25^\circ\text{C}$			$T_{amb} = -40^\circ\text{C}$ to $+85^\circ\text{C}$		
			Min	Typ	Max	Min	Max	
V_{IK}	Input clamp voltage	$V_{CC} = 4.5\text{V}; I_{IK} = -18\text{mA}$		-0.9	-1.2		-1.2	V
I_{OH}	High-level output current ERROR only	$V_{CC} = 4.5\text{V}; V_{OH} = 4.5\text{V}; V_I = V_{IL}$ or V_{IH}			20		20	μA
V_{OH}	High-level output voltage	$V_{CC} = 4.5\text{V}; I_{OH} = -3\text{mA}; V_I = V_{IL}$ or V_{IH}	2.5	3.5		2.5		V
		$V_{CC} = 5.0\text{V}; I_{OH} = -3\text{mA}; V_I = V_{IL}$ or V_{IH}	3.0	4.0		3.0		
		$V_{CC} = 4.5\text{V}; I_{OH} = -32\text{mA}; V_I = V_{IL}$ or V_{IH}	2.0	2.6		2.0		
V_{OL}	Low-level output voltage	$V_{CC} = 4.5\text{V}; I_{OL} = 64\text{mA}; V_I = V_{IL}$ or V_{IH}	0.42	0.55		0.55		V
I_I	Input leakage current	Control pins $V_{CC} = 5.5\text{V}; V_I = \text{GND}$ or 5.5V	± 0.01	± 1.0		± 1.0		μA
		Data pins $V_{CC} = 5.5\text{V}; V_I = \text{GND}$ or 5.5V		5	100		100	
$I_{IH} + I_{OZH}$	3-State output High current	$V_{CC} = 5.5\text{V}; V_O = 2.7\text{V}; V_I = V_{IL}$ or V_{IH}		5.0	50		50	μA
$I_{IL} + I_{OZL}$	3-State output Low current	$V_{CC} = 5.5\text{V}; V_O = 0.5\text{V}; V_I = V_{IL}$ or V_{IH}		-5.0	-50		-50	μA
I_O	Short-circuit output current ¹	$V_{CC} = 5.5\text{V}; V_O = 2.5\text{V}$	-50	-80	-180	-50	-180	mA
I_{CCH}	Quiescent supply current	$V_{CC} = 5.5\text{V};$ Outputs High; $V_I = \text{GND}$ or V_{CC}		0.5	50		50	μA
I_{CCL}		$V_{CC} = 5.5\text{V};$ Outputs Low; $V_I = \text{GND}$ or V_{CC}		20	30		30	mA
I_{CCZ}		$V_{CC} = 5.5\text{V};$ Outputs 3-State; $V_I = \text{GND}$ or V_{CC}		0.5	50		50	μA
ΔI_{CC}	Additional supply current per input pin ²	One input at 3.4V, other inputs at V_{CC} or GND; $V_{CC} = 5.5\text{V}$		0.3	1.5		1.5	mA

NOTES:

- Not more than one output should be tested at a time, and the duration of the test should not exceed one second.
- This is the increase in supply current for each input at 3.4V.

10-bit bus transceiver (3-State)

74ABT861

FEATURES

- Provide high performance bus interface buffering for wide data/address paths or buses carrying parity
- Buffered control inputs for light loading, or increased fan-in as required with MOS microprocessors
- Slim Dip 300 mil package
- Broadside pinout compatible with AMD AM 29861
- Output capability: +64mA/-32mA
- Latch-up protection exceeds 500mA per Jedec JC40.2 Std 17
- ESD protection exceeds 2000 V per MIL STD 883C Method 3015.6 and 200 V per Machine Model

DESCRIPTION

The 74ABT861 bus transceiver provides high performance bus interface buffering for wide data/address paths of buses carrying parity.

The 'ABT861 10-bit bus transceiver has NOR-ed transmit and receive output enables for maximum control flexibility.

QUICK REFERENCE DATA

SYMBOL	PARAMETER	CONDITIONS $T_{amb} = 25^{\circ}\text{C}; \text{GND} = 0\text{V}$	TYPICAL	UNIT
t_{PLH} t_{PHL}	Propagation delay An to Bn, or Bn to An	$C_L = 50\text{pF}; V_{CC} = 5\text{V}$	4.0	ns
C_{IN}	Input capacitance	$V_I = 0\text{V or } V_{CC}$	4	pF
C_{OUT}	Output capacitance	$V_I = 0\text{V or } V_{CC}$	7	pF
I_{CCZ}	Total supply current	Outputs Disabled; $V_{CC} = 5.5\text{V}$	500	nA

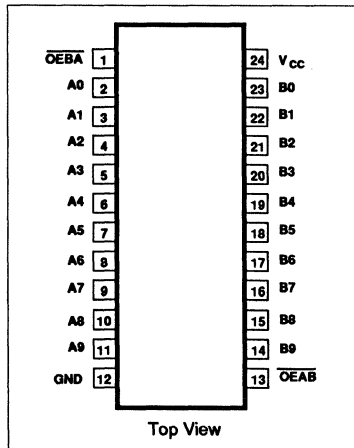
ORDERING INFORMATION

PACKAGES	TEMPERATURE RANGE	ORDER CODE
24-pin plastic DIP	-40°C to +85°C	74ABT861N
24-pin plastic SOL	-40°C to +85°C	74ABT861D

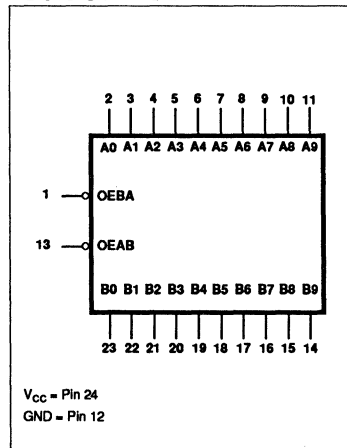
PIN DESCRIPTION

PIN NUMBER	SYMBOL	NAME AND FUNCTION
13	$\overline{\text{OEAB}}$	A side to B side output enable input (active Low)
2, 3, 4, 5, 6 7, 8, 9, 10, 11	A0 - A8	Data inputs/outputs (A side)
14, 15, 16, 17, 18 19, 20, 21, 22, 23	B0 - B8	Data inputs/outputs (B side)
1	$\overline{\text{OEBA}}$	B side to A side output enable input (active Low)
12	GND	Ground (0V)
24	V_{CC}	Positive supply voltage

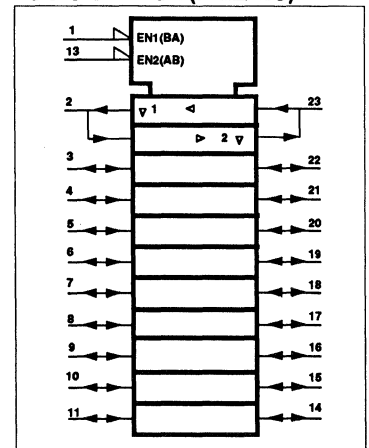
PIN CONFIGURATION



LOGIC SYMBOL



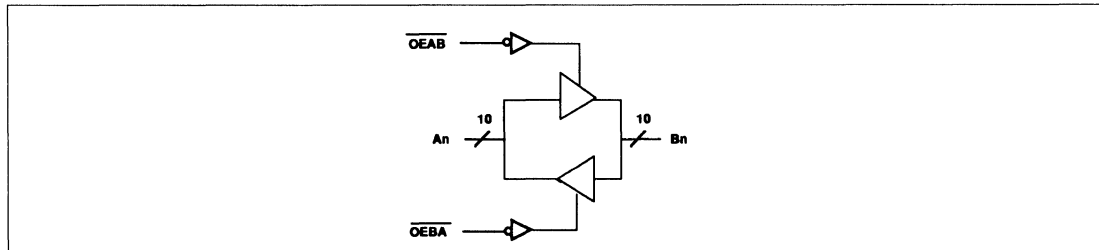
LOGIC SYMBOL (IEEE/IEC)



10-bit bus transceiver (3-State)

74ABT861

LOGIC DIAGRAM



FUNCTION TABLE

INPUTS		MODE
\overline{OEB}	\overline{OEA}	
L	H	A data to B bus
H	L	B data to A bus
H	H	Z

H = High voltage level steady state
 L = Low voltage level steady state
 Z = High-impedance "OFF" state

ABSOLUTE MAXIMUM RATINGS^{1, 2}

SYMBOL	PARAMETER	CONDITIONS	RATING	UNIT
V_{CC}	DC supply voltage		-0.5 to +7.0	V
I_{IK}	DC input diode current	$V_I < 0$	-18	mA
V_I	DC input voltage ³		-1.2 to +7.0	V
I_{OK}	DC output diode current	$V_O < 0$	-50	mA
V_{OUT}	DC output voltage ³	output in Off or High state	-0.5 to +5.5	V
I_{OUT}	DC output current	output in Low state	128	mA
T_{stg}	Storage temperature range		-65 to 150	°C

NOTES:

- Stresses beyond those listed may cause permanent damage to the device. These are stress ratings only and functional operation of the device at these or any other conditions beyond those indicated under "recommended operating conditions" is not implied. Exposure to absolute-maximum-rated conditions for extended periods may affect device reliability.
- The performance capability of a high-performance integrated circuit in conjunction with its thermal environment can create junction temperatures which are detrimental to reliability. The maximum junction temperature of this integrated circuit should not exceed 150°C.
- The input and output voltage ratings may be exceeded if the input and output current ratings are observed.

RECOMMENDED OPERATING CONDITIONS

SYMBOL	PARAMETER	LIMITS		UNIT
		Min	Max	
V_{CC}	DC supply voltage	4.5	5.5	V
V_I	Input voltage	0	V_{CC}	V
V_{IH}	High-level input voltage	2.0		V
V_{IL}	Input voltage		0.8	V
I_{OH}	High level output current		-32	mA
I_{OL}	Low level output current		64	mA
$\Delta t/\Delta v$	Input transition rise or fall rate	0	5	ns/V
T_{amb}	Operating free-air temperature range	-40	+85	°C

10-bit bus transceiver (3-State)

74ABT861

DC ELECTRICAL CHARACTERISTICS

SYMBOL	PARAMETER	TEST CONDITIONS	LIMITS					UNIT	
			T _{amb} = +25°C			T _{amb} = -40°C to +85°C			
			Min	Typ	Max	Min	Max		
V _{IK}	Input clamp voltage	V _{CC} = 4.5V; I _{IK} = -18mA		-0.9	-1.2		-1.2	V	
V _{OH}	High-level output voltage	V _{CC} = 4.5V; I _{OH} = -3mA; V _I = V _{IL} or V _{IH}	2.5	3.5		2.5		V	
		V _{CC} = 5.0V; I _{OH} = -3mA; V _I = V _{IL} or V _{IH}	3.0	4.0		3.0			
		V _{CC} = 4.5V; I _{OH} = -32mA; V _I = V _{IL} or V _{IH}	2.0	2.6		2.0			
V _{OL}	Low-level output voltage	V _{CC} = 4.5V; I _{OL} = 64mA; V _I = V _{IL} or V _{IH}		0.42	0.55		0.55	V	
I _I	Input leakage current	Control pins	V _{CC} = 5.5V; V _I = GND or 5.5V		±0.01	±1.0		±1.0	µA
		Data pins	V _{CC} = 5.5V; V _I = GND or 5.5V		5	100		100	
I _{IH} + I _{OZH}	3-State output High current	V _{CC} = 5.5V; V _O = 2.7V; V _I = V _{IL} or V _{IH}		5.0	50		50	µA	
I _{IL} + I _{OZL}	3-State output Low current	V _{CC} = 5.5V; V _O = 0.5V; V _I = V _{IL} or V _{IH}		-5.0	-50		-50	µA	
I _O	Short-circuit output current ¹	V _{CC} = 5.5V; V _O = 2.5V	-50	-80	-180	-50	-180	mA	
I _{CCH}	Quiescent supply current	V _{CC} = 5.5V; Outputs High; V _I = GND or V _{CC}		0.5	50		50	µA	
I _{CCL}		V _{CC} = 5.5V; Outputs Low; V _I = GND or V _{CC}		30	38		38	mA	
I _{CCZ}		V _{CC} = 5.5V; Outputs 3-State; V _I = GND or V _{CC}		0.5	50		50	µA	
ΔI _{CC}	Additional supply current per input pin ²	One input at 3.4V, other inputs at V _{CC} or GND; V _{CC} = 5.5V		0.3	1.5		1.5	mA	

NOTES:

1. Not more than one output should be tested at a time, and the duration of the test should not exceed one second.
2. This is the increase in supply current for each input at 3.4V.

9-bit bus transceiver (3-State)

74ABT863

FEATURES

- Provide high performance bus interface buffering for wide data/address paths or buses carrying parity
- Buffered control inputs for light loading, or increased fan-in as required with MOS microprocessors
- Slim Dip 300 mil package
- Broadside pinout compatible with AMD AM 29863
- Output capability: +64mA/-32mA
- Latch-up protection exceeds 500mA per Jedec JC40.2 Std 17
- ESD protection exceeds 2000 V per MIL STD 883C Method 3015.6 and 200 V per Machine Model

DESCRIPTION

The 74ABT863 Bus Transceiver provides high performance bus interface buffering for wide data/address paths of buses carrying parity. The 'ABT863 9-bit Bus Transceiver has NOR-ed transmit and receive output enables for maximum control flexibility.

QUICK REFERENCE DATA

SYMBOL	PARAMETER	CONDITIONS $T_{amb} = 25^{\circ}\text{C}; \text{GND} = 0\text{V}$	TYPICAL	UNIT
t_{PLH} t_{PHL}	Propagation delay An to Bn, or Bn to An	$C_L = 50\text{pF}; V_{CC} = 5\text{V}$	4.0	ns
C_{IN}	Input capacitance	$V_I = 0\text{V or } V_{CC}$	4	pF
C_{OUT}	Output capacitance	$V_I = 0\text{V or } V_{CC}$	7	pF
I_{CCZ}	Total supply current	Outputs Disabled; $V_{CC} = 5.5\text{V}$	500	nA

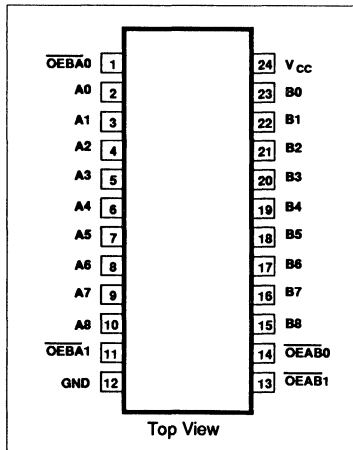
ORDERING INFORMATION

PACKAGES	TEMPERATURE RANGE	ORDER CODE
24-pin plastic DIP	-40°C to +85°C	74ABT863N
24-pin plastic SOL	-40°C to +85°C	74ABT863D

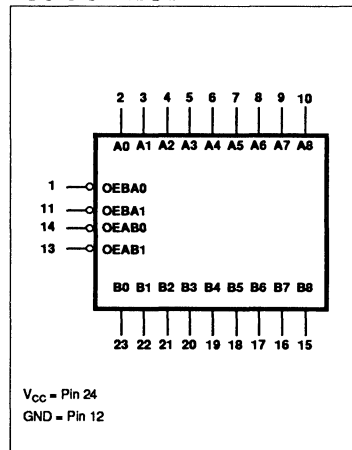
PIN DESCRIPTION

PIN NUMBER	SYMBOL	NAME AND FUNCTION
14, 13	$\overline{\text{OEAB0}}, \overline{\text{OEAB1}}$	Direction control input
2, 3, 4, 5 6, 7, 8, 9, 10	A0 - A7	Data inputs/outputs (A side)
15, 16, 17, 18 19, 20, 21, 22, 23	B0 - B7	Data inputs/outputs (B side)
1, 11	$\overline{\text{OEBA0}}, \overline{\text{OEBA1}}$	Output enable
12	GND	Ground (0V)
24	V_{CC}	Positive supply voltage

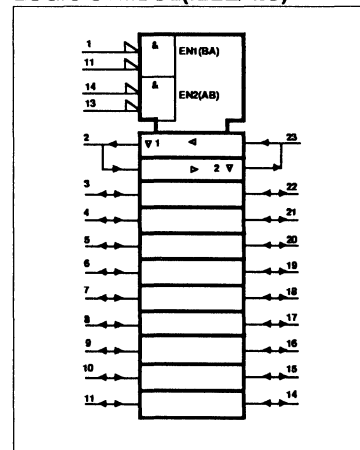
PIN CONFIGURATION



LOGIC SYMBOL



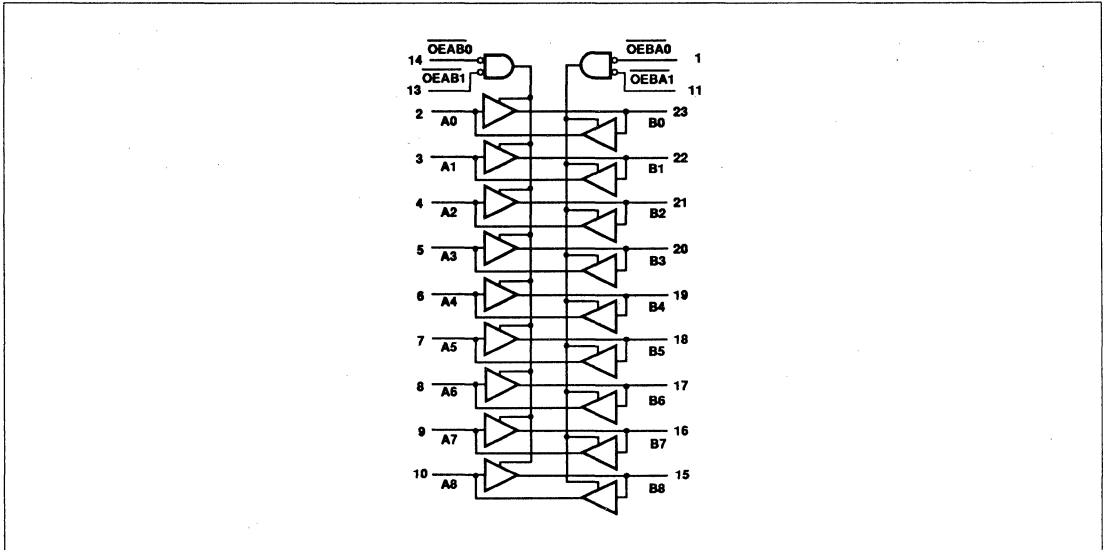
LOGIC SYMBOL (IEEE/IEC)



9-bit bus transceiver (3-State)

74ABT863

LOGIC DIAGRAM



FUNCTION TABLE

INPUTS				OPERATING MODES
OEAB0	OEAB1	OEBA0	OEBA1	
L	L	H	X	A data to B bus
L	L	X	H	A data to B bus
H	X	L	L	B bus to A data
X	H	L	L	B bus to A data
H	H	H	H	Z

- H = High voltage level
- L = Low voltage level
- X = Don't care
- Z = High impedance "off" state

9-bit bus transceiver (3-State)

74ABT863

ABSOLUTE MAXIMUM RATINGS^{1, 2}

SYMBOL	PARAMETER	CONDITIONS	RATING	UNIT
V_{CC}	DC supply voltage		-0.5 to +7.0	V
I_{IK}	DC input diode current	$V_I < 0$	-18	mA
V_I	DC input voltage ³		-1.2 to +7.0	V
I_{OK}	DC output diode current	$V_O < 0$	-50	mA
V_{OUT}	DC output voltage ³	output in Off or High state	-0.5 to +5.5	V
I_{OUT}	DC output current	output in Low state	128	mA
T_{stg}	Storage temperature range		-65 to 150	°C

NOTES:

1. Stresses beyond those listed may cause permanent damage to the device. These are stress ratings only and functional operation of the device at these or any other conditions beyond those indicated under "recommended operating conditions" is not implied. Exposure to absolute-maximum-rated conditions for extended periods may affect device reliability.
2. The performance capability of a high-performance integrated circuit in conjunction with its thermal environment can create junction temperatures which are detrimental to reliability. The maximum junction temperature of this integrated circuit should not exceed 150°C.
3. The input and output voltage ratings may be exceeded if the input and output current ratings are observed.

RECOMMENDED OPERATING CONDITIONS

SYMBOL	PARAMETER	LIMITS		UNIT
		Min	Max	
V_{CC}	DC supply voltage	4.5	5.5	V
V_I	Input voltage	0	V_{CC}	V
V_{IH}	High-level input voltage	2.0		V
V_{IL}	Input voltage		0.8	V
I_{OH}	High level output current		-32	mA
I_{OL}	Low level output current		64	mA
$\Delta V/\Delta t$	Input transition rise or fall rate	0	5	ns/V
T_{amb}	Operating free-air temperature range	-40	+85	°C

9-bit bus transceiver (3-State)

74ABT863

DC ELECTRICAL CHARACTERISTICS

SYMBOL	PARAMETER	TEST CONDITIONS	LIMITS					UNIT
			T _{amb} = +25°C			T _{amb} = -40°C to +85°C		
			Min	Typ	Max	Min	Max	
V _{IK}	Input clamp voltage	V _{CC} = 4.5V; I _{IK} = -18mA		-0.9	-1.2		-1.2	V
V _{OH}	High-level output voltage	V _{CC} = 4.5V; I _{OH} = -3mA; V _I = V _{IL} or V _{IH}	2.5	3.5		2.5		V
		V _{CC} = 5.0V; I _{OH} = -3mA; V _I = V _{IL} or V _{IH}	3.0	4.0		3.0		
		V _{CC} = 4.5V; I _{OH} = -32mA; V _I = V _{IL} or V _{IH}	2.0	2.6		2.0		
V _{OL}	Low-level output voltage	V _{CC} = 4.5V; I _{OL} = 64mA; V _I = V _{IL} or V _{IH}		0.42	0.55		0.55	V
I _I	Input leakage current	Control pins V _{CC} = 5.5V; V _I = GND or 5.5V		±0.01	±1.0		±1.0	µA
		Data pins V _{CC} = 5.5V; V _I = GND or 5.5V		5	100		100	
I _{IH} + I _{OZH}	3-State output High current	V _{CC} = 5.5V; V _O = 2.7V; V _I = V _{IL} or V _{IH}		5.0	50		50	µA
I _{IL} + I _{OZL}	3-State output Low current	V _{CC} = 5.5V; V _O = 0.5V; V _I = V _{IL} or V _{IH}		-5.0	-50		-50	µA
I _O	Short-circuit output current ¹	V _{CC} = 5.5V; V _O = 2.5V	-50	-80	-180	-50	-180	mA
I _{CCH}	Quiescent supply current	V _{CC} = 5.5V; Outputs High; V _I = GND or V _{CC}		0.5	50		50	µA
I _{CCL}		V _{CC} = 5.5V; Outputs Low; V _I = GND or V _{CC}		28	34		34	mA
I _{CCZ}		V _{CC} = 5.5V; Outputs 3-State; V _I = GND or V _{CC}		0.5	50		50	µA
ΔI _{CC}	Additional supply current per input pin ²	One input at 3.4V, other inputs at V _{CC} or GND; V _{CC} = 5.5V		0.3	1.5		1.5	mA

NOTES:

- Not more than one output should be tested at a time, and the duration of the test should not exceed one second.
- This is the increase in supply current for each input at 3.4V.

9-bit dual latch transceiver with 8-bit parity generator/checker (3-State)

74ABT899

FEATURES

- Symmetrical (A and B bus functions are identical)
- Selectable generate parity or "feed-through" parity for A-to-B and B-to-A directions
- Independent transparent latches for A-to-B and B-to-A directions
- Selectable ODD/EVEN parity
- Continuously checks parity of both A bus and B bus latches as ERRA and ERRB
- Ability to simultaneously generate and check parity
- Can simultaneously read/latch A and B bus data
- Output capability: +64mA/-32mA
- Latch-up protection exceeds 500mA per Jeduc JC40.2 Std 17
- ESD protection exceeds 2000 V per MIL STD 883C Method 3015.6 and 200 V per Machine Model

DESCRIPTION

The 74ABT899 is a 9-bit to 9-bit parity transceiver with separate transparent latches for the A bus and B bus. Either bus can generate or check parity. The parity bit can be fed-through with no change or the generated parity can be substituted with the SEL input. Parity error checking of the A and B bus latches is continuously provided with ERRA and ERRB, even with both buses in 3-State.

The device has a guaranteed current sinking capability of 32mA for the A-bus and 64 mA for the B-bus. Otherwise, the part is symmetrical (A and B bus functions are identical).

The 74ABT899 features independent latch enables for the A and B bus latches, a select pin for ODD/EVEN parity, and separate error signal output pins for checking parity.

FUNCTIONAL DESCRIPTION:

The 74ABT899 has three principal modes of operation which are outlined below. All modes apply to both the A-to-B and B-to-A directions.

QUICK REFERENCE DATA

SYMBOL	PARAMETER	CONDITIONS $T_{amb} = 25^{\circ}\text{C}; \text{GND} = 0\text{V}$	TYPICAL	UNIT
t_{PLH} t_{PHL}	Propagation delay A to Bn or B to An	$C_L = 50\text{pF}; V_{CC} = 5\text{V}$	2.9	ns
t_{PLH} t_{PHL}	Propagation delay An to <u>ERRA</u>	$C_L = 50\text{pF}; V_{CC} = 5\text{V}$	6.1	ns
C_{IN}	Input capacitance	$V_I = 0\text{V}$ or V_{CC}	4	pF
C_{OUT}	Output capacitance	$V_I = 0\text{V}$ or V_{CC}	7	pF
I_{CCZ}	Total supply current	Outputs Disabled; $V_{CC} = 5.5\text{V}$	500	nA

ORDERING INFORMATION

PACKAGES	TEMPERATURE RANGE	ORDER CODE
28-pin plastic DIP (300mil)	-40°C to +85°C	74ABT899N
28-pin plastic SOL (300mil)	-40°C to +85°C	74ABT899D

Transparent latch, Generate parity, Check A and B bus parity:

Bus A (B) communicates to Bus B (A), parity is generated and passed on to the B (A) Bus as BPAR (APAR). If LEA and LEB are High and the Mode Select (SEL) is Low, the parity generated from A0-A7 and B0-B7 can be checked and monitored by ERRA and ERRB. (Fault detection on both input and output buses.)

Transparent latch, Feed-through parity, Check A and B bus parity:

Bus A (B) communicates to Bus B (A) in a feed-through mode if SEL is High.

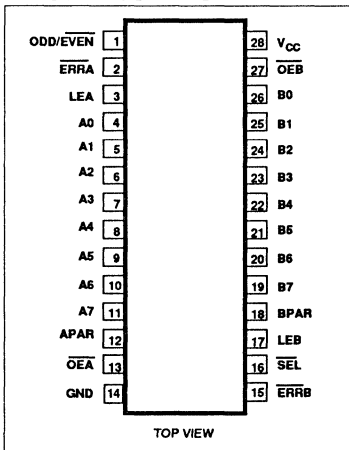
Parity is still generated and checked as ERRA and ERRB and can be used as an interrupt to signal a data/parity bit error to the CPU.

Latched input, Generate/Feed-through parity, Check A (and B) bus parity:

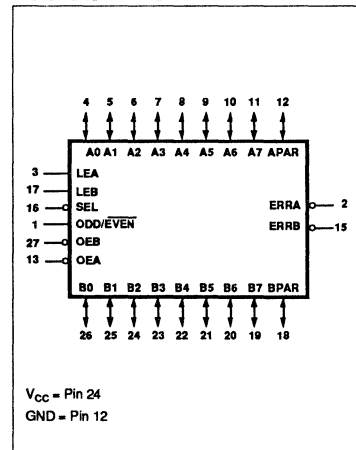
Independent latch enables (LEA and LEB) allow other permutations of:

- Transparent latch / 1 bus latched / both buses latched
- Feed-through parity / generate parity
- Check in bus parity / check out bus parity / check in and out bus parity

PIN CONFIGURATION



LOGIC SYMBOL



9-bit dual latch transceiver with 8-bit parity generator/checker (3-State)

74ABT899

PIN DESCRIPTION

SYMBOL	PIN NUMBER	NAME AND FUNCTION
A0 - A7	4, 5, 6, 7, 8, 9, 10, 11	Latched A port inputs/outputs (3-State)
B0 - B7	19, 20, 21, 22, 23, 24, 25, 26	Latched B port inputs/outputs (3-State)
APAR	12	A bus parity input (3-State)
BPAR	18	B bus parity input (3-State)
ODD/EVEN	1	Parity select input (Low for even parity)
\overline{GBA} , \overline{GAB}	13, 27	Output Enable inputs (Gate A to B, B to A)
SEL	16	Mode select input (Low for generate)
LEA, LEB	3, 17	Latch Enable inputs (Low for latch)
\overline{ERRA} , \overline{ERRB}	2, 15	Error signal outputs (active Low)
GND	14	Ground (0V)
V _{CC}	28	Positive supply voltage

FUNCTION TABLE

INPUTS					OPERATING MODE
\overline{OEB}	\overline{OEA}	SEL	LEA	LEB	
H	H	X	X	X	3-State A bus and B bus (Input A & B simultaneously)
H	L	L	L	H	B → A, Transparent B latch, Generate parity from B0-B7, Check B bus parity
H	L	L	H	H	B → A, Transparent A & B latch, Generate parity from B0-B7, Check A & B bus parity
H	L	L	X	L	B → A, B bus latched, Generate parity from latched B0-B7 data, Check B bus parity
H	L	H	X	H	B → A, Transparent B latch, Parity feed-through, Check B bus parity
H	L	H	H	H	B → A, Transparent A & B latch, Parity feed-through, Check A & B bus parity
L	H	L	H	X	A → B, Transparent A latch, Generate parity from A0-A7, Check A bus parity
L	H	L	H	H	A → B, Transparent A & B latch, Generate parity from A0-A7, Check A & B bus parity
L	H	L	L	X	A → B, A bus latched, Generate parity from latched A0-A7 data, Check A bus parity
L	H	H	H	L	A → B, Transparent A latch, Parity feed-through, Check A bus parity
L	H	H	H	H	A → B, Transparent A & B latch, Parity feed-through, Check A & B bus parity
L	L	X	X	X	Output to A bus and B bus (NOT ALLOWED)

H = High voltage level

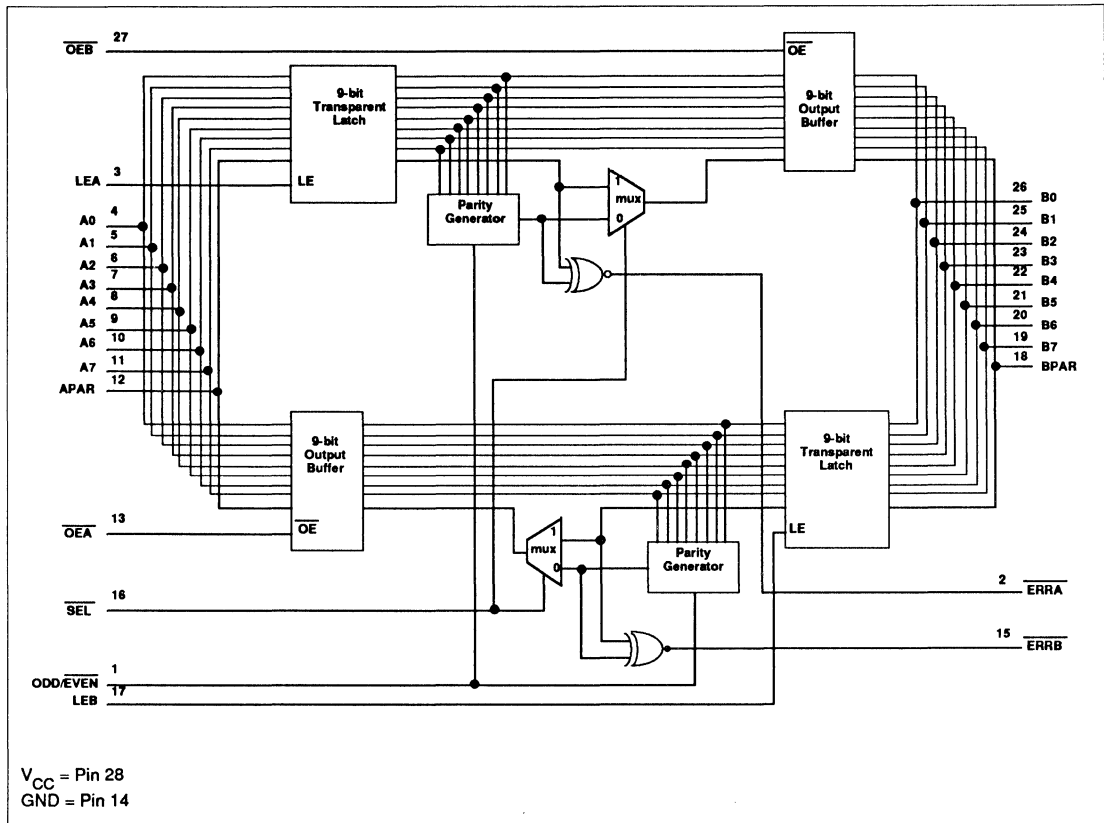
L = Low voltage level

X = Don't care

9-bit dual latch transceiver with 8-bit parity generator/checker (3-State)

74ABT899

BLOCK DIAGRAM



ABSOLUTE MAXIMUM RATINGS^{1, 2}

SYMBOL	PARAMETER	CONDITIONS	RATING	UNIT
V_{CC}	DC supply voltage		-0.5 to +7.0	V
I_{IK}	DC input diode current	$V_I < 0$	-18	mA
V_I	DC input voltage ³		-1.2 to +7.0	V
I_{OK}	DC output diode current	$V_O < 0$	-50	mA
V_{OUT}	DC output voltage ³	output in Off or High state	-0.5 to +5.5	V
I_{OUT}	DC output current	output in Low state	128	mA
T_{stg}	Storage temperature range		-65 to 150	°C

NOTES:

- Stresses beyond those listed may cause permanent damage to the device. These are stress ratings only and functional operation of the device at these or any other conditions beyond those indicated under "recommended operating conditions" is not implied. Exposure to absolute-maximum-rated conditions for extended periods may affect device reliability.
- The performance capability of a high-performance integrated circuit in conjunction with its thermal environment can create junction temperatures which are detrimental to reliability. The maximum junction temperature of this integrated circuit should not exceed 150°C.
- The input and output voltage ratings may be exceeded if the input and output current ratings are observed.

9-bit dual latch transceiver with 8-bit parity generator/checker (3-State)

74ABT899

RECOMMENDED OPERATING CONDITIONS

SYMBOL	PARAMETER	LIMITS		UNIT
		Min	Max	
V_{CC}	DC supply voltage	4.5	5.5	V
V_I	Input voltage	0	V_{CC}	V
V_{IH}	High-level input voltage	2.0		V
V_{IL}	Input voltage		0.8	V
I_{OH}	High level output current		-32	mA
I_{OL}	Low level output current		64	mA
$\Delta t/\Delta v$	Input transition rise or fall rate	0	5	ns/V
T_{amb}	Operating free-air temperature range	-40	+85	°C

DC ELECTRICAL CHARACTERISTICS

SYMBOL	PARAMETER		TEST CONDITIONS	LIMITS						UNIT
				$T_{amb} = +25^{\circ}\text{C}$			$T_{amb} = -40^{\circ}\text{C}$ to $+85^{\circ}\text{C}$			
				Min	Typ	Max	Min	Max		
V_{IK}	Input clamp voltage		$V_{CC} = 4.5\text{V}; I_{IK} = -18\text{mA}$		-0.9	-1.2		-1.2	V	
V_{OH}	High-level output voltage		$V_{CC} = 4.5\text{V}; I_{OH} = -3\text{mA}; V_I = V_{IL}$ or V_{IH}	2.5	3.5		2.5		V	
			$V_{CC} = 5.0\text{V}; I_{OH} = -3\text{mA}; V_I = V_{IL}$ or V_{IH}	3.0	4.0		3.0			
			$V_{CC} = 4.5\text{V}; I_{OH} = -32\text{mA}; V_I = V_{IL}$ or V_{IH}	2.0	2.6		2.0			
V_{OL}	Low-level output voltage		$V_{CC} = 4.5\text{V}; I_{OL} = 64\text{mA}; V_I = V_{IL}$ or V_{IH}	0.42	0.55		0.55	V		
I_I	Input leakage current	Control pins	$V_{CC} = 5.5\text{V}; V_I = \text{GND}$ or 5.5V		± 0.01	± 1.0		± 1.0	μA	
		Data pins	$V_{CC} = 5.5\text{V}; V_I = \text{GND}$ or 5.5V		5	100		100		
$I_{IH} + I_{OZH}$	3-State output High current		$V_{CC} = 5.5\text{V}; V_O = 2.7\text{V}; V_I = V_{IL}$ or V_{IH}	5.0	50		50	μA		
$I_{IL} + I_{OZL}$	3-State output Low current		$V_{CC} = 5.5\text{V}; V_O = 0.5\text{V}; V_I = V_{IL}$ or V_{IH}	-5.0	-50		-50	μA		
I_O	Short-circuit output current ¹		$V_{CC} = 5.5\text{V}; V_O = 2.5\text{V}$	-50	-80	-180	-50	-180	mA	
I_{CCH}	Quiescent supply current		$V_{CC} = 5.5\text{V};$ Outputs High; $V_I = \text{GND}$ or V_{CC}	0.5	50		50	μA		
I_{CCL}			$V_{CC} = 5.5\text{V};$ Outputs Low; $V_I = \text{GND}$ or V_{CC}	28	34		34	mA		
I_{CCZ}			$V_{CC} = 5.5\text{V};$ Outputs 3-State; $V_I = \text{GND}$ or V_{CC}		0.5	50		50	μA	
ΔI_{CC}	Additional supply current per input pin ²		One input at 3.4V, other inputs at V_{CC} or GND; $V_{CC} = 5.5\text{V}$	0.3	1.5		1.5	mA		

NOTES:

- Not more than one output should be tested at a time, and the duration of the test should not exceed one second.
- This is the increase in supply current for each input at 3.4V.

Octal registered transceiver (3-State)

74ABT2952

FEATURES

- 8-bit registered transceiver
- Independent registers for A and B buses
- AM2952 functional equivalent
- Outputs sink 64mA and source 32mA
- Latch-up protection exceeds 500mA per Jedec JC40.2 Std 17
- ESD protection exceeds 2000 V per MIL STD 883C Method 3015.6 and 200 V per Machine Model

DESCRIPTION

The 74ABT2952 is an 8-bit Registered Transceiver. Two 8-bit back to back registers store data flowing in both directions between two bi-directional buses. Data applied to the inputs is entered and stored on the rising edge of the Clock (CPXX) provided that the Clock Enable (\overline{CEXX}) is Low. The data is then present at the 3-State output buffers, but is only accessible when the Output Enable (\overline{OEXX}) is Low. Data flow from A inputs to B outputs is the same as for B inputs to A outputs.

QUICK REFERENCE DATA

SYMBOL	PARAMETER	CONDITIONS $T_{amb} = 25^{\circ}C; GND = 0V$	TYPICAL	UNIT
t_{PLH} t_{PHL}	Propagation delay CPAB or CPBA to An or Bn	$C_L = 50pF; V_{CC} = 5V$	5.7	ns
C_{IN}	Input capacitance	$V_I = 0V \text{ or } V_{CC}$	4	pF
C_{OUT}	Output capacitance	$V_I = 0V \text{ or } V_{CC}$	7	pF
I_{CCZ}	Total supply current	Outputs Disabled; $V_{CC} = 5.5V$	500	nA

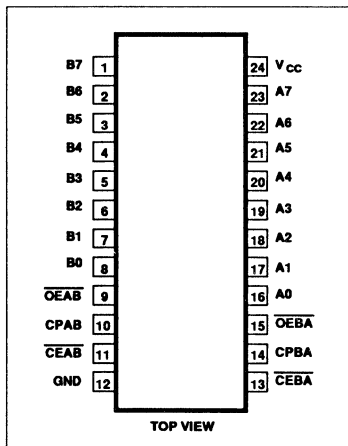
ORDERING INFORMATION

PACKAGES	TEMPERATURE RANGE	ORDER CODE
24-pin plastic DIP (300mil)	-40°C to +85°C	74ABT2952N
24-pin plastic SOL (300mil)	-40°C to +85°C	74ABT2952D

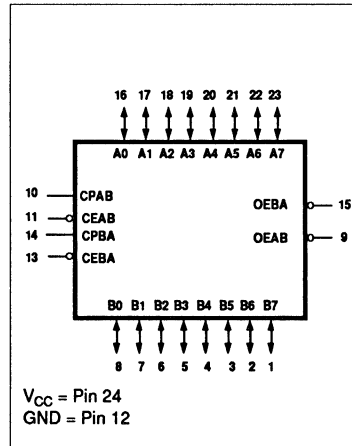
PIN DESCRIPTION

PIN NUMBER	SYMBOL	NAME AND FUNCTION
10, 14	CPAB / CPBA	Clock input A to B / Clock input B to A
11, 13	$\overline{CEAB} / \overline{CEBA}$	Clock enable input A to B / Clock enable B to A
16, 17, 18, 19 20, 21, 22, 23	A0 - A7	Data inputs/outputs (A side)
1, 2, 3, 4 5, 6, 7, 8	B0 - B7	Data inputs/outputs (B side)
9, 15	$\overline{OEAB} / \overline{OEBA}$	Output enable input
12	GND	Ground (0V)
24	V_{CC}	Positive supply voltage

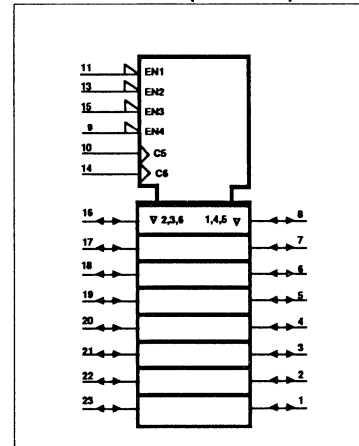
PIN CONFIGURATION DIP



LOGIC SYMBOL



LOGIC SYMBOL (IEEE/IEC)



Octal registered transceiver (3-State)

74ABT2952

FUNCTION TABLE for Register An or Bn

An or Bn	INPUTS		INTERNAL Q	OPERATING MODE
	CPXX	$\overline{\text{CEXX}}$		
X	X	H	NC	Hold data
L	\uparrow	L	L	Load data
H	\uparrow	L	H	

H = High voltage level

L = Low voltage level

 \uparrow = Low-to-High transition

X = Don't care

XX = AB or BA

NC = No change

FUNCTION TABLE for Output Enable

INPUTS $\overline{\text{OE}}\text{XX}$	INTERNAL Q	An or Bn OUTPUTS	OPERATING MODE
L	L	L	Enable outputs
L	H	H	

H = High voltage level

L = Low voltage level

X = Don't care

XX = AB or BA

Z = High impedance "off" state

ABSOLUTE MAXIMUM RATINGS^{1, 2}

SYMBOL	PARAMETER	CONDITIONS	RATING	UNIT
V_{CC}	DC supply voltage		-0.5 to +7.0	V
I_{IK}	DC input diode current	$V_I < 0$	-18	mA
V_I	DC input voltage ³		-1.2 to +7.0	V
I_{OK}	DC output diode current	$V_O < 0$	-50	mA
V_{OUT}	DC output voltage ³	output in Off or High state	-0.5 to +5.5	V
I_{OUT}	DC output current	output in Low state	128	mA
T_{stg}	Storage temperature range		-65 to 150	°C

NOTES:

- Stresses beyond those listed may cause permanent damage to the device. These are stress ratings only and functional operation of the device at these or any other conditions beyond those indicated under "recommended operating conditions" is not implied. Exposure to absolute-maximum-rated conditions for extended periods may affect device reliability.
- The performance capability of a high-performance integrated circuit in conjunction with its thermal environment can create junction temperatures which are detrimental to reliability. The maximum junction temperature of this integrated circuit should not exceed 150°C.
- The input and output voltage ratings may be exceeded if the input and output current ratings are observed.

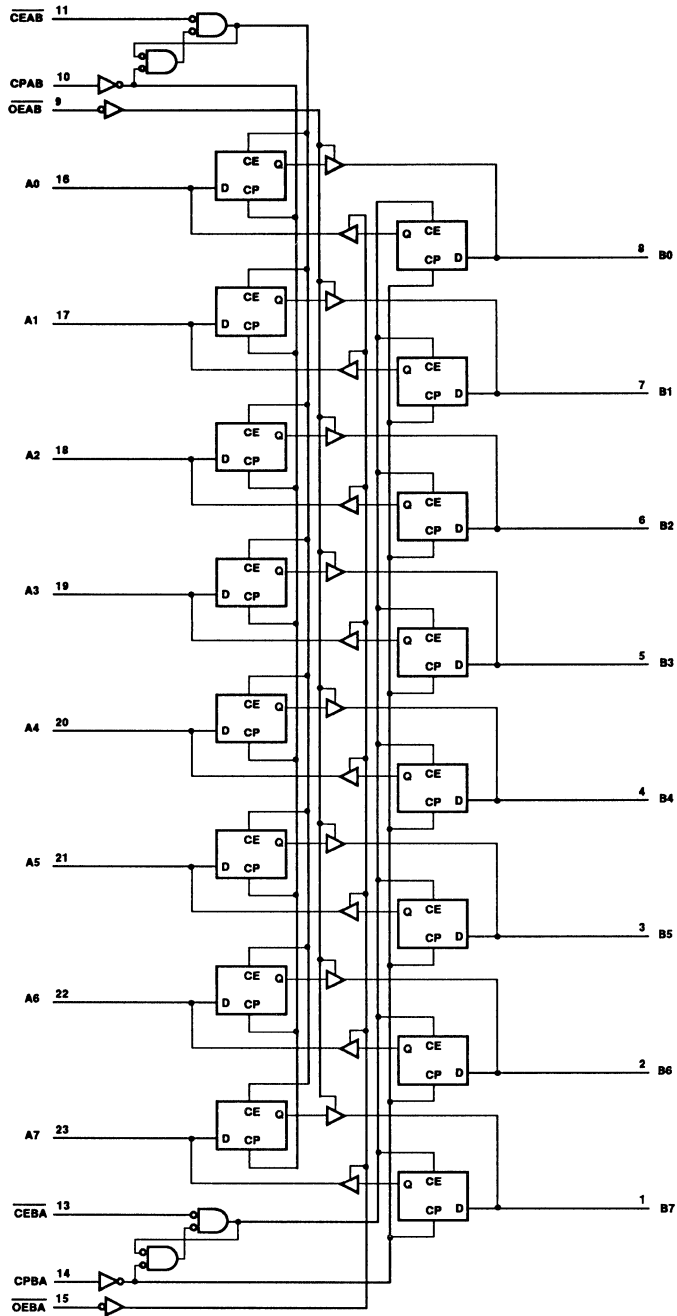
RECOMMENDED OPERATING CONDITIONS

SYMBOL	PARAMETER	LIMITS		UNIT
		Min	Max	
V_{CC}	DC supply voltage	4.5	5.5	V
V_I	Input voltage	0	V_{CC}	V
V_{IH}	High-level input voltage	2.0		V
V_{IL}	Input voltage		0.8	V
I_{OH}	High level output current		-32	mA
I_{OL}	Low level output current		64	mA
$\Delta t/\Delta v$	Input transition rise or fall rate	0	10	ns/V
T_{amb}	Operating free-air temperature range	-40	+85	°C

Octal registered transceiver (3-State)

74ABT2952

LOGIC DIAGRAM



Octal registered transceiver (3-State)

74ABT2952

DC ELECTRICAL CHARACTERISTICS

SYMBOL	PARAMETER		TEST CONDITIONS	LIMITS					UNIT
				T _{amb} = +25°C			T _{amb} = -40°C to +85°C		
				Min	Typ	Max	Min	Max	
V _{IK}	Input clamp voltage		V _{CC} = 4.5V; I _{IK} = -18mA		-0.9	-1.2		-1.2	V
V _{OH}	High-level output voltage		V _{CC} = 4.5V; I _{OH} = -3mA; V _I = V _{IL} or V _{IH}	2.5	3.5		2.5		V
			V _{CC} = 5.0V; I _{OH} = -3mA; V _I = V _{IL} or V _{IH}	3.0	4.0		3.0		
			V _{CC} = 4.5V; I _{OH} = -32mA; V _I = V _{IL} or V _{IH}	2.0	2.6		2.0		
V _{OL}	Low-level output voltage		V _{CC} = 4.5V; I _{OL} = 64mA; V _I = V _{IL} or V _{IH}		0.42	0.55		0.55	V
I _I	Input leakage current	Control pins	V _{CC} = 5.5V; V _I = GND or 5.5V		±0.01	±1.0		±1.0	µA
		Data pins	V _{CC} = 5.5V; V _I = GND or 5.5V		5	100		100	
I _{IH} + I _{OZH}	3-State output High current		V _{CC} = 5.5V; V _O = 2.7V; V _I = V _{IL} or V _{IH}		5.0	50		50	µA
I _{IL} + I _{OZL}	3-State output Low current		V _{CC} = 5.5V; V _O = 0.5V; V _I = V _{IL} or V _{IH}		-5.0	-50		-50	µA
I _O	Short-circuit output current ¹		V _{CC} = 5.5V; V _O = 2.5V	-50	-80	-180	-50	-180	mA
I _{CCH}	Quiescent supply current		V _{CC} = 5.5V; Outputs High; V _I = GND or V _{CC}		0.5	50		50	µA
I _{CCL}			V _{CC} = 5.5V; Outputs Low; V _I = GND or V _{CC}		20	30		30	mA
I _{CCZ}			V _{CC} = 5.5V; Outputs 3-State; V _I = GND or V _{CC}		0.5	50		50	µA
ΔI _{CC}	Additional supply current per input pin ²		One input at 3.4V, other inputs at V _{CC} or GND; V _{CC} = 5.5V		0.3	1.5		1.5	mA

NOTES:

- Not more than one output should be tested at a time, and the duration of the test should not exceed one second.
- This is the increase in supply current for each input at 3.4V.

Octal registered transceiver (3-State)

74ABT2952

AC ELECTRICAL CHARACTERISTICS

GND = 0V; $t_r = t_f = 2.5\text{ns}$; $C_L = 50\text{pF}$, $R_L = 500\Omega$

SYMBOL	PARAMETER	WAVEFORM	LIMITS					UNIT
			$T_{\text{amb}} = +25^\circ\text{C}$ $V_{\text{CC}} = 5\text{V}$			$T_{\text{amb}} = -40^\circ\text{C to } +85^\circ\text{C}$ $V_{\text{CC}} = 5\text{V}\pm 0.5\text{V}$		
			Min	Typ	Max	Min	Max	
f_{MAX}	Maximum clock frequency	Waveform 1	150			150		ns
t_{PLH} t_{PHL}	Propagation delay CPBA to An, CPAB to Bn	Waveform 1	2.0 2.5	5.1 5.7	6.6 7.2	2.0 2.5	7.6 8.2	ns
t_{PZH} t_{PZL}	Output enable time $\overline{\text{OEBA}}$ to An, $\overline{\text{OEAB}}$ to Bn	Waveform 3 Waveform 4	1.0 2.2	3.3 4.7	4.8 6.2	1.0 2.2	5.8 7.5	ns
t_{PHZ} t_{PLZ}	Output disable time $\overline{\text{OEBA}}$ to An, $\overline{\text{OEAB}}$ to Bn	Waveform 3 Waveform 4	2.0 1.5	6.1 5.6	7.6 7.1	2.0 1.5	8.1 7.6	ns

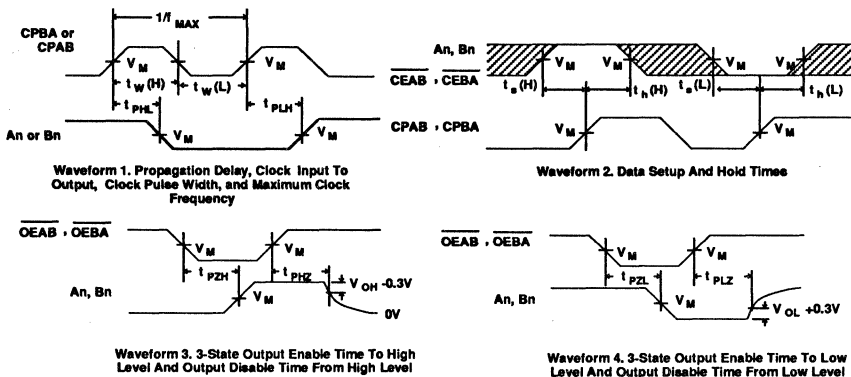
AC SETUP REQUIREMENTS

SYMBOL	PARAMETER	WAVEFORM	LIMITS					UNIT
			$T_{\text{amb}} = +25^\circ\text{C}$ $V_{\text{CC}} = 5\text{V}$			$T_{\text{amb}} = -40^\circ\text{C to } +85^\circ\text{C}$ $V_{\text{CC}} = 5\text{V}\pm 0.5\text{V}$		
			Min	Typ	Max	Min	Max	
$t_s(\text{H})$ $t_s(\text{L})$	Setup time An to CPAB or Bn to CPBA	Waveform 2	4.5 3.5	3.1 1.9		4.5 3.5		ns
$t_h(\text{H})$ $t_h(\text{L})$	Hold time An to CPAB or Bn to CPBA	Waveform 2	0.0 0.0	-1.5 -2.8		0.0 0.0		ns
$t_s(\text{H})$ $t_s(\text{L})$	Setup time $\overline{\text{CEAB}}$ to CPAB, $\overline{\text{CEBA}}$ to CPBA	Waveform 2	4.0 3.0	2.6 1.8		4.0 3.0		ns
$t_h(\text{H})$ $t_h(\text{L})$	Hold time $\overline{\text{CEAB}}$ to CPAB, $\overline{\text{CEBA}}$ to CPBA	Waveform 2	0.0 0.0	-1.5 -1.5		0.0 0.0		ns
$t_w(\text{H})$ $t_w(\text{L})$	CPAB or CPBA pulse width, High or Low	Waveform 1	3.0 3.5	1.9 2.6		3.0 3.5		ns

Octal registered transceiver (3-State)

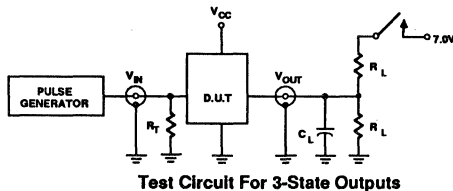
74ABT2952

AC WAVEFORMS



NOTE: For all waveforms, $V_M = 1.5V$.
The shaded area indicate when the input is permitted to change for predictable output

TEST CIRCUIT AND WAVEFORMS

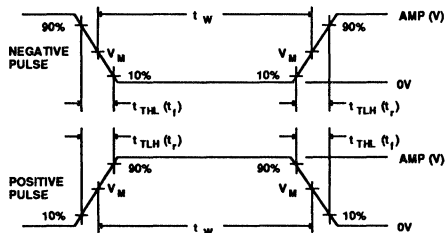


SWITCH POSITION

TEST	SWITCH
t_{PLZ}	closed
t_{PZL}	closed
All other	open

DEFINITIONS

- R_L = Load resistor; see AC CHARACTERISTICS for value.
- C_L = Load capacitance includes jig and probe capacitance; see AC CHARACTERISTICS for value.
- R_T = Termination resistance should be equal to Z_{OUT} of pulse generators.

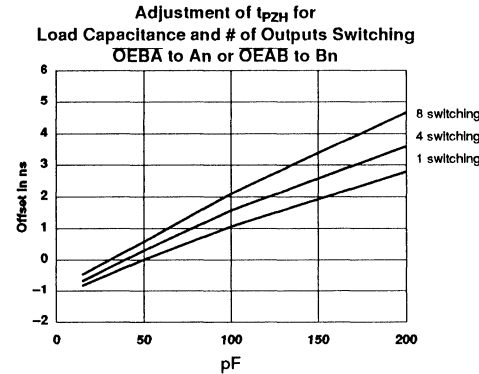
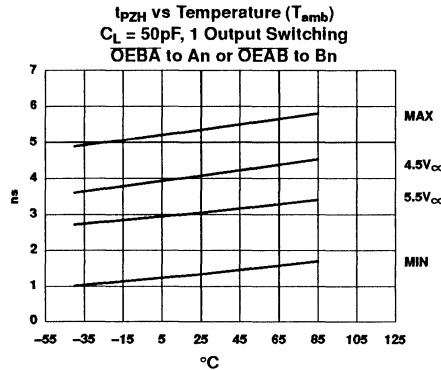
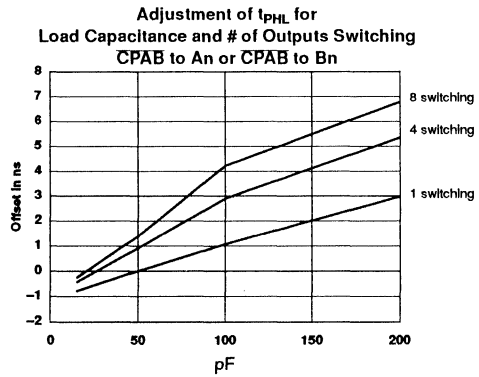
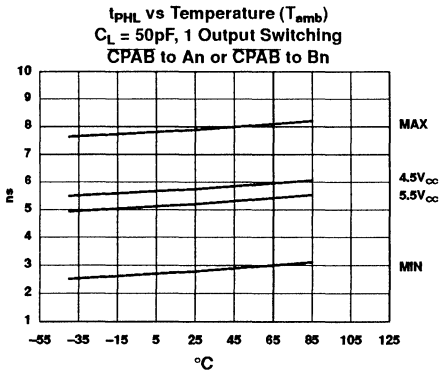
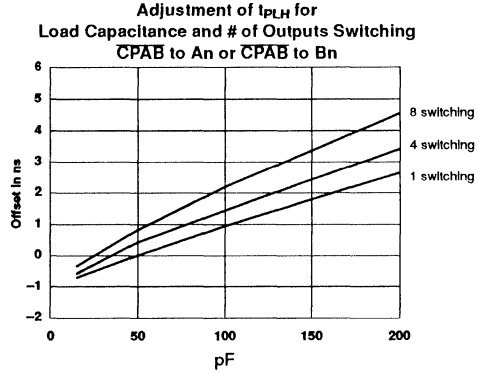
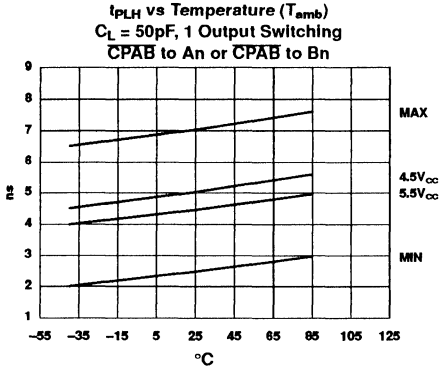


$V_M = 1.5V$
Input Pulse Definition

FAMILY	INPUT PULSE REQUIREMENTS				
	Amplitude	Rep. Rate	t_w	t_R	t_F
74ABT	3.0V	1MHz	500ns	2.5ns	2.5ns

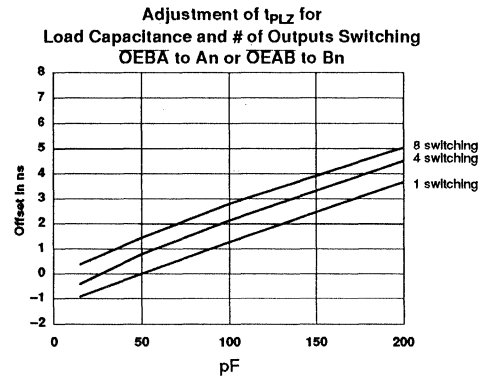
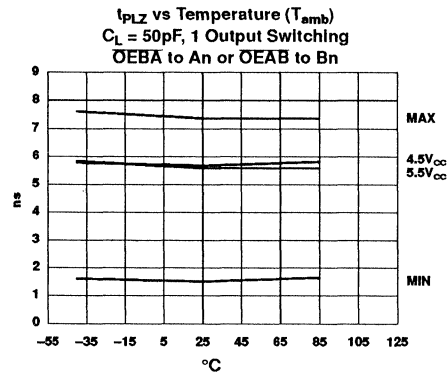
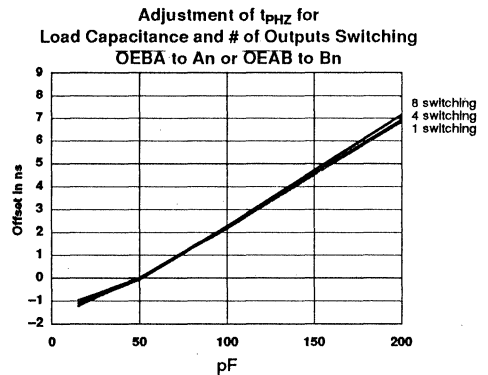
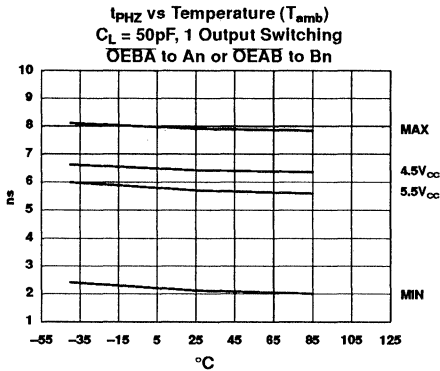
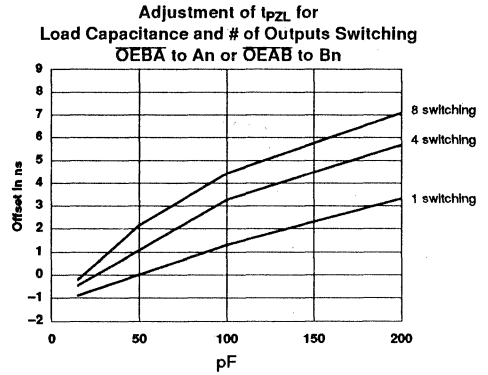
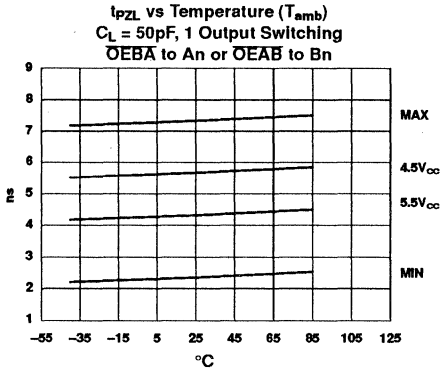
Octal registered transceiver (3-State)

74ABT2952



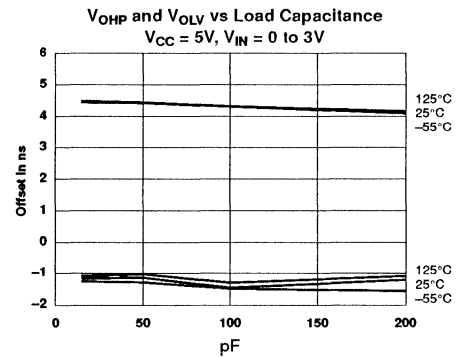
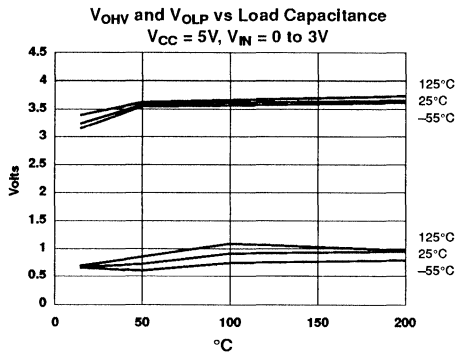
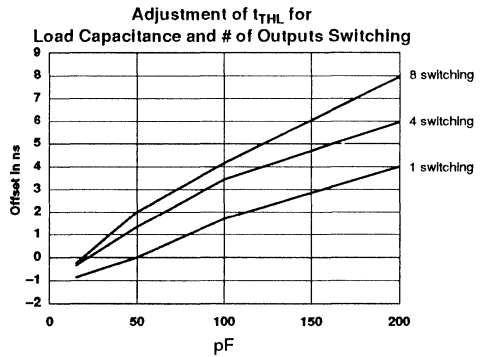
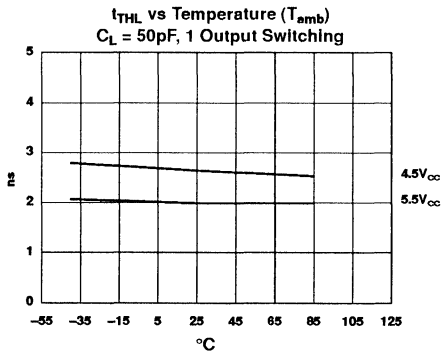
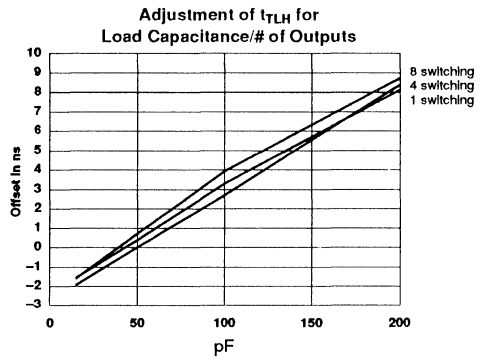
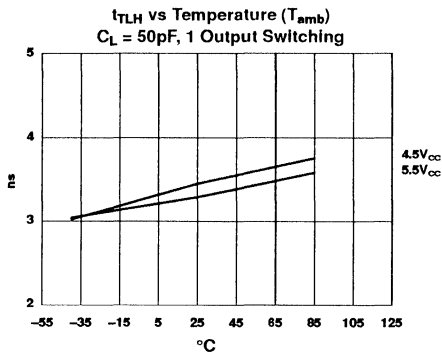
Octal registered transceiver (3-State)

74ABT2952



Octal registered transceiver (3-State)

74ABT2952



Octal registered transceiver, inverting (3-State)

74ABT2953

FEATURES

- 8-bit registered inverting transceivers
- Separate clock, clock enable and 3-State enable provided for each register
- AM2953 functional equivalent
- Outputs sink 64mA and source 32mA
- Latch-up protection exceeds 500mA per Jeduc JC40.2 Std 17
- ESD protection exceeds 2000 V per MIL STD 883C Method 3015.6 and 200 V per Machine Model

DESCRIPTION

The 74ABT2953 is an 8-bit registered inverting transceiver. Two 8-bit back to back registers store data flowing in both directions between two bi-directional busses. Data applied to the inputs is entered and stored on the rising edge of the Clock (CPXX) provided that the Clock Enable (\overline{CEXX}) is Low. The data is then present at the 3-state output buffers, but is only accessible when the Output Enable (\overline{OEXX}) is Low. Data flow from A inputs to B outputs is the same as for B inputs to A outputs.

QUICK REFERENCE DATA

SYMBOL	PARAMETER	CONDITIONS $T_{amb} = 25^{\circ}\text{C}; \text{GND} = 0\text{V}$	TYPICAL	UNIT
t_{PLH} t_{PHL}	Propagation delay CPAB or CPBA to \overline{A} nor \overline{B} n	$C_L = 50\text{pF}; V_{CC} = 5\text{V}$	5.0	ns
C_{IN}	Input capacitance	$V_I = 0\text{V}$ or V_{CC}	4	pF
C_{OUT}	Output capacitance	$V_I = 0\text{V}$ or V_{CC}	7	pF
I_{CCZ}	Total supply current	Outputs Disabled; $V_{CC} = 5.5\text{V}$	500	nA

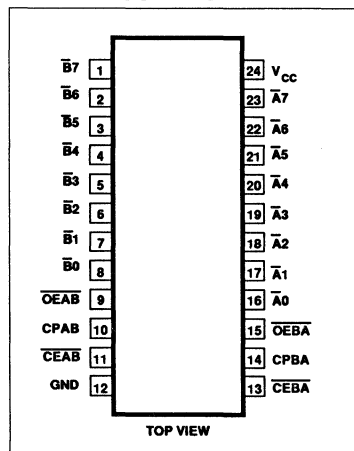
ORDERING INFORMATION

PACKAGES	TEMPERATURE RANGE	ORDER CODE
24-pin plastic DIP (300mil)	-40°C to +85°C	74ABT2953N
24-pin plastic SOL (300mil)	-40°C to +85°C	74ABT2953D

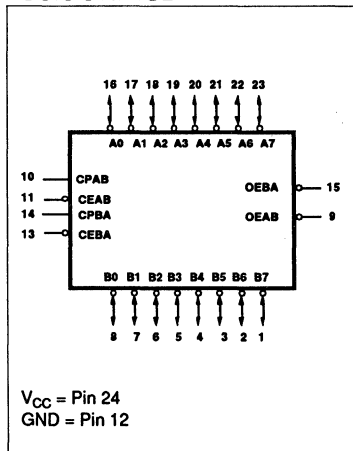
PIN DESCRIPTION

PIN NUMBER	SYMBOL	NAME AND FUNCTION
10, 14	CPAB / CPBA	Clock input A to B / Clock input B to A
11, 13	\overline{CEAB} / \overline{CEBA}	Clock enable input A to B / Clock enable B to A
16, 17, 18, 19 20, 21, 22, 23	$\overline{A}0 - \overline{A}7$	Data inputs/outputs (A side)
1, 2, 3, 4 5, 6, 7, 8	$\overline{B}0 - \overline{B}7$	Data inputs/outputs (B side)
9, 15	\overline{OEAB} / \overline{OEBA}	Output enable input
12	GND	Ground (0V)
24	V_{CC}	Positive supply voltage

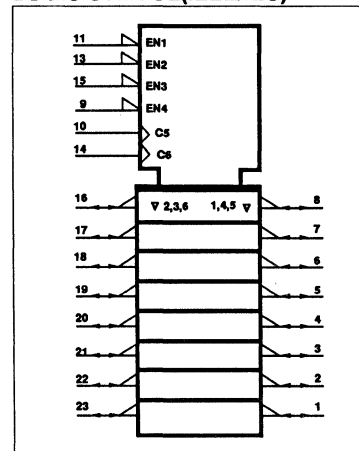
PIN CONFIGURATION DIP



LOGIC SYMBOL



LOGIC SYMBOL (IEEE/IEC)



Octal registered transceiver, inverting (3-State)

74ABT2953

FUNCTION TABLE for Register An or Bn

An or Bn	INPUTS		INTERNAL Q	OPERATING MODE
	CPXX	CEXX		
X	X	H	NC	Hold data
L	↑	L	L	Load data
H	↑	L	H	

H= High voltage level

L= Low voltage level

↑ =Low-to-High transition

X=Don't care

XX=AB or BA

NC=No change

FUNCTION TABLE for Output Enable

INPUTS	INTERNAL Q	An or Bn OUTPUTS	OPERATING MODE
H	X	Z	Disable outputs
L	L	H	Enable outputs
L	H	L	

H= High voltage level

L= Low voltage level

X=Don't care

XX=AB or BA

Z =High impedance "off" state

ABSOLUTE MAXIMUM RATINGS^{1, 2}

SYMBOL	PARAMETER	CONDITIONS	RATING	UNIT
V _{CC}	DC supply voltage		-0.5 to +7.0	V
I _{IK}	DC input diode current	V _I < 0	-18	mA
V _I	DC input voltage ³		-1.2 to +7.0	V
I _{OK}	DC output diode current	V _O < 0	-50	mA
V _{OUT}	DC output voltage ³	output in Off or High state	-0.5 to +5.5	V
I _{OUT}	DC output current	output in Low state	128	mA
T _{stg}	Storage temperature range		-65 to 150	°C

NOTES:

- Stresses beyond those listed may cause permanent damage to the device. These are stress ratings only and functional operation of the device at these or any other conditions beyond those indicated under "recommended operating conditions" is not implied. Exposure to absolute-maximum-rated conditions for extended periods may affect device reliability.
- The performance capability of a high-performance integrated circuit in conjunction with its thermal environment can create junction temperatures which are detrimental to reliability. The maximum junction temperature of this integrated circuit should not exceed 150°C.
- The input and output voltage ratings may be exceeded if the input and output current ratings are observed.

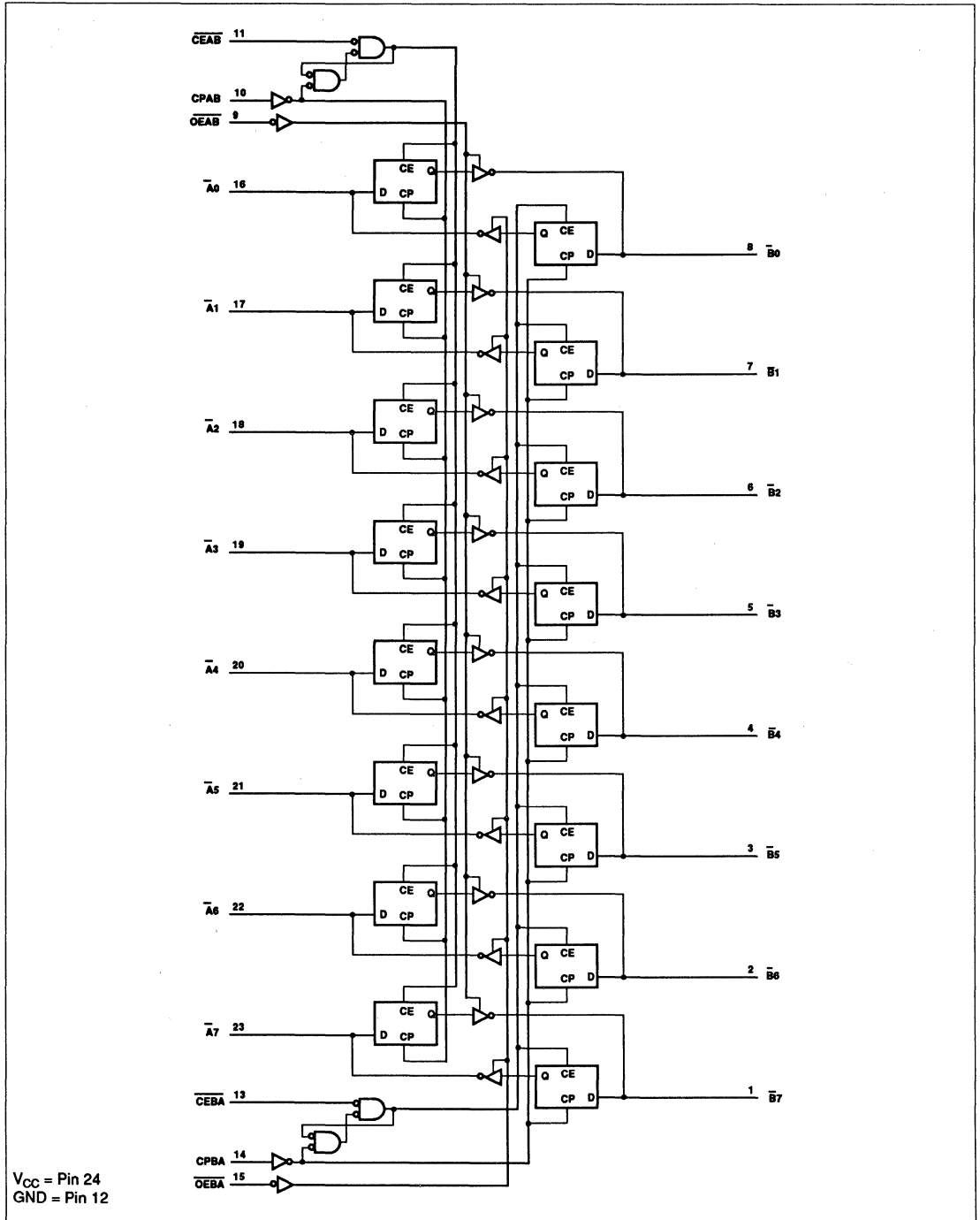
RECOMMENDED OPERATING CONDITIONS

SYMBOL	PARAMETER	LIMITS		UNIT
		Min	Max	
V _{CC}	DC supply voltage	4.5	5.5	V
V _I	Input voltage	0	V _{CC}	V
V _{IH}	High-level input voltage	2.0		V
V _{IL}	Input voltage		0.8	V
I _{OH}	High level output current		-32	mA
I _{OL}	Low level output current		64	mA
ΔV/Δv	Input transition rise or fall rate	0	10	ns/V
T _{amb}	Operating free-air temperature range	-40	+85	°C

Octal registered transceiver, inverting (3-State)

74ABT2953

LOGIC DIAGRAM



Octal registered transceiver, inverting (3-State)

74ABT2953

DC ELECTRICAL CHARACTERISTICS

SYMBOL	PARAMETER	TEST CONDITIONS	LIMITS					UNIT	
			T _{amb} = +25°C			T _{amb} = -40°C to +85°C			
			Min	Typ	Max	Min	Max		
V _{IK}	Input clamp voltage	V _{CC} = 4.5V; I _{IK} = -18mA		-0.9	-1.2		-1.2	V	
V _{OH}	High-level output voltage	V _{CC} = 4.5V; I _{OH} = -3mA; V _I = V _{IL} or V _{IH}	2.5	3.5		2.5		V	
		V _{CC} = 5.0V; I _{OH} = -3mA; V _I = V _{IL} or V _{IH}	3.0	4.0		3.0			
		V _{CC} = 4.5V; I _{OH} = -32mA; V _I = V _{IL} or V _{IH}	2.0	2.6		2.0			
V _{OL}	Low-level output voltage	V _{CC} = 4.5V; I _{OL} = 64mA; V _I = V _{IL} or V _{IH}		0.42	0.55		0.55	V	
I _I	Input leakage current	Control pins	V _{CC} = 5.5V; V _I = GND or 5.5V			±0.01	±1.0	±1.0	µA
		Data pins	V _{CC} = 5.5V; V _I = GND or 5.5V			5	100	100	
I _{IH} + I _{OZH}	3-State output High current	V _{CC} = 5.5V; V _O = 2.7V; V _I = V _{IL} or V _{IH}		5.0	50		50	µA	
I _{IL} + I _{OZL}	3-State output Low current	V _{CC} = 5.5V; V _O = 0.5V; V _I = V _{IL} or V _{IH}		-5.0	-50		-50	µA	
I _O	Short-circuit output current ¹	V _{CC} = 5.5V; V _O = 2.5V	-50	-80	-180	-50	-180	mA	
I _{CCH}	Quiescent supply current	V _{CC} = 5.5V; Outputs High; V _I = GND or V _{CC}		0.5	50		50	µA	
I _{CCL}		V _{CC} = 5.5V; Outputs Low; V _I = GND or V _{CC}		20	30		30	mA	
I _{CCZ}		V _{CC} = 5.5V; Outputs 3-State; V _I = GND or V _{CC}		0.5	50		50	µA	
ΔI _{CC}	Additional supply current per input pin ²	One input at 3.4V, other inputs at V _{CC} or GND; V _{CC} = 5.5V		0.3	1.5		1.5	mA	

NOTES:

- Not more than one output should be tested at a time, and the duration of the test should not exceed one second.
- This is the increase in supply current for each input at 3.4V.

Octal registered transceiver, inverting (3-State)

74ABT2953

AC ELECTRICAL CHARACTERISTICSGND = 0V; $t_{R} = t_{F} = 2.5\text{ns}$; $C_L = 50\text{pF}$, $R_L = 500\Omega$

SYMBOL	PARAMETER	TEST CONDITION	LIMITS					UNIT
			$T_{\text{amb}} = +25^{\circ}\text{C}$ $V_{\text{CC}} = 5.0\text{V}$			$T_{\text{amb}} = -40^{\circ}\text{C to } +85^{\circ}\text{C}$ $V_{\text{CC}} = 5.0\text{V} \pm 0.5\text{V}$		
			Min	Typ	Max	Min	Max	
f_{MAX}	Maximum clock frequency	Waveform 1	150	200		150		MHz
t_{PLH} t_{PHL}	Propagation delay CPBA or CPAB to \bar{A}_n or \bar{B}_n	Waveform 1	2.0 2.5	5.1 5.7	6.6 7.2	2.0 2.5	7.6 8.2	ns
t_{PZH} t_{PZL}	Output Enable time $\bar{O}EBA$ or $\bar{O}EAB$ to \bar{A}_n or \bar{B}_n	Waveform 3 Waveform 4	1.0 2.2	3.3 4.7	4.8 6.2	1.0 2.2	5.8 7.5	ns
t_{PHZ} t_{PLZ}	Output Disable time $\bar{O}EBA$ or $\bar{O}EAB$ to \bar{A}_n or \bar{B}_n	Waveform 3 Waveform 4	2.0 1.5	6.1 5.6	7.6 7.1	2.0 1.5	8.1 7.6	ns

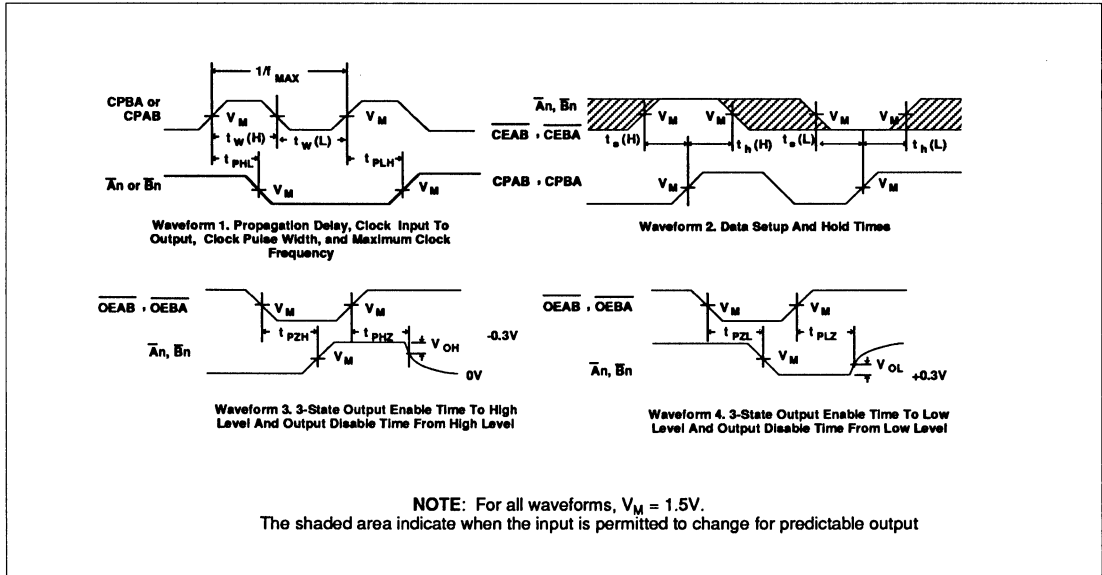
AC SETUP REQUIREMENTSGND = 0V; $t_{R} = t_{F} = 2.5\text{ns}$; $C_L = 50\text{pF}$, $R_L = 500\Omega$

SYMBOL	PARAMETER	TEST CONDITION	LIMITS					UNIT
			$T_{\text{amb}} = +25^{\circ}\text{C}$ $V_{\text{CC}} = 5.0\text{V}$			$T_{\text{amb}} = -40^{\circ}\text{C to } +85^{\circ}\text{C}$ $V_{\text{CC}} = 5.0\text{V} \pm 0.5\text{V}$		
			Min	Typ	Max	Min	Max	
$t_s(\text{H})$ $t_s(\text{L})$	Setup time, High or Low \bar{A}_n or \bar{B}_n to CPAB or CPBA	Waveform 2	4.0 3.0	2.5 1.5		4.0 3.0		ns
$t_h(\text{H})$ $t_h(\text{L})$	Hold time, High or Low \bar{A}_n or \bar{B}_n to CPAB or CPBA	Waveform 2	0.0 0.0	-1.0 -2.0		0.0 0.0		ns
$t_s(\text{H})$ $t_s(\text{L})$	Setup time, High or Low $\bar{C}EAB, \bar{C}EBA$ to CPAB, CPBA	Waveform 2	3.5 2.5	2.0 1.2		3.5 2.5		ns
$t_h(\text{H})$ $t_h(\text{L})$	Hold time, High or Low $\bar{C}EAB, \bar{C}EBA$ to CPAB, CPBA	Waveform 2	0.0 0.0	-1.0 -1.0		0.0 0.0		ns
$t_w(\text{H})$ $t_w(\text{L})$	CPAB or CPBA Pulse width, High or Low	Waveform 1	3.0 3.5	2.0 2.6		3.0 3.5		ns

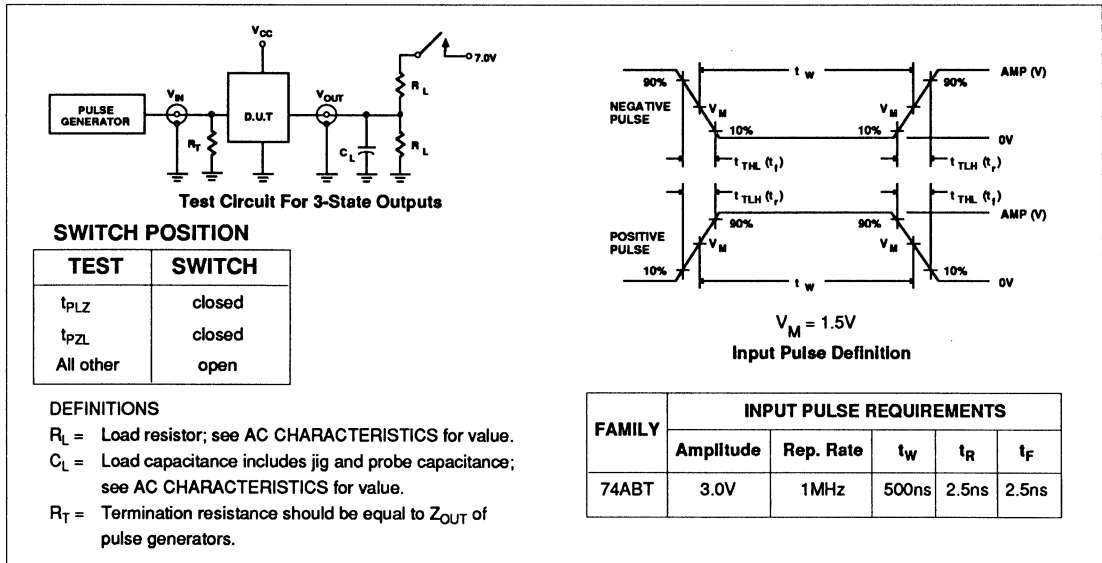
Octal registered transceiver, inverting (3-State)

74ABT2953

AC WAVEFORMS

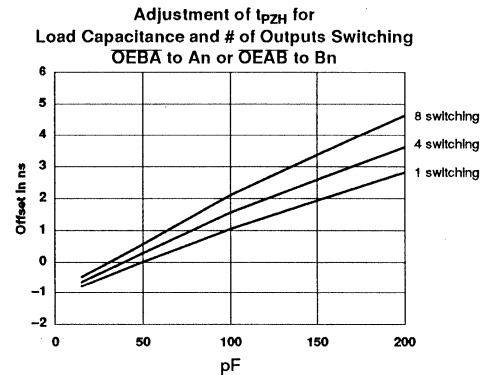
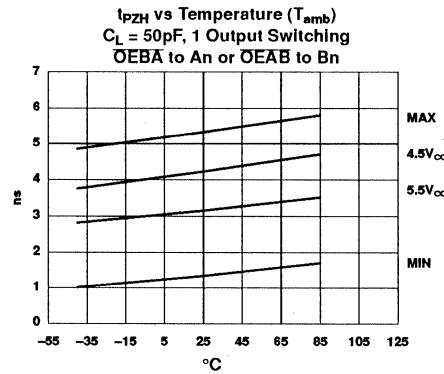
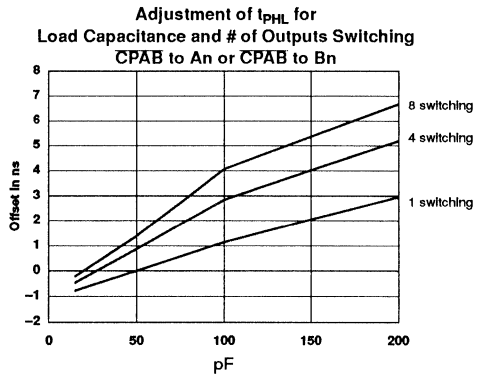
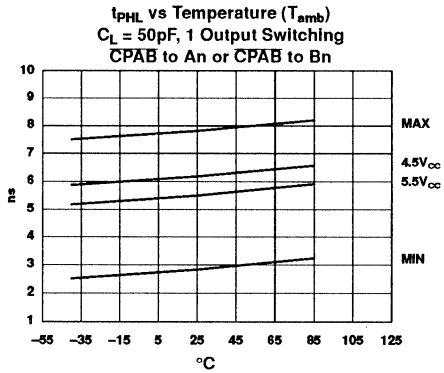
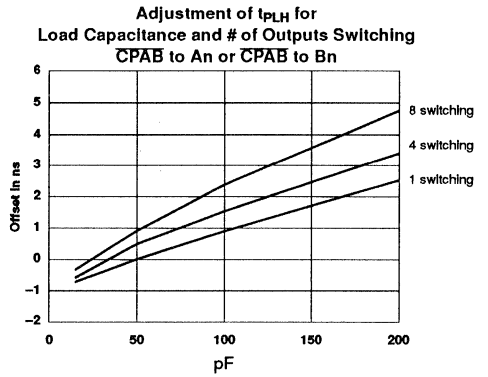
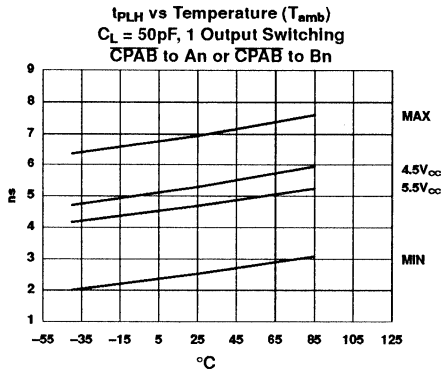


TEST CIRCUIT AND WAVEFORMS



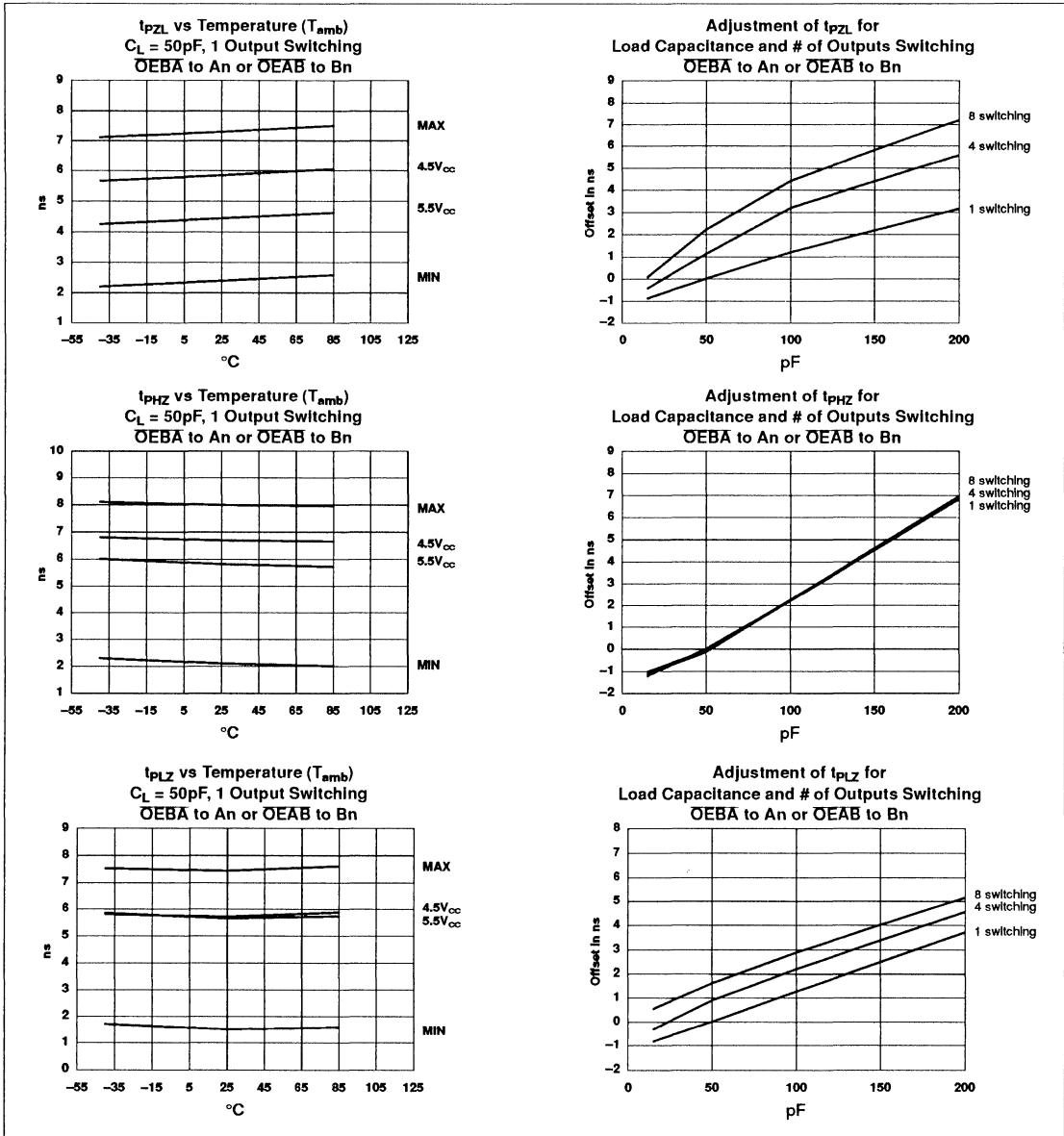
Octal registered transceiver, inverting (3-State)

74ABT2953



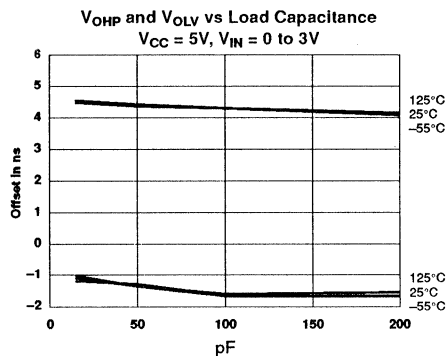
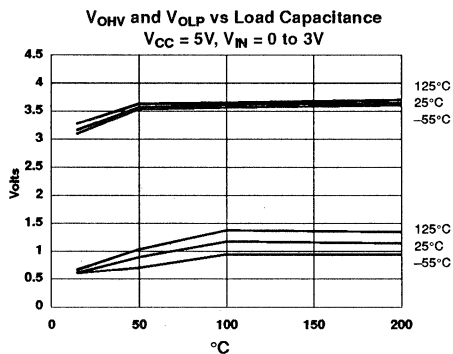
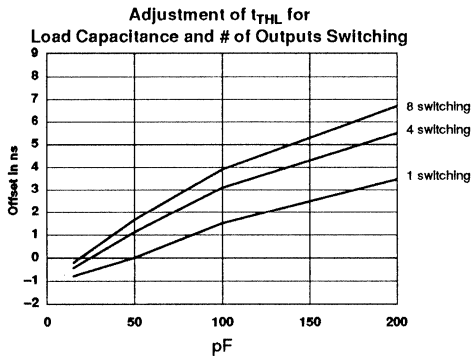
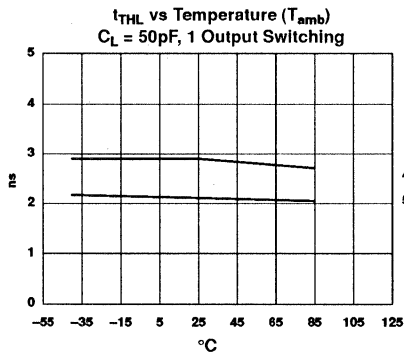
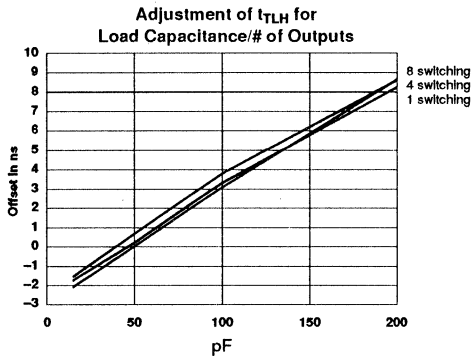
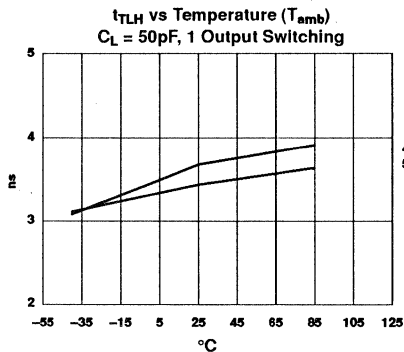
Octal registered transceiver, inverting (3-State)

74ABT2953



Octal registered transceiver, inverting (3-State)

74ABT2953



Section 5

MULTIBYTE Bus Interface

Logic Data Sheets

INDEX

MB2052	Dual octal registered transceiver (3-State)	277
MB2053	Dual octal registered transceiver, inverting (3-State)	282
MB2240	16-bit inverting buffer/line driver (3-State)	287
MB2241	16-bit buffer/line driver (3-State)	290
MB2244	16-bit buffer/line driver (3-State)	293
MB2245	Dual octal transceivers with direction pins (3-State)	298
MB2373	Dual octal D-type transparent latch (3-State)	302
MB2374	Dual octal D-type flip-flop; positive-edge trigger (3-State)	306
MB2541	Dual octal buffer/line drivers (3-State)	310
MB2543	Dual octal latched transceivers with dual enable (3-State)	313
MB2623	Dual octal transceiver with dual enable, non-inverting (3-State)	318
MB2646	Dual octal bus transceivers/registers (3-State)	321
MB2652	Dual octal transceivers/registers, non-inverting (3-State)	326
MB4245	Quad octal transceivers with direction pins (3-State)	331

Dual octal registered transceiver (3-State)

MB2052

FEATURES

- 16-bit registered transceiver
- Multiple V_{CC} and GND pins minimize switching noise
- Independent registers for A and B buses
- AM2952 functional equivalent
- Outputs sink 64mA and source 32mA
- Latch-up protection exceeds 500mA per Jedec JC40.2 Std 17
- ESD protection exceeds 2000 V per MIL STD 883C Method 3015.6 and 200 V per Machine Model

QUICK REFERENCE DATA

SYMBOL	PARAMETER	CONDITIONS T _{amb} = 25°C; GND = 0V	TYPICAL	UNIT
t _{PLH} t _{PHL}	Propagation delay CPAB or CPBA to An or Bn	C _L = 50pF; V _{CC} = 5V	5.7	ns
C _{IN}	Input capacitance	V _I = 0V or V _{CC}	4	pF
C _{OUT}	Output capacitance	V _I = 0V or V _{CC}	7	pF
I _{CCZ}	Total supply current	Outputs Disabled; V _{CC} = 5.5V	500	nA

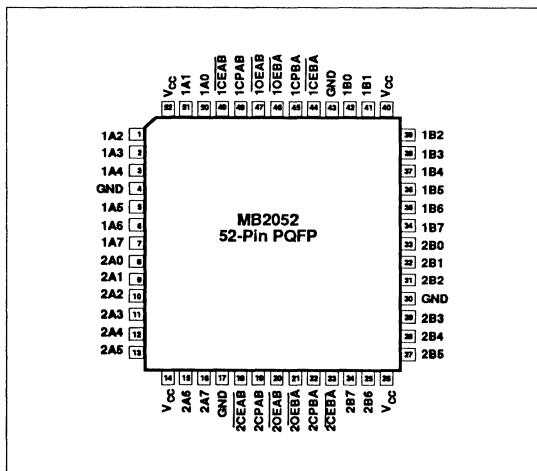
ORDERING INFORMATION

PACKAGES	TEMPERATURE RANGE	ORDER CODE
52-pin plastic QFP	-40°C to +85°C	MB2052B

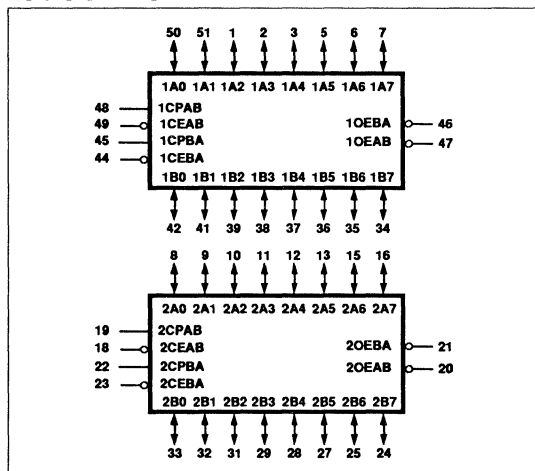
DESCRIPTION

The MB2052 is a dual octal registered transceiver. Two 8-bit registers store data flowing in both directions between two bi-directional buses. Data applied to the inputs is entered and stored on the rising edge of the Clock (CPXX) provided that the Clock Enable (\overline{CEXX}) is Low. The data is then present at the 3-State output buffers, but is only accessible when the Output Enable (OEXX) is Low. Data flow from A inputs to B outputs is the same as for B inputs to A outputs.

PIN CONFIGURATION



LOGIC SYMBOL



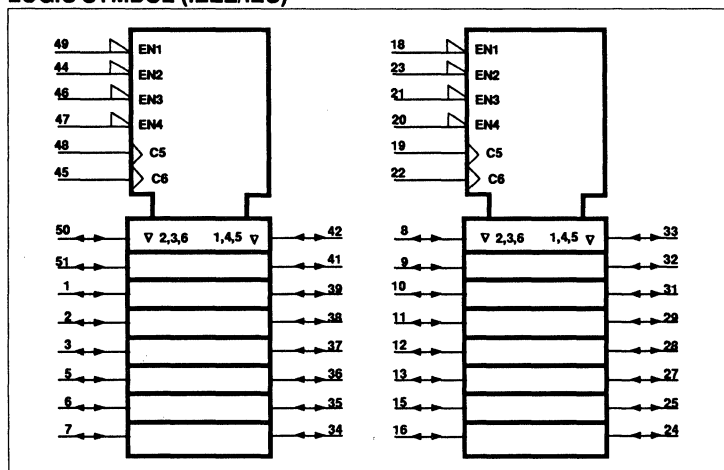
Dual octal registered transceiver (3-State)

MB2052

PIN DESCRIPTION

SYMBOL	PIN NUMBER	NAME AND FUNCTION
1A0 - 1A7, 2A0 - 2A7	50, 51, 1, 2, 3, 5, 6, 7, 8, 9, 10, 11, 12, 13, 15, 16	Data inputs
1B0 - 1B7, 2B0 - 2B7	42, 41, 39, 38, 37, 36, 35, 34, 33, 32, 31, 29, 28, 27, 25, 24	Data outputs
1OEAB, 1OEBA, 2OEAB, 2OEBA	47, 46, 20, 21	Output enables
1CEAB, 1CEBA, 2CEAB, 2CEBA	49, 44, 18, 23	Clock enable inputs A to B / Clock enable inputs B to A
1CPAB, 1CPBA, 2CPAB, 2CPBA	48, 45, 19, 22	Clock inputs A to B / Clock inputs B to A
GND	4, 17, 30, 43	Ground (0V)
V _{CC}	14, 26, 40, 52	Positive supply voltage

LOGIC SYMBOL (IEEE/IEC)



Dual octal registered transceiver (3-State)

MB2052

FUNCTION TABLE for Register nAx or nBx

nAx or nBx	INPUTS		INTERNAL Q	OPERATING MODE
	nCPXX	1CEXX		
X	X	H	NC	Hold data
L	↑	L	L	Load data
H	↑	L	H	

H = High voltage level
 L = Low voltage level
 ↑ = Low-to-High transition
 X = Don't care
 XX = AB or BA
 NC = No change

FUNCTION TABLE for Output Enable

INPUTS	INTERNAL Q	An or Bn OUTPUTS	OPERATING MODE
H	X	Z	Disable outputs
L	L	L	Enable outputs
L	H	H	

H = High voltage level
 L = Low voltage level
 X = Don't care
 XX = AB or BA

ABSOLUTE MAXIMUM RATINGS^{1, 2}

SYMBOL	PARAMETER	CONDITIONS	RATING	UNIT
V _{CC}	DC supply voltage		-0.5 to +7.0	V
I _{IK}	DC input diode current	V _I < 0	-18	mA
V _I	DC input voltage ³		-1.2 to +7.0	V
I _{OK}	DC output diode current	V _O < 0	-50	mA
V _{OUT}	DC output voltage ³	output in Off or High state	-0.5 to +5.5	V
I _{OUT}	DC output current	output in Low state	128	mA
T _{stg}	Storage temperature range		-65 to 150	°C

NOTES:

- Stresses beyond those listed may cause permanent damage to the device. These are stress ratings only and functional operation of the device at these or any other conditions beyond those indicated under "recommended operating conditions" is not implied. Exposure to absolute-maximum-rated conditions for extended periods may affect device reliability.
- The performance capability of a high-performance integrated circuit in conjunction with its thermal environment can create junction temperatures which are detrimental to reliability. The maximum junction temperature of this integrated circuit should not exceed 150°C.
- The input and output voltage ratings may be exceeded if the input and output current ratings are observed.

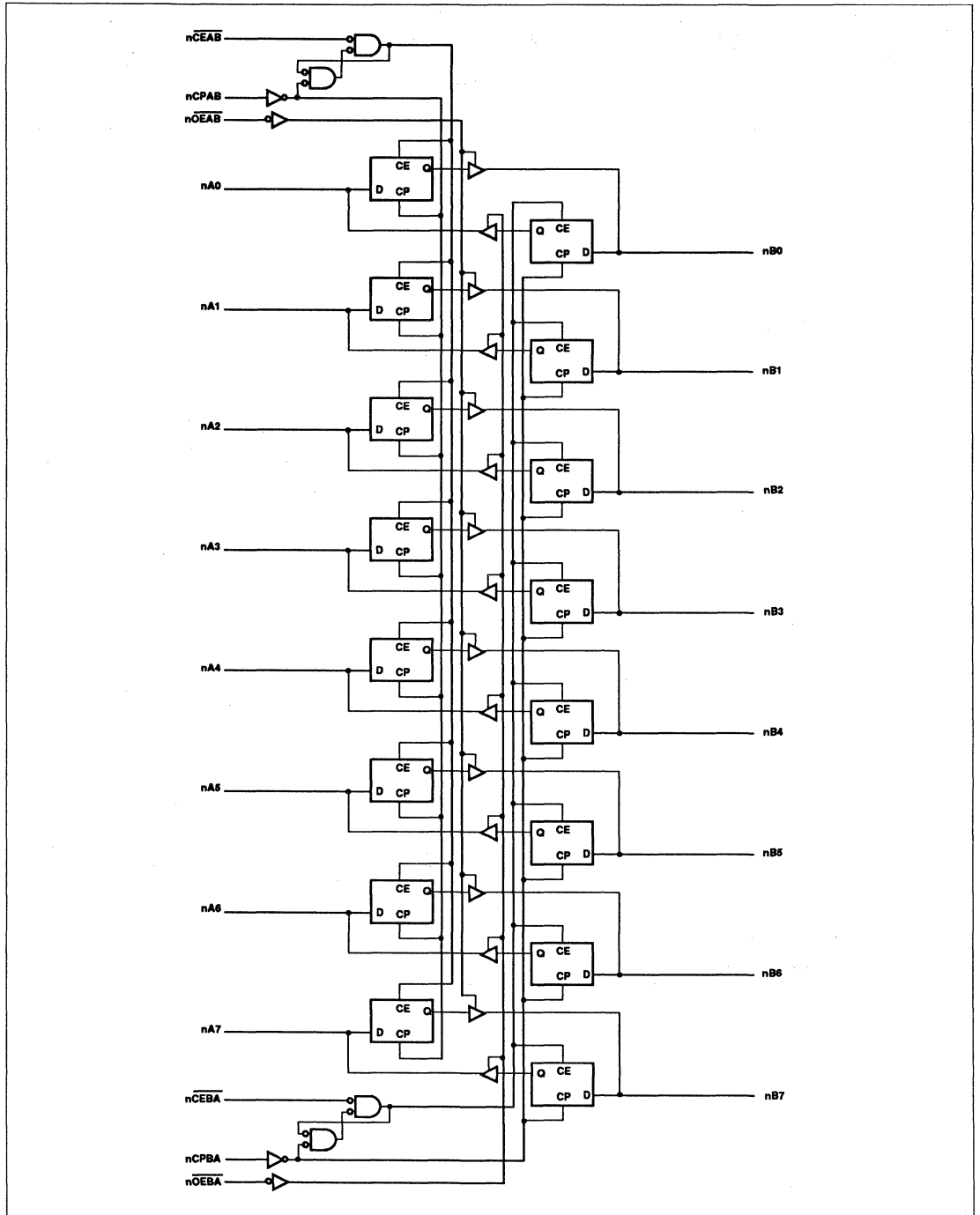
RECOMMENDED OPERATING CONDITIONS

SYMBOL	PARAMETER	LIMITS		UNIT
		Min	Max	
V _{CC}	DC supply voltage	4.5	5.5	V
V _I	Input voltage	0	V _{CC}	V
V _{IH}	High-level input voltage	2.0		V
V _{IL}	Input voltage		0.8	V
I _{OH}	High level output current		-32	mA
I _{OL}	Low level output current		64	mA
Δt/Δv	Input transition rise or fall rate	0	10	ns/V
T _{amb}	Operating free-air temperature range	-40	+85	°C

Dual octal registered transceiver (3-State)

MB2052

LOGIC DIAGRAM



Dual octal registered transceiver (3-State)

MB2052

DC ELECTRICAL CHARACTERISTICS

SYMBOL	PARAMETER	TEST CONDITIONS	LIMITS					UNIT	
			T _{amb} = +25°C			T _{amb} = -40°C to +85°C			
			Min	Typ	Max	Min	Max		
V _{IK}	Input clamp voltage	V _{CC} = 4.5V; I _{IK} = -18mA		-0.9	-1.2		-1.2	V	
V _{OH}	High-level output voltage	V _{CC} = 4.5V; I _{OH} = -3mA; V _I = V _{IL} or V _{IH}	2.5	3.5		2.5		V	
		V _{CC} = 5.0V; I _{OH} = -3mA; V _I = V _{IL} or V _{IH}	3.0	4.0		3.0			
		V _{CC} = 4.5V; I _{OH} = -32mA; V _I = V _{IL} or V _{IH}	2.0	2.6		2.0			
V _{OL}	Low-level output voltage	V _{CC} = 4.5V; I _{OL} = 64mA; V _I = V _{IL} or V _{IH}		0.42	0.55		0.55	V	
I _I	Input leakage current	Control pins	V _{CC} = 5.5V; V _I = GND or 5.5V			±0.01	±1.0	±1.0	μA
		Data pins	V _{CC} = 5.5V; V _I = GND or 5.5V			5	100	100	
I _{IH} + I _{OZH}	3-State output High current	V _{CC} = 5.5V; V _O = 2.7V; V _I = V _{IL} or V _{IH}		5.0	50		50	μA	
I _{IL} + I _{OZL}	3-State output Low current	V _{CC} = 5.5V; V _O = 0.5V; V _I = V _{IL} or V _{IH}		-5.0	-50		-50	μA	
I _O	Short-circuit output current ¹	V _{CC} = 5.5V; V _O = 2.5V	-50	-80	-180	-50	-180	mA	
I _{CCH}	Quiescent supply current	V _{CC} = 5.5V; Outputs High; V _I = GND or V _{CC}		50	100		100	μA	
I _{CCL}		V _{CC} = 5.5V; Outputs Low; V _I = GND or V _{CC}		48	60		60	mA	
I _{CCZ}		V _{CC} = 5.5V; Outputs 3-State; V _I = GND or V _{CC}		50	100		100	μA	
ΔI _{CC}	Additional supply current per input pin ²	One input at 3.4V, other inputs at V _{CC} or GND; V _{CC} = 5.5V		0.3	1.5		1.5	mA	

NOTES:

1. Not more than one output should be tested at a time, and the duration of the test should not exceed one second.
2. This is the increase in supply current for each input at 3.4V.

Dual octal registered transceiver, inverting (3-State)

MB2053

FEATURES

- 16-bit inverting registered transceiver
- Multiple V_{CC} and GND pins minimize switching noise
- Independent registers for A and B buses
- AM2953 functional equivalent
- Outputs sink 64mA and source 32mA
- Latch-up protection exceeds 500mA per Jeduc JC40.2 Std 17
- ESD protection exceeds 2000 V per MIL STD 883C Method 3015.6 and 200 V per Machine Model

QUICK REFERENCE DATA

SYMBOL	PARAMETER	CONDITIONS		
		$T_{amb} = 25^{\circ}C; GND = 0V$	TYPICAL	UNIT
t_{PLH} t_{PHL}	Propagation delay CPAB or CPBA to An or Bn	$C_L = 50pF; V_{CC} = 5V$	5.7	ns
C_{IN}	Input capacitance	$V_I = 0V \text{ or } V_{CC}$	4	pF
C_{OUT}	Output capacitance	$V_I = 0V \text{ or } V_{CC}$	7	pF
I_{CCZ}	Total supply current	Outputs Disabled; $V_{CC} = 5.5V$	500	nA

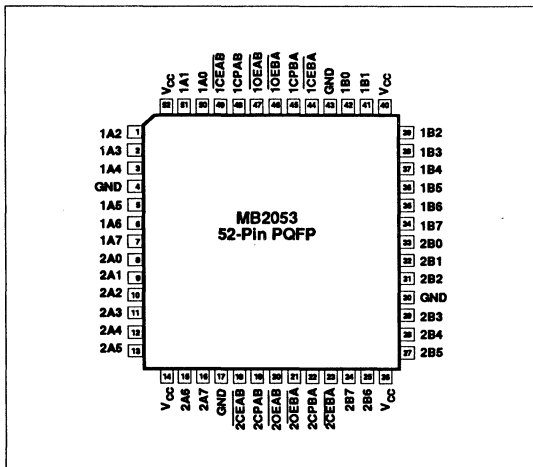
ORDERING INFORMATION

PACKAGES	TEMPERATURE RANGE	ORDER CODE
52-pin plastic QFP	-40°C to +85°C	MB2053B

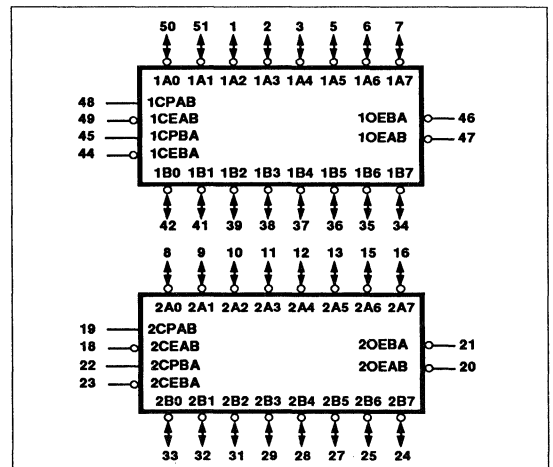
DESCRIPTION

The MB2053 is a dual octal inverting registered transceiver. Two 8-bit registers store data flowing in both directions between two bi-directional buses. Data applied to the inputs is entered and stored on the rising edge of the Clock (CPXX) provided that the Clock Enable (CEXX) is Low. The data is then present at the 3-State output buffers, but is only accessible when the Output Enable (OEXX) is Low. Data flow from A inputs to B outputs is the same as for B inputs to A outputs.

PIN CONFIGURATION



LOGIC SYMBOL



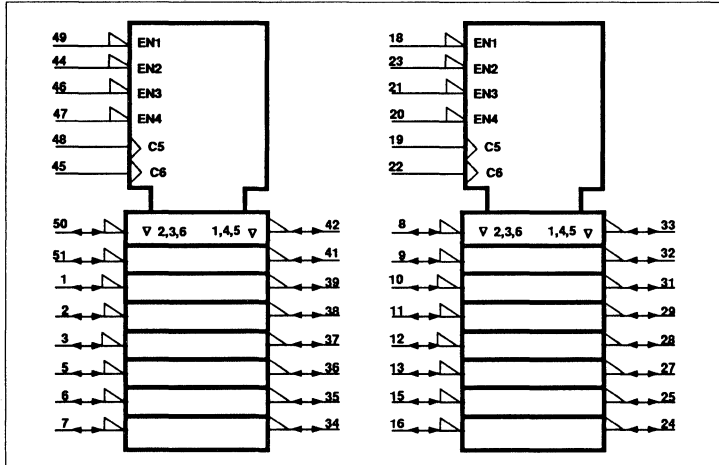
Dual octal registered transceiver, inverting (3-State)

MB2053

PIN DESCRIPTION

SYMBOL	PIN NUMBER	NAME AND FUNCTION
1A0 - 1A7, 2A0 - 2A7	50, 51, 1, 2, 3, 5, 6, 7, 8, 9, 10, 11, 12, 13, 15, 16	Data inputs
1B0 - 1B7, 2B0 - 2B7	42, 41, 39, 38, 37, 36, 35, 34, 33, 32, 31, 29, 28, 27, 25, 24	Data outputs
$\overline{1OEAB}$, $\overline{1OEBA}$, $\overline{2OEAB}$, $\overline{2OEBA}$	47, 46, 20, 21	Output enables
$\overline{1CEAB}$, $\overline{1CEBA}$, $\overline{2CEAB}$, $\overline{2CEBA}$	49, 44, 18, 23	Clock enable inputs A to B / Clock enable inputs B to A
1CPAB, 1CPBA, 2CPAB, 2CPBA	48, 45, 19, 22	Clock inputs A to B / Clock inputs B to A
GND	4, 17, 30, 43	Ground (0V)
V _{CC}	14, 26, 40, 52	Positive supply voltage

LOGIC SYMBOL (IEEE/IEC)



Dual octal registered transceiver, inverting (3-State)

MB2053

FUNCTION TABLE for Register nAx or nBx

nAx or nBx	INPUTS		INTERNAL Q	OPERATING MODE
	nCPXX	1CEXX		
X	X	H	NC	Hold data
L	↑	L	H	Load data
H	↑	L	L	

H = High voltage level
 L = Low voltage level
 ↑ = Low-to-High transition
 X = Don't care
 XX = AB or BA
 NC = No change

FUNCTION TABLE for Output Enable

INPUTS nOEXX	INTERNAL Q	An or Bn OUTPUTS	OPERATING MODE
			H
L	L	H	Enable outputs
L	H	L	

H = High voltage level
 L = Low voltage level
 X = Don't care
 XX = AB or BA

ABSOLUTE MAXIMUM RATINGS^{1, 2}

SYMBOL	PARAMETER	CONDITIONS	RATING	UNIT
V _{CC}	DC supply voltage		-0.5 to +7.0	V
I _{IK}	DC input diode current	V _I < 0	-18	mA
V _I	DC input voltage ³		-1.2 to +7.0	V
I _{OK}	DC output diode current	V _O < 0	-50	mA
V _{OUT}	DC output voltage ³	output in Off or High state	-0.5 to +5.5	V
I _{OUT}	DC output current	output in Low state	128	mA
T _{stg}	Storage temperature range		-65 to 150	°C

NOTES:

- Stresses beyond those listed may cause permanent damage to the device. These are stress ratings only and functional operation of the device at these or any other conditions beyond those indicated under "recommended operating conditions" is not implied. Exposure to absolute-maximum-rated conditions for extended periods may affect device reliability.
- The performance capability of a high-performance integrated circuit in conjunction with its thermal environment can create junction temperatures which are detrimental to reliability. The maximum junction temperature of this integrated circuit should not exceed 150°C.
- The input and output voltage ratings may be exceeded if the input and output current ratings are observed.

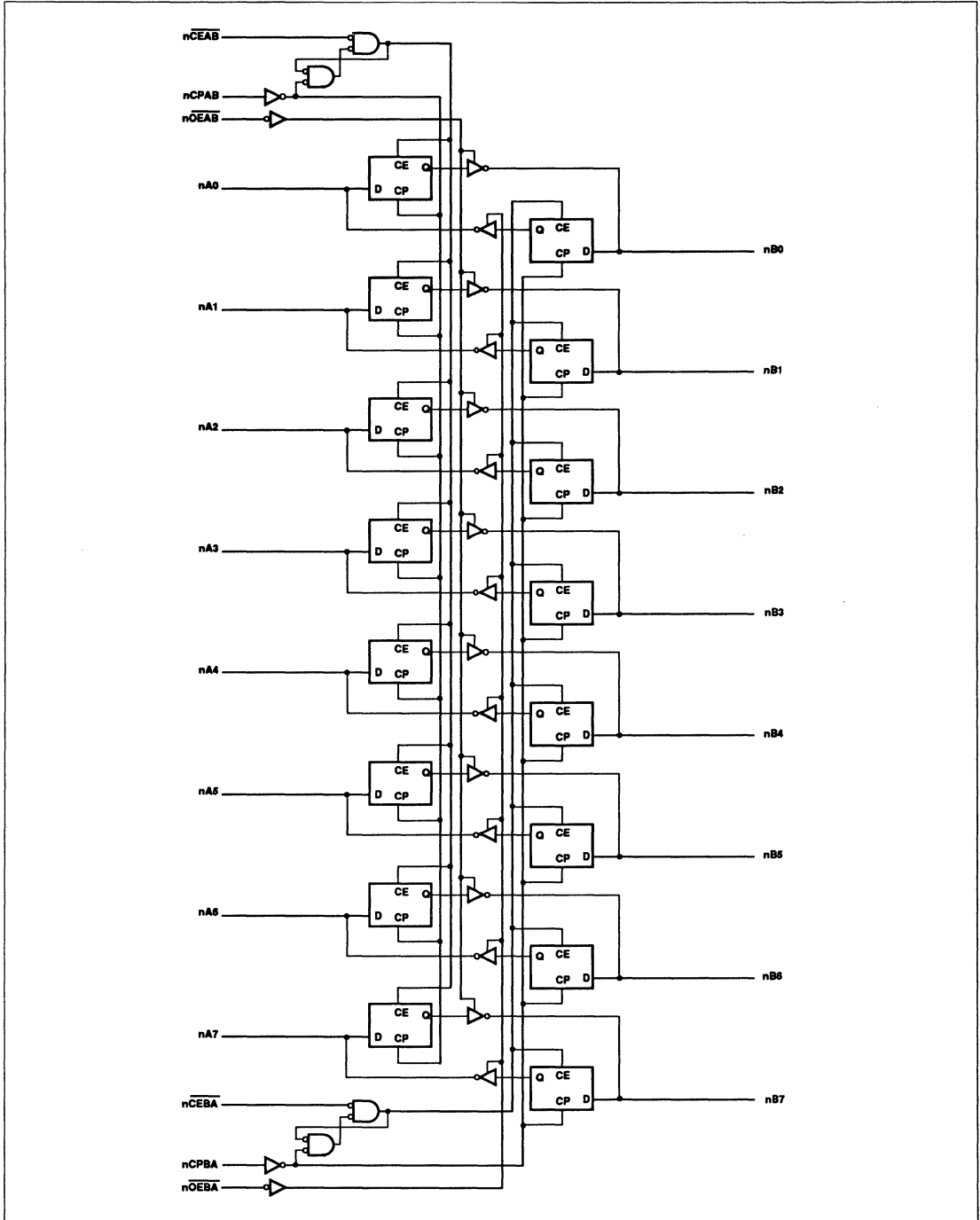
RECOMMENDED OPERATING CONDITIONS

SYMBOL	PARAMETER	LIMITS		UNIT
		Min	Max	
V _{CC}	DC supply voltage	4.5	5.5	V
V _I	Input voltage	0	V _{CC}	V
V _{IH}	High-level input voltage	2.0		V
V _{IL}	Input voltage		0.8	V
I _{OH}	High level output current		-32	mA
I _{OL}	Low level output current		64	mA
ΔV/ΔV	Input transition rise or fall rate	0	10	ns/V
T _{amb}	Operating free-air temperature range	-40	+85	°C

Dual octal registered transceiver, inverting (3-State)

MB2053

LOGIC DIAGRAM



Dual octal registered transceiver, inverting (3-State)

MB2053

DC ELECTRICAL CHARACTERISTICS

SYMBOL	PARAMETER	TEST CONDITIONS	LIMITS					UNIT
			T _{amb} = +25°C			T _{amb} = -40°C to +85°C		
			Min	Typ	Max	Min	Max	
V _{IK}	Input clamp voltage	V _{CC} = 4.5V; I _{IK} = -18mA		-0.9	-1.2		-1.2	V
V _{OH}	High-level output voltage	V _{CC} = 4.5V; I _{OH} = -3mA; V _I = V _{IL} or V _{IH}	2.5	3.5		2.5		V
		V _{CC} = 5.0V; I _{OH} = -3mA; V _I = V _{IL} or V _{IH}	3.0	4.0		3.0		
		V _{CC} = 4.5V; I _{OH} = -32mA; V _I = V _{IL} or V _{IH}	2.0	2.6		2.0		
V _{OL}	Low-level output voltage	V _{CC} = 4.5V; I _{OL} = 64mA; V _I = V _{IL} or V _{IH}		0.42	0.55		0.55	V
I _I	Input leakage current	Control pins V _{CC} = 5.5V; V _I = GND or 5.5V		±0.01	±1.0		±1.0	μA
		Data pins V _{CC} = 5.5V; V _I = GND or 5.5V		5	100		100	
I _{IH} + I _{OZH}	3-State output High current	V _{CC} = 5.5V; V _O = 2.7V; V _I = V _{IL} or V _{IH}		5.0	50		50	μA
I _{IL} + I _{OZL}	3-State output Low current	V _{CC} = 5.5V; V _O = 0.5V; V _I = V _{IL} or V _{IH}		-5.0	-50		-50	μA
I _O	Short-circuit output current ¹	V _{CC} = 5.5V; V _O = 2.5V	-50	-80	-180	-50	-180	mA
I _{CCH}	Quiescent supply current	V _{CC} = 5.5V; Outputs High; V _I = GND or V _{CC}		50	100		100	μA
I _{CCL}		V _{CC} = 5.5V; Outputs Low; V _I = GND or V _{CC}		48	60		60	mA
I _{CCZ}		V _{CC} = 5.5V; Outputs 3-State; V _I = GND or V _{CC}		50	100		100	μA
ΔI _{CC}	Additional supply current per input pin ²	One input at 3.4V, other inputs at V _{CC} or GND; V _{CC} = 5.5V		0.3	1.5		1.5	mA

NOTES:

1. Not more than one output should be tested at a time, and the duration of the test should not exceed one second.
2. This is the increase in supply current for each input at 3.4V.

16-bit inverting buffer/line driver (3-State)

MB2240

FEATURES

- 16-bit bus interface
- Multiple V_{CC} and GND pins minimize switching noise
- 3-State buffers
- Output capability: +64mA/-32mA
- Latch-up protection exceeds 500mA per Jedec JC40.2 Std 17
- ESD protection exceeds 2000 V per MIL STD 883C Method 3015.6 and 200 V per Machine Model

DESCRIPTION

The MB2240 high-performance Bi-CMOS device combines low static and dynamic power dissipation with high speed and high output drive.

The MB2240 device is an inverting 16-bit buffer that is ideal for driving bus lines. The device features four Output Enables ($1\overline{OE}$, $2\overline{OE}$, $3\overline{OE}$, $4\overline{OE}$), each controlling four of the 3-State outputs.

FUNCTION TABLE

INPUTS		OUTPUTS
$n\overline{OE}$	nAx	$n\overline{Y}x$
L	L	H
L	H	L
H	X	Z

H = High voltage level
L = Low voltage level
Z = High-impedance "OFF" state

QUICK REFERENCE DATA

SYMBOL	PARAMETER	CONDITIONS $T_{amb} = 25^{\circ}C$; $GND = 0V$	TYPICAL	UNIT
t_{PLH} t_{PHL}	Propagation delay nAx to $n\overline{Y}x$	$C_L = 50pF$; $V_{CC} = 5V$	2.9	ns
C_{IN}	Input capacitance	$V_I = 0V$ or V_{CC}	4	pF
C_{OUT}	Output capacitance	$V_I = 0V$ or V_{CC}	7	pF
I_{CCZ}	Total supply current	Outputs Disabled; $V_{CC} = 5.5V$	500	nA

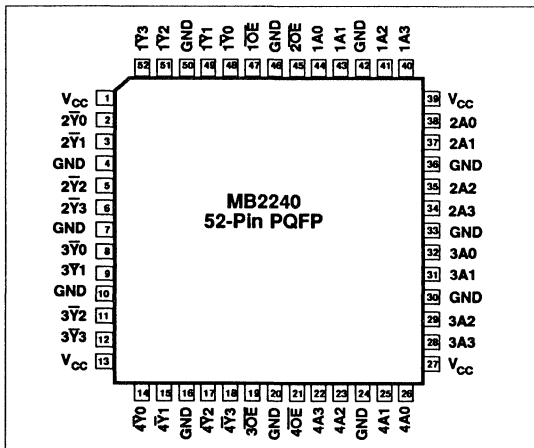
ORDERING INFORMATION

PACKAGES	TEMPERATURE RANGE	ORDER CODE
52-pin plastic QFP	-40°C to +85°C	MB2240B

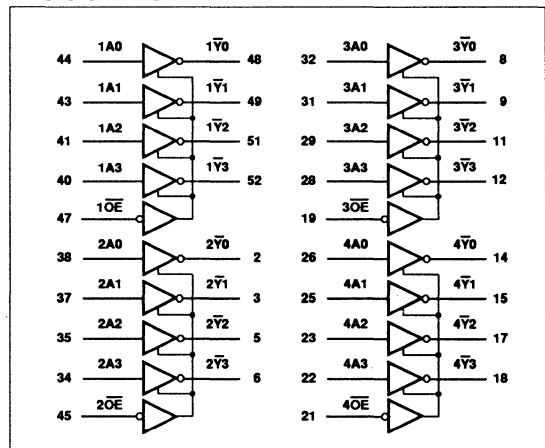
PIN DESCRIPTION

SYMBOL	PIN NUMBER	NAME AND FUNCTION
1A0 - 1A3, 2A0 - 2A3, 3A0 - 3A3, 4A0 - 4A3	44, 43, 41, 40, 38, 37, 35, 34, 32, 31, 29, 28, 26, 25, 23, 22	Data inputs
$1\overline{Y}0$ - $1\overline{Y}3$, $2\overline{Y}0$ - $2\overline{Y}3$, $3\overline{Y}0$ - $3\overline{Y}3$, $4\overline{Y}0$ - $4\overline{Y}3$	14, 15, 17, 18, 8, 9, 11, 12, 2, 3, 5, 6, 48, 49, 51, 52	Data outputs
$1\overline{OE}$, $2\overline{OE}$, $3\overline{OE}$, $4\overline{OE}$	47, 45, 19, 21	Output enables
GND	4, 7, 10, 16, 20, 24, 30, 33, 36, 42, 46, 50	Ground (0V)
V_{CC}	1, 13, 27, 39	Positive supply voltage

PIN CONFIGURATION



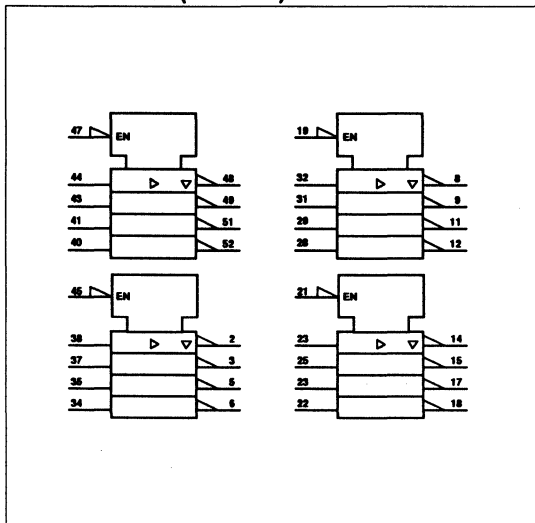
LOGIC SYMBOL



16-bit inverting buffer/line driver (3-State)

MB2240

LOGIC SYMBOL (IEEE/IEC)



ABSOLUTE MAXIMUM RATINGS^{1, 2}

SYMBOL	PARAMETER	CONDITIONS	RATING	UNIT
V _{CC}	DC supply voltage		-0.5 to +7.0	V
I _{IK}	DC input diode current	V _I < 0	-18	mA
V _I	DC input voltage ³		-1.2 to +7.0	V
I _{OK}	DC output diode current	V _O < 0	-50	mA
V _{OUT}	DC output voltage ³	output in Off or High state	-0.5 to +5.5	V
I _{OUT}	DC output current	output in Low state	128	mA
T _{stg}	Storage temperature range		-65 to 150	°C

NOTES:

1. Stresses beyond those listed may cause permanent damage to the device. These are stress ratings only and functional operation of the device at these or any other conditions beyond those indicated under "recommended operating conditions" is not implied. Exposure to absolute-maximum-rated conditions for extended periods may affect device reliability.
2. The performance capability of a high-performance integrated circuit in conjunction with its thermal environment can create junction temperatures which are detrimental to reliability. The maximum junction temperature of this integrated circuit should not exceed 150°C.
3. The input and output voltage ratings may be exceeded if the input and output current ratings are observed.

RECOMMENDED OPERATING CONDITIONS

SYMBOL	PARAMETER	LIMITS		UNIT
		Min	Max	
V _{CC}	DC supply voltage	4.5	5.5	V
V _I	Input voltage	0	V _{CC}	V
V _{IH}	High-level input voltage	2.0		V
V _{IL}	Input voltage		0.8	V
I _{OH}	High level output current		-32	mA
I _{OL}	Low level output current		64	mA
Δt/Δv	Input transition rise or fall rate	0	5	ns/V
T _{amb}	Operating free-air temperature range	-40	+85	°C

16-bit inverting buffer/line driver (3-State)

MB2240

DC ELECTRICAL CHARACTERISTICS

SYMBOL	PARAMETER	TEST CONDITIONS	LIMITS					UNIT
			T _{amb} = +25°C			T _{amb} = -40°C to +85°C		
			Min	Typ	Max	Min	Max	
V _{IK}	Input clamp voltage	V _{CC} = 4.5V; I _{IK} = -18mA		-0.9	-1.2		-1.2	V
V _{OH}	High-level output voltage	V _{CC} = 4.5V; I _{OH} = -3mA; V _I = V _{IL} or V _{IH}	2.5	2.9		2.5		V
		V _{CC} = 5.0V; I _{OH} = -3mA; V _I = V _{IL} or V _{IH}	3.0	3.4		3.0		
		V _{CC} = 4.5V; I _{OH} = -32mA; V _I = V _{IL} or V _{IH}	2.0	2.4		2.0		
V _{OL}	Low-level output voltage	V _{CC} = 4.5V; I _{OL} = 64mA; V _I = V _{IL} or V _{IH}		0.42	0.55		0.55	V
I _I	Input leakage current	V _{CC} = 5.5V; V _I = GND or 5.5V		±0.01	±1.0		±1.0	µA
I _{OZH}	3-State output High current	V _{CC} = 5.5V; V _O = 2.7V; V _I = V _{IL} or V _{IH}		5.0	50		50	µA
I _{OZL}	3-State output Low current	V _{CC} = 5.5V; V _O = 0.5V; V _I = V _{IL} or V _{IH}		-5.0	-50		-50	µA
I _O	Short-circuit output current ¹	V _{CC} = 5.5V; V _O = 2.5V	-50	-100	-180	-50	-180	mA
I _{CCH}	Quiescent supply current	V _{CC} = 5.5V; Outputs High; V _I = GND or V _{CC}		50	100		100	µA
I _{CCL}		V _{CC} = 5.5V; Outputs Low; V _I = GND or V _{CC}		48	60		60	mA
I _{CCZ}		V _{CC} = 5.5V; Outputs 3-State; V _I = GND or V _{CC}		50	100		100	µA
ΔI _{CC}	Additional supply current per input pin ²	V _{CC} = 5.5V; One input at 3.4V, other inputs at V _{CC} or GND		0.5	1.5		1.5	mA

NOTES:

1. Not more than one output should be tested at a time, and the duration of the test should not exceed one second.
2. This is the increase in supply current for each input at 3.4V.

16-bit buffer/line driver (3-State)

MB2241

FEATURES

- 16-bit bus interface
- Multiple V_{CC} and GND pins minimize switching noise
- 3-State buffers
- Output capability: +64mA/-32mA
- Latch-up protection exceeds 500mA per Jedec JC40.2 Std 17
- ESD protection exceeds 2000 V per MIL STD 883C Method 3015.6 and 200 V per Machine Model

DESCRIPTION

The MB2241 high-performance Bi-CMOS device combines low static and dynamic power dissipation with high speed and high output drive.

The MB2241 device is a 16-bit buffer that is ideal for driving bus lines. The device features four Output Enables (1OE, 2OE, 3OE, 4OE), each controlling four of the 3-State outputs.

QUICK REFERENCE DATA

SYMBOL	PARAMETER	CONDITIONS $T_{amb} = 25^{\circ}C; GND = 0V$	TYPICAL	UNIT
t_{PLH} t_{PHL}	Propagation delay nAx to nYx	$C_L = 50pF; V_{CC} = 5V$	2.9	ns
C_{IN}	Input capacitance	$V_I = 0V$ or V_{CC}	4	pF
C_{OUT}	Output capacitance	$V_I = 0V$ or V_{CC}	7	pF
I_{CCZ}	Total supply current	Outputs Disabled; $V_{CC} = 5.5V$	500	nA

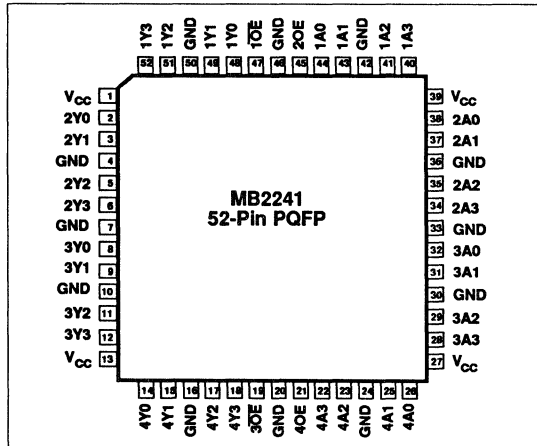
ORDERING INFORMATION

PACKAGES	TEMPERATURE RANGE	ORDER CODE
52-pin plastic QFP	-40°C to +85°C	MB2241B

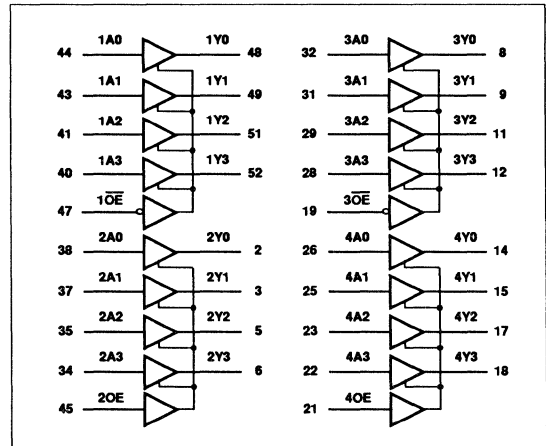
PIN DESCRIPTION

SYMBOL	PIN NUMBER	NAME AND FUNCTION
1A0 - 1A3, 2A0 - 2A3, 3A0 - 3A3, 4A0 - 4A3	44, 43, 41, 40, 38, 37, 35, 34, 32, 31, 29, 28, 26, 25, 23, 22	Data inputs
1Y0 - 1Y3, 2Y0 - 2Y3, 3Y0 - 3Y3, 4Y0 - 4Y3	14, 15, 17, 18, 8, 9, 11, 12, 2, 3, 5, 6, 48, 49, 51, 52	Data outputs
1OE, 2OE, 3OE, 4OE	47, 45, 19, 21	Output enables
GND	4, 7, 10, 16, 20, 24, 30, 33, 36, 42, 46, 50	Ground (0V)
V_{CC}	1, 13, 27, 39	Positive supply voltage

PIN CONFIGURATION



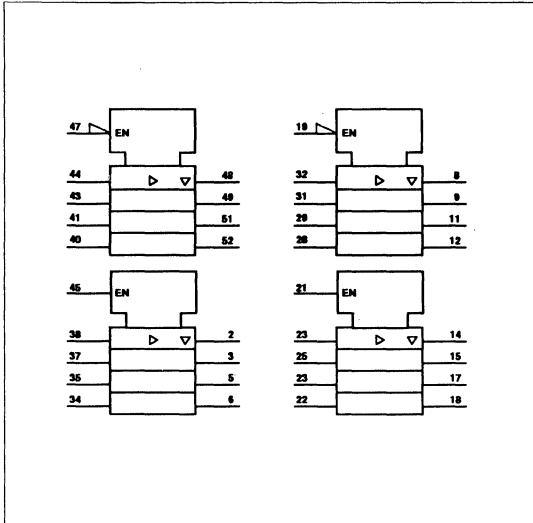
LOGIC SYMBOL



16-bit buffer/line driver (3-State)

MB2241

LOGIC SYMBOL (IEEE/IEC)



FUNCTION TABLE

INPUTS				OUTPUTS	
1OE or 3OE	1An or 3An	2OE or 4OE	2An or 4An	1Yn or 3Yn	2Yn or 4Yn
L	L	H	L	L	L
L	H	H	H	H	H
H	X	L	X	Z	Z

H = High voltage level
 L = Low voltage level
 Z = High-impedance "OFF" state

ABSOLUTE MAXIMUM RATINGS^{1, 2}

SYMBOL	PARAMETER	CONDITIONS	RATING	UNIT
V_{CC}	DC supply voltage		-0.5 to +7.0	V
I_{IK}	DC input diode current	$V_I < 0$	-18	mA
V_I	DC input voltage ³		-1.2 to +7.0	V
I_{OK}	DC output diode current	$V_O < 0$	-50	mA
V_{OUT}	DC output voltage ³	output in Off or High state	-0.5 to +5.5	V
I_{OUT}	DC output current	output in Low state	128	mA
T_{stg}	Storage temperature range		-65 to 150	°C

NOTES:

- Stresses beyond those listed may cause permanent damage to the device. These are stress ratings only and functional operation of the device at these or any other conditions beyond those indicated under "recommended operating conditions" is not implied. Exposure to absolute-maximum-rated conditions for extended periods may affect device reliability.
- The performance capability of a high-performance integrated circuit in conjunction with its thermal environment can create junction temperatures which are detrimental to reliability. The maximum junction temperature of this integrated circuit should not exceed 150°C.
- The input and output voltage ratings may be exceeded if the input and output current ratings are observed.

RECOMMENDED OPERATING CONDITIONS

SYMBOL	PARAMETER	LIMITS		UNIT
		Min	Max	
V_{CC}	DC supply voltage	4.5	5.5	V
V_I	Input voltage	0	V_{CC}	V
V_{IH}	High-level input voltage	2.0		V
V_{IL}	Input voltage		0.8	V
I_{OH}	High level output current		-32	mA
I_{OL}	Low level output current		64	mA
$\Delta V/\Delta V$	Input transition rise or fall rate	0	5	ns/V
T_{amb}	Operating free-air temperature range	-40	+85	°C

16-bit buffer/line driver (3-State)

MB2241

DC ELECTRICAL CHARACTERISTICS

SYMBOL	PARAMETER	TEST CONDITIONS	LIMITS					UNIT
			T _{amb} = +25°C			T _{amb} = -40°C to +85°C		
			Min	Typ	Max	Min	Max	
V _{IK}	Input clamp voltage	V _{CC} = 4.5V; I _{IK} = -18mA		-0.9	-1.2		-1.2	V
V _{OH}	High-level output voltage	V _{CC} = 4.5V; I _{OH} = -3mA; V _I = V _{IL} or V _{IH}	2.5	2.9		2.5		V
		V _{CC} = 5.0V; I _{OH} = -3mA; V _I = V _{IL} or V _{IH}	3.0	3.4		3.0		
		V _{CC} = 4.5V; I _{OH} = -32mA; V _I = V _{IL} or V _{IH}	2.0	2.4		2.0		
V _{OL}	Low-level output voltage	V _{CC} = 4.5V; I _{OL} = 64mA; V _I = V _{IL} or V _{IH}		0.42	0.55		0.55	V
I _I	Input leakage current	V _{CC} = 5.5V; V _I = GND or 5.5V		±0.01	±1.0		±1.0	µA
I _{OZH}	3-State output High current	V _{CC} = 5.5V; V _O = 2.7V; V _I = V _{IL} or V _{IH}		5.0	50		50	µA
I _{OZL}	3-State output Low current	V _{CC} = 5.5V; V _O = 0.5V; V _I = V _{IL} or V _{IH}		-5.0	-50		-50	µA
I _O	Short-circuit output current ¹	V _{CC} = 5.5V; V _O = 2.5V	-50	-100	-180	-50	-180	mA
I _{CCH}	Quiescent supply current	V _{CC} = 5.5V; Outputs High; V _I = GND or V _{CC}		50	100		100	µA
I _{CCL}		V _{CC} = 5.5V; Outputs Low; V _I = GND or V _{CC}		48	60		60	mA
I _{CCZ}		V _{CC} = 5.5V; Outputs 3-State; V _I = GND or V _{CC}		50	100		100	µA
ΔI _{CC}	Additional supply current per input pin ²	V _{CC} = 5.5V; One input at 3.4V, other inputs at V _{CC} or GND		0.5	1.5		1.5	mA

NOTES:

- Not more than one output should be tested at a time, and the duration of the test should not exceed one second.
- This is the increase in supply current for each input at 3.4V.

16-bit buffer/line driver (3-State)

MB2244

FEATURES

- 16-bit bus interface
- Multiple V_{CC} and GND pins minimize switching noise
- 3-State buffers
- Output capability: +64 mA/-32mA
- Latch-up protection exceeds 500mA per Jeduc JC40.2 Std 17
- ESD protection exceeds 2000 V per MIL STD 883C Method 3015.6 and 200 V per Machine Model

DESCRIPTION

The MB2244 high-performance BiCMOS device combines low static and dynamic power dissipation with high speed and high output drive.

The MB2244 device is an 16-bit buffer that is ideal for driving bus lines. The device features four Output Enables (1OE, 2OE, 3OE, 4OE), each controlling four of the 3-State outputs.

QUICK REFERENCE DATA

SYMBOL	PARAMETER	CONDITIONS $T_{amb} = 25^{\circ}C; GND = 0V$	TYPICAL	UNIT
t_{PLH} t_{PHL}	Propagation delay nAx to nYx	$C_L = 50pF; V_{CC} = 5V$	2.9	ns
C_{IN}	Input capacitance	$V_I = 0V$ or V_{CC}	4	pF
C_{OUT}	Output capacitance	$V_I = 0V$ or V_{CC}	7	pF
I_{CCZ}	Total supply current	Outputs disabled; $V_{CC} = 5.5V$	500	nA

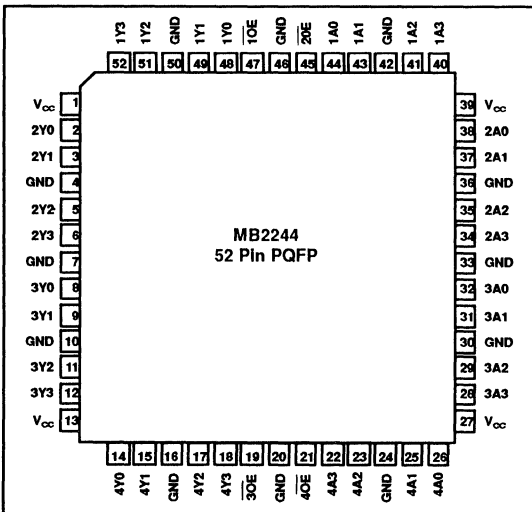
ORDERING INFORMATION

PACKAGES	TEMPERATURE RANGE	ORDER CODE
52-pin plastic QFP	-40°C to +85°C	MB2244B

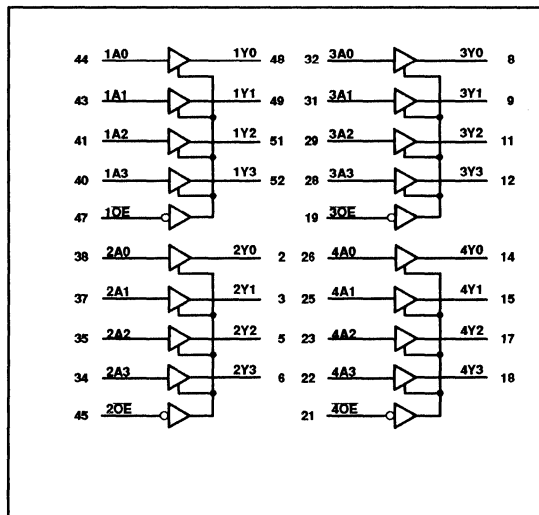
FUNCTION TABLE

INPUTS		OUTPUTS
nOE	nAx	nYx
L	L	L
L	H	H
H	X	Z

PIN CONFIGURATION



LOGIC SYMBOL



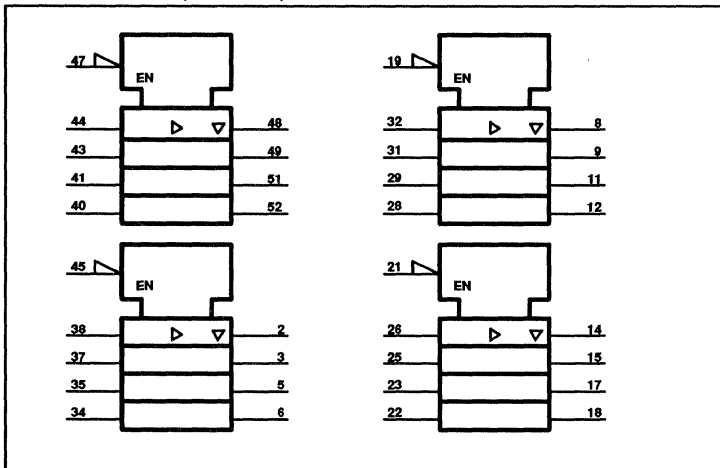
16-bit buffer/line driver (3-State)

MB2244

PIN DESCRIPTION

PIN NUMBER	SYMBOL	NAME AND FUNCTION
44, 43, 41, 40, 38, 37, 35, 34, 32, 31, 29, 28, 26, 25, 23, 22	1A0 – 1A3, 2A0 – 2A3, 3A0 – 3A3, 4A0 – 4A3	Data inputs
14, 15, 17, 18, 8, 9, 11, 12, 2, 3, 5, 6, 48, 49, 51, 52	1Y0 – 1Y3, 2Y0 – 2Y3, 3Y0 – 3Y3, 4Y0 – 4Y3	Data outputs
47, 45, 19, 21	1OE, 2OE, 3OE, 4OE	Output enables
4, 7, 10, 16, 20, 24, 30, 33, 36, 42, 46, 50	GND	Ground (0V)
1, 13, 27, 39	V _{CC}	Positive supply voltage

LOGIC SYMBOL (IEEE/IEC)



ABSOLUTE MAXIMUM RATINGS¹

SYMBOL	PARAMETER	CONDITIONS	RATING	UNIT
V _{CC}	DC supply voltage		-0.5 to +7.0	V
I _{IK}	DC input diode current	V _I < 0	-18	mA
V _I	DC input voltage ²		-1.2 to +7.0	V
I _{OK}	DC output diode current	V _O < 0	-50	mA
V _{OUT}	DC output voltage ²	output in Off or High state	-0.5 to +5.5	V
I _{OUT}	DC output current	output in Low state	128	mA
T _{stg}	Storage temperature range		-65 to 150	°C

NOTES:

- 1 Stresses beyond those listed may cause permanent damage to the device. These are stress ratings only and functional operation of the device at these or any other conditions beyond those indicated under "recommended operating conditions" is not implied. Exposure to absolute-maximum-rated conditions for extended periods may affect device reliability.
- 2 The input and output voltage ratings may be exceeded if the input and output current ratings are observed.

16-bit buffer/line driver (3-State)

MB2244

RECOMMENDED OPERATING CONDITIONS

SYMBOL	PARAMETER	LIMITS		UNIT
		Min	Max	
V_{CC}	DC supply voltage	4.5	5.5	V
V_I	Input voltage	0	V_{CC}	V
V_{IH}	High level input voltage	2.0		V
V_{IL}	Input voltage		0.8	V
I_{OH}	High level output current		-32	mA
I_{OL}	Low level output current		64	mA
$\Delta V/\Delta v$	Input transition rise or fall rate	0	5	ns/V
T_{amb}	operating free-air temperature range	-40	+85	°C

DC ELECTRICAL CHARACTERISTICS

SYMBOL	PARAMETER	TEST CONDITIONS	LIMITS					UNIT
			$T_{amb} = +25^\circ\text{C}$			$T_{amb} = -40^\circ\text{C}$ to $+85^\circ\text{C}$		
			Min	Typ	Max	Min	Max	
V_{IK}	Input clamp voltage	$V_{CC} = 4.5\text{V}; I_{IK} = -18\text{mA}$		-0.9	-1.2		-1.2	V
V_{OH}	High-level output voltage	$V_{CC} = 4.5\text{V}; I_{OH} = -3\text{mA}; V_I = V_{IL}$ or V_{IH}	2.5	2.9		2.5		V
		$V_{CC} = 5.0\text{V}; I_{OH} = -3\text{mA}; V_I = V_{IL}$ or V_{IH}	3.0	3.4		3.0		V
		$V_{CC} = 4.5\text{V}; I_{OH} = -32\text{mA}; V_I = V_{IL}$ or V_{IH}	2.0	2.4		2.0		V
V_{OL}	Low-level output voltage	$V_{CC} = 4.5\text{V}; I_{OL} = 64\text{mA}; V_I = V_{IL}$ or V_{IH}		0.42	0.55		0.55	V
I_I	Input leakage current	$V_{CC} = 5.5\text{V}; V_I = \text{GND}$ or 5.5V		± 0.01	± 1.0		± 1.0	μA
I_{OZH}	3-State output High current	$V_{CC} = 5.5\text{V}; V_O = 2.7\text{V}; V_I = V_{IL}$ or V_{IH}		5.0	50		50	μA
I_{OZL}	3-State output Low current	$V_{CC} = 5.5\text{V}; V_O = 0.5\text{V}; V_I = V_{IL}$ or V_{IH}		-5.0	-50		-50	μA
I_O	Short-circuit output current ¹	$V_{CC} = 5.5\text{V}; V_O = 2.5\text{V}$	-50	-100	-180	-50	-180	mA
I_{CCH}	Quiescent supply current	$V_{CC} = 5.5\text{V}; \text{Outputs High}, V_I = \text{GND}$ or V_{CC}		50	100		100	μA
I_{CCL}		$V_{CC} = 5.5\text{V}; \text{Outputs Low}, V_I = \text{GND}$ or V_{CC}		48	60		60	mA
I_{CCZ}		$V_{CC} = 5.5\text{V}; \text{Outputs 3-State}; V_I = \text{GND}$ or V_{CC}		50	100		100	μA
ΔI_{CC}	Additional supply current per input pin ²	Outputs enabled, one input at 3.4V, other inputs at V_{CC} or GND; $V_{CC} = 5.5\text{V}$		0.5	1.5		1.5	mA

NOTES:

- 1 Not more than one output should be tested at a time, and the duration of the test should not exceed one second.
- 2 This is the increase in supply current for each input at 3.4V.

16-bit buffer/line driver (3-State)

MB2244

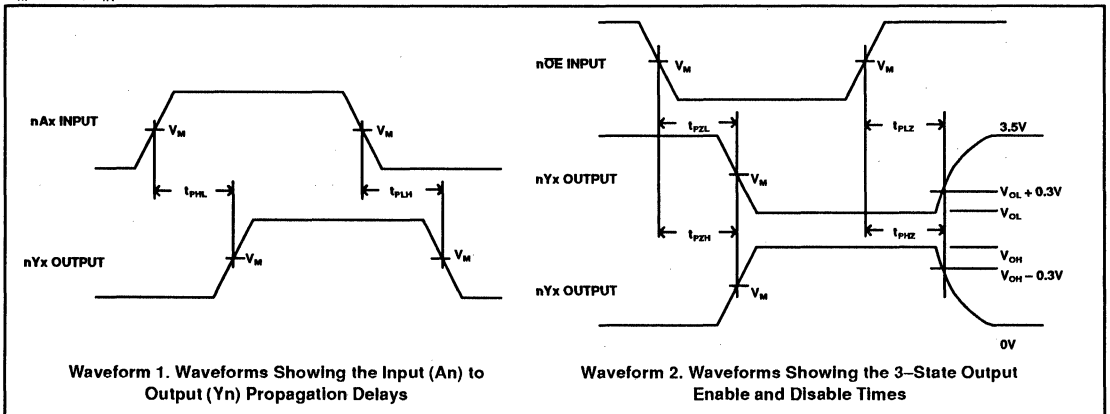
AC CHARACTERISTICS

GND = 0V; $t_R = t_F = 2.5\text{ns}$; $C_L = 50\text{pF}$, $R_L = 500\Omega$

SYMBOL	PARAMETER	WAVEFORM	MB2244					UNIT
			$T_{\text{amb}} = +25^\circ\text{C}$ $V_{\text{CC}} = +5.0\text{V}$			$T_{\text{amb}} = -40^\circ\text{C to } +85^\circ\text{C}$ $V_{\text{CC}} = +5.0\text{V} \pm 0.5\text{V}$		
			Min	Typ	Max	Min	Max	
t_{PLH} t_{PHL}	Propagation delay nAx to nYx	1	1.0 1.0	2.6 2.9	4.1 4.2	1.0 1.0	4.6 4.6	ns
t_{PZH} t_{PZL}	Output enable time to High and Low level	2	1.1 2.1	3.1 4.1	4.6 5.6	1.1 2.1	5.1 6.1	ns
t_{PHZ} t_{PLZ}	Output disable time from High and Low level	2	2.1 1.7	4.1 3.7	5.6 5.2	2.1 1.7	6.6 5.7	ns

AC WAVEFORMS

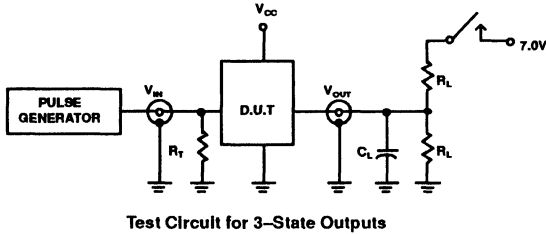
$V_M = 1.5\text{V}$, $V_{\text{IN}} = \text{GND to } 3.0\text{V}$



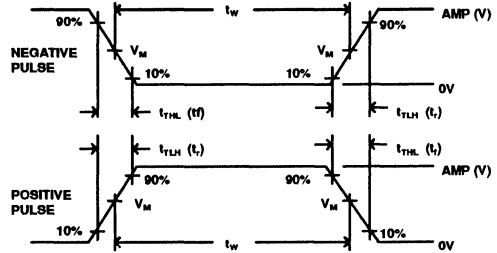
16-bit buffer/line driver (3-State)

MB2244

TEST CIRCUIT AND WAVEFORMS



Test Circuit for 3-State Outputs



$V_M = 1.5V$
Input Pulse Definition

SWITCH POSITION

TEST	SWITCH
t_{pLZ}	closed
t_{pZL}	closed
All other	open

DEFINITIONS

- R_L = Load resistor; see AC CHARACTERISTICS for value.
- C_L = Load capacitance includes jig and probe capacitance; see AC CHARACTERISTICS for value.
- R_T = Termination resistance should be equal to Z_{OUT} of pulse generators.

FAMILY	INPUT PULSE REQUIREMENTS				
	Amplitude	Rep. Rate	t_w	t_R	t_F
MB	3.0V	1Mhz	500ns	2.5ns	2.5ns

Dual octal transceivers with direction pins (3-State)

MB2245

FEATURES

- 16-bit bidirectional bus interface
- Multiple V_{CC} and GND pins minimize switching noise
- 3-State buffers
- Output capability: +64mA/32mA
- Latch-up protection exceeds 500mA per Jeduc JC40.2 Std 17
- ESD protection exceeds 2000 V per MIL STD 883C Method 3015.6 and 200 V per Machine Model

DESCRIPTION

The MB2245 high-performance BiCMOS device combines low static and dynamic power dissipation with high speed and high output drive.

The MB2245 device is an dual octal transceiver featuring non-inverting 3-State bus compatible outputs in both send and receive directions. The control function implementation minimizes external timing requirements. The device features two Output Enable ($1\overline{OE}$, $2\overline{OE}$) inputs for easy cascading and two Direction ($1DIR$, $2DIR$) inputs for direction control.

FUNCTION TABLE

INPUTS		INPUTS/OUTPUTS	
$n\overline{OE}$	nDIR	nAx	nBx
L	L	A = B	Inputs
L	H	Inputs	B = A
H	X	Z	Z

QUICK REFERENCE DATA

SYMBOL	PARAMETER	CONDITIONS $T_{amb} = 25^{\circ}C; GND = 0V$	TYPICAL	UNIT
t_{PLH} t_{PHL}	Propagation delay nAx to nBx, or nBx to nAx	$C_L = 50pF; V_{CC} = 5V$	3.4	ns
$C_{DIR, \overline{OE}}$	Input capacitance	$V_I = 0V$ or V_{CC}	4	pF
C_{IO}	I/O pin capacitance	$V_I = 0V$ or V_{CC}	7	pF
I_{CCZ}	Total supply current	Outputs Disabled; $V_{CC} = 5.5V$	500	nA

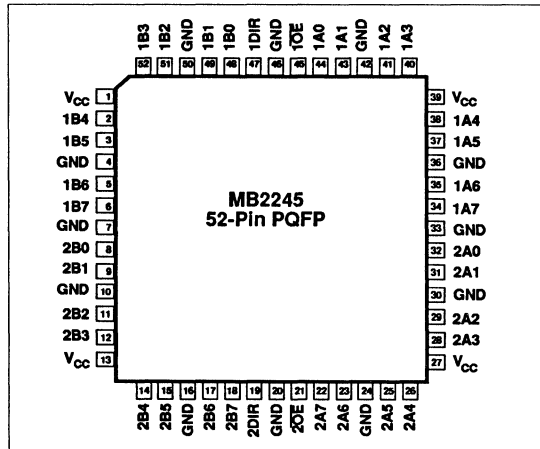
ORDERING INFORMATION

PACKAGES	TEMPERATURE RANGE	ORDER CODE
52-pin plastic QFP	-40°C to +85°C	MB2245B

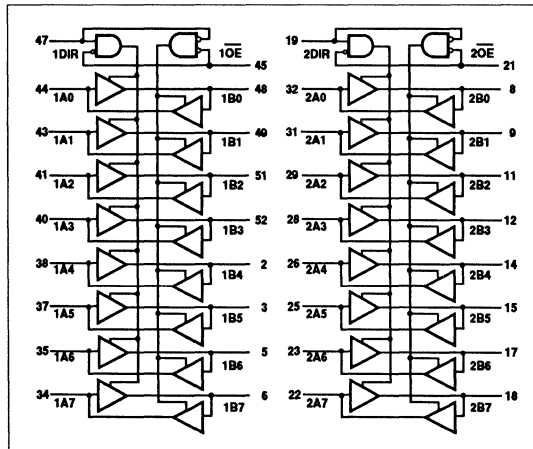
PIN DESCRIPTION

SYMBOL	PIN NUMBER	NAME AND FUNCTION
$1DIR, 2DIR$	47, 19	Direction control inputs (Active High)
$1A0 - 1A7, 2A0 - 2A7$	44, 43, 41, 40, 38, 37, 35, 34, 32, 31, 29, 28, 26, 25, 23, 22	Data inputs/outputs (A side)
$1B0 - 1B7, 2B0 - 2B7$	48, 49, 51, 52, 2, 3, 5, 6, 8, 9, 11, 12, 14, 15, 17, 18	Data inputs/outputs (B side)
$1\overline{OE}, 2\overline{OE}$	45, 21	Output Enable inputs (Active Low)
GND	4, 7, 10, 16, 20, 24, 30, 33, 36, 42, 46, 50	Ground (0V)
V_{CC}	1, 13, 27, 39	Positive supply voltage

PIN CONFIGURATION



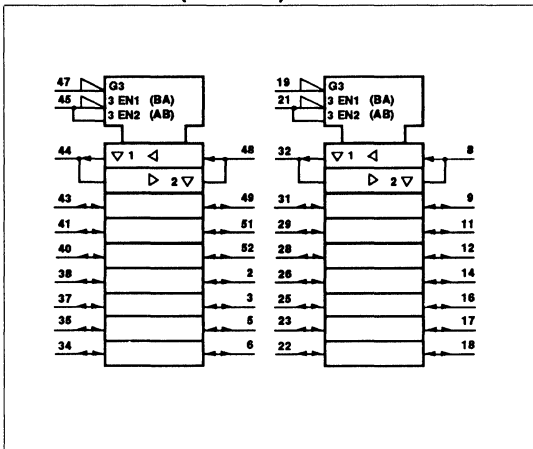
LOGIC SYMBOL



Dual octal transceivers with direction pins (3-State)

MB2245

LOGIC SYMBOL (IEEE/IEC)



ABSOLUTE MAXIMUM RATINGS^{1, 2}

SYMBOL	PARAMETER	CONDITIONS	RATING	UNIT
V_{CC}	DC supply voltage		-0.5 to +7.0	V
I_{IK}	DC input diode current	$V_I < 0$	-18	mA
V_I	DC input voltage ³		-1.2 to +7.0	V
I_{OK}	DC output diode current	$V_O < 0$	-50	mA
V_{OUT}	DC output voltage ³	output in Off or High state	-0.5 to +5.5	V
I_{OUT}	DC output current	output in Low state	128	mA
T_{stg}	Storage temperature range		-65 to 150	°C

NOTES:

1. Stresses beyond those listed may cause permanent damage to the device. These are stress ratings only and functional operation of the device at these or any other conditions beyond those indicated under "recommended operating conditions" is not implied. Exposure to absolute-maximum-rated conditions for extended periods may affect device reliability.
2. The performance capability of a high-performance integrated circuit in conjunction with its thermal environment can create junction temperatures which are detrimental to reliability. The maximum junction temperature of this integrated circuit should not exceed 150°C.
3. The input and output voltage ratings may be exceeded if the input and output current ratings are observed.

RECOMMENDED OPERATING CONDITIONS

SYMBOL	PARAMETER	LIMITS		UNIT
		Min	Max	
V_{CC}	DC supply voltage	4.5	5.5	V
V_I	Input voltage	0	V_{CC}	V
V_{IH}	High-level input voltage	2.0		V
V_{IL}	Input voltage		0.8	V
I_{OH}	High level output current		-32	mA
I_{OL}	Low level output current		64	mA
$\Delta t/\Delta v$	Input transition rise or fall rate	0	5	ns/V
T_{amb}	Operating free-air temperature range	-40	+85	°C

Dual octal transceivers with direction pins (3-State)

MB2245

DC ELECTRICAL CHARACTERISTICS

SYMBOL	PARAMETER	TEST CONDITIONS	LIMITS					UNIT
			T _{amb} = +25°C			T _{amb} = -40°C to +85°C		
			Min	Typ	Max	Min	Max	
V _{IK}	Input clamp voltage	V _{CC} = 4.5V; I _{IK} = -18mA		-0.9	-1.2		-1.2	V
V _{OH}	High-level output voltage	V _{CC} = 4.5V; I _{OH} = -3mA; V _I = V _{IL} or V _{IH}	2.5	3.5		2.5		V
		V _{CC} = 5.0V; I _{OH} = -3mA; V _I = V _{IL} or V _{IH}	3.0	4.0		3.0		
		V _{CC} = 4.5V; I _{OH} = -32mA; V _I = V _{IL} or V _{IH}	2.0	2.6		2.0		
V _{OL}	Low-level output voltage	V _{CC} = 4.5V; I _{OL} = 64mA; V _I = V _{IL} or V _{IH}		0.42	0.55		0.55	V
I _I	Input leakage current	Control pins V _{CC} = 5.5V; V _I = GND or 5.5V		±0.01	±1.0		±1.0	µA
		Data pins V _{CC} = 5.5V; V _I = GND or 5.5V		5	100		100	
I _{IH} + I _{OZH}	3-State output High current	V _{CC} = 5.5V; V _O = 2.7V; V _I = V _{IL} or V _{IH}		5.0	50		50	µA
I _{IL} + I _{OZL}	3-State output Low current	V _{CC} = 5.5V; V _O = 0.5V; V _I = V _{IL} or V _{IH}		-5.0	-50		-50	µA
I _O	Short-circuit output current ¹	V _{CC} = 5.5V; V _O = 2.5V	-50	-80	-180	-50	-180	mA
I _{CCH}	Quiescent supply current	V _{CC} = 5.5V; Outputs High; V _I = GND or V _{CC}		50	100		100	µA
I _{CCL}		V _{CC} = 5.5V; Outputs Low; V _I = GND or V _{CC}		48	60		60	mA
I _{CCZ}		V _{CC} = 5.5V; Outputs 3-State; V _I = GND or V _{CC}		50	100		100	µA
ΔI _{CC}	Additional supply current per input pin ²	One input at 3.4V, other inputs at V _{CC} or GND; V _{CC} = 5.5V		0.3	1.5		1.5	mA

NOTES:

1. Not more than one output should be tested at a time, and the duration of the test should not exceed one second.
2. This is the increase in supply current for each input at 3.4V.

Dual octal transceivers with direction pins (3-State)

MB2245

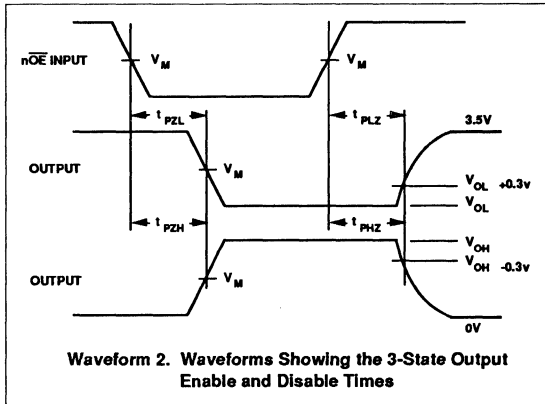
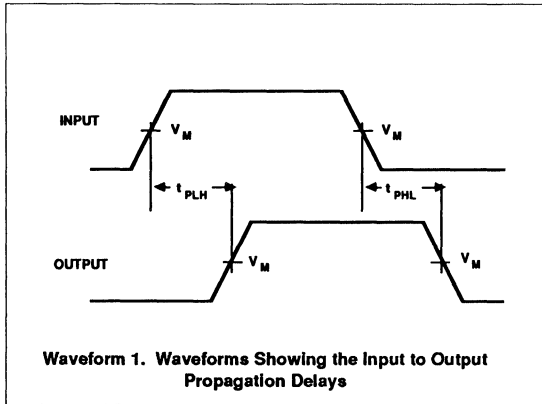
AC CHARACTERISTICS

GND = 0V; $t_R = t_F = 2.5\text{ns}$; $C_L = 50\text{pF}$, $R_L = 500\Omega$

SYMBOL	PARAMETER	WAVEFORM	LIMITS					UNIT
			$T_{amb} = +25^\circ\text{C}$ $V_{CC} = +5.0\text{V}$			$T_{amb} = -40^\circ\text{C to } +85^\circ\text{C}$ $V_{CC} = +5.0\text{V} \pm 0.5\text{V}$		
			Min	Typ	Max	Min	Max	
t_{PLH} t_{PHL}	Propagation delay nAx to nBx, or nBx to nAx	1	1.0 1.0	3.4 3.1	5.0 4.2	1.0 1.0	5.8 4.8	ns
t_{PZH} t_{PZL}	Output enable time to High and Low level	2	1.3 2.3	3.5 4.8	4.8 6.0	1.3 2.3	5.3 6.5	ns
t_{PHZ} t_{PLZ}	Output disable time from High and Low level	2	2.7 2.3	5.5 4.5	6.5 5.8	2.7 2.3	7.2 6.3	ns

AC WAVEFORMS

($V_M = 1.5\text{V}$, $V_{IN} = \text{GND to } 3.0\text{V}$)



TEST CIRCUIT AND WAVEFORMS

Test Circuit For 3-State Outputs

Input Pulse Definition

$V_M = 1.5\text{V}$

SWITCH POSITION

TEST	SWITCH
t_{PLZ}	closed
t_{PZL}	closed
All other	open

DEFINITIONS

R_L = Load resistor; see AC CHARACTERISTICS for value.

C_L = Load capacitance includes jig and probe capacitance; see AC CHARACTERISTICS for value.

R_T = Termination resistance should be equal to Z_{OUT} of pulse generators.

FAMILY	INPUT PULSE REQUIREMENTS				
	Amplitude	Rep. Rate	t_w	t_R	t_F
MB	3.0V	1MHz	500ns	2.5ns	2.5ns

Dual octal D-type transparent latch (3-State)

MB2373

FEATURES

- 16-bit transparent latch
- Multiple V_{CC} and GND pins minimize switching noise
- 3-State output buffers
- Output capability: +64mA/-32mA
- Latch-up protection exceeds 500mA per JEDEC JC40.2 Std 17
- ESD protection exceeds 2000 V per MIL STD 883C Method 3015.6 and 200 V per Machine Model

DESCRIPTION

The MB2373 high-performance Bi-CMOS device combines low static and dynamic power dissipation with high speed and high output drive.

The MB2373 device is a dual octal transparent latch coupled to two sets of eight 3-State output buffers. The two sections of the device are controlled independently by Enable (nE) and Output Enable (nOE) control gates.

The data on each set of D inputs are transferred to the latch outputs when the Latch Enable (nE) input is High. The latch remains transparent to the data inputs while nE is High, and stores the data that is present one setup time before the High-to-Low enable transition.

(continued)

QUICK REFERENCE DATA

SYMBOL	PARAMETER	CONDITIONS $T_{amb} = 25^{\circ}C; GND = 0V$	TYPICAL	UNIT
t_{PLH} t_{PHL}	Propagation delay nDx to nQx	$C_L = 50pF; V_{CC} = 5V$	4.2	ns
C_{IN}	Input capacitance	$V_I = 0V$ or V_{CC}	4	pF
C_{OUT}	Output capacitance	$V_I = 0V$ or V_{CC}	7	pF
I_{CCZ}	Total supply current	Outputs Disabled; $V_{CC} = 5.5V$	500	nA

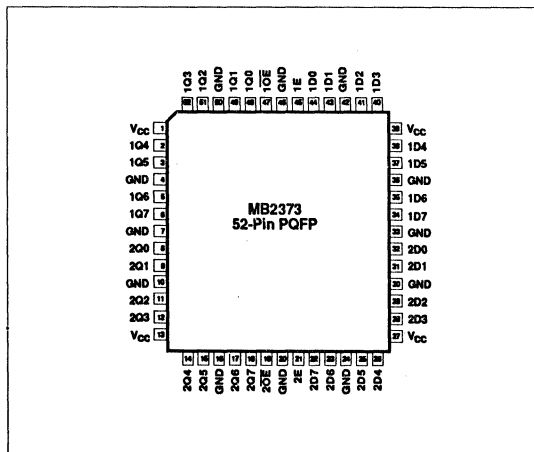
ORDERING INFORMATION

PACKAGES	TEMPERATURE RANGE	ORDER CODE
52-pin plastic QFP	-40°C to +85°C	MB2373B

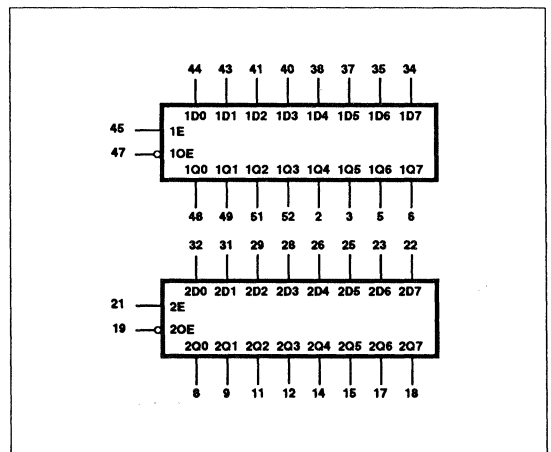
PIN DESCRIPTION

SYMBOL	PIN NUMBER	NAME AND FUNCTION
1D0 - 1D7, 2D0 - 2D7	44, 43, 41, 40, 38, 37, 35, 34, 32, 31, 29, 28, 26, 25, 23, 22	Data inputs
1Q0 - 1Q7, 2Q0 - 2Q7	48, 49, 51, 52, 2, 3, 5, 6, 8, 9, 11, 12, 14, 15, 17, 18	Data outputs (3-State)
$\overline{1OE}, \overline{2OE}$	47, 19	Output enable inputs (active Low)
1E, 2E	45, 21	Enable inputs (active High)
GND	4, 7, 10, 16, 20, 24, 30, 33, 36, 42, 46, 50	Ground (0V)
V_{CC}	1, 13, 27, 39	Positive supply voltage

PIN CONFIGURATION



LOGIC SYMBOL



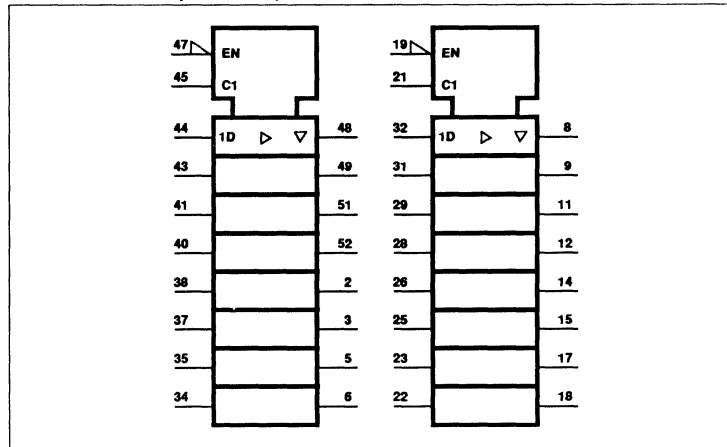
Dual octal D-type transparent latch (3-State)

MB2373

The 3-State output buffers are designed to drive heavily loaded 3-State buses, MOS memories, or MOS microprocessors. Each active-Low Output Enable (\overline{nOE}) controls a set of eight 3-State buffers independent of the latch operation.

When \overline{nOE} is Low, the latched or transparent data appears at the outputs. When \overline{nOE} is High, the outputs are in the High-impedance "OFF" state, which means they will neither drive nor load the bus.

LOGIC SYMBOL (IEEE/IEC)

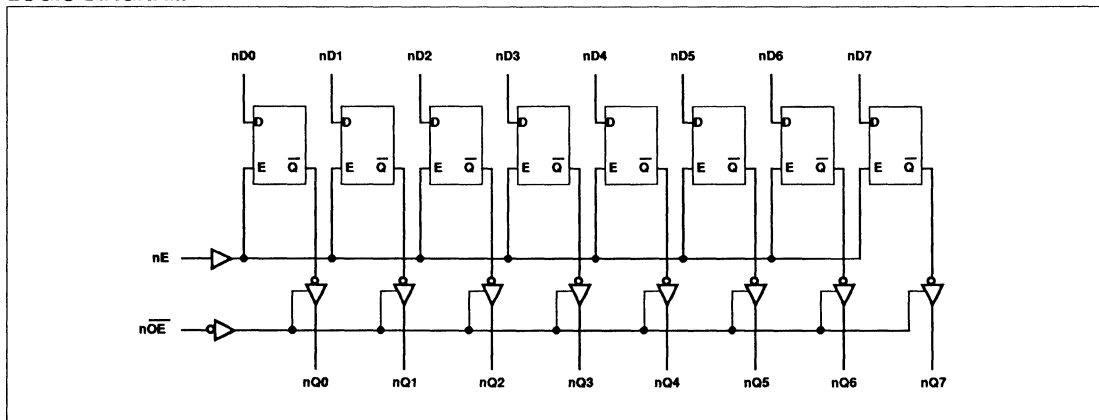


FUNCTION TABLE

INPUTS			INTERNAL REGISTER	OUTPUTS	OPERATING MODE
\overline{nOE}	nE	nDx		$nQ0 - nQ7$	
L	H	L	L	L	Enable and read register
L	H	H	H	H	
L	↓	l	L	L	Latch and read register
L	↓	h	H	H	
L	L	X	NC	NC	Hold
H	L	X	NC	Z	Disable outputs
H	H	Dn	Dn	Z	

- H = High voltage level
- h = High voltage level one set-up time prior to the High-to-Low E transition
- L = Low voltage level
- l = Low voltage level one set-up time prior to the High-to-Low E transition
- NC = No change
- X = Don't care
- Z = High impedance "off" state
- ↓ = High-to-Low E transition

LOGIC DIAGRAM



Dual octal D-type transparent latch (3-State)

MB2373

ABSOLUTE MAXIMUM RATINGS^{1, 2}

SYMBOL	PARAMETER	CONDITIONS	RATING	UNIT
V _{CC}	DC supply voltage		-0.5 to +7.0	V
I _{IK}	DC input diode current	V _I < 0	-18	mA
V _I	DC input voltage ³		-1.2 to +7.0	V
I _{OK}	DC output diode current	V _O < 0	-50	mA
V _{OUT}	DC output voltage ³	output in Off or High state	-0.5 to +5.5	V
I _{OUT}	DC output current	output in Low state	128	mA
T _{stg}	Storage temperature range		-65 to 150	°C

NOTES:

1. Stresses beyond those listed may cause permanent damage to the device. These are stress ratings only and functional operation of the device at these or any other conditions beyond those indicated under "recommended operating conditions" is not implied. Exposure to absolute-maximum-rated conditions for extended periods may affect device reliability.
2. The performance capability of a high-performance integrated circuit in conjunction with its thermal environment can create junction temperatures which are detrimental to reliability. The maximum junction temperature of this integrated circuit should not exceed 150°C.
3. The input and output voltage ratings may be exceeded if the input and output current ratings are observed.

RECOMMENDED OPERATING CONDITIONS

SYMBOL	PARAMETER	LIMITS		UNIT
		Min	Max	
V _{CC}	DC supply voltage	4.5	5.5	V
V _I	Input voltage	0	V _{CC}	V
V _{IH}	High-level input voltage	2.0		V
V _{IL}	Input voltage		0.8	V
I _{OH}	High level output current		-32	mA
I _{OL}	Low level output current		64	mA
ΔV/ΔV	Input transition rise or fall rate	0	5	ns/V
T _{amb}	Operating free-air temperature range	-40	+85	°C

Dual octal D-type transparent latch (3-State)

MB2373

DC ELECTRICAL CHARACTERISTICS

SYMBOL	PARAMETER	TEST CONDITIONS	LIMITS					UNIT
			$T_{amb} = +25^{\circ}\text{C}$			$T_{amb} = -40^{\circ}\text{C}$ to $+85^{\circ}\text{C}$		
			Min	Typ	Max	Min	Max	
V_{IK}	Input clamp voltage	$V_{CC} = 4.5\text{V}; I_{IK} = -18\text{mA}$		-0.9	-1.2		-1.2	V
V_{OH}	High-level output voltage	$V_{CC} = 4.5\text{V}; I_{OH} = -3\text{mA}; V_I = V_{IL} \text{ or } V_{IH}$	2.5	2.9		2.5		V
		$V_{CC} = 5.0\text{V}; I_{OH} = -3\text{mA}; V_I = V_{IL} \text{ or } V_{IH}$	3.0	3.4		3.0		
		$V_{CC} = 4.5\text{V}; I_{OH} = -32\text{mA}; V_I = V_{IL} \text{ or } V_{IH}$	2.0	2.4		2.0		
V_{OL}	Low-level output voltage	$V_{CC} = 4.5\text{V}; I_{OL} = 64\text{mA}; V_I = V_{IL} \text{ or } V_{IH}$		0.42	0.55		0.55	V
I_I	Input leakage current	$V_{CC} = 5.5\text{V}; V_I = \text{GND or } 5.5\text{V}$		± 0.01	± 1.0		± 1.0	μA
I_{OZH}	3-State output High current	$V_{CC} = 5.5\text{V}; V_O = 2.7\text{V}; V_I = V_{IL} \text{ or } V_{IH}$		5.0	50		50	μA
I_{OZL}	3-State output Low current	$V_{CC} = 5.5\text{V}; V_O = 0.5\text{V}; V_I = V_{IL} \text{ or } V_{IH}$		-5.0	-50		-50	μA
I_O	Short-circuit output current ¹	$V_{CC} = 5.5\text{V}; V_O = 2.5\text{V}$	-50	-100	-180	-50	-180	mA
I_{CCH}	Quiescent supply current	$V_{CC} = 5.5\text{V}; \text{Outputs High}; V_I = \text{GND or } V_{CC}$		50	100		100	μA
I_{CCL}		$V_{CC} = 5.5\text{V}; \text{Outputs Low}; V_I = \text{GND or } V_{CC}$		48	60		60	mA
I_{CCZ}		$V_{CC} = 5.5\text{V}; \text{Outputs 3-State}; V_I = \text{GND or } V_{CC}$		50	100		100	μA
ΔI_{CC}	Additional supply current per input pin ²	$V_{CC} = 5.5\text{V}; \text{One input at } 3.4\text{V}, \text{ other inputs at } V_{CC} \text{ or GND}$		0.5	1.5		1.5	mA

NOTES:

- Not more than one output should be tested at a time, and the duration of the test should not exceed one second.
- This is the increase in supply current for each input at 3.4V.

Dual octal D-type flip-flop; positive-edge trigger (3-State)

MB2374

FEATURES

- 16-bit positive edge triggered register
- Multiple V_{CC} and GND pins minimize switching noise
- 3-State output buffers
- Output capability: +64mA/-32mA
- Latch-up protection exceeds 500mA per Jedec JC40.2 Std 17
- ESD protection exceeds 2000 V per MIL STD 883C Method 3015.6 and 200 V per Machine Model

DESCRIPTION

The MB2374 high-performance BiCMOS device combines low static and dynamic power dissipation with high speed and high output drive.

The MB2374 has two 8-bit, edge triggered registers, with each register coupled to eight 3-State output buffers. The two sections of each register are controlled independently by the clock (nCP) and Output Enable (\overline{nOE}) control gates.

Each register is fully edge triggered. The state of each D input, one set-up time before the Low-to-High clock transition, is transferred to the corresponding flip-flop's Q output.

The 3-State output buffers are designed to drive heavily loaded 3-State buses,

(continued)

QUICK REFERENCE DATA

SYMBOL	PARAMETER	CONDITIONS $T_{amb} = 25^{\circ}C; GND = 0V$	TYPICAL	UNIT
t_{PLH} t_{PHL}	Propagation delay nCP to nQx	$C_L = 50pF; V_{CC} = 5V$	4.8	ns
C_{IN}	Input capacitance	$V_I = 0V$ or V_{CC}	4	pF
C_{OUT}	Output capacitance	$V_I = 0V$ or V_{CC}	7	pF
I_{CCZ}	Total supply current	Outputs Disabled; $V_{CC} = 5.5V$	500	nA

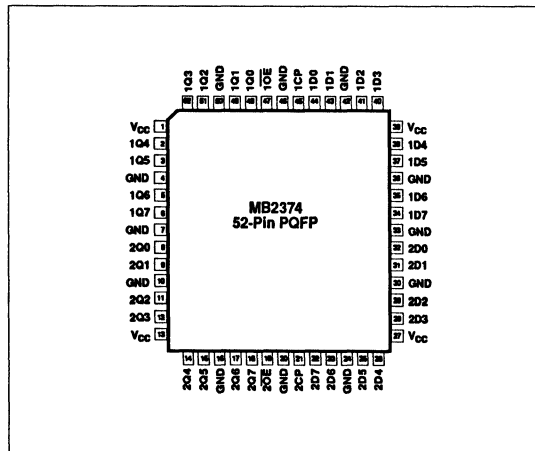
ORDERING INFORMATION

PACKAGES	TEMPERATURE RANGE	ORDER CODE
52-pin plastic QFP	-40°C to +85°C	MB2374B

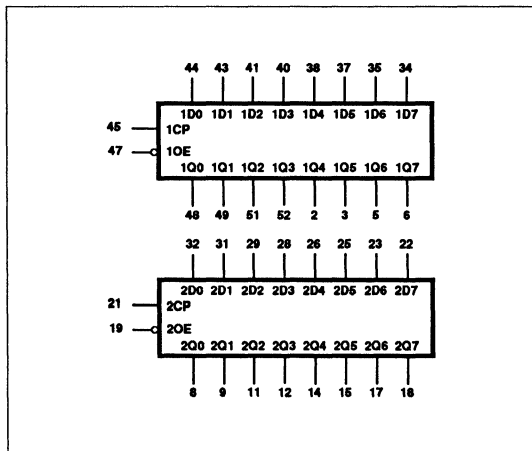
PIN DESCRIPTION

SYMBOL	PIN NUMBER	NAME AND FUNCTION
1D0 - 1D7, 2D0 - 2D7	44, 43, 41, 40, 38, 37, 35, 34, 32, 31, 29, 28, 26, 25, 23, 22	Data inputs
1Q0 - 1Q7, 2Q0 - 2Q7	48, 49, 51, 52, 2, 3, 5, 6, 8, 9, 11, 12, 14, 15, 17, 18	Data outputs (3-State)
$\overline{1OE}, \overline{2OE}$	47, 19	Output enable inputs (active Low)
1CP, 2CP	45, 21	Clock pulse inputs (active rising edge)
GND	4, 7, 10, 16, 20, 24, 30, 33, 36, 42, 46, 50	Ground (0V)
V_{CC}	1, 13, 27, 39	Positive supply voltage

PIN CONFIGURATION



LOGIC SYMBOL



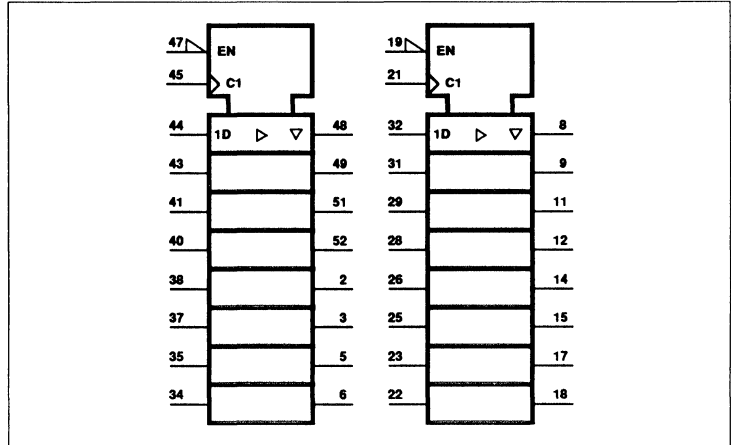
Dual octal D-type flip-flop; positive-edge trigger (3-State)

MB2374

MOS memories, or MOS microprocessors. Each active-Low Output Enable (\overline{nOE}) controls all eight 3-State buffers for its register independent of the clock operation.

When \overline{nOE} is Low, the stored data appears at the outputs for that register. When \overline{nOE} is High, the outputs for that register are in the High-impedance "OFF" state, which means they will neither drive nor load the bus.

LOGIC SYMBOL (IEEE/IEC)

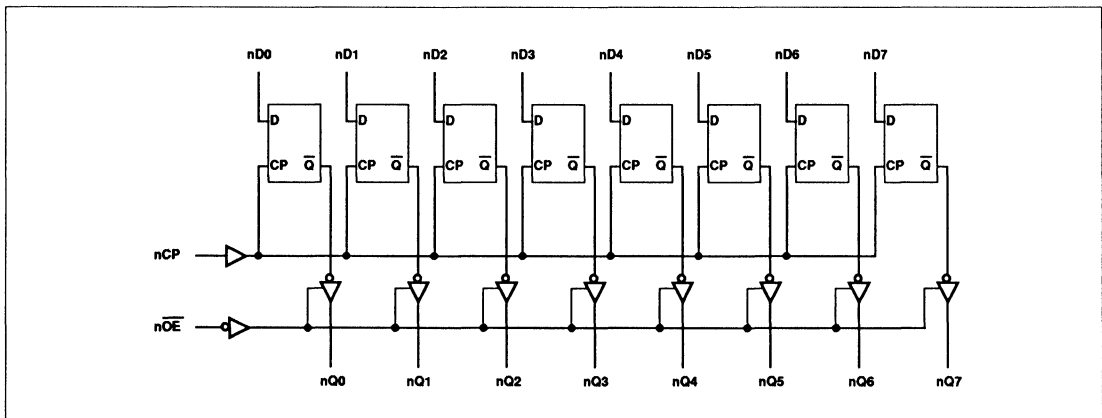


FUNCTION TABLE

INPUTS			INTERNAL REGISTER	OUTPUTS	OPERATING MODE
\overline{nOE}	nCP	nDx		nQ0 - nQ7	
L	↑	l	L	L	Load and read register
L	↑	h	H	H	
L	↔	X	NC	NC	Hold
H	↔	X	NC	Z	Disable outputs
H	↑	Dn	Dn	Z	

- H = High voltage level
- h = High voltage level one set-up time prior to the Low-to-High clock transition
- L = Low voltage level
- l = Low voltage level one set-up time prior to the Low-to-High clock transition
- NC = No change
- X = Don't care
- Z = High impedance "off" state
- ↑ = Low-to-High clock transition
- ↔ = Not a Low-to-High clock transition

LOGIC DIAGRAM



Dual octal D-type flip-flop; positive-edge trigger (3-State)

MB2374

ABSOLUTE MAXIMUM RATINGS^{1, 2}

SYMBOL	PARAMETER	CONDITIONS	RATING	UNIT
V_{CC}	DC supply voltage		-0.5 to +7.0	V
I_{IK}	DC input diode current	$V_I < 0$	-18	mA
V_I	DC input voltage ³		-1.2 to +7.0	V
I_{OK}	DC output diode current	$V_O < 0$	-50	mA
V_{OUT}	DC output voltage ³	output in Off or High state	-0.5 to +5.5	V
I_{OUT}	DC output current	output in Low state	128	mA
T_{stg}	Storage temperature range		-65 to 150	°C

NOTES:

- Stresses beyond those listed may cause permanent damage to the device. These are stress ratings only and functional operation of the device at these or any other conditions beyond those indicated under "recommended operating conditions" is not implied. Exposure to absolute-maximum-rated conditions for extended periods may affect device reliability.
- The performance capability of a high-performance integrated circuit in conjunction with its thermal environment can create junction temperatures which are detrimental to reliability. The maximum junction temperature of this integrated circuit should not exceed 150°C.
- The input and output voltage ratings may be exceeded if the input and output current ratings are observed.

RECOMMENDED OPERATING CONDITIONS

SYMBOL	PARAMETER	LIMITS		UNIT
		Min	Max	
V_{CC}	DC supply voltage	4.5	5.5	V
V_I	Input voltage	0	V_{CC}	V
V_{IH}	High-level input voltage	2.0		V
V_{IL}	Input voltage		0.8	V
I_{OH}	High level output current		-32	mA
I_{OL}	Low level output current		64	mA
$\Delta t/\Delta v$	Input transition rise or fall rate	0	5	ns/V
T_{amb}	Operating free-air temperature range	-40	+85	°C

Dual octal D-type flip-flop; positive-edge trigger (3-State)

MB2374

DC ELECTRICAL CHARACTERISTICS

SYMBOL	PARAMETER	TEST CONDITIONS	LIMITS					UNIT
			T _{amb} = +25°C			T _{amb} = -40°C to +85°C		
			Min	Typ	Max	Min	Max	
V _{IK}	Input clamp voltage	V _{CC} = 4.5V; I _{IK} = -18mA		-0.9	-1.2		-1.2	V
V _{OH}	High-level output voltage	V _{CC} = 4.5V; I _{OH} = -3mA; V _I = V _{IL} or V _{IH}	2.5	2.9		2.5		V
		V _{CC} = 5.0V; I _{OH} = -3mA; V _I = V _{IL} or V _{IH}	3.0	3.4		3.0		
		V _{CC} = 4.5V; I _{OH} = -32mA; V _I = V _{IL} or V _{IH}	2.0	2.4		2.0		
V _{OL}	Low-level output voltage	V _{CC} = 4.5V; I _{OL} = 64mA; V _I = V _{IL} or V _{IH}		0.42	0.55		0.55	V
I _I	Input leakage current	V _{CC} = 5.5V; V _I = GND or 5.5V		±0.01	±1.0		±1.0	µA
I _{OZH}	3-State output High current	V _{CC} = 5.5V; V _O = 2.7V; V _I = V _{IL} or V _{IH}		5.0	50		50	µA
I _{OZL}	3-State output Low current	V _{CC} = 5.5V; V _O = 0.5V; V _I = V _{IL} or V _{IH}		-5.0	-50		-50	µA
I _O	Short-circuit output current ¹	V _{CC} = 5.5V; V _O = 2.5V	-50	-100	-180	-50	-180	mA
I _{CCH}	Quiescent supply current	V _{CC} = 5.5V; Outputs High; V _I = GND or V _{CC}		50	100		100	µA
I _{CCL}		V _{CC} = 5.5V; Outputs Low; V _I = GND or V _{CC}		48	60		60	mA
I _{CCZ}		V _{CC} = 5.5V; Outputs 3-State; V _I = GND or V _{CC}		50	100		100	µA
ΔI _{CC}	Additional supply current per input pin ²	V _{CC} = 5.5V; One input at 3.4V, other inputs at V _{CC} or GND		0.5	1.5		1.5	mA

NOTES:

1. Not more than one output should be tested at a time, and the duration of the test should not exceed one second.
2. This is the increase in supply current for each input at 3.4V.

Dual octal buffer/line drivers (3-State)

MB2541

FEATURES

- 16-bit bus interfaces
- Multiple V_{CC} and GND pins minimize switching noise
- Provides ideal interface and increases fan-out of MOS Micro-processors
- Efficient pinout to facilitate PC board layout
- 3-State buffer outputs sink 64mA and source 32mA
- Latch-up protection exceeds 500mA per Jeduc JC40.2 Std 17
- ESD protection exceeds 2000 V per MIL STD 883C Method 3015.6 and 200 V per Machine Model

DESCRIPTION

The MB2541 high-performance BiCMOS device combines low static and dynamic power dissipation with high speed and high output drive.

The MB2541 has two octal buffers that are ideal for driving bus lines. The outputs are all capable of sinking 64mA and sourcing 32mA.

QUICK REFERENCE DATA

SYMBOL	PARAMETER	CONDITIONS $T_{amb} = 25^{\circ}C; GND = 0V$	TYPICAL	UNIT
t_{PLH} t_{PHL}	Propagation delay nlx to nYx	$C_L = 50pF; V_{CC} = 5V$	2.9	ns
C_{IN}	Input capacitance	$V_I = 0V \text{ or } V_{CC}$	4	pF
C_{OUT}	Output capacitance	$V_I = 0V \text{ or } V_{CC}$	7	pF
I_{CCZ}	Total supply current	Outputs Disabled; $V_{CC} = 5.5V$	500	nA

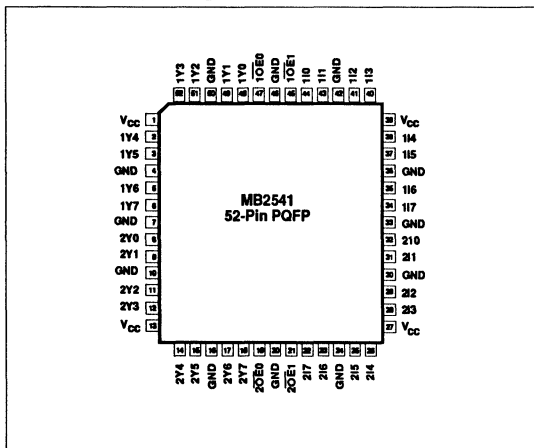
ORDERING INFORMATION

PACKAGES	TEMPERATURE RANGE	ORDER CODE
52-pin plastic QFP	-40°C to +85°C	MB2541B

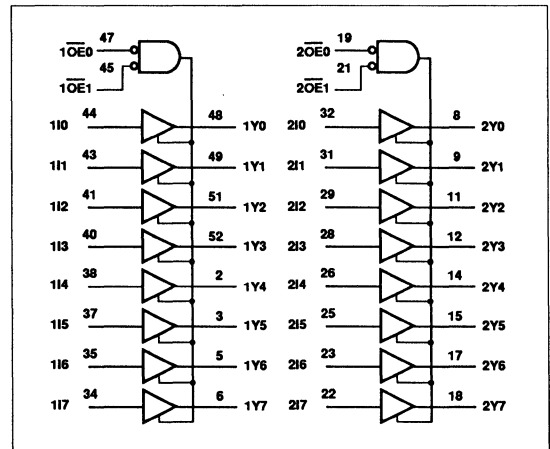
PIN DESCRIPTION

SYMBOL	PIN NUMBER	NAME AND FUNCTION
110 - 117, 210 - 217	44, 43, 41, 40, 38, 37, 35, 34, 32, 31, 29, 28, 26, 25, 23, 22	Data inputs
1Y0 - 1Y7, 2Y0 - 2Y7	48, 49, 51, 52, 2, 3, 5, 6, 8, 9, 11, 12, 14, 15, 17, 18	Data outputs (3-State)
$1OE0, 1OE1,$ $2OE0, 2OE1$	47, 45, 19, 21	Output enable inputs (active Low)
GND	4, 7, 10, 16, 20, 24, 30, 33, 36, 42, 46, 50	Ground (0V)
V_{CC}	1, 13, 27, 39	Positive supply voltage

PIN CONFIGURATION



LOGIC SYMBOL



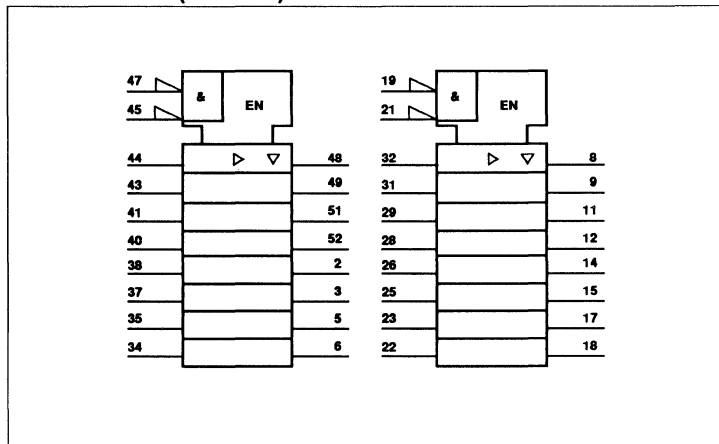
Dual octal buffer/line drivers (3-State)

MB2541

FUNCTION TABLE

INPUTS			OUTPUT
nOE0	nOE1	nIx	nYx
L	L	L	L
L	L	H	H
X	H	X	Z
H	X	X	Z

LOGIC SYMBOL (IEEE/IEC)

ABSOLUTE MAXIMUM RATINGS^{1, 2}

SYMBOL	PARAMETER	CONDITIONS	RATING	UNIT
V_{CC}	DC supply voltage		-0.5 to +7.0	V
I_{IK}	DC input diode current	$V_I < 0$	-18	mA
V_I	DC input voltage ³		-1.2 to +7.0	V
I_{OK}	DC output diode current	$V_O < 0$	-50	mA
V_{OUT}	DC output voltage ³	output in Off or High state	-0.5 to +5.5	V
I_{OUT}	DC output current	output in Low state	128	mA
T_{stg}	Storage temperature range		-65 to 150	°C

NOTES:

- Stresses beyond those listed may cause permanent damage to the device. These are stress ratings only and functional operation of the device at these or any other conditions beyond those indicated under "recommended operating conditions" is not implied. Exposure to absolute-maximum-rated conditions for extended periods may affect device reliability.
- The performance capability of a high-performance integrated circuit in conjunction with its thermal environment can create junction temperatures which are detrimental to reliability. The maximum junction temperature of this integrated circuit should not exceed 150°C.
- The input and output voltage ratings may be exceeded if the input and output current ratings are observed.

RECOMMENDED OPERATING CONDITIONS

SYMBOL	PARAMETER	LIMITS		UNIT
		Min	Max	
V_{CC}	DC supply voltage	4.5	5.5	V
V_I	Input voltage	0	V_{CC}	V
V_{IH}	High-level input voltage	2.0		V
V_{IL}	Input voltage		0.8	V
I_{OH}	High level output current		-32	mA
I_{OL}	Low level output current		64	mA
$\Delta t/\Delta v$	Input transition rise or fall rate	0	5	ns/V
T_{amb}	Operating free-air temperature range	-40	+85	°C

Dual octal buffer/line drivers (3-State)

MB2541

DC ELECTRICAL CHARACTERISTICS

SYMBOL	PARAMETER	TEST CONDITIONS	LIMITS					UNIT
			T _{amb} = +25°C			T _{amb} = -40°C to +85°C		
			Min	Typ	Max	Min	Max	
V _{IK}	Input clamp voltage	V _{CC} = 4.5V; I _{IK} = -18mA		-0.9	-1.2		-1.2	V
V _{OH}	High-level output voltage	V _{CC} = 4.5V; I _{OH} = -3mA; V _I = V _{IL} or V _{IH}	2.5	2.9		2.5		V
		V _{CC} = 5.0V; I _{OH} = -3mA; V _I = V _{IL} or V _{IH}	3.0	3.4		3.0		
		V _{CC} = 4.5V; I _{OH} = -32mA; V _I = V _{IL} or V _{IH}	2.0	2.4		2.0		
V _{OL}	Low-level output voltage	V _{CC} = 4.5V; I _{OL} = 64mA; V _I = V _{IL} or V _{IH}		0.42	0.55		0.55	V
I _I	Input leakage current	V _{CC} = 5.5V; V _I = GND or 5.5V		±0.01	±1.0		±1.0	µA
I _{OZH}	3-State output High current	V _{CC} = 5.5V; V _O = 2.7V; V _I = V _{IL} or V _{IH}		5.0	50		50	µA
I _{OZL}	3-State output Low current	V _{CC} = 5.5V; V _O = 0.5V; V _I = V _{IL} or V _{IH}		-5.0	-50		-50	µA
I _O	Short-circuit output current ¹	V _{CC} = 5.5V; V _O = 2.5V	-50	-100	-180	-50	-180	mA
I _{COH}	Quiescent supply current	V _{CC} = 5.5V; Outputs High; V _I = GND or V _{CC}		50	100		100	µA
I _{CCL}		V _{CC} = 5.5V; Outputs Low; V _I = GND or V _{CC}		48	60		60	mA
I _{CCZ}		V _{CC} = 5.5V; Outputs 3-State; V _I = GND or V _{CC}		50	100		100	µA
ΔI _{CC}	Additional supply current per input pin ²	V _{CC} = 5.5V; One input at 3.4V, other inputs at V _{CC} or GND		0.5	1.5		1.5	mA

NOTES:

1. Not more than one output should be tested at a time, and the duration of the test should not exceed one second.
2. This is the increase in supply current for each input at 3.4V.

Dual octal latched transceivers with dual enable (3-State)

MB2543

FEATURES

- 16-bit dual octal transceiver with D-type latch
- Multiple V_{CC} and GND pins minimize switching noise
- Back-to-back registers for storage
- Separate controls for data flow in each direction
- Output capability: +64mA/-32mA
- Latch-up protection exceeds 500mA per Jedec JC40.2 Std 17
- ESD protection exceeds 2000 V per MIL STD 883C Method 3015.6 and 200 V per Machine Model

DESCRIPTION

The MB2543 high-performance BiCMOS device combines low static and dynamic power dissipation with high speed and high output drive.

The MB2543 dual octal registered transceiver contains two sets of D-type latches for temporary storage of data flowing in either direction. Separate Latch Enable ($nLEAB$, $nLEBA$) and Output Enable ($nOEAB$, $nOEBA$) inputs are provided for each register to permit inde-

QUICK REFERENCE DATA

SYMBOL	PARAMETER	CONDITIONS $T_{amb} = 25^{\circ}C; GND = 0V$	TYPICAL	UNIT
t_{PLH} t_{PHL}	Propagation delay An to Bn	$C_L = 50pF; V_{CC} = 5V$	4.4	ns
C_{IN}	Input capacitance	$V_I = 0V$ or V_{CC}	4	pF
C_{IO}	I/O capacitance	$V_I = 0V$ or V_{CC}	7	pF
I_{CCZ}	Total supply current	Outputs Disabled; $V_{CC} = 5.5V$	500	nA

ORDERING INFORMATION

PACKAGES	TEMPERATURE RANGE	ORDER CODE
52-pin plastic QFP	-40°C to +85°C	MB2543B

pendent control of data transfer in either direction. The outputs are guaranteed to sink 64mA.

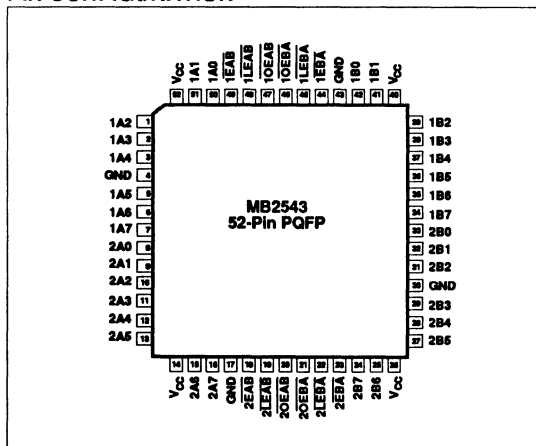
FUNCTIONAL DESCRIPTION

The MB2543 contains two sets of eight D-type latches, with separate control pins for each set. Using data flow from A to B as an example, when the A-to-B Enable ($nEAB$) input and the A-to-B Latch Enable ($nLEAB$) input are Low the A-to-B path is transparent. A subsequent Low-to High transition of the

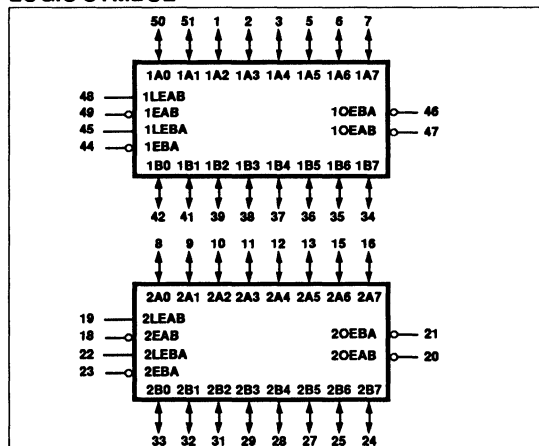
$nLEAB$ signal puts the A data into the latches where it is stored and the B outputs no longer change with the A inputs. With $nEAB$ and $nOEAB$ both Low, the 3-State B output buffers are active and display the data present at the outputs of the A latches.

Control of data flow from B to A is similar, but using the $nEBA$, $nLEBA$, and $nOEBA$ inputs.

PIN CONFIGURATION



LOGIC SYMBOL



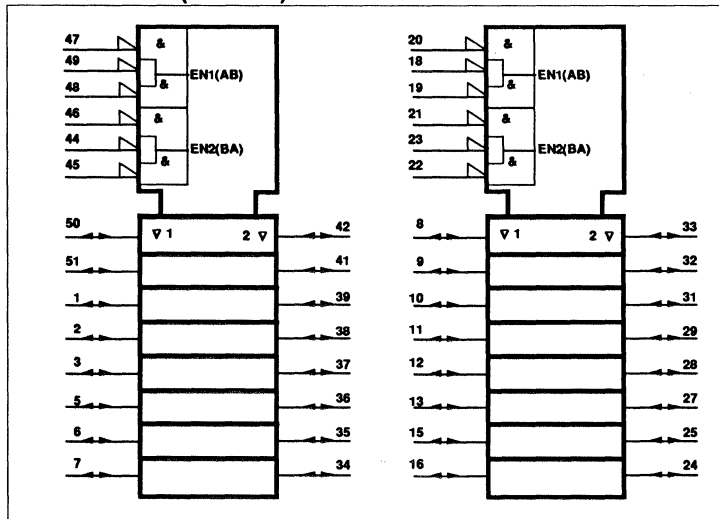
Dual octal latched transceivers with dual enable (3-State)

MB2543

PIN DESCRIPTION

SYMBOL	PIN NUMBER	NAME AND FUNCTION
1A0 - 1A7, 2A0 - 2A7	50, 51, 1, 2, 3, 5, 6, 7, 8, 9, 10, 11, 12, 13, 15, 16	Data inputs
1B0 - 1B7, 2B0 - 2B7	42, 41, 39, 38, 37, 36, 35, 34, 33, 32, 31, 29, 28, 27, 25, 24	Data outputs
$\overline{1OEAB}$, $\overline{1OEBA}$, $\overline{2OEAB}$, $\overline{2OEBA}$	47, 46, 20, 21	A to B / B to A Output Enable input (Active Low)
$\overline{1EAB}$, $\overline{1EBA}$, $\overline{2EAB}$, $\overline{2EBA}$	49, 44, 18, 23	A to B / B to A Enable input (Active Low)
1LEAB, 1LEBA, 2LEAB, 2LEBA	48, 45, 19, 22	A to B / B to A Latch Enable input (Active Low)
GND	4, 17, 30, 43	Ground (0V)
V _{CC}	14, 26, 40, 52	Positive supply voltage

LOGIC SYMBOL (IEEE/IEC)



Dual octal latched transceivers with dual enable (3-State)

MB2543

FUNCTION TABLE

INPUTS			DATA	OUTPUTS	STATUS
$\overline{nOE}XX$	\overline{nEXX}	\overline{nLEXX}			
H	X	X	X	Z	Disabled
X	H	X	X	Z	Disabled
L	\uparrow	L	h	Z	Disabled + Latch
L	\uparrow	L	l	Z	
L	L	\uparrow	h	H	Latch + Display
L	L	\uparrow	l	L	
L	L	L	H	H	Transparent
L	L	L	L	L	
L	L	H	X	NC	Hold

H= High voltage level

L= Low voltage level

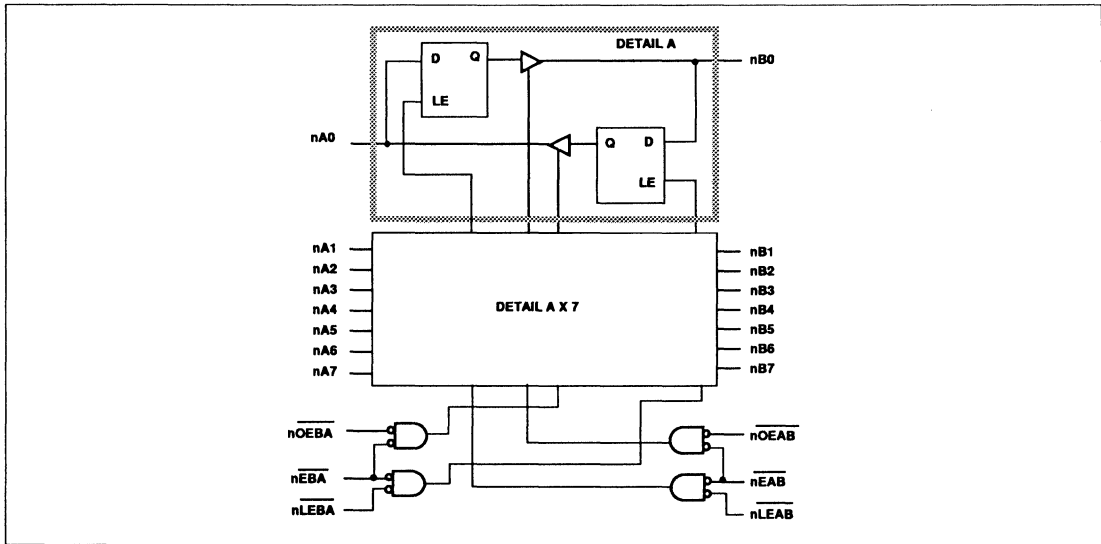
h= High state must be present one setup time before the Low-to-High transition of \overline{nLEXX} or \overline{nEXX} (XX=AB or BA)l= Low state must be present one setup time before the Low-to-High transition of \overline{nLEXX} or \overline{nEXX} (XX=AB or BA) \uparrow =Low-to-High transition of \overline{nLEXX} or \overline{nEXX} (XX=AB or BA)

X=Don't care

NC=No change

Z =High impedance "off" state

LOGIC DIAGRAM



Dual octal latched transceivers with dual enable (3-State)

MB2543

RECOMMENDED OPERATING CONDITIONS

SYMBOL	PARAMETER	LIMITS		UNIT
		Min	Max	
V_{CC}	DC supply voltage	4.5	5.5	V
V_I	Input voltage	0	V_{CC}	V
V_{IH}	High-level input voltage	2.0		V
V_{IL}	Input voltage		0.8	V
I_{OH}	High level output current		-32	mA
I_{OL}	Low level output current		64	mA
$\Delta V/\Delta t$	Input transition rise or fall rate	0	10	ns/V
T_{amb}	Operating free-air temperature range	-40	+85	°C

ABSOLUTE MAXIMUM RATINGS^{1, 2}

SYMBOL	PARAMETER	CONDITIONS	RATING	UNIT
V_{CC}	DC supply voltage		-0.5 to +7.0	V
I_{IK}	DC input diode current	$V_I < 0$	-18	mA
V_I	DC input voltage ³		-1.2 to +7.0	V
I_{OK}	DC output diode current	$V_O < 0$	-50	mA
V_{OUT}	DC output voltage ³	output in Off or High state	-0.5 to +5.5	V
I_{OUT}	DC output current	output in Low state	128	mA
T_{sig}	Storage temperature range		-65 to 150	°C

NOTES:

1. Stresses beyond those listed may cause permanent damage to the device. These are stress ratings only and functional operation of the device at these or any other conditions beyond those indicated under "recommended operating conditions" is not implied. Exposure to absolute-maximum-rated conditions for extended periods may affect device reliability.
2. The performance capability of a high-performance integrated circuit in conjunction with its thermal environment can create junction temperatures which are detrimental to reliability. The maximum junction temperature of this integrated circuit should not exceed 150°C.
3. The input and output voltage ratings may be exceeded if the input and output current ratings are observed.

Dual octal latched transceivers with dual enable (3-State)

MB2543

DC ELECTRICAL CHARACTERISTICS

SYMBOL	PARAMETER	TEST CONDITIONS	LIMITS					UNIT
			T _{amb} = +25°C			T _{amb} = -40°C to +85°C		
			Min	Typ	Max	Min	Max	
V _{IK}	Input clamp voltage	V _{CC} = 4.5V; I _{IK} = -18mA		-0.9	-1.2		-1.2	V
V _{OH}	High-level output voltage	V _{CC} = 4.5V; I _{OH} = -3mA; V _I = V _{IL} or V _{IH}	2.5	3.5		2.5		V
		V _{CC} = 5.0V; I _{OH} = -3mA; V _I = V _{IL} or V _{IH}	3.0	4.0		3.0		
		V _{CC} = 4.5V; I _{OH} = -32mA; V _I = V _{IL} or V _{IH}	2.0	2.6		2.0		
V _{OL}	Low-level output voltage	V _{CC} = 4.5V; I _{OL} = 64mA; V _I = V _{IL} or V _{IH}		0.42	0.55		0.55	V
I _I	Input leakage current	Control pins V _{CC} = 5.5V; V _I = GND or 5.5V		±0.01	±1.0		±1.0	μA
		Data pins V _{CC} = 5.5V; V _I = GND or 5.5V		5	100		100	
I _{IH} + I _{OZH}	3-State output High current	V _{CC} = 5.5V; V _O = 2.7V; V _I = V _{IL} or V _{IH}		5.0	50		50	μA
I _{IL} + I _{OZL}	3-State output Low current	V _{CC} = 5.5V; V _O = 0.5V; V _I = V _{IL} or V _{IH}		-5.0	-50		-50	μA
I _O	Short-circuit output current ¹	V _{CC} = 5.5V; V _O = 2.5V	-50	-80	-180	-50	-180	mA
I _{CCH}	Quiescent supply current	V _{CC} = 5.5V; Outputs High; V _I = GND or V _{CC}		50	100		100	μA
I _{CCL}		V _{CC} = 5.5V; Outputs Low; V _I = GND or V _{CC}		48	60		60	mA
I _{CCZ}		V _{CC} = 5.5V; Outputs 3-State; V _I = GND or V _{CC}		50	100		100	μA
ΔI _{CC}	Additional supply current per input pin ²	One input at 3.4V, other inputs at V _{CC} or GND; V _{CC} = 5.5V		0.3	1.5		1.5	mA

NOTES:

- Not more than one output should be tested at a time, and the duration of the test should not exceed one second.
- This is the increase in supply current for each input at 3.4V.

Dual octal transceiver with dual enable, non-inverting (3-State)

MB2623

FEATURES

- 16-bit bidirectional bus interface
- 3-State buffers
- Multiple V_{CC} and GND pins minimize switching noise
- Output capability: +64 mA/-32mA
- Latch-up protection exceeds 500mA per Jedec JC40.2 Std 17
- ESD protection exceeds 2000 V per MIL STD 883C Method 3015.6 and 200 V per Machine Model

DESCRIPTION

The MB2623 high-performance BiCMOS device combines low static and dynamic power dissipation with high speed and high output drive.

The MB2623 device is a dual octal transceiver featuring non-inverting 3-State bus compatible outputs in both send and receive directions. The MB2623 is designed for asynchronous two-way communication between data buses.

(continued)

FUNCTION TABLE

INPUTS		INPUTS/OUTPUTS	
$\overline{\text{nOEBA}}$	nOEAB	nAx	nBx
L	L	A = B	Inputs
H	H	Inputs	B = A
H	L	Z	Z
L	H	A=B	B=A

QUICK REFERENCE DATA

SYMBOL	PARAMETER	CONDITIONS T _{amb} = 25°C; GND = 0V	TYPICAL	UNIT
t _{PLH} t _{PHL}	Propagation delay nAx to nBx, or nBx to nAx	C _L = 50pF; V _{CC} = 5V	2.9	ns
C _{OExx}	Input capacitance	V _I = 0V or V _{CC}	4	pF
C _{IO}	I/O pin capacitance	V _I = 0V or V _{CC}	7	pF
I _{CCZ}	Total supply current	Outputs Disabled; V _{CC} = 5.5V	500	nA

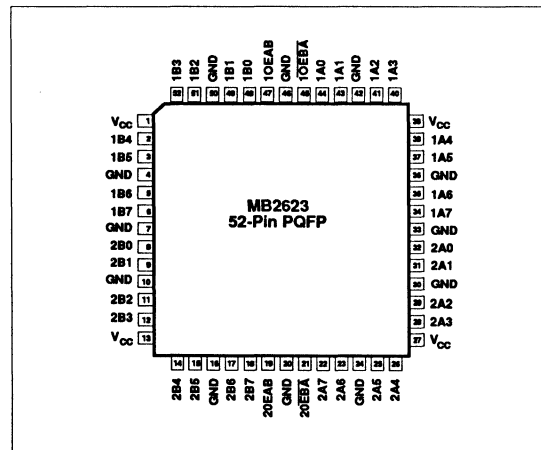
ORDERING INFORMATION

PACKAGES	TEMPERATURE RANGE	ORDER CODE
52-pin plastic QFP	-40°C to +85°C	MB2623B

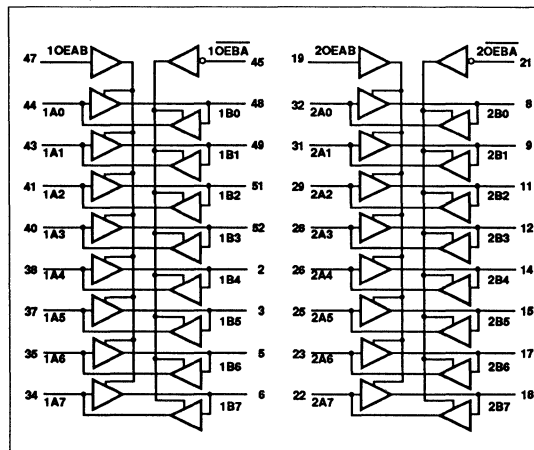
PIN DESCRIPTION

SYMBOL	PIN NUMBER	NAME AND FUNCTION
1OEAB, 2OEAB	47, 19	Output Enable inputs (Active High)
1A0 - 1A7, 2A0 - 2A7	44, 43, 41, 40, 38, 37, 35, 34, 32, 31, 29, 28, 26, 25, 23, 22	Data inputs/outputs (A side)
1B0 - 1B7 2B0 - 2B7	48, 49, 51, 52, 2, 3, 5, 6, 8, 9, 11, 12, 14, 15, 17, 18	Data inputs/outputs (B side)
$\overline{1OEBA}$, $\overline{2OEBA}$	45, 21	Output Enable inputs (Active Low)
GND	4, 7, 10, 16, 20, 24, 30, 33, 36, 42, 46, 50	Ground (0V)
V _{CC}	1, 13, 27, 39	Positive supply voltage

PIN CONFIGURATION



LOGIC SYMBOL

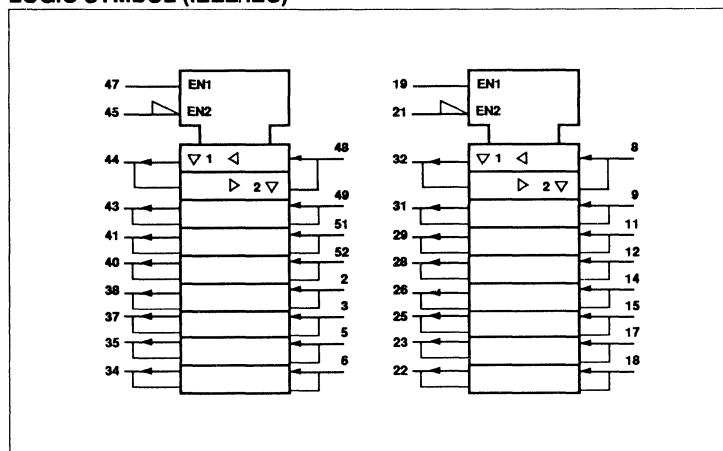


Dual octal transceiver with dual enable, non-inverting (3-State)

MB2623

The control function implementation allows for maximum flexibility in timing. This device allows data transmission from the A bus to the B bus or from the B bus to the A bus, depending upon the logic levels at the Enable inputs (nOEBA and nOEAB). The Enable inputs can be used to disable the device so that the buses are effectively isolated.

LOGIC SYMBOL (IEEE/IEC)



ABSOLUTE MAXIMUM RATINGS^{1, 2}

SYMBOL	PARAMETER	CONDITIONS	RATING	UNIT
V _{CC}	DC supply voltage		-0.5 to +7.0	V
I _{IK}	DC input diode current	V _I < 0	-18	mA
V _I	DC input voltage ³		-1.2 to +7.0	V
I _{OK}	DC output diode current	V _O < 0	-50	mA
V _{OUT}	DC output voltage ³	output in Off or High state	-0.5 to +5.5	V
I _{OUT}	DC output current	output in Low state	128	mA
T _{stg}	Storage temperature range		-65 to 150	°C

NOTES:

- Stresses beyond those listed may cause permanent damage to the device. These are stress ratings only and functional operation of the device at these or any other conditions beyond those indicated under "recommended operating conditions" is not implied. Exposure to absolute-maximum-rated conditions for extended periods may affect device reliability.
- The performance capability of a high-performance integrated circuit in conjunction with its thermal environment can create junction temperatures which are detrimental to reliability. The maximum junction temperature of this integrated circuit should not exceed 150°C.
- The input and output voltage ratings may be exceeded if the input and output current ratings are observed.

RECOMMENDED OPERATING CONDITIONS

SYMBOL	PARAMETER	LIMITS		UNIT
		Min	Max	
V _{CC}	DC supply voltage	4.5	5.5	V
V _I	Input voltage	0	V _{CC}	V
V _{IH}	High-level input voltage	2.0		V
V _{IL}	Input voltage		0.8	V
I _{OH}	High level output current		-32	mA
I _{OL}	Low level output current		64	mA
ΔV/ΔV	Input transition rise or fall rate	0	5	ns/V
T _{amb}	Operating free-air temperature range	-40	+85	°C

Dual octal transceiver with dual enable,
non-inverting (3-State)

MB2623

DC ELECTRICAL CHARACTERISTICS

SYMBOL	PARAMETER	TEST CONDITIONS	LIMITS					UNIT
			T _{amb} = +25°C			T _{amb} = -40°C to +85°C		
			Min	Typ	Max	Min	Max	
V _{IK}	Input clamp voltage	V _{CC} = 4.5V; I _{IK} = -18mA		-0.9	-1.2		-1.2	V
V _{OH}	High-level output voltage	V _{CC} = 4.5V; I _{OH} = -3mA; V _I = V _{IL} or V _{IH}	2.5	3.5		2.5		V
		V _{CC} = 5.0V; I _{OH} = -3mA; V _I = V _{IL} or V _{IH}	3.0	4.0		3.0		
		V _{CC} = 4.5V; I _{OH} = -32mA; V _I = V _{IL} or V _{IH}	2.0	2.6		2.0		
V _{OL}	Low-level output voltage	V _{CC} = 4.5V; I _{OL} = 64mA; V _I = V _{IL} or V _{IH}		0.42	0.55		0.55	V
I _I	Input leakage current	Control pins	V _{CC} = 5.5V; V _I = GND or 5.5V			±0.01	±1.0	µA
		Data pins	V _{CC} = 5.5V; V _I = GND or 5.5V			5	100	
I _{IH} + I _{OZH}	3-State output High current	V _{CC} = 5.5V; V _O = 2.7V; V _I = V _{IL} or V _{IH}		5.0	50		50	µA
I _{IL} + I _{OZL}	3-State output Low current	V _{CC} = 5.5V; V _O = 0.5V; V _I = V _{IL} or V _{IH}		-5.0	-50		-50	µA
I _O	Short-circuit output current ¹	V _{CC} = 5.5V; V _O = 2.5V	-50	-80	-180	-50	-180	mA
I _{CCH}	Quiescent supply current	V _{CC} = 5.5V; Outputs High; V _I = GND or V _{CC}		50	100		100	µA
I _{CCL}		V _{CC} = 5.5V; Outputs Low; V _I = GND or V _{CC}		48	60		60	mA
I _{CCZ}		V _{CC} = 5.5V; Outputs 3-State; V _I = GND or V _{CC}		50	100		100	µA
ΔI _{CC}	Additional supply current per input pin ²	One input at 3.4V, other inputs at V _{CC} or GND; V _{CC} = 5.5V		0.3	1.5		1.5	mA

NOTES:

1. Not more than one output should be tested at a time, and the duration of the test should not exceed one second.
2. This is the increase in supply current for each input at 3.4V.

Dual octal bus transceivers/registers (3-State)

MB2646

FEATURES

- Independent registers for A and B buses
- Multiple V_{CC} and GND pins minimize switching noise
- Multiplexed real-time and stored data
- Outputs sink 64mA and source 32mA
- Latch-up protection exceeds 500mA per Jeduc JC40.2 Std 17
- ESD protection exceeds 2000 V per MIL STD 883C Method 3015.6 and 200 V per Machine Model

DESCRIPTION

The MB2646 high-performance BiCMOS device combines low static and dynamic power dissipation with high speed and high output drive.

The MB2646 dual transceiver/register consists of two sets of bus transceiver circuits with 3-State outputs, D-type flip-flops, and control circuitry arranged for multiplexed transmission of data directly from the input bus or from the internal registers. Data on the A or B bus will be clocked into the registers as the appropriate clock pin goes High. Output Enable (\overline{nOE}) and Direction ($nDIR$) pins are provided to control the transceiver function. In the transceiver mode, data present at the high impedance port may be stored in either the A or B register or both.

(continued)

QUICK REFERENCE DATA

SYMBOL	PARAMETER	CONDITIONS $T_{amb} = 25^{\circ}C; GND = 0V$	TYPICAL	UNIT
t_{PLH} t_{PHL}	Propagation delay nAx to nBx , or nBx to nAx	$C_L = 50pF; V_{CC} = 5V$	4.4	ns
C_{IN}	Input capacitance CP, S, \overline{OE}	$V_I = 0V$ or V_{CC}	4	pF
C_{VO}	I/O capacitance	$V_I = 0V$ or V_{CC}	7	pF
I_{CCZ}	Total supply current	Outputs Disabled; $V_{CC} = 5.5V$	500	nA

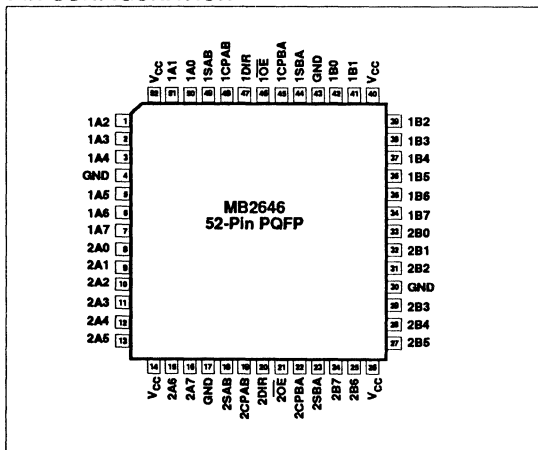
ORDERING INFORMATION

PACKAGES	TEMPERATURE RANGE	ORDER CODE
52-pin plastic QFP	-40°C to +85°C	MB2646B

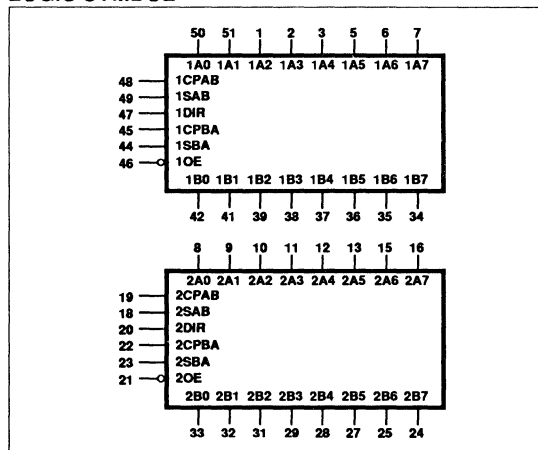
PIN DESCRIPTION

SYMBOL	PIN NUMBER	NAME AND FUNCTION
1CPAB, 1CPBA, 2CPAB, 2CPBA	48, 45, 19, 22	Clock input A to B / Clock input B to A
1SAB, 1SBA, 2SAB, 2SBA	49, 44, 18, 23	Select input A to B / Select input B to A
1DIR, 2DIR	47, 20	Direction control input
1A0 - 1A7, 2A0 - 2A7	50, 51, 1, 2, 3, 5, 6, 7, 8, 9, 10, 11, 12, 13, 15, 16	Data inputs/outputs (A side)
1B0 - 1B7, 2B0 - 2B7	42, 41, 39, 38, 37, 36, 35, 34, 33, 32, 31, 29, 28, 27, 25, 24	Data inputs/outputs (B side)
$\overline{1OE}, \overline{2OE}$	46, 21	Output Enable inputs (Active Low)
GND	4, 17, 30, 43	Ground (0V)
V_{CC}	14, 26, 40, 52	Positive supply voltage

PIN CONFIGURATION



LOGIC SYMBOL



Dual octal bus transceivers/registers (3-State)

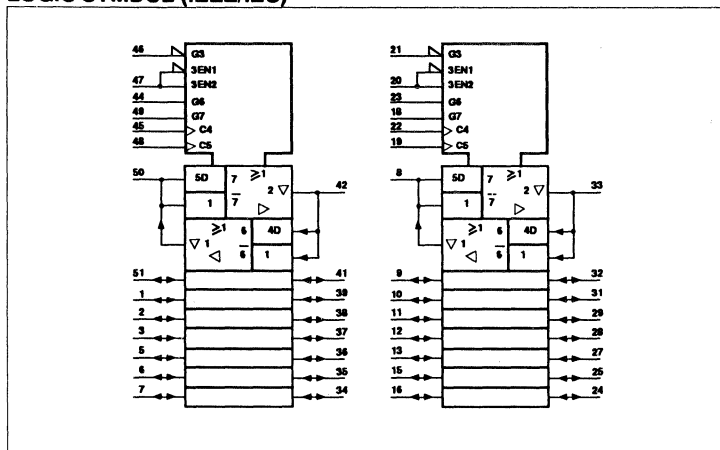
MB2646

The select (nSAB, nSBA) pins determine whether data is stored or transferred through the device in real-time. The nDIR determines which bus will receive data when the nOE is active Low. In the isolation mode (nOE =

High), data from Bus A may be stored in the B register and/or data from Bus B may be stored in the A register. When an output function is disabled, the input function is still enabled and may be used to store and transmit data. Only

one of the two buses, A or B may be driven at a time. The examples on the next page demonstrate the four fundamental bus management functions that can be performed with the MB2646.

LOGIC SYMBOL (IEEE/IEC)



FUNCTION TABLE

INPUTS						DATA I/O		OPERATING MODE
nOE	nDIR	nCPAB	nCPBA	nSAB	nSBA	nA0-nA7	nB0-nB7	
X	X	↑	X	X	X	Input	Unspecified*	Store A, B unspecified*
X	X	X	↑	X	X	Unspecified*	Input	Store B, A unspecified*
H	X	↑	↑	X	X	Input	Input	Store A and B data
H	X	H or L	H or L	X	X			Isolation, hold storage
L	L	X	X	X	L	Output	Input	Real time B data to A bus
L	L	X	H or L	X	H			Stored B data to A bus
L	H	X	X	L	X	Input	Output	Real time A data to B bus
L	H	H or L	X	H	X			Stored A data to B bus

H = High voltage level

L = Low voltage level

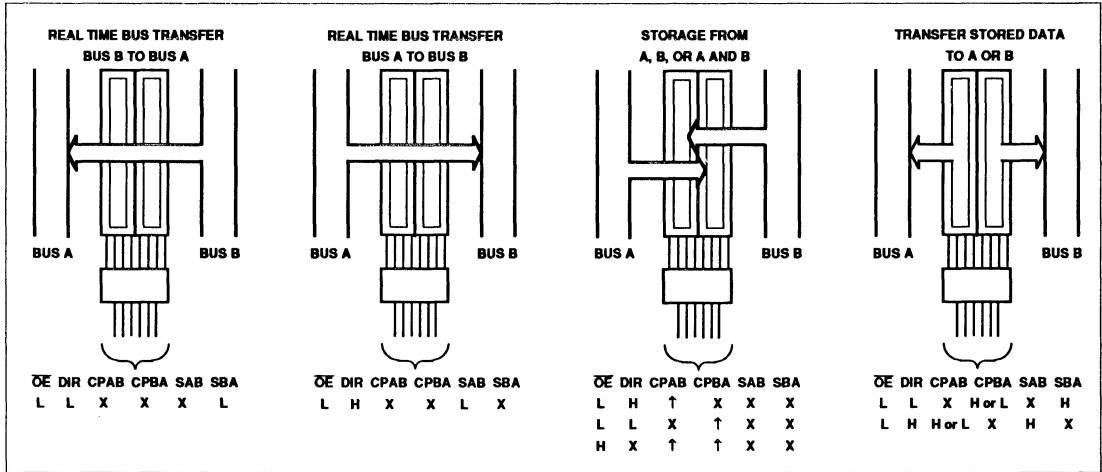
X = Don't care

↑ = Low-to High clock transition

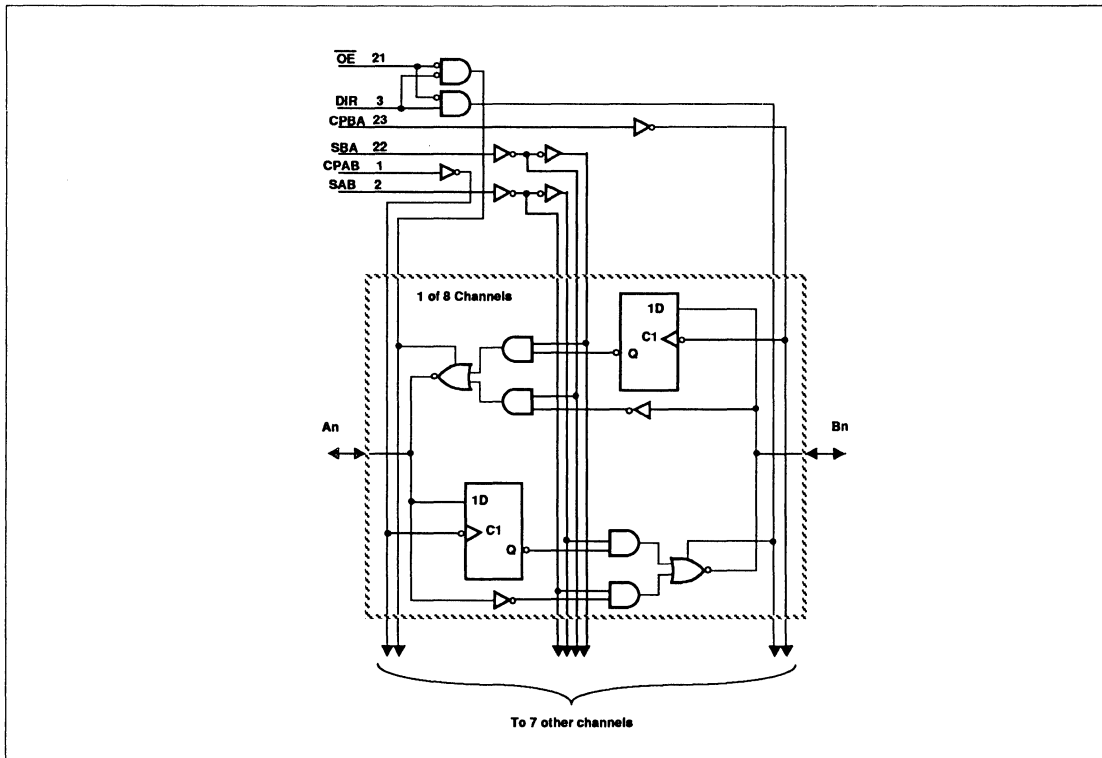
* = The data output function may be enabled or disabled by various signals at the OE and DIR inputs. Data input functions are always enabled, i.e., data at the bus pins will be stored on every Low-to High transition of the clock.

Dual octal bus transceivers/registers (3-State)

MB2646



LOGIC DIAGRAM



Dual octal bus transceivers/registers (3-State)

MB2646

ABSOLUTE MAXIMUM RATINGS^{1, 2}

SYMBOL	PARAMETER	CONDITIONS	RATING	UNIT
V_{CC}	DC supply voltage		-0.5 to +7.0	V
I_{IK}	DC input diode current	$V_I < 0$	-18	mA
V_I	DC input voltage ³		-1.2 to +7.0	V
I_{OK}	DC output diode current	$V_O < 0$	-50	mA
V_{OUT}	DC output voltage ³	output in Off or High state	-0.5 to +5.5	V
I_{OUT}	DC output current	output in Low state	128	mA
T_{stg}	Storage temperature range		-65 to 150	°C

NOTES:

- Stresses beyond those listed may cause permanent damage to the device. These are stress ratings only and functional operation of the device at these or any other conditions beyond those indicated under "recommended operating conditions" is not implied. Exposure to absolute-maximum-rated conditions for extended periods may affect device reliability.
- The performance capability of a high-performance integrated circuit in conjunction with its thermal environment can create junction temperatures which are detrimental to reliability. The maximum junction temperature of this integrated circuit should not exceed 150°C.
- The input and output voltage ratings may be exceeded if the input and output current ratings are observed.

RECOMMENDED OPERATING CONDITIONS

SYMBOL	PARAMETER	LIMITS		UNIT
		Min	Max	
V_{CC}	DC supply voltage	4.5	5.5	V
V_I	Input voltage	0	V_{CC}	V
V_{IH}	High-level input voltage	2.0		V
V_{IL}	Input voltage		0.8	V
I_{OH}	High level output current		-32	mA
I_{OL}	Low level output current		64	mA
$\Delta t/\Delta v$	Input transition rise or fall rate	0	10	ns/V
T_{amb}	Operating free-air temperature range	-40	+85	°C

Dual octal bus transceivers/registers (3-State)

MB2646

DC ELECTRICAL CHARACTERISTICS

SYMBOL	PARAMETER	TEST CONDITIONS	LIMITS					UNIT
			T _{amb} = +25°C			T _{amb} = -40°C to +85°C		
			Min	Typ	Max	Min	Max	
V _{IK}	Input clamp voltage	V _{CC} = 4.5V; I _{IK} = -18mA		-0.9	-1.2		-1.2	V
V _{OH}	High-level output voltage	V _{CC} = 4.5V; I _{OH} = -3mA; V _I = V _{IL} or V _{IH}	2.5	3.5		2.5		V
		V _{CC} = 5.0V; I _{OH} = -3mA; V _I = V _{IL} or V _{IH}	3.0	4.0		3.0		
		V _{CC} = 4.5V; I _{OH} = -32mA; V _I = V _{IL} or V _{IH}	2.0	2.6		2.0		
V _{OL}	Low-level output voltage	V _{CC} = 4.5V; I _{OL} = 64mA; V _I = V _{IL} or V _{IH}		0.42	0.55		0.55	V
I _I	Input leakage current	Control pins	V _{CC} = 5.5V; V _I = GND or 5.5V		±0.01	±1.0	±1.0	µA
		Data pins	V _{CC} = 5.5V; V _I = GND or 5.5V		5	100	100	
I _{IH} + I _{OZH}	3-State output High current	V _{CC} = 5.5V; V _O = 2.7V; V _I = V _{IL} or V _{IH}		5.0	50		50	µA
I _{IL} + I _{OZL}	3-State output Low current	V _{CC} = 5.5V; V _O = 0.5V; V _I = V _{IL} or V _{IH}		-5.0	-50		-50	µA
I _O	Short-circuit output current ¹	V _{CC} = 5.5V; V _O = 2.5V	-50	-80	-180	-50	-180	mA
I _{CCH}	Quiescent supply current	V _{CC} = 5.5V; Outputs High; V _I = GND or V _{CC}		50	100		100	µA
I _{CCL}		V _{CC} = 5.5V; Outputs Low; V _I = GND or V _{CC}		48	60		60	mA
I _{CCZ}		V _{CC} = 5.5V; Outputs 3-State; V _I = GND or V _{CC}		50	100		100	µA
ΔI _{CC}	Additional supply current per input pin ²	One input at 3.4V, other inputs at V _{CC} or GND; V _{CC} = 5.5V		0.3	1.5		1.5	mA

NOTES:

- Not more than one output should be tested at a time, and the duration of the test should not exceed one second.
- This is the increase in supply current for each input at 3.4V.

Dual octal transceivers/registers, non-inverting (3-State)

MB2652

FEATURES

- Independent registers for A and B buses
- Multiplexed real-time and stored data
- 3-State outputs
- Multiple V_{CC} and GND pins minimize switching noise
- Output capability: +64mA/-32mA
- Latch-up protection exceeds 500mA per Jeduc JC40.2 Std 17
- ESD protection exceeds 2000 V per MIL STD 883C Method 3015.6 and 200 V per Machine Model

DESCRIPTION

The MB2652 high-performance BiCMOS device combines low static and dynamic power dissipation with high speed and high output drive.

The MB2652 transceiver/ register consists of two sets of bus transceiver circuits with 3-State outputs, D-type flip-flops, and control circuitry arranged for multiplexed transmission of data directly from the input bus or the internal registers. Data on the A or B bus will be clocked into the registers as the appropriate clock pin goes High. Output Enable ($nOEAB$, $nOEBA$) and Select ($nSAB$, $nSBA$) pins are provided for bus management.

(continued)

QUICK REFERENCE DATA

SYMBOL	PARAMETER	CONDITIONS $T_{amb} = 25^{\circ}C; GND = 0V$	TYPICAL	UNIT
t_{PLH} t_{PHL}	Propagation delay CPAB or CPBA to nAx or nBx	$C_L = 50pF; V_{CC} = 5V$	5.4	ns
C_{IN}	Input capacitance	$V_I = 0V$ or V_{CC}	4	pF
C_{OUT}	Output capacitance	$V_I = 0V$ or V_{CC}	7	pF
I_{CCZ}	Total supply current	Outputs Disabled; $V_{CC} = 5.5V$	500	nA

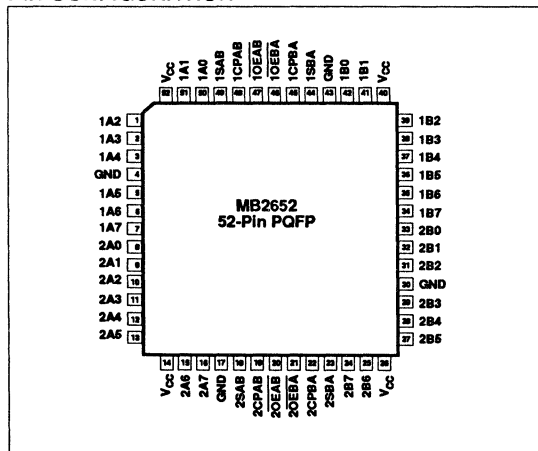
ORDERING INFORMATION

PACKAGES	TEMPERATURE RANGE	ORDER CODE
52-pin plastic QFP	-40°C to +85°C	MB2652B

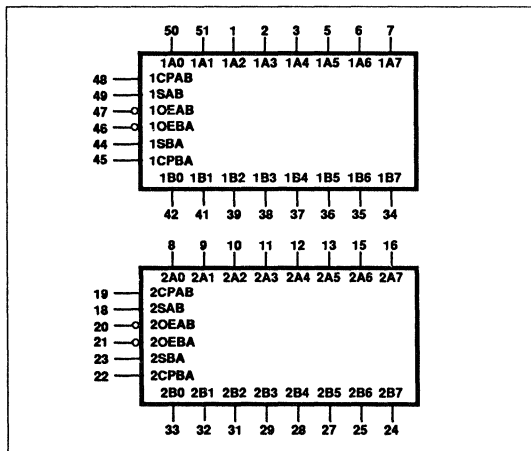
PIN DESCRIPTION

SYMBOL	PIN NUMBER	NAME AND FUNCTION
1CPAB, 1CPBA, 2CPAB, 2CPBA	48, 45, 19, 22	Clock input A to B / Clock input B to A
1SAB, 1SBA, 2SAB, 2SBA	49, 44, 18, 23	Select input A to B / Select input B to A
1A0 - 1A7, 2A0 - 2A7	50, 51, 1, 2, 3, 5, 6, 7, 8, 9, 10, 11, 12, 13, 15, 16	Data inputs/outputs (A side)
1B0 - 1B7 2B0 - 2B7	42, 41, 39, 38, 37, 36, 35, 34, 33, 32, 31, 29, 28, 27, 25, 24	Data inputs/outputs (B side)
$1OEAB$, $1OEBA$, $2OEAB$, $2OEBA$	47, 46, 20, 21	Output Enable inputs (Active Low)
GND	4, 17, 30, 43	Ground (0V)
V_{CC}	14, 26, 40, 52	Positive supply voltage

PIN CONFIGURATION



LOGIC SYMBOL



Dual octal transceivers/registers, non-inverting (3-State)

MB2652

FUNCTION TABLE

INPUTS				DATA I/O				OPERATING MODE
nOEAB	nOEBA	nCPAB	nCPBA	nSAB	nSBA	nAx	nAx	
L	H	H or L	H or L	X	X	Input	Input	Isolation Store A and B data
L	H	↑	↑	X	X	Input	Unspecified output *	Store A, Hold B Store A in both registers
X	H	↑	H or L	X	X			
H	H	↑	↑	**	X	Unspecified output *	Input	Hold A, Store B Store B in both registers
L	X	H or L	↑	X	X			
L	L	↑	↑	X	**	Output	Input	Real time B data to A bus Stored B data to A bus
L	L	X	X	X	L			
L	L	X	H or L	X	H	Input	Output	Real time A data to B bus Store A data to B bus
H	H	X	X	L	X			
H	H	H or L	X	H	X	Output	Output	Stored A data to B bus Stored B data to A bus
H	L	H or L	H or L	H	H			

H = High voltage level
L = Low voltage level

* = The data output function may be enabled or disabled by various signals at the nOEBA and nOEAB inputs. Data input functions are always enabled, i.e., data at the bus pins will be stored on every Low-to-High transition of the clock.

↑ = Low-to-High clock transition

X = Don't care

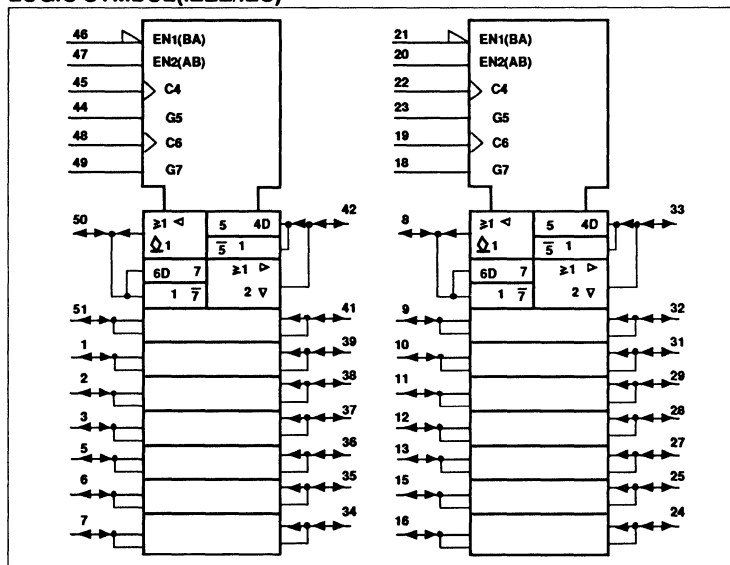
** If Select control = L, then clocks can occur simultaneously. If Select control = H, the clocks must be staggered in order to load both registers.

The examples on the next page demonstrate the four fundamental bus-management functions that can be performed with the MB2652.

The select pins determine whether data is stored or transferred through the device in real time.

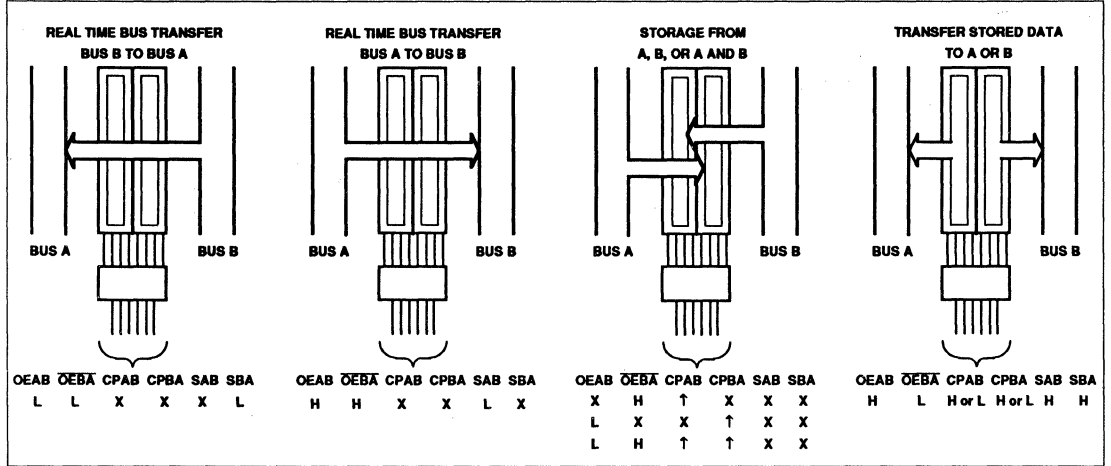
The output enable pins determine the direction of the data flow.

LOGIC SYMBOL (IEEE/IEC)

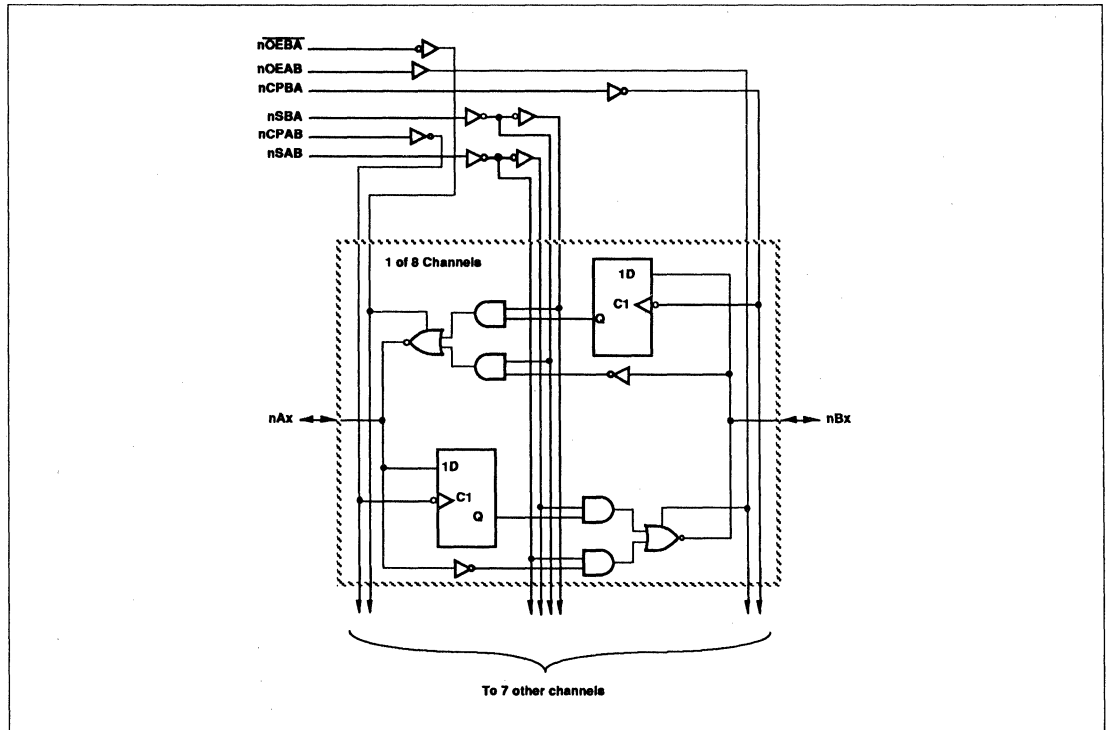


Dual octal transceivers/registers, non-inverting (3-State)

MB2652



LOGIC DIAGRAM



Dual octal transceivers/registers, non-inverting (3-State)

MB2652

ABSOLUTE MAXIMUM RATINGS^{1, 2}

SYMBOL	PARAMETER	CONDITIONS	RATING	UNIT
V_{CC}	DC supply voltage		-0.5 to +7.0	V
I_{IK}	DC input diode current	$V_I < 0$	-18	mA
V_I	DC input voltage ³		-1.2 to +7.0	V
I_{OK}	DC output diode current	$V_O < 0$	-50	mA
V_{OUT}	DC output voltage ³	output in Off or High state	-0.5 to +5.5	V
I_{OUT}	DC output current	output in Low state	128	mA
T_{stg}	Storage temperature range		-65 to 150	°C

NOTES:

1. Stresses beyond those listed may cause permanent damage to the device. These are stress ratings only and functional operation of the device at these or any other conditions beyond those indicated under "recommended operating conditions" is not implied. Exposure to absolute-maximum-rated conditions for extended periods may affect device reliability.
2. The performance capability of a high-performance integrated circuit in conjunction with its thermal environment can create junction temperatures which are detrimental to reliability. The maximum junction temperature of this integrated circuit should not exceed 150°C.
3. The input and output voltage ratings may be exceeded if the input and output current ratings are observed.

RECOMMENDED OPERATING CONDITIONS

SYMBOL	PARAMETER	LIMITS		UNIT
		Min	Max	
V_{CC}	DC supply voltage	4.5	5.5	V
V_I	Input voltage	0	V_{CC}	V
V_{IH}	High-level input voltage	2.0		V
V_{IL}	Input voltage		0.8	V
I_{OH}	High level output current		-32	mA
I_{OL}	Low level output current		64	mA
$\Delta t/\Delta v$	Input transition rise or fall rate	0	10	ns/V
T_{amb}	Operating free-air temperature range	-40	+85	°C

Dual octal transceivers/registers, non-inverting (3-State)

MB2652

DC ELECTRICAL CHARACTERISTICS

SYMBOL	PARAMETER		TEST CONDITIONS	LIMITS					UNIT
				T _{amb} = +25°C			T _{amb} = -40°C to +85°C		
				Min	Typ	Max	Min	Max	
V _{IK}	Input clamp voltage		V _{CC} = 4.5V; I _{IK} = -18mA		-0.9	-1.2		-1.2	V
V _{OH}	High-level output voltage		V _{CC} = 4.5V; I _{OH} = -3mA; V _I = V _{IL} or V _{IH}	2.5	3.5		2.5		V
			V _{CC} = 5.0V; I _{OH} = -3mA; V _I = V _{IL} or V _{IH}	3.0	4.0		3.0		
			V _{CC} = 4.5V; I _{OH} = -32mA; V _I = V _{IL} or V _{IH}	2.0	2.6		2.0		
V _{OL}	Low-level output voltage		V _{CC} = 4.5V; I _{OL} = 64mA; V _I = V _{IL} or V _{IH}		0.42	0.55		0.55	V
I _I	Input leakage current	Control pins	V _{CC} = 5.5V; V _I = GND or 5.5V		±0.01	±1.0		±1.0	μA
		Data pins	V _{CC} = 5.5V; V _I = GND or 5.5V		5	100		100	
I _{IH} + I _{OZH}	3-State output High current		V _{CC} = 5.5V; V _O = 2.7V; V _I = V _{IL} or V _{IH}		5.0	50		50	μA
I _{IL} + I _{OZL}	3-State output Low current		V _{CC} = 5.5V; V _O = 0.5V; V _I = V _{IL} or V _{IH}		-5.0	-50		-50	μA
I _O	Short-circuit output current ¹		V _{CC} = 5.5V; V _O = 2.5V	-50	-80	-180	-50	-180	mA
I _{CCH}	Quiescent supply current		V _{CC} = 5.5V; Outputs High; V _I = GND or V _{CC}		50	100		100	μA
I _{CCL}			V _{CC} = 5.5V; Outputs Low; V _I = GND or V _{CC}		48	60		60	mA
I _{CCZ}			V _{CC} = 5.5V; Outputs 3-State; V _I = GND or V _{CC}		50	100		100	μA
ΔI _{CC}	Additional supply current per input pin ²		One input at 3.4V, other inputs at V _{CC} or GND; V _{CC} = 5.5V		0.3	1.5		1.5	mA

NOTES:

1. Not more than one output should be tested at a time, and the duration of the test should not exceed one second.
2. This is the increase in supply current for each input at 3.4V.

Quad octal transceivers with direction pins (3-State)

MB4245

FEATURES

- 32-bit bidirectional bus interface
- Multiple V_{CC} and GND pins minimize switching noise
- 3-State buffers
- Output capability: +64mA/-32mA
- Latch-up protection exceeds 500mA per Jeduc JC40.2 Std 17
- ESD protection exceeds 2000 V per MIL STD 883C Method 3015.6 and 200 V per Machine Model

DESCRIPTION

The MB4245 high-performance BiCMOS device combines low static and dynamic power dissipation with high speed and high output drive.

The MB4245 device is an quad octal transceiver featuring non-inverting 3-State bus compatible outputs in both send and receive directions. The control

QUICK REFERENCE DATA

SYMBOL	PARAMETER	CONDITIONS $T_{amb} = 25^{\circ}C; GND = 0V$	TYPICAL	UNIT
t_{PLH} t_{PHL}	Propagation delay nAx to nBx, or nBx to nAx	$C_L = 50pF; V_{CC} = 5V$	3.4	ns
$C_{DIR, \overline{OE}}$	Input capacitance	$V_I = 0V$ or V_{CC}	4	pF
C_{VO}	I/O pin capacitance	$V_I = 0V$ or V_{CC}	7	pF
I_{CCZ}	Total supply current	Outputs Disabled; $V_{CC} = 5.5V$	500	nA

ORDERING INFORMATION

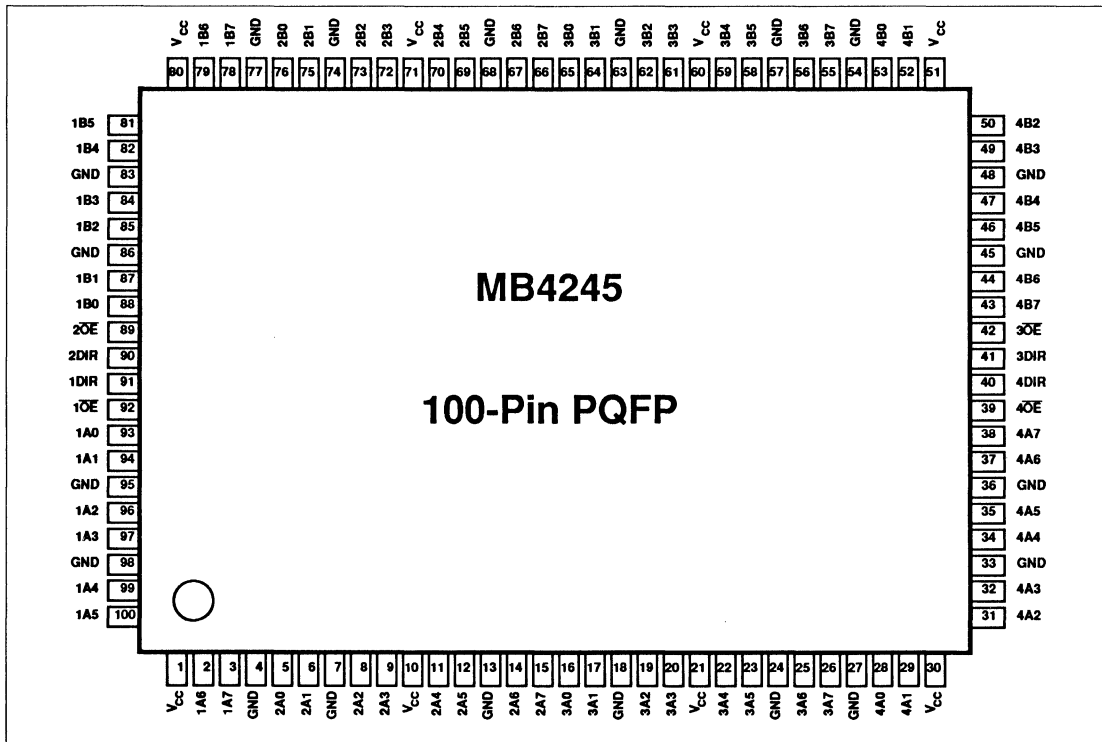
PACKAGES	TEMPERATURE RANGE	ORDER CODE
100-pin plastic QFP	-40°C to +85°C	MB4245B

function implementation minimizes external timing requirements. The device features four Output Enable ($1\overline{OE}$, $2\overline{OE}$, $3\overline{OE}$, $4\overline{OE}$) inputs for easy cascading and four Direction (1DIR, 2DIR, 3DIR, 4DIR) inputs for direction control.

FUNCTION TABLE

INPUTS		INPUTS/OUTPUTS	
nOE	nDIR	nAx	nBx
L	L	A = B	Inputs
L	H	Inputs	B = A
H	X	Z	Z

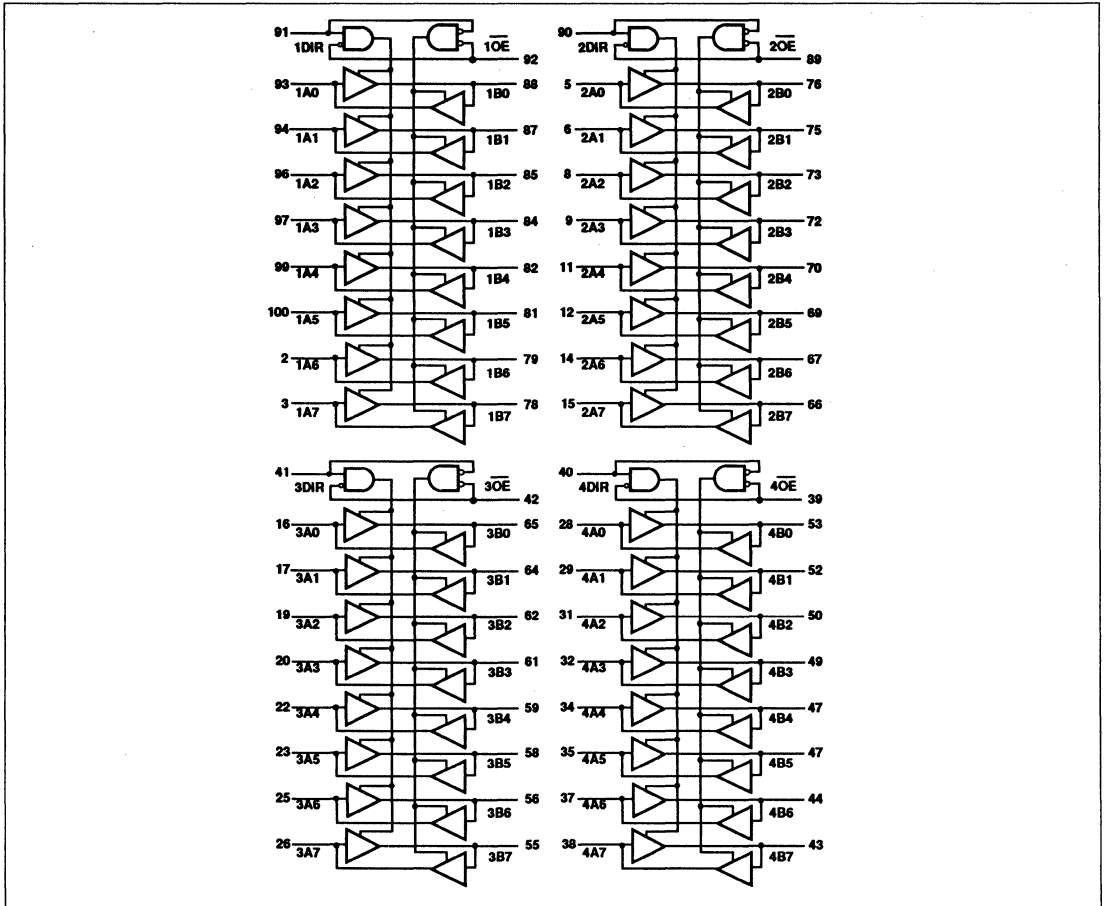
PIN CONFIGURATION



Quad octal transceivers with direction pins (3-State)

MB4245

LOGIC SYMBOL



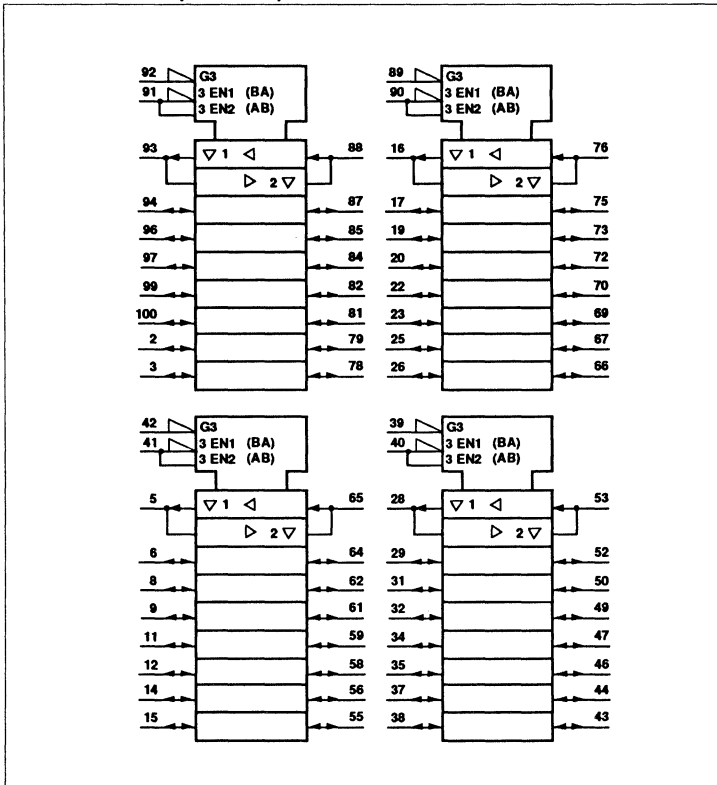
PIN DESCRIPTION

SYMBOL	PIN NUMBER	NAME AND FUNCTION
1DIR, 2DIR, 3DIR, 4DIR	91, 90, 41, 40	Direction control inputs (Active High)
1A0 - 1A7, 2A0 - 2A7, 3A0 - 3A7, 4A0 - 4A7	93, 94, 96, 97, 99, 100, 2, 3, 5, 6, 8, 9, 11, 12, 14, 15, 16, 17, 19, 20, 22, 23, 25, 26, 28, 29, 31, 32, 34, 35, 37, 38	Data inputs/outputs (A side)
1B0 - 1B7, 2B0 - 2B7, 3B0 - 3B7, 4B0 - 4B7,	88, 87, 85, 84, 82, 81, 79, 78, 76, 75, 73, 72, 70, 69, 67, 66, 65, 64, 62, 61, 59, 58, 56, 55, 53, 52, 50, 49, 47, 46, 44, 43	Data inputs/outputs (B side)
1OE, 2OE, 3OE, 4OE	92, 89, 42, 40	Output Enable inputs (Active Low)
GND	4, 7, 13, 18, 24, 27, 33, 36, 45, 48, 54, 57, 63, 68, 74, 77, 83, 86, 65, 68	Ground (0V)
V _{CC}	1, 10, 21, 30, 51, 60, 71, 80	Positive supply voltage

Quad octal transceivers with direction pins (3-State)

MB4245

LOGIC SYMBOL (IEEE/IEC)

ABSOLUTE MAXIMUM RATINGS^{1, 2}

SYMBOL	PARAMETER	CONDITIONS	RATING	UNIT
V_{CC}	DC supply voltage		-0.5 to +7.0	V
I_{IK}	DC input diode current	$V_I < 0$	-18	mA
V_I	DC input voltage ³		-1.2 to +7.0	V
I_{OK}	DC output diode current	$V_O < 0$	-50	mA
V_{OUT}	DC output voltage ³	output in Off or High state	-0.5 to +5.5	V
I_{OUT}	DC output current	output in Low state	128	mA
T_{stg}	Storage temperature range		-65 to 150	°C

NOTES:

- Stresses beyond those listed may cause permanent damage to the device. These are stress ratings only and functional operation of the device at these or any other conditions beyond those indicated under "recommended operating conditions" is not implied. Exposure to absolute-maximum-rated conditions for extended periods may affect device reliability.
- The performance capability of a high-performance integrated circuit in conjunction with its thermal environment can create junction temperatures which are detrimental to reliability. The maximum junction temperature of this integrated circuit should not exceed 150°C.
- The input and output voltage ratings may be exceeded if the input and output current ratings are observed.

Quad octal transceivers with direction pins (3-State)

MB4245

RECOMMENDED OPERATING CONDITIONS

SYMBOL	PARAMETER	LIMITS		UNIT
		Min	Max	
V_{CC}	DC supply voltage	4.5	5.5	V
V_I	Input voltage	0	V_{CC}	V
V_{IH}	High-level input voltage	2.0		V
V_{IL}	Input voltage		0.8	V
I_{OH}	High level output current		-32	mA
I_{OL}	Low level output current		64	mA
$\Delta t/\Delta v$	Input transition rise or fall rate	0	5	ns/V
T_{amb}	Operating free-air temperature range	-40	+85	°C

DC ELECTRICAL CHARACTERISTICS

SYMBOL	PARAMETER	TEST CONDITIONS	LIMITS					UNIT
			$T_{amb} = +25^\circ\text{C}$			$T_{amb} = -40^\circ\text{C}$ to $+85^\circ\text{C}$		
			Min	Typ	Max	Min	Max	
V_{IK}	Input clamp voltage	$V_{CC} = 4.5\text{V}; I_{IK} = -18\text{mA}$		-0.9	-1.2		-1.2	V
V_{OH}	High-level output voltage	$V_{CC} = 4.5\text{V}; I_{OH} = -3\text{mA}; V_I = V_{IL} \text{ or } V_{IH}$	2.5	3.5		2.5		V
		$V_{CC} = 5.0\text{V}; I_{OH} = -3\text{mA}; V_I = V_{IL} \text{ or } V_{IH}$	3.0	4.0		3.0		
		$V_{CC} = 4.5\text{V}; I_{OH} = -32\text{mA}; V_I = V_{IL} \text{ or } V_{IH}$	2.0	2.6		2.0		
V_{OL}	Low-level output voltage	$V_{CC} = 4.5\text{V}; I_{OL} = 64\text{mA}; V_I = V_{IL} \text{ or } V_{IH}$		0.42	0.55		0.55	V
I_I	Input leakage current	Control pins $V_{CC} = 5.5\text{V}; V_I = \text{GND or } 5.5\text{V}$		± 0.01	± 1.0		± 1.0	μA
		Data pins $V_{CC} = 5.5\text{V}; V_I = \text{GND or } 5.5\text{V}$		5	100		100	
$I_{IH} + I_{OZH}$	3-State output High current	$V_{CC} = 5.5\text{V}; V_O = 2.7\text{V}; V_I = V_{IL} \text{ or } V_{IH}$		5.0	50		50	μA
$I_{IL} + I_{OZL}$	3-State output Low current	$V_{CC} = 5.5\text{V}; V_O = 0.5\text{V}; V_I = V_{IL} \text{ or } V_{IH}$		-5.0	-50		-50	μA
I_O	Short-circuit output current ¹	$V_{CC} = 5.5\text{V}; V_O = 2.5\text{V}$	-50	-80	-180	-50	-180	mA
I_{CCH}	Quiescent supply current	$V_{CC} = 5.5\text{V}; \text{Outputs High}; V_I = \text{GND or } V_{CC}$		50	100		100	μA
I_{CCL}		$V_{CC} = 5.5\text{V}; \text{Outputs Low}; V_I = \text{GND or } V_{CC}$		96	120		120	mA
I_{CCZ}		$V_{CC} = 5.5\text{V}; \text{Outputs 3-State}; V_I = \text{GND or } V_{CC}$		50	100		100	μA
ΔI_{CC}	Additional supply current per input pin ²	One input at 3.4V, other inputs at V_{CC} or GND; $V_{CC} = 5.5\text{V}$		0.3	1.5		1.5	mA

NOTES:

- Not more than one output should be tested at a time, and the duration of the test should not exceed one second.
- This is the increase in supply current for each input at 3.4V.

Section 6

Application Notes

INDEX

AN230	SPICE support for 74ABT/MB2XXX	337
AN602	Printed circuit board test fixtures for high-speed logic	345

SPICE support for 74ABT/MB2XXX

AN230

Signetics' Standard Products Group has been a leader in providing SPICE support to customers. As system operating frequencies go higher, checking signal integrity of digital systems is emerging as an essential design criterion. At higher frequencies, signals are no longer just digital but are analog signals. Also, as combinations of logic products such as discrete logic, PLDs, ASICs, gate arrays and FPGAs are being used together interfacing with CPUs and memories, it is getting more difficult to have tight timing control, clean interface signals and enough tolerance for interface skewing. In designing high frequency digital systems, it is necessary to check for ground bounce, set-up and hold-time violations, reflections, minimum pulse-width violation, signal race conditions, metastability problems, interfacing too long and too short critical paths, skewing between devices or cells and so forth.

The modeling of the inputs, outputs and packages of ICs has been the most challenging task when simulating a whole board with SPICE. Since SPICE is an analog simulation program using

numerical analysis methods, it requires high computing power and memory size to have reasonable accuracy and/or required simulation time. However, such a SPICE simulation could save time and money in designing any type of high frequency digital system.

Signetics has been providing customers (on a worldwide basis) with SPICE models of the input, output circuitry and packages of 74F, 74LS/S, ECL, 74AC11K, 74ABT, MB2xxx and FB+ products free of charge. Many system design engineers and incoming inspection engineers have been accustomed to Signetics' excellent SPICE customer support program. We encourage all system designers to do SPICE simulations of critical areas for their prototype designs. By contacting Signetics' SPG marketing in Sunnyvale California, USA, they can get the necessary model files of Signetics' 74ABT and MB2xxx family products.

The SPICE manual provides CMOS and bipolar transistor models, diode models, resistor models, inductances and capacitances for each pin of vari-

ous packages, input and output circuit diagrams and PSPICE netfiles of the equivalent circuits. All device models are Berkeley 3 SPICE models. As an example, the following information is needed for 74ABT543 and was extracted from Signetics' ABT SPICE manual:

A. Device models

- a.1. NMOS & PMOS models (the best and the worst case models are also available).
- a.2. Bipolar transistor models.
- a.3. Resistor models.
- a.4. Diode models.

B. Self inductance and capacitance table for 24-pin DIP packages (other package models are also available).

C. Whole package inductance values for 24-pin DIP packages including mutual inductance (other package models are also available).

D. Input and output circuit diagram.

E. An example of the PSPICE netfile of the circuit diagram in (D).

A. Device models.

- a.1. NMOS and PMOS nominal transistor models (we provide the worst and the best case models as well).

```
*****
*   For better accuracy in fitting narrow-channel transistors,   *
*   the parameter WD was extracted to account for the deviation   *
*   of the actual channel width from the drawn dimensions.      *
*   This parameter is not a standard SPICE level 3 parameter.    *
*   If you want to have a similar accuracy with standard SPICE, *
*   you will need to adjust transistor widths before simulation  *
*   according to the following formula:                          *
*   W(input to simulator) = Wdrawn - 2*WD, where WD is given    *
*   below for the nominal, fast, and slow cases.                *
*****
*           NOMINAL N-CHANNEL TRANSISTOR                        *
*                                                                 *
* NOTE: WD=0.037E-6; before simulation, transistor widths need to *
* be adjusted: W = Wdrawn - 2*WD = W - 0.074E-6                 *
* Set default L=1.0E-6. For ABT set default L=1.2E-6            *
*****
.MODEL MHS4NEN NMOS
+ LEVEL=3
+ TOX=20E-9
+ UO=436.3
+ VTO=.64
+ NFS=1.09E12
+ NSUB=5.512E16
+ VMAX=150100
** RS=24.0
```


SPICE support for 74ABT/MB2XXX

AN230

```

**+ RD=24.0
+ RSH=240
+ XJ=0.20E-6
+ LD=0.0
+ DELTA=0.0
+ THETA=2.45E-2
+ ETA=.125
+ KAPPA=20E-18
+ PB=.802
+ CJ=5.99E-4
+ MJ=.31
+ CJSW=1.03E-10
+ MJSW=0.2
+ CGDO=3.19E-10
+ CGSO=3.19E-10
*****
*                               *
*          NOMINAL P-CHANNEL TRANSISTOR          *
*                               *
* NOTE: WD=0.351E-6; before simulation, transistor widths need to *
*       be adjusted: Wdrawn = W - 2*WD = W - 0.702E-6          *
*       Set default L=1.0E-6. For ABT set default L=1.2E-6      *
*****
.MODEL MHS4PEN PMOS
+ LEVEL=3
+ TOX=20E-9
+ UO=144.6
+ VTO=-0.75
+ NFS=1E11
+ NSUB=5.504E16
+ VMAX=152100
**+ RS=100.7
**+ RD=100.7
+ RSH=1000
+ XJ=0.225E-6
+ LD=0.166E-6
+ DELTA=.155
+ THETA=6.24E-2
+ ETA=.071
+ KAPPA=20E-18
+ PB=.470
+ CJ=3.68E-4
+ MJ=.213
+ CJSW=1.76E-10
+ MJSW=.33
+ CGDO=3.40E-10
+ CGSO=3.40E-10

```

a.2. Bipolar Transistor models.

```

.MODEL ESDdriver NPN IS= 3.50E-16 BF= 1.24E+02 VAF= 1.13E+01
+ IKF= 9.75E-02
+ BR= 7.12E+00 VAR= 1.63E+00 IKR= 8.17E-03 RB= 2.16E+02 IRB= 1.56E-04
+ RBM= 8.56E-02 RE= 9.69E-02 RC= 7.85E+00 XTB= 1.50E+00 EG= 1.23E+00
+ XTI= 2.14E+00 CJE= 5.59E-13 VJE= 9.53E-01 MJE= 4.67E-01 TF= 4.03E-12
+ CJC= 3.51E-13 VJC= 8.35E-01 MJC= 2.93E-01 TR= 2.93E-10 CJS= 1.91E-13
+ VJS= 6.96E-01 MJS= 4.02E-01
*
*
.MODEL ESDdriver1 NPN IS= 3.50E-17 BF= 1.24E+02 VAF= 1.13E+01
+ IKF= 9.75E-03
+ BR= 7.09E+00 VAR= 1.63E+00 IKR= 8.17E-04 RB= 2.16E+03 IRB= 1.56E-05
+ RBM= 8.56E-01 RE= 9.69E-01 RC= 7.85E+01 XTB= 1.50E+00 EG= 1.23E+00
+ XTI= 2.14E+00 CJE= 5.59E-14 VJE= 9.53E-01 MJE= 4.67E-01 TF= 4.03E-12
+ CJC= 3.56E-14 VJC= 8.35E-01 MJC= 2.93E-01 TR= 2.97E-10 CJS= 1.91E-14
+ VJS= 6.96E-01 MJS= 4.02E-01

```

SPICE support for 74ABT/MB2XXX

AN230

```

*
*
..MODEL BN10 NPN IS= 2.59E-17 BF= 1.10E+02 VAF= 2.72E+01 IKF= 1.71E-02
+ BR= 1.55E+00 VAR= 3.42E+00 IKR= 1.00E-03 RB= 7.58E+02 IRB= 1.56E-04
+ RBM= 2.37E+01 RE= 1.09E+00 RC= 4.43E+01 XTB= 1.50E+00 EG= 1.23E+00
+ XTI= 2.14E+00 CJE= 1.02E-13 VJE= 9.86E-01 MJE= 4.42E-01 TF= 5.33E-12
+ CJC= 4.10E-14 VJC= 8.21E-01 MJC= 3.62E-01 TR= 1.73E-09 CJS= 5.86E-14
+ VJS= 7.12E-01 MJS= 3.91E-01
*
*
.SUBCKT BNO60 1 2 3 4
QN 1 2 3 4 MTRN
DSCH 2 1 MSCH
.MODEL MTRN NPN IS= 1.30E-16 BF= 1.10E+02 VAF= 2.72E+01 IKF= 9.44E-02
+ BR= 1.63E+00 VAR= 3.42E+00 IKR= 5.62E-03 RB= 1.21E+02 IRB= 8.57E-04
+ RBM= 4.23E+00 RE= 2.18E-01 RC= 7.00E+00 XTB= 1.50E+00 EG= 1.23E+00
+ XTI= 2.14E+00 CJE= 5.13E-13 VJE= 9.86E-01 MJE= 4.42E-01 TF= 5.33E-12
+ CJC= 1.96E-13 VJC= 8.21E-01 MJC= 3.62E-01 TR= 1.65E-09 CJS= 3.12E-13
+ VJS= 7.12E-01 MJS= 3.91E-01
.MODEL MSCH D(IS= 4.28E-13 RS=0.0 N= 1.04E+00 CJO= 1.13E-14 VJ= 7.86E-01
+ M= 5.00E-01 EG= 8.00E-01 XTI= 4.00E+00)
.ENDS BNO60
*
*
.SUBCKT BNO240 1 2 3 4
QN 1 2 3 4 MTRN
DSCH 2 1 MSCH
.MODEL MTRN NPN IS= 5.22E-16 BF= 1.10E+02 VAF= 2.72E+01 IKF= 3.77E-01
+ BR= 1.63E+00 VAR= 3.42E+00 IKR= 2.24E-02 RB= 3.04E+01 IRB= 3.43E-03
+ RBM= 1.05E+00 RE= 5.47E-02 RC= 1.96E+00 XTB= 1.50E+00 EG= 1.23E+00
+ XTI= 2.14E+00 CJE= 2.05E-12 VJE= 9.86E-01 MJE= 4.42E-01 TF= 5.33E-12
+ CJC= 7.85E-13 VJC= 8.21E-01 MJC= 3.62E-01 TR= 1.65E-09 CJS= 1.24E-12
+ VJS= 7.12E-01 MJS= 3.91E-01
.MODEL MSCH D(IS= 1.17E-12 RS=0.0 N= 1.04E+00 CJO= 4.43E-14 VJ= 7.86E-01
+ M= 5.00E-01 EG= 8.00E-01 XTI= 4.00E+00)
.ENDS BNO240
*
*
a.3. Resistor models.

.SUBCKT ESDbn 1 2 3 PAR HRES RES
R1 1 4 HRES TC= 1.3E-03, 2.0E-06
R2 4 2 HRES TC= 1.3E-03, 2.0E-06
D1 3 4 DSUB RES
.MODEL DSUB D CJO = 3.25E-16 VJ = 6.0E-01 M = 4.0E-01
.ENDS ESDbn
*
*
.SUBCKT ESDsp 1 2 3 PAR HRES RES
R1 1 4 HRES TC= 1.9E-04, 7.7E-06
R2 4 2 HRES TC= 1.9E-04, 7.7E-06
D1 4 3 DSUB RES
.MODEL DSUB D CJO = 3.6E-18 VJ = .835 M = .293
.ENDS ESDsp
*
*
**(** on ESDsp the third node is the n side of the isolation junction and
* should be connected to the input of the ESD macro.***)
*
*
.SUBCKT r250w8 1 2 3 PAR HRES RES
R1 1 4 HRES TC= 1.38E-4, 1.42E-6
R2 4 2 HRES TC= 1.38E-4, 1.42E-6
D1 3 4 DSUB RES
.MODEL DSUB D CJO = 1.2E-17 VJ = 1000 M = 0

```

SPICE support for 74ABT/MB2XXX

AN230

```
.ENDS r250w8
*
*
a.4. Diode models.

*.SUBCKT hvds240 1 2 3
DDIO 1 2 MDIO
DSUB 3 2 MSUB OFF
.MODEL MDIO D(IS= 3.42E-12 RS= 2.01E+00 N= 1.00E+00 CJO= 1.06E-13
+ VJ= 7.86E-01
+ M= 4.99E-01 EG= 8.00E-01 XTI= 4.00E+00)
.MODEL MSUB D(CJO= 1.40E-13 VJ= 6.96E-01 M= 4.02E-01)
.ENDS hvds240

*
*.SUBCKT huds5x8 1 2 3
DDIO 1 2 MDIO
DSUB 3 2 MSUB OFF
.MODEL MDIO D(IS= 2.57E-13 RS= 5.54E+01 N= 9.99E-01 CJO= 1.13E-14
+ VJ= 7.86E-01
+ M= 4.99E-01 EG= 8.00E-01 XTI= 4.00E+00)
.MODEL MSUB D(CJO= 3.18E-14 VJ= 7.00E-01 M= 3.96E-01)
.ENDS huds5x8

*
*.SUBCKT huds24x4 1 2 3
DDIO 1 2 MDIO
DSUB 3 2 MSUB OFF
.MODEL MDIO D(IS= 1.14E-12 RS= 8.29E+00 N= 9.99E-01 CJO= 5.03E-14
+ VJ= 7.86E-01
+ M= 4.99E-01 EG= 8.00E-01 XTI= 4.00E+00)
.MODEL MSUB D(CJO= 6.10E-14 VJ= 7.00E-01 M= 3.96E-01)
.ENDS huds24x4
```

B. Self inductance and capacitance table of 24 pin DIP package.

Pin #s	Self inductance	Capacitance
1	15.10nH	1.86pF
2	12.20	1.70
3	9.54	1.29
4	7.44	0.95
5	5.31	0.61
6	3.73	0.43
7	3.41	0.43
8	4.66	0.61
9	6.95	0.95
10	8.96	1.29
11	11.70	1.70
12	14.50	1.86
13	14.50	1.86
14	11.70	1.70
15	8.96	1.29
16	6.95	0.95
17	4.66	0.61
18	3.41	0.43
19	3.27	0.43
20	5.31	0.61
21	7.44	0.95
22	9.58	1.29
23	12.20	1.70
24	15.10	1.86

SPICE support for 74ABT/MB2XXX

AN230

C. WholePackage inductance values of 24 pin DIP including mutual inductances information.

```

TITLE @ DIP24 lead frame
TERMINALS      48 A1 A2 A3 A4 A5 A6 A7 A8 A9 A10 A11 A12 A13 A14 A15 A16 A17 A18 A19 A20 A21 A22 A23 A24 B1
B2 B3 B4 B5 B6 B7 B8 B9 B10 B11 B12 B13 B14 B15 B16 B17 B18 B19 B20 B21 B22 B23 B24
LEAD  24      25      1      26      2      27      3      28
  4      5      29      6      30      7      31      8      32
33      9      34      10      35      11      36      12      37
13      38      14      39      15      40      16      41      17
42      18      43      19      44      20      45      21      46
22      47      23      48      24
$
$ Inductance Matrix
  1.51E-08
$
  7.68E-09 1.22E-08
$
  4.66E-09 5.79E-09 5.54E-09
$
  2.89E-09 3.33E-09 4.20E-09 7.44E-09
$
-1.56E-09 -1.75E-09 -2.01E-09 -2.55E-09 3.31E-09
$
-6.38E-10 -7.27E-10 -8.29E-10 -1.02E-09 9.41E-09 9.73E-09
$
  4.99E-11 -2.23E-11 -1.01E-10 -2.17E-10 4.06E-10 8.21E-10 3.41E-09
$
  4.43E-10 3.55E-10 2.58E-10 1.39E-10 3.99E-11 3.49E-10 1.18E-09 4.66E-09
$
-7.56E-10 -6.43E-10 -5.18E-10 -3.80E-10 1.82E-10 -1.26E-10 -7.91E-10 -2.04E-09 6.95E-09
$
-9.86E-10 -8.52E-10 -7.02E-10 -5.42E-10 1.23E-10 3.19E-12 -6.18E-10 -1.62E-09 3.69E-09 9.96E-09
$
-1.22E-09 -1.06E-09 -8.78E-10 -6.92E-10 1.43E-10 9.48E-11 -5.27E-10 -1.40E-09 2.90E-09 5.15E-09 1.17E-08
$
-1.42E-09 -1.23E-09 -1.02E-09 -8.13E-10 1.38E-10 1.66E-10 -4.55E-10 -1.27E-09 2.53E-09 4.18E-09 7.11E-09
1.45E-08
$
-1.53E-09 -1.36E-09 -1.17E-09 -9.80E-10 1.35E-10 4.09E-10 -1.12E-10 -7.43E-10 1.63E-09 2.66E-09 4.02E-09
5.68E-09 1.45E-08
$
-1.34E-09 -1.20E-09 -1.03E-09 -8.75E-10 1.67E-10 3.88E-10 -5.49E-11 -5.78E-10 1.29E-09 2.08E-09 3.03E-09
4.02E-09 7.10E-09 1.17E-08
$
-1.12E-09 -1.01E-09 -8.69E-10 -7.47E-10 1.82E-10 3.57E-10 1.33E-12 -4.09E-10 9.46E-10 1.49E-09 2.08E-09
2.66E-09 4.17E-09 5.15E-09 9.96E-09
$
-9.12E-10 -8.28E-10 -7.26E-10 -6.41E-10 1.19E-10 3.48E-10 6.80E-11 -2.42E-10 6.15E-10 9.47E-10 1.29E-09
1.63E-09 2.53E-09 2.90E-09 3.68E-09 6.95E-09
$
-6.26E-10 -5.84E-10 -5.24E-10 -4.85E-10 1.19E-10 3.17E-10 1.44E-10 -4.11E-11 2.42E-10 4.09E-10 5.78E-10
7.43E-10 1.27E-09 1.41E-09 1.61E-09 2.04E-09 4.66E-09
$
-2.79E-10 -2.86E-10 -2.77E-10 -2.89E-10 1.89E-10 2.69E-10 2.12E-10 1.43E-10 -6.77E-11 -9.87E-13 5.51E-11
1.12E-10 4.55E-10 5.26E-10 6.17E-10 7.90E-10 1.18E-09 3.41E-09
$
  3.51E-10 2.67E-10 1.96E-10 1.14E-10 -1.67E-11 8.69E-11 1.85E-10 2.40E-10 -2.79E-10 -2.99E-10 -
3.37E-10 -3.65E-10 -2.13E-10 -1.52E-10 -7.38E-11 3.51E-11 2.29E-10 6.49E-10 3.27E-09
$
  1.03E-09 8.07E-10 6.08E-10 4.02E-10 -1.63E-10 7.27E-11 2.89E-10 4.19E-10 -5.20E-10 -5.82E-10 -6.67E-
10 -7.35E-10 -5.37E-10 -4.43E-10 -3.23E-10 -1.81E-10 4.01E-11 4.07E-10 1.16E-09 5.31E-09
$
  1.98E-09 1.58E-09 1.20E-09 8.14E-10 -4.01E-10 -3.21E-11 2.89E-10 4.85E-10 -6.41E-10 -7.47E-10 -8.75E-
10 -9.80E-10 -8.12E-10 -6.92E-10 -5.42E-10 -3.80E-10 -1.39E-10 2.17E-10 8.58E-10 2.55E-09 7.44E-09
$

```

SPICE support for 74ABT/MB2XXX

AN230

```

3.12E-09 2.45E-09 1.81E-09 1.20E-09 -6.08E-10 -1.25E-10 2.77E-10 5.23E-10 -7.26E-10 -8.69E-10 -1.03E-
09 -1.17E-09 -1.02E-09 -8.78E-10 -7.02E-10 -5.19E-10 -2.58E-10 1.01E-10 7.20E-10 2.01E-09 4.20E-09
9.58E-09
$
4.59E-09 3.47E-09 2.45E-09 1.58E-09 -8.07E-10 -2.04E-10 2.86E-10 5.84E-10 -8.28E-10 -1.00E-09 -1.20E-
09 -1.36E-09 -1.23E-09 -1.06E-09 -8.52E-10 -6.43E-10 -3.55E-10 2.25E-11 6.46E-10 1.74E-09 3.33E-09
5.79E-09 1.22E-08
$
6.48E-09 4.59E-09 3.12E-09 1.98E-09 -1.03E-09 -3.01E-10 2.79E-10 6.26E-10 -9.11E-10 -1.12E-09 -1.34E-
09 -1.53E-09 -1.42E-09 -1.22E-09 -9.87E-10 -7.56E-10 -4.44E-10 -5.01E-11 5.82E-10 1.56E-09 2.89E-09
4.67E-09 7.69E-09 1.51E-08
$
$
$ Coupling Coefficients k
$ 1.00E+00
$ 5.67E-01 1.00E+00
$ 3.89E-01 5.38E-01 1.00E+00
$ 2.73E-01 3.50E-01 4.99E-01 1.00E+00
$ -1.75E-01 -2.17E-01 -2.82E-01 -4.07E-01 1.00E+00
$ -8.51E-02 -1.08E-01 -1.39E-01 -1.93E-01 3.17E-01 1.00E+00
$ 6.95E-03 -3.46E-03 -1.76E-02 -4.30E-02 9.54E-02 2.30E-01 1.00E+00
$ 5.29E-02 4.71E-02 3.87E-02 2.36E-02 8.03E-03 8.38E-02 2.96E-01 1.00E+00
$ -7.39E-02 -6.99E-02 -6.37E-02 -5.29E-02 2.99E-02 -2.48E-02 -1.62E-01 -3.58E-01 1.00E+00
$ -8.49E-02 -8.15E-02 -7.59E-02 -6.64E-02 4.68E-02 5.52E-04 -1.12E-01 -2.51E-01 4.67E-01 1.00E+00
$ -9.20E-02 -8.88E-02 -8.33E-02 -7.43E-02 5.63E-02 1.44E-02 -8.35E-02 -1.90E-01 3.23E-01 5.04E-01
1.00E+00
$ -9.58E-02 -9.25E-02 -8.69E-02 -7.83E-02 6.13E-02 2.26E-02 -6.47E-02 -1.54E-01 2.52E-01 3.66E-01 5.47E-
01 1.00E+00
$ -1.04E-01 -1.02E-01 -9.91E-02 -9.43E-02 8.38E-02 5.56E-02 -1.59E-02 -9.04E-02 1.63E-01 2.33E-01 3.09E-
01 3.92E-01 1.00E+00
$ -1.01E-01 -1.01E-01 -9.77E-02 -9.40E-02 8.48E-02 5.88E-02 -8.71E-03 -7.84E-02 1.44E-01 2.03E-01 2.60E-
01 3.09E-01 5.46E-01 1.00E+00
$ -9.64E-02 -9.62E-02 -9.40E-02 -9.16E-02 8.44E-02 6.18E-02 2.40E-04 -6.33E-02 1.20E-01 1.66E-01 2.03E-
01 2.33E-01 3.66E-01 5.04E-01 1.00E+00
$ -8.91E-02 -9.00E-02 -8.91E-02 -8.92E-02 8.55E-02 6.83E-02 1.40E-02 -4.26E-02 8.84E-02 1.20E-01 1.44E-
01 1.63E-01 2.52E-01 3.23E-01 4.67E-01 1.00E+00
$ -7.47E-02 -7.75E-02 -7.86E-02 -8.23E-02 8.43E-02 7.62E-02 3.60E-02 -8.83E-03 4.26E-02 6.34E-02 7.84E-
02 9.04E-02 1.54E-01 1.91E-01 2.50E-01 3.58E-01 1.00E+00
$ -3.88E-02 -4.43E-02 -4.86E-02 -5.74E-02 6.79E-02 7.55E-02 6.21E-02 3.59E-02 -1.39E-02 -1.79E-04 8.73E-
03 1.60E-02 6.46E-02 8.34E-02 1.12E-01 1.62E-01 2.96E-01 1.00E+00
$ 5.00E-02 4.23E-02 3.51E-02 2.32E-02 -4.01E-03 2.49E-02 5.53E-02 6.16E-02 -5.86E-02 -5.54E-02 -5.46E-
02 -5.31E-02 -3.09E-02 -2.47E-02 -1.36E-02 7.36E-03 5.88E-02 1.94E-01 1.00E+00
$ 1.15E-01 1.00E-01 8.54E-02 6.39E-02 -3.07E-02 1.63E-02 6.80E-02 8.44E-02 -8.56E-02 -8.44E-02 -8.48E-
02 -8.38E-02 -6.13E-02 -5.63E-02 -4.69E-02 -2.99E-02 8.06E-03 9.57E-02 2.78E-01 1.00E+00
$ 1.87E-01 1.66E-01 1.42E-01 1.09E-01 -6.39E-02 -6.09E-03 5.74E-02 8.23E-02 -8.92E-02 -9.16E-02 -9.40E-
02 -9.44E-02 -7.82E-02 -7.43E-02 -6.64E-02 -5.29E-02 -2.37E-02 4.31E-02 1.74E-01 4.07E-01 1.00E+00
$ 2.60E-01 2.27E-01 1.89E-01 1.42E-01 -8.52E-02 -2.09E-02 4.85E-02 7.84E-02 -8.90E-02 -9.38E-02 -9.75E-
02 -9.89E-02 -8.67E-02 -8.31E-02 -7.58E-02 -6.36E-02 -3.86E-02 1.77E-02 1.29E-01 2.81E-01 4.98E-01
1.00E+00
$ 3.38E-01 2.84E-01 2.27E-01 1.66E-01 -1.00E-01 -3.02E-02 4.43E-02 7.73E-02 -8.99E-02 -9.60E-02 -1.00E-
01 -1.02E-01 -9.23E-02 -8.86E-02 -8.14E-02 -6.98E-02 -4.70E-02 3.49E-03 1.02E-01 2.17E-01 3.49E-01
5.35E-01 1.00E+00
$ 4.29E-01 3.38E-01 2.60E-01 1.87E-01 -1.15E-01 -4.00E-02 3.88E-02 7.46E-02 -8.89E-02 -9.62E-02 -1.01E-
01 -1.04E-01 -9.57E-02 -9.19E-02 -8.48E-02 -7.38E-02 -5.29E-02 -6.97E-03 8.28E-02 1.74E-01 2.73E-01
3.88E-01 5.66E-01 1.00E+00

```

D. An example of PSPICE netfile.

```

*Ref simulations*
.TRAN .lms 30ns
.LIB \MODELS\QBMODELS.LST
.PROBE
.WIDTH OUT=80
.OPTIONS ITL5=25000 ACCT NOMOD
.SUBCKT abt543d 1 2 50 60

```

SPICE support for 74ABT/MB2XXX

AN230

```

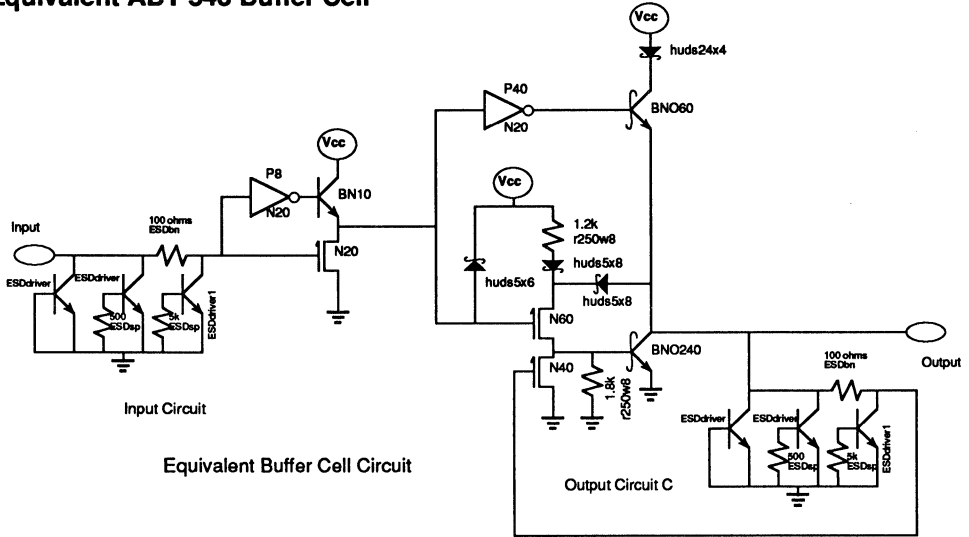
* Pin 1 is Input
* Pin 2 in Output Pin
* Pin 50 is Vcc
* Pin 60 is Gnd
R1 4 60 500
R2 5 60 5k
R3 6 1 100
R4 50 12 1.2k
R5 15 60 1.2k
R6 16 60 500
R7 17 60 5k
R8 2 18 100
Q1 1 60 60 60 ESDdriver
Q2 1 4 60 60 ESDdriver
Q3 6 5 60 60 ESDdriver1
Q4 50 7 8 60 BN10
XQ6 10 9 2 60 BNO60
XQ7 2 15 60 60 BNO240
Q8 2 60 60 60 ESDdriver
Q9 2 16 60 60 ESDdriver
Q10 18 17 60 60 ESDdriver
XD1 50 10 60 huds24x4
XD2 8 50 60 huds5x6
XD3 12 13 60 huds5x8
XD4 2 13 60 huds5x8
M1 50 6 7 50 MHS4PEN L=1.2E-6 W=7.298E-6 AD=14.6p AS=14.6p PD=18.6u
+ PS=18.6u NRD=.274 NRS=.274
M2 7 6 60 60 MHS4NEN L=1.2E-6 W=19.926E-6 AD=39.85p AS=39.85p PD=43.8u
+ PS=43.8u NRD=.1 NRS=.1
M3 50 8 9 50 MHS4PEN L=1.2E-6 W=39.298E-6 AD=79.85p AS=79.85p PD=83.85u
+ PS=83.85u NRD=.05 NRS=.05
M4 9 8 60 60 MHS4NEN L=1.2E-6 W=19.926E-6 AD=39.85p AS=39.85p PD=43.8u
+ PS=43.8u NRD=.1 NRS=.1
M7 8 6 60 60 MHS4NEN L=1.2E-6 W=19.928E-6 AD=39.85p AS=39.85p PD=43.8u
+ PS=43.8u NRD=.1 NRS=.1
M9 13 8 15 60 MHS4NEN L=1.2E-6 W=59.926E-6 AD=120p AS=120p PD=124u
+ PS=124u NRD=.0333 NRS=.0333
M10 15 18 60 60 MHS4NEN L=1.2E-6 W=39.926E-6 AD=79.85p AS=79.85p PD=83.85u
+ PS=83.85u NRD=.05 NRS=.05
.ENDS
VCC 5 0 DC 5
Vin 1 0 PULSE 3 0 5ns 2.5ns 2.5ns 10ns 100ns
C1 2 0 50pF
R1 2 0 500
L1 1 11 2.5nH
L2 2 12 2.5nH
L3 5 15 10nH
L4 10 0 10nH
Xdri 11 12 15 10 abt543d
.END

```

SPICE support for 74ABT/MB2XXX

AN230

Equivalent ABT 543 Buffer Cell



Printed circuit board test fixtures for high-speed logic

AN602

INTRODUCTION

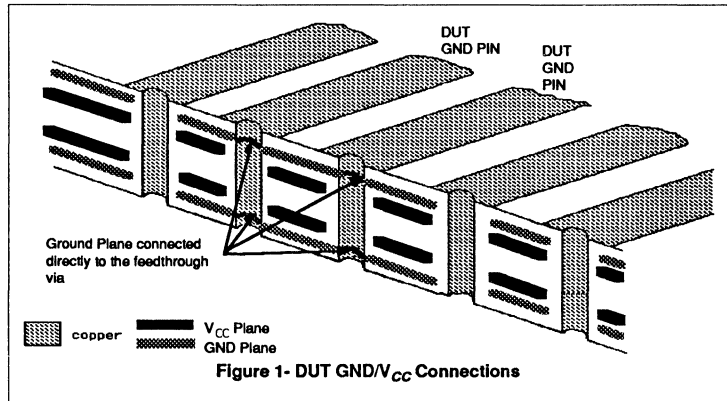
The Signetics Standard Products Group (SPG) operates a Characterization Laboratory in Orem, Utah. This Lab maintains the capability of testing the 11 logic product families the Division supports. These include: AuTTL-74XXX, Schottky-74SXXX, Low-Power Schottky-74LSXXX, FAST-74FXXX, ALS-74ALSXXX, High-Speed CMOS-74HCXXX, High-Speed CMOS/TTL-74HCTXXX, Advanced CMOS/TTL (ACL)-74ACT11XXX, Advanced CMOS (ACL)-74AC11XXX, Advanced BiCMOS (ABT)-74ABTXXX, and both 10K and 100K ECL.

In the past Signetics SPG Characterization has designed and built a series of bench test AC fixtures that provide the ability to have one fixture that addresses many product types across families. It allowed the use of a smaller fixture inventory to perform well over the majority of the devices. With the advent of the 74ACL11xxx and 74ABTXXX series the existing fixtures were no longer adequate. The largest problem with the older fixtures is the method of bypassing switching noise from V_{cc} to GND. They use bus bars running down the top and bottom sides of the PC board from the end of the device to the point of connection to the DUT V_{cc} /GND pins. Connection was then made using a copper braid to the DUT pin. While adequate for earlier logic families there is too much inductance in the power supply path to allow switching the faster transitions and higher currents of the ACL and ABT families without causing severe aberrations in output waveforms. These families of devices are also the first "TTL" types to specify operation over the entire V_{cc} /GND extremes in a simultaneous switching condition.

THEORY OF OPERATION

There are several key points in testing the ABT and ACL families. They are:

- Low inductance/high frequency power supply by-passing.
- Large ground and V_{cc} planes (covering virtually the entire board area).
- 50 Ω signal lines for uniform impedance, high bandwidth and easy interface to test gear.



- Output AC load capacitance close to the DUT.
- Measurement point close to the DUT.

POWER SUPPLY AND GROUND

The largest difference between these fixtures and the earlier series is the inclusion of dedicated GND and other power supply planes internal to the PC board. The GND layers are used for impedance control of the signal traces and internal to the GND planes are V_{cc} and other power supply planes. In order to provide the lowest possible impedance in the power and GND connections the planes are connected directly to the DUT power/GND pad vias (See Figure #1). This feature reduces the V_{cc} /GND path inductances to a minimum and provides the highest possible frequency response under simultaneous switching conditions. This series of boards has a ring frequency of approximately 500 MHz between the power supply pins. This ensures that the output waveforms seen on the test equipment are due to the device and package, not the fixture. The trade-off for these features is that the boards must be purchased for a particular V_{cc} /GND pin combination. Signetics has designated an extension to the DUT board PC board numbers to allow calling out the separate internal layers needed for the various GND/power supply combinations. See Appendix I for the GND/ V_{cc} combinations.

DEVICE SOCKETS

These boards do not use a DUT socket. All surface mount packages in this series of PC boards use a conductive polymer from Shin-Etsu for signal transmission (See Figure #3). This polymer, type MAF, only conducts in the vertical direction and provides a low impedance path to connect between the DUT leads and the PC board pad. DIP pattern boards use Augat sockets soldered flush with the PC board surface. This effectively eliminates any inductance due to a socket. The trade-off is decreased insertions on the surface mount boards. In order to align an SMT device to the required DUT pads alignment blocks and alignment guides are required (See Appendix I for dimensions). They are machined from a phenolic material for over temperature operation and electrical isolation. The block is designed to align the DUT to the pads, allow circulation for a temperature stream and on gull-wing devices, to provide mechanical pressure to the leads to ensure contact with the conductive polymer. The top hole in the block also doubles as the vacuum wand access to change devices. The boards are also designed to use the alignment guides to provide a mechanical clamp and hold the polymer in place and allow easy replacement. See Figure #4.

SIGNAL LINES

All signal lines have a 50 Ω impedance, determined by the microstrip layout method. The 50 Ω value was selected to allow easy termination for input signal generators and a 10:1 divider for out-

Printed circuit board test fixtures for high-speed logic

AN602

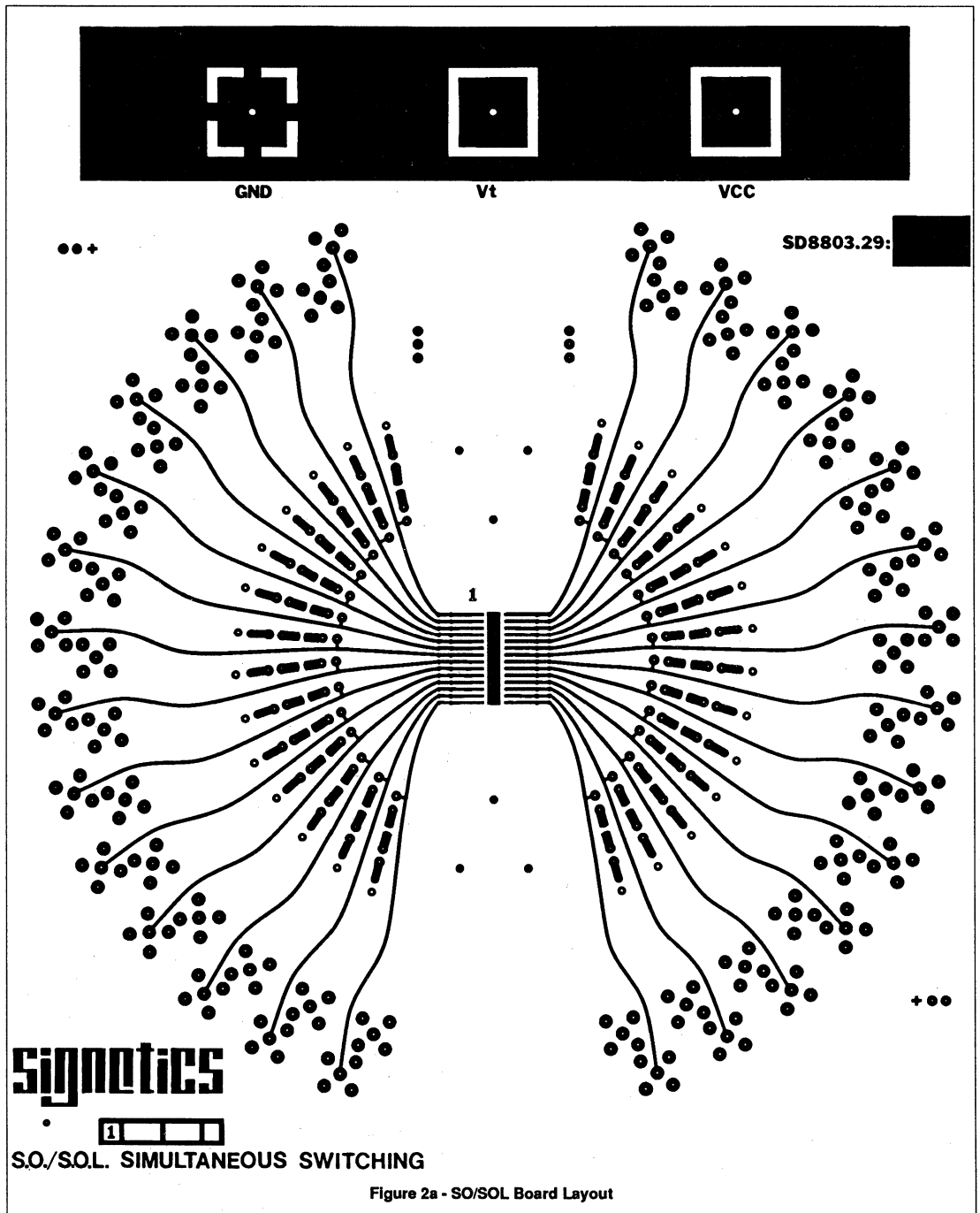
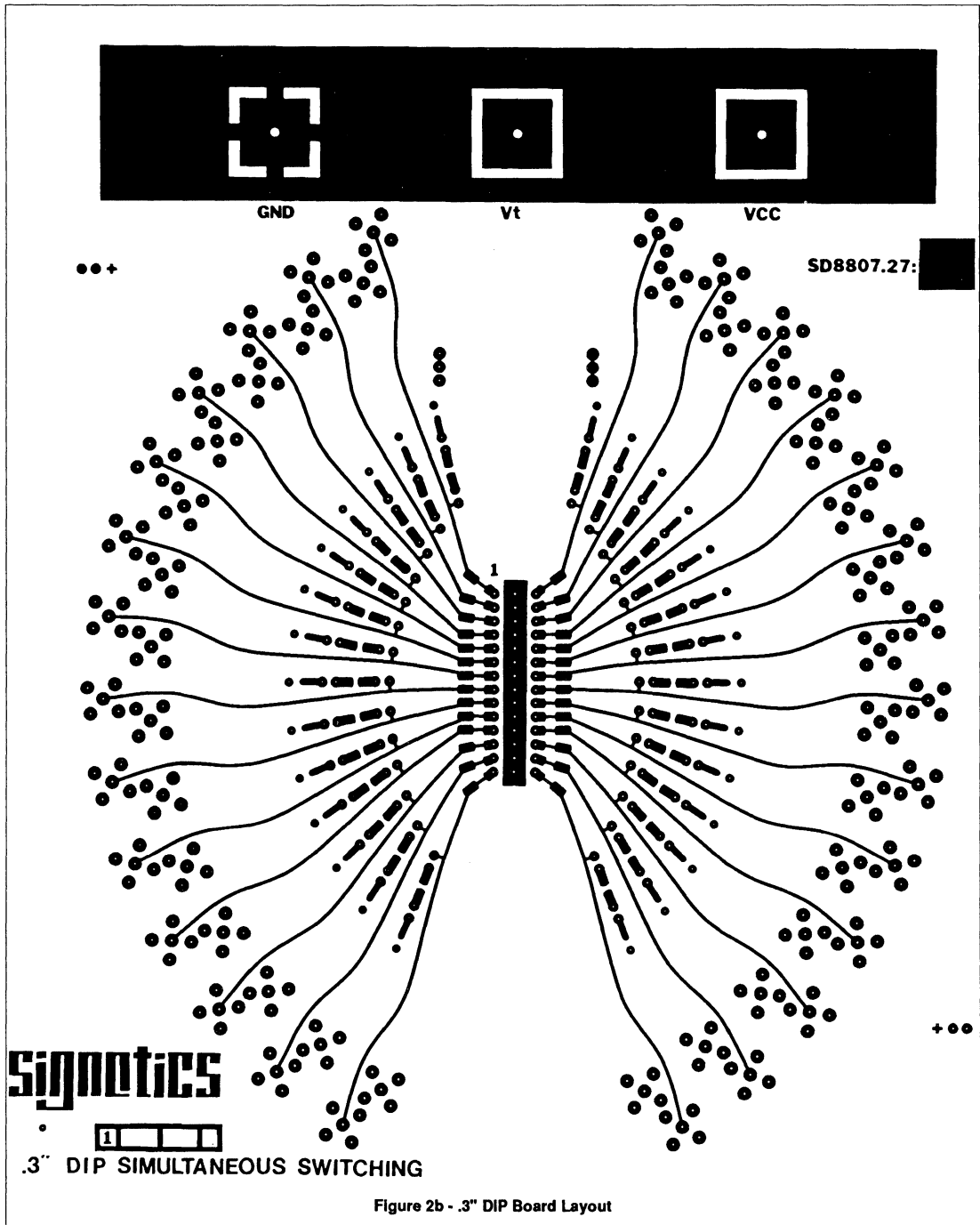


Figure 2a - SO/SOL Board Layout

Printed circuit board test fixtures for high-speed logic

AN602



Printed circuit board test fixtures for high-speed logic

AN602

puts. The inputs are also terminated into a 10:1 divider, 50Ω terminator. This allows the boards to be built with very small stubs for signal integrity and all oscilloscope channels can be set up to the same vertical amplification. On the top of the PC board is a trace running straight from the SMB connec-

tor to the DUT pad. The only connection to this line is a jumper allowing connection of a pull-up resistor for TTL 3-S or open-collector outputs. On the bottom of the PC board the trace has a break in it to allow mounting a 453Ω resistor (R1) for the 10:1 divider network. Since the worst case load in si-

multaneous switching conditions is to mount a lumped capacitance directly on the DUT pin, a direct connection to the internal GND plane is in the center of the DUT pads to allow soldering on load capacitors. For input pins it is also used for mounting termination resistors directly beneath the device. Therefore the

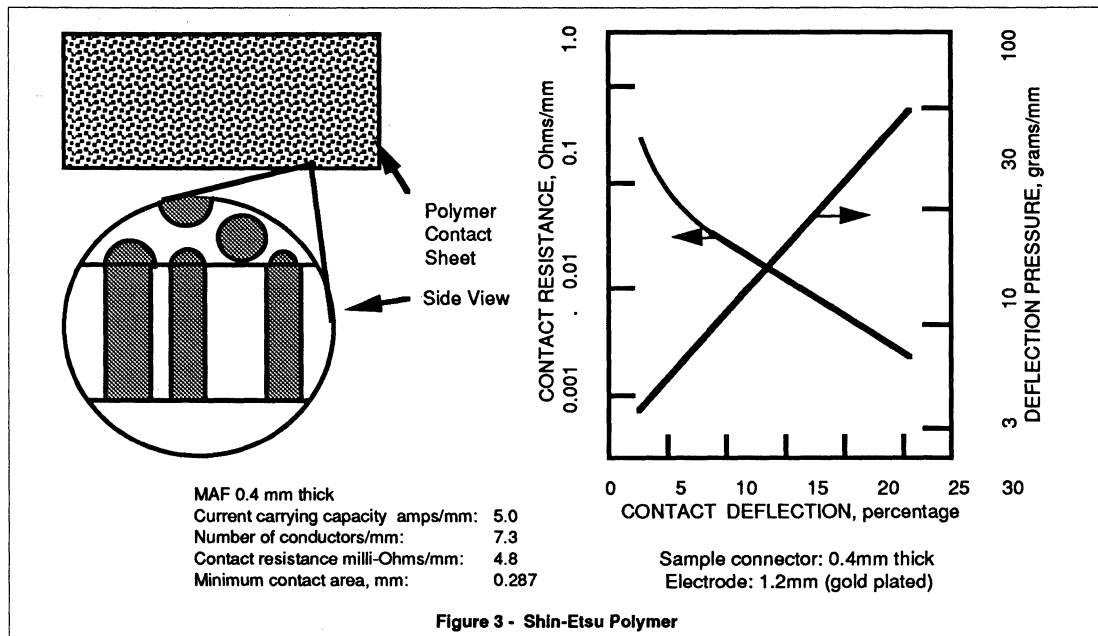


Figure 3 - Shin-Etsu Polymer

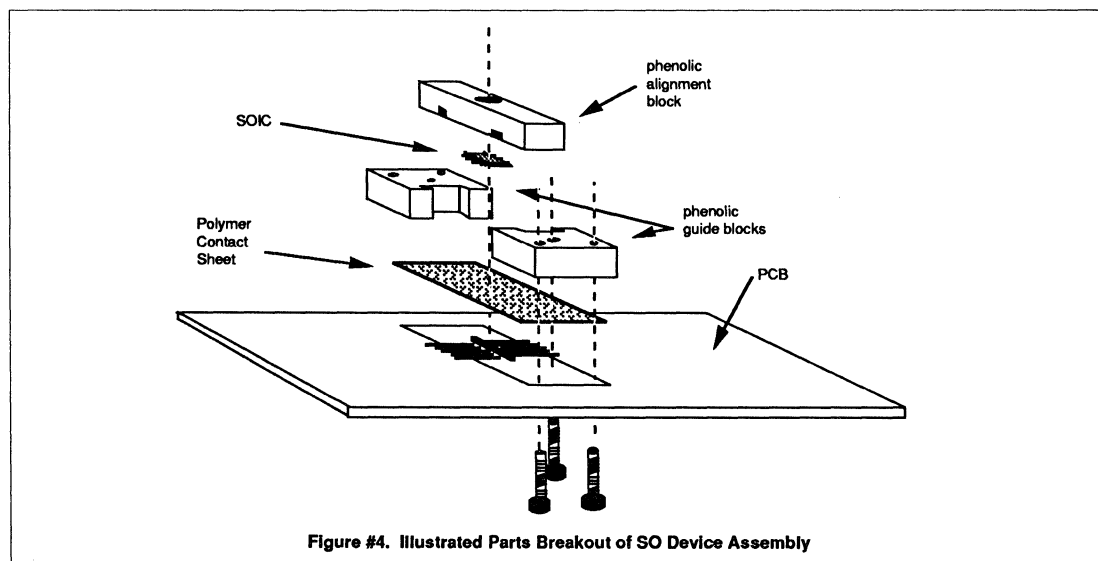


Figure #4. Illustrated Parts Breakout of SO Device Assembly

Printed circuit board test fixtures for high-speed logic

AN602

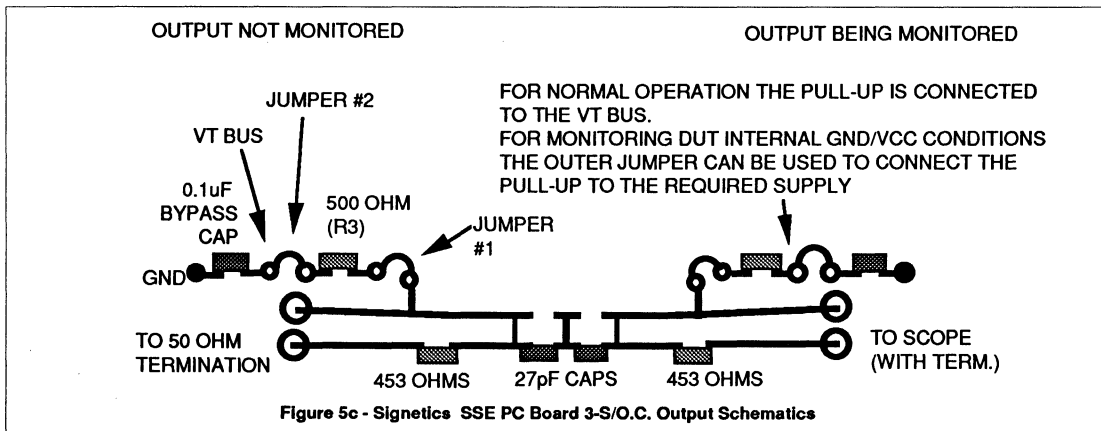
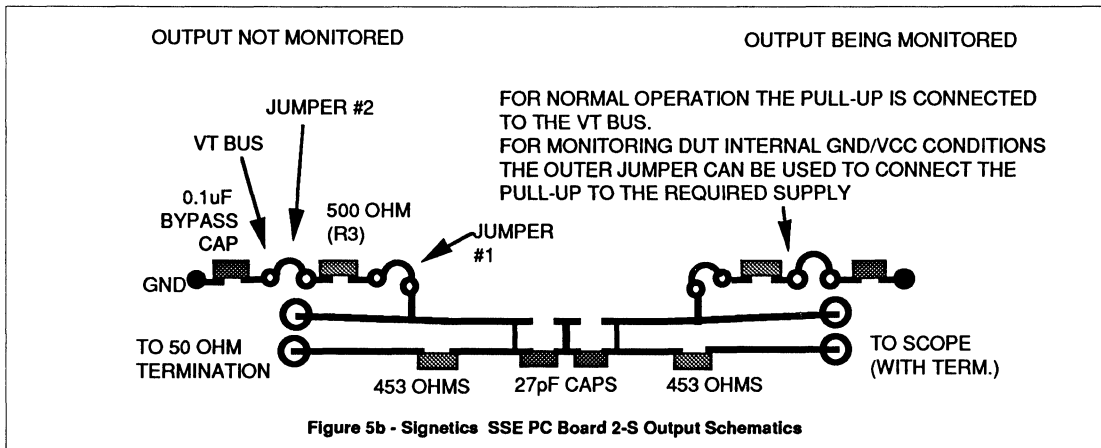
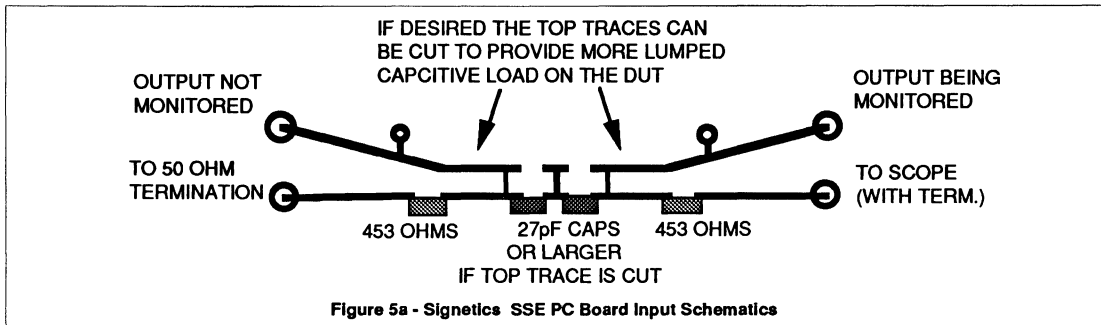
PC boards must be assembled for a particular I/O pin combination.

If a DUT pin is an input the board is configured in a loop through mode. The outer circle of SMB connectors is connected to the signal source. On the

bottom side of the PC board a 56.2Ω (R2) resistor is soldered between the DUT pad and the GND. Across the break in the bottom trace a 453Ω resistor is soldered. In combination with a 50Ω o-scope termination or a 50Ω SMB terminator the 450 + 50Ω in parallel with

the 56.2Ω provides the proper 50Ω termination for signals and a monitoring capability (See Figure 5a).

For an output pin the outer ring of SMB's is not used. The same 453Ω/50Ω pair is used as a 10:1 divider into



Printed circuit board test fixtures for high-speed logic

AN602

the o-scope and still provide the specified 500Ω pull-down resistor. A chip capacitor of sufficient capacitance to bring the total to 50pF is soldered between the bottom DUT pad and the GND (See Figure 5b). For 3-S or open collector devices the 500Ω pull-up resistor (R3) on the top trace is jumpered in with a .1" jumper (#1). The outside of the pull-up resistor also has a .1" jumper (#2) to allow connection to the internal V_T bus or some other termination voltage as needed for any particular test (See Figure 5c).

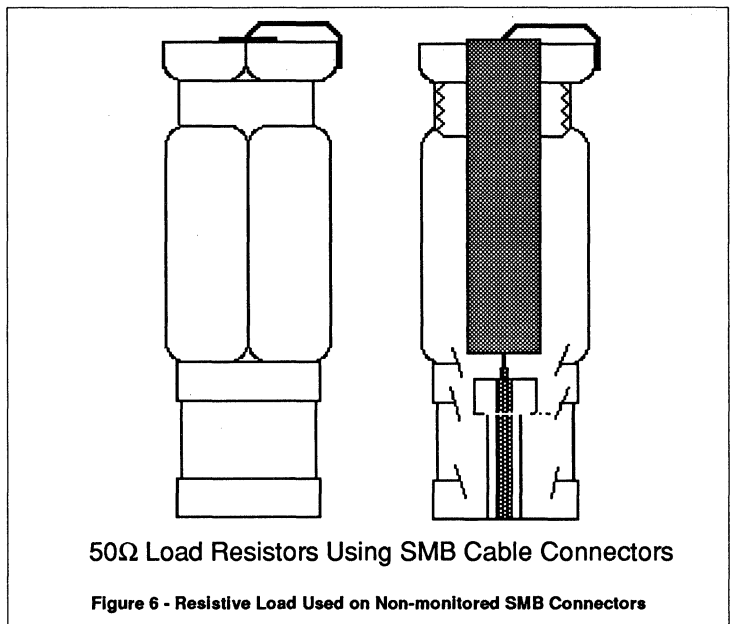
The bottom trace SMB connector is always connected either to an SMB 50Ω terminator or the 50Ω terminated input of the scope to complete the load. See Figure 6 for a 50Ω terminator example.

INPUT STIMULUS AND MEASUREMENT

As stated previously, the measurements are made with 50Ω sampling systems. The connections to these systems are made via SMB connectors. This was chosen since it is a standard connector, available from several sources, uses push-on operation, is small for easy configuration and is capable of high bandwidth operation. Figure 8 shows where the connections are made and also where the pulse generators connect to the input, also an SMB connector. Since the 450Ω resistor, R1, is soldered directly to the pin of the device, see Figure 6, the actual probe tip is at that point. This has the advantage of eliminating any distance from the device to the probe tip, thus guaranteeing accurate results.

INSERTING DEVICES

To hold surface mount devices in place the alignment block is clipped down to the PC board with brass clips mounted to the alignment guides. This provided the simplest solution to several conflicting demands. The device had to have good contact with the Shin-Etsu polymer to function. There needed to be some method of allowing a temperature stream flow around the device, and the devices needed to be changed. For SO devices the edges of the package cut-out provide enough pressure to the top of the DUT leads to make good contact with the polymer, for PLCC the top of



the cutout provides the same function. The hole through the middle of the alignment block allows a vacuum wand to be inserted and hold the device and block together until they are clipped to the PC board. Several models of wands are available from H-Square Company for handling devices, including one with a built in static dissipation resistor and lead for ESD protection. They also have designed a custom tip to mate with the top hole of the alignment blocks and prevent the block from bouncing up the wand tube prior to clipping it to the PC board. Cutouts around the device allow exit for the temperature stream.

VERSATILITY AND COST

At some point, there is a choice between the most technically attractive options and the cost of such options. This fixture has been designed to optimize its technical effectiveness. This was dictated by the test requirements of the ACL and ABT families, specifically the simultaneous switch specifications. It is also suitable for testing FAST, ALS and ECL product devices if the existing series of boards do not provide the needed environment to get accurate, repeatable results.

For the user the only connections being made to the fixture are:

- V_{CC} (banana jack) This is the positive DUT voltage supply.
- GND (banana jack) This is the common ground of all input supplies.
- V_T supply (banana jack) This is the 3-state/O.C. pull-up voltage and is jumpered to each pin as needed.
- V_{GND} supply (banana jack) This is the DUT GND layer used for ECL which requires a +2V offset for proper termination on the output pins when using oscilloscope input termination.
- V_{EE} supply (banana jack) This is the negative DUT power supply layer used for ECL devices
- Input Stimulus (outside SMB connectors) This is found on every input/output pin. More than one pin may be used in this manner.
- Output Measurement or Scope Connection (inside SMB connectors). More than one pin may be used in this manner. *Remember*, if this pin

Printed circuit board test fixtures for high-speed logic

AN602

is not connected to a scope, a 50Ω resistor must be connected here to ground to complete the 500Ω resistive load or input termination network. Signetics has constructed their own 50Ω load by soldering a high quality (high frequency) 50Ω resistor inside a female SMB cable connector. See Figure 6.

With these seven connection types, the fixture is capable of testing the product lines mentioned.

Included in Appendix I are the internal GND/ V_{CC} connections of the existing defined layers.

In Appendix II are the dimensions of the alignment blocks and guides for the SMT packages.

In Appendix III is the parts list for these fixtures and the supplies used by Signetics.

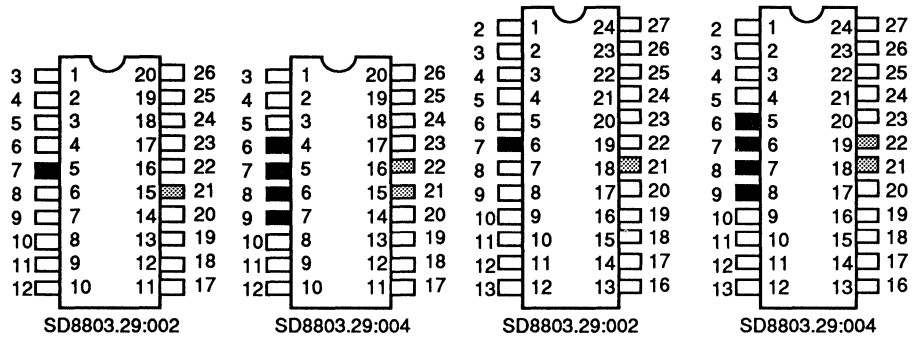
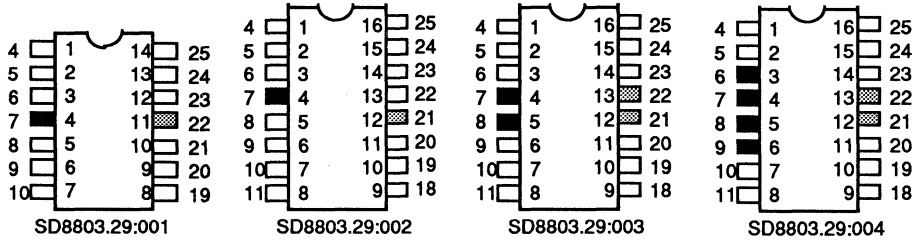
This in no way constitutes Signetics endorsements of these suppliers and the customer may select their own supplier if they so desire. This fixture is offered to the public to duplicate and use within their own environments. Signetics will not provide any materials but will allow the manufacturers of the board and materials to build and/or sup-

ply for any requesting party. Pricing and availability are left to the vendors and Signetics has no control over those issues. The intent is to provide something for users of ACL and ABT, and other advanced logic family devices, that has been proven and tested in use, namely the characterization of these products prior to the introduction to the market place.

Printed circuit board test fixtures for high-speed logic

AN602

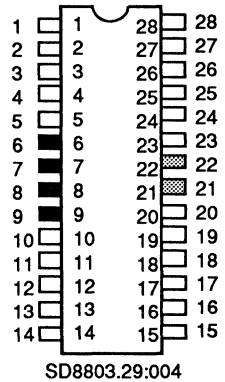
Appendix I - Internal GND/V_{CC} Connections



VCC 
 GND 

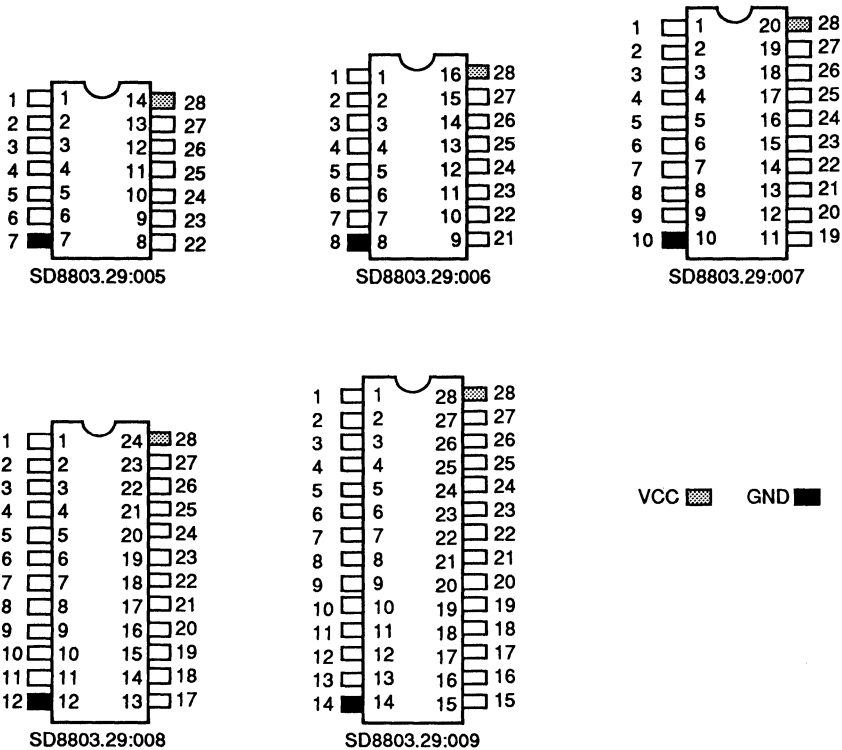
(On each package outline the outer numbers refer to the PCB footprint and the inner numbers refer to the DUT pins.)

For .3" DIP boards, substitute SD8807.27:nnn for SD8803.29:nnn



Printed circuit board test fixtures for high-speed logic

AN602



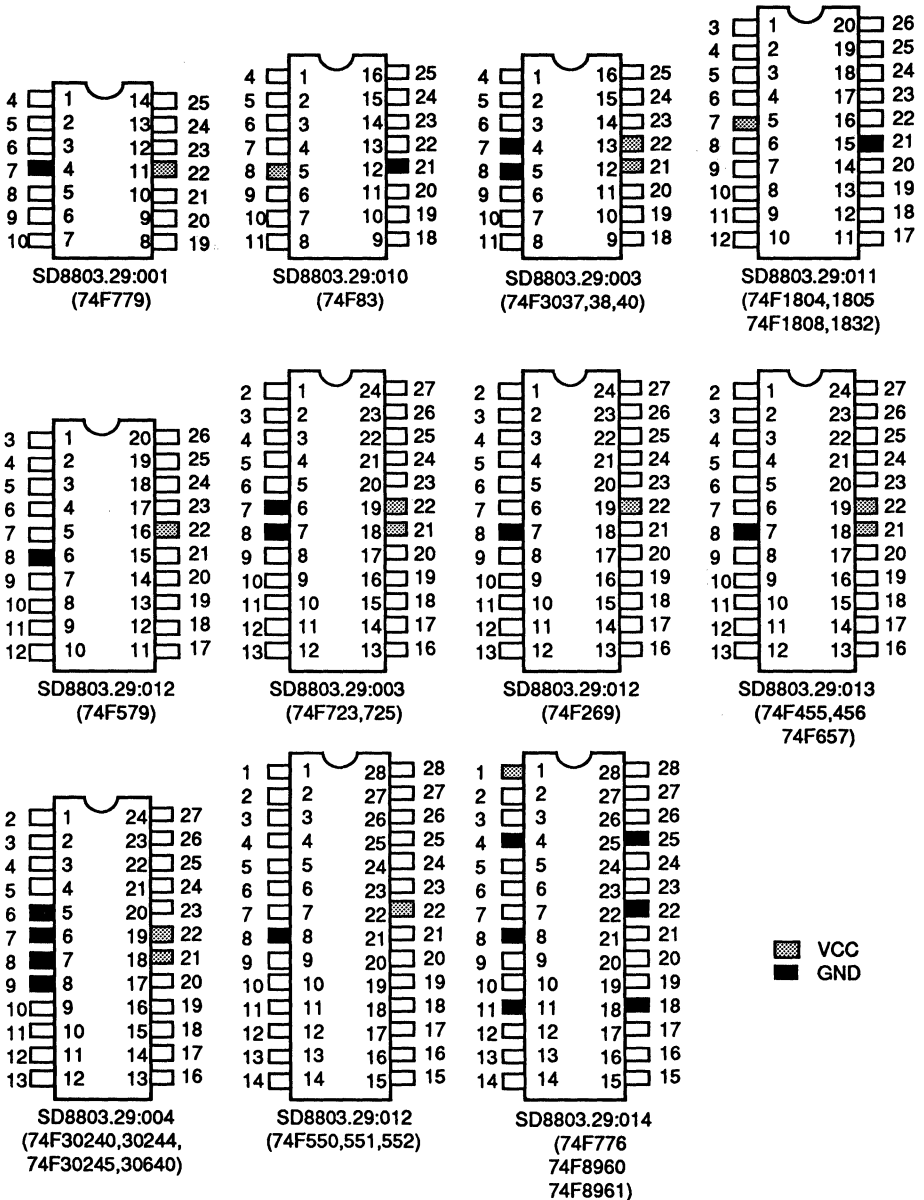
NOTE: The PC board/package configurations shown above require the use of the SO alignment blocks with offset package cutouts.

Defined layers and their connections for SO (SD8803.29:nnn) and .3" DIP (SD8807.27:nnn) boards are:

GROUND LAYER (2.x)	V _{CC} LAYER (3.y)
2.1 = 7	3.1 = 22
2.2 = 7, 8	3.2 = 21, 22
2.3 = 10	3.3 = 28
2.4 = 6, 7, 8, 9	3.4 = 21
2.5 = 21, 22	3.5 = 8
2.6 = 21	3.6 = 7
2.7 = 8	3.7 = 1
2.8 = 12	
2.9 = 14	
2.A = 4, 8, 11, 18, 22, 25	

Printed circuit board test fixtures for high-speed logic

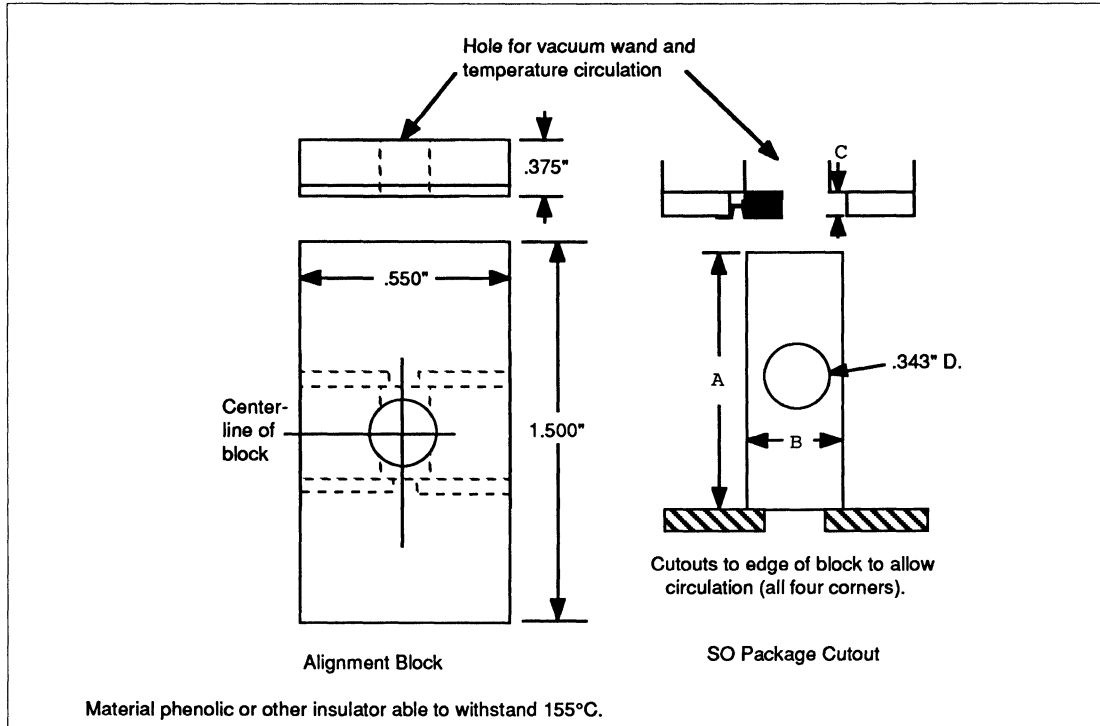
AN602



Printed circuit board test fixtures for high-speed logic

AN602

APPENDIX II - SMT Alignment Blocks and Guides

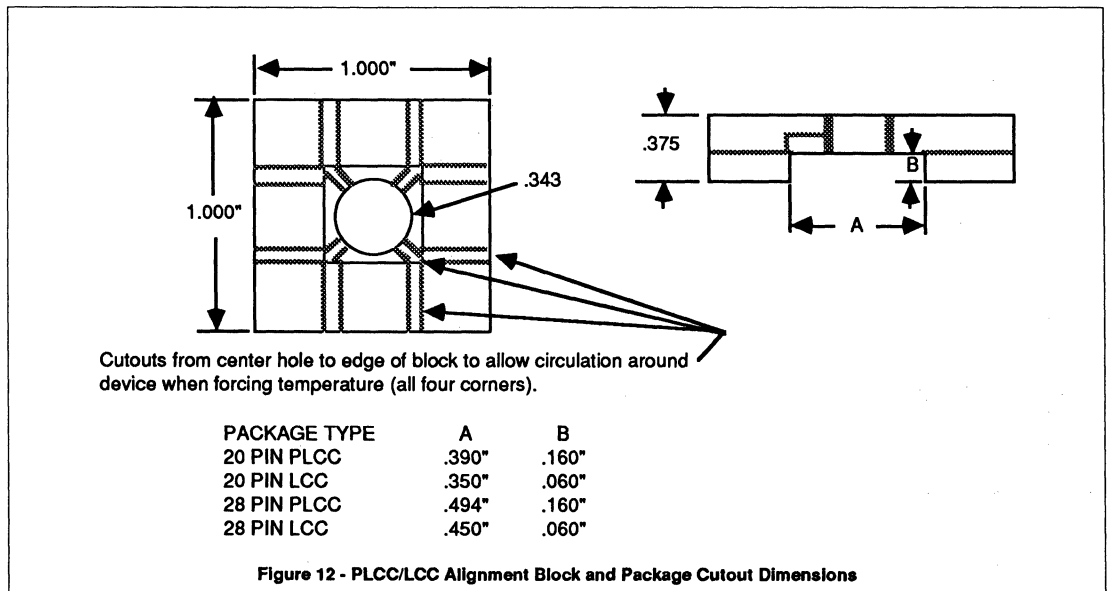
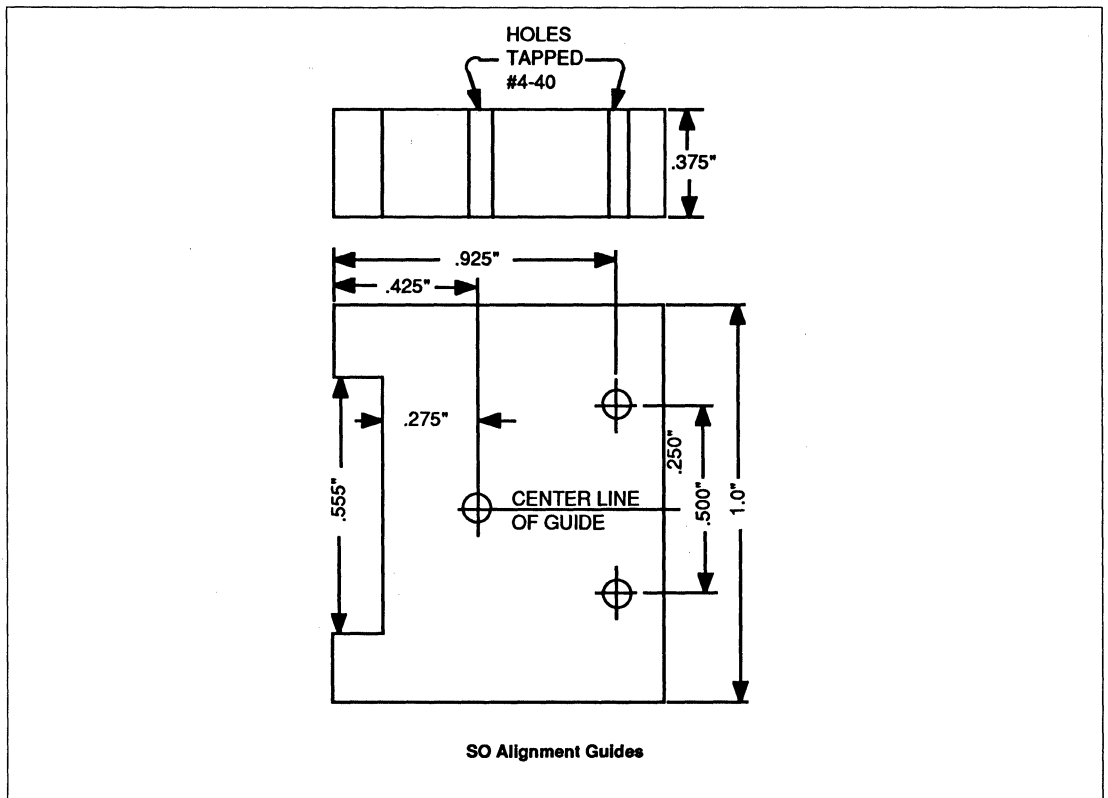


DIMENSIONS FOR VARIOUS SIGNETICS PRODUCED PACKAGES

PACKAGE	A	B	C	OFFSET FROM CENTERLINE
JEDEC 14 PIN .150"	.346 ±.001	.205	.055 ±.001	.025
JEDEC 14 PIN .150"	.346 ±.001	.205	.055 ±.001	.175
EIAJ II 14 PIN .210"	.405 ±.001	.265	.075 ±.001	.025
EIAJ II 14 PIN .210"	.405 ±.001	.265	.075 ±.001	.175
JEDEC 16 PIN .150"	.400 ±.001	.200	.050 ±.001	.000
JEDEC 16 PIN .150"	.400 ±.001	.200	.050 ±.001	.150
EIAJ II 16 PIN .210"	.405 ±.001	.265	.070 ±.001	.000
EIAJ II 16 PIN .210"	.405 ±.001	.265	.070 ±.001	.150
JEDEC 16 PIN .300"	.406 ±.001	.360	.090 ±.003	.000
JEDEC 16 PIN .300"	.406 ±.001	.360	.090 ±.003	.150
EIAJ II 20 PIN .210"	.505 ±.001	.265	.075 ±.001	.000
EIAJ II 20 PIN .210"	.505 ±.001	.265	.075 ±.001	.100
JEDEC 20 PIN .300"	.510 ±.001	.365	.095 ±.003	.000
JEDEC 20 PIN .300"	.510 ±.001	.365	.095 ±.003	.100
JEDEC 24 PIN .300"	.605 ±.001	.365	.095 ±.003	.000
JEDEC 24 PIN .300"	.605 ±.001	.365	.095 ±.003	.050
JEDEC 28 PIN .300"	.710 ±.001	.365	.090 ±.003	.000

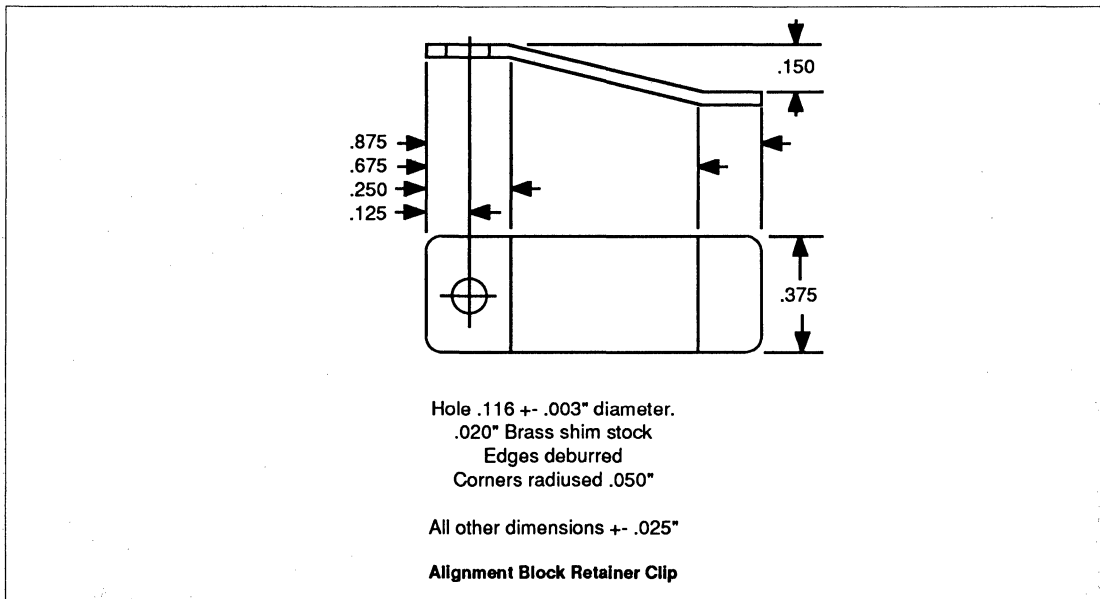
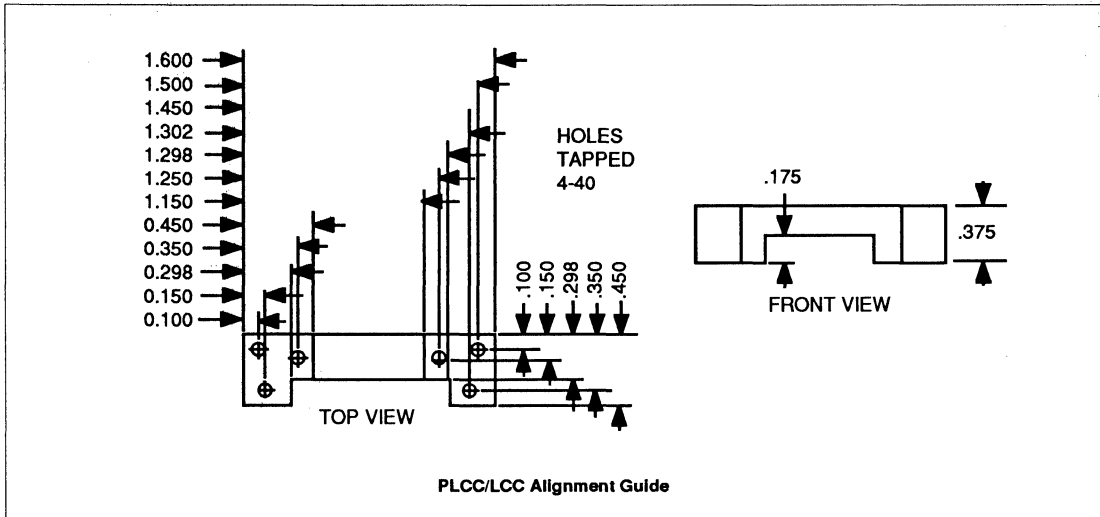
Printed circuit board test fixtures for high-speed logic

AN602



Printed circuit board test fixtures for high-speed logic

AN602



Printed circuit board test fixtures for high-speed logic

AN602

6. SMB connectors from Applied Engineering Products.
- | | | |
|--|---------------|-----------------------|
| SMB Straight Male Jack Receptacle | 2009-1511-000 | \$2.19 @ in 100-250's |
| SMB Straight Female Cable Plug for RG-174 coax | 2002-1551-003 | \$3.59 @ in 100-250's |
| SMB Tee Adaptor (Jack-Plug-Jack) | 5215-1501-000 | \$12.51 @ in 50-99's |
| SMB Tee Adaptor (Plug-Plug-Jack) | 5235-1501-000 | \$17.26 @ in 1-24's |
- Supplier: Spirit Electronics, Inc
7819 East Greenway, Suite 9
Scottsdale, AZ 85206
(602) 998-1533
7. Sockets-pins and jumpers from Augat.
- | | | |
|---------------------|--------------|--------------------|
| Socket Terminal Pin | LSG-1AG14-14 | \$0.20 @ in 1000's |
| Jumpers (.1") | 8156-651P2 | \$0.05 @ in 1000's |
- Supplier: Augat, Inc
33 Perry Ave
P.O. Box 779
Attleboro, MA 02703
(617)-222-2202
8. Vacuum wand and tips from H-Square Co.
- | | | |
|--|-----------------|---------------|
| Vacuum wand | NOS | \$28.14 @ |
| Vacuum wand w/conductive connection for ESD protection | NOSCA | \$66.00 @ |
| Tip-modified (to fit Signetics alignment blocks) | T502VG(SPECIAL) | \$186.00/6 ea |
- Supplier: H-Square Co.
1289-H Reamwood Ave
Sunnyvale, CA 94089
(408)734-2543
9. Mounting screws.
- | | | |
|----------------------------------|------------|----------------|
| Phillips pan head machine screws | 4-40 X 3/8 | \$0.02 @ 100's |
| | 4-40 X 3/4 | \$0.02 @ 100's |
| | 6-32 X 3/8 | \$0.03 @ 100's |
- Supplier: Bonneville Industry Supply Co.
45 So. 1500 W.
Orem, Utah 84058
(801) 225-7770
10. Banana Plug Jack.
- | | | |
|-----------------|---------|---------------------------|
| H.H. Smith Type | Order # | |
| White 1509-101 | 28F1178 | 3/board-color your choice |
| Red 1509-102 | 35F870 | 3/board-color your choice |
| Black 1509-103 | 35F869 | 3/board-color your choice |
| Green 1509-104 | 28F1179 | 3/board-color your choice |
| Blue 1509-105 | 28F1180 | 3/board-color your choice |
| Yellow 1509-107 | 28F1182 | 3/board-color your choice |
| | | \$.35 @ 3 's |
- Supplier: Newark Electronics.

Printed circuit board test fixtures for high-speed logic

AN602

Construction Hints:

A suggested order of assembly is as follows:

1. Install SMB Connectors. Elevate base from board .05" (this can be done with a shim or the posts can be soldered flush with the bottom side of the PC board).
2. Install Augat pin-sockets (3-S or DIP boards only, use a device inserted into the sockets on the DIP boards to hold them steady or tape over the open end of the socket with masking tape and remove after soldering).
3. Install 453 Ohm load/termination resistors (for surface mount components apply a drop of solder to one pad then reflow and mount the component, then solder the other side to its pad).
4. Install the 56.2 Ohm load/termination resistors and load caps (solder the ends on the individual lines and then the common GND connections).
5. Install banana jacks.
6. Connect V_{CC} , GND, and V_T supplies from banana jacks to board.
7. Attach alignment blocks and guides with 4-40 Phillips pan head machine screws (SMT boards only).
8. Remove all remaining flux. Keep "flux-off" or other solvent from banana jacks.

Section 7

Package Outlines

INDEX

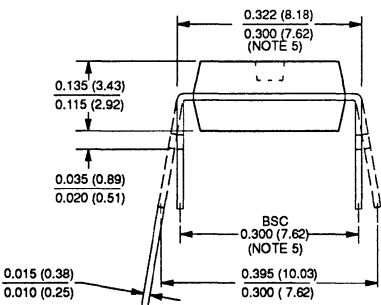
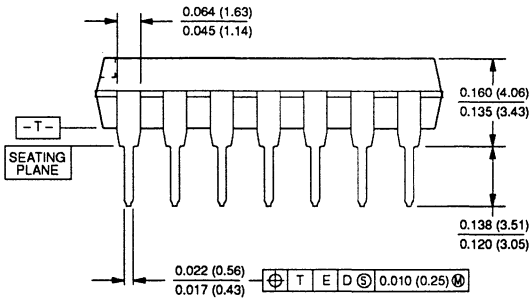
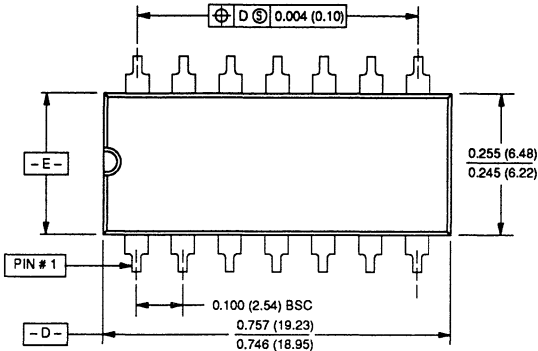
14-PIN (300 mils wide) PLASTIC DUAL IN-LINE (N) PACKAGE	363
20-PIN (300 mils wide) PLASTIC DUAL IN-LINE (N) PACKAGE	364
24-PIN (300 mils wide) PLASTIC DUAL IN-LINE (N) PACKAGE	365
28-PIN (300 mils wide) PLASTIC DUAL IN-LINE (N) PACKAGE	366
14-PIN (157 mils wide) PLASTIC SO (SMALL OUTLINE) DUAL IN-LINE (D) PACKAGE	367
20-PIN PLASTIC SOL (SMALL OUTLINE LARGE) DUAL IN-LINE (D) PACKAGE	368
24--PIN PLASTIC SOL (SMALL OUTLINE LARGE) DUAL IN-LINE (D) PACKAGE	369
52-PIN PLASTIC QUAD FLAT PACK (B) PACKAGE	370
100-PIN PLASTIC QUAD FLAT PACK (B) PACKAGE	371

Package outlines

14-PIN (300 mils wide) PLASTIC DUAL IN-LINE (N) PACKAGE

NOTES

1. Controlling dimension: Inches. Metric are shown in parentheses.
2. Package dimensions conform to JEDEC Specification MS-001-AC for standard Dual In-Line (DIP) package 0.300 inch row spacing (plastic) 14 leads (Issue B, 7/85).
3. Dimension and tolerancing per ANSI Y14, 5M - 1982.
4. "T", "D", and "E" are reference datums on the molded body and do not include mold flash or protrusions. Mold flash or protrusions shall not exceed 0.010 inch (0.25mm) on any side.
5. These dimensions measured with the leads constrained to be perpendicular to plane T.
6. Pin numbers start with Pin #1 and continue counterclockwise to Pin #14 when viewed from the top.



853-0405A 01615

June 1991

363

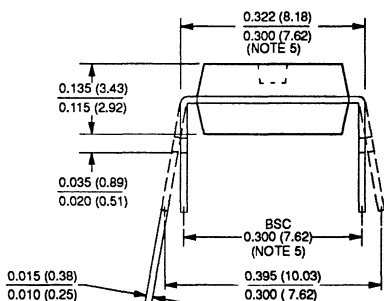
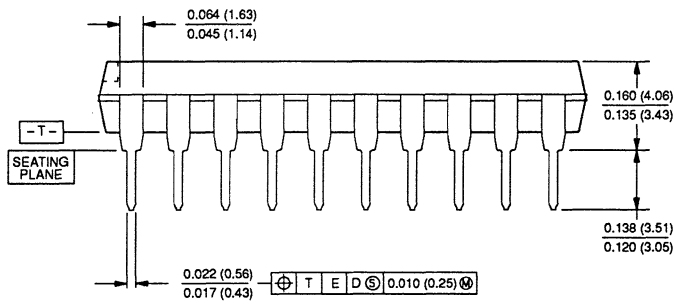
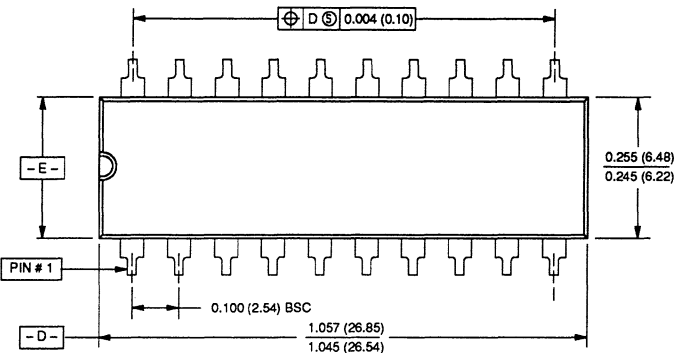
NH1

Package outlines

20-PIN (300 mils wide) PLASTIC DUAL IN-LINE (N) PACKAGE

NOTES

1. Controlling dimension: Inches. Metric are shown in parentheses.
2. Package dimensions conform to JEDEC Specification MS-001-AE for standard Dual In-Line (DIP) package 0.300 inch row spacing (plastic) 20 leads (Issue B, 7/85).
3. Dimension and tolerancing per ANSI Y14, 5M - 1982.
4. "T", "D", and "E" are reference datums on the molded body and do not include mold flash or protrusions. Mold flash or protrusions shall not exceed 0.010 inch (0.25mm) on any side.
5. These dimensions measured with the leads constrained to be perpendicular to plane T.
6. Pin numbers start with Pin #1 and continue counterclockwise to Pin #20 when viewed from the top.



853-0409A 01615

June 1991

364

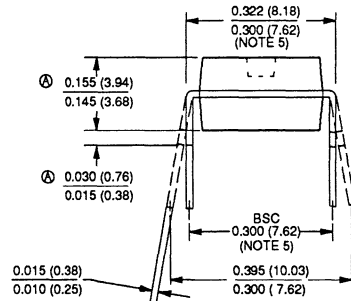
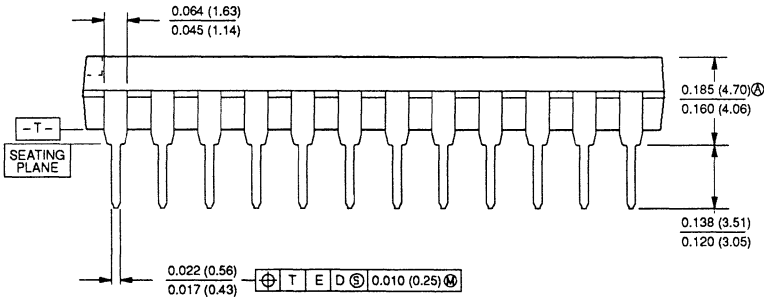
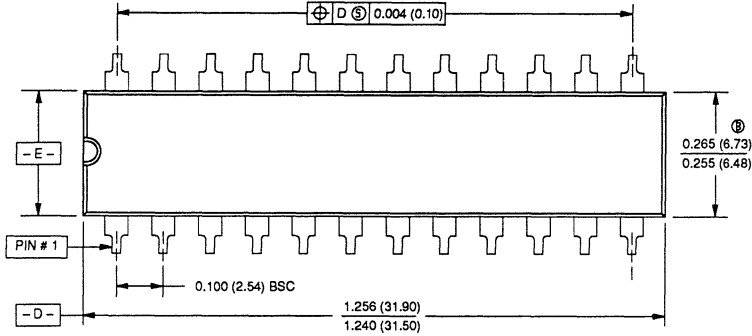
Nil

Package outlines

24-PIN (300 mils wide) PLASTIC DUAL IN-LINE (N) PACKAGE

NOTES:

1. Controlling dimension: Inches. Metric are shown in parentheses.
2. Package dimensions conform to JEDEC Specification MS-001-AF for standard Dual In-Line (DIP) package 0.300 inch row spacing (plastic) 24 leads (Issue B, 7/85).
3. Dimension and tolerancing per ANSI Y14, 5M - 1982.
4. "T", "D", and "E" are reference datums on the molded body and do not include mold flash or protrusions. Mold flash or protrusions shall not exceed 0.010 inch (0.25mm) on any side.
5. These dimensions measured with the leads constrained to be perpendicular to plane T.
6. Pin numbers start with Pin #1 and continue counterclockwise to Pin #24 when viewed from the top.



853-0410 01988

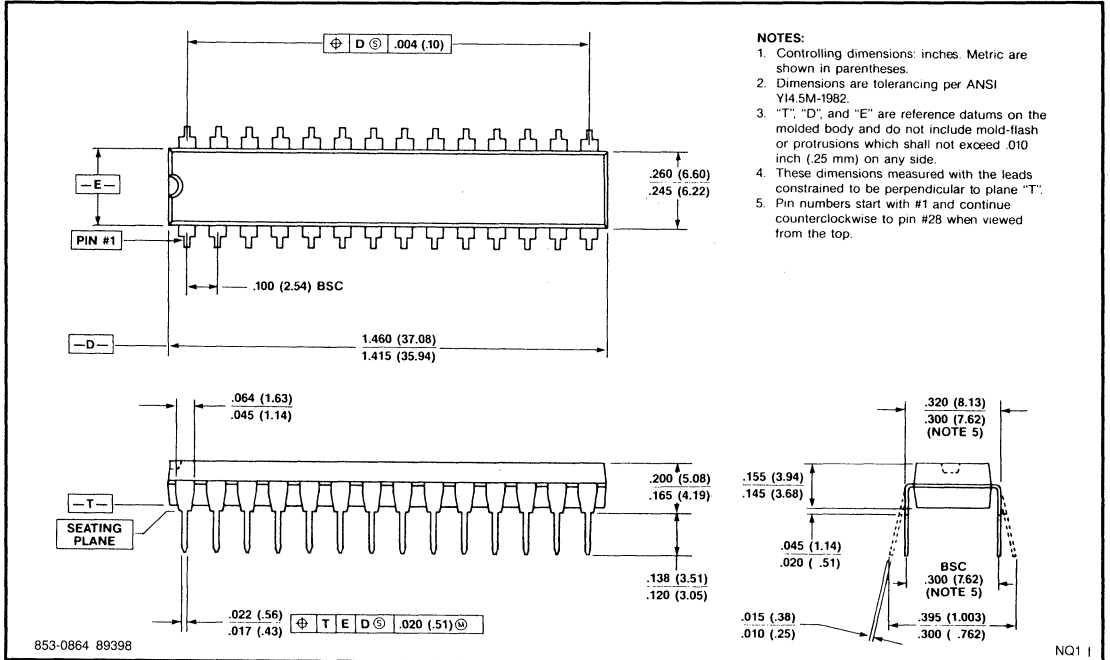
June 1991

365

NN1

Package outlines

28-PIN (300 mils wide) PLASTIC DUAL IN-LINE (N) PACKAGE



NOTES:

1. Controlling dimensions: inches. Metric are shown in parentheses.
2. Dimensions are tolerancing per ANSI Y14.5M-1982.
3. "T", "D", and "E" are reference datums on the molded body and do not include mold-flash or protrusions which shall not exceed .010 inch (.25 mm) on any side.
4. These dimensions measured with the leads constrained to be perpendicular to plane "T".
5. Pin numbers start with #1 and continue counterclockwise to pin #28 when viewed from the top.

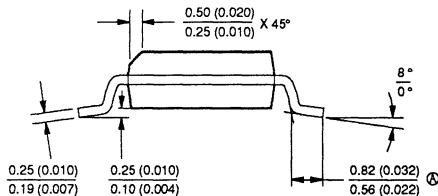
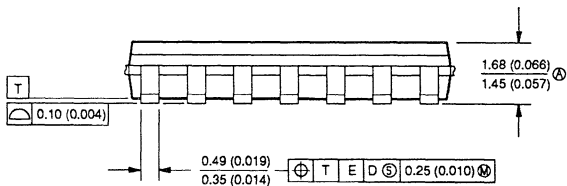
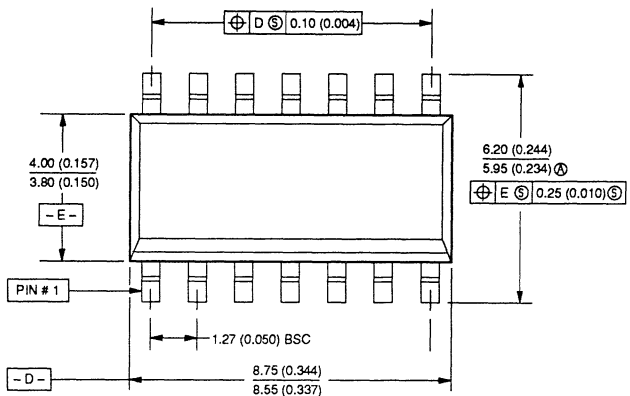
NQ1 I

Package outlines

14-PIN (157 mils wide) PLASTIC SO (SMALL OUTLINE) DUAL IN-LINE (D) PACKAGE

NOTES

1. Package dimensions conform to JEDEC Specification MS-012-AB for standard Small Outline (SO) package, 14 leads, 3.75mm (0.150") body width (Issue A, June 1985).
2. Controlling dimensions are mm. Inch dimensions in parentheses.
3. Dimensioning and tolerancing per ANSI Y14.5M-1982.
4. "T", "D", and "E" are reference datums on the molded body and do not include mold flash or protrusions. Mold flash or protrusions shall not exceed 0.15mm (0.006") on any side.
5. Pin numbers start with Pin #1 and continue counterclockwise to Pin #14 when viewed from the top.
6. Signetics ordering code for a product packages in a plastic Small Outline (SO) package is the suffix D after the product number.

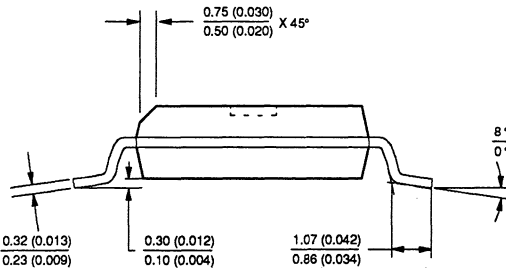


Package outlines

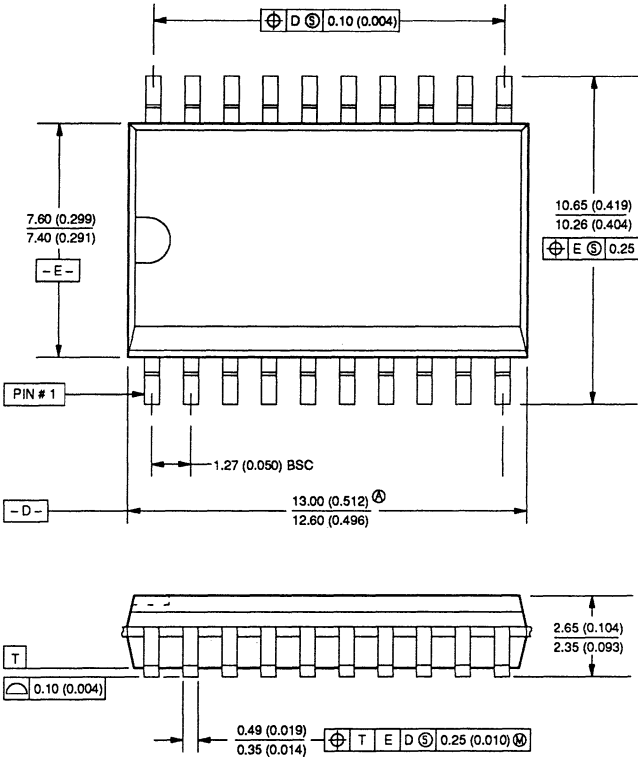
20-PIN (300 mils wide) PLASTIC SOL (SMALL OUTLINE LARGE) DUAL IN-LINE (D) PACKAGE

NOTES

1. Package dimensions conform to JEDEC Specification MS-013-AC for standard Small Outline (SO) package, 20 leads, 7.50mm (0.300") body width (Issue A, June 1985).
2. Controlling dimensions are mm. Inch dimensions in parentheses.
3. Dimensioning and tolerancing per ANSI Y14.5M-1982.
4. "T", "D", and "E" are reference datums on the molded body and do not include mold flash or protrusions. Mold flash or protrusions shall not exceed 0.15mm (0.006") on any side.
5. Pin numbers start with Pin #1 and continue counterclockwise to Pin #20 when viewed from top.
6. Signetics ordering code for a product packaged in a plastic Small Outline (SO) package is the suffix D after the product number.



853-01728 01961



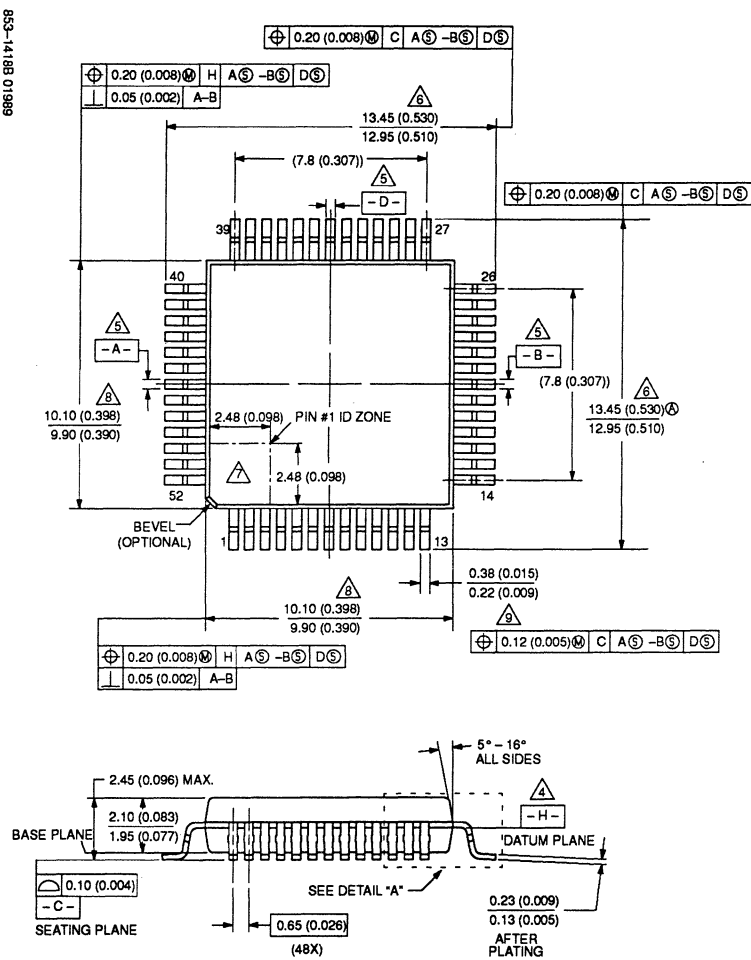
June 1991

368

D12

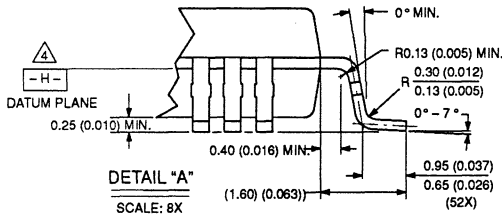
Package outlines

52-PIN PLASTIC QUAD FLAT PACK (B) PACKAGE



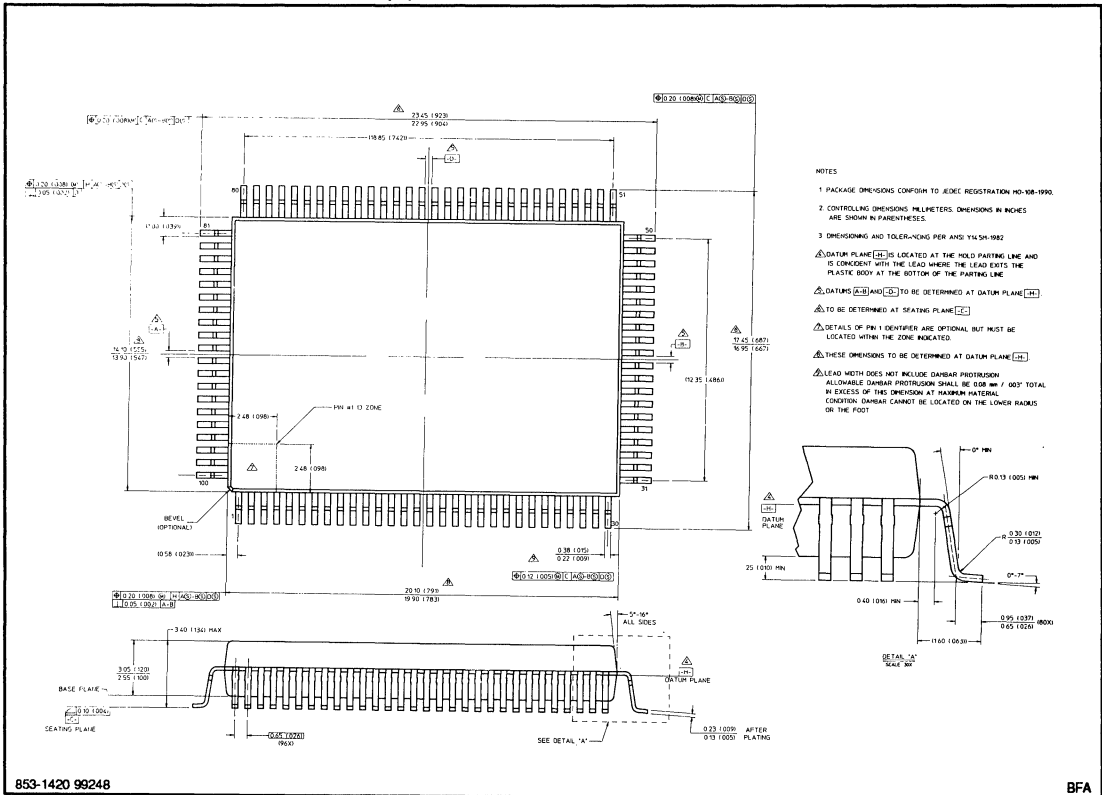
NOTES:

1. Package dimensions conform to JEDEC registration MO-108-1990.
 2. Controlling dimensions: millimeters. Dimensions in inches are shown in parentheses.
 3. Dimension and tolerancing per ANSI Y14.5M-1982.
- △ Datum plane "H" is located at the mold parting line and is coincident with the lead where the lead exits the plastic body at the bottom of the parting line.
 - △ Datums "A-B" and "D" to be determined at datum plane "H".
 - △ To be determined at seating plane "C".
 - △ Details of Pin 1 identifier are optional but must be located within the zone indicated.
 - △ These dimensions to be determined at datum plane "H".
 - △ Lead width does not include dambar protrusion. Allowable dambar protrusion shall be 0.08 mm / 0.003" total in excess of this dimension at maximum material condition. Dambar cannot be located on the lower radius or the foot.



Package outlines

100-PIN PLASTIC QUAD FLAT PACK (B) PACKAGE



Section 8 Sales Offices, Representatives & Distributors

Sales Offices, Representatives & Distributors

SIGNETICS

HEADQUARTERS

811 East Arques Avenue
P.O. Box 3409
Sunnyvale, CA 94088-3409

ALABAMA

Huntsville
Phone: (205) 830-4082

CALIFORNIA

Calabasas
Phone: (818) 880-6304

Irvine

Phone: (714) 833-8980
(714) 752-2780

San Diego

Phone: (619) 560-0242

Sunnyvale

Phone: (408) 991-3737

COLORADO

Englewood
Phone: (303) 792-9011

GEORGIA

Atlanta
Phone: (404) 594-1392

ILLINOIS

Itasca
Phone: (708) 250-0050

INDIANA

Kokomo
Phone: (317) 459-5355

MASSACHUSETTS

Westford
Phone: (508) 692-6211

MICHIGAN

Farmington Hills
Phone: (313) 553-6070

NEW JERSEY

Toms River
Phone: (201) 505-1200

NEW YORK

Wappingers Falls
Phone: (914) 297-4074

OHIO

Columbus
Phone: (614) 888-7143

OREGON

Beaverton
Phone: (503) 627-0110

PENNSYLVANIA

Plymouth Meeting
Phone: (215) 825-4404

TENNESSEE

Greeneville
Phone: (615) 639-0251

TEXAS

Austin
Phone: (512) 339-9945

Richardson

Phone: (214) 644-1610

CANADA

SIGNETICS CANADA, LTD.

Etobicoke, Ontario
Phone: (416) 626-6676

Nepean, Ontario

Phone: (613) 225-5467

REPRESENTATIVES

ALABAMA

Huntsville
Elcom, Inc.
Phone: (205) 830-4001

ARIZONA

Scottsdale
Thom Luke Sales, Inc.
Phone: (602) 941-1901

CALIFORNIA

Orangevale
Webster Associates
Phone: (916) 989-0843

COLORADO

Englewood
Thom Luke Sales, Inc.
Phone: (303) 649-9717

CONNECTICUT

Wallington
JEBCO
Phone: (203) 265-1318

FLORIDA

Oviedo
Conley and Assoc., Inc.
Phone: (407) 365-3283

GEORGIA

Norcross
Elcom, Inc.
Phone: (404) 447-8200

ILLINOIS

Hoffman Estates
Micro-Tex, Inc.
Phone: (708) 382-3001

INDIANA

Indianapolis
Mohrfield Marketing, Inc.
Phone: (317) 546-6969

IOWA

Cedar Rapids
J.R. Sales
Phone: (319) 393-2232

MARYLAND

Columbia
Third Wave Solutions, Inc.
Phone: (301) 290-5990

MASSACHUSETTS

Chelmsford
JEBCO
Phone: (508) 256-5800

MICHIGAN

Brighton
AP Associates
Phone: (313) 229-6550

MINNESOTA

Eden Prairie
High Technology Sales
Phone: (612) 944-7274

MISSOURI

Bridgeton
Centech, Inc.
Phone: (314) 291-4230

Raytown

Centech, Inc.
Phone: (816) 358-8100

NEW YORK

Ithaca
Bob Dean, Inc.
Phone: (607) 257-1111

Rockville Centre

S-J Associates
Phone: (516) 536-4242

Wappingers Falls

Bob Dean, Inc.
Phone: (914) 297-6406

NORTH CAROLINA

Smithfield
ADI
Phone: (919) 934-8136

OHIO

Aurora
InterActive Techni-
cal Sales, Inc.
Phone: (216) 562-2050

Dayton

InterActive Techni-
cal Sales, Inc.
Phone: (513) 436-2230

Dublin

InterActive Techni-
cal Sales, Inc.
Phone: (614) 792-5900

OREGON

Beaverton
Western Technical Sales
Phone: (503) 644-8860

PENNSYLVANIA

Hatboro
Delta Technical Sales, Inc.
Phone: (215) 957-0600

TEXAS

Austin
Synergistic Sales, Inc.
Phone: (512) 346-2122

Houston

Synergistic Sales, Inc.
Phone: (713) 937-1990

Richardson

Synergistic Sales, Inc.
Phone: (214) 644-3500

San Antonio

Synergistic Sales, Inc.
Phone: (512) 496-7931

UTAH

Salt Lake City
Electrodyne
Phone: (801) 264-8050

WASHINGTON

Bellevue
Western Technical Sales
Phone: (206) 641-3900

Spokane

Western Technical Sales
Phone: (509) 922-7600

WISCONSIN

Waukesha
Micro-Tex, Inc.
Phone: (414) 542-5352

CANADA

Calgary, Alberta
Tech-Trek, Ltd.
Phone: (403) 241-1719

Mississauga, Ontario

Tech-Trek, Ltd.
Phone: (416) 238-0366

Nepean, Ontario

Tech-Trek, Ltd.
Phone: (613) 225-5161

Richmond, B.C.

Tech-Trek, Ltd.
Phone: (604) 276-8735

Ville St. Laurent, Quebec

Tech-Trek, Ltd.
Phone: (514) 337-7540

PUERTO RICO

Santurce
Mectron Group
Phone: (809) 723-6165

DISTRIBUTORS

Contact one of our
local distributors:
Almac Electronics
Anthem Electronics
Falcon Electronics, Inc.
Gerber Electronics
Hamilton/Avnet Electronics
Lex Electronics
Marshall Industries
Wyle/LEMG
Zentronics, Ltd.

DATA HANDBOOK SYSTEM

DATA HANDBOOK SYSTEM

Our Data Handbook System comprises more than 60 books with specifications on electronic components, subassemblies and materials. It is made up of six series of handbooks:

INTEGRATED CIRCUITS

DISCRETE SEMICONDUCTORS

DISPLAY COMPONENTS

PASSIVE COMPONENTS*

PROFESSIONAL COMPONENTS**

MATERIALS*

The contents of each series are listed on pages iii to viii.

The data handbooks contain all pertinent data available at the time of publication, and each is revised and reissued periodically.

When ratings or specifications differ from those published in the preceding edition they are indicated with arrows in the page margin. Where application is given it is advisory and does not form part of the product specification.

Condensed data on the preferred products of Philips Components is given in our Preferred Type Range catalogue (issued annually).

Information on current Data Handbooks and how to obtain a subscription for future issues is available from any of the Organizations listed on the back cover.

Product specialists are at your service and enquiries will be answered promptly.

* Will replace the Components and materials (green) series of handbooks.

** Will replace the Electron tubes (blue) series of handbooks.

INTEGRATED CIRCUITS

This series of handbooks comprises:

code	handbook title
IC01	Radio, audio and associated systems Bipolar, MOS
IC02a/b	Video and associated systems Bipolar, MOS
IC03	ICs for Telecom Bipolar, MOS Subscriber sets, Cordless Telephones
IC04	HE4000B logic family CMOS
IC05	Advanced Low-power Schottky (ALS) Logic Series
IC06	High-speed CMOS; PC74HC/HCT/HCU Logic family
IC07	Advanced CMOS logic (ACL)
IC08	ECL 10K and 100K logic families
IC09N	TTL logic series
IC10	Memories MOS, TTL, ECL
IC11	Linear Products
IC12	I²C-bus compatible ICs
IC13	Semi-custom Programmable Logic Devices (PLD)
IC14	Microcontrollers NMOS, CMOS
IC15	FAST TTL logic series
Supplement to IC15	FAST TTL logic series
IC16	CMOS integrated circuits for clocks and watches
IC17	ICs for Telecom Bipolar, MOS Radio pagers Mobile telephones ISDN
IC18	Microprocessors and peripherals
IC19	Data communication products

DISCRETE SEMICONDUCTORS

This series of data handbooks comprises:

current code	new code	handbook title
S1	SC01	Diodes High-voltage tripler units
S2a	SC02*	Power diodes
S2b	SC03*	Thyristors and triacs
S3	SC04	Small-signal transistors
S4a	SC05	Low-frequency power transistors and hybrid IC power modules
S4b	SC06	High-voltage and switching power transistors
S5	SC07	Small-signal field-effect transistors
S6	SC08	RF power transistors
	SC09	RF power modules
S7	SC10	Surface mounted semiconductors
S8a	SC11*	Light emitting diodes
S8b	SC12	Optocouplers
S9	SC13*	PowerMOS transistors
S10	SC14	Wideband transistors and wideband hybrid IC modules
S11	SC15	Microwave transistors
S15**	SC16	Laser diodes
S13	SC17	Semiconductor sensors
S14	SC18*	Liquid crystal displays and driver ICs for LCDs

* Not yet issued with the new code in this series of handbooks.

** New handbook in this series; will be issued shortly.

DISPLAY COMPONENTS

This series of data handbooks comprises:

current code	new code	handbook title
T8	DC01	Colour display components
T16	DC02	Monochrome monitor tubes and deflection units
C2	DC03	Television tuners, coaxial aerial input assemblies
C3	DC04*	Loudspeakers
C20	DC05	Flyback transformers, mains transformers and general-purpose FXC assemblies

* These handbooks are currently issued in another series; they are not yet issued in the Display Components series of handbooks.

PASSIVE COMPONENTS

This series of data handbooks comprises:

current code	new code	handbook title
C14	PA01	Electrolytic capacitors; solid and non-solid
C11	PA02	Varistors, thermistors and sensors
C12	PA03	Potentiometers and switches
C7	PA04	Variable capacitors
C22	PA05*	Film capacitors
C15	PA06*	Ceramic capacitors
C9	PA07*	Piezoelectric quartz devices
C13	PA08	Fixed resistors

* Not yet issued with the new code in this series of handbooks.

PROFESSIONAL COMPONENTS

This series of data handbooks comprises:

current code	new code	handbook title
T1	*	Power tubes for RF heating and communications
T2a	*	Transmitting tubes for communications, glass types
T2b	*	Transmitting tubes for communications, ceramic types
T3	PC01**	High-power klystrons
T4	*	Magnetrons for microwave heating
T5	PC02**	Cathode-ray tubes
T6	PC03**	Geiger-Müller tubes
T9	PC04**	Photo and electron multipliers
T10	PC05	Plumbicon camera tubes and accessories
T11	PC06	Circulators and Isolators
T12	PC07	Vidicon and Newvicon camera tubes and deflection units
T13	PC08	Image intensifiers
T15	PC09**	Dry reed switches
C8	PC10	Variable mains transformers; annular fixed transformers
	PC11	Solid state image sensors and peripheral integrated circuits

* These handbooks will not be reissued.

** Not yet issued with the new code in this series of handbooks.

MATERIALS

This series of data handbooks comprises:

current code	new code	handbook title
C4 } C5 }	MA01*	Soft Ferrites
C16	MA02**	Permanent magnet materials
C19	MA03**	Piezoelectric ceramics

* Handbooks C4 and C5 will be reissued as one handbook having the new code MA01.

** Not yet issued with the new code in this series of handbooks.

Philips Semiconductors — a worldwide Company

Argentina: PHILIPS ARGENTINA S.A. Div. Philips Components, Vedia 3892, 1430 BUENOS AIRES, Tel. (01) 541-4106

Australia: PHILIPS COMPONENTS PTY Ltd, 34 Waterloo Road, NORTH RYDE, N.S.W. 2113, TEL. (02) 805-4455

Austria: OSTERREICHISCHE PHILIPS INDUSTRIE G.m.b.H., UB Bauelemente, Triester Str. 64, 1101 WIEN. Tel. (0222) 60 101-820

Belgium: S.A. PHILIPS PROF. SYSTEMS — Components Div., 80 Rue Des Deux Gares, B-1070 BRUXELLES, Tel. (02) 5256111

Brazil: Philips Do Brasil Ltda
Rua Do Rocio, 220-SAO PAULO-SP, CEP 04552, P.O. Box 7383, Tel. (011) 829-1166
PHILIPS COMPONENTS (Passive Devices & Materials)
Av. Francisco Monteiro, 702 — RIBEIRAO PIRES-SP, CEP 09400, Tel. (011) 459-8211

Canada: PHILIPS ELECTRONICS LTD., Philips Components, 601 Milner Ave., SCARBOROUGH, Ontario, M1B 1M8
Tel. (416) 292-5161
(IC Products) SIGNETICS CANADA LTD., 1 Eva Road, Suite 411, ETOBICOKE, Ontario, M9C 4Z5, Tel. (416) 626-6676

Chile: PHILIPS CHILENA S.A., Av. Santa Maria, Casilla 2687, SANTIAGO, Tel. (02) 077-3816

Colombia: IPRELENSO LTDA, Carrera 21 No. 56-17, BOGOTA, D.E., P.O. Box 77621, Tel. (01) 2497624

Denmark: PHILIPS COMPONENTS A/S, Prags Boulevard 80, PB1919, DK-2300 COPENHAGEN S, Tel. (01) 883333

Finland: PHILIPS COMPONENTS, Sinikalliontie 3, SF-02630 ESPOO
Tel. 358-0-502-6508

France: PHILIPS COMPOSANTS, 117 Quai du President Roosevelt, 92134 ISSY-LES-MOULINEAUX Cedex, Tel. (01) 40938000

Germany (Fed. Republic): PHILIPS COMPONENTS UB der Philips G.m.b.H., Burchardstrasse 19, D-2 HAMBURG 1, Tel. (040) 3296-1

Greece: PHILIPS S.A. HELLENIQUE, Components Division, No. 15, 25th March Street, GR 17778 TAVROS, Tel. (01) 4894339/4894911

Hong Kong: PHILIPS HONG KONG LTD., Components Div., 15/F Philips Ind. Bldg., 24 Kung Yip St., KWAI CHUNG, Tel. (0)-4245 121

India: PEICO ELECTRONICS & ELECTRICALS LTD., Components Dept., Block 'A' Shiv Sagar Estate, Dr. Annie Besant Road, P.O. Box 6598, BOMBAY-400018 Tel. (022) 493-8541

Indonesia: P.T. PHILIPS-RALIN ELECTRONICS, Components Div., Setiabudi II Building, 6th Fl., Jalan H.R. Rasuna Said (P.O. Box 223KBY) Kuningan, JAKARTA, Tel. (021) 515690

Ireland: PHILIPS ELECTRONICS (IRELAND) LTD., Components Division, Newstead, Clonskeagh, DUBLIN 14, Tel. (01) 693355

Italy: PHILIPS S.p.A., Philips Components, Piazza IV Novembre 3, I-20124 MILANO, Tel. (02) 6752.1

Japan: PHILIPS JAPAN LTD., Components Division, Philips Bldg. 13-37, Kohnan 2-chome, Minato-ku, TOKYO (108), Tel. (03) 740-5029

Korea (Republic of): PHILIPS INDUSTRIES (KOREA) LTD., Components Division, Philips House, 260-199 Itaewon-dong, Yongsan-ku, SEOUL, Tel. (02) 794-5011

Malaysia: PHILIPS MALAYSIA SDN BHD, Components Div., 3 Jalan SS15/2A SUBANG, 47500 PETALING JAYA, Tel. (03) 7345511

Mexico: PHILIPS COMPONENTS, Paseo Triunfo de la Republica, No 215 Local 5, Cd Juarez CHIHUAHUA 32320 MEXICO, Tel. (16) 18-67-01/02

Netherlands: PHILIPS NEDERLAND B.V., Marktgroep Philips Components, Postbus 90050, 5600 PB EINDHOVEN, Tel. (040) 783749

New Zealand: PHILIPS NEW ZEALAND LTD., Components Division, 2 Wagener Place, C.P.O. Box 1041, AUCKLAND, Tel. (09) 894-160

Norway: NORSK A/S PHILIPS, Philips Components, Box 1, Manglerud 0612, OSLO, Tel. (02) 74-10-10

Pakistan: PHILIPS ELECTRICAL CO. OF PAKISTAN LTD., Philips Markaz, M.A. Jinnah Rd., KARACHI-3, Tel. (021) 725772

Peru: CADESA, Av. Pardo y Aliaga No. 695, P.O. Box 5612, LIMA 27, Tel. (14) 707-080

Philippines: PHILIPS ELECTRICAL LAMPS INC., Components Div., 106 Valero St. Salcedo Village, MAKATI, P.O. Box 911, METRO MANILA, Tel. (63-2) 810-0161

Portugal: PHILIPS PORTUGUESA S.A.R.L., Av. Eng. Duarte Pacheco 6, 1009 LISBOA Cedex, Tel. (019) 683121

Singapore: PHILIPS SINGAPORE, PTE LTD., Components Div., Lorong 1, Toa Payoh, SINGAPORE 1231, Tel. (65) 3502000

South Africa: S.A. PHILIPS PTY LTD., Components Division, 195-215 Main Road, P.O. Box 7430, MARTINDALE Tel. (11) 470-5911

Spain: PHILIPS COMPONENTS, Balmes 22, 08007 BARCELONA, Tel. (03) 3016312

Sweden: PHILIPS COMPONENTS, A.B., S-11584 STOCKHOLM, Tel. (0)8-7821000

Switzerland: PHILIPS A.G., Components Dept., Allmendstrasse 142, CH-8027 ZURICH, Tel. (01) 4882211

Taiwan: PHILIPS TAIWAN LTD., 581 Min Sheng East Road, P.O. Box 22978, TAIPEI 10446, Taiwan, Tel. 886-2-500-5842

Thailand: PHILIPS ELECTRICAL CO. OF THAILAND LTD., 283 Silom Road, P.O. Box 961, BANGKOK, Tel. (02) 233-6330-9

Turkey: TURK PHILIPS TICARET A.S., Philips Components, Talatpasa Cad. No. 5, 80640 GULTEPE/ISTANBUL, Tel. (01) 1792770

United Kingdom: PHILIPS COMPONENTS LTD., Mullard House, Torrington Place, LONDON WC1E 7HD, Tel. (01) 5806633

United States: (Color Picture Tubes - Monochrome & Colour Display Tubes)
PHILIPS DISPLAY COMPONENTS COMPANY, 1600 Huron Parkway, P.O. Box 963, ANN ARBOR, Michigan 48106, Tel. (313) 996-9400
(IC Products) SIGNETICS COMPANY, 811 East Arques Avenue, SUNNYVALE, CA 94088-3409, Tel. (800) 227-1817
(Passive Components, Discrete Semiconductors, Materials and Professional Components) PHILIPS SEMICONDUCTORS, Discrete Products Division, 2001 West Blue Heron Blvd., P.O. Box 10330, RIVIERA BEACH, Florida 33404, Tel. (407) 881-3200

Uruguay: LUZILETRON S.A., Avda. Uruguay 1287, P.O. Box 294, MONTEVIDEO, Tel. (91) 56-41/42/43/44

Venezuela: MAGNETICA S.A., Calle 6, Ed. Las Tres Jotas, CARACAS 1070A, App. Post. 78117, Tel. (02) 241 7509

Zimbabwe: PHILIPS ELECTRICAL (PVT) LTD., 62 Mutare Road, HARARE, P.O. Box 994, Tel. (4)47211

For all other countries apply to: Philips Semiconductors Division, Strategic Accounts and International Sales, P.O. Box 218, 5600 MD EINDHOVEN, The Netherlands, Telex 35000 phntnl, Fax 23753
03/04/91 ©Philips Export B.V. 1991

All rights are reserved. Reproduction in whole or in part is prohibited without the prior written consent of the copyright owner.

The information presented in this document does not form part of any quotation or contract, is believed to be accurate and reliable and may be changed without notice. No liability will be accepted by the publisher for any consequence of its use. Publication thereof does not convey nor imply any license under patent — or industrial or intellectual property rights.

423/91

98-2901-650-01

1111S/50M/CR1/0691

Philips Semiconductors



PHILIPS