

Price: \$1.50

## Illustrated Parts Breakdown <sup>(65)</sup>

### KEYBOARD PRINTER Models 9139B 9139C

SDS 900933A (OEM)

Information in this Publication was reproduced with the permission of the Office Products Division of Scientific Data Systems Corporation (OEM) and will be modified as required in subsequent issues.

**SDS**

SCIENTIFIC DATA SYSTEMS • 1649 Seventeenth Street • Santa Monica, Calif. • (213) 871-0960

CONTENTS

	Page	Code
Introduction	I, II	----
Drawings and Listings		
Motor and Drive Mechanism . . . . .	1 . . . . .	501
Character Selection Mechanism . . . . .	2 . . . . .	502
Keyboard Selection Mechanism . . . . .	3-4 . . . . .	503
(Dual Impression) Character Selection . . . . .	4 . . . . .	503
Keybuttons . . . . .	5 . . . . .	503
Cam Shaft Assembly (Character Selection) . . . . .	6 . . . . .	504
Print Feedback and Lever Contact Assemblies . . . . .	6 . . . . .	504
Selection Pusher Assembly . . . . .	7 . . . . .	505
Selection Contact Assembly . . . . .	7 . . . . .	506
Selection Magnet Assembly . . . . .	8 . . . . .	507
Carrier Assembly . . . . .	8 . . . . .	508
Rocker Assembly . . . . .	9 . . . . .	508
Operational Shaft Assembly . . . . .	10 . . . . .	510
Operational Bracket Assembly . . . . .	11 . . . . .	511
Operational Feedback Contact Assembly . . . . .	11 . . . . .	511
Operational Magnet Assembly . . . . .	12 . . . . .	512
Operational Contact Latch Assembly . . . . .	12 . . . . .	513
Escapement Mechanism . . . . .	13 . . . . .	515
Tab Mechanism . . . . .	13-14 . . . . .	516
Spacebar Mechanism . . . . .	15 . . . . .	517
Backspace Mechanism . . . . .	15 . . . . .	518
Carrier Return Mechanism . . . . .	16 . . . . .	519
Index Mechanism . . . . .	17 . . . . .	520
Shift Mechanism . . . . .	18 . . . . .	522
Shift Magnet and Contact Assemblies . . . . .	18 . . . . .	523
Keyboard Lock Mechanism . . . . .	19 . . . . .	524
Linelock and Bell Mechanism . . . . .	19-20 . . . . .	524
Margin Mechanism . . . . .	21 . . . . .	525
Paper Feed Mechanism . . . . .	22-23 . . . . .	526
Platen Assemblies . . . . .	24 . . . . .	527
Ribbon Mechanism . . . . .	25 . . . . .	529
Red Ribbon Shift Mechanism . . . . .	25 . . . . .	530
Frame Assembly . . . . .	26 . . . . .	531
Cable Assemblies . . . . .	26 . . . . .	533
Cover Mounting Parts . . . . .	27 . . . . .	534
Cover Assembly and Mounting . . . . .	27 . . . . .	535
Cover Insulation . . . . .	28 . . . . .	535
Covers - Tilt Up . . . . .	28 . . . . .	535
Numerical Part Number Index	29	

# Parts Catalog

## INTRODUCTION

---

### SCOPE

---

Parts for the following Selectric I/O Printers (keyboard models) are illustrated and listed in this catalog.

1. OP Product, Models 731, 735
2. 1014
3. 1415 and 7040/7044
4. Sabre
5. Stretch
6. 1620 Model II
7. 765, 767
8. 870

Separate illustrations and listings are used for each machine mechanism, e.g., Carrier & Rocker, Selection Pusher Assembly, Covers, etc. In some cases, more than one illustration is required to cover one mechanism.

A complete numeric listing of all parts follows the illustrated catalog section. The listing is made in part number sequence and contains both mechanism codes and parts reference numbers for all items. Refer to the Keyboardless Parts Catalog for Keyboardless machines.

### USE OF CATALOG

#### CONTENTS

The Table of Contents lists page numbers for all machine mechanisms. Location of the mechanism in the Contents, for which a part is required, will provide immediate reference to the correct page.

#### Parts Which Vary Between Models

Parts listings identify items which have different part numbers for different printer models. A hypothetical example is as follows:

<u>Ref.</u>	<u>Part No.</u>	<u>Description</u>
40	XXXXXX	Contact Asm., 1014
40	XXXXXX	Contact Asm., 1415
*40	XXXXXX	Contact Asm.

\*This indicates that all models cataloged, other than 1014 and 1415, use the part number shown where a model is not specified.

#### Long and Short Carriage Parts

Parts which differ on long and short carriage machines (Series 731, 735, 765, and 767 I/O Printers) are identified in either the listing or the illustration.

- 1: Listing - The notations (11 inch or 11 inch machine), (15 inch or 15 inch machines), (765 or 765 MLC printer) and (767 or 767 6400 printer) are used to distinguish parts which differ on these models. An example follows:

<u>Ref.</u>	<u>Part No.</u>	<u>Description</u>
77	XXXXXXXX	Link - 11 inch
77	XXXXXXXX	Link - 15 inch
77	XXXXXXXX	Link - 765
77	XXXXXXXX	Link - 767

2. Illustration - Where either the appearance or quantity of parts differ radically between corresponding mechanisms of long and short carriage machines, a separate illustration may be used. The separate illustration is enclosed in a bullseye or box and identified as per model.

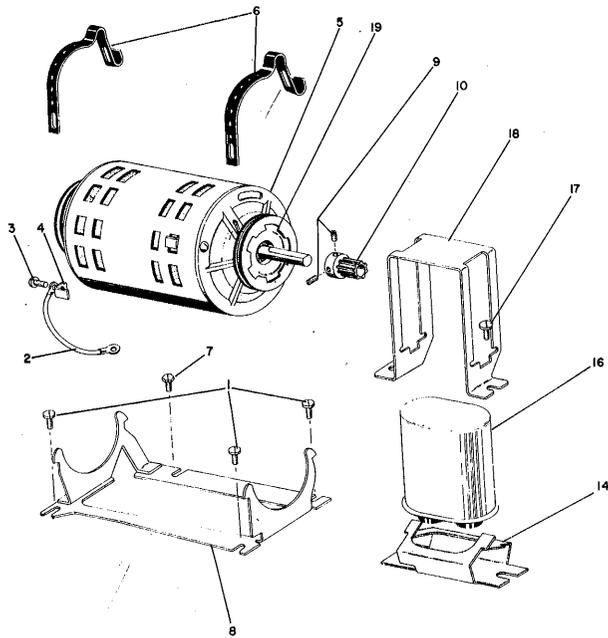
New and Old Level Parts

New and old level parts may be identified in either the listing or by separate illustration. Separate drawings are used in some cases to differentiate between new and old style parts. New and old style parts appearing under the same reference number are noted as being used on machines above or below an indicated serial number.

<u>Ref.</u>	<u>Part No.</u>	<u>Description</u>
15	XXXXX	Cam - (above 404500*)
15	XXXXX	Cam - (below 404499*)

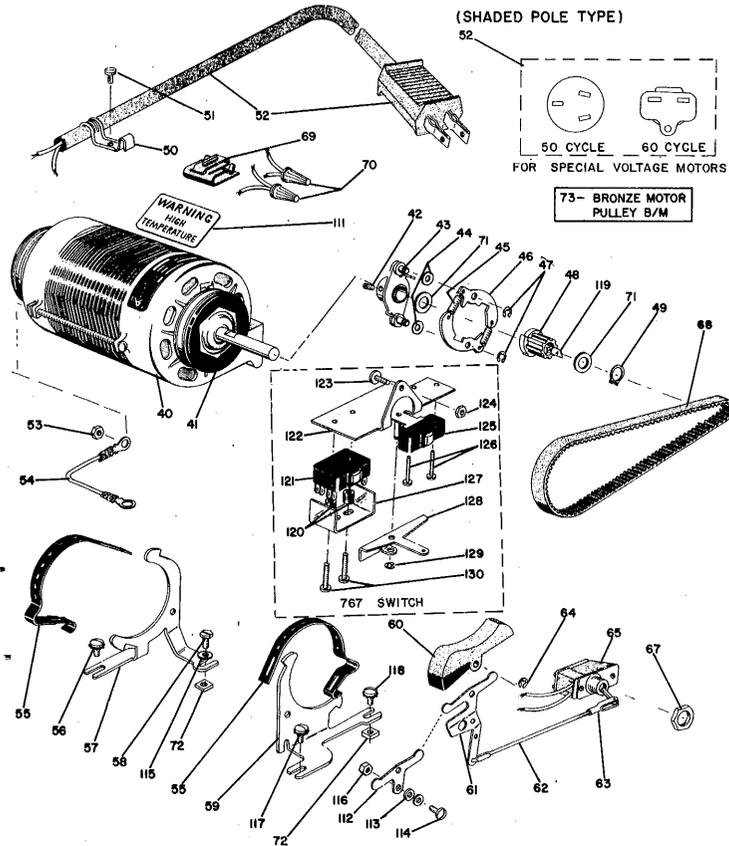
\*Serial numbers are approximate.

(CAPACITOR TYPE) — MOTOR & DRIVE MECH.



135-B/M CAP START MOTOR INCLUDES  
REFS. 9, 10, 14, 16, 17, 18

MOTOR & DRIVE MECH.  
(SHADED POLE TYPE)



REF	P/N	SOURCE	DESCRIPTION	REF	P/N	SOURCE	DESCRIPTION
1	10170		SCREW				
2	1127055		WIRE, GROUND 3 WIRE				
3	1928		SCREW, CLIP				
4	1269006		CLIP				
5	1124741		MOTOR, 115V 60CY AC				
6	1132508		RETAINER				
7	265195		SCREW, MOTOR BRKT				
8	1124562		BRACKET, ASM MOTOR				
9	1100523		SCREW, MOTOR PULLEY				
10	1134828		PULLEY, MOTOR				
14	1124810		INSULATION, CAPACIT				
16	766330		CAPACITOR 4 MFD				
17	1124740		SCREW, NYLON 2 WIRE				
17	55726		SCREW, METAL 3 WIRE				
18	1124807		BRACKET, CAPACITOR				
19	1260156		RUBBER RING, R&M				
40	1134818		MOTOR 110V 60CY				
40	1159741		MOTOR 110V 60CY				
			MUST BE USED ON PRINTERS WITH TILT UP COVERS				
40	1141325		MOTOR, 230V 60CY AC				
40	1141327		MOTOR, 115V 50CY AC				
40	1141328		MOTOR 230V 50CY				
41	1141077		RUBBER RING, SP MTR				
42	1100523		SCREW, CLUTCH MTR				
43	1134741		HUB, MOTOR CLUTCH				
44	*1141504		SPACER, NYLON				
45	1128490		SPRING PAWL				
45	1159132		SPRING, 50CY				
46	*1141923		PAWL, MOTOR				
46	1159135		PAWL, 50 CY				
47	1073418		RETAINER				
48	*1159212		PULLEY MOTOR 60CY				
48	1159537		PULLEY 50 CY				
			*TO REPLACE ANY OF THESE BELOW SN 4077100 OR 4387000 ORDER REF 73.				
49	103689		RETAINER, MOTOR PUL				
50	1134822		CLAMP LINE CORD				
51	10170		SCREW				
52	1134827		CORD, MOTOR 2 WIRE				
52	1164308		CORD 2 WIRE 13 FT				
52	1124744		CORD, MOTOR 3 WIRE				
52	1164309		CORD 3 WIRE 13 FT				
52	1141416		CORD, MTR 230V 60CY				
52	1076978		CORD, MTR ALL 50CY				
52	*1135061		CORD, S&B ONLY				
53	38051		NUT, GROUND WIRE				
54	1127055		WIRE, GROUND 3 WIRE				
55	1132508		RETAINER				
56	38235		SCREW, MOTOR BRKT				
57	1134825		BRACKET LH MTR MTG				
58	35665		SCREW MOTOR BRKT				
59	1134826		BRACKET RH MTR MTG				
60	1124880		KEYBUTTON, GRAY				
60	1144940		KEYBUTTON, 767				
61	1124410		LEVER, ON-OFF				
62	1133520		LINK, ON-OFF				
63	1070020		CLEVIS				
64	1073418		RETAINER				
65	1124811		SWITCH				
65	1135014		SWITCH 4 WIRE				
67	179743		NUT, SWITCH				
68	1124812		BELT, DRIVE				
69	1132028		RETAINER WIRE TERM				
70	1115061		SOLDERLESS CONNECT				
71	1141503		SPACER				
			USE END SPACER ON 60 CY, USE BOTH ON 50 CY				
72	1134829		NUT, MTR BRKT				
73	1272045		B/M BRONZE PULLEY				
111	1141554		LABEL, ROLL OF 500				
112	1128787		LEVER				
113	1124281		SPACER				
114	38266		SCREW				
115	1104286		WASHER				
116	257186		NUT				
			FOR TWIST LOCK PLUG W/O CORD, ORDER PN 624034				
117	322065		SCREW, MTR BRKT				
118	35739		SCREW, MTR BRKT				
119	*1159211		INSERT, MYLAR				
120	1133649		SPACER				
121	1133713		SWITCH PWR ON				
122	1144904		SWITCH BRACKET				
123	81693		SCREW				
124	257187		NUT				
125	1145361		SWITCH PWR OFF				
126	438543		SCREW				
127	1144930		COVER POWER SW				
128	1144905		PLATE ACTUATING				
129	1073718		C-CLIP				
130	438554		SCREW				
135	1272458		B/M CAP MOTOR				

← steel 5173811

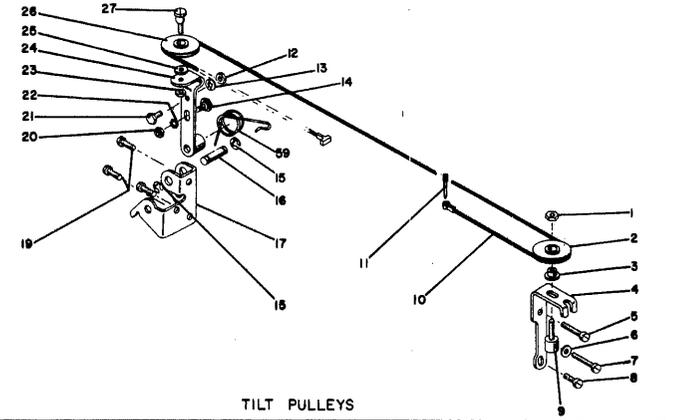
CODE 901  
(6400 PRIMARY PRINTER ONLY)

CODE-501

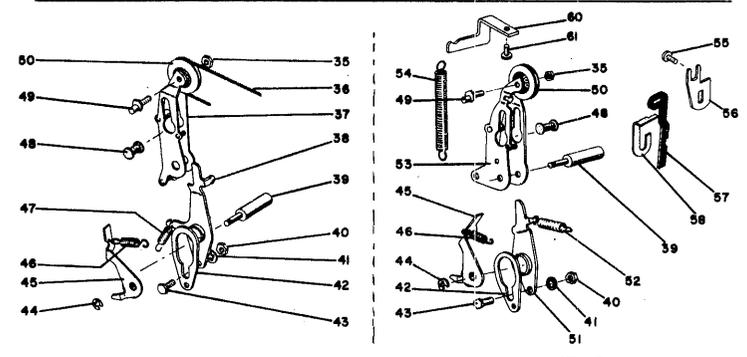
REF	P/N	SOURCE	DESCRIPTION
1	257187		NUT, TILT PULLEY
2	1123749		PULLEY, TILT RH
3	1123750		BUSHING, RH TILT P
4	1124636		BRACKET, RH TILT P
5	38354		SCREW, TILT PULLEY
5	38350		SCREW, TILT PULLEY
			USE WITH SNAP IN DUST SHIELDS
6	263680		WASHER, RH TILT PU
7	1124683		SCREW, RH TILT PUL
8	38350		SCREW, TILT PULL BK
9	1123751		STUD, RH TILT PULL
10	1144869		TAPE GEAR TILT 767
10	1144387		TAPE GEARLESS 767
10	1134810		TAPE, TILT 11 IN
10	1134816		TAPE, TILT 15 IN
10	1164314		TAPE GEARLESS 11IN
10	1164316		TAPE GEARLESS 15IN
			GEARLESS TAPE MACHINES BELOW
			APPROX SN 4604800 B/H 1280498
			MUST ALSO BE INSTALLED
11	1124707		SCREW, TAPE ANCHOR
12	38051		NUT, STUD TILT
			USED BELOW SN 4010000
13	62031		WASHER, TILT PUL ST
			USED WITH REF 12
14	1134878		STUD, TILT LINK
15	1092125		RETAINER, TILT ARM
16	1123736		SHAFT, TILT ARM
17	1133565		BRACKET, WEAR COMPE
19	38234		SCREW, BRKT MTG
20	38214		NUT, TILT LINK
21	340191		STUD, TILT LINK
			USED BELOW SN 4010000
22	56313		WASHER, TILT ARM ST
23	1090268		NUT, TILT PULLEY
24	1132056		ARM, ASM TILT
			MODIFIED USE WITH MODIFIED PULLEY
			1123692 AND STUD 1134964
25	1123696		SPACER, TILT PULL
			USED WITH PN 1123695
26	1123692		PULLEY, LH TILT
			MODIFIED USE WITH STUD 1134964
27	1123695		STUD, TILT PULLEY
			USED BELOW SN 4010000 WITH REF 25
27	1134964		STUD, TILT PULLEY
35	37913		NUT, ROTATE PULL
36	1144871		TAPE, ROTATE 767
36	1134811		TAPE, ROTATE 11 IN
36	1134817		TAPE, ROTATE 15 IN
37			NOT AVAILABLE - ORDER REF 51 & 53
38			NOT AVAILABLE - ORDER REF 51 & 53
39	1133569		STUD, WEAR COMPE
40	38051		NUT, WEAR COMPE
41	62031		WASHER, WEAR COMP
42	1133566		LINK, WEAR COMPE
42	1134966		LINK, WEAR COMPE
			USE WITH NEW STYLE ROTATE LINK
			REF 135
43	1132052		SCREW, WEAR COMPE
44	1073418		RETAINER, WEAR COMP
45	1133568		ARM, ASM ECC ROTAT
46	1133662		SPRING, ECC ROTATE
47	1133542		SPRING, MIDDLE ROTA
48	1133503		WEDGE, WEAR COMP
49	1123702		ECCENTRIC STUD
50	1123704		PULLEY, LH ROTATE
51	1132051		ARM, ASM COMPENSATO
52	1133669		SPRING 11 IN
52	1133687		SPRING 15 IN
52	1128055		SPRING 767
53	1133575		ARM, ROTATE
54	1144939		SPRING COMP 767
54	1141075		SPRING, COMP ASSIST
55	10170		SCREW, DAMPENER
			1 1/2 INCH
56	1128091		STOP, DAMPER
			15 IN
57	1134973		SPRING, DAMPENER
			USE WITH ROTATE ARM REF 37
57	1141084		SPRING, DAMPENER
			USE WITH ROTATE ARM REF 53
58	1132100		STOP, DAMPR SPG
			11 INCH
59	1141926		SPRING TILT ARM
60	1144666		ANCHOR 767
61	1124157		SCREW ANCHOR 767
71	1133615		SCREW ROTATE LINK
71	1164089		SCREW ROTATE LINK
			USED WITH HEAVY LINK
72	1127763		NUT LINK SCREW
73	1092125		CLIP C TILT DIFF
74	1134837		SPRING, TILT DIFF
75	358174		SCREW LATCH GUIDE
76	47987		NUT, LATCH GUIDE
77	1128556		GUIDE SEL BAIL
78	1128553		PLATE ASM SELECTN
79	1144796		LINK 767
79	*1134879		LINK, TILT 11 INCH
79	*1134877		LINK, TILT 15 INCH
			*TO INSTALL ON MACHINES BELOW
			4010000, USE REF 80 IN FRONT OF
			LINK AND USE STUD REF 14 TO
			ATTACH LINK TO TILT ARM.
80	505071		SPACER, TILT LINK
81	1073418		CLIP C TILT STUD
82	1124821		SHIM DIFF BRACKET
83	1090622		WASHER
			USED WITH OLD STYLE TILT LINK
84	1856		SCREW LAT GUIDE
85	1138462		NUT, DIFF BRACK ST
86	1135031		BRACKET GUIDE
87	45638		WASHER, GUIDE BRKT
88	48594		SCREW SEL BRKT MTG
89	251970		SCREW SEL BRKT MTG
90	1128557		STUD, SPRING ANCHOR
91	1128580		SCREW LATCH
92	438541		SCREW CLAMP MTG
93	1128558		ARM, CHECK LATCH
94	1109556		SPRING, CHECK LAT.
95	257187		NUT, DIFF BRACK ST
96	358509		WASHER, LOCK
97	47987		NUT, CLAMP MTG SCR
98	1135826		NUT, FIVE UNIT STD
99	1128555		STUD, NEG LATCH

REF	P/N	SOURCE	DESCRIPTION
100	1133668		SPRING, NEG 5 LAT
101	1123718		LATCH, NEG 5 UNIT
102	1128562		GUIDE, LATCH
102	1128565		ARM, PIVOT
103	38351		NUT, ROTATE ARM LK
105	6364		WASHER, ROTATE LK
106	1073418		CLIP C ROTATE ARM
107	1133641		DAMPENER, TAPE
108	1159346		BELLCRANK ASM ROT
			ON MACHINES BELOW 4008225 ORDER
			ROTATE LINK ALSO
109	1127741		SPACER
110	1127763		NUT LINK SCREW
111	1123714		STUD ROTATE LINK
112	219633		CLIP C ROTATE
113	1123713		CLEVIS, ROTATE LH
114	6503		NUT ROTATE LINK
115	1128090		LINK ROTATE 15 IN
115	1123721		LINK ROTATE 11 IN
116	1127712		CLEVIS, ROTATE RH
117	1133617		LINK ROT SHORT
117	1164045		LK ROT SHORT-HEAVY
117	1164048		LINK HEAVY 767
118	1135028		LATCH ASM TILT
119	6503		NUT, ROTATE LINK
120	1123741		SCREW ROTATE LEVER
121	1134837		STUD, TILT ARM
122	1133618		NUT ADJUSTING
123	1135029		LATCH ASM ROTATE
124	332747		CLIP C ROTATE BCRK
125	1133619		NUT, ROTATE LINK
126	1144797		LINK LONG 767
126	1133616		LINK R LONG 11 IN
126	1164047		LINK R LONG 15 IN
126	1134853		LINK R LONG 15 IN
126	1164048		HEAVY STYLE
127	1133615		SCREW ROT LINK
127	1164089		SCREW HEAVY LINK
128	116023		WASHER SEL BAIL
129	1134837		SPRING LATCH BAIL
130	1135296		SCREW BAIL PLATE
131	1123725		STUD, NEG 5 LINK
132	1123724		LINK, NEGATIVE 5
133	1073418		CLIP C NEG 5 LINK
134	1123779		SCREW, NEG 5 STOP
135	1123664		BAIL, ASM NEG 5
135	1159157		BAIL, ASM NEG 5
			USED ABOVE SN 4611451
136	38051		NUT NEG 5 STOP PAD
137	1123715		STUD NEG 5 LINK
138	37913		NUT BAIL PLATE RH
139	1159896		SHAFT SEL BAIL
140	38351		SCREW, BAIL SHAFT
141	1128086		RETAINER, BAIL SHAF
142	1127764		GUIDE, LINK TAB
143	38214		NUT BAIL PLATE LH
144	332747		CLIP C BAIL SHAFT
166	1144867		EXTENSION 767
167	1135011		BAIL
167	1159341		BAIL
			USED ABOVE SN 4611451
172	1124622		BRACKET GUIDE

CHARACTER SELECTION

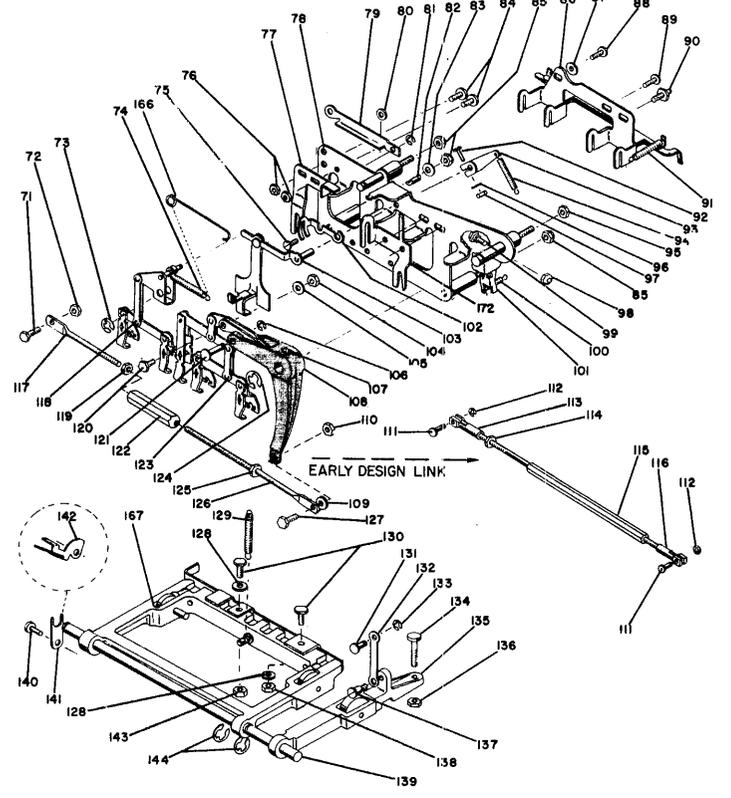


TILT PULLEYS



OLD STYLE — ROTATE PULLEYS — NEW STYLE

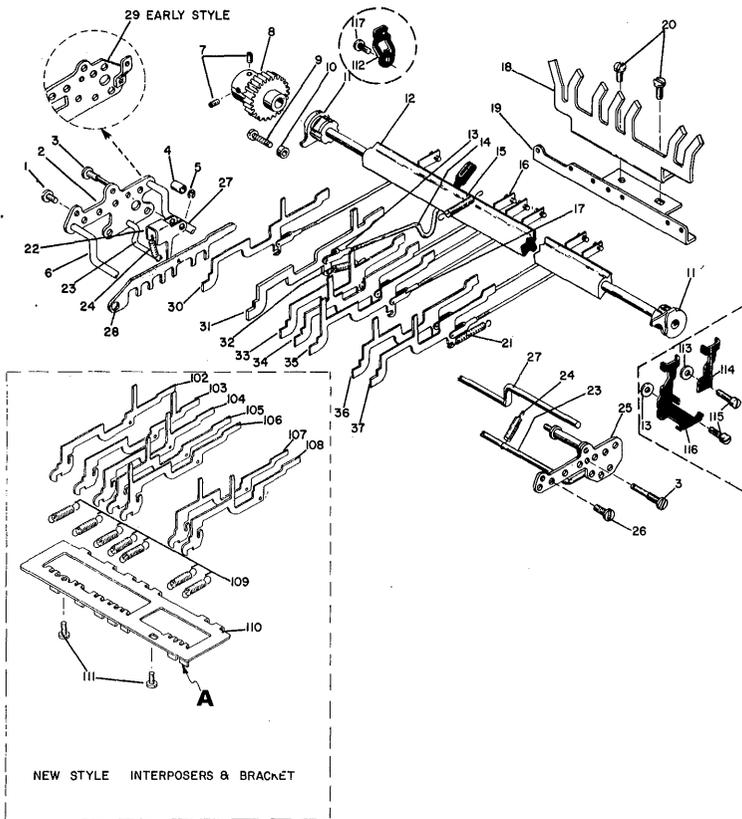
CHARACTER SELECTION



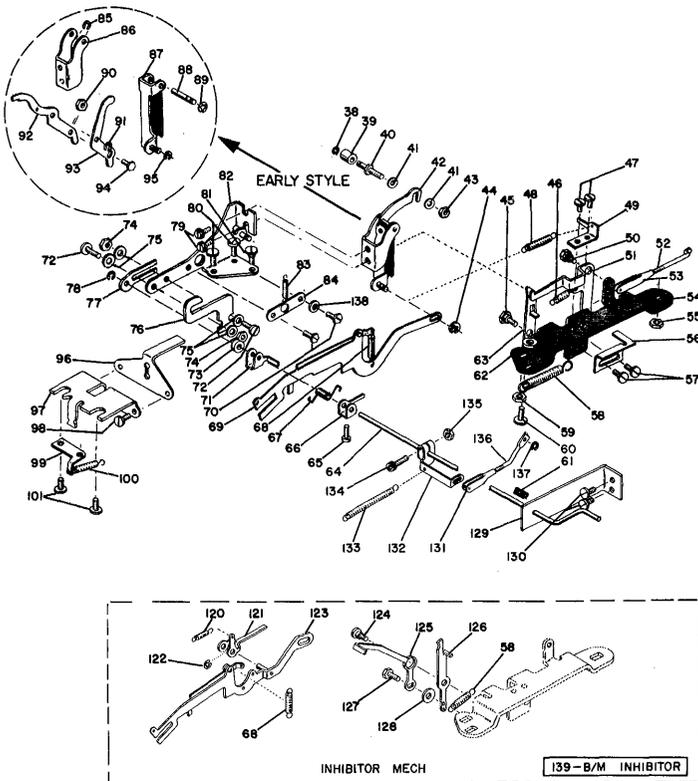
CODE 902  
(6400 PRIMARY PRINTER ONLY)

CODE-502

KEYBOARD SELECTION



KEYBOARD SELECTION



REF	P/N	SOURCE	DESCRIPTION	REF	P/N	SOURCE	DESCRIPTION
1	55726		SCREW, BAIL PLATE	109	1141383		SPRING INTERPOSER
2	1135097		PLATE, BAIL LH	110	1141382		BRACKET LAT INT GD
3	1132150		SCREW, DAMPER	111	10170		SCREW INTIP BKT MGT
4	1134784		SPACER, DAMPER	112	1141894		RETAINER LH
5	219633		CLIP, C DAMPER	113	1141890		SPACER
6	1123611		BAIL, SELECT ION	114	1159662		RETAINER RH 11 IN
7	1100523		SCREW, GEAR FILTER	114	1141895		RETAINER RH 15 IN
8	1128095		GEAR, FILTER SHAFT	115	170215		SCREW
9	322550		SCREW, FILTER SHFT	116	1141651		RETAINER RH
10	1141180		SCREW, FILTER SHFT	117	38235		SCREW
11	1141181		SPACER, FILTER SHFT	120	1073449		SPRING INHIBITOR
12	1141646		SHAFT FILTER	121	1159171		LEVER INHIBITOR
12	1123681		SHAFT, FILTER	122	1073418		C-CLIP
12	1138816		PLATE, BAIL	123	1128632		LINK CY CL LATCH
13	1070020		CLEVIS, CK LINK	124	1159185		SCREW CY CL LEVER
14	1128573		LINK, CK LATCH ITP	125	1159182		LEVER INHIB TRIP
15	1071691		SPRING, LATCH LINK	126	1159173		LEVER CY CL
16	1133586		LINK, NEG 5 LATCH	127	100951		SCREW INHIB TRP LE
16	1135168		LINK, LATCH	128	1124247		SPACER
17	1070020		CLEVIS, PIN LATCH L	128	1144873		SUPPORT 767
18	1128636		STOP, LATCH ITP	130	10170		SCREW SUPPORT 767
19	1123795		BRACKET, SPRING	131	1110529		CLEVIS 767
20	38350		SCREW, STOP MTG	132	1144932		ACTUATOR 767
21	1133670		SPRING, INTERPOSER	133	1090341		SPRING 767
22	1134768		DAMPER, CYCLE BAIL	134	186924		SCREW 767
23	1123556		BAIL CYCLE CLUTCH	135	37913		NUT 767
24	1134831		SPRING, DAMPER	136	1145364		LINK 767
25	1280666		PLATE, BAIL RH	137	469565		C CLIP 767
26	1132149		SCREW, BAIL PLATE	138	56722		WASHER
27	1135096		BAIL, CHECK				USED ON MACHINES ABOVE SN 4602140
27	1128855		BAIL, CHECK	139	1272132		B/M INHIBITOR MECH
28	1133579		STOP, INTPOSER BAI				
29	1128868		PLATE, BL LH EARLY				
30	1123792		INTERPOSER, POS 1				
31	1128673		INTERPOSER, CK LAT				
32	46831		SPRING CK LAT INTP				
33	1123791		INTERPOSER, POS 3				
34	1123789		INTERPOSER, POS 4				
35	1123787		INTERPOSER, POS 5				
36	1123788		INTERPOSER, POS 6				
37	1123790		INTERPOSER, POS 7				
38	251989		CLIP C, REST CAM				
39	1138391		ROLLER REST CAM				
40	1138390		STUD, RESTORING CAM				
41	1132211		WASHER, REST CAM ST				
42	1135124		BRACKET CC LATCH				
43	37913		NUT, REST CAM STUD				
44	1073418		CLIP C LATCH LINK				
45	1135130		SCREW, PIVOT				
46	1090343		SPRING, LAT. LEVER				
47	48594		SCREW, BRACKET MTG				
48	1115017		SPRING, CC LATCH				
49	1135127		ANCHOR, SPRING				
50	1135130		SCREW, PIVOT				
51	1135129		LEVER, LATCH				
52	1000223		LINK, CC TRIP				
53	1070020		CLEVIS, PIN SMALL				
54	1135125		BRACKET, CC TRIP				
55	257187		NUT, BRACKET MTG				
56	1135128		STOP, LATCH				
57	48594		SCREW, STOP MTG				
58	43373		SPRING TRIP LEVER				
59	37913		NUT, BRACKET MTG				
60	338238		SCREW BRACKET MTG				
61	1138384		RETAINER, INT BAIL				
62	1128598		SPACER, TRIP BRKT				
63			NOT AVAILABLE USE REF 126				
63			ON MACHINES WITH OLD STYLE CYCLE CLUTCH TRIP MECHANISM ASSEMBLY 1135162 MUST BE USED TO MAKE THE CONVERSION.				
64	1132240		BAIL INTERLK 11 IN				
64	1128186		BAIL INTERLK 15 IN				
64	1144872		BAIL INTERLK 767				
65	2650		SCREW INTERLOCK				
66	1134812		LEVER INTERLOCK				
67	1134813		SPRING, PAWL INTLK				
68	1123827		SPRING, LATCH PAWL				
69	1128632		PAWL AND LINK ASM				
70	1138369		SCREW, BAIL PLATE				
70	265195		SCREW, RESTORING				
70			USED ON MACHINES ABOVE SN 4602140				
71	1132241		PAWL, INTERLOCK				
72	236550		SCREW BAIL PLATE				
73	1134867		SPACER, INTERLOCK				
74	37913		NUT, SCREW BAIL PL				
75	145639		WASHER, BAIL PLATE				
76	1134767		STOP, CYCLE BAIL				
77	1132242		PLATE, INTLK BAIL				
78	1073418		CLIP C				
78			USED ON MACHINES BELOW 4009650				
79	1138368		SCREW, LATCH BRKT				
80	10170		SCREW, BAIL BRACKET				
81	1127733		SCREW, BAIL BRACKET				
82	1123711		BRACKET ASM BAIL				
83	1090343		SPRING, RESTORING				
84	1141129		PLATE, BAIL				
84			MACHINES BELOW 4003339 REQUIRE REPLACEMENT REF 82 AND 84 IF EITHER IS REPLACED				
85	219633		CLIP C				
86	1127791		BRACKET, CY LATCH				
87	1128633		LATCH CYCLE CLUTCH				
88	1123688		SHAFT, CYCLE LATCH				
89	219633		CLIP C LATCH SHAFT				
90	37913		NUT, RESTORING SCR				
91	219633		CLIP C RESTORING				
92	1127787		FOLLOWER LATCH				
93	1127790		LEVER, LATCH REST				
94	1124827		SCREW, LATCH REST				
95	1073418		CLIP C LATCH LINK				
96	1134887		KEEPER ASM				
97	1135493		BRACKET CY CL KEEP				
98	438548		SCREW, PAWL STP MTG				
99	1132154		BRACKET, SPRING				
99			USED ON MACHINES BELOW 4006600				
100	1098595		SPRING, PAWL LINK				
101	10170		SCREW, BRACKET				
102	1141379		INTERPOSER POS 1				
103	1135605		INTERPOSER CK LAT				
104	1141378		INTERPOSER POS 2				
105	1141376		INTERPOSER POS 3				
106	1141374		INTERPOSER POS 4				
107	1141375		INTERPOSER POS 5				
108	1141377		INTERPOSER POS 7				

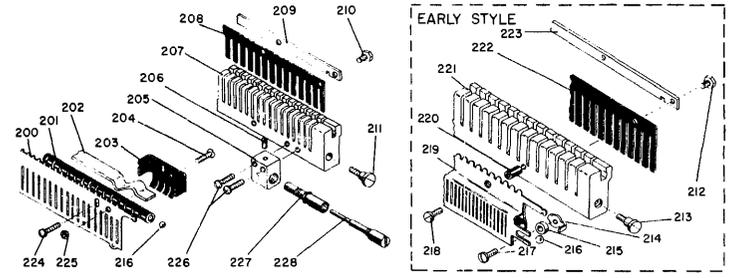
CODE 903  
(6400 PRIMARY PRINTER ONLY)

CODE-503

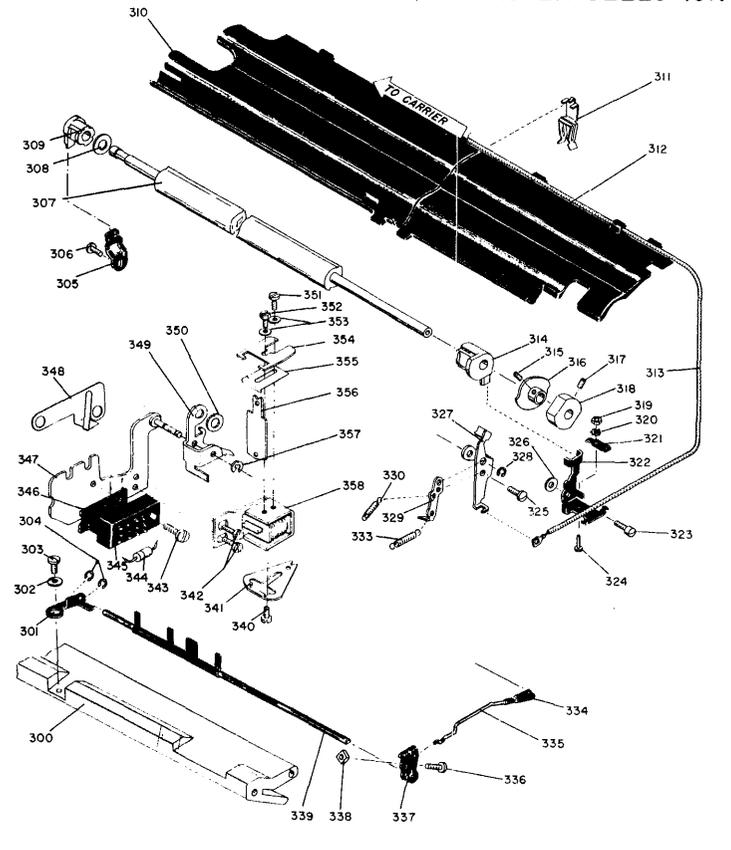
REF	P/N	SOURCE	DESCRIPTION
200	1134987		PLATE ASM INT GUI
201	1132186		TUBE COMPENSATOR
202	1134981		SPACER COMP TUBE
203	1134980		CLAMP COMB TUBE
204	438558		SCREW, TUBE CLAMP
205	1134990		PLATE, BALL ADJ
206	257958		SCREW, ADJ PLATE
207	1135495		SUPPORT, FULCRUM
208	1124430		SPRING, LATCH INT
209	1124433		PLATE, INT SPRING
210	1128382		SCREW, LATCH SPRING
211	1134986		SCREW, SUPPORT MTG
212	1128382		SCREW, LATCH SPRING
213	1124732		SCREW, SUPPORT RH
213	1132102		SCREW, SUPPORT LH
214	1134820		STOP, COMB BALL
215	1134821		SPACER, BALL STOP
216	1124682		BALL COMPENSATOR
217	251970		SCREW, BALL STOP
218	438550		SCREW, COMP TG
219	1133614		COMPENSATOR ASM
220	1133649		SPACER COMP
221	1123956		SUPPORT, FULCRUM
222	1124430		SPRING LATCH INT
223	1124433		PLATE INT SPRING
224	438551		SCREW COMP MTG
225	38214		NUT TUBE CLAMP
226	438551		SCREW BALL ADJ PLA
227	1134991		TUBE, BALL ADJ RH
227	1134992		TUBE, BALL ADJ LH
228	1141157		PLUNGER, RH BALL
228	1141168		PLUNGER, LH BALL
PARTS USED WITH NEW STYLE			
229	81693		SCREW, GUIDE INTER
230	55726		SCREW, GUIDE INTER
231	1132191		GUIDE COMB INTER
232	10170		SCREW, SUPPORT MTG
233	1124411		SCREW, KYL GD MTG
234	10170		SCREW, GUIDE COMB
235	1128293		DOWNSTOP, KYL
236	1133647		SPRING, KEYLEVER LH
237	1133682		COMB, KEYLEVER LH
238	1133679		PLATE, KYL SPRING
239	81693		SCREW, SPRG MTG
240	10170		SCREW, GUIDE COMB
241	1133654		SPRING, KEYLEVER RH
242	1133683		COMB, KEYLEVER RH
243	264641		CLIP C FULCRUM
244	1132166		ROD, KYL FULCRUM
245	1132165		SPRING PAWL
246	1141266		SPRING ROW 1 & 2
246	1141267		SPRING, ROW 3 & 4
247	1138900		INTERPOSER, SEL
USE WITH SHORT PAWL KYLVR, ALSO ORDER APPROPRIATE SPRING REF 246 REMOVE UNDESIRE PROJECTIONS ON INTERPOSERS			
247	1128409		INTERPOSER, SEL
USE WITH LONG PAWL KEYLEVER.			
248	1123963		ROD, FULCRUM
249	1092125		CLIP, C FULCRUM
250*	1123950		KEYLEVER ASM, 4TH
250*	1134892		KEYLEVER ASM, 4TH
251**	1123949		KEYLEVER ASM, 3RD
251**	1134893		KEYLEVER ASM, 3RD
252**	1123948		KEYLEVER ASM, 2ND
252**	1134894		KEYLEVER ASM, 2ND
253**	1123947		KEYLEVER ASM, 1ST
253**	1134895		KEYLEVER ASM, 1ST
**SHORT PAWL, USED ON 11 IN BELOW			
*LONG PAWL, USED ON 11 IN BETWEEN			
4013400 AND 4037900			
254	1128895		SUPPORT GUIDE COMB
255	1133633		STOP KEYLEVER
256	1123968		COMB KEYLEVER GD
270	1133637		INSULATION KYBOARD
280	KEYBUTTONS - SEE CHART		
300	1123969		SUPPORT GUIDE COMB
301	1141666		BRACKET VANE MTG
302	56722		WASHER
303	55726		SCREW VANE MTG BKT
304	219633		RETAINER
305	1141894		RETAINER BRGN LH
306	38235		SCREW
307	1141646		SHAFT FILTER DI
308	1128144		SPACER FILTER SHFT
309	1141663		BEARING
310	1141642		SHIELD LH 11 IN
310	1141649		SHIELD LH 15 IN
311	1141761		CLIP CABLE CENTER
312	1141643		SHIELD RH 11 IN
312	1141645		SHIELD RH 15 IN
313	1141763		CABLE 11 IN
313	1141765		CABLE 15 IN
314	1141663		BEARING
315	257957		SCREW
316	1141655		CAM LOW VEL SHIFT
317	48594		SCREW
318	1141782		CAM SHIFT INTL
319	47987		NUT
320	358509		LOCKWASHER
321	1141805		CLAMP CABLE
322	1141651		BRACKET CABLE ANCH
323	170215		SCREW
324	1141771		SCREW CABLE ANCHOR
325	115735		SCREW FOLLOW STOP
326	1141890		WASHER
327	1141780		FOLLOWER LOW VEL
328	1073418		RETAINER
329	1141652		STOP CAM FOL ADJ
330	1071687		SPRING LOW VEL LAT
333	1141650		SPRING LOW VEL FOL
334	1070020		CLEVIS
335	1141647		LINK LOW VEL
336	38566		SCREW
337	1141835		BELLCRANK LOW VEL
338	602229		NUT
339	1141836		VANE LOW VEL
340	48594		SCREW
341	1128957		PLATE PIVOT
342	55726		SCREW MTG
343	438549		SCREW
344	1160777		DIODE
345	317767		BLOCK TERMINAL
346	317766		INSULATOR TERMINAL
347	1159893		BRACKET MTG
348	1159896		SPRING VANE
349	1159891		LATCH LOW VEL
350	1090630		WASHER
351	48594		SCREW
352	1127785		SCREW
353	355341		WASHER

REF	P/N	SOURCE	DESCRIPTION
354	1128966		BACKSTOP ARMATURE
355	1128965		RESIDUAL ARMATURE
356	1128969		ARMATURE
357	264641		RETAINER
358	1128964		MAGNET ASM

KEYBOARD SELECTION



(DUAL IMPRESSION) CHARACTER SELECTION

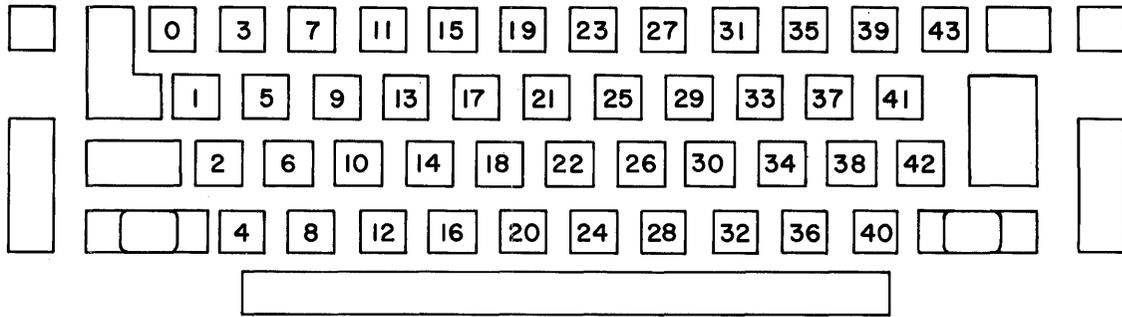


**CODE 903**  
(6400 PRIMARY PRINTER ONLY)

**CODE-503**



# KEYBUTTONS



NOTE: NUMBERS INSIDE KEYBUTTON OUTLINE ARE KEYBOARD POSITIONS

REF 280 , ALPHA-NUMERIC KEYBUTTONS														
NOTE: DETERMINE KEYBOARD POSITION FOR WHICH KEYBUTTON IS REQUIRED (SEE KEYBOARD DRAWING, THIS PAGE). LOCATE KEYBUTTON PART NUMBER BY MODEL AND TYPE HEAD CODE. THE TYPE HEAD CODE IS LOCATED ON TOP OF THE HEAD, UNDER THE CLIP SPRING														
MODEL	ET	ET.	1014	1014	1415	1415	SABRE	SABRE	STRETCH	STRETCH	1620	ET 767		
HEAD	CORR 050	BCD 908	904	916 FAA	913/914	903	910 AA	905	902 AEC	901 ECS	907	912		
KEYBOARD POSITIONS	0	1124896	1133262	1133019	1133019	1133262	1133262	1133404	1133404	1133000	1133040	1133483	1124734	
	1	1124956	1133434	1124956	1124956	1133274	1133274	1124956	1124956	1124956	1124956	1133274	1124956	
	2	1127611	1133285	1127611	1127611	1133285	1133285	1127611	1127611	1127611	1133055	1133285	1127611	
	3	1124897	1133263	1133020	1133020	1133263	1133263	1133405	1133405	1133001	1133041	1133995	1133905	
	4	1127661	1133446	1127661	1127661	1133838	1133296	1127661	1127661	1127661	1127661	1133296	1127661	
	5	1124957	1133328	1124957	1124957	1133833	1133275	1124957	1124957	1124957	1124957	1133328	1124957	
	6	1127612	1133286	1127612	1127612	1133286	1133286	1127612	1127612	1127612	1127612	1133286	1127612	
	7	1124898	1133264	1133021	1133021	1133264	1133264	1133406	1133406	1133002	1133042	1133801	1133906	
	8	1127662	1133447	1127662	1127662	1133839	1133297	1127662	1127662	1127662	1127662	1133342	1127662	
	9	1124958	1133329	1124958	1124958	1133834	1133276	1124958	1124958	1124958	1124958	1133052	1133329	1124958
	10	1127613	1133335	1127613	1127613	1133836	1133287	1127613	1127613	1127613	1127613	1133056	1133335	1127613
	11	1124899	1133425	1133022	1133022	1133265	1133265	1133407	1133407	1133003	1133043	1133472	1133069	
	12	1127663	1133298	1127663	1127663	1133298	1133298	1127663	1127663	1127663	1127663	1133063	1133298	1127663
	13	1124959	1133435	1124959	1124959	1133277	1133277	1124959	1124959	1124959	1124959	1133277	1124959	
	14	1127614	1133336	1127614	1127614	1133288	1133288	1127614	1127614	1127614	1127614	1133057	1133336	1127614
	15	1124900	1133426	1133023	1133023	1133830	1133266	1133408	1133408	1133004	1133044	1133322	1133907	
	16	1127664	1133343	1127664	1127664	1133840	1133299	1127664	1127664	1127664	1127664	1133343	1127664	
	17	1124960	1133278	1124960	1124960	1133278	1133278	1124960	1124960	1124960	1124960	1133278	1124960	
	18	1127615	1133828	1127615	1127615	1133289	1133289	1127615	1127615	1127615	1133058	1133337	1127615	
	19	1124901	1133427	1133024	1133024	1133267	1133267	1133409	1133409	1133005	1133045	1133323	1133908	
	20	1127665	1133300	1127665	1127665	1133300	1133300	1127665	1127665	1127665	1127665	1133064	1133300	1127665
	21	1124961	1133436	1124961	1124961	1133279	1133279	1124961	1124961	1124961	1124961	1133279	1124961	
	22	1127616	1133443	1127616	1127616	1133290	1133290	1127616	1127616	1127616	1133059	1133290	1127616	
	23	1124902	1133428	1133025	1133025	1133268	1133268	1133410	1133410	1133006	1133046	1133468	1133909	
	24	1127666	1133344	1127666	1127666	1133301	1133301	1127666	1127666	1127666	1127666	1133344	1127666	
	25	1124962	1133437	1124962	1124962	1133835	1133280	1124962	1124962	1124962	1124962	1133476	1124962	
	26	1127617	1133291	1127617	1127617	1133291	1133291	1127617	1127617	1127617	1133060	1133478	1127617	
	27	1124903	1133429	1133026	1133026	1133269	1133269	1133411	1133411	1133007	1133047	1133325	1133910	
	28	1127667	1133448	1127667	1127667	1133841	1133302	1127667	1127667	1127667	1127667	1133480	1127667	
	29	1124963	1133438	1124963	1124963	1133281	1133281	1124963	1124963	1124963	1133053	1133474	1124963	
	30	1127618	1133292	1127618	1127618	1133292	1133292	1127618	1127618	1127618	1127618	1133477	1127618	
	31	1124904	1133430	1133027	1133027	1133270	1133270	1133412	1133412	1133008	1133048	1133470	1124904	
	32	1127668	1133494	1133355	1158068	1133303	1133303	1133419	1133034	1133015	1133065	1133482	1133915	
	33	1124964	1133439	1124964	1124964	1133282	1133282	1124964	1124964	1133018	1133018	1133475	1124964	
	34	1127619	1133293	1127619	1127619	1133293	1133293	1127619	1127619	1127619	1127619	1133479	1127619	
	35	1124905	1133431	1133351	1133351	1133271	1133271	1133413	1133413	1133009	1133049	1133471	1124905	
	36	1127669	1133449	1133035	1133035	1133304	1133304	1133420	1133420	1133016	1133016	1133481	1133916	
	37	1124965	1133827	1124965	1124965	1133283	1133283	1124965	1124965	1124965	1124965	1133333	1124965	
	38	1127620	1133444	1133354	1158066	1133837	1133294	1133417	1133032	1133013	1133013	1133481	1133913	
	39	1124906	1133432	1133030	1133030	1133831	1133272	1133414	1133414	1133010	1133050	1133469	1124906	
	40	1127670	1133305	1133036	1133036	1133305	1133305	1133421	1133421	1133017	1133017	1133305	1127670	
	41	1124966	1133860	1133353	1133353	1133284	1133284	1133416	1133416	1133031	1133012	1133054	1133912	
	42	1127671	1133445	1133032	1158067	1133295	1133295	1133497	1133033	1133014	1133062	1133295	1133914	
43	1124907	1133433	1133352	1133352	1133832	1133273	1133415	1133415	1133011	1133051	1133996	1133911		

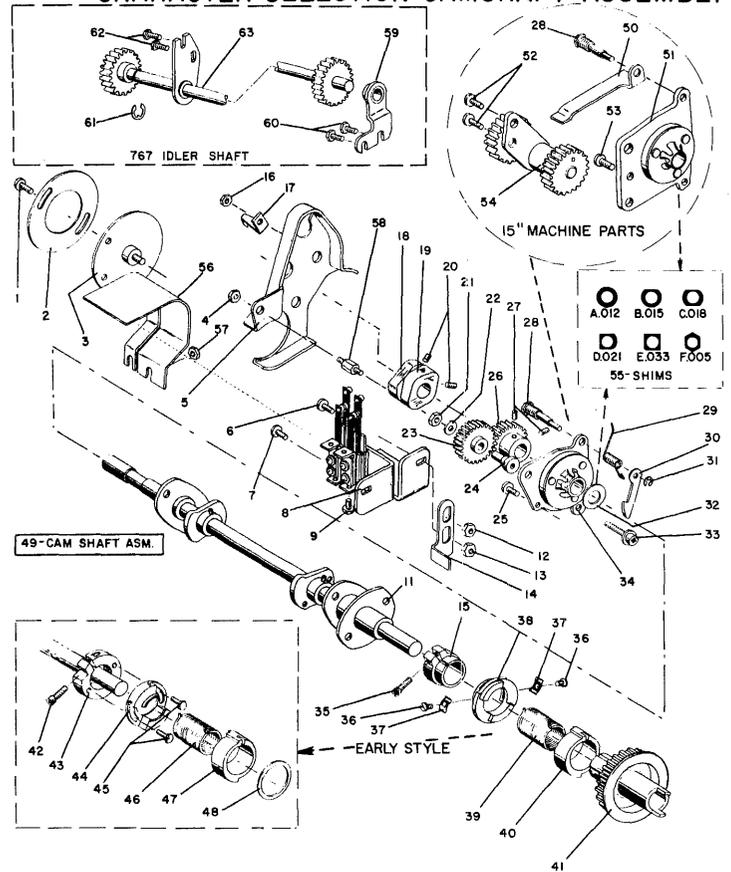
REF	P/N	SOURCE	DESCRIPTION
1	48594		SCREW, DIAL MTG
2	324464		DIAL, TIMING
3	1135098		PLATE, DIAL MTG
4	1134842		NUT, GEAR GUARD
5	1145384		GUARD 767
5	1135076		GUARD, GEAR
6	438549		SCREW, BRACKET MTG
7	251970		SCREW, BRACKET MTG
7	1138539		SCREW RED RIB 11IN
8	1135404		CONTACT ASM 1014
8	1144861		CONTACT ASM 767
8	1128830		CONTACT ASM, OTHERS
9	118418		SCREW TERMINAL
11	1128550		CAM SHAFT 11 INCH
11	1135356		CAM SHAFT 15 INCH
12	37913		NUT BAIL STOP BKT
13	38051		NUT BAIL STOP BKT
14	1135079		STOP SEL BAIL
15	1135583		COLLAR CY CLUTCH
MACH BELOW 4601717 MUST REPLACE REF 39 ALSO			
16	257187		NUT POINTER MTG
17	1135099		POINTER, DIAL
18	1135056		CAM 45 DEG BLUE
18	1128838		CAM 65 DEG BLACK
19	1128839		CAM 90 DEG WHITE
19	1128999		CAM 110 DEG ORANGE
CHECK TIMING REQUIREMENTS			
20	1128837		SCREW CAM FB
21	38051		NUT, IDLER GEAR MT
22	1134843		WASHER IDLER GEAR
23	1123683		GEAR, LOWER IDLER
24	1159097		BUSHING LOWER IDLR
25	38235		SCREW REAR 11 INCH
25	1141097		SCREW FNT 11 INCH
26	1123685		GEAR, CY CAM SHAFT
27	1100523		SCREW CAMSFT GEAR
28	1123674		STUD, CHECK PAWL
29	1124574		SPRING CHECK PAWL
30	1123675		PAWL CYC SHAFT CK
31	219633		CLIP C CY CL PHL
32	1127730		WASHER CY CAM SFT
33	1134841		SCREW IDLER GR MTG
34	1123641		BEARING ASM
35	357820		SCREW CY CL COLLAR
36	1138393		SCREW RESTORE CAM
37	1138392		CLAMP RESTORE CAM
38	1135995		CAM CY RESTORE
39	1135576		SPRING CY CLUTCH
ON MACH BELOW 4601717 MUST REPLACE REF 15 ALSO			
40	1138398		SLEEVE CY CLUTCH
PARTS USED WITH CYCLE CLUTCH RESTORING MECHANISM ON MACHINES ABOVE 4020951			
41	1135619		HUB & PULLEY ASM
SEPARATE HUB AND PULLEY NOT AVAILABLE. ON MACHINES PRIOR TO 4024316, COUNTERSINK REAR OF ROTATE BELLCRANK PIVOT HOLE WITH 5/16 IN DRILL BY HAND			
ON MACHINES PRIOR TO 4070000, REPLACE THE SLEEVE AND COLLAR WHEN IT IS NECESSARY TO REPLACE EITHER THE HUB & PULLEY OR SLEEVE			
42	357820		SCREW CY CL COLLAR
43	1123652		COLLAR CY CLUTCH
43	1135583		COLLAR CY CLUTCH
USED ABOVE SN 4601717			
44	1127712		STOP, CYCLE CLUTCH
45	1127714		SCREW CY CL STOP
46	1133502		SPRING CY CLUTCH
47	1123769		SLEEVE CY CLUTCH
48	1141086		WASHER, NYLON
49	1266830		CAMSHAFT ASM 11 IN
49	1266831		CAMSHAFT ASM 15 IN
50	1128259		GUARD, GEAR 15 IN
51	1123641		BEARING, ASM 15 IN
52	340191		SCREW IDLER 15 IN
NO WASHER REQ.			
53	35739		SCREW REAR 15 INCH
53	322551		SCREW FNT 15 INCH
54	1128062		IDLER ASM 15 IN
55	1127753		SHIM CYCLE SHAFT A
55	1127754		SHIM CYCLE SHAFT B
55	1127755		SHIM CYCLE SHAFT C
55	1127756		SHIM CYCLE SHAFT D
55	1127757		SHIM CYCLE SHAFT E
55	1128071		SHIM CYCLE SHAFT F
56	1144909		COVER, DUST 767
57	7341		NUT DUST COVER 767
58	1145360		STUD 767
59	1144845		BEARING 767
60	340191		SCREW
61	56722		C-CLIP
62	340191		SCREW
63	1144840		IDLER 767
70	173207		SCREW - LONG -
71	105052		INSULATOR
72	37435		PLATE, INSULATOR
73	1128832		TERMINAL
74	1135467		BACKUP, CONTACT
74	339113		BACKUP 767
75	1128745		CONTACT EXCEPT 1014
75	1135476		CONTACT 1014
76	326119		SUPPORT, CONTACT
77	1135466		BACKUP, CONTACT
77	339113		BACKUP 767
78	1128834		STRAP, EXCEPT 1014
78	1135403		STRAP, 1014
79	1128833		TERMINAL
80	1128746		CONTACT EXCEPT 1014
80	1135474		CONTACT 1014
81	118418		SCREW, TERMINAL
82	173205		SCREW - SHORT -
83	1128831		BRACKET, CONTACT
83	1144862		BRACKET 767
84	1144861		ASSEMBLY 767
84	1128830		ASM EXCEPT 1014
84	1135404		ASM 870, 1410
94	108114		SCREW, BRKT MTG
95	1135175		CONTACT ASM O/S
96	1135177		CONTACT ASM
97	1135178		SPRING CONT ACT.
98	38235		SCREW ASM MTG
99	1074145		SPACER, BKT
100	1135173		BKT CONT ASM MTG
101	1127763		NUT K/L STOP SCREW
102	1090933		SCREW CONT MTG
103	438546		SCREW LK OUT LONG
103	52359		SCREW DOWNSTOP
104	1090630		WASHER
105	1135177		CONTACT ASM

REF	P/N	SOURCE	DESCRIPTION
106	1135180		BRACKET CONT MTG

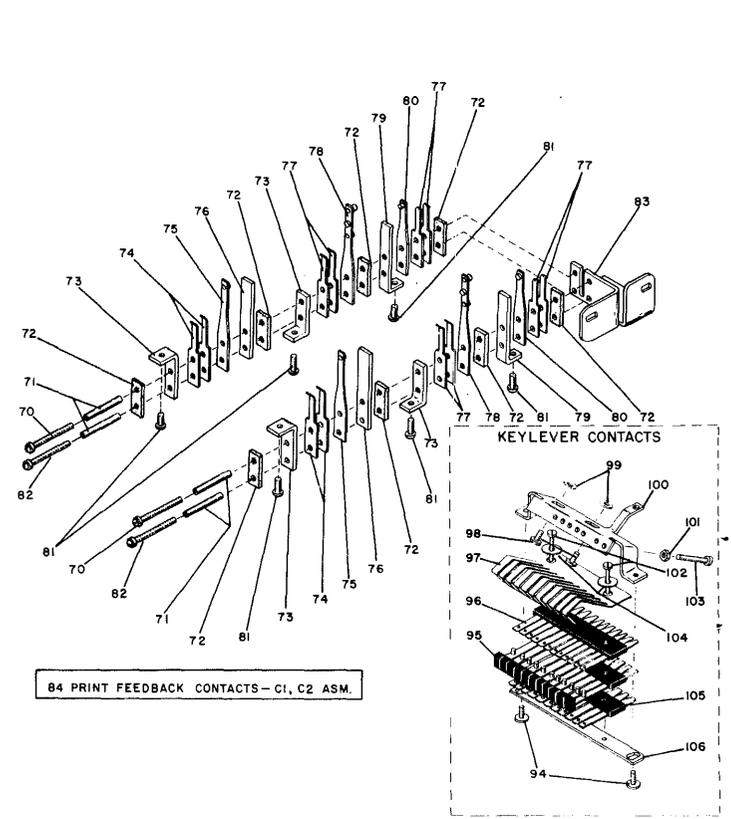
**CODE 904**  
(6400 PRIMARY PRINTER ONLY)

**CODE-504**

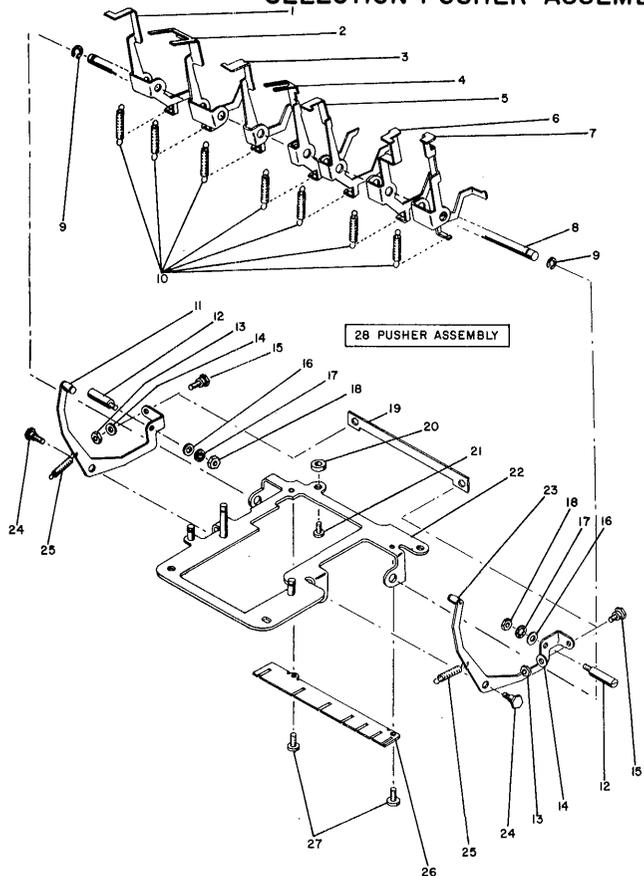
**CHARACTER SELECTION CAMSHAFT ASSEMBLY**



**PRINT FEED BACK & LEVER CONTACTS**



**SELECTION PUSHER ASSEMBLY**

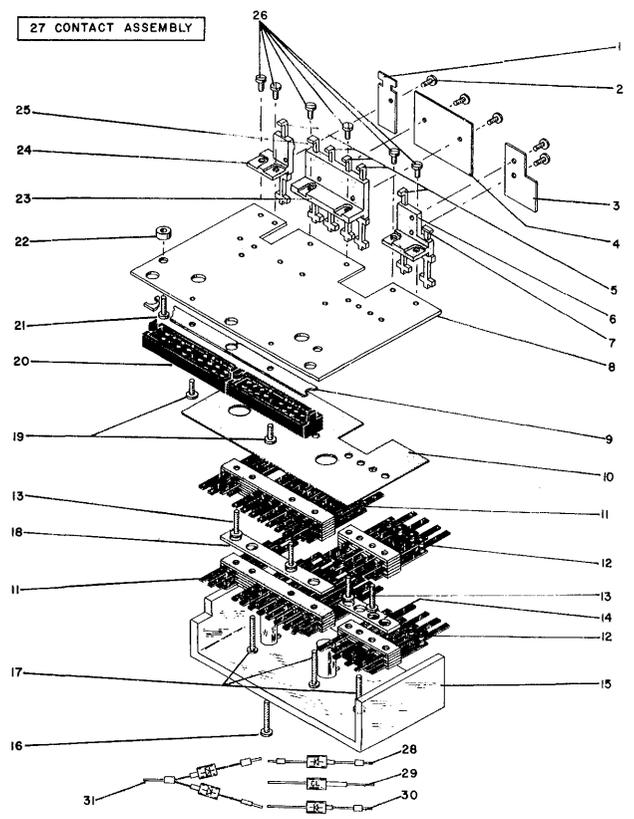


REF	P/N	SOURCE	DESCRIPTION	REF	P/N	SOURCE	DESCRIPTION
1	1128605		PUSHER LATCH T2				
2	1128606		PUSHER LATCH CK				
3	1128607		PUSHER LATCH T1				
4	1128608		PUSHER LATCH R2A				
5	1128609		PUSHER LATCH R1				
6	1128610		PUSHER LATCH R2				
7	1128611		PUSHER LATCH R5				
8	1128624		ROD PUSHER LATCH				
9	1092125		RETAINER				
10	1090162		SPRING PUSHER				
11	1128616		CAM FOLL ASM LH				
12	1128626		ECCENTRIC KO				
13	47987		NUT				
14	358509		WASHER				
15	1128627		SCREW CAM ADJUST				
16	1135052		SPACER				
17	150209		WASHER LOCK				
18	37913		NUT				
19	1128625		BAIL PUSHER				
20	1128598		SPACER MAG ASM				
21	38235		SCREW				
22	1128613		PLATE ASM PUSHER				
23	1128622		CAM FOLL ASM RH				
24	1159155		SCREW CAM FOLLOWER				
MACHINES BELOW 4608000 ORDER REF 11 AND/OR 23 ALSO							
25	10514		SPRING CAM FOLL				
26	1128623		GUIDE PUSHER				
27	38259		SCREW GUIDE PUSHER				
28	1128604		PUSHER ASM B/M				

**CODE 905**  
(6400 PRIMARY PRINTER ONLY)

**CODE-505**

**SELECTION CONTACT ASSEMBLY**



REF	P/N	SOURCE	DESCRIPTION	REF	P/N	SOURCE	DESCRIPTION
1	1128824		PLATE, ACTUATOR LH				
2	1856		SCREW ACT RET PLAT				
2	186399		SCREW 767				
3	1128826		PLATE, ACTUATOR RH				
4	1128825		PLATE, ACT, CENTER				
5	1128817		ACTUATOR, CONTACT				
ON MACHINES BELOW 4601584, REPLACE CORRESPONDING ACTUATOR PLATE							
6	1128822		GUIDE, CONT ACT RH				
7	1128819		ACTUATOR, 5 UNIT				
8	1128829		PLATE CONT ASM MTG				
8	1144820		PLATE 767				
9	302131		INSULATOR, TERM BL				
10	1128827		INSULATOR, CONTACT				
11	1128795		CONT STRAP UPPR LH				
11	1128798		CONT STRAP CTR LH				
11	1128803		CONT STRAP LWR LH				
12	1128806		CONT STRAP UPPR RH				
12	1128809		CONT STRAP CTR RH				
12	1128812		CONT STRAP LWR RH				
13	438550		SCREW CONTACT MTG				
14	1128816		SPACER, CONTACT RH				
15	1128823		COVER, CONT ASM				
ON MACHINES BELOW 4986527, REF 16 MUST ALSO BE REPLACED.							
16	45183		SCREW, CONT COVER				
16	333182		SCREW 767				
17	438554		SCREW, CONT MTG				
18	1128815		SPACER, CONTACT LH				
19	236550		SCREW TERM BLK MTG				
20	302090		BLOCK, TERMINAL				
21	38353		SCREW, CONT ASM MT				
22	1128828		SPACER, CONT PLATE				
23	1128821		GUIDE, CONT ACT CT				
24	1128820		GUIDE, CONT ACT LH				
25	1128818		ACTUATOR, CK CONT				
26	438548		SCREW, ACT. GUIDE				
CONTACT ASSEMBLY-COMPLETE							
27	1135283		11 AND 15 INCH BCD				
27	1135286		11 AND 15 IN CORR				
27	1135217		1014				
27	1128849		1415 7040 7044				
27	1128794		SABRE				
27	1128844		STRETCH				
27	1135788		1620				
27	1144819		767				
27	1159357		775				
28	1135573		DIODE				
29	369125		DIODE				
30	1135513		DIODE				
31	1135218		DIODE				

**CODE 906**  
(6400 PRIMARY PRINTER ONLY)

**CODE-506**

REF	P/N	SOURCE	DESCRIPTION
1	438549		SCREW TERM BLK MTG
2	302090		BLOCK ASM TERM
3	302131		INSULATOR TERM BL
4	1128591		SCREW MAG ASM MTG
5	1128582		BRACKET MAG ASM
6	38235		SCREW OPER MAG MTG
7	1107794		SPRING KO ARM RET
8	1128598		SPACER PRT SEL MAG
9	1100937		SPRING ARMATURE
10	1128584		ARMATURE
11	1135135		BAIL KO
12	1135134		COIL ASM 48V
12	1266894		COIL ASM 24V
13	1128583		CORE ASM MAG MTG
14	1124217		WASHER ARM STOP
15	1856		SCREW ARM STOP
16	358174		SCREW ARM UP STOP
17	438548		SCREW MTG
18	1128588		BACKSTOP ARMATURE
19	1128589		GUIDE ARM TOP
20	1128587		STOP ARMATURE
21	21		NUT ECC PIVOT SCR
22	1128592		SCREW KO ARM PIVOT
23	1128585		PIVOT ARMATURE
24	1128586		GUIDE ARMATURE
25	1135136		MAGNET ASM 48V
25	1266897		MAGNET ASM 24V
26	1135575		DIODE ASSEMBLY COMMON CATHODE
26	1145476		DIODE ASM 765-767 COMMON CATHODE

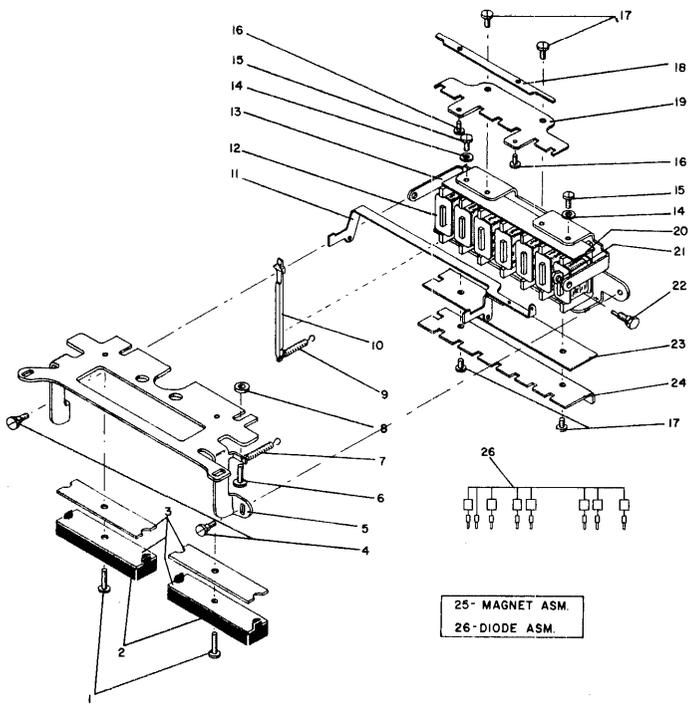
REF	P/N	SOURCE	DESCRIPTION
<b>CODE 907</b> (6400 PRIMARY PRINTER ONLY)			
<b>CODE-507</b>			

REF	P/N	SOURCE	DESCRIPTION
1	1124158		SCREW, ANVIL ECC
2	1124161		ECCENTRIC, ANVIL
3	1124157		SCREW, ANVIL MTG
4	1141097		SCREW ANVIL MT 767
4	1124163		BRACKET, LH ANV MTG
5	1141640		SUPPORT 15 IN
USED WITH IMP CONTROL C&R			
5	1135494		ANVIL, 11 IN
5	1128047		ANVIL, 15 IN
5	1144798		ANVIL 767
6	1128054		ECCENTRIC, ANVIL
7	38051		NUT, ECCENTRIC MTG
8	1141097		SCREW, ANVIL MTG
9	1124162		BRACKET, RH ANVIL
10	257959		SCREW, PRINT CAM
11	1128126		BUFFER, CARRIER 15 INCH
11	1144919		BUFFER 767
12	1128184		ECCENTRIC, CARR BUF
13	38262		SCREW, BUFFER
14	1135591		PLATE, RH PRNT SH B
14	1124648		PLATE, RH-OLD
15	1124169		SHAFT, PRINT-11 IN
15	1138846		SHAFT, PRINT-11 IN
15	1138848		SHAFT, PRINT-15 IN
15	1128048		SHAFT, PRINT-15 IN
15	1144782		SHAFT 767
USED ABOVE SN 4604700			
16	1132212		PIN
17	38350		SCREW, PRNT SHFT BR
18	1124168		RETAINER PRNT SHFT
18	1141749		RETAINER EXCP 767
USED ABOVE SN 4604996-ON 767			
BELOW 4604996 AS			
INDICATED FOR 4604700 AND ABOVE			
19	1124167		BEARING, RH PRNT SH
20	38261		SCREW, PRNT SHFT RE
21	1124646		RETAINER, PRNT SH
21	1141508		RETAINER-LATE
22	1124647		WIPER, PRNT SHAFT
23	1124176		STUD PRNT CAM FOL
24	1141200		CARRIER, ASM
WHEN REPLACING CARRIER ASM ON			
11 IN BELOW 4036419 & 15 IN BELOW			
4354172, ORDER NYLON THRUST WASHER			
PH 1141189 AND REF 216			
24	1128740		CARRIER RED RIB
24	1144856		CARRIER ASM 767
25	*1141159		SCREW, CARR ROLL E
26	*1141158		SHOE, CARRIER UPPER
27	*1141160		WASHER, SHOE ECC
WHEN INSTALLING ROLLER BELOW			
*ON MACHINES BELOW 4080724, 11 IN &			
4379694, 15 IN, REPLACEMENT OF REF			
25, 26, OR 27 REQUIRES REPLACING			
ALL THREE			
28	1141209		NUT, SHOE ECC STUD
29	37913		NUT, DETENT BRKT
31	1124178		BRACKET, DETENT
31	257957		SCREW, ROCKER SHFT
32	1134803		ROLLER, DET CAM FO
33	4014700		ORDER REF 181 ALSO
33	472729		SCREW, DET LEV MTG
34	1090511		WASHER, PRNT SHFT
34	1141458		WASHER
ABOVE SN 4604700			
35	1135590		PLATE, LH PRNT SH B
35	1127762		PLATE, OLD
35	1144781		PLATE LH 767
36	1124166		BEARING, LH PRNT SH
36	1138845		BEARING LH PRNT SH

REF	P/N	SOURCE	DESCRIPTION
USED ABOVE SN 4604700			
38	1123679		GEAR, PRINT SHAFT
39	257969		SCREW, PRINT SHAFT
40	38051		NUT, IDLER GEAR SC
41	1134843		WASHER, IDLER GEAR
42	1159350		GEAR UPPER IDLER
42	1144783		GEAR 767
43	1159097		STUD UPPER IDLER G
44	1134841		SCREW, IDLER GR MT
45	257957		SCREW, DETENT CAM
46	38214		NUT, CARR STOP 15 INCH
47	1124287		SCREW, CARR STP 15 INCH
48**	1141149		CAM, RIB FD & DETENT
48	1164240		CAM RIB FD & DETENT
USED ON IMP CONTROL C&R FOR RED			
RIB SEE CODE 530			
49**	1138849		SLEEVE PRINT
49	1159508		SLEEVE PRINT
USED ABOVE 4608189 ON 767 AND			
4607632-OTHERS			
50	257971		SCREW, PRINT CAM
50	257961		SCREW, PRINT CAM
USED ON MACHINES ABOVE 4085700			
11 IN & 4382850, 15 IN			
51	1124174		CAM, PRINT
52**	1141151		KEY, PRINT SLEEVE
*ON 11 IN BELOW 4034780 & 15 IN			
BELOW 4352650, REPLACEMENT OF			
EITHER REF 48, 49, OR 52 REQUIRES			
REPLACEMENT OF ALL THREE			
60	1159908		C&R STICK SHIFT
60	1159905		C&R STICK RED RIB
60	1144804		C&R-767
60	1164254		CARRIER & ROCKER
60	1135043		CARRIER RED RIB
61	1145396		SHIM A
61	1145395		SHIM B
ON 15 IN MACHINE WITH OLD			
STYLE-FLAT LEAF-MARGIN RACK LOAD			
SPRING			
62	1141626		YOKE
63	1073418		RETAINER
64	1141619		FOLLOWER
65	1141620		SPRING ROCKER RET
66	1164290		WASHER PRT CAM FOL
67	1123827		SPRING ROLLER RET
68	1127760		SCREW PRINT CAM
69	1141627		CAM PRINT
70	1141629		STOP ROCKER
71	472729		SCREW STOP
72	2114985		NUT STOP
73	257958		SCREW ROCKER STOP
74	251970		SCREW TAB CORD ANC
75	1141624		BRACKET TAB CORD
76	38051		NUT
77	56722		LOCKWASHER
78	1141775		SHOE ASM LOWER
79	1164218		WASHER SHOE ECC
80	1141770		SHOE UPPER
81	1141772		STUD SHOE ECC
82	38262		SCREW ANCHOR MTG
83	1141636		CLIP CABLE ANCHOR
84	1141763		CABLE 11 IN
84	1141765		CABLE 15 IN
85	1141637		GUIDE CABLE
86	1090657		WASHER CABLE GUIDE
87	438548		SCREW CABLE GUIDE

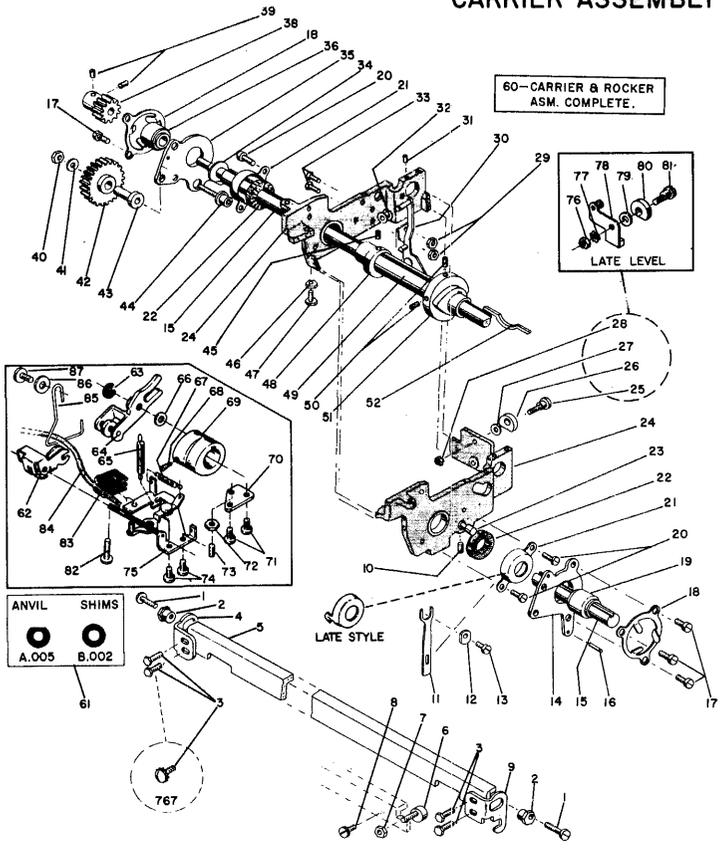
<b>CODE 908</b> (6400 PRIMARY PRINTER ONLY)	
<b>CODE-508</b>	

SELECTION MAGNET ASSEMBLY



25- MAGNET ASM.  
26- DIODE ASM.

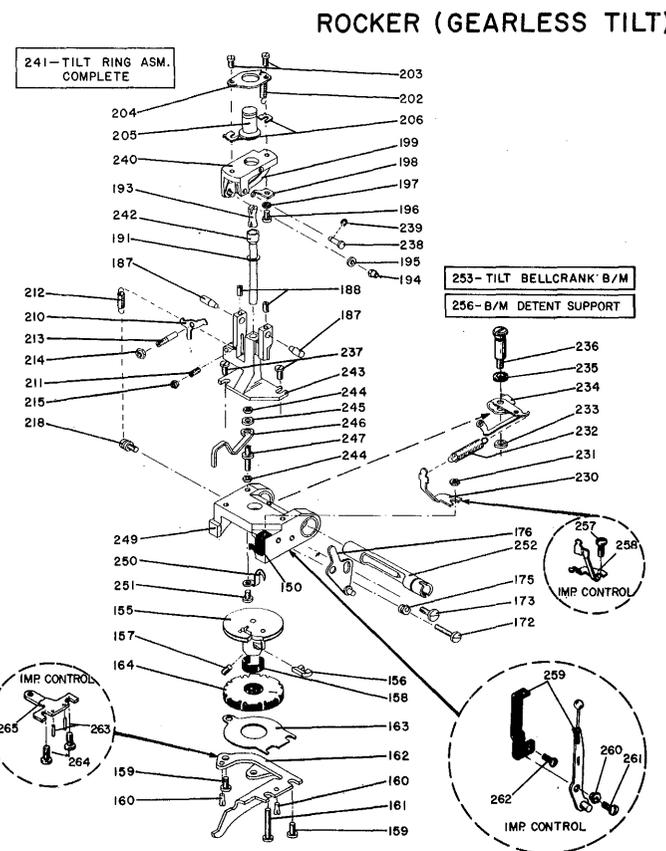
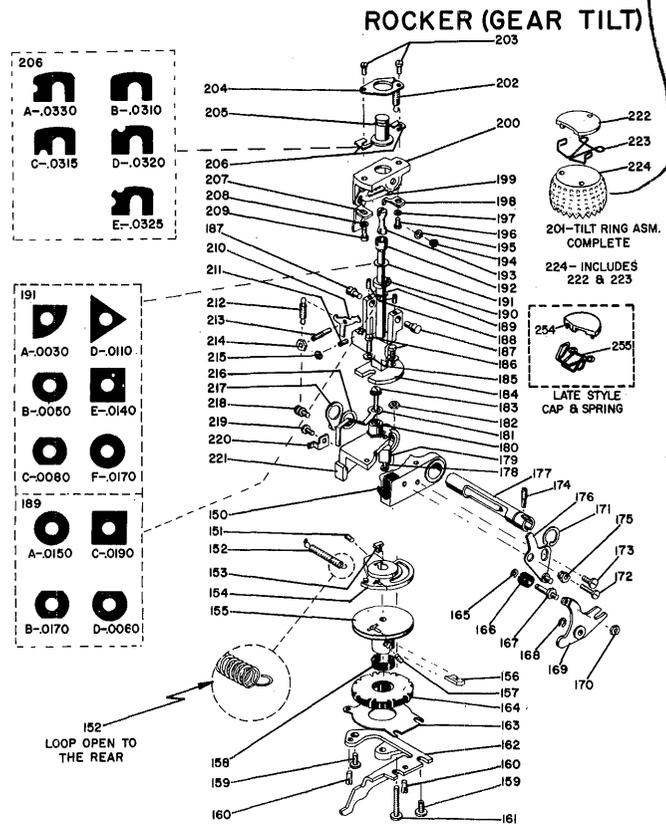
CARRIER ASSEMBLY



For Use  
with  
SDS-910

XDS No. 141555  
IBM No. 1167963

Valecampi, J.B. Dell



REF	PIN	SOURCE	DESCRIPTION	REF	PIN	SOURCE	DESCRIPTION
150	1124218		RETAINER, SPRG DRU	230	1128456		BRKT, TILT SPRING
151	257959		SCREW, TILT PULLEY	231	37913		NUT, STRIKER MTG SC
152	1133660		SPRING, TILT PULLEY	232	1128459		SPRING TILT PUL
153	1132148		KEY, TILT PULLEY	233	1164158		WASHER TILT PUL
154	1124712		PULLEY, TILT	234	1164310		TILT PULLEY G.T.
155	1124196		PULLEY, ROTATE	235	1164099		WASHER FELT
156	1124745		KEY, ROTATE PULLEY	236	1128455		STUD TILT PULLEY
157	257957		SCREW, ROTATE PULL				ON MCH BELOW 4604800 REQUIRES REP
158	1141238		CLIP, ROTATE PULLEY				OF REF 233-234-235-236 INCLUDED
159	251970		SCREW, STRIKER MTG				IN B/M 1280498 TILT TAPE MUST
160	1132118		DOWEL, STRIKER				ALSO BE REPLACED
161	438554		SCREW, STRIKER MTG	237	251970		SCREW, YOKE MTG
162	1127742		SCREW, STRIKER MTG	238	1128451		STUD, TILT LINK
162	1128450		STRIKER	239	251989		RETAINER, TILT LINK
			USED ABOVE SN 4610347	238	1128451		STUD, TILT LINK
163	1124217		PLATE, ROTATE SPRG	239	251989		RETAINER, TILT LINK
163	1164548		PLATE-IMP CONT C&R	240	1164039		TILT RING
164	1132244		SPRING, ROTATE ASM				USED ON IMP CONTROL C&R
165	1073418		C-CLIP, FOLLOWER	240	1128445		TILT RING
166	1132279		FOLLOWER, REST CAM	240	1164039		TILT RING
167	1127723		STUD, RESTOR CAM F				USE WITH 1164041
168	1073418		C-CLIP, PRNT CM F				UPPER BALL SOCKET
169	1124830		FOLLOWER, PRINT CAM	241	1280119		TILT RING ASM B/M
170	1127722		NUT, REST CAM FOLL	242	1128436		LOWER BALL SOCKET
171	236571		RETAINER, ROCKER SH	242	1164550		LOWER BALL SOCKET
172	251970		SCREW, VEL CONT PL				USED ABOVE SN 4610347
173	1138843		SCREW, VEL CONT PL	243	1128434		YOKE
174	1124707		SCREW, TAPE ANCHOR	244	1134842		NUT DETENT ACT ARM
175	1124573		ECCENTRIC, CONT PLA	245	1128493		WASHER DET ACT ARM
176	1124572		PLATE, VEL CONTROL	246	1128458		LEVER DET ACT
177	1124708		SHAFT, ROCKER PIVOT	247	1128495		SCREW DET ACT ARM
178	38250		SCREW, TAPE GUI MTG				ON MACHINES BELOW 4603100 REPL OF
179	1124719		GUIDE, TAPE				ANY PART WILL REQUIRE ALL THREE-
180	1124838		SUPPORT, DETENT LV				ORDER REF 256
181	1124179		LEVER, DETENT ACT	249	1128438		ROCKER
182	2114985		NUT, STRIKER MTG SC	250	1128449		TAPE GUIDE, TILT
183	1141323		SCREW, DET LEV MTG	250	1164044		TAPE GUIDE
184	1141235		YOKE, ASM				USED ON IMP CONTROL C&R
				251	186712		SCREW, TAPE GUIDE
				252	1128457		ROCKER PIVOT SHAFT
				253	1280498		B/M TILT BELLCRANK
							INCLUDES REF 233-
							234-235-236
185	263680		WASHER	254	1141934		CAP BLANK
186	1123588		SCREW, YOKE MTG	255	1141935		CLIP SPRING
187	1124190		PIN, TILT RING PIN	256	1272176		B/M DETENT SUPPORT
188	1123828		SCREW, TILT RING MTG	257	38565		SCREW BKT MTG
189	1127767		SHIM, TILT TUBE A	258	1141625		BRACKET TILT B/C S
189	1127768		SHIM, TILT TUBE B	259	1141757		LEVER ASSEMBLY
189	1127769		SHIM, TILT TUBE C	260	1141759		ECCENTRIC VEL CONT
189	1141175		SHIM, TILT TUBE D	261	338238		SCREW VEL CON ECC
190	1124204		TUBE, TILT SECTOR	262	251970		SCREW BKT ADJUST
191	1141176		SHIM, LOWER BALL A	263	1132118		DOWEL STRIKER
191	1127770		SHIM, LOWER BALL B	264	251970		SCREW STRIKER MTG
191	1127771		SHIM, LOWER BALL C	265	1141632		BEARING LOWER
191	1127772		SHIM, LOWER BALL D				
191	1127773		SHIM, LOWER BALL E				
191	1127774		SHIM, LOWER BALL F				
192	1124197		SOCKET ASM LOWER B				
193	1124220		JOINT, BALL				
194	1141182		NUT, DETENT ADJUST				
195	1141371		WASHER				
196	1138533		SCREW DETENT GUIDE				
197	45611		WASHER DETENT GU				
198	1124831		GUIDE DETENT				
199	1164285		LEVER ROTATE DET				
200	1133574		RING ASM TILT				
TO INSTALL TILT RING ON 11 IN BE-							
LOW 46032020 AND 15 IN BELOW							
4351475, ORDER REF 194 AND 195-							
FILE YOKE TO REMOVE INTERFERENCE							
WITH REF 194							
201	1266687		TILT RING ASM B/M				
202	1133659		SPRING ROTATE DET				
203	1138353		SCREW TILT RING S				
204	1124188		SPACER TILT RING				
205	1133529		SOCKET UPPER BALL				
205	1164041		SOCKET UPPER BALL				
USE WITH 1164039 TILT RING							
206	1123822		SHIM, TILT RING A				
206	1123823		SHIM, TILT RING B				
206	1123824		SHIM, TILT RING C				
206	1123825		SHIM, TILT RING D				
206	1123826		SHIM, TILT RING E				
206	1164563		SHIM, .025 INCH				
USED ABOVE SN 4610345							
207	*1134785		GUIDE, ROT DET RE				
208	*45611		WASHER, DETENT GUD				
209	*1124835		SCREW, DET GUID RE				
*USED WITH OLD STYLE TILT RING							
210	1164151		LEVER TILT DETENT				
ON MACHINES BETWEEN SN 4602000 -							
4603500 REQUIRES REPLACEMENT OF							
ROTATE-DETENT REF 199							
211	1124836		SCREW, TILT DET GU				
212	1133658		SPRING, TILT DET				
213	1124832		STUD, TILT DETENT				
214	1090268		NUT, TILT DET STUD				
215	1123785		NUT, TILT LEVER GU				
216	1078497		WASHER, ROCKER BEAR				
USED WITH REF 217							
217	1141189		WASHER, NYLON				
217	1127775		WASHER, THRUST				
USED BELOW 4036419 AND 4354172							
218	1124234		STUD, SPRING ANCHR				
219	38261		SCREW, TILT SP MTG				
220	1124224		ANCHOR, TILT SPRNG				
221	1141199		ROCKER ASM, B/M				
INCLUDES YOKE, ROCKER & STRIKER							
SEE NOTE AFTER REF 184							
222	1134765		HEAD CAP, BLANK				
223	1133517		CLIP, SPRING				
TYPEHEAD ASSEMBLY							
224	1133527		50 ET CORRESPON				
224	1135091		908 ET BCD				
224	1135032		904 1014				
224	1141787		916 1014 FAA				
224	1135421		913 1415 PGRM H				
224	1135422		914 1415 REPORT A				
224	1128602		903 1415				
224	1135240		910 SABRE AA				
224	1128537		905 SABRE				
224	1128538		902 STRETCH AEC				
224	1128535		901 STRETCH ESC				
224	1135012		907 1620				
224	1144912		912 765 & 767				
REF 224 INCLUDES REFS 222 & 223							

Used w

Don  
Model  
IBM  
735 Type  
BC D Model  
Assoc  
103085  
Part No.  
103085-600 9 in 1024  
Ser. No

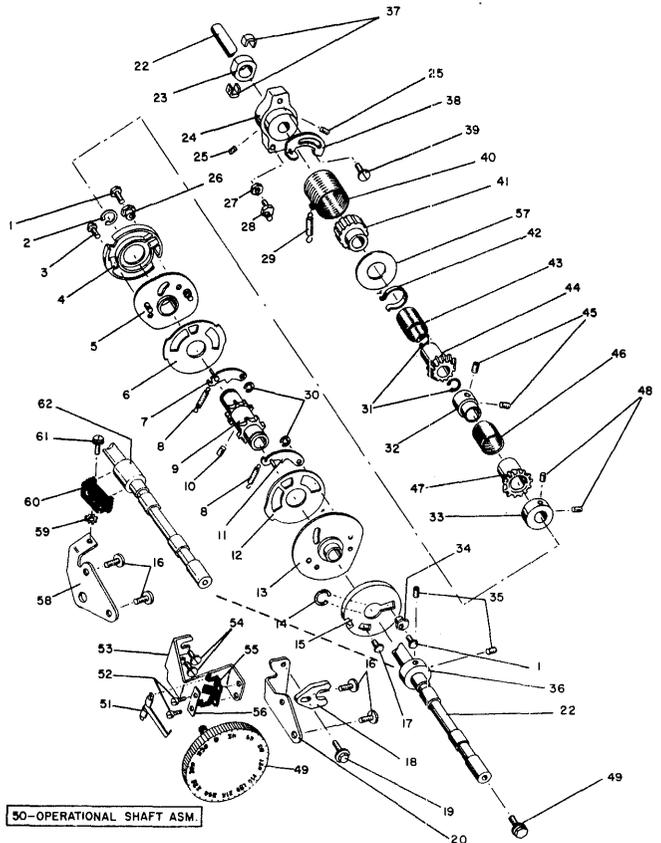
Ours  
9139  
Ser. No  
268  
IBM  
Model 72  
CODE 908  
(6400 PRIMARY PRINTER ONLY)

CODE-508

9139B JANUARY 25, 1965  
Ser. No. 237

REF	P/N	SOURCE	DESCRIPTION	REF	P/N	SOURCE	DESCRIPTION
1	*1123588		SCREW, CHECK RING				
1	1141233		SCREW, CHECK RING				
2	324221		CLIP C OPR CAM				
3	1124827		SCREW, CHECK RING				
4	1141134		RING, CHECK CAM				
4	*1123595		RING, CHECK CAM				
*USED ON MACHINES BELOW 4702100							
5	1159267		CAM SB/BS/TAB				
5	1133505		CAM, SB/BS/TAB				
USE ON MACHINES BELOW S/N 4012015							
6	1123570		WHEEL BS/SB/TAB				
7	1128414		PAWL CAM BS/SB/TAB				
8	1132064		SPRING PAWL CAM				
9	1159269		RATCHET OPR CLUTCH				
9	1123560		RATCHET OPR CLUTCH				
USED ON MACHINES BELOW #4089400							
10	257969		SCREW OPR CLUTCH				
11	1128413		PAWL CR/INDEX				
12	1123566		WHEEL CR/INDEX				
13	1159268		CAM CR/INDEX				
USED WITH REF 11 AND 30							
□ BETWEEN SN 4012015 AND 4609595							
REPL OF ANY PART WILL REQUIRE							
ALL THREE							
13	1133506		CAM ASM				
USE ON MACHINES BELOW #4012015							
14	324221		CLIP C OPR CAM				
15	1123594		RING, CR/INDEX				
16	38235		SCREW BRKT MTG				
17	1124827		SCREW, CHECK RING				
18	1138116		SUPPORT CAM SHAFT				
19	1128326		SCREW OPR SH SUPP				
REF ONLY IF REPL IS NECESSARY							
ORDER REF 58,59,60,61,&62 AND							
CONVERT							
22	1123559		SHAFT OPR CAM 11				
22	1128161		SHAFT OPR CAM 15				
22	1144787		SHAFT 767				
23	1123579		SLEEVE, HUB TORQUE				
24	1133548		HUB TORQUE LIMITER				
25	257975		SCREW, HUB TORQUE				
26	1123593		ECCENTRIC CK RING				
REQUIRES PN 1141233 ON MACHINES							
BELOW 4076500							
27	37913		NUT, STUD TORQUE				
28	1132069		STUD, TORQUE LIMIT				
29	1124290		SPRING, EXTENSION				
30	1073418		CLIP C PAWL RETAIN				
31	324497		CLIP C PINION RET				
32	1123573		HUB, TAB GOV				
33	1123582		COLLAR TAB GOV PIN				
33	1144915		COLLAR 767				
34	1123593		ECCENTRIC, CHECK				
REQUIRES PN 1141233 ON MACHINES							
BELOW 4076500							
35	1100523		SCREW COLLAR				
36	1123582		COLLAR OPR 15 IN				
37	1133583		INSERT, HUB TORQUE				
38	1123580		CLAMP, TORQUE SPRG				
39	265195		SCREW, CLAMP TORQ				
40	1123581		SPRING, TORQUE				
41	1123575		ARBOR, TORQUE LIMIT				
42	1123577		CLAMP, CR SPRING				
43	1123576		SPRING, CR CLUTCH				
43	1144764		SPRING 767				
44	1123574		PINION CR				
44	1144756		PINION CR 767				
45	1100523		SCREW TAB GOV HUB				
46	1123572		SPRING TAB GOV				
47	1123571		PINION TAB GOV				
47	1144759		PINION TAB 767				
48	1100523		SCREW GOV COLLAR				
49	1135233		SCREW TURNING OPR				
49	1145391		WHEEL DEGREE 767				
50	1266832		SHAFT A OPR 11 IN				
50	1266833		SHAFT A OPR 15 IN				
50	1272250		SHAFT 767				
51	1135084		POINTER				
52	38262		SCREW POINT MTG				
53	1145390		BRACKET IND 767				
54	38235		SCREW BKT MTG				
55	1124702		BRACKET POINTER				
56	1134888		WASHER POINTER				
57	1159878		RETAINER GREASE				
58	1135311		BRACKET SUPPORT				
59	56722		WASHER STAR				
60	1159843		SUPPORT CAM SHAFT				
61	1128326		SCREW				
62	1159844		BUSHING SHFT SUPP				

OPERATIONAL SHAFT ASSEMBLY



CODE 910  
(6400 PRIMARY PRINTER ONLY)

CODE-510

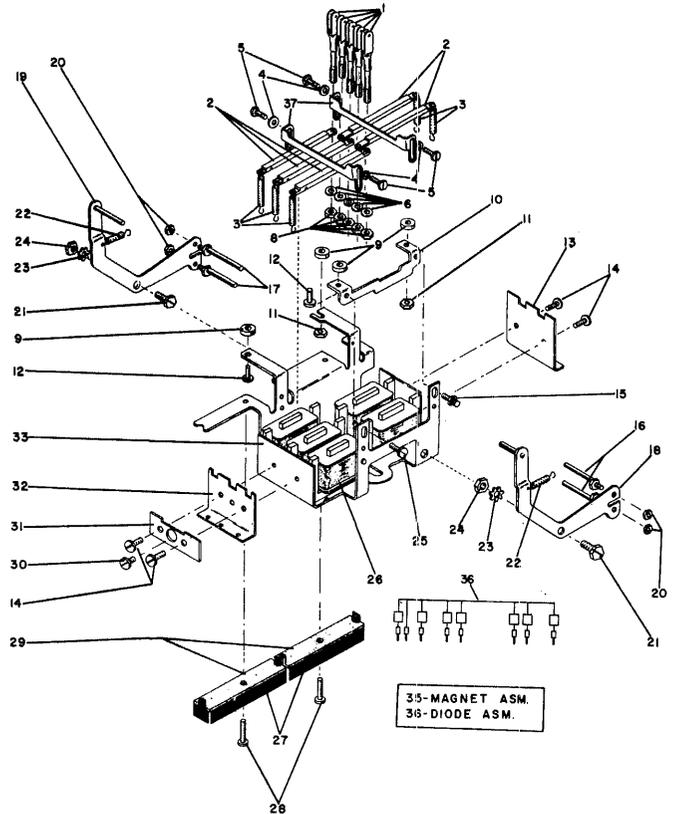


REF	P/N	SOURCE	DESCRIPTION	REF	P/N	SOURCE	DESCRIPTION
1	*1135193		LINK ASM-SPACE FOR EARLY LEVEL USE PN 1128684				
1	*1128684		LINK ASM-OTHER				
2	1128682		ARMATURE OPR MAG				
3	1100938		SPRING OPER M ARM				
4	355361		WASHER BACKSTOP SC				
5	1128698		SCREW BACKSTOP MTG				
6	1128685		WASHER SHOCK ABS				
8	*1159716		NUT PULL LINK				
			*WHEN REPLACING REF 1 ORDER REF 8 ALSO-PREVIOUS STYLE PARTS NO LONGER AVAILABLE				
9	1128598		SPACER OPER MAG				
10	1128686		SUPPORT OPER MAG A				
11	38051		NUT OPER MAG A MTG				
12	38235		SCREW OPER MAG MTG				
13	1128680		PLATE PIVOT REAR				
14	438548		SCREW PIVOT PL MTG				
15	1124234		SCREW MTG BKT SPR				
15	1144929		STUD 767				
16	1128713		BAIL RH OPER CONT				
17	1128712		BAIL LH OPER CONT				
18	1128710		ARM RH OPER CONT B				
19	1128707		ARM LH OPER CONT B				
20	27073		NUT OPER CONT BAIL				
21	1128714		SCREW PIVOT BAIL A				
22	10514		SPRING BAIL ARM				
23	56722		WASHER LOCK BAIL A				
24	38051		NUT BAIL ARM MTG				
25	48594		SCREW OPER MAG SUP				
26	1135134		COIL A MAGNET 48V				
26	1266894		COIL A MAGNET 24V				
27	302090		BLOCK A TERMINAL				
28	438549		SCREW, TERM BLOCK				
29	302131		INSULATOR TERM BLK				
30	48594		SCREW, BS ARM PIVT				
31	1135169		PLATE, ARM PIVOT				
32	1128679		PLATE, ARM PIVOT				
33	1128676		FRAME, OPER MAG				
35	1128675		MAGNET ASM STRETCH 48V				
35	1135022		MAGNET A ALL OTHER 48V				
35	1266895		MAGNET ASM 24V				
36	1135016		DIODE ASM OPER MAG COMMON ANODE				
36	1128545		DIODE ASM STRETCH				
36	333264		DIODE SINGLE STRET				
36	1128544		BRACKET DIODE STRT				
36	1145475		DIODE ASM 765 767 COMMON CATHODE				
37	1128683		BACKSTOP OPER ARM				

**CODE 912**  
(6400 PRIMARY PRINTER ONLY)

**CODE-512**

**OPERATIONAL MAGNET ASSEMBLY**

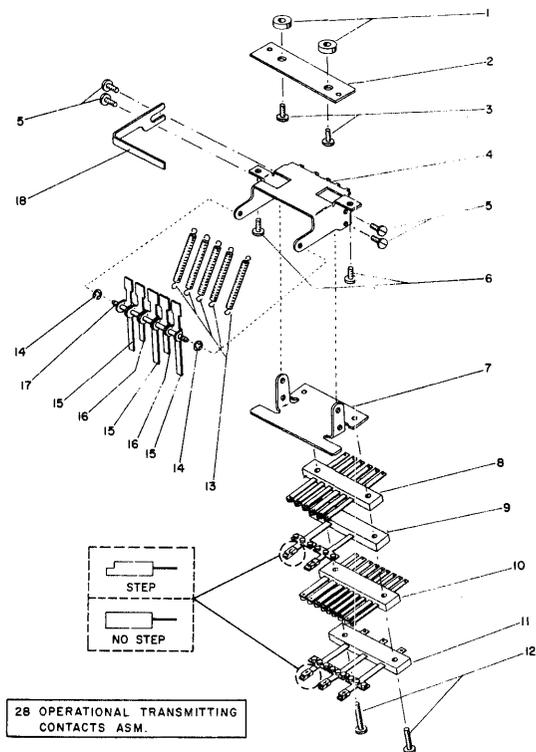


REF	P/N	SOURCE	DESCRIPTION	REF	P/N	SOURCE	DESCRIPTION
1	1128598		SPACER OPR CONT A				
2	1135237		PLATE OPER CONT A				
3	10170		SCREW OPER LAT PLT				
4	1128706		BRACKET OPR CONT S				
5	251970		SCREW OPR CONT SUP				
6	48594		SCREW OPR CONT ASM				
7	1128697		SUPPORT OPR CONT				
8	1128663		CONTACT STRAP TOP				
9	1128666		CONTACT 2ND FROM T				
9	1135489		OPR CONT NO STEP				
10	1128669		CONTACT 3RD FROM T				
11	1128694		CONTACT BOTTOM				
11	1135490		OPR CONT NO STEP				
12	173205		SCREW CONT MTG				
13	1135431		SPRING CONT LATCH				
14	219633		C CLIP OPER CONT				
15	1128703		LATCH LONG				
15	1135487		LATCH LONG NO STEP				
16	1128704		LATCH SHORT				
16	1135488		LATCH SHRT NO STEP				
17	1128705		ROD LATCH PIVOT				
18	1135430		STOP CONTACT LATCH ASSEMBLY CONT/LATH				
28	1128661		CONTACT ASM ONLY				
28	1262790		CONTACT ASM ONLY				

**CODE 913**  
(6400 PRIMARY PRINTER ONLY)

**CODE-513**

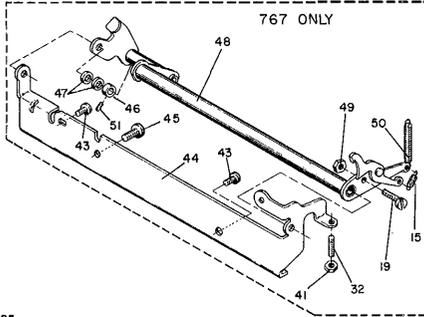
**OPERATIONAL CONTACT LATCH ASSEMBLY**



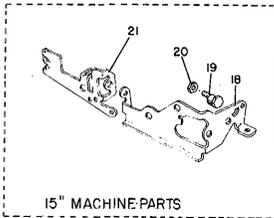


ESCAPEMENT MECH.

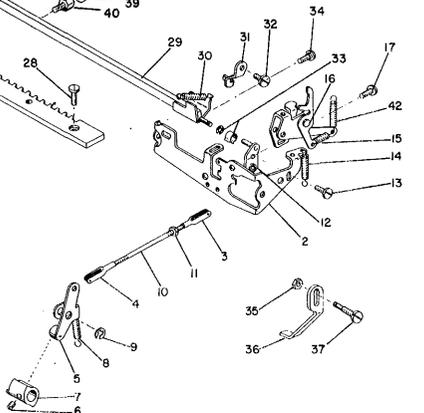
53- B/M ESC BRKT ASM  
INCLUDES B.S. PAWL, ESC.  
PAWL, TAB LEVER AND  
LATCH



41 - B/M - BACKUP



15" MACHINE PARTS

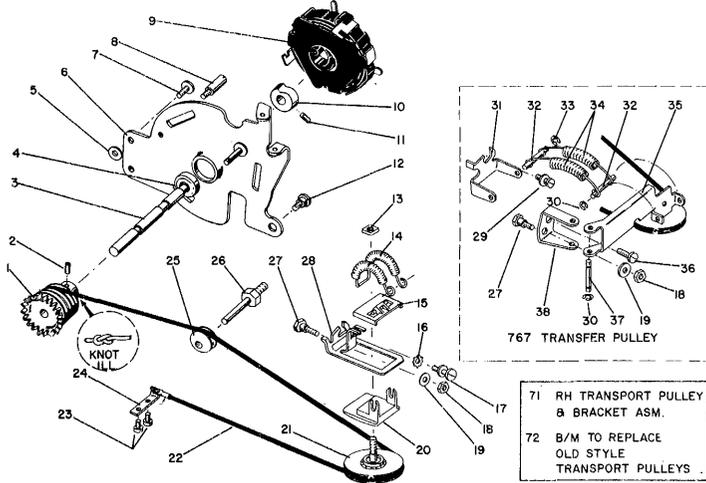


REF	P/N	SOURCE	DESCRIPTION	REF	P/N	SOURCE	DESCRIPTION
2	1135093		BRACKET ASM 11 IN	32	1127733		SCREW STOP
3	1110529		CLEVIS PIN	33	219633		C-CLIP TORQUE BAR
4	1127727		CLEVIS PIN	33	1141223		RETAINER
5	1123511		FOLLOWER CAM	34	1127733		SCREW BKT MTG
6	257969		SCREW CAM SET	35	257187		NUT STUD
7	1124538		CAM ESCAPEMENT	36	1128204		UPSTOP TRIG 15 IN
	USE BELOW 11 IN 4064000 AND 15 IN			37	1128113		STUD TRIGGER STOP
	4370500			38**	438548		SCREW
8	1138452		CAM ESCAPEMENT	39**	1128400		STOP TORQUE BAR
8	1090162		SPRING CAM FOLLOW	40**	1128401		STUD
9	1092125		C-CLIP CAM STUD	41	1272466		B/M STOP
10	1123831		LINK ESCAPEMENT		**MUST BE REPLACED WHEN REPLACING ANY ONE PART OF FORMER STYLE ORDER REF 41		
11	1127728		NUT ESCAPE LINK	42	1141073		SPRING TRIG 15 IN
12	*1123774		GUIDE ASM TRIGGER FOR NEW STYLE SEE REF 19 AND 20	43	1127733		SCREW TRG BKT MTG
13	* 38562		SCREW TRIG GUIDE	44	1144767		BRACKET RH LATCH
14	123491		SPRING TRIG 11 IN	45	803278		SCREW
15	*1134084		SPRING TRIG 11 IN	46	1144937		COLLAR
15	*138795		SPRING TRIG	47	45638		SPACER
16	1133511		TRIGGER ASM 11 IN	48	1144824		LEV ASM SB TRIG
16	1128101		TRIGGER ASM 15 IN	49	37913		NUT TRIG GUIDE STD
16	*1124469		TRIGGER ASM 11 IN	50	1141073		SPRING TRIG RES
17	1127733		SCREW BRACKET	51	257957		SCREW COLLAR
18	1128366		BRACKET RH 15 IN	52	1164067		SCREW REAR
18	1128226		STUD TRIGGER GUIDE	53	127185		B/M ESC BKT
19	37913		NUT TRIG GD STUD	53	1276137		B/M ESC BKT 767
21	1135314		BRACKET LH 15 IN				
22	1141928		SCREW ESC BKT FNT				
23	1141639		BRACKET ESCAPEMENT USED ON IMP CONTROL C&R				
23	1124087		BRACKET ESCAPEMENT				
23	1141532		BRACKET ESC USED WITH TAB GANG CLEAR				
23	1145410		BRACKET ESC 767 GANG CLEAR-MACHINES PRIOR ORDER B/M 1276145 ALSO AND CONVERT				
24	1128201		PAWL ESCAPEMENT				
25	1123827		SPRING PAWL				
26	1124098		STUD PAWL MTG				
26	1128301		STUD PAWL MTG USED ABOVE 4086500 11 IN AND 4386000 15 IN				
27	1124083		RACK TOP 11 IN				
27	1124109		RACK TOP 11 IN				
27	1128032		RACK TOP 15 IN				
27	128037		RACK TOP 11 IN				
27	1144785		RACK RH TOP 767				
27	1144786		RACK LH TOP 767				
28	1124084		SCREW RACK				
29	1141212		BAR ASM TORQ 11 IN USED ABOVE SN 4057225				
29	1132282		BAR ASM TORQ 11 IN USED BETWEEN SN 4057225 & 4012015				
29	*1132276		BAR ASM TORQ 11 IN				
29	1141220		BAR ASM TORQ 15 IN USED ABOVE SN 4367458				
29	1128107		BAR ASM TORQ 15 IN				
29	1144754		BAR TORQUE 767				
30	*1100935		SPRING TORQUE BAR				
30	*123491		SPRING TORQUE BAR *USED ON 11 IN BELOW 4012015				
30	1144928		SPRING T BAR 767				
31	1128216		STOP TORQUE BAR				

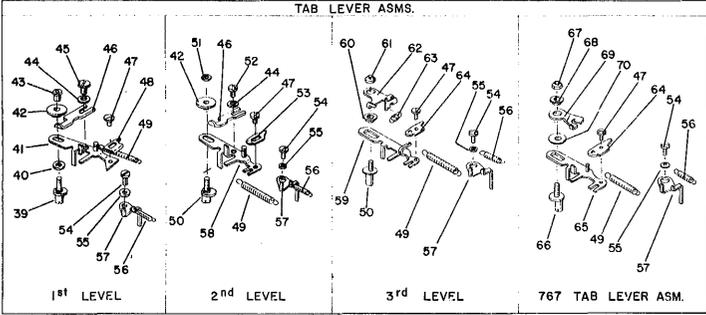
CODE 915  
(6400 PRIMARY PRINTER ONLY)

CODE-515

TAB MECH.



71 RH TRANSPORT PULLEY & BRACKET ASM.  
72 B/M TO REPLACE OLD STYLE TRANSPORT PULLEYS



REF	P/N	SOURCE	DESCRIPTION	REF	P/N	SOURCE	DESCRIPTION
1	1124641		ESC CORD DRUM 11IN	33	219633		C-CLIP
1	1128108		ESC CORD DRM 15 IN	34	1127794		SPRING TRANSPORT
1	1144764		ESC CORD DRUM 767	35	1124643		PULLEY ASM PIVOT
2	1100523		SCREW CORD DRUM	35	1144968		PULLEY 767
2	1145429		SCREW 767	36	38350		SCREW PIVOT BKT
3	1144462		SHAFT ESCAPEMENT	37	1124930		PIN PIVOT PULLEY
3	1144864		SHAFT ESC 767	37	1144989		PIN 767
4	1124506		BEARING	38	1124639		BRACKET PIVOT PUL
4	1145359		BEARING 767	39	1124098		STUD PAWL MTG
5	1141678		SPACER	40	1128770		WASHER TAB LEVER
6	1124503		PLATE, BACK	41	1128768		LEVER TAB
7	81693		SCREW, BACKPLATE	42	1135204		SPACER TAB LEVER
8	1132984		STUD, STOP	43	1124095		NUT TAB LEVER MTG
9	1124519		SPRG ASM MAIN	44	1124247		WASHER LO LV SCR
9	1164342		SPRING ASM 100 IN	45	15887		SCREW LOCKOUT LV
9	1144821		SPRG ASM MAIN 767	46	1128762		LEVER TAB LOCKOUT
10	1141300		HUB ESC SPRING	47	1138802		SCREW TAB PAWL
10	1144863		HUB ESC SPRING 767	48	1132097		PAWL TAB LEVER
11	1100523		SCREW ESC HUB	49	1091670		SPRING TAB LEVER
12	1127733		SCREW BACKPLATE	50	1128301		STUD PAWL MTG
13	1134829		NUT LOAD SPRG MTG		ABOVE 11 IN 4086400 AND 15 IN 4383600		
14	1128386		SPRING TRANS LOAD	51	37913		NUT TAB LEVER MTG
15	1128386		PIVOT TRANS SPRING	52	358174		SCREW LOCKOUT LV
16	56722		WASHER LOCK	53	1138801		PAWL TAB LEVER
17	1141936		SCREW BAIL LV PIV	54	1132080		SCREW LATCH
18	38051		NUT PIVOT BKT	55	1132103		BUSHING TAB LATCH
19	1074145		WASHER BKT MOUNT	56	1073449		SPRING
20	1128385		SLIDE PULLEY	57	1145516		LATCH TAB LEVER
21	1124634		PULLEY RH TRNSPT	58	1135195		LEVER ASM TAB
22	1128124		CORD UNIVERSAL	59	1138499		LEVER ASM TAB
			TIE KNOT IN PRESTRETCHED CORD AND SEAL END WITH HEAT	60	1128291		SPACER
			11 INCH MACHINE 17-3/4 INCHES	61	1128290		NUT
			15 INCH MACHINE 22-1/2 INCHES	61	1159201		TRIGGER
22	1144853		CORD TAB 767	63	1072949		SPRING TAB TRIGGER
23	38262		SCREW TAB CORD ANC	64	1138801		PAWL TAB LEVER
24	1124629		ANCHOR TAB CORD	65	1144878		TAB LEVER
24	1145424		ANCHOR TAB CRD 767	66	1124098		PAWL MTG STUD
25	1124628		PULLEY IDLER	67	1144886		NUT
26	1124624		STUD FRONT IDLER	68	1144887		SPACER
27	38350		SCREW 767	69	1144888		LEVER TAB LOCKOUT
27	1135593		SCREW OTHER	70	1144885		SPACER
28	1141979		BRACKET RH	71	1280081		TRANS PLY & BKT
29	1124394		SCREW BAIL LEV RH	72	1271973		B/M TRANS PULLY AS
30	219633		C-CLIP				
31	1127939		BRACKET SPRING				
32	1127796		SHAFT PULLY SPRING				

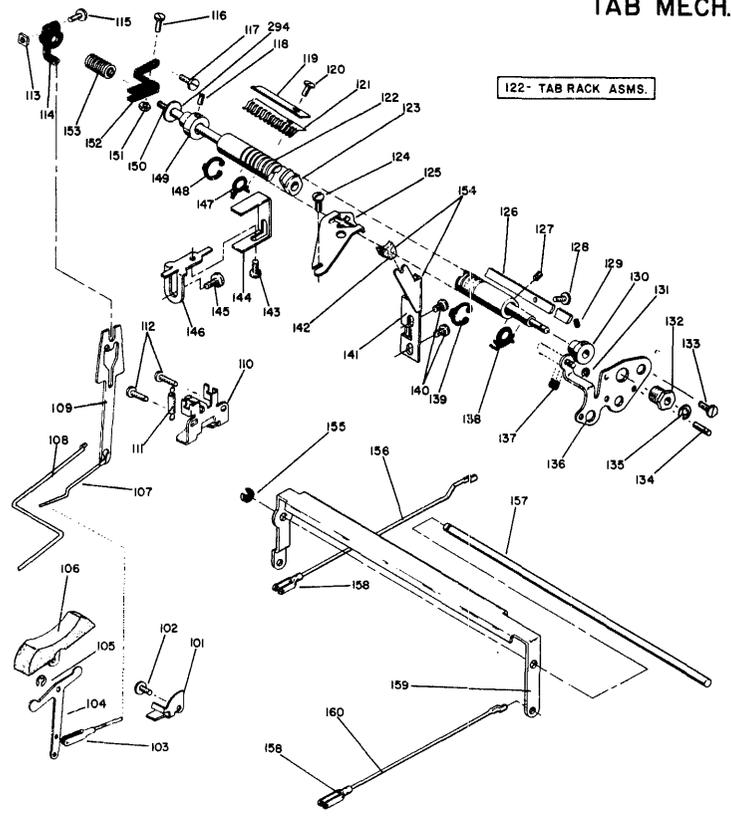
CODE 916  
(6400 PRIMARY PRINTER ONLY)

CODE-516

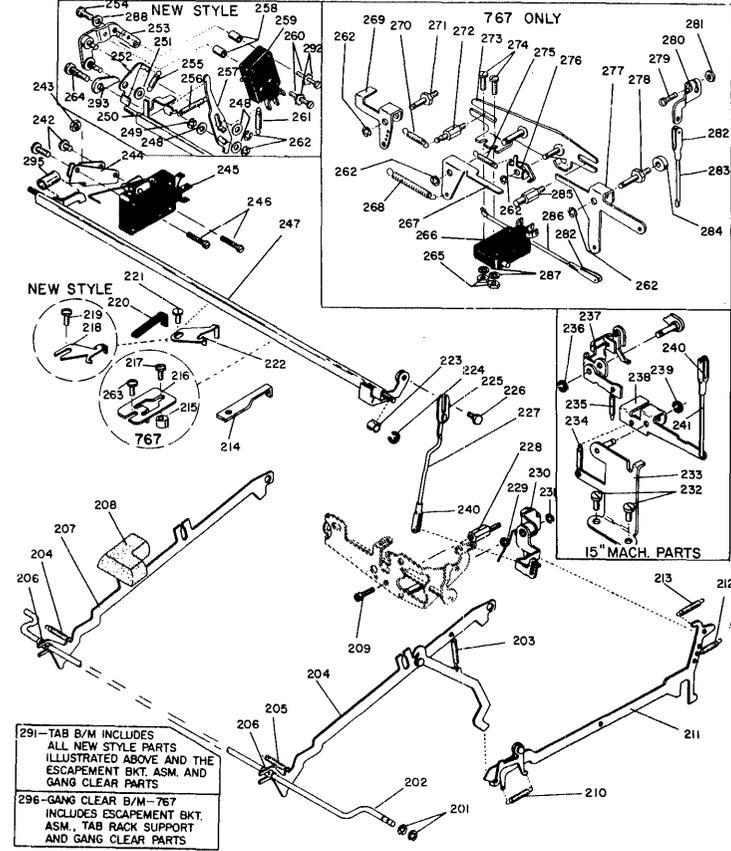
REF	P/N	SOURCE	DESCRIPTION
101	1127764		GUIDE SET CL LINK
102	38351		SCREW GUIDE MTG
103	1070020		CLEVIS LINK ASM
103	1110529		CLEVIS LINK ASM
104	1123520	IMP CONTROL C&R	USED ON
104	1128787		KEYLEVER SET CLEAR
104	1128787		KEYLEVER
104	1128787	MACHINES W/TAB SET CLEAR	USED ON
105	1073418		LOCKED
105	1073418		C-CLIP
106	1124875		KEYBUTTON ENGRAVED
106	1133808		KEYBUTTON BLANK
107	*1134950		LINK 11 IN MACHINE
108	*1141146		LINK 15 IN MACHINE
109	*1134952		ARM SET AND CLEAR
110	*1128336		BRACKET SET CLEAR
111	*1124290		SPRING SET CLEAR
112	10170		SCREW BRACKET
113	*1134829		NUT SET CLEAR BRKT
114	*1123526		BELLCRANK SET CLR
115	1928		SCREW SET CLR BRKT
116	438549		*REPLACEMENT OF ANY PARTS ON EARLY STYLE MECHANISMS REQUIRE REPLACEMENT OF ALL PARTS MARKED WITH AN ASTERISK.
116	438549		SCREW BRAKE ADJ
117	55726		SCREW BRAKE MTG
118	316744		SCREW RACK PLUG
118	257957		SCREW RACK PLG 767
119	1141081		PLATE SPR 11 IN
119	1141080		PLATE SPR 15 IN
120	48594		SCREW PLATE
121	1134958		SPRING STOP 12 PIT
121	1134959		SPRING STOP 10 PIT
121	1138090		SPRING STOP 767
122	1124076		RACK TOP 11 IN MAC
122	1128029		RACK TOP 15 IN MAC
122	1124110		RACK 12P 11 IN MAC
122	1128038		RACK 12P 15 IN MAC
122	1144752		RACK 10P 767
123	1138402		SUPPORT TAB STOP
123	1164027		SCREW GANG CL FNGR
125	1141270		GANG CLEAR FINGER
126**	1124073		BAR TAB STOP 11 IN
126**	1128028		BAR TAB STOP 15 IN
127	251350		SCREW
128**	338238		SCREW RACK PLATE
129	316744		SCREW RACK PLUG
129	257957		SCREW RACK PLG 767
130	1134961		PLUG TAB RACK
131	219633		C-CLIP
132	1124082		USED BELOW S/N 4057225
133	10170		BUSHING TAB RACK
134	1132212		SCREW RACK PLATE
135	1092125		PIN TAB RACK PLATE
136	1141210		C-CLIP TAB RACK
136	1141210		PLATE TAB RACK
136	1266171		ABOVE 4057225
136	1266171		PLATE 11 INCH
136	1124081		BETWEEN 4012015 AND 4057225
136	1124081		PLATE 11 INCH
137	1141223		BELOW 4012015
137	1141223		RETAINER TAB T BAR
138	1134953		STOP FINAL TAB RK
139**	1124075		STOP FINAL TAB RK
140	38235		SCREW TAB RK SUP
141	1145423		BRACKET TAB RK SUP
142	1128338		SHOE TAB RACK SUP
143	265195		SCREW
144	1144907		GUIDE ESC T BAR
145	803278		SCREW
146	1144906		BKT ESC T BAR
147	1134960		STOP TAB
148**	1124074		STOP TAB
149	4009050		**PARTS USED ON 11 IN MACH BELOW 4009050 15 IN BELOW 4013500
149	1134951		PLUG TAB RACK
150	1134962		SHAFT 11 INCH MACH
150	1134963		SHAFT 15 INCH MACH
150	1144751		SHAFT 767
151	103372		NUT TAB BRAKE OLD
152	1127765		BRAKE TAB RACK OLD
152	1164239		SPRING TAB RK 767
153	1145422		BKT ASM RACK SUP
155	1073418		C-CLIP
156	1134951		LINK
157	1144848		SHAFT SET CL 767
158	1070020		CLEVIS
159	1144847		LEV INT SET CL 767
160	1117488		LINK
201	1073418		C CLIP
202	1128891		BAIL POWER TAB
203	1071449		SPRING KL PAWL
204	1128859		KEYLEVER TAB RH
205	1073863		SPRING KEYLEVER
206	1073866		BUSHING TAB BAIL
207	1128852		KEYLEVER TAB LH
208	1124890		KEYBUTTON TAB
208	1133312		KEYBUTTON WORKMARK
208	1133809		KEYBUTTON BLANK
209	186923		SCREW STOP MTG
210	1073863		SPRING INTERPOSER
211	1128674		INTERPOSER TAB
212	1134884		SPRING TAB INTPOS
213	1073449		SPRING TAB LATCH
214	1135617		SUPPORT TORQUE BAR
215	1145409		COLLAR TAB T BAR
216	1145408		BKT TAB T BAR SUP
217	438548		SCREW
218	1152202		STOP OVERTHROW
219	1140227		SCREW TAB OVERTHROW
220	1134711		SUPPORT TORQUE BAR
221	1164027		USED BELOW 4005450
221	1164027		SCREW TAB OVERTHROW
222	1127744		STOP OVERTHROW
223	1141223		RETAINER
224	219633		C CLIP
225	1128763		USED ON 11 INCH BELOW 4057225 AND 15 INCH BELOW 4367458
225	1128763		PLATE TAB LINK
226	1124826		SCREW
227	1128759		LINK TAB ACT
228	1128752		STOP TAB BL ECC
229	1128751		SPRING TAB BL
230	1128753		BELLCRANK ASM TAB
231	1073418		C CLIP
232	10170		SCREW BKT MTG
233	1135312		BRACKET MTG
234	1074242		SPRING INT LEV
235	1072703		SPRING BL
236	1073418		C CLIP
237	1135340		BL ASM TAB
238	1135315		LEVER TAB INTERMED
239	1073418		C CLIP

REF	P/N	SOURCE	DESCRIPTION
240	1070020		CLEVIS TAB ALT
241	1000223		LINK TAB ACTUATING
242	251970		SCREW TAB SW BKT
243	37913		NUT TAB SW BKT MTG
244	1135036		BRACKET TAB SWITCH
245	1159045		SWITCH ASM TAB
246	438540		SCREW SW MTG
247	135241		BAR TAB TORQ 11 IN
247	1135343		BAR TAB TORQ 15 IN
247	1144755		BAR TAB TORQ 767
248	45639		WASHER
249	1159205		C CLIP BOWED
250	1159198		TORQUE BAR 11 INCH
250	1159199		TORQUE BAR 15 INCH
251	1159206		SPACER
252	1159204		LEVER TAB SW ACT
253	1159194		BRACKET ASM TAB
254	338238		SCREW
255	1073449		SPRING TAB SW LEV
256	1144928		SPRING TAB TORQUE
257	1159203		LEV TAB SW TRIG
258	1159208		SPACER 15 IN ONLY
259	1159207		SWITCH
260	1159210		SCREW SW MTG 11 IN
260	1159209		SCREW SW MTG 15 IN
260	1159209		SPRING TRIG RES
261	1072703		C CLIP
262	1073418		SCREW
263	1164027		SCREW LH PLATE MTG
264	1159206		SCREW LH PLATE 765
264	1159234		NUT SW MTG
265	47987		SWITCH TAB INTERLK
266	65266		LEVER TAB INLK SW
267	1145442		SPRG TAB INLK LEV
268	1090435		LEVER P TAB ACT
269	1144892		SPRING TAB ACT LEV
270	115070		STUD TAB ACT LEV
271	1144891		STUD MTG BKT
272	1144894		PLATE TAB INTERLK
273	1145438		SCREW SW MTG
274	438541		SPRING T IN LAT LV
275	1074242		LATCH T INT SW LV
276	1145443		LEV P TAB ACT
277	1144893		STUD TAB ACT LEV
278	1144891		SCREW TORQUE BAR
279	438549		ACT TAB TORQUE BAR
280	1144895		NUT TORQUE BAR
281	2114985		CLEVIS
282	1070020		LINK T BAR
283	1000223		SPACER TAB ACT
284	1144890		STUD TAB ACT
285	1144891		LINK TAB ACT
286	1070340		LOCKWASHER
287	358509		WASHER
288	257985		B/M TAB 765
291	1272187		B/M TAB OTHER 15IN
291	1272188		B/M TAB ALL 11 IN
292	358509		LOCKWASHER
293	1018477		RETAINER TORQ 765
294	344239		SPACER
295	100237		SLEEVE TORQ BAR EX
296	1276145		8/M GANG CLEAR 767

TAB MECH.



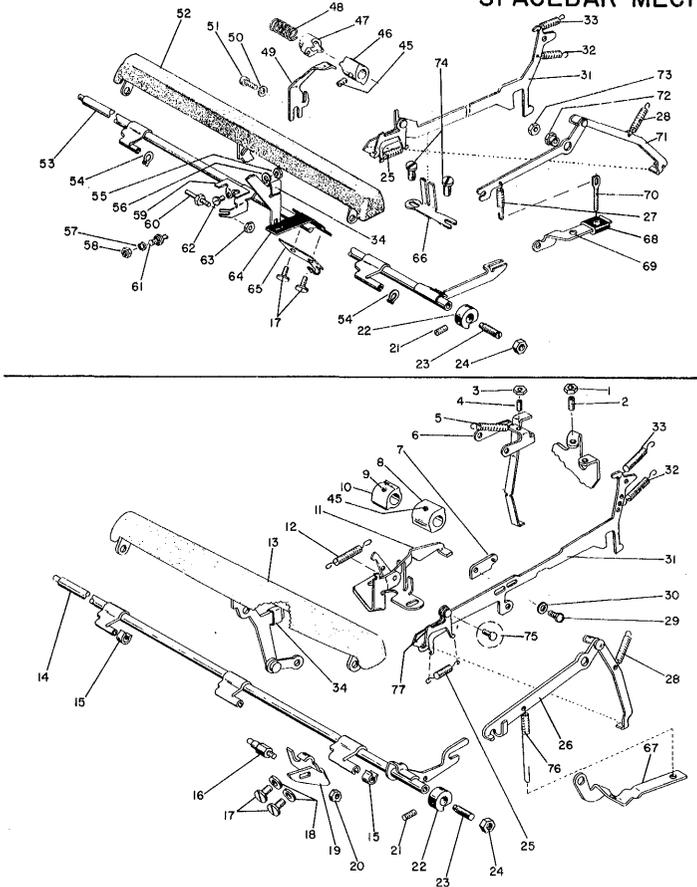
TAB MECH.



**CODE 916**  
(6400 PRIMARY PRINTER ONLY)

**CODE-516**

SPACEBAR MECH.

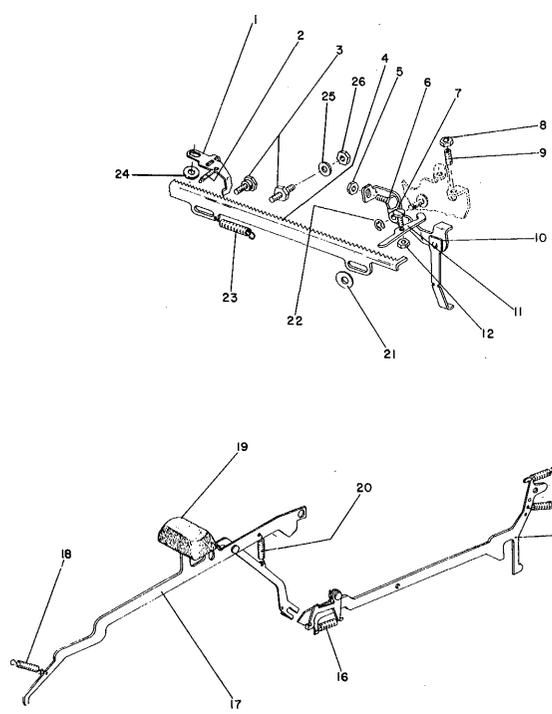


REF	P/N	SOURCE	DESCRIPTION	REF	P/N	SOURCE	DESCRIPTION
1	37913		NUT, LATCH SCREW	47	1134848		CAM, SB LOCKOUT
2	1141071		SCREW, LATCH ADJ	48	1134851		SPRING, SB LOCKOUT
3	37913		NUT, LATCH SCREW	49	1134850		GUIDE, CAM
4	1141071		SCREW, LATCH ADJ	50	355341		WASHER, SCREW
5	1100937		SPRING, SB LATCH	51	38261		SCREW, CAM GUIDE
6	1124476		LATCH ASM, 11 IN	52	1271552		BUTTON, SB GRAY
7	1128105		LATCH SB 15 IN	53	1123979		SHAFT ASM, SB
8	1138805		KEEPER, SB				BELOW 4007000 ORDER THE SHAFT ASM
9	1145178		CAM ESC				BUTTON ASM AND TWO RETAINERS,
10	1138804		SCREW, SB INLK CAM				FOR MACHINES BELOW 4002158, ORDER
11	1138454		CAM, SB INTERLOCK				THE SHAFT ASM, BUTTON ASM, TWO RE-
12	1090343		LEVER ASM, SB INLK				TAINERS, AND B/M 1271551.
13	1124885		SPRING, SB LOCKOUT	54	528552		RETAINER
14	1266879		KEYBUTTON 767	55**	1127763		NUT, STOP SCREW
15	1141103		KEYBUTTON, SB-GRAY	56**	257984		WASHER, SCREW
16	1128270		SHAFT ASM, SB	57	6364		WASHER, SB STOP
17	1141106		CLIP, SB				**USED ON MACHINES BELOW 4011200
18	10170		STUD, SB GUIDE	58	1127722		NUT, SB STOP
19	1090970		SCREW, SPRING MRG	59**	1132042		STOP, SPACEBAR
20	1141105		WASHER, SB SUPPORT	60	1132088		STUD, SB GUIDE
21	257957		SUPPORT, SB	61	1134824		STOP, SB
22	1128883		NUT, SB GUIDE	62**	251970		SCREW, SB STOP
23	1123987		SCREW SET	63	8506		NUT, GUIDE STUD
24	38051		COLLAR, SB LOCKOUT	64	1133711		SPRING, SPACEBAR
25	1073863		SCREW, SB SHAFT	65	1123973		SPRING - EARLY
26	1128271		NUT, SHAFT SCREW	66	1133687		PLATE, SB SPRING
			SPRING, INTERPOSER	67	1134852		GUIDE, INTERPOSER
			LEVER ASM	68	1134977		BRACKET, BAIL
				69	1134710		NUT, ADJUST SCREW
							BRACKET REPEAT
							USED ON MACHINES BELOW 4010750
27	1134708		SPRING SB LEVER	70	1134709		SCREW, ADJUSTING
28	123491		SPRING KEYLEVER	71	1123982		LEVER ASM, SPACE
29	1127714		SCREW SB INTKEEPER				USED BELOW 4064000 & 4370500
30	1090472		WASHER SB INT SCR	71	1138469		LEVER ASM, SB
			**USED ABOVE SN 4064000-11 INCH AND				USED WITH NEW STYLE SB INLK BELOW
			SN 4370500-15 INCH				4083195, 4704072 & 4380816
31	1134865		INTERPOSER OLD SB	72	1123977		ECCENTRIC SPACE
31	1145362		INTERPOSER SB 767	73	37913		NUT, SB LEVER
31	1135229		INTERPOSER-NEW-SB	74	1127733		SCREW, INTERLOCK
32	150047		SPRING INTERPOSER	75	1124559		RIVET
33	1141062		SPRING SB LATCH	75	1145363		RIVET 767
34	1073866		SLEEVE, SB STEM	76	1164086		SPRING SB LEVER
45	257969		SCREW, CAM	77	1124555		LATCH INTERPOSER
46	1124538		CAM, ESCAPEMENT				

CODE 917  
(6400 PRIMARY PRINTER ONLY)

CODE-517

BACKSPACE MECH.

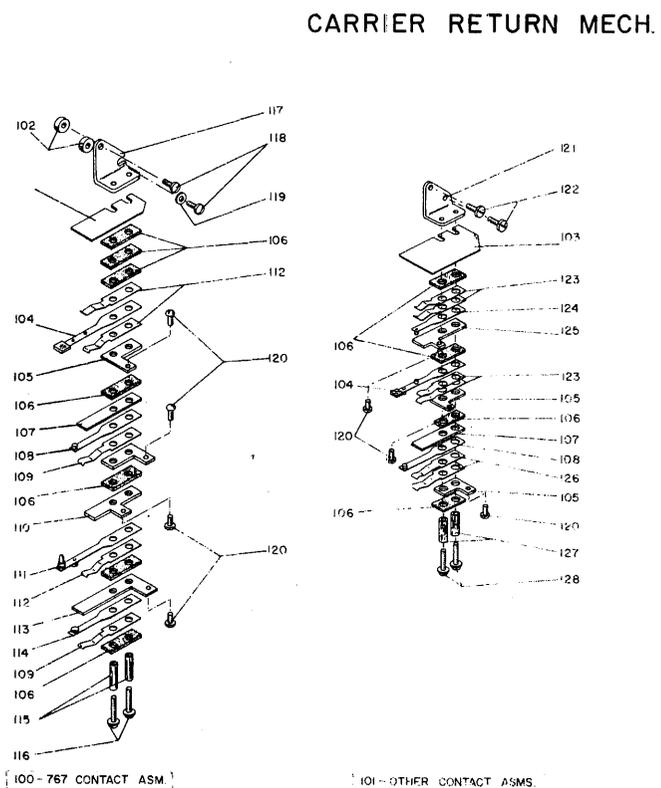
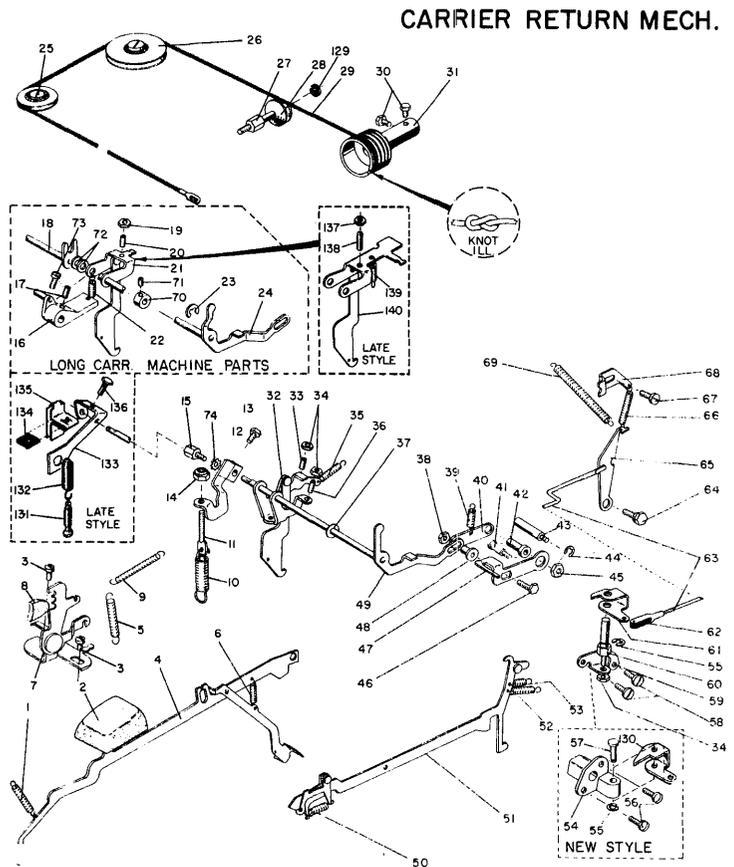


REF	P/N	SOURCE	DESCRIPTION	REF	P/N	SOURCE	DESCRIPTION
1	1128202		PAWL BACKSPACE	12	37913		NUT INTN LEVER MTG
1	1141536		PAWL BS	13	1072703		SPRING BS LATCH
			USED WITH GANG	14	1134948		SPRING OPR INTPR
2	1132064		SPRING BS PAWL	15	1128674		INTERPOSER BS
2	1132064		SPRING BS 767	16	1073863		SPRING INTPR PAWL
3	1124614		STUD BS RACK MTG	17	1133686		KEYLEVER BS
3	1144834		STUD 767 - BLACK	18	1071687		SPRING BS KEYLEVER
3	1144836		STUD RH 767	19	1133313		KEYBUTTON 1415
4	1144832		RACK TOP 767	19	1133313		KEYBUTTON 1014
4	1124618		RACK BS 10 PITCH	19	1133313		KEYBUTTON 7040-44
			11 INCH MACHINE	19	1133811		KEYBUTTON SABRE
4	1128025		RACK BS 10 PITCH	19	1124450		KEYBUTTON STRETCH
			15 INCH MACHINE	19	1133811		KEYBUTTON 1620
4	1124568		RACK BS 12 PITCH	19	1124450		KEYBUTTON ET
			11 INCH MACHINE	19	1124450		KEYBUTTON 767
4	1128024		RACK BS 12 PITCH	20	1071449		SPRING BS KL PAWL
			15 INCH MACHINE	21	1124616		SPACER BS RACK
5	37913		NUT STUD BELLCRANK	22	1073418		RETAINER BS LATCH
6	1124612		STUD, BS BELLCRANK	23	1091618		SPRING RACK 11 IN
7	1124615		STUD BS INTN LEVER	23	58852		SPRING RACK 15 IN
8	37913		NUT SCREW LATCH AD	24	1124094		SPACER BS PAWL
9	1132098		SCREW BS LATCH ADJ	25	1144338		WASHER 767
10	1124489		LATCH ASM BS	26	47987		NUT 767
11	1138799		LEVER INTER 10P				**USED WITH STUD 1144836
11	1138800		LEVER INTER 12P				
11	*1124613		LEVER INTER 10P				
11	*1132204		LEVER INTER 12P				
			**USED BELOW APPROX S/N 4012015				

CODE 918  
(6400 PRIMARY PRINTER ONLY)

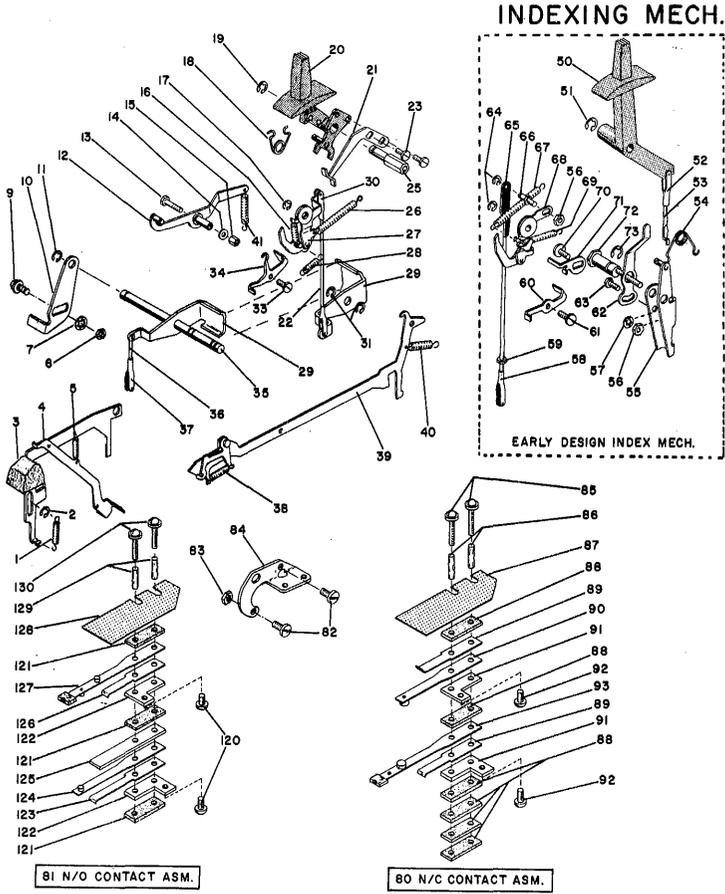
CODE-518

REF	P/N	SOURCE	DESCRIPTION	REF	P/N	SOURCE	DESCRIPTION
1	123491		SPRING KEYLEVER	100	1144859		CONTACT ASM 767
2	1133314		KEYBTN 1014 & 1415	101	1128748		CONTACT ASM 870
3	1124870		KEYBTN ALL OTHERS	101	1159589		CONTACT ASM
4	10170		SCREW ARM ASM MTG				USED WITH TILT UP COVERS
3	322065		SCREW RH LONG	102	123590		SHIELD CONTACT
4	1133681		KEYLEVER	103	1108350		STRAP ASM O/S
4	1159362		KEYLEVER SPECIAL	104	1128744		TERMINAL CONTACT
5	43373		SPRING CR SHOE	105	339109		INSULATOR
6	1071449		SPRING CR K/L PAWL	106	37435		SUPPORT CONT STRAP
7	1132003		ARM ASM CR ACTUAT	107	326119		STRAP ASM N/O
7	1144937		ARM ASM CR ACTUAT	108	1128745		SP CONT BACKUP
			FOR MACHINES BELOW 4600120 ALSO	109	339113		TERMINAL CONTACT
			ORDER PN 1128338	110	339108		STRAP ASM O/S
8	1128338		SHOE, CARR RETURN	111	1127273		SP CONTACT BACKUP
8	1124478		SHOE, CARR RETURN	112	316457		TERMINAL CONTACT
			FOR MACHINES BELOW 4600120	113	339107		STRAP ASM N/O
9	1128325		SPRING ACTUAT ARM	114	326067		INSULATOR
			USED ON MACHINES WITH OLD CR ACT	115	100349		SCREW CONT MTG
			ARM - HOOKED BETWEEN ACTUATING	116	173209		CONT BRACKET
			ARM AND ESCAPMENT BACK PLATE. SPR	117	1128749		CONTACT BKT 767
			REF 39 SHOULD BE REMOVED	117	1159558		ABOVE SN 4610360
10	1141172		SPRING CR ACT	118	338238		SCREW CONT ASM MTG
11	1132000		STUD ACT ARM SPR	119	45639		WASHER
12	1133610		HUB CLUTCH ARM	120	118418		SCREW TERMINAL
13	114775		SCREW CR HUB	121	1128749		BKT CONT ASM MTG
14	1138462		NUT CR SHOE ADJSTG	122	438548		SCREW CONT ASM MTG
15	1133549		SCREW CR C1 ARM	123	1135466		SPRING BACKUP
16	1128125		LEVER ASM CR	124	1128746		STRAP ASM N/C
17	338238		SCREW CR LEVER MTG	125	1128743		TERMINAL CONTACT
18	1128122		LEVER ASM CR LATCH	126	1135467		SPRING BACKUP
19	37913		NUT CR LATCH SCREW	127	100229		INSULATOR
20	1132008		SCREW LATCH ADJ	128	173205		SCREW CONT MTG
20	1159286		SCREW LATCH ADJ				**FOR 11 INCH MACHINES TIE FIGURE
			USED ABOVE SN 4608386				EIGHT KNOT IN PRE-STRETCHED CORD
21	1141828		ARM ASM CR LATCH	129	1073418		AT 23-1/2 INCHES. THIS ALLOWS 1
21	1128103		ARM ASM 767	130	1128397		INCH FCR KNOT. SEAL END WITH HEAT
22	1128008		SPRING CR LEVER	131	1141173		C-CLIP
23	1073418		CLIP C LATCH ARM	132	1141172		BELLCRANK CLU UNLA
24	1128009		ARM A CR LATCH ACT	133	1141245		STUD CR ARM
24	1144849		ARM ASM CR LAT 767	134	1164799		SPRING CR ARM
25	1124638		PULLEY LH FRONT	135	1141290		ARM CR CLUTCH
26	1124567		PULLEY LH REAR	136	1124775		BLOCK RUBBER
27	1124453		STUD REAR IDLER	137	37913		CLIP CR ARM
27	1144911		STUD REAR IDLE 767	138	1159286		SCREW CR HUB
28	1124628		PULLEY REAR IDLER	139	1100937		NUT LATCH ADJ
29	**1128124		CORD ASM UNIVERSAL	140	1164105		SCREW LATCH ADJ
29	1144852		CORD CR 767				SPRING CR LATCH
30	1128352		SCREW CR CORD DRUM				ARM ASM CR LATCH
30	1145479		SCREW DRUM 767				
31	1124463		DRUM CR CORD				
31	1144762		DRUM CR 767				
32	1124472		ARM ASM CR LATCH				
32	1132098		SCREW CR LATCH ADJ				
34	37913		NUT ADJ				
35	123491		SPRING CR LAT ARM				
36	1132098		SCREW CR ADJ				
37	1090394		WASHER CR ACT ARM				
38	37913		NUT CLUTCH ECC				
			FOR REFERENCE ONLY				
39	1138110		LINK CR LATCH				
40			ON MACHINES WITH OLD STYLE CR ACT				
			ARM REMOVE REF 39 AND INSTALL				
			REF 9				
41	*1124766		STUD MULT LEV				
41	1135676		STUD 765				
42	*1124767		BUSHING MULT LEV				
43	1134957		STUD PRESSED IN				
			THE SIDE FRAME				
44	1092125		C CLIP				
45	* 257186		NUT MULT LEV				
			USED ON MACHINES BELOW 4012015				
45	1135677		NUT 765				
46	1124610		STUD LATCH ECC				
47	1128168		LATCH CR CLUTCH				
48	1128169		SPACER CR CLUTCH				
48	1124609		SPACER 11 INCH				
49	1144849		ARM CR LATCH 767				
49	1133608		ARM CR LATCH ACT				
			FOR MACHINES BELOW 4001844 ALSO				
			ORDER 1133609 ARM 1133610 HUB				
			1133549 SCREW AND 1124775 SCREW				
50	1073863		SPRING INTPOS PAWL				
51	1128673		INTERPOSER CR				
52	1134948		SPRING CR INTPOS				
52	1134884		SPRING 767				
53	1072703		SPRING CR LATCH				
54	1141230		BUSHING RH 11 IN				
54	1141231		BUSHING RH OTHER				
55	264641		C CLIP				
56	438548		SCREW RH BUSHING				
57	1141228		STUD CLUTCH UNLAT				
58	10170		SCREW BKT MTG				
59	1128167		BKT CR UNLATCHING				
60	1123627		STUD CR UNLATCHING				
61	1123628		BELLCRANK CR UNLAT				
62	1070020		CLEVIS				
63	1124600		LINK CR UNLATCHING				
63	1164171		LINK CR UNLATCH				
			USED ABOVE SN 4607315				
64	1123629		STUD CR KEEPER				
65	1123631		KEEPER CR LATCH				
66	150735		SPRING CR KEEPER				
67	322065		SCREW LOCK MTG				
68	1127737		LOCK TAB RACK BUSH				
69	1115017		SPRING COVER INTLK				
70	1144937		COLLAR 767				
71	257957		SCREW COLLAR 767				
72	45638		SPACER 767				
73	38263		SCREW 767				
74	56722		LOCKWASHER				



**CODE 919**  
 (6400 PRIMARY PRINTER ONLY)

**CODE-519**



REF	P/N	SOURCE	DESCRIPTION	REF	P/N	SOURCE	DESCRIPTION
1	177939		SPRING INDEX KL				
2	1073418		C-CLIP				
3	1133115		KEY BUT 1014 1415				
3	1133807		KEY BUT STRETCH, SABRE				
3	1141116		KEY BUT 1620				
3	1124850		KEY BUT ET				
4	1123984		KEYLEVER INDEX				
4	1159195		KEYLEVER INDEX				
5	USED ABOVE SN 460522						
5	1071449		SPRING KL PAWL				
6	257187		NUT 15 INCH MACH				
7	1090622		WASHER 15 IN MACH				
9	1128411		SCREW SEMS 11 IN				
9	340191		SCREW 15 IN MACH				
10	1135167		LEVER				
10	1141558		LEVER 24T				
11	1092125		C-CLIP 15 IN MACH				
12	1128975		DETENT 36T				
12	ALSO ORDER REF 13 AND 14						
12	1141767		DETENT ASM 27T				
12	ALSO ORDER REF 13 AND 14						
12	1141561		DETENT ASM 24T				
12	ALSO ORDER REF 13 AND 14						
13	1128302		SCREW DETENT ASM				
14	ALSO ORDER REF 12 AND 14						
14	257984		WASHER DETENT				
14	ALSO ORDER REF 12 AND 13						
14	1127741		SPACER DET PIN FD				
15	1127762		NUT DETENT STUD				
15	1107795		SPRING INDEX PAWL				
17	264641		C-CLIP				
18	1124396		SPRING IND SEL LEV				
19	1092125		C-CLIP				
20	1135456		LEVER INDEX SEL				
21	1128076		LEVER CAM 27T 36T				
21	1141559		LEVER CAM 24T				
22	1134956		LINK INDEX 11 INCH				
22	1128083		LINK INDEX 15 INCH				
23	10170		SCREW				
25	1128084		STUD IND SEL LEV				
26	USED ON ALL 11 IN AND 15 IN MACHINES ABOVE 4012015						
26	1133667		SPRING INDEX				
27	1128018		CARRIER IND PAWL				
28	1133668		SPRING INDEX PAWL				
29	1128078		LEVER INDEX 15 IN				
30	1070020		CLEVIS				
30	*1164127		CLEVIS				
30	WUSE ON MACHINES ABOVE SN 4602500						
31	1092125		C-CLIP 15 IN MACH				
33	435488		SCREW PLATEN STOP				
34	1128017		STOP PLATEN OVERTH				
35	1128081		SHAFT 15 IN MACH				
36	1128079		LINK 15 IN MACHINE				
37	1127727		CLEVIS				
37	1164127		CLEVIS LOCKING				
38	1073863		SPRING INT PAWL				
39	1128674		INTERPOSER INDEX				
40	1134948		SPRING INTERPOSER				
40	1134884		SPRING 767				
EARLY STYLE INDEX							
41	1133663		SPRING DETENT				
50	1124764		LEVER INDEX SELECT				
51	1092125		C-CLIP				
52	1070020		CLEVIS				
53	1014536		LINK INDEX SELECT				
54	1132173		SPRING INDEX SELEC				
55	1123532		LEVER INDEX MULT				
56	38214		NUT LEVER STOP SCR				
57	62031		WASHER				
58	1127727		CLEVIS				
58	1164127		CLEVIS LOCKING				
59	1127728		NUT				
60	1132161		STOP PLTN OVERTHRO				
61	55726		SCREW PLTN STOP				
62	1132162		STOP INDEX MUL LEV				
63	1124827		SCREW LEVER STOP				
64	264641		C-CLIP				
65	1124772		LINK PWL CARRIER				
66	1132158		STUD INDEX LINK				
67	1132164		SPRING IND PWL CAR				
68	1124756		CARRIER ASM IND PL				
69	1115017		SPRING INDEX PAWL				
70	55726		SCREW UP STOP				
71	1124762		STOP UPPER INDEX				
72	1124766		STUD CONTROL LEVER				
73	1092125		C-CLIP				
CONTACTS							
80	1135002		N/C CONTACT ASM				
81	1135212		N/O CONTACT ASM				
82	81963		SCREW				
83	38051		NUT				
84	1135001		BRACKET CONTACT MT				
85	173205		SCREW CONT MTG				
86	100229		INSULATION SCREW				
87	1108350		SHIELD CONTACT				
88	37435		INSULATION CONTACT				
89	1135466		SPRING CONT BACKUP				
90	1135474		CONTACT STRAP				
91	339109		TERMINAL CONTACT				
92	118418		SCREW TERMINAL				
93	1135479		CONTACT STRAP				
120	118418		SCREW TERMINAL				
121	37435		INSULATOR CONTACT				
122	339109		TERMINAL CONTACT				
123	1135467		SPRING CONT BACKUP				
124	1128745		CONTACT STRAP N/O				
125	326119		SUPPORT CONT STRAP				
126	1135466		SPRING CONT BACKUP				
127	1128744		CONTACT OP STRAP				
128	1108350		SHIELD CONTACT				
129	114045		INSULATION SCREW				
130	173202		SCREW CONT MTG				

CODE 920  
(6400 PRIMARY PRINTER ONLY)

CODE-520

REF	P/N	SOURCE	DESCRIPTION
1	1141546		RETAINER BAIL
2	1141269		SLEEVE, SHIFT KYL
3	1132235		BAIL, SHIFT
4	1072703		SPRING, KEYLEVER LH
5	1138455		WASHER, SHIFT BAIL
6	1928		SCREW, SHIFT BAIL
7	1134829		NUT, SHIFT BCK BCK
8	1124285		BELL SHAFT SHIF BL
9	1070003		CLEVIS SHIF REL L
10	1128935		LINK ARM SHIF REL
11	1159895		LINK 15 IN
12	1100523		SCREW SHIF INTERL
13	1124284		CAM SHIF INTERLK
14	1073418		CLIP C SH DETENT
15	*1135296		DETENT SHIF CAM
16	1124722		SPRING SHIF DET
17	1090162		SPRING SH INTERLK
18	1072703		SPRING SH RELEASE
19	264641		RETAINER SH REL A
20	1141648		STUD SHIF REL
21	USED ON IMP CONTROL C&R		
19	1132286		STUD SHIF REL
19	1144795		STUD, 767
20	*1124697		STUD SH DETENT ARM
*BELOW MACHINE SER #4002000 RE-PLACEMENT OF PART 1124697 OR 1133596 REQUIRES REPLACING BOTH			
21	1133501		STUD SH DET SPRING
22	10170		SCREW SHIF BRAKE
23	439548		SCREW SH LK BRACKT
24	1124010		BRACKET SHIF LOCK
25	1127936		KEYBUTTON LH 1014
25	1133037		KEYBUTTON LH SABRE
25	1132259		KEYBUTTON LH OTHER
26	1133810		KEYBUTTON LK 1014
26	1133810		KEYBUTTON LK SABRE
27	1132266		KEYBUTTON LK OTHER
27	1074242		SPRING SHIF LOCK
28	1133685		KEYLEVER 1014 SABRE
28	1128871		KEYLEVER ALL OTHER
29	1107794		SPRING SH LK INTPR
30	1128893		INTERPOSER SH UNLK
31	1135604		LINK LOCKOUT
32	1070020		LINK LKOUT LINK
33	1127930		KEYBUTTON RH 1014
33	1133038		KEYBUTTON RH SABRE
33	1132252		KEYBUTTON RH OTHER
34	1133672		KEYLEVER RH SHIF
35	257969		SCREW SHF ARM PIV
36	251939		RETAINER CAM ROLL
37	1124259		ROLLER SHIF ARM
38	1159109		SHAFT ROLLER
39	1132029		BRAKE SHIF CAM
40	22066		WASHER SH DET STUD
41	1124773		DAMPER, BRAKE ARM
42	1135033		PLATE, SHIF ARM
43	1090050		SPACER STOP SCREW
44	1128970		STUD ARM STD SABRE
45	1124775		SCREW SHIF STOP
46	1123807		SHAFT ECCENTRIC
47	1124292		ROLLER CAM BACKUP
48	1073418		CLIP C ROLLER ECC
49	1141215		SCREW SHIF ARM

REF	P/N	SOURCE	DESCRIPTION
50	1141030		NUT SCREW SHIF
51	1124261		ARM SHIF
52	1124267		PULLEY RH ROTATE
52	1144979		PULLEY, 767
53	1124268		SCREW RH ROTATE PU
53	38235		SCREW 767
54	1128971		TAB SHIF ARM
55	15887		SCREW TAB SHIF A
56	38051		NUT ROLLER SHAFT
57	1128788		BRACE SHIF ARM
58	1128471		SPRING SHIF ARM
59	1124266		PIN PIVOT SH ARM
60	1138463		PIN, SHIF ARM
USED ON MACHINES BELOW SN 4005000			
61	1115633		RETAINER
62	10170		SCREW MTG PLATE
63	1124819		WASHER SHIF CAM
USED ON MACHINES BETWEEN SER# 4005323 AND 4014850			
64	1135639		CAM SHIF
65	1124273		PLATE SH CLU SPG R
66	1127725		SCREW SH BACKSTOP
67	1123810		STOP SHIF CAM
68	1128932		ARM SHIF RELEASE
68	1144795		ARM REL 767
69	257969		SCREW SET SH ARBOR
70	1124271		ARBOR SHIF CLUTCH
71	1124276		ARM ASM INTERLOCK
72	1073413		CLIP SHIF INTL
73	1132287		SPRING, SHIF CLUT
74	1121210		RATCHET SHIF 1 INCH MA
74	159409		RATCHET 15 INCH MA
75	219743		CLIP C SH RATCHET
76	1128190		SHAFT REL 15 INCH
77	1128195		BRACKET SHIF SPR
78	38351		SCREW, BRACKET
79	1124722		SPRING, DETENT
80	1128190		BRACK SHIF 15 INCH
81	10170		SCREW BRAKE MTG
82	264641		CLIP C SH REL 15 IN
83	1124697		STUD DET 15 INCH
84	1135304		LINK SHIF RELEASE
85	1074242		SPRING SHIF REL
86	1135320		ARM SHIF REL 15 IN
87	1144979		ARM SHIF 15 INCH
87	1128192		ARM ASM 15 INCH
87	1144880		ARM, 767
88	1090162		SPRING SHIF INTLK
89	1128193		ARM SH INLK SPR 15
90	358174		SCREW SHIF INTL
90	1141853		SCREW 767
91	10170		SCREW BRACKT 15 IN
92	1128189		BRACKET SHIF SUPP
93	1128188		DETENT SHIF CAM
94	1073418		CLIP C DETENT ARM
95	1073863		SPRING, RH KL
96	257957		SCREW REL SHAFT
100	1145451		SPACER 767

**CODE 922**  
(6400 PRIMARY PRINTER ONLY)

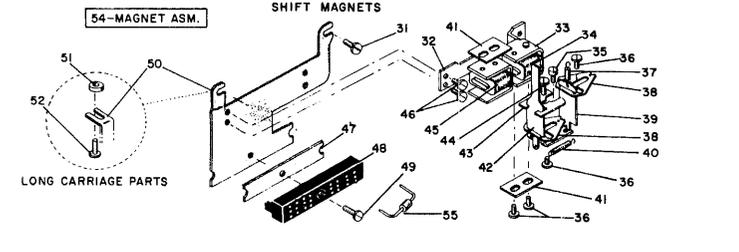
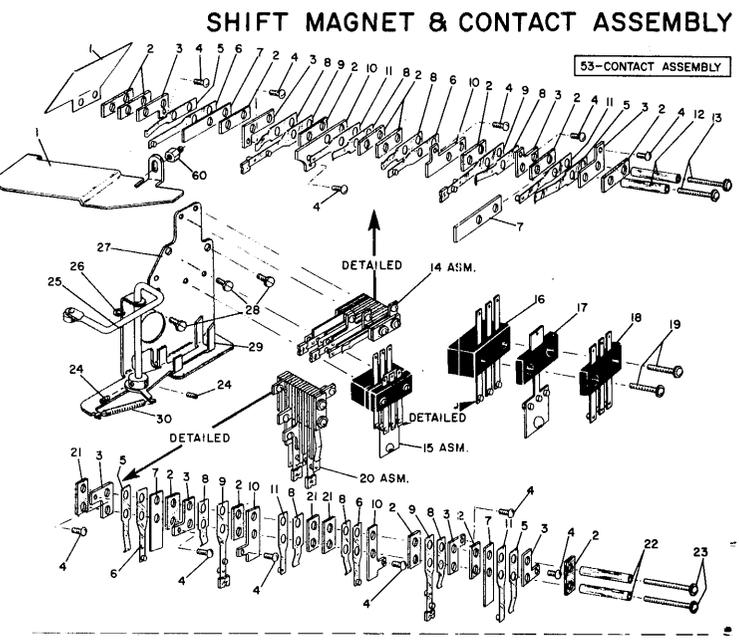
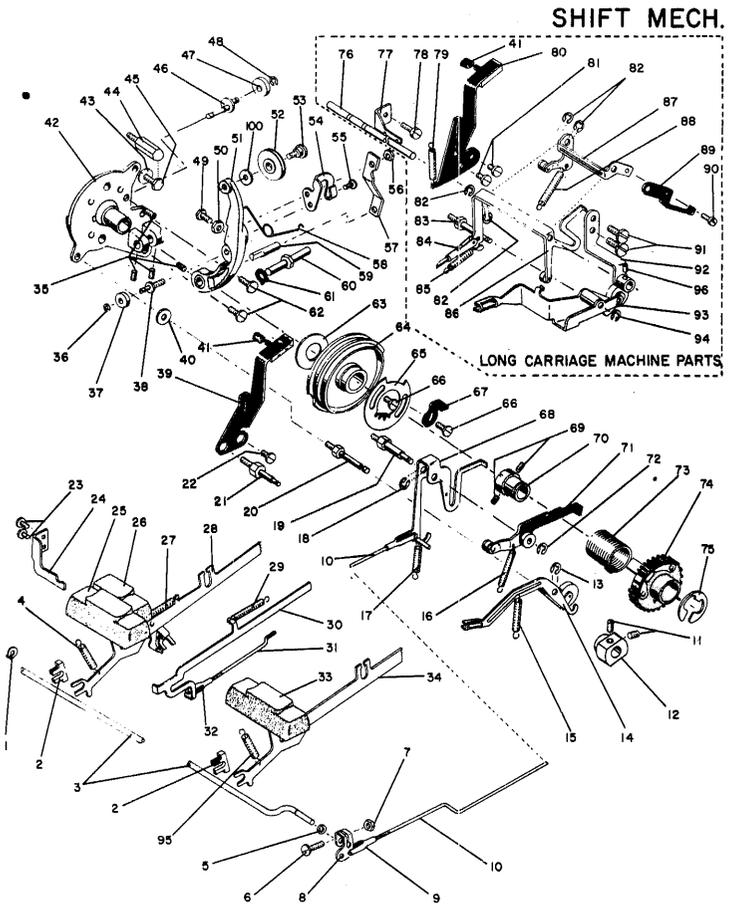
**CODE-522**

REF	P/N	SOURCE	DESCRIPTION
1	1135425		SHIELD CONTACT
1	1159542		SHIELD CONTACT
USED ABOVE SN 4610399			
2	37435		INSULATOR PLATE
3	339109		TERMINAL CONT SPR
4	118418		SCREW TERMINAL
5	1135467		SPRING CONT BACKUP
6	1128745		CONTACT SHIF N/O
7	326113		SUPPORT CONT STRAP
8	1135466		SPRING CONT BACKUP
8	1135467		SPRING 767
9	1128744		CONTACT OPER STRAP
10	1128743		TERMINAL CONTACT
11	1128746		CONTACT SHIF N/C
12	104278		INSULATOR SCREW
13	104676		SCREW CONT MTG
14	1262780		CONTACT ASM SHIF
14	1159506		CONTACT ASM 775
ORDER COMPLETE ASM WHEN REPL PART NECESSARY			
15	1262776		CONT TRANS SABRE
15	1262777		CONT TRANS OTHERS
16	1128947		CONTACT N/O LEFT
17	1128948		CONTACT O/S
18	1128946		CONTACT N/O RIGHT
19	173215		SCREW CONT SABRE
19	173207		SCREW CONT OTHERS
20	1262778		CONTACT FB SABRE
20	1262779		CONTACT FB OTHERS
21	27460		INSULATOR THICK
22	105052		INSULATOR SABRE
22	104278		INSULATOR OTHERS
23	173205		SCREW CONT SABRE
23	173213		SCREW CONT OTHERS
25	165526		SCREW SET CONT LEV
25	1128954		FOLLOWER SHIF CAM
26	264641		C-CLIP FOLLOW ARM
27	1128952		BRACKET SHIF CONT
28	10170		SCREW BRACKET MTG
29	1128950		LEVER SHIF CONT
30	1090589		SPRING FOLLOWER
31	10170		SCREW BRACKET

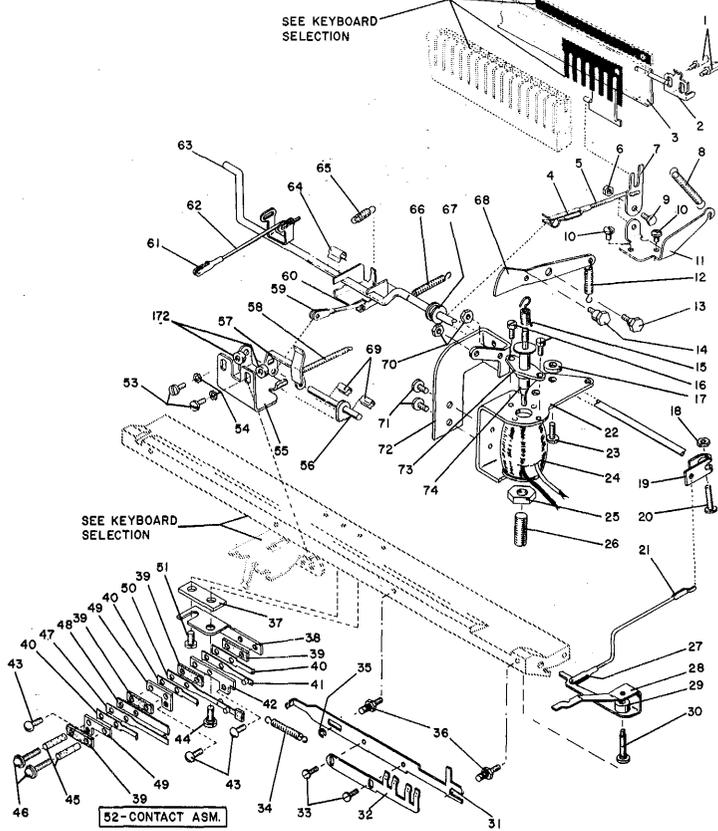
REF	P/N	SOURCE	DESCRIPTION
32	1128962		CORE UC
33	1128959		CORE LC
34	1135134		COIL LC SHIF 48V
34	1266894		COIL LC SHIF 24V
35	48594		SCREW
36	48594		SCREW
37	123552		SPRING HINGE PLATE
38	1128967		PLATE UC&LC HINGE
39	1128969		ARMATURE LC
40	1072126		SPRING ARM LATCH
41	1128965		STOP ARMATURE
42	1128968		ARMATURE UC
43	1128966		BACKSTOP ARM UC
44	1127785		SCREW
45	1128964		COIL UC SHIF 48V
45	1266893		COIL UC SHIF 24V
46	55726		SCREW CORE MTG
47	302131		INSULATOR TERM BLK
48	302090		TERMINAL BLOCK
49	438549		SCREW TERM BLK
50	1128958		BRACKET 11 INCH
50	1135303		BRACKET 15 INCH
51	1128598		SPACER
52	38235		SCREW
CONTACT ASSEMBLY SHIF			
53	1128939		ET AND STRETCH
53	1128847		1415 7040 7044
53	1128938		SABRE
53	1143170		767 CONTACT ASM
53	1135696		765 CONTACT ASM
53	1159721		870
MAGNET ASSEMBLY SHIF			
54	1128931		ALL EXCEPT 15 INCH
54	1145388		15 IN
54	1145388		767 MAGNET ASM
55	210921		DIODE 767 & 765
55	1135018		DIODE OTHERS
60	1142377		STUD SHIELD

**CODE 923**  
(6400 PRIMARY PRINTER ONLY)

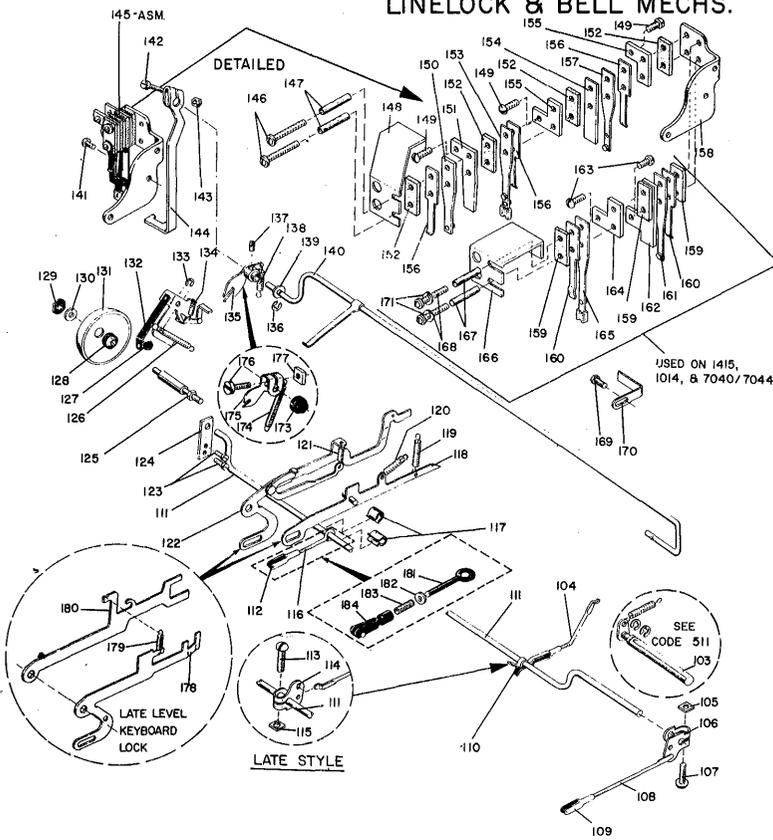
**CODE-523**



KEYBOARD LOCK MECH.



LINELOCK & BELL MECHS.



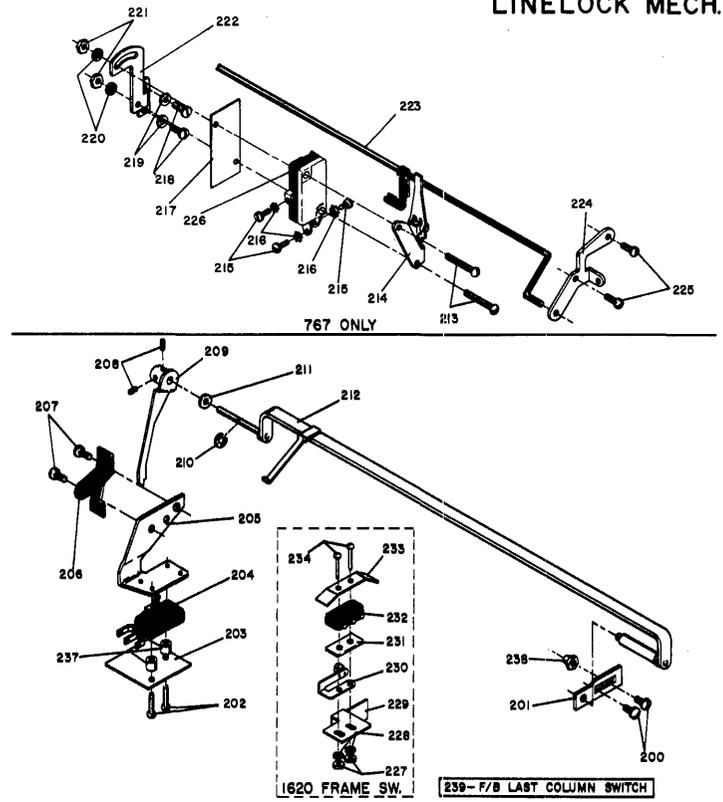
REF	P/N	SOURCE	DESCRIPTION	REF	P/N	SOURCE	DESCRIPTION
1	1135584		SCREW, SUPPORT MTG	140	1132021		BAIL BRG 1014/1415
2	1135497		SUPPORT, INTPR LK	140	1128173		BAIL BRINGER OTHER
3	1135505		LOCK, INTERPOSER	141	1127726		SCREW BRACKET MTG
4	1123754		CLEVIS, INTPR LK L	142	21636		SCREW EOL ACTUATOR
5	1135713		LINK, INTPOS LK	143	37913		NUT EOL ACTUATOR
6	37913		NUT, KB LV LEV MTG	144	1128788		ACTUATOR CONTACT
7	1135496		LEVER, KB LOCK	145	1128790		CONTACT ASM EOL
8	1090175		SPRING, INTLK RET	145	1415,1014	AND 7040/7044	TERMINAL CONT SUPP
9	1135130		STUD, KB LOCK LEV	145	1135183		CONTACT ASM OTHERS
10	438548		SCREW KB LEVER MTG	146	173204		SCREW, CONTACT MTG
11	1135498		BRACKET, LEVER LK	147	105052		INSULATOR, SCREW
12	1124206		ENERGIZE TO UNLOCK	148	1135424		SHIELD, CONTACT A
12	1090404		ENERGIZE TO LOCK	149	118418		SCREW, TERMINAL
13	1128649		SCREW, L/O LEV PIV	150	1128746		STRAP, CONTACT N/C
14	1128647		SCREW, L/O LEV ECC	151	1261967		TERMINAL CONT SUPP
15	1128648		SPRING, LINK	152	37435		INSULATOR PLATE
16	110668		SCREW GUIDE MTG	153	1128744		STRAP, CONTACT O/S
17	1128828		SPACER, SOL ASM	154	326119		SUPPORT CONT STP
18	37913		NUT, CRANK MTG	155	339109		TERMINAL CONT
19	1128928		CRANK, L/O BAIL	156	1135466		SPRING CONT BACKUP
20	438549		SCREW, CRANK MTG	157	1128745		STRAP, CONTACT N/O
21	1128890		LINK, L/O BELLCRNK	158	1128789		BRACKET, CONT MTG
22	1135235		YOKE, K/B LOCK SOL	159	37435		INSULATOR PLATE
23	35733		SCREW, YOKE MTG	160	339113		SPRING CONT BACKUP
24	1128749		COIL KB LOCK 48V	161	326067		STRAP CONT N/O
24	1266892		COIL KB LOCK 24V	162	1128743		TERMINAL CONT
25	1128644		NUT, SOL CORE ADJ	163	103895		SCREW TERMINAL
26	343752		CORE, SOLENOID	164	339109		TERMINAL CONT
27	1070020		CLEVIS, L/O LINK	165	1108445		STRAP CONT O/S
28	1128877		BELLCRANK, LOCKOUT	166	1135424		SHIELD EOL CONT
28	1144933		BELLCRANK, 75	167	100464		INSULATOR SCREW
29	1128889		BELLCRANK	168	173205		SCREW CONT ASM MTG
30	1128879		SCREW B/C MTG	169	265195		SCREW BELLRINGER S
31	1128874		COMB ASM, LOCKOUT	170	1123622		STOP BELLRINGER
32	1135007		COMB ADJ 1014 1415	171	17514		WASHER
32	1128892		COMB, ADJ OTHERS	172	1118134		SPACER
33	358174		SCREW, COMB ADJ	173	1132013		SPACER
34	1090404		SPRING, L/O COMB	174	1164433		SPRING
35	1073418		CLIP C L/O COMB	175	1132012		LEVER BELL BAIL
36	1128880		SCREW, L/O COMB MT	176	1928		SCREW
37	1128882		SPACER, K/B CONT	177	1134829		NUT
38	1128897		BRACKET, CONT MTG	178	1133597		LEVER KB LOCK
39	37435		INSULATOR PLATE	179	45119		SPRING
40	1135466		SPRING BACKUP	180	1133598		LEVER KB LOCK
41	1128746		STRAP CONTACT N/C	181	1159241		LINK
42	1128743		TERMINAL CONT	182	1090472		WASHER
43	118418		SCREW, TERMINAL	183	1159239		SPRING
44	236550		SCREW BKT MTG	184	1159443		CLEVIS
45	100229		INSULATOR SCREW				
46	173205		SCREW, CONT ASM				
47	1128746		STRAP CONTACT N/O				
48	326119		SUPPORT CONT STRAP				
49	339109		TERMINAL CONT				
50	1128744		STRAP, CONT OPERAT				
51	236550		SCREW CONT MTG				
52	1128896		CONTACT ASSEM				
53	438548		SCREW, STOP BRACKT				
54	336169		LOCKWASHER STP BK				
55	1135508		BRACKET, STOP MTG				
56	1135506		ROD, PIVOT PVL STP				
57	1135507		STOP CY CLU PAWL				
58	46831		SPRING, PAWL STOP				
59	1070020		CLEVIS, SLIDE LINK				
60	1135511		SLIDE AND LINK STP				
61	1070020		CLEVIS, LINELOCK				
62	1128881		LINK, LINELOCK				
63	1128863		BAIL ASM, KB LOCK				
64	1138464		RETAINER, SLIDE				
65	183835		SPRING, LOCKOUT				
66	1091618		SPRING, LOCKOUT B				
67	1128884		ROLLER, L/O BAIL				
68	1126646		LEVER, LOCKOUT				
69	1138384		RETAINER PAWL STOP				
70	37913		NUT KEYBOARD LOCK				
71	108114		SCREW, SOL BKT MTG				
72	1135234		BRACKET, LKOUT LEV				
73	1099884		GUIDE, PLUNGER				
74	343755		PLUNGER, SOLENOID				
101	1116343		SPRING, OPR LOCKOT				
102	264641		CLIP C OPR LOCKOT				
103	1132092		SHAFT, OPR LOCKOT				
104	1133600		LINK, OPR LOCKOT				
			TO REPLACE LINK ON MACHINES BELOW 4007200, REF 103 MUST BE REPLACED ALSO.				
104	1100223		LINK				
			USED WITH REF 3 CODE 511				
105	1134829		NUT, LKOUT BAIL				
106	1124435		BELLCRANK, LOCKOUT				
107	1928		SCREW, LKOUT BAIL				
108	1133520		LINK, LOCKOUT BAIL				
108	114834		LINK LOCKOUT				
			USED ON IMP CONTROL CAR				
109	1070020		CLEVIS, LKOUT BAIL				
110	1123754		CLEVIS, LKOUT BAIL				
111	1124414		BAIL, LOCKOUT				
112	1110529		CLEVIS, KEYBD LOCK				
113	1928		SCREW, LOCKOUT CLAMP				
114	1159129		CLAMP, LKOUT LEVER				
115	1134829		NUT, LKOUT CLAMP				
116	1135714		LINK KB LKOUT				
117	1092125		RETAINER LKOUT LNK				
118	1132176		INTERPOSER, ASM				
119	123552		SPRING KEYBD LK				
120	1071449		SPRING KEYBD INTLK				
121	1107743		SPRING BELLCRANK				
122	1132180		INTERPOSER KEYBD L				
123	48594		SCREW LKOUT BAIL				
124	1132009		BRACKET LKOUT BAIL				
125	1141117		STUD BELL MTG				
			USED ON MACHINES BELOW 4011720				
126	150735		SPRING BELL				
127	1123632		BUTTON BELL CLAPPER				
128	1133627		GROMMET BELL MTG				
129	1138483		RETAINER BELL				
130	1090970		SPACER BELL MTG				
131	1133628		BELL				
132	1132027		BELLCRANK ASM				
133	219633		CLIP C BELL STUD				
134	1073449		SPRING BELL CLAPPER				
135	REF ONLY ORDER		REF 173,174,175, 176 & 177				
136	264641		CLIP C BELLRINGER				
137	257957		SCREW BELL BAIL LV				
138	1106650		SPRING				
138	1091069		SPRING NEW LC				
			USED WITH LAST				
139	45677		WASHER BELLRINGER				

**CODE 924**  
(6400 PRIMARY PRINTER ONLY)

**CODE-524**

REF	P/N	SOURCE	DESCRIPTION	REF	P/N	SOURCE	DESCRIPTION
200	55726		SCREW B RING BAIL				
200	* 322060		SCREW B RING BAIL				
201	1135991		BRKT B RING BL ADJ				
202	438541		SCREW LC CONT SW				
202	438540		SCREW LC SW 870				
203	1159119		GUARD LC CONT				
204	1135993		SWITCH LAST COL				
204	1159363		SWITCH ASM 775,870				
205	1135978		BRACKET LC SW				
205	1135979		SPRING ACT BACKUP				
207	1127726		SCREW LC SW HT BKT				
208	257956		SCREW LC ACT MTG				
209	1135977		ACT ASM LC CONT				
210	20069		C CLIP				
211	1142245		SPACER B RING BAIL				
212	1135990		BAIL 15 IN				
212	1159083		BAIL 11 IN				
213	PART OF	ACTUATOR ASM REF 214					
214	1144923		ACT ASM LC SWITCH				
215	PART OF	SWITCH ASM REF 226					
216	PART OF	SWITCH ASM REF 226					
217	1145385		INSULATOR LC CONT				
218	55726		SCREW SW MTG BKT				
219	6364		WASHER				
220	PART OF	ACTUATOR ASM REF 214					
221	PART OF	ACTUATOR ASM REF 214					
222	1144918		BKT LC SW MTG				
223	1144789		BAIL BELL CLAP				
224	1144851		BKT BELL CL BAIL				
225	438548		SCREW				
226	228093		SWITCH LAST COL				
227	PART OF	ACTUATOR ASM REF 230					
228	PART OF	ACTUATOR ASM REF 230					
229	1159052		BRACKET FRAME SW				
230	2106517		ACTUATOR FR SWITCH				
231	PART OF	ACTUATOR ASM REF 230					
232	353343		SWITCH FRAME 1620				
233	1159053		INSULATOR				
234	PART OF	ACTUATOR ASM REF 230					
237	125231		SPACER				
238	* 257187		NUT BELL BAIL ADJ				
	*USED WITH FIELD	B/M REF 239 ONLY					
	REAR ADJ SCREW						
239	1272121		B/M LAST COL 731				
239	1272122		B/M LAST COL 735				

LINELOCK MECH.

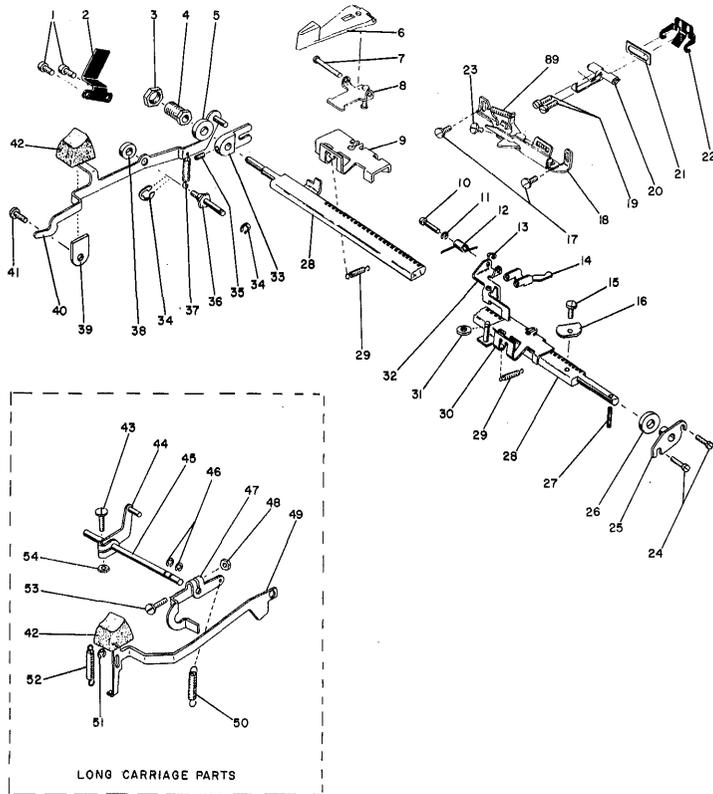


**CODE 924**  
(6400 PRIMARY PRINTER ONLY)

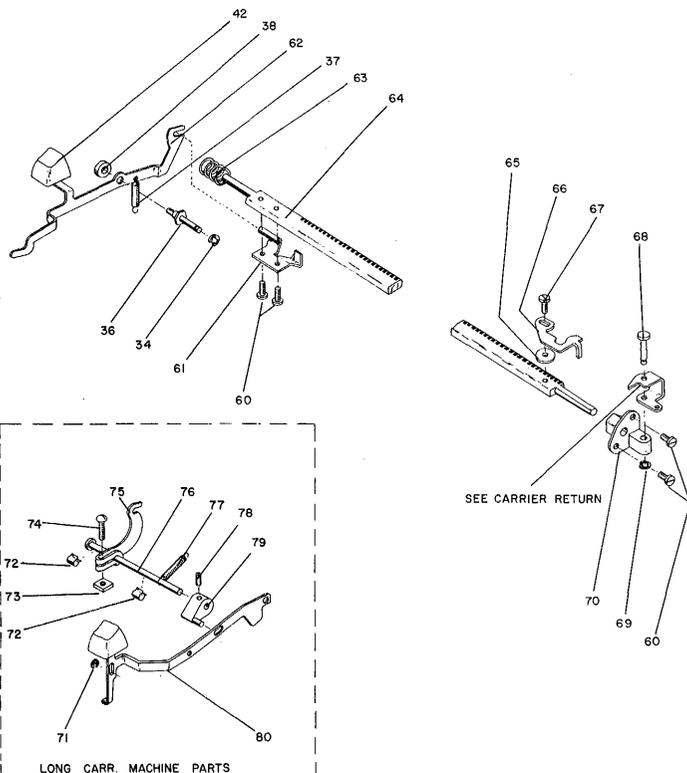
**CODE-524**



MARGIN MECH.



MARGIN MECH.



REF	P/N	SOURCE	DESCRIPTION	REF	P/N	SOURCE	DESCRIPTION
1	438566		SCREW MAR RACK RET	7	1123611		PIN
2	1128162		SPRING MAR RACK REC	8	1123610		PIN AND SLIDE ASM
3	10574		NUT MARGIN RACK	9	1123615		STOP MARGIN LH
4	1123602		BUSHING LH MAR RAK	10	1132181		SHAFT BELLCRANK
5	1127738		WASHER	11	251989		CLIP C SHAFT
6	1135083		LEVER MAR SET GRAY	12	1132183		SPRING BELLRINGER
6	1132146		LEVER DARK BLUE	13	1073418		CLIP C LEVER
6	1135252		LEVER LIGHT BLUE	14	1132019		ARM BELLRNGR BLCRK
7	1123611		PIN	15	10170		SCREW MAR RACK ECC
8	1123610		PIN AND SLIDE ASM	16	1123605		ECCENTRIC MAR RACK
9	1123615		STOP MARGIN LH	17	1127745		SCREW LINE LOCK BK
10	1132181		SHAFT BELLCRANK	18	1135082		BRACKET LINE LOCK
11	251989		CLIP C SHAFT	19	38262		SCREW POINTER MTG
12	1132183		SPRING BELLRINGER	20	1124703		POINTER
13	1073418		CLIP C LEVER	20	1135084		POINTER OTHER
14	1132019		ARM BELLRNGR BLCRK	21	1134888		WASHER POINTER BKT
15	10170		SCREW MAR RACK ECC	22	1124702		BRACKET POINTER
16	1123605		ECCENTRIC MAR RACK	23	48594		SCREW LINE LK BKT
17	1127745		SCREW LINE LOCK BK	24	38261		SCREW MARGIN RACK
18	1135082		BRACKET LINE LOCK	25	1132626		BUSHING RH 11 INCH
19	38262		SCREW POINTER MTG	25	1128166		BUSHING RH 15 INCH
20	1124703		POINTER	26	1127738		WASHER MARGIN RACK
20	1135084		POINTER OTHER	27	2101794		PIN MARGIN RACK
21	1134888		WASHER POINTER BKT	28	1135510		RACK MAR 12P 11 IN
22	1124702		BRACKET POINTER	28	1128164		RACK MAR 12P 15 IN
23	48594		SCREW LINE LK BKT	28	1133508		RACK MAR 10P 11 IN
24	38261		SCREW MARGIN RACK	28	1133711		RACK MAR 10P 15 IN
25	1132626		BUSHING RH 11 INCH	29	1123812		SPRING MARGIN SET
25	1128166		BUSHING RH 15 INCH	30	1123618		STOP MARGIN RH
26	1127738		WASHER MARGIN RACK				WHEN INSTALLING IN PLACE OF OLD
27	2101794		PIN MARGIN RACK				STYLE METAL MAR SET LEVER, REPLACE
28	1135510		RACK MAR 12P 11 IN				REF 32 ALSO.
28	1128164		RACK MAR 12P 15 IN	31	1141175		SPACER BELLCRANK
28	1133508		RACK MAR 10P 11 IN	32	1133607		BELLCRANK ASM
28	1133711		RACK MAR 10P 15 IN	32	1141674		BELLCRANK P PIECE
29	1123812		SPRING MARGIN SET	33	1123603		LEVER MARG REL
30	1123618		STOP MARGIN RH	34	1132122		CLIP C REL KEYLR
			WHEN INSTALLING IN PLACE OF OLD				USED ON MACHINES ABOVE 4032000
			STYLE METAL MAR SET LEVER, REPLACE	35	257957		SCREW MAR REL LEVR
			REF 32 ALSO.	36	*1124020		STUD MAR REL PIVOT
31	1141175		SPACER BELLCRANK	37	1133661		SPRING MAR REL PVT
32	1133607		BELLCRANK ASM	38	*1124019		SPACER MAR REL KEL
32	1141674		BELLCRANK P PIECE				USED ON MACHINES BELOW 4012015
33	1123603		LEVER MARG REL	39	1135150		STOP MARGIN REL
34	1132122		CLIP C REL KEYLR	40	1128317		KEYLEVER 11 IN MAC
			USED ON MACHINES ABOVE 4032000	41	1132149		SCREW STOP MTG
35	257957		SCREW MAR REL LEVR	42	1133807		KEYBUTTON 1014/1415
36	*1124020		STUD MAR REL PIVOT	42	1124845		KEYBUTTON OTHERS
37	1133661		SPRING MAR REL PVT	43	438550		SCREW MAR REL LH
38	*1124019		SPACER MAR REL KEL	44	1128065		LEVER LH MAR REL
			USED ON MACHINES BELOW 4012015	45	1128066		SHAFT MAR REL
39	1135150		STOP MARGIN REL	46	1073418		CLIP C SHAFT
40	1128317		KEYLEVER 11 IN MAC	47	1128063		LEVER RH MAR REL
41	1132149		SCREW STOP MTG	48	37913		NUT MAR REL SCREW
42	1133807		KEYBUTTON 1014/1415	49	1128323		KEYLEVER MAR REL
42	1124845		KEYBUTTON OTHERS	50	1116729		SPRING MAR REL KL
43	438550		SCREW MAR REL LH	51	1073418		CLIP C REL KEYLVR
44	1128065		LEVER LH MAR REL	52	1133661		SPRING MAR REL LV
45	1128066		SHAFT MAR REL	53	438550		SCREW MAR REL LV
46	1073418		CLIP C SHAFT	54	37913		NUT MAR REL SCREW
47	1128063		LEVER RH MAR REL	60	438548		SCREW
48	37913		NUT MAR REL SCREW	61	1128316		STOP SET LEV LH
49	1128323		KEYLEVER MAR REL	62	1128317		KEYLEVER 11 IN
50	1116729		SPRING MAR REL KL	63	1074321		SPRING RACK RETURN
51	1073418		CLIP C REL KEYLVR	63	1145446		SPRING 767
52	1133661		SPRING MAR REL LV	64	1128313		RACK TOP 11 IN
53	438550		SCREW MAR REL LV	64	1128315		RACK 12P 11 IN
54	37913		NUT MAR REL SCREW	64	1128305		RACK TOP 15 IN
60	438548		SCREW	64	1128307		RACK 12P 15 IN
61	1128316		STOP SET LEV LH	64	1144760		RACK 10P 767
62	1128317		KEYLEVER 11 IN	65	1141227		STOP SET LEV RH
63	1074321		SPRING RACK RETURN	66	1141229		GUIDE 11 IN
63	1145446		SPRING 767	66	1141232		GUIDE 15 IN 767
64	1128313		RACK TOP 11 IN	67	10170		SCREW
64	1128315		RACK 12P 11 IN	68	1141228		STUD CLUTCH UNLAT
64	1128305		RACK TOP 15 IN	69	264641		C CLIP
64	1128307		RACK 12P 15 IN	70	1141230		BUSHING 11 IN
64	1144760		RACK 10P 767	70	1141231		BUSHING 15 IN
65	1141227		STOP SET LEV RH	71	1073418		C CLIP
66	1141229		GUIDE 11 IN	72	1141223		RETAINER
66	1141232		GUIDE 15 IN 767	73	1134829		NUT MARGIN REL LH
67	10170		SCREW	74	1928		SCREW MAR REL
68	1141228		STUD CLUTCH UNLAT	75	1128318		LEV MAR REL 15 IN
69	264641		C CLIP	76	1128066		SHAFT MAR RL 15 IN
70	1141230		BUSHING 11 IN	76	1144921		SHAFT MAR RL 767
70	1141231		BUSHING 15 IN	77	1102139		SPRING MAR REL
71	1073418		C CLIP	78	257958		SCREW M REL LEV RH
72	1141223		RETAINER	79	1128322		LEV MAR REL RH
73	1134829		NUT MARGIN REL LH	80	1128323		KEYLEVER MAR REL
74	1928		SCREW MAR REL	89	123552		SPRING
75	1128318		LEV MAR REL 15 IN				
76	1128066		SHAFT MAR RL 15 IN				
76	1144921		SHAFT MAR RL 767				
77	1102139		SPRING MAR REL				
78	257958		SCREW M REL LEV RH				
79	1128322		LEV MAR REL RH				
80	1128323		KEYLEVER MAR REL				
89	123552		SPRING				

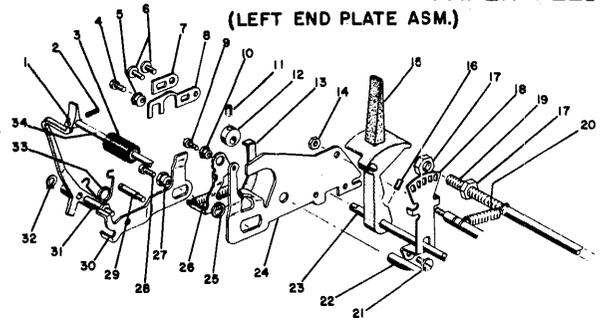
CODE 925  
(6400 PRIMARY PRINTER ONLY)

CODE-525

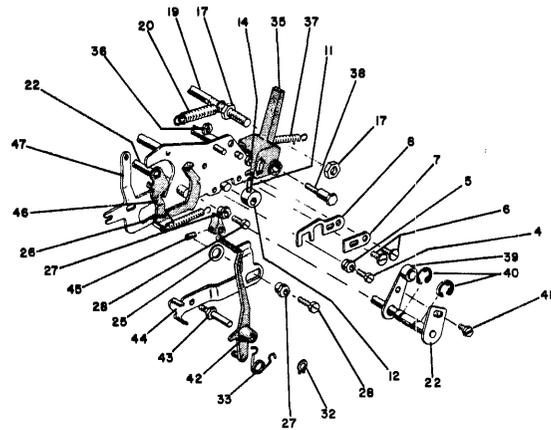
REF	P/N	SOURCE	DESCRIPTION	REF	P/N	SOURCE	DESCRIPTION
1	1124391		ARM PAPER BAIL LH				
1	1164381		ARM LH				
		ABOVE SN 4680295					
2	264998		PIN PAPER BAIL				
3	1132230		ROLLER BAIL NYLON				
3	1124397		ROLLER BAIL RUBBER				
4	38350		SCREW PLTN ECC ADJ				
5	1124370		ECCENTRIC NUT				
6	38350		SCREW PLTN PLATE				
7	1124373		PLATE ECC RETAIN				
8	1124369		PLATE PLATEN ADJ				
9	38348		SCREW LATCH 11 IN				
9	38350		SCREW LATCH 15 IN				
10	1124803		ECCENTRIC PLTN LTC				
11	121521		SCREW COP CONT ECC				
11	1071657		SCREW COP CONT ECC				
		USED ON 11 INCH BELOW 4005500					
12	1124371		ECCENTRIC COPY CON				
13	1124802		LATCH PLATEN LH				
14	38051		NUT TIE ROD				
15	1135263		LEVER COPY CONTROL				
16	257958		SCREW COPY CONTROL				
17	1091743		NUT BASE TIE ROD				
18	1124383		DETENT COPY CONT				
19	1124769		ROD BASE TIE 11 IN				
19	1128075		ROD BASE TIE 15 IN				
20	1133655		SPRING CARR 11 IN				
20	1141586		SPRING 15 INCH				
21	55726		SCREW COPY CONT MT				
22	1138143		SHAFT FD RL 11 IN				
22	1124788		SHAFT FD RL 11 IN				
		USED BELOW 4012015					
22	1128215		SHAFT FD RL 15 IN				
23	1134954		SHAFT COPY 11 INCH				
23	1124372		SHAFT COPY 11 INCH				
		USED BELOW 4012015					
23	1128136		SHAFT COPY 15 INCH				
24	1141120		PLATE LH				
25	1124377		SPACER CARR GUIDE				
26	1134837		SPRING PLTN LATCH				
27	1124370		ECCENTRIC PLTN ADJ				
28	38353		SCREW ECCENTRIC				
29	1124579		STUD BAIL SPR LH				
30	1133589		BRACKET CARR GUIDE				
31	1132055		STUD PAPER BAIL ARM				
31	*1135055		STUD PAPER BAIL ARM				
32	528552		RETAINER PAPER BAI				
33	1124396		SPRING PAPER BAIL				
34	1124393		SHAFT BAIL 11 INCH				
34	1128152		SHAFT BAIL 15 INCH				
35	1135381		LEVER PAPER REL				
36	38051		NUT REL LEVER STUD				
		USED ON 11 INCH BELOW 4012015					
37	1072703		SPRING PAPER REL				
38	1128012		STUD REL LVR MTG				
		USED ON ALL 15 INCH AND 11 INCH ABOVE 4012015					
38	1124366		STUD REL LEVER				
		USED ON 11 INCH BELOW 4012015					
38	1271741		STUD REL LEVER				
		TO REPLACE THE RELEASE LEVER OR ITS STUD ON 11 INCH BETWEEN S/N 4012015 AND 4031400, USE STUD NO 1128012 AND INDEX LEVER STUD NO 1128084					
39	1141184		ARM FD ROLL REL				
40	1103695		RETAINER				
41	108114		SCREW REL ARM				
42	1124388		LEVER BAIL RH				
42	1164380		LEVER RH				
		ABOVE SN 4680295					
43	1124376		STUD PAPER BAIL				
43	*1135055		STUD PAPER BAIL				
		*ABOVE SN 4608424					
44	1133590		BRACKET CARR GUIDE				
45	251350		SCREW PAPER BAIL				
46	1124801		LATCH PLATEN RH				
47	1138149		PLATE ASM RH				
47	1124363		PLATE ASM 11 INCH				
		USED ON 11 INCH BELOW 4012015					
50	1073418		CLIP C LEVER				
51	1128155		ARM CENTER 15 INCH				
52	1128275		ROD TIE 11 INCH				
52	1128274		ROD TIE 15 INCH				
53	1100523		SCREW ARM MOUNTING				
54	1128280		SCREW LEVER MTG				
55	1128238		SCREW PAP FEED ADJ				
56	1128239		SCREW FEED ROLL AR				
57	1128234		ARM FNT FR ADJ LH				
58	1128236		ARM FNT FR LH				
59	1128350		SPRING FR TENSION				
60	1128237		ARM FNT FR RH				
61	1128235		ARM FNT FR ADJ RH				
62	1138118		LEVER FD ROLL REL				
63	265195		SCREW BRACE				
64	1128146		ARM RH 15 INCH				
64	1132228		ARM RH 11 INCH				
65	1133593		RETAINER PAP FD MT				
66	1132222		SCREW FD RL ARM				
67	1092125		CLIP C SHAFT				
68	1132219		ARM REAR FR RH				
69	37913		NUT ECC STUD				
70	1134773		STUD FD ROLL ARM				
71	265195		SCREW BRACE				
72	1124777		SPACER ECCENTRIC				
73	1134829		NUT FD ROLL SCREW				
74	1124788		SHAFT 11 INCH				
		USED BELOW 4012015					
74	1138143		SHAFT 11 INCH				
74	1128215		SHAFT 15 INCH				
75	NOT AVAILABLE		ORDER REF 55,56,60				
		61					
76	1132220		ECCENTRIC STUD				
77	NOT AVAILABLE		ORDER REF 55,56,57				
		58					
78	1128151		ARM CTR 15 INCH RH				
79	121521		SCREW SUPPORT				
80	81693		SCREW SUPPORT MTG				
81	1141833		BRKT TRANS 1 INCH				
82	38235		SCREW BRKT 15 INCH				
83	1128240		SUPPORT ROD 15 IN				
84	1132214		SUPPORT TIE ROD				

PAPER FEED MECH.

(LEFT END PLATE ASM.)

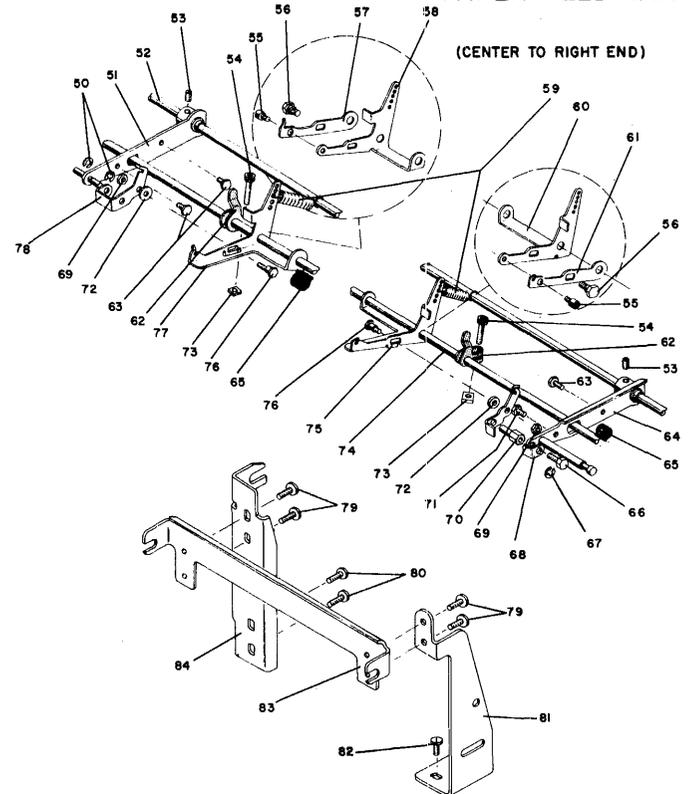


(RIGHT END PLATE ASM.)



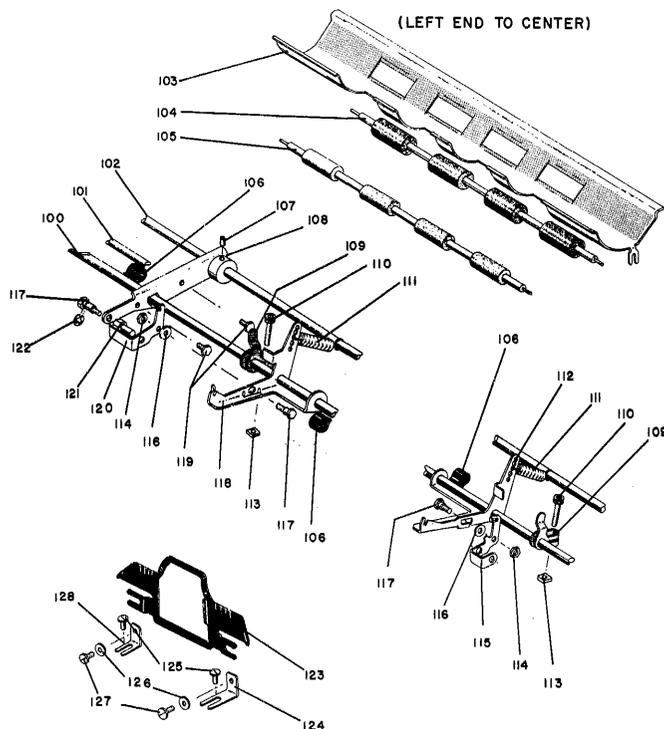
PAPER FEED MECH.

(CENTER TO RIGHT END)



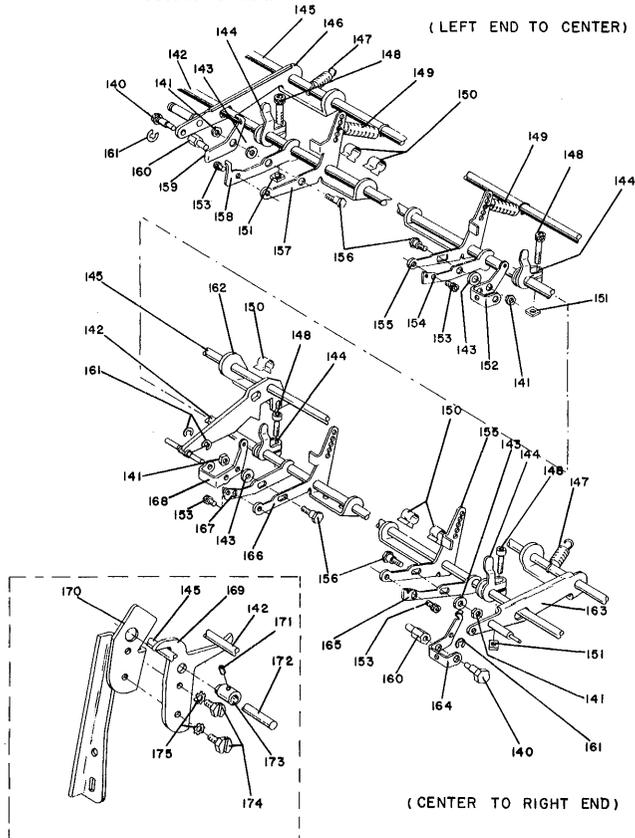
CODE-526

PAPER FEED MECH.



PAPER FEED MECH.

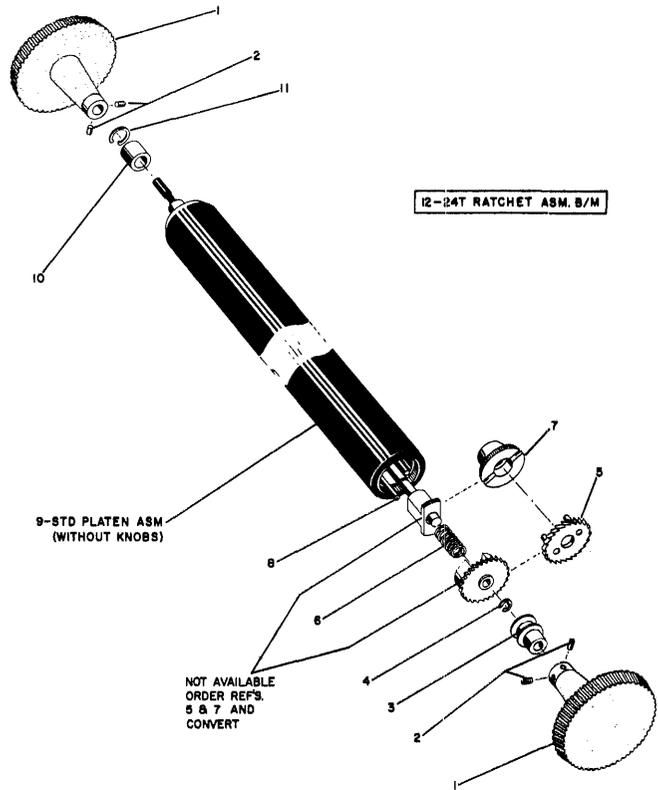
NOTE: THESE PARTS USED ABOVE 4086300-11 INCH,  
4383500-15 INCH.



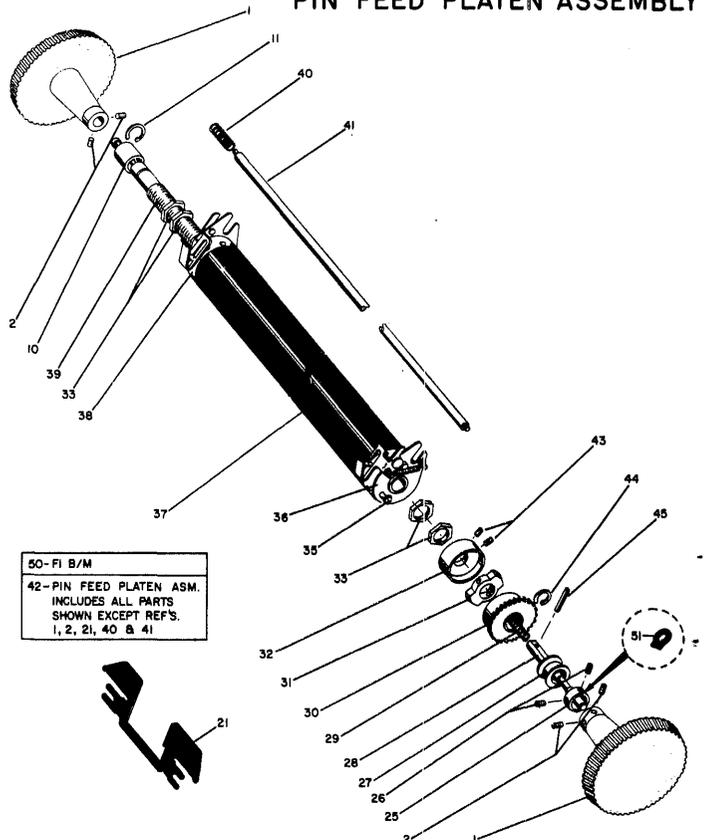
REF	P/N	SOURCE	DESCRIPTION	REF	P/N	SOURCE	DESCRIPTION
100	1124788		SHAFT FD RL 11 IN	100	1128136		SHAFT COPY 15 INCH
	USED BELOW 4012015			102	1128275		ROD TIE 11 INCH
100	1138143		SHAFT FD RL 11 IN	102	1128274		ROD TIE 15 INCH
100	1128215		SHAFT FD RL 15 IN	103	1271549		DEFLECTOR 11 INCH
101	1134954		SHAFT COPY 11 INCH	103	1271548		DEFLECTOR 15 INCH
101	1124372		SHAFT COPY 11 INCH	104	1124776		FEED RL REAR 11 IN
	USED BELOW 4012015			104	1128138		FEED RL REAR 15 IN
101	1128136		SHAFT COPY 15 INCH	105	1124782		FEED RL FNT 11 IN
102	1128275		ROD TIE 11 INCH	105	1128141		FEED RL FNT 15 IN
102	1128274		ROD TIE 15 INCH	106	1133593		RETAINER SHAFT
103	1271549		DEFLECTOR 11 INCH	107	1100523		SCREW SET
103	1271548		DEFLECTOR 15 INCH	108	1132227		ARM ASM 11 IN LH
104	1124776		FEED RL REAR 11 IN	108	1128145		ARM ASM 15 IN LH
104	1128138		FEED RL REAR 15 IN	109	1138118		LEVER FD RL REL
105	1124782		FEED RL FNT 11 IN	110	1128280		SCREW LEVER MTG
105	1128141		FEED RL FNT 15 IN	111	1128250		SPRING FR TENSION
106	1133593		RETAINER SHAFT	112	NOT AVAILABLE		ORDER REF 55,56,60, AND 61
107	1100523		SCREW SET	113	1134829		NUT FEED ROLL SCR
108	1132227		ARM ASM 11 IN LH	114	37913		NUT ECCENTRIC STUD
108	1128145		ARM ASM 15 IN LH	115	1128150		ARM CTR LH 15 INCH
109	1138118		LEVER FD RL REL	116	1124777		SPACER ECCENTRIC
110	1128280		SCREW LEVER MTG	117	1132220		STUD ECCENTRIC
111	1128250		SPRING FR TENSION	118	NOT AVAILABLE		ORDER REF 55,56,57, AND 58
112	NOT AVAILABLE		ORDER REF 55,56,60, AND 61	119	265195		SCREW BRACE
113	1134829		NUT FEED ROLL SCR	120	1132218		ARM REAR LH
114	37913		NUT ECCENTRIC STUD	121	1134773		STUD FD RL ARM
115	1128150		ARM CTR LH 15 INCH	122	1092125		C-CLIP
116	1124777		SPACER ECCENTRIC		CARD HOLDER		
117	1132220		STUD ECCENTRIC	123	1124601		10 PITCH
118	NOT AVAILABLE		ORDER REF 55,56,57, AND 58	123	1141809		10P 731/735
119	265195		SCREW BRACE	123	1128532		10"P PIN FEED
120	1132218		ARM REAR LH	123	1124602		12 PITCH
121	1134773		STUD FD RL ARM	123	1141810		12P 731/735
122	1092125		C-CLIP	123	1135780		12 P PIN FEED
	CARD HOLDER						
123	1124601		10 PITCH	124	1123829		BRACKET HOLDER RH
123	1141809		10P 731/735	125	1141928		SCREW BKT MTG
123	1128532		10"P PIN FEED	126	1138796		WASHER CARD HOLDER
123	1124602		12 PITCH	127	1091151		SCREW CARD HOLDER
123	1141810		12P 731/735	128	1123830		BRACKET HOLDER LH
123	1135780		12 P PIN FEED	140	1132222		SCREW FD ROLL ARM
				141	37913		NUT FD ROLL ARM SC
124	1123829		BRACKET HOLDER RH	142	1124788		SHAFT FD RL 11 IN
125	1141928		SCREW BKT MTG		USED ON		MACHINES BELOW 4012015
126	1138796		WASHER CARD HOLDER	142	1138143		SHAFT FD RL 11 IN
127	1091151		SCREW CARD HOLDER	142	1128215		SHAFT FD RL 15 IN
128	1123830		BRACKET HOLDER LH	143	1124777		SPACER
140	1132222		SCREW FD ROLL ARM	144	1138118		LEVER FD RL REL
141	37913		NUT FD ROLL ARM SC	145	1128275		ROD CARR TIE 11 IN
142	1124788		SHAFT FD RL 11 IN	145	1128274		ROD CARR TIE 15 IN
	USED ON		MACHINES BELOW 4012015	146	1141287		ARM LH 11 INCH
142	1138143		SHAFT FD RL 11 IN	146	1141277		ARM LH 15 INCH
142	1128215		SHAFT FD RL 15 IN	147	1133655		SPRING CARR 11 IN
143	1124777		SPACER	147	1141586		SPRING CARR 15 IN
144	1138118		LEVER FD RL REL	148	1128280		SCREW REL LEVER
145	1128275		ROD CARR TIE 11 IN	149	1128350		SPRING FR TENSION
145	1128274		ROD CARR TIE 15 IN	150	1133593		RETAINER
146	1141287		ARM LH 11 INCH	151	1134829		NUT REL LEV SCREW
146	1141277		ARM LH 15 INCH	152	1128150		ARM REAR CTR LH 15
147	1133655		SPRING CARR 11 IN	153	1128238		SCREW ADJ
147	1141586		SPRING CARR 15 IN	154	1141298		ARM CTR ADJ 15 IN
148	1128280		SCREW REL LEVER	155	1128237		ARM CTR RH 15 IN
149	1128350		SPRING FR TENSION	156	1128239		SCREW FR ARM
150	1133593		RETAINER	157	1128236		ARM FNT FR LH
151	1134829		NUT REL LEV SCREW	158	1128234		ARM FR ADJ LH
152	1128150		ARM REAR CTR LH 15	159	1132218		ARM REAR LH
153	1128238		SCREW ADJ	160	1134773		STUD FD ROLL ARM
154	1141298		ARM CTR ADJ 15 IN		C-CLIP		
155	1128237		ARM CTR RH 15 IN	161	1073418		ARM CTR 15 INCH
156	1128239		SCREW FR ARM	162	1141282		ARM RH 11 INCH
157	1128236		ARM FNT FR LH	163	1141284		ARM RH 15 INCH
158	1128234		ARM FR ADJ LH	164	1132219		ARM REAR RH
159	1132218		ARM REAR LH	165	1128235		ARM RH FNT
160	1134773		STUD FD ROLL ARM	166	1128236		ARM LH FNT
	C-CLIP			167	1141298		ARM FR ADJ CTR 15
161	1073418		ARM CTR 15 INCH	168	1128151		ARM REAR RH CTR 15
162	1141282		ARM RH 11 INCH	169	1141285		BRACKET SUPPORT
163	1141284		ARM RH 15 INCH	170	1128278		BRACKET SUPPORT
164	1132219		ARM REAR RH	171	121521		SCREW
165	1128235		ARM RH FNT	172	1134954		SHAFT COPY 11 INCH
166	1128236		ARM LH FNT	172	1128136		SHAFT COPY 15 INCH
167	1141298		ARM FR ADJ CTR 15	173	1141286		ECC COPY CNL
168	1128151		ARM REAR RH CTR 15	174	265195		SCREW CTR BRACE
169	1141285		BRACKET SUPPORT	175	56772		WASHER
170	1128278		BRACKET SUPPORT				
171	121521		SCREW				
172	1134954		SHAFT COPY 11 INCH				
172	1128136		SHAFT COPY 15 INCH				
173	1141286		ECC COPY CNL				
174	265195		SCREW CTR BRACE				
175	56772		WASHER				

REF	PIN	SOURCE	DESCRIPTION	REF	PIN	SOURCE	DESCRIPTION
1	1135570		KNOB ASM BLUE LIGH				
1	1135377		KNOB GRAY 15 INCH				
1	1135065		KNOB ASM GRAY				
2	1100523		SCREW SET				
3	1138361		BUSHING RH 11 INCH				
3	1138360		BUSHING RH 15 INCH				
4	251015		C-CLIP				
5	1159549		RATCHET 36 TOOTH				
5	1164463		RATCHET 27 TOOTH				
5	1164462		RATCHET 24 TOOTH				
6	1138363		SPRING PLTN VAR				
7	1164476		DRIVER RATCHET				
8	1138358		PIN PLTN VAR				
9	1133594		PLATEN 27T 11 INCH				
9	1128498		PLATEN 24T 11 INCH				
9	1128127		PLATEN 27T 15 INCH				
9	1141565		PLATEN 24T 15 INCH				
10	1123549		BUSHING LH SHAFT				
11	236571		RETAINER				
12	1272530		B/M 24T RAT CONV				
21	1128532		CARD HOLDER TOP				
21	1135780		CARD HOLDER 12P				
25	REF ONLY ORDER REF 27&51						
25	REF ONLY ORDER REF 27&51						
27	1128523		BUSHING RH				
	ORDER REF 51 ALSO						
28	1128525		ROD PUSH 11 INCH				
28	1135337		ROD PUSH 15 INCH				
29	1090568		SPRING PUSH ROD				
30	1128527		RATCHET 27 TOOTH				
30	1135192		RATCHET 36 TOOTH				
31	1128528		DRIVER RATCHET				
32	1128533		GUIDE VARIABLE				
33	308459		NUT PLTN SHAFT				
35	1100951		SCREW PINWHEEL				
36	1128522		PINWHEEL RH				
	CYLINDERS-PIN TO PIN LENGTH						
37	1128502		5-1/4 IN				
37	1128506		6 IN				
37	1128509		7-1/2 IN				
37	1128512		8 IN				
37	1128515		9 IN				
37	1128518		9-3/8 IN				
	THE FOLLOWING ARE FOR 15 INCH MACHINES ONLY						
37	1135325		9-7/8 IN				
37	1135751		10 IN				
37	1135328		10-1/8 IN				
37	1135331		11-1/4 IN				
37	1135753		11-1/2 IN				
37	1135334		13-1/8 IN				
38	1128521		PINWHEEL LH				
39	1128531		SHAFT 11 INCH MACH				
39	1135338		SHAFT 15 INCH MACH				
40	1128529		SPRING COMP				
41	1128530		ROD CAM ANCH 11 IN				
41	1135323		ROD CAM ANCH 15 IN				
	PIN FEED PLATEN ASSEMBLY 11 IN						
42	1128502		5-1/4 PTP 27T RAT				
42	1128505		6 IN PTP 27T RAT				
42	1128508		7-1/2 PTP 27T RAT				
42	1135292		8 IN PTP 27T RAT				
42	1135194		8 IN PTP 36T RAT				
42	1128514		9 IN PTP 27T RAT				
42	1128517		9-3/8 PTP 27T RAT				
	PIN FEED PLATEN ASM 15 IN MACHINE						
42	1135761		6 IN PTP 27T RAT				
42	1135762		6 IN PTP 36T RAT				
42	1135763		7-1/2 PTP 27T RAT				
42	1135764		7-1/2 PTP 36T RAT				
42	1135765		8 IN PTP 27T RAT				
42	1135766		8 IN PTP 36T RAT				
42	1135767		9 IN PTP 27T RAT				
42	1135768		9 IN PTP 36T RAT				
42	1141977		9-3/8 PTP 27T RAT				
42	1135524		9-7/8 PTP 27T RAT				
42	1135764		10 IN PTP 27T RAT				
42	1135766		10 IN PTP 36T RAT				
42	1135327		10-1/8 PTP 27T RAT				
42	1135767		10-1/8 PTP 36T RAT				
42	1135330		11-1/4 PTP 27T RAT				
42	1135768		11-1/4 PTP 36T RAT				
42	1135765		11-1/2 PTP 27T RAT				
42	1135769		11-1/2 PTP 36T RAT				
42	1135333		13-1/8 PTP 27T RAT				
42	1135760		13-1/8 PTP 36T RAT				
43	257965		SCREW SET				
44	236571		C-CLIP				
45	1128526		PIN ROLL				
	B/MS FOR FIELD INSTALLATION						
	THE FOLLOWING B/MS CONTAIN ALL PARTS REQUIRED FOR FIELD INSTALLATION. NOTE-ON ALL ORDERS, SPECIFY THE PN FOR THE CYLINDER WITH THE DESIRED PIN-TO-PIN DIMENSION, THE PN FOR THE COLOR OF PLATEN KNOBS, AND THE PN FOR THE CORRECT PITCH CARD HOLDERS.						
50	1272076		F.1.B/M PF PL 11IN				
50	1272078		F.1.B/M PF PL 15IN				
	NOTE-ALL DIMENSIONS SHOWN FOR PLATENS AND CYLINDERS ARE PIN-TO-PIN DIMENSIONS						
51	311072		GRIP RING				

STANDARD PLATEN ASSEMBLY

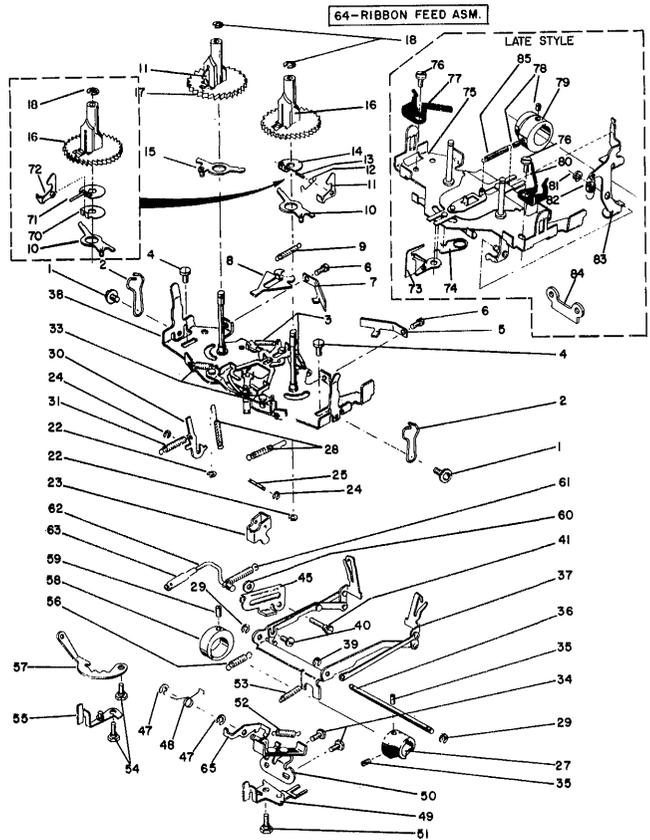


PIN FEED PLATEN ASSEMBLY



CODE-527

RIBBON MECH.



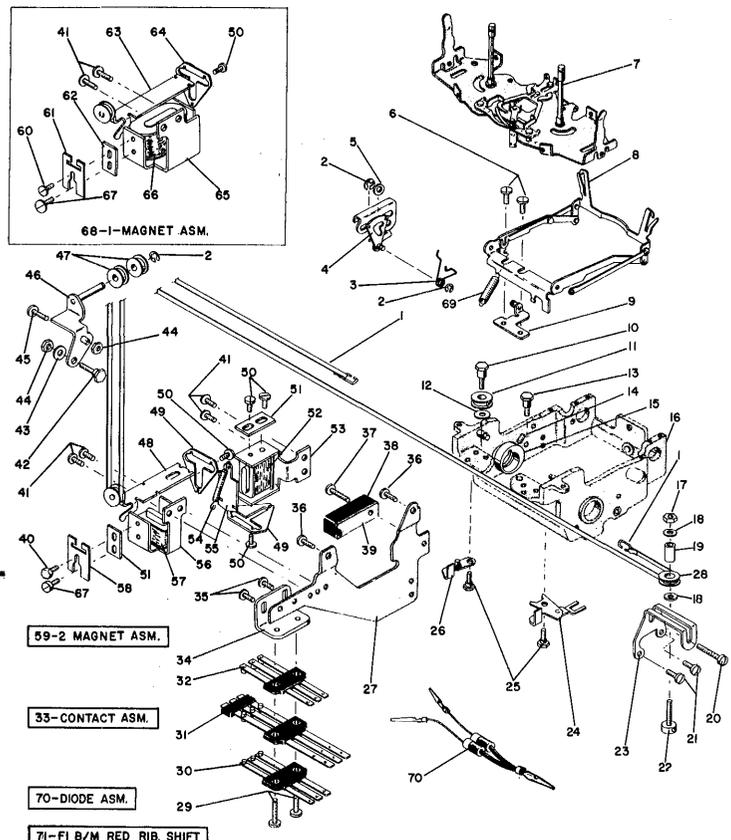
REF	P/N	SOURCE	DESCRIPTION
1	1141135		SCREW, RETAINER
2	1124191		SPRING, REV INTERP
3	1091647		SCREW, REV INTERP
4	1081174		SCREW, MOUNTING
5	1124185		SPRING, RH BRAKE
6	15887		SCREW, BRAKE MTG
7	1132067		SPRING, LH BRAKE
8	1124679		LEVER, INTERPOSER
9	1091647		SPRING, REV INTERP
10	1132065		LEVER, REVERSE RH
11	1124144		TRIGGER, LH REV
11	1124149		TRIGGER, RH REV
12	1124155		SPRING TRIGGER
13	1124146		SHAFT, TRIGGER
14	1132157		BRACKET, TRIGGER
15	1132066		LEVER, REVERSE LH
16	1124148		RATCHET ASM, RH
17	1124143		RATCHET ASM, LH
18	219633		RETAINER, RATCHET
22	251989		RETAINER, ARM
23	1124122		BELLCRANK, FEED
24	251989		RETAINER, SHAFT
25	1124130		SHAFT, FEED PAWL
27	*1141149		CAM RIB FD & DETEN
28	1124189		SPRING, RIB CENTER
29	219633		RETAINER, SHAFT
30	1124127		PAWL, RIBBON FEED
31	1074242		SPRING, FEED PAWL
33	123491		SPRING, DETENT LEV
34	1124826		SCREW, CAM FOLLOWER
35	257957		SCREW, FEED CAM
36	1124662		SHAFT, LIFT
37	1124659		GUIDE ASM, LIFT
37	1159430		GUIDE ASM 765
37	1128719		GUIDE, RED RIB
38	1124123		PLATE ASM, RIBBON
38	1128716		PLATE, RED RIB
39	219633		RETAINER, LINK
40	48594		SCREW, LIFT ADJUST
41	1124663		FOLLOWER, RED RIB
45	1124663		FOLLOWER, LIFT
45	1128721		FOLLOWER, RED RIB
47	1073418		C-CLIP
48	1141304		SPRING
49	1124668		LEVER ASM, LOAD
49	1128737		LEVER LOAD RED RIB
50	1124151		FOLLOWER ASM, FEED

REF	P/N	SOURCE	DESCRIPTION
50	1135270		FOLLOWER RED RIB
51	1124672		STUD, LOAD LEVER
52	1073863		SPRING, CAM FOLLOW
53	1100936		SPRING, LOAD
54	1124672		SCREW, LIFT LEVER
55	1124674		LEVER, RIBBON LIFT
55	1128738		LEVER LIFT, RED RIB
56	1091073		SPRING, LIFT ARM
57	1124678		LEVER, LIFT CONTROL
58	1128730		CAM, RIBBON LIFT
58	1159507		CAM RIBBON LIFT
	ABOVE SN 4607632		
59	1127760		SCREW, LIFT CAM
60	1124664		SPACER, FOLLOWER
61	1090404		SPRING LIFT LINK
62	1124680		LINK, LIFT CONTROL
63	1070020		CLEVIS, PIN
64	1141165		FEED ASM, RIBBON
64	1135053		FEED ASM, RED RIB
64	1164600		FEED ASM, LIFT
65	1141303		LATCH RIB FEED
	USE B/M 1271806 TO INSTALL		
	STENCIL LOCKOUT PARTS ON MACHINES		
	BELOW SN 4053100 11 IN, AND		
	SN 4364790 15 IN		
	*TO REPLACE 11 IN BELOW 4034780		
	& 15 IN BELOW 4352650, ORDER PRINT		
	SLEEVE 1141150 & KEY 1141151 ALSO		
70	1141801		BRACKET TRIGGER
71	1141800		SPRING TRIGGER
72	1141878		TRIGGER LH
72	1141889		TRIGGER RH
73	1164241		LEVER
74	1164237		SPRING DET LEVER
75	1164220		PLATE RIB FEED
76	251970		SCREW
77	1128403		SPRING LH
78	257957		SCREW, CAM
80	1128730		CAM FEED & DETENT
80	1128404		SPRING RH
81	219633		RETAINER
82	1164555		SPRING FEED LEV
83	1164236		LEVER RIB FEED
84	1164435		PAD
85	1164239		SPRING FEED PAWL

**CODE-929**  
(6400 PRIMARY PRINTER ONLY)

**CODE-529**

RED RIBBON SHIFT MECH.



REF	P/N	SOURCE	DESCRIPTION
1	1159014		TAPE ASM RIB 11 IN
1	*1128930		CORD ASM OLD 11 IN
1	1159026		TAPE ASM RIB 15 IN
2	129633		C-CLIP
3	1128722		SPRING
4	1128721		FOLLOWER RED SHFT
4	1124659		GUIDE ASM, STANDARD
5	1124664		SPACER
6	108114		SCREW BKT MTG
7	1128716		PLATE ASM RED RIB
7	1124123		PLATE ASM STANDARD
8	1128719		GUIDE ASM RED RIB
8	1124659		GUIDE ASM STANDARD
8	1159430		GUIDE ASM 765
9	1128727		ARM ASM RIB LIFT
10	*1128732		STUD PULLEY-OLD
10	*1159009		STUD PULLEY-NEW
11	*1128731		PULLEY CARRIER-OLD
11	*1159004		PULLEY CARRIER-NEW
12	*1128734		SPACER-OLD
12	*1138796		SPACER-NEW
13	1128733		SCREW CORD ANCHOR
14	1127760		SCREW SET LIFT CAM
15	1128730		CAM RIBBON LIFT
15	1159507		CAM RIBBON LIFT
	USED ABOVE 4608189 767 AND		
	4607632 OTHERS		
16	1128740		CARRIER CAST RED R
16	1141200		CARRIER CASTING
	WHEN REPLACING CARRIER CASTING ON		
	11 IN BELOW 4036419 & 15 IN BELOW		
	4354172, ORDER NYLON THRUST WASHER		
	PN 1141189, AND ROCKER BEARING		
	WASHER PN 1078497		
17	* 257186		NUT - OLD
17	* 37913		NUT-NEW
18	*1124247		WASHER - OLD
18	* 263680		WASHER-NEW
19	*1128911		SPACER - OLD
19	*1159016		SPACER-NEW
20	* 251283		SCREW - OLD
20	* 333182		SCREW-NEW
21	* 38261		SCREW - OLD
21	* 251970		SCREW 11 IN-NEW
21	* 338238		SCREW 15 IN-NEW
22	*1128914		PIVOT RH OLD
22	*159010		PIVOT SCREW-NEW
23	*1128915		BRACKET RH - OLD
23	*1159008		BRACKET 11 IN-NEW
23	*1159027		BRACKET 15 IN-NEW
24	1128736		LEVER LOAD RED RIB
24	1124668		LEVER LOAD
25	1124672		SCREW MTG
26	1128738		LEVER LIFT RED RIB
26	1124674		LEVER LIFT
27	1128993		BRACKET CONT MTG
28	1159015		PULLEY RH
29	438550		SCREW
30	1128908		CONTACT N/O
31	1128924		CONTACT O/S

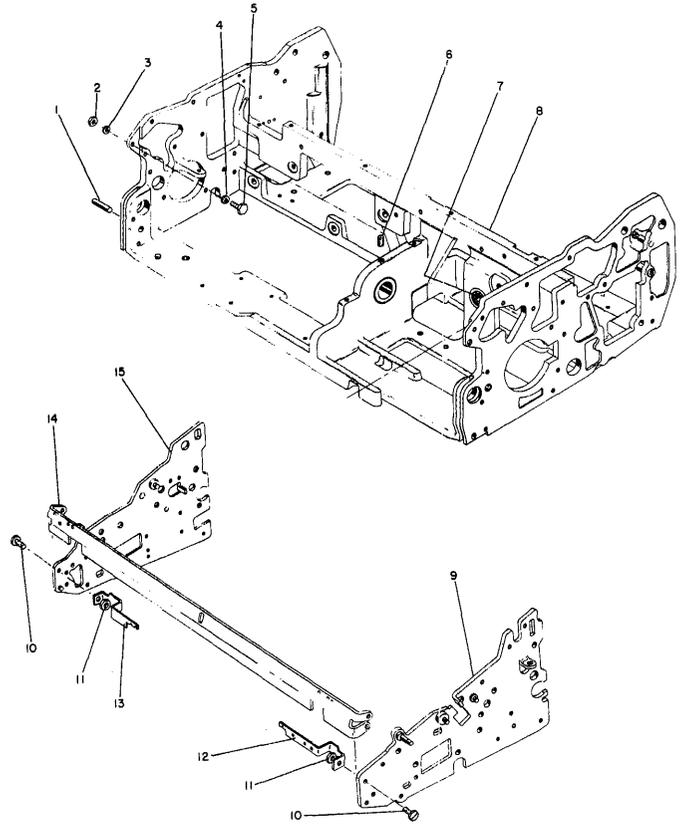
REF	P/N	SOURCE	DESCRIPTION
32	1128909		CONTACT N/C
33	1262789		CONTACT ASM
34	1128994		BRACKET CONTACT
35	341216		SCREW BKT MTG
36	251970		SCREW BKT MTG
37	438549		SCREW TERM MTG
38	317767		BLOCK TERM
39	317766		INSULATOR BLOCK
40	1127785		SCREW
41	55726		SCREW CORE MTG
42	1135593		SCREW LH BKT 11 IN
42	38352		SCREW LH BKT 15 IN
43	45639		SPACER 11 IN MACH
44	38051		NUT 11 IN MACH
45	38350		SCREW 11 IN MACH
45	38352		SCREW 15 IN MACH
46	*1128916		BRACKET LH - OLD
46	*1159007		BRACKET LH - NEW
47	1128997		PULLEY - OLD
47	1159017		PULLEY - NEW
48	*1128925		ARMATURE RED R-OLD
48	*1159020		ARMATURE RED R-NEW
49	1128967		PLATE ARM HINGE
50	48594		SCREW
51	1128965		STOP ARMATURE
52	1135134		COIL 48V
52	1266894		COIL 24V
53	1128959		CORE ASM BLACK RIB
54	1071691		SPRING ARMATURE
55	1128969		ARMATURE BLK RIB
56	1128962		CORE ASM RED RIB
57	1128964		COIL RED RIB 48V
57	1266893		COIL RED RIB 24V
58	1128966		BACKSTOP ARM
59	1159028		2 MAG ASM 1014
59	1159021		2 MAG ASM OTHERS
60	48594		SCREW
61	1128966		BACKSTOP ARM
62	1128965		STOP ARMATURE
63	*1128741		ARMATURE ASM-OLD
63	*159023		ARMATURE ASM-NEW
64	1128967		PLATE ARM HINGE
65	1128919		CORE ASM MAGNET
66	1128910		COIL 48V
66	1280358		COIL 24V
67	1132068		SCREW
68	1135214		1-MAGNET ASM-1014
68	1159024		1-MAGNET ASM-OTHER
69	1124722		SPRING GUIDE ASM
70	1135643		DIODE ASM
	*INDICATES PARTS USED WITH ROUND		
	RIBBON SHIFT CORD		
	**INDICATES PARTS USED WITH FLAT		
	MYLAR RIBBON SHIFT TAPE		
	USED ONLY ON MACHINES WITH RED		
	RIBBON SHIFT		
71	1272005		B/M 1 MAG 11 INCH
71	1272007		B/M 1 MAG 15 INCH
71	1272006		B/M 2 MAG 11 INCH
71	1272008		B/M 2 MAG 15 INCH

**CODE-530**

REF	P/N	SOURCE	DESCRIPTION	REF	P/N	SOURCE	DESCRIPTION
1	326264		PIN 15 IN MACH	10	338238		SCREW
2	38051		NUT	11	38214		NUT
3	6364		WASHER	12	1135163		ANCHOR KL SPR RH
4	1132185		ECCENTRIC LH 11 IN	13	1135164		ANCHOR KL SPR LH
5	1134296		SCREW LH 11 IN	14	1141226		GUARD KEYLEVER
6	1132147		WICK CENTER BEAR	14	1134823		GUARD KL
7	1124506		BEARING ESC SHAFT	14	1128889		USED WITH STUD DWNSTP
7	1145359		BEARING 767	14	1128889		GUARD KL
8	FRAME, ASM POWER ORDER BY MACHINE S/N AND CARRIAGE LENGTH 11OR 15IN			14	USED WITH ADJUSTABLE PLATE DWNSTP		
9	1128905		FRAME RH 11 IN	15	1128904		FRAME LH 11 IN
9	1135346		FRAME RH 15 IN	15	1135347		FRAME LH 15 IN

CODE-531

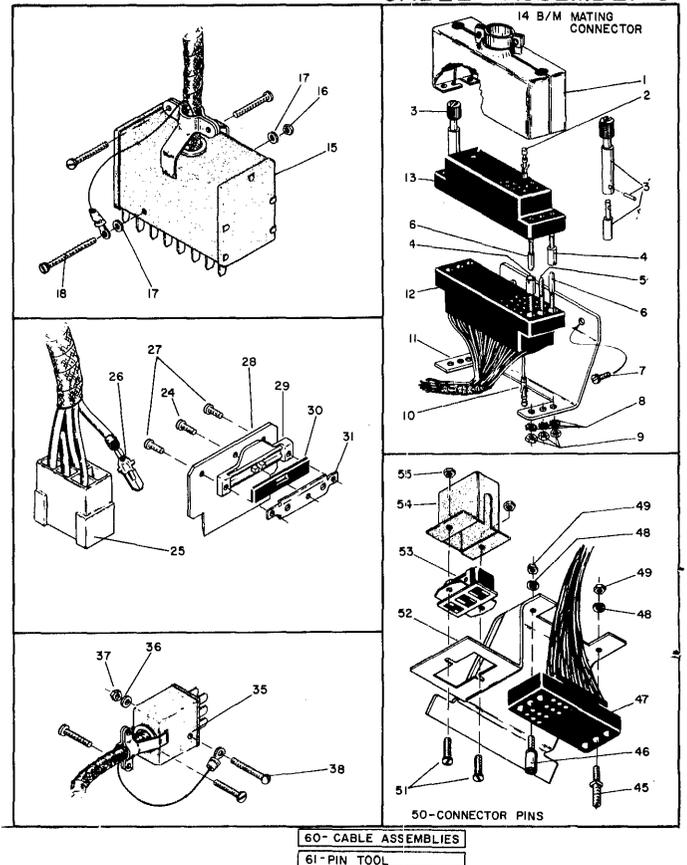
FRAMES



REF	P/N	SOURCE	DESCRIPTION	REF	P/N	SOURCE	DESCRIPTION
1	2127859		HOOD MATING CONN	31	216208		CLAMP CABLE
2	2122259		SOCKET CONN FEMALE	35	321000		CONN, ASM
2	2122261		SOCKET GROUND POS	36	598203		WASHER
3	2122628		JACKSOCKET LONG	37	598201		NUT
4	2122735		SOCKET GUIDE CORNR	38	598202		SCREW
5	2123029		JACKSCREW FIXED	45	2123029		JACKSCREW FIXED
6	2122734		PIN CORNER GUIDE	46	2122735		SOCKET GUIDE
7	10170		SCREW CONN BRACKET	47	532479		CONNECTOR BLOCK
7	150209		WASHER LOCK	48	150209		WASHER
9	1127763		NUT GUIDE PINS	49	1127763		NUT
10	2122258		PIN MALE CONN	50	523034		PIN
10	2122260		PIN GROUND ONLY	50	532902		PIN GROUND CONN
11	1135294		BRACKET CONN MTG	51	42361		SCREW 3-PLUG MTG
11	1159516		BRACKET 870	52	1135100		BRACKET SABRE
12	2122471		CONNECTOR BLK MALE	53	300761		PLUG 3-SOCKET
12	1159358		CONNECTOR MALE 775	54	1135019		INSULATION
13	2122472		CONNECTOR FEMALE	55	77841		NUT
13	1272062		CONNECTOR FENA 775	60	1135216		CABLE 1014
14	1159077		MATING CONN B/M	60	1128658		CABLE 1415
	INCLUDES ALL HARDWARE USED IN FEMALE CONNECTOR.			60	1128650		CABLE SABRE A&B
15	1128657		CONN, STRETCH AEC	60	1128652		CABLE STRETCH ECS
15	1128656		CONN, STRETCH ECS	60	1135787		CABLE STRETCH AEC
16	8506		NUT	60	1135285		CABLE 11INCH CORR
17	72318		WASHER	60	1135282		CABLE 11INCH BCD
18	309983		SCREW	60	1135354		CABLE 15INCH CORR
24	236550		SCREW PADDLE CONN	60	1135353		CABLE 15INCH BCD
25	523268		HOUSING PLASTIC	60	1159356		CABLE 775
26	523255		TAB	60	1159514		CABLE 870 15 IN
27	338238		SCREW PADDLE CONN	60	1159515		CABLE 870 11 IN
28	491349		CARD PADDLE	61	2108398		PIN TOOL
29	216209		SUPPORT PADDLE				
30	216210		FILLER RUBBER				

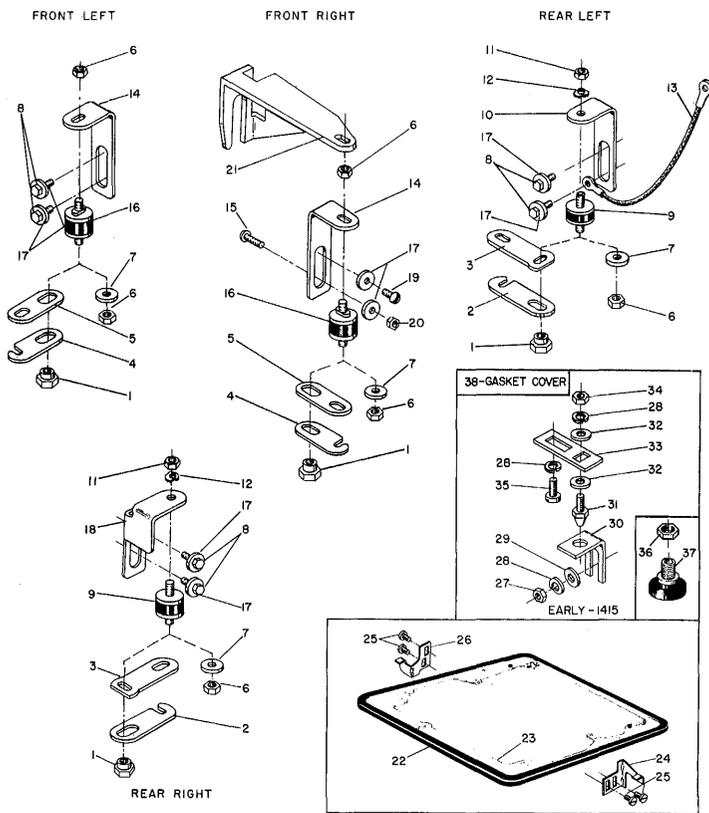
CODE-533

CABLE ASSEMBLIES



60- CABLE ASSEMBLIES  
61-PIN TOOL

COVER MOUNTING

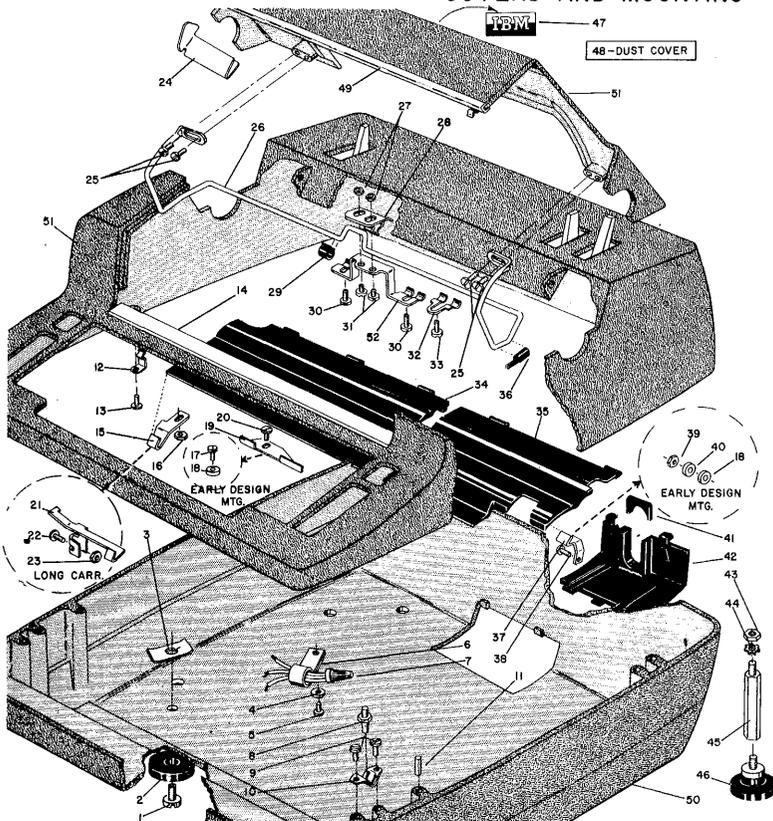


REF	P/N	SOURCE	DESCRIPTION
1	1141137		NUT, SHOCK MTG
2	1141138		PLATE, REAR MTG
3	1124317		BRACKET, COV REAR
4	1141139		PLATE, FRONT MTG
5	1124315		BRACKET, COV FRONT
6	1090041		NUT, RING MTG
7	1091388		WASHER, SHOCK MTG
8	1141136		SCREW, FRONT & RH REAR MTG
9	1135121		SHOCKMOUNT, REAR BRACKET, REAR LH
10	1124318		NUT, RM ONLY
11	*1090381		NUT, FS ONLY
11	*162518		NUT, FS ONLY
12	*1072477		WASHER, RM ONLY
13	1110643		JUMPER, COV GROUND
14	1124316		BRACKET, COV 11 IN
15	35739		SCREW, BRK 11 INCH
15	38348		SCREW, BRK 15 INCH
16	1134857		SHOCKMOUNT, FRONT
17	1124461		WASHER, MRG BRACK
18	1124319		BRACKET, REAR RH
19	55726		SCREW, MTG BRACKET
20	257187		NUT, MTG BRACKET
21	1128179		BRACKET, 15 INCH
22	1135137		GASKET 11 INCH
22	1135374		GASKET 15 INCH

REF	P/N	SOURCE	DESCRIPTION
23	1135086		RING 11 INCH
23	1135144		RING ATO
23	1135244		RING STRETCH
23	1135376		RING 15 INCH
24	1135295		BRACE RH
25	55726		SCREW
26	1135298		BRACE LH
27	257187		NUT BKT MTG
28	6364		WASHER LOCK
29	45690		WASHER BKT MTG
30	761197		TINNERMAN CLIP LH
30	761196		TINNERMAN CLIP RH
31	312615		STUD
32	257986		WASHER STUD MTG
33	761198		BRACKET COVER
34	257189		NUT STUD MTG
35	322550		SCREW BKT MTG
*RM INDICATES RING MOUNTED COVER			
FS INDICATES FREE STANDING COVER			
36	24107		NUT
37	761200		FOOT
38	1135068		GASKET COVER

CODE-534

COVERS AND MOUNTING



REF	P/N	SOURCE	DESCRIPTION
1	1141092		SCREW, FOOT MTG
2	1117393		FOOT, BOTTOM COV
3	1091743		NUT FOOT MTG
4	1074145		WASHER CABLE CLIP
5	438549		SCREW CABLE CLIP
6	303538		CLAMP CABLE
7	1115061		CONNECTOR
8	1135118		STUD COV FASTENER
9	48594		SCREW SPRING FAST
10	*1135117		FASTENER 11 IN FS
10	363319		FASTENER 15 IN FS
10	*1135459		FASTENER RING MTG
11	1132200		PIN COVER ASM
12	1124330		LATCH CENTER COV
13	10170		SCREW COVER LATCH
14	1124326		TRIM MARGIN 11 IN
14	1135594		TRIM MARGIN 15 IN
15	1141052		CLIP LH SHO 11 IN
16	257187		NUT LH CLIP
17	1134854		SCREW FRONT MTG
17	341216		SCREW REAR MTG
18	1133634		WASHER FELT
19	1138383		CLIP SHIELD CENTER
20	251970		SCREW CENTER CLIP
21	1141050		CLIP LH SHO 15 IN
22	322551		SCREW MTG 15 INCH
23	257187		NUT MTG BKT 15 IN
24	1128283		GUIDE PAPER GAUGE
25	251970		SCREW HINGE TOP C
26	1124337		HINGE 11 INCH
26	1128175		HINGE 15 INCH
27	257187		NUT COVR LAT
28	1135462		LATCH COVER OPEN
29	1138464		RETAINER
30	251970		SCREW COV HINGE MT
31	10170		SCREW COV LATCH
32	1124336		BRACKET COV HINGE
33	55726		SCREW HINGE BRACKT
34	1138380		SHIELD LH DUST
34	*1138126		SHIELD LH DUST
35	1138381		SHIELD RH 11 INCH
35	1135344		SHIELD RH 15 INCH
35	1144934		SHIELD 767
35	*1132127		SHIELD RH 11 INCH
35	*1128026		SHIELD RH 15 INCH
36	1141060		CLIP COV INTERLK
37	1141051		CLIP SHIELD RH
37	1144927		CLIP RH 767
38	55726		SCREW RH CLIP
39	38051		NUT SHIELD MTG
40	*1132030		SPACER DUST SHIELD
**OLD STYLE SCREW IN TYPE			
41	1135363		INSERT GROMMET
42	1135248		GROMMET BOT COVER
43	1091743		NUT LEG EXTENSION
44	76574		WASHER LOCK
45	*1135491		LEG FRAME RM
45	*128543		LEG FRAME FS
*RM INDICATES RING MOUNTED MACHINE FS INDICATES FREE STANDING.			

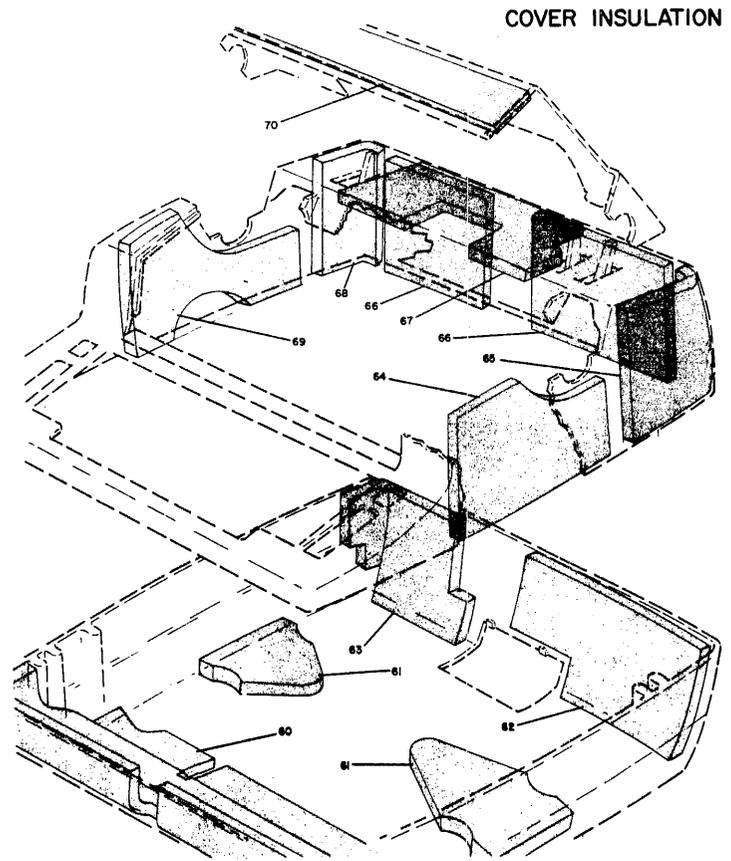
REF	P/N	SOURCE	DESCRIPTION
46	325625		FOOT WORK
47	1141177		DECAL IBM
48	1135432		DUST COVER 11 IN
48	1135433		DUST COVER 15 IN
49	1128180		SCALE TOP 15 IN
49	1124327		SCALE TOP 11 IN
49	1124347		SCALE 12P 11 IN
49	1128182		SCALE 12P 15 IN
BOTTOM COVER ASSEMBLY			
50	1135455		1415
50	1135452		7040/7044
50	1135106		SABRE A
50	1135226		SABRE B CT RM 11IN
50	1135107		1014 STRETCH
50	1135104		ET 11 INCH
50	1135371		ET 15 INCH
CENTER AND TOP COVER			
51	1135102		1415 STRETCH
51	1135222		SABRE ET RM 11 IN
51	1135103		1014
51	1135221		ET 11 INCH
51	1135366		ET 15 INCH
51	1135367		ET 15 INCH RM
52	1124335		BRACKET HINGE

SPECIFY COLOR		
1415		SPECIFY 814
SABRE A TOP		SPECIFY 632
SABRE A BOTTOM		SPECIFY 634
SABRE B TOP&BOT		SPECIFY 632
1014		SPECIFY 618
1620		BOTTOM SPECIFY 812
1620		TOP&BOT SPECIFY 803
ON ET 1/0, SPECIFY ONE OF THE FOLLOWING:		
COLOR		PAINT SPEC
GARNET		635
TOPAZ BRONZE		668
EMERALD GREEN		669
OPAL GRAY		678
SCALE BLUE		632
ONYX BLUE		679
SAPPHIRE BLUE		674
SANDSTONE BEIGE		680
LIGHT GRAY TEK		803
OFF WHITE VINYL		814
1/0 GRAY		818
DP CHARCOAL		812
SPECIAL COLOR SUBMIT SER		

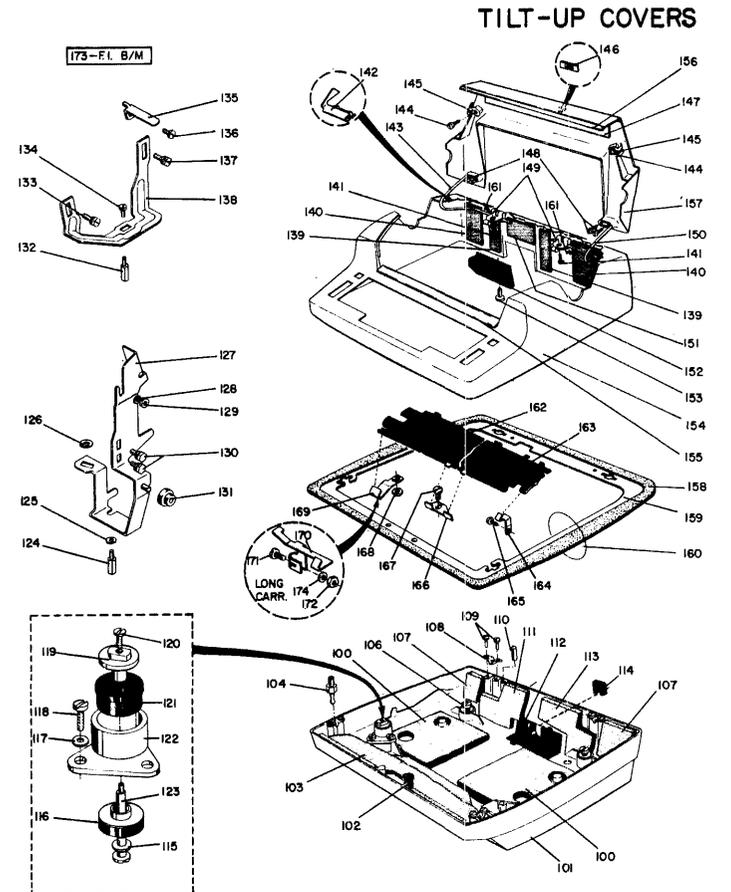
CODE-935  
(6400 PRIMARY PRINTER ONLY)

CODE-535

REF	P/N	SOURCE	DESCRIPTION	REF	P/N	SOURCE	DESCRIPTION
60	1135259		INSULATION SABRE	162	1141649		SHIELD LH 15 IN
60	1135260		INSULATION 11 IN	162	1135380		SHIELD LH 11 IN
60	1135599		INSULATION 15 IN	163	1141645		SHIELD RH 15 IN
61	1135448		INSULATION BOT COV	163	1135381		SHIELD RH 11 IN
62	1135299		INSULATION BOT RS	164	1141051		CLIP SHIELD RH
63	1135261		INSULATION BOT LS	165	55726		SCREW RH CLIP
64	1135251		INSULATION CEN RS	166	1138383		CLIP CENTER
65	1135255		INSULATION COR RH	167	251970		SCREW CENTER CLIP
66	1135253		INSULATION 11 IN	168	257187		NUT LH CLIP
66	1135598		INSULATION 15 IN	169	1141052		CLIP LH 11 IN
67	1135256		INSULATION TOP CEN	169	1141635		CLIP LH 11 IN
68	1135254		INSULATION COR LH				USED WITH IMP CONTROL C&R
69	1135252		INSULATION CEN LS	170	1141050		CLIP LH 15 IN
70	1135257		INSULATION 11 IN	171	322551		SCREW CLIP 15 IN
70	1135597		INSULATION 15 IN	172	257187		NUT BKT MTG 15 IN
100	1159255		INSULATION 11 IN	173	1272437		SABRE
100	1159630		INSULATION 15 IN	173	1272460		1620
							TO CONVERT TO TILT-UP BOTTOM COV
				174	1090970		WASHER
<b>BOTTOM COVER</b>							
101	1159643		SABRE ET SABRE				
101	1159646		1415				
101	1159579		1014				
101	1159647		7040				
101	1159753		1620 731 ET				
101	1159756		735 ET				
101	1159762		775 870 15 IN				
101	1159759		ET STRETCH				
102	1128341		RETAINER				
103	1159624		INSULATION 11 IN				
103	1159631		INSULATION SABRE				
103	1159629		INSULATION 15 IN				
104	1159635		STUD BALL				
106	1117641		INSERT REAR				
107	1159599		INSULATION 11 IN				
107	1159628		INSULATION 15 IN				
108	1159632		CATCH				
109	81693		SCREW WITH RING				
109	10170		SCREW W/O RING				
110	1132200		PIN GUIDE				
111	1159627		INSULATION				
112	1135248		GROMMET				
113	1159626		INSULATION				
114	1135363		INSERT				
115	1159567		WASHER FNT FOOT				
116	1159565		FOOT				
117	1090622		WASHER MTG				
118	322550		SCREW MTG				
119	1116930		INSERT FNT FOOT				
120	311642		SCREW FNT				
121	1117391		MOUNT RUBBER FNT				
121	1117865		MOUNT RUBBER REAR				
122	1159562		MOUNT SHOCK FNT				
123	1159588		SCREW FRONT FOOT				
123	1159587		SCREW REAR FOOT				
124	1159633		LEG REAR FREE STAN				
124	1159634		LEG REAR RING MTG				
125	3350		WASHER				
126	131599		SPACER FREE STAND				
127	1159560		SPACER RING MTG				
127	1159585		BRACKET RH REAR				
127	1159586		BRKT LH REAR 11 IN				
127	1159584		BRKT LH REAR 15 IN				
128	3550		WASHER				
129	3960		NUT BKT MTG				
130	1141136		SCREW BKT MTG				
131	1159556		ROLLER 11 IN				
131	1159557		ROLLER 15 IN				
132	1135491		LEG FRONT				
133	311642		SCREW BKT MTG				
134	311642		SCREW SHIPPING				
135	1159561		HANDLE				
136	38348		SCREW HANDLE				
137	311642		SCREW BKT MTG				
138	1159553		BRACKET RH FNT				
138	1159554		BRACKET LH FNT				
139	1159594		INSULATION				
140	1159595		INSULATION 11 IN				
140	1159596		INSULATION 15 IN				
141	322550		SCREW HINGE				
142	1128283		GUIDE PAPER				
143	1166033		HINGE LH				
144	438548		SCREW LATCH				
145	1141520		LATCH COVER				
146	1141177		DECAL IBM				
147	1159597		INSULATION 11 IN				
147	1159598		INSULATION 15 IN				
148	1124084		SCREW HINGE				
149	1164100		BRACKET HINGE				
150	1166034		HINGE RH				
151	1159593		INSULATION				
152	1135739		VENT GRAY				
152	1135740		VENT 731 735 775				
153	10170		SCREW VENT MTG				
<b>COVER CENTER</b>							
154	1159760		775 870 15 IN				
154	1159754		735				
154	1159751		1620 731 SABRE				
154	1159758		1415ARS 1014				
			870 11 IN 7040				
			ET STRETCH				
155	1159577		TRIM 11 INCH				
155	1159578		TRIM 15 INCH				
156	1159579		SCALE TOP 11 IN				
156	1159580		SCALE 12P 11 IN				
156	1159581		SCALE TOP 15 IN				
156	1159582		SCALE 12P 15 IN				
<b>COVER TOP</b>							
157	1159752		1620 731 SABRE				
157	1159755		735 ET				
157	1159761		775 870 15 IN				
157	1159757		1415 1014 7040				
			ET STRETCH				
			870 11 IN				
158	1159570		GASKET 11 INCH				
158	1159573		GASKET 15 INCH				
159	1159569		RING 11 INCH				
159	1159572		RING 15 INCH				
159	*1159639		RING 11 INCH				
160	1159568		RING ASM 11 INCH				
160	1159571		RING ASM 15 INCH				
160	*1159638		RING ASM 11 INCH				
			USED TO ADAPT OLD STYLE TOP COVER				
			TO TILT UP BOTTOM COVER				
161	538552		RETAINER				



COVER INSULATION





Part No.	Spare Part	Code Ref.
221		507 21
1856		502 84
1856		506 2
1856		507 15
1928		501 3
1928		516 115
1928		522 6
1928		524 107
1928		524 113
1928		524 176
1928		525 74
2650		503 65
3350		535 125
3550		535 128
3960		535 129
6364		502 105
6364		517 57
6364		524 219
6364		531 3
6364		534 28
6503		502 114
6503		502 119
7341		504 57
8506		517 63
8506		533 16
10170		501 1
10170		501 51
10170		502 55
10170		503 80
10170		503 101
10170		503 111
10170		503 130
10170		503 232
10170		503 234
10170		503 240
10170		513 3
10170		516 112
10170		516 133
10170		516 232
10170		517 17
10170		519 3
10170		519 58
10170		520 23
10170		522 22
10170		522 62
10170		522 81
10170		522 91
10170		523 28
10170		523 31
10170		525 15
10170		525 67
10170		533 7
10170		535 13
10170		535 31
10170		535 109
10170		535 153
10514		505 25
10514		512 22
10574		525 3
15887		516 45
15887		522 55
15887		529 6
17514		524 171
20038		516 251
20069		524 210
21636		524 142
22066		522 40
23106		511 10
23106		511 31
24107		534 36
27073		512 20
27460		523 21
35665		501 58
35739		501 118
35739		504 53
35739		511 21
35739		511 36
35739		524 23
35739		534 15
37435		504 72
37435		511 63
37435		519 106
37435		520 88
37435		520 121
37435		523 2

Part No.	Spare Part	Code Ref.
37435		524 39
37435		524 152
37435		524 159
37913		502 35
37913		502 138
37913		503 43
37913		503 59
37913		503 74
37913		503 90
37913		503 135
37913		504 12
37913		505 18
37913		508 29
37913		508 231
37913		510 27
37913		515 20
37913		515 49
37913		516 51
37913		516 243
37913		517 1
37913		517 3
37913		517 20
37913		517 73
37913		518 5
37913		518 8
37913		518 12
37913		519 19
37913		519 34
37913		519 38
37913		519 137
37913		524 6
37913		524 18
37913		524 70
37913		524 143
37913		525 48
37913		525 54
37913		526 69
37913		526 114
37913		526 141
37913		530 17
38051		501 53
38051		502 12
38051		502 40
38051		502 104
38051		502 136
38051		504 13
38051		504 21
38051		508 7
38051		508 40
38051		508 76
38051		512 11
38051		512 24
38051		516 18
38051		517 24
38051		520 83
38051		522 56
38051		526 14
38051		526 36
38051		530 44
38051		531 2
38051		535 39
38214		502 20
38214		502 143
38214		503 225
38214		508 46
38214		511 91
38214		520 56
38214		531 11
38234		502 19
38235		501 56
38235		503 117
38235		503 306
38235		504 25
38235		504 98
38235		505 21
38235		507 6
38235		510 16
38235		510 54
38235		511 29
38235		511 37
38235		511 75
38235		512 12
38235		516 140
38235		522 53
38235		523 52

Part No.	Spare Part	Code Ref.
38235		526 82
38250		508 178
38259		505 27
38261		508 20
38261		508 219
38261		517 51
38261		525 24
38261		530 21
38262		508 13
38262		508 82
38262		510 52
38262		516 23
38262		525 19
38262		519 73
38266		501 114
38348		511 21
38348		526 9
38348		534 15
38348		535 136
38350		502 5
38350		502 8
38350		503 20
38350		508 17
38350		516 27
38350		516 36
38350		526 4
38350		526 6
38350		526 9
38350		530 45
38351		502 140
38351		516 102
38351		522 78
38352		530 42
38352		530 45
38353		506 21
38353		526 28
38354		502 5
38562		515 13
38565		508 257
38566		503 336
42361		533 51
43373		503 58
43373		519 5
43373		524 179
45119		506 16
45183		508 197
45611		508 208
45638		502 87
45638		515 47
45638		519 72
45639		503 75
45639		516 248
45639		519 119
45639		530 43
45677		524 139
45690		534 29
46831		503 32
46831		524 58
47987		502 76
47987		502 97
47987		503 319
47987		505 13
47987		516 265
47987		518 26
48594		502 88
48594		503 47
48594		503 57
48594		503 317
48594		503 340
48594		503 351
48594		504 1
48594		511 15
48594		511 16
48594		512 25
48594		512 30
48594		513 6
48594		516 120
48594		523 35
48594		523 36
48594		524 123
48594		525 23
48594		529 40
48594		530 50
48594		530 60
48594		535 9

Part No.	Spare Part	Code Ref.
52359		504 103
55726		501 17
55726		503 1
55726		503 230
55726		503 303
55726		503 342
55726		516 117
55726		520 61
55726		520 70
55726		523 46
55726		524 200
55726		524 218
55726		526 21
55726		530 41
55726		534 19
55726		534 25
55726		535 33
55726		535 38
55726		535 165
56313		502 22
56722		503 138
56722		503 302
56722		504 61
56722		508 77
56722		510 59
56722		512 23
56722		516 16
56722		519 74
56722		526 175
56722		518 23
56722		502 13
56722		502 41
56722		520 57
56722		516 266
56722		533 17
56722		535 44
56722		533 55
56722		501 123
56722		503 229
56722		503 239
56722		516 7
56722		526 80
56722		535 109
56722		520 82
56722		511 68
56722		519 127
56722		520 86
56722		524 45
56722		516 295
56722		519 115
56722		524 167
56722		516 151
56722		501 49
56722		524 163
56722		523 12
56722		523 22
56722		523 13
56722		504 71
56722		523 22
56722		524 147
56722		504 94
56722		524 71
56722		526 41
56722		529 4
56722		530 6
56722		502 94
56722		520 129
56722		516 270
56722		504 9
56722		504 81
56722		511 64
56722		519 120
56722		520 92
56722		520 120
56722		523 4
56722		524 43
56722		524 149
56722		526 11
56722		526 79
56722		526 171
56722		515 14
56722		515 30
56722		517 28
56722		519 1
56722		519 35

NUMERICAL INDEX

Part No.	Spare Part	Code Ref.	Part No.	Spare Part	Code Ref.	Part No.	Spare Part	Code Ref.	Part No.	Spare Part	Code Ref.
529	33	123491	251970		508 264	264641		523 26	339109		511 71
523	37	123552	251970		513 5	264641		524 102	339109		511 72
524	119	123552	251970		516 242	264641		524 136	339109		519 105
525	89	123552	251970		517 62	264641		525 69	339109		520 91
524	237	125231	251970		529 76	264998		526 2	339109		520 122
535	126	131599	251970		530 21	265195		501 7	339109		523 3
511	47	150047	251970		530 36	265195		503 70	339109		524 49
517	32	150047	251970		535 20	265195		510 39	339109		524 155
505	17	150209	251970		535 25	265195		516 143	339109		524 164
533	8	150209	251970		535 30	265195		524 169	339113		504 74
533	48	150209	251970		535 167	265195		526 63	339113		504 77
519	66	150735	251989		503 38	265195		526 71	339113		511 60
524	126	150735	251989		508 239	265195		526 119	339113		511 69
534	11	163518	251989		522 36	265195		526 174	339113		519 109
523	24	165556	251989		525 11	300761		533 53	339113		524 160
511	28	167790	251989		529 22	302090		506 20	340191		502 21
503	115	170215	251989		529 24	302090		507 2	340191		504 52
503	323	170215	257186		501 116	302090		512 27	340191		504 60
520	130	173202	257186		519 45	302090		523 48	340191		504 62
524	146	173204	257186		530 17	302131		506 9	340191		520 9
504	82	173205	257187		501 124	302131		507 3	341216		530 35
511	67	173205	257187		502 1	302131		512 29	341216		535 17
513	12	173205	257187		502 95	302131		523 47	343752		524 26
519	128	173205	257187		503 55	303538		535 6	343755		524 74
520	85	173205	257187		504 16	308459		527 33	344239		516 294
523	23	173205	257187		511 23	309983		533 18	353343		524 232
524	46	173205	257187		515 35	311072		527 51	355341		503 353
524	168	173205	257187		520 6	311642		535 120	355341		512 4
504	70	173207	257187		524 238	311642		535 133	355341		517 50
523	19	173207	257187		534 20	311642		535 134	357820		504 35
519	116	173209	257187		534 27	311642		535 137	357820		504 42
523	23	173213	257187		535 16	312615		534 31	358174		502 75
523	19	173215	257187		535 23	316457		519 112	358174		507 16
520	1	177939	257187		535 27	316744		516 118	358174		516 52
501	67	179743	257187		535 168	316744		516 129	358174		522 90
524	65	183835	257187		535 172	317766		503 346	358174		524 33
506	2	186399	257189		534 34	317766		530 39	358509		502 96
508	251	186712	257956		524 208	317767		503 345	358509		503 320
516	209	186923	257957		503 315	317767		530 38	358509		505 14
503	134	186924	257957		508 31	321000		533 35	358509		516 287
523	55	210921	257957		508 45	322060		524 200	358509		516 292
533	31	216208	257957		508 157	322065		501 117	363319		535 10
533	29	216209	257957		515 51	322065		511 50	364816		511 49
533	30	216210	257957		516 118	322065		519 3	369125		506 29
502	112	219633	257957		516 129	322065		519 67	438540		516 246
503	5	219633	257957		517 21	322550		503 9	438540		524 202
503	85	219633	257957		519 71	322550		534 35	438541		502 92
503	89	219633	257957		522 96	322550		535 118	438541		516 274
503	91	219633	257957		524 137	322550		535 141	438541		524 202
503	304	219633	257957		525 35	322551		504 53	438543		501 126
504	31	219633	257957		529 35	322551		535 22	438546		504 103
513	14	219633	257957		529 78	322551		535 171	438548		503 98
515	33	219633	257958		503 206	324221		510 2	438548		506 26
516	30	219633	257958		508 73	324221		510 14	438548		507 17
516	33	219633	257958		525 78	324464		504 2	438548		508 87
516	131	219633	257958		526 16	324497		510 31	438548		511 15
516	224	219633	257959		508 10	325625		535 46	438548		512 14
524	133	219633	257959		508 151	326067		519 114	438548		515 38
529	18	219633	257961		508 50	326067		524 161	438548		516 217
529	29	219633	257965		527 43	326119		504 76	438548		519 56
529	39	219633	257969		508 39	326119		511 62	438548		519 122
529	81	219633	257969		510 10	326119		519 107	438548		520 33
530	2	219633	257969		515 6	326119		520 125	438548		522 23
522	75	219743	257969		517 9	326119		523 7	438548		524 10
524	226	228093	257969		517 45	326119		524 48	438548		524 53
503	72	236550	257969		522 35	326119		524 154	438548		524 225
506	19	236550	257969		522 69	326264		531 1	438548		525 60
524	44	236550	257971		508 50	332747		502 124	438548		535 144
524	51	236550	257975		510 25	332747		502 144	438549		503 343
533	24	236550	257984		517 56	333182		506 16	438549		504 6
508	171	236571	257984		520 14	333182		530 20	438549		507 1
527	11	236571	257985		516 288	333264		512 36	438549		512 28
527	44	236571	257986		534 32	338169		511 92	438549		516 116
527	4	251015	263680		502 6	338169		524 54	438549		516 279
530	20	251283	263680		508 185	338238		503 60	438549		523 49
516	127	251350	263680		530 18	338238		508 261	438549		524 20
526	45	251350	264641		503 243	338238		516 128	438549		530 37
502	89	251970	264641		503 357	338238		516 254	438549		535 5
503	217	251970	264641		511 14	338238		519 17	438550		503 218
504	7	251970	264641		511 82	338238		519 118	438550		506 13
508	74	251970	264641		519 55	338238		530 21	438550		525 43
508	159	251970	264641		520 17	338238		531 10	438550		525 53
508	172	251970	264641		520 64	338238		533 27	438550		530 29
508	237	251970	264641		522 18	339107		519 113	438551		503 224
508	262	251970	264641		522 82	339108		519 110	438551		503 226

Part No.	Spare Part	Code Ref.
438552		511 77
438554		501 130
438554		506 17
438554		508 161
438558		503 204
438566		525 1
469565		503 137
472729		508 33
472729		508 71
491349		533 28
505071		502 80
523034		533 50
523255		533 26
523268		533 25
528552		517 54
528552		526 32
532479		533 47
532902		533 50
538552		535 161
598201		533 37
598202		533 38
598203		533 36
602229		503 338
761196		534 30
761197		534 30
761198		534 33
761200		534 37
766330		501 16
803278		515 45
803278		516 145
1000223		503 52
1000223		516 241
1000223		516 283
1014536		520 53
1018477		516 293
1070020		501 63
1070020		503 13
1070020		503 17
1070020		503 53
1070020		503 334
1070020		516 103
1070020		516 158
1070020		516 240
1070020		516 282
1070020		519 62
1070020		520 30
1070020		520 52
1070020		522 9
1070020		522 32
1070020		524 27
1070020		524 59
1070020		524 61
1070020		524 109
1070020		529 63
1070340		516 286
1071449		516 203
1071449		518 20
1071449		519 6
1071449		520 5
1071449		524 120
1071657		526 11
1071687		503 330
1071687		518 18
1071691		503 15
1071691		530 54
1072126		523 40
1072477		534 12
1072703		516 235
1072703		516 261
1072703		518 13
1072703		519 53
1072703		522 4
1072703		522 17
1072703		526 37
1072949		516 63
1073418		501 47
1073418		501 64
1073418		502 44
1073418		502 81
1073418		502 106
1073418		502 133
1073418		503 44
1073418		503 78
1073418		503 95
1073418		503 122

Part No.	Spare Part	Code Ref.
1073418		503 328
1073418		508 63
1073418		508 165
1073418		508 168
1073418		510 30
1073418		516 105
1073418		516 155
1073418		516 201
1073418		516 231
1073418		516 236
1073418		516 239
1073418		516 262
1073418		518 22
1073418		519 23
1073418		519 129
1073418		520 2
1073418		522 13
1073418		522 48
1073418		522 72
1073418		522 94
1073418		524 35
1073418		525 13
1073418		525 46
1073418		525 51
1073418		525 71
1073418		526 50
1073418		526 161
1073418		529 47
1073449		503 120
1073449		516 56
1073449		516 213
1073449		516 255
1073449		524 134
1073718		501 129
1073863		511 39
1073863		516 205
1073863		516 210
1073863		517 25
1073863		518 16
1073863		519 50
1073863		520 38
1073863		522 95
1073863		529 52
1073866		516 206
1073866		517 34
1074145		504 99
1074145		516 19
1074145		535 4
1074242		516 234
1074242		516 275
1074242		522 27
1074242		522 85
1074242		529 31
1074321		525 63
1074556		511 42
1076978		501 52
1078497		508 216
1090041		534 6
1090041		534 11
1090050		522 43
1090162		505 10
1090162		511 41
1090162		515 8
1090162		522 16
1090162		522 88
1090175		524 8
1090268		502 23
1090268		508 214
1090341		503 133
1090343		503 46
1090343		503 83
1090343		517 12
1090394		519 37
1090404		511 7
1090404		524 12
1090404		524 34
1090404		529 61
1090435		516 268
1090472		517 30
1090472		524 182
1090475		511 44
1090511		508 34
1090568		527 29
1090589		523 30
1090622		502 83

Part No.	Spare Part	Code Ref.
1090622		520 7
1090622		535 117
1090630		503 350
1090630		504 104
1090657		508 86
1090933		504 102
1090970		517 18
1090970		524 130
1090970		535 174
1091069		524 138
1091073		529 56
1091151		526 127
1091388		534 7
1091618		518 23
1091618		524 66
1091647		529 3
1091647		529 9
1091670		516 49
1091743		526 17
1091743		535 3
1091743		535 43
1092125		502 15
1092125		502 73
1092125		503 249
1092125		505 9
1092125		511 1
1092125		511 9
1092125		515 9
1092125		516 135
1092125		519 44
1092125		520 11
1092125		520 19
1092125		520 31
1092125		520 51
1092125		520 73
1092125		524 117
1092125		526 67
1092125		526 122
1098595		503 100
1099884		524 73
1100223		524 104
1100523		501 9
1100523		501 42
1100523		503 7
1100523		504 27
1100523		510 35
1100523		510 45
1100523		510 48
1100523		516 2
1100523		516 11
1100523		522 11
1100523		526 53
1100523		526 107
1100523		527 2
1100936		515 30
1100936		529 53
1100937		507 9
1100937		517 5
1100937		519 139
1100938		512 3
1100951		503 127
1100951		527 35
1102139		525 77
1103695		526 40
1104286		501 115
1106650		524 138
1107743		524 121
1107794		507 7
1107794		522 29
1107795		520 16
1108350		519 103
1108350		520 87
1108350		520 128
1108445		524 165
1110529		503 131
1110529		515 3
1110529		516 103
1110529		524 112
1110643		534 13
1110668		524 16
1115017		503 48
1115017		519 69
1115017		520 69
1115061		501 70
1115061		535 7

Part No.	Spare Part	Code Ref.
1115633		522 61
1115735		503 325
1116023		502 128
1116343		524 101
1116729		525 50
1116930		535 119
1117391		535 121
1117393		535 2
1117488		516 160
1117589		511 5
1117589		511 31
1117641		535 106
1117865		535 121
1118134		524 172
1123520		516 104
1123526		516 114
1123532		520 55
1123549		527 10
1123556		503 23
1123559		510 22
1123560		510 9
1123566		510 12
1123570		510 6
1123571		510 47
1123572		510 46
1123573		510 32
1123574		510 44
1123575		510 41
1123576		510 43
1123577		510 42
1123579		510 23
1123580		510 38
1123581		510 40
1123582		510 33
1123582		510 36
1123585		511 3
1123588		508 186
1123588		510 1
1123590		519 102
1123591		511 6
1123591		515 5
1123593		510 26
1123593		510 34
1123593		511 88
1123594		510 15
1123595		510 4
1123602		525 4
1123603		525 33
1123605		525 16
1123610		525 8
1123611		525 7
1123615		525 9
1123618		525 30
1123622		524 170
1123623		524 127
1123626		525 25
1123627		519 60
1123628		519 61
1123629		519 64
1123631		519 65
1123641		504 34
1123641		504 51
1123652		504 43
1123664		502 135
1123674		504 28
1123675		504 30
1123677		503 11
1123679		508 38
1123681		503 12
1123683		504 23
1123685		504 26
1123688		503 88
1123692		502 26
1123695		502 27
1123696		502 25
1123702		502 49
1123704		502 50
1123711		503 82
1123712		502 116
1123713		502 113
1123714		502 111
1123715		502 137
1123718		502 101
1123721		502 115
1123722		502 121

NUMERICAL INDEX

Part No.	Spare Part	Code Ref.	Part No.	Spare Part	Code Ref.	Part No.	Spare Part	Code Ref.	Part No.	Spare Part	Code Ref.
1123724		502 132	1124158		508 1	1124433		503 209	1124707		508 174
1123725		502 131	1124161		508 2	1124433		503 223	1124708		508 177
1123736		502 16	1124162		508 9	1124435		524 106	1124712		508 154
1123741		502 120	1124163		508 4	1124450		518 19	1124722		522 15
1123749		502 2	1124166		508 36	1124450		518 19	1124722		522 79
1123750		502 3	1124167		508 19	1124450		518 19	1124722		530 69
1123751		502 9	1124168		508 18	1124453		519 27	1124732		503 213
1123754		524 4	1124169		508 15	1124461		511 22	1124740		501 17
1123754		524 110	1124174		508 51	1124461		534 17	1124741		501 5
1123769		504 47	1124176		508 23	1124462		516 3	1124744		501 52
1123774		515 12	1124178		508 30	1124463		519 31	1124745		508 156
1123775		503 19	1124179		508 181	1124469		515 16	1124756		520 68
1123779		502 134	1124185		529 5	1124472		519 32	1124762		520 71
1123785		508 215	1124188		508 204	1124476		517 6	1124764		520 50
1123787		503 35	1124189		529 28	1124478		519 8	1124766		519 41
1123788		503 36	1124190		508 187	1124489		518 10	1124766		520 72
1123789		503 34	1124191		529 2	1124503		516 6	1124767		519 42
1123790		503 37	1124196		508 155	1124506		516 4	1124769		526 19
1123791		503 33	1124197		508 192	1124506		531 7	1124772		520 65
1123792		503 30	1124204		508 190	1124508		511 40	1124773		522 41
1123807		522 46	1124206		511 28	1124509		511 35	1124775		519 13
1123810		522 67	1124206		524 12	1124519		516 9	1124775		519 136
1123812		525 29	1124217		508 163	1124538		515 7	1124775		522 45
1123819		511 12	1124218		508 150	1124538		517 46	1124776		526 104
1123822		508 206	1124219		508 179	1124555		517 77	1124777		526 72
1123823		508 206	1124220		508 193	1124559		517 75	1124777		526 116
1123824		508 206	1124224		508 220	1124562		501 8	1124777		526 143
1123825		508 206	1124234		508 218	1124567		519 26	1124782		526 105
1123827		503 68	1124234		512 15	1124568		518 4	1124788		526 22
1123827		508 67	1124247		503 128	1124572		508 176	1124788		526 74
1123827		515 25	1124247		507 14	1124573		508 175	1124788		526 100
1123828		508 188	1124247		516 44	1124574		504 29	1124788		526 142
1123829		526 124	1124247		530 18	1124579		526 29	1124801		526 46
1123830		526 128	1124259		522 37	1124600		519 63	1124802		526 13
1123831		515 10	1124261		522 51	1124601		526 123	1124803		526 10
1123947		503 253	1124266		522 59	1124602		526 123	1124807		501 18
1123948		503 252	1124267		522 52	1124609		519 48	1124810		501 14
1123949		503 251	1124268		522 53	1124610		519 46	1124811		501 65
1123950		503 250	1124271		522 70	1124612		518 6	1124812		501 68
1123956		503 221	1124273		522 65	1124613		518 11	1124819		522 63
1123961		503 6	1124276		522 71	1124614		518 3	1124821		502 82
1123963		503 248	1124281		501 113	1124615		518 7	1124826		516 226
1123968		503 256	1124284		522 12	1124616		518 21	1124826		529 34
1123969		503 300	1124285		522 8	1124618		518 4	1124827		503 94
1123973		517 64	1124287		508 47	1124622		502 172	1124827		510 3
1123977		517 72	1124290		510 29	1124624		516 26	1124827		510 17
1123979		517 53	1124290		516 111	1124628		516 25	1124827		520 63
1123982		517 71	1124292		522 47	1124628		519 28	1124830		508 169
1123984		520 4	1124296		531 5	1124629		516 24	1124831		508 198
1123987		517 23	1124315		534 5	1124630		516 37	1124832		508 213
1124010		522 24	1124316		534 14	1124634		516 21	1124835		508 209
1124014		517 69	1124317		534 3	1124636		502 4	1124836		508 211
1124019		525 38	1124318		534 10	1124638		519 25	1124838		508 180
1124020		525 36	1124319		534 18	1124639		516 38	1124845		525 42
1124073		516 126	1124326		535 14	1124641		516 1	1124850		520 3
1124074		516 148	1124327		535 49	1124643		516 35	1124870		519 2
1124075		516 139	1124330		535 12	1124646		508 21	1124875		516 106
1124076		516 122	1124335		535 52	1124647		508 22	1124880		501 60
1124081		516 136	1124336		535 32	1124648		508 14	1124885		517 13
1124082		516 132	1124337		535 26	1124659		529 37	1124890		516 208
1124083		515 27	1124347		535 49	1124659		530 8	1127055		501 2
1124084		515 28	1124363		526 47	1124662		529 36	1127055		501 54
1124084		535 148	1124366		526 38	1124663		529 45	1127273		519 111
1124087		515 23	1124369		526 8	1124663		530 4	1127712		504 44
1124094		518 24	1124370		526 5	1124664		529 60	1127714		504 45
1124095		516 43	1124370		526 27	1124664		530 5	1127714		511 45
1124098		515 26	1124371		526 12	1124665		529 41	1127714		517 29
1124098		516 39	1124372		526 23	1124668		529 49	1127722		508 170
1124098		516 66	1124372		526 101	1124668		530 24	1127722		517 58
1124109		515 27	1124373		526 7	1124672		529 51	1127723		508 167
1124110		516 122	1124376		526 43	1124672		529 54	1127726		522 66
1124122		529 23	1124377		526 25	1124672		530 25	1127726		524 141
1124123		529 38	1124383		526 18	1124674		529 55	1127726		524 207
1124123		530 7	1124388		526 42	1124674		530 26	1127727		515 4
1124127		529 30	1124391		526 1	1124678		529 57	1127727		520 37
1124130		529 25	1124393		526 34	1124679		529 8	1127727		520 58
1124143		529 17	1124394		516 29	1124680		529 62	1127728		515 11
1124144		529 11	1124396		520 18	1124682		503 216	1127728		520 59
1124146		529 13	1124396		526 33	1124683		502 7	1127730		504 32
1124148		529 16	1124397		526 3	1124697		522 20	1127733		503 81
1124149		529 11	1124410		501 61	1124697		522 83	1127733		511 33
1124151		529 50	1124411		503 233	1124702		510 55	1127733		515 17
1124155		529 12	1124414		524 111	1124702		525 22	1127733		515 32
1124157		502 61	1124430		503 208	1124703		525 20	1127733		515 34
1124157		508 3	1124430		503 222	1124707		502 11	1127733		515 43

Part No.	Spare Part	Code Ref.
1127733		516 12
1127733		517 74
1127737		519 68
1127738		525 5
1127738		525 26
1127741		502 109
1127741		520 14
1127742		508 162
1127744		516 222
1127745		525 17
1127753		504 55
1127754		504 55
1127755		504 55
1127756		504 55
1127757		504 55
1127760		508 68
1127760		529 59
1127760		530 14
1127762		508 35
1127763		502 72
1127763		502 110
1127763		504 101
1127763		517 55
1127763		520 15
1127763		533 9
1127763		533 49
1127764		502 142
1127764		516 101
1127765		516 152
1127767		508 189
1127768		508 189
1127769		508 189
1127770		508 191
1127771		508 191
1127772		508 191
1127773		508 191
1127774		508 191
1127775		508 217
1127785		503 352
1127785		523 44
1127785		530 40
1127787		503 92
1127790		503 93
1127791		503 86
1127794		516 34
1127796		516 32
1127798		516 31
1127930		522 33
1127936		522 25
1128008		519 22
1128012		526 38
1128017		520 34
1128018		520 27
1128024		518 4
1128025		518 4
1128026		535 35
1128028		516 126
1128029		516 122
1128032		515 27
1128037		515 27
1128038		516 122
1128047		508 5
1128048		508 15
1128054		508 6
1128055		502 52
1128062		504 54
1128063		525 47
1128065		525 44
1128066		525 45
1128066		525 76
1128071		504 55
1128075		526 19
1128076		520 21
1128078		520 29
1128079		520 36
1128081		520 35
1128083		520 22
1128084		520 25
1128086		502 141
1128087		502 52
1128090		502 115
1128091		502 56
1128095		503 8
1128099		519 24
1128101		515 16

Part No.	Spare Part	Code Ref.
1128103		519 21
1128105		517 6
1128107		515 29
1128108		516 1
1128113		515 37
1128122		519 18
1128124		516 22
1128124		519 29
1128125		519 16
1128126		508 11
1128127		527 9
1128136		526 23
1128136		526 101
1128136		526 172
1128138		526 104
1128141		526 105
1128144		503 308
1128145		526 108
1128146		526 64
1128150		526 115
1128150		526 152
1128151		526 78
1128151		526 168
1128152		526 34
1128155		526 51
1128161		510 22
1128162		525 2
1128164		525 28
1128166		525 25
1128167		519 59
1128168		519 47
1128169		519 48
1128171		525 28
1128173		524 140
1128175		535 26
1128179		534 21
1128180		535 49
1128182		535 49
1128184		508 12
1128186		503 64
1128188		522 93
1128189		522 92
1128190		522 76
1128192		522 87
1128193		522 89
1128195		522 77
1128199		522 80
1128201		515 24
1128202		518 1
1128204		515 36
1128215		526 22
1128215		526 74
1128215		526 100
1128215		526 142
1128216		515 31
1128226		515 19
1128234		526 57
1128234		526 158
1128235		526 61
1128235		526 165
1128236		526 58
1128236		526 157
1128236		526 166
1128237		526 60
1128237		526 155
1128238		526 55
1128238		526 153
1128239		526 56
1128239		526 156
1128240		526 83
1128259		504 50
1128270		517 15
1128271		517 26
1128274		526 52
1128274		526 102
1128274		526 145
1128275		526 52
1128275		526 102
1128275		526 145
1128278		526 170
1128280		526 54
1128280		526 110
1128280		526 148
1128281		508 206
1128283		535 24

Part No.	Spare Part	Code Ref.
1128283		535 142
1128290		516 61
1128291		516 60
1128293		503 235
1128301		515 26
1128301		516 50
1128302		520 13
1128305		525 64
1128307		525 64
1128313		525 64
1128315		525 64
1128316		525 61
1128317		525 40
1128317		525 62
1128318		525 75
1128322		525 79
1128323		525 49
1128323		525 80
1128325		519 9
1128326		510 19
1128326		510 61
1128336		516 110
1128338		516 142
1128338		519 8
1128341		535 102
1128350		526 59
1128350		526 111
1128350		526 149
1128352		519 30
1128366		515 18
1128382		503 210
1128382		503 212
1128382		511 89
1128385		516 20
1128386		516 15
1128387		516 14
1128400		519 130
1128400		515 39
1128401		515 40
1128403		529 77
1128404		529 80
1128409		503 247
1128411		520 9
1128413		510 11
1128414		510 7
1128434		508 243
1128436		508 242
1128438		508 249
1128442		508 240
1128449		508 250
1128450		508 162
1128451		508 238
1128455		508 236
1128456		508 230
1128457		508 252
1128458		508 246
1128459		508 232
1128471		522 58
1128490		501 45
1128493		508 245
1128495		508 247
1128498		527 9
1128502		527 42
1128503		527 37
1128505		527 42
1128506		527 37
1128508		527 42
1128509		527 37
1128512		527 37
1128514		527 42
1128515		527 37
1128517		527 42
1128518		527 37
1128521		527 38
1128522		527 36
1128523		527 27
1128525		527 28
1128526		527 45
1128527		527 30
1128528		527 31
1128529		527 40
1128530		527 41
1128531		527 39
1128532		526 123
1128532		527 21

Part No.	Spare Part	Code Ref.
1128533		527 32
1128535		508 224
1128537		508 224
1128538		508 224
1128543		535 45
1128544		512 36
1128545		512 36
1128550		504 11
1128553		502 78
1128555		502 99
1128556		502 77
1128557		502 90
1128558		502 93
1128562		502 102
1128563		502 103
1128573		503 14
1128580		502 91
1128582		507 5
1128583		507 13
1128584		507 10
1128585		507 23
1128586		507 24
1128587		507 20
1128588		507 18
1128589		507 19
1128591		507 4
1128592		507 22
1128598		503 62
1128598		505 20
1128598		507 8
1128598		512 9
1128598		513 1
1128598		523 51
1128602		508 224
1128604		505 28
1128605		505 1
1128606		505 2
1128607		505 3
1128608		505 4
1128609		505 5
1128610		505 6
1128611		505 7
1128613		505 22
1128616		505 11
1128622		505 23
1128623		505 26
1128624		505 8
1128625		505 19
1128626		505 12
1128627		505 15
1128632		503 69
1128632		503 123
1128633		503 87
1128636		503 18
1128644		524 25
1128646		524 68
1128647		524 14
1128648		524 15
1128649		524 13
1128650		533 60
1128651		533 60
1128652		533 60
1128656		533 15
1128657		533 15
1128658		533 60
1128660		511 20
1128661		513 28
1128663		513 8
1128666		513 9
1128669		513 10
1128673		519 51
1128674		516 211
1128674		518 15
1128674		520 39
1128675		512 35
1128676		512 33
1128679		512 32
1128680		512 13
1128682		512 2
1128683		512 37
1128684		512 1
1128685		512 6
1128686		512 10
1128688		511 34
1128688		511 34

NUMERICAL INDEX

Part No.	Spare Part	Code Ref.	Part No.	Spare Part	Code Ref.	Part No.	Spare Part	Code Ref.	Part No.	Spare Part	Code Ref.
1128689		511 73	1128817		506 5	1128965		523 41	1132181		525 10
1128692		511 38	1128818		506 25	1128965		530 51	1132183		525 12
1128694		513 11	1128819		506 7	1128965		530 62	1132185		531 4
1128697		513 7	1128820		506 24	1128966		503 354	1132186		503 201
1128698		512 5	1128821		506 23	1128966		523 43	1132191		503 231
1128703		513 15	1128822		506 6	1128966		530 58	1132200		535 11
1128704		513 16	1128823		506 15	1128966		530 61	1132200		535 110
1128705		513 17	1128824		506 1	1128967		503 341	1132204		518 11
1128706		513 4	1128825		506 4	1128967		523 38	1132211		503 41
1128707		512 19	1128826		506 3	1128967		530 49	1132212		508 16
1128710		512 18	1128827		506 10	1128967		530 64	1132212		516 134
1128712		512 17	1128828		506 22	1128968		523 42	1132214		526 84
1128713		512 16	1128828		524 17	1128969		503 356	1132218		526 120
1128714		512 21	1128829		506 8	1128969		523 39	1132218		526 159
1128716		529 38	1128830		504 8	1128969		530 55	1132219		526 68
1128716		530 7	1128830		504 84	1128970		522 44	1132219		526 164
1128719		529 37	1128831		504 83	1128971		522 54	1132220		526 76
1128719		530 8	1128832		504 73	1128975		520 12	1132220		526 117
1128721		529 45	1128833		504 79	1128993		530 27	1132222		526 66
1128721		530 4	1128833		504 78	1128994		530 34	1132222		526 140
1128722		530 3	1128834		504 20	1128995		530 48	1132227		526 108
1128727		530 9	1128837		504 18	1128997		530 47	1132228		526 64
1128730		529 58	1128838		504 19	1128999		504 19	1132230		526 3
1128730		530 15	1128839		506 27	1132000		519 11	1132235		522 3
1128731		530 11	1128844		523 53	1132003		519 7	1132240		503 64
1128732		530 10	1128847		511 34	1132009		524 124	1132241		503 71
1128733		530 13	1128848		506 27	1132012		524 175	1132242		503 77
1128734		530 12	1128849		503 37	1132013		524 173	1132244		508 164
1128736		530 24	1128855		503 27	1132019		525 14	1132252		522 33
1128737		529 49	1128859		516 204	1132021		524 140	1132259		522 25
1128738		529 55	1128862		516 207	1132027		524 132	1132266		522 26
1128738		530 26	1128863		524 63	1132028		501 69	1132276		515 29
1128740		508 24	1128866		503 25	1132028		522 39	1132279		508 166
1128740		530 16	1128868		503 29	1132029		535 40	1132282		515 29
1128741		530 63	1128871		522 28	1132030		517 59	1132286		522 19
1128743		511 66	1128873		503 31	1132042		502 51	1132287		522 73
1128743		519 125	1128874		524 31	1132051		502 43	1132287		501 6
1128743		523 10	1128877		524 28	1132052		526 31	1132508		501 55
1128743		524 42	1128879		524 30	1132055		502 24	1133037		522 25
1128743		524 162	1128880		524 36	1132056		510 8	1133038		522 33
1128744		511 65	1128881		524 62	1132064		518 2	1133312		516 208
1128744		519 104	1128882		524 37	1132064		529 10	1133313		518 19
1128744		520 127	1128883		517 22	1132065		529 15	1133313		518 19
1128744		523 9	1128884		524 67	1132066		529 7	1133313		519 2
1128744		524 50	1128885		524 29	1132067		530 67	1133315		520 3
1128744		524 153	1128889		531 14	1132068		510 28	1133501		522 21
1128745		504 75	1128890		524 21	1132069		511 11	1133502		504 46
1128745		511 61	1128891		516 202	1132074		511 32	1133503		502 48
1128745		519 108	1128892		524 32	1132078		516 54	1133505		510 5
1128745		520 124	1128893		522 30	1132080		511 2	1133506		510 13
1128745		523 6	1128895		503 254	1132084		517 60	1133508		525 28
1128745		524 47	1128896		524 52	1132088		511 13	1133511		515 16
1128745		524 157	1128897		524 38	1132092		524 103	1133517		508 223
1128746		504 80	1128904		531 15	1132092		516 48	1133520		501 62
1128746		511 70	1128905		531 9	1132097		511 24	1133520		524 108
1128746		519 124	1128908		530 30	1132098		518 9	1133527		508 224
1128746		523 11	1128909		530 32	1132098		519 20	1133529		508 205
1128746		524 41	1128910		530 66	1132098		519 33	1133542		502 47
1128746		524 150	1128911		530 19	1132098		519 36	1133548		510 24
1128748		519 101	1128914		530 22	1132100		502 58	1133549		519 15
1128749		519 117	1128915		530 23	1132102		503 213	1133565		502 17
1128749		519 121	1128916		530 46	1132103		516 55	1133566		502 42
1128751		516 229	1128919		530 65	1132107		511 19	1133568		502 45
1128752		516 228	1128924		530 31	1132118		508 160	1133569		502 39
1128753		516 230	1128928		524 19	1132118		508 263	1133574		508 200
1128759		516 227	1128930		530 1	1132122		525 34	1133575		502 53
1128762		516 46	1128931		523 54	1132123		522 74	1133579		503 28
1128763		516 225	1128932		522 68	1132126		535 34	1133583		510 37
1128768		516 41	1128935		522 10	1132127		535 35	1133584		511 17
1128770		516 40	1128938		523 53	1132147		531 6	1133584		516 8
1128785		522 57	1128939		523 53	1132148		508 153	1133586		503 16
1128787		501 112	1128946		523 18	1132149		503 26	1133589		526 30
1128787		516 104	1128947		523 16	1132149		525 41	1133590		526 44
1128788		524 144	1128948		523 17	1132150		503 3	1133593		526 65
1128789		524 158	1128950		523 29	1132154		503 99	1133593		526 106
1128790		524 145	1128952		523 27	1132157		529 14	1133593		526 150
1128794		506 27	1128954		523 25	1132158		520 66	1133594		527 9
1128795		506 11	1128955		523 50	1132161		520 60	1133596		522 14
1128798		506 11	1128959		523 33	1132162		520 62	1133597		524 178
1128803		506 11	1128959		530 53	1132164		520 67	1133598		524 180
1128806		506 12	1128962		523 32	1132164		503 245	1133600		524 104
1128809		506 12	1128962		530 56	1132165		503 244	1133607		525 32
1128812		506 12	1128964		503 358	1132166		520 54	1133608		519 49
1128815		506 18	1128964		523 45	1132173		524 118	1133610		519 12
1128816		506 14	1128964		530 57	1132176		524 122			
			1128965		503 355	1132180					

Part No.	Spare Part	Code Ref.	Part No.	Spare Part	Code Ref.	Part No.	Spare Part	Code Ref.	Part No.	Spare Part	Code Ref.
1133614		503 219	1134829		524 115	1135036		516 244	1135244		534 23
1133615		502 71	1134829		524 177	1135039		522 42	1135248		535 42
1133616		502 127	1134829		525 73	1135043		508 60	1135248		535 112
1133617		502 126	1134829		526 73	1135052		505 16	1135251		535 64
1133618		502 117	1134829		526 113	1135053		529 64	1135252		535 69
1133619		502 122	1134829		526 151	1135055		526 31	1135253		535 66
1133627		502 125	1134831		503 24	1135055		526 43	1135254		535 68
1133628		524 128	1134837		502 74	1135058		504 18	1135255		535 65
1133633		524 131	1134837		502 129	1135061		501 52	1135256		535 67
1133634		503 255	1134837		526 26	1135065		527 1	1135257		535 70
1133637		535 18	1134841		504 33	1135068		534 38	1135259		535 60
1133641		503 270	1134841		508 44	1135076		504 5	1135260		535 60
1133647		502 107	1134842		504 4	1135079		504 14	1135261		535 63
1133649		503 236	1134842		508 244	1135082		525 18	1135263		526 15
1133649		501 120	1134843		504 22	1135083		525 6	1135270		529 50
1133649		503 220	1134843		508 41	1135084		510 51	1135282		533 60
1133654		503 241	1134848		517 47	1135084		525 20	1135283		506 27
1133655		526 20	1134850		517 49	1135086		534 23	1135285		533 60
1133655		526 147	1134851		517 48	1135089		524 24	1135286		506 27
1133658		508 212	1134852		517 66	1135091		508 224	1135292		527 42
1133659		508 202	1134853		502 126	1135093		515 2	1135294		533 11
1133660		508 152	1134854		535 17	1135096		503 27	1135295		534 24
1133661		525 37	1134857		534 16	1135097		503 2	1135296		502 130
1133661		525 52	1134865		517 31	1135098		504 3	1135298		534 26
1133662		502 46	1134867		503 73	1135099		504 17	1135299		535 62
1133663		520 41	1134877		502 79	1135100		533 52	1135302		523 54
1133667		520 26	1134878		502 14	1135102		535 51	1135303		523 50
1133668		502 100	1134879		502 79	1135103		535 51	1135304		522 84
1133668		520 28	1134884		515 15	1135104		535 50	1135306		511 34
1133669		502 52	1134884		516 212	1135106		535 50	1135307		511 73
1133670		503 21	1134884		519 52	1135107		535 50	1135308		511 34
1133671		517 64	1134884		520 40	1135117		535 10	1135309		511 73
1133672		522 34	1134887		503 96	1135118		535 8	1135311		510 58
1133679		503 238	1134888		510 56	1135121		534 9	1135312		516 233
1133681		519 4	1134888		525 21	1135124		503 42	1135314		515 21
1133682		503 237	1134892		503 250	1135125		503 54	1135315		516 238
1133683		503 242	1134893		503 251	1135127		503 49	1135320		522 86
1133685		522 28	1134894		503 252	1135128		503 56	1135323		527 41
1133686		518 17	1134895		503 253	1135129		503 51	1135324		527 42
1133687		517 65	1134948		511 46	1135130		503 45	1135325		527 37
1133713		501 121	1134948		518 14	1135130		503 50	1135327		527 42
1133807		520 3	1134948		519 52	1135130		524 9	1135328		527 37
1133807		525 42	1134948		520 40	1135134		507 12	1135330		527 42
1133808		516 106	1134950		516 107	1135134		512 26	1135331		527 37
1133809		516 208	1134951		516 156	1135134		523 34	1135333		527 42
1133810		522 26	1134952		516 109	1135134		530 52	1135334		527 37
1133810		522 26	1134953		516 138	1135135		507 11	1135337		527 28
1133811		518 19	1134954		526 23	1135136		507 25	1135338		527 39
1133811		518 19	1134954		526 101	1135137		534 22	1135340		516 237
1134708		517 27	1134954		526 172	1135144		534 23	1135343		516 247
1134709		517 70	1134956		520 22	1135150		525 39	1135344		535 35
1134710		517 68	1134957		519 43	1135163		531 12	1135346		531 9
1134711		516 220	1134958		516 121	1135164		531 13	1135347		531 15
1134712		511 25	1134959		516 121	1135167		520 10	1135353		533 60
1134741		501 43	1134960		516 147	1135168		503 16	1135354		533 60
1134765		508 222	1134961		516 130	1135169		512 31	1135356		504 11
1134767		503 76	1134961		516 149	1135173		511 38	1135363		535 41
1134768		503 22	1134962		516 150	1135175		504 95	1135363		535 114
1134773		526 70	1134963		516 150	1135177		504 96	1135366		535 51
1134773		526 121	1134964		502 27	1135177		504 105	1135367		535 51
1134773		526 160	1134966		502 42	1135178		504 97	1135371		535 50
1134784		503 4	1134973		502 57	1135179		504 100	1135374		534 22
1134785		508 207	1134977		517 67	1135180		504 106	1135376		534 23
1134803		508 32	1134980		503 203	1135183		524 145	1135377		527 1
1134810		502 10	1134981		503 202	1135192		527 30	1135380		535 162
1134811		502 36	1134986		503 211	1135193		512 1	1135381		526 35
1134812		503 66	1134987		503 200	1135194		527 42	1135381		535 163
1134813		503 67	1134990		503 205	1135195		516 58	1135403		504 78
1134816		502 10	1134991		503 227	1135204		516 42	1135404		504 8
1134817		502 36	1134992		503 227	1135211		511 56	1135404		504 84
1134818		501 40	1134997		511 30	1135212		520 81	1135405		511 34
1134820		503 214	1135001		520 84	1135214		530 68	1135408		511 55
1134821		503 215	1135002		520 80	1135216		533 60	1135421		508 224
1134822		501 50	1135007		524 32	1135217		506 27	1135422		508 224
1134823		531 14	1135011		502 167	1135218		506 31	1135424		524 148
1134824		517 61	1135012		508 224	1135221		535 51	1135424		524 166
1134825		501 57	1135014		501 65	1135222		535 51	1135425		523 1
1134826		501 59	1135016		512 36	1135226		535 50	1135430		513 18
1134827		501 52	1135018		523 55	1135229		517 31	1135431		513 13
1134828		501 10	1135019		533 54	1135233		510 49	1135432		535 48
1134829		501 72	1135022		512 35	1135234		524 72	1135433		535 48
1134829		516 13	1135028		502 118	1135235		524 22	1135448		535 61
1134829		516 113	1135029		502 123	1135237		513 2	1135449		511 55
1134829		522 7	1135031		502 86	1135240		508 224	1135452		535 50
1134829		524 105	1135032		508 224	1135241		516 247	1135455		535 50

NUMERICAL INDEX

Part No.	Spare Part	Code Ref.
1135456		520 20
1135459		535 10
1135462		535 28
1135466		504 77
1135466		511 69
1135466		519 123
1135466		520 89
1135466		520 126
1135466		523 8
1135466		524 40
1135466		524 156
1135467		504 74
1135467		511 60
1135467		519 126
1135467		520 123
1135467		523 5
1135467		523 8
1135474		504 80
1135474		511 70
1135474		520 90
1135476		504 75
1135476		511 61
1135479		520 93
1135482		511 65
1135487		513 15
1135488		513 16
1135489		513 9
1135490		513 11
1135491		535 45
1135491		535 132
1135493		503 97
1135494		508 5
1135495		503 207
1135496		524 7
1135497		524 2
1135498		524 11
1135505		524 3
1135506		524 56
1135507		524 57
1135508		524 55
1135510		525 28
1135511		524 60
1135513		506 30
1135570		527 1
1135573		506 28
1135575		507 26
1135576		504 39
1135583		504 15
1135583		504 43
1135584		524 1
1135590		508 35
1135591		508 14
1135593		516 27
1135593		530 42
1135594		535 14
1135597		535 70
1135598		535 66
1135599		535 60
1135604		522 31
1135605		503 103
1135617		516 214
1135619		504 41
1135639		522 64
1135643		530 70
1135676		519 41
1135677		519 45
1135696		523 53
1135704		511 55
1135713		524 5
1135714		524 116
1135739		535 152
1135740		535 152
1135751		527 37
1135753		527 37
1135754		527 42
1135755		527 42
1135756		527 42
1135757		527 42
1135758		527 42
1135759		527 42
1135760		527 42
1135761		527 42
1135762		527 42
1135763		527 42
1135764		527 42

Part No.	Spare Part	Code Ref.
1135765		527 42
1135766		527 42
1135767		527 42
1135768		527 42
1135780		526 123
1135780		527 21
1135787		533 60
1135788		506 27
1135826		502 98
1135977		524 209
1135978		524 205
1135979		524 206
1135990		524 212
1135991		524 201
1135993		524 204
1135995		504 38
1138090		516 121
1138110		519 40
1138116		510 18
1138118		526 62
1138118		526 109
1138118		526 144
1138143		526 22
1138143		526 74
1138143		526 100
1138143		526 142
1138149		526 47
1138353		508 196
1138353		508 203
1138358		527 8
1138360		527 3
1138361		527 3
1138363		527 6
1138368		503 79
1138369		503 70
1138380		535 34
1138381		535 35
1138383		535 19
1138383		535 166
1138384		503 61
1138384		524 69
1138390		503 40
1138391		503 39
1138392		504 37
1138393		504 36
1138398		504 40
1138402		516 123
1138452		515 7
1138454		511 27
1138454		517 11
1138455		522 5
1138462		502 85
1138463		519 14
1138463		522 60
1138464		524 64
1138464		535 29
1138465		511 18
1138469		517 71
1138483		524 129
1138499		516 59
1138539		504 7
1138795		515 15
1138796		526 126
1138796		530 12
1138799		518 11
1138800		518 11
1138801		516 53
1138801		516 64
1138802		516 47
1138804		517 10
1138805		511 43
1138805		517 7
1138810		503 12
1138843		508 173
1138845		508 36
1138846		508 15
1138848		508 15
1138849		508 49
1138900		503 247
1141030		522 50
1141050		535 21
1141050		535 170
1141051		535 37
1141051		535 164
1141052		535 15

Part No.	Spare Part	Code Ref.
1141052		535 169
1141060		535 36
1141062		517 33
1141071		517 2
1141071		517 4
1141073		515 42
1141073		515 50
1141075		502 54
1141077		501 41
1141080		516 119
1141081		516 119
1141084		502 57
1141086		504 48
1141092		535 1
1141097		504 25
1141097		508 3
1141097		508 8
1141103		517 14
1141105		517 19
1141106		517 16
1141116		520 3
1141117		524 125
1141120		526 24
1141129		503 84
1141134		510 4
1141135		529 1
1141136		534 8
1141136		535 130
1141137		534 1
1141138		534 2
1141139		534 4
1141141		511 26
1141146		516 108
1141149		508 48
1141149		529 27
1141151		508 52
1141157		503 228
1141158		508 26
1141159		508 25
1141160		508 27
1141162		511 35
1141165		529 64
1141168		503 228
1141172		519 10
1141172		519 132
1141173		519 131
1141175		508 189
1141175		525 31
1141176		508 191
1141177		535 47
1141177		535 146
1141180		503 9
1141181		503 10
1141182		508 194
1141184		526 39
1141189		508 217
1141194		511 14
1141195		511 13
1141199		508 221
1141200		508 24
1141200		530 16
1141208		511 18
1141209		508 28
1141210		516 136
1141212		515 29
1141215		522 49
1141220		515 29
1141223		515 33
1141223		516 137
1141223		516 223
1141223		525 72
1141226		531 14
1141227		525 65
1141228		519 57
1141228		525 68
1141229		525 66
1141230		519 54
1141230		525 70
1141231		519 54
1141231		525 70
1141232		525 66
1141233		510 1
1141235		508 184
1141238		508 158
1141245		519 133

Part No.	Spare Part	Code Ref.
1141266		503 246
1141267		503 246
1141269		522 2
1141270		516 125
1141277		526 146
1141282		526 162
1141284		526 163
1141285		526 169
1141286		526 173
1141287		526 146
1141288		526 163
1141290		519 135
1141298		526 154
1141298		526 167
1141300		516 10
1141303		529 65
1141304		529 48
1141323		508 183
1141325		501 40
1141327		501 40
1141328		501 40
1141371		508 195
1141374		503 106
1141375		503 107
1141376		503 105
1141377		503 108
1141378		503 104
1141379		503 102
1141382		503 110
1141383		503 109
1141416		501 52
1141458		508 34
1141474		525 32
1141503		501 71
1141504		501 44
1141508		508 21
1141520		535 145
1141532		515 23
1141536		518 1
1141546		522 1
1141554		501 111
1141558		520 10
1141559		520 21
1141561		520 12
1141565		527 9
1141586		526 20
1141586		526 147
1141619		508 64
1141624		508 75
1141625		508 258
1141626		508 62
1141627		508 69
1141629		508 70
1141630		508 65
1141632		508 265
1141635		535 169
1141636		508 83
1141637		508 85
1141639		515 23
1141640		508 5
1141642		503 310
1141643		503 312
1141645		503 312
1141645		535 163
1141646		503 12
1141646		503 307
1141647		503 335
1141648		522 19
1141649		503 310
1141649		535 162
1141650		503 333
1141651		503 116
1141651		503 322
1141652		503 329
1141655		503 316
1141663		503 11
1141663		503 309
1141663		503 314
1141666		503 301
1141678		516 5
1141749		508 18
1141757		508 259
1141759		508 260
1141761		503 311
1141763		503 313



Part No.	Spare Part	Code Ref.
1141763		508 84
1141765		503 313
1141765		508 84
1141767		520 12
1141770		508 80
1141771		503 324
1141772		508 81
1141775		508 78
1141780		503 327
1141782		503 318
1141787		508 224
1141800		529 71
1141801		529 70
1141805		503 321
1141809		526 123
1141810		526 123
1141828		519 21
1141833		526 81
1141834		524 108
1141835		503 337
1141836		503 339
1141853		522 90
1141878		529 72
1141889		529 72
1141890		503 113
1141890		503 326
1141894		503 112
1141894		503 305
1141895		503 114
1141923		501 46
1141926		502 59
1141928		515 22
1141928		526 125
1141934		508 254
1141935		508 255
1141936		516 17
1141977		527 42
1141979		516 28
1142245		524 211
1142377		523 60
1143470		523 53
1143616		511 78
1144338		518 25
1144636		511 74
1144637		511 34
1144638		511 73
1144666		502 60
1144751		516 150
1144752		516 122
1144754		515 29
1144755		516 247
1144756		510 44
1144759		510 47
1144760		525 64
1144762		519 31
1144764		516 1
1144767		515 44
1144781		508 35
1144782		508 15
1144783		508 42
1144784		510 43
1144785		515 27
1144786		515 27
1144787		510 22
1144789		524 223
1144790		522 68
1144790		522 86
1144795		522 19
1144796		502 79
1144797		502 126
1144798		508 5
1144804		508 60
1144819		506 27
1144820		506 8
1144821		516 9
1144824		515 48
1144832		518 4
1144834		518 3
1144836		518 3
1144840		504 63
1144845		504 59
1144847		516 159
1144848		516 157
1144849		519 24
1144849		519 49

Part No.	Spare Part	Code Ref.
1144851		524 224
1144852		519 29
1144853		516 22
1144856		508 24
1144859		519 100
1144861		504 8
1144861		504 84
1144862		504 83
1144863		516 10
1144864		516 3
1144867		502 166
1144869		502 10
1144871		502 36
1144872		503 64
1144873		503 129
1144878		516 65
1144880		522 87
1144885		516 70
1144886		516 67
1144887		516 68
1144888		516 69
1144890		516 284
1144891		516 271
1144891		516 278
1144891		516 285
1144892		516 269
1144893		516 277
1144894		516 272
1144895		516 280
1144904		501 122
1144905		501 128
1144906		516 146
1144907		516 144
1144909		504 56
1144911		519 27
1144912		508 224
1144915		510 33
1144918		524 222
1144919		508 11
1144920		511 38
1144921		525 76
1144923		524 214
1144927		535 37
1144928		515 30
1144928		516 256
1144929		512 15
1144930		501 127
1144932		503 132
1144933		524 28
1144934		535 35
1144937		515 46
1144937		519 7
1144937		519 70
1144939		502 54
1144940		501 60
1144968		516 35
1144979		522 52
1144989		516 37
1145356		511 55
1145359		516 4
1145360		531 7
1145361		504 58
1145362		501 125
1145363		517 31
1145364		517 75
1145384		503 136
1145384		504 5
1145385		524 217
1145387		502 10
1145388		523 54
1145390		510 53
1145391		510 49
1145395		508 61
1145396		508 61
1145408		516 216
1145409		516 215
1145410		515 23
1145422		516 154
1145423		516 141
1145424		516 24
1145438		516 273
1145442		516 267
1145443		516 276
1145446		525 63
1145451		522 100

Part No.	Spare Part	Code Ref.
1145453		511 34
1145468		511 76
1145475		512 36
1145476		507 26
1145478		517 8
1145479		516 2
1145479		519 30
1145491		511 57
1145516		516 57
1159004		530 11
1159007		530 46
1159008		530 23
1159009		530 10
1159010		530 22
1159014		530 1
1159015		530 28
1159016		530 19
1159017		530 47
1159020		530 48
1159021		530 59
1159023		530 63
1159024		530 68
1159026		530 1
1159027		530 23
1159028		530 59
1159045		516 245
1159052		524 229
1159053		524 233
1159077		533 14
1159083		524 212
1159097		504 24
1159097		508 43
1159109		522 38
1159119		524 203
1159125		511 4
1159126		511 8
1159129		524 114
1159132		501 45
1159135		501 46
1159149		525 6
1159155		505 24
1159157		502 135
1159171		503 121
1159173		503 126
1159182		503 125
1159185		503 124
1159193		520 4
1159194		516 253
1159198		516 250
1159199		516 250
1159201		516 62
1159202		516 218
1159203		516 257
1159204		516 252
1159205		516 249
1159206		516 264
1159207		516 259
1159208		516 258
1159209		516 260
1159210		516 260
1159211		501 119
1159212		501 48
1159234		516 264
1159239		524 183
1159240		511 84
1159241		524 181
1159244		511 83
1159246		511 85
1159267		510 5
1159268		510 13
1159269		510 9
1159286		519 20
1159286		519 138
1159301		511 90
1159306		511 87
1159307		511 86
1159308		511 93
1159312		511 56
1159341		502 167
1159346		502 108
1159350		508 42
1159352		525 6
1159356		533 60
1159357		506 27
1159358		533 12

Part No.	Spare Part	Code Ref.
1159362		519 4
1159363		524 204
1159409		522 74
1159430		529 37
1159430		530 8
1159443		524 184
1159498		511 34
1159499		511 34
1159506		523 14
1159507		529 58
1159507		530 15
1159508		508 49
1159514		533 60
1159515		533 60
1159516		533 11
1159536		511 81
1159537		501 48
1159542		523 1
1159549		527 5
1159553		535 138
1159554		535 138
1159556		535 131
1159557		535 131
1159558		519 117
1159560		535 126
1159561		535 135
1159562		535 122
1159565		535 116
1159567		535 115
1159568		535 160
1159569		535 159
1159570		535 158
1159571		535 160
1159572		535 159
1159573		535 158
1159577		535 155
1159578		535 155
1159579		535 101
1159579		535 156
1159580		535 156
1159581		535 156
1159582		535 156
1159584		535 127
1159585		535 127
1159586		535 127
1159587		535 123
1159588		535 123
1159589		519 101
1159593		535 151
1159594		535 139
1159595		535 140
1159596		535 140
1159597		535 147
1159598		535 147
1159599		535 107
1159624		535 103
1159625		535 100
1159626		535 113
1159627		535 111
1159628		535 107
1159629		535 103
1159630		535 100
1159631		535 103
1159632		535 108
1159633		535 124
1159634		535 124
1159635		535 104
1159638		535 160
1159639		535 159
1159643		535 101
1159646		535 101
1159647		535 101
1159662		503 114
1159716		512 8
1159721		523 53
1159741		501 40
1159751		535 154
1159752		535 157
1159753		535 101
1159754		535 154
1159755		535 157
1159756		535 101
1159757		535 157
1159758		535 154
1159759		535 101

Numerical Index

Part No.	Spare Part	Code	Ref.	Part No.	Spare Part	Code	Ref.	Part No.	Spare Part	Code	Ref.	Part No.	Spare Part	Code	Ref.
1159760		535	154	1262790		513	28								
1159761		535	157	1263006		501	4								
1159762		535	101	1266171		516	136								
1159843		510	60	1266687		508	201								
1159844		510	62	1266830		504	49								
1159878		510	57	1266831		504	49								
1159891		503	349	1266832		510	50								
1159893		503	347	1266833		510	50								
1159895		522	10	1266879		517	13								
1159896		503	348	1266892		524	24								
1159898		502	139	1266893		523	45								
1159905		508	60	1266893		530	57								
1159908		508	60	1266894		507	12								
1160777		503	344	1266894		512	26								
1164027		515	52	1266894		523	34								
1164027		516	124	1266894		530	52								
1164027		516	219	1266895		512	35								
1164027		516	221	1266897		507	25								
1164027		516	263	1271548		526	103								
1164039		508	240	1271549		526	103								
1164039		508	240	1271552		517	52								
1164041		508	205	1271741		526	38								
1164044		508	250	1271973		516	72								
1164045		502	117	1272005		530	71								
1164047		502	126	1272006		530	71								
1164048		502	117	1272007		530	71								
1164048		502	126	1272008		530	71								
1164086		517	76	1272045		501	73								
1164089		502	71	1272062		533	13								
1164089		502	127	1272076		527	50								
1164099		508	235	1272078		527	50								
1164100		535	149	1272121		524	239								
1164105		519	140	1272122		524	239								
1164127		520	30	1272132		503	139								
1164127		520	37	1272176		508	256								
1164127		520	58	1272185		515	53								
1164151		508	210	1272187		516	291								
1164158		508	233	1272188		516	291								
1164171		519	63	1272189		516	291								
1164218		508	79	1272250		510	50								
1164220		529	75	1272437		4535	173								
1164236		529	83	1272458		501	135								
1164237		529	74	1272460		4535	173								
1164239		516	153	1272466		515	41								
1164239		529	85	1272530		527	12								
1164240		508	48	1276137		515	53								
1164240		529	79	1276145		516	296								
1164241		529	73	1280081		516	71								
1164254		508	60	1280119		508	241								
1164285		508	199	1280358		530	66								
1164290		508	66	1280493		508	253								
1164308		501	52	2101794		525	27								
1164309		501	52	2106517		524	230								
1164310		508	234	2108398		533	61								
1164314		502	10	2114985		508	72								
1164316		502	-10	2114985		508	182								
1164342		516	9	2114985		516	281								
1164380		526	42	2122258		533	10								
1164381		526	1	2122259		533	2								
1164433		524	174	2122260		533	10								
1164435		529	84	2122261		533	2								
1164462		527	5	2122471		533	12								
1164463		527	5	2122472		533	13								
1164476		527	7	2122628		533	3								
1164548		508	163	2122734		533	6								
1164550		508	242	2122735		533	4								
1164555		529	82	2122735		533	46								
1164563		508	206	2123029		533	5								
1164600		529	64	2123029		533	45								
1164799		519	134	2127859		533	1								
1166033		535	143												
1166034		535	150												
1260156		501	19												
1261967		524	151												
1262776		523	15												
1262777		523	15												
1262778		523	20												
1262779		523	20												
1262780		523	14												
1262789		530	33												