

BLOCK DIAGRAM PM DG/8

OMNIBUS IS A REGISTERED TRADEMARK OF D.E.C.

The information hereon is the property of PLESSEY MEMORIES INCORPORATED. Transmittal, receipt, or possession of the information does not comply, license, or imply any rights to use, sell, or manufacture from this information and no reproduction or publication of it, in whole or part, shall be made without written authorization from PLESSEY MEMORIES, INC.

SIZE	CODE IDENT NO.	DWG NO.
A	52648	MA 700655
SCALE	REV	SHEET 3

The information herein is the property of PLESSEY MEMORIES, INC. and is to be used only for the production of the information herein. No part of this information may be reproduced or transmitted in any form or by any means, electronic, mechanical, photocopying, recording, or by any information storage and retrieval system, without the prior written permission of PLESSEY MEMORIES, INC.

LAST DESIGNATION USED	
RESISTOR	R24
CAPACITOR	C45
INTEGRATED CIRCUIT	U55
RESISTOR MODULE	RU4
CRYSTAL	Y1

REF DES	GATES USED PER TOTAL	PART NO.
J7	4/5	74HO4
U35	5/5	74O4
U36	3/6	74O4
U42	3/4	746220-380
U44	1/2	75452
U51	1/2	74H75

SIDE 2		SIDE 1	
A	+5V	A	5V
B	GND	B	GND
C	GND	C	GND
D	GND	D	GND
E	GND	E	GND
F	GND	F	GND
G	GND	G	GND
H	GND	H	GND
I	GND	I	GND
J	GND	J	GND
K	GND	K	GND
L	GND	L	GND
M	GND	M	GND
N	GND	N	GND
P	GND	P	GND
Q	GND	Q	GND
R	GND	R	GND
S	GND	S	GND
T	GND	T	GND
U	GND	U	GND
V	GND	V	GND
W	GND	W	GND
X	GND	X	GND
Y	GND	Y	GND
Z	GND	Z	GND

SIDE 2		SIDE 1	
A	+5V	A	5V
B	GND	B	GND
C	GND	C	GND
D	GND	D	GND
E	GND	E	GND
F	GND	F	GND
G	GND	G	GND
H	GND	H	GND
I	GND	I	GND
J	GND	J	GND
K	GND	K	GND
L	GND	L	GND
M	GND	M	GND
N	GND	N	GND
P	GND	P	GND
Q	GND	Q	GND
R	GND	R	GND
S	GND	S	GND
T	GND	T	GND
U	GND	U	GND
V	GND	V	GND
W	GND	W	GND
X	GND	X	GND
Y	GND	Y	GND
Z	GND	Z	GND

SIDE 2		SIDE 1	
A	DISC SEEK FAIL L	A	1/2 BIT OK H
B	DISC ADD 64 L	B	DISC FILE RDY L
C	DISC ADD 16 L	C	DISC CAPACITY EX L
D	DISC DRIVE 0 L	D	DISC WRT STATUS L
E	DISC ADD 128 L	E	ERROR CLR L
F	STROBE (1) H	F	SECTOR SEEK (0) H
G	DISC ADD 4 L	G	BTP2 H
H	CLR ALL L	H	SHIFT WRT BUFF L
I	DISC ADD 32 L	I	BRK ENAB CLK H
J	DISC ADD 2 L	J	B LAST BRK H
K	DISC ADD 0 H	K	BTP3 OK H
L	DISC RDY S/R/W L	L	LAST BRK (1) H
M	LD DISC ADDRES H	M	MAIN (0) H
N	DISC 16 (1) H	N	IDLE (0) H
P	DISC 7 H	P	RD SHIFT DB L
Q	DISC 4 H	Q	HI MAIN SHIFT L
R	DISC 2 H	R	BRK IN CLK H
S	DISC 0 H	S	WRT CMD L
T	FUNCTION 02 H	T	
U	FUNCTION 00 H	U	
V	FUNCTION 01 H	V	

SIDE 2		SIDE 1	
21	DISC ADD 1 L	21	DISC ADD 1 L
22	GND	22	GND
23	DISC CAPACITY EX L	23	DISC DRIVE 0 L
24	GND	24	GND
25	DISC SEEK FAIL L	25	DISC ADD 32 L
26	GND	26	GND
27	DISC AKNOWLEDGE L	27	DISC RDY S/R/W L
28	GND	28	GND
29	DISC SEC 2 L	29	DISC ADD 128 L
30	GND	30	GND
31	DISC DRIVE 3 L	31	DISC WRT CLK INT AT L
32	GND	32	GND
33	DISC RESTORE L	33	DISC ADD 16 L
34	GND	34	GND
35	DISC DRIVE 2 L	35	DISC ADD 64 L
36	GND	36	GND
37	DISC ADD 4 L	37	DISC ADD 2 L
38	GND	38	GND
39	DISC DRIVE 1 L	39	DISC ADD 8 L
40	GND	40	GND

SIDE 2		SIDE 1	
21	GND	21	GND
22	DISC INDEX MK L	22	DISC INDEX MK L
23	GND	23	GND
24	DISC DATA IN L	24	DISC WRT-ERASE GATE L
25	GND	25	GND
26	DISC RD CLK L	26	DISC SEC 1 L
27	GND	27	GND
28	DISC WRT PROT L	28	DISC SEC 4 L
29	GND	29	GND
30	DISC READ L	30	GND
31	GND	31	GND
32	DISC SEC 8 L	32	DISC SEC 8 L
33	GND	33	GND
34	DISC WRT STATUS L	34	GND
35	GND	35	GND
36	DISC SECTOR MK L	36	DISC STROBE L
37	GND	37	GND
38	DISC FILE RDY L	38	POWER OK H
39	GND	39	GND
40	DISC HEAD SEL L	40	GND

- COMPONENTS ARE LAB SET. TO BE SET PER TEST SPEC T5700643.
- ALL CAPACITORS ARE IN MICROFARADS.
- \* INDICATES SIGNAL NOT USED ON THIS PARTICULAR BOARD.
- DESIGNATIONS SHOWN IN PARENTHESIS (2/A1) INDICATES WHERE SIGNAL ORIGINATES OR TERMINATES.
  - 2/A1
  - OR TERMINATES
  - 2/A1
  - OR TERMINATES
  - 2/A1
  - OR TERMINATES
- SIGNALS SHOWN IN RECTANGLE [AA] ARE I/O CONNECTIONS BOARD SIDE
  - AA
  - BOARD SIDE
  - AA
  - BOARD SIDE
  - AA
  - BOARD SIDE
- FOR ASSEMBLY SEE DWG. 700643.
  - 1. ALL RESISTORS ARE IN OHMS, ±5%, 1/4W.
  - 2. UNLESS OTHERWISE SPECIFIED.

**PRODUCTION RELEASE**

CONTRACT NO.	DRAWN KEAVANIS	DATE 1-15-76	APPROVED
	ENGR. <i>[Signature]</i>	DATE 5-13-76	
	PROJ. ENGR. <i>[Signature]</i>	DATE 6-1-76	
	PROD. DESIGN <i>[Signature]</i>	DATE 8-2-76	
	OTHER		
	APPROVALS		

Plessey Memories Incorporated  
Bucks Ave., Chesham

DWG TITLE  
**SCHEMATIC DIAGRAM  
CONTROL PM-DC/8**

DWG NO. **D 52648** SD700643

SCALE: 1 REV 8 C SHEET 1 OF 9

SEE SHEET 1

REVISIONS

ZONE/LTR	DESCRIPTION	DATE	APPROVED
	SEE SHEET 1		

SD700643

SD700643

B LAST BK H (5/A6)

SECTOR ADDRS (0)H (5/A6)

DATA ENABLE (0)H (5/D7)

B DATA 11 H (5/D7)

DATA STATE (0)H (3/A6, 4/A8)

B DATA 10 H (5/D7)

HI MAIN SHFT L (3/B1) B WRT CLK L

B DATA 9 H (5/D7)

FUNCTION 00 H (4/B8)

B DATA 8 H (5/D7)

FUNCTION 01 H (4/B8)

B DATA 7 H (5/D7)

FUNCTION 02 H (4/B8)

B DATA 6 H (5/D7)

BTP 3 OK H (5/C5)

B DATA 5 H (5/D7)

BTP 2 H (5/C5)

B DATA 4 H (5/D7)

WRT LOCK OUT L (4/B8)

B DATA 3 H (5/D7)

SK/CHK/RD L (4/D4)

B DATA 2 H (5/D7)

SK/WRT L (3/B8, 4/B8)

B DATA 1 H (5/D7)

CLR ALL L (4/B8)

B DATA 0 H (5/D7)

STATE ENAB B H (5/D8)

B DATA 0 H (5/D7)

CLR CNTRS H

B DATA 0 H (5/D7)

128TH WORD H (2/B2)

B DATA 0 H (5/D7)

12TH CARRY L

B DATA 0 H (5/D7)

12 BIT OK H (3/C1)

B DATA 0 H (5/D7)

LAST WORD PL H (4/A6)

B DATA 0 H (5/D7)

LAST WORD PL L

B DATA 0 H (5/D7)

128TH WORD H (2/C5)

B DATA 0 H (5/D7)

CLR CNTRS L

B DATA 0 H (5/D7)

16TH BIT H (4/B8)

B DATA 0 H (5/D7)

16TH BIT L (4/A8)

B DATA 0 H (5/D7)

16TH CARRY H \*

B DATA 0 H (5/D7)

LD DISC ADDRS H (4/C8)

B DATA 0 H (5/D7)

SHFT SURF/SEC H

B DATA 0 H (5/D7)

CLR SECTOR AD L

B DATA 0 H (5/D7)

SIZE CODE PART NO. DWG. NO.

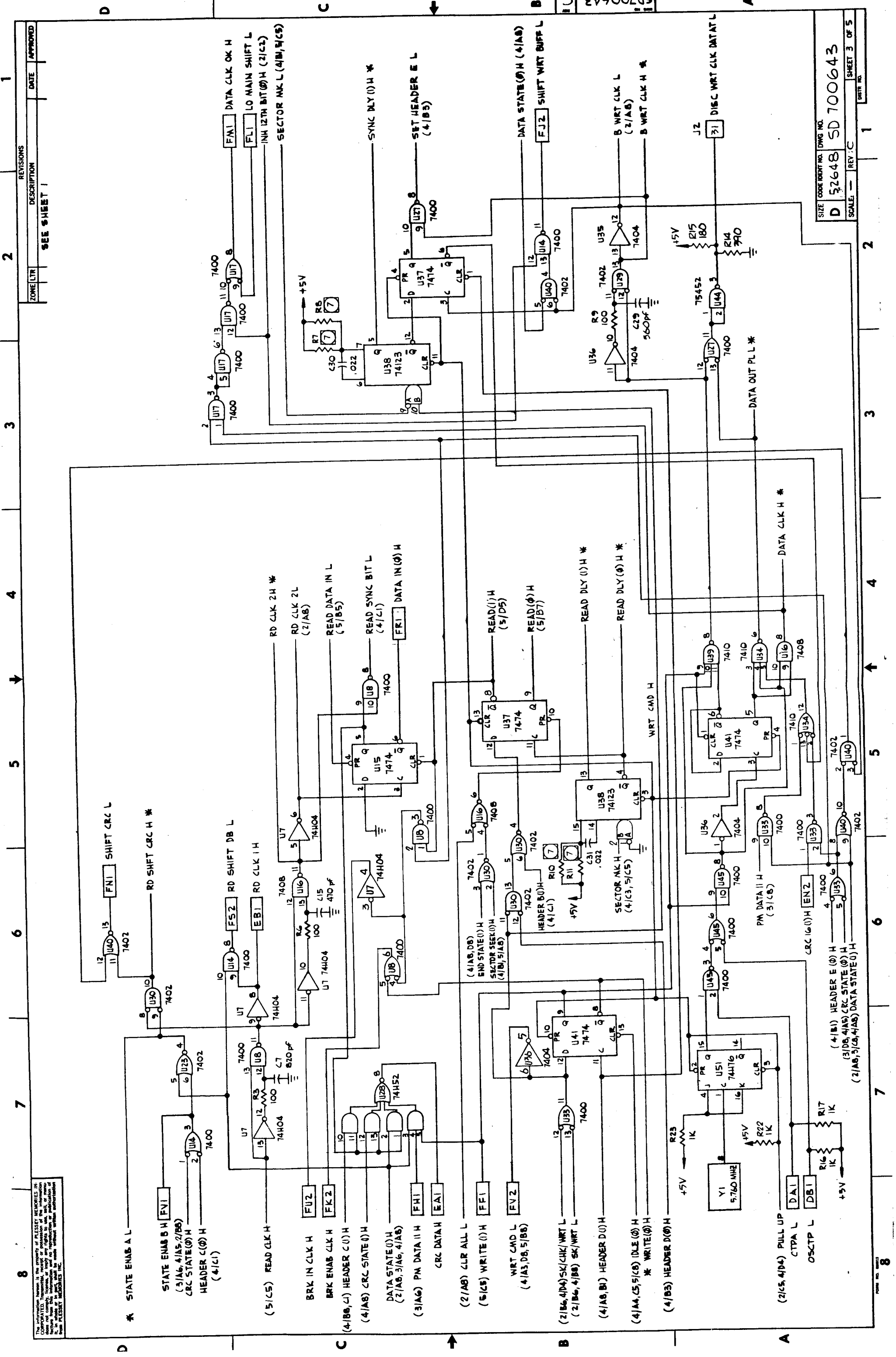
D 52648 SD 700643

SCALE: 1:1 REV: C

SHEET 2 OF 5

DATE

APPROVED



8  
7  
6  
5  
4  
3  
2  
1

ZONE	REVISIONS	DESCRIPTION	DATE	APPROVED
		SEE SHEET 1		

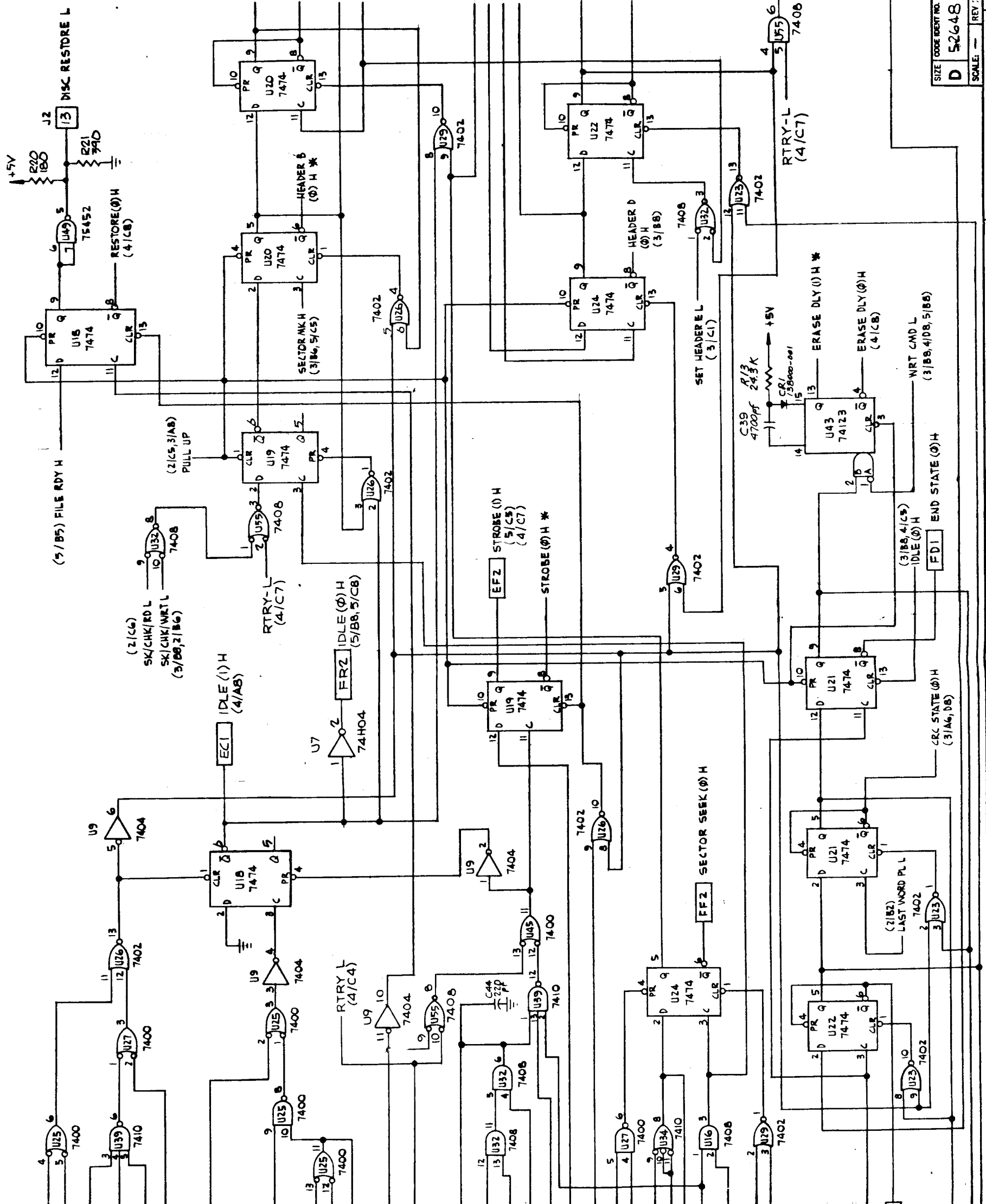
SD700643  
D 52648 SD 700643  
SCALE: REV: C  
SHEET 3 OF 5

The information herein is the property of PLESSEY MEMORIES, INC. and is not to be distributed, copied, reproduced, or otherwise used in any manner without the written permission of PLESSEY MEMORIES, INC.

REVISIONS

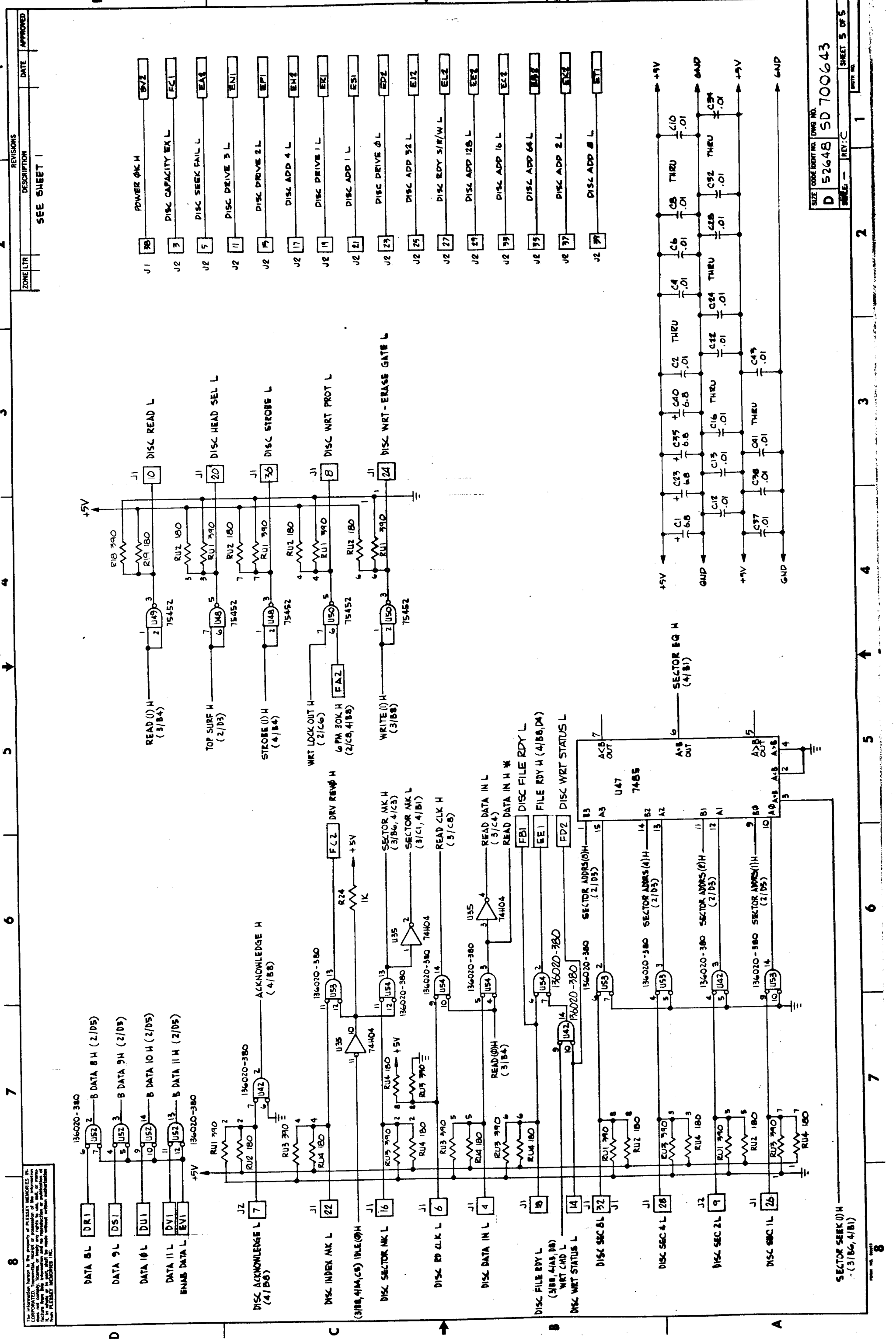
ZONE/LTR	DESCRIPTION	DATE	APPROVED
	SEE SHEET 1		

**ERROR CLR L (2/AB) CLR ALL L (3/BB,4/AB,5/BB) WRT CMD L (3/BA,4/AB) END STATE (1)H (3/BA,4/AB) SET IDLE PLL (FK1) ERASE DLY (0)H (4/AB) STROBE (1)H (4/BA) SEEK L (2/C6) RESTORE (0)H (4/DA) \* SEEK ONLY H CLR DRV CMD L (FB2) (FT1) LD DISC ADDR H (EM2) (2/CB,5/CS) 6 PM 30K H (2/CB,5/CS) WRT LOCK OUT L (2/C6) BTP 3 H (FJ1) MAIN (0)H (FP2) FILE RDY H (5/BS) ACKNOWLEDGE H (5/CA) 16TH BIT H (2/A2) HEADER C (1)H (3/CA,4/CI) SK/ RD L (2/B6) SK/ WRT L (2/B6,3/BB) \* NOT CLK HEADER CMD RDY S/R/W H (ED1) DISC ACKNOWLEDGE L (5/CB) IDLE (1)H (4/CS) HEADER D (1)H (3/BB,4/BI) DATA STATE (0)H (2/AZ) 16TH BIT L (3/BI) DATA STATE (1)H (3/CA) CRC STATE (1)H (3/A6,3/BA) END STATE (1)H (3/BA,3/CA) DATA STATE (1)H (2/AB,3/CB,AG)**



SIZE	CODE IDENT NO.	DWG NO.
D	52648	SD 700643
SCALE:	—	REV: C
SHEET 4	OF 5	

The information herein is the property of FUJITSU MICROELECTRONICS CORPORATION. Transmitted, copied or otherwise used in any form or by any means without the prior written permission of FUJITSU MICROELECTRONICS CORPORATION is prohibited.



ZONE	UTR	REVISIONS	DESCRIPTION	DATE	APPROVED
			SEE SHEET 1		

SIZE	CODE	REV. NO.	DWG. NO.
D	5264B	SD 700643	
SCALE	REV. C		
		1	

This information is the property of PRESSEY MEMORIES INC. and is to be kept in confidence. No part of this information may be reproduced or published in any form without written authorization.

LAST DESIGNATION USED	
RESISTOR	R34
CAPACITOR	C31
INTERCONNECT CIRCUIT	U65

DESIGNATIONS NOT USED	
RESISTOR	R18
CAPACITOR	C28
INTEGRATED CIRCUIT	U28, 39

REF DES	CATEGORIES PER TOTAL	PART NO.
U3	1/2	380
U29	1/2	7408
U37	3/4	7432
U42	3/4	7402
U43	5/6	74404
U47	3/4	7402
U48	3/4	7402
U53	3/4	7408
U55	1/2	7400
U62	3/4	7437

3. SIGNALS SHOWN IN RECTANGLE ARE I/O CONNECTIONS BOARD SIDE
- PIU DESIGNATION CONNECTOR DESIGNATION

2. FOR ASSEMBLY SEE DRAWING 7200645.
1. ALL RESISTORS ARE  $\pm 5\%$ , 1/4 W.
- NOTES: UNLESS OTHERWISE SPECIFIED.

6. VALUES ARE LAB SET. TO BE SET PER TEST SPEC 79 7200645.
5. INDICATES COMPONENT NOT USED.
4. DESIGNATIONS SHOWN IN PARENTHESIS (2/1A) INDICATES WHERE SIGNAL ORIGINATES OR TERMINATES ZONE DESIGNATION SHEET NUMBER

SIDE 2		SIDE 1	
A		A	
B		B	
C		C	
D		D	
E		E	
F		F	
G		G	
H		H	
J		J	
K		K	
L		L	
M		M	
N		N	
P		P	
R		R	
S		S	
T		T	
U		U	
V		V	

CONNECTOR A COMPONENT SIDE SOLDER SIDE

CONNECTOR B

SIDE 2		SIDE 1	
A		A	
B		B	
C		C	
D		D	
E		E	
F		F	
G		G	
H		H	
J		J	
K		K	
L		L	
M		M	
N		N	
P		P	
R		R	
S		S	
T		T	
U		U	
V		V	

CONNECTOR C COMPONENT SIDE SOLDER SIDE

CONNECTOR D

SIDE 2		SIDE 1	
A		A	
B		B	
C		C	
D		D	
E		E	
F		F	
G		G	
H		H	
J		J	
K		K	
L		L	
M		M	
N		N	
P		P	
R		R	
S		S	
T		T	
U		U	
V		V	

CONNECTOR E COMPONENT SIDE SOLDER SIDE

CONNECTOR F

ZONE LTR	DESCRIPTION	DATE	APPROVED
A	REL TO PRDD PER EEO 500 & 686	12-9-73	PM-79
B	INCORP EO 11666	2-27-76	PM
C	INCORP EEO 12115	6-1-76	PM
	INCORP EEO 1270	9-8-76	PM

PRODUCTION RELEASE

DO NOT SCALE DRAWING

KEY THESE FOR MICROFILM

COUNTDOWN AND INVERT P/L ET MARK TO BE 39

REMOVE ALL TAPES AND DO NOT REUSE

NUMBER OF UNITS/WORK CENTER TO BE MADE PER DRAWING

STANDARD HOLE TOLERANCE PER ASME Y14.5

TOLERANCES PER ASME Y14.5

INTERMEDIATE DIMENSIONS AND TOLERANCES SHOWN ARE AS NOTED AND APPLY AFTER FIRST TRIM AND FINISH

UNLESS OTHERWISE SPECIFIED

PRESSEY MEMORIES INCORPORATED, Santa Ana, California

DWG TITLE: SCHEMATIC DIAGRAM

DATA BUFFER AND STATUS

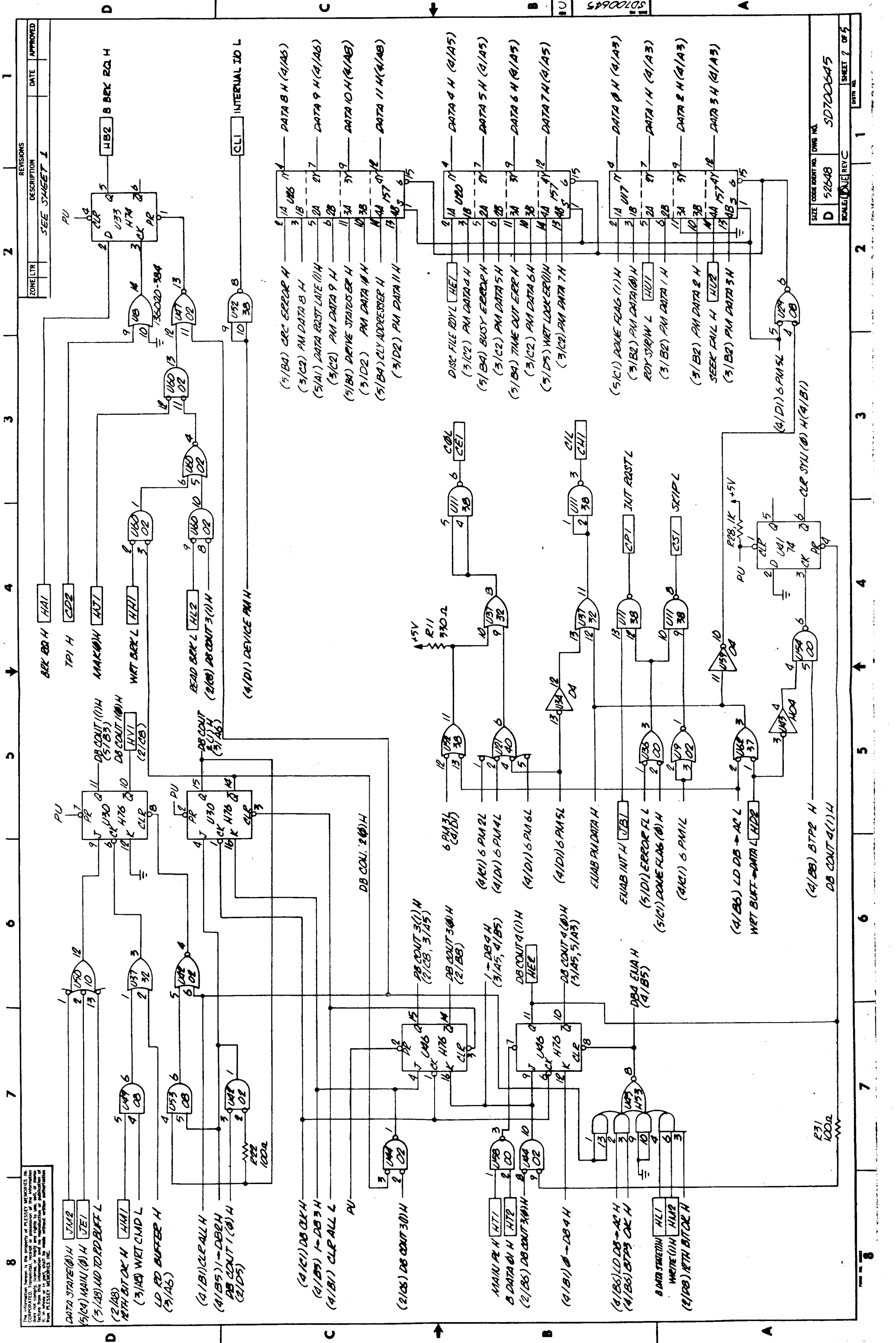
SIZE: CODE IDENT NO. 52648

DWG NO. SD100645

SCALE: 1:1 REV: C

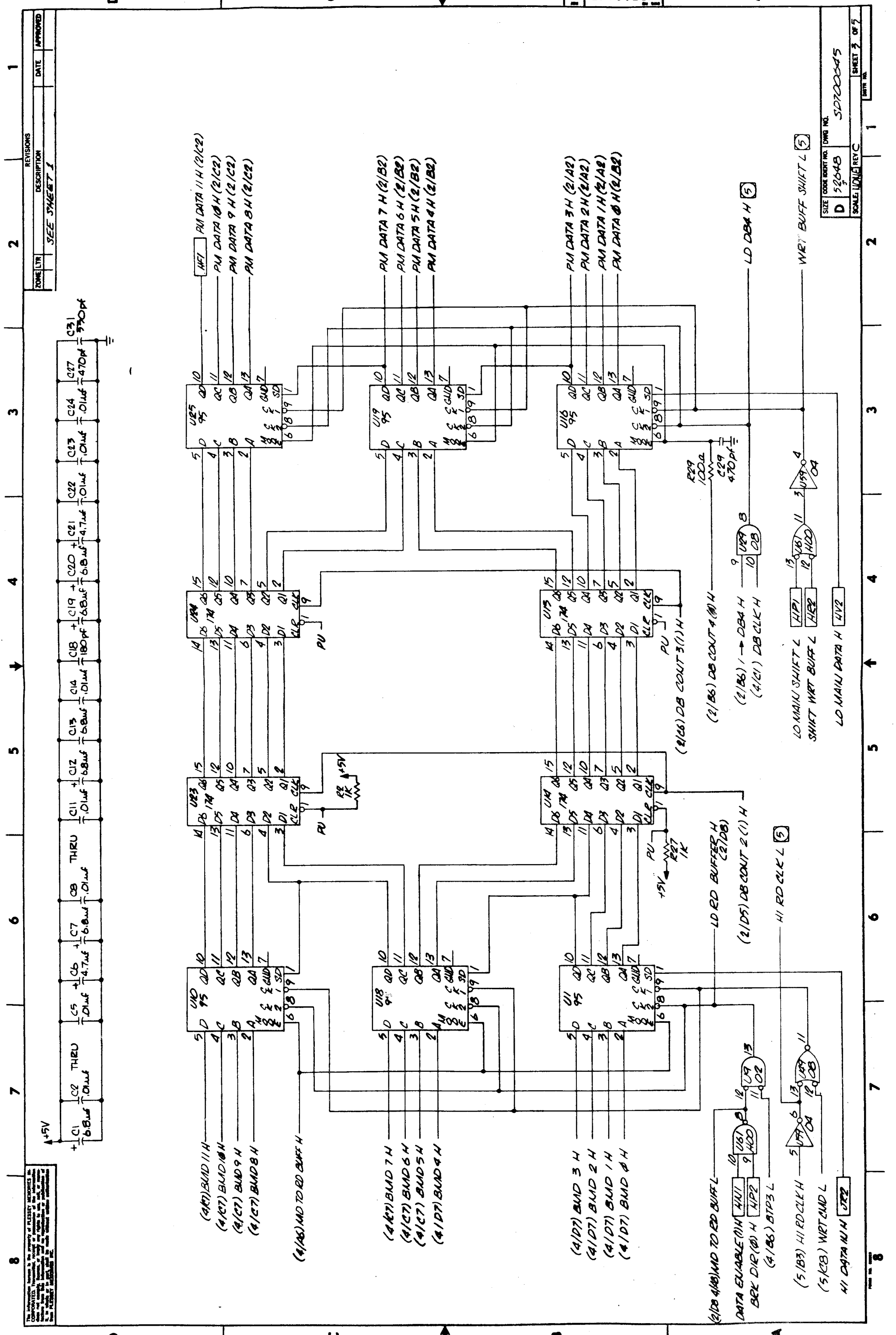
DATE: 1

The information herein is the property of BILLYS MEMORIES, INC. CORPORATION. Transmittal, resale or possession of the information herein is prohibited. This information is not to be reproduced or published in any form without the written authorization of BILLYS MEMORIES, INC.



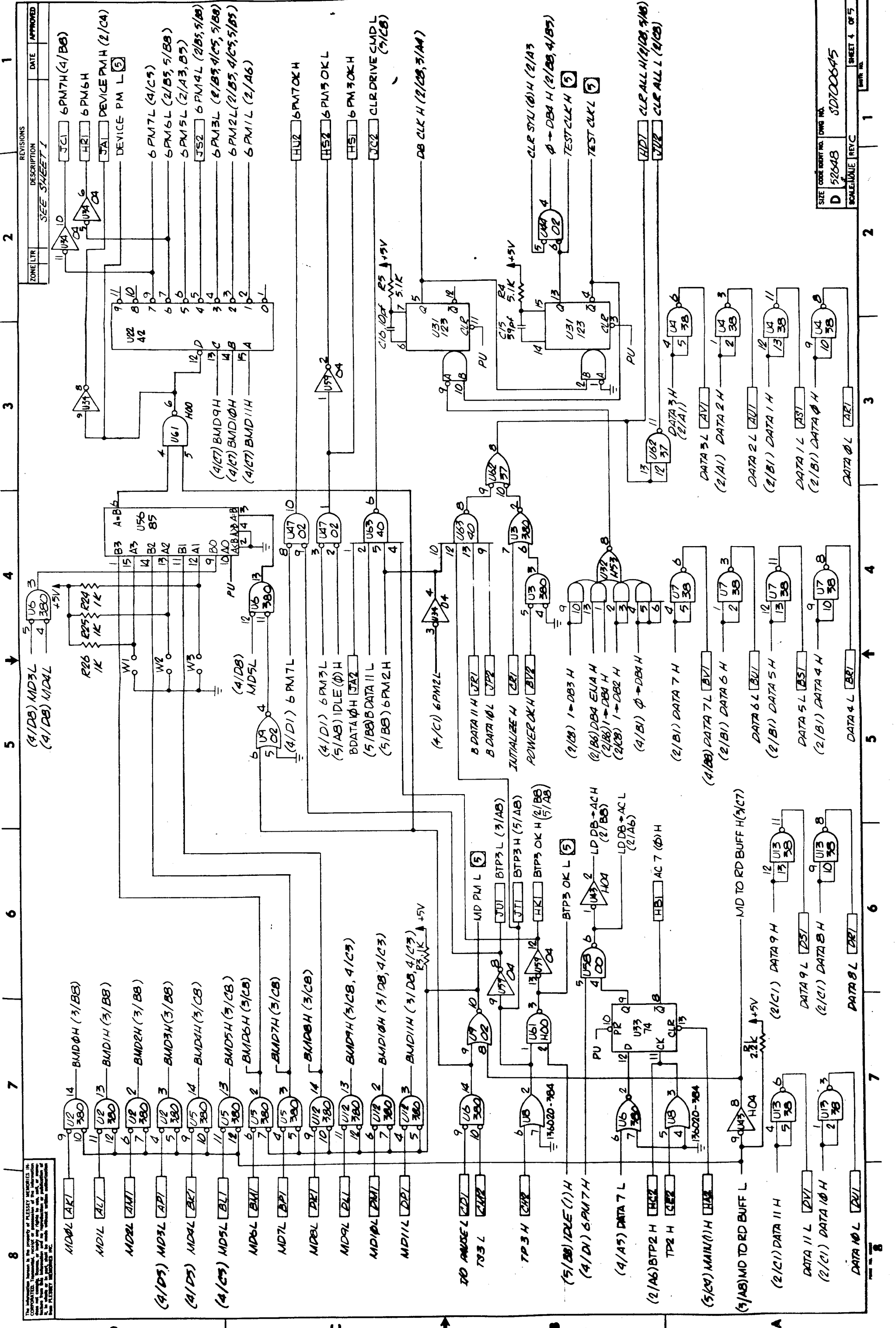
ZONE LTR	REVISIONS	DESCRIPTION	DATE	APPROVED
	1	SEE SHEET 1		





1 2 3 4 5 6 7 8

REV. NO.	DESCRIPTION	DATE	APPROVED
1	SEE SHEET 1		



REVISIONS	DESCRIPTION	DATE	APPROVED
1	SEE SHEET 1		

ZONE	LTR	DATE	APPROVED
1			
2			
3			
4			
5			
6			
7			
8			

SIZE	CODE	REV. NO.	DWG. NO.
D	52648		3D700645
SCALE	DATE	REV. NO.	



LAST DESIGNATION USED	
RESISTOR	R7
CAPACITOR	C53
INTEGRATED CIRCUIT	U49
RESISTOR AND	PA4

REF DES	VALUES USED	PART NO.
U1	7.5	7404
U2	3.3	7400
U11	112	7440
U34	7.5	7418
U39	2.2	7420-204
U41	7.5	7420
U17	112	74519

The information herein is the property of ALSESS MEMORIES, INC. It is to be used only for the purpose of reproducing the information herein and is not to be distributed, copied, or otherwise used in any manner without the written permission of ALSESS MEMORIES, INC.

SIDE 2		SIDE 1	
U1	+5V	A	MD DIR L
U2	GLUD	B	EMA 2 L
U3	EMA 2 L	C	EMA 2 L
U4	EMA 2 L	D	EMA 2 L
U5	MD DIR L	E	MA 1 L
U6	GLUD	F	MA 2 L
U7	GLUD	G	MA 3 L
U8	GLUD	H	MA 4 L
U9	GLUD	I	MA 5 L
U10	GLUD	J	MA 6 L
U11	GLUD	K	MA 7 L
U12	GLUD	L	MA 8 L
U13	GLUD	M	MA 9 L
U14	GLUD	N	MA 10 L
U15	GLUD	P	MA 11 L
U16	GLUD	Q	MA 12 L
U17	GLUD	R	MA 13 L
U18	GLUD	S	MA 14 L
U19	GLUD	T	MA 15 L
U20	GLUD	U	MA 16 L
U21	GLUD	V	MA 17 L
U22	GLUD	W	MA 18 L
U23	GLUD	X	MA 19 L
U24	GLUD	Y	MA 20 L
U25	GLUD	Z	MA 21 L

SIDE 2		SIDE 1	
U26	+5V	A	GLUD
U27	GLUD	B	GLUD
U28	GLUD	C	GLUD
U29	GLUD	D	GLUD
U30	GLUD	E	GLUD
U31	GLUD	F	GLUD
U32	GLUD	G	GLUD
U33	GLUD	H	GLUD
U34	GLUD	I	GLUD
U35	GLUD	J	GLUD
U36	GLUD	K	GLUD
U37	GLUD	L	GLUD
U38	GLUD	M	GLUD
U39	GLUD	N	GLUD
U40	GLUD	O	GLUD
U41	GLUD	P	GLUD
U42	GLUD	Q	GLUD
U43	GLUD	R	GLUD
U44	GLUD	S	GLUD
U45	GLUD	T	GLUD
U46	GLUD	U	GLUD
U47	GLUD	V	GLUD

SIDE 2		SIDE 1	
U48	DISC SEEK FAIL L	A	CR2 DATA H
U49	DISC ADD 64 L	B	RD CLK L H
U50	DISC ADD 16 L	C	IDLE (1) H
U51	DISC DRIVE 0 L	D	RDY S/W H
U52	DISC ADD 28 L	E	FILE RDY H
U53	STROBE (1) H	F	DIR SECTOR AD L
U54	DISC ADD 4 L	G	CLR ALL L
U55	DISC ADD 32 L	H	B DATA 11 H
U56	DISC ADD 2 L	I	B DATA 10 H
U57	DISC ADD 1 L	J	B DATA 9 H
U58	DISC RDY S/W L	K	B DATA 8 H
U59	LD DISC ADDR H	L	B DATA 7 H
U60	CR2 16 (1) H	M	DISC DRIVE 5 L
U61	SECTOR ADDRESS (1) H	N	DISC DRIVE 4 L
U62	B DATA 7 H	O	DISC DRIVE 3 L
U63	HALF BUZZ H	P	DISC DRIVE 2 L
U64	RUN 02 H	Q	DISC DRIVE 1 L
U65	FULL 02 H	R	DISC ADD 1 L
U66	FULL 01 H	S	DISC ADD 0 L
U67	FULL 00 H	T	DISC ADDR 1 H
U68	FULL 00 H	U	DATA ENABLE (1) H
U69	FULL 00 H	V	ENAB DATA L
U70	0 PA 3 OK H	W	16TH BIT OK H
U71	CLR DRIVE CMD L	X	DISC FILE RDY L
U72	DRIVE REV 0 H	Y	DISC CAPACITY EX L
U73	B DATA 10 L	Z	END STATE (0) H
U74	ERROR CLR L	1	LAST WORD R L H
U75	SECTOR SEEK (0) H	2	WRITE (1) H
U76	BTP2 H	3	PM DATA 11 H
U77	SHFT WRT BUFL H	4	BTP3 H
U78	BRK ENAB CLK H	5	SET IDLE R L
U79	B LAST BRK H	6	LD MAIN SHFT L
U80	BTP3 OK H	7	BTP3 OK H
U81	LAST BRK (1) H	8	SHFT CLK L
U82	MAIN (0) H	9	DATA STATE (0) H
U83	IDLE (0) H	10	DATA IN (0) H
U84	LD SHFT DBL	11	CLR CTR L
U85	HI MAIN SHFT L	12	SHFT S/W SEC H
U86	BRK IN CLR H	13	STATE ENAB B H
U87	WRT CLAD L	14	STATE ENAB B H

SIDE 2		SIDE 1	
U88	B DATA 10 H	A	DEVISE PA1 H
U89	LD DISC ADDR H	B	ENAB INT H
U90	CLR DRIVE CMD L	C	6 PA 7 H
U91	B DATA 10 L	D	ERROR CLR L
U92	WRT CLAD L	E	MAIN (0) H
U93	NOT EQ (0) H	F	SECTOR SEEK (0) H
U94	DRIVE STATUS DATA H	G	B DATA 11 L
U95	END STATE (0) H	H	SET IDLE R L
U96	DRIVE REV 0 H	I	DISC CAPACITY EX L
U97	IDLE (1) H	J	RDY S/W SICH
U98	DATA STATE (0) H	K	HI RD CLK H
U99	LAST WORD R L H	L	IDLE (0) H
U100	B DATA 10 L	M	LD CLAD RESH
U101	HI DATA IN H	N	B DATA 11 H
U102	6 PA 4 L	O	ENAB SEEK DMA H
U103	CLR ALL L	P	BTP3 H
U104		Q	U BTP3 L
U105		R	V BTP3 L

PRODUCTION RELEASE

SIDE 2		SIDE 1	
U106	MAIN (1) H	A	BRK ER H
U107	B BRK ER H	B	ACT (0) H
U108	BTP2-H	C	BTP3 OK H
U109	WRT BUFL-DATA L	D	CLR ALL H
U110	DB COUNT 4 (1) H	E	DISC FILE RDY L
U111		F	PL DATA 11 H
U112		G	WRT BRK L
U113		H	MAK 0 H
U114		I	BTP3 OK H
U115		J	B DATA STATE (1) H
U116		K	16TH BIT OK H
U117		L	DATA ENABLE (0) H
U118		M	LD MAIN SHFT L
U119		N	6 PA 3 OK L
U120		O	6 PA 5 OK H
U121		P	MA10 R H
U122		Q	RDY S/W L
U123		R	LD MAIN DATA H
U124		S	DB CNT (0) H

- INDICATES SIGNAL NOT USED.
- DESIGNATIONS SHOWN IN PARENTHESIS (2/1N) INDICATES WHERE SIGNAL ORIGINATES OR TERMINATES
- ZONE DESIGNATIONS SHEET NUMBER
- SIGNALS SHOWN IN RECTANGLE ARE TO CONNECTIONS BOARD SIDE
- PIU DESIGNATION CONNECTOR DESIGNATION
- FOR ASSEMBLY SEE DWG. 700647.
- ALL RESISTORS ARE 1%, 1/4W.
- NOTES: UNLESS OTHERWISE SPECIFIED.

DO NOT SCALE DRAWING

REVISIONS

DATE 2-7-78

APPROVED

ZONE LTR A

DESCRIPTION REL TO PDP PER PRO 500708

INCORP E.O. 117

8-16-76

CONTRACT NO.

Fluency Memos Incorporated

DWG TITLE SCHEMATIC DIAGRAM

DRAWN GAYLES

CHECKED JUTNER

ENGR

PROJ. ENGR J.L.

PROD. DESIGN G.A.E.

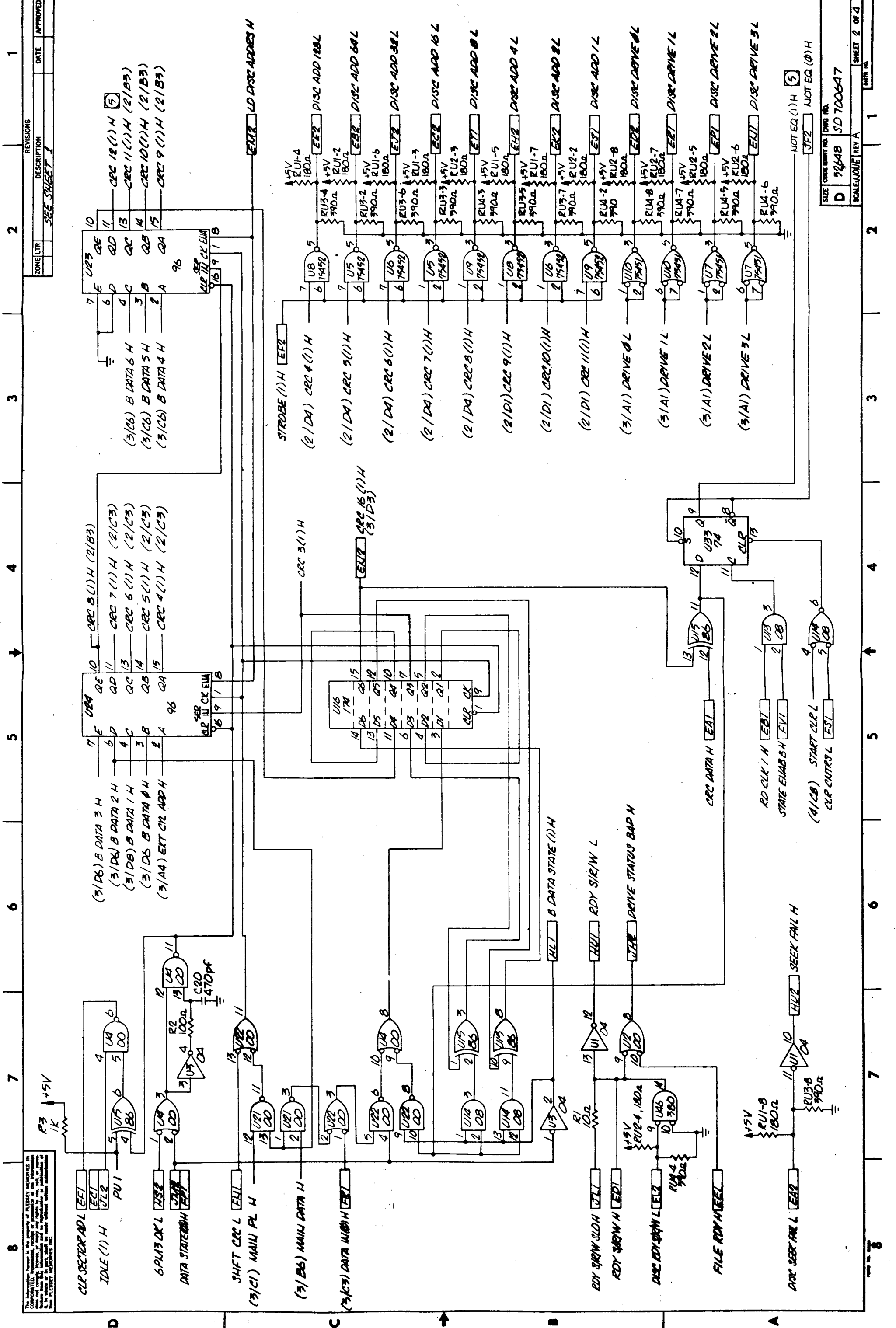
SIZE CODE D 52648

CODE IDENT NO. SD700647

SHEET 1 OF 4

SCALE DATE REV: A

The information herein is the property of PERSECY MEMORIES, INC. and is to be used only for the specific application for which it was prepared. No responsibility is assumed for any other use. Reproduction of this document without written permission is prohibited.



ZONE	REVISIONS	DESCRIPTION	DATE	APPROVED
1	1	SEE SHEET 1		

ZONE	REVISIONS	DESCRIPTION	DATE	APPROVED
2	1	SEE SHEET 1		

ZONE	REVISIONS	DESCRIPTION	DATE	APPROVED
3	1	SEE SHEET 1		

ZONE	REVISIONS	DESCRIPTION	DATE	APPROVED
4	1	SEE SHEET 1		

ZONE	REVISIONS	DESCRIPTION	DATE	APPROVED
5	1	SEE SHEET 1		

ZONE	REVISIONS	DESCRIPTION	DATE	APPROVED
6	1	SEE SHEET 1		

ZONE	REVISIONS	DESCRIPTION	DATE	APPROVED
7	1	SEE SHEET 1		

ZONE	REVISIONS	DESCRIPTION	DATE	APPROVED
8	1	SEE SHEET 1		

ZONE	REVISIONS	DESCRIPTION	DATE	APPROVED
9	1	SEE SHEET 1		

ZONE	REVISIONS	DESCRIPTION	DATE	APPROVED
10	1	SEE SHEET 1		

SIZE	CODE	DATE	NO.	DWG. NO.
D	7264B	SD	7006A7	

SCALE	REV. A	SHEET	NO.
		2	OF 4

ZONE	REVISIONS	DESCRIPTION	DATE	APPROVED
1	1	SEE SHEET 1		

ZONE	REVISIONS	DESCRIPTION	DATE	APPROVED
2	1	SEE SHEET 1		

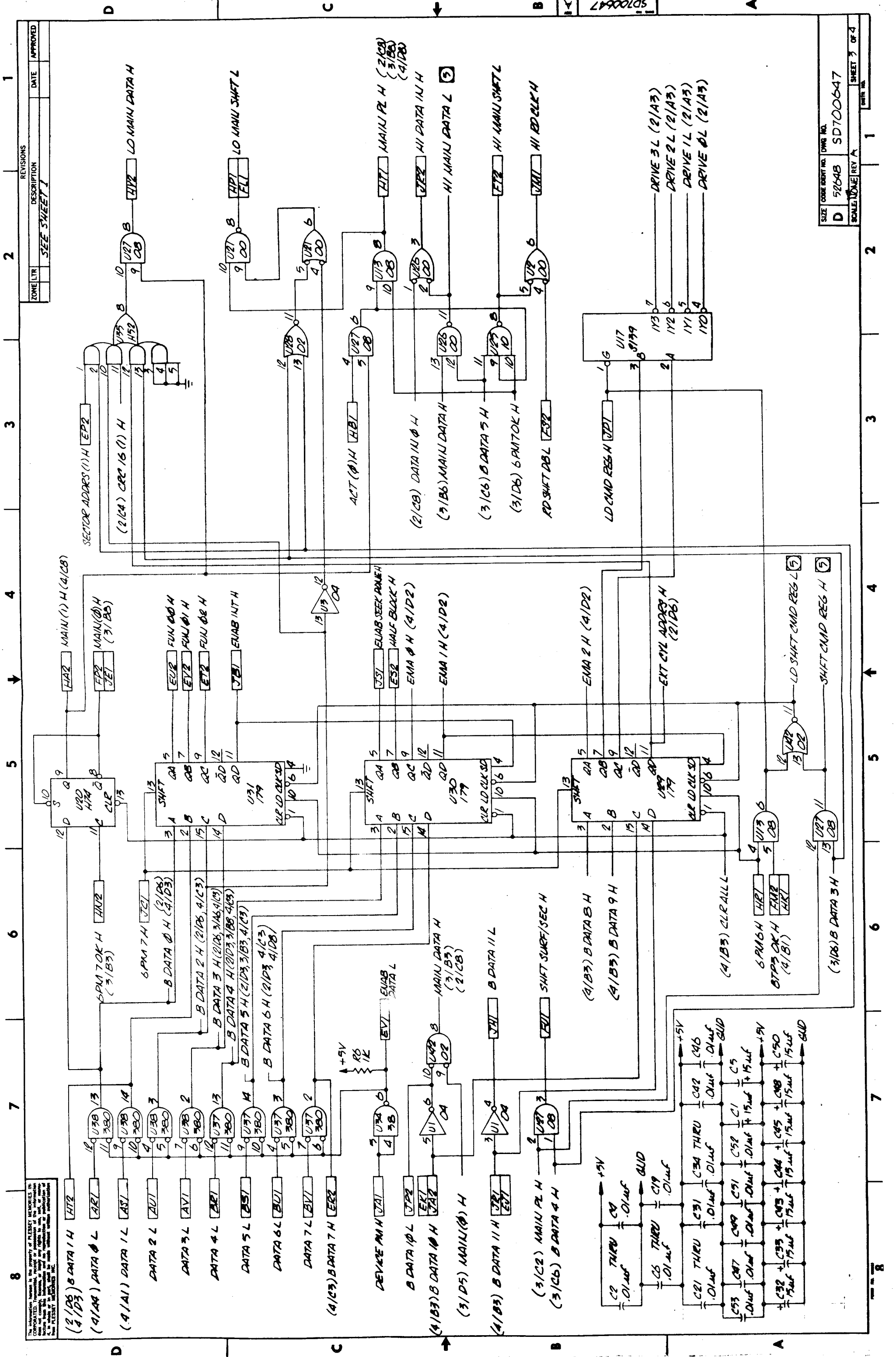
ZONE	REVISIONS	DESCRIPTION	DATE	APPROVED
3	1	SEE SHEET 1		

ZONE	REVISIONS	DESCRIPTION	DATE	APPROVED
4	1	SEE SHEET 1		

ZONE	REVISIONS	DESCRIPTION	DATE	APPROVED
5	1	SEE SHEET 1		

ZONE	REVISIONS	DESCRIPTION	DATE	APPROVED
6	1	SEE SHEET 1		

ZONE	REVISIONS	DESCRIPTION	DATE	APPROVED
7	1	SEE SHEET 1		



8 7 6 5 4 3 2 1

1 2 3 4 5 6 7 8

REVISIONS  
 ZONE LTR DESCRIPTION DATE APPROVED  
 SEE SHEET 1

SD700647  
 D 52648 SD700647  
 SCALE: NONE REV A SHEET 3 OF 4

SD700647

SD700647

