

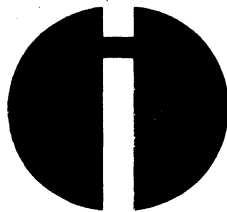
Olympia Service

electronic compact

**Ersatzteilkatalog
Spare parts catalogue
Catalogue de pièces de rechange
Catálogo de Repuestos**



Olympia International



**SPARE PARTS CATALOG
FOR
ELECTRONIC COMPACT**

**OLYMPIA USA INC
SOMERVILLE, NEW JERSEY 08876**

TABLE OF CONTENTS

EXPLODED VIEW - PARTS DRAWINGS OF ALL COMPONENTS, REFERENCE NUMBER
AND DESCRIPTIONS

<u>SECTION A (VERSION I)</u>	<u>PAGES</u>
1. Keytop Arrangement	1
2. Keyboard Mechanism	2- 3
3. Chassis Mechanism	4- 7
4. Paper Feed Mechanism	8- 9
5. Carrier Chassis Mechanism	10-13
6. Printer Head Mechanism	14-15
7. Ribbon Base Mechanism	16-17
8. Power Supply Mechanism	18-19
9. Housing	20-21
10. Control P.C.B.	22-25
11. Carrier P.C.B.	26-27

<u>SECTION B (VERSION II)</u>	
1. Keyboard Mechanism	30-33
2. Chassis Mechanism	34-37
3. Paper Feed Mechanism	38-39
4. Carrier Chassis Mechanism	40-43
5. Printer Head Mechanism	44-47
6. Ribbon Base Mechanism	48-49
7. Power Supply Mechanism	50-53
8. Control P.C.B. (Double-Sided)	54-57
9. Control P.C.B. (Single-Sided)	58-61
10. Carrier P.C.B.	62-63

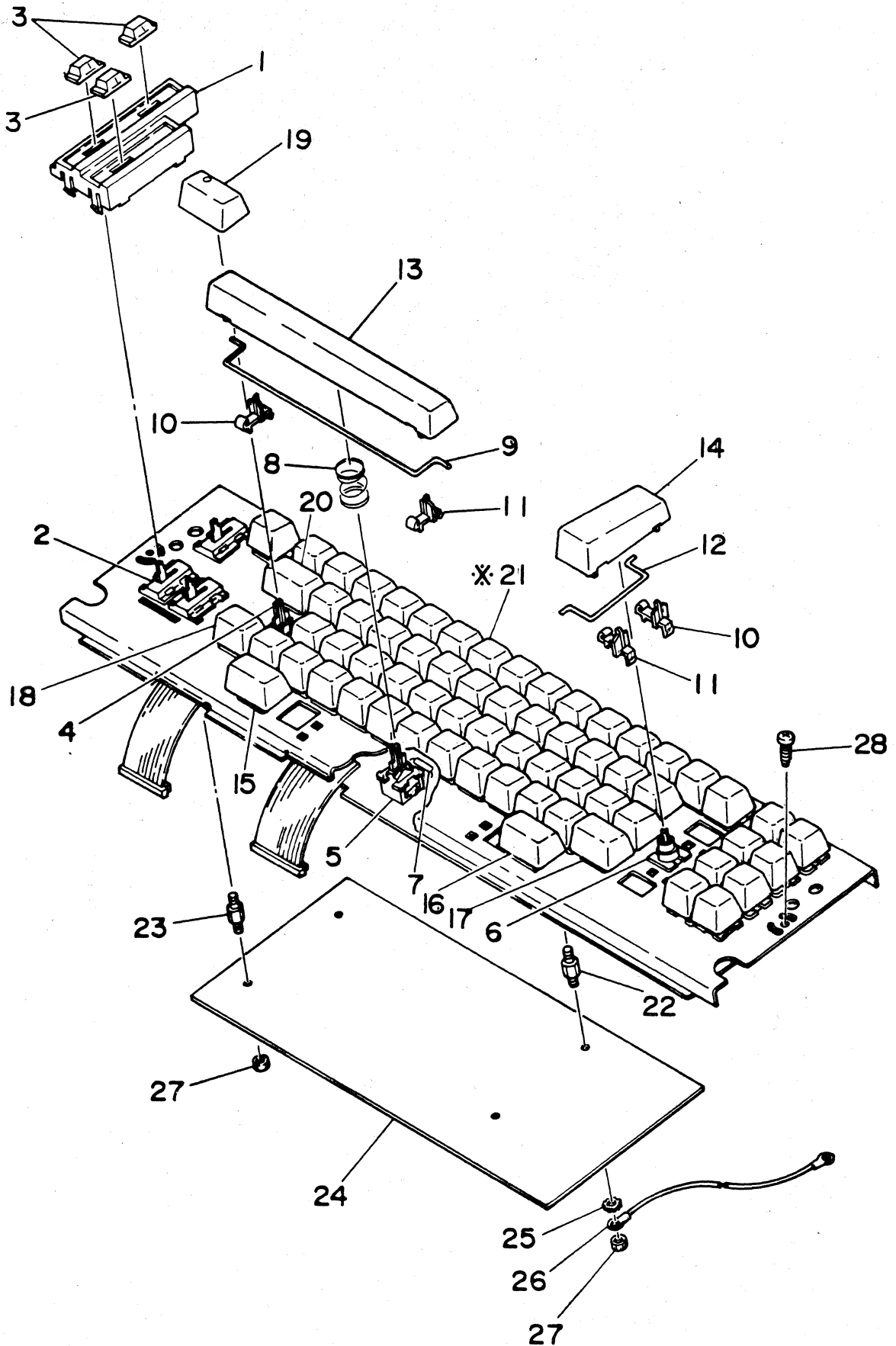


TABLE NO.		ELECTRONIC COMPACT	FUNCTIONAL GROUP NAME	KEY BOARD MECHANISM			
REF NO.	Part Number	PARTS NAME		Q'TY	NEW PARTS CODE	PRICE US.\$	REMARK
1-21	KY0-10011-01	Key board unit		1set			
1	332-41180	Slide switch cover		1			
2	330-41060	Slide switch		3			
3	330-41130	Side key cap		3			
4	330-41190	Switch-LED		1			
5	330-41040	Double switch		5			
6	330-41030	Single switch		61			
7	330-30300	Diode		73		1S953	
8	330-41200	Spring		1			
9	330-41090	Space bar crank		1			
10	330-41070	Crank support L.H		2			
11	330-41080	Crank support R.H		2			
12	330-41100	Return key crank		1			
13	330-90650	Space bar		1			
14	330-90620	Return key-		1			
15	332-91160	Half space key		1			
16	332-91170	Express key-		1			
17	330-90610	Shift key right		1			
18	332-91150	Shift key left		1			
19	330-90590	Shift lock key-		1			
20	330-90580	TAB key		1			
21	*	Other key		U. R			see key arrangement
22	330-41160	Spacer screw B		1			
23	330-41150	Spacer screw A		3			
24	332-30000	Control P. C. B Ass'y		1set			
25	531-00850	Tooth washer		1			
26	330-40030	Wire earth lead		1			
27	011-03510	Nut		4			M-3
28	880-90051	Tapping screw		2			M3×16

TABLE NO.	ELECTRONIC COMPACT	FUNCTIONAL GROUP NAME	CHASSIS MECHANISM
-----------	-----------------------	--------------------------	-------------------

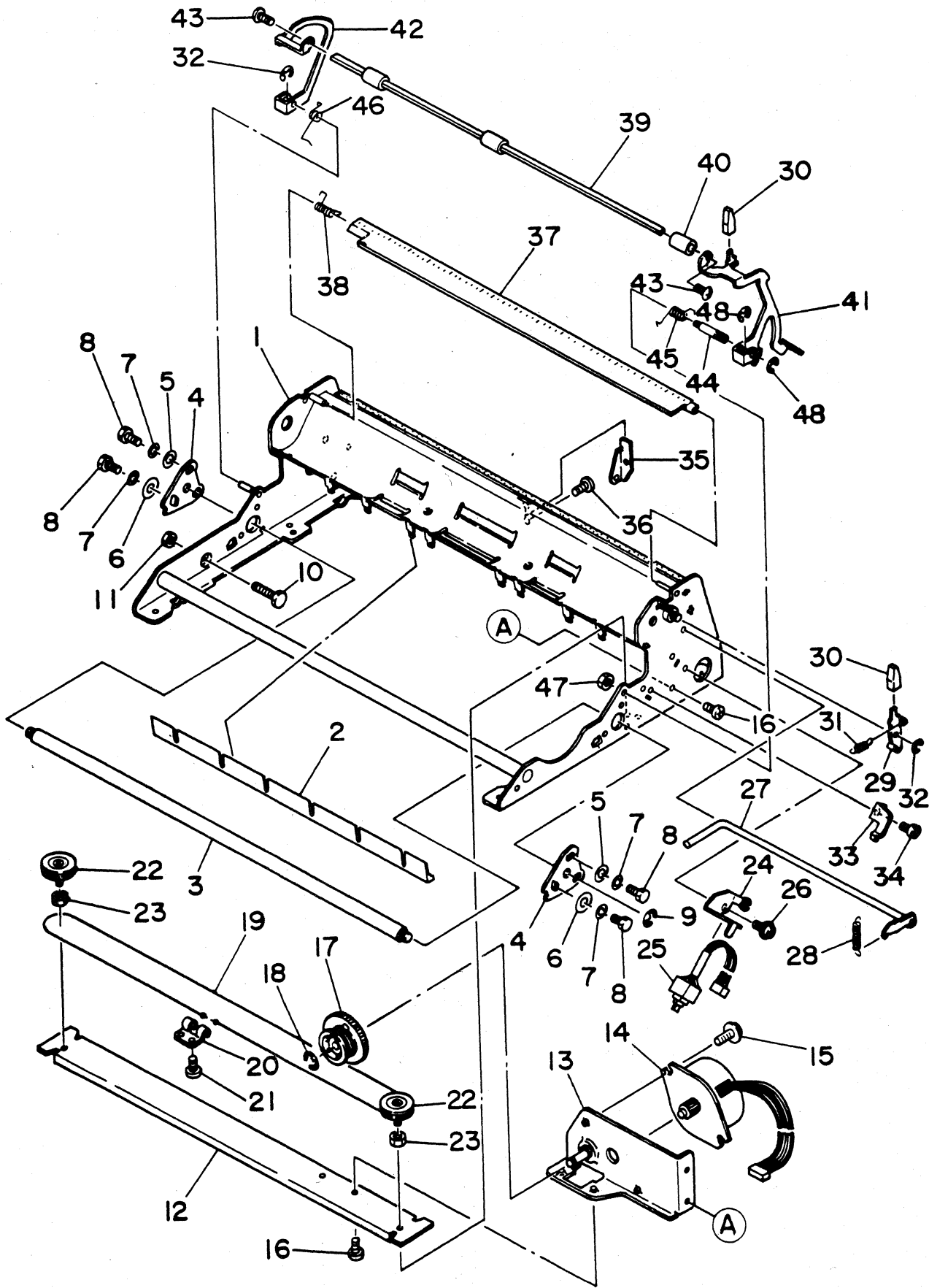


TABLE NO.		ELECTRONIC COMPACT	FUNCTIONAL GROUP NAME	CHASSIS MECHANISM			
REF NO.	Part Number	PARTS NAME		Q'TY	NEW PARTS CODE	PRICE US.\$	REMARK
1	330-60015	Chassis , complete		1			
2	330-61120	Paper support		1			
3	330-60060	Guide shaft		1			
4	330-60040	Adjust plate		2			
5	330-60080	Washer A		4			
6	330-60090	Washer B		2			
7	011-05530	Washer spring		6			M-4
8	521-20010	Hexagon head screw		6			M4× 8
9	330-60100	E-Ring (special)		1			E-5special
10	371-30200	Hexagon head screw		1			M3× 14
11	011-03510	Nut		1			M3
12	330-60210	Support chassis		1			
13	330-60205	Drive motor base , complete		1			
14	330-31215	Motor carrier drive		1			55SI-25D9WB
15	551-10020	Screw flange		2			M3.5× 8
16	011-00050	Screw		4			
17	330-60230	Pulley drive		1			
18	501-70510	E-Ring		1			E-5
19	330-60315	Drive wire		1			
20	330-52240	Holder wire		1			
21	011-00100	Tapping screw		2			M3× 6
22	330-60255	Pulley drive		2			
23	501-70030	Nut		2			M4
24	330-61260	Holder switch		1			
25	330-41045	Paper injector switch , complete		1			
26	550-10040	Screw flange		1			M3× 5
27	330-61135	Release shaft , complete		1			
28	550-02000	Spring		1			
29	330-61190	Paper release lever , complete		1			
30	330-61080	Lever cap		2			
31	880-30030	Spring		1			
32	011-02040	E-Ring		2			E-3
33	330-61250	Paper bail cam spring		1			
34	011-00010	Screw		1			M3× 4
35	330-61150	Release shaft support		1			
36	501-70200	Screw		1			M3× 5
37	330-61160	Erase table		1			
38	330-61100	Spring erase table		1			
39	330-61240	Paper bail shaft		1			
40	330-61310	Bail roller		3			

TABLE NO.

ELECTRONIC
COMPACT

FUNCTIONAL
GROUP NAME

CHASSIS MECHANISM

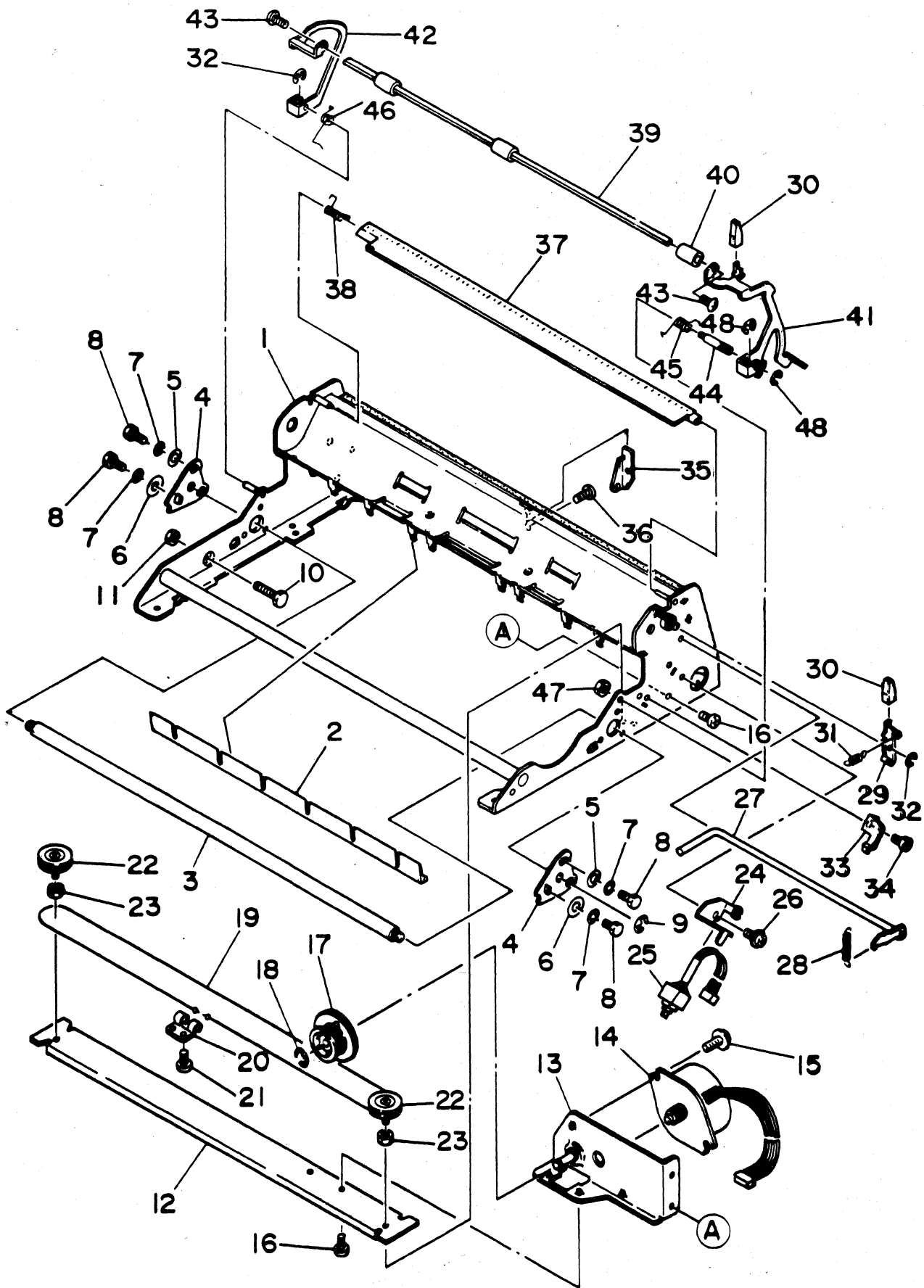


TABLE NO.		ELECTRONIC COMPACT	FUNCTIONAL GROUP NAME	CHASSIS MECHANISM			
REF NO.	Part Number	PARTS NAME		Q'TY	NEW PARTS CODE	PRICE US.\$	REMARK
41	330-61280	Paper bail arm R. H		1			
42	330-61270	Paper bail arm L. H		1			
43	501-70110	Screw		2			M2.6×5
44	330-61230	Paper bail pin		1			
45	330-61410	Bail spring R. H		1			
46	330-61420	Bail spring L. H		1			
47	011-03520	Nut		1			M3.5
48	501-70500	E-Ring		2			E-4

TABLE NO.	ELECTRONIC COMPACT	FUNCTIONAL GROUP NAME	PAPER FEED MECHANISM
-----------	-----------------------	--------------------------	----------------------

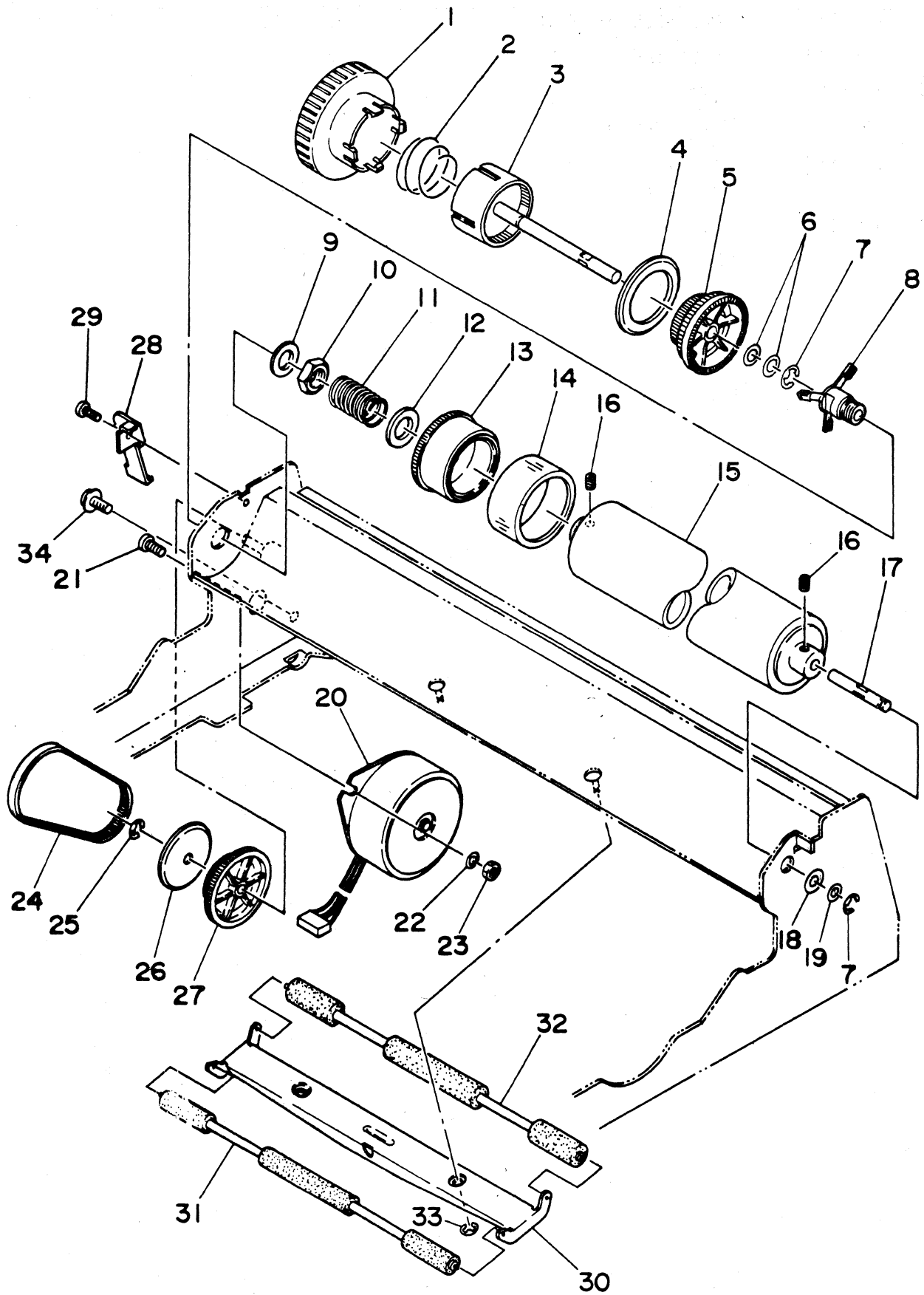


TABLE NO.		ELECTRONIC COMPACT	FUNCTIONAL GROUP NAME	PAPER FEED MECHANISM			
REF NO.	Part Number	PARTS NAME		Q'TY	NEW PARTS CODE	PRICE US.\$	REMARK
1	330-60500	Platen knob		1			
2	330-60650	knob spring		1			
3	330-60510	Platen knob shaft		1			
4	330-60590	Guide flange A		1			
5	330-60520	Platen pulley		1			
6	521-35050	Thrust washer		2			6×10×0.5
7	501-70510	E-Ring		2			E-5
8	330-60535	Variable spring , complete		1			
9	330-60550	Spacer		1			
10	330-60560	Nut		1			M-10
11	330-61400	Spring		1			
12	330-61110	Washer		1			
13	330-61215	Paper end gauge , complete		1			
14	330-61200	Paper end gauge cover		1			
15	330-61015	Platen		1			
16	011-00150	Set screw		4			M4×4
17	330-60580	Platen shaft R. H		1			
18	501-10930	Nylon washer		1			6×11×0.3
19	521-35020	Thrust washer		1			6×10×0.2
20	330-31235	Index motor		1			DAF
21	011-00070	Screw		2			M4×8
22	011-07570	Washer		4			
23	501-70030	Nut		2			
24	330-60600	Drive belt		1			
25	501-70500	E-Ring		1			E-4
26	330-60621	Guide frange		1			
27	330-60610	Drive pulley		1			
28	330-60640	Belt guide		1			
29	011-00010	Screw		1			
30	330-61070	Feed roller holder		1			
31	330-61370	Feed roller front		1			
32	330-61380	Feed roller rear		1			
33	011-02030	E-Ring		2			E-2.5
34	551-10010	Screw flange		1			M4×8

TABLE NO.	ELECTRONIC COMPACT	FUNCTIONAL GROUP NAME	CARRIER	CHASSIS	MECHANISM
-----------	--------------------	-----------------------	---------	---------	-----------

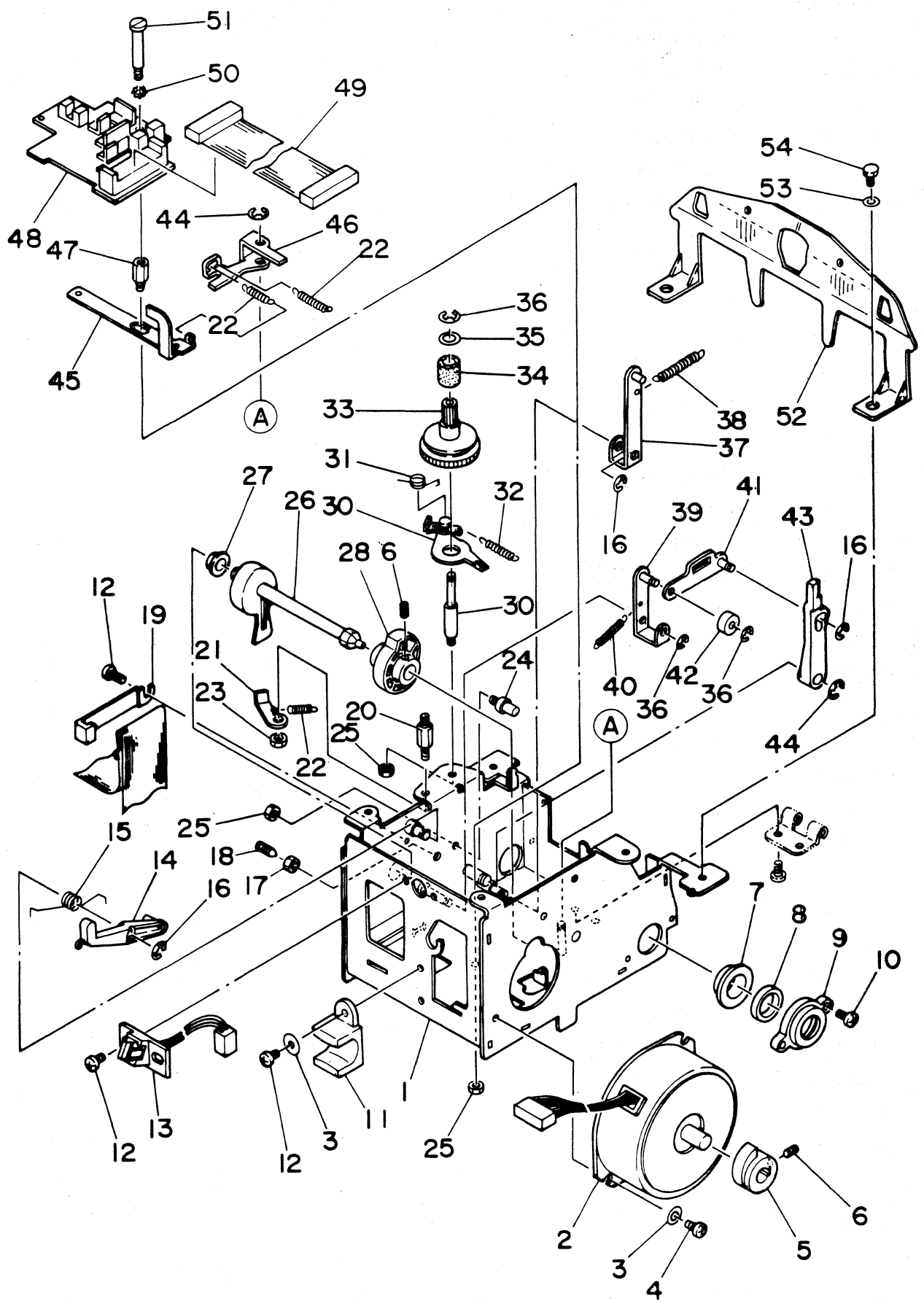


TABLE NO.		ELECTRONIC COMPACT	FUNCTIONAL GROUP NAME	CARRIER CHASSIS MECHANISM			
REF NO.	Part Number	PARTS NAME		Q'TY	NEW PARTS CODE	PRICE US.\$	REMARK
1-51	330-51005	Carrier chassis Assy		1set			
1	330-52315	Carrier chassis , complete		1			
2	330-31225	Motor ribbon feed		1			55SI-25DAG
3	011-07570	Washer		3			4×9×0.5
4	011-00050	Screw		2			3.5×8
5	330-52050	Cam correct		1			
6	880-90030	Set screw		3			3×4
7	330-52200	Slide bush		2			
8	330-52220	Felt ring		2			
9	330-52210	Cover bush		2			
10	820-90230	Screw		4			M2.6×5
11	330-52230	Carrier holder		1			
12	011-00100	Tapping screw		4			M3×6
13	330-31095	L E D , complete		1			
14	330-51280	Ribbon change lever		1			
15	330-51650	Spring change lever		1			
16	011-02030	E-Ring		3			E-2.5
17	501-70030	Nut		1			M-4
18	551-00760	Center screw		1			
19	330-51400	Cable holder		1			
20	330-51510	Lock screw		1			
21	330-51360	Stop finger		1			
22	501-11250	Spring		3			
23	330-51520	Lock nut		1			
24	330-51610	Feed eccentric screw		1			
25	011-03510	Nut		3			M3
26	330-51175	Cam shaft		1			
27	330-51660	Bushing metal		1			
28	330-51190	Ribbon lift cam		1			
29	330-51330	Feed roller shaft		1			
30	330-51355	Finger plate comp		1			
31	330-51710	Feed torsion spring		1			
32	330-51570	Feed finger spring		1			
33	330-51300	Feed pulley		1			
34	330-51340	Rubber roller		1			
35	011-15250	Washer		1			3.2×7.5×0.2
36	011-02020	E-Ring		3			E-2
37	330-51086	Toggle lever		1			
38	330-51740	Spring toggle lever		1			
39	330-51255	Follower arm		1			

TABLE NO.	ELECTRONIC COMPACT	FUNCTIONAL GROUP NAME	CARRIER CHASSIS MECHANISM
-----------	--------------------	-----------------------	---------------------------

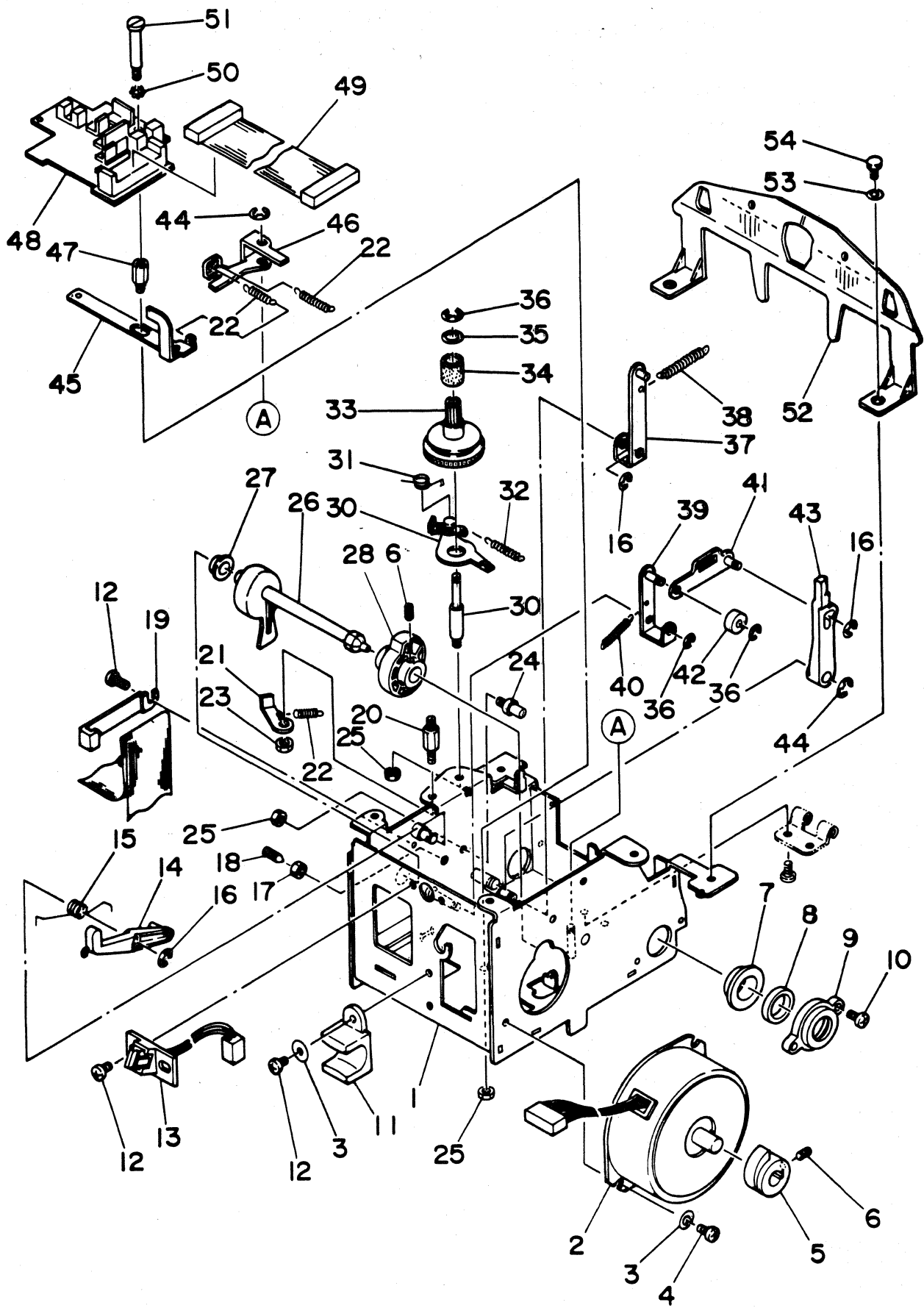


TABLE NO.		ELECTRONIC COMPACT	FUNCTIONAL GROUP NAME	CARRIER CHASSIS MECHANISM			
REF NO.	Part Number	PARTS NAME		Q'TY	NEW PARTS CODE	PRICE US.\$	REMARK
40	551-02000	Spring		1			
41	330-51215	Cam change lever		1			
42	330-51160	Cam follower		1			
43	330-51290	Ribbon feed arm		1			
44	011-02040	E-Ring		2			E-3
45	330-51120	Reset plate		1			
46	330-51100	Reset crank		1			
47	330-51130	Terminal screw		1			
48	330-31105	Carrier P. C. B. complete		1			see
49	330-30835	Flat cable		1			
50	501-35160	Tooth washer		1			M3
51	551-01120	Arm screw		1			
52	330-52190	Line locator		1			
53	011-07520	Washer		2			3×6×0.5
54	330-52350	Hexagon head screw		2			M2.6×4

TABLE NO.	ELECTRONIC COMPACT	FUNCTIONAL GROUP NAME	PRINTER HEAD MECHANISM
-----------	-----------------------	--------------------------	------------------------

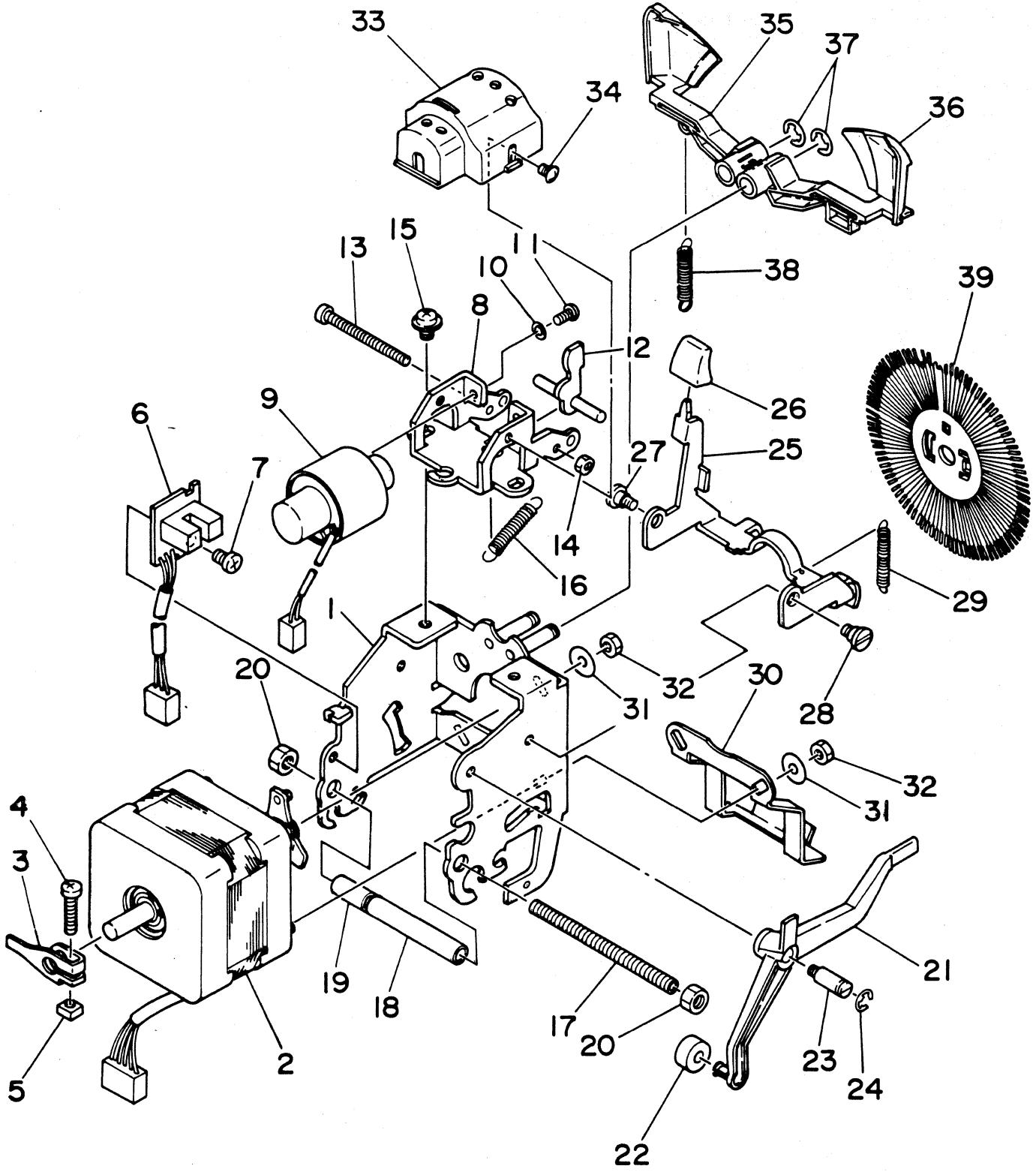


TABLE NO.	ELECTRONIC COMPACT	FUNCTIONAL GROUP NAME	PRINTER HEAD MECHANISM			
REF NO.	Part Number	PARTS NAME	Q'TY	NEW PARTS CODE	PRICE US.\$	REMARK
1-38	330-52005	Printer head Assy	1set			without wheel.
1	330-51110	Printer head chassis , complete	1			
2	330-31200	Selection motor	1			17ps-co11
3	330-52260	Position detector	1			
4	551-03140	Screw	1			M3×12
5	330-52420	Nut square	1			M-3
6	330-31115	Photo interrupter, complete	1			
7	501-70200	Screw	1			M3×5
8	330-52170	Hammer bracket	1			
9	330-50015	Hammer solenoid , complete	1			
10	011-05510	Washer spring	2			M-3
11	301-00760	Screw	2			M2.6×4
12	330-52370	Hammer , complete	1			
13	330-52430	Screw	1			M2.6×30
14	011-03530	Nut	1			M-2.6
15	551-10040	Screw flange	2			M3×5
16	330-52400	Spring hammer	1			
17	330-51531	Head frame shaft	1			
18	330-51700	Spacer	1			
19	880-60200	Spacer	1			
20	330-51730	Nut	2			M-5
21	330-51030	Center guide lift crank	1			
22	330-51160	Cam follower	1			
23	330-51141	Lift crank screw	1			
24	011-02030	E-Ring	1			E-2.5
25	330-51040	Release lever wheel	1			
26	330-51050	Lever cap	1			
27	330-51070	Lever set screw-2	1			
28	330-51060	Lever set screw-1	1			
29	551-02000	Spring	1			
30	330-52160	Wheel bracket	1			
31	301-27420	Washer	3			3.3×8×0.5
32	011-03510	Nut	3			M-3
33	330-52180	Cover solenoid	1			
34	301-00700	Screw	2			
35	330-51023	Center guide L. H	1			
36	330-51021	Center guide R. H	1			
37	011-02040	E-Ring	2			
38	011-11100	Spring	1			
39		Whisper wheel - Specify type style	1			
			1			

TABLE NO.	ELECTRONIC COMPACT	FUNCTIONAL GROUP NAME	RIBBON BASE MECHANISM
-----------	-----------------------	--------------------------	-----------------------

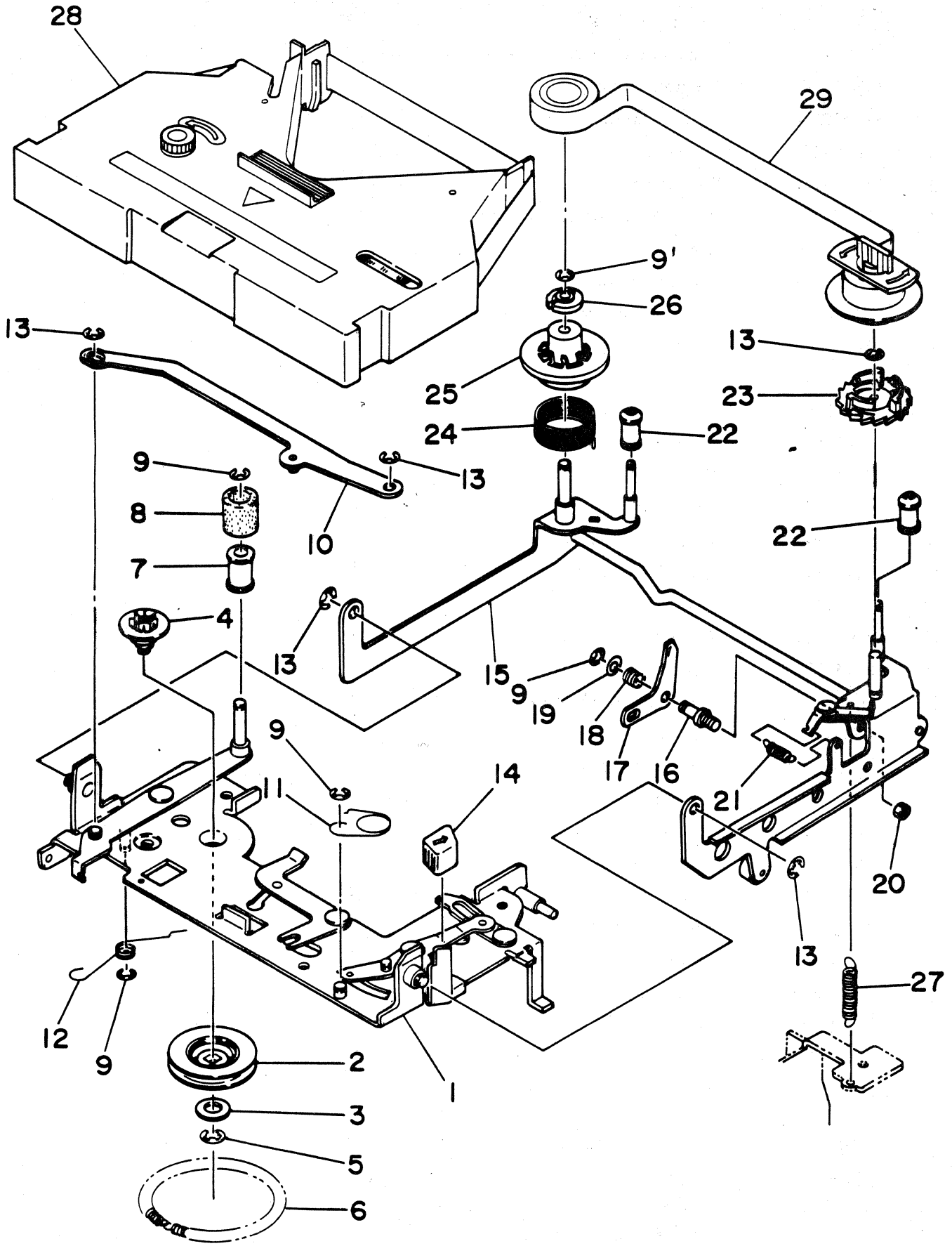


TABLE NO.		ELECTRONIC COMPACT	FUNCTIONAL GROUP NAME	RIBBON BASE MECHANISM			
REF NO.	Part Number	PARTS NAME		Q'TY	NEW PARTS CODE	PRICE US.\$	REMARK
1-26	330-53005	Ribbon base unit		1set			
1	330-51505	Ribbon base , complete		1			
2	330-51320	Ribbon feed pulley		1			
3	880-90040	PB-Washer		1			4.5×9×0.3
4	330-51310	Ribbon feed gear		1			
5	011-02040	E-Ring		1			E-3
6	330-51540	Ribbon feed spring		1	330-51541		
7-8	330-51455	Rubber roller B		1			
7	330-51450	Inner roller		1			
8	330-51470	Rubber roller		1			
9	011-02030	E-Ring		5			E-2
10	330-51435	Cassette release crank		1			
11	330-51670	Toggle spring		1			
12	330-51721	Roller arm spring		1			
13	011-02030	E-Ring		5			E-2.5
14	330-51481-11	Lever cap A		1			
15	330-52015	Correct arm , complete		1			
16	330-52120	Feed pawl shaft		1			
17	330-52060	Feed pawl		1			
18	330-52380	Feed pawl spring		1			
19	011-07520	Washer		1			
20	011-03510	Nut		1			
21	880-30161	Spring		1			
22	330-52080	Guide roller		2			
23	330-52030	Correct feed ratchet		1			
24	330-52340	Brake spring		1			
25	330-52040	Correct tape spool		1			
26	330-52300	Spool bushing		1			
27	880-70360	Spring		1			
28		Cassette tape (Order from Supplies)		1			
29		Correction tape (Order from Supplies)		1			

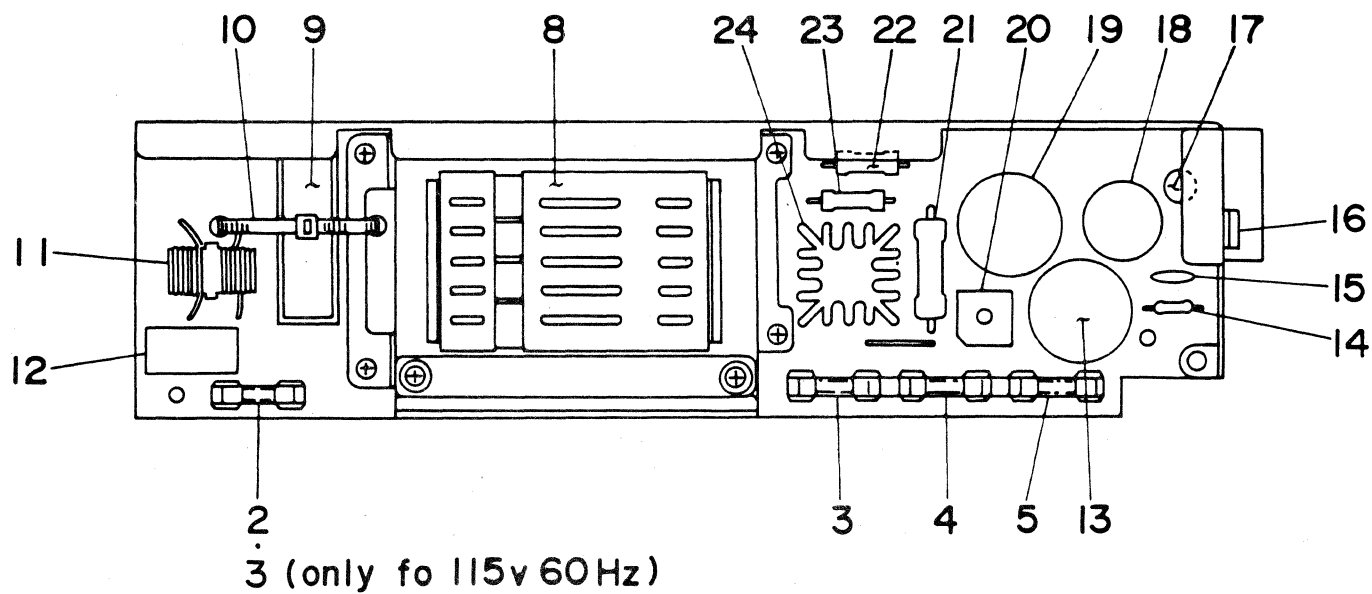
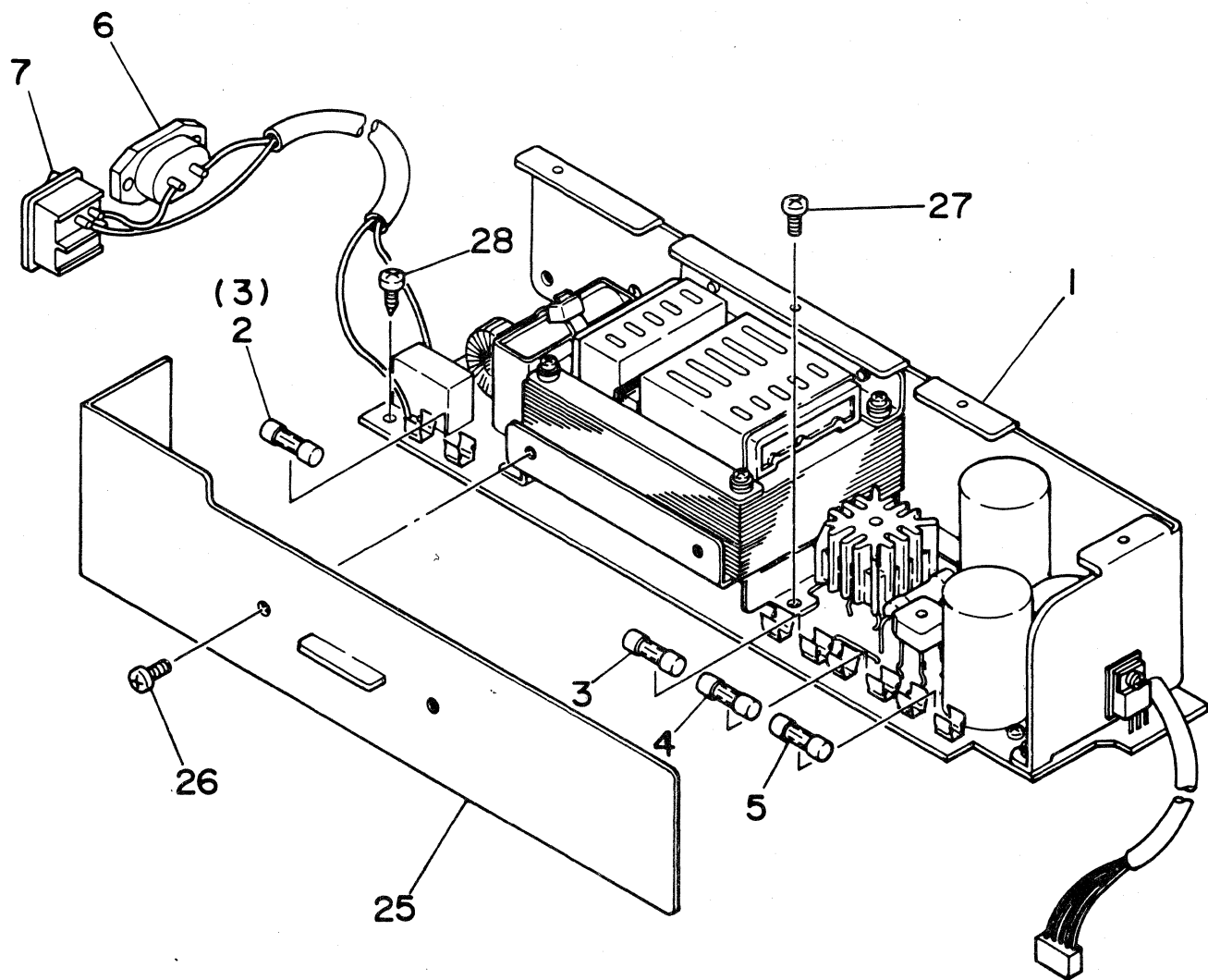


TABLE NO.	ELECTRONIC COMPACT	FUNCTIONAL GROUP NAME	POWER SUPPLY MECHANISM (for 115V and 220V)				
REF NO.	Part Number	PARTS NAME	Q'TY	NEW PARTS CODE	PRICE US.\$	REMARK	
1-24	330-20205	Power supply ,comp(for 115V-60Hz)	1set				
1-24	331-20205	Power supply ,comp(for 220V-50Hz)	1set				
1	330-20200	Cooling plate	1				
2	330-21010	Fuse(for 220V)	1			T0.315A250V	
3	330-21020	Fuse , 1.25A/250v	1(2)			T1.25A250V (for 115V-2pcs)	
4	330-21030	Fuse , 2.5A /250v	1			T2.5A250V	
5	330-21040	Fuse , 2.0A /250v	1			T2.0A250V	
6-7	330-21406	Power inlet Assy	1				
6	330-21410	Power inlet	1				
7	330-21400	Switch	1				
8	330-20035	Transformer ,comp(for110V 60Hz)	1				
	331-20035	Transformer ,comp(for220V 50Hz)	1				
9	330-21130	Capacitor	1			2 μ F350V	
10	330-20250	Band	1				
11	330-21140	Choking coil	1			SC-02-101	
12	330-21050	Capacitor(for 110V 60Hz)	1			0.22 μ F125V	
	331-21050	Capacitor(for 220V 50Hz)	1			0.22 μ F250V	
13	330-21080	Capacitor	1			3300 μ F50V	
14	330-21310	Resistor	1			330 Ω 0.5W	
15	330-21110	Capacitor	1			0.1 μ F 25V	
16	330-21190	Regulator	1			C7805H	
17	330-21120	Capacitor	1			10 μ F 50V	
18	330-21100	Capacitor	1			3300 μ 16V	
19	330-21090	Capacitor	1			15000 μ F16V	
20	330-21150	Rectifier	1			S2VB40	
21	330-21280	Resistor	1			1.2k Ω 3W	
22	330-21300	Resistor	1			1.6 Ω 2W	
23	330-21290	Resistor	1			330 Ω 2W	
24	330-21165	Rectifier	1			S4VB20	
25	330-20010	Front cover	1				
26	880-90170	Tapping screw	2			M3 \times 8	
27	011-00070	Screw	4			M4 \times 8	
28	501-70210	Tapping screw	2			M3 \times 8	

TABLE NO.	ELECTRONIC COMPACT	FUNCTIONAL GROUP NAME	HOUSING
-----------	-----------------------	--------------------------	---------

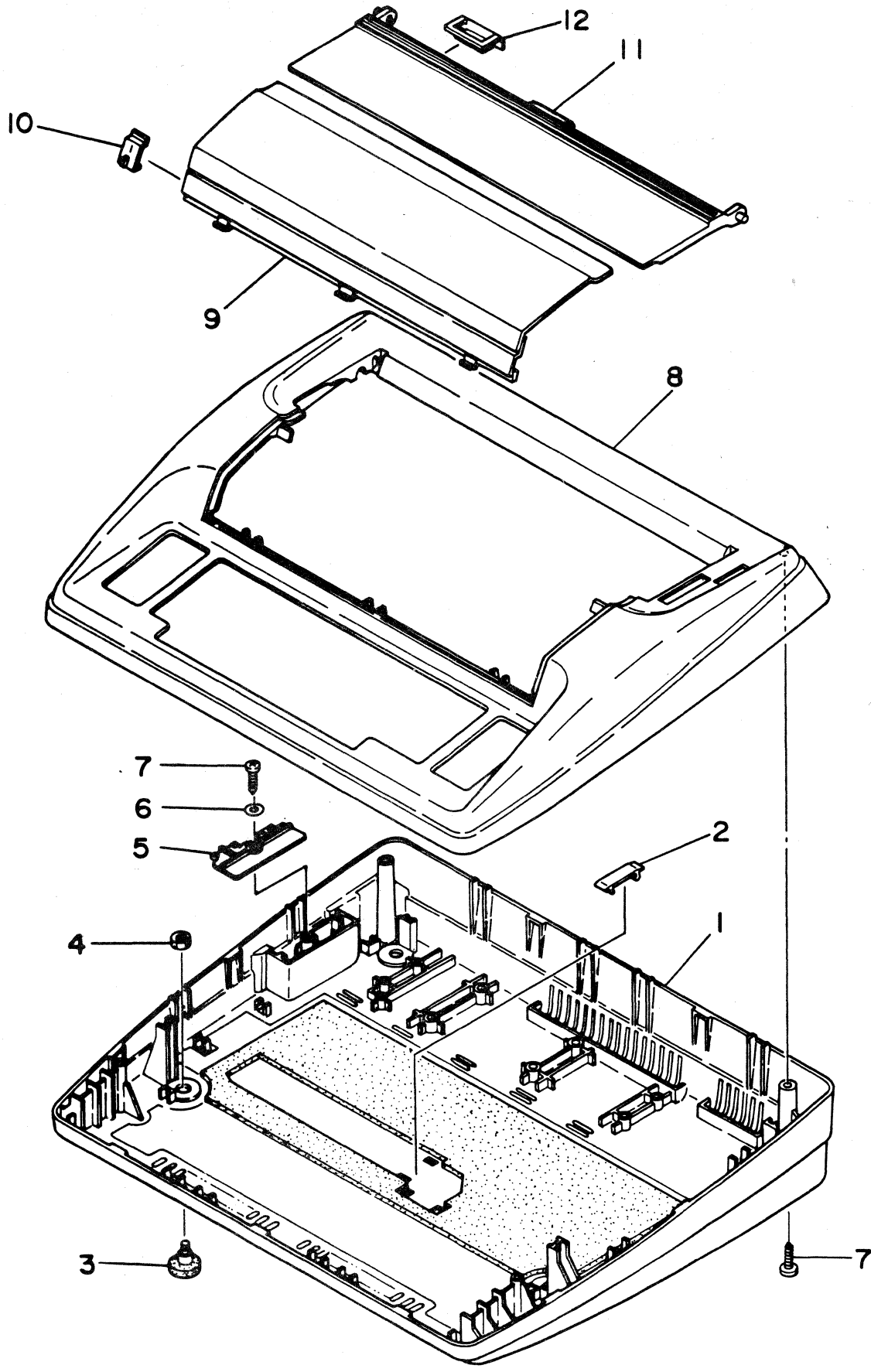


TABLE NO.		ELECTRONIC COMPACT	FUNCTIONAL GROUP NAME	HOUSING			
REF NO.	Part Number	PARTS NAME		Q'TY	NEW PARTS CODE	PRICE US.\$	REMARK
1-12	332-70005	Housing set		1set	Not Available		
1	332-70205	Bottom pan , complete		1			
2	330-70050	Wire clamp		2			
3	330-70025	Rubber leg		4			
4	011-03520	Nut		4			M-3.5
5	330-70040	Switch cover		1			
6	011-07540	Washer		1			
7	880-90051	Tapping screw		3			M3×16
8	332-70225	Main cover		1			
9	332-70235	Top cover		1			
10	332-70250	Marker slide		2			
11	330-70080	Paper stand		1			
12	330-70090	Paper guide		1			
13	332-8004	Carrying Case (Not pictured)		1			
14	3/000/0010	Dust Cover (Not pictured)		1			

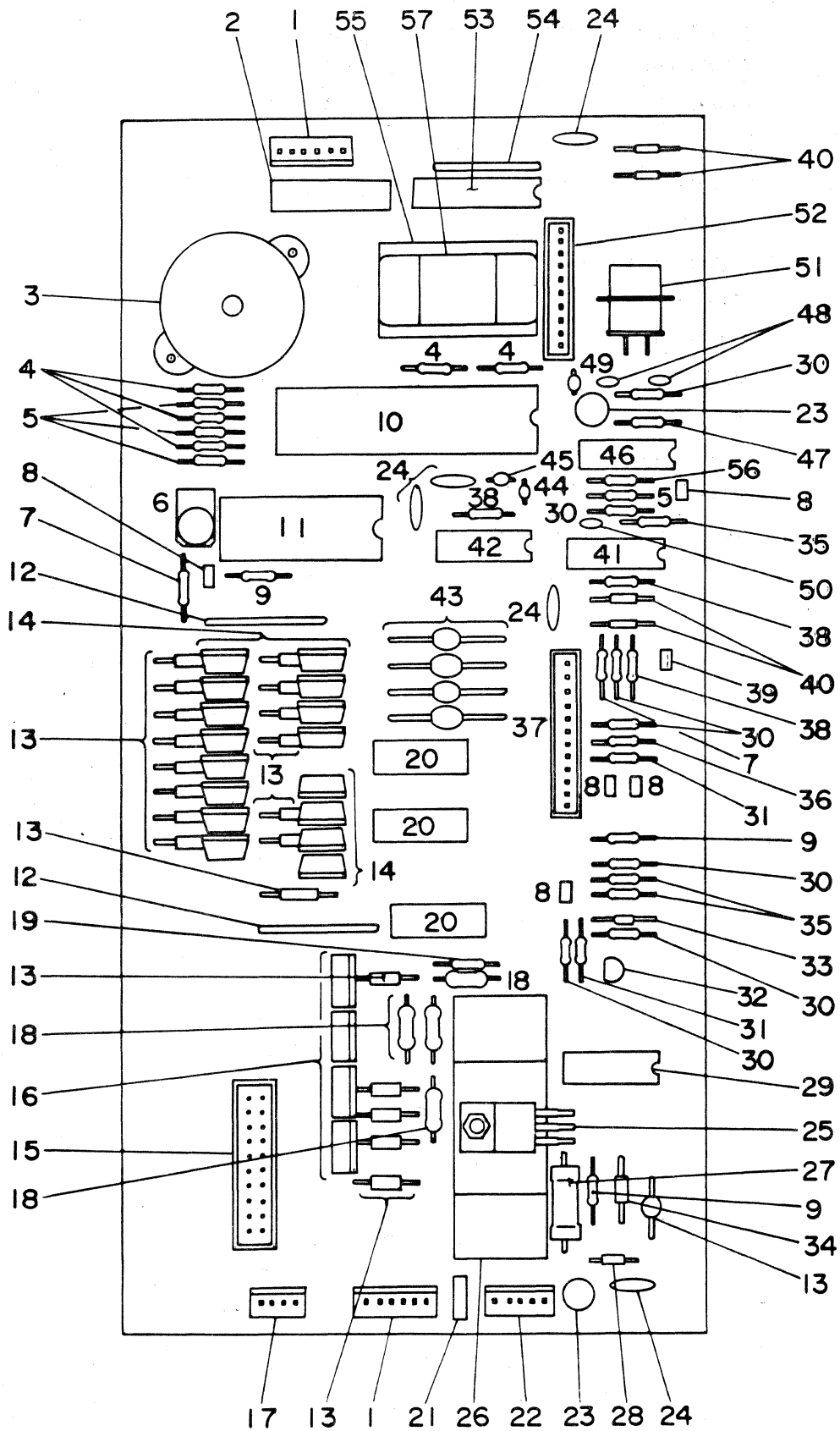


TABLE NO.	ELECTRONIC COMPACT	FUNCTIONAL GROUP NAME	CONTROL-P.C.B			
REF NO.	Part Number	PARTS NAME	Q'TY	NEW PARTS CODE	PRICE US.\$	REMARK
1-56	N-332-3000	Control-P.C.B. complete	1set			without E-PROM
1	330-30720	Plug	2			6-pin
2	330-30120	IC	1			M74LS373P
3	330-30680	Buzzer	1			PB-2720
4	330-30550	Resistor	5			2K Ω -0.25w
5	330-30460	Resistor	4			47K Ω -0.25w
6	330-30560	Variable resistor	1			500 Ω
7	330-30430	Resistor	2			150 Ω -0.25v
8	330-30210	Transistor	5			2SC2785
9	330-30530	Resistor	3			330 Ω -0.25w
10	330-30130	IC	1			D8039LC
11	330-30150	IC	1			D8243C
12	330-30410	Resistor array	2			RA-16-102-8K
13	330-30310	Diode	22			EM1Z
14	330-30250	Transistor	16			2SD560
15	330-30750	Plug	1			20-pin
16	330-30240	Transistor	4			2SB601
17	330-30740	Plug	1			4-pin
18	330-30520	Resistor	4			6.8k Ω -0.5W
19	330-30510	Resistor	1			2.5k Ω -0.25 W
20	330-30180	IC	3			M53205P
21	330-30230	Transistor	1			2SB795
22	330-30730	Plug	1			5-pin
23	330-30630	Capacitor	2			25V-47 μ F
24	330-30650	Capacitor	7			0.047 μ F
25	330-30260	Transistor	1			2SD633
26	330-30820	Cooling plate	1			
27	330-30540	Resistor	1			1 Ω -1W
28	330-30370	Zener diode	1			RD51FB
29	330-30190	Transistor array	1			PA2004C
30	330-30440	Resistor	7			10k Ω -0.25W
31	330-30490	Resistor	2			470 Ω -0.25W
32	330-30220	Transistor	1			2SA952
33	330-30340	Zener diode	1			RD7.5EB
34	330-30330	Diode	1			U05B
35	330-30480	Resistor	3			5k Ω -0.25W
36	330-30500	Resistor	1			6k Ω -0.25W
37	330-30710	Plug	1			12-pin

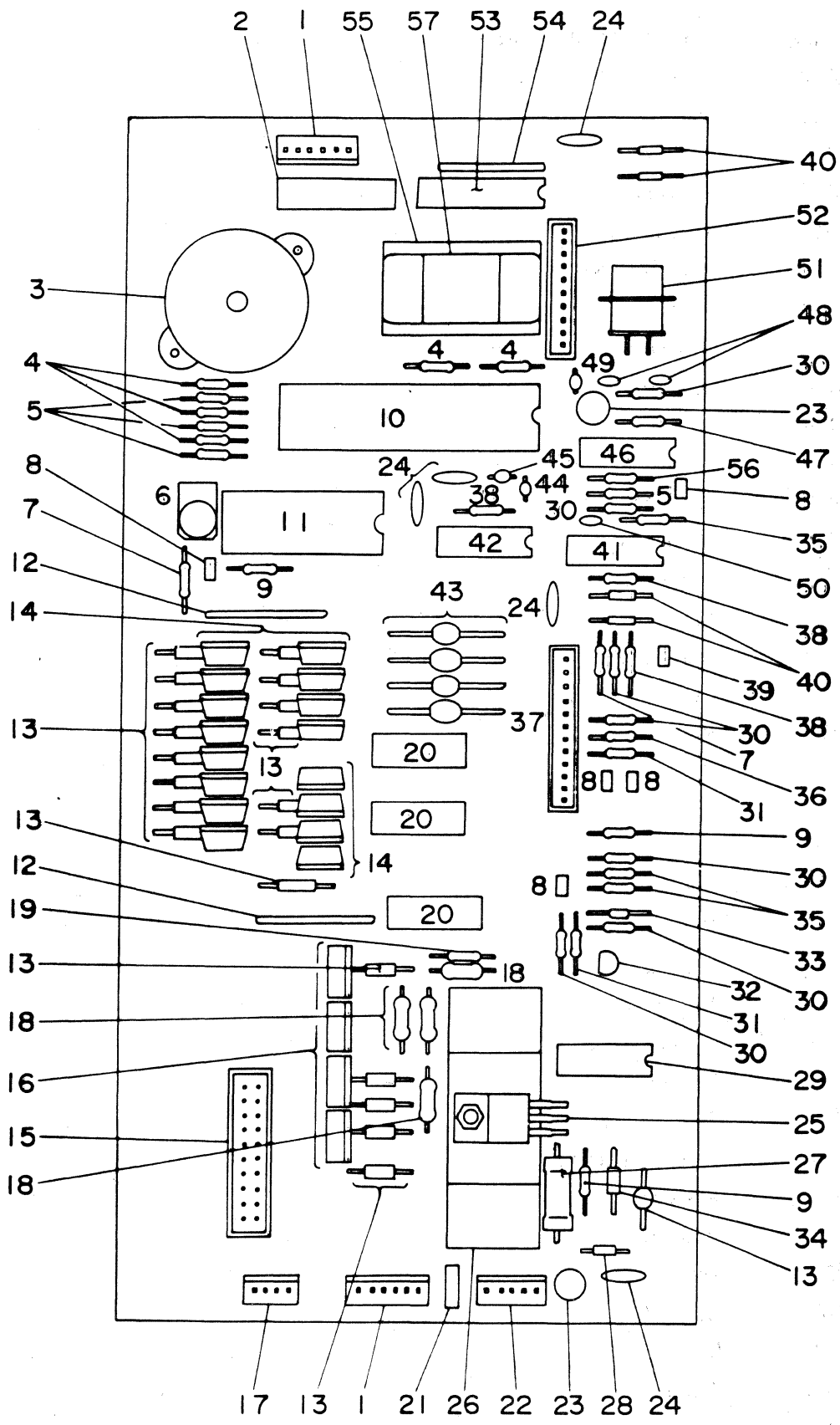


TABLE NO.	ELECTRONIC COMPACT	FUNCTIONAL GROUP NAME	CONTROL-P.C.B			
REF NO.	Part Number	PARTS NAME	QTY	NEW PARTS CODE	PRICE US.\$	REMARK
38	330-30420	Resistor	3			51k Ω -0.25W
39	330-30200	Transistor	1			2SA1175
40	330-30300	Diode	4			1S953
41	330-30160	IC	1			D4001BC
42	330-30140	IC	1			D4028BC
43	330-30350	Zener diode	4			AU01-24
44	330-30600	Capacitor	1			16V-0.1 μ F
45	330-30610	Capacitor	1			16V-1.0 μ F
46	330-30170	IC	1			D4011BC
47	330-30470	Resistor	1			3k Ω -0.25W
48	330-30660	Capacitor	2			20pF
49	330-30620	Capacitor	1			25V-1.0 μ F
50	330-30640	Capacitor	1			2200 μ F
51	330-30670	Quartz-oscillator	1			6MHz
52	330-30700	Plug	1			10-pin
53	330-30100	IC	1			TC40H244
54	330-30400	Resistor array	1			X 513K
55	330-30800	IC-Socket	1			IC30-2406G4
56	330-30450	Resistor	1			1M Ω
57	332-30110	E-PROM	1			D2716D

TABLE NO.	ELECTRONIC COMPACT	FUNCTIONAL GROUP NAME	CARRIER-P.C.B
-----------	-----------------------	--------------------------	---------------

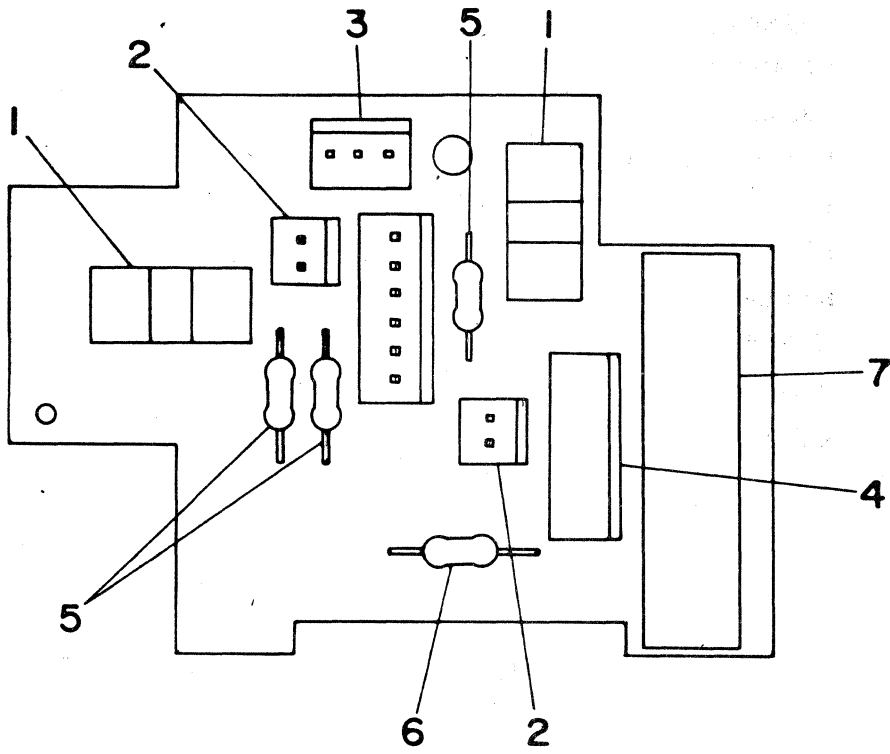


TABLE NO.		ELECTRONIC COMPACT	FUNCTIONAL GROUPNAME	CARRIER-P.C.B			
REF NO.	Part Number	PARTS NAME		Q'TY	NEW PARTS CODE	PRICE US.\$	REMARK
1-7	330-31105	Carrier P.C.B. complete		1set			
1	330-31020	Photo-interruptor		2			EE-SJ3-B
2	330-31040	Plug		2			2-pin
3	330-31030	Plug		1			3-pin
4	330-30640	Plug		2			6-pin
5	330-31000	Resistor		3			180 Ω -0.25W
6	330-31010	Resistor		1			120 Ω -0.25W
7	330-30650	Plug		1			20-pin

SECTION B
(VERSION II)

TABLE NO.

**ELECTRONIC
COMPACT**

FUNCTIONAL
GROUP NAME

KEY BOARD MECHANISM

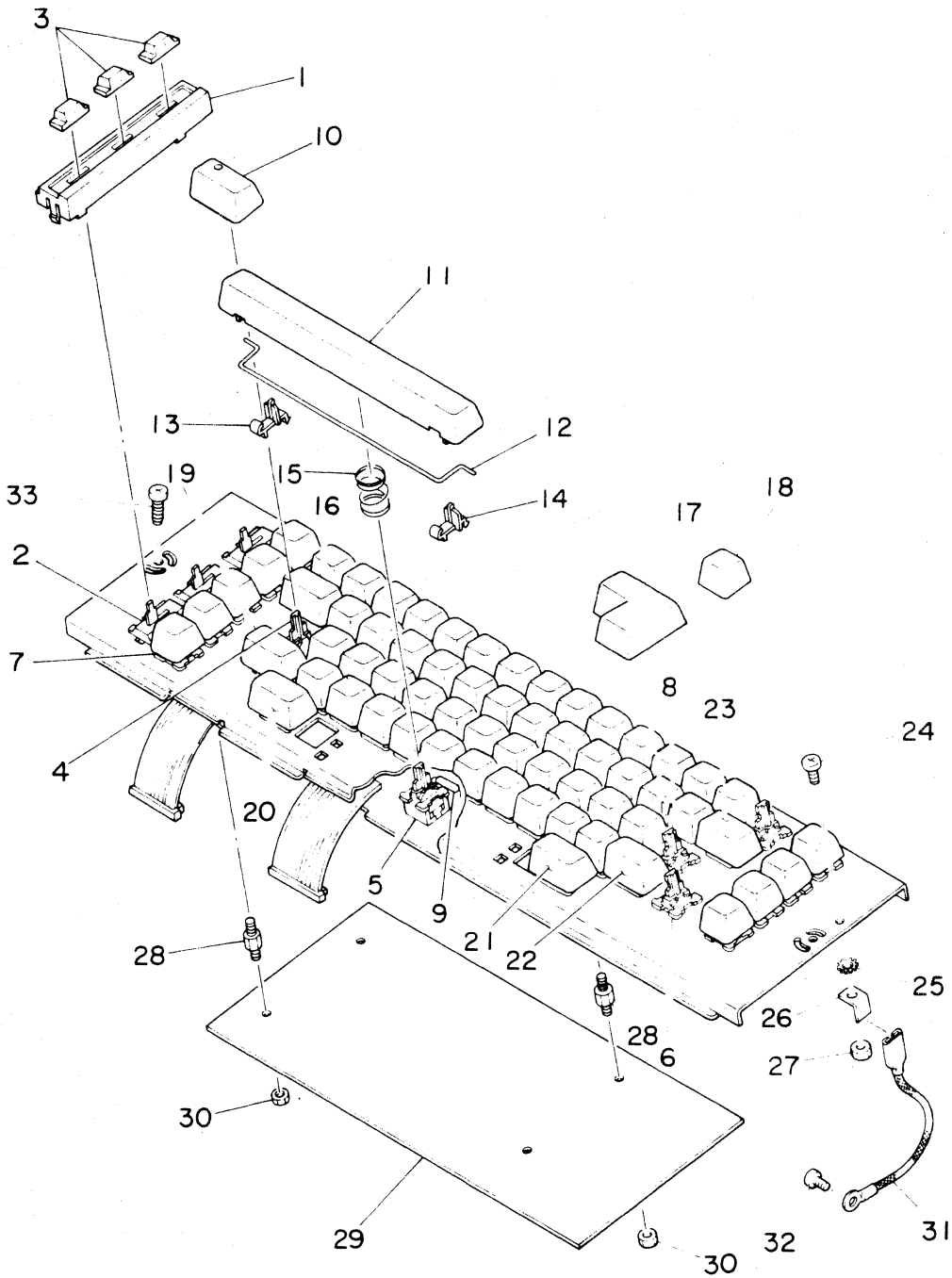


TABLE NO.	ELECTRONIC COMPACT	FUNCTIONAL GROUP NAME	KEY BOARD MECHANISM			
REF NO.	PART NUMBER :	PARTS NAME -	Q'TY	NEW PARTS CODE	PRICE	REMARK
1-27	KYO-10011-01	Key board unit	1 set			order is key arrangement
1	330-41120	Slide switch cover	1			
2	330-41060	Slide switch	3			
3	330-41130	Slide key cap	3			
4	330-41190	Switch-LED	1			
5	330-41040	Double switch	5			
6	330-41030	Single switch	59			
7	330-41050	Lock switch	1			
8	336-41170	Dummy switch	2			
9	330-30300	Diode	71			1S953
10	330-90590	Shift lock key	1			
			1			
11	330-90650	Space key	1			
12	330-41096	Space key crank	1			
13	330-41070	Crank support L. H	1			
14	330-41080	Crank support R. H	1			
15	330-41200	Spring	1			
16	330-90580	TAB key-	1			
			1			
17	332-91290	Return key-english letter	1			
			1			
18	*	Other key				see key arrange ment
19	332-91300	Shift key left	1			
	332-91320	Shift key left-no sign	1			
20	330-90630	Repeat key	1			
	331-91000	Repeat key-sigh	1			
21	330-90640	Half space key	1			
			1			
22	330-90610	Shift key right	1			
			1			
23	333-91280	Correction key	1			
24	011-00020	Screw	1			M3 × 6
25	531-00850	Tooth washer	1			
26	330-40070	Terminal earth	1			
27	011-13510	Nut	1			M3
28	330-41150	Spacer screw	4			
	330-41150	Spacer screw	6			w single sided
29	330-30006	Control - P.C.B. complete	1			double sided
	330-39006	Control - P.C.B. complete	1			double sided one chip
	340-30875	Control - P.C.B. complete	1			single sided

TABLE NO.

**ELECTRONIC
COMPACT**

FUNCTIONAL
GROUP NAME

KEY BOARD MECHANISM

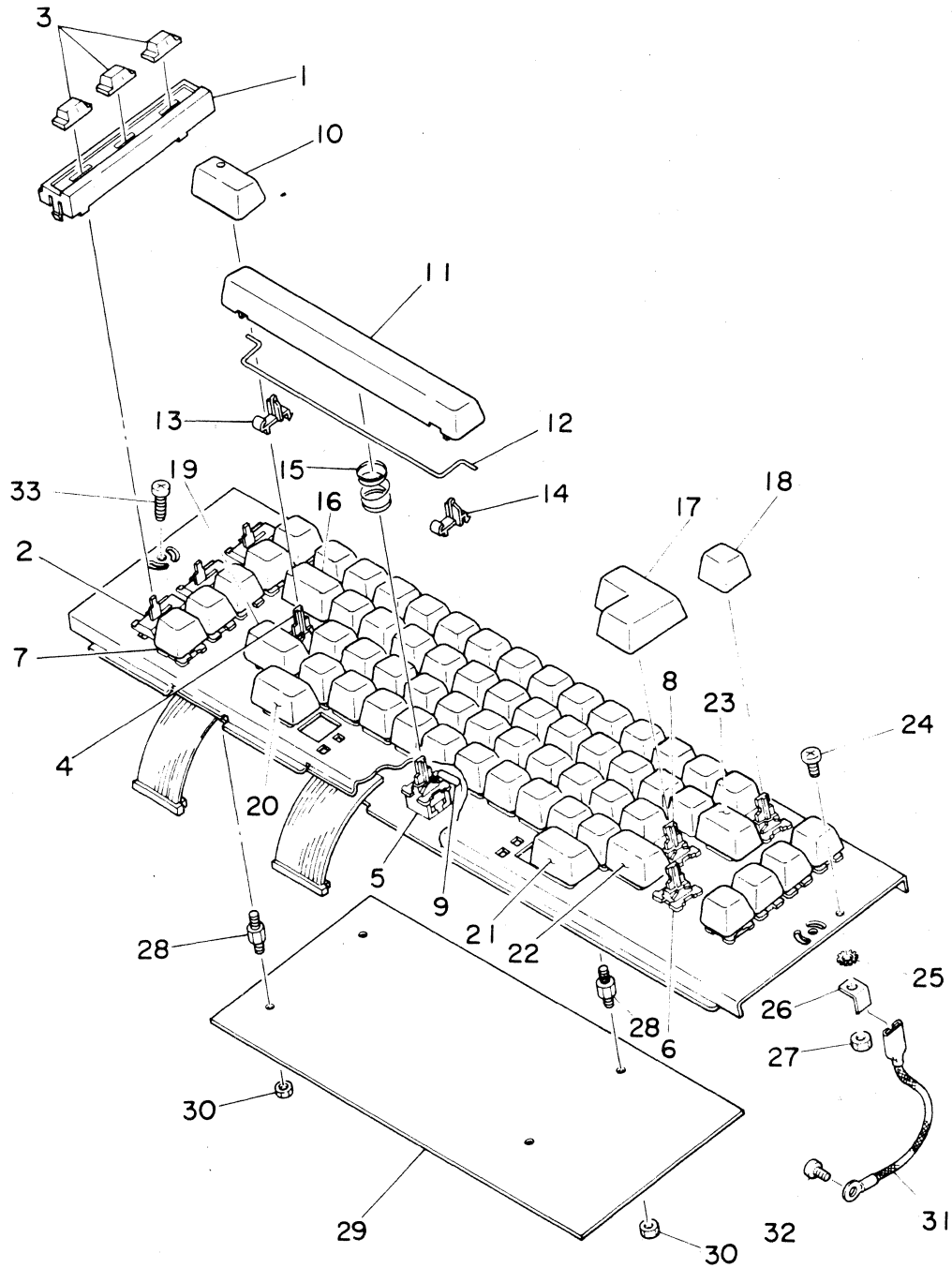


TABLE NO.		ELECTRONIC COMPACT	FUNCTIONAL GROUP NAME	KEY BOARD MECHANISM			
REF NO.	PART NUMBER	PARTS NAME		QTY	NEW PARTS CODE	PRICE	REMARK
30	011-13510	Nut		4			M3
	011-13510	Nut		6			w single sided
31	330-40046	Wire earth lead		1			
32	820-90210	Screw		1			M3.5 × 5
33	301-27630	Tapping screw		4			M3 × 16

TABLE NO.

**ELECTRONIC
COMPACT**

FUNCTIONAL
GROUP NAME

CHASSIS MECHANISM

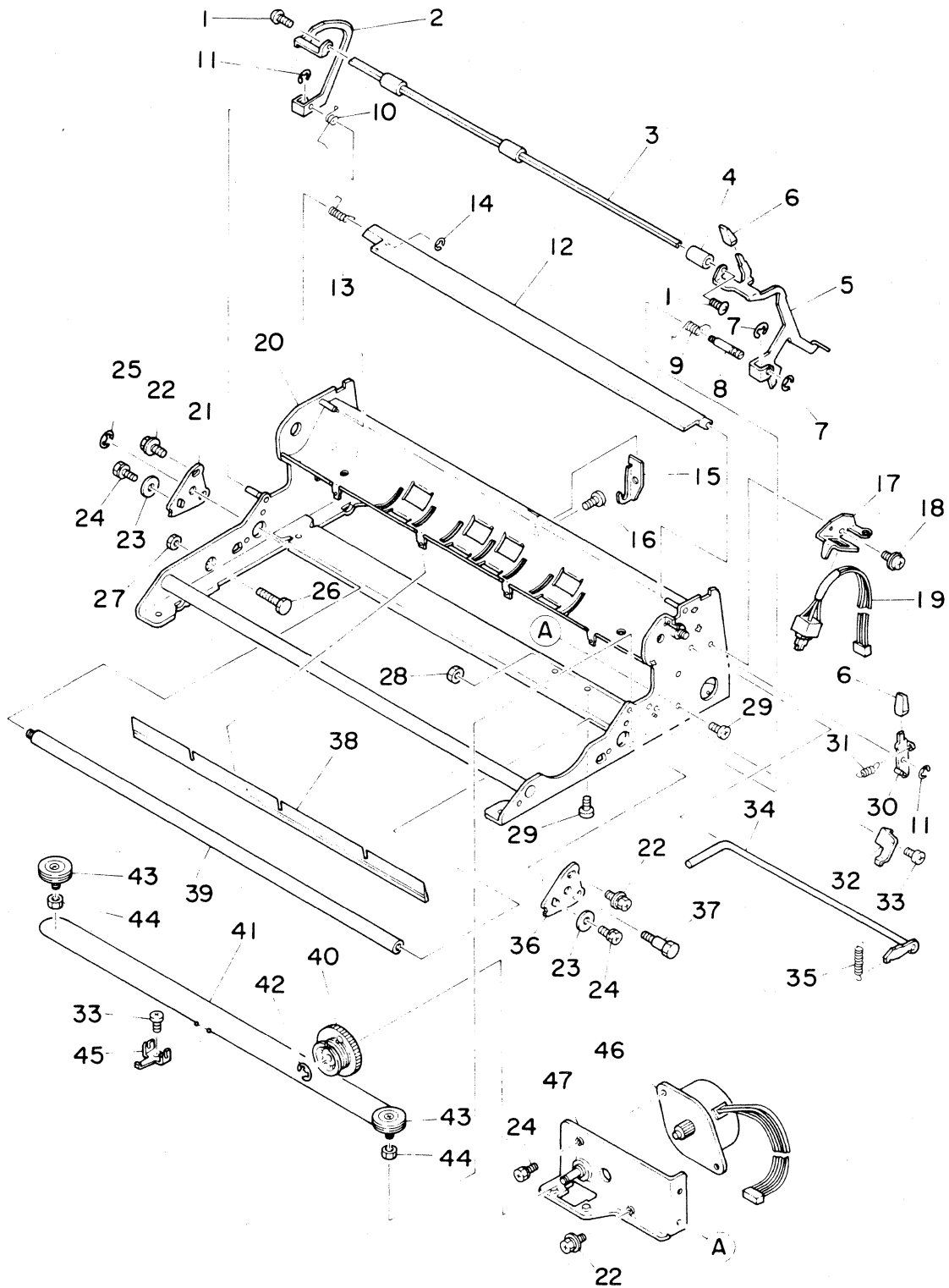


TABLE NO.	ELECTRONIC COMPACT	FUNCTIONAL GROUP NAME	CHASSIS MECHANISM			
REF NO.	PART NUMBER	PARTS NAME	QTY	NEW PARTS CODE	PRICE	REMARK
1-6	330-61246	Paper bail Assy	1			
1	501-70110	Screw	2			M2.6 × 5
2	330-61271	Paper bail arm L. H	1			
3	330-61241	Paper bail shaft	1			
4	301-26065	Paper bail roller	3			
5	330-61280	Paper bail arm R. H	1			
6	330-61081	Lever cap	2			
7	501-70500	E-Ring	2			E-4
8	330-61230	Paper bail pin	1			
9	330-61410	Paper bail arm spring R. H	1			
10	330-61400	Paper bail arm spring L. H	1			
11	011-02040	E-Ring	2			E-3
12	330-61165	Erase table	1			
13	330-61101	Spring	1			
14	011-02020	E-Ring	1			E-2
15	330-61152	Release shaft support	1			
16	501-70200	Screw	1			M3 × 5
17	330-61261	Injector switch holder	1			
18	550-10040	Flange screw	1			M3 × 5
19	330-41045	Switch , complete	1			
20	330-60016	Chassis , complete	1			
21	330-60120	Adjust plate L. H	1			
22	330-60170	Hexagon head screw with washer	3			M4 × 8
23	330-60090	Washer	2			
24	330-60160	Hexagon head screw with washer	3			M4 × 8
25	330-60100	E-Ring spring	1			E-5
26	371-30200	Hexagon head screw	1			M3 × 14
27	011-03510	Nut	1			M3
28	011-03520	Nut	1			M3.5
29	820-90220	Screw	4			M3.5 × 5
30	330-61197	Paper release lever	1			
31	880-30030	Spring	1			
32	330-61250	Paper bail cam spring	1			
33	011-00010	Screw	2			M3 × 4
34	330-61136	Release shaft , complete	1			
35	330-61091	Spring	1			
36	330-60040	Adjust plate R. H	1			
37	330-60130	Shaft set screw	1			
38	330-61121	Paper support	1			
39	330-60061	Guide shaft	1			
40-41	330-60235	Drive pulley set	1			

TABLE NO.	ELECTRONIC COMPACT	FUNCTIONAL GROUP NAME	CHASSIS MECHANISM
-----------	-----------------------	--------------------------	-------------------

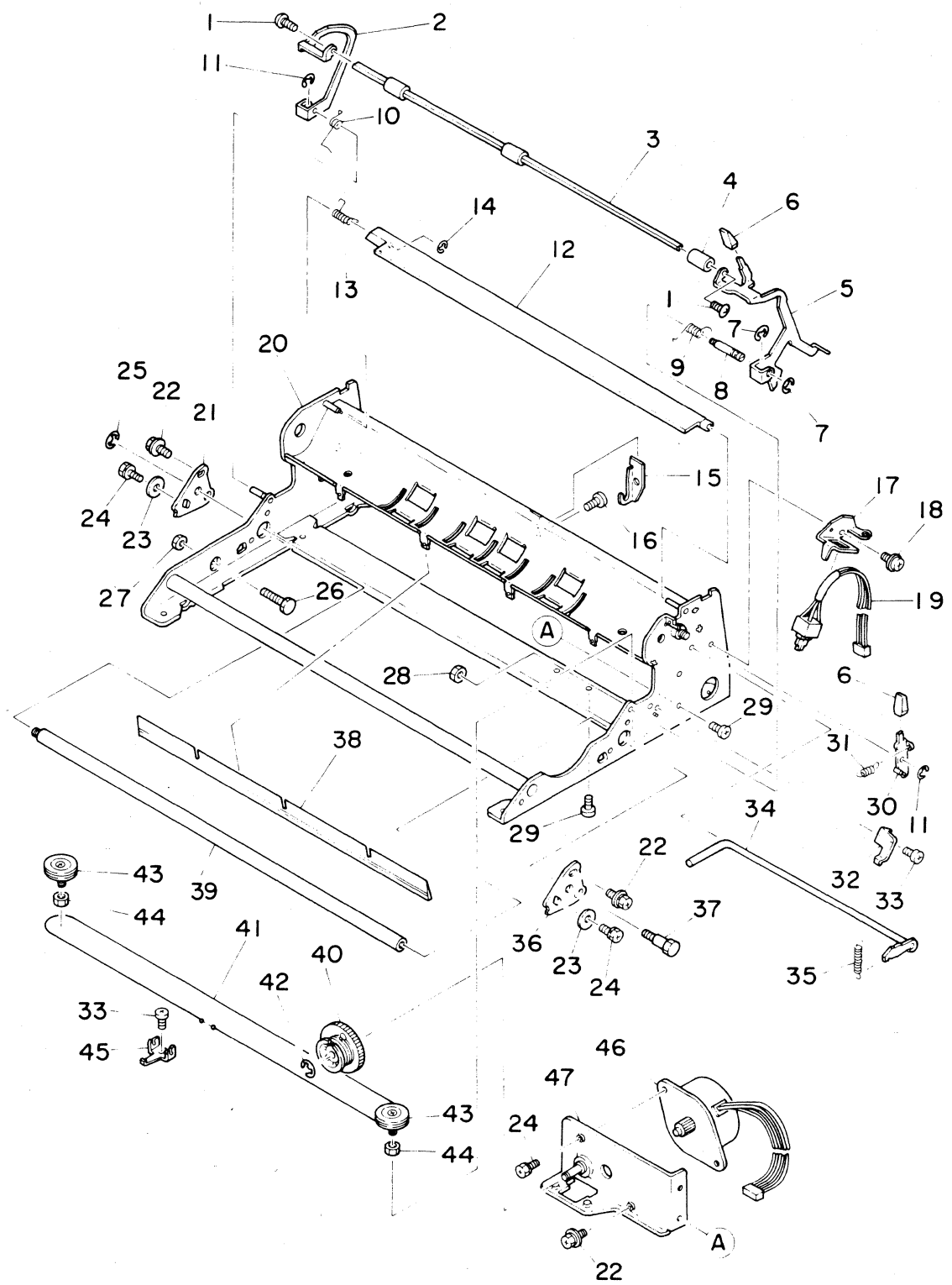


TABLE NO. ELECTRONIC COMPACT		FUNCTIONAL GROUP NAME	CHASSIS MECHANISM			
REF NO.	PART NUMBER	PARTS NAME	QTY	NEW PARTS CODE	PRICE	REMARK
40	330-60230	Drive pulley	1			
41	330-60315	Drive wire	1			
42	501-70510	E-Ring	1			E-5
43	330-60255	Tension pulley	2			
44	501-70030	Nut	2			M4
45	330-52241	Wire holder	1			
46	330-31216	Carrier drive motor	1			
47	330-60206	Drive motor base , complete	1			

TABLE NO.

**ELECTRONIC
COMPACT**

FUNCTIONAL
GROUP NAME

PAPER FEED MECHANISM

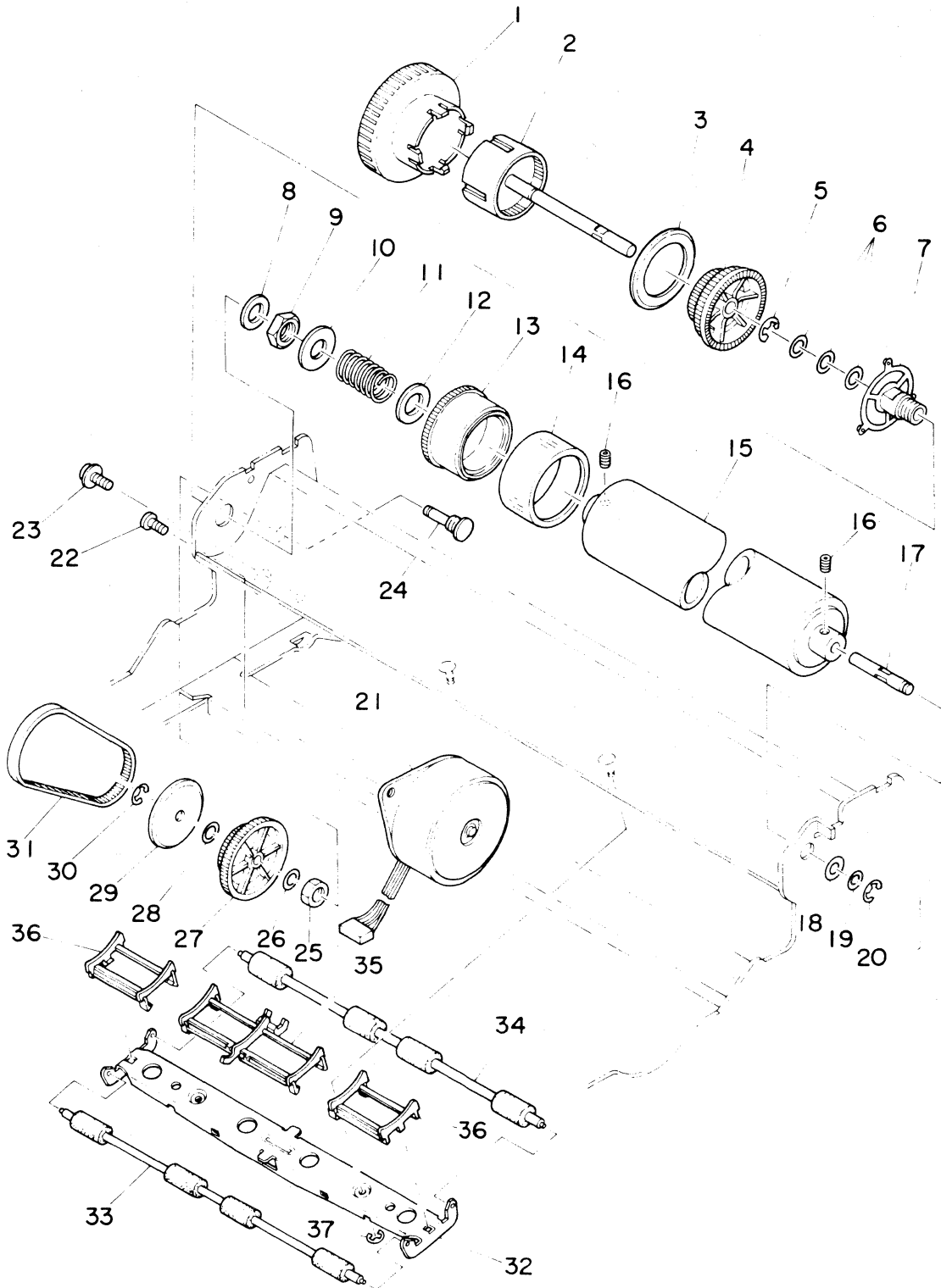


TABLE NO.	ELECTRONIC COMPACT		FUNCTIONAL GROUP NAME	PAPER FEED MECHANISM		
REF NO.	PART NUMBER	PARTS NAME	Q'TY	NEW PARTS CODE	PRICE	REMARK
1	330-60500	Platen knob	1			
2-5	330-60515	Platen knob shaft Assy	1			
2	330-60510	Platen knob shaft Assy	1			
3	330-60590	Guide flange-A	1			
4	330-60520	Platen pulley	1			
5	501-70510	E-Ring	1			E-5
6	501-10920	Nylon washer	} U.R			6×11×0.2
	501-10930	Nylon washer				6×11×0.3
	501-10891	Nylon washer				6×11×0.5
7	330-60546	Variable spring , complete	1			
8	330-60550	Spacer	1			
9	330-60560	Nut	1			
10	330-61290	Washer	1			
11	330-61400	Spring	1			
12	330-61110	Washer	1			
13	330-61215	Paper end gauge , complete	1			
14	330-61200	Gauge cover	1			
15	330-61015	Platen	1			
16	011-00150	Set screw	2			
17	330-60580	Platen shaft	1			
18	501-10930	Nylon washer	1			6×11×0.3
19	521-35030	Washer	1			6×10×0.3
20	501-70510	E-Ring	1			E-5
21	330-31235	Index motor	1			
22	011-00121	Screw	1			M4×6
23	330-60660	Flange screw	1			M4×6
24	330-60631	Pulley center shaft	1			
25	330-60690	Nut	1			
26	011-15221	Washer	1			5.1×10×0.2
27	330-60610	Center pulley	1			
28	880-21060	Washer wave	1			
29	330-60621	Guide flange	1			
30	501-70500	E-Ring	1			E-4
31	330-60600	Drive belt	1			
32-36	330-61076	Feed roller set	1			
32	330-61071	Feed roller holder	1			
33	330-61371	Feed roller,front	1			
34	330-61381	Feed roller,rear	1			
35	330-61340	Paper guide-B	1			
36	330-61330	Paper guide-A	2			
37	011-02030	E-Ring	2			E-2.5

TABLE NO.

**ELECTRONIC
COMPACT**

FUNCTIONAL
GROUP NAME

CARRIER CHASSIS MECHANISM

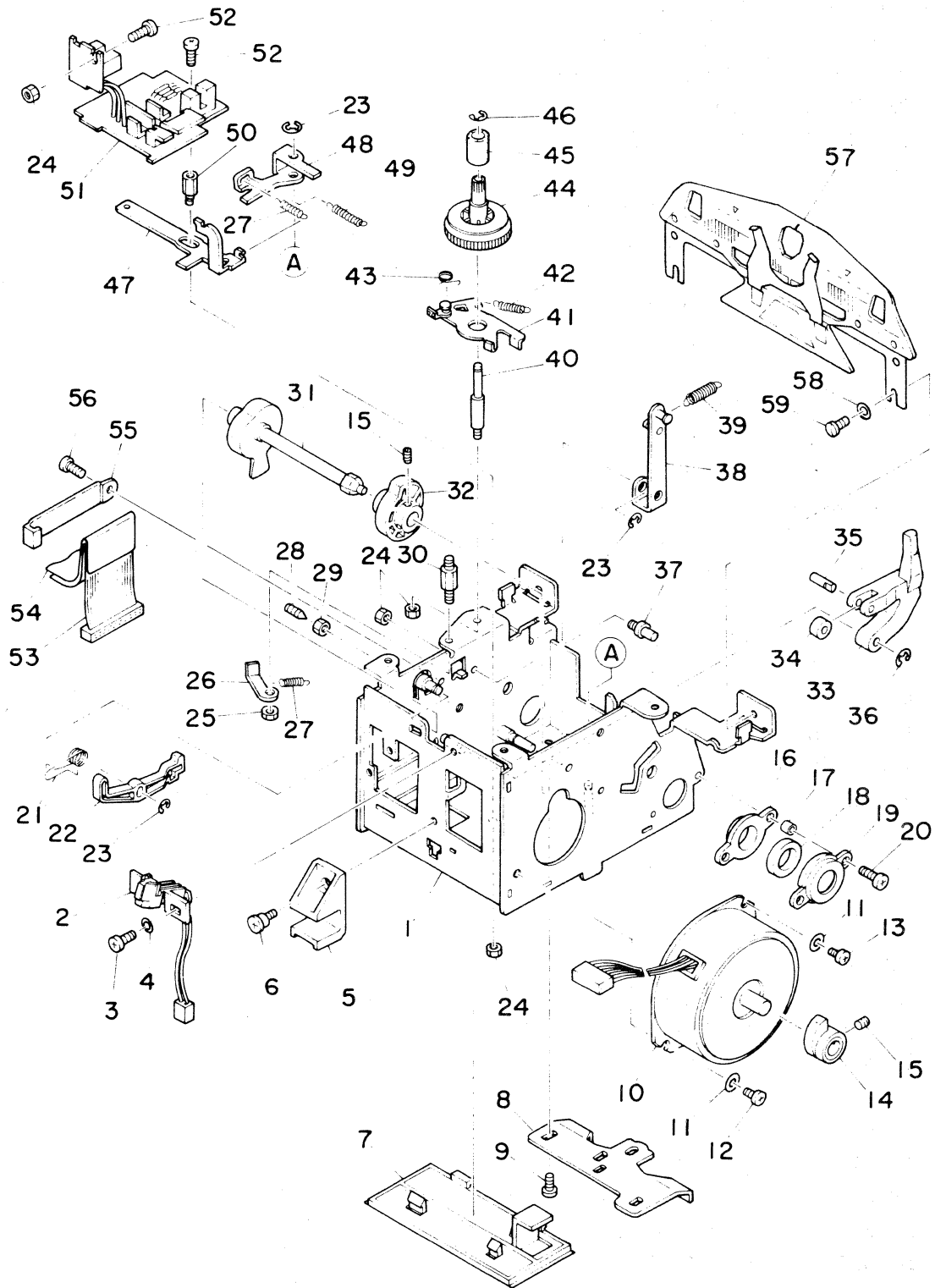


TABLE NO.		ELECTRONIC COMPACT	FUNCTIONAL GROUP NAME	CARRIER CHASSIS MECHANISM			
REF NO.	PART NUMBER	PARTS NAME	QTY	NEW PARTS CODE	PRICE	REMARK	
1-52	330-51006	Carrier chassis Assy .	1 set				
1	330-52317	Carrier chassis, complete	1				
2	330-31096	L.E.D. complete	1				
3	301-00770	Screw	1			M3 × 8	
4	011-05510	Spring washer	1				
5	330-52232	Carrier holder	1				
6	330-52540	Holder set screw	1				
7	330-52410	Cover	1				
8	330-61461	Carrier stopper	1				
9	330-22040	Screw	3			M3 × 5	
10	330-31220	Ribbon motor	1				
11	011-07540	Washer	2			3.5 × 9 × 0.5	
12	820-90220	Screw	1			M3.5 × 5	
13	820-90210	Screw	1			M3.5 × 4	
14	330-52057	Correct cam	1				
15	501-70050	Set screw	2			M3 × 3	
16	330-52201	Slide bush	2				
17	330-52590	Spacer	4			FEB 83' OLD	
18	330-52221	Felt ring	2				
19	330-52211	Cover bush	2				
20	330-52441	Screw	4	330-52610		FEB 83' OLD	
	330-52610	Screw	4			FEB 83' NEW	
21	330-51652	Change lever spring	1				
22	330-51281	Ribbon change lever	1				
23	011-02030	E-Ring	3			E-2.5	
24	011-03510	Nut	4			M3	
25	330-51520	Nut	1				
26	330-51360	Stop finger	1				
27	501-11250	Spring	2				
28	820-20800	Center screw	1				
29	501-70030	Nut	1			M4	
30	330-51510	Spacer screw	1				
31	330-51176	Cam shaft	1				
32	330-51191	Ribbon lift cam	1				
33	330-51810	Ribbon feed crank	1				
34	330-51160	Cam follower	1				
35	330-51890	Pin	1				
36	011-02040	E-Ring	1			E-3	
37	330-51610	Feed eccentric screw	1				
38	330-51086	Toggle lever	1				
39	330-51740	Toggle lever spring	1				

TABLE NO.

**ELECTRONIC
COMPACT**

FUNCTIONAL
GROUP NAME

CARRIER CHASSIS MECHANISM

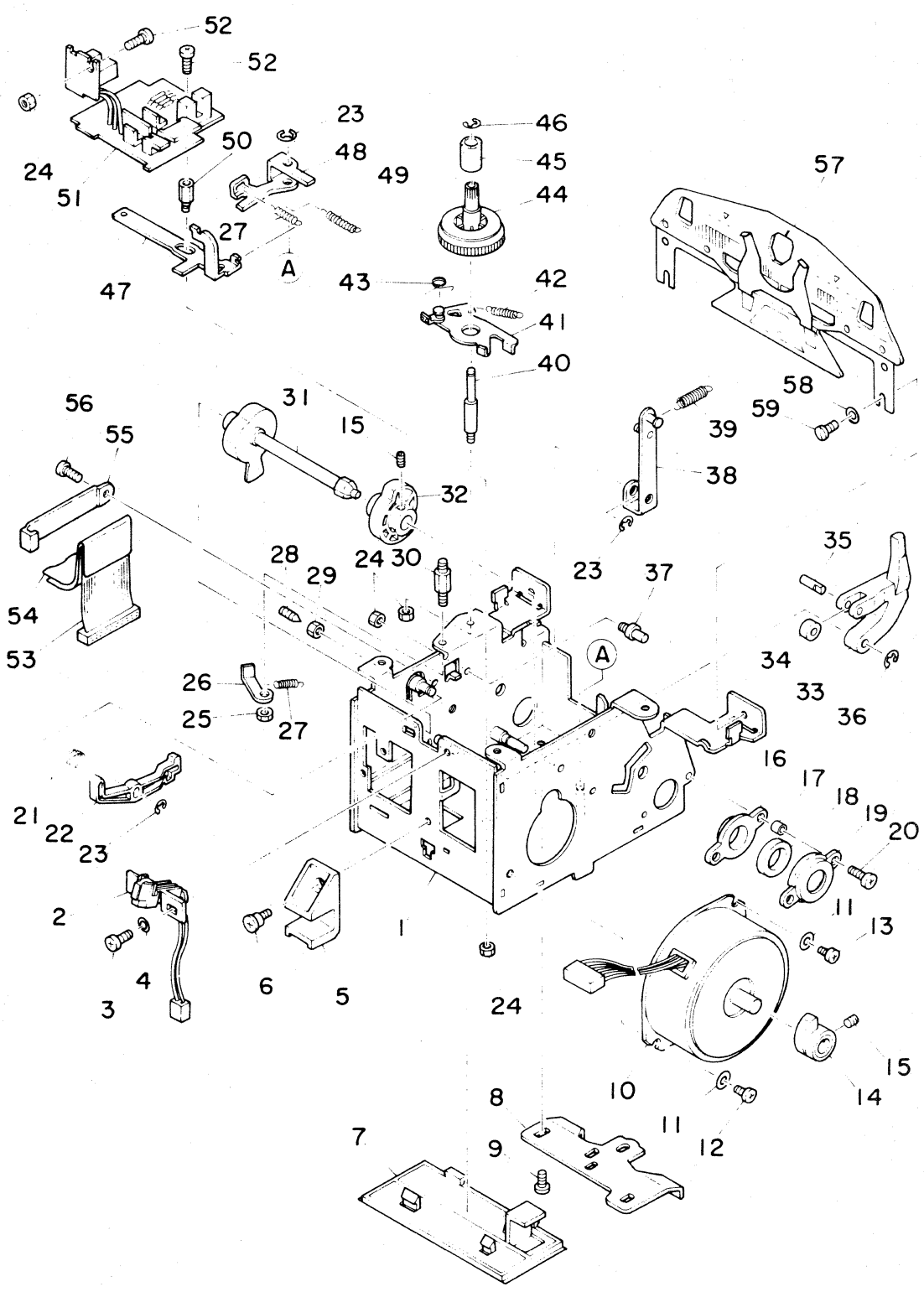


TABLE NO.	ELECTRONIC COMPACT	FUNCTIONAL GROUP NAME	CARRIER CHASSIS MECHANISM			
REF NO.	PART NUMBER	PARTS NAME	QTY	NEW PARTS CODE	PRICE	REMARK
40	330-51330	Feed roller shaft	1			
41	330-51356	Finger plate, complete	1			
42	011-11030	Spring	1			
43	330-51710	Feed torsion spring	1			
44	330-51301	Feed pulley	1			
45	330-51340	Rubber roller	1			
46	011-02020	E-Ring	1			E-2
47	330-51120	Reset plate	1			
48	330-51100	Reset crank	1			
49	011-16050	Spring	1			
50	330-51131	Terminal screw	1			
51	330-31106	Carrier P. C. B. complete	1			
52	501-70200	Screw	2			M3 x 5
53	330-30835	Flat cable	1			
54	330-52470	Earth plate	1			
55	330-51401	Cord stopper	1			
56	011-00100	Screw	1			M3 x 6
57	330-52196	Line locator	1			
58	011-07530	Washer				3 x 6 x 0.3
59	501-70110	Screw	2			M2.6 x 5

TABLE NO.	ELECTRONIC COMPACT	FUNCTIONAL GROUP NAME	PRINTER HEAD MECHANISM
-----------	-----------------------	--------------------------	------------------------

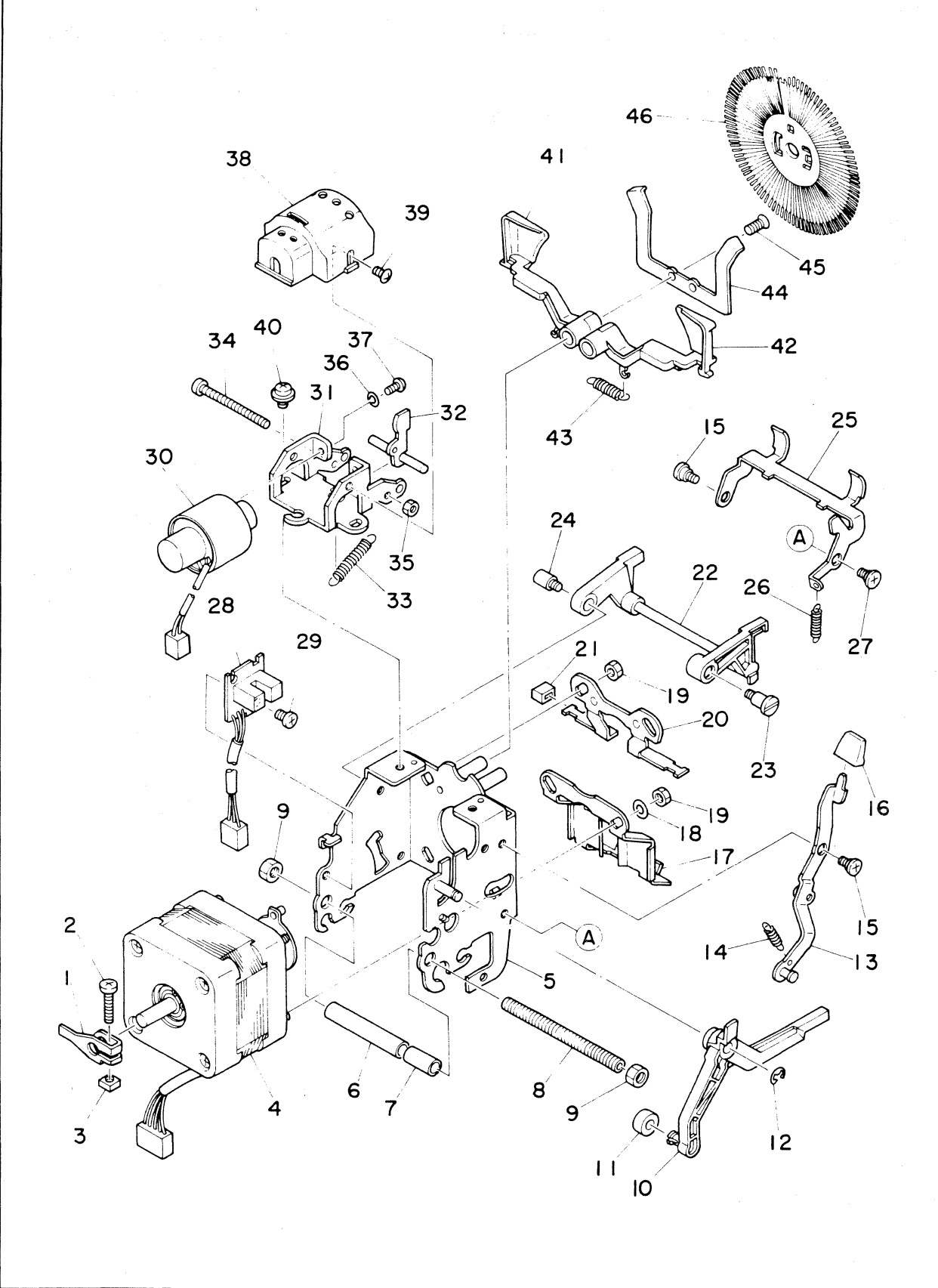


TABLE NO.	ELECTRONIC COMPACT	FUNCTIONAL GROUP NAME	PRINTER HEAD MECHANISM			
REF NO.	PART NUMBER	PARTS NAME	QTY	NEW PARTS CODE	PRICE	REMARK
1 45	330-52006	Printer head Assy	1 set			
1	330-52260	Position detector	1			
2	551-03140	Screw	1			M3 × 12
3	330-52420	Square nut	1			M3
4	330-51016	Selection motor	1			
5	330-51111	Printer head chassis, complete	1			
6	330-51700	Spacer-L	1			
7	330-60200	Spacer-S	1			
8	330-51531	Head frame shaft	1			
9	330-51730	Nut	2			M5
10	330-51830	Center guide lift arm	1			
11	330-51730	Cam follower	1			
12	011-02030	E-Ring	1			E-2.5
13	330-51047	Wheel release lever	1			
14	551-02000	Spring	1			
15	330-51060	Screw	2			
16	330-51050	Lever cap	1			
17	330-52160	Wheel bracket	1			
18	301-27420	Washer	2			3 × 8 × 0.5
19	011-03510	Nut	4			M3
20	330-51900	Crank stopper	1			
21	551-00230	Pad	2			
22	330-51035	Center guide lift crank	1			
23	330-51850	Screw-A	1			
24	330-51860	Screw-B	1			
25	330-52560	Wheel eject crank	1			
26	880-10240	Spring	1			
27	330-51070	Screw	1			
28	330-31115	Photo-interrupter, complete	1			
29	501-70200	Screw	1			M3 × 5
30-37	330-52175	Hammer unit	1			
30	330-50005	Hammer solenoid, complete	1			
31	330-52170	Hammer bracket	1			
32	330-52375	Hammer, complete	1			
33	330-52400	Spring	1			
34	330-52430	Screw	1			M2.6 × 29
35	011-07510	Nut	1			M2.6
36	330-52480	Spring washer	2			M2.6
37	301-00760	Screw	2			M2.6 × 4
38	330-52180	Cover solenoid	1			
39	301-00700	Screw	2			M2.6 × 6

TABLE NO. **ELECTRONIC
COMPACT**

FUNCTIONAL
GROUP NAME

PRINTER HEAD MECHANISM

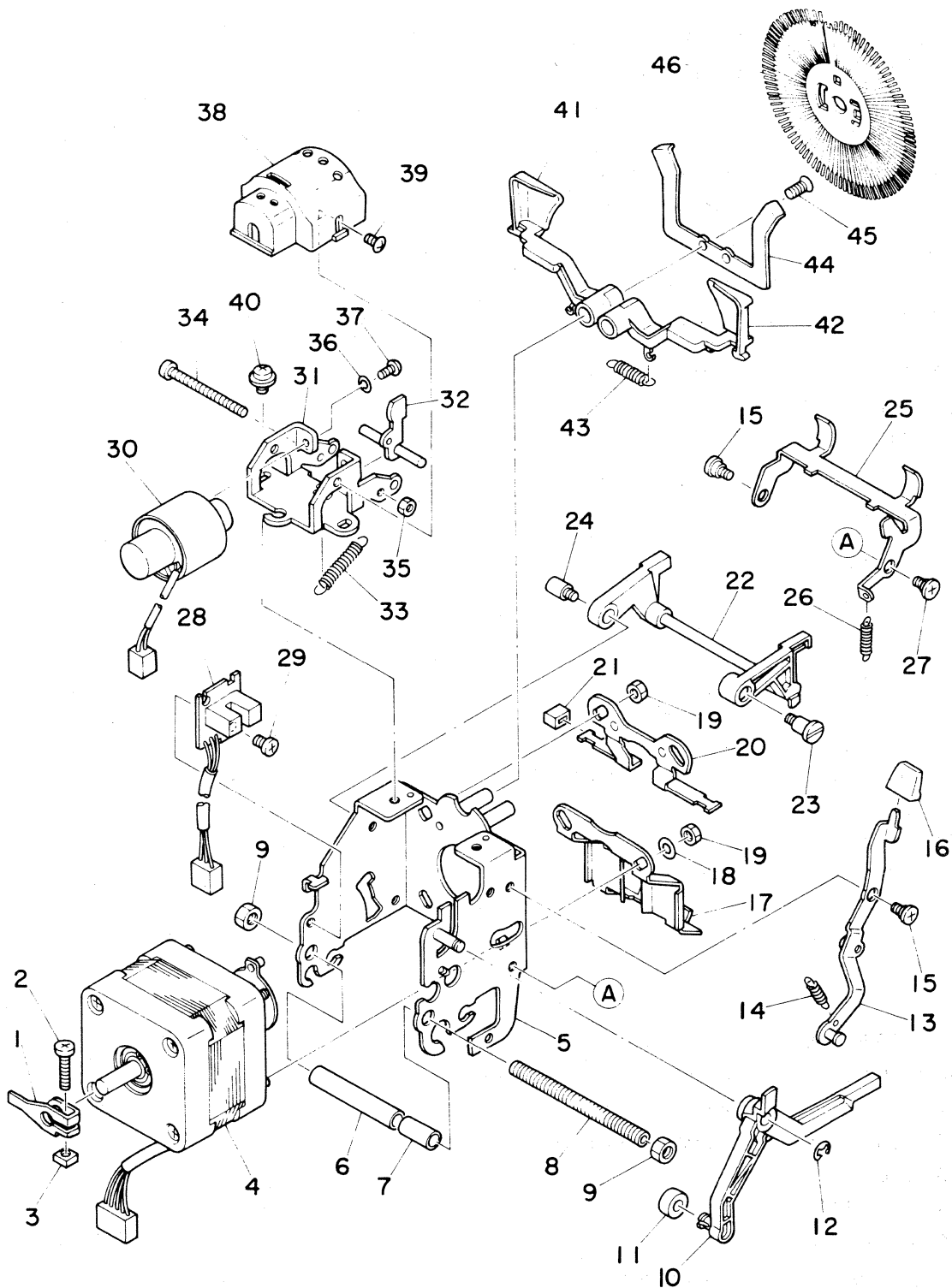


TABLE NO.	ELECTRONIC COMPACT	FUNCTIONAL GROUP NAME	PRINTER HEAD MECHANISM			
REF NO.	PART NUMBER	PARTS NAME	Q'TY	NEW PARTS CODE	PRICE	REMARK
40	551-10040	Flange screw	2			M3 × 5
41	330-51860	Center guide-L.H	1			
42	330-51850	Center guide-R.H	1			
43	011-11100	Spring	1			
44	330-52600	Backup plate	1			
45	011-20160	Flat head screw	2			M3 × 4
		ACCESSORY PARTS				
46	※	Whisperwheels (specify typestyle)				

TABLE NO.

**ELECTRONIC
COMPACT**

FUNCTIONAL
GROUP NAME

RIBBON BASE MECHANISM

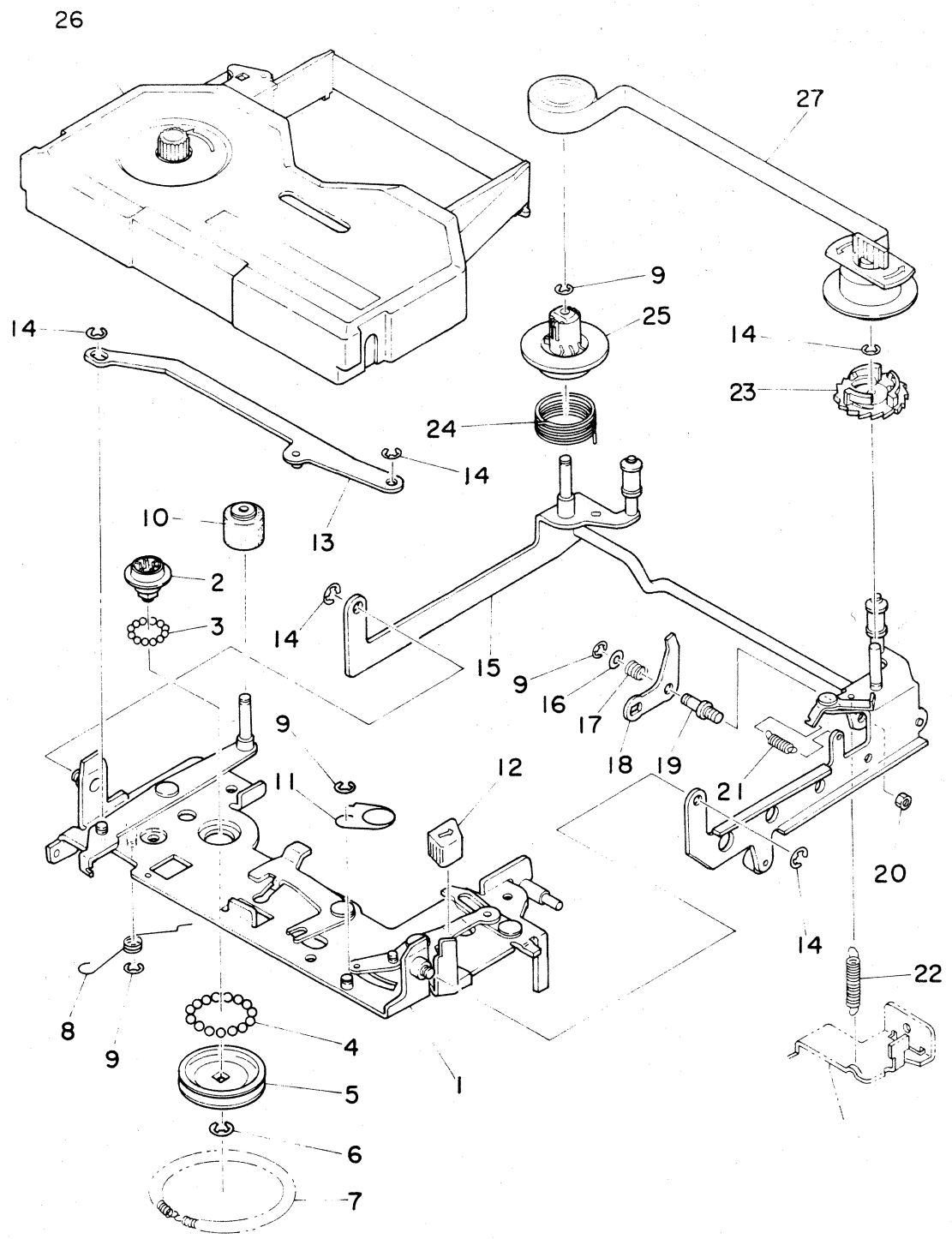


TABLE NO.	ELECTRONIC COMPACT	FUNCTIONAL GROUP NAME	RIBBON BASE MECHANISM			
REF NO.	PART NUMBER	PARTS NAME	Q'TY	NEW PARTS CODE	PRICE	REMARK
1-24	330-53006	Ribbon base unit	1			
1	330-51506	Ribbon base , complete	1			
2	330-51311	Ribbon winding gear	1			
3	011-21080	Steel ball	12			3 32inch
4	820-90600	Steel ball	15			1.8inch
5	330-51322	Ribbon winding pulley	1			
6	011-02040	E-Ring	1			E-3
7	330-51721	Roller arm spring	1			
8	011-02020	E-Ring	3			E-2
9	330-51475	Ribbon feed roller-B	1			
10	330-51670	Toggle spring	1			
11	330-51481	Lever cap	1			
12	330-51435	Cassette release crank	1			
13	011-02030	E-Ring	3			E-2.5
14	330-52015	Correct arm , complete	1			
15	011-07520	Washer	1			3×6×0.5
16	330-52380	Feed pawl spring	1			
17	330-52061	Correct feed pawl	1			
18	330-52120	Correct feed arm	1			
19	011-03510	Nut	1			M3
20	880-30161	Spring	1			
21	880-70360	Spring	1			
22	330-52030	Correct feed ratchet	1			
23	330-52340	Brake spring	1			
24	330-52041	Correct tape spool	1			
25	330-51541	Ribbon winding spring	1			
		SUPPLIES				
* 26		Correctable cassette ribbon	1			
		Multi-strike cassette ribbon	1			
* 27		Correction tape Lift-OFF	1			
		Correction tape Cover-UP	1			
	*) Order from Supplies Department					

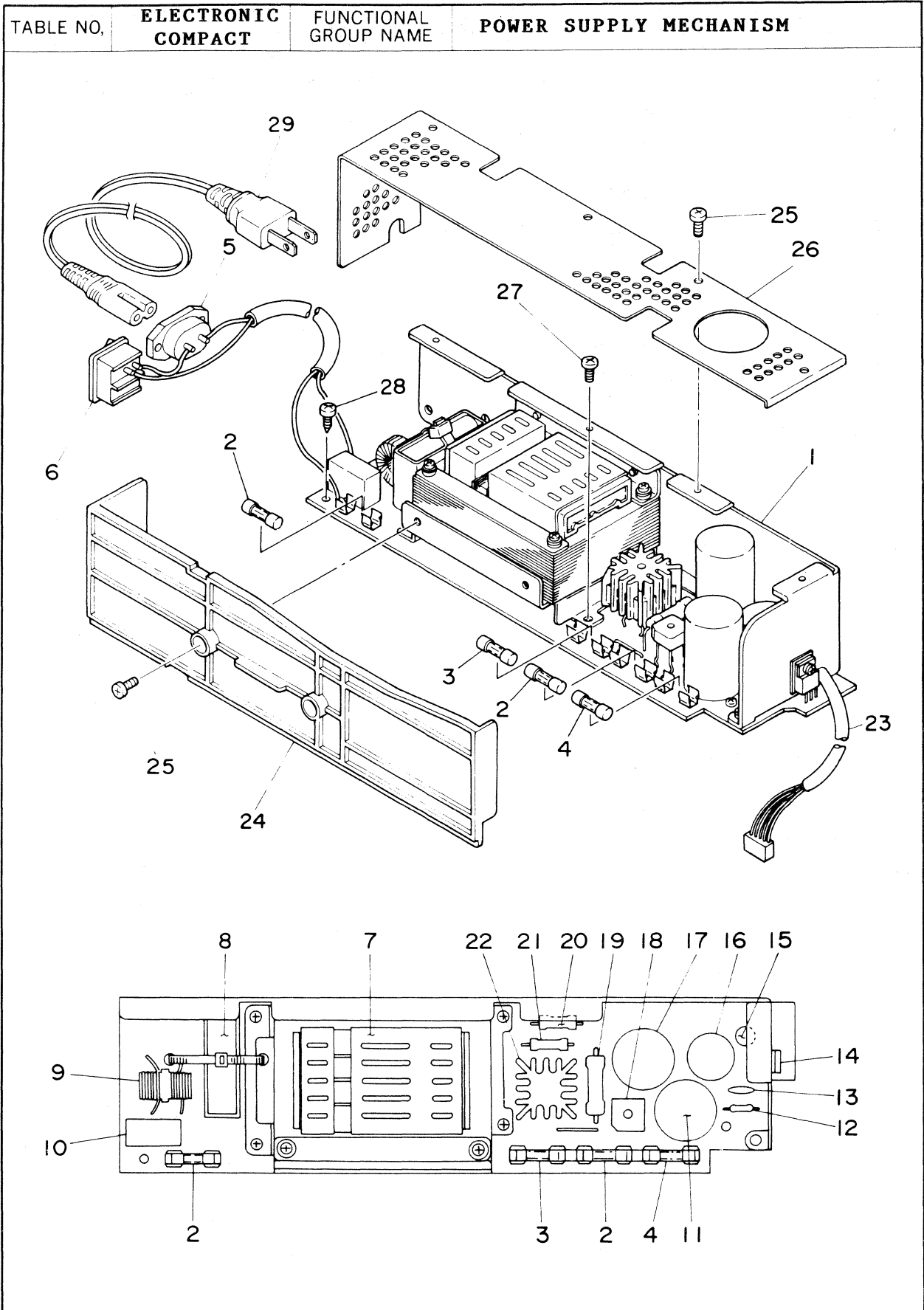


TABLE NO.	ELECTRONIC COMPACT	FUNCTIONAL GROUP NAME	POWER SUPPLY MECHANISM			
REF NO.	PART NUMBER	PARTS NAME	QTY	NEW PARTS CODE	PRICE	REMARK
1-26	330-20205	Power supply comp (115V-60Hz)	1			
	331-20205	Power supply comp (220V-50Hz)	1			
1	330-20200	Cooling plate	1			
2	330-21020	Fuse (115V)	2			T1.25A 125V
	331-21020	Fuse (220V/240V)	2			T1.25A 250V
3	330-21030	Fuse (115V)	1			T2.5A 125V
	331-21030	Fuse (220V/240V)	1			T2.5A 250V
4	330-21040	Fuse (115V)	1			T2.0A 125V
	331-21040	Fuse (220V/240V)	1			T2.0A 250V
5-6	330-21406	Power inlet Assy	1			
5	330-21410	Power inlet	1			
6	330-21400	Switch	1			
7	330-20035	Transformer comp (115V)	1			
	331-20035	Transformer comp (220V)	1			
8	330-21130	Capacitor	1			350V-2 μ F
9	330-21140	Choking coil	1			SC-02-101
10	330-21050	Capacitor (115V)	1			0.22 μ F 125V
	331-21050	Capacitor(220V/240V)	1			0.22 μ F 250V
11	330-21080	Capacitor	1			3300 μ F 50V
12	330-21310	Resistor	1			330 Ω 0.5W
13	330-21110	Capacitor	1			0.1 μ F 25V
14	330-21190	Regulator	1			C7805H
15	330-21120	Capacitor	1			10 μ F 50V
16	330-21100	Capacitor	1			3300 μ F 16V
17	330-21090	Capacitor	1			15000 μ F 16V
18	330-21150	Rectifier	1			2A 400V
19	330-21280	Resistor	1			1.2k Ω 3W
20	330-21300	Resistor	1			1.6 Ω 2W
21	330-21290	Resistor	1			330 Ω 2W
22	330-21165	Rectifier	1			4A 200V
23	330-21215	Lead wire, complete	1			for double sided
	340-21215	Lead wire, complete	1			for single sided
24	330-20010	Front cover	1			
25	880-90170	Screw (115V only)	11			M3 \times 8
	880-90170	Screw	6			M3 \times 8
26	330-20130	Cover	1			for 115V only

TABLE NO,	ELECTRONIC COMPACT	FUNCTIONAL GROUP NAME	POWER SUPPLY MECHANISM
-----------	-------------------------------	--------------------------	-------------------------------

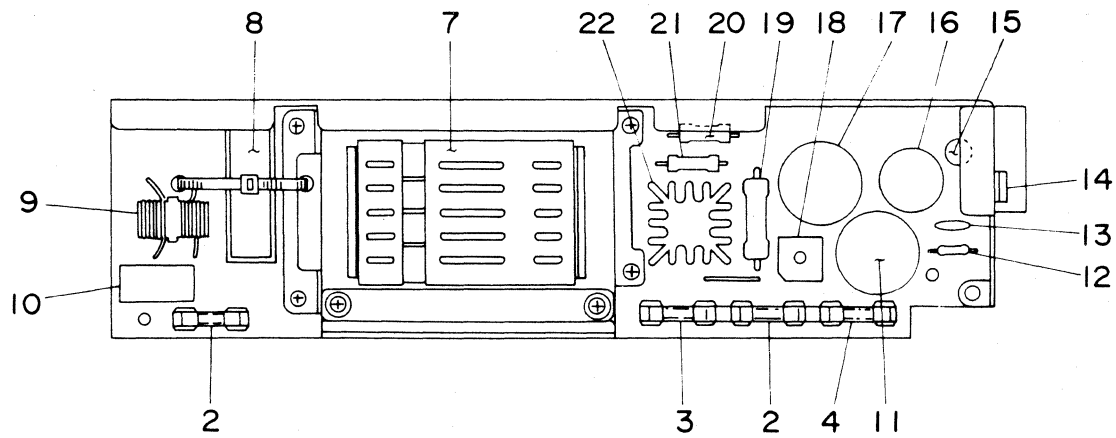
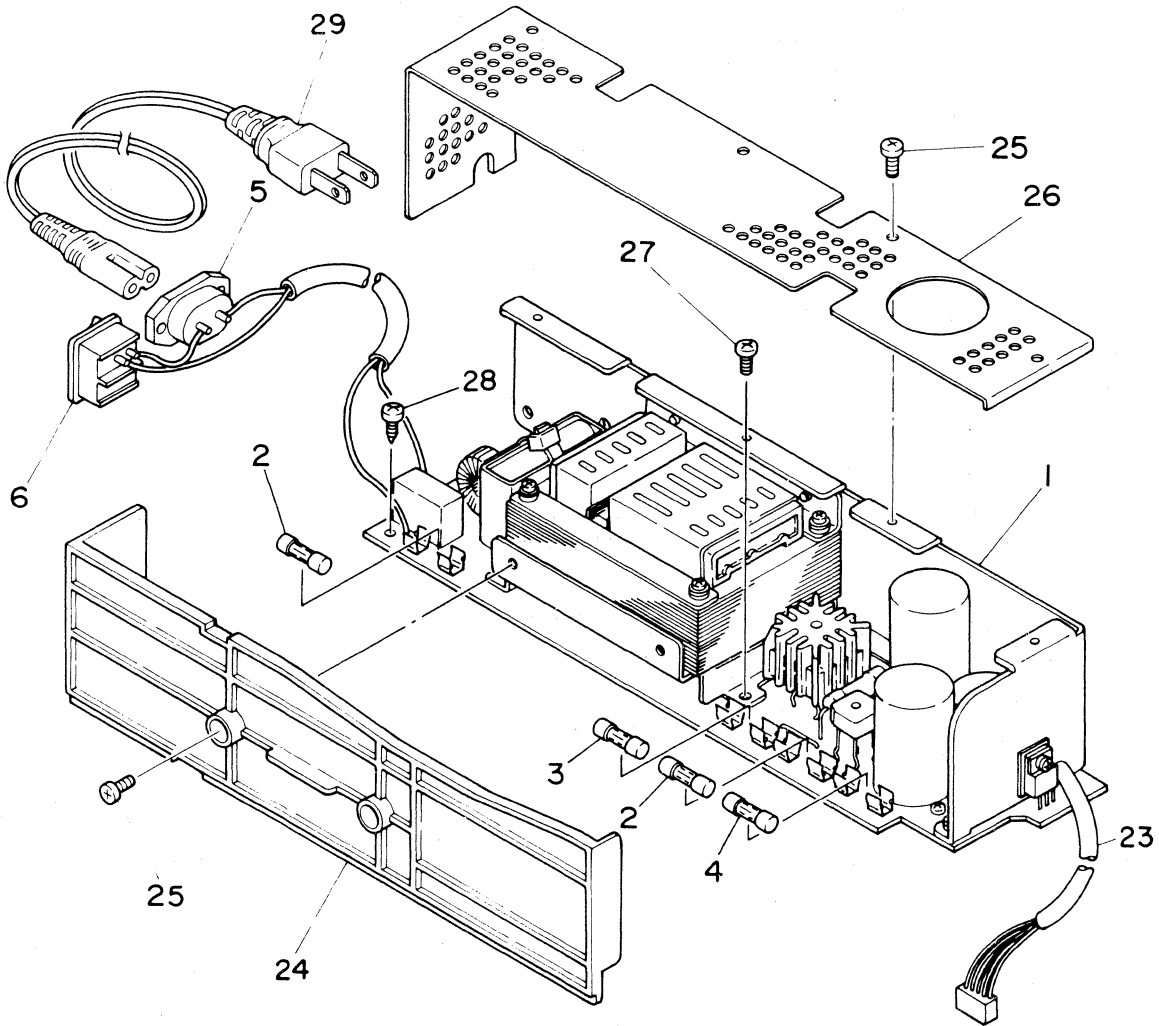


TABLE NO.		ELECTRONIC COMPACT	FUNCTIONAL GROUP NAME	POWER SUPPLY MECHANISM			
REF NO.	PART NUMBER	PARTS NAME		Q'TY	NEW PARTS CODE	PRICE	REMARK
27	011-00070	Screw		4			M4×8
28	501-70210	Tapping screw		2			M3×8
29	330-20300	Power supply cord (115V)		1			for U.S.A
	330-20350	Power supply cord (220V)		1			for Europe

TABLE NO.

**ELECTRONIC
COMPACT**

FUNCTIONAL
GROUP NAME

CONTROL P. C. B (double sided P. C. B)

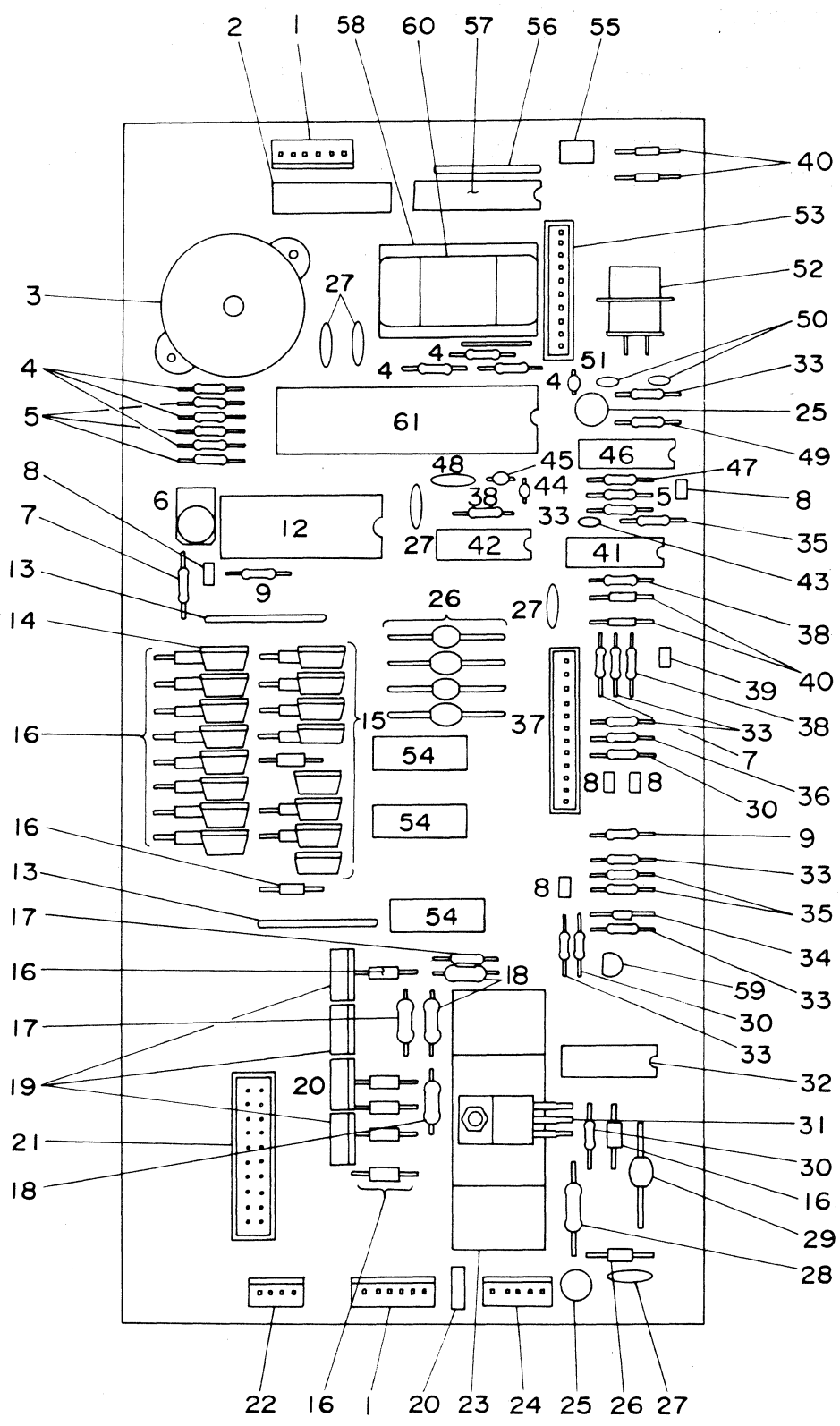


TABLE NO.	ELECTRONIC COMPACT	FUNCTIONAL GROUP NAME	CONTROL P. C. B (double sided P. C. B)			
REF NO.	PART NUMBER	PARTS NAME	Q'TY	NEW PARTS CODE	PRICE	REMARK
1-59	330-30006	Control P. C. B. complete	1			double sided P. C. B
	330-39006	Control P. C. B. complete	1			double sided P. C. B w one chip
1	330-30720	Plug	2			6pin
2	330-30120	IC-3 (without one chip)	1			M74LS373P
3	330-30680	Buzzer	1			PB-2720
4	330-30550	Resistor	6			2k Ω -0.5W
			5			2k Ω -0.5W
5	330-30460	Resistor	4			47k Ω -0.5W
6	330-30560	Variable resistor	1			500 Ω
7	330-30430	Resistor	2			150 Ω -0.25W
8	330-30210	Transistor	5			2SC2785
9	330-30530	Resistor	2			330 Ω -0.25W
10	330-30130	IC-4 (without one chip)	1			D8039LC
11	330-30860	IC-Socket	1			641268-3
12	330-30150	IC-6	1			D8243C
13	330-30410	Resistor array	2			1k Ω -1.16W
14	330-30280	Transistor	8			2SD1308
15	330-30270	Transistor	8			2SD986
16	330-30310	Diode	22			EM1Z
17	330-30510	Resistor	2			2.5k Ω -0.5W
18	330-30520	Resistor	3			6.8k Ω -0.5W
19	330-30240	Transistor	3			2SB601
20	330-30230	Transistor	2			2SB795
21	330-30750	Plug	1			20pin
22	330-30740	Plug	1			4pin
23	330-30820	Cooling plate	1			
24	330-30730	Plug	1			5pin
25	330-30630	Capacitor	2			25V-47 μ F
26	330-30370	Zener diode	5			24V-0.1W
27	330-30650	Capacitor	5			0.047 μ F
28	330-30540	Resistor	1			1 Ω -0.5W
29	330-30330	Diode	1			U05B
30	330-30490	Resistor	3			470 Ω -0.5W
31	330-30250	Transistor	1			2SD560
32	330-30190	Transistor array	1			μ PA2004C
33	330-30440	Resistor	8			10k Ω -0.25W
34	330-30340	Zener diode	1			7.5v-0.4W
35	330-30480	Resistor	3			5k Ω -0.25W
36	330-30500	Resistor	1			6k Ω -0.25W

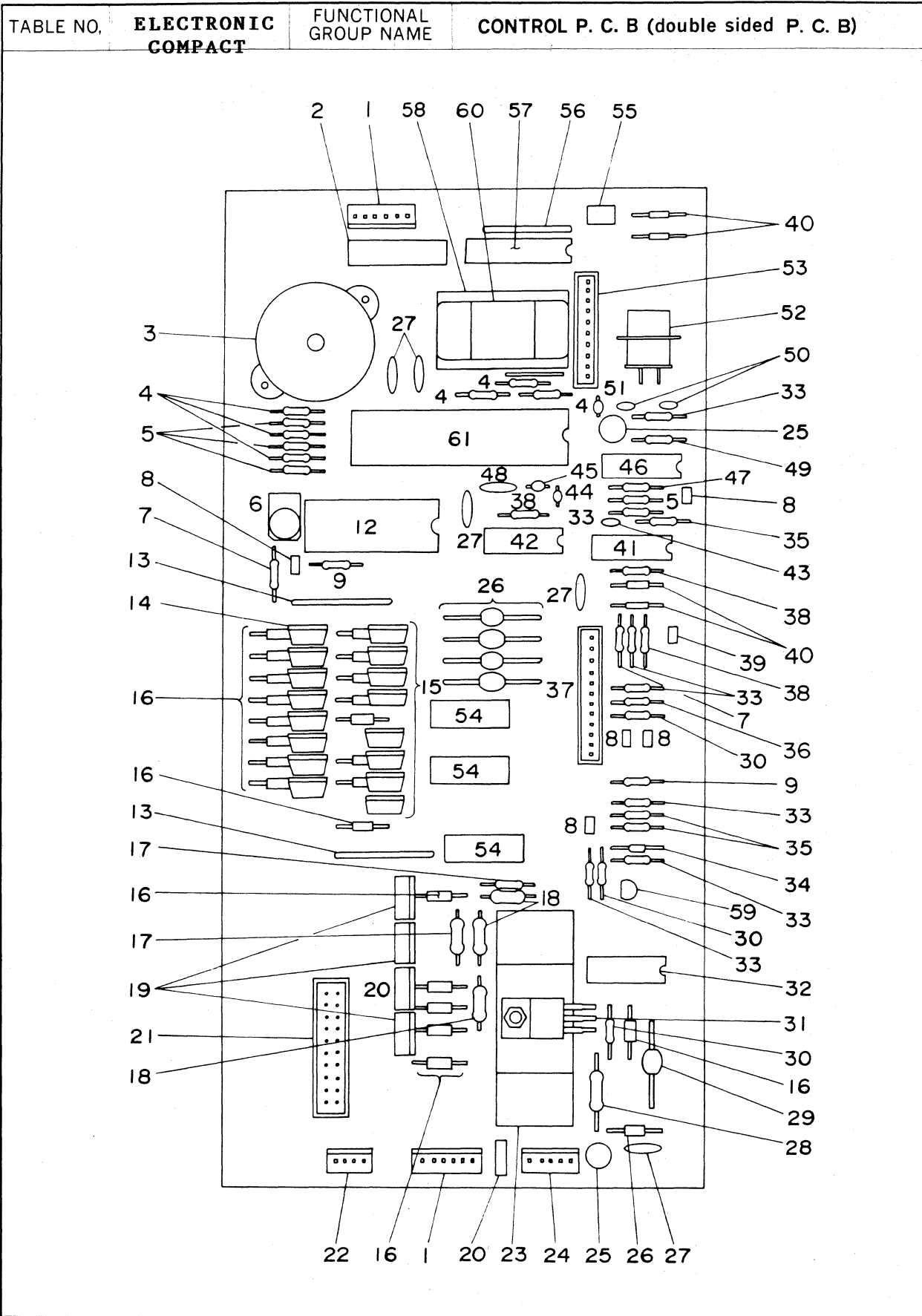


TABLE NO.	ELECTRONIC COMPACT	FUNCTIONAL GROUP NAME	CONTROL P. C. B (double sided P. C. B)			
REF NO.	PART NUMBER	PARTS NAME	QTY	NEW PARTS CODE	PRICE	REMARK
37	330-30710	Plug	1			12pin
38	330-30420	Resistor	3			51k Ω -0.25W
39	330-30200	Transistor	1			25A1175
40	330-30300	Diode	4			1S953
41	330-30160	IC-7	1			D4001BC
42	330-30140	IC-5	1			D4028BC
43	330-30640	Capacitor	1			2200pF
44	330-30600	Capacitor	1			16V-0.1 μ F
45	330-30610	Capacitor	1			16V-1.0 μ F
46	330-30170	IC-8	1			D4011BC
47	330-30450	Resistor	1			1M Ω
48	330-30690	Capacitor	1			0.047 μ F
49	330-30470	Resistor	1			3k Ω -0.25W
50	330-30660	Capacitor	2			20pF
51	330-30620	Capacitor	1			25V-1.0 μ F
52	330-30670	Quartz-oscillator	1			6MHz
53	330-30700	Plug	1			10pin
54	330-30180	IC	3			M53205P
55	330-30950	Capacitor	1			25V-1.0 μ F
56	330-30400	Resistor array	1			51k Ω -1 16W
57	330-30100	IC-1	1			TC40H244
58	330-30800	IC-socket	1			IC30-2406G4
59	330-30220	Transistor	1			2SA952
60	676-955-020.6	IC-2 (E-PROM, see key arrangement)	1			D2716D
			1			

TABLE NO.	ELECTRONIC COMPACT	FUNCTIONAL GROUP NAME	CONTROL P. C. B (single sided P. C. B)
-----------	-----------------------	--------------------------	--

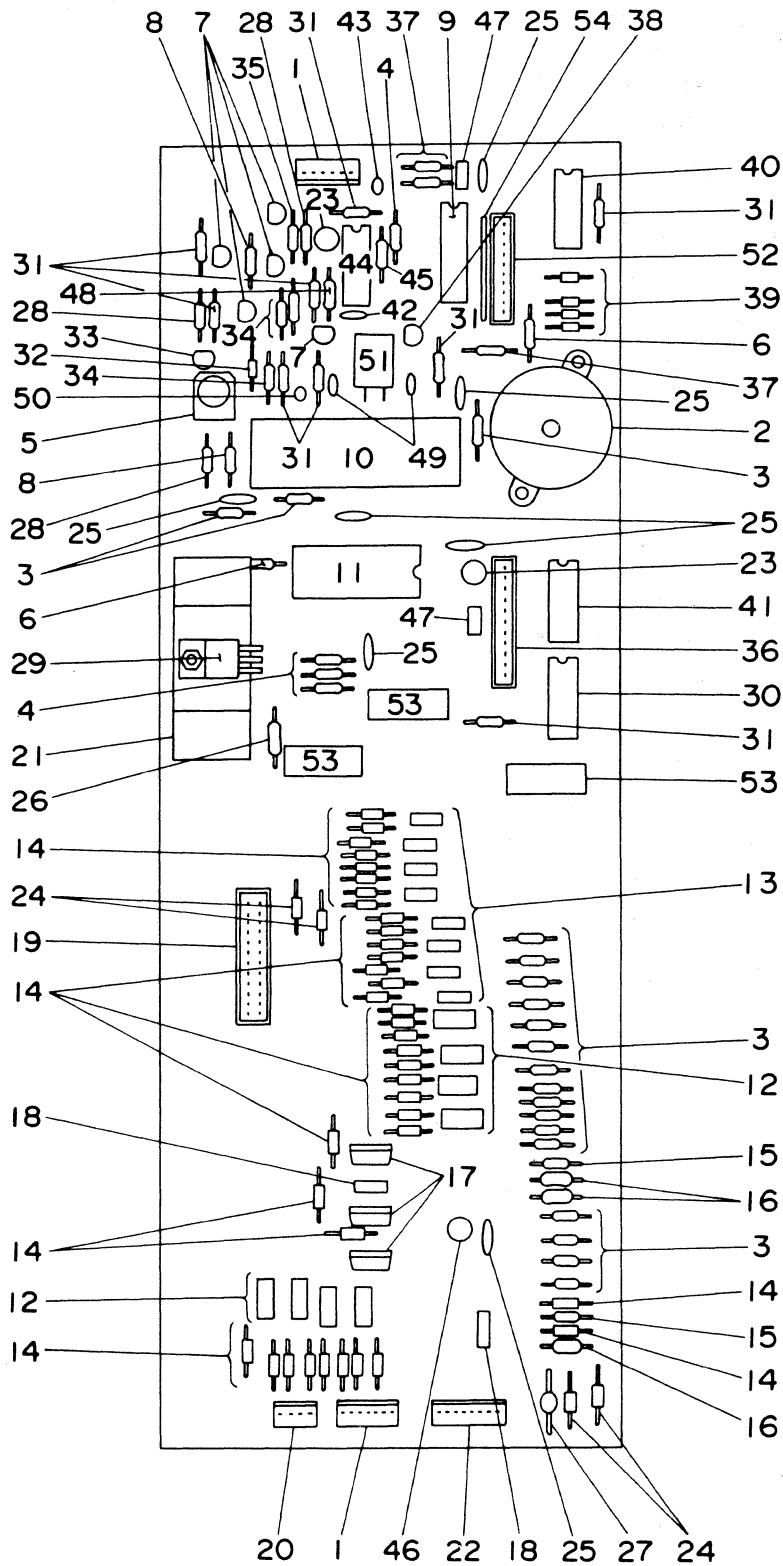


TABLE NO.		ELECTRONIC COMPACT	FUNCTIONAL GROUP NAME	CONTROL P. C. B (single sided P. C. B)			
REF NO.	PART NUMBER	PARTS NAME		Q'TY	NEW PARTS CODE	PRICE	REMARK
1-54	340-30875	Control P. C. B. complete		1			
1	330-30720	Plug		2			6pin
2	330-30680	Buzzer		1			PB-2720
3	340-30570	Resistor		16			1k Ω -0.5W
4	330-30460	Resistor		4			47k Ω -0.5W
5	330-30560	Variable resistor		1			500 Ω
6	330-30430	Resistor		1			150 Ω -0.25W
7	330-30210	Transistor		5			2SC2785
8	330-30530	Resistor		2			330 Ω -0.25W
9	330-30100	IC-1		1			TC40H244
10	330-30860	IC- Socket		1			641268-3
11	330-30150	IC-6		1			D8243C
12	330-30280	Transistor		8			2SD1308
13	330-30270	Transistor		8			2SD986
14	330-30310	Diode		38			EM 1Z
15	340-30511	Resistor		2			2.4k Ω -0.5W
16	330-30520	Resistor		3			6.8k Ω -0.5W
17	330-30240	Transistor		3			2SB601
18	330-30230	Transistor		2			2SB795
19	330-30750	Plug		1			20pin
20	330-30740	Plug		1			4pin
21	330-30820	Cooling plate		1			
22	340-30880	Plug		1			7pin
23	340-30630	Capacitor		2			16V-47 μ F
24	330-30370	Zener diode		5			24V-1.0W
25	330-30650	Capacitor		5			0.047 μ F
26	330-30540	Resistor		1			1 Ω -0.5W
27	330-30330	Diode		1			U05B
28	330-30490	Resistor		3			470 Ω -0.5W
29	330-30250	Transistor		1			2SD560
30	330-30190	Transistor array		1			μ PA2004C
31	330-30440	Resistor		8			10k Ω -0.25W
32	330-30340	Zener diode		1			7.5V-0.4W
33	330-30220	Transistor		1			2SA952
34	340-30481	Resistor		3			5.1k Ω -0.25W
35	340-30501	Resistor		1			6.2k Ω -0.25W
36	330-30710	Plug		1			12pin
37	330-30420	Resistor		3			51k Ω -0.25W
38	330-30200	Transistor		1			2SA1175

TABLE NO.

**ELECTRONIC
COMPACT**

FUNCTIONAL
GROUP NAME

CONTROL P. C. B (single sided P. C. B)

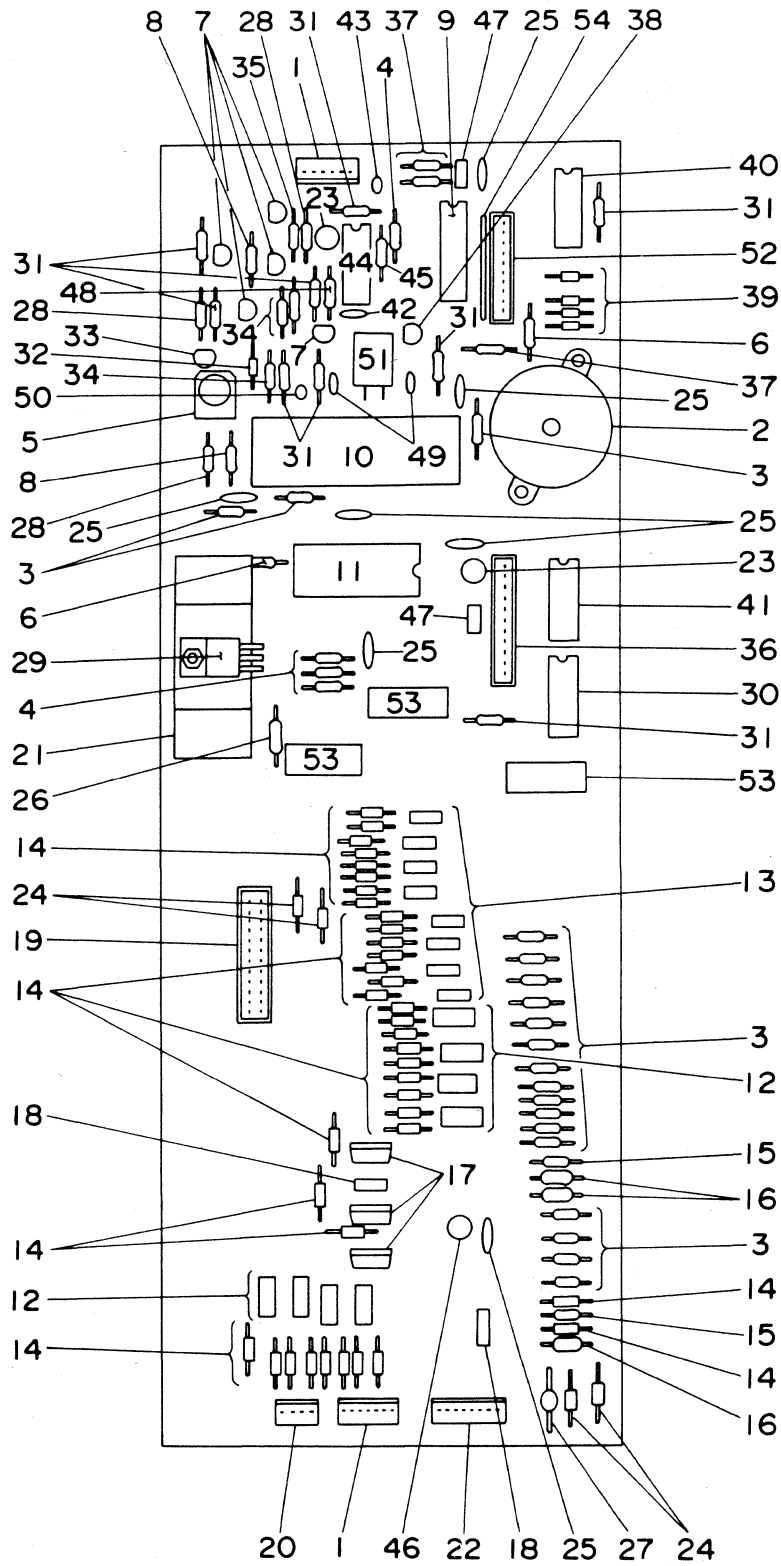


TABLE NO.		ELECTRONIC COMPACT		FUNCTIONAL GROUP NAME	CONTROL P. C. B (single sided P. C. B)		
REF NO.	PART NUMBER	PARTS NAME		Q'TY	NEW PARTS CODE	PRICE	REMARK
39	330-30300	Diode		4			1S953
40	330-30160	IC-7		1			D4001BC
41	330-30140	IC-5		1			D4028BC
42	340-30640	Capacitor		1			
43	340-30600	Capacitor		1			
44	330-30170	IC-8		1			D4011BC
45	330-30450	Resistor		1			1M Ω
46	340-30960	Capacitor		1			
47	330-30950	Capacitor		1			3.3 μ F
48	330-30470	Resistor		1			3k Ω -0.25W
49	340-30660	Capacitor		2			
50	340-30620	Capacitor		1			
51	330-30670	Quartz-oscillator		1			6MHz
52	330-30700	Plug		1			10pin
53	330-30180	IC		3			M53205P
54	330-30400	Resistor array		1			51k Ω -1/16W
55	330-30100	IC-4 (see key arrangement)		1			D8049
				1			

TABLE NO.

**ELECTRONIC
COMPACT**

FUNCTIONAL
GROUP NAME

CARRIER P. C. B

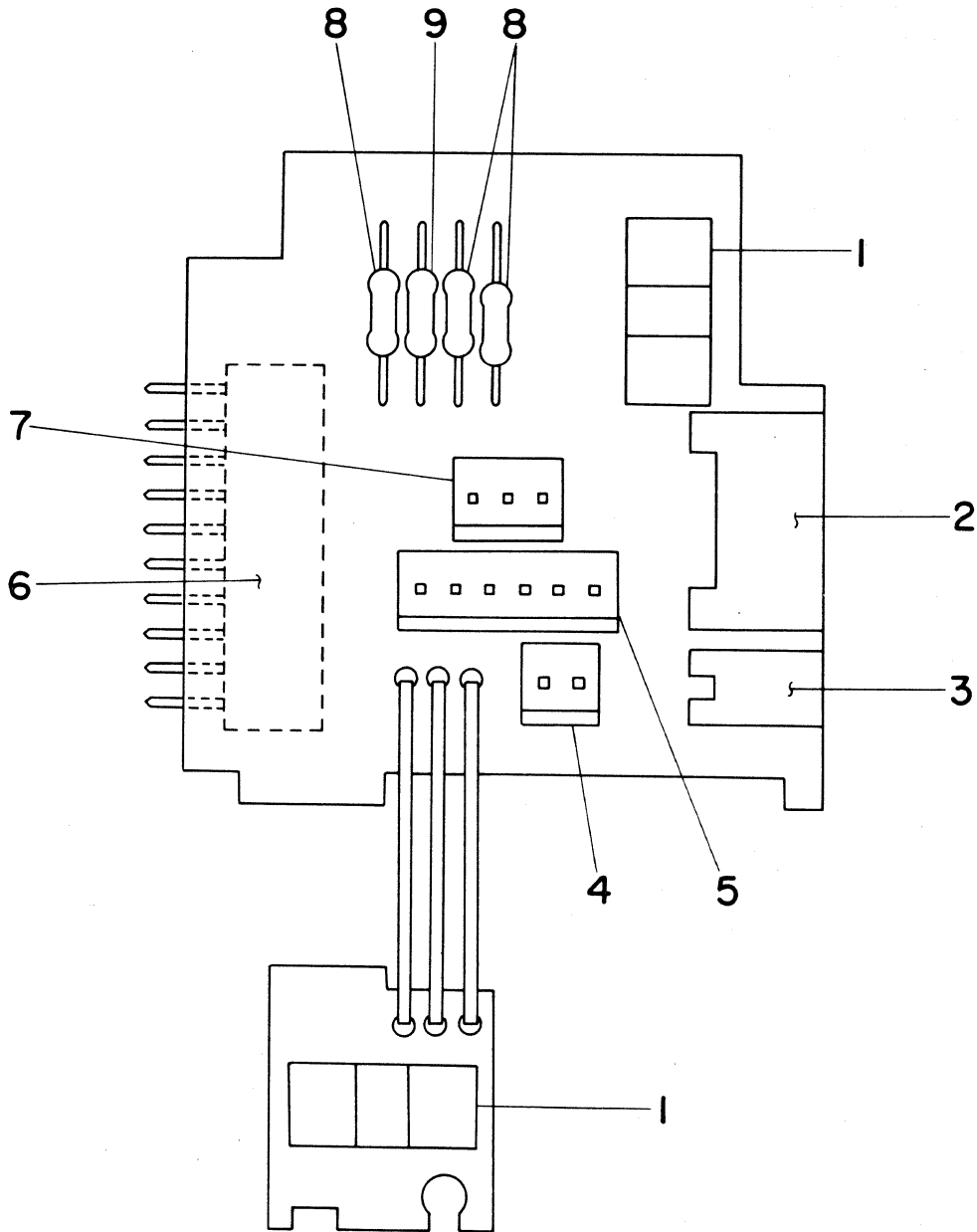


TABLE NO.		ELECTRONIC COMPACT	FUNCTIONAL GROUP NAME	CARRIER P. C. B			
REF NO.	PART NUMBER	PARTS NAME		Q'TY	NEW PARTS CODE	PRICE	REMARK
1-9	330-31106	Carrier P.C.B. complete		1			
1	330-31020	Photo-interrupter		2			EE-SJ3-B
2	330-31520	Plug		1			6pin
3	330-31510	Plug		1			2pin
4	330-31040	Plug		1			2pin
5	330-30720	Plug		1			6pin
6	330-31530	Plug		1			20pin
7	330-31030	Plug		1			3pin
8	330-31000	Resistor		3			18Ω-0.25W
9	330-31010	Resistor		1			120Ω-0.25W

