

1

2

3

4 ▲

5

6

7

134-190222-001

0

A

B

C

D

E

EQUIP

806-120298  
 REV. 3  
 TD 1000 SERIES  
 MAGNETIC TAPE UNIT  
 SCHEMATIC & CIRCUIT  
 DIAGRAMS

REV	COMP	DESCRIPTION(SC)	APP
1	0	1979.11	今村
2	0	1980.11	今村
3	0	1982.10.11 SC 41393P	今村

NEXT SPEC				
DRAFT	ENG	CHK	APP	ISSUE
	棚橋		今村	今村

TD 1000 MAGNETIC TAPE UNIT DRAWINGS	
134-190222-001	0
NEC	SHT 1/1

A

B

C

D

E

2

3

4 ▼

5

6

134-190222-002

0

DIAGRAMS LIST

TITEL	DRAWING NUMBER	PAGE	NOTE
ASSEMBLY DIAGRAMS	134 - 190223 - 011		TDI201~1205, 130~1305
ASSEMBLY DIAGRAMS	134 - 190223 - 012		TDI501~1505
INTRODUCTORY REMARKS	134 - 190224 - 001		
BLOCK DIAGRAM	134 - 190225 - 001		
INTERFACE CIRCUIT DIAGRAMS	134 - 845119	001~006	
OPERATOR PANEL CIRCUIT DIAGRAM	134 - 190227 - 002	011	
CONTROL CIRCUIT DIAGRAMS	134 - 190228 - 003	021~033	
READ/WRITE CIRCUIT DIAGRAMS	134 - 190229 - 004	041~058	TDI205, 1305, 1505
" " "	134 - 190229 - 001	061~067	TDI201, 1301, 1501
" " "	134 - 190229 - 002	071~083	TDI202, 1302, 1502
" " "	134 - 190229 - 003	091~103	TDI204, 1304, 1504
POWER AMPLIFIER CIRCUIT DIAGRAMS	134 - 190324 - 001	111~114	
POWER SUPPLY CIRCUIT DIAGRAMS	134 - 190322 - 001	121~123	
WIRING DIAGRAM	134 - 190232 - 001	131	
BOT/EOT SENSOR CIRCUIT DIAGRAM	134 - 190232 - 002	141	
NEAR-END SENSOR CIRCUIT DIAGRAM	134 - 190232 - 003	142	
MAGNETIC HEAD CIRCUIT DIAGRAM	134 - 190232 - 004	151	
CARTRIDGE DRIVER CIRCUIT DIAGRAMS	134 - 190232 - 005	161, 162	Option
SOURCE/DESTINATION LIST	134 - 190233	201~206	
CABLE CONNECTION DIAGRAM	134 - 190234		
AIR SYSTEM DIAGRAM	134 - 190323 - 001		
MAINTENANCE BOX CIRCUIT DIAGRAM	134 - 190237	211~215	

REV	COMP	DESCRIPTION(SC)	APP
1	0	1980.10	
2	0	1982.3	今村

NEXT SPEC				
DRAFT	ENG	CHK	APP	ISSUE
	棚橋		今村	51.4.12

DIAGRAMS LIST

134-190222-002	0
<b>NEC</b>	SHT 1/1

1

2

3

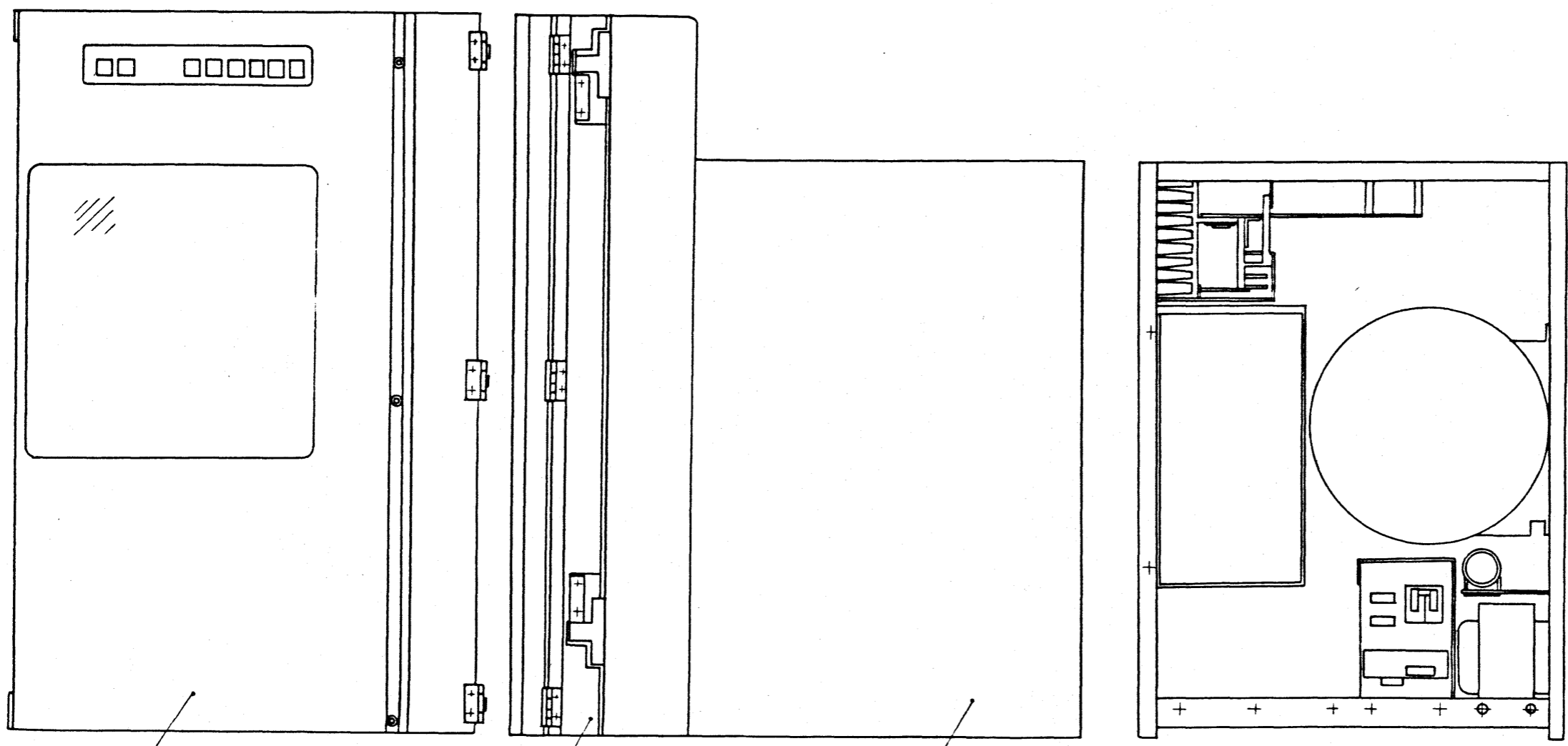
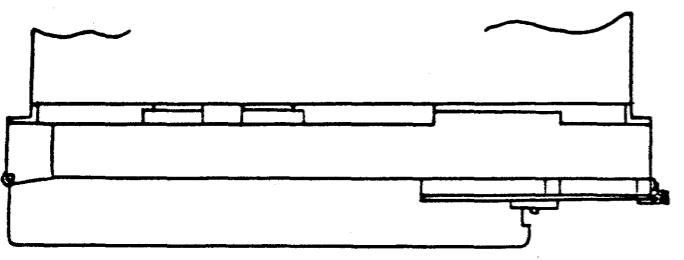
4▲

5

6

7

134-190223-012  
0



WINDOW ASSEMBLY

DECK ASSEMBLY

BACK PANEL ASSEMBLY

REV	COMP	DESCRIPTION(SC)	APP
1	0	1980.6	—

NEXT SPEC				
DRAFT	ENG	CHK	APP	ISSUE
	<i>[Signature]</i>		今村	58.11.18 副辺

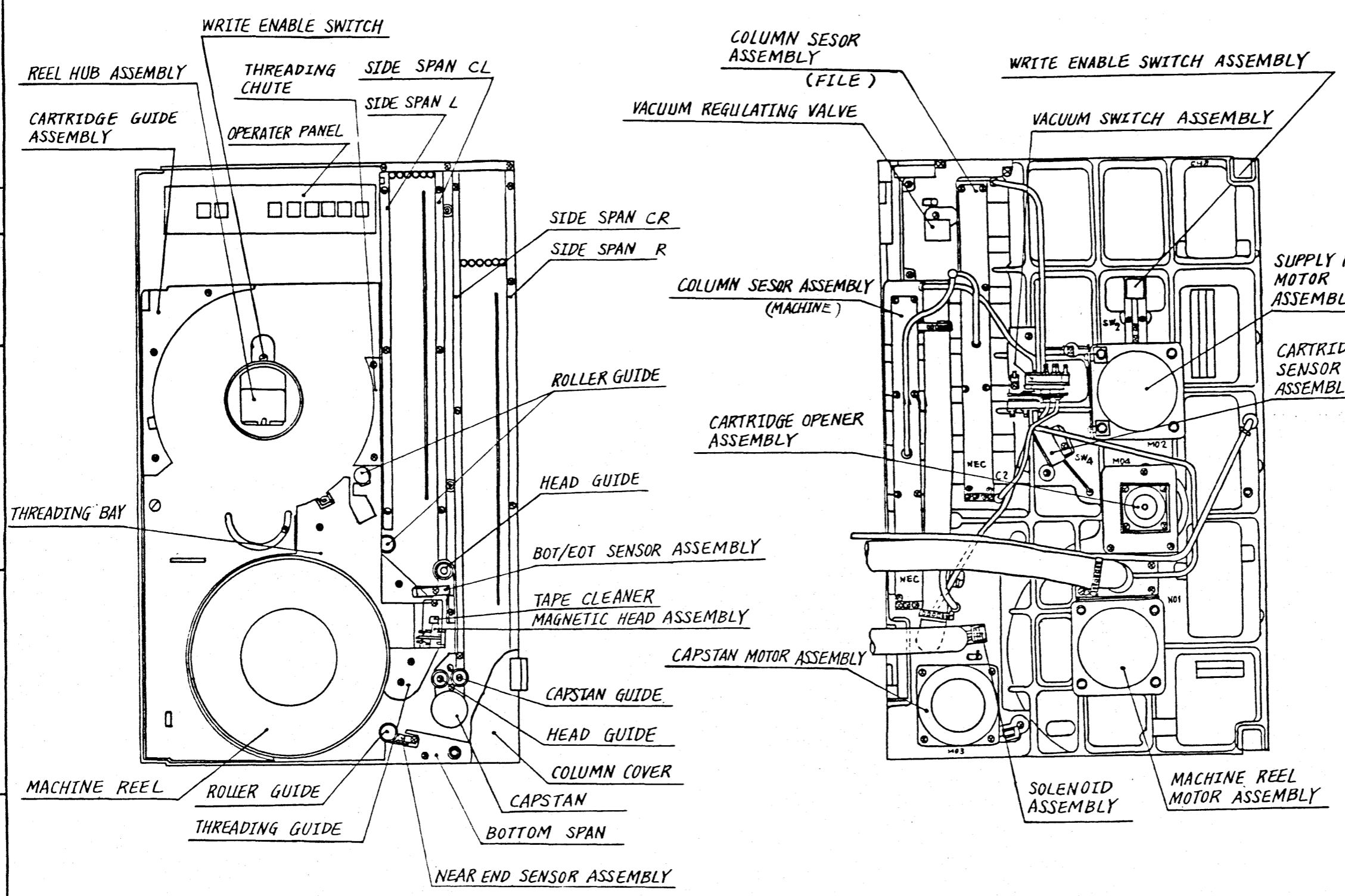
ASSEMBLY DIAGRAMS

134-190223-012 0

NEC SHT 1/3

134-190223-0120

REV	COMP	DESCRIPTION(SC)	APP
1	0	1980.6	



NEXT SPEC				
DRAFT	ENG	CHK	APP	ISSUE
	18 12		今村	

ASSEMBLY DIAGRAMS

134-190223-012 0

NEC SHT 2/3

1 2 3 4 ▲ 5 6 7

134-190223-012 0

A

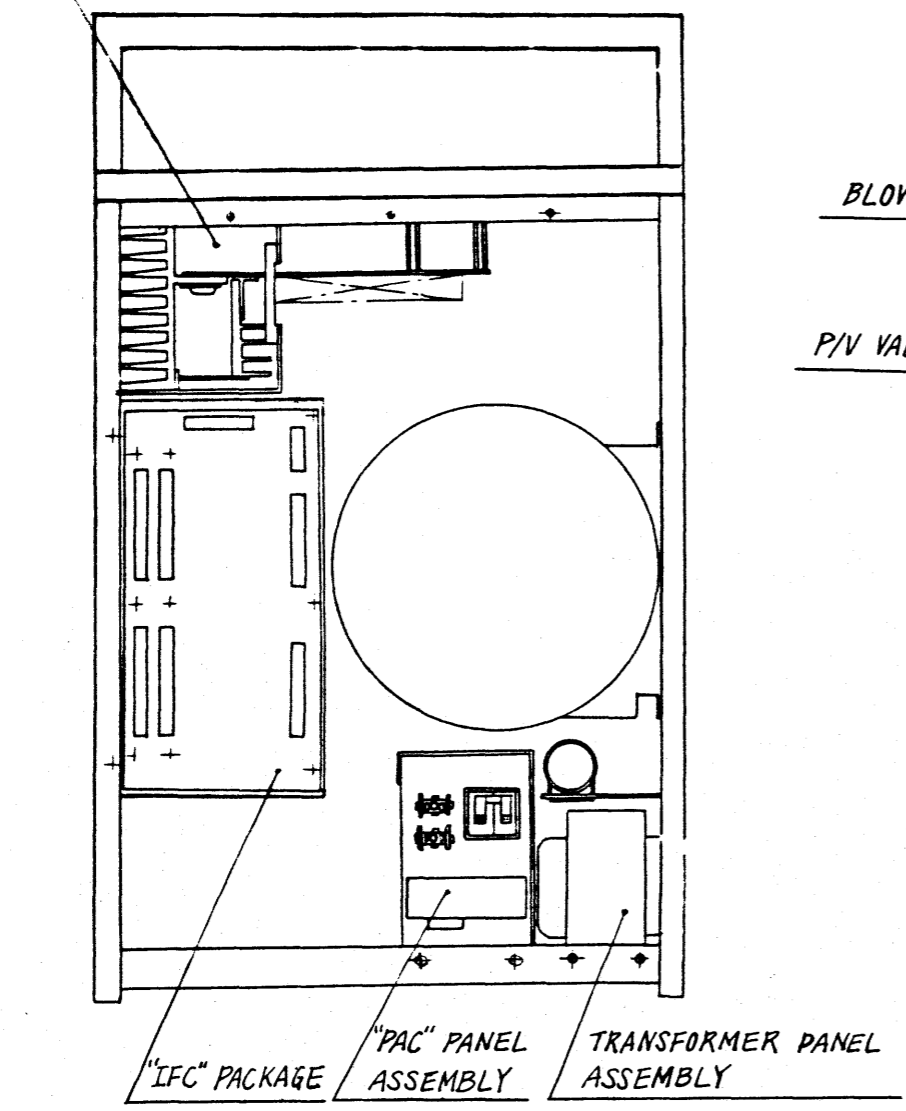
B

C

D

E

POWER AMPLIFIER ASSEMBLY

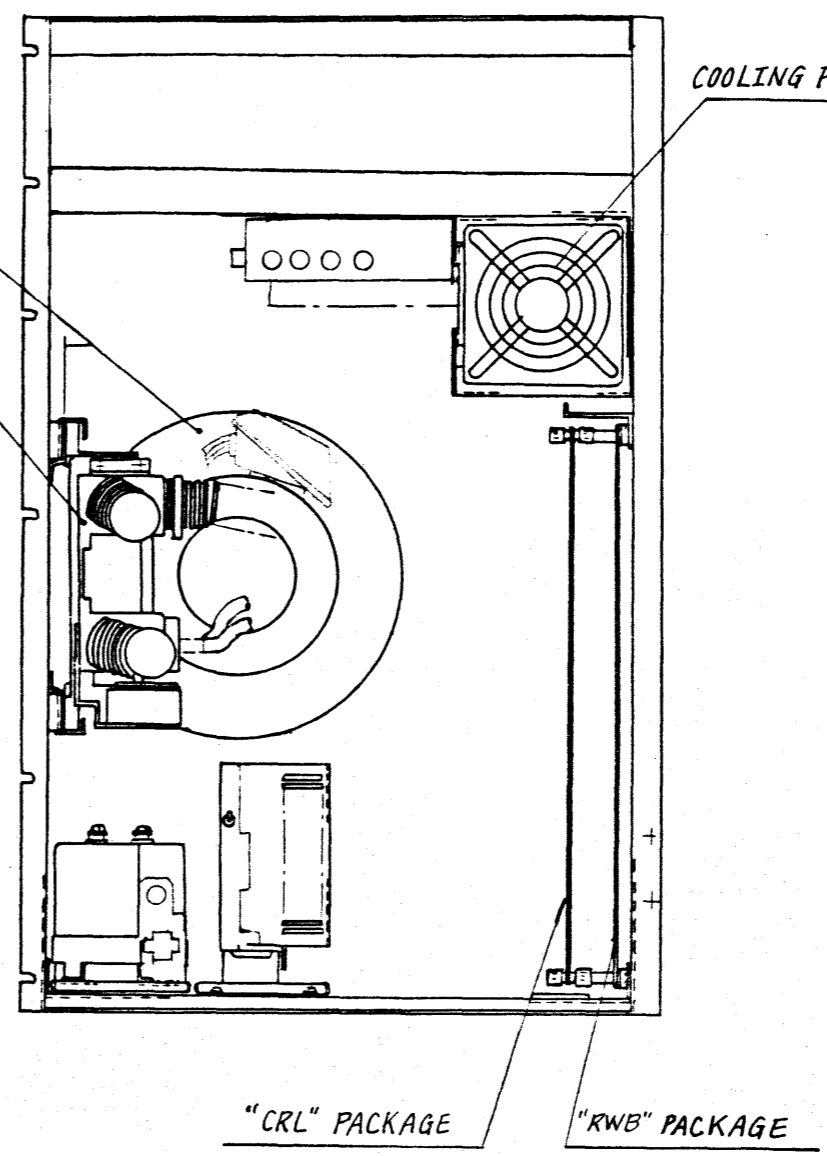


BACK PANEL ASSEMBLY REAR VIEW

BLOWER ASSEMBLY

P/V VALVE ASSEMBLY

COOLING FAN



BACK PANEL ASSEMBLY FRONT VIEW

REV	COMP	DESCRIPTION(SC)	APP
1	0	1980.6	—

NEXT SPEC				
DRAFT	ENG	CHK	APP	ISSUE
	<i>[Signature]</i>		今村	

ASSEMBLY DIAGRAMS

134-190223-012 0

NEC SHT 3/3

置名

134-190224-001

0

# INTRODUCTORY REMARKS ON CIRCUIT DIAGRAM

## 1. GENERAL

The Introductory Remarks on Circuit Diagram describe points which are necessary for reading a circuit diagram.

## 2. BLOCK DIAGRAM OF CIRCUIT STRUCTURE

### 2.1 Expression based on Functional Unit

Individual block, which is prepared on functional unit, consists of 1 package or a plurality of packages.

### 2.2 Correspondence between Individual Block and Circuit Diagram

The correspondence between individual block and page number of circuit diagram is shown in the appendix table.

## 3. LOGIC CIRCUIT DIAGRAM

### 3.1 Style of Drawing (Refer to Fig. 3.1)

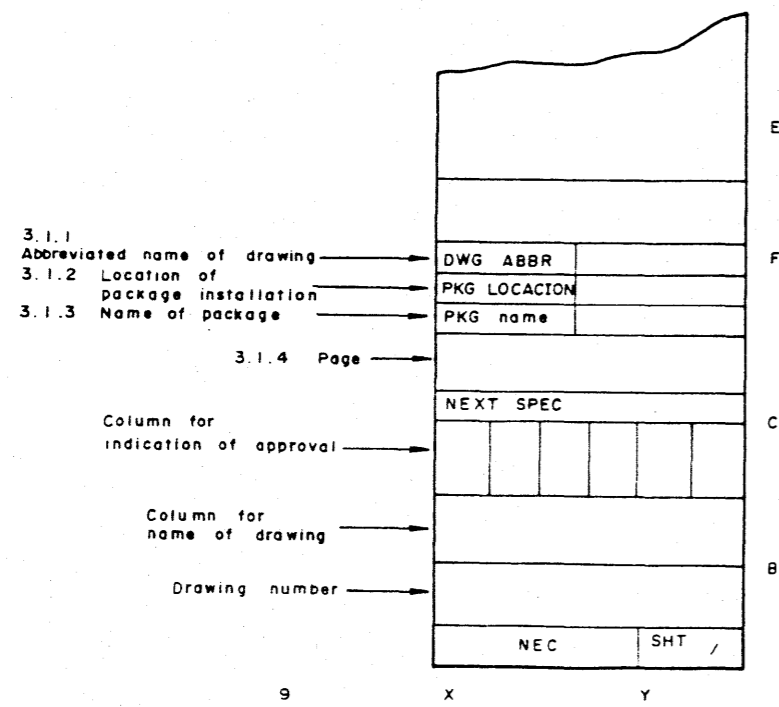


Fig. 3.1 Style of drawing

### 3.1.1 Abbreviated name of drawing

Abbreviated name of circuit diagram, which is given to the individual package or individual sub-assembly, is shown.

### 3.1.2 Location of package installation

The abbreviated name of chassis on which a package or a sub-assembly is installed is shown with 3 characters. (Example: CHH)

### 3.1.3 Name of package

The name of package or sub-assembly is shown. (Example: G9GED)

### 3.1.4 Page

As used for indicating the destination, a page is shown with 3 digits of numerals. (Example: 001)

### 3.1.5 Abbreviated name of drawing, location of package installation or name of package may be omitted if indication is not required.

## 3.2 Data within a Symbol

For the data within a symbol, refer to Fig. 3.2.

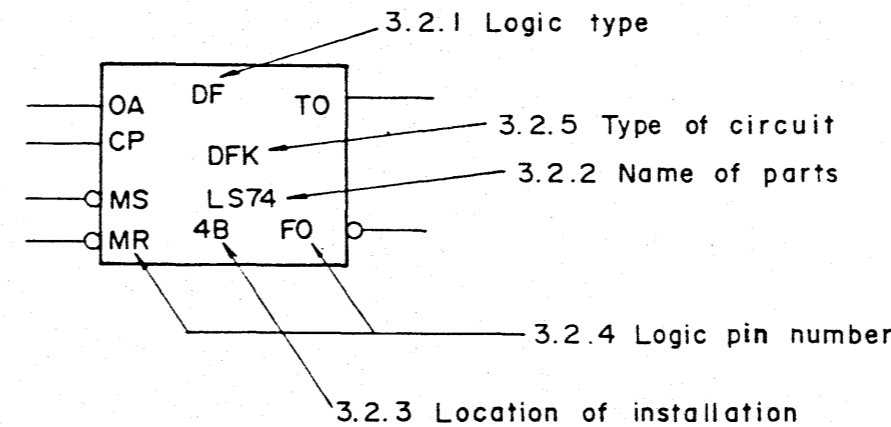


Fig. 3.2 Data within a symbol

REV	COMP	DESCRIPTION(SC)	APP
1	0	1980.10	

NEXT SPEC				
DRAFT	ENG	CHK	APP	ISSUE
	棚橋		今村	56.9-3

# INTRODUCTORY REMARKS

134-190224-001 0

NEC SHT 1/7

UIP

134-190224-001

0

REV	COMP	DESCRIPTION(SC)	APP
1	0	1980.10	—

3.2.1 Logic type

This shows a classification per function of logical element.

3.2.2 Name of parts

This shows the name of parts which constitute the circuit.

3.2.3 Location of installation

This shows the location of parts, in a package or sub-assembly. Refer to Fig. 3.3.

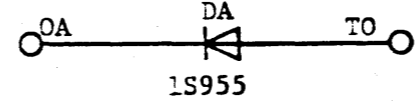
3.2.4 Logic pin number

This shows the logical significance, which is given to the input/output line of logic symbol. This number is sometimes omitted.

3.2.5 Type of circuit

This shows the detailed classification of logic type, which is made according to characteristics of circuit. This is sometimes omitted.

b) Detailed circuit diagram



c) Parts code list

**n	DA
**1	D1
**2	D2
**3	D3
**4	D4
**5	D5

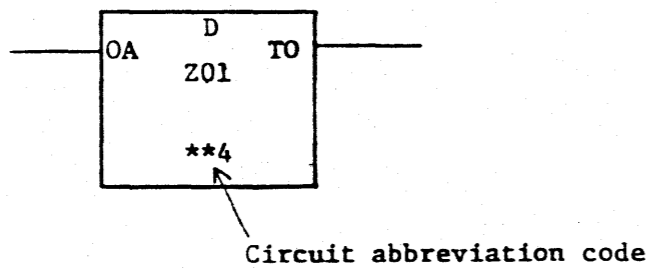
d) Circuit abbreviation code

This is an abbreviation code used for the indication of correspondence between logic symbol and parts code. The logic symbol indicated with \*\*n ("n" is an integral) is applicable only in the individual package or sub-assembly.

3.3 Non-binary Logic Symbol

3.3.1 Correspondence between logic symbol and parts code, detailed diagram

a) Logic symbol



NEXT SPEC				
DRAFT	ENG	CHK	APP	ISSUE
	棚橋		今村	

INTRODUCTORY REMARKS

134-190224-001 0

NEC SHT 2/7

名

134-190224-001  
0

A

B

C

D

E

A

B

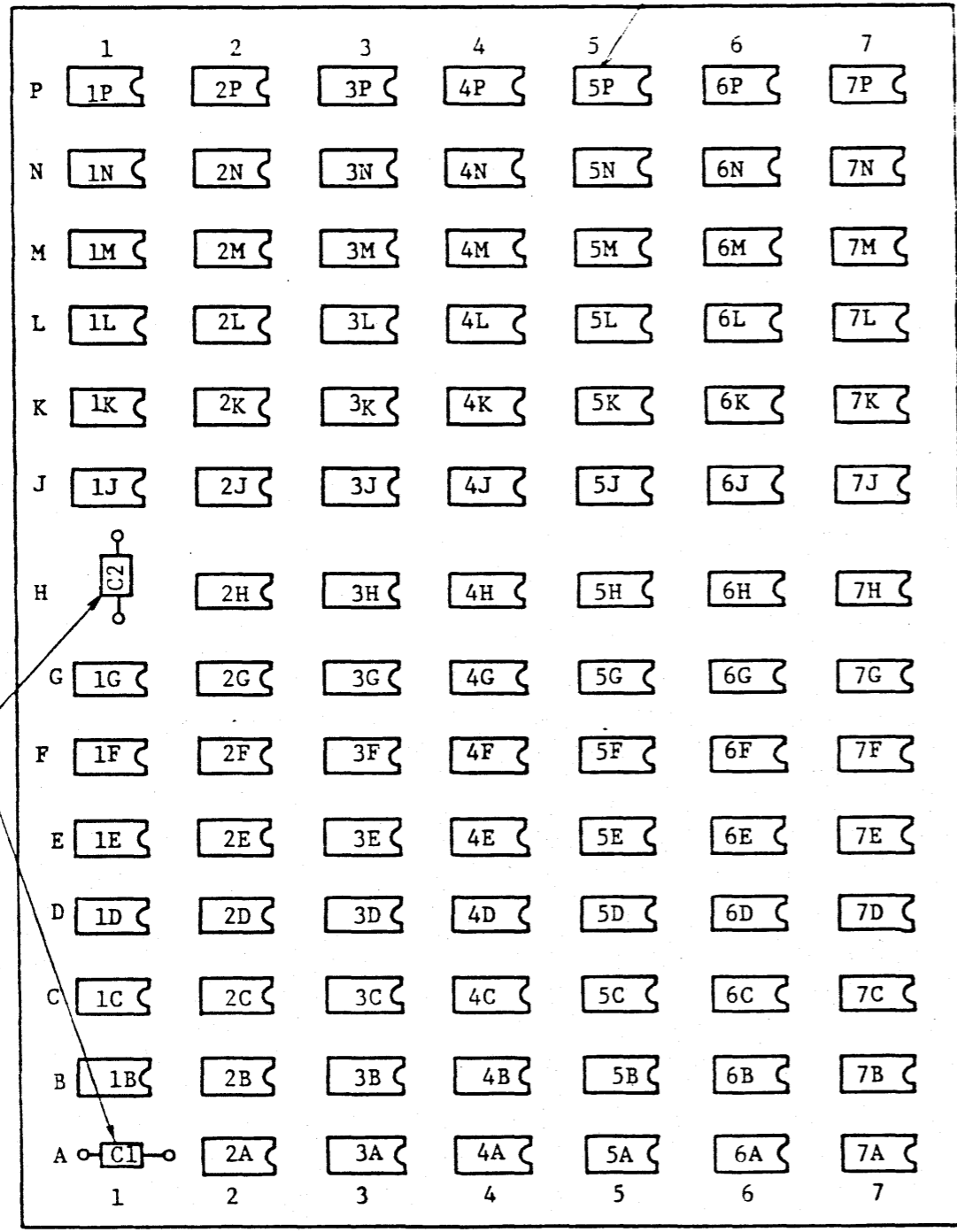
C

D

E

REV	COMP	DESCRIPTION(SC)	APP
1	0	1980.10	—
NEXT SPEC			
DRAFT	ENG	CHK	APP
	棚橋		今村
ISSUE			
INTRODUCTORY REMARKS			
134-190224-001			0
NEC			SHT 3/7

Refer to Subparagraph (a)



Refer to sub-paragraph (b)

(a) Location of IC installation

The location is shown with numerals, (1~7 in this example), and alphabetic characters, (A~P in this example), both of which are stamped on the package.

If the indication with these numerals and alphabetic characters is not sufficient for proper indication, serial code (Z1, Z2 ..... ) will be given for indicating location.

(b) Location of installation of parts other than IC

The location of resistor, capacitor, etc. is shown by giving serial code.

(Example: C1, C2, etc.)

Note : The area in which installation can be made is variable according to the type of package or sub-assembly. However, the indication of location is same among such area.

This diagram is viewed from the side, which parts are installed.

Fig. 3.3 Location of parts installation

名



134-190224-001 0

### 3.4 Peripheral Data of Symbol (Refer to Fig. 3.4.)

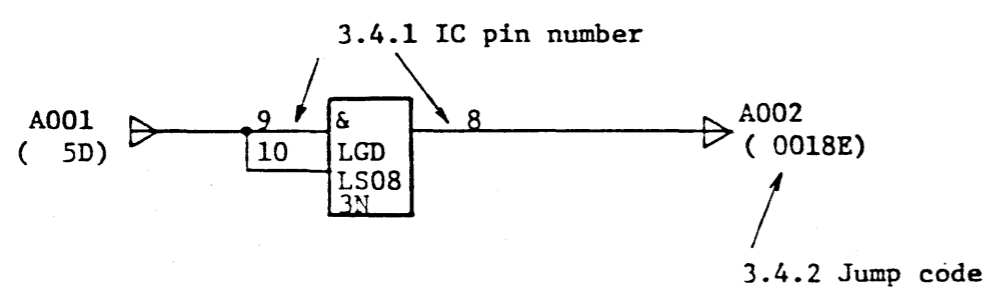
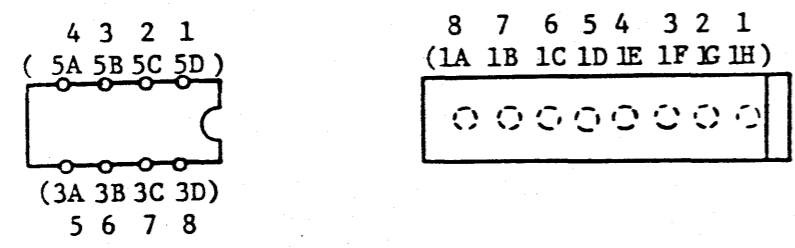


Fig. 3.4 Peripheral data of symbol

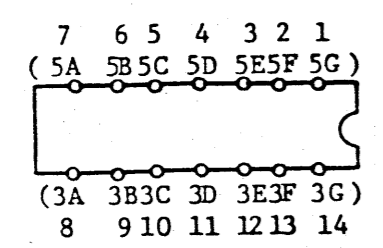
#### 3.4.1 IC pin number

This shows the physical pin number of IC .

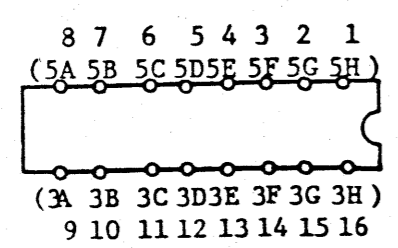
##### (1) 8-pin IC



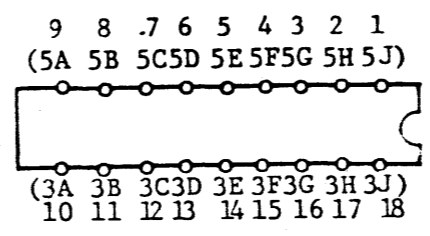
##### (2) 14-pin IC



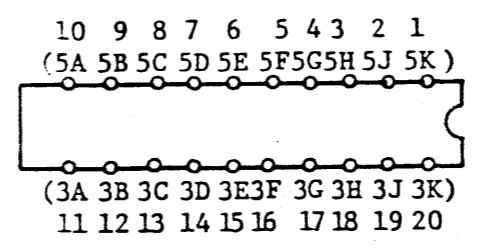
##### (3) 16-pin IC



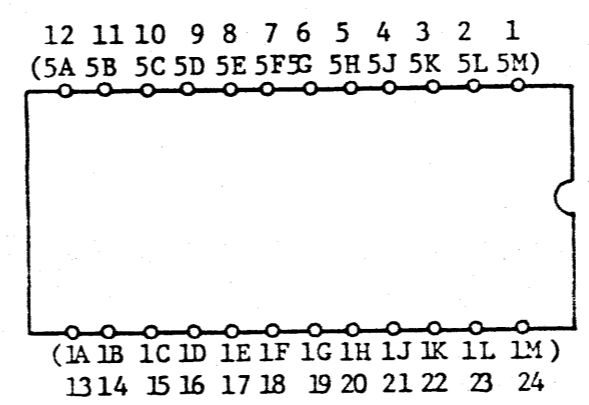
##### (4) 18-pin IC



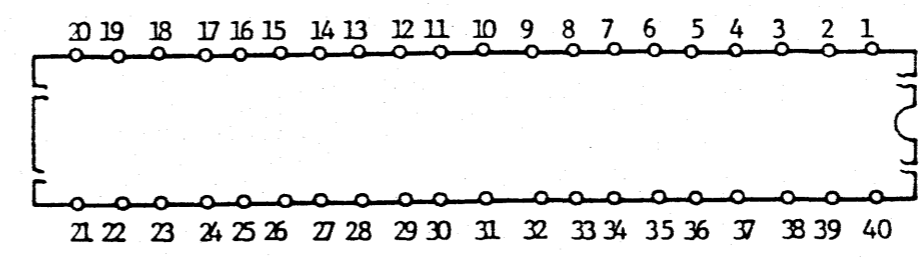
##### (5) 20-pin IC



##### (6) 24-pin IC



##### (7) 40-pin IC



Note: Pin numbers are sometimes indicated with alphanumerical characters (3A, 3B ..... ) in addition to numerals (1, 2 .....).

REV	COMP	DESCRIPTION(SC)	APP
1	0	1980.10	

NEXT SPEC				
DRAFT	ENG	CHK	APP	ISSUE
	棚橋		今村	

INTRODUCTORY REMARKS

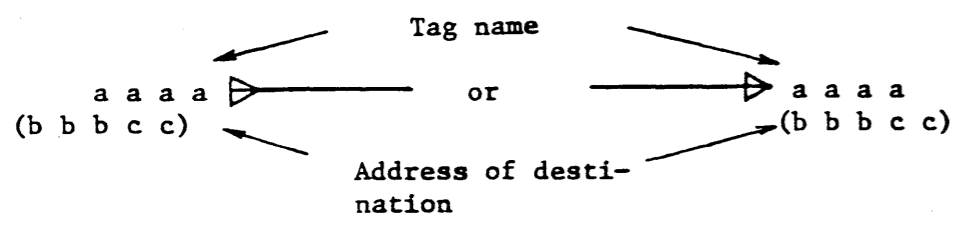
134-190224-001 0

NEC SHT 4/7

134-190224-001

0

3.4.2 Jump code

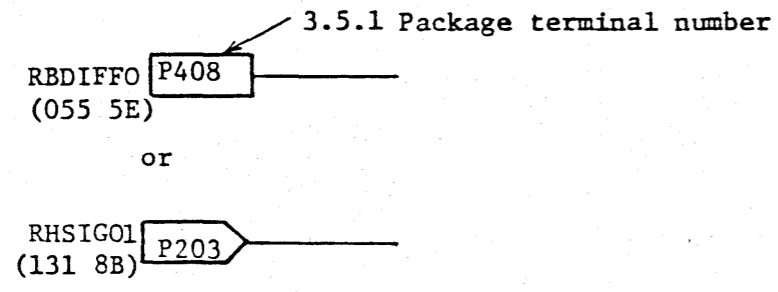


If line connection is impossible or is too complicated on a diagram, the indication of jump shall be made by using the above mentioned codes, The connection is shown with the tag name and the address of destination.

- (1) A tag name consists of 4 alphanumerical characters (aaaa), and the same tag names are connected to each other.
- (2) The indication of destination is made with page (bbb) + co-ordinate (cc).  
If the pages are the same as each other, only the co-ordinate is used.
- (3) The "X000" in a tag name is connected with ground, and no indication of destination is made.

3.5 Package Terminal and Peripheral Data (Refer to Fig. 3.5.)

(1) Input terminal



(2) Output terminal

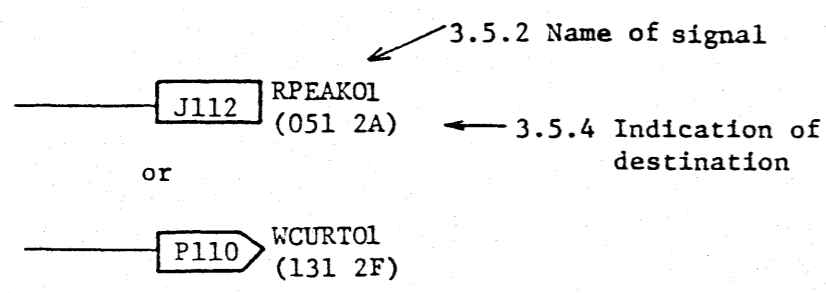
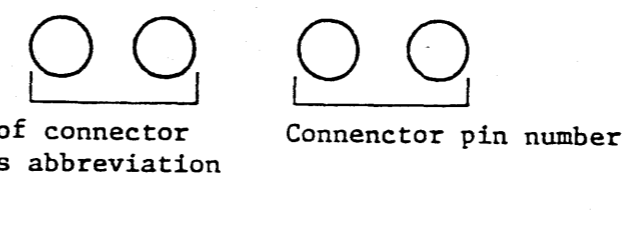


Fig. 3.5 Package terminal and peripheral data

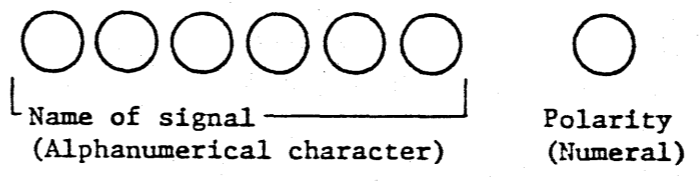
3.5.1 Package terminal number

The name and pin number of connector, which is installed in a package or sub-assembly, are shown.



3.5.2 Name of signal

The input/output signal of package terminal is shown with 7 alphanumerical characters.



3.5.3 The package terminal, which is connected with either the power source or ground, is shown as follows. No indication of destination is made.

- XG00 ; Ground
- XP05 ; +5V
- XP12 ; +12V
- XN12 ; -12V

3.5.4 Indication of destination

The indication of destination is made with page and co-ordinate. The same names of signal are connected with each other.

Refer to Subparagraph 3.4.2.

REV	COMP	DESCRIPTION(SC)	APP
1	0	1980.10	—

NEXT SPEC				
DRAFT	ENG	CHK	APP	ISSUE
	棚橋		今村	

INTRODUCTORY REMARKS

134-190224-001 0

NEC SHT 5/7

1

2

3

4 ▲

5

6

7

134-190224-001

0

4. DIAGRAM OF ELECTRIC CIRCUIT

4.1 Style of Drawing

The style of drawing is similar to Subparagraph 3.1.

4.2 Logic Symbol and Peripheral Data (Refer to Fig. 4.1.)

4.2.1 Name of parts

4.2.2 Location of installation

4.2.3 IC pin number

4.2.4 Jump code

Fig. 4.1 Logic symbol and peripheral data

4.2.1 Name of parts

This is similar to Subparagraph 3.2.2.

4.2.2 Location of installation

This is similar to Subparagraph 3.2.3.

4.2.3 IC pin number

This is similar to Subparagraph 3.4.1.

4.2.4 Jump code

This is similar to Subparagraph 3.4.2.

4.3 Package Terminal and Peripheral Data (Refer to Fig. 4.2.)

(1) Input terminal

4.3.1 Package terminal number

(2) Output terminal

4.3.2 Name of signal

4.3.3 Indication of destination

Fig. 4.2 Package terminal and peripheral data

4.3.1 Package terminal number

This is similar to Subparagraph 3.5.1.

4.3.2 Name of signal

This is similar to Subparagraph 3.5.2.

4.3.3 Indication of destination

This is similar to Subparagraph 3.5.4.

REV	COMP	DESCRIPTION(SC)	APP
1	0	1980.10	

NEXT SPEC

DRAFT	ENG	CHK	APP	ISSUE
	棚橋		今村	

INTRODUCTORY REMARKS

134-190224-001 0

NEC

SHT 6/7

DC-405  
JIS A3 (297×420)

2

3

4 ▼

5

6

Nippon Electric Co. Ltd

134-190224-001

0

4.4 Peripheral Data of Connector (Refer to Fig. 4.3.)

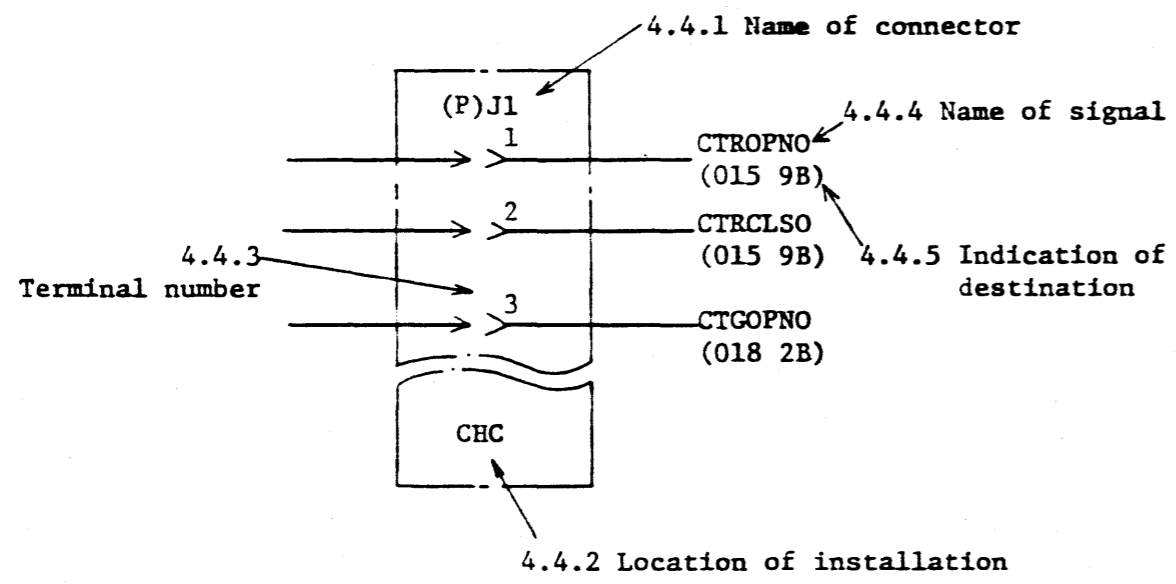


Fig. 4.3 Peripheral data of connector

4.4.1 Name of connector

The name of connector or its abbreviation code is shown.

4.4.2 Location of installation

The name of chassis, on which the connector is installed, or its abbreviation code is shown. This is omitted if the indication is not required.

4.4.3 Terminal number

This shows the physical pin number of connector.

4.4.4 Name of signal

This is similar to Subparagraph 3.5.2.

4.4.5 Indication of destination

This is similar to Subparagraph 3.5.4.

REV	COMP	DESCRIPTION(SC)	APP
1	0	1980.10	—

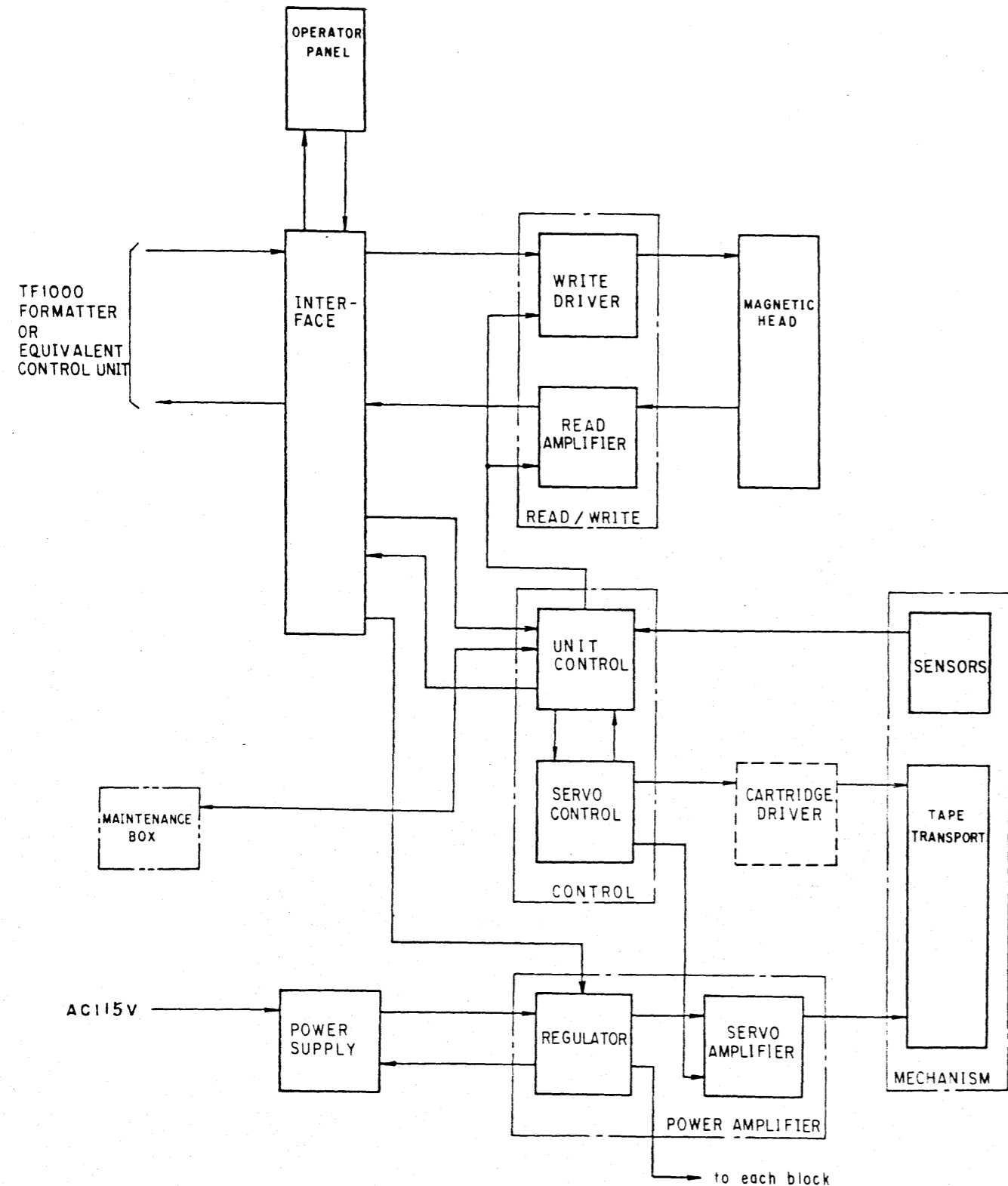
NEXT SPEC				
DRAFT	ENG	CHK	APP	ISSUE
	棚橋		今村	

INTRODUCTORY REMARKS

134-190224-001 | 0

NEC SHT 7/7

134-190225-001 0



BLOCK NAME	ABBREVIATION CODE	PAGE	NOTE
INTERFACE	IFC	001~006	
OPERATOR PANEL		011	
CONTROL	CRL	021~033	
READ/WRITE	RWB	041~058	TD1205.1305.1505
		061~067	TD1201.1301.1501
		071~083	TD1202.1302.1502
		091~103	TD1204.1304.1504
POWER AMPLIFIER	PAM	111~114	
POWER SUPPLY	PAC	121~123	
MECHANISM	(BET) (NED)	131	
		141	
		142	
MAGNETIC HEAD		151	
CARTRIDGE DRIVER		161	Option
		162	
MAINTENANCE BOX		211~215	

REV	COMP	DESCRIPTION(SC)	APP
1	0	1979.10	
2	0	1982.3	

DWG ABBR	
PKG LOCATION	
PKG NAME	
NEXT SPEC	

DRAFT	ENG	CHK	APP	ISSUE

BLOCK DIAGRAM

134-190225-001 0

NEC SHT 1/1

装置名  
OEM-I

134-845119

1

B

C

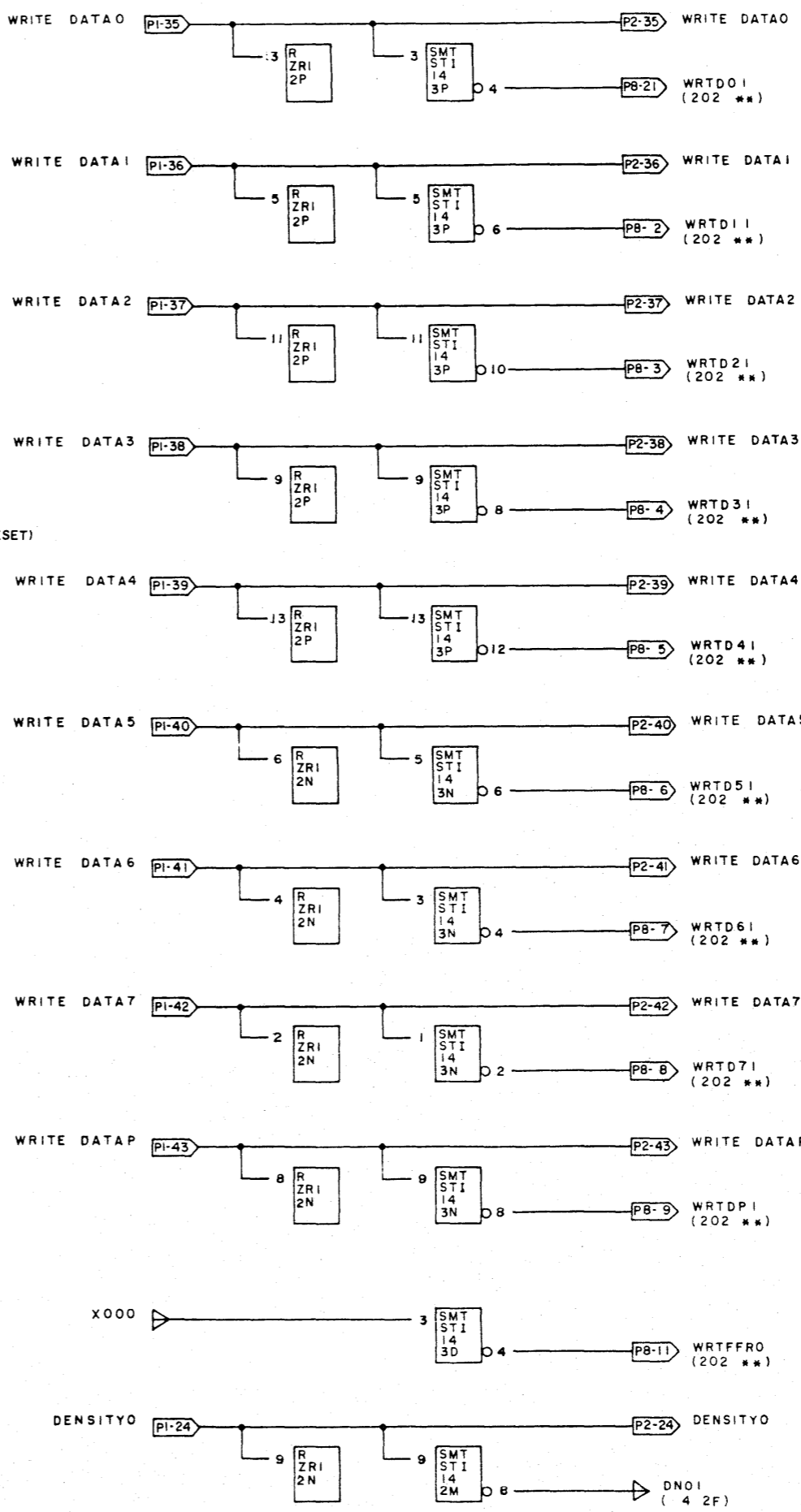
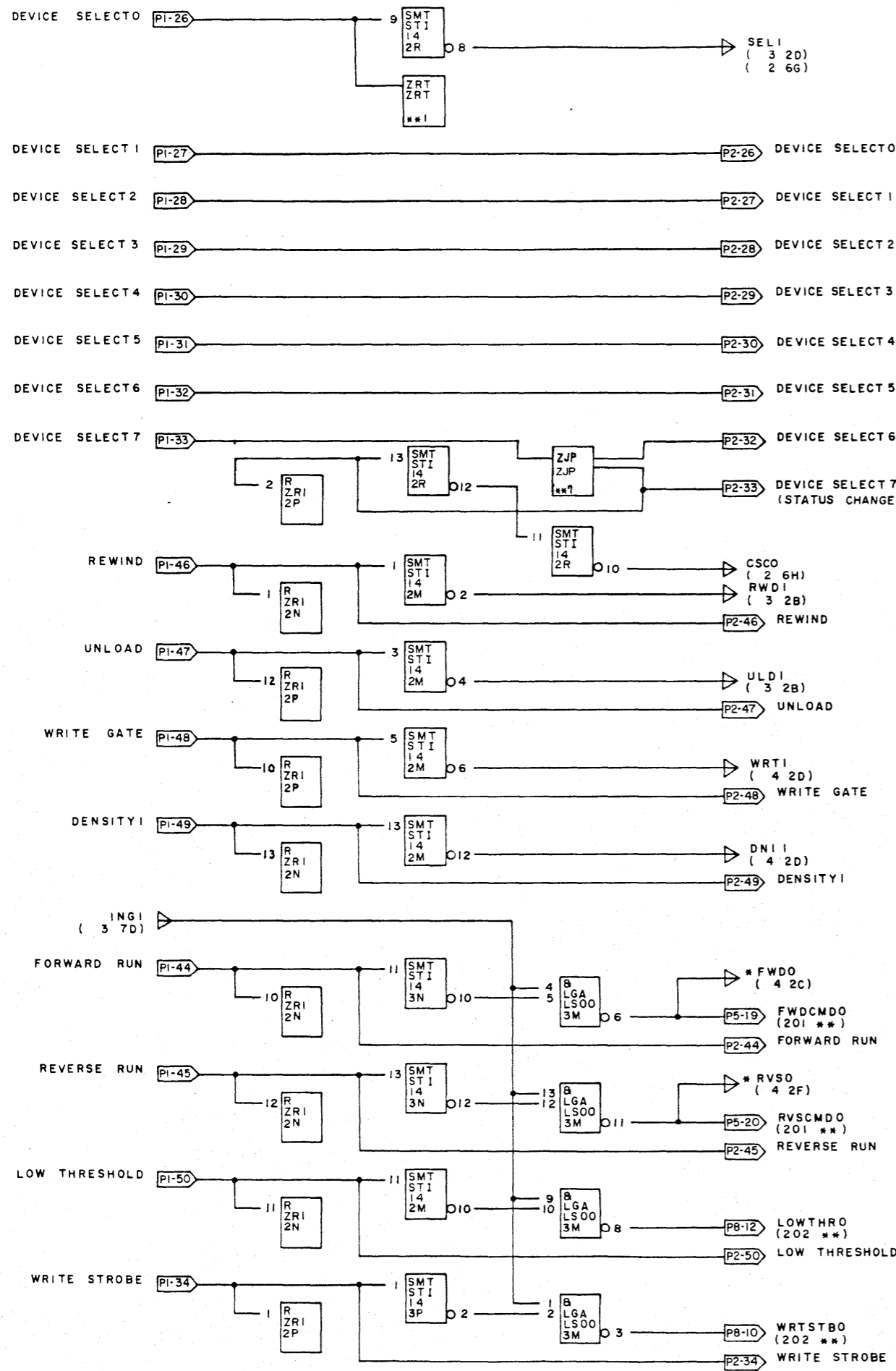
D

E

F

G

H



REV	COMP	DESCRIPTION (SC)	APP
1	0	1979. 8.	
2	0	1982. 3. 25 SC-413759 梅垣	分*
3	0	1982. 11. 9 SC-414048 DENSITY.SW 梅垣	分*
4	1	1982. 12 SC-414079 STATUS CHANGE 梅垣	分*
5	1	1983. 1 SC-414136 REMOTE SW 梅垣	分*

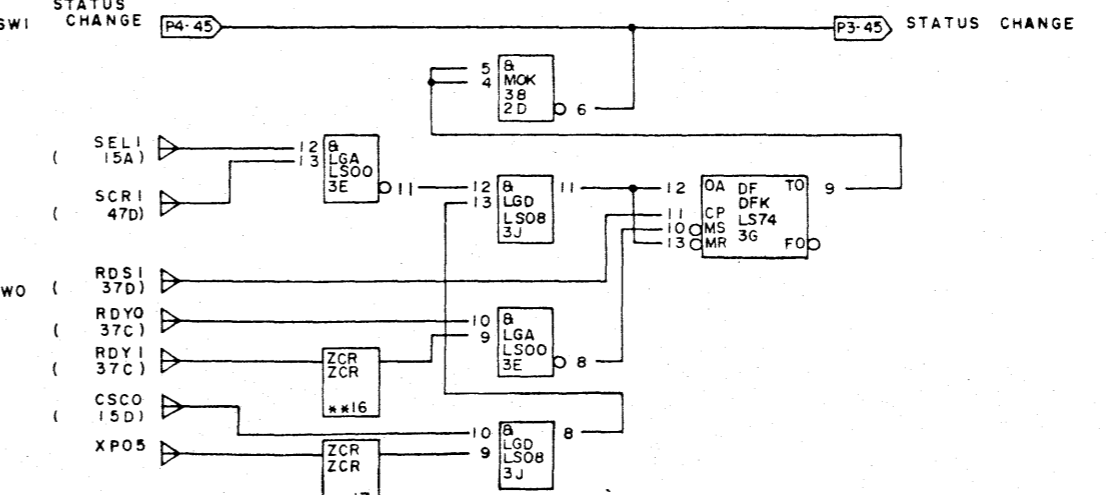
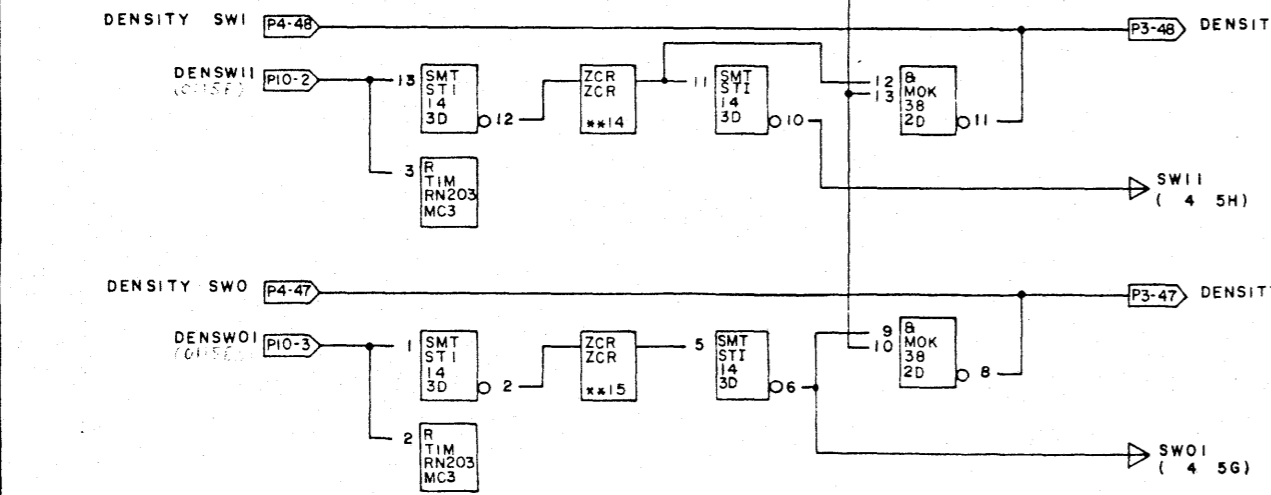
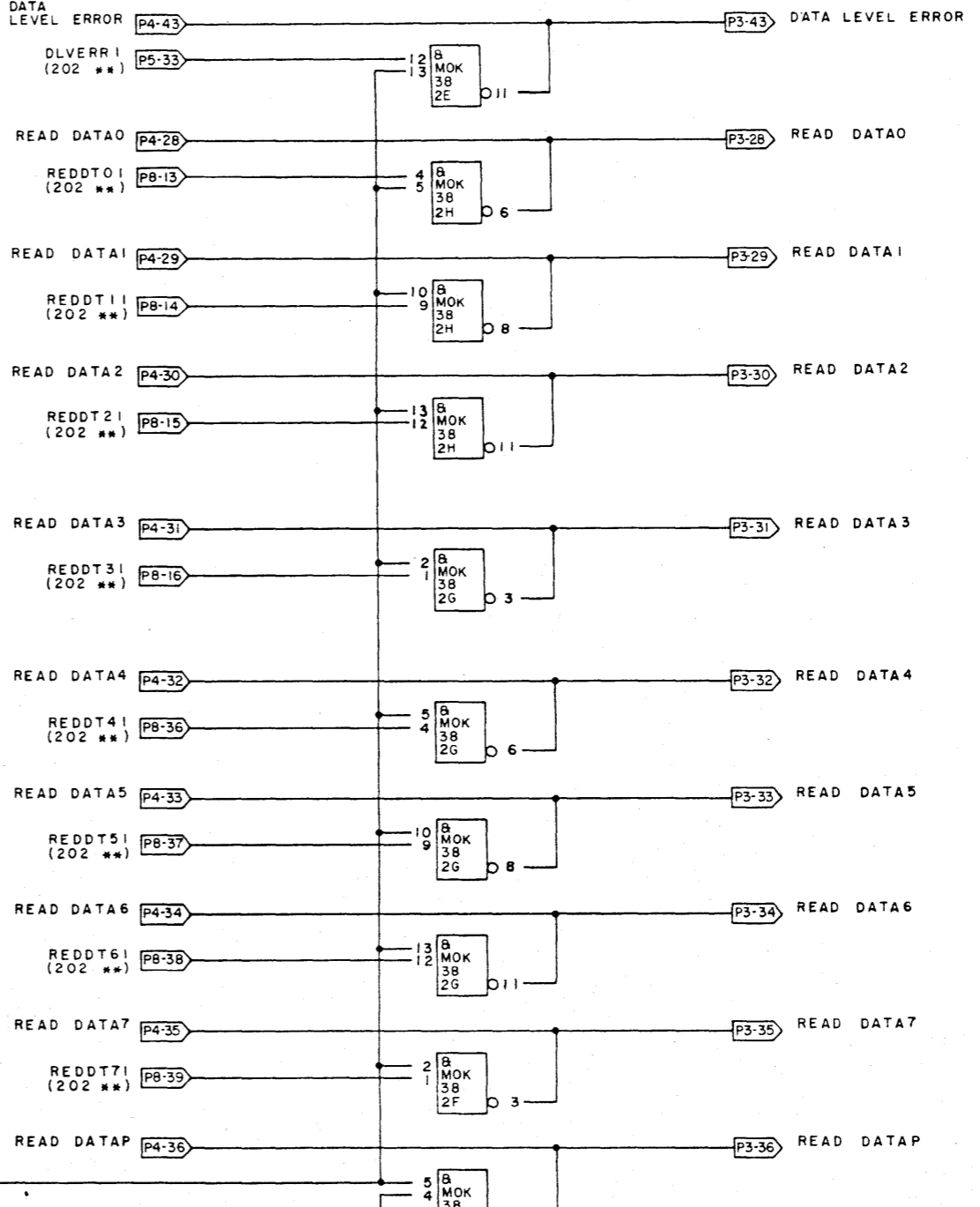
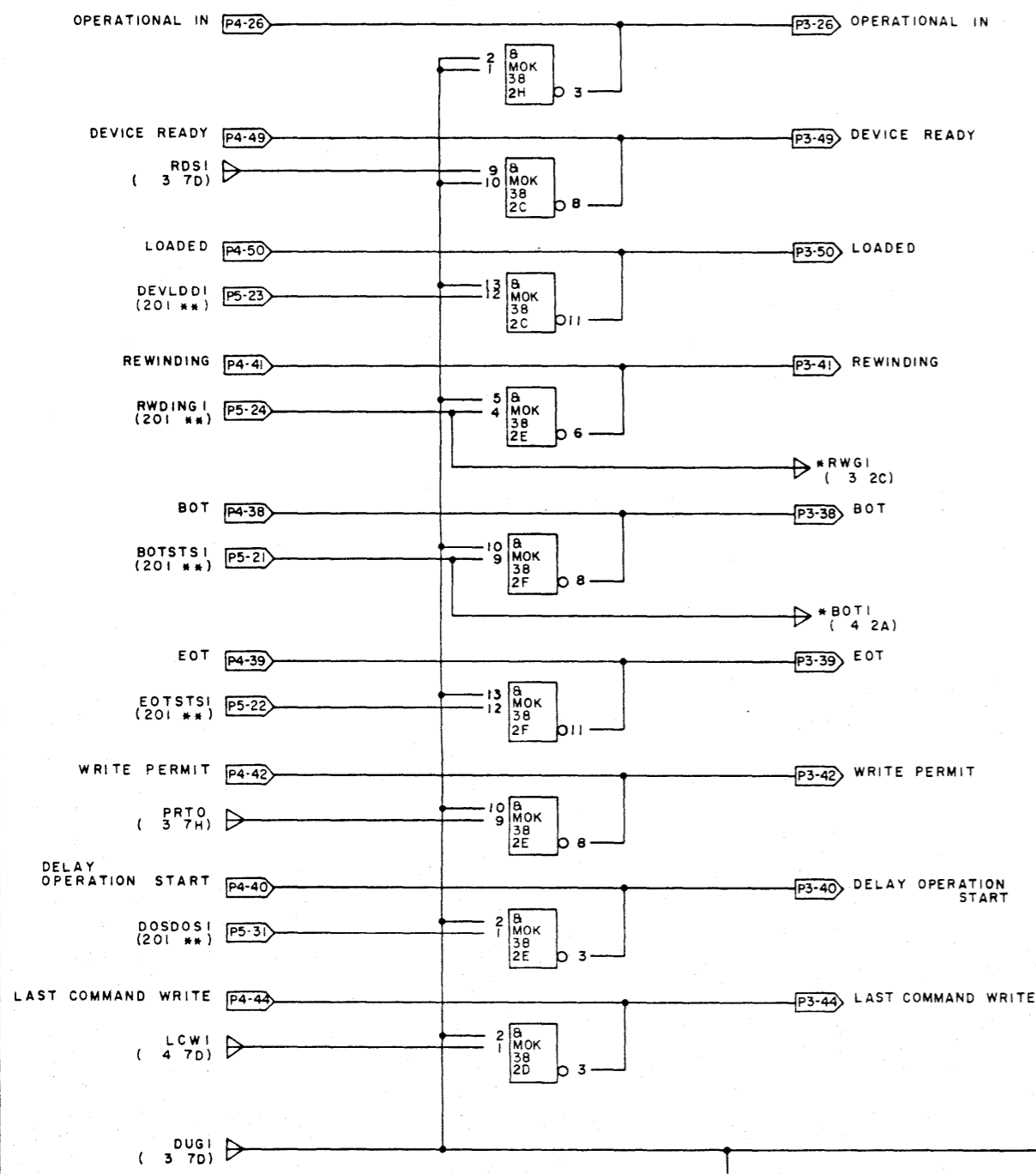
DWG ABBR	IFC (OEM-III)
PKG LOCATION	
PKG NAME	G9QDS
001	
NEXT SPEC	

DRAFT	ENG	CHK	APP	ISSUE
			梅垣	

INTERFACE  
SCHEMATIC  
DIAGRAM

134-845119	1
NEC	SHT 1/6

134-845119



REV	COMP	DESCRIPTION(SC)	APP
1	0	1979. 8.	
2	0	1982. 3. 25 SC-413759 梅垣	A
3	0	1982. 11. 9	
4	1	1982. 12	
5	1	1983. 1	B

DWG ABBR	IFC (OEM-III)
PKG LOCATION	
PKG NAME	G9QDS
002	

NEXT SPEC				
DRAFT	ENG	CHK	APP	ISSUE

梅垣

INTERFACE  
SCHEMATIC  
DIAGRAM

134-845119	1
NEC	SHT 2/6

134-845119

1

B

C

D

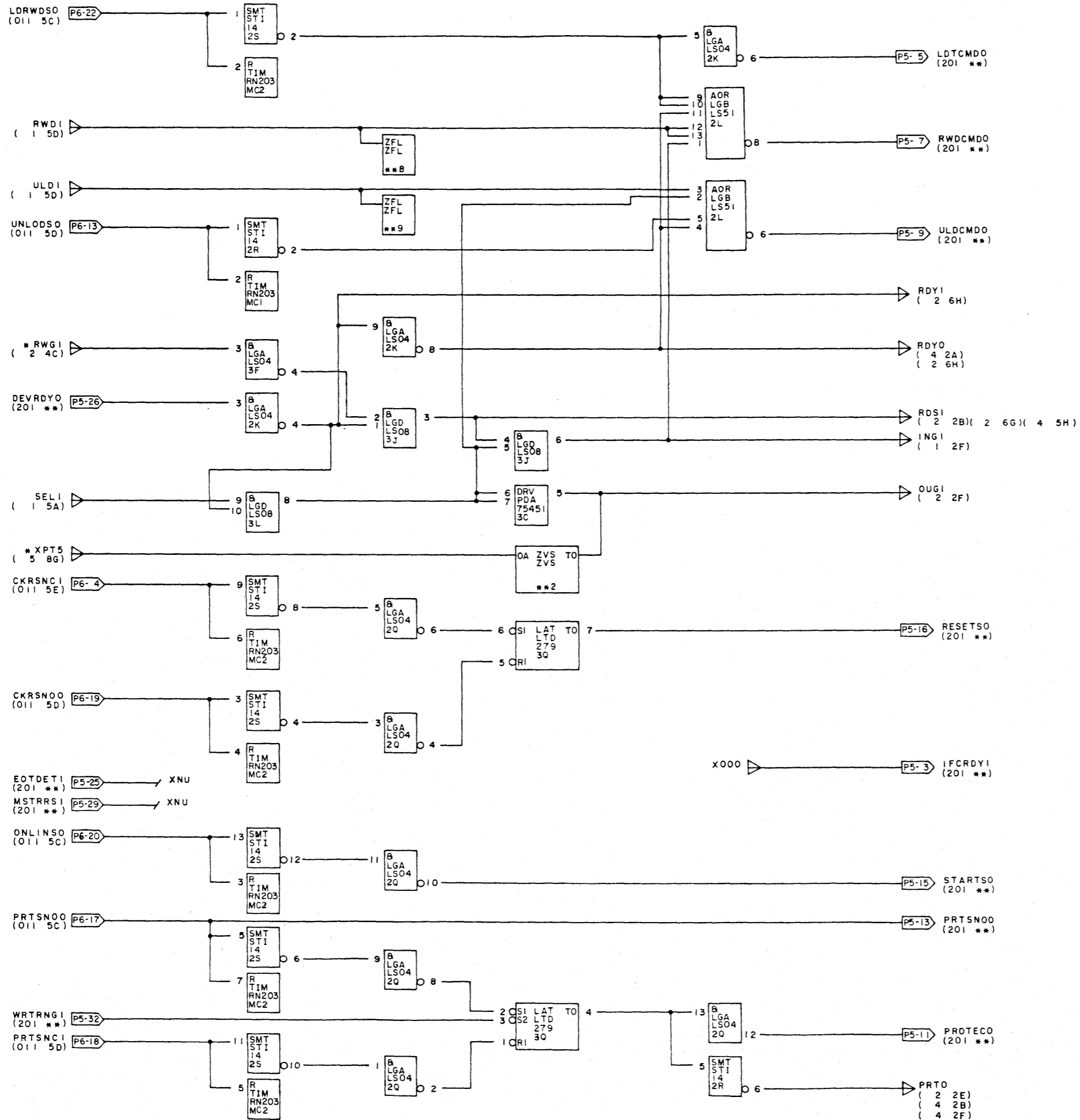
E

F

G

H

EQUIP



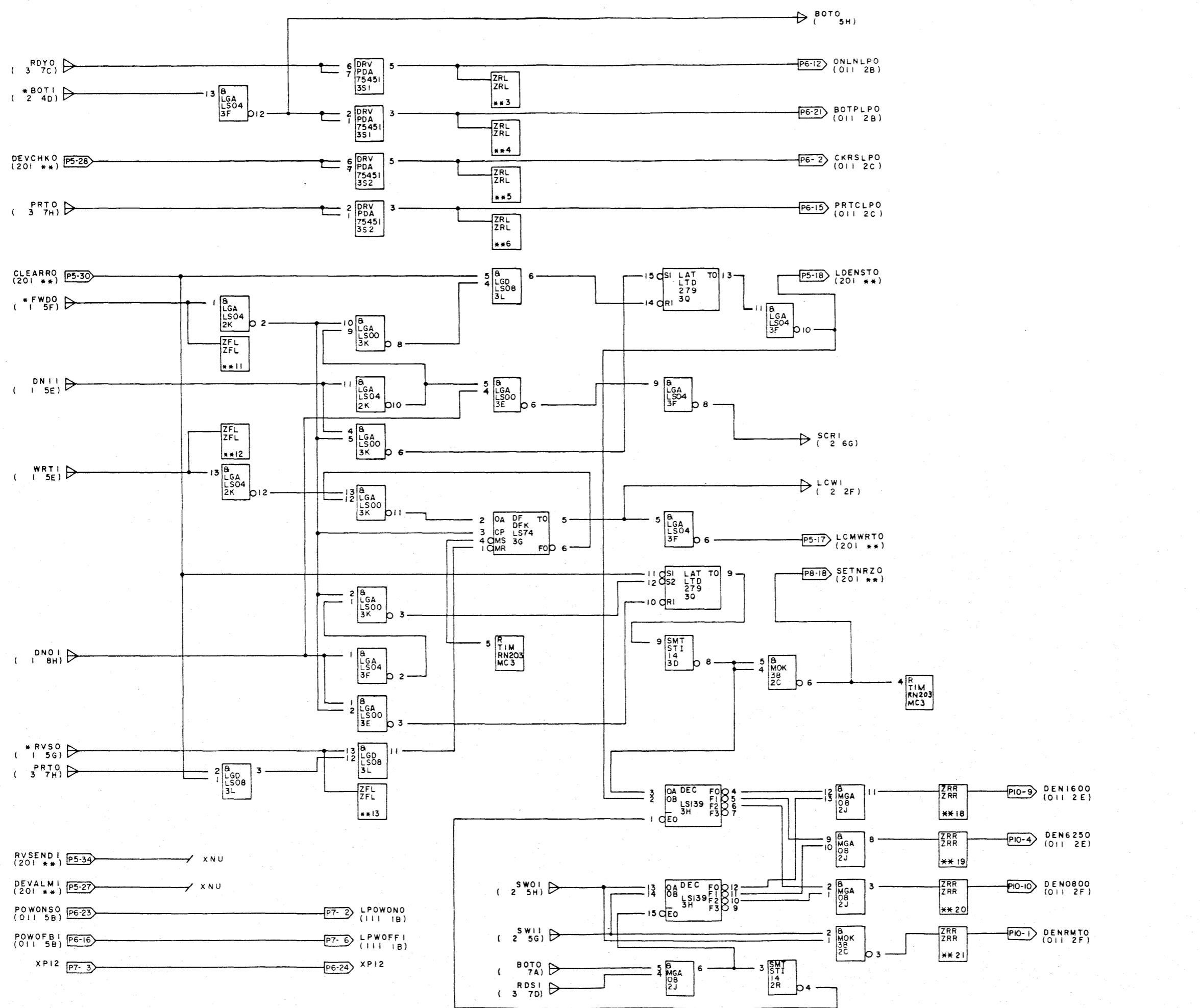
REV	COMP	DESCRIPTION (SC)	APP
1	0	1979. 8.	
2	0	1982. 3. 25	
3	0	1982. 11. 9	A
4	1	1982. 12	
5	1	1983. 1	B

DWG ABBR	IFC (OEM-III)			
PKG LOCATION				
PKG NAME	G9QDS			
003				
NEXT SPEC				
DRAFT	ENG	CHK	APP	ISSUE
梅垣				
INTERFACE SCHEMATIC DIAGRAM				
134-845119				1
NEC				SHT 3/6



134-845119



REV	COMP	DESCRIPTION (SC)	APP
1	0	1979. 8.	
2	0	1982. 3. 25	A
3	0	1982. 11. 9	
4	1	1982. 12	
5	1	1983. 1	B

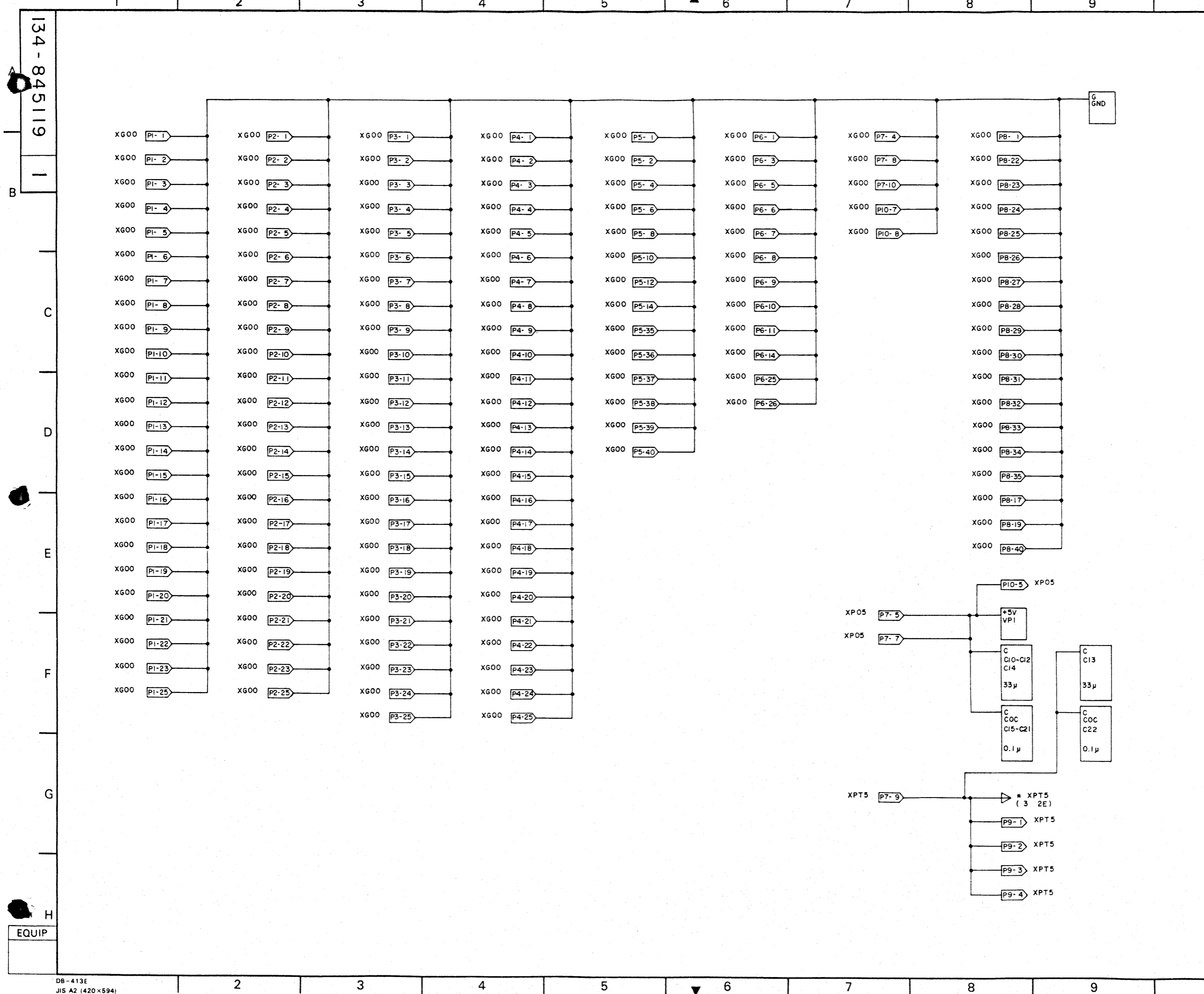
DWG ABBR	IFC (OEM-III)			
PKG LOCATION				
PKG NAME	G9QDS			
004				
NEXT SPEC				
DRAFT	ENG	CHK	APP	ISSUE

梅垣

INTERFACE  
SCHEMATIC  
DIAGRAM

134-845119 1

**NEC** SHT 4/6



134-845119

B

C

D

E

F

G

H

EQUIP

REV	COMP	DESCRIPTION (SC)	APP
1	0	1979. 8.	
2	0	1982. 3. 25	A
3	0	1982. 11. 9	
4	1	1982. 12	
5	1	1983. 1	B

DWG ABBR	IFC (OEM-III)			
PKG LOCATION				
PKG NAME	G9QDS			
005				
NEXT SPEC				
DRAFT	ENG	CHK	APP	ISSUE

梅垣

INTERFACE  
SCHEMATIC  
DIAGRAM

134-845119 | 1

**NEC** SHT 5/6

134-845119

B

C

D

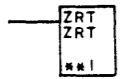
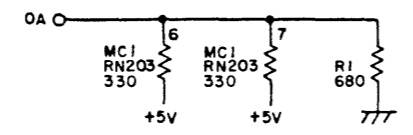
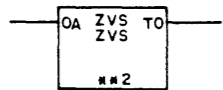
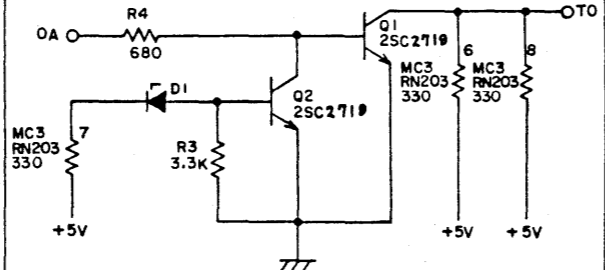
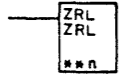
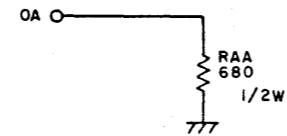
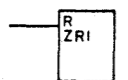
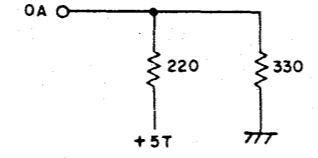
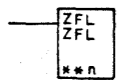
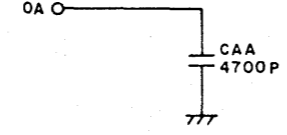
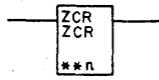
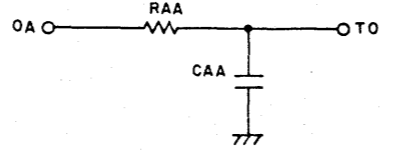
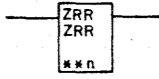
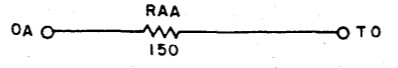
E

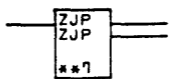
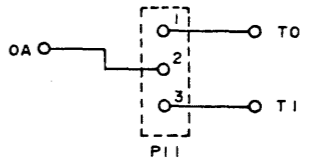
F

G

H

EQUIP

LOGIC SYMBOL	DETAILED DIAGRAM	PARTS CODE															
																	
																	
		<table border="1"> <tr><td>**n</td><td>RAA</td></tr> <tr><td>**3</td><td>R12</td></tr> <tr><td>**4</td><td>R14</td></tr> <tr><td>**5</td><td>R13</td></tr> <tr><td>**6</td><td>R15</td></tr> </table>	**n	RAA	**3	R12	**4	R14	**5	R13	**6	R15					
**n	RAA																
**3	R12																
**4	R14																
**5	R13																
**6	R15																
																	
		<table border="1"> <tr><td>**n</td><td>CAA</td></tr> <tr><td>**8</td><td>C3</td></tr> <tr><td>**9</td><td>C5</td></tr> <tr><td>**11</td><td>C2</td></tr> <tr><td>**12</td><td>C1</td></tr> <tr><td>**13</td><td>C4</td></tr> </table>	**n	CAA	**8	C3	**9	C5	**11	C2	**12	C1	**13	C4			
**n	CAA																
**8	C3																
**9	C5																
**11	C2																
**12	C1																
**13	C4																
		<table border="1"> <tr><td>**n</td><td>RAA</td><td>CAA</td></tr> <tr><td>**14</td><td>R8 150</td><td>C7 0.1μ</td></tr> <tr><td>**15</td><td>R9 150</td><td>C6 0.1μ</td></tr> <tr><td>**16</td><td>R10 150</td><td>C8 0.1μ</td></tr> <tr><td>**17</td><td>R11 3.3K</td><td>C9 33μ</td></tr> </table>	**n	RAA	CAA	**14	R8 150	C7 0.1μ	**15	R9 150	C6 0.1μ	**16	R10 150	C8 0.1μ	**17	R11 3.3K	C9 33μ
**n	RAA	CAA															
**14	R8 150	C7 0.1μ															
**15	R9 150	C6 0.1μ															
**16	R10 150	C8 0.1μ															
**17	R11 3.3K	C9 33μ															
		<table border="1"> <tr><td>**n</td><td>RAA</td></tr> <tr><td>**18</td><td>R7</td></tr> <tr><td>**19</td><td>R6</td></tr> <tr><td>**20</td><td>R2</td></tr> <tr><td>**21</td><td>R5</td></tr> </table>	**n	RAA	**18	R7	**19	R6	**20	R2	**21	R5					
**n	RAA																
**18	R7																
**19	R6																
**20	R2																
**21	R5																

LOGIC SYMBOL	DETAILED DIAGRAM
	

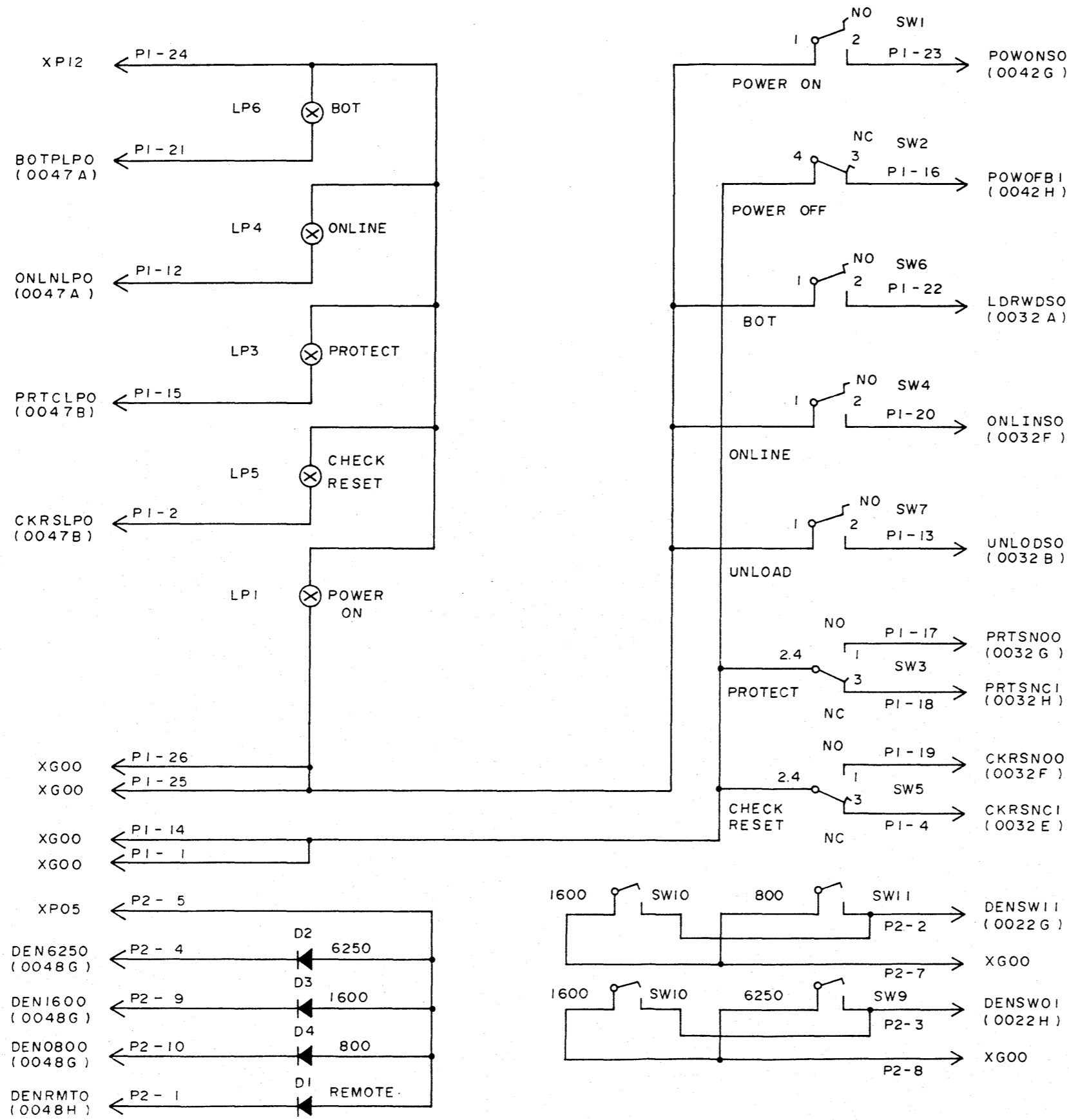
REV	COMP	DESCRIPTION (SC)	APP
1	0	1979.8.	
2	0	1982.3.25	A
3	0	1982.11.9	
4	1	1982.12	
5	1	1983.1	B

DWG ABBR	IFC (OEM-III)			
PKG LOCATION				
PKG NAME	G9QDS			
006				
NEXT SPEC				
DRAFT	ENG	CHK	APP	ISSUE
梅垣				
INTERFACE SCHEMATIC DIAGRAM				
134-845119				1
NEC				SHT 6/6

134-190155-003

0



REV	COMP	DESCRIPTION(SC)	APP
-----	------	-----------------	-----

1	0	1982. 12	
2	0	1983. 1 SC-414136 梅田	

011

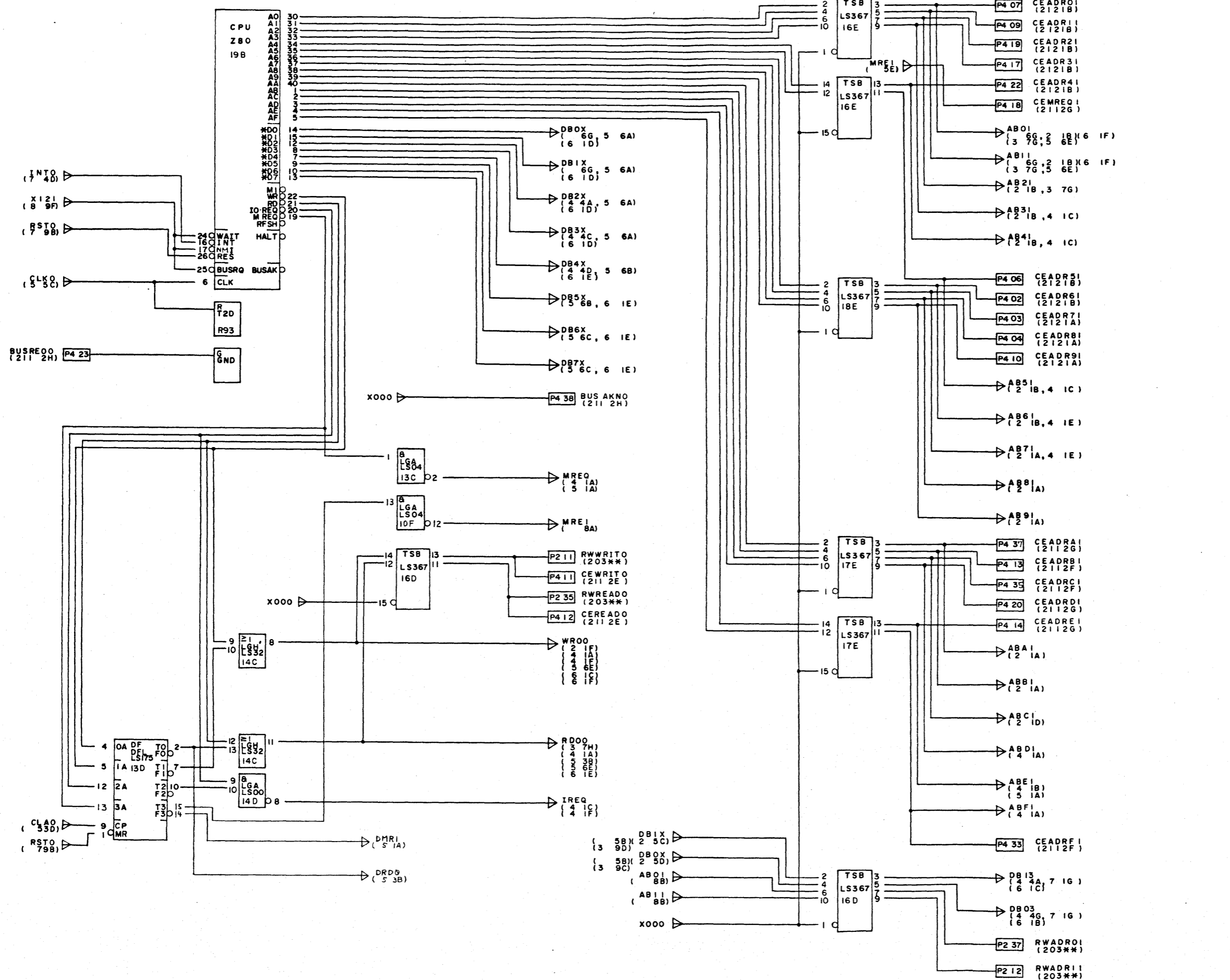
NEXT SPEC				
DRAFT	ENG	CHK	APP	ISSUE

### OPERATOR PANEL SCHEMATIC

134-190155-003 0

NEC SHT 1/1

134-190228-003-0



この回路図は基板134-850961を用いたパッケージの回路図である。  
 基板134-850819を用いたパッケージは2版の回路図を参照すること。

REV	COMP	DESCRIPTION(SC)	APP
1	0	1979.7.16	
2	0	1981.9 SC-413321 梅垣	今井
3	0	1982.7 SC-413927 梅垣	今井
4	0	'83.1.11 SC-414079 梅垣	今井 梅垣

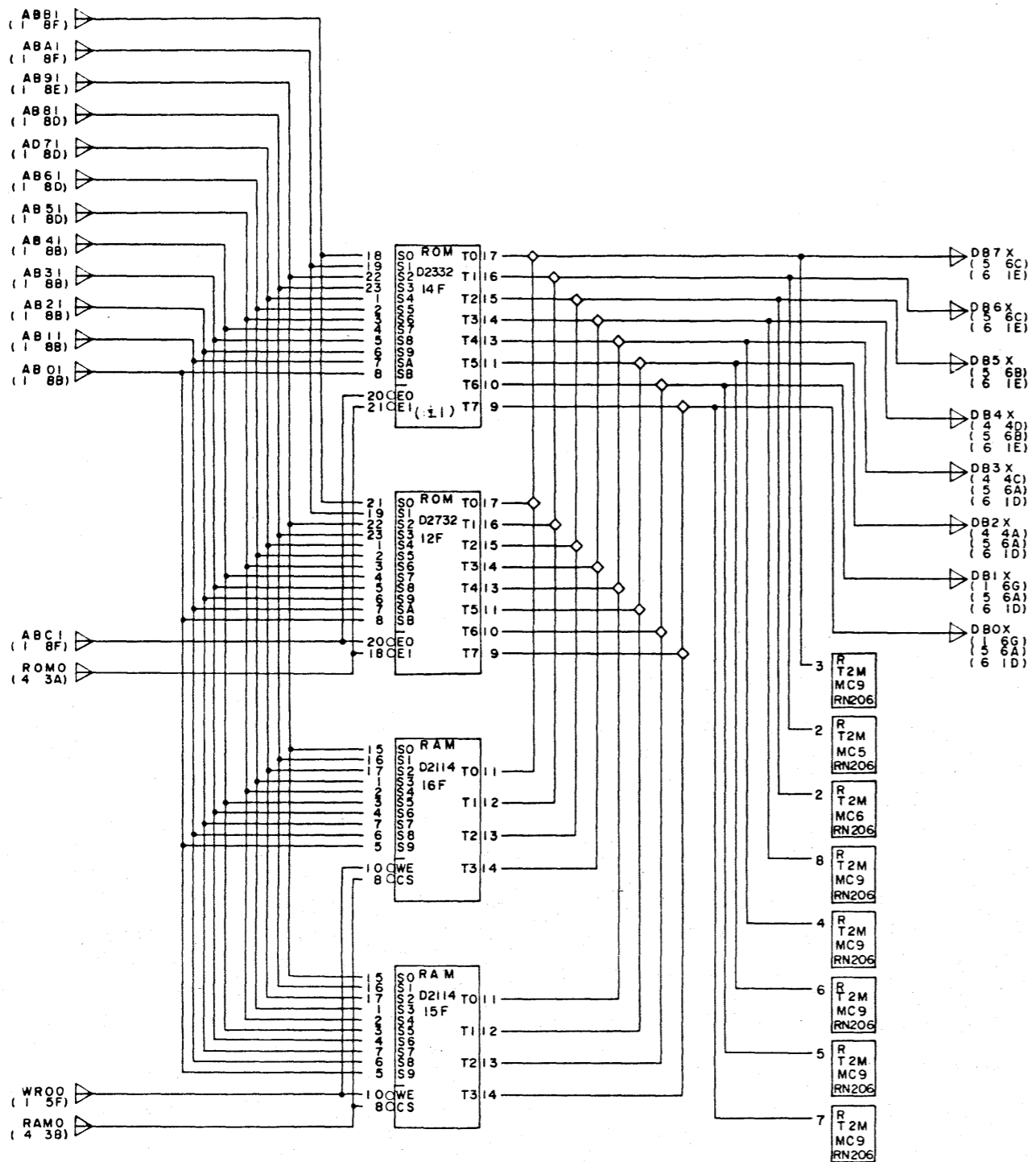
  

DWG ABBR	CRL			
PKG LOCATION	CHH			
PKG NAME	G9KJX			
021				
NEXT SPEC				
DRAFT	ENG	CHK	APP	ISSUE
	梅垣		梅垣	

CONTROL CIRCUIT DIAGRAMS	
134-190228-003-0	
NEC	SHT 1/13

134-190228-003-0



注1. 実装は別添

REV	COMP	DESCRIPTION(SC)	APP
1	0	1979.7.16	
2	0	1981.9 SC-413321	A
3	0	1982.7	
4	0	'83. 1. 11	

DWG ABBR	CRL
PKG LOCATION	CHH
PKG NAME	G9KJX

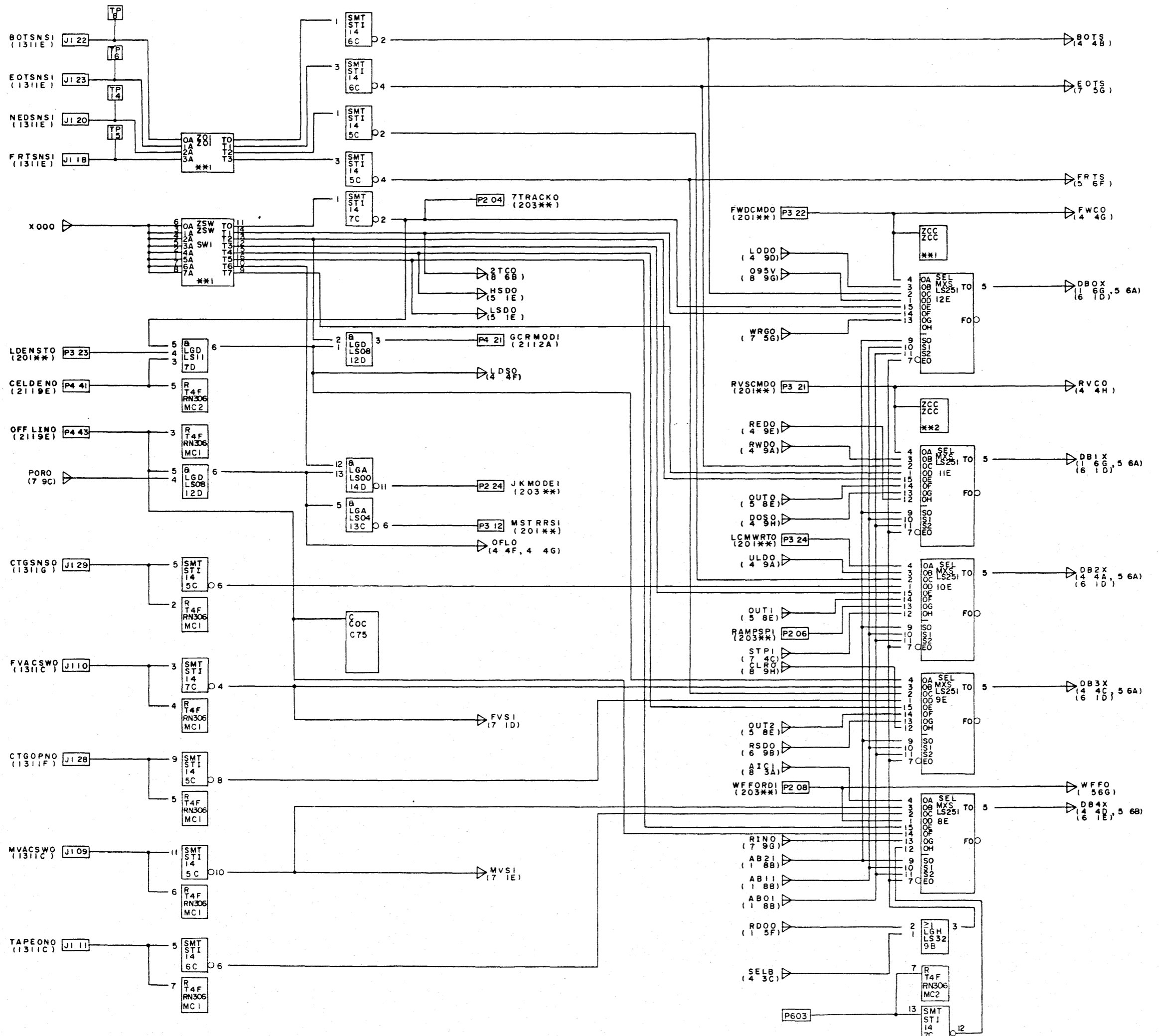
022

NEXT SPEC				
DRAFT	ENG	CHK	APP	ISSUE
	梅			
	垣			

CONTROL  
CIRCUIT DIAGRAMS

134-190228-003-0  
NEC SHT 2/13

134-190228-003-0

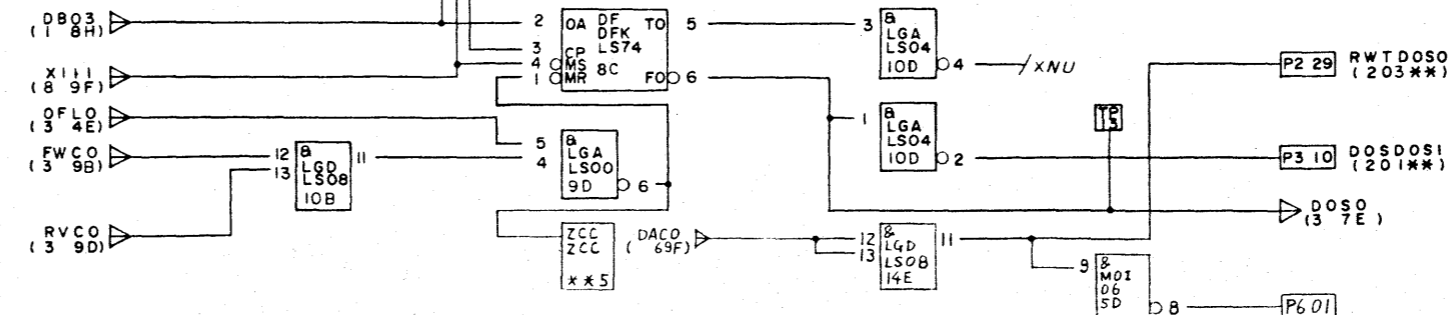
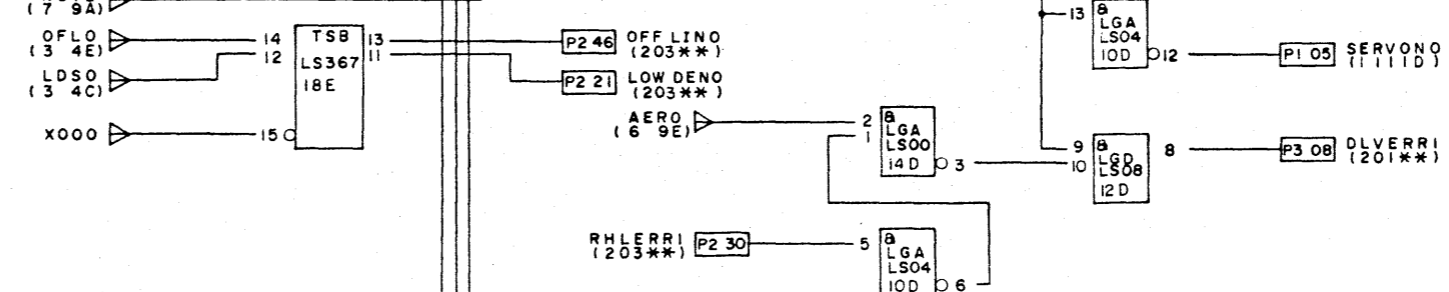
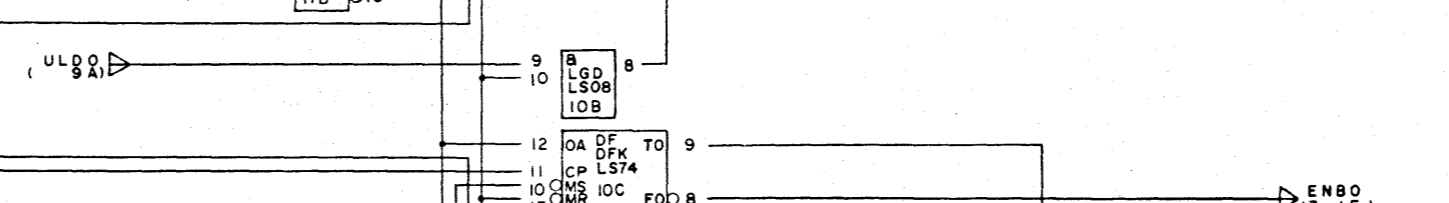
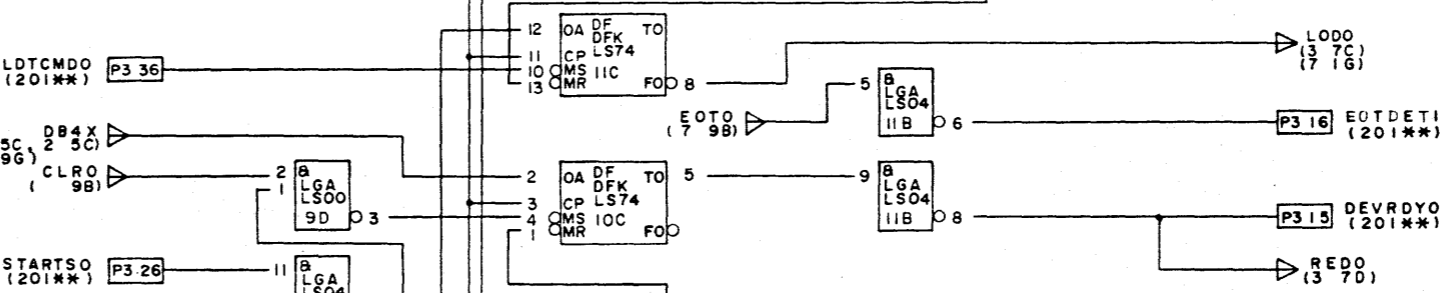
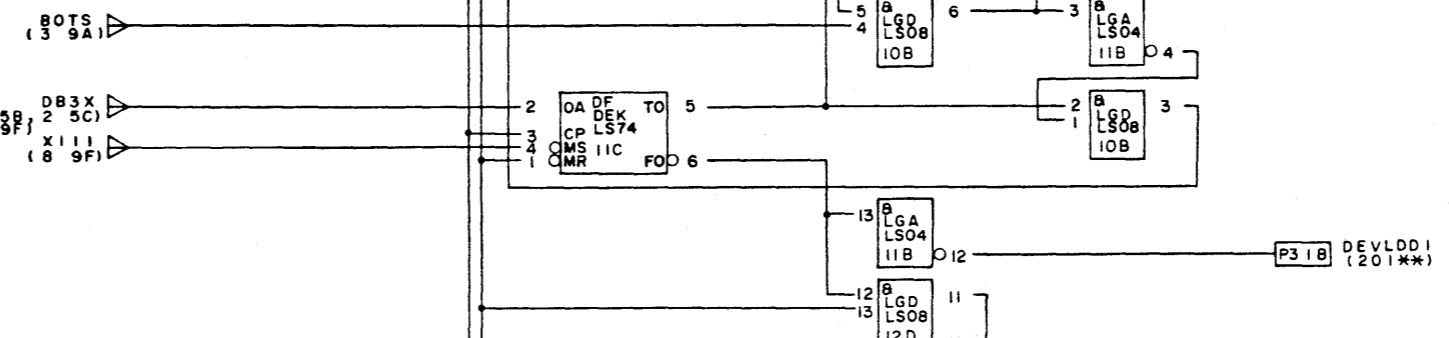
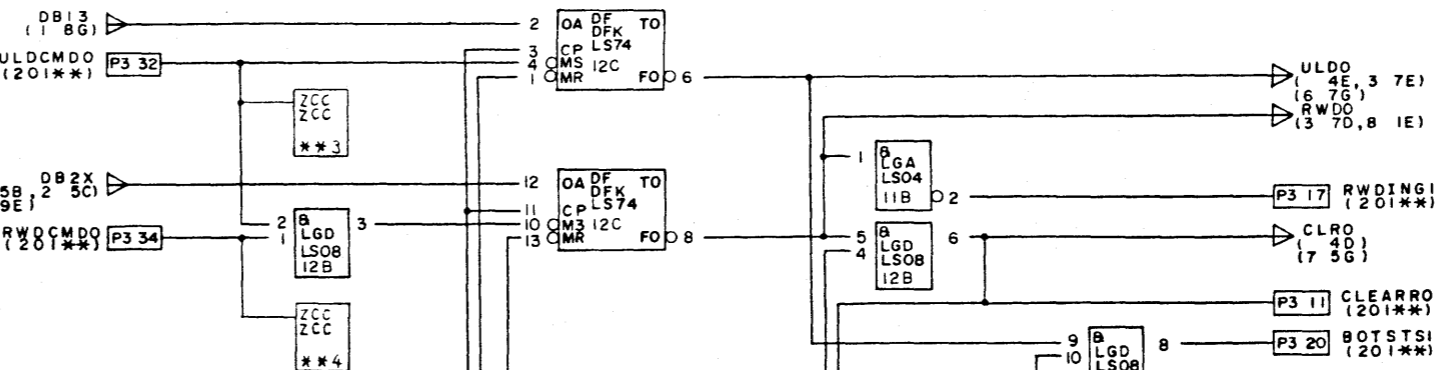
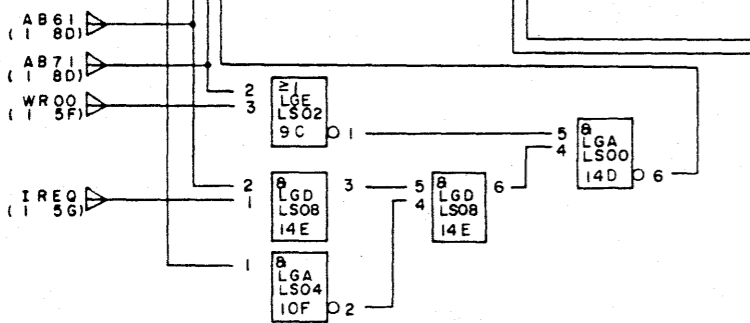
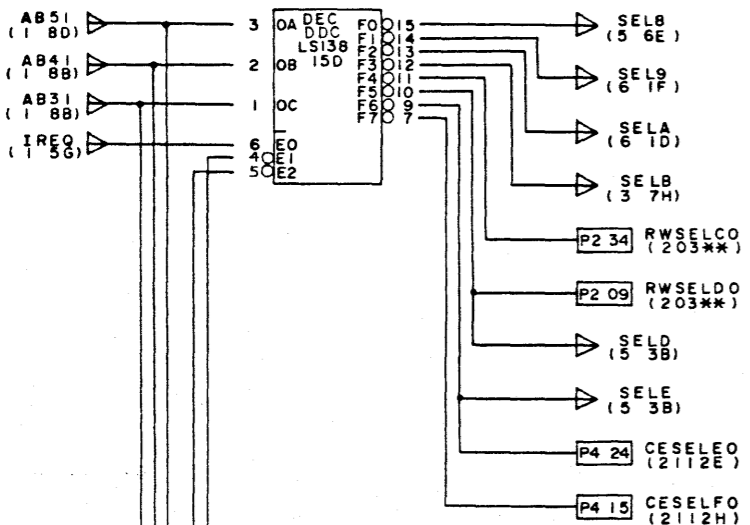
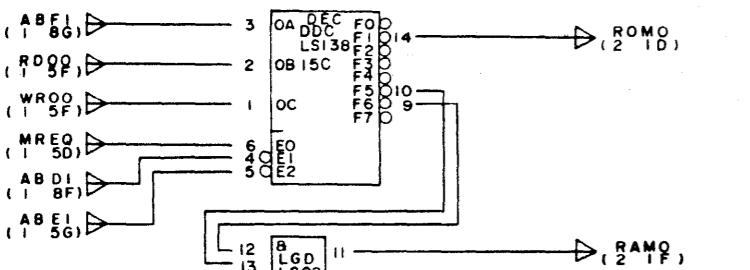


REV	COMP	DESCRIPTION (SC)	APP
1	0	1979.7.16	
2	0	1981.9 SC-413321	A
3	0	1982.7	
4	0	83.1.11	

DWG ABBR	CRL			
PKG LOCATION	CHH			
PKG NAME	G9KJX			
023				
NEXT SPEC				
DRAFT	ENG	CHK	APP	ISSUE
	梅			
	垣			
CONTROL CIRCUIT DIAGRAMS				
134-190228-003-0				
NEC				3/13

134-190228-003-0



REV	COMP	DESCRIPTION (SC)	APP
1	0	1979.7.16	
2	0	1981.9 SC-413321	A
3	0	1982.7	
4	0	'83.1.11	B

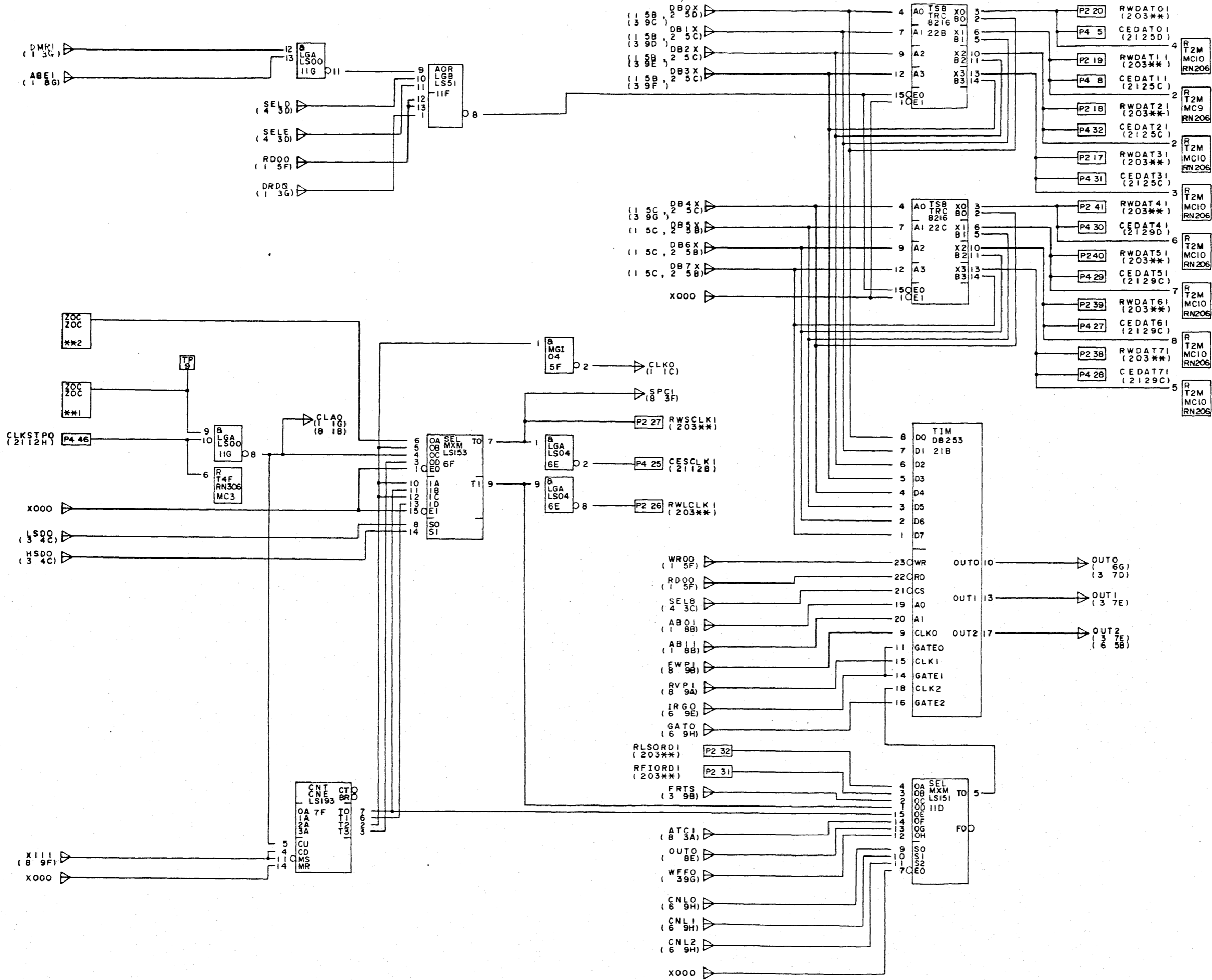
  

DWG ABBR	CRL			
PKG LOCATION	CHH			
PKG NAME	G9KJX			
024				
NEXT SPEC				
DRAFT	ENG	CHK	APP	ISSUE
CONTROL CIRCUIT DIAGRAMS				
134-190228-003-0				
NEC				SHT 4/13

EQUIP



134-190228-003-0



REV	COMP	DESCRIPTION (SC)	APP
1	0	1979.7.16	
2	0	1981.9 SC-413321	A
3	0	1982.7	
4	0	'83.1.11	B

DWG ABBR	CRL			
PKG LOCATION	CHH			
PKG NAME	C9KJX			
025				
NEXT SPEC				
DRAFT	ENG	CHK	APP	ISSUE

CONTROL  
CIRCUIT DIAGRAMS

134-190228-003-0

**NEC** SHT 5/13

134-190228-003-0

B

C

D

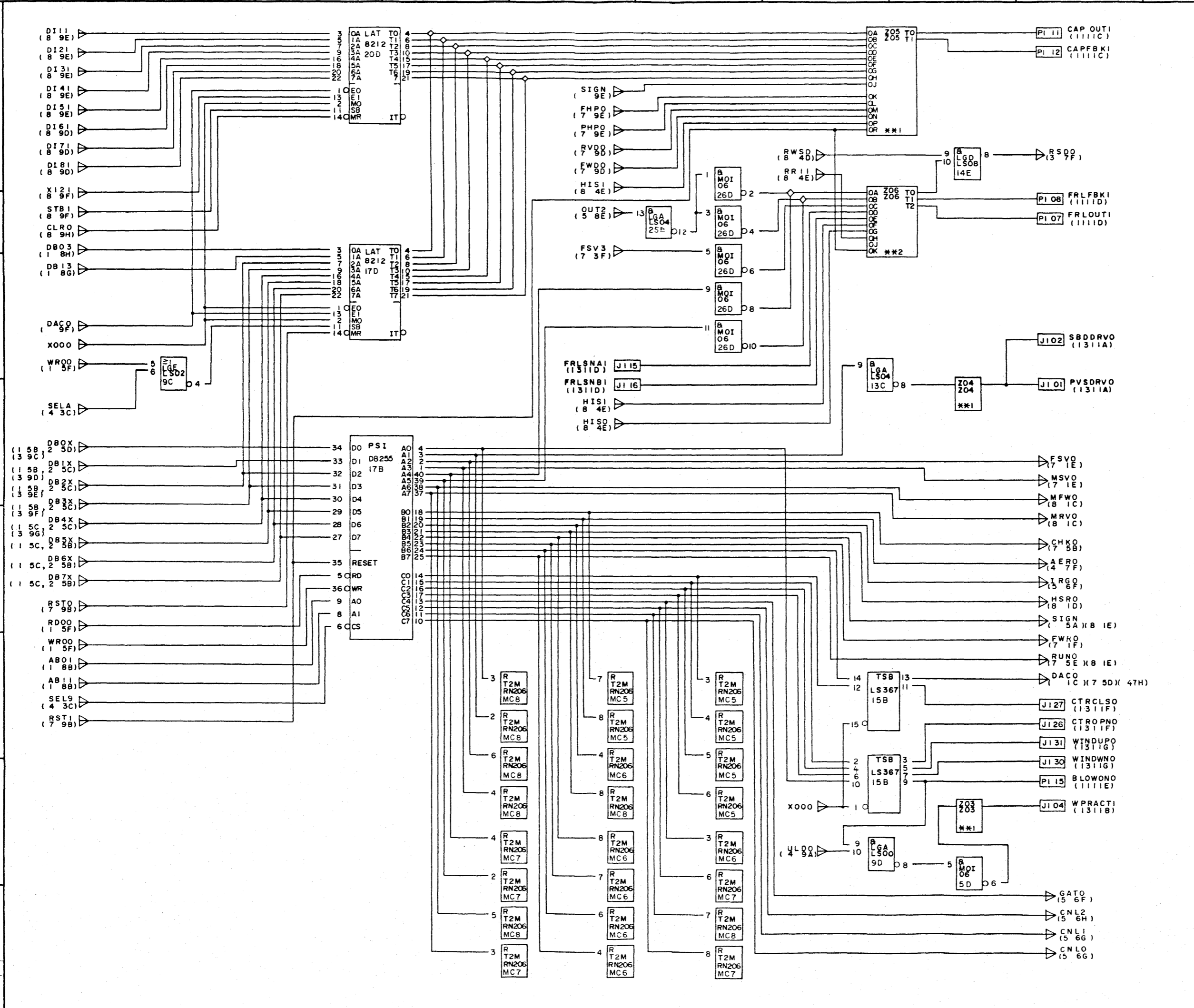
E

F

G

H

EQUIP

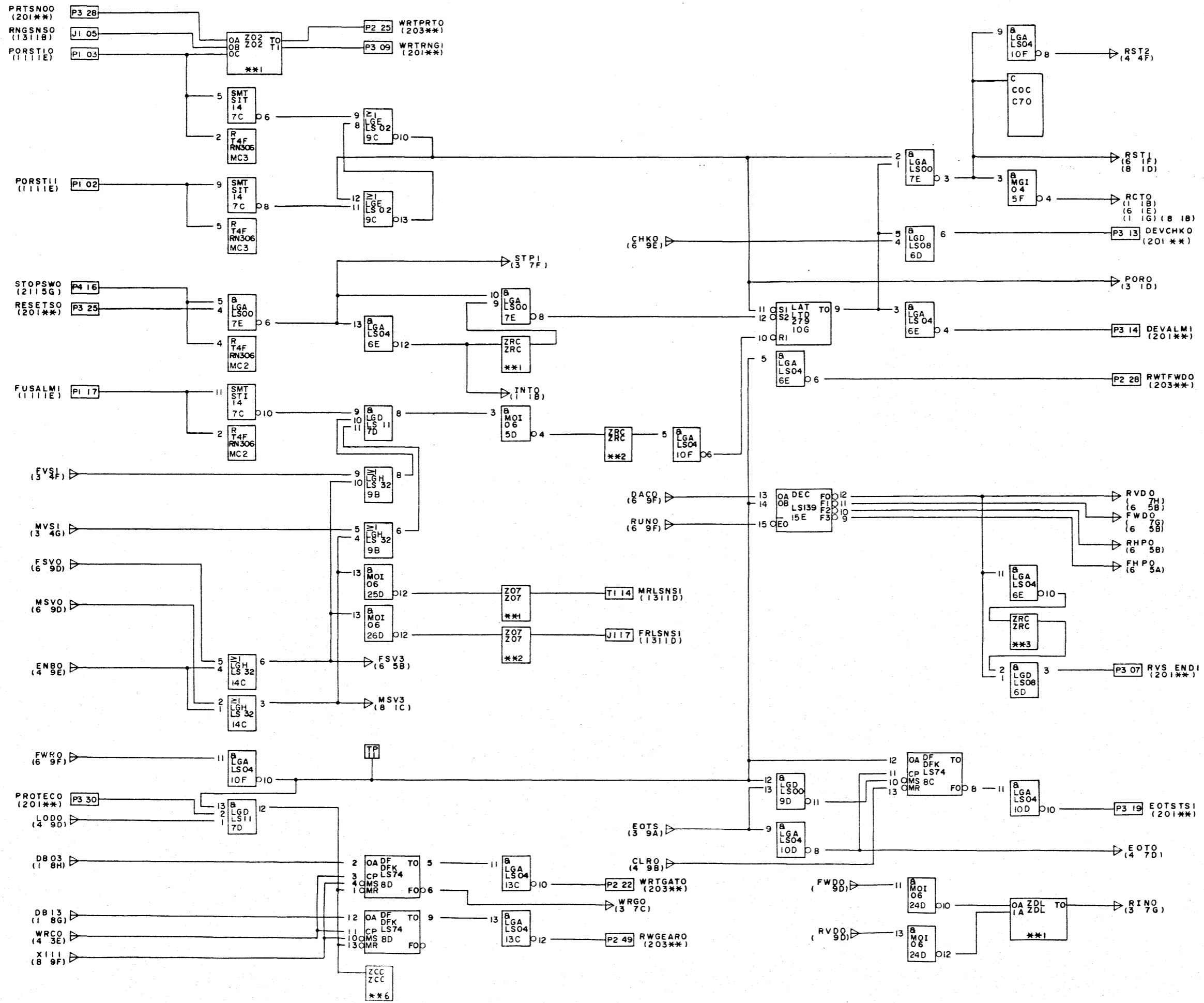


REV	COMP	DESCRIPTION(ISC)	APP
1	0	1979.7.16	
2	0	1981.9 SC-413321	A
3	0	1982.7	
4	0	83. 1. 11	B

DWG ABBR	CRL			
PKG LOCATION	CHH			
PKG NAME	G9KJX			
026				
NEXT SPEC				
DRAFT	ENG	CHK	APP	ISSUE
	梅			
	垣			
CONTROL CIRCUIT DIAGRAMS				
134-190228-003-0				
NEC				SHT 6/13

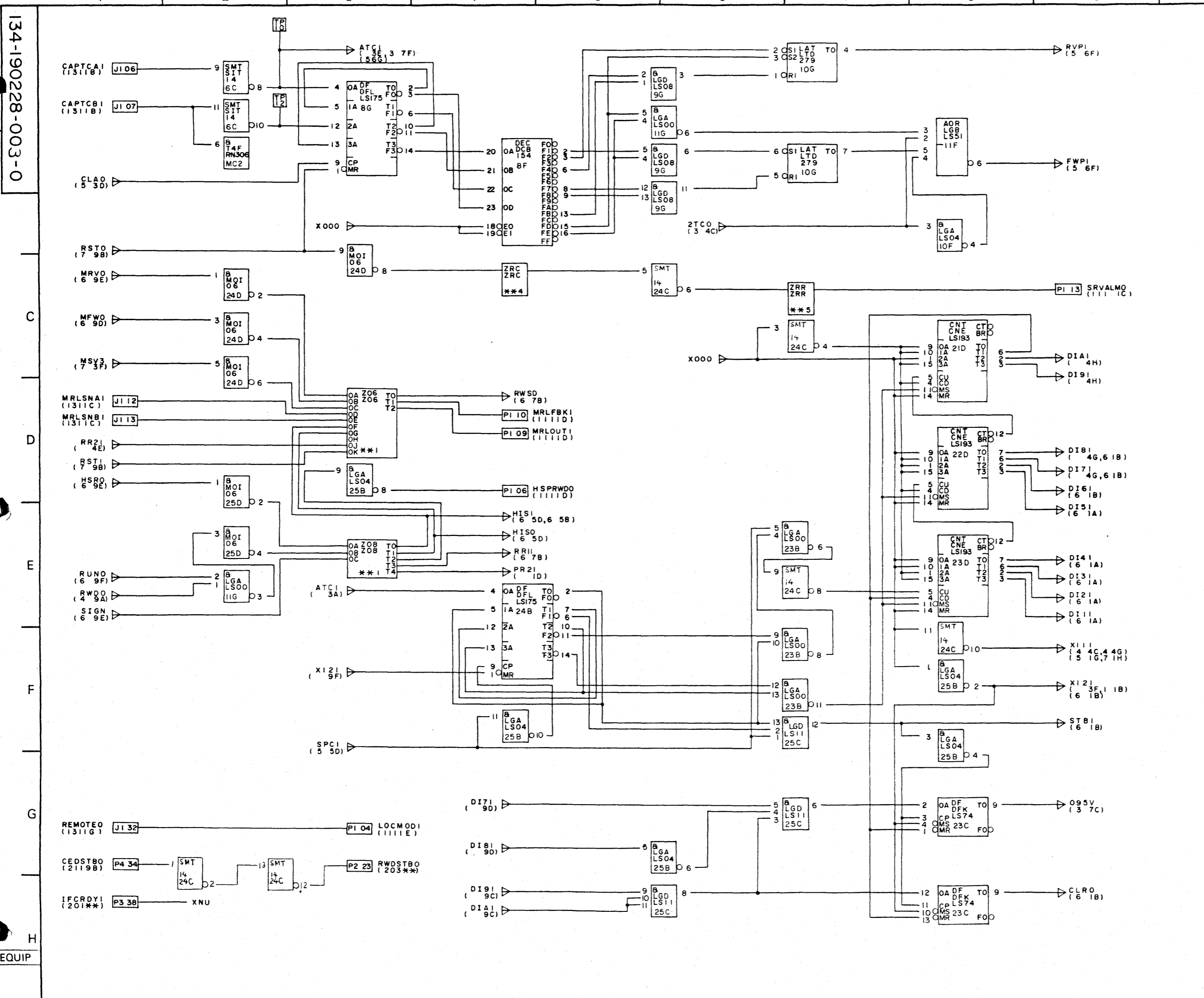
134-190228-003-0



REV	COMP	DESCRIPTION (SC)	APP
1	0	1979.7.16	
2	0	1981.9 SC-413321	A
3	0	1982.7	
4	0	83.1.11	B

DWG ABBR	CRL			
PKG LOCATION	CHH			
PKG NAME	G9KJX			
027				
NEXT SPEC				
DRAFT	ENG	CHK	APP	ISSUE
CONTROL CIRCUIT DIAGRAMS				
134-190228-003-0				
NEC				SHT 7/13



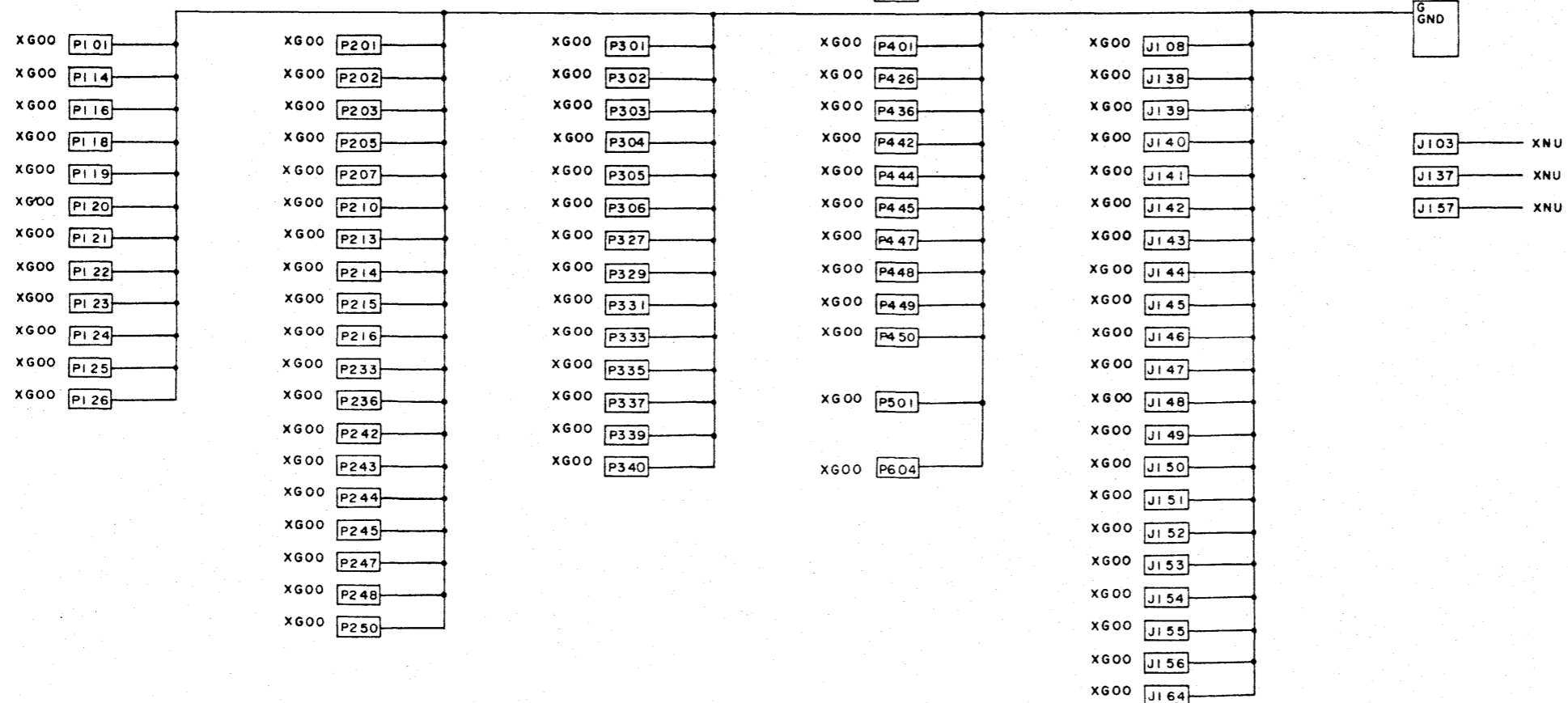
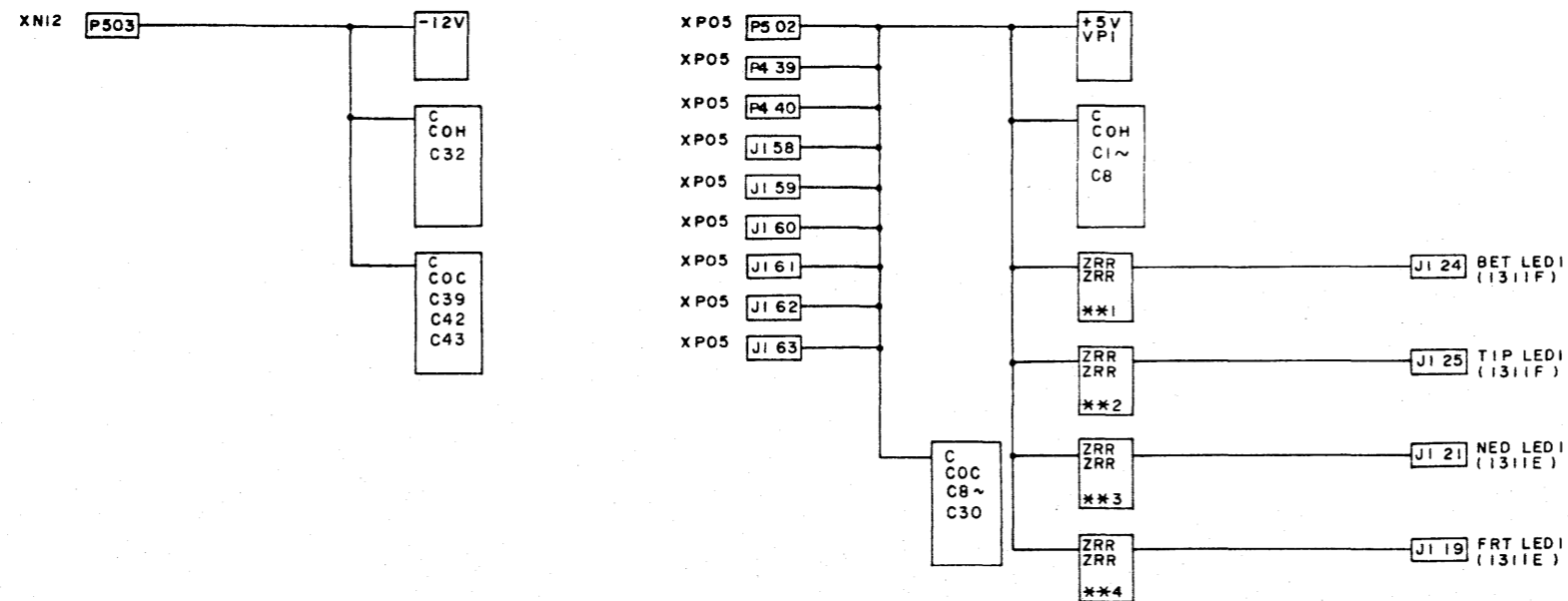
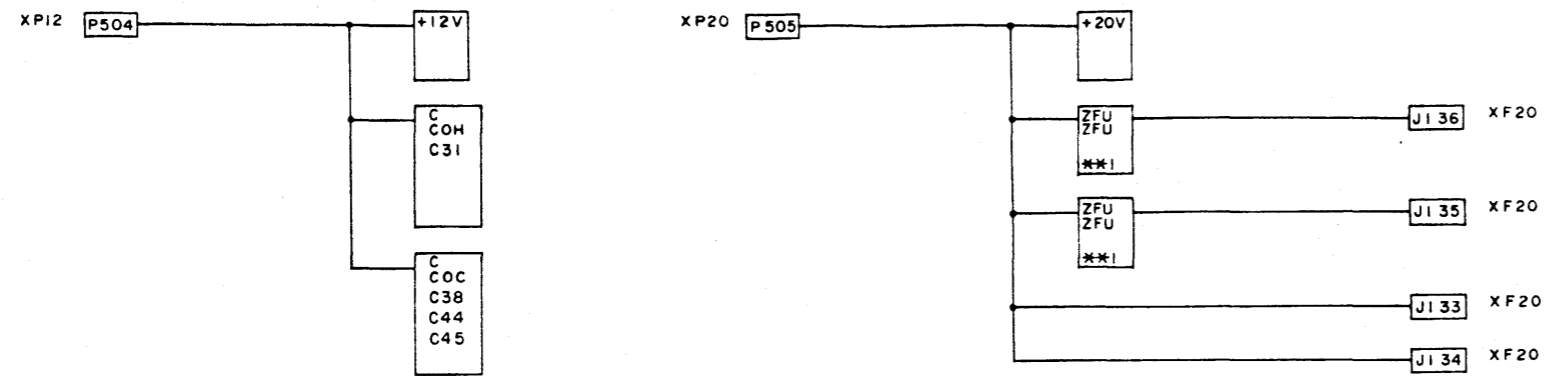
134-190228-003-0

REV	COMP	DESCRIPTION (SC)	APP
1	0	1979.7.16	
2	0	1981.9 SC-413321	A
3	0	1982.7	
4	0	'83.1.11	

DWG ABBR	CRL			
PKG LOCATION	CHH			
PKG NAME	G9KJX			
028				
NEXT SPEC				
DRAFT	ENG	CHK	APP	ISSUE
CONTROL CIRCUIT DIAGRAMS				
134-190228-003-0				
NEC				SHT 8/13

134-190228-003-0



REV	COMP	DESCRIPTION (SC)	APP
1	0	1979.7.16	
2	0	1981.9 SC-413321	A
3	0	1982.7	
4	0	83.1.11	

DWG ABBR CRL  
 PKG LOCATION CHH  
 PKG NAME G9KJX

029

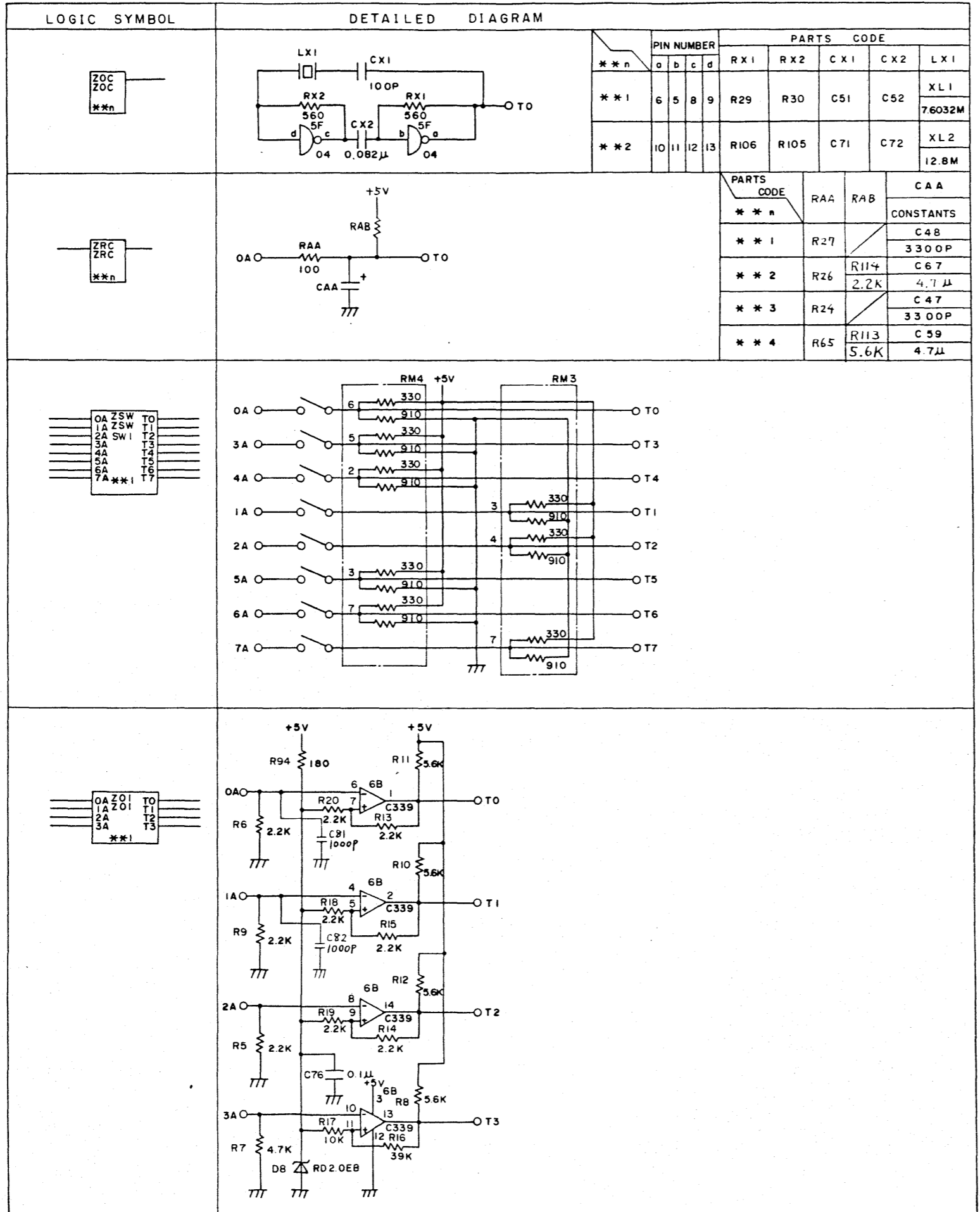
NEXT SPEC				
DRAFT	ENG	CHK	APP	ISSUE

CONTROL  
CIRCUIT DIAGRAMS

134-190228-003-0

NEC SHT 9/13

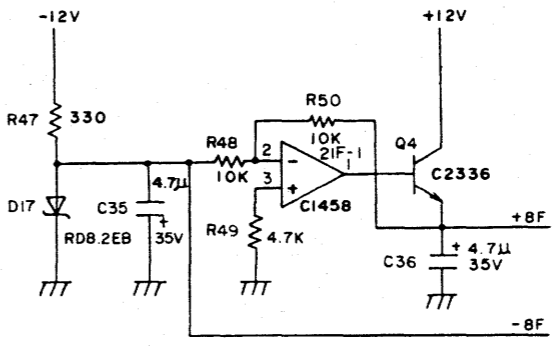
134-190228-003-0



PIN NUMBER	PARTS CODE			
	o	b	c	d
**n				
**1	6	5	8	9
**2	10	11	12	13

PARTS CODE	RAA	RAB	CAA
**n			CONSTANTS
**1	R27		C48
**2	R26	R114	C67
**3	R24	2.2K	C47
**4	R65	R113	C59
		5.6K	4.7μ



REV	COMP	DESCRIPTION (SC)	APP
1	0	1979.7.16	
2	0	1981.9 SC-413321	A
3	0	1982.7	
4	0	83.1.11	

DWG ABBR	CRL
PKG LOCATION	CHH
PKG NAME	G9KJX

030

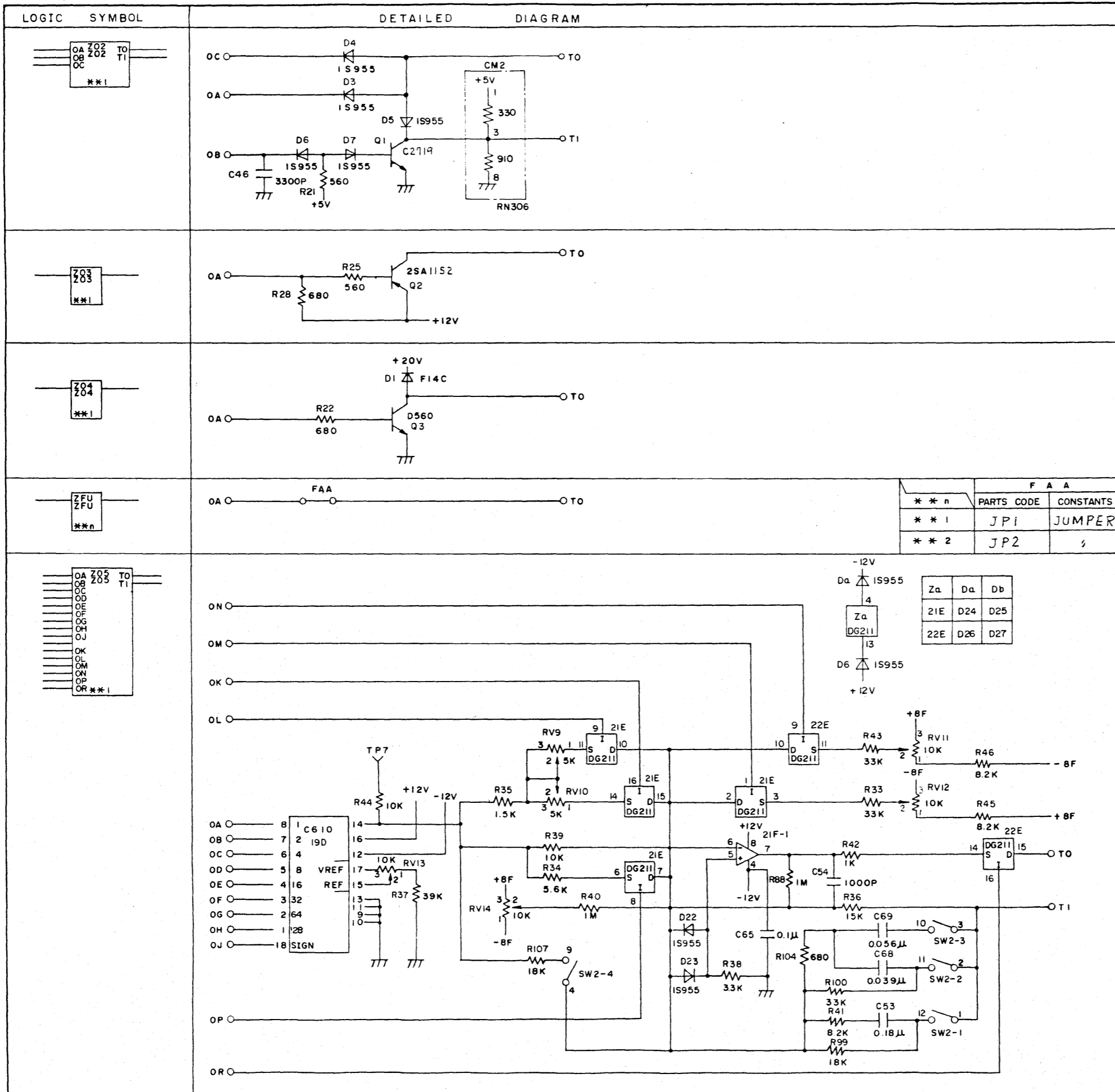
NEXT SPEC	
DRAFT	ENG
CHK	APP
ISSUE	

CONTROL  
CIRCUIT DIAGRAMS

134-190228-003-0

NEC SHT 10/13

134-190228-003-0



REV	COMP	DESCRIPTION(SC)	APP
1	0	1979.7.16	
2	0	1981.9	
3	0	SC-413321	
4	0	1982.7	

REV	COMP	DESCRIPTION(SC)	APP
1	0	1979.7.16	
2	0	1981.9	
3	0	SC-413321	
4	0	1982.7	
5	0	83.1.11	

F A A		
** n	PARTS CODE	CONSTANTS
** 1	J P 1	JUMPER
** 2	J P 2	1

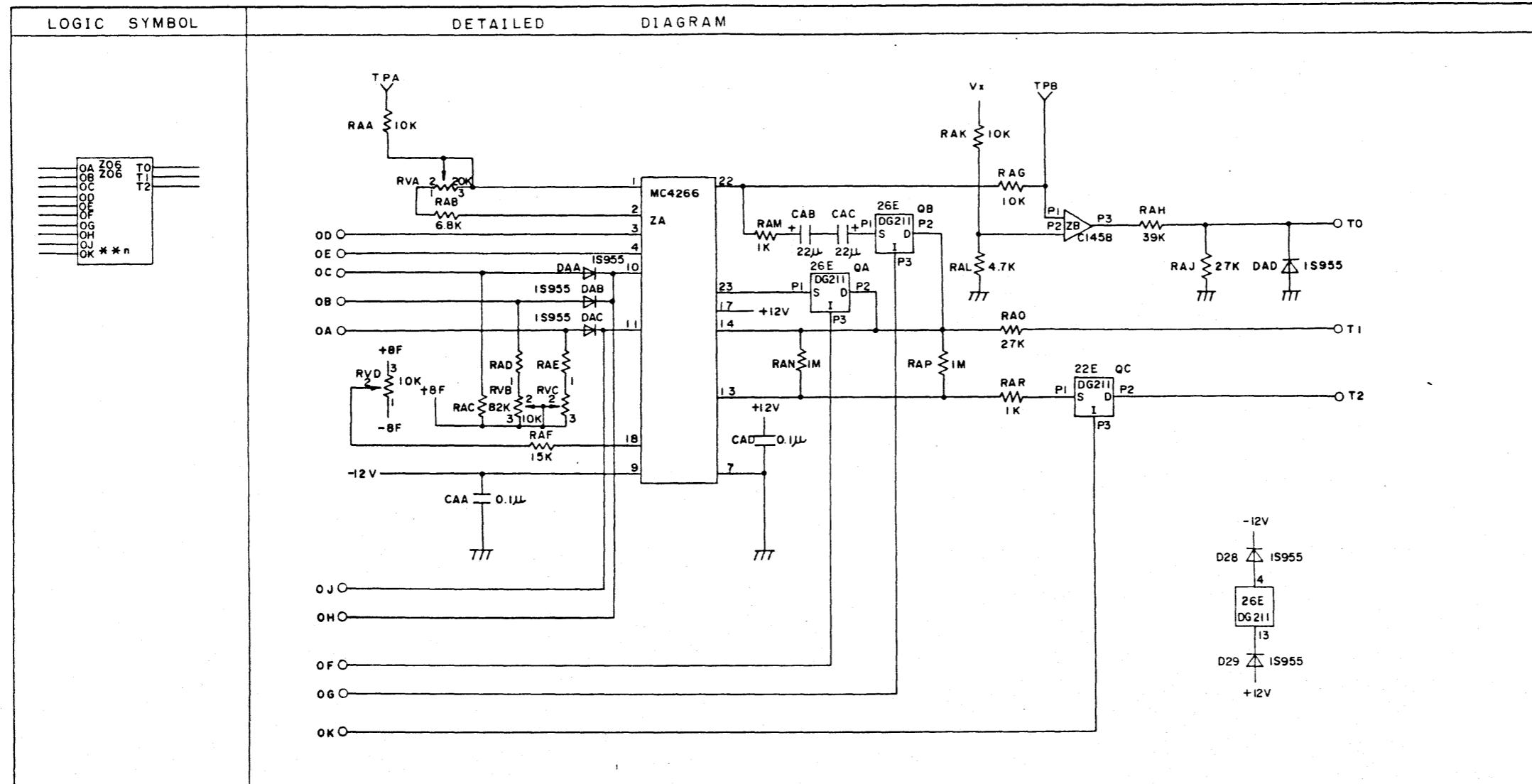
DWG ABBR	CRL			
PKG LOCATION	CHH			
PKG NAME	C9KJX			
031				
NEXT SPEC				
DRAFT	ENG	CHK	APP	ISSUE
	梅			
	垣			

CONTROL  
CIRCUIT DIAGRAMS

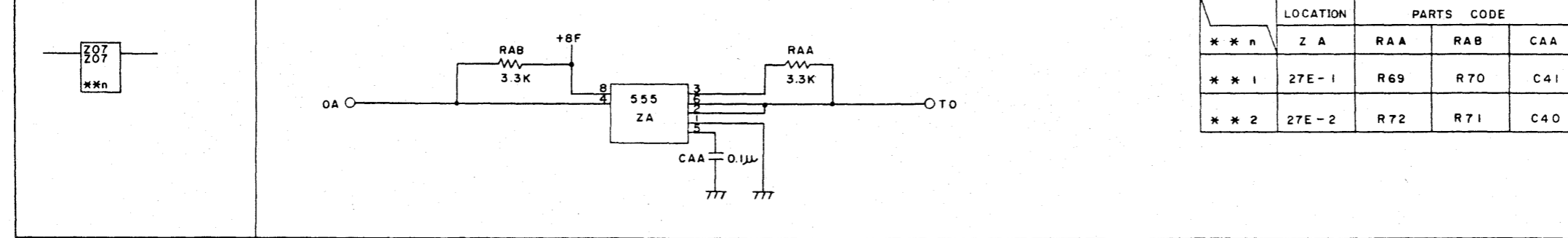
134-190228-003-0

NEC SHT 11/13

134-190228-003-0



		PARTS CODE																				P1 P2 P3			P1 P2 P3			LOCATION			P1 P2 P3													
**n	RAA	RAB	RAC	RAD	RAE	RAF	RAG	RAH	RAJ	RAK	RAL	RAM	RAN	RAP	RAQ	RAR	RAS	RAV	RVB	RVC	RVD	DAA	DAB	DAC	DAD	CAA	CAB	CAC	CAD	Vx	TPA	TPB	QA	QB	QC	ZA	ZB							
**1	R84	R87	R53	R52	R51	R82	R59	R60	R63	R76	R78	R58	R89	R90	R57	R56	RV1	RV3	RV4	RV2	D11	D12	D13	D10	C62	C55	C56	C63	-12	TP1	TP5	11	10	9	14	15	16	3	2	1	25F	5	6	7
**2	R54	R86	R81	R79	R80	R55	R64	R61	R62	R75	R77	R73	R91	R92	R83	R85	RV5	RV7	RV6	D16	D15	D14	D9	C61	C57	C58	C64	+12	TP6	TP4	3	2	1	6	7	8	6	7	8	27F	2	3	1	



LOCATION	PARTS CODE			
**n	Z A	RAA	RAB	CAA
**1	27E-1	R69	R70	C41
**2	27E-2	R72	R71	C40

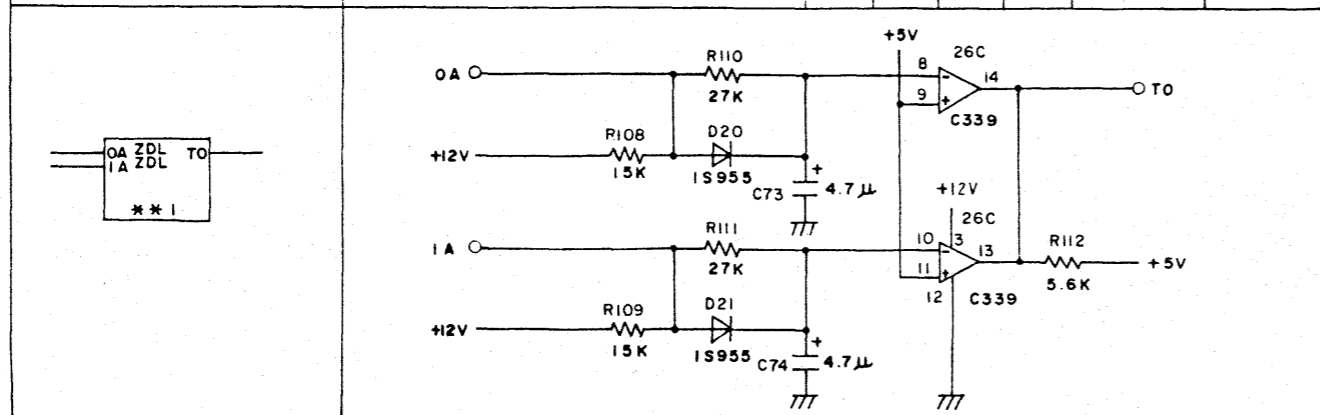
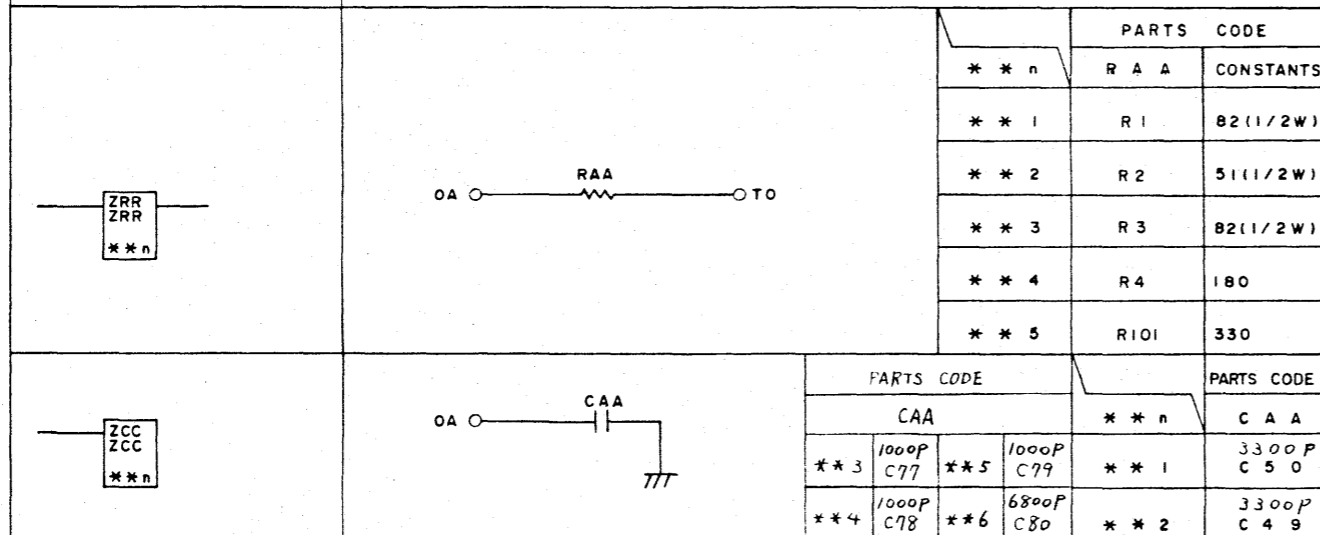
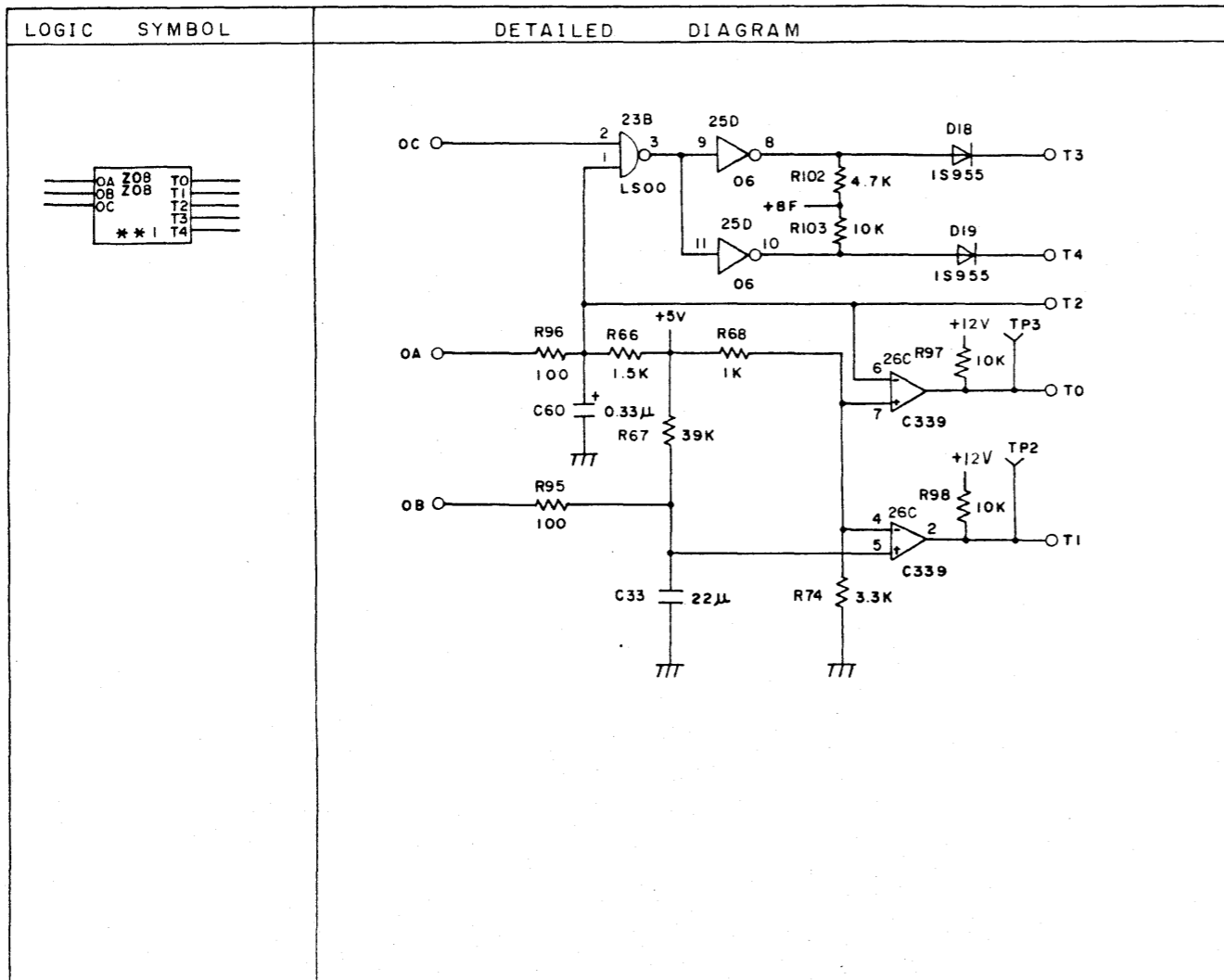
REV	COMP	DESCRIPTION(SC)	APP
1	0	1979.7.16	
2	0	1981.9	A
3	0	SC-413321	
4	0	1982.7	
5	0	83.1.11	B

DWG ABBR	CRL			
PKG LOCATION	CHH			
PKG NAME	G9KJX			
032				
NEXT SPEC				
DRAFT	ENG	CHK	APP	ISSUE
	梅			
CONTROL CIRCUIT DIAGRAMS				
134-190228-003-0				
NEC				SHT 12/13



134-190228-003-0



REV	COMP	DESCRIPTION (SC)	APP
1	0	1979 7.16	
2	0	1981.9	A
		SC-413321	
3	0	1982.7	
4	0	83.1.11	B

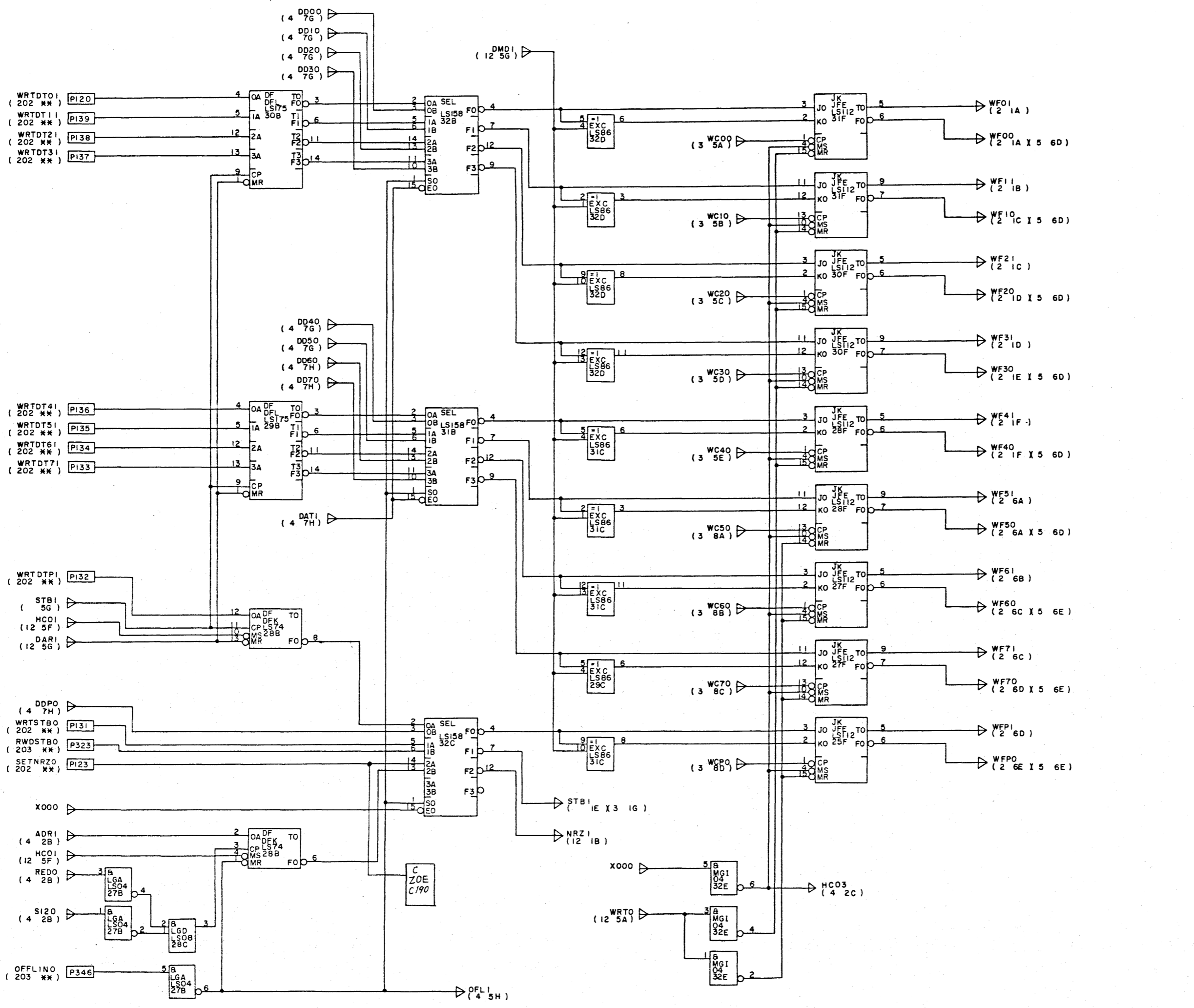
DWG ABBR	CRL			
PKG LOCATION	CHH			
PKG NAME	G9KJX			
033				
NEXT SPEC				
DRAFT	ENG	CHK	APP	ISSUE

CONTROL  
CIRCUIT DIAGRAMS

134-190228-003-0

NEC SHT 13/13

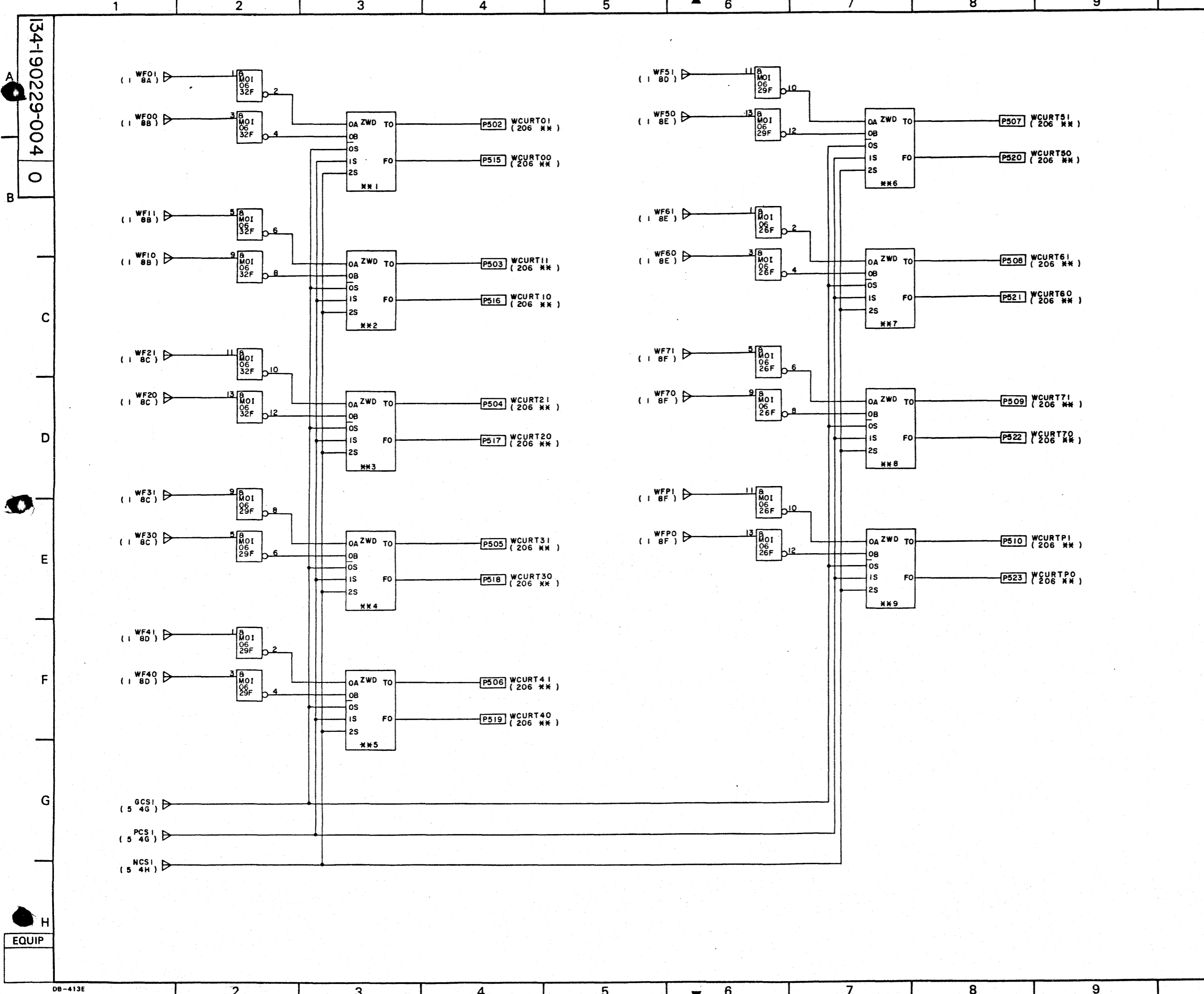
134-190229-004 0



REV	COMP	DESCRIPTION (SC)	APP
1	0	1981.8	
2	0	1982.1	
3	0	1982.1	
4	0	1982.1	
5	0	1982.1	

DWG ABBR	RWB - GPN			
PKG LOCATION	CHH			
PKG NAME	G9QDN, P, Q			
041				
NEXT SPEC				
DRAFT	ENG	CHK	APP	ISSUE
<b>READ/WRITE CIRCUIT DIAGRAMS (GCR / PE / NRZI)</b>				
134-190229-004 0				
<b>NEC</b>				SHT 1/18



134-190229-004  
0

EQUIP

REV	COMP	DESCRIPTION (SC)	APP
1	0	1981.8	
2	0	1982.1	
3	0	1982.11	
4	0	1982.11	
5	0	1982.11	

DWG ABBR	RWB - GPN
PKG LOCATION	CHH
PKG NAME	G9QDN, P, Q

042

NEXT SPEC				
DRAFT	ENG	CHK	APP	ISSUE
	棚		今	
	橋		村	

READ/WRITE  
CIRCUIT DIAGRAMS  
(GCR / PE / NRZI)

134-190229-004 0

NEC SH 2/18

134-190229-004

0

C

D

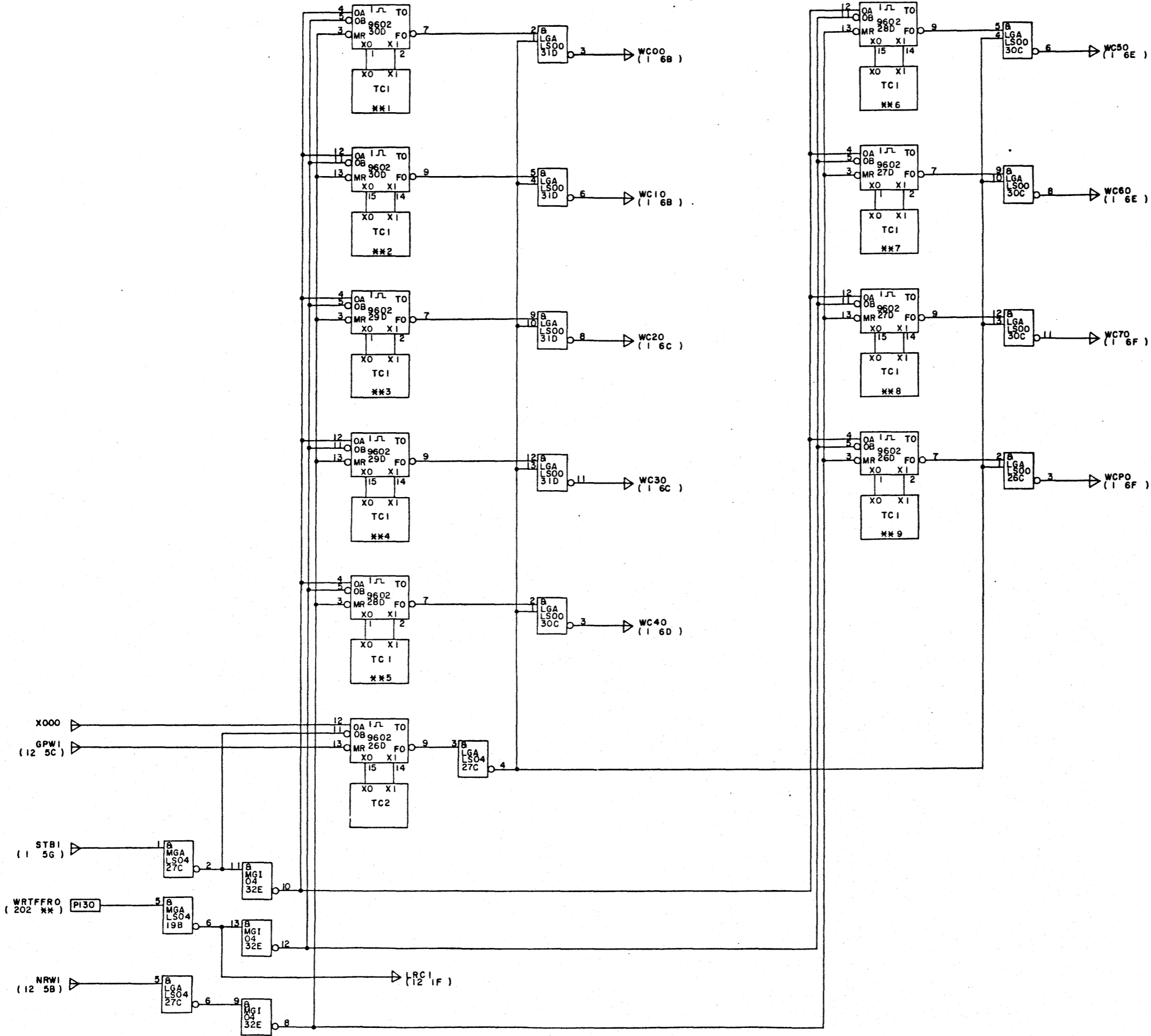
E

F

G

H

EQUIP



REV	COMP	DESCRIPTION (SC)	APP
1	0	1981.8	
2	0	1981.8	
3	0	1981.8	
4	0	1981.8	
5	0	1981.8	

DWG ABBR	RWB - GPN
PKG LOCATION	CHH
PKG NAME	G9QDN, P, Q

043

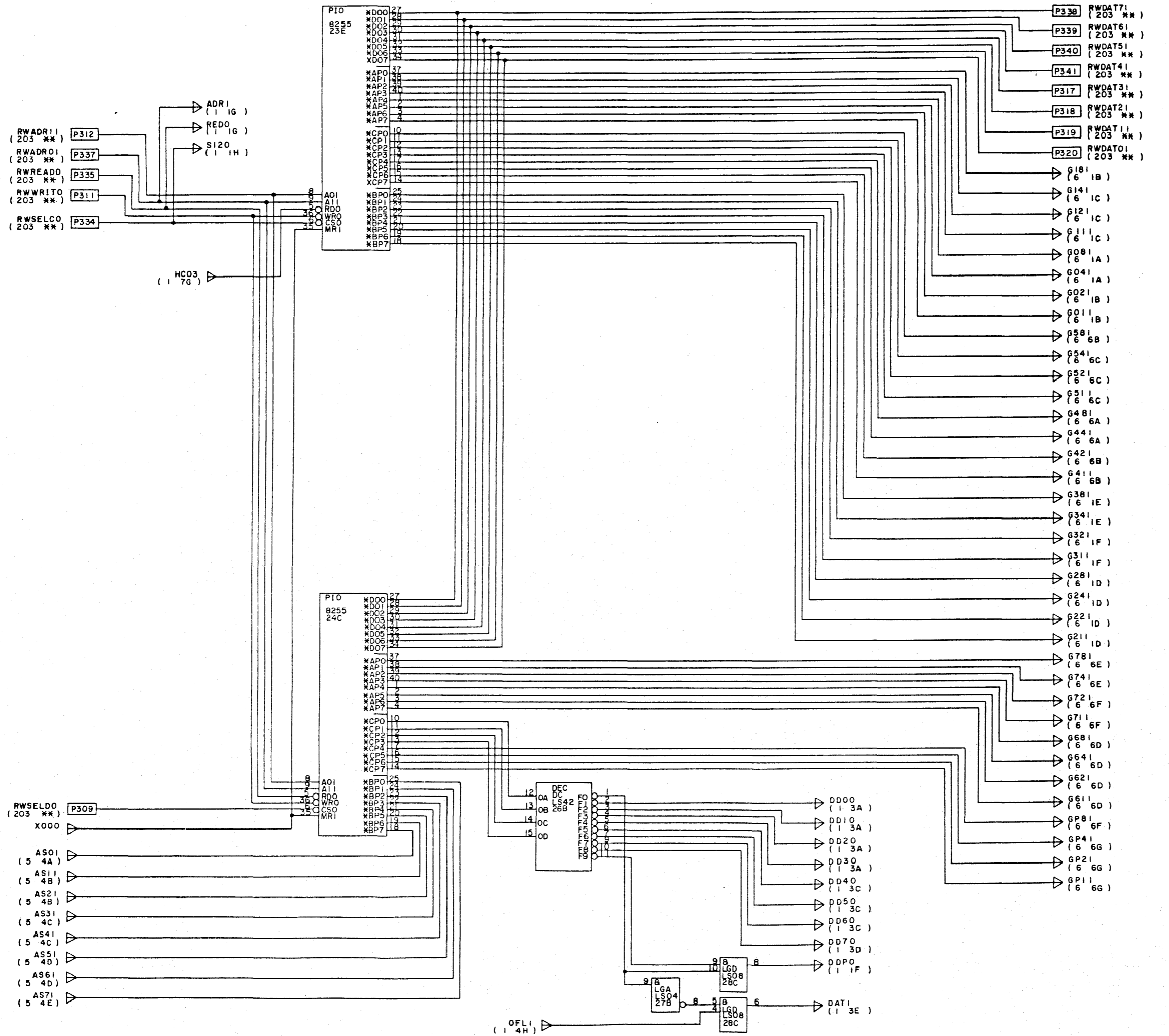
NEXT SPEC				
DRAFT	ENG	CHK	APP	ISSUE
	棚橋		今村	

READ/WRITE  
CIRCUIT DIAGRAMS  
(GCR/PE/NRZI)

134-190229-004 0

NEC SHT 3/18

134-190229-004  
0

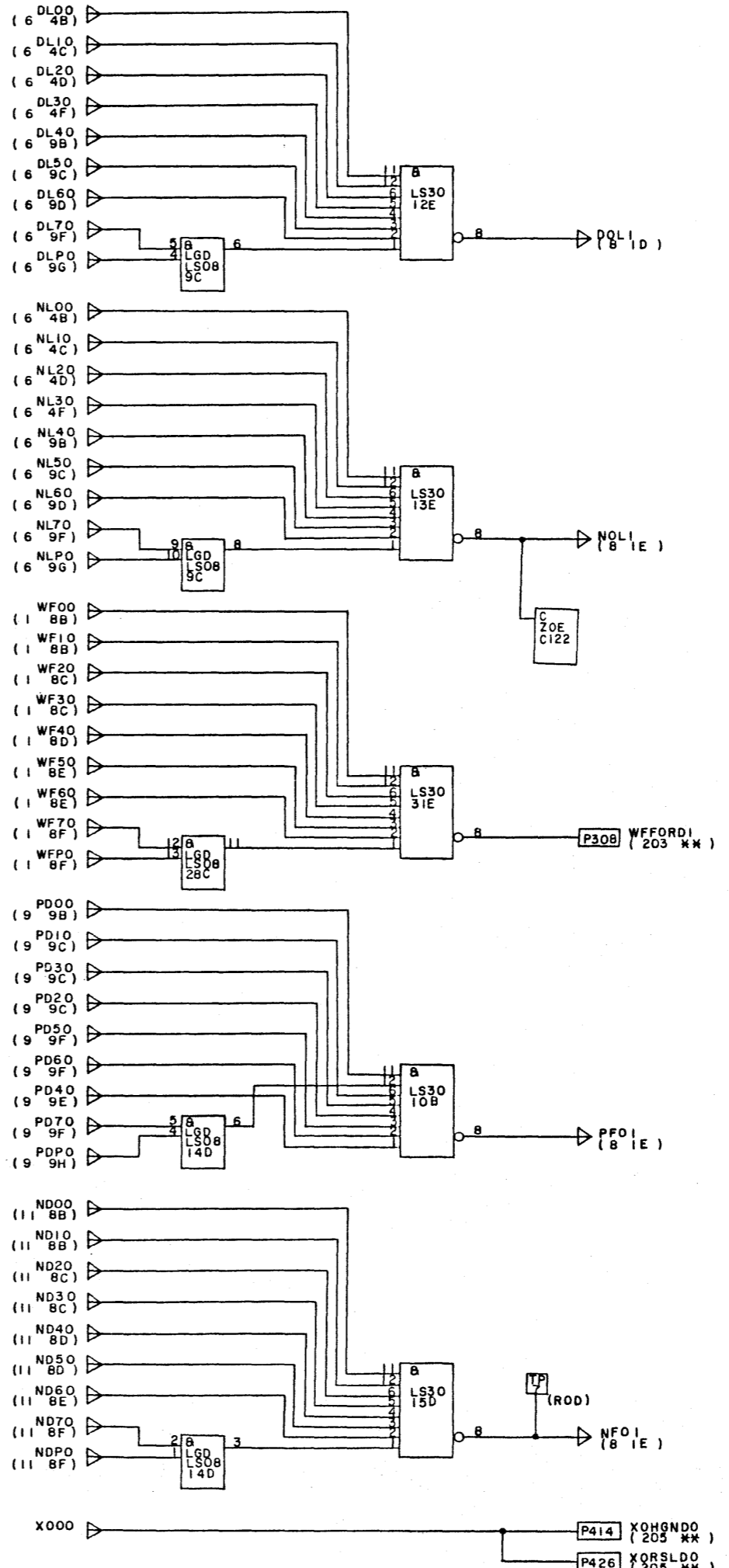
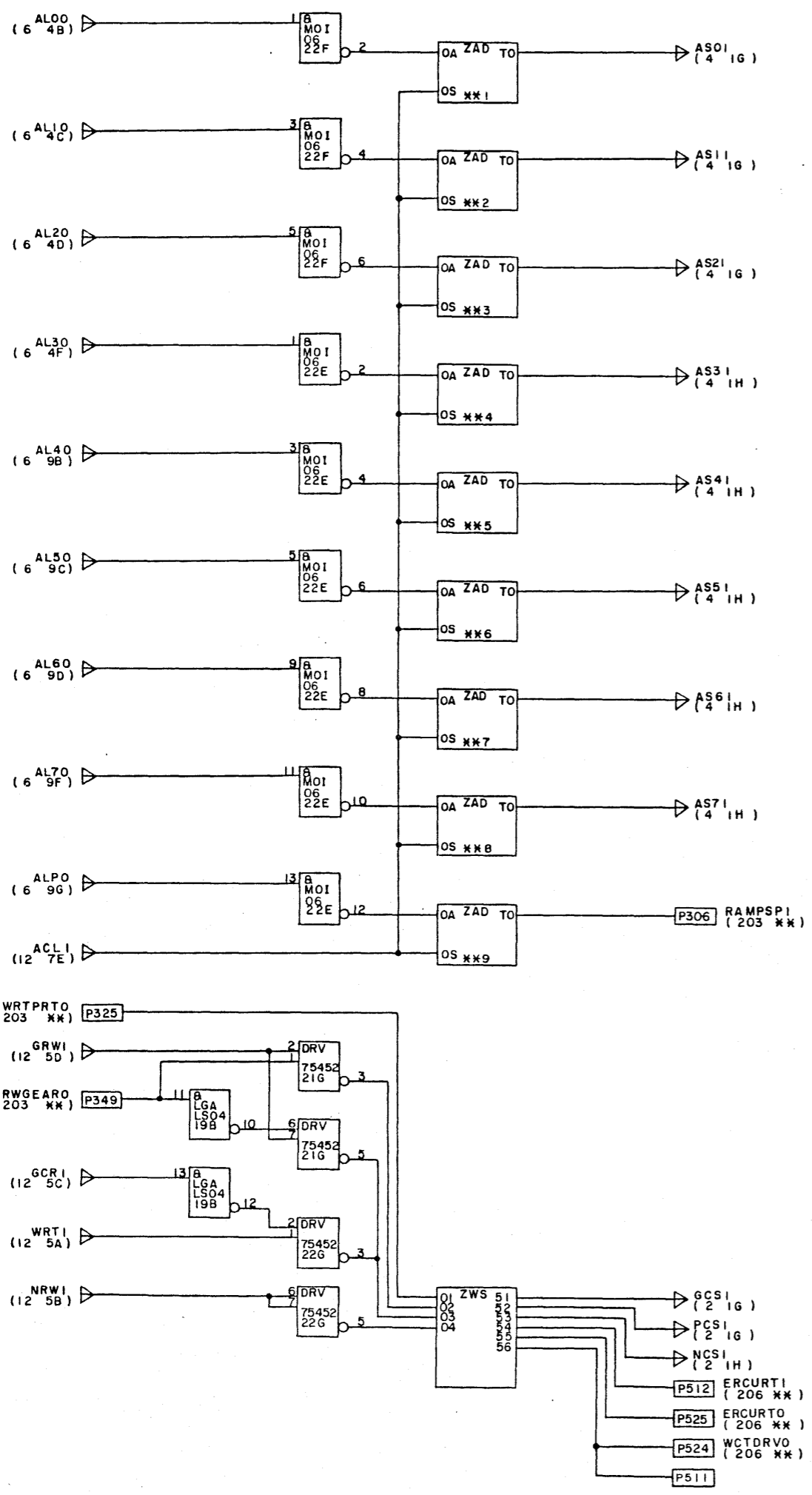


REV	COMP	DESCRIPTION(SC)	APP
1	0	1981.8	

DWG ABBR	RWB - GPN			
PKG LOCATION	CHH			
PKG NAME	G9QDN, P, Q			
044				
NEXT SPEC				
DRAFT	ENG	CHK	APP	ISSUE
	標		今	
	備		村	

<b>READ/WRITE CIRCUIT DIAGRAMS (GCR / PE / NRZI)</b>	
134-190229-004 0	
<b>NEC</b>	SHT 4/18

134-190229-004  
O

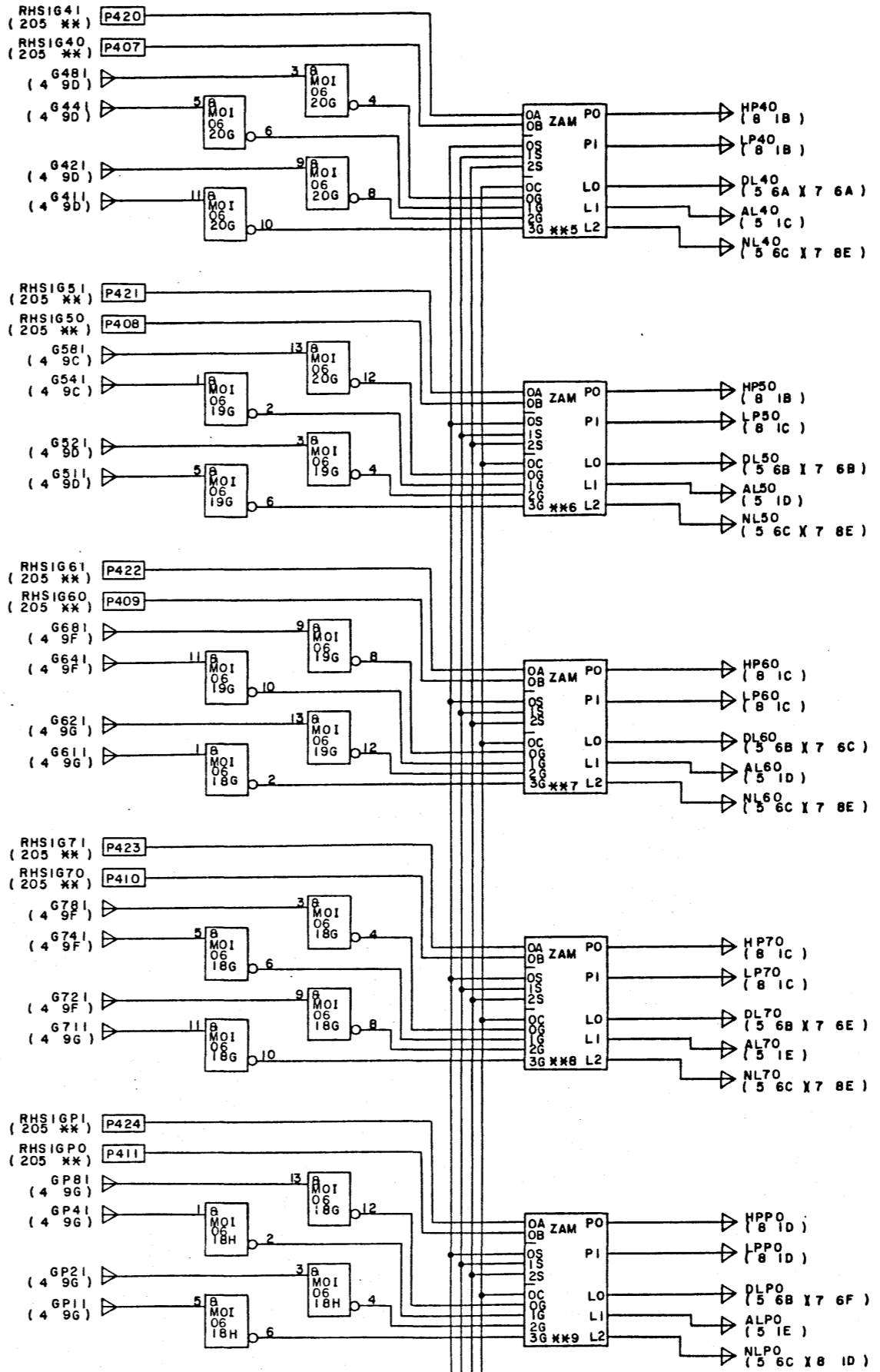
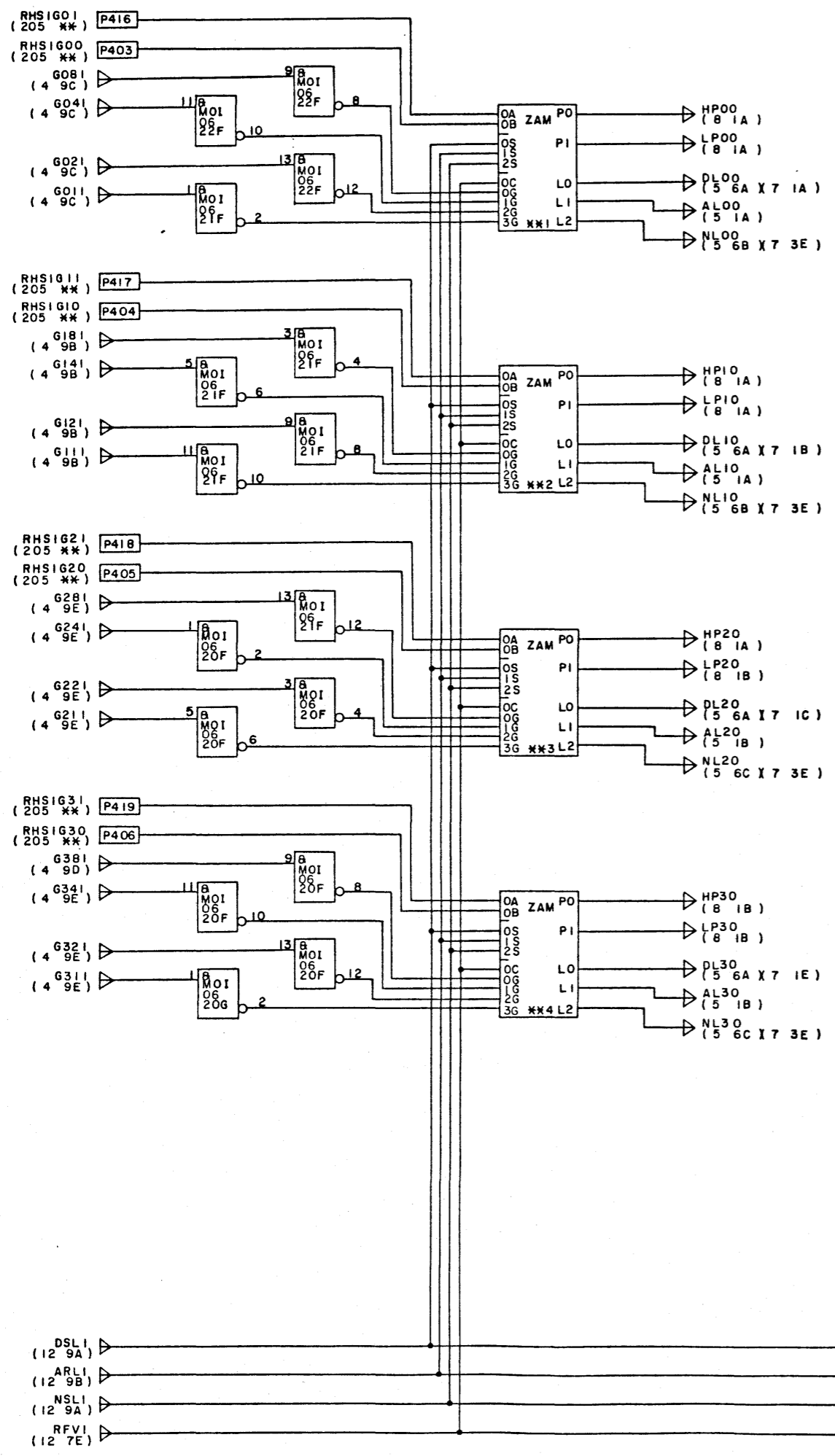


REV	COMP	DESCRIPTION(SC)	APP
1	O	1981.8	
2	C	1982.6	
3	A	1982.10	
4	C	1982.11	
5	C	1982.12	

DWG ABBR	RWB - GPN			
PKG LOCATION	CHH			
PKG NAME	G9QDN, P, Q			
045				
NEXT SPEC				
DRAFT	ENG	CHK	APP	ISSUE
	棚		今	
	橋		村	
READ/WRITE CIRCUIT DIAGRAMS (GCR/PE/NRZI)				
134-190229-004				O
NEC				SHT 5/18

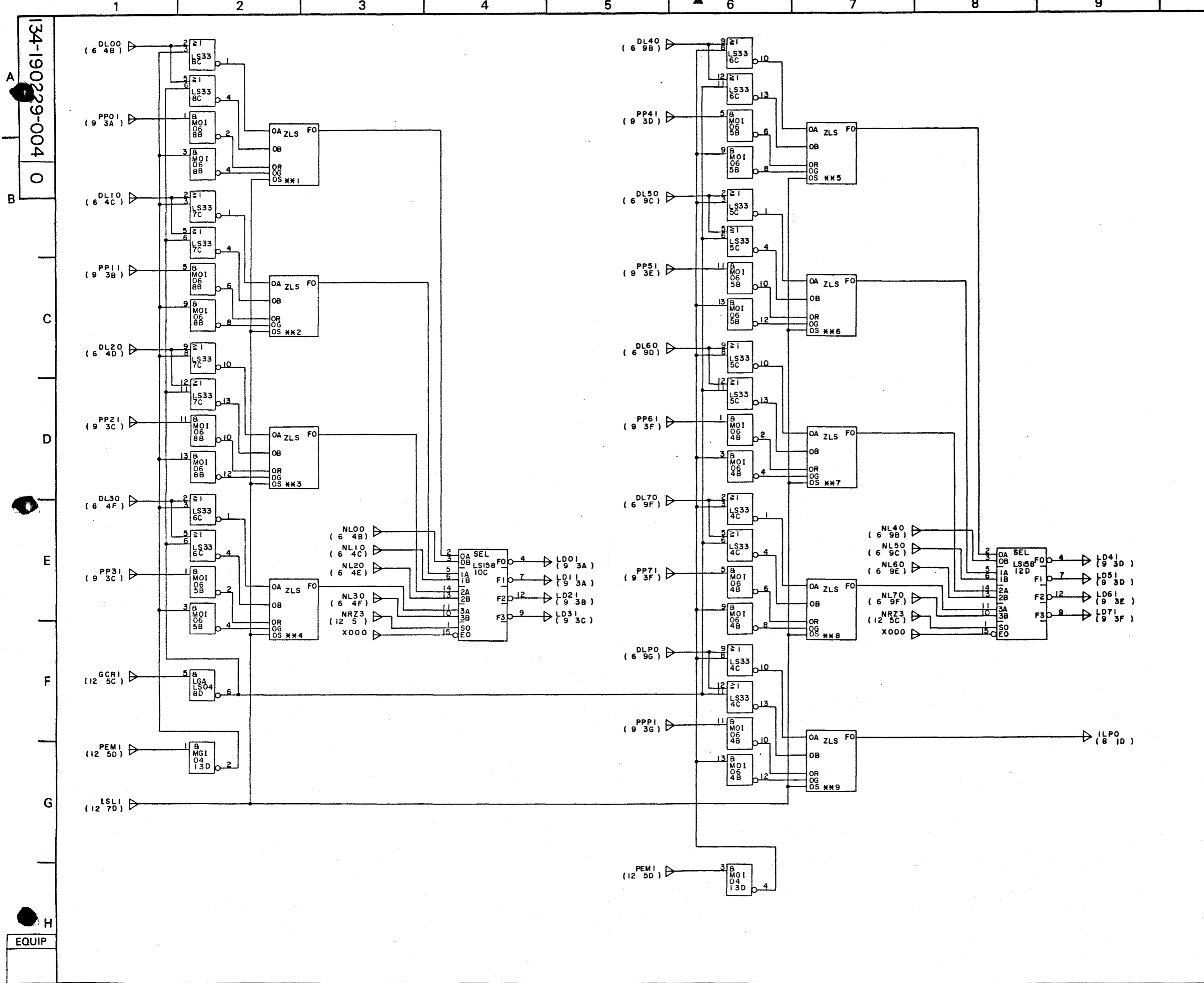
134-190229-004  
0



REV	COMP	DESCRIPTION(SC)	APP
1	0	1981.8	
2	0	1981.10	
3	0	1981.11	
4	0	1981.11	
5	0	1981.12	

DWG ABBR	RWB - GPN			
PKG LOCATION	CHH			
PKG NAME	G9QDN, P, Q			
046				
NEXT SPEC				
DRAFT	ENG	CHK	APP	ISSUE
<b>READ/WRITE CIRCUIT DIAGRAMS (GCR / PE / NRZ1)</b>				
134-190229-004				0
NEC				SHT 6/18



REV	COMP	DESCRIPTION(SC)	APP
1	0	1981.8	
2	0	1981.10	
3	0	1982.10	
4	0	1982.11	
5	0	1982.12	

DWG ABBR	RWB - GPN
PKG LOCATION	CHH
PKG NAME	G9QDN , P, Q
047	

NEXT SPEC				
DRAFT	ENG	CHK	APP	ISSUE
	棚		今	
	橋		村	

READ/WRITE  
CIRCUIT DIAGRAMS  
(GCR / PE / NRZI)

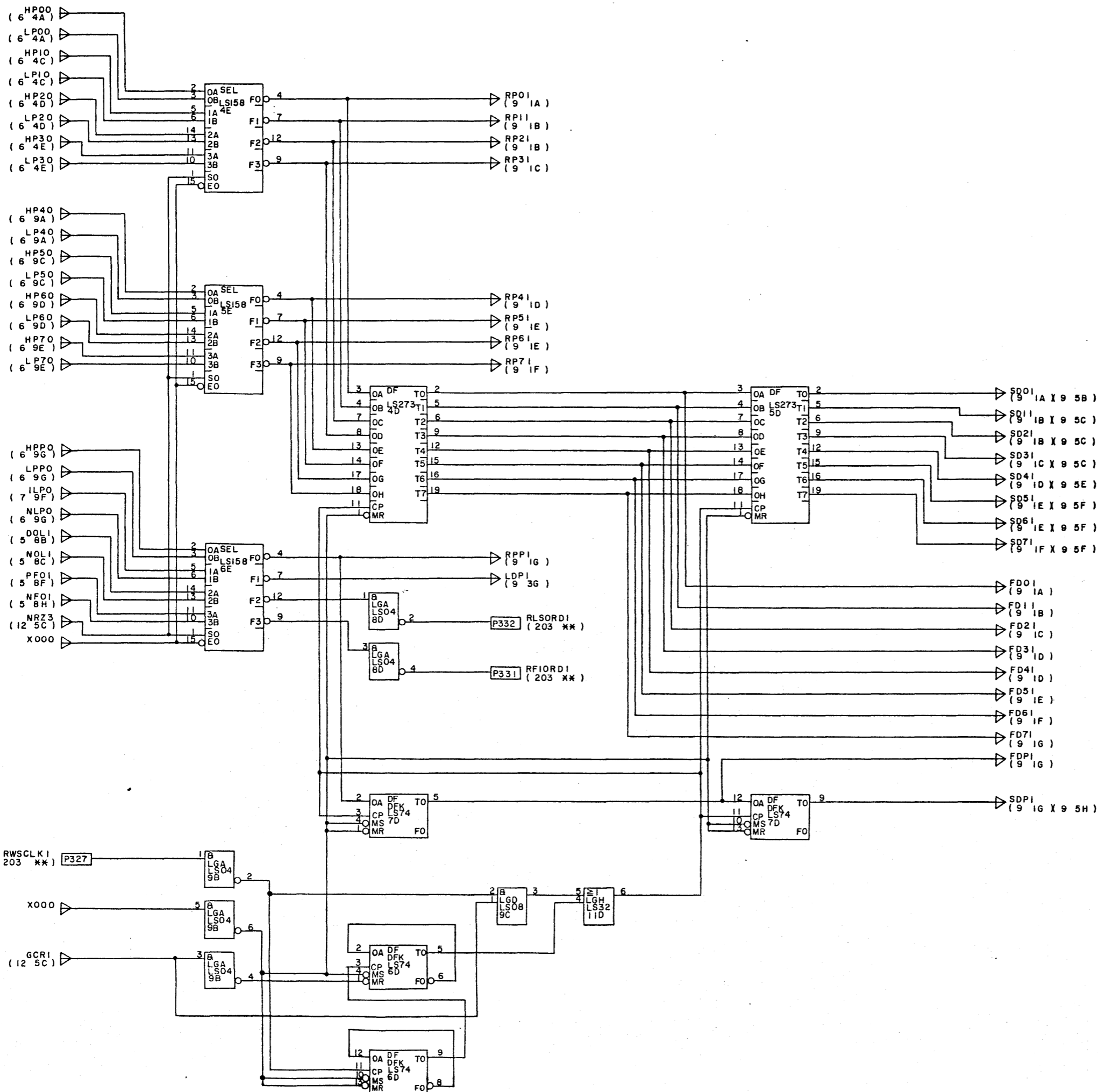
134-190229-004		0
NEC		SHT 7/18

134-190229-004 0

EQUIP



134-190229-004 0



REV	COMP	DESCRIPTION (SC)	APP
1	0	1981.8	
2	0	1982.6	
3	0	1982.11	
4	0	1982.11	
5	0	1982.12	

DWG ABBR	RWB - GPN
PKG LOCATION	CHH
PKG NAME	G9QDN, P, Q

048

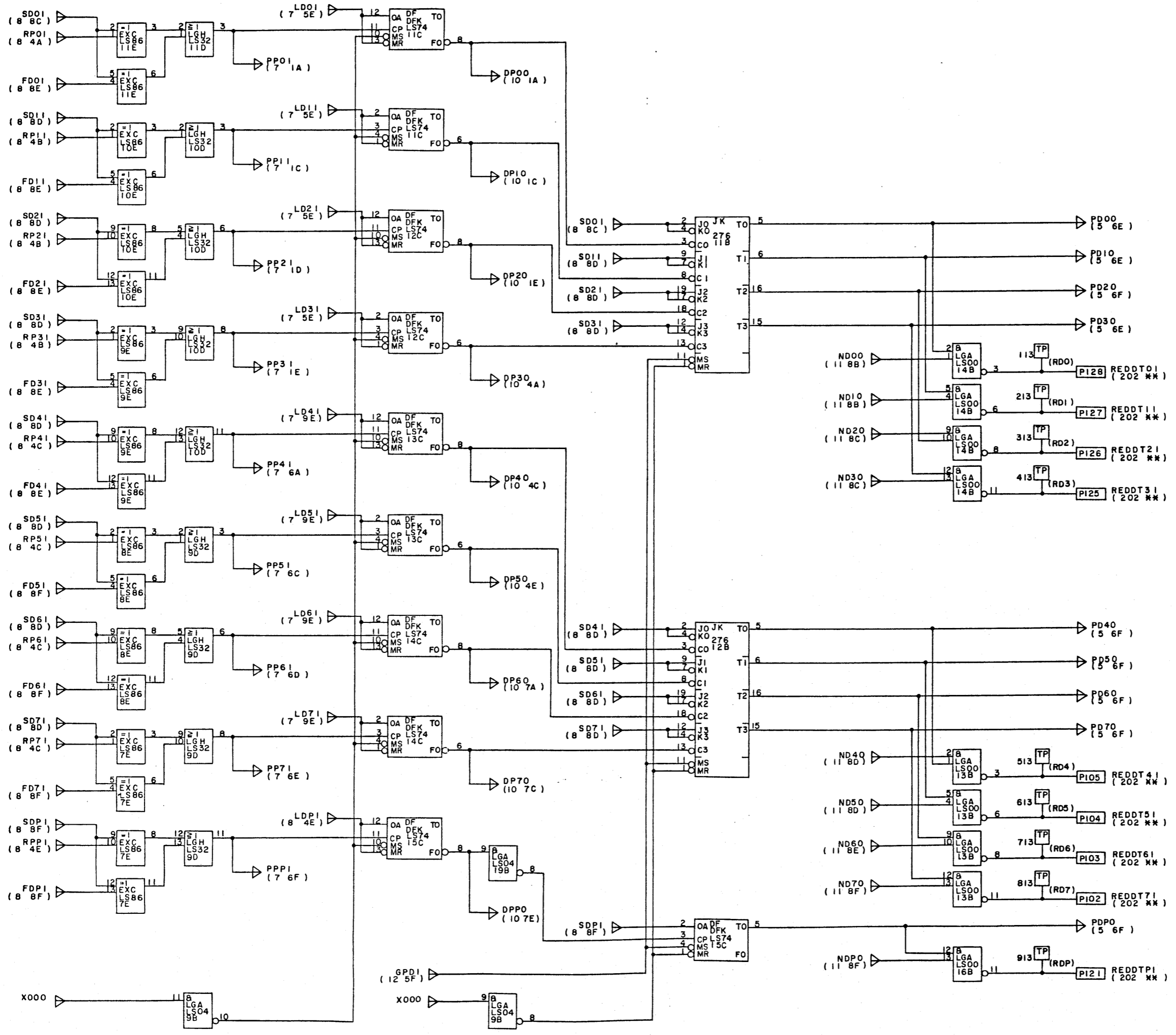
NEXT SPEC				
DRAFT	ENG	CHK	APP	ISSUE
	棚		今	
	橋		村	

READ/WRITE  
CIRCUIT DIAGRAMS  
(GCR/PE/NRZI)

134-190229-004 0

NEC SHT 8/18

134-190229-004  
0



REV	COMP	DESCRIPTION (SC)	APP
1	0	1981.8	
2	0	1982.10	
3	0	1982.11	
4	0	1982.12	

DWG ABBR	RWB - GPN
PKG LOCATION	CHH
PKG NAME	G9QDN, P, Q

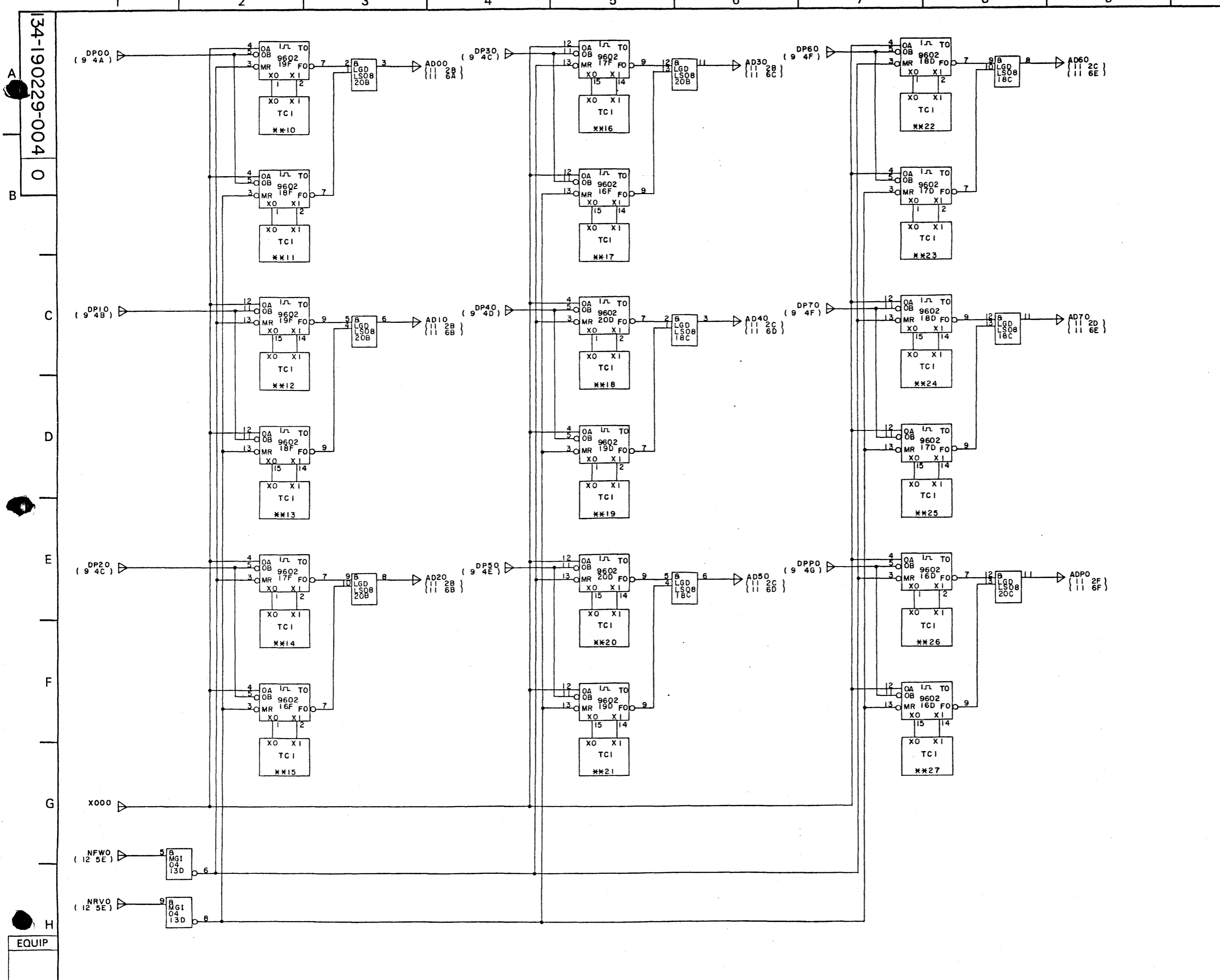
049

NEXT SPEC				
DRAFT	ENG	CHK	APP	ISSUE

READ/WRITE  
CIRCUIT DIAGRAMS  
(GCR / PE / NRZI)

134-190229-004 0

NEC SHT 9/18

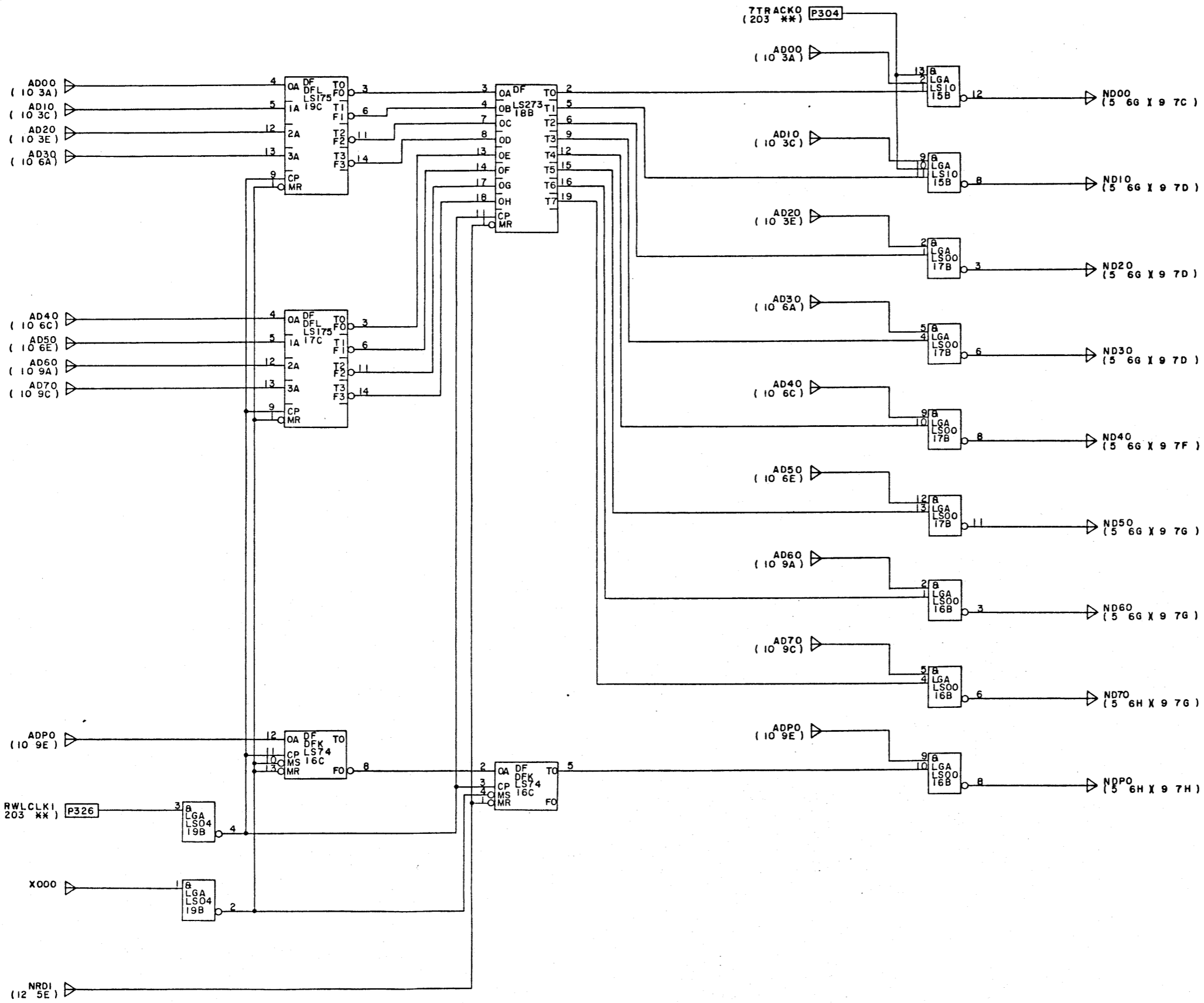


REV	COMP	DESCRIPTION (SC)	APP
1	0	1981.8	
2	0	1982.11	A
3	0	1982.11	B
4	0	1982.11	C
5	0	1982.11	D
6	0	1982.11	E
7	0	1982.11	F
8	0	1982.11	G
9	0	1982.11	H

DWG ABBR	RWB - GPN			
PKG LOCATION	CHH			
PKG NAME	G9QDN, P, Q			
050				
NEXT SPEC				
DRAFT	ENG	CHK	APP	ISSUE
	樹		牛	
	樹		村	

READ / WRITE CIRCUIT DIAGRAMS (GCR / PE / NRZI)	
134-190229-004	0
NEC	SHT 10/18

134-190229-004 0



REV	COMP	DESCRIPTION (SC)	APP
1	0	1981.8	
2	0	1982.10	
3	0	1982.11	
4	0	1982.11	
5	0	1982.11	

DWG ABBR	RWB - GPN
PKG LOCATION	CHH
PKG NAME	G9QDN, P, Q

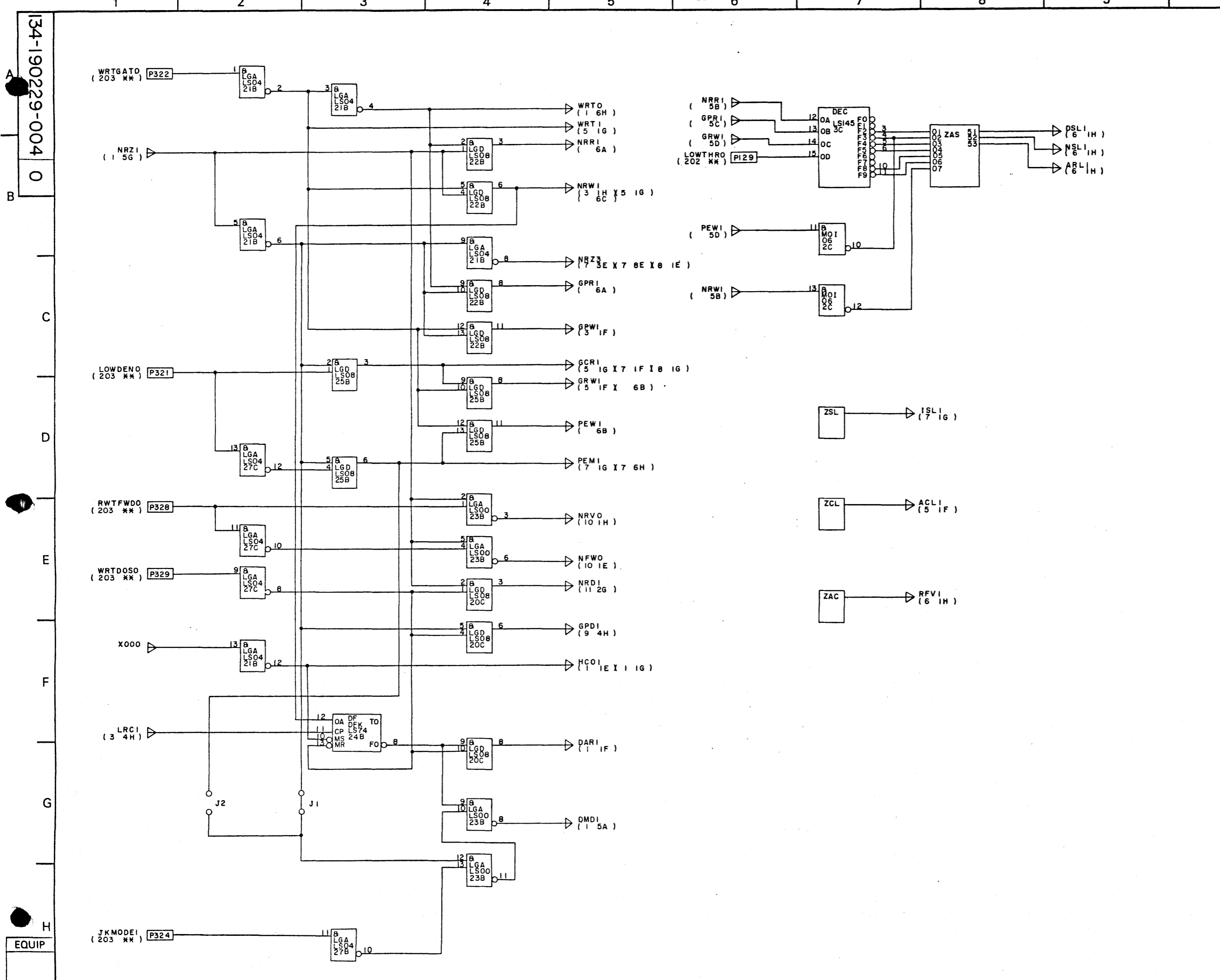
051

NEXT SPEC				
DRAFT	ENG	CHK	APP	ISSUE
	棚		今	
	橋		村	

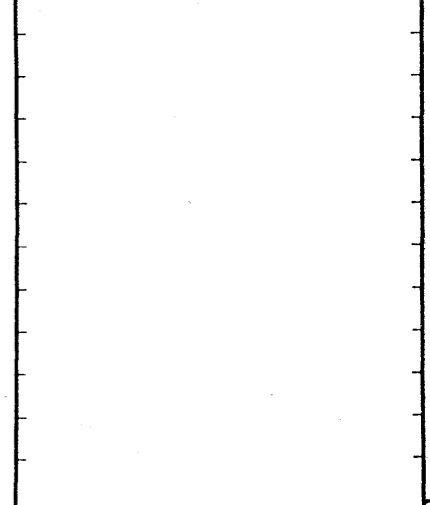
READ/WRITE  
CIRCUIT DIAGRAMS  
(GCR / PE / NRZI)

134-190229-004 0

NEC SHT 11/18



REV	COMP	DESCRIPTION (SC)	APP
1	0	1981.8	
2		1982.1	A
3	0	1982.1	
4	C	1982.1	
5	C	1982.1	



DWG ABBR	RWB - GPN
PKG LOCATION	CHH
PKG NAME	G9QDN, P, Q
052	

NEXT SPEC				
DRAFT	ENG	CHK	APP	ISSUE
	村		村	
	橋		村	

READ/WRITE  
CIRCUIT DIAGRAMS  
(GCR/PE/NRZI)

134-190229-004 0	
NEC	SHT 12/18

134-190229-004

0

B

C

D

E

F

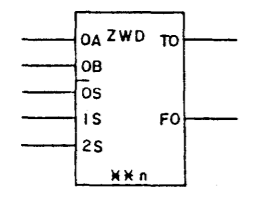
G

H

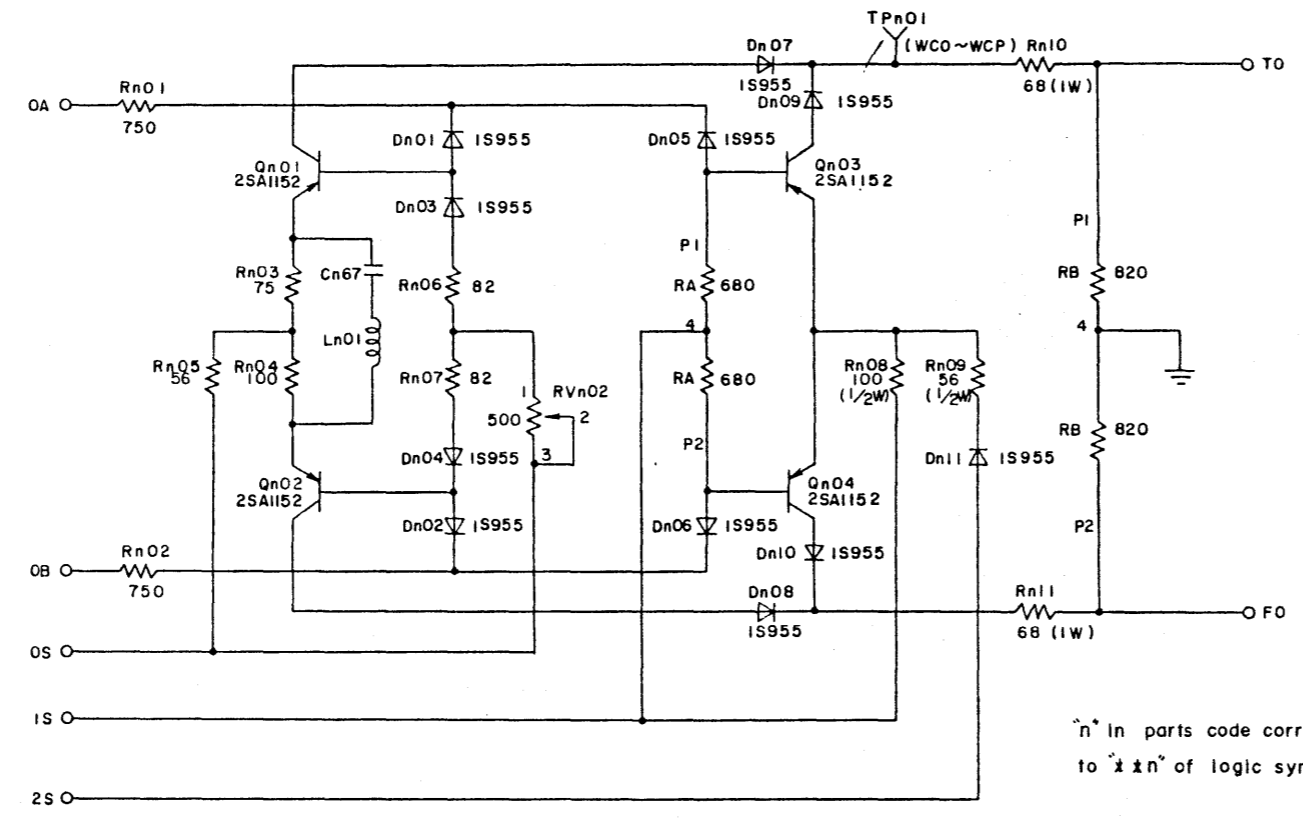
EQUIP

134-190229-004 0

LOGIC SYMBOL



DETAILED DIAGRAM

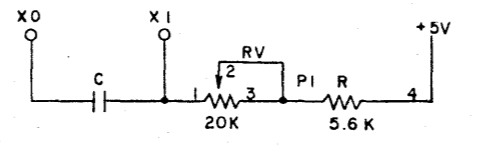
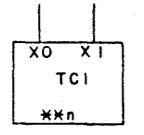


CONSTANTS			
PKGNAME	Cn67	Ln01	NOTE
G9QDQ	3300P	22 μH	125 IPS
G9QDP	5600P	33 μH	75 IPS
G9QDN	0.01 μ	68 μH	37.5 IPS

PARTS CODE		
xx n	RA	RB
1		
2	MC24	MC42
3		
4		
5	MC23	MC41
6		
7		
8	MC22	MC40
9		

PIN NUMBER				
xx n	RA		RB	
	P1	P2	P1	P2
1	7	6	6	7
2	5	3	3	5
3	2	1	1	2
4	7	6	7	6
5	5	3	5	3
6	2	1	2	1
7	7	6	7	3
8	5	3	5	1
9	2	1	6	2

\*n\* in parts code corresponds to 'xx n' of logic symbol.  
 (ex) In case of  $\pm 2$   
 Qn02  $\Rightarrow$  Q202



xx n	PARTS CODE			PIN NUMBER
	C	RV	R	R (PI)
xx 1	C168	RV101	MC17	6
2	C268	RV201	MC17	7
3	C368	RV301	MC17	5
4	C468	RV401	MC17	2
5	C568	RV501	MC17	1
6	C668	RV601	MC16	7
7	C768	RV701	MC16	5
8	C868	RV801	MC16	2
9	C968	RV901	MC16	1
10	C165	RV112	MC15	7
11	C166	RV113	MC15	6
12	C265	RV212	MC15	3
13	C266	RV213	MC15	5
14	C365	RV312	MC15	1
15	C366	RV313	MC15	2
16	C465	RV412	MC14	7
17	C466	RV413	MC14	6
18	C565	RV512	MC14	3
19	C566	RV513	MC14	5
20	C665	RV612	MC14	1
21	C666	RV613	MC14	2
22	C765	RV712	MC13	7
23	C766	RV713	MC13	6
24	C865	RV812	MC13	3
25	C866	RV813	MC13	5
26	C965	RV912	MC13	2
27	C966	RV913	MC13	1

CONSTANTS				
PKGNAME	C168-968	C165-965	C166-966	NOTE
G9QDQ	820 P	470 P	470 P	125 IPS
G9QDP	1200 P	820 P	820 P	75 IPS
G9QDN	2700 P	1500 P	1500 P	37.5 IPS

REV	COMP	DESCRIPTION (SC)	APP
1	0	1981.8	
2	0	1982.6	
3	0	1982.10	
4	0	1982.11	
5	0	1982.12	

DWG ABBR	RWB - GPN			
PKG LOCATION	CHH			
PKG NAME	G9QDN, P, Q			
053				
NEXT SPEC				
DRAFT	ENG	CHK	APP	ISSUE
	棚		今	
	塚		村	

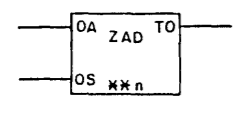
READ/WRITE  
 CIRCUIT DIAGRAMS  
 (GCR / PE / NRZI)

134-190229-004 0

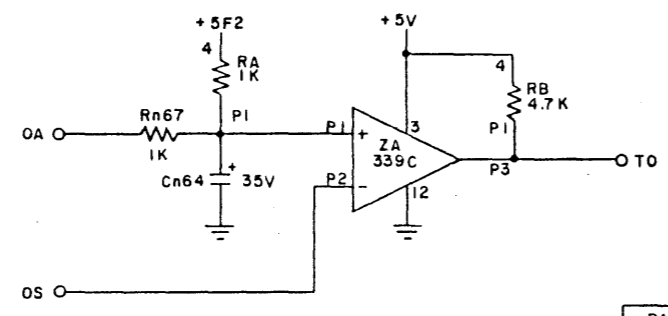
NEC SHT 13/18

134-190229-004  
0

LOGIC SYMBOL



DETAILED DIAGRAM



CONSTANTS

PKG NAME	Cn64	NOTE
G9QDQ	0.33 $\mu$	125 IPS
G9QDP	0.47 $\mu$	75 IPS
G9QDN	1.0 $\mu$	37.5 IPS

"n" in parts code corresponds to "XXn" of logic symbol.  
(ex) in case of XX2.  
Cn64  $\rightarrow$  C264

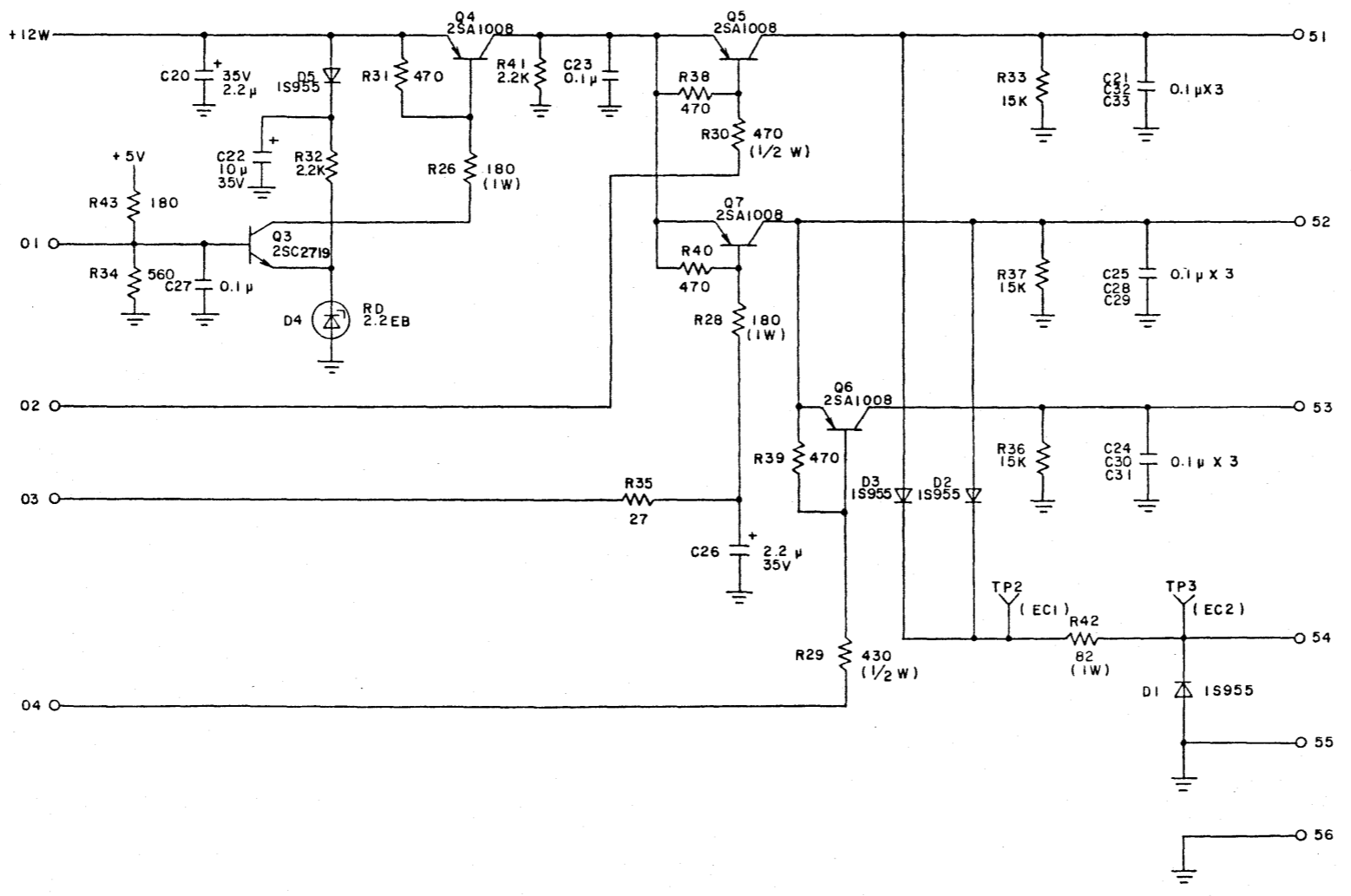
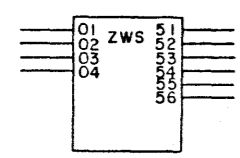
PARTS CODE

**n	ZA	RA	RB
1	23C (2)	MC11	MC9
2	22C (1)	MC11	MC12
3	23C (3)	MC11	MC12
4	22C (4)	MC10	MC9
5	21C (1)	MC10	MC9
6	23C (4)	MC11	MC9
7	23C (1)	MC11	MC9
8	22C (3)	MC10	MC9
9	22C (2)	MC11	MC12

PIN NUMBER

	ZA			
	(1)	(2)	(3)	(4)
P1	5	7	9	11
P2	4	6	8	10
P3	2	1	14	13

**n	RA		RB	
	P1	P1	P1	P1
1	5	1		
2	1	5		
3	7	3		
4	7	7		
5	6	6		
6	3	5		
7	6	2		
8	5	3		
9	2	7		



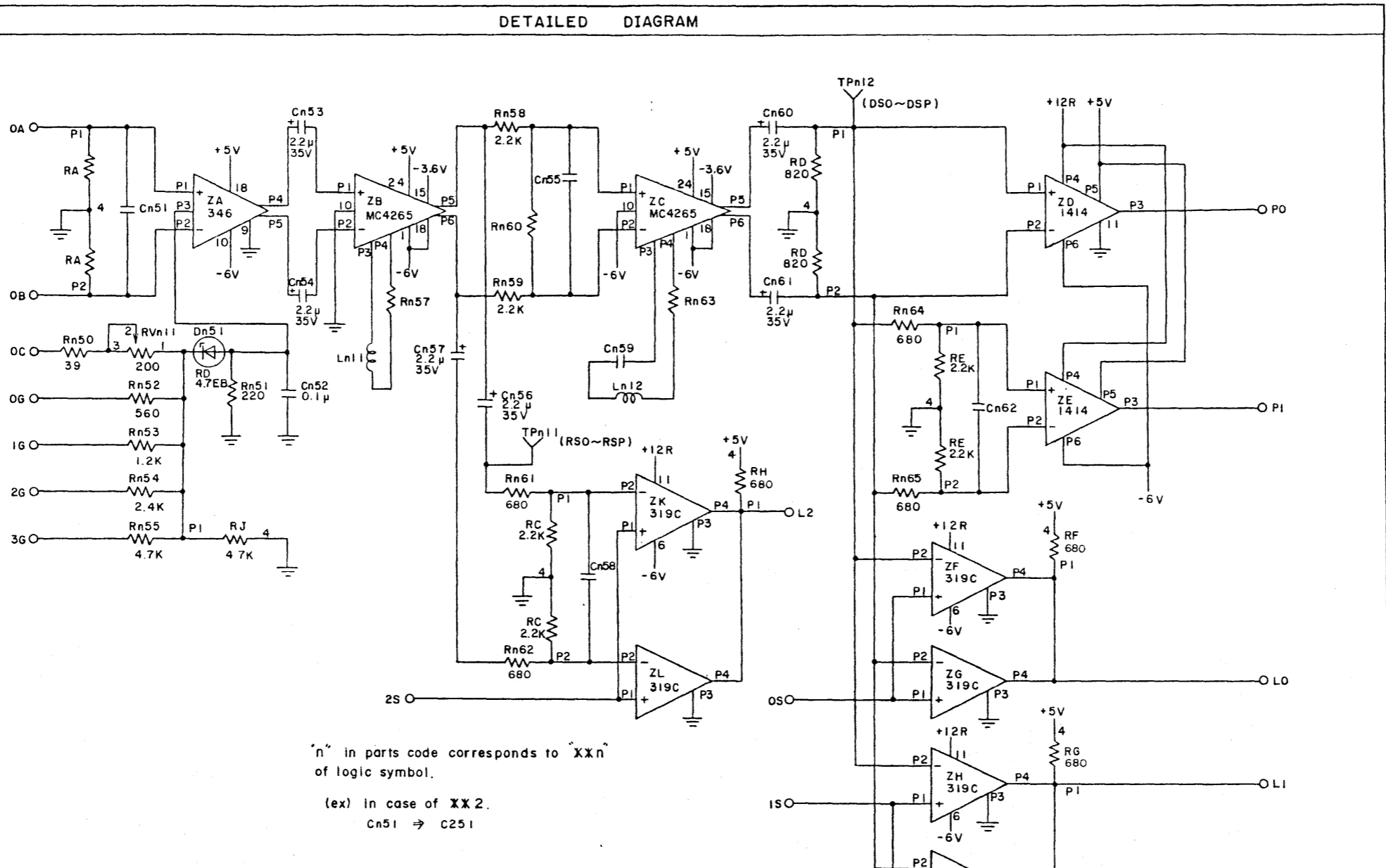
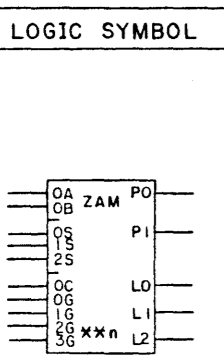
REV	COMP	DESCRIPTION (SC)	APP
1	0	1981.8	
2	0	1982.1	
3	0	1982.11	
4	0	1982.11	
5	0	1982.11	

DWG ABBR	RWB - GPN			
PKG LOCATION	CHH			
PKG NAME	G9QDN, P, Q			
054				
NEXT SPEC				
DRAFT	ENG	CHK	APP	ISSUE
	棚		今	
	橋		村	

READ/WRITE  
CIRCUIT DIAGRAMS  
(GCR / PE / NRZI)

134-190229-004 0  
NEC SHT 14/18

134-190229-004 0



"n" in parts code corresponds to "XXn" of logic symbol.  
 (ex) in case of XX2.  
 Cn51 → C251

CONSTANTS												
PKGNAME	RA	Rn57	Rn60	Rn63	Cn51	Cn55	Cn58	Cn59	Cn62	Ln11	Ln12	NOTE
G9QDQ	1.5K	220	15K	100	47P	56P	1000P	1000P	680P	3.3μH	15μH	1251PS
G9QDP	2.2K	270	10K	82	15P	100P	1800P	1800P	1200P	4.7μH	22μH	751PS
G9QDN	1.5K	100	7.5K	82	68P	220P	3900P	3900P	2700P	4.7μH	47μH	37.51PS

PARTS CODE																			
XXn	ZA	ZB	ZC	ZD	ZE	ZF	ZG	ZH	ZJ	ZK	ZL	RA	RC	RD	RE	RF	RG	RH	RJ
1	12L(3)	15K(3)	5K(3)	5G(1)	5G(2)	14F(1)	14F(2)	13F(1)	13F(2)	17H(1)	17H(2)	MC 37	MC 30	MC 32	MC 25	MC 18	MC 18		
2	12L(2)	15K(2)	5K(2)	4G(1)	4G(2)	13G(1)	13G(2)	12G(1)	12G(2)	16H(1)	16H(2)								
3	12L(1)	15K(1)	5K(1)	3G(1)	3G(2)	12F(1)	12F(2)	11F(1)	11F(2)	17G(1)	17G(2)							MC 21	MC 39
4	10L(3)	11K(3)	1K(3)	2G(1)	2G(2)	11G(1)	11G(2)	10G(1)	10G(2)	16G(1)	16G(2)								
5	10L(2)	11K(2)	1K(2)	1G(1)	1G(2)	10F(1)	10F(2)	9F(1)	9F(2)	15G(1)	15G(2)	MC 36	MC 29	MC 31	MC 26	MC 44	MC 44		
6	10L(1)	11K(1)	1K(1)	4F(1)	4F(2)	9G(1)	9G(2)	8G(1)	8G(2)	14G(1)	14G(2)								
7	8L(3)	8K(3)	5H(3)	3F(1)	3F(2)	8F(1)	8F(2)	7F(1)	7F(2)	15F(1)	15F(2)								
8	8L(2)	8K(2)	5H(2)	2F(1)	2F(2)	7G(1)	7G(2)	6G(1)	6G(2)	15E(1)	15E(2)	MC 35	MC 28	MC 45	MC 20	MC 43	MC 43	MC 19	MC 38
9	8L(1)	8K(1)	5H(1)	1F(1)	1F(2)	6F(1)	6F(2)	5F(1)	5F(2)	14E(1)	14E(2)								

PIN NUMBER												
XXn	RA	RC	RD	RE	RF	RG	RH	RJ				
	P1	P2	P1	P2	P1	P2	P1	P2	P1	P1	P1	P1
1	7	6	7	6	5	7	5	7	5	7	7	3
2	5	3	5	1	3	2	3	2	2	3	6	5
3	2	1	3	2	1	6	1	6	1	5	2	
4	7	6	7	6	7	6	7	6	7	6	3	1
5	5	3	5	1	5	3	5	3	5	1	2	6
6	2	1	3	2	2	1	2	1	2	3	1	7
7	7	6	7	6	7	6	7	6	7	2	5	2
8	5	3	5	1	5	3	5	3	5	1	6	5
9	2	1	3	2	1	2	3	5	1	3	1	6

	ZA			ZB, ZC			ZD, ZE		ZF~ZL	
	(1)	(2)	(3)	(1)	(2)	(3)	(1)	(2)	(1)	(2)
P1	3	5	8	2	6	11	5	12	4	9
P2	2	4	7	3	7	12	6	13	5	10
P3	1	13	6	5	9	13	8	1	3	8
P4	16	14	11	4	8	14	10	3	12	7
P5	17	15	12	22	19	16	9	2	-	-
P6	-	-	-	23	20	17	7	14	-	-

REV	COMP	DESCRIPTION (SC)	APP
1	0	1981.8	
2	0	1982.5	
3	0	1982.11	
4	0	1982.11	
5	0	1982.11	

DWG ABBR	RWB - GPN			
PKG LOCATION	CHH			
PKG NAME	G9QDN, P, Q			
055				
NEXT SPEC				
DRAFT	ENG	CHK	APP	ISSUE
	棚		今	
	橋		村	

READ/WRITE  
CIRCUIT DIAGRAMS  
(GCR / PE / NRZI)

134-190229-004 0

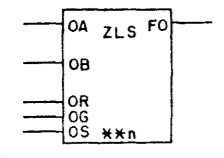
NEC

SHT 15/18

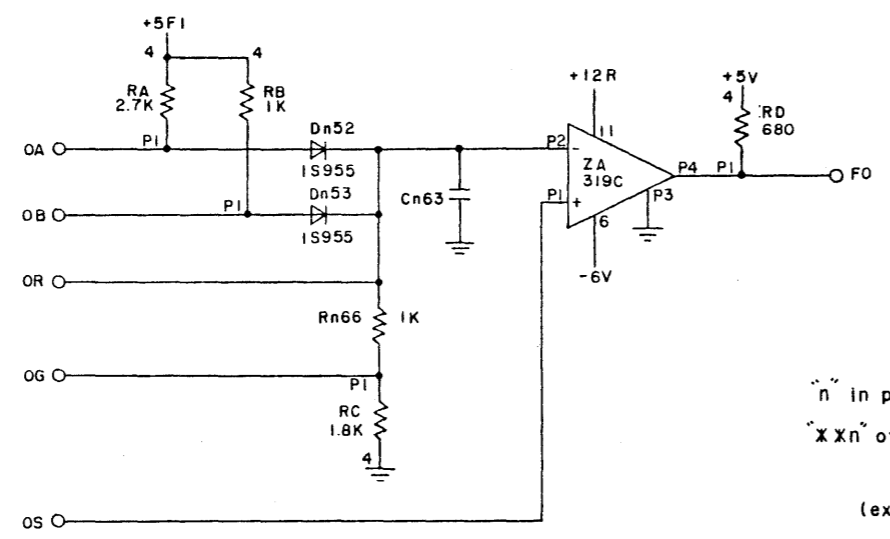


134-190229-004 0

LOGIC SYMBOL



DETAILED DIAGRAM



PARTS CODE		RA	RB	RC	RD
XXn	ZA				
1	7B (1)				
2	7B (2)	MC	MC	MC	MC
3	6B (1)	2	4	6	8
4	6B (2)				
5	3B (1)				
6	3B (2)	MC	MC	MC	MC
7	2B (1)	1	3	5	7
8	2B (2)				
9	1B (1)				

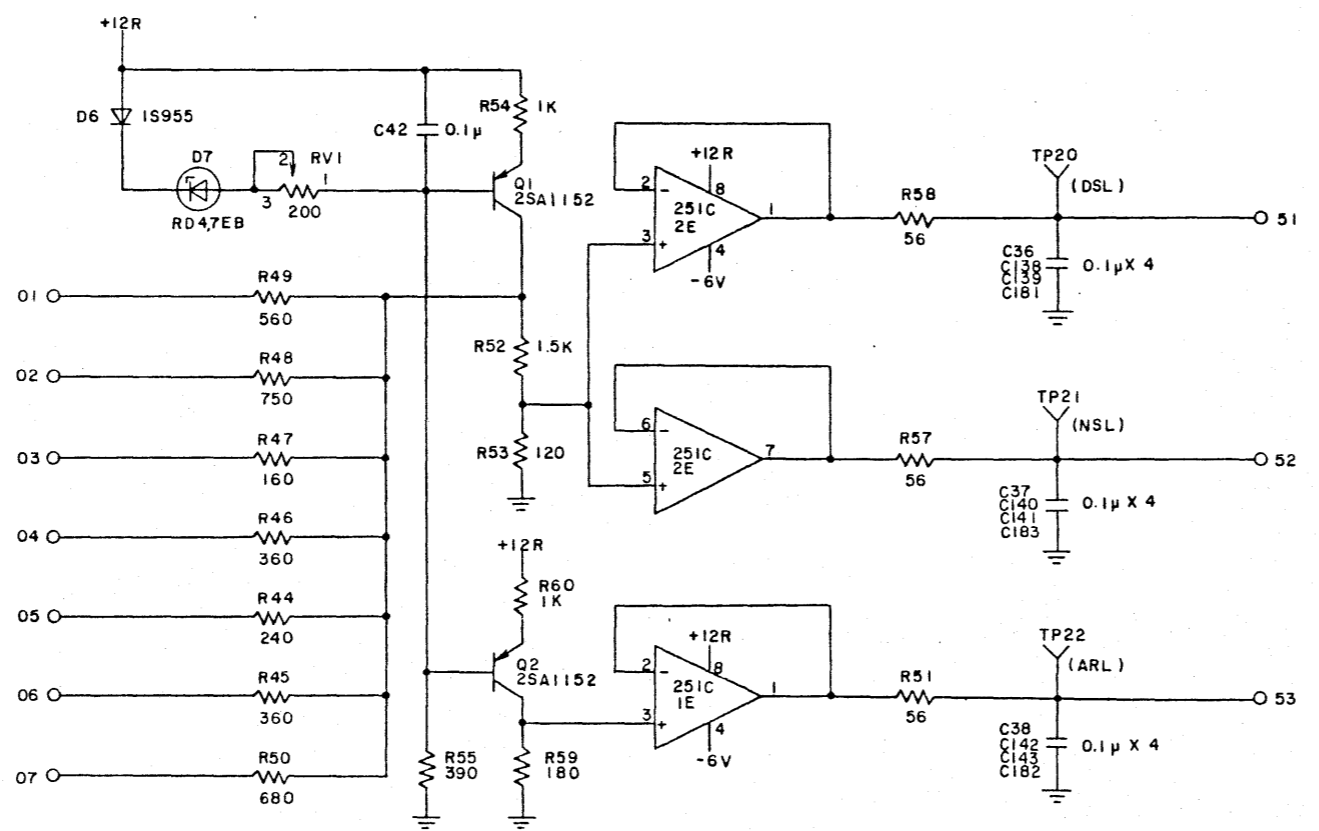
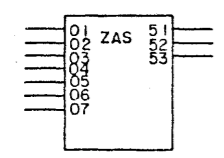
PIN NUMBER		RA	RB	RC	RD	ZA	
XXn	PI	PI	PI	PI		(1)	(2)
1	3	7	6	5	P1	4	9
2	5	6	7	6	P2	5	10
3	7	5	3	1	P3	3	8
4	6	3	5	2	P4	12	7
5	6	6	2	1			
6	5	5	1	3			
7	3	1	5	7			
8	1	2	3	5			
9	2	3	6	2			

"n" in parts code corresponds to "XXn" of logic symbol.

(ex) In case of XX2.

Cn63 ⇒ C263

CONSTANTS		
PKGNAME	Cn63	NOTE
G9QDQ	560P	1251PS
G9QDP	1000P	751PS
G9QDN	1800P	37.51PS



REV	COMP	DESCRIPTION (SC)	APP
1	0	1981.8	
2	0	1982.1	
3	0	1982.1	
4	0	1982.1	
5	0	1982.1	

DWG ABBR	RWB - GPN
PKG LOCATION	CHH
PKG NAME	G9QDN, P, Q

056

NEXT SPEC				
DRAFT	ENG	CHK	APP	ISSUE
	棚		今	
	橋		村	

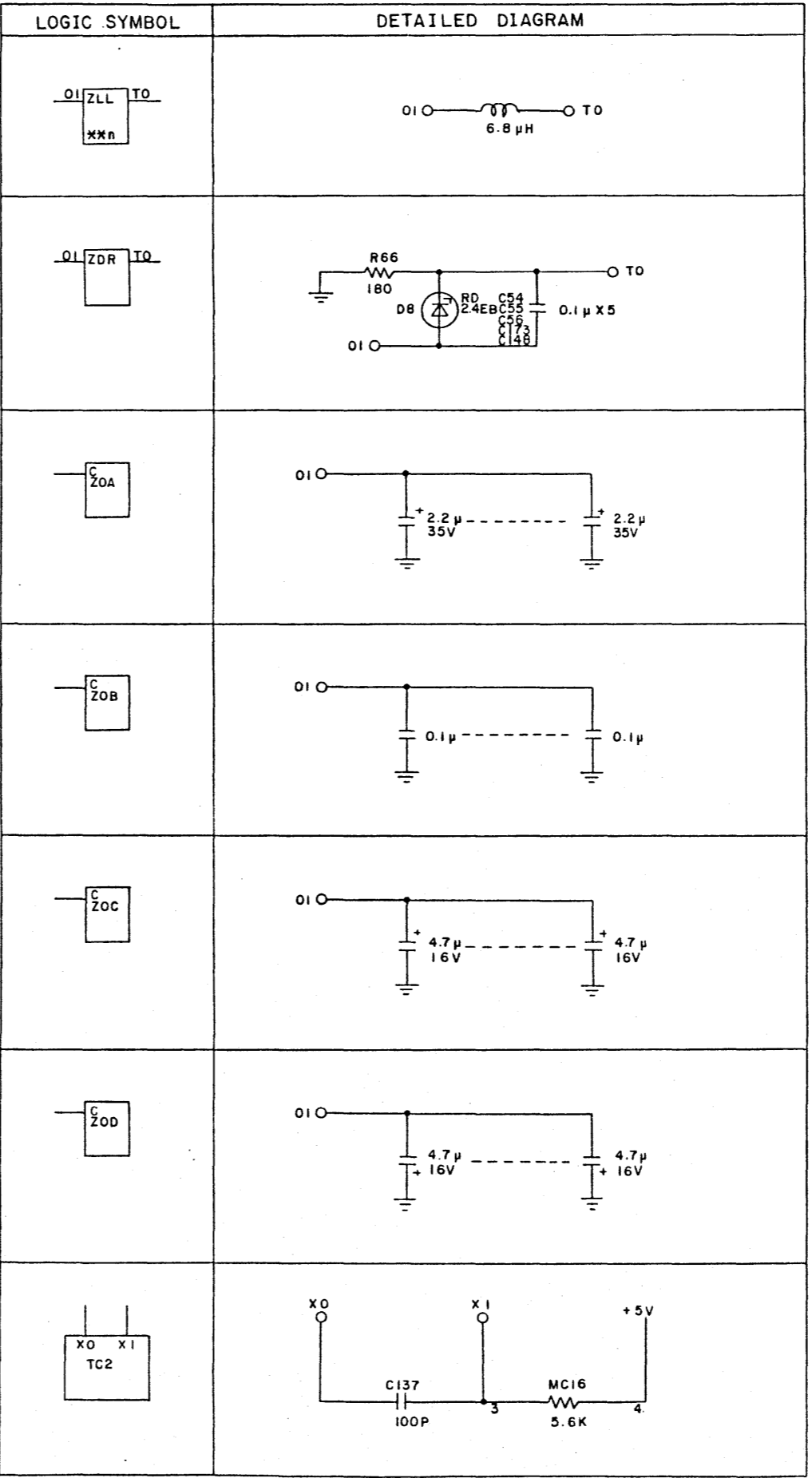
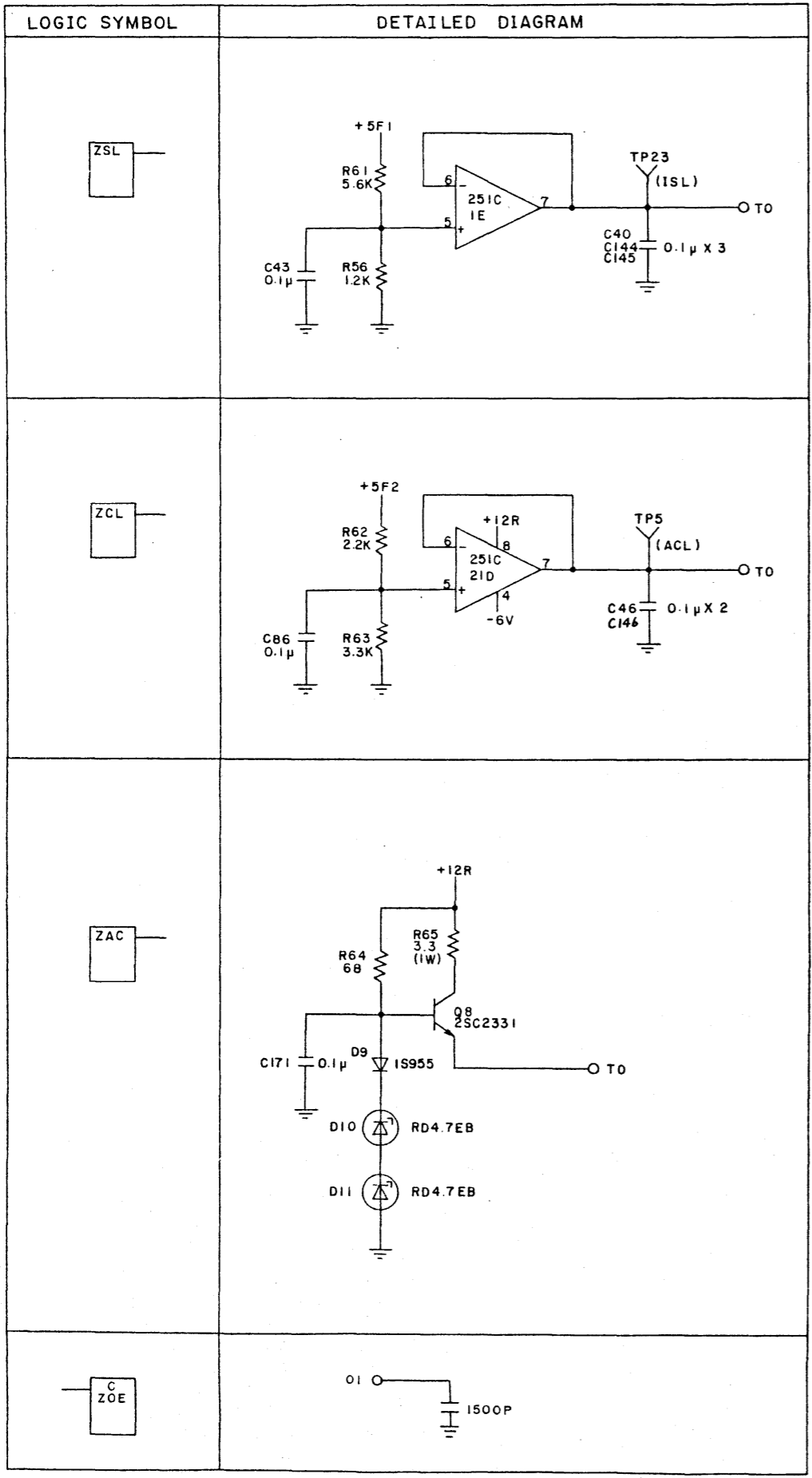
READ/WRITE  
CIRCUIT DIAGRAMS  
(GCR / PE / NRZ1)

134-190229-004 0

NEC SHT 16/18

134-190229-004 0

REV	COMP	DESCRIPTION (SC)	APP
1	0	1981.8	
2	0	1982.1	
3	0	1982.1	
4	0	1982.1	
5	0	1982.1	



DWG ABBR	RWB - GPN			
PKG LOCATION	CHH			
PKG NAME	G9QDN, P, Q			
057				
NEXT SPEC				
DRAFT	ENG	CHK	APP	ISSUE
	棚		今	
	橋		村	

READ/WRITE  
CIRCUIT DIAGRAMS  
(GCR / PE / NRZI)

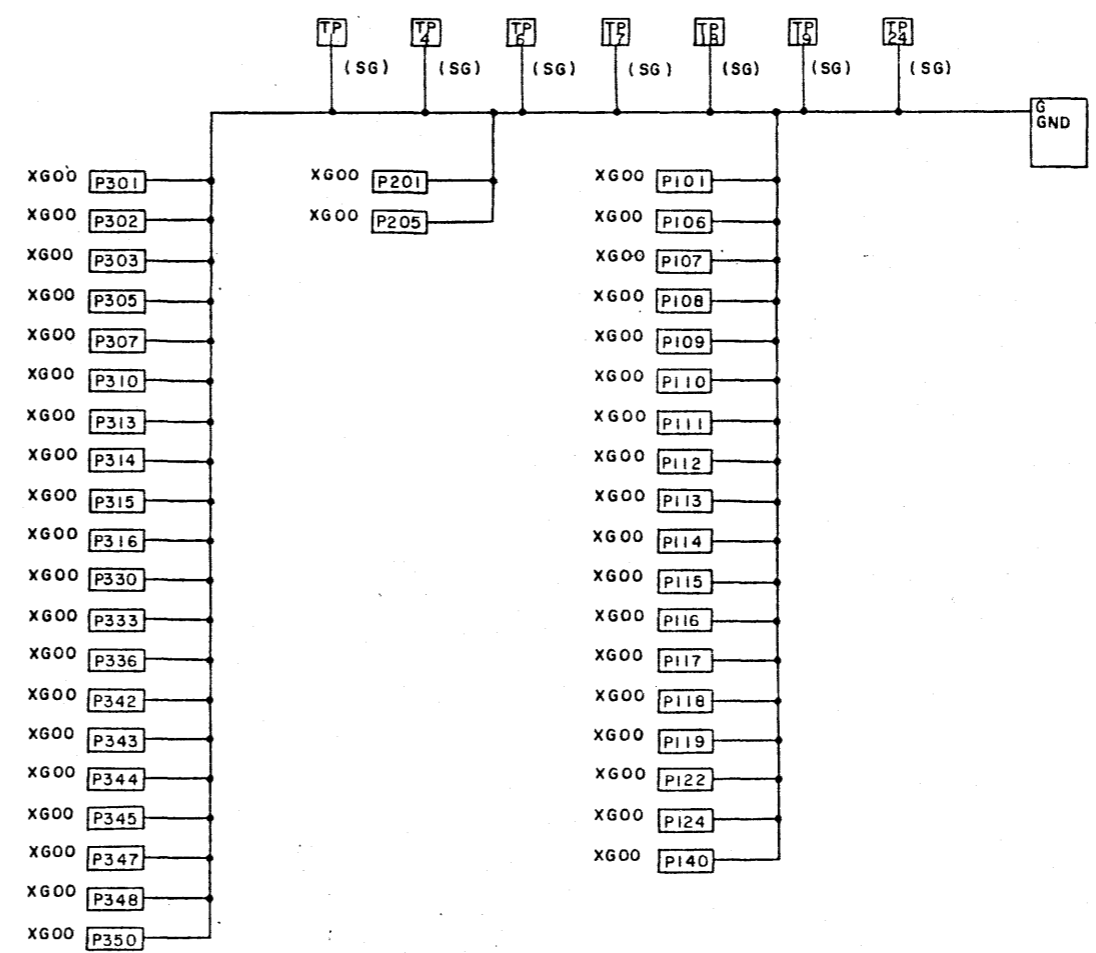
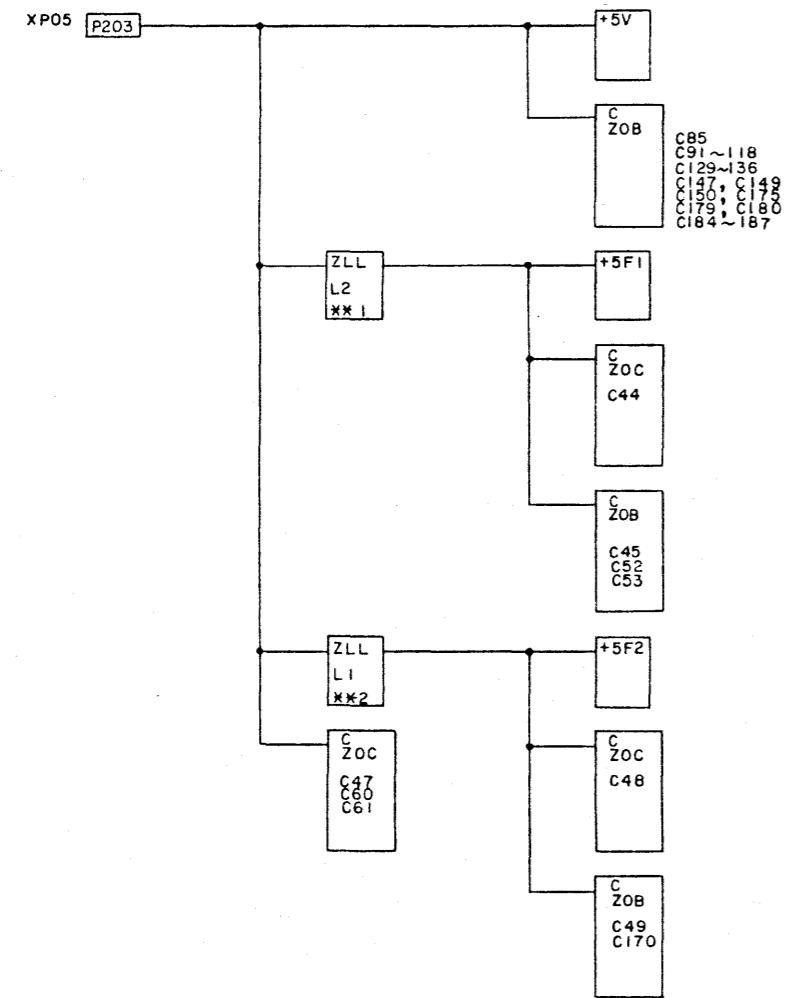
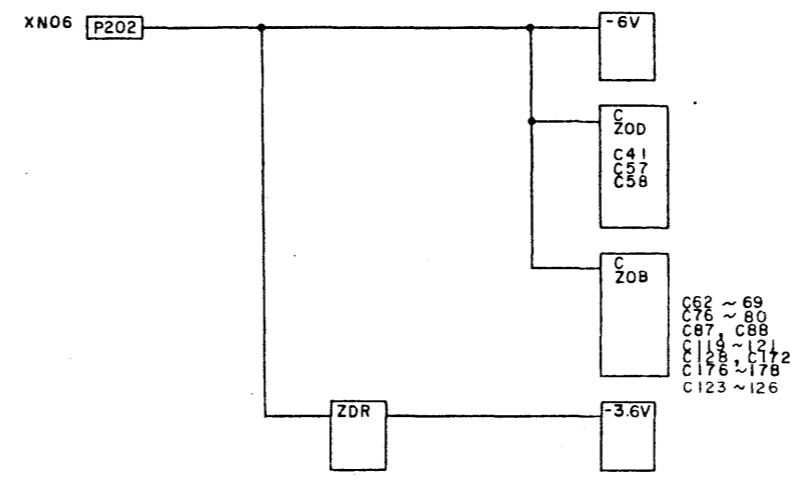
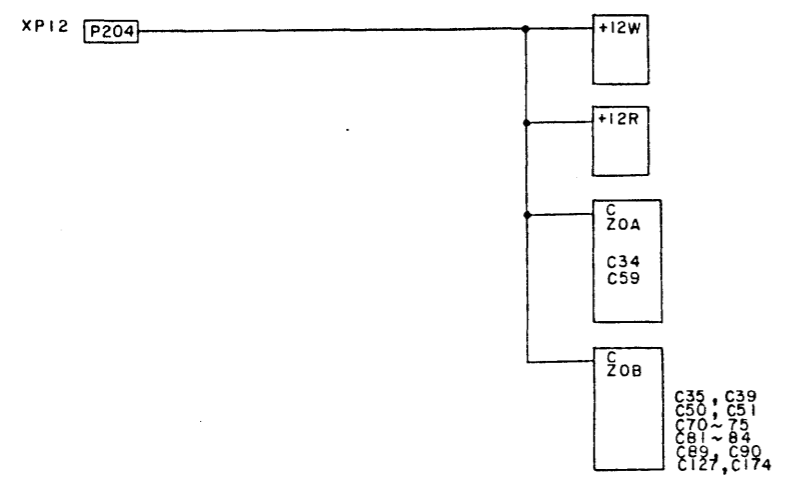
134-190229-004 0

NEC SH 17/18

134-190229-004  
0

A  
B  
C  
D  
E  
F  
G  
H

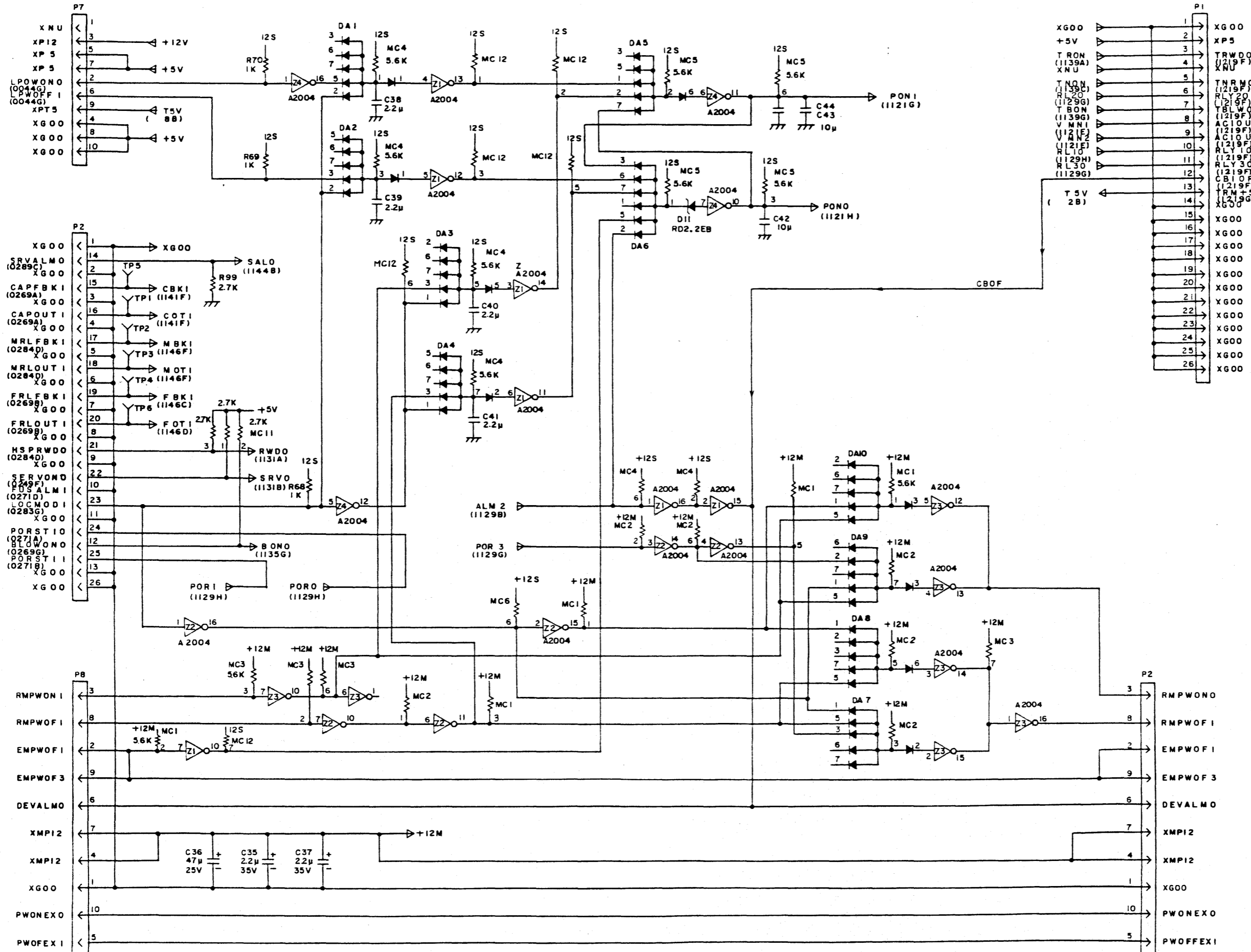
EQUIP



REV	COMP	DESCRIPTION (SC)	APP
1	0	1981.8	
2	0	1982.0	
3	0	1982.11	
4	0	1982.11	
5	0	1982.11	

DWG ABBR	RWB - GPN			
PKG LOCATION	CHH			
PKG NAME	G9QDN, P, Q			
058				
NEXT SPEC				
DRAFT	ENG	CHK	APP	ISSUE
	樹		今	
	橋		村	
READ/WRITE CIRCUIT DIAGRAMS (GCR / PE / NRZI)				
134-190229-004				0
NEC				SHT 18/18

134-190324-001-0



REV	COMP	DESCRIPTION(SC)	APP
1	0	1979.11	
2	0	1982.7	

DWG ABBR	PAM			
PKG LOCATION	CHD			
PKG NAME	G9NHF			
NEXT SPEC				
DRAFT	ENG	CHK	APP	ISSUE
	今井		今村	

POWER AMPLIFIER  
CIRCUIT DIAGRAMS

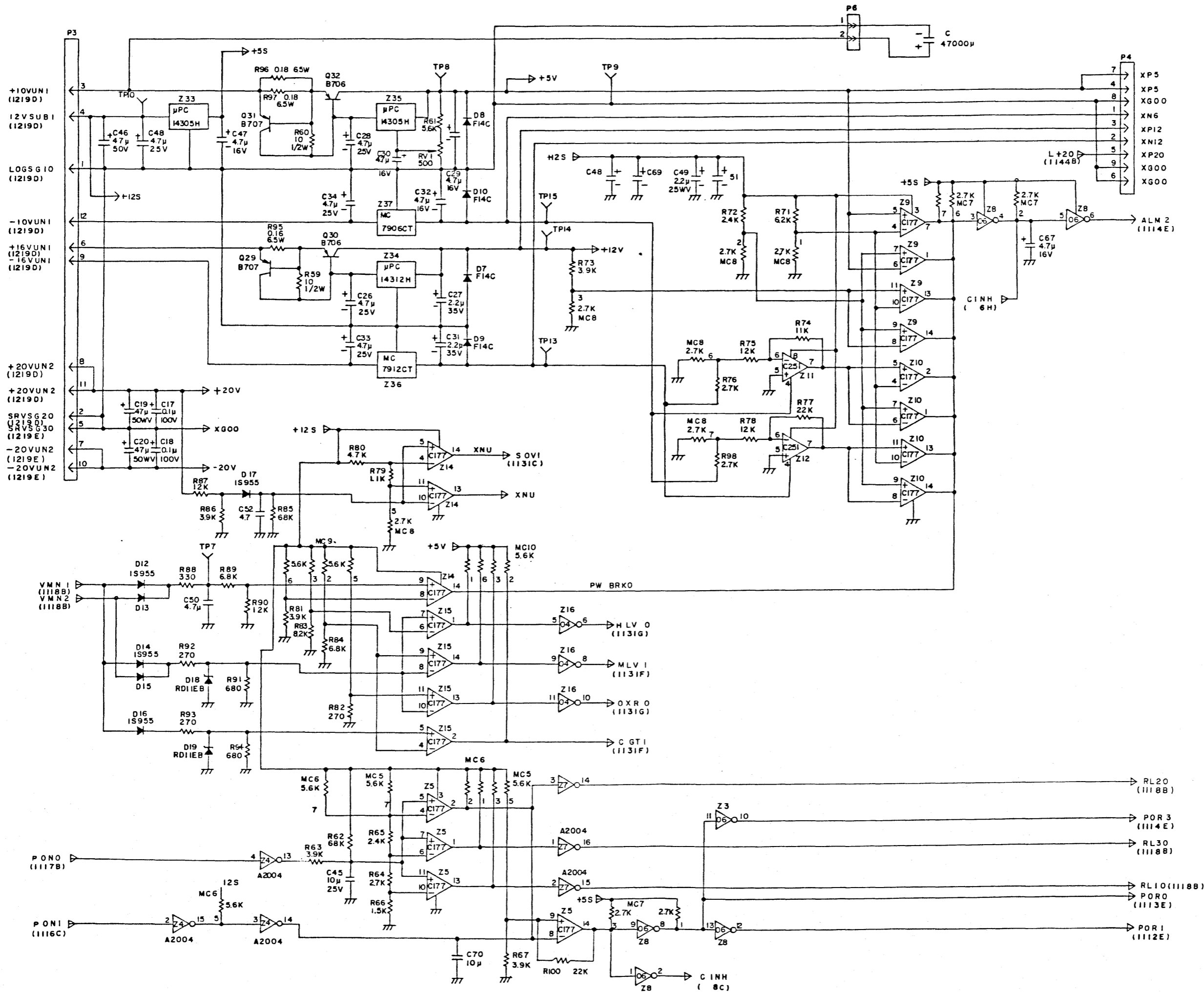
134-190324-001-0

NEC SHT 1/4

Nippon Electric Co Ltd

装置名

134-190324-001-0



REV	COMP	DESCRIPTION (SC)	APP
1	0	1979.11	
2	0	1982.7	

DWG ABBR	PAM
PKG LOCATION	CHD
PKG NAME	G9NHF

112

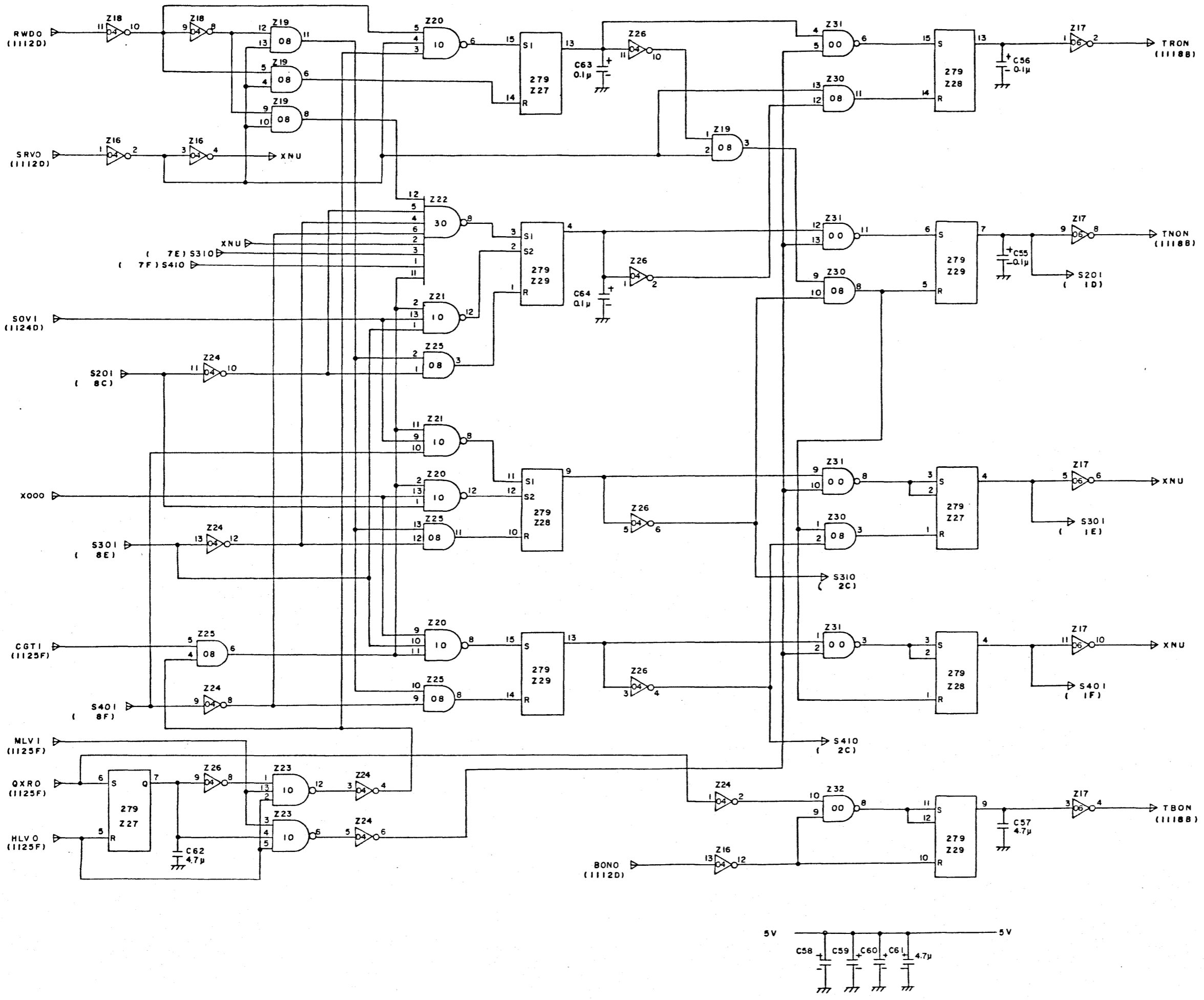
NEXT SPEC	
DRAFT	ENG
CHK	APP
ISSUE	

POWER AMPLIFIER  
CIRCUIT DIAGRAMS

134-190324-001-0

NEC SHT 2/4

134-190324-001-0



REV	COMP	DESCRIPTION (SC)	APP
1	0	1979.11	
2	0	1982.7	

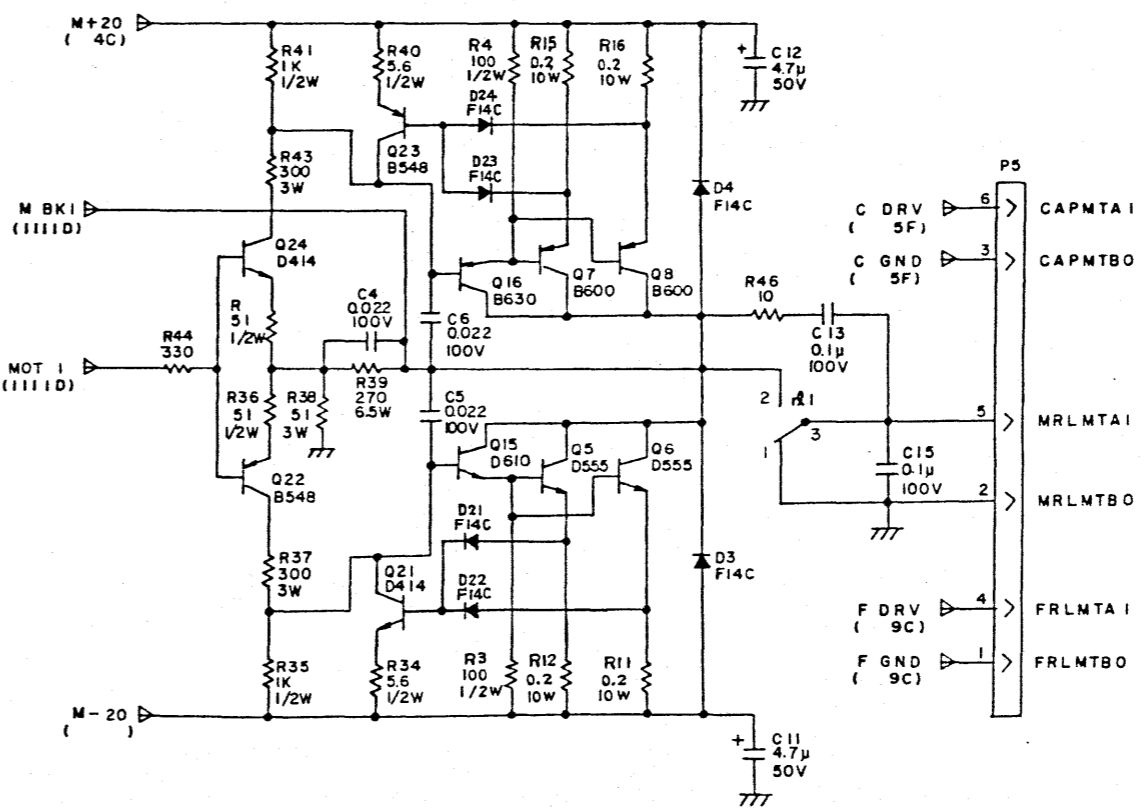
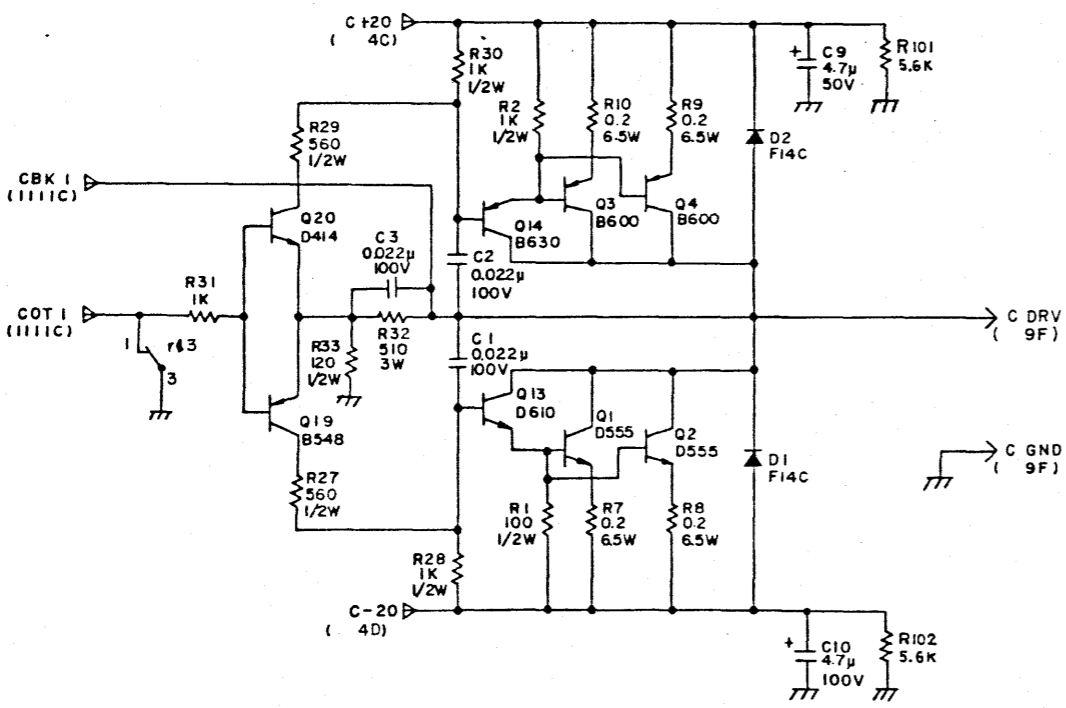
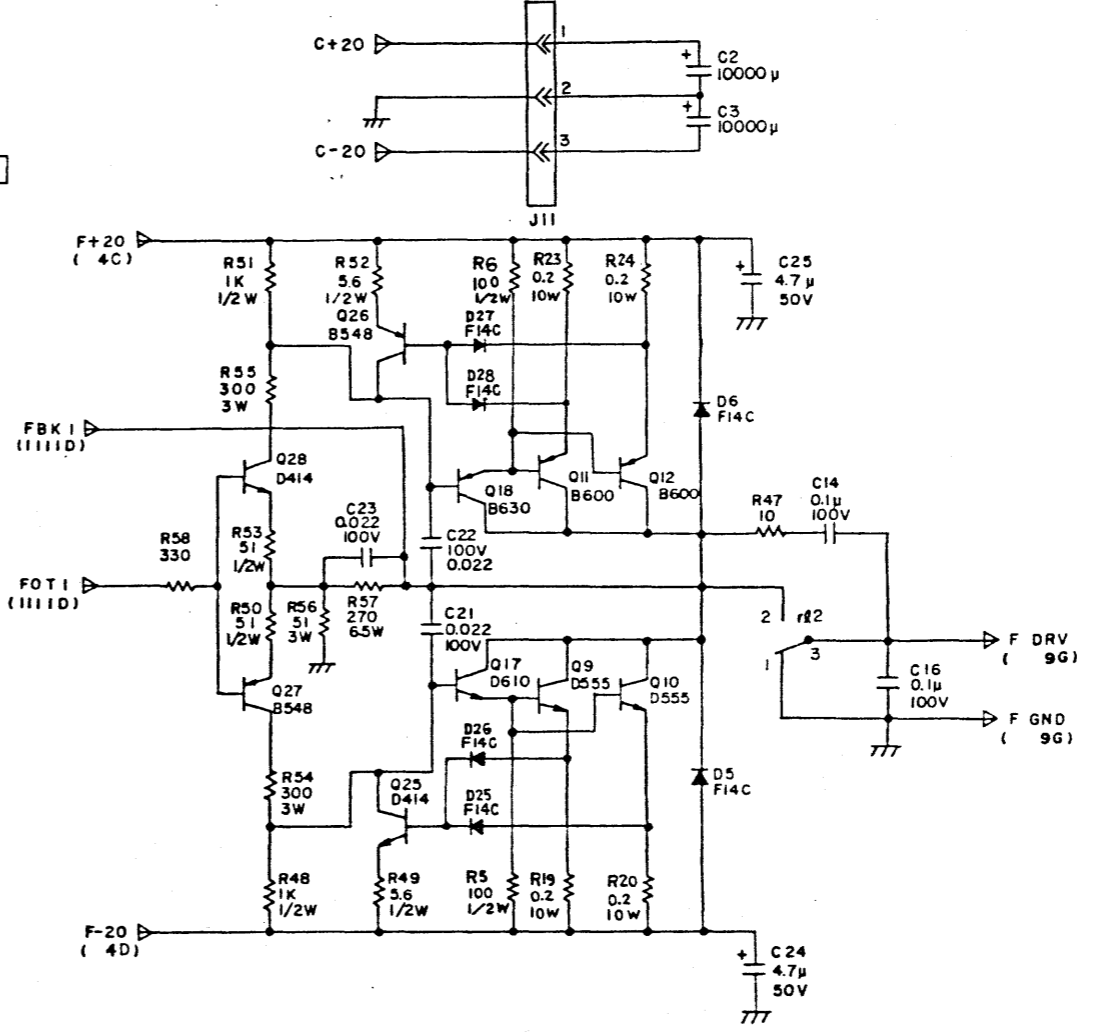
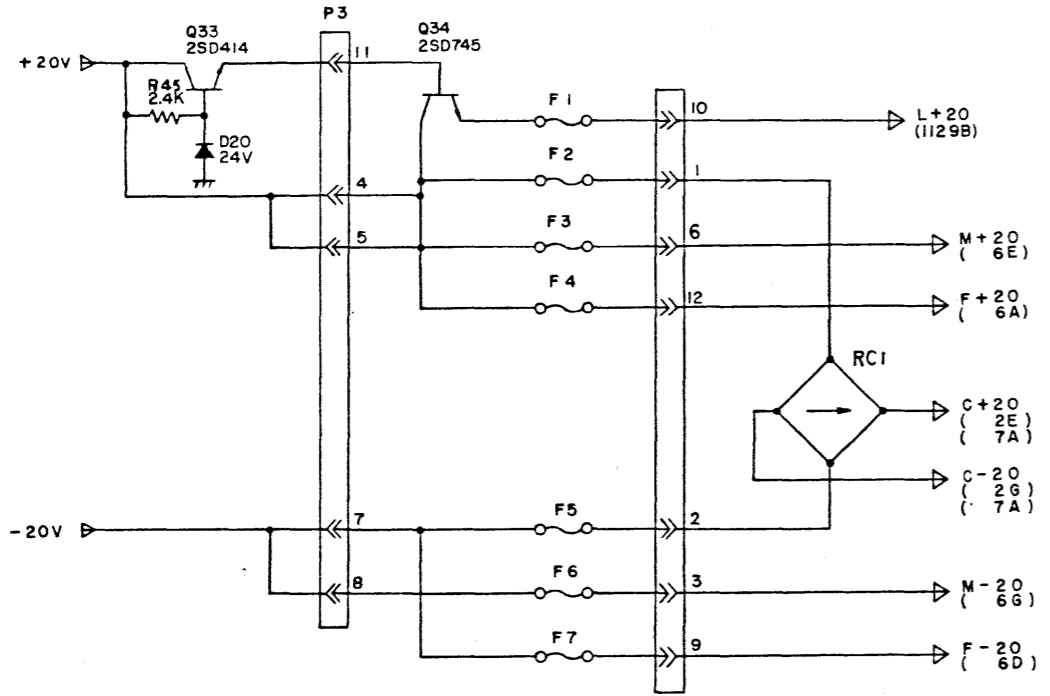
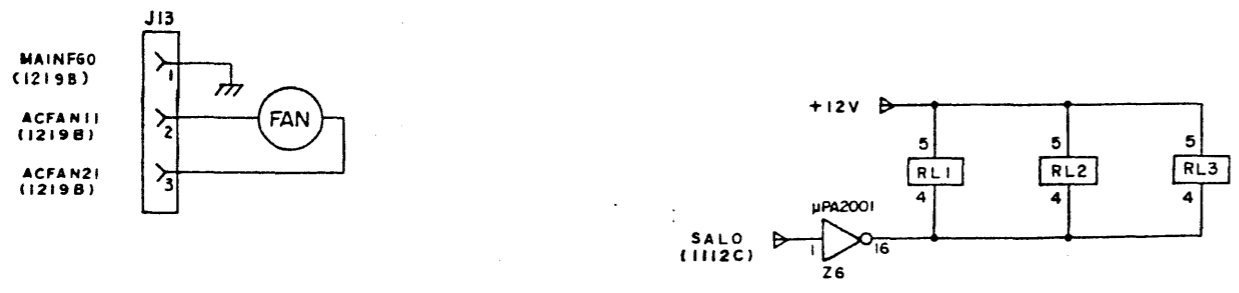
DWG ABBR	PAM			
PKG LOCATION	CHD			
PKG NAME	G9NHF			
113				
NEXT SPEC				
DRAFT	ENG	CHK	APP	ISSUE

POWER AMPLIFIER  
CIRCUIT DIAGRAMS

134-190324-001-0

NEC SHT 3/4

134-190324-001-0

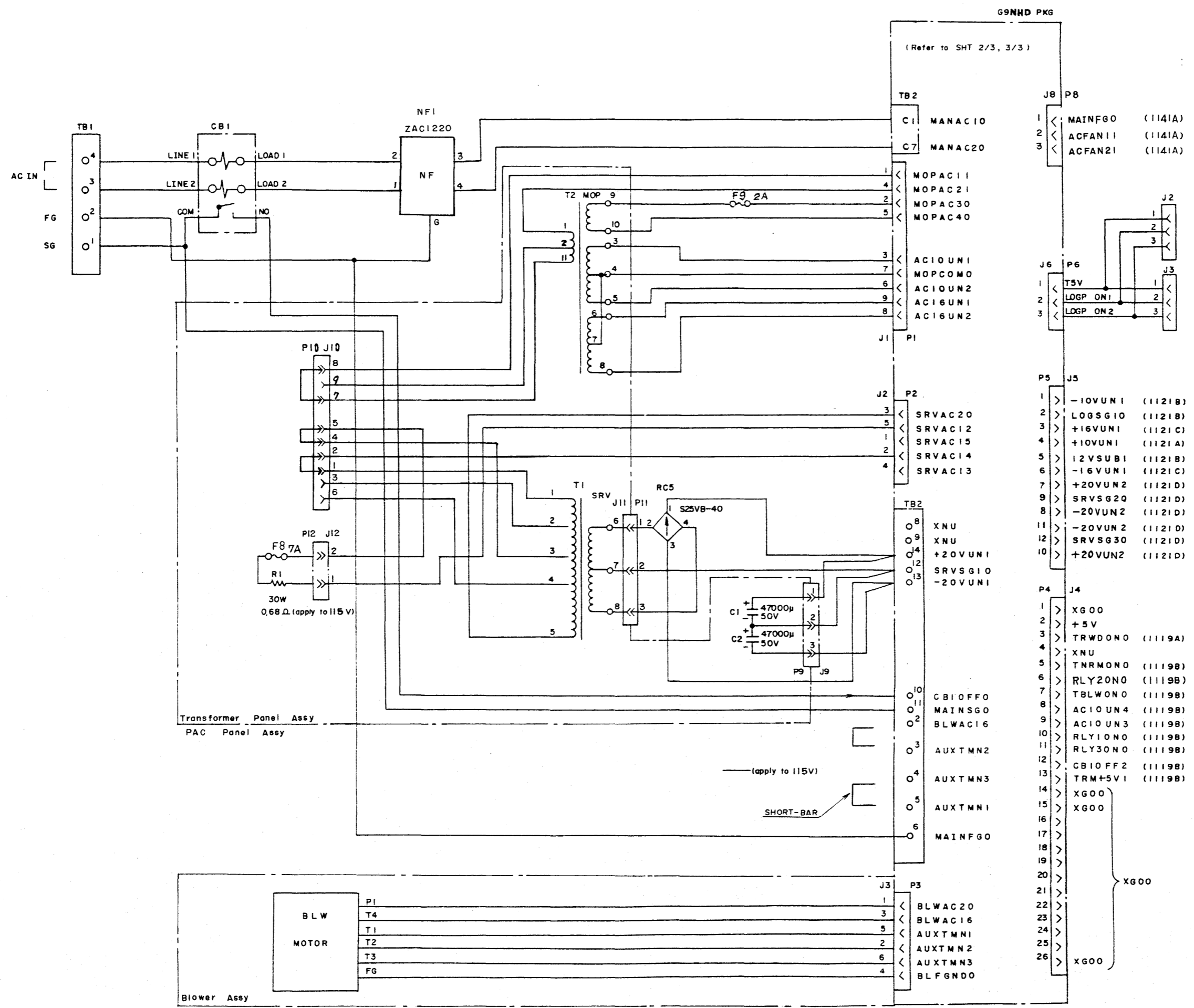


REV	COMP	DESCRIPTION (SC)	APP
1	0	1979.11	
2	0	1982.7	
DWG ABBR		PAM	
PKG LOCATION		CHD	
PKG NAME		G9NHF	
114			
NEXT SPEC			
DRAFT	ENG	CHK	APP
	井		村
POWER AMPLIFIER CIRCUIT DIAGRAMS			
134-190324-001-0			
NEC			SHT 4/4

装置名

134-190322-001  
0

REV	CCMP	DESCRIPTION (SC)	APP
1	0	1979.11	



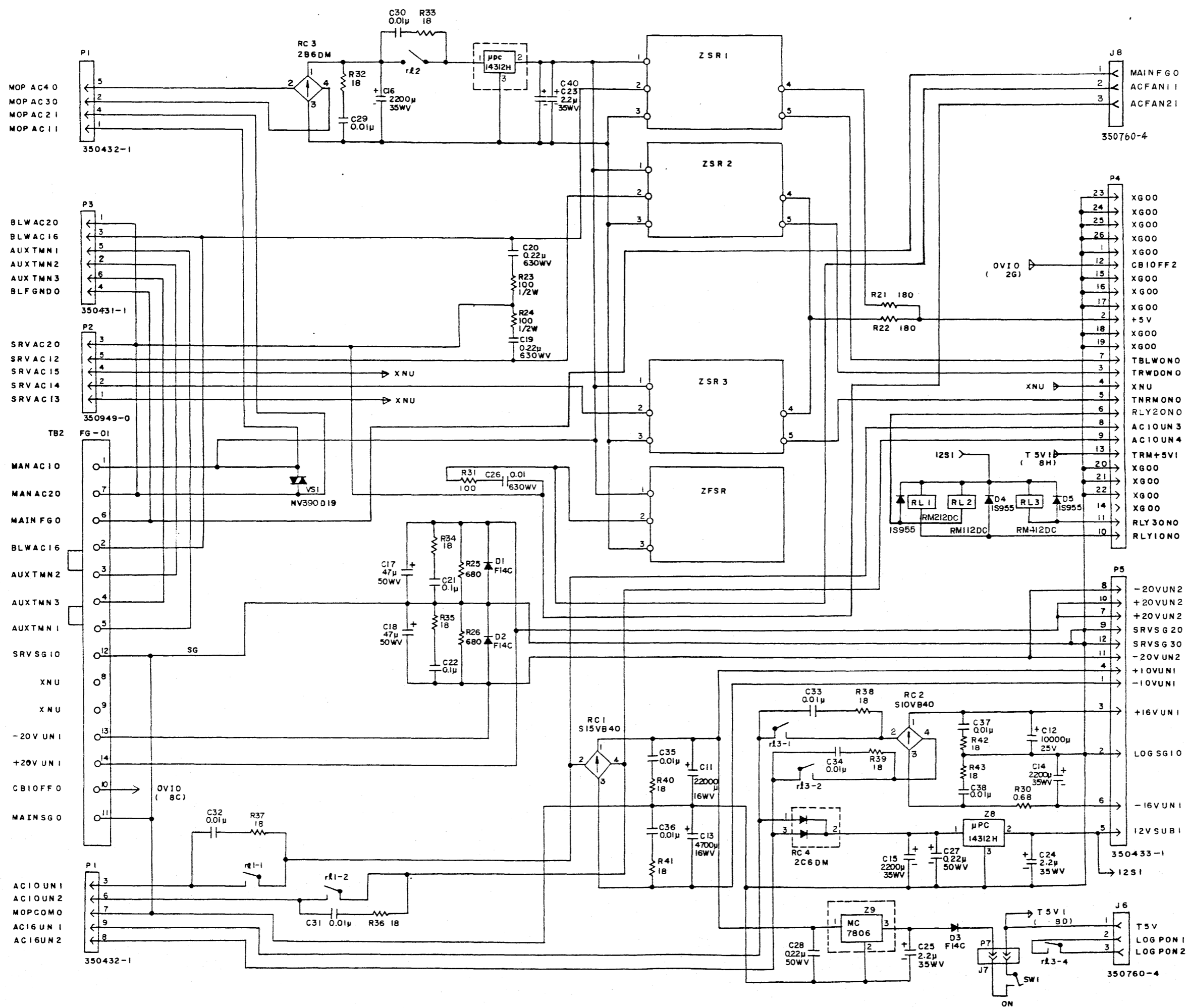
DWG ABBR	PAC			
PKG LOCATION	CHE			
PKG NAME	G9NHD			
<b>121</b>				
NEXT SPEC				
DRAFT	ENG	CHK	APP	ISSUE

<b>POWER SUPPLY CIRCUIT DIAGRAMS</b>				
134-190322-001				0
<b>NEC</b>			SHT	1/3

H  
装置名



134-190322-001 0



REV	COMP	DESCRIPTION (SC)	APP
1	0	1979.11	

Terminal	Label
1	MAINFG0
2	ACFANI1
3	ACFANI2
4	
5	
6	
7	
8	XG00
9	XG00
10	XG00
11	XG00
12	XG00
13	XG00
14	XG00
15	CBIOFF2
16	XG00
17	XG00
18	+5V
19	XG00
20	XG00
21	TBLWONO
22	TRWDONO
23	XNU
24	TNRMONO
25	RLY2ONO
26	AC10UN3
27	AC10UN4
28	TRM+5V1
29	XG00
30	XG00
31	XG00
32	RLY3ONO
33	RLY1ONO
34	
35	
36	
37	
38	
39	
40	
41	
42	
43	
44	
45	
46	
47	
48	
49	
50	
51	
52	
53	
54	
55	
56	
57	
58	
59	
60	
61	
62	
63	
64	
65	
66	
67	
68	
69	
70	
71	
72	
73	
74	
75	
76	
77	
78	
79	
80	
81	
82	
83	
84	
85	
86	
87	
88	
89	
90	
91	
92	
93	
94	
95	
96	
97	
98	
99	
100	

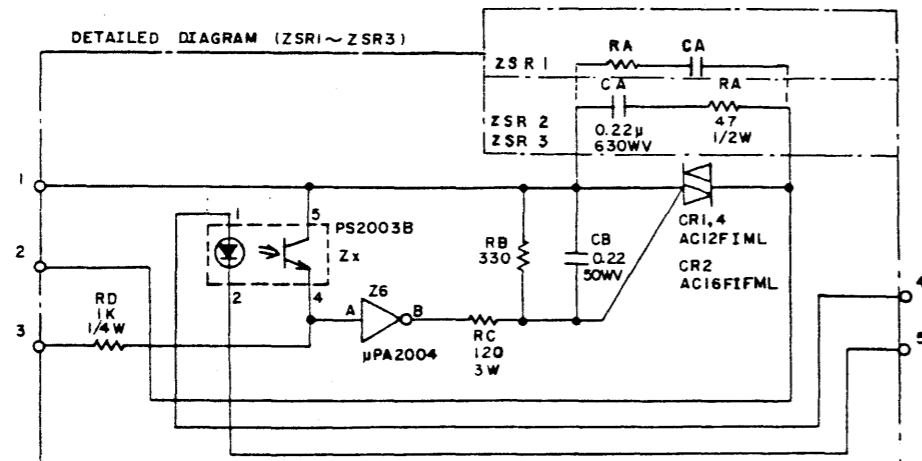
DWG ABBR	PAC
PKG LOCATION	CHE
PKG NAME	G9NHD
122	
NEXT SPEC	
DRAFT	ENG
CHK	APP
ISSUE	

POWER SUPPLY  
CIRCUIT DIAGRAMS

134-190322-001 0

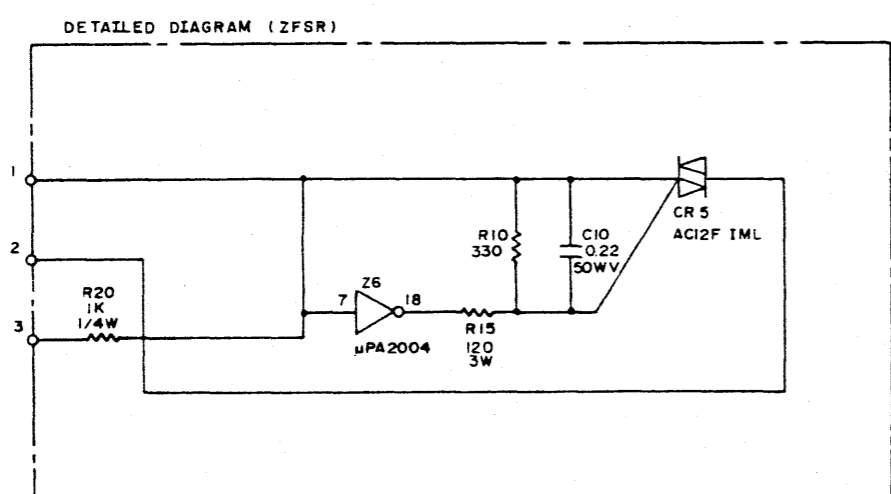
NEC SHT 2/3

134-190322-001 0



PARTS CODE

ZSR x	Zx	Z6		RA	RB	RC	RD	CA	CB	CRx
		A	B							
ZSR 1	Z1	2	15	R1	R6	R11	R16	C1	C6	CR1
ZSR 2	Z2	3	14	R2	R7	R12	R17	C2	C7	CR2
ZSR 3	Z4	6	11	R4	R9	R14	R19	C4	C9	CR4



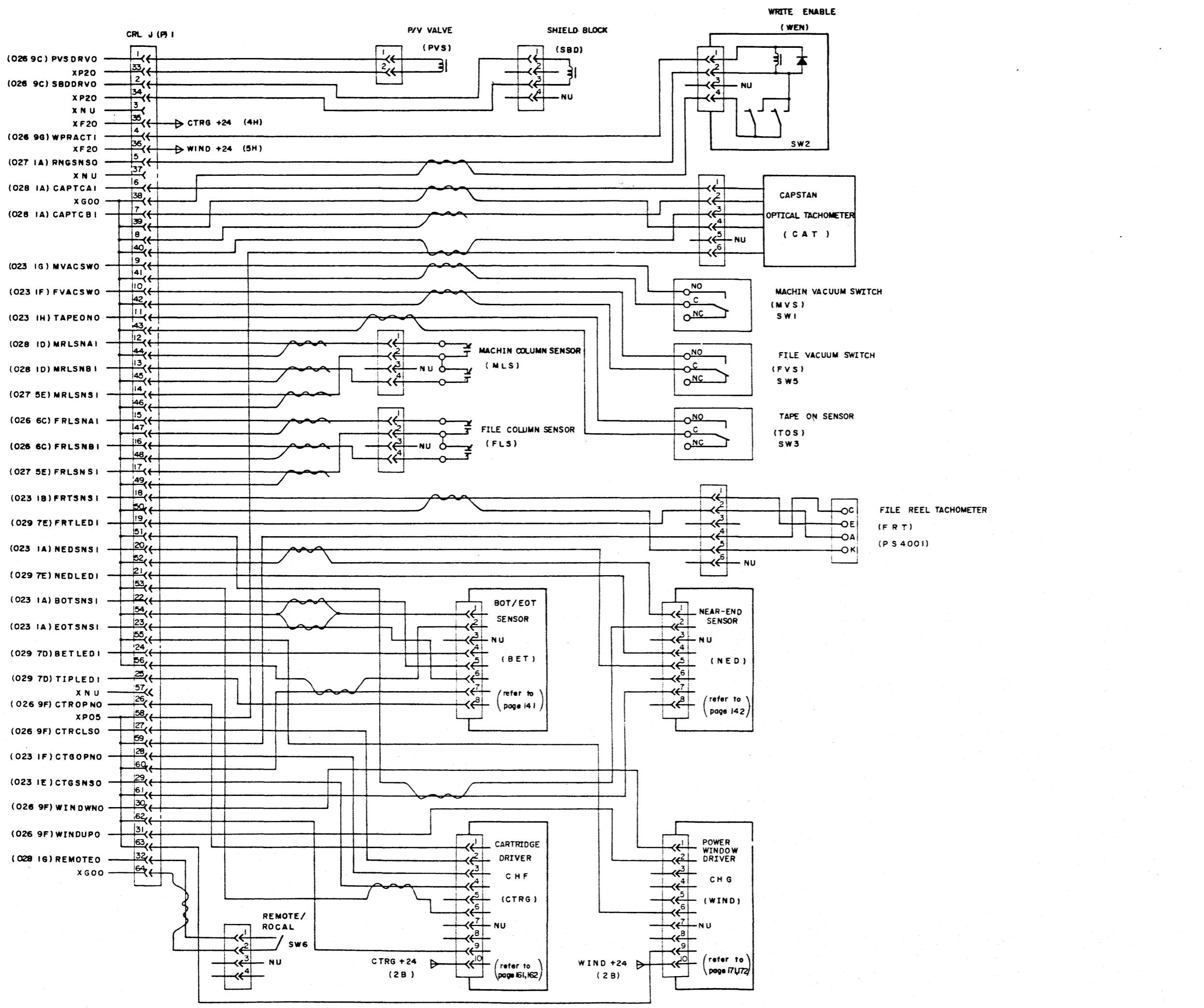
REV	COMP	DESCRIPTION (SC)	APP
1	0	1979.11	

DWG ABBR	PAC			
PKG LOCATION	CHE			
PKG NAME	G9NHD			
123				
NEXT SPEC				
DRAFT	ENG	CHK	APP	ISSUE
	制		村	
POWER SUPPLY CIRCUIT DIAGRAMS				
134-190322-001				0
NEC				SHT 3/3

134-190232-001

A  
B  
C  
D  
E  
F  
G  
H



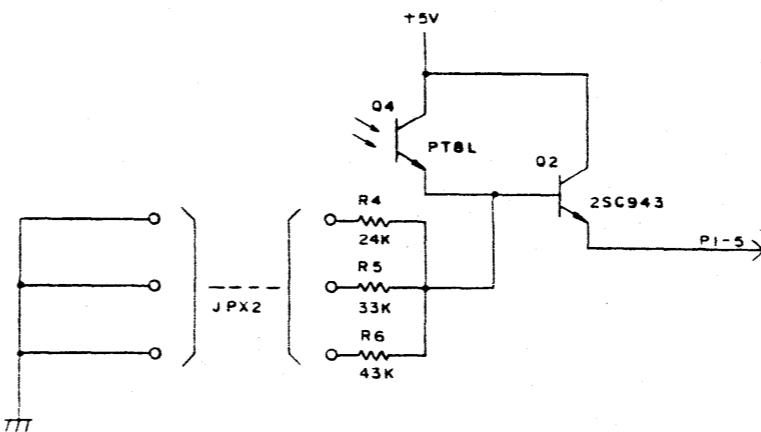
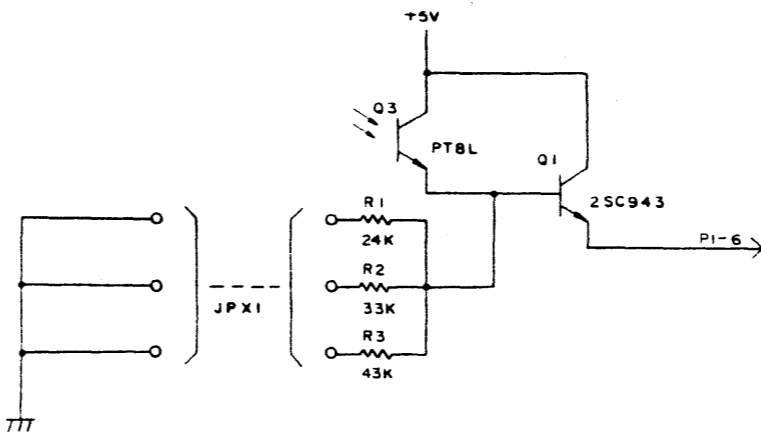
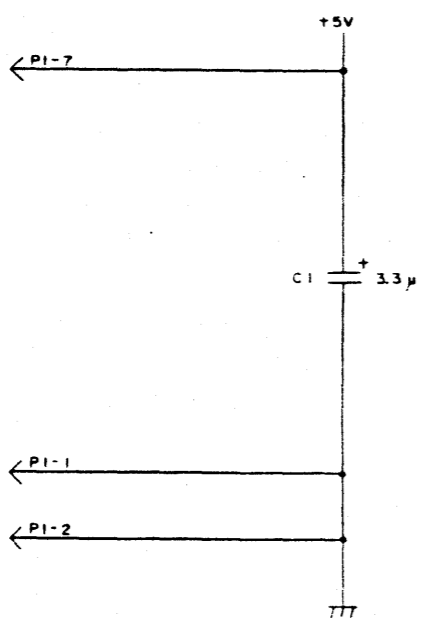
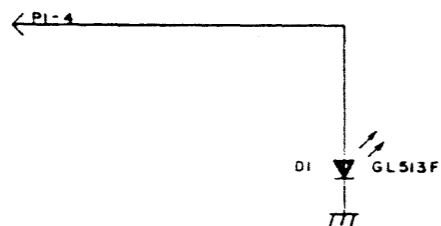
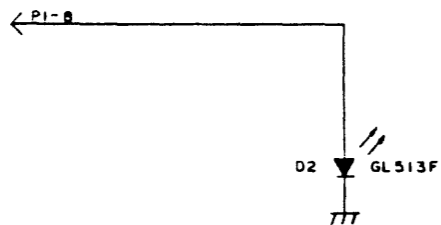
REV	COMP	DESCRIPTION (SC)	APP
1	0	1979.11	

DWG ABBR				
PKG LOCATION				
PKG NAME				
131				
NEXT SPEC				
DRAFT	ENG	CHK	APP	ISSUE
	植		★	◎
WIRING DIAGRAM				
134-190232-001				0
NEC				SHT 1/1

134-190232-002

0



REV	COMP	DESCRIPTION (SC)	APP
1	0	1979.8	

DWG ABBR	BET
PKG LOCATION	CHB
PKG NAME	G9CVK

141

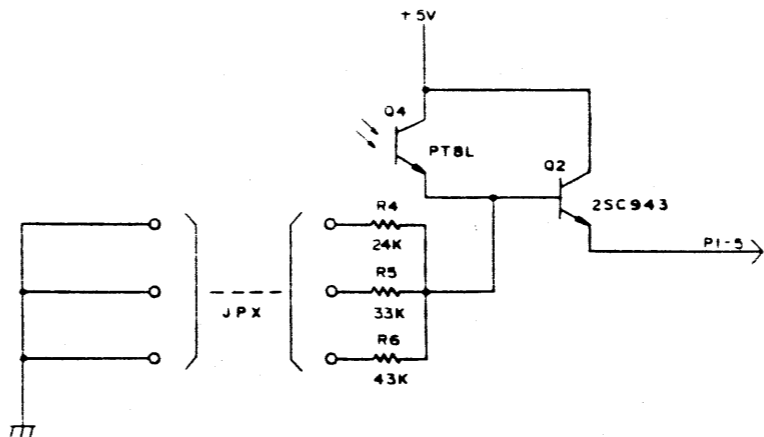
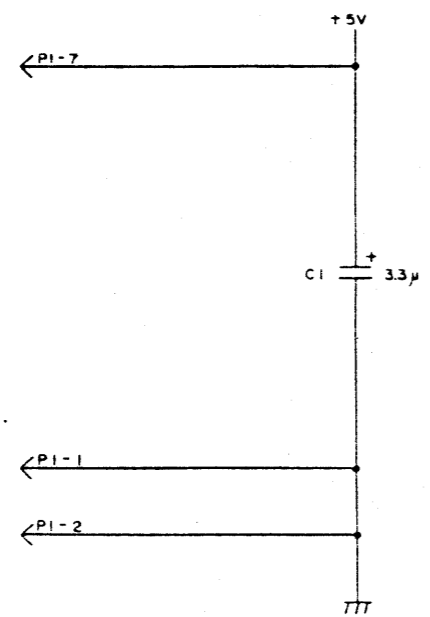
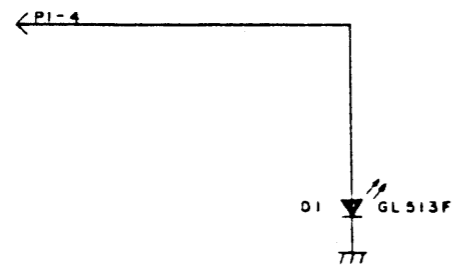
NEXT SPEC				
DRAFT	ENG	CHK	APP	ISSUE
	棚		寺	
	橋		社	

BOT/EOT SENSOR  
CIRCUIT DIAGRAM

134-190232-002 0

NEC SHT 1/1

134-190232-003  
0



REV	COMP	DESCRIPTION (SC)	APP
1	0	1979.8	

DWG ABBR	NED
PKG LOCATION	CHB
PKG NAME	G9CVL

142

NEXT SPEC				
DRAFT	ENG	CHK	APP	ISSUE
	棚		今	
	橋		☆	

NEAR-END SENSOR  
CIRCUIT DIAGRAM

134-190232-003 0

NEC SHT 1/1

134-190232-004

0

C

D

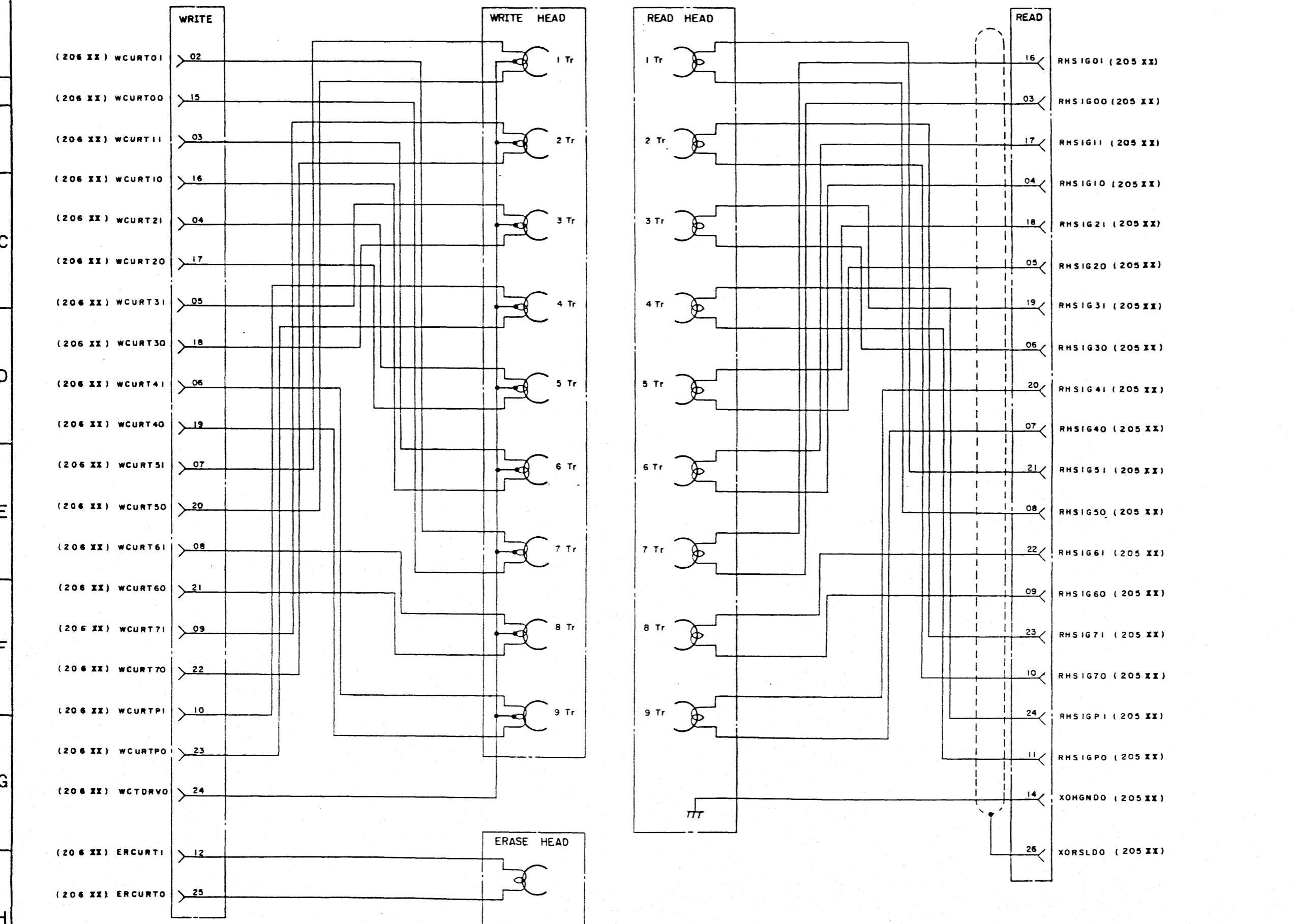
F

F

G

H

装置名



REV	COMP	DESCRIPTION(SC)	APP
1	0	1979.8	

DWG ABBR				
PKG LOCATION	CHB			
PKG NAME				
151				
NEXT SPEC				
DRAFT	ENG	CHK	APP	ISSUE
	棚		村	
	橋			

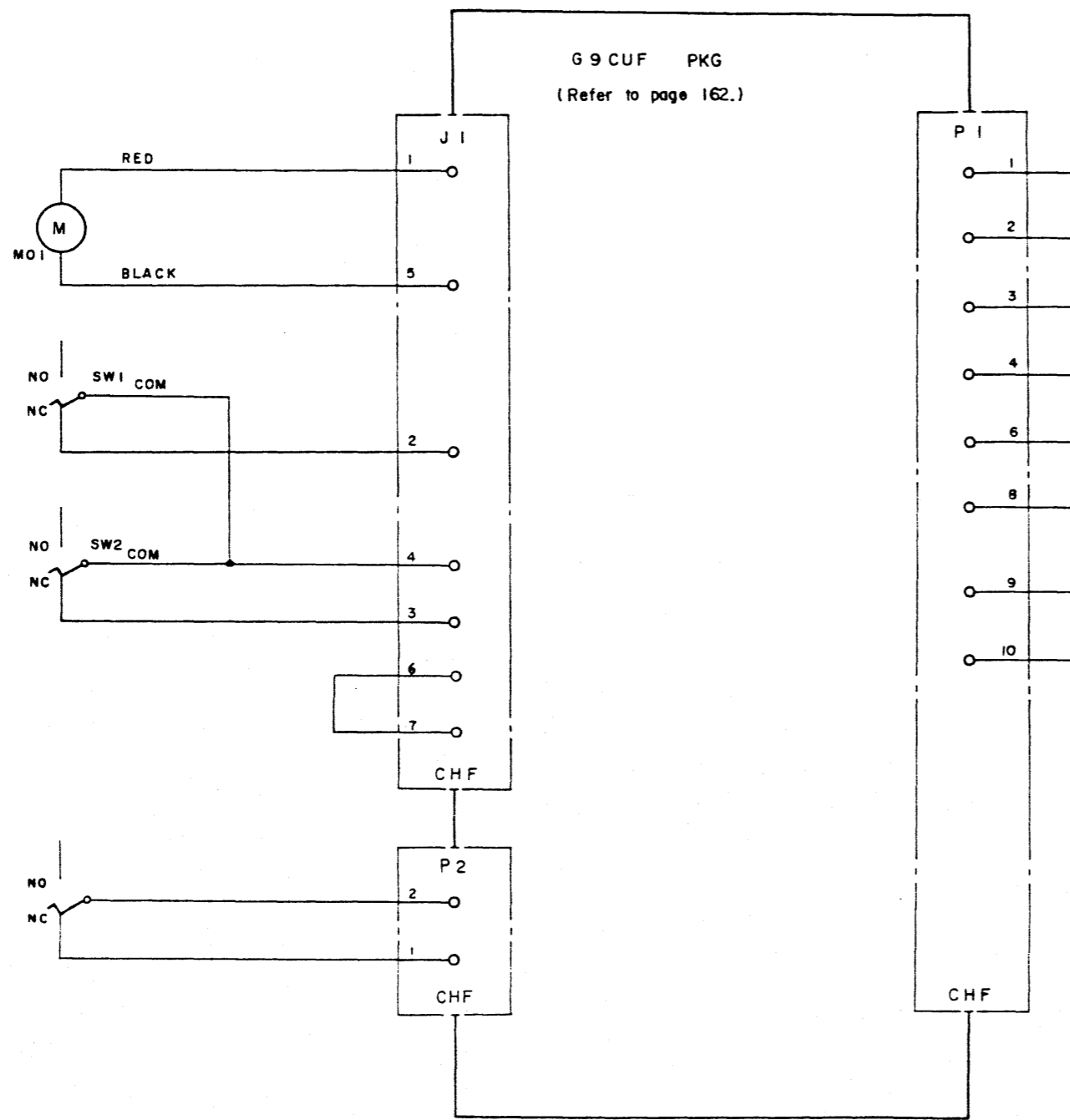
MAGNETIC HEAD  
CIRCUIT DIAGRAM

134-190232-004 0

NEC SHT 1/1

134-190232-005

0



REV	COMP	DESCRIPTION (SC)	APP
1	0	1979.8	

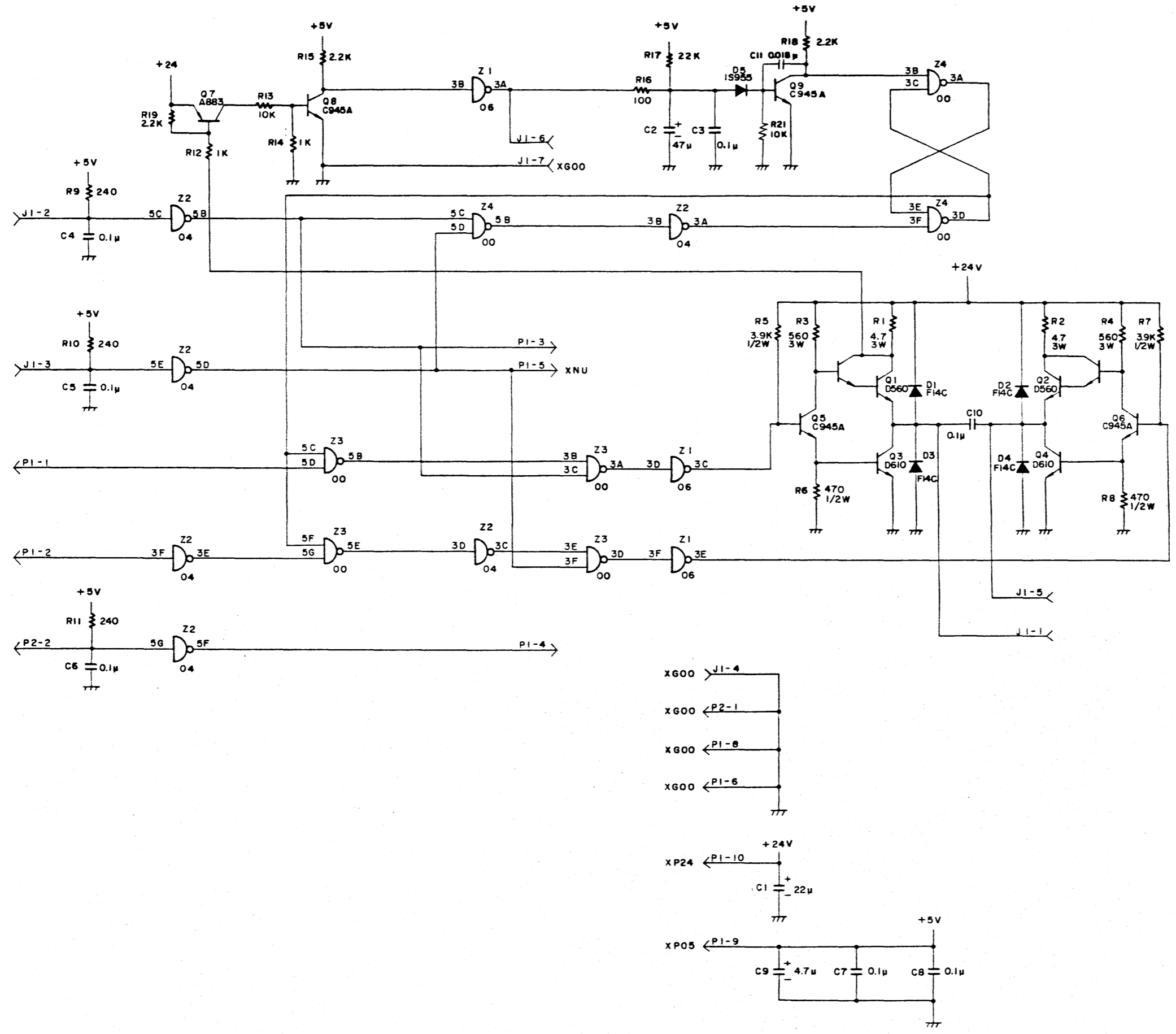
DWG ABBR	CWD			
PKG LOCATION	CHF			
PKG NAME				
161				
NEXT SPEC				
DRAFT	ENG	CHK	APP	ISSUE
	梅			
	垣			

CARTRIDGE DRIVER  
CIRCUIT DIAGRAMS

134-190232-005 0

NEC SHT 1/2

134-190232-005  
0



REV	COMP	DESCRIPTION(SC)	APP
1	0	1979.8	

DWG ABBR	CWD
PKG LOCATION	CHF
PKG NAME	G9CUF

162

NEXT SPEC				
DRAFT	ENG	CHK	APP	ISSUE
	破		奇	
	垣		村	

CARTRIDGE DRIVER  
CIRCUIT DIAGRAMS

134-190232-005 0

NEC SHT 2/2

装置名



134-190233-021

0

IFC (P5)				SIGNAL NAME	CRL (P3)			
G9QDS (OEM-III)	G9CUA (OEM-II)	G9GEF (OEM-I)	PIN No.		PIN No.			
			01	G	40			
			02	G	39			
0037F	→	0037E	03	IFCRDY I	38	0281H		
			04	G	37			
→	→	0037A	05	L DTCMDO	36	0244D		
			06	G	35			
→	→	0037B	07	R WDCMDO	34	0244B		
			08	G	33			
→	→	0037B	09	ULDCMDO	32	0244A		
			10	G	31			
→	→	0037H	11	PROTECO	30	0271G		
			12	G	29			
→	→	0037G	13	PRTSNOO	28	0271A		
			14	G	27			
→	→	0037G	15	STARTSO	26	0244E		
→	→	0037E	16	RESETSO	25	0271C		
→	→	0047E	17	LCMWRT0	24	0237E		
0047C	0047D	0047C	18	LDENSTO	23	0231C		
→	→	0015F	19	FWDCMDO	22	0237B		
→	→	0015G	20	RVSCMDO	21	0237D		
0022C	→	0022D	21	BOTSTSI	20	0249B		
0022D	→	0022E	22	EOTSTSI	19	0279G		
0022B	→	0022C	23	DEVLDDI	18	0249C		
0022C	→	0022D	24	RWDINGI	17	0249A		
→	→	0032F	25	EOTDETI	16	0249D		
0032D	→	0032C	26	DEVRYO	15	0249D		
0042G	→	0042F	27	DEVALMI	14	0279C		
→	→	0042B	28	DEVCHKO	13	0279B		
→	→	0032F	29	MSTRRSI	12	0234E		
→	→	0042C	30	CLEARRO	11	0249B		
0022E	→	0022F	31	DOSDOSI	10	0249G		
0032H	→	0032G	32	WRTRNGI	9	0273A		
0026A	→	0026B	33	DLVERRI	8	0249F		
0042G	→	0042F	34	RVSENDI	7	0279F		
			35	G	6			
			36	G	5			
			37	G	4			
			38	G	3			
			39	G	2			
			40	G	1			

REV/COMP	DESCRIPTION(SC)	APP
1 0	1981.1	

201

NEXT SPEC	ENG	CHK	APP	ISSUE

SOURCE/DESTINATION LIST

[ IFC - CRL ]  
 (P5) - (P3)

134-190233-021

NEC

SHT 1/1

DC-405  
JIS A3 (297X420)

Nippon Electric Co. Ltd.

2

3

4

5

6

1

2

3

4

5

6

7

A

B

C

△

D

E

設置名

134-190233-002 0

IFC (P8)			SIGNAL NAME	RWB (P1)				
	G9QDS (OEM-III)	PIN No.		PIN No.	RWB-PE (PE)	RWB-PN (PE/NRZI)	RWB-GP (GCR/PE)	RWB-GPN (GCR/PE/NRZI)
		01	G	40				
004 4B	0018 B	02	WRTDT 1 I	39	0611 A	071 1 A	091 1 A	041 1 A
004 4C	0018 C	03	WRTDT 2 I	38	0611 A	071 1 A	091 1 A	041 1 B
004 4C	0018 C	04	WRTDT 3 I	37	0611 A	071 1 B	091 1 B	041 1 B
004 4D	0018 D	05	WRTDT 4 I	36	0611 C	071 1 D	091 1 D	041 1 D
004 4D	0018 E	06	WRTDT 5 I	35	0611 C	071 1 D	091 1 D	041 1 D
004 4E	0018 E	07	WRTDT 6 I	34	0611 D	071 1 D	091 1 D	041 1 D
004 4F	0018 F	08	WRTDT 7 I	33	0611 D	071 1 E	091 1 E	041 1 D
004 4F	0018 G	09	WRTDT P I	32	0611 E	071 1 F	091 1 G	041 1 E
004 8B	0015 H	10	WRTSTBO	31	0611 F	071 3 G	091 1 G	041 1 F
004 4G	0018 G	11	WRTFFRO	30		072 1 F		043 1 G
004 8C	0015 G	12	LOWTHRO	29	064 1 C	073 6 D	093 1 E	052 6 B
005 2A	0026 B	13	REDDT 0 I	28	0639 A	077 5 A	098 5 A	049 9 C
005 2A	0026 B	14	REDDT 1 I	27	0639 A	077 5 B	098 5 B	049 9 D
005 2B	0026 C	15	REDDT 2 I	26	0639 A	077 5 B	098 5 B	049 9 D
005 2B	0026 C	16	REDDT 3 I	25	0639 B	077 5 B	098 5 B	049 9 D
		17	G	24				
004 1E	004 7 E	18	SETNRZO	23				041 1 F
		19	G	22				
005 2E	0026 F	20	REDDT P I	21	063 9 D	077 5 E	098 5 E	049 9 H
002 4A	0018 A	21	WRTDT 0 I	20	061 1 A	071 1 A	091 1 A	041 1 A
		22	G	19				
		23	G	18				
		24	G	17				
		25	G	16				
		26	G	15				
		27	G	14				
		28	G	13				
		29	G	12				
		30	G	11				
		31	G	10				
		32	G	09				
		33	G	08				
		34	G	07				
		35	G	06				
005 2C	0026 D	36	REDDT 4 I	05	063 9 C	077 5 D	098 5 D	049 9 F
005 2C	0026 D	37	REDDT 5 I	04	063 9 C	077 5 D	098 5 D	049 9 G
005 2D	0026 E	38	REDDT 6 I	03	063 9 C	077 5 E	098 5 D	049 9 G
005 2D	0026 E	39	REDDT 7 I	02	063 9 D	077 5 E	098 5 E	049 9 G
		40	G	01				

DC-405 JIS A3 (297X420)

装置名  
MTU6XX

2

3

4

5

6

1

2

3

4

5

6

7

REV/COMP	DESCRIPTION(ISC)	APP
1 0	1979.11	
2 0	1982.3	
3 0	1982.5	

5/4/84  
TECHNICAL

202

PAGE

NEXT SPEC

DRAFT	ENG	CHK	APP	ISSUE

SOURCE/DESTINATION LIST

[ IFC (P8) — RWB (P1) ]

134-190233-002 0

NEC

SHT 1 / 1

Nippon Electric Co. Ltd

134-190233-002 0

NEC

SHT 1 / 1

Nippon Electric Co. Ltd

CRL (P 2)				SIGNAL NAME	RWB (P 3)				
			PIN No.		PIN No.	RWB-PE (PE)	RWB-PN (PE/NRZI)	RWB-GP (GCR/PE)	RWB-GPN (GCR/PE/NRZI)
			01	G	01	-	-	-	-
			02	G	02	-	-	-	-
			03	G	03	-	-	-	-
		023 4 B	04	7TRACKO	04	-	079 7B	-	051 6A
			05	G	05	-	-	-	-
		023 7 E	06	RAMPSP1	06	-	-	092 5G	045 4E
			07	G	07	-	-	-	-
		023 7 F	08	WFFORD I	08	061 8G	073 9F	093 4F	045 8E
		024 3 D	09	RWSELDO	09	064 1B	073 1G	092 1D	044 1G
			10	G	10	-	-	-	-
		021 5 E	11	RWWRITO	11	064 1B	073 1G	092 1D	044 1B
		021 8 H	12	RWADRII	12	064 1B	073 1H	092 1D	044 1B
			13	G	13	-	-	-	-
			14	G	14	-	-	-	-
			15	G	15	-	-	-	-
			16	G	16	-	-	-	-
		025 8 B	17	RWDAT3I	17	-	-	092 1A	044 9A
		025 8 B	18	RWDAT2I	18	-	-	092 1A	044 9B
		025 8 A	19	RWDAT1I	19	-	-	092 1A	044 9B
		025 8 A	20	RWDATOI	20	-	-	092 1A	044 9B
		024 6 F	21	LOWDENO	21	-	073 1A	093 1B	052 1C
		027 5 G	22	WRTGATO	22	061 1G	073 1A	093 1B	052 1A
		028 3 G	23	RWDSTBO	23	061 1F	071 3G	091 1G	041 1F
		023 4 D	24	JKMODEI	24	061 1G	073 1E	091 1A	051 1H
		027 3 A	25	WRTPRTO	25	061 6G	073 6E	093 1C	045 1F
		025 5 D	26	RWLCLKI	26	-	079 5F	-	051 2F
		025 5 D	27	RWSCLKI	27	063 1C	076 1C	097 1C	048 1G
		027 9 C	28	RWTFWDO	28	-	073 1C	-	051 1E
		024 9 G	29	WRTDOSO	29	063 1D	073 1D	098 1F	051 1E
		024 7 F	30	RHLERRI	30	-	077 9F	-	-
		025 6 F	31	RFIORDI	31	063 9E	077 5G	093 8H	048 4E
		025 6 F	32	RLSORDI	32	062 6H	075 9G	093 4G	048 4E
			33	G	33	-	-	-	-
		024 3 B	34	RWSELCO	34	-	-	092 1B	044 1B
		021 5 E	35	RWREADO	35	-	-	092 1C	044 1B
			36	G	36	-	-	-	-
		021 8 H	37	RWADROI	37	064 1B	073 1G	092 1D	044 1B
		025 8 C	38	RWDAT7I	38	064 1A	073 1F	092 1B	044 9A
		025 8 C	39	RWDAT6I	39	064 1A	073 1G	092 1B	044 9A
		025 8 C	40	RWDAT5I	40	064 1A	073 1G	092 1B	044 9A
		025 8 B	41	RWDAT4I	41	064 1A	073 1G	092 1B	044 9A
			42	G	42	-	-	-	-
			43	G	43	-	-	-	-
			44	G	44	-	-	-	-
			45	G	45	-	-	-	-
		024 6 F	46	OFFLINO	46	064 1C	073 1H	091 1G	041 1H
			47	G	47	-	-	-	-
			48	G	48	-	-	-	-
		027 5 G	49	RWGEARO	49	-	-	093 1D	045 1F
			50	G	50	-	-	-	-

REV/COMP	DESCRIPTION(SC)	APP
1 0	1979.11	
2 0		

PAGE 203

NEXT SPEC			
DRAFT	ENG	CHK	APP

SOURCE/DESTINATION LIST

[ CRL — RWB (P2) — (P3) ]

134-190233-003 0

NEC SH 1/1

134-190233-005

0

装置名

MAGNETIC HEAD (READ)	SIGNAL NAME	PIN No.	RWB (P4)			
			RWB-PE (PE)	RWB-PN (PE/NRZI)	RWB-GP (GCR/PE)	RWB-GPN (GCR/PE/NRZI)
—	XNU	01	—	—	—	—
—	XNU	02	—	—	—	—
151 8B	RHSIG00	03	062 1A	074 1A	094 1A	046 1A
151 8B	RHSIG10	04	062 1B	074 1B	094 1C	046 1B
151 8C	RHSIG20	05	062 1C	074 1E	094 1D	046 1D
151 8D	RHSIG30	06	062 1C	074 1D	094 1F	046 1E
151 8D	RHSIG40	07	062 1D	075 1A	095 1A	046 6A
151 8E	RHSIG50	08	062 1E	075 1B	095 1D	046 6B
151 8F	RHSIG60	09	062 1E	075 1E	095 1F	046 6D
151 8F	RHSIG70	10	062 1F	075 1C	096 1A	046 6E
151 8G	RHSIGP0	11	062 1G	075 1F	096 1C	046 6F
—	XNU	12	—	—	—	—
—	XNU	13	—	—	—	—
151 8G	XOHGND0	14	067 5A	083 5A	103 5A	045 9H
—	XNU	15	—	—	—	—
151 8B	RHSIG01	16	062 1A	074 1A	094 1A	046 1A
151 8B	RHSIG11	17	062 1B	074 1B	094 1B	046 1B
151 8C	RHSIG21	18	062 1B	074 1E	094 1D	046 1C
151 8C	RHSIG31	19	062 1C	074 1D	094 1F	046 1E
151 8D	RHSIG41	20	062 1D	075 1A	095 1A	046 6A
151 8E	RHSIG51	21	062 1D	075 1B	095 1C	046 6B
151 8E	RHSIG61	22	062 1E	075 1D	095 1F	046 6C
151 8F	RHSIG71	23	062 1F	075 1C	096 1A	046 6E
151 8G	RHSIGP1	24	062 1G	075 1F	096 1C	046 6F
—	XNU	25	—	—	—	—
151 8H	XORSLD0	26	067 5B	083 5B	103 5B	045 9H

REV	COMP	DESCRIPTION(SC)	APP
1	0	1979.11	—
2	0	1979.11.3	—

PAGE	205			
NEXT SPEC				
DRAFT	ENG	CHK	APP	ISSUE
	概 統		今 村	

SOURCE/DESTINATION LIST

[ MAGNETIC — RWB ]  
[ HEAD — (P4) ]

134-190233-005 0

NEC SHT 1/1

134-190233-006

0

MAGNETIC HEAD (WRITE)	SIGNAL NAME	PIN No.	R W B ( P 5 )			
			RWB-PE (PE)	RWB-PN (PE/NRZI)	RWB-GP (GCR/PE)	RWB-GPN (GCR/PE/NRZI)
—	XNU	01	—	—	—	—
151 2B	WCURTO1	02	061 8A	071 9A	091 9A	042 4A
151 2B	WCURT11	03	061 8B	071 9B	091 9B	042 4C
151 2C	WCURT21	04	061 8B	071 9C	091 9C	042 4D
151 2C	WCURT31	05	061 8C	071 9C	091 9C	042 4E
151 2D	WCURT41	06	061 8C	071 9D	091 9D	042 4F
151 2E	WCURT51	07	061 8D	071 9E	091 9E	042 8A
151 2E	WCURT61	08	061 8E	071 9F	091 9F	042 8C
151 2F	WCURT71	09	061 8E	071 9F	091 9F	042 8D
151 2F	WCURTP1	10	061 8F	071 9G	091 9G	042 8E
—	XNU	11	—	—	—	—
151 2H	ERCURTI	12	061 8G	073 9E	093 8D	045 4H
—	XNU	13	—	—	—	—
—	XNU	14	—	—	—	—
151 2B	WCURTO0	15	061 8A	071 9A	091 9A	042 4B
151 2C	WCURT10	16	061 8B	071 9B	091 9B	042 4C
151 2C	WCURT20	17	061 8B	071 9C	091 9C	042 4D
151 2D	WCURT30	18	061 8C	071 9D	091 9D	042 4E
151 2D	WCURT40	19	061 8D	071 9D	091 9D	042 4F
151 2E	WCURT50	20	061 8D	071 9E	091 9E	042 8B
151 2F	WCURT60	21	061 8E	071 9F	091 9F	042 8C
151 2F	WCURT70	22	061 8E	071 9G	091 9G	042 8D
151 2G	WCURTP0	23	061 8F	071 9G	091 9G	042 8E
151 2G	WCTDRVO	24	061 8G	073 9D	093 8C	045 4H
151 2H	ERCURTO	25	061 8G	073 9E	093 8D	045 4H
—	XNU	26	—	—	—	—

REV/COMP DESCRIPTION(SC) APP

1 0 1979.11

0 1979.3

PAGE 206

NEXT SPEC

DRAFT	ENG	CHK	APP	ISSUE
-------	-----	-----	-----	-------

	標 尾		今 村	
--	--------	--	--------	--

SOURCE / DESTINATION LIST

[ MAGNETIC — RWB ]  
[ HEAD — (P5) ]

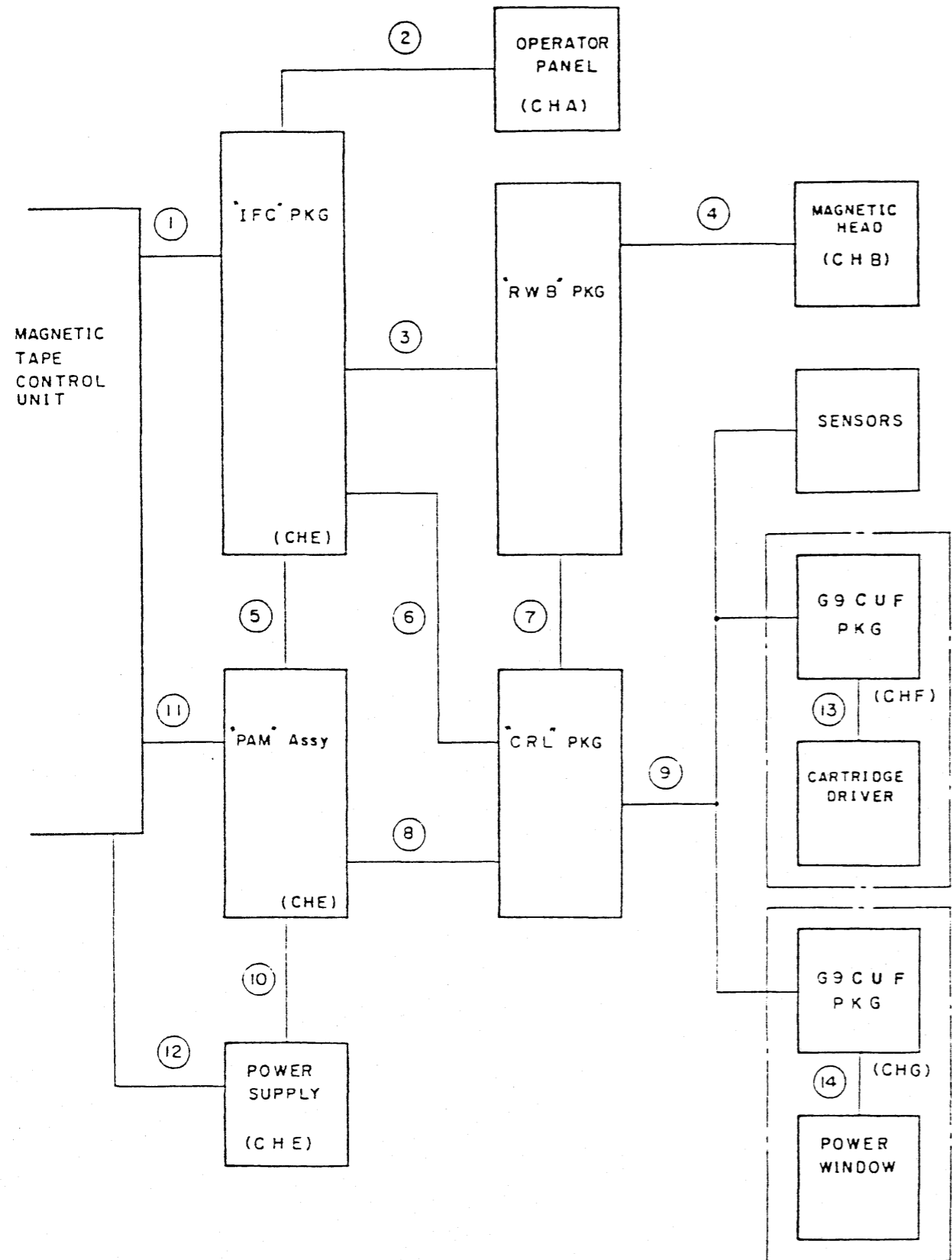
134-190233-006 0

NEC SHT 1/1

Nippon Electric Co.Ltd.

装置名

134-190234-005-0



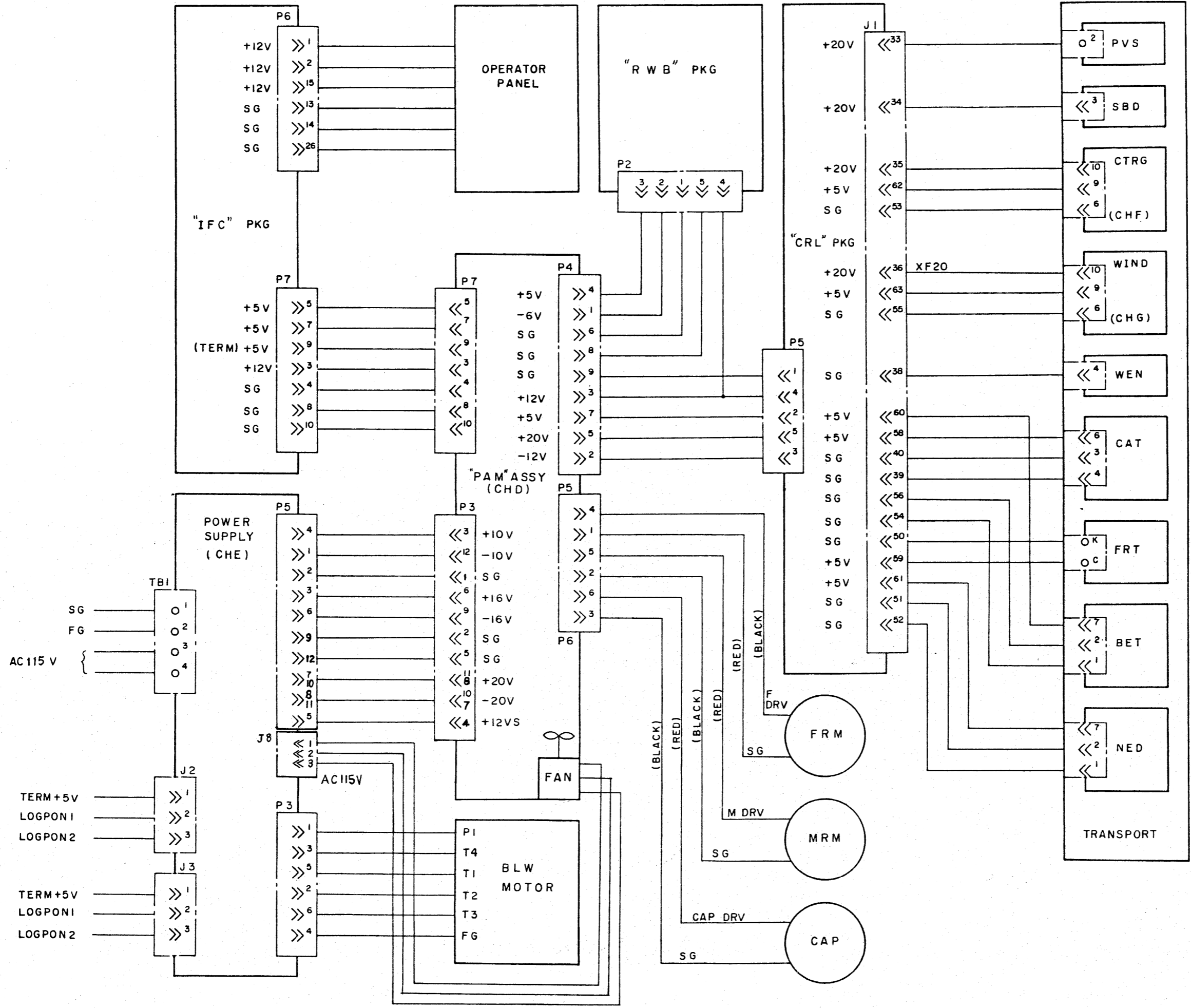
CABLE NO.	SOURCE			DESTINATION			NOTE
	CONNECTOR LOCATION	CIRCUIT DIAGRAM		CONNECTOR LOCATION	CIRCUIT DIAGRAM		
		ABBREVIATED CODE	PAGE		ABBREVIATED CODE	PAGE	
①	(CHH) P1 IFC-P2 P3 P4	IFC	001 ~				
②	(CHH) IFC-P6	IFC	001 ~	(CHA)			
③	(CHH) IFC-P8	IFC	001 ~	RWB-P1	RWB	061 ~ 071 ~ 091 ~	
④	RWB-P4 P5	RWB	061 ~ 071 ~ 091 ~	(CHB)		151	
⑤	(CHH) IFC-P7	IFC	001 ~	(CHD) PAM-P7	PAM	111 ~	
⑥	(CHH) IFC-P5	IFC	001 ~	CRL-P3	CRL	021 ~	
⑦	RWB-P3	RWB	061 ~ 071 ~ 091 ~	CRL-P2	CRL	021 ~	
⑧	(CHD) PAM-P2	PAM	111 ~	CRL-P1	CRL	021 ~	
⑨	CRL-J1	CRL	021 ~	(CHB) BET NED FRT CAT SBD PCV WEN MLS FLS MLE FLE TOS	BET NED	131 141 131	
⑩	(CHD) PAM-P1	PAM	111 ~	(CHE) PAC-P4	PAC	121 ~	
⑪	(CHD) P8 PAM-P9	PAM	111 ~				
⑫	(CHE) J2 PAC-J3	PAC	121 ~				
⑬	(CHF) CWD-J1		161 ~			161 ~	
⑭	(CHG) CWD-J1		171 ~			171 ~	
⑮	CRL-P4	CRL	021 ~	CE BOX -P1		211 ~	

REV/COMP 1 0 DESCRIPTION(SC) 1982.7 APP

DWG ABBR	
PKG LOCATION	
PKG NAME	
NEXT SPEC	
DRAFT	ENG
CHK	APP
ISSUE	

CABLE CONNECTION DIAGRAM  
( SIGNAL )  
134-190234-005-0  
NEC SHT 1/1

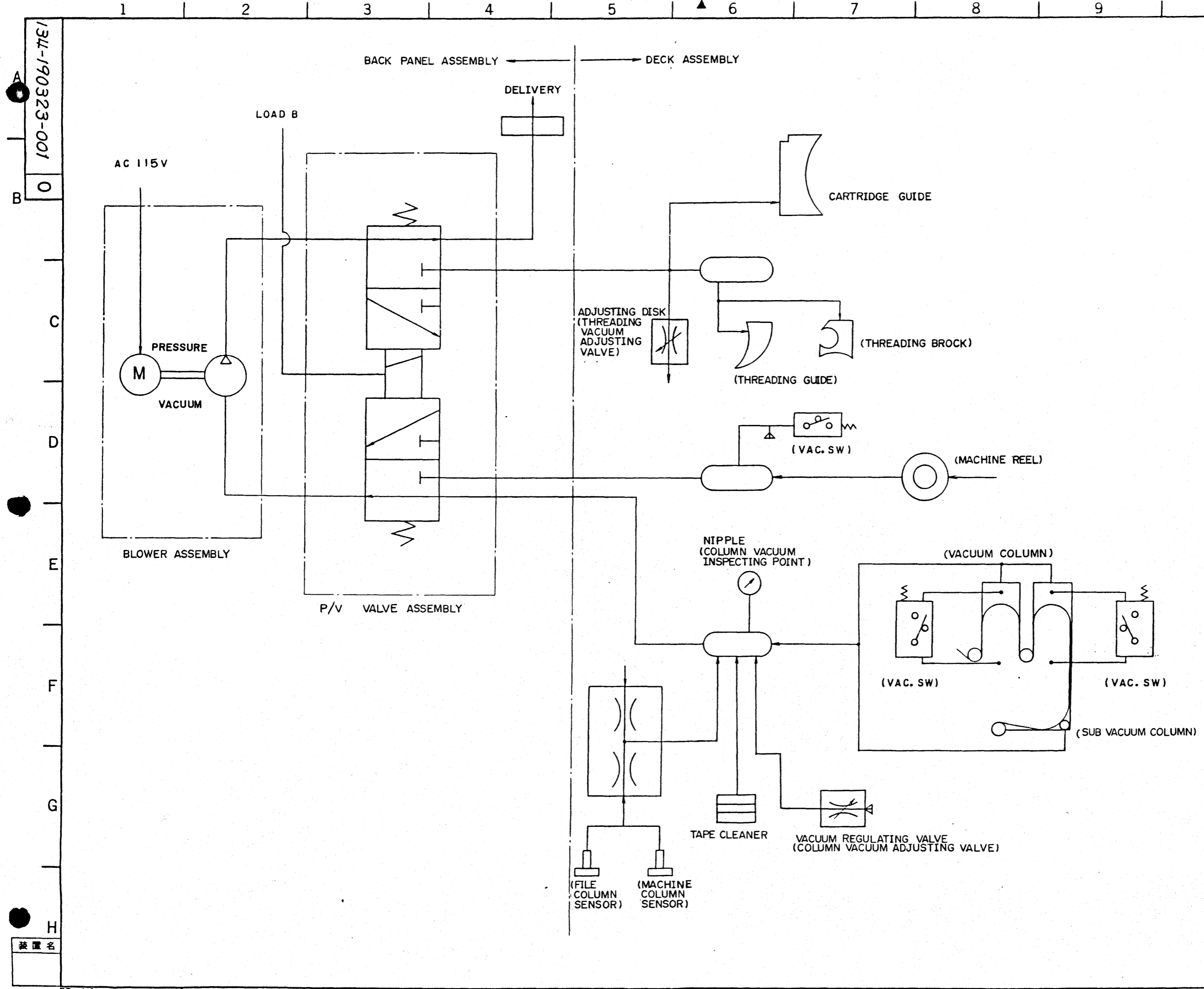
134-190234-004 0



REV	COMP	DESCRIPTION (SC)	APP
1	0	1979.11	
2	0	1982.5 SC413770	割

DWG ABBR				
PKG LOCATION				
PKG NAME				
NEXT SPEC				
DRAFT	ENG	CHK	APP	ISSUE
	棚		今	50.11.19
	橋		村	
CABLE CONNECTION DIAGRAM [ POWER SUPPLY ]				
134-190234-004 0				
NEC				SHT 1/1



134-190323-001

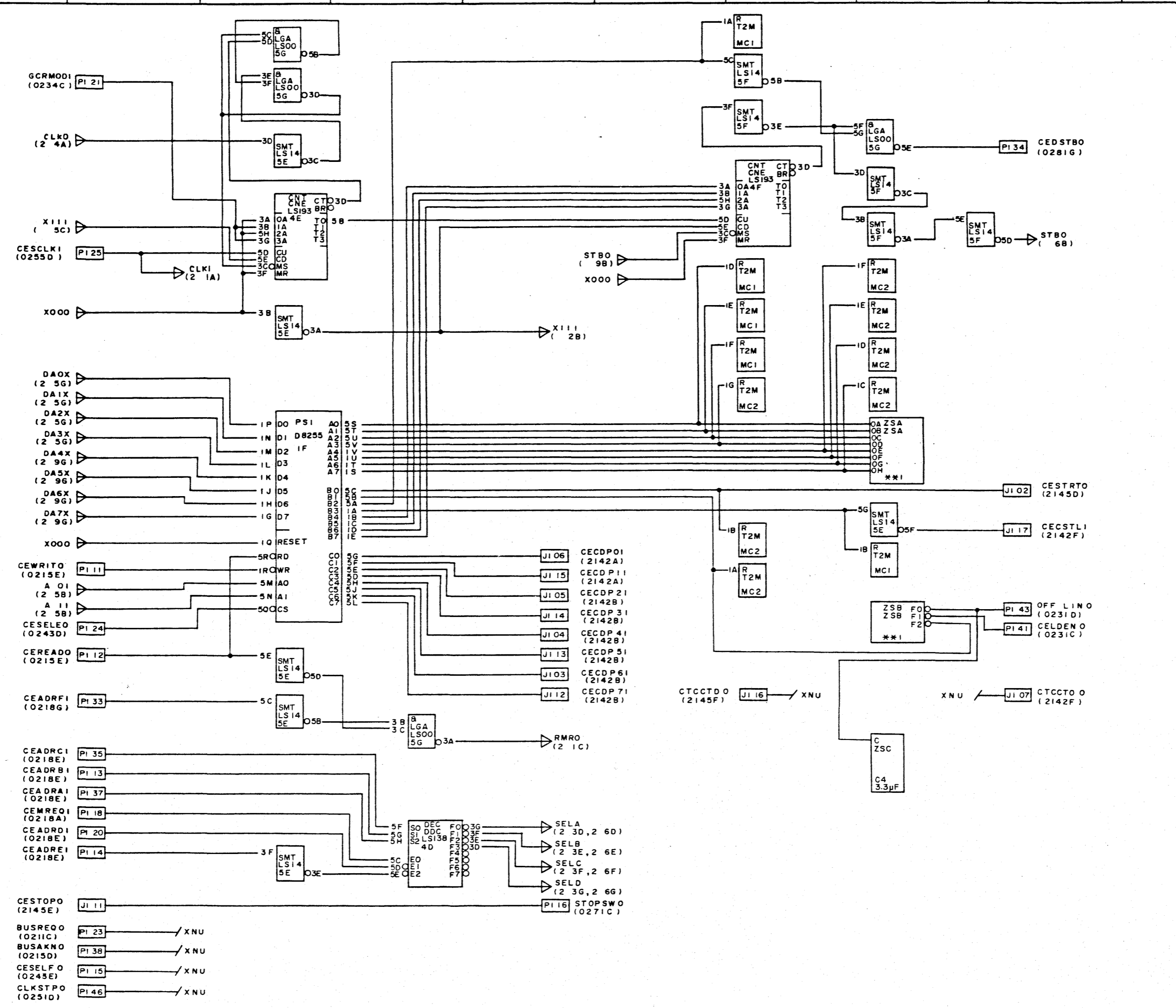
REV	COM	DESCRIPTION(SC)	APP
1	0	1979.8	

DWG ABBR				
PKG LOCATION				
PKG NAME				
NEXT SPEC				
DRAFT	ENG	CHK	APP	ISSUE
	深町		今村	1979.8.11

AIR SYSTEM DIAGRAM	
134-190323-001	0
NEC	SHT 1/1



134-190237-001

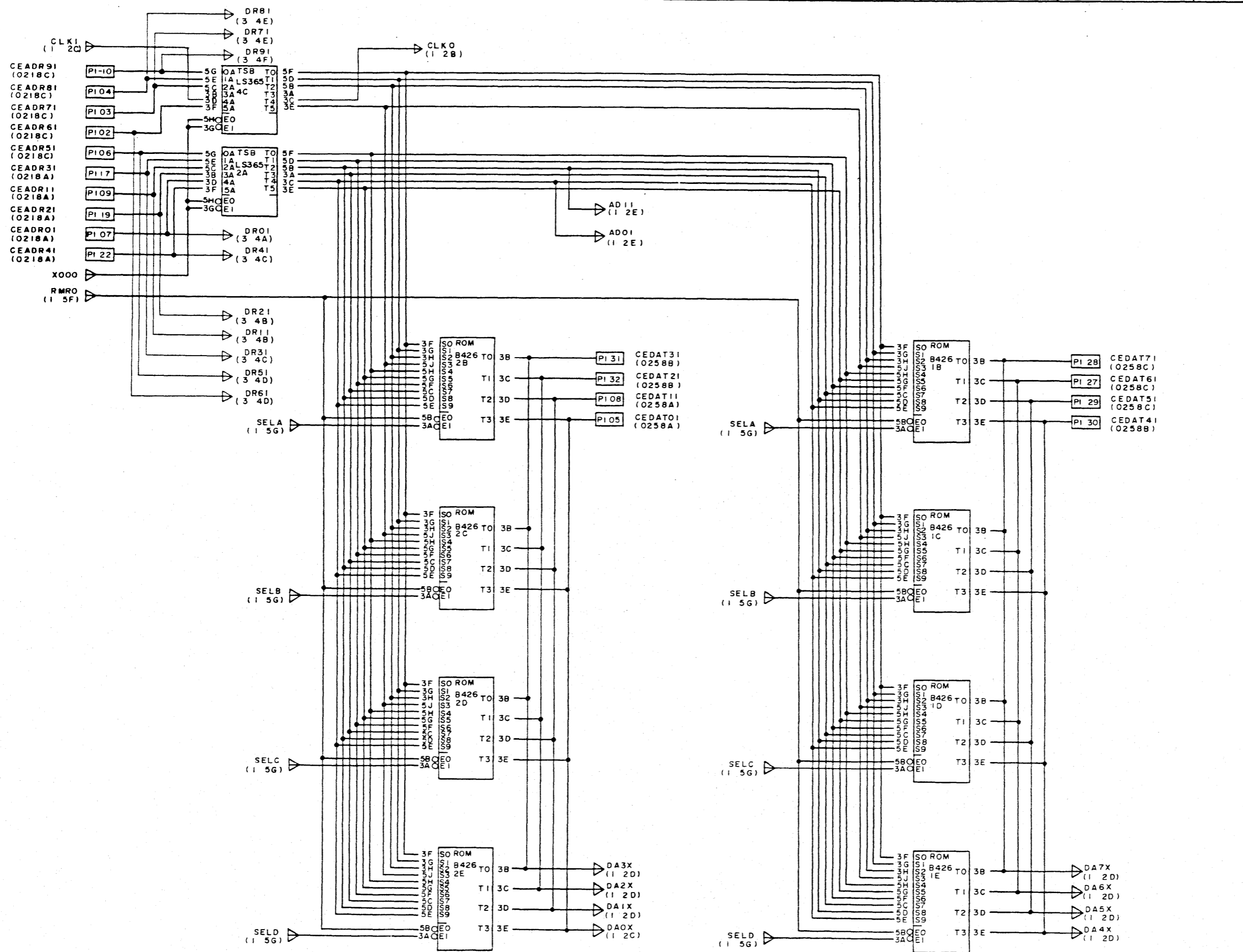


REV	COMP	DESCRIPTION (SC)	APP
1	0	1979.8	
2	1	1981.9 SC-4135 梅垣	今井

DWG ABBR	TAD-3			
PKG LOCATION				
PKG NAME	G9GEQ			
211				
NEXT SPEC				
DRAFT	ENG	CHK	APP	ISSUE
	梅垣		今井	93
MAINTENANCE BOX CIRCUIT DIAGRAMS				
134-190237-001				1
NEC				SHT 1/3

134-190237-001



REV	COMP	DESCRIPTION(SC)	APP
1	0	1979.8	
2	1	1981.9	A

DWG ABBR	TAD-3			
PKG LOCATION				
PKG NAME	G9GEQ			
212				
NEXT SPEC				
DRAFT	ENG	CHK	APP	ISSUE

MAINTENANCE BOX  
CIRCUIT DIAGRAMS

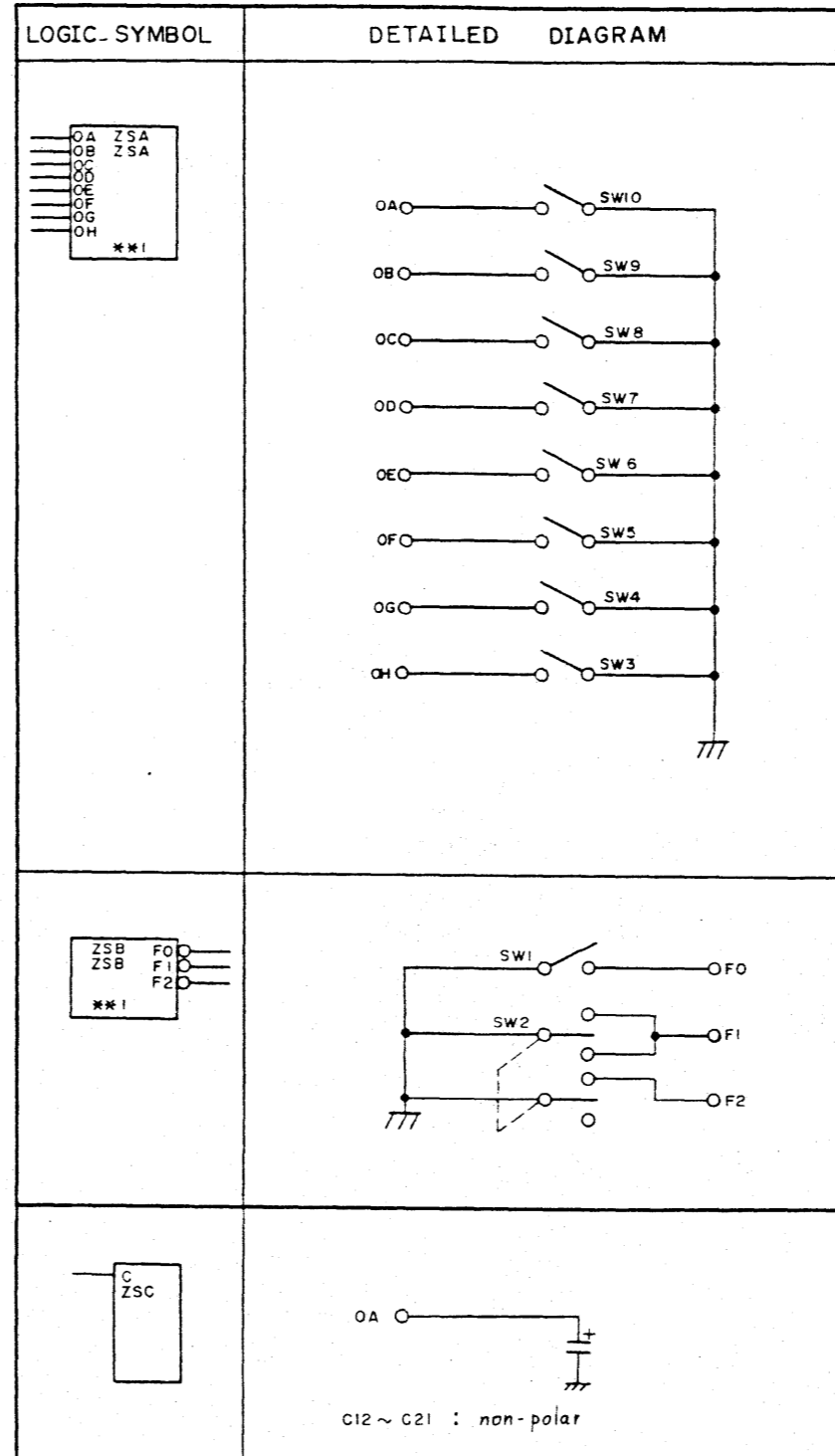
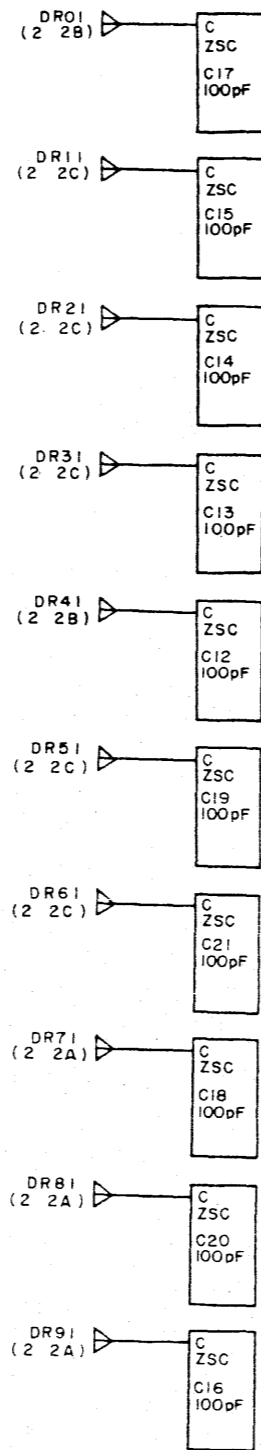
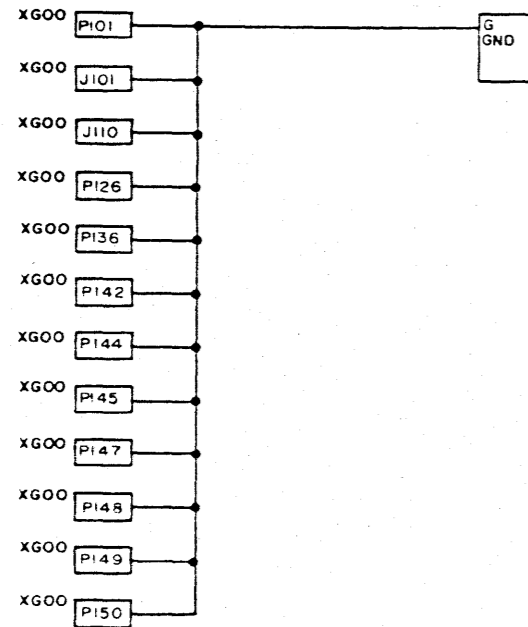
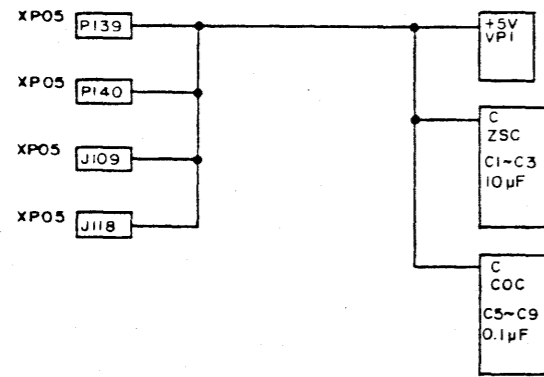
134-190237-001 | 1

NEC SHT 2/3

Nippon Electric Co. Ltd.

装置名

134-190237-001



REV	COMP	DESCRIPTION (SC)	APP
1	0	1979.8	
2	1	1981.9	

DWG ABBR	TAD-3
PKG LOCATION	
PKG NAME	G9GEQ

213

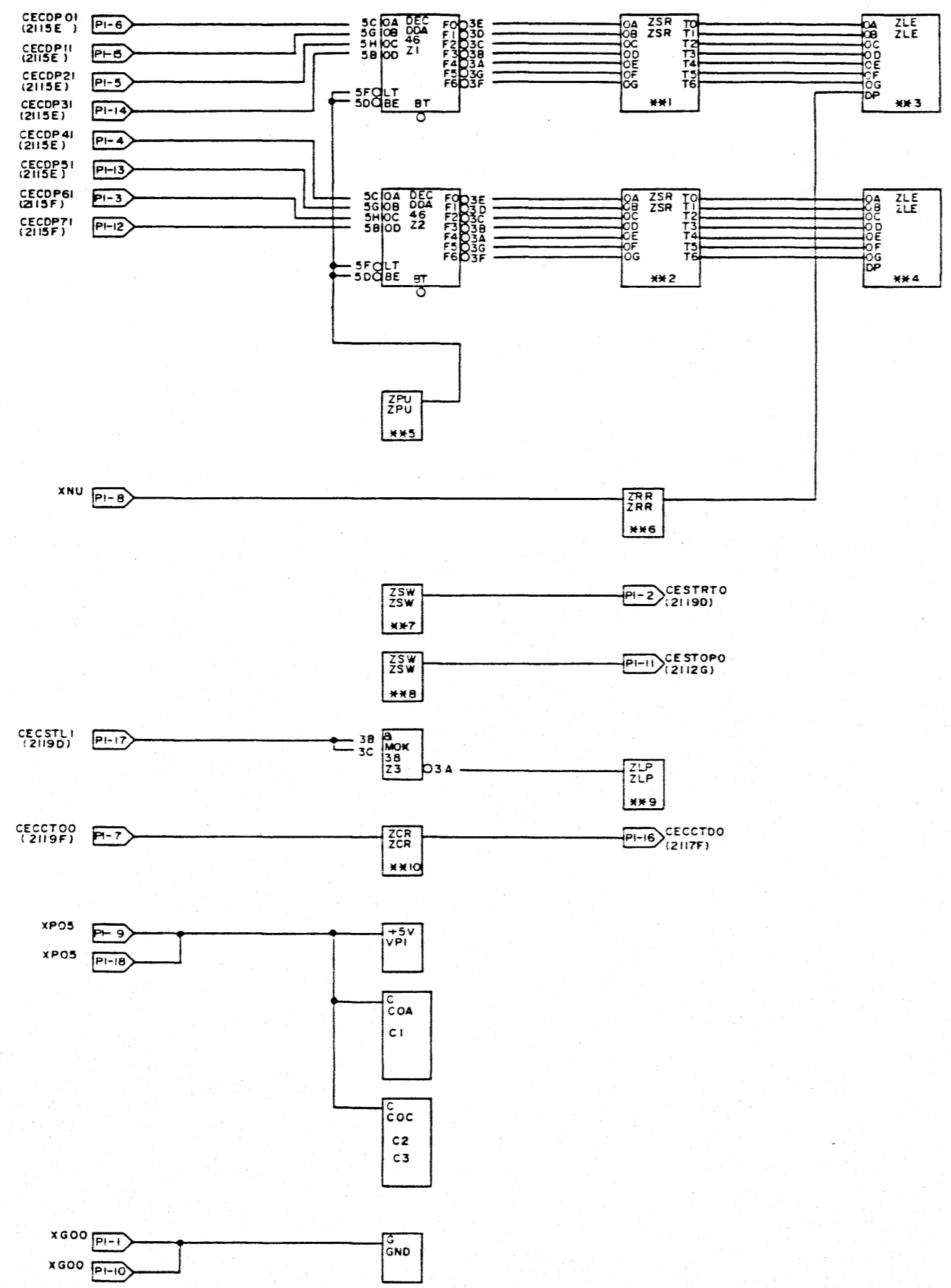
NEXT SPEC	
DRAFT	ENG
CHK	APP
ISSUE	

MAINTENANCE BOX  
CIRCUIT DIAGRAMS

134-190237-001 | 1

NEC SHT 3/3

134-190237-002



REV	COMP	DESCRIPTION (SC)	APP
1	0	1979.8	

DWG ABBR	TAD-2			
PKG LOCATION				
PKG NAME	G9CTV			
214				
NEXT SPEC				
DRAFT	ENG	CHK	APP	ISSUE
	梶		村	

MAINTENANCE BOX  
CIRCUIT DIAGRAMS

134-190237-002	0
NEC	SHT 1/2

134-190237-002

0

LOGIC SYMBOL	DETAILED DIAGRAM	PARTS CODE																								
		<table border="1"> <tr> <td>**n</td> <td>RAA</td> <td>RAB</td> <td>RAC</td> <td>RAD</td> <td>RAE</td> <td>RAF</td> <td>RAG</td> </tr> <tr> <td>**1</td> <td>R12</td> <td>R5</td> <td>R13</td> <td>R6</td> <td>R7</td> <td>R11</td> <td>R4</td> </tr> <tr> <td>**2</td> <td>R2</td> <td>R9</td> <td>R15</td> <td>R14</td> <td>R8</td> <td>R3</td> <td>R10</td> </tr> </table>	**n	RAA	RAB	RAC	RAD	RAE	RAF	RAG	**1	R12	R5	R13	R6	R7	R11	R4	**2	R2	R9	R15	R14	R8	R3	R10
**n	RAA	RAB	RAC	RAD	RAE	RAF	RAG																			
**1	R12	R5	R13	R6	R7	R11	R4																			
**2	R2	R9	R15	R14	R8	R3	R10																			
		<table border="1"> <tr> <td>**n</td> <td>DAA</td> </tr> <tr> <td>**3</td> <td>D1</td> </tr> <tr> <td>**4</td> <td>D2</td> </tr> </table>	**n	DAA	**3	D1	**4	D2																		
**n	DAA																									
**3	D1																									
**4	D2																									
		<table border="1"> <tr> <td>**n</td> <td>RAA</td> </tr> <tr> <td>**5</td> <td>R1</td> </tr> </table>	**n	RAA	**5	R1																				
**n	RAA																									
**5	R1																									
		<table border="1"> <tr> <td>**n</td> <td>RAA</td> </tr> <tr> <td>**6</td> <td>R18</td> </tr> </table>	**n	RAA	**6	R18																				
**n	RAA																									
**6	R18																									
		<table border="1"> <tr> <td>**n</td> <td>SWA</td> </tr> <tr> <td>**7</td> <td>SW1</td> </tr> <tr> <td>**8</td> <td>SW2</td> </tr> </table>	**n	SWA	**7	SW1	**8	SW2																		
**n	SWA																									
**7	SW1																									
**8	SW2																									
		<table border="1"> <tr> <td>**n</td> <td>RAA</td> <td>DAA</td> </tr> <tr> <td>**9</td> <td>R16</td> <td>SW1</td> </tr> </table>	**n	RAA	DAA	**9	R16	SW1																		
**n	RAA	DAA																								
**9	R16	SW1																								
		<table border="1"> <tr> <td>**n</td> <td>RAA</td> <td>CAA</td> </tr> <tr> <td>**10</td> <td>R17</td> <td>C4</td> </tr> </table>	**n	RAA	CAA	**10	R17	C4																		
**n	RAA	CAA																								
**10	R17	C4																								

REV	COMP	DESCRIPTION (SC)	APP
1	0	1979.8	

DWG ABBR	TAD-2			
PKG LOCATION				
PKG NAME	G9CTV			
215				
NEXT SPEC				
DRAFT	ENG	CHK	APP	ISSUE

MAINTENANCE BOX  
CIRCUIT DIAGRAMS

134-190237-002 0

NEC SHT 2/2