



## DS8922/22A/DS8923/23A TRI-STATE® RS-422 Dual Differential Line Driver and Receiver Pairs

### General Description

The DS8922/22A and DS8923/23A are Dual Differential Line Driver and Receiver pairs. These devices are designed specifically for applications meeting the ST506, ST412 and ESDI Disk Drive Standards. In addition, the devices meet the requirements of the EIA Standard RS-422.

These devices offer an input sensitivity of 200 mV over a  $\pm 7V$  common mode operating range. Hysteresis is incorporated (typically 70 mV) to improve noise margin for slowly changing input waveforms. An input fail-safe circuit is provided such that if the receiver inputs are open the output assumes the logical one state.

The DS8922A and DS8923A drivers are designed to provide unipolar differential drive to twisted pair or parallel wire transmission lines. Complementary outputs are logically ANDed and provide an output skew of 0.5 ns (typ.) with propagation delays of 12 ns.

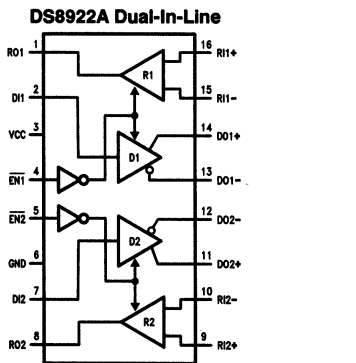
Both devices feature TRI-STATE outputs. The DS8922/22A have independent control functions common to a driver and receiver pair. The DS8923/23A have separate driver and receiver control functions.

Power up/down circuitry is featured which will TRI-STATE the outputs and prevent erroneous glitches on the transmission lines during system power up or power down operation. The DS8922/22A and DS8923/23A are designed to be compatible with TTL and CMOS.

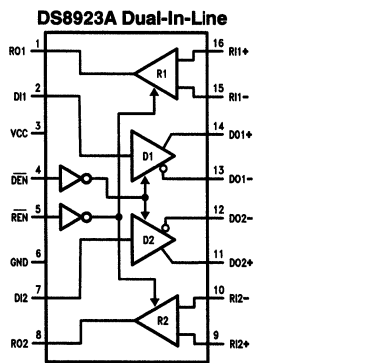
### Features

- 12 ns typical propagation delay
- Output skew— $\pm 0.5$  ns typical
- Meets the requirements of EIA Standard RS-422
- Complementary Driver Outputs
- High differential or common-mode input voltage ranges of  $\pm 7V$
- $\pm 0.2V$  receiver sensitivity over the input voltage range
- Receiver input fail-safe circuitry
- Receiver input hysteresis— $\pm 70$  mV typical
- Glitch free power up/down
- TRI-STATE outputs

### Connection Diagrams



Order Number DS8922N, J, M,  
DS8922AN, AJ, AM  
See NS Package Number N16A, J16A or M16A



Order Number DS8923N, J, M  
DS8923AN, AJ, AM  
See NS Package Number N16A, J16A or M16A

### Truth Tables

DS8922/22A

EN1	EN2	RO1	RO2	DO1	DO2
0	0	ACTIVE	ACTIVE	ACTIVE	ACTIVE
1	0	HI-Z	ACTIVE	HI-Z	ACTIVE
0	1	ACTIVE	HI-Z	ACTIVE	HI-Z
1	1	HI-Z	HI-Z	HI-Z	HI-Z

DS8923/23A

DEN	REN	RO1	RO2	DO1	DO2
0	0	ACTIVE	ACTIVE	ACTIVE	ACTIVE
1	0	ACTIVE	ACTIVE	HI-Z	HI-Z
0	1	HI-Z	HI-Z	ACTIVE	ACTIVE
1	1	HI-Z	HI-Z	HI-Z	HI-Z

For complete specifications see the Interface Databook.

## DS8921/DS8921A Differential Line Driver and Receiver Pair

### General Description

The DS8921, DS8921A are Differential Line Driver and Receiver pairs designed specifically for applications meeting the ST506, ST412 and ESDI Disk Drive Standards. In addition, these devices meet the requirements of the EIA Standard RS-422.

The DS8921A receiver offers an input sensitivity of 200 mV over a  $\pm 7V$  common mode operating range. Hysteresis is incorporated (typically 70 mV) to improve noise margin for slowly changing input waveforms. An input fail-safe circuit is provided such that if the receiver inputs are open the output assumes the logical one state.

The DS8921A driver is designed to provide unipolar differential drive to twisted pair or parallel wire transmission lines. Complementary outputs are logically ANDed and provide an output skew of 0.5 ns (typ.) with propagation delays of 12 ns.

Power up/down circuitry is featured which will TRI-STATE® the outputs and prevent erroneous glitches on the trans-

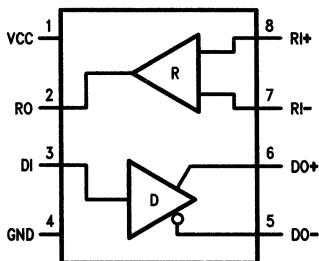
mission lines during system power up or power down operation.

The DS8921A is designed to be compatible with TTL and CMOS.

### Features

- 12 ns typical propagation delay
- Output skew - 0.5 ns typical
- Meet the requirements of EIA Standard RS-422
- Complementary Driver Outputs
- High differential or common-mode input voltage ranges of  $\pm 7V$
- $\pm 0.2V$  receiver sensitivity over the input voltage range
- Receiver input fail-safe circuitry
- Receiver input hysteresis-70 mV typical
- Glitch free power up/down

### Connection Diagram



TL/F/8512-1

Order Number DS8921M, DS8921N, DS8921AM, DS8921AN, DS8921J or DS8921AJ  
See NS Package Number J08A, M08A or N08E

### Truth Table

Receiver		Driver		
Input	V <sub>OUT</sub>	Input	V <sub>OUT</sub>	$\overline{V_{OUT}}$
$V_{ID} \geq V_{TH} (MAX)$	1	1	1	0
$V_{ID} \leq V_{TH} (MIN)$	0	0	0	1

For complete specifications see the Interface Databook.



## Section 6 Contents

DS8921/DS8921A Differential Line Driver and Receiver Pair .....	6-3
DS8922/DS8922A/DS8923/DS8923A TRI-STATE RS-422 Dual Driver and Receiver Pairs ..	6-4
DS26C31C CMOS Quad TRI-STATE Differential Line Driver .....	6-5
DS26C32AC Quad Differential Line Receiver .....	6-6
DS34C86 Quad CMOS Differential Line Receiver .....	6-7
DS34C87 Quad TRI-STATE Differential Line Driver .....	6-8
DS3695/DS3695T/DS3696/DS3696T/DS3697/DS3698 Multipoint RS485/RS422 Transceivers/Repeaters .....	6-9



**Section 6**  
**Disk Drive Interface**  
**Circuits**

# DS26C31C CMOS Quad TRI-STATE® Differential Line Driver

## General Description

The DS26C31 is a quad differential line driver designed for digital data transmission over balanced lines. The DS26C31 meets all the requirements of EIA standard RS-422 while retaining the low power characteristics of CMOS. This enables the construction of serial and terminal interfaces while maintaining minimal power consumption.

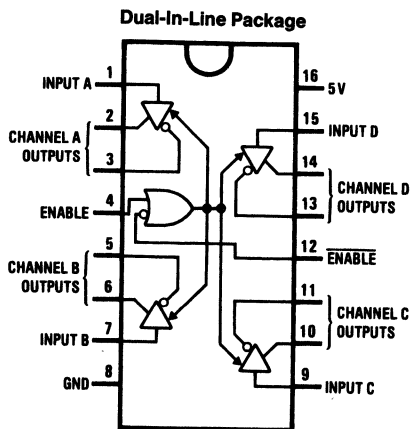
The DS26C31 accepts TTL or CMOS input levels and translates these to RS-422 output levels. This part uses special output circuitry that enables the individual drivers to power down without loading down the bus. The DS26C31 also includes special power up and down circuitry which will TRI-STATE the outputs during power up or down, preventing spurious glitches on its outputs. This device has enable and disable circuitry common to all four drivers. The DS26C31 is pin compatible to the AM26LS31 and the DS26LS31.

All inputs are protected against damage due to electrostatic discharge by diodes to  $V_{CC}$  and ground.

## Features

- TTL input compatible
- Typical propagation delays: 6 ns
- Typical output skew: 0.5 ns
- Outputs won't load line when  $V_{CC} = 0V$
- Meets the requirements of EIA standard RS-422
- Operation from single 5V supply
- TRI-STATE outputs for connection to system buses
- Low quiescent current
- Available in surface mount

## Connection Diagram



Top View

TL/F/8574-1

Order Number DS26C31CJ, DS26C31CM or DS26C31CN  
See NS Package Number J16A, M16A or N16A

## Truth Table

Active High Enable	Active Low Enable	Input	Non-Inverting Output	Inverting Output
L	H	X	Z	Z
All other combinations of enable inputs		L	L	H
		H	H	L

L = Low logic state  
H = High logic state  
X = Irrelevant  
Z = TRI-STATE (high impedance)



# DS26C32AC Quad Differential Line Receiver

## General Description

The DS26C32A is a quad differential line receiver designed to meet the RS-422, RS-423, and Federal Standards 1020 and 1030 for balanced and unbalanced digital data transmission, while retaining the low power characteristics of CMOS.

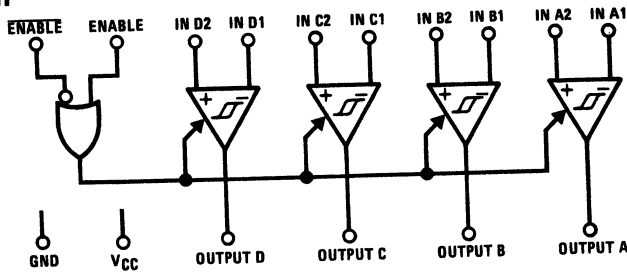
The DS26C32A has an input sensitivity of 200 mV over the common mode input voltage range of  $\pm 7V$ . Each receiver is also equipped with input fail-safe circuitry, which causes the output to go to a logic "1" state when the inputs are open.

The DS26C32A provides an enable and disable function common to all four receivers, and features TRI-STATE® outputs with 6 mA source and sink capability. This product is pin compatible with the DS26LS32A and the AM26LS32.

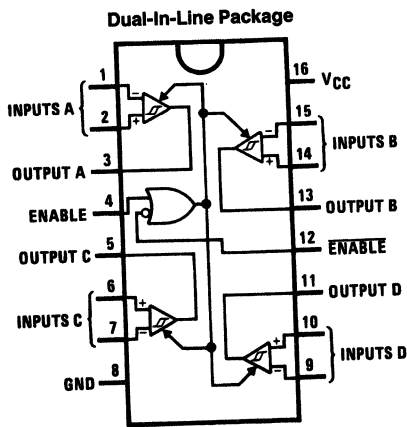
## Features

- Low power CMOS design
- $\pm 0.2V$  sensitivity over the entire common mode range
- Typical propagation delays: 19 ns
- Typical input hysteresis: 60 mV
- Input fail-safe circuitry
- Inputs won't load line when  $V_{CC} = 0V$
- Meets the requirements of EIA standard RS-422
- TRI-STATE outputs for connection to system buses
- Available in Surface Mount

## Logic Diagram



## Connection Diagram



Top View

Order Number DS26C32ACJ,  
DS26C32ACM or DS26C32ACN  
See NS Package J16A, M16A or N16A

## Truth Table

ENABLE	ENABLE	Input	Output
0	1	X	Hi-Z
See Note Below		$V_{ID} \geq V_{TH} (Max)$	1
		$V_{ID} \leq V_{TH} (Min)$	0
		Open	1

Hi-Z = TRI-STATE

Note: Input conditions may be any combination not defined for ENABLE and ENABLE.



# DS34C86

## Quad CMOS Differential Line Receiver

### General Description

The DS34C86 is a quad differential line receiver designed to meet the RS-422, RS-423, and Federal Standards 1020 and 1030 for balanced and unbalanced digital data transmission, while retaining the low power characteristics of CMOS.

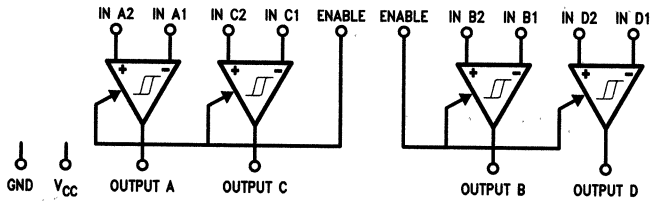
The DS34C86 has an input sensitivity of 200 mV over the common mode input voltage range of  $\pm 7V$ . Hysteresis is provided to improve noise margin and discourage output instability for slowly changing input waveforms.

Separate enable pins allow independent control of receiver pairs. The TRI-STATE® outputs have 6 mA source and sink capability. The DS34C86 is pin compatible with the DS3486.

### Features

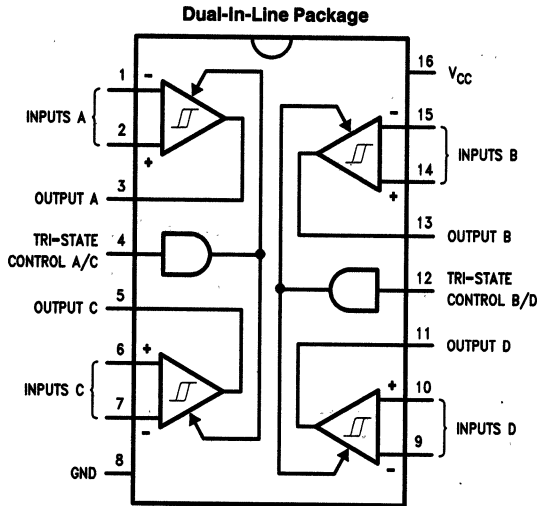
- Low power CMOS design
- $\pm 0.2V$  sensitivity over the entire common mode range
- Typical propagation delays: 19 ns
- Typical input hysteresis: 60 mV
- Inputs won't load line when  $V_{CC} = 0V$
- Meets the requirements of EIA standard RS-422
- TRI-STATE outputs for connection to system buses
- Available in surface mount

### Logic Diagram



TL/F/8699-1

### Connection Diagram



TL/F/8699-2

**Top View**

**Order Number DS34C86J, DS34C86M, and DS34C86N**  
**See NS Package Number J16A, M16A and N16A**



## DS34C87 CMOS Quad TRI-STATE® Differential Line Driver

### General Description

The DS34C87 is a quad differential line driver designed for digital data transmission over balanced lines. The DS34C87 meets all the requirements of EIA standard RS-422 while retaining the low power characteristics of CMOS. This enables the construction of serial and terminal interfaces while maintaining minimal power consumption.

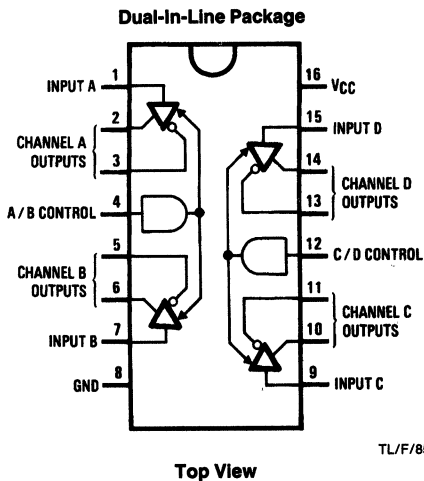
The DS34C87 accepts TTL or CMOS input levels and translates these to RS-422 output levels. This part uses special output circuitry that enables the individual drivers to power down without loading down the bus. The DS34C87 also includes special power up and down circuitry which will TRI-STATE the outputs during power up or down, preventing spurious glitches on its outputs. This device has separate enable circuitry for each pair of the four drivers. The DS34C87 is pin compatible to the DS3487.

All inputs are protected against damage due to electrostatic discharge by diodes to  $V_{CC}$  and ground.

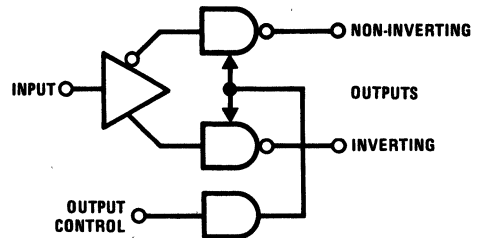
### Features

- TTL input compatible
- Typical propagation delays: 6 ns
- Typical output skew: 0.5 ns
- Outputs won't load line when  $V_{CC} = 0V$
- Meets the requirements of EIA standard RS-422
- Operation from single 5V supply
- TRI-STATE outputs for connection to system buses
- Low quiescent current
- Available in surface mount

### Connection and Logic Diagrams



Order Number DS34C87J, DS34C87M or DS34C87N  
See NS Package Number J16A, M16A or N16A



### Truth Table

Input	Control Input	Non-Inverting Output	Inverting Output
H	H	H	L
L	H	L	H
X	L	Z	Z

L = Low logic state

X = Irrelevant

H = High logic state

Z = TRI-STATE (high impedance)





# DS3695A/DS3695AT

## Multipoint RS485/RS422 Transceiver

### General Description

The DS3695A is a high speed differential TRI-STATE® bus/line transceiver designed to meet the requirements of EIA standard RS485 with extended common mode range (+12V to -7V), for multipoint data transmission. In addition, it is compatible with the requirements of RS422.

The driver and receiver outputs feature TRI-STATE capability. The driver outputs remain in TRI-STATE over the entire common mode range of +12V to -7V. Bus faults that cause excessive power dissipation within the device trigger a thermal shutdown circuit, which forces the driver outputs into the high impedance state.

The receiver incorporates a fail safe feature which guarantees a high output state when the inputs are left open.

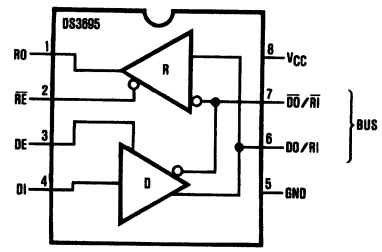
Both AC and DC specifications are guaranteed over the 0 to 70°C temperature and 4.75V to 5.25V supply voltage range.

### Features

- Meets EIA standard RS485 for multipoint bus transmission and is compatible with RS-422
- 15 ns driver propagation delays with 2 ns skew (typical)
- Single +5V supply
- -7V to +12V bus common mode range permits ±7V ground difference between devices on the bus
- Thermal shutdown protection
- Power-up/down glitch-free driver outputs permit live insertion or removal of transceivers
- High impedance to bus with driver in TRI-STATE or with power off, over the entire common mode range allows the unused devices on the bus to be powered down
- Combined impedance of a driver output and receiver input is less than one RS485 unit load, allowing up to 32 transceivers on the bus
- 70 mV typical receiver hysteresis

### Connection and Logic Diagram

Molded Package, Small Outline (M)



Top View

TL/F/5272-1

Order Number DS3695AM DS3695ATM  
See NS Package Number M08A

