

07' TAD

TABLE VI SIGNAL INDEX

SIGNAL NAME	PAGE No.
AB	7.8
AB	7.9
AB	7.8
AB	7.8
AB	7.8
AB	7.8
ACK	8.7
ALE	7.9
AMC ENABLE	8.8, 14
ATTENTION	8.7
BRAKE CURR EN/	7.10
CPU STATUS	8.7
CMD DATA	8.7
COMMAND COMPLETE	8.7
COMP RESET/	7.10
D0	7.9, 10
D1	7.9, 10
D2	7.9, 10
D3	7.9, 10
D4	7.9, 10
D5	7.9, 10
D6	7.9, 10
D7	7.9, 10
DD1	8.8
DD2	8.8
DD3	8.8
DAC OUTPUT	10, 10
DAC SELECT/	7.10
DATA STROBE-	7.8, 14
DATA STORAGE	7.8, 14

SIGNAL NAME	PAGE No.
BA/	8.11
BB/	8.11
BC/	8.11
BD/	8.11
HB0	8.10
HB1	8.10
HB2	8.10
HB3	8.8
HIGH VEL RANGE/	7.10
IN	10, 10
INW/	7.10
INDEX	8.7
INNER ZONE/	7.10
LB SPINDLE CURR/	7.10
MP RESET	7.9
HRZ READ DATA	8.14
HRZ WRITE DATA/	8.14

SIGNAL NAME	PAGE No.
ODD	7.10
ODD GATE/	8.10
OL TEST SIGNAL	10, 12, 13
OM TRACK	8.10
OPTION PROM DATA	7.8
OPTION PROM SELECT	7.8
PA	12, 13
PAEN	10, 13
POW STORE EN/	7.8
POS FDRK	10, 13
POS RAMP	10, 13
POWER AMP EN/	7.10
PS	10, 11
PSEN	8
PSEN IS	8.10
PU	8
PK	10, 11
DPK	8.10
DPK/	8.10
DP/	8.10
DDA	8.14, 10
READ ENABLE/	8.14
READ GATE	8.8
READ REF CLOCK	8.14
READY	8.7
REQUEST/	8.7
REV DIRECTION	7.10
RD	8.7, 10

SIGNAL NAME	PAGE No.
SS	7.13
SECTOR AMC FOUND	8.7
SELECTED	8
SELECTED/	8.8
SERVO PK DETECT/	8.11
SERVO VCO	8.14
SOFT/	8.7, 14
TEST/	8.14
TEST SIGNAL	10, 13
TPN/	7.12
THRESHOLD EN/	14, 10
TAMP	7.8
TAD	8.7, 13
UNBLUFF POS RAMP	10
UNSAFE	8.10
VEL FBK	10, 10
VELOCITY ENABLE/	7.10, 10
VEL REF	10, 10
VR	10, 11, 10, 13
WDA/	14, 10
WEN	8.14
WEN/	8.10
WR/	7.10
WRITE CLOCK/	8.14
WRITE ENABLE/	8.14
WRITE GATE	8.8
WP	8.10

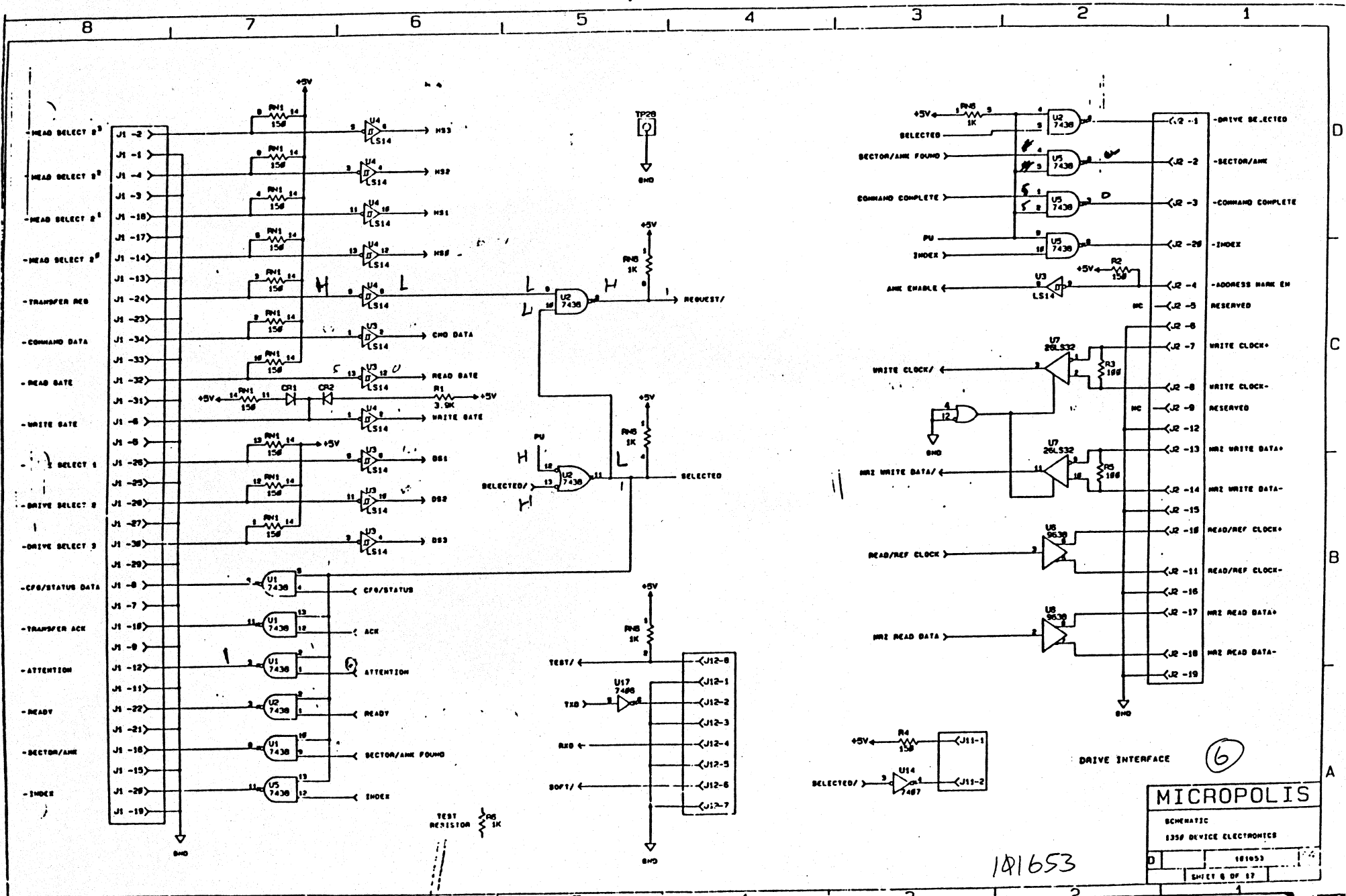
5

MICROPOLIS

SCHEMATIC
1300 DEVICE ELECTRONICS

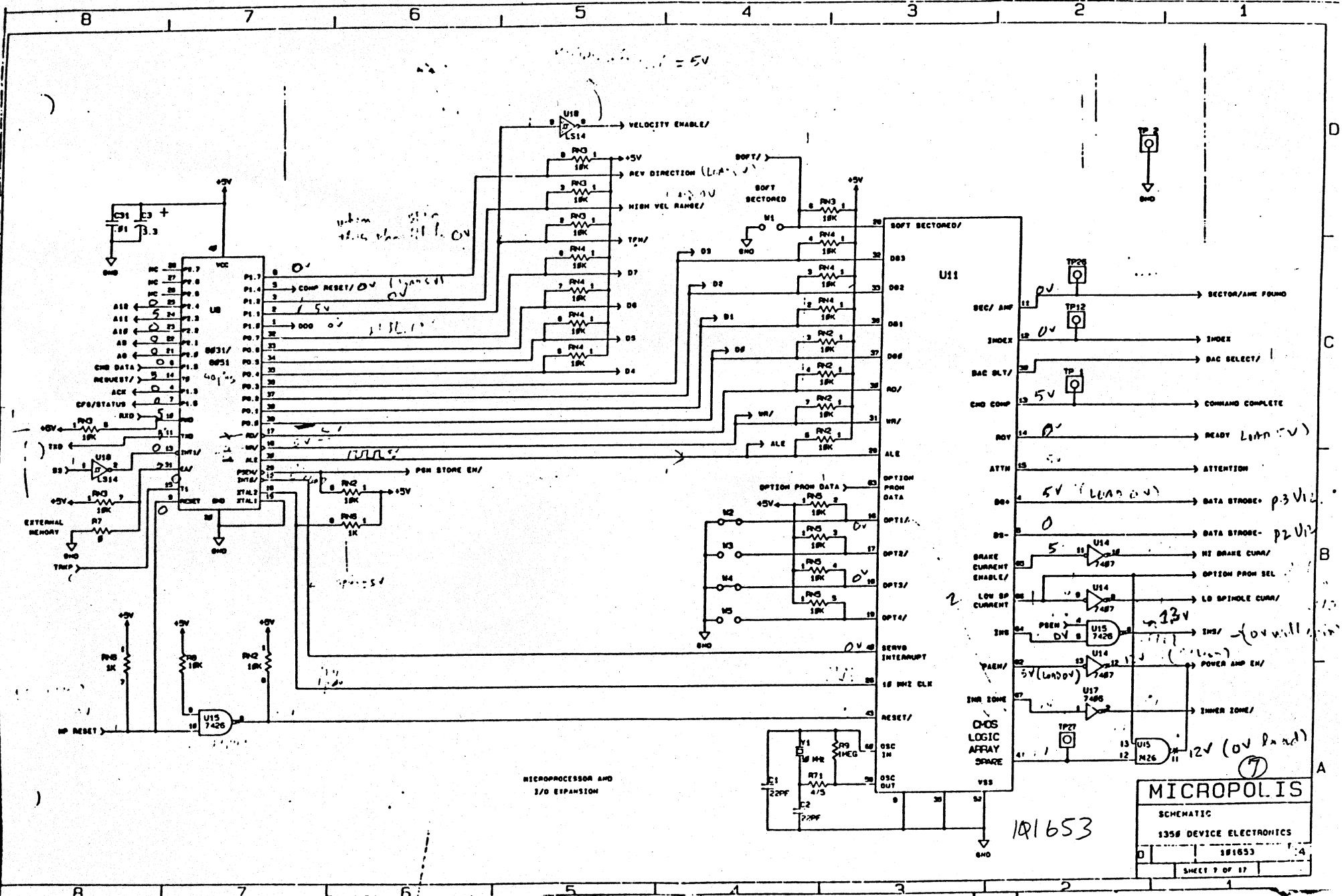
101053
SHEET 2 of 17

101653

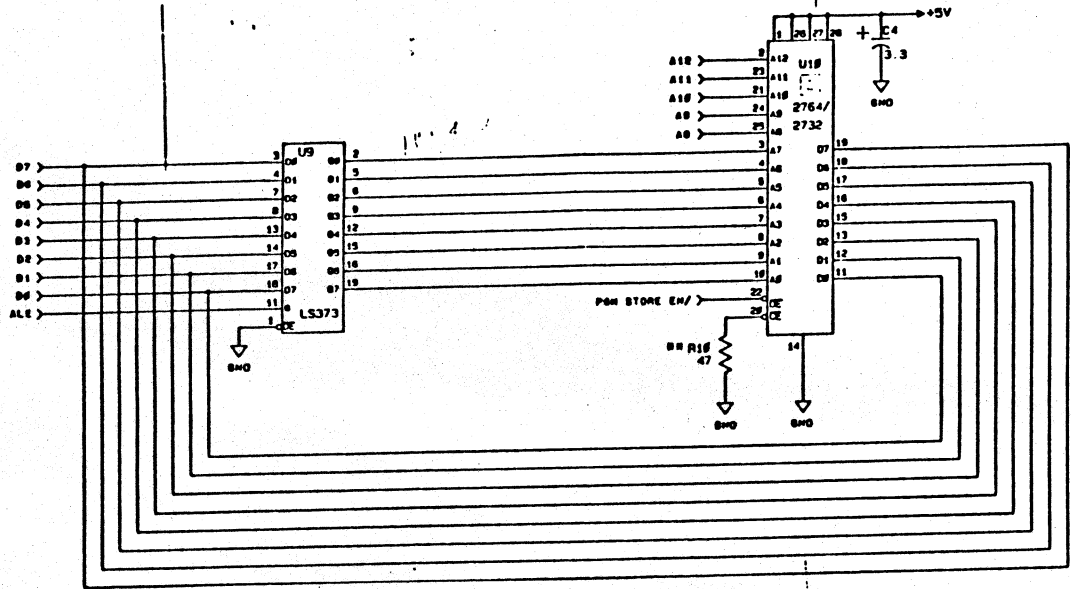


MICROPOLIS
 SCHEMATIC
 1350 DEVICE ELECTRONICS
 181653
 SHEET 6 OF 17

181653

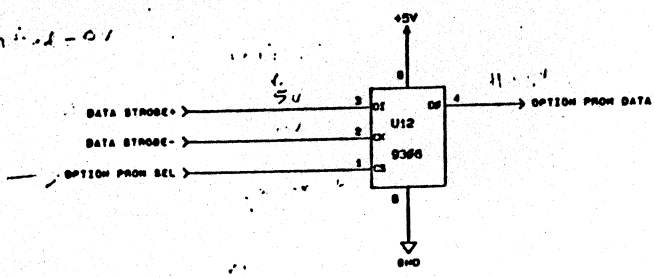


101653



NO FOR TESTING: PULL-UP TO +3V
MAXIMUM TO DISABLE ROM.

PROGRAM MEMORY



OPTION/CONFIGURATION PROM
-E² PROM WHICH CONTAINS
HEAD AND DEFAULT SECTOR
CONFIGURATION INFORMATION.

⑧

MICROPOLIS

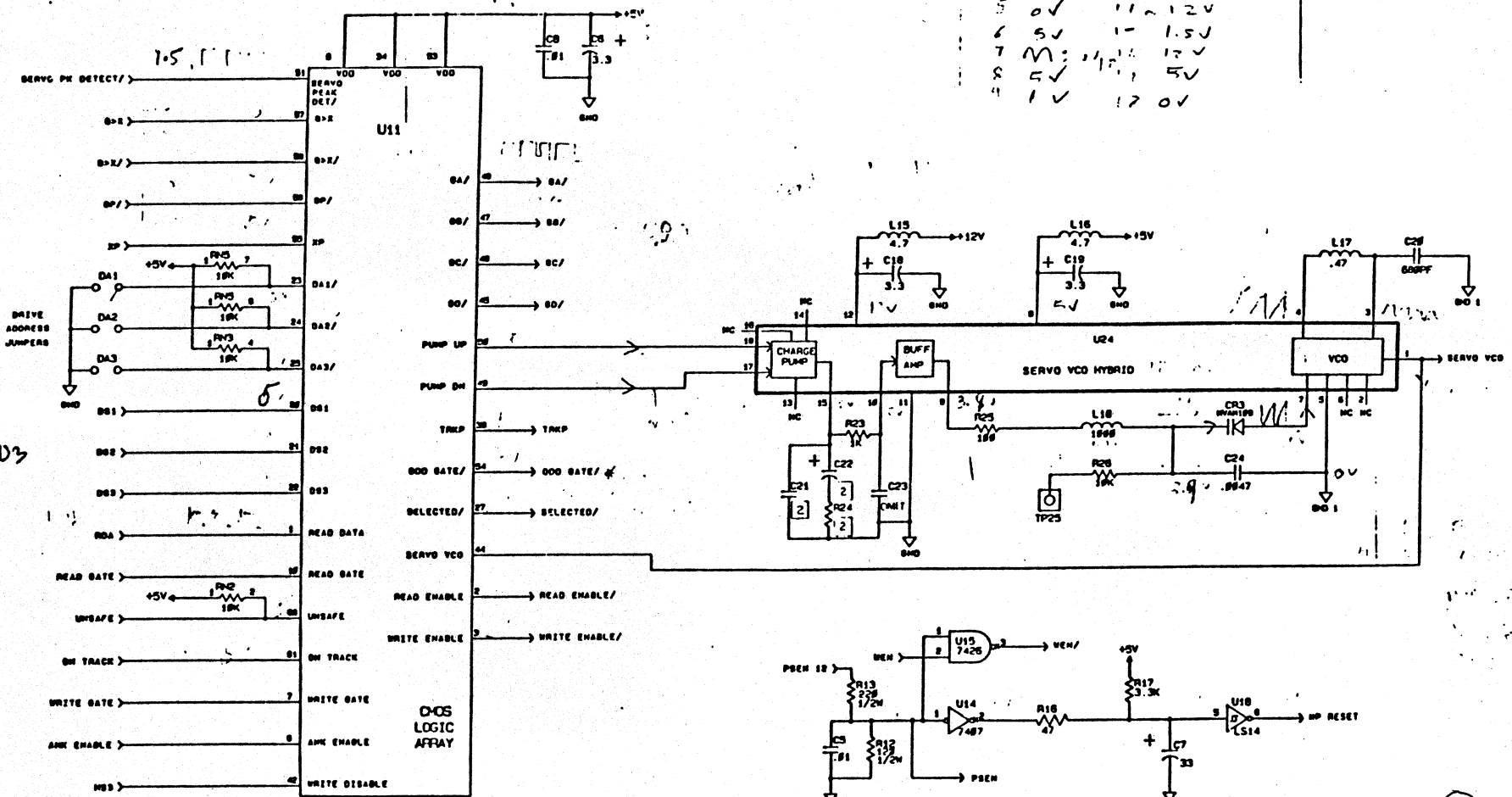
SCHEMATIC
1350 DEVICE ELECTRONICS

101053	A
SHIFT 8 OF 17	

101653

U24 DC VOLTAGE

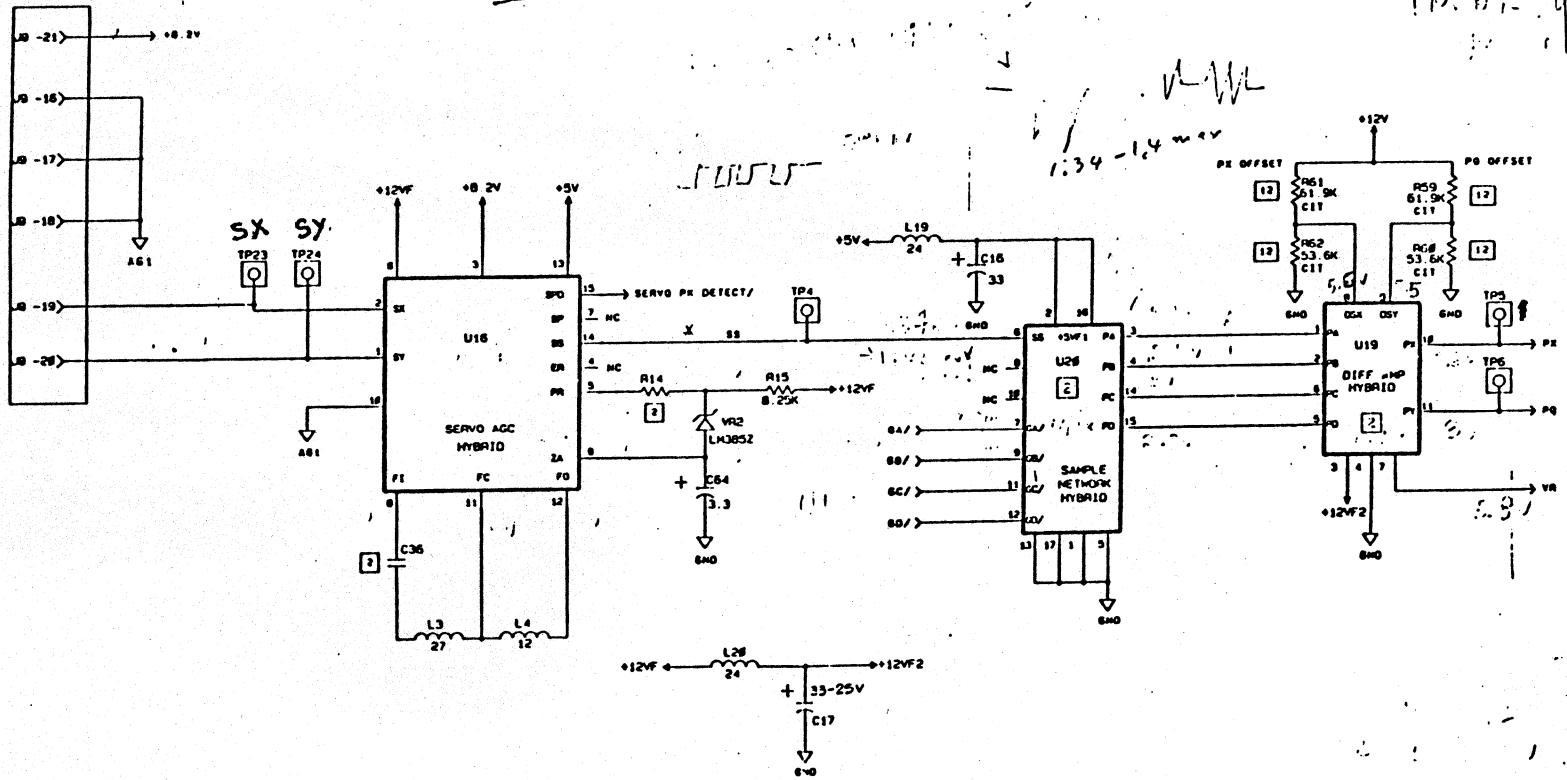
1	1.2V
2	0V
3	1.2V
4	1.2V
5	1.2V
6	1.5V
7	1.5V
8	5V
9	1.2V



SERVO DECODING AND COUNTER LOGIC

181653

8 7 6 5 4 3 2 1



SERVO SIGNAL DEMODULATOR

11

MICROPOLIS

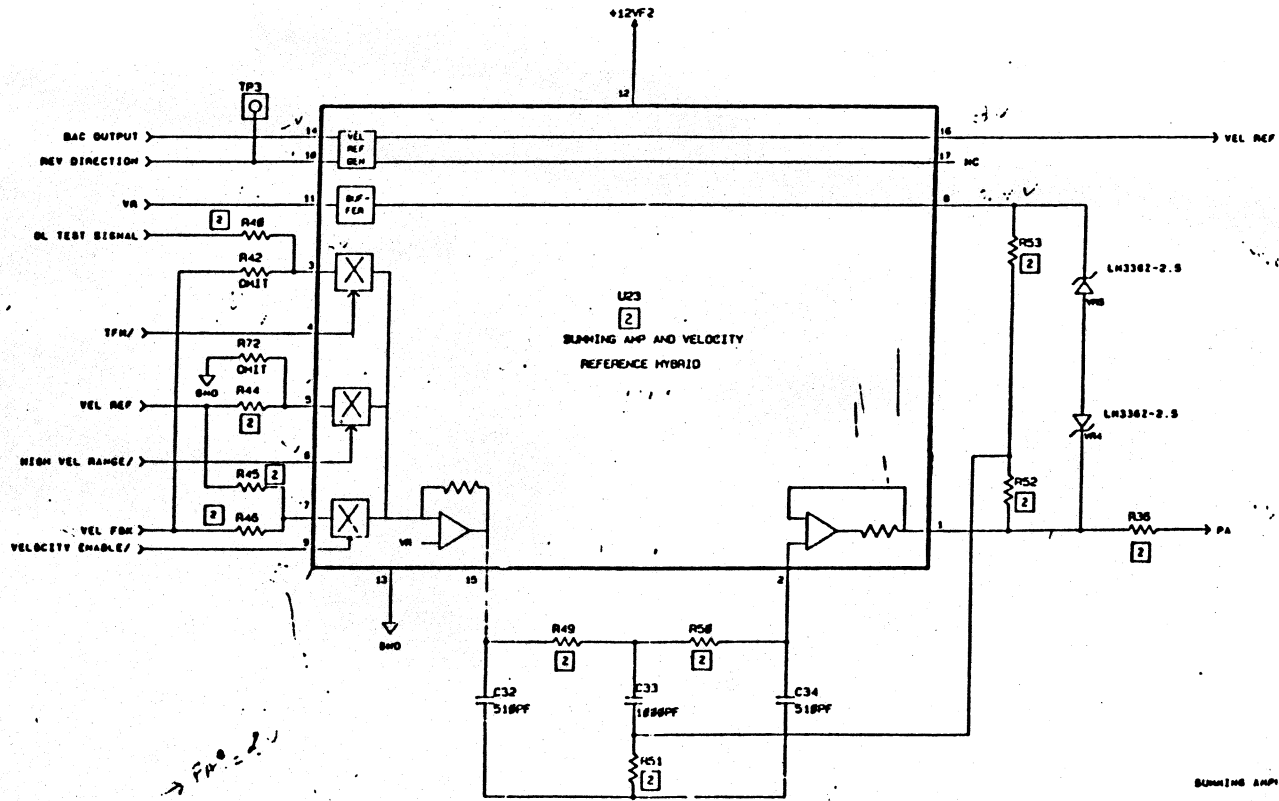
SCHEMATIC
135F DEVICE ELECTRONICS

181653

SHEET 21 OF 27

181653

8 7 6 5 4 3 2 1

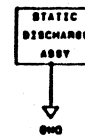
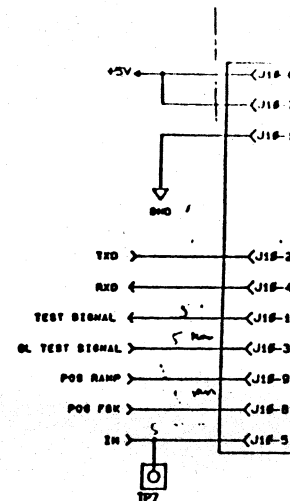
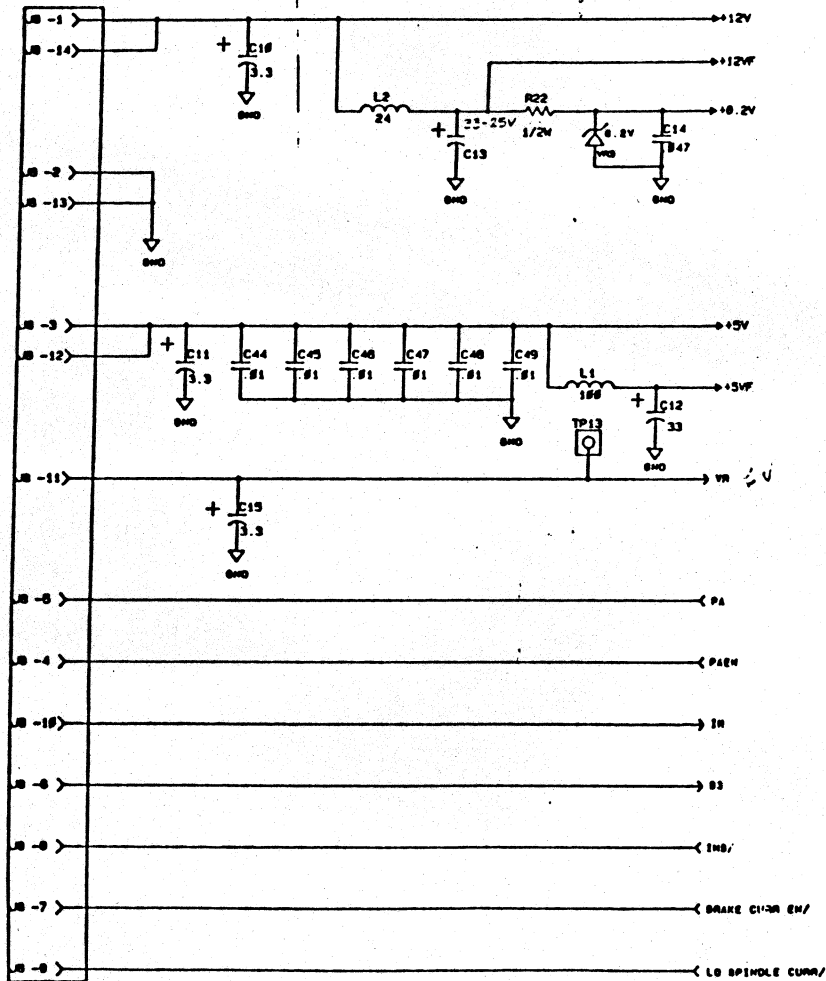


SUMMING AMPLIFIER, NOTCH FILTER

17

MICROPOLIS			
SCHEMATIC			
1350 DEVICE ELECTRONICS			
PT	101653	24	
SHEET 12 OF 17			

101653



POSITION SERVO TESTS:

OPEN LOOP	=	POS FBK
	=	OL TEST SIGNAL
CLOSED LOOP	=	POS FBK
	=	TEST SIGNAL
MECHANICS	=	POS RAMP
	=	IN

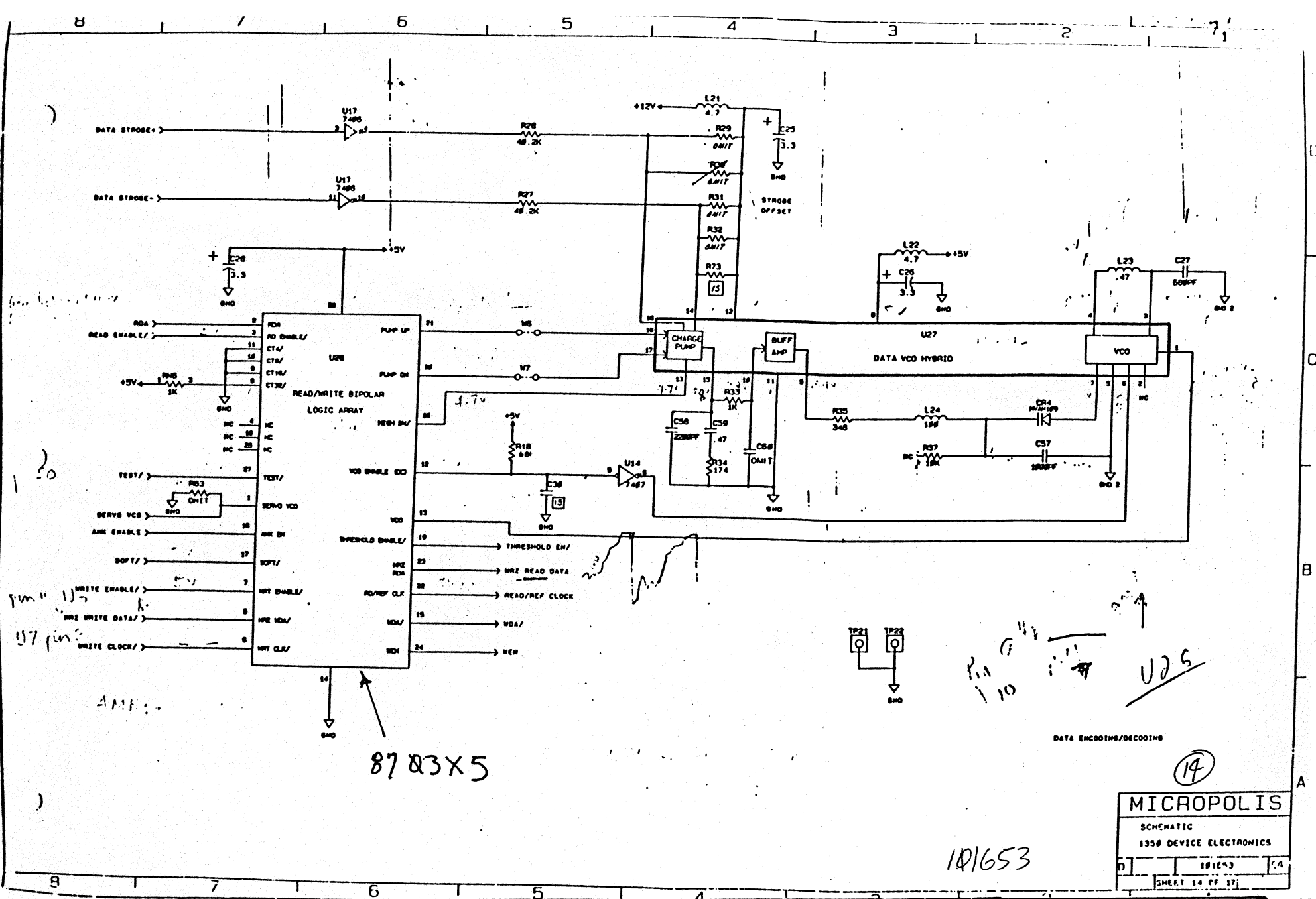
13

MICROPOLIS

SCHEMATIC
1336 DEVICE ELECTRONICS

181653
SHEET 13 OF 17

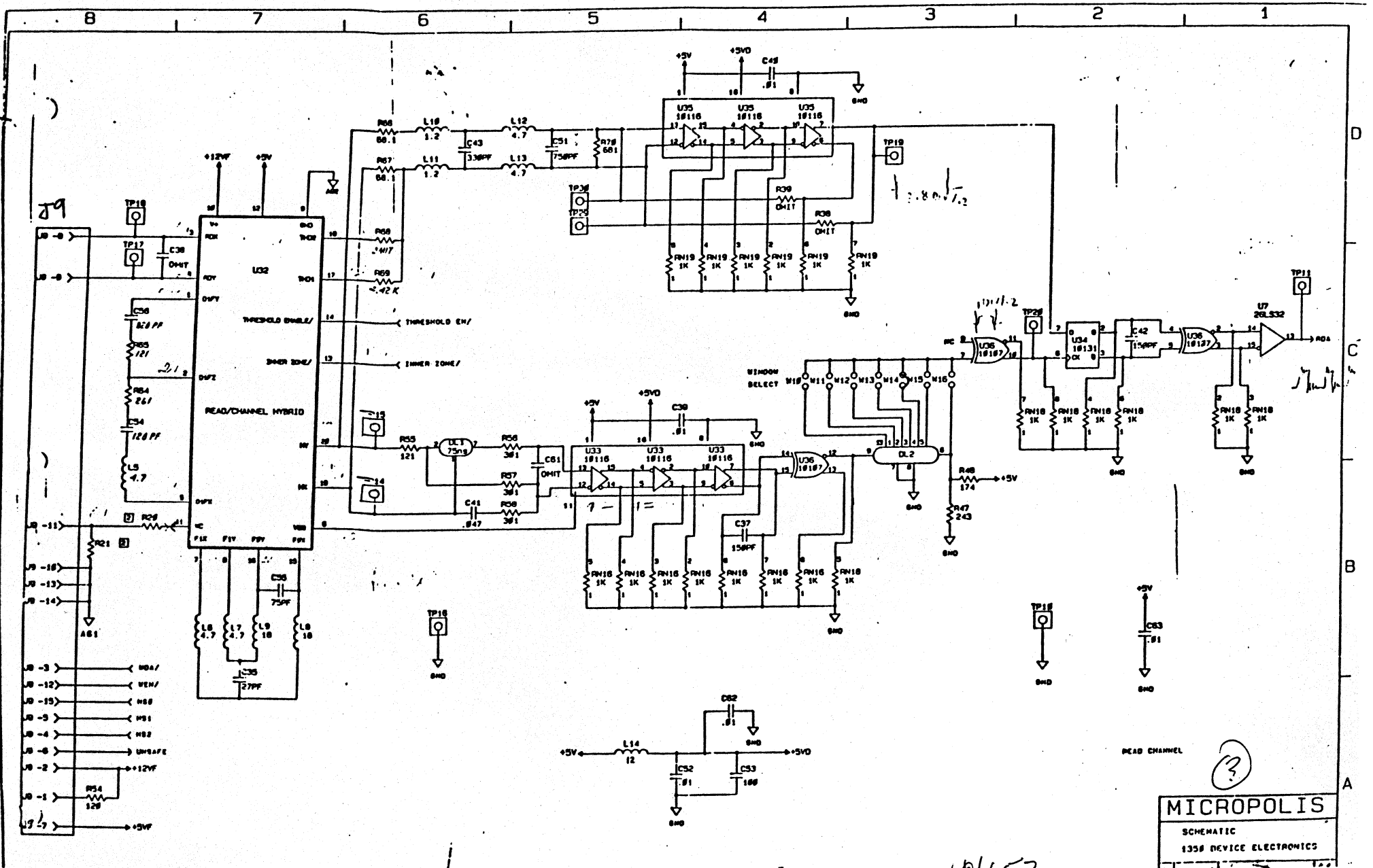
181653



DATA ENCODING/DECODING

(14)

MICROPOLIS		
SCHEMATIC		
1358 DEVICE ELECTRONICS		
D	101053	C4
SHEET 14 OF 17		

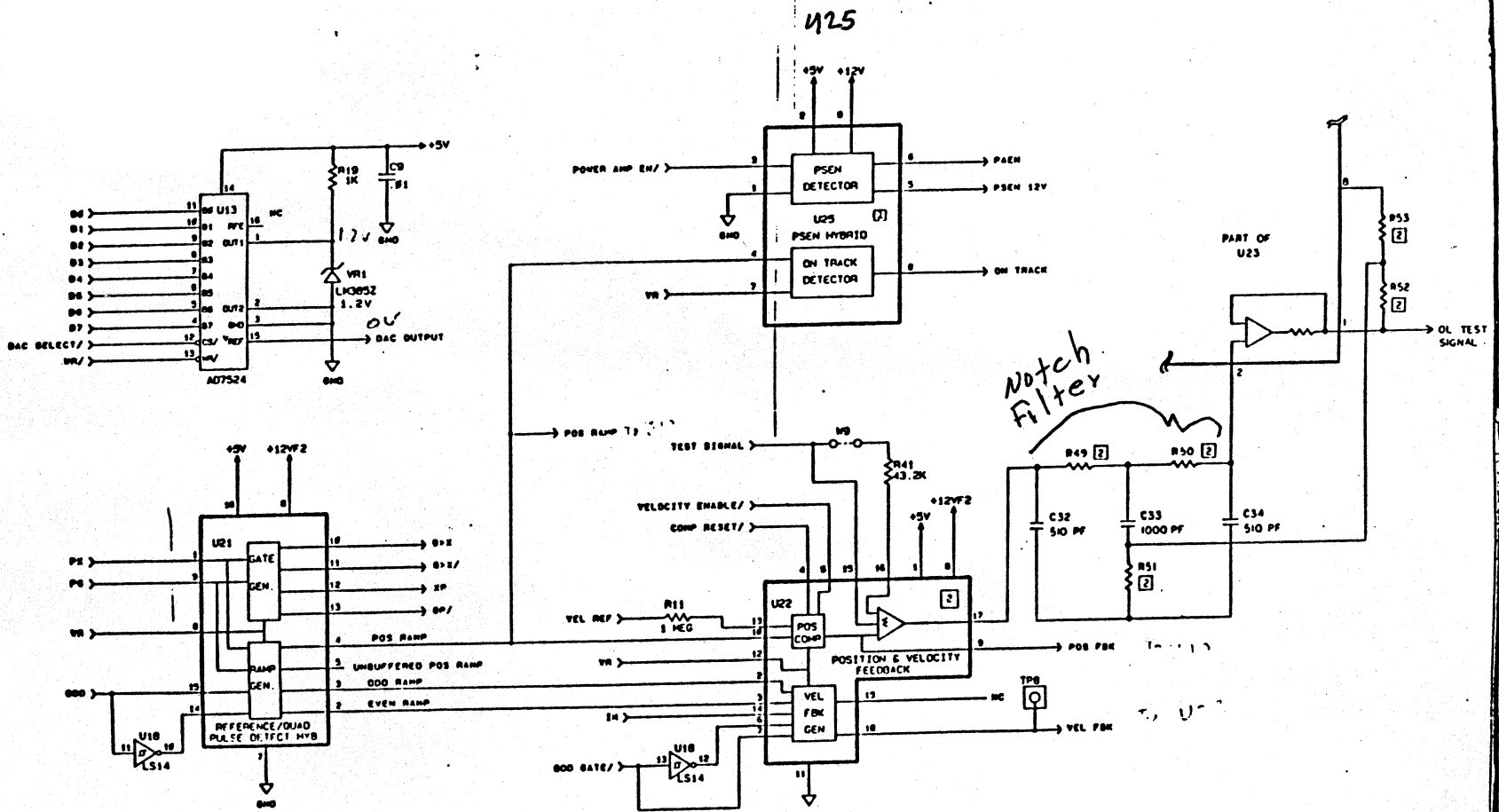


MICROPOLIS

SCHEMATIC
1356 DEVICE ELECTRONICS

10/653

TTT 50



-06 VERSION ONLY

101653

SERVO SIGNAL PROCESSING / NOTCH FILTER

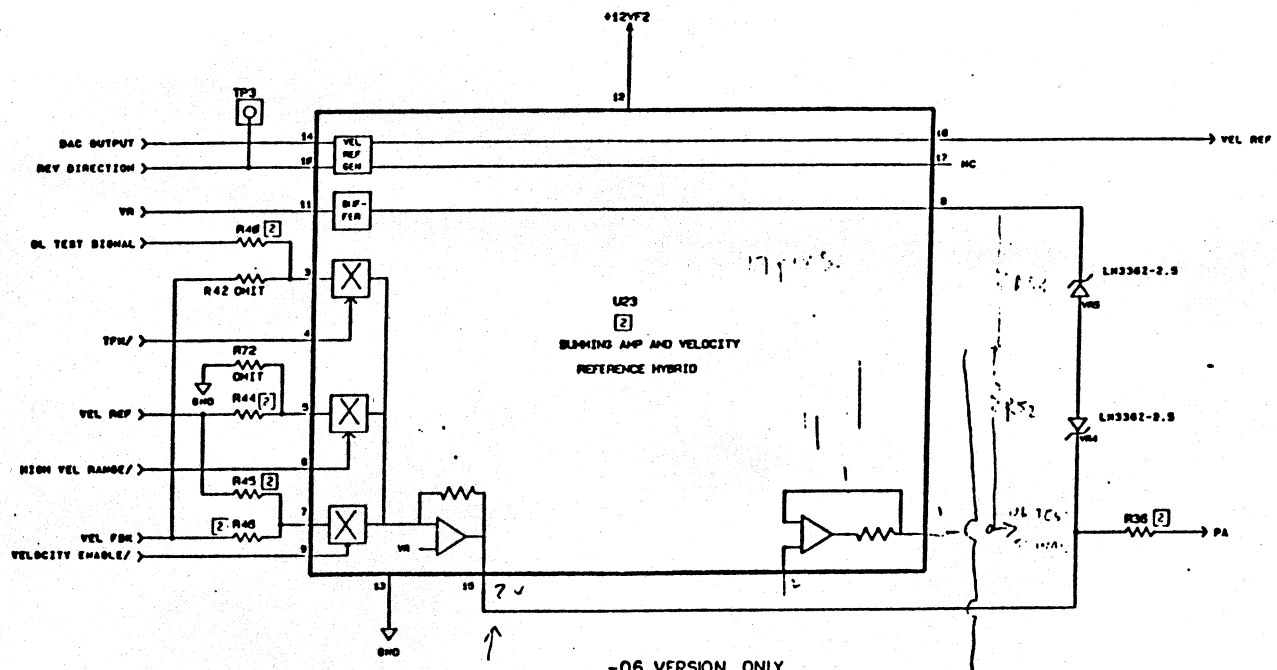
(16)

MICROPOLIS

SCHEMATIC

1350 DEVICE ELECTRONICS

D	ICN.53	IC
SHEET No. OF 17		



-06 VERSION ONLY
 17/10/53
 ... of the ...

SUMMING AMPLIFIER

(17)

MICROPOLIS			
SCHEMATIC			
1350 DEVICE ELECTRONICS			
1	101653	17	17
JUL 12	OF	17	

101653