

# **MEMOREX**

**550 Logic Manual**

READ/WRITE 550 LOGIC MANUAL			
PCB EC LEVEL	PART NO.	PAGE NO.	PAGE NAME
	315494	001	INDEX
	315497	002	J1, J4 INTERFACE
	315498	003	P2, PA INTERFACE
21534	315529	004	LOGIC DIA #1
	315530	005	↑ ↑ #2
	315531	006	↓ ↓ #3
	315532	007	LOGIC DIA #4
	315533	008	SCH DIA #1
	315534	009	↑ ↑ #2
	315535	010	↓ ↓ #3
21534	315536	011	↓ ↓ #4
21526 21549	315507	012	↓ ↓ #1
21526 21549	315508	013	↓ ↓ #2
21526 21549	315509	014	↓ ↓ #3
21536	315500	015	↓ ↓ #1
	315502	016	↓ ↓ #2
	315504	017	↓ ↓ #3
	315499	018	↓ ↓ #1
	315501	019	↓ ↓ #2
21536	315503	020	SCH DIA #3

DATE	CHANGE NO.	DATE	CHANGE NO.	315494
JUL 77	21536			
JAN 78	21553			RELEASED FOR ASSEMBLY
JAN 79	21563			

MUST CONFORM TO ENGINEERING SPEC 880000				TECHNICAL APPROVAL		TITLE 550 R/W LOGIC MANUAL	
MATERIAL NO.		TOLERANCE UNLESS OTHERWISE NOTED				INDEX	
CASE DEPTH		LINEAR	± .XX			DESIGN	SCALE
HARDNESS			± .XXX			DETAIL	CLASS CODE
SURFACE TREATMENT	NO.	ANGULAR	±			DFTG CHK	SHEET OF
		CORNERS	OUTSIDE	MAX		DES CHK	
		BROKEN	INSIDE	MAX		APPRO	

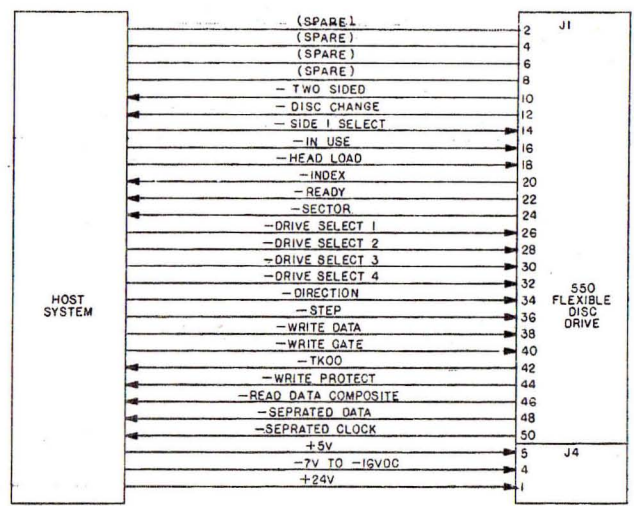
001

THIS DRAWING AND THE INFORMATION IT CONTAINS ARE THE PROPERTY OF MEMOREX CORPORATION AND ARE TO BE USED ONLY FOR THE PURPOSE OF MANUFACTURING PARTS FOR MEMOREX.

MEMOREX

B 315494

RELEASED FOR ASSEMBLY



DATE	CHANGE NO.	DATE	CHANGE NO.	TECHNICAL APPROVAL	TITLE
JUL 77	21536				550 R/W LOGIC MANUAL
JAN 79	21563				INTERFACE J1, J4
					DESIGN
					DETAIL JC 7-77
					DATE CHG 2/2/77
					DESIGN 2/2/77
					APPD 8/17 2-2-77
					D 315497

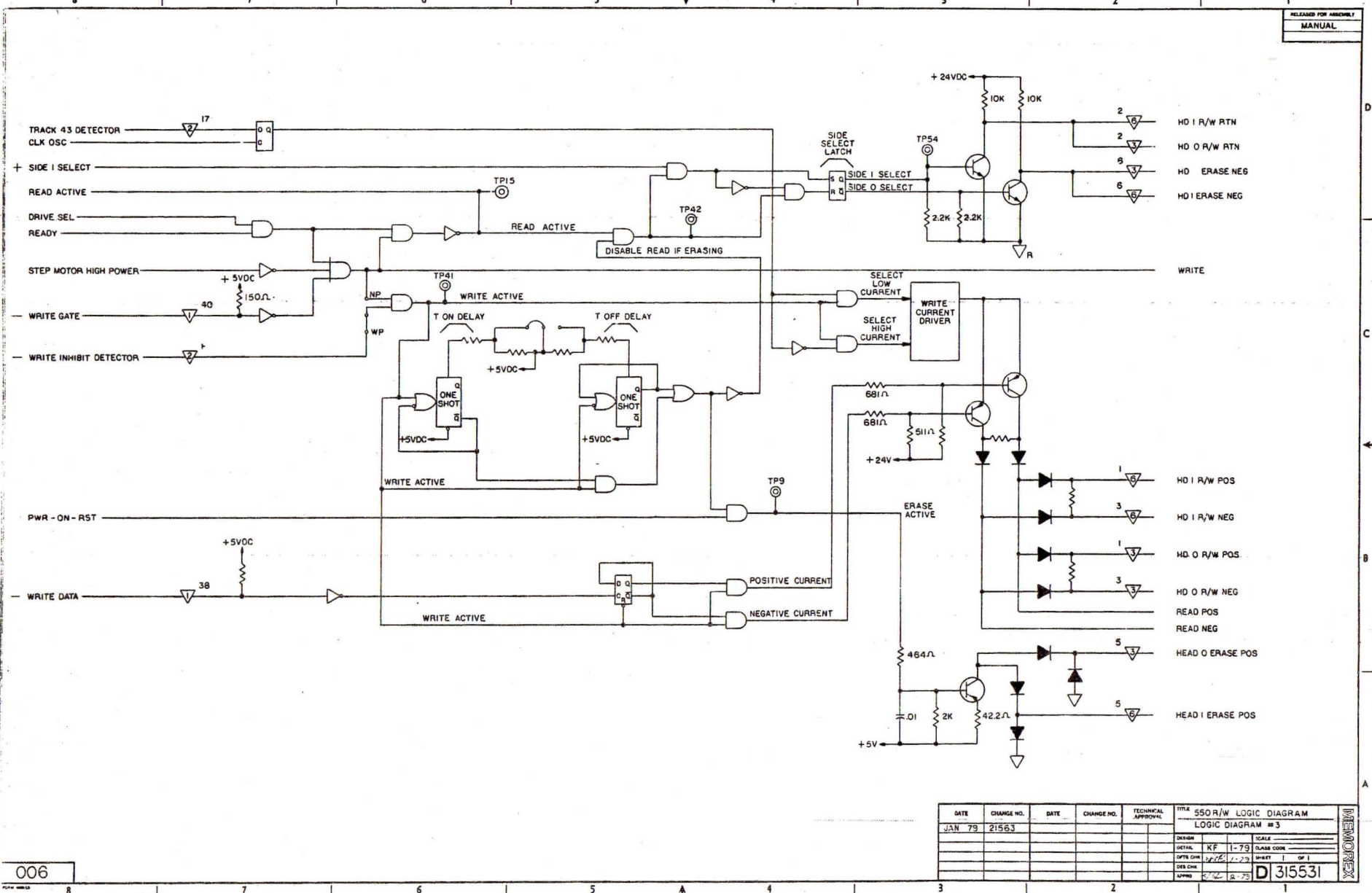
MEMOREX

002



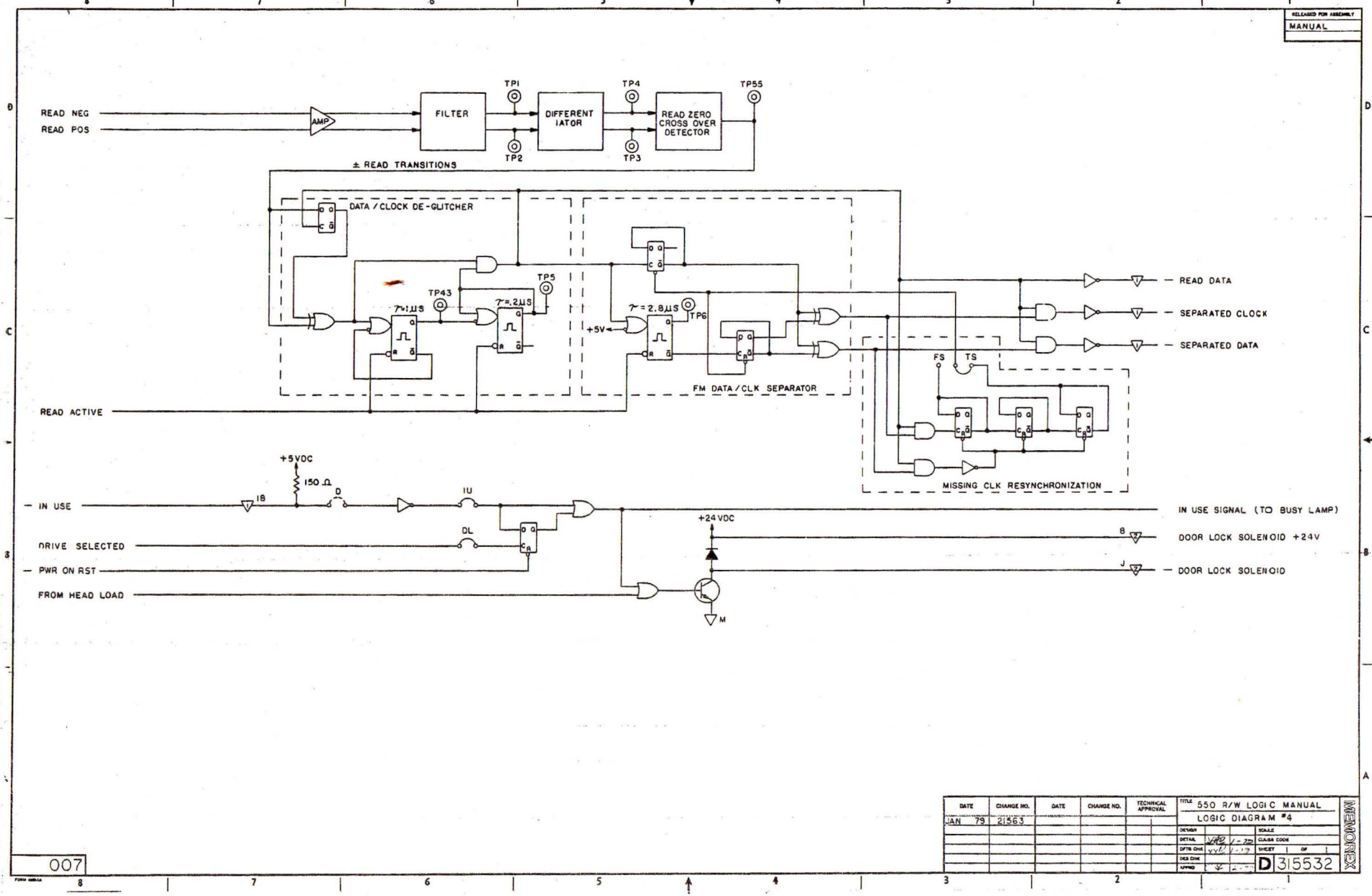






DATE	CHANGE NO.	DATE	CHANGE NO.	TECHNICAL APPROVAL	TITLE
JAN 79	21563				550R/W LOGIC DIAGRAM LOGIC DIAGRAM # 3
					DESIGN SCALE
					DETAIL KF 1-79 DRAWN COOK
					OPER CHG 1-79 SHEET 1 OF 1
					REV CHG 1-79
					APPROV 1-79

MEMOREX



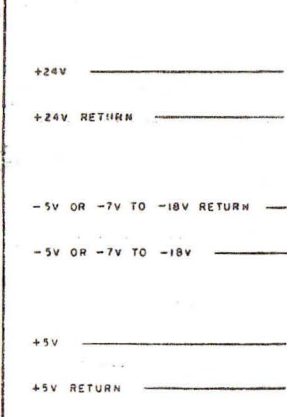
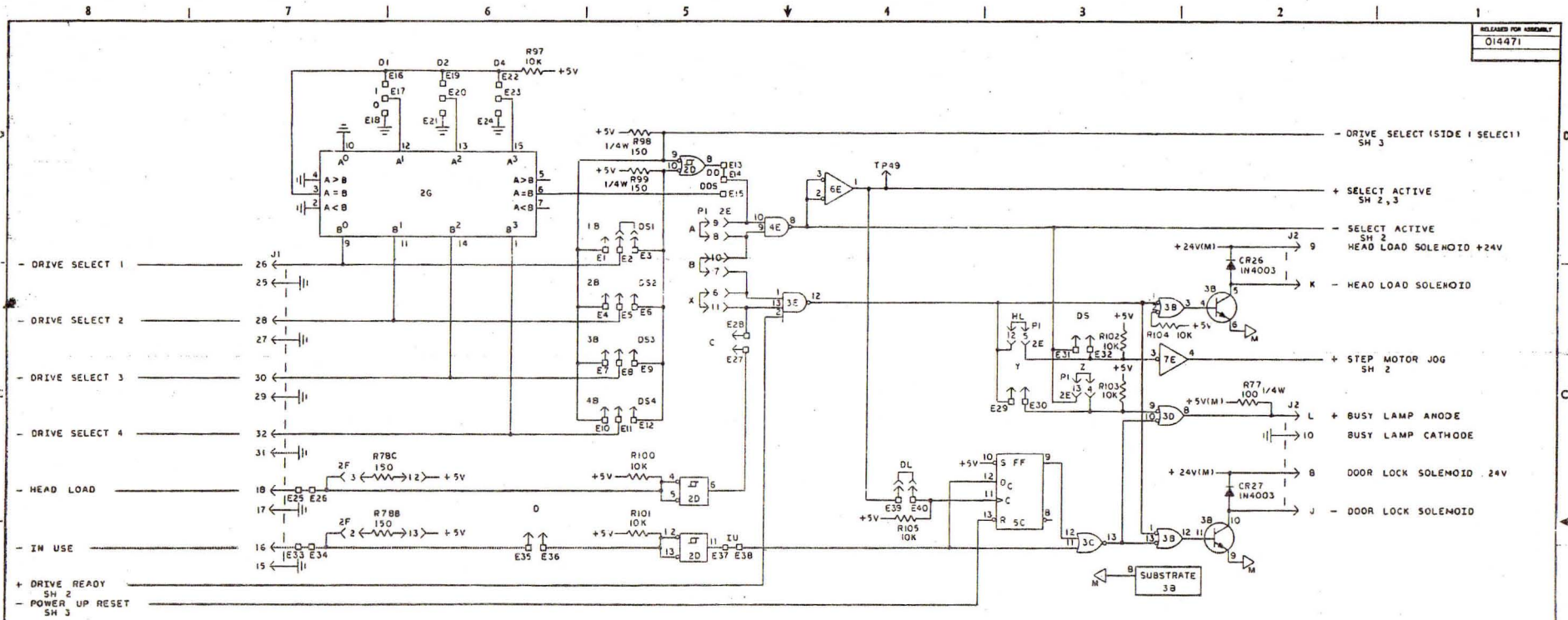
DATE	CHANGE NO.	DATE	CHANGE NO.	TECHNICAL APPROVAL	TITLE
JAN 79	21563				550 R/W LOGIC MANUAL LOGIC DIAGRAM #4
					DESIGN SCALE
					DETAIL VPS / - 700 CLASS CODE
					SPIN CHG VVE / - 700 SHEET OF 1
					ISS DATE
					APPD

007

MEMOREX

D315532





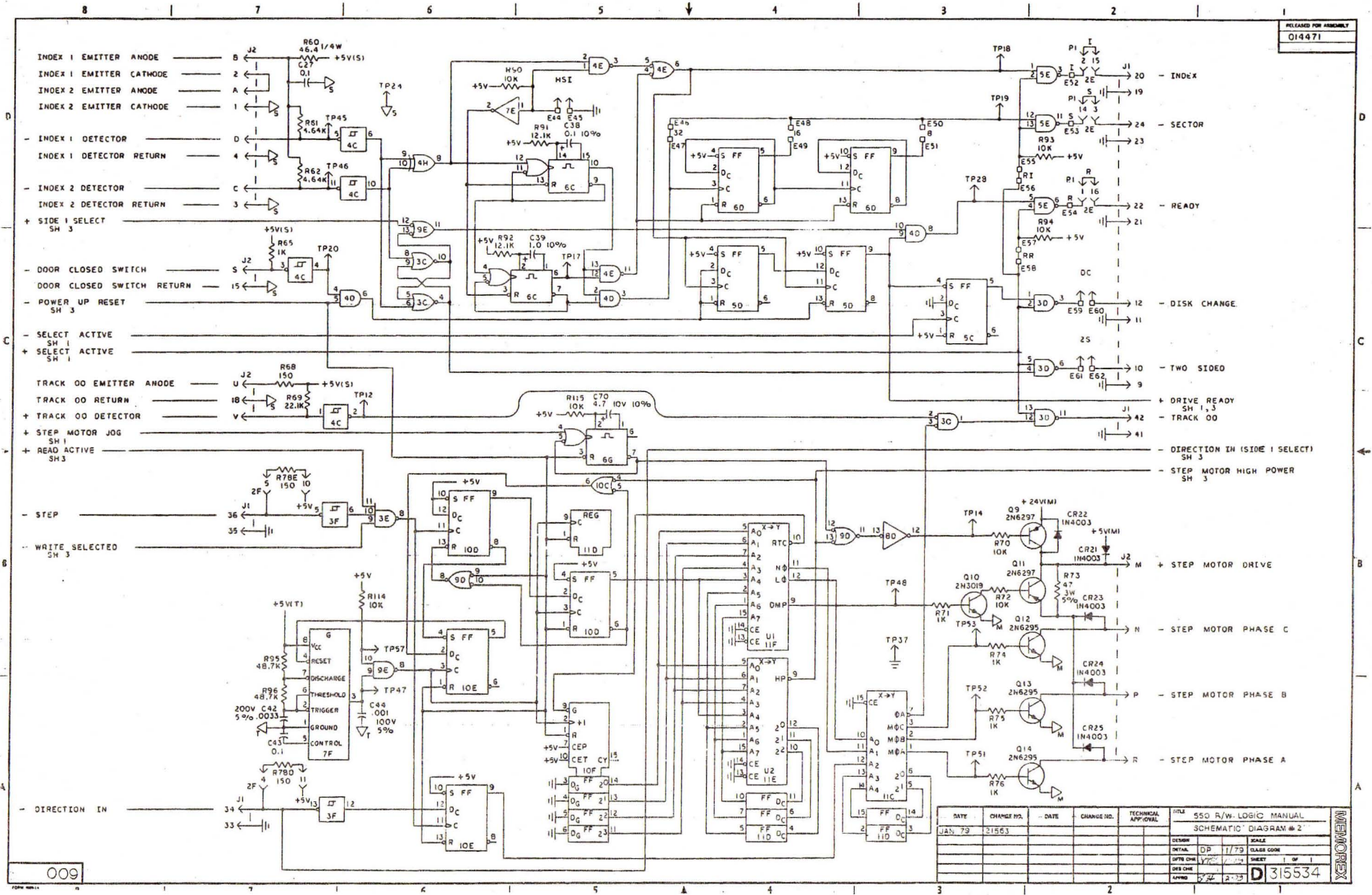
- NOTES, UNLESS OTHERWISE SPECIFIED:
1. ALL RESISTORS ARE IN OHMS, 1/8W, ±1%
  2. ALL CAPACITORS ARE IN MICROFARADS, 50V, +80%, -20%
  3. ALL DIODES ARE IN4148
  4. THE 74LS85 AT LOCATION 2G IS A CUSTOMER INSTALLED OPTION
  5. R51A-G IS 1/10W, 2%
  6. R78A-G IS 1/4W, 2%

GND +5V -5V		GND +5V -5V		GND +5V -5V			
COMP	OUT	COMP	OUT	COMP	OUT		
1J	UA79M05	4H	74LS86	7	14		
2D	74LS132	5C	74LS74	7	14		
2E	PLUG 1	5D	74LS74	7	14		
2F	150 OHM	5E	7438	7	14		
2G	74LS85	5F	9602	8	16		
2H	7438	5G	9602	8	16		
2J	CA3045	5J	CA3045	13	13		
3B	75450	6C	9602	8	16		
3C	74LS02	6D	74LS74	7	14		
3D	7438	6E	74LS28	7	14		
3E	74LS10	6F	9602	8	16		
3F	74LS14	6G	9602	8	16		
3G	74LS74	6J	2N2907	7	14		
3H	74LS00	7C					
3J	KC10116	7D					
4C	74LS14	7E	74LS04	7	14		
4C	74LS08	7F	555	1	8		
4E	74LS00	7H	592	10	5		
4F	74LS74	7I	74LS14	7	14		
4G	74LS74	7I					
6D	7407	7	14	8D	7407	7	14
8E	74LS00	7	14	8E	74LS00	7	14
9C				9C			
9D	74LS08	7	14	9D	74LS08	7	14
9E	74LS00	7	14	9E	74LS00	7	14
9F	9602	8	16	9F	9602	8	16
9G	2N2907			9G	2N2907		
9H	2N2907			9H	2N2907		
10C	74LS00	7	14	10C	74LS00	7	14
10D	74LS74	7	14	10D	74LS74	7	14
10E	74LS74	7	14	10E	74LS74	7	14
10F	74LS161	8	16	10F	74LS161	8	16
10G	2N2222			10G	2N2222		
10H	2N2907			10H	2N2907		
11C	82S123	8	16	11C	82S123	8	16
11D	74LS174	8	16	11D	74LS174	8	16
11E	82S123	8	16	11E	82S123	8	16
11F	82S129	8	16	11F	82S129	8	16

DATE	CHANGE NO.	DATE	CHANGE NO.	TECHNICAL APPROVAL	TITLE
JAN 79	2158T				590 RW LOGIC MANUAL SCHEMATIC DIAGRAM # 1

008

MEMOREX

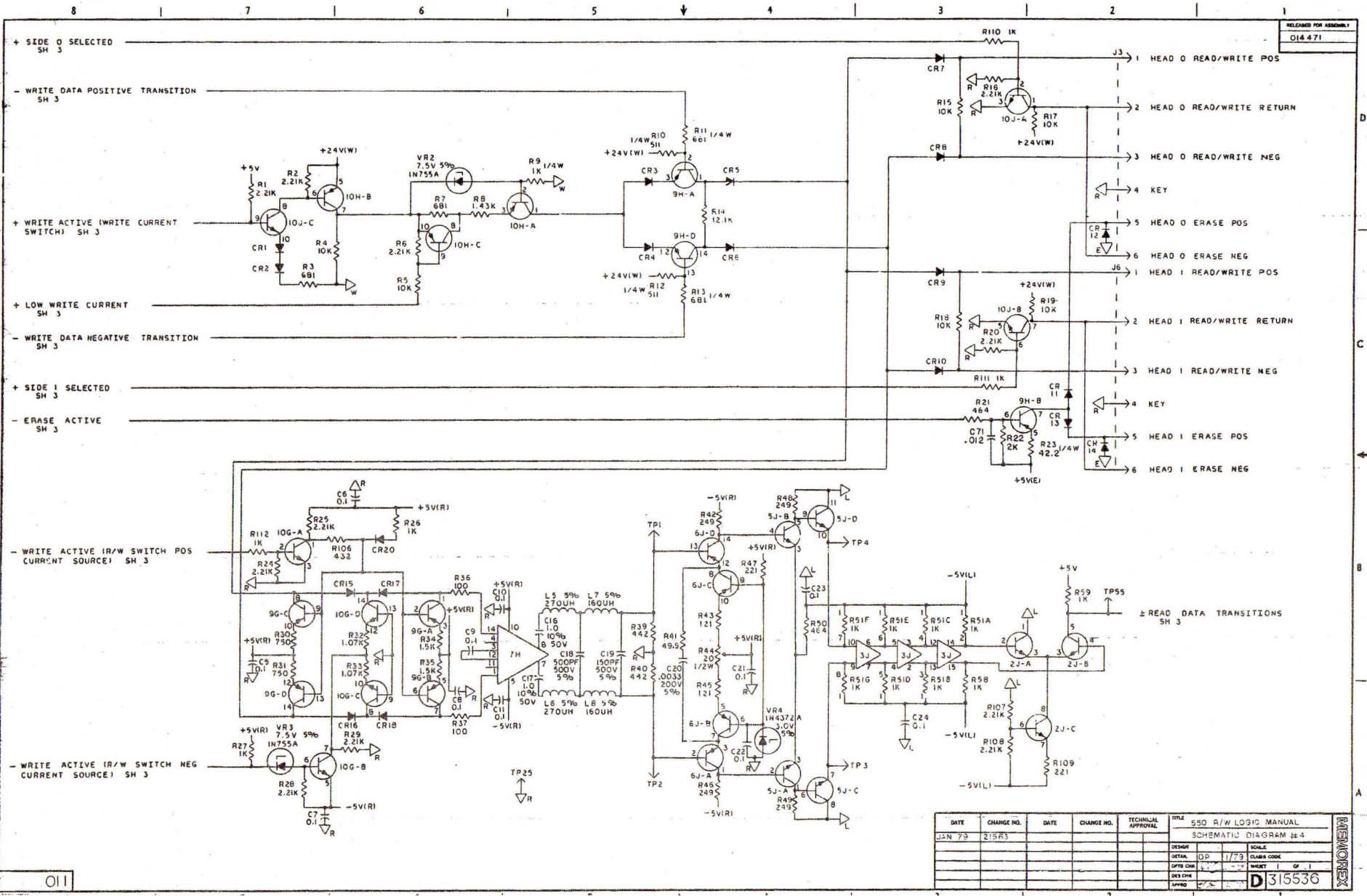


DATE	CHANGE NO.	DATE	CHANGE NO.	TECHNICAL APPROVAL	TITLE
JUN 79	21563				550 R/W LOGIC MANUAL SCHEMATIC DIAGRAM # 2
					DESIGN SCALE
					DETAIL DP 1/79 CLASS COOK
					DRAWN BY: / / / SHEET 1 OF 1
					APP'D BY: / / / D 315534

009

MEMOREX



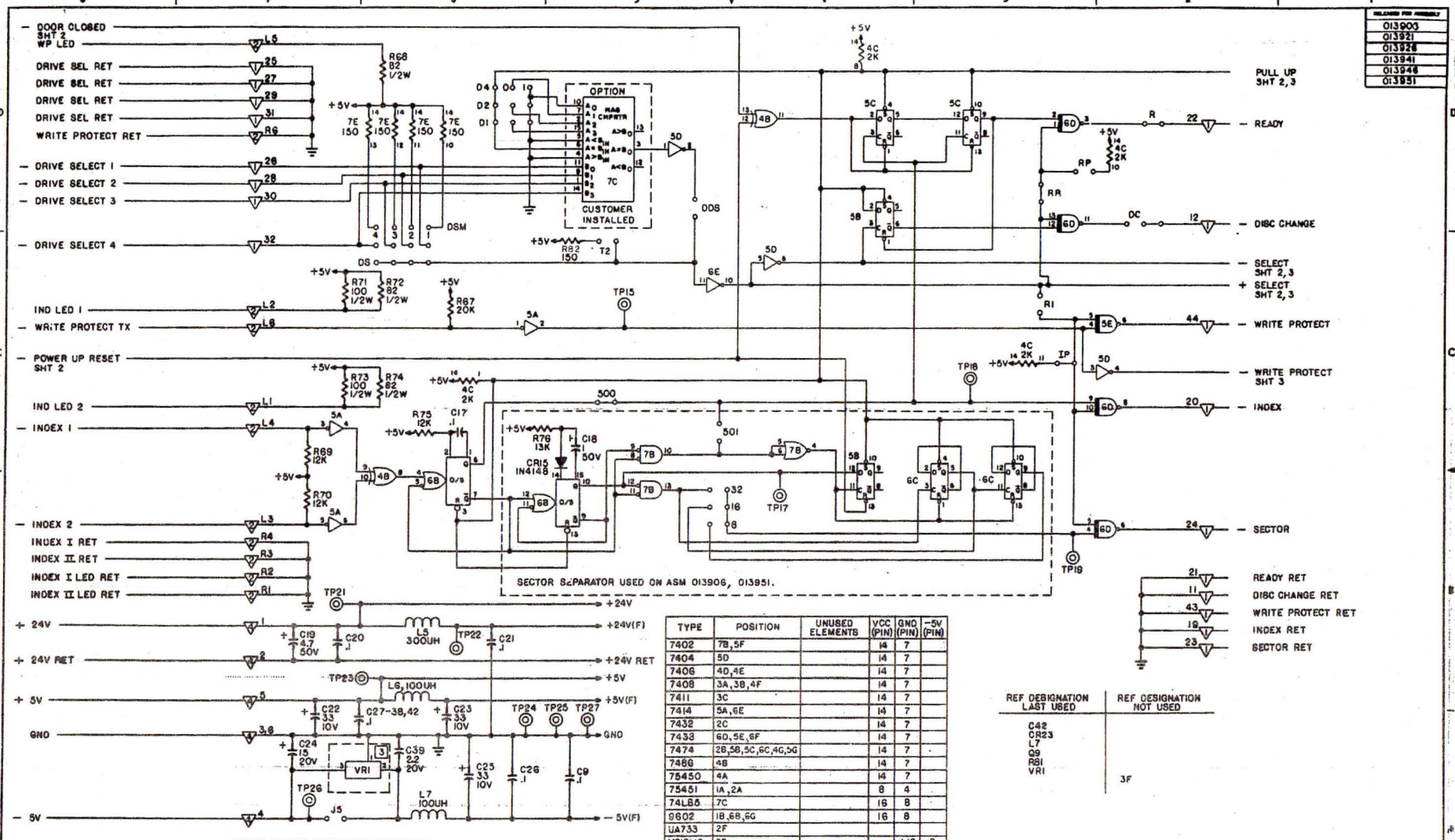


DATE	CHANGE NO.	DATE	CHANGE NO.	TECHNICAL APPROVAL	TITLE
JUN 79	215R3				550 R/W LOGIC MANUAL SCHEMATIC DIAGRAM #4
					DESIGN: [ ]
					DRAWN: [ ]
					CHECKED: [ ]
					APPROVED: [ ]

MEMOREX  
D 315536

011

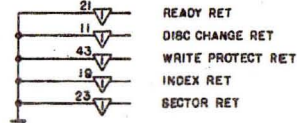
RELEASED FOR ASSEMBLY
013903
013921
013928
013941
013946
013951



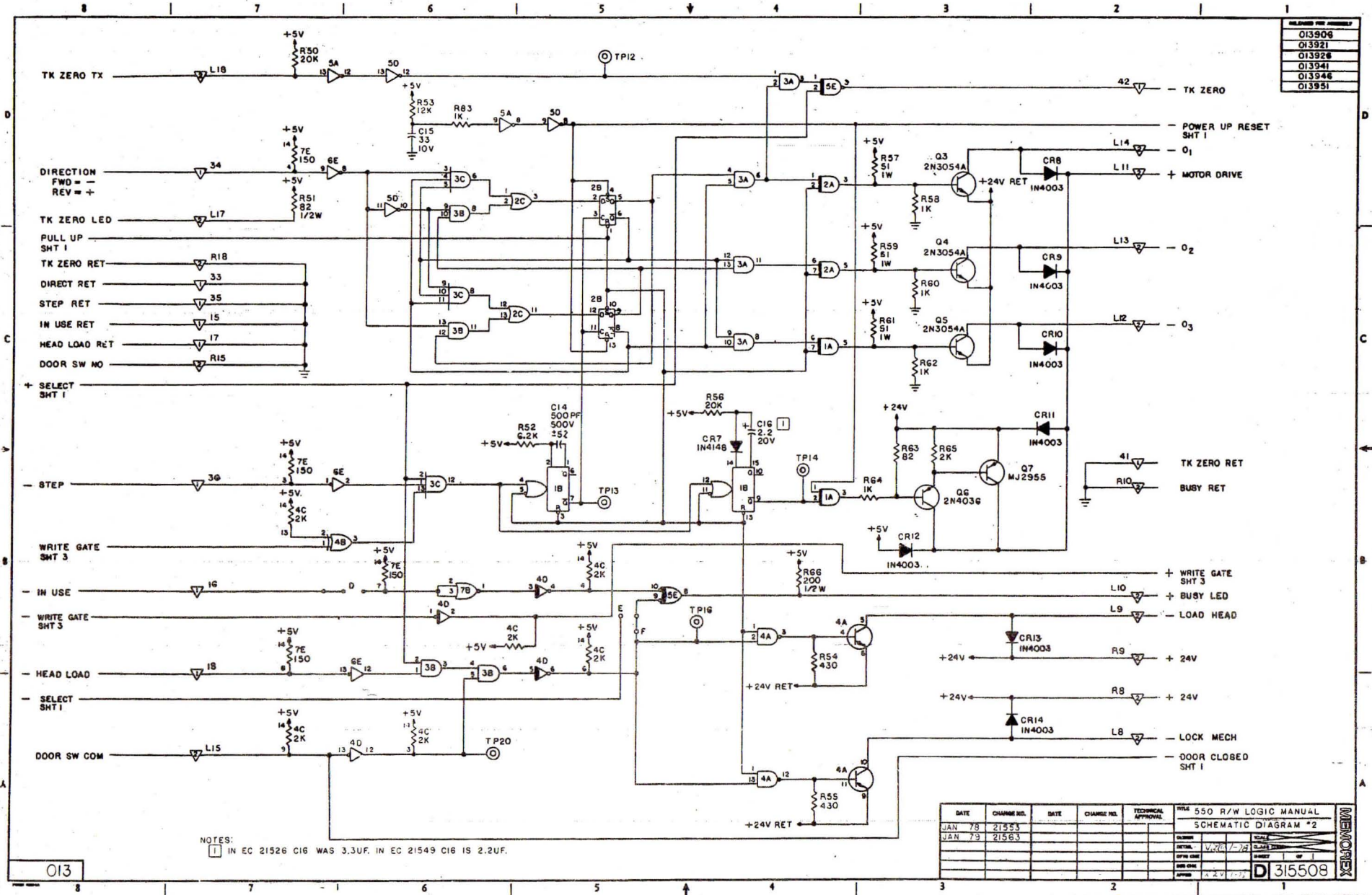
NOTES, UNLESS OTHERWISE SPECIFIED:  
 1. ALL CAPACITORS ARE IN MICROFARADS, 100V, ±10%.  
 2. ALL RESISTORS ARE IN OHMS, 1/4W, ±5%.  
 [3] USED ON ASM 013906, 013946, 013941.

TYPE	POSITION	UNUSED ELEMENTS	VCC (PIN)	GND (PIN)	-5V (PIN)
7402	7B, 5F		14	7	
7404	5D		14	7	
7406	4D, 4E		14	7	
7408	3A, 3B, 4F		14	7	
7411	3C		14	7	
7414	5A, 6E		14	7	
7432	2C		14	7	
7438	6D, 5E, 6F		14	7	
7474	2B, 5B, 5C, 6C, 4C, 5G		14	7	
7486	4B		14	7	
75450	4A		14	7	
75451	1A, 2A		8	4	
74LB5	7C		16	8	
9802	1B, 6B, 6G		16	8	
1A733	2F				
MC10116	2D			1, 16	8
CA3045	2E				
MPQ2907	1E, 3E				

REF DESIGNATION LAST USED	REF DESIGNATION NOT USED
C42 CR23 L7 Q9 R81 VR1	3F



DATE	CHANGE NO.	DATE	CHANGE NO.	TECHNICAL APPROVAL	TITLE
JAN 78	21553				550 R/W LOGIC MANUAL
JAN 79	21563				SCHEMATIC DIAGRAM #1
					SCALE
					CLASS
					DRAWN BY
					CHECKED BY
					DATE
					BY
					315507



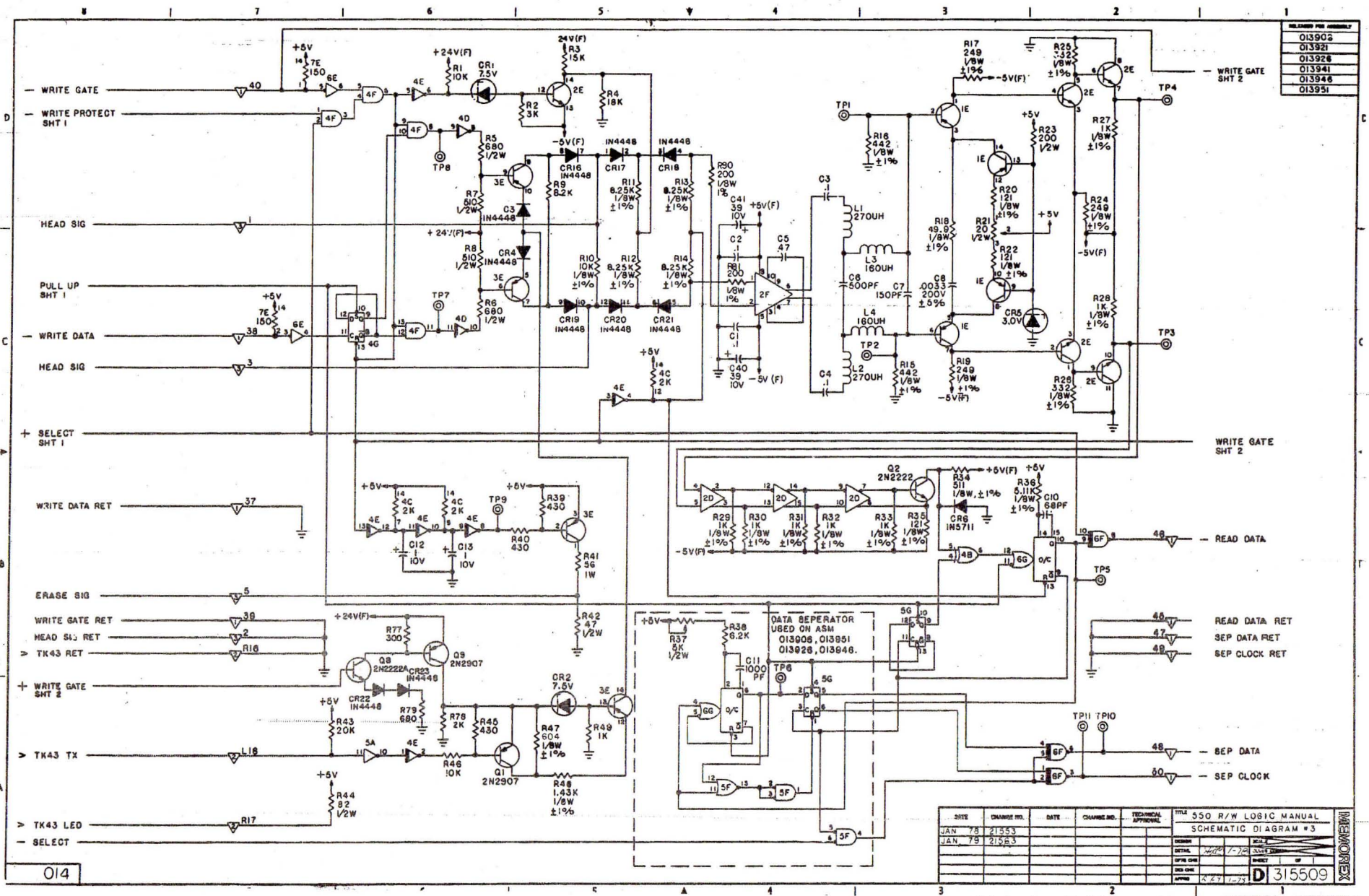
013906
013921
013926
013941
013946
013951

NOTES:  
 1 IN EC 21526 C16 WAS 3.3UF. IN EC 21549 C16 IS 2.2UF.

DATE	CHANGE NO.	DATE	CHANGE NO.	TECHNICAL APPROVAL	TITLE
JAN 78	21553				550 R/W LOGIC MANUAL
JAN 79	21563				SCHEMATIC DIAGRAM #2

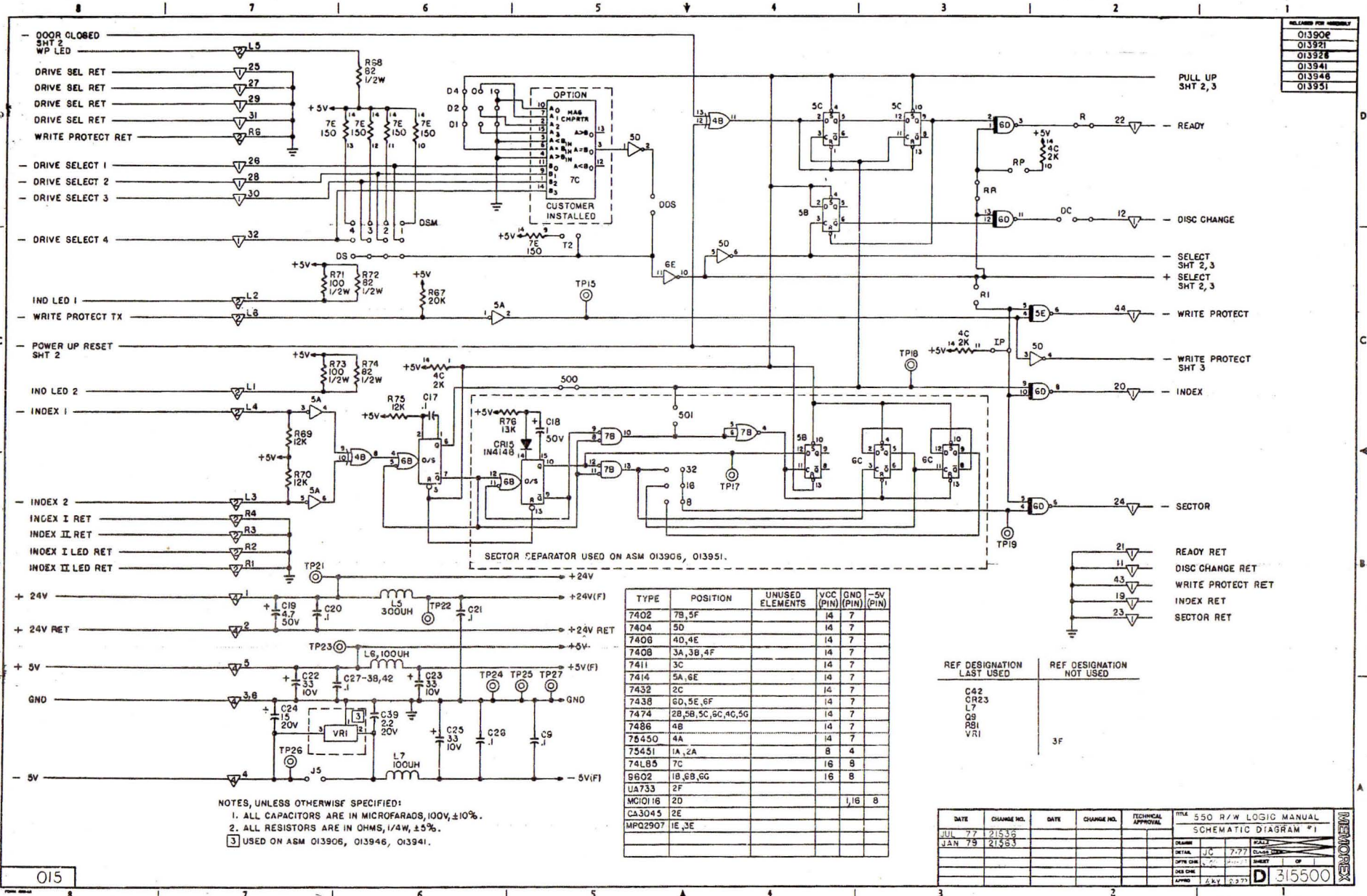
013

MEMOREX  
 D 315508



014

MEMOREX  
D 315509

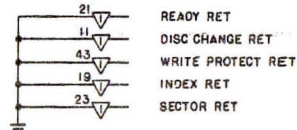


01390E
013921
013928
013941
013946
013951

NOTES, UNLESS OTHERWISE SPECIFIED:  
 1. ALL CAPACITORS ARE IN MICROFARADS, 100V, ±10%.  
 2. ALL RESISTORS ARE IN OHMS, 1/4W, ±5%.  
 3. USED ON ASM 01390E, 013946, 013941.

TYPE	POSITION	UNUSED ELEMENTS	VCC (PIN)	GND (PIN)	-5V (PIN)
7402	7B, 5F		14	7	
7404	5D		14	7	
7406	4D, 4E		14	7	
7408	3A, 3B, 4F		14	7	
7411	3C		14	7	
7414	5A, 6E		14	7	
7432	2C		14	7	
7438	6D, 5E, 6F		14	7	
7474	2B, 5B, 5C, 6C, 4C, 5G		14	7	
7486	4B		14	7	
75450	4A		14	7	
75451	1A, 2A		8	4	
74LB5	7C		16	8	
9602	1B, 6B, 6G		16	8	
UA733	2F				
MCI016	2D			1, 16	8
CA3045	2E				
MPQ2907	1E, 3E				

REF DESIGNATION LAST USED	REF DESIGNATION NOT USED
C42 CR23 L7 Q9 R81 VRI	3F

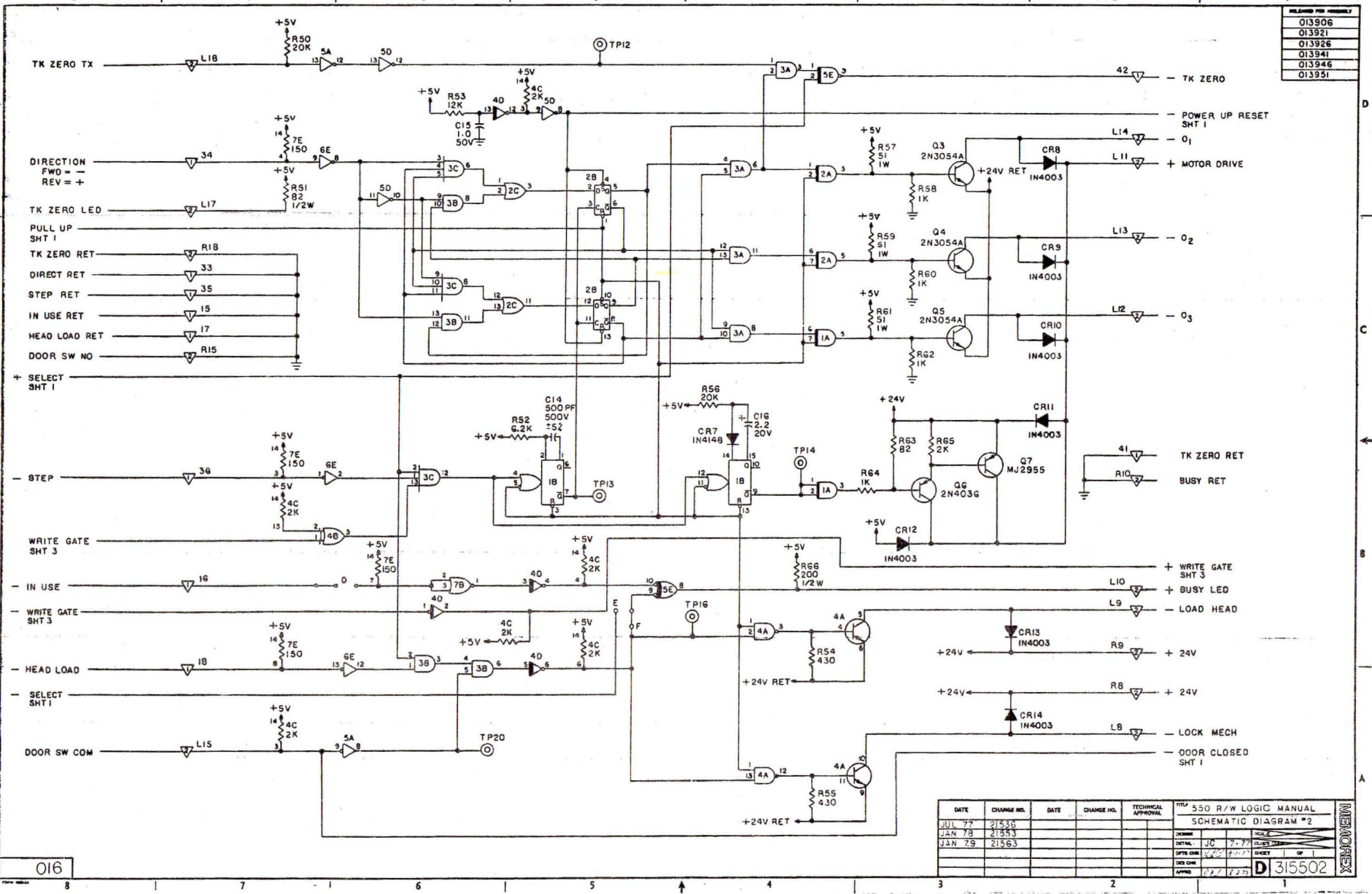


DATE	CHANGE NO.	DATE	CHANGE NO.	TECHNICAL APPROVAL	TITLE
JUL 77	21536				550 R/W LOGIC MANUAL
JAN 79	21553				SCHEMATIC DIAGRAM #1

XEROX



013906
013921
013926
013941
013946
013951



DATE	CHANGE NO.	DATE	CHANGE NO.	TECHNICAL APPROVAL	REV
JUL 77	21535				1
JAN 78	21553				2
JAN 79	21563				3

DESIGN	JC	7-77	DESIGN	
DRAWN			CHECKED	
DATE			DATE	
BY			BY	
APP'D			APP'D	

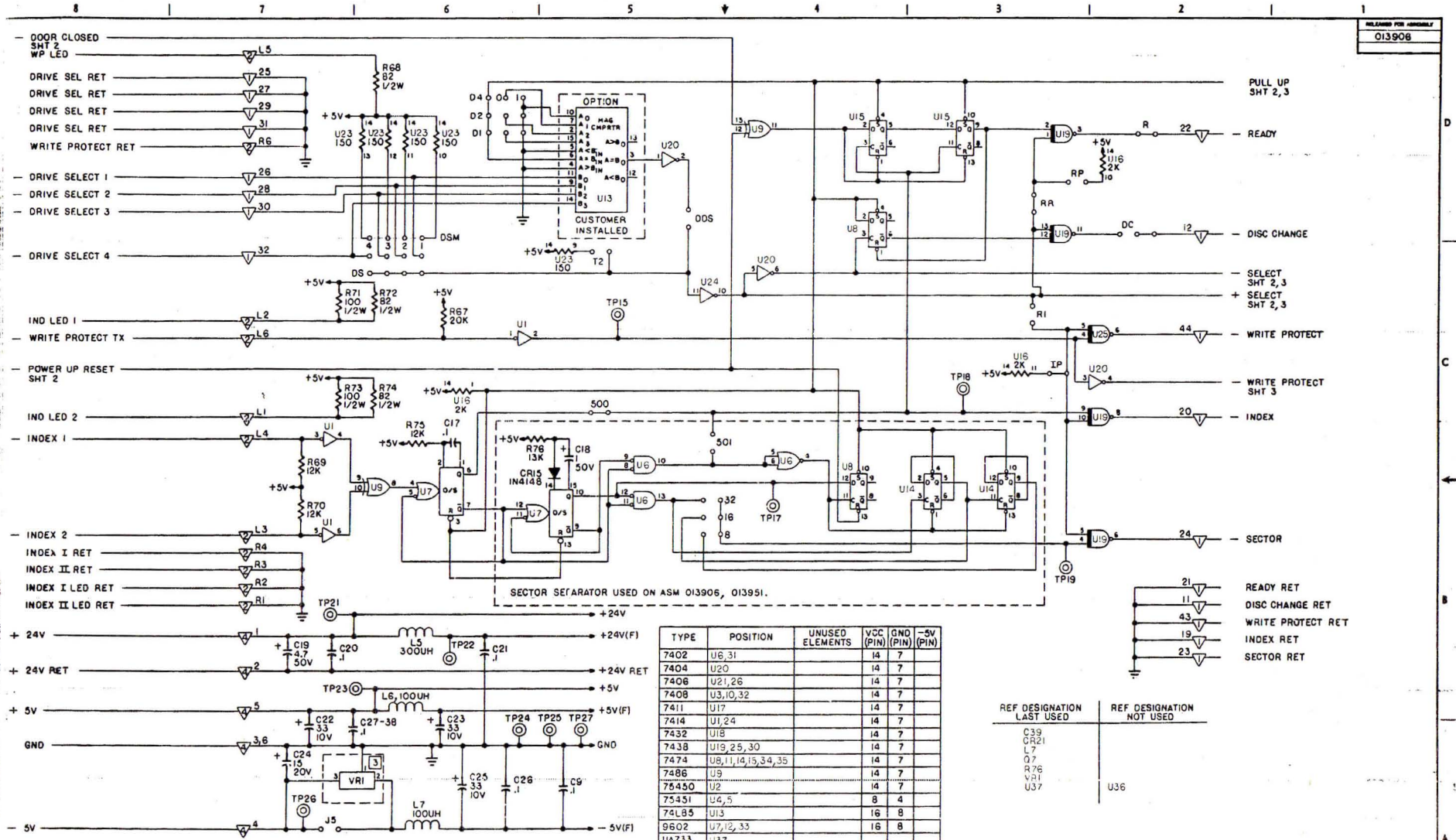
  

550 R/W LOGIC MANUAL	
SCHEMATIC DIAGRAM #2	
315502	

016

MEMOREX



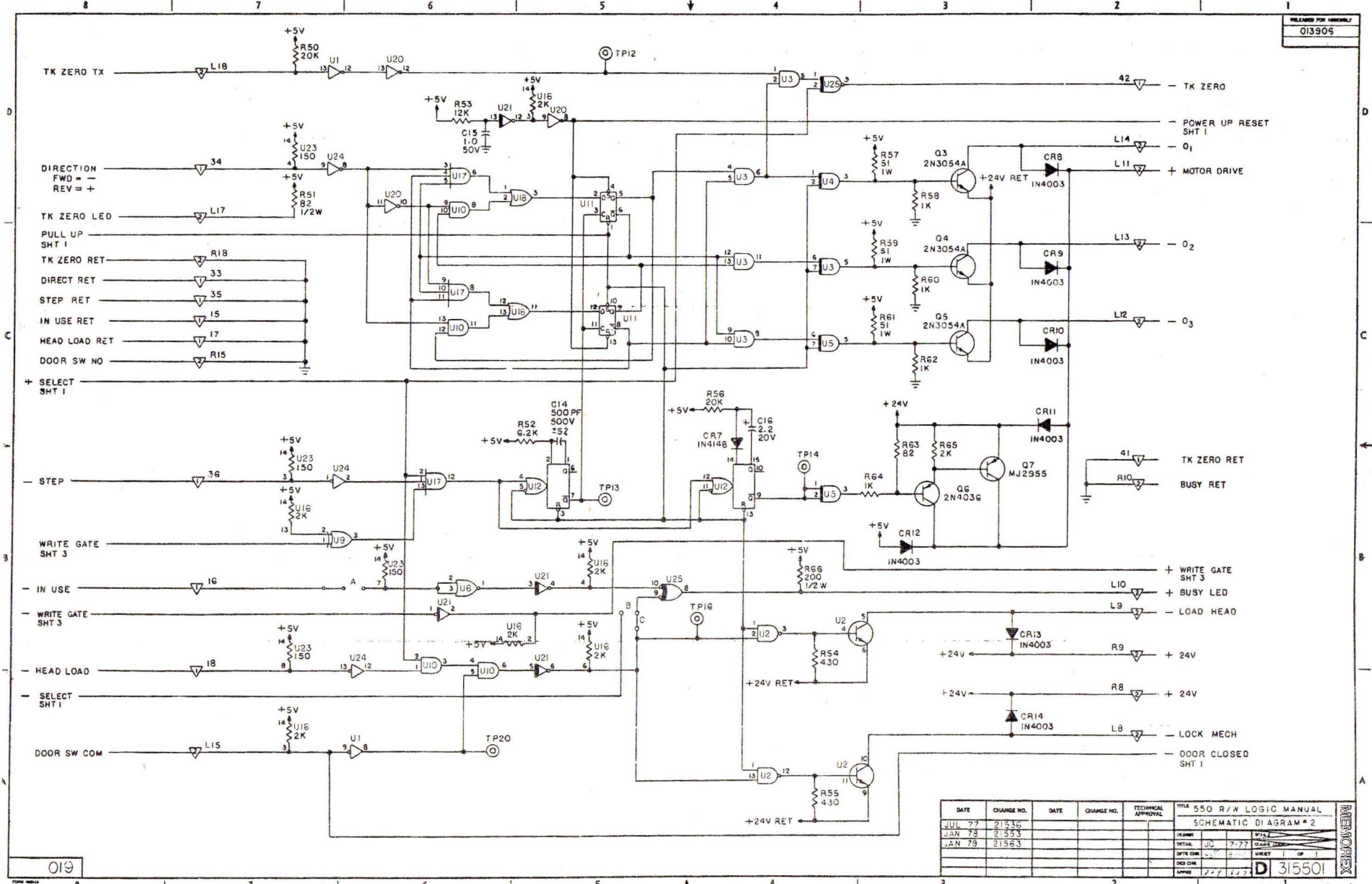


NOTES, UNLESS OTHERWISE SPECIFIED:  
 1. ALL CAPACITORS ARE IN MICROFARADS, 100V, ±10%.  
 2. ALL RESISTORS ARE IN OHMS, 1/4W, ±5%.  
 3. USED ON ASM 013906, 013946, 013941.

TYPE	POSITION	UNUSED ELEMENTS	VDC (PIN)	GND (PIN)	-5V (PIN)
7402	U6,31		14	7	
7404	U20		14	7	
7406	U21,26		14	7	
7408	U3,10,32		14	7	
7411	U17		14	7	
7414	U1,24		14	7	
7432	U18		14	7	
7438	U19,25,30		14	7	
7474	U8,11,14,15,34,35		14	7	
7486	U9		14	7	
75450	U2		14	7	
75451	U4,5		8	4	
74L85	U13		16	8	
9602	U7,12,33		16	8	
UA733	U37				
MC10116	U22		1,16	8	
CA3045	U28				

REF DESIGNATION LAST USED	REF DESIGNATION NOT USED
C39	
CR21	
L7	
Q7	
R76	
V1	
U37	
	U36

DATE	CHANGE NO.	DATE	CHANGE NO.	TECHNICAL APPROVAL	TITLE
JUL 77	2153B				550 R/W LOGIC MANUAL
JAN 79	21563				SCHEMATIC DIAGRAM *1
					DESIGNER: UC 7-77
					DRAWN: JLS 8-77
					CHECKED: JLS 8-77
					APPROVED: JLS 8-77
					WORK: 1 OF 1
					D 315499



DATE	CHANGE NO.	DATE	CHANGE NO.	TECHNICAL APPROVAL	TITLE
JUL 77	21536				550 R/W LOGIC MANUAL
JAN 78	21537				SCHEMATIC DIAGRAM # 2
JAN 79	21563				

NAME: \_\_\_\_\_  
 DESIGNED BY: \_\_\_\_\_  
 CHECKED BY: \_\_\_\_\_  
 DATE: \_\_\_\_\_  
 SHEET 1 OF 1  
 315501

