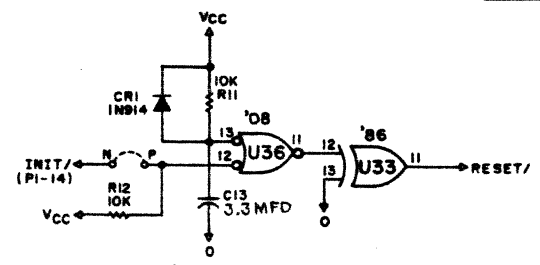
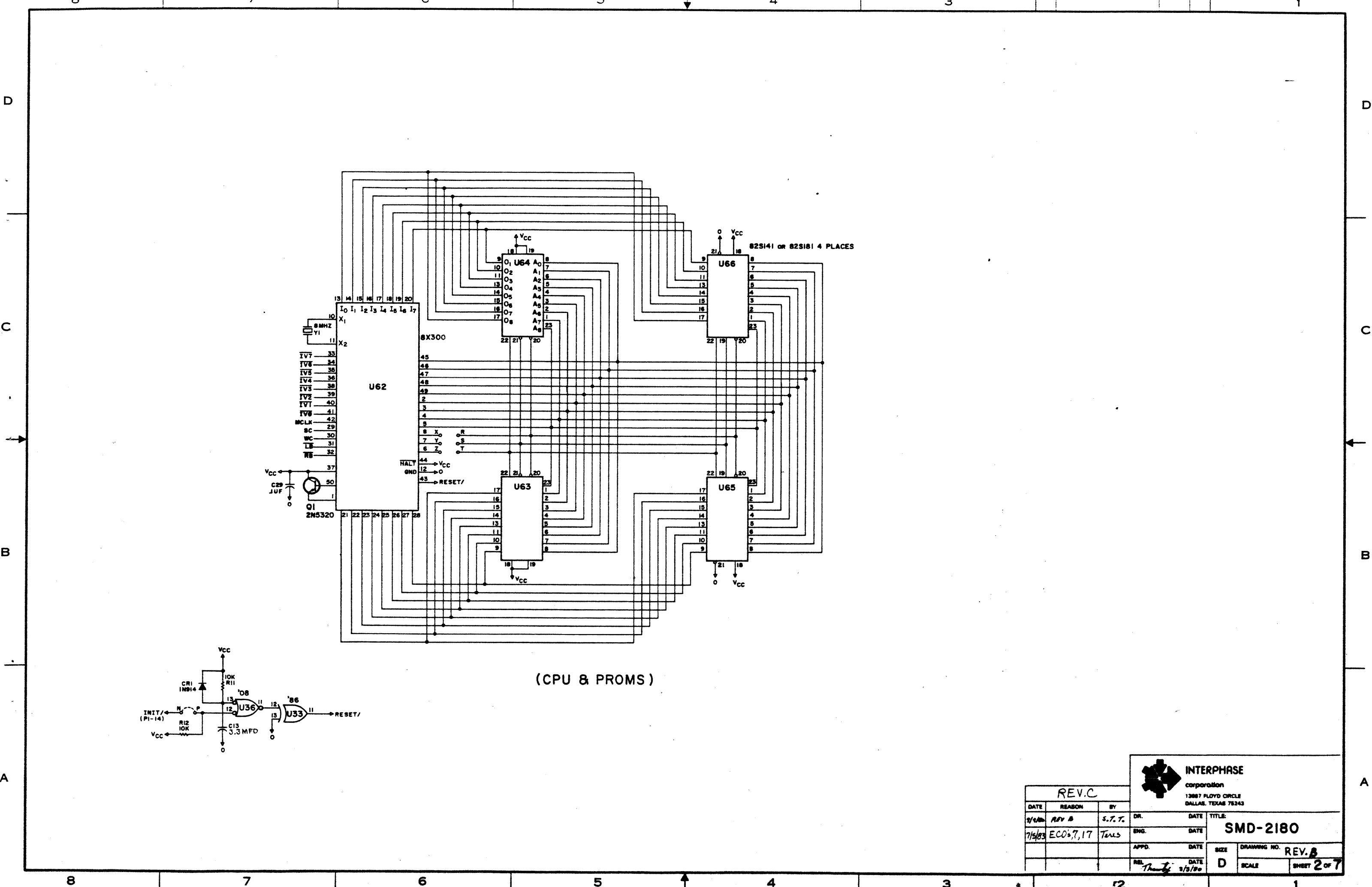




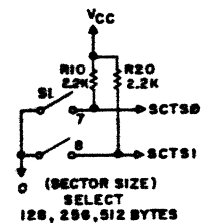
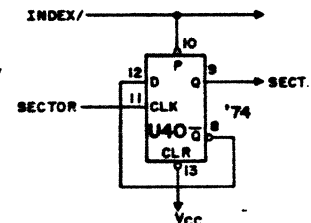
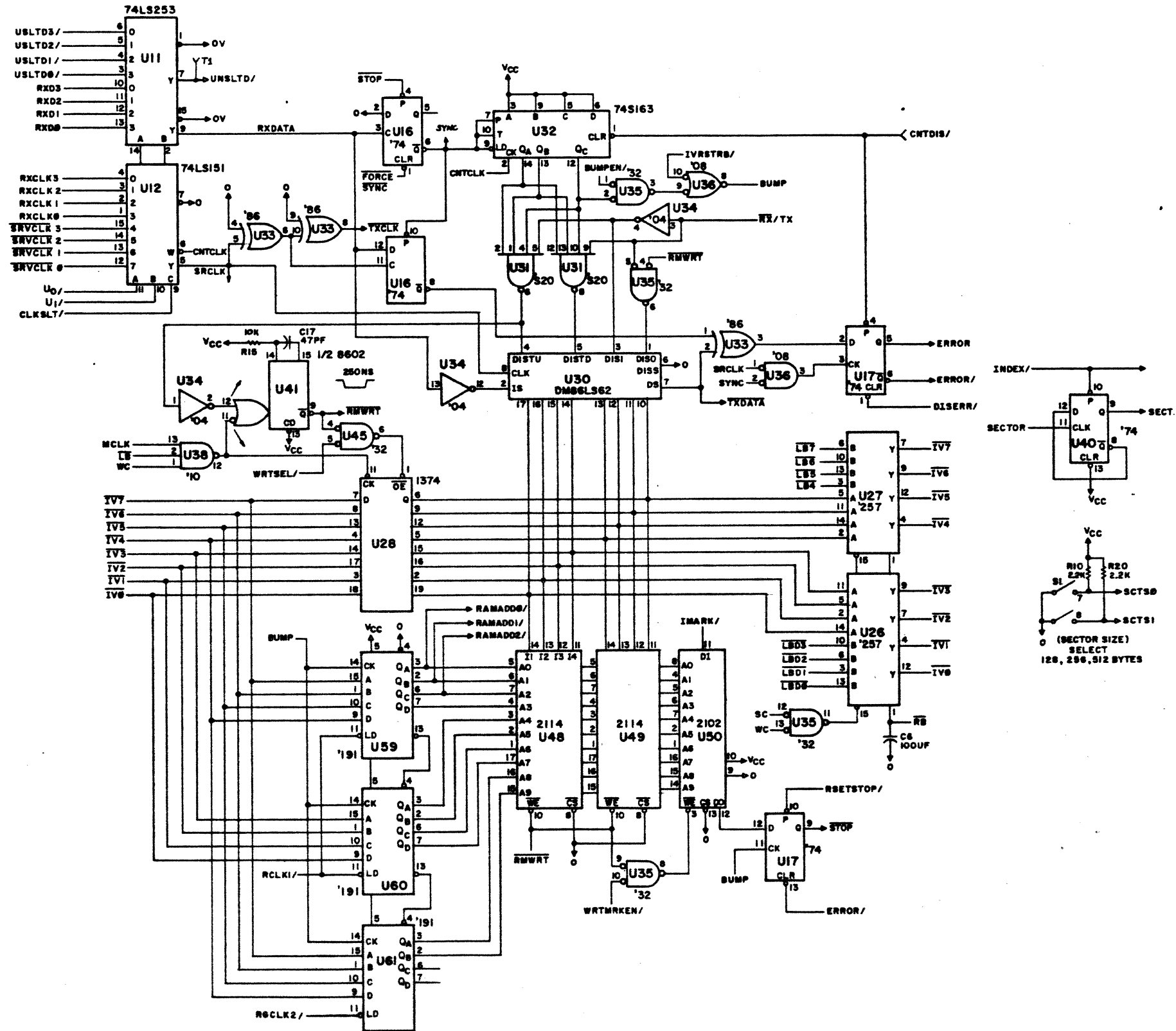
INTERPHASE
corporation

SMD 2180
Schematics
rev: C



INTERPHASE
 corporation
 13887 FLOYD CIRCLE
 DALLAS, TEXAS 75243

REV.C			DR.	DATE	TITLE
DATE	REASON	BY			
9/9/80	REV B	S.T.T.			SMD-2180
7/5/83	ECO's 7, 17	Toms			
			APPD.	DATE	SIZE
					D
			RE.	DATE	SCALE
				3/5/80	
					DRAWING NO. REV.B
					SHEET 2 of 7



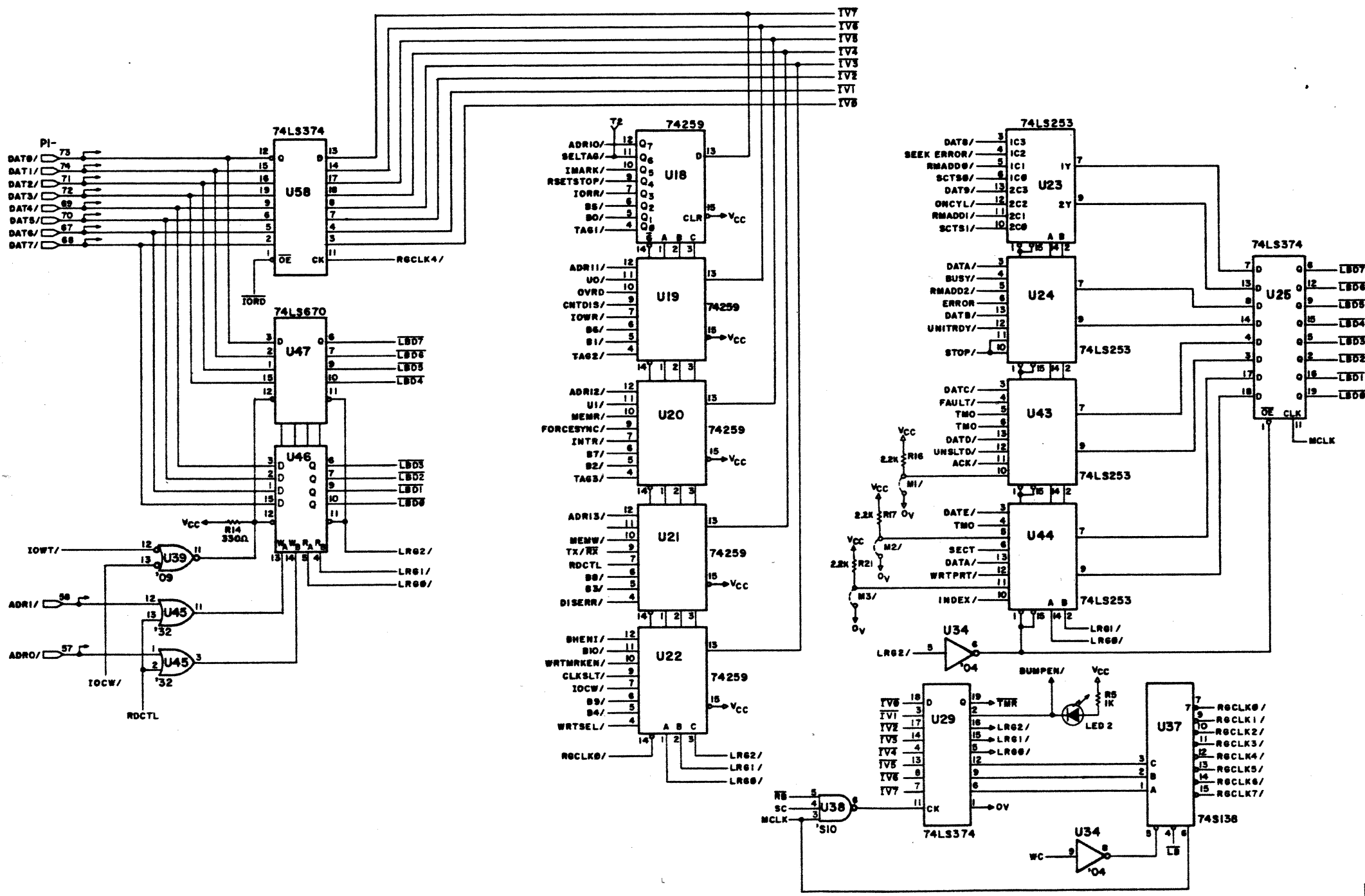
(SCTS1)	(SCTS0)
S1-8	S1-7
OFF	OFF = 128 BYTES
OFF	ON = 256 "
ON	OFF = 512 "
ON	ON = 768 "

REV. C		
DATE	REASON	BY
7/83	ECOS7,17	Tero

INTERPHASE
 Corporation
 13887 FLOYD CIRCLE
 DALLAS, TEXAS 75243

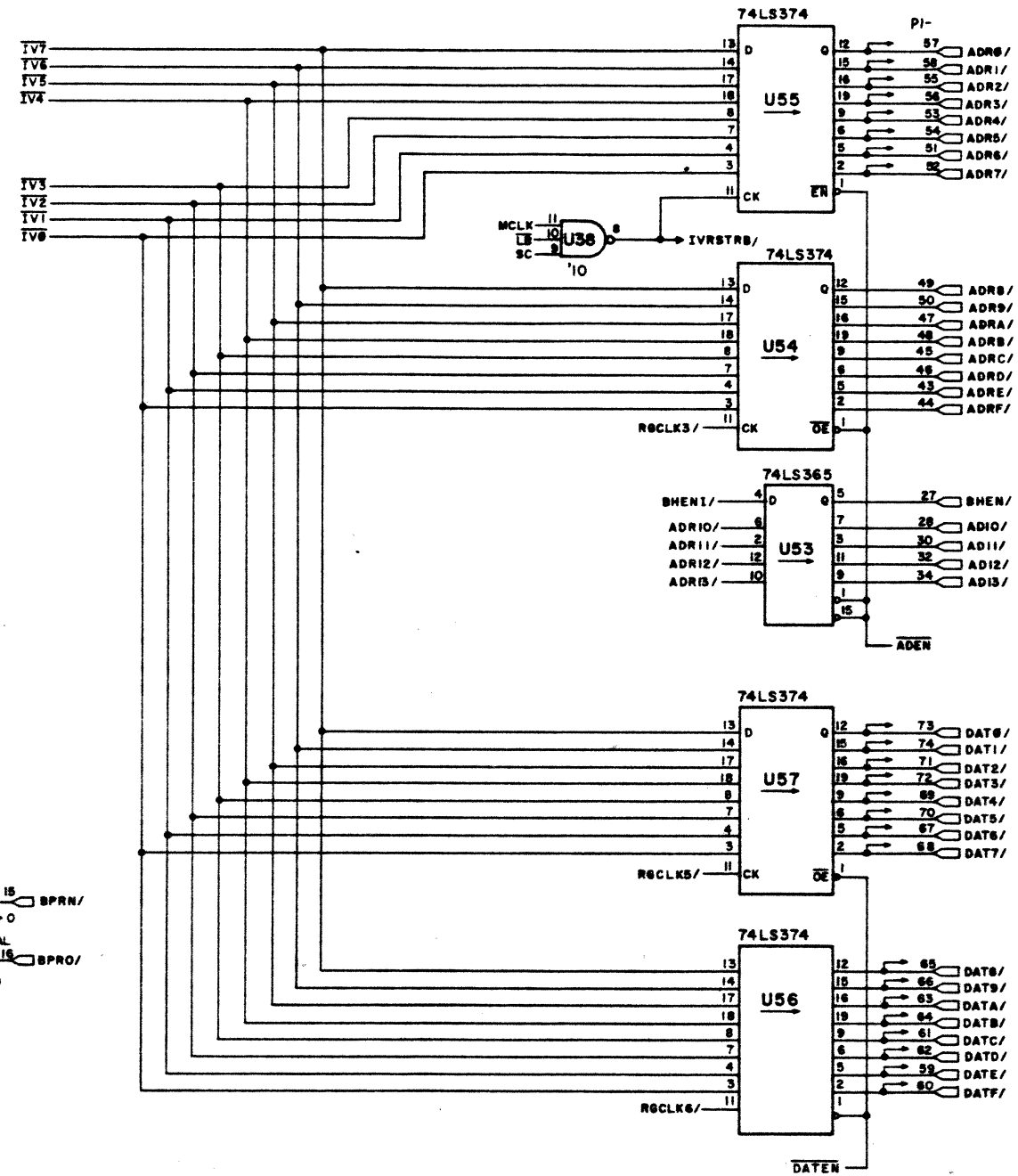
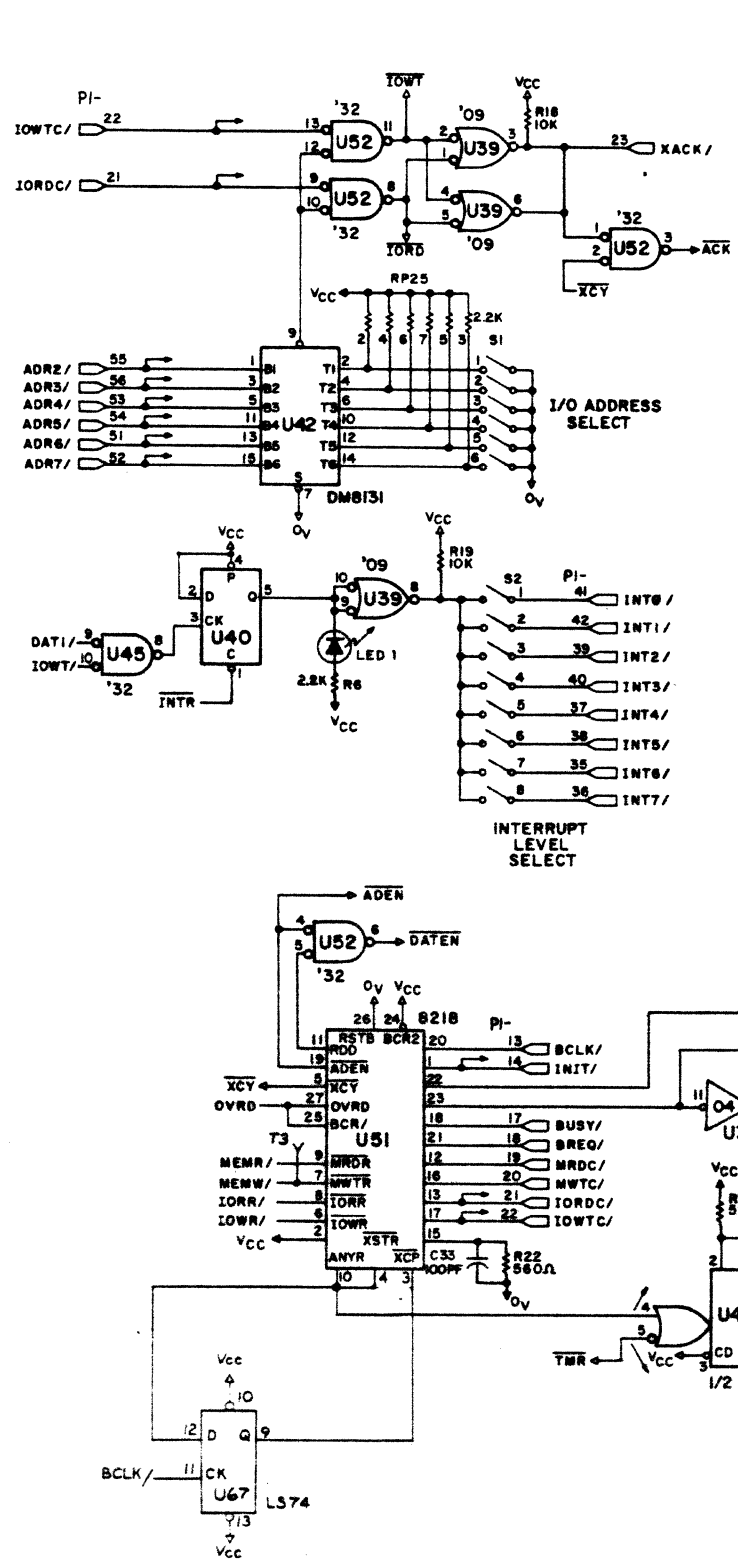
DR.	DATE	TITLE
		SMD-2180
ENG.	DATE	
APPD.	DATE	SIZE
		D
REL.	DATE	SCALE

SHEET 3 OF 7

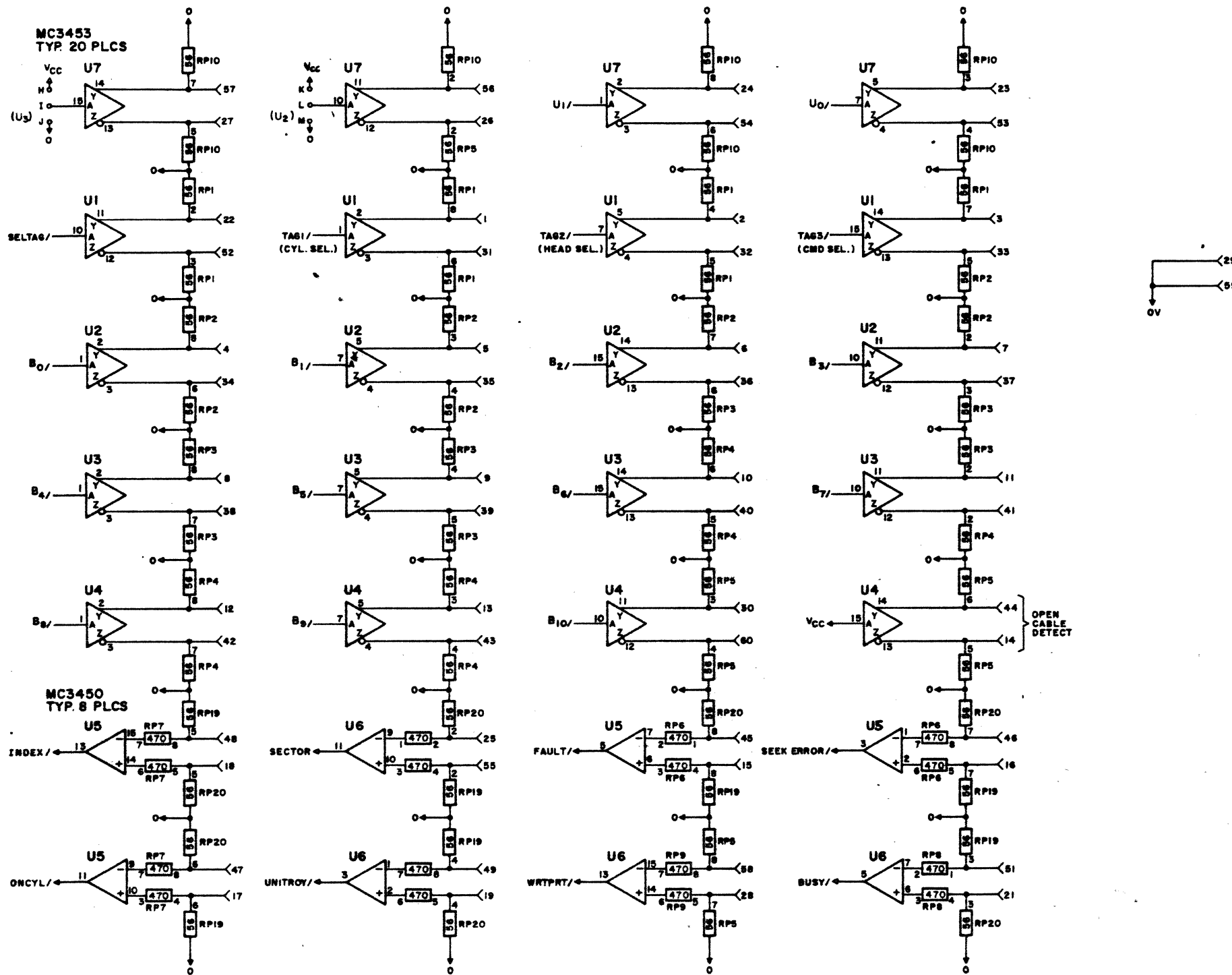


INTERPHASE
 corporation
 13867 FLOYD CIRCLE
 DALLAS, TEXAS 75243

REV. C			DATE		TITLE	
DATE	REASON	BY	DR.	DATE	SMD-2180	
7/15/83	ECOS 7, 17	TAMS	ENG.	DATE	SIZE	DRAWING NO.
			APPD.	DATE	D	SCALE
			REL.	DATE		SHEET 4 OF 7



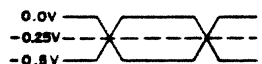
REV. C			DATE		TITLE	
DATE	REASON	BY	DR.	DATE	SMD-2180	
7/15/83	ECO's 7,17	Terry	ENG.	DATE	SIZE	DRAWING NO.
			APPD.	DATE	D	SCALE
			REL	DATE		SHEET 5 of 7



"A" CABLE DRIVERS & RECEIVERS
ALL CONNECTIONS ARE TO J1

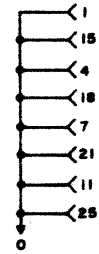
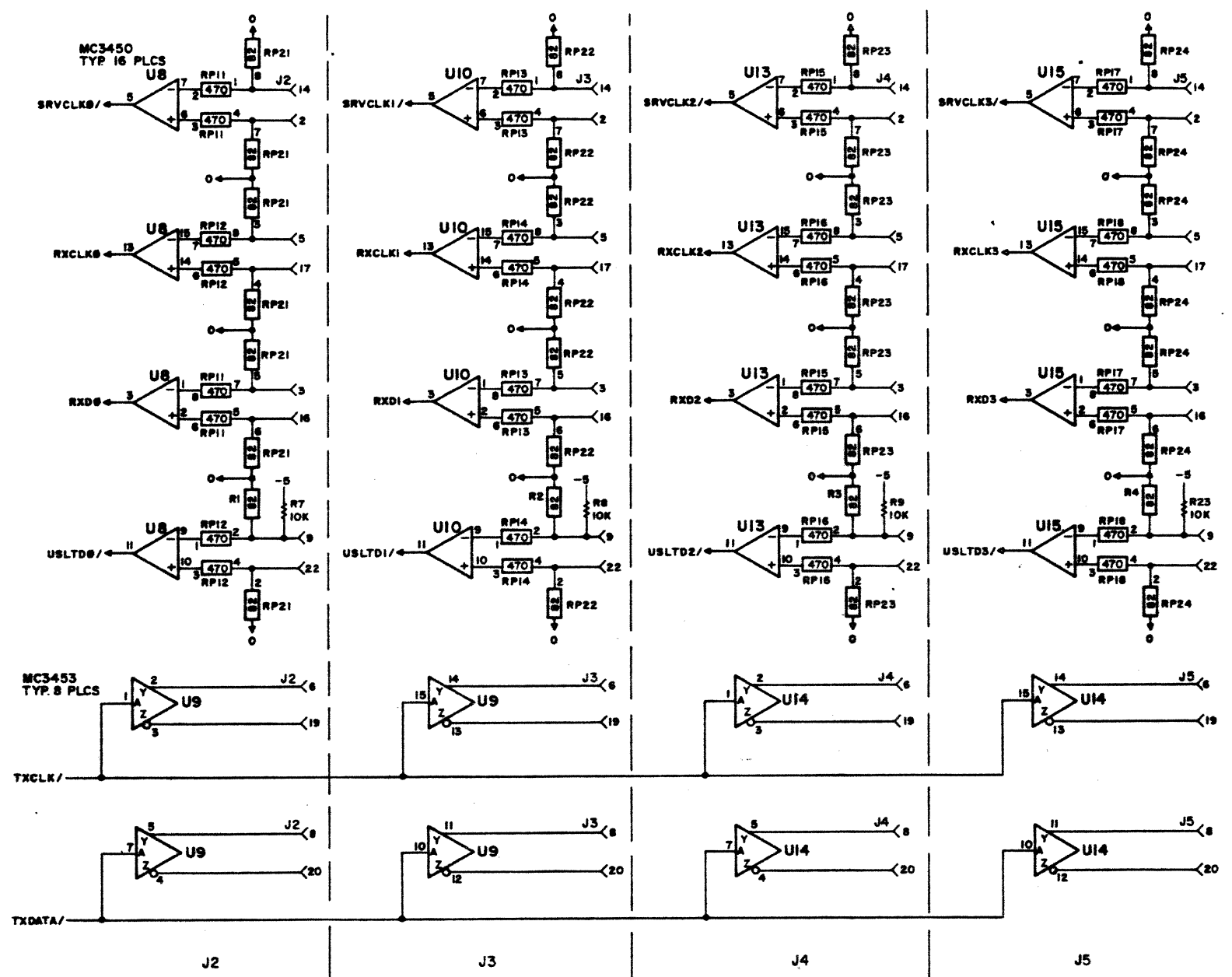
INTERPHASE
corporation
13887 FLOYD CIRCLE
DALLAS, TEXAS 75243

REV. C			DR.	DATE	TITLE
DATE	REASON	BY	ENG.	DATE	SMD-2180
7/15/73	ECOs 7, 17	Tello	APPD.	DATE	SIZE
			REL.	DATE	DRAWING NO.
					D
					SCALE
					SHEET 6 OF 7



MC3450 : PIN 16 = VCC (+5)
 PIN 12 = VEE (-5)
 PINS 4,8 = GND (0)

MC3453 : PINS 6,16 = VCC (+5)
 PIN 9 = VEE (-5)
 PIN 8 = GND (0)



NOTE: GROUND CONNECTIONS ARE TYPICAL FOR J2 THRU J5

"B" CABLES, DRIVERS & RECEIVERS



REV. C			DR.	DATE	TITLE SMD-2180
DATE	REASON	BY	ENG.	DATE	
7/5/83	ECOS 7,17	Tew	APPD.	DATE	SIZE D
			REL.	DATE	DRAWING NO.
					SCALE
					SHEET 7 OF 7