



# DUAL PORT COMMUNICATIONS ADAPTER

## HARDWARE REFERENCE MANUAL

Document: 49-522 R00

Assembly: 480040

23 September, 1985

**Copyright (C) 1985, by C3, Inc.**

The information contained in this manual is proprietary in nature and is considered the property of C3, Inc. Reproduction of this manual, in part or in whole, is prohibited without prior authorization from C3, Inc.

**Table of Contents**

---

**1 Introduction**

1.1	Product Overview .....	1
1.2	Product Specifications .....	1

**2 Programming Specification**

2.1	Overview .....	2
2.2	Command Byte .....	2
2.3	Status Byte .....	5
2.4	Data Transfers .....	8
2.5	Interrupts .....	8
2.6	Typical Code Sequences .....	10

**3 Theory of Operation**

3.1	Overview .....	12
3.2	Bus Transceiver Logic .....	12
3.3	Address Logic .....	13
3.4	Bus Control Logic .....	14
3.5	Status Logic .....	15
3.6	Command Logic .....	16
3.7	2661C/Control Logic .....	16
3.8	Interrupt Logic .....	19
3.8.1	Interrupt State Logic .....	20
3.8.2	Interrupt Setting Logic .....	20
3.8.3	Interrupt Arbitration Logic .....	21
3.9	Line Drivers and Receivers .....	22
3.10	Baud Rate Clock .....	23

**4 Configuration Specification**

4.1	Overview .....	24
4.2	Address Selection .....	24
4.3	Control Line Switches .....	26
4.4	Clock Selection Jumpers .....	27
4.5	Communication Standard Selection .....	28

**5 External Interfaces**

5.1	Overview .....	30
5.2	Connector 0 .....	30
5.3	Connectors 1 and 2 .....	31

## 6 Installation

6.1	Overview .....	32
6.2	Unpacking .....	32
6.3	Location .....	32
6.4	Backplane Considerations .....	32

### Appendix A: 2661C EPCI Data Sheet

### Appendix B: Engineering Drawings

#### List of Figures

3-1	2661C Chip Enable Timing .....	18
3-2	Transmit/Receive Clock Logic .....	19
4-1	DPCA Configuration Option Locations .....	25

#### List of Tables

2-1	Interrupt State Command Bits .....	3
2-2	Register Select Command Bits .....	4
2-3	DPCA Interrupt Sources .....	9
4-1	High Order Address Selection .....	24
4-2	Control Line Switch Settings .....	26
4-3	Clock Selection Jumpers .....	27
4-4	Clock Selection Configurations .....	27
4-5	Communication Standards Selection .....	29
5-1	Connector 0 Pinout .....	30
5-2	Connector 1 and 2 Pinout .....	31

Revision History

Revision History

---

<u>Rev</u>	<u>Date</u>	<u>Description</u>
R00	09/23/85	Initial Release

## 1 Introduction

### 1.1 Product Overview

The C3, Inc. Dual Port Communications Adapter (DPCA) interfaces the Perkin-Elmer Multiplexor (MUX) bus with two serial communications interfaces. These interfaces may be used for communication with a variety of terminals, serial printers, modems, and other equipment.

Each of the two ports has the following features:

- o Complies with EIA standards RS-232 and RS-423, FED-STD-1030A, and MIL-STD-188-114 (unbalanced) - Inverted or non-inverted data
- o Operates in synchronous, asynchronous, or isochronous modes
- o Uses internal or external baud rate clocking
- o Operates in full or half duplex modes
- o 16 software programmable baud rates ranging from 50 to 19200 baud
- o Data character lengths of 5 to 8 bits with an additional parity bit (odd or even) if desired
- o Synchronous operation with 8- or 16-bit synchronization, transparent or non-transparent, automatic sync insertion and stripping
- o Asynchronous operation with 1, 1.5, or 2 stop bits; parity, overrun, and framing error detection; line break detection and generation; and false start bit detection
- o Dynamic reconfiguration of operating mode, character length, and baud rate
- o Full modem control capability including reverse channel (secondary transmit and receive data) and ring detect

### 1.2 Product Specifications

Board size	7 inch Perkin-Elmer format
Power requirements	+5 VDC: 2.0 amp +15 -0.4/+1.0 VDC: 0.1 amp -15 -1.0/+0.4 VDC: 0.1 amp
Data transmission format	5-8 data bits, 50-19200 baud async or sync
Comm output levels	<u>+5.5 volts</u>

## 2 Programming Specification

### 2.1 Overview

The DPCA contains two identical serial ports. Each serial port may independently operate in half or full duplex mode. Two consecutive addresses are used for each port, the first even, the second, odd. The even address is used for receive transfers while the odd is used for transmit transfers. In half duplex operation, receive and transmit both use the even address.

The heart of each serial port (or channel) is a Signetics 2661C Enhanced Programmable Communications Interface (EPCI) integrated circuit. This is a bus-oriented version of a Universal Synchronous/Asynchronous Receiver/Transmitter (USART) which is designed to operate on a microprocessor data bus. The DPCA adapts this device to the Perkin-Elmer MUX bus.

The 2661C's contain several registers used for setting up operating modes, determining device status, and for transmitting and receiving data. Perkin-Elmer Output Commands to the DPCA select these internal registers, control interrupts, and select general DPCA modes. Data written to a DPCA channel (via a Write Data instruction) goes into the register of the EPCI specified in the last Output Command to that channel. Data read from the DPCA also comes from the register last specified.

Appendix A of this document is the data sheet from Signetics which describes in detail the capabilities, operation, and techniques for use of the EPCI.

The following sections of this chapter detail the various Perkin-Elmer I/O operations available on the DPCA.

### 2.2 Command Byte

The DPCA command byte controls interrupts, sets operating mode (half/full duplex, read/write), controls communication interface signals, and selects which register in the 2661C EPCI may be accessed by Read or Write Data instructions. It may be issued to the even or odd device address with the same results EXCEPT for the setting of transmit/receive mode. See the discussion of command bit 15, below for details.

The command byte has the following format.

08	09	10	11	12	13	14	15
Interrupt Control		Half Duplex	Reset EPCI	RCT	Register A0	Sel. A1	Trans. Mode

Bit 08 and 09 - Interrupt Control

These bits are used together following Perkin-Elmer interrupt control convention with bit 15 selecting either the transmit or receive side of the port being addressed. Their function is defined in Table 2-1, below.

Bit			Function
08	09	15	
0	0	0	No change to receive interrupts
0	1	0	Enable receive interrupts
1	0	0	Disable (queue) receive interrupts
1	1	0	Disarm receive interrupt
0	0	1	No change to transmit interrupts
0	1	1	Enable transmit interrupts
1	0	1	Disable (queue) transmit interrupts
1	1	1	Disarm transmit interrupts

Table 2-1. Interrupt State Command Bits

Bit 10 - Half Duplex

When 1, this bit selects the half duplex mode of operation. When 0, it selects full duplex operation. This bit affects how the transmit or receive sense status register is selected (see section 2.3), whether transmit interrupts occur on the even or odd address (see section 2.5), how "clear to send" transmit interrupts are generated (see section 2.5), and how the "request to send" output is enabled (see discussion of bit 15, below).

Bit 11 - Reset EPCI

This bit activates the RESET pin on the 2661C when 1. This causes a master reset of the 2661C EPCI for the channel being accessed, on both the transmit and receive sections of the device. It terminates any EPCI activity and clears its internal mode, command, and status registers. The EPCI is in its idle mode until reinitialized.



**Bit 12 - Reverse Channel Transmit (RCT)**

This bit controls the state of the Reverse Channel Transmit output pin, pin 14, on the communication connector for the port being addressed. When this bit is 1, pin 14 assumes an active (high) state. When this bit is 0, pin 14 assumes an inactive (low) state.

**Bit 13 and 14 - Register Select**

These bits select which of the internal registers of the 2661C EPCI will be accessed by subsequent read and write data commands. Table 2-2, below, describes the registers selected by these bits.

A0	A1	Read Data	Write Data
0	0	Recv Holding Reg	Trans Holding Reg
0	1	Mode Reg 1 & 2	Mode Reg 1 & 2
1	0	EPCI Status Reg	Syn1/Syn2/DLE Reg
1	1	EPCI Command Reg	EPCI Command Reg

Table 2-2. Register Select Command Bits

**Bit 15 - Transmit Mode**

This bit controls whether this command applies to the transmit or receive side of the addressed DPCA channel. When 1 this bit indicates an affect on the transmit side, when 0 to the receive side. It is used in conjunction with the interrupt control bits, 08 and 09, to determine if transmit or receive interrupts are to be affected. When in half duplex mode, it puts the channel in either transmit or receive mode (affecting transmit or receive status register selection and the generation of "clear to send" interrupts on the transmit side).

In either full or half duplex mode, this bit affects generation of the "request to send" (RTS) output, pin 4. RTS is generated by the DPCA if the corresponding bit is set in the 2661C EPCI Command Register (refer to Appendix A, page 7) and the channel is in transmit mode.

**SPECIAL NOTE:** In full duplex operation (bit 10 off), transmit or receive mode may only be selected from the odd (transmit) device address. In full duplex mode, bit 15 of the even (receive) address may be used for selecting transmit or receive interrupt

control but it has no affect on enabling of the "RTS" output.

At system power-up (or system clear), the board is in a state that can be emulated by output commands of C1h then D0h, that is, interrupts (both transmit and receive) are disarmed, the 2661C EPCI is reset, the board is in full duplex and receive modes, RCT is off, and A0,A1 is 00 (selecting the 2661C holding registers).

### 2.3 Status Byte

The DPCA has two separate status bytes, one for transmit status, one for receive status. In full duplex mode, receive status is returned when a sense status is issued to the even device address while transmit status is returned from the odd address.

In half duplex mode, receive status is returned when the last command issued had a 0 in bit 15 (the Transmit Mode bit). Transmit status is returned if bit 15 was 1. In half duplex mode the same status is returned from either the even or odd device address.

Several of the status bits are extracted from the 2661C internal status register by the DPCA logic. The 2661C status register is read once by each sense status (or interrupt acknowledge cycle) from the Perkin-Elmer processor.

The receive status byte has the following format.

08	09	10	11	12	13	14	15
Over Run	Parity Error	FE/ Sync D	Ring	Recv Busy	RCR	-DCD	-DSR

Bit 08 - Overrun  
This bit, when 1, indicates that the previous character received into the receive holding register of the 2661C was not read by the processor at the time a new character was received into it. This bit is cleared when the Reset command bit is issued via an output command, when the 2661C receiver is disabled, or when a reset error command is written to the 2661C command register. This bit is extracted from the 2661C internal status register.

Bit 09 - Parity Error  
This bit, when set, indicates a received parity

error. It is cleared when the next character is loaded into the receive holding register of the 2661C, when the Reset command bit is issued via an output command, when the 2661C receiver is disabled, or when a reset error command is written to the 2661C command register. This bit is extracted from the 2661C status register. Consult Appendix A for further details.

**Bit 10 - Framing Error/Sync Detect**

In asynchronous modes of operation, this bit indicates that the received character was not framed by a stop bit. (Only the first stop bit is checked if more than one was received.) If the received character was 0 and this bit is 1, it is likely that a break condition may be present. This bit is cleared in asynchronous mode when the reset error command is written to the 2661C command register.

In synchronous transparent mode it indicates the receipt of the specified 8 or 16 bit sync sequence or, after initial synchronization, the receipt of a DLE-Sync pair. In synchronous mode, this bit is cleared by a sense status or by reading the 2661C status register. CAUTION: It has been observed that the 2661C occasionally clears this bit before it can be read if the DPCA is in a tight sense status loop.

This bit is also cleared when the Reset command bit is issued via an output command or when the 2661C receiver is disabled in either sync or async mode. This bit is extracted from the 2661C status register. Consult Appendix A for further details.

**Bit 11 - Ring**

This bit is 1 when the Ring signal line from the communication line, pin 22, is on (high).

**Bit 12 - Receive Busy**

This bit, when 1, indicates that no data byte is ready to be read from the 2661C receive holding register. It is generated directly by the -RxDY output pin from the 2661C. This bit is set when the processor reads the receive holding register or when the receiver is disabled.

**Bit 13 - RCR (Reverse Channel Receive)**

This bit is 1 when the RCR signal line from the communication line, pin 16, is on (high).

Bit 14 - -DCD (Not Data Carrier Detect)  
 This bit is 1 when the DCD signal line from the communication line, pin 8, is off (low). This bit is extracted from the 2661C status register.

Bit 15 - -DSR (Not Data Set Ready)  
 This bit is 1 when the DSR signal line from the communication line, pin 6, is off (low). This bit is extracted from the 2661C status register.

The transmit status byte has the following format.

08	09	10	11	12	13	14	15
0	0	0	Ring	Trans Busy	RCR	-CTS	-DSR

Bit 11 - Ring  
 (See Transmit Status register bit 11, above.)

Bit 12 - Transmit Busy  
 This bit, when 1, indicates that the transmit holding register of the 2661C has been loaded by the processor and the data has not been transferred to the transmit shift register. This bit is initially 0 when the transmitter is enabled. It is generated directly by the -TxRDY output pin from the 2661C. Consult Appendix A for further information.

Bit 13 - RCR (Reverse Channel Receive)  
 (See Transmit Status register bit 13, above.)

Bit 14 - -CTS (Not Clear to Send)  
 This bit is 1 when the CTS signal line from the communication line, pin 5, is off (low). This bit reflects the -CTS input bit to the 2661C. It must be 0 for the transmitter to operate. If it goes high during transmission, the character in the transmit shift register is completed before transmission stops. Consult Appendix A for further explanation.

Bit 15 - -DSR (Not Data Set Ready)  
 (See Transmit Status register bit 15, above.)

## 2.4 Data Transfers

Data transfers, read data and write data, on the DPCA transfer data into or out of the 2661C register specified in the last output command instruction. Refer to Table 2-2, above, for the register select codes. Data transfers may be done to either the even or odd address with exactly the same effect.

Transfers to the transmit holding register in the 2661C ( $A0=A1=0$ ) should be done only when the transmit sense status register Transmit Busy bit, 12, is 0. Likewise, reading of data from the 2661C internal receive holding register ( $A0=A1=0$ ) should only occur when the receive sense status register Receive Busy bit is 0. Transfers to the other internal registers are not governed by the busy bits.

Refer to Appendix A for 2661C EPCI usage. This document defines the 2661C's internal registers and the recommended initialization sequence for the device. If the device has been initialized for transmitting, the Transmit Busy status bit should be 0, indicating that the 2661C is ready to accept a data byte. If initialized for receiving data, Receive Busy status should be 1, indicating no data available. If Receive Busy is 0, a byte may be read from the receive holding register to force Receive Busy to 1.

## 2.5 Interrupts

Each channel of the DPCA has two different types of interrupts, one for transmit and one for receive. These interrupts are separately controllable by command to the DPCA, see section 2.2 for details. These interrupt circuits may be in one of three states. (These states are standard for Perkin-Elmer controllers.) They are:

- 1) Enabled - Interrupts generated by the channel are passed through to the processor.
- 2) Disabled - Interrupts generated by the channel are not passed to the processor but are queued. When the interrupt logic is later enabled, a queued interrupt will be passed to the processor.
- 3) Disarmed - Interrupts generated by the channel are neither passed on to the processor nor queued. Any queued interrupts are ignored.

At power up, all interrupt circuits on the DPCA are disarmed.

The conditions which cause transmit and receive interrupts are shown in Table 2-3, below. NOTE: The transmit interrupt caused by the 1 to 0 transition of the -CTS signal only occurs when the channel is in half duplex, transmit mode. This interrupt is also generated if -CTS is 0 when half duplex, transmit mode is entered.

Signal	Transition	Interrupt
Ring	0 to 1	Receive
-DCD	0 to 1, 1 to 0	Receive
RCR	0 to 1, 1 to 0	Receive
-DSR	0 to 1	Receive
RxBusy	1 to 0	Receive
TxBusy	1 to 0	Transmit
-CTS	0 to 1, 1 to 0*	Transmit

\*see note in text

Table 2-3. DPCA Interrupt Sources

In full duplex operation, receive interrupts come from the even device address and transmit interrupts from the odd device address. In half duplex mode, both receive and transmit interrupts use the even device address.

Within the DPCA board, the following interrupt priority is followed:

- 1) Channel A Receive Interrupt (highest)
- 2) Channel A Transmit Interrupt
- 3) Channel B Receive Interrupt
- 4) Channel B Transmit Interrupt (lowest)

**NOTE:** During the interrupt acknowledge cycle, the Perkin-Elmer processor issues a sense status to the interrupting device. This sense status resets the "Sync Detect" status bit, if set. See section 2.3, above, for more information.

## 2.6 Typical Code Sequence

This section presents the flow for a few typical code sequences for controlling a DPCA.

Note in these examples that the last Output Command to the channel contains 00 in the register select field and that processor interrupts are disallowed while the register select bits are nonzero. This keeps transmit and receive logic from interfering with each other during full duplex operation.

```

/* Reset the DPCA hardware. This sequence */
/* emulates conditions found at Power-up or */
/* Init for the channel being accessed */
ResetChannel:
    OutputCommand C1h /* disarm Tx ints */
    OutputCommand D0h /* disarm Rx ints,init 2661 */

/* Initialize the 2661C internal registers */
InitChannel:
    LockoutInterrupts
    OutputCommand 02h /* select mode regs */
    Call InitEpciModeRegs /* see appendix A */
    OutputCommand 04h /* select sync regs */
    Call InitEpciSyncRegs /* see appendix A */
    OutputCommand 00h /* select hold regs */
    AllowInterrupts

/* Start-up transmitter */
StartTransmitter:
    LockoutInterrupts
    OutputCommand 06h /* select cmd reg */
    WriteData (TxInitCmd) /* init cmd reg */
    OutputCommand 41h /* select holding regs
                       & enable Tx ints */
    AllowInterrupts

/* Stop transmitter */
StopTransmitter:
    LockoutInterrupts
    OutputCommand 06h /* select cmd reg */
    WriteData (TxStopCmd) /* modify cmd reg */
    OutputCommand C1h /* select holding regs
                       & disarm Tx ints */
    AllowInterrupts

```

## Programming Specification

```
/* Start-up receiver */
StartReceiver:
  LockoutInterrupts
  OutputCommand 06h      /* select cmd reg */
  WriteData (RxInitCmd) /* init cmd reg */
  OutputCommand 40h      /* select holding regs
                        & enable Rx ints */

  AllowInterrupts

/* Stop receiver */
StopReceiver:
  LockoutInterrupts
  OutputCommand 06h      /* select cmd reg */
  WriteData (RxStopCmd) /* modify cmd reg */
  OutputCommand C0h      /* select holding regs
                        & disarm Rx ints */

  AllowInterrupts
```



### **3 Theory of Operation**

---

#### **3.1 Overview**

The C3 Dual Port Communication Adapter (DPCA) contains two independent serial communication ports on a single half-board. The two ports (or channels) are identical in function.

The functional block diagram for the DPCA is shown on sheet 1 of the schematic drawings in Appendix B. This chapter presents the theory of operation for each functional block. Where the two ports have separate but identical blocks, only the A port is discussed.

References are made throughout this chapter to the schematic drawing for the DPCA contained in Appendix B. These references are of the form [pPzZZ] where "P" is the page (sheet) number of the schematic and "ZZ" is the zone on that sheet in alphabetic column and numeric row. Signal names ending with "0" are active low, those ending with "1" are active high.

#### **3.2 Bus Transceiver Logic**

The DPCA is a byte oriented device and therefore uses only the low-order eight bits of the MUX bus for data transfers. These signals are buffered using a pair of 8T26A tri-state transceivers [p6zD2]. This buffered tri-state bus, TSB081 through TSB151, is used throughout the DPCA by both the A and the B port logics. This bus normally is driven from the MUX bus. During transfers from the DPCA to the processor, the transceivers are turned around to drive the MUX bus from the tri-state bus.

This turn around occurs during data requests (ADRG0 or BDRG0), status requests (ASRG0 or BSRG0), or interrupt acknowledgment cycles (ARATN0 or BRATN0), controlled by a 7430 8-input NAND gate [p6zC2].

The transceiver logic also provides Schmidt input receivers for the system clear signal (SCLR0) and the data signals (D060 and D070) from the MUX bus. These extra data bits are used for address recognition purposes only. The buffered system clear signal, CSCLR0, is used throughout the board for initializing latches and the 2661C EPCI's at system power-up and system reset.

### 3.3 Address Logic

The DPCA has separate address logic for the A and the B ports. Each port responds to two addresses, determined by the high-order nine bits of the ten bit device address. The even port (low-order address bit is 0) is used for receive side transfers in full duplex mode and for all transfers in half duplex mode. The odd port is used for transmit transfers in full duplex mode.

This logic has the function of recognizing the port address, determining if the even or odd address is being used, acknowledging the address transfer from the processor, and generating the interrupt vector for interrupt acknowledgment cycles.

The Perkin-Elmer MUX bus uses a 10-bit device address. The low order ten data bits of the MUX bus are used for this address. To select a device, the processor places the board's address on the MUX bus and then asserts ADRS0 on the bus. This address is held on the bus until the addressed board responds with SYNC0 to acknowledge this transfer.

The port address is configured by a 7-position device address jumper strip [p2zD2] and by a 6-position extra address jumper [p2zE2]. The selected address is constantly being compared with the contents of bits 06 through 14 of the local tri-state bus by an XOR gate [p2zF1], which produces a low when D061 matches the high order selection, and a 25LS2521 8-bit comparator [p2zC1].

The leading edge of ADRS0 from the processor latches the output of this comparison into the address flag latch [p2zF3] to produce the signal AADF1, which indicates that this port is addressed. Simultaneously, the low order address bit is latched from TSB151 by a 7474 [p2zE3] to determine if the even (receive) or odd (transmit) device address has been selected.

If the port is addressed and in full duplex mode, the A Send Address signal, ASADR1 [p2zG3], or the A Receive Address signal, ARADR1 [p2zG3], is activated if this odd address latch is 1 or 0, respectively.

The signal AADSYN0 [p2zG3] is used to generate the SYNC0 output to the processor. This signal acknowledges that the board has been addressed. It is active only while ADRS0 is on and the address flag latch is active.

During the interrupt acknowledge cycle, the address logic places the device address onto the tri-state bus for transfer to the processor. This is done by a 74LS241 non-inverting octal buffer [p2zC5] on receipt of the A Receive Attention (ARATN0) signal [p2zC6]. The low order bit of this returned address is 1, indicating the odd (transmit) device, only when a transmit interrupt is present (AWRTINT1) and the port is in full duplex mode. The two high order address bits are driven directly onto the MUX bus by the 7438 gates located at [p2zF1] and [p2zF2].

### 3.4 Bus Control Logic

This logic receives the MUX bus data transfer control signals and gates them with the address flag signals from the A and B port address logic to generate the gated control signals used throughout the DPCA logic modules. In addition, the data transfer acknowledge signal, SYNC0, is generated by this logic.

Four MUX bus control signals, command (CMD0), status request (SR0), data request (DR0), and data available (DA0), are received by a 74LS241 non-inverting tri-state buffer [p7zB5]. This buffer is enabled by the A Address Flag signal, AADF1. When not enabled, the outputs of the '241 are in high impedance mode, allowing the 4.7 Kohm pull-up resistors to force the signals inactive (high) when the port is not addressed by the processor.

The MUX bus data transfer acknowledge signal, SYNC0 (or SYN0) [p7zG3] must be generated by the addressed port in response to all transfers to or from that port on the MUX bus. The six types of transfers are:

- |                          |         |
|--------------------------|---------|
| 1) Address transfer      | (ADRS0) |
| 2) Command               | (CMD0)  |
| 3) Status Request        | (SR0)   |
| 4) Data Available        | (DA0)   |
| 5) Data Request          | (DR0)   |
| 6) Interrupt acknowledge | (RACK0) |

These signals, after appropriate gating through both ports, are logically ORed by the 74S133 13-input NAND gate [p7zF3]. When any of these signals is asserted, C66 [p7zF4] begins

charging through R66. After approximately 350 ns., the output of the 7408 [p7zG3] goes high, generating SYN0. When the control signal is deasserted, SYN0 is immediately released and C66 is quickly discharged through CR9. The 350 ns. delay allows data to stabilize on the MUX bus when the DPCA is transmitting to the host. Although generated for data coming from the processor as well, the delay is not required in this case.

### 3.5 Status Logic

Each port of the DPCA has two status registers, one for receive status and one for transmit. The A port receive status register is generated by a 74LS241 8-bit non-inverting buffer [p2zB5]. This buffer, when enabled, places a variety of signals onto the DPCA's tri-state bus. The buffer is enabled when the gated status request signal, ASRG1 [p2zA6], is active and either the port is in full duplex mode and the even device is being addressed (ARADR1) or the port is in half duplex receive mode (AHWRT0 false).

Similarly, the transmit status register is a 74LS241 [p2zB3] which is enabled when gated status request is active and either the port is in full duplex mode and the odd device is being addressed (ASADR1) or the port is in half duplex transmit mode (AHWRT1).

### 3.6 Command Logic

Each port of the DPCA has its own command logic, and these logics are identical in function. The DPCA command logic captures command data transmitted by the processor.

The command data processed by the command logic set the operating modes for the port, select which internal register(s) of the 2661C EPCI are to be accessed, reset the 2661C, and determine the state of the Reverse Channel Transmit output on the communication port. The high-order two command data bits are used for interrupt control and are discussed in section 3.8.1, below.

When the port is addressed (either even or odd address) and CMD0 is asserted on the MUX bus, the gated command signal, ACMG1 [p3zA4] is generated by the DPCA control logic. On the leading edge of this signal, bits 10, 12, 13, and 14 are latched into a 74175 quad D-type latch [p3zC3&C4]. These bits are "Half Duplex", "RCT", "A0", and "A1", respectively.

Data bit 15, "Transmit Mode", is latched into the transmit/receive mode latch [p3zC1] at this time only if the port is in (or entering) half duplex mode (command bit 10 = 1) or if the port is in full duplex mode and the odd (transmit) address is being accessed. Therefore, if the channel is in full duplex mode and a command is issued to the even (receive) address, transmit/receive mode is not modified.

If the "Reset EPCI" bit of the command, bit 11, is on, the signal ARST1 [p3zB4] is generated for the duration of the CMD0 pulse from the processor. This signal causes the 2661C EPCI reset pin to be activated. Note that ARST1 is also generated by system clear (CSCLR0), which comes from the MUX bus SCLR0 signal.

Two additional signals are generated by this logic, AHWRT1 [p3zD2] and AHWRT0 [p3zE2]. The first signal is generated when the board is in half duplex and transmit (write) mode. The second is generated when the board is in half duplex and receive mode.

### 3.7 2661C/Control Logic

This logic contains the 2661C Enhanced Programmable Communications Interface (EPCI) and the logic which directly controls it. Refer to Appendix A for a detailed discussion of the 2661C and its pin functions.

Three MUX bus operations transfer data into or out of the 2661C: data request (DR0), data available (DA0), and status request (SR0). During status requests, the 2661C is disconnected from the tri-state bus, its internal status register is selected, and three of the status bits are routed to the receive status register.

The 7400 and 7408 gating on the A0 and A1 inputs to the 2661C [p3zE2&E3] allows the A0 and A1 bits from the command latches through to the 2661C unless a status request is in process for this port. In that case, A0 and A1 are forced to 1 and 0, respectively, to select the internal status register.

A 74LS245 8-bit tri-state transceiver [p3zG3] is used for controlling the 2661C's access to the tri-state bus. During a status request, the transceiver is disabled, allowing the 2661C data pins to freely drive the appropriate receive status register bits.

At all other times, the transceiver is enabled. It normally transfers data on the tri-state bus to the 2661C data pins. When a data request is issued to the port, however, the direction of the transceiver is altered to allow the 2661C to drive its data onto the tri-state bus and from there onto the MUX bus.

The 2661C has several requirements on its chip enable (-CE) input. The chip enable signal must be active for a minimum of 250 ns. On reads from the 2661C, data is not valid until 200 ns. after chip enable is asserted and it is valid for at least 100 ns. after chip enable is deasserted. On writes to the 2661C, data is accepted on the trailing edge of the chip enable signal. (This differs from Perkin-Elmer convention, where data is normally accepted from the processor on the leading edge of the control signal - ADRS0, CMD0, or DA0.)

To handle these requirements, two one-shots and some special timing circuitry have been provided. Refer to the timing diagram in Figure 3-1, below, for an illustration of the chip enable timing for status requests, data requests, and data available. For both status requests and data requests, the 26S02 chip enable one-shot [p3zD4] is triggered for a maximum of approximately 350 ns. This triggering is delayed slightly (approximately 35 ns.) by C20 [p3zD5] from the leading edge of ASRG1 and ADRG1.

For writes to the 2661C, data available (ADAG1) triggers the chip enable one-shot, delayed about 35 ns. by C20. Simultaneously, C32 [p3zC6] starts charging up. After approximately 230 ns., the voltage on C32 gets to a sufficient level to trigger the chip enable reset one-shot. This resets the chip enable one-shot, ending the chip enable (-CE) for the 2661C. At this point, the data presented to the 2661C data pins is loaded into the specified register.

The transmit and receive ready pins on the 2661C, -TxRDY and -RxRDY, are open drain outputs. These signals are pulled up by 10 Kohm resistors and buffered by 74LS08 gates [p3zG4] to form the receive and transmit busy signals, ARXBSY1 and ATXBSY1.

The transmit and receive clock pins on the 2661C, TxC and RxC, are bidirectional - they may be either inputs or outputs. Direction for these pins is determined by the 2661C internal mode register setting. Figure 3-2, below, is a representation of the transmit and receive clock circuitry on the board. When using an externally supplied transmit clock on port A, jumper X17 must be opened to keep the DPCA driver from controlling pin 15 of the communication connector. X44 is installed to allow the external transmit clock

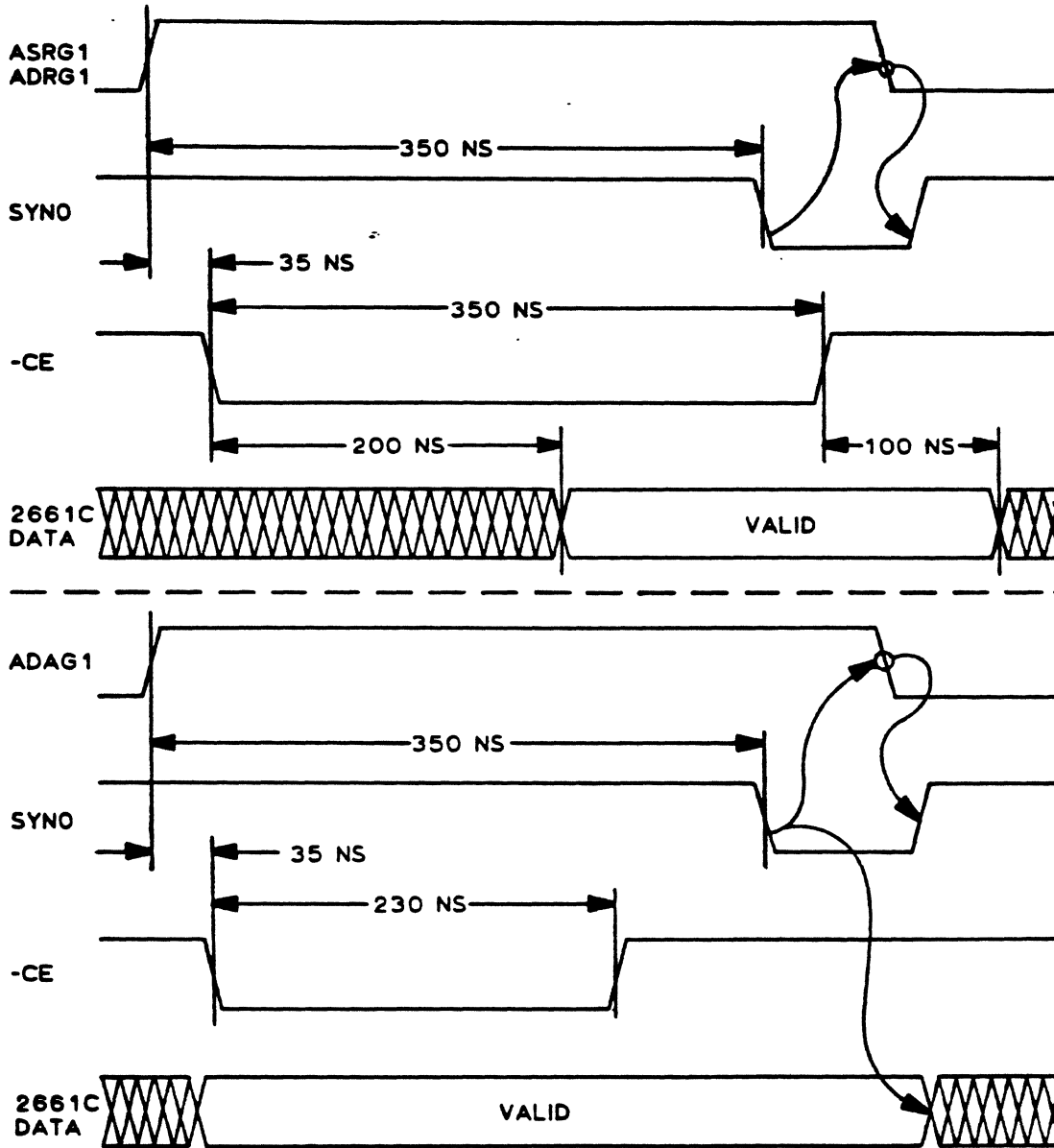


Figure 3-1. 2661C Chip Enable Timing

to enter the 2661C. When the receiver output is high, the 10 Kohm pull-up resistor at the 2661C keeps its input high. When the receiver output goes low, the 2661C pin is pulled low through the diode.

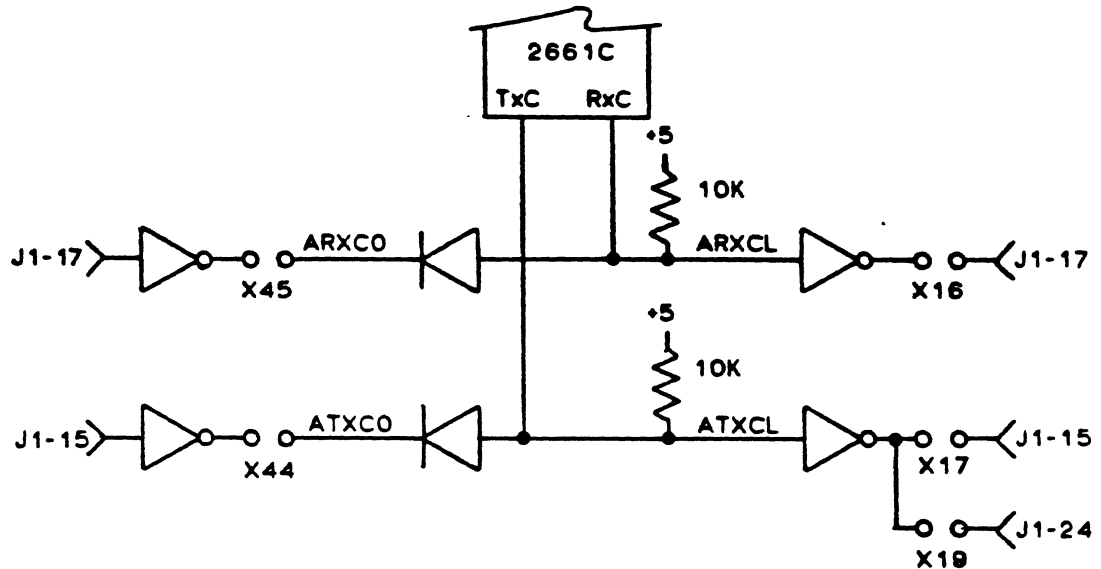


Figure 3-2. Transmit/Receive Clock Logic

When using an internally supplied receive clock on port A, X45 should be removed and X16 installed. With X15 open, the output of the receiver, ARXC0, goes high. For externally supplied clocks, X45 should be installed and X16 removed.

### 3.8 Interrupt Logic

The DPCA has four sources of interrupts: transmit interrupts and receive interrupts from both the A and B ports. The logic for these interrupts is more closely shared by the two ports than that for most other functions on the board. The DPCA interrupt logic consists of three parts: the interrupt state logic, the interrupt setting logic, and the interrupt arbitration logic.



### 3.8.1 Interrupt State Logic

As discussed in section 2.5, the interrupt logic for the DPCA may be in three states: enabled, disabled, and disarmed. For each of the four sources of interrupts, two latches are used to maintain that source's state. One latch is active if the interrupt is enabled, the other if it is armed.

The port A receive state latches are typical of the four. These latches are 74276 J-K latches with negative clocking. The enable latch [p6zB4] has as its clock the gated command signal, ACMG1, ANDed with TSB150. Therefore the latch changes state on the trailing edge of an A port command having a 0 in bit 15. Its J input is TSB091 and its -K input is TSB081. Therefore, there is no change when bits 8 and 9 are 0, it goes high when bit 8 is 1 and bit 9 is 0, it goes low when bit 8 is 0 and bit 9 is 1. When both bits 8 and 9 are high, this latch changes state. Therefore, when a disarm command is issued, the output of the enable latch is unknown. (In this case, it doesn't matter.)

The interrupt armed latch [p6zC4] has the same clocking as the enable latch. Its J input is 1 if bits 8 and 9 differ. Its -K input is 0 only if bits 8 and 9 are 1. Therefore, there is no change when bits 8 and 9 are 0, it goes high when bits 8 and 9 differ, and it goes low when bits 8 and 9 are 1. This latch cannot enter the toggling state.

Both latches are cleared at system clear.

### 3.8.2 Interrupt Setting Logic

The interrupt setting logic for the A port is identical to that for the B port. The A port logic is discussed here. There are separate interrupt latches for transmit and receive interrupts. The transmit interrupt latch [p4zB5] is held cleared when the transmit state is disarmed.

When interrupts are armed (enabled or disabled), the transmit interrupt latch may be set by firing any of three one-shots. The rising edge of ACTS0 (CTS comm signal going inactive) fires a 26S02 [p4zB1]. A 74123 [p4zB2] is triggered when ACTS0 is low and AHWRT1 is high (the port is in half duplex transmit mode). Therefore this triggering occurs if in half duplex transmit mode when CTS is activated or if CTS is active when the port is placed into half duplex transmit mode. A third one-shot, a 74123 [p4zB4], is triggered when transmit busy (ATXBSY1) falls.

Once the transmit interrupt latch is set, it is gated with the enable and armed (ASEN1 and ASDSM0) signals to generate the MUX bus attention signal, ATN0 [p4zG6]. This latch stays set until the transmit interrupt is acknowledged.

To acknowledge the transmit interrupt, the interrupt arbitration logic generates the A port received attention (ARATN1) signal [p4zC6].

The receive interrupt request is inverted and fed to the transmit interrupt logic as AWRTINT1 [p4zB6]. If no receive interrupt request is present, the output of the 7400 NAND gate [p4zB5] goes low when ARATN1 goes active and the transmit latch is clocked when ARATN1 ends. While a transmit interrupt request is being acknowledged, receive interrupts are redundantly inhibited by the 7408 gate [p4zE6] and by CR7 [p4zD6].

Receive interrupts have priority over transmit interrupts. If the receive interrupt latch [p4zE6] is active and enabled, the 7400 transmit interrupt acknowledge gate [p4zB5] is disabled because AWRTINT1 is off. The receipt of ARATN1 therefore clears the receive interrupt latch [p4zE6].

The receive interrupt latch is set when:

- o The data set ready (DSR) comm signal drops, forcing ADSR0 to go high and trigger a 26S02 one-shot [p4zE1],
- o The receive busy signal (ARXBSY1) signal drops, triggering a 26S02 one-shot [p4zE3],
- o The ring comm signal becomes active, forcing ARING1 high and thereby triggering a 26S02 one-shot [p4zE4],
- o The reverse channel receive (RCR) comm signal changes, forcing ARCRL to change. This causes a momentary low from a 7486 XOR gate [p4zE4], or
- o The data carrier detect (DCD) comm signal changes, changing ADCD1 and thereby pulsing the output of an XOR gate [p4zE5] low.

### 3.8.3 Interrupt Arbitration Logic

The RACK0 signal is sent by the processor in response to an attention request (ATN0) by one or more boards on the MUX bus. The RACK0 signal is daisy-chained from board to board. The board with the highest interrupt priority gets RACK0 first. If it does not have an interrupt pending it passes it to the next board in the interrupt chain by activating

TACK0, which is connected to the RACK0 signal of the next board.

The interrupt arbitration logic is used to route the received interrupt acknowledge signal, RACK0 [p6zA2], to either the A port, the B port, or to the next board in the interrupt acknowledge chain.

If the A port is requesting an interrupt (AINT1 is high), the acknowledge is passed to the A port via ARATN0 [p6zC4]. If the A port is not requesting an interrupt but the B port is (BINT1 is high), the acknowledge is passed to the B port via BRATN0 [p6zG3]. Otherwise, the transmit acknowledge signal, TACK0 [p6zG2], is activated and sent to the next board in the acknowledge chain.

Cross-coupled NAND gates are used to inhibit changes to the acknowledge routing while an acknowledge is in progress. For instance, if a B port interrupt is being acknowledged and AINT1 comes active while BRATN0 is active, BRATN0 continues to be active for the duration of the RACK0 signal, even though the A port has a higher interrupt priority than the B port. ARATN0 does not go active until the next RACK0 signal comes to the board.

### 3.9 Line Drivers and Receivers

The DPCA is designed to comply with EIA standards RS-232 and RS-423 (FED-STD-1030A). It also complies with MIL-STD-188-114 for unbalanced signals. The receivers are 88LS120 balanced receivers configured as inverters. All receivers have a common ground reference line which connects to pin 7 of the comm connector. This ground is also connected to logic ground on the DPCA via jumper X50 [p5zC1] for the A port (jumper X28 [p11zC1] for the B port). For RS-423 and MIL-STD-188-114 usage, this jumper should be removed so that pin 7 becomes receive common and is isolated from logic ground. For RS-232, this jumper should be installed.

Each receiver has a .001 mfd response control capacitor, for example, C61 [p5zB2]. This is used for suppression of high frequency noise on the input line. An offset voltage of approximately -6 volts is generated by the R52/R53 divider network. This offset voltage forces the inverting input to be above approximately 0.6 volts before the gate switches. This is to ensure that the receiver output is high if its inverting output is disconnected.

The drivers used on the DPCA are 9636As. These drivers are inverting and generate output signal levels of 5.5 volts or -5.5 volts. These levels allow compatibility with all the comm standards met by this board.

Pin 1 of the 9636As is used for a waveshaping resistor. A value of 120 Kohm is used, causing a rise and fall time in the output of approximately 15 microseconds. This allows compliance with MIL-STD-188-114 for baud rates up to 19.2 Kbaud. The signal rise and fall transitions are shaped as linear ramps. These slower rise and fall times cut down on cross talk generated within comm cabling connected to the DPCA.

In certain MIL-STD-188-114 applications, it is necessary to invert the sense of the transmit and receive data signals. This inversion is accomplished using 7486 XOR gates [p5zG4&F5]. When jumper X6 [p5zE6] (X5 [p11zE6] for the B port) is installed, ADINV1 is low and the XORs do not invert the data signals. X6 is usually installed.

Four V182A1 varistors are used on each port to protect the most commonly used signal lines: frame ground (pin 1), transmit data (pin 2), receive data (pin 3), and signal ground (pin 7), from high energy transients on the comm line.

Note: Sheet 12 of the DPCA schematics depicts RS-232 line receivers which are no longer used on the DPCA. These receivers are not compliant with RS-423 and MIL-STD-188-114. Also, the schematics indicate that 75150s may be substituted for the 9636As in RS-232 applications. To maintain compatibility with RS-423, 75150s are no longer used on DPCAs.

### 3.10 Baud Rate Clock

A standard crystal oscillator circuit is used on the DPCA. This circuit [p2zE5&F5] uses a 5.0688 MHz crystal only, since only the 2661C (formerly 2661-3) version of the EPCI is used on the board.

## 4 Configuration Specification

### 4.1 Overview

As stated in chapter 1, the DPCA is a flexible communication interface board. Much of its flexibility is due to the power of the 2661C Enhanced Programmable Communication Interface (EPCI) chip. The rest of its flexibility is due to the configuration options available on the board.

Hardware configuration of the DPCA is performed using DIP switches and jumper shunts.

### 4.2 Address Selection

The DPCA contains two independently addressable ports, designated A and B. Each port recognizes two 10-bit addresses. The nine high-order address bits are selectable and the low-order bit is either 0 or 1 to select the receive logic or the transmit logic when the port is operating in full duplex mode.

The two high-order address bits for both ports are selected by the jumper strip at coordinate 9G on the circuit board. Refer to Figure 4-1. This jumper strip has a column labeled "A" and one labeled "B". To select the proper address range for the ports, set the jumpers in the appropriate column as indicated in Table 4-1, below.

Address Range	Bit 6	Bit 7
0xxh	1-2	4-5
1xxh	1-2	5-6
2xxh	2-3	4-5
3xxh	2-3	5-6

Table 4-1. High Order Address Selection

The low order address selection for the A and B ports is accomplished using the jumper strips at board location 10C and 5C, respectively. (On some board versions, there are DIP switches at these locations.) There are only seven

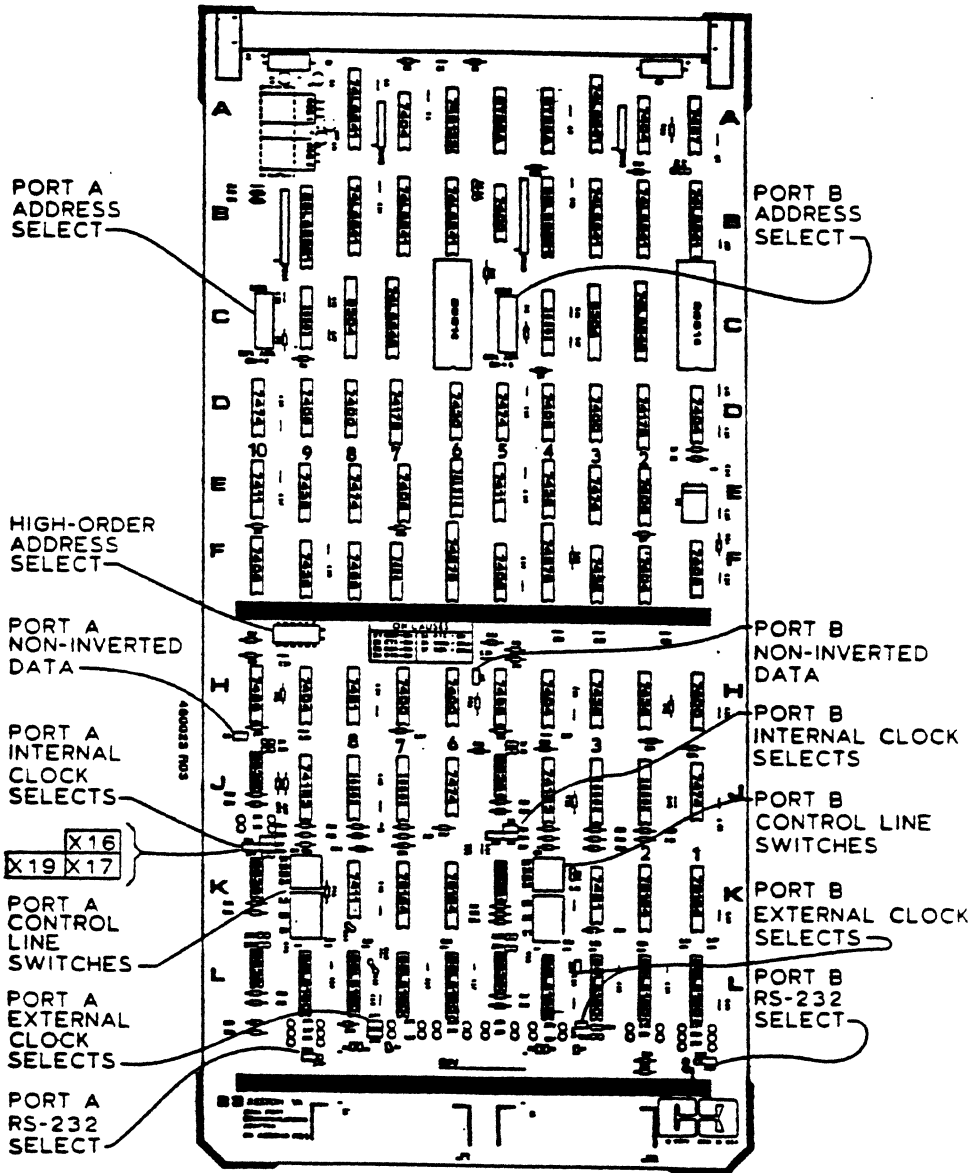


Figure 4-1. DPCA Configuration Option Locations

positions to be selected here since the least significant address bit is software selected.

The most significant bit (MSB) of these seven is indicated on the board. (Refer to Figure 4-1.) When a jumper is installed across a position (or a DIP switch position is "on" or "closed"), the corresponding address bit is 0.

For example, to select address xC4h (where x is set by the high-order address select jumpers):

```

                (MSB)
Address Bit:  08  09  10  11  12  13  14  (15)
Selection:    -  -   X   X   X   -   X
Binary:       1  1   0   0   0   1   0   (0) = C4h
    
```

where: - = off (open)  
 X = on (closed)

### 4.3 Control Line Switches

Certain of the communication line control signals may be forced active or inactive. Such forcing may be required in certain applications where control signals are not provided by the comm line cable.

Two packages of DIP switches are used for controlling these functions. These switches are at board location 9K for the A port and 4K for the B port. (Refer to Figure 4-1.) The switch positions are labeled "S1" through "S7". The function of these switches is shown in Table 4-2, below. In the table, "Enable" means the signal transitions normally, "On" means the signal is forced active, "Off" means the signal is forced inactive.

Pos	Signal	Pin	Dir	Off	On
S1	DCD	8	In	Enable	On
S2	CTS	5	In	Enable	On
S3	DSR	6	In	Enable	On
S4	DTR	20	Out	Enable	On
S5	RTS	4	Out	Enable	On
S6	Ring	22	In	Off	Enable
S7	RCR	16	In	Off	Enable

Table 4-2. Control Line Switch Settings

Note that the DCD signal must be active (or forced active) for the DPCA to receive data from the comm line. Similarly, the CTS signal must be active (or forced active) to transmit data to the comm line. These signals must be supplied for the hardware (the 2661C) to allow transfers in the appropriate direction. If not supplied by the comm line connector, the appropriate switch must be turned on for these transfers to occur.

#### 4.4 Clock Selection Jumpers

The DPCA allows for selection of internal or external clocking of data. Clock signals are used during synchronous and isochronous data transfers for timing the transitions of the transmit and receive data lines. Clocks are unused in asynchronous operations.

The jumper positions used for clock selection and their functions are shown in Table 4-3, below. Table 4-4 illustrates standard configurations for these jumpers.

A Port	B Port	Function
X16	X11	Connect RxC Driver to pin 17
X17	X12	Connect TxC Driver to pin 15
X19	X13	Connect TxC Driver to pin 24
X44	X55	Connect TxC Receiver Output
X45	X54	Connect RxC Receiver Output

Table 4-3. Clock Selection Jumpers

Clock Selection	A: X16 X17 X19 X44 X45				
	B: X11 X12 X13 X55 X54				
Internal RxC	X				-
External RxC	-				X
Internal TxC		X		-	
External TxC		-		X	
TxC to pin 24			X		
No pin 24 connection			-		

where: - = jumper removed  
 X = jumper installed

Table 4-4. Clock Selection Configurations



When using asynchronous communications, the port may be configured for external or internal clocks, even though internal clocking is used. Care should be used, however, if external clocking is configured. The corresponding clock pins on the comm connector must be either disconnected, grounded, or at a negative voltage. They must not be at a high signalling level, which may in time result in damage to the 2661C EPCI. In asynchronous cabling, pins 15 and 17 usually are disconnected.

#### 4.5 Communication Standard Selection

The DPCA is compliant with several communications standards, RS-232, RS-423 (FED-STD-1030A), and the unbalanced signalling requirements of MIL-STD-188-114. The operational differences between these standards are few on the DPCA.

For RS-232 communications, a common signalling ground is used for signals being transmitted and received by a device. For RS-423 and MIL-STD-188-114, a separate ground must be provided for signals being transmitted and those being received. These grounds are called "send common" and "receive common".

When using RS-423 and MIL-STD-188-114 signalling, jumper X50 for port A or jumper X28 for port B must be removed. (Refer to Figure 4-1 for these jumper locations.) These jumpers connect the send and receive commons. These jumpers should be installed for RS-232 operation.

There are no standard pin locations defined in RS-423 or MIL-STD-188-114 for the send and receive commons. On the DPCA, pin 1 is send common and pin 7 is receive common. When interconnecting two devices, send common on one device should be connected to receive common on the other.

In certain MIL-STD-188-114 communications systems transmit and receive data (pins 2 and 3) are inverted in sense from those used for RS-232 and RS-423. Jumper X6 for port A and X5 for port B allow for inversion of these two signals. When one of these jumpers is installed, data has customary sense for the corresponding channel. When removed, data is inverted.

## Configuration Specification

The communication standard selection options are summarized in Table 4-5, below.

Function	A: X6	X50
	B: X5	X28
RS-423 operation	X	-
MIL-STD-188-114, inverted data	-	-
MIL-STD-188-114, normal data	X	-
RS-232 operation	X	X

where: - = jumper removed  
X = jumper installed

Table 4-5. Communication Standards Selection

## 5 External Interfaces

---

### 5.1 Overview

The Dual Port Communication Adapter (DPCA) has three external connections, one to the Perkin-Elmer MUX Bus (Connector 0), and two 25-pin D-type communication line connectors.

This chapter presents the pinouts for these connectors.

### 5.2 Connector 0

Connector 0 is an 84-pin connector which mates with the Perkin-Elmer Multiplexor (MUX) bus. It contains all of the data, handshake, and power connections required for operation on the channel 0 side of this bus. The connector used is AMP type 3-86018-4, or equivalent.

The following pins are used on Connector 0:

Pin	Dir	Signal	Pin	Dir	Signal
100		+5 VDC	200		GND
101		GND	201		GND
114	I/O	D060	214	I/O	D070
115	I/O	D080	215	I/O	D090
116	I/O	D100	216	I/O	D110
117	I/O	D120	217	I/O	D130
118	I/O	D140	218	I/O	D150
119	I	SR0	219	I	ADRS0
120	I	DR0	220	I	CMD0
121			221	I	DA0
122	I	RACK0	222	O	TACK0
123	O	SYN0	223	O	ATN0
126	I	SCLR0	226		
138		-15 VDC	238		
139		+15 VDC	239		
140		GND	240		GND
141		+5 VDC	241		GND

Table 5-1. Connector 0 Pinout

### 5.3 Connectors 1 and 2

Connectors 1 and 2 are 25-pin D-type male connectors used, respectively, for the port A and B communication channels. The connector pinouts are defined in accordance with EIA standard RS-232. The connectors used are AMP type 206604-1, or equivalent.

The following pins are used on both Connectors 1 (port A) and 2 (port B):

Pin	Dir	Signal	
1	-	RC	Recv Common, Sig Gnd
2	O	TxD	Transmit Data
3	I	RxD	Receive Data
4	O	RTS	Request to Send
5	I	CTS	Clear to Send
6	I	DSR	Data Set Ready
7	-	GND	Send Common, Sig Gnd
8	I	DCD	Data Carrier Detect
14	O	RCT	Reverse Channel Transmit
15	I/O	TxC	Transmit Clock
16	I	RCR	Reverse Channel Receive
17	I/O	RxC	Receive Clock
20	O	DTR	Data Terminal Ready
22	I	RI	Ring Indicator
24	O	TT	Transmit Timing (TxC)

Table 5-2. Connector 1 and 2 Pinout

## **6 Installation**

---

### **6.1 Overview**

This chapter provides the necessary information for the installation of one or two Dual Port Communications Adapters (DPCAs). The DPCA is contained on a 7 inch Perkin-Elmer format half-board. This half-board must be combined with another half-board device or a half-board blank to be properly installed in the 15 inch Perkin-Elmer I/O chassis. These must be joined using a Perkin-Elmer 16-398 Half Board Adapter Kit. Depending on configuration, the DPCA may be either the left or right half-board - or both.

### **6.2 Unpacking**

The DPCA is normally installed at the factory and no special unpacking instructions are required. It is only necessary to ensure that the module is properly seated on the backplane connector.

If the DPCA is shipped separately, unpack it carefully and check for damage and loose integrated circuits before installation. Verify that the various jumper options are properly installed. (Refer to Chapter 4 for details.)

If the DPCA is replacing an existing board, ensure that the configuration strapping and switch settings match the unit being replaced.

### **6.3 Location**

The DPCA may be installed in an I/O slot in a CPU chassis or I/O expansion chassis. This slot must be under direct control of the processor MUX bus or under a DIOS, subchannel controller, or C3 Manual Bus Switch.

### **6.4 Backplane Considerations**

The RACK0/TACK0 jumper must be removed from any slot containing a DPCA. (This jumper runs between pins 122 and 222 on the backplane connector for the board.)

The DPCA requires  $\pm 15$  volt power. This power is available on 7/32 chassis on pins 138 (-15 volts) and 139 (+15 volts). If this power is not present on the chassis, an external power supply must be provided to furnish these voltages. The supply must be properly sized to meet the requirements of all the DPCAs which it is to power. (Refer to Chapter 1 for these power requirements.)

**APPENDIX A**

**2661C EPCI Data Sheet**

The following data sheet is reprinted by permission of Signetics Corporation, a subsidiary of U.S. Philips Corporation.

# SCN2661/SCN68661 Enhanced Programmable Communications Interface (EPCI)

## Microprocessor Products

## Product Specification

### DESCRIPTION

The Signetics SCN2661 EPCI is a universal synchronous/asynchronous data communications controller chip that is an enhanced version of the SCN2651. It interfaces easily to all 8-bit and 16-bit microprocessors and may be used in a polled or interrupt driven system environment. The SCN2661 accepts programmed instructions from the microprocessor while supporting many serial data communications disciplines - synchronous and asynchronous - in the full or half-duplex mode. Special support for BISYNC is provided.

The EPCI serializes parallel data characters received from the microprocessor for transmission. Simultaneously, it can receive serial data and convert it into parallel data characters for input to the microcomputer.

The SCN2661 contains a baud rate generator which can be programmed to either accept an external clock or to generate internal transmit or receive clocks. Sixteen different baud rates can be selected under program control when operating in the internal clock mode. Each version of the EPCI (A, B, C) has a different set of baud rates.

### FEATURES

- Synchronous operation
  - 5- to 8-bit characters plus parity
  - Single or double SYN operation
  - Internal or external character synchronization
  - Transparent or non-transparent mode
  - Transparent mode DLE stuffing (Tx) and detection (Rx)
  - Automatic SYN or DLE-SYN insertion SYN, DLE and DLE-SYN stripping
  - Odd, even, or no parity
  - Local or remote maintenance loopback mode
  - Baud rate: dc to 1M bps (1X clock)

- Asynchronous operation
  - 5- to 8-bit characters plus parity
  - 1, 1½ or 2 stop bits transmitted
  - Odd, even, or no parity
  - Parity, overrun and framing error detection
  - Line break detection and generation
  - False start bit detection
  - Automatic serial echo mode (echoplex)
  - Local or remote maintenance loopback mode
  - Baud rate: dc to 1M bps (1X clock)  
dc to 62.5K bps (16X clock)  
dc to 15.625K bps (64X clock)

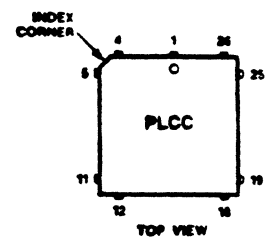
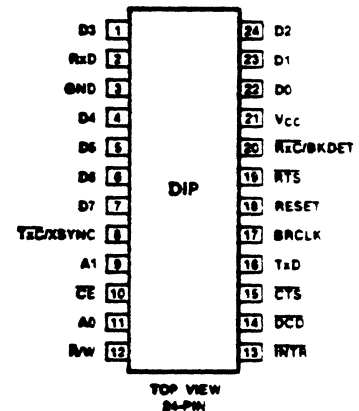
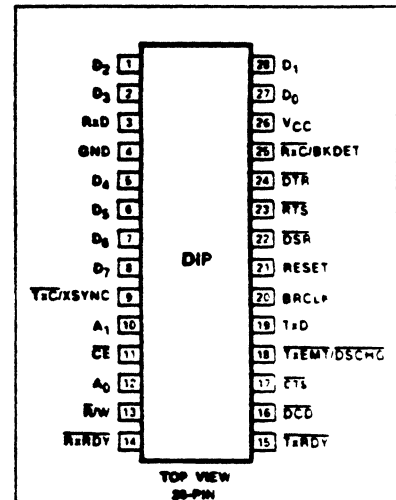
### OTHER FEATURES

- Internal or external baud rate clock
- 3 baud rate sets
- 16 internal rates for each set
- Double buffered transmitter and receiver
- Dynamic character length switching
- Full or half-duplex operation
- TTL compatible inputs and outputs
- Rx/C and Tx/C pins are short circuit protected
- Single 5V power supply
- No system clock required

### APPLICATIONS

- Intelligent terminals
- Network processors
- Front-end processors
- Remote data concentrators
- Computer-to-computer links
- Serial peripherals
- BISYNC adaptors

### PIN CONFIGURATION



NOTE  
Pin Functions the same as 28-pin DIP



# Enhanced Programmable Communications Interface (EPCI)

## SCN2661/SCN68661

### ORDERING CODE

PACKAGES	V <sub>CC</sub> = 5V ± 5%		
	Commercial	Automotive	Military
	0°C to +70°C	-40°C to +85°C	-55°C to +125°C
Ceramic DIP 28-Pin 0.6" Wide	SCN2661AC1128 SCN2661BC1128 SCN2661CC1128	SCN2661AA1128 SCN2661BA1128 SCN2661CA1128	SCN2661AM1128 SCN2661BM1128 SCN2661CM1128
Plastic DIP 28-Pin 0.6" Wide	SCN2661AC1N28 SCN2661BC1N28 SCN2661CC1N28	Contact Factory	Not Available
Plastic DIP 24-Pin 0.4" Wide	SCN2661AC1N24 SCN2661BC1N24 SCN2661CC1N24	Contact Factory	Not Available
Plastic LCC	SCN2661AC1A28 SCN2661BC1A28 SCN2661CC1A28	Contact Factory	Not Available

**NOTES:**

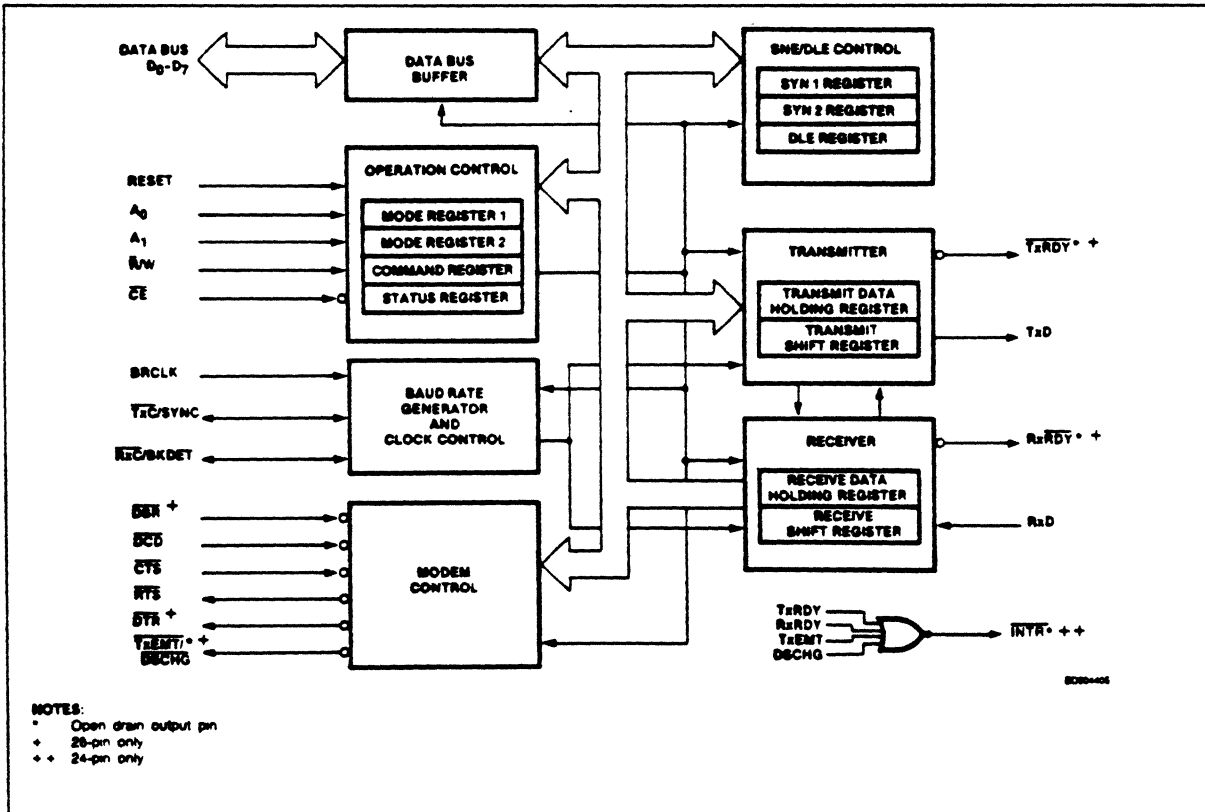
1. See table 1 for baud rates. Specify SCN2661A, B, or C depending on baud rate selected.
2. The SCN68661 is identical to the SCN2661. Order using part numbers above.

The EPCI is available in two packages: a 28-pin (0.6" wide) DIP and a 24-pin (0.4" wide) DIP. The following are the differences between the 24-pin and the 28-pin versions:

1. The 24-pin version provides a single interrupt output (INTR) instead of the three interrupt outputs (RxDY, TxDY, TxEMT/DSCHG) supplied on the 28-pin version. INTR will be asserted (low) when one or more of the status bits SR0, SR1 or SR2 is a logic one.
2. Two modem interface pins, the DTR output and the DSR input, are eliminated in the 24-pin version. Because of this, status bit SR7 should be ignored and the setting of status bit SR2 due to a data set change (DSCHG) can be caused only by a change of the DCD input. Since the DTR output is eliminated, command register bit CR1 does not perform any function, although it remains writable and readable.

Other than the above, the functional operation, DC electrical characteristics, and AC electrical characteristics of the 24-pin version are identical to the 28-pin version.

### BLOCK DIAGRAM



## Enhanced Programmable Communications Interface (EPCI)

SCN2661/SCN68661

### BLOCK DIAGRAM

The EPCI consists of six major sections. These are the transmitter, receiver, timing, operation control, modem control and SYN/DLE control. These sections communicate with each other via an internal data bus and an internal control bus. The internal data bus interfaces to the microprocessor data bus via a data bus buffer.

### Operation Control

This functional block stores configuration and operation commands from the CPU and generates appropriate signals to various internal sections to control the overall device operation. It contains read and write circuits to permit communications with the microprocessor via the data bus and contains mode registers 1 and 2, the command register, and the status register. Details of register addressing and protocol are presented in the EPCI programming section of this data sheet.

### Timing

The EPCI contains a baud rate generator (BRG) which is programmable to accept external transmit or receive clocks or to divide an external clock to perform data communications. The unit can generate 16 commonly used baud rates, any one of which can be selected for full-duplex operation. See table 1.

### Receiver

The receiver accepts serial data on the RxD pin, converts this serial input to parallel format, checks for bits or characters that are unique to the communication technique and sends an assembled character to the CPU.

### Transmitter

The transmitter accepts parallel data from the CPU, converts it to a serial bit stream, inserts the appropriate characters or bits (based on the communication technique) and outputs a composite serial stream of data on the TxD output pin.

### Modem Control

The modem control section provides interfacing for three input signals and three output signals used for "handshaking" and status indication between the CPU and a modem.

### SYN/DLE Control

This section contains control circuitry and three 8-bit registers storing the SYN1, SYN2, and DLE characters provided by the CPU. These registers are used in the synchronous mode of operation to provide the characters required for synchronization, idle fill and data transparency.

Table 1. BAUD RATE GENERATOR CHARACTERISTICS  
SCN2661A (BRCLK = 4.9152MHz)

MR23 - 20	BAUD RATE	ACTUAL FREQUENCY 16X CLOCK	PERCENT ERROR	DIVISOR
0000	50	0.8kHz	—	6144
0001	75	1.2	—	4096
0010	110	1.7598	-0.01	2793
0011	134.5	2.152	—	2284
0100	150	2.4	—	2048
0101	200	3.2	—	1536
0110	300	4.8	—	1024
0111	600	9.6	—	512
1000	1050	16.8329	0.196	292
1001	1200	19.2	—	256
1010	1800	28.7438	-0.19	171
1011	2000	31.9168	-0.26	154
1100	2400	38.4	—	128
1101	4800	76.8	—	64
1110	9600	153.6	—	32
1111	19200	307.2	—	16

SCN2661B (BRCLK = 4.9152MHz)

MR23 - 20	BAUD RATE	ACTUAL FREQUENCY 16X CLOCK	PERCENT ERROR	DIVISOR
0000	45.5	0.7279kHz	0.005	6752
0001	50	0.8	—	6144
0010	75	1.2	—	4096
0011	110	1.7598	-0.01	2793
0100	134.5	2.152	—	2284
0101	150	2.4	—	2048
0110	300	4.8	—	1024
0111	600	9.6	—	512
1000	1200	19.2	—	256
1001	1800	28.7438	-0.19	171
1010	2000	31.9168	-0.26	154
1011	2400	38.4	—	128
1100	4800	76.8	—	64
1101	9600	153.6	—	32
1110	19200	307.2	—	16
1111	38400	614.4	—	8

SCN2661C (BRCLK = 5.0688MHz)

MR23 - 20	BAUD RATE	ACTUAL FREQUENCY 16X CLOCK	PERCENT ERROR	DIVISOR
0000	50	0.8kHz	—	6336
0001	75	1.2	—	4224
0010	110	1.76	—	2880
0011	134.5	2.1523	0.016	2355
0100	150	2.4	—	2112
0101	300	4.8	—	1056
0110	600	9.6	—	528
0111	1200	19.2	—	264
1000	1800	28.8	—	176
1001	2000	32.061	0.253	158
1010	2400	38.4	—	132
1011	3600	57.6	—	88
1100	4800	76.8	—	66
1101	7200	115.2	—	44
1110	9600	153.6	—	33
1111	19200	316.8	3.125	16

#### NOTE:

16X clock is used in asynchronous mode. In synchronous mode, clock multiplier is 1X and BRG can be used only for TxC.

## Enhanced Programmable Communications Interface (EPCI)

SCN2661/SCN68661

### OPERATION

The functional operation of the SCN2661 is programmed by a set of control words supplied by the CPU. These control words specify items such as synchronous or asynchronous mode, baud rate, number of bits per character, etc. The programming procedure is described in the EPCI programming section of the data sheet.

After programming, the EPCI is ready to perform the desired communications functions. The receiver performs serial to parallel conversion of data received from a modem or equivalent device. The transmitter converts parallel data received from the CPU to a serial bit stream. These actions are accomplished within the framework specified by the control words.

#### Receiver

The SCN2661 is conditioned to receive data when the DCD input is low and the RxEN bit in the command register is true. In the asynchronous mode, the receiver looks for a high-to-low (mark to space) transition of the start bit on the RxD input line. If a transition is detected, the state of the RxD line is sampled again after a delay of one-half of a bit time. If RxD is now high, the search for a valid start bit is begun again. If RxD is still low, a valid start bit is assumed and the receiver continues to sample the input line at one bit time intervals until the proper number of data bits, the parity bit, and one stop bit have been assembled. The data are then transferred to the receive data holding register, the RxRDY bit in the status register is set, and the RxRDY output is asserted. If the character length is less than 8 bits, the high order unused bits in the holding register are set to zero. The parity error, framing error, and overrun error status bits are strobed into the status register on the positive going edge of RxC corresponding to the received character boundary. If the stop bit is present, the receiver will immediately begin its search for the next start bit. If the stop bit is absent (framing error), the receiver will interpret a space as a start bit if it persists into the next bit time interval. If a break condition is detected (RxD is low for the entire character as well as the stop bit), only one character consisting of all zeros (with the FE status bit SR5 set) will be transferred to the holding register. The RxD input must return to a high condition before a search for the next start bit begins.

Pin 25 can be programmed to be a break detect output by appropriate setting of MR27-MR24. If so, a detected break will cause that pin to go high. When RxD returns to mark for one RxC time, pin 25 will go low. Refer to the break detection timing diagram.

Table 2. CPU-RELATED SIGNALS

PIN NAME	24-PIN	28-PIN	INPUT/OUTPUT	FUNCTION
RESET	X	X	I	A high on this input performs a master reset on the 2661. This signal asynchronously terminates any device activity and clears the mode, command and status registers. The device assumes the idle state and remains there until initialized with the appropriate control words.
A <sub>1</sub> -A <sub>0</sub>	X	X	I	Address lines used to select internal EPCI registers.
R/W	X	X	I	Read command when low, write command when high.
CE	X	X	I	Chip enable command. When low, indicates that control and data lines to the EPCI are valid and that the operation specified by the R/W, A <sub>1</sub> and A <sub>0</sub> inputs should be performed. When high, places the D <sub>0</sub> -D <sub>7</sub> lines in the three-state condition.
D <sub>7</sub> -D <sub>0</sub>	X	X	I/O	8-bit, three-state data bus used to transfer commands, data and status between EPCI and the CPU. D <sub>0</sub> is the least significant bit, D <sub>7</sub> the most significant bit.
TxRDY		X	O	This output is the complement of status register bit SR0. When low, it indicates that the transmit data holding register (THR) is ready to accept a data character from the CPU. It goes high when the data character is loaded. This output is valid only when the transmitter is enabled. It is an open drain output which can be used as an interrupt to the CPU.
RxRDY		X	O	This output is the complement of status register bit SR1. When low, it indicates that the receive data holding register (RHR) has a character ready for input to the CPU. It goes high when the RHR is read by the CPU, and also when the receiver is disabled. It is an open drain output which can be used as an interrupt to the CPU.
TxE <sub>MT</sub> /D <sub>SCHG</sub>		X	O	This output is the complement of status register bit SR2. When low, it indicates that the transmitter has completed serialization of the last character loaded by the CPU, or that a change of state of the DSR or DCD inputs has occurred. This output goes high when the status register is read by the CPU, if the TxEMT condition does not exist. Otherwise, the THR must be loaded by the CPU for this line to go high. It is an open drain output which can be used as an interrupt to the CPU. See Status Register (SR2) for details.
INTR	X		O	This is an active low output which is the wire-OR of the TxRDY, RxRDY, and TxEMT/D <sub>SCHG</sub> outputs on the 28-pin version. See above.

When the EPCI is initialized into the synchronous mode, the receiver first enters the hunt mode on a 0 to 1 transition of RxEN(CR2). In this mode, as data are shifted into the receiver

shift register a bit at a time, the contents of the register are compared to the contents of the SYN1 register. If the two are not equal, the next bit is shifted in and the comparison is

## Enhanced Programmable Communications Interface (EPCI)

SCN2661/SCN68661

repeated. When the two registers match, the hunt mode is terminated and character assembly mode begins. If single SYN operation is programmed, the SYN DETECT status bit is set. If double SYN operation is programmed, the first character assembled after SYN1 must be SYN2 in order for the SYN DETECT bit to be set. Otherwise, the EPCI returns to the hunt mode. (Note that the sequence SYN1-SYN1-SYN2 will not achieve synchronization.) When synchronization has been achieved, the EPCI continues to assemble characters and transfer them to the holding register, setting the RxDY status bit and asserting the  $\overline{\text{RxDY}}$  output each time a character is transferred. The PE and OE status bits are set as appropriate. Further receipt of the appropriate SYN sequence sets the SYN DETECT status bit. If the SYN stripping mode is commanded, SYN characters are not transferred to the holding register. Note that the SYN characters used to establish initial synchronization are not transferred to the holding register in any case.

External jam synchronization can be achieved via pin 9 by appropriate setting of MR27-MR24. When pin 9 is an XSYNC input, the internal SYN1, SYN1-SYN2, and DLE-SYN1 detection is disabled. Each positive going signal on XSYNC will cause the receiver to establish synchronization on the rising edge of the next RxC pulse. Character assembly will start with the RxD input at this edge. XSYNC may be lowered on the next rising edge of RxC. This external synchronization will cause the SYN DETECT status bit to be set until the status register is read. Refer to XSYNC timing diagram.

### Transmitter

The EPCI is conditioned to transmit data when the CTS input is low and the TxEN command register bit is set. The SCN2661 indicates to the CPU that it can accept a character for transmission by setting the TxRDY status bit and asserting the  $\overline{\text{TxRDY}}$  output. When the CPU writes a character into the transmit data holding register, these conditions are negated. Data are transferred from the holding register to the transmit shift register when it is idle or has completed transmission of the previous character. The TxRDY conditions are then asserted again. Thus, one full character time of buffering is provided.

In the asynchronous mode, the transmitter automatically sends a start bit followed by the programmed number of data bits, the least significant bit being sent first. It then appends an optional odd or even parity bit and the programmed number of stop bits. If, following transmission of the data bits, a new character is not available in the transmit holding register, the TxD output remains in the marking (high) condition and the TxEMT/DSCHG output and its corresponding status bit are as-

Table 3. DEVICE RELATED SIGNALS

PIN NAME	24-PIN	28-PIN	INPUT/OUTPUT	FUNCTION
BRCLK	X	X	I	Clock input to the internal baud rate generator (see table 1). Not required if external receiver and transmitter clocks are used.
$\overline{\text{RxC}}/\text{BKDET}$	X	X	I/O	Receiver clock. If external receiver clock is programmed, this input controls the rate at which the character is to be received. Its frequency is 1X, 16X or 64X the baud rate, as programmed by mode register 1. Data are sampled on the rising edge of the clock. If internal receiver clock is programmed, this pin can be a 1X/16X clock or a break detect output pin.
$\overline{\text{Tx}}/\text{XSYNC}$	X	X	I/O	Transmitter clock. If external transmitter clock is programmed, this input controls the rate at which the character is transmitted. Its frequency is 1X, 16X or 64X the baud rate, as programmed by mode register 1. The transmitted data changes on the falling edge of the clock. If internal transmitter clock is programmed, this pin can be a 1X/16X clock output or an external jam synchronization input.
RxD	X	X	I	Serial data input to the receiver. "Mark" is high, "space" is low.
TxD	X	X	O	Serial data output from the transmitter. "Mark" is high, "space" is low. Held in mark condition when the transmitter is disabled.
DSR		X	I	General purpose input which can be used for data set ready or ring indicator condition. Its complement appears as status register bit SR7. Causes a low output on TxEMT/DSCHG when its state changes if CR2 or CR0 = 1.
DCD	X	X	I	Data carrier detect input. Must be low in order for the receiver to operate. Its complement appears as status register bit SR6. Causes a low output on TxEMT/DSCHG when its state changes if CR2 or CR0 = 1. If DCD goes high while receiving, the RxC is internally inhibited.
CTS	X	X	I	Clear to send input. Must be low in order for the transmitter to operate. If it goes high during transmission, the character in the transmit shift register will be transmitted before termination.
DTR		X	O	General purpose output which is the complement of command register bit CR1. Normally used to indicate data terminal ready.
RTS	X	X	O	General purpose output which is the complement of command register bit CR5. Normally used to indicate request to send. See Command Register (CR5) for details.

serted. Transmission resumes when the CPU loads a new character into the holding register. The transmitter can be forced to output a continuous low (BREAK) condition by setting the send break command bit (CR3) high.

In the synchronous mode, when the SCN2661 is initially conditioned to transmit,

the TxD output remains high and the TxRDY condition is asserted until the first character to be transmitted (usually a SYN character) is loaded by the CPU. Subsequent to this, a continuous stream of characters is transmitted. No extra bits (other than parity, if commanded) are generated by the EPCI.

# Enhanced Programmable Communications Interface (EPCI)

SCN2661/SCN68661

Table 4. SCN2661 REGISTER ADDRESSING

CE	A <sub>1</sub>	A <sub>0</sub>	R/W	FUNCTION
1	X	X	X	Three-state data bus
0	0	0	0	Read receive holding register
0	0	0	1	Write transmit holding register
0	0	1	0	Read status register
0	0	1	1	Write SYN1/SYN2/DLE registers
0	1	0	0	Read mode register 1/2
0	1	0	1	Write mode register 1/2
0	1	1	0	Read command register
0	1	1	1	Write command register

NOTE:  
See AC characteristics section for timing requirements

unless the CPU fails to send a new character to the EPCI by the time the transmitter has completed sending the previous character. Since synchronous communication does not allow gaps between characters, the EPCI asserts TxEMT and automatically "fills" the gap by transmitting SYN1s, SYN1-SYN2 doublets, or DLE-SYN1 doublets, depending on the state of MR16 and MR17. Normal transmission of the message resumes when a new character is available in the transmit data holding register. If the send DLE bit in the command register is true, the DLE character is automatically transmitted prior to transmission of the message character in the THR

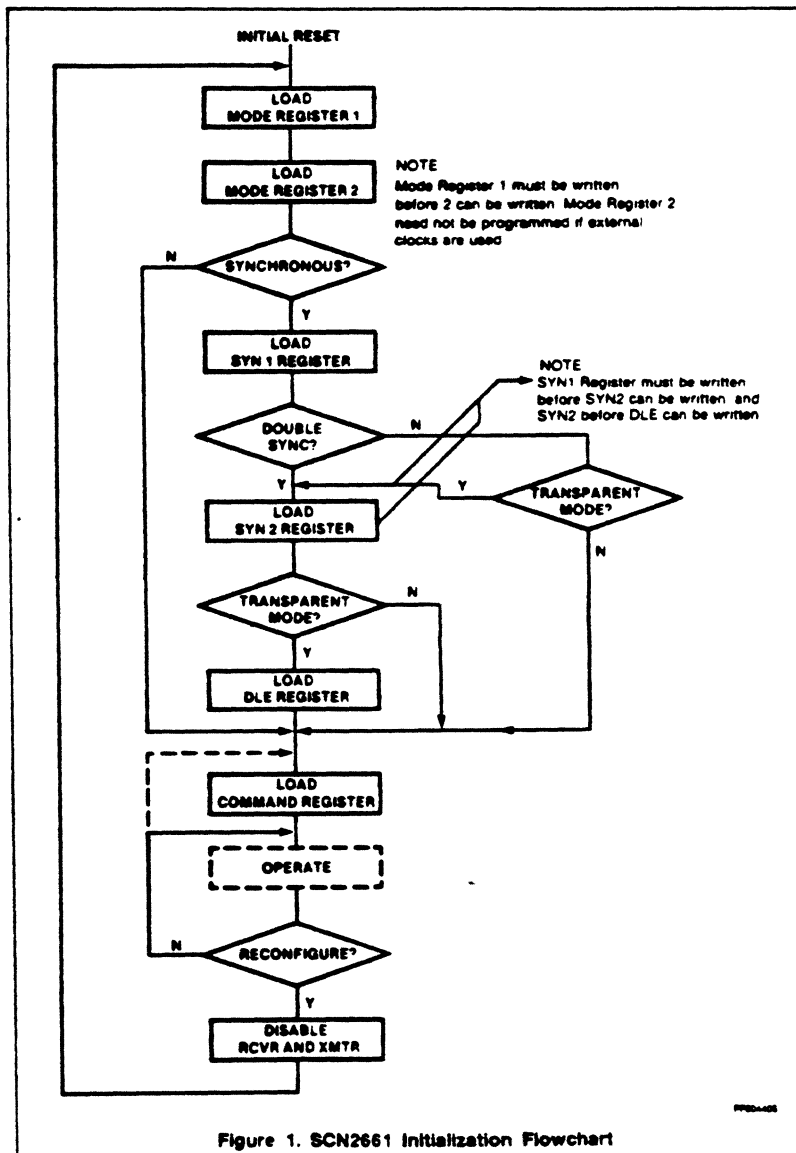


Figure 1. SCN2661 Initialization Flowchart

## EPCI PROGRAMMING

Prior to initiating data communications, the SCN2661 operational mode must be programmed by performing write operations to the mode and command registers. In addition, if synchronous operation is programmed, the appropriate SYN/DLE registers must be loaded. The EPCI can be reconfigured at any time during program execution. A flowchart of the initialization process appears in figure 1.

The internal registers of the EPCI are accessed by applying specific signals to the CE, R/W, A<sub>1</sub> and A<sub>0</sub> inputs. The conditions necessary to address each register are shown in table 4.

The SYN1, SYN2, and DLE registers are accessed by performing write operations with the conditions A<sub>1</sub> = 0, A<sub>0</sub> = 1, and R/W = 1. The first operation loads the SYN1 register. The next loads the SYN2 register, and the third loads the DLE register. Reading or loading the mode registers is done in a similar manner. The first write (or read) operation addresses mode register 1, and a subsequent operation addresses mode register 2. If more than the required number of accesses are made, the internal sequencer recycles to point at the first register. The pointers are reset to SYN1 register and mode register 1 by a RESET input or by performing a read command register operation, but are unaffected by any other read or write operation.

The SCN2661 register formats are summarized in tables 5, 6, 7 and 8. Mode registers 1 and 2 define the general operational characteristics of the EPCI, while the command register controls the operation within this basic framework. The EPCI indicates its status in the status register. These registers are cleared when a RESET input is applied.

### Mode Register 1 (MR1)

Table 5 illustrates mode register 1. Bits MR11 and MR10 select the communication format and baud rate multiplier. 00 specifies syn-

# Enhanced Programmable Communications Interface (EPCI)

SCN2661/SCN68661

Table 5. MODE REGISTER 1 (MR1)

MR17	MR16	MR15	MR14	MR13	MR12	MR11	MR10
Sync/Async		Parity Type	Parity Control	Character Length		Mode and Baud Rate Factor	
<b>Async: Stop bit length</b> 00 = Invalid 01 = 1 stop bit 10 = 1½ stop bits 11 = 2 stop bits		0 = Odd 1 = Even	0 = Disabled 1 = Enabled	00 = 5 bits 01 = 6 bits 10 = 7 bits 11 = 8 bits		00 = Synchronous 1X rate 01 = Asynchronous 1X rate 10 = Asynchronous 16X rate 11 = Asynchronous 64X rate	
<b>Sync:</b> Number of SYN char 0 = Double SYN 1 = Single SYN	<b>Sync:</b> Transparency control 0 = Normal 1 = Transparent						

**NOTE:**

Baud rate factor in asynchronous applies only if external clock is selected. Factor is 16X if internal clock is selected. Mode must be selected (MR11 MR10) in any case.

Table 6. MODE REGISTER 2 (MR2)

MR27 - MR24										MR23 - MR20	
TxC	RxC	Pin 9	Pin 25	TxC	RxC	Pin 9	Pin 25	Mode		Baud Rate Selection	
0000	E	E	TxC	RxC	1000	E	E	XSYNC <sup>1</sup>	RxC/TxC	sync	See baud rates in table 1
0001	E	I	TxC	1X	1001	E	I	TxC	BKDET	async	
0010	I	E	1X	RxC	1010	I	E	XSYNC <sup>1</sup>	RxC	sync	
0011	I	I	1X	1X	1011	I	I	1X	BKDET	async	
0100	E	E	TxC	RxC	1100	E	E	XSYNC <sup>1</sup>	RxC/TxC	sync	
0101	E	I	TxC	16X	1101	E	I	TxC	BKDET	async	
0110	I	E	16X	RxC	1110	I	E	XSYNC <sup>1</sup>	RxC	sync	
0111	I	I	16X	16X	1111	I	I	16X	BKDET	async	

**NOTES:**

1. When pin 9 is programmed as XSYNC input, SYN1, SYN1-SYN2, and DLE-SYN1 detection is disabled.

E = External clock

I = Internal clock (BRG)

1X and 16X are clock outputs

chronous mode and 1X multiplier. 1X, 16X, and 64X multipliers are programmable for asynchronous format. However, the multiplier in asynchronous format applies only if the external clock input option is selected by MR24 or MR25.

MR13 and MR12 select a character length of 5, 6, 7 or 8 bits. The character length does not include the parity bit, if programmed, and does not include the start and stop bits in asynchronous mode.

MR14 controls parity generation. If enabled, a parity bit is added to the transmitted character and the receiver performs a parity check on incoming data. MR15 selects odd or even parity when parity is enabled by MR14.

In asynchronous mode, MR17 and MR16 select character framing of 1, 1.5, or 2 stop bits (If 1X baud rate is programmed, 1.5 stop bits defaults to 1 stop bits on transmit.) In

synchronous mode, MR17 controls the number of SYN characters used to establish synchronization and for character fill when the transmitter is idle. SYN1 alone is used if MR17 = 1, and SYN1 - SYN2 is used when MR17 = 0. If the transparent mode is specified by MR16, DLE - SYN1 is used for character fill and SYN detect, but the normal synchronization sequence is used to establish character sync. When transmitting, a DLE character in the transmit holding register will cause a second DLE character to be transmitted. This DLE stuffing eliminates the software DLE compare and stuff on each transparent mode data character. If the send DLE command (CR3) is active when a DLE is loaded into THR, only one additional DLE will be transmitted. Also, DLE stripping and DLE detect (with MR14 = 0) are enabled.

The bits in the mode register affecting character assembly and disassembly (MR12 -

MR16) can be changed dynamically (during active receive/transmit operation). The character mode register affects both the transmitter and receiver, therefore in synchronous mode, changes should be made only in half-duplex mode (RxEN = 1 or TxEN = 1, but not both simultaneously = 1). In asynchronous mode, character changes should be made when RxEN and TxEN = 0 or when TxEN = 1 and the transmitter is marking in half-duplex mode (RxEN = 0).

To effect assembly/disassembly of the next received/transmitted character, MR12 - 15 must be changed within n bit times of the active going state of RxRDY/TxRDY. Transparent and non-transparent mode changes (MR16) must occur within n - 1 bit times of the character to be affected when the receiver or transmitter is active (n = smaller of the new and old character lengths.)

# Enhanced Programmable Communications Interface (EPCI)

SCN2661/SCN68661

Table 7. COMMAND REGISTER (CR)

CR7	CR6	CR5	CR4	CR3	CR2	CR1	CR0
Operating Mode		Request To Send	Reset Error	Sync/ Async	Receive Control (RxEN)	Data Terminal Ready	Transmit Control (TxEN)
00 = Normal operation 01 = Async: Automatic echo mode Sync: SYN and/or DLE stripping mode 10 = Local loopback  11 = Remote loopback		0 = Force RTS output high one clock time after TxSR senalization 1 = Force RTS output low	0 = Normal 1 = Reset error flags in status register (FE, OE, PE/DLE detect.)	Async: Force break 0 = Normal 1 = Force break  Sync Send DLE 0 = Normal 1 = SendDLE	0 = Disable 1 = Enable  Not applicable in	0 = Force DTR output high 1 = Force DTR output low  24-pin version.)	0 = Disable 1 = Enable

Table 8. STATUS REGISTER (SR)

SR7	SR6	SR5	SR4	SR3	SR2	SR1	SR0
Data Set Ready	Data Carrier Detect	FE/SYN Detect	Overrun	PE/DLE Detect	TxE <sub>MT</sub> D <sub>SCHG</sub>	RxRDY	TxDY
0 = DSR input is high 1 = DSR input is low  (Should be ignored in 24-pin version)	0 = DCD input is high 1 = DCD input is low	Async: 0 = Normal 1 = Framing error  Sync: 0 = Normal 1 = SYN detected	0 = Normal 1 = Overrun error  Sync:	Async: 0 = Normal 1 = Parity error  0 = Normal 1 = Parity error or DLE received	0 = Normal 1 = Change in DSR (26-pin version only), or DCD, or transmit shift register is empty	0 = Receive holding register empty 1 = Receive holding register has data	0 = Transmit holding register busy 1 = Transmit holding register empty

### Mode Register 2 (MR2)

Table 6 illustrates mode register 2. MR23, MR22, MR21 and MR20 control the frequency of the internal baud rate generator (BRG). Sixteen rates are selectable for each EPCI version (-1, -2, -3). Versions 1 and 2 specify a 4.9152MHz TTL input at BRCLK (pin 20); version 3 specifies a 5.0688MHz input which is identical to the Signetics 2651. MR23 - 20 are don't cares if external clocks are selected (MR25 - MR24 = 0). The individual rates are given in table 1.

MR24 - MR27 select the receive and transmit clock source (either the BRG or an external input) and the function at pins 9 and 25. Refer to table 6.

### Command Register (CR)

Table 7 illustrates the command register. Bits CR0 (TxEN) and CR2 (RxEN) enable or disable the transmitter and receiver respectively. A 0 to 1 transition of CR2 forces start bit search (async mode) or hunt mode (sync mode) on the second Rx $\overline{C}$  rising edge. Disabling the receiver causes RxRDY to go high (inactive). If the transmitter is disabled, it will complete the transmission of the character in the transmit shift register (if any) prior to terminating operation. The Tx $\overline{D}$  output will

then remain in the marking state (high) while TxRDY and TxEMT will go high (inactive). If the receiver is disabled, it will terminate operation immediately. Any character being assembled will be neglected. A 0 to 1 transition of CR2 will initiate start bit search (async) or hunt mode (sync).

Bits CR1 (26-pin only) (DTR) and CR5 (RTS) control the DTR and RTS outputs. Data at the outputs are the logical complement of the register data.

In asynchronous mode, setting CR3 will force and hold the Tx $\overline{D}$  output low (spacing condition) at the end of the current transmitted character. Normal operation resumes when CR3 is cleared. The Tx $\overline{D}$  line will go high for at least one bit time before beginning transmission of the next character in the transmit data holding register. In synchronous mode, setting CR3 causes the transmission of the DLE register contents prior to sending the character in the transmit data holding register. Since this is a one time command, CR3 does not have to be reset by software. CR3 should be set when entering and exiting transparent mode and for all DLE - non-DLE character sequences.

Setting CR4 causes the error flags in the status register (SR3, SR4, and SR5) to be cleared. This is a one time command. There is no internal latch for this bit.

When CR5 (RTS) is set, the RTS pin is forced low. A 1 to 0 transition of CR5 will cause RTS to go high (inactive) one Tx $\overline{C}$  time after the last serial bit has been transmitted. If a 1-to-0 transition of CR5 occurs while data is being transmitted, RTS will remain low (active) until both the THR and the transmit shift register are empty and then go high (inactive) one Tx $\overline{C}$  time later.

The EPCI can operate in one of four sub-modes within each major mode (synchronous or asynchronous). The operational sub-mode is determined by CR7 and CR6. CR7 - CR6 = 00 is the normal mode, with the transmitter and receiver operating independently in accordance with the mode and status register instructions.

In asynchronous mode, CR7 - CR6 = 01 places the EPCI in the automatic echo mode. Clocked, regenerated received data are automatically directed to the Tx $\overline{D}$  line while normal receiver operation continues. The receiver must be enabled (CR2 = 1), but the transmitter need not be enabled. CPU to receiver

## Enhanced Programmable Communications Interface (EPCI)

SCN2661/SCN68661

Table 9. SCN2661 EPCI vs SCN2651 PCI

FEATURE	EPCI	PCI
1. MR2 Bit 6, 7	Control pin 9, 25	Not used
2. DLE detect - SR3	SR3 = 0 for DLE - DLE, DLE - SYN1	SR3 = 1 for DLE - DLE, DLE - SYN1
3. Reset of SR3, DLE detect	Second character after DLE, or receiver disable, or CR4 = 1	Receiver disable, or CR4 = 1
4. Send DLE - CR3	One time command	Reset via CR3 on next TxRDY
5. DLE stuffing in transparent mode	Automatic DLE stuffing when DLE is loaded except if CR3 = 1	None
6. SYN1 stripping in double sync non-transparent mode	All SYN1	First SYN1 of pair
7. Baud rate versions	Three	One
8. Terminate ASYNC transmission (drop RTS)	Reset CR5 in response to TxEMT changing from 1 to 0	Reset CR0 when TxEMT goes from 1 to 0 Then reset CR5 when TxEMT goes from 1 to 0
9. Break detect	Pin 25 <sup>1</sup>	FE and null character
10. Stop bit searched	One	Two
11. External jam sync	Pin 9 <sup>2</sup>	No
12. Data bus timing	Improved over 2651	—
13. Data bus drivers	Sink 2.2mA Source 400µA	Sink 1.6mA Source 100µA

## NOTES:

1. Internal BRG used for RxC
2. Internal BRG used for TxC

communications continues normally, but the CPU to transmitter link is disabled. Only the first character of a break condition is echoed. The TxD output will go high until the next valid start is detected. The following conditions are true while in automatic echo mode.

1. Data assembled by the receiver are automatically placed in the transmit holding register and retransmitted by the transmitter on the TxD output.
2. The transmitter is clocked by the receive clock.
3. TxRDY output = 1.
4. The TxEMT/DSCHG pin will reflect only the data set change condition.
5. The TxEN command (CR0) is ignored.

In synchronous mode, CR7 - CR6 = 01 places the EPCI in the automatic SYN/DLE stripping mode. The exact action taken depends on the setting of bits MR17 and MR16.

1. In the non-transparent, single SYN mode (MR17 - MR16 = 10), characters in the data stream matching SYN1 are not transferred to the receive data holding register (RHR).
2. In the non-transparent, double SYN mode (MR17 - MR16 = 00), characters in the data stream matching SYN1, or SYN2 if immediately preceded by SYN1, are not transferred to the RHR.

3. In transparent mode (MR16 = 1), characters in the data stream matching DLE, or SYN1 if immediately preceded by DLE, are not transferred to the RHR. However, only the first DLE of a DLE-DLE pair is stripped.

Note that automatic stripping mode does not affect the setting of the DLE detect and SYN detect status bits (SR3 and SR5).

Two diagnostic sub-modes can also be configured. In local loopback mode (CR7 - CR6 = 10), the following loops are connected internally:

1. The transmitter output is connected to the receiver input.
2. DTR is connected to DCD and RTS is connected to CTS.
3. The receiver is clocked by the transmit clock.
4. The DTR, RTS and TxD outputs are held high.
5. The CTS, DCD, DSR and RxD inputs are ignored.

Additional requirements to operate in the local loopback mode are that CR0 (TxEN), CR1 (DTR), and CR5 (RTS) must be set to 1. CR2 (RxEN) is ignored by the EPCI.

The second diagnostic mode is the remote loopback mode (CR7 - CR6 = 11). In this mode:

1. Data assembled by the receiver are automatically placed in the transmit holding register and retransmitted by the transmitter on the TxD output.
2. The transmitter is clocked by the receive clock.
3. No data are sent to the local CPU, but the error status conditions (PE, FE) are set.
4. The RxRDY, TxRDY, and TxEMT/DSCHG outputs are held high.
5. CR0 (TxEN) is ignored.
6. All other signals operate normally.

### Status Register

The data contained in the status register (as shown in table 8) indicate receiver and transmitter conditions and modem/data set status.

SR0 is the transmitter ready (TxRDY) status bit. It, and its corresponding output, are valid only when the transmitter is enabled. If equal to 0, it indicates that the transmit data holding register has been loaded by the CPU and the data has not been transferred to the transmit shift register. If set equal to 1, it indicates that the holding register is ready to accept data from the CPU. This bit is initially set when the transmitter is enabled by CR0, unless a character has previously been loaded into the holding register. It is not set when the automatic echo or remote loopback modes are programmed. When this bit is set, the TxRDY output pin is low. In the automatic echo and remote loopback modes, the output is held high.

SR1, the receiver ready (RxRDY) status bit, indicates the condition of the receive data holding register. If set, it indicates that a character has been loaded into the holding register from the receive shift register and is ready to be read by the CPU. If equal to zero, there is no new character in the holding register. This bit is cleared when the CPU reads the receive data holding register or when the receiver is disabled by CR2. When set, the RxRDY output is low.

The TxEMT/DSCHG bit, SR2, when set, indicates either a change of state of the DSR (28-pin only) or DCD inputs (when CR2 or CR0 = 1) or that the transmit shift register has completed transmission of a character and no new character has been loaded into the transmit data holding register. Note that in synchronous mode this bit will be set even though the appropriate "fill" character is transmitted. TxEMT will not go active until at least one character has been transmitted. It is cleared by loading the transmit data holding register. The DSCHG condition is enabled when TxEN = 1 or RxEN = 1. It is cleared when the status register is read by the CPU. If the status register is read twice and SR2 = 1



# Enhanced Programmable Communications Interface (EPCI)

SCN2661/SCN68661

while SR6 and SR7 remain unchanged, then a TxEMT condition exists. When SR2 is set, the TxEMT/DSCHG output is low.

SR3, when set, indicates a received parity error when parity is enabled by MR14. In synchronous transparent mode (MR16 = 1), with parity disabled, it indicates that a character matching DLE register was received and the present character is neither SYN1 nor DLE. This bit is cleared when the next character following the above sequence is loaded into RHR, when the receiver is disabled, or by a reset error command, CR4.

The overrun error status bit, SR4, indicates that the previous character loaded into the receive holding register was not read by the CPU at the time a new received character was transferred into it. This bit is cleared when the receiver is disabled or by the reset error command, CR4.

In asynchronous mode, bit SR5 signifies that the received character was not framed by a stop bit; i.e., only the first stop bit is checked. If RHR = 0 when SR5 = 1, a break condition is present. In synchronous nontransparent mode (MR16 = 0), it indicates receipt of the SYN1 character in single SYN mode or the SYN1 - SYN2 pair in double SYN mode. In

synchronous transparent mode (MR16 = 1), this bit is set upon detection of the initial synchronizing characters (SYN1 or SYN1 - SYN2) and, after synchronization has been achieved, when a DLE - SYN1 pair is received. The bit is reset when the receiver is disabled, when the reset error command is given in asynchronous mode, or when the status register is read by the CPU in the synchronous mode.

SR6 and SR7 (28-pin only) reflect the conditions of the DCD and DSR inputs respectively. A low input sets its corresponding status bit, and a high input clears it.

### ABSOLUTE MAXIMUM RATINGS<sup>1</sup>

PARAMETER	RATING	UNIT
Operating ambient temperature <sup>2</sup>	Note 4	°C
Storage temperature	-65 to +150	°C
All voltages with respect to ground <sup>3</sup>	-0.5 to +6.0	V

### DC ELECTRICAL CHARACTERISTICS<sup>4,5,6</sup>

PARAMETER	TEST CONDITIONS	LIMITS			UNIT
		Min	Typ	Max	
Input voltage V <sub>IL</sub> Low V <sub>IH</sub> High		2.0		0.8	V
Output voltage V <sub>OL</sub> Low V <sub>OH</sub> <sup>7</sup> High	I <sub>OL</sub> = 2.2mA I <sub>OH</sub> = -400µA	2.4		0.4	V
I <sub>IL</sub> Input leakage current	V <sub>IN</sub> = 0 to 5.5V			10	µA
3-state output leakage current I <sub>LH</sub> Data bus high I <sub>LL</sub> Data bus low	V <sub>O</sub> = 4.0V V <sub>O</sub> = 0.45V			10 10	µA
I <sub>CC</sub> Power supply current				150	mA

### CAPACITANCE T<sub>A</sub> = 25°C, V<sub>CC</sub> = 0V

PARAMETER	TEST CONDITIONS	LIMITS			UNIT
		Min	Typ	Max	
Capacitance C <sub>IN</sub> Input C <sub>OUT</sub> Output C <sub>I/O</sub> Input/Output	f <sub>c</sub> = 1MHz Unmeasured pins tied to ground			20 20 20	pF

# Enhanced Programmable Communications Interface (EPCI)

SCN2661/SCN68661

## AC ELECTRICAL CHARACTERISTICS<sup>4,5,6</sup>

PARAMETER	TEST CONDITIONS	LIMITS			UNIT
		Min	Typ	Max	
<b>Pulse width</b> $t_{RES}$ Reset $t_{CE}$ Chip enable		1000 250			ns
<b>Set-up and hold time</b> $t_{AS}$ Address set-up $t_{AH}$ Address hold $t_{CS}$ R/W control set-up $t_{CH}$ R/W control hold $t_{DS}$ Data set-up for write $t_{DH}$ Data hold for write $t_{RXS}$ RX data set-up $t_{RXH}$ RX data hold		10 10 10 10 150 10 300 350			ns
$t_{OD}$ Data delay time for read $t_{OF}$ Data bus floating time for read $t_{CED}$ CE to CE delay	$C_L = 150\text{pF}$ $C_L = 150\text{pF}$			200 100	ns
<b>Input clock frequency</b> $f_{BRG}$ Baud rate generator (2661A,B) $f_{BRG}$ Baud rate generator (2661C) $f_{R/T}^{10}$ $\overline{\text{TxC}}$ or $\overline{\text{RxC}}$		1.0 1.0 dc	4.9152 5.0688	4.9202 5.0738 1.0	MHz
<b>Clock width</b> $t_{BRH}^9$ Baud rate high (2661A,B) $t_{BRH}^9$ Baud rate high (2661C) $t_{BRL}^9$ Baud rate low (2661A,B) $t_{BRL}^9$ Baud rate low (2661C) $t_{R/TH}^{10}$ $\overline{\text{TxC}}$ or $\overline{\text{RxC}}$ high $t_{R/TL}^{10}$ $\overline{\text{TxC}}$ or $\overline{\text{RxC}}$ low		75 70 75 70 480 480			ns
$t_{TXD}$ $\overline{\text{TxD}}$ delay from falling edge of $\overline{\text{TxC}}$ $t_{TCS}$ Skew between $\overline{\text{TxD}}$ changing and falling edge of $\overline{\text{TxC}}$ output <sup>8</sup>	$C_L = 150\text{pF}$ $C_L = 150\text{pF}$		0	650	ns

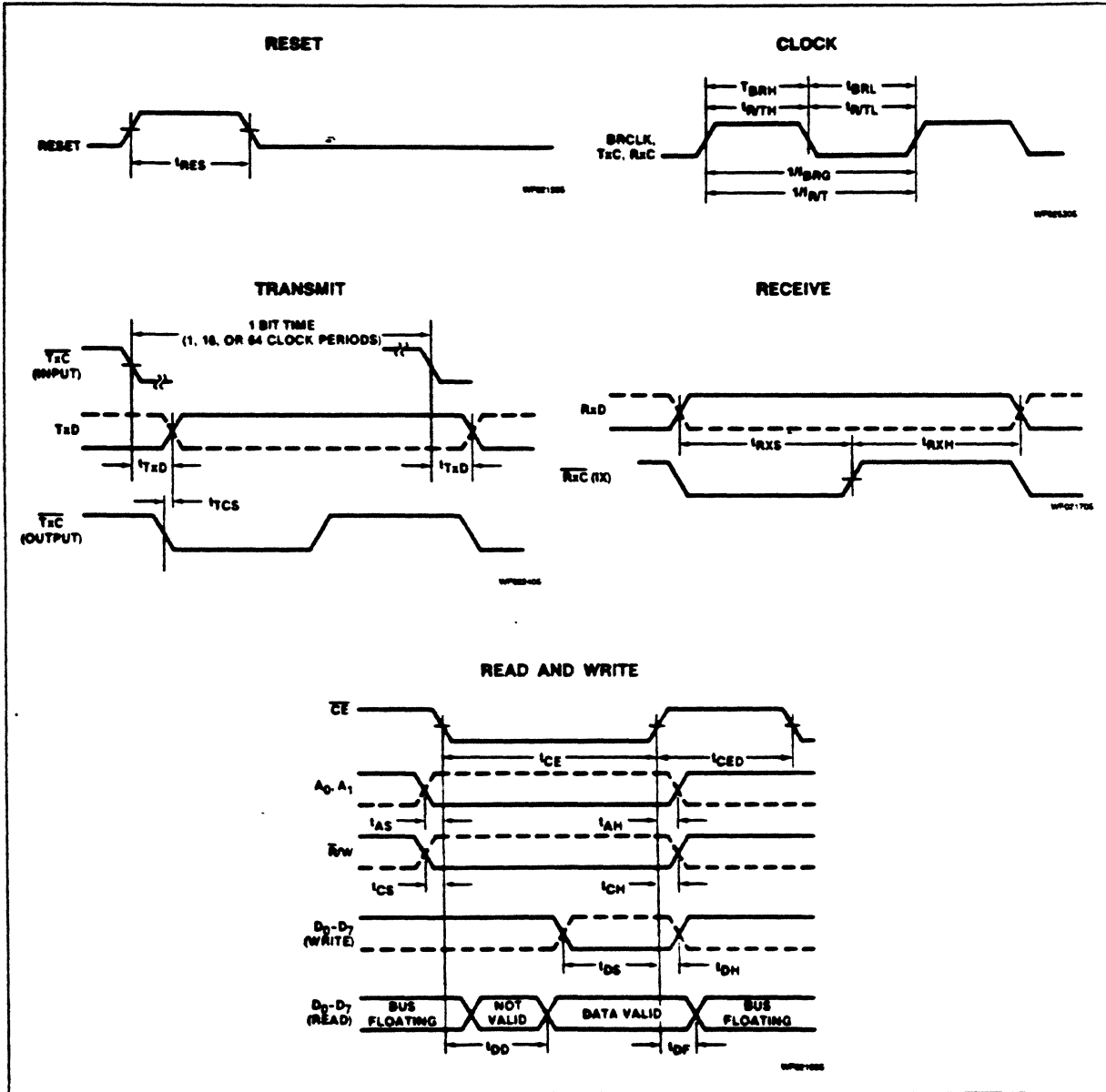
### NOTES:

- Stresses above those listed under Absolute Maximum Ratings may cause permanent damage to the device. This is a stress rating only and functional operation of the device at these or at any other condition above those indicated in the operation section of this specification is not implied.
- For operating at elevated temperatures, the device must be derated based on +150°C maximum junction temperature.
- This product includes circuitry specifically designed for the protection of its internal devices from the damaging effects of excessive static charge. Nonetheless, it is suggested that conventional precautions be taken to avoid applying any voltages larger than the rated maxima.
- Parameters are valid over operating temperature range unless otherwise specified. See ordering code table for applicable temperature range and operating supply range.
- All voltage measurements are referenced to ground. All time measurements are at the 50% level for inputs (except  $t_{BRH}$  and  $t_{BRL}$ ) and at 0.8V and 2.0V for outputs. Input levels swing between 0.4V and 2.4V, with a transition time of 20ns maximum.
- Typical values are at +20°C, typical supply voltages and typical processing parameters.
- $\overline{\text{INTR}}$ ,  $\overline{\text{TxRDY}}$ ,  $\overline{\text{RxRDY}}$  and  $\overline{\text{TxEMT/DSCHG}}$  outputs are open drain.
- Parameter applies when internal transmitter clock is used.
- Under test conditions of 5.0688MHz  $f_{BRG}$  (2661C) and 4.9152MHz  $f_{BRG}$  (2661A,B),  $t_{BRH}$  and  $t_{BRL}$  measured at  $V_{IH}$  and  $V_{IL}$  respectively.
- In asynchronous local loopback mode, using 1X clock the following parameters apply:  $f_{R/T} = 0.83\text{MHz}$  max and  $t_{R/TL} = 700\text{ns}$  min.

# Enhanced Programmable Communications Interface (EPCI)

SCN2661/SCN68661

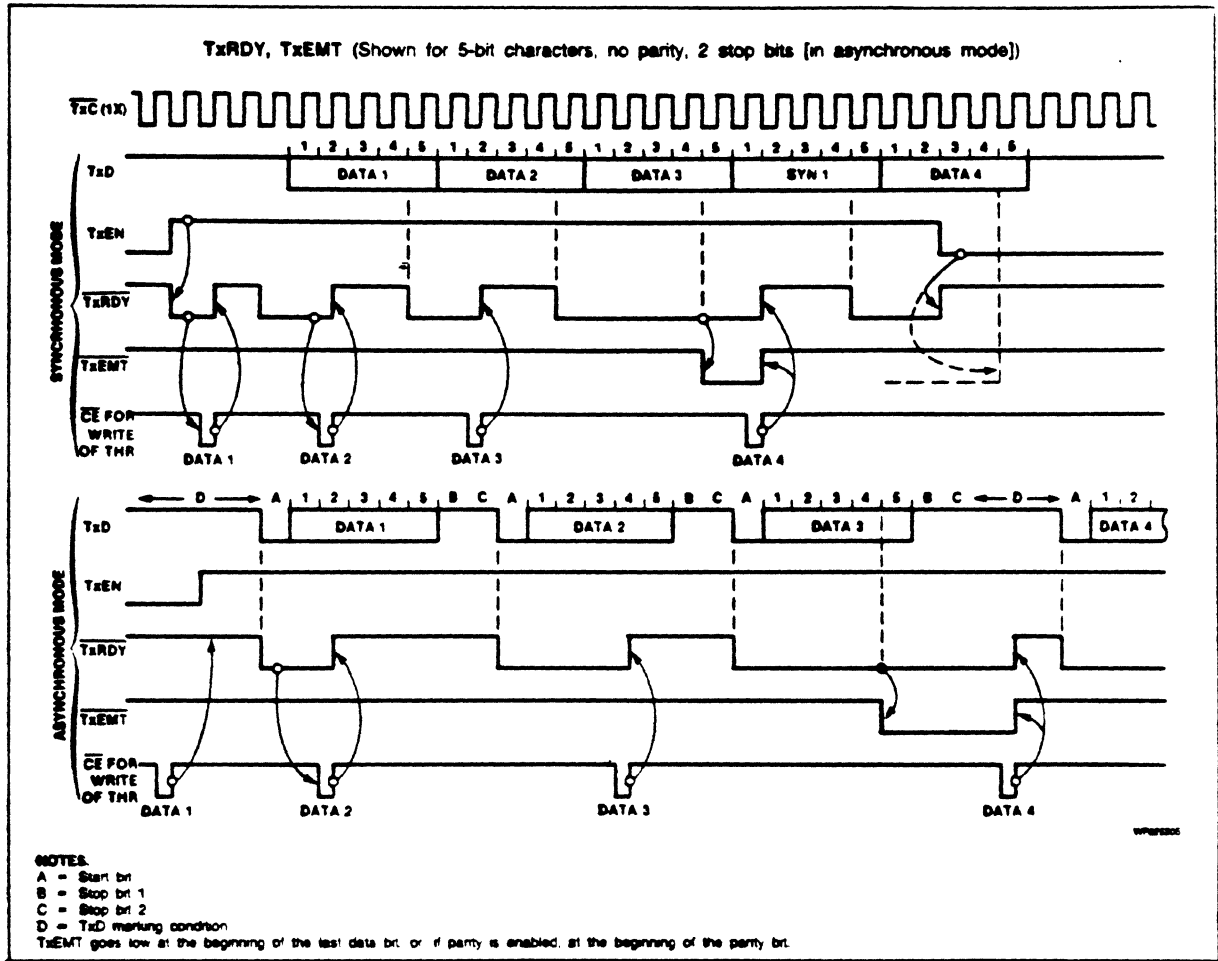
## TIMING DIAGRAMS



# Enhanced Programmable Communications Interface (EPCI)

SCN2661/SCN68661

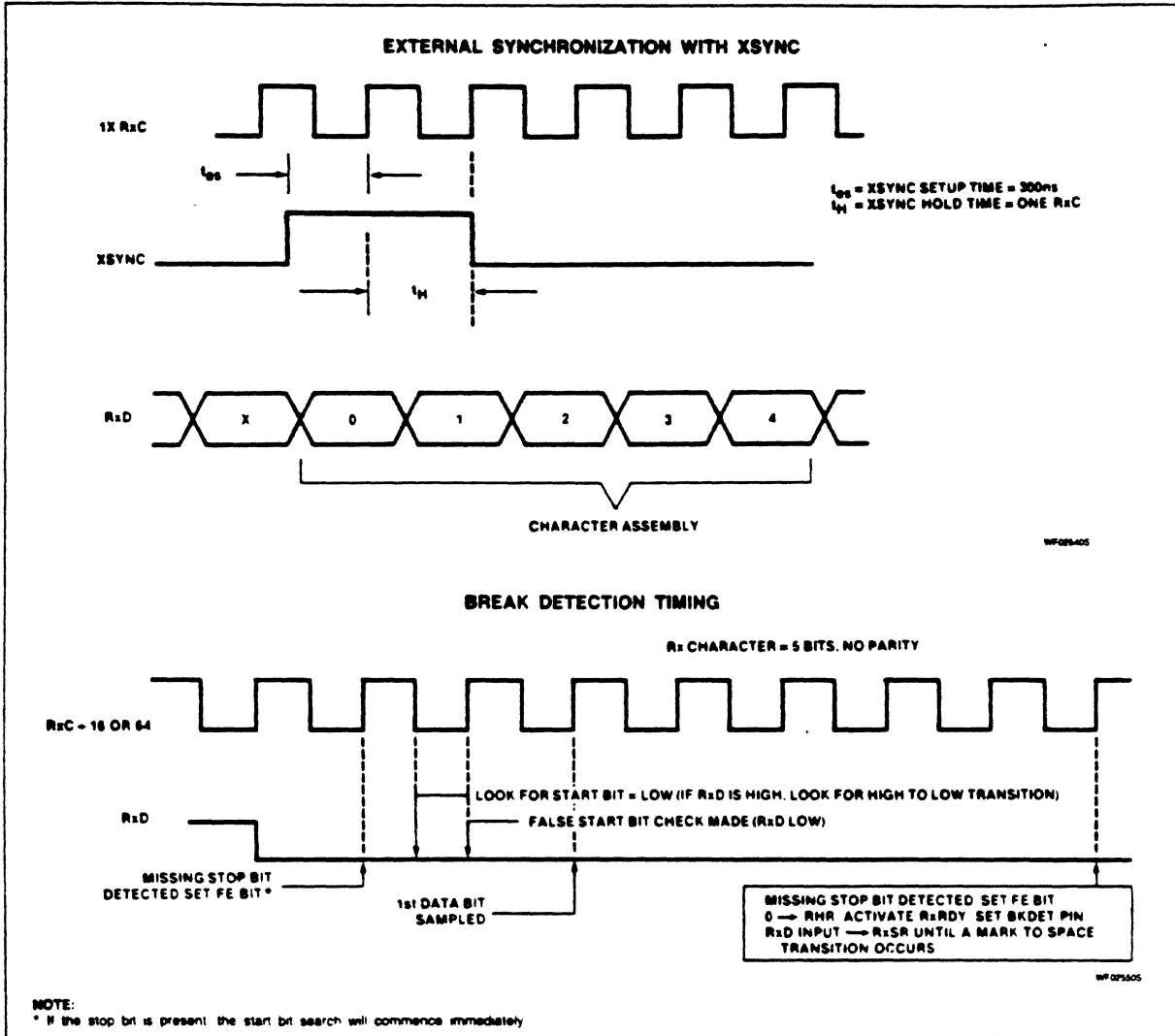
## TIMING DIAGRAMS (Continued)



Enhanced Programmable Communications Interface (EPCI)

SCN2661/SCN68661

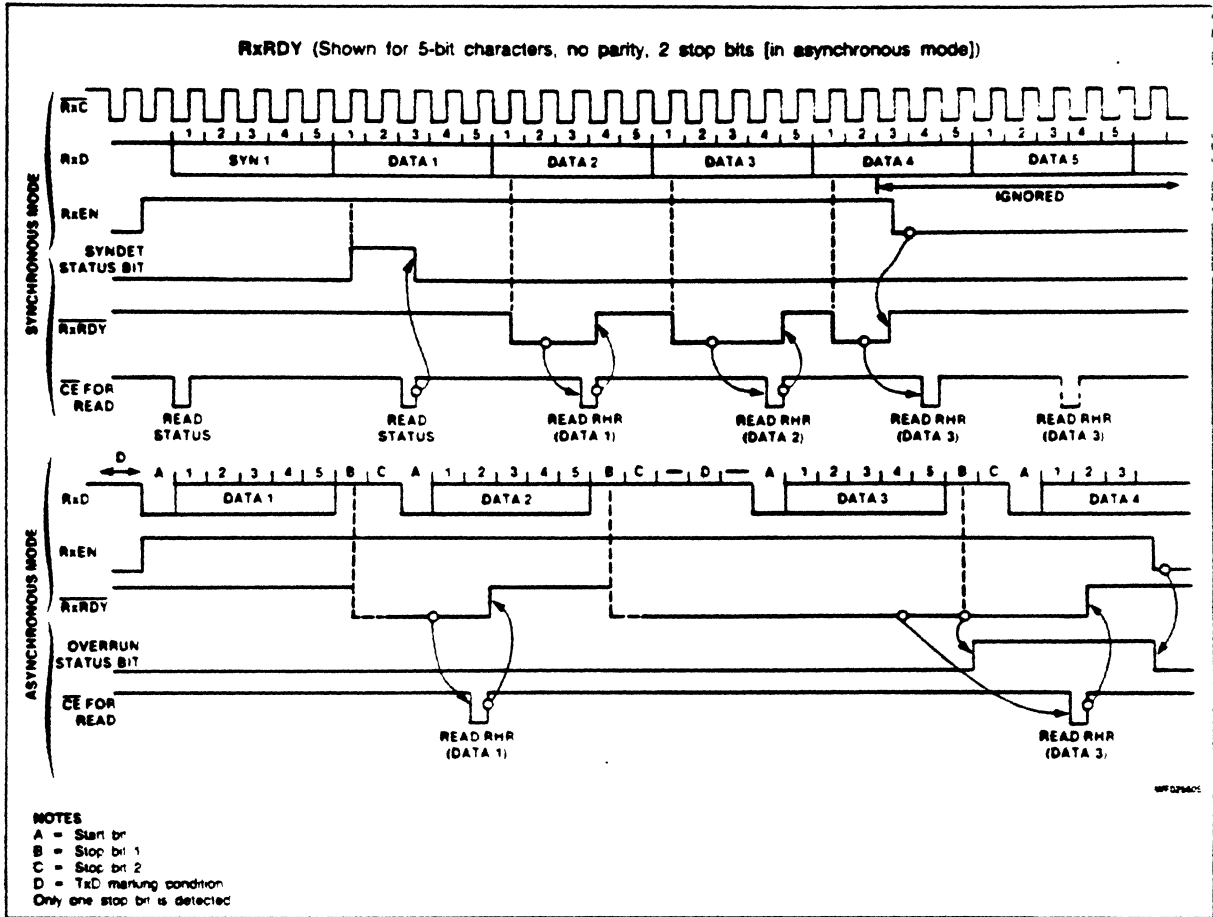
TIMING DIAGRAMS (Continued)



# Enhanced Programmable Communications Interface (EPCI)

SCN2661/SCN68661

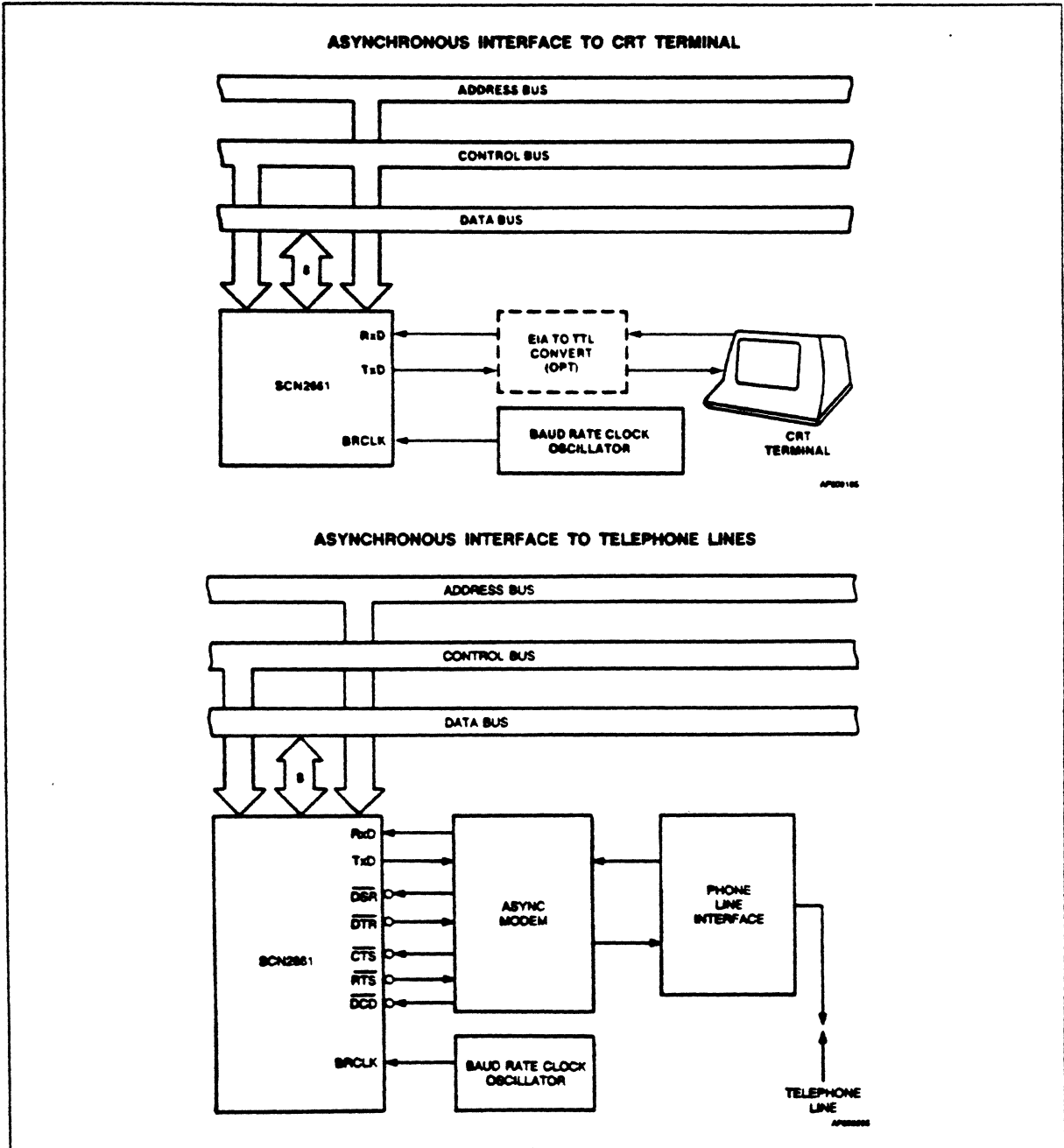
## TIMING DIAGRAMS (Continued)



# Enhanced Programmable Communications Interface (EPCI)

SCN2661/SCN68661

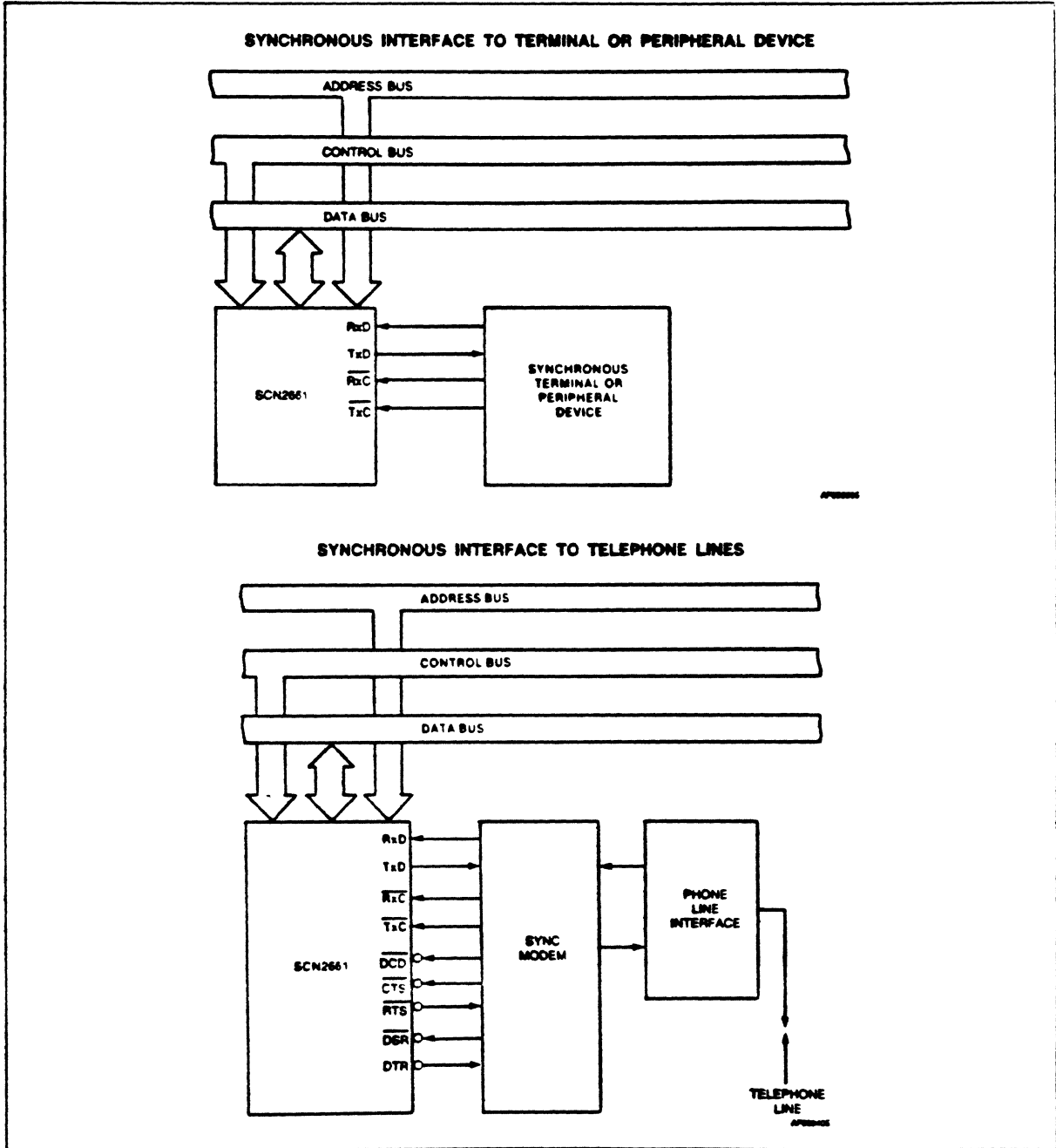
## TYPICAL APPLICATIONS



# Enhanced Programmable Communications Interface (EPCI)

SCN2661/SCN68661

## TYPICAL APPLICATIONS (Continued)





### DEFINITION OF TERMS

Data Sheet Identification	Product Status	Definition
<i>Preview</i>	Formative or In Design	This data sheet contains the design specifications for product development. Specifications may change in any manner without notice.
<i>Advance Information</i>	Sampling or Pre-Production	This data sheet contains advance information and specifications are subject to change without notice.
<i>Preliminary</i>	First Production	This data sheet contains preliminary data and supplementary data will be published at a later date. Signetics reserves the right to make changes at any time without notice in order to improve design and supply the best possible product.
<i>Product Specification</i>	Full Production	This data sheet contains final specifications. Signetics reserves the right to make changes at any time without notice in order to improve design and supply the best possible product.

Signetics reserves the right to make changes in the products contained in this publication in order to improve design or performance and to supply the best possible products. Signetics also assumes no responsibility for the use of any circuits described herein, conveys no license under any patent or other right, and makes no representations that the circuits are free from patent infringement. Applications for any integrated circuits contained in this publication are for illustration purposes only and Signetics makes no representation or warranty that such applications will be suitable for the use specified without further testing or modification. Reproduction of any portion hereof without the prior written consent of Signetics is prohibited.

# Signetics

a subsidiary of U.S. Philips Corporation

Signetics Corporation  
 811 East Arques Avenue  
 P.O. Box 3409  
 Sunnyvale, California 94088-3409  
 Telephone 408/739-7700

© Copyright 1985 Signetics Corporation  
 Printed in U.S.A.

98-8026-610

SI/DD3MCR385

**APPENDIX B**  
**Engineering Drawings**

PARTS LIST

C3 INC. RESTON, VIRGINIA

NEW DUAL PORT COMMUNICATIONS ADAPTOR (DPCA)

ASSY NO. 480040 R06

PARTS LIST NO. 400025 REV 10 05/02/85 AUTHORIZATION L G Brennean

\* REVISIONS \*

\*\*\*\*\*

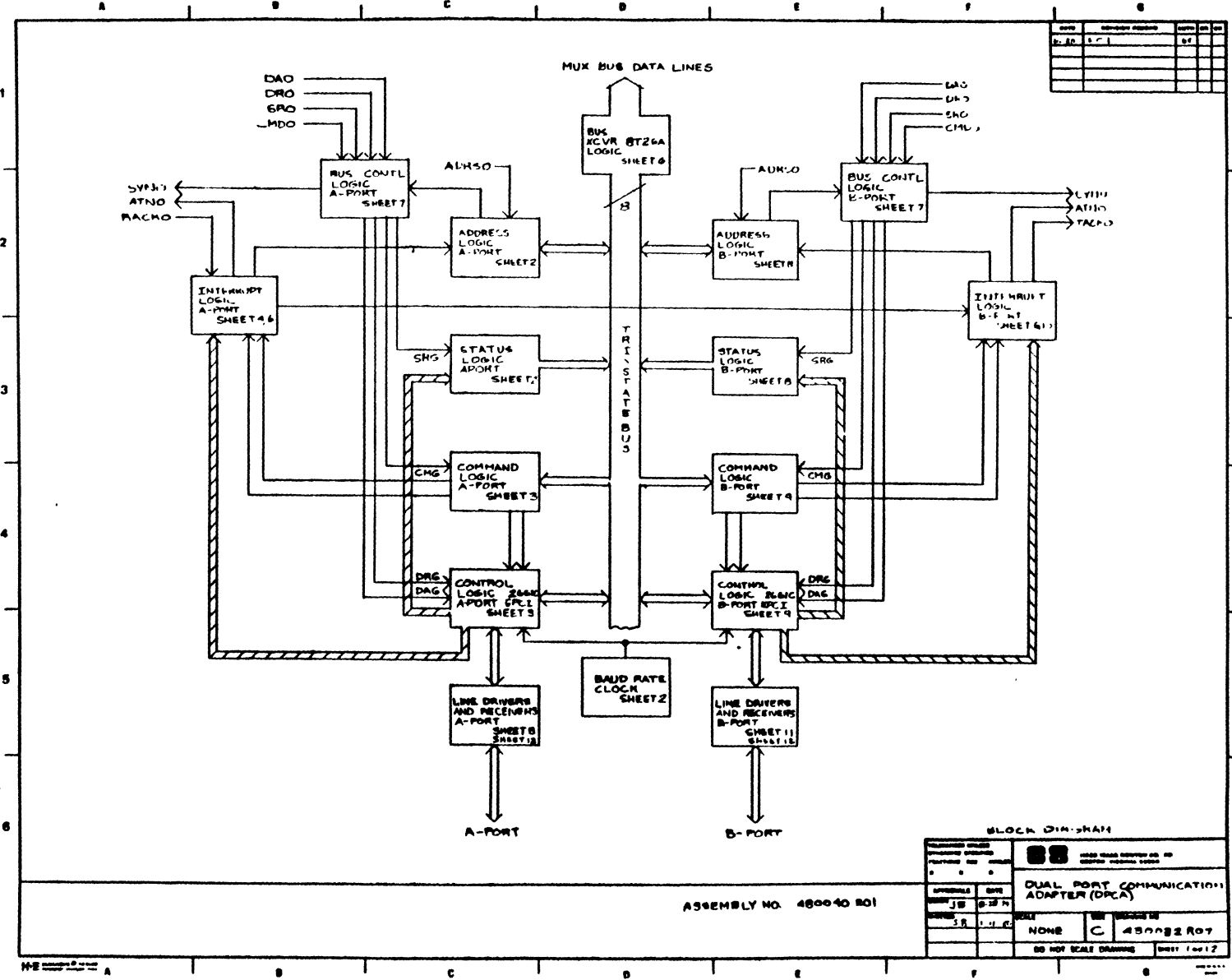
DATE	ITEM	CHANGE AND AUTH
03/19/80		CORRECTED COSTS & QTY
03/19/80		ADDED 10K, DIODES FOR 480040R01
07/23/80		UPDATED PARTS LIST
08/18/80		CHANGED .01 CAP (SYNC) TO .0068 TO MATCH 74LS133
09/29/80		ITEM 1 R01 TO R02; ITEM 26 PRIME SOURCE
09/29/80		ITEM 68,79, SPECIFIED
06/21/83		added 1N914, 1K, 1000pf. Del .0068 per ECN-83-002 LGB
06/07/84		R08: Modified per ECN-84-007 LGB
11/27/84		R09: Modified per ECN-84-009 LGB
05/02/85		R10: Modified per ECN-85-007 LGB

ITEM	* PART NUMBER *	* MFR *	* DESCRIPTION *	QTY
1	460023 R03	C3	DPCA PCB per 440018 R02	1
2	7400		QUAD 2 INPUT NAND	6
3	7404		HEX INVERTER	7
4	7408		QUAD 2 INPUT AND	7
5	7411		TRIPLE 3 INPUT AND	3
6	74LS14		HEX INVERTER (SCHMIT)	1
7	7421		DUAL 4 IN AND	2
8	7427		TRIPLE 3 INPUT NOR	1
9	7430		8 INPUT NAND	1
10	7432		QUAD 2 INPUT OR	4
11	7438		QUAD 2 INPUT NAND BUFFER (OC)	2
12	7474		DUAL D FLIP FLOP	6
13	7486		QUAD 2 INPUT EXCLUSIVE OR	3
14	74175		QUAD D FLIP-FLOP	2
15	74LS241		OCTAL BUFFER	8
16	74S241		OCTAL BUFFER	ALT
17	74LS245		OCTAL BUS TRANSCIEVER (TS)	2
18	8T245	SIG*		ALT
19	DF8304	NAT,AMD	ENGN ALT FOR 74LS245	ENGN
20	74S133		13 INPUT NAND	1
21	74276	TI	QUAD J-K FLOP	2
22	25LS2521	AMD	8 BIT COMPARITOR	2
23	8T26A		QUAD BUS RECEIVER (TS)	2
24	26S02	AMD	DUAL ONE SHOT	6
25	9602			LT
26	74123	TI	DUAL RETRIC MULTI	2
27	2661C	SIG	EPCI	2
28	88LS120	NATL	DUAL LINE RCVR	8
29	88C120	NATL	ALT CMOS	ALT

ITEM	* PART NUMBER *	* MFCR *	* DESCRIPTION *	QTY
30	9634A	FCHLD, TI	DUAL LINE DRIVER	6
31	MC3488A	MOT	DUAL LINE DRIVER	ALT
32	4310R101472	BURNS	4.7K SIP RES PAK	2
33	750-101-R4.7K	CTS	4.7K SIP RES PAK	ALT
34	4306R101472	BURNS	4.7K SIP RES PAK	2
35	750-61-R4.7K	CTS	4.7K SIP RES PAK	ALT
36	240004G	EECO	SPST FORM A 4 POS SWITCH	2
37	241003G	EECO	SPDT FORM C 3 POS SWITCH	2
38	87227-7	AMP*	7-pos .025" sq double row hdr	2
39	MF050	CTS KNIGHT	5.0688 MHZ XTAL	1
40	7812CP	MOTOROLA	+12V REGULATOR	1
41	UA7812C	TI	+12V REGULATOR	ALT
42	LM340T-12	NATIONAL	+12V REGULATOR	ALT
43	UA7812UC	FCHLD	+12V REGULATOR	ALT
44	7912CP	MOTOROLA	-12V REGULATOR	1
45	UA7912C	TI	-12V REGULATOR	ALT
46	LM320T-12	NATIONAL	-12V REGULATOR	ALT
47	UA7912UC	FCHLD	-12V REGULATOR	ALT
48	100 OHM 1-4W 5%		RESISTOR	5
49	470 OHM 1-4W 5%		RESISTOR	2
50	1K 1-4W 5%		RESISTOR	1
51	4.7K 1-4W 5%		RESISTOR	10
52	10K 1-4W 5%		RESISTOR	20
53	15K 1-4W 5%		RESISTOR	2
54	33K 1-4W 5%		RESISTOR	12
55	120K 1-4W 5%		RESISTOR	6
56	1N5817	MOTOROLA	DIODE	6
57	1N914		DIODE	3
58	1N4445		FAST SW DIODE	ALT

ITEM	* PART NUMBER *	* MFR *	DESCRIPTION	QTY
59	5GA-T22	SPRAGUE	220 PF CAP	4
60	5GA-D10	SPRAGUE	.001 UF (1000 PF)	22
61	5GA-D50	SPRAGUE	.005 MICROFARAD CAP	1
62	5GA-D68	SPRAGUE	.0068 MICROFARAD CAP	2
63	T362A334K050AS	KEMET	.33 MICROFARAD TANTALUM CAP	2
64	T362A105K050AS	KEMET	1.0 MICROFARAD TANTALUM CAP	2
65	TVA 1148	SPRAGUE	25 MICROFARAD CAP	2
66	CK05 104K		DECOUPLING CAP	32
67	V182A1	GE	Varistor, 14VDC continuous	6
68	206604-1	AMP	25 PIN MALE CONN	2
69	205817-1	AMP	25 PIN FEMALE HDWRE	2
70	3-86018-4	AMP	84 PIN CONNECTOR	1
71	87224-2	AMP*	2-pos .025" sq header	14
72	87227-6	AMP*	6-pos .025" sq double row hdr	1
73	530153-2	AMP*	0.100" 2-pos shunt	26
74			8 PIN IC SOCKET	6
75			14 PIN IC SOCKET	0
76			16 PIN IC SOCKET	8
77			20 PIN IC SOCKET	0
78			28 PIN IC SOCKET	2
79	350-1300-09-07	DAMBION	STANDOFF	4
80	4-40 1/4 screw		4-40 1/4" ss phillips screw	4
81	4-40 hex nut		4-40 hex nut	4
82	5GA-Q68	SPRAGUE*	68pf,20%(mx),10v(wm) cer cap	1
*				
	* Alternates for item 36 - EEC0 240004G:			
*				
83	435166-2	AMP	SPST 4 position DIP switch	ALT
84	78R04	Grayhill	SPST 4 position DIP switch	ALT

ITEM	* PART NUMBER *	* MFR *	* DESCRIPTION *	QTY
85	204-4	CTS	SPST 4 position DIP switch	ALT
*				
*	Alternates for item 37 - EECO 241003G:			
*				
86	435470-2	AMP	SPDT 3 position DIP switch	ALT
87	7BJ03	Grayhill	SPDT 3 position DIP switch	ALT
88	204-123	CTS	SPDT 3 position DIP switch	ALT
*				
*	The following items, although not part of			
*	the PC board assembly, should be purchased			
*	in coordination with the PC boards.			
*	(These items should be included in the "Half-Board" kit.)			
*				
89	415-7036-01	CAMRION	CARD EJECTOR	2
90			PIN GUIDE	2
91	4-40 1/4 SCREW		4-40 1/4 SS PHILLIPS SCREW	6
92	4-40 HEX NUT		4-40 SS HEX NUT	4
*		*Or equivalent		



REV	DESCRIPTION	DATE	BY	CHK
1	INITIAL			

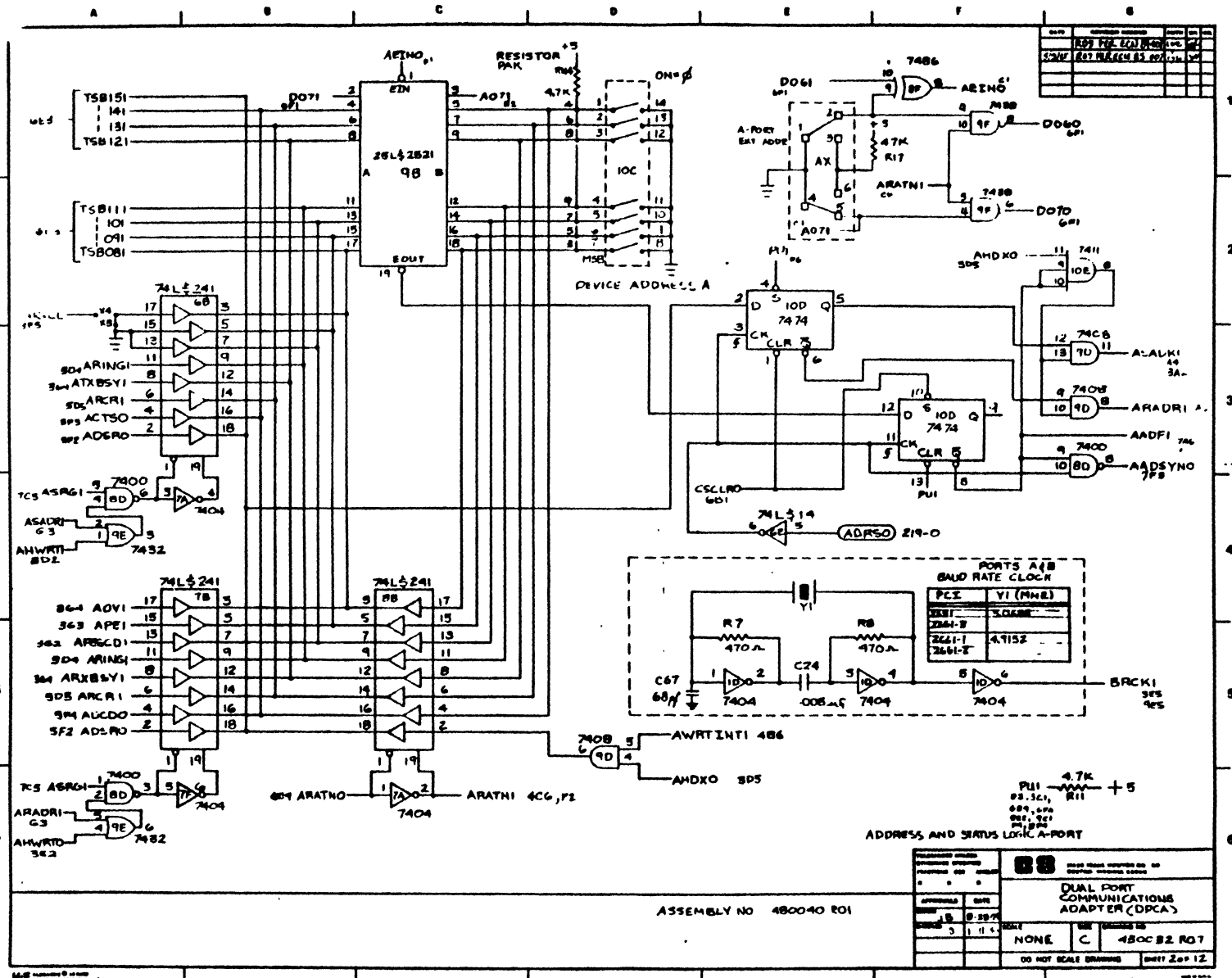
APPROVED		DATE	

BLOCK DIAGRAM			
		USED UNDER LICENSE BY THE UNITED STATES GOVERNMENT	
DUAL PORT COMMUNICATION ADAPTER (DPCA)			
SCALE	REV	ISSUE NO	
58	1.1.1.0	NONE	C 450022 ROT
DO NOT SCALE DRAWING		SHEET 1 OF 12	

ASSEMBLY NO. 450040 801





REV	DESCRIPTION	DATE	BY	CHKD
1	REV F2L 2040	4-1-77		
2	REV F2L 2040	4-1-77		

REV	DESCRIPTION	DATE	BY	CHKD
1	REV F2L 2040	4-1-77		
2	REV F2L 2040	4-1-77		

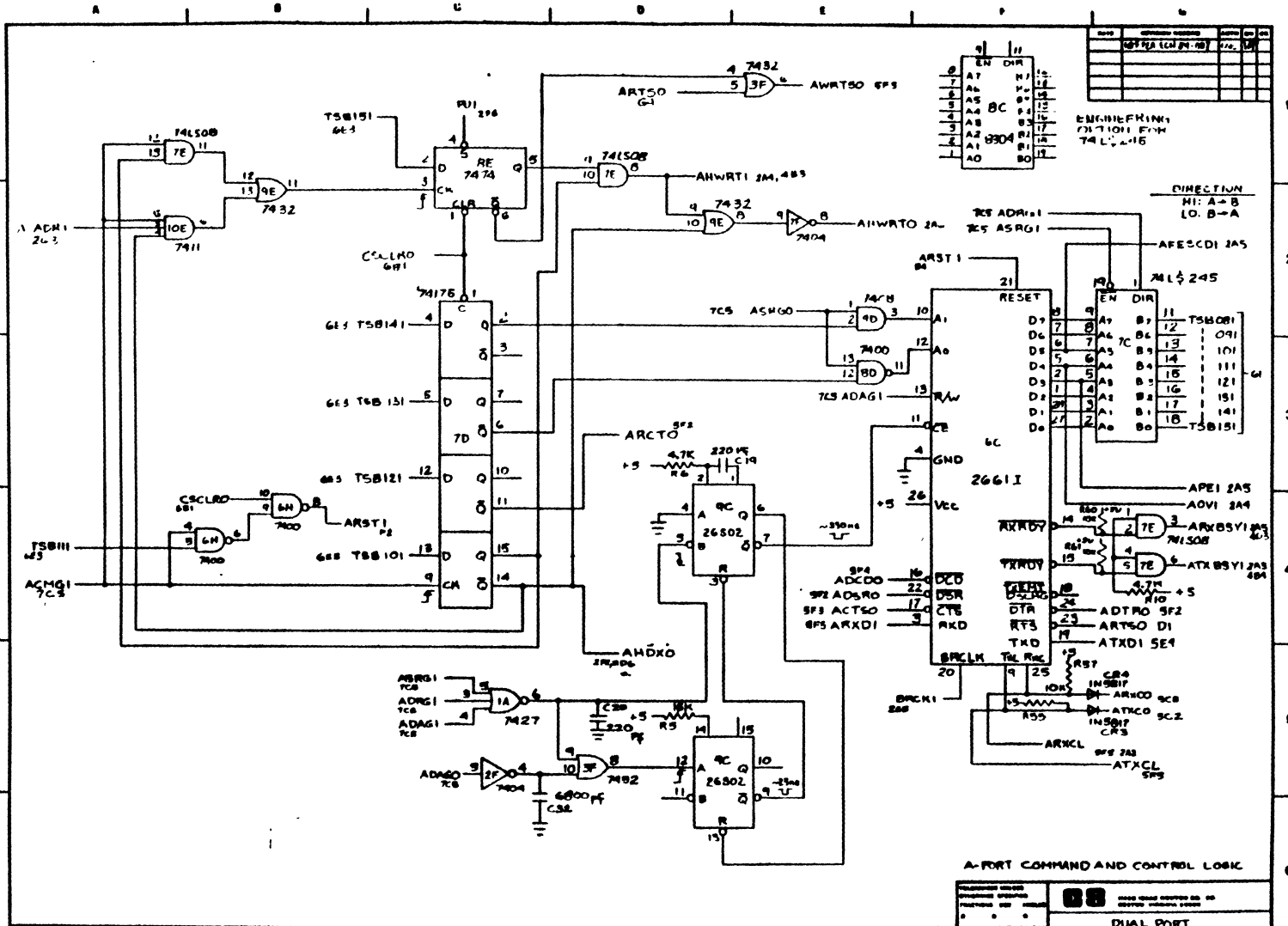
ASSEMBLY NO	480040 R01
PART NO	
REV	0-09-77
DATE	3-11-77
TEST	NONE
REV	C
DATE	4-30-77
TEST	
DATE	8-20-77

DO NOT SCALE DRAWING SHEET 2 OF 12

PORTS A & B  
BAUD RATE CLOCK

PCX	VI (MHz)
2661-B	
2661-I	4.9152
2661-E	

ASSEMBLY NO 480040 R01



NOTE: AHDXO HI, INDICATES FULL DUPLEX, A-PORT

EN	DIR	12	13
A7	B7	12	13
A6	B6	14	15
A5	B5	16	17
A4	B4	18	19
A3	B3	20	21
A2	B2	22	23
A1	B1	24	25
A0	B0	26	27

ENGINEERING: 7411011 ENH  
74112116

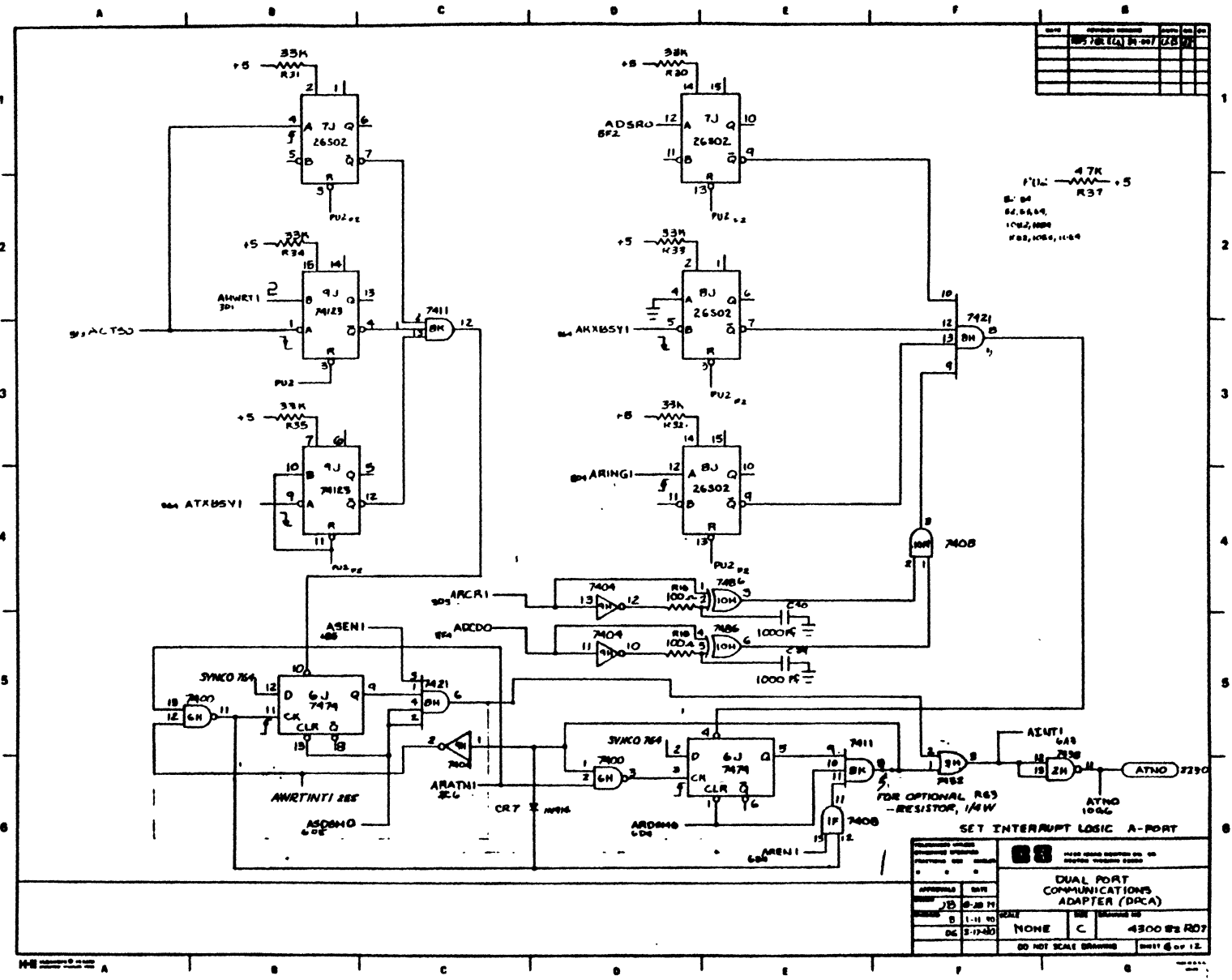
EN	DIR	11	12
A7	B7	11	12
A6	B6	13	14
A5	B5	15	16
A4	B4	17	18
A3	B3	19	20
A2	B2	21	22
A1	B1	23	24
A0	B0	25	26

DIRECTION  
HI: A → B  
LO: B → A

A-PORT COMMAND AND CONTROL LOGIC

REVISED	DATE	BY	APPROVED
1.0	9-28-78	WJL	
DESCRIPTION	QUANTITY	UNIT PRICE	TOTAL
NONE	C	45/052 R07	

DO NOT SCALE DRAWING



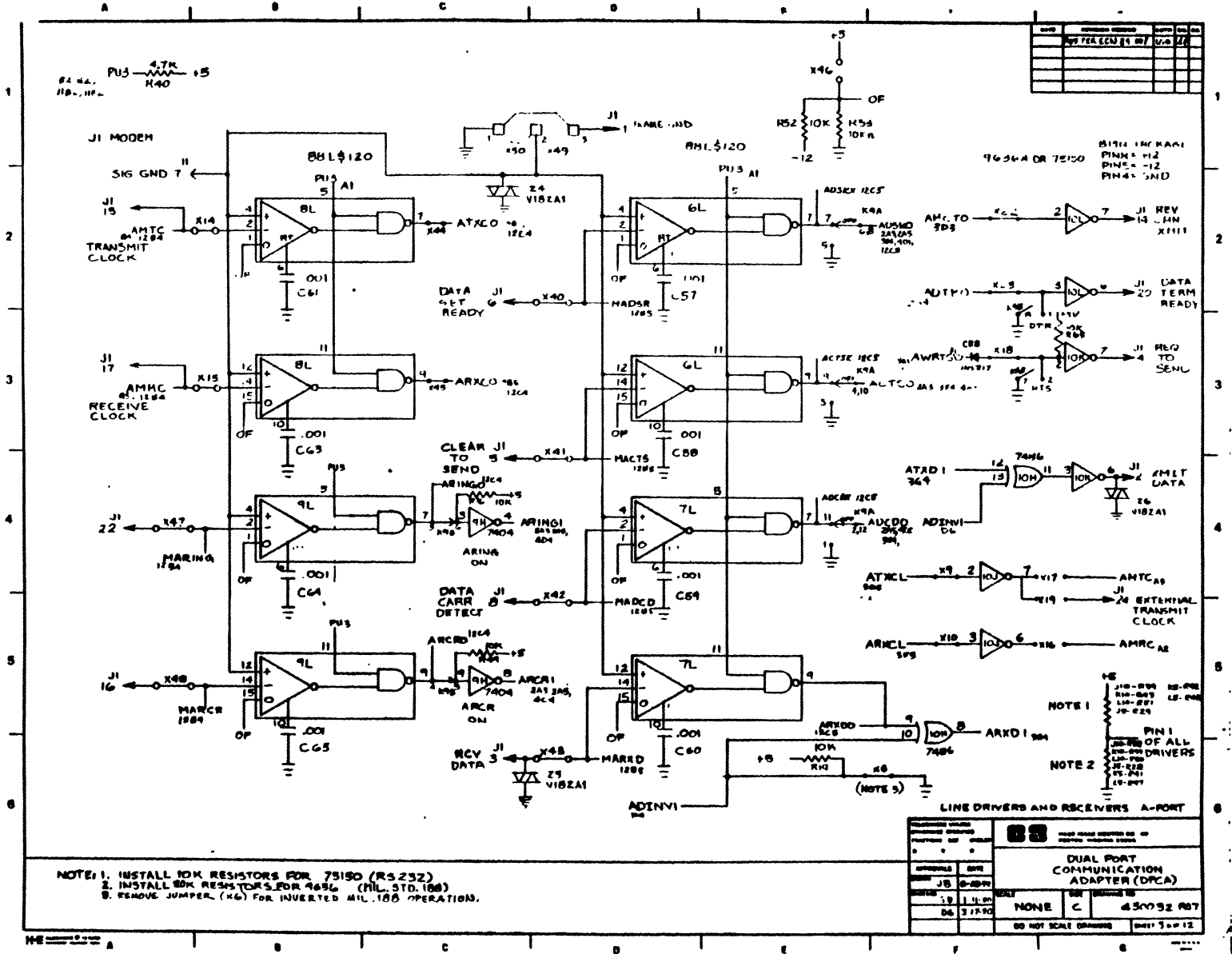
REV	DESCRIPTION	DATE	BY
1	REVISED	11-27-77	2/8/77

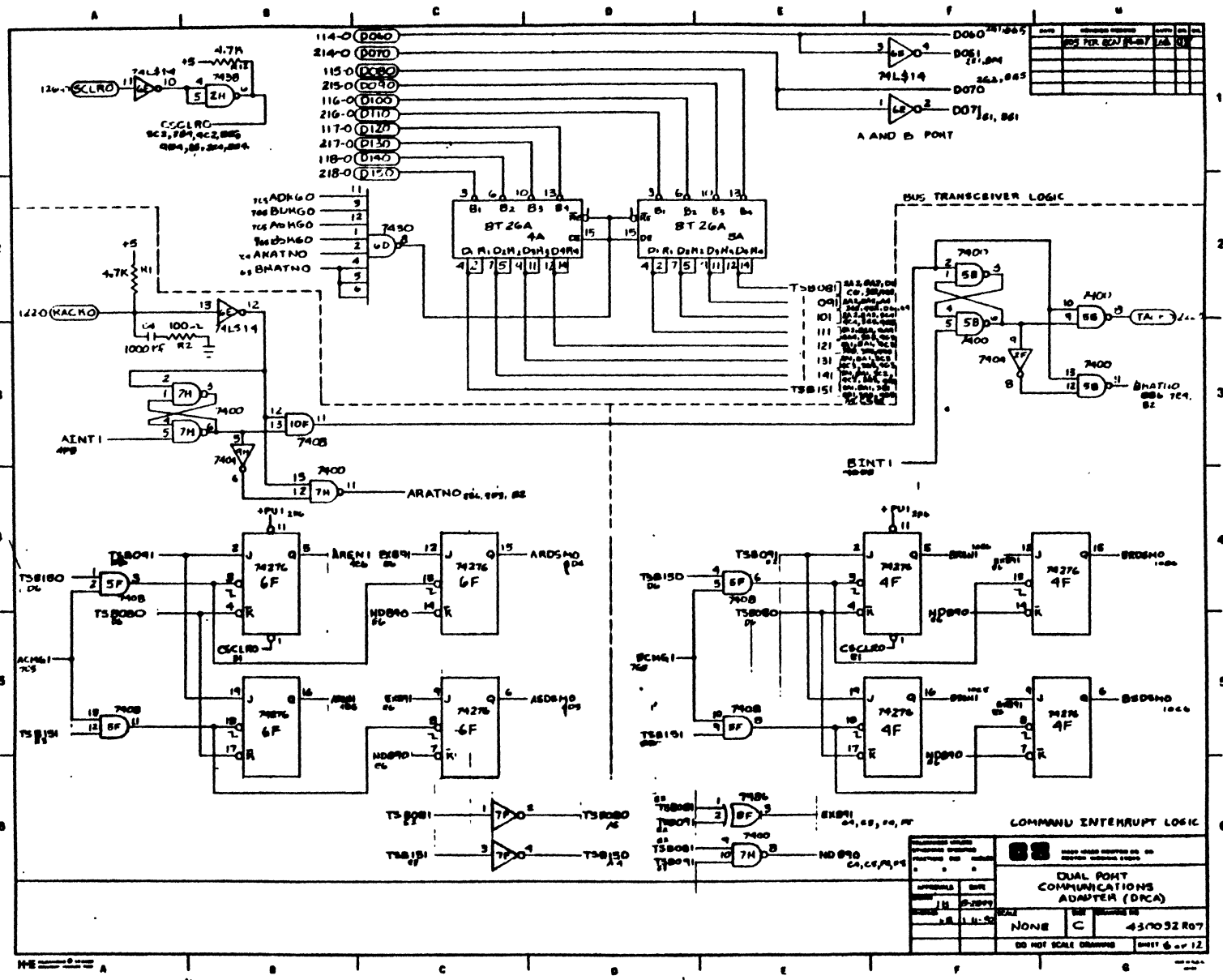
4.7K  
 R37  
 100Ω  
 R38  
 100Ω  
 R39  
 100Ω  
 R40  
 100Ω  
 R41  
 100Ω  
 R42  
 100Ω  
 R43  
 100Ω  
 R44  
 100Ω  
 R45  
 100Ω  
 R46  
 100Ω  
 R47  
 100Ω  
 R48  
 100Ω  
 R49  
 100Ω  
 R50  
 100Ω  
 R51  
 100Ω  
 R52  
 100Ω  
 R53  
 100Ω  
 R54  
 100Ω  
 R55  
 100Ω  
 R56  
 100Ω  
 R57  
 100Ω  
 R58  
 100Ω  
 R59  
 100Ω  
 R60  
 100Ω  
 R61  
 100Ω  
 R62  
 100Ω  
 R63  
 100Ω  
 R64  
 100Ω  
 R65  
 100Ω  
 R66  
 100Ω  
 R67  
 100Ω  
 R68  
 100Ω  
 R69  
 100Ω  
 R70  
 100Ω  
 R71  
 100Ω  
 R72  
 100Ω  
 R73  
 100Ω  
 R74  
 100Ω  
 R75  
 100Ω  
 R76  
 100Ω  
 R77  
 100Ω  
 R78  
 100Ω  
 R79  
 100Ω  
 R80  
 100Ω  
 R81  
 100Ω  
 R82  
 100Ω  
 R83  
 100Ω  
 R84  
 100Ω  
 R85  
 100Ω  
 R86  
 100Ω  
 R87  
 100Ω  
 R88  
 100Ω  
 R89  
 100Ω  
 R90  
 100Ω  
 R91  
 100Ω  
 R92  
 100Ω  
 R93  
 100Ω  
 R94  
 100Ω  
 R95  
 100Ω  
 R96  
 100Ω  
 R97  
 100Ω  
 R98  
 100Ω  
 R99  
 100Ω  
 R100  
 100Ω

REV	DESCRIPTION	DATE	BY
1	REVISED	11-27-77	2/8/77

DUAL PORT COMMUNICATIONS ADAPTER (DPCA)

SCALE: NONE  
 SHEET: C OF 4  
 4300 8x107  
 DO NOT SCALE DRAWING





Pin	Signal	Notes
1	CSCLR0	114, 115, 116, 117, 118, 119, 120
2	ARATNO	121, 122, 123, 124, 125, 126, 127, 128, 129, 130
3	ARATNO	131, 132, 133, 134, 135, 136, 137, 138, 139, 140
4	ARATNO	141, 142, 143, 144, 145, 146, 147, 148, 149, 150
5	ARATNO	151, 152, 153, 154, 155, 156, 157, 158, 159, 160

Pin	Signal	Notes
1	TSB150	151, 152, 153, 154, 155, 156, 157, 158, 159, 160
2	TSB151	161, 162, 163, 164, 165, 166, 167, 168, 169, 170
3	TSB152	171, 172, 173, 174, 175, 176, 177, 178, 179, 180
4	TSB153	181, 182, 183, 184, 185, 186, 187, 188, 189, 190
5	TSB154	191, 192, 193, 194, 195, 196, 197, 198, 199, 200

COMMAND INTERRUPT LOGIC

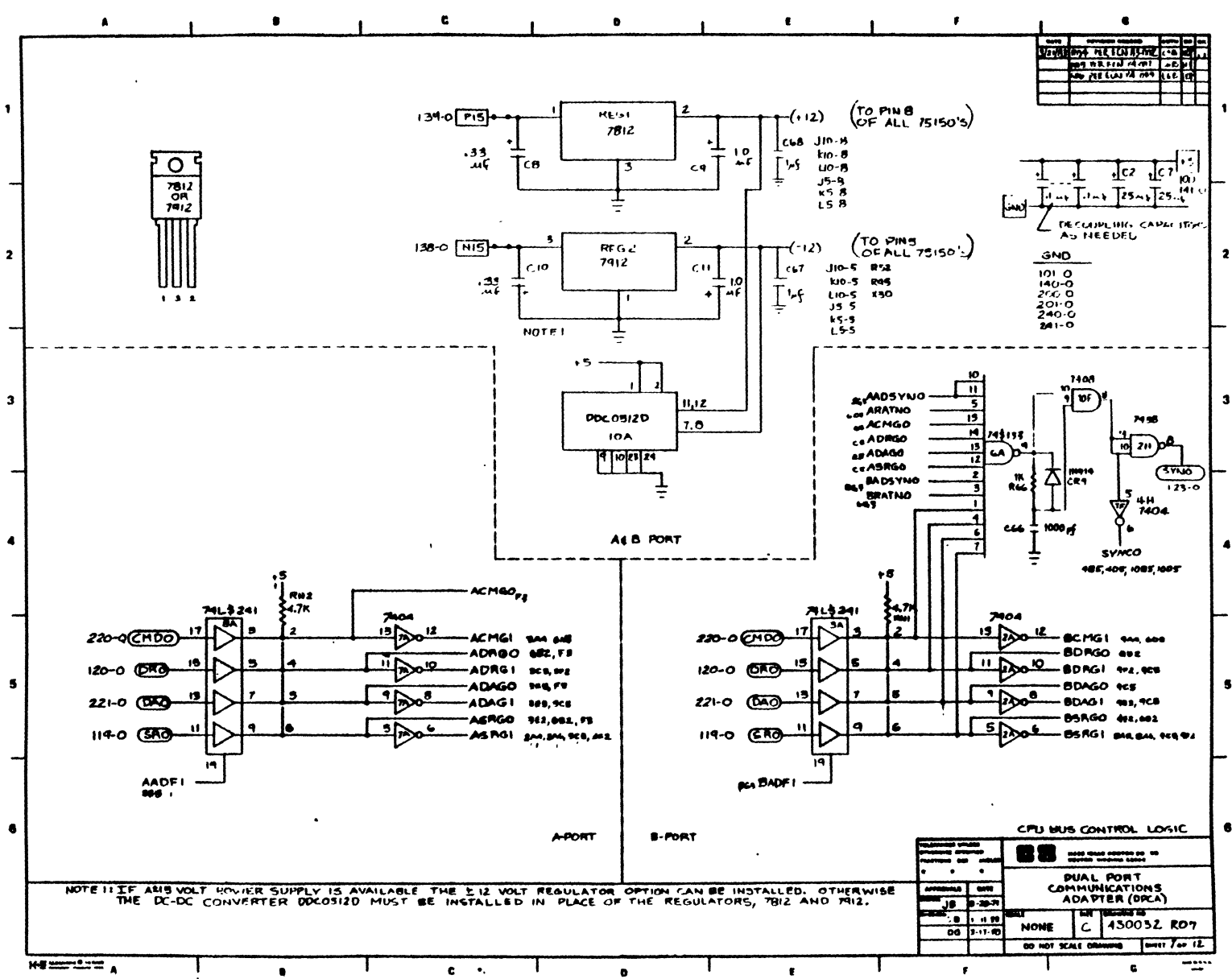
QUAL POINT COMMUNICATIONS ADAPTER (DRCA)

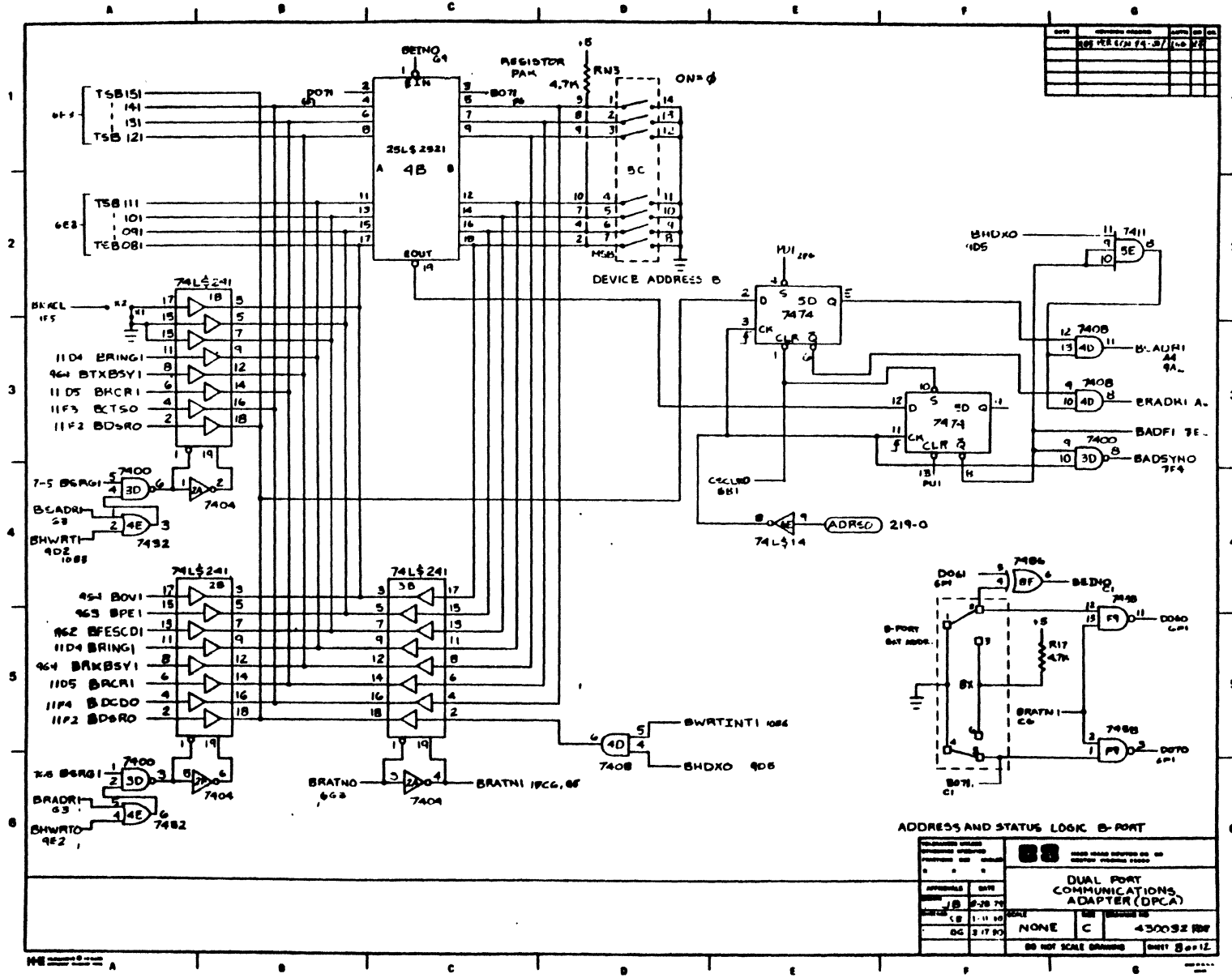
DATE: 11-2-89

REV: 1.1

SCALE: NONE C 430052 R07

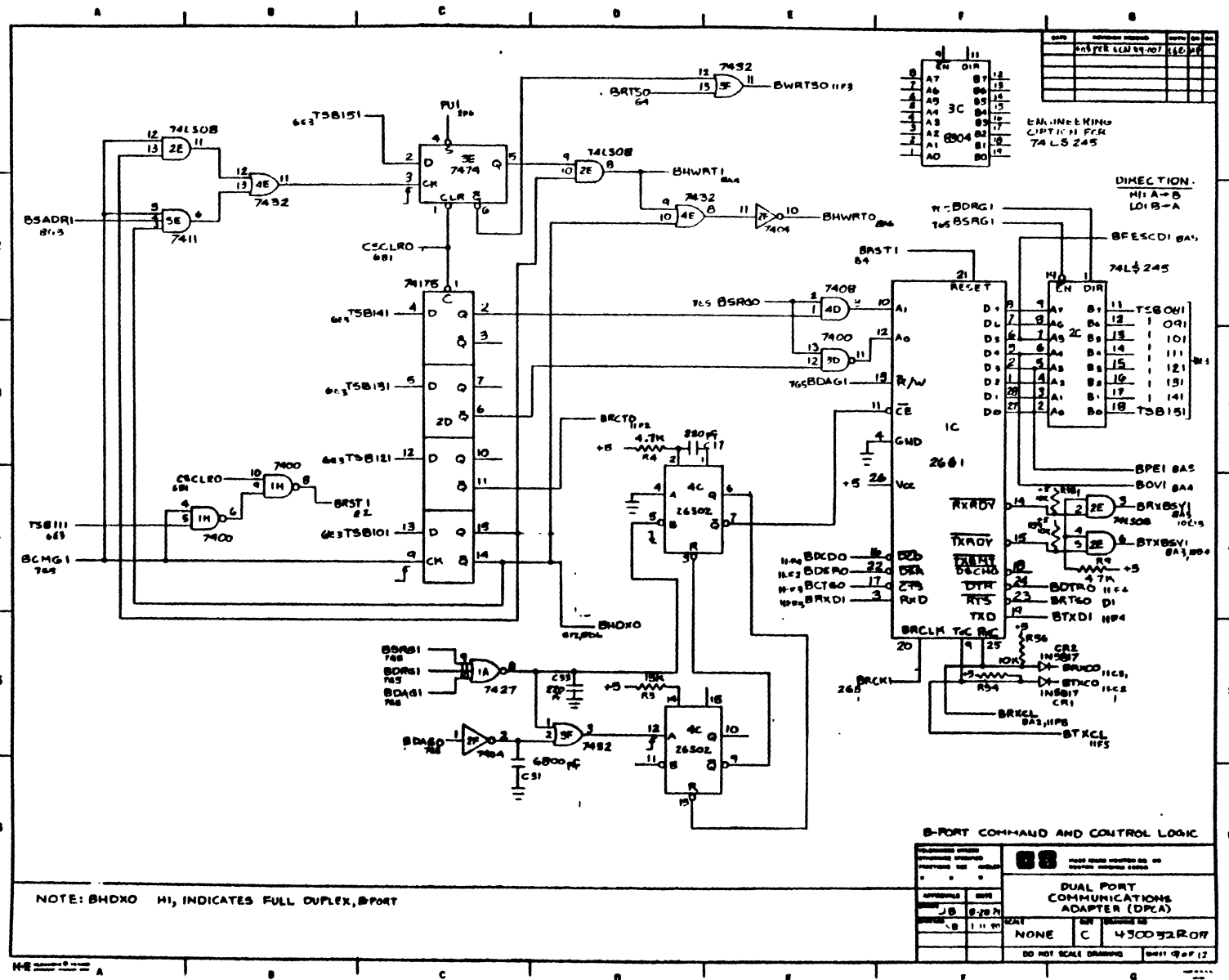
DO NOT SCALE DRAWING UNIT: 1/8" = 1"



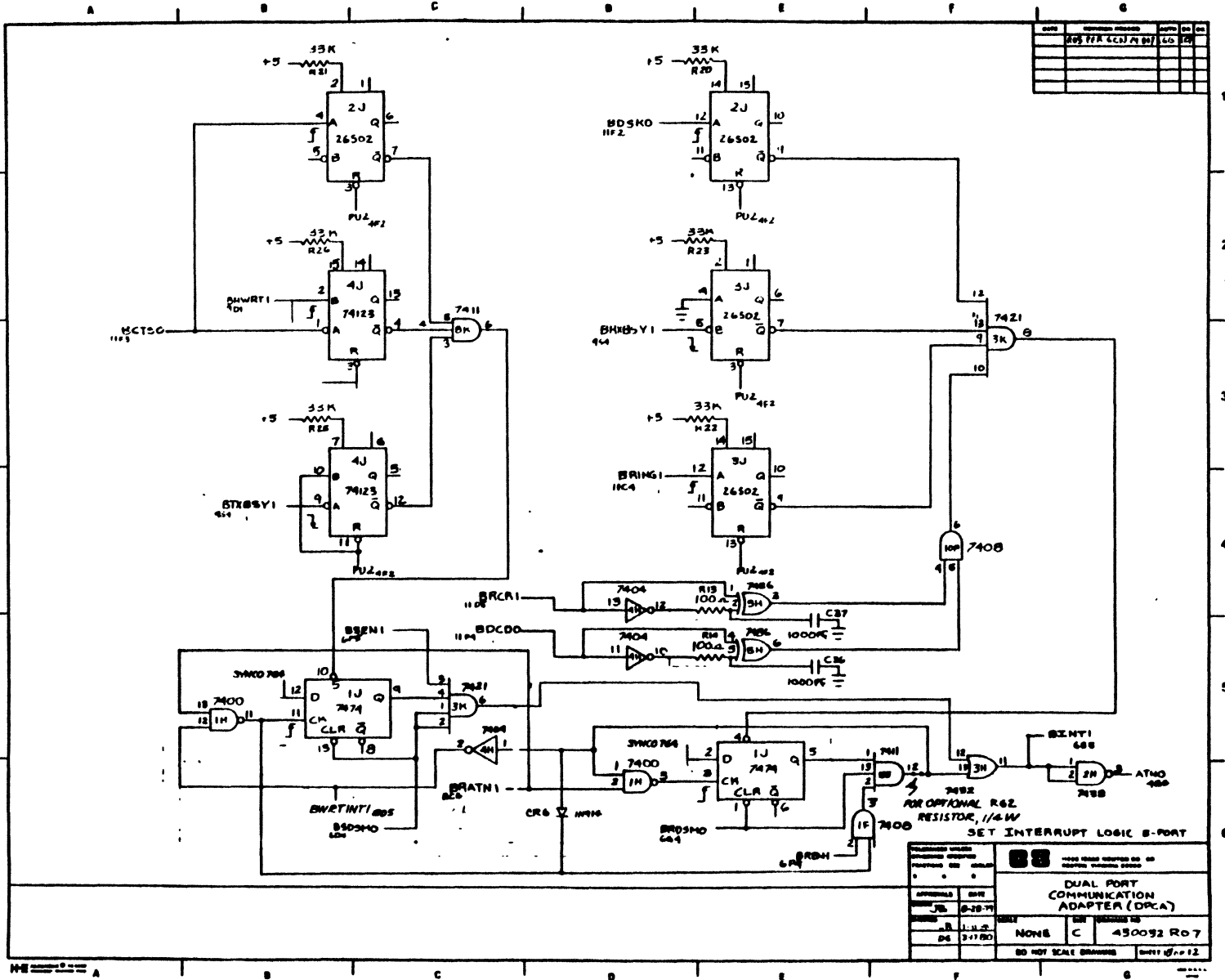


ADDRESS AND STATUS LOGIC B-PORT

APPROVALS	DATE	DUAL PORT COMMUNICATIONS ADAPTER (DPCA)	
...	...	SCALE	430032 R01
...	...	NONE	DO NOT SCALE DRAWING
...	...	C	DATE 8-12





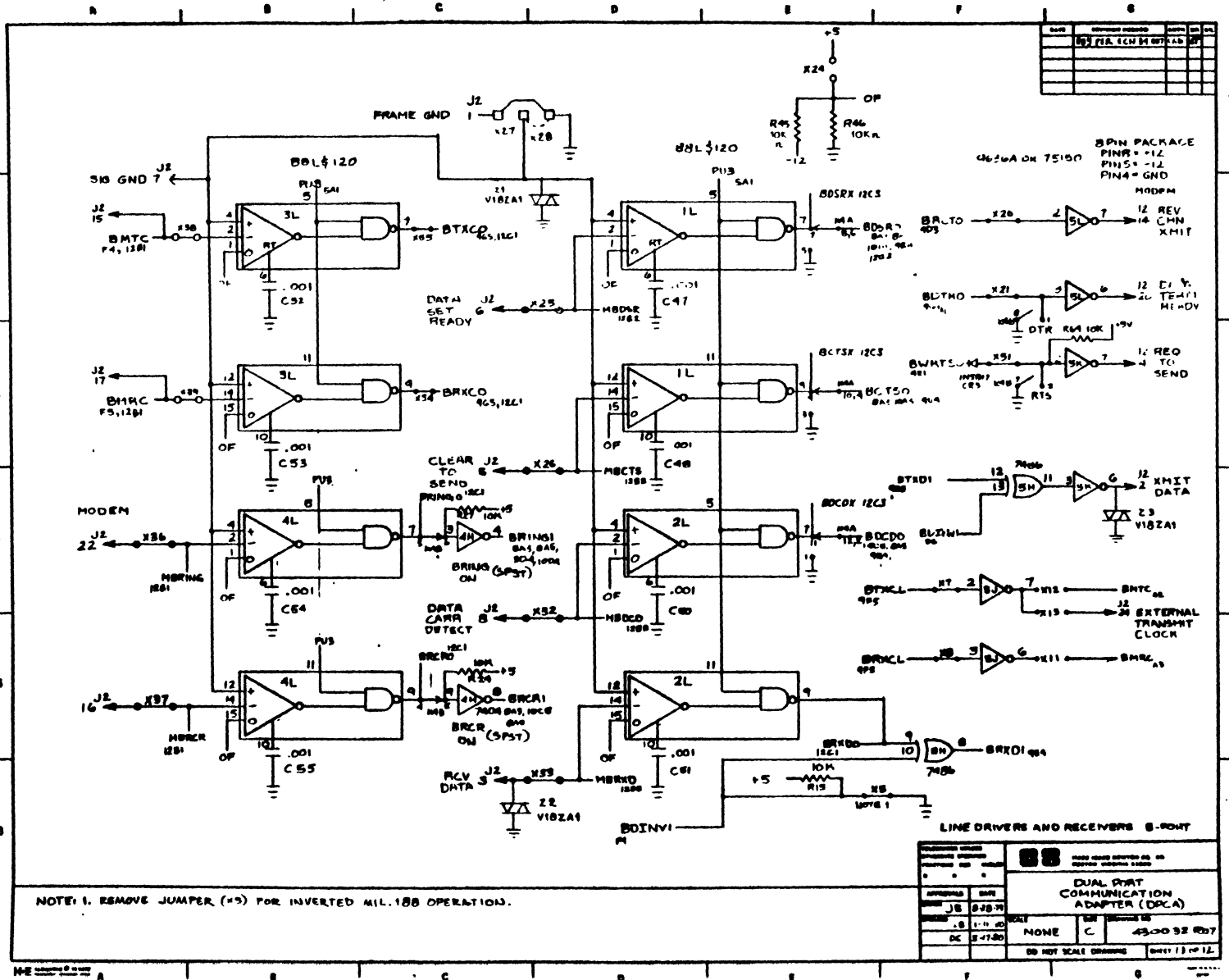


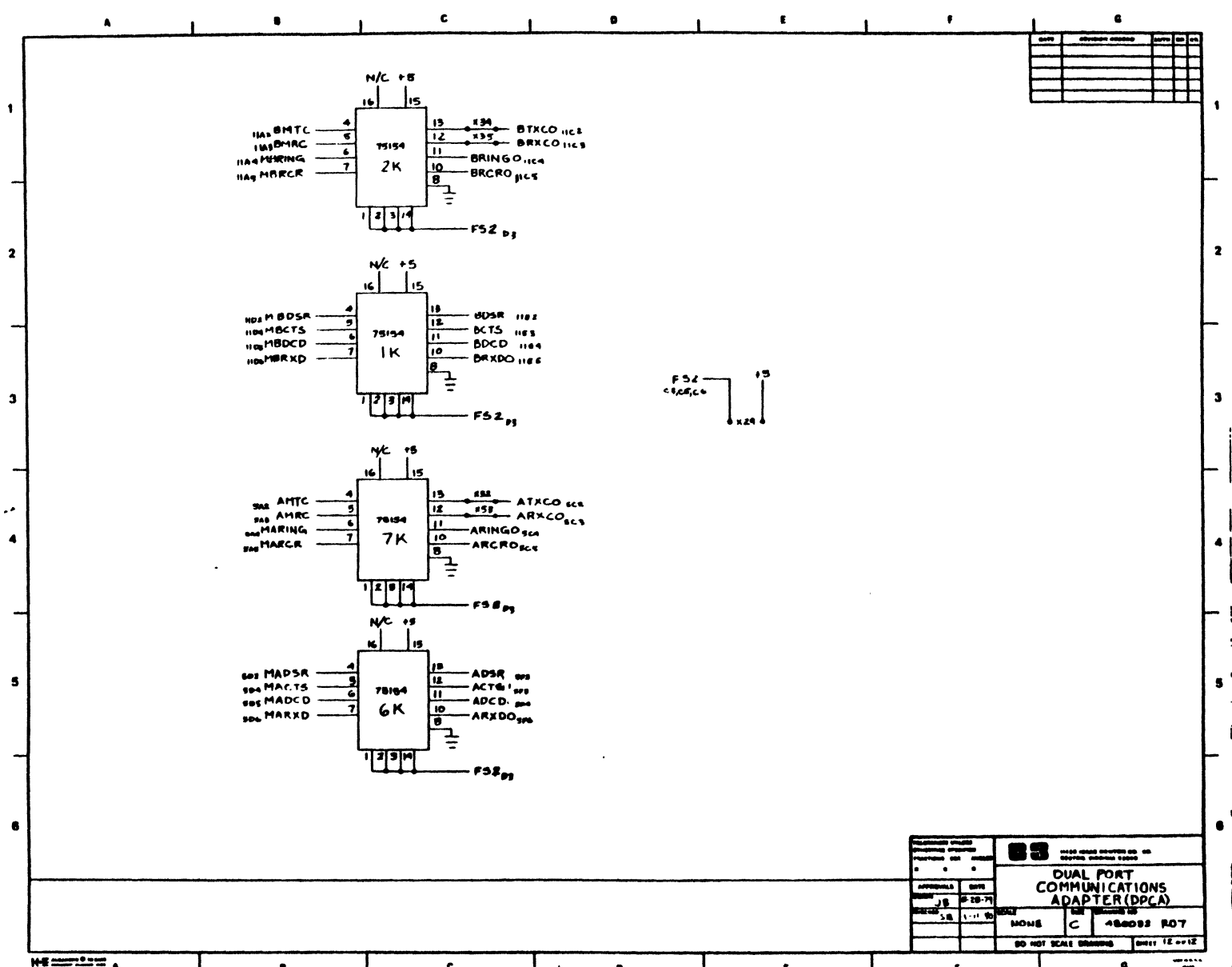
DATE	REVISION	BY	CHK
05/11/74	1	GCJ	AW

REVISIONS			
NO.	DATE	BY	CHK
1	5-11-74	GCJ	AW
2	11-11-74		
3	1-11-80		

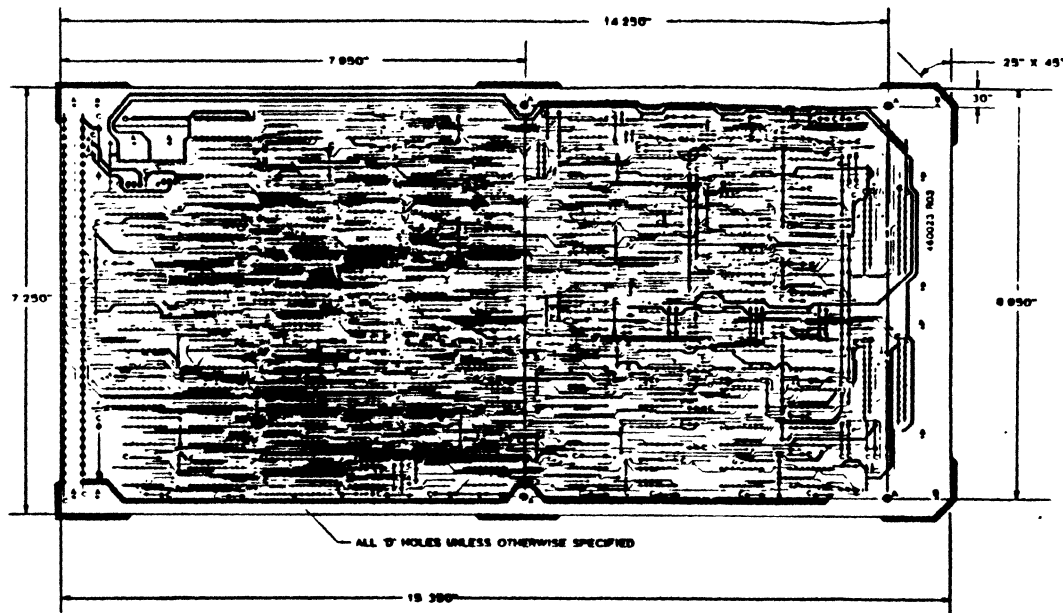
DUAL PORT COMMUNICATION ADAPTER (DPCA)			
REV	DATE	BY	CHK
NONE	C	430092	RD 7
DO NOT SCALE DIMENSIONS			





REV	DESCRIPTION	DATE	BY

<small>         APPROVED BY: _____          DATE: _____          DESIGNED BY: _____          DATE: _____          CHECKED BY: _____          DATE: _____       </small>		<small>         MADE UNDER CONTRACT NO. 48-0002-0000          (GPO) 1975 O-300-000       </small>	
<b>DUAL PORT COMMUNICATIONS ADAPTER (DPCA)</b>		<b>48-0002-0012</b>	
<small>DO NOT SCALE DRAWING</small>		<small>SHEET 12 OF 12</small>	



CIRCUIT SIDE

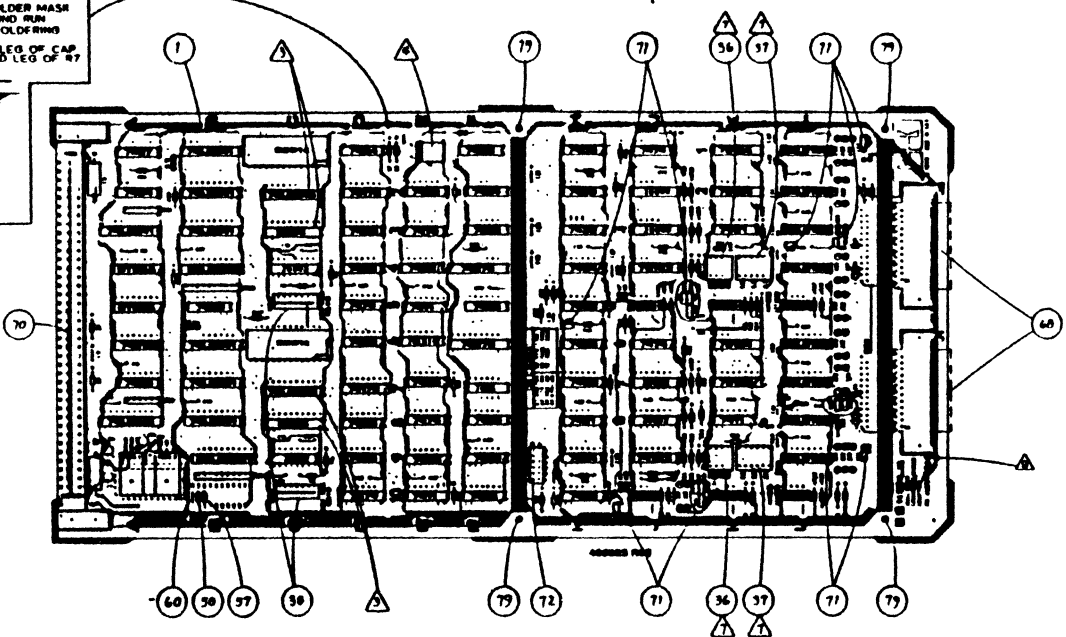
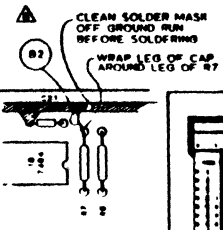
NOTES.

1. MATERIAL A) .002" THICK EPOXY BOARD TYPE FPA COLOR NATURAL  
1 OZ. THICK COPPER CLAD 2 SIDES UL APPROVED
  2. DRILLING A) ALL HOLES ARE FINISHED SIZE AFTER PLATING  
B) ALL HOLES TO BE DRILLED TO BEST COMMERCIAL STANDARDS.  
C) ALL HOLES SHALL BE LOCATED WITHIN .003" OF THEIR TRUE POSITION WITH RESPECT TO CENTER OF PAD  
D) HOLE DIAMETER, UNLESS OTHERWISE NOTED, 1.004"  
E) SCHEDULE
- | SYMBOL | SIZE - DIA. | QTY  |
|--------|-------------|------|
| A      | .145"       | 14   |
| B      | .125"       | 2    |
| C      | .040"       | 518  |
| D      | .038"       | 1878 |
| UNMID  | .034"       | NC   |
3. FINISH A) PLATE-THRU WITH COPPER, UNLESS OTHERWISE NOTED  
MINIMUM PLATING THICKNESS .0012"  
B) TIN-LEAD ELECTRO-PLATE BOARD SURFACES. TIN CONTENT TO BE 90% 110%.  
C) APPLY SOLDER MASK FRONT & BACK. USE SUPPLIED FILMWORK. CURE PER RECOMMENDED DIRECTIONS. MASK TYPE EPOXY, COLOR GREEN MFG MCDERBYT  
D) APPLY SILKSCREEN TO FRONTSIDE. LETTERING & LINEWORK TO BE CLEAR & NON-SHEARED. INK TYPE EPOXY, COLOR WHITE.
  4. GENERAL A) FRONT TO BACK REGISTRATION BETTER THAN .005"  
B) MECHANICAL TOLERANCE: .001" = .010", .002" = .008"  
C) MINIMUM CONDUCTOR WIDTH: .015"  
MAXIMUM CONDUCTOR WIDTH: \_\_\_\_\_  
MINIMUM AIR GAP: .015"  
D) THIS PRINTED CIRCUIT BOARD IS TO BE FABRICATED TO BEST STANDARDS. THE FINISHED BOARD IS TO MEET THE ABOVE REQUIREMENTS & SPECIFICATIONS. THE FINISHED BOARD WILL NOT HAVE THE FOLLOWING: NICKS, SCRATCHES, VOIDS, EXPOSED COPPER, POOR PLATING, OR MISDRILLED HOLES.  
E) PACK FINISHED BOARDS WITH PROTECTIVE COVERING.

RE: 440018

11425 ISAAC NEWTON SQUARE 3D RESTON, VIRGINIA 22090 5084 (703)471-6000 TELEX 901738	
DUAL PORT COMMUNICATION ADAPTER	
PART NO. 440018 REV. 02	DATE 11/50

REV	DATE	BY	DESCRIPTION	APP	DATE
01	APR 20 1977	...	...	...	7/1
02	APR 27 1977	...	...	...	7/1



ITEM	DESCRIPTION	QTY
1	...	...
2	...	...
3	...	...
4	...	...
5	...	...
6	...	...
7	...	...
8	...	...
9	...	...
10	...	...
11	...	...
12	...	...
13	...	...
14	...	...
15	...	...
16	...	...
17	...	...
18	...	...
19	...	...
20	...	...
21	...	...
22	...	...
23	...	...
24	...	...
25	...	...
26	...	...
27	...	...
28	...	...
29	...	...
30	...	...
31	...	...
32	...	...
33	...	...
34	...	...
35	...	...
36	...	...
37	...	...
38	...	...
39	...	...
40	...	...
41	...	...
42	...	...
43	...	...
44	...	...
45	...	...
46	...	...
47	...	...
48	...	...
49	...	...
50	...	...
51	...	...
52	...	...
53	...	...
54	...	...
55	...	...
56	...	...
57	...	...
58	...	...
59	...	...
60	...	...
61	...	...
62	...	...
63	...	...
64	...	...
65	...	...
66	...	...
67	...	...
68	...	...
69	...	...
70	...	...
71	...	...
72	...	...
73	...	...
74	...	...
75	...	...
76	...	...
77	...	...
78	...	...
79	...	...
80	...	...
81	...	...
82	...	...
83	...	...
84	...	...
85	...	...
86	...	...
87	...	...
88	...	...
89	...	...
90	...	...
91	...	...
92	...	...
93	...	...
94	...	...
95	...	...
96	...	...
97	...	...
98	...	...
99	...	...
100	...	...

- ▲ ITEM NUMBERS REFER TO PARTS LIST. IC'S & DISCRETE COMPONENTS ARE IDENTIFIED IN THE SCHEDULE AT RIGHT.
- ▲ THESE LOCATIONS ARE SOCIETED.
- ▲ USE EITHER ITEM 17 OR 18, NOT BOTH.
- ▲ PLACE PAD OF SILICON RUBBER CEMENT, 87V-100 OR EQUIV UNDER CRYSTAL.
- ▲ SEE SHEET 2 FOR FINAL CONFIRMATION INFORMATION.
- ▲ ITEMS ON PARTS LIST CAN BE LOCATED IN ABOVE DRAWING EXCEPT ITEMS 60, 73, 80 & 81 WHICH APPEAR ON SHEET 2 OF THIS DRAWING.
- ▲ INSTALL DIP SWITCHES AFTER VAPOR DEBRASS.
- ▲ ADD ITEM 82 PER ILLUSTRATION.
- ▲ CHANGE REVISION LEVEL MARKING TO R08.

PCB ARTWORK	40023
PCB FABRICATION	440018
SCHEMATIC	430039
PARTS LIST	400023
NAME	NUMBER
DOCUMENTATION CROSS REF	

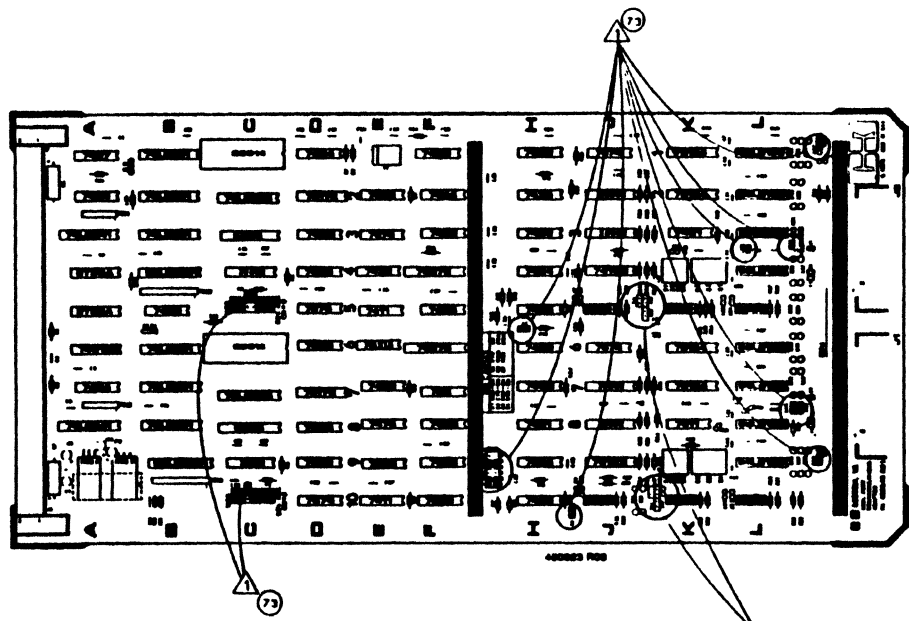
REV	DATE	BY	DESCRIPTION
01	...	...	...
02	...	...	...
03	...	...	...
04	...	...	...
05	...	...	...
06	...	...	...
07	...	...	...
08	...	...	...
09	...	...	...
10	...	...	...
11	...	...	...
12	...	...	...
13	...	...	...
14	...	...	...
15	...	...	...
16	...	...	...
17	...	...	...
18	...	...	...
19	...	...	...
20	...	...	...
21	...	...	...
22	...	...	...
23	...	...	...
24	...	...	...
25	...	...	...
26	...	...	...
27	...	...	...
28	...	...	...
29	...	...	...
30	...	...	...
31	...	...	...
32	...	...	...
33	...	...	...
34	...	...	...
35	...	...	...
36	...	...	...
37	...	...	...
38	...	...	...
39	...	...	...
40	...	...	...
41	...	...	...
42	...	...	...
43	...	...	...
44	...	...	...
45	...	...	...
46	...	...	...
47	...	...	...
48	...	...	...
49	...	...	...
50	...	...	...
51	...	...	...
52	...	...	...
53	...	...	...
54	...	...	...
55	...	...	...
56	...	...	...
57	...	...	...
58	...	...	...
59	...	...	...
60	...	...	...
61	...	...	...
62	...	...	...
63	...	...	...
64	...	...	...
65	...	...	...
66	...	...	...
67	...	...	...
68	...	...	...
69	...	...	...
70	...	...	...
71	...	...	...
72	...	...	...
73	...	...	...
74	...	...	...
75	...	...	...
76	...	...	...
77	...	...	...
78	...	...	...
79	...	...	...
80	...	...	...
81	...	...	...
82	...	...	...
83	...	...	...
84	...	...	...
85	...	...	...
86	...	...	...
87	...	...	...
88	...	...	...
89	...	...	...
90	...	...	...
91	...	...	...
92	...	...	...
93	...	...	...
94	...	...	...
95	...	...	...
96	...	...	...
97	...	...	...
98	...	...	...
99	...	...	...
100	...	...	...

11425 BLAKE NEWTON SQUARE, 50,  
RESTON, VIRGINIA 22090 5084  
(703)471-0000 TELEX 891730

DUAL PORT COMMUNICATIONS ADAPTOR  
PCB ASSEMBLY

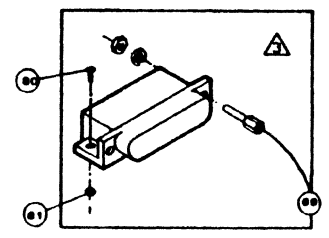
4R0040 06

1-50



**NOTES:**

- ⚠ INSTALL 0 100" SHIRTS, TWENTY SIX LOCATIONS AS SHOWN.
- ⚠ DO NOT INSTALL SHIRTS IN LOCATIONS INDICATED.
- ⚠ INSTALL ITEM 80 FOUR PLACES AS SHOWN, RIGHT.



FINAL CONFIGURATION



11425 Isaac Newton Square  
Reston, Virginia 22090