

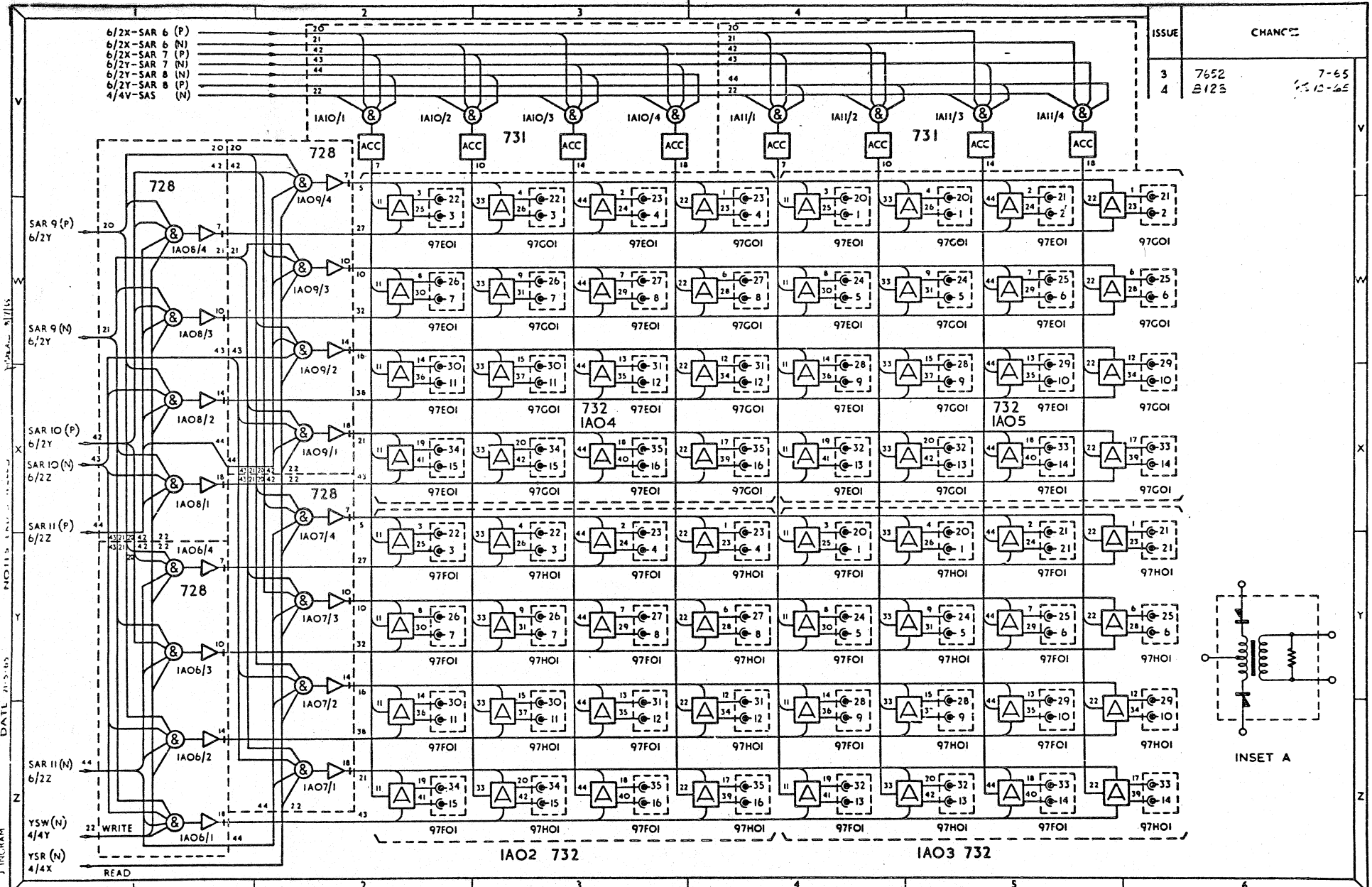
LOGIC DIAGRAMS

for

Type 1941/ 1	Core Store
Type 1941/ 2-3	Core Stores
Type 1942/ 1	Core Store
Type 1942/ 2-3	Core Stores

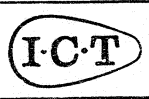
CONTENTS

	Diagram Nos.
Type 1941/ 1	5006496
Type 1941/ 2	5010804
Type 1941/ 3	5008736
Type 1942/ 1	5010897
Type 1942/ 2-3	5010895



ISSUE	CHANCE
3	7652
4	8123
	7-65
	10-65

DRAWN BY J INGRAM
 DATE 20-10-65
 NOTES: 1. I/O 1/15
 2. I/O 1/15
 3. I/O 1/15
 4. I/O 1/15
 5. I/O 1/15
 6. I/O 1/15
 7. I/O 1/15
 8. I/O 1/15
 9. I/O 1/15
 10. I/O 1/15
 11. I/O 1/15
 12. I/O 1/15
 13. I/O 1/15
 14. I/O 1/15
 15. I/O 1/15
 16. I/O 1/15
 17. I/O 1/15
 18. I/O 1/15
 19. I/O 1/15
 20. I/O 1/15
 21. I/O 1/15
 22. I/O 1/15
 23. I/O 1/15
 24. I/O 1/15
 25. I/O 1/15
 26. I/O 1/15
 27. I/O 1/15
 28. I/O 1/15
 29. I/O 1/15
 30. I/O 1/15

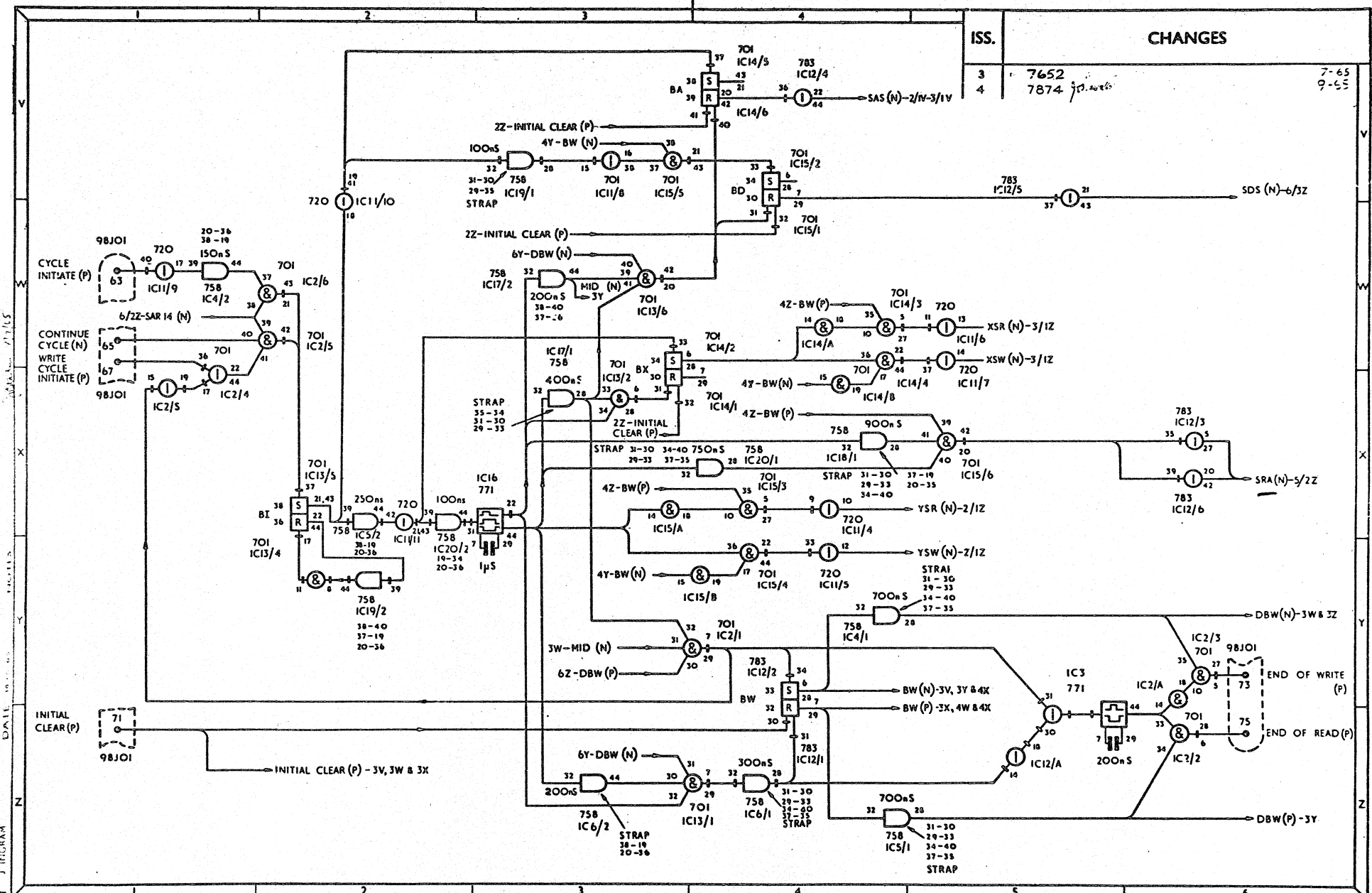


LOGIC DIAGRAM
 'Y' DECODE
 4K STORE

5006496/ 4 2
 DIAGRAM ISSUE SHEET

ISSUE	3	4	3	3
SHEET	1	2	3	4
ISSUE NUMBERS OF OTHER SHEETS AT THE TIME OF ISSUING THIS SHEET.				

ISS.		CHANGES	
3	7652		7-65
4	7874		9-65



DRAWN BY J INGRAM



LOGIC DIAGRAM
4K STORE
CONTROL LOOP

5006496/ 4 4
DIAGRAM ISSUE SHEET

ISSUE	3	3	3	3
SHEET	1	2	3	4
ISSUE NUMBERS OF OTHER SHEETS AT THE TIME OF ISSUING THIS SHEET.				

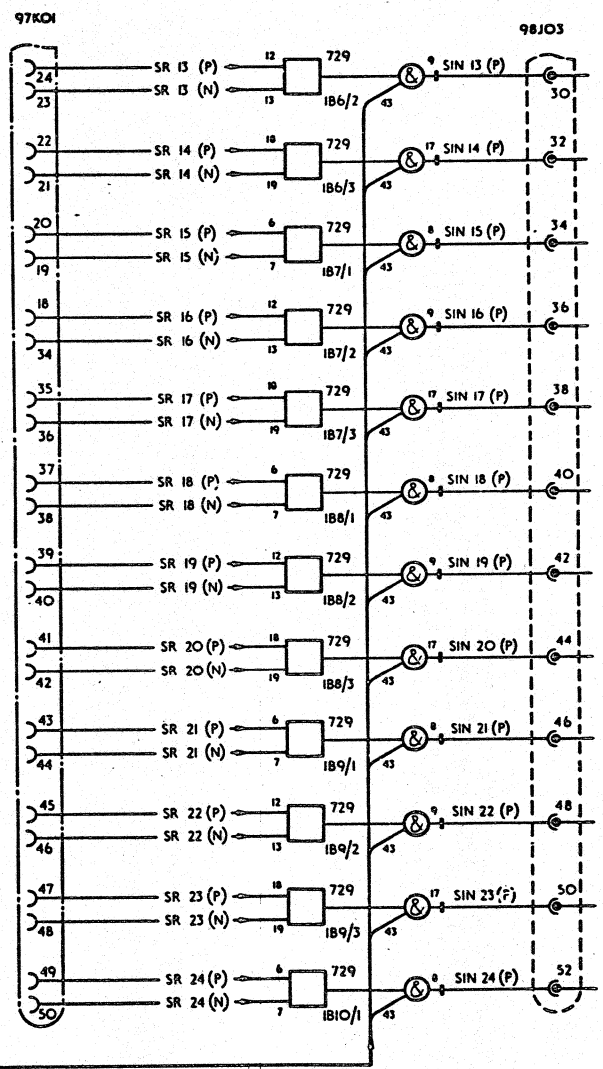
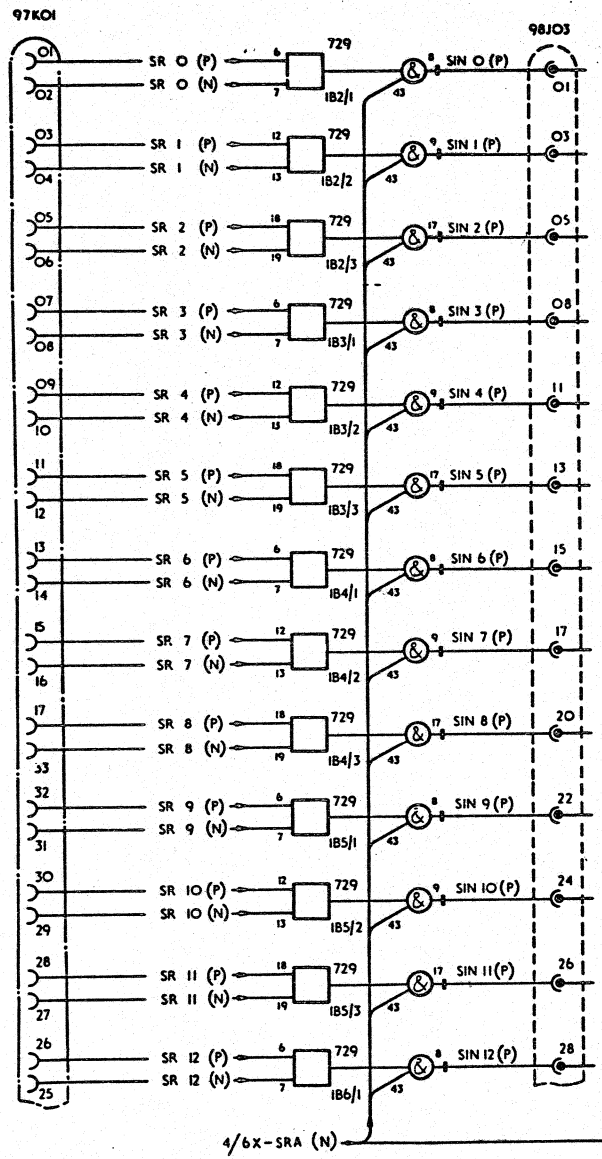
ISS.

CHANGES

3

7652

7-65



DRAWN BY DATE NOTES CKD J.WELLS



LOGIC DIAGRAM
4K STORE

5006496 / 3
DIAGRAM ISSUE SHEET

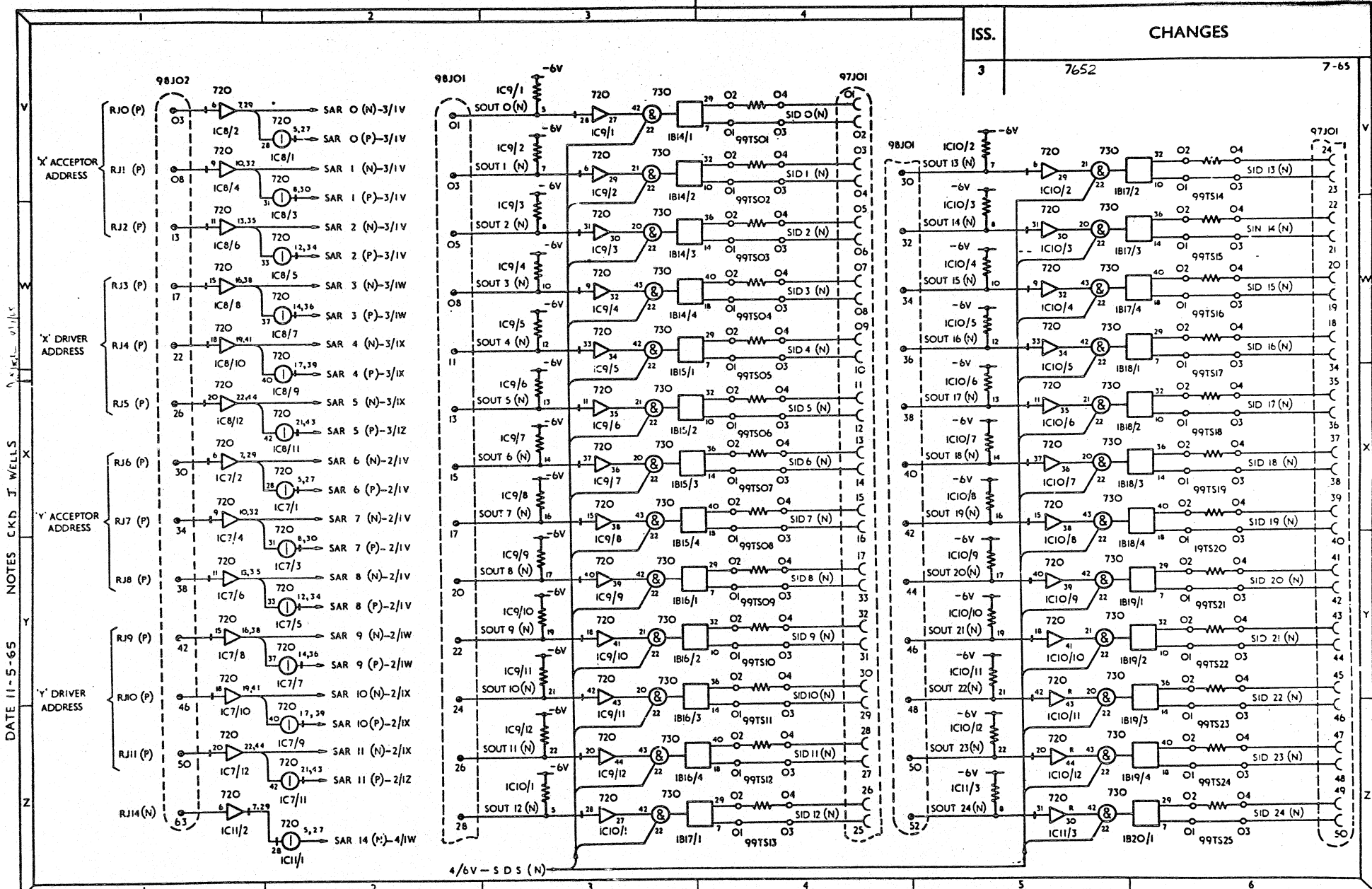
5
SHEET

ISSUE 3 3 3 3 3

SHEET	1	2	3	4	5	6	7	8	9	10	11	12	13	14	15	16	17	18	19	20	21	22	23	24	25	26	27	28	29	30
-------	---	---	---	---	---	---	---	---	---	----	----	----	----	----	----	----	----	----	----	----	----	----	----	----	----	----	----	----	----	----

ISSUE NUMBERS OF OTHER SHEETS AT THE TIME OF ISSUING THIS SHEET.

DRAWN BY DATE 11-5-65 NOTES E.K.D. J. WELLS



ISS. 3 7652 7-65

CHANGES

ISSUE	3	3	3	3																										
SHEET	1	2	3	4	5	6	7	8	9	10	11	12	13	14	15	16	17	18	19	20	21	22	23	24	25	26	27	28	29	30
ISSUE NUMBERS OF OTHER SHEETS AT THE TIME OF ISSUING THIS SHEET.																														



LOGIC DIAGRAM
4 K STORE

5006496 / 3 6
DIAGRAM ISSUE SHEET

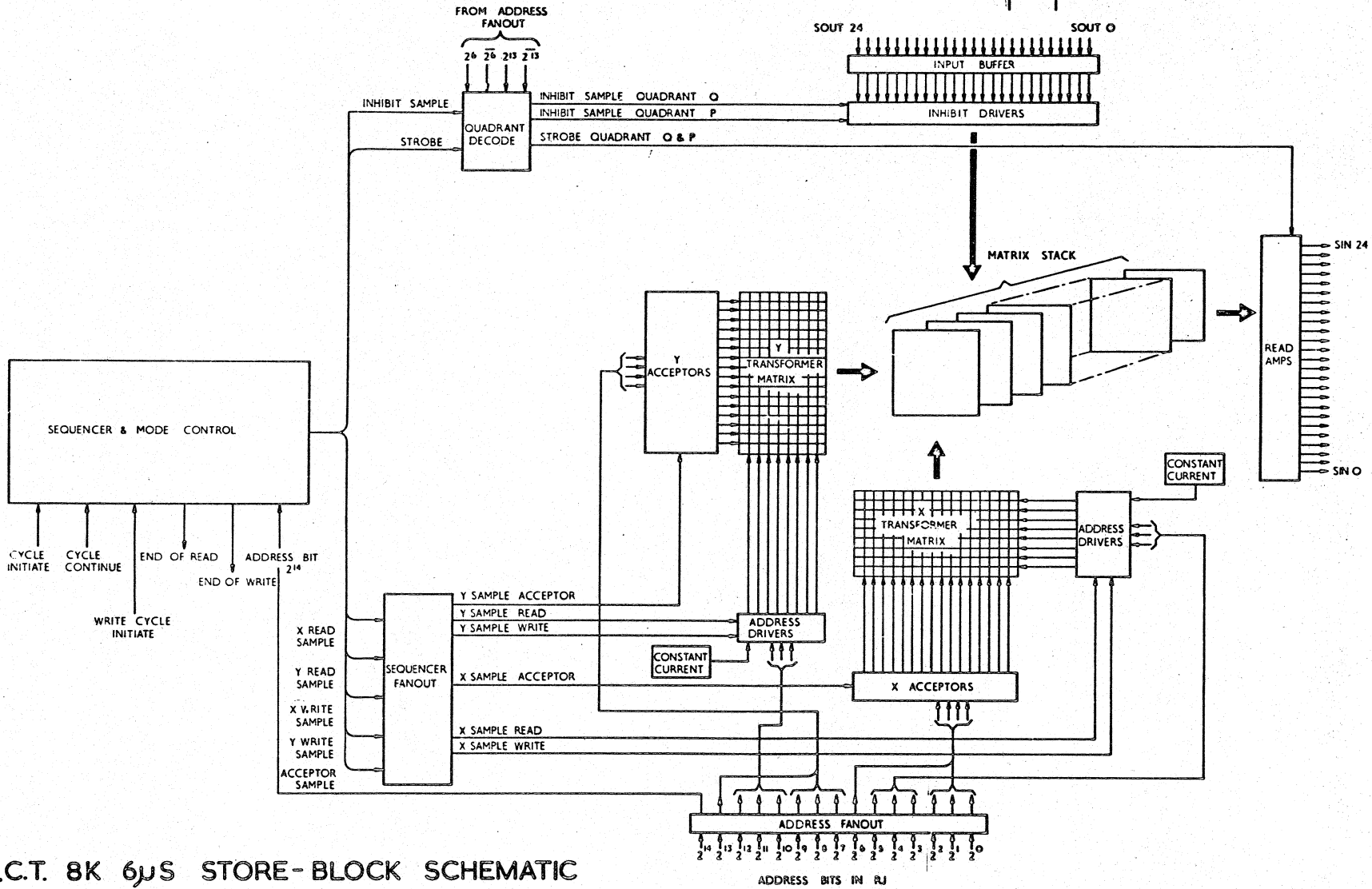
ISS.

CHANGES

1 P425/2

9-65

NOTES CKD J'WELL'S
DATE -8-65
DRAWN BY M MITCHELL



I.C.T. 8K 6µs STORE-BLOCK SCHEMATIC



LOGIC DIAGRAM

5010804 /
DIAGRAM

ISSUE

SHEET

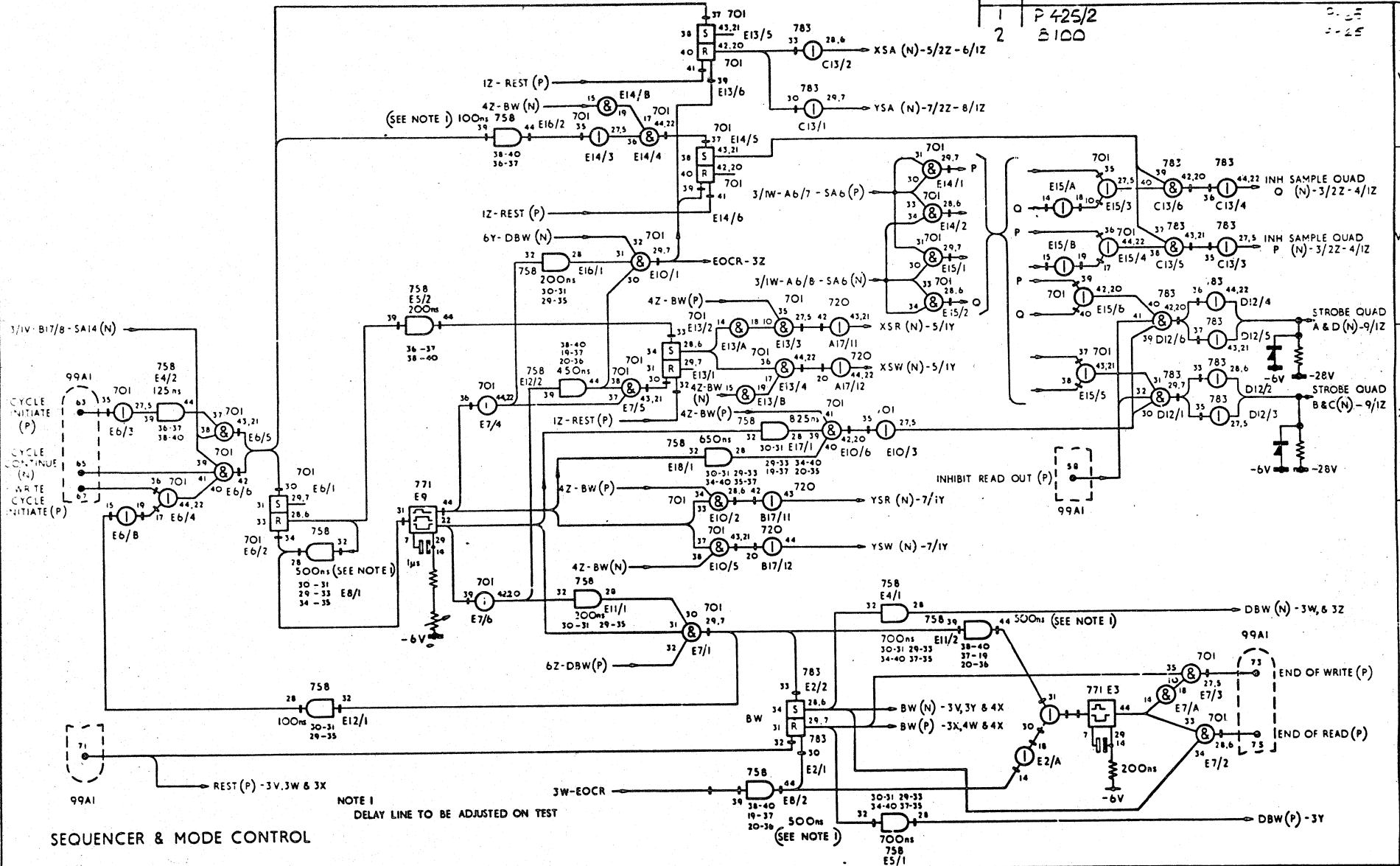
ISSUE

SHEET 1 2 3 4 5 6 7 8 9 10 11 12 13 14 15 16 17 18 19 20 21 22 23 24 25 26 27 28 29 30

ISSUE NUMBERS OF OTHER SHEETS AT THE TIME OF ISSUING THIS SHEET.

DRAWN BY: P11-11-AM DATE: 8-65 NOTES: 11-11-65

ISS.	1	P 425/2	0-25
	2	B 100	1-25



SEQUENCER & MODE CONTROL

NOTE 1
DELAY LINE TO BE ADJUSTED ON TEST



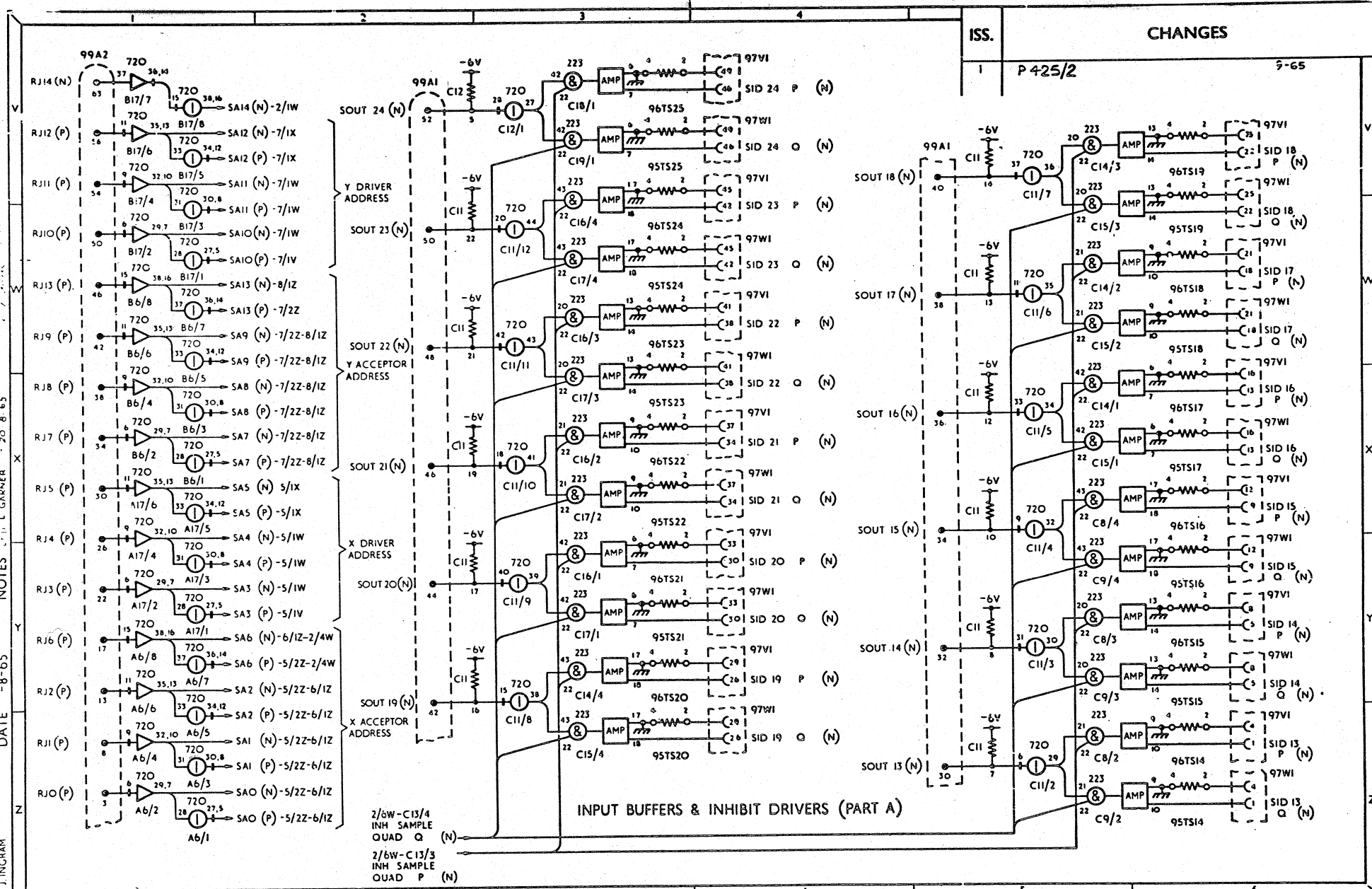
LOGIC DIAGRAM

5010804 / 2 2
DIAGRAM ISSUE SHEET

ISSUE	1	2	3	4	5	6	7	8	9	10	11	12	13	14	15	16	17	18	19	20	21	22	23	24	25	26	27	28	29	30
SHEET	1	2	3	4	5	6	7	8	9	10	11	12	13	14	15	16	17	18	19	20	21	22	23	24	25	26	27	28	29	30
ISSUE NUMBERS OF OTHER SHEETS AT THE TIME OF ISSUING THIS SHEET.																														

DATE -8-65 DRAWN BY J. INGRAM

NOTES L. GARNER 20-8-65



ISS. CHANGES

1 P 425/2 9-65

2/6W-C13/4
INH SAMPLE
QUAD Q (N)

2/6W-C13/3
INH SAMPLE
QUAD P (N)

INPUT BUFFERS & INHIBIT DRIVERS (PART A)

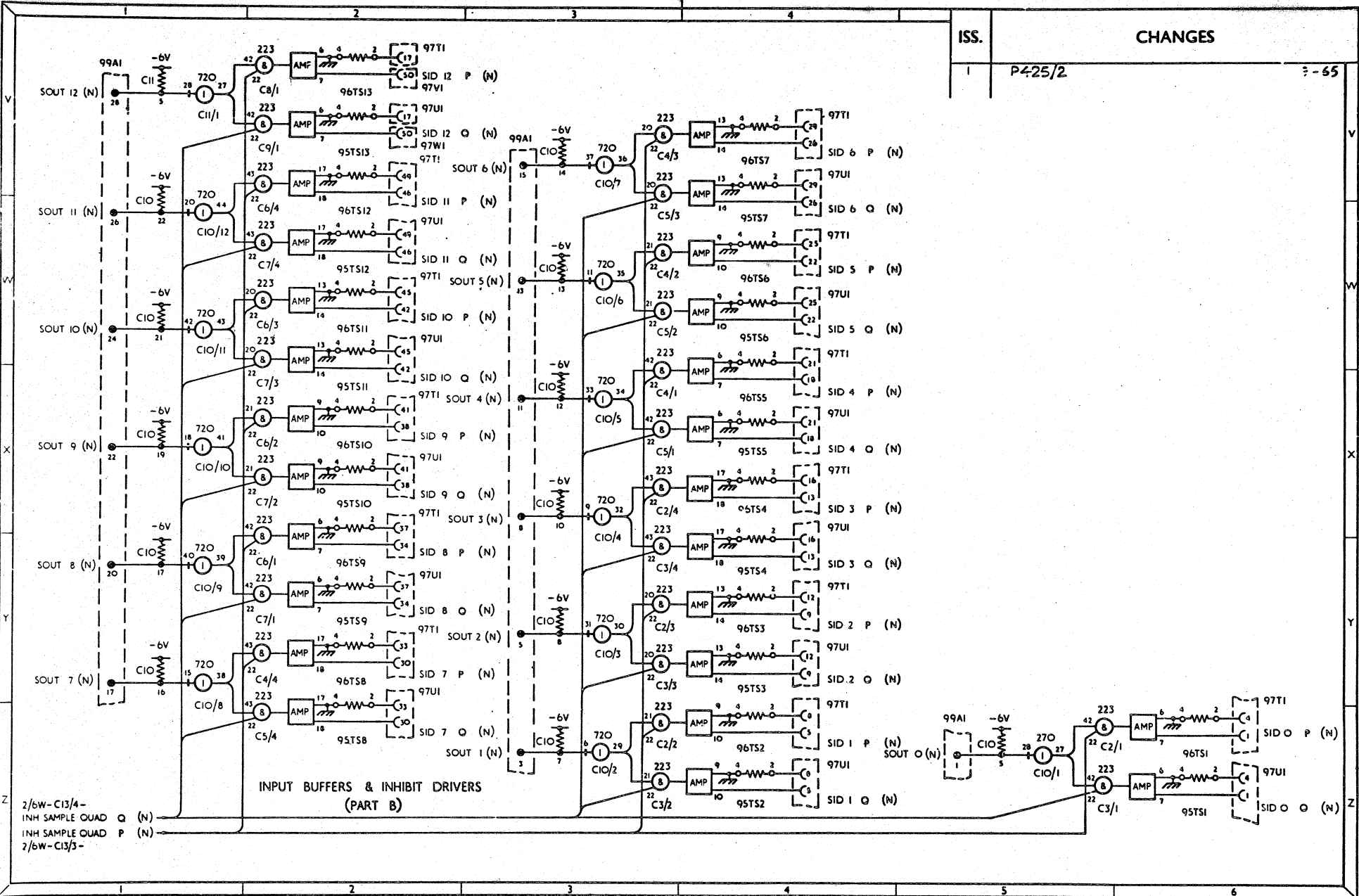


LOGIC DIAGRAM

5010804 / 1 3
DIAGRAM ISSUE SHEET

ISSUE	1	2	3	4	5	6	7	8	9	10	11	12	13	14	15	16	17	18	19	20	21	22	23	24	25	26	27	28	29	30	
SHEET																															
ISSUE NUMBERS OF OTHER SHEETS AT THE TIME OF ISSUING THIS SHEET.																															

DATE - 8-65 DRAWN BY: M. MITCHELL



ISS.	CHANGES									
1	P4-25/2									
	- 65									

2/6W-C13/4-
INH SAMPLE QUAD Q (N)
2/6W-C13/3-
INH SAMPLE QUAD P (N)

INPUT BUFFERS & INHIBIT DRIVERS
(PART B)



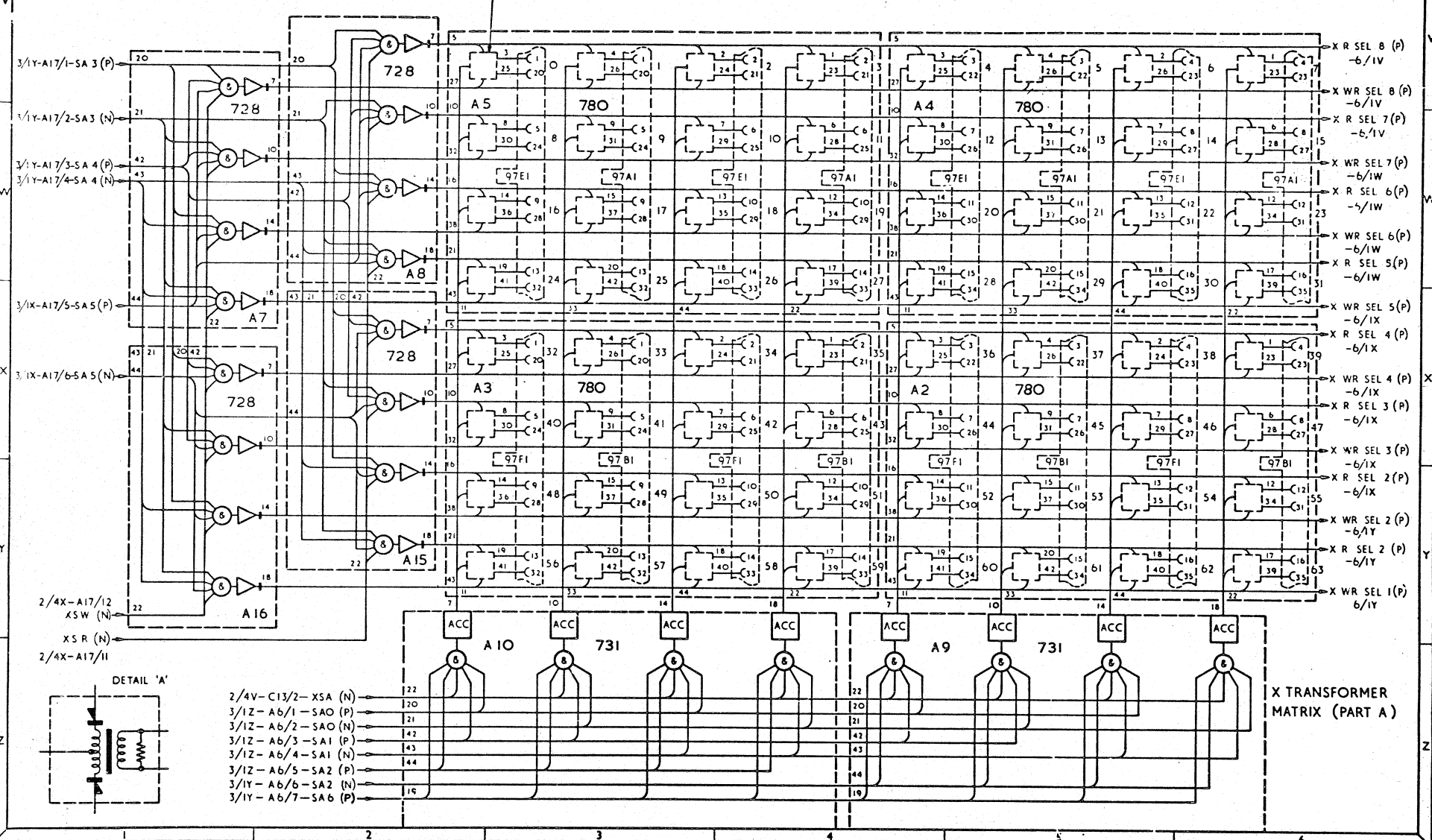
LOGIC DIAGRAM

5010804 / 1 4
DIAGRAM ISSUE SHEET

ISSUE	1	2	3	4	5	6	7	8	9	10	11	12	13	14	15	16	17	18	19	20	21	22	23	24	25	26	27	28	29	30
SHEET	1	2	3	4	5	6	7	8	9	10	11	12	13	14	15	16	17	18	19	20	21	22	23	24	25	26	27	28	29	30
ISSUE NUMBERS OF OTHER SHEETS AT THE TIME OF ISSUING THIS SHEET.																														

DRAWN BY V. TAYLOR DATE -8-65 NOTES CHKO L GARNER

ISS.	CHANGES									
	1	P-42E/2								



LOGIC DIAGRAM

5010804 / 1 5
DIAGRAM ISSUE SHEET

ISSUE	1	2	3	4	5	6	7	8	9	10	11	12	13	14	15	16	17	18	19	20	21	22	23	24	25	26	27	28	29	30
SHEET	1	2	3	4	5	6	7	8	9	10	11	12	13	14	15	16	17	18	19	20	21	22	23	24	25	26	27	28	29	30
ISSUE NUMBERS OF OTHER SHEETS AT THE TIME OF ISSUING THIS SHEET.																														

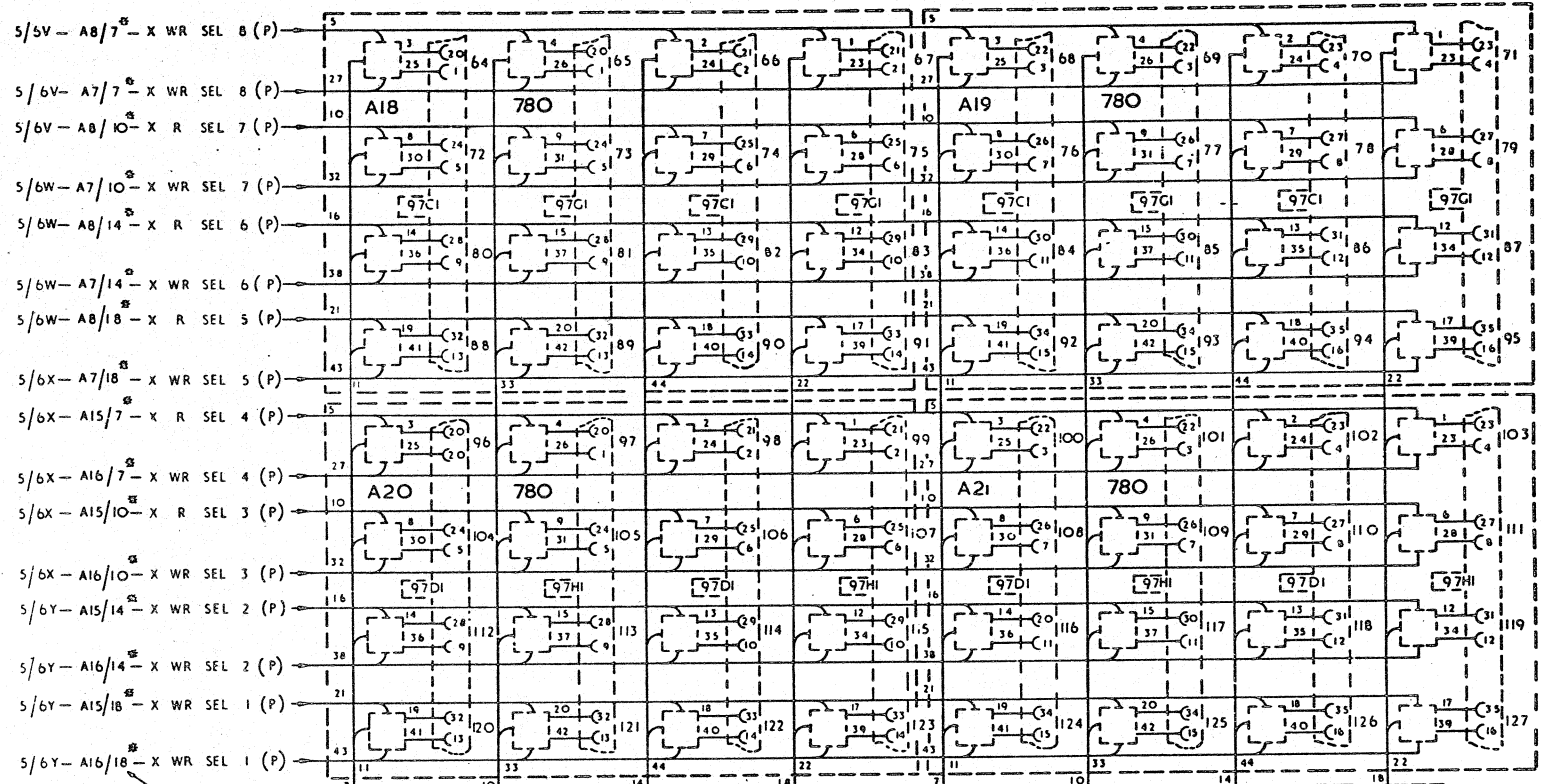


ISS.

CHANGES

1 P4-25/2

9-65

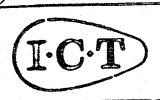


NOTE -
* DENOTES PIN NO. SHOWN

- 2/4V-C13/2-XSA (N)
- 3/1Z-A6/1-SAO (P)
- 3/1Z-A6/2-SAO (N)
- 3/1Z-A6/3-SAI (P)
- 3/1Z-A6/4-SAI (N)
- 3/1Z-A6/5-SA2 (P)
- 3/1Y-A6/6-SA2 (N)
- 3/1Y-A6/8-SA6 (N)

X TRANSFORMER MATRIX
(PART B)

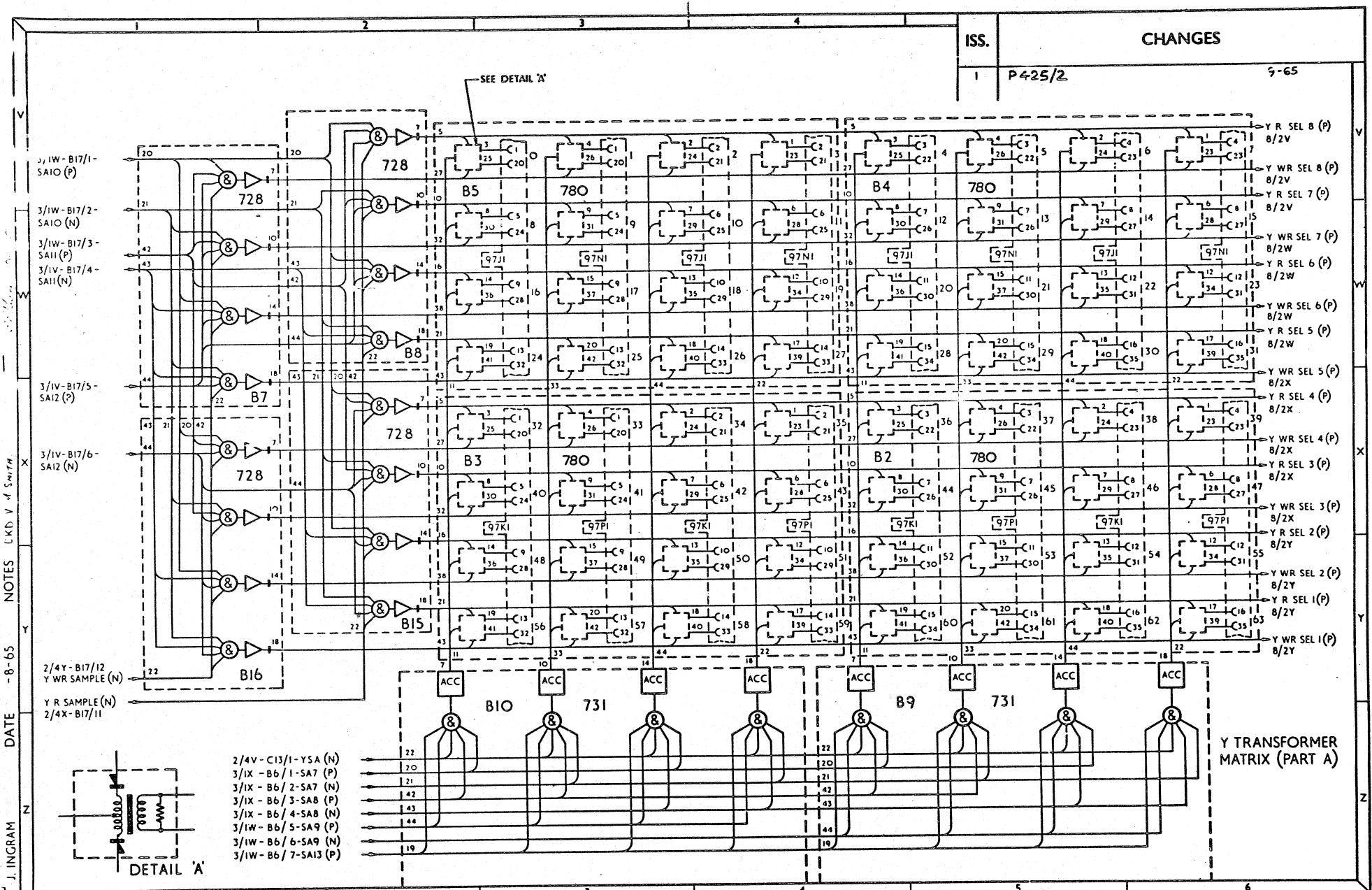
DRAWN BY S COOPER DATE -8-65 NOTES CHKD L GARNER



LOGIC DIAGRAM

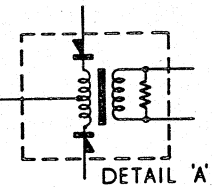
5010804 / 1 6
DIAGRAM ISSUE SHEET

ISSUE	1	2	3	4	5	6	7	8	9	10	11	12	13	14	15	16	17	18	19	20	21	22	23	24	25	26	27	28	29	30
ISSUE NUMBERS OF OTHER SHEETS AT THE TIME OF ISSUING THIS SHEET.																														



ISS.	CHANGES	
1	P425/2	9-65

DATE - 8-65
 DRAWN BY J. INGRAM
 NOTES LKD. V. d. Swrth
 X
 Y
 Z



- 2/4V - C13/1 - YSA (N)
- 3/IX - B6/1 - SA7 (P)
- 3/IX - B6/2 - SA7 (N)
- 3/IX - B6/3 - SA8 (P)
- 3/IX - B6/4 - SA8 (N)
- 3/1W - B6/5 - SA9 (P)
- 3/1W - B6/6 - SA9 (N)
- 3/1W - B6/7 - SA13 (P)

LOGIC DIAGRAM

5010804 / 1 7
 DIAGRAM ISSUE SHEET

ISSUE	1	2	3	4	5	6	7	8	9	10	11	12	13	14	15	16	17	18	19	20	21	22	23	24	25	26	27	28	29	30
SHEET	1	2	3	4	5	6	7	8	9	10	11	12	13	14	15	16	17	18	19	20	21	22	23	24	25	26	27	28	29	30

ISSUE NUMBERS OF OTHER SHEETS AT THE TIME OF ISSUING THIS SHEET.

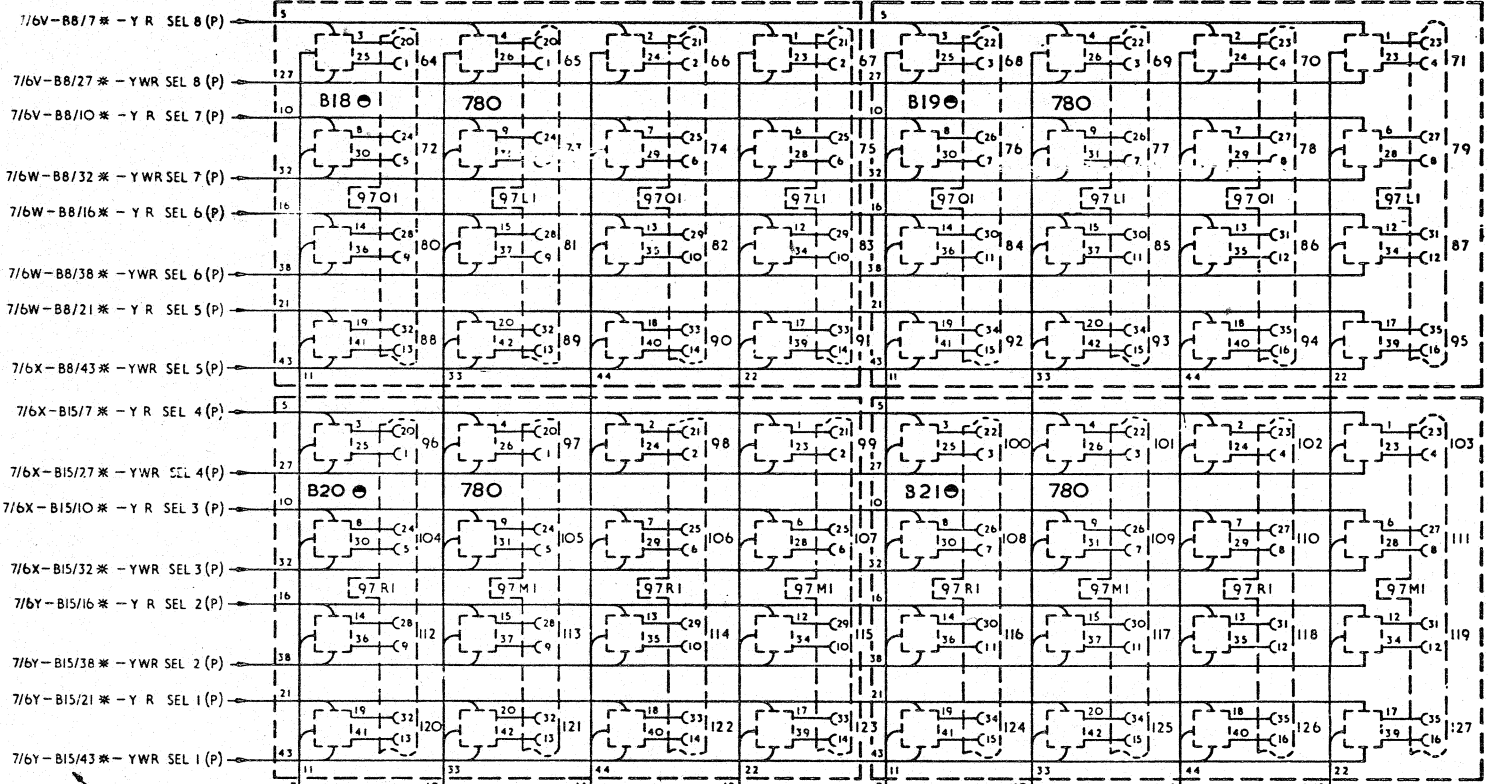
DRAWN BY R. SHILLADY DATE - 8-65 NOTES C.K.D. V.M. SWANN

ISS.

CHANGES

1 P4-25/2

3-65



NOTE
NO CARDS FITTED IN
POSITIONS MARKED THUS ⊙

NOTE
* DENOTES PIN No SHOWN

Y TRANSFORMER MATRIX
(PART B)

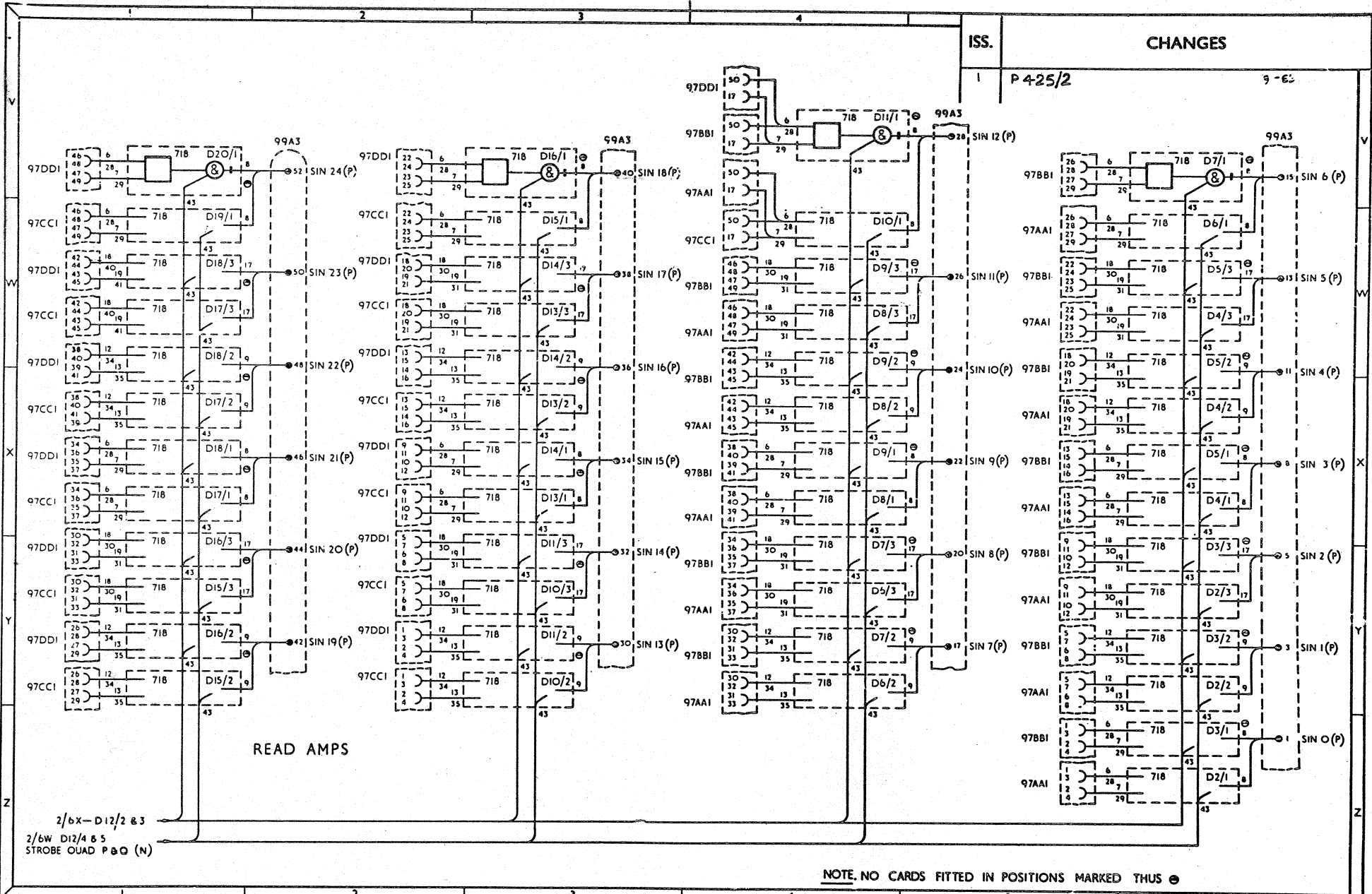


LOGIC DIAGRAM

5010804 / 1 8
DIAGRAM ISSUE SHEET

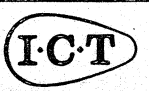
ISSUE	1	2	3	4	5	6	7	8	9	10	11	12	13	14	15	16	17	18	19	20	21	22	23	24	25	26	27	28	29	30
SHEET	1	2	3	4	5	6	7	8	9	10	11	12	13	14	15	16	17	18	19	20	21	22	23	24	25	26	27	28	29	30
ISSUE NUMBERS OF OTHER SHEETS AT THE TIME OF ISSUING THIS SHEET.																														

DRAWN BY J. INGRAM DATE -8-65 NOTES CKD V. M. SANCHEZ



ISS. P 4-25/2 9-65

NOTE: NO CARDS FITTED IN POSITIONS MARKED THIS ⊕



LOGIC DIAGRAM

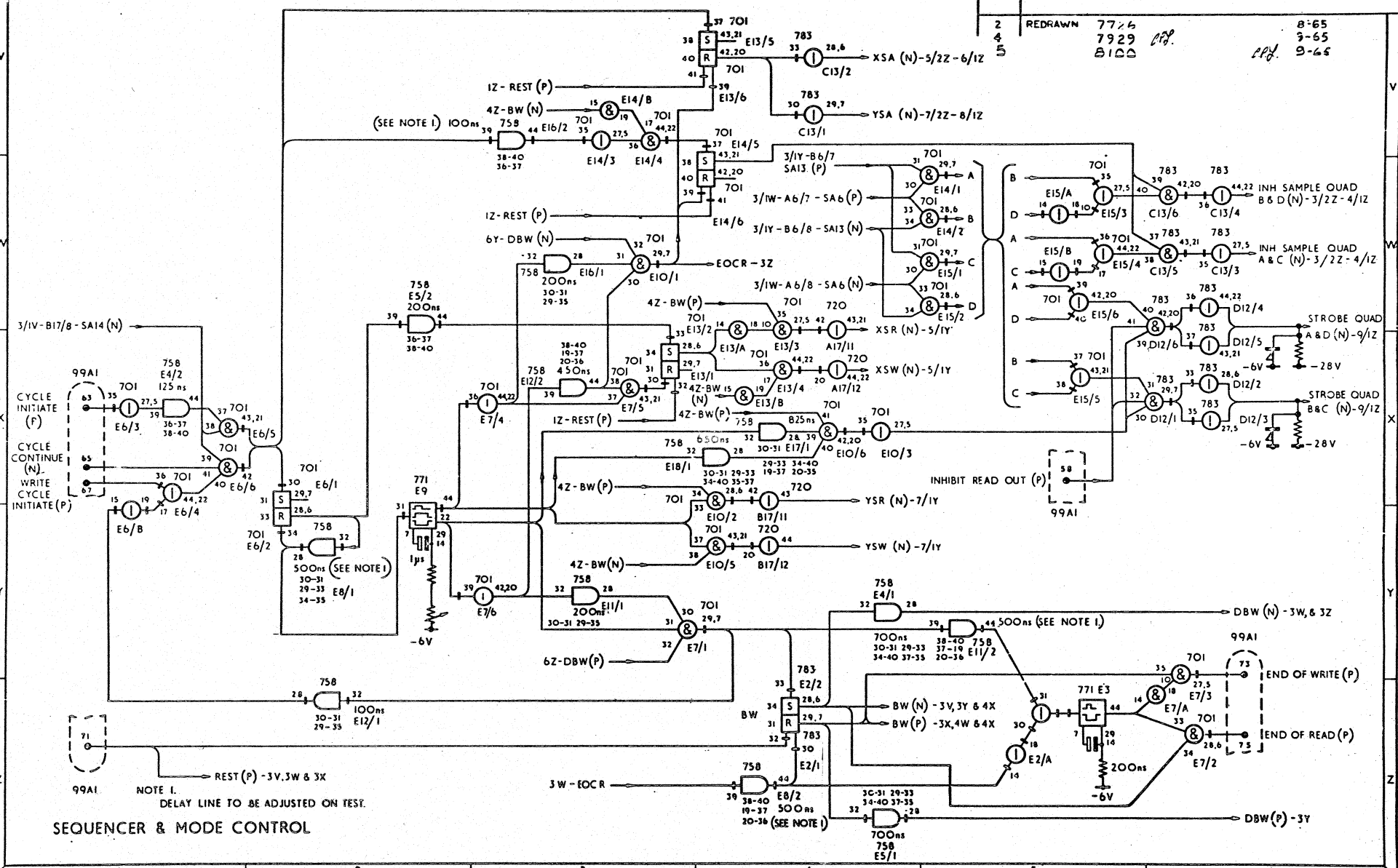
5010804 / 1 9
DIAGRAM ISSUE SHEET

ISSUE	1	2	3	4	5	6	7	8	9	10	11	12	13	14	15	16	17	18	19	20	21	22	23	24	25	26	27	28	29	30
SHEET	1	2	3	4	5	6	7	8	9	10	11	12	13	14	15	16	17	18	19	20	21	22	23	24	25	26	27	28	29	30

ISSUE NUMBERS OF OTHER SHEETS AT THE TIME OF ISSUING THIS SHEET.

DRAWN BY J. INGRAM
 DATE 1-6-65
 NOTES (K.D. J. WELLS)

ISS.		CHANGES	
2	REDRAWN 77/6	B-65	
4	7929	3-65	
5	B100	9-66	



NOTE I.
 REST (P) - 3V, 3W & 3X
 DELAY LINE TO BE ADJUSTED ON TEST.
SEQUENCER & MODE CONTROL

LOGIC DIAGRAM

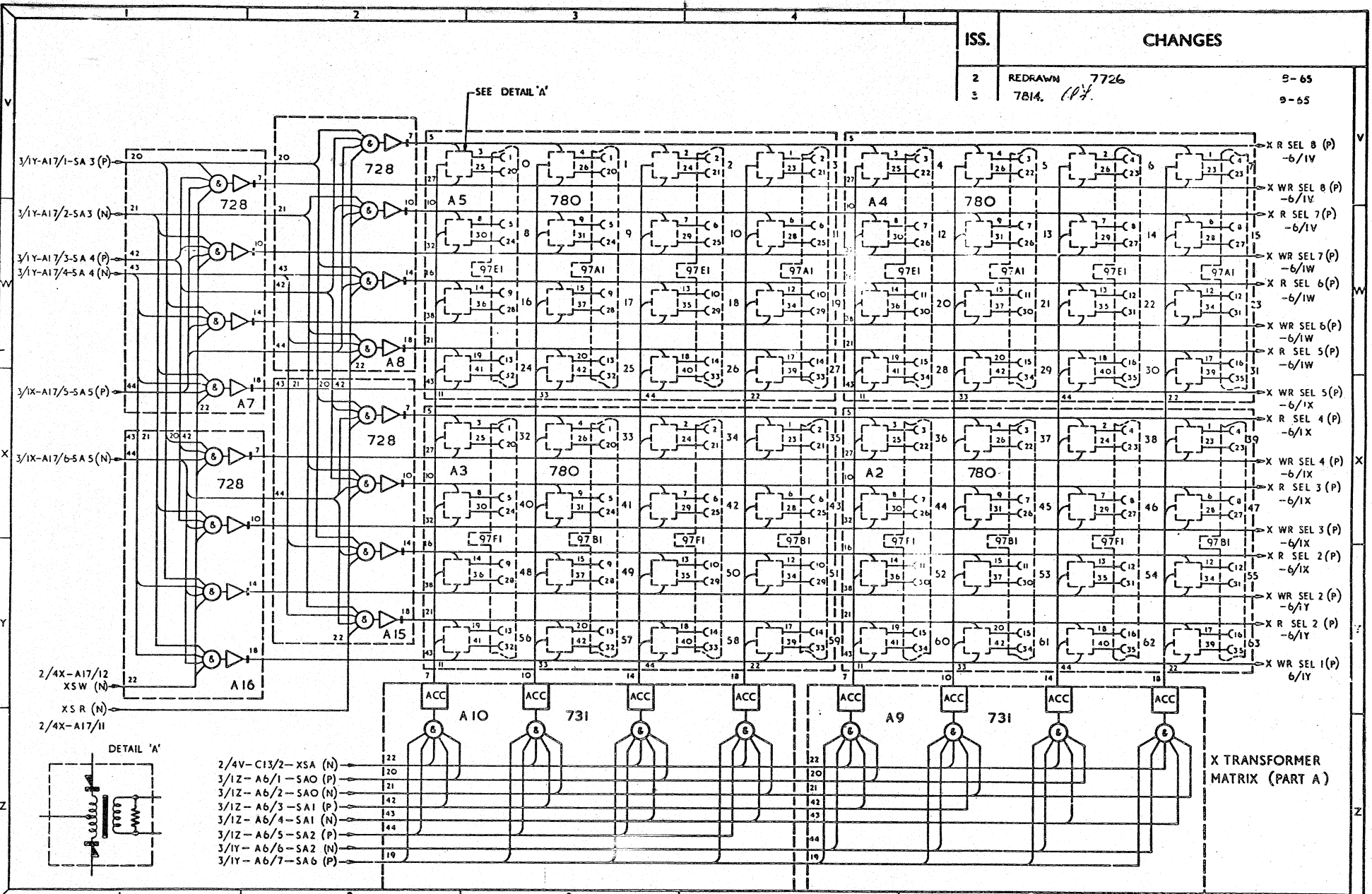
5008736 / 5 2
 DIAGRAM ISSUE SHEET

ISSUE	2	3	3	3	3	3	3	2	
SHEET	1	2	3	4	5	6	7	8	9
ISSUE NUMBERS OF OTHER SHEETS AT THE TIME OF ISSUING THIS SHEET.									



DATE 26-5-65
 DRAWN BY M. TAYLOR
 NOTES CHKD. L. GARNER 31-5-65

ISS.	CHANGES
2	REDRAWN 7726 9-65
3	781A. <i>CPA</i> 9-65



	LOGIC DIAGRAM	5008736 / 3	5	ISSUE 2 2 3 3 3 3 2
	DIAGRAM	ISSUE	SHEET	SHEET 1 2 3 4 5 6 7 8 9 10 11 12 13 14 15 16 17 18 19 20 21 22 23 24 25 26 27 28 29 30 ISSUE NUMBERS OF OTHER SHEETS AT THE TIME OF ISSUING THIS SHEET.

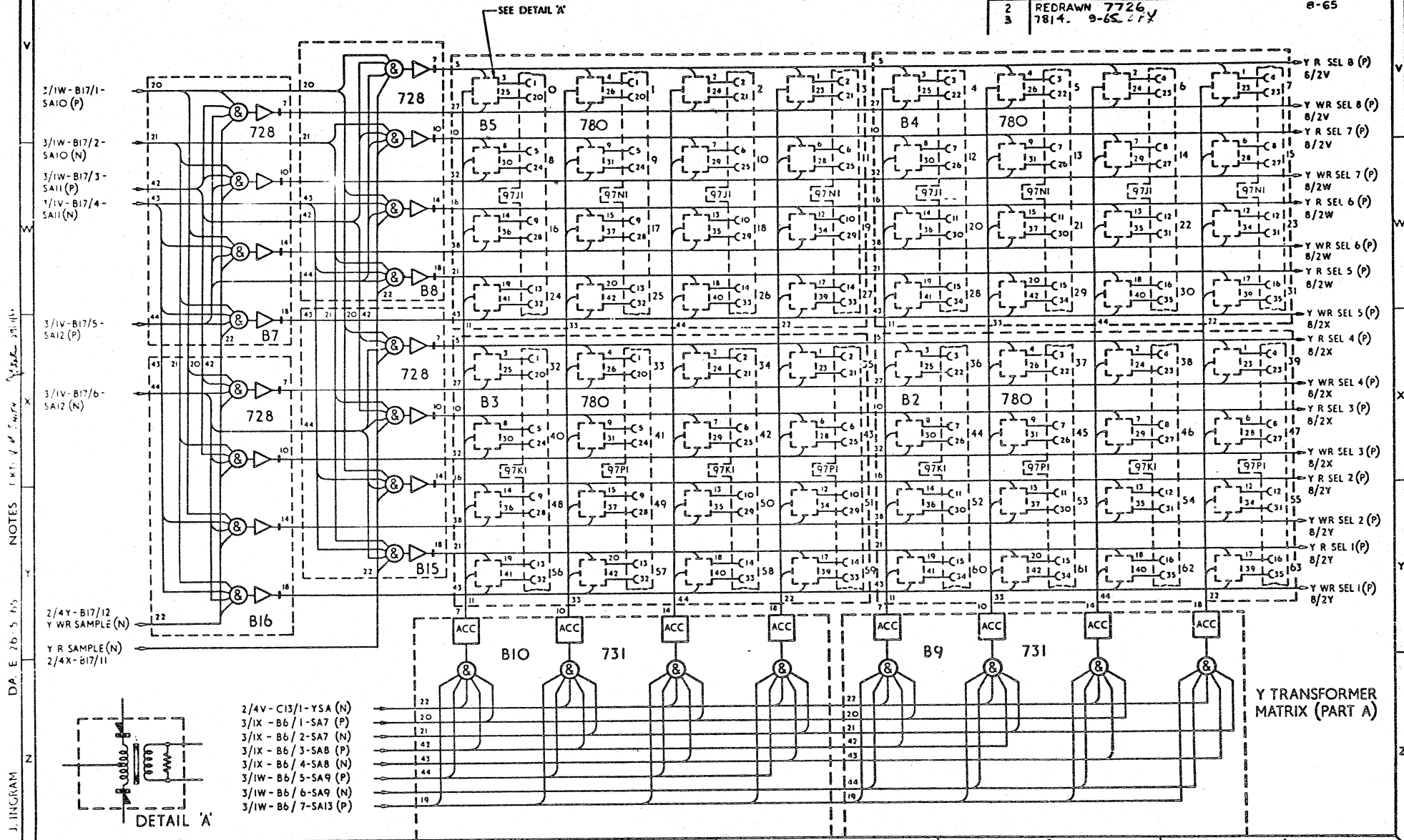
ISS.

CHANGES

2
3

REDRAWN 7726
7814. 9-65 JY

8-65



NOTES (K.T. of 10/15)

DA. E. 76.5 65

DRAWN BY J. INGRAM

LOGIC DIAGRAM

5008736 / 3 7

DIAGRAM

ISSUE

SHEET

ISSUE 2 2 3 3 3 3 2

SHEET 1 2 3 4 5 6 7 8 9 10 11 12 13 14 15 16 17 18 19 20 21 22 23 24 25 26 27 28 29 30

ISSUE NUMBERS OF OTHER SHEETS AT THE TIME OF ISSUING THIS SHEET.

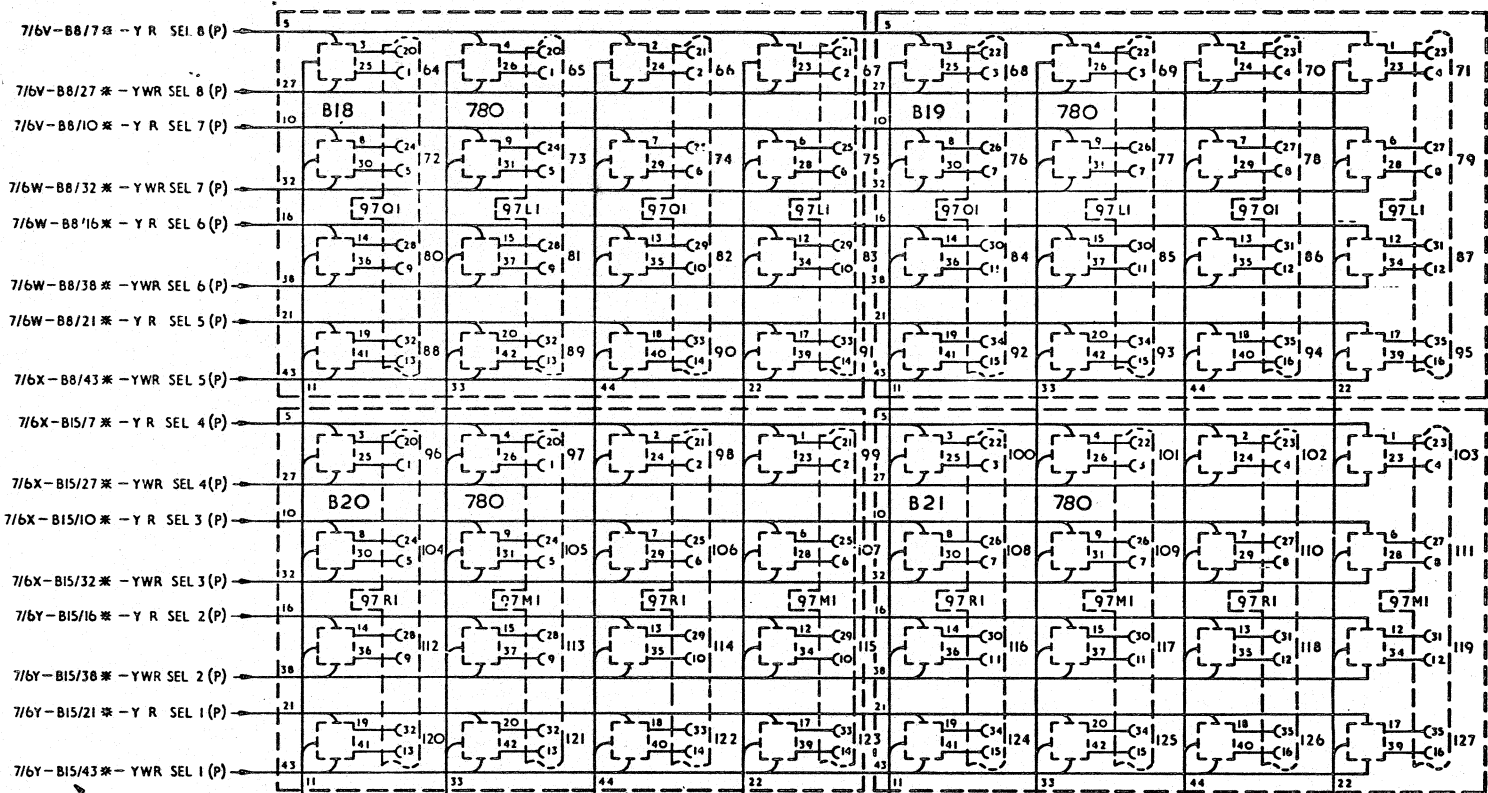


DETAIL 'A'

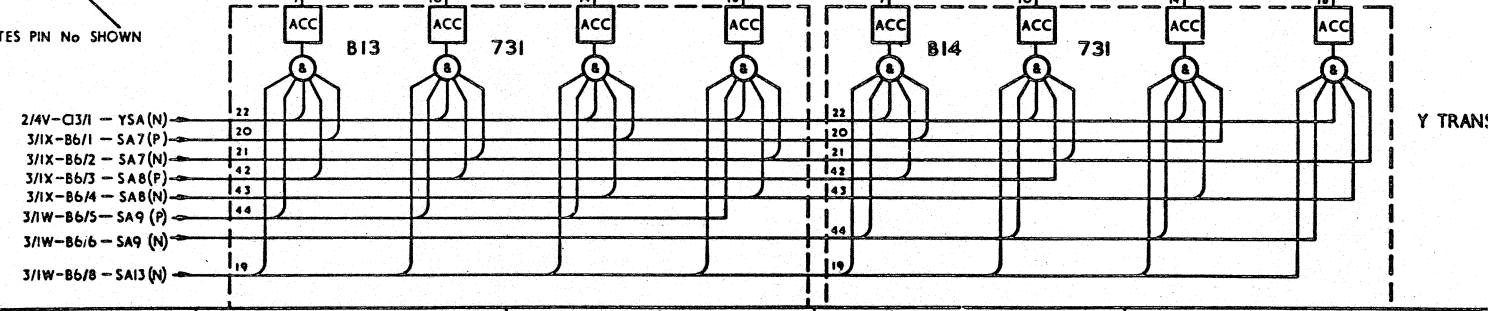
Y TRANSFORMER MATRIX (PART A)

DRAWN BY R SHILLADY DATE 25-5-65 NOTES CKD V M Sreenivasulu Reddy 24/6/65

ISS.	CHANGES	
2	REDRAWN	7726
3	7814	9-65



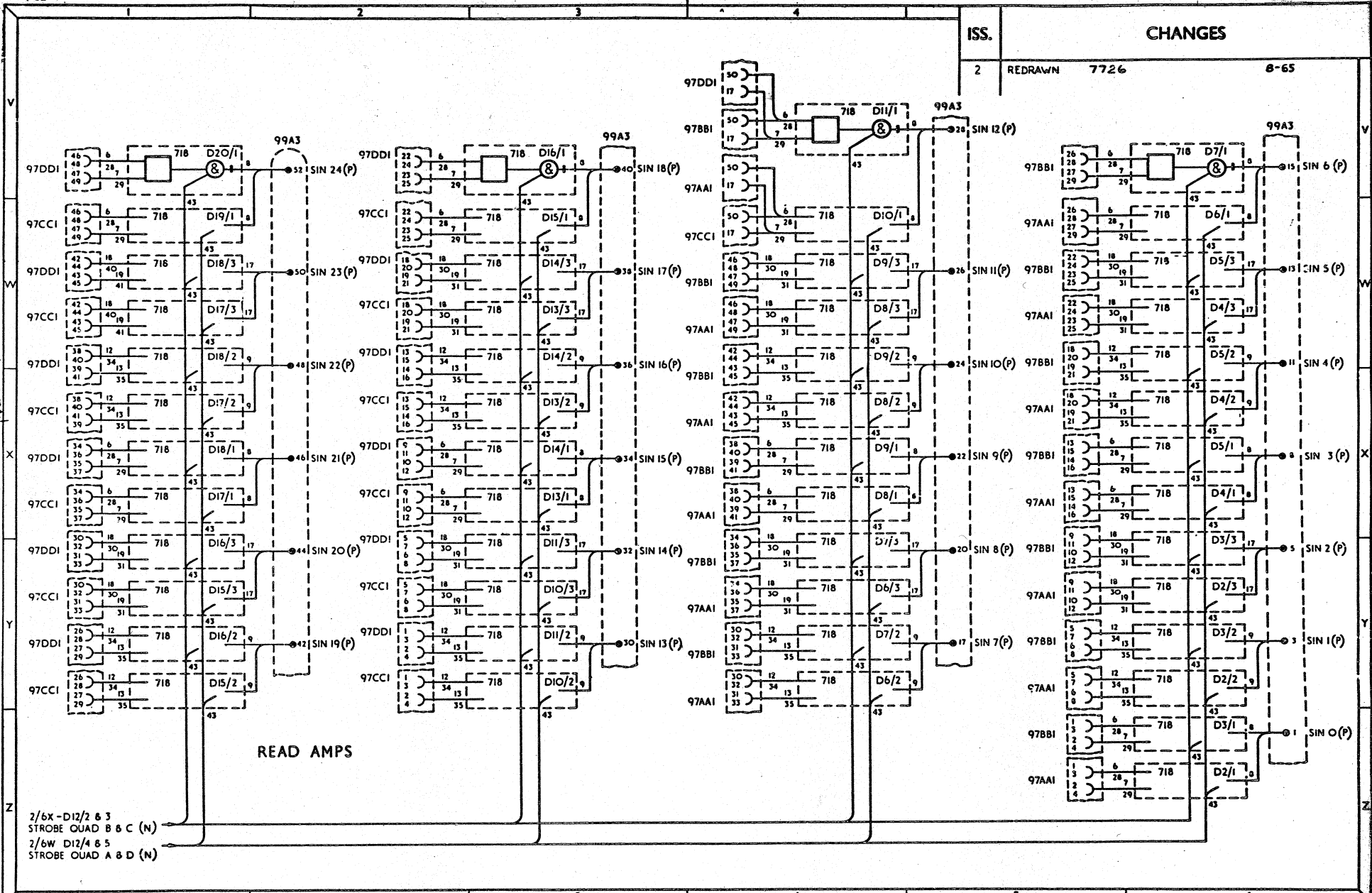
NOTE
* DENOTES PIN No SHOWN



LOGIC DIAGRAM	5008736/	3	8	ISSUE	2	2	3	3	3	3	2																							
DIAGRAM		ISSUE	SHEET	SHEET	1	2	3	4	5	6	7	8	9	10	11	12	13	14	15	16	17	18	19	20	21	22	23	24	25	26	27	28	29	30
				ISSUE NUMBERS OF OTHER SHEETS AT THE TIME OF ISSUING THIS SHEET.																														



DRAWN BY J. INGRAM DATE 26.5.65 NOTES CKT. J. WELLS



ISS. CHANGES

2 REDRAWN 7726 8-65

READ AMPS

2/6X - D12/2 & 3
STROBE QUAD B & C (N)
2/6W D12/4 & 5
STROBE QUAD A & D (N)



LOGIC DIAGRAM

5008736 / 2 9
DIAGRAM ISSUE SHEET

ISSUE 2 2 2 2 2 2 2 2

SHEET	1	2	3	4	5	6	7	8	9	10	11	12	13	14	15	16	17	18	19	20	21	22	23	24	25	26	27	28	29	30
-------	---	---	---	---	---	---	---	---	---	----	----	----	----	----	----	----	----	----	----	----	----	----	----	----	----	----	----	----	----	----

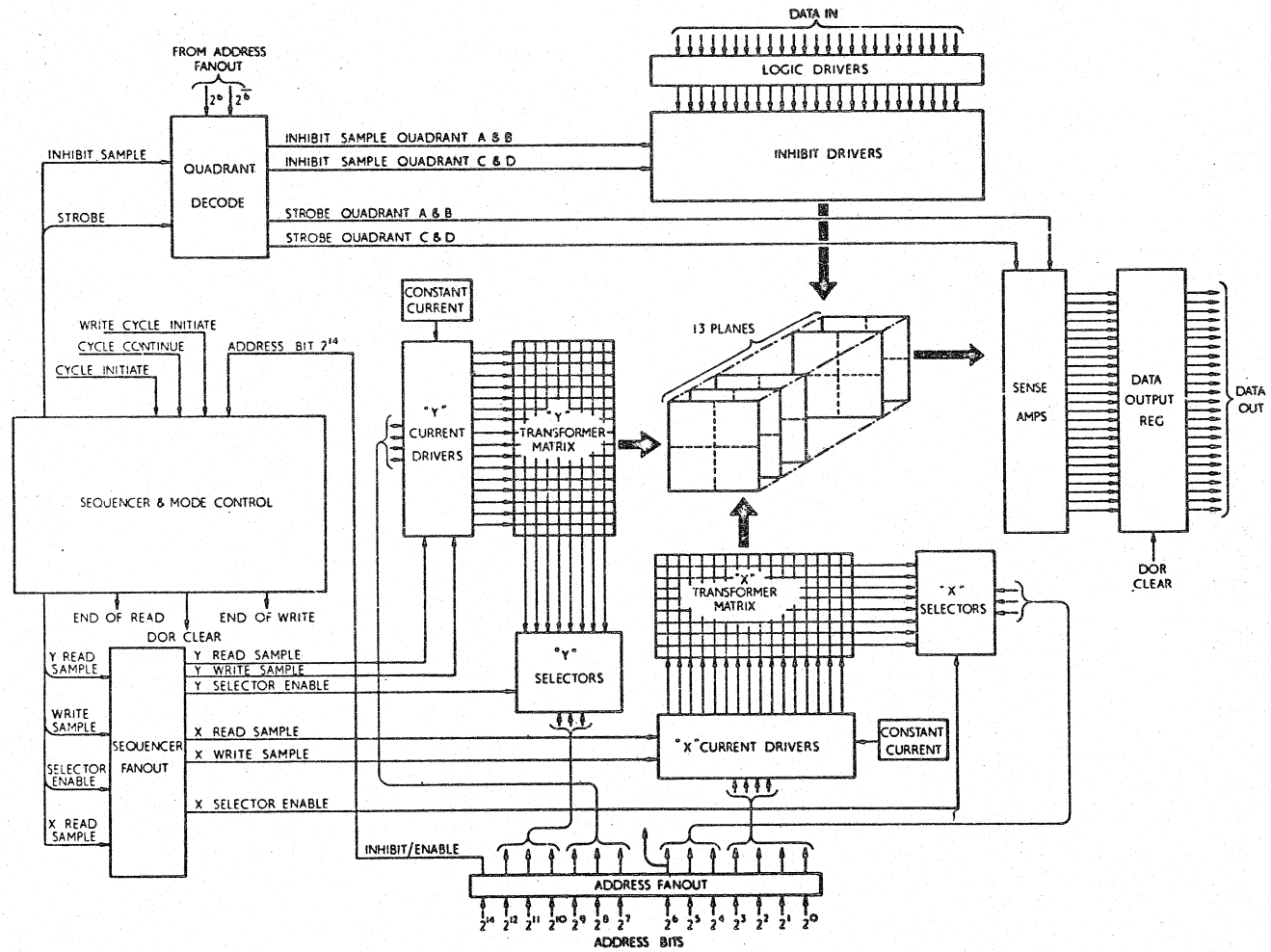
ISSUE NUMBERS OF OTHER SHEETS AT THE TIME OF ISSUING THIS SHEET.

ISS.

CHANGES

1 PDR 399/71

8-65



FABRI-TEK 8K-2µs STORE - BLOCK SCHEMATIC

DRAWN BY L. GARDNER DATE 6-7-65 NOTES 1, 2, 3, 4, 5, 6, 7, 8, 9, 10, 11, 12, 13, 14, 15, 16, 17, 18, 19, 20, 21, 22, 23, 24, 25, 26, 27, 28, 29, 30



LOGIC DIAGRAM

5010897/ 1 1
DIAGRAM ISSUE SHEET

ISSUE	1	2	3	4	5	6	7	8	9	10	11	12	13	14	15	16	17	18	19	20	21	22	23	24	25	26	27	28	29	30
SHEET	1	2	3	4	5	6	7	8	9	10	11	12	13	14	15	16	17	18	19	20	21	22	23	24	25	26	27	28	29	30
ISSUE NUMBERS OF OTHER SHEETS AT THE TIME OF ISSUING THIS SHEET.																														

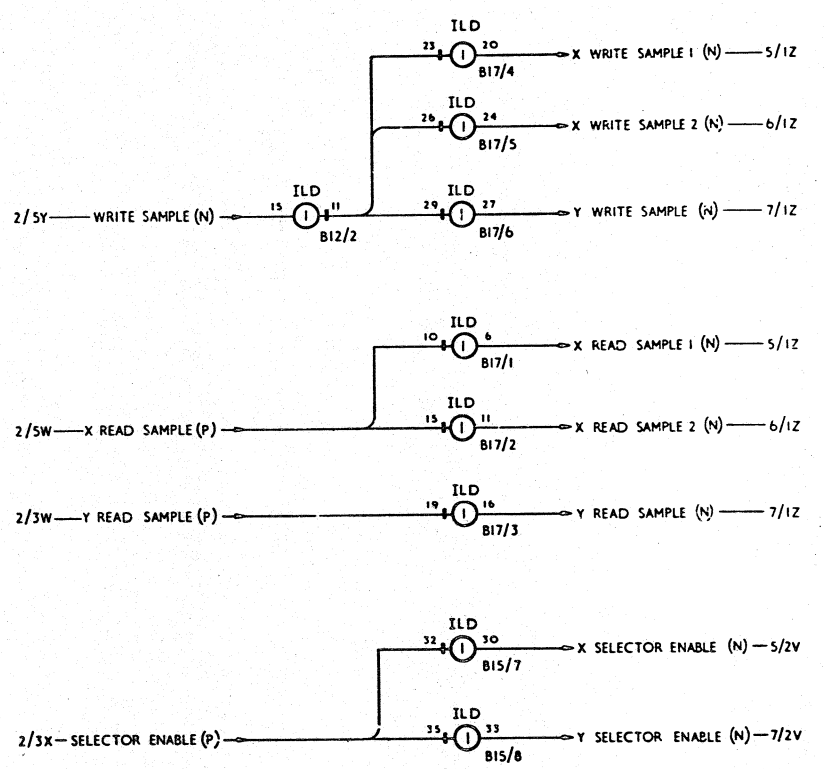
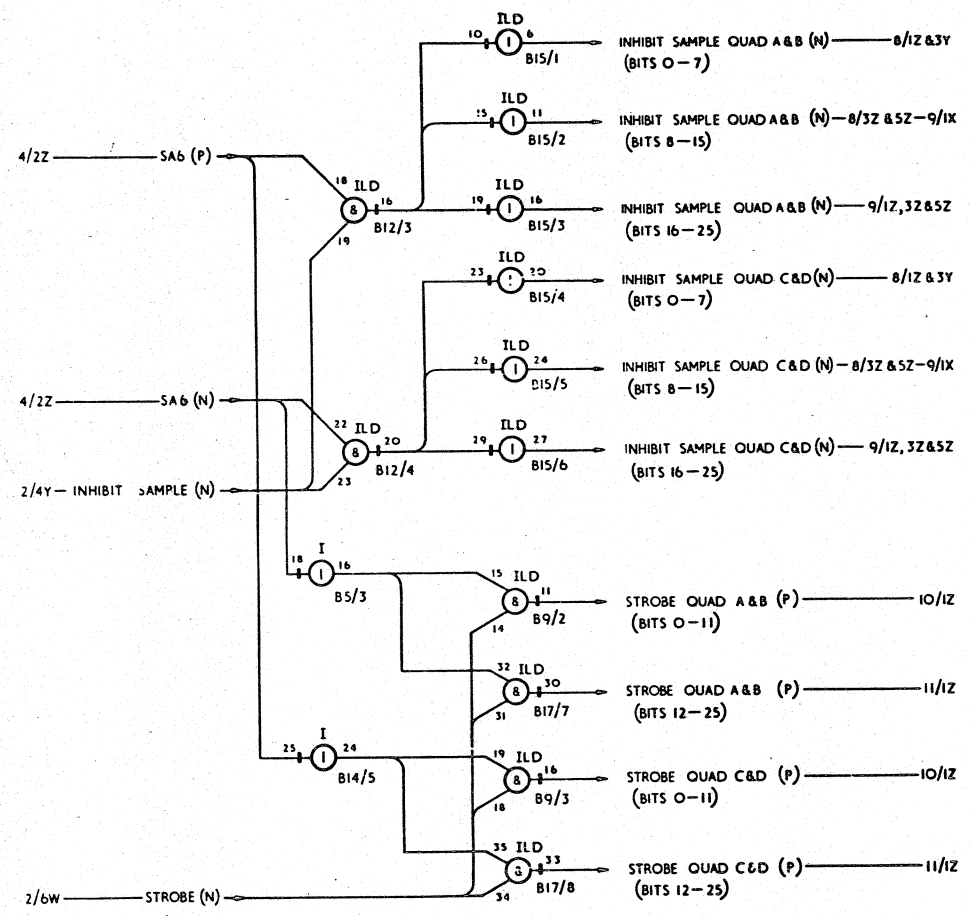
ISS.

CHANGES

1

PDR 399/71

8-65



SEQUENCER FANOUT
FABRI-TEK 8K-2μs STORE

NOTES: P.D. J.WILLIAMS
DATE: 6-7-65
DRAWN BY: R. SHILLADAY



LOGIC DIAGRAM

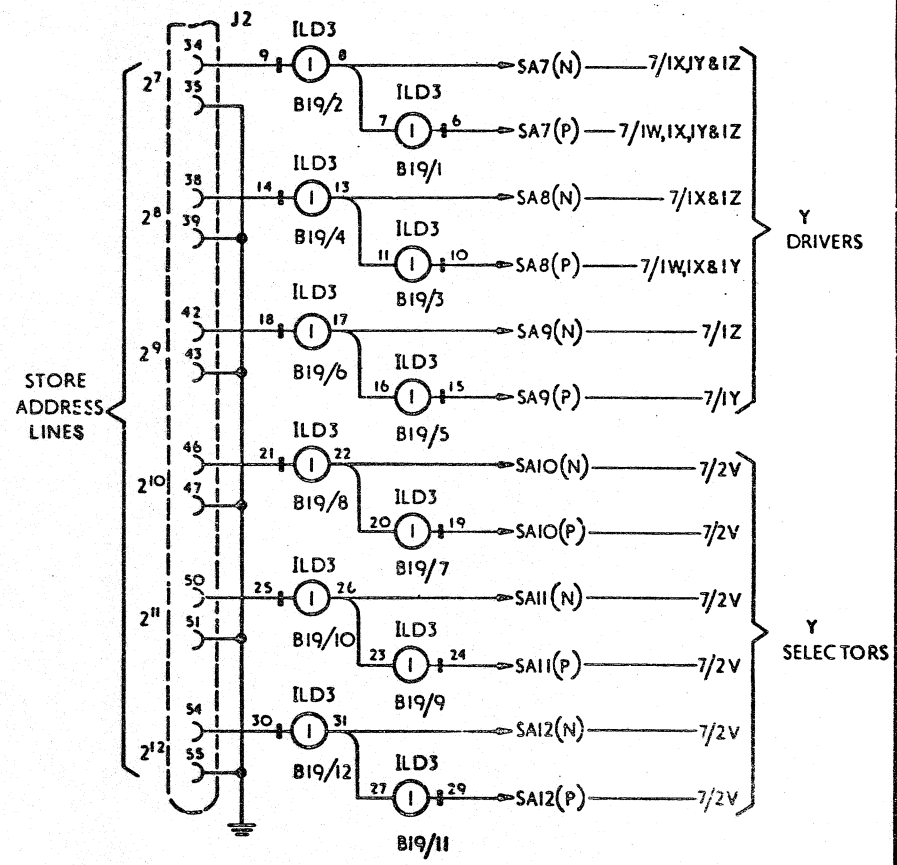
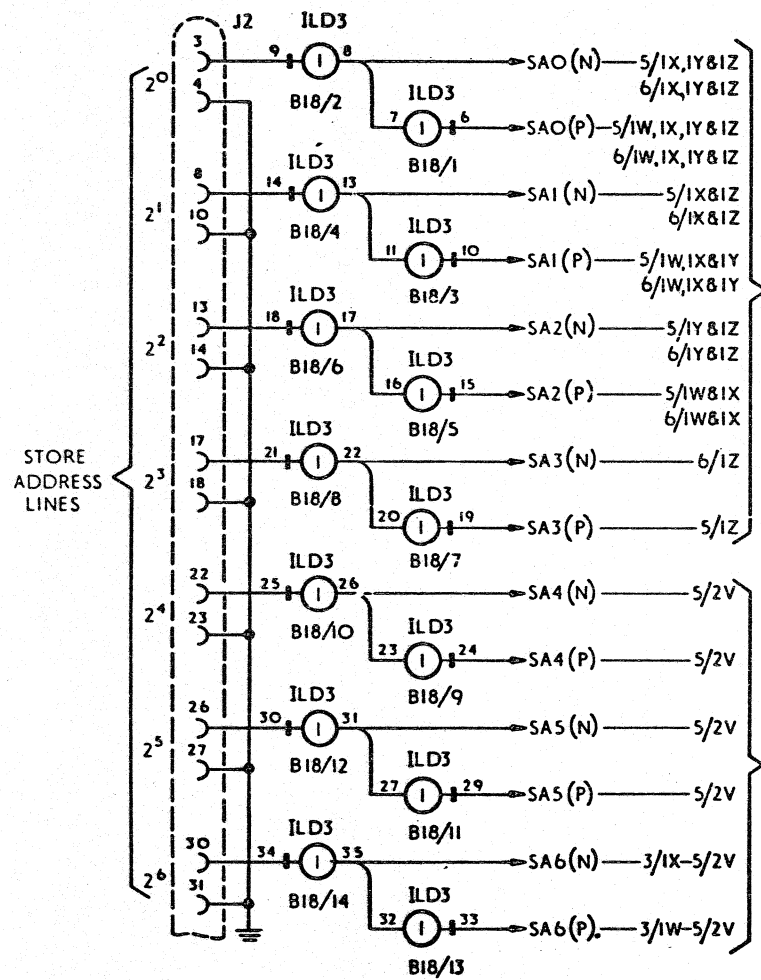
5010897/ 1 3
DIAGRAM ISSUE SHEET

ISSUE | | | | | | | | | |

SHEET	1	2	3	4	5	6	7	8	9	10	11	12	13	14	15	16	17	18	19	20	21	22	23	24	25	26	27	28	29	30
-------	---	---	---	---	---	---	---	---	---	----	----	----	----	----	----	----	----	----	----	----	----	----	----	----	----	----	----	----	----	----

ISSUE NUMBERS OF OTHER SHEETS AT THE TIME OF ISSUING THIS SHEET.

ISS.	CHANGES																		
1	PDR 399/71																		
	8-65																		



ADDRESS FANOUT FABRI-TEK 8K 2μs STORE

DESIGNED BY A WILLIS
 DATE 6.7.65
 NOTES LKJ J VELLIS
 DRAWN BY A WILLIS



LOGIC DIAGRAM

5010897/ 1 4
 DIAGRAM ISSUE SHEET

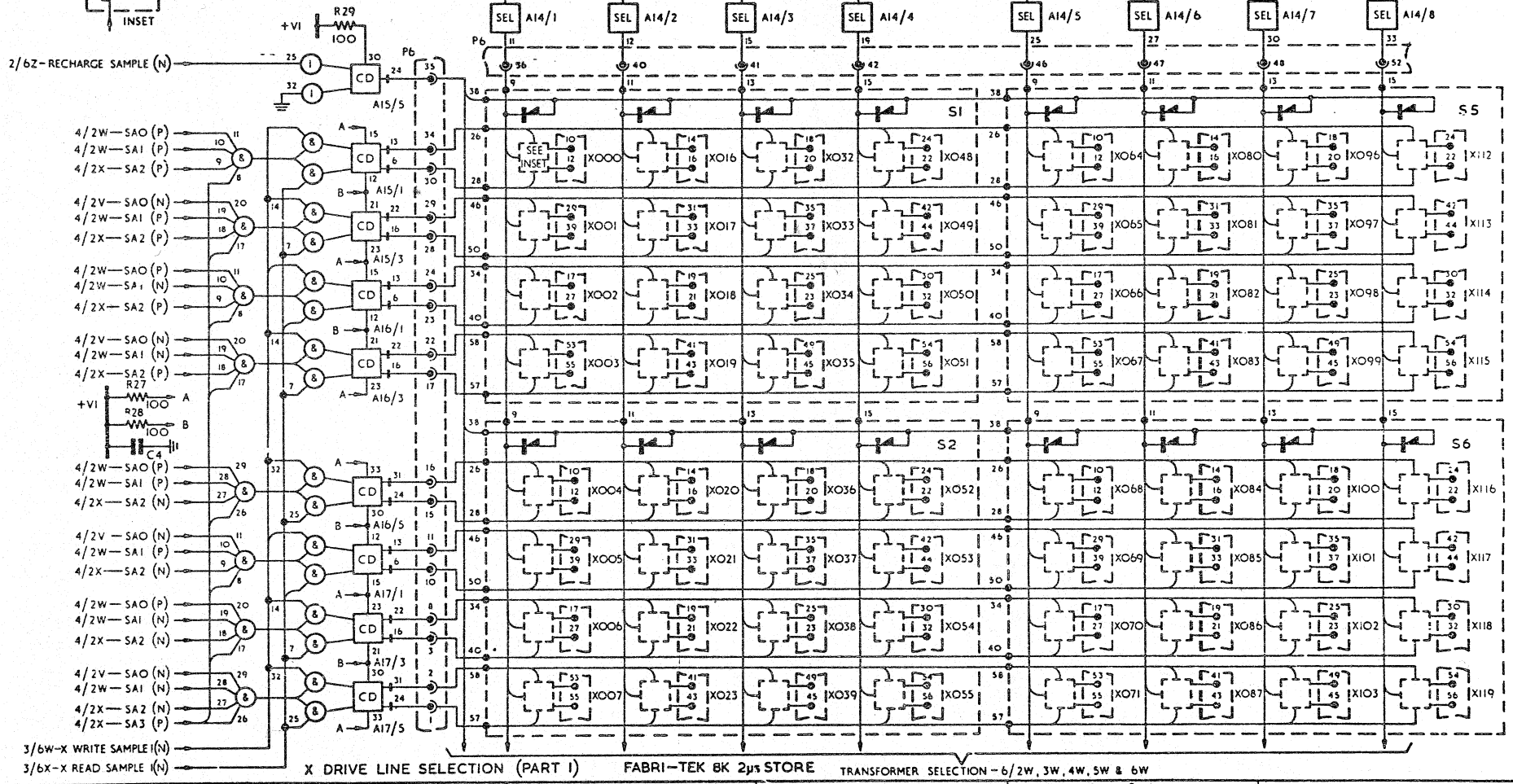
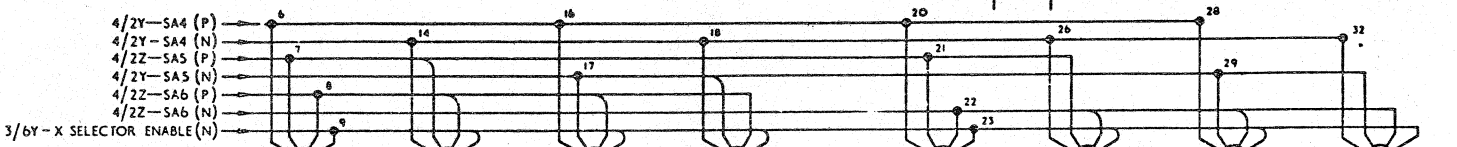
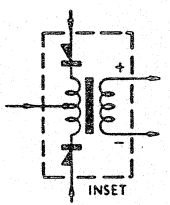
ISSUE	1	1	1	1	1	1	1	1	1	1	1	1	1	1	1	1	1	1	1	
SHEET	1	2	3	4	5	6	7	8	9	10	11	12	13	14	15	16	17	18	19	20
ISSUE NUMBERS OF OTHER SHEETS AT THE TIME OF ISSUING THIS SHEET.																				

ISS.

CHANGES

PDR 399/71

8-65



X DRIVE LINE SELECTION (PART I) FABRI-TEK BK 2μs STORE TRANSFORMER SELECTION - 6/2W, 3W, 4W, 5W & 6W

DRAWN BY J INGRAM DATE 29-7-65 NOTES CHD L GARNER B-65 P.D. J. G. 11/65



LOGIC DIAGRAM

5010897 / 1 5
DIAGRAM ISSUE SHEET

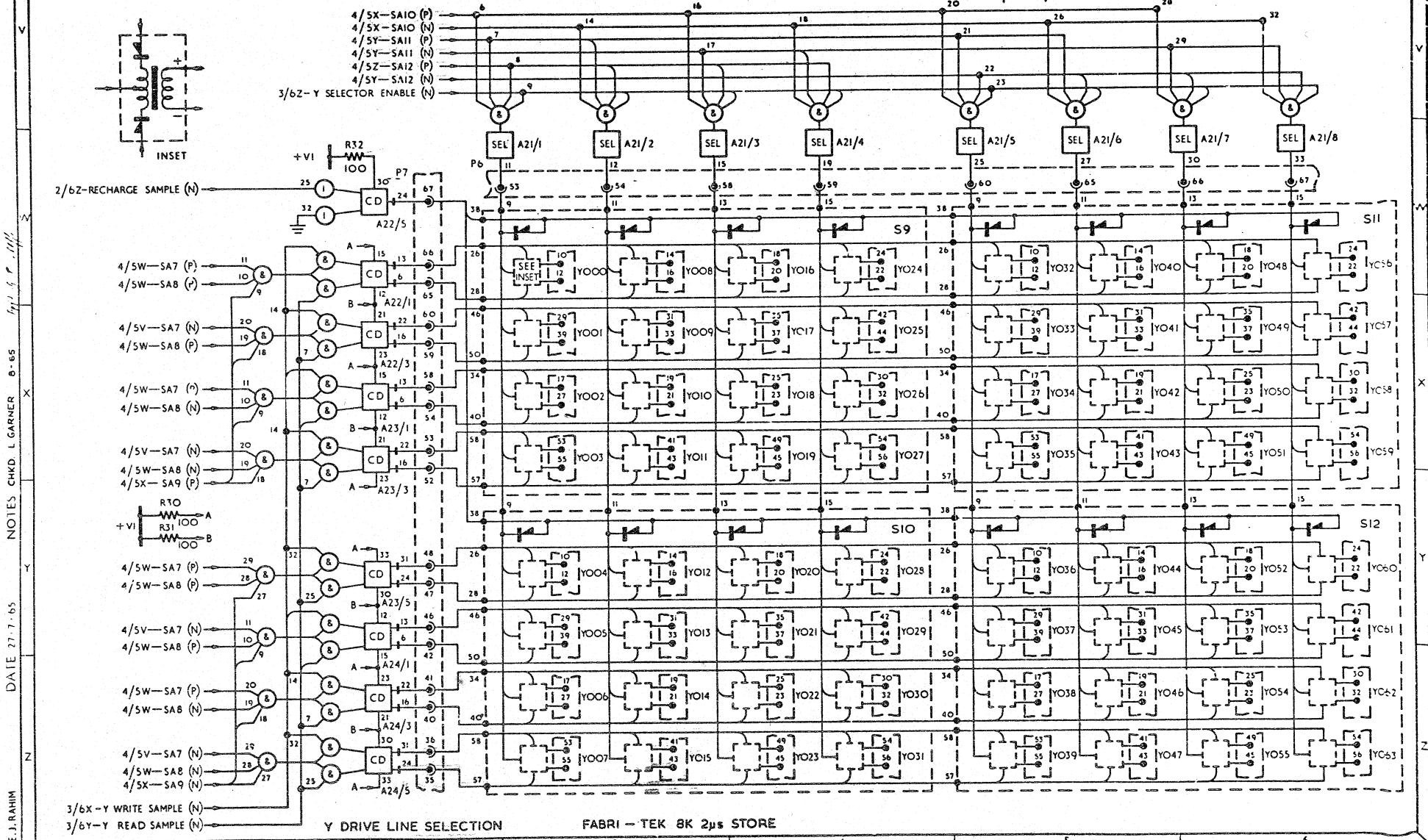
ISSUE	1	2	3	4	5	6	7	8	9	10	11	12	13	14	15	16	17	18	19	20	21	22	23	24	25	26	27	28	29	30
SHEET	1	2	3	4	5	6	7	8	9	10	11	12	13	14	15	16	17	18	19	20	21	22	23	24	25	26	27	28	29	30
ISSUE NUMBERS OF OTHER SHEETS AT THE TIME OF ISSUING THIS SHEET.																														

ISS.

CHANGES

PDR 399/71

B-65



Y DRIVE LINE SELECTION FABRI - TEK 8K 2μs STORE

DRAWN BY E. J. RAHIM DATE 27-7-65 NOTES CHKD. L. GARNER B-65



LOGIC DIAGRAM

5010897 / 1

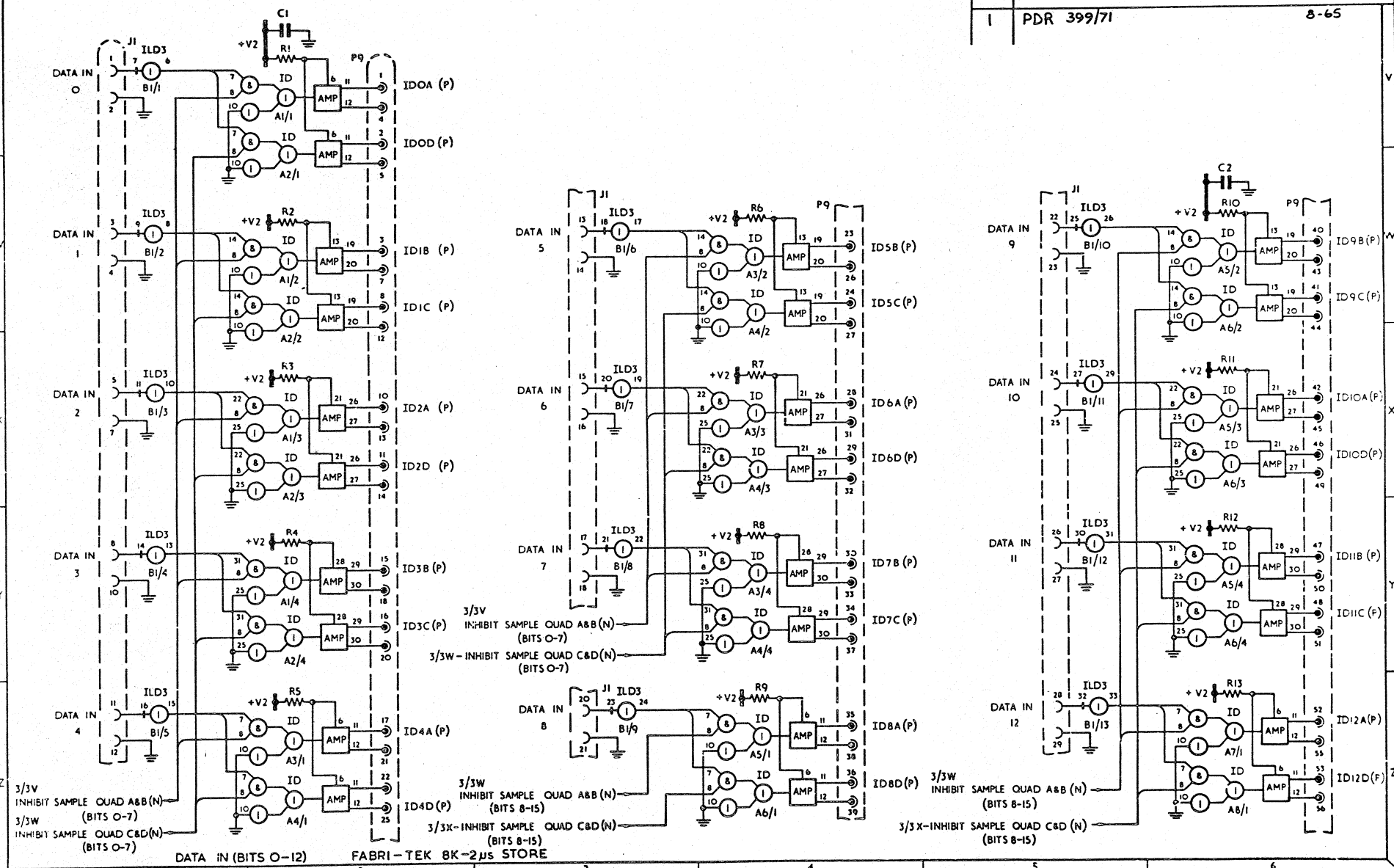
DIAGRAM ISSUE SHEET 7

ISSUE	1	2	3	4	5	6	7	8	9	10	11	12	13	14	15	16	17	18	19	20	21	22	23	24	25	26	27	28	29	30
SHEET	1	2	3	4	5	6	7	8	9	10	11	12	13	14	15	16	17	18	19	20	21	22	23	24	25	26	27	28	29	30

ISSUE NUMBERS OF OTHER SHEETS AT THE TIME OF ISSUING THIS SHEET.

DRAWN BY M. MITCHELL DATE B 7-65 NOTES P.1

ISS.	CHANGES	
1	PDR 399/71	8-65



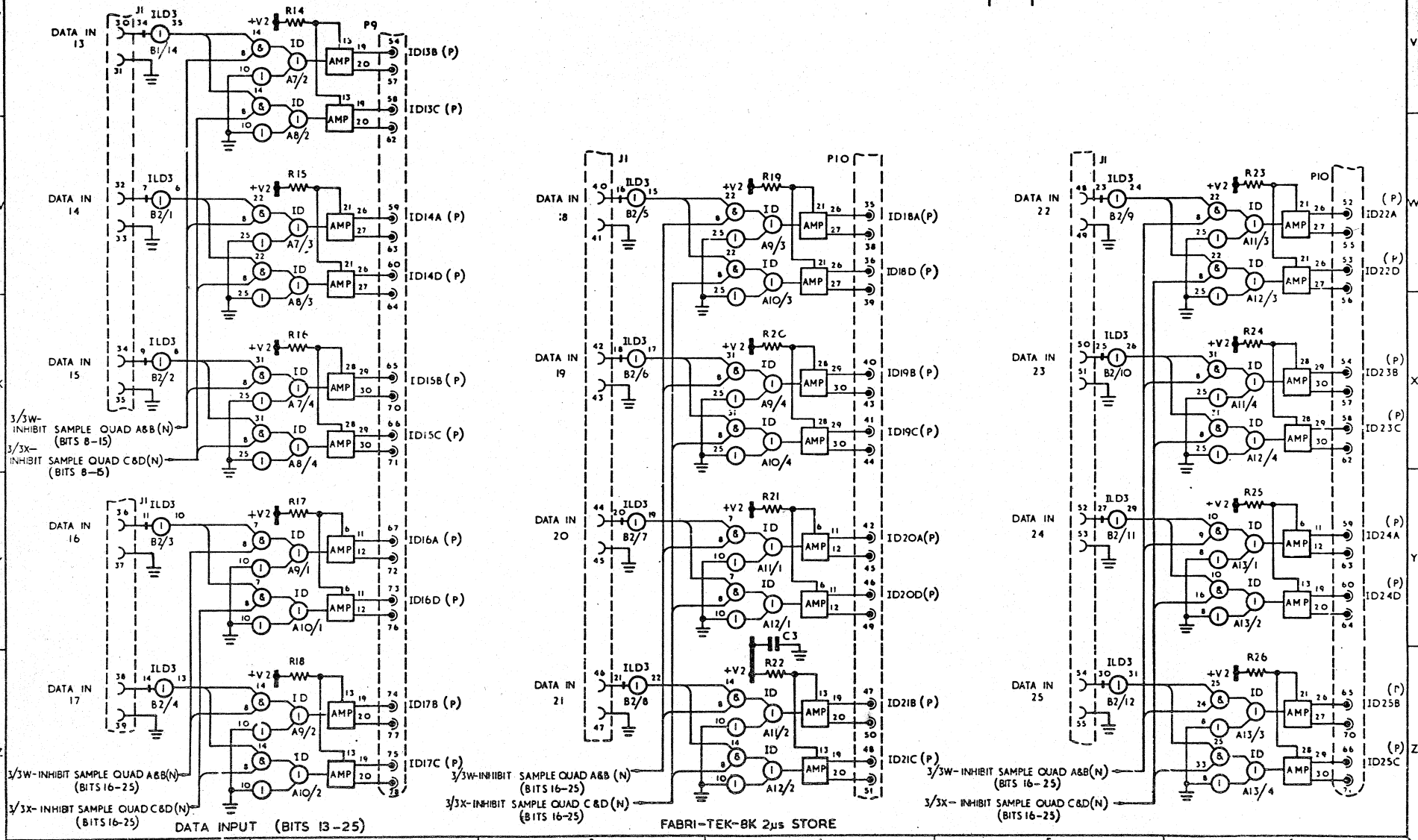
IC.T LOGIC DIAGRAM 5010897 / 1 8

DIAGRAM ISSUE SHEET

ISSUE	1	2	3	4	5	6	7	8	9	10	11	12	13	14	15	16	17	18	19	20	21	22	23	24	25	26	27	28	29	30
SHEET	1	2	3	4	5	6	7	8	9	10	11	12	13	14	15	16	17	18	19	20	21	22	23	24	25	26	27	28	29	30
ISSUE NUMBERS OF OTHER SHEETS AT THE TIME OF ISSUING THIS SHEET.																														

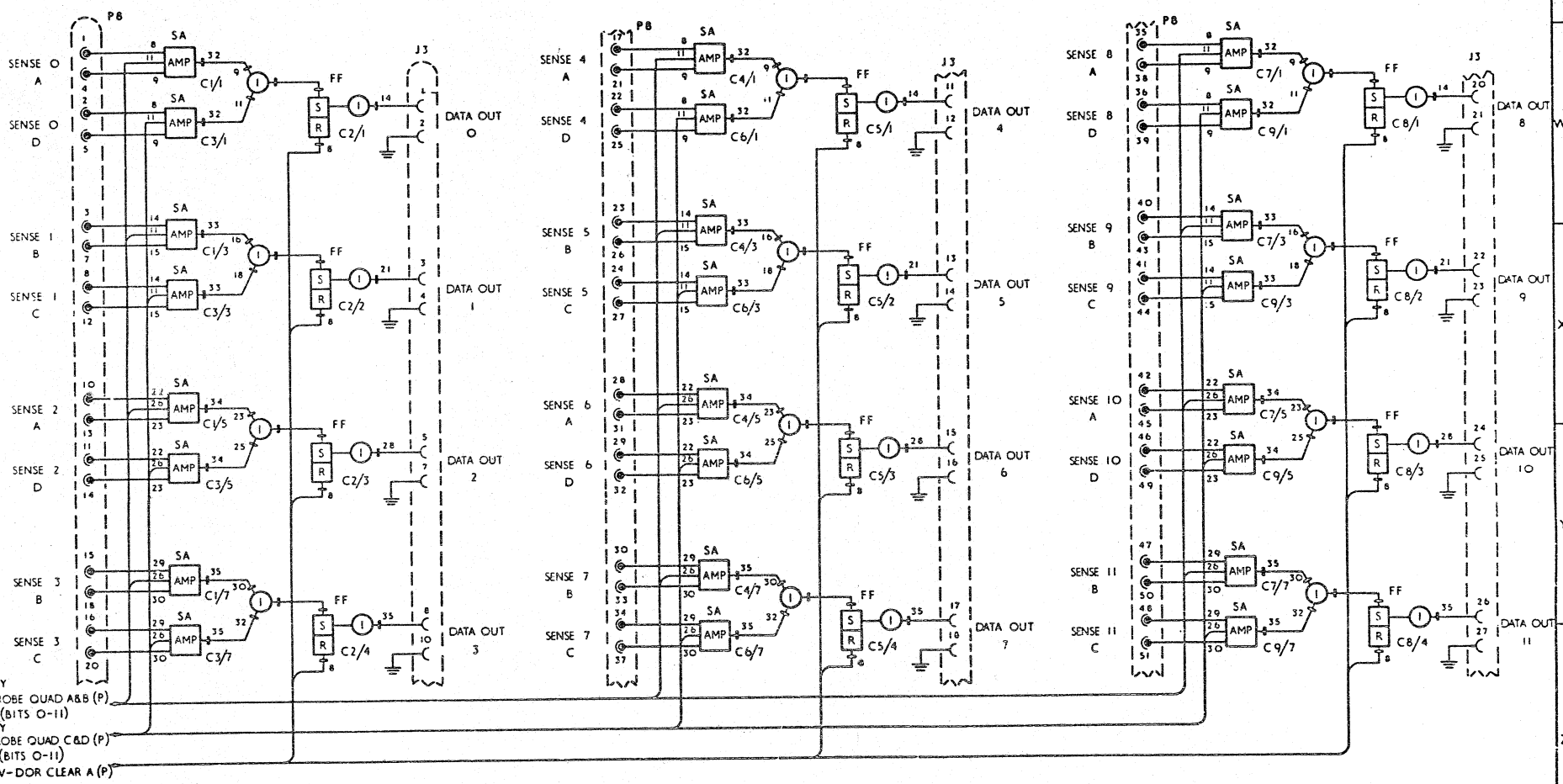
DRAWN BY S. COOPER
 DATE 8.2.65
 NOTES
 CHKD L. GARNER 8-65
 10.11.65

ISS.	CHANGES	
1	PDR 399/71	8-65



ISS.	CHANGES	
1	PDR 399/71	8-65

DRAWN BY G. V. ACRAMAN
 DATE 8-7-55
 NOTES
 X
 Y
 Z



3/3Y STROBE QUAD A&B (P)
 (BITS 0-11)
 3/3Y STROBE QUAD C&D (P)
 (BITS 0-11)
 2/6V-DOR CLEAR A (P)

DATA OUTPUT (BITS 0-11) FABRI-TEK 8K 2μs STORE

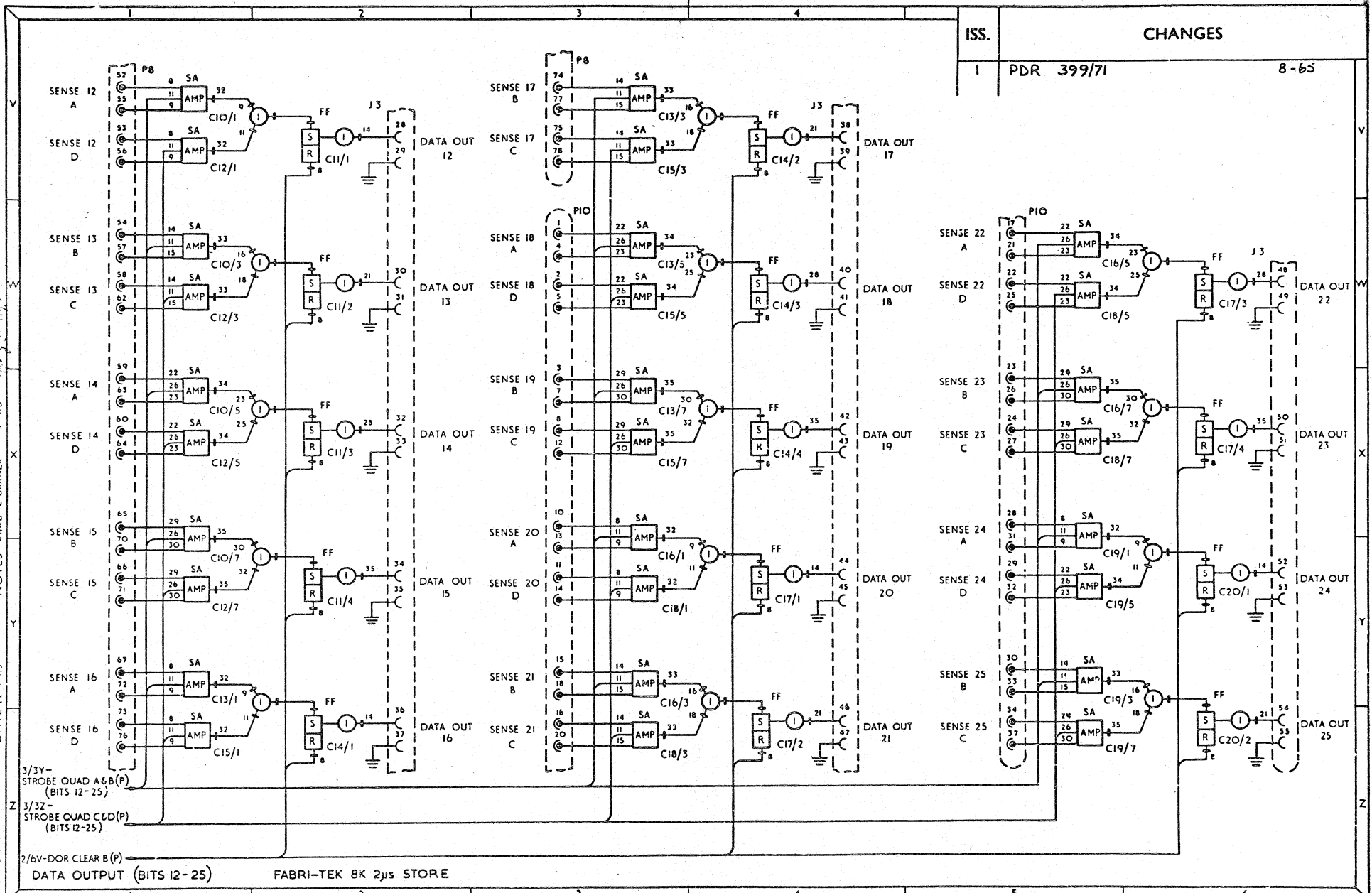


LOGIC DIAGRAM

5010897/ 1 10
 DIAGRAM ISSUE SHEET

ISSUE	1	2	3	4	5	6	7	8	9	10	11	12	13	14	15	16	17	18	19	20	21	22	23	24	25	26	27	28	29	30
SHEET	1	2	3	4	5	6	7	8	9	10	11	12	13	14	15	16	17	18	19	20	21	22	23	24	25	26	27	28	29	30
ISSUE NUMBERS OF OTHER SHEETS AT THE TIME OF ISSUING THIS SHEET.																														

NOTES CHK'D L GARNER 7-65
DATE 22 7 65
DRAWN BY J INGRAM



ISS.	CHANGES	
1	PDR 399/71	8-65

3/3Y - STROBE QUAD A&B(P)
(BITS 12-25)

3/3Z - STROBE QUAD C&D(P)
(BITS 12-25)

2/6V-DOR CLEAR B(P)

DATA OUTPUT (BITS 12-25) FABRI-TEK 8K 2µs STORE

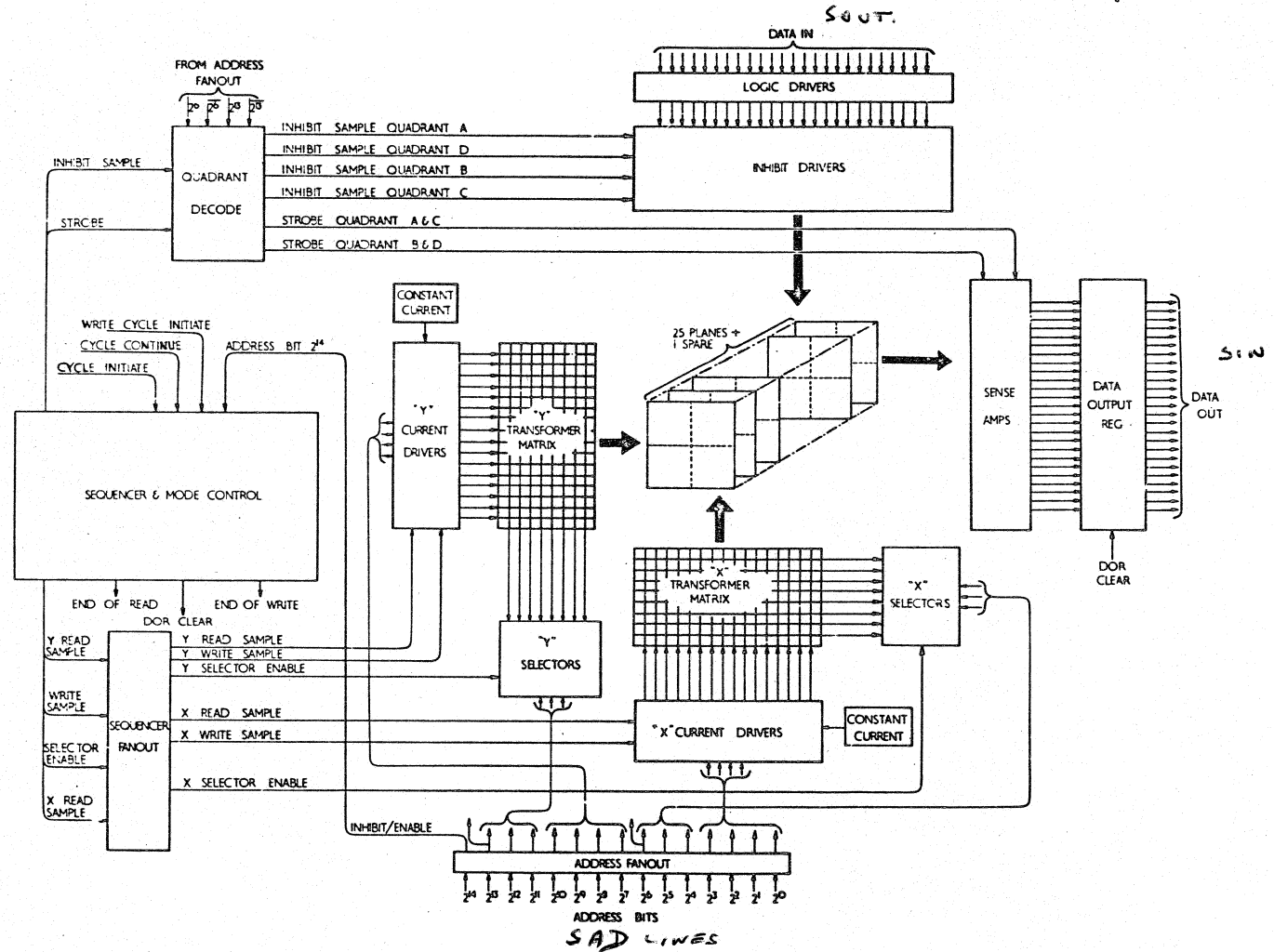
	LOGIC DIAGRAM 5010 897 / DIAGRAM ISSUE SHEET	ISSUE
		SHEET
		ISSUE NUMBERS OF OTHER SHEETS AT THE TIME OF ISSUING THIS SHEET.

ISS

CHANGES

1 PDR 399/70

8-65



FABRI-TEK 16K 2µs STORE-BLOCK SCHEMATIC

SAD LINES



LOGIC DIAGRAM

5010895 / 1

DIAGRAM

ISSUE

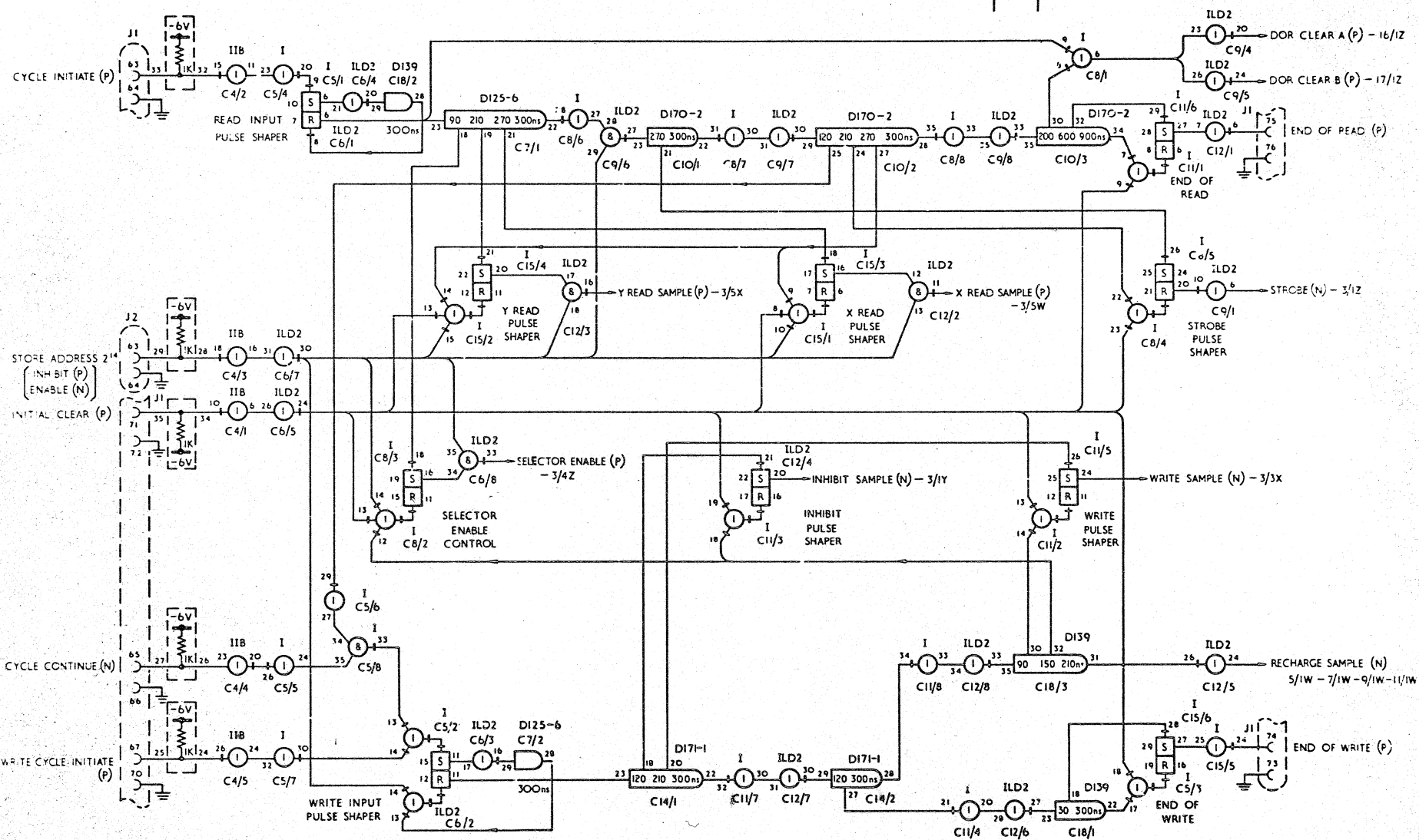
SHEET

DRAWN TO
PROV. STD
7902101

ISSUE

SHEET	1	2	3	4	5	6	7	8	9	10	11	12	13	14	15	16	17	18	19	20	21	22	23	24	25	26	27	28	29	30
-------	---	---	---	---	---	---	---	---	---	----	----	----	----	----	----	----	----	----	----	----	----	----	----	----	----	----	----	----	----	----

ISSUE NUMBERS OF OTHER SHEETS AT THE TIME OF ISSUING THIS SHEET



SEQUENCER AND MODE CONTROL FABRI-TEK 16K-2μs

DATE: 11-1-65

NOTES



LOGIC DIAGRAM

5010895 / 1 2
 DIAGRAM ISSUE SHEET

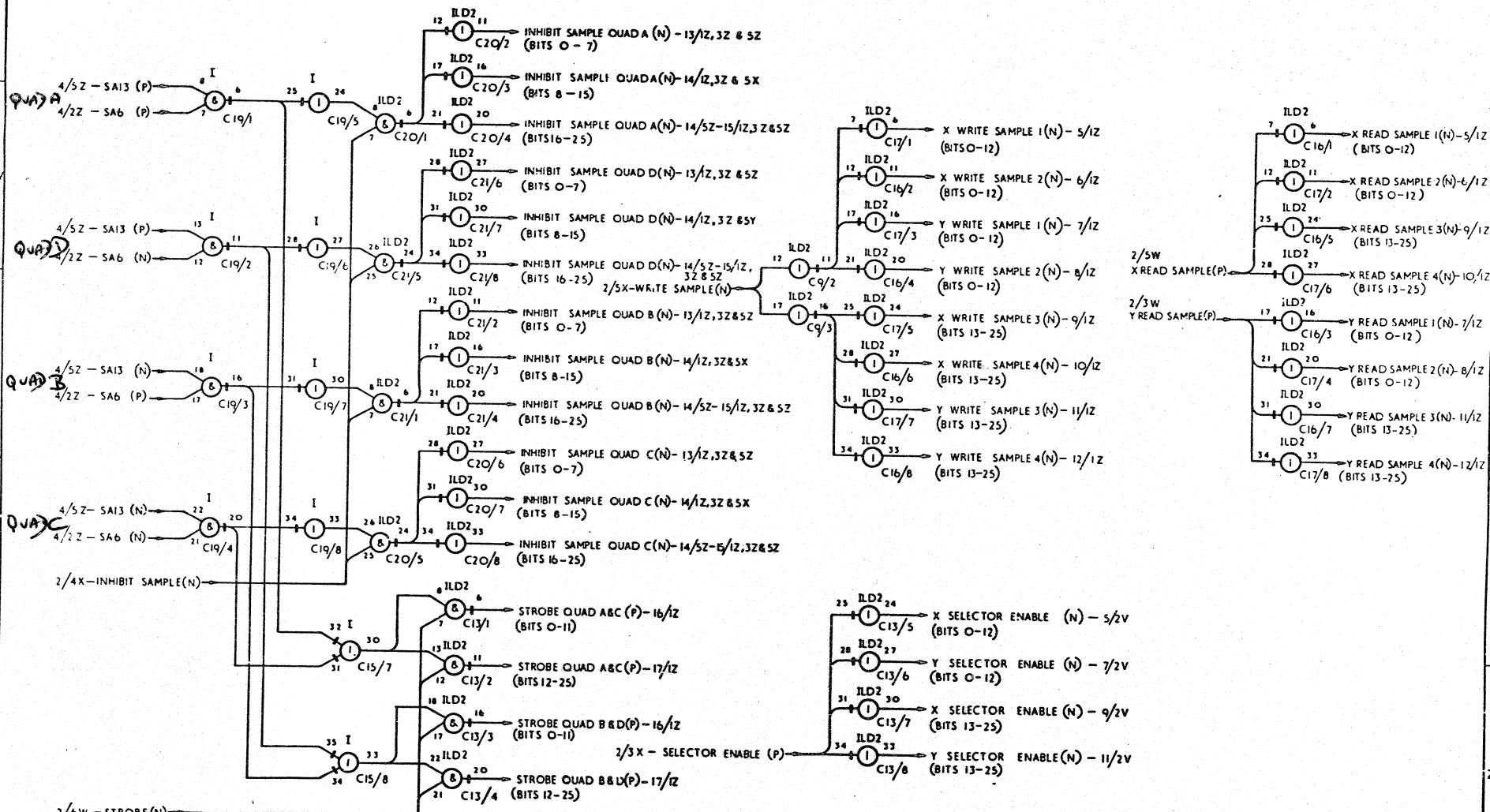
ISSUE	1	2	3	4	5	6	7	8	9	10	11	12	13	14	15	16	17	18	19	20	21	22	23	24	25	26	27	28	29	30
SHEET	1	2	3	4	5	6	7	8	9	10	11	12	13	14	15	16	17	18	19	20	21	22	23	24	25	26	27	28	29	30
ISSUE NUMBERS OF OTHER SHEETS AT THE TIME OF ISSUING THIS SHEET.																														

ISS.

CHANGES

I PDR 399/70

8-65



SEQUENCER FANOUT FABRI - TEK 16K - 2µs

DRAWN BY S. COOPER DATE 4-6-65 NOTES

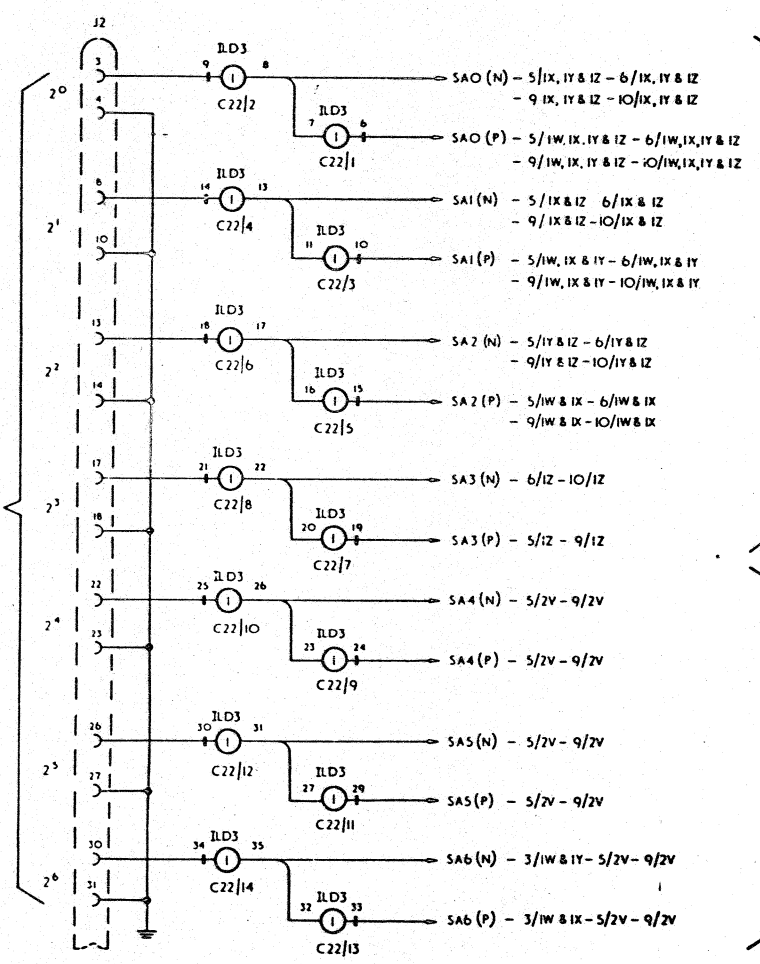


LOGIC DIAGRAM

5010895 / 1 3
DIAGRAM ISSUE SHEET

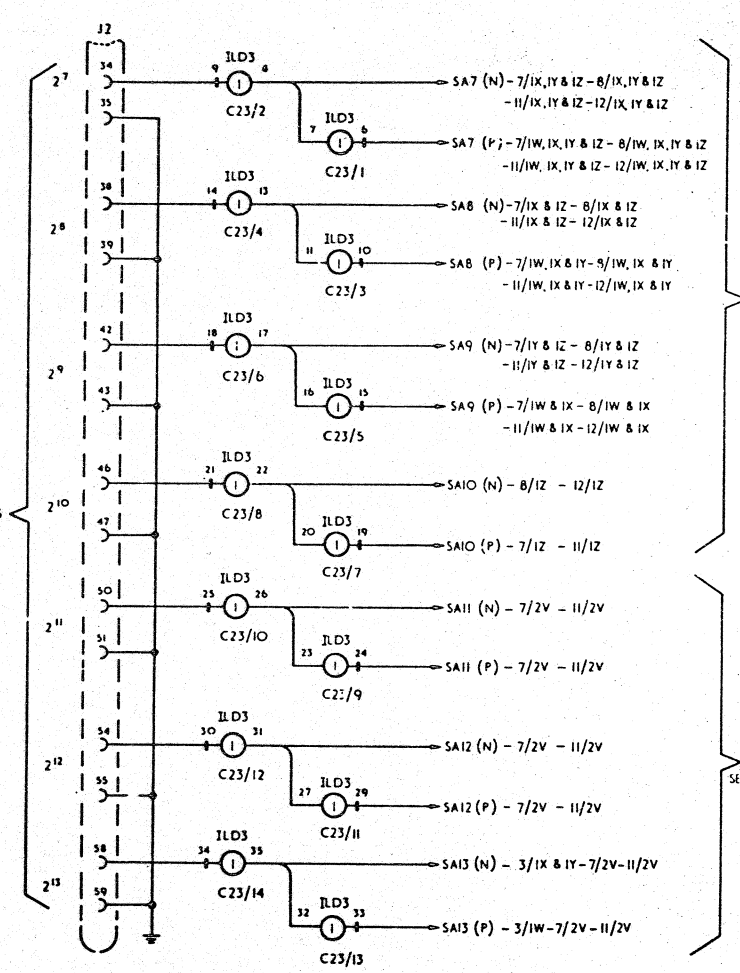
ISSUE	1	2	3	4	5	6	7	8	9	10	11	12	13	14	15	16	17	18	19	20	21	22	23	24	25	26	27	28	29	30
SHEET	1	2	3	4	5	6	7	8	9	10	11	12	13	14	15	16	17	18	19	20	21	22	23	24	25	26	27	28	29	30
ISSUE NUMBERS OF OTHER SHEETS AT THE TIME OF ISSUING THIS SHEET.																														

ISS.	CHANGES	
1	PDR 399/70	8-65



X DRIVERS

X SELECTORS



Y DRIVERS

Y SELECTORS

ADDRESS FANOUT FABRI - TEK 16K - 2μs

DRAWN BY M MITCHELL DATE 11-65



LOGIC DIAGRAM

5010895/1

ISSUE

4 SHEET

ISSUE	1	2	3	4	5	6	7	8	9	10	11	12	13	14	15	16	17	18	19	20	21	22	23	24	25	26	27	28	29	30	
SHEET																															

ISSUE NUMBERS OF OTHER SHEETS AT THE TIME OF ISSUING THIS SHEET.

X DRIVE LINE SELECTION-BITS 0-12 (PART 1)

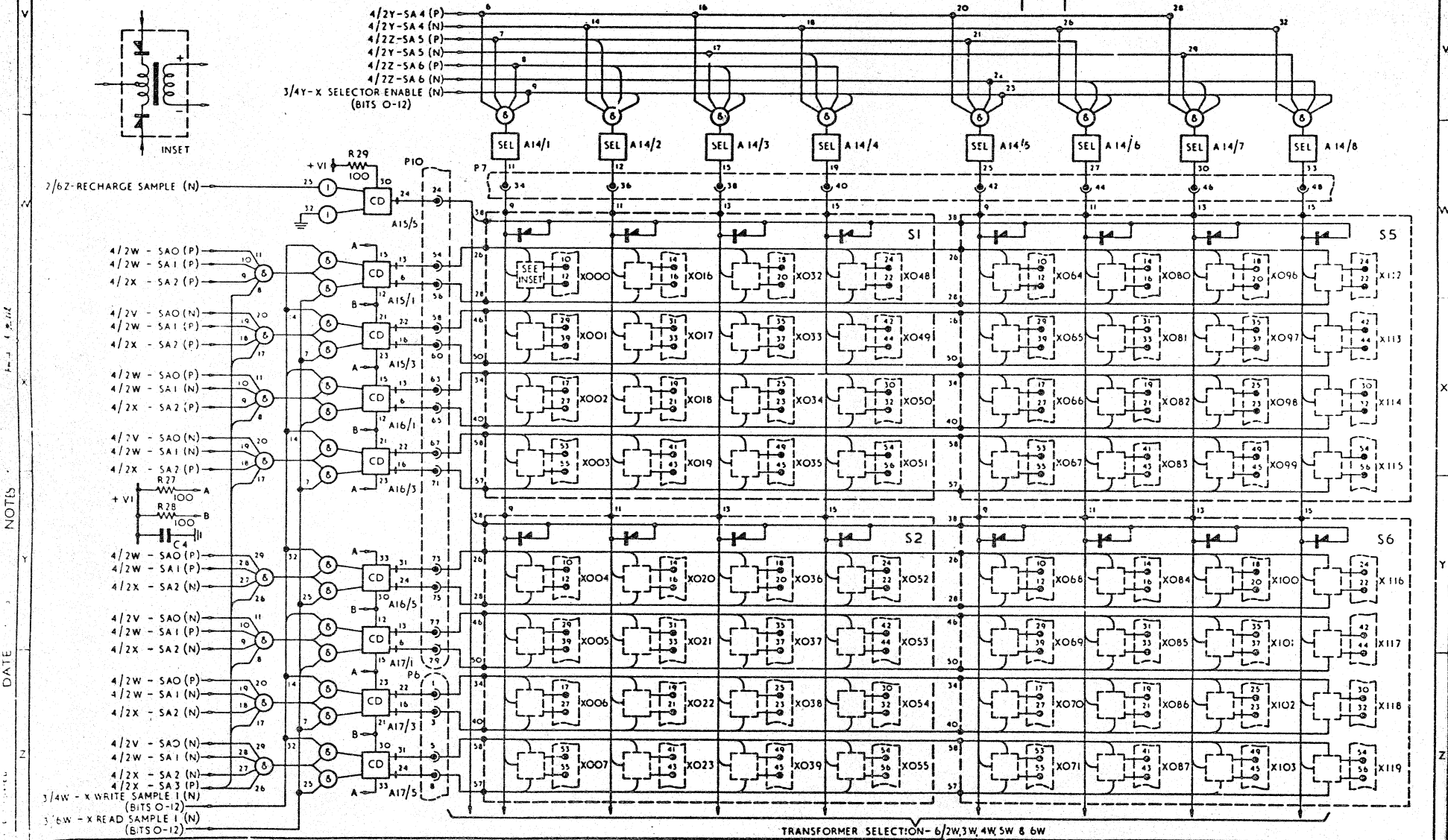
FABRI-TEK 16K-2µs

ISS.

CHANGES

1 PDR 399/70

8-65



DRAWN BY: DATE: NOTES:



LOGIC DIAGRAM

5010895 / 1 5

DIAGRAM ISSUE SHEET

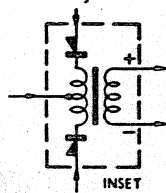
ISSUE	1	2	3	4	5	6	7	8	9	10	11	12	13	14	15	16	17	18	19	20	21	22	23	24	25	26	27	28	29	30
SHEET	1	2	3	4	5	6	7	8	9	10	11	12	13	14	15	16	17	18	19	20	21	22	23	24	25	26	27	28	29	30
ISSUE NUMBERS OF OTHER SHEETS AT THE TIME OF ISSUING THIS SHEET.																														

ISS.

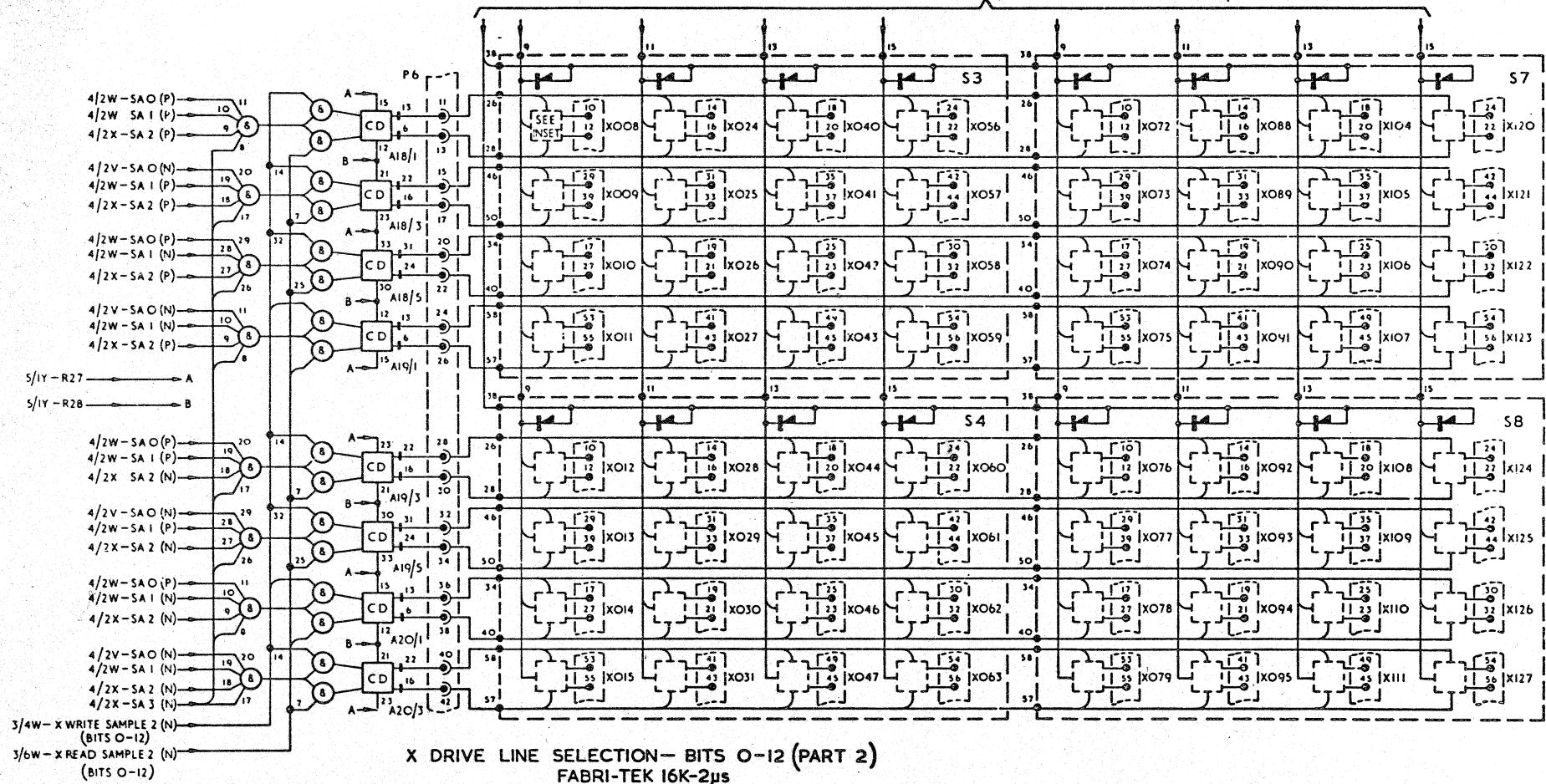
CHANGES

1 PDR 399/70

8-65



5/2, 3, 4, 5, 6, 7 - SELECTOR OUTPUTS



X DRIVE LINE SELECTION - BITS 0-12 (PART 2)
FABRI-TEK 16K-2µs

DRAWN BY R. SHILLADY DATE 3-5-65

NOTES



LOGIC DIAGRAM

5010895 / 1 6
 DIAGRAM ISSUE SHEET

ISSUE	1	2	3	4	5	6	7	8	9	10	11	12	13	14	15	16	17	18	19	20	21	22	23	24	25	26	27	28	29	30
SHEET	1	2	3	4	5	6	7	8	9	10	11	12	13	14	15	16	17	18	19	20	21	22	23	24	25	26	27	28	29	30
ISSUE NUMBERS OF OTHER SHEETS AT THE TIME OF ISSUING THIS SHEET.																														

Y DRIVE LINE SELECTION - BITS 0-12 (PART I)

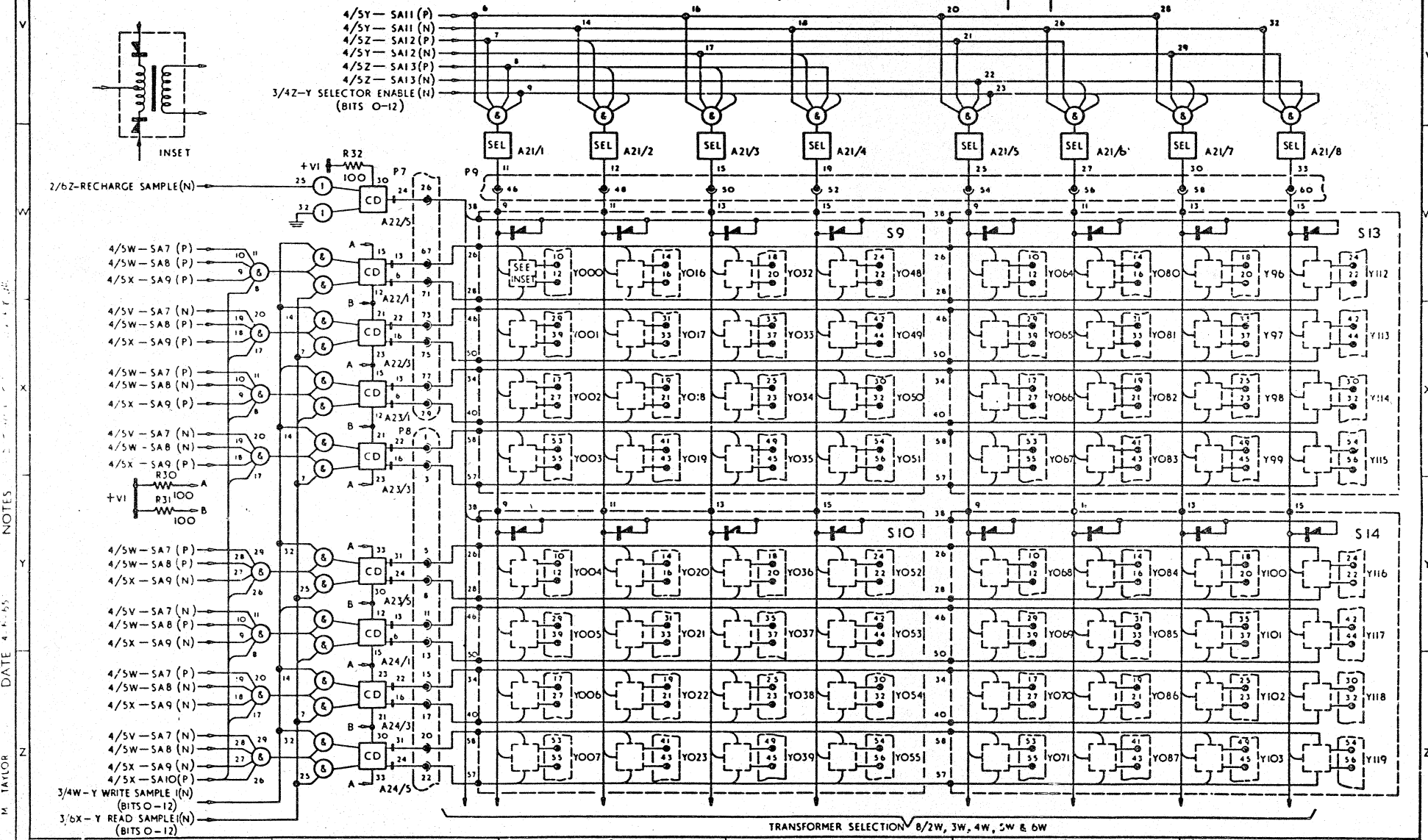
FABRI - TEK 16K - 2µs

ISS.

CHANGES

1 PDR 399/70

8-65



DRAWN BY M. TAYLOR DATE 4-4-65

	LOGIC DIAGRAM	5010895 / 17	ISSUE	SHEET
	DIAGRAM	ISSUE	SHEET	SHEET

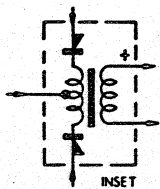
ISSUE NUMBERS OF OTHER SHEETS AT THE TIME OF ISSUING THIS SHEET.

ISS.

CHANGES

1 PDR 399/70

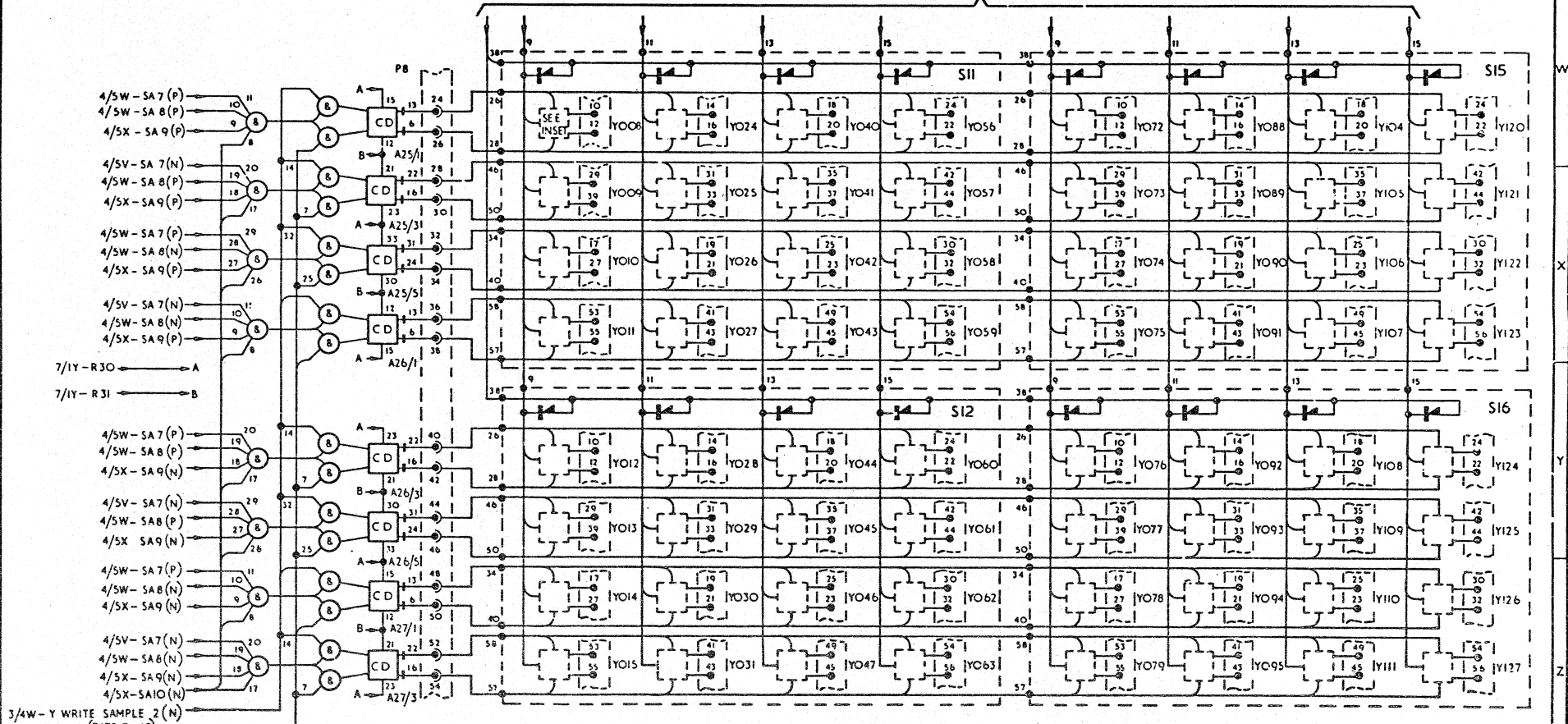
8-65



7/22, 32, 42, 52 & 62 - SELECTOR OUTPUTS

NOTES DATE 30 6 55

DRAWN BY A. WILLIS



3/4W - Y WRITE SAMPLE 2 (N)
(BITS 0-12)

3/6X - Y READ SAMPLE 2 (N)
(BITS 0-12)

Y DRIVE LINE SELECTION - BITS 0-12 (PART 2) FABRI - TEK 16K - 2µs



LOGIC DIAGRAM

5010895 / 1 8

DIAGRAM ISSUE SHEET

ISSUE	1	2	3	4	5	6	7	8	9	10	11	12	13	14	15	16	17	18	19	20	21	22	23	24	25	26	27	28	29	30
SHEET	1	2	3	4	5	6	7	8	9	10	11	12	13	14	15	16	17	18	19	20	21	22	23	24	25	26	27	28	29	30
ISSUE NUMBERS OF OTHER SHEETS AT THE TIME OF ISSUING THIS SHEET.																														

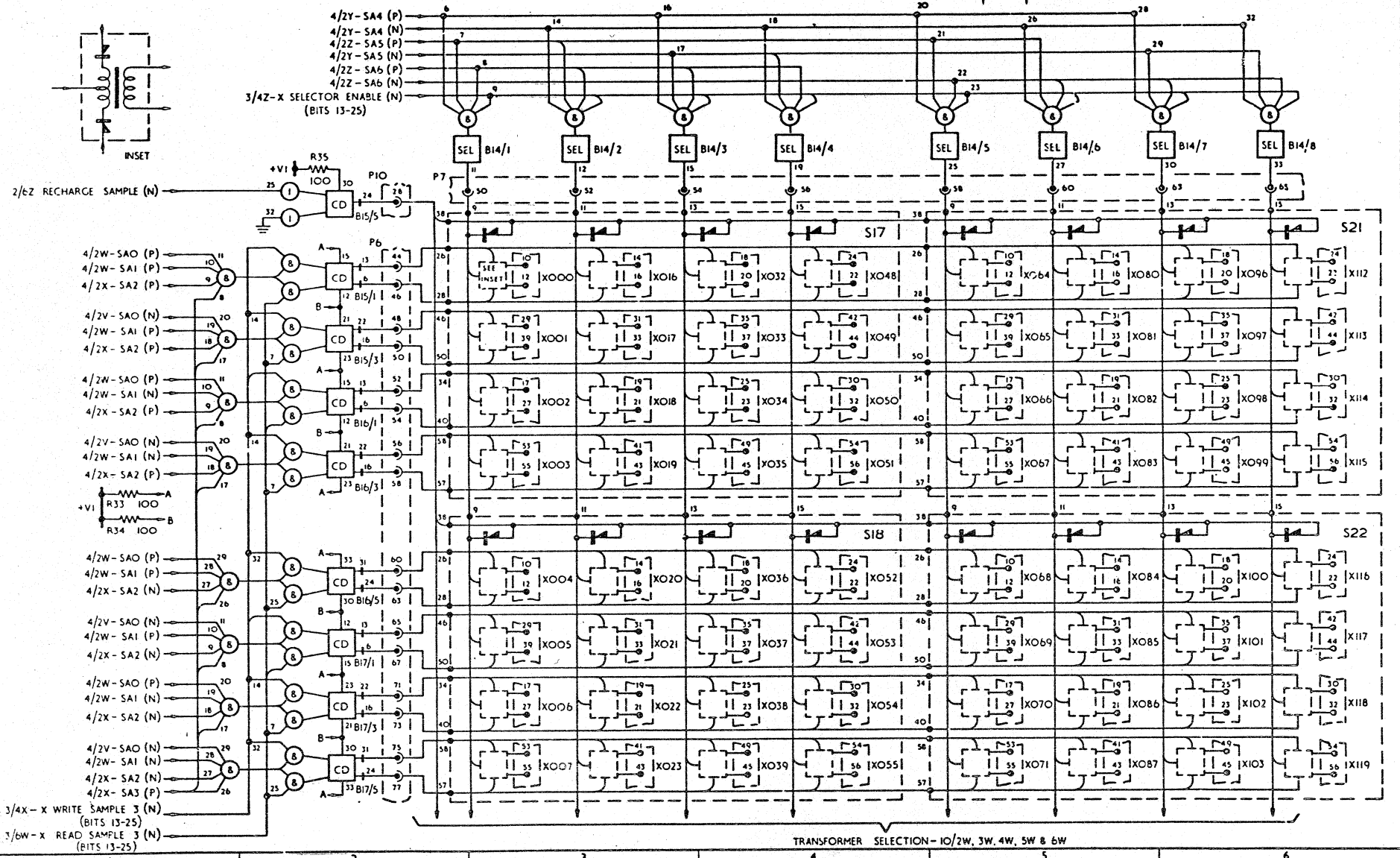
X DRIVE LINE SELECTION - BITS 13-25 (PART I)
FABRI - TEK 16K - 2μs

ISS.

CHANGES

1 PDR 399/70

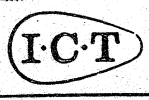
8-65



3/4X - X WRITE SAMPLE 3 (N)
 (BITS 13-25)
 3/6W - X READ SAMPLE 3 (N)
 (BITS 13-25)

TRANSFORMER SELECTION - 10/2W, 3W, 4W, 5W & 6W

DRAWN BY M MITCHELL DATE 27 6 75



LOGIC DIAGRAM

5010895 / 1 9
 DIAGRAM ISSUE SHEET

ISSUE	1	2	3	4	5	6	7	8	9	10	11	12	13	14	15	16	17	18	19	20	21	22	23	24	25	26	27	28	29	30
SHEET	1	2	3	4	5	6	7	8	9	10	11	12	13	14	15	16	17	18	19	20	21	22	23	24	25	26	27	28	29	30
ISSUE NUMBERS OF OTHER SHEETS AT THE TIME OF ISSUING THIS SHEET.																														

Y DRIVE LINE SELECTION - BITS 13-25 (PART I)

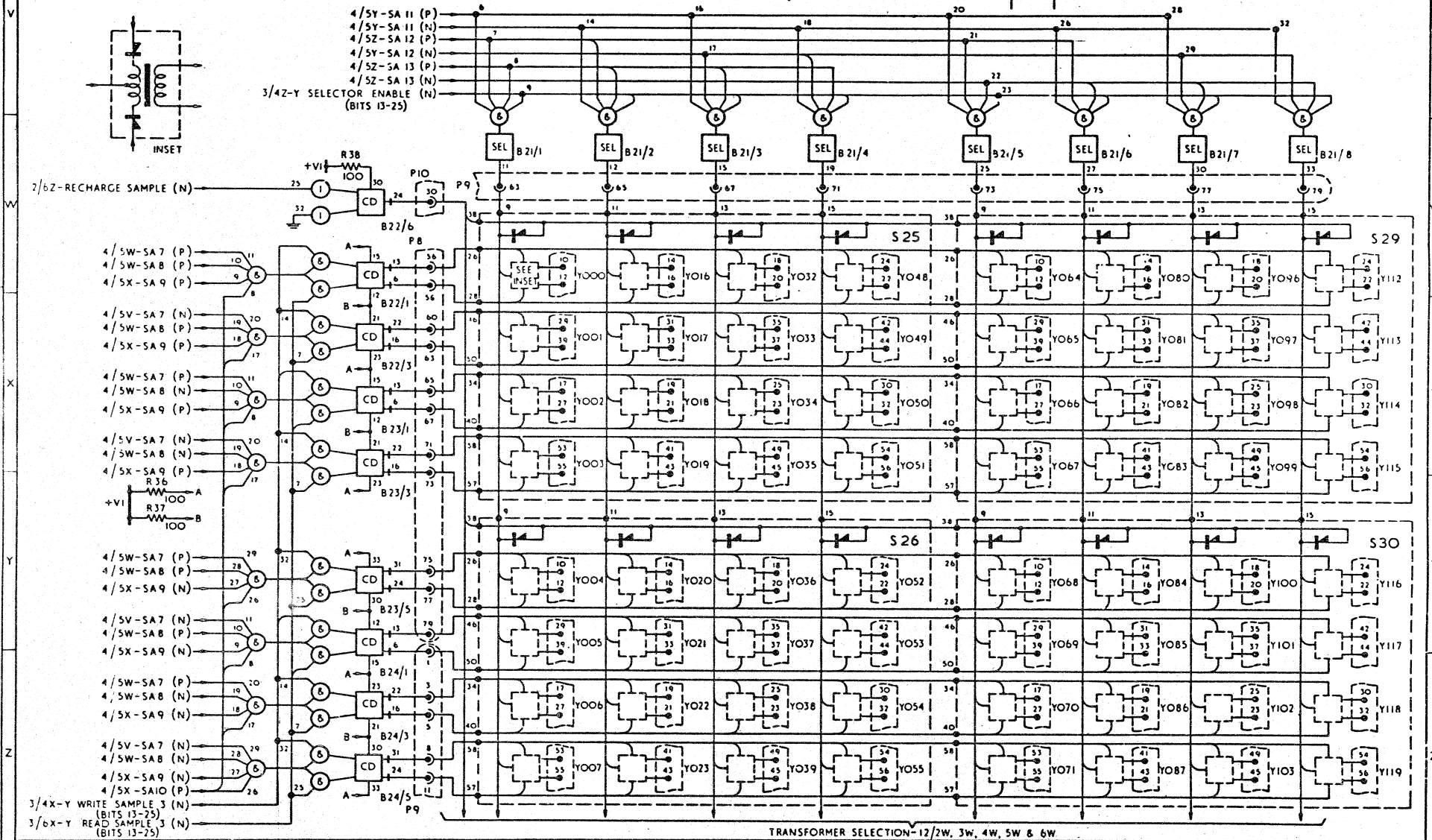
FABRI-TEK 16K-2 μ s

ISS.

CHANGES

1 PDR 399/70

8-65



DRAWN BY L. E. GARNER DATE 23-6-65



LOGIC DIAGRAM

5010895 /

DIAGRAM ISSUE SHEET

ISSUE		SHEET																											
1	2	3	4	5	6	7	8	9	10	11	12	13	14	15	16	17	18	19	20	21	22	23	24	25	26	27	28	29	30

ISSUE NUMBERS OF OTHER SHEETS AT THE TIME OF ISSUING THIS SHEET.

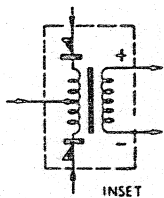
Y DRIVE LINE SELECTION - BITS 13-25 (PART 2)
 FABRI-TEK 16K-2μs

ISS.

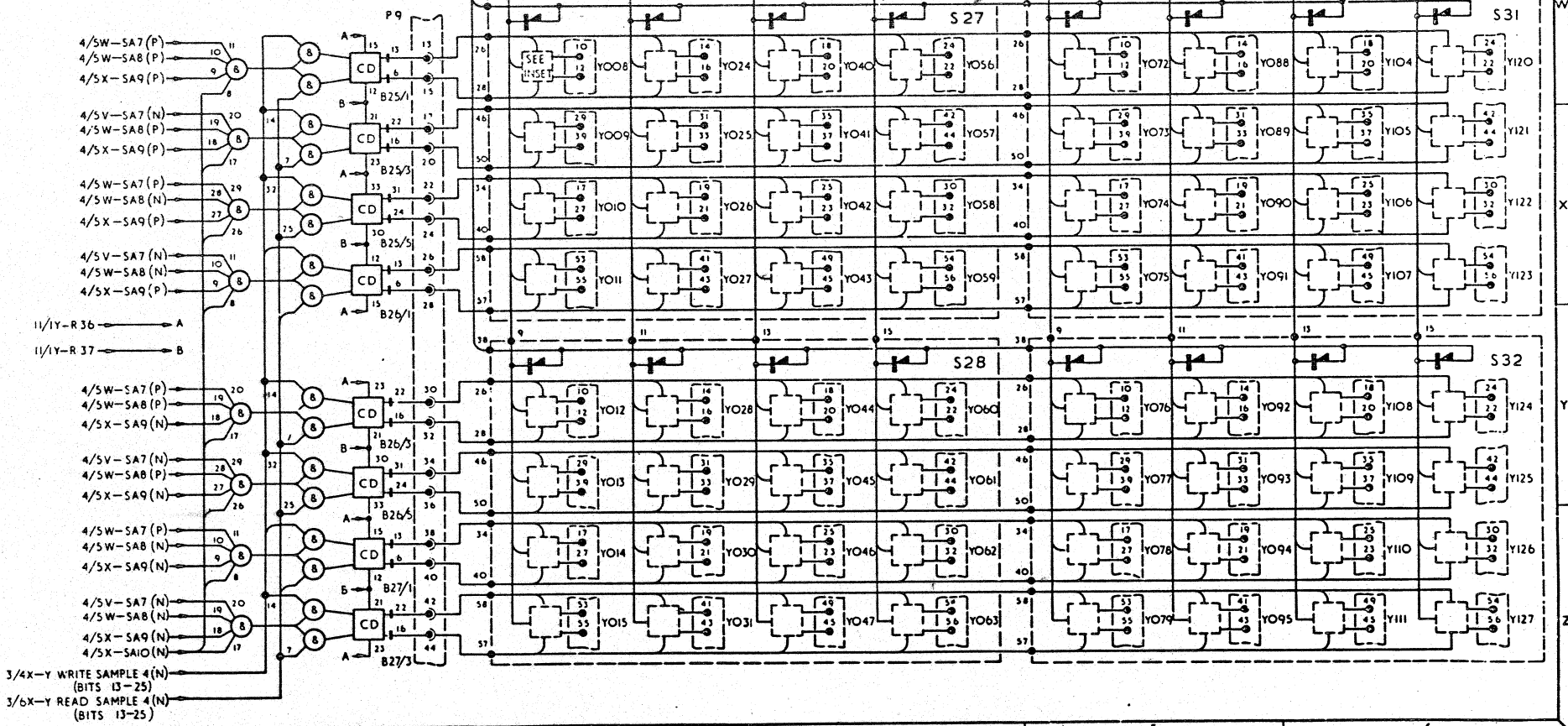
CHANGES

1 PDR 399/70

8-65



11/2Z, 3Z, 4Z, 5Z & 6Z-SELECTOR OUTPUTS



DRAWN BY M. TAYLOR DATE 12-6-65 NOTES



LOGIC DIAGRAM

5010895/ 1 12
 DIAGRAM ISSUE SHEET

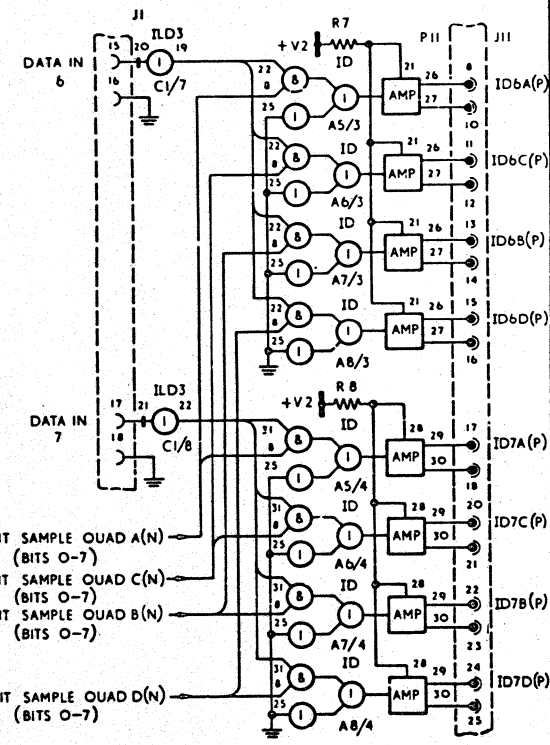
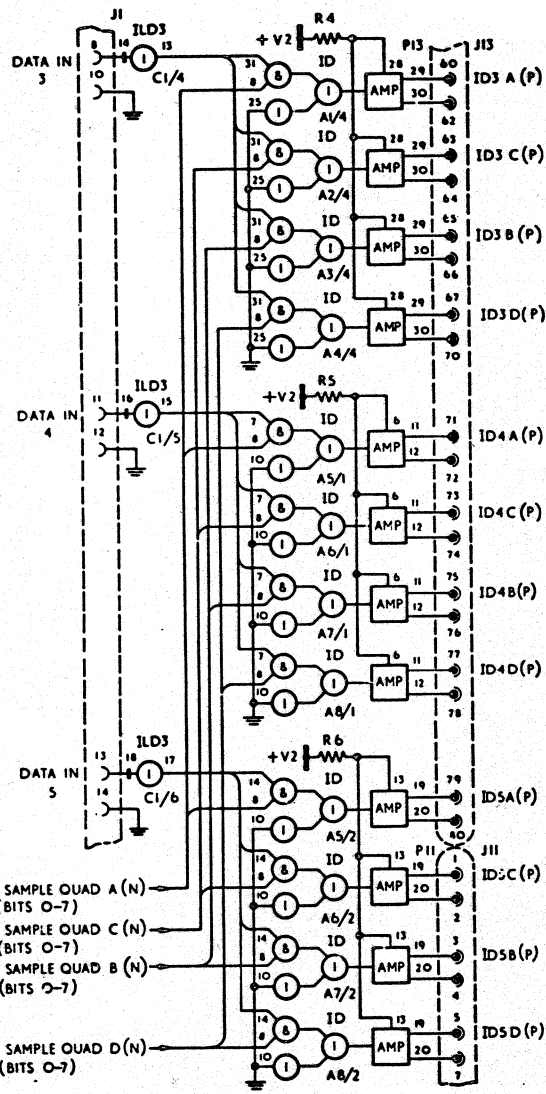
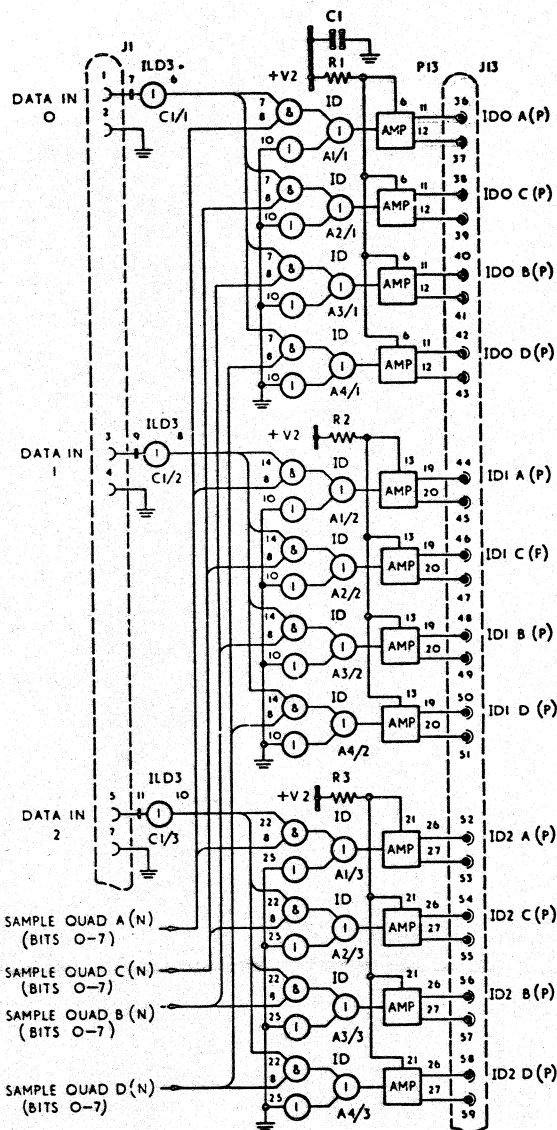
ISSUE	1	2	3	4	5	6	7	8	9	10	11	12	13	14	15	16	17	18	19	20	21	22	23	24	25	26	27	28	29	30
SHEET	1	2	3	4	5	6	7	8	9	10	11	12	13	14	15	16	17	18	19	20	21	22	23	24	25	26	27	28	29	30
ISSUE NUMBERS OF OTHER SHEETS AT THE TIME OF ISSUING THIS SHEET.																														

ISS.

CHANGES

1 PDR 399/70

8-65



DATA INPUT (BITS 0-7) FABRI-TEK 16K-2μs

LOGIC DIAGRAM

5010895 / 113

DIAGRAM

ISSUE SHEET

ISSUE

SHEET 1 2 3 4 5 6 7 8 9 10 11 12 13 14 15 16 17 18 19 20 21 22 23 24 25 26 27 28 29 30

ISSUE NUMBERS OF OTHER SHEETS AT THE TIME OF ISSUING THIS SHEET.

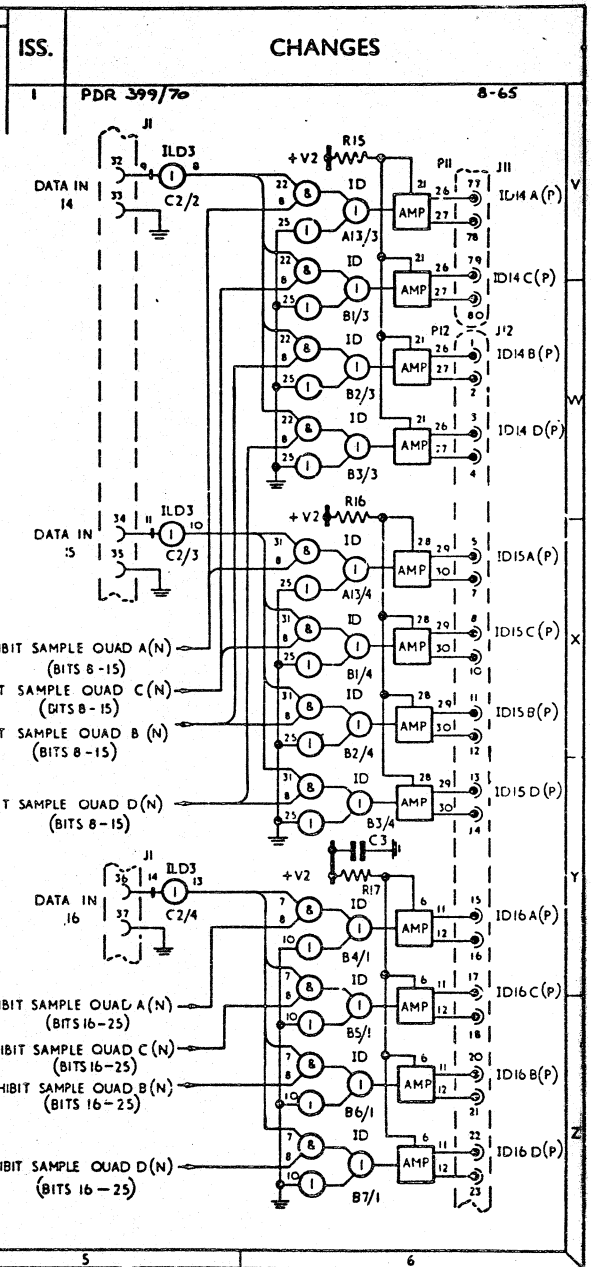
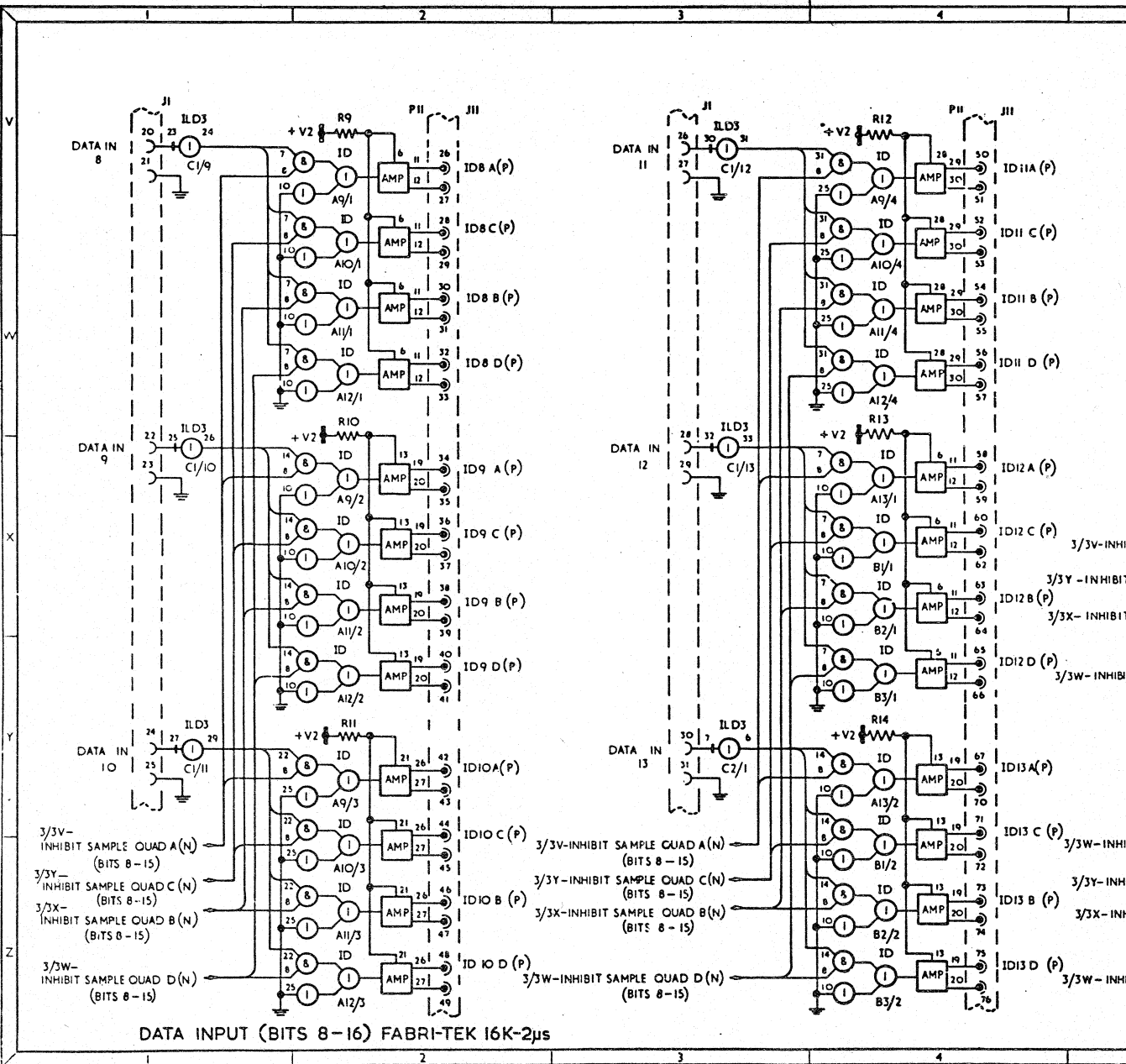
NOTES: 1. P1, 2. W1, 3. D1, 4. D2, 5. D3, 6. D4, 7. D5, 8. D6, 9. D7, 10. D8, 11. D9, 12. D10, 13. D11, 14. D12, 15. D13, 16. D14, 17. D15, 18. D16, 19. D17, 20. D18, 21. D19, 22. D20, 23. D21, 24. D22, 25. D23, 26. D24, 27. D25, 28. D26, 29. D27, 30. D28, 31. D29, 32. D30, 33. D31, 34. D32, 35. D33, 36. D34, 37. D35, 38. D36, 39. D37, 40. D38, 41. D39, 42. D40, 43. D41, 44. D42, 45. D43, 46. D44, 47. D45, 48. D46, 49. D47, 50. D48, 51. D49, 52. D50, 53. D51, 54. D52, 55. D53, 56. D54, 57. D55, 58. D56, 59. D57, 60. D58, 61. D59, 62. D60, 63. D61, 64. D62, 65. D63, 66. D64, 67. D65, 68. D66, 69. D67, 70. D68, 71. D69, 72. D70, 73. D71, 74. D72, 75. D73, 76. D74, 77. D75, 78. D76, 79. D77, 80. D78, 81. D79, 82. D80, 83. D81, 84. D82, 85. D83, 86. D84, 87. D85, 88. D86, 89. D87, 90. D88, 91. D89, 92. D90, 93. D91, 94. D92, 95. D93, 96. D94, 97. D95, 98. D96, 99. D97, 100. D98, 101. D99, 102. D100.

DATE 14-6-65

DRAWN BY M. TAYLOR

I.C.T.

DRAWN BY A WILLIS DATE 22.6.65 NOTES (V1, 3 WIRE)



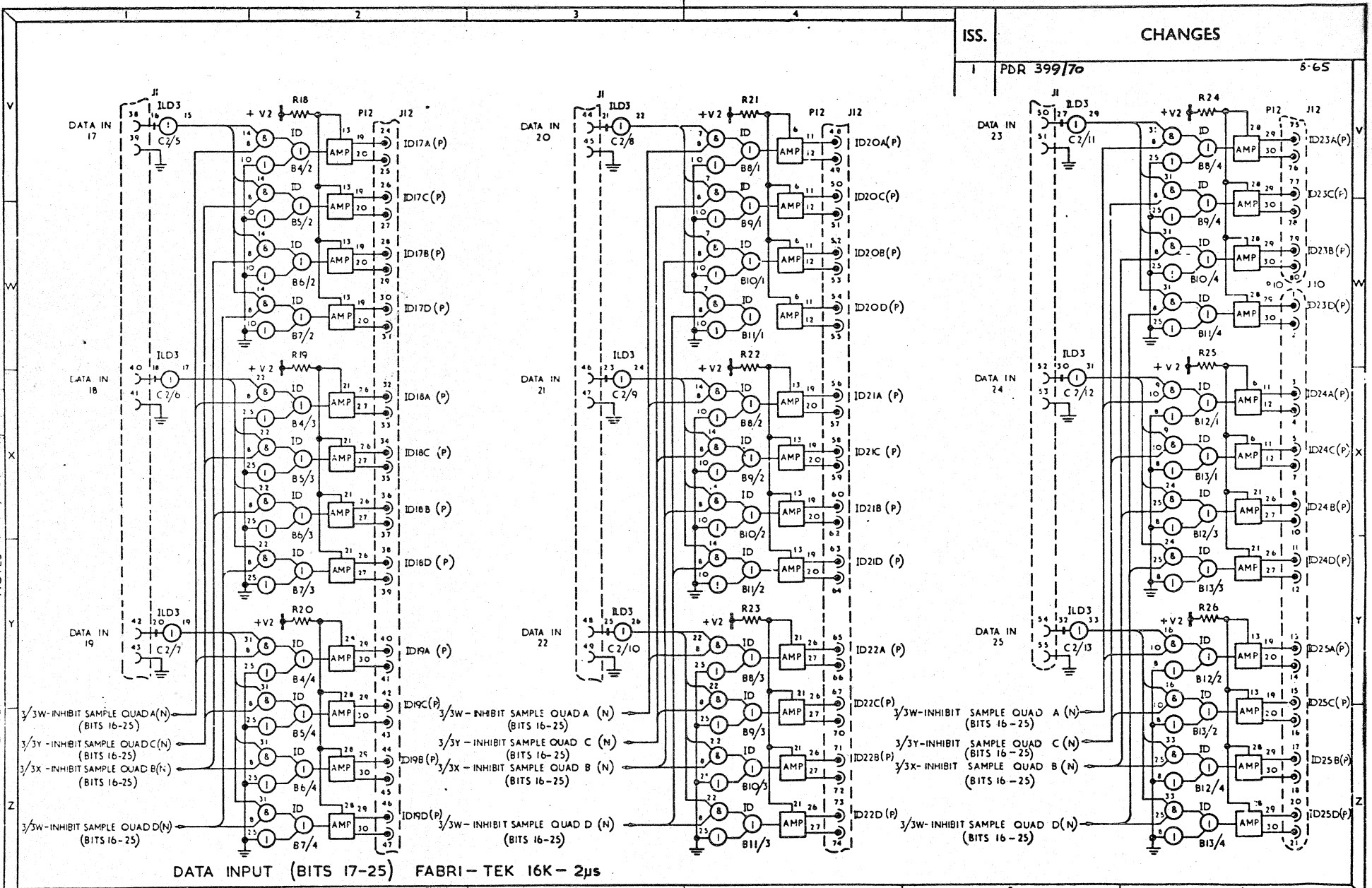
DRAWN BY S. COOPER DATE 10.6.65

NOTES 1. 3/3W-INHIBIT SAMPLE QUAD A (N) (BITS 16-25)

2. 3/3Y-INHIBIT SAMPLE QUAD C (N) (BITS 16-25)

3. 3/3X-INHIBIT SAMPLE QUAD B (N) (BITS 16-25)

4. 3/3Z-INHIBIT SAMPLE QUAD D (N) (BITS 16-25)



ISS. CHANGES
 1 PDR 399/70 6-65



LOGIC DIAGRAM

5010895 / 115
 DIAGRAM ISSUE SHEET

ISSUE	1	2	3	4	5	6	7	8	9	10	11	12	13	14	15	16	17	18	19	20	21	22	23	24	25	26	27	28	29	30
SHEET	1	2	3	4	5	6	7	8	9	10	11	12	13	14	15	16	17	18	19	20	21	22	23	24	25	26	27	28	29	30

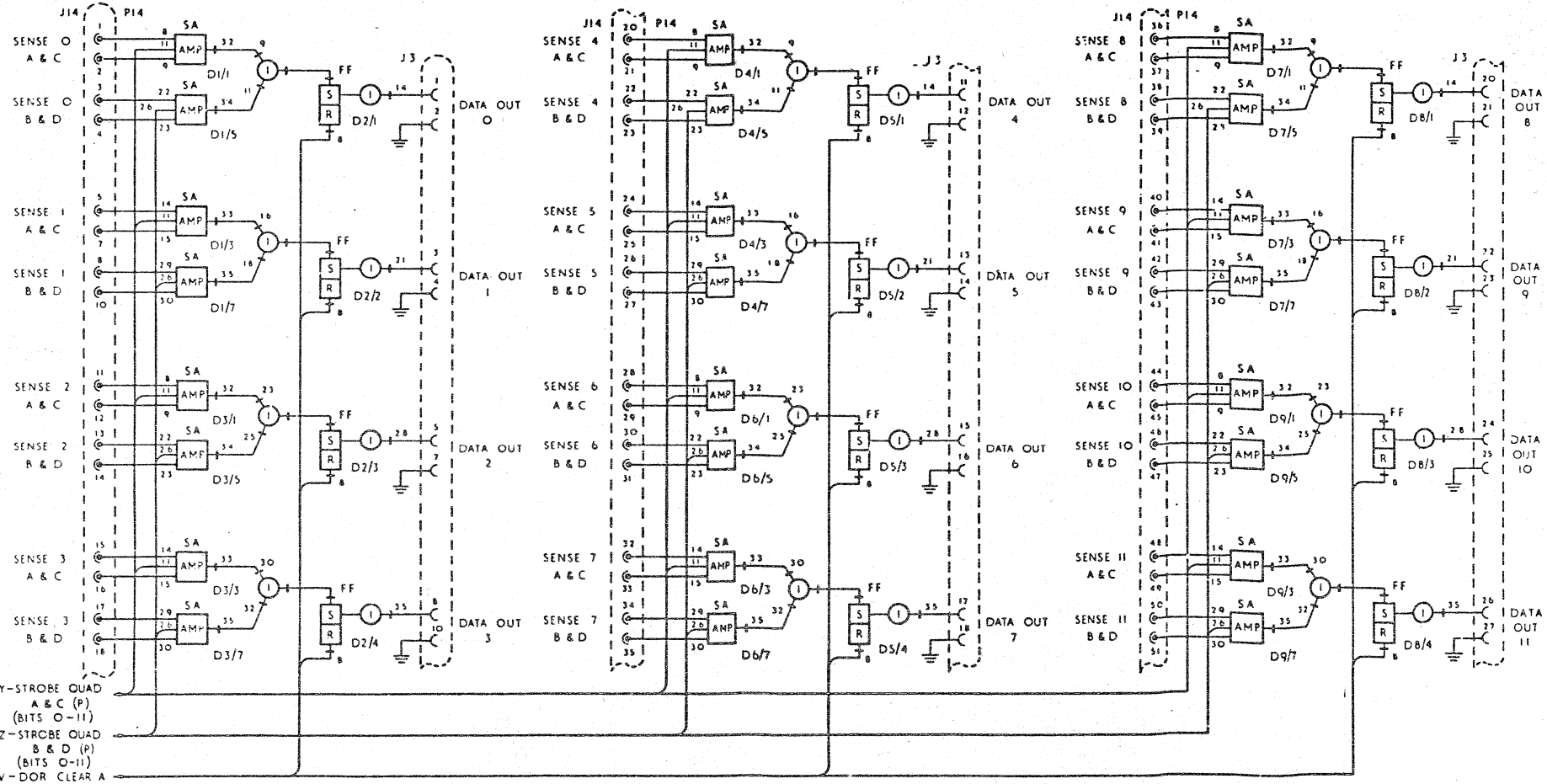
ISSUE NUMBERS OF OTHER SHEETS AT THE TIME OF ISSUING THIS SHEET.

ISS.

CHANGES

1 PDC 399/70

8-65



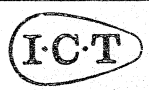
3/32-STROBE QUAD
A & C (P)
(BITS 0-11)

3/32-STROBE QUAD
B & D (P)
(BITS 0-11)

2/6V - DOR CLEAR A
(P)

DATA OUTPUT (BITS 0-11) FABRI-TEK 16K-2μs

DRAWN BY VM SMITH DATE 11-5-65 NOTES



LOGIC DIAGRAM

5010895/ 1 16
DIAGRAM ISSUE SHEET

ISSUE	1	2	3	4	5	6	7	8	9	10	11	12	13	14	15	16	17	18	19	20	21	22	23	24	25	26	27	28	29	30
SHEET	1	2	3	4	5	6	7	8	9	10	11	12	13	14	15	16	17	18	19	20	21	22	23	24	25	26	27	28	29	30
ISSUE NUMBERS OF OTHER SHEETS AT THE TIME OF ISSUING THIS SHEET.																														

