

LOGIC DIAGRAMS

for

Type	1912	Card Reader
Type	1920	Card Punch

CONTENTS

	Diagram Nos.
Type 1912	811366
Type 1920	5008302

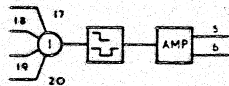
December 1965.

DRAWN BY: M. MITCHELL DATE: 30-4-65 NOTES

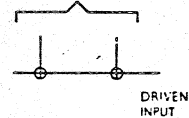
LC1 PHOTO CAM AMPLIFIER



LC2A PULSE GENERATOR



DISTRIBUTED 'OR' GATE DRIVING OUTPUTS



ISS.

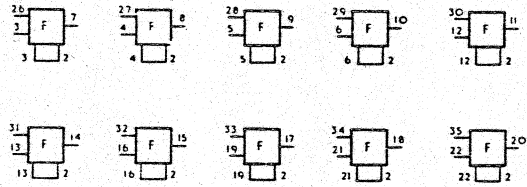
CHANGES

1 PDR 414/18 7/65.

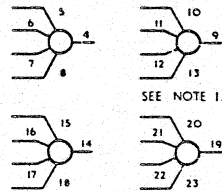
LOGIC SYMBOLS

SE18A

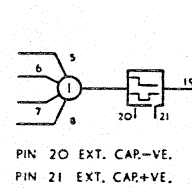
FILTER CONNECTOR



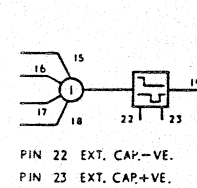
ST1 BASIC LOGIC GATE



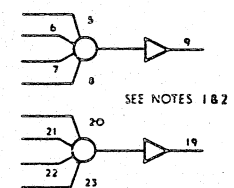
ST3 PULSE GENERATOR



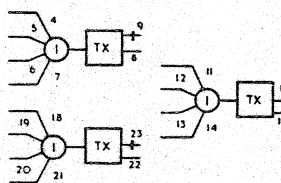
ST4 DELAYED PULSE GEN



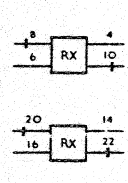
ST5 POWER AMPLIFIER



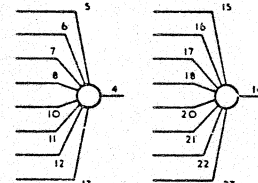
ST6 TRANSMITTER



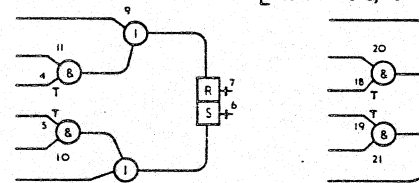
ST7 RECEIVER



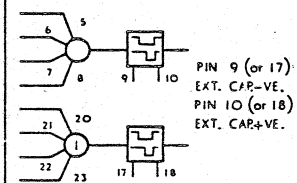
ST8 8 INPUT LOGIC GATE



ST9 500Kc/s BINARY



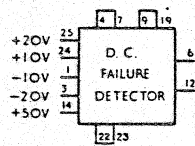
ST10 PULSE EDGE DELAY



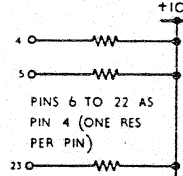
ST11A CAPACITOR & POTENTIOMETER BOARD

FOR DETAILS OF DELAY / WIDTH WHEN USED WITH ST3, ST4 & ST10. SEE SPEC No. 11100 33.

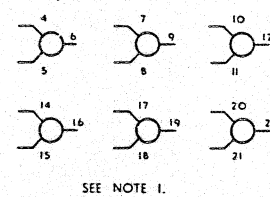
ST12 D.C. FAILURE DETECTOR



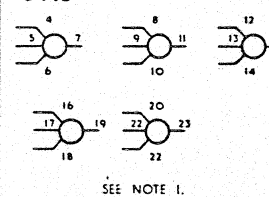
ST13 RESISTOR BOARD



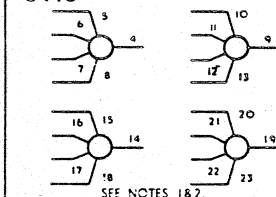
ST14 2 INPUT LOGIC GATE



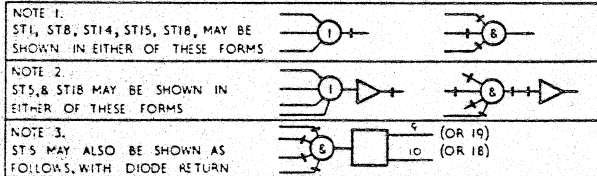
ST15 3 INPUT LOGIC GATE



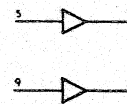
ST18 POWER LOGIC GATE



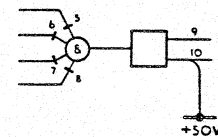
ALTERNATIVE FORMS



WT4 MS 1A. SENSING AMPLIFIER



WT6 2-OA. POWER AMPLIFIER



WT7 PHOTO-CELL DISC-AMPLIFIER



LOGIC DIAGRAM

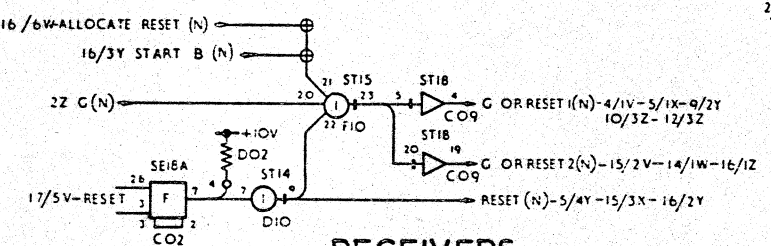
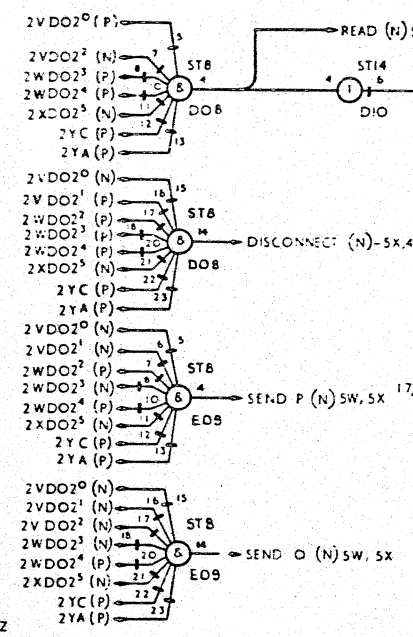
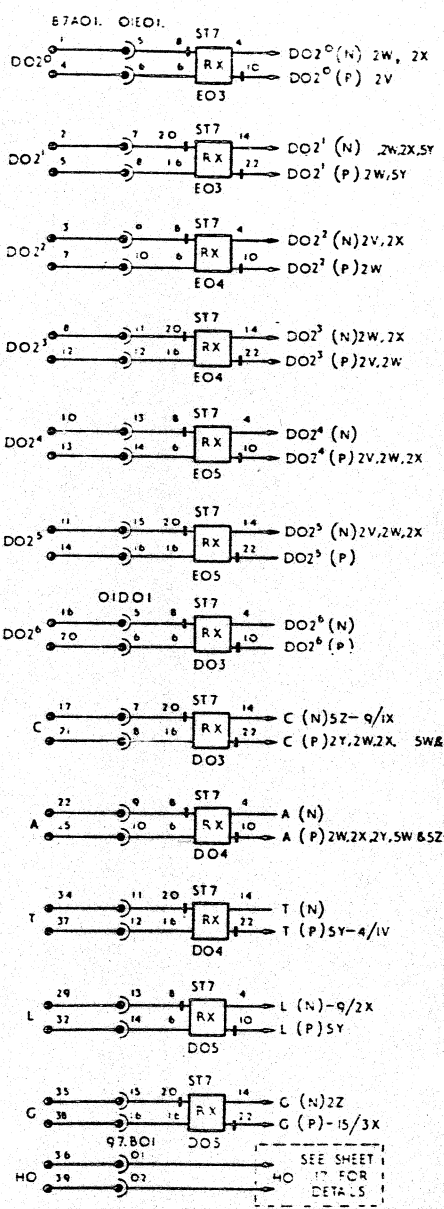
811366 / | |
DIAGRAM ISSUE SHEET

ISSUE

SHEET 1 2 3 4 5 6 7 8 9 10 11 12 13 14 15 16 17 18 19 20 21 22 23 24 25 26 27 28 29 30

ISSUE NUMBERS OF OTHER SHEETS AT THE TIME OF ISSUING THIS SHEET.

NOTES DATE 13 5 65 DRAWN BY: S. COOPER



RECEIVERS

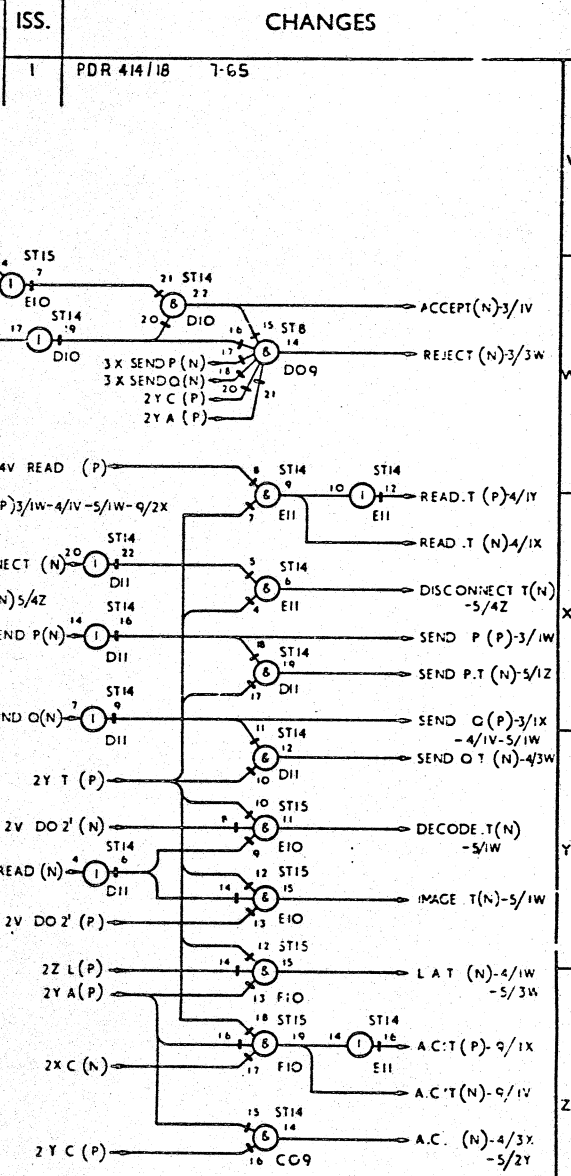
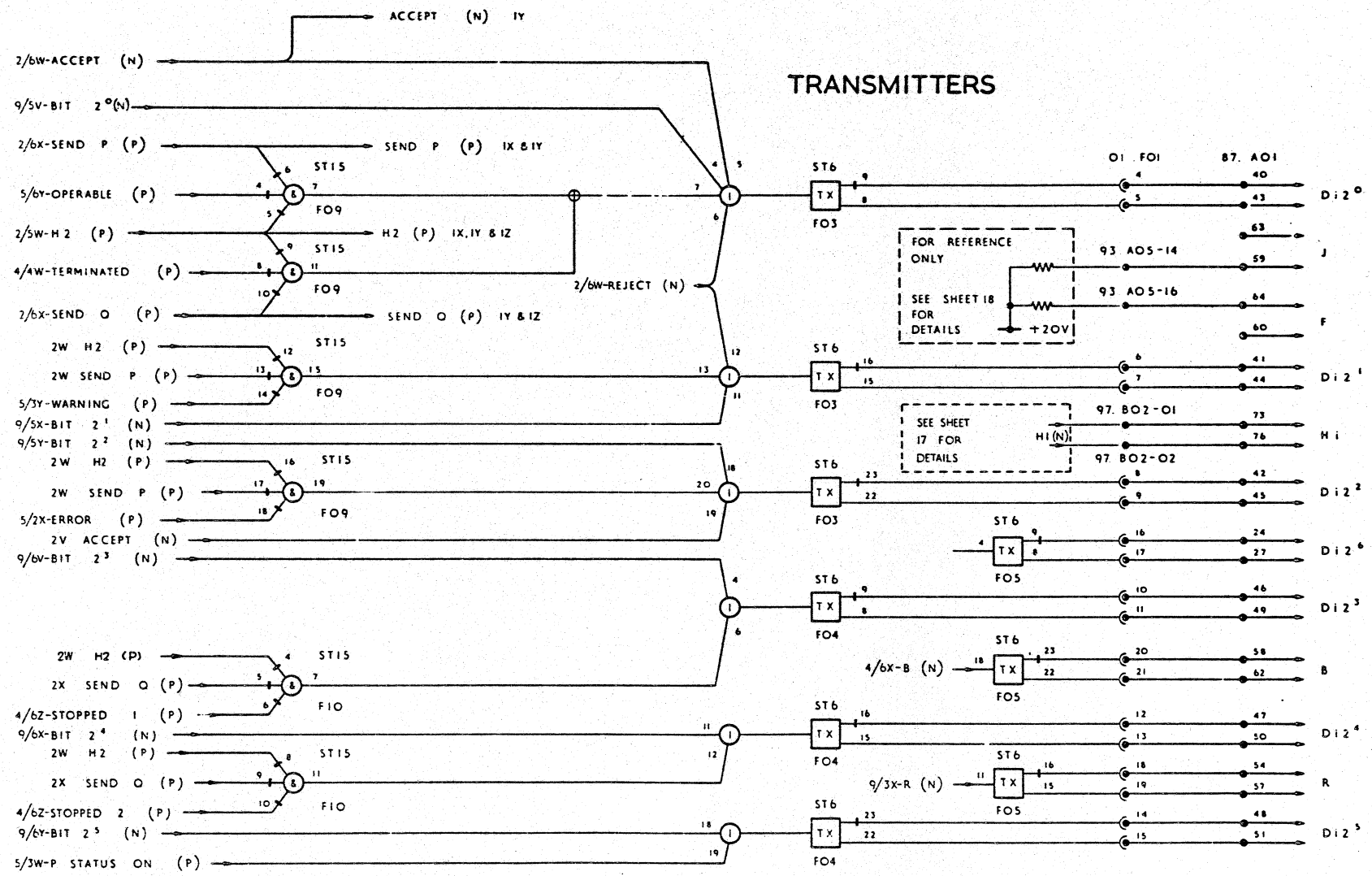


DIAGRAM 811366 / 1 2 ISSUE SHEET

ISSUE	1	2	3	4	5	6	7	8	9	10	11	12	13	14	15	16	17	18	19	20	21	22	23	24	25	26	27	28	29	30
SHEET	1	2	3	4	5	6	7	8	9	10	11	12	13	14	15	16	17	18	19	20	21	22	23	24	25	26	27	28	29	30
ISSUE NUMBERS OF OTHER SHEETS AT THE TIME OF ISSUING THIS SHEET.																														

ISS.		CHANGES	
1	PDR 414/18	7-65	
2	7930	9-65	<i>[Signature]</i>

TRANSMITTERS



DRAWN BY J. WELLS DATE 17-6-65



DIAGRAM

811366 / 2 3
ISSUE SHEET

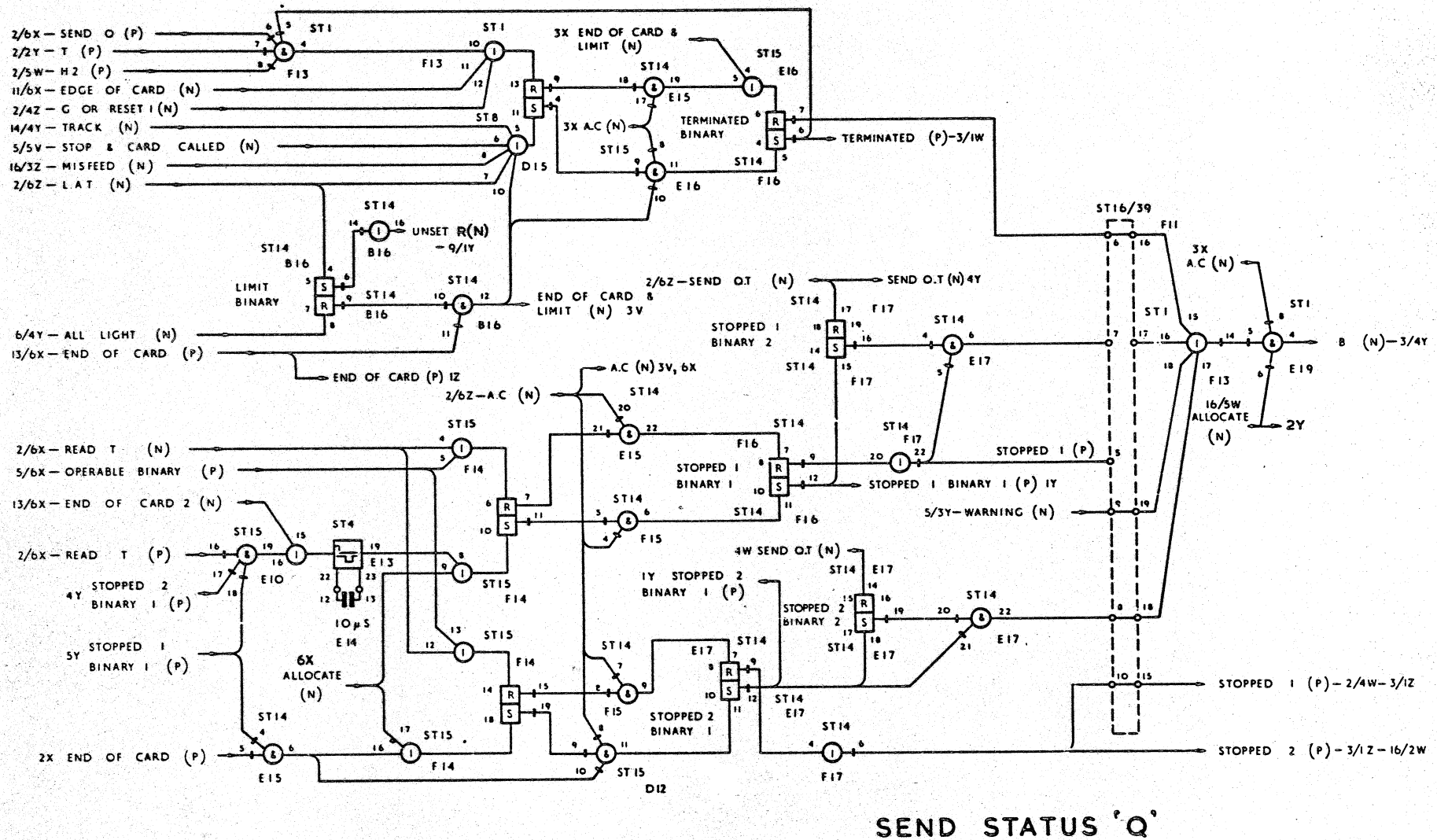
ISSUE	1	2	3	4	5	6	7	8	9	10	11	12	13	14	15	16	17	18	19	20	21	22	23	24	25	26	27	28	29	30	
SHEET																															

ISSUE NUMBERS OF OTHER SHEETS AT THE TIME OF ISSUING THIS SHEET.

ISS.

CHANGES

1 PDR 414/B 7-65



DRAWN BY J. WELLS... DATE 17-6-65

NOTES

I.C.T

LOGIC DIAGRAM

DIAGRAM

811366/

ISSUE

4

SHEET

ISSUE

SHEET

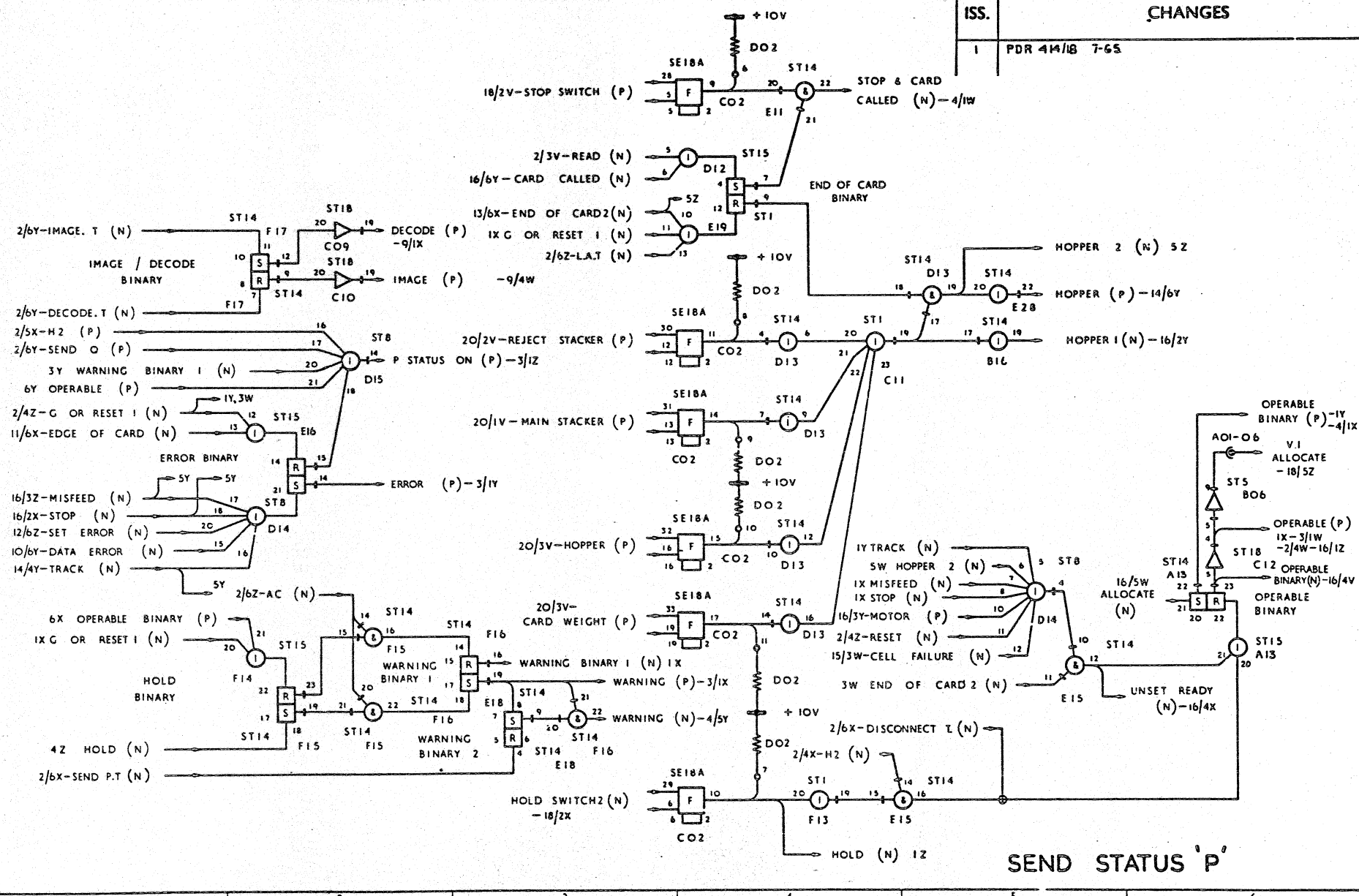
ISSUE NUMBERS OF OTHER SHEETS AT THE TIME OF ISSUING THIS SHEET.

811366E

DATE 17-6-65
DRAWN BY J WELLS

ISS. CHANGES

1 PDR 414/18 7-65

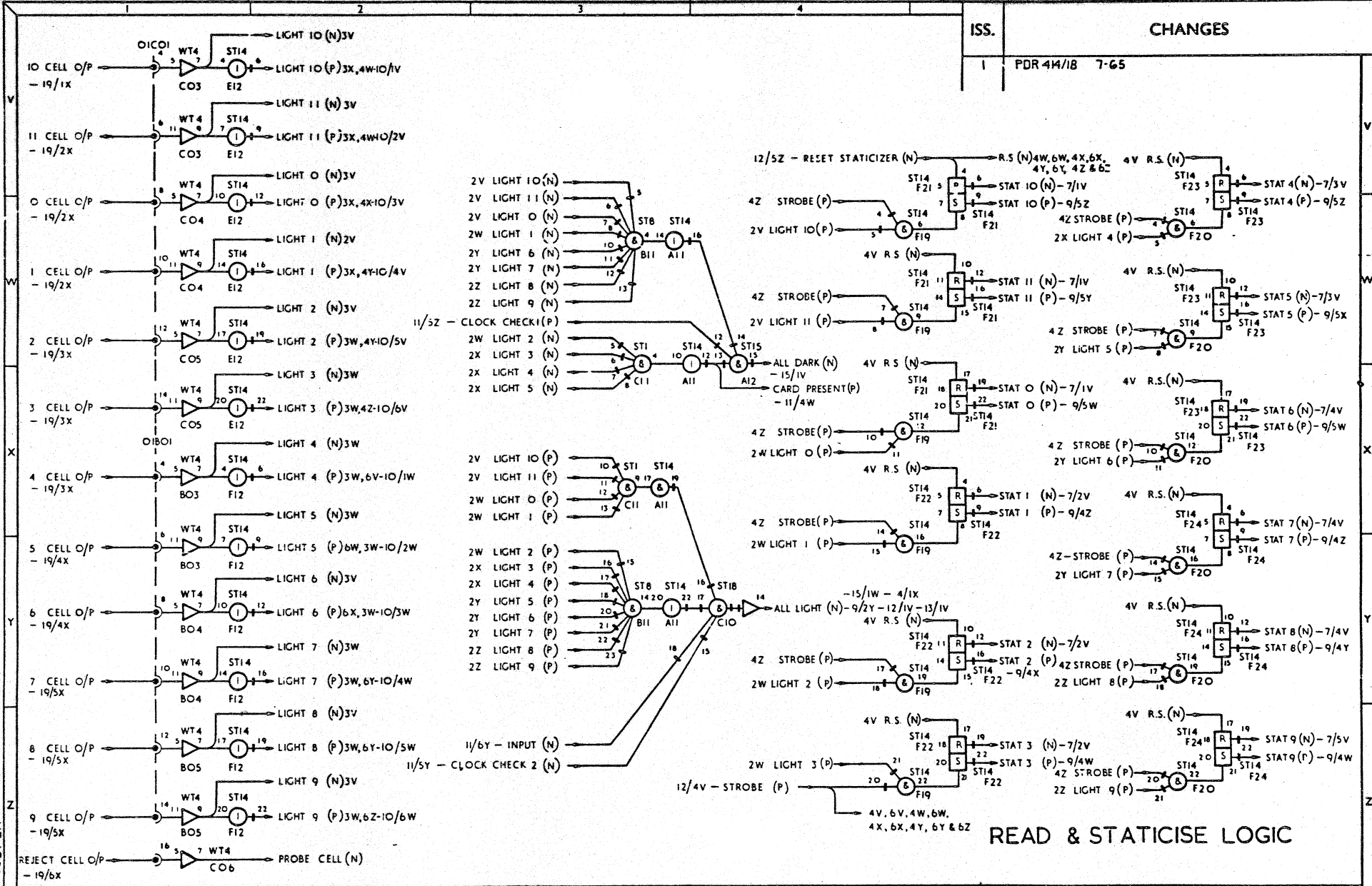


LOGIC DIAGRAM

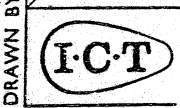
811366/15
DIAGRAM ISSUE SHEET

ISSUE	1	2	3	4	5	6	7	8	9	10	11	12	13	14	15	16	17	18	19	20	21	22	23	24	25	26	27	28	29	30
SHEET	1	2	3	4	5	6	7	8	9	10	11	12	13	14	15	16	17	18	19	20	21	22	23	24	25	26	27	28	29	30
ISSUE NUMBERS OF OTHER SHEETS AT THE TIME OF ISSUING THIS SHEET.																														

DRAWN BY S. COOPER DATE 6.5.65



ISS.	CHANGES
1	PDR 44/18 7-65



LOGIC DIAGRAM

813366 / 1 6
DIAGRAM ISSUE SHEET

ISSUE	1	2	3	4	5	6	7	8	9	10	11	12	13	14	15	16	17	18	19	20	21	22	23	24	25	26	27	28	29	30
SHEET	1	2	3	4	5	6	7	8	9	10	11	12	13	14	15	16	17	18	19	20	21	22	23	24	25	26	27	28	29	30
ISSUE NUMBERS OF OTHER SHEETS AT THE TIME OF ISSUING THIS SHEET.																														

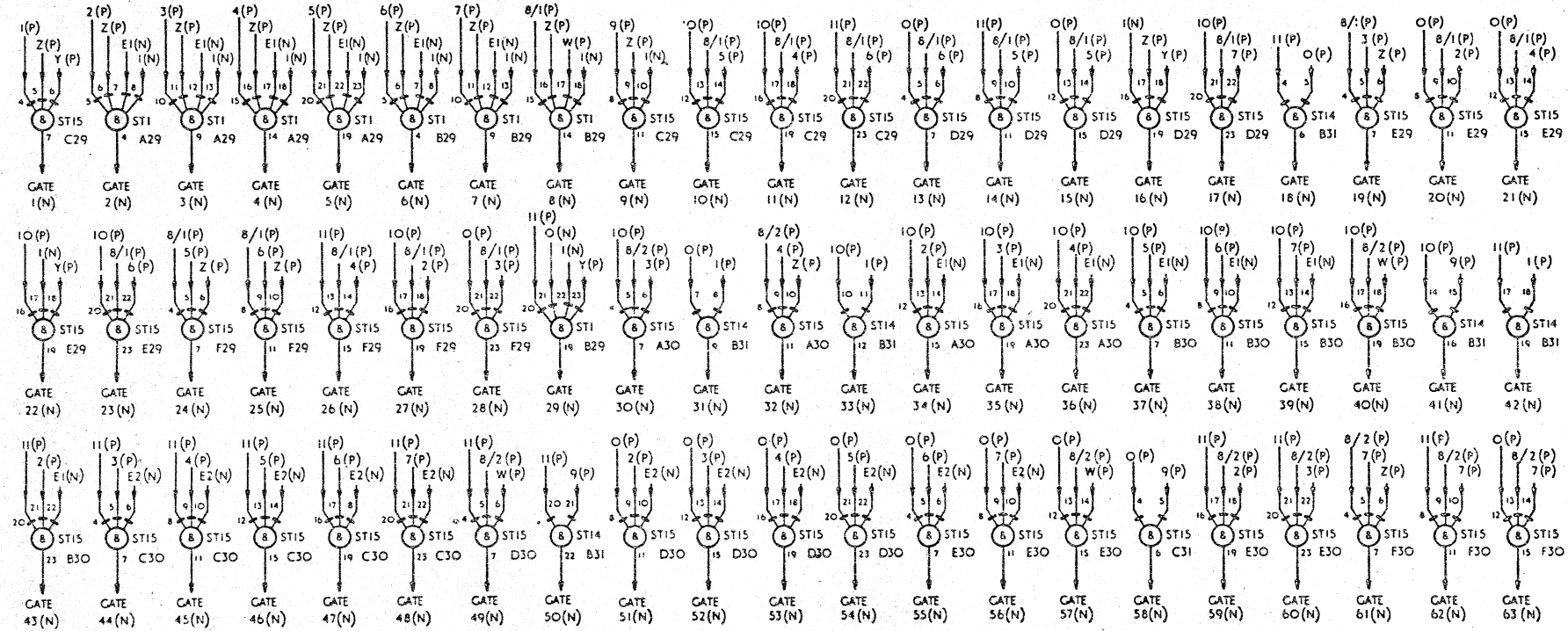
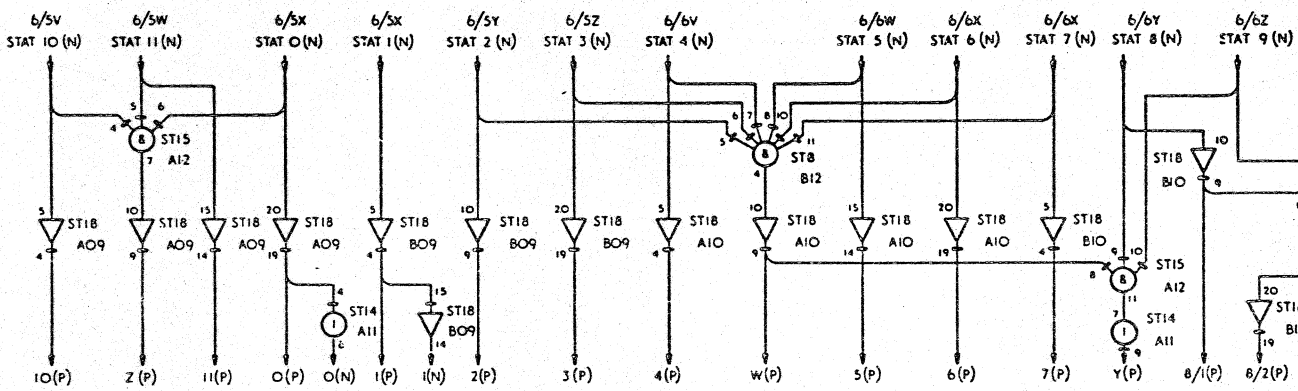
ISS.

CHANGES

1

PDR 414/18 7-65

B DECODER SHEET 1



OUTPUTS TO SHEET 8

NOTES DATE 30-4-65 J. AWN BT - V. ACRAMAN



LOGIC DIAGRAM

811366 / 1 7

DIAGRAM ISSUE SHEET

ISSUE

SHEET	1	2	3	4	5	6	7	8	9	10	11	12	13	14	15	16	17	18	19	20	21	22	23	24	25	26	27	28	29	30
-------	---	---	---	---	---	---	---	---	---	----	----	----	----	----	----	----	----	----	----	----	----	----	----	----	----	----	----	----	----	----

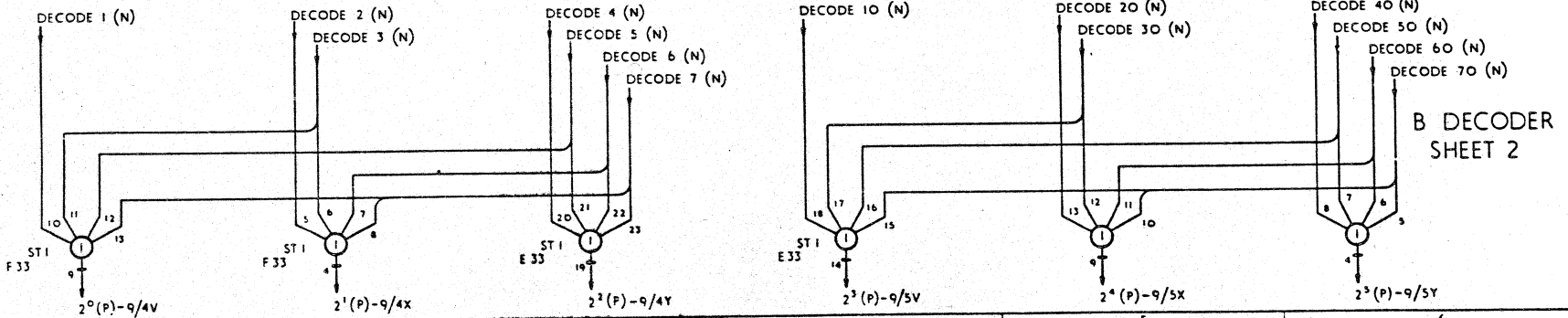
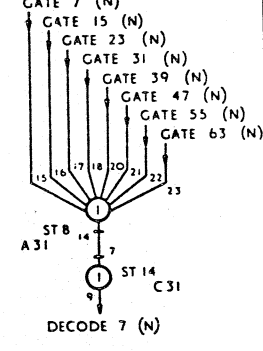
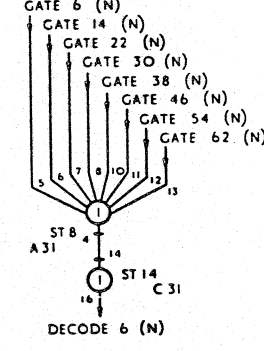
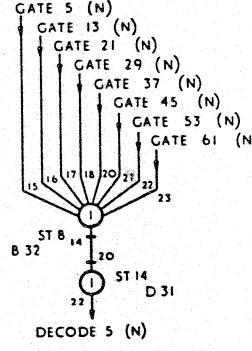
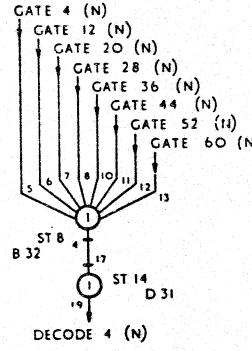
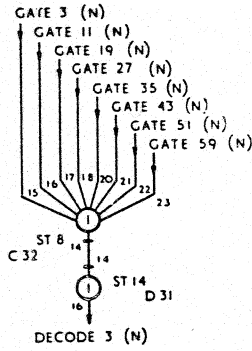
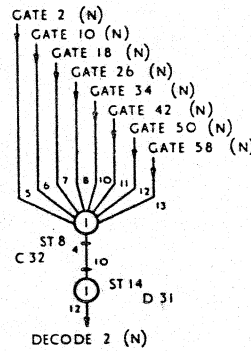
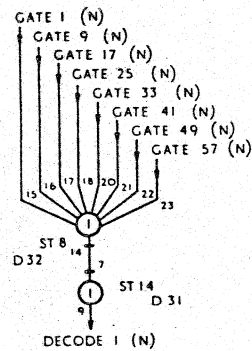
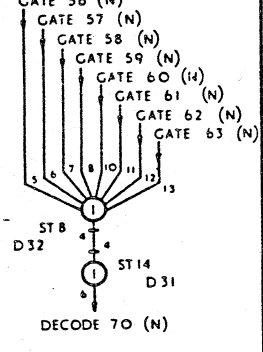
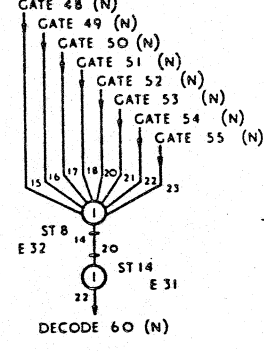
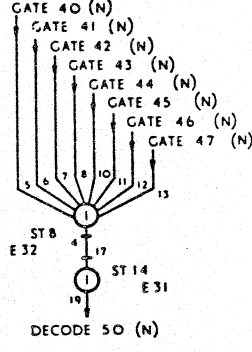
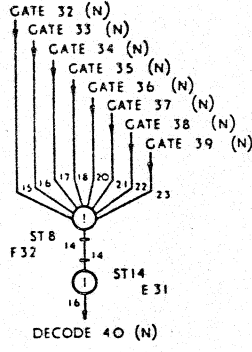
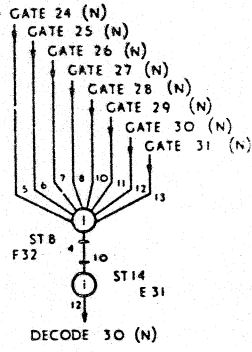
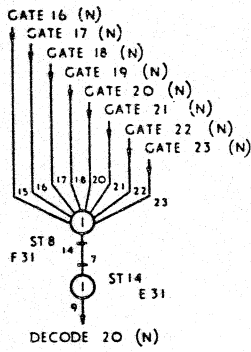
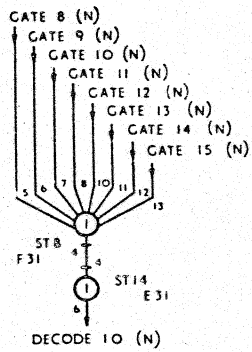
ISSUE NUMBERS OF OTHER SHEETS AT THE TIME OF ISSUING THIS SHEET.

INPUTS FROM SHEET 7

ISS.

CHANGES

1 PDR 414/1B 7-65



DRAWN BY L. E. GARNER DATE 2-5-65



LOGIC DIAGRAM

811366 / 1 8

DIAGRAM

ISSUE

SHEET

ISSUE

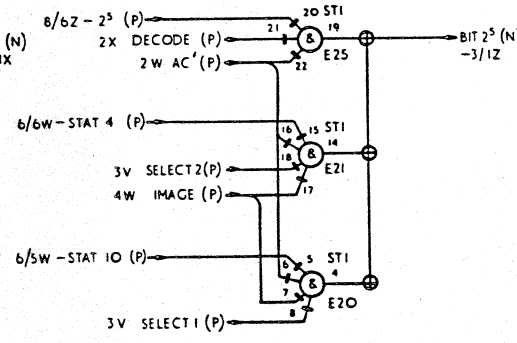
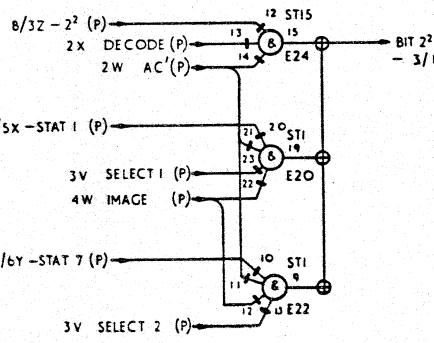
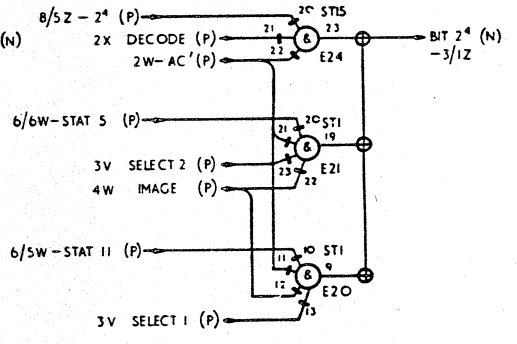
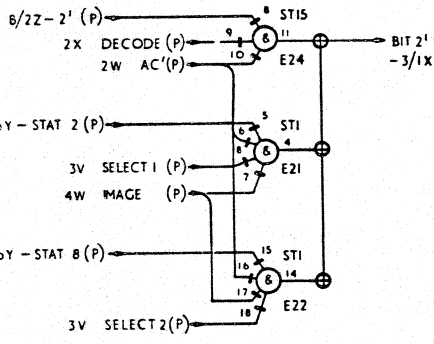
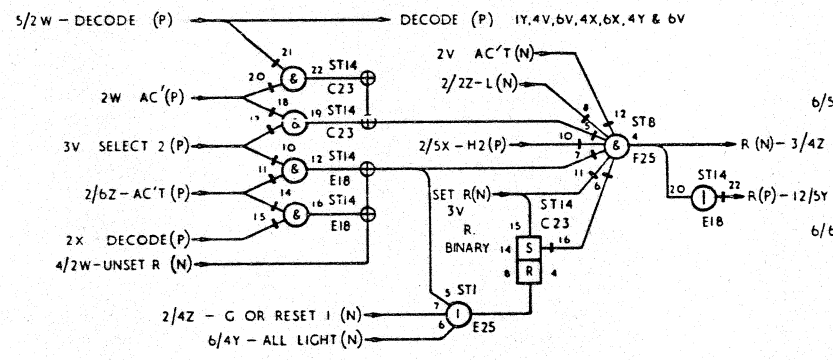
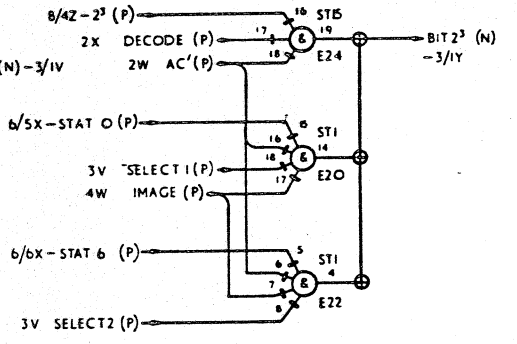
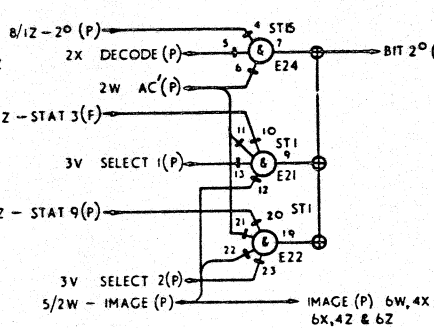
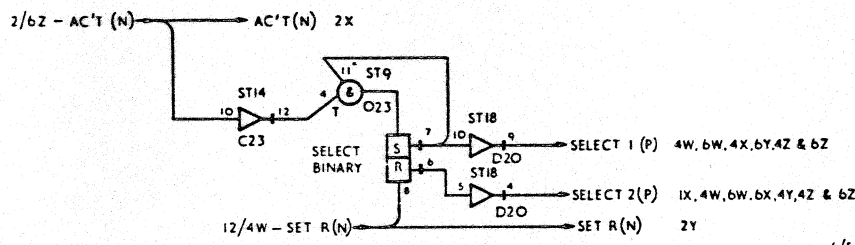
SHEET	1	2	3	4	5	6	7	8	9	10	11	12	13	14	15	16	17	18	19	20	21	22	23	24	25	26	27	28	29	30
-------	---	---	---	---	---	---	---	---	---	----	----	----	----	----	----	----	----	----	----	----	----	----	----	----	----	----	----	----	----	----

ISSUE NUMBERS OF OTHER SHEETS AT THE TIME OF ISSUING THIS SHEET.

ISS:

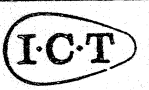
CHANGES

1 PDR 414/18 7-65



R LINE & CARD IMAGE

DRAWN BY S. COOPER DATE 11.5.65



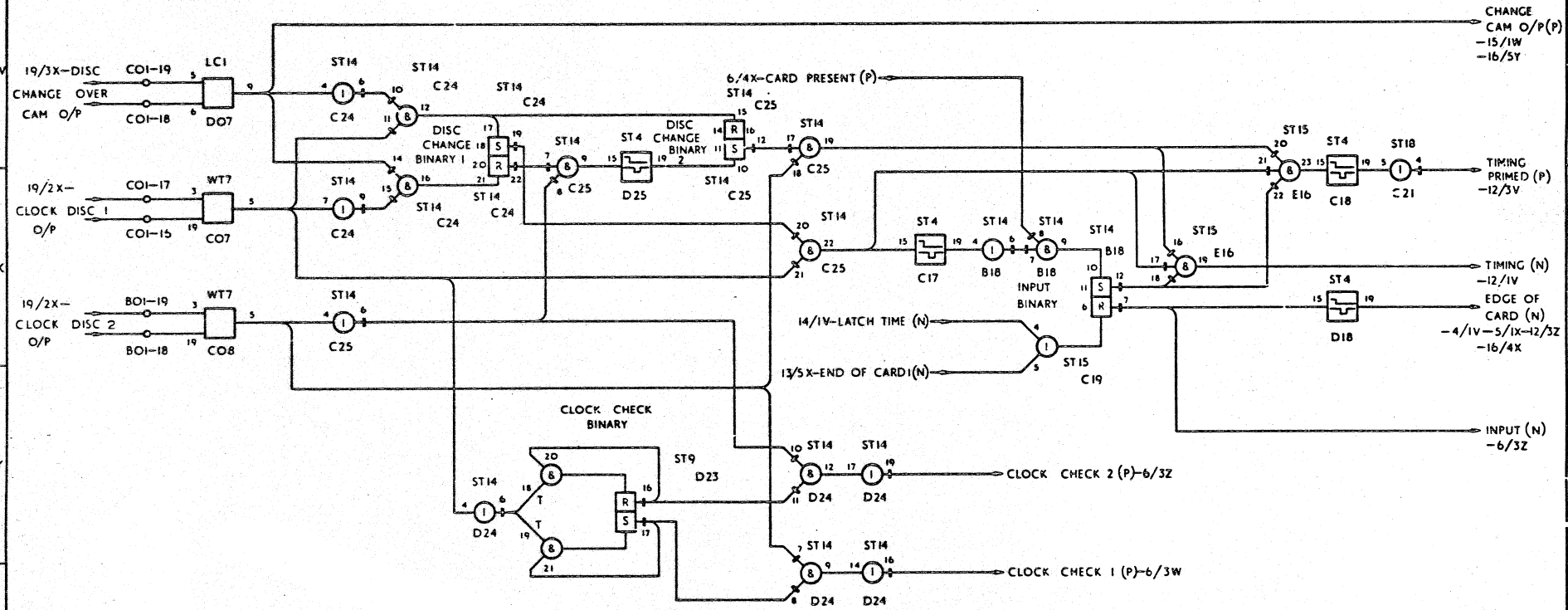
LOGIC DIAGRAM

811366 / 1 9

DIAGRAM ISSUE SHEET

ISSUE																														
SHEET	1	2	3	4	5	6	7	8	9	10	11	12	13	14	15	16	17	18	19	20	21	22	23	24	25	26	27	28	29	30
ISSUE NUMBERS OF OTHER SHEETS AT THE TIME OF ISSUING THIS SHEET.																														

ISS.	CHANGES
1	PDR 414/18 7-65



CLOCK & CLOCK CHECK

DRAWN BY M. TAYLOR DATE 79-4-65



LOGIC DIAGRAM

811366 /
DIAGRAM

ISSUE SHEET

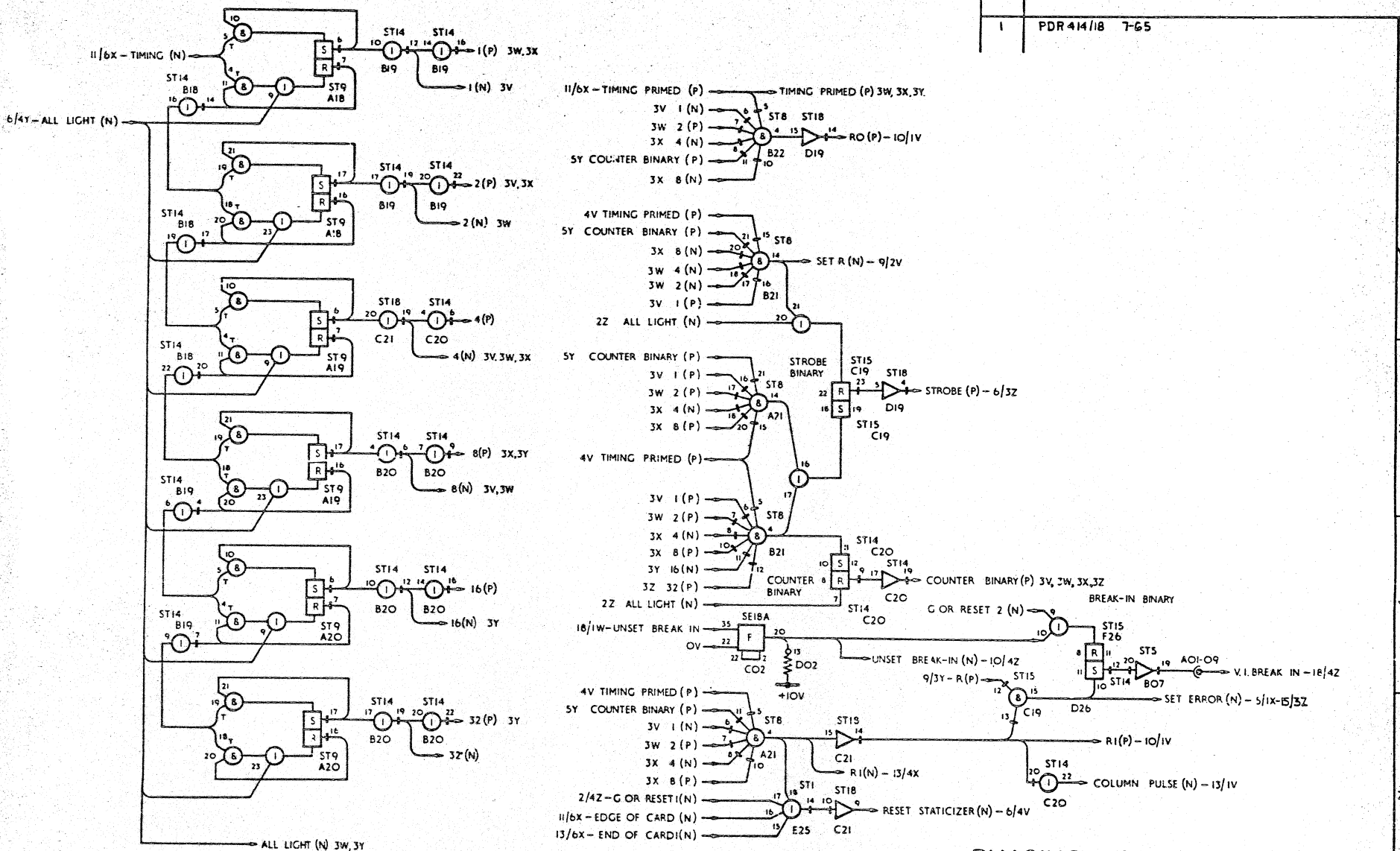
ISSUE	1	2	3	4	5	6	7	8	9	10	11	12	13	14	15	16	17	18	19	20	21	22	23	24	25	26	27	28	29	30
SHEET	1	2	3	4	5	6	7	8	9	10	11	12	13	14	15	16	17	18	19	20	21	22	23	24	25	26	27	28	29	30
ISSUE NUMBERS OF OTHER SHEETS AT THE TIME OF ISSUING THIS SHEET.																														

ISS.

CHANGES

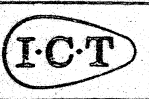
1

PDR 414/18 7-65



PHASING COUNTER

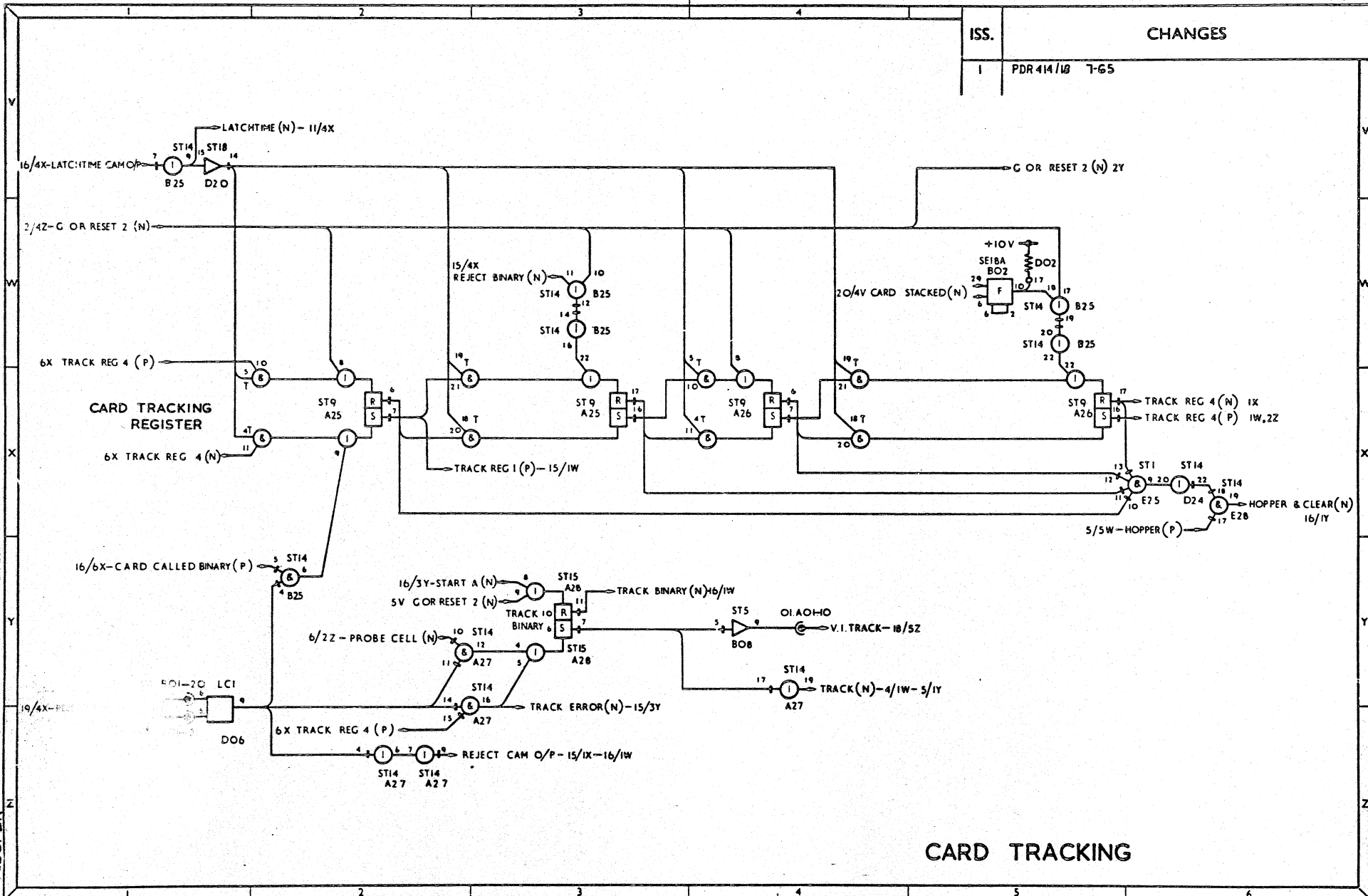
DRAWN BY M. MITCHELL DATE 13-5-65 NOTES



811366 / 1 12
 DIAGRAM ISSUE SHEET

ISSUE	1	2	3	4	5	6	7	8	9	10	11	12	13	14	15	16	17	18	19	20	21	22	23	24	25	26	27	28	29	30	
SHEET	1	2	3	4	5	6	7	8	9	10	11	12	13	14	15	16	17	18	19	20	21	22	23	24	25	26	27	28	29	30	
ISSUE NUMBERS OF OTHER SHEETS AT THE TIME OF ISSUING THIS SHEET.																															

ISS.	CHANGES
1	PDR 414 / 18 7-65



DRAWN BY SCOOPER DATE 17.5.65

NOTES

CARD TRACKING



LOGIC DIAGRAM

DIAGRAM

811366 / 14
ISSUE SHEET

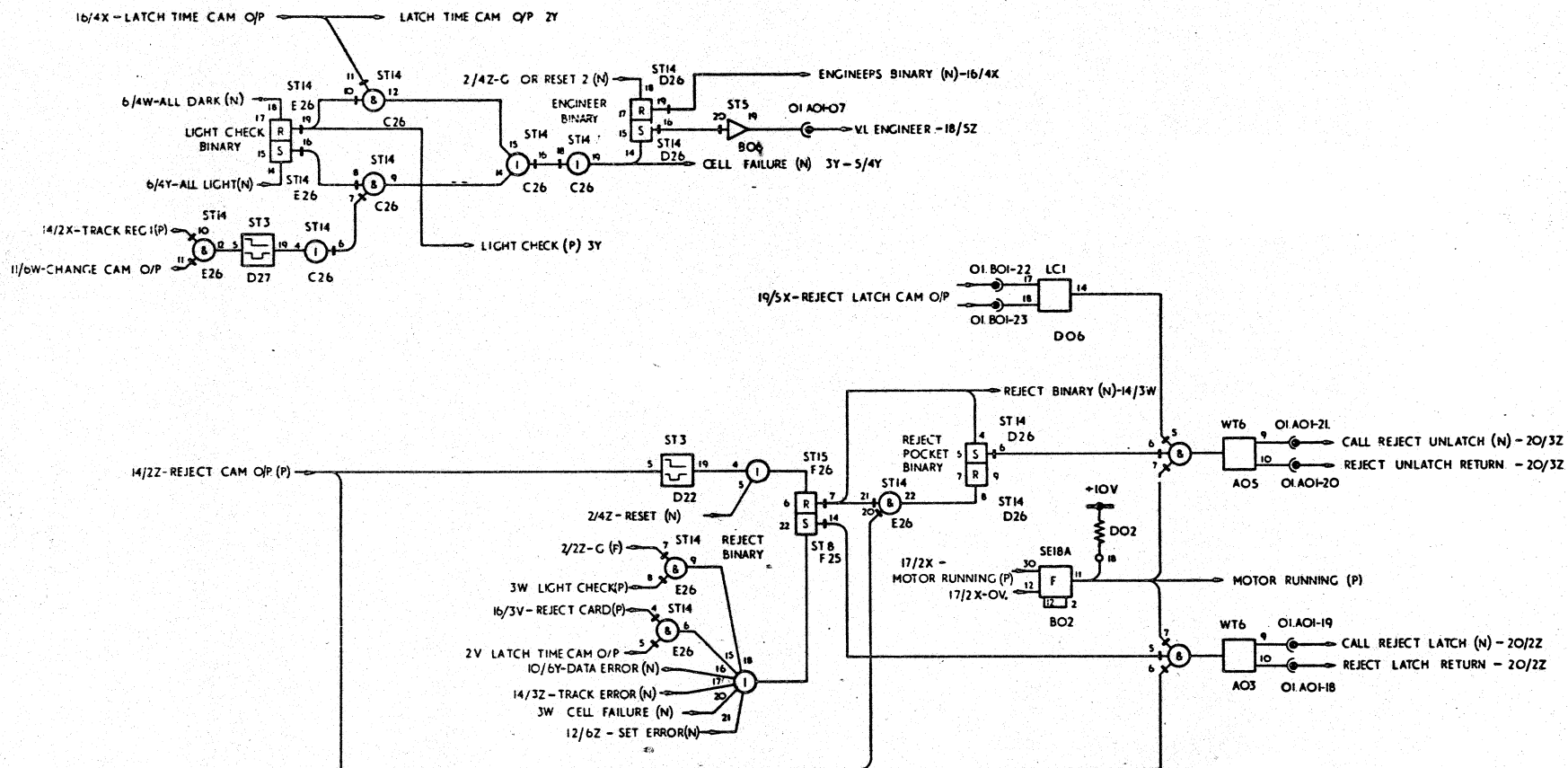
ISSUE	1	2	3	4	5	6	7	8	9	10	11	12	13	14	15	16	17	18	19	20	21	22	23	24	25	26	27	28	29	30
SHEET																														
ISSUE NUMBERS OF OTHER SHEETS AT THE TIME OF ISSUING THIS SHEET.																														

ISS.

CHANGES

1

PDR 414/18 7-65



REJECT STACKER CONTROL.

DRAWN BY A. WILLIS DATE 19-5-65. NOTES

I.C.T

LOGIC
DIAGRAM811366
DIAGRAM

ISSUE

15
SHEET

ISSUE

SHEET 1 2 3 4 5 6 7 8 9 10 11 12 13 14 15 16 17 18 19 20 21 22 23 24 25 26 27 28 29 30

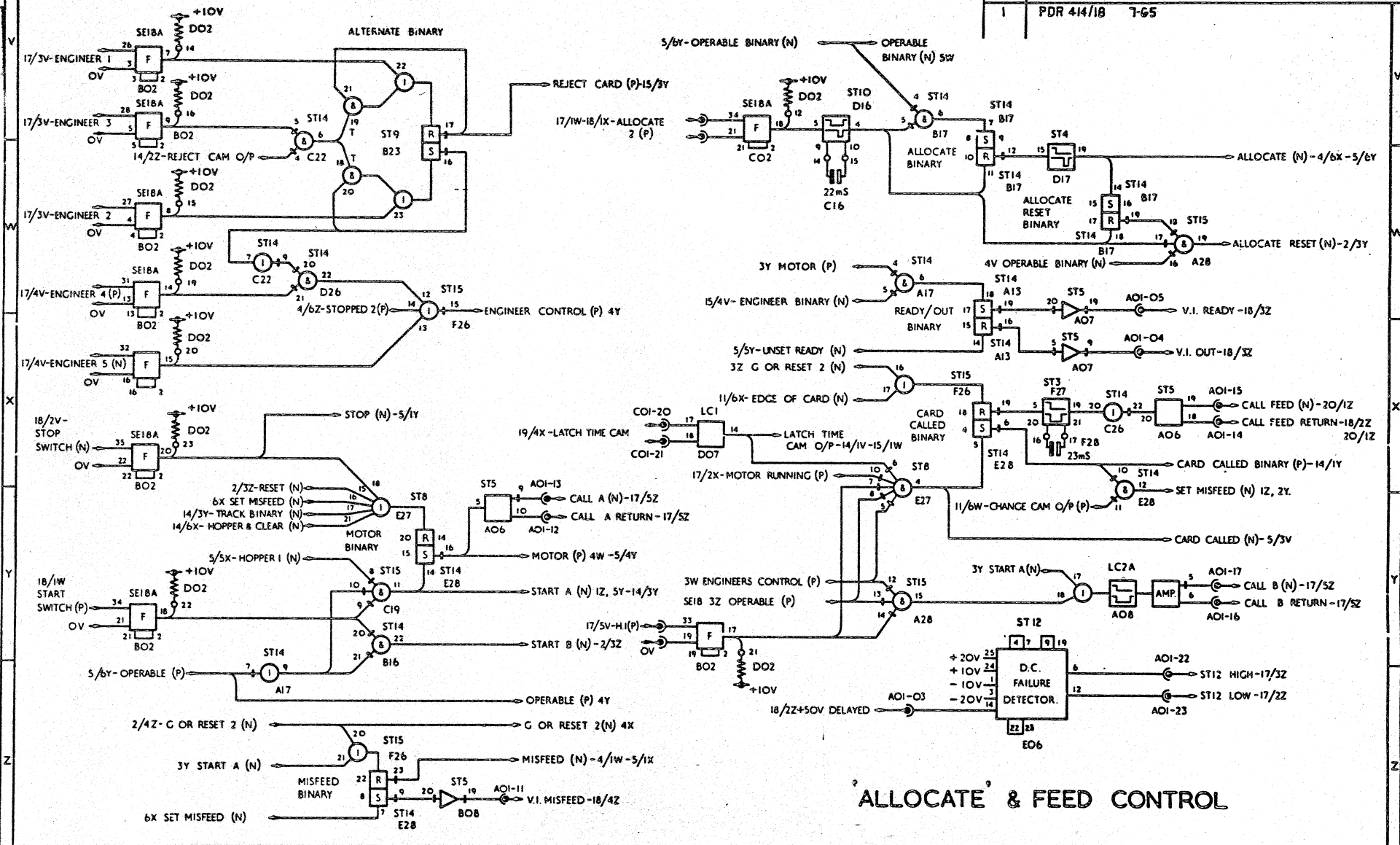
ISSUE NUMBERS OF OTHER SHEETS AT THE TIME OF ISSUING THIS SHEET.

813128 E

ISS.

CHANGES

1 PDR 414/18 7-65



ALLOCATE & FEED CONTROL

DRAWN BY G.V. GRAMIAN DATE 28-5-65



LOGIC DIAGRAM

811366 / 1 16

DIAGRAM

ISSUE

SHEET

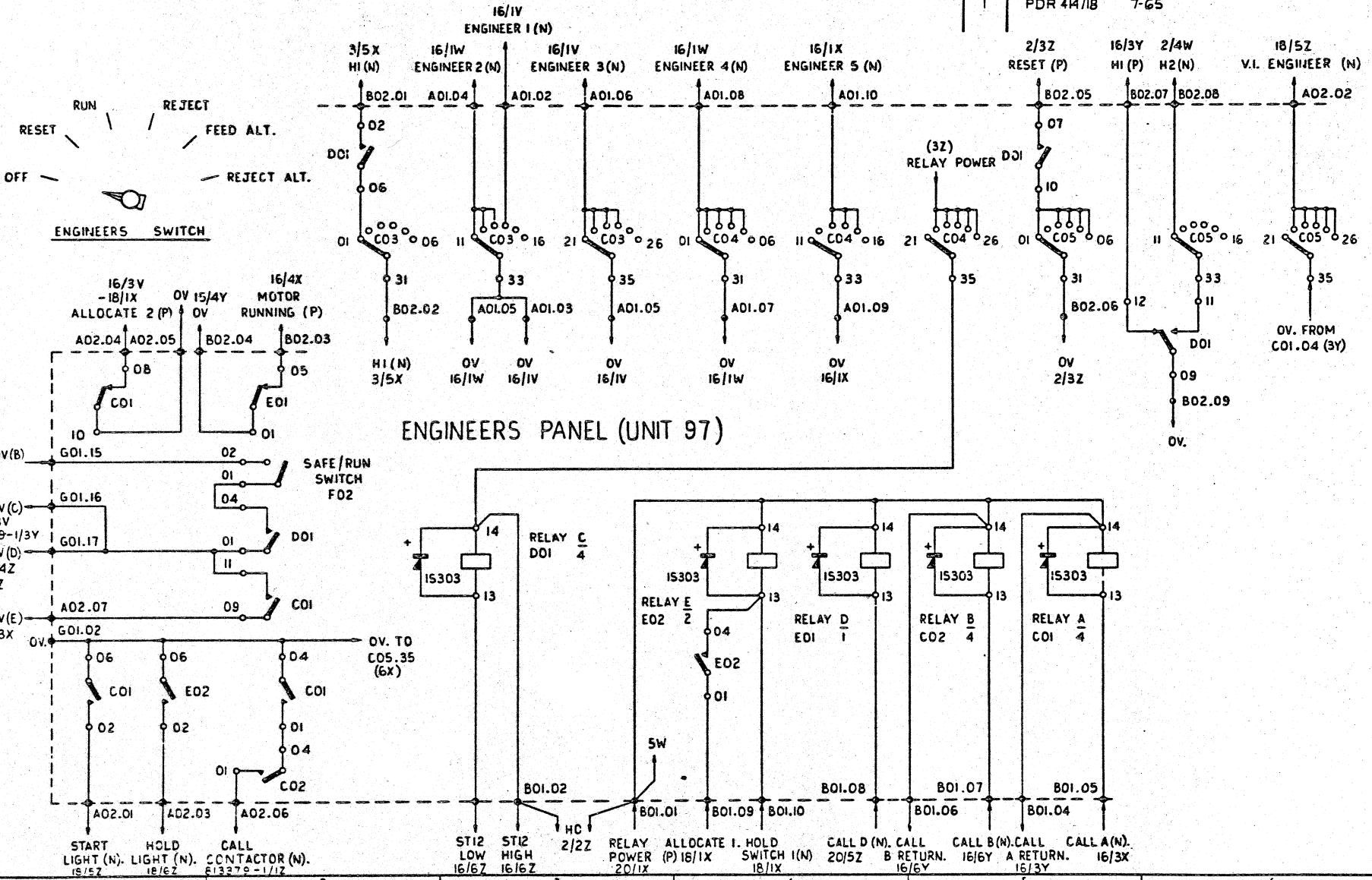
ISSUE

1	2	3	4	5	6	7	8	9	10	11	12	13	14	15	16	17	18	19	20	21	22	23	24	25	26	27	28	29	30
---	---	---	---	---	---	---	---	---	----	----	----	----	----	----	----	----	----	----	----	----	----	----	----	----	----	----	----	----	----

ISSUE NUMBERS OF OTHER SHEETS AT THE TIME OF ISSUING THIS SHEET.

DRAWN BY V. M. SMITH DATE 10-5-65

ISS.	CHANGES	
1	PDR 44/18	7-65



LOGIC DIAGRAM

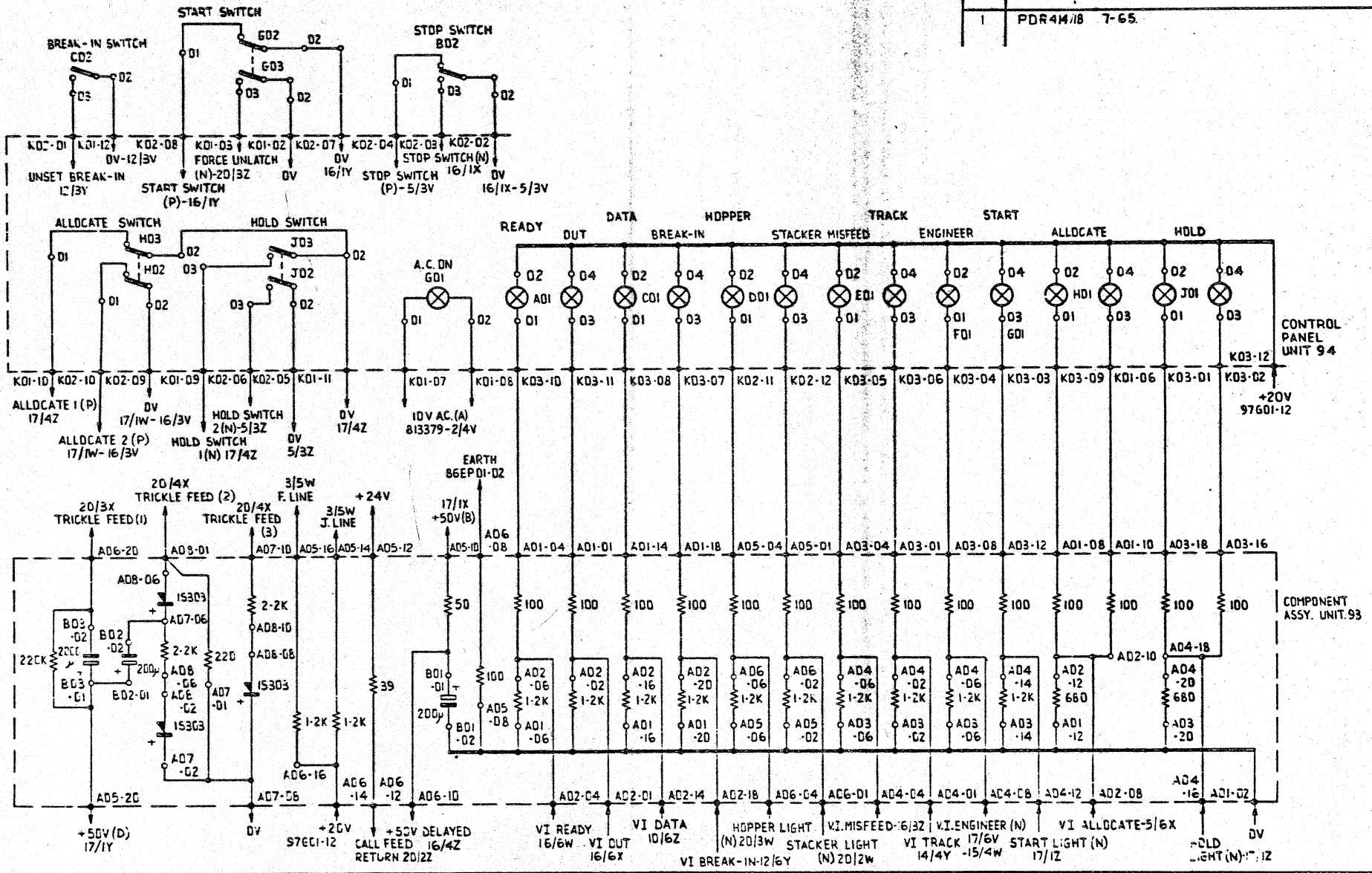
811366 / 117

DIAGRAM ISSUE SHEET

ISSUE	1	2	3	4	5	6	7	8	9	10	11	12	13	14	15	16	17	18	19	20	21	22	23	24	25	26	27	28	29	30
SHEET	1	2	3	4	5	6	7	8	9	10	11	12	13	14	15	16	17	18	19	20	21	22	23	24	25	26	27	28	29	30
ISSUE NUMBERS OF OTHER SHEETS AT THE TIME OF ISSUING THIS SHEET.																														

ISS. CHANGES

1 PDR44/18 7-65.



DRAWN BY M. MITCHELL DATE 7-5-65

NOTES

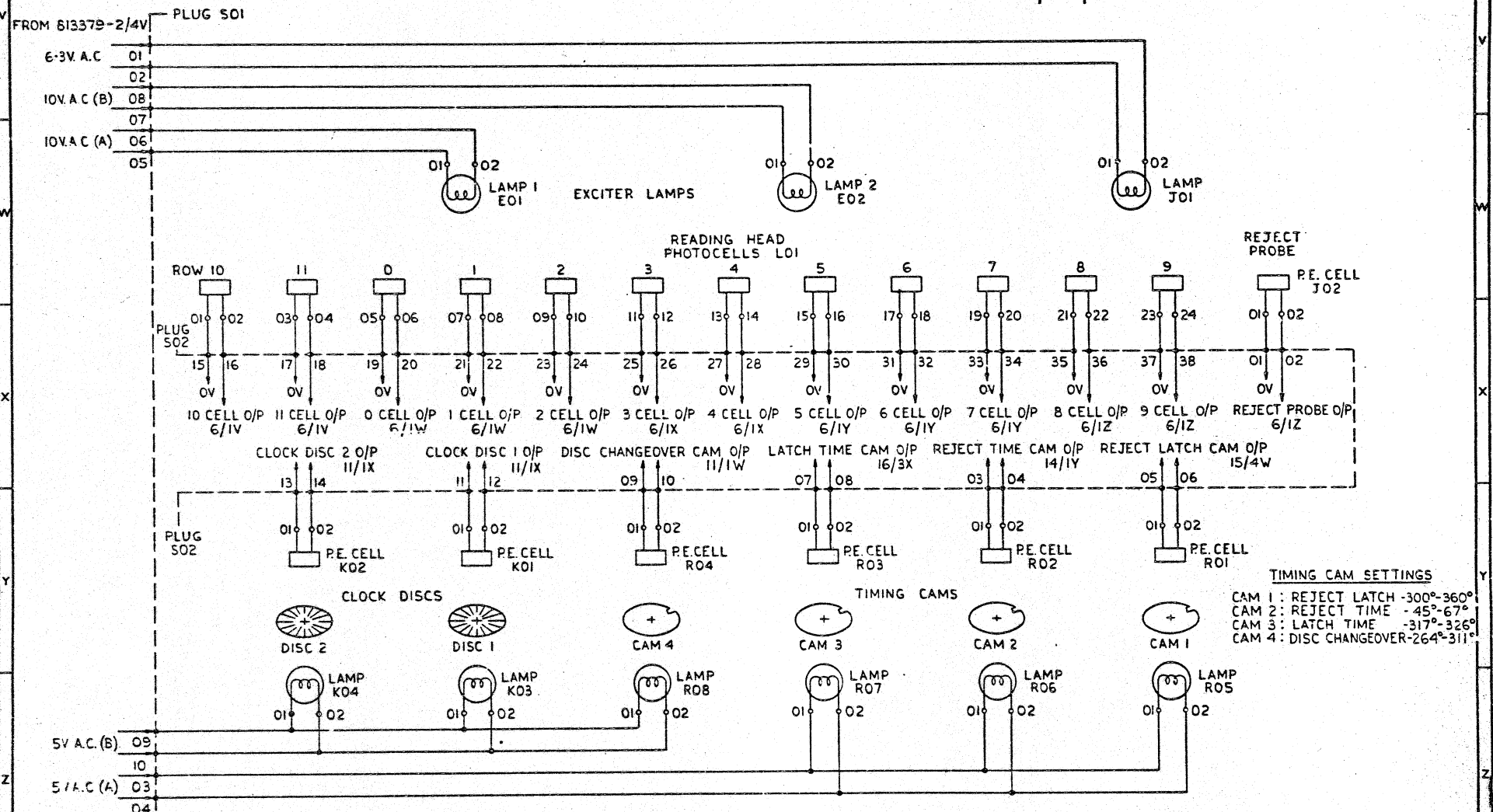
LOGIC DIAGRAM

811366/ 18

DIAGRAM ISSUE SHEET

ISSUE	1	2	3	4	5	6	7	8	9	10	11	12	13	14	15	16	17	18	19	20	21	22	23	24	25	26	27	28	29	30
SHEET	1	2	3	4	5	6	7	8	9	10	11	12	13	14	15	16	17	18	19	20	21	22	23	24	25	26	27	28	29	30
ISSUE NUMBERS OF OTHER SHEETS AT THE TIME OF ISSUING THIS SHEET.																														

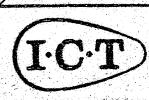
ISS.	CHANGES	
1	PDR 414/18	7-65



TIMING CAM SETTINGS
 CAM 1: REJECT LATCH -300°-360°
 CAM 2: REJECT TIME -45°-67°
 CAM 3: LATCH TIME -317°-326°
 CAM 4: DISC CHANGEOVER-264°-311°

CARD TRANSPORT SHEET 1

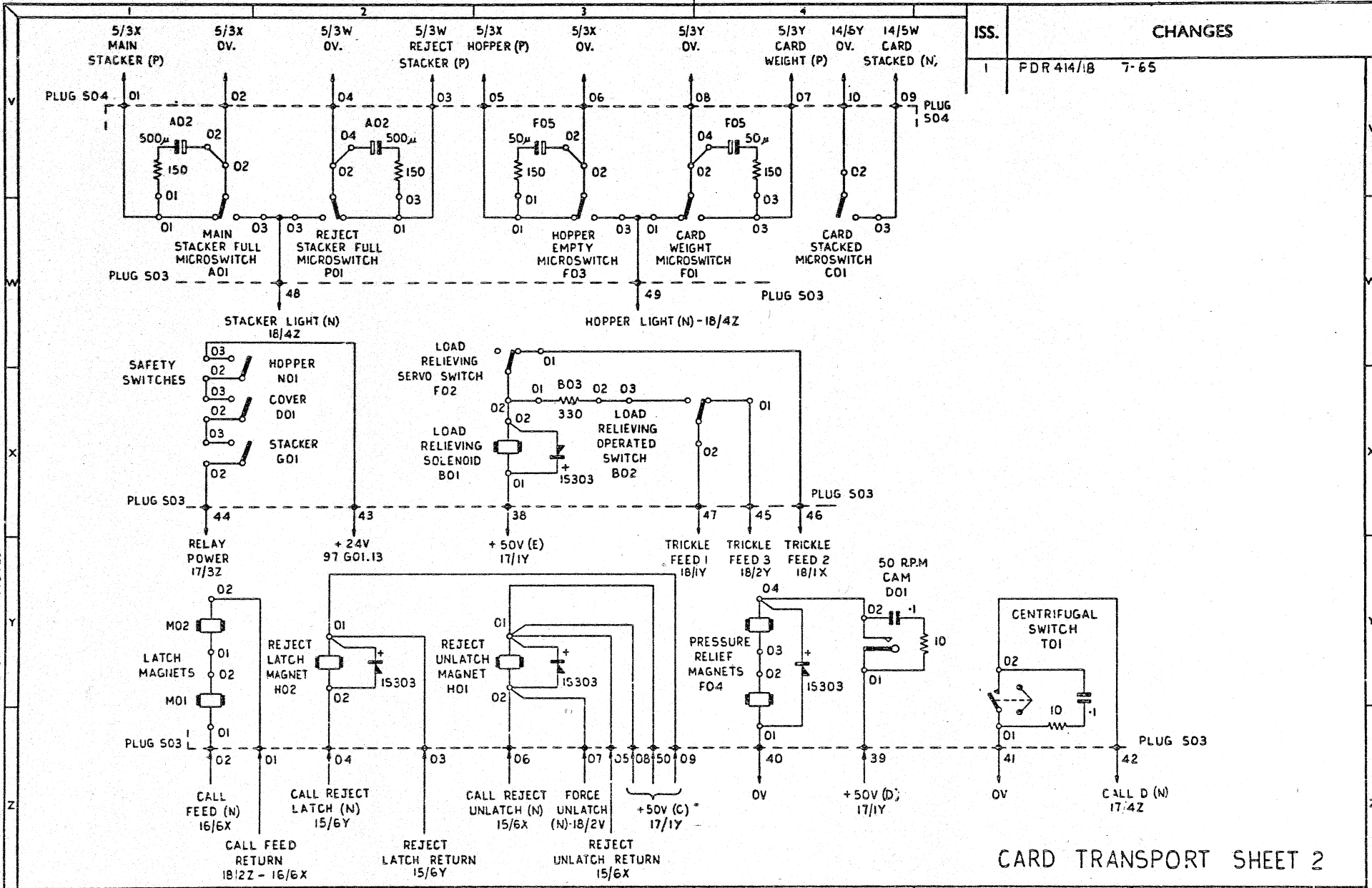
DRAWN BY L. GARNER DATE 10-5-65



811366 / 1 19
 DIAGRAM ISSUE SHEET

ISSUE	1	2	3	4	5	6	7	8	9	10	11	12	13	14	15	16	17	18	19	20	21	22	23	24	25	26	27	28	29	30
SHEET	1	2	3	4	5	6	7	8	9	10	11	12	13	14	15	16	17	18	19	20	21	22	23	24	25	26	27	28	29	30
ISSUE NUMBERS OF OTHER SHEETS AT THE TIME OF ISSUING THIS SHEET.																														

DRAWN BY V. M. SMITH DATE 5-5-65 NOTES



ISS.	CHANGES	
1	PDR 414/1B	7-65

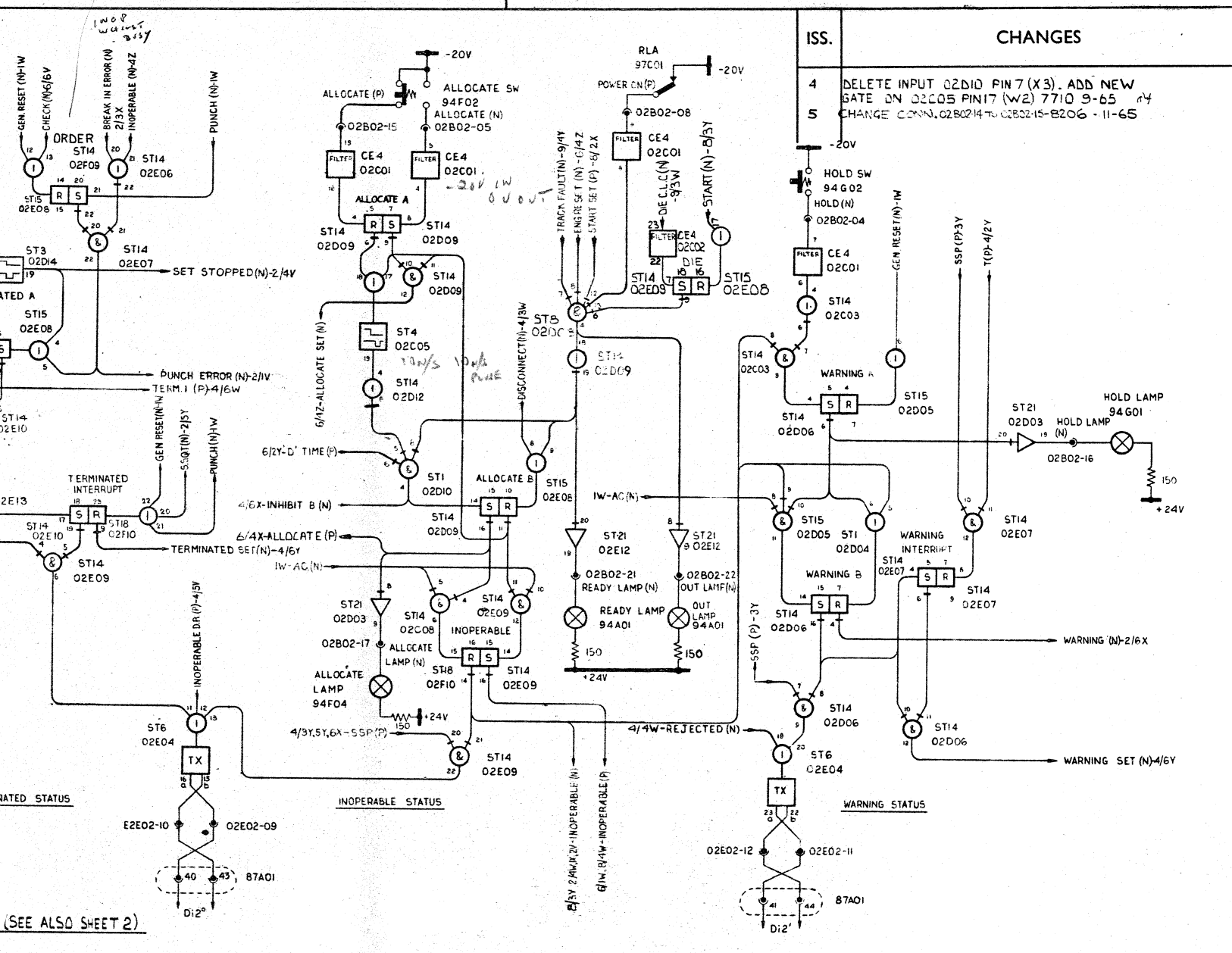
CARD TRANSPORT SHEET 2



811366/120
 DIAGRAM ISSUE SHEET

ISSUE	1	2	3	4	5	6	7	8	9	10	11	12	13	14	15	16	17	18	19	20	21	22	23	24	25	26	27	28	29	30
SHEET	1	2	3	4	5	6	7	8	9	10	11	12	13	14	15	16	17	18	19	20	21	22	23	24	25	26	27	28	29	30
ISSUE NUMBERS OF OTHER SHEETS AT THE TIME OF ISSUING THIS SHEET.																														

DRAWN BY V.M.S. DATE 16-2-65 CHECK'D KLJUNKLEY NOVBER D T.D.POWRIE



ISS.	CHANGES
4	DELETE INPUT 02D10 PIN 7 (X3). ADD NEW GATE ON 02C05 PIN 17 (W2) 7710 9-65
5	CHANGE CONN. 02B02-14 TO 02B02-15-8206 - 11-65

PERIPHERAL STATUS (SEE ALSO SHEET 2)



1920/2 CARD PUNCH LOGIC DIAGRAM

5008302 / 4

ASSEMBLY

ISSUE

SHEET

ISSUE

2 3 1 2 3 2 3 2 2 1

SHEET

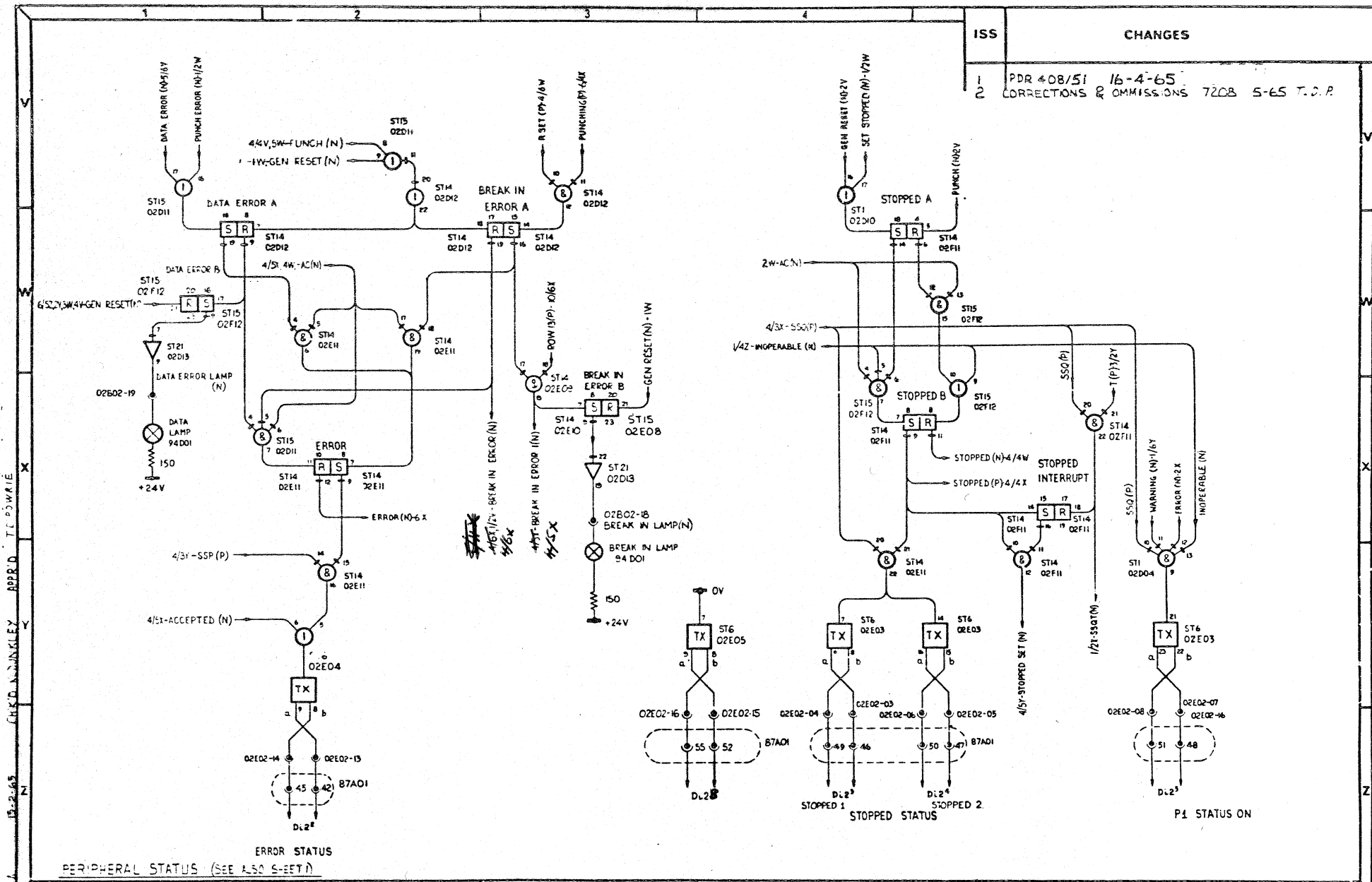
1 2 3 4 5 6 7 8 9 10 11 12 13 14 15 16 17 18 19 20

ISSUE NUMBERS OF OTHER SHEETS AT THE TIME OF ISSUING THIS SHEET.

ISS

CHANGES

- 1 PDR 408/51 16-4-65
- 2 CORRECTIONS & OMISSIONS 720B 5-65 T.O.P



PERIPHERAL STATUS (SEE ALSO 5-EET)



1920/2 CARD PUNCH LOGIC DIAGRAM.

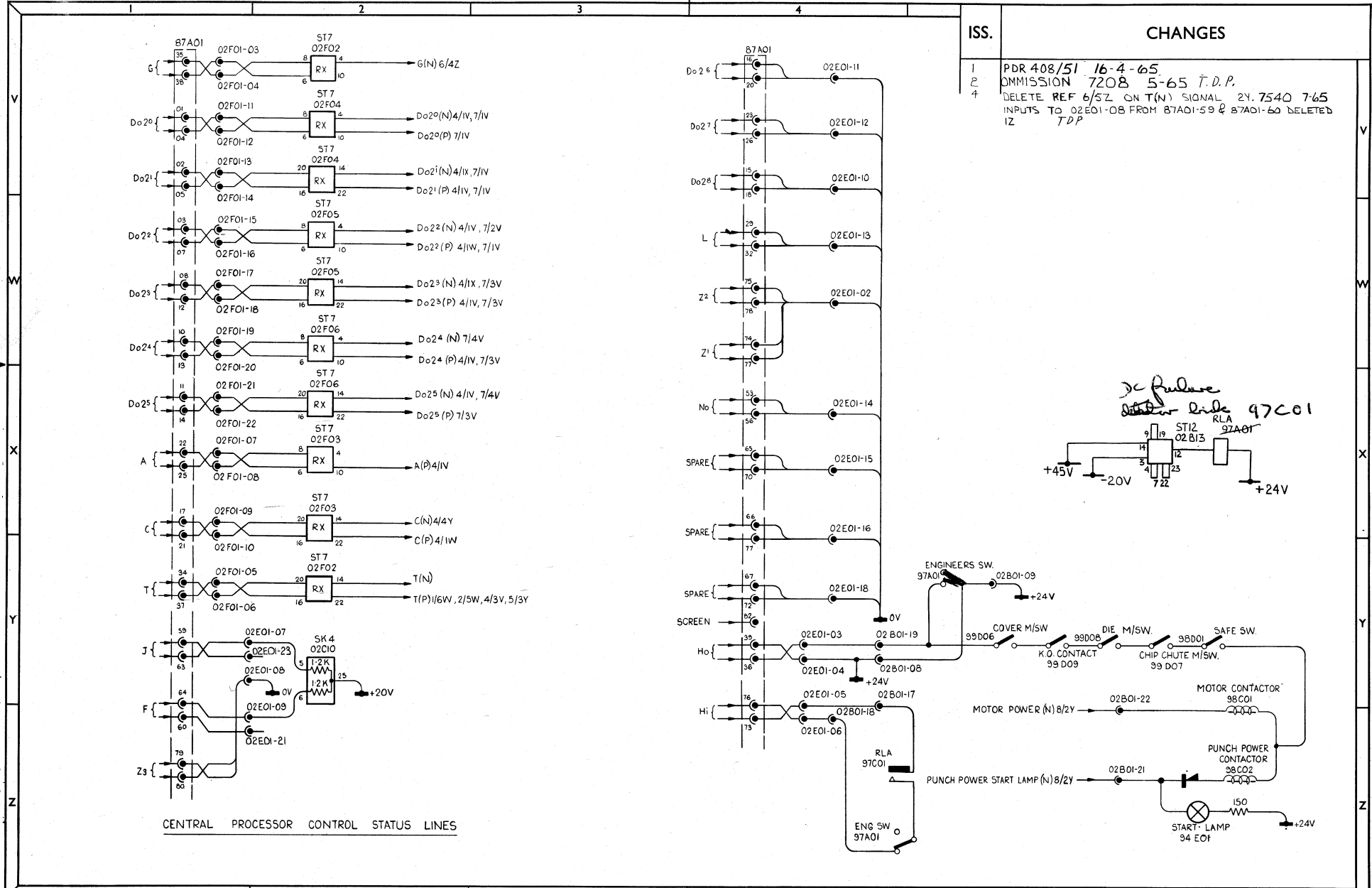
5008302 / 2

DIAGRAM ISSUE SHEET

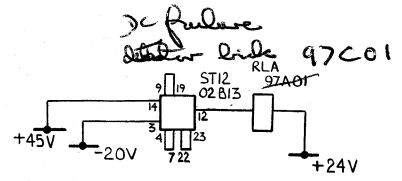
DRAWN TO PROV. STD 7002101

ISSUE	2	2	1	2	2	2	2	2	2	2	1																				
SHEET	1	2	3	4	5	6	7	8	9	10	11	12	13	14	15	16	17	18	19	20	21	22	23	24	25	26	27	28	29	30	
ISSUE NUMBERS OF OTHER SHEETS AT THE TIME OF ISSUING THIS SHEET																															

DRAWN BY: 12-3000



ISS.	CHANGES
1	PDR 408/51 16-4-65
2	COMMISSION 7208 5-65 T.D.P.
4	DELETE REF 6/5Z ON T(N) SIGNAL 2Y. 7540 765 INPUTS TO O2E01-08 FROM 87A01-59 & 87A01-60 DELETED IZ TDP



1920/2 CARD PUNCH
LOGIC DIAGRAM

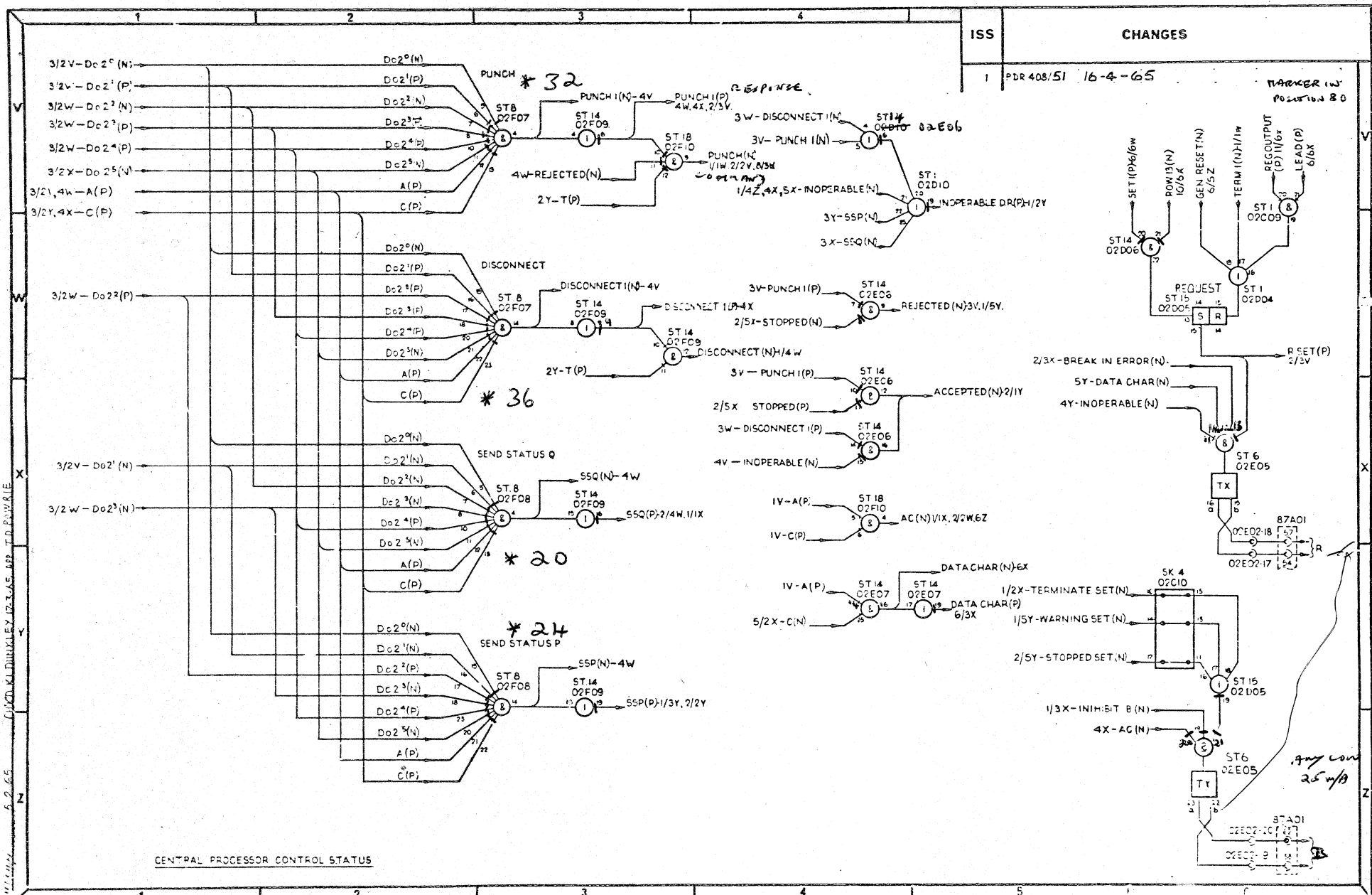
5008302 / 4 3
DIAGRAM ISSUE SHEET

ISSUE	2	2	1	2	4	2	2	2	2	1																				
SHEET	1	2	3	4	5	6	7	8	9	10	11	12	13	14	15	16	17	18	19	20	21	22	23	24	25	26	27	28	29	30

ISSUE NUMBERS OF OTHER SHEETS AT THE TIME OF ISSUING THIS SHEET.

ISS CHANGES

1 PDR 408/51 16-4-65 MARKER IN POSITION 80



CENTRAL PROCESSOR CONTROL STATUS

*Please see
over
out
of a
line*

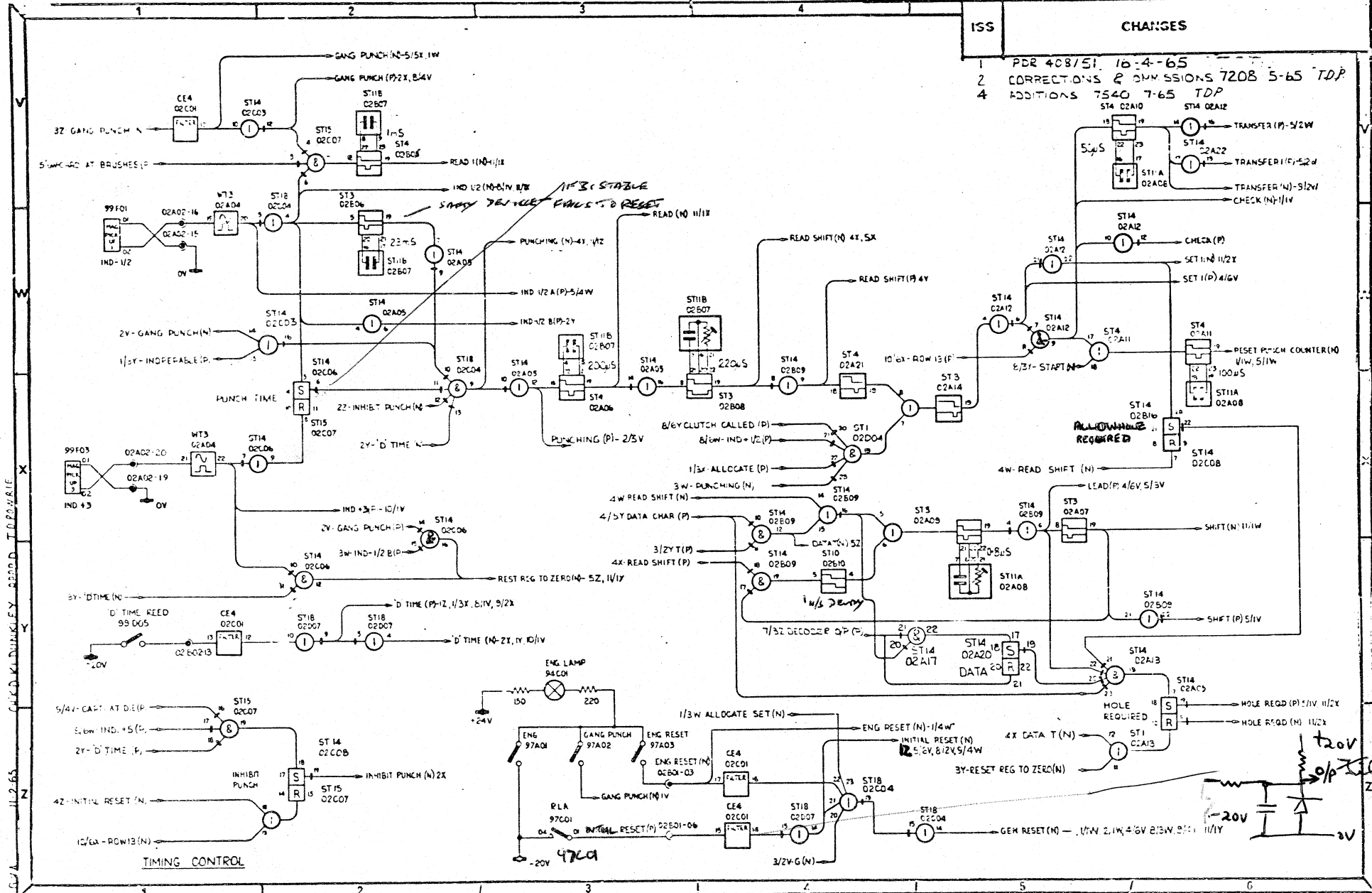
*any con
25 up*

11-11-65
 5-2-65
 C. D. K. D. D. K. L. E. X. 17.3.65-65 T.D. P. W. V. R. I. E.

ISS

CHANGES

- 1 PDR 408/51, 10-4-65
- 2 CORRECTIONS & DIMENSIONS 720B 5-65 TDP
- 4 ADDITIONS 7540 7-65 TDP



V
W
X
Y
Z
11-2-65
C.C.D. K. DUNKLEY
T.D.P. 911E

1920/2 CARD PUNCH LOGIC DIAGRAM

5008302 / 4 6

DRAWN TO: 10000

3	2	4	1	2	3	2	2	2	1
1	2	3	4	5	6	7	8	9	10

PROV. ST. 700000

THE NUMBERS ON THE SHEETS AT THE TOP OF EACH SHEET OF THIS SHEET

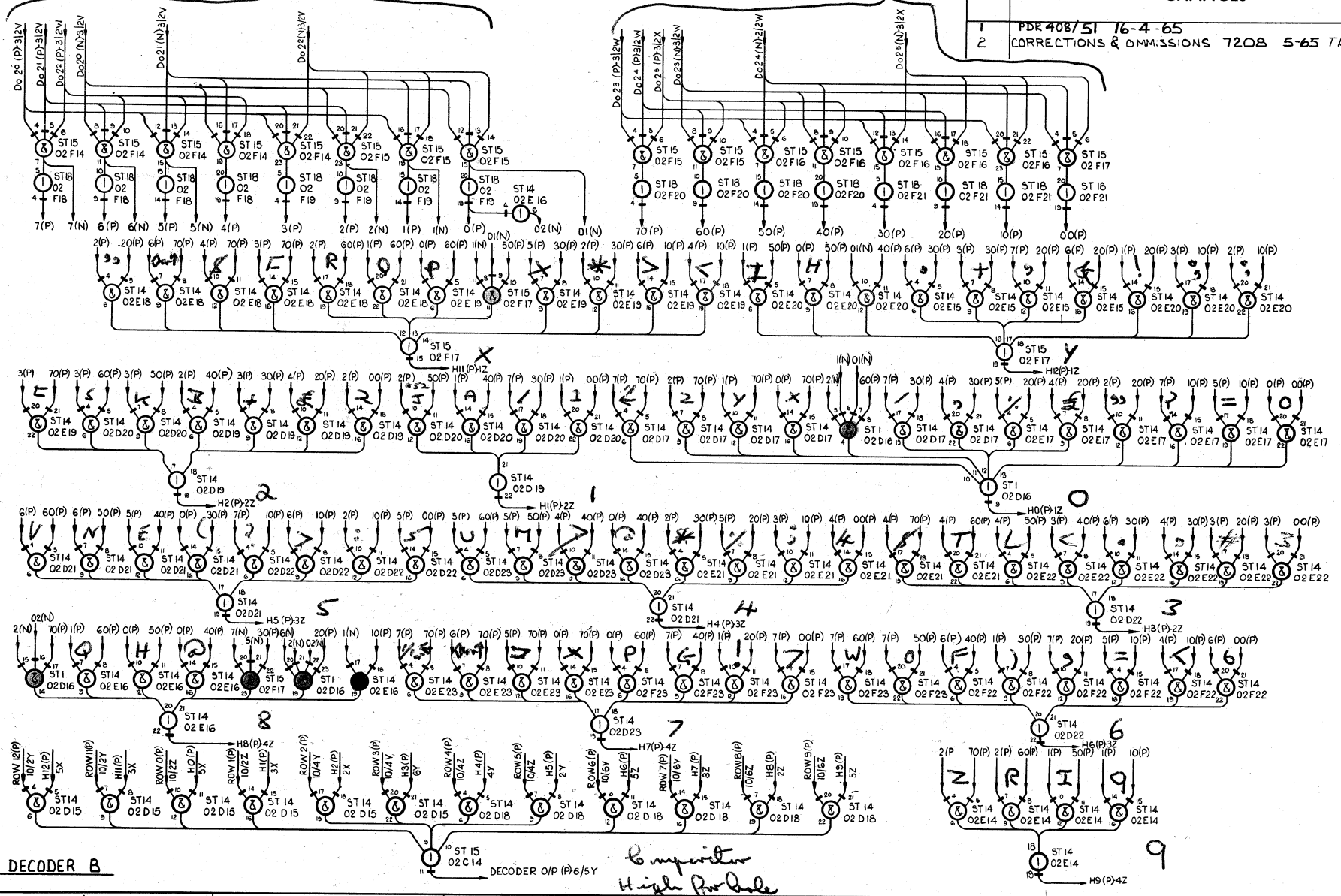
o/p
0V
+ 20V

120V
20V

for
rise
time

Do 2nd OCTAL DIGIT Do 1st OCTAL DIGIT

ISS. CHANGES
 1 PDR 408/51 16-4-65
 2 CORRECTIONS & OMISSIONS 7208 5-65 TDP



DRAWN BY MLT 8-2-65 KLDUNKLEY APPEND T D POW A/E



1920/2 CARD PUNCH LOGIC DIAGRAM

5008302 / 2 7
 DIAGRAM ISSUE SHEET

ISSUE	2	2	2	1	2	2	2	2	2	1																				
SHEET	1	2	3	4	5	6	7	8	9	10	11	12	13	14	15	16	17	18	19	20	21	22	23	24	25	26	27	28	29	30

ISSUE NUMBERS OF OTHER SHEETS AT THE TIME OF ISSUING THIS SHEET.

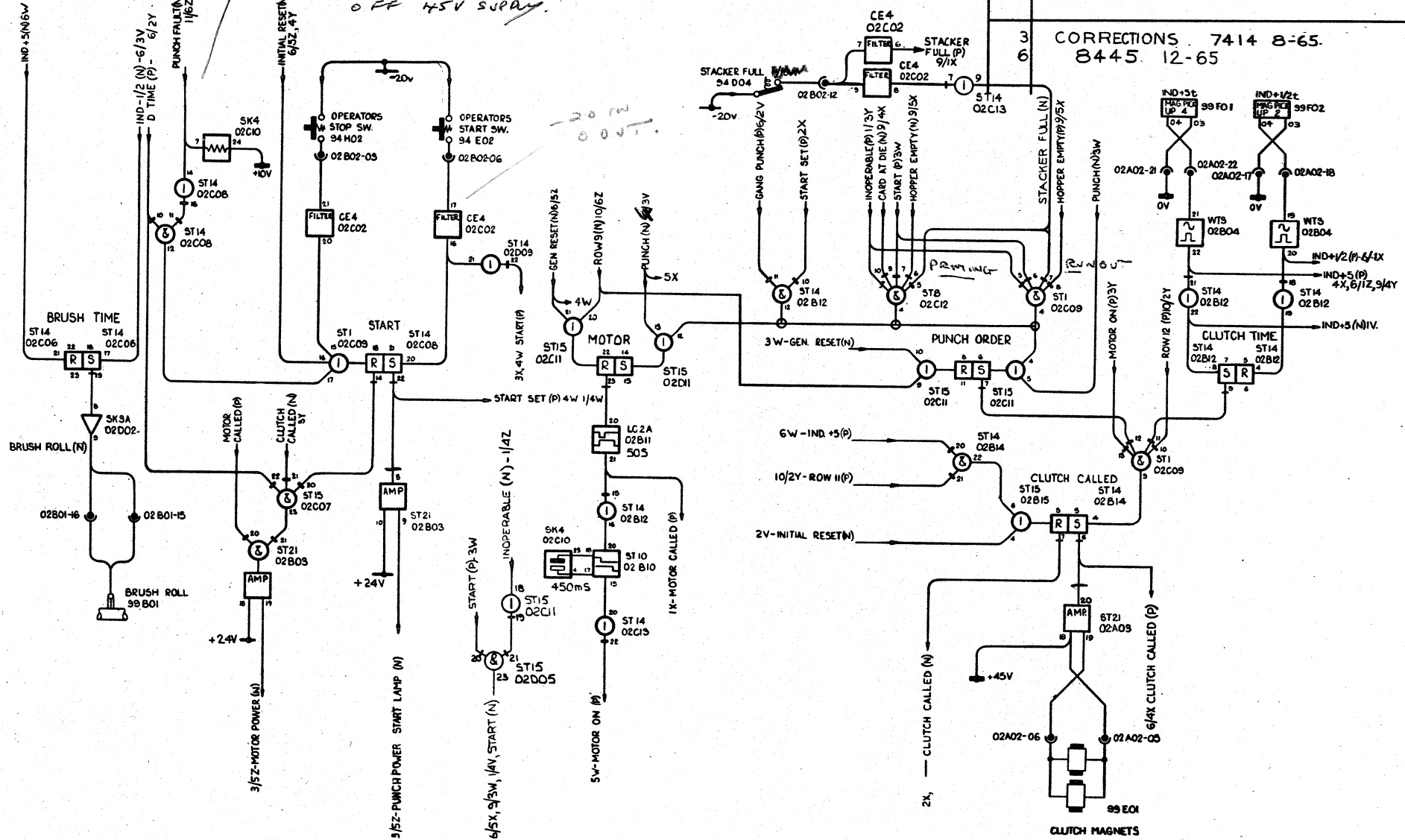
DRAWN BY M.I.T. 10-1-65 DATE: C.K.D. KLUNKLEY REVISED T.D. POWRIE

FOOT POT TRANS TO MAG FAULTY SWITCHES OFF 45V SUPPLY.

ISS.

CHANGES

3 CORRECTIONS 7414 8-65.
6 8445 12-65



RUNNING CIRCUITS



1920/2 CARD PUNCH LOGICAL DIAGRAM

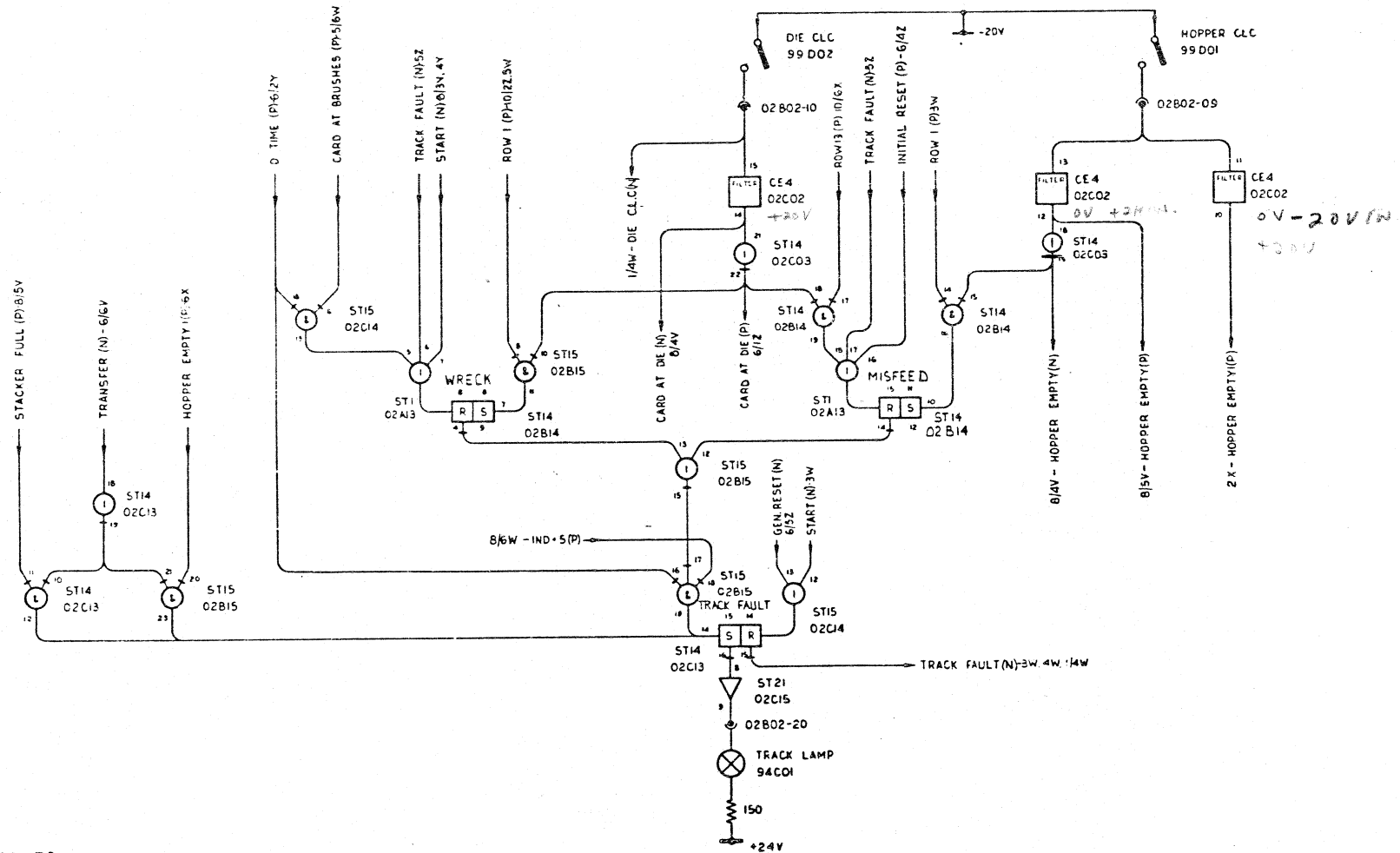
5008302 / 6 8
ASSEMBLY ISSUE SHEET

ISSUE	3	2	3	1	2	3	2	2	2	1										
SHEET	1	2	3	4	5	6	7	8	9	10	11	12	13	14	15	16	17	18	19	20
ISSUE NUMBERS OF OTHER SHEETS AT THE TIME OF ISSUING THIS SHEET.																				

ISS

CHANGES

1 PDR 408/51 16-4-65
 2 CORRECTIONS & OMM SSIONS 7208 5-65 TDP



MISFEED CIRCUITS

SEC 2 CARD PUNCH
LOGIC DIAGRAM

5008302 / 2

9

DRAWN TO
PROV. STD
7902101

ISSUE

2 2 2 1 2 2 2 2 2 2 1

SHEET

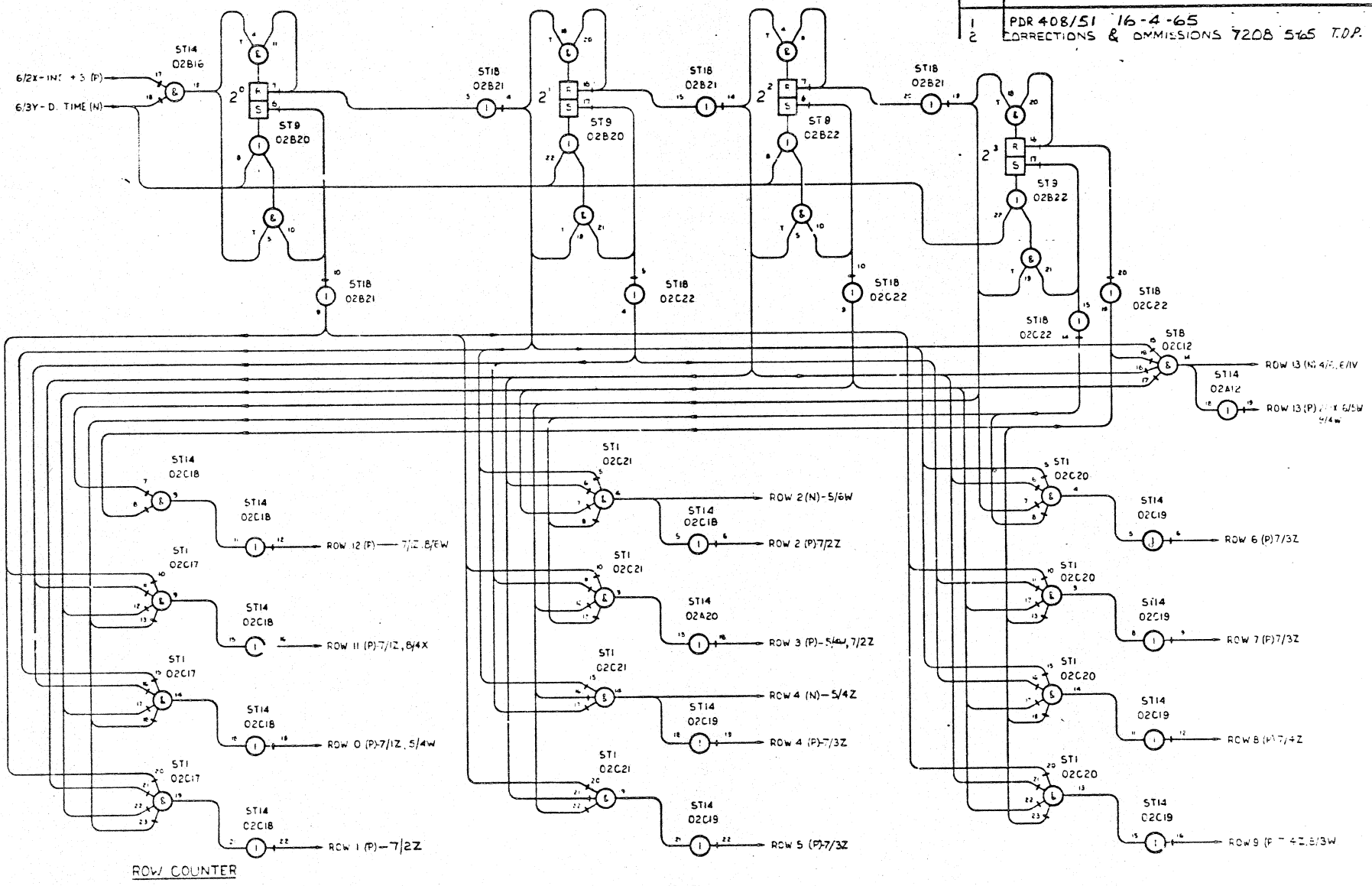
1 2 3 4 5 6 7 8 9 10 11 12 13 14 15 16 17 18 19 20 21 22 23 24 25 26 27 28 29 30

ISSUE NUMBERS OF OTHER SHEETS AT THE TIME OF ISSUING THIS SHEET

ISS

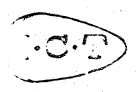
CHANGES

1 PDR 408/51 16-4-65
 2 CORRECTIONS & OMISSIONS 7208 5165 T.O.P.



ROW COUNTER

5-2-65
 CHKD K.DUMKLEY 13-3-65 APP'D J.C. BOKSIE

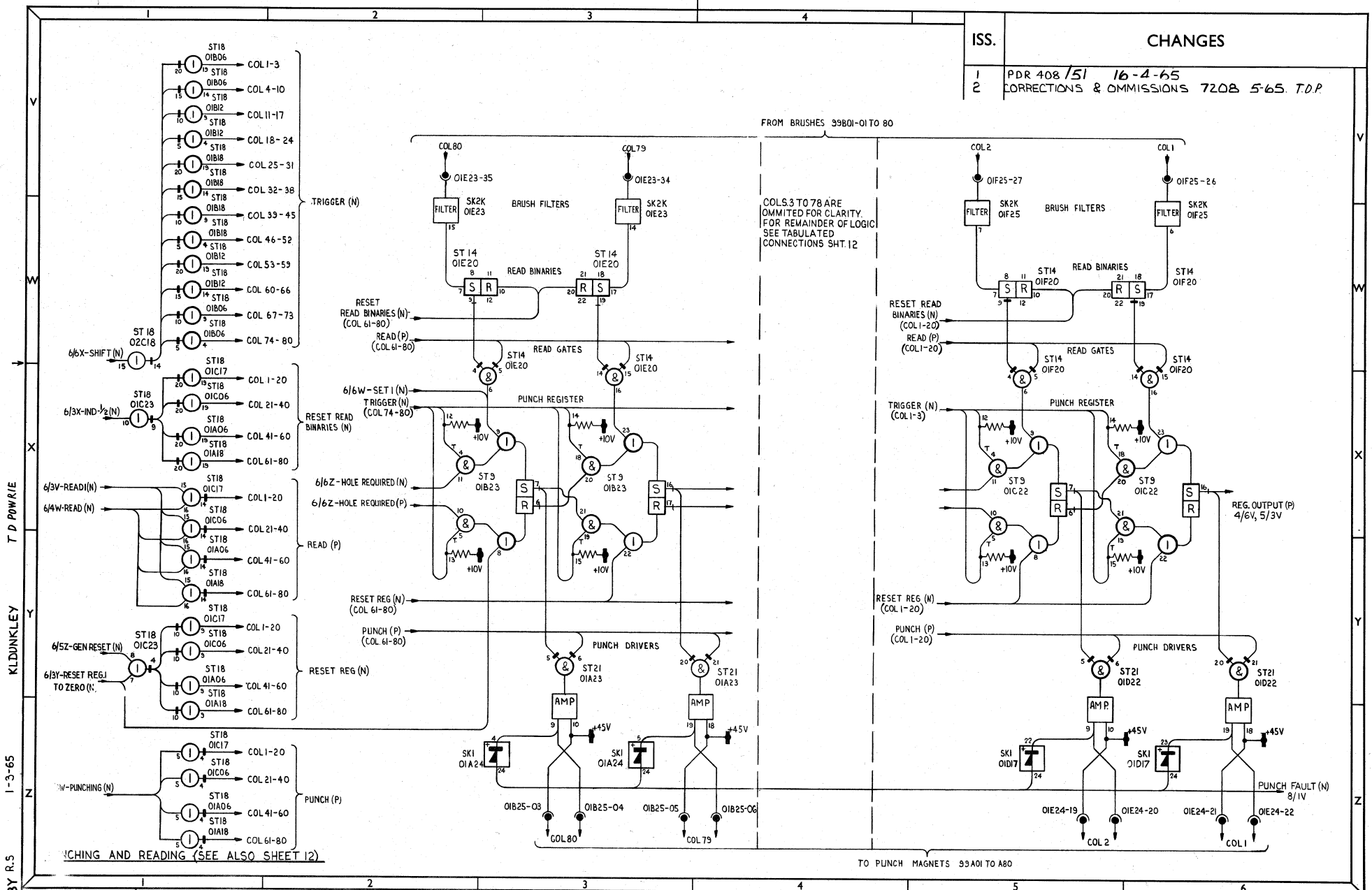


19202 CARD PUNCH
 LOGIC DIAGRAM

5008302 / 2 10

DRAWN TO
 PROJ. STD
 7002101

ISSUE	1	2	3	4	5	6	7	8	9	10	11	12	13	14	15	16	17	18	19	20	21	22	23	24	25	26	27	28	29	30
SHEET	1	2	3	4	5	6	7	8	9	10	11	12	13	14	15	16	17	18	19	20	21	22	23	24	25	26	27	28	29	30
ISSUE NUMBERS OF OTHER SHEETS AT THE TIME OF ISSUING THIS SHEET																														



ISS.	CHANGES
1	PDR 408 / 51 16-4-65
2	CORRECTIONS & OMISSIONS 720B 5-65. T.O.P.

COLS. 3 TO 78 ARE OMITTED FOR CLARITY. FOR REMAINDER OF LOGIC SEE TABULATED CONNECTIONS SHT. 12

TO PUNCH MAGNETS 93A01 TO A80



1920/2 CARD PUNCH LOGIC DIAGRAM

5008302 / 2 II
 DIAGRAM ISSUE SHEET

ISSUE	2	2	2	1	2	2	2	2	2	2	2	1																		
SHEET	1	2	3	4	5	6	7	8	9	10	11	12	13	14	15	16	17	18	19	20	21	22	23	24	25	26	27	28	29	30
ISSUE NUMBERS OF OTHER SHEETS AT THE TIME OF ISSUING THIS SHEET.																														

DRAWN BY R.S. KLDUNKLEY T.D. POWRIE

DRAWN BY: G. COX 29-1-65 CHECKED: K. DUNKLEY 12-2-65 APPROVED: T. D. POZDNY

																ISS.		CHANGES				
																1	PDR 408/51			16-4-65		
																2						

COUNTER NUMBER.		1	2	3	4	5	6	7	8	9	10	11	12	13	14	15	16	17	18	19	20
PUNCH DRIVER	DRIVER (ST21) PIN NO.	O1D2218	O1D2210	O1D2118	O1D2110	O1D2018	O1D2010	O1D1918	O1D1910	O1D1818	O1D1810	O1D1618	O1D1610	O1D1518	O1D1510	O1D1418	O1D1410	O1D1318	O1D1310	O1D1218	O1D1210
	CONNECTOR PIN NO.	O1E2421	O1E2419	O1E2417	O1E2415	O1E2413	O1E2411	O1E2409	O1E2407	O1E2405	O1E2403	O1E2521	O1E2519	O1E2517	O1E2515	O1E2513	O1E2511	O1E2509	O1E2507	O1E2505	O1E2503
	DRIVER PIN NO.	O1D2219	O1D2209	O1D2119	O1D2109	O1D2019	O1D2009	O1D1919	O1D1909	O1D1819	O1D1809	O1D1619	O1D1609	O1D1519	O1D1509	O1D1419	O1D1409	O1D1319	O1D1309	O1D1219	O1D1209
	CONNECTOR PIN NO.	O1E2422	O1E2420	O1E2418	O1E2416	O1E2414	O1E2412	O1E2410	O1E2408	O1E2406	O1E2404	O1E2522	O1E2520	O1E2518	O1E2516	O1E2514	O1E2512	O1E2510	O1E2508	O1E2506	O1E2504
DIODE PIN NO.	O1D1723	O1D1722	O1D1721	O1D1720	O1D1719	O1D1718	O1D1717	O1D1716	O1D1715	O1D1714	O1D1713	O1D1712	O1D1711	O1D1710	O1D1709	O1D1708	O1D1707	O1D1706	O1D1705	O1D1704	
REGISTER (ST9) LOCATION	O1C22	O1C22	O1C21	O1C21	O1C20	O1C20	O1C19	O1C19	O1C18	O1C18	O1C16	O1C16	O1C15	O1C15	O1C14	O1C14	O1C13	O1C13	O1C12	O1C12	
READ GATES & BINARY (ST14) LOCATION	O1F20	O1F20	O1F19	O1F19	O1F18	O1F18	O1F17	O1F17	O1F16	O1F16	O1F15	O1F15	O1F14	O1F14	O1F13	O1F13	O1F12	O1F12	O1F11	O1F11	
FILTER/CONNECTOR	READ BINARY PIN NO.	O1F2017	O1F2007	O1F1917	O1F1907	O1F1817	O1F1807	O1F1717	O1F1707	O1F1617	O1F1607	O1F1517	O1F1507	O1F1417	O1F1407	O1F1317	O1F1307	O1F1217	O1F1207	O1F1117	O1F1107
	FILTER O/P PIN NO.	O1F2506	O1F2507	O1F2508	O1F2509	O1F2510	O1F2511	O1F2512	O1F2513	O1F2514	O1F2515	O1F2406	O1F2407	O1F2408	O1F2409	O1F2410	O1F2411	O1F2412	O1F2413	O1F2414	O1F2415
	FILTER I/P PIN NO.	O1F2526	O1F2527	O1F2528	O1F2529	O1F2530	O1F2531	O1F2532	O1F2533	O1F2534	O1F2535	O1F2426	O1F2427	O1F2428	O1F2429	O1F2430	O1F2431	O1F2432	O1F2433	O1F2434	O1F2435

COUNTER NUMBER		21	22	23	24	25	26	27	28	29	30	31	32	33	34	35	36	37	38	39	40
PUNCH DRIVER	DRIVER (ST21) PIN NO.	O1D1118	O1D1110	O1D1018	O1D1010	O1D0918	O1D0910	O1D0818	O1D0810	O1D0718	O1D0710	O1D0518	O1D0510	O1D0418	O1D0410	O1D0318	O1D0310	O1D0218	O1D0210	O1D0118	O1D0110
	CONNECTOR PIN NO.	O1D2421	O1D2419	O1D2417	O1D2415	O1D2413	O1D2411	O1D2409	O1D2407	O1D2405	O1D2403	O1D2521	O1D2519	O1D2517	O1D2515	O1D2513	O1D2511	O1D2509	O1D2507	O1D2505	O1D2503
	DRIVER PIN NO.	O1D1119	O1D1109	O1D1019	O1D1009	O1D0919	O1D0909	O1D0819	O1D0809	O1D0719	O1D0709	O1D0519	O1D0509	O1D0419	O1D0409	O1D0319	O1D0309	O1D0219	O1D0209	O1D0119	O1D0109
	CONNECTOR PIN NO.	O1D2422	O1D2420	O1D2418	O1D2416	O1D2414	O1D2412	O1D2410	O1D2408	O1D2406	O1D2404	O1D2522	O1D2520	O1D2518	O1D2516	O1D2514	O1D2512	O1D2510	O1D2508	O1D2506	O1D2504
DIODE PIN NO.	O1D0623	O1D0622	O1D0621	O1D0620	O1D0619	O1D0618	O1D0617	O1D0616	O1D0615	O1D0614	O1D0613	O1D0612	O1D0611	O1D0610	O1D0609	O1D0608	O1D0607	O1D0606	O1D0605	O1D0604	
REGISTER (ST9) LOCATION	O1C11	O1C11	O1C10	O1C10	O1C09	O1C09	O1C08	O1C08	O1C07	O1C07	O1C05	O1C05	O1C04	O1C04	O1C03	O1C03	O1C02	O1C02	O1C01	O1C01	
READ GATES & BINARY (ST14) LOCATION	O1F10	O1F10	O1F09	O1F09	O1F08	O1F08	O1F07	O1F07	O1F06	O1F06	O1F05	O1F05	O1F04	O1F04	O1F03	O1F03	O1F02	O1F02	O1F01	O1F01	
FILTER/CONNECTOR	READ BINARY PIN NO.	O1F1017	O1F1007	O1F0917	O1F0907	O1F0817	O1F0807	O1F0717	O1F0707	O1F0617	O1F0607	O1F0517	O1F0507	O1F0417	O1F0407	O1F0317	O1F0307	O1F0217	O1F0207	O1F0117	O1F0107
	FILTER O/P PIN NO.	O1F2306	O1F2307	O1F2308	O1F2309	O1F2310	O1F2311	O1F2312	O1F2313	O1F2314	O1F2315	O1F2206	O1F2207	O1F2208	O1F2209	O1F2210	O1F2211	O1F2212	O1F2213	O1F2214	O1F2215
	FILTER I/P PIN NO.	O1F2326	O1F2327	O1F2328	O1F2329	O1F2330	O1F2331	O1F2332	O1F2333	O1F2334	O1F2335	O1F2226	O1F2227	O1F2228	O1F2229	O1F2230	O1F2231	O1F2232	O1F2233	O1F2234	O1F2235

COUNTER NUMBER		41	42	43	44	45	46	47	48	49	50	51	52	53	54	55	56	57	58	59	60
PUNCH DRIVER	DRIVER (ST21) PIN NO.	O1A0118	O1A0110	O1A0218	O1A0210	O1A0318	O1A0310	O1A0418	O1A0410	O1A0518	O1A0510	O1A0718	O1A0710	O1A0818	O1A0810	O1A0918	O1A0910	O1A1018	O1A1010	O1A1118	O1A1110
	CONNECTOR PIN NO.	O1C2421	O1C2419	O1C2417	O1C2415	O1C2413	O1C2411	O1C2409	O1C2407	O1C2405	O1C2403	O1C2521	O1C2519	O1C2517	O1C2515	O1C2513	O1C2511	O1C2509	O1C2507	O1C2505	O1C2503
	DRIVER PIN NO.	O1A0119	O1A0109	O1A0219	O1A0209	O1A0319	O1A0309	O1A0419	O1A0409	O1A0519	O1A0509	O1A0719	O1A0709	O1A0819	O1A0809	O1A0919	O1A0909	O1A1019	O1A1009	O1A1119	O1A1109
	CONNECTOR PIN NO.	O1C2422	O1C2420	O1C2418	O1C2416	O1C2414	O1C2412	O1C2410	O1C2408	O1C2406	O1C2404	O1C2522	O1C2520	O1C2518	O1C2516	O1C2514	O1C2512	O1C2510	O1C2508	O1C2506	O1C2504
DIODE PIN NO.	O1A1223	O1A1222	O1A1221	O1A1220	O1A1219	O1A1218	O1A1217	O1A1216	O1A1215	O1A1214	O1A1213	O1A1212	O1A1211	O1A1210	O1A1209	O1A1208	O1A1207	O1A1206	O1A1205	O1A1204	
REGISTER (ST9) LOCATION	O1B01	O1B01	O1B02	O1B02	O1B03	O1B03	O1B04	O1B04	O1B05	O1B05	O1B07	O1B07	O1B08	O1B08	O1B09	O1B09	O1B10	O1B10	O1B11	O1B11	
READ GATES & BINARY (ST14) LOCATION	O1E01	O1E01	O1E02	O1E02	O1E03	O1E03	O1E04	O1E04	O1E05	O1E05	O1E06	O1E06	O1E07	O1E07	O1E08	O1E08	O1E09	O1E09	O1E10	O1E10	
FILTER/CONNECTOR	READ BINARY PIN NO.	O1E0117	O1E0107	O1E0217	O1E0207	O1E0317	O1E0307	O1E0417	O1E0407	O1E0517	O1E0507	O1E0617	O1E0607	O1E0717	O1E0707	O1E0817	O1E0807	O1E0917	O1E0907	O1E1017	O1E1007
	FILTER O/P PIN NO.	O1F2106	O1F2107	O1F2108	O1F2109	O1F2110	O1F2111	O1F2112	O1F2113	O1F2114	O1F2115	O1E2106	O1E2107	O1E2108	O1E2109	O1E2110	O1E2111	O1E2112	O1E2113	O1E2114	O1E2115
	FILTER I/P PIN NO.	O1F2126	O1F2127	O1F2128	O1F2129	O1F2130	O1F2131	O1F2132	O1F2133	O1F2134	O1F2135	O1E2126	O1E2127	O1E2128	O1E2129	O1E2130	O1E2131	O1E2132	O1E2133	O1E2134	O1E2135

COUNTER NUMBER		61	62	63	64	65	66	67	68	69	70	71	72	73	74	75	76	77	78	79	80
PUNCH DRIVER	DRIVER (ST21) PIN NO.	O1A1318	O1A1310	O1A1418	O1A1410	O1A1518	O1A1510	O1A1618	O1A1610	O1A1718	O1A1710	O1A1918	O1A1910	O1A2018	O1A2010	O1A2118	O1A2110	O1A2218	O1A2210	O1A2318	O1A2310
	CONNECTOR PIN NO.	O1B2421	O1B2419	O1B2417	O1B2415	O1B2413	O1B2411	O1B2409	O1B2407	O1B2405	O1B2403	O1B2521	O1B2519	O1B2517	O1B2515	O1B2513	O1B2511	O1B2509	O1B2507	O1B2505	O1B2503
	DRIVER PIN NO.	O1A1319	O1A1309	O1A1419	O1A1409	O1A1519	O1A1509	O1A1619	O1A1609	O1A1719	O1A1709	O1A1919	O1A1909	O1A2019	O1A2009	O1A2119	O1A2109	O1A2219	O1A2209	O1A2319	O1A2309
	CONNECTOR PIN NO.	O1B2422	O1B2420	O1B2418	O1B2416	O1B2414	O1B2412	O1B2410	O1B2408	O1B2406	O1B2404	O1B2522	O1B2520	O1B2518	O1B2516	O1B2514	O1B2512	O1B2510	O1B2508	O1B2506	O1B2504
DIODE PIN NO.	O1A2423	O1A2422	O1A2421	O1A2420	O1A2419	O1A2418	O1A2417	O1A2416	O1A2415	O1A2414	O1A2413	O1A2412	O1A2411	O1A2410	O1A2409	O1A2408	O1A2407	O1A2406	O1A2405	O1A2404	
REGISTER (ST9) LOCATION	O1B13	O1B13	O1B14	O1B14	O1B15	O1B15	O1B16	O1B16	O1B17	O1B17	O1B19	O1B19	O1B20	O1B20	O1B21	O1B21	O1B22	O1B22	O1B23	O1B23	
READ GATES & BINARY (ST14) LOCATION	O1E11	O1E11	O1E12	O1E12	O1E13	O1E13	O1E14	O1E14	O1E15	O1E15	O1E16	O1E16	O1E17	O1E17	O1E18	O1E18	O1E19	O1E19	O1E20	O1E20	
FILTER/CONNECTOR	READ BINARY PIN NO.	O1E1117	O1E1107	O1E1217	O1E1207	O1E1317	O1E1307	O1E1417	O1E1407	O1E1517	O1E1507	O1E1617	O1E1607	O1E1717	O1E1707	O1E1817	O1E1807	O1E1917	O1E1907	O1E2017	O1E2007
	FILTER O/P PIN NO.	O1E2206	O1E2207	O1E2208	O1E2209	O1E2210	O1E2211	O1E2212	O1E2213	O1E2214	O1E2215	O1E2306	O1E2307	O1E2308	O1E2309	O1E2310	O1E2311	O1E2312	O1E2313	O1E2314	O1E2315
	FILTER I/P PIN NO.	O1E2226	O1E2227	O1E2228	O1E2229	O1E2230	O1E2231	O1E2232	O1E2233	O1E2234	O1E2235	O1E2326	O1E2327	O1E2328	O1E2329	O1E2330	O1E2331	O1E2332	O1E2333	O1E2334	O1E2335

PUNCHING AND READING. CROSS REFERENCES. (SEE ALSO SHT II)



1920/2 CARD PUNCH LOGIC DIAGRAM

5008302 / 1 12
DIAGRAM ISSUE SHEET

ISSUE SHEET	1	2	3	4	5	6	7	8	9	10	11	12	13	14	15	16	17	18	19	20	21	22	23	24	25	26	27	28	29	30
ISSUE NUMBERS OF OTHER SHEETS AT THE TIME OF ISSUING THIS SHEET.																														