

INDEX FOR WGC 08

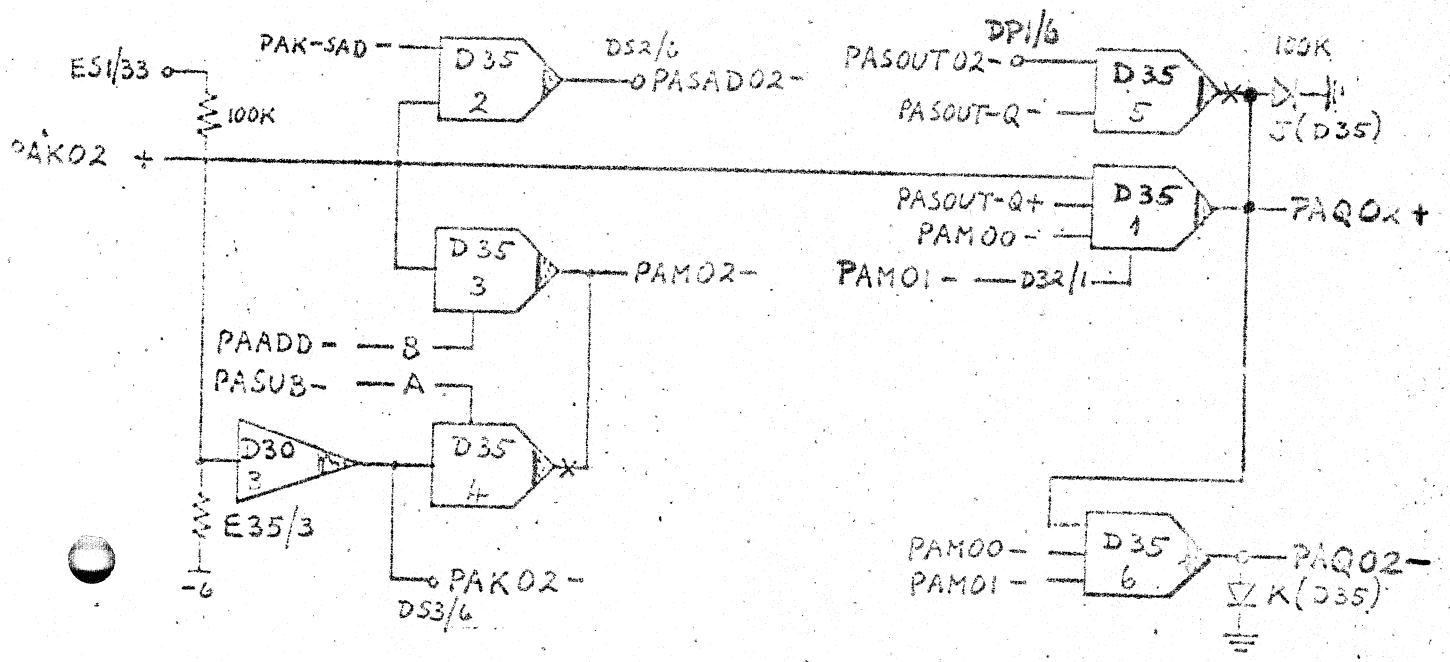
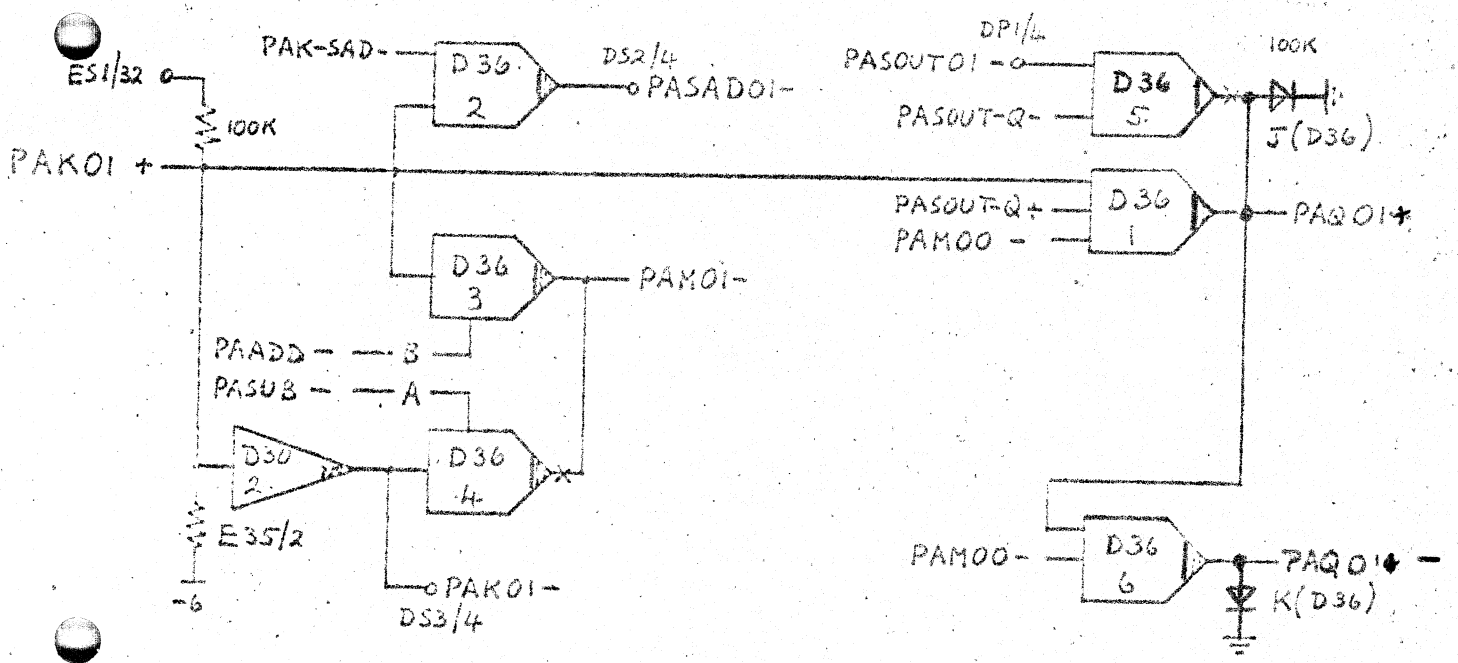
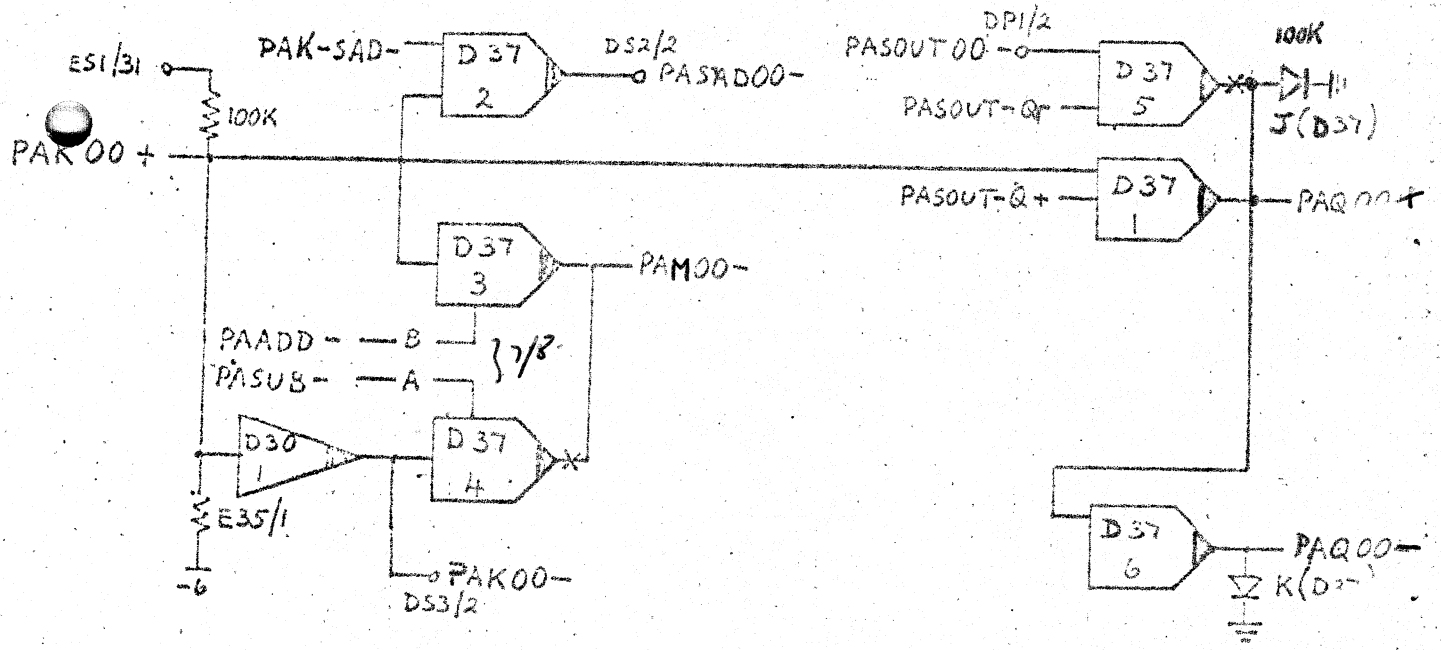
- WGC 08 / 1
- " / 2
- " / 3
- " / 4
- " / 5
- " / 6
- " / 7
- " / 8
- " / 9 PAK 22, 23, PQA 22, 23
- " / 10 tracks.
- " / 11 BOrders.
- " / 12 Control Word locked, Pori terminated, Cont terminated
- " / 13
- " / 14
- " / 15
- " / 16
- " / 17
- " / 18
- " / 19
- " / 20
- " / 21
- " / 22
- " / 23

mill

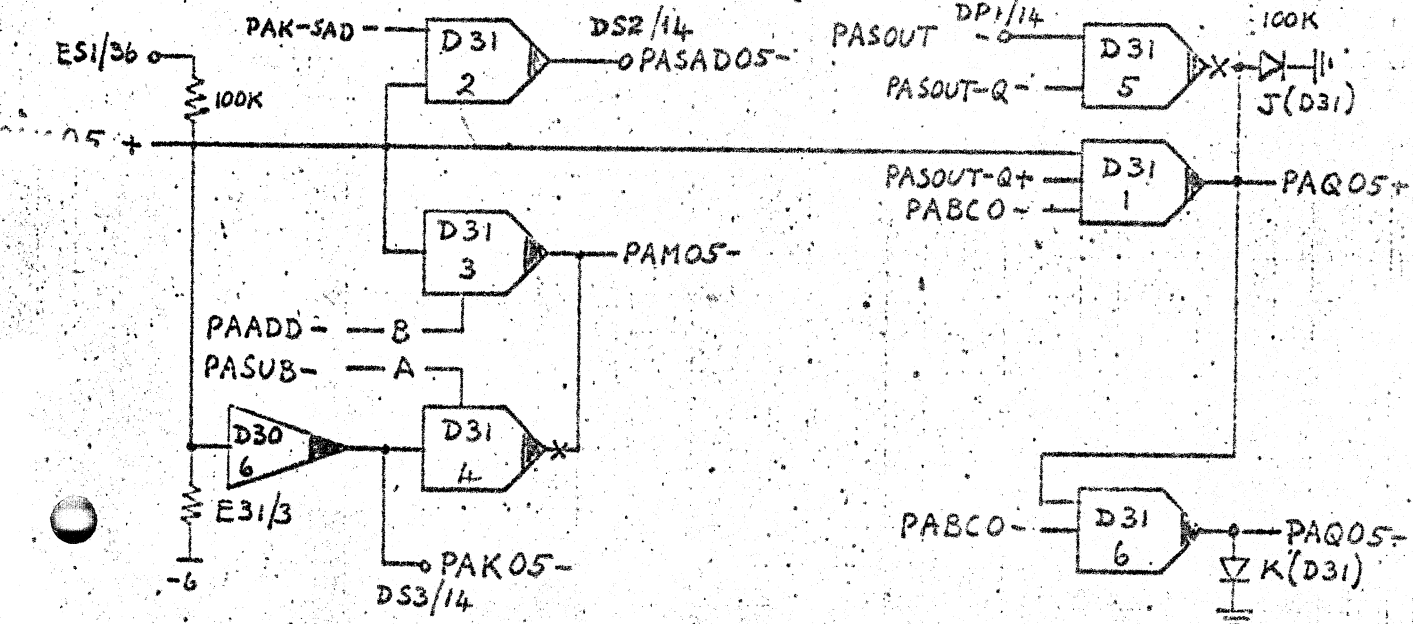
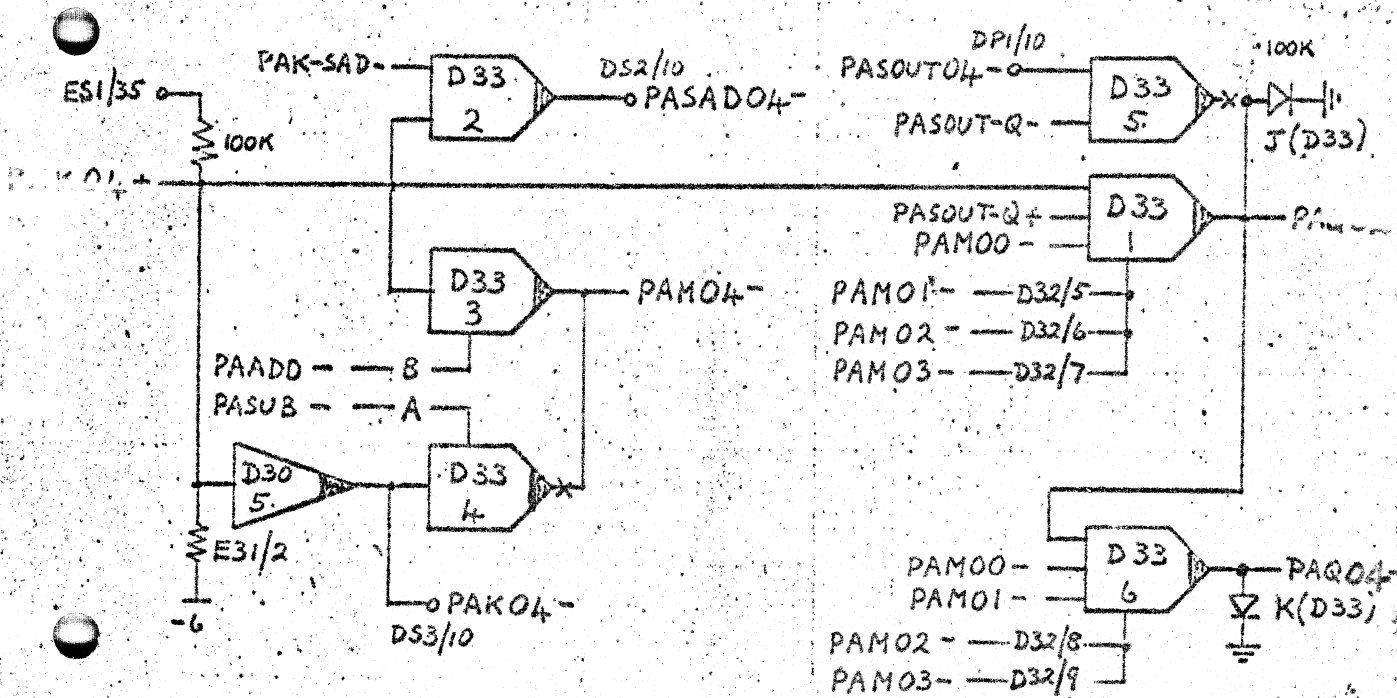
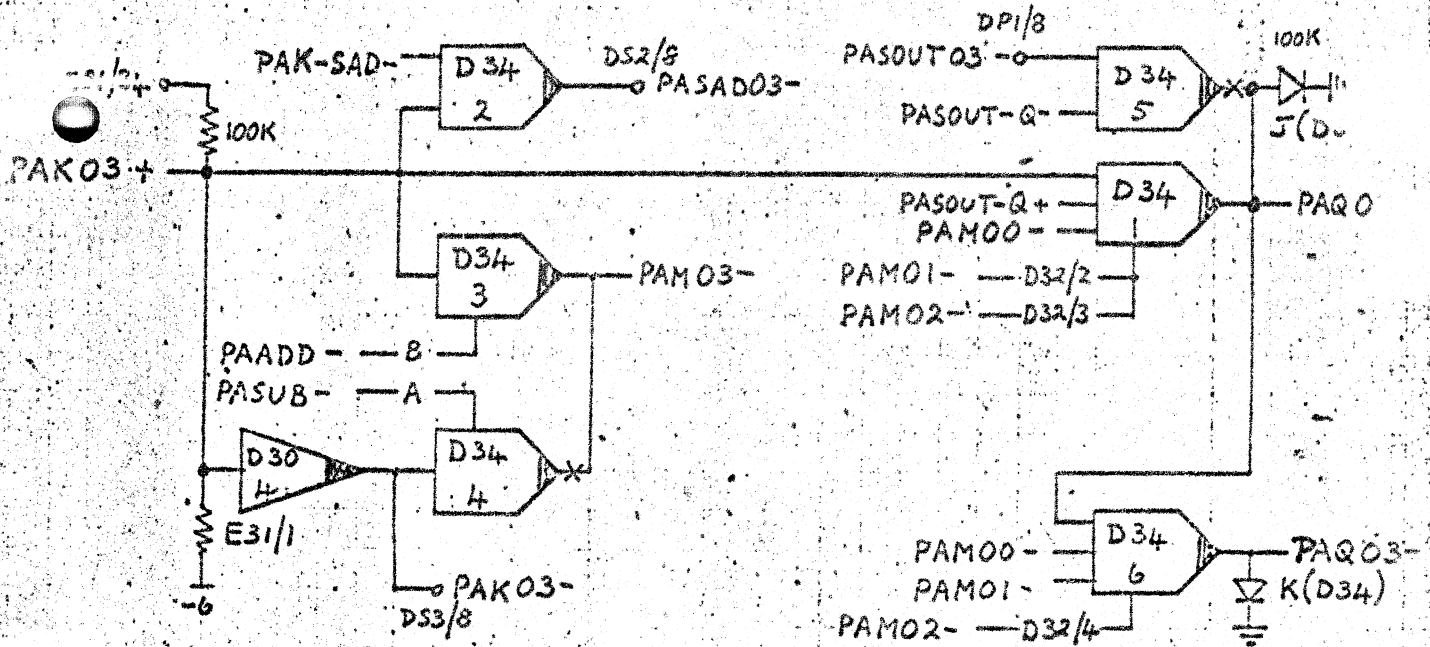
Control Word Buffer slices

MILC

0001
0000

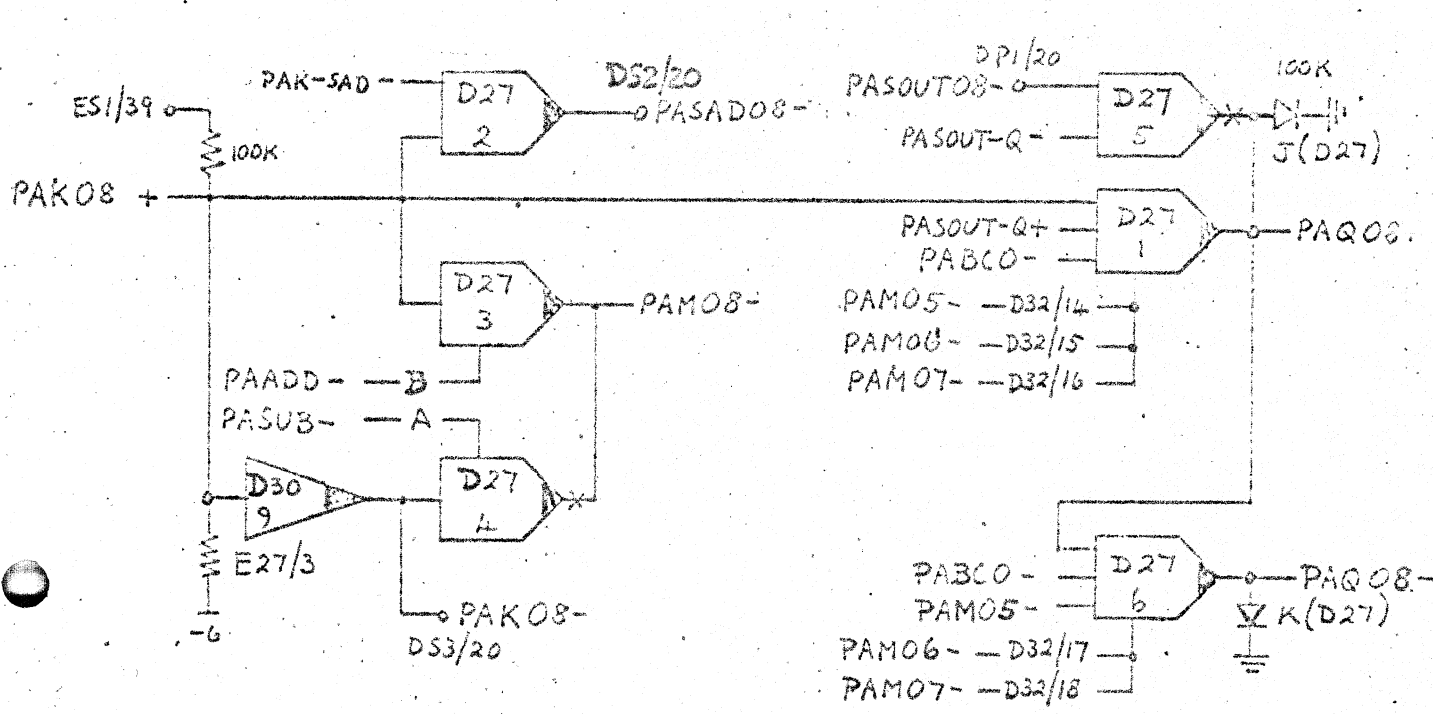
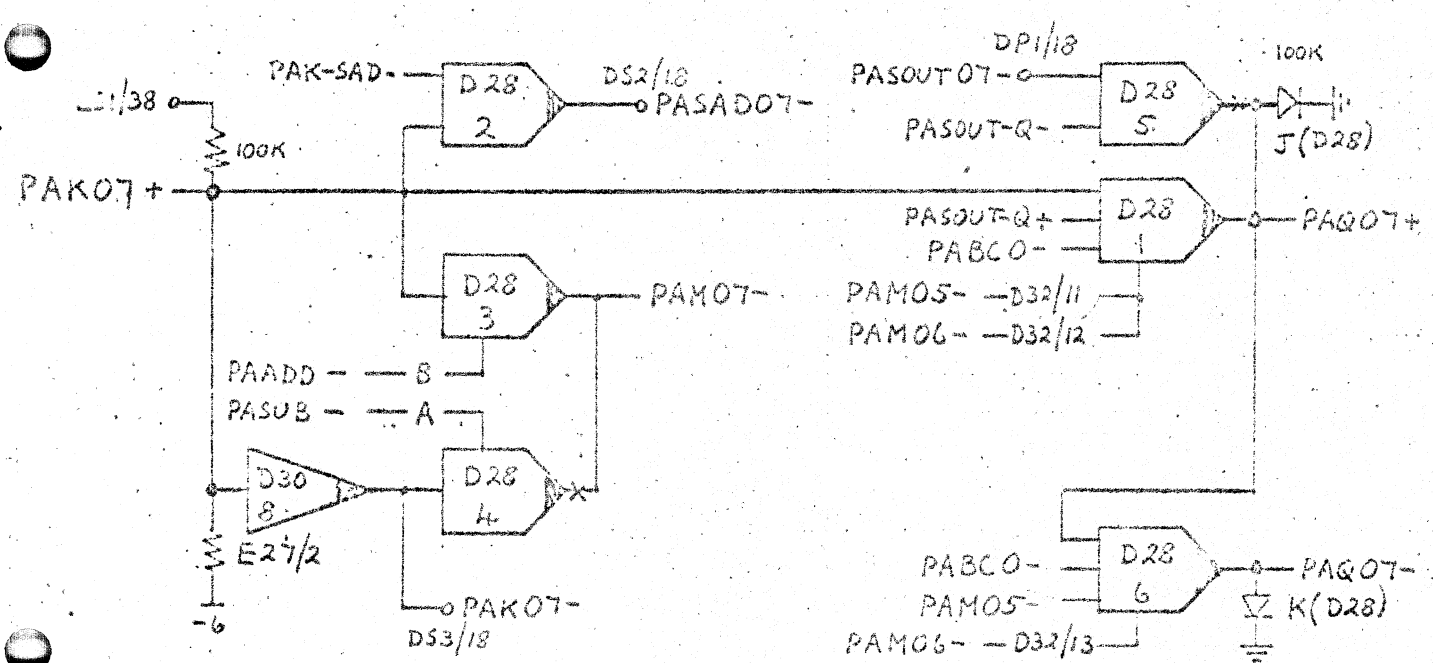
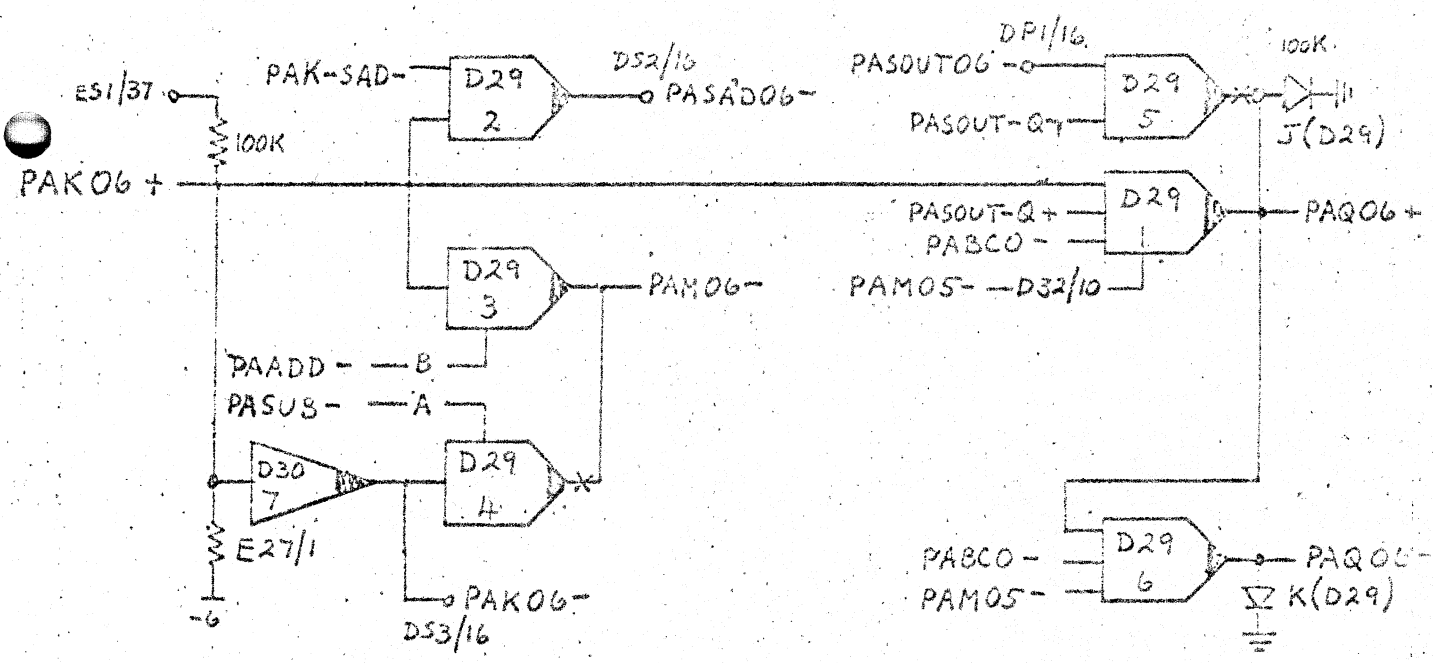


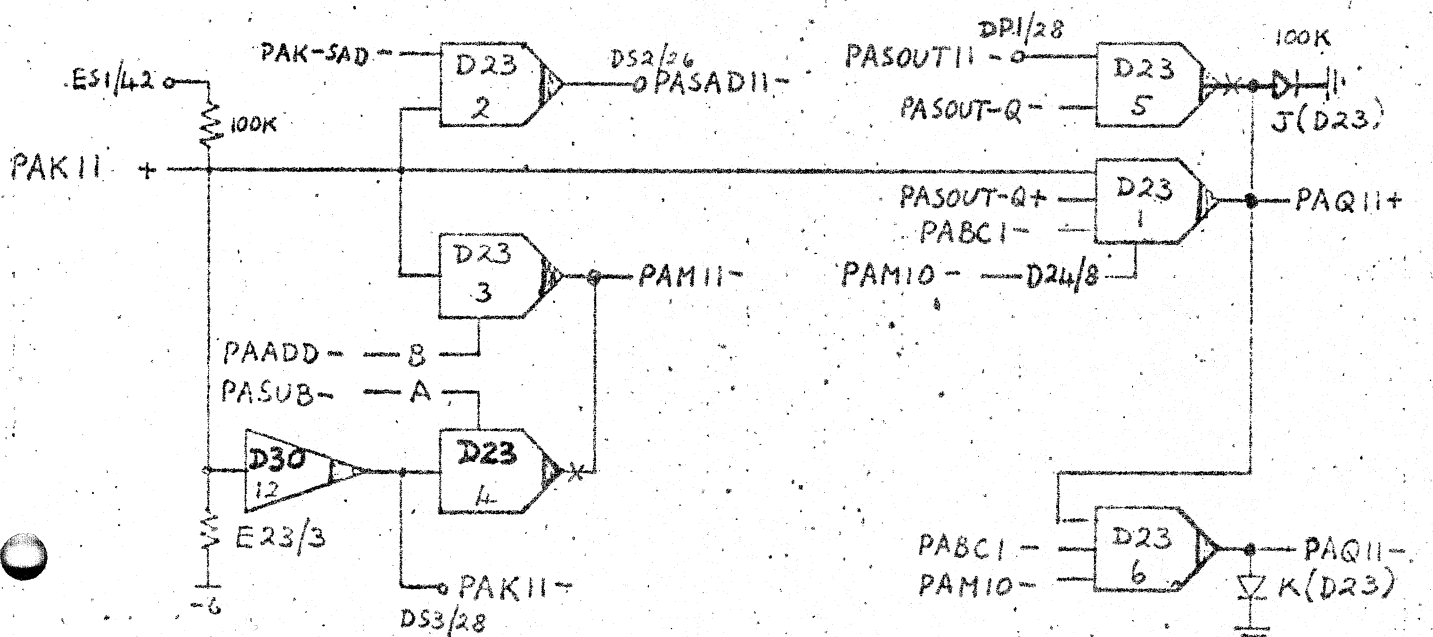
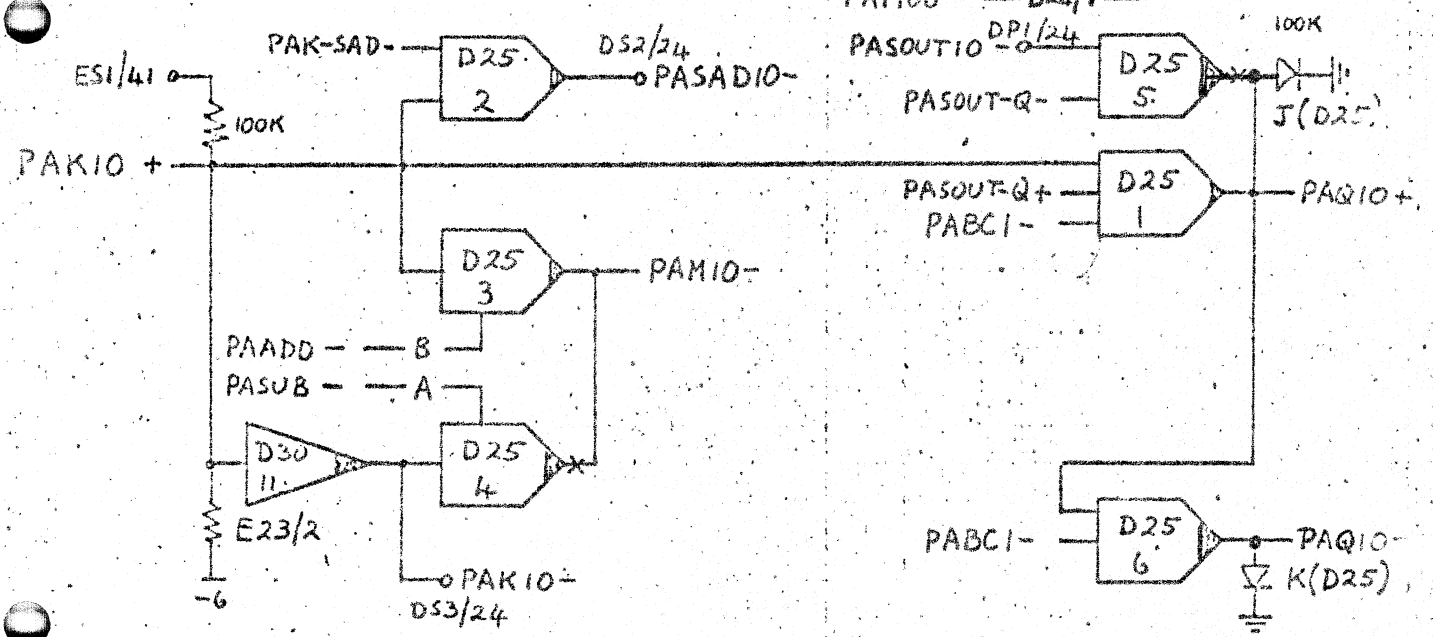
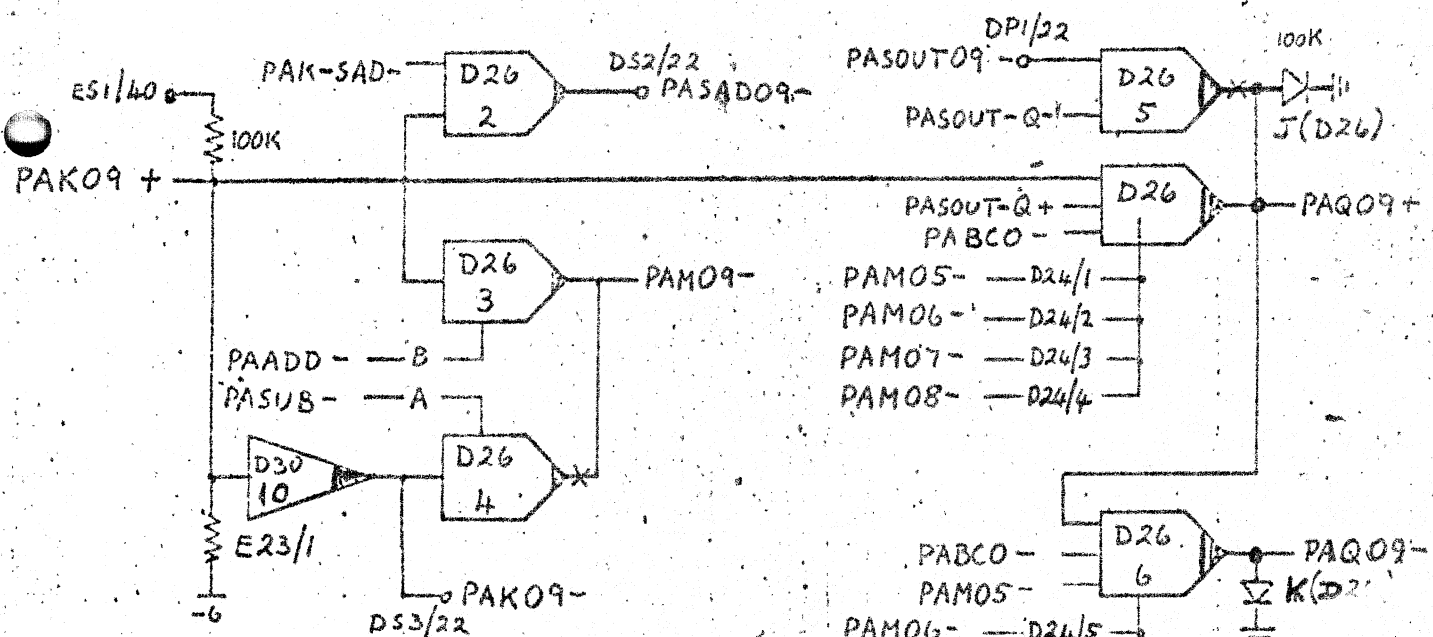
WCC08/1
φ



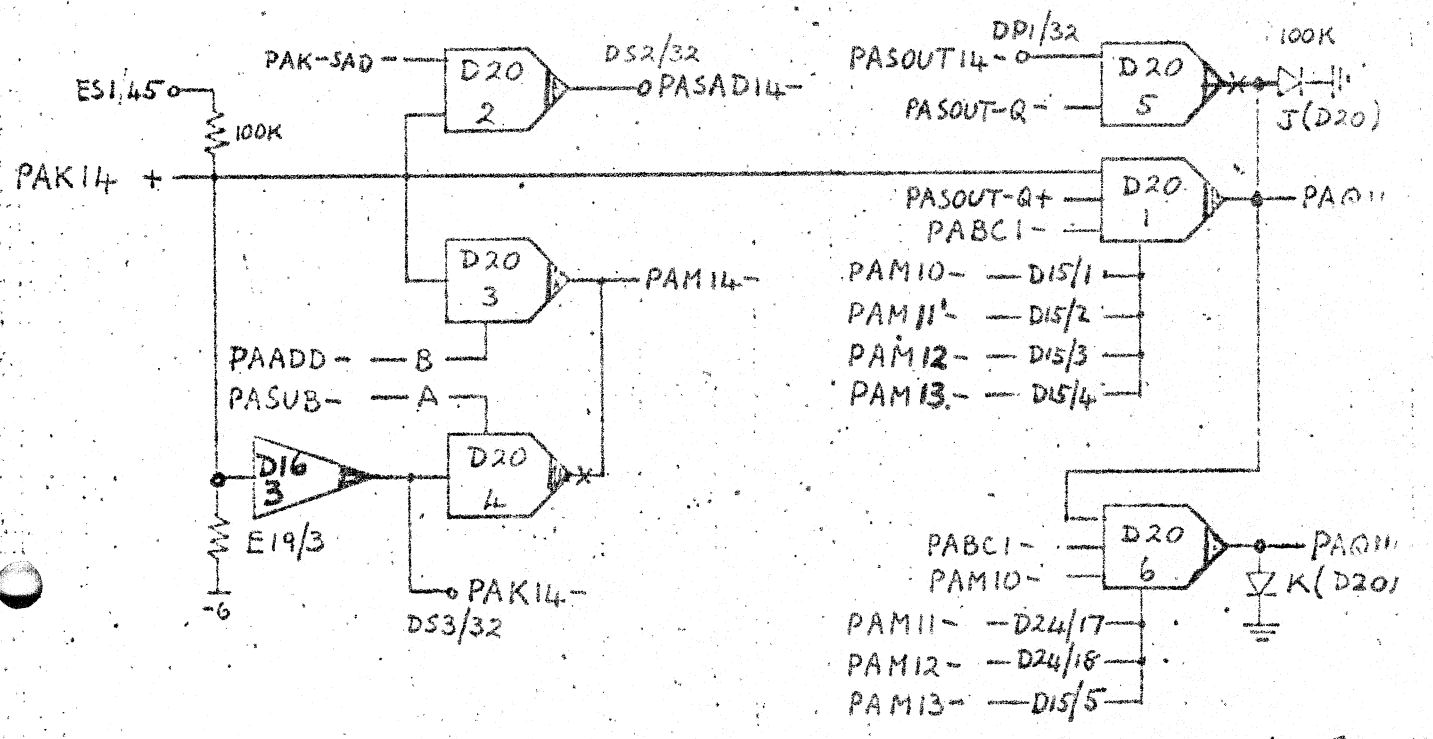
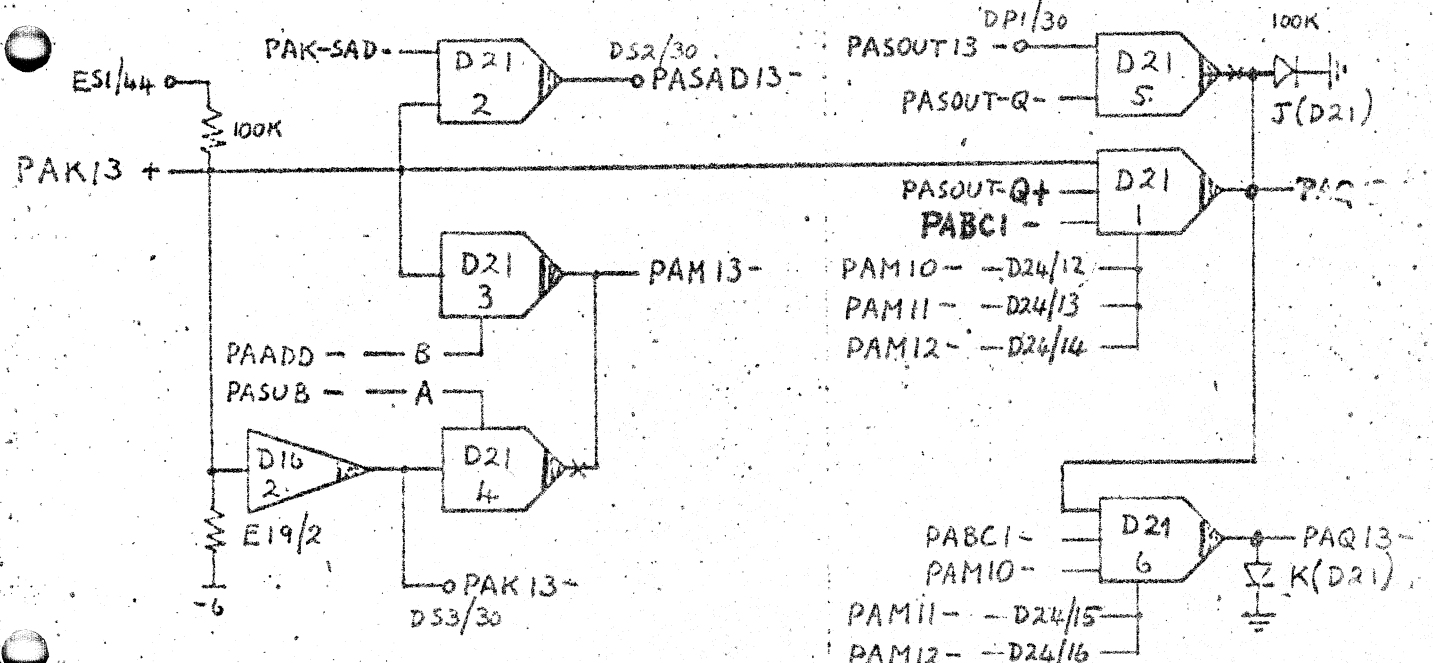
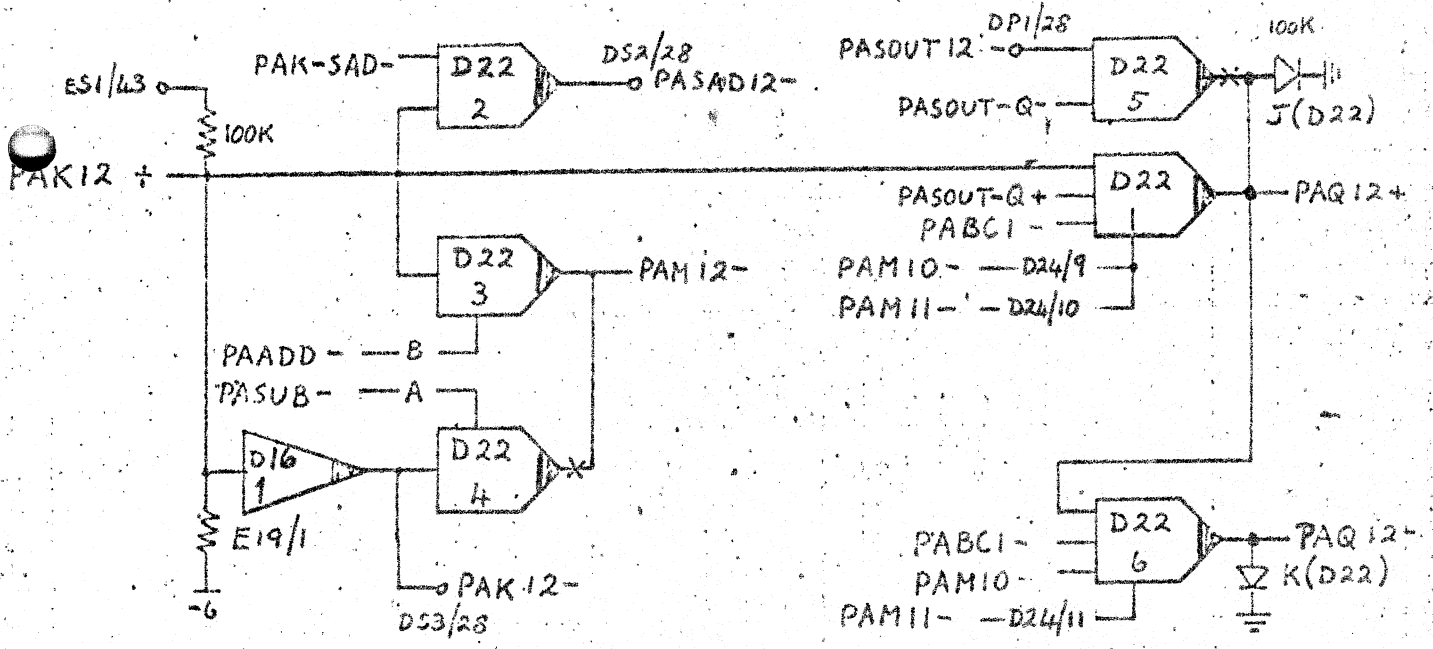
W6C08/2

φ

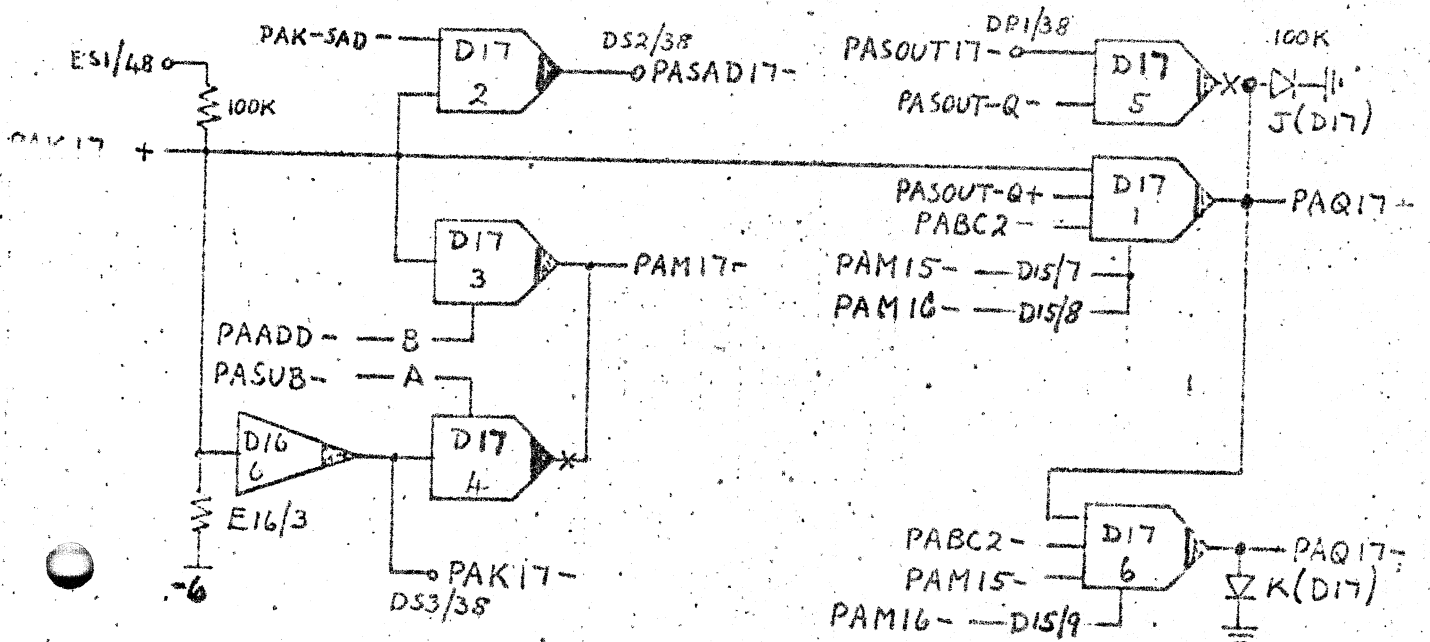
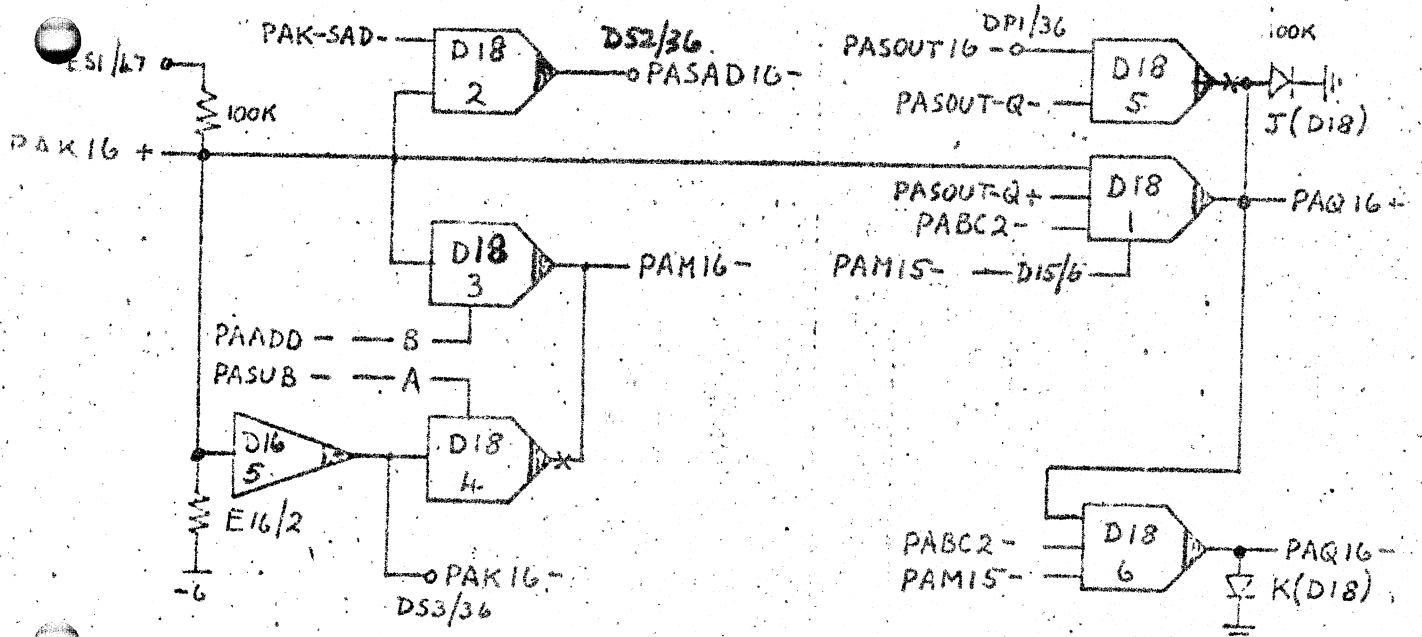
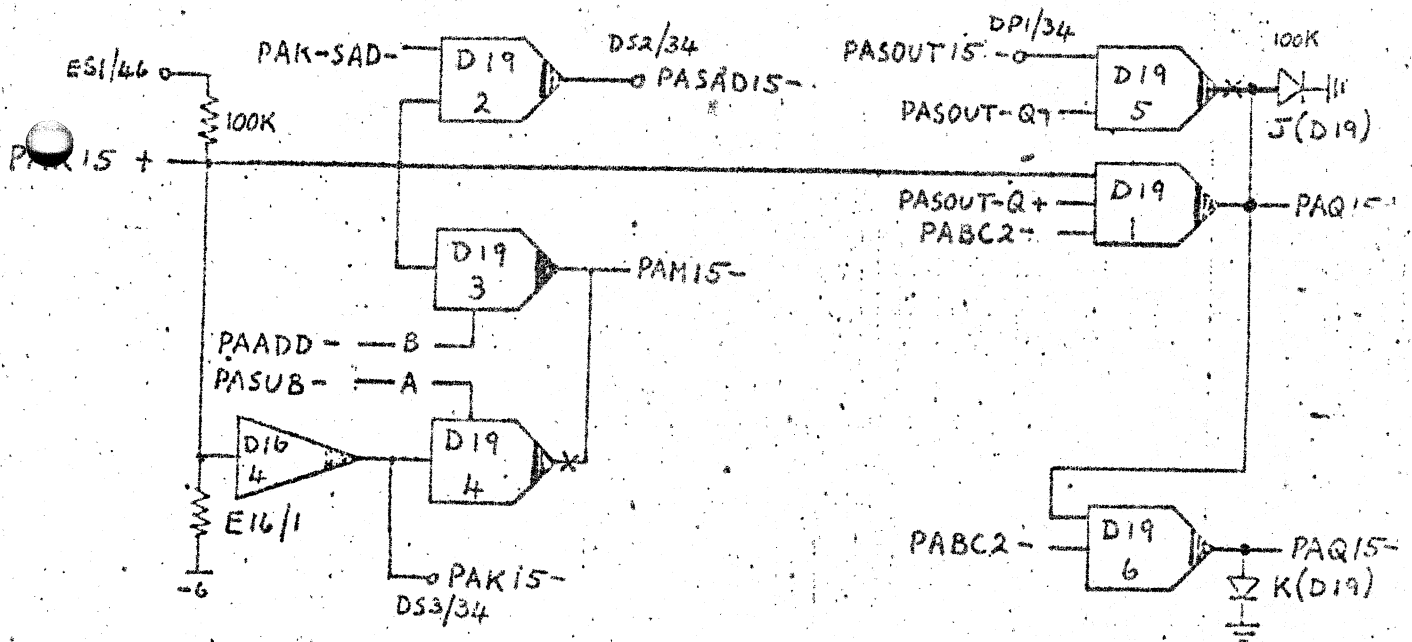




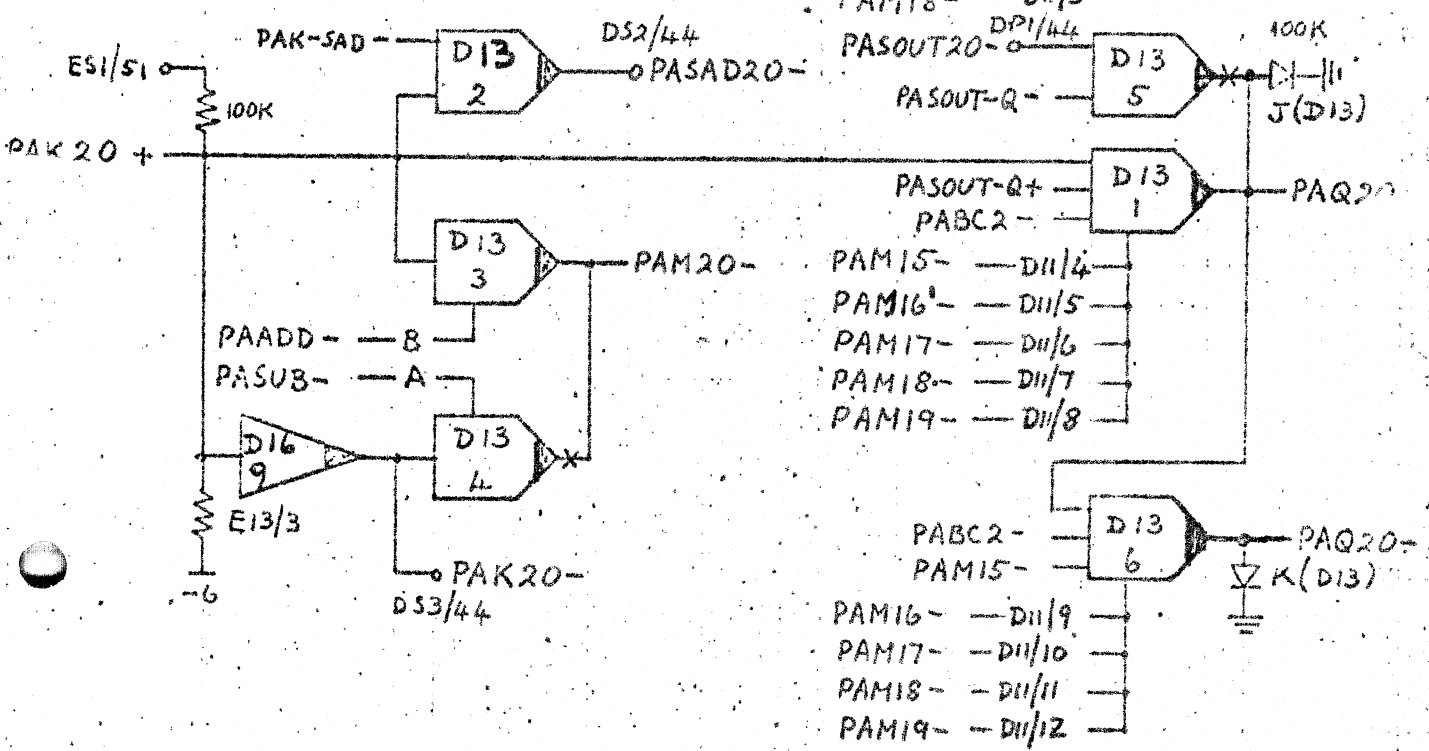
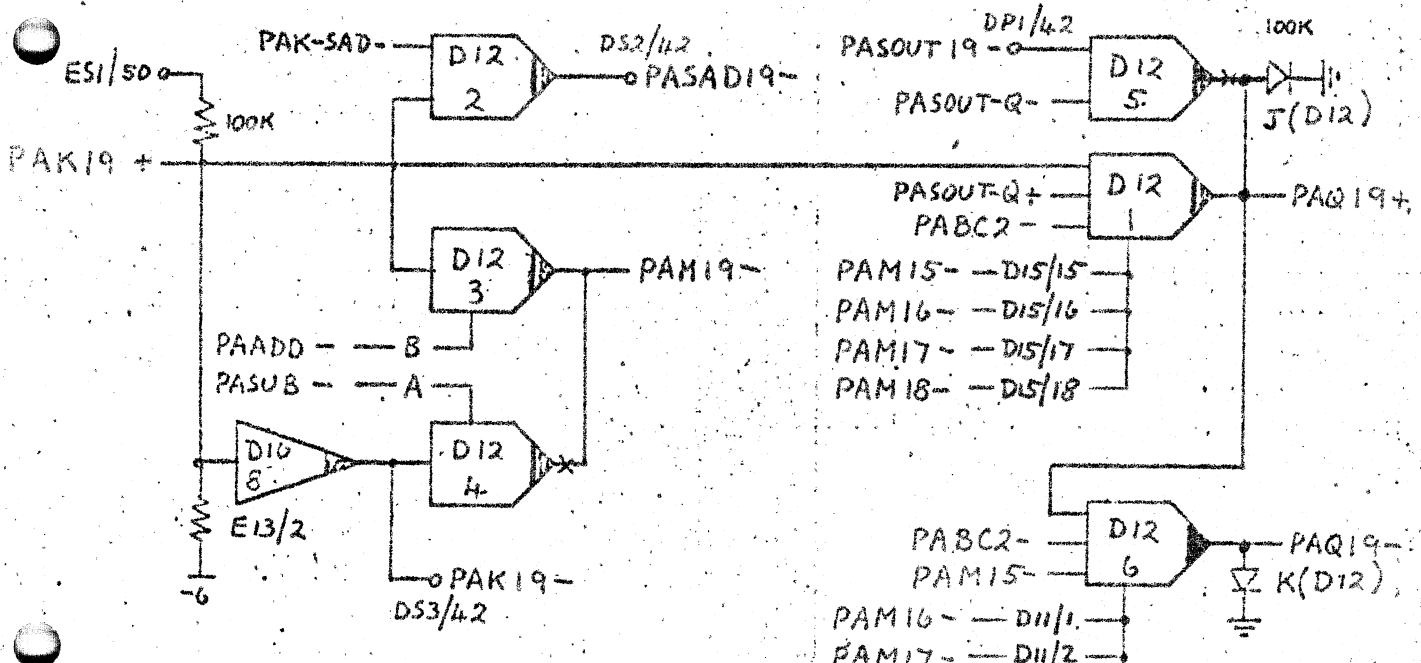
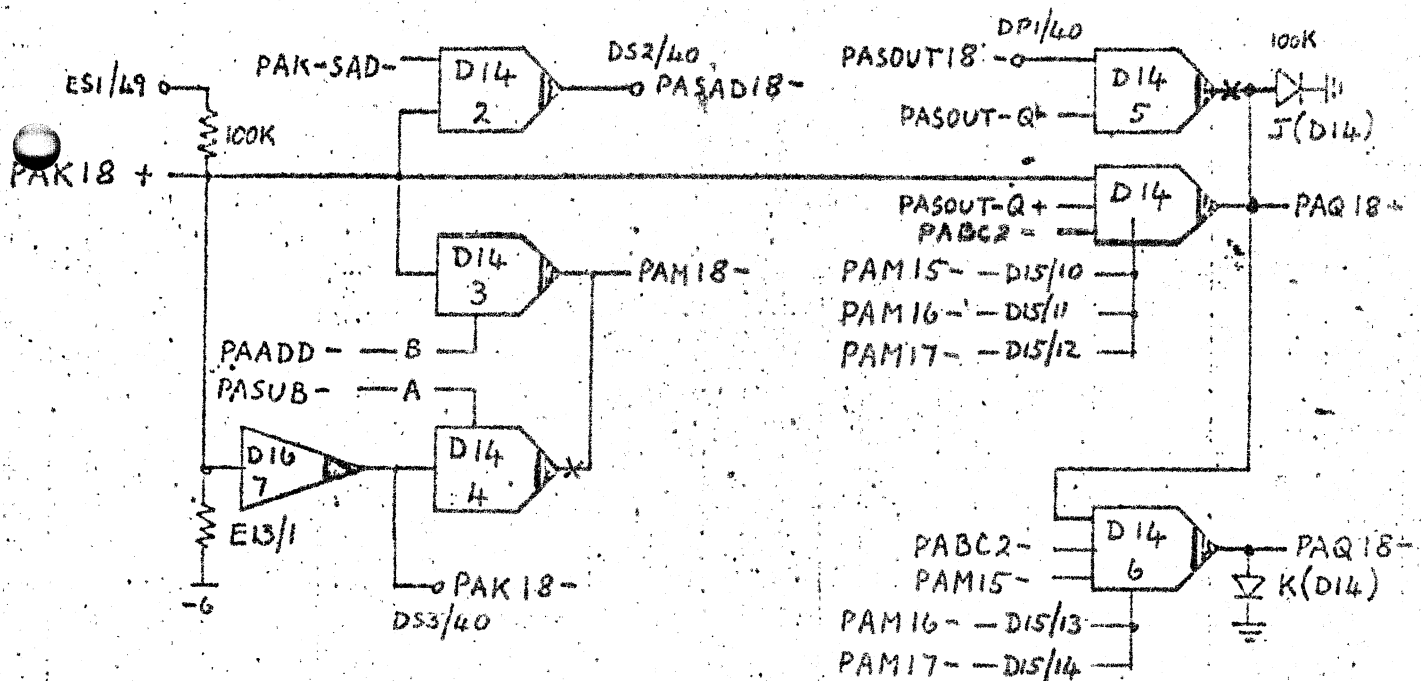
WG08/ 4
φ



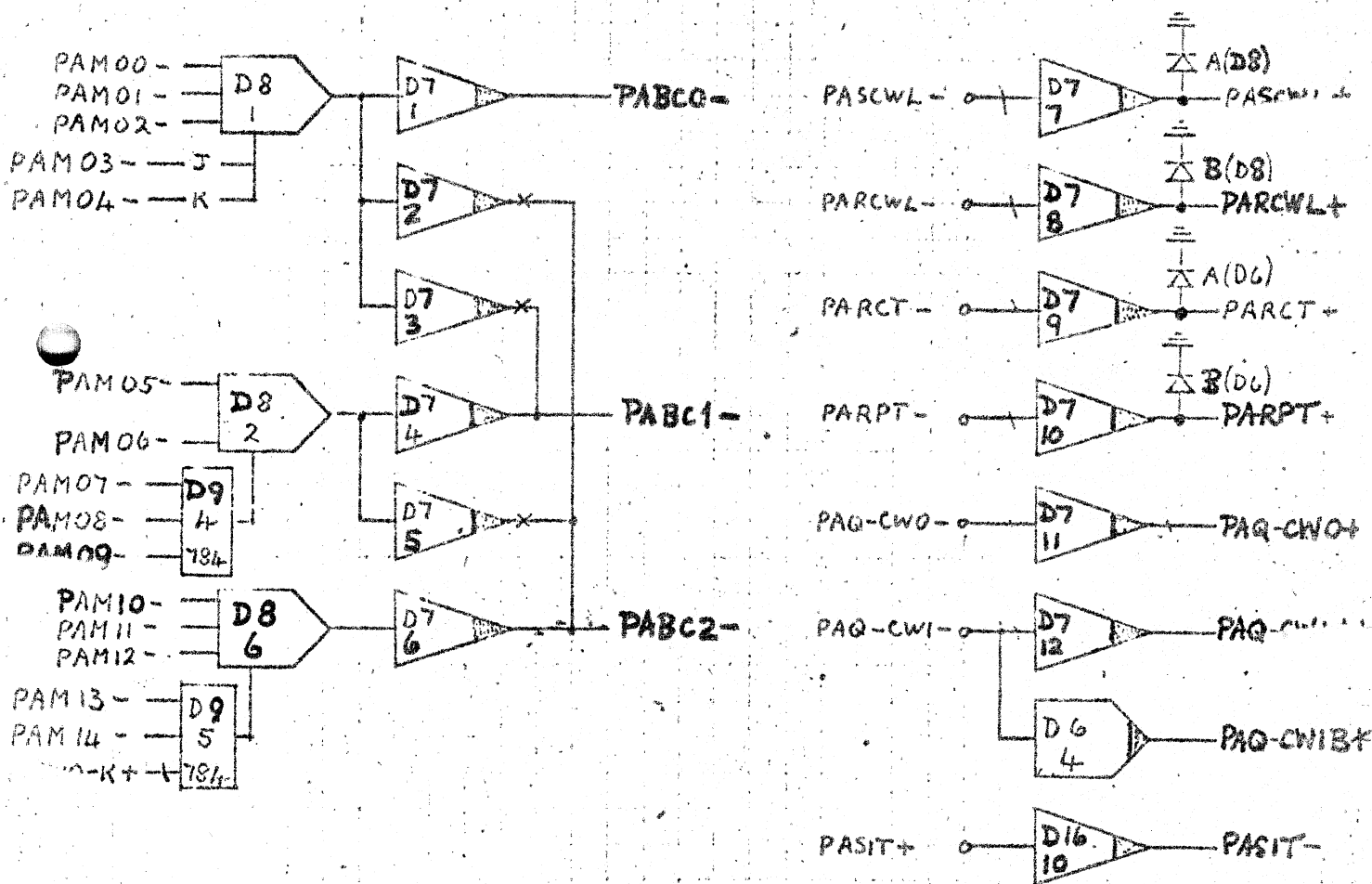
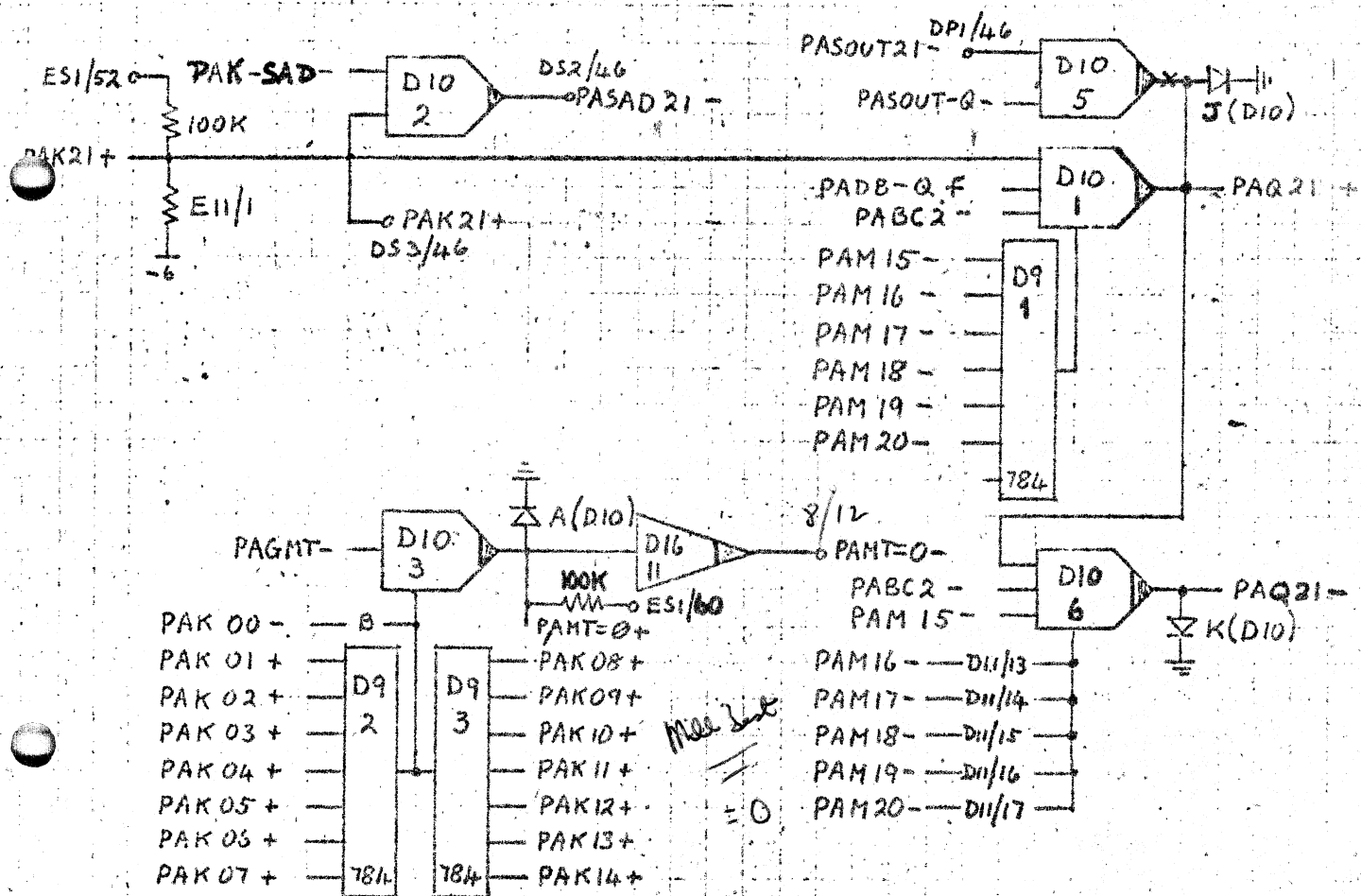
WGC 48/5
 0



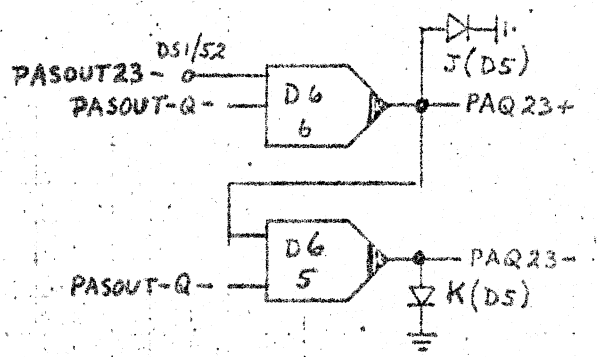
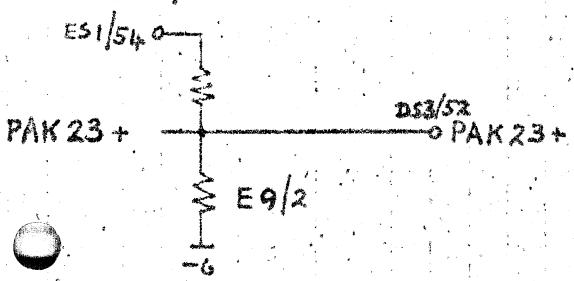
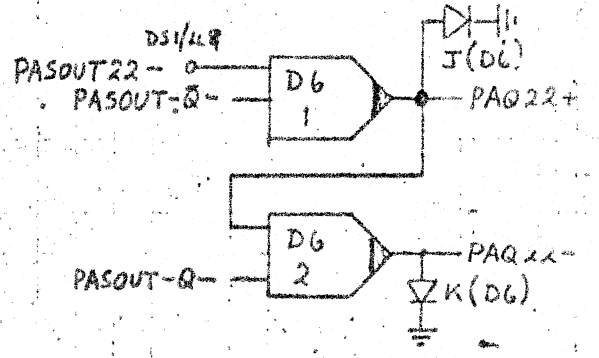
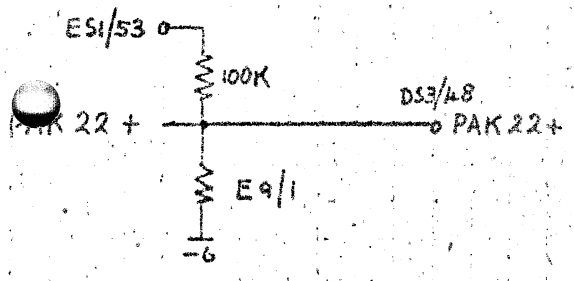
WGC 08/ 6
 φ



WFC 08/7

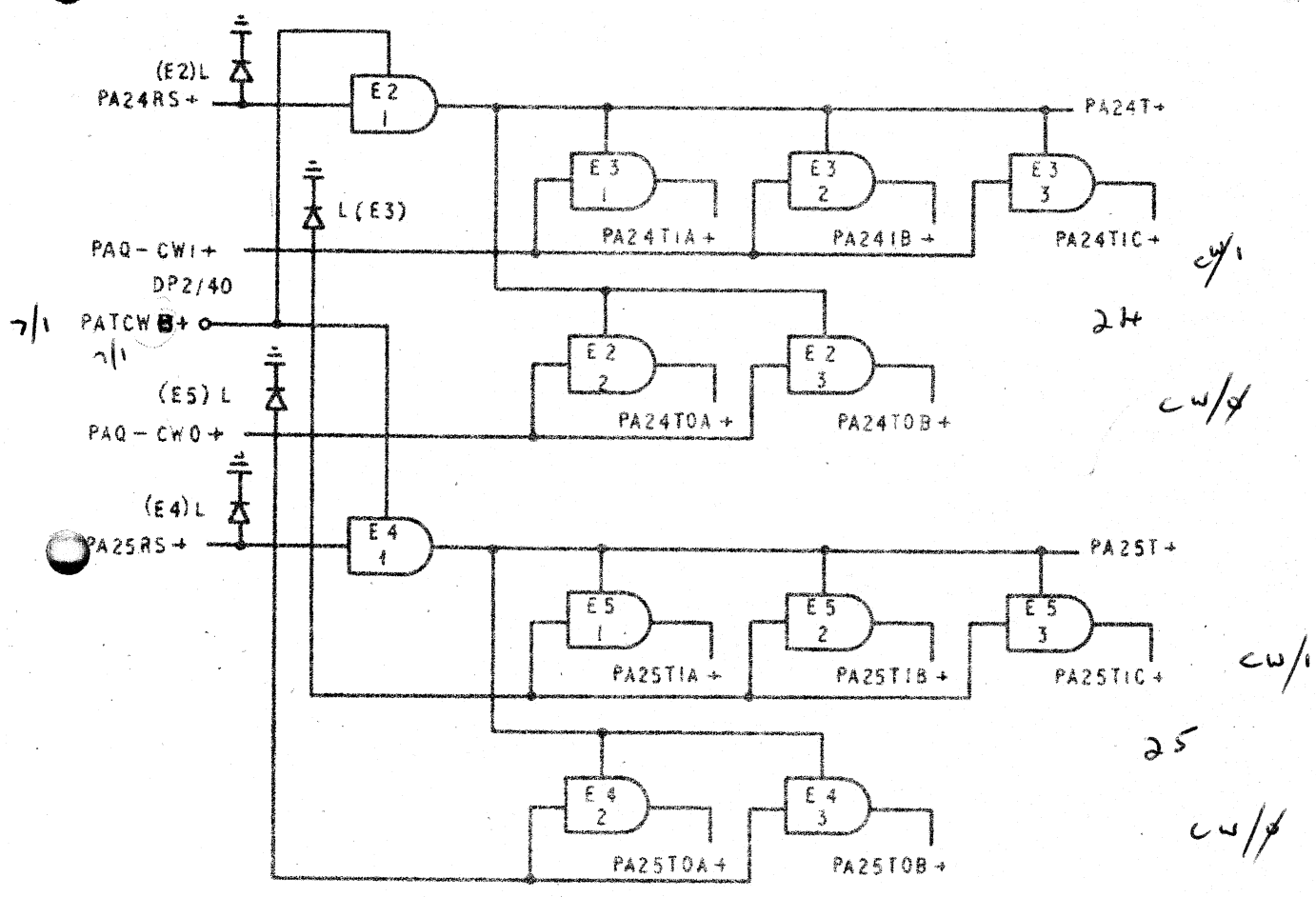


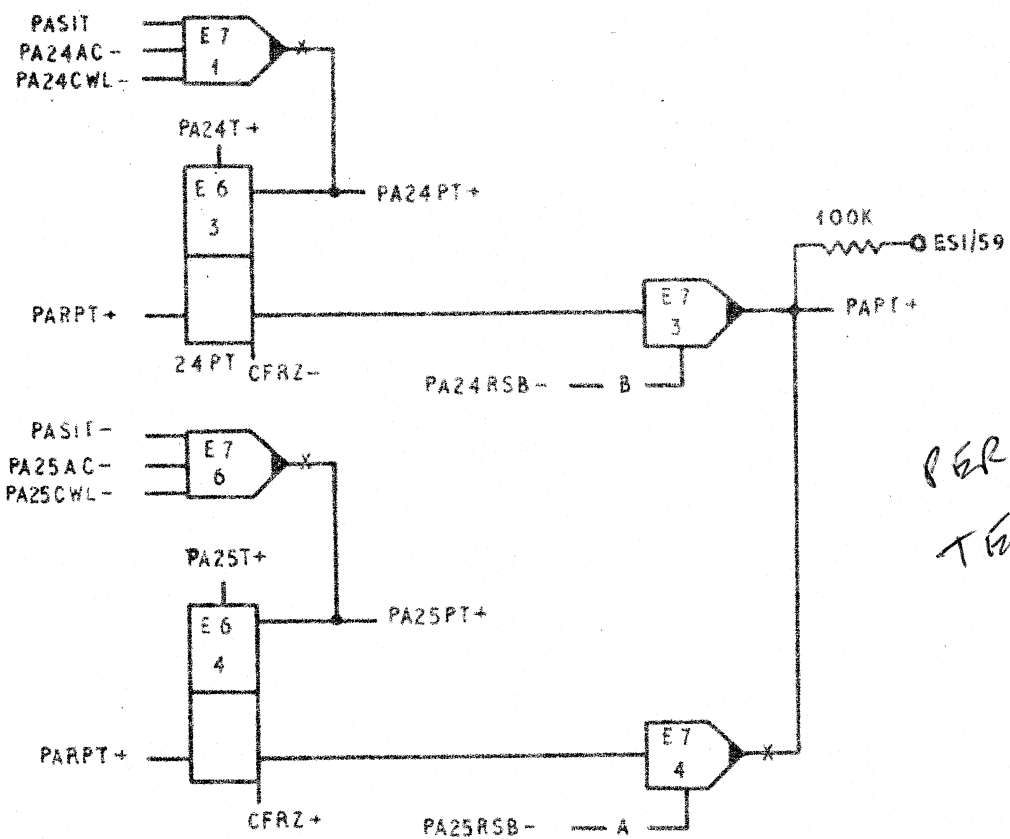
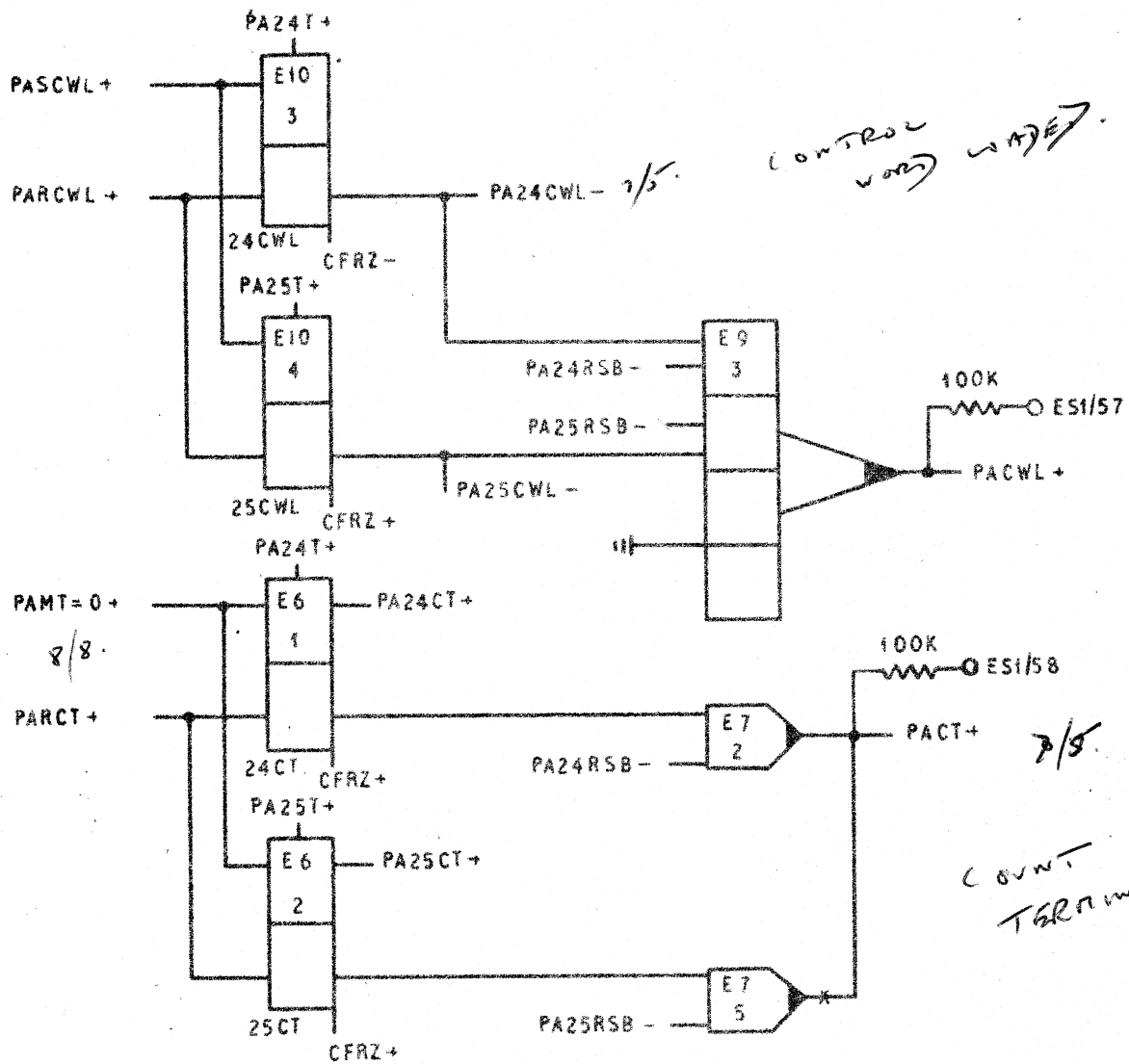
WGC 48/8



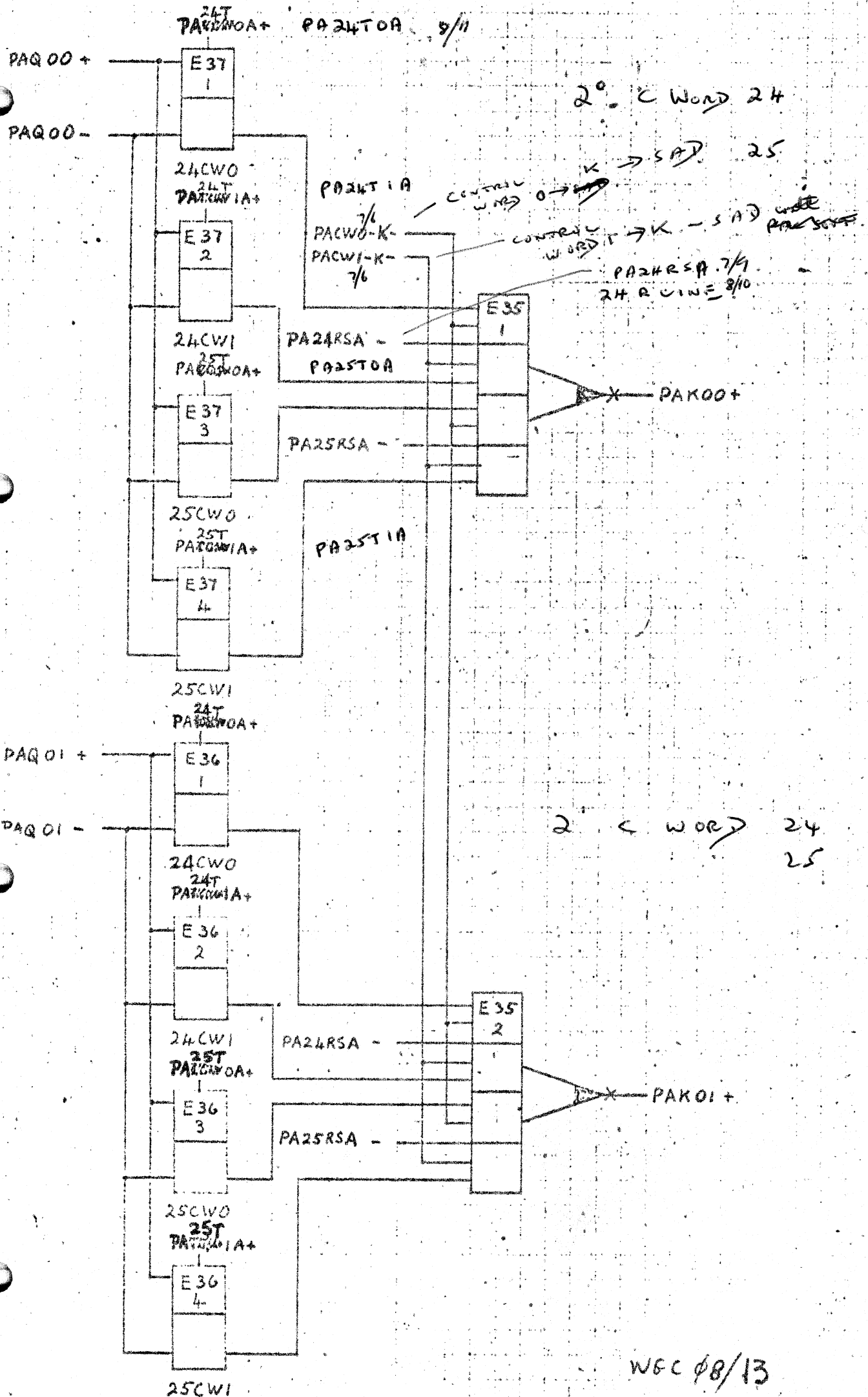
WFC 48/ 9

ISS
 08/66

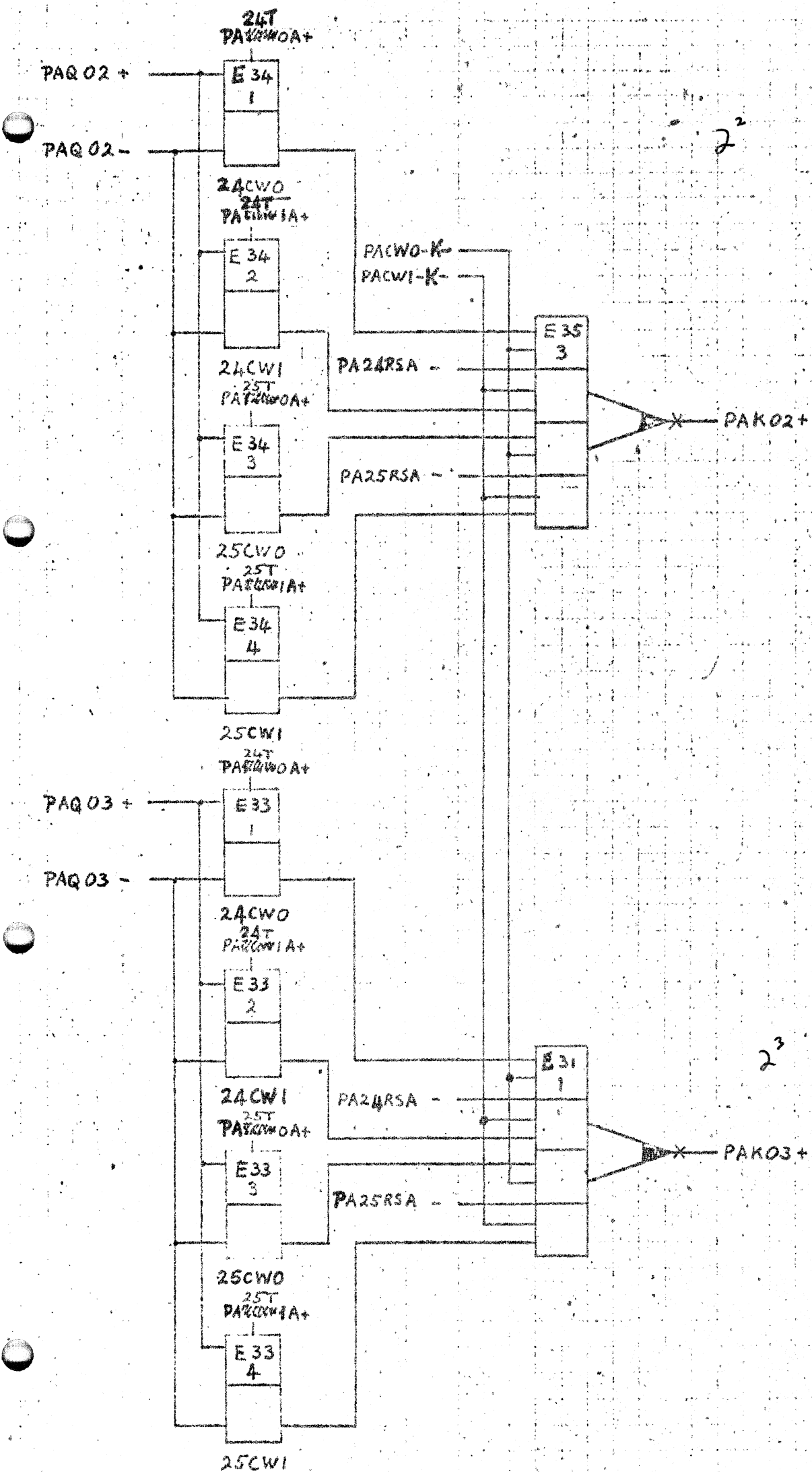




CONTROL WORD BUFFER SLICES



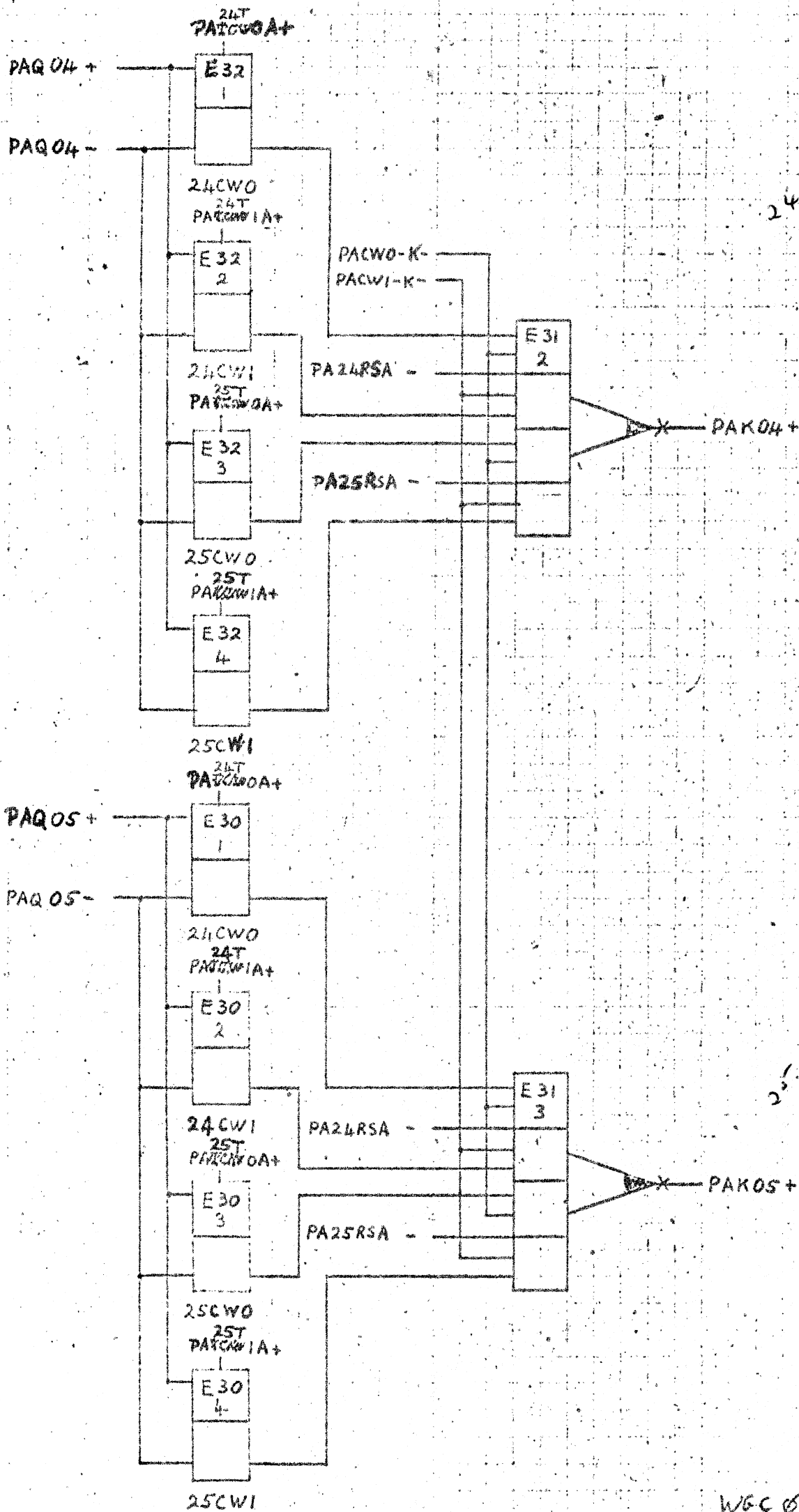
CONTROL WORD BUFFER SLICES



WGC. 08/14

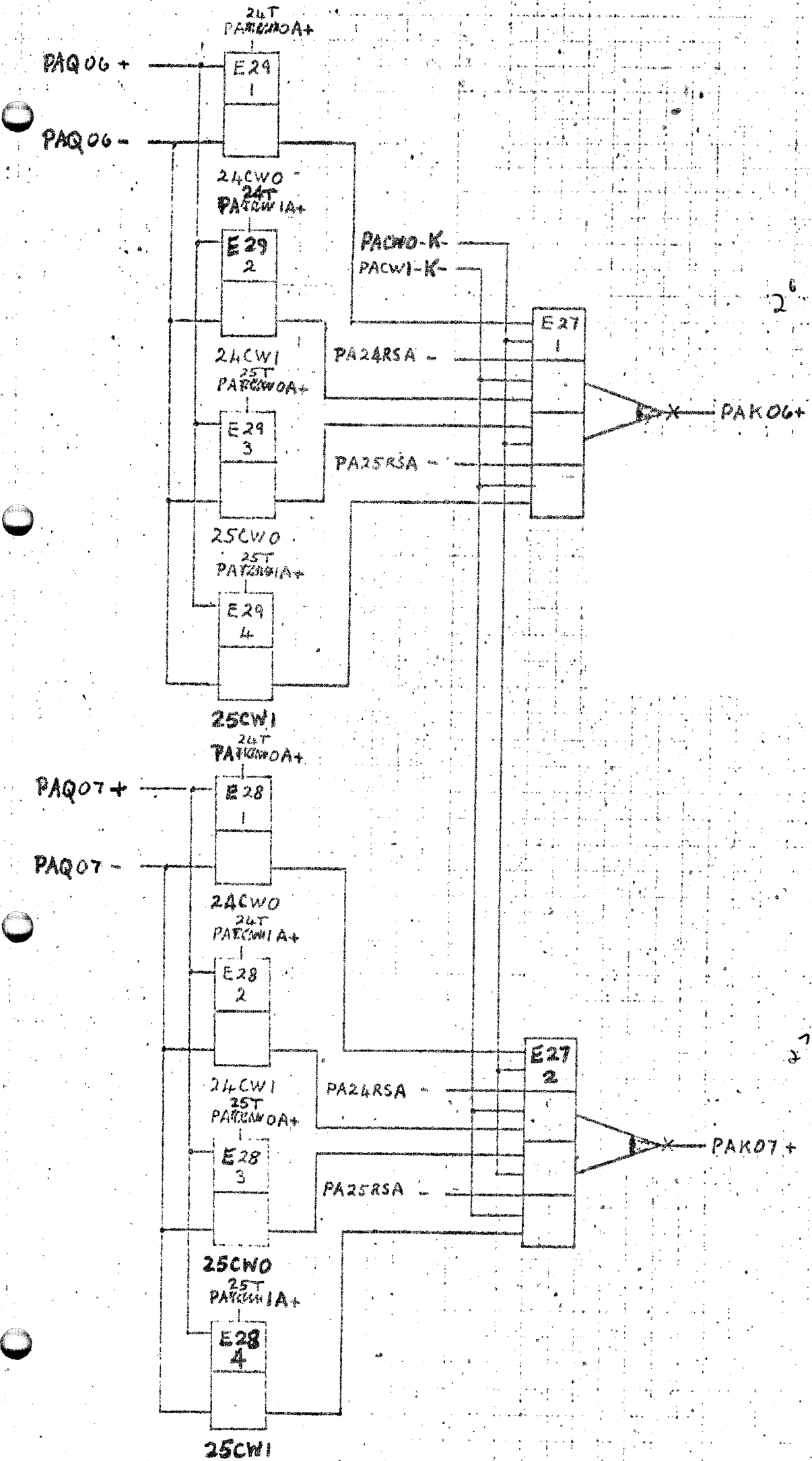
φ
100

CONTROL WORD BUFFER SLICES



WEC 08/15

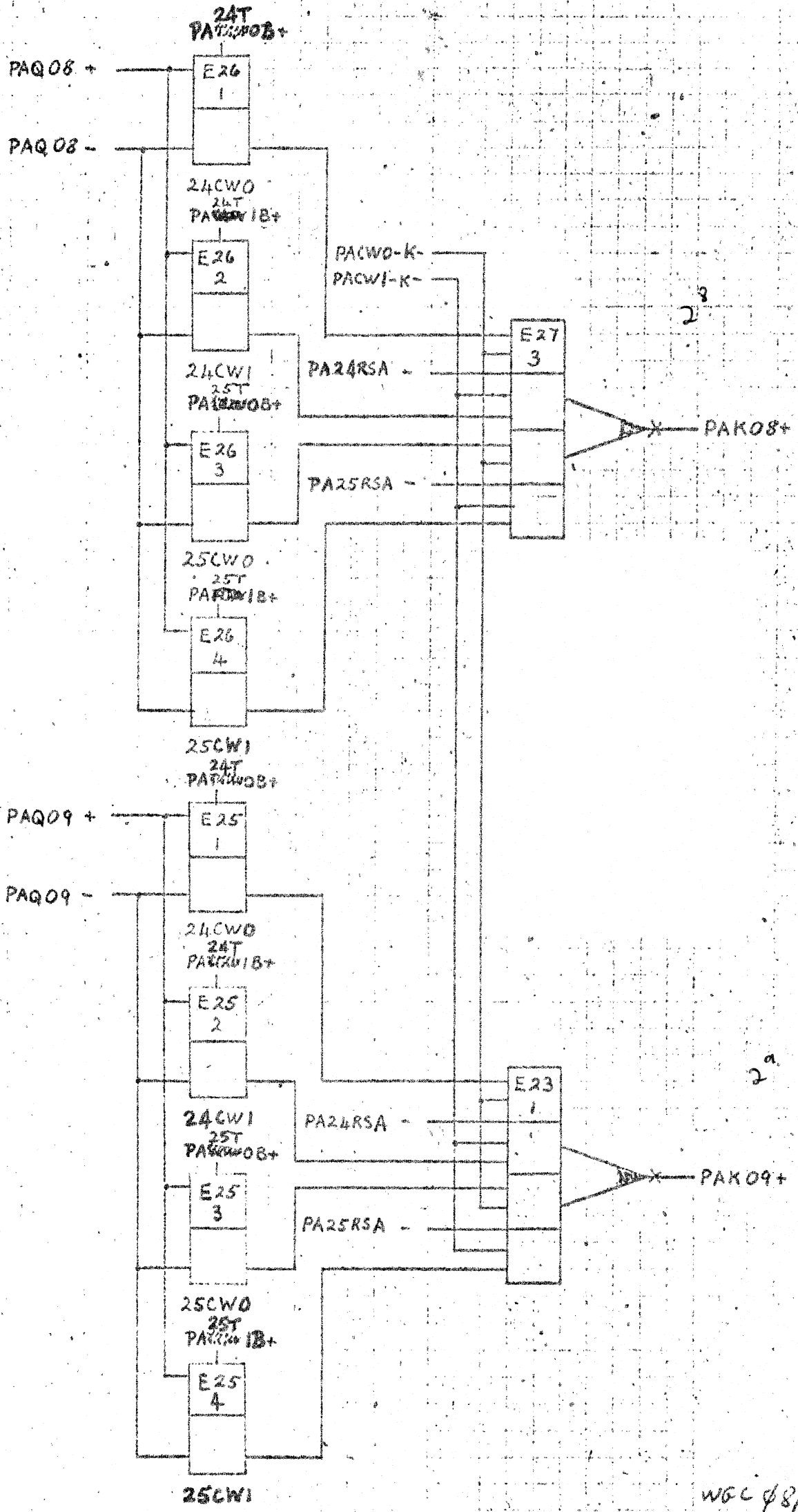
CONTROL WORD BUFFER SLICES



WGC 48/16

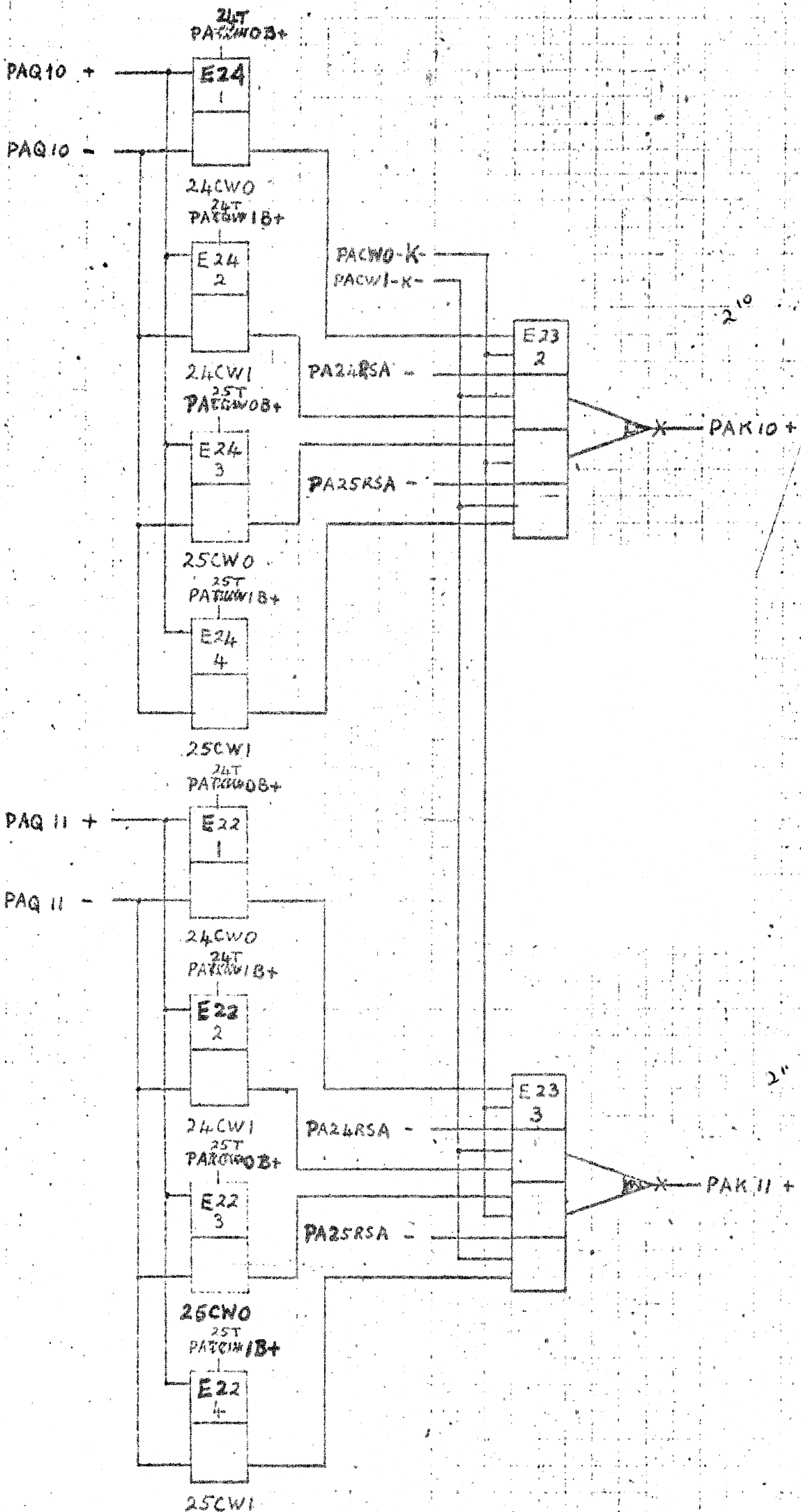
ISS

CONTROL WORD BUFFER SLICES



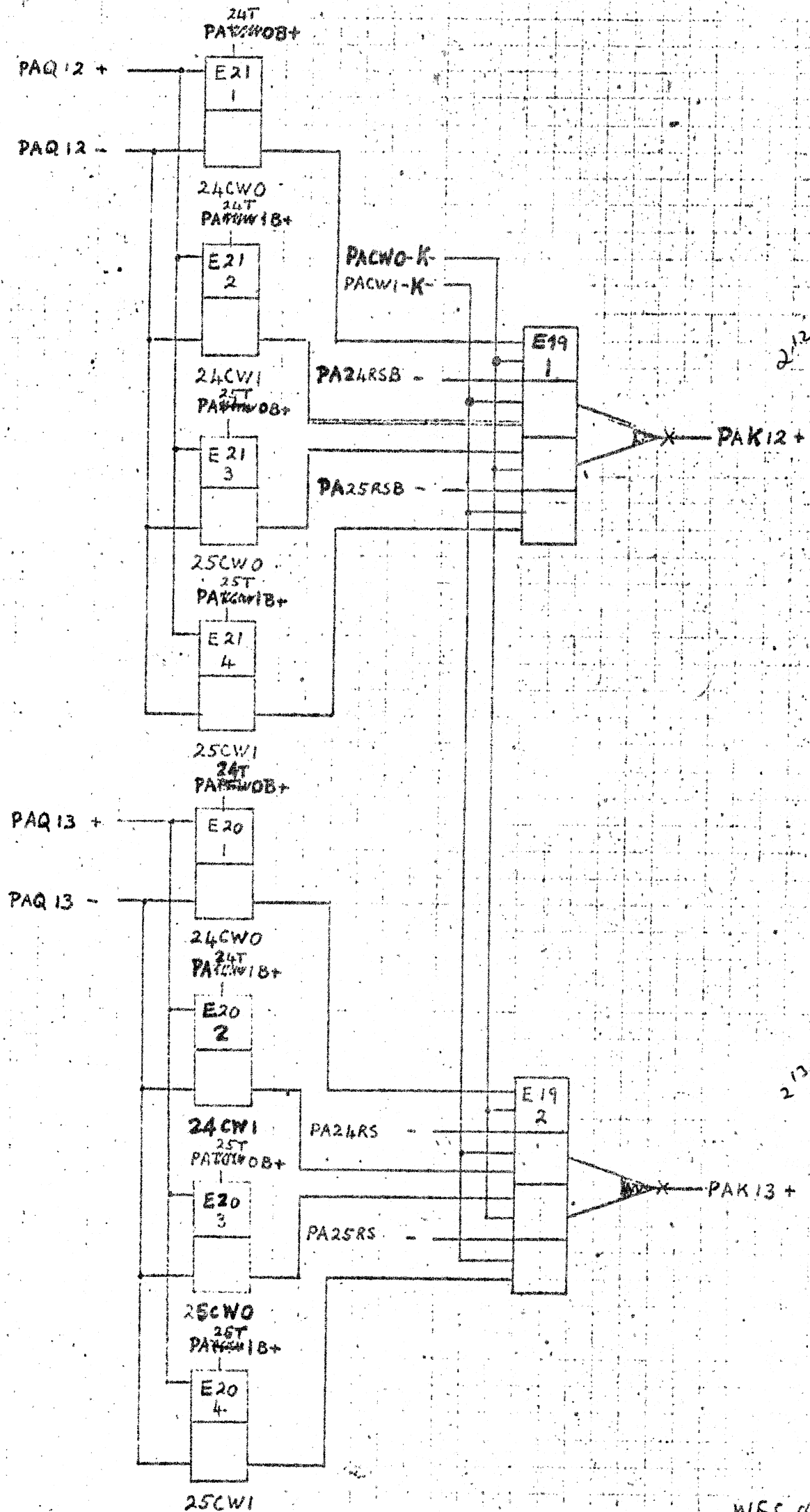
WGL 48/17

CONTROL WORD BUFFER SLICES

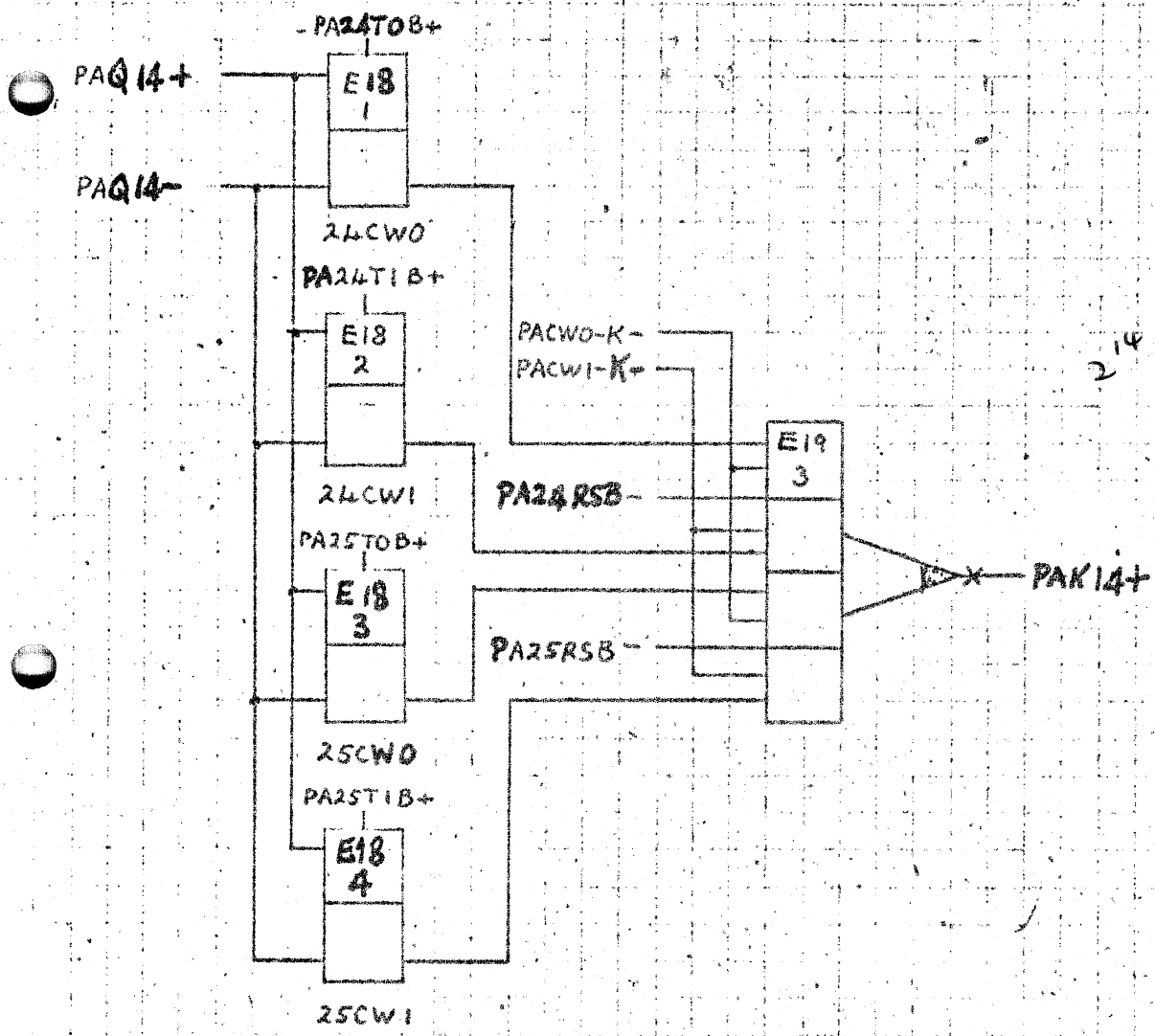


WAC 08/18

CONTROL WORD BUFFER SLICES

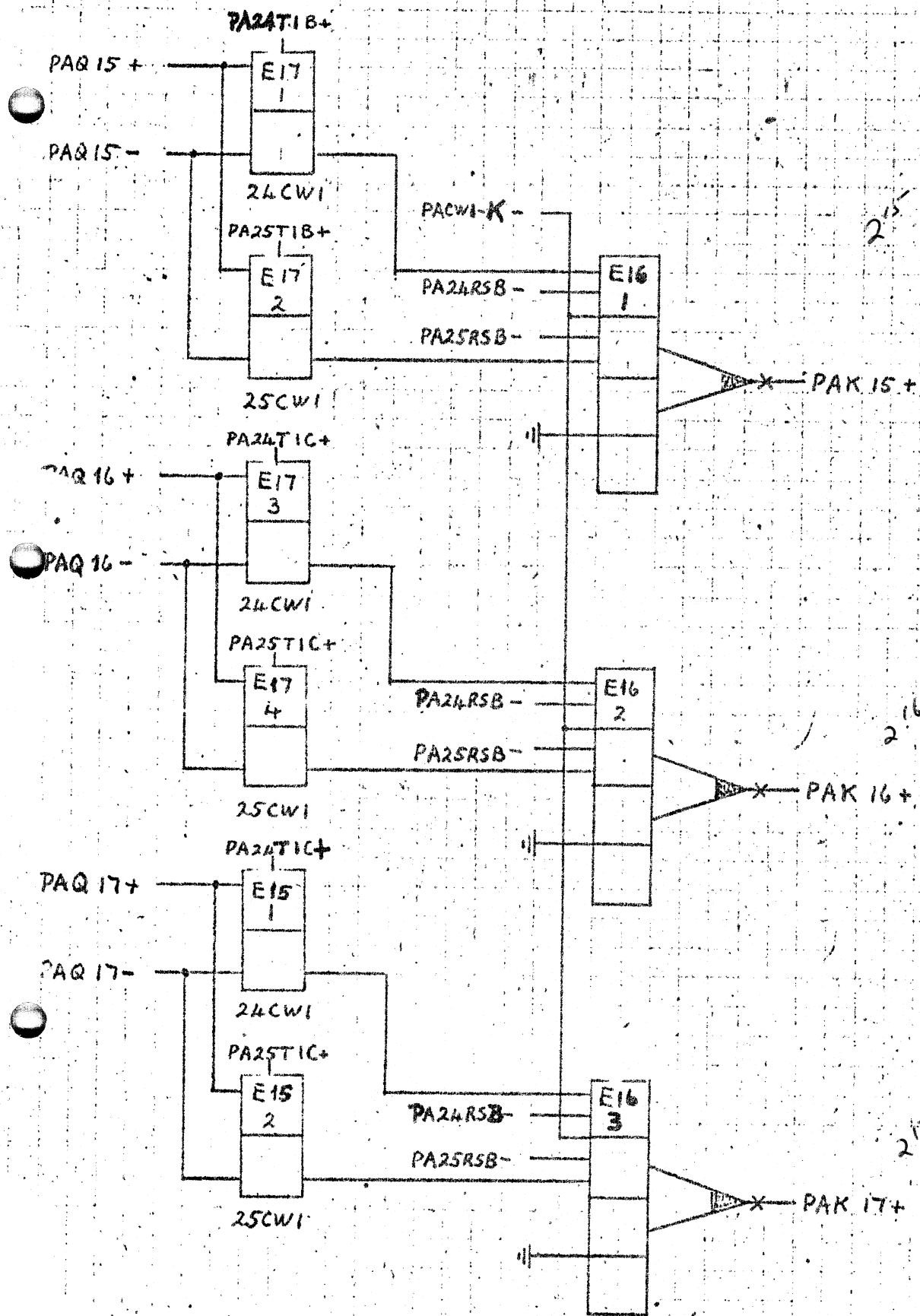


WFC 48/19



W&C φ 8/20

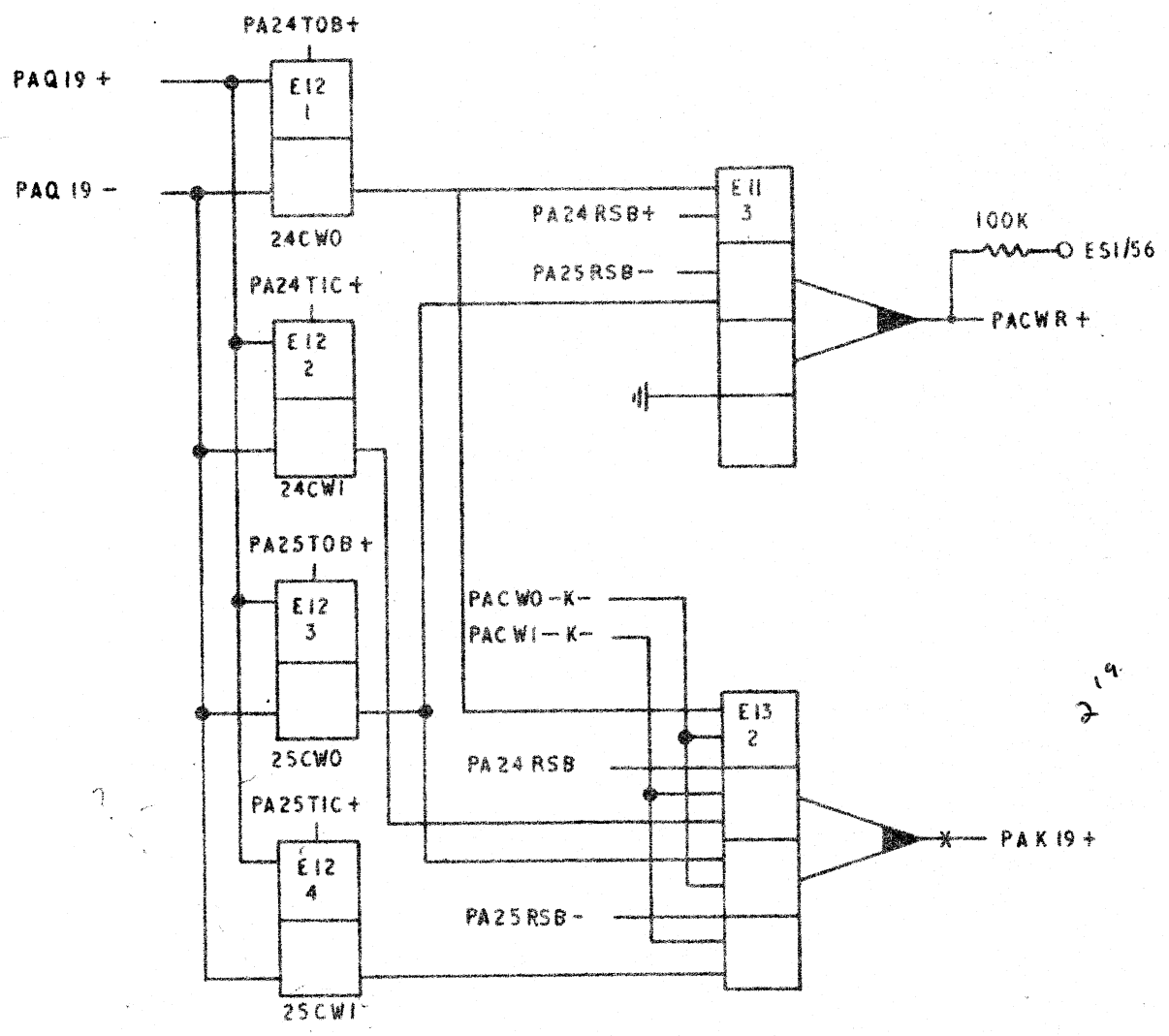
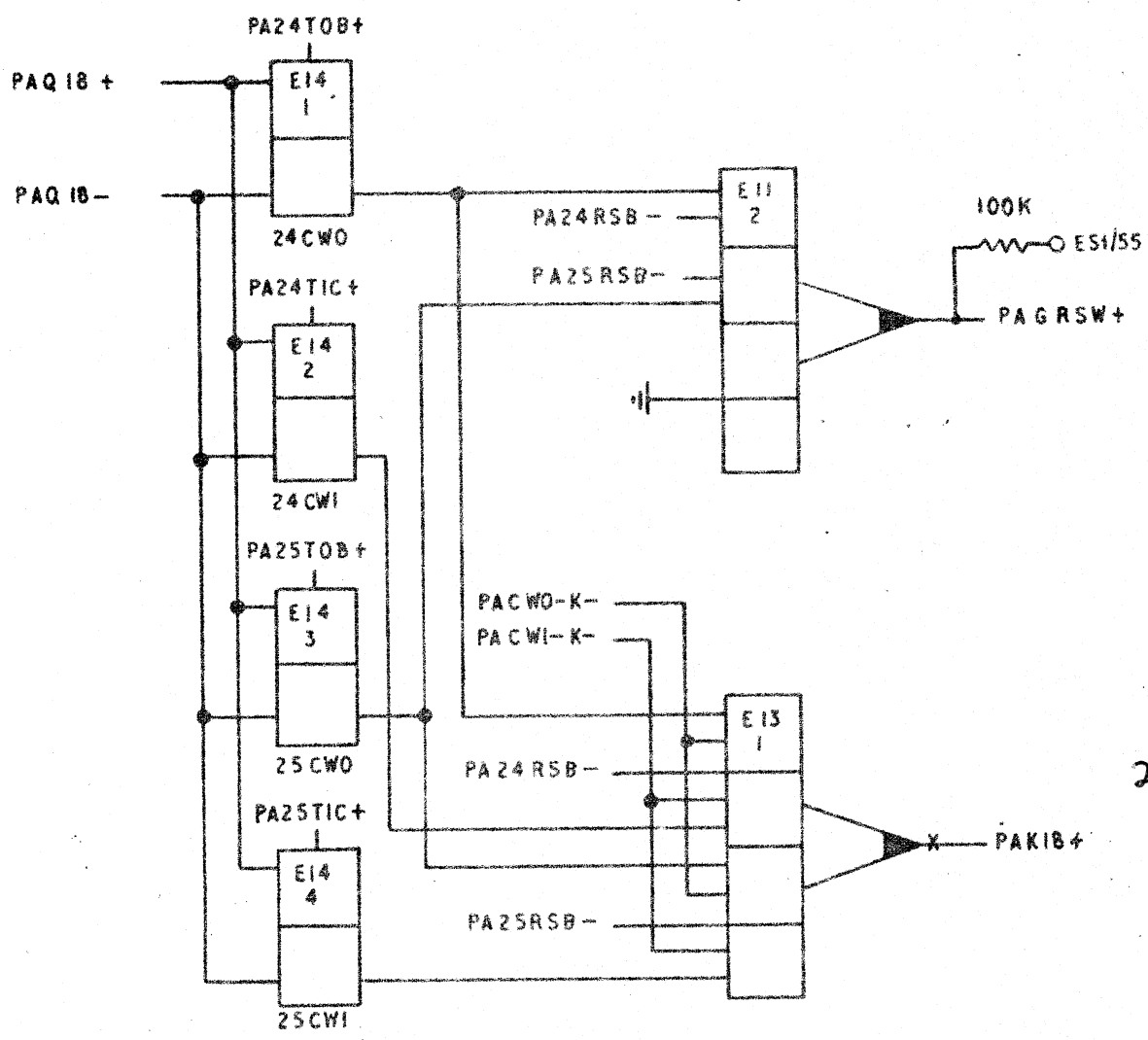
φ

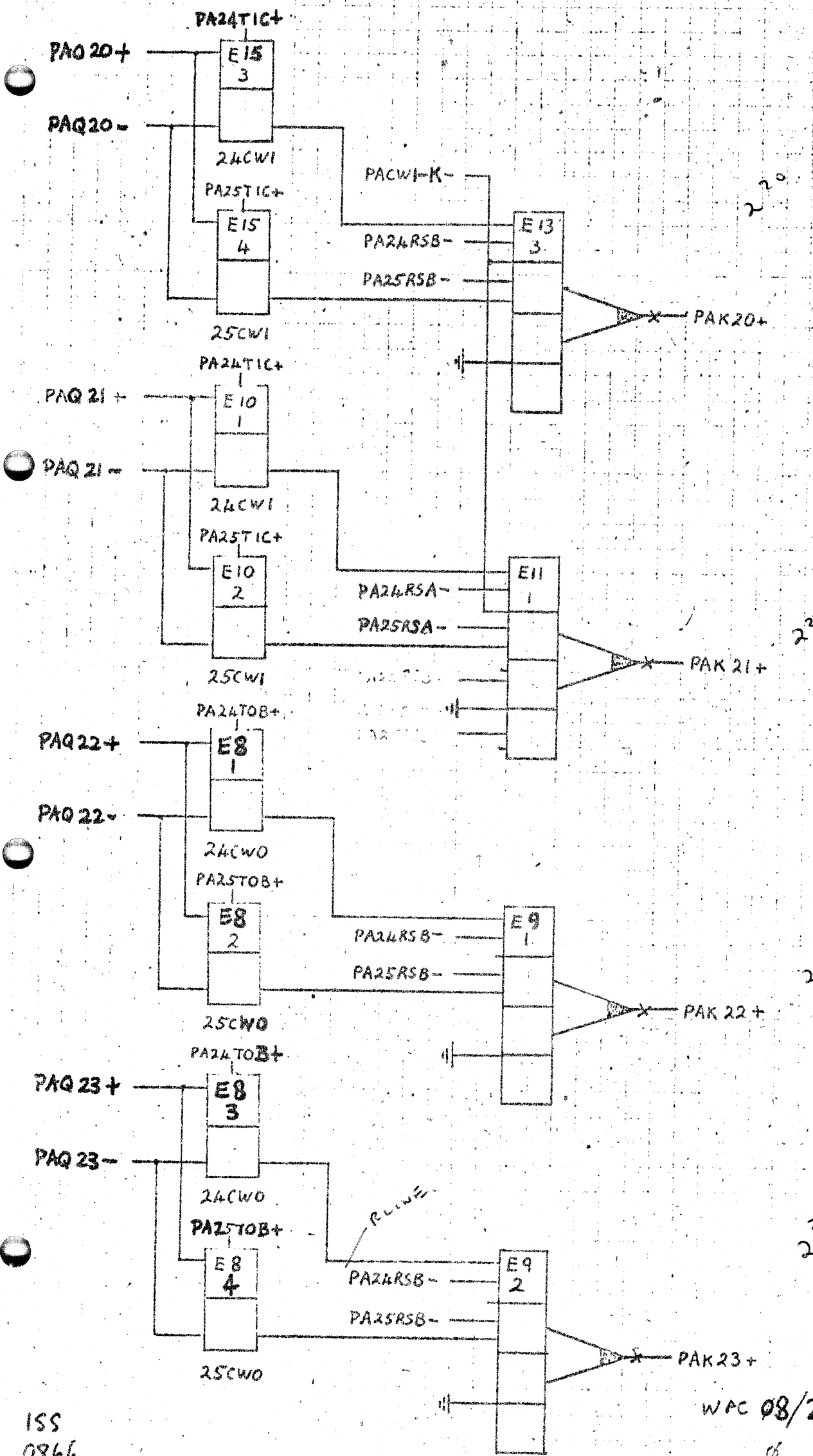


WEC 08/21

4

CS
866





ISS
0866

WPC 08/23

6