

IBM Selectric
Universal I/O Keyboardless Printer

S124-0070-6

IBM Illustrated Parts Catalog

IBM Selectric
Universal I/O Keyboardless Printer

S124-0070-6

IBM **Illustrated Parts Catalog**

PREFACE

This Illustrated Parts Catalog (IPC) contains listings and illustrations of all replaceable assemblies, subassemblies and detail parts released to Production Control on or before January 8, 1971 for the IBM Selectric Universal I/O Keyboardless Printer.

I/O KEYBOARDLESS MODEL AND SYSTEM CROSS REFERENCE

This chart is for your service information, and contains information that is presently known at the time of this revision level.

PRINTER MODEL	<u>KEYBOARD</u> N = None E = Electrical	USING SYSTEM
1131	N	1130
1052 - 1	E	1050
1052 - 2	E	1050
1052 - 3	E	360 - 30
1052 - 4	E	360 - 30
1052 - 5	E	360 - 30
1052 - 6	E	360 - 30
1052 - 7 (SIPO)	E	360 - 40 up +2150
1052/9020	E	FAA 9020
1052 - 8 (SIPO)	E	360 - 30
1053 - 1	N	1050
1053 - 2	N	1070
1053 - 3	N	1800
1053 - 4	N	2848
1447	E	1440
1980 - 21 (SIPO)	N	2948
1033	N	1030
1062	N	1060
765	N	6400
1816	E	1800

Seventh Edition (January 1971)

This IBM Selectric Universal I/O Keyboardless Printer Parts Catalog revision, S124-0070-6, obsoletes the previous edition, S124-0070-5.

Requests for copies of IBM publications should be made to your IBM representative or to the IBM branch office serving your locality.

This manual has been prepared by the IBM Systems Development Division, Publications Center, Department E02-Parts Catalog Center, P. O. Box 12275, Research Triangle Park, North Carolina 27709.

A form is provided at the back of this publication for reader's comments. If the form has been removed, comments may be sent to the above address.

INDEX

	<u>FIGURE</u>	<u>PAGE</u>
BACKSPACE MECHANISM	2	5
BASE, W/O TILT UP PRINTER MOUNTS	48	111
BASE, WITH TILT UP PRINTER MOUNTS	49	112
BELL MECHANISM	33	67
CABLE AND JUMPER COMPONENTS	57	136
CARD HOLDERS	35	72
CARRIER AND ROCKER ASM	29	54
CARRIER RETURN MECHANISM, HIGH SPEED	4	12
CARRIER RETURN MECHANISM, STANDARD	3	8
CARRIER SUPPORT	34	69
CHARACTER SELECTION MECHANISM	42	95
CONTACT ASSEMBLY, CARRIER RETURN INTERLOCK	20 & 21	39 & 40
CONTACT ASSEMBLY, PRINT FEEDBACK, C2	22 & 23	42 & 43
CONTACT ASSEMBLY, SHIFT MODE C - 2	14	32
CONTACT ASSEMBLY, SHIFT C3 & C4, 765	11	28
CONTACT ASSEMBLY, C5	16	34
CONTACT ASSEMBLY, FEEDBACK C5	18	36
CONTACT ASSEMBLY, FEEDBACK C5/6	19	38
CONTACT ASSEMBLY, FEEDBACK C6 - 765	17	35
CONTACT ASSEMBLY, SHIFT C7	12	29
CONTACT ASSEMBLY, SHIFT C7 1052 - 7	13	31
COVER, KEYBOARD	53	124
COVERS, WITH TILT - UP PRINTER MOUNTS	51	117
COVERS, WITHOUT TILT - UP PRINTER MOUNTS	50	116
CYCLE CLUTCH AND CAM SHAFT ASM	44	100
CYCLE CLUTCH TRIP MECH.	45	103
CYCLE CLUTCH MAGNET ASM	46	106
ESCAPEMENT MECH.	1	1
FORMS FEED CONTROL (FEATURE)	26	48
FRONT FRAME AND SWITCH ASM - 765	55	131
INDEXING MECHANISM	2	5
KEYBOARD ASM, ELECTRIC, EARLY STYLE	37	76
KEYBOARD ASM, ELECTRIC, LATE STYLE	38	82
KEYBUTTONS AND OPERATIONAL KEYS	36	74

INDEX (cont)

	<u>FIGURE</u>	<u>PAGE</u>
KEYLEVER, OPERATIONAL	5	14
MAGNET ASM, PRINT SELECTION, EARLY STYLE	39	89
MAGNET ASM, PRINT SELECTION, INTERMEDIATE ST.	40	91
MAGNET ASM, PRINT SELECTION, LATE STYLE	41	93
MAGNET ASM, OPERATIONAL, EARLY STYLE	6	17
MAGNET ASM, OPERATIONAL, LATE STYLE	7	19
MAGNET ASM, OPERATIONAL, 1052 - 7 & 8	8	21
MAGNET ASM, SHIFT	15	33
MARGIN MECHANISM	32	64
MOTORS AND DRIVE ASSEMBLY	56	133
OPERATIONAL BRACKET ASM	5	14
PANEL ASM, SWITCH AND LIGHT FOR KB PRINTER MODELS	52	120
PANEL ASM, PRINTER MDLS	54	128
PAPER FEED MECHANISM	27	50
PLATEN ASM, PIN FEED	25	45
PLATEN ASM, STANDARD	24	44
POWER FRAME ASM	47	107
RIBBON FEED ASM	30	60
SELECTION MECHANISM, CHARACTER	42	95
SELECTION PUSHER AND CAM FOLLOWER ASM	43	98
SHAFT, CYCLE	44	100
SHAFT, FILTER	45	103
SHAFT, PRINT	34	69
SHAFT ASM, OPERATIONAL, IMPROVED LUBE	10	25
SHIFT MECHANISM	47	107
SHIFT MECHANISM, RED RIBBON	31	62
SPACEBAR MECHANISM	2	5
SUPPORT, CARRIER	34	69
SWITCH, END OF FORMS	28	53
SWITCH, END OF LINE	33	67
SWITCH ASM, OPERATIONAL	9	23
TAB MECHANISM	1	1
TYPEHEADS	35	72

HOW TO USE THIS ILLUSTRATED PARTS CATALOG (IPC)

- ① AR
As Required (AR) in the units per assembly column denotes that the quantity is used as required.
- ② ATT PT
Attaching Parts: These parts are used to attach a subassembly to an assembly. The attaching parts are listed immediately following the part to be attached.
- ③ COMM
Commercial hardware: When this indication appears in the part number column, it denotes hardware procurable from normal commercial sources and not identified by an IBM part number.
- ④ INDENTURE
The relationship of a part to its next higher assembly is indicated by indentures. For example:

1	2	3	4
Unit			
. Assemblies and Detail Parts of Unit			
. Attaching Parts for Assemblies & Detail Parts			
. . Subassemblies			
. . Attaching Parts for Subassemblies			
. . . Detail Parts for Subassemblies, etc.			
- ⑤ LOZENGE
The lozenge in the part number column denotes the part is procurable but not recommended for field replacement, and that the next higher assembly should be ordered.
- ⑥ NP
The entry NP in the part number column denotes the assembly is non-procurable and the detail parts should be ordered separately.
- ⑦ NO NO.
When this indication appears in the part number column, it denotes a group of parts for which no assembly part number has been assigned, and the detail parts should be ordered separately.
- ⑧ REF
This entry in the units per assembly column denotes an assembly which is completely assembled on a preceding illustration. Quantities for such items are found in its next higher assembly.
- ⑨ SIMILAR ASSEMBLIES
If two assemblies contain a majority of identical parts, they are broken down on the same list. Common parts are shown by one index number. Parts peculiar to one or the other of the assemblies are listed separately and identified by Usable On Code.
- ⑩ USABLE ON CODE
Part application and interchangeability is indicated by the usable on code. If this column is blank, the parts pertain to all equipment(s) covered. Two types of codes are used. The alphabetic code denotes similar assemblies and/or features; the numeric code denotes level. Refer to the beginning of each list for the explanation of the code(s).
- ⑪ SUFFIX CODE
The suffix code indicates the month (alphabetic) and the year (numeric) of the engineering change which affected interchangeability of the part.

EXAMPLE OF PARTS LIST

LIST AND INDEX NO.	PART NO.	1 2 3 4	DESCRIPTION	UNITS PER ASM.	USABLE ON CODE
2-	⑨		DRIVE MOTOR ASSEMBLY		
	⑥		⑩ CODE A USED ON 60 CYCLE ONLY CODE B USED ON 50 CYCLE ONLY CODE 1 USED ON ASM PRIOR TO B6 SUFFIX	⑧	⑩
-	2199376	NP	MOTOR ASM,DRIVE-115/220 VOLTS 60 CYCLE	REF	1A
-	2199386	NP	MOTOR ASM,DRIVE-220 VOLTS 50 CYCLE	REF	1B
			FOR NEXT HIGHER ASM SEE FIGURE 1-92 FOR ILLUSTRATION SEE FIGURE 2	①	
- 1	2204176	④	. PULLEY, 60 CYCLE	1	A
- 1	2199255		. PULLEY, 50 CYCLE	1	B
- 2	79842		. SETSCREW, SPLINE DR CUP PT 8-32 X 3/8 LG	②	
- 3	2204116	⑦	. MOTOR ASM, 220V AC 60 CYCLE	ATT PT	
- 4	NO NO.		. MOTOR ASM, 220V AC 50 CYCLE	1	A
- 5	5526		. SCREW, MACH BIND HD 8-32 X 0.625 LG	ATT PT	B
- 6	2204082	③	. . FERRULE, OUTER	1	
- 7	2204033		. . FERRULE, INNER	1	
- 8	COMM		. . MOTOR, 1/12 HP-220V 60CPS	1	
- 8	2199258	⑤	. . MOTOR, DRIVE - 220V 50CPS	1	
- 9	2199401	⊠	. PLATE, MOTOR MT-115/220 VOLTS 60 CYCLE	1	A
- 9	2199402	⊠	. PLATE, MOTOR MT-220 VOLTS 50 CYCLE	1	B

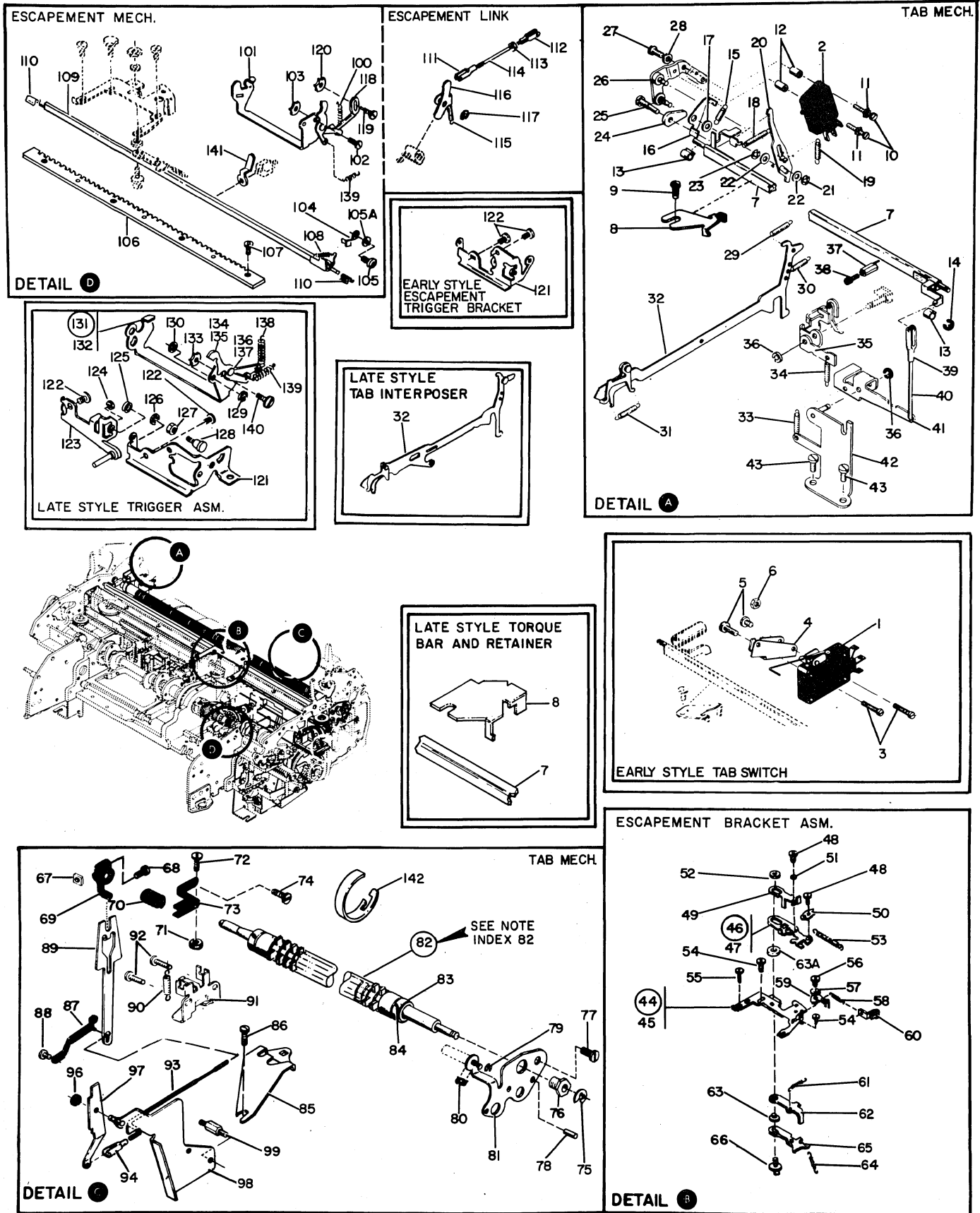


FIGURE 1. TAB MECHANISM ASSEMBLY. SEE LIST 1.

LIST AND INDEX NUMBER	PART NUMBER	DESCRIPTION				UNITS PER ASM.	USABLE ON CODE
		1	2	3	4		
		TAB MECHANISM ASSEMBLY					
1 -	NO NO.	TAB MECHANISM ASSEMBLY SEE FIG.1 FOR ILLUSTRATION				NP	
- 1	1159045	SWITCH ASSEMBLY - TAB TO INSTALL LATE STYLE INTERLOCK ON EARLY MACHINES ORDER FBM 1272187 FOR 765 AND 1272190 FOR 1062 AND 1272188 FOR OTHERS.				1	
- 2	1159207	. SWITCH				1	
- 3	438540	. SCREW				2	
- 4	1135036	. BRACKET,TAB INTERLOCK SWITCH				1	
- 5	251970	. SCREW				2	
- 6	37913	. NUT				1	
- 7	1166713	. BAR,TORQUE,15"-LATE STYLE-SEE NOTE AFTER INDEX 44				1	
- 8	1166706	. RETAINER,TAB TORQUE BAR-LATE STYLE-SEE NOTE AFTER INDEX 44				1	
- 9	1187434	. SCREW				1	
- 10	1159209	. SCREW				2	
- 11	358509	. WASHER				2	
- 12	1159208	. SPACER				2	
- 13	1141223	. CLIP-TORQUE BAR				2	
- 14	219633	. RING-RETAINING				1	
- 15	1073449	. SPRING				1	
- 16	1159204	. LEVER-TAB SWITCH ACTUATING				1	
- 17	20038	. WASHER				1	
- 18	1144928	. SPRING				1	
- 19	1072703	. SPRING				1	
- 20	1159203	. LEVER-TAB SWITCH TRIGGER				1	
- 21	1073418	. RING-RETAINING				2	
- 22	45639	. WASHER				2	
- 23	1125066	. CLIP,RETAINER BOWED				1	
- 24	1018477	. PLATE,765				1	
- 25	1159206	. SCREW				1	
- 25	1159234	. SCREW,765				1	
- 26	1159194	. BRACKET				1	
- 27	338238	. SCREW				1	
- 28	257985	. WASHER,FLAT				1	
- 29	1073449	. SPRING				1	
- 30	1134948	. SPRING				1	
- 31	1073863	. SPRING				1	
- 32	1187501	. INTERPOSER ASM,TAB-EARLY STYLE REPLACED BY 1187515				1	
- 32	1187515	. INTERPOSER ASM,TAB-LATE STYLE WHEN UTILIZED TO REPLACE 1187501,USE SHORT INTERPOSER PULL LINK (1135193) IN PLACE OF LONG INTERPOSER PULL LINK (1128684)				1	
- 33	1074242	. SPRING NOT USED ON MACHINES WITH LATE STYLE INTERLOCK				1	
- 34	1116343	. SPRING				1	
- 35	1135340	. ARM AND LATCH ASM				1	
- 36	1073418	. RING-RETAINING				2	
- 37	1128752	. STOP-ECCENTRIC				1	
- 38	186923	. SCREW				1	
- 39	1070020	. CLEVIS				1	
- 40	1000223	. LINK,CONNECTING				1	
- 41	1166301	. LEVER				1	
- 42	1135312	. BRACKET-MOUNTING				1	
- 43	322065	. SCREW				2	

LIST AND INDEX NUMBER	PART NUMBER	DESCRIPTION				UNITS PER ASM.	USABLE ON CODE
		1	2	3	4		
1 - 44	1187174	.	ESCAPEMENT BRACKET ASM. FBM			AR	
			FOR MACHINES WITH BACKSPACE AND WITHOUT TAB.				
- 44	1187176	.	ESCAPEMENT BRACKET ASM. FBM			AR	
			FOR MACHINES WITHOUT BACKSPACE AND WITHOUT TAB.				
- 44	1187189	.	ESCAPEMENT BRACKET ASM. FBM			AR	
			FOR 1062				
- 44	1187436	.	ESCAPEMENT BRACKET ASM. FBM			AR	
			FOR MACHINES WITH TAB.				
			BACKSPACE AND NO PRINT ESC. FOR SPACING.				
- 44	1187435	.	ESCAPEMENT BRACKET ASM. FBM			AR	
			FOR MACHINES WITH TAB, BACKSPACE AND NORMAL SPACING.				
			NOTE: INDIVIDUAL PARTS ON EARLY STYLE TAB MECH. ARE NO LONGER AVAILABLE. ORDER ONE OF THE ABOVE FBM (INDEX 44) PLUS A LATE STYLE TAB TORQUE BAR (INDEX 7) AND RETAINER (INDEX 8)				
- 45	1141639	.	BRACKET-USED ON FBM 1187436			1	
- 45	1148310	.	BRACKET-USED ON FBM 1187174, 1187176, 1187435 AND 1187189			1	
- 46	1187429	.	LEVER ASM			1	
- 47	1187426	.	LEVER, TAB			1	
- 48	1138802	.	SCREW, TAB PAWL			2	
- 49	1187428	.	LEVER, ESCAPEMENT PAWL			1	
- 50	1187427	.	PAWL, TAB LEVER			1	
- 51	1141371	.	SPACER			1	
- 52	1187432	.	NUT			1	
- 53	1117376	.	SPRING			1	
- 54	1127745	.	SCREW			2	
- 55	1187236	.	SCREW			2	
- 56	1132080	.	SCREW			1	
- 57	1132103	.	SPACER, TAB LATCH			1	
- 58	1166516	.	SPRING			1	
- 59	1145516	.	LATCH, TAB			1	
- 60	1166517	.	BRACKET			1	
- 61	1187431	.	SPRING			1	
- 62	1187433	.	PAWL, BACKSPACE			1	
- 63	1187404	.	SPACER			1	
- 63A	1091414	.	SPACER-USED ON REDUCED FUNCTION MACHINES ONLY			1	
- 64	1187430	.	SPRING			1	
- 65	1128201	.	PAWL, ESCAPEMENT			1	
- 66	1128301	.	STUD, PAWL MOUNTING			1	
- 67	38051	.	NUT			1	
- 68	1928	.	SCREW			1	
- 69	1164398	.	CRANK			1	
- 70	1164289	.	SPRING			1	
- 71	103372	.	NUT			1	
			USED ON EARLY STYLE MACH. ONLY				
- 72	438549	.	SCREW			1	
			USED ON EARLY STYLE MACH. ONLY				
- 73	1127765	.	BRAKE, TAB RACK			1	
			USED ON EARLY STYLE MACH. ONLY				
- 74	55726	.	SCREW			1	
			USED ON EARLY STYLE MACH. ONLY				
- 75	1092125	.	RING-RETAINING			1	
- 76	1124082	.	BUSHING			1	
- 77	1164576	.	SCREW			1	
- 78	1132212	.	PIN			1	
- 79	219633	.	RING-RETAINING			1	
- 80	1141223	.	CLIP-TORQUE BAR			1	
- 81	1166089	.	PLATE, TAB RACK MTG.			1	
- 82	1187595	.	RACK ASM- 12 PITCH (FRICTION DETENDED)			1	
- 82	1187597	.	RACK ASM- 10 PITCH (FRICTION DETENDED)			1	
- 82	1135772	.	RACK ASM- 12 PITCH (1062)			1	
			NOTE: FORMER LEVEL TAB RACK PARTS ARE NO LONGER AVAILABLE. REPLACE ENTIRE RACK ASM. WITH INDEX 82.				
- 83	1203557	.	PLUG-TAB RACK			1	
- 84	1175101	.	SETSCREW			1	
- 85	1141270	.	FINGER-TAB CLEAR			1	
- 86	1164027	.	SCREW			1	
- 87	1135655	.	DETENT (1062)			1	
- 88	251970	.	SCREW (1062)			1	
- 89	1134952	.	ARM			1	

LIST AND INDEX NUMBER	PART NUMBER	DESCRIPTION	UNITS PER ASM.	USABLE ON CODE
1 - 90	1144150	. SPRING	1	
- 91	1166619	. BRACKET-SET & CLEAR	1	
- 92	1164576	. SCREW	2	
- 93	1159873	. LINK-TAB SET & CLEAR	1	
- 94	1110529	. CLEVIS-LINK	1	
- 96	1073418	. RING-RETAINING	1	
- 97	1135542	. LEVER-SET & CLEAR	1	
- 98	1135544	. PLATE ASM-SET & CLEAR MTG.	1	
- 99	1135546	. STUD-GEAR GUARD	1	
-100	1141073	. SPRING-TRIGGER LEVER	1	
-101	1128101	. TRIGGER ASM. USED ON MACHINES BELOW S/N 4612100	1	
-101	1159325	. TRIGGER ASM. USED ON MACHINES ABOVE S/N 4612100 TO LATE STYLE	1	
-102	1128226	. STUD,TRIGGER	1	
-103	37913	. NUT	1	
-104	1128216	. STOP,ESC. TORQUE BAR-OLD STYLE	1	
-104	1203373	. STOP,ESC. TORQUE BAR-NEW STYLE	1	
-105	1127733	. SCREW-OLD STYLE	1	
-105	186427	. SCREW-NEW STYLE	1	
-105A	22066	. WASHER USED ONLY ON NEW STYLE TORQUE BAR	1	
-106	1128032	. RACK- 10 PITCH	1	
-106	1128037	. RACK- 12 PITCH	1	
-107	1132713	. SCREW	4	
-108	1100936	. SPRING	1	
-108	1074242	. SPRING	1	
-109	1128107	USED ON MACHINES ABOVE S/N 4367458 . BAR-TORQUE USED ON MACHINES BELOW S/N 4367458	1	
-109	1147385	. BAR-TORQUE	1	
-110	1141223	. RETAINER	2	
-111	1127727	. CLEVIS	1	
-112	1110529	. CLEVIS	1	
-113	1127728	. NUT	1	
-114	1123831	. LINK	1	
-115	1090162	. SPRING	1	
-116	1123591	. CAM FOLLOWER	1	
-117	1092125	. RING-RETAINING	1	
-118	1128204	. STOP,TRIGGER	1	
-119	1128113	. STUD	1	
-120	257187	. NUT	1	
-121	1128366	. BRACKET-RH	1	
-121	1159338	. BRACKET-RH USED ON MACHINES ABOVE S/N 4612100	1	
-122	1127733	. SCREW	3	
-123	1135314	. BRACKET-LH	1	
-124	257187	. NUT	1	
-125	1166672	. WICK-OIL	1	
-126	1166671	. WICK-OIL	1	
-127	37913	. NUT	1	
-128	1128226	. STUD,TRIGGER	1	
-129	1166761	. WICK-OIL	1	
-130	1166769	. WICK-OIL	1	
-131	1187230	. TRIGGER LEVER ASM.	1	
-132	1187234	. . LEVER-TRIGGER	1	
-133	37913	. . NUT	1	
-134	1187231	. . TRIGGER-RH	1	
-135	1187233	. . TRIGGER-LH	1	
-136	1187449	. . STUD	1	
-137	1141141	. . RETAINER	1	
-138	1141073	. . SPRING	1	
-139	1138795	. . SPRING-TRIGGER	2	
-140	1128226	. . STUD,TRIGGER	1	
-141	1175198	. STOP-TORQUE BAR REPLACES ALL FORMER LEVELS	1	
-142	1275643	. CLIP,TAB STOP (FOR LOOSE TAB STOPS ONLY)	AR	

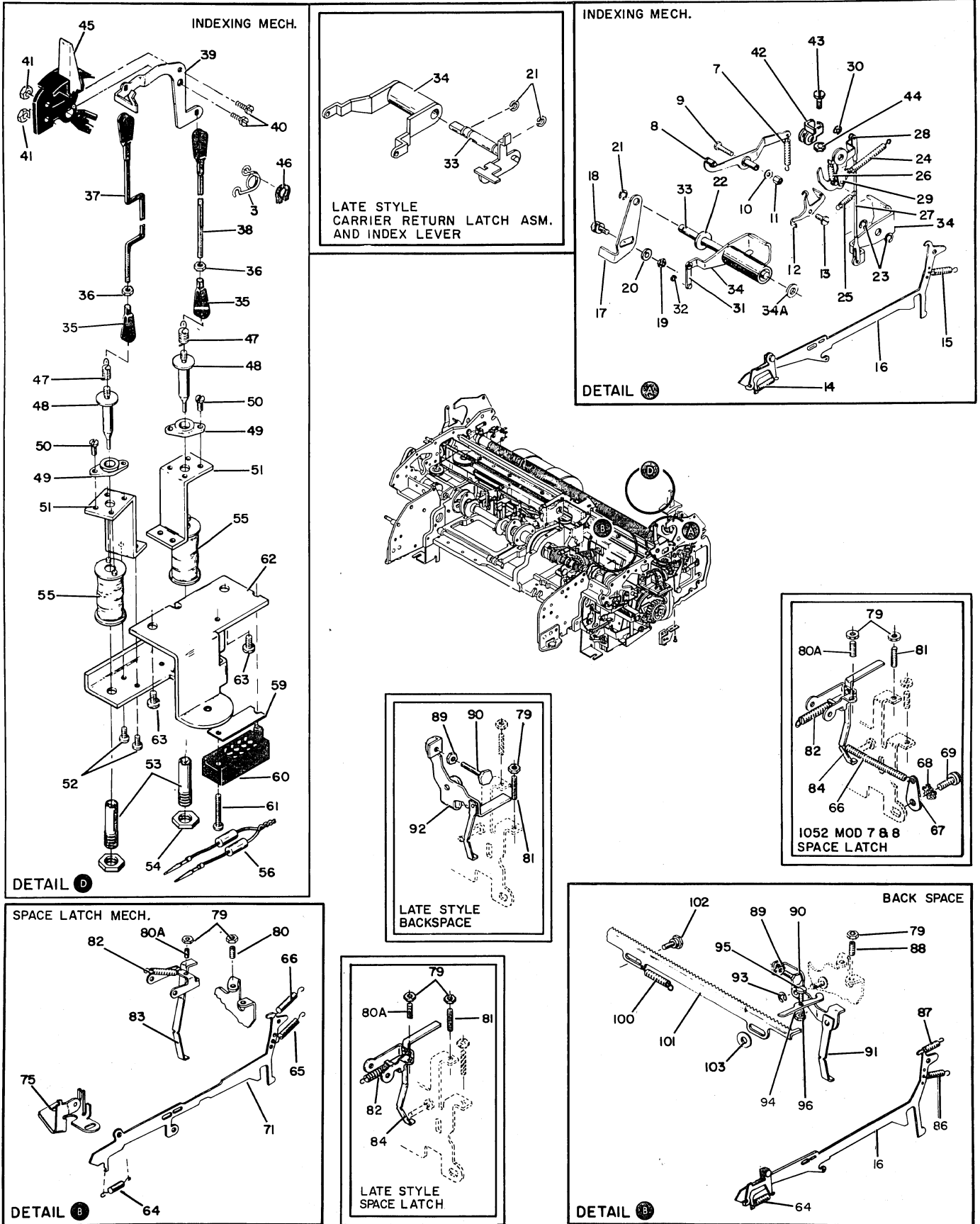


FIGURE 2. INDEXING, SPACEBAR AND BACKSPACE ASSEMBLIES. SEE LIST 2.

LIST AND INDEX NUMBER	PART NUMBER	DESCRIPTION	UNITS PER ASM.	USABLE ON CODE
		INDEXING, SPACEBAR AND BACKSPACE ASSEMBLIES		
2 -	NO NO.	INDEXING, SPACEBAR AND BACKSPACE ASSEMBLIES SEE FIGURE 2 FOR ILLUSTRATION INDEX NOS. 1,2,4,5, AND 6 HAVE BEEN DELETED	NP	
- 3	1124396	. SPRING	1	
- 7	1133663	. SPRING, HELICAL EXTENSION	1	
- 8	1138122	. DETENT- 27 TOOTH 3&6 LPI	1	
- 8	1128975	. DETENT- 36 TOOTH 4&8 LPI	1	
- 9	1128302	. SCREW, DETENT LEVER MTG	1	
- 10	1127741	. SPACER	1	
- 11	1127763	. NUT, PLAIN, HEX	1	
- 12	1128017	. STOP, PLATEN OVERTHROW	1	
- 13	1164582	. SCREW	1	
- 14	1073863	. SPRING	1	
- 15	1134948	. SPRING	1	
- 16	1128674	. INTERPOSER ASM.-EARLY STYLE REPLACED BY 1187514	1	
- 16	1187514	. INTERPOSER ASSEMBLY WHEN UTILIZED TO REPLACE 1128674, USE SHORT INTERPOSER PULL LINK ASM 1135193 IN PLACE OF LONG PULL LINK ASM 1128684	1	
- 17	1135167	. LEVER, INDEX MULTIPLIER CONTROL	1	
- 18	1128411	. SCREW	1	
- 19	257187	. NUT	1	
- 20	1090622	. WASHER	1	
- 21	1092125	. RING-RETAINING	3	
- 22	1100688	. SPACER	1	
- 23	1092125	. RING-RETAINING	2	
- 24	1133667	. SPRING, HELICAL, EXTENSION	1	
- 25	1133668	. SPRING	1	
- 26	1107795	. SPRING, EXTENSION	1	
- 27	1141586	. LINK	1	
- 28	1164127	. CLEVIS-LOCKING	1	
- 29	1128018	. CARRIER ASSEMBLY-INDEX PAWL	1	
- 30	264641	. RING-RETAINING	1	
- 31	1187448	. LINK ASM.-REPLACES LINK AND CLEVIS. REQUIRES 2 OF INDEX 32.	1	
- 32	469565	. CLIP	2	
- 33	1128081	. SHAFT	1	
- 33	1159818	REPLACED BY 1159818-SEE NOTE FOLLOWING INDEX 33 . LATCH ASM-CARRIER RETURN (LATE STYLE)	1	
		NOTE: WHEN SHAFT 1128081 IS REPLACED WITH LATCH ASM 1159818, INDEX LEVER 1166135 MUST ALSO BE INSTALLED.		
- 34	NO NO.	. LEVER-INDEX (OLD STYLE) REPLACED BY 1166135-SEE NOTE	NP	
- 34	1166135	. LEVER-INDEX (LATE STYLE)	1	
- 34A	1078653	. WASHER-SEE NOTE NOTE: WHEN REPLACING LATE STYLE INDEX LEVER (INDEX 34) ON EARLY STYLE SHAFT (INDEX 33) WASHER (INDEX 34A) IS REQUIRED	1	
- 35	1012703	. CLEVIS	2	
- 36	1091057	. NUT, PLAIN, HEX	2	
- 37	1159991	. LINK-AUTO INDEX SELECTOR	1	
- 38	1159316	. LINK-AUTO INDEX SELECTOR	1	
- 39	1135560	. LEVER-LINE SPACE CAM	1	
- 40	1164577	. SCREW	2	
- 41	38051	. NUT	2	
- 42	1166509	. STOP INDEX PAWL- 1052 MOD 7&8	1	
- 43	1128280	. SCREW	1	
- 44	1134829	. NUT	1	
- 45	1128483	. LEVER-INDEX SELECTOR	1	
- 46	1115633	. RING-RETAINING	1	
- 47	304145	. SPRING-PLUNGER	2	
- 48	343765	. PLUNGER-SOLENOID	2	
- 49	1099884	. GUIDE	2	
- 50	1110668	. SCREW	4	
- 51	343750	. YOKE-SOLENOID	2	
- 52	38271	. SCREW	4	
- 53	343752	. CORE-SOLENOID	2	
- 54	215150	. NUT, SOLENOID-ADJUSTMENT	2	
- 55	343761	. COIL ASSEMBLY, SOLENOID	2	
- 56	1135643	. DIODE ASSEMBLY	AR	
- 59	317764	. INSULATOR	1	
- 60	317767	. TERMINAL	1	

LIST AND INDEX NUMBER	PART NUMBER	DESCRIPTION	UNITS PER ASM.	USABLE ON CODE
2 - 61	438549	. SCREW	2	
- 62	1159909	. BRACKET	1	
- 63	438622	. SCREW	2	
- 64	1073863	. SPRING	4	
- 65	150047	. SPRING	1	
- 66	1187181	. SPRING-SPACEBAR LATCH	1	
- 67	1138110	. SUPPORT (1052 MOD 7 AND 8)	1	
- 68	56722	. WASHER	1	
- 69	1164577	. SCREW	1	
- 71	1187517	. INTERPOSER ASSEMBLY, SPACEBAR	1	
- 75	1138808	. LEVER-SPACEBAR INTERLOCK	1	
- 79	37913	. NUT	1	
- 80	1141070	. SETSCREW- 1062 EARLY	2	
- 80	1141071	. SETSCREW-EARLY	3	
- 80A	257962	. SETSCREW	1	
- 81	1141072	. SETSCREW-FLUTED DRIVE	3	
- 82	1100937	. SPRING	1	
- 83	1128105	. LATCH ASSEMBLY	1	
- 84	1128374	. LATCH ASSEMBLY	1	
- 86	1134948	. SPRING-EXTENSION	3	
- 87	1187181	. SPRING	2	
- 88	1132098	. SETSCREW-HEADLESS	1	
- 89	37913	. NUT	1	
- 90	1124612	. STUD, BS BELLCRANK	1	
- 91	1124489	. LATCH ASM-EARLY	1	
- 92	1159485	. LATCH ASM	1	
		USED ON MACHINES ABOVE SN 4612100		
- 93	25282	. RING-RETAINING	1	
- 93	528552	. RING-GRIP	1	
- 94	1138799	. LEVER- 10 PITCH	1	
- 94	1138800	. LEVER- 12 PITCH	1	
- 95	1124615	. STUD-BACKSPACE INTERMEDIATE LEVER	1	
- 96	1187179	. NUT	1	
-100	55852	. SPRING-RACK	1	
-101	1128024	. RACK-BACKSPACE 12 PITCH	1	
-101	1128025	. RACK-BACKSPACE 10 PITCH	1	
-102	1124614	. STUD, BS RACK MTG	2	
-103	1124616	. SPACER, BS RACK	2	

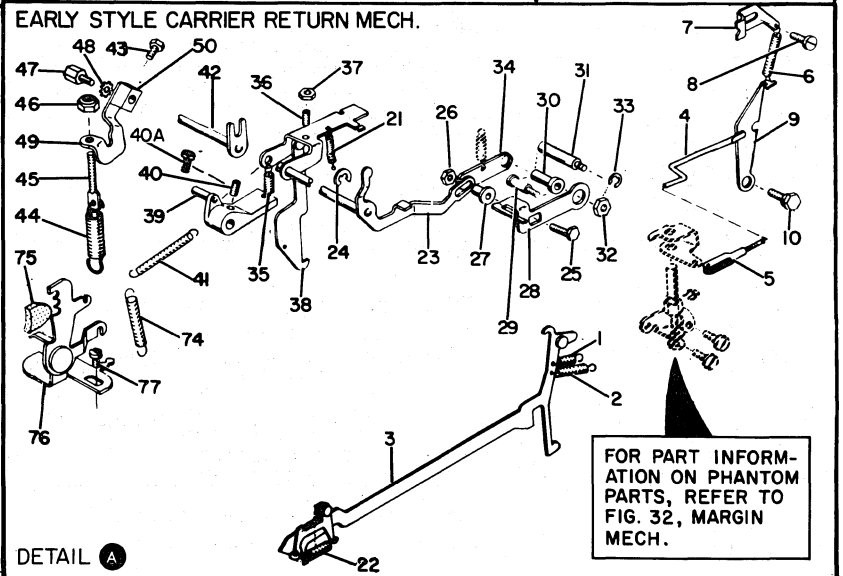
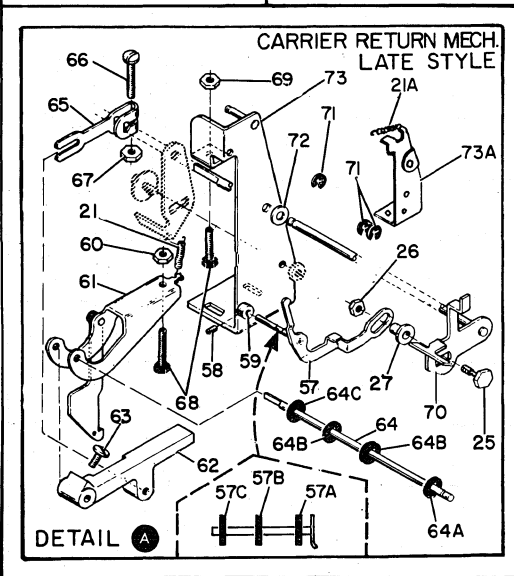
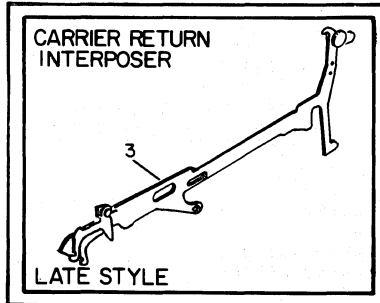
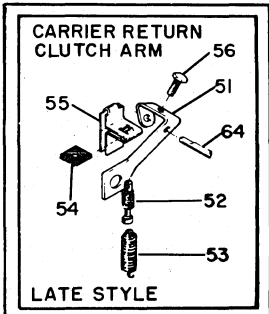
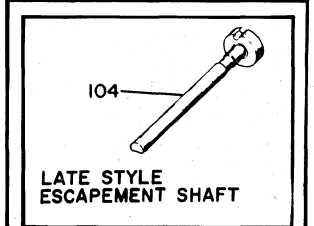
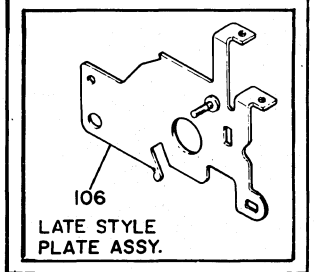
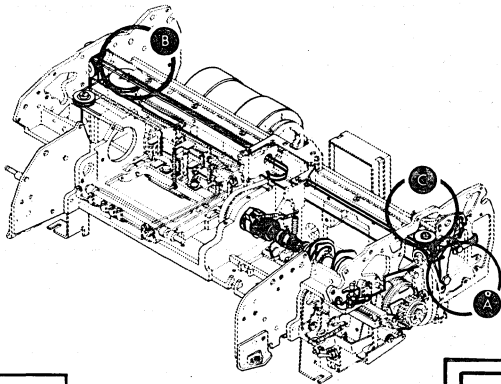
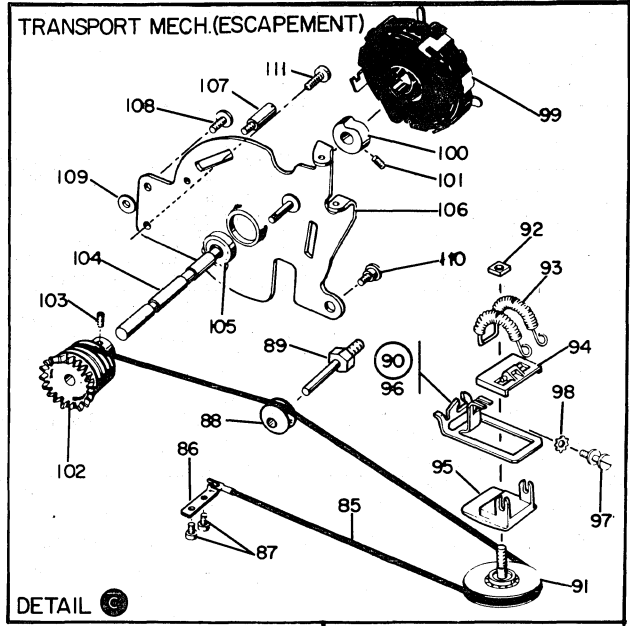
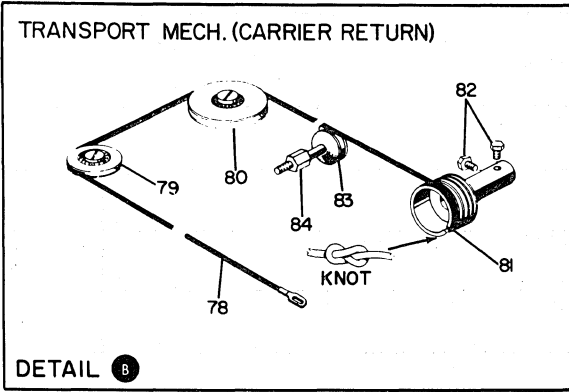


FIGURE 3. CARRIER RETURN MECHANISM. SEE LIST 3.

LIST AND INDEX NUMBER	PART NUMBER	DESCRIPTION	UNITS	USABLE
			PER ASM.	ON CODE
3 -	NO NO.	CARRIER RETURN MECHANISM, STANDARD	NP	
		SEE FIGURE 3 FOR ILLUSTRATION		
- 1	1072703	. SPRING	1	
- 2	1134948	. SPRING	1	
- 3	1128673	. INTERPOSER ASM, CARRIER RETURN-EARLY STYLE REPLACED BY 1187516	1	
- 3	1187516	. INTERPOSER ASM, CARRIER RETURN-LATE STYLE	1	
		WHEN UTILIZED TO REPLACE 1128673, USE SHORT INTERPOSER PULL LINK 1135193 IN LIEU OF LONG PULL LINK 1128684.		
- 4	1124600	. LINK	1	
- 4	1164171	. LINK	1	
		USED ON MACHINES ABOVE SN 4607315		
- 5	1070020	. CLEVIS	1	
- 6	150735	. SPRING	1	
- 7	1127737	. LOCK, TAB RACK BUSHING	1	
- 8	1128113	. SCREW	1	
- 9	1123631	. KEEPER	1	
- 10	1123629	. STUD-CAR RET KEEPER INDICES 11 THRU 20 DELETED	1	
- 21	1100937	. SPRING	1	
- 21A	1090162	. SPRING	1	
		USED WITH BRACKET 1164925		
- 22	1073863	. SPRING	1	
- 23	1128099	. ARM ASSEMBLY-CR LATCH ACT	1	
- 24	1073418	. RING-RETAINING	1	
- 25	1124610	. STUD, ECCENTRIC	1	
- 26	37913	. NUT	1	
- 27	1128169	. SPACER	1	
- 28	1128168	. LATCH	1	
- 29	1124766	. STUD	1	
		USED ON MACHINES BELOW SN 4012015		
- 29	1135676	. STUD 765	1	
- 30	1124767	. BUSHING	1	
		USED ON MACHINES BELOW SN 4012015		
- 31	1134957	. STUD-PRESSED IN	1	
- 32	257486	. NUT	1	
		USED ON MACHINES BELOW SN 4012015		
- 32	1135677	. NUT (USED ON 765 AND 1062)	1	
- 33	1092125	. RING-RETAINING	1	
- 34	1138110	. LINK	1	
- 35	1128008	. SPRING	1	
- 36	1141072	. SCREW	1	
- 37	37913	. NUT	1	
- 38	1164105	. ARM ASSEMBLY	1	
- 39	1128125	. LEVER ASSEMBLY	1	
- 40	338238	. SCREW	1	
- 40A	38263	. SCREW	1	
- 41	1128325	. SPRING	1	
- 41	1117589	. SPRING-SHORT	1	
		USED ON MACHINES WITH OLD CR ACT ARM- HOOKED BETWEEN ACTUATING ARM AND ESCAPEMENT BACKPLATE. SPRING HOOKED TO INDEX 34 SHOULD BE REMOVED		
- 42	1128122	. LEVER ASSEMBLY-CR LATCH	1	
- 43	1124775	. SCREW	1	
- 44	1132007	. SPRING, CR ACTUATING	1	
- 45	1132000	. STUD, CR ACTUATING ARM SPRING	1	
- 46	1138462	. NUT, CR SHOE ADJ	1	
- 47	1133549	. SCREW, CR CLUTCH ARM	1	
- 48	56722	. WASHER, LOCK	1	
- 49	1133609	. ARM, CR CLUTCH	1	
- 50	1133610	. HUB	1	
- 51	1141245	. ARM-CARRIER RETURN CLUTCH	1	
- 52	1141173	. STUD-CARRIER RETURN ARM	1	
- 53	1159743	. SPRING, CARRIER RETURN ACTUATOR ARM	1	
		WHEN REPLACING THIS ITEM, THE CLUTCH SPRING, 1166316 SHOULD ALSO BE REPLACED ON HIGH SPEED CR. ON STANDARD CR REPLACE 1175243 SPRING.		
- 54	1164799	. INSERT-CARRIER RETAINER	1	
- 55	1141290	. CLIP-CARRIER RETURN ARM	1	
- 56	1124775	. SCREW	1	
- 57	1159327	. ARM ASSEMBLY-CR LATCH ACTUATING	1	

LIST AND INDEX NUMBER	PART NUMBER	DESCRIPTION	UNITS PER ASM.	USABLE ON CODE
3 - 57A	1166769	. WASHER-LUB	1	
- 57B	1187006	. WASHER-LUB	1	
- 57C	1166762	. WASHER-LUB	1	
- 58	1175101	. SETSCREW	1	
- 59	1159336	. COLLAR	1	
- 60	37913	. NUT	1	
- 61	1166214	. LATCH ASSEMBLY	1	
- 62	1166212	. LEVER ASSEMBLY	1	
- 63	338238	. SCREW	1	
- 64	1159334	. PIN-OPERATIONAL PIVOT LH	1	
- 64A	1187006	. WASHER-LUB	1	
- 64B	1166761	. WASHER-LUB	1	
- 64C	1166762	. WASHER-LUB	1	
- 65	1159335	. ARM-INT CR LAT ACTUATING	1	
- 66	236550	. SCREW	1	
- 67	38051	. NUT	1	
- 68	1159286	. SCREW	1	
- 69	37913	. NUT	1	
- 70	1159818	. LATCH ASSEMBLY	1	
- 71	1092125	. RING-RETAINING	3	
- 72	1090336	. WASHER, FLAT	1	
- 73	1159321	. BRACKET ASSEMBLY	1	
- 73A	1164925	. BRACKET-LATE STYLE (ORDER SPRING 1090162 ALSO)	1	
- 74	43373	. SPRING	1	
- 75	1124478	. SHOE	1	
- 75	1128338	. SHOE	1	
- 76	1132003	. ARM ASM, CR ACTUATING FOR MACHINES BELOW SN 4600420 ALSO ORDER PN 1128338 AND 43373 (INDICES 74 AND 75)	1	
- 77	1164576	. SCREW-LH	1	
- 77	322065	. SCREW-RH LONG	1	
- 78	1166415	. CORD	1	
		WHEN INSTALLING CORD ON MACHINES BELOW SN 4088857 ALSO INSTALL PULLEY B/H NO. 1271973 TO INCREASE CORD LIFE		
- 79	1124638	. PULLEY	1	
- 80	1124567	. PULLEY	1	
- 81	1124463	. DRUM, CORD	1	
- 82	1145479	. SCREW	2	
- 83	1124628	. PULLEY	1	
- 84	1124453	. STUD, REAR IDLER PULLEY	1	
- 84	1175199	. STUD, REAR IDLER PULLEY (USED ON MACHINES ABOVE SN 4633895)	1	
- 85	1166414	. CORD-TAB	1	
- 86	1124629	. ANCHOR-TAB CORD	1	
- 86	1145424	. ANCHOR-1062 TAB CORD	1	
- 87	38262	. SCREW	2	
- 88	1124628	. PULLEY, IDLER	1	
- 89	1124624	. STUD, FRONT IDLER PULLEY SUPPORT	1	
- 90	1280081	. TRANSPORT PULLEY AND BRACKET ASM. TO FIELD INSTALL PULLEY AND BRACKET ASM. ON EARLY MACH. ORDER FBM 1271973.	1	
- 91	1124634	. . PULLEY-TRANSPORT R.H.	1	
- 92	1134829	. . NUT	1	
- 93	1128387	. . SPRING-TRANSPORT LOAD	1	
- 94	1128386	. . PIVOT-TRANSPORT LOAD	1	
- 95	1128385	. . SLIDE-PULLEY	1	
- 96	1141979	. . BRACKET-PULLEY AND SPRING R.H.	1	
- 97	1166984	. SCREW-BAIL LEVER SPRING R.H.	1	
- 98	56722	. LOCKWASHER	1	
- 99	1203561	. MAINSPRING ASM- 100 INCH	1	
-100	1141300	. HUB, ESCAPEMENT SPRING USED ON EARLY STYLE MACH. AND HIGH SPEED CARRIER RETURN	1	
-101	1175107	. SETSCREW USED ON EARLY STYLE MACH. AND HIGH SPEED CARRIER RETURN	1	
-102	1128108	. DRUM-ESCAPEMENT CORD	1	
-102	1159672	. DRUM-ESCAPEMENT CORD	1	
		USED ON PRINTER WITH HIGH SPEED CARRIER RETURN		
-103	1175107	. SETSCREW	1	
-104	1159670	. SHAFT, ESCAPEMENT-HIGH SPEED CARRIER RETURN	1	
-104	1124462	. SHAFT, ESCAPEMENT-EARLY STYLE	1	
-104	1164561	. SHAFT, ESCAPEMENT-LATE STYLE	1	
-105	1124506	. BEARING, ESCAPEMENT SHAFT	1	

LIST AND INDEX NUMBER	PART NUMBER	DESCRIPTION				UNITS PER ASM.	USABLE ON CODE
		1	2	3	4		
3 -106	1124503	. PLATE, BACK-EARLY STYLE				1	
-106	1128368	. PLATE, BACK-LATE STYLE				1	
-107	1133584	. STUD				1	
-108	1141846	. SCREW				1	
-108	1164579	. SCREW-765				1	
-109	1141678	. SPACER				2	
-110	1127733	. SCREW				1	
-111	1164579	. SCREW				2	

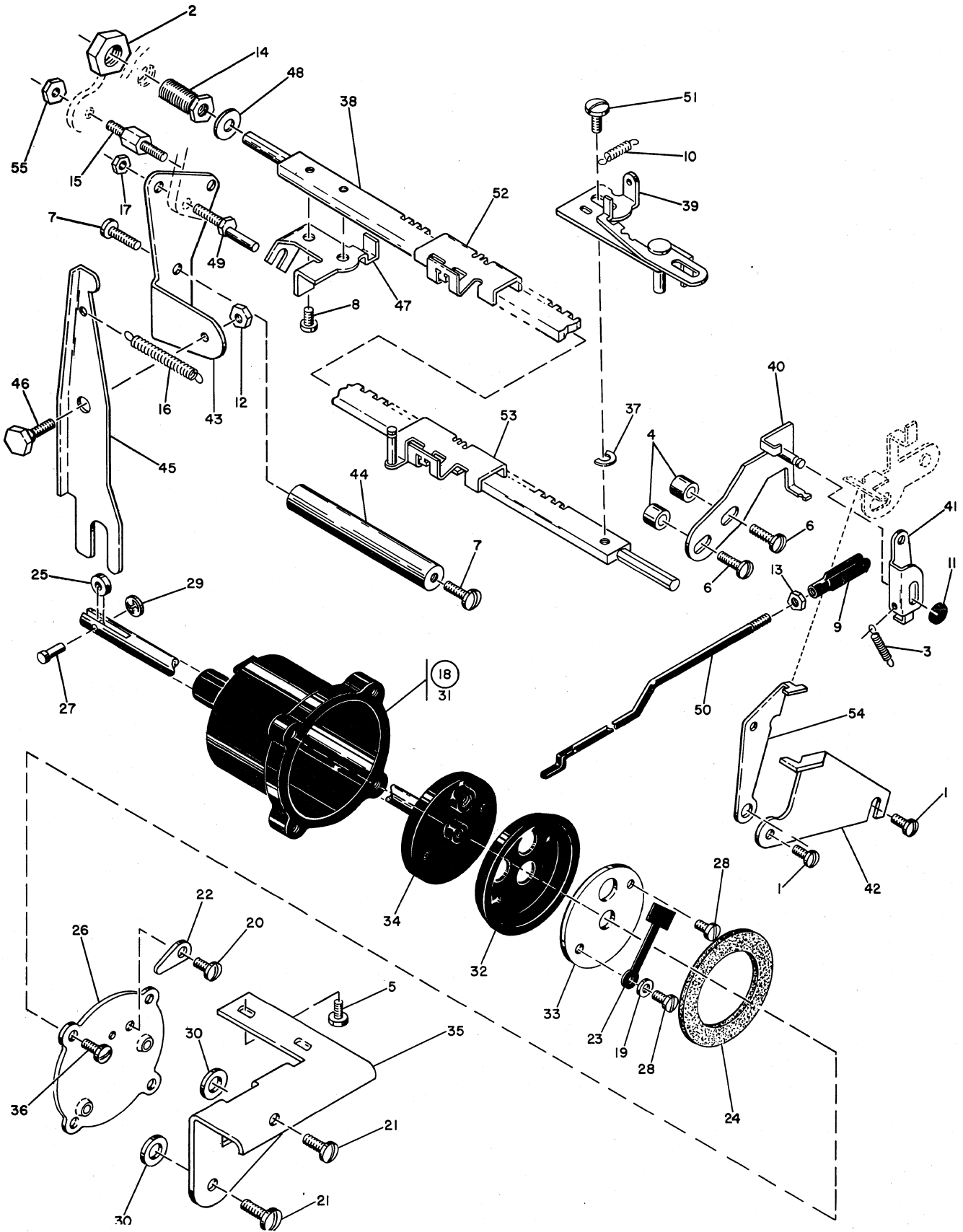


FIGURE 4. HIGH SPEED CARRIER RETURN FEATURE. SEE LIST 4.

LIST AND INDEX NUMBER	PART NUMBER	DESCRIPTION				UNITS PER ASM.	USABLE ON CODE
		1	2	3	4		
		HIGH SPEED CARRIER RETURN FEATURE					
4 -	NO NO.	HIGH SPEED CARRIER RETURN FEATURE SEE FIGURE 4 FOR ILLUSTRATION				NP	
- 1	1164576	. SCREW				2	
- 2	10574	. NUT				1	
- 3	123491	. SPRING				1	
- 4	316611	. SPACER				2	
- 5	1145543	. SCREW				2	
- 6	322065	. SCREW				2	
- 7	322550	. SCREW				2	
- 8	1164582	. SCREW				2	
- 9	1070020	. CLEVIS				1	
- 10	1072703	. SPRING				1	
- 11	1073418	. RING-RETAINING				1	
- 12	1090041	. NUT				1	
- 13	1091057	. NUT				1	
- 14	1123602	. BUSHING-LH				1	
- 15	1135546	. STUD-GEAR GUARD				1	
- 15	1166073	. STUD- 1033				1	
- 16	1141838	. SPRING				1	
- 17	1142264	. NUT				1	
- 18	1159739	. AIR CYLINDER ASSEMBLY				1	
- 19	22478	. . WASHER				1	
- 20	38350	. . SCREW				2	
- 21	58207	. . SCREW				1	
- 22	1018477	. . PLATE				1	
- 23	1100839	. . VALVE				1	
- 24	1100842	. . GASKET				1	
- 25	1100844	. . ROLLER				1	
- 26	1100845	. . COVER				1	
- 27	1100846	. . PIN				1	
- 28	1105627	. . SCREW				2	
- 29	1106027	. . CLIP				1	
- 30	1107864	. . SPACER				2	
- 31	1108813	. . HOUSING				1	
- 32	1109625	. . GASKET-PISTON				1	
- 33	1109626	. . PLATE				1	
- 34	1159666	. . PISTON-ROD				1	
- 35	1159820	. . BRACKET-MOUNTING				1	
- 36	1164577	. . SCREW				4	
- 37	1159804	. STOP-RH				1	
- 38	1159805	. RACK-MARGIN 10 PITCH				1	
- 38	1159807	. RACK-MARGIN 12 PITCH				1	
- 39	1159809	. LATCH-MARGIN RACK				1	
- 40	1159814	. BRACKET-MOUNTING				1	
- 41	1159815	. BELLCRANK				1	
- 42	1159816	. STOP-KEEPER				1	
- 43	1159821	. BRACKET				1	
- 44	1159822	. SUPPORT				1	
- 45	1159823	. LEVER-CYLINDER				1	
- 46	1159824	. SCREW-PIVOT				1	
- 47	1159826	. STOP-FINAL MARGIN				1	
- 48	1159827	. WASHER-NYLON				1	
- 49	1166072	. ECCENTRIC				1	
- 50	1159811	. LINK-MARGIN RACK LATCH				1	
- 51	1164576	. SCREW				1	
- 52	1123615	. STOP-LH				1	
- 53	1123618	. STOP-RH				1	
- 54	1123631	. KEEPER				1	
- 55	1134842	. NUT				1	

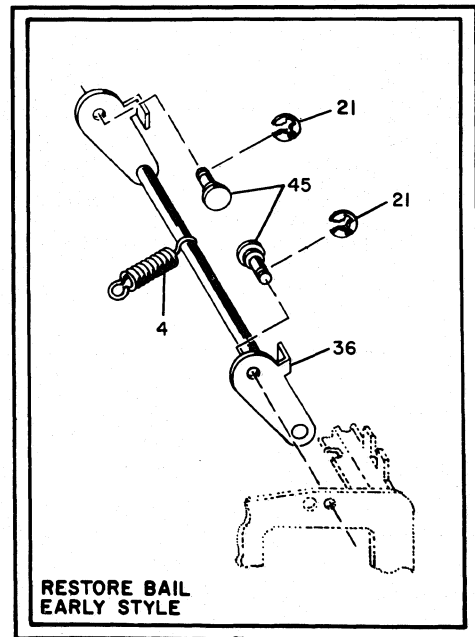
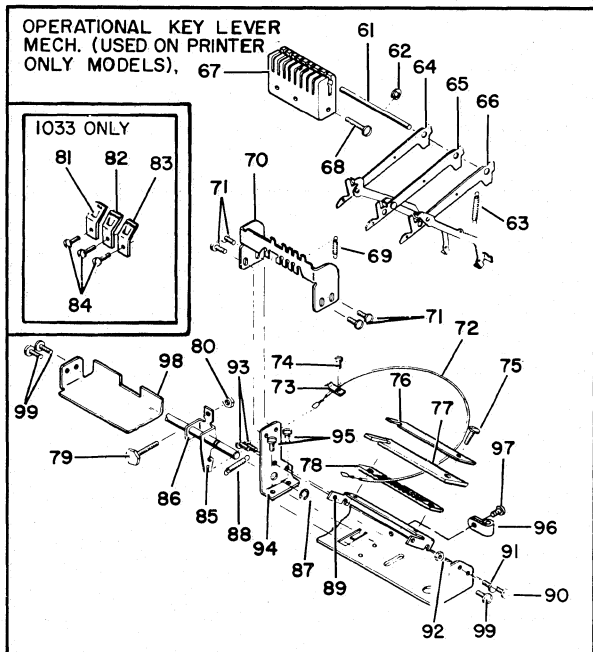
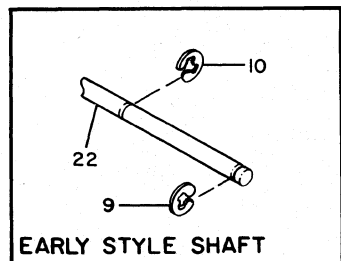
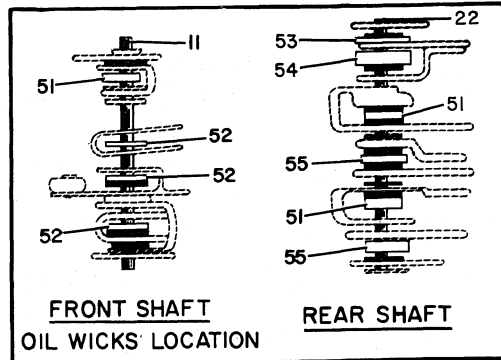
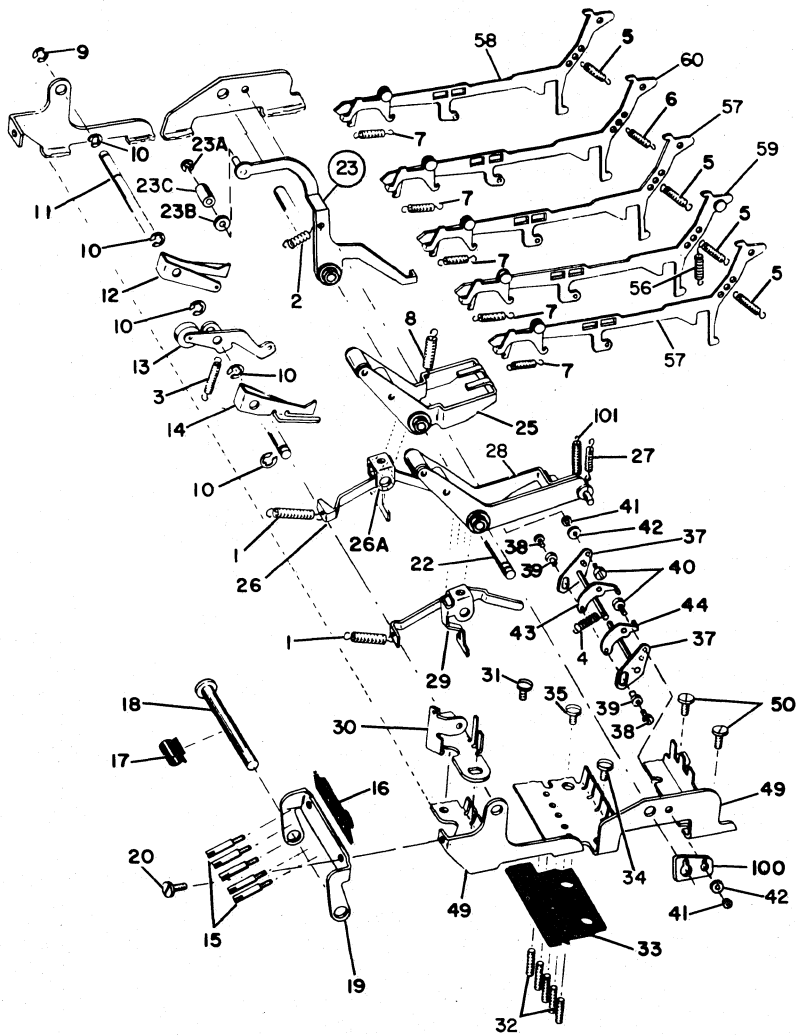


FIGURE 5. OPERATIONAL BRACKET ASSEMBLY. SEE LIST 5.

LIST AND INDEX NUMBER	PART NUMBER	DESCRIPTION				UNITS PER ASM.	USABLE ON CODE
		1	2	3	4		
		OPERATIONAL BRACKET ASSEMBLY					
5 -	1135153	OPERATIONAL BRACKET ASSEMBLY USED ON 1062 MOD 1-3 SEE FIGURE 5 FOR ILLUSTRATION				REF	
-	1135647	OPERATIONAL BRACKET ASSEMBLY USED ON 1052 MOD 1-6, 1053 MOD 1-4 SEE FIGURE 5 FOR ILLUSTRATION				REF	
-	1135704	OPERATIONAL BRACKET ASSEMBLY (USED ON 765) SEE FIGURE 5 FOR ILLUSTRATION				REF	
-	1166549	OPERATIONAL BRACKET ASSEMBLY (USED ON 1052 MOD 7) SEE FIGURE 5 FOR ILLUSTRATION				REF	
-	1187052	OPERATIONAL BRACKET ASSEMBLY USED ON 1052 MOD 8 SEE FIGURE 5 FOR ILLUSTRATION				REF	
-	1159649	OPERATIONAL BRACKET ASSEMBLY USED ON 1062-4 SEE FIGURE 5 FOR ILLUSTRATION				REF	
- 1	23106	. SPRING				2	
- 2	1091618	. SPRING, HELICAL, EXTENSION				1	
- 3	1090404	. SPRING, HELICAL, EXTENSION				1	
- 4	1117589	. SPRING, EXTENSION, EARLY STYLE				1	
- 4	1074242	. SPRING, EXTENSION, LATE STYLE				1	
- 5	1134948	. SPRING, EXTENSION				4	
- 6	150047	. SPRING				1	
- 7	1073863	. SPRING, HELICAL, EXTENSION				5	
- 8	1090162	. SPRING				1	
- 9	1132122	. RETAINER				2	
- 10	1092125	. RING-RETAINING				9	
- 11	1123585	. STUD				1	
- 12	1159125	. PAWL-BACK SPACE CAM CHECK				1	
- 12	1187654	. PAWL-SPACE CAM CHECK-1052 MOD 7 AND 8				1	
- 13	1123591	. CAM FOLLOWER ASSEMBLY				1	
- 14	1159126	. PAWL-INDEX CAM CHECK				1	
- 14	1174207	. PAWL-INDEX CAM CHECK (USED ON 1052 MOD 7 AND 8)				1	
- 15	1133584	. STUD				5	
- 16	1132117	. CLIP-SPEED				1	
- 17	1141194	. RETAINER				1	
- 18	1141195	. PIN				1	
- 19	1138465	. GUIDE, KEYLEVER PAWL USED ON EARLY MACHINES W/O INDEX 18				1	
- 19	1141208	. GUIDE, KEYLEVER				1	
- 20	1164578	. SCREW				2	
- 21	1141141	. RETAINER				2	
- 22	1141162	. SHAFT-EARLY STYLE				1	
- 22	1187193	. SHAFT-CHIPLESS				1	
- 23	1159315	. FOLLOWER ASSEMBLY C5				1	
- 23	1159312	. FOLLOWER ASSEMBLY C5-1052 MOD 7				1	
- 23A	1187168	. . RETAINER				1	
- 23B	1187416	. . WASHER ABSORBENT				1	
- 23C	1128618	. . ROLLER, CAM FOLLOWER				1	
- 25	1124508	. FOLLOWER-BACKSPACE				1	
- 26	1187195	. ARM, CLUTCH RELEASE, LH (LATE STYLE)				1	
- 26A	1159742	. INSERT-PLASTIC				1	
- 27	1145491	. SPRING-765, EARLY STYLE				1	
- 28	1135173	. FOLLOWER CR-EARLY STYLE				1	
- 28	1135670	. FOLLOWER CR- 1062-EARLY STYLE				1	
- 28	1187585	. FOLLOWER-1062				1	
- 28	1187586	. FOLLOWER-765				1	
- 28	1187030	. FOLLOWER-1052				1	
- 29	1123819	. ARM, CLUTCH RELEASE RH				1	
- 30	1138808	. GUIDE-SB INTERPOSER				1	
- 31	1127733	. SCREW				2	
- 32	1132098	. SET SCREW-HEADLESS				5	
- 33	1134712	. CLIP, ADJ SCREW				1	
- 34	322065	. SCREW				1	
- 35	364816	. SCREW				1	
- 36	1132078	. LEVER-RESTORE				1	
- 37	1159301	. LEVER-RESTORE USED ON LATER STYLE MACHINES ONLY				1	
- 38	1128382	. SCREW (EARLY STYLE)				2	
- 38	1166343	. SCREW (LATE STYLE)				2	
- 39	1123593	. ECCENTRIC				2	
- 40	1159308	. STUD-LEVER				2	
- 41	38214	. NUT				2	
- 42	338169	. WASHER, LOCK				2	

LIST AND INDEX NUMBER	PART NUMBER	DESCRIPTION	UNITS PER ASM.	USABLE ON CODE
5 - 43	1159306	. LEVER-BACK SPACE RESTORE	1	
- 44	1159307	. LEVER-CARRIER RETURN RESTORE	1	
- 45	1134997	. STUD,EARLY STYLE	2	
- 45	1159308	. STUD (LATE STYLE)	2	
- 49	1132084	. BRACKET	1	
- 50	1164577	. SCREW	2	
- 51	1166770	. WICK-OIL	AR	
- 52	1187001	. WICK-OIL	AR	
- 53	1187002	. WICK-OIL	AR	
- 54	1187003	. WICK-OIL	AR	
- 55	1187163	. WICK-OIL	AR	
- 56	1072703	. SPRING	1	
- 57	1187514	. INTERPOSER, BACKSPACE AND INDEX-LATE STYLE	2	
- 58	1187515	. INTERPOSER, TAB-LATE STYLE	1	
- 59	1187516	. INTERPOSER, C/R-LATE STYLE	1	
- 60	1187517	. INTERPOSER, SPACE-LATE STYLE	1	
		NOTE: WHEN REPLACING EARLY STYLE INTERPOSER WITH LATE STYLE, SHORT INTERPOSER PULL LINKS MUST BE USED INSTEAD OF LONG PULL LINKS. SEE FIG. 7, INDEX 16		
- 61	1159421	. ROD-FULCRUM	1	
- 62	264641	. RING, RETAINING	2	
- 63	1071449	. SPRING, HELICAL, EXTENSION	3	
- 64	1159445	. KEYLEVER-TAB	1	
- 65	1159446	. KEYLEVER-SPACE	1	
- 66	1159447	. KEYLEVER-CARRIER RETURN	1	
- 67	1159422	. SUPPORT, KEYLEVER BEARING	1	
- 68	34512	. SCREW	1	
- 69	123491	. SPRING, HELICAL, EXTENSION	3	
- 70	1159448	. STOP-KEYLEVER	1	
- 71	1117759	. SCREW	4	
- 72	1159035	. CABLE-TAB KEYLEVER	1	
- 72	1159037	. CABLE-SPACE KEYLEVER	1	
- 72	1159041	. CABLE-CR KEYLEVER	1	
- 73	1118050	. CLAMP, CABLE	1	
- 74	1164578	. SCREW	1	
- 75	35739	. SCREW	2	
- 76	1118144	. PLATE, ANCHOR	1	
- 77	1118145	. PAD, RUBBER	1	
- 78	1135946	. PLATE, ANCHOR	1	
- 79	1159428	. SCREW	1	
- 80	257187	. NUT	1	
- 81	629595	. KEY-TAB (1033 ONLY)	1	
- 82	629596	. KEY-SPACE (1033 ONLY)	1	
- 83	629539	. KEY-RETURN (1033 ONLY)	1	
- 84	1164580	. SCREW (1033 ONLY)	1	
- 85	1159424	. BELLCRANK	3	
- 86	1159426	. SHAFT	1	
- 87	1092125	. RING, RETAINING	1	
- 88	1100937	. SPRING, HELICAL, EXTENSION	1	
- 89	1159425	. BRACKET-CABLE SUPPORT	1	
- 90	338238	. SCREW	1	
- 91	1164579	. SCREW	1	
- 92	257187	. NUT	3	
- 93	1164582	. SCREW	2	
- 94	1159423	. BRACKET-SHAFT SUPPORT	1	
- 95	1164576	. SCREW	2	
- 96	1159225	. CLAMP, CABLE NYLON	1	
- 97	265195	. SCREW	1	
- 98	1159427	. SUPPORT	1	
- 99	1164576	. SCREW	3	
-100	1187423	. PLATE-LOCK CAM FOLLOWER SHAFT	1	
-101	1144928	. SPRING-C/R LATCH	1	

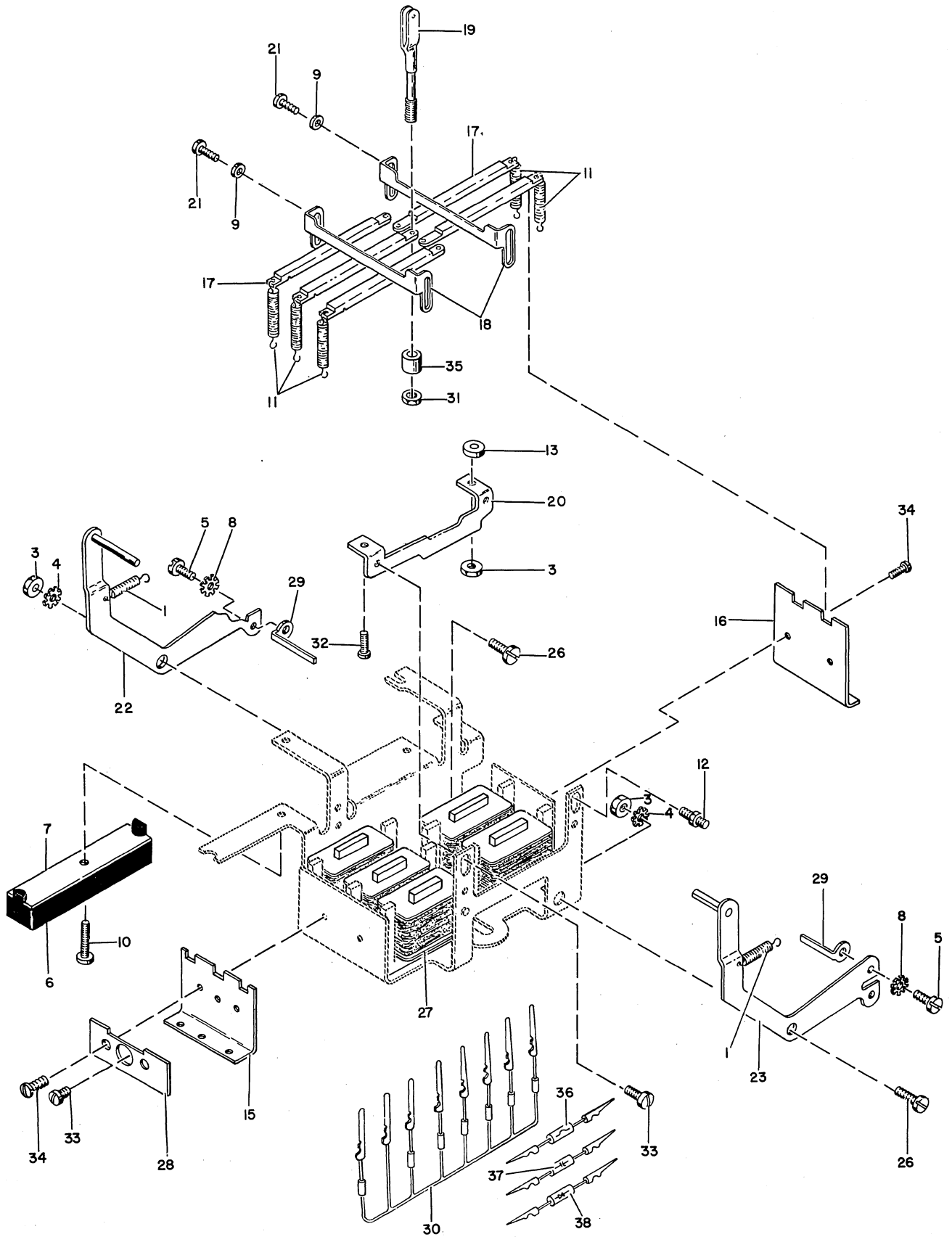


FIGURE 6. EARLY STYLE OPERATIONAL MAGNET ASSEMBLY. SEE LIST 6.

LIST AND INDEX NUMBER	PART NUMBER	DESCRIPTION				UNITS PER ASM.	USABLE ON CODE
		1	2	3	4		
		EARLY STYLE OPERATIONAL MAGNET ASSEMBLY					
6 -	NO NO.	OPERATIONAL MAGNET ASSEMBLY-EARLY STYLE FOR COMPLETE ASSEMBLY ORDER LATE STYLE- SEE FIGURE 7.				NP	
		SEE FIGURE 6 FOR ILLUSTRATION					
- 1	10514	. SPRING				2	
- 3	38051	. NUT				4	
- 4	56722	. WASHER, LOCK				2	
- 5	108114	. SCREW				2	
- 6	302090	. CONNECTOR				2	
- 7	302131	. INSULATOR				2	
- 8	338169	. WASHER, LOCK				2	
- 9	355341	. WASHER				4	
- 10	438549	. SCREW				2	
- 11	1100938	. SPRING				5	
- 12	1124234	. SCREW				1	
- 13	1090840	. WASHER				4	
- 15	1128679	. SUPPORT, ARMATURE				1	
- 16	1128680	. SUPPORT, ARMATURE				1	
- 17	1128682	. ARMATURE				5	
- 18	1128683	. BACKSTOP				2	
- 19	1128684	LINK ASM, LONG (REPLACED BY 1135193)				AR	
- 19	1135193	LINK ASM, SHORT				AR	
		WHEN USED TO REPLACE 1128684, THE CONNECTING INTERPOSER ASM MUST BE REPLACED WITH 1187516, 1187514 OR 1187515 AS APPROPRIATE. FIG. 5, INDEX 57, 58, AND 59					
- 20	1128686	. SUPPORT				1	
- 21	1128698	. SCREW				4	
- 22	1128707	. ARM-ACTUATING LH				1	
- 23	1128710	. ARM-ACTUATING RH				1	
- 26	1128714	. SCREW				2	
- 27	1135134	. COIL ASSEMBLY 48V				5	
- 28	1135169	. SPACER				1	
- 29	1135631	. LATCH				2	
- 30	1145475	. DIODE ASSEMBLY- 765				7	
- 30	1145414	. DIODE ASSEMBLY- 1052M283, 1131 AND 1816				7	
- 30	1187684	. DIODE ASSEMBLY- 1980-21				1	
- 31	1159716	. NUT				5	
- 32	1164577	. SCREW				2	
- 33	1164578	. SCREW				2	
- 34	1164582	. SCREW				4	
- 35	1166304	. WASHER-SHOCK ABSORBER				5	
- 36	315970	. RESISTOR 1K 1 WATT- 1062				1	
- 37	528141	. CAPACITOR .5MFD- 1062				1	
- 38	1160777	. DIODE- 1062				3	

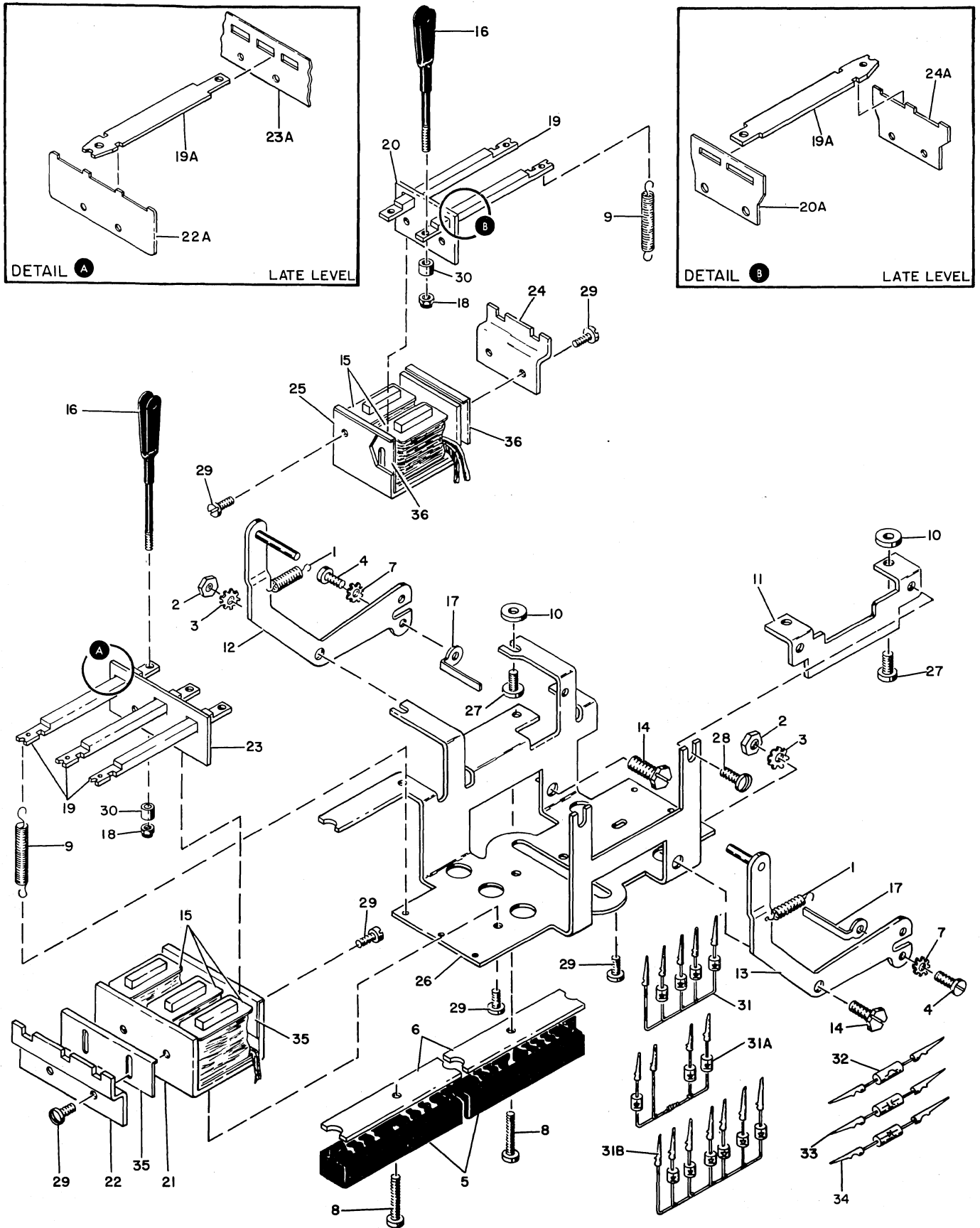


FIGURE 7. LATE STYLE OPERATIONAL MAGNET ASSEMBLY. SEE LIST 7.

LIST AND INDEX NUMBER	PART NUMBER	DESCRIPTION 1 2 3 4	UNITS PER ASM.	USABLE ON CODE
		LATE STYLE OPERATIONAL MAGNET ASSEMBLY		
7 -	1203847	OPERATIONAL MAGNET ASM., LATE STYLE FOR ALL MACHINES EXCEPT AS NOTED	REF	
-	1203854	OPERATIONAL MAGNET ASM., LATE STYLE 1062	REF	
-	1203852	OPERATIONAL MAGNET ASM., LATE STYLE 765	REF	
-	1203853	OPERATIONAL MAGNET ASM., LATE STYLE 1053-4	REF	
-	1203859	OPERATIONAL MAGNET ASM., LATE STYLE 1052-7 AND 8	REF	
-	1203860	OPERATIONAL MAGNET ASM., 24V USED ON 1053-1 FOR 2770 SYSTEM SEE FIGURE 7 FOR ILLUSTRATION	REF	
- 1	10514	. SPRING	2	
- 2	38051	. NUT	2	
- 3	56722	. WASHER, LOCK	2	
- 4	108114	. SCREW	2	
- 5	302090	. CONNECTOR	2	
- 6	302131	. INSULATOR	2	
- 7	338169	. WASHER, LOCK	2	
- 8	438549	. SCREW	2	
- 9	1100938	. SPRING	5	
- 10	1128598	. SPACER	4	
- 11	1128686	. SUPPORT	1	
- 12	1128707	. ARM-ACTUATING-LH	1	
- 13	1128710	. ARM-ACTUATING-RH	1	
- 14	1128714	. SCREW	2	
- 15	1135134	. COIL ASSEMBLY 48V	5	
- 15	1266894	. COIL ASM, 24V	1	
- 16	1135193	. LINK ASM-SHORT WHEN UTILIZED TO REPLACE 1128684, THE CONNECTING INTERPOSER MUST BE REPLACED WITH 1187516, 1187514, OR 1187515 AS APPROPRIATE	AR	
- 16	1128684	. LINK ASM-LONG (REPLACED BY 1135193)	AR	
- 17	1135631	. LATCH	2	
- 18	1159716	. NUT, SELF-LOCKING	5	
- 19	1159829	. ARMATURE	5	
- 19A	1166331	. ARMATURE-WIDE	AR	
- 20	1159832	. BACKSTOP	1	
- 20A	1166332	. BACKSTOP	1	
- 21	1159833	. BRACKET ASSEMBLY	1	
- 22	1159834	. PLATE, PIVOT	1	
- 22A	1166335	. PLATE, PIVOT	1	
- 23	1159835	. BACKSTOP	1	
- 23A	1166334	. BACKSTOP	1	
- 24	1159841	. PLATE, PIVOT	1	
- 24A	1166333	. PLATE, PIVOT	1	
- 25	1159842	. BRACKET ASSEMBLY-REAR	1	
- 26	1159992	. FRAME	1	
- 26	1166336	. FRAME-USED WITH WIDE ARMATURES	1	
- 27	1164577	. SCREW	2	
- 28	1164578	. SCREW	1	
- 29	1164582	. SCREW	12	
- 30	1166304	. WASHER-SHOCK ABSORBER	5	
- 31	1145475	. DIODE ASSEMBLY- 765	7	
- 31A	1187684	. DIODE ASSEMBLY- 1980-21	1	
- 31B	1145414	. DIODE ASSEMBLY- 1053M2&3, 1131, 1816 AND 1032-7	7	
- 32	315970	. RESISTOR 1K 1 WATT- 1062	1	
- 33	528141	. CAPACITOR .5MFD- 1062	1	
- 34	1160777	. DIODE- 1062	3	
- 35	1166338	. SHIM	2	
- 36	1166337	. SHIM	2	

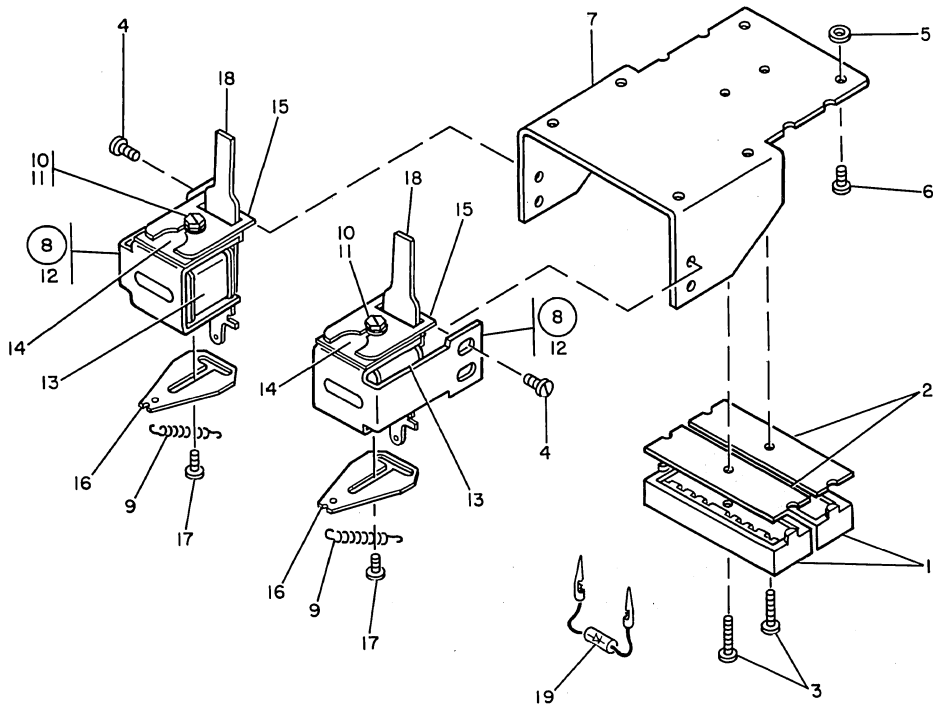


FIGURE 8. OPERATIONAL MAGNET ASSEMBLY. SEE LIST 8.

LIST AND INDEX NUMBER	PART NUMBER	DESCRIPTION				UNITS PER ASM.	USABLE ON CODE
		1	2	3	4		
		OPERATIONAL MAGNET ASSEMBLY 1052 MOD 7&8					
8 -	NO NO.	OPERATIONAL MAGNET ASSEMBLY 1052 MOD 7&8 SEE FIGURE 8 FOR ILLUSTRATION				NP	
- 1	302090	. CONNECTOR				2	
- 2	302131	. INSULATOR				2	
- 3	438549	. SCREW				2	
- 4	438566	. SCREW				4	
- 5	1090840	. WASHER				4	
- 6	1164577	. SCREW				4	
- 7	1166526	. BRACKET-OPER MAG MTG				1	
- 8	1166621	. MAGNET ASSEMBLY-SPACE				1	
- 8	1166622	. MAGNET ASSEMBLY-CARRIER RETURN				1	
- 9	150735	. . . SPRING				1	
- 10	355341	. . . WASHER				1	
- 11	1127785	. . . SCREW				1	
- 12	1128962	. . . YOKE AND CORE ASSEMBLY-SPACE				1	
- 12	1166950	. . . YOKE AND CORE ASSEMBLY-CARRIER RETURN				1	
- 13	1128964	. . . COIL ASSEMBLY				1	
- 14	1128965	. . . RESIDUAL				1	
- 15	1128966	. . . BACKSTOP				1	
- 16	1128967	. . . PLATE				1	
- 17	1164578	. . . SCREW				1	
- 18	1166507	. . . ARMATURE				1	
- 19	1135573	. DIODE- 1052 MOD 7				1	

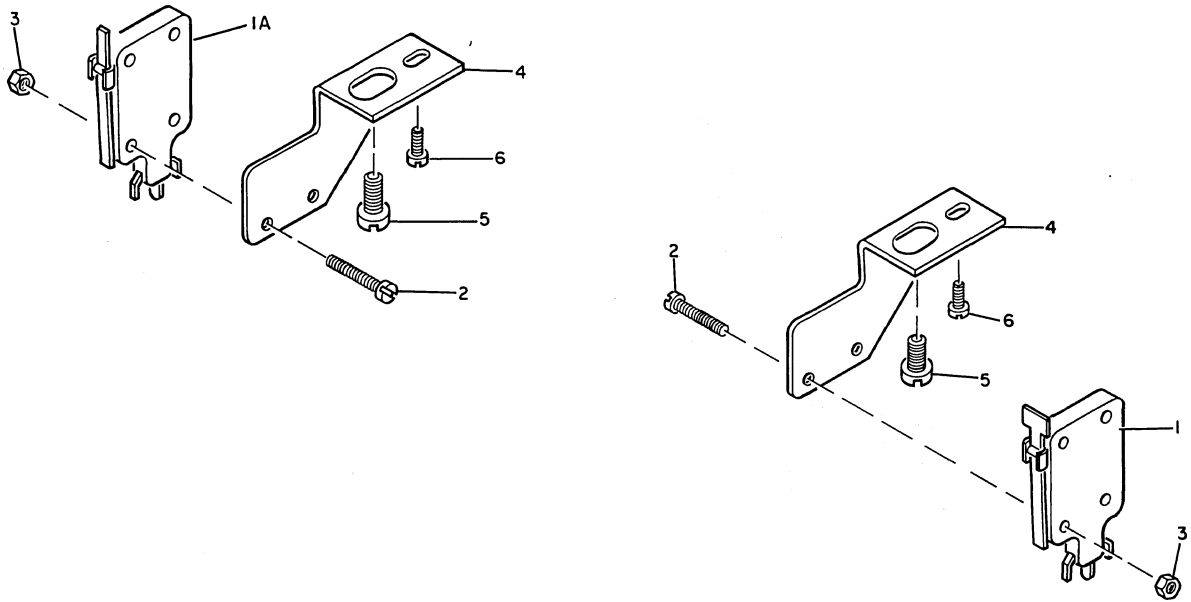


FIGURE 9. OPERATIONAL SWITCH ASSEMBLY. SEE LIST 9.

LIST AND INDEX NUMBER	PART NUMBER	DESCRIPTION 1 2 3 4	UNITS PER ASM.	USABLE ON CODE
		OPERATIONAL SWITCH ASSEMBLY		
9 -	5992775	OPERATIONAL SWITCH ASSEMBLY LH SEE FIGURE 9 FOR ILLUSTRATION	REF	
	5992776	OPERATIONAL SWITCH ASSEMBLY RH SEE FIGURE 9 FOR ILLUSTRATION	REF	
- 1	1135635	. SWITCH RH	1	
- 1A	1159437	. SWITCH LH	1	
- 2	438542	. SCREW	4	
- 3	47987	. NUT	4	
- 4	1135630	. BRACKET	1	
- 5	1108326	. SCREW	2	
- 6	1164577	. SCREW	2	

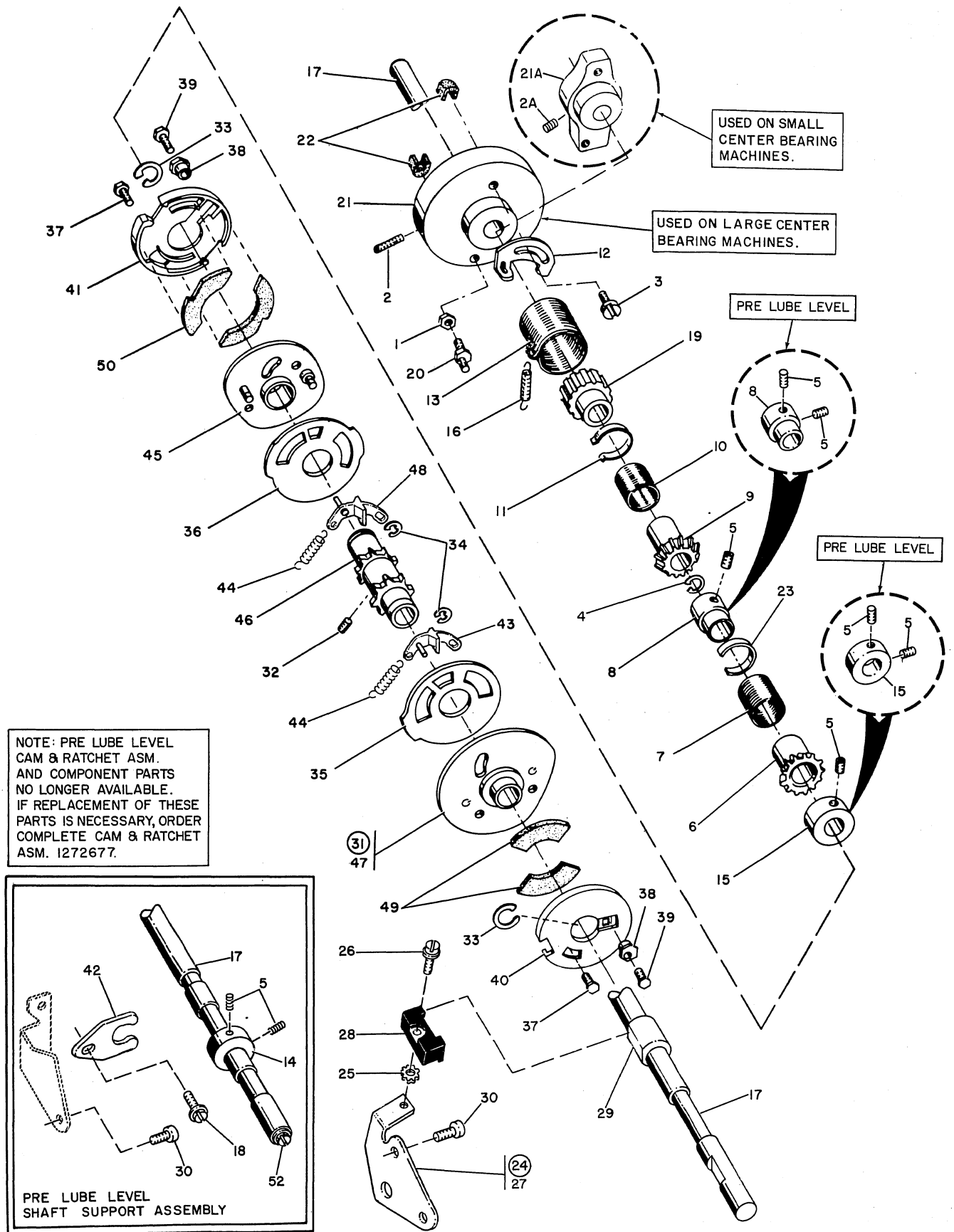


FIGURE 10. OPERATIONAL SHAFT ASSEMBLY IMPROVED LUBE. SEE LIST 10.

LIST AND INDEX NUMBER	PART NUMBER	DESCRIPTION				UNITS PER ASM.	USABLE ON CODE
		1	2	3	4		
		OPERATIONAL SHAFT ASSEMBLY-IMPROVED LUBE					
10 -	1272921	OPERATIONAL SHAFT ASSEMBLY, 1052-1053 USED WITH LARGE CENTER BEARING SEE FIG. 11 FOR ILLUSTRATION				REF	
-	1272977	OPERATIONAL SHAFT ASSEMBLY, 1052-1053 USE WITH HIGH SPEED CARRIER RETURN WITH LARGE CENTER BEARING SEE FIG. 11 FOR ILLUSTRATION				REF	
-	1272975	OPERATIONAL SHAFT ASSEMBLY, 1062 USED WITH LARGE CENTER BEARING SEE FIG. 11 FOR ILLUSTRATION				REF	
-	1272920	OPERATIONAL SHAFT ASSEMBLY, 1052-1053 USED WITH SMALL CENTER BEARING SEE FIG. 11 FOR ILLUSTRATION				REF	
-	1272976	OPERATIONAL SHAFT ASSEMBLY, 1052-1053 USED WITH HIGH SPEED CARRIER RETURN WITH SMALL CENTER BEARING SEE FIG. 11 FOR ILLUSTRATION				REF	
-	1272926	OPERATIONAL SHAFT ASSEMBLY-1062 USED WITH SMALL CENTER BEARING SEE FIG. 11 FOR ILLUSTRATION				REF	
- 1	37913	. NUT				1	
- 1	257187	. NUT USED WITH HIGH SPEED CARRIER RETURN				1	
- 2	1187222	. SETSCREW				2	
- 2A	1175105	. SETSCREW				2	
- 3	265195	. SCREW				1	
- 4	324497	. RETAINER				1	
- 5	1175107	ONLY 1 USED ON MACHINES ABOVE SN 4624315 . SETSCREW				3	
- 6	1123571	. PINION TAB GOVERNOR				1	
- 7	1123572	. SPRING-TAB				1	
- 8	1123573	. HUB-TAB GOVERNOR				1	
- 8	1159673	. HUB-TAB GOVERNOR (USED WITH HIGH SPEED CARRIER RETURN)				1	
- 8	1166162	. HUB- 1062				1	
- 9	1123574	. PINION-CR				1	
- 9	1159668	. PINION-CR (USED WITH HIGH SPEED CARRIER RETURN)				1	
- 10	1175243	. SPRING-CR				1	
- 10	1166316	. SPRING-CR (USED WITH HIGH SPEED CARRIER RETURN)				1	
- 11	1123577	. CLAMP-CR (2 ARE REQUIRED ON HIGH SPEED CARRIER RETURN)				1	
- 12	1159676	. CLAMP (USED WITH HIGH SPEED CARRIER RETURN)				1	
- 12	1123580	. CLAMP				1	
- 13	1123581	. SPRING				1	
- 13	1159686	. SPRING (USED WITH HIGH SPEED CARRIER RETURN)				1	
- 14	1123582	. COLLAR				1	
- 15	1123582	. COLLAR				1	
- 15	1166163	. COLLAR- 1062				1	
- 16	1141650	. SPRING				1	
- 16	1159685	. SPRING (USED WITH HIGH SPEED CARRIER RETURN)				1	
- 17	1159413	. SHAFT- 1062				1	
- 17	1159671	. SHAFT (USED WITH HIGH SPEED CARRIER RETURN)				1	
- 17	1166366	. SHAFT				1	
- 18	1128326	. SCREW				1	
- 19	1159654	. ARBOR				1	
- 20	1159674	. STUD-ECCENTRIC				1	
- 21	1166230	. HUB				1	
- 21A	1159675	. HUB				1	
- 22	1166231	. INSERT-HUB				2	
- 23	1159555	. CLAMP-SPRING				1	
- 24	1272675	. SUPPORT ASM-FBM				1	
- 25	56722	. . WASHER, LOCK				2	
- 26	1128326	. . SCREW				1	
- 27	1135311	. . BRACKET				1	
- 28	1159843	. . SUPPORT-BUSHING				1	
- 29	1159844	. . BUSHING				1	
- 30	1164577	. SCREW				2	
- 31	1272677	. CAM AND RATCHET ASSEMBLY				1	
- 32	1175103	. . SETSCREW				1	
- 33	324221	. . RETAINER				2	
- 34	1073418	. . RING-RETAINING				2	
- 35	1187652	. . WHEEL, INDEX CLUTCH				1	
- 36	1187651	. . WHEEL, BACKSPACE CLUTCH				1	
- 37	1166373	. . SCREW				2	
- 38	1123593	. . ECCENTRIC				2	
- 39	1166372	. . SCREW				2	

LIST AND INDEX NUMBER	PART NUMBER	DESCRIPTION				UNITS PER ASM.	USABLE ON CODE
		1	2	3	4		
10 - 40	1166382	.	.	RING CHECK CR-YELLOW		1	
- 41	1187653	.	.	CHECK RING (BROWN)		1	
- 42	1138116	.	.	SUPPORT-CAM SHAFT (PRE LUBE)		1	
- 43	1187643	.	.	PAWL, CR/INDEX		1	
- 44	123491	.	.	SPRING, PAWL		1	
- 45	1187648	.	.	CAM, SPACE/BACKSPACE		1	
- 46	1187644	.	.	RATCHET		1	
- 47	1187650	.	.	CAM, CR/INDEX		1	
- 48	1187642	.	.	PAWL, SPACE/INDEX		1	
- 49	1166559	.	.	WICK-OIL		2	
- 50	1166388	.	.	WICK-OIL		2	
- 52	1135233	.	.	SCREW		1	

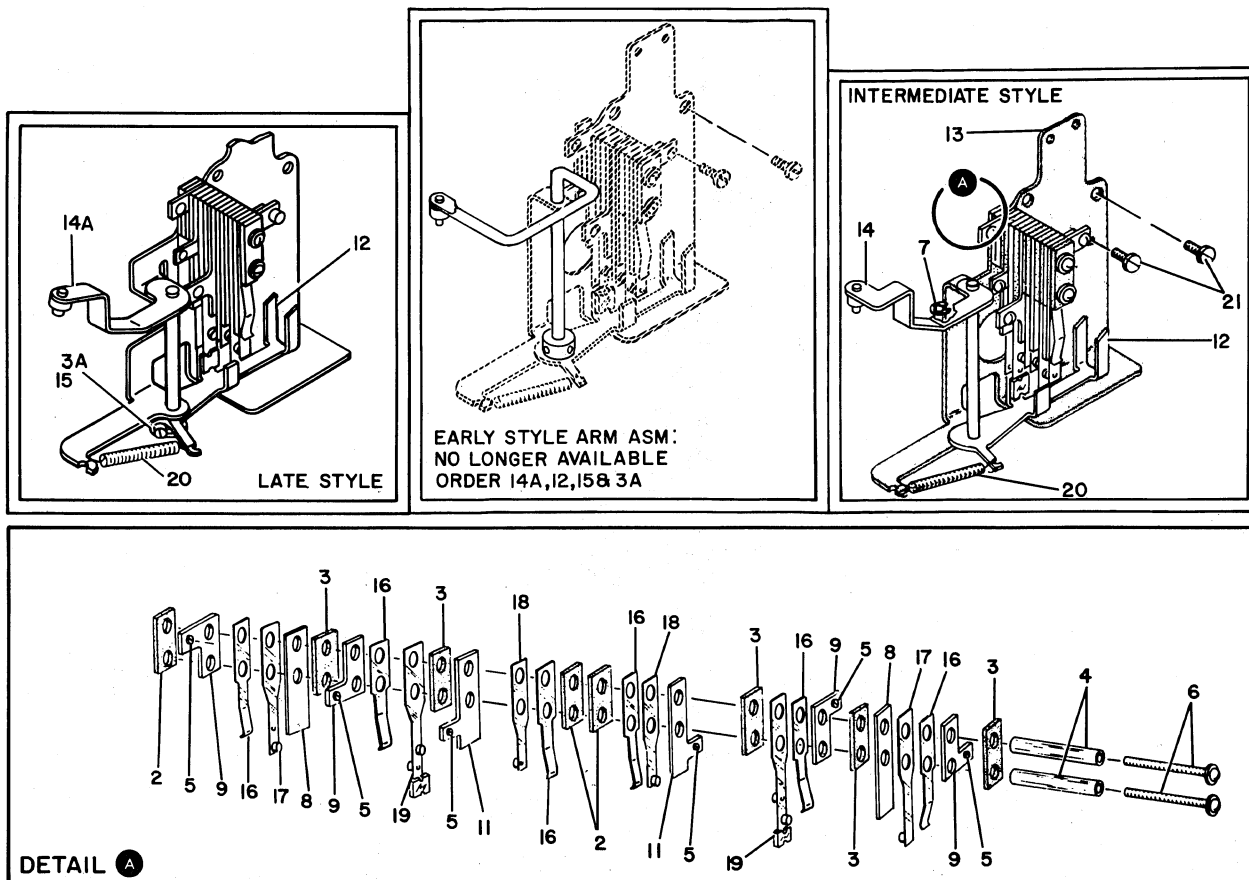


FIGURE 11. C3 AND C4 SHIFT CONTACT ASSEMBLY. SEE LIST 11.

LIST AND INDEX NUMBER	PART NUMBER	DESCRIPTION				UNITS PER ASM.	USABLE ON CODE
		1	2	3	4		
		C3 AND C4 SHIFT CONTACT ASSEMBLY					
11 -	1135696	SHIFT CONTACT ASSEMBLY- 765 INTERMEDIATE SEE FIGURE 12 FOR ILLUSTRATION				REF	
-	1187217	SHIFT CONTACT ASSEMBLY- 765 LATE SEE FIGURE 12 FOR ILLUSTRATION				REF	
- 2	27460	. INSULATOR, PLATE				3	
- 3	37435	. INSULATOR, PLATE				5	
- 3A	38354	. SCREW				1	
- 4	104278	. INSULATION				2	
- 5	118418	. SCREW				6	
- 6	104285	. SCREW				2	
- 7	264641	. RING-RETAINING				1	
- 8	326119	. SUPPORT				2	
- 9	339109	. TERMINAL				4	
- 11	1128743	. TERMINAL				2	
- 12	1128950	. LEVER ASSEMBLY				1	
- 13	1128952	. BRACKET				1	
- 14	1128954	. ARM-FOLLOWER-INT. STYLE				1	
- 14A	1187207	. ARM-FOLLOWER-LATE STYLE				1	
- 15	1134829	. NUT				1	
- 16	1135467	. BACKUP, CONTACT				6	
- 17	1135474	. CONTACT N/O EARLY				2	
- 17	1128745	. CONTACT N/O LATE				2	
- 18	1135476	. CONTACT N/C LATE				2	
- 18	1128746	. CONTACT N/C EARLY				2	
- 19	1135482	. CONTACT O/S EARLY				2	
- 19	1128744	. CONTACT O/S LATE				2	
- 20	1090162	SPRING				1	
- 21	1164576	SCREW				3	

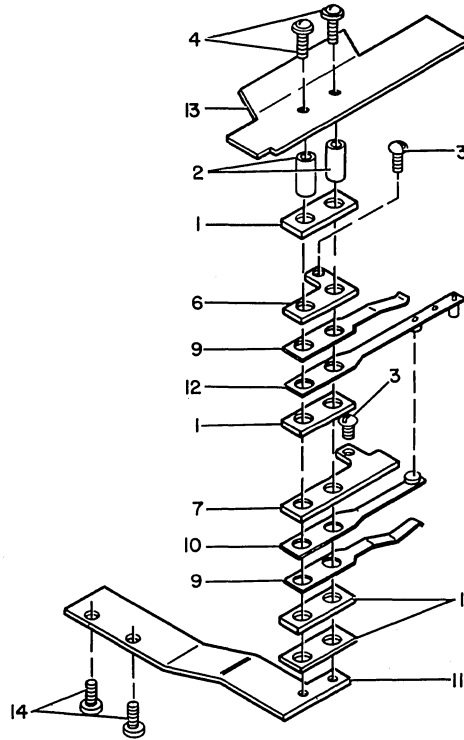


FIGURE 12. C7 SHIFT CONTACT ASSEMBLY. SEE LIST 12.

LIST AND INDEX NUMBER	PART NUMBER	DESCRIPTION				UNITS PER ASM.	USABLE ON CODE
		1	2	3	4		
		C7 SHIFT CONTACT ASSEMBLY					
12 -		CODE A USED ON ASM 1166386 AND 1166773 CODE B USED ON ASM 1135580 CODE C USED ON ASM 1187832 CODE D USED ON ASM 1135580 AND 1166386					
-	1135580	CONTACT ASSEMBLY C7 USED ON MACHINES PRIOR TO IMPROVED LUBE EXCEPT 1052 M7, 1053 M3, 1131 AND 1816 SEE FIGURE 13 FOR ILLUSTRATION				REF	
-	1166386	CONTACT ASSEMBLY C7 USED ON 1052 M1-6 AND 8, 1053 M1&4, 1447 AND 9020 SEE FIGURE 13 FOR ILLUSTRATION				REF	
-	1166773	CONTACT ASSEMBLY C7 USED ON 1053 M3, 1131 AND 1816 SEE FIGURE 13 FOR ILLUSTRATION				REF	
-	1187832	CONTACT ASSEMBLY C7 USED ON 1062 SHIFT FEATURE SEE FIGURE 13 FOR ILLUSTRATION				REF	
- 1	37435	. INSULATOR, PLATE				4	
- 2	100464	. INSULATOR-SCREW				2	B
- 2	100227	. INSULATOR-SCREW				2	A
- 3	118418	. SCREW				2	
- 4	173202	. SCREW				2	B
- 4	173203	. SCREW				2	A
- 6	1128832	. TERMINAL				1	
- 6	339109	. TERMINAL				1	C
- 7	1128743	. TERMINAL				1	
- 9	1135467	. BACKUP, CONTACT				4	

KBL-I/O

LIST AND INDEX NUMBER	PART NUMBER	DESCRIPTION				UNITS PER ASM.	USABLE ON CODE
		1	2	3	4		
12 - 10	1135476	.				1	
- 10	1128745	.				1	D
- 11	1135621	.				1	
- 12	1135623	.				1	D
- 12	1166772	.				1	
- 13	1159112	.				1	
- 14	1164580					2	C

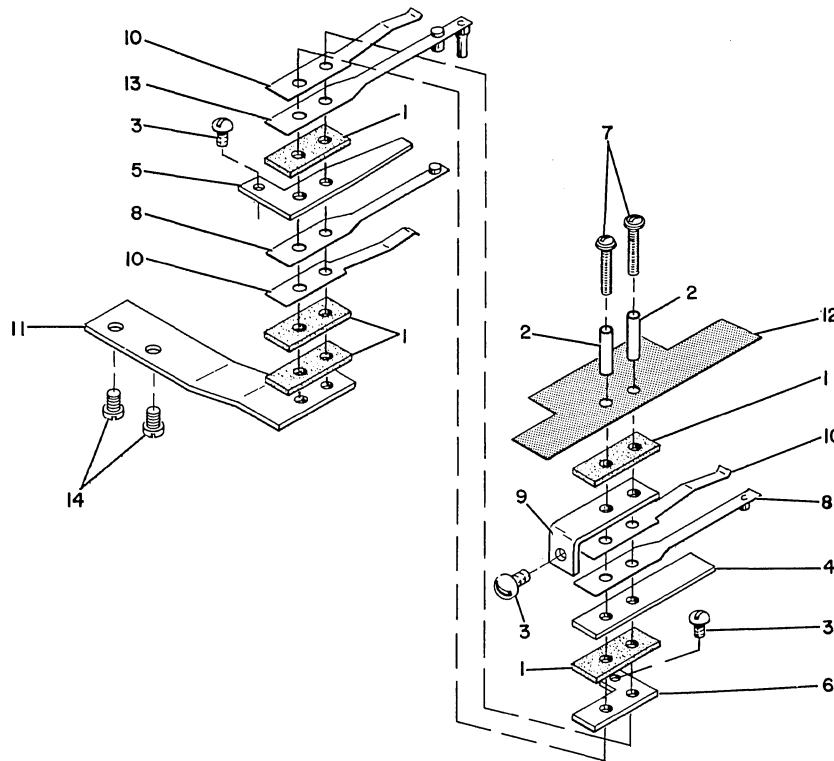


FIGURE 13. C7 SHIFT CONTACT ASSEMBLY. SEE LIST 13.

LIST AND INDEX NUMBER	PART NUMBER	DESCRIPTION				UNITS PER ASM.	USABLE OH CODE
		1	2	3	4		
		C7 SHIFT CONTACT ASSEMBLY CODE A USED ON ASM 1176843 ONLY CODE B USED ON ASM 1187976 ONLY					
13 -	1176843	SHIFT CONTACT ASSEMBLY C7-1052 MOD 7 SEE FIGURE 14 FOR ILLUSTRATION				REF	
-	1187976	SHIFT CONTACT ASSEMBLY C7-1062 J4				REF	
- 1	37435	. INSULATOR PLATE				5	
- 2	100134	. INSULATOR-SCREW				2	A
- 3	118418	. SCREW				3	
- 4	326119	. SUPPORT				1	
- 5	339107	. TERMINAL				1	
- 6	339109	. TERMINAL				1	A
- 6	1128743	. TERMINAL				1	B
- 7	173215	. SCREW				2	
- 8	1128745	. CONTACT N/O AND N/C				2	
- 9	1128832	. TERMINAL				1	A
- 10	1135467	. BACKUP CONTACT				3	
- 11	1135621	. BRACKET				1	A
- 11	1187831	. BRACKET				1	B
- 12	1159112	. SHIELD				1	A
- 13	1176844	. CONTACT O/S				1	
- 14	1164580	SCREW				2	

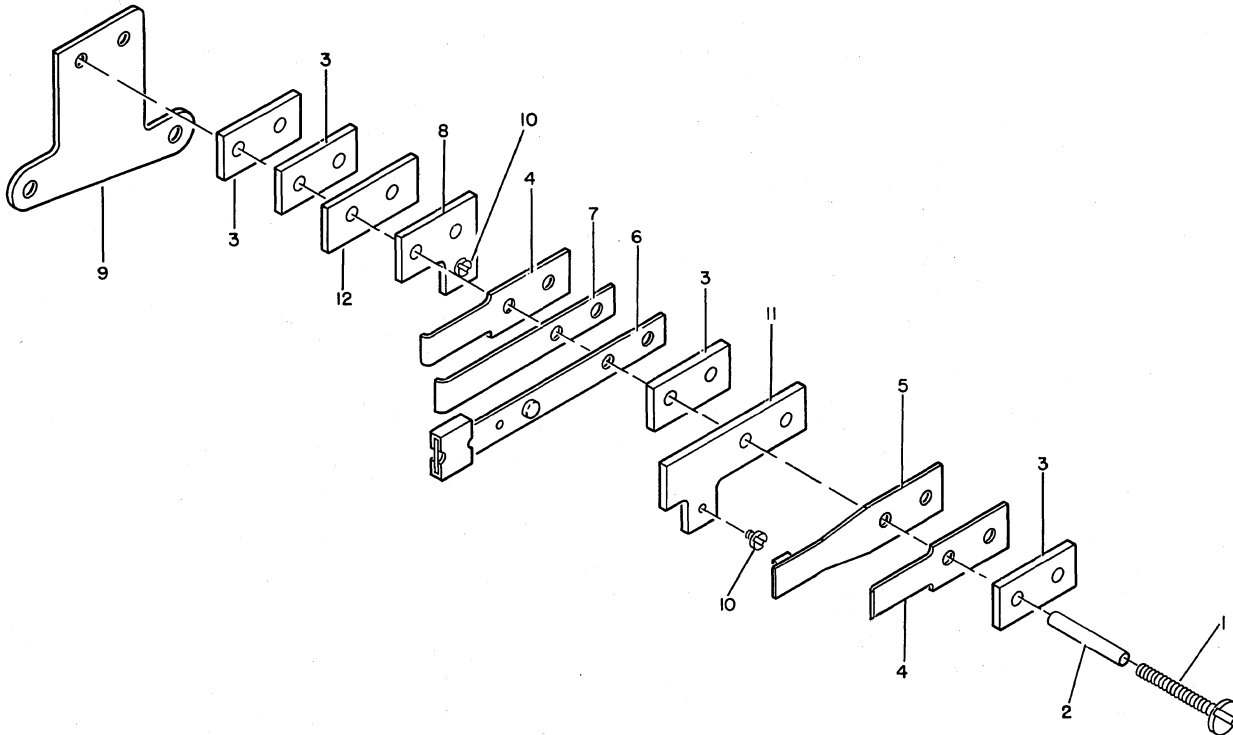


FIGURE 14. SHIFT MODE NO.1 CONTRACT. SEE LIST 14.

LIST AND INDEX NUMBER	PART NUMBER	DESCRIPTION	1 2 3 4				UNITS PER ASM.	USABLE ON CODE
		SHIFT MODE NO.1 CONTRACT						
14 -	1187710	SHIFT MODE NO.1 CONTRACT 1816 AND 1053-3 SEE FIGURE 14A FOR ILLUSTRATION					REF	
- 1	173206	. SCREW					2	
- 2	100134	. INSULATOR, SCREW					2	
- 3	27460	. INSULATOR, PLATE					4	
- 4	1135466	. CONTACT, BACKUP					2	
- 5	1128746	. CONTACT N/C					1	
- 6	1128744	. CONTACT O/S					1	
- 7	1135467	. CONTACT, BACKUP					1	
- 8	339109	. TERMINAL					1	
- 9	1187709	. BRACKET					1	
- 10	118418	. SCREW					2	
- 11	1128743	. TERMINAL					1	
- 12	37435	. INSULATOR, PLATE					1	

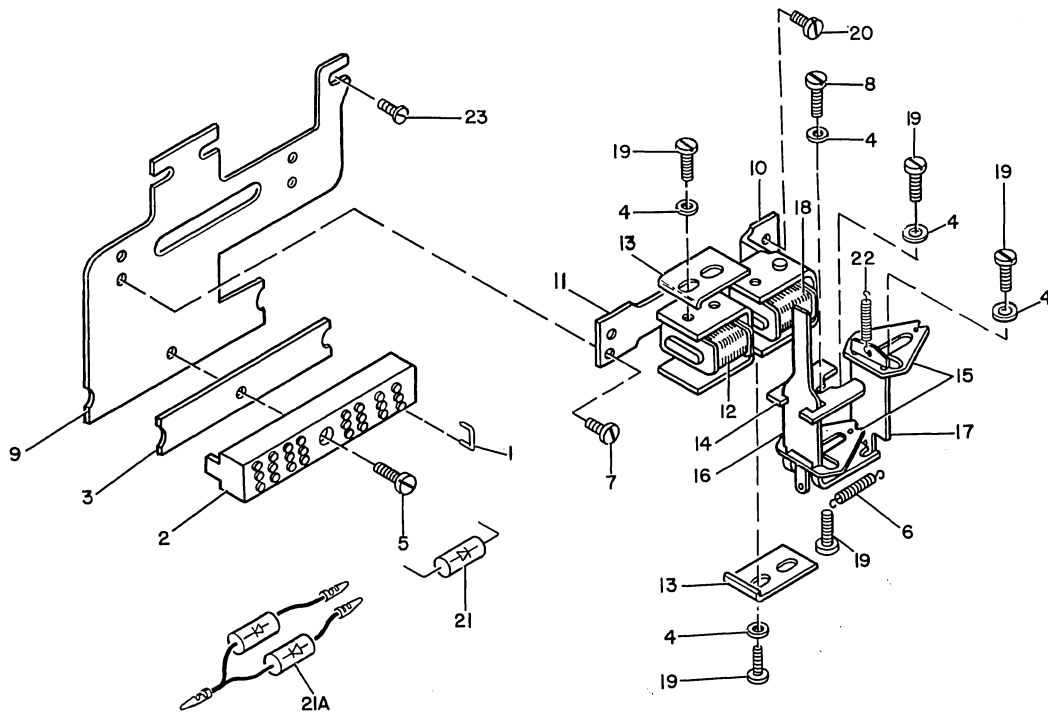


FIGURE 15. SHIFT MAGNET ASSEMBLY. SEE LIST 15.

LIST AND INDEX NUMBER	PART NUMBER	DESCRIPTION				UNITS PER ASM.	USABLE ON CODE
		1	2	3	4		
		SHIFT MAGNET ASSEMBLY					
15 -	1135302	SHIFT MAGNET ASSEMBLY-48V MAGNETS				REF	
-	1272125	SHIFT MAGNET ASSEMBLY-24V MAGNETS (SEE FIGURE 15 FOR ILLUSTRATION)				REF	
- 1	205329	. JUMPER-BRASS				2	
- 2	302090	. CONNECTOR				1	
- 3	302131	. INSULATOR				1	
- 4	355341	. WASHER				5	
- 5	438549	. SCREW				1	
- 6	1072126	. SPRING				1	
- 7	1117759	. SCREW				2	
- 7	1164579	. SCREW (USED ON MACHINES ABOVE SN 4622383)				2	
- 8	1127785	. SCREW				1	
- 9	1128958	. BRACKET				1	
- 10	1128959	. YOKE AND CORE ASSEMBLY				1	
- 11	1128962	. YOKE AND CORE ASSEMBLY				1	
- 12	1128964	. COIL ASSEMBLY, 48V				1	
- 12	1266893	. COIL ASSEMBLY, 24V				1	
- 13	1128965	. RESIDUAL				2	
- 14	1128966	. BACKSTOP				1	
- 15	1128967	. PLATE				2	
- 16	1128968	. ARMATURE				1	
- 17	1128969	. ARMATURE				1	
- 18	1135134	. COIL ASSEMBLY, 48V				1	
- 18	1266894	. COIL ASSEMBLY, 24V				1	
- 19	1164578	. SCREW				6	
- 20	1164579	. SCREW				2	
- 21	210921	DIODE ASM- 765				1	
- 21	1135573	DIODE ASM- 1053-M3 AND 1816				2	
- 21A	1159420	DIODE ASM- 1131, 1052-M7				1	
- 22	123552	. SPRING, HELICAL-EXTENSION				1	
- 23	1164576	. SCREW				3	

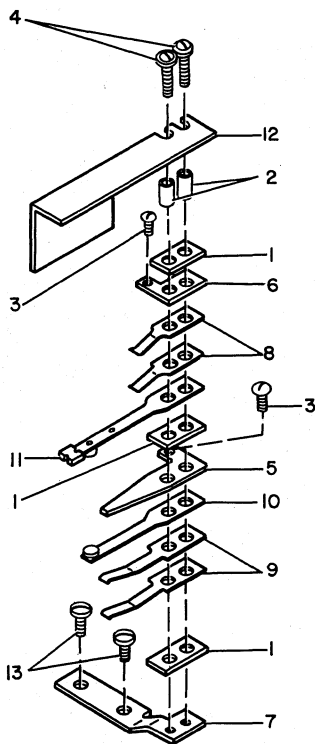


FIGURE 16. C5 FEEDBACK CONTACT ASSEMBLY. SEE LIST 16.

LIST AND INDEX NUMBER	PART NUMBER	DESCRIPTION				UNITS PER ASM.	USABLE ON CODE
		1	2	3	4		
		C5 FEEDBACK CONTACT ASSEMBLY					
16 -	1135582	CONTACT C5 USED ON 1033, 1052 M1-6 AND 8, 1053 M1,2 AND 4, 1447 AND 9020 SEE FIGURE 16 FOR ILLUSTRATION				REF	
-	1159657	CONTACT C5 USED ON 1053 MOD 3, 1131 AND 1816 SEE FIGURE 16 FOR ILLUSTRATION				REF	
- 1	37435	. INSULATOR, PLATE				3	
- 2	100464	. INSULATOR, SCREW				2	
- 3	118418	. SCREW				2	
- 4	173202	. SCREW				2	
- 5	339107	. TERMINAL				1	
- 6	339109	. TERMINAL				1	
- 7	1135309	. BRACKET				1	
- 8	1135466	. BACKUP, CONTACT				2	
- 9	1145588	. BACKUP, CONTACT				1	
- 10	1135476	. CONTACT N/C				1	
- 10	1128745	. CONTACT N/C				1	
- 11	1135478	USED ON 1053 MOD 3, 1131 AND 1816 . CONTACT O/S				1	
- 11	1176949	. CONTACT O/S				1	
- 12	1159536	USED ON 1053 MOD 3, 1131 AND 1816 . SHIELD				1	
- 13	1164576	SCREW				2	

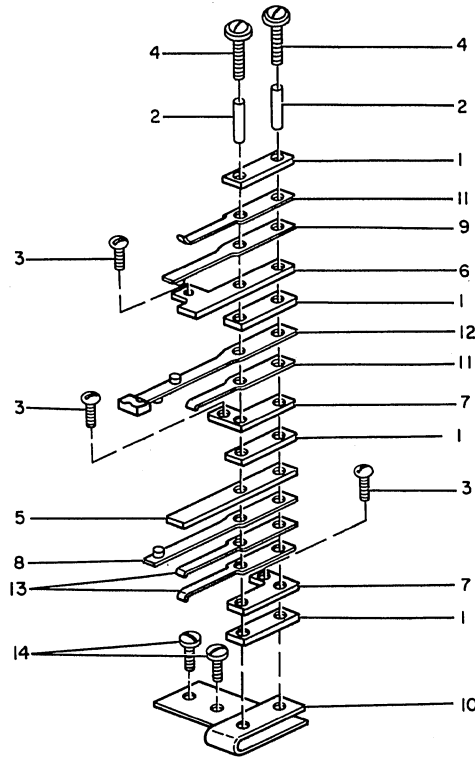


FIGURE 17. C6 FEEDBACK CONTACT ASSEMBLY. SEE LIST 17.

LIST AND INDEX NUMBER	PART NUMBER	DESCRIPTION				UNITS PER ASM.	USABLE ON CODE
		1	2	3	4		
		C6 FEEDBACK CONTACT ASSEMBLY					
17 -	1145453	CONTACT C6- 765 SEE FIGURE 17 FOR ILLUSTRATION				REF	
- 1	37435	. INSULATOR, PLATE				4	
- 2	100229	. INSULATOR, SCREW				2	
- 3	118418	. SCREW				2	
- 4	173205	. SCREW				2	
- 5	326119	. SUPPORT				1	
- 6	1128743	. TERMINAL				1	
- 7	339109	. TERMINAL				2	
- 8	1128745	. CONTACT-SHIFT N/O				1	
- 9	1128746	. CONTACT N/C				1	
- 10	1135307	. BRACKET- C6				1	
- 11	1135467	. BACKUP, CONTACT				4	
- 12	1128744	. CONTACT O/S				1	
- 13	1145588	. BACK-UP CONTACT				2	
- 14	1164582	. SCREW				2	

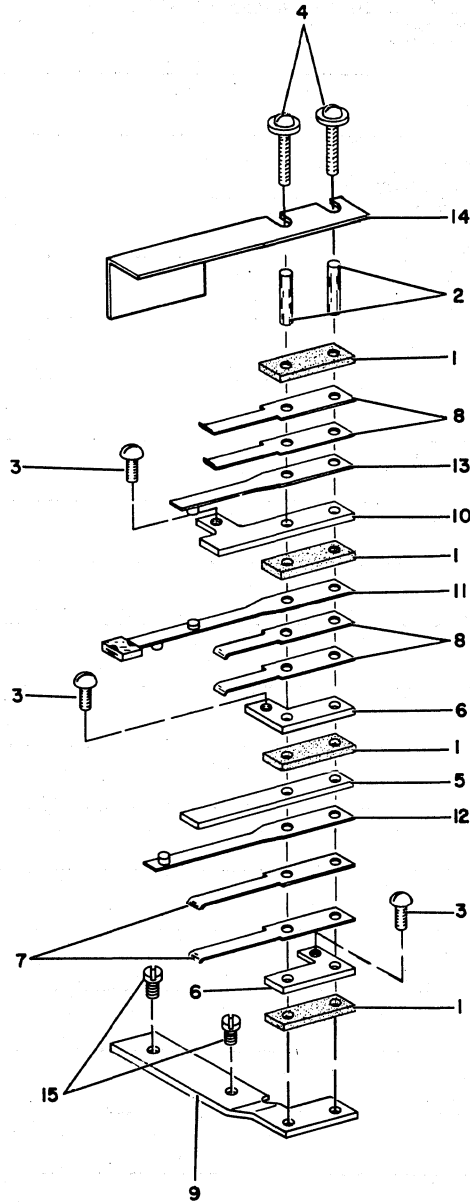


FIGURE 18. C5 FEEDBACK CONTACT ASSEMBLY. SEE LSIT 18.

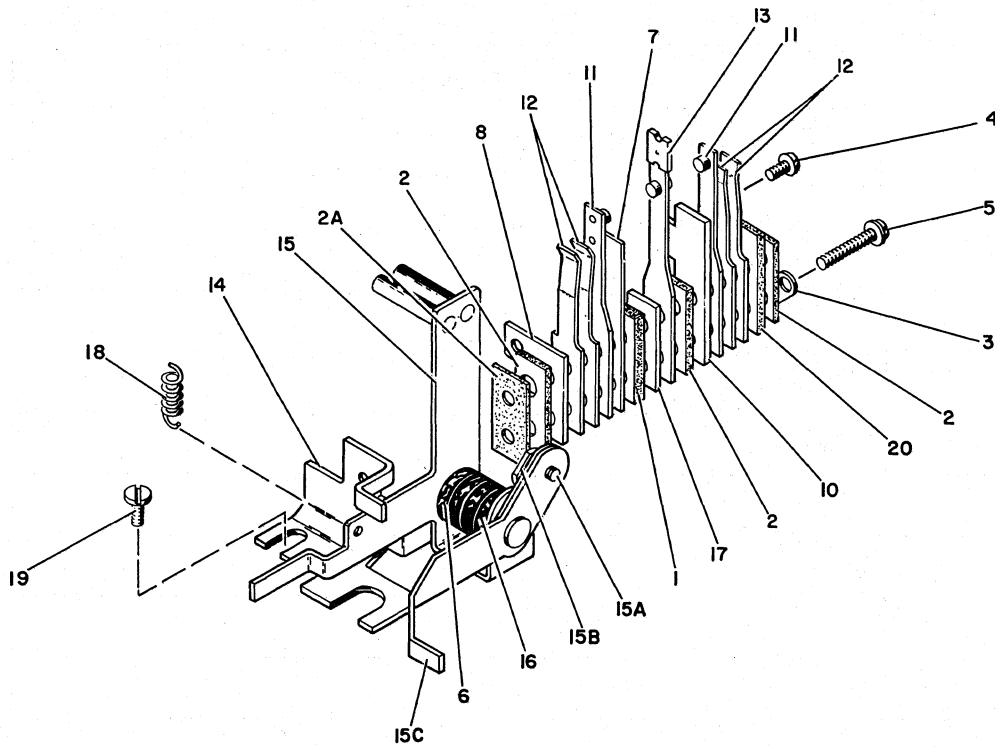


FIGURE 19. C5/6 FEEDBACK CONTACT ASSEMBLY. SEE LIST 19.

LIST AND INDEX NUMBER	PART NUMBER	DESCRIPTION				UNITS PER ASM.	USABLE ON CODE
		1	2	3	4		
		C5/6 FEEDBACK CONTACT ASSEMBLY					
19 -	1166152	CONTACT ASSEMBLY C5/6 SEE FIGURE 19 FOR ILLUSTRATION USED ON 1052-M7				REF	
- 1	27460	. INSULATOR, PLATE				1	
- 2	37435	. INSULATOR, PLATE				3	
- 2A	1135289	. FISH PAPER				1	
- 3	105052	. INSULATOR-SCREW				2	
- 4	118418	. SCREW				3	
- 5	173206	. SCREW				2	
- 6	257982	. RING-RETAINING				1	
- 7	326119	. SUPPORT				1	
- 8	339109	. TERMINAL				1	
- 10	1128743	. TERMINAL				1	
- 11	1128745	. CONTACT N/O AND N/C				2	
- 12	1135467	. BACKUP CONTACT				4	
- 13	1135629	. CONTACT O/S				1	
- 14	1166153	. BRACKET ASSEMBLY				1	
- 15	1166154	. BELLCRANK ASSEMBLY				1	
- 15A	1142214	. SCREW				1	
- 15B	1123593	. ECCENTRIC				1	
- 15C	1187699	. LEVER				1	
- 16	1166188	. WICK-OIL				2	
- 17	1187521	. TERMINAL				1	
- 18	58853	. SPRING				1	
- 19	1117759	. SCREW				2	
- 20	1202646	. BACK-UP CONTACT				1	

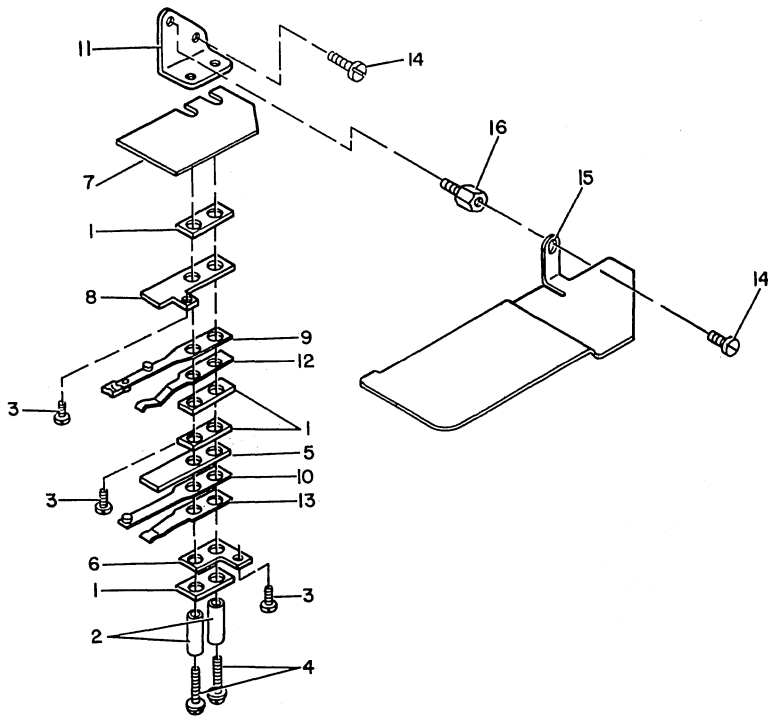


FIGURE 20. CARRIER RETURN INTERLOCK CONTACT ASSEMBLY. SEE LIST 20.

LIST AND INDEX NUMBER	PART NUMBER	DESCRIPTION				UNITS PER ASM.	USABLE ON CODE
		1	2	3	4		
		CARRIER RETURN INTERLOCK CONTACT ASSEMBLY					
20 -							
-	1135581	CODE A USED ON ASM 1135581 CODE B USED ON ASM 1176948 CARRIER RETURN CONTACT ASSEMBLY USED ON ALL 1052/53 PRIOR TO LUBE CHANGE				REF	A
-	1176948	SEE FIGURE 20 FOR ILLUSTRATION CARRIER RETURN CONTACT ASSEMBLY USED ON 1053 MOD 3, 1816 AND 1053 MOD 4 SEE FIGURE 20 FOR ILLUSTRATION				REF	B
- 1	37435	. INSULATOR, PLATE				AR	
- 2	100359	. INSULATOR, SCREW				2	A
- 2	105052	. INSULATOR, SCREW				2	B
- 3	118418	. SCREW				AR	
- 4	173203	. SCREW				2	A
- 4	173205	. SCREW				2	B
- 5	326119	. SUPPORT				AR	
- 6	339109	. TERMINAL				AR	
- 7	1108350	. SHIELD				1	A
- 8	1128743	. TERMINAL				1	A
- 8	339109	. TERMINAL				1	B
- 9	1128744	. CONTACT O/S				1	A
- 9	1176949	. CONTACT O/S				1	B
- 10	1128745	. CONTACT N/O				1	
- 11	1128749	. BRACKET				1	A
- 11	1159558	. BRACKET				1	B
- 12	1135466	. BACKUP, CONTACT				1	A
- 12	1135467	. BACKUP, CONTACT				1	B
- 13	1135467	. BACKUP, CONTACT				AR	
- 14	1164582	SCREW				2	
- 15	1159542	SHIELD-SHIFT				1	
- 16	1142377	STUD-CONTACT SHIELD				1	

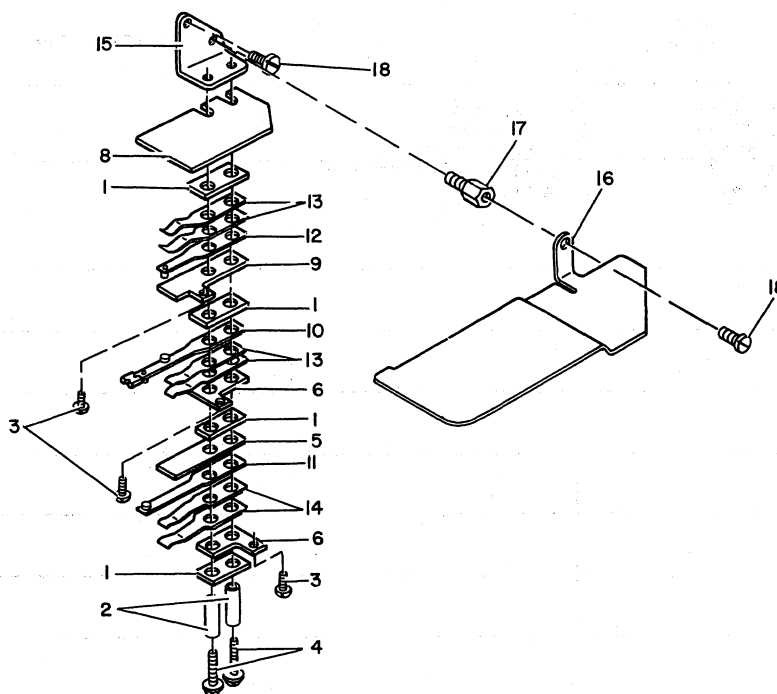


FIGURE 21. CARRIER RETURN INTERLOCK CONTACT ASSEMBLY. SEE LIST 21.

LIST AND INDEX NUMBER	PART NUMBER	DESCRIPTION				UNITS PER ASM.	USABLE ON CODE
		1	2	3	4		
		CARRIER RETURN INTERLOCK CONTACT ASSEMBLY					
21 -		CODE A USED ON ASM 1159589 CODE B USED ON ASM 1128748					
-	1159589	CARRIER RETURN CONTACT ASSEMBLY USED ON 1052 M8 AND 1980-21 AND THE FOLLOWING MODELS WITH LUBE IMPROVEMENTS 765, 1052 M1-7, 1053 M184, 1062, 1131, 1447 AND 9020				REF	A
-	1128748	SEE FIGURE 21 FOR ILLUSTRATION CARRIER RETURN CONTACT ASSEMBLY USED ON 1062 AND 1447 PRIOR TO LUBE CHANGE SEE FIGURE 21 FOR ILLUSTRATION				REF	B
- 1	37435	. INSULATOR, PLATE				4	
- 2	105052	. INSULATOR-SCREW				2	A
- 2	100229	. INSULATOR-SCREW				2	B
- 3	118418	. SCREW				3	
- 4	173206	. SCREW				2	A
- 4	173205	. SCREW				2	B
- 5	326119	. SUPPORT				1	
- 6	339109	. TERMINAL				1	
- 8	1108350	. SHIELD				1	B
- 9	1128743	. TERMINAL				1	
- 10	1128744	. CONTACT O/S				1	
- 11	1128745	. CONTACT N/O				1	
- 12	1128746	. CONTACT N/C				1	
- 13	1135466	. BACKUP, CONTACT				4	
- 14	1135467	. BACKUP, CONTACT				2	

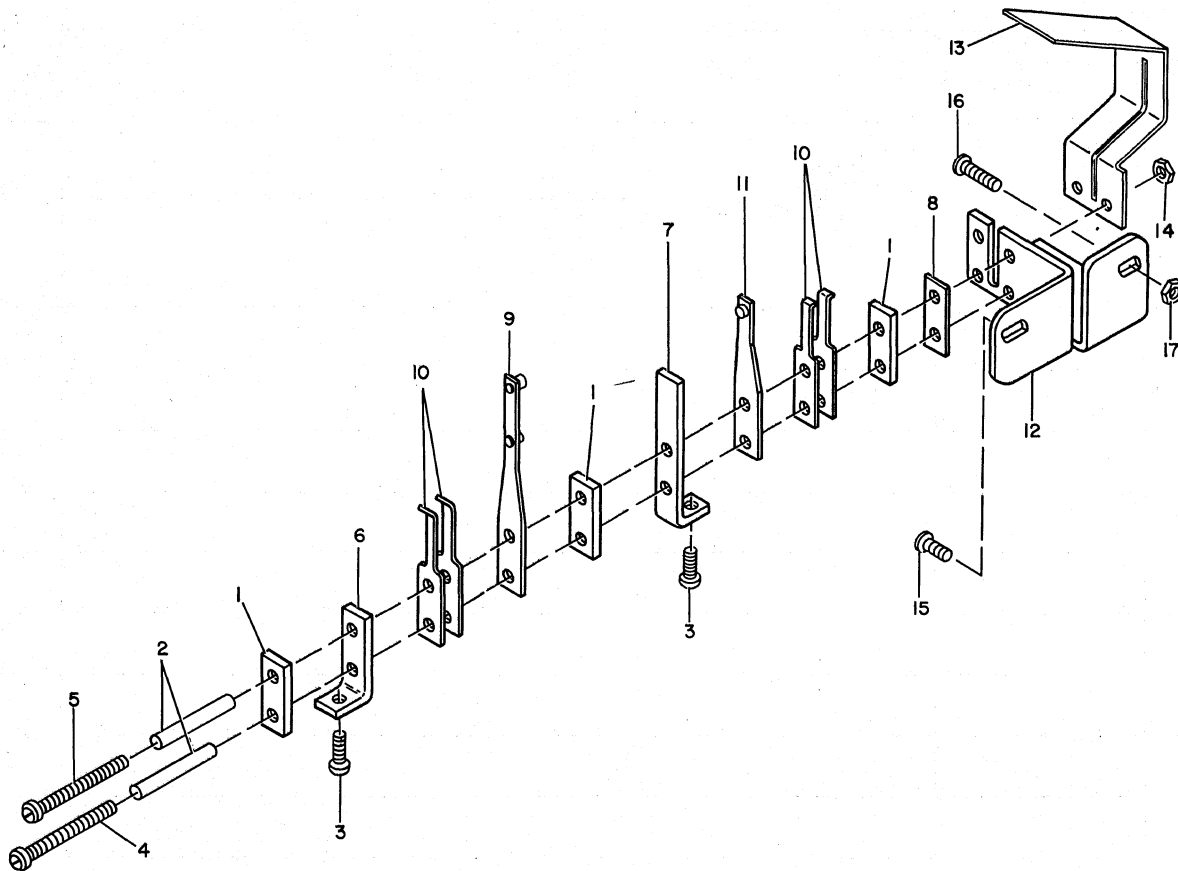


FIGURE 22. C2 PRINT FEEDBACK CONTACT ASSEMBLY. SEE LIST 22.

LIST AND INDEX NUMBER	PART NUMBER	DESCRIPTION				UNITS PER ASM.	USABLE ON CODE
		1	2	3	4		
		C2 PRINT FEEDBACK CONTACT ASSEMBLY					
22 -		CODE A USED ON ASM 1159098 CODE B USED ON ASM 1166771					
-	1159098	CONTACT ASSEMBLY-C2 USED ON 1052 MOD 1-6&8, 1053 MOD 1,2&4 1062, 1447 AND 9020 SEE FIGURE 22 FOR ILLUSTRATION				REF	A
-	1166771	CONTACT ASSEMBLY-C2 USED ON 1053 MOD 3, 1131 AND 1816 SEE FIGURE 22 FOR ILLUSTRATION				REF	B
- 1	37435	. INSULATOR				3	
- 2	100464	. INSULATOR-SCREW				2	
- 3	118418	. SCREW				2	
- 4	173202	. SCREW				1	
- 5	173204	. SCREW				1	
- 6	1128832	. TERMINAL				1	
- 7	1128833	. TERMINAL				1	
- 8	1135289	. INSULATOR				1	A
- 9	1135403	. CONTACT O/S				1	A
- 9	1187160	. CONTACT O/S				1	B
- 10	1135466	. BACKUP, CONTACT				4	
- 11	1135474	. CONTACT N/C				1	A
- 11	1128746	. CONTACT N/C				1	B
- 12	1159416	. BRACKET				1	
- 13	1135512	COVER				1	
- 14	37913	NUT				2	
- 15	1164580	SCREW				1	
- 16	35739	SCREW				1	
- 17	1134842	NUT				1	

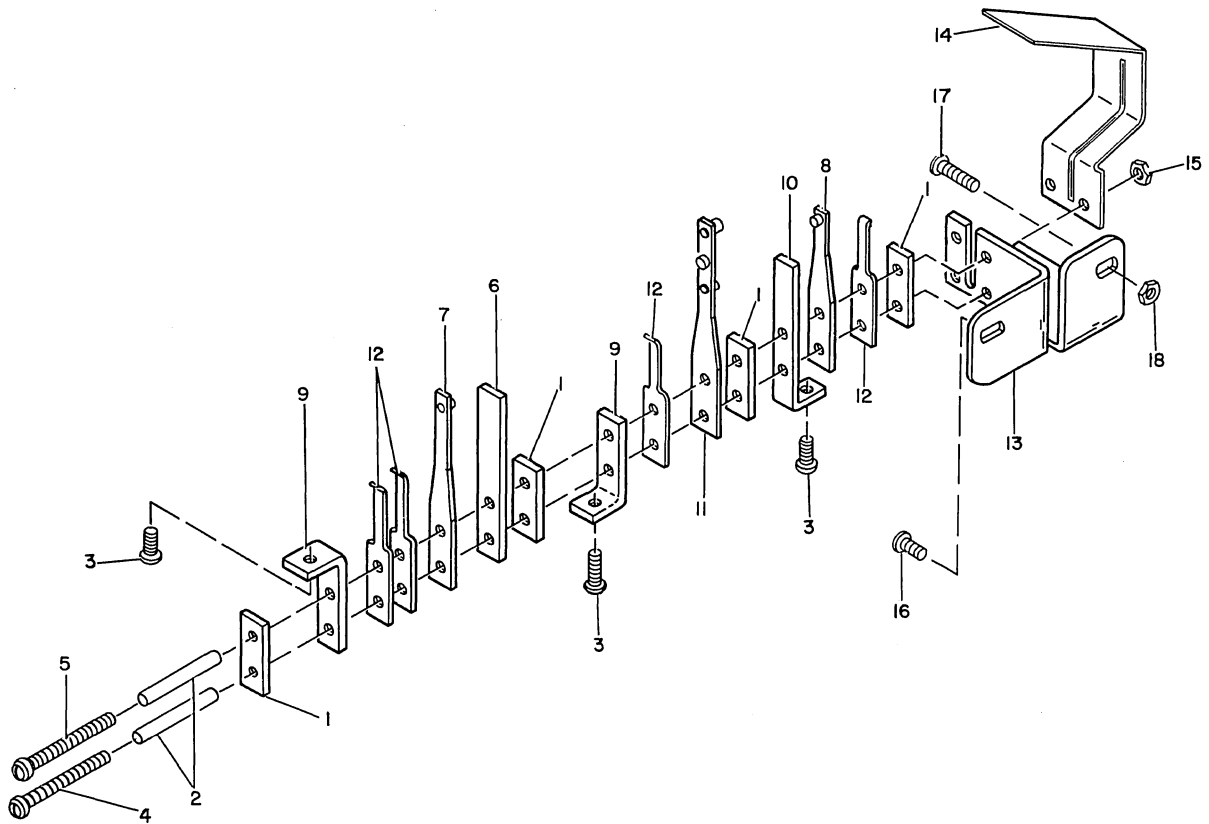
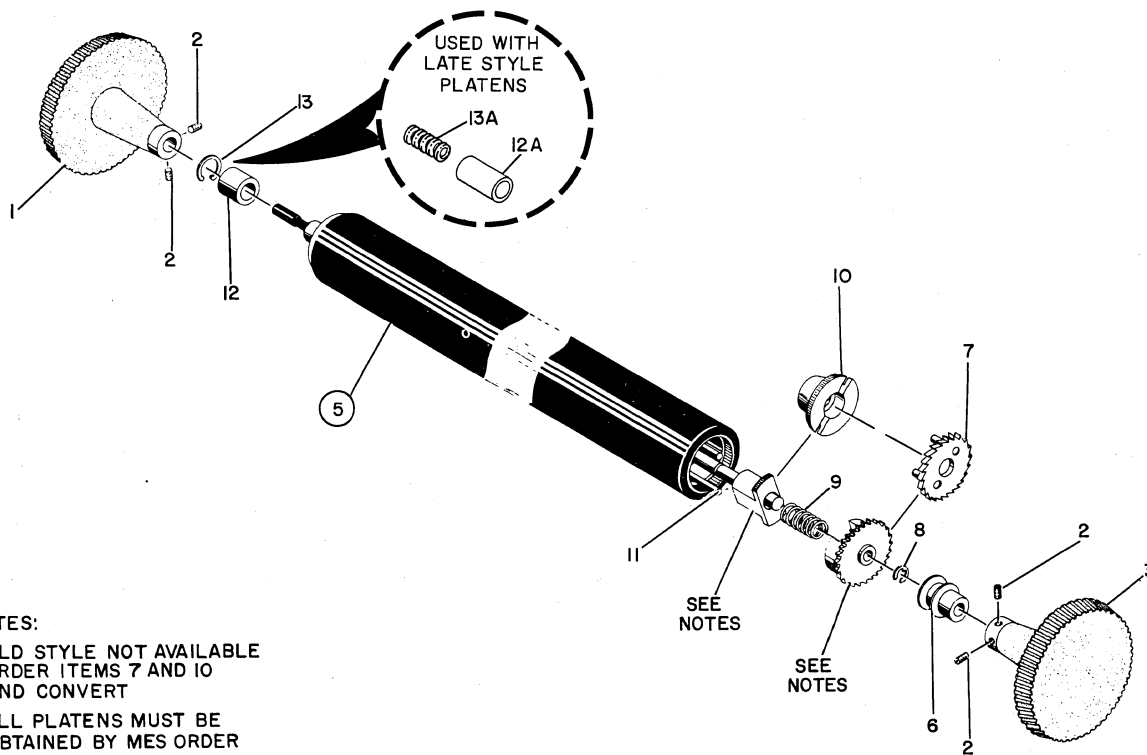


FIGURE 23. C2 PRINT FEEDBACK CONTACT ASSEMBLY. SEE LIST 23.

LIST AND INDEX NUMBER	PART NUMBER	DESCRIPTION				UNITS PER ASM.	USABLE ON CODE
		1	2	3	4		
		C2 PRINT FEEDBACK CONTACT ASSEMBLY					
23 -	1159906	CONTACT ASSEMBLY C2 USED ON 765, 1052 MOD 7 AND 1980-21 SEE FIGURE 23 FOR ILLUSTRATION				REF	
- 1	37435	. INSULATOR				4	
- 2	105052	. INSULATOR-SCREW				2	
- 3	118418	. SCREW				3	
- 4	173205	. SCREW				1	
- 5	173207	. SCREW				1	
- 6	326119	. SUPPORT				1	
- 7	1128745	. CONTACT N/O				1	
- 8	1128746	. CONTACT N/C				1	
- 9	1128832	. TERMINAL				2	
- 10	1128833	. TERMINAL				1	
- 11	1128834	. CONTACT O/S				1	
- 12	1135467	. BACKUP CONTACT				4	
- 13	1159416	. BRACKET				1	
- 14	1135512	COVER				1	
- 15	37913	NUT				2	
- 16	1164580	SCREW				1	
- 17	35739	SCREW				1	
- 18	1134842	NUT				1	

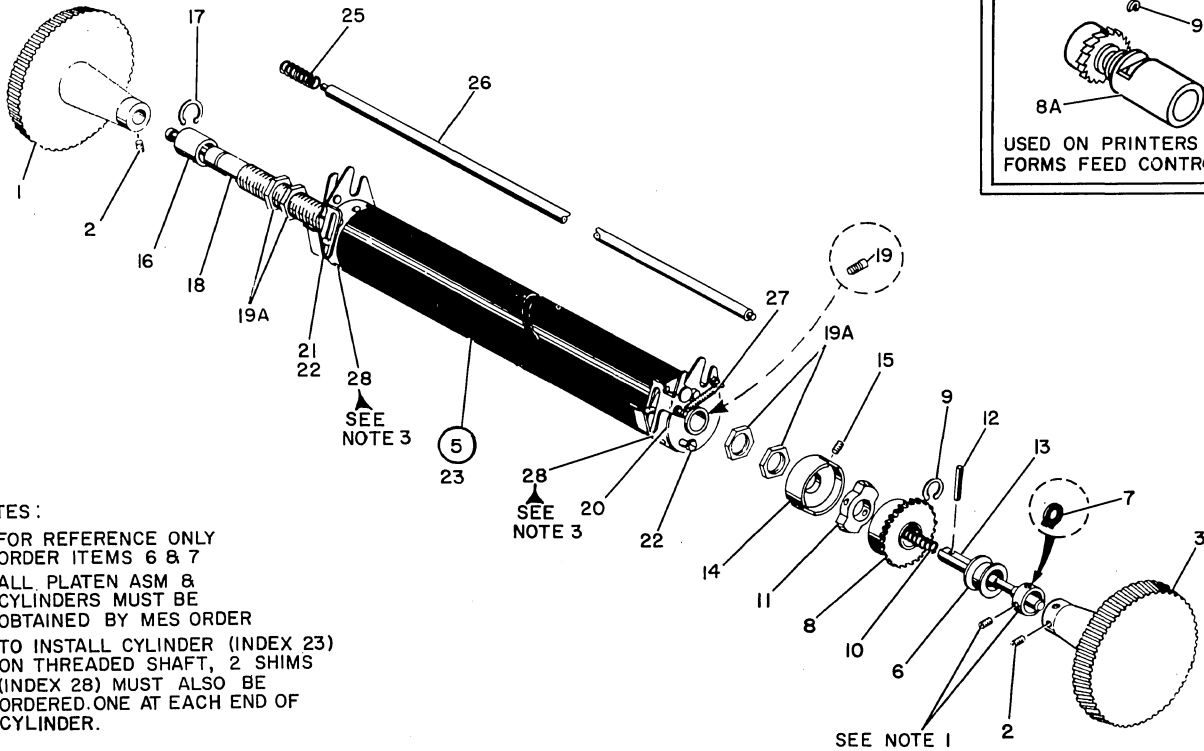


NOTES:

- 1. OLD STYLE NOT AVAILABLE ORDER ITEMS 7 AND 10 AND CONVERT
- 2. ALL PLATENS MUST BE OBTAINED BY MES ORDER

FIGURE 24. STANDARD PLATEN ASSEMBLIES. SEE LIST 24.

LIST AND INDEX NUMBER	PART NUMBER	DESCRIPTION				UNITS PER ASM.	USABLE ON CODE
		1	2	3	4		
STANDARD PLATEN ASSEMBLIES							
24 -	830195	PLATEN ASM-STD 366 LPI 27T				REF	
-	830196	PLATEN ASM-STD 488 LPI 36T				REF	
-	820690	PLATEN ASM-STD 366 LPI 27T NO CONTROL				REF	
-	820691	PLATEN ASM-STD 488 LPI 36T NO CONTROL				REF	
-	1135570	SEE FIGURE 24 FOR ILLUSTRATION					
- 1	1135570	. KNOB, PLATEN-BLUE - LH				1	
- 1	1135377	. KNOB, PLATEN-GRAY				1	
- 2	257968	. SETSCREW				2	
-		USED WITH FORMS CONTROL					
- 2	1100523	. SETSCREW				2	
-		USED WITHOUT FORMS CONTROL					
- 3	1159353	. KNOB, PLATEN-RH BLUE 1052/1053 FORMS CTRL AND 1033				1	
- 3	1135570	. KNOB, PLATEN-LIGHT BLUE				1	
- 3	1135377	. KNOB, PLATEN-GRAY				1	
- 5	1166976	. PLATEN ASM-STD 366 LPI 27T W/O KNOBS				1	
- 5	1166992	. PLATEN ASM-STD 488 LPI 36T W/O KNOBS				1	
- 6	1138360	. BUSHING				1	
- 7	1164463	. RATCHET, PLATEN- 366 LPI 27T				1	
- 7	1159549	. RATCHET, PLATEN- 488 LPI 36T				1	
- 8	1164850	. CLIP, RETAINING				1	
- 9	1138363	. SPRING-PLATEN VAR				1	
- 10	1164476	. DRIVER-RATCHET				1	
- 11	1138358	. PIN-PLATEN VAR				2	
- 11	1175577	. PIN-PLATEN VAR-LATE STYLE				1	
- 12	1123549	. BUSHING				1	
- 12A	1138990	. BUSHING-LATE STYLE				1	
- 13	236571	. CLIP-RETAINING				1	
- 13A	1142683	. SPRING-LATE STYLE				1	



NOTES:

1. FOR REFERENCE ONLY ORDER ITEMS 6 & 7
2. ALL PLATEN ASM & CYLINDERS MUST BE OBTAINED BY MES ORDER
3. TO INSTALL CYLINDER (INDEX 23) ON THREADED SHAFT, 2 SHIMS (INDEX 28) MUST ALSO BE ORDERED. ONE AT EACH END OF CYLINDER.

FIGURE 25. PIN FEED ASSEMBLIES. SEE LIST 25.

LIST AND INDEX NUMBER	PART NUMBER	DESCRIPTION				UNITS PER ASM.	USABLE ON CODE
		1	2	3	4		
		PIN FEED PLATEN ASSEMBLIES					
25 -		CODE A USED WITH FORMS FEED CONTROL CODE B USED WITHOUT FORMS FEED CONTROL					
- NO	NO.	PIN FEED PLATEN ASSEMBLY SEE FIG 25 FOR ILLUSTRATION				1	
- 1	1159352	. KNOB, PLATEN-1033				1	
- 1	1135570	. KNOB, PLATEN-LIGHT BLUE				1	
- 1	1135377	. KNOB, PLATEN-GRAY				1	
- 2	257968	. SETSCREW				4	
- 2	1100523	USED WITH FORMS CONTROL . SETSCREW				4	
- 3	1159353	USED WITHOUT FORMS CONTROL . KNOB, PLATEN-RH LIGHT BLUE W/FORMS CTRL AND 1033				1	
- 3	1135570	. KNOB, PLATEN-BLUE 1052/1053				1	B
- 3	1135377	. KNOB, PLATEN-GRAY				1	B
- 5	1166270	. PLATEN ASM 386 LPI 5-1/4 NO KNOBS 27T				1	A
- 5	1166262	. PLATEN ASM 386 LPI 6 IN. NO KNOBS 27T				1	A
- 5	1166264	. PLATEN ASM 386 LPI 7-1/2 NO KNOBS 27T				1	A
- 5	1166266	. PLATEN ASM 386 LPI 8 IN. NO KNOBS 27T				1	A
- 5	1166268	. PLATEN ASM 386 LPI 9 IN. NO KNOBS 27T				1	A
- 5	1166271	. PLATEN ASM 386 LPI 9-3/8 NO KNOBS 27T				1	A
- 5	1166251	. PLATEN ASM 386 LPI 9-7/8 NO KNOBS 27T				1	A
- 5	1166255	. PLATEN ASM 386 LPI 10 IN. NO KNOBS 27T				1	A
- 5	1166252	. PLATEN ASM 386 LPI 10 1/8 NO KNOBS 27T				1	A
- 5	1166253	. PLATEN ASM 386 LPI 11 1/4 NO KNOBS 27T				1	A
- 5	1166256	. PLATEN ASM 386 LPI 11 1/2 NO KNOBS 27T				1	A
- 5	5161484	. PLATEN ASM 386 LPI 12 1/2 NO KNOBS 27T				1	A
- 5	1166254	. PLATEN ASM 386 LPI 13 1/8 NO KNOBS 27T				1	A
- 5	1166263	. PLATEN ASM 488 LPI 6 IN. NO KNOBS 36T				1	A
- 5	1166265	. PLATEN ASM 488 LPI 7 1/2 NO KNOBS 36T				1	A

LIST AND INDEX NUMBER	PART NUMBER	DESCRIPTION	UNITS PER ASM.	USABLE ON CODE
25 - 5	1166267	. PLATEN ASM 488 LPI 8 IN. NO KNOBS 36T	1	A
- 5	1166269	. PLATEN ASM 488 LPI 9 IN. NO KNOBS 36T	1	A
- 5	1166257	. PLATEN ASM 488 LPI 10 IN. NO KNOBS 36T	1	A
- 5	1166258	. PLATEN ASM 488 LPI 10-1/8 NO KNOBS 36T	1	A
- 5	1166259	. PLATEN ASM 488 LPI 11-1/4 NO KNOBS 36T	1	A
- 5	1166260	. PLATEN ASM 488 LPI 11-1/2 NO KNOBS 36T	1	A
- 5	5161485	. PLATEN ASM 488 LPI 12-1/2 NO KNOBS 36T	1	A
- 5	1166261	. PLATEN ASM 488 LPI 13-1/8 NO KNOBS 36T	1	A
- 5	1141976	. PLATEN ASM 366 LPI 5-1/4 NO KNOBS 27T	1	B
- 5	1135761	. PLATEN ASM 366 LPI 6 IN. NO KNOBS 27T	1	B
- 5	1135763	. PLATEN ASM 366 LPI 7-1/2 NO KNOBS 27T	1	B
- 5	1135765	. PLATEN ASM 366 LPI 8 IN. NO KNOBS 27T	1	B
- 5	1135767	. PLATEN ASM 366 LPI 9 IN. NO KNOBS 27T	1	B
- 5	1141977	. PLATEN ASM 366 LPI 9-3/8 NO KNOBS 27T	1	B
- 5	1135324	. PLATEN ASM 366 LPI 9-7/8 NO KNOBS 27T	1	B
- 5	1135754	. PLATEN ASM 366 LPI 10 IN. NO KNOBS 27T	1	B
- 5	1135327	. PLATEN ASM 366 LPI 10-1/8 NO KNOBS 27T	1	B
- 5	1135330	. PLATEN ASM 366 LPI 11-1/4 NO KNOBS 27T	1	B
- 5	1135755	. PLATEN ASM 366 LPI 11-1/2 NO KNOBS 27T	1	B
- 5	1187673	. PLATEN ASM 366 LPI 12-1/2 NO KNOBS 27T	1	B
- 5	1135333	. PLATEN ASM 366 LPI 13-1/8 NO KNOBS 27T	1	B
- 5	1135762	. PLATEN ASM 488 LPI 6 IN. NO KNOBS 36T	1	B
- 5	1135764	. PLATEN ASM 488 LPI 7-1/2 NO KNOBS 36T	1	B
- 5	1135766	. PLATEN ASM 488 LPI 8 IN. NO KNOBS 36T	1	B
- 5	1135768	. PLATEN ASM 488 LPI 9 IN. NO KNOBS 36T	1	B
- 5	1135756	. PLATEN ASM 488 LPI 10 IN. NO KNOBS 36T	1	B
- 5	1135757	. PLATEN ASM 488 LPI 10-1/8 NO KNOBS 36T	1	B
- 5	1135758	. PLATEN ASM 488 LPI 11-1/4 NO KNOBS 36T	1	B
- 5	1135759	. PLATEN ASM 488 LPI 11-1/2 NO KNOBS 36T	1	B
- 5	1187674	. PLATEN ASM 488 LPI 12-1/2 NO KNOBS 36T	1	B
- 5	1135760	. PLATEN ASM 488 LPI 13-1/8 NO KNOBS 36T	1	B
- 5	1203876	. PLATEN ASM- 366 LPI 13-7/8 NO KNOBS, 36T	1	B
- 5	1203877	. PLATEN ASM- 488 LPI 13-7/8 NO KNOBS, 36T	1	B
- 6	1203743	. . BUSHING RH SHAFT (USED WITH HEXAGONAL SHAFT)	1	B
- 6	1128523	. . BUSHING RH SHAFT (USED WITH THREADED SHAFT)	1	B
- 7	311072	. . RING-GRIP	1	B
- 8	1203737	. . RATCHET- 27T 366 LPI (USED WITH HEXAGONAL SHAFT)	1	B
- 8	1203738	. . RATCHET- 36T 488 LPI	1	B
- 8	1128527	. . RATCHET- 27T 366 LPI (USED WITH THREADED SHAFT)	1	B
- 8	1135192	. . RATCHET- 36T 488 LPI (USED WITH THREADED SHAFT)	1	B
- 8A	731677	. . RATCHET- 27T 366 LPI W/FORMS CTRL	1	
- 8A	731681	. . RATCHET- 36T 488 LPI W/FORMS CTRL	1	
- 9	236571	. . RING-RETAINING	1	
- 10	1090568	. . SPRING	1	
- 11	1203745	. . DRIVER (USED WITH HEXAGONAL SHAFT)	1	
- 11	1128528	. . DRIVER (USED WITH THREADED SHAFT)	1	
- 12	1128526	. . PIN-ROLL	1	
- 13	1135337	. . ROD,PUSH	1	
- 14	1203742	. . GUIDE (USED WITH HEXAGONAL SHAFT)	1	
- 14	1128533	. . GUIDE (USED WITH THREADED SHAFT)	1	
- 15	1175106	. . SETSCREW	2	
- 16	1123549	. . BUSHING-LH SHAFT (USED WITH THREADED SHAFT)	1	
- 16	1203747	. . BUSHING-LH SHAFT (USED WITH HEXAGONAL SHAFT)	1	
- 17	236571	. . RING-RETAINING	1	
- 18	731676	. . SHAFT-FORMS CONTROL PLATEN	1	
- 18	1135338	. . SHAFT-EARLY STYLE	1	
- 18	1203744	. . SHAFT-HEXAGONAL	1	
- 19	257957	. . SETSCREW-PIN WHEEL RETAINER (USED WITH HEXAGONAL SHAFT ONLY)	4	
- 19A	308459	. . NUT (USED WITH THREADED SHAFT ONLY)	4	
- 20	1128522	. . PINWHEEL-RH (FOR THREADED SHAFT)	1	
- 20	1203781	. . PINWHEEL-RH (FOR HEXAGONAL SHAFT)	1	
- 21	1128521	. . PINWHEEL-LH (FOR THREADED SHAFT)	1	
- 21	1203782	. . PINWHEEL-LH (FOR HEXAGONAL SHAFT)	1	
- 22	1100951	. . SCREW	2	
- 23	1203934	. . CYLINDER- 5-1/4	1	
- 23	1203935	. . CYLINDER- 6 IN.	1	
- 23	1203936	. . CYLINDER- 7-1/2	1	
- 23	1203937	. . CYLINDER- 8 IN.	1	
- 23	1203938	. . CYLINDER- 9 IN.	1	
- 23	1203939	. . CYLINDER- 9-3/8	1	
- 23	1203940	. . CYLINDER- 9-7/8	1	
- 23	1203941	. . CYLINDER- 10 IN.	1	
- 23	1203942	. . CYLINDER- 10-1/8	1	
- 23	1203943	. . CYLINDER- 11-1/4	1	
- 23	1203944	. . CYLINDER- 11-1/2	1	
- 23	1203945	. . CYLINDER- 12-1/2	1	
- 23	1203946	. . CYLINDER- 13-1/8	1	
- 23	1203878	. . CYLINDER- 13-7/8	1	

LIST AND INDEX NUMBER	PART NUMBER	1 2 3 4 DESCRIPTION	UNITS PER ASM.	USABLE ON CODE
25 - 25	1128529	. SPRING-CAM ANCHOR ROD	1	
- 26	1135323	. ROD-CAM ANCHOR	1	
- 27	1274548	. SPRING-EARLY STYLE	1	
- 27	1203785	. SPRING-LATE STYLE	1	
- 28	1269449	. SHIM	2	

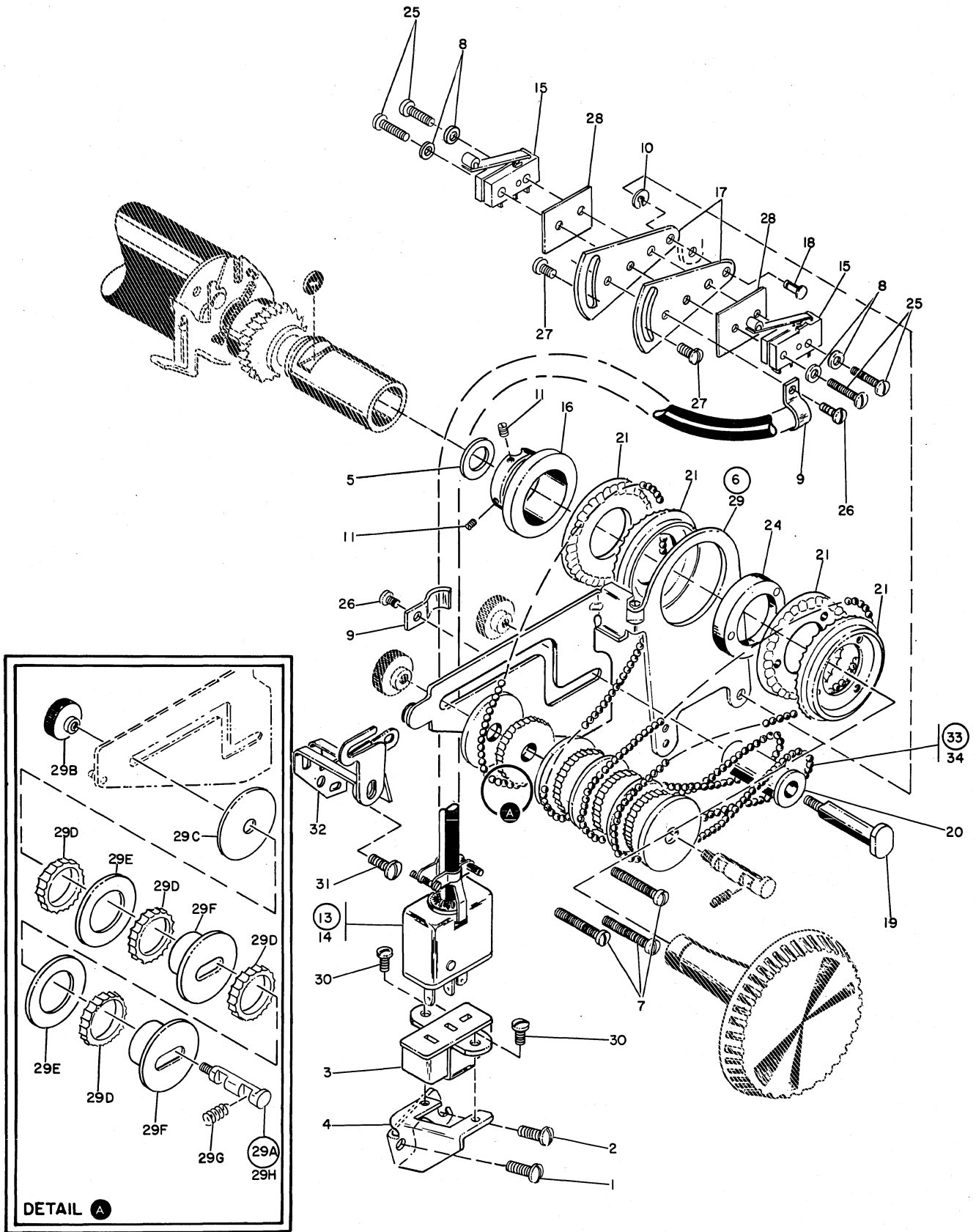


FIGURE 26. FORMS FEED CONTROL FEATURE. SEE LIST 26.

LIST AND INDEX NUMBER	PART NUMBER	DESCRIPTION	UNITS PER ASM.	USABLE ON CODE
		FORMS FEED CONTROL FEATURE		
26 -	NO NO.	FORMS FEED CONTROL SEE FIGURE 26 FOR ILLUSTRATION	NP	
- 1	38351	. SCREW	1	
- 2	38352	. SCREW	1	
- 3	300761	. CONNECTOR	1	
- 4	731673	. BRACKET	1	
- 5	830192	. WASHER	1	
- 6	830198	. VERT FORMS CTRL ASM 386 LPI 27T PLATEN	1	
- 6	830199	. VERT FORMS CTRL ASM 488 LPI 36T PLATEN	1	
- 7	52359	. . SCREW	3	
- 8	125231	. . WASHER	4	
- 9	1166960	. . CLAMP, CABLE	2	
- 10	219633	. . RING, RETAINING	1	
- 11	257969	. . SETSCREW-FLUTED	2	
- 13	731674	. . CABLE ASSEMBLY-FORMS FEED EARLY 1052/53	1	
- 14	300742	. . . CONNECTOR, PLUG	1	
- 15	480517	. . . SWITCH ASSEMBLY-WITH ACTUATOR	2	
- 16	731685	. . . HUB	1	
- 17	731688	. . PLATE	2	
- 18	731689	. . STUD	1	
- 19	731690	. . STUD-PULLEY MOUNTING	1	
- 20	731691	. . SPOOL	1	
- 21	731692	. . PULLEY- 386 LPI 27T PLATEN	2	
- 21	731686	. . PULLEY- 488 LPI 36T PLATEN	2	
- 24	830193	. . SPACER	1	
- 25	1159210	. . SCREW	4	
- 26	1164578	. . SCREW	2	
- 27	1164582	. . SCREW	2	
- 28	1166111	. . INSULATOR-SWITCH	2	
- 29	1166403	. . HANGER	1	
- 29A	1166648	. . PULLEY ASM-IDLER	1	
- 29B	473104	. . . NUT, ROUND-KNURLED	1	
- 29C	731704	. . . DISC	1	
- 29D	820734	. . . PULLEY	4	
- 29E	1166643	. . . DISC	2	
- 29F	1166646	. . . BUSHING	2	
- 29G	1072191	. . . SPRING	2	
- 29H	1166647	. . . STUD	1	
- 30	1164578	. SCREW	2	
- 31	1164579	. SCREW	2	
- 32	1166402	. BRACKET	1	
		THE FOLLOWING BEAD CHAIN PACKAGES ARE AVAILABLE FOR FORMS FEED CONTROL FEATURE EACH PACKAGE INCLUDES 2 CHAINS AND 40 LARGE BEADS. CORRECT CHAIN LENGTH DETER- MINED BY ONE BEAD PER LINE OF FORM OR AN EVEN MULTIPLE.		
- 33	827950	BEAD CHAIN SET-FORMS CONTROL 54 BEAD- 9 INCH	1	
- 33	827911	BEAD CHAIN SET-FORMS CONTROL 56 BEAD- 9-1/3 INCH	1	
- 33	827912	BEAD CHAIN SET-FORMS CONTROL 57 BEAD- 9-1/2 INCH	1	
- 33	827913	BEAD CHAIN SET-FORMS CONTROL 60 BEAD- 10 INCH	1	
- 33	827914	BEAD CHAIN SET-FORMS CONTROL 64 BEAD- 10-2/3 INCH	1	
- 33	827915	BEAD CHAIN SET-FORMS CONTROL 66 BEAD- 11 INCH	1	
- 33	827916	BEAD CHAIN SET-FORMS CONTROL 68 BEAD- 11-1/3 INCH	1	
- 33	1108454	BEAD CHAIN SET-FORMS CONTROL 72 BEAD- 12 INCH	1	
- 33	827918	BEAD CHAIN SET-FORMS CONTROL 76 BEAD- 12-2/3 INCH	1	
- 33	344308	BEAD CHAIN SET-FORMS CONTROL 78 BEAD- 13 INCH	1	
- 33	827919	BEAD CHAIN SET-FORMS CONTROL 80 BEAD- 13-1/3 INCH	1	
- 33	343631	BEAD CHAIN SET-FORMS CONTROL 84 BEAD- 14 INCH	1	
- 33	827920	BEAD CHAIN SET-FORMS CONTROL 88 BEAD- 14-2/3 INCH	1	
- 33	827922	BEAD CHAIN SET-FORMS CONTROL 90 BEAD- 15 INCH	1	
- 33	1110878	BEAD CHAIN SET-FORMS CONTROL 96 BEAD- 16 INCH	1	
- 33	343632	BEAD CHAIN SET-FORMS CONTROL 102 BEAD- 17 INCH	1	
- 34	310519	. BEAD-TIMING CHAIN	40	

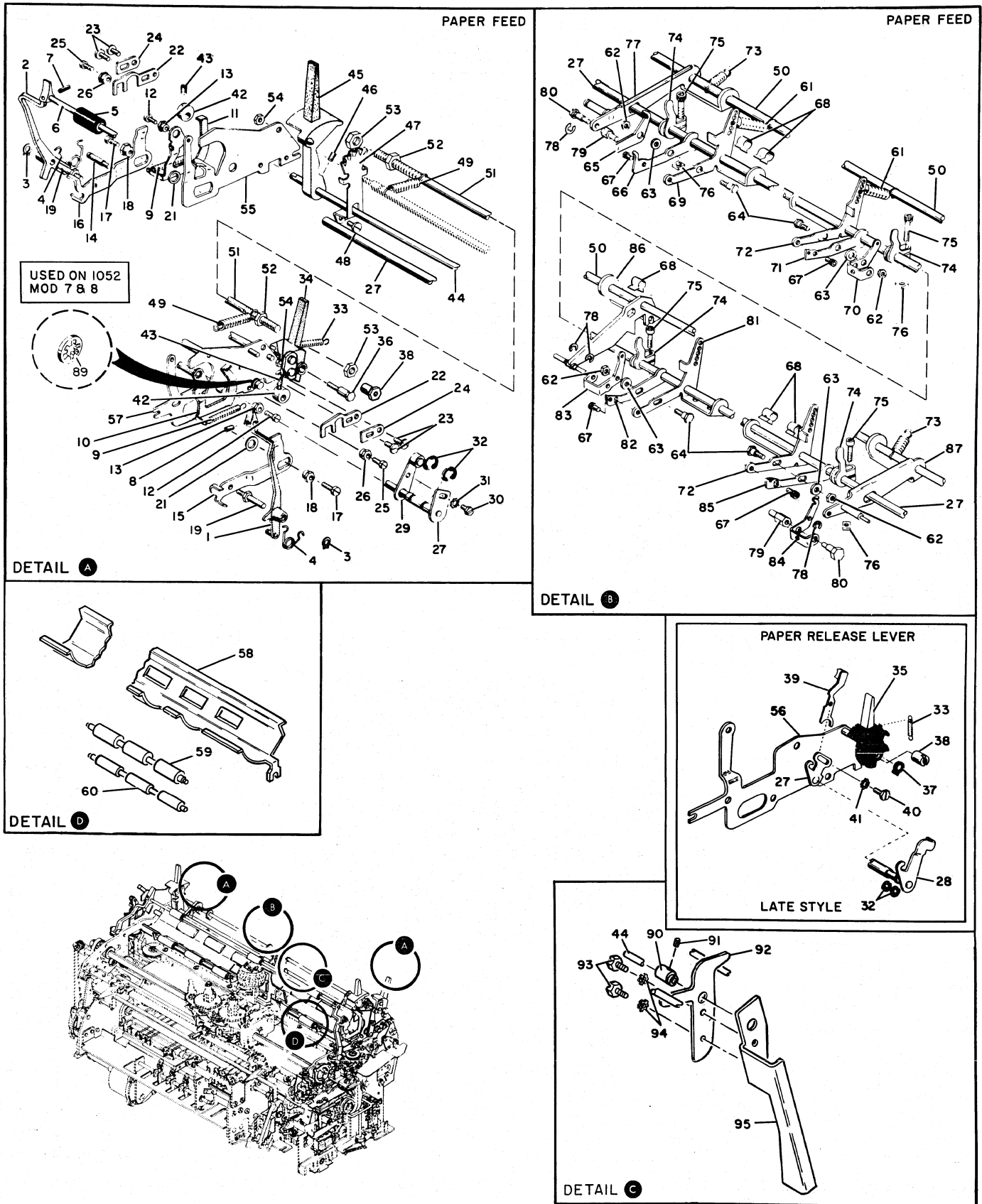
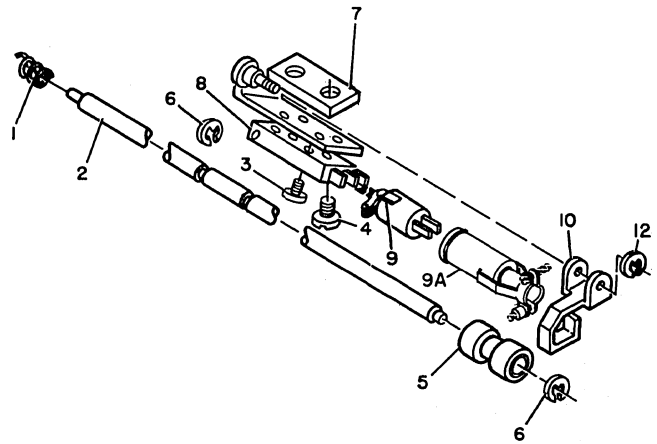
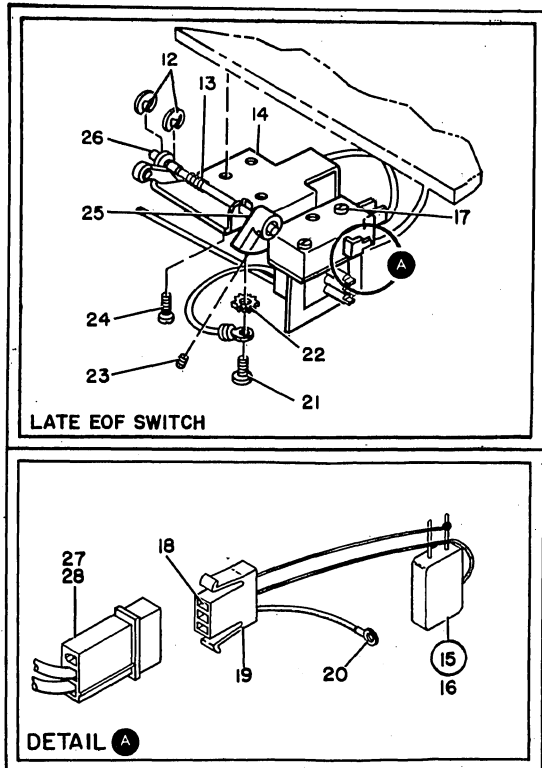


FIGURE 27. PAPER FEED MECHANISM ASSEMBLY. SEE LIST 27.

LIST AND INDEX NUMBER	PART NUMBER	DESCRIPTION				UNITS PER ASM.	USABLE ON CODE
		1	2	3	4		
		PAPER FEED MECHANISM ASSEMBLY					
27 -	NO NO.	PAPER FEED MECHANISM ASSEMBLY SEE FIGURE 27 FOR ILLUSTRATION				NP	
- 1	1159250	. LEVER-BAIL RH USED ON MACHINES ABOVE SN 4605430				1	
- 1	1124388	. LEVER-BAIL RH				1	
- 2	1124391	. LEVER-BAIL LH				1	
- 2	1159251	. LEVER-BAIL LH USED ON MACHINES ABOVE SN 4605430				1	
- 3	528552	. RING RETAINING				1	
- 4	1166544	. SPRING-BAIL LEVER				1	
- 4	1145202	. SPRING-BAIL LEVER USED ON 1052 MOD 7 AND 8				1	
- 5	1230216	. ROLLER-BAIL				1	
- 5	1132230	. ROLLER-BAIL NYLON				1	
- 6	1128152	. SHAFT-BAIL				1	
- 7	264998	. PIN				1	
- 8	251350	. SETSCREW				1	
- 9	1134837	. SPRING				2	
- 10	1124801	. LATCH-RH				1	
- 11	1124802	. LATCH-LH				1	
- 12	1115736	. SCREW				1	
- 13	1124803	. NUT, ECCENTRIC				1	
- 14	1124579	. PIN				1	
- 15	1133590	. BRACKET				1	
- 16	1133589	. BRACKET				1	
- 17	38353	. SCREW				2	
- 18	1124378	. ECCENTRIC-PLATEN ADJUSTMENT				2	
- 19	1132055	. STUD-BAIL ARM				1	
- 21	1124377	. SPACER				2	
- 22	1124369	. PLATE				2	
- 23	1115736	. SCREW				1	
- 24	1124373	. PLATE-ECCENTRIC RETAINER				2	
- 25	1115736	. SCREW				1	
- 26	1124370	. ECCENTRIC				2	
- 27	1128215	. SHAFT-FEED ROLL				1	
- 28	1166624	. SHAFT-FEED ROLL RELEASE USED ON 1052 MOD 7 AND 8				1	
- 28	1164499	. SHAFT-FEED ROLL RELEASE				1	
- 29	1141184	. ARM ASSEMBLY, FEED ROLL RELEASE				1	
- 30	1138368	. SCREW				1	
- 31	56722	. WASHER, LOCK				1	
- 32	1103695	. CLIP, RETAINER- C RING				2	
- 33	1072703	. SPRING				1	
- 34	NO NO.	. REFERENCE ONLY ORDER INDEX 35, 38, AND 56				NP	
- 35	1135381	. LEVER, PAPER RELEASE				1	
- 36	1128012	. STUD-SPECIAL				1	
- 37	1115633	. RING-RETAINING				1	
- 38	1128229	. STOP-RELEASE LEVER				1	
- 39	1128492	. ARM-FEED ROLL RELEASE				1	
- 40	1138368	. SCREW				1	
- 41	56722	. WASHER, LOCK				1	
- 42	1124371	. ECCENTRIC				2	
- 42	1175236	. ECCENTRIC USED ON MACHINES ABOVE SN 4635130				1	
- 43	1175100	. SETSCREW				2	
- 43	1117176	. SETSCREW USED ON MACHINES ABOVE SN 4635130				1	
- 44	1128136	. SHAFT-COPY				1	
- 45	1159220	. LEVER ASSEMBLY-COPY CONTROL				1	
- 46	1175102	. SETSCREW				1	
- 47	1124383	. DETENT				1	
- 48	1117759	. SCREW				1	
- 49	1141586	. SPRING				2	
- 50	1128274	. ROD-PAPER FEED				1	
- 51	1159575	. ROD-BASE TIE				1	
- 52	1091743	. NUT				2	
- 53	3960	. NUT				2	
- 54	38051	. NUT				2	
- 55	1124379	. PLATE, CARRIAGE LH				1	
- 56	1128013	. PLATE ASSEMBLY USED WITH PLASTIC RELEASE LEVER				1	
- 57	1138149	. PLATE ASSEMBLY-CARRIER				1	
- 58	1271548	. DEFLECTOR				1	
- 59	1128138	. ROLLER, FEED-REAR				1	

LIST AND INDEX NUMBER	PART NUMBER	DESCRIPTION 1 2 3 4	UNITS	USABLE
			PER ASM.	ON CODE
27 - 60	1128141	. ROLLER,FEED-FRONT	1	
- 61	1128221	. SPRING-COIL	2	
- 62	37913	. NUT	1	
- 63	1124777	. SPACER	4	
- 64	1128239	. SCREW	4	
- 65	1132218	. ARM, FEEDROLL REAR	1	
- 66	1128234	. ARM, FEEDROLL LH	1	
- 67	1128238	. SCREW	4	
- 68	1133593	. CLIP	4	
- 69	1128236	. ARM FEEDROLL FRONT	1	
- 70	1128150	. ARM-REAR CTR LH	1	
- 71	1141298	. ARM-CTR ADJUSTING	1	
- 72	1128237	. ARM, FEEDROLL FRONT	1	
- 73	1141586	. SPRING	2	
- 74	1138118	. LEVER-FEED ROLLER RELEASE	4	
- 75	1128280	. SCREW	4	
- 76	1134829	. NUT	4	
- 77	1141277	. ARM-PAPER FEED MOUNTING LH	1	
- 78	1073418	. RING-RETAINING	2	
- 79	1134773	. STUD	2	
- 80	1132222	. SCREW-SPECIAL	2	
- 81	1128236	. ARM, FEEDROLL FRONT	1	
- 82	1141298	. ARM-CTR ADJUSTING	1	
- 83	1128151	. ARM-REAR RH CENTER	1	
- 84	1132219	. ARM, FEEDROLL REAR	1	
- 85	1128235	. ARM, RH FEEDROLL ADJ	1	
- 86	1141282	. ARM-CTR	1	
- 87	1141284	. ARM	1	
- 89	1138545	. RING-RETAINING (USED ON 1052 MOD 7 & 8)	1	
- 90	1141286	. ECCENTRIC-CC CONTROL	1	
- 91	1175100	. SETSCREW	1	
- 92	1141285	. BRACKET-SUPPORT	1	
- 93	1174370	. SCREW	2	
- 94	56722	. LOCK WASHER	2	
- 95	1174381	. BRACKET-SUPPORT	1	



EARLY EOF SWITCH

FIGURE 28. END OF FORMS SWITCH. SEE LIST 28.

LIST AND INDEX NUMBER	PART NUMBER	DESCRIPTION				UNITS PER ASM.	USABLE ON CODE
		1	2	3	4		
		END OF FORMS SWITCH					
28 -	1166180	END OF FORMS SWITCH ASM-LATE STYLE				REF	
-	NO NO.	END OF FORMS SWITCH ASM-EARLY STYLE				NP	
		SEE FIGURE 28 FOR ILLUSTRATION					
- 1	1128529	. SPRING-CAM ANCHOR ROD				1	
- 2	729454	. ROD				1	
- 2	1135323	. ROD-LATE STYLE EOF				1	
- 3	438540	. SCREW				1	
- 4	731626	. SCREW				1	
- 5	729451	. ROLLER				1	
- 6	1092125	. RING-RETAINING				2	
- 7	731783	. BRACKET				1	
- 8	1159207	. SWITCH				1	
- 9	331122	. CONNECTOR, PLUG-MALE				1	
- 9A	317248	. CONNECTOR-FEMALE				1	
- 10	737655	. ACTUATOR-SWITCH				1	
- 12	1073418	. RING-RETAINING				8	
- 13	1166177	. SPRING				1	
- 14	1166175	. BRACKET-SWITCH				1	
- 15	1166181	. CONNECTOR AND SWITCH ASSEMBLY				1	
- 16	829728	. . SWITCH				1	
- 17	438550	. SCREW				2	
- 18	1166115	. . TERMINAL, SOCKET				3	
- 19	1166116	. . HOUSING, SOCKET				1	
- 20	334921	. . TERMINAL-RING				1	
- 21	1164576	. SCREW				1	
- 22	56722	. WASHER, LOCK				1	
- 23	257956	. SETSCREW				1	
- 24	734483	. SCREW				1	
- 25	1166179	. CAM				1	
- 26	1166182	. SHAFT AND LEVER ASSEMBLY				1	
- 27	1166117	. HOUSING-PIN TERMINAL				1	
- 28	1166114	. TERMINAL PIN				3	

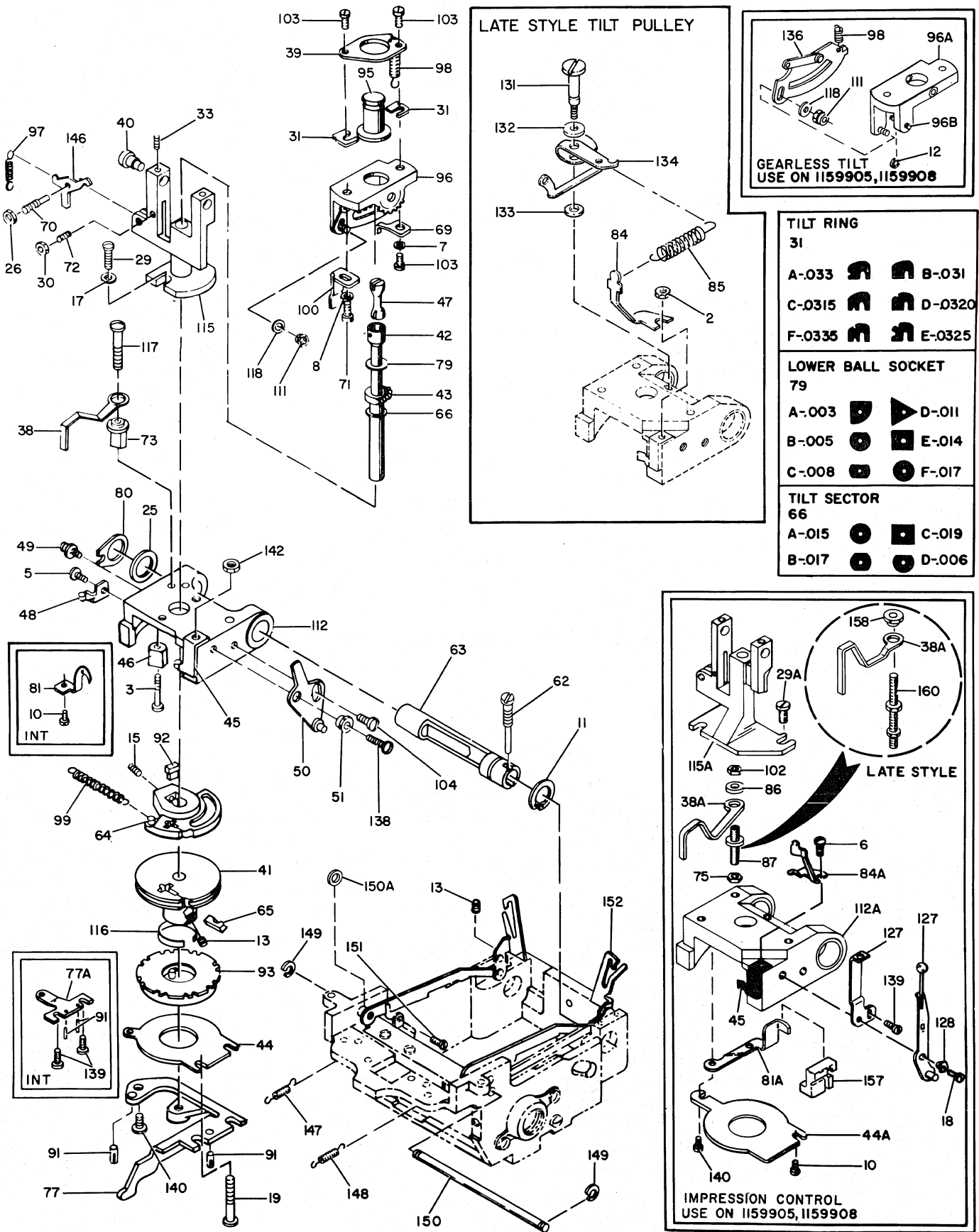



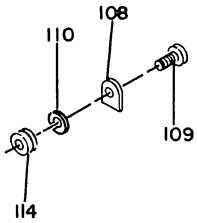
FIGURE 29. CARRIER AND ROCKER ASSEMBLY. SHEET 1 OF 2. SEE LIST 29.

WIPER RETAINER



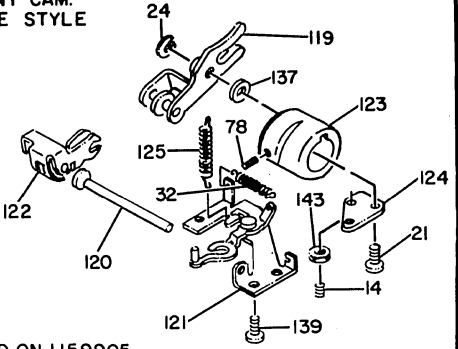
USED ON 1159905, 1159908
1166084

SHOE ASM.

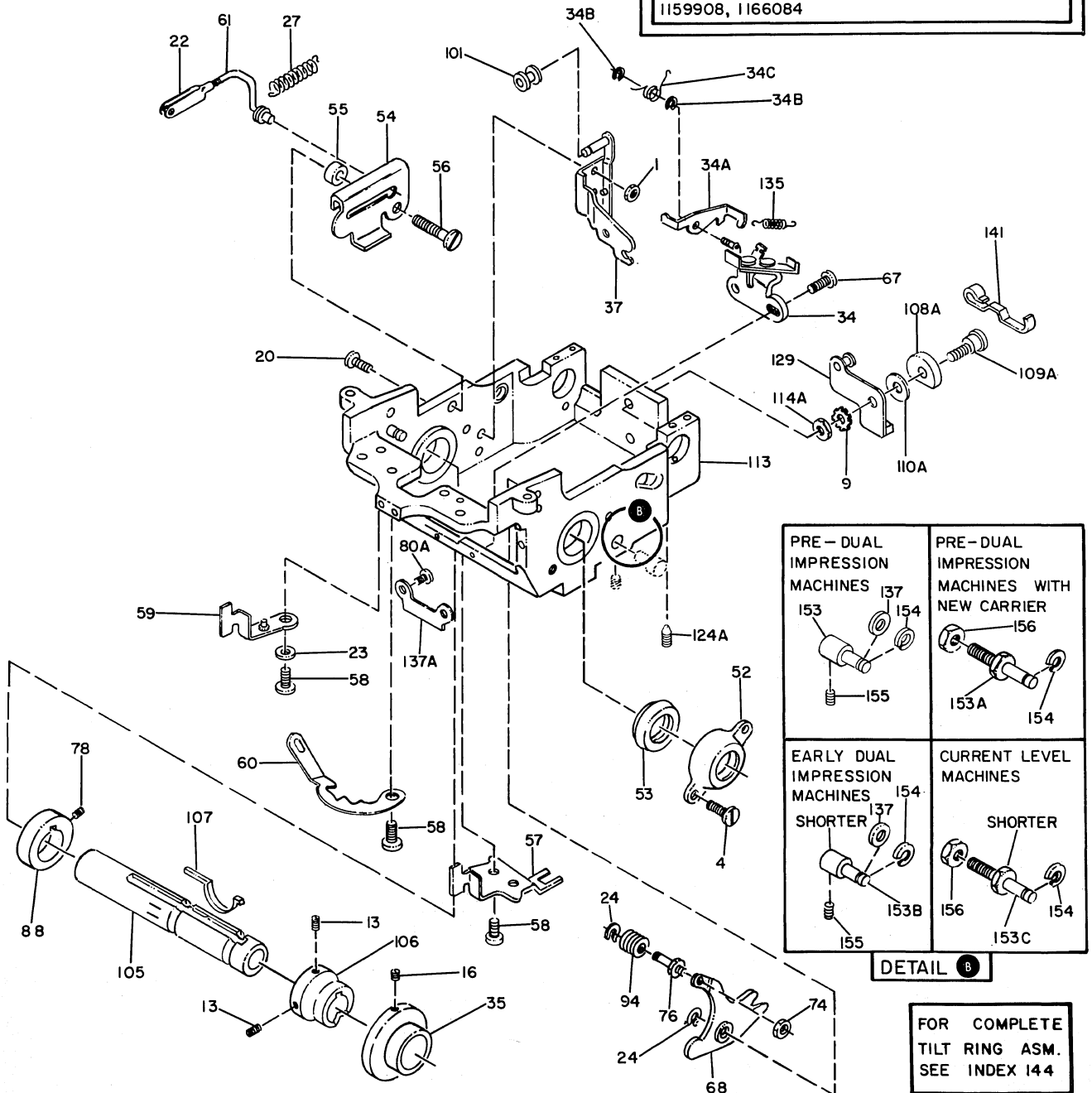


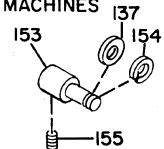
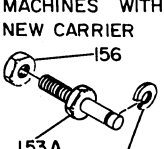
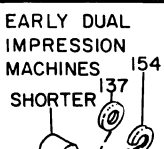
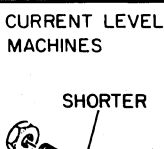
EARLY STYLE

PRINT CAM. LATE STYLE



USED ON 1159905,
1159908, 1166084



<p>PRE-DUAL IMPRESSION MACHINES</p> 	<p>PRE-DUAL IMPRESSION MACHINES WITH NEW CARRIER</p> 
<p>EARLY DUAL IMPRESSION MACHINES</p> 	<p>CURRENT LEVEL MACHINES</p> 

DETAIL B

FOR COMPLETE TILT RING ASM. SEE INDEX 144

FIGURE 29. CARRIER AND ROCKER ASSEMBLY. SHEET 2 OF 2. SEE LIST 29.

LIST AND INDEX NUMBER	PART NUMBER	DESCRIPTION	UNITS	USABLE
			PER ASM.	ON CODE
		CARRIER AND ROCKER ASSEMBLY		
29 -	1159905	CARRIER AND ROCKER ASSEMBLY USED ON IMPRESSION CONTROL RED RIBBON SEE FIGURE 29 FOR ILLUSTRATION	REF	
-	1159908	CARRIER AND ROCKER ASSEMBLY USED ON IMPRESSION CONTROL GEARLESS BLACK RIBBON SEE FIGURE 29 FOR ILLUSTRATION	REF	
-	1166084	CARRIER AND ROCKER ASSEMBLY USED ON IMPRESSION CONTROL GEARLESS-1062 SEE FIGURE 29 FOR ILLUSTRATION	REF	
-	NO NO.	CARRIER AND ROCKER ASSEMBLY-EARLY STYLES ASM NOT AVAILABLE-ORDER LATE STYLE-SEE ABOVE. REPLACE TILT TAPE AND RIBBON FEED ASSEMBLY ALSO CARRIER SUPPORT SEE FIGURE 29 FOR ILLUSTRATION	NP	
- 1	37913	. NUT	2	
- 2	37913	. NUT	1	
- 3	38250	. SCREW	1	
- 4	38261	. SCREW	2	
- 5	38261	. SCREW	1	
- 6	38565	. SCREW	1	
- 7	45611	. WASHER	1	
- 8	45611	. WASHER	1	
- 9	56722	. WASHER, LOCK	1	
- 9	338183	. WASHER, LOCK- 1062	1	
- 10	186712	. SCREW	1	
- 11	236571	. RING-RETAINING	1	
- 12	251989	. RING-RETAINING	1	
- 13	1175101	. SETSCREW- 6 FLUTE	4	
- 14	1175102	. SETSCREW- 6 FLUTE	1	
- 15	1175104	. SETSCREW	3	
- 16	257971	. SETSCREW	2	
- 16	257961	. SETSCREW	2	
		USED ON MACHINES ABOVE SN 4382850		
- 17	263680	. WASHER	2	
- 18	338238	. SCREW	1	
- 18	1164690	. SCREW 1062	1	
- 19	438554	. SCREW	1	
- 20	472729	. SCREW	2	
- 21	52522	. SCREW	2	
- 22	1070020	. CLEVIS	1	
- 23	1072477	. WASHER	1	
- 24	1073418	. RING-RETAINING	2	
- 25	1078497	. WASHER, FLAT	1	
		USED ON MACHINES BELOW SN 4354172		
- 26	1090268	. NUT	1	
- 27	1090404	. SPRING	1	
- 29	1123588	. SCREW	2	
- 29A	1164580	. SCREW	2	
- 30	1123785	. NUT	1	
- 31	1123822	. SHIM A .033	AR	
- 31	1123823	. SHIM B .031	AR	
- 31	1123824	. SHIM C .0315	AR	
- 31	1123825	. SHIM D .032	AR	
- 31	1128281	. SHIM E .0325	AR	
- 31	1141144	. SHIM F .0335	AR	
- 32	1123827	. SPRING	1	
- 33	1123828	. SETSCREW-HEADLESS	2	
- 34	1141900	. FOLLOWER ASSEMBLY 1062	1	
- 34	1135270	. FOLLOWER ASSEMBLY-EARLY STYLE	1	
- 34A	1141303	. LATCH-RIB FEED	1	
- 34B	1073418	. RING-RETAINING	2	
- 34C	1141304	. SPRING	1	
- 35	1124174	. CAM-EARLY	1	
- 37	1164153	. BRACKET	1	
- 38	1124179	. LEVER-GEAR TILT	1	
- 38A	1128458	. LEVER-GEARLESS TILT ON MACHINES BELOW SN 4603100 REPLACEMENT OF THIS PART REQUIRES FBH 1272176	1	
- 39	1124188	. SPACER	1	
- 40	1124190	. PIN	1	
- 41	1124196	. PULLEY	1	
- 42	1164550	. SOCKET-LOWER BALL USED ON MACHINES ABOVE SN 4610347	1	

LIST AND INDEX NUMBER	PART NUMBER	DESCRIPTION	UNITS	USABLE
			PER ASM.	ON CODE
29 - 42	1124197	. SOCKET-LOWER BALL-GEAR TILT	1	
- 42	1128436	. SOCKET-LOWER BALL	1	
		USED ON MACHINES BELOW SN 4610347 EXCEPT		
		GEAR TILT		
- 43	1124204	. TUBE-TILT SECTOR	1	
- 44	1124217	. PLATE	1	
- 44A	1164548	. PLATE	1	
- 45	1203863	. RETAINER	1	
- 46	1124219	. GUIDE	1	
- 47	1124220	. BALL JOINT	1	
- 48	1124224	. ANCHOR	1	
- 49	1124234	. SCREW	1	
- 50	1124572	. PLATE ASSEMBLY	1	
- 51	1124573	. NUT, ECCENTRIC	1	
- 52	1124646	. RETAINER	1	
- 52A	1141508	. RETAINER	1	
		USED ON LATER STYLE MACHINES ONLY		
- 53	1124647	. WIPER	1	
- 54	1141353	. FOLLOWER 1062	1	
- 54	1124663	. FOLLOWER	1	
- 55	1124664	. SPACER	1	
- 56	1124665	. SCREW	1	
- 57	1124668	. LEVER	1	
- 58	1124672	. SCREW	3	
- 59	1124674	. LEVER	1	
- 60	1124678	. LEVER	1	
- 61	1124680	. LINK	1	
- 62	1164775	. SCREW	1	
- 63	1124708	. SHAFT-ROCKER PIVOT GEAR TILT	1	
- 63	1128457	. SHAFT-ROCKER PIVOT GEARLESS TILT	1	
- 64	1124712	. PULLEY-TILT	1	
- 65	1124745	. WEDGE	1	
- 66	1127767	. SHIM A TILT TUBE .015	AR	
- 66	1127768	. SHIM B TILT TUBE .017	AR	
- 66	1127769	. SHIM C TILT TUBE .019	AR	
- 66	1141175	. SHIM D TILT TUBE .006	AR	
- 67	1164582	. SCREW- 1062	2	
- 67	1124827	. SCREW	2	
- 68	1124830	. FOLLOWER-EARLY STYLE	1	
- 69	1124831	. GUIDE	1	
- 70	1123889	. STUD	1	
- 71	1124835	. SCREW	1	
- 72	1124836	. SCREW	1	
- 73	1124838	. SUPPORT	1	
- 74	1127722	. NUT-EARLY STYLE	1	
- 75	1127722	. NUT	1	
- 76	1127723	. STUD-EARLY STYLE	1	
- 77	1127742	. STRIKER	1	
- 77	1128450	. STRIKER	1	
		USED ON MACHINES ABOVE SN 4610347		
- 77A	1141632	. BEARING, LOWER	1	
- 78	1175103	. SETSCREW-6 FLUTE	1	
- 79	1127770	. SHIM-LOWER BALL SOCKET B .005	AR	
- 79	1127771	. SHIM-LOWER BALL SOCKET C .008	AR	
- 79	1127772	. SHIM-LOWER BALL SOCKET D .011	AR	
- 79	1127773	. SHIM-LOWER BALL SOCKET E .014	AR	
- 79	1127774	. SHIM-LOWER BALL SOCKET F .017	AR	
- 79	1141176	. SHIM-LOWER BALL SOCKET A .003	AR	
- 80	1127775	. WASHER, THRUST	1	
- 80	1141189	. WASHER, NYLON	1	
		USED ON MACHINES BELOW SN 4354172		
- 80A	1124827	. SCREW	2	
- 81	1128449	. GUIDE-TAPE	1	
- 81A	1164044	. GUIDE-TAPE	1	
- 84	1128456	. BRACKET-TILT SPRING	1	
- 84A	1141625	. BRACKET-TILT SPRING	1	
- 85	1128459	. SPRING	1	
- 86	1128493	. WASHER	1	
		REPLACED BY FBM 1272176 ON MACHINES BELOW SN 4603100		
- 87	1128495	. SCREW	1	
		REPLACED BY FBM 1272176 ON MACHINES BELOW SN 4603100		
- 88	1128730	. CAM-RIBBON LIFT	1	
- 88	1159507	. CAM-RIBBON LIFT	1	
		USED ON MACHINES ABOVE SN 4607632		

LIST AND INDEX NUMBER	PART NUMBER	DESCRIPTION				UNITS PER ASM.	USABLE ON CODE
		1	2	3	4		
29 - 91	1132118	.	PIN			2	
- 92	1132148	.	KEY			1	
- 93	1203862	.	CAGE			1	
- 94	1132279	.	FOLLOWER-EARLY STYLE			1	
- 95	1141997	.	SOCKET-UPPER BALL			1	
- 95	1133529	.	USED WITH IMPRESSION CONTROL CARRIER AND ROCKER SOCKET-UPPER BALL			1	
- 95	1164041	.	USED WITH SMALL BORE TILT RING PN 1133574 AND 1128442-INDEX 96 SOCKET-UPPER BALL			1	
- 96	1133574	.	RING,TILT-GEAR TILT SMALL BORE			1	
- 96	1128442	.	RING,TILT-SMALL BORE			1	
- 96	1164039	.	USED PRIOR TO IMPRESSION CONTROL CARRIER AND ROCKER RING,TILT-GEARLESS-LARGE BORE			1	
- 96A	1141996	.	USED WITH PN 1164041-INDEX 95 RING,TILT USED WITH IMPRESSION CONTROL CARRIER AND ROCKER			1	
- 96B	NO NO.	.	STUD-OBSOLETE-REPLACE 96A			NP	
- 97	1133658	.	SPRING			1	
- 98	1133659	.	SPRING			1	
- 99	1133660	.	SPRING			1	
-100	1134785	.	GUIDE			1	
-101	1134803	.	ROLLER ON MACHINES BELOW SN 4014700 ORDER PN 1124179 ALSO. INDEX 38			1	
-102	1134842	.	NUT,LARGE-ORDER FBM 1272176			1	
-102	1127722	.	NUT,SMALL-ORDER FBM 1272176			1	
-103	1138353	.	SCREW			3	
-104	1138843	.	SCREW			1	
-105	1138849	.	SLEEVE-PRINT ON MACHINES BELOW SN 4352650 REPLACE 1141149 AND 1141151 ALSO. INDICES 106 AND 107			1	
-105	1166102	.	SLEEVE-PRINT RED RIBBON USED ON MACHINES ABOVE SN 4607632			1	
-105	1159508	.	SLEEVE-PRINT USED ON MACHINES WITH RED RIBBON PRIOR TO IMPRESSION CONTROL CARRIER AND ROCKER			1	
-105	1141628	.	SLEEVE-PRINT BLACK RIBBON USED ON MACHINES WITH IMPRESSION CONTROL CARRIER AND ROCKER			1	
-106	1141149	.	CAM,RIBBON FEED AND DETENT ON MACHINES BELOW SN 4352650 REPLACE PN 1141151 AND 1138849 ALSO. INDICES 105 AND 107			1	
-106	1164240	.	CAM,RIBBON FEED AND DETENT USED ON MACHINES WITH IMPRESSION CONTROL CARRIER AND ROCKER			1	
-107	1141151	.	KEY, PRINT SLEEVE ON MACHINES BELOW SN 4352650 REPLACE PN 1141149 AND 1138849 ALSO. INDICES 105 AND 106			1	
-108	1141158	.	SHOE ON MACHINES BELOW SN 4379694 REPLACE PN 1141159 AND 1141160 ALSO. INDICES 109 AND 110			1	
-108A	1141770	.	SHOE,UPPER-LATE STYLE			1	
-109	1141159	.	SCREW ON MACHINES BELOW SN 4379694 REPLACE PN 1141158 AND 1141160 ALSO. INDICES 108 AND 110			1	
-109A	1141772	.	STUD-SHOE ECCENTRIC			1	
-110	1141160	.	WASHER,LOCK ON MACHINES BELOW SN 4379694 REPLACE PN 1141158 AND 1141159 ALSO. INDICES 108 AND 109			1	
-110A	1164218	.	WASHER			1	
-111	1141182	.	NUT,SELF LOCKING			1	
-112	1128438	.	ROCKER USED ON MACHINES WITH GEARLESS TILT PRIOR TO IMPRESSION CONTROL CARRIER AND ROCKER			1	
-112A	1141752	.	ROCKER			1	
-113	1141200	.	USED WITH IMPRESSION CONTROL CARRIER AND ROCKER CARRIER ON MACHINES BELOW SN 4354172 REPLACE PN1141189 (INDEX 80) AND PN 1078497 (INDEX 25).			1	

LIST AND INDEX NUMBER	PART NUMBER	DESCRIPTION	UNITS	USABLE
			PER ASM.	ON CODE
29 -113	1128740	. CARRIER USED ON RED RIBBON PRIOR TO IMPRESSION CONTROL CARRIER AND ROCKER	1	
-114	1141209	. NUT	1	
-114A	38051	. NUT	1	
-115	1141235	. YOKE-GEAR TILT ON MACHINES BELOW SN 4365296 ORDER PN 1124204 ALSO. INDEX 43	1	
-115A	1128434	. YOKE-GEARLESS TILT	1	
-116	1141238	. CLIP, ROTATE PULLEY	1	
-117	1141323	. SCREW	1	
-118	1141371	. WASHER, FLAT	1	
-119	1141619	. FOLLOWER-NOT USED ON 1062	1	
-120	1141622	. STUD-NOT USED ON 1062	1	
-121	1141624	. BRACKET-TAB CORD-NOT USED ON 1062	1	
-122	1141626	. YOKE	1	
-123	1141627	. CAM-PRINT	1	
-124	1141629	. STOP-ROCKER-USED ON PN 1141200-EARLY STYLE (INDEX 113)	1	
-124A	1175803	. SETSCREW, ROCKER STOP-USED ON PN1141200 LATE STYLE (INDEX 113)	1	
-125	1141630	. SPRING-ROCKER RETURN	1	
-127	1141757	. LEVER ASSEMBLY	1	
-128	1141759	. ECCENTRIC	1	
-129	1147260	. SHOE ASSEMBLY-LOWER	1	
-131	1128455	. STUD-TILT PULLEY-EARLY STYLE REPLACEMENT OF ANY PART INDICES 131, 132, 133 OR 134 BELOW SN 4604800 ORDER FBM 1280498 AND TILT TAPE	1	
-131	1175197	. STUD-TILT PULLEY-LATE STYLE (PLASTIC) USED ON MACHINES ABOVE SN 4642657	1	
-132	1164099	. RETAINER-TILT PULLEY-LATE STYLE REPLACEMENT OF ANY PART INDICES 131, 132, 133 OR 134 BELOW SN 4604800 ORDER FBM 1280498 AND TILT TAPE	1	
-133	1164158	. SPACER-LH REPLACEMENT OF ANY PART INDICES 131, 132, 133 OR 134 BELOW SN 4604800 ORDER FBM 1280498 AND TILT TAPE	1	
-134	1174427	. PULLEY-TILT REPLACEMENT OF ANY PART INDICES 131, 132, 133 OR 134 BELOW SN 4604800 ORDER FBM 1280498 AND TILT TAPE	1	
-135	1164238	. SPRING-CAM FOLLOWER	1	
-136	1164285	. LEVER-ROTATE DETENT	1	
-137	1164290	. WASHER, FLAT	1	
-137A	1164435	. PAD-BEARING	1	
-138	1164580	. SCREW	2	
-139	1164580	. SCREW	5	
-140	1164582	. SCREW	2	
-141	1166164	. SPRING-SHOE	1	
-141	1141985	. SPRING- 1062	1	
-142	2114985	. NUT	1	
-143	2114985	. NUT	1	
-144	1266687	. TILT RING ASSEMBLY-GEAR TILT	1	
-144	1280119	. TILT RING ASSEMBLY-GEARLESS TILT	1	
-146	1164151	. LEVER-TILT DETENT ON MACHINES BETWEEN SN 4602000 AND 4603500 REPLACE PN 1164285 ALSO. INDEX 136	1	
-147	1091073	. SPRING	1	
-148	1100936	. SPRING	1	
-149	219633	. RING-RETAINER	2	
-150	1124662	. SHAFT	1	
-150A	1187004	. OIL WICK	AR	
-151	1164578	. SCREW	1	
-152	1159430	. GUIDE- 765	1	
-152	1128289	. GUIDE-USED ON BLACK RIBBON	1	
-152	1128719	. GUIDE-USED ON RED RIBBON SHIFT	1	
-152	1135699	. GUIDE-1062	1	
-153	1124176	. STUD	1	
-153A	1164865	. STUD	1	
-153B	1175054	. STUD	1	
-153C	1164878	. STUD	1	
-154	1073418	. RING-RETAINING	1	
-155	1175104	. SETSCREW	1	
-156	6503	. NUT	1	
-157	1174011	. GUARD, TAPE	1	
-158	1175352	. NUT-LATE STYLE	1	
-160	1128495	. SCREW, DETENT ARM MTG.-LATE STYLE	1	

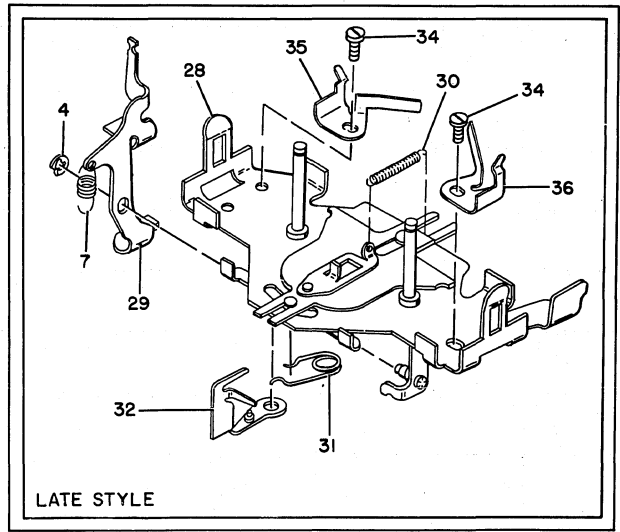
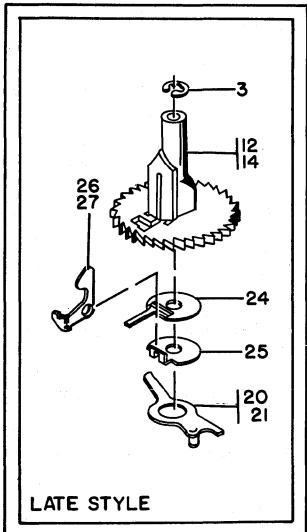
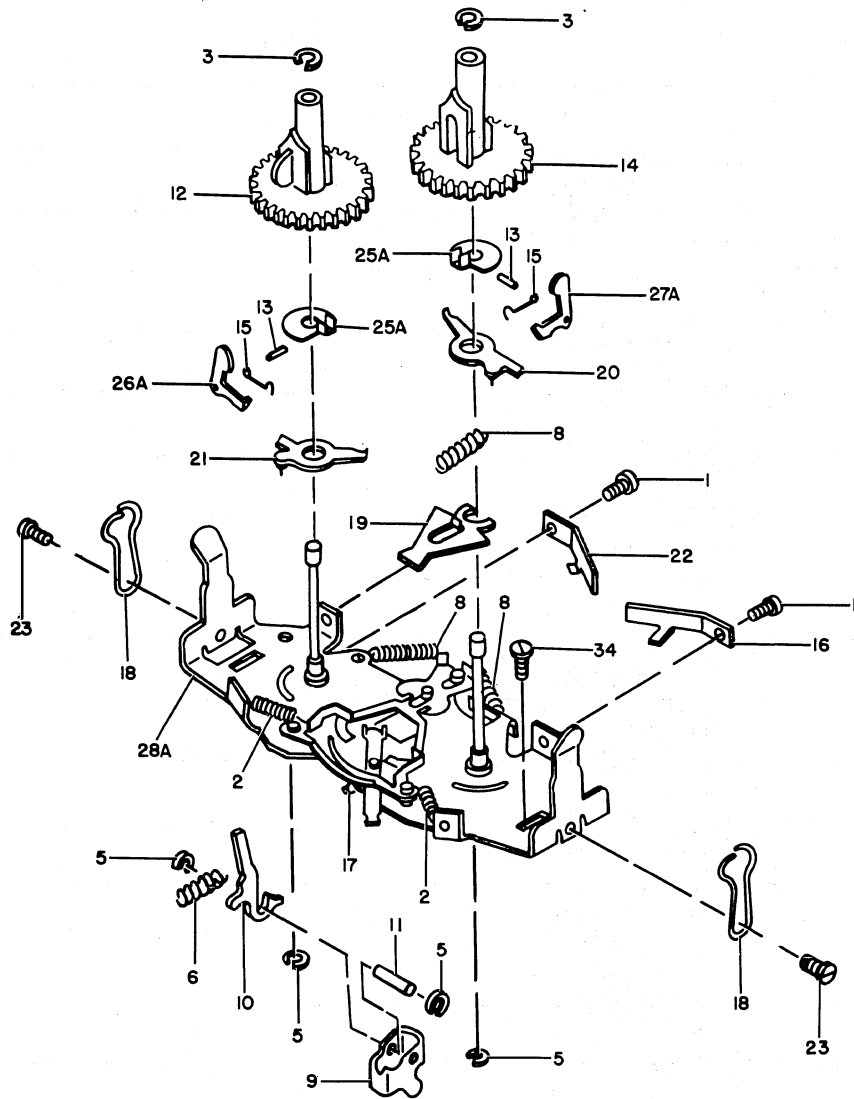


FIGURE 30. RIBBON FEED ASSEMBLY. SEE LIST 30.

LIST AND INDEX NUMBER	PART NUMBER	DESCRIPTION				UNITS PER ASM.	USABLE ON CODE
		1	2	3	4		
		RIBBON FEED ASSEMBLY					
30 -	1164600	RIBBON FEED ASSEMBLY-LATE STYLE SEE FIGURE 30 FOR ILLUSTRATION				REF	
-	1166068	RIBBON FEED ASSEMBLY- 765 SEE FIGURE 30 FOR ILLUSTRATION				REF	
-	1141165	RIBBON FEED ASSEMBLY-EARLY SEE FIGURE 30 FOR ILLUSTRATION				REF	
- 1	15887	. SCREW				2	
- 2	123491	. SPRING				2	
- 3	219633	. RING-RETAINING				2	
- 4	219633	. RING-RETAINING				1	
- 5	251989	. RING-RETAINING				4	
- 6	1074242	. SPRING				1	
- 7	1164555	. SPRING				1	
- 8	1091647	. SPRING				3	
- 9	1124122	. BELL CRANK				1	
- 10	1124127	. PAWL				1	
- 11	1124130	. SHAFT				1	
- 12	1175132	. RATCHET, LH				1	
- 13	1124146	. PIVOT				2	
- 14	1175133	. RATCHET, RH				1	
- 15	1124155	. SPRING				2	
- 16	1124185	. SPRING				1	
- 17	1124189	. SPRING				2	
- 18	1124191	. SPRING				2	
- 19	1124679	. ARM-INTERPOSER				1	
- 20	1132065	. LEVER ASSEMBLY-REVERSE ARM RIGHT HAND				1	
- 21	1132066	. LEVER ASSEMBLY-REVERSE ARM LEFT HAND				1	
- 22	1132067	. SPRING-FLAT				1	
- 23	1141135	. SCREW, SEMS				2	
- 24	1141800	. SPRING-TRIGGER				2	
- 25	1141801	. BRACKET-TRIGGER				2	
- 25A	1132157	. BRACKET				2	
- 26	1141878	. TRIGGER-LH REV				1	
- 26A	1124144	. LEVER				1	
- 27	1141889	. TRIGGER-RH REV				1	
- 27A	1124149	. LEVER				1	
- 28	1164220	. PLATE-LATE				1	
- 28	1166067	. PLATE- 765 LATE				1	
- 28A	1166064	. PLATE- 765 EARLY				1	
- 28A	1124123	. PLATE-EARLY				1	
- 29	1164236	. LEVER-RIBBON FEED				1	
- 30	1164239	. SPRING-FEED PAWL				1	
- 31	1164237	. SPRING-DETENT LEVER				1	
- 32	1164241	. LEVER				1	
- 34	1164580	SCREW				2	
- 35	1128403	SPRING-LH				1	
- 36	1128404	SPRING-RH				1	

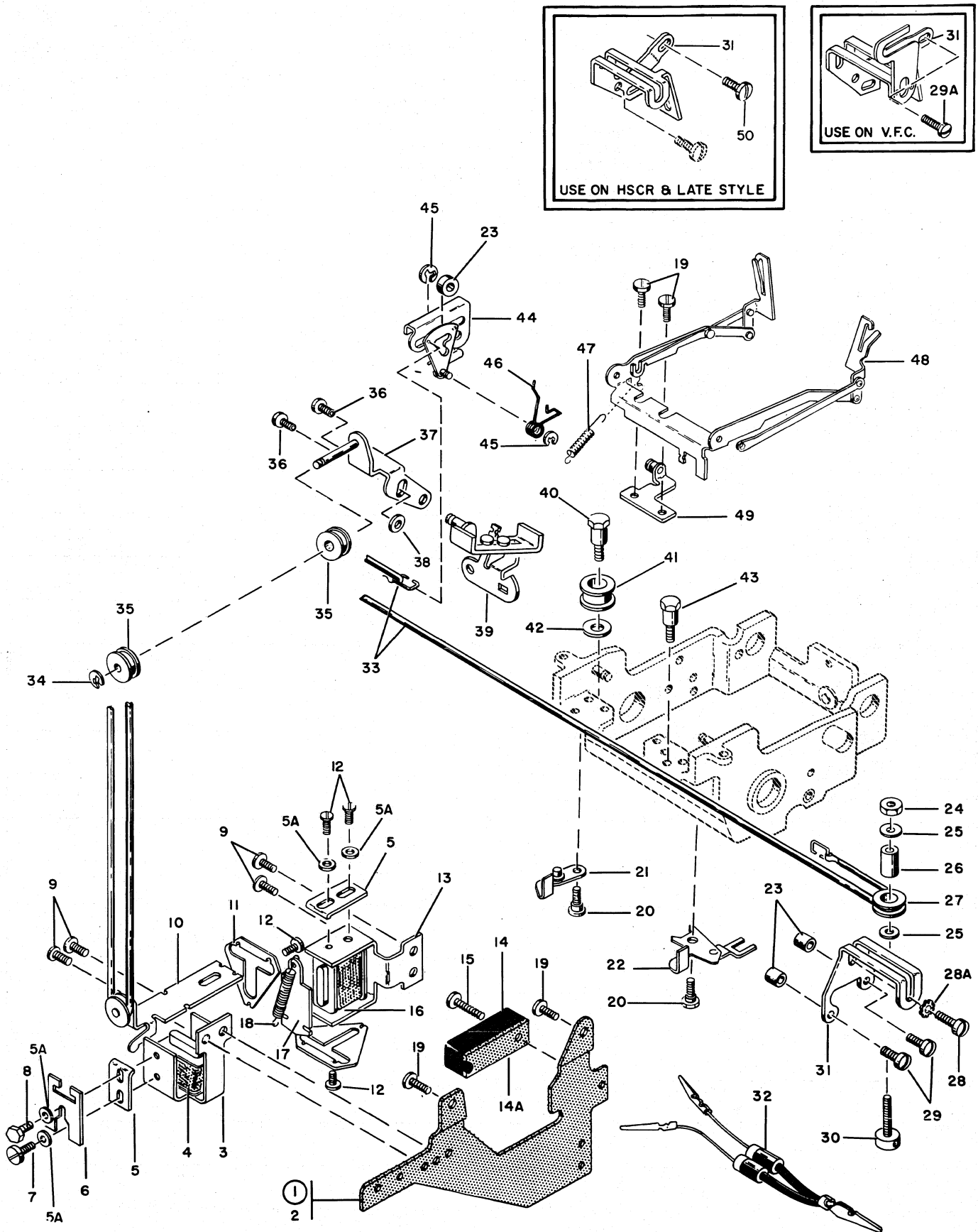


FIGURE 31. RED RIBBON SHIFT MECHANISM. SEE LIST 31.

LIST AND INDEX NUMBER	PART NUMBER	DESCRIPTION				UNITS PER ASM.	USABLE ON CODE
		1	2	3	4		
		RED RIBBON SHIFT MECHANISM					
31 -	1272007	RED RIBBON SHIFT ASSEMBLY- 1 MAGNET SEE FIGURE 31 FOR ILLUSTRATION				REF	
-	1272008	RED RIBBON SHIFT ASSEMBLY- 2 MAGNET SEE FIGURE 31 FOR ILLUSTRATION				REF	
- 1	5161529	. TWO MAGNET ASM,24V				1	
- 1	1159028	. TWO MAGNET ASSEMBLY,48V				1	
- 2	1128993	. . PLATE-MOUNTING.				1	
- 3	1128962	. . YOKE AND CORE ASSEMBLY				1	
- 4	1128964	. . COIL ASSEMBLY,48V				1	
- 4	1266893	. . COIL ASM-24 VOLTS				1	
- 5	1128965	. . RESIDUAL				1	
- 5A	355341	. . WASHER				4	
- 6	1128966	. . BACKSTOP				1	
- 7	1132068	. . SCREW				1	
- 8	1127785	. . SCREW				1	
- 9	1117759	. . SCREW				2	
- 10	1159020	. . ARMATURE				1	
- 11	1128967	. . PLATE				1	
- 12	1164578	. . SCREW				3	
- 13	1128959	. . YOKE AND CORE ASSEMBLY				1	
- 14	317767	. . TERMINAL				1	
- 14A	317766	. . INSULATOR				1	
- 15	438549	. . SCREW				1	
- 16	1135134	. . COIL ASSEMBLY,48V				1	
- 16	1266894	. . COIL ASM-24 VOLTS				1	
- 17	1128969	. . ARMATURE				1	
- 18	1071691	. . SPRING				1	
- 19	1164580	. SCREW				4	
- 20	1124672	. SCREW				2	
- 21	1128738	. LEVER				1	
- 22	1128736	. LEVER				1	
- 23	1124664	. SPACER				3	
- 24	37913	. NUT				1	
- 25	263680	. WASHER				2	
- 26	1159016	. SPACER				1	
- 27	1159015	. PULLEY-RH				1	
- 28	333182	. SCREW				1	
- 28A	338169	. WASHER LOCK				1	
- 29	1164690	. SCREW				2	
- 29A	1164579	. SCREW USED ON VERTICAL FORMS CONTROL ONLY				2	
- 30	1159010	. SCREW				1	
- 31	1159027	. BRACKET RH-EARLY				1	
- 31	1159810	. BRACKET RH HIGH SPEED CARRIER AND LATE STYLE				1	
- 31	1166402	. BRACKET RH USED ON VERTICAL FORMS CONTROL ONLY				1	
- 32	1135643	. DIODE ASSEMBLY-COMMON ANODE				1	
- 32	1159420	. DIODE ASSEMBLY-COMMON CATHODE				1	
- 33	1159026	. TAPE ASSEMBLY				1	
- 34	219633	. RING RETAINING-EARLY				1	
- 34	1118361	. RING GRIP				1	
- 35	1159017	. PULLEY				2	
- 36	38352	. SCREW				3	
- 37	1159007	. BRACKET-LH				1	
- 38	1090970	. WASHER				1	
- 39	1159167	. FOLLOWER-RED RIBBON				1	
- 40	1159009	. STUD,PULLEY				1	
- 41	1159004	. PULLEY				1	
- 42	1138796	. WASHER				1	
- 43	1128733	. SCREW				1	
- 44	1128723	. FOLLOWER AND STUD ASSEMBLY				1	
- 44	1128721	. FOLLOWER & STUD ASM RED RIBBON				1	
- 45	219633	. RING-RETAINING				3	
- 46	1128722	. SPRING				1	
- 47	1145509	. SPRING-EXCEPT 1062				1	
- 47	1091073	. SPRING- 1062				1	
- 48	1128719	. GUIDE ASSEMBLY				1	
- 49	1128727	. ARM ASSEMBLY				1	
- 50	1164577	. SCREW				1	

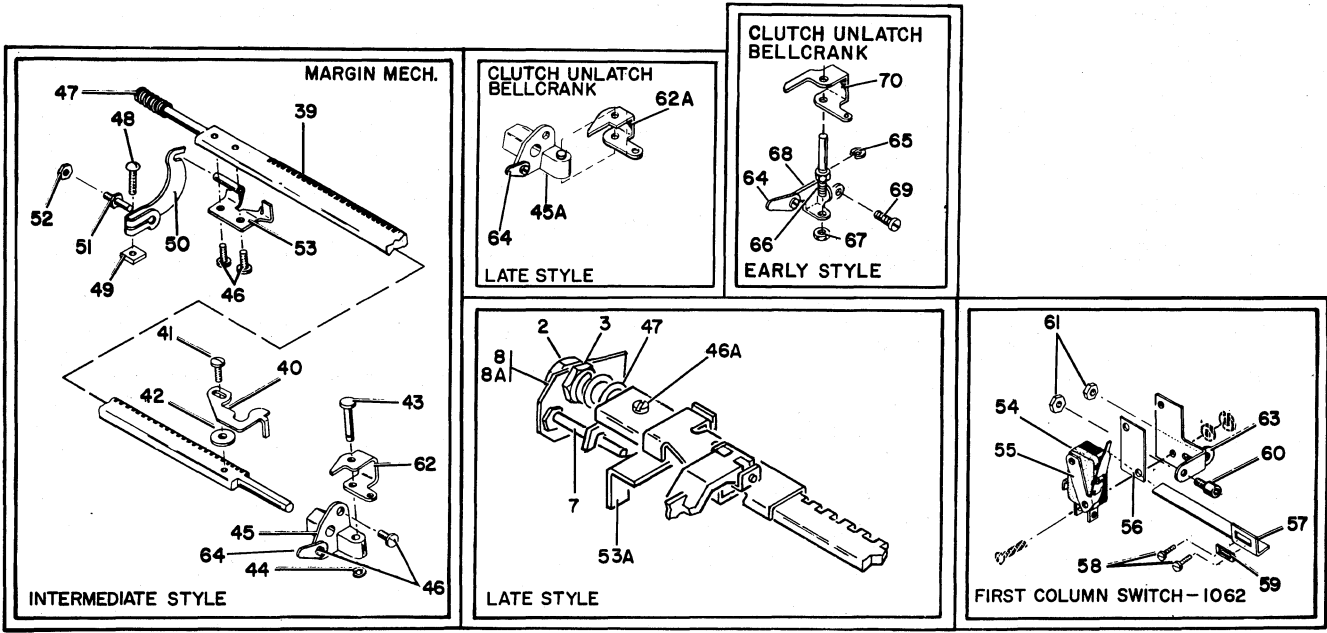
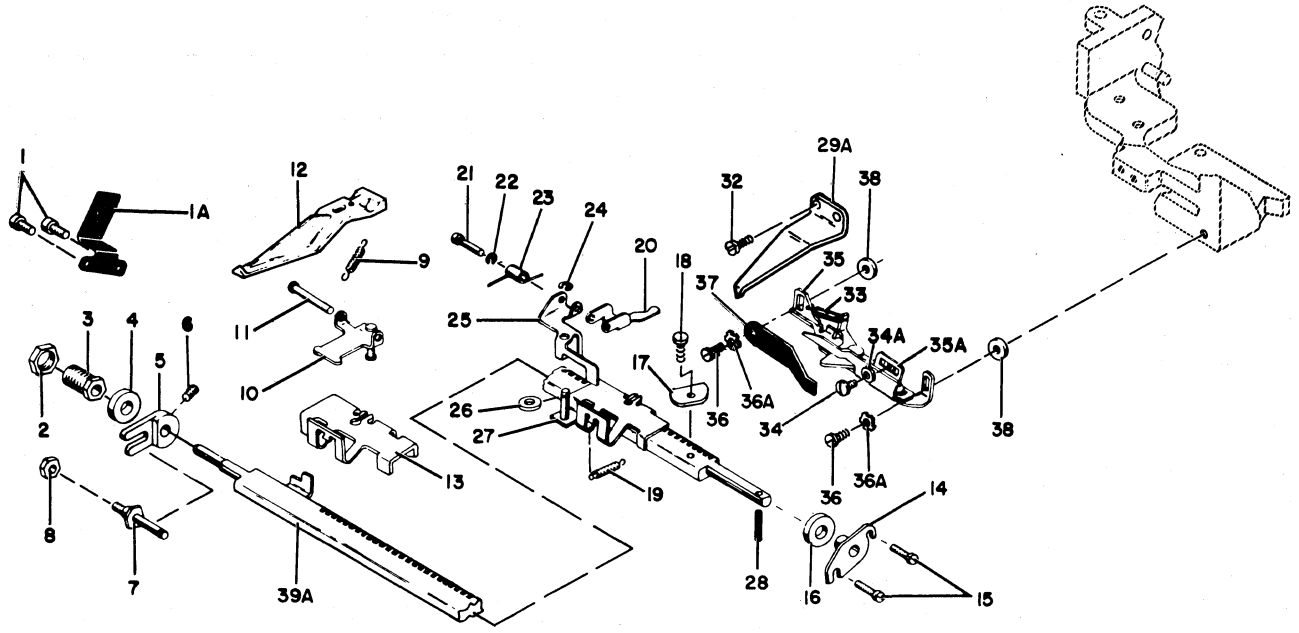


FIGURE 32. MARGIN MECHANISM. SEE LIST 32.

LIST AND INDEX NUMBER	PART NUMBER	DESCRIPTION				UNITS PER ASM.	USABLE ON CODE
		1	2	3	4		
		MARGIN MECHANISM					
32 -	NO NO.	MARGIN MECHANISM SEE FIGURE 32 FOR ILLUSTRATION				NP	
- 1A	1128162	. SPRING, FLAT USED ON EARLY STYLE MACHINES ONLY				1	
- 1	438566	. SCREW USED ON EARLY STYLE MACHINES ONLY				2	
- 2	10574	. NUT				1	
- 3	1123602	. BUSHING-LH				1	
- 4	1127738	. WASHER				1	
- 5	1123603	USED ON EARLY STYLE MACHINES ONLY . LEVER, MARGIN RELEASE USED ON EARLY STYLE MACHINES ONLY				1	
- 6	257957	. SETSCREW USED ON EARLY STYLE MACHINES ONLY				1	
- 7	1166072	. ECCENTRIC				1	
- 8	37913	. NUT				1	
- 8A	56722	. WASHER LOCK				1	
- 9	1123812	. SPRING				1	
- 10	1166291	. SLIDER AND PIN ASSEMBLY USED ON 1051 MOD 3,5,6 AND 7, 1053 AND 9020				1	
- 11	1123611	. PIN, STRAIGHT				1	
- 12	731560	. LEVER, MARGIN SET				1	
- 13	1187599	. STOP, LH MARGIN				1	
- 14	1128166	. BUSHING, RH USED ON EARLY STYLE MACHINES ONLY				1	
- 15	38261	. SCREW				2	
- 16	1127738	USED ON EARLY STYLE MACHINES ONLY . WASHER USED ON EARLY STYLE MACHINES ONLY				1	
- 17	1123605	. ECCENTRIC USED ON EARLY STYLE MACHINES ONLY				1	
- 18	1164576	. SCREW				1	
- 19	1122812	USED ON EARLY STYLE MACHINES ONLY . SPRING				1	
- 20	1132019	. ARM, BELLCRANK				1	
- 21	1187670	. PIN, SPECIAL				1	
- 22	251989	. RING, RETAINING				1	
- 23	1187669	. SPRING				1	
- 24	1073418	. RING, RETAINING				1	
- 25	1187628	. BELL CRANK				1	
- 25	1187798	. BELL CRANK ASSEMBLY				1	
- 26	1141175	INCLUDES INDICES 20, 21, 22 AND 23 . SHIM, TILT TUBE .006				1	
- 27	1187668	. STOP, RH MARGIN				1	
- 28	2101794	. PIN, ROLL USED ON EARLY STYLE MACHINES ONLY				1	
- 29A	731559	. POINTER				1	
- 29A	1166289	. POINTER- 1052 MOD 7				1	
- 32	38262	. SCREW				2	
- 33	123552	. SPRING, HELICAL, EXTENSION				1	
- 34	1164578	. SCREW				1	
- 34	1128238	. SCREW, USED WITH LATE STYLE MACHINE				1	
- 34A	138243	. WASHER, USED WITH LATE STYLE MACHINE				1	
- 35	1135082	. BRACKET ASM-LATCH AND LINELOCK MTG-765 AND 1062 EARLY STYLE-REPLACED BY 1123640				1	
- 35	1159292	. BRACKET ASM-LATCH AND LINELOCK MTG-1052/53, 1447 EARLY STYLE-REPLACED BY 1187631, 1187640, 1138238, 1132211				1	
- 35	1123640	. BRACKET ASM-LATCH AND LINELOCK MTG-LATE STYLE USED ON 1062, 1052-M7&8 AND 765				1	
- 35	1187631	. BRACKET ASM-LATCH AND LINELOCK MTG-LATE STYLE				1	
- 35A	1187640	. BRACKET, BELL AND LINELOCK-LATE STYLE				1	
- 35B	1138238	. SCREW-NOT ILLUSTRATED					
- 35C	1132211	. WASHER-NOT ILLUSTRATED					
- 36	338238	. SCREW				2	
- 36A	338169	. WASHER LOCK				2	
- 37	1159803	. SPRING, CARRIAGE STOP (USED ON HIGH SPEED CARRIAGE RETURN)				1	
- 38	45639	. WASHER				1	
- 39	1128164	. RACK-MARGIN 12 PITCH				1	
- 39	1128171	. RACK-MARGIN 10 PITCH				1	
- 39A	1128305	. RACK-MARGIN 10 PITCH				1	
- 39A	1128307	. RACK-MARGIN 12 PITCH				1	
- 40	*141232	. GUIDE				1	
- 41	1164576	. SCREW				1	

LIST AND INDEX NUMBER	PART NUMBER	DESCRIPTION				UNITS PER ASM.	USABLE ON CODE
		1	2	3	4		
32 - 42	1141227	.	STOP, RH			1	
- 43	1141228	.	STUD, CLUTCH UNL B/C MG (INTERMEDIATE STYLE MACH.)			1	
- 44	264641	.	RING, RETAINING (INTERMEDIATE STYLE MACH)			1	
- 45	1141231	.	BUSHING, MARGIN RACH RH- (INTERMEDIATE STYLE MACH)			1	
- 45A	1174114	.	BUSHING, MARGIN ROCK RH- (LATE STYLE)			1	
- 46	1164582	.	SCREW			2	
- 46A	108114	.	SCREW			1	
- 47	1145446	.	SPRING, MARGIN RACK RETAINER			1	
- 48	1928	.	SCREW			1	
- 49	1134829	.	NUT			1	
- 50	1128318	.	LEVER-MARGIN RELEASE			1	
- 51	1135547	.	STUD, PIVOT			1	
- 52	37913	.	NUT			1	
- 53	1128316	.	STOP, SET LEVER LH			1	
- 53A	115826	.	STOP, FINAL			1	
- 54	228093	.	SWITCH INCLUDES THREE TERMINAL SCREWS			1	
- 55	1135675	.	ACTUATOR, SWITCH INCLUDES SCREWS, WASHERS AND NUTS			1	
- 56	1145385	.	INSULATOR			1	
- 57	1135662	.	ARM, SWITCH			1	
- 58	38262	.	SCREW			2	
- 59	1134888	.	WASHER, CARRIER INDICATOR BRACKET			1	
- 60	1135661	.	STUD			1	
- 61	37913	.	NUT			2	
- 62	1128397	.	BELL CRANK (INTERMEDIATE STYLE MACH)			1	
- 62A	1174106	.	BELL CRANK (LATE STYLE MACH)			1	
- 63	1135664	.	BRACKET, SWITCH			1	
- 64	1018477	.	SUPPORT			AR	
- 65	264641	.	RING-RETAINING (EARLY STYLE MACH)			1	
- 66	1123627	.	STUD (EARLY STYLE MACH)			1	
- 67	37913	.	NUT (EARLY STYLE MACH)			1	
- 68	1128167	.	BRACKET (EARLY STYLE MACH)			1	
- 69	1164576	.	SCREW (EARLY STYLE MACH)			2	
- 70	1123628	.	BELL CRANK (EARLY STYLE MACH)			1	

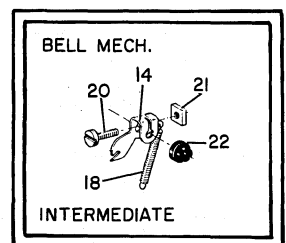
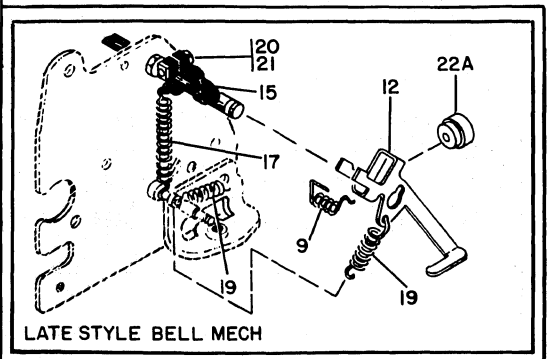
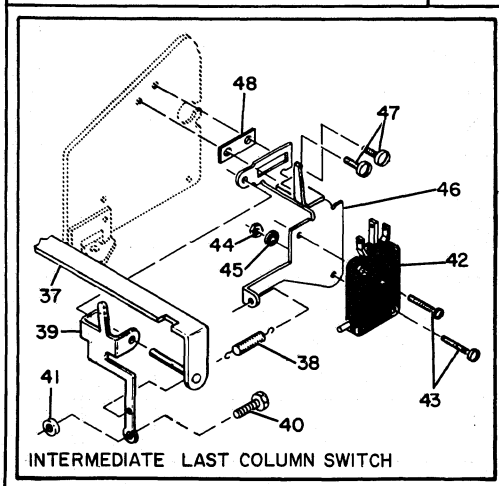
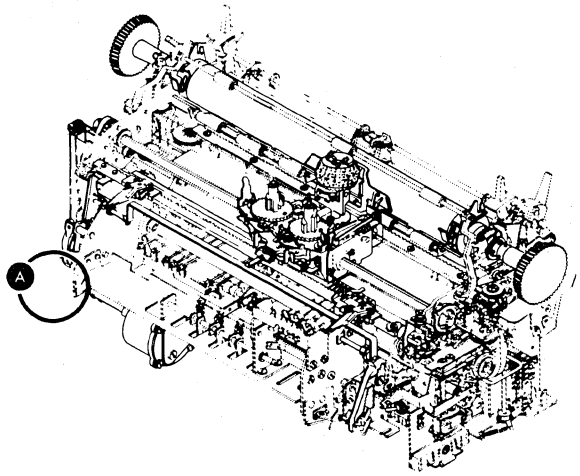
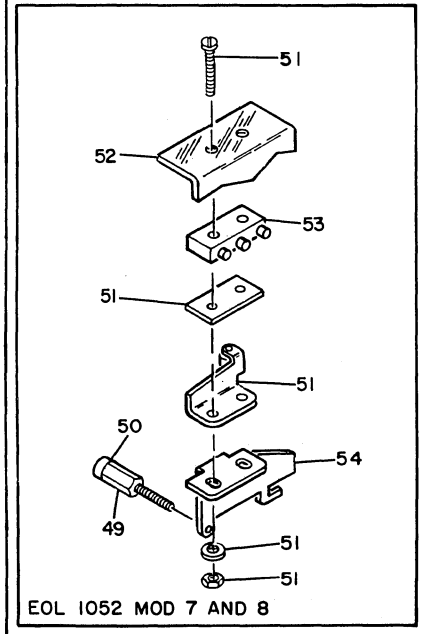
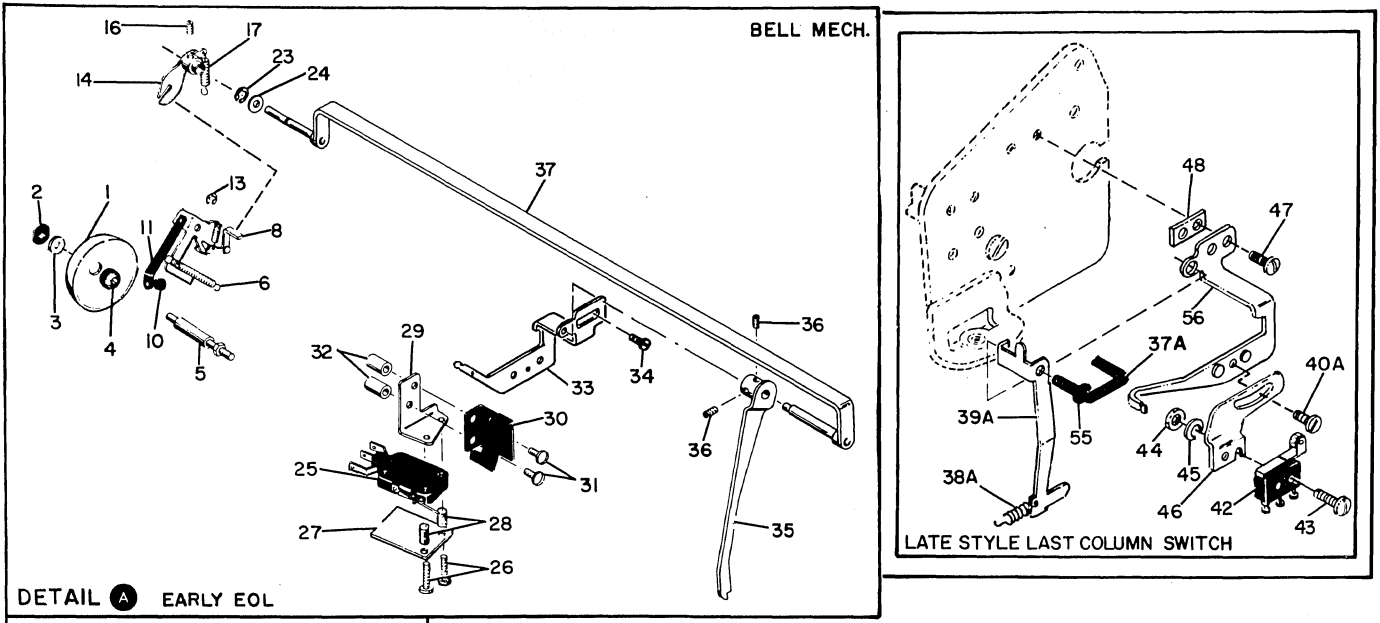


FIGURE 33. END OF LINE AND BELL MECHANISM. SEE LIST 33.

LIST AND INDEX NUMBER	PART NUMBER	DESCRIPTION				UNITS PER ASM.	USABLE ON CODE
		1	2	3	4		
		END OF LINE AND BELL MECHANISM					
33 -	NO NO.	END OF LINE AND BELL MECHANISM SEE FIGURE 33 FOR ILLUSTRATION.				NP	
- 1	1133628	. BELL				1	
- 2	1138483	. RETAINER, BELL				1	
- 3	1090970	. WASHER				1	
- 4	1133627	. GROMMET				1	
- 5	NO NO.	. REF ONLY PART OF SIDE FRAME				NP	
- 6	150735	. SPRING, HELICAL, EXTENSION				1	
- 8	1073449	. SPRING				1	
- 9	1164845	. SPRING				1	
- 10	1123623	. WEIGHT				1	
- 11	1132027	. BELLCRANK ASSEMBLY				1	
- 12	1164721	. CLAPPER, BELL				1	
- 13	219633	. RING, RETAINING				1	
- 14	1132012	. LEVER ASSEMBLY				1	
- 15	1164847	. LEVER, BELL BAIL				1	
- 16	257957	. SETSCREW				1	
- 17	1091069	. SPRING, BELL BAIL				1	
- 18	1090175	. SPRING				1	
- 19	1164849	. SPRING				1	
- 20	1928	. SCREW				1	
- 21	1134829	. NUT				1	
- 22	1132013	. SPACER-OLD STYLE MACH				1	
- 22A	1187625	. SPACER, LATE STYLE MACH				1	
- 23	20069	. CLIP-C				1	
- 24	1142245	. SPACER, BELL RING BAIL				1	
- 25	1159277	. SWITCH, EDL-EARLY STYLE				1	
- 26	438541	. SCREW				2	
- 26	438540	. SCREW				2	
		USED ON MACHINES ABOVE SN 4601958					
- 27	1159274	. GUARD, LAST COLUMN CONTROL				1	
- 28	125231	. SPACER				2	
- 29	1159276	. BRACKET, LAST COLUMN SWITCH				1	
- 30	1159275	. SPRING, ACTIVATOR BACKUP				1	
- 31	35739	. SCREW				2	
- 31	1117759	. SCREW				2	
		USED ON MACHINES ABOVE SN 4601958					
- 32	1127719	. SPACER				1	
- 33	1135991	. BRACKET				1	
- 34	1117759	. SCREW				2	
- 35	1159541	. ACTUATOR ASSEMBLY				1	
- 36	257956	. SETSCREW				2	
- 37	1159406	. BAIL ASSEMBLY, BELL RINGER-EARLY STYLE MACH				1	
- 37	1159278	. BAIL, BELL RINGER, INTERMEDIATE STYLE				1	
- 37A	1187626	. BAIL, BELL RINGER AND EOL CONTACT-LATE STYLE				1	
- 38	177939	. SPRING-INTERMEDIATE STYLE				1	
- 38A	5173818	. SPRING, LATE STYLE MACH				1	
- 39	1159390	. ACTUATOR-INTERMEDIATE STYLE				1	
- 39A	1187629	. ACTUATOR, LATE STYLE MACH				1	
- 40	1159286	. SCREW-INTERMEDIATE STYLE				1	
- 40A	1164584	. SCREW, LATE STYLE MACH				1	
- 41	37913	. NUT				1	
- 42	1159544	. SWITCH, INTERMEDIATE STYLE MACH				1	
- 42	1187630	. SWITCH, LATE STYLE MACH				1	
- 43	438541	. SCREW				2	
- 44	47987	. NUT				2	
- 45	45624	. WASHER				2	
- 46	1159388	. BRACKET-SWITCH WITHOUT BAIL STOP-INTERMEDIATE STYLE				1	
- 46	1166580	. BRACKET SWITCH-WITH BAIL STOP-INTERMEDIATE STYLE				1	
- 46	1187636	. BRACKET, SWITCH, LATE STYLE MACH				1	
- 47	438542	. SCREW				2	
- 48	37435	. SPACER				1	
- 49	1159180	. STOP RH CARRIER-1052 MOD 7 AND 8				1	
- 50	1104007	. BUMPER-1052 MOD 7 AND 8				1	
- 51	2106517	. ACTUATOR-INCLUDES MTG HARDWARE-1052 MOD 7 AND 8				1	
- 52	1159127	. SHIELD-1052 MOD 7 AND 8				1	
- 53	355343	. SWITCH-EOL-1052 MOD 7 AND 8				1	
- 54	1166806	. BRACKET-SWITCH-1052 MOD 7 AND 8				1	
- 55	528552	. CLIP, BELL RINGER BAIL-LATE STYLE				1	
- 56	5183817	. BRACKET, LAST COLUMN CONTACT-LATE STYLE				1	

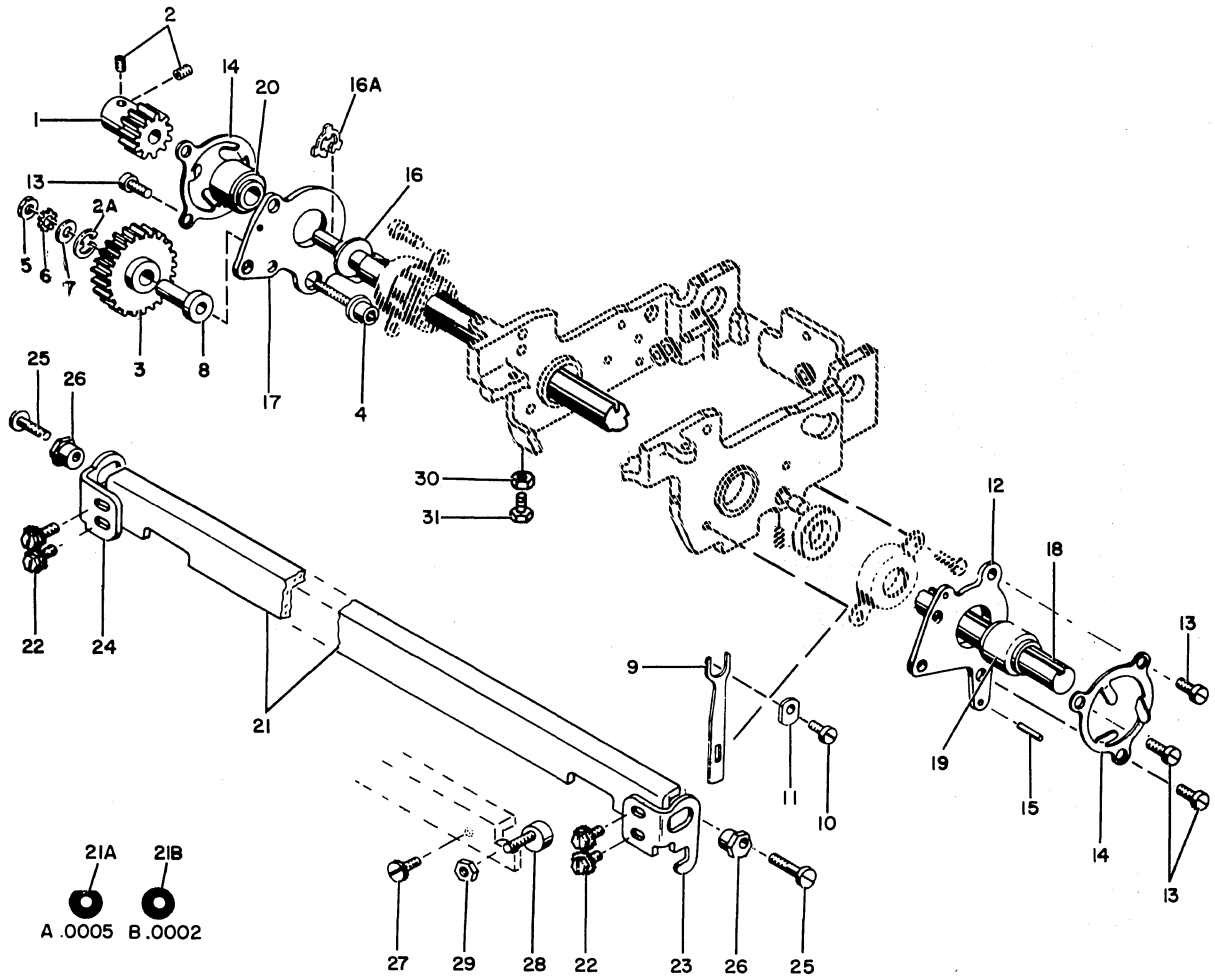


FIGURE 34. CARRIER SUPPORT AND PRINT SHAFT. SEE LIST 34.

LIST AND INDEX NUMBER	PART NUMBER	DESCRIPTION				UNITS PER ASM.	USABLE ON CODE
		1	2	3	4		
		CARRIER SUPPORT AND PRINT SHAFT					
34 -	NO NO.	CARRIER SUPPORT AND PRINT SHAFT SEE FIG. 34 FOR ILLUSTRATION				NP	
- 1	1123679	. GEAR-PRINT SHAFT				1	
- 1	1164739	. GEAR-PRINT SHAFT USED ON MACHINES BELOW SN 4618349				1	
- 2	1175107	. SCREW				2	
- 2A	332747	. RETAINER, UPPER IDLER GEAR, LATE STYLE MACH				1	
- 3	1159350	. GEAR ASSEMBLY-UPPER IDLER, OLD STYLE-1/4 I.D.				1	
- 3	1175865	. GEAR ASM, UPPER IDLER, NEW STYLE-5/16 I.D.				1	
- 4	1134841	. SCREW-OLD STYLE				1	
- 4	1175866	. SCREW-NEW STYLE				1	
- 5	38051	. NUT				1	
- 6	56722	. WASHER, LOCK				1	
- 7	1175868	. WASHER, LATE STYLE				1	
- 7	1134843	. WASHER, FLAT				1	
- 8	1159097	. STUD-OLD STYLE				1	
- 8	1203364	. STUD, NEW STYLE				1	
- 9	1128126	. BUFFER, CARRIER-EARLY STYLE				1	
- 10	38262	. SCREW-EARLY STYLE				1	
- 11	1128184	. ECCENTRIC, CARRIER BUFFER-EARLY STYLE				1	
- 12	1124648	. PLATE-PS BRG RH				1	
		USED ON MACHINES WITH OLD STYLE-FLAT LEAF-MARGIN RACK LOAD SPRING					
- 12	1135591	. PLATE-PS BRG RH				1	
- 13	38350	. SCREW				3	
- 13	38351	. SCREW				3	
		USED ON HIGH SPEED CARRIER RETURN MACH					
- 14	1124168	. RETAINER-BEARING				1	
- 14	1141749	. RETAINER-BEARING USED ON MACHINES ABOVE SN 4604996				1	
- 15	1132212	. PIN, ESC BACKPLATE AND TAB RACK PLATE				1	
- 16	1090511	. WASHER				1	
		USED ON MACHINES BELOW SN 4604700					
- 16	1141458	. WASHER				1	
		USED ON MACHINES BETWEEN SN 4604700 AND 4621790					
- 16A	1175220	. RING, RETAINING USED ON MACHINES ABOVE SN 4621790				1	
- 17	1127762	. PLATE PS BRG LH				1	
		USED ON MACHINES WITH OLD STYLE-FLAT LEAF-MARGIN RACK LOAD SPRING					
- 17	1135590	. PLATE PS BRG LH				1	
- 18	1128048	. SHAFT-PRINT				1	
		USED ON MACHINES BELOW SN 4604700					
- 18	1138848	. SHAFT-PRINT				1	
		USED ON MACHINES BETWEEN SN 4604700 AND 4621790					
- 18	1164738	. SHAFT-PRINT				1	
		USED ON MACHINES ABOVE SN 4621790					
- 19	1124167	. BEARING-PRINT SHAFT RH				1	
- 19	1164740	. BEARING-PRINT SHAFT RH				1	
		USED ON MACHINES ABOVE SN 4621790					
- 20	1124166	. BEARING-PRINT SHAFT LH				1	
		USED ON MACHINES BELOW SN 4604700					
- 20	1138845	. BEARING-PRINT SHAFT LH USED ON MACHINES BETWEEN SN 4604700 AND 4621790				1	
- 20	1164740	. BEARING-PRINT SHAFT LH USED ON MACHINES ABOVE SN 4621790				1	
- 21	1128047	. ANVIL				1	
- 21	1141640	. SUPPORT USED WITH IMPRESSION CONTROL CARRIER AND ROCKER				1	
- 21	1159796	. SUPPORT 1062 USED ON MACHINES ABOVE SN 4615996				1	
- 21	1159776	. ANVIL 1062 USED ON MACHINES BELOW SN 4615996				1	
- 21A	1145396	. SHIM ANVIL .005				AR	
- 21B	1145395	. SHIM ANVIL .002				AR	
- 22	1145543	. SCREW				4	
- 23	1124162	. BRACKET				1	
- 24	1124163	. BRACKET				1	
- 25	1124158	. SCREW				2	
- 26	1124161	. ECCENTRIC				2	

LIST AND INDEX NUMBER	PART NUMBER	DESCRIPTION				UNITS PER ASM.	USABLE ON CODE
		1	2	3	4		
34 - 27	1141097	.	SCREW,SEMS-EARLY			2	
- 27	1145543	.	SCREW,ASMD,HEX HD-LATE			2	
- 28	1128054	.	ECCENTRIC-ANVIL			2	
- 29	38051	.	NUT			2	
- 30	38214	.	NUT-EARLY STYLE BUFFER			1	
- 31	1124287	.	SCREW-EARLY STYLE BUFFER			1	

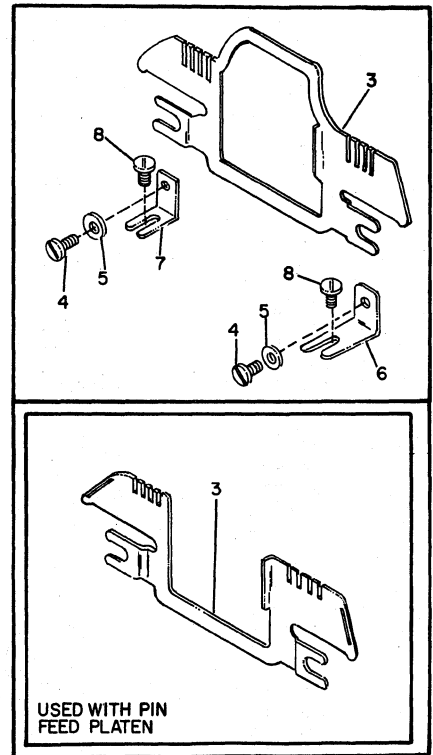
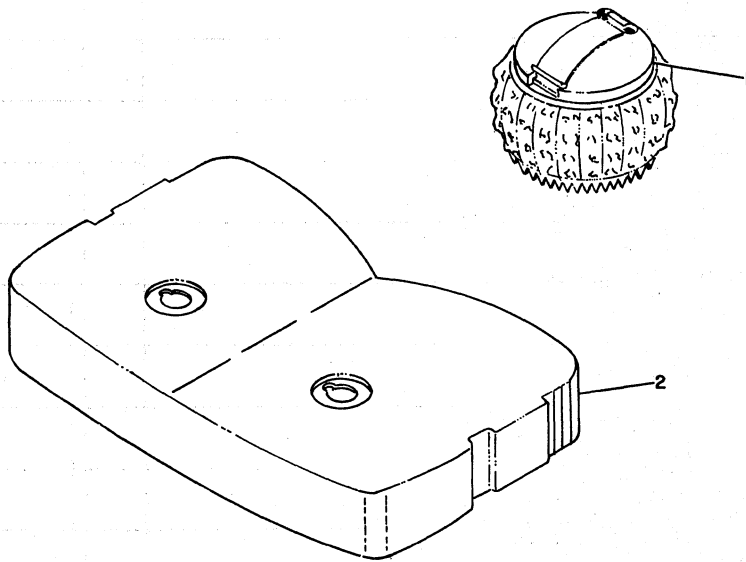


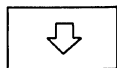
FIGURE 35. TYPEHEAD, RIBBON ASSEMBLIES AND CARD HOLDERS. SEE LIST 35.

LIST AND INDEX NUMBER	PART NUMBER	DESCRIPTION				UNITS PER ASM.	USABLE ON CODE
		1	2	3	4		
		TYPEHEAD, RIBBON ASSEMBLIES AND CARD HOLDERS					
35 -	NO NO.	TYPEHEAD, RIBBON ASSEMBLIES AND CARD HOLDERS				NP	
- 1	1167996	. TYPEHEAD ASM. CORRES PTTC/EBCD GRAPHICS, DUAL CASE, DATA 2				1	
- 1	1167997	. TYPEHEAD ASM CORRES. STD GRAPHICS, DUAL CASE, DATA 2				1	
- 1	1167998	. TYPEHEAD ASM CORRES. PTTC/EBCD GRAPHICS, MONO CASE, DATA 1				1	
- 1	1167880	. TYPEHEAD ASM DENMARK, DATA 1				1	
- 1	1167884	. TYPEHEAD ASM FRANCE- BELGIUM, DATA 1				1	
- 1	1167883	. TYPEHEAD ASM GERMANY- AUSTRIA, DATA 1				1	
- 1	1167848	. TYPEHEAD ASM HEBREW, DATA 1				1	
- 1	1167882	. TYPEHEAD ASM NETHERLANDS, DATA 1				1	
- 1	1167880	. TYPEHEAD ASM NORWAY, DATA 1				1	
- 1	1167881	. TYPEHEAD ASM SWEDEN, FINLAND, DATA 1				1	
- 1	1167689	. TYPEHEAD ASM US ASCII ALPHA NUMER				1	
- 1	1167821	. TYPEHEAD ASM DATA 1, UK				1	
- 1	1167599	. TYPEHEAD ASM JAPAN- DATA 1				1	
- 1	1167700	. TYPEHEAD ASM- DATA 1 FRANCE				1	
- 1	1167701	. TYPEHEAD ASM- DATA 1 GERMANY				1	
- 1	1167789	. TYPEHEAD ASM-FRENCH DATA NO 1 1053 MOD 4				1	
- 1	1167790	. TYPEHEAD ASM-UK DATA NO 1 1053 MOD 4				1	
- 1	1167791	. TYPEHEAD ASM-GERMAN DATA NO 1 1053 MOD 4				1	
- 1	1167796	. TYPEHEAD ASM-ITALY 1131 UC-UC				1	
- 1	1167800	. TYPEHEAD ASM-NORWAY/DENMARK 1131 UC-UC				1	
- 1	1167801	. TYPEHEAD ASM-SPANISH 1131 UC-UC				1	
- 1	1167802	. TYPEHEAD ASM-SWEDEN/FINLAND 1131 UC-UC				1	
- 1	1167803	. TYPEHEAD ASM-UNITED KINGDOM 1131 UC-UC				1	
- 1	1167804	. TYPEHEAD ASM-FRENCH/BELGIUM 1131 UC-UC				1	
- 1	1167805	. TYPEHEAD ASM-GERMAN 1131 UC-UC				1	
- 1	1167839	. TYPEHEAD ASM- 1050 UC-LC STD PT & T				1	
- 1	1167840	. TYPEHEAD ASM- 1050 UC-UC STD PT & T				1	
- 1	1167846	. TYPEHEAD ASM-KATAKANA 1050 AND 6400				1	
- 1	1167856	. TYPEHEAD ASM-KATAKANA 6400				1	
- 1	1167863	. TYPEHEAD ASM- 6400 STERLING				1	
- 1	1167911	. TYPEHEAD ASM-DATA NO 2 1052/1053				1	
- 1	1167912	. TYPEHEAD ASM- 765				1	
- 1	1167925	. TYPEHEAD ASM-DATA NO 1 1050 INTERM UC-LC				1	
- 1	1167926	. TYPEHEAD ASM-DATA NO 1 1050 INTERM UC-UC				1	
- 1	1167927	. TYPEHEAD ASM-DATA NO 1 1050 UC-LC				1	
- 1	1167928	. TYPEHEAD ASM-DATA NO 1 1050 UC-UC				1	
- 1	1167937	. TYPEHEAD ASM- 1062 BANK TERM 1 DATA 1				1	
- 1	1167938	. TYPEHEAD ASM-CORR DUO CASE STD GRAPHICS				1	
- 1	1167939	. TYPEHEAD ASM-PROC ALL CAPS STD GRAPHICS				1	
- 1	1167940	. TYPEHEAD ASM-CORRESPONDCE A OPTION				1	
- 1	1167941	. TYPEHEAD ASM-PROCESSOR A OPTION				1	
- 1	1167942	. TYPEHEAD ASM-CORRESPONDCE H OPTION				1	
- 1	1167943	. TYPEHEAD ASM-PROCESSOR H OPTION				1	
- 1	1167944	. TYPEHEAD ASM- 1062 BANK TERM 2 DATA 1				1	
- 1	1167945	. TYPEHEAD ASM- 1062 BANK TERM 3 DATA 1				1	
- 1	1167947	. TYPEHEAD ASM-PROCESSOR TYPEWRITER OPTION				1	
- 1	1167948	. TYPEHEAD ASM-CORR TYPEWRITER OPTION				1	
- 1	1167952	. TYPEHEAD ASM- 360 EXTENDED BCD				1	
- 1	1167953	. TYPEHEAD ASM-DATA NO 1 TRANS 1401				1	
- 1	1167961	. TYPEHEAD ASM-CORR GOVERNMENT GRAPHICS				1	
- 1	1167962	. TYPEHEAD ASM-PROC GOVERNMENT GRAPHICS				1	
- 1	1167963	. TYPEHEAD ASM-CORR PTC/8 GRAPHICS				1	
- 1	1167969	. TYPEHEAD ASM- 1131 & 1800 SYSTEM UC-UC				1	
- 1	1167970	. TYPEHEAD ASM-DATA NO 1 ARRANGEMENT E				1	
- 2	1136076	. CARTRIDGE ASSEMBLY-RIBBON BLACK				1	
- 2	1136023	. CARTRIDGE ASSEMBLY-RIBBON RED AND BLACK				1	
- 3	1124601	. CARD HOLDER, 10 PITCH, STANDARD PLATEN METAL				1	
- 3	1124602	. CARD HOLDER, 12 PITCH, STANDARD PLATEN METAL				1	
- 3	1128532	. CARD HOLDER, 10 PITCH PIN FEED PLATEN, METAL				1	
. 3	1135780	. CARD HOLDER- 12 PITCH PIN FEED PLATEN METAL				1	
. 4	1091151	. SCREW				2	
. 5	1138796	. WASHER				1	
. 6	1123829	. BRACKET				1	
. 7	1123830	. BRACKET				1	
. 8	1141928	. SCREW				1	

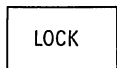
1124604	$\frac{+}{1}$		1127651	A	1127696	C	1133477	5 K	1133866	\checkmark 6	1133881	Δ 0	1133895	Z	
1124945	@ 2	1127600	Q	1127652	S	1127697	V	1133478	4 J	1133867	$>$ 7	1133882	; P	1133896	\ X
1124946	# 3	1127601	W	1127653	D	1127698	B	1133479	6 L	1133868	8	1133884	A	1133897	C
1124947	\$ 4	1127602	E	1127654	F	1127699	N	1133480	7 M	1133869	9	1133885	S	1133898	(% V
1124948	% 5	1127603	R	1127655	G	1127700	M	1133481	9 .	1133873	Q	1133886	[D	1133899	B
1124949	¢ 6	1127604	T	1127656	H	1127701	,	1133482	8 ,	1133874	## W	1133887	≠ F	1133900	* N
1124950	& 7	1127605	Y	1127657	J	1127702	.	1133849	$\frac{1}{2}$ $\frac{1}{2}$	1133875) E	1133888	< G	1133901] M
1124951	* 8	1127606	U	1127658	K	1127703	? /	1133861	1	1133876	R	1133889	H	1133902	,
1124952	(9	1127607	I	1127659	L	1127731	" .	1133862	2	1133877	T	1133890	J	1133904	/
1124953	(0	1127608	O	1127660	:	1133474	2 1	1133863	3	1133878	Y	1133891	K	1158160	= 1
1124954	- -	1127609	P	1127964	Z	1133475	3 0	1133864	:	1133879	7 U	1133892	L	1158162	; 3
1124955	+ =		1127965	X	1133476	I U	1133865	' @ 5	1133880	I	1133894	\$	1158163	' 6	
1158164	" 7	1158467	$>$ 1	1158479	Δ ,	1178208	- -	1178221	' H						
1158165	0	1158468	b 4	1158480	## #	1178209	/ 0	1178224	? X						
1158166	+ &	1158469	:	1158481	## =	1178211	+ Q	1178225	" C						
1158167	- !	1158470	[9	1158766	< 2	1178212	- W	1178226	= V						
1158168	+ & ?	1158471	J 0	1158767	" #	1178213) E	1178227	! B						
1158170	b ‡	1158472	\ -	1158768	' ,	1178214	¢ R	1178228	(N						
1158171	! \$	1158473	< &	1158769	┌ .	1178215	l Y	1178233	- 1						
1158172	+ #	1158474) 2	1178200	Z	1178216	& P	1178234	+ -						
1158173	= #	1158475	(5	1178204	# @	1178217	> S	1178235	¢ >						
1158174	∨ .	1158476	< +	1178205	,	1178218	: D	1178236	! o						
		1158477	¢ @	1178206	* \$	1178219	: F	1178237	? &						
1158466	π 2	1158478	Δ @	1178207	< <	1178220	┐ G								

FIGURE 36. KEYBUTTONS

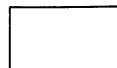
LOCK KEYS



1127947

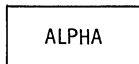


1132270

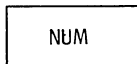


1138949

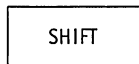
SHIFT KEYS



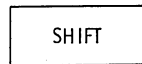
LH
1166321



RH
1166323



LH
1132263



RH
1132256

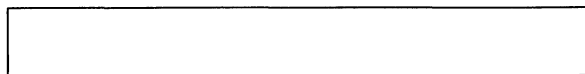


LH
1127940



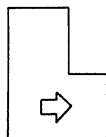
RH
1127934

SPACE BAR

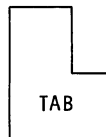


5318699

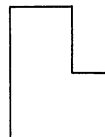
TAB KEYS



1127974



1124894

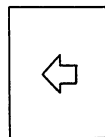


1138951

CARRIAGE RETURN KEYS



5318701



362385

MISC. KEYS



362376



362380



362381



362382



362384



5318696



5318697



5318698



1178210



1178222



1178223



1178229



1178232

First Row Blank



1141122



1141123

Second Row Blank

FIGURE 36. KEYBUTTONS

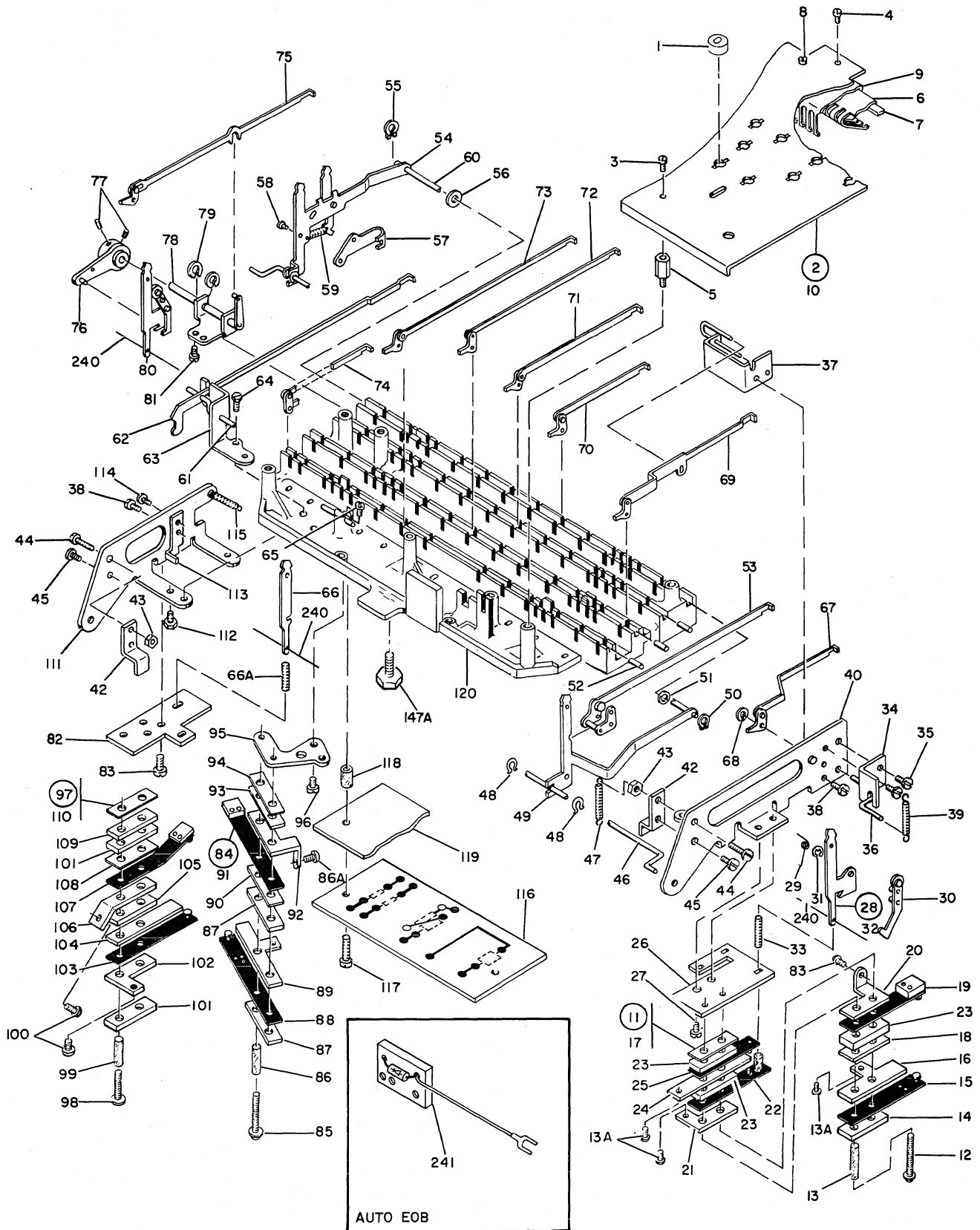


FIGURE 37. ELECTRIC KEYBOARD ASSEMBLY WITH EARLY STYLE GUIDE PLATE. SHEET 1 OF 2. SEE LIST 37.

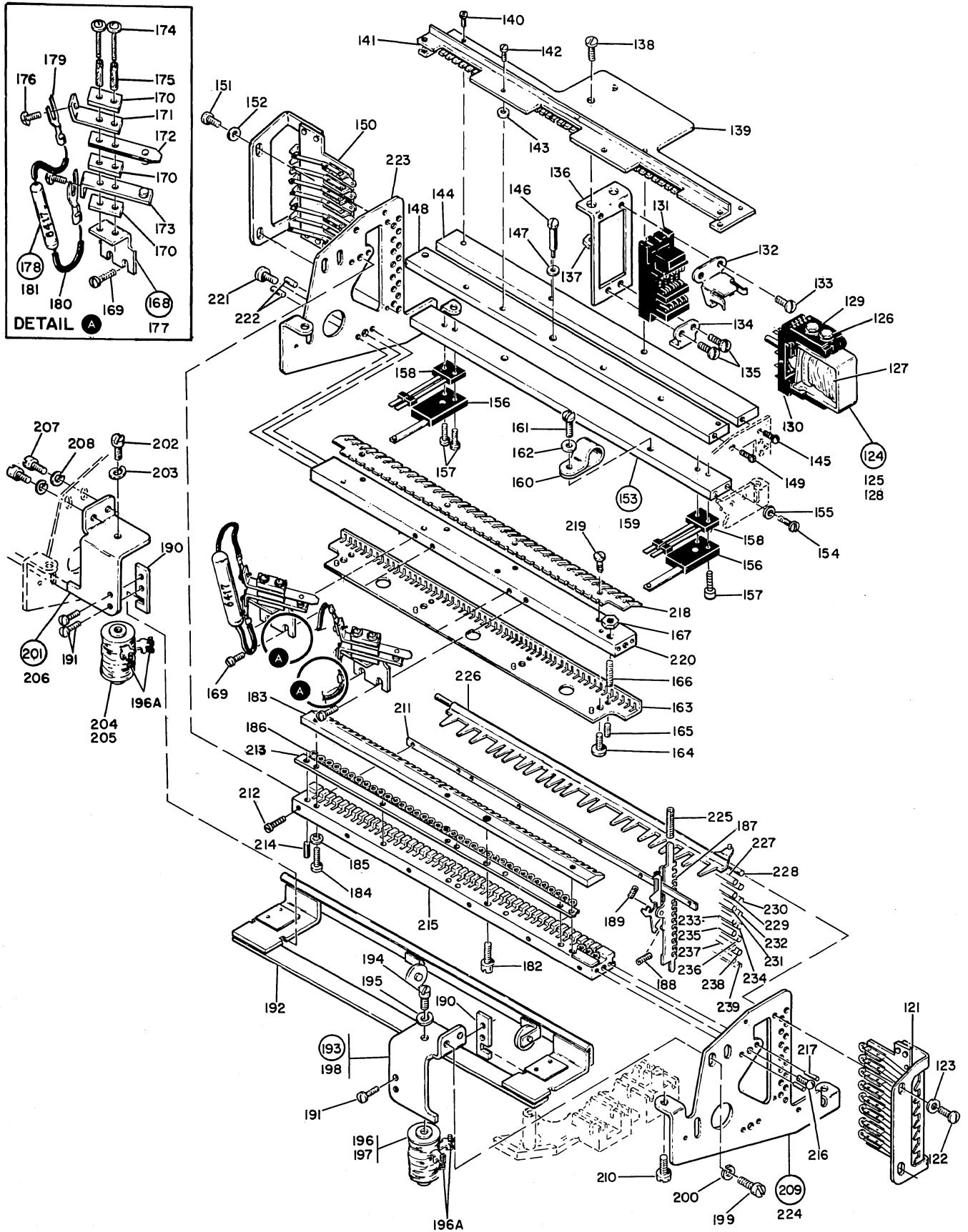


FIGURE 37. ELECTRIC KEYBOARD ASSEMBLY WITH EARLY STYLE GUIDE PLATE. SHEET 2 OF 2. SEE LIST 37.

LIST AND INDEX NUMBER	PART NUMBER	DESCRIPTION 1 2 3 4	UNITS PER ASM.	USABLE ON CODE
		ELECT KEYBOARD ASM WITH EARLY STYLE GUIDE PLATE		
37 -	NO NO.	KEYBOARD ASSEMBLY-ELECTRIC EARLY MODEL SEE FIGURE 37 FOR ILLUSTRATION	NP	
- 1	5318665	. BUMPER-KEY USE UNDER ALTCODING, Q AND BACKSPACE KEY	3	
- 1	361864	. BUMPER-KEY USE UNDER REMAINING 50 POSITIONS	50	
- 2	5318601	. PLATE ASSEMBLY-SUPPORT	1	
- 3	55726	. SCREW	4	
- 4	4236	. SCREW	2	
- 5	5318629	. STUD	4	
- 6	227501	. . SPRING-HOOK	2	
- 7	227502	. . PLATE-SPRING MTG	2	
- 8	38271	. . SCREW	6	
- 9	219278	. . CHANNEL-HOOK	2	
- 10	5318597	. . PLATE-COMBINATION SUPPORT	1	
- 11	5318689	. CONTACT ASSEMBLY	1	
- 12	173210	. . SCREW	2	
- 13	100212	. . INSULATOR-SCREW	2	
- 13A	118418	. . SCREW	4	
- 14	2819	. . INSULATION-CONTACT SPRING	1	
- 15	107070	. . SPRING ASSEMBLY-LOWER CONTACT	1	
- 16	152711	. . TERMINAL ASSEMBLY-CONTACT	1	
- 17	311823	. . INSULATOR-PLATE CONTACT ASSEMBLY	2	
- 18	25984	. . SUPPORT-CONTACT SPRING	1	
- 19	106988	. . CONTACT ASSEMBLY-CARD LEVER LOWER	1	
- 20	24957	. . TERMINAL ASSEMBLY-CONTACT	1	
- 21	1882	. . TERMINAL ASSEMBLY-CONTACT	1	
- 22	300342	. . SPRING ASSEMBLY-CONTACT	1	
- 23	4108	. . INSULATOR-PLATE	2	
- 24	227522	. . TERMINAL ASSEMBLY-CONTACT	1	
- 25	116374	. . SPRING ASSEMBLY-CONTACT	1	
- 26	5318655	. PLATE	1	
- 27	38279	. SCREW	2	
- 28	5318639	. KEY ASSEMBLY-TAB AND LINE FEED	2	
- 29	5318710	. . SPRING-SWITCH LOCKING PAWL	1	
- 30	5318637	. . PAWL ASSEMBLY-SWITCH LOCKING AND ROLLER	1	
- 31	1073418	. . RING-RETAINING	1	
- 32	5318593	. . STEM-KEY	1	
- 33	219203	. SPRING	1	
- 34	5318648	. BRACKET-CR AND INDEX BAIL PIVOT	1	
- 35	196298	. SCREW	2	
- 36	5318642	. BAIL-INDEX AND CR	1	
- 37	5318653	. BRACKET-CR AND INDEX BAIL MOUNTING	1	
- 38	38279	. SCREW	2	
- 39	1091074	. SPRING	1	
- 40	5318624	. PLATE ASSEMBLY-RH	1	
- 42	5318589	. GUIDE-SHIFT BAIL	2	
- 43	38051	. NUT	2	
- 44	322065	. SCREW	2	
- 45	55726	. SCREW	2	
- 46	5318651	. BAIL-SHIFT	1	
- 47	57822	. SPRING	2	
- 48	1118361	. RING-GRIP	6	
- 49	5318592	. LEVER-SHIFT KEY RH	1	
- 50	1118361	. RING-GRIP	1	
- 51	22066	. WASHER	1	
- 52	219209	. SHAFT-BELL CRANK	3	
- 53	5318641	. BAR ASSEMBLY-SHIFT LATCH PULL RH	1	
- 54	5318619	. LEVER ASSEMBLY-SHIFT LH	1	
- 55	1118361	. RING-GRIP	1	
- 56	22066	. WASHER	1	
- 57	5318625	. BRACKET-SHIFT KEY LH	1	
- 58	358174	. SCREW	2	
- 59	123552	. SPRING	1	
- 60	5318588	. SHAFT-BELL CRANK	1	
- 61	5318643	. BAIL-SPACE BAR	1	
- 62	227529	. BAR-SPACE LATCH PULL	1	
- 63	5318595	. BRACKET-SPACE BAR GUIDE	1	
- 64	325624	. SCREW,PUSH ROD GUIDE PLATE	2	
- 65	140738	. SCREW	2	
- 66	5318630	. STEM-KEY	49	
- 66A	219203	. SPRING	50	
- 67	5318646	. BAR ASSEMBLY-LATCH PULL BACKSPACE	1	
- 68	1073418	. RING-RETAINING	1	

LIST AND INDEX NUMBER	PART NUMBER	DESCRIPTION	UNITS PER ASM.	USABLE ON CODE
37 - 69	5318662	. BAR ASSEMBLY-CARRIAGE RETURN LATCH PULL	1	
- 70	219202	. BAR ASSEMBLY-PULL LATCH	12	
- 71	219346	. BAR ASSEMBLY-PULL LATCH	11	
- 72	219229	. BAR ASSEMBLY-PULL LATCH	11	
- 73	219347	. BAR ASSEMBLY-PULL LATCH	9	
- 74	5318620	. BAR ASSEMBLY-SHIFT LATCH PULL	1	
- 75	5318590	. BAR ASSEMBLY-LATCH PULLEY	1	
- 76	5318616	. ARM ASSEMBLY-TAB BAIL	1	
- 77	257956	. SETSCREW	2	
- 78	361868	. BAIL ASSEMBLY-TAB KEY	1	
- 79	257701	. CLIP-FRAME	2	
- 80	5318626	. BRACKET-BAIL GUIDE	1	
- 81	38263	. SCREW	2	
- 82	5318652	. PLATE-TAB KEY LOW	1	
- 83	38279	. SCREW	2	
- 84	5318640	. CONTACT ASSEMBLY-TAB	1	
- 85	173202	. . SCREW	2	
- 86	114045	. . INSULATOR-SCREW	2	
- 86A	118418	. . SCREW	2	
- 87	2819	. . INSULATION-CONTACT SPRING	2	
- 88	107070	. . SPRING ASSEMBLY-LOWER CONTACT	1	
- 89	21866	. . TERMINAL ASSEMBLY-CONTACT	1	
- 90	122238	. . INSULATOR-CONTACT SPRING	1	
- 91	106988	. . CONTACT ASSEMBLY-CARD LEVER LOWER	1	
- 92	138709	. . TERMINAL ASSEMBLY-CONTACT	1	
- 93	359785	. . INSULATOR, PLATE-CONTACT SPRING SUPPORT	1	
- 94	311823	. . INSULATOR, PLATE CONTACT ASSEMBLY	1	
- 95	5318591	. BRACKET-TAB SWITCH	1	
- 96	4236	. SCREW	2	
- 97	5318688	. CONTACTOR ASM-ALTERNATE CODING	1	
- 98	173207	. . SCREW	2	
- 99	100226	. . INSULATOR-SCREW	2	
-100	118418	. . SCREW	2	
-101	4108	. . INSULATOR-PLATE	2	
-102	138709	. . CONTACT ASSEMBLY-TERMINAL	1	
-103	107070	. . SPRING ASSEMBLY-LOWER CONTACT	1	
-104	4792	. . SUPPORT-CONTACT SPRING	1	
-105	25984	. . SUPPORT-CONTACT SPRING	1	
-106	342121	. . TERMINAL ASSEMBLY-CONTACT	1	
-107	106988	. . CONTACT ASSEMBLY-CARD LEVER LOWER	1	
-108	122238	. . INSULATOR-CONTACT SPRING	1	
-109	2819	. . INSULATION-CONTACT SPRING	1	
-110	311823	. . INSULATOR-PLATE CONTACT SPRING	1	
-111	5318623	. PLATE ASSEMBLY-LH	1	
-112	1090968	. SCREW	3	
-113	5318654	. BRACKET-SHIFT LOCK	1	
-114	1164582	. SCREW	2	
-115	123552	. SPRING	1	
-116	362393	. CARD ASSEMBLY-STROBE	1	
-117	438551	. SCREW	2	
-118	100359	. INSULATOR-SCREW	2	
-119	5318718	. INSULATOR-CIRCUIT CARD	1	
-120	5398695	. PLATE-GUIDE	1	
-121	5318704	. PLATE ASSEMBLY-CONTACT RIGHT	1	
-122	4236	. SCREW	2	
-123	1866	. WASHER	2	
-124	196198	. RELAY ASSEMBLY-WIRE CONTACT 6PDT 2 COIL	1	
-125	196204	. . CORE AND YOKE ASSEMBLY-MAGNET	1	
-126	104976	. . SCREW	3	
-127	344547	. . COIL ASSEMBLY	1	
-128	155043	. . SPRING	2	
-129	159929	. . HOLDER-CONTACT WIRE	1	
-130	344517	. . MOLDING ASSEMBLY- 6 POS RELAY	1	
-131	159942	. . MOLDING ASSEMBLY-TERMINAL 6 POS	1	
-132	159945	. CLIP, SPRING TENSION-TERMINAL MOLDING	1	
-133	198363	. SCREW-THREAD FORMING	2	
-134	308704	. CLIP-MOULDING	1	
-135	198363	. SCREW-THREAD FORMING	2	
-136	5318707	. BRACKET-RELAY MOUNTING	1	
-137	6503	. NUT	2	
-138	58207	. SCREW	2	
-138	183900	. SCREW, SELF THREADING MAY BE USED IN LIEU OF INDEX NOS. 137 AND 138 WHEN BRACKET, INDEX 37-136	2	
-139	5318599	. PLATE-PERMUTATION BAR GUIDE	1	

LIST AND INDEX NUMBER	PART NUMBER	DESCRIPTION				UNITS PER ASM.	USABLE ON CODE
		1	2	3	4		
37 -140	4236	.	SCREW			4	
-141	313355	.	GUIDE-UPPER BAIL FRONT			1	
-142	4236	.	SCREW			4	
-143	150109	.	WASHER			2	
-144	313353	.	BAR-SWITCH PLATE MOUNTING			1	
-145	294	.	SCREW-RH			2	
-146	219288	.	SCREW			1	
-147	49901	.	WASHER			AR	
-147	110542	.	WASHER			AR	
-147	150331	.	SPACER			AR	
-147	305271	.	WASHER			AR	
-147A	362313	.	STUD-LIMITING			1	
-148	313354	.	BAR-COMBINATION SUPPORT PLATE MOUNTING			1	
-149	294	.	SCREW			2	
-150	5318708	.	PLATE ASSEMBLY			1	
-150	1166454	.	PLATE ASSEMBLY- 1816			1	
-151	4236	.	SCREW			2	
-152	1866	.	WASHER			2	
-153	5318685	.	BAR ASSEMBLY			1	
-154	52607	.	SCREW			4	
-155	163899	.	WASHER, LOCK			4	
-156	5318682	.	CONTACT-LATCH COM			2	
-157	175235	.	SCREW			4	
-158	308633	.	TERMINAL ASSEMBLY-LATCH CONTACT			2	
-159	5318683	.	BAR-CONTACT MOUNTING			1	
-160	101922	.	CLAMP, LOOP			2	
-161	2300	.	SCREW			2	
-162	22478	.	WASHER			2	
-163	219237	.	PLATE-COMBINATION BAIL STOP			1	
-164	196299	.	SCREW			4	
-165	133798	.	SETScrew-HEADLESS			4	
-166	219325	.	STUD, ARMATURE STOP			2	
-167	11598	.	NUT			2	
-168	219369	.	CONTACT ASSEMBLY, ELEC-COMBINATION BAIL			2	
-169	4236	.	SCREW			4	
-170	204843	.	INSULATOR-BLOCK PUNCH UNIT CONTACT			3	
-171	204839	.	TERMINAL-LOWER CONTACT			1	
-172	205608	.	TERMINAL ASSEMBLY-CONTACT			1	
-173	204848	.	TERMINAL ASSEMBLY-UPPER CONTACT			1	
-174	173205	.	SCREW			2	
-175	100229	.	INSULATOR-SCREW			2	
-176	118418	.	SCREW			2	
-177	219368	.	BRACKET-COMBINATION BAIL CONTACT			1	
-178	2102626	.	RESISTOR ASSEMBLY			1	
-179	435599	.	TERMINAL, LUG			2	
-180	317304	.	TUBING			2	
-181	2102625	.	RESISTOR, FXD, WW- 150 OHMS P/M 5% 10W			1	
-182	219472	.	SCREW			1	
-183	219232	.	BAR-HOOK SUPPORT			1	
-184	673	.	SCREW			3	
-185	105047	.	WASHER, LOCK			3	
-186	219235	.	KEY-INTERLOCK			48	
-187	219357	.	LATCH ASSEMBLY			49	
-188	219224	.	SPRING			49	
-189	219333	.	SPRING			49	
-190	219268	.	PIVOT-ARMATURE			2	
-191	196299	.	SCREW			4	
-192	5318664	.	BAIL ASSEMBLY-RESTORING			1	
-193	5318693	.	YOKE ASSEMBLY-KEYBOARD RESTORE RIGHT			1	
-194	24752	.	SCREW			1	
-195	9092	.	WASHER, LOCK			1	
-196	1119990	.	COIL ASSEMBLY			1	
-196A	53042	.	SCREW			4	
-197	5318723	.	CORE-MAGNET			1	
-198	219244	.	YOKE-MAGNET RIGHT			1	
-199	2300	.	SCREW			2	
-200	22478	.	WASHER, LOCK			2	
-201	5318694	.	YOKE ASSEMBLY-KEYBOARD RESTORE LEFT				
-202	24752	.	SCREW			1	
-203	9092	.	WASHER, LOCK			1	
-204	1119990	.	COIL ASSEMBLY			1	
-205	5318723	.	CORE MAGNET			1	
-206	219213	.	YOKE-MAGNET LEFT			1	
-207	2300	.	SCREW			2	
-208	22478	.	WASHER, LOCK			2	
-209	5318600	.	BAR ASSEMBLY-MOUNTING			1	

LIST AND INDEX NUMBER	PART NUMBER	DESCRIPTION	UNITS PER ASM.	USABLE ON CODE
37 -210	38368	. SCREW	2	
-211	219226	. . PLATE-LATCH	1	
-212	311483	. . SCREW	6	
-213	219272	. . GUIDE-INTERLOCK	1	
-214	134998	. . PIN	5	
-215	219225	. . BAR-LATCH	1	
-216	294	. . SCREW	2	
-217	7371	. . PIN	4	
-218	219236	. . GUIDE-BAIL LOWER	1	
-219	196299	. . SCREW	4	
-220	5318666	. . BAR-BAIL GUIDE MOUNTING	1	
-221	294	. . SCREW	2	
-222	7371	. . PIN	4	
-223	313351	. . PLATE-RIGHT SIDE	1	
-224	313350	. . PLATE-LEFT SIDE	1	
-225	219262	. SPRING USED IN POS 1 AND 47 *FROM LEFT2	2	
-225	335321	. SPRING USED IN REMAINING 47 POS	47	
-226	362341	. BAIL-CONTACT NO. 1 RIGHT	1	
-227	362342	. BAIL-CONTACT NO. 2	1	
-228	362343	. BAIL-CONTACT NO. 3 RIGHT	1	
-229	362344	. BAIL-CONTACT NO. 4	1	
-230	5318606	. BAIL-CONTACT NO. 5 RIGHT	1	
-231	362346	. BAIL-CONTACT NO. 6	1	
-232	362347	. BAIL-CONTACT NO. 7 RIGHT	1	
-233	362348	. BAIL-CONTACT NO. 8	1	
-234	362349	. BAIL-CONTACT NO. 9 RIGHT	1	
-235	362350	. BAIL-CONTACT NO. 10	1	
-236	362351	. BAIL-CONTACT NO. 11 RIGHT	1	
-237	362352	. BAIL-CONTACT NO. 12	1	
-238	362353	. BAIL-CONTACT NO. 13 RIGHT	1	
-239	5318612	. BAIL-CONTACT NO. 15 RIGHT	1	
-240	312489	. RETAINER,NYLON CORD	1	
-241	1166248	. BLOCK,TERMINAL ASSEMBLY	1	

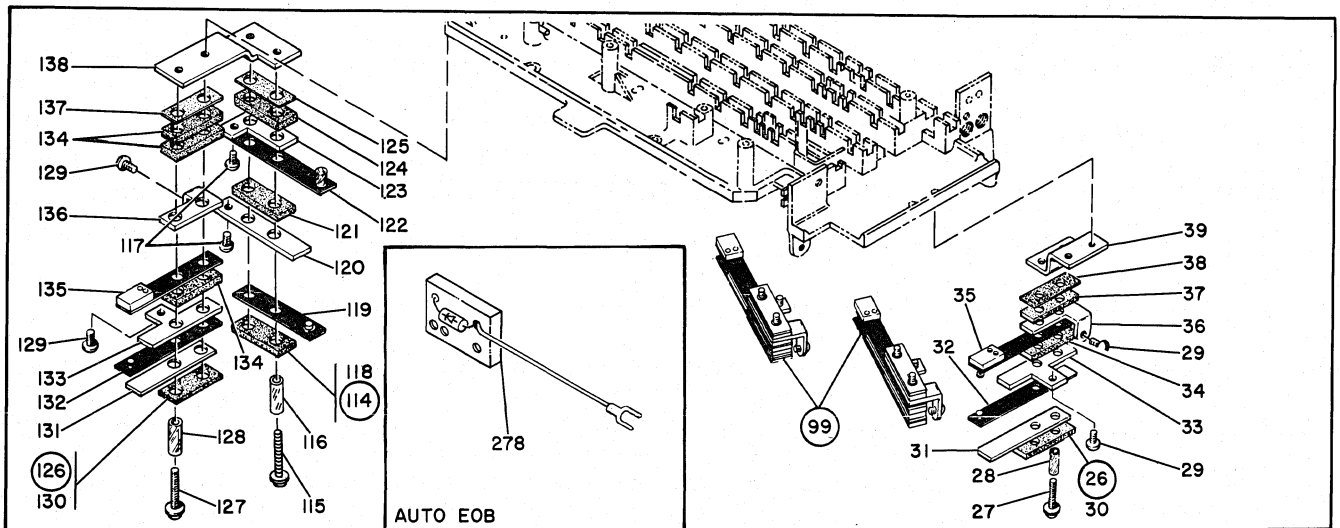
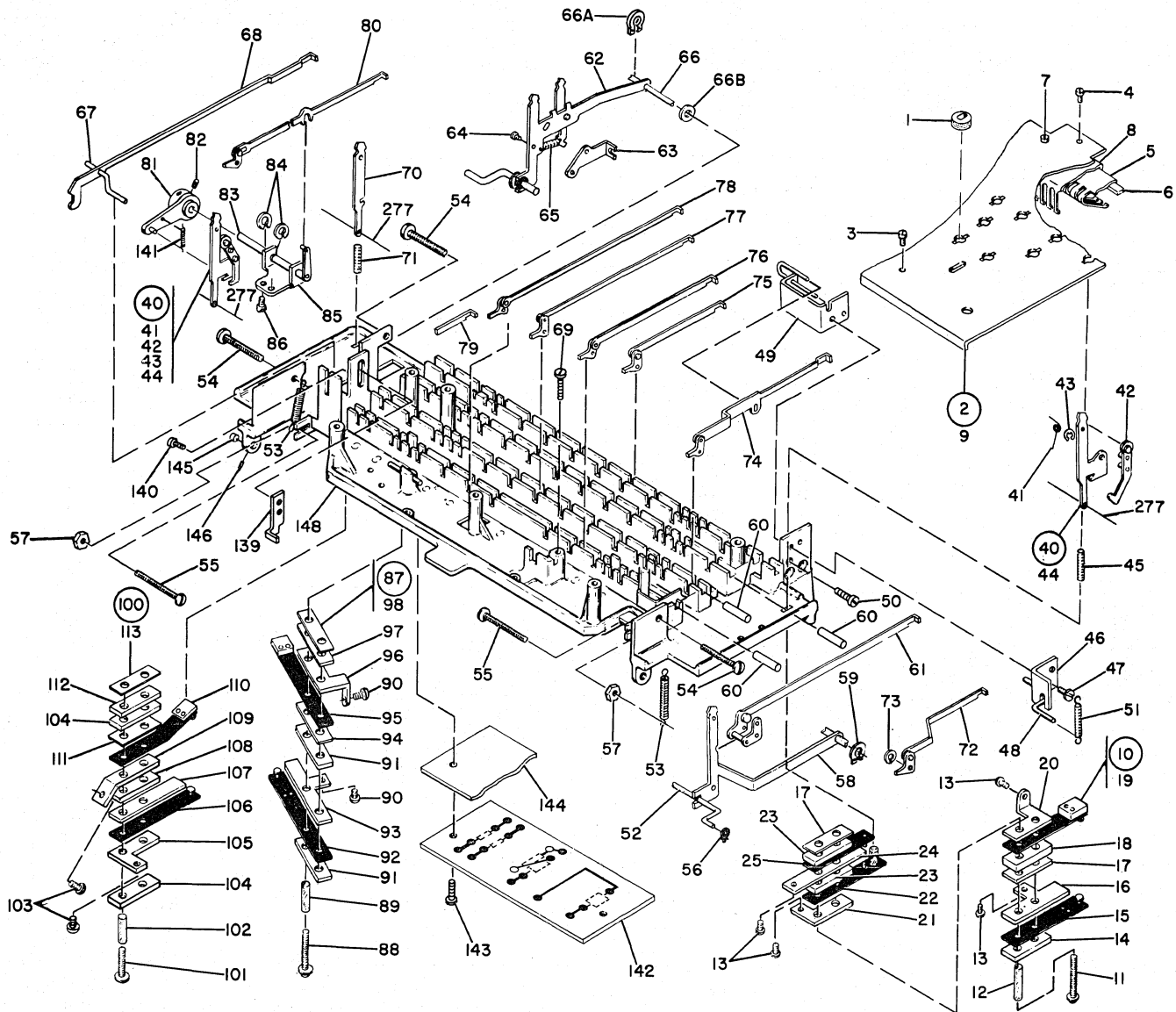


FIGURE 38. ELECTRIC KEYBOARD ASSEMBLY WITH LATE STYLE GUIDE PLATE. SHEET 1 OF 2. SEE LIST 38.

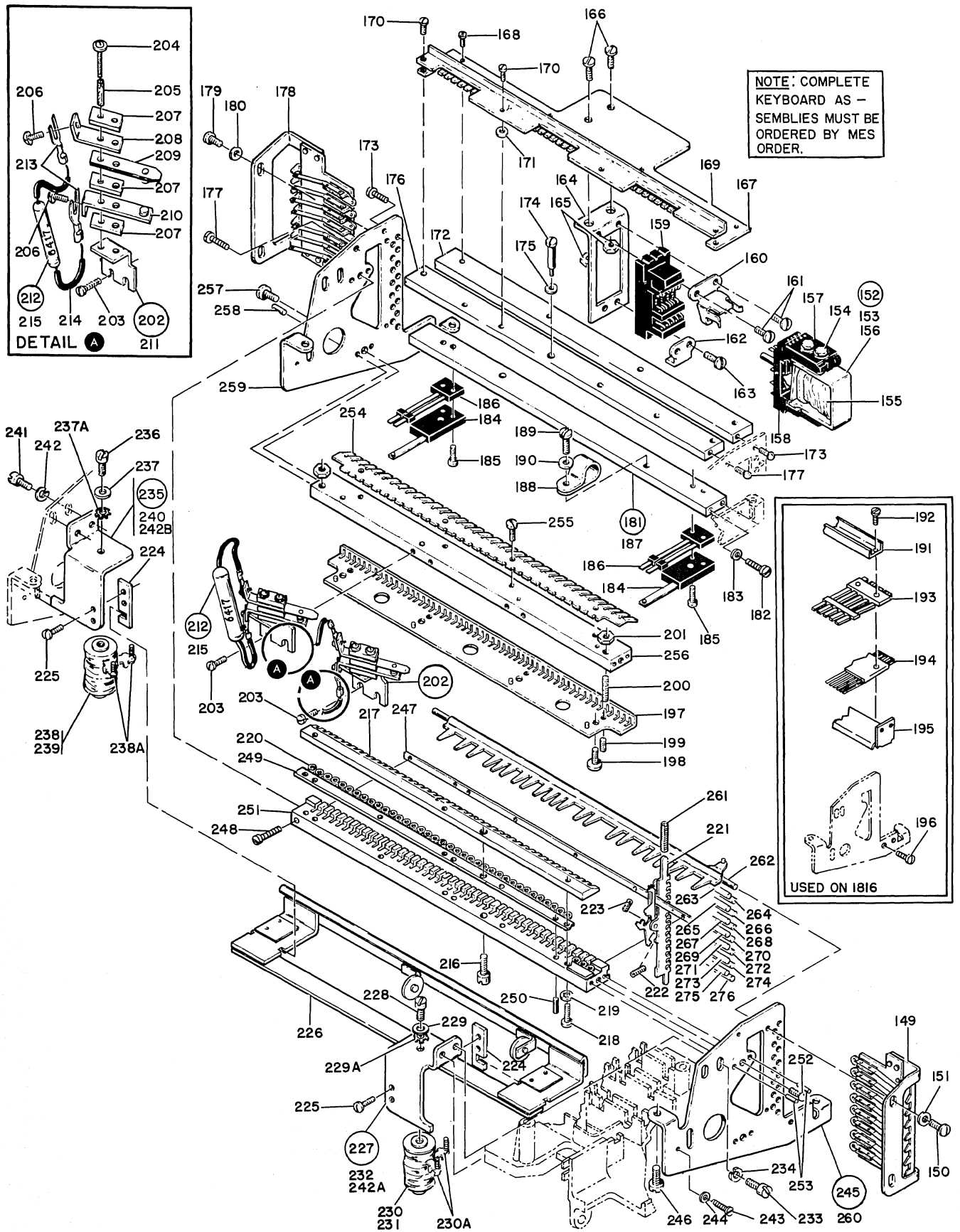


FIGURE 38. ELECTRIC KEYBOARD ASSEMBLY WITH LATE STYLE GUIDE PLATE. SHEET 2 OF 2. SEE LIST 38.

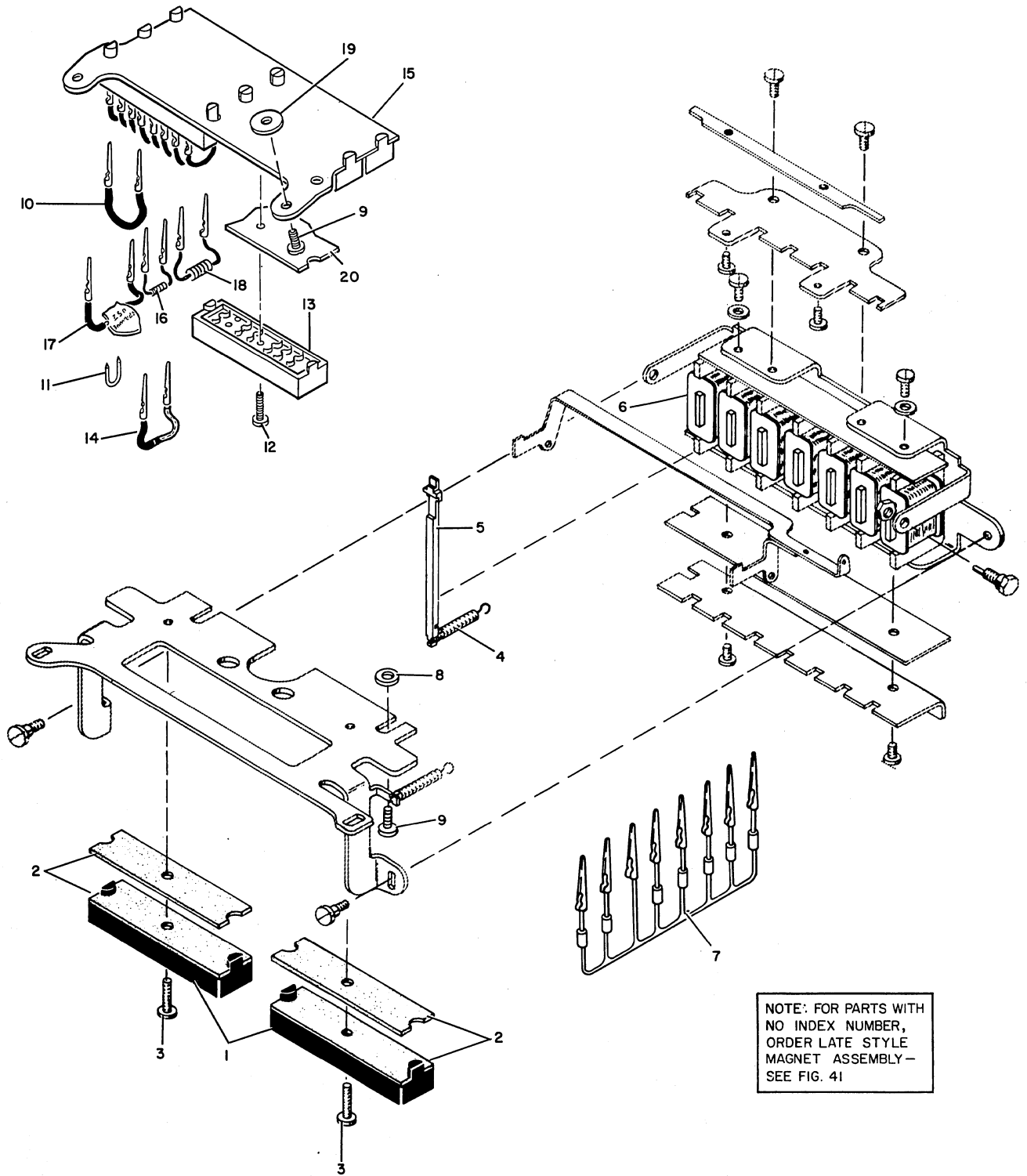
LIST AND INDEX NUMBER	PART NUMBER	DESCRIPTION				UNITS PER ASM.	USABLE ON CODE
		1	2	3	4		
		ELECTRIC KEYBOARD ASSEMBLY WITH LATE STYLE GUIDE PLATE					
38 -		CODE A USED ON 1816					
-	5161423	KEYBOARD ASSEMBLY-ELECTRIC USED ON 1052MOD 7 AND 9020 FAA SEE FIGURE 38 FOR ILLUSTRATION				REF	
-	1166460	KEYBOARD ASSEMBLY-ELECTRIC USED ON 1816 SEE FIGURE 38 FOR ILLUSTRATION				REF	A
-	5161421	KEYBOARD ASSEMBLY-ELECTRIC USED ON 1052MOD 1-2-3-4-5 AND 1447 SEE FIGURE 38 FOR ILLUSTRATION				REF	
-	5161422	KEYBOARD ASSEMBLY-ELECTRIC USED ON 1052MOD 8 SEE FIGURE 38 FOR ILLUSTRATION				REF	
- 1	5318665	. BUMPER,KEY USE UNDER ALTCODING,Q AND BACKSPACE KEY				3	
- 1	219204	. BUMPER,KEY USE UNDER SPACEBAR AND RETURN KEY				2	
- 1	382862	. BUMPER,KEY USE UNDER POSITION 1 AND 47				4	
- 1	361864	. BUMPER KEY USE UNDER REMAINING KEY POSITIONS EXCEPT POSITION 53				45	
- 1	313274	. BUMPER-KEY USED UNDER POSITIONS 14,15 AND 16 AFTER EC 506417				3	
- 2	5318601	. PLATE ASSEMBLY-SUPPORT				1	
- 3	55726	. SCREW				4	
- 4	4236	. SCREW				2	
- 5	227501	. . . SPRING-HOOK				2	
- 6	227502	. . . PLATE-SPRING MTG				2	
- 7	38271	. . . SCREW				6	
- 8	219278	. . . CHANNEL-HOOK				2	
- 9	5318597	. . . PLATE-COMBINATION SUPPORT				1	
- 10	5318689	. CONTACT ASSEMBLY				1	
- 11	173210	. . . SCREW				2	
- 12	100212	. . . INSULATOR-SCREW				2	
- 13	118418	. . . SCREW				4	
- 14	2819	. . . INSULATION-CONTACT SPRING				1	
- 15	107070	. . . SPRING ASSEMBLY-LOWER CONTACT				1	
- 16	152711	. . . TERMINAL ASSEMBLY-CONTACT				1	
- 17	311823	. . . INSULATOR-PLATE CONTACT ASSEMBLY				2	
- 18	25984	. . . SUPPORT-CONTACT ASSEMBLY				1	
- 19	106988	. . . CONTACT ASSEMBLY-CARD LEVER LOWER				1	
- 20	24957	. . . TERMINAL ASSEMBLY-CONTACT				1	
- 21	1882	. . . TERMINAL ASSEMBLY-CONTACT				1	
- 22	300342	. . . SPRING ASSEMBLY-CONTACT				1	
- 23	4108	. . . INSULATOR PLATE				2	
- 24	227522	. . . TERMINAL ASSEMBLY-CONTACT				1	
- 25	116374	. . . SPRING ASSEMBLY				1	
- 26	1166477	. CONTACT ASSEMBLY-ALPHA				1	A
- 27	173203	. . . SCREW				2	
- 28	100464	. . . INSULATOR-SCREW				2	
- 29	118418	. . . SCREW				2	
- 30	25984	. . . SUPPORT-CONTACT SPRING				1	
- 31	1166478	. . . SUPPORT				1	
- 32	107070	. . . SPRING ASSEMBLY-LOWER CONTACT				1	
- 33	152711	. . . TERMINAL ASSEMBLY-CONTACT				1	
- 34	2819	. . . INSULATION-CONTACT SPRING				1	
- 35	106988	. . . CONTACT ASSEMBLY-CARD LEVER LOWER				1	
- 36	24957	. . . TERMINAL ASSEMBLY-CONTACT				1	
- 37	25984	. . . SUPPORT-CONTACT SPRING				1	
- 38	311823	. . . INSULATOR-PLATE CONTACT ASSEMBLY				1	
- 39	1166458	. BRACKET-CONTACT				1	A
- 40	5318639	. KEY ASSEMBLY-TAB AND LINE FEED				2	
- 41	5318710	. . . SPRING-SWITCH LOCKING PAWL				1	
- 42	5318637	. . . PAWL ASSEMBLY-SWITCH LOCKING AND ROLLER				1	
- 43	1073418	. . . RING-RETAINING				1	
- 44	5318593	. . . STEM-KEY				1	
- 45	219203	. SPRING				1	
- 46	5318648	. BRACKET-CR AND INDEX BAIL PIVOT				1	
- 47	196298	. SCREW				2	
- 48	5318642	. BAIL-INDEX AND CR				1	

LIST AND INDEX NUMBER	PART NUMBER	DESCRIPTION	UNITS PER ASM.	USABLE ON CODE
38 - 49	5318653	. BRACKET-CR AND INDEX BAIL MOUNTING	1	
- 50	38279	. SCREW	2	
- 51	1074242	. SPRING	1	
- 52	362390	. BAIL-SHIFT	1	
- 53	57822	. SPRING	2	
- 54	38359	. SCREW	2	
- 55	173213	. SCREW	2	A
- 56	1118361	. RING-GRIP	2	
- 57	7341	. NUT	2	A
- 58	362388	. LEVER-SHIFT-KEY RH	1	
- 59	361906	. RING-GRIP	1	
- 60	219209	. SHAFT-BELL CRANK	3	
- 61	5318641	. BAR ASSEMBLY-SHIFT LATCH PULL RH	1	
- 62	362395	. LEVER-HAND SHIFT	1	
- 63	5318625	. BRACKET-SHIFT KEY LH	1	
- 64	358174	. SCREW	2	
- 65	123552	. SPRING	1	
- 66	5318588	. SHAFT-BELL CRANK	1	
- 66A	1118361	. RING-GRIP	1	
- 66B	22066	. WASHER	1	
- 67	5318643	. BAIL-SPACE BAR	1	
- 68	382845	. BAR-SPACE LATCH PULL	1	
- 69	140738	. SCREW	2	
- 70	5318630	. STEM-KEY	49	
- 71	219203	. SPRING	46	
- 71	1144999	. SPRING	3	
		USE UNDER SPACE BAR AND BACKSPACE KEY		
- 71	219203	. SPRING	50	A
- 72	5318646	. BAR ASSEMBLY-LATCH PULL BACKSPACE	1	
- 73	1073418	. RING-RETAINING	1	
- 74	5318662	. BAR ASSEMBLY-CARRIAGE RETURN LATCH PULL	1	
- 75	219202	. BAR ASSEMBLY-PULL LATCH	12	
- 76	219346	. BAR ASSEMBLY-PULL LATCH	11	
- 77	219229	. BAR ASSEMBLY-PULL LATCH	11	
- 78	219347	. BAR ASSEMBLY-PULL LATCH	9	
- 79	5318620	. BAR ASSEMBLY-SHIFT LATCH PULL	1	
- 80	5318590	. BAR ASSEMBLY-LATCH PULLEY	1	
- 81	5318616	. ARM ASSEMBLY-TAB BAIL	1	
- 82	1175101	. SETSCREW	2	
- 83	361868	. BAIL ASSEMBLY-TAB KEY	1	
- 84	257701	. CLIP-FRAME	2	
- 85	5318626	. BRACKET-BAIL GUIDE	1	
- 86	38263	. SCREW	2	
- 87	5318640	. CONTACT ASSEMBLY-TAB	1	
- 88	173202	. . SCREW	2	
- 89	114045	. . INSULATOR-SCREW	2	
- 90	118418	. . SCREW	2	
- 91	2819	. . INSULATION-CONTACT SPRING	2	
- 92	107070	. . SPRING ASSEMBLY-LOWER CONTACT	1	
- 93	21866	. . TERMINAL ASSEMBLY-CONTACT	1	
- 94	122238	. . INSULATOR-CONTACT SPRING	1	
- 95	106988	. . CONTACT ASSEMBLY-CARD LEVER LOWER	1	
- 96	138709	. . TERMINAL ASSEMBLY-CONTACT	1	
- 97	359785	. . INSULATOR,PLATE-CONTACT SPRING SUPPORT	1	
- 98	311823	. . INSULATOR-PLATE CONTACT ASSEMBLY	1	
- 99	5318640	. CONTACT ASSEMBLY-TAB	2	
		SEE LIST 46-87 FOR DETAIL BREAKDOWN		
-100	531688	. CONTACT ASM-ALTERNATE CODING	1	
-101	173207	. . SCREW	2	
-102	100226	. . INSULATOR SCREW	2	
-103	118418	. . SCREW	2	
-104	4108	. . INSULATOR-PLATE	2	
-105	138709	. . CONTACT ASSEMBLY-TERMINAL	1	
-106	107070	. . SPRING ASSEMBLY-LOWER CONTACT	1	
-107	4792	. . SUPPORT-CONTACT SPRING	1	
-108	25984	. . SUPPORT-CONTACT SPRING	1	
-109	342121	. . TERMINAL ASSEMBLY-CONTACT	1	
-110	106988	. . CONTACT ASSEMBLY-CARD LEVER LOWER	1	
-111	122238	. . INSULATOR CONTACT SPRING	1	
-112	2819	. . INSULATION-CONTACT SPRING	1	
-113	311823	. . INSULATOR-PLATE CONTACT ASSEMBLY	1	
-114	1166749	. CONTACT ASSEMBLY	1	A
-115	173204	. . SCREW	2	
-116	100359	. . INSULATOR-SCREW	2	
-117	118418	. . SCREW	2	
-118	25984	. . SUPPORT-CONTACT SPRING	1	

LIST AND INDEX NUMBER	PART NUMBER	DESCRIPTION	UNITS PER ASM.	USABLE ON CODE
38 -119	116374	. . . SPRING ASSEMBLY-CONTACT	1	
-120	227522	. . . TERMINAL ASSEMBLY-CONTACT	1	
-121	4108	. . . INSULATOR-PLATE	1	
-122	1166480	. . . CONTACT	1	
-123	138709	. . . CONTACT ASSEMBLY-TERMINAL	1	
-124	4108	. . . INSULATOR-PLATE	1	
-125	311823	. . . INSULATOR-PLATE CONTACT ASSEMBLY	1	
-126	1166476	. . . CONTACT ASSEMBLY	1	A
-127	173219	. . . SCREW	2	
-128	100134	. . . INSULATOR-SCREW	2	
-129	118418	. . . SCREW	2	
-130	25984	. . . SUPPORT-CONTACT SPRING	1	
-131	1166478	. . . SUPPORT	1	
-132	107070	. . . SPRING ASSEMBLY-LOWER CONTACT	1	
-133	21866	. . . TERMINAL ASSEMBLY-CONTACT	1	
-134	4108	. . . INSULATOR PLATE	3	
-135	106998	. . . SPRING ASM-UPPER CONTACT	1	
-136	24958	. . . TERMINAL ASSEMBLY-CONTACT	1	
-137	311823	. . . INSULATOR-PLATE	1	
-138	1166459	. . . BRACKET-CONTACT	1	A
-139	5318654	. . . BRACKET-SHIFT LOCK	1	
-140	1164582	. . . SCREW	2	
-141	123552	. . . SPRING	1	
-142	362393	. . . CARD ASSEMBLY	1	
-142	831989	USED ON 1052M1-5, AND 8, 1816 AND 1447 . . . CARD ASSEMBLY	1	
-143	251970	USED ON 1052-7 AND 9020 . . . SCREW	2	
-144	5318718	. . . INSULATOR-CIRCUIT CARD	1	
-145	60990	. . . BUSHING	1	
-146	1175103	. . . SETSCREW	2	
-148	362314	. . . PLATE-GUIDE	1	
-149	5318704	. . . PLATE ASSEMBLY-CONTACT RIGHT	1	
-150	196299	. . . SCREW	2	
-151	1866	. . . WASHER	2	
-152	196196	. . . RELAY ASSEMBLY-WIRE CONTACT 6PDT 1 COIL	1	
-153	196204	. . . CORE AND YOKE ASSEMBLY-MAGNET	1	
-154	104976	. . . SCREW	3	
-155	344541	. . . COIL-RELAY ASSEMBLY	1	
-156	155043	. . . SPRING	2	
-157	159929	. . . HOLDER-CONTACT WIRE	1	
-158	344517	. . . HOLDING ASSEMBLY- 6 POS RELAY	1	
-159	159942	. . . HOLDING ASSEMBLY-TERMINAL 6 POS	1	
-160	159945	. . . CLIP,SPRING TENSION-TERMINAL MOULDING	1	
-161	198363	. . . SCREW	2	
-162	308704	. . . CLIP-MOULDING	1	
-163	198363	. . . SCREW	2	
-164	5318707	. . . BRACKET-RELAY MOUNTING	1	
-165	6503	. . . NUT, PLAIN, HEX	2	
-166	58207	. . . SCREW	2	
-167	5318599	. . . PLATE-PERMUTATION BAR GUIDE	1	
-168	196299	. . . SCREW	4	
-169	313355	. . . GUIDE-UPPER BAIL FRONT	1	
-170	196299	. . . SCREW	4	
-171	150109	. . . WASHER	2	
-172	313353	. . . BAR-SWITCH PLATE MOUNTING	1	
-173	294	. . . SCREW-RH	2	
-174	219288	. . . SCREW	1	
-175	49901	. . . WASHER	AR	
-175	110542	. . . WASHER	AR	
-175	150331	. . . SPACER	AR	
-175	305271	. . . WASHER	AR	
-176	313354	. . . BAR-COMBINATION SUPPORT PLATE MOUNTING	1	
-177	294	. . . SCREW	2	
-178	5318708	. . . PLATE ASSEMBLY-CONTACT LEFT	1	
-178	1166454	. . . CONTACT ASSEMBLY-LEFT BAIL	1	A
-179	196299	. . . SCREW	2	
-180	1866	. . . WASHER	2	
-181	5318685	. . . BAR ASSEMBLY	1	
-182	52607	. . . SCREW	4	
-183	163899	. . . WASHER, LOCK	4	
-184	5318682	. . . CONTACT-LATCH COM	2	
-185	175235	. . . SCREW	4	
-186	308633	. . . TERMINAL ASSEMBLY-LATCH CONTACT	2	
-187	5318683	. . . BAR-CONTACT MOUNTING	1	
-188	2102366	. . . CLAMP, LOOP	2	

LIST AND INDEX NUMBER	PART NUMBER	DESCRIPTION				UNITS PER ASM.	USABLE ON CODE
		1	2	3	4		
38 -189	2300	.	SCREW			2	
-190	22478	.	WASHER			2	
-191	5367162	.	BRACKET-CLAMP			1	A
-192	38255	.	SCREW			4	A
-193	219281	.	CONTACT-ELECTRICAL			1	A
-194	1166488	.	CONTACT-ELECTRICAL			1	A
-195	1166397	.	BRACKET-MOUNTING			1	A
-196	4236	.	SCREW			4	A
-197	219237	.	PLATE-COMBINATION BAIL STOP			1	
-198	196299	.	SCREW			4	
-199	133798	.	SETScrew			4	
-200	219325	.	STUD, ARMATURE STOP			2	
-201	11598	.	NUT			2	
-202	219369	.	CONTACT ASSEMBLY, ELEC-COMBINATION BAIL			2	
-203	196299	.	SCREW			4	
-204	173205	.	SCREW			2	
-205	100229	.	INSULATOR-SCREW			2	
-206	118448	.	SCREW			2	
-207	204843	.	INSULATOR-BLOCK PUNCH UNIT CONTACT			3	
-208	204839	.	TERMINAL-LOWER CONTACT			1	
-209	205608	.	TERMINAL ASSEMBLY-CONTACT			1	
-210	204848	.	TERMINAL ASSEMBLY-UPPER CONTACT			1	
-211	219368	.	BRACKET-COMBINATION BAIL CONTACT			1	
-212	2102593	.	RESISTOR ASSEMBLY- 150 OHMS 10W			1	
-213	435599	.	TERMINAL			2	
-214	317304	.	TUBING			2	
-215	2102172	.	RESISTOR, FXD, WW- 150 OHMS P/M 5% 10W			1	
-216	219472	.	SCREW			1	
-217	219232	.	BAR-HOOK SUPPORT			1	
-218	673	.	SCREW			3	
-219	105047	.	WASHER, LOCK			3	
-220	219235	.	KEY-INTLK			48	
-221	219357	.	LATCH ASSEMBLY			49	
-222	219224	.	SPRING			49	
-223	219333	.	SPRING			49	
-224	219268	.	PIVOT-ARMATURE			2	
-225	196299	.	SCREW			4	
-226	5318664	.	BAIL ASSEMBLY-RESTORING			1	
-227	1119991	.	YOKE ASSEMBLY-KEYBOARD RESTORE RIGHT- (USED ON MACHINES ABOVE SN 4629425)			1	
-228	38368	.	SCREW			1	
-229	22478	.	WASHER, LOCK			1	
-229A	1090873	.	WASHER, LOCK			1	
-230	1119990	.	COIL ASSEMBLY			1	
-230A	53042	.	SCREW			2	
-231	4161	.	CORE-MAGNET			1	
-232	960837	.	YOKE-MAGNET RIGHT			1	
-233	38368	.	SCREW			2	
-234	22478	.	WASHER-LOCK			2	
-235	1119992	.	YOKE ASSEMBLY-KEYBOARD RESTORE LEFT USED ON MACHINES ABOVE SN 4629425			1	
-236	38368	.	SCREW			1	
-237	22478	.	WASHER			1	
-237A	1090873	.	LOCK WASHER			1	
-238	1119990	.	COIL ASSEMBLY			1	
-238A	53042	.	SCREW			2	
-239	4161	.	CORE-MAGNET			1	
-240	960836	.	YOKE-MAGNET			1	
-241	38368	.	SCREW			2	
-242	22478	.	WASHER-LOCK			2	
-242A	5318693	.	YOKE ASM-KEYBOARD RESTORE RIGHT-EARLY STYLE SEE FIGURE 37 INDEX 193			1	
-242B	5318694	.	YOKE ASM-KEYBOARD RESTORE LEFT-EARLY STYLE SEE FIGURE 37 INDEX 201			1	
-243	38271	.	SCREW			1	
-244	56722	.	WASHER-LOCK			1	
-245	5318600	.	BAR ASSEMBLY-MOUNTING			1	
-246	38368	.	SCREW			2	
-247	219226	.	PLATE-LATCH			1	
-248	311843	.	SCREW			6	
-249	219272	.	GUIDE-INTERLOCK			1	
-250	134998	.	PIN			5	
-251	219225	.	BAR-LATCH			1	
-252	294	.	SCREW			2	
-253	7371	.	PIN			4	
-254	219236	.	GUIDE-BAIL LOWER			1	

LIST AND INDEX NUMBER	PART NUMBER	DESCRIPTION				UNITS PER ASM.	USABLE ON CODE
		1	2	3	4		
38 -255	196299	.	.	SCREW		4	
-256	5318666	.	.	BAR-BAIL GUIDE MOUNTING		1	
-257	294	.	.	SCREW		2	
-258	7371	.	.	PIN		4	
-259	313351	.	.	PLATE-RIGHT SIDE		1	
-260	313350	.	.	PLATE-LEFT SIDE		1	
-261	335321	.	.	SPRING		49	
-262	362341	.	.	BAIL-CONTACT NO. 1 RIGHT		1	
-263	362342	.	.	BAIL-CONTACT NO. 2		1	
-264	362343	.	.	BAIL-CONTACT NO. 3 RIGHT		1	
-265	362344	.	.	BAIL-CONTACT NO. 4		1	
-266	5318606	.	.	BAIL-CONTACT NO. 5 RIGHT		1	
-267	362346	.	.	BAIL-CONTACT NO. 6		1	
-268	362347	.	.	BAIL-CONTACT NO. 7 RIGHT		1	
-269	362348	.	.	BAIL-CONTACT NO. 8		1	
-270	362349	.	.	BAIL-CONTACT NO. 9 RIGHT		1	
-271	362350	.	.	BAIL-CONTACT NO. 10		1	
-272	362351	.	.	BAIL-CONTACT NO. 11 RIGHT		1	
-273	362352	.	.	BAIL-CONTACT NO. 12		1	
-274	362353	.	.	BAIL-CONTACT NO. 13 RIGHT		1	
-275	1166628	.	.	BAIL-CONTACT NO. 14		1	
-276	5318612	.	.	BAIL-CONTACT NO. 15 RIGHT		1	
-277	312489	.	.	RETAINER, NYLON		AR	
-278	1166248	.	.	BLOCK, TERMINAL ASM.		1	



NOTE: FOR PARTS WITH NO INDEX NUMBER, ORDER LATE STYLE MAGNET ASSEMBLY—SEE FIG. 41

FIGURE 39. EARLY STYLE PRINT SELECTION MAGNET ASSEMBLY. SEE LIST 39.

LIST AND INDEX NUMBER	PART NUMBER	DESCRIPTION				UNITS PER ASM.	USABLE ON CODE
		1	2	3	4		
		EARLY STYLE PRINT SELECTION MAGNET ASSEMBLY					
39 -	NO NO.	PRINT SELECTION MAGNET ASSEMBLY 48V SEE FIGURE 39 FOR ILLUSTRATION FOR PARTS WITH NO INDEX NUMBER ORDER LATE STYLE MAGNET ASSEMBLY. SEE FIGURE 41.				NP	
- 1	302090	. CONNECTOR				2	
- 2	302131	. INSULATOR				4	
- 3	438549	. SCREW				2	
- 4	1100937	. SPRING				7	
- 5	1128584	. ARMATURE				7	
- 6	1135134	. COIL ASSEMBLY 48V				7	
- 7	1145415	. DIODE ASSEMBLY USED ON 765, 1052-7, 1053-2&3, 1131 AND 1816				1	
- 8	1090840	. WASHER				2	
- 9	1164577	. SCREW				2	
- 10	129242	. JUMPER ASM,BLUE 2-1/2				2	
- 10	129243	. JUMPER ASM,BLUE 3-1/2				1	
- 11	205329	. JUMPER-BRASS				7	
- 12	236550	. SCREW				2	
- 13	302090	. CONNECTOR				2	
- 14	1135573	. DIODE ASSEMBLY				5	
- 15	1159177	. PLATE				1	
- 16	1159178	. RESISTOR ASSEMBLY- 200 OHMS				1	
- 17	1159347	. CAPACITOR ASSEMBLY- .05 MFD				1	
- 18	1159348	. RESISTOR ASSEMBLY- 82 OHMS				1	
- 19	1105760	. SPACER				2	
- 20	1159535	. INSULATION				1	

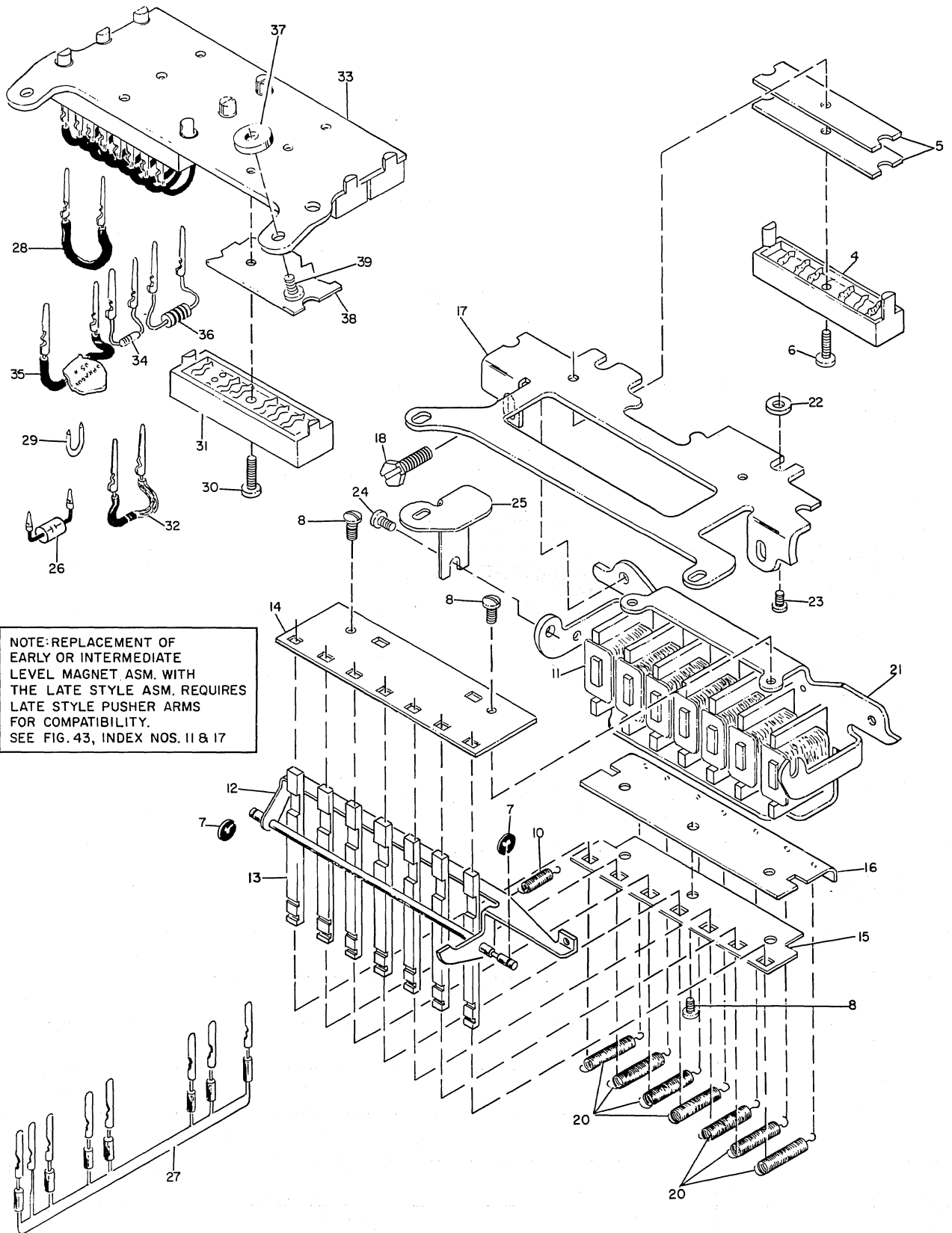
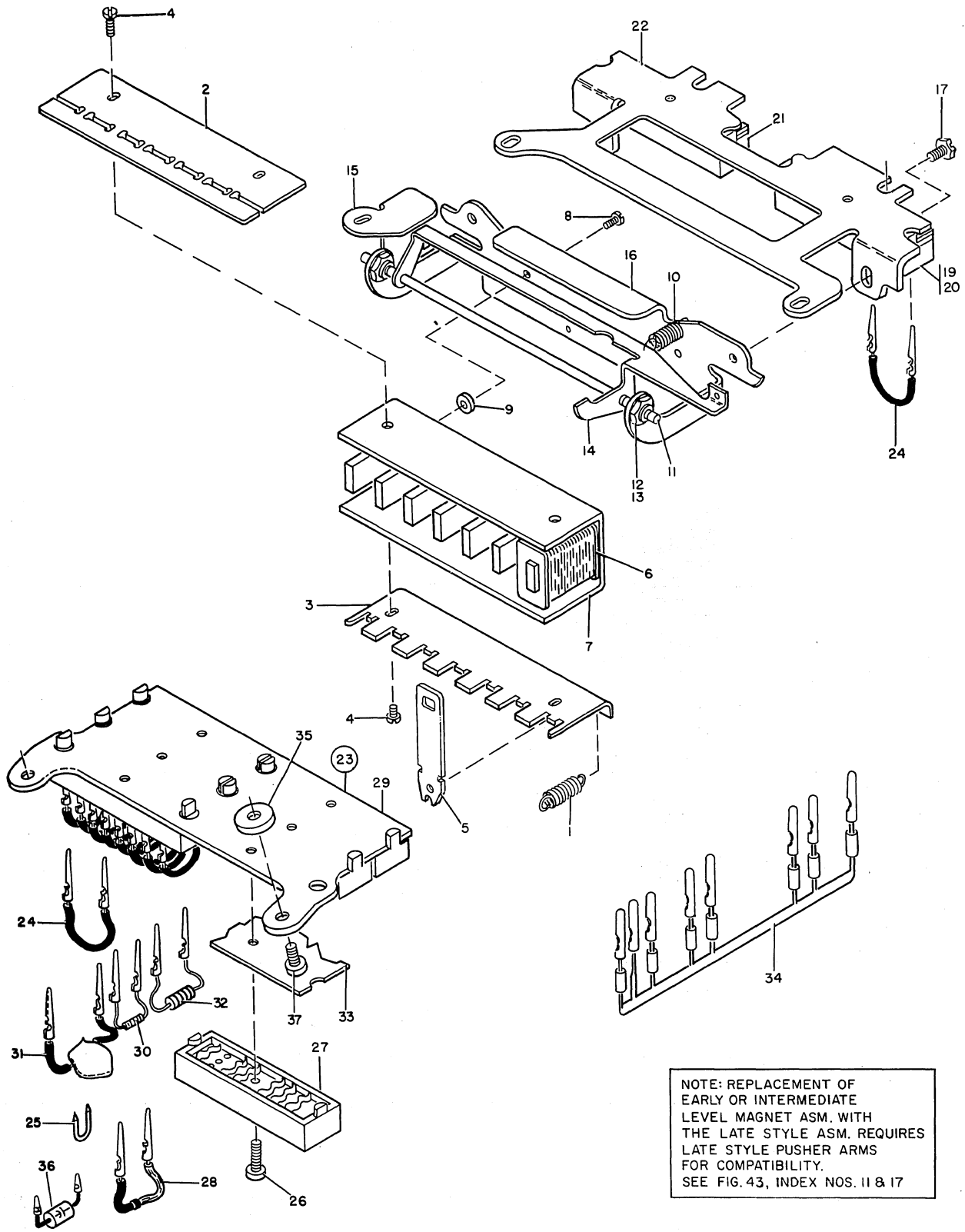


FIGURE 40. INTERMEDIATE STYLE PRINT SELECTION MAGNET ASSEMBLY. SEE LIST 40.

LIST AND INDEX NUMBER	PART NUMBER	DESCRIPTION 1 2 3 4	UNITS PER ASM.	USABLE ON CODE
		INTERMEDIATE STYLE PRINT SELECTION MAGNET ASSEMBLY		
40 -	NO NO.	PRINT SELECTION MAGNET ASSEMBLY 48V SEE FIGURE 40 FOR ILLUSTRATION	NP	
- 4	302090	. CONNECTOR	2	
- 5	302131	. INSULATOR	4	
- 6	438549	. SCREW	2	
- 7	1073418	. RING-RETAINING	2	
- 8	1117759	. SCREW	5	
- 10	1134831	. SPRING	1	
- 11	1135134	. COIL ASSEMBLY 48V	7	
- 12	1166547	. ARM ASM-KNOCKOFF AND CYCLE CLUTCH TRIP	1	
- 13	1159972	. ARMATURE-CHROME	7	
- 13	1166548	. ARMATURE	1	
		USED ON MACHINES WITH STAINLESS TRIP BALLS		
- 14	1159973	. STOP-SELECTION ARMATURE	1	
- 15	1159974	. GUIDE-ARMATURE	1	
- 16	1159975	. PIVOT ARMATURE	1	
- 17	1159978	. BRACKET	1	
- 18	1066053	. SCREW	2	
- 20	1166203	. SPRING-ARMATURE	7	
- 21	NO NO.	. CORE ASSEMBLY	1	
		NOTE: REPLACEMENT OF INDEX 21 REQUIRES REPLACEMENT OF ENTIRE PRINT SEL. MAG. ASM. FIGURE 41. SEE NOTES ON FIGURE 41.		
- 22	1128598	SPACER, THICK	AR	
- 22	1090840	WASHER	AR	
		USED ON MACHINES WITH BOSSES		
- 23	1164577	SCREW	4	
- 24	1128352	SCREW	1	
- 25	1166187	SUPPORT-MOUNT	1	
- 26	581436	. CAPACITOR ASSEMBLY- 50MFD AT 50WVDC	1	
- 27	1145415	. DIODE ASSEMBLY USED ON 765, 1052M7, 1053M2-3, 1131, AND 1816	1	
- 27	1187685	. DIODE ASSEMBLY USED ON 1980-21	1	
- 28	129242	. JUMPER ASM-BLUE 2-1/2	2	
- 28	129243	. JUMPER ASM-BLUE 3-1/2	1	
- 29	205329	. JUMPER-BRASS	7	
- 30	236550	. SCREW	2	
- 31	302090	. CONNECTOR	2	
- 32	1135573	. DIODE ASSEMBLY	5	
- 33	1159177	. PLATE	1	
- 34	1159178	. RESISTOR ASSEMBLY- 200 OHMS	1	
- 35	1159347	. CAPACITOR ASSEMBLY- .05 MFD	1	
- 36	1159348	. RESISTOR ASSEMBLY- 82 OHMS	1	
- 36	2102554	. RESISTOR, FIXED- 2000 OHMS	2	
- 36	2127632	. RESISTOR, FIXED- 390 OHMS	1	
- 36	99835	. RESISTOR ASSEMBLY- 1500 OHMS 5W PLUG-IN	1	
- 37	1105760	. SPACER	2	
- 38	1159535	. INSULATION	1	
- 39	1164577	. SCREW	2	



NOTE: REPLACEMENT OF EARLY OR INTERMEDIATE LEVEL MAGNET ASM. WITH THE LATE STYLE ASM. REQUIRES LATE STYLE PUSHER ARMS FOR COMPATIBILITY. SEE FIG. 43, INDEX NOS. 11 & 17

FIGURE 41. LATE STYLE PRINT SELECTION MAGNET ASSEMBLY. SEE LIST 41.

LIST AND INDEX NUMBER	PART NUMBER	DESCRIPTION	UNITS PER ASM.	USABLE ON CODE
		PRINT SELECTION MAGNET ASSEMBLY, LATE STYLE		
41 -	1159545	48V PRINT SELECTION MAGNET ASM, LATE STYLE SEE FIGURE 41 FOR ILLUSTRATION	REF	
-	1159546	24V PRINT SELECTION MAGNET ASM	REF	
- 1	219765	. SPRING, EXTENSION	7	
- 2	1135483	. UPSTOP, SELECTION ARMATURE	1	
- 3	1135413	. PLATE, PIVOT-SELECTION ARMATURE	1	
- 4	1164584	. SCREW, MACH, BND HD #4-40 UNC x .149	4	ATT PT
- 5	1135055	. ARMATURE, SELECTION MAGNET	7	
- 6	1135134	. COIL ASM, PRINT MAGNET-48V	7	
- 6	1266894	. COIL-24V	7	
- 7	1135357	. CORE ASM, SELECTION MAGNET	1	
- 8	1164580	. SCREW, MACH, BND HD-	3	ATT PT
- 9	1135746	. SPACER	3	
- 10	1134831	. SPRING, EXTENSION	1	
- 11	1187884	. GRIP RING, EXTERNAL SPOOL SHAFT	2	
- 12	1203232	. PIVOT, THREADED-# 25-32	2	
- 13	1142790	. NUT, HEX-#.25-32	2	ATT PT
- 14	1203233	. ARM ASM, KNOCKOFF AND CYCLE CLUTCH TRIP	1	
- 15	1166187	. SUPPORT, MOUNT PART OF FINAL ASM	1	
- 16	1135738	. MOUNT, SELECTION MAGNET	1	
- 17	1166053	. SCREW, MACH, HEX HD -#6-32 UNC x .180	2	ATT PT
- 19	302090	. BLOCK, TERMINAL	2	
- 20	438548	. SCREW, MACH-BIND HD 4-40 x 3/16 LG	4	ATT PT
- 21	302131	. INSULATOR	1	
- 22	1159978	. BRACKET, MAGNET	1	
- 23	1159396	. MAGNETIC SUPPRESSION ASM-48V	1	
- 23	5161528	. MAGNETIC SUPPRESSION ASM-24V	1	
- 24	129242	. . JUMPER, WIRE-BLUE 2-1/2	3	
- 24	129246	. . JUMPER ASM.-BLUE 3-1/2	AR	
- 25	205329	. . JUMPER, BRASS	11	
- 26	236550	. . SCREW, TERMINAL BLOCK	6	
- 27	302090	. . BLOCK, TERMINAL	6	
- 28	1135573	. . DIODE ASM	14	
- 29	1159177	. . PLATE, MOUNTING	1	
- 30	1159178	. . RESISTOR ASM 200 OHMS	14	
- 31	1159347	. . CAPACITOR ASM-.05 MFD	1	
- 32	1159348	. . RESISTOR ASM,-82 OHMS	1	
- 33	1159535	. . INSULATOR, TERMINAL BLOCK	1	
- 34	1145415	. . DIODE ASM USED ON 765, 1052-7, 1053-2&3 1131 AND 1816	1	
- 34	1187685	. . DIODE ASM USED ON 1980-21	1	
- 35	1090840	. . SPACER	2	
- 36	581436	. . CAPACITOR ASM 50 MFD AT 50 WUDC	1	
- 37	1164577	. SCREW	2	

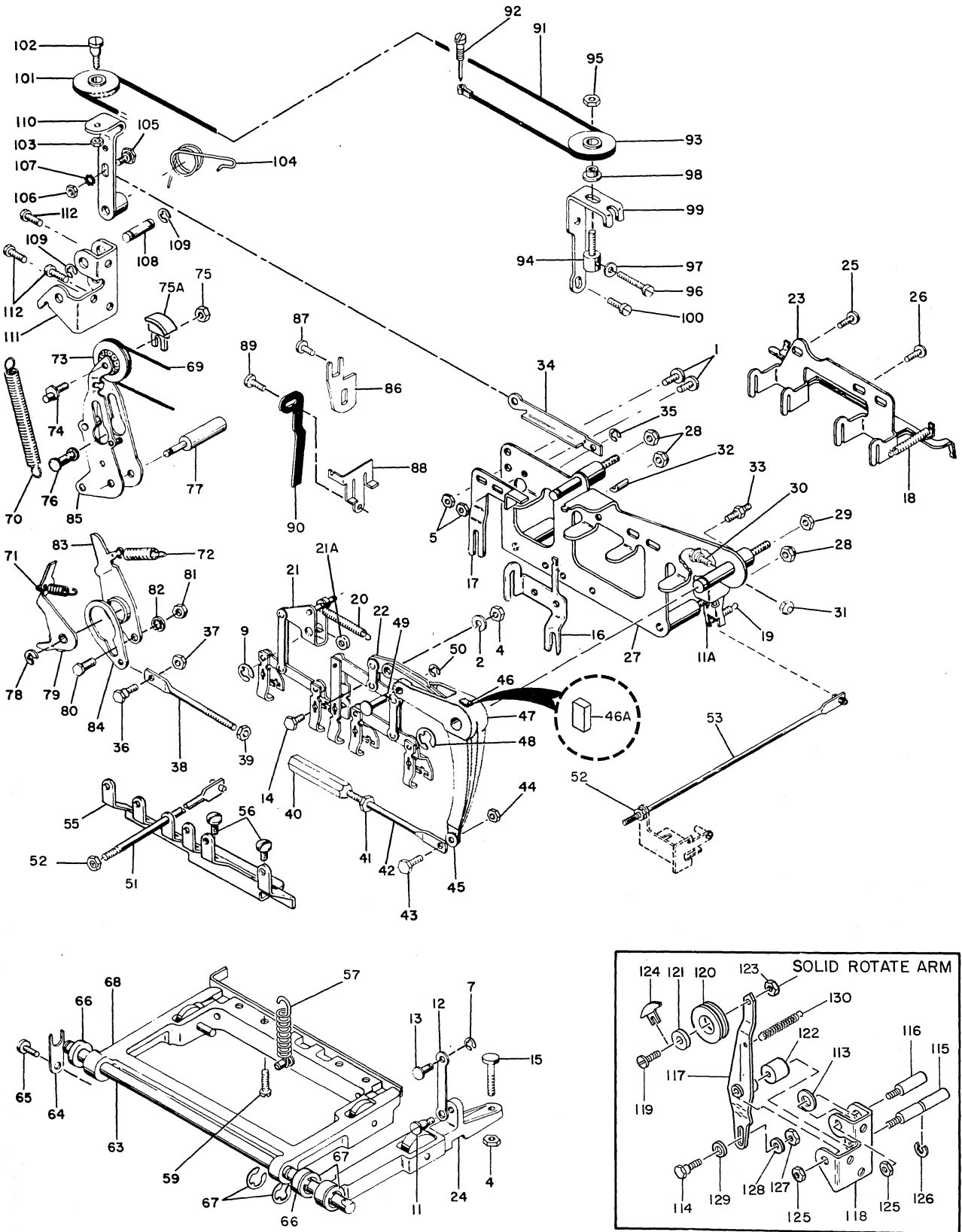


FIGURE 42. CHARACTER SELECTION. SEE LIST 42.

LIST AND INDEX NUMBER	PART NUMBER	DESCRIPTION 1 2 3 4	UNITS PER ASM.	USABLE ON CODE
42 -	NO NO.	CHARACTER SELECTION SEE FIGURE 42 FOR ILLUSTRATION	NP	
- 1	186399	. SCREW	2	
- 2	6364	. WASHER, LOCK	1	
- 4	38051	. NUT	2	
- 5	47987	. NUT	2	
- 7	1073418	. RING-RETAINING	4	
- 9	1092125	. RING-RETAINING	1	
- 11	1123715	. STUD, 5 UNIT BAIL	1	
- 11A	1123718	. LATCH, 5 UNIT WHEN REPLACING RIVETED LATCH ORDER INDEX 30 AND 31 ALSO	1	
- 12	1123724	. LINK- 5 UNIT DRIVE	1	
- 13	1123725	. STUD, 5 UNIT DRIVE LINK	1	
- 14	1123741	. SCREW	1	
- 15	1123779	. STUD- 5 UNIT LATCH	1	
- 16	1124622	. GUIDE ROTATE LATCH	1	
- 17	1128556	. GUIDE-SELECTOR BAIL	1	
- 18	1128580	. SPRING-EXTENSION SELECTOR LATCH	5	
- 19	1133668	. SPRING-5 UNIT LATCH	1	
- 20	1134837	. SPRING	1	
- 21	1135028	. TILT LATCHES	1	
- 21A	1187001	. OIL WICK	1	
- 22	1135029	. ROTATE LATCHES	1	
- 23	1135031	. BRACKET-SELN DIFF LEVER GUIDE	1	
- 24	1159157	. BAIL- 5 UNIT	1	
- 25	1164578	. SCREW	1	
- 26	1164580	. SCREW	2	
- 27	1166001	. PLATE-DIFFERENTIAL	1	
- 28	1138462	. NUT	3	
- 29	257187	. NUT	1	
- 30	1128555	. STUD, 5 UNIT LATCH	1	
- 31	1135826	. NUT	1	
- 32	1124821	. WEDGE	1	
- 33	1128557	. STUD	1	
- 34	1134877	. LINK, TILT-EARLY STYLE	1	
- 34	1166779	. LINK, TILT USED ON MACHINES ABOVE SN 4650111	1	
- 35	1073415	. RETAINER-RING	1	
- 36	1141460	. SCREW-EARLY STYLE	1	
- 36	1164089	. SCREW-HEAVY LINK	1	
- 37	37913	. NUT-LATE STYLE	1	
- 37	1127763	. NUT-EARLY LINK	1	
- 38	1141396	. LINK-EARLY-SMALL	1	
- 38	1147182	. LINK-LATE STYLE-HEAVY	1	
- 38	1164045	. LINK, INT. STYLE HEAVY-USE WITH PN1203293 (INDEX 117)	1	
- 39	6503	. NUT	1	
- 40	1133618	. NUT	1	
- 41	1133619	. NUT	1	
- 42	1141398	. LINK-EARLY-SMALL	1	
- 42	1166777	. LINK-LATE STYLE HEAVY	1	
- 43	1141460	. SCREW-EARLY-SMALL LINK	1	
- 43	1164089	. SCREW-HEAVY LINK	1	
- 44	37913	. NUT-EARLY-SMALL LINK	1	
- 44	1127763	. NUT-HEAVY LINK	1	
- 45	1127741	. SPACER	1	
- 46	1133641	. DAMPENER-TAPE	1	
- 46A	1174099	. OIL WICK	1	
- 47	1203255	. BELLCRANK-ROTATE	1	
- 48	332747	. RING-RETAINING	1	
- 49	1123722	. STUD	1	
- 50	1073418	. RING-RETAINING	1	
- 51	1135168	. LINK, LATCH	6	
- 52	1159716	. NUT, SELF-LOCKING	7	
- 53	1133586	. LINK-MINUS 5 LATCH	1	
- 55	1166420	. BRACKET	1	
- 56	1164576	. SCREW	6	
- 57	1134837	. SPRING	1	
- 59	1187255	. SCREW-BAIL PLATE	3	
- 63	1135572	. SHAFT	1	
- 64	1128086	. RETAINER	1	
- 65	38351	. SCREW	1	
- 66	1166560	. WICK-OIL	1	
- 67	332747	. RING-RETAINING	4	
- 68	1203556	. BAIL, OLD STYLE-HEAVY	1	
- 68	5173707	. BAIL, NEW STYLE	1	

LIST AND INDEX NUMBER	PART NUMBER	DESCRIPTION	UNITS PER ASM.	USABLE ON CODE
42 - 69	1134817	. TAPE, ROTATE	1	
- 70	1141075	. SPRING-COMP ASSIST	1	
- 71	1133662	. SPRING	1	
- 72	1134836	. SPRING	1	
- 73	1123704	. PULLEY, ROTATE LH	1	
- 74	1123702	. STUD-PULLEY MTG	1	
- 75	37913	. NUT	1	
- 75A	1187095	. GUARD-ROTATE TAPE	1	
- 76	1133503	. ROLLER, COMPENSATOR	1	
- 77	1133569	. STUD, PIVOT	1	
- 78	1073418	. RING-RETAINING	1	
- 79	1133568	. ARM, ECCENTRIC	1	
- 80	1132052	. SCREW	1	
- 81	38051	. NUT	1	
- 82	62031	. WASHER, LOCK	1	
- 83	1132051	. ARM	1	
- 84	1134966	. LINK	1	
- 85	1133575	. ARM, ROTATE (COMPENSATING)	1	
- 86	1128091	. STOP-DAMPENER	1	
- 87	1164576	. SCREW	1	
- 88	1135665	. BRACKET	1	
- 88	1144666	. BRACKET- 765	1	
- 89	1164577	. SCREW	1	
- 90	1141084	. SPRING-STOP	1	
- 91	1134816	. TAPE, TILT-GEAR TILT	1	
- 91	1164316	. TAPE, TILT-15 IN. MACHINES ON GEARLESS TILT-MACHINES BELOW APPROX SN 4604800 B/M NO. 1280498 MUST ALSO BE INSTALLED	1	
- 92	1164775	. SCREW	1	
- 93	1123749	. PULLEY, TILT RH	1	
- 94	1123751	. STUD	1	
- 95	257187	. NUT	1	
- 95	38051	. NUT USED ON MACHINES ABOVE SN 4641190	1	
- 96	1124683	. SCREW	1	
- 97	263680	. WASHER	1	
- 98	1123750	. BUSHING	1	
- 99	1124636	. BRACKET	1	
-100	38350	. SCREW	1	
-101	1123692	. PULLEY, TILT LH	1	
-102	1134964	. STUD	1	
-103	1090268	. NUT	1	
-104	1203322	. SPRING	1	
-105	1134878	. STUD	1	
-106	37913	. NUT	1	
-107	56313	. WASHER, LOCK	1	
-108	1123736	. PIN-PIVOT	1	
-109	1092125	. RING-RETAINING-EARLY	2	
-109	25282	. RING, RETAINING-LATE 1 REQUIRED	1	
-110	1203321	. ARM, TILT	1	
-111	1133565	. BRACKET	1	
-112	38234	. SCREW	3	
-113	1187001	. LUBE WICK	1	
-114	1164089	. SCREW, 4-40 (UNDERCUT) USED WITH EARLY STYLE SOLID ROTATE ARM. PART NO. 1203293-INDEX 117	1	
-114	1147194	. SCREW, 6-32 USE WITH LATE STYLE SOLID ROTATE ARM, PART NO. 1230218-INDEX 117	1	
-115	1203289	. SHAFT, ROTATE ARM	1	
-116	1203298	. STUD, TILT ARM PIVOT	1	
-117	1203293	. ARM, ROTATE (SOLID, EARLY STYLE)-USES LINK 1164045-INDEX 38	1	
-117	1230218	. ARM-ROTATE (SOLID, LATE STYLE)-USES LINK 1147182-INDEX 38	1	
-118	1203290	. BRACKET	1	
-119	1164579	. SCREW	1	
-120	1144979	. PULLEY	1	
-121	1141896	. SPACER	1	
-122	1187000	. LUBE WICK	1	
-123	1134842	. NUT	1	
-124	1203297	. GUARD	1	
-125	37913	. NUT	1	
-126	1092125	. RETAINER	1	
-127	37913	. NUT	1	
-127	38051	. NUT-USE WITH PN1147194-INDEX 114	1	
-128	257985	. WASHER-USE WITH PN1164089-INDEX 114	1	
-129	1164563	. WASHER	2	
-130	1128055	. SPRING (USED ON 15" MACH.)	AR	

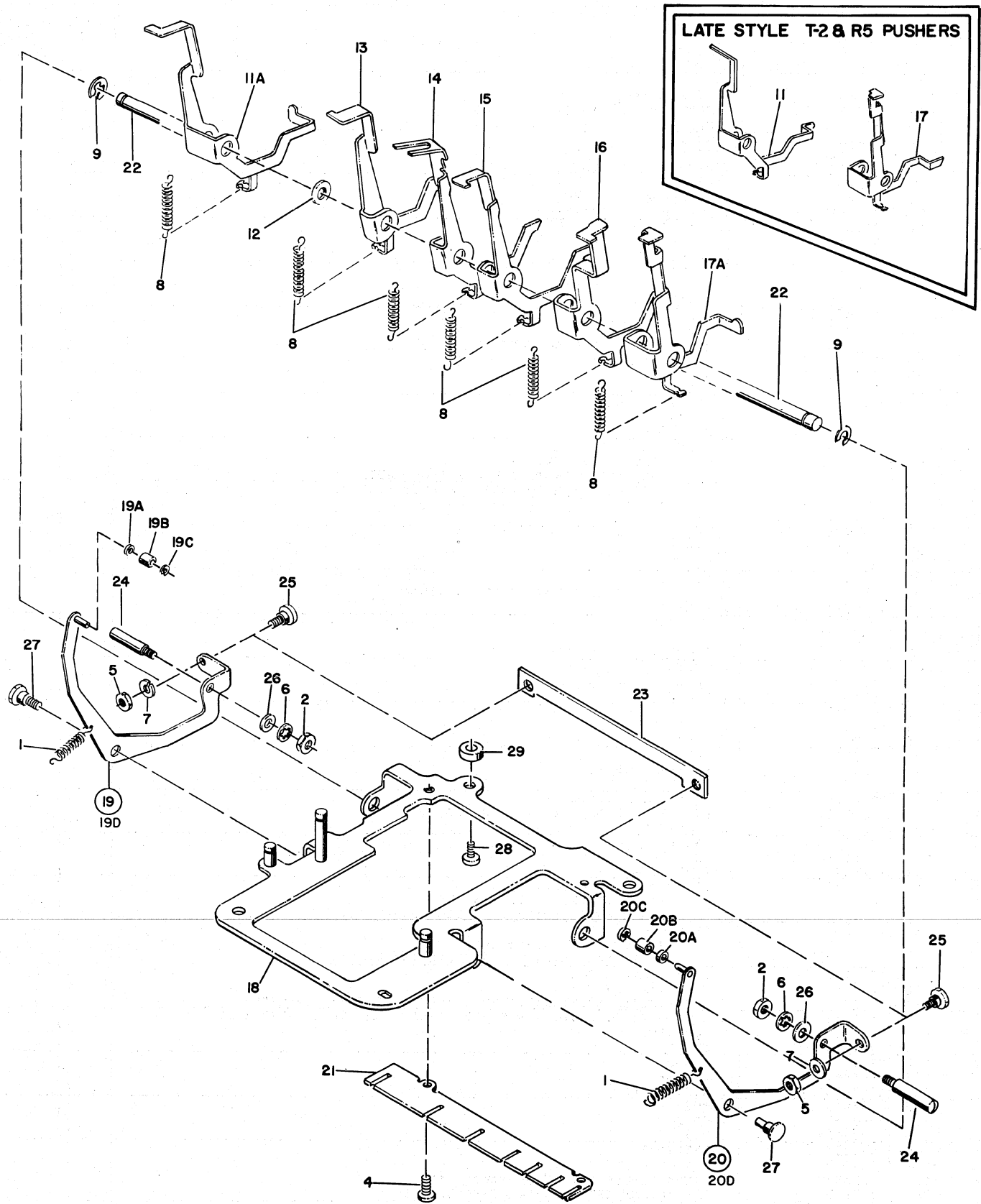


FIGURE 43. CAM FOLLOWER AND PUSHER ASSEMBLY. SEE LIST 43.

LIST AND INDEX NUMBER	PART NUMBER	DESCRIPTION	UNITS PER ASM.	USABLE ON CODE
		1 2 3 4		
		CAM FOLLOWER AND PUSHER ASSEMBLY		
43 -	1135644	SELECTION PUSHER AND CAM FOLLOWER ASM SEE FIGURE 43 FOR ILLUSTRATION	REF	
-	5173708	PUSHER ASSEMBLY USED ON MACHINES ABOVE SN 4616461 SEE FIGURE 43 FOR ILLUSTRATION	REF	
- 1	10514	. SPRING	2	
- 2	37913	. NUT	2	
- 4	38259	. SCREW	2	
- 5	47987	. NUT	2	
- 6	150209	. WASHER, STAR	2	
- 7	358509	. WASHER, LOCK	2	
- 8	1090162	. SPRING	6	
- 9	1092125	. RING-RETAINING	2	
- 11	1135379	. PUSHER-T2 (LATE STYLE)	1	
- 11A	1128605	. PUSHER-T2 (OLD STYLE)	1	
- 12	1166770	. WICK-OIL-THIN	AR	
- 12	1187000	. WICK-OIL-THICK	AR	
- 13	1128607	. PUSHER-T1	1	
- 14	1128608	. PUSHER-R2A	1	
- 15	1128609	. PUSHER-R1	1	
- 16	1128610	. PUSHER-R2	1	
- 17	1135378	. PUSHER-R5 (LATE STYLE)	1	
- 17A	1128611	. PUSHER-R5 (OLD STYLE)	1	
- 18	1128613	. PLATE-PUSHER	1	
- 19	1128616	. CAM FOLLOWER ASM-LH	1	
- 19A	1187416	. . LUBE WASHER	1	
- 19B	1128618	. . . ROLLER	1	
- 19C	469565	. . C-CLIP	1	
- 19D	1187238	. . ARM-LH	1	
- 20	1128622	. CAM FOLLOWER ASM-RH	1	
- 20A	1187416	. . LUBE WASHER	1	
- 20B	1128618	. . ROLLER	1	
- 20C	469565	. . C-CLIP	1	
- 20D	1187240	. . ARM-RH	1	
- 21	1128623	. GUIDE-PUSHER	1	
- 22	1128624	. ROD	1	
- 23	1128625	. BALL	1	
- 24	1128626	. ECCENTRIC-KNOCKOFF	2	
- 25	1128627	. SCREW	2	
- 26	1135052	. SPACER	2	
- 27	1159155	. SCREW, SHLDR	2	
- 28	38235	SCREW	4	
- 29	1128598	SPACER, THICK	4	
- 29	1090840	SPACER	4	

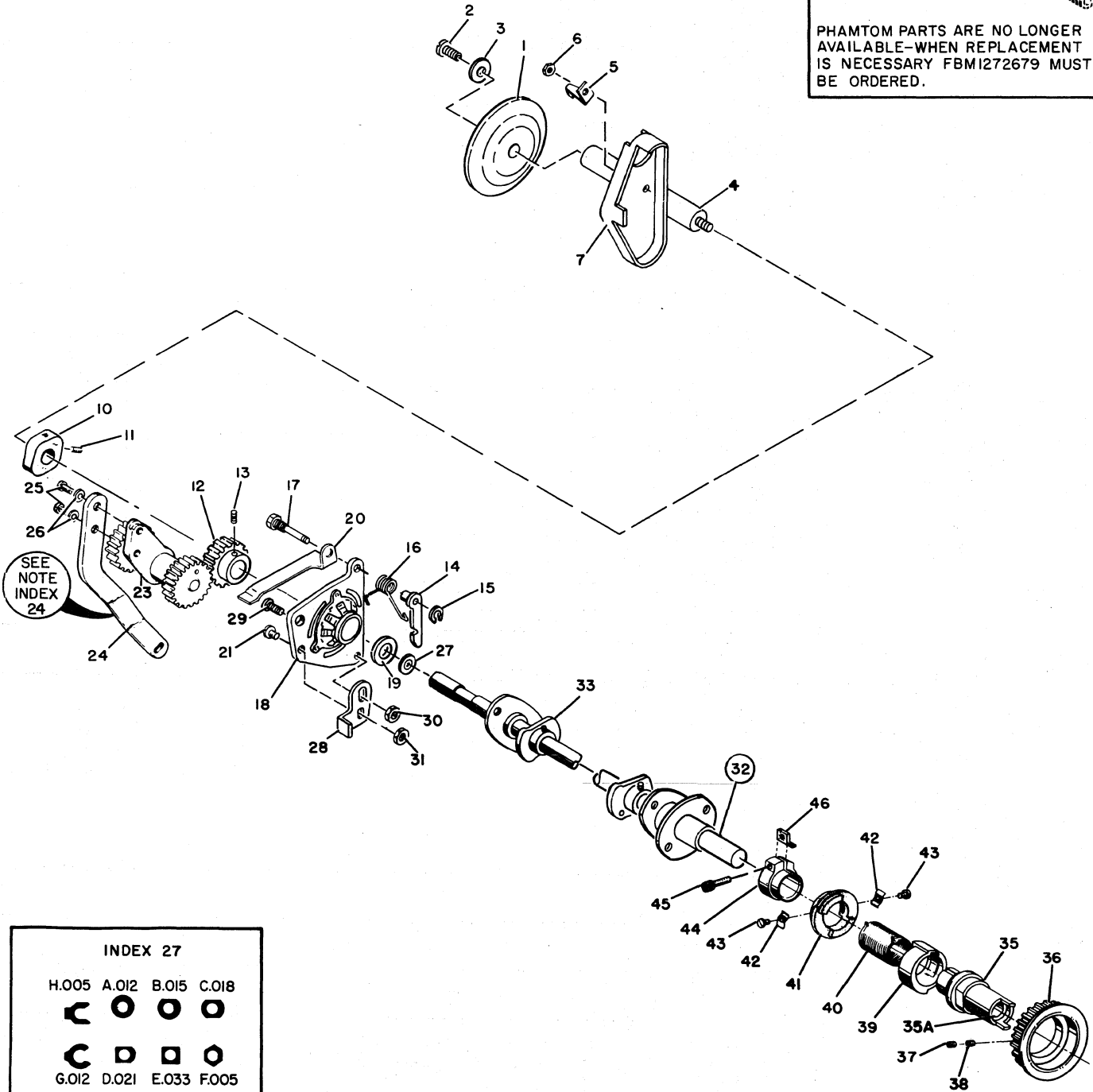
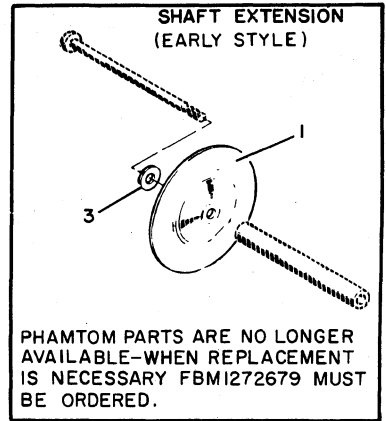


FIGURE 44. CYCLE CLUTCH AND CAM SHAFT ASM. \ SEE LIST 44.

LIST AND INDEX NUMBER	PART NUMBER	DESCRIPTION	UNITS	USABLE
			PER ASM.	ON CODE
		CYCLE CLUTCH AND CAM SHAFT ASM		
44 -	NO NO.	CYCLE CLUTCH AND CAM SHAFT ASM SEE FIG 44 FOR ILLUSTRATION	NP	
- 1	1159993	. DIAL, INDEX-CAM SHAFT	1	
- 2	1159994	. SCREW USED ABOVE SN 4634193 ON MACHINES BELOW THIS SN ORDER FBM 1272679	1	
- 3	1090254	. WASHER	1	
- 4	1166626	. SHAFT-EXTENSION USED ABOVE SN 4634193 ON MACHINES BELOW THIS SN ORDER FBM 1272679	1	
- 5	1135219	. POINTER DIAL	1	
- 6	38051	. NUT	1	
- 7	1135236	. GUARD-GEAR	1	
- 10	1128839	. CAM, NYLON 90 DEG WHITE C2	1	
- 10	1128999	. CAM, 110 DEG ORANGE C2	1	
- 11	1128837	. SETSCREW-HEADLESS	2	
- 12	1123685	. GEAR	1	
- 13	1175107	. SETSCREW	1	
- 14	1166315	. PAWL ASSEMBLY-CYCLE CAM STOP ON MACHINES BELOW SN 4627850 REPLACE 1166311, 1166598 AND 1073418 (INDICES 17, 16 AND 15) ALSO	1	
- 15	219633	. RING-RETAINING USED ON MACHINES BELOW SN 4620572	1	
- 15	1073418	. RING-RETAINING	1	
- 16	1166598	. SPRING-CHECK PAWL ON MACHINES BELOW SN 4627850 REPLACE 1166315, 1166311 AND 1073418 (INDICES 17, 15 AND 14) ALSO	1	
- 17	1166311	. STUD-CYCLE CLUTCH ON MACHINES BELOW SN 4627850 REPLACE 1166315, 1166598 AND 1073418 (INDICES 16, 15 AND 14) ALSO	1	
- 18	1175268	. BEARING ASSEMBLY	1	
- 19	1127730	. WASHER	1	
- 20	1128259	. GUARD-GEAR	1	
- 21	35739	. SCREW-REAR	2	
- 21	322551	. SCREW-FRONT	2	
- 23	1128062	. IDLER ASSEMBLY	1	
- 24	1159775	. BRACKET-RIBBON SH MAGNET MOUNTING NOTE: OLD ARM, ASM. (NOT SHOWN) AND PHENOLIC SPACERS (NOT SHOWN) ARE NO LONGER AVAILABLE. IF ARM ASM. THAT USES SPACER BETWEEN INDEX 23 AND INDEX 24 IS NEEDED OR IF SPACER IS NEEDED ORDER PN1128062 (INDEX 24).		
- 25	1128356	. SCREW-MACH WITH RED RIBBON SHIPT	2	
- 25	1124775	. SCREW-MACH WITHOUT RED RIBBON SHIPT	2	
- 26	1090840	. WASHER-ALL MACHINES	2	
- 27	1127753	. SHIM-A .012	AR	
- 27	1127754	. SHIM-B .015	AR	
- 27	1127755	. SHIM-C .018	AR	
- 27	1127756	. SHIM-D .021	AR	
- 27	1127757	. SHIM-E .033	AR	
- 27	1128071	. SHIM-F .005	AR	
- 27	1280821	. SHIM-G .012	AR	
- 27	1280822	. SHIM-H .005	AR	
- 28	1135079	. STOP, SELECTION BAIL	1	
- 29	438549	. SCREW	2	
- 30	37913	. NUT	1	
- 31	1134842	. NUT	1	
- 32	1266830	. CAMSHAFT ASSEMBLY BM FOR MACHINES WITH SMALL CENTER BEARING. MACHINES BELOW SN 4616661 ORDER BM 1272679 ALSO	REF	
- 32	1272914	. CAMSHAFT ASSEMBLY BM USED ON MACHINES WITH LARGE CENTER BEARING ABOVE SN 4622494	REF	
- 33	1166554	. SHAFT-SELECTOR CAM	1	
- 35	1166575	. HUB ASSEMBLY-LARGE CENTER BEARING-OLD STYLE- ORDER 1187968 HUB AND 1159669 (SLEEVE) ALSO	1	
- 35	1127913	. HUB ASSEMBLY-SMALL CENTER BEARING-OLD STYLE- ORDER 1187968 (HUB) AND 1159669 (SLEEVE) ALSO	1	

LIST AND INDEX NUMBER	PART NUMBER	DESCRIPTION				UNITS PER ASM.	USABLE ON CODE
		1	2	3	4		
44 - 35	1187968	. HUB ASM. NEW STYLE FOR BOTH LARGE AND SMALL CENTER BEARINGS-ORDER 1159669 (SLEEVE) ALSO				1	
- 35A	1159669	. . SLEEVE				1	
- 36	1166228	. PULLEY ASSEMBLY-CYCLE CAM CLUTCH				1	
- 37	1166342	. SETSCREW				1	
- 38	1175102	. SETSCREW				1	
- 39	1138398	. SLEEVE,CYCLE CLUTCH-PRE LUBE MACHINES				1	
- 39	1187041	. SLEEVE,CYCLE CLUTCH-ALL LUBE LEVEL MACH. REPLACE 1187529 ALSO				1	
- 40	1135576	. . SPRING,CYCLE CLUTCH-PRE LUBE MACHINES ON MACHINES BELOW SN 4601717 PN 1135583 MUST ALSO BE REPLACED				1	
- 40	1166551	. . SPRING,CYCLE CLUTCH,BLUE DOT USED ON ALL LUBE LEVEL MACHINES				1	
- 41	1135995	. . CAN-CC LAT REST				1	
- 42	1138392	. . CLAMP,RESTORING CAM				2	
- 43	1138393	. . SCREW				2	
- 44	1135583	. . COLLAR-EARLY STYLE				1	
- 44	1187529	. . COLLAR-LATE STYLE				1	
- 45	357820	. . SCREW				1	
- 46	1166558	. . INSERT-CYCLE CLUTCH COLLAR				1	

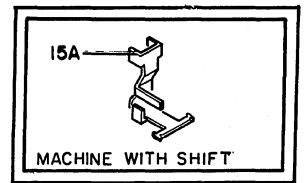
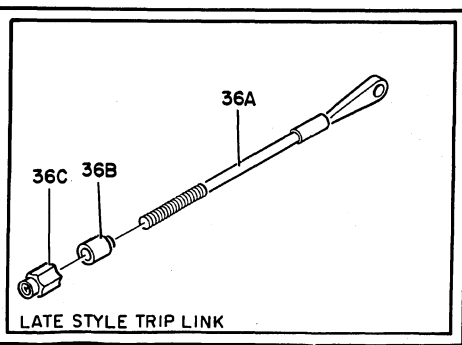
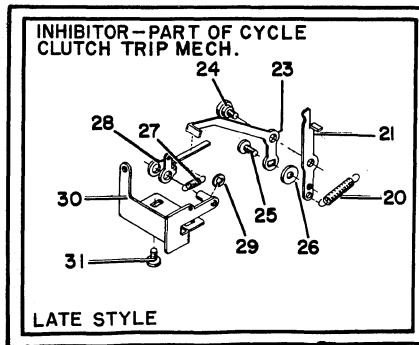
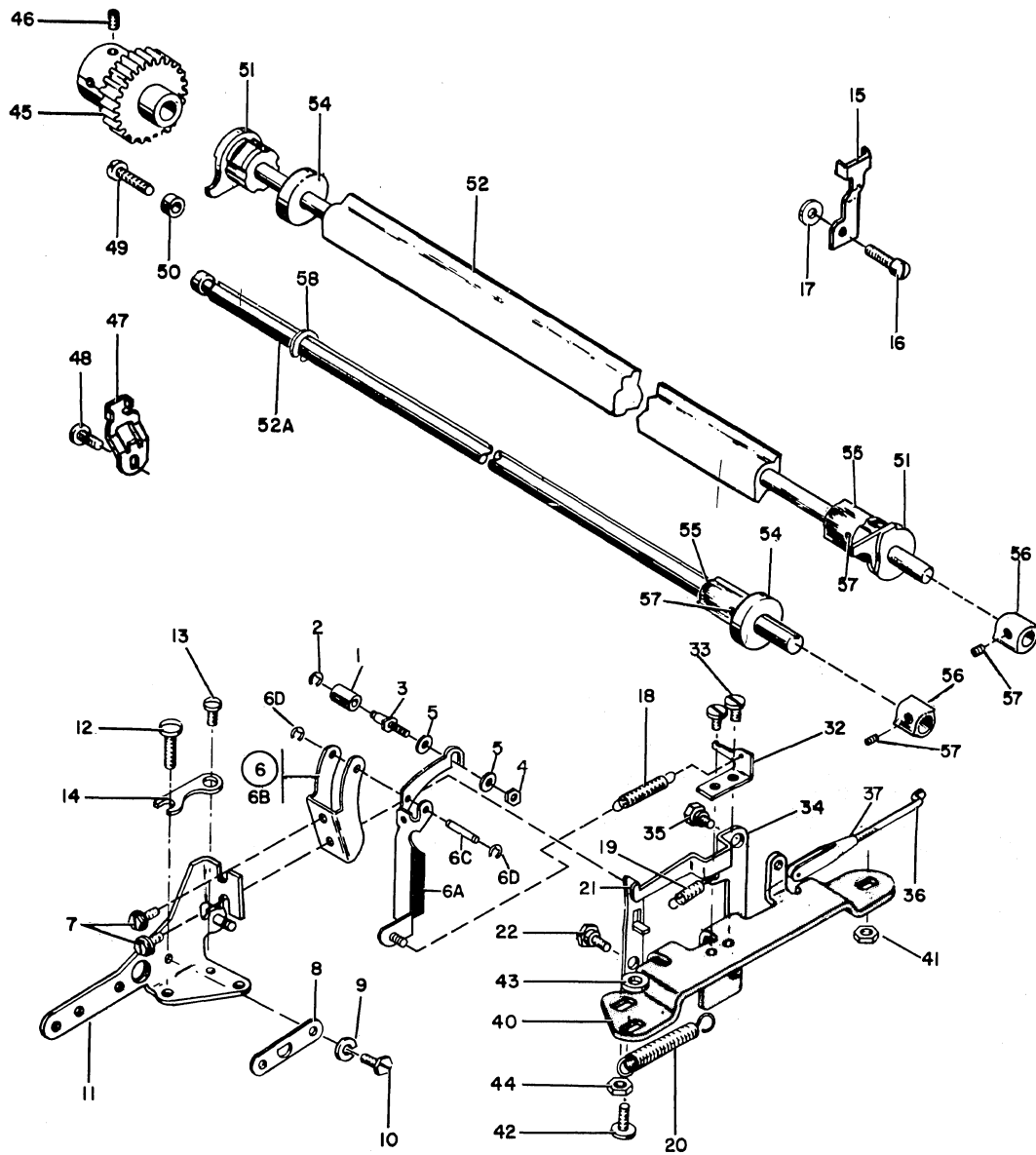


FIGURE 45. CYCLE CLUTCH TRIP MECHANISM. SEE LIST 45.

LIST AND INDEX NUMBER	PART NUMBER	DESCRIPTION				UNITS PER ASM.	USABLE ON CODE
		1	2	3	4		
		CYCLE CLUTCH TRIP MECHANISM					
45 -	NO NO.	CYCLE CLUTCH TRIP MECHANISM SEE FIGURE 45 FOR ILLUSTRATION				NP	
- 1	1138391	. ROLLER, RESTORING CAM				1	
- 2	251989	. RING, RETAINING				1	
- 3	1138390	. STUD, RESTORING CAM				1	
- 4	37913	. NUT				1	
- 5	1132211	. WASHER				2	
- 6	1266829	. BRACKET ASSEMBLY, CYCLE CLUTCH LATCH				1	
- 6A	1135124	. . ARM				1	
- 6B	1175616	. . BRACKET				1	
- 6C	1175545	. . PIN				1	
- 6D	219633	. . RING RETAINER				2	
- 7	1138368	. SCREW, ASM LK WASHER				2	
- 8	1141129	. PLATE, BAIL SHAFT				1	
- 9	56722	. WASHER, LOCK				2	
		USED ON MACHINES ABOVE SN 4602140					
- 10	1138369	. SCREW				2	
- 10	265195	. SCREW				2	
		USED ON MACHINES ABOVE SN 4602140					
- 11	1123711	. BRACKET ASSEMBLY				1	
- 12	1164577	. SCREW				2	
- 13	1164583	. SCREW				1	
- 14	1108819	. SPACER				1	
- 15	1141895	. RETAINER-RH				1	
- 15A	1141147	. RETAINER RH (USED WITH SHIFT FUNCTION)				1	
- 16	170215	. SCREW				1	
- 16	1135593	. SCREW RH				1	
		USED ON MACHINES BELOW SN 4074800					
- 17	1141896	. SPACER				1	
- 18	1144376	. SPRING-CYCLE CLUTCH LATCH				1	
- 19	1090343	. SPRING, HELICAL, EXTENSION				1	
- 20	43373	. SPRING, HELICAL, EXTENSION				1	
- 21	1159173	. LEVER-CYCLE CLUTCH				2	
- 22	1135130	. PIVOT SCREW, LEVER LATCH				1	
- 23	1159182	. LEVER-INHIBITOR TRIP				1	
- 24	1159185	. SCREW, SHLDR				1	
- 25	1100951	. SCREW				1	
- 26	1124247	. WASHER				1	
- 27	1073449	. SPRING				1	
- 28	1159171	. LEVER-INHIBITOR				1	
- 29	1073418	. RING-RETAINING				1	
- 30	1159183	. BRACKET-INHIBITOR PAWL				1	
- 31	1164580	. SCREW				2	
- 32	1135127	. SPRING MOUNT				1	
- 32	1176890	. SPRING MOUNT				1	
		USED ON MACHINES ABOVE SN 4629790					
- 33	1164578	. SCREW				2	
- 34	1135129	. LEVER LATCH, CYCLE CLUTCH TRIP				1	
- 35	1135130	. PIVOT SCREW, LEVER LATCH				1	
- 36	1000223	. LINK, CONNECTING				1	
- 36A	1166088	. LINK TRIP				1	
- 36B	1128685	. WASHER, SHOCK ABS				1	
- 36C	1159716	. NUT				1	
- 37	1070020	. CLEVIS-LINK MARGIN RACK				1	
- 40	1135125	. MOUNTING BRACKET, CYCLE CLUTCH TRIP				1	
- 41	38051	. NUT				1	
- 42	1164577	. SCREW				3	
- 43	1090840	. WASHER				1	
- 44	37913	. NUT				3	
- 45	1164761	. GEAR				1	
- 46	1175107	. SCREW				2	
- 47	1141894	. RETAINER LH				1	
- 48	1164577	. SCREW				1	
- 49	322550	. SCREW LH				1	
		USED ON MACHINES BELOW SN 4074800					
- 49	1135592	. SCREW LH				1	
- 50	1141181	. SPACER-FILTER SHAFT				1	
- 51	1123677	. BEARING				2	
		USED PRIOR TO IMPRESSION CONTROL CARRIER AND ROCKER					
- 51	1141663	. BEARING				2	
		USED ON MACHINES WITH IMPRESSION CONTROL CARRIER AND ROCKER					
- 52	1138810	. SHAFT, FILTER				1	

LIST AND INDEX NUMBER	PART NUMBER	DESCRIPTION	UNITS PER ASM.	USABLE ON CODE
		1 2 3 4		
45 - 52	1123681	. SHAFT, FILTER	1	
- 52	1164760	. SHAFT, FILTER NOTE: INDEX 52 IS NO LONGER USED ON KEYBOARDLESS I/OS - INDEX 52A IS USED AS A DIRECT REPLACEMENT	1	
- 52A	1164374	. ROD-FILTER SHAFT NOTE: WHEN ORDERING INDEX 52A, ALSO ORDER INDEX 58.	1	
- 54	1128144	. SPACER	1	
- 55	1164724	. CAM-ESCAPEMENT	1	
- 56	1197564	. CAM-INTERLOCK	1	
- 57	1175103	. SETSCREW	2	
- 58	332347	. RING-RETAINER (USED ON INDEX 52A)	1	

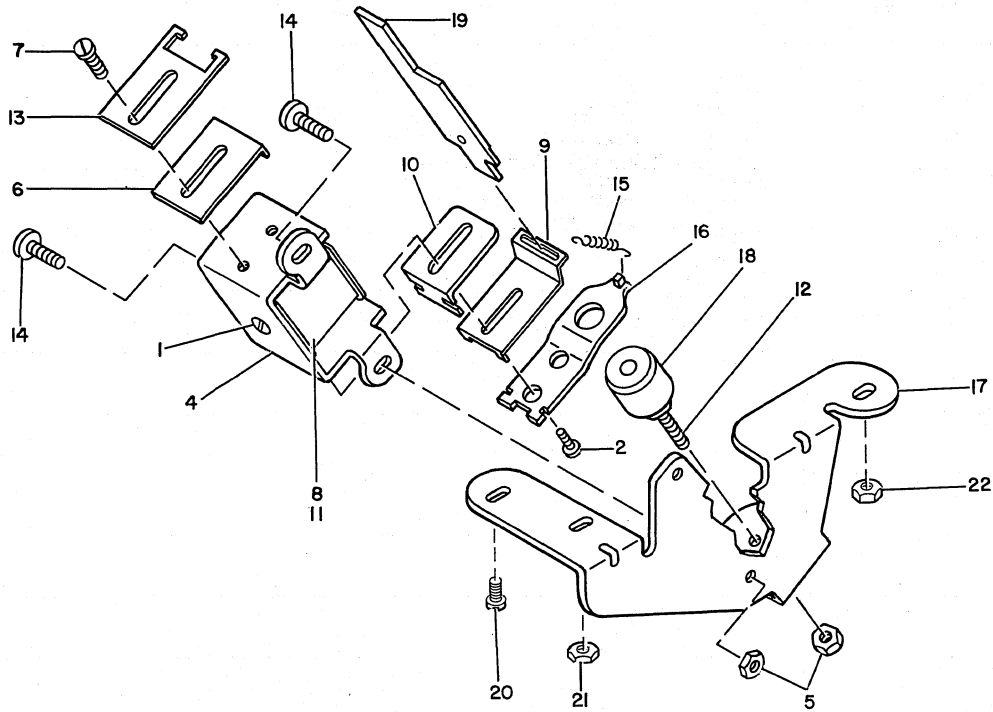
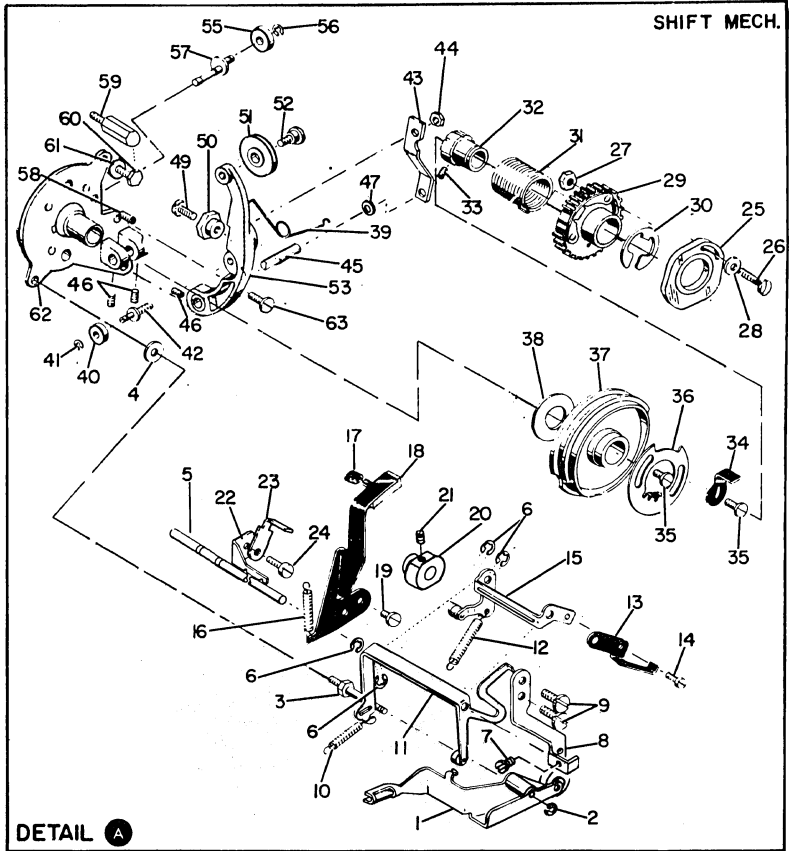
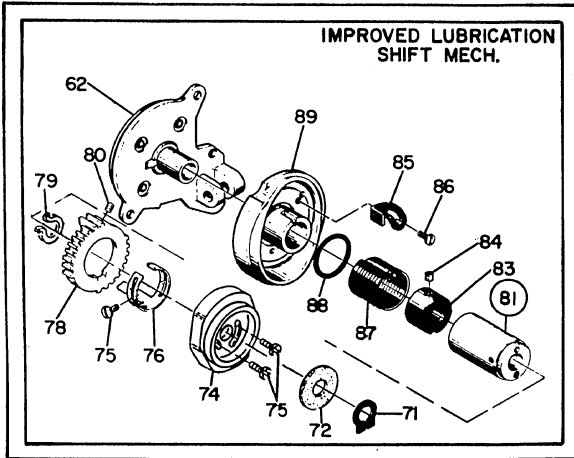


FIGURE 46. CYCLE CLUTCH MAGNET ASSEMBLY. SEE LIST 46.

LIST AND INDEX NUMBER	PART NUMBER	DESCRIPTION				UNITS PER ASM.	USABLE ON CODE
		1	2	3	4		
		CYCLE CLUTCH MAGNET ASSEMBLY					
46 -	1166738	CYCLE CLUTCH MAGNET ASSEMBLY SEE FIGURE 46 FOR ILLUSTRATION				REF	
- 1	163	. SCREW				1	
- 2	38271	. SCREW				2	
- 4	NO NO.	. YOKE, MAGNET-ORDER COMPLETE ASM				NP	
- 5	257189	. NUT				2	
- 6	305269	. RESIDUAL				1	
- 7	305270	. SCREW				2	
- 8	325968	. COIL ASSEMBLY				1	
- 9	344117	. RETAINER				1	
- 10	344123	. PLATE-PIVOT LWR				1	
- 11	NO NO.	. SHIM-ORDER COMPLETE ASM				NP	
- 12	1143852	. STUD-ABSORBER MTG				1	
- 13	1144171	. STOP				1	
- 14	1144351	. SCREW				2	
- 15	1144387	. SPRING				1	
- 16	1144391	. PLATE-ARMATURE PIVOT				1	
- 17	NO NO.	. BRACKET-ORDER COMPLETE ASM				NP	
- 18	1166528	. ABSORBER				1	
- 19	1166742	. ARMATURE				1	
- 20	1164577	SCREW				1	
- 21	37913	NUT				1	
- 22	38051	NUT				1	



INTERMEDIATE STYLE SHIFT
ARM NO LONGER AVAILABLE.
TO CONVERT, ORDER FBM
I26971I CONTAINING INDEXES
39, 40, 41, 42, 43, 44, 45, 49, 50,
51, 52, 53, 60 AND 61. ALSO
ORDER OIL WICK I166770
SEPARATELY.

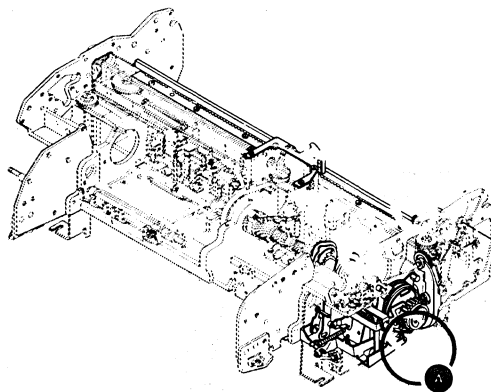
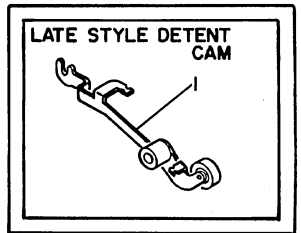
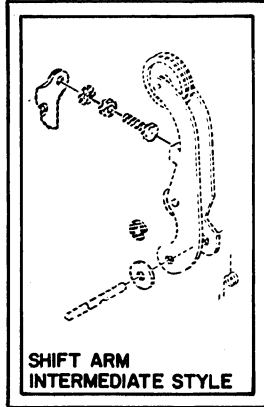


FIGURE 47. POWER FRAME ASSEMBLY. SHEET 1 OF 2. SEE LIST 47.

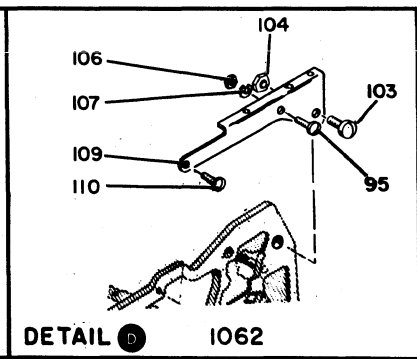
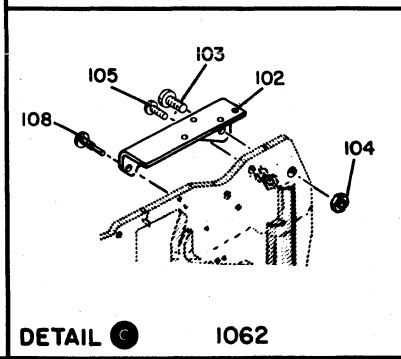
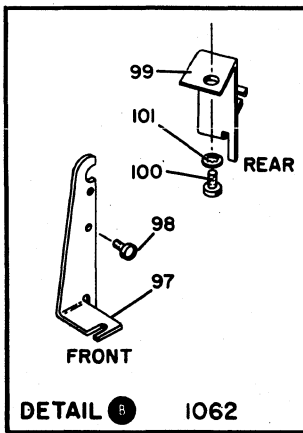
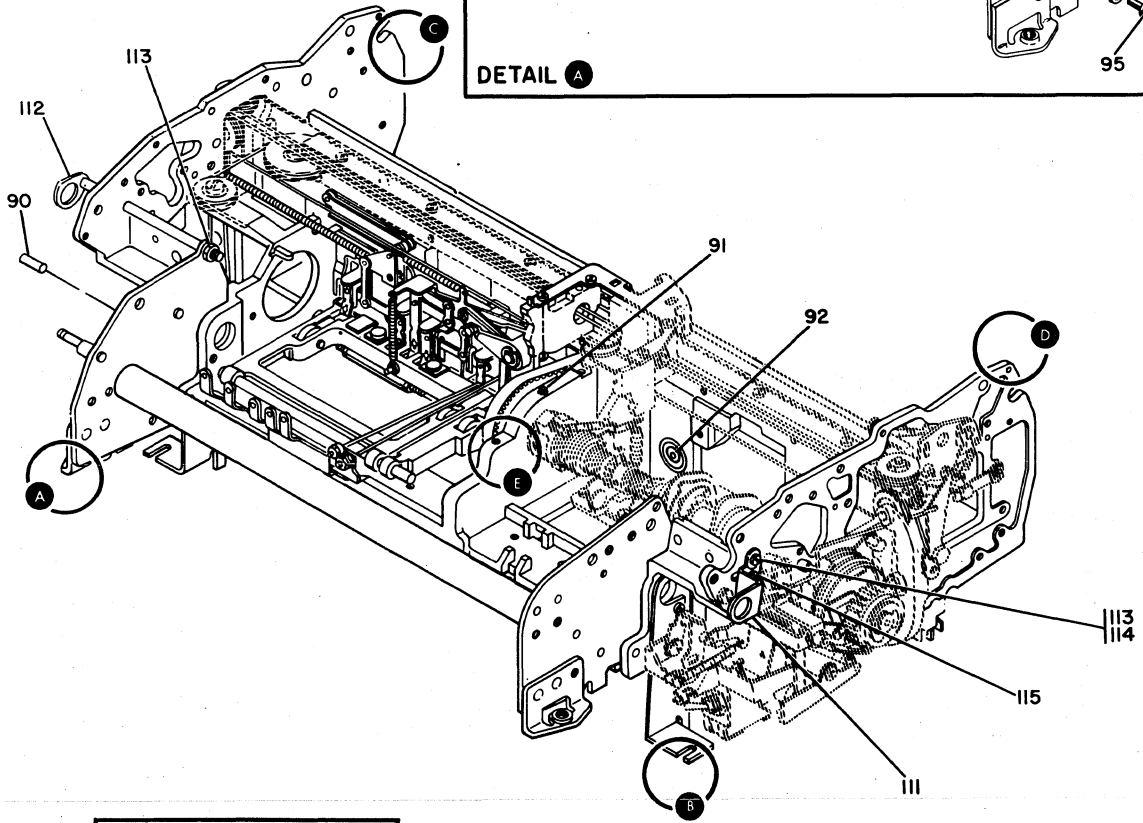
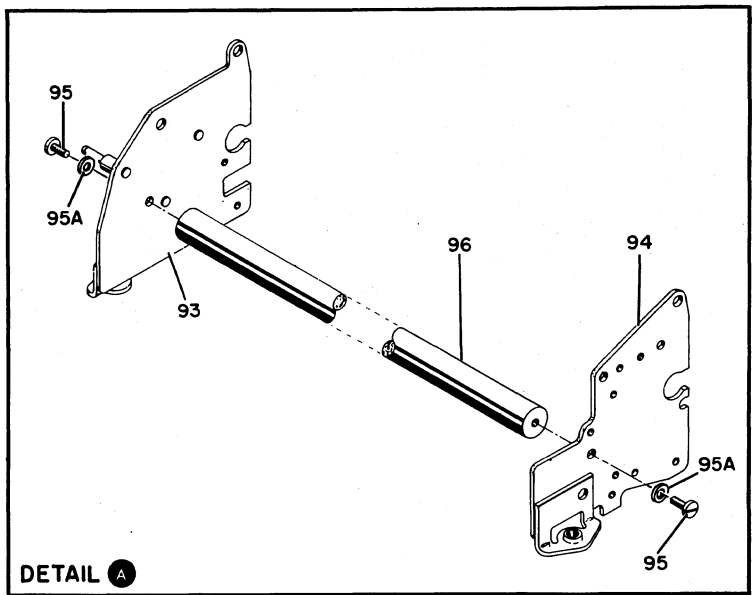
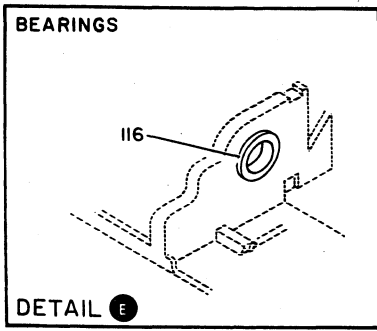


FIGURE 47. POWER FRAME ASSEMBLY. SHEET 2 OF 2. SEE LIST 47.

LIST AND INDEX NUMBER	PART NUMBER	DESCRIPTION	UNITS PER ASM.	USABLE ON CODE
47 -	NO. NO.	POWER FRAME ASSEMBLY SEE FIGURE 47 FOR ILLUSTRATION	NP	
- 1	1159782	. DETENT CAM	1	
- 1	1176872	. DETENT CAM USED ON MACHINES ABOVE SN 4643262	1	
- 2	1073418	. RING-RETAINING	1	
- 3	1124697	. STUD, DETENT ARM	1	
- 4	22066	. WASHER	1	
- 5	1128190	. SHAFT-RELEASE	1	
- 6	264641	. CLIP	4	
- 7	1164690	. SCREW	1	
- 8	1128189	. BRACKET-SUPPORT	1	
- 9	1164576	. SCREW	2	
- 10	1074242	. SPRING	1	
- 11	1135320	. ARM-RELEASE	1	
- 11	1187658	. ARM-RELEASE USED ON MACHINES ABOVE SN 4643262	1	
- 12	1090162	. SPRING	1	
- 13	1128193	. ARM-INTERLOCK	1	
- 13	1187206	. ARM-INTERLOCK USED ON MACHINES ABOVE SN 4643262	1	
- 14	358174	. SCREW	1	
- 15	1128192	. ARM ASSEMBLY	1	
- 16	1124722	. SPRING	1	
- 17	1124773	. DAMPER	1	
- 18	1128199	. BRAKE	1	
- 19	1164576	. SCREW	2	
- 20	1187564	. CAM-INTERLOCK	1	
- 21	1100523	. SETSCREW	2	
- 22	1128195	. BRACKET-SPRING	1	
- 23	1135579	. STOP-RELEASE ARM	1	
- 24	38352	. SCREW	1	
- 25	1159408	. CAM-CONTACT C7 ON MACHINES BELOW SN 4611107 REPLACEMENT OF ANY PN 1127763, 1159262 OR 1159409 (INDICES 27, 26 AND 29) WILL REQUIRE REPLACEMENT OF ALL FOUR	1	
- 26	1159262	. SCREW-C7 CAM ON MACHINES BELOW SN 4611107 REPLACEMENT OF ANY PN 1127763, 1159408 OR 1159409 (INDICES 27, 25 AND 29) WILL REQUIRE REPLACEMENT OF ALL FOUR	1	
- 27	1127763	. NUT ON MACHINES BELOW SN 4611107 REPLACEMENT OF ANY PN 1159262, 1159408 OR 1159409 (INDICES 26, 25 AND 29) WILL REQUIRE REPLACEMENT OF ALL FOUR	1	
- 28	257985	. WASHER, FLAT	1	
- 29	1159409	. RATCHET ASM ON MACHINES BELOW SN 4611107 REPLACEMENT OF ANY PN 1127763, 1159262 OR 1159408 (INDICES 27, 26 AND 25) WILL REQUIRE REPLACEMENT OF ALL FOUR	1	
- 30	219743	. RING-RETAINING	1	
- 31	1132287	. SPRING, CLUTCH	1	
- 32	1124271	. ARBOR, CLUTCH	1	
- 33	1175103	. SETSCREW	2	
- 34	1123810	. STOP, CAM	1	
- 35	1127726	. SCREW	1	
- 36	1124273	. PLATE	1	
- 37	1135639	. CAM	1	
- 38	1124819	. WASHER	1	
- 39	1128471	USED ON MACHINES BETWEEN SN 4005325 AND 4014850 . SPRING	1	
- 40	1124259	. ROLLER, CAM	1	
- 41	251989	. RETAINER, OLD STYLE	AR	
- 41	469565	. RETAINER, NEW STYLE	AR	
- 42	1159109	. SHAFT-ROLLER	1	
- 43	1128785	. BRACE	1	
- 44	38051	. NUT	1	
- 45	1124266	. PIN, PIVOT	1	
- 46	1175103	. SETSCREW	3	
- 47	1166770	. OIL WICK	1	
- 49	1203311	. SET SCREW	1	
- 50	1141030	. NUT	1	

LIST AND INDEX NUMBER	PART NUMBER	DESCRIPTION	UNITS PER ASM.	USABLE ON CODE
47 - 51	1124267	. PULLEY,OLD STYLE	1	
- 51	1144979	. PULLEY,NEW STYLE	1	
- 52	1124268	. SCREW-USE WITH 1124267 PULLEY ONLY (OLD STYLE)	AR	
- 52	1164577	. SCREW-USE WITH 1144979 PULLEY ONLY (NEW STYLE)	AR	
- 53	1124261	. ARM ASSEMBLY-SHIFT	1	
- 55	1124292	. ROLLER	1	
- 56	1073418	. RING-RETAINING	1	
- 57	1123807	. ECCENTRIC	1	
- 58	1175103	. SETSCREW	1	
- 59	1128970	. STUD	1	
- 60	1124775	. SCREW-STOP	1	
- 61	1090050	. SPACER,OLD STYLE	AR	
- 61	1090049	. SPACER,NEW STYLE	AR	
- 62	1166368	. PLATE ASSEMBLY-SHIFT ARM MOUNTING	1	
- 63	1164576	. SCREW	2	
- 71	1133746	INDICES 64 THRU 70 DELETED . CLIP,GRIIP	1	
- 72	1166557	. WASHER	1	
- 74	1166367	. CAM-C7	1	
- 75	1166363	. SCREW	4	
- 76	1166380	. STOP-SHIFT CLUTCH RATCHET	1	
- 78	1166385	. RATCHET-WHITE	1	
- 78	1187204	. RATCHET-GREEN	1	
- 79	1187235	USED ON MACHINES ABOVE SN 4643262 . RETAINER	1	
- 80	1124836	USED ON MACHINES ABOVE SN 4643262 . SCREW	1	
- 81	1187662	USED ON MACHINES BELOW SN 4643262 . RATCHET ASSEMBLY	1	
- 83	1166362	INCLUDES INDICES 75, 77, 78, 79, 80, AND 81. . ARBOR-CLUTCH	1	
- 84	1175103	. SETSCREW	1	
- 85	1123810	. STOP,CAM	1	
- 86	1164584	. SCREW	1	
- 87	1166381	. SPRING-CLUTCH	1	
- 88	1203271	. SEAL	1	
- 89	1166375	. CAM	1	
- 89	1187203	USED ON MACHINES PRIOR TO BEAT THE SHIFT . CAM	1	
- 90	326264	USED ON MACHINES ABOVE SN 4643262-REPLACE 1203271 ALSO . ROLL PIN	1	
- 91	1132147	. WICK-OIL	1	
- 92	1124506	. BEARING-ESCAPEMENT SHAFT	1	
- 93	1135536	. PLATE LH	1	
- 94	1159298	. PLATE RH	1	
- 95	1164576	. SCREW	2	
- 95A	56722	. WASHER	2	
- 96	1135537	. TIE BAR	1	
- 97	1159418	. SUPPORT-FRONT,1062	2	
- 98	38351	. SCREW	2	
- 99	1135667	. SUPPORT-REAR LH,1062	1	
- 99	1135684	. SUPPORT-REAR RH,1062	1	
-100	438613	. SCREW	2	
-101	65756	. WASHER,LOCK	2	
-102	1135660	. PLATE-SIDE FRAME LH,1062	1	
-103	438613	. SCREW	2	
-104	3960	. NUT	2	
-105	186758	. SCREW	2	
-106	257189	. NUT	2	
-107	1090873	. WASHER,LOCK	2	
-108	1159206	. SCREW	1	
-109	1135668	. PLATE-SIDE FRAME RH	1	
-110	1164576	. SCREW	1	
-111	1166090	. TILT HANDLE-RH	1	
-112	1166093	. TILT HANDLE-LH	1	
-113	257187	. NUT	2	
-114	35739	. SCREW	1	
-115	1164576	. SCREW	1	
-116	1203726	. BEARING,CENTER-SMALL		
-116	1203727	. BEARING,CENTER-LARGE		

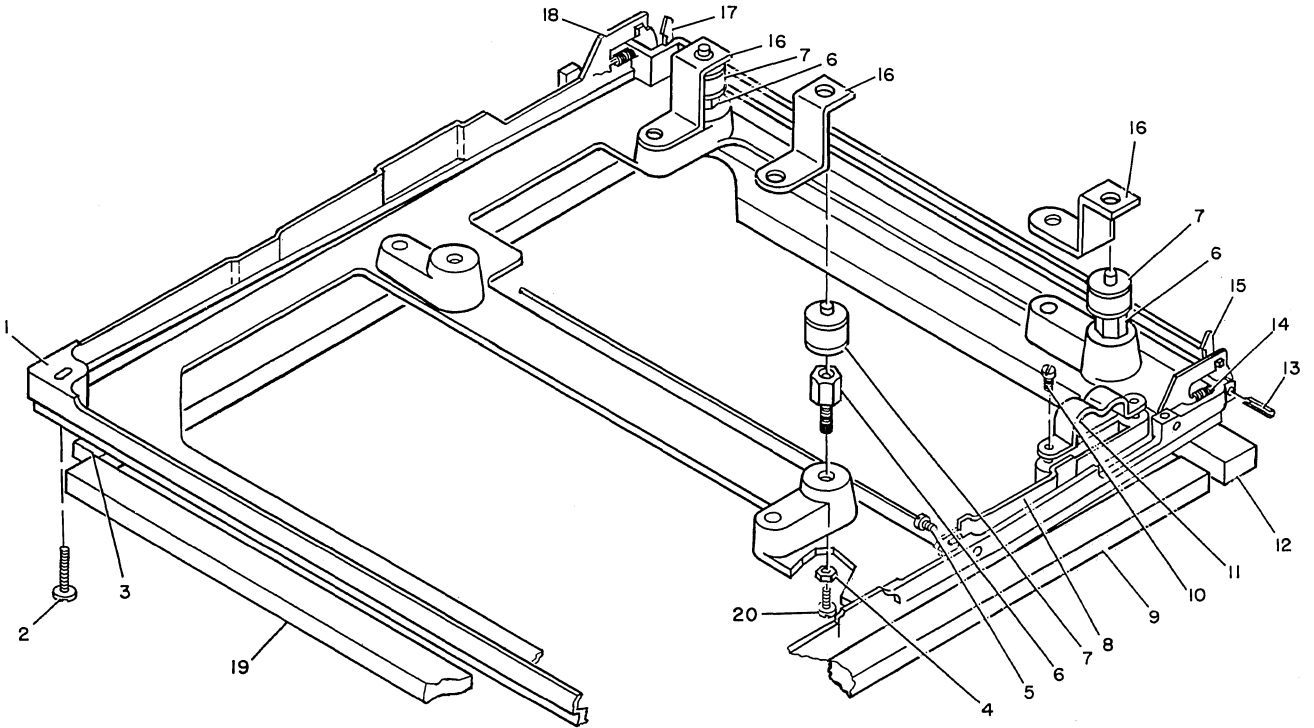


FIGURE 48. BASE WITHOUT TILT UP PRINTER MOUNTS. SEE LIST 48.

LIST AND INDEX NUMBER	PART NUMBER	DESCRIPTION				UNITS PER ASM.	USABLE ON CODE
		1	2	3	4		
		BASE WITHOUT TILT UP PRINTER MOUNTS					
48 -	NO NO.	BASE WITHOUT TILT UP PRINTER MOUNTS SEE FIGURE 48 FOR ILLUSTRATION				NP	
- 1	NO NO.	. BASE-PRINTER AND KEYBOARD				NP	
- 2	731630	. SCREW, THD FORMING				2	
- 3	737904	. SEAL				3	
- 4	22349	. NUT				4	
- 5	595632	. SCREW				2	
- 6	737934	. STUD, EXTENSION				4	
- 7	760133	. MOUNT, RESILIENT				4	
- 8	737610	. SLIDE-LATCH RH				1	
- 9	737904	. SEAL				1	
- 10	731629	. SCREW				2	
- 11	737614	. CLAMP, DOUBLE				1	
- 12	737905	. SEAL				1	
- 13	528337	. PIN, SPRING				2	
- 14	1109044	. SPRING				2	
- 15	734927	. LATCH-COVER RH				1	
- 16	737937	. BRACKET				4	
- 17	734928	. LATCH-COVER LH				1	
- 18	737609	. SLIDE-LATCH LH				1	
- 19	737905	. SEAL				1	
- 20	2016843	. BUMPER				4	

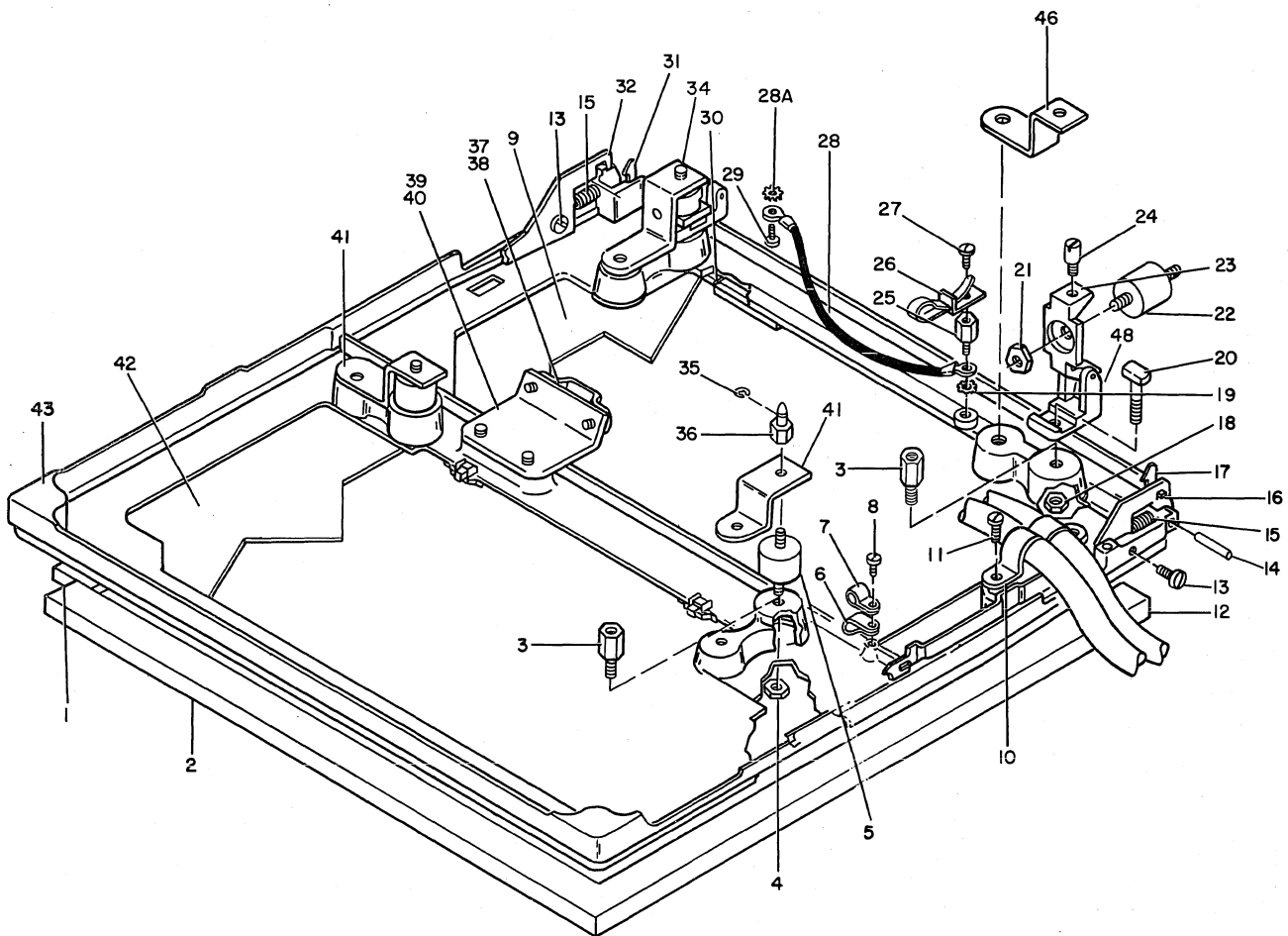
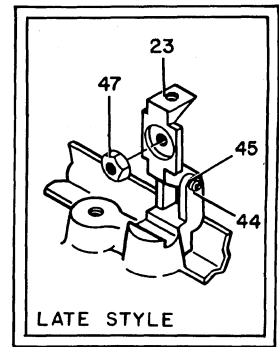
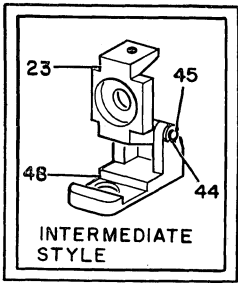
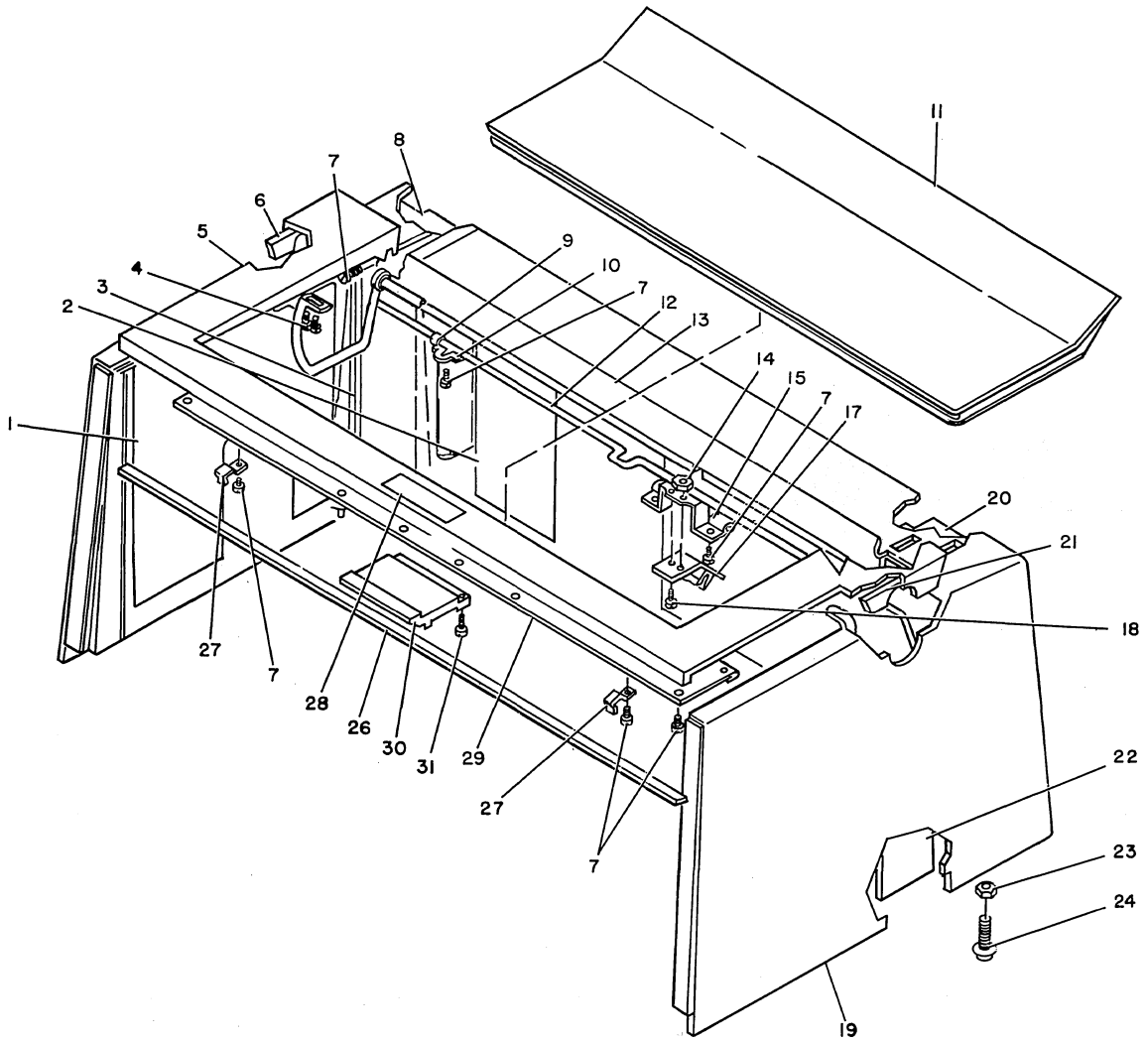


FIGURE 49. BASE WITH TILT UP PRINTER MOUNTS. SEE LIST 49.

LIST AND INDEX NUMBER	PART NUMBER	DESCRIPTION	UNITS PER ASM.	USABLE ON CODE
		BASE WITH TILT UP PRINTER MOUNTS		
49 -		CODE A USED ON 1052 M1-8, 1447 AND 1816		
- 1	737904	. SEAL-FRONT USED ON 1052 1-6, 1131, 1447 AND 1816	1	
- 2	737907	. SEAL-FRONT USED ON 1053M1-4 AND 1131	1	
- 3	737934	. STUD-EXTENSION USED ON 1053MOD 1-4 AND 1131	2	
- 3	831096	. STUD-FRONT-1447	1	
- 3	725786	. STUD-1447	2	
- 4	33249	. NUT-1053M1-4 AND 1131	2	
- 4	743762	. NUT-1052M1-4 AND 1816	2	
- 5	743919	. MOUNT	4	A
- 6	167338	. CLIP-CABLE	1	A
- 7	167338	. CLIP-CABLE		
- 7	167338	. CLIP-CABLE USED ON 1052M3-8, 1131, 1447 AND 1816	1	
- 7	301474	. CLAMP USED ON 1052 MOD 1 ONLY	1	
- 7	2102366	. CLAMP, LOOP USED ON 1052 MOD 2 ONLY	1	
- 8	731630	. SCREW	1	
- 9	1166021	. COVER-BOTTOM PRINTER 1053M1-4	1	
- 9	1166022	. COVER-BOTTOM PRINTER	1	
- 10	737614	. CLAMP, DOUBLE	1	
- 11	5312061	. SCREW	2	
- 12	737905	. SEAL-REAR	1	
- 12	1166194	. SEAL-LH USED ON 1053M1-4	1	
- 12	1166199	. SEAL-LH USED ON 1052M1-8	1	
- 13	743759	. SCREW, SHLDR	4	
- 14	528337	. PIN	2	
- 15	1109044	. SPRING	2	
- 16	737610	. SLIDE-LATCH RH	1	
- 17	734927	. LATCH-COVER RH	1	
- 18	743762	. NUT-1052M1-8 AND 1816	2	
- 18	22349	. NUT-1053M1-4 AND 1131	2	
- 19	56079	. WASHER, LOCK	1	
- 20	743763	. STUD-HINGE	2	
- 21	22349	. NUT	2	
- 22	760133	. MOUNT-1053M1-4	4	
- 23	743760	. HINGE ASSEMBLY	2	
- 24	743764	. SHAFT	2	
- 25	759024	. STANDOFF	1	
- 26	1159255	. CLAMP, ADJUSTABLE-1052-7	1	
- 26	1159519	. STRAP, CABLE ADJUSTING	1	
- 27	28413	. SCREW	3	
- 28	534758	. JUMPER ASM-GRN 7 IN.	1	
- 28A	56722	. WASHER, LOCK	1	
- 29	38235	. SCREW	1	
- 29	1164577	. SCREW-1052H-7	1	
- 30	737905	. SEAL	1	
- 31	734928	. LATCH-COVER LH	1	
- 32	737609	. SLIDE-LATCH LH	1	
- 34	737937	. BRACKET, REAR (USED ON ALL MACH)	1	
- 35	257701	. CLIP-FRAME	2	
- 36	743767	. STUD	2	
- 37	315838	. CLAMP, CABLE-1053M1-4	1	
- 37	737614	. CLAMP, DOUBLE USED ON 1052M1, 2, 4 AND 5, 1131, 1447 AND 1816	1	
- 37	831971	. CLAMP USED ON 1052M3, 6 AND 7	1	
- 37	832114	. CLAMP USED ON 1052 MOD 5	1	
- 38	28413	. SCREW	2	
- 39	1159866	. BRACKET-CABLE	1	
- 40	5312061	. SCREW	2	
- 41	743765	. BRACKET-FRONT	2	A
- 41	737937	. BRACKET-1053M1-4 AND 1131	2	
- 42	1166023	. COVER-KEYBOARD BOTTOM	1	
- 43	NO NO.	. BASE-PRINTER KEYBOARD	NP	A

LIST AND INDEX NUMBER	PART NUMBER	DESCRIPTION	UNITS PER ASM.	USABLE ON CODE
		1 2 3 4		
49 - 43	NO NO.	. BASE-1053 M1-4	NP	
- 44	1142603	. SHAFT, HINGE	2	
- 45	1073418	. RING-RETAINING	4	
- 46	743766	. BRACKET, REAR RH	2	
- 47	743762	. NUT, SHOULDER	2	
- 48	743761	. HINGE BOTTOM	1	

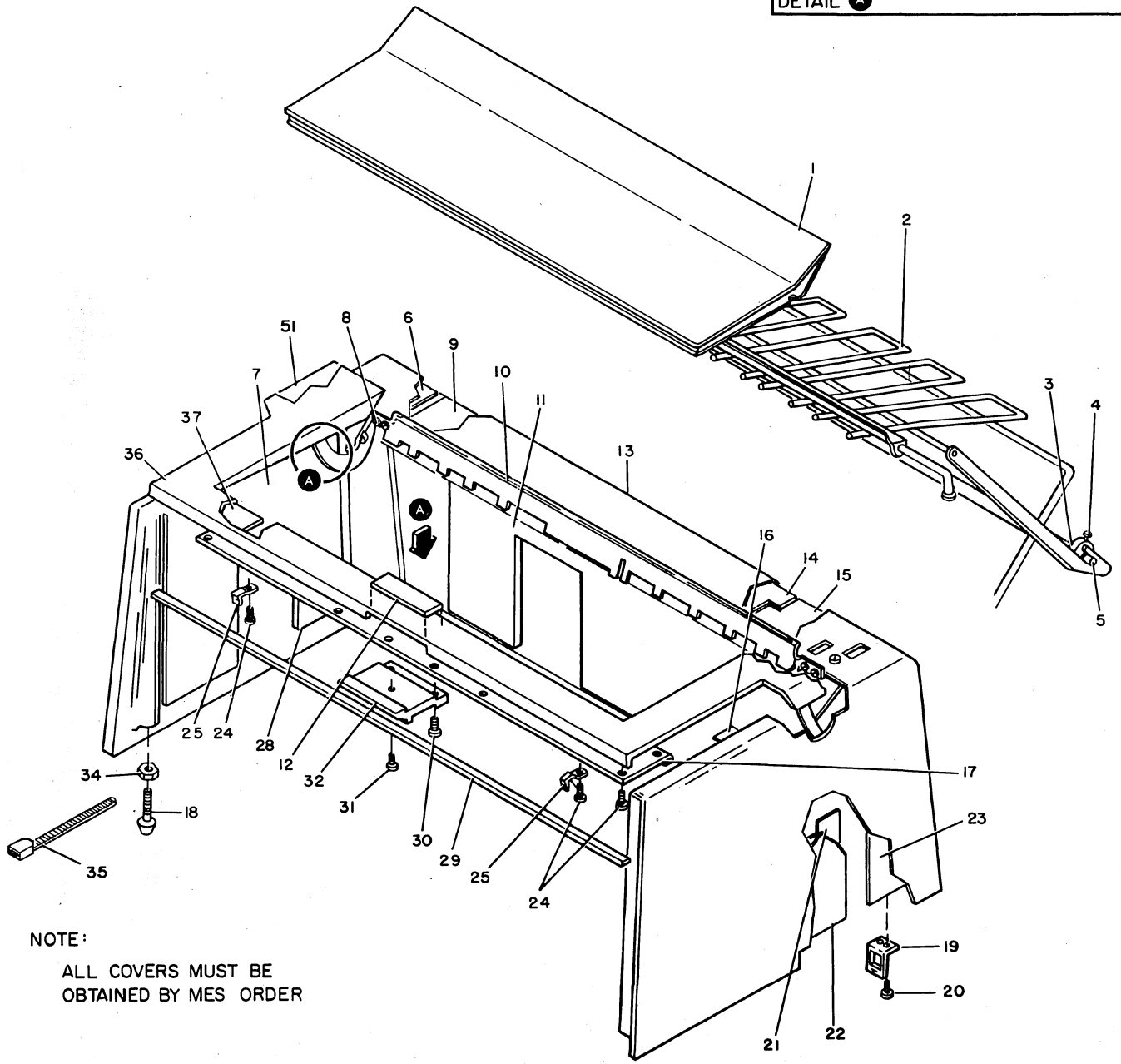
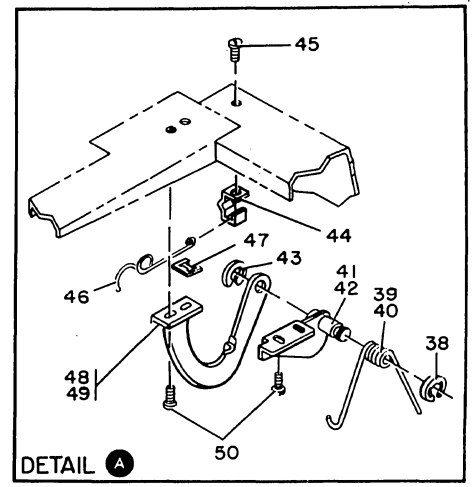
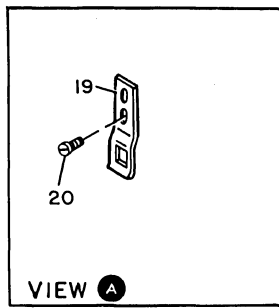
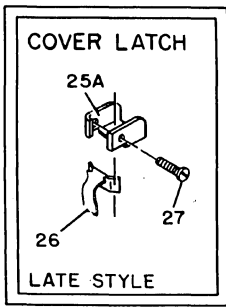


NOTE:

ALL COVERS OBTAINED
BY MES ORDER ONLY

FIGURE 50. COVER GROUP - EARLY STYLE WITHOUT TILT UP PRINTER MOUNTS. SEE LIST 50.

LIST AND INDEX NUMBER	PART NUMBER	DESCRIPTION 1 2 3 4	UNITS PER ASM.	USABLE ON CODE
		COVER GROUP-EARLY STYLE WITHOUT TILE-UP PRINTER MOUNTS		
50 -	NO NO.	COVER GROUP-EARLY STYLE WITHOUT TILT-UP PRINTER MOUNTS SEE FIGURE 50 FOR ILLUSTRATION	NP	
- 1	737685	. INSULATION-COVER LH	1	
- 2	737654	. INSULATION	1	
- 3	737653	. INSULATION	2	
- 4	731631	. SCREW	2	
- 5	737940	. COVER-TOP	1	
- 6	737683	. INSULATION	2	
- 6	737692	. SEAL-EXCPET 1052M7	1	
- 7	731626	. SCREW	16	
- 8	737692	. SEAL	1	
- 9	1138464	. CLIP-RETAINER	1	
- 10	1124336	. BRACKET,TOP COVER	2	
- 11	737927	. HOOD ACOUSTIC	1	
- 12	1128175	. HINGE	1	
- 13	737604	. GUIDE-FORMS	1	
- 14	257187	. NUT	2	
- 15	1124335	. BRACKET,HINGE SPRING	1	
- 17	1124332	. BRACKET ASSEMBLY	1	
- 18	1164576	. SCREW	2	
- 19	NO NO.	. COVER-REAR-MES ORDER ONLY	NP	
- 20	737693	. SEAL	1	
- 21	737683	. INSULATOR	2	
- 22	737684	. INSULATION-COVER RH	1	
- 23	11598	. NUT PLAIN HEX	4	
- 24	731574	. SCREW-SPCL STRIKER HD	4	
- 26	737631	. SEAL	AR	
- 27	734908	. LATCH-TOP COVER	2	
- 28	731615	. NAMEPLATE	1	
- 29	737603	. PLATE-TOP COVER GRAY	1	
- 30	737606	. HANDLE-TOP COVER	1	
- 31	734483	. SCREW	2	



NOTE:
ALL COVERS MUST BE
OBTAINED BY MES ORDER

FIGURE 51. LATE STYLE COVERS WITH TILT UP PRINTER MOUNTS. SEE LIST 51.

LIST AND INDEX NUMBER	PART NUMBER	DESCRIPTION	UNITS PER ASM.	USABLE ON CODE
51 -	NO NO.	LATE STYLE COVERS WITH TILT-UP PRINTER MOUNTS SEE FIGURE 51 FOR ILLUSTRATION	NP	
- 1	737927	. HOOD,ACOUSTIC	1	
- 2	737942	. GUIDE-PAPER	1	
- 3	737643	. COLLAR	2	
- 4	163292	. SCREW	2	
- 5	737976	. SHAFT	1	
- 6	737692	. SEAL,EXCEPT 1052-7	1	
- 7	737685	. INSULATION,COVER,LH	1	
- 8	731626	. SCREW	1	
- 9	1159597	. INSULATION-REAR COVER LH-1052-7	1	
- 10	737604	. GUIDE-FORMS	1	
- 11	737654	. INSULATION	1	
- 12	731615	. NAMEPLATE-1052M1,2 AND 4	1	
- 12	832023	. NAMEPLATE-1052M3,5,6 AND 7	1	
- 12	731556	. NAMEPLATE-1053M1-4	1	
- 12	737061	. NAMEPLATE-1447	1	
- 12	2190549	. NAMEPLATE-1131	1	
- 12	1166981	. NAMEPLATE USED ON 1053-4 ABOVE SN 4628983	1	
- 12	1166983	. NAMEPLATE USED ON 1053-2 ABOVE SN 4631027	1	
- 12	5161540	. NAMEPLATE 1053-1,24V MAGNETS JAPANESE	1	
- 12	5161537	. NAMEPLATE 1053-1,24V MAGNETS FRENCH	1	
- 12	5161538	. NAMEPLATE 1053-1,24V MAGNETS ITALIAN	1	
- 12	5161539	. NAMEPLATE 1053-1,24V MAGNETS GERMAN	1	
- 13	5161511	. COVER,REAR-GRAY-1131	1	
- 13	1166015	. COVER,REAR-SIDE EXIT GRAY USED ON 1053M1-4 OVER 4615607 AND 1052M1,2&4	1	
- 13	1166016	. COVER,REAR-BOTTOM EXIT GRAY USED ON 1052M1,2&4,AND 1447	1	
- 13	831986	. COVER,REAR-BOTTOM EXIT WHITE USED ON 1052M3,5,6 AND 9020	1	
- 13	1187103	. COVER,REAR USED ON 1052-7 AND 8 SN 4633737 AND ABOVE	1	
- 13	1166110	. COVER,REAR-SIDE EXIT 1052 MOD 4	1	
- 13	830019	. COVER,REAR-CENTER EXIT VFC GRAY USED ON 1052 MOD 1,2 AND 4	1	
- 13	831993	. COVER,REAR-WHITE-CENTER EXIT-VFC USED ON 1052 MOD 3,5 AND 6	1	
- 13	1166101	. COVER,REAR-SIDE EXIT VFC GRAY USED ON 1052 MOD 1,2 AND 4 AND 1053-1	1	
- 13	1166306	. COVER-REAR EXIT-1053-2	1	
- 13	1166493	. COVER-REAR EXIT-1816	1	
- 13	1166494	. COVER-REAR EXIT-1053-3	1	
- 13	1166502	. COVER-REAR EXIT-1053-4	1	
- 14	1159593	. INSULATION-REAR COVER RH-1052-7	1	
- 14	737693	. SEAL	1	
- 15	737693	. SEAL	1	
- 16	831951	. LABEL-CHAIN PATH	1	
- 17	737603	. PLATE-TOP COVER GRAY	1	
- 17	831996	. PLATE-WHITE	1	
- 18	731574	. SCREW	1	
- 19	737975	. STRIKE-REAR COVER USED ON-1052 1-6,-153,1131,1447,1816	2	
- 19	1166417	. STRIKER-1052-7	1	
- 20	734483	. SCREW	10	
- 21	731700	. INSULATION-VFC	1	
- 22	737684	. INSULATION-COVER RH	1	
- 22	731699	. INSULATION-RH VFC	1	
- 23	737653	. INSULATION	2	
- 24	731626	. SCREW	12	
- 25	734908	. LATCH-TOP COVER-OBSOLETE ORDER FBM 1269075	2	
- 25A	1159858	. LATCH,TOP COVER,LATE STYLE	2	
- 25A	5161408	. LATCH,TOP COVER,1052-1,2 AND 4	2	
- 26	1159859	. DETENT-COVER LATCH	2	
- 27	438552	. SCREW	2	
- 28	737685	. INSULATION-COVER LH	1	
- 29	737613	. SEAL	1	
- 30	734483	. SCREW	1	
- 31	731626	. SCREW USED ON 1052 MOD 3,5,6,7 AND 8	1	
- 32	737606	. HANDLE-TOP COVER USED ON 1052 1,2,4,1053,1131,1447,1816	1	
- 32	832029	. HANDLE-TOP COVER	1	

LIST AND INDEX NUMBER	PART NUMBER	DESCRIPTION	UNITS PER ASM.	USABLE ON CODE
		1 2 3 4		
51 - 34	11598	. NUT	2	
- 35	1159913	. CLAMP-STRIP CAM STAY	AR	
- 36	831994	. COVER, TOP-WHITE USED ON 1052M3,5,6, 7 AND 8 AND 1053-4 ABOVE SN 4628983	1	
- 36	1166017	. COVER, TOP-GRAY USED ON 1052 1,2,4,1053,1131,1447,1816	1	
- 36	830009	. COVER-VFC GRAY	1	
- 36	831995	. COVER-VFC WHITE USED ON 1052 MOD 1,2 AND 4 WITH VFC	1	
- 37	1159868	. LABEL	1	
- 38	237245	. RING, RETAINING	2	
- 39	737955	. SPRING-HINGE RH	1	
- 40	737956	. SPRING-HINGE LH	1	
- 41	737952	. SUPPORT-HINGE RH	1	
- 42	737953	. SUPPORT-HINGE LH	1	
- 43	332747	. RING, RETAINING	2	
- 44	NO NO.	. SUPPORT-HINGE RH	NP	
- 45	15887	USED ON ON EARLY STYLE-NOT AVAILABLE ORDER PART NO, 737952 AND 737953 . SCREW	2	
- 46	737959	. SPRING-HOOD LATCH	2	
- 47	219615	. NUT, SPEED	2	
- 48	737948	. HINGE-RH	1	
- 48	731698	. HINGE-RH VFC	1	
- 49	737949	. HINGE-LH	1	
- 50	734483	. SCREW	4	
- 51	737683	. INSULATION	2	

Operation	Function	Cap # (Metal)	Cap #	Sw #
Auto Fill	On/Off	832090	731589	734879
CPU	On/Off	832044	743939	734879
EOB	Manual/Auto	832096	731594	734879
Keyboard	On/Off	832128	737996	734879
Keyboard	Send/Off/Home	832038	731583	737901
Master	On/Off	832032	737979	734879
Printer 1	On/Off	832106	737894	734879
Printer 1	Rec/Send Rec/Send		731597	737901
Printer 1	Rec/Send Rec/Home	832034	731581	737901
Printer 2	On/Off	832126	737895	734879
Printer 2	Rec/Send Rec/Send		731598	737901
Printer 2	Rec/Send Rec/Home	832036	731582	737901
Punch	Normal/Bksp	832092	731590	734879
Punch 1	On/Off		827969	734879
Punch 1	Rec/Off/Home		731586	734878
Punch 2	On/Off	832134	827967	734879
Punch 2	Rec/Off/Home	832046		737616
			731587	734878
Reader 1	On/Off		827971	734879
Reader 1	Send/Off/Home		731584	737616
Reader 2	On/Off	832132	827968	734879
Reader 2	Send/Off/Home	832042		734878
			731585	737616
RDR Stop	Stop	832138	827970	737995
RDR Stop	Line/Off/Home	832104	731593	734886
Single Cy	Line/Off/Home	832102	734925	734878
Single Cy	On/Off	832136	737993	734879
Stop Code	Sense/Off	832048	731588	734879
System	Attend/Unattend	832030	731579	734879
System	Dial Disc	832098	734924	737995
System	Program/Dup	832094	731591	734879
Test	On/Off	832100	731596	734879
Blank	Used Without Switch	831950	737965	

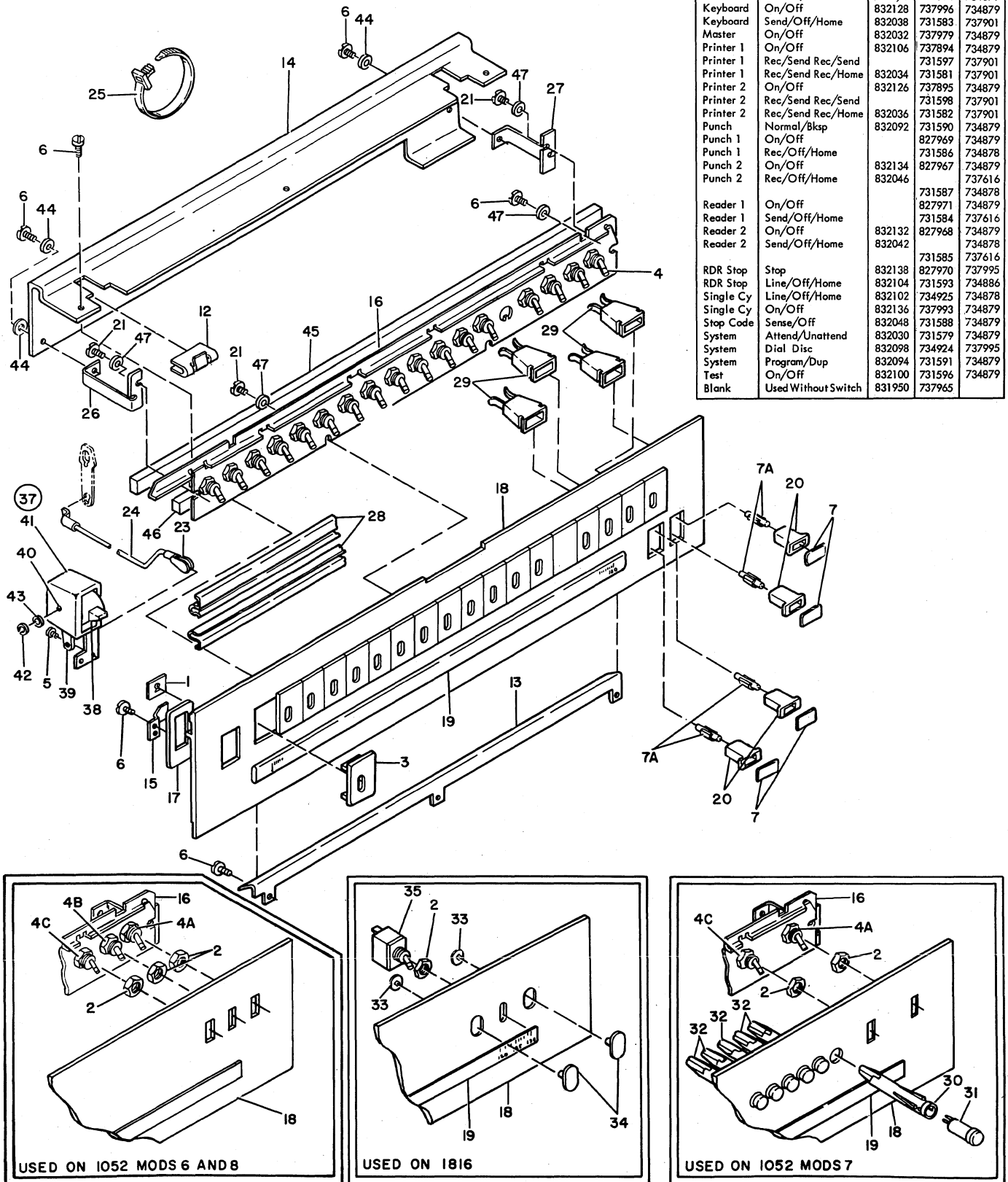


FIGURE 52. SWITCH AND LIGHT PANEL ASSEMBLY FOR KEYBOARD PRINTER MODELS. SEE LIST 52.

LIST AND INDEX NUMBER	PART NUMBER	DESCRIPTION	UNITS	USABLE ON CODE
			PER ASM.	
1	2	3	4	
		SWITCH AND LIGHT PANEL ASM FOR KEYBOARD-PRINTER MODELS		
52 -	NO NO.	SWITCH AND LIGHT PANEL ASM- 1052 MOD 1 SEE FIGURE 52 FOR ILLUSTRATION	NP	
-	NO NO.	SWITCH AND LIGHT PANEL ASM- 1052 MOD 2 SEE FIGURE 52 FOR ILLUSTRATION	NP	
-	NO NO.	SWITCH AND LIGHT PANEL ASM- 1052 MOD 3 SEE FIGURE 52 FOR ILLUSTRATION	NP	
-	NO NO.	SWITCH AND LIGHT PANEL ASM- 1052 MOD 4 SEE FIGURE 52 FOR ILLUSTRATION	NP	
-	NO NO.	SWITCH AND LIGHT PANEL ASM- 1052 MOD 5 SEE FIGURE 52 FOR ILLUSTRATION	NP	
-	NO NO.	SWITCH AND LIGHT PANEL ASM- 1052 MOD 7 SEE FIGURE 52 FOR ILLUSTRATION	NP	
-	NO NO.	. . . SWITCH AND LIGHT PANEL ASM- 1052 MOD 8 SEE FIGURE 52 FOR ILLUSTRATION	NP	
-	NO NO.	SWITCH AND LIGHT PANEL ASM-FAA 9020 SEE LIST 2- 100 AND 3- 58 FOR NEXT SEE FIGURE 52 FOR ILLUSTRATION	NP	
-	NO NO.	SWITCH AND LIGHT PANEL ASM- 1816 SEE FIGURE 52 FOR ILLUSTRATION	NP	
-	NO NO.	SWITCH AND LIGHT PANEL ASM- 1447 SEE FIGURE 52 FOR ILLUSTRATION	NP	
-	NO NO.	SWITCH AND LIGHT PANEL ASM- 1052 MOD 6 SEE FIGURE 52 FOR ILLUSTRATION	NP	
- 1	159787	. FASTENER	4	
- 2	179743	. NUT	AR	
		FOR REPLACEMENT OF FOLLOWING CAPS AND SWITCHES REFER TO CHART ON ILLUSTRATION		
- 3	731579	. CAP, SYSTEM, ATTEND, UNATTEND	AR	
- 3	731581	. CAP, PRINTER 1, REC, SEND REC, HOME	AR	
- 3	731582	. CAP, PRINTER 2, REC, SEND REC, HOME	AR	
- 3	731583	. CAP, SWITCH-KEYBOARD SEND/OFF/HOME	AR	
- 3	731584	. CAP, READER 1, SEND, OFF, HOME	AR	
- 3	731585	. CAP, READER 2, SEND, OFF, HOME	AR	
- 3	731586	. CAP, PUNCH 1, REC, OFF, HOME	AR	
- 3	731587	. CAP, PUNCH 2, REC, OFF, HOME	AR	
- 3	731588	. CAP, STOP CODE SENSE, OFF	AR	
- 3	731589	. CAP, AUTO FILL, ON, OFF	AR	
- 3	731590	. CAP, SWITCH-PUNCH NORMAL/BKSP	AR	
- 3	731591	. CAP, SYSTEM, PROGRAM, DUP	AR	
- 3	731593	. CAP, RDR STOP, LINE, OFF, HOME	AR	
- 3	731594	. CAP, SWITCH-EOB MANUAL/AUTO	AR	
- 3	731596	. CAP, TEST, ON, OFF	AR	
- 3	731597	. CAP, PRINTER 1, REC, SEND REC, SEND	AR	
- 3	731598	. CAP, PRINTER 1, REC, SEND REC, SEND	AR	
- 3	734924	. CAP, SYSTEM, DIAL, DISK	AR	
- 3	734925	. CAP, SINGLE CY, LINE, OFF, HOME	AR	
- 3	737894	. CAP, SWITCH-PRINTER 1 ON/OFF	AR	
- 3	737895	. CAP, SWITCH-PRINTER 2 ON/OFF	AR	
- 3	737965	. CAP, SWITCH-BLANK	AR	
- 3	737979	. CAP, MASTER, ON, OFF	AR	
- 3	737993	. CAP, SINGLE CY, ON, OFF	AR	
- 3	737996	. CAP, SWITCH-KEYBOARD ON/OFF	AR	
- 3	743939	. CAP, SWITCH-CPU ON/OFF	AR	
- 3	827967	. CAP, PUNCH 2 ON, OFF	AR	
- 3	827968	. CAP, READER 2, ON, OFF	AR	
- 3	827969	. CAP, PUNCH 1, ON, OFF	AR	
- 3	827970	. CAP, RDR STOR, STOP	AR	
- 3	827971	. CAP, READER 1, ON, OFF	AR	
- 3	831950	. CAP, SW-METAL BLANK	AR	
- 3	832030	. CAP, SW-METAL SYSTEM ATTEND/UNATTEND	AR	
- 3	832032	. CAP, SW-METAL MASTER ON/OFF	AR	
- 3	832034	. CAP, SW-METAL PRNTR 1 REC/SEND REC/HOME	AR	
- 3	832036	. CAP, SW-METAL PRNTR 2 REC/SEND REC/HOME	AR	
- 3	832038	. CAP, SW-METAL KEYBOARD SEND/OFF/HOME	AR	
- 3	832042	. CAP, SW-METAL READER 2 SEND/OFF/HOME	AR	
- 3	832044	. CAP, SW-METAL CPU ON/OFF	AR	
- 3	832046	. CAP, SW-METAL PUNCH 2 REC/OFF/HOME	AR	
- 3	832048	. CAP, SW-METAL STOP CODE SENSE/OFF	AR	
- 3	832090	. CAP, SW-METAL AUTO FILL ON/OFF	AR	
- 3	832092	. CAP, SW-METAL PUNCH NORMAL/BKSP	AR	
- 3	832094	. CAP, SW-METAL SYSTEM PROGRAM/DUP	AR	
- 3	832096	. CAP, SW-METAL EOB MANUAL/AUTO	AR	
- 3	832098	. CAP, SW-METAL SYSTEM DIAL DISC	AR	
- 3	832100	. CAP, SW-METAL TEST ON/OFF	AR	

LIST AND INDEX NUMBER	PART NUMBER	DESCRIPTION	UNITS PER ASM.	USABLE ON CODE
52 - 3	832102	. CAP, SW-METAL SINGLE CY LINE/OFF/HOME	AR	
- 3	832104	. CAP, SW-METAL RDR STOP LINE/OFF/HOME	AR	
- 3	832106	. CAP, SW-METAL PRINTER 1 ON/OFF	AR	
- 3	832126	. CAP, SW-METAL PRINTER 2 ON/OFF	AR	
- 3	832128	. CAP, SW-METAL KEYBOARD ON/OFF	AR	
- 3	832132	. CAP, SW-METAL READER 2 ON/OFF	AR	
- 3	832134	. CAP, SW-METAL PUNCH 2 ON/OFF	AR	
- 3	832136	. CAP, SW-METAL SINGLE CY ON/OFF	AR	
- 3	832138	. CAP, SW-METAL RDR STOP STOP	AR	
- 3	836944	. CAP, SW-RDR STOP	AR	
- 3	836945	. CAP, SW-RDR STOP	AR	
- 4	734878	. SWITCH, TOGGLE, SPDT, CENTER OFF	AR	
- 4	734879	. SWITCH, TOGGLE, DPDT	AR	
- 4	734886	. SWITCH, TOGGLE SPDT CENTER ON	AR	
- 4	737616	. SWITCH, TOGGLE DOUBLE POLE	AR	
- 4	737901	. SWITCH, TOGGLE SP 3 POS	AR	
- 4	737995	. SWITCH, TOGGLE SPDT	AR	
		USED ON 1052 MODELS 1 THRU 5 ONLY		
- 4A	725347	. SWITCH, TOGGLE, DPDT- 1052 MOD 6	1	
- 4A	738826	. SWITCH, TOGGLE- 1052 MOD 7	1	
- 4B	725347	. SWITCH, TOGGLE, DPDT- 1052 MOD 6 AND 8	1	
- 4C	738827	. SWITCH, TOGGLE, DPDT 20V 0.02A 1052M-7	1	
- 4C	725347	. SWITCH, TOGGLE, DPDT- 1052 MOD 6 AND 8	1	
- 5	731626	. SCREW	2	
- 6	832025	. SCREW	10	
- 7	731632	. LENS, RCV ALARM	1	
- 7	731633	. LENS, PROCEED	1	
- 7	731634	. LENS, POWER	1	
- 7	5235098	. LENS, INDICATOR-WHITE	1	
		USED ON 1052 MODELS 1,2 AND 4		
- 7A	734857	. LAMP-TELEPHONE SLIDE BASE 12V	4	
- 7A	2391063	. LAMP-TELEPHONE SLIDE BASE 48V	4	
		INDEX NOS. 8 THRU 11 DELETED		
- 12	1166550	. CATCH-TOP COVER	2	
- 13	734913	. GUIDE-MARGIN SET	1	
- 14	734914	. GUARD-SWITCH	1	
- 14	1166655	. GUARD-SWITCH 1052 MOD 7	1	
- 14	1166654	. GUARD-SWITCH 1052 MOD 8	1	
- 14	5161447	. SWITCH GUARD- 1053-4	1	
- 15	734918	. STOP-PANEL	1	
		NOT USED ON 1052-7		
- 15	1166741	. STOP-PANEL- 1052M-7	1	
- 16	737608	. BRACKET-SWITCH MOUNTING	1	
		USED ON 1052 M1,2&4 AND 1447		
- 16	1166667	. BRACKET-SWITCH MOUNTING	1	
		USED ON 1052M7 AND 9020		
- 16	1166662	. BRACKET-SWITCH MOUNTING	1	
		USED ON 1052M8 AND 1816		
- 16	1166661	. BRACKET-SWITCH MOUNTING	1	
		USED ON 1052 MOD 3 AND 5		
- 16	737608	. BRACKET-SWITCH MOUNTING	1	
		USED ON 1052M1,2&4 AND 1447		
- 16	831997	. BRACKET-SWITCH MOUNTING	1	
		USED ON 1052M3 AND 5		
- 16	831957	. BRACKET-SWITCH MOUNTING	1	
		USED ON 1052 MOD 6 AND 1816		
- 16	831998	. BRACKET-SWITCH MOUNTING	1	
		USED ON 1052 MOD 7		
- 17	737687	. SEAL	1	
- 18	737925	. PANEL-SWITCH MOUNTING	1	
		USED ON 1052 M1,2&4 AND 1447		
- 18	1166653	. PANEL-FRONT	1	
		USED ON 1052 MOD 3 AND 5		
- 18	1166657	. PANEL-FRONT	1	
		USED ON 1052 MOD 7		
- 18	1166658	. PANEL-FRONT	1	
		USED ON 1052 MOD 8		
- 18	1166659	. PANEL-FRONT	1	
		USED ON 9020		
- 18	1166518	. PANEL-FRONT	1	
		USED ON 1816		
- 19	737928	. SCALE- 10 PITCH	AR	
		USED ON MACHINES BELOW SN 4613806		
- 19	737929	. SCALE- 12 PITCH	AR	
		USED ON MACHINES BELOW SN 4613806		
- 19	1159911	. SCALE- 10 PITCH	AR	

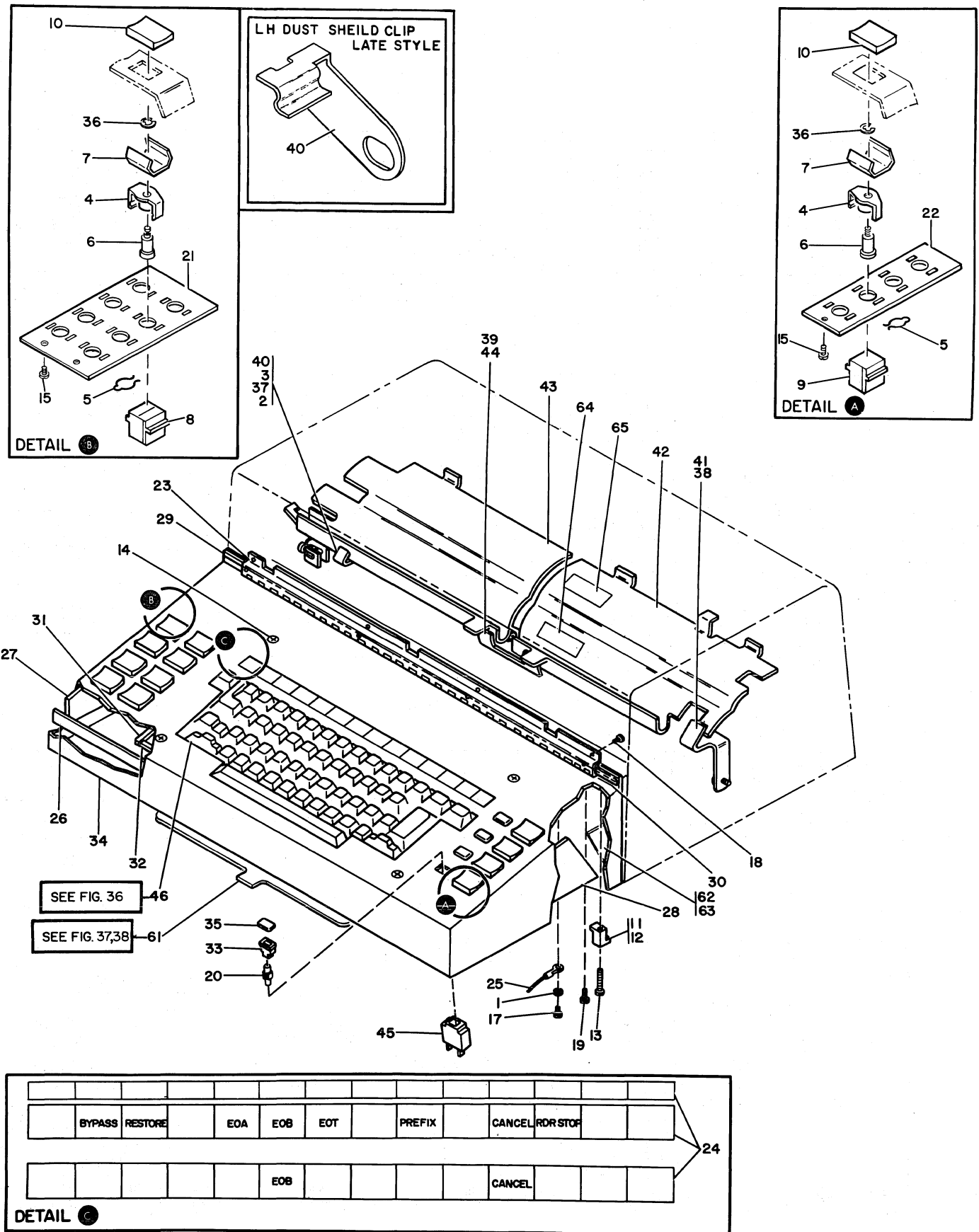


FIGURE 53. KEYBOARD COVER AND MISC HARDWARE. SHEET 1 OF 2. SEE LIST 53.

LIST AND INDEX NUMBER	PART NUMBER	DESCRIPTION				UNITS PER ASM.	USABLE ON CODE
		1	2	3	4		
		KEYBOARD COVER AND MISC HARDWARE					
53 -	NO NO.	KEYBOARD COVER-KEYBOARD PRINTER MODELS SEE FIGURE 53 FOR ILLUSTRATION				NP	
- 1	56079	. WASHER, LOCK				1	
- 2	257187	NOT USED ON 1052-7					
- 3	322551	. NUT-USED ON EARLY STYLE DUST COVER CLIP-INDEX 40				1	
- 4	475870	. SCREW-USED ON EARLY STYLE DUST COVER CLIP-INDEX 40				1	
- 5	475871	. YOKE, SWITCH				AR	
- 6	475872	. RING, YOKE RETAINING				AR	
- 6	831958	. PLUNGER USED ON 1052 MOD 1,2,4,6 AND 7				1	
- 7	475873	. RETAINER, BUTTON USED ON 1052 MOD 3 AND 5				AR	
- 7	831959	. RETAINER, BUTTON USED ON 1052 MOD 1,2,4,6 AND 7				1	
- 8	479309	. SWITCH, SENSITIVE- 2 SPDT 250V AC 5 AMP NOT USED ON 1052 MOD 7				1	
- 9	725345	. SWITCH, MOMENTARY ACTION SPDT				AR	
- 10	731545	. BUTTON, SWITCH-BLANK BLUE				1	
- 10	731619	. BUTTON, DUMMY-BLANK BLUE				1	
- 10	731547	. BUTTON, CORRECT				1	
- 10	734852	. BUTTON, DATA CHECK				1	
- 10	831975	. BUTTON, SWITCH-DATA CHECK WHITE				1	
- 10	831979	. BUTTON, SWITCH-NOT READY BLUE				1	
- 10	831972	. BUTTON, SWITCH-POWER WHITE				1	
- 10	831976	. BUTTON, SWITCH-PROCEED GREEN				1	
- 10	731551	. BUTTON, PUNCH DELETE				1	
- 10	731548	. BUTTON, PUNCH FEED				1	
- 10	731550	. BUTTON, READER SKIP				1	
- 10	734920	. BUTTON, READER START HOME				1	
- 10	734921	. BUTTON, READER START LINE				1	
- 10	831978	. BUTTON, SWITCH-READY BLUE				1	
- 10	831973	. BUTTON, SWITCH-RECEIVE ALARM YELLOW				1	
- 10	734850	. BUTTON, REQUEST				1	
- 10	831974	. BUTTON, SWITCH-REQUEST WHITE				1	
- 10	734853	. BUTTON, RESEND				1	
- 10	831977	. BUTTON, SWITCH-RESEND WHITE				1	
- 10	734549	. BUTTON, SWITCH-RESET BLUE				1	
- 10	737988	. BUTTON, RESET HOME				1	
- 10	737989	. BUTTON, RESET LINE				1	
- 10	845677	. BUTTON, SWITCH-LINE WHITE				1	
- 11	731572	. LATCH-RH				1	
- 12	731573	. LATCH-LH				1	
- 13	731627	. SCREW				2	
- 14	731629	. SCREW				4	
- 15	731629	. SCREW				AR	
- 17	731631	. SCREW				1	
- 18	731631	NOT USED ON MODEL 7					
- 18	731631	. SCREW				8	
- 19	731631	. SCREW				4	
- 20	734857	USED ON 1052 MOD 1,2, AND 4					
- 20	2391063	. LAMP-TELEPHONE SLIDE BASE 12 V				4	
- 20	2391063	. LAMP-TELEPHONE SLIDE BASE 48 V				4	
- 21	734902	. PLATE-SWITCH MOUNTING 8 HOLE USED ON 1052 MOD 1-5				1	
- 22	734903	. PLATE-SWITCH MOUNTING 4 HOLE				1	
- 22	831960	. PLATE-SWITCH MOUNTING 4 HOLE USED ON 1052 MOD 1,2,4,6 AND 7 USED ON 1052 MOD 3 AND 5				1	
- 23	734911	. HINGE-PANEL USED ON 1052 MOD 1,2 AND 4				1	
- 23	832015	. HINGE-PANEL				1	
- 24	734915	. STRIP-BLANK USED ON 1052 MOD 3,5,6 AND 7				1	
- 24	737620	. STRIP-BLANK USED ON 1052 MOD 1,2 AND 4				1	
- 24	831984	. STRIP USED ON 1447				1	
- 24	831953	. STRIP USED ON 1052 MOD 7 AND 9020				1	
- 24	1166357	. STRIP USED ON 1052 MOD 3,5 AND 8				1	
- 25	734939	. JUMPER ASSEMBLY-EXCEPT 1052 MOD 7				1	
- 26	737689	. INSULATION-KB FRONT				1	
- 27	737690	. INSULATION-KB SIDE LH				1	

LIST AND INDEX NUMBER	PART NUMBER	DESCRIPTION	UNITS PER ASM.	USABLE ON CODE
53 - 28	737691	. INSULATION-KB SIDE RH	1	
- 29	737985	. SEAL-HINGE-KB LH	1	
- 30	737986	. SEAL-HINGE-RH	1	
- 31	743749	. INSULATION-KB TOP	2	
- 32	743750	. INSULATION-KB TOP	2	
- 33	770386	. HOLDER,BULB USED ON 1052 MOD 1,2 AND 4	4	
- 34	1166018	. COVER-KEYBOARD GRAY USED ON 1052 MOD 1,2 AND 4	1	
- 34	831956	. COVER USED ON 1052 MOD 3 AND 5	1	
- 34	1166019	. COVER-KEYBOARD WHITE USED ON 1052 MOD 6, 7 AND 8	1	
- 34	1166495	. COVER-KEYBOARD-1816	1	
- 35	836946	. LENS-HOME INTL USED ON WORLD TRADE 1052 MOD 1,2 AND 4	4	
- 35	5235098	. LENS,INDICATOR-WHITE USED ON DOMESTIC 1052 MOD 1,2 AND 4	4	
- 35	835034	. LENS-LINE	1	
- 36	1073418	. RING-RETAINING	AR	
- 37	1090970	. WASHER,FLAT-USED ON EARLY STYLE DUST COVER CLIP-INDEX 40	1	
- 38	1117759	. SCREW-USED WITH EARLY STYLE CLIP-INDEX 41	1	
- 39	1138383	. CLIP,DUST SHIELD-EARLY STYLE	1	
- 39	1141897	. CLIP-DUST SHIELD-LATE STYLE	1	
- 40	1141050	. CLIP-LH-EARLY STYLE	1	
- 40	1141837	. CLIP-DUST SHIELD,LH-LATE STYLE	1	
- 41	1141051	. CLIP,DUST SHIELD R.H. NOTE: NO LONGER AVAILABLE. ORDER 1166368,FIG. 47, INDEX 62	1	
- 42	1141645	. SHIELD-RH	1	
- 43	1141649	. SHIELD-LH	1	
- 44	1164580	. SCREW	1	
- 45	1187170	. SOCKET ASSEMBLY USED ON 1052 MOD 1,2 AND 4	4	
- 46	NO NO.1	. KEYBUTTON GROUPS-DOMESTIC SEE FIGURE 36 FOR KEYBUTTON PART NUMBERS	NP	
- 46	NO NO.2	. KEYBUTTON GROUPS-WORLD TRADE SEE FIGURE 36 FOR KEYBUTTON PART NUMBERS	NP	
- 47	831961	. RETAINER,BUTTON	1	
- 48	831983	. BRACKET SW PL RT	1	
- 49	831963	. ACTUATOR SWITCH	1	
- 50	831962	. CLIP	1	
- 51	2122035	. SOCKET LAMP	1	
- 52	38262	. SCREW	2	
- 53	832014	. CLIP SOCKET	1	
- 54	1166030	. SWITCH	1	
- 54	1166031	. SWITCH	1	
- 55	5161492	. SWITCH ASM- 1447	1	
- 55	5161441	. SWITCH ASM- 1052 MOD 1	1	
- 55	5161442	. SWITCH ASM- 1052 MOD 2	1	
- 55	5161444	. SWITCH ASM- 1052 MOD 4	1	
- 56	5161493	. SWITCH ASM- 1447	1	
- 56	5161443	. SWITCH ASM- 1052 MOD 1 AND 2	1	
- 56	5161445	. SWITCH ASM- 1052 MOD 4	1	
- 57	5161465	. SWITCH ASM- 1052 MOD 3	1	
- 57	5161469	. SWITCH ASM- 1052 MOD 5	1	
- 58	5161467	. SWITCH ASM- 1052 MOD 3	1	
- 58	5161470	. SWITCH ASM- 1052 MOD 5	1	
- 59	5161468	. SWITCH ASM- 1052 MOD 3	1	
- 59	5161471	. SWITCH ASM- 1052 MOD 5	1	
- 60	5161475	. SWITCH ASM- 1052 MOD 7 AND 9020	1	
- 60	5161476	. SWITCH ASM- 1052 MOD 8	1	
- 60	5161450	. SWITCH ASM- 1816	1	
- 61	NO NO.	. KEYBOARD ASM-EARLY	NP	
- 61	5161423	SEE FIG. 37 FOR NEXT HIGHER ASM . KEYBOARD ASM- LATE SEE FIG. 38 FOR NEXT HIGHER ASM	1	
- 61	1166460	. KEYBOARD ASM-LATE SEE FIG. 38 FOR NEXT HIGHER ASM	1	
- 61	5161421	. KEYBOARD ASM-LATE SEE FIG. 38 FOR NEXT HIGHER ASM	1	
- 61	5161422	. KEYBOARD ASM- LATE SEE FIG. 38 FOR NEXT HIGHER ASM	1	
- 62	1166448	. INSULATION,KB LH REAR	1	
- 63	1166449	. INSULATION,KB RH REAR	1	
- 64	1203839	. LABEL,WARNING	1	
- 65	1203359	. LABEL,WARNING,MOTOR START	1	

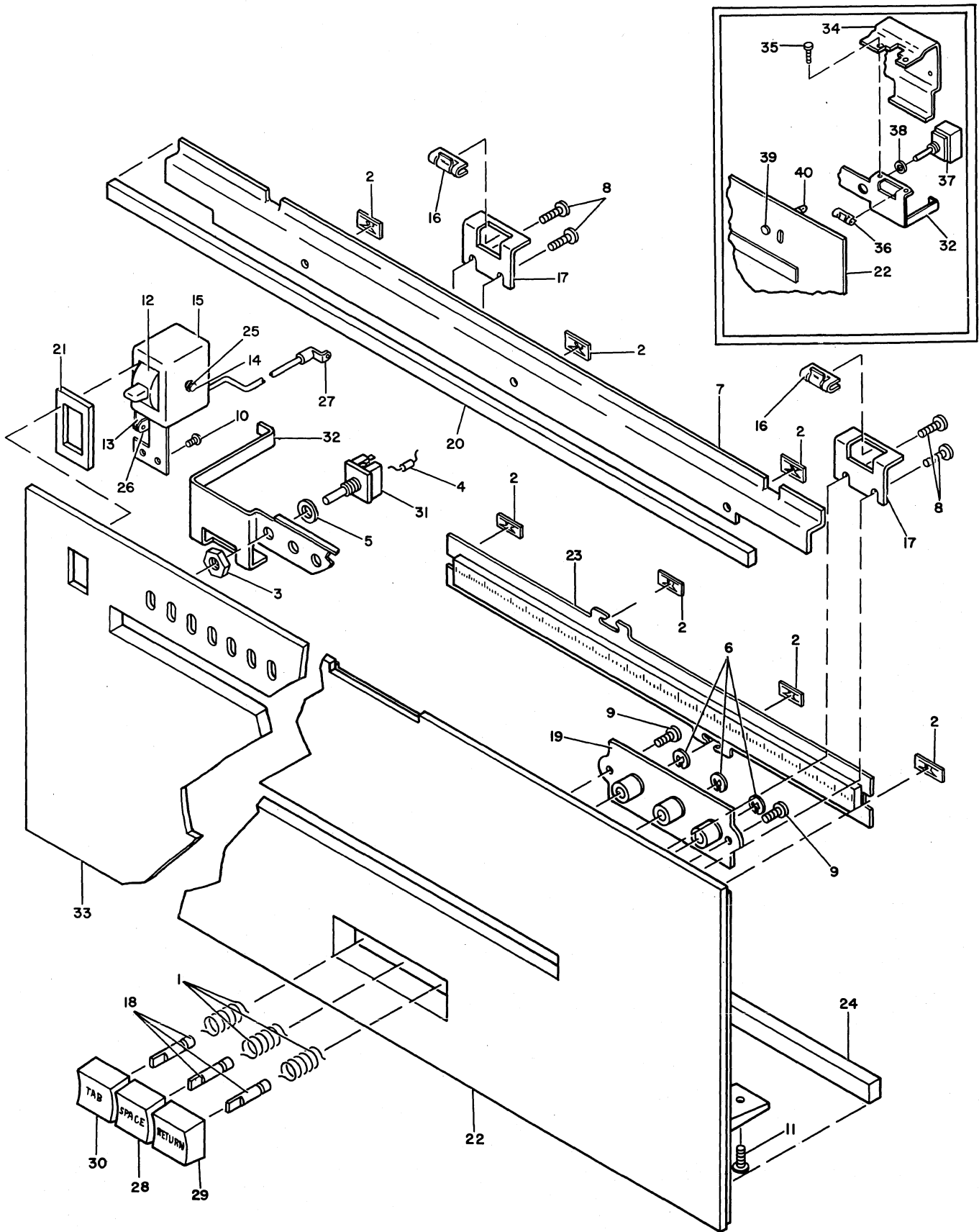


FIGURE 54. SWITCH AND LIGHT PANEL ASSEMBLY FOR PRINTER MODELS. SEE LIST 54.

LIST AND INDEX NUMBER	PART NUMBER	DESCRIPTION	UNITS PER ASM.	USABLE ON CODE
		SWITCH AND LIGHT PANEL ASM FOR PRINTER ONLY MODELS		
54 -	NO NO.	SWITCH AND LIGHT PANEL ASM USED ON 1053 MOD 1 WITH 24V MAGNETS SEE FIGURE 54 FOR ILLUSTRATION	NP	
-	NO NO.	SWITCH AND LIGHT PANEL ASM USED ON 1053 MOD 1,2 AND 3 SEE FIGURE 54 FOR ILLUSTRATION	NP	
-	NO NO.	SWITCH AND LIGHT PANEL ASM USED ON 1053 MOD 4 SEE FIGURE 54 FOR ILLUSTRATION	NP	
-	NO NO.	SWITCH AND LIGHT PANEL ASM USED ON 1131 SEE FIGURE 54 FOR ILLUSTRATION	NP	
- 1	94388	. SPRING-EXCEPT 1131	3	
- 2	159787	. NUT-USED ON 1053-4	7	
- 3	179743	. NUT- 1131	16	
- 4	216438	. RESISTOR,FXD,COMP- 470 OHMS P/M 5% 1/4W USED ON 1131	AR	
- 5	256469	. WASHER- 1131	16	
- 6	257701	. CLIP,FRAME- EXCEPT 1131	3	
- 7	737615	. BRACKET	1	
- 8	731626	. SCREW	4	
- 8	70078	. SCREW - USED ON 1053-4	4	
- 9	731626	. SCREW- EXCEPT 1131	2	
- 9	70078	. SCREW - USED ON 1053-4	4	
- 10	731626	. SCREW	2	
- 11	731630	. SCREW,THREAD FORMING	2	
- 12	734904	. LEVER-TAB SET AND CLEAR DOMESTIC	1	
- 12	737922	. LEVER-TAB SET AND CLEAR WORLD TRADE	1	
- 13	734905	. LINK-TOGGLE	1	
- 14	734906	. PIN	1	
- 15	734907	. HOUSING-TOGGLE	1	
- 16	1166550	. CATCH-TOP COVER	2	
- 17	734910	. BRACKET-LATCH	2	
- 18	734929	USED ON 1053-4 BELOW SN 4628983 . KEYSTEM-EXCEPT 1131	3	
- 19	734930	. BAR,MOUNTING-EXCEPT 1131	1	
- 20	737613	. SEAL	1	
- 21	737687	. SEAL	1	
- 22	737926	. PANEL	1	
- 22	1166632	USED ON 1053 MOD 1-3 ALSO MODEL 4 BELOW SN 4628983 . PANEL,FRONT-PRINTER	1	
- 22	5161530	USED ON 1053-4 ABOVE SN 4628983 . PANEL,FRONT,PRINTER -1053 MOD 1 WITH 24V MAGNETS - U.S.	1	
- 23	737928	. SCALE- 10 PITCH	AR	
- 23	737929	. SCALE- 12 PITCH	AR	
- 23	1159911	. SCALE- 10 PITCH	AR	
- 23	1159912	USED ON MACHINES ABOVE SN 4613806 . SCALE- 12 PITCH USED ON MACHINES ABOVE SN 4613806	AR	
- 24	737938	. INSULATION	1	
- 25	1073418	. RING-RETAINING	2	
- 26	1110529	. CLEVIS-LINK	1	
- 27	1135541	. LINK-TAB SET/CLEAR-EARLY STYLE	1	
- 27	1159873	. LINK-TAB SET/CLEAR-LATE STYLE-USED WITH SOLID ROTATE ARM	1	
- 28	1135562	. BUTTON-EXCEPT 1131	1	
- 28	5161523	. BUTTON - GERMAN "LEER"	1	
- 28	5161552	. BUTTON - FRENCH "ESPACE"	1	
- 28	5161556	. BUTTON - ITALIAN "SPAZIO"	1	
- 29	1135563	. BUTTON-EXCEPT 1131	1	
- 29	5161525	. BUTTON - GERMAN "RUCKL"	1	
- 29	5161554	. BUTTON - FRENCH "RETOUR"	1	
- 29	5161558	. BUTTON - ITALIAN "RITORNO"	1	
- 29	5161559	SWITCH AND LIGHT PANEL ASM,USED ON 1053-1,24V,ITALY	1	
- 29	5161526	SWITCH AND LIGHT PANEL ASM,USED ON 1053-1,24V,FRANCE	1	
- 29	5161518	SWITCH AND LIGHT PANEL ASM,USED ON 1053-1,24V,GERMANY	1	
- 30	1135564	. BUTTON-EXCEPT 1131	1	
- 31	1166086	. SWITCH,TOGGLE-SPDT- 1131	16	
- 32	1166094	. BRACKET-SWITCH USED ON 1053-4 AND 1131 ABOVE SN 4628983	1	

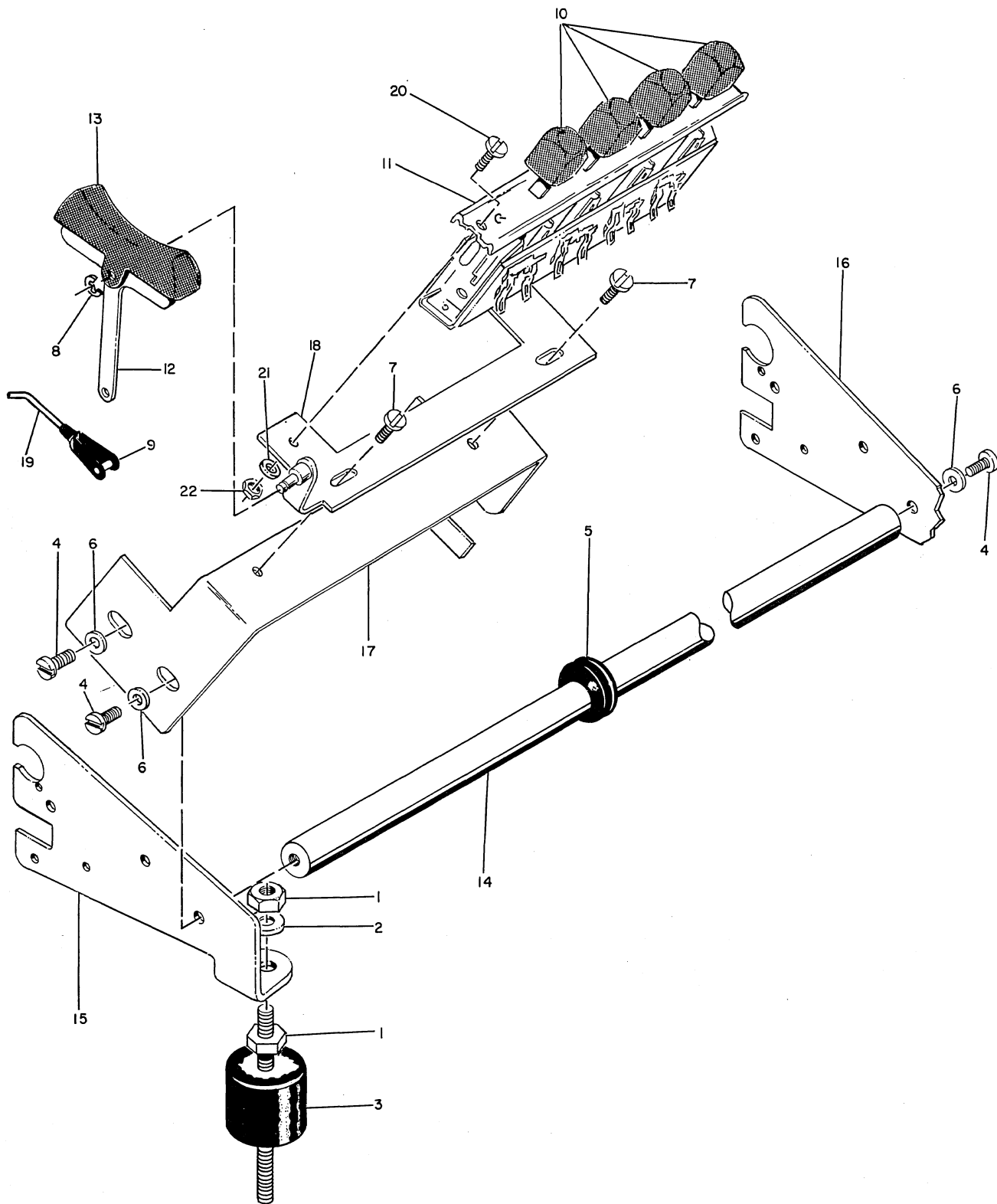


FIGURE 55. FRONT FRAME AND SWITCH ASSEMBLY - 765. SEE LIST 55.

LIST AND INDEX NUMBER	PART NUMBER	DESCRIPTION				UNITS PER ASM.	USABLE ON CODE
		1	2	3	4		
		765 FRONT FRAME AND SWITCH ASSEMBLY					
55 -	NO NO.	FRONT FRAME AND SWITCH ASSEMBLY- 765 SEE FIGURE 55 FOR ILLUSTRATION				NP	
- 1	3960	. NUT				1	
- 2	6935	. WASHER, LOCK				1	
- 3	71729	. SHOCKMOUNT				1	
- 4	1164579	. SCREW				3	
- 5	204362	. GROMMET-RUBBER				2	
- 6	257986	. WASHER				3	
- 7	1141372	. SCREW				2	
- 8	1073418	. RING-RETAINING				1	
- 9	1110529	. CLEVIS				1	
- 10	1157055	. KEYBUTTON-SPACE AND BACKSPACE				2	
- 10	1119710	. KEYBUTTON-CARRIER RETURN				1	
- 10	1119711	. KEYBUTTON-TAB				1	
- 11	1119359	. SWITCH ASSEMBLY				1	
- 12	1123520	. BELLCRANK				1	
- 13	1124875	. KEYBUTTON				1	
- 14	1135537	. TIE BAR				2	
- 15	1159731	. FRAME-RH				1	
- 16	1159731	. FRAME-LH				1	
- 17	1159732	. BRACKET-SWITCH				1	
- 18	1159733	. BRACKET-SWITCH				1	
- 19	1159738	. LINK-KEYBUTTON				1	
- 20	35739	. SCREW				2	
- 21	56722	. WASHER				2	
- 22	257187	. NUT				2	

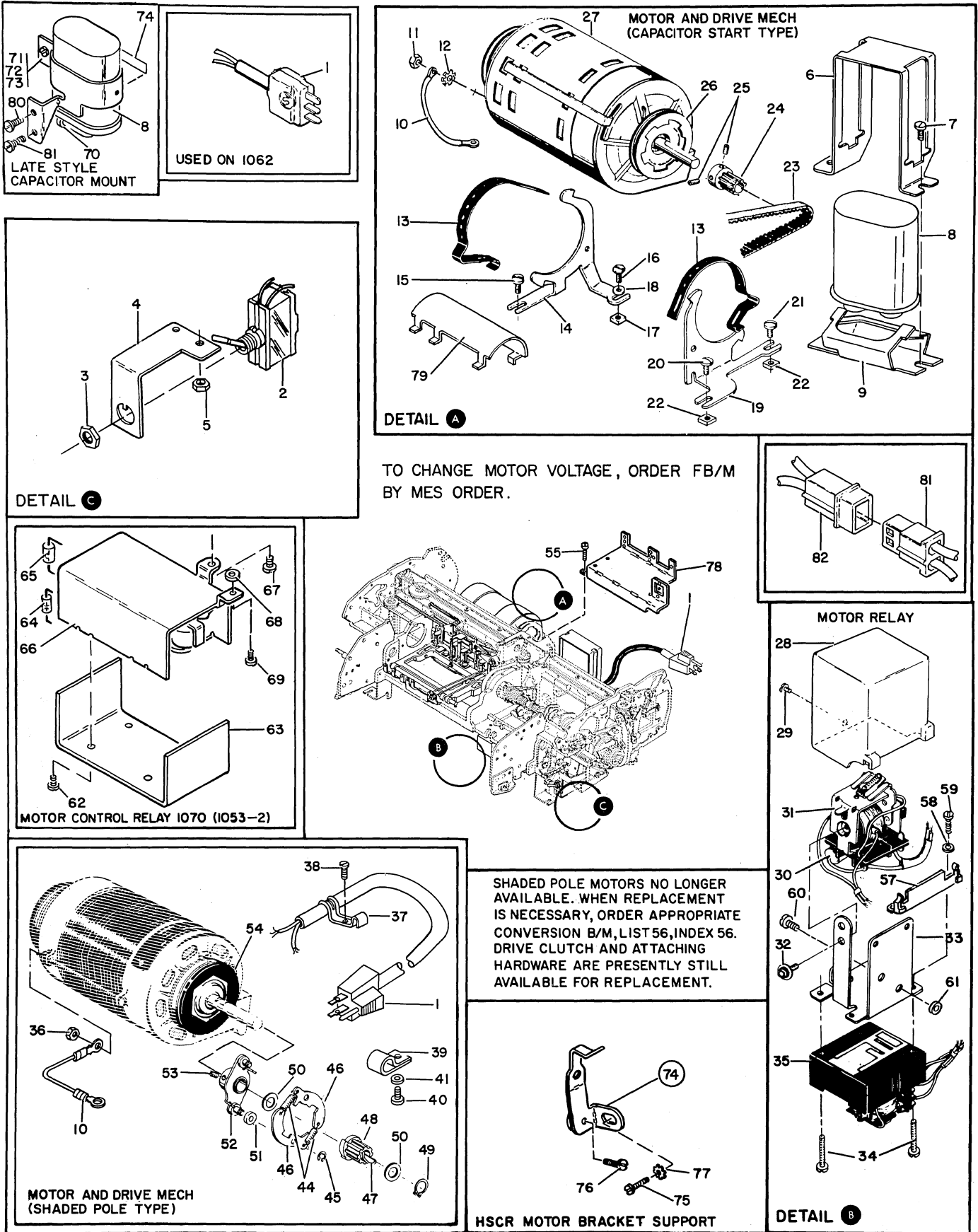


FIGURE 56. MOTOR AND DRIVE ASSEMBLY. SEE LIST 56.

K8
328

7457011

LIST AND INDEX NUMBER	PART NUMBER	DESCRIPTION	UNITS PER ASM.	USABLE ON CODE
		MOTOR AND DRIVE ASSEMBLY		
56 -	NO NO.	MOTOR AND DRIVE ASSEMBLY SEE FIGURE 56 FOR ILLUSTRATION	NP	
- 1	630300	. CORD LINE- 115/220V-50/60HZ- 1062	1	
- 1	1166293	. CORD LINE- 115V 60HZ USED ON 1053M2,3 AND 4, 1816 AND 1980-21	1	
- 1	1166294	. CORD LINE- 208/230V 60HZ USED ON 1053M2,3 AND 4, 1816 AND 1980-21	1	
- 1	1187791	. CORD LINE- 208/230V 60HZ 6FT USED ON 1053M2,3 AND 4, 1816 AND 1980-21	1	
- 1	1187731	. CORD LINE- 115V 60HZ 6 FT USED ON 1053M2,3 AND 4, 1816 AND 1980-21	1	
- 2	1124811	. SWITCH- 2 WIRE	1	
- 2	1135015	. SWITCH- 4 WIRE	1	
- 3	179743	. NUT	1	
- 4	1159419	. BRACKET	1	
- 5	179743	. NUT	2	
- 6	1187414	. BRACKET-CAPACITOR MTG, OLD STYLE	1	
- 7	1164579	. SCREW, OLD STYLE	2	
- 8	1203288	. CAPACITOR 2MFD	1	
- 8	1166431	. CAPACITOR- 4MFD	1	
- 8	1187099	. CAPACITOR- 5MFD	1	
- 8	1203295	. CAPACITOR-6 MFD	1	
- 9	1124810	. INSULATOR-CAPACITOR, OLD STYLE	1	
- 9	1187729	. INSULATOR, CAPACITOR-INTERMEDIATE STYLE	1	
- 10	1127055	. JUMPER ASM-GRN 3 IN.	1	
- 10	1110643	. JUMPER ASM-GRN 4 IN.	1	
- 10	1159637	. JUMPER ASM-GRN 5.5 IN.	1	
- 11	38051	. NUT	1	
- 12	56722	. WASHER, LOCK	1	
- 13	1132508	. RETAINER, MOTOR	2	
- 14	1134825	. BRACKET, MOTOR MTG LH	1	
- 15	1164577	. SCREW	1	
- 16	35665	. SCREW	1	
- 17	1134829	. NUT	1	
- 18	1104286	. WASHER	1	
- 19	1134826	. BRACKET RH	1	
- 20	322065	. SCREW	1	
- 21	35739	. SCREW	1	
- 22	1134829	. NUT	3	
- 23	5173811	. BELT, DRIVE	1	
- 24	1159175	. PULLEY- 60HZ	1	
- 24	1159780	. PULLEY- 50HZ	1	
- 25	1145492	. SETSCREW	2	
- 26	1174096	. RUBBER RING-METAL INSERT	2	
- 27	1203777	. MOTOR, 115V, 60HZ, 1/20HP USE 1203295 CAPAC. MOTOR, 220V, 50HZ, 1/20HP USE 1166431 CAPACITOR	1	
- 27	1159838	. MOTOR, 115V, 60HZ, 1/35HP USE 1203295 CAPAC.	1	
- 27	1203882	. MOTOR, 115V, 60HZ, 1/20HP USE 1166431 CAPACITOR	1	
- 27	1187562	. MOTOR, 208V, 60HZ, 1/20HP USE 1187099 CAPACITOR	1	
- 27	1187563	. MOTOR, 230V, 60HZ, 1/20HP USE 1166431 CAPACITOR	1	
- 27	1187084	. MOTOR, 123.5V, 50HZ, 1/20HP USE 1187099 CAPAC.	1	
- 27	1187085	. MOTOR, 195V, 50HZ, 1/20HP USE 1187099 CAPAC.	1	
- 27	1187086	. MOTOR, 235V, 50HZ, 1/20HP USE 1187099 CAPACITOR	1	
- 27	1203883	. MOTOR, 112.5V, 50HA, 1/35HP USE 1203288 CAPACITOR	1	
- 27	5173699	. MOTOR, 100V, 50/60HZ, 1/20HP USE 1203295 CAPACITOR	1	
- 27	1187083	. MOTOR, 112.5V. 50HZ 1/20 HP USE 1187099 CAPAC.	1	
- 28	1166955	. COVER BELOW SN 4635184 ORDER PN 1166510 1166627, 159946, 1164291 AND 1166578 (INDICES 33, 31, 57, 59 AND 29)	1	
- 29	1164578	. SCREW	1	
- 30	1166601	. CAPACITOR, FIXED- 0.033 MFD	1	
- 31	1166954	. RELAY ASSEMBLY-POWER- 1053M3 AND 1816	1	
- 31	1166627	. RELAY ASSEMBLY-POWER- 1053M4 AND 1980-21	1	

1124812 171483

LIST AND INDEX NUMBER	PART NUMBER	DESCRIPTION	UNITS	USABLE
			PER ASM.	ON CODE
56 - 32	1141136	. SCREW	1	
- 33	1166510	. BRACKET-RELAY MOUNTING	1	
- 34	322552	. SCREW- 1053-3 AND 1816	2	
- 35	1166953	. RELAY ASM-DELAY- 1053 AND 1816	1	
- 36	38051	. NUT	1	
- 37	1134822	. CLAMP	1	
- 38	1164576	. SCREW	1	
- 39	303538	. CLAMP,CABLE	1	
- 40	438549	. SCREW	1	
- 41	1134843	. WASHER	1	
- 44	1128490	. SPRING	2	
- 44	1159132	. SPRING 50HZ MACHINES	2	
- 45	1073418	. RING-RETAINING	2	
- 46	1141923	. PAWL-MOTOR 60HZ MACHINES	1	
- 46	1159135	BELOW SN 4387000 REPLACE WITH PN 1272045 . PAWL-MOTOR 50HZ MACHINE	1	
- 47	1159211	. BUSHING,MOTOR PULLEY	1	
- 48	1159212	. PULLEY-MOTOR 60HZ MACHINE	1	
- 48	1159537	BELOW SN 4387000 REPLACE WITH PN 1272045 . PULLEY-MOTOR 50HZ MACHINE	1	
- 49	103689	. RING-RETAINING	1	
- 50	1141503	. WASHER	1	
- 51	1141504	. WASHER	2	
- 52	1134741	BELOW SN 4387000 REPLACE WITH PN 1272045 . HUB ASM, MOTOR CLUTCH FOR FBM ORDER 1272045	1	
- 53	1175107	. SETSCREW	1	
- 54	1141077	. RING,RUBBER-SHADED POLE MOTOR	1	
- 55	38452	. SCREW	4	
- 56	1269733	. MOTOR FBM 230V 60HZ 1/20 HP	REF	
- 56	1272652	. MOTOR FBM 115V 60HZ 1/20 HP	REF	
- 56	1272653	. MOTOR FBM 220V 50HZ 1/20 HP	REF	
- 56	1272654	. MOTOR FBM 208V 60HZ 1/20 HP	REF	
- 56	1272824	. MOTOR FBM 115V 60HZ 1/35 HP	REF	
- 56	1272655	. MOTOR FBM 220V 50HZ 1/35 HP	REF	
- 57	159946	. CLIP,COVER- 1053M3 AND 1816	1	
- 58	150209	. WASHER- 1053M3 AND 1816	2	
- 59	1164291	. SCREW- 1053M3 AND 1816	2	
- 60	1164579	. SCREW- 1053M3 AND 1816	2	
- 60	35739	. SCREW- 1053M4 AND 1980-21	2	
- 61	1105760	. SPACER- 1053M3 AND 1816	2	
- 62	1164582	. SCREW	4	
- 63	1166234	. COVER	1	
- 64	1166602	. CAPACITOR .033MFD 200V	1	
- 65	317428	. RESISTOR 330 OHMS	1	
- 66	1166235	. RELAY ASSEMBLY	1	
- 67	1164576	. SCREW	1	
- 68	1090386	. SPACER	1	
- 69	1164580	. SCREW	1	
- 70	1173356	. SHIELD, CAPACITOR TERMINAL	1	
- 71	1164384	. BRACKET CAPACITOR MOUNTING,LATE STYLE-VERT. MTG.	1	
- 71	5173769	. BRACKET,CAPACITOR MTG.-HORIZONTAL MTG-1062	1	
- 72	1141180	. SCREW	1	
- 73	257187	. NUT	1	
- 74	1203377	. SUPPORT ASM,MOTOR BRACKET-HIGH SPEED CARRIER RETURN MACHINES	1	
- 75	38350	. SCREW	1	
- 76	38282	. SCREW	1	
- 77	56722	. WASHER	1	
- 78	1166481	. BRACKET,CONNECTOR MTG	1	
- 78	1166236	1816 . BRACKET,CONNECTOR MTG 1053-2,3,4,AND 1980	1	
- 79	1187119	. HEAT SHIELD-MOTOR	1	
- 80	114184	. SCREW	1	
- 81	35739	. SCREW	1	
- 82	1203351	. CONNECTOR,SOCKET-USED IN PLACE OF WIRE NUTS	1	
- 83	1203352	. CONNECTOR,PLUG-USED IN PLACE OF WIRE NUTS	1	

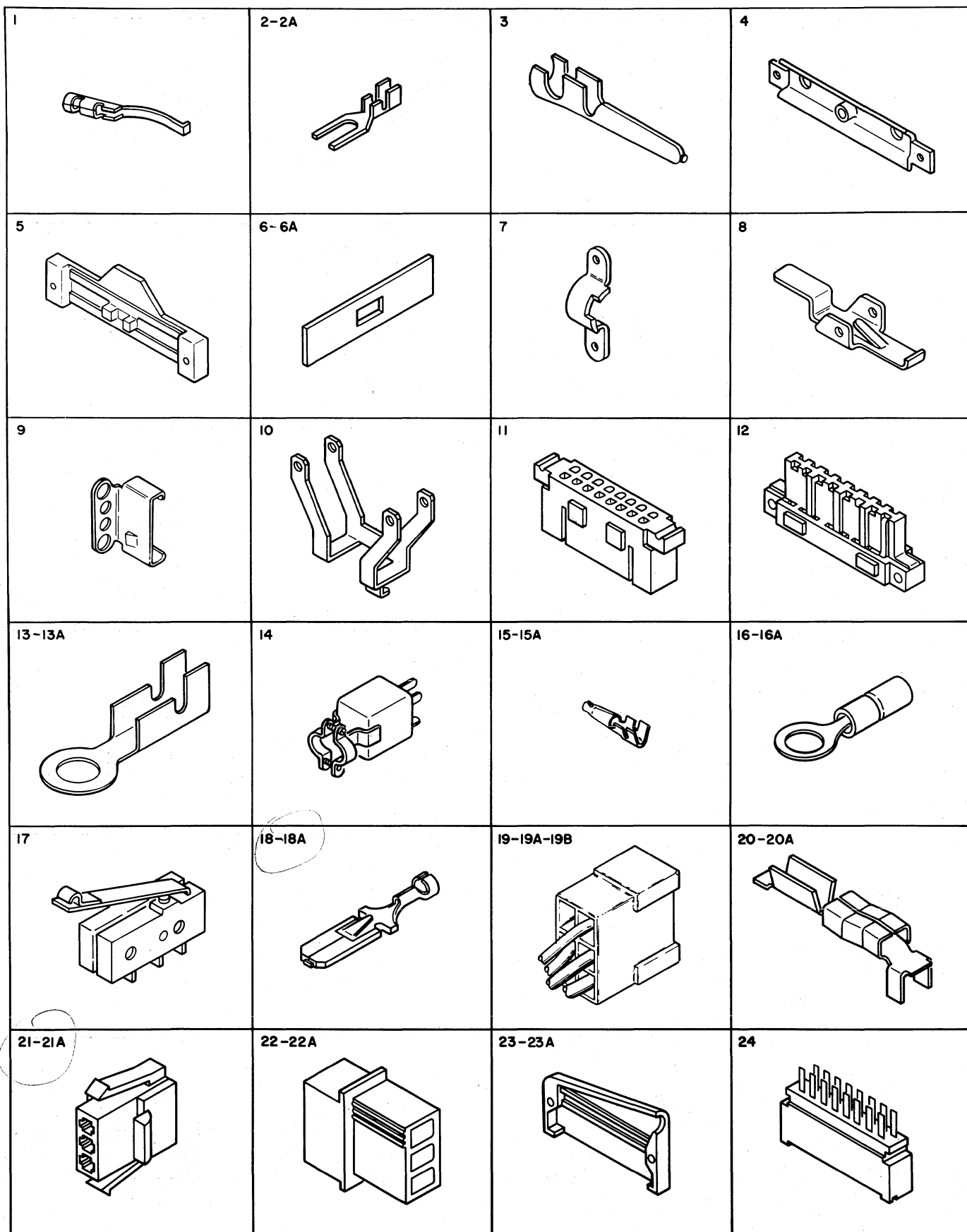


FIGURE 57. CABLE AND JUMPER ASSEMBLY COMPONENT PARTS. SHEET 1 OF 3. SEE LIST 57.

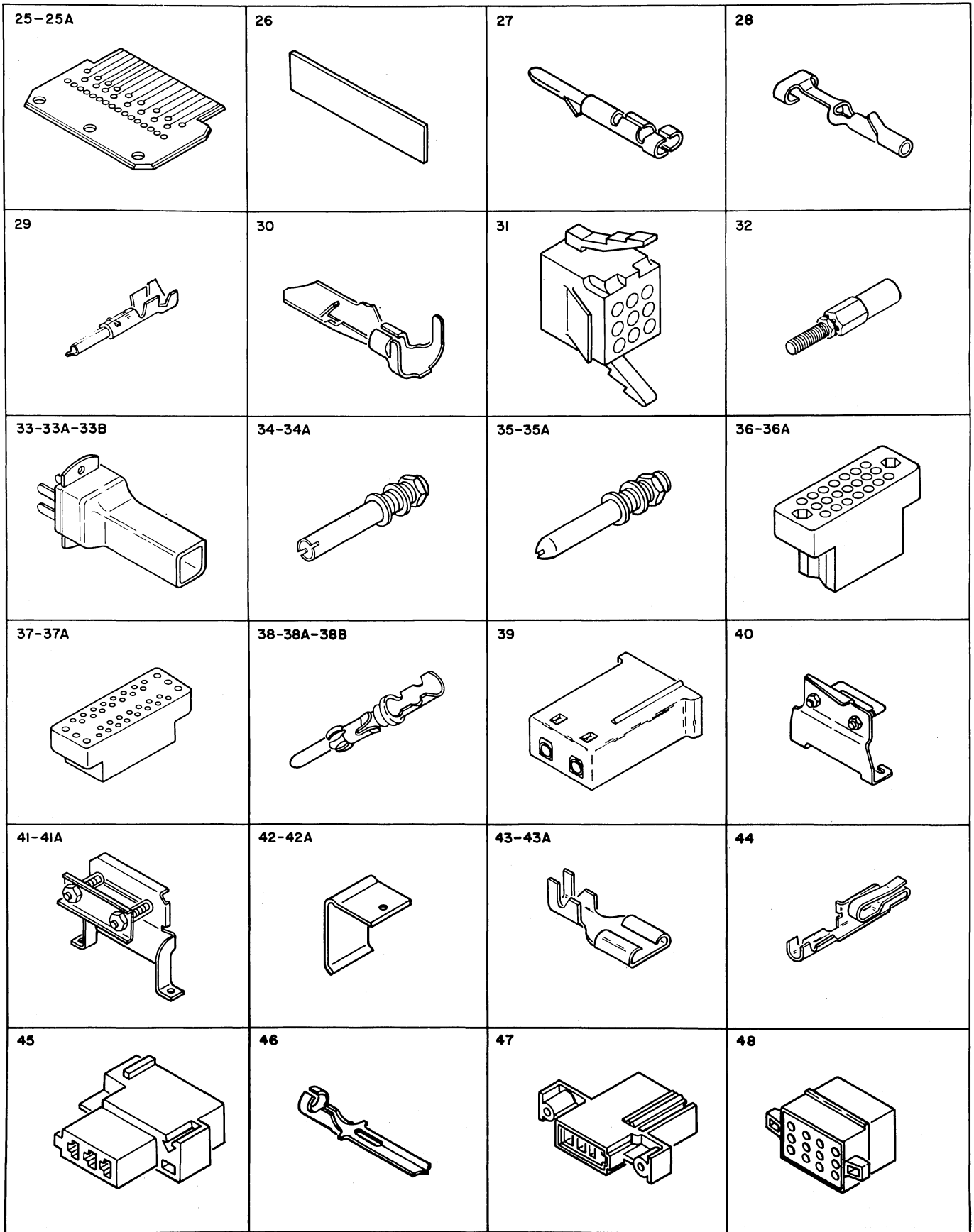


FIGURE 57. CABLE AND JUMPER ASSEMBLY COMPONENT PARTS. SHEET 2 OF 3. SEE LIST 57.

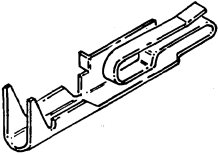
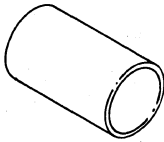
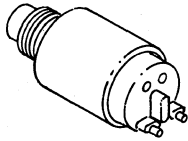
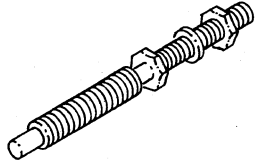
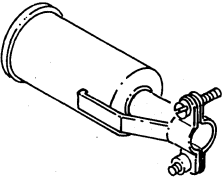
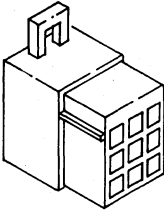
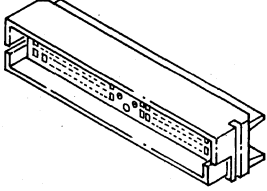
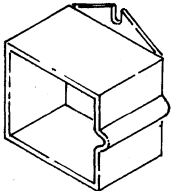
49 	50 	51 	52 
53 	54 	55 	56 

FIGURE 57. CABLE AND JUMPER ASSEMBLY COMPONENT PARTS. SHEET 3 OF 3. SEE LIST 57.

LIST AND INDEX NUMBER	PART NUMBER	DESCRIPTION				UNITS PER ASM.	USABLE ON CODE
		1	2	3	4		
		CABLE AND JUMPER ASSEMBLY COMPONENT PARTS					
57 -	631602	CABLE ASSEMBLY-1062 SEE LIST 57-2,-3,-16,-34,-35,-36,-38, AND -40 FOR COMPONENT PARTS				REF	
-	731674	CABLE ASSEMBLY-FORMS FEED EARLY 1052/53 SEE LIST 57-14 AND -17 FOR COMPONENT PARTS				REF	
-	731703	CABLE ASSEMBLY-FORMS FEED LATE 1052 1-6 SEE LIST 57-2,-3,-4,-5,-6A,-16,-20A,-22A, -23,-23A,-24,-25,-27,-45,-46 FOR COMPONENT PARTS				REF	
-	830191	CABLE ASSEMBLY-FORMS FEED LATE 1053-1 SEE LIST 57-2,-3,-4,-5,-6A,-16,-20A,-22A , -23,-23A,-24,-25,-26,-27,-45 AND -46 FOR COMPONENT PARTS				REF	
-	1159283	CABLE ASSEMBLY- 1052 1-6, 1447 SEE LIST 57-2,-3,-4,-5,-6A,-16,-20A,-22A , -23,-23A,-24,-25A,-27,-45 AND 46 FOR COMPONENT PARTS				REF	
-	827986	CABLE ASSEMBLY- 1052-7 QUICK DISC KB SEE LIST 57-2,-3,-13,-34,-35,-36,-38, 38A,-40 AND -42 FOR COMPONENT PARTS				REF	
-	831970	CABLE ASSEMBLY- 1052-7 QUICK DISC CE PNL SEE LIST 57-34A,-35A,-37,-38B,-41,-42A,-44 AND -49 FOR COMPONENT PARTS				REF	
-	827984	CABLE ASSEMBLY-EARLY-1052-7 PRINTER SEE LIST 57-2,-3,-16,-22A,-27,-34A,-35A, -37A,-38,-38A,-41A, AND -42A FOR COMPONENT PARTS				REF	
-	1166525	CABLE ASSEMBLY-LATE 1052-7 PRINTER SEE LIST 57-2,-3,-13A,-22A,-27,-34A,-35A, -37A,-38,-38A,-42A,-45 AND -46 FOR COMPONENT PARTS				REF	
-	1166702	CABLE ASSEMBLY- 1052-8 SEE LIST 57-2,-3,-4,-5,-6A,-16,-20A,-22A -23,-23A,-24,-25,-25A,-27,-45 AND -46 FOR COMPONENT PARTS				REF	
-	1166057	CABLE ASSEMBLY- 1052/9020 SEE LIST 57-2,-3,-16,-19,-22A, -44,-45, AND -55 FOR COMPONENT PARTS				REF	
-	1159270	CABLE ASSEMBLY- 1053-1, 1131 SEE LIST 57-2,-3,-4,-5,-6A,-16,-20A,-22A -23,-23A,-24,-25,-25A AND -27 FOR COMPONENT PARTS				REF	
-	1166239	CABLE ASSEMBLY- 1053-2 SEE LIST 57-2,-3,-16,-21A,-28,-33B,-37, -38 AND 38A FOR COMPONENT PARTS				REF	
-	1166991	CABLE ASSEMBLY-1053-2 AC INTERNAL CABLE SEE LIST 57-2A,-33A,-45 AND -46 FOR COMPONENT PARTS				REF	
-	1166487	CABLE ASSEMBLY- 1053-3 AND 1816 SEE LIST 57-2,-3,-16,-22A,-27,-28,-31, -37,-38 AND -38A FOR COMPONENT PARTS				REF	
-	1166952	CABLE ASSEMBLY-1053-3, 1816 AC INT CABLE SEE LIST 57-33A,-45 AND 46 FOR COMPONENT PARTS				REF	
-	1166430	CABLE ASSEMBLY-1053-4 SEE LIST 57-2,-3,-4,-5,-6A,-16,-20A,-22A, -37,-38,-38A AND 44 FOR COMPONENT PARTS				REF	
-	1166775	CABLE ASSEMBLY-1131 SEE LIST 57-2,-3,-4,-5,-6A,-16,-20A,-22A -23,-23A,-24,-25,-25A,-27,-45 AND 46 FOR COMPONENT PARTS				REF	
-	1166047	CABLE ASSEMBLY-1033 SEE LIST 57-2,-3,-4,-5,-6A,-16,-18A,-19A, -25A,-45 AND 46 FOR COMPONENT PARTS				REF	
-	1135690	CABLE ASSEMBLY-765 SEE LIST 57-1,-2,-3,-7,-8, -10,-12,-13,-18A,-21,-22,-29, -39,-45, AND 46 FOR COMPONENT PARTS				REF	
-	1187687	CABLE ASSEMBLY-1980-21 SEE LIST 57-2,-2A,-3,-22A, -27,-37,-38,-38A AND 44 FOR COMPONENT PARTS				REF	

LIST AND INDEX NUMBER	PART NUMBER	DESCRIPTION				UNITS PER ASM.	USABLE ON CODE
		1	2	3	4		
57 -	5161522	CABLE ASSEMBLY-AC-1053 MOD 1 WITH 24V MAGNET ASSEMBLY SEE LIST 57-16A, -30 AND -47 FOR COMPONENT PARTS				REF	
-	5161524	CABLE ASSEMBLY-DC-1053 MOD 1 WITH 24V MAGNET ASSEMBLY SEE LIST 57-2,-3,-27, AND -48 FOR COMPONENT PARTS				REF	
- 1	122610	. TERMINAL,QUICK.DISCONNECT-NONINS 18AWG				AR	
- 2	186967	. TERMINAL-SPADE,20-24 AWG #6 HOLE,NON INS				AR	
- 2A	186961	. TERMINAL				AR	
- 3	187243	. TERMINAL, QUICK DISCONNECT				AR	
- 4	216208	. CLAMP-CABLE CONNECTOR				AR	
- 5	216209	. SUPPORT-CABLE CONNECTOR CARD				AR	
- 6	216233	. SPACER				AR	
- 6A	216210	. SPACER-CABLE CONNECTOR				AR	
- 7	257237	. STRAP,RETAINING-CABLE				AR	
- 8	257240	. CLIP-MINIATURE CONNECTOR LOCKING				AR	
- 9	257241	. BRACKET,ANGLE- 48 POSITION CONNECTOR MTG				AR	
- 10	257242	. SUPPORT-LOOP CLAMP				AR	
- 11	257243	. BASE-FEMALE				AR	
- 12	257244	. BASE-MALE				AR	
- 13	257284	. TERMINAL-RING,16 AWG,#10 HOLE,NON INS				AR	
- 13A	2101657	. TERMINAL RING,NO. 8 STUD				AR	
- 14	300742	. CONNECTOR,PLUG- 3 MALE CONT POLARIZED				AR	
- 15	1166032	. CONNECTOR,SINGLE PIN				AR	
- 15A	1166035	. CONNECTOR,SINGLE PIN				AR	
- 16	334921	. TERMINAL-RING,18-22 AWG,#6 HOLE,INS				AR	
- 16A	334910	. LUG,TERM. NO 16 THRU 14				AR	
- 17	480517	. SWITCH ASSEMBLY-WITH ACTUATOR				AR	
- 18	523255	. TERMINAL,QUICK DISCONNECT- 14/18 AWG				AR	
- 18A	609687	. CONTACT				AR	
- 19	523268	. HOUSING-TAB				AR	
- 19A	609691	. CONNECTOR				AR	
- 19B	5353876	. HOUSING-CONNECTOR				AR	
- 20	596255	. TERMINAL,SLIP-ON				AR	
- 20A	736546	. TERMINAL,SLIP-ON				AR	
- 21	725557	. PLUG,CONNECTOR, 3 CIRCUIT				AR	
- 21A	1166116	. HOUSING,SOCKET				AR	
- 22	725558	. COVER CONNECTOR				AR	
- 22A	1166117	. HOUSING				AR	
- 23	737914	. CONNECTOR				AR	
- 23A	737915	. CONNECTOR				AR	
- 24	737916	. CONNECTOR ASSEMBLY				AR	
- 25	747369	. CONNECTOR-SLOTTED POWER CARD				AR	
- 25A	491349	. CARD ASM				AR	
- 26	822761	. INSULATOR FIBRE				AR	
- 27	1166114	. TERMINAL				AR	
- 28	1166115	. TERMINAL,SOCKET				AR	
- 29	5412642	. PIN-TERMINAL				AR	
- 30	5353854	. TAB				AR	
- 31	1166498	. HOUSING-SOCKET TERMINAL				AR	
- 32	2123028	. JACKSCREW,SOCKET-FIXED				AR	
- 33	1166952	. CABLE ASSEMBLY- 1053-3, 1816 AC CORD				AR	
- 33A	320471	. CONNECTOR,RECP,ELEC- 4 MALE CONTACTS				AR	
- 33B	5052426	. CONNECTOR,RECP- 2 FEMALE CONTACTS				AR	
- 34	2122202	. SOCKET-GUIDE				AR	
- 34A	2122735	. SOCKET-GUIDE PIN				AR	
- 35	2122203	. PIN,GUIDE,BRASS,/SUPPLIED W/HARDWARE/				AR	
- 35A	2122734	. PIN				AR	
- 36	2122255	. CONNECTOR, 20 PLACE MALE				AR	
- 36A	2122838	. BLOCK- 26 POS				AR	
- 37	2122257	. CONNECTOR,PLUG,ELEC-34 MALE CONTACTS				AR	
- 37A	2122471	. CONNECTOR,PLUG,ELEC-MALE,50 CONT				AR	
- 38	2122258	. PIN-CONTACT,MALE 20/22AWG				AR	
- 38A	2122260	. PIN-CONTACT, AWG 18-16				AR	
- 38B	2127867	. PIN				AR	
- 39	1203351	. CONNECTOR,SOCKET-BLOCK				AR	
- 40	2123032	. CLAMP, CABLE 20 PLACE BLOCK				AR	
- 41	2123033	. CLAMP-STRAIN RELIEF				AR	
- 41A	2123034	. CLAMP, CABLE 50 PLACE				AR	
- 42	2127984	. SPRING,LOCKING- 14 AND 20 POS CONNECTOR				AR	
- 42A	2127988	. SPRING,LOCKING- 30 AND 50 POS CONNECTOR				AR	
- 43	236915	. TERMINAL-CONTACT FEMALE 20-18 AWG				AR	
- 43A	236916	. TERMINAL-CONTACT FEMALE 24-22 AWG				AR	

NUMERICAL INDEX

PART NO.	LIST AND INDEX NO.	PART NO.	LIST AND INDEX NO.	PART NO.	LIST AND INDEX NO.	PART NO.	LIST AND INDEX NO.
163	46 - 1	21866	37 - 89	37913-CONT	23 - 15	38352-CONT	47 - 24
294	37 -145		38 - 93		27 - 62	38353	27 - 17
	37 -149		38 -133		29 - 1	38354	11 - 3A
	37 -216	22066	1 -105A		29 - 2	38359	38 - 54
	37 -221		37 - 51		31 - 24	38368	37 -210
	38 -173		37 - 56		32 - 8		38 -228
	38 -177		38 - 66B		32 - 52		38 -233
	38 -252		47 - 4		32 - 61		38 -236
	38 -257	22349	48 - 4		32 - 67		38 -241
673	37 -184		49 - 18		33 - 41		38 -246
	38 -218		49 - 21		42 - 37	38452	56 - 55
1866	37 -123	22478	4 - 19		42 - 44	38565	29 - 6
	37 -152		37 -162		42 - 75	43373	3 - 74
	38 -151		37 -200		42 -106		45 - 20
	38 -180		37 -208		42 -125	45611	29 - 7
1882	37 - 21		38 -190		42 -127		29 - 8
	38 - 21		38 -229		43 - 2	45624	33 - 45
1928	1 - 68		38 -234		44 - 30	45639	1 - 22
	32 - 48		38 -237		45 - 4		32 - 38
	33 - 20		38 -242		45 - 44	47987	9 - 3
2300	37 -161	23106	5 - 1	38051	46 - 21		33 - 44
	37 -199	24752	37 -194		1 - 67		42 - 5
	37 -207		37 -202		3 - 67		43 - 5
	38 -189	24957	37 - 20		6 - 3	49400	52 - 47
2819	37 - 14		38 - 20		7 - 2	49901	37 -147
	37 - 87		38 - 36		2 - 41		38 -175
	37 -109	24958	38 -136		27 - 54	52359	26 - 7
	38 - 14	25282	2 - 93		29 -114A	52522	29 - 21
	38 - 34		42 -109		34 - 5	52607	37 -154
	38 - 91	25984	37 - 18		34 - 29		38 -182
	38 -112		37 -105		37 - 43	53042	37 -196A
3960	27 - 53		38 - 18		42 - 4		38 -230A
	47 -104		38 - 30		42 - 81		38 -238A
	55 - 1		38 - 37		42 - 95	55726	1 - 74
4108	37 - 23		38 -108		42 -127		37 - 3
	37 -101		38 -118		44 - 6		37 - 45
	38 - 23		38 -130		45 - 41		38 - 3
	38 -104	27460	11 - 2		46 - 22	55852	2 -100
	38 -121		14 - 3		47 - 44	56079	49 - 19
	38 -124		19 - 1		56 - 11		53 - 1
	38 -134	28413	49 - 27		56 - 36	56313	42 -107
4161	38 -231		49 - 38	38214	5 - 41	56722	3 - 48
	38 -239	33249	49 - 4		34 - 30		3 - 98
4236	37 - 4	34512	5 - 68	38234	42 -112		6 - 4
	37 - 96	35665	56 - 16	38235	43 - 28		7 - 3
	37 -122	35739	5 - 75		49 - 29		10 - 25
	37 -140		22 - 16	38250	29 - 3		2 - 68
	37 -142		23 - 17	38255	38 -192		27 - 31
	37 -151		33 - 31	38259	43 - 4		27 - 41
	37 -169		44 - 21	38261	29 - 4		27 - 94
	38 - 4		47 -114		29 - 5		28 - 22
	38 -196		55 - 20		32 - 15		29 - 9
4792	37 -104		56 - 21	38262	3 - 87		32 - 8A
	38 -107		56 - 60		32 - 32		34 - 6
6364	42 - 2		56 - 81		32 - 58		38 -244
6503	29 -156	37435	11 - 3		34 - 10		45 - 9
	37 -137		12 - 1		53 - 52		47 - 95A
	38 -165		13 - 1	38263	3 - 40A		49 - 28
	42 - 39		14 - 12		37 - 81		49 - 28A
6935	55 - 2		16 - 1		38 - 86		55 - 21
7341	38 - 57		17 - 1	38271	2 - 52		56 - 12
7371	37 -217		18 - 1		37 - 8		56 - 77
	37 -222		19 - 2		38 - 7	57822	37 - 47
	38 -253		20 - 1		38 -243		38 - 53
	38 -258		21 - 1		46 - 2	58207	4 - 21
9092	37 -195		22 - 1	38279	37 - 27		37 -138
	37 -203		23 - 1		37 - 38		38 -166
10514	6 - 1		33 - 48		37 - 83	58853	19 - 18
	7 - 1	37913	1 - 6		38 - 50	60990	38 -145
	43 - 1		1 -103	38282	56 - 76	62031	42 - 82
10574	4 - 2		1 -127	38350	4 - 20	65756	47 -101
	32 - 2		1 -133		34 - 13	70078	54 - 8
11598	37 -167		3 - 26		42 -100		54 - 9
	38 -201		3 - 37		56 - 75	71729	55 - 3
	50 - 23		3 - 60	38351	26 - 1	94388	54 - 1
	51 - 34		3 - 69		34 - 13	99835	40 - 36
15887	30 - 1		10 - 1		42 - 65	100134	13 - 2
	51 - 45		2 - 79		47 - 98		14 - 2
20038	1 - 17		2 - 89	38352	26 - 2		38 -128
20069	33 - 23		22 - 14		31 - 36	100212	37 - 13

PART NO.	LIST AND INDEX NO.	PART NO.	LIST AND INDEX NO.	PART NO.	LIST AND INDEX NO.	PART NO.	LIST AND INDEX NO.
100212-CONT	38 - 12	122238	37 - 90	173205-CONT	23 - 4	219209	37 - 52
100226	37 - 99		37 -108		37 -174		38 - 60
	38 -102		38 - 94		38 -204	219213	37 -206
100227	12 - 2		38 -111	173206	14 - 1	219224	37 -188
100229	17 - 2	122610	57 - 1		19 - 5		38 -222
	21 - 2	123491	4 - 3		21 - 4	219225	37 -215
	37 -175		5 - 69	173207	23 - 5		38 -251
	38 -205		10 - 44		37 - 98	219226	37 -211
100359	20 - 2		30 - 2		38 -101		38 -247
	37 -118	123552	32 - 33	173210	37 - 12	219229	37 - 72
	38 -116		37 - 59		38 - 11		38 - 77
100464	12 - 2		37 -115	173213	38 - 55	219232	37 -183
	16 - 2		38 - 65	173215	13 - 7		38 -217
	22 - 2		38 -141		18 - 4	219235	37 -186
	38 - 28	125231	26 - 8	173219	38 -127		38 -220
101922	37 -160		33 - 28	175235	37 -157	219236	37 -218
103372	1 - 71	129242	39 - 10		38 -185		38 -254
103689	56 - 49		40 - 28	177939	33 - 38	219237	37 -163
104278	11 - 4		41 - 24	179743	52 - 2		38 -197
104285	11 - 6	129243	39 - 10		54 - 3	219244	37 -198
104976	37 -126		40 - 28		56 - 3	219262	37 -225
	38 -154	129246	41 - 24		56 - 5	219268	37 -190
105047	37 -185	133798	37 -165	183900	37 -138		38 -224
	38 -219		38 -199	186399	42 - 1	219272	37 -213
105052	18 - 2	134998	37 -214	186427	1 -105		38 -249
	19 - 3		38 -250	186712	29 - 10	219278	37 - 9
	20 - 2	138243	32 - 34A	186758	47 -105		38 - 8
	21 - 2	138709	37 - 92	186923	1 - 38	219281	38 -193
	23 - 2		37 -102	186961	57 - 2A	219288	37 -146
106988	37 - 19		38 - 96	186967	57 - 2		38 -174
	37 - 91		38 -105	187243	57 - 3	219325	37 -166
	37 -107		38 -123	196196	38 -152		38 -200
	38 - 19	140738	37 - 65	196198	37 -124	219333	37 -189
	38 - 35		38 - 69	196204	37 -125		38 -223
	38 - 95	150047	5 - 6		38 -153	219346	37 - 71
	38 -110		2 - 65	196298	37 - 35		38 - 76
106998	38 -135	150109	37 -143		38 - 47	219347	37 - 73
107070	37 - 15		38 -171	196299	37 -164		38 - 78
	37 - 88	150209	43 - 6		37 -191	219357	37 -187
	37 -103		56 - 58		37 -219		38 -221
	38 - 15	150331	37 -147		38 -150	219368	37 -177
	38 - 32		38 -175		38 -168		38 -211
	38 - 92	150735	3 - 6		38 -170	219369	37 -168
	38 -106		8 - 9		38 -179		38 -202
	38 -132		33 - 6		38 -198	219472	37 -182
108114	6 - 5	152711	37 - 16		38 -203		38 -216
	7 - 4		38 - 16		38 -225	219615	51 - 47
	32 - 46A		38 - 33		38 -255	219633	1 - 14
110542	37 -147	155043	37 -128	198363	37 -133		1 - 79
	38 -175		38 -156		37 -135		26 - 10
114045	37 - 86	159787	52 - 1		38 -161		29 -149
	38 - 89		54 - 2		38 -163		30 - 3
114184	56 - 80	159929	37 -129	204362	55 - 5		30 - 4
115826	32 - 53A		38 -157	204839	37 -171		31 - 34
116374	37 - 25	159942	37 -131		38 -208		31 - 45
	38 - 25		38 -159	204843	37 -170		33 - 13
	38 -119	159945	37 -132		38 -207		44 - 15
118418	11 - 5		38 -160	204848	37 -173		45 - 6D
	12 - 3	159946	56 - 57		38 -210	219743	47 - 30
	13 - 3	163292	51 - 4		15 - 1	219765	41 - 1
	14 - 10	163899	37 -155	205329	39 - 11	227501	37 - 6
	16 - 3		38 -183		40 - 29		38 - 5
	17 - 3	167338	49 - 6		41 - 25	227502	37 - 7
	18 - 3		49 - 7	205608	37 -172		38 - 6
	19 - 4		49 - 7		38 -209	227522	37 - 24
	20 - 3	170215	45 - 16		15 - 21		38 - 24
	21 - 3	173202	12 - 4	210921	2 - 54		38 -120
	22 - 3		16 - 4	215150	57 - 4	227529	37 - 62
	23 - 3		22 - 4	216208	57 - 5	228093	32 - 54
	37 - 13A		37 - 85	216210	57 - 6A	236550	3 - 66
	37 - 86A		38 - 88	216233	57 - 6		39 - 12
	37 -100	173203	12 - 4	216209	54 - 4		40 - 30
	37 -176		20 - 4	216210	37 - 70		41 - 26
	38 - 13		38 - 27	219202	37 - 70		41 - 26
	38 - 29	173204	22 - 5		38 - 75	236571	24 - 13
	38 - 90		38 -115	219203	37 - 33		25 - 9
	38 -103		17 - 4		37 - 66A		25 - 17
	38 -117	173205	18 - 4		38 - 45		29 - 11
	38 -129		20 - 4		38 - 71	236915	57 - 43
	38 -206		21 - 4	219204	38 - 71	236916	57 - 43A
					38 - 1	237245	51 - 38

PART NO.	LIST AND INDEX NO.	PART NO.	LIST AND INDEX NO.	PART NO.	LIST AND INDEX NO.	PART NO.	LIST AND INDEX NO.
251350	27 - 8	302090-CONT	40 - 4	326119-CONT	18 - 5	362342	37 -227
251970	1 - 5		40 - 31		19 - 7		38 -263
	1 - 88		41 - 19		20 - 5	362343	37 -228
	38 -143		41 - 27		21 - 5		38 -264
251989	29 - 12	302131	6 - 7		23 - 6	362344	37 -229
	30 - 5		7 - 6	326264	47 - 90		38 -265
	32 - 22		8 - 2	331122	28 - 9	362346	37 -231
	45 - 2		15 - 3	332347	45 - 58		38 -267
	47 - 41		39 - 2	332747	34 - 2A	362347	37 -232
256469	54 - 5		40 - 5		42 - 48		38 -268
	54 - 38		41 - 21		42 - 67	362348	37 -233
257187	1 -120	303538	56 - 39		51 - 43		38 -269
	1 -124	304145	2 - 47	333182	31 - 28	362349	37 -234
	5 - 80	305269	46 - 6	334910	57 - 16A		38 -270
	5 - 92	305270	46 - 7	334921	28 - 20	362350	37 -235
	10 - 1	305271	37 -147		57 - 16		38 -271
	2 - 19		38 -175	335321	37 -225	362351	37 -236
	42 - 29	308459	25 - 19A		38 -261		38 -272
	42 - 95	308633	37 -158	338169	5 - 42	362352	37 -237
	47 -113		38 -186		6 - 8		38 -273
	50 - 14	308704	37 -134		7 - 7	362353	37 -238
	53 - 2		38 -162		31 - 28A		38 -274
	55 - 22	310519	26 - 34		32 - 36A	362388	38 - 58
	56 - 73	311072	25 - 7	338183	29 - 9	362390	38 - 52
257189	46 - 5	311483	37 -212	338238	1 - 27	362393	37 -116
	47 -106	311823	37 - 17		3 - 40		38 -142
257237	57 - 7		37 - 94		3 - 63	362395	38 - 62
257240	57 - 8		37 -110		5 - 90	364816	5 - 35
257241	57 - 9		38 - 17		29 - 18	382845	38 - 68
257242	57 - 10		38 - 38		32 - 36	382862	38 - 1
257243	57 - 11		38 - 98	339107	13 - 5	435599	37 -179
257244	57 - 12		38 -113		16 - 5		38 -213
257284	57 - 13		38 -125	339109	11 - 9	438540	1 - 3
257486	3 - 32		38 -137		12 - 6		28 - 3
257701	37 - 79	311843	38 -248		13 - 6		33 - 26
	38 - 84	312489	37 -240		14 - 8	438541	33 - 26
	49 - 35		38 -277		16 - 6		33 - 43
	54 - 6	313274	38 - 1		17 - 7	438542	9 - 2
257956	28 - 23	313350	37 -224		18 - 6		33 - 47
	33 - 36		38 -260		19 - 8	438548	41 - 20
	37 - 77	313351	37 -223		20 - 6	438549	1 - 72
257957	25 - 19		38 -259		20 - 8		6 - 10
	32 - 6	313353	37 -144		21 - 6		7 - 8
	33 - 16		38 -172	342121	37 -106		8 - 3
257961	29 - 16	313354	37 -148		38 -109		15 - 5
257962	2 - 80A		38 -176	343631	26 - 33		2 - 61
257968	24 - 2	313355	37 -141	343632	26 - 33		31 - 15
	25 - 2		38 -169	343750	2 - 51		39 - 3
257969	26 - 11	315838	49 - 37	343752	2 - 53		40 - 6
257971	29 - 16	315970	6 - 36	343761	2 - 55		44 - 29
257982	19 - 6		7 - 32	343765	2 - 48		56 - 40
257985	1 - 28	316611	4 - 4	344117	46 - 9	438550	28 - 17
	42 -128	317248	28 - 9A	344123	46 - 10	438551	37 -117
	47 - 28		57 - 53	344308	26 - 33	438552	51 - 27
257986	55 - 6	317304	37 -180	344517	37 -130	438554	29 - 19
263680	29 - 17		38 -214		38 -158	438566	8 - 4
	31 - 25	317428	56 - 65	344541	38 -155		32 - 1
	42 - 97	317764	2 - 59	344547	37 -127	438613	47 -100
264641	5 - 62	317766	31 - 14A	355341	6 - 9		47 -103
	11 - 7	317767	2 - 60		8 - 10	438622	2 - 63
	2 - 30		31 - 14		15 - 4	469565	2 - 32
	32 - 44	320471	57 - 33A		31 - 5A		43 - 19C
	32 - 65	322065	1 - 43	355343	33 - 53		43 - 20C
	47 - 6		3 - 77	357820	44 - 45		47 - 41
264998	27 - 7		4 - 6	358174	37 - 58	472729	29 - 20
265195	5 - 97		5 - 34		38 - 64	473104	26 - 29B
	10 - 3		37 - 44		47 - 14	475870	53 - 4
	45 - 10		56 - 20	358509	1 - 11	475871	53 - 5
300342	37 - 22	322550	4 - 7		43 - 7	475872	53 - 6
	38 - 22		45 - 49	359785	37 - 93	475873	53 - 7
300742	26 - 14	322551	44 - 21		38 - 97	479309	53 - 8
	57 - 14		53 - 3	361864	37 - 1	480517	26 - 15
300761	26 - 3	322552	56 - 34		38 - 1		57 - 17
301474	49 - 7	324221	10 - 33	361868	37 - 78	491349	57 - 25A
302090	6 - 6	324497	10 - 4		38 - 83	523255	57 - 18
	7 - 5	325624	37 - 64	361906	38 - 59	523268	57 - 19
	8 - 1	325968	46 - 8	362313	37 -147A	528141	6 - 37
	15 - 2	326119	11 - 8	362314	38 -148		7 - 33
	39 - 1		13 - 4	362341	37 -226	528337	48 - 13
	39 - 13		17 - 5		38 -262		49 - 14

PART NO.	LIST AND INDEX NO.	PART NO.	LIST AND INDEX NO.	PART NO.	LIST AND INDEX NO.	PART NO.	LIST AND INDEX NO.
528552	2 - 93	731673	26 - 4	737614-CONT	49 - 10	737995	52 - 4
	27 - 3	731674	26 - 13		49 - 37	737996	52 - 3
	33 - 55		57 - REF	737615	54 - 7	738826	52 - 4A
534758	49 - 28	731676	25 - 18	737616	52 - 4	738827	52 - 4C
581436	40 - 26	731677	25 - 8A	737620	53 - 24	743749	53 - 31
	41 - 36	731681	25 - 8A	737631	50 - 26	743750	53 - 32
595632	48 - 5	731685	26 - 16	737643	51 - 3	743759	49 - 13
596255	57 - 20	731686	26 - 21	737653	50 - 3	743760	49 - 23
609687	57 - 18A	731688	26 - 17		51 - 23	743761	49 - 48
609691	57 - 19A	731689	26 - 18	737654	50 - 2	743762	49 - 4
629539	5 - 83	731690	26 - 19		51 - 11		49 - 18
629595	5 - 81	731691	26 - 20	737655	28 - 10		49 - 47
629596	5 - 82	731692	26 - 21	737683	50 - 6	743763	49 - 20
630300	56 - 1	731698	51 - 48		50 - 21	743764	49 - 24
631602	57 - REF	731699	51 - 22		51 - 51	743765	49 - 41
725345	53 - 9	731700	51 - 21	737684	50 - 22	743766	49 - 46
725347	52 - 4A	731703	57 - REF		51 - 22	743767	49 - 36
	52 - 4B	731704	26 - 29C	737685	50 - 1	743919	49 - 5
	52 - 4C	731783	28 - 7		51 - 7	743939	52 - 3
725557	57 - 21	734483	28 - 24		51 - 28	747369	57 - 25
725558	57 - 22		50 - 31	737687	52 - 17	759024	49 - 25
725786	49 - 3		51 - 20		54 - 21	760133	48 - 7
729451	28 - 5		51 - 30	737689	53 - 26		49 - 22
729454	28 - 2		51 - 50	737690	53 - 27	770386	52 - 20
731545	53 - 10	734549	53 - 10	737691	53 - 28		53 - 33
731547	53 - 10	734850	53 - 10	737692	50 - 6	820690	24 - REF
731548	53 - 10	734852	53 - 10		50 - 8	820691	24 - REF
731550	53 - 10	734853	53 - 10		51 - 6	820734	26 - 29D
731551	53 - 10	734857	52 - 7A	737693	50 - 20	822761	57 - 26
731556	51 - 12		53 - 20		51 - 14	827911	26 - 33
731559	32 - 29A	734878	52 - 4		51 - 15	827912	26 - 33
731560	32 - 12	734879	52 - 4	737894	52 - 3	827913	26 - 33
731572	53 - 11	734886	52 - 4	737895	52 - 3	827914	26 - 33
731573	53 - 12	734902	53 - 21	737901	52 - 4	827915	26 - 33
731574	50 - 24	734903	53 - 22	737904	48 - 3	827916	26 - 33
	51 - 18	734904	52 - 38		48 - 9	827918	26 - 33
731579	52 - 3		54 - 12		49 - 1	827919	26 - 33
731581	52 - 3	734905	52 - 39	737905	48 - 12	827920	26 - 33
731582	52 - 3		54 - 13		48 - 19	827922	26 - 33
731583	52 - 3	734906	52 - 40		49 - 12	827950	26 - 33
731584	52 - 3		54 - 14		49 - 30	827967	52 - 3
731585	52 - 3	734907	52 - 41	737907	49 - 2	827968	52 - 3
731586	52 - 3		54 - 15	737914	57 - 23	827969	52 - 3
731587	52 - 3	734908	50 - 27	737915	57 - 23A	827970	52 - 3
731588	52 - 3		51 - 25	737916	57 - 24	827971	52 - 3
731589	52 - 3	734910	54 - 17	737922	52 - 38	827984	57 - REF
731590	52 - 3	734911	53 - 23		54 - 12	827986	57 - REF
731591	52 - 3	734913	52 - 13	737925	52 - 18	829728	28 - 16
731593	52 - 3	734914	52 - 14	737926	54 - 22	830009	51 - 36
731594	52 - 3	734915	53 - 24	737927	50 - 11	830019	51 - 13
731596	52 - 3	734918	52 - 15		51 - 1	830191	57 - REF
731597	52 - 3	734920	53 - 10	737928	52 - 19	830192	26 - 5
731598	52 - 3	734921	53 - 10		54 - 23	830193	26 - 24
731615	50 - 28	734924	52 - 3	737929	52 - 19	830195	24 - REF
	51 - 12	734925	52 - 3		54 - 23	830196	24 - REF
731619	53 - 10	734927	48 - 15	737934	48 - 6	830198	26 - 6
731626	28 - 4		49 - 17		49 - 3	830199	26 - 6
	50 - 7	734928	48 - 17	737937	48 - 16	831096	49 - 3
	51 - 8		49 - 31		49 - 34	831950	52 - 3
	51 - 24	734929	54 - 18		49 - 41	831951	51 - 16
	51 - 31	734930	54 - 19	737938	52 - 46	831953	53 - 24
	52 - 5	734939	53 - 25		54 - 24	831956	53 - 34
	54 - 8	736546	57 - 20A	737940	50 - 5	831957	52 - 16
	54 - 9	737061	51 - 12	737942	51 - 2	831958	53 - 6
	54 - 10	737603	50 - 29	737948	51 - 48	831959	53 - 7
731627	53 - 13		51 - 17	737949	51 - 49	831960	53 - 22
731629	48 - 10	737604	50 - 13	737952	51 - 41	831961	52 - 20
	53 - 14		51 - 10	737953	51 - 42		53 - 47
	53 - 15	737606	50 - 30	737955	51 - 39	831962	53 - 50
731630	48 - 2		51 - 32	737956	51 - 40	831963	53 - 49
	49 - 8	737608	52 - 16	737959	51 - 46	831970	57 - REF
	54 - 11		52 - 16	737965	52 - 3	831971	49 - 37
731631	50 - 4	737609	48 - 18	737975	51 - 19	831972	53 - 10
	53 - 17		49 - 32	737976	51 - 5	831973	53 - 10
	53 - 18	737610	48 - 8	737979	52 - 3	831974	53 - 10
	53 - 19		49 - 16	737985	53 - 29	831975	53 - 10
	54 - 35	737613	51 - 29	737986	53 - 30	831976	53 - 10
731632	52 - 7		52 - 45	737988	53 - 10	831977	53 - 10
731633	52 - 7		54 - 20	737989	53 - 10	831978	53 - 10
731634	52 - 7	737614	48 - 11	737993	52 - 3	831979	53 - 10

PART NO.	LIST AND INDEX NO.	PART NO.	LIST AND INDEX NO.	PART NO.	LIST AND INDEX NO.	PART NO.	LIST AND INDEX NO.
831983	53 - 48	1073418-CONT	29 - 34B	1091074	37 - 39	1117759-CONT	27 - 48
831984	53 - 24		29 -154	1091151	35 - 4		31 - 9
831986	51 - 13		32 - 24	1091414	1 - 63A		33 - 31
831989	38 -142		37 - 31	1091618	5 - 2		33 - 34
831993	51 - 13		37 - 68	1091647	30 - 8		40 - 8
831994	51 - 36		38 - 43	1091743	27 - 52		53 - 38
831995	51 - 36		38 - 73	1092125	1 - 75	1118050	5 - 73
831996	51 - 17		40 - 7		1 -117	1118144	5 - 76
831997	52 - 16		42 - 7		3 - 33	1118145	5 - 77
831998	52 - 16		42 - 50		3 - 71	1118361	31 - 34
832014	53 - 53		42 - 78		5 - 10		37 - 48
832015	53 - 23		44 - 15		5 - 87		37 - 50
832023	51 - 12		45 - 29		2 - 21		37 - 55
832025	52 - 6		47 - 2		2 - 23		38 - 56
	52 - 21		47 - 56		28 - 6		38 - 66A
832029	51 - 32		49 - 45		42 - 9	1119359	55 - 11
832030	52 - 3		52 - 42		42 -109	1119710	55 - 10
832032	52 - 3		53 - 36		42 -126	1119711	55 - 10
832034	52 - 3		54 - 25		43 - 9	1119990	37 -196
832036	52 - 3		55 - 8	1099884	2 - 49		37 -204
832038	52 - 3		56 - 45	1100523	24 - 2		38 -230
832042	52 - 3	1073449	1 - 15		25 - 2		38 -238
832044	52 - 3		1 - 29		47 - 21	1119991	38 -227
832046	52 - 3		33 - 8	1100688	2 - 22	1119992	38 -235
832048	52 - 3		45 - 27	1100839	4 - 23	1122812	32 - 19
832090	52 - 3	1073863	1 - 31	1100842	4 - 24	1123520	55 - 12
832092	52 - 3		3 - 22	1100844	4 - 25	1123549	24 - 12
832094	52 - 3		5 - 7	1100845	4 - 26		25 - 16
832096	52 - 3		2 - 14	1100846	4 - 27	1123571	10 - 6
832098	52 - 3		2 - 64	1100936	1 -108	1123572	10 - 7
832100	52 - 3	1074145	52 - 43		29 -148	1123573	10 - 8
832102	52 - 3	1074242	1 - 33	1100937	3 - 21	1123574	10 - 9
832104	52 - 3		1 -108		5 - 88	1123577	10 - 11
832106	52 - 3		5 - 4		2 - 82	1123580	10 - 12
832114	49 - 37		30 - 6		39 - 4	1123581	10 - 13
832126	52 - 3		38 - 51	1100938	6 - 11	1123582	10 - 14
832128	52 - 3		47 - 10		7 - 9		10 - 15
832132	52 - 3	1078497	29 - 25	1100951	25 - 22	1123585	5 - 11
832134	52 - 3	1078653	2 - 34A		45 - 25	1123588	29 - 29
832136	52 - 3	1090041	4 - 12	1103695	27 - 32	1123591	1 -116
832138	52 - 3	1090049	47 - 61	1104007	33 - 50		5 - 13
835034	53 - 35	1090050	47 - 61	1104286	56 - 18	1123593	5 - 39
836944	52 - 3	1090162	1 -115	1105627	4 - 28		10 - 38
836945	52 - 3		3 - 21A	1105760	39 - 19		19 - 15B
836946	53 - 35		5 - 8		40 - 37	1123602	4 - 14
845677	53 - 10		11 - 20		56 - 61		32 - 3
960836	38 -240		43 - 8	1106027	4 - 29	1123603	32 - 5
960837	38 -232		47 - 12	1107795	2 - 26	1123605	32 - 17
1000223	1 - 40	1090175	33 - 18	1107864	4 - 30	1123611	32 - 11
	45 - 36	1090199	52 - 44	1108326	9 - 5	1123615	4 - 52
1012703	2 - 35	1090254	44 - 3	1108350	20 - 7	1123618	4 - 53
1018477	1 - 24	1090268	29 - 26		21 - 8	1123623	33 - 10
	4 - 22		42 -103	1108454	26 - 33	1123627	32 - 66
	32 - 64	1090336	3 - 72	1108813	4 - 31	1123628	32 - 70
1066053	40 - 18	1090343	45 - 19	1108819	45 - 14	1123629	3 - 10
1070020	1 - 39	1090386	56 - 68	1109044	48 - 14	1123631	3 - 9
	3 - 5	1090404	5 - 3		49 - 15		4 - 54
	4 - 9		29 - 27	1109625	4 - 32	1123640	32 - 35
	29 - 22	1090511	34 - 16	1109626	4 - 33	1123677	45 - 51
	45 - 37	1090568	25 - 10	1110529	1 - 94	1123679	34 - 1
1071449	5 - 63	1090622	2 - 20		1 -112	1123681	45 - 52
1071691	31 - 18	1090840	6 - 13		52 - 23	1123685	44 - 12
1072126	15 - 6		8 - 5		54 - 26	1123692	42 -101
1072191	26 - 29G		39 - 8		55 - 9	1123702	42 - 74
1072477	29 - 23		40 - 22	1110643	56 - 10	1123704	42 - 73
1072703	1 - 19		41 - 35	1110668	2 - 50	1123711	45 - 11
	3 - 1		43 - 29	1110878	26 - 33	1123715	42 - 11
	4 - 10		44 - 26	1115633	2 - 46	1123718	42 - 11A
	5 - 56		45 - 43		27 - 37	1123722	42 - 49
	27 - 33	1090873	38 -229A	1115736	27 - 12	1123724	42 - 12
1073415	42 - 35		47 -107		27 - 23	1123725	42 - 13
1073418	1 - 21	1090968	37 -112		27 - 25	1123736	42 -108
	1 - 36	1090970	31 - 38	1116343	1 - 34	1123741	42 - 14
	1 - 96		33 - 3	1117176	27 - 43	1123749	42 - 93
	3 - 24		53 - 37	1117376	1 - 53	1123750	42 - 98
	4 - 11	1091057	4 - 13	1117589	3 - 41	1123751	42 - 94
	10 - 34		2 - 36		5 - 4	1123779	42 - 15
	27 - 78	1091069	33 - 17	1117759	5 - 71	1123785	29 - 30
	28 - 12	1091073	29 -147		15 - 7	1123807	47 - 57
	29 - 24		31 - 47		19 - 19	1123810	47 - 34

PART NO.	LIST AND INDEX NO.	PART NO.	LIST AND INDEX NO.	PART NO.	LIST AND INDEX NO.	PART NO.	LIST AND INDEX NO.
1123810-CONT	47 - 85	1124572	29 - 50	1127738	32 - 4	1128201	1 - 65
1123812	32 - 9	1124573	29 - 51		32 - 16	1128204	1 -118
1123819	5 - 29	1124579	27 - 14	1127741	2 - 10	1128215	27 - 27
1123822	29 - 31	1124600	3 - 4		42 - 45	1128216	1 -104
1123823	29 - 31	1124601	35 - 3	1127742	29 - 77	1128221	27 - 61
1123824	29 - 31	1124602	35 - 3	1127745	1 - 54	1128226	1 -102
1123825	29 - 31	1124610	3 - 25	1127753	44 - 27		1 -128
1123827	29 - 32	1124612	2 - 90	1127754	44 - 27		1 -140
1123828	29 - 33	1124614	2 -102	1127755	44 - 27	1128229	27 - 38
1123829	35 - 6	1124615	2 - 95	1127756	44 - 27	1128234	27 - 66
1123830	35 - 7	1124616	2 -103	1127757	44 - 27	1128235	27 - 85
1123831	1 -114	1124622	42 - 16	1127762	34 - 17	1128236	27 - 69
1123889	29 - 70	1124624	3 - 89	1127763	2 - 11		27 - 81
1124082	1 - 76	1124628	3 - 83		42 - 37	1128237	27 - 72
1124122	30 - 9		3 - 88		42 - 44	1128238	27 - 67
1124123	30 - 28A	1124629	3 - 86		47 - 27		32 - 34
1124127	30 - 10	1124634	3 - 91	1127765	1 - 73	1128239	27 - 64
1124130	30 - 11	1124636	42 - 99	1127767	29 - 66	1128259	44 - 20
1124144	30 - 26A	1124638	3 - 79	1127768	29 - 66	1128274	27 - 50
1124146	30 - 13	1124646	29 - 52	1127769	29 - 66	1128280	2 - 43
1124149	30 - 27A	1124647	29 - 53	1127770	29 - 79		27 - 75
1124155	30 - 15	1124648	34 - 12	1127771	29 - 79	1128281	29 - 31
1124158	34 - 25	1124662	29 -150	1127772	29 - 79	1128289	29 -152
1124161	34 - 26	1124663	29 - 54	1127773	29 - 79	1128301	1 - 66
1124162	34 - 23	1124664	29 - 55	1127774	29 - 79	1128302	2 - 9
1124163	34 - 24		31 - 23	1127775	29 - 80	1128305	32 - 39A
1124166	34 - 20	1124665	29 - 56	1127785	8 - 11	1128307	32 - 39A
1124167	34 - 19	1124668	29 - 57		15 - 8	1128316	32 - 53
1124168	34 - 14	1124672	29 - 58		31 - 8	1128318	32 - 50
1124174	29 - 35		31 - 20	1127913	44 - 35	1128325	3 - 41
1124176	29 -153	1124674	29 - 59	1128008	3 - 35	1128326	10 - 18
1124179	29 - 38	1124678	29 - 60	1128012	27 - 36		10 - 26
1124185	30 - 16	1124679	30 - 19	1128013	27 - 56	1128338	3 - 75
1124188	29 - 39	1124680	29 - 61	1128017	2 - 12	1128352	40 - 24
1124189	30 - 17	1124683	42 - 96	1128018	2 - 29	1128356	44 - 25
1124190	29 - 40	1124697	47 - 3	1128024	2 -101	1128366	1 -121
1124191	30 - 18	1124708	29 - 63	1128025	2 -101	1128368	3 -106
1124196	29 - 41	1124712	29 - 64	1128032	1 -106	1128374	2 - 84
1124197	29 - 42	1124722	47 - 16	1128037	1 -106	1128382	5 - 38
1124204	29 - 43	1124745	29 - 65	1128047	34 - 21	1128385	3 - 95
1124217	29 - 44	1124766	3 - 29	1128048	34 - 18	1128386	3 - 94
1124219	29 - 46	1124767	3 - 30	1128054	34 - 28	1128387	3 - 93
1124220	29 - 47	1124773	47 - 17	1128055	42 -130	1128397	32 - 62
1124224	29 - 48	1124775	3 - 43	1128062	44 - 23	1128403	30 - 35
1124234	6 - 12		3 - 56	1128071	44 - 27	1128404	30 - 36
	29 - 49		44 - 25	1128081	2 - 33	1128411	2 - 18
1124247	45 - 26		47 - 60	1128086	42 - 64	1128434	29 -115A
1124259	47 - 40	1124777	27 - 63	1128091	42 - 86	1128436	29 - 42
1124261	47 - 53	1124801	27 - 10	1128099	3 - 23	1128438	29 -112
1124266	47 - 45	1124802	27 - 11	1128101	1 -101	1128442	29 - 96
1124267	47 - 51	1124803	27 - 13	1128105	2 - 83	1128449	29 - 81
1124268	47 - 52	1124810	56 - 9	1128107	1 -109	1128450	29 - 77
1124271	47 - 32	1124811	56 - 2	1128108	3 -102	1128455	29 -131
1124273	47 - 36	1124819	47 - 38	1128113	1 -119	1128456	29 - 84
1124287	34 - 31	1124821	42 - 32		3 - 8	1128457	29 - 63
1124292	47 - 55	1124827	29 - 67	1128122	3 - 42	1128458	29 - 38A
1124332	50 - 17		29 - 80A	1128125	3 - 39	1128459	29 - 85
1124335	50 - 15	1124830	29 - 68	1128126	34 - 9	1128471	47 - 39
1124336	50 - 10	1124831	29 - 69	1128136	27 - 44	1128483	2 - 45
1124369	27 - 22	1124835	29 - 71	1128138	27 - 59	1128490	56 - 44
1124370	27 - 26	1124836	29 - 72	1128141	27 - 60	1128492	27 - 39
1124371	27 - 42		47 - 80	1128144	45 - 54	1128493	29 - 86
1124373	27 - 24	1124838	29 - 73	1128150	27 - 70	1128495	29 - 87
1124377	27 - 21	1124875	55 - 13	1128151	27 - 83		29 -160
1124378	27 - 18	1125066	1 - 23	1128152	27 - 6	1128521	25 - 21
1124379	27 - 55	1127055	56 - 10	1128162	32 - 1A	1128522	25 - 20
1124383	27 - 47	1127719	33 - 32	1128164	32 - 39	1128523	25 - 6
1124388	27 - 1	1127722	29 - 74	1128166	32 - 14	1128526	25 - 12
1124391	27 - 2		29 - 75	1128167	32 - 68	1128527	25 - 8
1124396	2 - 3		29 -102	1128168	3 - 28	1128528	25 - 11
1124453	3 - 84	1127723	29 - 76	1128169	3 - 27	1128529	25 - 25
1124462	3 -104	1127726	47 - 35	1128171	32 - 39		28 - 1
1124463	3 - 81	1127727	1 -111	1128175	50 - 12	1128532	35 - 3
1124478	3 - 75	1127728	1 -113	1128184	34 - 11	1128533	25 - 14
1124489	2 - 91	1127730	44 - 19	1128189	47 - 8	1128555	42 - 30
1124503	3 -106	1127733	1 -105	1128190	47 - 5	1128556	42 - 17
1124506	3 -105		1 -122	1128192	47 - 15	1128557	42 - 33
	47 - 92		3 -110	1128193	47 - 13	1128580	42 - 18
1124508	5 - 25		5 - 31	1128195	47 - 22	1128584	39 - 5
1124567	3 - 80	1127737	3 - 7	1128199	47 - 18	1128598	7 - 10

PART NO.	LIST AND INDEX NO.	PART NO.	LIST AND INDEX NO.	PART NO.	LIST AND INDEX NO.	PART NO.	LIST AND INDEX NO.
1128598-CONT	40 - 22	1128748	21 - REF	1133529	29 - 95	1135052	43 - 26
	43 - 29	1128749	20 - 11	1133549	3 - 47	1135055	41 - 5
1128605	43 - 11A		21 - 15	1133565	42 -111	1135079	44 - 28
1128607	43 - 13	1128752	1 - 37	1133568	42 - 79	1135082	32 - 35
1128608	43 - 14	1128785	47 - 43	1133569	42 - 77	1135124	45 - 6A
1128609	43 - 15	1128832	12 - 6	1133574	29 - 96	1135125	45 - 40
1128610	43 - 16		13 - 9	1133575	42 - 85	1135127	45 - 32
1128611	43 - 17A		22 - 6	1133584	3 -107	1135129	45 - 34
1128613	43 - 18		23 - 9		5 - 15	1135130	45 - 22
1128616	43 - 19	1128833	22 - 7	1133586	42 - 53		45 - 35
1128618	5 - 23C		23 - 10	1133589	27 - 16	1135134	6 - 27
	43 - 19B	1128834	23 - 11	1133590	27 - 15		7 - 15
	43 - 20B	1128837	44 - 11	1133593	27 - 68		15 - 18
1128622	43 - 20	1128839	44 - 10	1133609	3 - 49		31 - 16
1128623	43 - 21	1128950	11 - 12	1133610	3 - 50		39 - 6
1128624	43 - 22	1128952	11 - 13	1133618	42 - 40		40 - 11
1128625	43 - 23	1128954	11 - 14	1133619	42 - 41		41 - 6
1128626	43 - 24	1128958	15 - 9	1133627	33 - 4	1135153	5 - REF
1128627	43 - 25	1128959	15 - 10	1133628	33 - 1	1135167	2 - 17
1128673	3 - 3		31 - 13	1133641	42 - 46	1135168	42 - 51
1128674	2 - 16	1128962	8 - 12	1133658	29 - 97	1135169	6 - 28
1128679	6 - 15		15 - 11	1133659	29 - 98	1135173	5 - 28
1128680	6 - 16		31 - 3	1133660	29 - 99	1135192	25 - 8
1128682	6 - 17	1128964	8 - 13	1133662	42 - 71	1135193	6 - 19
1128683	6 - 18		15 - 12	1133663	2 - 7		7 - 16
1128684	6 - 19		31 - 4	1133667	2 - 24	1135219	44 - 5
	7 - 16	1128965	8 - 14	1133668	2 - 25	1135233	10 - 52
1128685	45 - 36B		15 - 13		42 - 19	1135236	44 - 7
1128686	6 - 20		31 - 5	1133746	47 - 71	1135270	29 - 34
	7 - 11	1128966	8 - 15	1134712	5 - 33	1135289	19 - 2A
1128698	6 - 21		15 - 14	1134741	56 - 52		22 - 8
1128707	6 - 22		31 - 6	1134773	27 - 79	1135302	15 - REF
	7 - 12	1128967	8 - 16	1134785	29 -100	1135307	17 - 10
1128710	6 - 23		15 - 15	1134803	29 -101	1135308	18 - REF
	7 - 13		31 - 11	1134816	42 - 91	1135309	16 - 7
1128714	6 - 26	1128968	15 - 16	1134817	42 - 69		18 - 9
	7 - 14	1128969	15 - 17	1134822	56 - 37	1135311	10 - 27
1128719	29 -152		31 - 17	1134825	56 - 14	1135312	1 - 42
	31 - 48	1128970	47 - 59	1134826	56 - 19	1135314	1 -123
1128721	31 - 44	1128975	2 - 8	1134829	3 - 92	1135320	47 - 11
1128722	31 - 46	1128993	31 - 2		11 - 15	1135323	25 - 26
1128723	31 - 44	1128999	44 - 10		2 - 44		28 - 2
1128727	31 - 49	1132000	3 - 45		27 - 76	1135324	25 - 5
1128730	29 - 88	1132003	3 - 76		32 - 49	1135327	25 - 5
1128733	31 - 43	1132007	3 - 44		33 - 21	1135330	25 - 5
1128736	31 - 22	1132012	33 - 14		56 - 17	1135333	25 - 5
1128738	31 - 21	1132013	33 - 22		56 - 22	1135337	25 - 13
1128740	29 -113	1132019	32 - 20	1134831	40 - 10	1135338	25 - 18
1128743	11 - 11	1132027	33 - 11		41 - 10	1135340	1 - 35
	12 - 7	1132051	42 - 83	1134836	42 - 72	1135357	41 - 7
	13 - 6	1132052	42 - 80	1134837	27 - 9	1135377	24 - 1
	14 - 11	1132055	27 - 19		42 - 20		24 - 3
	17 - 6	1132065	30 - 20		42 - 57		25 - 1
	18 - 10	1132066	30 - 21	1134841	34 - 4		25 - 3
	19 - 10	1132067	30 - 22	1134842	4 - 55	1135378	43 - 17
	20 - 8	1132068	31 - 7		22 - 17	1135379	43 - 11
	21 - 9	1132078	5 - 36		23 - 18	1135381	27 - 35
1128744	11 - 19	1132080	1 - 56		29 -102	1135403	22 - 9
	14 - 6	1132084	5 - 49		42 -123	1135413	41 - 3
	17 - 12	1132098	5 - 32		44 - 31	1135466	14 - 4
	18 - 11		2 - 88	1134843	34 - 7		16 - 8
	20 - 9	1132103	1 - 57		56 - 41		18 - 8
	21 - 10	1132117	5 - 16	1134877	42 - 34		20 - 12
1128745	11 - 17	1132118	29 - 91	1134878	42 -105		21 - 13
	12 - 10	1132122	5 - 9	1134888	32 - 59		22 - 10
	13 - 8	1132147	47 - 91	1134948	1 - 30	1135467	11 - 16
	16 - 10	1132148	29 - 92		3 - 2		12 - 9
	17 - 8	1132157	30 - 25A		5 - 5		13 - 10
	18 - 12	1132211	45 - 5		2 - 15		14 - 7
	19 - 11	1132212	1 - 78		2 - 86		17 - 11
	20 - 10		34 - 15	1134952	1 - 89		18 - 8
	21 - 11	1132218	27 - 65	1134957	3 - 31		19 - 12
	23 - 7	1132219	27 - 84	1134964	42 -102		20 - 12
1128746	11 - 18	1132222	27 - 80	1134966	42 - 84		20 - 13
	14 - 5	1132230	27 - 5	1134997	5 - 45		21 - 14
	17 - 9	1132279	29 - 94	1135015	56 - 2		23 - 12
	18 - 13	1132287	47 - 31	1135028	42 - 21	1135474	11 - 17
	21 - 12	1132508	56 - 13	1135029	42 - 22		22 - 11
	22 - 11	1132713	1 -107	1135031	42 - 23	1135476	11 - 18
	23 - 8	1133503	42 - 76	1135036	1 - 4		12 - 10

PART NO.	LIST AND INDEX NO.	PART NO.	LIST AND INDEX NO.	PART NO.	LIST AND INDEX NO.	PART NO.	LIST AND INDEX NO.
1135476	-CONT 16 - 10	1135762	25 - 5	1141162	5 - 22	1141838	4 - 16
1135478	16 - 11	1135763	25 - 5	1141165	30 - REF	1141846	3 -108
1135482	11 - 19	1135764	25 - 5	1141173	3 - 52	1141878	30 - 26
1135483	41 - 2	1135765	25 - 5	1141175	29 - 66	1141889	30 - 27
1135512	22 - 13	1135766	25 - 5		32 - 26	1141894	45 - 47
	23 - 14	1135767	25 - 5	1141176	29 - 79	1141895	45 - 15
1135536	47 - 93	1135768	25 - 5	1141180	56 - 72	1141896	42 -121
1135537	47 - 96	1135772	1 - 82	1141181	45 - 50		45 - 17
	55 - 14	1135826	42 - 31	1141182	29 -111	1141897	53 - 39
1135541	52 - 24	1135946	5 - 78	1141184	27 - 29	1141900	29 - 34
	54 - 27	1135991	33 - 33	1141189	29 - 80	1141923	56 - 46
1135542	1 - 97	1135995	44 - 41	1141194	5 - 17	1141928	35 - 8
1135544	1 - 98	1136023	35 - 2	1141195	5 - 18	1141976	25 - 5
1135546	1 - 99	1136076	35 - 2	1141200	29 -113	1141977	25 - 5
	4 - 15	1138110	3 - 34	1141208	5 - 19	1141979	3 - 96
1135547	32 - 51		2 - 67	1141209	29 -114	1141985	29 -141
1135560	2 - 39	1138116	10 - 42	1141223	1 - 13	1141996	29 - 96A
1135562	54 - 28	1138118	27 - 74		1 - 80	1141997	29 - 95
1135563	54 - 29	1138122	2 - 8		1 -110	1142214	19 - 15A
1135564	54 - 30	1138149	27 - 57	1141227	32 - 42	1142245	33 - 24
1135570	24 - 1	1138353	29 -103	1141228	32 - 43	1142264	4 - 17
	24 - 3	1138358	24 - 11	1141231	32 - 45	1142377	20 - 16
	25 - 1	1138360	24 - 6	1141232	32 - 40		21 - 17
	25 - 3	1138363	24 - 9	1141235	29 -115	1142603	49 - 44
1135572	42 - 63	1138368	27 - 30	1141238	29 -116	1142683	24 - 13A
1135573	8 - 19		27 - 40	1141245	3 - 51	1142790	41 - 13
	15 - 21		45 - 7	1141270	1 - 85	1143852	46 - 12
	39 - 14	1138369	45 - 10	1141277	27 - 77	1144150	1 - 90
	40 - 32	1138383	53 - 39	1141282	27 - 86	1144171	46 - 13
	41 - 28	1138390	45 - 3	1141284	27 - 87	1144351	46 - 14
1135576	44 - 40	1138391	45 - 1	1141285	27 - 92	1144376	45 - 18
1135579	47 - 23	1138392	44 - 42	1141286	27 - 90	1144387	46 - 15
1135580	12 - REF	1138393	44 - 43	1141290	3 - 55	1144391	46 - 16
1135581	20 - REF	1138398	44 - 39	1141298	27 - 71	1144666	42 - 88
1135582	16 - REF	1138462	3 - 46		27 - 82	1144928	1 - 18
1135583	44 - 44		42 - 28	1141300	3 -100		5 -101
1135590	34 - 17	1138464	50 - 9	1141303	29 - 34A	1144979	42 -120
1135591	34 - 12	1138465	5 - 19	1141304	29 - 34C		47 - 51
1135592	45 - 49	1138483	33 - 2	1141323	29 -117	1144999	38 - 71
1135593	45 - 16		52 - 33	1141353	29 - 54	1145202	27 - 4
1135621	12 - 11	1138545	27 - 89	1141371	1 - 51	1145385	32 - 56
	13 - 11	1138795	1 -139		29 -118	1145395	34 - 21B
1135623	12 - 12	1138796	31 - 42	1141372	55 - 7	1145396	34 - 21A
1135629	19 - 13		35 - 5	1141396	42 - 38	1145414	6 - 30
1135630	9 - 4	1138799	2 - 94	1141398	42 - 42		7 - 31B
1135631	6 - 29	1138800	2 - 94	1141458	34 - 16	1145415	39 - 7
	7 - 17	1138802	1 - 48	1141460	42 - 36		40 - 27
1135635	9 - 1	1138808	5 - 30		42 - 43		41 - 34
1135639	47 - 37		2 - 75	1141503	56 - 50	1145424	3 - 86
1135643	2 - 56	1138810	45 - 52	1141504	56 - 51	1145446	32 - 47
	31 - 32	1138843	29 -104	1141508	29 - 52A	1145453	17 - REF
1135644	43 - REF	1138845	34 - 20	1141586	2 - 27	1145475	6 - 30
1135647	5 - REF	1138848	34 - 18		27 - 49		7 - 31
1135655	1 - 87	1138849	29 -105		27 - 73	1145479	3 - 82
1135660	47 -102	1138990	24 - 12A	1141619	29 -119	1145491	5 - 27
1135661	32 - 60	1141030	47 - 50	1141622	29 -120	1145492	56 - 25
1135662	32 - 57	1141050	53 - 40	1141624	29 -121	1145509	31 - 47
1135664	32 - 63	1141051	53 - 41	1141625	29 - 84A	1145516	1 - 59
1135665	42 - 88	1141070	2 - 80	1141626	29 -122	1145543	4 - 5
1135667	47 - 99	1141071	2 - 80	1141627	29 -123		34 - 22
1135668	47 -109	1141072	3 - 36	1141628	29 -105		34 - 27
1135670	5 - 28		2 - 81	1141629	29 -124	1145588	16 - 9
1135675	32 - 55	1141073	1 -100	1141630	29 -125		17 - 13
1135676	3 - 29		1 -138	1141632	29 - 77A		18 - 7
1135677	3 - 32	1141075	42 - 70	1141639	1 - 45	1147182	42 - 38
1135684	47 - 99	1141077	56 - 54	1141640	34 - 21	1147194	42 -114
1135690	57 - REF	1141084	42 - 90	1141645	53 - 42	1147260	29 -129
1135696	11 - REF	1141097	34 - 27	1141649	53 - 43	1147385	1 -109
1135699	29 -152	1141129	45 - 8	1141650	10 - 16	1148310	1 - 45
1135704	5 - REF	1141135	30 - 23	1141663	45 - 51	1157055	55 - 10
1135738	41 - 16	1141136	56 - 32	1141678	3 - 109	1159004	31 - 41
1135746	41 - 9	1141141	1 -137	1141749	34 - 14	1159007	31 - 37
1135754	25 - 5		5 - 21	1141752	29 -112A	1159009	31 - 40
1135755	25 - 5	1141144	29 - 31	1141757	29 -127	1159010	31 - 30
1135756	25 - 5	1141147	45 - 15A	1141759	29 -128	1159015	31 - 27
1135757	25 - 5	1141149	29 -106	1141770	29 -108A	1159016	31 - 26
1135758	25 - 5	1141151	29 -107	1141772	29 -109A	1159017	31 - 35
1135759	25 - 5	1141158	29 -108	1141800	30 - 24	1159020	31 - 10
1135760	25 - 5	1141159	29 -109	1141801	30 - 25	1159026	31 - 33
1135761	25 - 5	1141160	29 -110	1141837	53 - 40	1159027	31 - 31

PART NO.	LIST AND INDEX NO.	PART NO.	LIST AND INDEX NO.	PART NO.	LIST AND INDEX NO.	PART NO.	LIST AND INDEX NO.
1159028	31 - 1	1159348-CONT	40 - 36	1159732	55 - 17	1164105	3 - 38
1159035	5 - 72		41 - 32	1159733	55 - 18	1164127	2 - 28
1159037	5 - 72	1159350	34 - 3	1159738	55 - 19	1164151	29 -146
1159041	5 - 72	1159352	25 - 1	1159739	4 - 18	1164153	29 - 37
1159045	1 - 1	1159353	24 - 3	1159742	5 - 26A	1164158	29 -133
1159097	34 - 8		25 - 3	1159743	3 - 53	1164171	3 - 4
1159098	22 - REF	1159388	33 - 46	1159775	44 - 24	1164218	29 -110A
1159109	47 - 42	1159390	33 - 39	1159776	34 - 21	1164220	30 - 28
1159112	12 - 13	1159396	41 - 23	1159780	56 - 24	1164236	30 - 29
	13 - 12	1159406	33 - 37	1159782	47 - 1	1164237	30 - 31
1159125	5 - 12	1159408	47 - 25	1159796	34 - 21	1164238	29 -135
1159126	5 - 14	1159409	47 - 29	1159803	32 - 37	1164239	30 - 30
1159127	33 - 52	1159413	10 - 17	1159804	4 - 37	1164240	29 -106
1159132	56 - 44	1159416	22 - 12	1159805	4 - 38	1164241	30 - 32
1159135	56 - 46		23 - 13	1159807	4 - 38	1164285	29 -136
1159155	43 - 27	1159418	47 - 97	1159809	4 - 39	1164289	1 - 70
1159157	42 - 24	1159419	56 - 4	1159810	31 - 31	1164290	29 -137
1159167	31 - 39	1159420	15 - 21A	1159811	4 - 50	1164291	56 - 59
1159171	45 - 28		31 - 32	1159814	4 - 40	1164316	42 - 91
1159173	45 - 21	1159421	5 - 61	1159815	4 - 41	1164374	45 - 52A
1159175	56 - 24	1159422	5 - 67	1159816	4 - 42	1164384	56 - 71
1159177	39 - 15	1159423	5 - 94	1159818	3 - 70	1164398	1 - 69
	40 - 33	1159424	5 - 85		2 - 33	1164435	29 -137A
	41 - 29	1159425	5 - 89	1159820	4 - 35	1164463	24 - 7
1159178	39 - 16	1159426	5 - 86	1159821	4 - 43	1164476	24 - 10
	40 - 34	1159427	5 - 98	1159822	4 - 44	1164499	27 - 28
	41 - 30	1159428	5 - 79	1159823	4 - 45	1164548	29 - 44A
1159180	33 - 49	1159430	29 -152	1159824	4 - 46	1164550	29 - 42
1159182	45 - 23	1159437	9 - 1A	1159826	4 - 47	1164555	30 - 7
1159183	45 - 30	1159445	5 - 64	1159827	4 - 48	1164561	3 -104
1159185	45 - 24	1159446	5 - 65	1159829	7 - 19	1164563	42 -129
1159194	1 - 26	1159447	5 - 66	1159832	7 - 20	1164576	1 - 77
1159203	1 - 20	1159448	5 - 70	1159833	7 - 21		1 - 92
1159204	1 - 16	1159485	2 - 92	1159834	7 - 22		3 - 77
1159206	1 - 25	1159507	29 - 88	1159835	7 - 23		4 - 1
	47 -108	1159508	29 -105	1159838	56 - 27		4 - 51
1159207	1 - 2	1159519	49 - 26	1159841	7 - 24		5 - 95
	28 - 8		52 - 25	1159842	7 - 25		5 - 99
1159208	1 - 12	1159535	39 - 20	1159843	10 - 28		11 - 21
1159209	1 - 10		40 - 38	1159844	10 - 29		15 - 23
1159210	26 - 25		41 - 33	1159858	51 - 25A		16 - 13
1159211	56 - 47	1159536	16 - 12	1159859	51 - 26		28 - 21
1159212	56 - 48		18 - 14	1159866	49 - 39		32 - 18
1159220	27 - 45	1159537	56 - 48	1159868	51 - 37		32 - 41
1159225	5 - 96	1159541	33 - 35	1159873	1 - 93		32 - 69
1159234	1 - 25	1159542	20 - 15		52 - 24		42 - 56
1159250	27 - 1		21 - 16		54 - 27		42 - 87
1159251	27 - 2	1159544	33 - 42	1159874	52 - 26		47 - 9
1159255	49 - 26	1159545	41 - REF	1159875	52 - 27		47 - 19
1159262	47 - 26	1159546	41 - REF	1159905	29 - REF		47 - 63
1159270	57 - REF	1159549	24 - 7	1159906	23 - REF		47 - 95
1159274	33 - 27	1159555	10 - 23	1159908	29 - REF		47 -110
1159275	33 - 30	1159558	20 - 11	1159909	2 - 62		47 -115
1159276	33 - 29		21 - 15	1159911	52 - 19		50 - 18
1159277	33 - 25	1159575	27 - 51		54 - 23		56 - 38
1159278	33 - 37	1159589	21 - REF	1159912	52 - 19		56 - 67
1159283	57 - REF	1159593	51 - 14		54 - 23	1164577	4 - 36
1159286	3 - 68	1159597	51 - 9	1159913	51 - 35		5 - 50
	33 - 40	1159637	56 - 10	1159914	18 - REF		6 - 32
1159292	32 - 35	1159649	5 - REF	1159972	40 - 13		7 - 27
1159298	47 - 94	1159654	10 - 19	1159973	40 - 14		8 - 6
1159301	5 - 37	1159657	16 - REF	1159974	40 - 15		9 - 6
1159306	5 - 43	1159666	4 - 34	1159975	40 - 16		10 - 30
1159307	5 - 44	1159668	10 - 9	1159978	40 - 17		18 - 15
1159308	5 - 40	1159669	44 - 35A		41 - 22		2 - 40
	5 - 45	1159670	3 -104	1159991	2 - 37		2 - 69
1159312	5 - 23	1159671	10 - 17	1159992	7 - 26		31 - 50
1159315	5 - 23	1159672	3 -102	1159993	44 - 1		39 - 9
1159316	2 - 38	1159673	10 - 8	1159994	44 - 2		40 - 23
1159321	3 - 73	1159674	10 - 20	1160777	6 - 38		40 - 39
1159325	1 -101	1159675	10 - 21A		7 - 34		41 - 37
1159327	3 - 57	1159676	10 - 12	1164027	1 - 86		42 - 89
1159334	3 - 64	1159685	10 - 16	1164039	29 - 96		45 - 12
1159335	3 - 65	1159686	10 - 13	1164041	29 - 95		45 - 42
1159336	3 - 59	1159716	6 - 31	1164044	29 - 81A		45 - 48
1159338	1 -121		7 - 18	1164045	42 - 38		46 - 20
1159347	39 - 17		42 - 52	1164089	42 - 36		47 - 52
	40 - 35		45 - 36C		42 - 43		49 - 29
	41 - 31	1159731	55 - 15		42 -114		56 - 15
1159348	39 - 18		55 - 16	1164099	29 -132	1164578	5 - 20

PART NO.	LIST AND INDEX NO.	PART NO.	LIST AND INDEX NO.	PART NO.	LIST AND INDEX NO.	PART NO.	LIST AND INDEX NO.
1164578-CONT	5 - 74	1166001	42 - 27	1166259	25 - 5	1166494	51 - 13
	6 - 33	1166015	51 - 13	1166260	25 - 5	1166495	53 - 34
	7 - 28	1166016	51 - 13	1166261	25 - 5	1166498	57 - 31
	8 - 17	1166017	51 - 36	1166262	25 - 5	1166499	57 - 54
	15 - 19	1166018	53 - 34	1166263	25 - 5	1166502	51 - 13
	26 - 26	1166019	53 - 34	1166264	25 - 5	1166507	8 - 18
	26 - 30	1166021	49 - 9	1166265	25 - 5	1166509	2 - 42
	29 -151	1166022	49 - 9	1166266	25 - 5	1166510	56 - 33
	31 - 12	1166023	49 - 42	1166267	25 - 5	1166516	1 - 58
	32 - 34	1166030	53 - 54	1166268	25 - 5	1166517	1 - 60
	42 - 25	1166031	53 - 54	1166269	25 - 5	1166518	52 - 18
	45 - 33	1166032	57 - 15	1166270	25 - 5	1166525	57 - REF
	56 - 29	1166035	57 - 15A	1166271	25 - 5	1166526	8 - 7
1164579	3 -108	1166047	57 - REF	1166289	32 - 29A	1166528	46 - 18
	3 -111	1166053	41 - 17	1166291	32 - 10	1166544	27 - 4
	5 - 91	1166057	57 - REF	1166293	56 - 1	1166547	40 - 12
	15 - 7	1166064	30 - 28A	1166294	56 - 1	1166548	40 - 13
	15 - 20	1166067	30 - 28	1166297	57 - 50	1166549	5 - REF
	26 - 31	1166068	30 - REF	1166299	57 - 51	1166550	52 - 12
	31 - 29A	1166072	4 - 49	1166301	1 - 41		54 - 16
	42 -119		32 - 7	1166304	6 - 35		54 - 36
	55 - 4	1166073	4 - 15		7 - 30	1166551	44 - 40
	56 - 7	1166084	29 - REF	1166306	51 - 13	1166554	44 - 33
	56 - 60	1166086	54 - 31	1166311	44 - 17	1166557	47 - 72
1164580	5 - 84	1166088	45 - 36A	1166315	44 - 14	1166558	44 - 46
	12 - 14	1166089	1 - 81	1166316	10 - 10	1166559	10 - 49
	13 - 14	1166090	47 -111	1166331	7 - 19A	1166560	42 - 66
	22 - 15	1166093	47 -112	1166332	7 - 20A	1166575	44 - 35
	23 - 16	1166094	54 - 32	1166333	7 - 24A	1166580	33 - 46
	29 - 29A	1166096	54 - 33	1166334	7 - 23A	1166598	44 - 16
	29 -138	1166101	51 - 13	1166335	7 - 22A	1166601	56 - 30
	29 -139	1166102	29 -105	1166336	7 - 26	1166602	56 - 64
	30 - 34	1166110	51 - 13	1166337	7 - 36	1166619	1 - 91
	31 - 19	1166111	26 - 28	1166338	7 - 35	1166621	8 - 8
	41 - 8	1166114	28 - 28	1166342	44 - 37	1166622	8 - 8
	42 - 26		57 - 27	1166343	5 - 38	1166624	27 - 28
	45 - 31	1166115	28 - 18	1166357	53 - 24	1166626	44 - 4
	53 - 44		57 - 28	1166362	47 - 83	1166627	56 - 31
	56 - 69	1166116	28 - 19	1166363	47 - 75	1166628	38 -275
1164582	4 - 8		57 - 21A	1166366	10 - 17	1166632	54 - 22
	5 - 93	1166117	28 - 27	1166367	47 - 74	1166634	54 - 37
	6 - 34		57 - 22A	1166368	47 - 62	1166643	26 - 29E
	7 - 29	1166135	2 - 34	1166372	10 - 39	1166646	26 - 29F
	17 - 14	1166152	19 - REF	1166373	10 - 37	1166647	26 - 29H
	2 - 13	1166153	19 - 14	1166375	47 - 89	1166648	26 - 29A
	20 - 14	1166154	19 - 15	1166380	47 - 76	1166653	52 - 18
	21 - 18	1166162	10 - 8	1166381	47 - 87	1166654	52 - 14
	26 - 27	1166163	10 - 15	1166382	10 - 40	1166655	52 - 14
	29 - 67	1166164	29 -141	1166385	47 - 78	1166657	52 - 18
	29 -140	1166175	28 - 14	1166386	12 - REF	1166658	52 - 18
	32 - 46	1166177	28 - 13	1166388	10 - 50	1166659	52 - 18
	37 -114	1166179	28 - 25	1166397	38 -195	1166661	52 - 16
	38 -140	1166180	28 - REF	1166398	52 - 34	1166662	52 - 16
	56 - 62	1166181	28 - 15	1166402	26 - 32	1166667	52 - 16
1164583	45 - 13	1166182	28 - 26		31 - 31	1166671	1 -126
1164584	33 - 40A	1166187	40 - 25	1166403	26 - 29	1166672	1 -125
	41 - 4		41 - 15	1166414	3 - 85	1166702	57 - REF
	47 - 86	1166188	19 - 16	1166415	3 - 78	1166706	1 - 8
1164600	30 - REF	1166194	49 - 12	1166417	51 - 19	1166713	1 - 7
1164690	29 - 18	1166199	49 - 12	1166418	52 - 28	1166738	46 - REF
	31 - 29	1166203	40 - 20	1166420	42 - 55	1166741	52 - 15
	47 - 7	1166212	3 - 62	1166430	57 - REF	1166742	46 - 19
1164721	33 - 12	1166214	3 - 61	1166431	56 - 8	1166749	38 -114
1164724	45 - 55	1166228	44 - 36	1166448	53 - 62	1166761	1 -129
1164738	34 - 18	1166230	10 - 21	1166449	53 - 63	1166769	1 -130
1164739	34 - 1	1166231	10 - 22	1166454	37 -150	1166770	5 - 51
1164740	34 - 19	1166234	56 - 63		38 -178		43 - 12
	34 - 20	1166235	56 - 66	1166458	38 - 39		47 - 47
1164760	45 - 52	1166236	56 - 78	1166459	38 -138	1166771	22 - REF
1164761	45 - 45	1166239	57 - REF	1166460	38 - REF	1166772	12 - 12
1164775	29 - 62	1166248	37 -241		53 - 61	1166773	12 - REF
	42 - 92		38 -278	1166476	38 -126	1166775	57 - REF
1164799	3 - 54	1166251	25 - 5	1166477	38 - 26	1166777	42 - 42
1164845	33 - 9	1166252	25 - 5	1166478	38 - 31	1166779	42 - 34
1164847	33 - 15	1166253	25 - 5		38 -131	1166806	33 - 54
1164849	33 - 19	1166254	25 - 5	1166480	38 -122	1166950	8 - 12
1164850	24 - 8	1166255	25 - 5	1166481	56 - 78	1166952	57 - REF
1164865	29 -153A	1166256	25 - 5	1166487	57 - REF		57 - 33
1164878	29 -153C	1166257	25 - 5	1166488	38 -194	1166953	56 - 35
1164925	3 - 73A	1166258	25 - 5	1166493	51 - 13	1166954	56 - 31

PART NO.	LIST AND INDEX NO.	PART NO.	LIST AND INDEX NO.	PART NO.	LIST AND INDEX NO.	PART NO.	LIST AND INDEX NO.
1166955	56 - 28	1175102	27 - 46	1187206	47 - 13	1187687	57 - REF
1166957	52 - 35		29 - 14	1187207	11 - 14A	1187699	19 - 15C
1166960	26 - 9		44 - 38	1187217	11 - REF	1187709	14 - 9
1166976	24 - 5	1175103	10 - 32	1187222	10 - 2	1187710	14 - REF
1166981	51 - 12		29 - 78	1187230	1 - 131	1187729	56 - 9
1166983	51 - 12		38 - 146	1187231	1 - 134	1187731	56 - 1
1166984	3 - 97		45 - 57	1187233	1 - 135	1187791	56 - 1
1166991	57 - REF		47 - 33	1187234	1 - 132	1187798	32 - 25
1166992	24 - 5		47 - 46	1187235	47 - 79	1187831	13 - 11
1167599	35 - 1		47 - 58	1187236	1 - 55	1187832	12 - REF
1167689	35 - 1		47 - 84	1187238	43 - 19D	1187884	41 - 11
1167700	35 - 1	1175104	29 - 15	1187240	43 - 20D	1187968	44 - 35
1167701	35 - 1		29 - 155	1187255	42 - 59	1187976	13 - REF
1167789	35 - 1	1175105	10 - 2A	1187404	1 - 63	1202646	19 - 20
1167790	35 - 1	1175106	25 - 15	1187414	56 - 6	1203232	41 - 12
1167791	35 - 1	1175107	3 - 101	1187416	5 - 23B	1203233	41 - 14
1167796	35 - 1		3 - 103		43 - 19A	1203255	42 - 47
1167800	35 - 1		10 - 5		43 - 20A	1203271	47 - 88
1167801	35 - 1		34 - 2	1187423	5 - 100	1203288	56 - 8
1167802	35 - 1		44 - 13	1187426	1 - 47	1203289	42 - 115
1167803	35 - 1		45 - 46	1187427	1 - 50	1203290	42 - 118
1167804	35 - 1		56 - 53	1187428	1 - 49	1203293	42 - 117
1167805	35 - 1	1175132	30 - 12	1187429	1 - 46	1203295	56 - 8
1167821	35 - 1	1175133	30 - 14	1187430	1 - 64	1203297	42 - 124
1167839	35 - 1	1175197	29 - 131	1187431	1 - 61	1203298	42 - 116
1167840	35 - 1	1175198	1 - 141	1187432	1 - 52	1203311	47 - 49
1167846	35 - 1	1175199	3 - 84	1187433	1 - 62	1203321	42 - 110
1167848	35 - 1	1175220	34 - 16A	1187434	1 - 9	1203322	42 - 104
1167856	35 - 1	1175236	27 - 42	1187435	1 - 44	1203351	56 - 82
1167863	35 - 1	1175243	10 - 10	1187436	1 - 44		57 - 39
1167880	35 - 1	1175268	44 - 18	1187448	2 - 31	1203352	56 - 83
		1175352	29 - 158	1187449	1 - 136	1203359	53 - 65
1167881	35 - 1	1175545	45 - 6C	1187501	1 - 32	1203364	34 - 8
1167882	35 - 1	1175577	24 - 11	1187514	5 - 57	1203373	1 - 104
1167883	35 - 1	1175616	45 - 6B		2 - 16	1203375	57 - 56
1167884	35 - 1	1175803	29 - 124A	1187515	1 - 32	1203377	56 - 74
1167911	35 - 1	1175865	34 - 3		5 - 58	1203556	42 - 68
1167912	35 - 1	1175866	34 - 4	1187516	3 - 3	1203557	1 - 83
1167925	35 - 1	1175868	34 - 7		5 - 59	1203561	3 - 99
1167926	35 - 1	1176843	13 - REF	1187517	5 - 60	1203726	47 - 116
1167927	35 - 1	1176844	13 - 13		2 - 71	1203727	47 - 116
1167928	35 - 1	1176872	47 - 1	1187521	19 - 17	1203737	25 - 8
1167937	35 - 1	1176890	45 - 32	1187529	44 - 44	1203738	25 - 8
1167938	35 - 1	1176948	20 - REF	1187562	56 - 27	1203742	25 - 14
1167939	35 - 1	1176949	16 - 11	1187563	56 - 27	1203743	25 - 6
1167940	35 - 1		20 - 9	1187564	45 - 56	1203744	25 - 18
1167941	35 - 1	1187000	42 - 122		47 - 20	1203745	25 - 11
1167942	35 - 1		43 - 12	1187585	5 - 28	1203777	25 - 16
1167943	35 - 1	1187001	5 - 52	1187586	5 - 28	1203777	56 - 27
1167944	35 - 1		42 - 21A	1187595	1 - 82	1203781	25 - 20
1167945	35 - 1		42 - 113	1187597	1 - 82	1203782	25 - 21
1167947	35 - 1	1187002	5 - 53	1187599	32 - 13	1203785	25 - 27
1167948	35 - 1	1187003	5 - 54	1187625	33 - 22A	1203839	53 - 64
1167952	35 - 1	1187004	29 - 150A	1187626	33 - 37A	1203847	7 - REF
1167953	35 - 1	1187030	5 - 28	1187628	32 - 25	1203852	7 - REF
1167961	35 - 1	1187041	44 - 39	1187629	33 - 39A	1203853	7 - REF
1167962	35 - 1	1187052	5 - REF	1187630	33 - 42	1203854	7 - REF
1167963	35 - 1	1187083	56 - 27	1187631	32 - 35	1203859	7 - REF
1167969	35 - 1	1187084	56 - 27	1187636	33 - 46	1203860	7 - REF
1167970	35 - 1	1187085	56 - 27	1187640	32 - 35A	1203862	29 - 93
1167996	35 - 1	1187086	56 - 27	1187642	10 - 48	1203863	29 - 45
1167997	35 - 1	1187095	42 - 75A	1187643	10 - 43	1203876	25 - 5
1167998	35 - 1	1187099	56 - 8	1187644	10 - 46	1203877	25 - 5
1173356	56 - 70	1187103	51 - 13	1187648	10 - 45	1203878	25 - 23
1174011	29 - 157	1187119	56 - 79	1187650	10 - 47	1203882	56 - 27
1174096	56 - 26	1187160	22 - 9	1187651	10 - 36	1203883	56 - 27
1174099	42 - 46A	1187163	5 - 55	1187652	10 - 35	1203934	25 - 23
1174106	32 - 62A	1187168	5 - 23A	1187653	10 - 41	1203935	25 - 23
1174114	32 - 45A	1187170	52 - 29	1187654	5 - 12	1203936	25 - 23
1174207	5 - 14		53 - 45	1187658	47 - 11	1203937	25 - 23
1174370	27 - 93	1187174	1 - 44	1187662	47 - 81	1203938	25 - 23
1174381	27 - 95	1187176	1 - 44	1187668	32 - 27	1203939	25 - 23
1174427	29 - 134	1187179	2 - 96	1187669	32 - 23	1203940	25 - 23
1175054	29 - 153B	1187181	2 - 66	1187670	32 - 21	1203941	25 - 23
1175100	27 - 43		2 - 87	1187673	25 - 5	1203942	25 - 23
	27 - 91	1187189	1 - 44	1187674	25 - 5	1203943	25 - 23
1175101	1 - 84	1187193	5 - 22	1187684	6 - 30	1203944	25 - 23
	3 - 58	1187195	5 - 26		7 - 31A	1203945	25 - 23
	29 - 13	1187203	47 - 89	1187685	40 - 27	1203946	25 - 23
	38 - 82	1187204	47 - 78		41 - 34	1230216	27 - 5

PART NO.	LIST AND INDEX NO.	PART NO.	LIST AND INDEX NO.	PART NO.	LIST AND INDEX NO.	PART NO.	LIST AND INDEX NO.
1230218	42 -117	5161423	38 - REF	5318619	37 - 54	5398695	37 -120
123552	15 - 22		53 - 61	5318620	37 - 74	5404480	57 - 49
1266687	29 -144	5161431	54 - 32		38 - 79	5412609	57 - 48
1266829	45 - 6	5161441	53 - 55	5318623	37 -111	5412642	57 - 29
1266830	44 - 32	5161442	53 - 55	5318624	37 - 40	5412643	57 - 46
1266893	15 - 12	5161443	53 - 56	5318625	37 - 57	5992775	9 - REF
	31 - 4	5161444	53 - 55		38 - 63		
1266894	7 - 15	5161445	53 - 56	5318626	37 - 80		
	15 - 18	5161447	52 - 14		38 - 85		
	31 - 16		54 - 34	5318629	37 - 5		
	41 - 6	5161450	53 - 60	5318630	37 - 66		
1269449	25 - 28	5161464	52 - 37		38 - 70		
1269733	56 - 56	5161465	53 - 57	5318637	37 - 30		
1271548	27 - 58	5161467	53 - 58		38 - 42		
1272007	31 - REF	5161468	53 - 59	5318639	37 - 28		
1272008	31 - REF	5161469	53 - 57		38 - 40		
1272125	15 - REF	5161470	53 - 58	5318640	37 - 84		
1272652	56 - 56	5161471	53 - 59		38 - 87		
1272653	56 - 56	5161475	53 - 60		38 - 99		
1272654	56 - 56	5161476	53 - 60	5318641	37 - 53		
1272655	56 - 56	5161484	25 - 5		38 - 61		
1272675	10 - 24	5161485	25 - 5	5318642	37 - 36		
1272677	10 - 31	5161492	53 - 55		38 - 48		
1272824	56 - 56	5161493	53 - 56	5318643	37 - 61		
1272914	44 - 32	5161511	51 - 13		38 - 67		
1272920	10 - REF	5161518	54 - 29	5318646	37 - 67		
1272921	10 - REF	5161522	57 - REF		38 - 72		
1272926	10 - REF	5161523	54 - 28	5318648	37 - 34		
1272975	10 - REF	5161524	57 - REF		38 - 46		
1272976	10 - REF	5161525	54 - 29	5318651	37 - 46		
1272977	10 - REF	5161526	54 - 29	5318652	37 - 82		
1274548	25 - 27	5161528	41 - 23	5318653	37 - 37		
1275643	1 -142	5161529	31 - 1		38 - 49		
1280081	3 - 90	5161530	54 - 22	5318654	37 -113		
1280119	29 -144	5161537	51 - 12		38 -139		
1280821	44 - 27	5161538	51 - 12	5318655	37 - 26		
1280822	44 - 27	5161539	51 - 12	5318662	37 - 69		
2016843	48 - 20	5161540	51 - 12		38 - 74		
2101657	57 - 13A	5161552	54 - 28	5318664	37 -192		
2101794	32 - 28	5161554	54 - 29		38 -226		
2102172	38 -215	5161556	54 - 28	5318665	37 - 1		
2102366	38 -188	5161558	54 - 29		38 - 1		
	49 - 7	5161559	54 - 29	5318666	37 -220		
2102554	40 - 36	5173699	56 - 27		38 -256		
2102593	38 -212	5173707	42 - 68	5318682	37 -156		
2102625	37 -181	5173708	43 - REF		38 -184		
2102626	37 -178	5173769	56 - 71	5318683	37 -159		
2106517	33 - 51	5173811	56 - 23		38 -187		
2114985	29 -142	5173818	33 - 38A	5318685	37 -153		
	29 -143	5183817	33 - 56		38 -181		
2122035	53 - 51	5214572	57 - 45	5318688	37 - 97		
2122202	57 - 34	5235098	52 - 7	5318689	37 - 11		
2122203	57 - 35		53 - 35		38 - 10		
2122255	57 - 36	5312061	49 - 11	5318693	37 -193		
2122257	57 - 37		49 - 40		38 -242A		
2122258	57 - 38	531688	38 -100	5318694	37 -201		
2122260	57 - 38A	5318588	37 - 60		38 -242B		
2122471	57 - 37A		38 - 66	5318704	37 -121		
2122734	57 - 35A	5318589	37 - 42		38 -149		
2122735	57 - 34A	5318590	37 - 75	5318707	37 -136		
2122838	57 - 36A		38 - 80		38 -164		
2123028	57 - 32	5318591	37 - 95	5318708	37 -150		
2123029	57 - 52	5318592	37 - 49		38 -178		
2123032	57 - 40	5318593	37 - 32	5318710	37 - 29		
2123033	57 - 41		38 - 44		38 - 41		
2123034	57 - 41A	5318595	37 - 63	5318718	37 -119		
2127632	40 - 36	5318597	37 - 10		38 -144		
2127867	57 - 38B		38 - 9	5318723	37 -197		
2127984	57 - 42	5318599	37 -139		37 -205		
2127988	57 - 42A		38 -167	5353854	57 - 30		
2190549	51 - 12	5318600	37 -209	5353867	57 - 55		
2391063	52 - 7A		38 -245	5353876	57 - 19B		
	53 - 20	5318601	37 - 2	5353888	52 - 30		
5052426	57 - 33B		38 - 2		54 - 40		
5161404	52 - 37	5318606	37 -230	5353889	52 - 31		
5161408	51 - 25A		38 -266	5353890	52 - 32		
5161421	38 - REF	5318612	37 -239		54 - 39		
	53 - 61		38 -276	5357138	57 - 47		
5161422	38 - REF	5318616	37 - 76	5362301	57 - 44		
	53 - 61		38 - 81	5367162	38 -191		

READER'S COMMENT FORM

IBM Selectric
Universal I/O Keyboardless Printer
Illustrated Parts Catalog

Order No. S124-0070-6

- How did you use this publication?

As a reference source
As a classroom text
As

- Based on your own experience, rate this publication...

As a reference source:
 Very Good Fair Poor Very
 Good Poor
As a text:
 Very Good Fair Poor Very
 Good Poor

- What is your occupation?

- We would appreciate your other comments; please give specific page and line references where appropriate. If you wish a reply, be sure to include your name and address.

● Thank you for your cooperation. No postage necessary if mailed in the U.S.A.

YOUR COMMENTS, PLEASE . . .

Your answers to the questions on the back of this form, together with your comments, help us produce better publications for your use. Each reply is carefully reviewed by the persons responsible for writing and publishing this material. All comments and suggestions become the property of IBM.

Please note: Requests for copies of publications and for assistance in using your IBM system should be directed to your IBM representative or to the IBM sales office serving your locality.

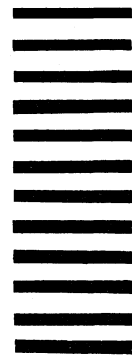
Cut Along Line

Fold

Fold

FIRST CLASS
PERMIT NO. 569
RESEARCH TRIANGLE PARK
NORTH CAROLINA

BUSINESS REPLY MAIL
NO POSTAGE STAMP NECESSARY IF MAILED IN U. S. A.



POSTAGE WILL BE PAID BY . . .

IBM Corporation
P. O. Box 12275
Research Triangle Park
North Carolina 27709

Attention: Publications Center, Dept. E01

Fold

Fold

IBM Selectric Universal I/O Keyboardless Printer (IPC) Printed in U.S.A. S124-0070-6



International Business Machines Corporation
Data Processing Division
1133 Westchester Avenue, White Plains, New York 10604
(U.S.A. only)

IBM World Trade Corporation
821 United Nations Plaza, New York, New York 10017
(International)

KBL I/O

KBL I/O

FAB INSERT FOR FRONT COVER

S124-0070-6

IBM Selectric Universal I/O Keyboardless Printer (IPC) Printed in U.S.A. S124-0070-6



International Business Machines Corporation
Data Processing Division
1133 Westchester Avenue, White Plains, New York 10604
(U.S.A. only)

IBM World Trade Corporation
821 United Nations Plaza, New York, New York 10017
(international)

IBM Selectric[®]

Universal I/O Keyboardless Printer

NOTE:

The reason for this small Parts Catalog is:

1. A Supplement S29-4524-0 dated 12/6/65 revised all Illustration/Parts List pages except 13, 14, 19 and 20. The Numerical Index was also revised.

REFER TO THIS SUPPLEMENT S29-4524-0
FOR THE REMAINING PAGES.

2. A major revision is in process.

PREFACE

Parts for the following Selectric I/O Printers (keyboardless models) are illustrated and listed in this catalog.

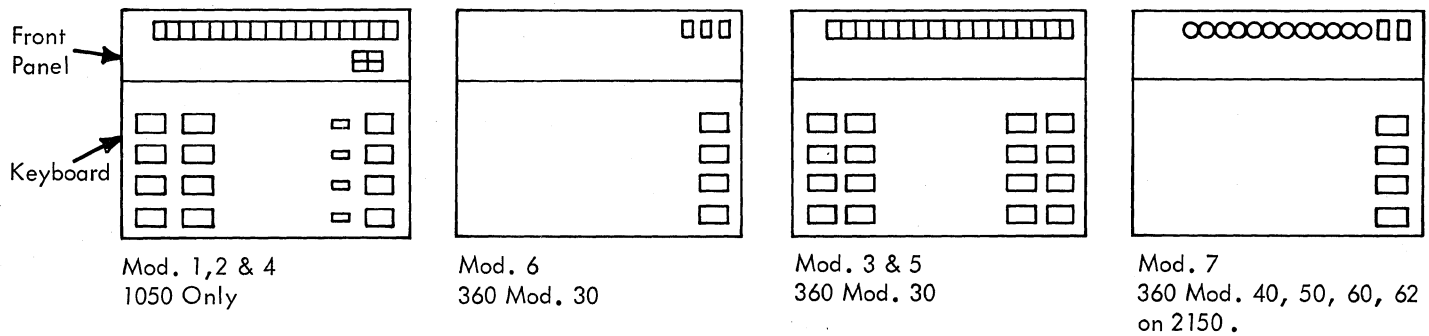
- | | |
|---------------------------|---------|
| 1. 1052 (Models 1 thru 7) | 5. 1033 |
| 2. 1053 | 6. 1131 |
| 3. 1062 | 7. 765 |
| 4. *1447 | |

*The 1447 uses 1052 parts except for the C-2 contact assembly and carrier return interlock contact assembly. The C-2 contact assembly is PN 1159098. The carrier return interlock assembly is PN 1128748.

Separate illustrations and listings are used for each machine mechanism, e.g., Carrier & Rocker, Selection Pusher Assembly, etc. In some cases, more than one illustration is required to cover one mechanism.

A complete numeric listing of all parts follows the illustrated catalog section. The listing is made in part number sequence and contains both mechanism codes and parts reference numbers for all items.

The following chart shows the keyboard and front panel layout for the seven 1052 models.



1052 PRINTERS

Use of Catalog

- Contents - The Table of Contents lists page numbers for all machine mechanisms. Location of the mechanism in the Contents, for which a part is required, will provide immediate reference to the correct page.
- Parts Which Vary Between Models - Parts listings identify items which have different part numbers for different printer models. A hypothetical example is as follows:

<u>Ref.</u>	<u>Part No.</u>	<u>Description</u>
40	XXXXX	Contact Asm., 1052
40	XXXXX	Contact Asm., 1062
40	XXXXX	Contact Asm., Others *

*This indicates that all models cataloged, other than 1052 and 1062, use the part number shown in this line. Where a model is not specified, all models use the same part number.

- Early and Late Style Parts - Late and early level parts may be identified in either the listing or by separate illustration. Separate drawings are used in some cases to differentiate between late and early style parts. Late and early style parts appearing under the same reference number are noted as being used on machines above or below an indicated serial number.

<u>Ref.</u>	<u>Part No.</u>	<u>Description</u>
15	XXXXX	Cam - (above 404500*)
15	XXXXX	Cam - (below 404499*)

*Serial numbers are approximate.

This publication is a major revision of Selectric I/O Keyboardless Parts Catalog. Engineering Level, April, 1965

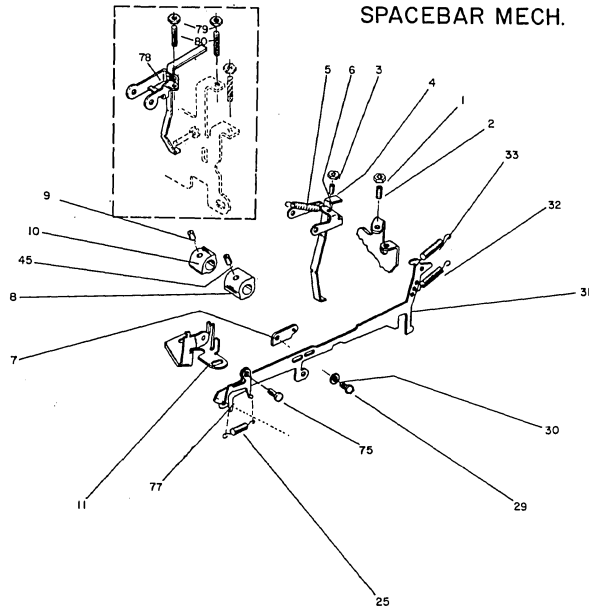
Address comments concerning the contents of this publication to:
IBM Corporation, Field Engineering, Department 904, Lexington, Kentucky, 40507.

CONTENTS

	Page	Code
Preface		I
Drawings and Listings		
Spacebar Mechanism	13	567
Backspace Mechanism	13	568
Carrier Return Mechanism	14	569
Paper Feed Mechanism	19	576
Platen Assemblies	20	577

REMAINDER OF PAGES INCLUDING NUMERICAL INDEX
ARE IN SUPPLEMENT S29-4524-0.

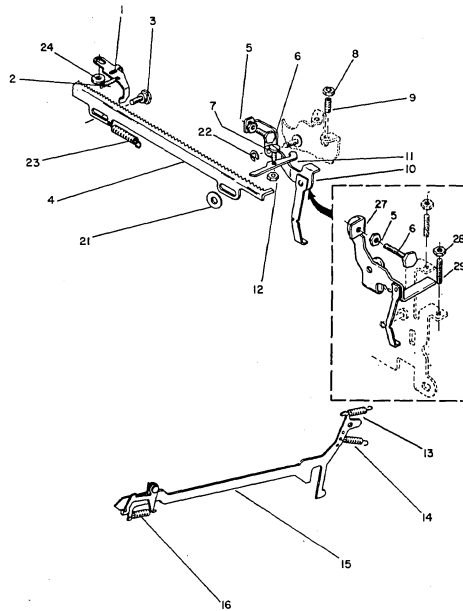
SPACEBAR MECH.



REF	P/N	SOURCE	DESCRIPTION	REF	P/N	SOURCE	DESCRIPTION
1	37913		NUT LATCH SCREW				
2	1141071		SCREW LATCH ADJ				
2	1141070		SCREW ADJ 1062				
3	37913		NUT LATCH SCREW				
4	1141071		SCREW LATCH ADJ				
5	1100937		SPRING SB LATCH				
6	1124476		LATCH ASM 11 IN				
6	1128105		LATCH ASM 15 IN				
7	1138805		KEEPER				
8	1138452		CAM ESCAPEMENT				
9	257969		SCREW				
10	1145478		CAM INTERLOCK				
11	1138808		BRACKET INTP GUIDE				
25	1073862		SPRING INTERPOSER				
29	1127714		SCREW KEEPER				
30	1090472		WASHER SB INT SCR				
31	1135229		INTERPOSER				
32	150047		SPRING INTERPOSER				
33	1141062		SPRING SB LATCH				
45	257969		SCREW CAM				
75	1124559		RIVET				
77	1124555		LATCH INTP				
78	1128374		LATCH ASM				
		ABOVE SN 4612100					
79	37913		NUT				
80	1141072		SCREW				

CODE - 567

BACKSPACE MECH.

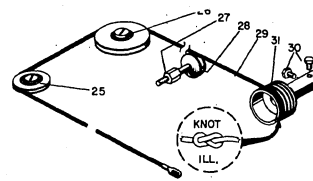


REF	P/N	SOURCE	DESCRIPTION	REF	P/N	SOURCE	DESCRIPTION
1	1128202		PAWL BACKSPACE				
1	1141536		PAWL BS				
		USED WITH GANG	CLEAR				
2	1132064		SPRING BS PAWL				
3	1124614		STUD BS RACK HTG				
4	1128025		RACK BS 10 PITCH				
			15 INCH MACHINE				
4	1128024		RACK BS 12 PITCH				
			15 INCH MACHINE				
5	37913		NUT STUD BELLCRANK				
6	1124612		STUD, BS BELLCRANK				
7	1124615		STUD BS INTP LEVER				
8	37913		NUT SCREW LATCH AD				
9	1132098		SCREW BS LATCH ADJ				
10	1124489		LATCH ASM BS				
11	1138799		LEVER, INTER 10 P				
11	1138800		LEVER, INTER 12P				
12	37913		NUT INTP LEVER HTG				
13	1072703		SPRING BS LATCH				
14	1134948		SPRING OPR INTPR				
15	1128674		INTERPOSER BS				
16	1073863		SPRING INTPR PAWL				
21	1124616		SPACER BS RACK				
22	1073418		RETAINER BS LATCH				
23	58852		SPRING RACK 15 IN				
24	1124094		SPACER				
27	1159485		LATCH ASM				
		ABOVE SN 4612100					
28	37913		NUT				
29	1141072		SCREW				

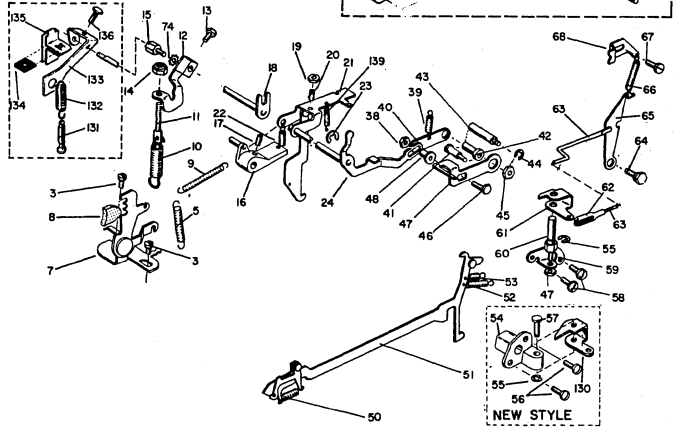
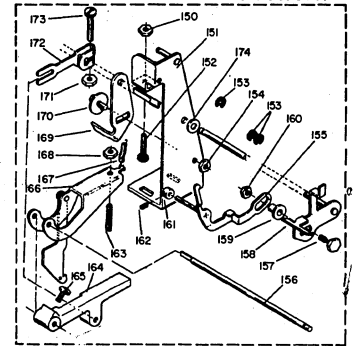
CODE - 568

REF	P/N	SOURCE	DESCRIPTION
3	10170		SCREW ARM ASM MTG
3	322065		SCREW RH LONG
5	43373		SPRING CR SHOE
7	1132003		ARM ASM CR ACTUAT
FOR MACHINES BELOW 4600120 ALSO ORDER PN 1128338			
8	1128338		SHOE, CARR RETURN
8	1124478		SHOE, CARR RETURN
FOR MACHINES BELOW 4600120			
9	1128325		SPRING ACTUAT ARM
USED ON MACHINES WITH OLD CR ACT ARM - HOOKED BETWEEN ACTUATING ARM AND ESCAPMENT BACK PLATE. SPR REF 39 SHOULD BE REMOVED			
10	1132007		SPRING CR ACTUAT
11	1132000		STUD ACT ARM SPR
12	1133610		HUB CLUTCH ARM
13	1124775		SCREW CR HUB
14	1138462		NUT CR SHOE ADJSTG
15	1133549		SCREW CR CL ARM
16	1128125		LEVER ASM CR
17	338238		SCREW LEVER MTG
18	1128122		LEVER ASM CR LATCH
19	37913		NUT CR LATCH SCREW
20	1159286		SCREW LATCH ADJ
21	1164105		ARM ASM LATCH
22	1128008		SPRING CR LEVER
23	1073418		CLIP C LATCH ARM
24	1128099		ARM A CR LATCH ACT
25	1124638		PULLEY LH FRONT
26	1124567		PULLEY LH REAR
27	1124453		STUD REAR IDLER
28	1124628		PULLEY REAR IDLER
29**	1128124		CORD ASM UNIVERSAL
UNIVERSAL CORD LENGTH IS CORRECT BE SURE AND PRESTRETCH			
**WHEN INSTALLING CORD ON MACHINES BELOW 408857 ALSO INSTALL PULLEY B/M 1271973 TO INCREASE CORD LIFE.			
30	1128352		SCREW CR CORD DRUM
31	1124463		DRUM CR CORD
32	1124472		ARM ASM CR LATCH
33	1132098		SCREW CR LATCH ADJ
34	37913		NUT ADJ
35	123491		SPRING CR LAT ARM
36	1132098		SCREW CR ADJ
37	1090394		WASHER CR ACT ARM
38	37913		NUT CLUTCH ECC
39	FOR REFERENCE ONLY		
40	1138110		LINK CR LATCH
ON MACHINES WITH OLD STYLE CR ACT ARM REMOVE REF 39 AND INSTALL REF 9			
41	*1124766		STUD MULT LEV
41	1135676		STUD 765 1062
42	*1124767		BUSHING MULT LEV
43	1134957		STUD PRESSED IN THE SIDE FRAME C CLIP
44	1092125		NUT 765-1062
45	*125677		NUT MULT LEV
*USED ON MACHINES BELOW 4012015			
46	1124610		STUD LATCH ECC
47	1128168		LATCH CR CLUTCH
48	1128169		SPACER CR CLUTCH
49	1133608		ARM CR LATCH ACT
50	1073863		SPRING INTPOS PAWL
51	1128673		INTERPOSER CR
52	1134948		SPRING CR INTPOS
53	1072703		SPRING CR LATCH
54	1141231		BUSHING RH
55	264641		C CLIP
56	438548		SCREW RH BUSHING
57	1141228		STUD CLUTCH UNLAT
58	10170		SCREW BKT MTG
59	1128167		BKT CR UNLATCHING
60	1123627		STUD CR UNLATCHING
61	1123628		BELLCRANK CR UNLAT
62	1070020		CLEVIS
63	1124600		LINK CR UNLATCHING
63	1164171		LINK CR UNLATCH
ABOVE SN 4607315			
64	1123629		STUD CR KEEPER
65	1123631		KEEPER CR LATCH
66	150735		SPRING CR KEEPER
67	322065		SCREW LOCK MTG
68	1127737		LOCK TAB RACK BUSH
74	56722		LOCKWASHER
101	1128748		1062 - 1447
101	1135581		1052/53
101	1159589		765
103	1106350		SHIELD CONTACT
104	1128744		STRAP ASM O/S
105	339109		TERMINAL CONTACT
106	37435		INSULATOR
107	326119		SUPPORT CONT STRAP
108	1128745		STRAP ASM N/O
120	118418		SCREW TERMINAL
121	1128749		BKT CONT ASM MTG
121	1159558		BKT 765
122	438548		SCREW CONT ASM MTG
123	1135466		SPRING BACKUP
124	1128746		STRAP ASM N/C
125	1128743		TERMINAL CONTACT
126	1135467		SPRING BACKUP
127	105052		INSULATOR 765
127	100229		INSULATOR 1062
127	100359		INSULATOR 1052/53
128	173206		SCREW 765
128	173205		SCREW CONT MTG
128	173203		SCREW 1052/53
130	1128397		BELLCRANK CLU UNL
131	1141173		STUD CR ARM
132	1141172		SPRING CR ARM
133	1141245		ARM CR CLUTCH
134	1164799		INSERT RUBBER
135	1141290		CLIP CR ARM
136	1124775		SCREW CR HUB
139	1100937		SPRING CR LATCH
140	1159542		SHIELD
141	1142377		STUD SHIELD
150	37913		NUT
151	1159321		BRACKET ASM
152	1159286		SCREW
153	1092125		RETAINER
154	REF ONLY-SEE INDEX		
155	1159327		ARM ASM CR LAT ACT
156	1159334		PIN LH OPER PIVOT
157	1124610		STUD LATCH ECC
158	1159818		LATCH ASM
159	1128169		SPACER

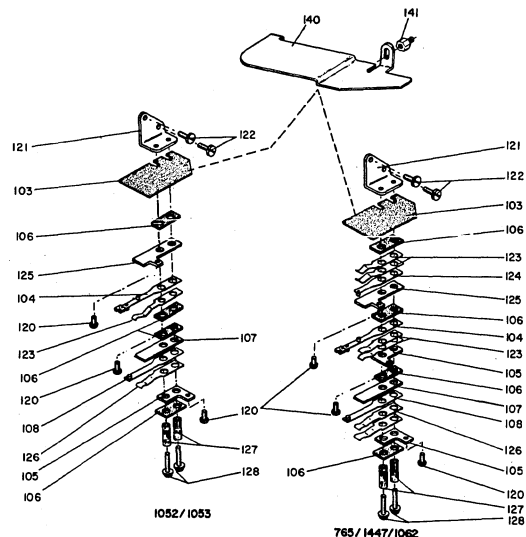
REF	P/N	SOURCE	DESCRIPTION
160	37913		NUT
161	1159336		COLLAR
162	257957		SCREW SET
163	1141072		SCREW
164	1159333		LEVER ASM
165	338238		SCREW LEVER ASM
166	1159323		LATCH ASM
167	1100937		SPRING LATCH
168	37913		NUT
169	REF ONLY-SEE INDEX		
170	REF ONLY-SEE INDEX		
171	38051		NUT
172	1159335		ARM INTERMEDIATE
173	322065		SCREW
174	1090336		WASHER



CARRIER RETURN MECH.



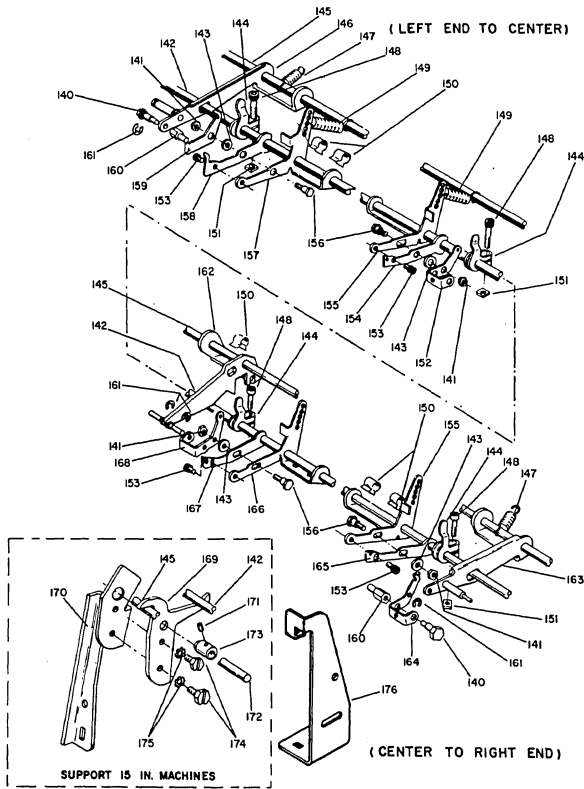
CARRIER RETURN MECH.



101-CARRIER RETURN CONTACT ASM

CODE - 569

PAPER FEED MECH.

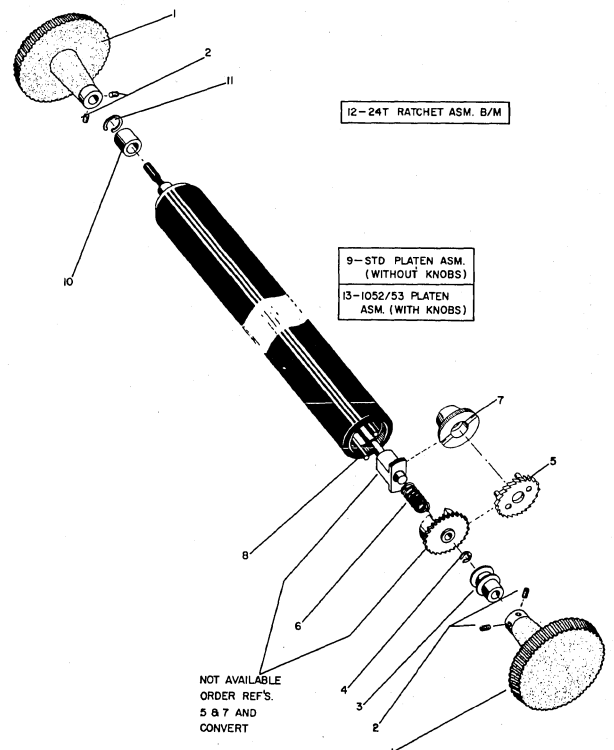


REF	P/N	SOURCE	DESCRIPTION	REF	P/N	SOURCE	DESCRIPTION
140	1132222		SCREW FD ROLL ARM				
141	37913		NUT FD ROLL ARM SC				
142	1128215		SHAFT FD RL 15 IN				
143	1124777		SPACER				
144	1138118		LEVER FD RL REL				
145	1128274		ROD CARR TIE 15 IN				
146	1141277		ARM RH 15 INCH				
147	1141586		SPRING CARR 15 IN				
148	1128280		SCREW REL LEVER				
149	1128350		SPRING FR TENSION				
150	1133593		RETAINER				
151	1134829		NUT REL LEV SCREW				
152	1128150		ARM REAR CTR LH 15				
153	1128238		SCREW ADJ				
154	1141298		ARM CTR ADJ 15 IN				
155	1128237		ARM CTR RH 15 IN				
156	1128239		SCREW FR ARM				
157	1128236		ARM FNT FR LH				
158	1128234		ARM FR ADJ LH				
159	1132218		ARM REAR LH				
160	1134773		STUD FD ROLL ARM				
161	1073418		C-CLIP				
162	1141282		ARM CTR 15 INCH				
163	1141284		ARM RH 15 INCH				
164	1132219		ARM REAR RH				
165	1128235		ARM RH FNT				
166	1128236		ARM LH FNT				
167	1141298		ARM FR ADJ CTR 15				
168	1128151		ARM REAR RH CTR 15				
169	1141285		BRACKET SUP 15 IN				
170	1128278		BRACKET SUP 15 IN				
171	121521		SCREW				
172	1128136		SHAFT COPY 15 INCH				
173	1141286		ECC CC CTR 15 INCH				
174	265195		SCREW CTR BRACE				
175	56772		WASHER				
176	1141833		BRACKET				
176	1159320		BRACKET				
176			USED ABOVE SN 4612100				

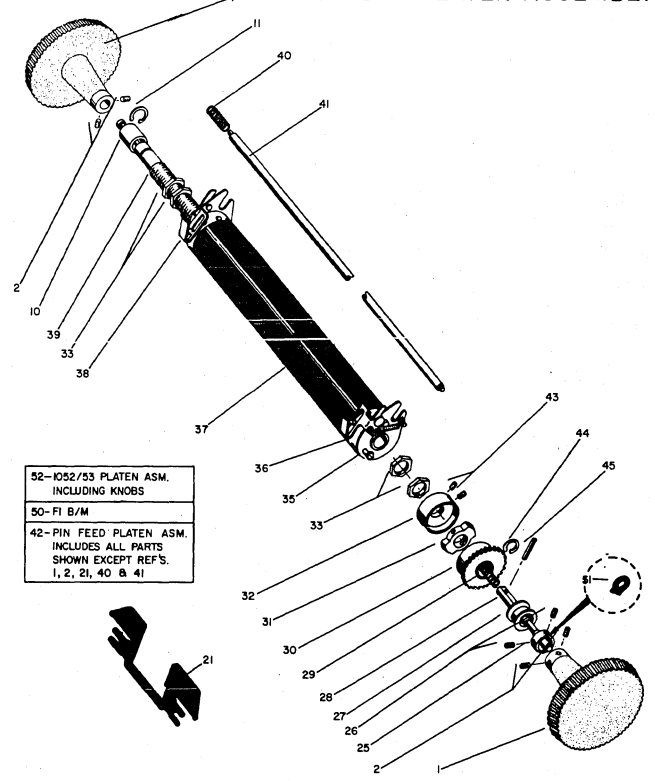
CODE - 576

REF	P/N	SOURCE	DESCRIPTION	REF	P/N	SOURCE	DESCRIPTION
1	1166074		KNOB BLACK 1033				
1	1159295		KNOB BLUE				
1	1159455		KNOB NAVY				
1	1135377		KNOB GRAY				
1	1135370		KNOB BLUE 1051/53				
2	1100523		SCREW SET				
3	1138360		BUSHING RH 15 INCH				
4	251015		C-CLIP				
5	1159549		RATCHET 36 TOOTH				
5	1164463		RATCHET 27 TOOTH				
5	1164462		RATCHET 24 TOOTH				
6	1138363		SPRING PLTN VAR				
7	1164476		DRIVER RATCHET				
8	1138358		PIN PLTN VAR				
9	1128127		PLATEN 27T 15 INCH				
9	1141565		PLATEN 24T 15 INCH				
10	1123549		BUSHING LH SHAFT				
11	236571		RETAINER				
12	1272530		B/M 24T RAT CONV				
13	820690		PLATEN ASM 27T RAT				
13	820691		PLATEN ASM 36T RAT				
21	1128532		CARD HOLDER 10P				
21	1135780		CARD HOLDER 12P				
25	REF ONLY ORDER		REF 27 & 51				
26	REF ONLY ORDER		REF 27 & 51				
27	1128523		BUSHING RH				
	ORDER REF 51 ALSO						
28	1135337		ROD PUSH 15 INCH				
29	1090568		SPRING PUSH ROD				
30	1128527		RATCHET 27 TOOTH				
30	1135192		RATCHET 36 TOOTH				
31	1128528		DRIVER RATCHET				
32	1128533		GUIDE VARIABLE				
33	308459		NUT PLTN SHAFT				
35	1100951		SCREW PINWHEEL				
36	1128522		PINWHEEL RH				
	CYLINDERS-PIN TO PIN LENGTH						
37	1128503		5-1/4 IN				
37	1128506		6 IN				
37	1128509		7-1/2 IN				
37	1128512		8 IN				
37	1128515		9 IN				
37	1128518		9-3/8 IN				
37	1135325		9-7/8 IN				
37	1135751		10 IN				
37	1135328		10-1/8 IN				
37	1135331		11-1/4 IN				
37	1135753		11-1/2 IN				
37	1135334		13-1/8 IN				
38	1128521		PINWHEEL LH				
39	1135338		SHAFT 15 INCH MACH				
40	1128529		SPRING COMP				
41	1135323		ROD CAM ANCH 15 IN				
	PIN FEED PLATEN ASM 15 IN MACHINE						
42	1141976		5-1/4 PTP 27T RAT				
42	1135761		6 IN PTP 27T RAT				
42	1135762		6 IN PTP 36T RAT				
42	1135763		7-1/2 PTP 27T RAT				
42	1135764		7-1/2 PTP 36T RAT				
42	1135765		8 IN PTP 27T RAT				
42	1135766		8 IN PTP 36T RAT				
42	1135767		9 IN PTP 27T RAT				
42	1135768		9 IN PTP 36T RAT				
42	1141977		9-3/8 PTP 27T RAT				
42	1135324		9-7/8 PTP 27T RAT				
42	1135754		10 IN PTP 27T RAT				
42	1135756		10 IN PTP 36T RAT				
42	1135327		10-1/8 PTP 27T RAT				
42	1135757		10-1/8 PTP 36T RAT				
42	1135330		11-1/4 PTP 27T RAT				
42	1135758		11-1/4 PTP 36T RAT				
42	1135755		11-1/2 PTP 27T RAT				
42	1135759		11-1/2 PTP 36T RAT				
42	1135333		13-1/8 PTP 27T RAT				
42	1135760		13-1/8 PTP 36T RAT				
43	257965		SCREW SET				
44	236571		C-CLIP				
45	1128526		PIN ROLL				
	B/M FOR FIELD INSTALLATION-						
	THE FOLLOWING B/M CONTAINS ALL						
	PARTS REQUIRED FOR FIELD INSTALL-						
	ATION. NOTE ON ALL ORDERS, SPEC-						
	IFY THE PN FOR THE CYLINDER WITH						
	THE DESIRED PIN-TO-PIN DIMENSION,						
	THE PN FOR THE COLOR OF PLATEN						
	KNOB, AND THE PN FOR THE CORRECT						
	PITCH CARD HOLDER.						
50	1272078		F.I. B/M PF PL 15IN				
	NOTE- ALL DIMENSIONS SHOWN FOR						
	PLATENS AND CYLINDERS ARE PIN-TO						
	PIN DIMENSIONS.						
51	311072		GRIP RING				
	1051/53		ASM WITH KNOBS				
52	1159863		5 1/4 PTP 27T RAT				
52	743981		6 IN PTP 27T RAT				
52	743982		7 1/2 PTP 27T RAT				
52	743983		8 IN PTP 27T RAT				
52	743984		9 IN PTP 27T RAT				
52	1159864		9 3/8 PTP 27T RAT				
52	1159865		9 7/8 PTP 27T RAT				
52	743985		10 IN PTP 27T RAT				
52	743986		10 1/8 PTP 27T RAT				
52	743987		11 1/4 PTP 27T RAT				
52	743988		11 1/2 PTP 27T RAT				
52	743989		13 1/8 PTP 27T RAT				
52	743991		6 IN PTP 36T RAT				
52	743992		7 1/2 PTP 36T RAT				
52	743993		8 IN PTP 36T RAT				
52	743994		9 IN PTP 36T RAT				
52	743995		10 IN PTP 36T RAT				
52	743996		10 1/8 PTP 36T RAT				
52	743997		11 1/4 PTP 36T RAT				
52	743998		11 1/2 PTP 36T RAT				
52	743999		13 1/8 PTP 36T RAT				

STANDARD PLATEN ASSEMBLY



PIN FEED PLATEN ASSEMBLY



CODE - 577

IBM / FE Supplement

System: "Selectric" I/O Keyboardless Printer Parts Catalog
Re: Form No. 124-0070-1
This Supplement No. S29-4524-0
Date: 12-6-65
Previous Supplement No's. None

This Supplement, Form No. 529-4524-0, to the Keyboardless Parts Catalog, Form No. 124-0070-1, contains new parts for the late style Selection Magnets, late style Operational Magnets, improved Lubrication Parts, late style End of Line Contact, late style End of Forms Contact, 1816/1052 Printer, and the 1800/1053 Mod 3 Printer.

Remove contents page and pages 1 thru 12, 15 thru 18, 21 thru 37. Insert the new contents page and pages 1 thru 12, 15 thru 18, 21 thru 37.

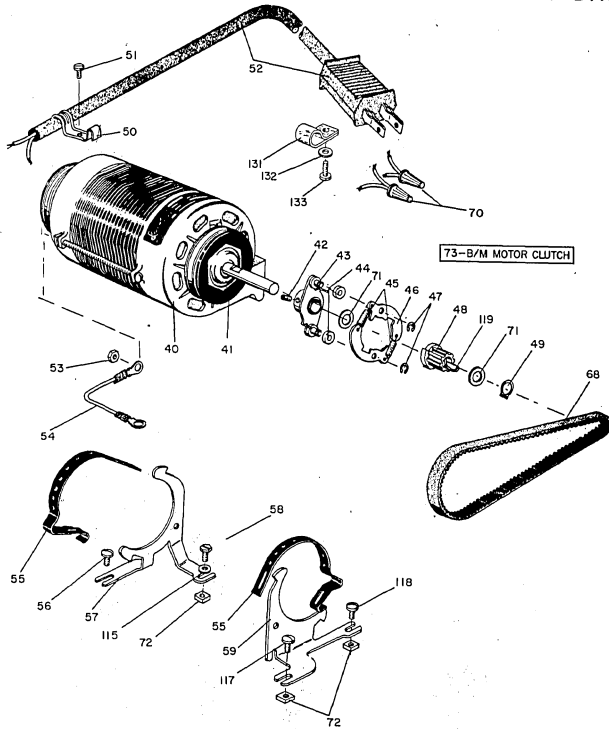
IBM Corporation, Field Engineering Dept. 919, Lexington, Kentucky 40507

PRINTED IN U.S.A.

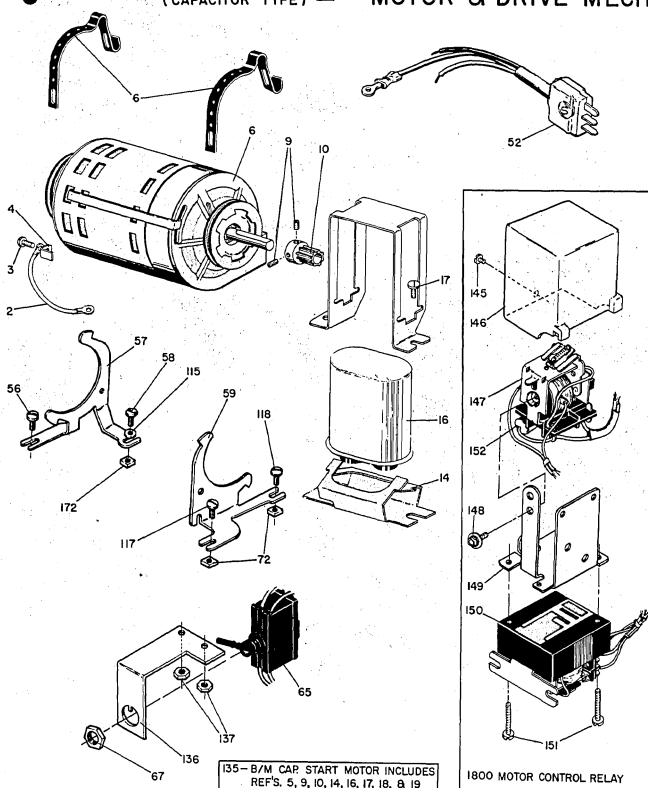
CONTENTS

	Page	Code
Preface	I	
Drawings and Listings		
Motor and Drive Mechanism	1	551
Character Selection Mechanism	2	552
Cycle Clutch Trip Mechanism	3	553
Cam Shaft Assembly (Character Selection)	4	554
Print Feedback and Lever Contact Assemblies	4	554
Selection Pusher Assembly	5	555
Selection Magnet Assembly	5 & 6	557
Carrier Assembly	6	558
Rocker Assembly	7	558
Operational Keylever Assembly	8	559
Operational Shaft Assembly	8 & 8.1	560
Operational Bracket Assembly	8.2	561
Operational Feedback Contact Assembly	8.2	561
Operational Magnet Assembly	9	562
Operational Switch Assembly	10	563
Escapement Mechanism	11	565
Tab Mechanism	12	566
Spacebar Mechanism	13	567
Backspace Mechanism	13	568
Carrier Return Mechanism	14	569
Index Mechanism and Remote Index	15	570
Vertical Forms Control	15	571
Shift Mechanism	16	572
Shift Magnet and Contact Assemblies	16	573
Last Column Contact and Bell Mechanism	17	574
Margin Mechanism	17	575
Paper Feed Mechanism	18 & 19	576
Platen Assemblies	20	577
Ribbon Mechanism	21	579
Red Ribbon Shift Mechanism	21	580
Frame Assembly	22	581
Front Frame and Switch Assembly - 765	22	581
Cables and Connectors	23	583
Covers	23 & 24	585
Front Panel	25	586
Front Panel 1053-1131	26	586
Electric Keyboard	26 & 27	587
Keybuttons	28	587
High Speed Carrier Return	28.1	588
Numerical Part Number Index	29	

MOTOR & DRIVE



(CAPACITOR TYPE) — MOTOR & DRIVE MECH.

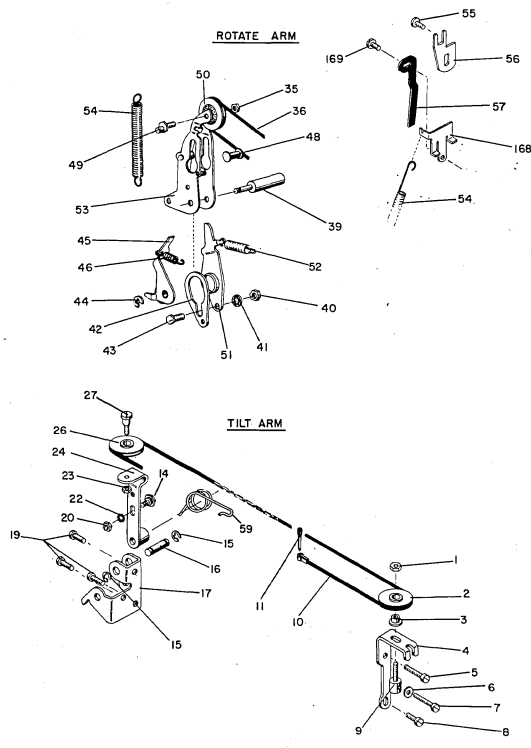


REF	P/N	SOURCE	DESCRIPTION	REF	P/N	SOURCE	DESCRIPTION
1	1164576		SCREW				
2	1127055		WIRE, GROUND 3 WIRE				
3	1928		SCREW CLIP				
4	1263006		CLIP				
5	1159777		MOTOR 115V 60 CY				
5	1166082		MOTOR 115V 50/60				
5	1166083		MOTOR 220/230V				
5	1166131		MOTOR 208/230V 60				
5	1159838		MOTOR 220V 50 CY				
6	1132508		RETAINER				
9	1100523		SCREW MTR PULLEY				
10	1159175		PULLEY 60 CY				
10	1159780		PULLEY 50 CY				
14	1159781		GUARD CAP INSUL				
16	1159791		CAPACITOR 4 MFD				
17	1124740		SCREW NYLON				
17	1164577		SCREW METAL				
18	1159779		BRACKET CAPACITOR				
40	1348128		MOTOR, 110V 60CY SP				
40	1141325		MOTOR, 230V 60CY AC				
40	1141327		MOTOR, 115V 50CY AC				
40	1141328		MOTOR, 230V 50 CY				
41	1141077		RUBBER RING, SP MTR				
42	1100523		SCREW, CLUTCH MTG				
43	1134741		HUB, MOTOR CLUTCH				
44	*1141508		SPACER, NYLON				
45	1128990		SPRING, PAWL				
45	1159132		SPRING, 50CY				
46	*1141923		PAWL, MOTOR				
46	1159135		PAWL, 50 CY				
47	1073418		RETAINER				
48	*1159212		PULLEY MOTOR				
48	*1159537		PULLEY 50 CY				
*TO REPLACE ANY OF THESE BELOW							
SN 4387000 ORDER REF 73							
49	103689		RETAINER, MOTOR PUL				
50	1134822		CLAMP LINE CORD				
51	1164576		SCREW				
52	1124744		CORD, MOTOR 3 WIRE				
52	1164309		CORD 13 FT 3 WIRE				
53	630300		CORD 10.62				
53	38051		NUT, GROUND WIRE				
54	1127055		WIRE, GROUND 3 WIRE				
55	1132508		RETAINER				
56	1164577		SCREW MTR BKT				
57	1134825		BRACKET LH MTR MTG				
58	35665		SCREW MOTOR BRKT				
59	1134825		BRACKET RH MTR MTG				
65	1124811		SWITCH 2 WIRE				
65	1135015		SWITCH 4 WIRE				
67	179743		NUT SWITCH				
68	1124812		BELT, DRIVE				
70	1115061		SOLDERLESS CONNECT				
71	1141503		SPACER				
USE END SPACER ON 60 CY, USE BOTH							
ON 50 CY							
72	1134829		NUT, MTR BRKT				
73	1272045		B/M MTR PUL 60 CY				
115	1104286		WASHER				
117	322065		SCREW, MTR BRKT				
118	35739		SCREW, MTR BRKT				
119	1159211		INSERT, MYLAR				
131	303538		CLAMP				
132	1074145		WASHER				
133	438549		SCREW				
135	1272824		1/35 115V 50/60 CY				
135	1272655		1/35 220/230 50/60				
135	1272654		1/20 208/230 60 CY				
135	1272652		1/20 115V 60 CY				
135	1272653		1/20 220V 50 CY				
136	1159419		BRACKET SWITCH				
137	179743		NUT BKT MTG				
138	1272458		B/M MOTOR MTG-DOES				
NOT INCLUDE MOTOR							
145	1164578		SCREW, COVER				
146	1166955		COVER				
147	1166954		RELAY ASM POWER				
148	1141136		SCREW RELAY MTG				
149	1166510		BRACKET, RELAY				
150	1166953		RELAY ASM TIME DLY				
151	322552		SCREW RELAY MTG				
152	1166601		CAP .033 MFD				
PARTS NOT SHOWN							
317428 RESISTOR 330 OHM							

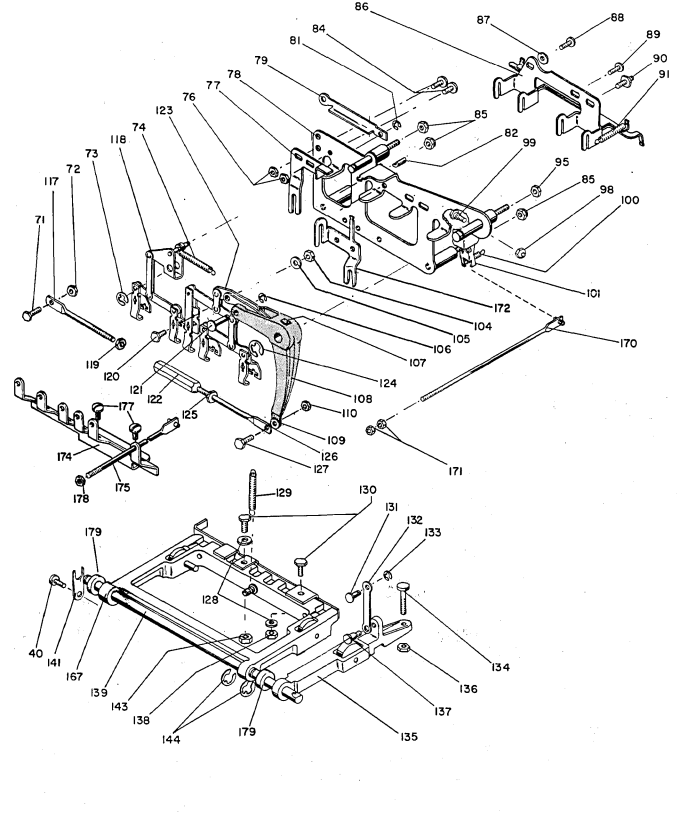
REF	P/N	SOURCE	DESCRIPTION
1	257187		NUT, TILT PULLEY
2	1123749		PULLEY, TILT RH
3	1123750		BUSHING, RH TILT P
4	11245366		BRACKET, RH TILT P
5	38350		SCREW, TILT PULLEY
6	263680		WASHER, RH TILT PU
7	1124683		SCREW, RH TILT PUL
8	38350		SCREW, TILT PULL BK
9	1123751		STUD, RH TILT PULL
10	1134816		TAPE, TILT 15 IN
10	1164316		TAPE TILT 15 IN
□ GEARLESS TAPE-MACHINES BELOW			
□ APROX SN 4604800 B/M 1280498 MUST ALSO BE INSTALLED			
□ FOR USE ON GEARLESS TILT MECH			
11	1124707		SCREW, TAPE ANCHOR
14	1134878		STUD, TILT LINK
15	1092125		RETAINER, TILT ARM
16	1123736		SHAFT, TILT ARM
17	1133565		BRACKET, WEAR COMPE
19	38234		SCREW, BRKT MTG
20	37913		NUT, TILT LINK
22	56313		WASHER, TILT ARM ST
23	1090268		NUT, TILT PULLEY
24	1132056		ARM, ASM TILT
MODIFIED USE WITH MODIFIED PULLEY			
1123692 AND STUD 1134964			
26	1123692		PULLEY, LH TILT
MODIFIED USE WITH STUD 1134964			
27	1134964		STUD, TILT PULLEY
35	37913		NUT, ROTATE PULL
36	1134817		TAPE, ROTATE 15 IN
39	1133566		STUD, WEAR COMPE
40	38051		NUT, WEAR COMPENSAT
41	62031		WASHER, WEAR COMP
42	1134966		LINK, WEAR COMPE
43	1132052		SCREW, WEAR COMPE
44	1073418		RETAINER, WEAR COMP
45	1133568		ARM, ASM ECC ROTAT
46	1133662		SPRING, ECC ROTATE
48	1123702		WEDGE, WEAR COMP
49	1123702		ECCENTRIC STUD
50	1123704		PULLEY, LH ROTATE
51	1132051		ARM, ASM COMPENSATO
52	1134836		SPRING 15 IN
53	1133575		ARM, ROTATE
54	1141075		SPRING 765 1062
54	1128056		SPRING 1052 23
55	1164576		SCREW, DAMPENER 15 INCH
56	1128091		STOP, DAMPENER 15 IN
57	1141084		SPRING, DAMPENER
59	1141926		SPRING TILT ARM
71	1141460		SCREW ROTATE LINK
71	1164089		SCREW HEAVY LINK
72	1127763		NUT, HEAVY LINK
72	37913		NUT-EARLY STYLE
73	1092125		CLIP C TILT DIFF
74	1134837		SPRING, TILT DIFF
76	47987		NUT, LATCH GUIDE
77	1128556		GUIDE SEL BAIL
78	1128553		PLATE ASM SELECTN
79	1134877		LINK, TILT 15 INCH
81	1073418		CLIP C TILT STUD
82	1124821		SHIM DIFF BRACKET
84	1856		SCREW LAT GUIDE
85	1138462		NUT, DIFF BRACK ST
86	1135031		BRACKET GUIDE
87	45638		WASHER, GUIDE BRKT
88	1164578		SCREW SEL BRKT MTG
89	1164580		SCREW SEL BKT MTG
90	1128557		STUD, SPRING ANCHOR
91	1128580		SPRING, LATCH
95	257187		NUT, DIFF BRACK ST
98	1135826		NUT, FIVE UNIT STD
99	1128555		STUD, NEG LATCH
100	1133668		SPRING, NEG 5 LAT
101	1123718		LATCH, NEG 5 UNIT
104	38051		NUT, ROTATE ARM LK
105	6364		WASHER ROTATE LK
106	1073418		CLIP C ROTATE ARM
107	1133641		DAMPENER, TAPE
108	1159346		BELL-CRANK ASM ROT
109	1127741		SPACER
110	37913		NUT-EARLY STYLE
110	1127763		NUT-HEAVY LINK
117	1141396		LINK ROT SHORT
117	1164045		LINK SHORT HEAVY
118	1135028		LATCH ASM TILT
119	6503		NUT, ROTATE LINK
120	1123741		SCREW, ROTATE LEVER
121	1123722		STUD ROTATE ARM
122	1141397		NUT ADJUSTING
123	1135029		LATCH ASM ROTATE
124	332747		CLIP C ROTATE BRCK
125	1141400		NUT, ROTATE LINK
126	1141398		LINK R LONG 15 IN
126	1164048		LINK LONG HEAVY
127	1141460		SCREW ROT LINK
127	1164089		SCREW HEAVY LINK
128	1116023		WASHER SEL BAIL
129	1134837		SPRING LATCH BAIL
130	1135296		SCREW BAIL PLATE
131	1123725		STUD, NEG 5 LINK
132	1123724		LINK, NEGATIVE 5
133	1073418		CLIP C NEG 5 LINK
134	1123779		SCREW, NEG 5 STOP
135	1159157		BAIL ASM NEG 5
136	38051		NUT NEG 5 STOP PAD
137	1123715		STUD NEG 5 LINK
138	37913		NUT BAIL PLATE RH
139	1135572		SHAFT, BAIL ASM
140	38351		SCREW, BAIL SHAFT
141	1128086		RETAINER, BAIL SHAF
143	38214		NUT BAIL PLATE LH
144	332747		CLIP C BAIL SHAFT
167	1159341		BAIL
168	1135665		BRACKET COMP SPR
168	1144666		BRACKET 765
169	1164577		SCREW BKT MTG
170	1133586		LINK RS LATCH
171	1091057		NUT RS LINK
172	1124622		BRACKET GUIDE
174	1166420		BRACKET
175	1135168		LINK
177	1164576		SCREW
178	1159716		NUT
179	1166560		OIL WICK

REF	P/N	SOURCE	DESCRIPTION
27	1134964		STUD, TILT PULLEY
26	1123692		PULLEY, LH TILT
24	1134817		TAPE, ROTATE 15 IN
23	1133566		STUD, WEAR COMPE
22	56313		WASHER, TILT ARM ST
21	1134878		STUD, TILT LINK
20	37913		NUT, TILT LINK
19	1134966		LINK, WEAR COMPE
18	1132052		SCREW, WEAR COMPE
17	1133565		BRACKET, WEAR COMPE
16	1123736		SHAFT, TILT ARM
15	1134836		SPRING 15 IN
14	1134817		TAPE, ROTATE 15 IN
13	1133566		STUD, WEAR COMPE
12	1134877		LINK, TILT 15 INCH
11	1134837		SPRING, TILT DIFF
10	1123702		WEDGE, WEAR COMP
9	1123702		ECCENTRIC STUD
8	1123704		PULLEY, LH ROTATE
7	1132051		ARM, ASM COMPENSATO
6	1134836		SPRING 15 IN
5	1133575		ARM, ROTATE
4	1141075		SPRING 765 1062
3	1128056		SPRING 1052 23
2	1164576		SCREW, DAMPENER 15 INCH
1	1128091		STOP, DAMPENER 15 IN

CHARACTER SELECTION

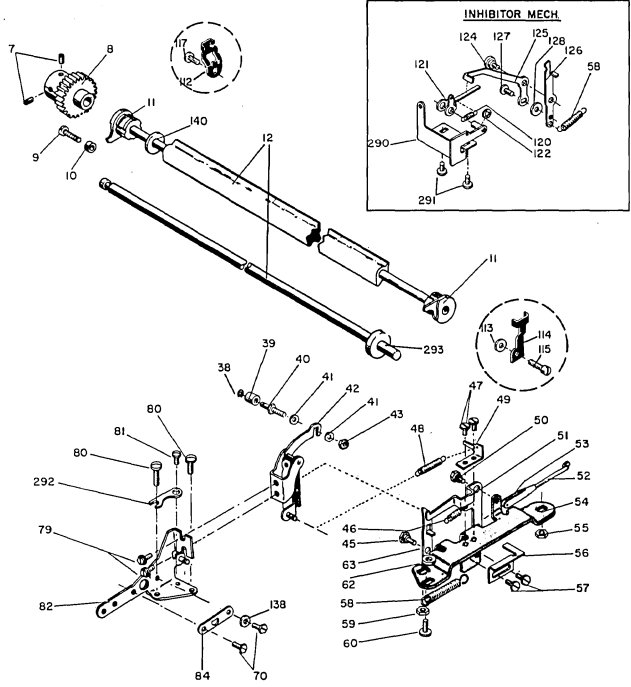


CHARACTER SELECTION



CODE — 552

CYCLE CLUTCH TRIP MECH.

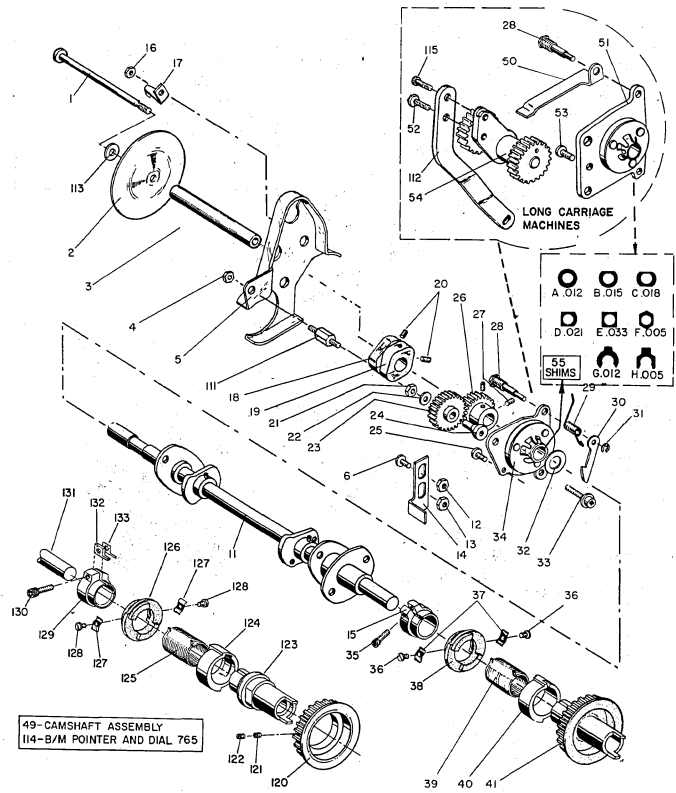


REF	P/N	SOURCE	DESCRIPTION	REF	P/N	SOURCE	DESCRIPTION
7	1100523		SCREW, GEAR FILTER				
8	1128095		GEAR, FILTER SHAFT				
9	322550		SCREW, FILTER SHFT				
	USE ON MACHINES BELOW 4074800						
9	1135592		SCREW LH FILTER SH				
9	1135593		SCREW RH FILTER SH				
10	1141181		SPACER, FILTER SHFT				
	USED ON MACHINE ABOVE 4074800						
11	1123677		BEARING, FILTER SH				
11	*1141633		BEARING				
	*USED WITH IMP CONTROL C&R						
12	1138810		SHAFT, FILTER				
12	1164374		SHAFT ROUND				
12	1141646		SHAFT FILTER 765				
	USED WITH IMP CONTROL						
38	251989		CLIP C, REST CAM				
39	1138391		ROLLER REST CAM				
40	1138390		STUD, RESTORING CAM				
41	1132211		WASHER, REST CAM ST				
42	1135124		BRACKET CC LATCH				
43	37913		NUT, REST CAM STUD				
45	1135130		SCREW, PIVOT				
46	1090343		SPRING, LAT. LEVER				
47	1164578		SCREW BRKT MTG				
48	1144376		SPRING CC LATCH				
49	1135127		ANCHOR, SPRING				
50	1135130		SCREW, PIVOT				
51	1135129		LEVER, LATCH				
52	1000225		LINK, C TRIP				
53	1070020		CLEVIS PIN SMALL				
54	1135125		BRACKET, CC TRIP				
55	257187		NUT, BRACKET MTG				
56	1135128		STOP, LATCH				
57	1164578		SCREW STOP MTG				
58	43373		SPRING TRIP LEVER				
59	37913		NUT, BRACKET MTG				
60	338238		SCREW BKT MTG				
62	1128598		SPACER, TRIP BRKT				
63	NOT AVAILABLE USE REF 126						
	ON MACHINES WITH OLD STYLE CYCLE CLUTCH TRIP MECHANISM ASSEMBLY 1135162 MUST BE USED TO MAKE THE CONVERSION.						
70	1138369		SCREW, BAIL PLATE				
70	265195		SCREW-REAR ONLY				
	USED ABOVE SN 4602140						
79	1138368		SCREW, LATCH BRKT				
80	1164577		SCREW BAIL BKT				
81	1164583		SCREW BAIL BRKT				
82	1123711		BRACKET ASM BAIL				
84	1141129		PLATE, BAIL				
112	1141894		RETAINER LH				
113	1141890		SPACER				
114	1141895		RETAINER RH				
115	170215		SCREW				
117	1164577		SCREW				
120	1073449		SPRING INHIBITOR				
121	1159171		LEVER INHIBITOR				
122	1073418		C-CLIP				
124	1159185		SCREW CY CL LEVER				
125	1159182		LEVER INHIB TRIP				
126	1159173		LEVER CY CL				
127	1100951		SCREW INHIB TRP LE				
128	1124247		SPACER				
138	56722		WASHER				
	USED ABOVE SN 4602140						
140	1128144		WASHER				
290	1159183		BRACKET INHIB PAWL				
291	1164580		SCREW BKT MTG				
292	1108819		SPACER				
293	1164375		WASHER FLTR SHFT				

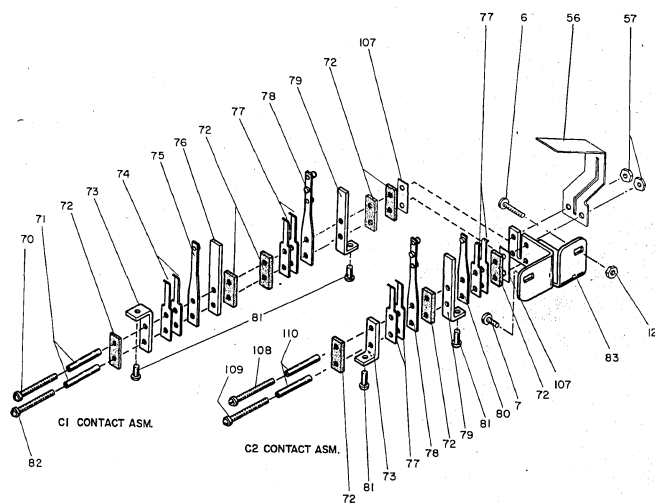
CODE — 553

REF	P/N	SOURCE	DESCRIPTION	REF	P/N	SOURCE	DESCRIPTION
1	1159995		SCREW LONG				
2	1159993		DIAL TIMING				
3	1159996		SHAFT EXT				
4	1138842		NUT, GEAR GUARD				
5	1135076		GUARD, GEAR				
5	1135681		GUARD 1062				
6	438549		SCREW, BRACKET MTG				
7	1164580		SCREW BKT MTG				
11	1128550		CAM SHAFT				
12	1134842		NUT BAIL STOP BKT				
13	38051		NUT BAIL STOP BKT				
14	1135079		STOP SEL BAIL				
15	*1135583		COLLAR CY CLUTCH				
	MACH BELOW 4601717 MUST REPLACE REF 39 ALSO						
16	38051		NUT POINTER MTG				
17	1135099		POINTER, DIAL				
17	1135084		POINTER DIAL 765				
18	1135058		CAM 45 DEG BLUE				
18	1128838		CAM 65 DEG BLACK				
19	1128839		CAM 90 DEG WHITE				
19	1128999		CAM 110 DEG ORANGE				
	CHECK TIMING REQUIREMENTS						
20	1128837		SCREW CAM FB				
21	1134842		NUT, IDLER GEAR MT				
22	1134843		WASHER IDLER GEAR				
23	1123683		GEAR, LOWER IDLER				
24	1159097		BUSHING LOWER IDLR				
25	1164577		SCREW BEARING MTG				
26	1123685		GEAR, CY CAM SHAFT				
27	1145492		SCREW CAMSHFT GEAR				
28	1166311		STUD CHECK PAWL				
29	1166312		SPRING CHECK PAWL				
30	1166315		PAWL CYC SHAFT CK				
	ON MACHINES BELOW 4620572 REPL OF ANY PART WILL REQUIRE ALL THREE						
31	219633		CLIP C CY CL PWL				
32	1127730		WASHER CY CAM SHFT				
33	1134841		SCREW IDLER GR MTG				
34	1123641		BEARING ASM				
35	357820		SCREW CY CL COLLAR				
36	*1138393		SCREW RESTORE CAM				
37	*1138392		CLAMP RESTORE CAM				
38	*1135995		CAM CY CL RESTORE				
39	*1135576		SPRING CY CLUTCH				
	ON MACH BELOW 4601717 MUST REPLACE REF 15 ALSO						
40	*1138398		SLEEVE CY CLUTCH				
	*PARTS USED WITH CYCLE CLUTCH RESTORING MECHANISM ON MACHINES ABOVE SN 4020951						
41	1135619		HUB & PULLEY ASM				
	SEPARATE HUB AND PULLEY NOT AVAILABLE. ON MACHINES PRIOR TO 4024316, COUNTERSINK REAR ROTATE BELLCRANK PIVOT HOLE WITH 5/16 IN DRILL BY HAND						
49	1266830		B/M CAM SHAFT - ON MACHINES BELOW SN 4616661 ORDER B/M 1272679 ALSO				
49	1266831		CAMSHAFT ASM 15 IN				
50	1128259		BEARING, GEAR 15 IN				
51	1123641		BEARING ASM 15 IN				
52	1164577		SCREW IDLER				
	-NO WASHER REQ- SCREW REAR SCREW FRONT						
53	35739		SCREW REAR				
53	322551		SCREW FRONT				
54	1128062		IDLER ASM				
55	1127753		SHIM CYCLE SHAFT A				
55	1127754		SHIM CYCLE SHAFT B				
55	1127755		SHIM CYCLE SHAFT C				
55	1127756		SHIM CYCLE SHAFT D				
55	1127757		SHIM CYCLE SHAFT E				
55	1128071		SHIM CYCLE SHAFT F				
55	1280821		SHIM CYCLE SHAFT G				
55	1280822		SHIM CYCLE SHAFT H				
56	1135112		SHIELD CONTACT				
57	37913		NUT SHIELD MTG				
70	173207		SCREW - LONG -				
71	105052		INSULATOR				
72	37435		PLATE, INSULATOR				
73	1128832		TERMINAL				
74	1135467		BACKUP, CONTACT				
75	1135476		CONTACT				
76	326119		SUPPORT, CONTACT				
77	1135466		BACKUP, CONTACT				
78	1135403		STRAP				
79	1128833		TERMINAL				
80	1135474		CONTACT				
81	118418		SCREW, TERMINAL				
82	173205		SCREW - SHORT				
83	1128831		BRACKET 765 1052/3				
83	1159416		BRACKET 1062				
84	1135773		CONTACT ASM C1, C2				
84	1159098		CONTACT ASM C2				
84	1159906		CONTACT ASM 765				
107	1135289		FISH PAPER				
108	173204		SCREW LONG				
109	173202		SCREW SHORT				
110	100464		INSULATOR				
111	1135661		STUD 1062				
112	1159775		BRKT RED RIB				
113	1090254		WASHER				
114	1272744		BM POINTER DIAL 765				
115	1072454		SCREW SMALL HEAD				
120	1166339		PULLEY				
121	1166341		SCREW SET				
122	1166342		SCREW LOCKING				
123	1166575		HUB CYCLE CLUTCH				
124	1166553		SLEEVE CYCLE CL				
125	1166551		SPRING CLUTCH				
126	1135995		CAM CY CL RESTORE				
127	1138392		CLAMP RESTORE CAM				
128	1138393		SCREW RESTORE CAM				
129	1135383		COLLAR CYCLE CL				
130	357820		SCREW COLLAR				
131	1166554		SHAFT SELECTOR CAM				
132	1166558		INSERT COLLAR .060				
133	1166364		INSERT COLLAR .010				

● CHARACTER SELECTION CAMSHAFT ASSEMBLY

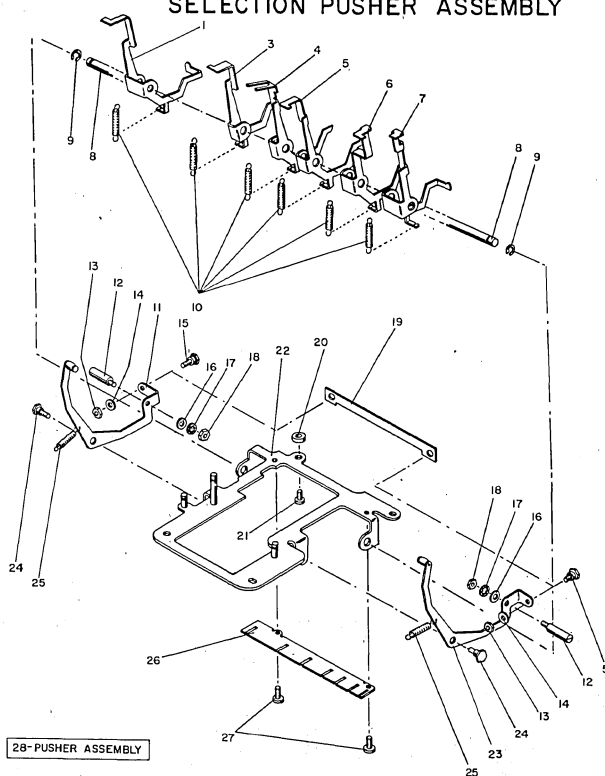


PRINT FEED BACK CONTACTS



CODE - 554

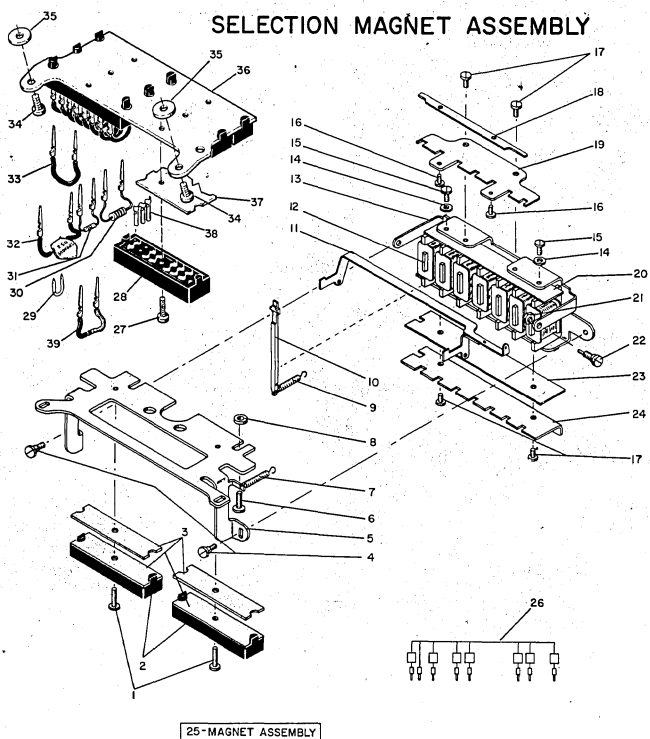
SELECTION PUSHER ASSEMBLY



REF	P/N	SOURCE	DESCRIPTION	REF	P/N	SOURCE	DESCRIPTION
1	1128605		PUSHER LATCH T2				
3	1128607		PUSHER LATCH T1				
4	1128608		PUSHER LATCH R2A				
5	1128609		PUSHER LATCH R1				
6	1128610		PUSHER LATCH R2				
7	1128611		PUSHER LATCH R5				
8	1128624		ROD PUSHER LATCH				
9	1092125		RETAINER				
10	1090162		SPRING PUSHER				
11	*1128616		CAM FOLL ASM LH				
12	1128626		ECCENTRIC KO				
13	47987		NUT				
14	358509		WASHER				
15	1128627		SCREW CAM ADJUST				
16	1135052		SPACER				
17	150209		WASHER LOCK				
18	37913		NUT				
19	1128625		BAIL PUSHER				
20	1128598		SPACER MAG ASM				
21	1164577		SCREW				
22	1128613		PLATE ASM PUSHER				
23	*1128622		CAM FOLL ASM RH				
24	*1159155		SCREW CAM FOLLOWER				
*ON MACHINES BELOW 4608000 ORDER CAM FOLL AND SCREW WHEN REPL OF EITHER PART IS NECESSARY							
25	10514		SPRING CAM FOLL				
26	1128623		GUIDE PUSHER				
27	38259		SCREW GUIDE PUSHER				
28	1135644		PUSHER ASM-B/M				
28	1166055		PUSHER ASM - ABOVE SN 4616461				

CODE — 555

SELECTION MAGNET ASSEMBLY



REF	P/N	SOURCE	DESCRIPTION	REF	P/N	SOURCE	DESCRIPTION
1	438549		SCREW TERM BLK MTG				
2	302090		BLOCK ASM TERM				
3	302131		INSULATOR TERM BL				
4	1128591		SCREW MAG ASM MTG				
5	1128582		BRACKET MAG ASM				
6	1164577		SCREW MAG MTG				
7	1107794		SPRING KO ARM RET				
8	1128598		SPACER PRT SEL MAG				
9	1100937		SPRING ARMATURE				
10	1128584		ARMATURE				
11	1135135		BAIL KO				
12	1135134		COIL ASM 48V				
12	1266894		COIL ASM 24V				
13	1128583		CORE ASM MAG MTG				
14	1124247		WASHER ARM STOP				
15	1856		SCREW ARM STOP				
16	358174		SCREW ARM UP STOP				
17	1164582		SCREW				
18	1128588		BACKSTOP ARMATURE				
19	1128589		GUIDE ARM TOP				
20	1128577		STOP ARMATURE				
21	221		NUT ECC PIVOT SCR				
22	1128592		SCREW KO ARM PIVOT				
23	1128585		PIVOT ARMATURE				
24	1128586		GUIDE ARMATURE				
25	1135136		MAGNET ASM 48V				
25	1266897		MAGNET ASM 24V				
25	*1159545		MAGNET ASM 48V				
25	*1159546		MAGNET ASM 24V				
*ABOVE 4616461							
26	1145476		DIODE ASM 765 COMMON CATHODE				
26	1135575		DIODE ASM COMMON ANODE				
27	236550		SCREW				
28	302090		TERMINAL ASM				
INCLUDES REF 38							
29	205329		JUMPER BRASS				
30	1159348		RESISTOR 82 OHM				
31	1159178		RESISTOR 200 OHM				
32	1159347		CAPACITOR .05				
33	129242		JUMPER				
34	1164577		SCREW				
35	1159436		SPACER				
36	1159177		PLATE				
37	1159535		INSULATION				
38	302089		TERMINAL SPRING				
39	1135573		DIODE				

CODE — 557

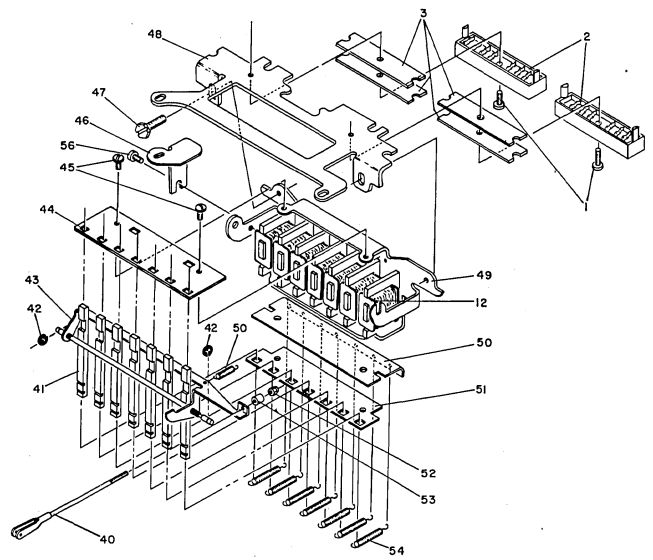
REF	P/N	SOURCE	DESCRIPTION	REF	P/N	SOURCE	DESCRIPTION
	1800		SUPPRESSION PARTS-NOT ILLUS				
	581435		CAP .50 MFD				
	99835		RESISTOR 1500K				
	2102554		RESISTOR 2K				
	2127632		RESISTOR 390 OHM				
40	1166088		LINK TRIP				
41	1159972		ARMATURE SELECTION				
42	219633		RETAINER				
43	1159660		ARM ASM CY CLU TRP				
44	1159973		STOP SEL ARMATURE				
45	55729		SCREW				
46	1166187		SUPPORT MOUNT				
47	1066053		SCREW MAG MOUNTING				
48	1159978		BRACKET MAG ASM				
49	1159982		MOUNT AND CORE ASM				
50	1159975		PIVOT ARMATURE				
51	1159974		GUIDE ARMATURE				
52	1159716		NUT ADJ				
53	1128685		WASHER SHOCK ABS				
54	1166203		SPRING ARMATURE				
55	1134831		SPRING				
56	1128352		SCREW				

CODE - 557

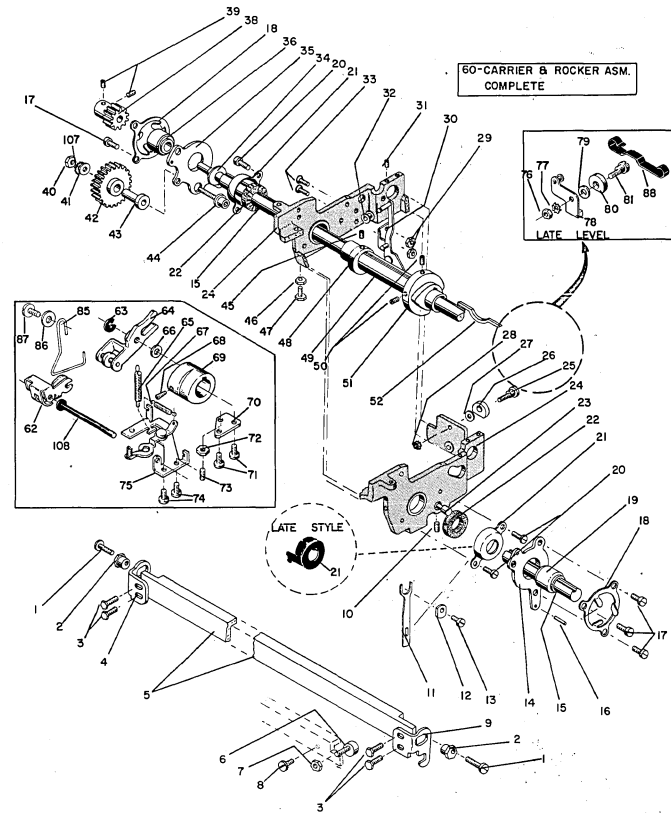
REF	P/N	SOURCE	DESCRIPTION	REF	P/N	SOURCE	DESCRIPTION
1	1124158		SCREW, ANVIL ECC	36##1164740			BEARING PR SHAFT
2	1124161		ECCENTRIC, ANVIL	##ABOVE SN 4621790			
3	1145543		SCREW ANVIL MTG	36 1124166			BEARING, LH PRNT SH
4	1124163		BRACKET, LH ANV MTG	36 1138845			BEARING, LH PRNT SH
5	1141640		USED WITH IMP CONTROL C&R	ABOVE SN 4604700			
5	1159796		ANVIL 1062	38 1123679			GEAR, PRINT SHAFT
5	1128047		ANVIL, 15 IN	39 257969			SCREW, PRINT SHAFT
6	1128054		ECCENTRIC, ANVIL	40 38051			NUT, IDLER GEAR SC
7	38051		NUT, ECCENTRIC MTG	41 1134843			WASHER, IDLER GEAR
8	1141097		SCREW, ANVIL MTG	42 1159350			GEAR UPPER IDLER
9	1124162		BRACKET, RH ANVIL	43 1159097			STUD UPPER IDLER
10	257959		SCREW, PRINT CAM	44 1134841			SCREW, IDLER GR MT
11	1128126		BUFFER, CARRIER	45 257957			SCREW DETENT CAM
			15 INCH	46 38214			NUT, CARR STOP
12	1128184		ECCENTRIC, CARR BUF	47 1124287			SCREW, CARR STP
13	38262		SCREW, BUFFER				15 INCH
14	1135591		PLATE, RH PRNT SH B	48**1141149			CAM, RIB FD & DETENT
14	1124649		PLATE, RH-OLD	48 1164240			CAM RIB FD & DETENT
15##1164738			PRINT SHAFT	USED ON IMP CONTROL C&R-FOR RIB SEE CODE 580			
15	1128048		SHAFT PRINT 15 IN	49**1138849			SLEEVE PRINT SHFT
15	1138848		SHAFT PRINT 15 IN	49 1166102			SLEEVE PRINT SHFT
	ABOVE SN 4604700			ABOVE SN 4607632			
15	1166205		SHAFT PRINT 15 IN	50 257971			SCREW, PRINT CAM
	ABOVE SN 4618349			50 257961			SCREW, PRINT CAM
16	1132112		PIN	USED ON MACHINES ABOVE 4085700			
17	38350		SCREW, PRINT SHFT BR	11 IN & 4382850, 15 IN			
17	38351		SCREW-TOP, FRONT	51 1124174			CAM, PRINT
			USED ON HS CR	52**1141151			KEY, PRINT SLEEVE
18	1124168		RETAINER PRINT SHFT	**ON 11 IN BELOW 4034780 & 15 IN BELOW 4352650, REPLACEMENT OF EITHER REF 48, 49, OR 52 REQUIRES REPLACEMENT OF ALL THREE			
18	1141749		RETAINER	60 1159908			C&R IMP CONTROL
			USED ABOVE SN 4604996	60 1159905			C&R IMP RED RIB
19	1124167		BEARING, RH PRNT SH	60 1166160			C&R IMP 765
19##1164740			BEARING, PR SHAFT	60 1166084			C&R IMP-1062
20	38261		SCREW, PRINT SHFT RE	60 1164254			CARRIER & ROCKER
21	1124646		RETAINER, PRINT SH	60 1135043			CARRIER RED RIB
21	1141508		RETAINER NEW STYLE	USE ON 15 IN MACHINE WITH OLD STYLE-FLAT LEAF-MARGIN RACK LOAD SPRING			
22	1124647		WIPER, PRINT SHAFT	62 1141626			YOKE
23	1124176		STUD PRINT CAM FOL	63 1073418			RETAINER
23	1164562		STUD PRINT CAM FOL	64 1141619			FOLLOWER
	IMP CNTL C&R			65 1141630			SPRING ROCKER RET
24	1141200		CARRIER, ASM	66 1164290			WASHER PRT CAM FOL
			WHEN REPLACING CARRIER ASM ON 11 IN BELOW 4036419 & 15 IN BELOW 4354172, ORDER NYLON THRUST WASHER PN 1141189 AND REF 216	67 1164290			SPRING ROLLER RET
24	1128740		CARRIER RED RIB	68 1127750			SCREW PRINT CAM
25	*1141159		SCREW, CARR ROLL E	69 1141627			CAM PRINT
25	*1141158		SHOE CARRIER UPPER	70 1141629			STOP ROCKER
27	*1141160		WASHER SHOE ECC	71 472729			SCREW STOP
	*ON MACHINES BELOW 4080724, 11 IN & 4379694, 15 IN, REPLACEMENT OF REF 25, 26, OR 27 REQUIRES REPLACING ALL THREE			72 2114985			NUT STOP
28	1141209		NUT, SHOE ECC STUD	73 257958			SCREW ROCKER STOP
29	37913		NUT, DETENT BRKT	74 1164580			DETENT ANCHOR
30	1124178		BRACKET, DETENT	75 1141624			BRACKET TAB CORD
30	1164153		BRACKET - USED ON IMP CONTROL C&R	76 38051			NUT
31	257957		SCREW, ROCKER SHFT	77 56722			LOCKWASHER
32	1134803		ROLLER, DET CAM FO	77 338183			LOCKWASHER 1062
			WHEN INSTALLING ROLLER BELOW 4014700 ORDER REF 181 ALSO	78 1141775			SHOE ASM LOWER
33	472729		SCREW, DET LEV MTG	79 1164218			WASHER SHOE ECC
34## 237245			CLIP PR SHAFT RET	80 1141770			STUD SHOE ECC
34	1090511		WASHER, PRINT SHFT	81 1141772			GUIDE SHOE
34	1141458		WASHER, PRINT SHFT	85 1141637			STUD CABLE
	ABOVE SN 4604700			86 1090657			WASHER CABLE GUIDE
35	1135590		PLATE, LH PRNT SH B	87 1164582			SCREW CABLE GUIDE
35	1127762		PLATE, OLD	88 1166164			SPRING SHOE 1062
				107 56722			LOCKWASHER
				108 1141622			STUD

CODE - 558

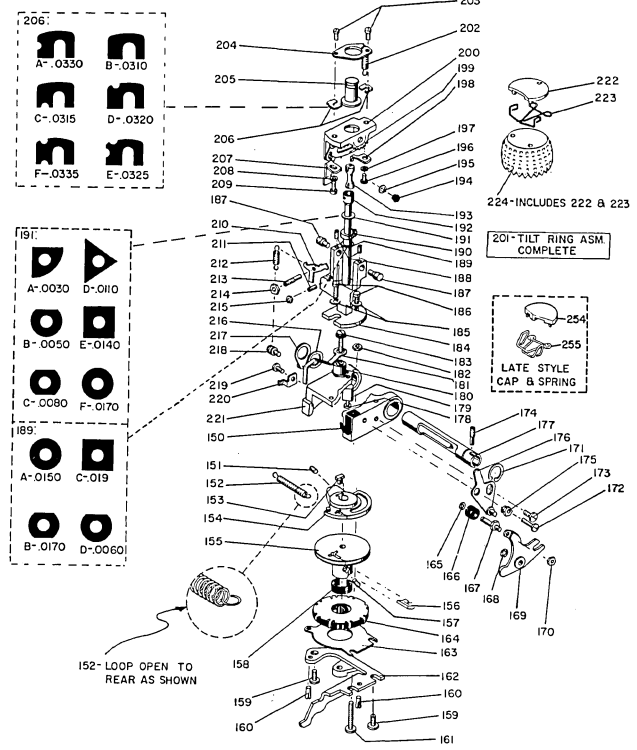
SELECTION MAGNET ASSEMBLY



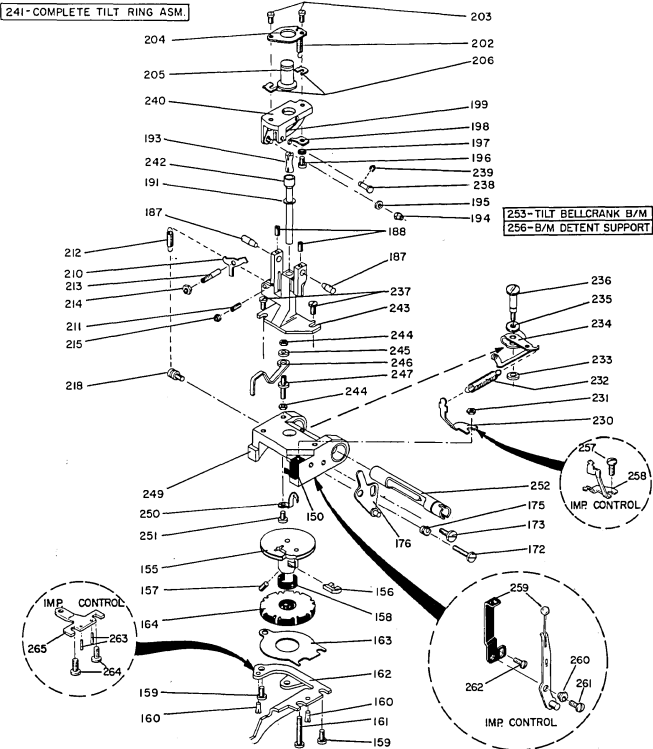
CARRIER ASSEMBLY



ROCKER (GEAR TILT)



ROCKER (GEARLESS TILT)



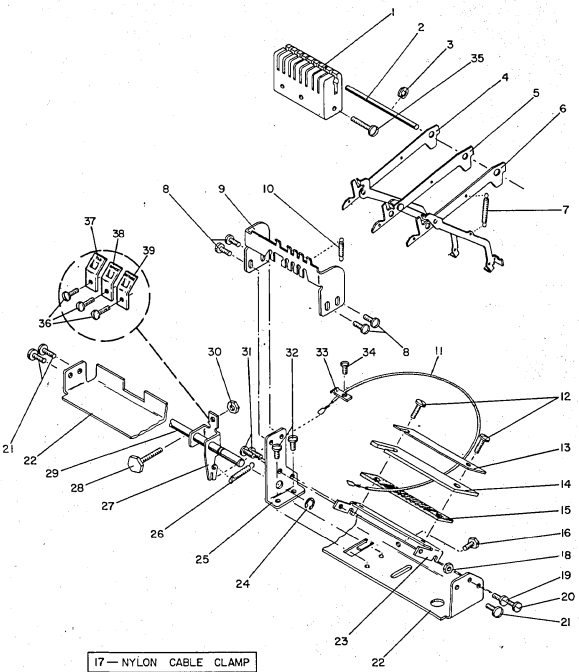
REF	P/N	SOURCE	DESCRIPTION	REF	P/N	SOURCE	DESCRIPTION
150	1124218		RETAINER, SPRG DRU	222	1134765		HEAD CAP, BLANK
151	257959		SCREW, TILT PULLEY	223	1133517		CLIP, SPRING
152	1133660		SPRING, TILT PULLEY	223	1159417		CLIP 1062
153	1132148		KEY, TILT PULLEY	TYPEHEAD ASSEMBLY			
154	1124712		PULLEY, TILT	CODE NUMBER IS LAST THREE DIGITS			
155	1124196		PULLEY, ROTATE	OF PART NUMBER			
156	1124745		KEY, ROTATE PULLEY	224	1167912		765
157	257957		SCREW, ROTATE PULLEY	224	1167911		DATA #2 1052/53
158	1141238		CLIP, ROTATE PULLEY	224	1167925		DATA #1 1050 UC-UC
159	1164580		SCREW STRIKER MTG	224	1167926		DATA #1 1050 UC-UC
160	1132118		DOWEL, STRIKER	224	1167927		DATA #1 1050 UC-UC
161	438554		SCREW, STRIKER MTG	224	1167928		DATA #1 1050 UC-UC
162	1127742		STRIKER	224	1167937		BANK TERM #1 1062
162	1128450		STRIKER	224	1167944		FNB 1062
	ABOVE SN 4610347			224	1167938		CORRES STAND GRAPH
163	1124217		PLATE, ROTATE SPRG	224	1167939		PROCES STAND GRAPH
163	1164548		PLATE-IMP CONT C&R	224	1167940		CORRES A-GRAPH
164	1132244		SPRING, ROTATE ASM	224	1167941		PROCES A-GRAPH
165	1073418		C-CLIP, FOLLOWER	224	1167942		CORRES H-GRAPH
166	1132279		FOLLOWER, REST CAM	224	1167943		PROCES H-GRAPH
167	1127723		STUD, REST CAM F	224	1167953		DATA #1 1052/1401
168	1073418		C-CLIP, PRNT CM	224	1167952		1052/360
169	1124830		FOLLOWER, PRNT CAM	224	1167945		1062 TERM #3
170	1127722		NUT, REST CAM FOLL	224	1167916		FAA
171	236571		RETAINER,ROCKER SH	224	1167939		1131
172	1164580		SCREW VEL CNTL	224	1167948		1052
173	1138843		SCREW VEL CONT PL	224	1167963		CORR GRAPHICSPPTCB
174	1124707		SCREW, TAPE ANCHOR	REF 224 INCLUDES REFS 222 & 223			
174	1124707		ECCENTRIC CONT PLL	230	1128456		BRKT, TILT SPRING
175	1141176		PLATE, VEL CONTROL	231	37913		NUT, STRIKER MTG SC
176	1124572		SHAFT,ROCKER PIVOT	232	1164549		SPRING, TILT PUL
177	1124708		SCREW, TAPE GUI MTG	233	1164158		WASHER TILT PULLEY
178	38250		GUIDE, TAPE	234	1164310		PULLEY TILT G.T.
179	1124219		SUPPORT, DETENT LV	234	141847		TILT
180	1124838		LEVER, DETENT ACT	235	1164099		ABOVE SN 4620540
181	1124773		NUT, STRIKER MTG SC	235	264641		RETAINER TILT PUL
182	1141323		SCREW, DET LEV MTG	236	1128455		RETAINER TILT 1062
183	1141323		SCREW, DET LEV MTG	STUD TILT PULLEY			
184	1141235		YOKE, ASM	MACHINES BELOW SN 4604800 REQUIRE			
	WHEN REPLACING YOKE ON MACHINES			REPL OF REF 233-234-235-236			
	BELOW 4053655 & 4365296 ORDER REF			INCLUDED IN B/M 1280498. TILT			
	190 AL50			TAPE MUST ALSO BE REPLACED			
185	263680		WASHER	237	1164580		SCREW YOTE MTG
186	1123588		SCREW, YOKE MTG	238	1128451		STUD, TILT LINK
187	1124190		PIN, TILT RING	239	251989		RETAINER, TILT LINK
188	1123828		SCREW, TILT RING MTG	240	1164039		TILT RING
189	1127767		SHIM, TILT TUBE A	USED ON IMP CONT C&R WITH UPPER			
189	1127768		SHIM, TILT TUBE B	BALL SOCKET 1164041			
189	1127769		SHIM, TILT TUBE C	240	1128442		TILT RING
189	1141175		SHIM, TILT TUBE D	241	1280119		TILT RING ASM B/M
190	1124206		SHIM, TILT SECTOR	242	1128436		LOWER BALL SOCKET
191	1141176		SHIM, LOWER BALL A	242	1164550		LOWER BALL SOCKET
191	1127770		SHIM, LOWER BALL B	USED ABOVE SN 4610347			
191	1127771		SHIM, LOWER BALL C	243	1128434		YOKE
191	1127772		SHIM, LOWER BALL D	244	1134842		NUT DETENT SMALL ARM
191	1127773		SHIM, LOWER BALL E	244	1127722		NUT BOT SMALL 1062
191	1127774		SHIM, LOWER BALL F	245	1128493		WASHER DET ACT ARM
191	164563		SHIM, .025 INCH	246	1128458		LEVER DET ACT
	USED ABOVE SN 4610346			247	1128495		SCREW DET ACT ARM
192	1124197		SOCKET ASM LOWER B	MACHINES BELOW SN 4603100 REPL OF			
193	1124220		JOINT, BALL	ANY PART WILL REQUIRE ALL THREE-			
194	1141182		NUT, DETENT ADJUST	ORDER REF 256			
195	1141371		WASHER	249	1128438		ROCKER
196	1138353		SCREW, DETENT GUIDE	249	1141752		ROCKER IMP CONT
197	45611		WASHER, DETENT GU	250	1128449		TAPE GUIDE, TILT
198	1124831		LEVER, ROTATE DET	250	1164044		TAPE GUIDE
199	1164285		RING, ASM TILT	USED ON IMP CONTROL C&R			
200	1133574		TO INSTALL TILT RING ON 11 IN BE-	251	186712		SCREW, TAPE GUIDE
	LOW 4032020 AND 15 IN BELOW			252	1128457		ROCKER PIVOT SHAFT
	4351475, ORDER REF 194 AND 195-			253	1280498		B/M TILT B/C
	FILE YOKE TO REMOVE INTERFERENCE			INCLUDES REFS 233-234-235-236			
	WITH REF 194			254	1141934		CAP BLANK
201	266687		TILT RING ASM B/M	255	1141935		CLIP SPRING
202	1133659		SPRING, ROTATE DET	256	1272176		B/M DETENT SUPPORT
203	1138353		SCREW, TILT RING S	257	38565		SCREW BKT MTG
204	1124188		SPACER, TILT RING	258	1141625		BRACKET TILT B/C
205	1133529		SOCKET, UPPER BALL	259	1141757		LEVER ASM
205	1164041		SOCKET, UPPER BALL	260	1141759		ECCENTRIC VEL CONT
	USE WITH 1164039			261	338238		SCREW VEL CONT 1062
206	1123822		SHIM, TILT RING A	262	1164580		SCREW BKT ADJ
206	1123823		SHIM, TILT RING B	263	1132118		DOWEL STRIKER
206	1123824		SHIM, TILT RING C	264	1164580		SCREW STRIKER MTG
206	1123825		SHIM, TILT RING D	265	1141632		BEARING LOWER
206	1128281		SHIM, TILT RING E				
206	1141144		SHIM, TILT RING F				
207	*1134785		GUIDE, ROT DE RE				
208	*45611		WASHER, DETENT GUD				
209	*1124835		SCREW, DET GUID RE				
	*USED WITH OLD STYLE TILT RING						
210	1164151		LEVER TILT DETENT				
	MACHINES BETWEEN SN 4602000 AND						
	4603500 REQUIRE REPL OF ROTATE						
	DETENT REF 199 ALSO						
211	1124836		SCREW, TILT DET GU				
212	1133658		SPRING, TILT DET				
213	1124832		STUD, TILT DETENT				
214	1090268		NUT, TILT DET STUD				
215	1123785		NUT, TILT LEVER GU				
216	1078497		WASHER,ROCKER BEAR				
	USED WITH REF 217						
217	1141189		WASHER, NYLON				
217	1127775		WASHER, THRUST				
	USED BELOW 4036419 AND 4354172						
218	1124234		STUD, SPRING ANCHR				
219	38261		SCREW, TILT SP MTG				
220	1124224		ANCHOR, TILT SPRNG				
221	1141199		ROCKER ASM, B/M				
	INCLUDES YOKE, ROCKER & STRIKER						
	SEE NOTE AFTER REF 184						

PAGE 8

REF	P/N	SOURCE	DESCRIPTION	REF	P/N	SOURCE	DESCRIPTION
1	1159422		BEARING SUPP KL				
2	1159421		ROD FULCRUM				
3	264641		RETAINER ROD				
4	1159445		KEYLEVER TAB				
5	1159446		KEYLEVER SPACE				
6	1159447		KEYLEVER CR				
7	1071449		SPRING KL PAWL				
8	1117759		SCREW STOP MTG				
9	1159448		STOP KEYLEVER				
10	123491		SPRING KL RETURN				
11	1159035		CABLE TAB KL				
11	1159037		CABLE SPACE KL				
11	1159041		CABLE CR KL				
12	35739		SCREW ANCHOR MTG				
13	1118144		PLATE ANCHOR				
14	1118145		PAD RUBBER				
15	1135946		PLATE ANCHOR				
16	265195		SCREW CABLE CLAMP				
17	1159225		CLAMP CABLE NYLON				
18	257187		NUT ANCHOR MTG BKT				
19	338238		SCREW ANCHOR MTG				
20	1164579		SCREW MTG BKT				
21	1164576		SCREW SUPPORT MTG				
22	1159427		SUPPORT				
23	1159425		BRACKET CABLE SUPP				
24	1092125		RETAINER				
25	1159423		BRACKET SHAFT SUPP				
26	1100937		SPRING BELLCRANK				
27	1159424		BELLCRANK				
28	1159428		SCREW BELLCRANK				
29	1159426		SHAFT BC PIVOT				
30	257187		NUT LOCK BC SCREW				
31	1164582		SCREW ANC BKT MTG				
32	1164576		SCREW SHAFT BKT MT				
33	1118050		CLAMP CABLE				
34	1164578		SCREW CABLE CLAMP				
35	34512		SCREW BEAR SUPP				
36	1164580		SCREW				
37	629595		KEY TAB				
38	629595		KEY SPACE				
39	629539		KEY RETURN				

CODE — 559

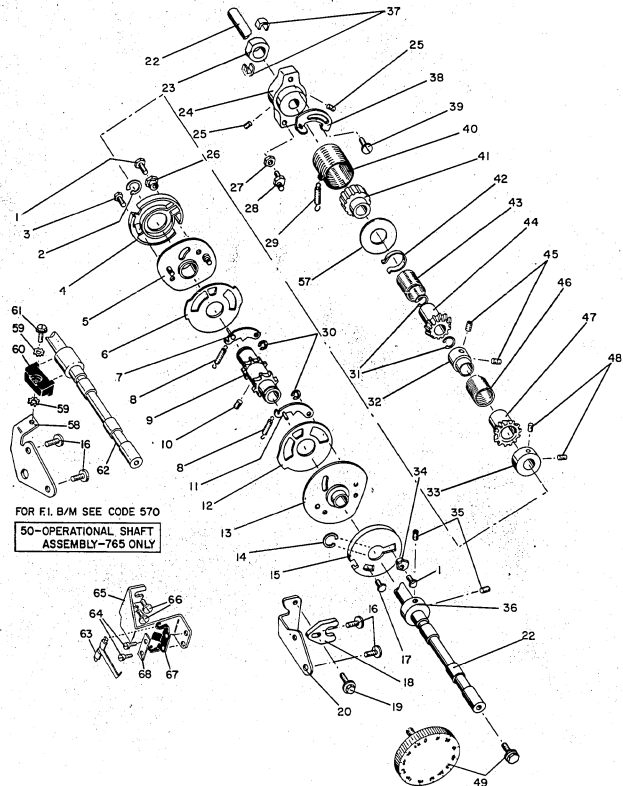
OPERATIONAL KEYLEVER MECH.



REF	P/N	SOURCE	DESCRIPTION	REF	P/N	SOURCE	DESCRIPTION
1	*1123588		SCREW CHECK RING	28	1132069		STUD TORQUE LIMIT
1	1141233		SCREW CHECK RING	28**	1159674		STUD ECCENTRIC
2	324223		CLIP C OPER CAM	29	115382		SPRING EXTENSION
3	1164582		SCREW CHECK RING	29**	1159685		SPRING EXTENSION
4	1141134		RING, CHECK CAM	30	1073418		CLIP C PAWL RETAIN
4	*1123595		RING, CHECK CAM	31	324497		CLIP C PINION RET
			*USED BELOW SN 4076500	32	1123573		HUB, TAB GOV
5	1159267		CAM SB/BS/TAB	32**	1159673		HUB TAB GOV
5	1135505		CAM, SB/BS/TAB	32	1166162		HUB T062
5	USE ON MACHINES BELOW SN 4012015			33	1123582		COLLAR TAB GOV PIN
6	1123570		WHEEL BS/SB/TAB	33	1166163		COLLAR 062
7	1128414		PAWL CAM BS/SB/TAB	34	1123593		ECCENTRIC, CHECK
8	1132064		SPRING PAWL CAM				REQUIRES PN 1141233 ON MACHINES
9	1159269		RATCHET OPR CLUTCH				BELOW 4076500
9	1123560		RATCHET OPR CLUTCH	35	1100523		SCREW COLLAR
9	USED ON MACHINES BELOW #4089400			36	1123582		COLLAR OPR 15 IN
10	257969		SCREW OPR CLUTCH	37	1133583		INSERT, HUB TORQUE
11	1128413		PAWL CR/INDEX	38	1123580		CLAMP, TORQUE SPRG
12	1123566		WHEEL CR/INDEX	38**	1159676		CLAMP - 2 REQUIRED
13	1159268		CAM CR/INDEX	39	265195		SCREW, CLAMP TORQ
13	1159886		CAM 1052/53 1447	40	1123581		SPRING, TORQUE
			USED WITH REF 11 AND 30	40**	1159686		SPRING TORQUE
			WHEN REPL CAM OR RATCHET BETWEEN	41	1123575		ARBOR, TORQUE LIMIT
			SN 4012015 & 4609595 IT IS NECESS	41**	1159654		ARBOR TORQ LIMIT
			TO REPLACE BOTH CAM AND RATCHET	42	1123577		CLAMP CR SPRING
13	1133506		CAM ASM	43	1123576		SPRING CR CLUTCH
			USE ON MACHINES BELOW #4012015	43**	1166316		SPRING CR CLUTCH
14	324221		CLIP C OPR CAM	44	1123574		PINION CR
15	1123594		RING, CR/INDEX	44**	1159668		PINION CR
16	1164577		SCREW BKT MTG				**USED ON PRINTERS WHICH HAVE HIGH
17	1164582		SCREW CHECK RING				SPEED CARRIER RETURN MECHANISM
18	1138116		SUPPORT CAM SHAFT	45	1100523		SCREW TAB GOV HUB
19	1128326		SCREW OPR BKT SUP	46	1123572		SPRING TAB GOV
20	REF ONLY-IF REPL IS NECESSARY			47	1123571		PINION TAB GOV
	ORDER REFS 58-59-60-61 & 62 AND			48	1100523		SCREW GOV COLLAR
	CONVERT			49	1135233		SCREW TURNING OPR
22**	1159671		SHAFT OPER CAM	49	1145391		WHEEL DEGREE
22	1128161		SHAFT OPR CAM 15	50	1266833		SHAFT ASM 765 ONLY
22	1159413		SUPPORT 1062	51	1159878		RETAINER GREASE
23	1123579		SLEEVE, HUB TORQUE	52	1135311		BRACKET SUPORT
23**	1159669		SLEEVE	59	56722		WASHER STAR
24	1133548		HUB TORQUE LIMITER	60	1159843		SUPPORT CAM SHAFT
24**	1159675		HUB TORQ LIMIT	61	1128326		SCREW
25	257975		SCREW, HUB TORQUE	62	1159844		BUSHING
26	1123592		ECCENTRIC CK RING	63	1135084		POINTNER
			REQUIRES PN 1141233 ON MACHINES	64	38262		SCREW POINT MTG
			BELOW 4076500	65	1145390		SCREW POINT IND
27	37913		NUT, STUD TORQUE	66	1164577		SCREW BRKT MTG
27**	257187		NUT STUD	67	1124702		BRACKET POINTNER
				68	1134888		WASHER POINTNER

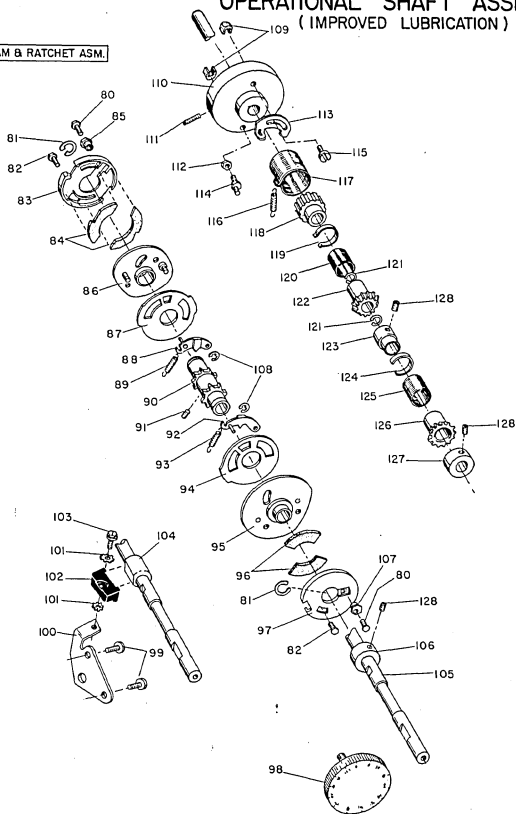
CODE — 560

OPERATIONAL SHAFT ASSEMBLY



OPERATIONAL SHAFT ASSEMBLY
 (IMPROVED LUBRICATION)

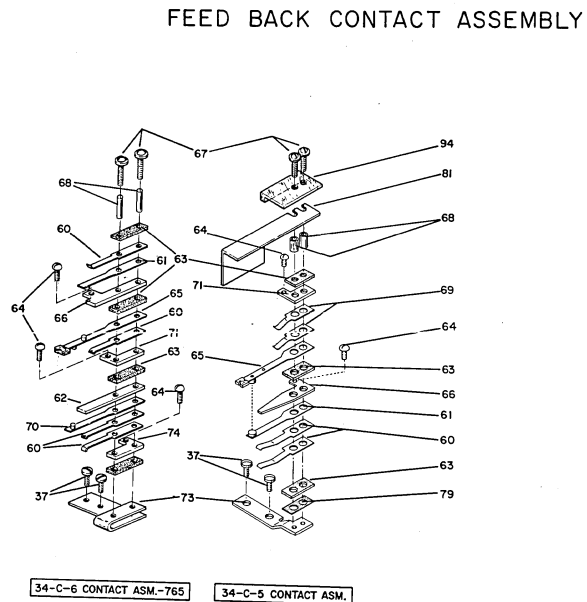
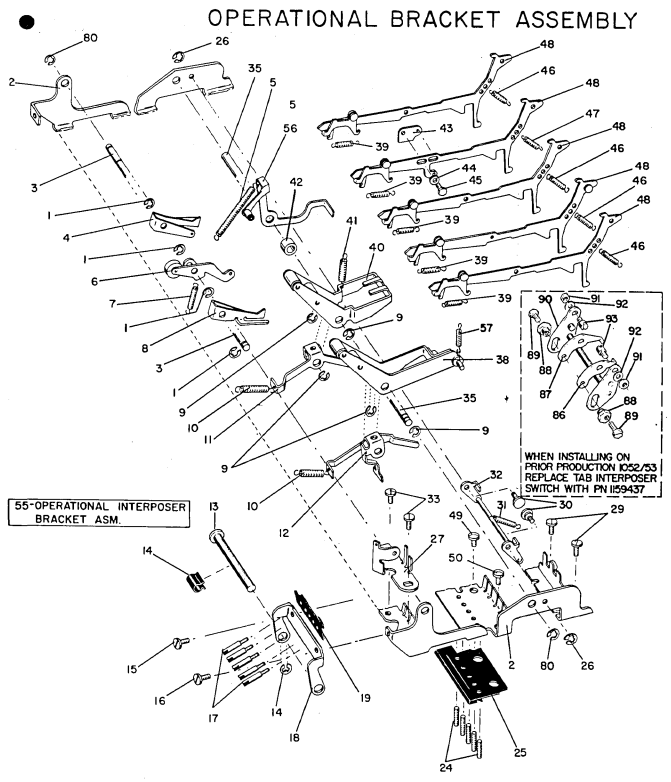
135-CAM & RATCHET ASM.



REF	P/N	SOURCE	DESCRIPTION	REF	P/N	SOURCE	DESCRIPTION
80	1166372		SCREW CHECK RING				
81	324221		C CLIP OPER CAM				
82	1166373		SCREW CK RING LOCK				
83	1166387		RING CHECK - GREEN				
84	1166388		WICK OIL				
85	1123593		ECCENTRIC CK RING				
86	1159267		CAM SB/BS/TAB				
87	1123570		WHEEL SB/BS/TAB				
88	1166217		PAWL CAM SB/BS/TAB				
89	1132064		SPRING PAWL				
90	1159269		RATCHET OPR CLUTCH				
91	257569		SCREW RATCHET				
92	1128413		PAWL CR/INDEX				
93	1132064		SPRING PAWL				
94	1123566		WHEEL CR/INDEX				
95	1159886		CAM CR/INDEX				
96	1166383		WICK OIL				
97	1166382		RING CK - YELLOW				
98	1145391		WHEEL DEGREE				
99	1164577		SCREW BRKT MTG				
100	1135311		BRACKET SUPPORT				
101	56722		WASHER STAR				
102	1159843		SUPPORT CAM SHAFT				
103	1128326		SCREW SUPPORT				
104	1159844		BUSHING SHAFT SUPP				
105	1159413		SHAFT OPR 1062				
105	159671		SHAFT OPR HSCR				
105	1166366		SHAFT OPR 15 IN				
106	1123582		COLLAR OPR SHAFT				
107	1123593		ECCENTRIC CK RING				
108	1073418		RETAINER PAWL				
109	1166231		INSERT HUB TORQUE				
110	1166230		HUB TORQUE LIMITER				
111	257579		SCREW HUB TORQUE				
112	257187		NUT STUD TORQUE				
113	1123580		CLAMP TORQUE SPRNG				
114	1159674		STUD TORQUE LIMIT				
115	265195		SCREW CLAMP TORQ				
116	1141650		SPRING EXTENSION				
117	1123581		SPRING TORQUE				
118	1159654		ARBOR TORQUE LIMIT				
119	1123577		CLAMP CR SPRING				
120	1123576		SPRING CR CLUTCH				
121	324497		CLIP C PINION RET				
122	1123574		PINION CR				
123	1123573		HUB TAB GOV				
124	1166555		CLAMP TAB SPRING				
125	1123572		SPRING TAB GOV				
126	1123571		PINION TAB GOV				
127	1123582		COLLAR TAB GOV PIN				
128	1100523		SCREW SET				
135	1272677		CAM AND RATCHET A				

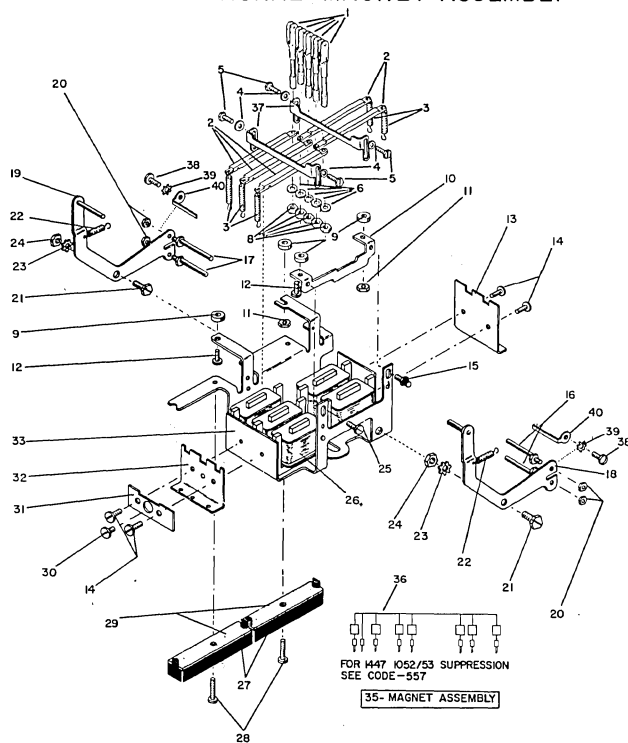
CODE-560

REF	P/N	SOURCE	DESCRIPTION	REF	P/N	SOURCE	DESCRIPTION
1	1092125		CLIP C CK PWL				
2	1132084		BRACKET OPERATION				
3	1123585		SHAFT CHECK PAWLS				
4	1159125		PAWL BS CAM CHECK				
5	1091618		SPRG CAM FOL				
6	1123591		FOLLOWER CAM				
7	1090404		SPRING CAM FOLLOW				
8	1159126		PAWL CR CAM CHECK				
9	1092125		CLIP C SHAFT				
10	1132064		SPRG REL LEV				
11	1132074		ARM BS CLU RELEASE				
12	1123819		ARM CR CLU RELEASE				
13	1141195		PIN				
14	1141194		RETAINER				
15	1164578		SCREW PAWL GUIDE				
16	1164578		SCREW PAWL GUIDE				
17	1133584		STUD PAWL GUIDE				
18	1138465		GUIDE KEYLEVER				
18	1141208		GUIDE KEYLEVER				
		USED WITH REF 13 & 14					
19	1132117		RETAINER PAWL STUD				
24	1132098		SCREW INTERPOSER				
25	1134712		CLIP INTPOSER SCR				
26	1141141		RETAINER REST STUD				
27	1138808		LEV SB INTLK				
29	1164577		SCREW BKT				
30	1134997		STUD RESTORE LEVER				
31	1117589		SPRING REST BAIL				
32	1132078		LEVER RESTORING				
33	1127733		SCREW OPER BRACKET				
34	1135582		CONTACT ASM C-5				
34	1132014		CONTACT C-5 765				
34	1145453		C-6 765				
37	1117759		SCREW CONTACT MTG				
37	1164580		SCREW C-6 MTG				
37	251970		SCREW MTG C-6				
38	1135670		FOLLOWER CR 1062				
38	1135173		FOLLOWER CR OTHER				
39	1073863		SPRING INTERPOSER				
40	1135359		FOLLOWER BS OTHER				
41	1090162		SPRING CAM FOLLOW				
42	1074556		SPACER CAM FOLLOW				
43	1138805		KEEPER SB				
44	1090475		WASHER SB KEEP SC				
45	1127714		SCREW SB KEEPER				
46	1134948		SPRING INTERPOSER				
47	150047		SPRING SB INTPOSER				
48		SEE APPROPRIATE MECHANISM					
49	364816		SCREW OPER BKT				
50	322065		SCREW OPER BKT				
55	1135153		ASM OPER BKT 1062				
55	1135647		ASM 1052/53				
55	1135704		ASM 765				
56	1135628		FOLLOWER ASM AUX				
56	1159315		FOLLOWER EXCPT 765				
56	1159312		FOLLOWER 765				
		USE WITH ADJ RESTORE BAIL					
57	1145491		SPRING 765				
60	1135467		SPRING BACKUP				
61	1135476		CONTACT				
61	1128746		CONTACT N/C C-6				
62	326119		SUPPORT				
63	37435		INSULATOR PLATE				
64	118418		SCREW TERMINAL				
65	1135478		CONTACT STRAP				
65	1128744		CONTACT STRAP C-6				
66	339107		TERMINAL				
66	1128743		TERMINAL C-6				
67	173202		SCREW				
67	173205		SCREW C-6				
68	100464		INSULATOR				
68	100229		INSULATOR C-6				
69	1135466		SPRING BACKUP				
70	1128745		CONTACT N/O C-6				
71	339109		TERMINAL				
73	1135309		BRACKET				
73	1135307		BRACKET C-6				
79	1135289		INSULATOR FISH PAP				
80	1132122		C CLIP SPRING TYPE				
81	1159536		SHIELD C-5				
81		MUST USE 100IN MAIN SPRNG 1164342					
86	1159307		LEVER CR RESTORE				
87	1159306		LEVER BS RESTORE				
88	1123593		ECCENTRIC				
89	1128382		SCREW ECC ADJ				
90	1159301		LEVER RESTORE				
91	38214		NUT				
92	338169		WASHER LOCK				
93	1159308		STUD LEVER				
94	743903		SHIELD PLASTIC				



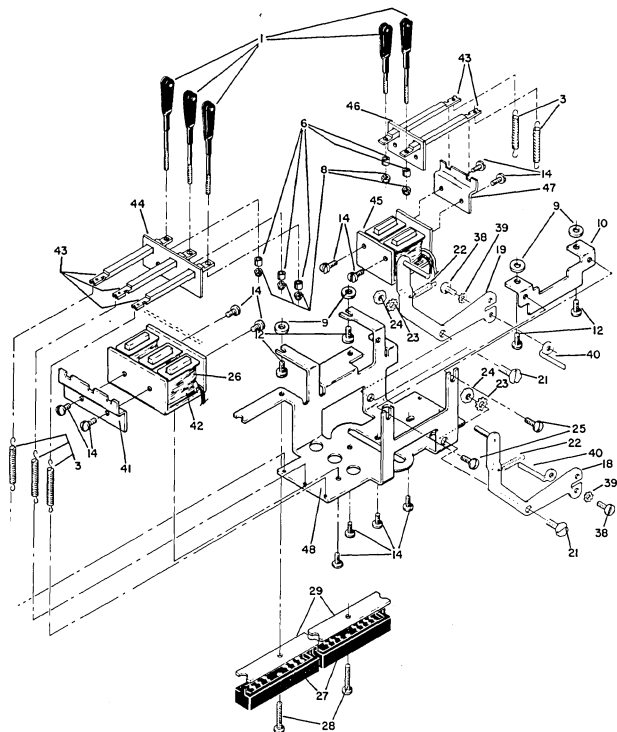
CODE - 561

OPERATIONAL MAGNET ASSEMBLY



REF	P/N	SOURCE	DESCRIPTION	REF	P/N	SOURCE	DESCRIPTION
1	*1135193		LINK ASM SPACE FOR EARLY LEVEL USE 1128684				
1	*1128684		LINK ASM-OTHER				
2	1128682		ARMATURE OPR MAG				
3	1100938		SPRING OPR M ARM				
4	355341		WASHER BACKSTOP SC				
5	1128698		SCREW BACKSTOP MTG				
6	1166304		WASHER SHOCK ABS				
8	*1159716		NUT PULL LINK				
*WHEN REPLACING REF 1 ORDER REF 8 ALSO-PREVIOUS STYLE PARTS NOT AVAILABLE							
9	1128598		SPACER OPR MAG				
10	1128686		SUPPORT OPR MAG A				
11	38051		NUT OPR MAG A MTG				
12	1164577		SCREW MAG MTG				
13	1128680		PLATE PIVOT REAR				
14	1164582		SCREW PIVOT PL MTG				
15	1124234		SCREW MTG BKT SPR				
16	1128713		BAIL RH OPR CONT				
17	1128712		BAIL LH OPR CONT				
18	1128710		ARM RH OPR CONT B				
19	1128707		ARM LH OPR CONT B				
20	27073		NUT OPR CONT BAIL				
21	1128714		SCREW PIVOT BAIL A				
22	10514		SPRING BAIL ARM				
23	56722		WASHER LOCK BAIL A				
24	38051		NUT BAIL ARM MTG				
25	1164578		SCREW OPR MAG SUP				
26	1135134		COIL A, MAGNET 48V				
26	1266894		COIL A, MAGNET 24V				
27	302090		BLOCK A TERMINAL				
28	438549		SCREW, TERM BLOCK				
29	302131		INSULATOR TERM BLK				
30	1164578		SCREW BS ARM PIVOT				
31	1135169		PLATE, ARM PIVOT				
32	1128679		PLATE, ARM PIVOT				
33	1128676		FRAME, OPR MAG				
35	1135022		MAGNET ASM 1052/53				
35	1135827		MAGNET ASM 1062				
35	1145464		MAGNET ASM 765				
35	1266895		MAGNET ASM 24V				
36	1135016		DIODE ASM COMMON ANODE				
36	1145475		DIODE ASM-765 COMMON CATHODE				
37	1128683		BACKSTOP OPR ARM				
38	108114		SCREW				
39	338169		WASHER LOCK				
40	1135631		BAIL				
41	1159834		PIVOT PLATE OPR				
42	1159833		BRKT ASM OPR FRONT				
42	BRKT ONLY FOR		COILS SEE REF 26				
43	1159829		ARMATURE OPR				
44	1159835		BACKSTOP OPR ARM				
45	1159842		BRKT ASM OPR REAR				
45	BRKT ONLY FOR		COILS SEE REF 26				
46	1159832		BACKSTOP OPR ARM				
47	1159841		PIVOT PLATE OPR				
48	1159992		FRAME OPR MAG MTG				

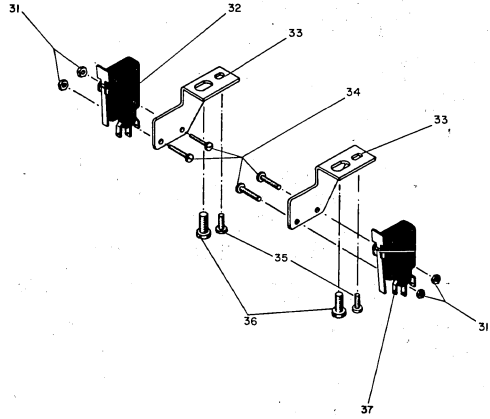
OPERATIONAL MAGNET ASSEMBLY



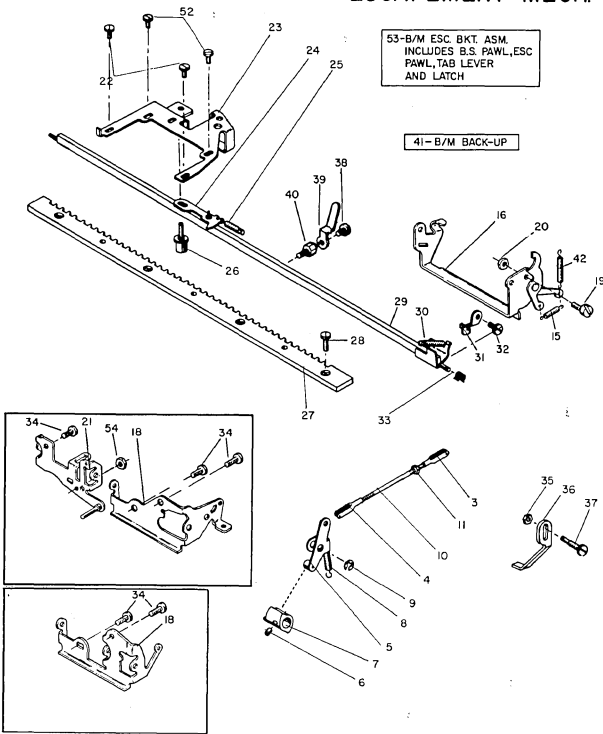
CODE - 562

REF	P/N	SOURCE	DESCRIPTION	REF	P/N	SOURCE	DESCRIPTION
31	47987		NUT SWITCH MTG				
32	1135635		SWITCH ASM				
32	1159437		SWITCH ASM				
33	1135630		BRACKET SWITCH MTG				
34	438542		SCREW SWITCH MTG				
35	1164577		SCREW SMALL				
36	1108326		SCREW LARGE				
37	1135635		SWITCH ASM				
				CODE — 563			

OPERATIONAL SWITCH ASSEMBLY



ESCAPEMENT MECH.

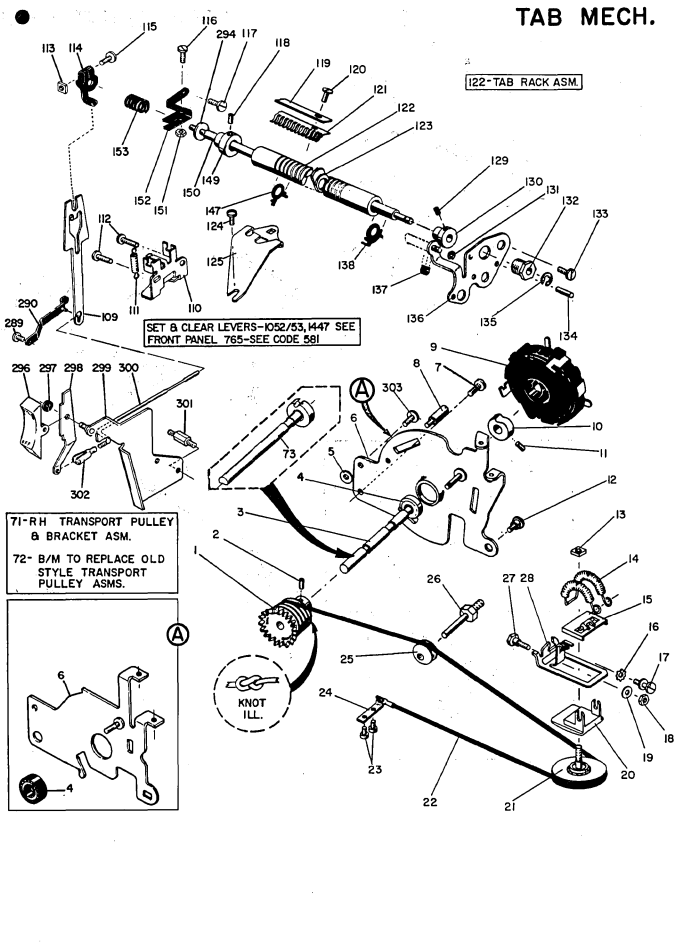


REF	P/N	SOURCE	DESCRIPTION	REF	P/N	SOURCE	DESCRIPTION
3	1110529		CLEVIS PIN				
4	1127727		CLEVIS PIN				
5	1123591		FOLLOWER CAM				
6	257969		SCREW CAM SET				
7	1124538		CAM ESCAPEMENT				
	USED BELOW SN 4370500						
7	1138452		CAM ESCAPEMENT				
8	1090162		SPRING CAM FOLLOW				
9	1092125		C-CLIP CAM STUD				
10	1123831		LINK ESCAPEMENT				
11	1127728		NUT ESCAPE LINK				
15	1138795		SPRING TRIG				
16	1128101		TRIGGER ASM 15 IN				
16	1159325		TRIGGER ASM 15 IN				
	ABOVE SN 4612100						
18	1128366		BRACKET RH 15 IN				
18	1159338		BRACKET RH 15 IN				
	ABOVE SN 4612100						
19	1128226		STUD TRIGGER GUIDE				
20	37913		NUT TRIG GD STUD				
21	1135314		BRACKET LH 15 IN				
22	1141928		SCREW ESC BKT				
23	1124087		BRACKET ESCAPEMENT				
23	1141532		BRACKET ESC USED WITH TAB GANG CLER				
23	1141639		BRACKET ESC-USED ON IMP CONTROL C&R				
24	1128201		PAWL ESCAPEMENT				
25	1123827		SPRING PAWL				
26	1124098		STUD PAWL MTG				
26	1128301		STUD PAWL MTG				
	USED ABOVE SN 4386000						
27	1128032		RACK TOP 15 IN				
27	1128037		RACK 12P 15 IN				
28	1124084		SCREW RACK				
29	1141220		BAR ASM TORQ 15 IN				
	USED ABOVE SN 4367458						
29	1128107		BAR ASM TORQ 15 IN				
30	1100936		SPRING TORQUE BAR				
31	1128216		STOP TORQUE BAR				
32	1127733		SCREW STOP				
33	1141223		RETAINER				
33	1127733		SCREW BKT MTG				
34	257187		NUT STUD				
36	1128204		UPSTOP TRIG 15 IN				
37	1128113		STUD TRIGGER STOP				
38**	1164582		SCREW				
39**	1128400		STOP TORQUE BAR				
40**	1128401		STUD				
41	1272464		B/M BACK-UP				
	**MUST BE REPLACED WHEN REPLACING ANY ONE PART OF FORMER STYLE						
42	1141073		SPRING TRIG 15 IN				
52	1164027		SCREW				
53	1272185		B/M ESC BKT				
53	1272186		B/M ESC BKT 1062				
54	257187		NUT BKT MTG				

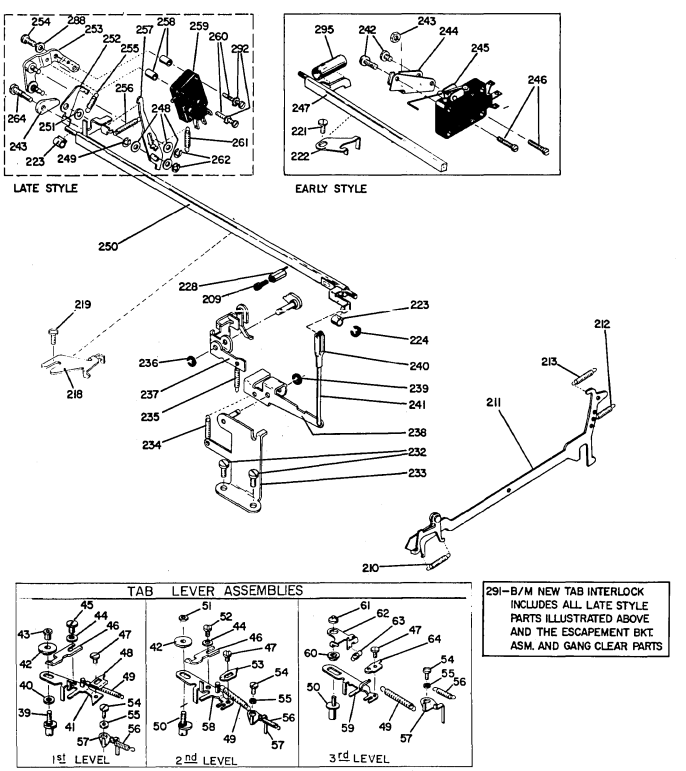
CODE — 565

REF.	P/N	SOURCE	DESCRIPTION	REF.	P/N	SOURCE	DESCRIPTION
1	1159672		ESC CORD DRUM-USED ON HIGH SPEED CR PRINTERS	209	186923		SCREW STOP MTG
1	1128108		ESC CORD DRN 15 IN	210	1073865		SPRING INTERPOSER
2	1100523		SCREW CORD DRUM	211	1128674		INTERPOSER TAB
3	1124462		SHAFT ESCAPEMENT	212	1134948		SPRING TAB INTPOS
3	1159670		SHAFT-USED ON HIGH SPEED CR PRINTERS	213	1073449		SPRING TAB LATCH
4	1124506		BEARING	218	219633		STOP OVERTHROW
5	1141678		SPACER	219	1164027		SCREW TAB OVTHROW
6	1124503		PLATE, BACK	221	1164027		SCREW TAB OVTHROW
6	1128368		PLATE BACK	222	1127744		STOP OVERTHROW
7	1164579	4612100	SCREW BACKPLATE	223	1141223		RETAINER
8	1133584		STUD, STOP	228	1128752		STOP TAB BL ECC
9	1124519		SPRG ASM MAIN	232	322065		SCREW BKT MTG
9	1164342		SPRG ASM 100 IN	233	1135312		BRACKET MTG
10	1141300		HUB ESC SPRING	234	1074242		SPRING INT LEV
11	1100523		SCREW ESC HUB	235	1116343		SPRING
12	1127753		SCREW BACKPLATE	236	1073418		C CLIP
13	1134829		NUT LOAD SPRG MTG	237	1135340		BL ASM TAB
14	1128387		SPRING TRANS LOAD	238	1113507		LEVER TAB INTERMED
15	1128386		PIVOT TRANS SPRING	239	1073418		C CLIP
16	56722		WASHER LOCK	240	1070020		CLEVIS TAB ALT
17	1141926		SCREW BAIL	241	1000223		LINK TAB ACTUATING
18	38051		NUT PIVOT BKT	242	1164580		SCREW SW BKT
19	1074145		WASHER BKT MTG	243	37913		NUT TAB SW BKT MTG
20	1128385		SLIDE PULLEY	244	1155036		BRACKET TAB SWITCH
21	1124634		PULLEY RH TRANSP	245	1159203		TORQUE ASM TAB
22	1128124		CORD UNIVERSAL	246	438540		SCREW SW MTG
			TIE KNOT IN PRESTRETCHED CORD AND SEAL END WITH HEAT	247	1135241		BAR TAB TORQ 11 IN
			15 INCH MACHINE 22-1/2 INCHES	247	1135343		BAR TAB TORQ 15 IN
23	38252		ANCHOR TAB CORD ANC	248	45639		WASHER
24	1124629		ANCHOR TAB CORD	249	1159205		C CLIP BOWED
24	1145424		ANCHOR 1062	250	1159199		TORQUE BAR 15 INCH
25	1124628		PULLEY IDLER	251	1159194		TORQUE BAR 1062
26	1124624		STUD FRONT IDLER	251	20038		SPACER
27	1135593		SCREW FRAME MTG	252	1159204		LEVER TAB SW ACT
28	1141979		BRACKET RH	253	1159194		BRACKET ASM TAB
29	1124098		STUD PAWL MTG	254	338238		SCREW
40	1128770		WASHER TAB PAWL	255	1073449		SPRING TAB SW LEV
41	1128768		LEVER TAB	256	1144928		SPRING TAB TORQ
42	1135204		SPACER TAB LEVER	257	1159203		LEV TAB SW TRIG
43	1124095		NUT TAB LEVER MTG	258	1159208		SPACER 15 IN ONLY
44	1124247		WASHER LO LV SCR	259	1159207		SWITCH
45	15887		SCREW LOCKOUT LEV	260	1159209		SCREW SW MTG 15 IN
46	1128762		LEVER TAB LOCKOUT	261	1072703		SPRING TRIG RES
47	1138802		SCREW TAB PAWL	262	1073418		C CLIP
48	1132057		PAWL TAB LEVER	264	1159206		SCREW LH PLATE MTG
49	1091670		SPRING TAB LEVER	264	1159234		SCREW LH PLATE 765
50	1128301		STUD PAWL MTG	288	257985		WASHER
			ABOVE SN 4383600	289	1164580		SCREW DETENT
51	37913		NUT TAB LEVER MTG	290	1135655		DETENT TAB-SET/CLR
52	358174		SCREW LOCKOUT LEV	291	1272187		B/M 765
53	138801		PAWL TAB LEVER	291	1272188		B/M 1052/53
54	1132080		SCREW LATCH	292	358509		B/M 1062
55	1132103		BUSHING TAB LATCH	293	1018477		LOCKWASHER
56	1073449		SPRING	294	344239		RETAINER 765
57	1145516		LATCH TAB LEVER	295	100237		SPACER
58	1135195		LEVER ASM TAB	296	1124879		SLEEVE TORQ BAR EX
59	1138499		LEVER ASM TAB	297	1073418		BUTTON SET/CLEAR
60	1128291		SPACER	298	1135544		RETAINER
61	1128290		NUT	299	1135541		LEVER SET/CLEAR
62	1159201		TRIGGER	301	1135546		PLATE ASM SET/CLR
63	1072949		SPRING TAB TRIGGER	301	1135546		LINK SET/CLEAR
64	1138801		PAWL TAB LEVER	302	1110529		STUD GEAR GUARD
71	1280081		TRANS PLY & BKT				CLEVIS
72	1271973		B/M TRANS PULLY AS				WHEN REPLACING PLATE ON 1033
73	1164561		SHAFT & HUB ASM				PRIOR TO HIGH SPEED CR ORDER PN
			NOT USED ON 767				1166072 AND 37913 ALSO AND USE IN
109	*1134952		ARM SET AND CLEAR	303	1141846		PLACE OF STUD PN 1135547-MARGIN
110	*1128336		BRACKET SET CLEAR	303	1164579		RACK POSITIONING
111	*1124290		SPRING SET CLEAR				SCREW TOP EXPT 765
111**	*1144150		SPRING SET & CLEAR				SCREW TOP 765
	**USED ON MACHINES WITHOUT REF 152						
112	1164576		SCREW BK				
113	*1134829		NUT SET CLEAR BRKT				
114	*1123526		BELLCRANK SET CLR				
115	* 1928		SCREW SET CLR BRKT				
	*REPLACEMENT OF ANY OF THESE PARTS ON EARLY STYLE MECHANISMS REQUIRE REPLACEMENT OF ALL PARTS MARKED WITH AN ASTERISK.						
116	438549		SCREW BRAKE ADJ				
117	1117759		SCREW BRAKE MTG				
118	316744		SCREW RACK PLUG				
119	1141080		PLATE SPR 15 IN				
120	1164578		SCREW PLATE				
121	1134958		SPRING STOP 12 PIT				
121	1134959		SPRING STOP 10 PIT				
122	1128029		RACK 10P 15 IN MAC				
122	1128038		RACK 12P 15 IN MAC				
122	1135772		RACK 12P 1062				
123	1138402		SUPPORT TAB STOP				
124	1164027		SCREW GANG CL FNGR				
125	1141270		GANG CLEAR FINGER				
129	316744		SCREW RACK PLUG				
130	1134961		PLUG TAB RACK				
131	219633		RETAINER				
132	1124082		BUSHING TAB RACK				
133	1164576		SCREW RACK PLATE				
134	1132212		PIN TAB RACK PLATE				
135	1092125		C-CLIP TAB RACK				
136	1141210		PLATE TAB RACK				
136	1166089		PLATE TAB RACK				
	ABOVE SN 4612333						
137	1141223		RETAINER TAB T BAR				
138	1134953		STOP FINAL TAB RK				
138	1159442		STOP FINAL 1062				
147	1134960		STOP TAB				
149	1134961		PLUG TAB RACK				
150	1134963		SHAFT 15 INCH MACH				
151	1134625		NUT BRAKE				
152	1127755		BRAKE TAB RACK				
	FOR REPLACEMENT ONLY						
153	1164289		SPRING TAB RACK BR				

TAB MECH.

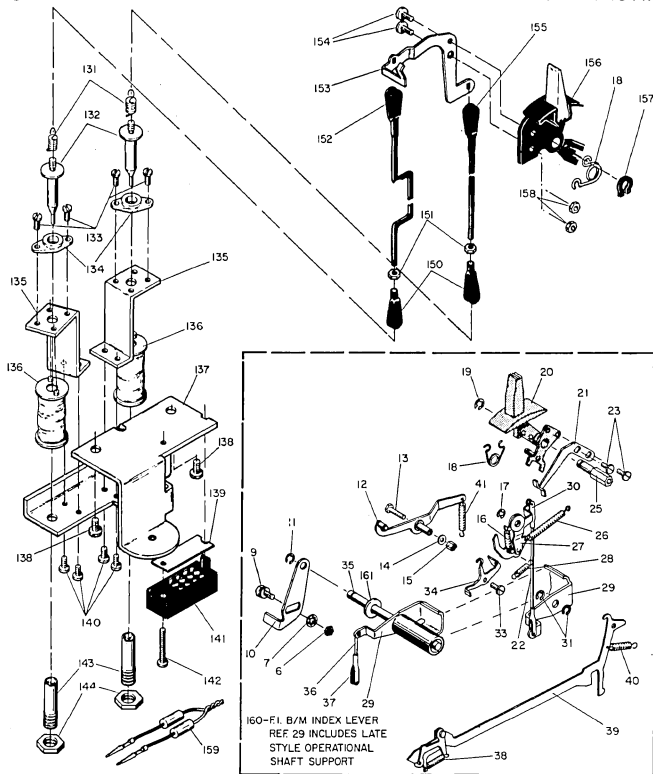


TAB MECH.



CODE - 566

INDEXING MECH.



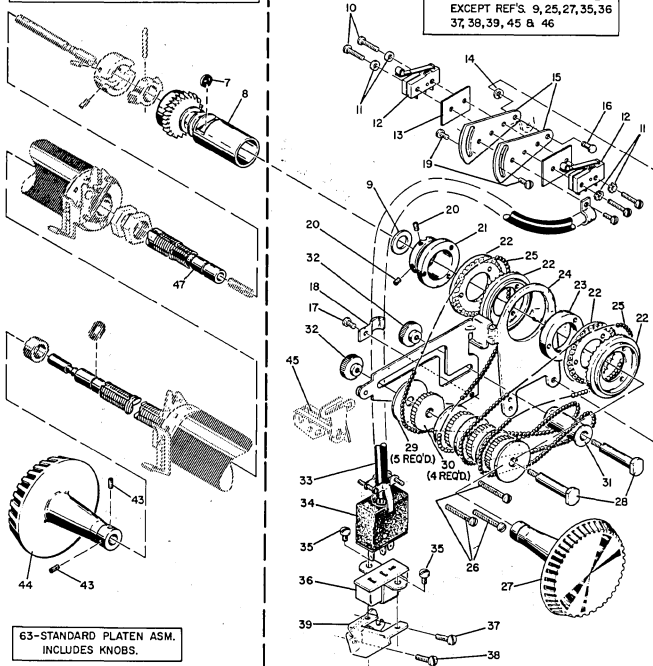
REF	P/N	SOURCE	DESCRIPTION	REF	P/N	SOURCE	DESCRIPTION
6	257187		NUT 15 INCH MACH	131	304145		SPRING PLUNGER
7	1090622		WASHER 15 IN MACH	132	343765		PLUNGER
9	1128411		SCREW	133	1110668		SCREW PLUNGER STOP
10	1135167		LEVER	134	1099884		PLUNGER STOP
10	1141558		LEVER 24T	135	343751		YOKE SOLENOID
11	1092125		C-CLIP 15 IN MACH	136	343761		CORE
12	1128975		DETENT 36T	137	1159909		BRACKET MTG
	ALSO ORDER REF		13 AND 14	138	438622		SCREW BKT MTG
12	1141767		DETENT ASM 27T	139	317764		INSULATOR
	ALSO ORDER REF		13 AND 14	140	38271		SCREW YOKE MTG
12	1141561		DETENT ASM 24T	141	317767		BLOCK TERMINAL
	ALSO ORDER REF		13 AND 14	142	438549		SCREW TERM BLK MTG
13	1128302		SCREW DETENT ASM	143	343750		CORE
	ALSO ORDER REF		12 AND 14	144	215150		NUT SOLENOID ADJ
14	257984		WASHER DETENT	150	1012703		CLEVIS
	ALSO ORDER REF		12 AND 13	151	1091057		NUT LOCK
14	1127741		SPACER DET PIN FD	152	1159991		LINK REAR
15	1127763		NUT DETENT STUD	153	1135560		LEVER LINE SP CAM
16	1107795		SPRING INDEX PAWL	154	1141776		SCREW CAM LEVER
17	264641		C-CLIP	155	1159316		LINK FRONT
18	1124396		SPRING IND SEL LEV	156	1128493		LEVER INDEX
19	1092125		C-CLIP	157	1115633		CLIP GRIP
20	1138127		LEVER INDEX SEL	158	257187		NUT CAM LEV SCREW
21	1128076		LEVER CAM 27T 36T	159	1135643		DIODE ASM
21	1141559		LEVER CAM 24T	160	1272719		B/M F.1.
22	1128083		LINK INDEX 15 INCH	161	1100688		SPACER
23	1164576		SCREW				
25	1128084		STUD IND SEL LEV				
	4012015						
26	1133667	ABOVE	SPRING INDEX				
27	1128018		CARRIER IND PAWL				
28	1133668		SPRING INDEX PAWL				
29	1166186		LEVER INDEX				
30	1070020		CLEVIS				
	1164127		CLEVIS LOCKING				
	ABOVE SN 4602500						
31	1092125		C-CLIP 15 IN MACH				
33	1164582		SCREW STOP				
34	1128017		STOP PLATEN OVERTH				
35	1128081		SHAFT 15 IN MACH				
36	1128079		LINK 15 IN MACHINE				
37	1127727		CLEVIS				
37	1164127		CLEVIS LOCKING				
38	1073865		SPRING INT PAWL				
39	1128674		INTERPOSER INDEX				
40	1134948		SPRING INTERPOSER				
41	1133663		SPRING DETENT				

CODE - 570

VERTICAL FORM CONTROL

61-PIN FEED PLATEN ASM. INCLUDES ALL PARTS TO THE LEFT OF THE VERTICAL DOTTED LINE EXCEPT THE KNOBS.

62-CONTROL ASM. INCLUDES ALL PARTS TO THE RIGHT OF THE VERTICAL DOTTED LINE EXCEPT REF'S. 9, 25, 27, 35, 36, 37, 38, 39, 45 & 46

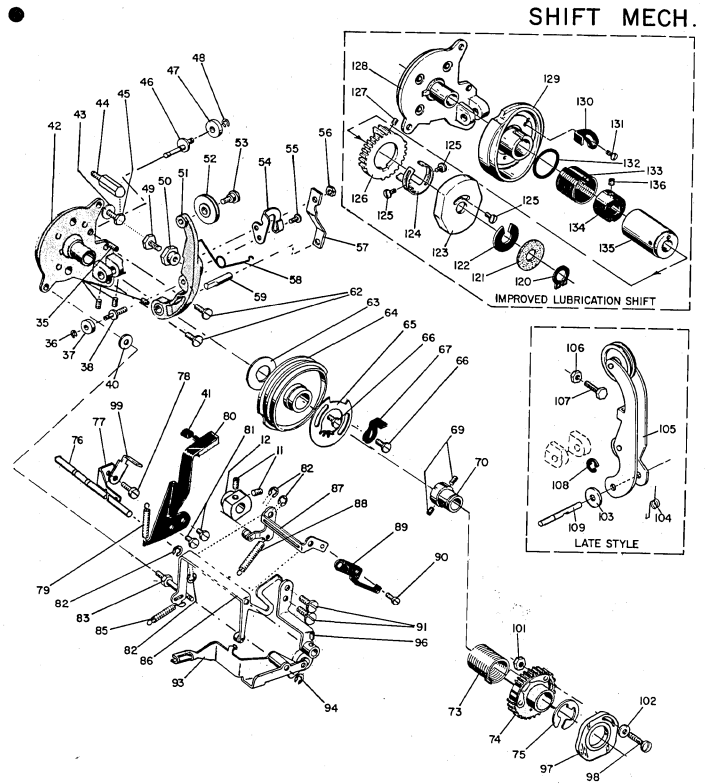


REF	P/N	SOURCE	DESCRIPTION	REF	P/N	SOURCE	DESCRIPTION
7	236571		RETAINER	30	820734		PULLY CHAIN
8	731697		RATCHET ASM 27T	31	731691		SPOOL FIXED
8	731681		RATCHET ASM 36T	32	473104		SCREW THUMB
9	830192		WASHER	33	731674		CABLE-INCLUDES TWO SWITCHES REF 12 AND CONNECTOR
10	1159210		SCREW SW MTG				
11	125231		WASHER				
12	480517		SWITCH ASM	34	300742		CONNECTOR PLUG
13	1166111		INSULATOR	35	1164578		SCREW SOCKET MTG
14	219633		RETAINER	36	300761		SCREW CONN PLUG
15	731688		PLATE SW MTG	37	38352		SCREW BKT MTG
16	731689		STUD SW PIVOT	38	38351		SCREW BKT MTG
17	1164578		SCREW	39	731673		BRACKET SOCKET MTG
18	191986		CLAMP CABLE	43	257968		SCREW SET
19	1164582		SCREW SW ADJ	44	1135570		KNOB PLATEN LH
20	257969		SCREW SET	45			FOR REF ONLY-BRACKET P/N 1166402
21	731685		HUB PULLEY				SEE MECH CODE 580 REF 75
22	731686		PULLEY 36T	46	1164579		SCREW LATCH MTG
			8 LINES/INCH	47	731676		SHAFT PLATEN
22	731692		PULLEY 27T				
23	830193		6 LINES/INCH				
24	1166403		SPACER PULLEY				
			HANGER PULLEY				
25	* 827950		54 BEAD				
25	* 827911		56 BEAD				
25	* 827912		57 BEAD				
25	* 827913		60 BEAD				
25	* 827914		64 BEAD				
25	* 827915		66 BEAD				
25	* 827916		68 BEAD				
25	*1108454		72 BEAD				
25	* 827918		76 BEAD				
25	* 344308		78 BEAD				
25	* 827919		80 BEAD				
25	* 343631		84 BEAD				
25	* 827920		88 BEAD				
25	* 827922		90 BEAD				
25	*1110878		96 BEAD				
25	* 343632		102 BEAD				
25	* 344309		104 BEAD				
25	310519		LARGE BEAD				
			*INCLUDES TWO CHAINS AND 40 LARGE BEADS. CORRECT CHAIN LENGTH DETERMINED BY - ONE BEAD PER LINE OF FORM OR AN EVEN MULTIPLE.				
26	52359		SCREW				
27	1159353		KNOB PLATEN RH				
28	731690		STUD PULLEY MTG				
29	731704		DISC CHAIN RET				
30	820734		PULLY CHAIN				
31	731691		SPOOL FIXED				
32	473104		SCREW THUMB				
33	731674		CABLE-INCLUDES TWO SWITCHES REF 12 AND CONNECTOR				
			REF 34.				
34	300742		CONNECTOR PLUG				
35	1164578		SCREW SOCKET MTG				
36	300761		SCREW CONN PLUG				
37	38352		SCREW BKT MTG				
38	38351		SCREW BKT MTG				
39	731673		BRACKET SOCKET MTG				
43	257968		SCREW SET				
44	1135570		KNOB PLATEN LH				
45			FOR REF ONLY-BRACKET P/N 1166402				
			SEE MECH CODE 580 REF 75				
46	1164579		SCREW LATCH MTG				
47	731676		SHAFT PLATEN				
			PIN FEED PLATEN ASSEMBLY				
61	1166270		5-1/4 PTP 27T RAT				
61	1166262		6 IN PTP 27T RAT				
61	1166263		6 IN PTP 36T RAT				
61	1166264		7-1/2 PTP 27T RAT				
61	1166265		7-1/2 PTP 36T RAT				
61	1166266		8 IN PTP 27T RAT				
61	1166267		8 IN PTP 36T RAT				
61	1166268		9 IN PTP 27T RAT				
61	1166269		9 IN PTP 36T RAT				
61	1166271		11-1/4 PTP 27T RAT				
61	1166251		9-7/8 PTP 27T RAT				
61	1166255		10 IN PTP 27T RAT				
61	1166257		10 IN PTP 36T RAT				
61	1166252		10-1/8 PTP 27T RAT				
61	1166258		10-1/8 PTP 36T RAT				
61	1166253		11-1/4 PTP 27T RAT				
61	1166259		11-1/4 PTP 36T RAT				
61	1166256		11-1/2 PTP 27T RAT				
61	1166260		11-1/2 PTP 36T RAT				
61	1166254		13-1/8 PTP 27T RAT				
61	1166261		13-1/8 PTP 36T RAT				
62	830198		CONTROL ASM 27T				
62	830199		CONTROL ASM 36T				
63	830195		PLATEN ASM 27T				
63	830196		PLATEN ASM 36T				
			FOR INDIVIDUAL PARTS EXCEPT KNOBS SEE CODE 577				

CODE - 571

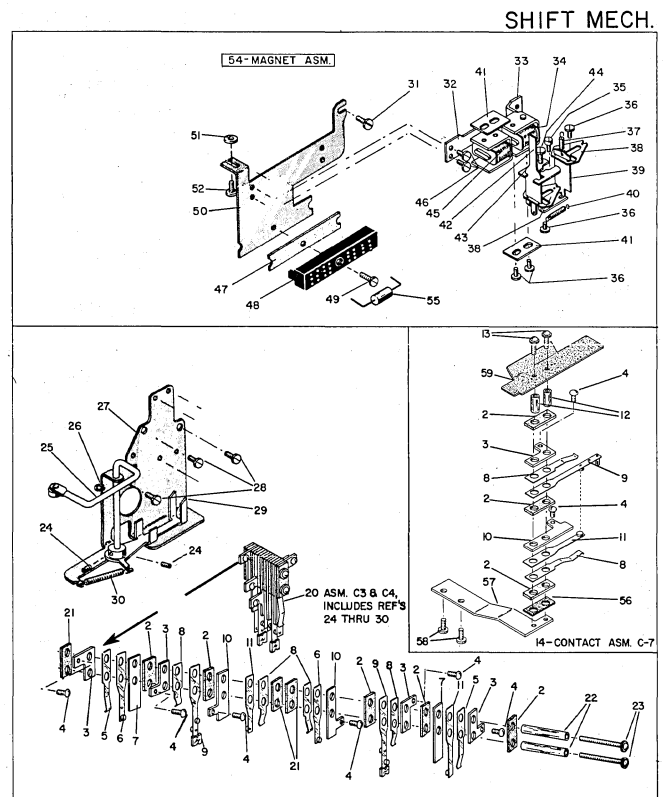
REF	P/N	SOURCE	DESCRIPTION	REF	P/N	SOURCE	DESCRIPTION	
11	1100523		SCREW SHIFT INTREL	90	358174		SCREW SHIFT INTL	
12	1124284		CAM SHIFT INTL	91	1164576		SCREW BKT	
35	257969		SCREW SHF ARM PIV	92	1128189		BRACKET SHIFT SUPP	
36	251989		RETAINER CAM ROLL	93	1159782		DETENT ASM	
37	1124259		ROLLER SHIFT ARM	94	1073418		CLIP C DETENT ARM	
38	1159109		SHAFT ROLLER	96	257957		SCREW REL SHAFT	
40	22066		WASHER SH DET STUD	40	*1159408		CAM C-7	
41	1124773		DAMPER, BRAKE ARM	98	*1159262		SCREW	
42	1135339		PLATE, SHIFT ARM	99	*115579		STOP REL ARM	
43	1090050		SPACER STOP SCREW	101	*1127763		NUT	
44	1128970		STUD ARM STD SABRE				*ON MACHINES BELOW SN 4611107 REPL OF ANY PART WILL REQUIRE ALL FOUR	
45	1124775		SCREW SHIFT STOP	102	257985		WASHER	
46	1123807		SHAFT ECCENTRIC	103	1090254		WASHER PIVOT	
47	1124292		ROLLER CAM BACKUP	104	1128303		SPRING SHIFT ARM	
48	1073418		CLIP C ROLLER ECC	105	1128355		SHIFT ARM LATE	
49	1141215		SCREW SHIFT ARM	106	38051		NUT LOCKING	
50	1141030		NUT SCREW	107	1128356		SCREW STOP	
51	1124261		ARM SHIFT	108	1092125		RETAINER SH ARM	
52	1124267		PULLEY RH ROTATE	109	1141992		PIN SH ARM PIVOT	
53	1124268		SCREW RH ROTATE PU	120	1133746		RETAINER	
54	1128971		TAB SHIFT ARM	121	1166557		WASHER THRUST	
55	15887		SCREW TAB SHIFT A	122	1166370		WASHER C-7 MTG	
56	38051		NUT ROLLER SHIFT				USED WITH REF 123	
57	1128785		BRACE SHIFT ARM	123	1166380		CAM C-7	
58	1128471		SPRING SHIFT ARM	124	1166380		STOP SHIFT RATCHET	
59	1124266		PIN PIVOT SH ARM	125	1166363		SCREW ADJ	
62	1164576		SCREW PLATE MTG	126	1166385		RATCHET 15 IN	
63	1124819		WASHER SHIFT CAM	127	1124836		SCREW RATCHET	
USED ON MACHINES BETWEEN SER# 4005325 AND 4014850				128	1166368		PLATE SHIFT 15 IN	
64	1135339		CAM, SHIFT	129	1166375		CAM SHIFT	
65	1124273		PLATE SH CLU SPG R	130	1123810		OVERTHROW STOP	
66	1164584		SCREW BACKSTOP	131	1164584		SCREW STOP	
67	1123810		STOP SHIFT CAM	132	1160256		O-RING	
69	257969		SCREW SET SH ARBOR	133	1166381		SPRING SHIFT CLU	
70	1124271		ARBOR SHIFT CLUTCH	134	1166362		ARBOR SHIFT CLUTCH	
73	1132287		SPRING, SHIFT CLUT	135	1166369		SLEEVE SHIFT ASM	
74	*1159409		RATCHET	136	257969		SCREW SHIFT ARBOR	
75	21974		CLIP C SH RATCHET					
76	1128190		SHAFT REL 15 INCH					
77	1128195		BRACKET SHIFT SPR					
78	38352		SCREW, BRACKET					
79	1124722		SPRING, DETENT					
80	1128199		BRAKE SHFT 15 INCH					
81	1164576		SCREW BRAKE MTG					
82	264641		CLIP C SH REL 15IN					
83	1124697		STUD DET 15 INCH					
85	1074242		SPRING SHIFT REL					
86	1135320		ARM SHIFT REL 15IN					
87	1128192		ARM ASM 15 INCH					
88	1090162		SPRING SHIFT INTLK					
89	1128193		ARM SH INLK SPR 15					

CODE - 572

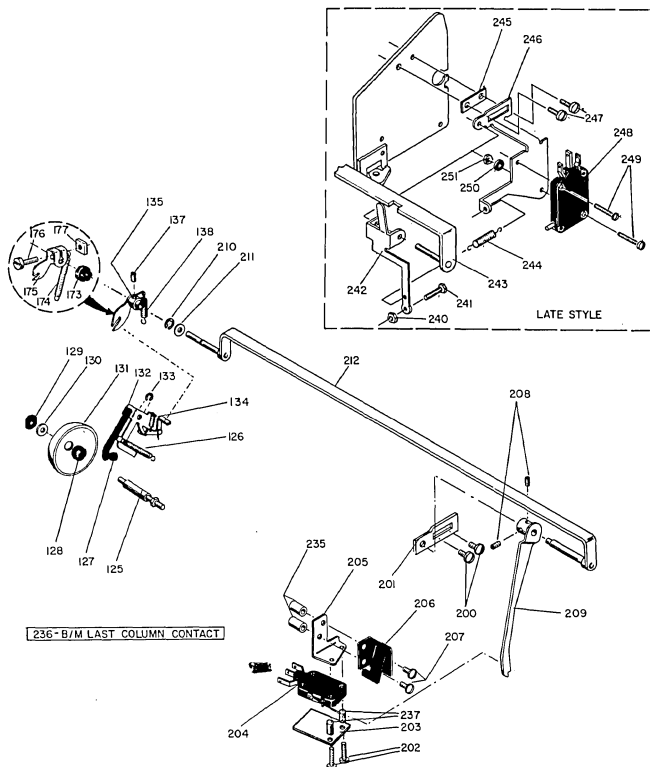


REF	P/N	SOURCE	DESCRIPTION	REF	P/N	SOURCE	DESCRIPTION
2	37435		INSULATOR PLATE				
3	339109		TERMINAL CONT SPR				
4	118418		SCREW TERMINAL				
5	1135467		SPRING BACKUP				
6	1135476		CONTACT N/O				
7	326119		SUPPORT				
8	1135466		SPRING CONT BACKUP				
8	1135467		SPRING C-7				
9	1135523		CONTACT OPER STRAP				
9	1135482		CONTACT O/P 765				
10	1128743		TERMINAL CONTACT				
11	1135474		CONTACT SHIFT N/C				
11	1135476		CONTACT N/C C-7				
12	100464		INSULATOR SCREW				
13	173202		SCREW CONT MTG				
14	1135580		CONTACT ASM C-7				
14	*1162386		CONTACT ASM C-7				
*USED WITH IMPROVED LUBE SHIFT							
20	1135696		CONTACT ASM 765				
21	27460		INSULATOR				
22	104278		INSULATOR SCREW				
23	173213		SCREW				
24	1078469		SCREW SET				
25	1128954		FOLLOWER				
26	264641		RETAINER				
27	1128952		BRACKET CONTACT				
28	1164576		SCREW				
29	1128950		LEVER SHIFT CONT				
31	1164576		SCREW				
32	1128962		CORE UC				
33	1128959		CORN LC				
34	1135134		CO'L LC SHIFT				
35	1164578		SCREW				
36	1164578		SCREW				
37	123552		SPRING HINGE PLATE				
38	1128967		PLATE UC&LC HINGE				
39	1128969		ARMATURE LC				
40	1072126		SPRING ARM LATCH				
41	1128968		STOP ARMATURE				
42	1128968		ARMATURE UC				
43	1128966		BACKSTOP ARM UC				
44	1127785		SCREW				
45	1128964		COIL UC SHIFT				
46	1117759		SCREW CORE MTG				
47	302131		INSULATOR TERM BLK				
48	302090		TERMINAL BLOCK				
49	438549		SCREW TERM BLK				
50	1128958		BRACKET ALL				
51	1128598		SPACER				
52	1164577		SCREW				
54	1135302		MAGNET ASM				
55	210921		DIODE ASM 765				
56	1135389		FISH PAPER				
57	1135621		BRACKET CONTACT				
58	186399		SCREW CONTACT MTG				
59	1159112		SHIELD				

CODE - 573



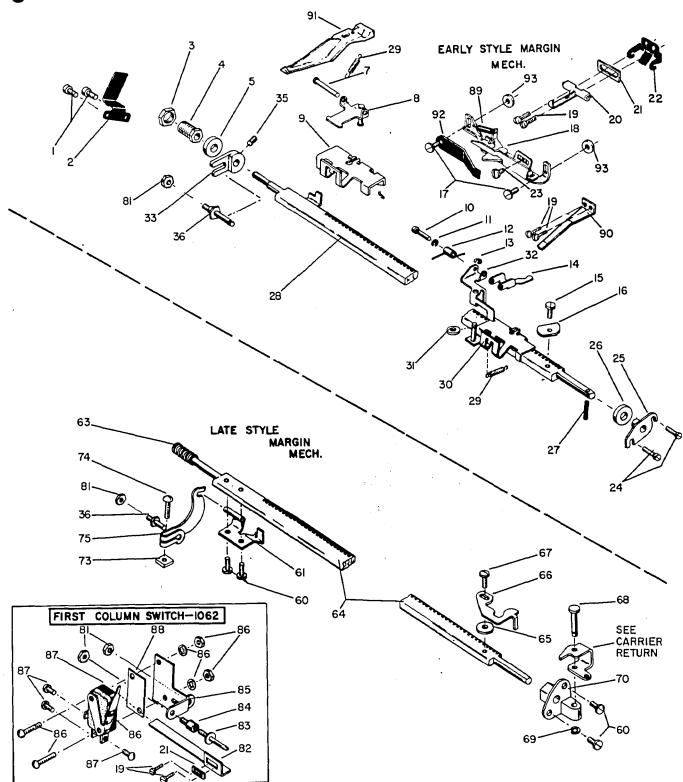
LAST COLUMN CONTACT-BELL MECHS.



REF	P/N	SOURCE	DESCRIPTION
125	REF ONLY		- PART OF SIDE FRAME
126	150735		SPRING BELL
127	1123633		BUTTON BELL CLAPPER
128	1133627		GROMMET BELL MTG
129	1138483		RETAINER BELL
130	1090970		SPACER BELL MTG
131	1133628		BELL
132	1132027		BELLCRANK ASM
133	219633		CLIP C BELL STUD
134	1073449		SPRING BELL CLAPPER
135	1132012		LEVER BELL BAIL
137	257957		SCREW BELL BAIL LV
138	1091069		SPRING BELLBAIL
173	1132013		SPACER
174	1090175		SPRING
175	1132012		LEVER BELL BAIL
176	1928		SCREW
177	1134829		NUT
200	1117759		SCREW BAIL
201	1135991		BRKT B RNG BL ADJ
202	438541		SCREW LC CONT SW
202 *	438540		SCREW SW MTG
203	1159274		GUARD LC CONT
204	1159277		SWITCH LAST COL
205	1159275		BRACKET LC SW
206	1159275		SPRING ACT BACKUP
207	35739		SCREW LC SW MT BKT
207 *	1117759		SCREW SW BKT MTG
			*ABOVE SN 4601958
208	257956		SCREW LC ACT MTG
209	1135977		ACT ASM LC CONT
210	20069		C CLIP
211	1142245		SPACER B RING BAIL
212	1159278		BAIL 15 IN
235	1127719		SPACER
236	1272123		B/M
237	125231		SPACER GUARD
240	37913		NUT LOCKING
241	1159286		SCREW ADJ
242	1159390		ACTUATOR
243	1159278		BAIL ACTUATING
244	177939		SPRING
245	27435		SPACER
246	1159388		BRACKET SWITCH
247	438542		SCREW BRKT MTG
248	1159544		SWITCH
249	438541		SCREW SWITCH MTG
250	45624		WASHER
251	47987		NUT

CODE - 574

MARGIN MECH.

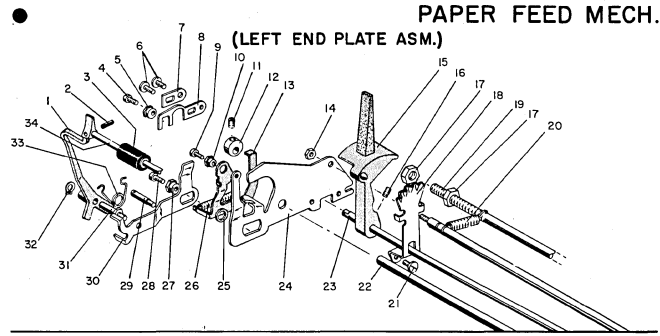


REF	P/N	SOURCE	DESCRIPTION
1	438566		SCREW MAR RACK RET
2	1128162		SPRING MAR RACK RE
3	10574		NUT MARGIN RACK
5	1123602		BUSHING LH MAR RAK
2	1127738		WASHER
7	1123611		PIN
8	1123610		PIN AND SLIDE ASM
9	1123615		STOP MARGIN LH
10	1132181		SHAFT BELLCRANK
11	251989		CLIP C SHAFT
12	1132183		SPRING BELLRINGER
13	1073418		CLIP C LEVER
14	1132019		ARM BELLRNGR BLCRK
15	1164576		SCREW RACK ECC
16	1123605		ECCENTRIC MAR RACK
17	1127745		SCREW LINE LOCK BK
18	1135082		BRACKET 765 1062
18	1159292		BKT 1052/53 1447
18	1123640		BRACKET 765 1062
			ABOVE SN 4619312
19	38262		SCREW POINTER MTG
20	1159737		POINTER 765
21	1134888		WASHER POINTER BKT
22	1124702		BRACKET POINTER
23	1164578		SCREW LINE LK BRKT
24	38261		SCREW MARGIN RACK
25	1128166		BUSHING RH 15 INCH
26	1127738		WASHER MARGIN RACK
27	2101794		PIN MARGIN RACK
28	1128164		RACK MAR 12P 15 IN
28	1128171		RACK MAR 10P 15 IN
29	1123812		SPRING MARGIN SET
30	1123618		STOP MARGIN RH
31	1141175		SPACER BELLCRANK
32	1133607		BELLCRANK ASM
33	1123603		LEVER MARGIN
35	257957		SCREW MAR REL LEVR
36	1135547		STUD MAR REL PIVOT
60	1164582		SCREW
61	1128116		STOP SET LEV LH
63	1145466		SPRING RACK
64	1128305		RACK 10P 15 IN
64	1128307		RACK 12P 15 IN
65	1141227		STOP SET LEV RH
66	1141232		GUIDE 15 IN
67	1164576		SCREW
68	1141228		STUD CLUTCH UNLAT
69	264641		C CLIP
70	1141231		BUSHING 15 IN
73	1134829		NUT MARGIN REL LH
74	1928		SCREW MAR REL
75	1128318		LEV MAR REL 15 IN
81	37913		NUT REL LEV STUD
82	1135662		ARM SWITCH
83	REF ONLY		NOT AVAILABLE ORDER
			REF 84
84	1135678		STUD
85	1135664		BRACKET SWITCH
86	1135675		ACTUATOR SWITCH
			INCLUDES SCREWS, WASHERS, NUTS.
87	441162		SWITCH ASM
			INCLUDES THREE TERMINAL SCREWS

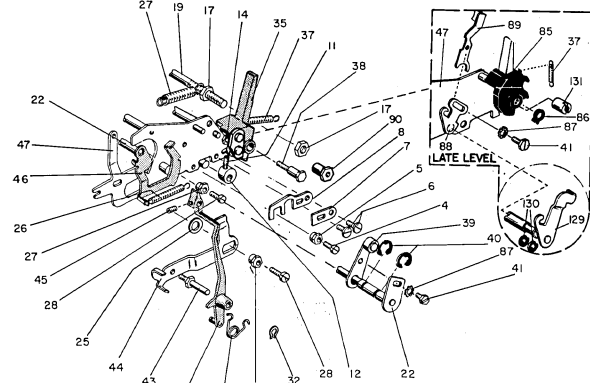
CODE - 575

REF	P/N	SOURCE	DESCRIPTION	REF	P/N	SOURCE	DESCRIPTION
1	1124391		ARM PAPER BAIL LH				
1	1159257		ARM PAPER BAIL LH				
	ABOVE SN 4605430						
2	264998		PIN PAPER BAIL				
3	1132230		ROLLER BAIL NYLON				
3	1124597		ROLLER BAIL RUBBER				
4	38350		SCREW PLTN ECC ADJ				
5	1124370		ECCENTRIC NUT				
6	38350		SCREW PLTN PLATE				
7	1124373		PLATE ECC RETAIN				
8	1124369		PLATE PLATEN ADJ				
9	38350		SCREW LATCH 15 IN				
10	1124803		ECCENTRIC PLTN LTC				
11	121521		SCREW COP CONT ECC				
12	1124371		ECCENTRIC COPY CON				
13	1124802		LATCH PLATEN LH				
14	38051		NUT TIE ROD				
15	1159220		LEVER COPY CONTROL				
16	1141136		SCREW COPY CONTROL				
17	1091749		NUT BASE TIE ROD				
18	1124383		DETENT COPY CONT				
19	1128274		ROD BASE TIE 15 IN				
20	1141586		SPRING 15 INCH				
21	1117759		SCREW COPY CNTL MT				
22	1128215		SHAFT FD ROLL				
23	1128136		SHAFT COPY 15 INCH				
24	1141120		PLATE LH				
25	1124377		SPACER CARR GUIDE				
26	1134837		SPRING PLTN LATCH				
27	1124378		ECCENTRIC PLTN ADJ				
28	38353		SCREW ECCENTRIC				
29	1124579		STUD BAIL SPR LH				
30	1133589		BRACKET CARR GUIDE				
31	1132055		STUD PAPER BAIL ARM				
31	1135055		STUD BAIL ARM				
	ABOVE SN 4608424						
32	528552		RETAINER PAPER BAI				
33	1124396		SPRING PAPER BAIL				
34	1128152		SHAFT BAIL 15 INCH				
35	1138148		LEVER PAPER REL				
37	1072703		SPRING PAPER REL				
38	1128012		STUD REL LVR MTG				
39	1141184		ARM FD ROLL REL				
40	1103695		RETAINER				
41	1138368		SCREW REL ARM				
42	1124388		LEVER BAIL RH				
42	1159250		LEVER BAIL RH				
	ABOVE SN 4605430						
43	1124376		STUD PAPER BAIL				
43	1159055		STUD BAIL ARM				
	ABOVE SN 4608424						
44	1133590		BRACKET CARR GUIDE				
45	251350		SCREW PAPER BAIL				
46	1124801		LATCH PLATEN RH				
47	1138149		PLATE ASM RH				
47	1128013		PLATE ASM - USED				
	WITH PLASTIC REL LEVER						
85	1128484		LEVER-SHORT				
86	1115633		RETAINER				
87	56722		LOCKWASHER				
88	1128215		SHAFT FEED RL REL				
89	1128492		ARM FD RL REL				
90	1128229		STOP REL LEVER				
130	1271548		DEFLECTOR 15 IN				
104	1128138		FEED RL REAR 15 IN				
105	1128141		FEED RL FNT 15 IN				
	CARD HOLDER						
123	1124601		10 PITCH				
123	1128532		10 P PIN FEED				
123	1124602		12 PITCH				
123	1135780		12 P PIN FEED				
124	1123829		BRACKET HOLDER RH				
125	1141928		SCREW BKT MTG				
126	1138796		WASHER CARD HOLDER				
127	1091151		SCREW CARD HOLDER				
128	1123830		BRACKET HOLDER LH				
129	1164499		SHAFT FEED RL REL				
130	1103695		RETAINER				
131	1164160		STOP				

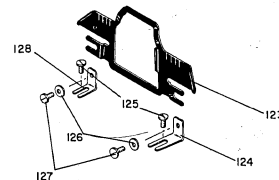
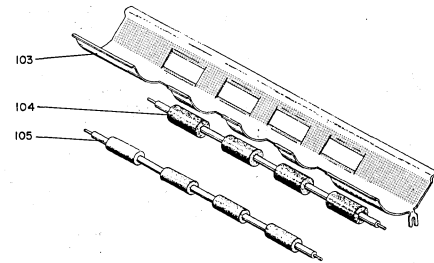
PAPER FEED MECH.



(RIGHT END PLATE ASM.)

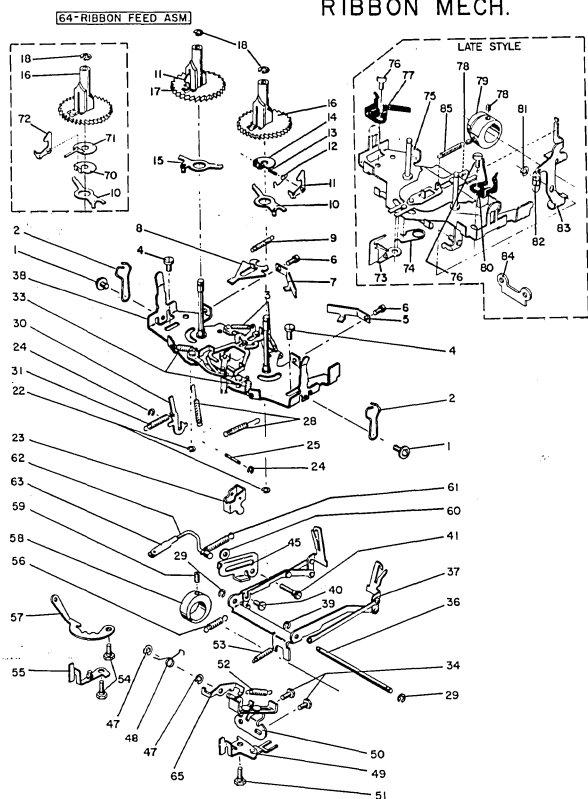


PAPER FEED MECH.



CODE - 576

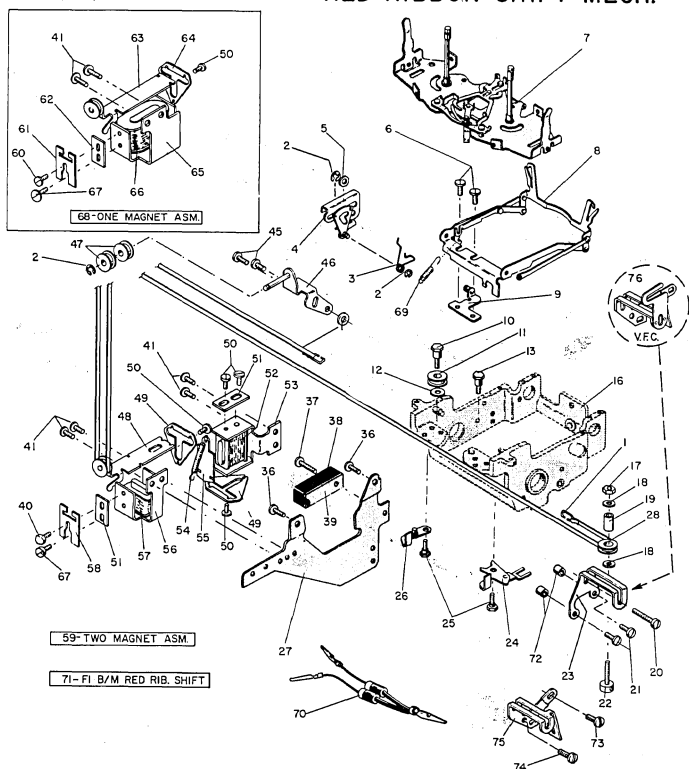
RIBBON MECH.



REF	P/N	SOURCE	DESCRIPTION	REF	P/N	SOURCE	DESCRIPTION
1	1141135		SCREW	60	1124664		SPACER, FOLLOWER
2	1124191		SPRING, RETAINER	61	1090404		SPRING LIFT LINK
3	1091677		SPRING, REV INTERP	62	1124680		LINK, LIFT CONTROL
4	1164580		SCREW MTG	63	1070020		CLEVIS, PIN
5	1124185		SPRING, RH BRAKE	64	1141165		FEED ASM, RIBBON
6	15887		SCREW, BRAKE MTG	64	1166065		FEED ASM-765
7	1132067		SPRING, LH BRAKE	64	1164600		FEED ASM-LATE
8	1124679		LEVER, INTERPOSER	65	1141303		LATCH RIB FEED
9	1091647		SPRING, REV INTERP	USE B/M 1271806 TO INSTALL			
10	1132065		LEVER, REVERSE RH	STENCIL LOCKOUT PARTS ON MACHINES			
11	1124144		TRIGGER, LH REV	BELOW SN 4364790			
11	1124149		TRIGGER, RH REV	70	1141801		BRACKET TRIGGER
12	1124155		SPRING, TRIGGER	71	1141800		SPRING TRIGGER
13	1124146		SHAFT, TRIGGER	72	1141878		TRIGGER LH
14	1132157		BRACKET, TRIGGER	72	1141889		TRIGGER RH
15	1132066		LEVER, REVERSE LH	73	1164241		LEVER
16	1124148		RATCHET ASM, RH	74	1164237		SPRING RIB FEED
17	1124143		RATCHET ASM, LH	75	1164220		PLATE RIB FEED
18	219633		RETAINER, RATCHET	76	1164580		SCREW
22	251989		RETAINER, ARM	77	1128403		SPRING LH
23	1124122		BELLCRANK, FEED	78	257957		SCREW CAM
24	251989		RETAINER, SHAFT	79	1164240		CAM FEED & DETENT
25	1124130		SHAFT, FEED PAWL	80	1128404		SPRING RH
28	1124189		SPRING, RIB CENTER	81	219633		RETAINER
29	219633		RETAINER, SHAFT	82	1091647		SPRING FEED LEV
30	1124127		PAWL, RIBBON FEED	83	1164236		LEVER RIB FEED
31	1074242		SPRING, FEED PAWL	84	1164435		PAD
33	123491		SPRING, DETENT LEV	85	1164239		SPRING FEED PAWL
34	1124826		SCREW, CAM FOLLOWER				
34	1164582		SCREW CAM FOL 1062				
36	1124662		SHAFT, LIFT				
37	1124659		GUIDE ASM, LIFT				
37	1159400		GUIDE 765				
38	1124123		PLATE ASM, RIBBON				
38	1166063		PLATE ASM-765				
38	1135699		PLATE ASM-1062				
39	219633		RETAINER, LINK				
40	1164578		SCREW LIFT ADJUST				
41	1124665		SCREW, FOLLOWER				
45	1124663		FOLLOWER, LIFT				
45	1141353		FOLLOWER 1062 IMCT				
47	1073418		C-CLIP				
48	1141304		SPRING				
49	1124668		LEVER ASM, LOAD				
50	1124151		FOLLOWER ASM, FEED				
50	1141900		FOL ASM 1062 IMCT				
51	1124672		STUD, LOAD LEVER				
52	1073863		SPRING, CAM FOLLOW				
53	1100936		SPRING, LOAD				
54	1124672		SCREW, LIFT LEVER				
55	1124674		LEVER, RIBBON LIFT				
56	1091073		SPRING, LIFT ARM				
57	1124678		LEVER, LIFT CONTROL				
58	1128730		CAM RIBBON LIFT				
58	159507		CAM RIBBON LIFT				
58	1128730		CAM RIB 1062 IMCT				
ABOVE SN 4607632							
59	1127760		SCREW, LIFT CAM				
59	257969		SCREW LF1062 IMCT				

CODE - 579

RED RIBBON SHIFT MECH.



REF	P/N	SOURCE	DESCRIPTION	REF	P/N	SOURCE	DESCRIPTION
1	1159026		TAPE ASM RIB 15 IN	60	1164578		SCREW
2	219633		C-CLIP	61	1128966		BACKSTOP ARM
3	1128722		SPRING	62	1128965		STOP ARMATURE
4	128721		FOLLOWER	63	1159023		ARMATURE ASM
5	1124664		SPACER	64	1128967		PLATE ARM HINGE
6	1164580		SCREW BRKT MTG	65	1128919		CORE ASM MAGNET
7	1128716		PLATE ASM	66	1128910		COIL ASM 48V
8	1128719		GUIDE ASM	66	1280358		COIL ASM 24V
9	1128727		ARM ASM RIB LIFT	67	1132068		SCREW
10	1159009		STUD PULLEY	68	1135214		T-MAGNET ASM
11	1159044		PULLEY CARRIER	69	1124722		SPRING LIFT ARM
12	1138796		SPACER	70	1135643		DIODE ASM CM ANODE
13	1128733		SCREW CORD ANCHOR	70	1159420		DIODE ASM COM CATH
16	1128740		CARRIER CASTING	FOR 1052-1053			
17	37913		NUT	71	1272007		B/M 1 MAG 48V
18	263680		WASHER	71	1272008		B/M 2 MAG 48V
19	1159016		SPACER	72	1124664		SPACER
20	335182		SCREW	73	REF ONLY		SEE CODE 558
21	236552		SCREW	74	REF ONLY		SEE CODE 575
22	1159010		PIVOT SCREW	75	1159810		BRACKET HS CR
23	1159027		BRACKET	76	1166402		PULLEY BRKT VFC
24	1128736		LEVER LOAD				
25	1124672		SCREW MTG				
26	1128738		LEVER LIFT				
27	1128993		BRACKET CONT MTG				
28	1159015		PULLEY RH				
36	1164580		SCREW BKT MTG				
37	438549		SCREW TERM MTG				
38	317767		BLOCK TERM				
39	317766		INSULATOR BLOCK				
40	1127785		SCREW				
41	117759		SCREW CORE MTG				
42	38352		SCREW LH BKT 15 IN				
43	1090970		SPACER BRKT LH				
45	38352		SCREW 15 IN MACH				
46	1159007		BRACKET LH				
47	1159017		PULLEY - NEW				
48	1159020		ARMATURE RED				
49	1128967		PLATE ARM HINGE				
50	1164578		SCREW				
51	1128965		STOP ARMATURE				
52	1135134		COIL ASM BLACK 48V				
52	1266894		COIL ASM 24V				
53	1128959		CORE ASM BLACK RIB				
54	1071691		SPRING ARMATURE				
55	1128969		ARMATURE BLK RIB				
56	1128962		CORE ASM RED RIB				
57	1128964		COIL ASM RED 48V				
57	1266893		COIL ASM 24V				
58	1128966		BACKSTOP ARM				
59	1159028		2 MAG ASM				

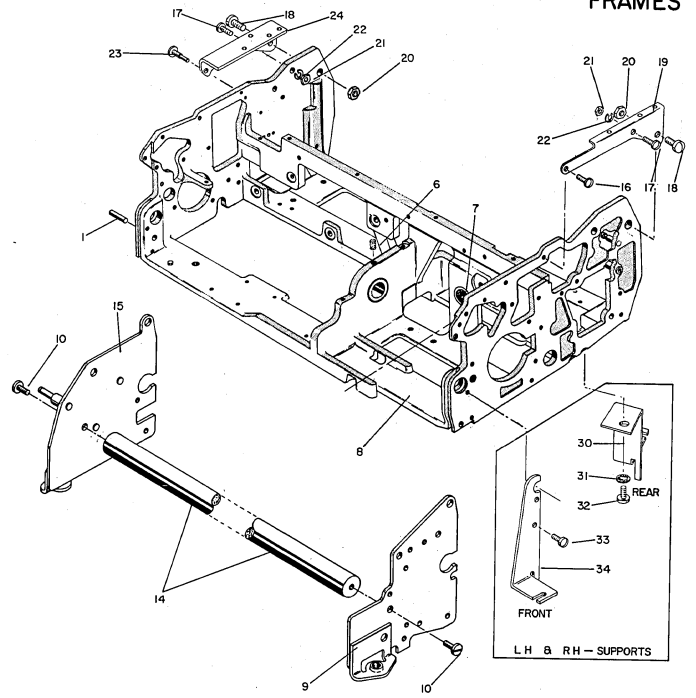
CODE - 580

REF	P/N	SOURCE	DESCRIPTION	REF	P/N	SOURCE	DESCRIPTION
1	326264		PIN 15 IN MACH				
6	1132147		WICK CENTER BEAR				
7	1145359		BEARING ESC SHAFT				
8	FRAME, ASM		POWER ORDER BY MACHINE				
9	1159298		S/N AND CARRIAGE LENGTH 110R 151N				
10	1164576		FRAME RH 15 IN				
14	1135537		SCREW				
15	1135536		TIE BAR				
16	1164576		FRAME LH 15 IN				
17	196758		SCREW PLT MTG CENT				
18	438613		SCREW PLT MTG REAR				
19	1135668		PLATE SIDE FRAME				
20	3960		NUT PLATE SCREW LG				
21	257189		NUT PLT SCR SMALL				
22	1090873		WASHER LOCK				
23	1159206		STUD LH FRONT				
24	1159660		PLATE LH SIDE FRAM				
30	1135667		SUPPORT LH REAR				
30	1135684		SUPPORT RH REAR				
31	65756		WASHER LOCK				
32	438613		SCREW SUPPORT MTG				
33	38351		SCREW SUPPORT MTG				
34	1159418		SUPPORT LH&RH FNT				

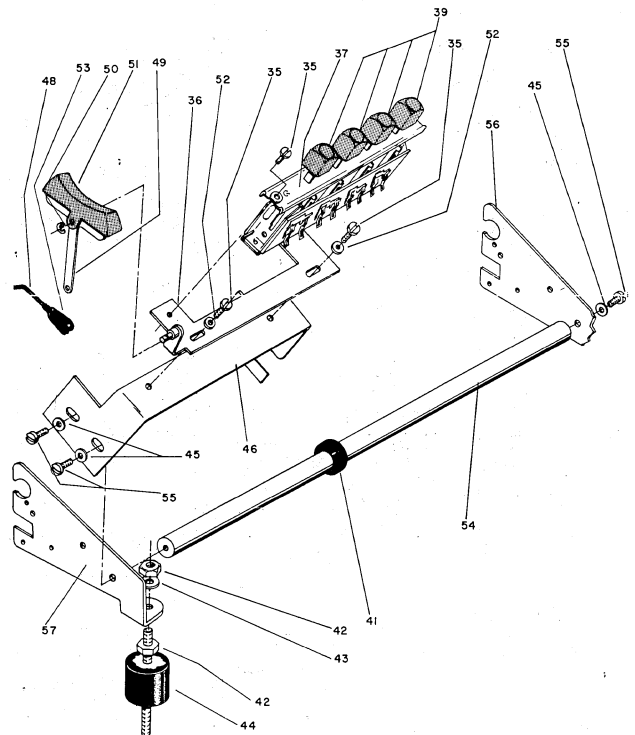
REFERENCES 35 - 57 ARE FOR 765 ONLY

35	1164579		SCREW
36	1159733		BRACKET
37	1119359		SWITCH
38	196299		SCREW
KEYBUTTONS			
39	1117871		SPACE BACKSPACE
39	1119710		CARRIER RETURN
39	1119711		TAB
GROMMET			
41	204362		GROMMET
42	3960		NUT
43	6935		WASHER
44	71729		SHOCKMOUNT
45	257986		WASHER
46	1159732		BRACKET
LINK			
48	1159738		LINK
49	1123520		BELLCRANK
50	1073418		C CLIP
51	1128875		KEYBUTTON
52	257986		WASHER
53	1110529		CLEVIS
54	1135537		TIE BAR
55	1164579		SCREW TIE BAR
56	1159731		FRAME RH
57	1159731		FRAME LH

FRAMES

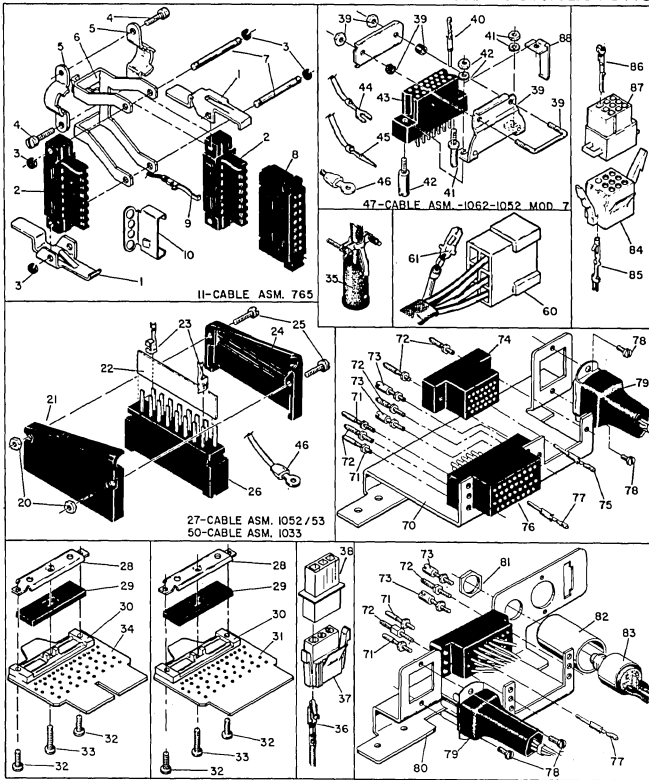


FRONT FRAME & SWITCH ASM.-765



CODE — 581

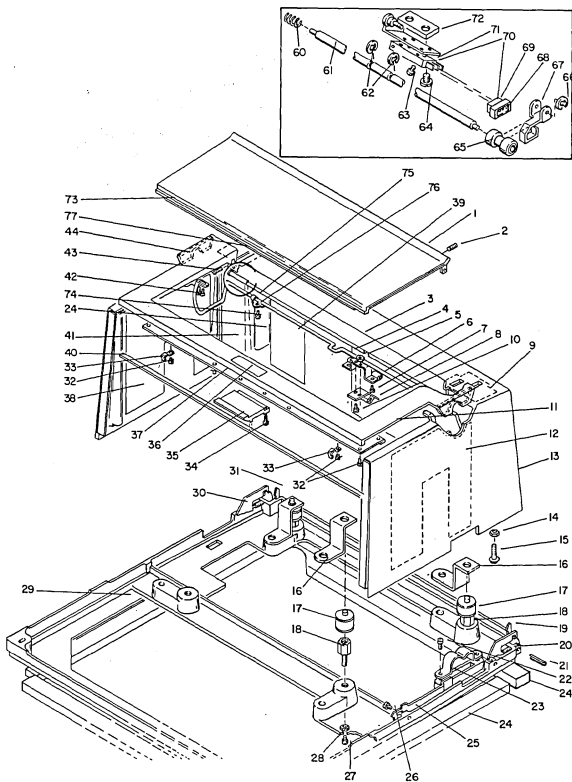
CABLES AND CONNECTORS



REF	PIN	SOURCE	DESCRIPTION	REF	PIN	SOURCE	DESCRIPTION
1	257240		CLIP LOCKING	45	187243		PIN TAPER
2	257244		BLOCK TERM MALE	46	334921		CLIP GROUND
3	219633		RETAINER	47**	827984		CABLE ASM PRINTER
4	3445		SCREW	47	827986		CABLE ASM KEYBOARD
5	257237		CLAMP	47	831970		CABLE ASM CE PANEL
6	257242		BRACKET SUPPORT	47	631602		CABLE ASM 1062
7	441661		STUD 32 POS	46**	334921		CLIP
8	257238		STUD 48 POS	46	257284		CLIP
9	257243		BLOCK TERM FEMALE	50	1166047		CABLE ASM 1033
10	122610		CONTACT	60	523268		HOUSING
11	257241		CLAMP MTG 48 POS	60	609691		HOUSING 1033
12	441662		CLAMP MTG 32 POS	61	523255		TAB
11	1135690		CABLE ASM 765	61	609687		TAB 1033
20	37913		NUT	70	1166481		BRACKET 1800/1052
21	737914		CONNECTOR HALF	71	2122734		GUIDE
22	822761		INSULATOR	72	2123029		GUIDE
23	596255		TERMINAL	73	2122735		GUIDE
24	737915		CONNECTOR HALF	74	2122838		CONNECTOR 26 POS
25	38834		SCREW	75	2127867		PIN CONN
26	737916		CONNECTOR ASM	75	2122258		PIN CONN FOR POS X
27	1159283		CABLE ASM 1052	76	2122257		CONNECTOR 34 POS
27	1159270		CABLE ASM 1053	77	2122258		PIN CONN
27	* 731703		CABLE ASM 1052	77	2122260		PIN CONN FOR POS N
27	* 830191		CABLE ASM 1053	78	7166291		SCREW
28	*USED WITH VERTICAL FORMS CONTROL		CLAMP CABLE CONN	79	1166952		PLUG ASM
28	216208		CLAMP CABLE CONN	80	1166952		BKT 1800/1053 MOD3
29	216233		SPACER	81	179743		NUT
30	216209		SUPPORT	82	1166297		COVER SWITCH
31	747369		CARD	83	1166299		SWITCH
32	338238		SCREW SHORT	84	1166489		HOUSING SOCKET
33	236550		SCREW LONG	85	1166115		SOCKET TERM
34	747369		CARD SLOTTED	86	1166114		PIN TERM
35	317203		CONNECTOR END/FORM	87	1166489		HOUSING PIN TERM
36	609687		CONTACT	88**	2127988		LOCKING SPRING
37	725557		CONNECTOR MALE	88	2127984		LOCKING SPRING
38	725558		CONNECTOR FEMALE	88	2127988		LOCKING SPRING
39	2123032		CLAMP STRAIN REL	**USED ON MOD 7			QUICK DISC PRINTER
39**	2123034		STRAIN REL CLAMP	USED ON MOD 7			QUICK DISC KEYBOARD
39	2123032		STRAIN REL CLAMP	USED ON MOD 7			QUICK DISC CE PANEL
39	2123033		STRAIN REL CLAMP				
40	2122738		PIN CONTACT				
40**	2122258		TERM PIN				
40**	2122260		TERMINAL - USED IN POSITION CC,EE,FF & HH OF 2122471				
40	2122258		TERM PIN				
40	2122260		TERM USED IN POS L				
40	2127867		TERM PIN				
41	2122203		PIN GUIDE				
41**	2122734		GUIDE PIN				
41	2122203		GUIDE PIN				
41	2122734		GUIDE PIN				
42	2122202		SOCKET GUIDE				
42**	2122735		GUIDE SOCKET				
42	2122202		GUIDE SOCKET				
42	2122735		GUIDE SOCKET				
43	2122255		BLOCK MALE 20 POS				
43**	2122471		CONNECTOR 50 POS				
43	2122257		CONNECTOR 34 POS				
43	2122257		CONNECTOR CE PANEL				
44	186967		CLIP				

CODE — 583

COVER ASM.-(W/O TILT-UP)

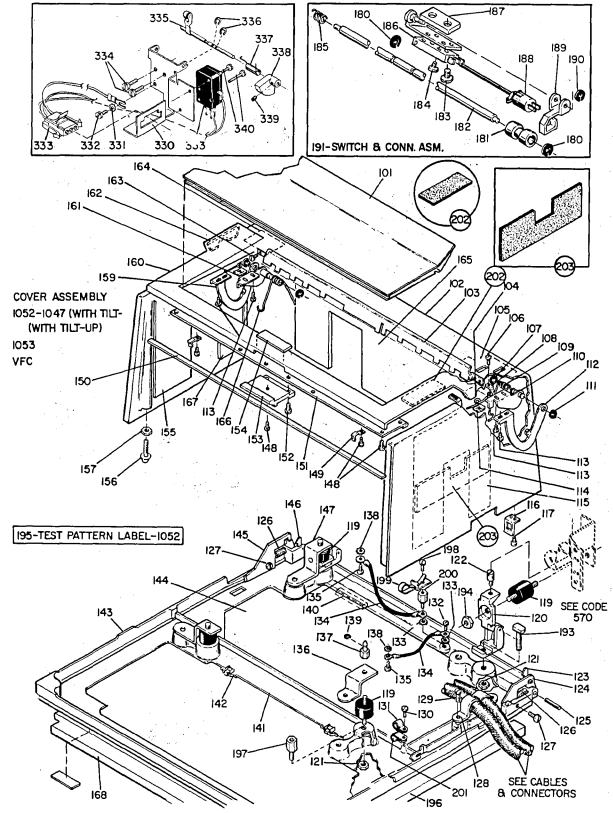


REF	PIN	SOURCE	DESCRIPTION	REF	PIN	SOURCE	DESCRIPTION
1	737601		HOOD ACOUSTIC				
2	55928		SCREW				
3	737604		GUIDE FORMS				
4	118175		HINGE				
5	257187		NUT				
6	1124335		BRACKET HINGE SP				
7	731626		SCREW				
8	1124332		BRACKET ASSEMBLY				
9	737693		SEAL				
10	1164576		SCREW				
11	737940		COVER TOP				
12	737684		INSULATION				
13	737941		COVER REAR				
14	11598		NUT				
15	731574		SCREW				
16	737937		BRACKET				
17	760133		MOUNT				
18	737934		FOOT EXTENSION				
19	737927		LATCH COVER RIGHT				
20	1109044		SPRING				
21	528337		ROLLPIN LATCH RET				
22	731629		SCREW				
23	737614		CLAMP DOUBLE				
24	737904		SEAL FRONT L & R				
24	737905		SEAL REAR ONLY				
25	737610		SLIDE LATCH RH				
26	595632		SCREW				
27	2016843		BUMPER				
28	22349		NUT				
29	734899		BASE PRINTER & K/B				
30	737609		SLIDE LATCH LH				
31	734928		LATCH COVER LEFT				
32	731626		SCREW				
33	734908		LATCH TOP COVER				
34	734483		SCREW				
35	737606		HANDLE COVER				
36	737615		NAMEPLATE				
37	737603		PLATE TOP COVER				
38	737685		INSULATION				
39	737654		INSULATION				
40	737613		SEAL				
41	737653		INSULATION				
42	731631		SCREW				
43	731626		SCREW				
44	737683		INSULATION				
60	1128529		SPRING				
61	729454		ROD CAM ANCHOR				
62	1092125		C CLIP				
63	21636		SCREW SWITCH MTG				
64	731626		SCREW BKT MTG				
65	729451		ROLLER				
66	1073418		C CLIP				
67	737655		FEELER PAPER				
68	609687		CONTACT				
69	597302		CONNECTOR ASM				
70	737659		SWITCH & CONN ASM				
71	512054		SWITCH				
72	737657		BRACKET ASM				
73	95961		GASKET STRIP				
74	731626		SCREW				
75	1138464		CLIP RETAINER				
76	1124336		BRACKET				
77	737692		SEAL				

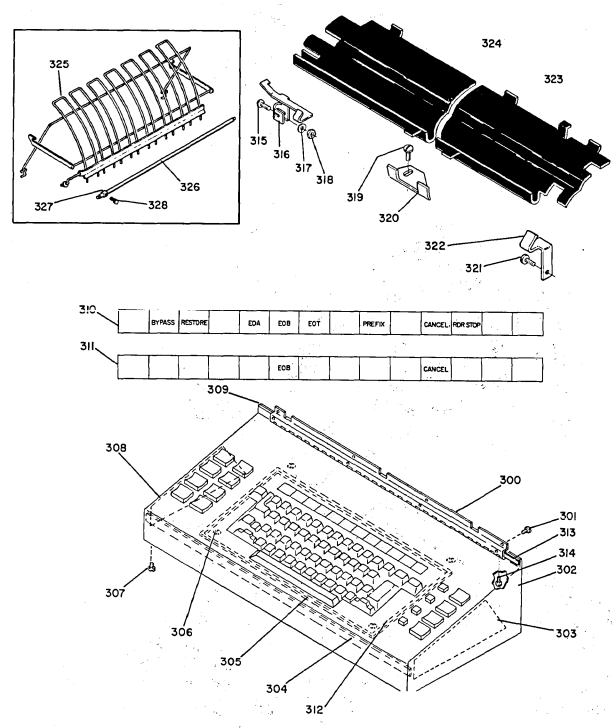
CODE — 585

REF	P/N	SOURCE	DESCRIPTION	REF	P/N	SOURCE	DESCRIPTION
101	737927		HOOD ACOUSTIC	200	759024		STANDOFF
102	1166015		COVER 1053	201	167338		CLAMP 1052 1447
	ABOVE SN 4615607			202	831951		LABEL CHAIN PATH
102	1166015		COVER SIDE EX GRAY	203	731700		INSULATION VFC
102	737941		COVER 1053	300	734911		HINGE PANEL
102	831986		COVER CNT EX WHITE	300	832015		HINGE PANEL 360
102	1166016		COVER CNT EX GRAY	301	731631		SCREW
102	830019		COVER VFC CNT GRAY	302	1166018		COVER KB GRAY
102	1166101		COVER VFC SIDE GRA	302	1166019		COVER KB WHITE
102	831993		COVER VFC WHITE	102	831956		COVER MOD 3 & 5
103	737604		GUIDE FORMS	303	731791		INSULATION
104	737959		SPRING HOOD LATCH	304	737689		INSULATION
105	737693		SEAL	305	737750		INSULATION 2 REQ
106	15887		SCREW	306	731629		SCREW
107	237245		C CLIP	307	731630		SCREW
108	NOT AVAIL.	ORDER REF 110&161&REPL		308	737690		INSULATION
109	737955		SPRING HINGE RH	309	737955		SEAL HINGE
110	737952		SUPPORT HINGE RH	310	734915		STRIP
111	332747		C CLIP	310	831953		STRIP MOD 7
112	737948		HINGE RH	310	737620		STRIP-BLANK
112	731698		HINGE RH VFC	311	831984		STRIP MOD 7
113	734483		SCREW	312	743749		INSULATION 2 REQ
114	219615		NUT SPEED	313	737986		INSULATION 2
115	743762		INSULATION	314	731631		SCREW
115	731698		INSULATION VFC	322	222551		SCREW
116	1166417		STRIKER	316	1141050		CLIP LH
117	734483		SCREW	317	1090970		WASHER
119	743919		MOUNT SHOCK	318	257187		NUT
119	760133		SHOCK MT 1053	319	1164580		SCREW
120	743917		HINGE ASM	320	1138383		CLIP CENTER
121	743762		NUT SHOULDER 1052	321	1117759		SCREW
121	831096		COVER FRONT 1447	322	1141051		CLIP RH
121	725786		STUD REAR 1447	323	1141645		SHIELD RH
121	22349		NUT 1053	324	1141649		SHIELD LH
122	743764		SCREW SHOULDER	325	737942		GUIDE PAPER
123	734927		LATCH COVER RH	326	737976		SHAFT
124	737610		SLIDE LATCH RH	327	737643		COLLAR
125	528237		ROLLPIN LATCH RET	328	163292		SCREW THUMB
126	1109044		SPRING	330	1166175		BRACKET SWITCH
127	743759		SCREW SHOULDER	331	56722		LOCKWASHER
128	737614		CLAMP	332	1164576		SCREW
128	315838		CLAMP 1053	333	1166181		CONN AND SWITCH A
128	831971		CLAMP 360	334	734483		SCREW
128	832114		CLAMP 1052 MOD 5	335	1166182		SHAFT AND LEVER A
129	5312061		SCREW	336	1073418		RETAINER
130	731630		SCREW	337	1166177		SPRING
131	2102266		CLAMP CABLE MOD 2	338	1166179		CAH
131	301474		CLAMP MOD 1	339	257956		SET SCREW
132	731629		SCREW	340	438550		SCREW
133	56079		LOCKWASHER				
134	534758		JUMPER ASM				
135	38325		SCREW				
136	743765		BRACKET FRONT				
	EXCEPT 1053						
136	737937		BRACKET 1053				
137	743767		STUD				
138	56722		LOCKWASHER				
139	257701		CLIP				
140	737905		SEAL REAR				
141	1160023		COVER KEYBOARD BOT				
142	FOR REF ONLY		COVER NEW COVER				
143	734899		BASE PRINTER & K/B				
143	737945		BASE 1053				
144	1166022		COVER PRINTER BOT				
144	1166021		COVER BOTTOM 1053				
145	737609		SLIDE LATCH LH				
146	734928		LATCH COVER LH				
147	743916		BRACKET LH REAR				
148	731626		SCREW				
149	734908		LATCH TOP COVER				
150	737613		SEAL				
151	737603		PLATE GRAY				
151	831996		PLATE WHITE				
152	734483		SCREW				
153	737606		HANDLE TOP COVER				
153	832029		HANDLE 360				
154	731615		NAMEPLATE 1052				
154	731556		NAMEPLATE 1053				
154	737061		NAMEPLATE 1447				
154	832023		NAMEPLATE 1052 360				
154	2190549		NAMEPLATE 1131				
155	737685		INSULATION				
156	731974		STRIKER ROUND				
157	11598		NUT				
159	737949		HINGE LH				
160	1166017		COVER TOP GRAY				
160	831994		COVER TOP WHITE				
160	830009		COVER VFC GRAY				
160	831995		COVER VFC WHITE				
161	737953		SUPPORT HINGE LH				
162	737683		INSULATION				
163	731626		SCREW				
164	737692		SEAL				
165	737654		INSULATION				
166	737956		SPRING HINGE LH				
167	737653		INSULATION				
168	737904		SEAL 1052 1447				
168	737907		SEAL FMT 1053				
180	1092125		C CLIP				
181	729451		ROLL PAPER FEELER				
182	729454		ROD				
183	731626		SCREW				
184	438540		SCREW				
185	1128529		SPRING				
186	5120544		SWITCH				
186	1159207		SWITCH 360				
187	731783		BRACKET				
188	331122		CONNECTOR				
189	737655		FEELER PAPER				
190	1073418		C CLIP				
191	737659		SWITCH & CONN ASM				
191	827992		SWITCH & CONN 360				
193	743783		STUD HINGE				
194	22349		NUT HINGE STUD				
195	1159868		LABEL 1052				
196	737905		SEAL 1052 1447				
196	737906		SEAL 1053				
197	737934		STUD 1053				
198	28413		SCREW				
199	1159519		STRAP				

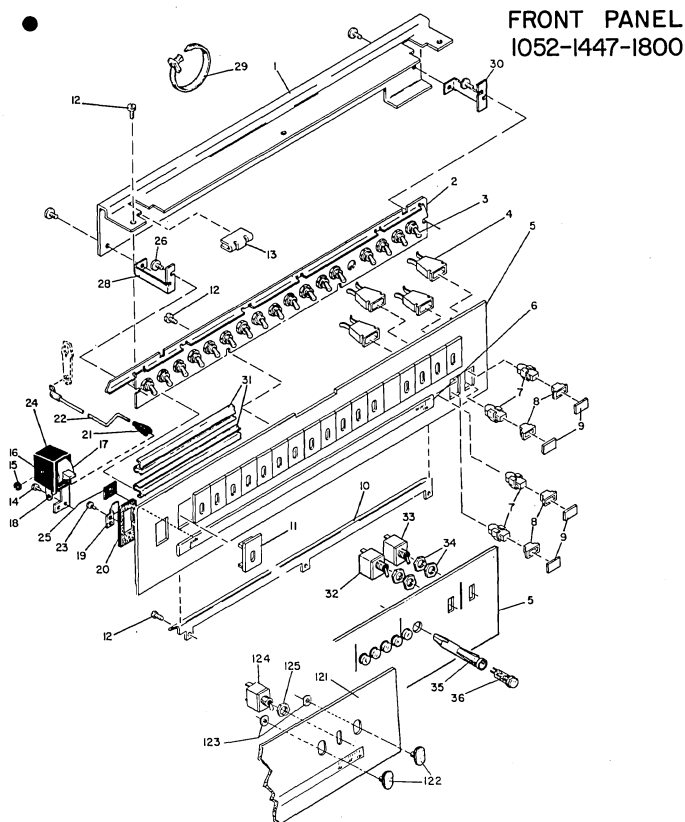
COVERS



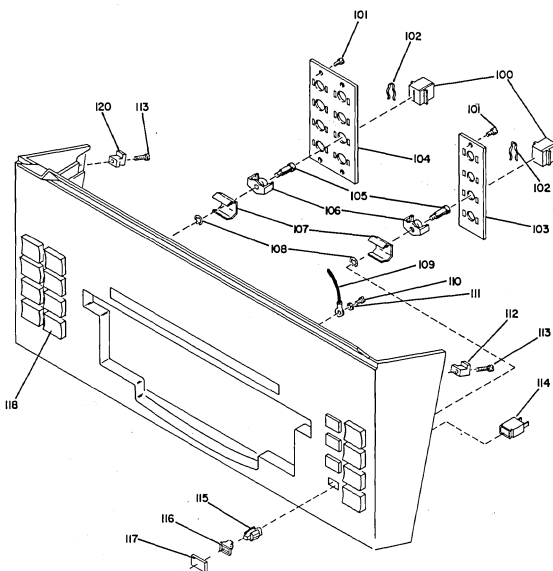
COVERS



CODE — 585



FRONT PANEL



REF	P/N	SOURCE	DESCRIPTION	REF	P/N	SOURCE	DESCRIPTION
1	734914		GUARD SWITCH	36	5353889		INDICATOR -CLEAR
2	737608		PANEL SW MTG 1 & 2	36	5353890		INDICATOR -RED
2	831998		PANEL SW MTG MOD 7	100	725345		SWITCH SINGLE
2	831997		PANEL SW MTG M 3&5	100	479309		SWITCH DOUBLE
2	831957		PANEL MOD 6	101	475870		SCREW
3			SWITCH REF ONLY	102	475871		RETAINER
	SEE SWITCH & CAP CHART			103	734903		PLATE
4	5302505		SOCKET ASM	103	831960		PLATE MOD 3&5
5	737925		PANEL SWITCH 1&2&4	104	734902		PLATE
5	831969		PANEL MOD 3&5	105	475872		PLUNGER
5	831968		PANEL MOD 7	105	831958		PLUNGER MOD 3&5
5	831957		PANEL MOD 6	106	731629		YOKO SWITCH
6	737928		SCALE 10 PITCH	107	475873		RETAINER KEYBUTTON
6	737929		SCALE 12 PITCH	107	831959		RETAINER MOD 3&5
6	*1159911		SCALE 10P	108	1073418		C CLIP
6	*1159912		SCALE 12P	109	734939		JUMPER
	*ABOVE SN 4613806			110	731631		SCREW
6	831987		SCALE 12P MOD 3&5	111	56079		LOCKWASHER
6	831988		SCALE 10P MOD 3&5	112	731572		LATCH RH
7	734857		LAMP	112	731627		SCREW
8	770386		HOLDER LAMP	114	5302505		SOCKET
8	831961		RET LENS MOD 6	115	734857		LAMP
9	5235098		LENS WHITE	116	770386		HOLDER
9	731634		LENS POWER	117	5235098		LENS
9	731633		LENS PROCEED	117	836946		LENS HOME INTL
9	731632		LENS ALARM				
10	734913		MARGIN SET GUIDE				SWITCH BUTTONS
11			SWITCH CAP REF	118	734920		READER START HOME
	ONLY SEE SWITCH & CAP CHART			118	734549		RESET
12	731631		SCREW	118	734921		READER START LINE
13	734909		CATCH TOP COVER	118	731550		READER SKIP
14	731626		SCREW	118	731547		CORRECT
15	1073418		C CLIP	118	734852		DATA CHECK
16	734906		PIIN	118	731551		PUNCH DELETE
17	734904		TOGGLE	118	731548		PUNCH FEED
17	737922		TOGGLE SET/CLEAR	118	734853		RESEND
18	734905		LINK	118	731619		BLANK NO SWITCH
19	734918		STOP PANEL	118	737988		RESET HOME
19	832016		STOP PANEL MOD 7	118	737989		RESET LINE
20	737687		SEAL	118	734850		REQUEST
21	1110529		CLEVIS	118	731545		BLANK MOD 3&5
22	1135541		LINK	118	831972		POWER -WHITE-
23	731631		SCREW	118	831973		RECEIVE ALARM-YEL-
24	734907		HOUSING	118	831974		REQUEST -WHITE-
25	159787		FASTENER SCALE	118	831975		DATA CHECK -WHITE-
26	832025		SCREW	118	831976		PROCEED -GREEN-
27	1164582		SCREW	118	831977		RESEND -WHITE-
28	1159874		STANDOFF	118	831978		READY -BLUE-
29	1159519		STRAP CABLE	118	831979		NOT READY -BLUE-
30	1159875		STANDOFF	120	731573		LATCH LH
31	1166418		CLAMP MOD 3 & 5	121	1166496		PANEL 1800
32	738827		SWITCH MOD 7	122	1166398		CAP
33	738826		SWITCH MOD 7	123	1138483		RETAINER
33	734879		SWITCH MOD 6-3 REQ	124	1166957		SWITCH
34	179743		NUT	125	179743		NUT
35	5353888		HOUSING				

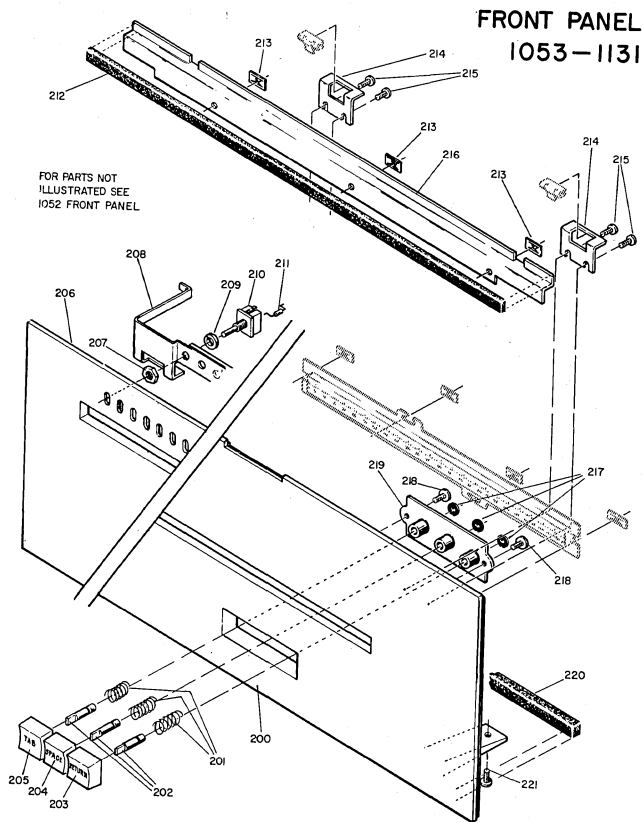
Operation	Function	Cap # (Metal)	Cap #	Sw #
Auto Fill	On/Off	832090	731589	734879
CPU	On/Off	832044	743939	734879
EOB	Manual/Auto	832096	731594	734879
Keyboard	On/Off	832128	737996	734879
Keyboard	Send/Off/Home	832038	731583	737901
Master	On/Off	832032	737979	734879
Printer 1	On/Off	832106	737894	734879
Printer 1	Rec/Send Rec/Send		731597	737901
Printer 1	Rec/Send Rec/Home	832034	731581	737901
Printer 2	On/Off	832126	737895	734879
Printer 2	Rec/Send Rec/Send		731598	737901
Printer 2	Rec/Send Rec/Home	832036	731582	737901
Punch	Normal/Bksp	832092	731590	734879
Punch 1	On/Off		827969	734879
Punch 1	Rec/Off/Home		731586	734878
Punch 2	On/Off	832134	827967	734879
Punch 2	Rec/Off/Home	832046		737616
			731587	734878
Reader 1	On/Off		827971	734879
Reader 1	Send/Off/Home		731584	737616
Reader 2	On/Off	832132	827968	734879
Reader 2	Send/Off/Home	832042		734878
			731585	737616
RDR Stop	Stop	832138	827970	737995
RDR Stop	Line/Off/Home	832104	731593	734886
Single Cy	Line/Off/Home	832102	734925	734878
Single Cy	On/Off	832136	737993	734879
Stop Code	Sense/Off	832048	731588	734879
System	Attend/Unattend	832030	731579	734879
System	Dial Disc	832098	734924	737995
System	Program/Dup	832094	731591	734879
Test	On/Off	832100	731596	734879
Blank	Used Without Switch	831950	737965	

CODE - 586

PAGE 26

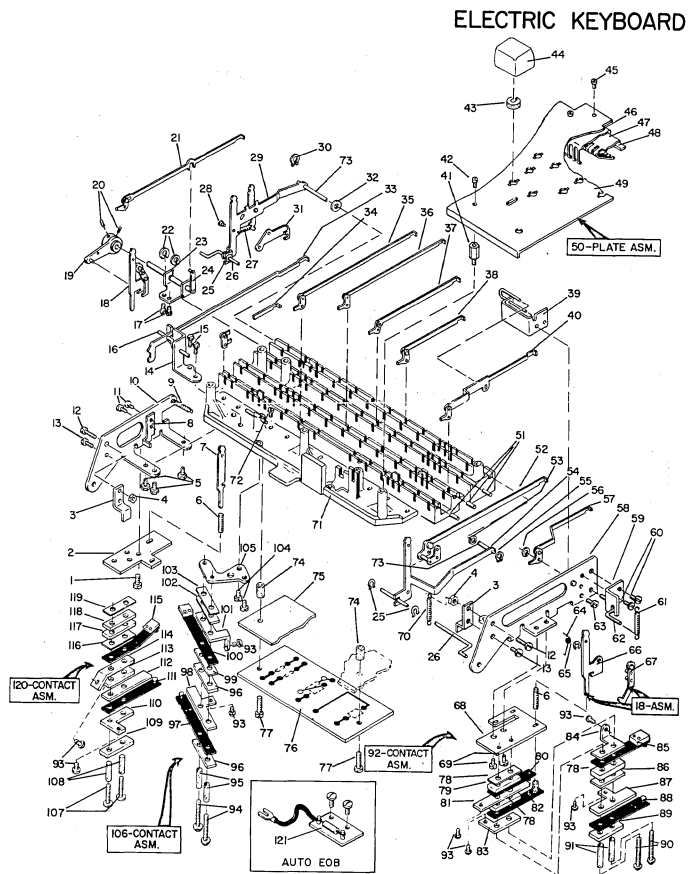
REF	P/N	SOURCE	DESCRIPTION	REF	P/N	SOURCE	DESCRIPTION
200	737926		PANEL 1053				
201	94388		SPRING				
202	734929		KEYSTEM				
203	1135563		BUTTON				
204	1135562		BUTTON				
205	1135564		BUTTON				
206	1166096		PANEL 1131				
207	179743		NUT				
208	1166094		BRACKET SWITCH				
209	256469		WASHER				
210	1166086		SWITCH-16 REQ				
211	216438		RESISTOR-470 OHM				
212	737613		INSULATION				
213	159787		FASTENER				
214	734910		BRACKET LATCH				
215	731626		SCREW				
216	731615		PLATE				
217	257701		RETAINER				
218	731626		SCREW				
219	734930		BAR MOUNTING				
220	737938		INSULATION				
221	731630		SCREW				

CODE - 586

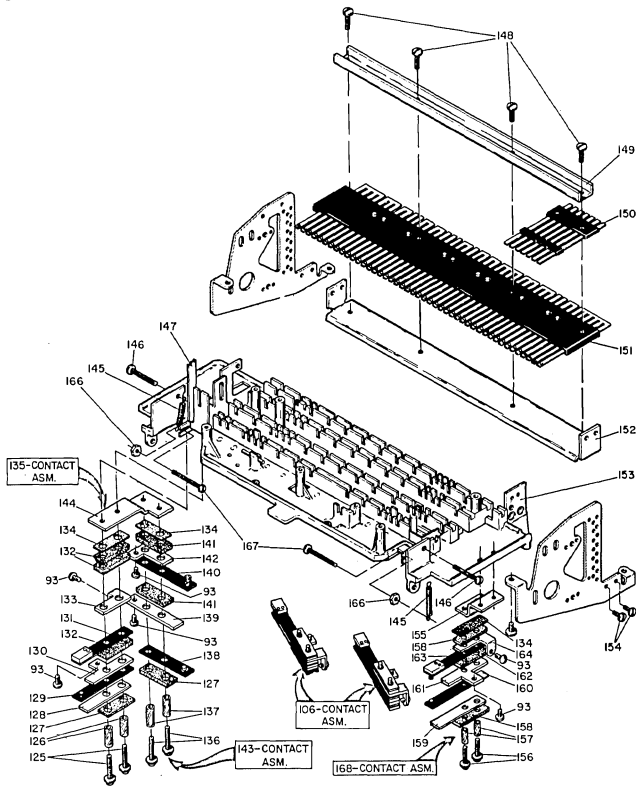


REF	P/N	SOURCE	DESCRIPTION	REF	P/N	SOURCE	DESCRIPTION
1	38279		SCREW	63	38279		SCREW
2	5318652		PLATE TAB KEY LOW	64	5318710		SPRING
3	5318589		GLIDE SHIFT BAIL	65	1073418		RETAINER
4	38051		SCREW	66	5318595		STEM KEY
5	1090968		SCREW	67	5318637		PAWL ASM
6	219203		SPRING COMP	68	5318655		PLATE
7	5318630		STEM KEY	69	38279		SCREW
8	5318654		BRACKET SHIFT LOCK	70	57822		SPRING EXT
9	123552		SPRING	71	5398695		PLATE GUIDE
10	5318623		PLATE ASM LH	72	140738		SCREW
11	1164582		SCREW	73	5318588		SHAFT
12	322065		SCREW	74	100359		INSULATION
13	1117759		SCREW	75	5318718		INSULATION CKT CAR
14	5318595		BRACKET SPACE BAR	76	5318716		CARD ASM STROBE DE
15	325624		SCREW PUSH ROD PL	76	831989		CARD ASM MOD 7
16	5318643		BAIL SPACE	77	1164583		SCREW
17	38263		SCREW	78	311823		HOLDER
18	5318539		KEY ASM TAB LINE F	79	4108		BLOCK INSUL
18	1166052		KEYLVR ASM INQUIRY	80	116374		CONTACT ASM
19	5318616		ARM ASM TAB BAIL	81	227522		TERMINAL
20	257956		SCREW SET	82	300342		LEAF ASM
21	5318590		BAR ASM LATCHPULL	83	1882		TERMINAL
22	257701		CLIP SPRING TENS	84	24957		STRAP ASM TERM
23	5318626		BRACKET BAIL GUIDE	85	106988		CONTACT LOWER CARD
24	361868		BAIL ASM TAB KEY	86	25984		SUPPORT
25	1118361		RING GRIP	87	152711		TERMINAL
26	5318651		BAIL SHIFT	88	107070		CONTACT ASM LOWER
27	123552		SPRING	89	2819		INSULATION
28	358174		SCREW	90	173210		SCREW
29	5318619		LEVER ASM LH SHIFT	91	100212		INSULATION SCREW
30	1118361		RING GRIP	92	5318689		CONTACT ASM
31	5318625		BRACKET LH SHFT KY	92	1166172		CT ASM INQ CAN1014
32	22066		WASHER	92	1166173		CONT INQ 1415-7040
33	227529		BAR SPACE LAT PULL	92	1166174		CT ASM INQ 1620
34	5318620		BAR ASM SHFT PULL	93	118418		SCREW TERM
35	219347		BAR ASM LATCH PULL	94	173202		SCREW
36	219229		BAR ASM LATCH PULL	95	114045		INSULATION SCREW
37	219346		BAR ASM LATCH PULL	96	2819		INSULATION
38	219202		BAR ASM LATCH PULL	97	107070		CONTACT LOWER
39	5318653		BRACKET	98	2166172		TERMINAL
40	5318662		BAR ASM CR LAT PUL	99	122238		INSULATION
41	5318629		STUD	100	106988		CONTACT
42	1117759		SCREW	101	24958		TERMINAL
43	5318665		BUMPER KEY-ALTCODE Q AND BACKSPACE	102	359785		INSULATION
43	219204		BUMPER KEY-SB & CR	103	311823		HOLDER
43	382862		BMPR KEY-SHIFT LOK	104	4236		SCREW
43	213274		BMPR KEY-DEAD KEY	105	5318591		BRACKET TAB SW
43	361864		BUMPER KEY-OTHERS	106	5318640		CONTACT ASM TAB
44	REF ONLY-SEE CHART THIS MECH CODE			107	173207		SCREW
45	38271		SCREW	108	100226		INSULATION SCREW
46	219278		CHANNEL HOOK	109	4108		INSULATION
47	227501		SPRING HOOK	110	138709		TERMINAL
48	277502		NUT PLATE	111	107070		CONTACT
49	5318597		PLATE	112	4792		SUPPORT
50	5318601		PLATE ASM SUPPORT	113	25984		INSULATOR
51	219209		SHAFT BELL CRANK	114	342121		TERMINAL
52	5318641		BAR ASM RH SHFT LA	115	106988		CONTACT
53	22066		WASHER	116	122238		INSULATION
54	5318592		LEVER SHIFT	117	4108		INSULATION
55	1118361		RING GRIP	118	2819		INSULATION
56	1073418		RETAINER	119	311823		HOLDER
57	5318646		BAR ASM BS LAT PUL	120	5318688		CONTACT ASM ACT CO
58	5318624		PLATE ASM RH	121	1166248		BLOCK ASM TERM
59	5318646		BRACKET				
60	196298		SCREW				
61	1091074		SPRING				
62	5318642		BAIL				

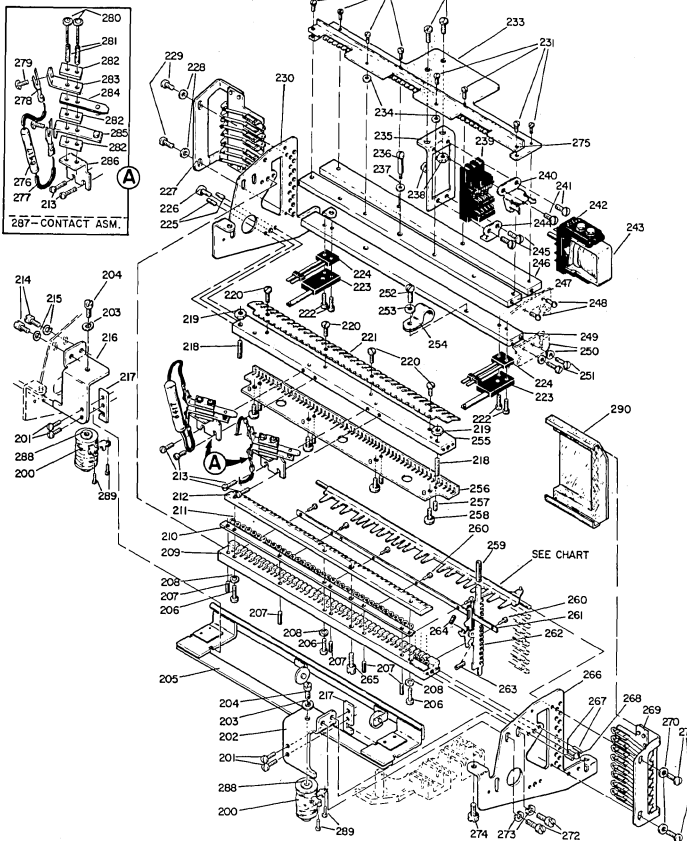
CODE - 587



1816 ELECTRIC KEYBOARD



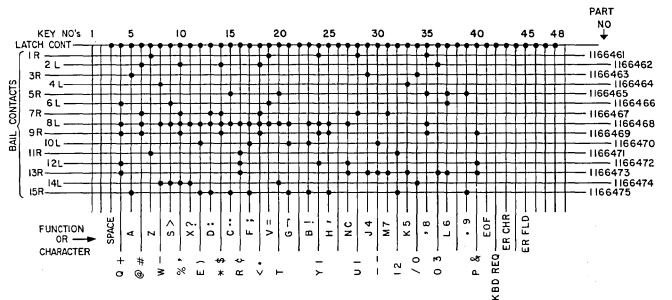
ELECTRIC KEYBOARD



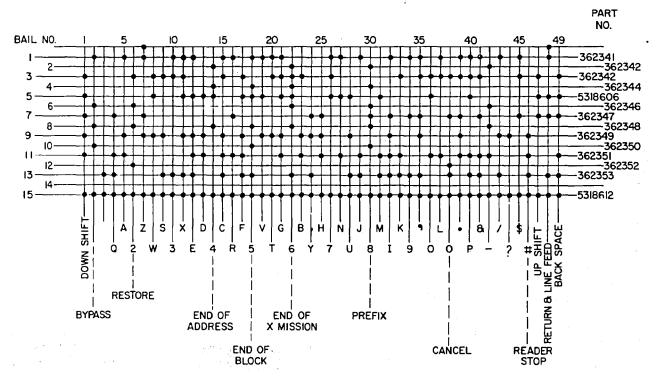
REF	P/N	SOURCE	DESCRIPTION	REF	P/N	SOURCE	DESCRIPTION
125	173219		SCREW	229	4236		SCREW
126	100134		INSULATION SCREW	230	313351		PLATE SIDE
127	25984		INSULATOR	231	4236		SCREW
128	1166478		SUPPORT	232	52007		SCREW
129	107070		CONTACT	233	5318599		GUIDE PERM BAR
130	21866		TERMINAL	234	150109		WASHER
131	106988		CONTACT	235	5318707		BRACKET RELAY MTG
132	4108		INSULATOR	236	219288		SCREW
133	24958		TERMINAL	237	49901		WASHER .010 THICK
134	311823		HOLDER CONTACT	237	110542		WASHER 1/64 THICK
135	1166475		CONTACT ASM NUM	237	1105331		SHIM
136	173204		SCREW	237	305271		WASHER .003 THICK
137	100359		INSULATION SCREW	238	6503		NUT
138	116374		CONTACT	239	159942		MOLDING ASM TERM
139	227522		TERMINAL	240	159945		CLIP TERM MTG
140	1166480		CONTACT	241	198363		SCREW CLIP MTG
141	4108		INSULATOR	242	149878		WIRE CONTACT
142	138709		TERMINAL	243	196198		RELAY ASM 6 POS
143	1166479		CONTACT ASM KB RES	244	308704		CLIP HOLDING
144	1166459		BRACKET CONTACT	245	198363		SCREW CLIP MTG
145	57822		SPRING	246	313353		BAR SW PL MTG
146	38359		SCREW	247	313354		BAR COMB
147	362395		KEYLEVER SHIFT LH	248	294		SCREW
148	38255		SCREW	249	5318683		BAR CONTACT MTG
149	5367162		BRACKET CLAMP	250	163899		WASHER LOCK
150	219381		CONTACT ASM	251	52607		SCREW
151	1166488		CONTACT ASM	252	2300		SCREW
152	1166397		BRACKET MTG	253	22478		WASHER
153	362314		PLATE GUIDE	254	101922		CLAMP 1/2 ID
154	4236		SCREW	255	5318666		BAR BAIL GUIDE MTG
155	1166458		BRACKET CONT	256	219237		PLATE COMB BAIL ST
156	173203		SCREW	257	133798		SCREW
157	100444		INSULATOR	257	196299		SCREW
158	25984		INSULATOR	258	219226		SCREW
159	1166478		SUPPORT	259	335321		SPRING POS 1 & 47
160	107070		CONTACT	260	311483		SPRING OTHER POS
161	152711		TERMINAL	261	219226		SCREW
162	2819		INSULATOR	262	219357		PLATE LATCH
163	106988		CONTACT	263	219224		LATCH ASM INC SPRG
164	24957		TERMINAL	264	219324		SPRING
165	362384		KEYLEVER SHIFT RH	264	219323		SPRING
166	7341		NUT	264	219472		SCREW
167	173213		SCREW	266	313350		PLATE SIDE
168	1166477		CONTACT ASM ALPHA	267	7371		PIN
200	1119990		COIL ASM NO CORE	268	294		SCREW
201	196299		SCREW	269	5318704		PLATE ASM CONT RH
202	219244		YOKE RH MAGNET	270	1866		WASHER
203	9092		WASHER	271	4236		SCREW
204	24752		SCREW	272	2300		SCREW
205	5318664		BAIL ASM RESTORE	273	22478		WASHER
206	673		SCREW	274	38368		SCREW
207	134998		DOWEL LATCH BAR	275	313355		GUIDE UPPER BAIL
208	105047		WASHER LOCK	276	2102626		RESISTOR ASM
209	219225		BAR LATCH				150 OHM 10 WATT
210	219272		GUIDE INTLK	277	317304		TUBING
211	219232		ROLLER KEY INTL	278	435599		TERMINAL LUG
212	219232		BAR HOOK	279	118418		SCREW TERM
213	4236		SCREW	280	173205		SCREW
214	2300		SCREW	281	100229		INSULATOR SCREW
215	22478		WASHER	282	204843		INSULATION
216	219213		YOKE MAGNET LH	283	204839		TERMINAL
217	219268		PIVOT ARMATURE	284	205608		CONTACT STRAP
218	219325		STUD STOP	285	204848		CONTACT
219	11598		NUT	285	219368		BRACKET CONT MTG
220	196299		SCREW	287	219369		CONTACT ASM
221	219236		GUIDE BAIL LWR	288	5318723		CORE
222	175235		SCREW	289	53042		SCREW
223	5318682		CONTACT LATCH COM	290	734918		SHIELD
224	308633		CONTACT STRAP LAT				
225	7371		PIN				
226	294		SCREW				
227	5318708		PLATE ASM CONTACT				
228	1866		WASHER				

CODE - 587

1816 PERMUTATION CODE CHART

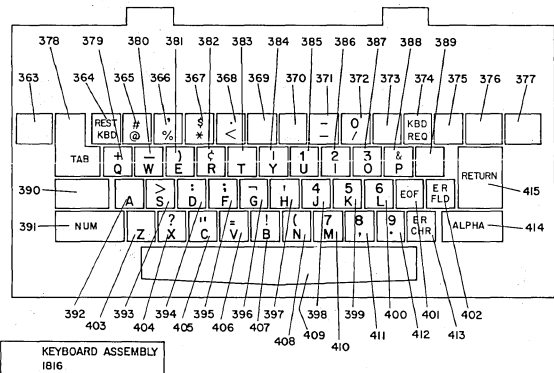
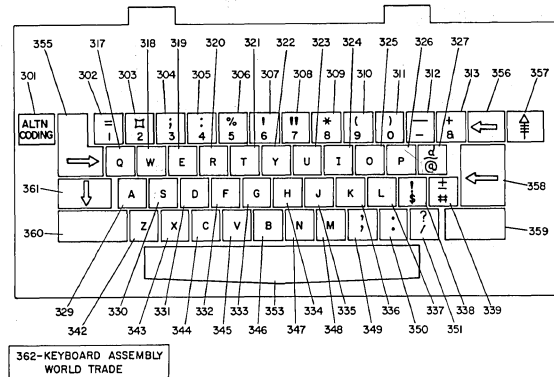
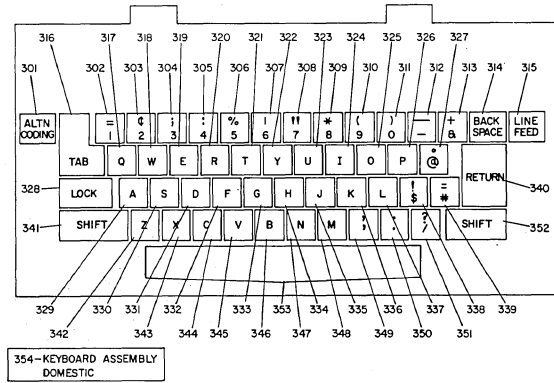


LATCH & PERMUTATION CODE CHART

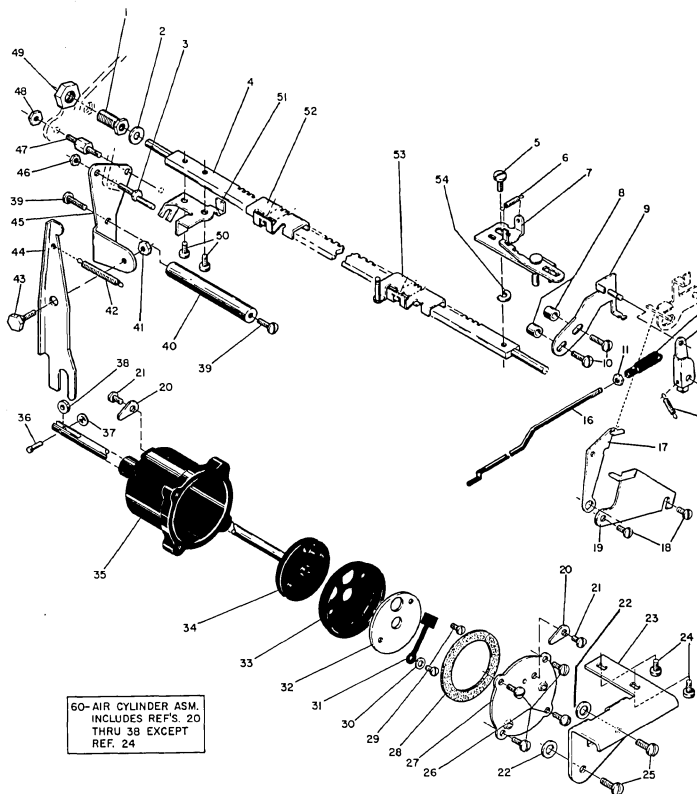


REF	P/N	SOURCE	DESCRIPTION	REF	P/N	SOURCE	DESCRIPTION
301	5318697		BUTTON	400	1133479		BUTTON
302	1158160		BUTTON STAND GRAPH	401	1178222		BUTTON
302	1158467		BUTTON A&H GRAPH	402	1178223		BUTTON
303	1158466		BUTTON STAND & A	403	1178200		BUTTON
303	1158474		BUTTON H GRAPHICS	404	1178224		BUTTON
304	1158162		BUTTON	405	1178225		BUTTON
305	1133864		BUTTON STAND GRAPH	406	1178226		BUTTON
305	1158468		BUTTON A&H GRAPH	407	1178227		BUTTON
306	1124948		BUTTON STAND & A	408	1178228		BUTTON
306	1158475		BUTTON H GRAPHIC	409	5318699		SPACE BAR
307	1158163		BUTTON STAND GRAPH	410	1133480		BUTTON
307	1158469		BUTTON A&H GRAPH	411	1133482		BUTTON
308	1158164		BUTTON	412	1133481		BUTTON
308	1133867		BUTTON PTTC/8	413	1178229		BUTTON
309	1124951		BUTTON	414	1166323		BUTTON
310	1124952		BUTTON STAND GRAPH	415	5318701		BUTTON
310	1158470		BUTTON A&H GRAPH				
311	1124953		BUTTON STAND GRAPH				
311	1158471		BUTTON A&H GRAPH				
312	1124954		BUTTON STAND GRAPH				
312	1158472		BUTTON A&H GRAPH				
313	1158166		BUTTON STANDARD				
313	1158473		BUTTON A GRAPHIC				
313	1158476		BUTTON H GRAPHIC				
314	5318698		BUTTON				
315	5318698		BUTTON				
316	1124894		BUTTON				
317	1127600		BUTTON				
318	1127601		BUTTON				
319	1127602		BUTTON				
320	1127603		BUTTON				
321	1127604		BUTTON				
322	1127605		BUTTON				
323	1127606		BUTTON				
324	1127607		BUTTON				
325	1127608		BUTTON				
326	1127609		BUTTON				
327	1158477		BUTTON STAND GRAPH				
327	1158478		BUTTON A GRAPHIC				
327	1158479		BUTTON H GRAPHIC				
327	1158717		BUTTON PTTC/8				
328	1132270		BUTTON				
329	1127651		BUTTON				
330	1127652		BUTTON				
331	1127653		BUTTON				
332	1127654		BUTTON				
333	1127655		BUTTON				
334	1127656		BUTTON				
335	1127657		BUTTON				
336	1127658		BUTTON				
337	1127659		BUTTON				
338	1158171		BUTTON				
339	1158172		BUTTON STAND GRAPH				
339	1158480		BUTTON A GRAPH				
339	1159481		BUTTON H GRAPH				
340	5318701		BUTTON				
341	1132263		BUTTON				
342	1127694		BUTTON				
343	1127695		BUTTON				
344	1127696		BUTTON				
345	1127697		BUTTON				
346	1127698		BUTTON				
347	1127699		BUTTON				
348	1127700		BUTTON				
349	1127701		BUTTON				
349	1158766		BUTTON PTTC/8				
350	1127702		BUTTON				
350	1158769		BUTTON PTTC/8				
351	1127703		BUTTON				
352	1127704		BUTTON				
353	5318699		BAR SPACE				
354	381715		STANDARD GRAPHICS				
354	381716		A OPTION GRAPHICS				
354	381716		H OPTION GRAPHICS				
355	1127974		BUTTON				
356	362381		BUTTON				
357	362382		BUTTON				
358	362385		BUTTON				
359	1127934		BUTTON				
360	1127940		BUTTON				
361	1127947		BUTTON				
362	381718		STANDARD GRAPHICS				
362	381719		A OPTION GRAPHICS				
362	381720		H OPTION GRAPHICS				
363	362376		BUTTON				
364	1178232		BUTTON				
365	1178204		BUTTON				
366	1178205		BUTTON				
367	1178206		BUTTON				
368	1178207		BUTTON				
369	1141122		BUTTON				
370	1141122		BUTTON				
371	1178208		BUTTON				
372	1178209		BUTTON				
373	1141122		BUTTON				
374	1178210		BUTTON				
375	1141122		BUTTON				
376	362376		BUTTON				
377	362376		BUTTON				
378	1124894		BUTTON				
379	1178211		BUTTON				
380	1178212		BUTTON				
381	1178213		BUTTON				
382	1178214		BUTTON				
383	1133877		BUTTON				
384	1178215		BUTTON				
385	1133476		BUTTON				
386	1133474		BUTTON				
387	1133475		BUTTON				
388	1178216		BUTTON				
389	1141123		BUTTON				
390	1138949		BUTTON				
391	1166321		BUTTON				
392	1133884		BUTTON				
393	1178217		BUTTON				
394	1178218		BUTTON				
395	1178219		BUTTON				
396	1178220		BUTTON				
397	1178221		BUTTON				
398	1133478		BUTTON				
399	1133477		BUTTON				

KEYBUTTONS



HIGH SPEED CARRIER RETURN



REF	P/N	SOURCE	DESCRIPTION	REF	P/N	SOURCE	DESCRIPTION
1	1123602		BUSHING LH				
2	1159827		WASHER				
3	1166072		ECCENTRIC RACK ADJ				
4	1159805		RACK MARG 10P				
4	1159807		RACK MARG 12P				
5	REF ONLY-SEE CODE 575						
6	1072703		SPRING LATCH				
7	1159809		LATCH ASM				
8	316611		SPACER				
9	1159814		BRACKET ASM				
10	322065		SCREW BKT MTG				
11	1091057		NUT CLEVIS LOCK				
12	1070020		CLEVIS				
13	1159815		CRANK MARG LATCH				
14	1073418		RETAINER				
15	123491		SPRING LATCH CRANK				
16	1166140		LINK MARG RACK LAT				
17	REF ONLY-SEE CODE 569						
18	1164576		SCREW STOP MTG				
19	1159816		STOP CR KEEPER				
20	1018477		PLATE AIR CYL				
21	38350		SCREW PLATE				
22	1107864		SPACER				
23	1159820		BRACKET MTG				
24	1164579		SCREW BKT MTG				
25	58207		SCREW AIR CYL BKT				
26	1164577		SCREW AIR CYL				
27	1100845		COVER AIR CYL				
28	1100842		GASKET				
29	1105627		SCREW VALVE				
30	22478		WASHER VALVE SCREW				
31	1100839		VALVE				
32	1109626		PLATE				
33	1109625		GASKET PISTON				
34	1159666		PISTON				
35	1108813		HOUSING				
36	1100846		PIN				
37	1106027		SPEED CLIP				
38	1100844		ROLLER				
39	322550		SCREW SUPPORT MTG				
40	1159822		SUPPORT LEVER BKT				
41	1090041		NUT PIVOT SCREW				
42	1141838		SPRING LEVER RET				
43	1159824		SCREW PIVOT				
44	1159823		LEVER AIR CYL				
45	1159821		BRACKET LEVER MTG				
46	1142264		NUT ECC STUD MTG				
47	1135546		STUD GEAR GUARD				
48	REF ONLY-SEE CODE 554						
49	10574		NUT LH MARG RACK				
50	1164582		SCREW STOP MTG				
51	1159826		STOP FINAL MARG				
52	REF ONLY-SEE CODE 575						
53	REF ONLY-SEE CODE 575						
54	1159804		STOP RH				
60	1159739		ACM AIR CYLINDER				

CODE — 588

NUMERICAL INDEX

Part No.	Spare Part	Code Ref.	Part No.	Spare Part	Code Ref.	Part No.	Spare Part	Code Ref.	Part No.	Spare Part	Code Ref.
221		557 21	35665		551 58	38350		576 4	107070		587 88
294		587 226	35739		551 118	38350		576 6	107070		587 97
294		587 248	35739		554 53	38350		576 9	107070		587 111
294		587 268	35739		559 12	38350		588 21	107070		587 129
673		587 206	35739		574 207	38351		552 140	107070		587 160
845		583 4	37435		554 72	38351		558 17	108114		562 38
1856		552 84	37435		561 63	38351		571 38	110542		587 237
1856		557 15	37435		569 106	38351		581 33	114045		587 95
1866		587 228	37435		573 2	38352		571 37	116374		587 80
1866		587 270	37913		552 20	38352		572 78	116374		587 138
1882		587 83	37913		552 35	38352		580 42	118418		554 81
1928		551 3	37913		552 72	38352		580 45	118418		561 64
1928		566 115	37913		552 110	38353		576 28	118418		569 120
1928		574 176	37913		552 138	38359		587 146	118418		573 4
1928		575 74	37913		553 43	38368		587 274	118418		587 93
2300		587 214	37913		553 59	38565		558 257	118418		587 279
2300		587 252	37913		554 57	43373		553 58	121521		576 11
2300		587 272	37913		555 18	43373		569 5	121521		576 171
2819		587 89	37913		558 29	45611		558 197	122238		587 99
2819		587 96	37913		558 231	45611		558 208	122238		587 116
2819		587 118	37913		560 27	45624		574 250	122610		583 9
2819		587 162	37913		565 20	45638		552 87	123491		559 10
3960		581 20	37913		566 51	45639		566 248	123491		569 35
3960		581 42	37913		566 243	45639		575 93	123491		579 33
4108		587 79	37913		567 1	47987		552 76	123491		588 15
4108		587 109	37913		567 3	47987		555 13	123552		573 37
4108		587 117	37913		567 79	47987		563 31	123552		575 89
4108		587 132	37913		568 5	47987		574 251	123552		587 9
4108		587 141	37913		568 8	49901		587 237	123552		587 27
4236		587 104	37913		568 12	52359		571 26	125231		571 11
4236		587 154	37913		568 28	52607		587 251	125231		574 237
4236		587 213	37913		569 19	53042		587 289	129242		557 33
4236		587 229	37913		569 34	55729		557 45	133798		587 257
4236		587 231	37913		569 38	55928		585 2	134998		587 207
4236		587 271	37913		569 150	56079		585 133	138709		587 110
4792		587 112	37913		569 160	56079		586 111	138709		587 142
6364		552 105	37913		569 168	56313		552 22	140738		587 72
6503		552 119	37913		574 240	56722		553 138	149878		587 242
6503		587 238	37913		575 81	56722		558 77	150047		561 47
6935		581 43	37913		576 141	56722		558 107	150047		567 32
7341		587 166	37913		580 17	56722		560 59	150109		587 234
7371		587 225	37913		583 20	56722		560 101	150209		555 17
7371		587 267	38051		551 53	56722		562 23	150331		587 237
9092		587 203	38051		552 40	56722		566 16	150735		569 66
10514		555 25	38051		552 104	56722		569 74	150735		574 126
10514		562 22	38051		552 136	56722		576 87	152711		587 87
10574		575 3	38051		554 13	56722		585 138	152711		587 161
10574		588 49	38051		554 16	56772		576 175	159787		586 25
11598		585 14	38051		558 7	57822		587 70	159787		586 213
11598		585 157	38051		558 40	57822		587 145	159942		587 239
11598		587 219	38051		558 76	58207		587 232	159945		587 240
15887		566 45	38051		562 11	58207		588 25	163292		585 328
15887		572 55	38051		562 24	58852		568 23	163899		587 250
15887		579 6	38051		566 18	62031		552 41	167338		585 201
15887		585 106	38051		569 171	65756		581 31	170215		553 115
20038		566 251	38051		572 56	71729		581 44	173202		554 109
20069		574 210	38051		572 106	94388		586 201	173202		561 67
21636		585 63	38051		576 14	95961		585 73	173202		573 13
21866		587 98	38051		587 4				173202		587 94
21866		587 130	38214		552 143	100134		587 126	173203		569 128
22066		572 40	38214		558 46	100212		587 91	173203		587 156
22066		587 32	38214		561 91	100226		587 108	173204		554 108
22066		587 53	38234		552 19	100229		561 68	173204		587 136
22349		585 28	38250		558 178	100229		569 127	173205		554 82
22349		585 121	38255		587 148	100229		587 281	173205		561 67
22349		585 194	38259		555 27	100237		566 295	173205		569 128
22478		587 215	38261		558 20	100359		569 127	173205		587 280
22478		587 253	38261		558 219	100359		587 74	173206		569 128
22478		587 273	38261		575 24	100359		587 137	173207		554 70
22478		588 30	38262		558 13	100464		554 110	173207		587 107
24752		587 204	38262		560 64	100464		561 68	173210		587 90
24957		587 84	38262		566 23	100464		573 12	173213		573 23
24957		587 164	38262		575 19	100464		587 157	173213		587 167
24958		587 101	38263		587 17	101922		587 254	173219		587 125
24958		587 133	38264		583 25	103689		551 49	175235		587 222
25984		587 86	38271		570 140	104278		573 22	177939		574 244
25984		587 113	38271		587 45	105047		587 208	179743		551 67
25984		587 127	38279		587 1	105052		554 71	179743		551 137
25984		587 158	38279		587 63	105052		569 127	179743		583 81
27073		562 20	38279		587 69	106988		587 85	179743		586 34
27435		574 245	38325		585 135	106988		587 100	179743		586 125
27460		573 21	38350		552 5	106988		587 115	179743		586 207
28413		585 198	38350		552 8	106988		587 131	186399		573 58
34512		559 35	38350		558 17	106988		587 163	186712		558 251

NUMERICAL INDEX

Part No.	Spare Part	Code Ref.	Part No.	Spare Part	Code Ref.	Part No.	Spare Part	Code Ref.	Part No.	Spare Part	Code Ref.
186758		581 17	251989		553 38	277502		587 48	339109		561 71
186923		566 209	251989		558 239	300342		587 82	339109		569 105
186967		583 44	251989		572 36	300742		571 34	339109		573 3
187243		583 45	251989		575 11	300761		571 36	342121		587 114
191986		571 18	251989		579 22	301474		585 131	343631		571 25
196198		587 243	251989		579 24	302089		557 38	343632		571 25
196298		587 60	256469		586 209	302090		557 2	343750		570 143
196299		581 38	257186		569 45	302090		557 28	343751		570 135
196299		587 201	257187		552 1	302090		562 27	343761		570 136
196299		587 220	257187		552 95	302090		573 48	343765		570 132
196299		587 258	257187		553 55	302131		557 3	344239		566 294
198363		587 241	257187		559 18	302131		562 29	344308		571 25
198363		587 245	257187		559 30	302131		573 47	344309		571 25
204362		581 41	257187		560 27	303538		551 131	355341		562 4
204839		587 283	257187		560 112	304145		570 131	357820		554 35
204843		587 282	257187		565 35	305271		587 237	357820		554 130
204848		587 285	257187		565 54	308459		577 33	358174		557 16
205329		557 29	257187		570 6	308633		587 224	358174		566 52
205608		587 284	257187		570 158	308704		587 244	358174		572 90
210921		573 55	257187		585 5	310519		571 25	358174		587 28
215150		570 144	257187		585 318	311072		577 51	358509		555 14
216208		583 28	257189		581 21	311483		587 260	358509		566 292
216209		583 30	257237		583 5	311823		587 78	359785		587 102
216233		583 29	257238		583 7	311823		587 103	361864		587 43
216438		586 211	257240		583 1	311823		587 119	361868		587 24
219202		587 38	257241		583 10	311823		587 134	362314		587 153
219203		587 6	257242		583 6	313274		587 43	362376		587 363
219204		587 43	257243		583 8	313350		587 266	362376		587 376
219209		587 51	257244		583 2	313351		587 230	362376		587 377
219213		587 216	257284		583 46	313353		587 246	362381		587 356
219224		587 263	257701		585 139	313354		587 247	362382		587 357
219225		587 209	257701		586 217	313355		587 275	362385		587 358
219226		587 261	257701		587 22	315838		585 128	362388		587 165
219229		587 36	257956		574 208	316611		588 8	362395		587 147
219232		587 212	257956		587 20	316744		566 118	364816		561 49
219235		587 211	257957		558 31	316744		566 129	381715		587 354
219236		587 221	257957		558 45	317248		583 35	381716		587 354
219237		587 256	257957		558 157	317304		587 277	381716		587 354
219244		587 202	257957		569 162	317764		570 139	381718		587 362
219262		587 259	257957		572 96	317766		580 39	381719		587 362
219268		587 217	257957		574 137	317767		570 141	381720		587 362
219272		587 210	257957		575 35	317767		580 38	382862		587 43
219278		587 46	257957		579 78	322065		551 117	435599		587 278
219281		587 150	257958		558 73	322065		561 50	438540		566 246
219288		587 236	257959		558 10	322065		566 232	438540		574 202
219325		587 218	257959		558 151	322065		569 3	438540		585 184
219333		587 264	257961		558 50	322065		569 67	438541		574 202
219346		587 37	257965		577 43	322065		587 12	438541		574 249
219347		587 35	257968		571 43	322065		588 10	438542		563 34
219357		587 262	257969		558 39	322550		553 9	438542		574 247
219368		587 286	257969		560 10	322550		588 39	438549		551 133
219369		587 287	257969		560 91	322551		554 53	438549		554 6
219472		587 265	257969		565 6	322551		585 315	438549		557 1
219615		585 114	257969		567 9	322552		551 151	438549		562 28
219633		554 31	257969		567 45	324221		560 2	438549		566 116
219633		557 42	257969		571 20	324221		560 14	438549		570 142
219633		566 131	257969		572 35	324221		560 81	438549		573 49
219633		566 224	257969		572 69	324497		560 31	438549		580 37
219633		571 14	257969		572 136	324497		560 121	438554		558 161
219633		574 133	257969		579 59	325624		587 15	438566		575 1
219633		579 18	257971		558 50	326119		554 76	438613		581 18
219633		579 29	257975		560 25	326119		561 62	438613		581 32
219633		579 39	257979		560 111	326119		569 107	438622		570 138
219633		579 81	257984		570 14	326119		573 7	441162		575 87
219633		580 2	257985		566 288	326264		581 1	441661		583 7
219633		583 3	257985		572 102	331122		585 188	441662		583 10
219743		572 75	257986		581 45	332747		552 124	472729		558 33
227501		587 47	257986		581 52	332747		552 144	472729		558 71
227522		587 81	263680		552 6	332747		585 111	473104		571 32
227522		587 139	263680		558 185	333182		580 20	475870		586 106
227529		587 33	263680		580 18	334921		583 46	475871		586 102
236550		557 27	264641		558 235	334921		583 46	475872		586 105
236550		569 173	264641		559 3	335321		587 259	475873		586 107
236550		583 33	264641		569 55	338169		561 92	479309		586 100
236552		580 21	264641		570 17	338169		562 39	480517		571 12
236571		558 171	264641		572 82	338183		558 77	512054		585 71
236571		571 7	264641		573 26	338238		553 60	512054		585 186
236571		577 11	264641		575 69	338238		558 261	523255		583 61
236571		577 44	264998		576 2	338238		559 19	523268		583 60
237245		558 34	265195		553 70	338238		566 254	528337		585 21
237245		585 107	265195		559 16	338238		569 17	528337		585 125
251015		577 4	265195		560 39	338238		569 165	528552		576 32
251350		576 45	265195		560 115	338238		583 32	534758		585 134
251970		561 37	265195		576 174	339107		561 66			

Part No.	Spare Part	Code Ref.	Part No.	Spare Part	Code Ref.	Part No.	Spare Part	Code Ref.	Part No.	Spare Part	Code Ref.
595632		585 26	734483		585 152	737905		585 196	827920		571 25
596255		583 23	734549		586 118	737906		585 196	827922		571 25
597302		585 69	734850		586 118	737907		585 168	827950		571 25
609687		583 36	734852		586 118	737914		583 21	827984		583 47
609687		583 61	734853		586 118	737915		583 24	827986		583 47
609687		585 68	734857		586 7	737916		583 26	827992		585 191
609691		583 60	734857		586 115	737922		586 17	830009		585 160
629539		559 39	734879		586 33	737925		586 5	830019		585 102
629595		559 37	734899		585 29	737926		586 200	830191		583 27
629596		559 38	734899		585 143	737927		585 101	830192		571 9
630300		551 52	734902		586 104	737928		586 6	830193		571 23
631602		583 47	734903		586 103	737929		586 6	830195		571 63
725345		586 100	734904		586 17	737934		585 18	830196		571 63
725557		583 37	734905		586 18	737934		585 197	830198		571 62
725558		583 38	734906		586 16	737937		585 16	830199		571 62
725786		585 121	734907		586 24	737937		585 136	831096		585 121
729451		585 65	734908		585 33	737938		586 220	831951		585 202
729451		585 181	734908		585 149	737940		585 11	831953		585 310
729454		585 61	734909		586 13	737941		585 13	831956		585 302
729454		585 182	734910		586 214	737941		585 102	831957		586 2
731545		586 118	734911		585 300	737942		585 325	831958		586 105
731547		586 118	734913		586 10	737945		585 143	831959		586 107
731548		586 118	734914		586 1	737948		585 112	831960		586 103
731550		586 118	734915		585 310	737949		585 159	831961		586 8
731551		586 118	734918		586 19	737952		585 110	831967		586 5
731556		585 154	734918		587 290	737953		585 161	831968		586 5
731559		575 90	734920		586 118	737955		585 109	831969		586 5
731560		575 91	734921		586 118	737956		585 166	831970		583 47
731572		586 112	734927		585 19	737959		585 104	831971		585 128
731573		586 120	734927		585 123	737976		585 326	831972		586 118
731574		585 15	734928		585 31	737985		585 309	831973		586 118
731574		585 156	734928		585 146	737986		585 313	831974		586 118
731615		585 154	734929		586 202	737988		586 118	831975		586 118
731615		586 216	734930		586 219	737989		586 118	831976		586 118
731619		586 118	734939		586 109	738826		586 33	831977		586 118
731626		585 7	737061		585 154	738827		586 32	831978		586 118
731626		585 32	737601		585 1	743749		585 312	831979		586 118
731626		585 43	737603		585 37	743759		585 127	831984		585 311
731626		585 64	737603		585 151	743762		585 121	831986		585 102
731626		585 74	737604		585 3	743763		585 193	831987		586 6
731626		585 148	737604		585 103	743764		585 122	831988		586 6
731626		585 163	737606		585 35	743765		585 136	831989		587 76
731626		585 183	737606		585 153	743767		585 137	831993		585 102
731626		586 14	737608		586 2	743903		561 94	831994		585 160
731626		586 215	737609		585 30	743916		585 147	831995		585 160
731626		586 218	737609		585 145	743917		585 120	831996		585 151
731627		586 113	737610		585 25	743919		585 119	831997		586 2
731629		585 22	737610		585 124	743981		577 52	831998		586 2
731629		585 132	737613		585 40	743982		577 52	832015		585 300
731629		585 306	737613		585 150	743983		577 52	832016		586 19
731629		586 101	737613		586 212	743984		577 52	832023		585 154
731630		585 130	737614		585 23	743985		577 52	832025		586 26
731630		585 307	737614		585 128	743986		577 52	832029		585 153
731630		586 221	737615		585 36	743987		577 52	832114		585 128
731631		585 42	737620		585 310	743988		577 52	836946		586 117
731631		585 301	737643		585 327	743989		577 52	1000223		553 52
731631		585 314	737653		585 41	743991		577 52	1000223		566 241
731631		586 12	737653		585 167	743992		577 52	1012703		570 150
731631		586 23	737654		585 39	743993		577 52	1018477		566 293
731631		586 110	737654		585 165	743994		577 52	1018477		588 20
731632		586 9	737655		585 67	743995		577 52	1066053		557 47
731633		586 9	737655		585 189	743996		577 52	1070020		553 53
731634		586 9	737657		585 72	743997		577 52	1070020		566 240
731673		571 39	737659		585 70	743998		577 52	1070020		569 62
731674		571 33	737659		585 191	743999		577 52	1070020		570 30
731676		571 47	737683		585 44	747369		583 31	1070020		579 63
731677		571 8	737683		585 162	747369		583 34	1070020		588 12
731681		571 8	737684		585 12	759024		585 200	1071449		559 7
731685		571 21	737684		585 115	760133		585 17	1071691		580 54
731686		571 22	737685		585 38	760133		585 119	1072126		573 40
731688		571 15	737685		585 155	770386		586 8	1072454		554 115
731689		571 16	737687		586 20	770386		586 116	1072703		566 261
731690		571 28	737689		585 304	820690		577 13	1072703		567 33
731691		571 31	737690		585 308	820691		577 13	1072703		568 13
731692		571 22	737691		585 303	820734		571 30	1072703		569 53
731698		585 112	737692		585 77	822761		583 22	1072703		576 37
731699		585 115	737692		585 164	827911		571 25	1072703		588 6
731700		585 203	737693		585 9	827912		571 25	1072949		566 63
731703		583 27	737693		585 105	827913		571 25	1073418		551 47
731704		571 29	737750		585 305	827914		571 25	1073418		552 44
731783		585 187	737904		585 24	827915		571 25	1073418		552 81
734483		585 34	737904		585 168	827916		571 25	1073418		552 106
734483		585 113	737905		585 24	827918		571 25	1073418		552 133
734483		585 117	737905		585 140	827919		571 25	1073418		553 122

NUMERICAL INDEX

Part No.	Spare Part	Code Ref.	Part No.	Spare Part	Code Ref.	Part No.	Spare Part	Code Ref.	Part No.	Spare Part	Code Ref.
1073418		558 63	1091743		576 17	1117759		587 13	1123736		552 16
1073418		558 165	1092125		552 15	1117759		587 42	1123741		552 120
1073418		558 168	1092125		552 73	1117871		581 39	1123749		552 2
1073418		560 30	1092125		555 9	1118050		559 33	1123750		552 3
1073418		560 108	1092125		559 24	1118144		559 13	1123751		552 9
1073418		566 236	1092125		561 1	1118145		559 14	1123779		552 134
1073418		566 239	1092125		561 9	1118361		587 25	1123785		558 215
1073418		566 262	1092125		565 9	1118361		587 30	1123807		572 46
1073418		566 297	1092125		566 135	1118361		587 55	1123810		572 67
1073418		568 22	1092125		569 44	1119359		581 37	1123810		572 130
1073418		569 23	1092125		569 153	1119710		581 39	1123812		575 29
1073418		572 48	1092125		570 11	1119711		581 39	1123819		561 12
1073418		572 94	1092125		570 19	1119990		587 200	1123822		558 206
1073418		575 13	1092125		570 31	1123520		581 49	1123823		558 206
1073418		576 161	1092125		572 108	1123526		566 114	1123824		558 206
1073418		579 47	1092125		585 62	1123549		577 10	1123825		558 206
1073418		581 50	1092125		585 180	1123560		560 9	1123827		558 67
1073418		585 66	1099884		570 134	1123566		560 12	1123827		565 25
1073418		585 190	1100523		551 9	1123566		560 94	1123828		558 188
1073418		585 336	1100523		551 42	1123570		560 6	1123829		576 124
1073418		586 15	1100523		553 7	1123570		560 87	1123830		576 128
1073418		586 108	1100523		560 35	1123571		560 47	1123831		565 10
1073418		587 56	1100523		560 45	1123571		560 126	1124082		566 132
1073418		587 65	1100523		560 48	1123572		560 46	1124084		565 28
1073418		588 14	1100523		560 128	1123572		560 125	1124087		565 23
1073449		553 120	1100523		566 2	1123573		560 32	1124094		568 24
1073449		566 56	1100523		566 11	1123573		560 123	1124095		566 43
1073449		566 213	1100523		572 11	1123574		560 44	1124098		565 26
1073449		566 255	1100523		577 2	1123574		560 122	1124098		566 39
1073449		574 134	1100688		570 161	1123575		560 41	1124122		579 23
1073863		561 39	1100839		588 31	1123576		560 43	1124123		579 38
1073863		566 210	1100842		588 28	1123576		560 120	1124127		579 30
1073863		567 25	1100844		588 38	1123577		560 42	1124130		579 25
1073863		568 16	1100845		588 27	1123577		560 119	1124143		579 17
1073863		569 50	1100846		588 36	1123579		560 23	1124144		579 11
1073863		570 38	1100936		565 30	1123580		560 38	1124146		579 13
1073863		579 52	1100936		579 53	1123580		560 113	1124148		579 16
1074145		551 132	1100937		557 9	1123581		560 40	1124149		579 11
1074145		566 19	1100937		559 26	1123581		560 117	1124151		579 50
1074242		566 234	1100937		567 5	1123582		560 33	1124155		579 12
1074242		572 85	1100937		569 139	1123582		560 36	1124158		558 1
1074242		579 31	1100937		569 167	1123582		560 106	1124161		558 2
1074556		561 42	1100938		562 3	1123582		560 127	1124162		558 9
1078469		573 24	1100951		553 127	1123585		561 3	1124163		558 4
1078497		558 216	1100951		577 35	1123588		558 186	1124166		558 36
1090041		588 41	1103695		576 40	1123588		560 1	1124167		558 19
1090050		572 43	1103695		576 130	1123591		561 6	1124168		558 18
1090162		555 10	1104286		551 115	1123591		565 5	1124174		558 51
1090162		561 41	1105627		588 29	1123593		560 26	1124176		558 23
1090162		565 8	1106027		588 37	1123593		560 34	1124178		558 30
1090162		572 88	1107794		557 7	1123593		560 85	1124179		558 181
1090175		574 174	1107795		570 16	1123593		560 107	1124185		579 5
1090254		554 113	1107864		588 22	1123593		561 88	1124188		558 204
1090254		572 103	1108326		563 36	1123594		560 15	1124189		579 28
1090268		552 23	1108350		569 103	1123595		560 4	1124190		558 187
1090268		558 214	1108454		571 25	1123602		575 4	1124191		579 2
1090336		569 174	1108813		588 35	1123602		588 1	1124196		558 155
1090343		553 46	1108819		553 292	1123603		575 33	1124197		558 192
1090394		569 37	1109044		585 20	1123605		575 16	1124204		558 190
1090404		561 7	1109044		585 126	1123610		575 8	1124217		558 163
1090404		579 61	1109625		588 33	1123611		575 7	1124218		558 150
1090472		567 30	1109626		588 32	1123615		575 9	1124219		558 179
1090475		561 44	1110529		565 3	1123618		575 30	1124220		558 193
1090511		558 34	1110529		566 302	1123623		574 127	1124224		558 220
1090568		577 29	1110529		581 53	1123627		569 60	1124234		558 218
1090622		570 7	1110529		586 21	1123628		569 61	1124234		562 15
1090657		558 86	1110668		570 133	1123629		569 64	1124247		553 128
1090873		581 22	1110878		571 25	1123631		569 65	1124247		557 14
1090968		587 5	1115061		551 70	1123640		575 18	1124247		566 44
1090970		574 130	1115382		560 29	1123641		554 34	1124259		572 37
1090970		580 43	1115633		570 157	1123641		554 51	1124261		572 51
1090970		585 317	1115633		576 86	1123677		553 11	1124266		572 59
1091057		552 171	1116023		552 128	1123679		558 38	1124267		572 52
1091057		570 151	1116343		566 235	1123683		554 23	1124268		572 53
1091057		588 11	1117589		561 31	1123685		554 26	1124271		572 70
1091069		574 138	1117759		559 8	1123692		552 26	1124273		572 65
1091073		579 56	1117759		561 37	1123702		552 49	1124284		572 12
1091074		587 61	1117759		566 117	1123704		552 50	1124287		558 47
1091151		576 127	1117759		573 46	1123711		553 82	1124290		566 111
1091618		561 5	1117759		574 200	1123715		552 137	1124292		572 47
1091647		579 3	1117759		574 207	1123718		552 101	1124332		585 8
1091647		579 9	1117759		576 21	1123722		552 121	1124335		585 6
1091647		579 82	1117759		580 41	1123724		552 132	1124336		585 76
1091670		566 49	1117759		585 321	1123725		552 131	1124369		576 8

NUMERICAL INDEX

Part No.	Spare Part	Code Ref.	Part No.	Spare Part	Code Ref.	Part No.	Spare Part	Code Ref.	Part No.	Spare Part	Code Ref.
1124370		576 5	1124801		576 46	1127763		552 72	1128204		565 36
1124371		576 12	1124802		576 13	1127763		552 110	1128215		576 22
1124373		576 7	1124803		576 10	1127763		570 15	1128215		576 88
1124376		576 43	1124811		551 65	1127763		572 101	1128215		576 142
1124377		576 25	1124812		551 68	1127765		566 152	1128216		565 31
1124378		576 27	1124819		572 63	1127767		558 189	1128226		565 19
1124383		576 18	1124821		552 82	1127768		558 189	1128229		576 90
1124388		576 42	1124826		579 34	1127769		558 189	1128234		576 158
1124391		576 1	1124830		558 169	1127770		558 191	1128235		576 165
1124396		570 18	1124831		558 198	1127771		558 191	1128236		576 157
1124397		576 33	1124832		558 213	1127772		558 191	1128236		576 166
1124453		569 27	1124835		558 209	1127773		558 191	1128237		576 155
1124462		566 3	1124836		558 211	1127774		558 191	1128238		576 153
1124463		569 31	1124836		572 127	1127775		558 217	1128239		576 156
1124472		569 32	1124838		558 180	1127785		573 44	1128259		554 50
1124476		567 6	1124879		566 296	1127785		580 40	1128274		576 19
1124478		569 8	1124894		587 316	1127934		587 359	1128274		576 145
1124489		568 10	1124894		587 378	1127940		587 360	1128278		576 170
1124503		566 6	1124948		587 306	1127947		587 361	1128280		576 148
1124506		566 4	1124951		587 309	1127947		587 355	1128281		558 206
1124519		566 9	1124952		587 310	1128008		569 22	1128290		566 61
1124538		565 7	1124953		587 311	1128012		576 38	1128291		566 60
1124555		567 77	1124954		587 312	1128013		576 47	1128301		565 26
1124559		567 75	1127055		551 2	1128017		570 34	1128301		566 50
1124567		569 26	1127055		551 54	1128018		570 27	1128302		570 13
1124572		558 176	1127600		587 317	1128024		568 4	1128303		572 104
1124573		558 175	1127601		587 318	1128025		568 4	1128305		575 64
1124579		576 29	1127602		587 319	1128029		566 122	1128307		575 64
1124600		569 63	1127603		587 320	1128032		565 27	1128316		575 61
1124601		576 123	1127604		587 321	1128037		565 27	1128318		575 75
1124602		576 123	1127605		587 322	1128038		566 122	1128325		569 9
1124610		569 46	1127606		587 323	1128047		558 5	1128326		560 19
1124612		568 6	1127607		587 324	1128048		558 15	1128326		560 61
1124614		568 3	1127608		587 325	1128054		558 6	1128326		560 103
1124615		568 7	1127609		587 326	1128055		552 54	1128336		566 110
1124616		568 21	1127651		587 329	1128062		554 54	1128338		569 8
1124622		552 172	1127652		587 330	1128071		554 55	1128350		576 149
1124624		566 26	1127653		587 331	1128076		570 21	1128352		557 56
1124628		566 25	1127654		587 332	1128079		570 36	1128352		569 30
1124628		569 28	1127655		587 333	1128081		570 35	1128355		572 105
1124629		566 24	1127656		587 334	1128083		570 22	1128356		572 107
1124634		566 21	1127657		587 335	1128084		570 25	1128366		565 18
1124636		552 4	1127658		587 336	1128086		552 141	1128368		566 6
1124638		569 25	1127659		587 337	1128091		552 56	1128374		567 78
1124646		558 21	1127694		587 342	1128095		553 8	1128382		561 89
1124647		558 22	1127695		587 343	1128099		569 24	1128385		566 20
1124648		558 14	1127696		587 344	1128101		565 16	1128386		566 15
1124659		579 37	1127697		587 345	1128105		567 6	1128387		566 14
1124662		579 36	1127698		587 346	1128107		565 29	1128397		569 130
1124663		579 45	1127699		587 347	1128108		566 1	1128400		565 39
1124664		579 60	1127700		587 348	1128113		565 37	1128401		565 40
1124664		580 5	1127701		587 349	1128122		569 18	1128403		579 77
1124664		580 72	1127702		587 350	1128124		566 22	1128404		579 80
1124665		579 41	1127703		587 351	1128124		569 29	1128411		570 9
1124668		579 49	1127714		561 45	1128125		569 16	1128413		560 11
1124672		579 51	1127714		567 29	1128126		558 11	1128413		560 92
1124672		579 54	1127719		574 235	1128127		577 9	1128414		560 7
1124672		580 25	1127722		558 170	1128136		576 23	1128434		558 243
1124674		579 55	1127722		558 244	1128136		576 172	1128436		558 242
1124678		579 57	1127723		558 167	1128138		576 104	1128438		558 249
1124679		579 8	1127727		565 4	1128141		576 105	1128442		558 240
1124680		579 62	1127727		570 37	1128144		553 140	1128449		558 250
1124683		552 7	1127728		565 11	1128150		576 152	1128450		558 162
1124697		572 83	1127730		554 32	1128151		576 168	1128451		558 238
1124702		560 67	1127733		561 33	1128152		576 34	1128455		558 236
1124702		575 22	1127733		565 32	1128161		560 22	1128456		558 230
1124707		552 11	1127733		565 34	1128162		575 2	1128457		558 252
1124707		558 174	1127733		566 12	1128164		575 28	1128458		558 246
1124708		558 177	1127737		569 68	1128166		575 25	1128459		558 232
1124712		558 154	1127738		575 5	1128167		569 59	1128471		572 58
1124722		572 79	1127738		575 26	1128168		569 47	1128483		570 156
1124722		580 69	1127741		552 109	1128169		569 48	1128484		576 85
1124740		551 17	1127741		570 14	1128169		569 159	1128490		551 45
1124744		551 52	1127742		558 162	1128171		575 28	1128492		576 89
1124745		558 156	1127744		566 222	1128175		585 4	1128493		558 245
1124766		569 41	1127745		575 17	1128184		558 12	1128495		558 247
1124767		569 42	1127753		554 55	1128189		572 92	1128503		577 37
1124773		572 41	1127754		554 55	1128190		572 76	1128506		577 37
1124775		569 13	1127755		554 55	1128192		572 87	1128509		577 37
1124775		569 136	1127756		554 55	1128193		572 89	1128512		577 37
1124775		572 45	1127757		554 55	1128195		572 77	1128515		577 37
1124777		576 143	1127760		558 68	1128199		572 80	1128518		577 37
			1127760		579 59	1128201		565 24	1128521		577 38
			1127762		558 35	1128202		568 1	1128522		577 36

NUMERICAL INDEX

Part No.	Spare Part	Code Ref.	Part No.	Spare Part	Code Ref.	Part No.	Spare Part	Code Ref.	Part No.	Spare Part	Code Ref.
1128523		577 27	1128748		569 101	1132211		553 41	1134837		552 129
1128526		577 45	1128749		569 121	1132212		558 16	1134837		576 26
1128527		577 30	1128752		566 228	1132212		566 134	1134841		554 33
1128528		577 31	1128762		566 46	1132218		576 159	1134841		558 44
1128529		577 40	1128768		566 41	1132219		576 164	1134842		554 4
1128529		585 60	1128770		566 40	1132222		576 140	1134842		554 12
1128529		585 185	1128785		572 57	1132230		576 3	1134842		554 21
1128532		576 123	1128831		554 83	1132244		558 164	1134842		558 244
1128532		577 21	1128832		554 73	1132256		587 352	1134843		554 22
1128533		577 32	1128833		554 79	1132263		587 341	1134843		558 41
1128550		554 11	1128837		554 20	1132270		587 328	1134877		552 79
1128553		552 78	1128838		554 18	1132279		558 166	1134878		552 14
1128555		552 99	1128839		554 19	1132287		572 73	1134888		560 68
1128556		552 77	1128875		581 51	1132508		551 6	1134888		575 21
1128557		552 90	1128910		580 66	1132508		551 55	1134948		561 46
1128580		552 91	1128919		580 65	1133474		587 386	1134948		566 212
1128582		557 5	1128950		573 29	1133475		587 387	1134948		568 14
1128583		557 13	1128952		573 27	1133476		587 385	1134948		569 52
1128584		557 10	1128954		573 25	1133477		587 399	1134948		570 40
1128585		557 23	1128958		573 50	1133478		587 398	1134952		566 109
1128586		557 24	1128959		573 33	1133479		587 400	1134953		566 138
1128587		557 20	1128959		580 53	1133480		587 410	1134957		569 43
1128588		557 18	1128962		573 32	1133481		587 412	1134958		566 121
1128589		557 19	1128962		580 56	1133482		587 411	1134959		566 121
1128591		557 4	1128964		573 45	1133503		552 48	1134960		566 147
1128592		557 22	1128964		580 57	1133505		560 5	1134961		566 130
1128598		553 62	1128965		573 41	1133506		560 13	1134961		566 149
1128598		555 20	1128965		580 51	1133517		558 223	1134963		566 150
1128598		557 8	1128965		580 62	1133529		558 205	1134964		552 27
1128598		562 9	1128966		573 43	1133548		560 24	1134966		552 42
1128598		573 51	1128966		580 58	1133549		569 15	1134997		561 30
1128605		555 1	1128966		580 61	1133565		552 17	1135015		551 65
1128607		555 3	1128967		573 38	1133568		552 45	1135016		562 36
1128608		555 4	1128967		580 49	1133569		552 39	1135022		562 35
1128609		555 5	1128967		580 64	1133574		558 200	1135028		552 118
1128610		555 6	1128968		573 42	1133575		552 53	1135029		552 123
1128611		555 7	1128969		573 39	1133583		560 37	1135031		552 86
1128613		555 22	1128969		580 55	1133584		561 17	1135036		566 244
1128616		555 11	1128970		572 44	1133584		566 8	1135039		572 42
1128622		555 23	1128971		572 54	1133586		552 170	1135043		558 60
1128623		555 26	1128975		570 12	1133589		576 30	1135052		555 16
1128624		555 8	1128993		580 27	1133590		576 44	1135055		576 31
1128625		555 19	1128999		554 19	1133593		576 150	1135058		554 18
1128626		555 12	1132000		569 11	1133607		575 32	1135076		554 5
1128627		555 15	1132003		569 7	1133608		569 49	1135079		554 14
1128673		569 51	1132007		569 10	1133610		569 12	1135082		575 18
1128674		566 211	1132012		574 135	1133627		574 128	1135084		554 17
1128674		568 15	1132012		574 175	1133628		574 131	1135084		560 63
1128674		570 39	1132013		574 173	1133641		552 107	1135099		554 17
1128676		562 33	1132019		575 14	1133658		558 212	1135124		553 42
1128679		562 32	1132027		574 132	1133659		558 202	1135125		553 54
1128680		562 13	1132051		552 51	1133660		558 152	1135127		553 49
1128682		562 2	1132052		552 43	1133662		552 46	1135128		553 56
1128683		562 37	1132055		576 31	1133663		570 41	1135129		553 51
1128684		562 1	1132056		552 24	1133667		570 26	1135130		553 45
1128685		557 53	1132064		560 8	1133668		552 100	1135130		553 50
1128686		562 10	1132064		560 89	1133668		570 28	1135134		557 12
1128698		562 5	1132064		560 93	1133746		572 120	1135134		562 26
1128707		562 19	1132064		561 10	1133864		587 305	1135134		573 34
1128710		562 18	1132064		568 2	1133867		587 308	1135134		580 52
1128712		562 17	1132065		579 10	1133877		587 383	1135135		557 11
1128713		562 16	1132066		579 15	1133884		587 392	1135136		557 25
1128714		562 21	1132067		579 7	1134635		566 151	1135153		561 55
1128716		580 7	1132068		580 67	1134712		561 25	1135167		570 10
1128719		580 8	1132069		560 28	1134741		551 43	1135168		552 175
1128721		580 4	1132074		561 11	1134765		558 222	1135169		562 31
1128722		580 3	1132078		561 32	1134773		576 160	1135173		561 38
1128727		580 9	1132080		566 54	1134785		558 207	1135192		577 30
1128730		579 58	1132084		561 2	1134803		558 32	1135193		562 1
1128730		579 58	1132097		566 48	1134816		552 10	1135195		566 58
1128733		580 13	1132098		561 24	1134817		552 36	1135204		566 42
1128736		580 24	1132098		568 9	1134818		551 40	1135214		580 68
1128738		580 26	1132098		569 33	1134822		551 50	1135229		567 31
1128740		558 24	1132098		569 36	1134825		551 57	1135233		560 49
1128740		580 16	1132103		566 55	1134826		551 59	1135241		566 247
1128743		561 66	1132117		561 19	1134829		551 72	1135289		554 107
1128743		569 125	1132118		558 160	1134829		566 13	1135289		561 79
1128743		573 10	1132118		558 263	1134829		566 113	1135289		573 56
1128744		561 65	1132122		561 80	1134829		574 177	1135296		552 130
1128744		569 104	1132147		581 6	1134829		575 73	1135302		573 54
1128745		561 70	1132148		558 153	1134829		576 151	1135307		561 73
1128745		569 108	1132157		579 14	1134831		557 55	1135309		561 73
1128746		561 61	1132181		575 10	1134836		552 52	1135311		560 58
1128746		569 124	1132183		575 12	1134837		552 74	1135311		560 100

Part No.	Spare Part	Code Ref.	Part No.	Spare Part	Code Ref.	Part No.	Spare Part	Code Ref.	Part No.	Spare Part	Code Ref.
1135312		566 233	1135662		575 82	1138805		561 43	1141300		566 10
1135314		565 21	1135664		575 85	1138805		567 7	1141303		579 65
1135320		572 86	1135665		552 168	1138808		561 27	1141304		579 48
1135323		577 41	1135667		581 30	1138808		567 11	1141323		558 183
1135324		577 42	1135668		581 19	1138810		553 12	1141325		551 40
1135325		577 37	1135670		561 38	1138843		558 173	1141327		551 40
1135327		577 42	1135675		575 86	1138845		558 36	1141328		551 40
1135328		577 37	1135676		569 41	1138848		558 15	1141353		579 45
1135330		577 42	1135677		569 45	1138849		558 49	1141371		558 195
1135331		577 37	1135678		575 84	1138949		587 390	1141396		552 117
1135333		577 42	1135681		554 5	1141030		572 50	1141397		552 122
1135334		577 37	1135684		581 30	1141050		585 316	1141398		552 126
1135337		577 28	1135690		583 11	1141051		585 322	1141400		552 125
1135338		577 39	1135696		573 20	1141070		567 2	1141458		558 34
1135340		566 237	1135699		579 38	1141071		567 2	1141460		552 71
1135343		566 247	1135704		561 55	1141071		567 4	1141460		552 127
1135359		561 40	1135751		577 37	1141072		567 80	1141503		551 71
1135377		577 1	1135753		577 37	1141072		568 29	1141504		551 44
1135383		554 129	1135754		577 42	1141072		569 163	1141508		558 21
1135403		554 78	1135755		577 42	1141073		565 42	1141532		565 23
1135466		554 77	1135756		577 42	1141075		552 54	1141536		568 1
1135466		561 69	1135757		577 42	1141077		551 41	1141558		570 10
1135466		569 123	1135758		577 42	1141080		566 119	1141559		570 21
1135466		573 8	1135759		577 42	1141084		552 57	1141561		570 12
1135467		554 74	1135760		577 42	1141097		558 8	1141565		577 9
1135467		561 60	1135761		577 42	1141120		576 24	1141586		576 20
1135467		569 126	1135762		577 42	1141122		587 369	1141586		576 147
1135467		573 5	1135763		577 42	1141122		587 370	1141619		558 64
1135467		573 8	1135764		577 42	1141122		587 373	1141622		558 108
1135474		554 80	1135765		577 42	1141122		587 375	1141624		558 75
1135474		573 11	1135766		577 42	1141123		587 389	1141625		558 258
1135476		554 75	1135767		577 42	1141129		553 84	1141626		558 62
1135476		561 61	1135768		577 42	1141134		560 4	1141627		558 69
1135476		573 6	1135772		566 122	1141135		579 1	1141629		558 70
1135476		573 11	1135773		554 84	1141136		551 148	1141630		558 65
1135478		561 65	1135780		576 123	1141136		576 16	1141632		558 265
1135482		573 9	1135780		577 21	1141141		561 26	1141633		553 11
1135512		554 56	1135826		552 98	1141144		558 206	1141637		558 85
1135536		581 15	1135827		562 35	1141149		558 48	1141639		565 23
1135537		581 14	1135946		559 15	1141151		558 52	1141640		558 5
1135537		581 54	1135977		574 209	1141158		558 26	1141645		585 323
1135541		566 300	1135991		574 201	1141159		558 25	1141646		553 12
1135541		586 22	1135995		554 38	1141160		558 27	1141649		585 324
1135542		566 298	1135995		554 126	1141165		579 64	1141650		560 116
1135544		566 299	1138110		569 40	1141172		569 132	1141678		566 5
1135546		566 301	1138116		560 18	1141173		569 131	1141749		558 18
1135546		588 47	1138118		576 144	1141175		558 189	1141752		558 249
1135547		575 36	1138127		570 20	1141175		575 31	1141757		558 259
1135560		570 153	1138148		576 35	1141176		558 191	1141759		558 260
1135562		586 204	1138149		576 47	1141181		553 10	1141767		570 12
1135563		586 203	1138353		558 196	1141182		558 194	1141770		558 80
1135564		586 205	1138353		558 203	1141184		576 39	1141772		558 81
1135570		571 44	1138358		577 8	1141189		558 217	1141775		558 78
1135570		577 1	1138360		577 3	1141194		561 14	1141776		570 154
1135572		552 139	1138363		577 6	1141195		561 13	1141800		579 71
1135573		557 39	1138368		553 79	1141199		558 221	1141801		579 70
1135575		557 26	1138368		576 41	1141200		558 24	1141833		576 176
1135576		554 39	1138369		553 70	1141208		561 18	1141838		588 42
1135579		572 99	1138383		585 320	1141209		558 28	1141846		566 303
1135580		573 14	1138390		553 40	1141210		566 136	1141847		558 234
1135581		569 101	1138391		553 39	1141215		572 49	1141878		579 72
1135582		561 34	1138392		554 37	1141220		565 29	1141889		579 72
1135583		554 15	1138392		554 127	1141223		565 33	1141890		553 113
1135590		558 35	1138393		554 36	1141223		566 137	1141894		553 112
1135591		558 14	1138393		554 128	1141223		566 223	1141895		553 114
1135592		553 9	1138398		554 40	1141227		575 65	1141900		579 50
1135593		553 9	1138402		566 123	1141228		569 57	1141923		551 46
1135593		566 27	1138452		565 7	1141228		575 68	1141926		552 59
1135619		554 41	1138452		567 8	1141231		569 54	1141928		565 22
1135621		573 57	1138462		552 85	1141231		575 70	1141928		576 125
1135623		573 9	1138462		569 14	1141232		575 66	1141934		558 254
1135628		561 56	1138464		585 75	1141233		560 1	1141935		558 255
1135630		563 33	1138465		561 18	1141235		558 184	1141936		566 17
1135631		562 40	1138483		574 129	1141238		558 158	1141976		577 42
1135635		563 32	1138483		586 123	1141245		569 133	1141977		577 42
1135635		563 37	1138499		566 59	1141270		566 125	1141979		566 28
1135639		572 64	1138795		565 15	1141277		576 146	1141992		572 109
1135643		570 159	1138796		576 126	1141282		576 162	1142245		574 211
1135643		580 70	1138796		580 12	1141284		576 163	1142264		588 46
1135644		555 28	1138799		568 11	1141285		576 169	1142377		569 141
1135647		561 55	1138800		568 11	1141286		576 173	1144150		566 111
1135655		566 290	1138801		566 53	1141290		569 135	1144376		553 48
1135660		581 24	1138801		566 64	1141298		576 154	1144666		552 168
1135661		554 111	1138802		566 47	1141298		576 167	1144928		566 256

NUMERICAL INDEX

Part No.	Spare Part	Code Ref.	Part No.	Spare Part	Code Ref.	Part No.	Spare Part	Code Ref.	Part No.	Spare Part	Code Ref.
1145359		581 7	1159206		566 264	1159481		587 339	1159874		586 28
1145385		575 88	1159206		581 23	1159485		568 27	1159875		586 30
1145390		560 65	1159207		566 259	1159507		579 58	1159878		560 57
1145391		560 49	1159207		585 186	1159519		585 199	1159886		560 13
1145391		560 98	1159208		566 258	1159519		586 29	1159886		560 95
1145424		566 24	1159209		566 260	1159535		557 37	1159905		558 60
1145446		575 63	1159210		571 10	1159536		561 81	1159906		554 84
1145453		561 34	1159211		551 119	1159537		551 48	1159908		558 60
1145464		562 35	1159212		551 48	1159542		569 140	1159909		570 137
1145475		562 36	1159220		576 15	1159544		574 248	1159911		586 6
1145476		557 26	1159225		559 17	1159545		557 25	1159912		586 6
1145478		567 10	1159234		566 264	1159546		557 25	1159914		561 34
1145491		561 57	1159250		576 42	1159549		577 5	1159972		557 41
1145492		554 27	1159251		576 1	1159558		569 121	1159973		557 44
1145516		566 57	1159262		572 98	1159589		569 101	1159974		557 51
1145543		558 3	1159267		560 5	1159654		560 41	1159975		557 50
1158160		587 302	1159267		560 86	1159655		560 118	1159978		557 48
1158162		587 304	1159268		560 13	1159660		557 43	1159982		557 49
1158163		587 307	1159269		560 9	1159666		588 34	1159991		570 152
1158164		587 308	1159269		560 90	1159668		560 44	1159992		562 48
1158166		587 313	1159270		583 27	1159669		560 23	1159993		554 2
1158171		587 338	1159274		574 203	1159670		566 3	1159995		554 1
1158172		587 339	1159275		574 206	1159671		560 22	1159996		554 3
1158466		587 303	1159276		574 205	1159671		560 105	1160023		585 141
1158467		587 302	1159277		574 204	1159672		566 1	1160256		572 132
1158468		587 305	1159278		574 212	1159673		560 32	1164027		565 52
1158469		587 307	1159278		574 243	1159674		560 28	1164027		566 124
1158470		587 310	1159283		583 27	1159674		560 114	1164027		566 219
1158471		587 311	1159286		569 20	1159675		560 24	1164027		566 221
1158472		587 312	1159286		569 152	1159676		560 38	1164039		558 240
1158473		587 313	1159286		574 241	1159685		560 29	1164041		558 205
1158474		587 303	1159292		575 18	1159686		560 40	1164044		558 250
1158475		587 306	1159295		577 1	1159714		566 250	1164045		552 117
1158476		587 313	1159298		581 9	1159716		552 178	1164048		552 126
1158477		587 327	1159301		561 90	1159716		557 52	1164089		552 71
1158478		587 327	1159306		561 87	1159716		562 8	1164089		552 127
1158479		587 327	1159307		561 86	1159731		581 56	1164099		558 235
1158480		587 339	1159308		561 93	1159731		581 57	1164105		569 21
1158766		587 349	1159312		561 56	1159732		581 46	1164127		570 30
1158767		587 327	1159315		561 56	1159733		581 36	1164127		570 37
1158769		587 350	1159316		570 155	1159737		575 20	1164151		558 210
1159004		580 11	1159320		576 176	1159738		581 48	1164153		558 30
1159007		580 46	1159321		569 151	1159739		588 60	1164158		558 233
1159009		580 10	1159323		569 166	1159775		554 112	1164160		576 131
1159010		580 22	1159325		565 16	1159777		551 5	1164171		569 63
1159015		580 28	1159327		569 155	1159779		551 18	1164218		558 79
1159016		580 19	1159334		569 156	1159780		551 10	1164220		579 75
1159017		580 47	1159335		569 172	1159781		551 14	1164236		579 83
1159020		580 48	1159336		569 161	1159782		572 93	1164237		579 74
1159023		580 63	1159338		565 18	1159791		551 16	1164239		579 85
1159026		580 1	1159341		552 167	1159796		558 5	1164240		558 48
1159027		580 23	1159346		552 108	1159803		575 92	1164240		579 79
1159028		580 59	1159347		557 32	1159804		588 54	1164241		579 73
1159035		559 11	1159348		557 30	1159805		588 4	1164254		558 60
1159037		559 11	1159350		558 42	1159807		588 4	1164285		558 199
1159041		559 11	1159353		571 27	1159809		588 7	1164289		566 153
1159045		566 245	1159388		574 246	1159810		580 75	1164290		558 66
1159055		576 43	1159390		574 242	1159814		588 9	1164309		551 52
1159097		554 24	1159408		572 97	1159815		588 13	1164310		558 234
1159097		558 43	1159409		572 74	1159816		588 19	1164316		552 10
1159098		554 84	1159413		560 22	1159818		569 158	1164342		566 9
1159109		572 38	1159413		560 105	1159820		588 23	1164374		553 12
1159112		573 59	1159416		554 83	1159821		588 45	1164375		553 293
1159125		561 4	1159417		558 223	1159822		588 40	1164435		579 84
1159126		561 8	1159418		581 34	1159823		588 44	1164462		577 5
1159132		551 45	1159419		551 136	1159824		588 43	1164463		577 5
1159135		551 46	1159420		580 70	1159826		588 51	1164476		577 7
1159155		555 24	1159421		559 2	1159827		588 2	1164499		576 129
1159157		552 135	1159422		559 1	1159829		562 43	1164548		558 163
1159171		553 121	1159423		559 25	1159832		562 46	1164550		558 242
1159173		553 126	1159424		559 27	1159833		562 42	1164561		566 73
1159175		551 10	1159425		559 23	1159834		562 41	1164562		558 23
1159177		557 36	1159426		559 29	1159835		562 44	1164563		558 191
1159178		557 31	1159427		559 22	1159838		551 5	1164576		551 1
1159182		553 125	1159428		559 28	1159841		562 47	1164576		551 51
1159183		553 290	1159430		579 37	1159842		562 45	1164576		552 55
1159185		553 124	1159436		557 35	1159843		560 60	1164576		552 177
1159194		566 253	1159437		563 32	1159843		560 102	1164576		559 21
1159199		566 250	1159442		566 138	1159844		560 62	1164576		559 32
1159201		566 62	1159445		559 4	1159844		560 104	1164576		566 112
1159202		566 218	1159446		559 5	1159863		577 52	1164576		566 133
1159203		566 257	1159447		559 6	1159864		577 52	1164576		569 3
1159204		566 252	1159448		559 9	1159865		577 52	1164576		569 58
1159205		566 249	1159455		577 1	1159868		585 195	1164576		570 23

NUMERICAL INDEX

Part No.	Spare Part	Code Ref.	Part No.	Spare Part	Code Ref.	Part No.	Spare Part	Code Ref.	Part No.	Spare Part	Code Ref.
1164576		572 62	1164582		571 19	1166267		571 61	1167941		558 224
1164576		572 81	1164582		575 60	1166268		571 61	1167942		558 224
1164576		572 91	1164582		579 34	1166269		571 61	1167943		558 224
1164576		573 28	1164582		586 27	1166270		571 61	1167944		558 224
1164576		573 31	1164582		587 11	1166271		571 61	1167945		558 224
1164576		575 15	1164582		588 50	1166297		583 82	1167948		558 224
1164576		575 67	1164583		553 81	1166299		583 83	1167952		558 224
1164576		581 10	1164583		587 77	1166301		566 238	1167953		558 224
1164576		581 16	1164584		572 66	1166304		562 6	1167963		558 224
1164576		585 10	1164584		572 131	1166311		554 28	1178200		587 403
1164576		585 332	1164600		579 64	1166312		554 29	1178204		587 365
1164576		588 18	1164690		558 261	1166315		554 30	1178205		587 366
1164577		551 17	1164738		558 15	1166316		560 43	1178206		587 367
1164577		551 56	1164740		558 19	1166321		587 391	1178207		587 368
1164577		552 169	1164740		558 36	1166323		587 414	1178208		587 371
1164577		553 80	1164799		569 134	1166339		554 120	1178209		587 372
1164577		553 117	1166015		585 102	1166341		554 121	1178210		587 374
1164577		554 25	1166015		585 102	1166342		554 122	1178211		587 379
1164577		554 52	1166016		585 102	1166362		572 134	1178212		587 380
1164577		555 21	1166017		585 160	1166363		572 125	1178213		587 381
1164577		557 6	1166018		585 302	1166364		554 133	1178214		587 382
1164577		557 34	1166019		585 302	1166366		560 105	1178215		587 384
1164577		560 16	1166021		585 144	1166367		572 123	1178216		587 388
1164577		560 66	1166022		585 144	1166368		572 128	1178217		587 393
1164577		560 99	1166047		583 50	1166369		572 135	1178218		587 394
1164577		561 29	1166052		587 18	1166370		572 122	1178219		587 395
1164577		562 12	1166055		555 28	1166372		560 80	1178220		587 396
1164577		563 35	1166063		579 38	1166373		560 82	1178221		587 397
1164577		573 52	1166065		579 64	1166375		572 129	1178222		587 401
1164577		588 26	1166072		588 3	1166380		572 124	1178223		587 402
1164578		551 145	1166074		577 1	1166381		572 133	1178224		587 404
1164578		552 88	1166082		551 5	1166382		560 97	1178225		587 405
1164578		553 47	1166083		551 5	1166383		560 96	1178226		587 406
1164578		553 57	1166084		558 60	1166385		572 126	1178227		587 407
1164578		559 34	1166086		586 210	1166386		573 14	1178228		587 408
1164578		561 15	1166088		557 40	1166387		560 83	1178229		587 413
1164578		561 16	1166089		566 136	1166388		560 84	1178232		587 364
1164578		562 25	1166094		586 208	1166397		587 152	1263006		551 4
1164578		562 30	1166096		586 206	1166398		586 122	1266687		558 201
1164578		566 120	1166101		585 102	1166402		580 76	1266830		554 49
1164578		571 17	1166102		558 49	1166403		571 24	1266831		554 49
1164578		571 35	1166111		571 13	1166417		585 116	1266833		560 50
1164578		573 35	1166114		583 86	1166418		586 31	1266893		580 57
1164578		573 36	1166115		583 85	1166420		552 174	1266894		557 12
1164578		575 23	1166131		551 5	1166458		587 155	1266894		562 26
1164578		579 40	1166140		588 16	1166459		587 144	1266894		580 52
1164578		580 50	1166160		558 60	1166476		587 135	1266895		562 35
1164578		580 60	1166162		560 32	1166477		587 168	1266897		557 25
1164579		559 20	1166163		560 33	1166478		587 128	1271548		576 130
1164579		566 7	1166164		558 88	1166478		587 159	1271973		566 72
1164579		566 303	1166172		587 92	1166479		587 143	1272007		580 71
1164579		571 46	1166173		587 92	1166480		587 140	1272008		580 71
1164579		581 35	1166174		587 92	1166481		583 70	1272045		551 73
1164579		581 55	1166175		585 330	1166488		587 151	1272078		577 50
1164579		588 24	1166177		585 337	1166489		583 84	1272123		574 236
1164580		552 89	1166179		585 338	1166496		586 121	1272176		558 256
1164580		553 291	1166181		585 333	1166499		583 87	1272185		565 53
1164580		554 7	1166182		585 335	1166510		551 149	1272186		565 53
1164580		558 74	1166186		570 29	1166551		554 125	1272187		566 291
1164580		558 159	1166187		557 46	1166553		554 124	1272188		566 291
1164580		558 172	1166203		557 54	1166554		554 131	1272190		566 291
1164580		558 237	1166205		558 15	1166555		560 124	1272458		551 138
1164580		558 262	1166212		569 164	1166557		572 121	1272464		565 41
1164580		558 264	1166217		560 88	1166558		554 132	1272530		577 12
1164580		559 36	1166230		560 110	1166560		552 179	1272652		551 135
1164580		561 37	1166231		560 109	1166575		554 123	1272653		551 135
1164580		566 242	1166236		583 80	1166601		551 152	1272654		551 135
1164580		566 289	1166248		587 121	1166952		583 79	1272655		551 135
1164580		579 4	1166251		571 61	1166953		551 150	1272677		550 135
1164580		579 76	1166252		571 61	1166954		551 147	1272719		570 160
1164580		580 6	1166253		571 61	1166955		551 146	1272744		554 114
1164580		580 36	1166254		571 61	1166957		586 124	1272824		551 135
1164580		585 319	1166255		571 61	1167911		558 224	1280081		566 71
1164582		557 17	1166256		571 61	1167912		558 224	1280119		558 241
1164582		558 87	1166257		571 61	1167916		558 224	1280358		580 66
1164582		558 159	1166258		571 61	1167925		558 224	1280498		558 253
1164582		559 31	1166259		571 61	1167926		558 224	1280821		554 55
1164582		560 3	1166260		571 61	1167927		558 224	1280822		554 55
1164582		560 17	1166261		571 61	1167928		558 224	2016843		585 27
1164582		562 14	1166262		571 61	1167937		558 224	2101794		575 27
1164582		565 38	1166263		571 61	1167938		558 224	2102366		585 131
1164582		569 56	1166264		571 61	1167939		558 224	2102626		587 276
1164582		569 122	1166265		571 61	1167939		558 224	2114985		558 72
1164582		570 33	1166266		571 61	1167940		558 224	2114985		558 182

NUMERICAL INDEX

Part No.	Spare Part	Code Ref.
2122202		583 42
2122202		583 42
2122203		583 41
2122203		583 41
2122255		583 43
2122257		583 43
2122257		583 43
2122257		583 76
2122258		583 40
2122258		583 40
2122258		583 40
2122258		583 75
2122258		583 77
2122260		583 40
2122260		583 40
2122260		583 77
2122471		583 43
2122734		583 41
2122734		583 41
2122734		583 71
2122735		583 42
2122735		583 42
2122735		583 73
2122838		583 74
2123029		583 72
2123032		583 39
2123032		583 39
2123033		583 39
2123034		583 39
2127867		583 40
2127867		583 75
2127984		583 88
2127988		583 88
2127988		583 88
2190549		585 154
5235098		586 9
5235098		586 117
5302505		586 4
5302505		586 114
5312061		585 129
5318588		587 73
5318589		587 3
5318590		587 21
5318591		587 105
5318592		587 54
5318593		587 66
5318595		587 14
5318597		587 49
5318599		587 233
5318601		587 50
5318616		587 19
5318619		587 29
5318620		587 34
5318623		587 10
5318624		587 58
5318625		587 31
5318626		587 23
5318629		587 41
5318630		587 7
5318637		587 67
5318639		587 18
5318640		587 106
5318641		587 52
5318642		587 62
5318643		587 16
5318646		587 57
5318646		587 59
5318651		587 26
5318652		587 2
5318653		587 39
5318654		587 8
5318655		587 68
5318662		587 40
5318664		587 205
5318665		587 43
5318666		587 255
5318682		587 223
5318683		587 249
5318688		587 120
5318689		587 92
5318696		587 315
5318697		587 301
5318698		587 314

Part No.	Spare Part	Code Ref.
5318699		587 353
5318699		587 409
5318701		587 340
5318701		587 415
5318704		587 269
5318707		587 235
5318708		587 227
5318710		587 64
5318716		587 76
5318718		587 75
5318723		587 288
5353888		586 35
5353889		586 36
5353890		586 36
5367162		587 149
5398695		587 71
7166291		583 78

Part No.	Spare Part	Code Ref.
----------	------------	-----------

Part No.	Spare Part	Code Ref.
----------	------------	-----------