



System 34

5340

Unpacking/Packing Instructions

All unpacking/packing activity under the machine cover (as described in these instructions) for rental IBM equipment and for purchase of IBM equipment upon initial delivery from IBM and throughout the warranty period is to be performed only by IBM personnel.

Transit damage to such equipment discovered upon initial or subsequent installation by IBM is to be promptly reported to the appropriate FE branch office manager.

This instruction includes upending procedure and reduction of length to 60".

Note: Packaging materials illustrated in red.

Store or dispose of packaging material locally unless otherwise noted in unpacking instructions.

Types of shipment and packaging Bills of Material:

Padded Van	7354967
Air	7354968
Rail, Truck	7354969
Ocean-Export	7354971

Overall dimensions and approximate weights:

	VAN	AIR	R&T	OCEAN
Length	63" 160 cm	71" 183 cm	71" 183 cm	71" 183 cm
Width	27" 68 cm	32" 81 cm	32" 81 cm	32" 81 cm
Height	51" 130 cm	56" 142 cm	56" 142 cm	56" 142 cm
Weight	850# 382 kg	900# 405 kg	930# 418 kg	950# 427 kg

Note: Subtract 75# (34 kg) if machine is equipped with a single disk drive.

System/34 Unpacking Instructions

Note: If machine length must be reduced to enter small elevators turn to page 5 for further instructions.

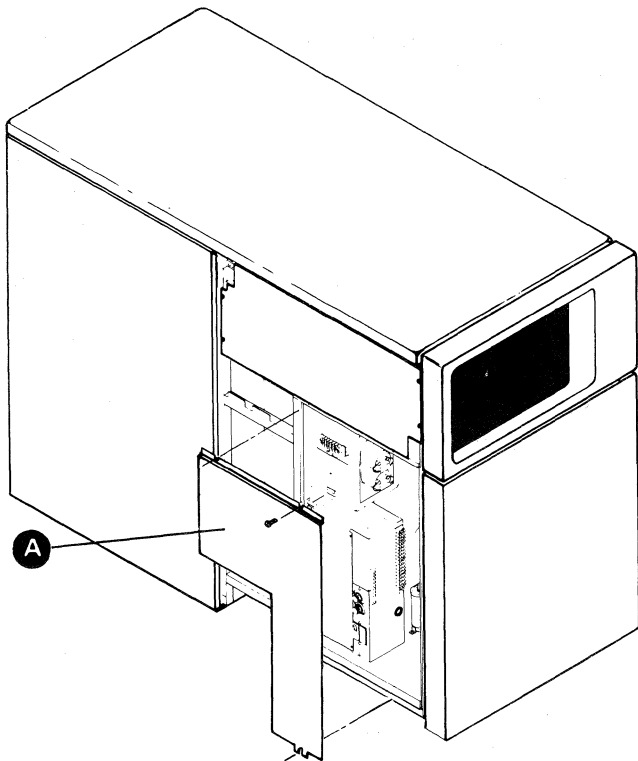
1. Remove the plastic cover and any cartons or protective packing material on the machine.
2. Open the rear cover and all side covers. Remove any packages or shipping group items from inside the machine and set them aside for later installation.

Note: Do not remove any cables that might be taped to the cable tower. These cables are removed during installation.

3. If the machine was shipped on a skid, remove the power supply safety shield **A**. Remove the four screws that go through the machine base into the skid. Reinstall the power supply safety shield, close all covers, and carefully lift the machine off the skid.

CAUTION

Do not lift more than you can safely handle. If necessary, get help.



4. Diskette Drive

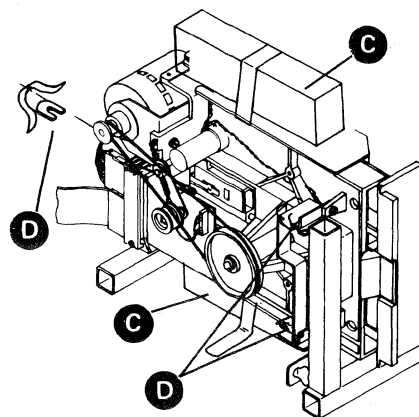
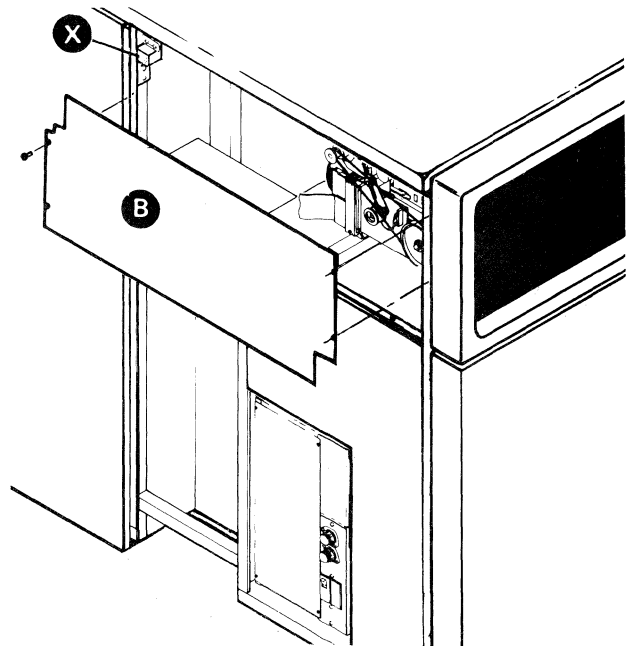
Remove the safety shield **B** and set it aside for later installation.

Reposition and realign IPO switch **X**.

Remove the two foam blocks **C** from above and below the diskette drive.

Remove the tape and plastic spacers from the three diskette shockmounts **D**.

Remove the tape from the diskette cover on the operator panel.



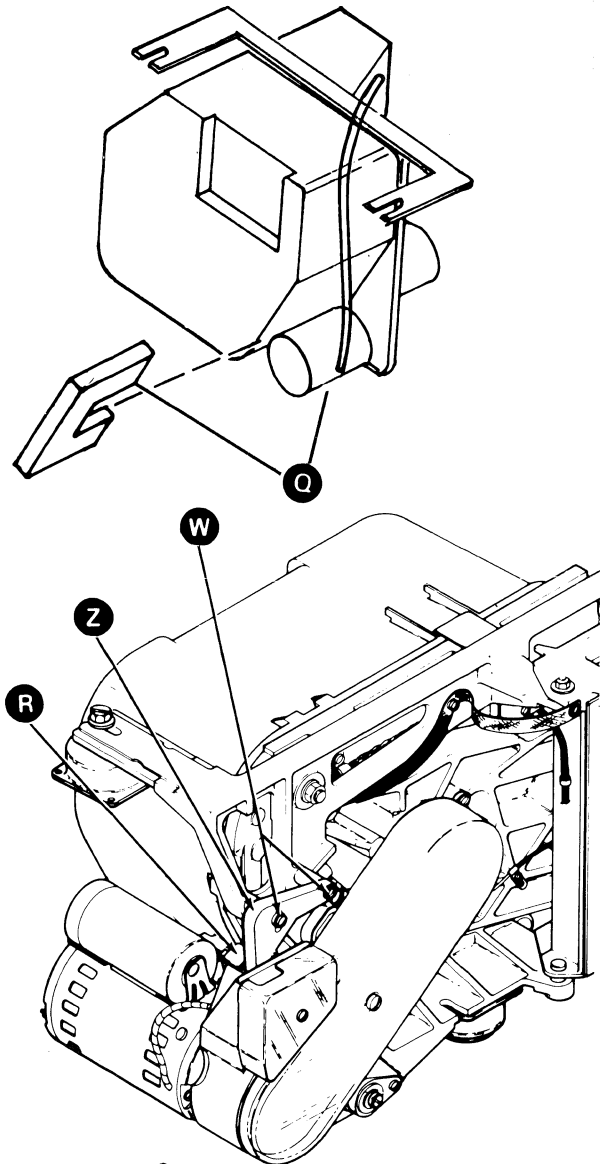
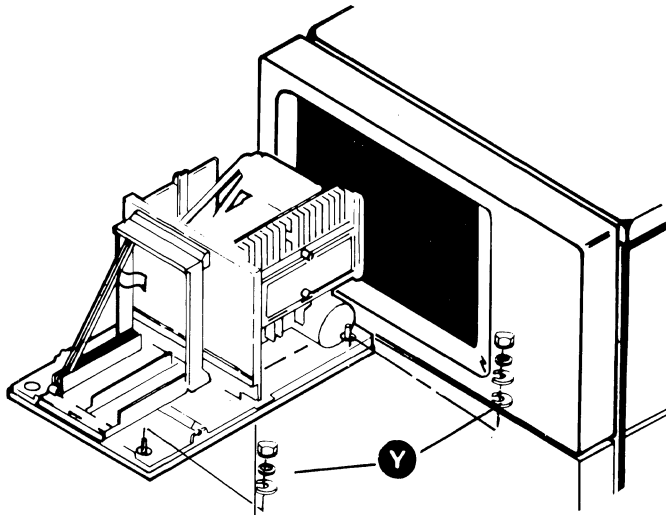
5. Diskette Magazine Drive

Remove the safety shield **B** and set aside for later installation.

Reposition and realign IPO switch **X** (If required)

Remove any tape and parts envelope from magazine drive.

If magazine drive does not have shockmount limiters; remove nuts, washers, and plastic spacers **Y** from the four drive shockmounts.



6. 62PC Disk Drive

Open the A-gate **E**.

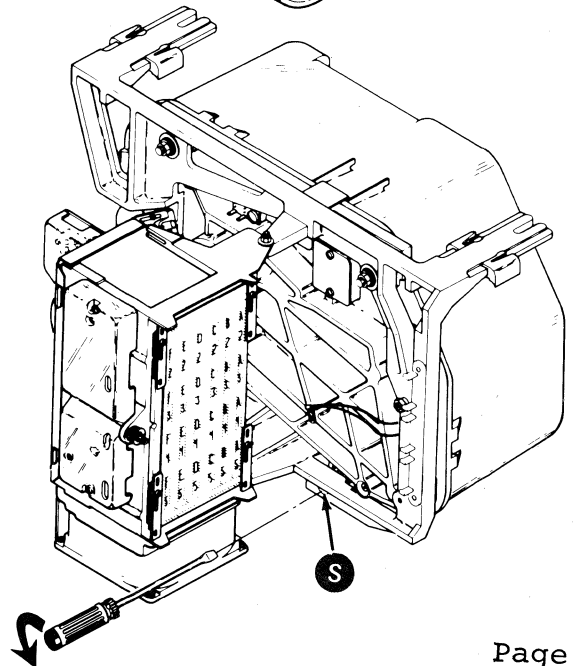
Remove the tape and foam block **Q** holding the motor and drive belt in position.

If the motor lock **Z** is present, loosen the two screws **W**, raise the motor lock and tighten the screws to hold the motor lock in the raised position.

Engage the drive belt tensioner **R**, if not already engaged.

Move the actuator lock assembly screw counterclockwise **S**.

Repeat for second drive.



7. 62EH Disk Drive

Open the A-gate **E**.

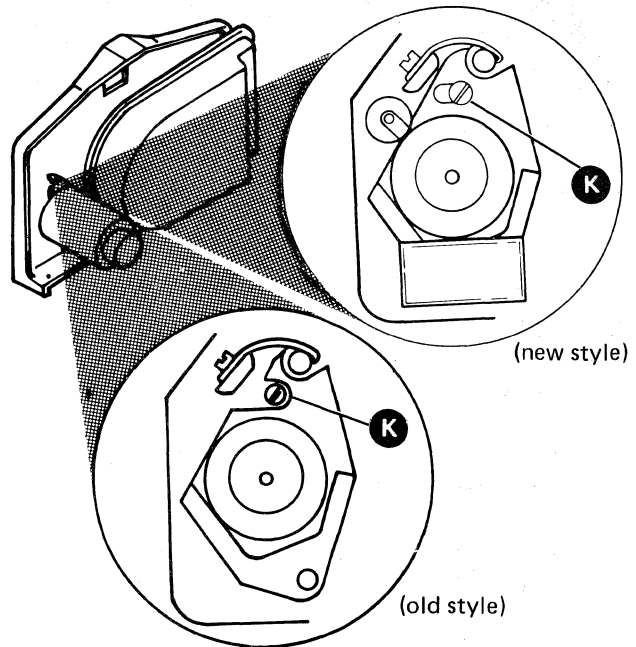
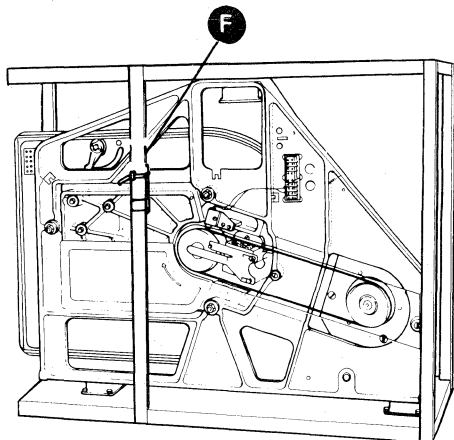
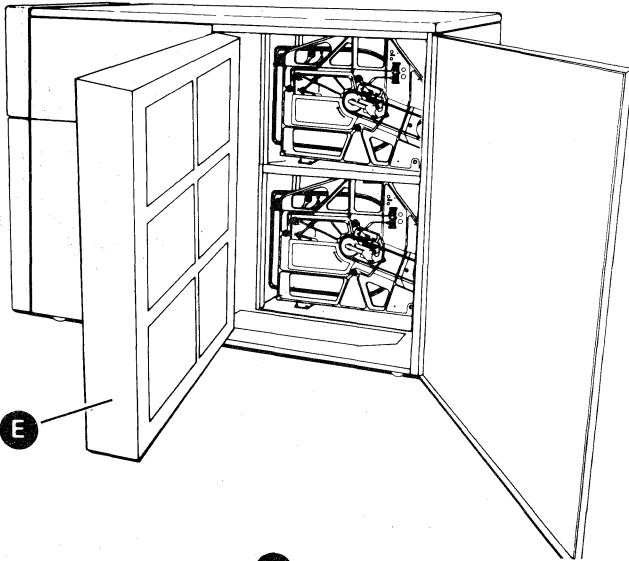
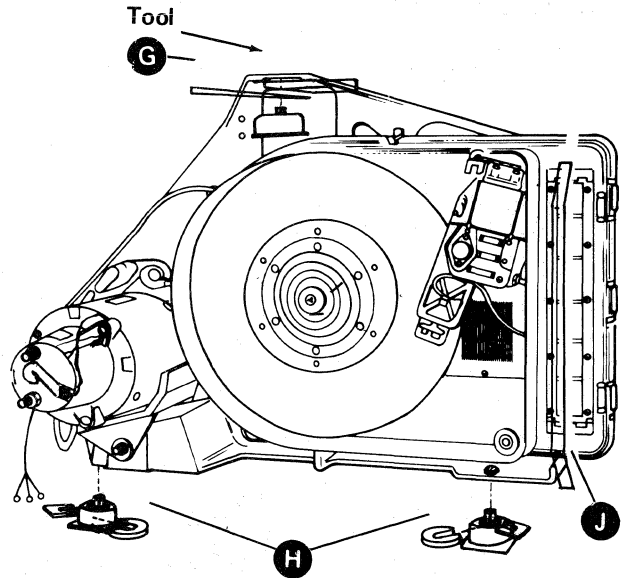
Remove the tape, block, and cable tie **F** holding the drive casting to the machine frame.

Remove the tape, wedge, and wood block **G** near the upper shockmount. From the rear of the machine use a hammer and any appropriate CE tool to release the block **G**.

Remove the plastic shims and spacers **H** from the two lower shockmounts.

Remove the tape holding the card retainer brace **J**.

Release disk drive motor by loosening or removing the small lockout screw **K** located under the motor tension spring. On drive motor with slotted bracket (old style), push motor toward disk drive and turn screw into large motor lockout screw until tight. On drive motor with a holed bracket (new style), remove screw and store by tightening into the large motor lockout screw from the backside of file. Repeat for second disk drive.



8. Dispose of all packing material.
9. Open all cartons received with the System/34. (Locate Volume B, *5340 System Unit Maintenance Manual*.) Insert these packing and unpacking instructions in Volume B, and complete the installation instructions (*Section 45* of the maintenance manual).

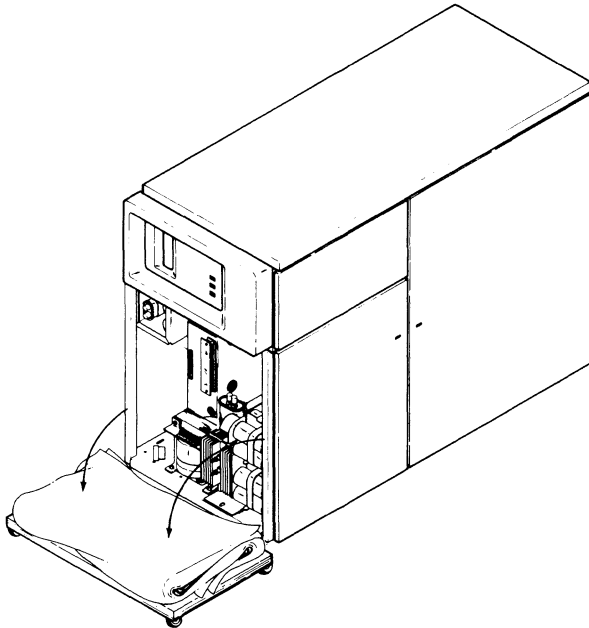
Total Length Reduction

The machine may be reduced to 60 inches by completing step 1 of the unpacking instructions, then doing the following:

1. Open front side covers
2. Remove lower front cover
3. Remove upper front cover

Upending Instructions

There are no built-in provisions for upending of this machine. However, if this must be done, place several blankets under the front casters of the machine. Manually tip machine onto the face or front of machine using blankets as a cushion. (The power cord exits from rear of machine).



Moving Machine on Dolly

If it should be necessary to move an upended machine any distance, first reduce machine length as stated above in step 1 and 2, then upend machine on to dolly as per illustration.

System/34 Packing Instructions

1. Open the rear covers and all side covers.
2. **Diskette Drive**

Remove the diskette safety shield **A**.

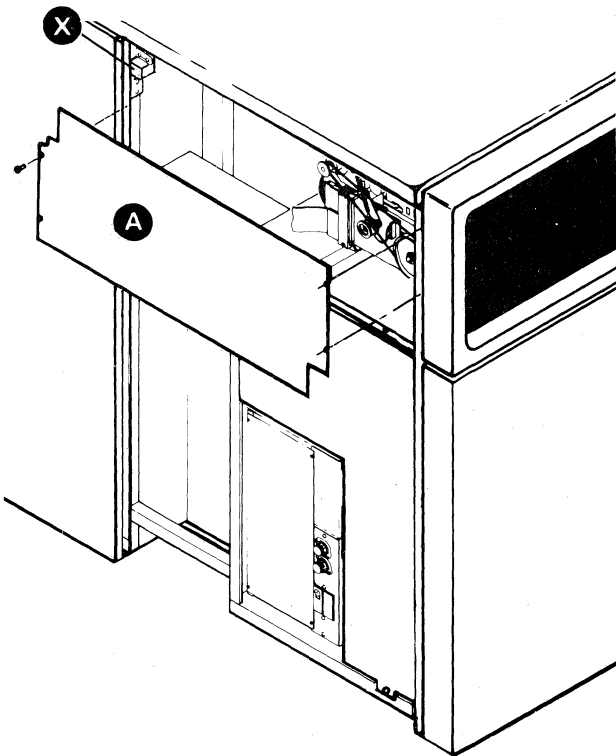
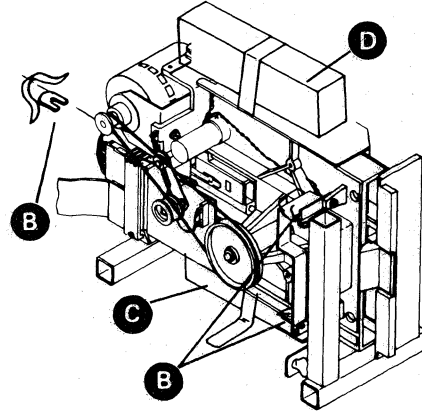
Ensure that the diskette cover on the operator panel is closed, and taped to the operator panel.

Insert plastic spacers (PN 7354911) between the three shockmounts and brackets **B**. Tape the spacers to hold them in place.

Insert a foam pad (PN 7354977) **C** between the diskette cover and the machine shelf. Insert another foam pad (PN 7354977) **D** between the diskette cover and the machines top cover. Tape these two pads to hold them in place.

Rotate IPO switch **X** clear of machine cover by removing upper screw, loosening lower screw, rotate 45°, retighten lower screw and replace upper screw (If required)

Reinstall the safety shield **A**.



3. Diskette Magazine Drive

Remove the safety shield **A**.

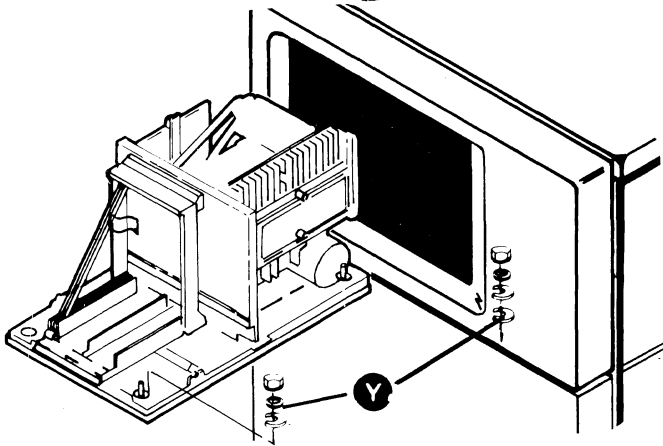
If magazine drive does not have shockmount limiters, locate plastic spacer (P/N 7354912) and washer (P/N 7360093) over the shockmount studs **Y**. Press the spacer and washer down and secure them with a nut (P/N 1622 405). *Note:* The two rear shockmounts may require 2 spacers (P/N 7354912).

Move magazine carriage to the left side and secure with tape.

Place Magazine in normal position in magazine carriage. Secure the tool envelope to the magazine drive facing.

Rotate IPO switch **X** clear of machine cover by removing upper screw and loosening lower screw. Rotate the switch 45° and retighten lower screw and replace upper screw. (If required)

Reinstall the safety shield **A**.



4. 62PC Disk Drive

Open right rear, rear, and left rear covers.

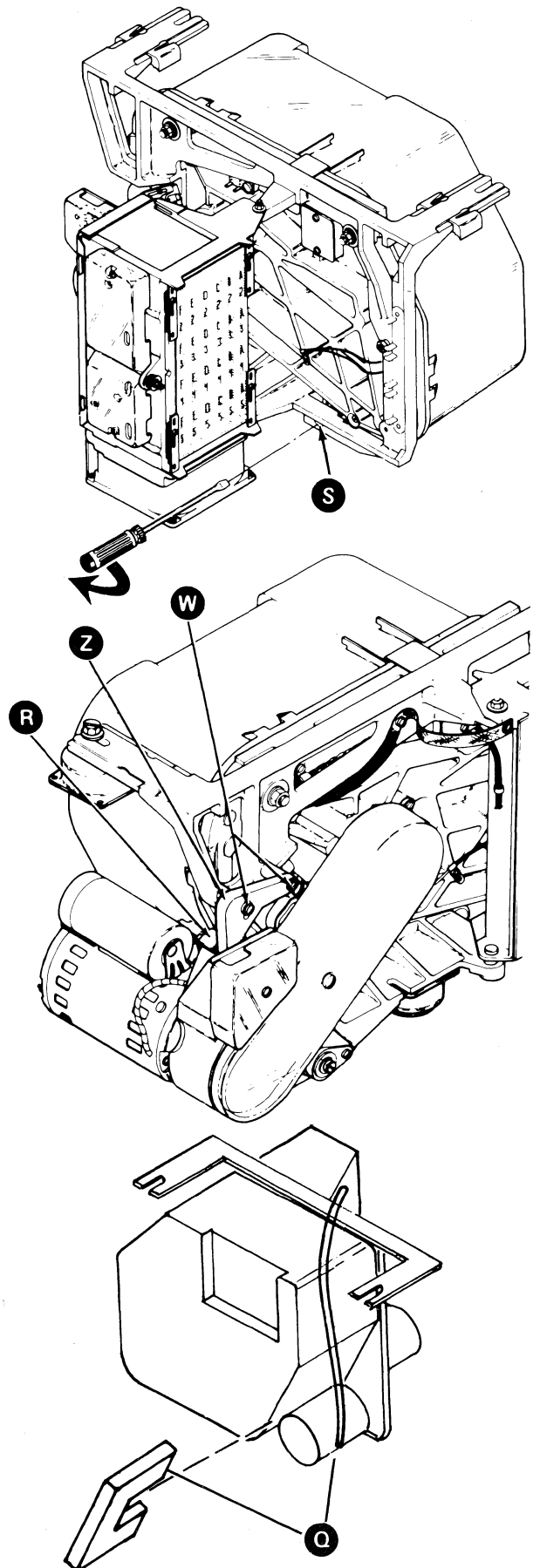
Open the A gate.

From the left side of the machine, move the actuator lockout screw **S** clockwise as shown.

Release the drive belt tensioner **R**.

If the motor lock **Z** is present, loosen the two screws **W**. Lift motor assembly, push the motor lock down against the motor assembly bracket, and tighten the screws.

From the right side and rear of machine, secure the disk drive motor by inserting the foam block **Q** (PN 7360537). Secure the block and motor with tape. If motor lock is not present Repeat for second drive.



5. 62EH Disk Drive

From the right side of the machine:

Open the A-gate.

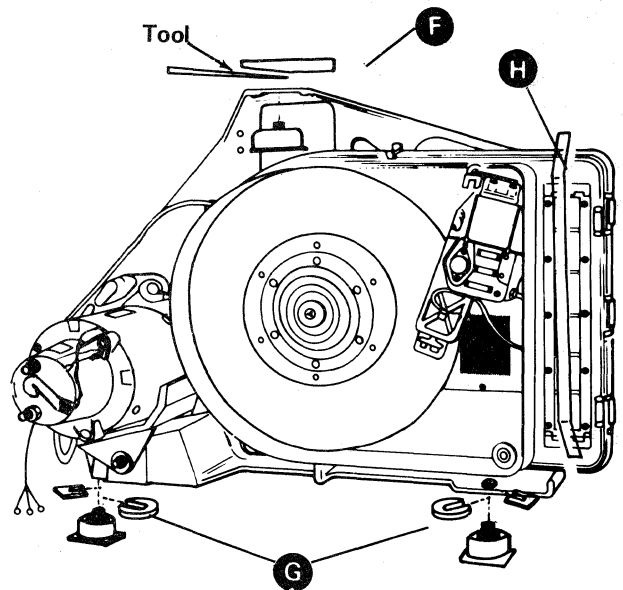
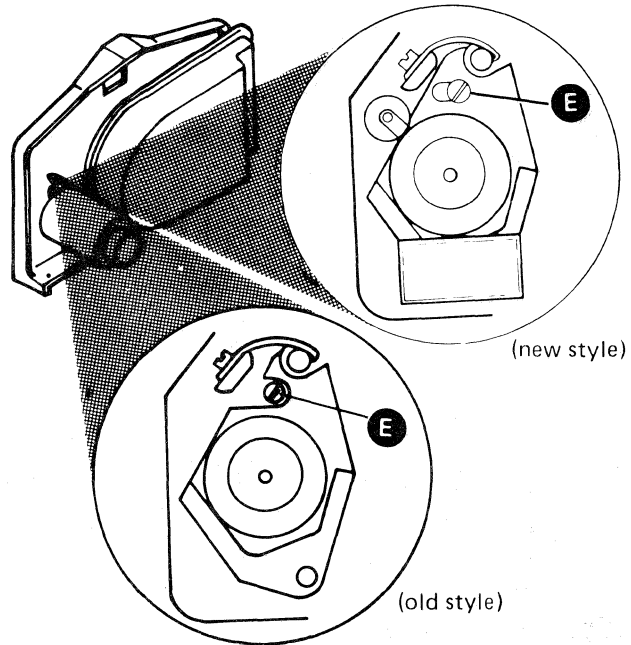
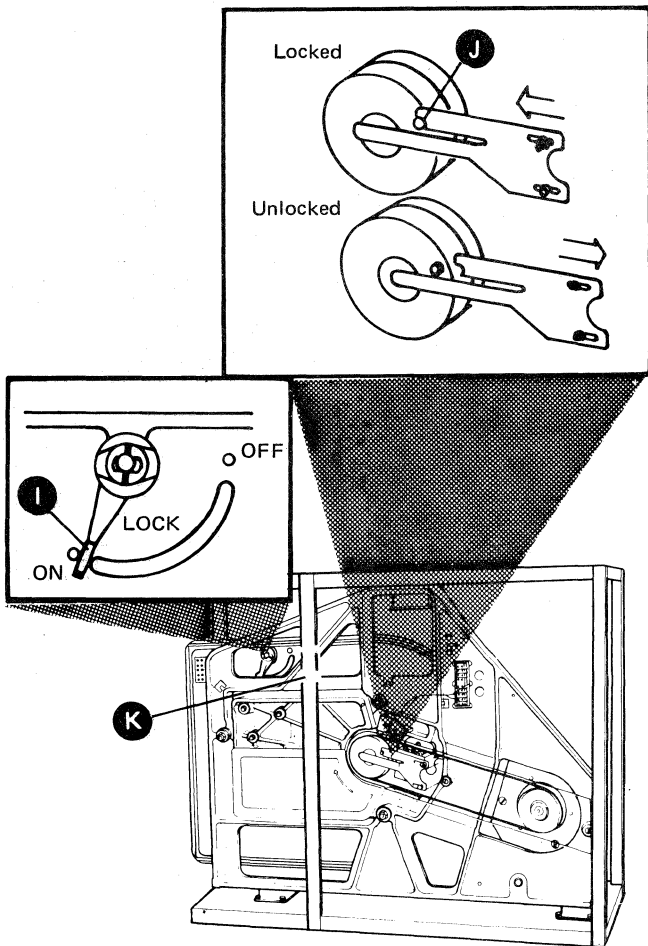
Move the actuator lock handle to the position shown **I**.

Loosen the two screws on the spindle locking arm and move the locking arm to the lock position **J**. Tighten the two screws. Remove drive belt and store inside safety shield before replacing.

Tape a wood block (P/N 7354978) **K** to the disk drive frame. Secure the disk casting to the frame with a cable tie (P/N 524519).

From the left side of the machine: Open the B-gate (if installed). Lock out disk drive motor by first loosening or removing the motor lockout screw **E** then position motor depending on whether motor has a slotted bracket or a holed bracket and properly tighten screw into the large drive motor lockout screw.

Insert a plastic spacer (P/N 7354912) and a shim (P/N 7350677) between the shockmount and the disk casting at the two lower shockmounts **G**. Secure card retainer brace by taping **H**.



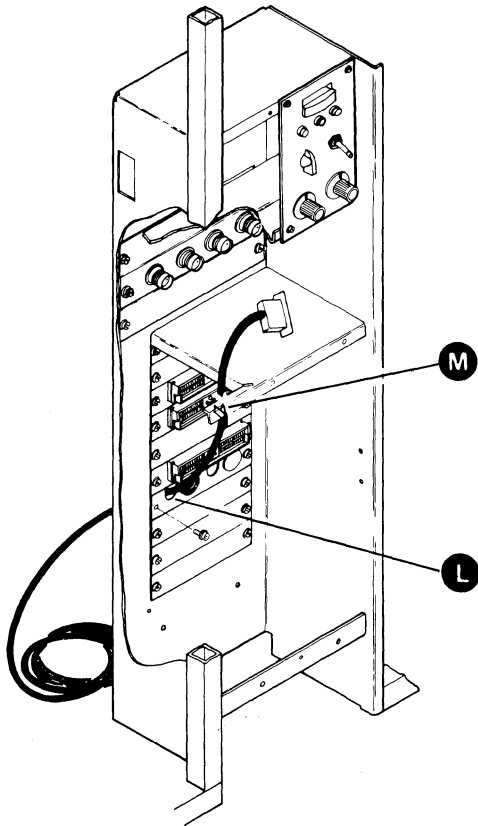
Place tape on the wood block (P/N 7354979) **F** and wedge (P/N 7320154) and insert between disk casting and disk frame as illustrated. Attach tape to frame.

Repeat for second drive.

6. **Data Communications Cable**

If the System/34 has a cable in the D-B8 location

- L** on the cable tower:
 - a. Remove the D-B8 plate.
 - b. Push the cable (except for a few feet of the cable) through the back of the cable tower, and place the cable on the base of the machine.
 - c. Reinstall the D-B8 plate.
 - d. Tape the end of the cable **M** to the cable tower.



7. Place any small shipping group items in an envelope (PN 7360979) and tape on the cable tower shelf. If machine has the keylock feature, place keys in envelope (PN 7360979) and tape on the cable tower shelf also.
8. Coil any loose power cables and secure under the disk drives with tape.
9. All manuals will be shipped from plant in assembly carton (P/N 7354916) as a separate package. Manuals returned to the plant of manufacture may be returned either in this case, inside the machine, or taped to top of machine.

10. If your machine is to be shipped by padded van, go to step 12. If your machine is to be shipped on a skid, remove the power supply safety shield **N**, and do the following:
 - a. Attach the two mounting boards **P** to the frame of the machine with the parts:

T-Nuts	4	7320791
Washers	8	453
Screws	4	186919
Board	1	7354936
Board	1	7354937

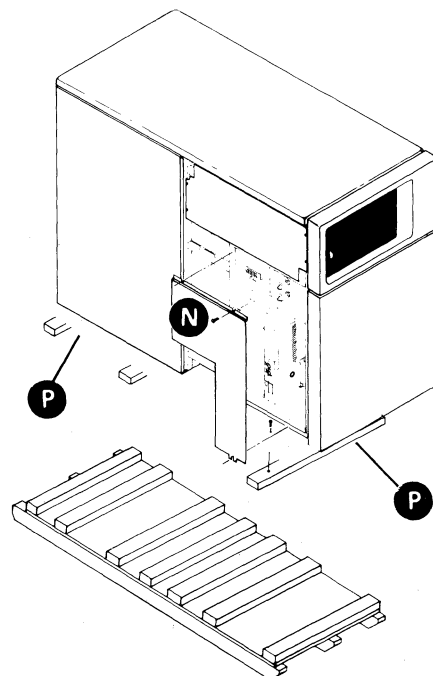
- b. Reinstall the safety shield **N**.
- c. Close all gates and covers and carefully lift the machine onto the skid.

CAUTION

Do not lift more than you can safely handle. If necessary, get help.

- d. Attach the skid to the two mounting boards with these parts:

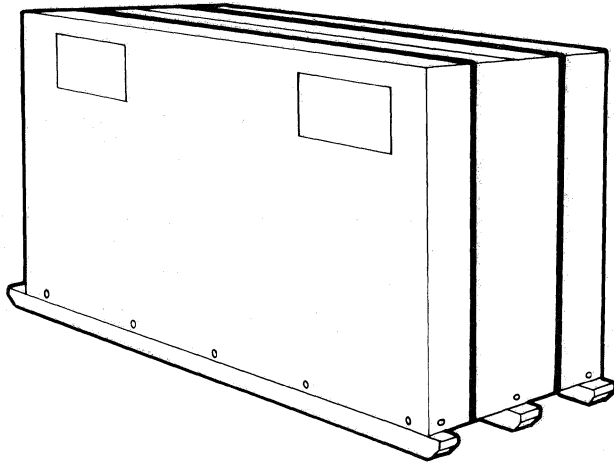
Board (support)	1	7354938
Skid	1	7354972
Skid (ocean)	1	7354980
Washers	6	453
Lag screws	6	7320339



11. For all shipments using skids:

- a. Place the corrugated carton over the machine and secure the carton to the skid with nails or staples, and with strapping and seals.
- b. Attach all necessary labels.

Corrugated carton (truck/rail)	1	7354975
Corrugated carton (ocean)	1	7354976
Strapping	44 ft.	7360284
Seals	2	7360285
Staples (plant)	16	7360460
Nails (field)	16	7360492
Label (handling)	2	7372514
Label (logo)	2	7372517
Label (fork truck handling)	X1	7360365
Label (fork truck handling)	X1	7360366



- 12. If your machine is to be shipped by padded van, close all covers.

Field only: Tape all covers closed.

Plant only: Tape the four corner posts (PN7367055) to the machine. Place the corrugated sheet (PN7367054) on top of the machine and secure with tape.

- 13. Place power cord on top of machine and secure with tape.
- 14. Place these packing/unpacking instructions in envelope (PN 7354420) and tape to top of machine. Place poly bag (PN 7360409) over the machine and attach label (PN 7372520).
- 15. Packing is now complete.