



Maintenance Library

5406

Processing Unit  
Parts Catalog



**Maintenance Library**

**5406**

**Processing Unit  
Parts Catalog**

## **Preface**

This Illustrated Parts Catalog (IPC) contains listings and illustrations of all replaceable assemblies, subassemblies and detail parts released to Production Control on or before August 2, 1971 for the 5406 Processing Unit.

### **Third Edition (April 1972)**

This is a reprint of S134-0001-1 incorporating changes released in the following Technical Newsletter: SN34-0077 December, 1971. Changes that affect this catalog are made periodically; any such changes will be reported in subsequent revisions or Technical Newsletters.

Requests for copies of IBM publications should be made to your IBM representative or to the IBM branch office serving your locality.

A form for readers' comments is provided at the back of this publication. If the form has been removed, send your comments to IBM Corporation, Systems Publications, Department 27T, P. O. Box 1328, Boca Raton, Florida 33432. Comments become the property of IBM.

## CONTENTS

	<u>Figure</u>	<u>Page</u>
HOW TO USE A PARTS CATALOG	ii	
VISUAL INDEXES	iv	
<u>Figure</u>	<u>Page</u>	
<b>COVER AND FINAL ASSEMBLIES</b>		
1 Cover to Frame Assembly (2 sheets) . . . . .	1	1
21 I/O Cover Assemblies . . . . .	62	
2 CPU Final Assembly (2 sheets) . .	6	
22 I/O Final Assembly . . . . .	65	
20 Probe Final Assembly . . . . .	61	
<b>KEYBOARD, KEYBUTTONS AND KEYLEVERS</b>		
25 Keyboard Assembly . . . . .	78	
Chart I. Keybutton Language Groups (2 sheets) . . .	73	
Chart II. Keybutton Nomenclature . . . . .	75	
Chart III. Interposer and Keylever Positions (2 sheets) . . . . .	76	
<b>PANEL ASSEMBLIES</b>		
3A Secondary Power Panel Assembly . . . . .	14	
6 BSCA Panel Assembly . . . . .	21	
18 FE Panel Assembly . . . . .	47	
23 Solenoid Interposer Assembly . . .	69	
<b>GATES AND COOLING UNITS</b>		
8 CPU B Gate Assembly . . . . .	24	
14 Gate Assembly - CPU . . . . .	36	
9 2 x 1 Gate Plenum Assembly - 50 and 60 Hz . . . . .	27	
10 Regulator Plenum Assembly - 50 and 60 Hz . . . . .	29	
15 3 x 2 Gate Plenum Assembly - 50 and 60 Hz . . . . .	39	
	<u>Figure</u>	<u>Page</u>
	<b>POWER ASSEMBLIES</b>	
	3	Secondary Power Box Assembly . . 13
	4	24V Transformer Assembly Box . . 16
	5	Primary Power Box Assembly . . . 18
	7	Meter Power Pac Assembly - 50 and 60 Hz . . . . . 22
	11	Power Supply Assembly . . . . . 31
	12	30 Amp Add-On Heatsink Assembly . . . . . 34
	13	Power Supply . . . . . 35
	16	Multi-Level Power Supply Assembly - 50 and 60 Hz . . . . . 41
	17	Multi-Output Ferroresonant Regulator - 50 and 60 Hz . . . . . 44
	19	Power Supply and Shield Assembly - New Style . . . . . 49
	19A	Multi-Level Power Supply Assembly - New Style (2 sheets) . . . . . 50
	19B	Power Supply and Shield Assembly - Old Style . . . . . 55
	19C	Multi-Level Power Supply Assembly - Old Style (2 sheets) . . 56
	24	Console Assembly . . . . . 70
	27	5406 Cable Assemblies (2 sheets) . . . . . 81
		NUMERICAL INDEX . . . . . X-1

## HOW TO USE THIS ILLUSTRATED PARTS CATALOG (IPC)

### PART I

To find parts quickly, a general understanding of the structure of this catalog is necessary. The catalog is divided into three major sections:

- The Visual Index, containing overall views of the machine, with call-outs pointing to detailed figures.
- The Catalog Section, containing a pictorial breakdown of assemblies and subassemblies.
- The Numerical Index, which is a numerical list of all parts used in the machine, with cross-references to the figure on which the part is found.

#### VISUAL INDEX

The Visual Index, located before the Catalog Section, contains a reduced illustration of every figure in the Catalog Section. The reduced illustrations are tied together with flow arrows to form a natural progression from large assemblies to small assemblies and possibly subassemblies. In effect, a visual table of contents is formed by the Visual Index illustrations.

#### CATALOG SECTION

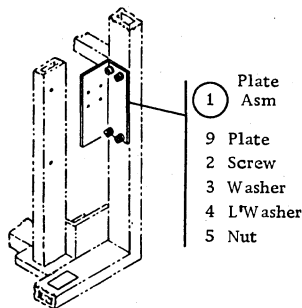
The Catalog Section contains the full-sized illustrations previously noted in the Visual Index. Index numbers on figures refer to corresponding entries in the Group Assembly Parts List accompanying each figure. Refer to part II for explanation of terms used in the Group Assembly Parts List.

#### NUMERICAL INDEX

The Numerical Index is located after the Catalog Section and contains a complete list, in numerical order, of all part numbers used on the machine. Listed with the part number is the index and figure number on which the part is illustrated. The numerical index makes it possible to locate a part when only the part number is known.

#### STACKED INDEX NUMBERS

Stacked Index numbers are used when showing a part and its attaching hardware. The sequence of a typical stack is shown at the right. The circled index number indicates the assembly is broken down within the figure.



#### ILLUSTRATION NOTES

Cross-reference notes are directly on the illustration. The illustration's next higher assembly reference, normally located in the upper left corner of the page will read: "For Parts Not Shown See Figure X". If an assembly is referenced to a lower level figure, the note located next to the index number will read: "See Figure X."

#### DOUBLE LINED DETAIL BOX

The double lined box differentiates between parts shown on the basic model and parts related to a level and/or feature difference. An explanation of the level or feature difference is given in the double lined box.

#### FINDING A PART

The Visual Index is the starting point for locating a part. The illustrations in the Visual Index are reduced versions of all illustrations in the Catalog Section; therefore, the illustrations can be used to find the assembly containing the desired part. Use references to the detailed figure in the Catalog Section, or to another Visual Index illustration, to determine location of part number.

Once the detailed figure in the catalog section is determined, finding the part on the figure and referring to the listing for the part number and description is all that is required in most cases. If the first catalog section figure referenced shows the assembly containing the required part, the index number for the assembly will reference a lower-level figure where the assembly is broken down to its component parts. If the figure referenced by the Visual Index contains neither the part nor an assembly containing the part, it is then necessary to go to the next higher assembly figure. This figure should then contain the part or an assembly containing the part; if not, an even higher level figure must be used. Refer back to the Visual Index for some other figure that could show the desired part.

Note: Many detailed parts are unavailable, because they are part of an inseparable assembly (two or more parts welded or bonded together), or because they are part of an assembly purchased as a unit. If parts are found on a welded or bonded assembly, the following note follows the description of the assembly: "Assembly components are not replaceable." If the part is found on a purchased assembly, and the detail parts of this assembly do not have IBM part numbers, the note following the assembly description will read: "Assembly components are not available." In either case, you need to obtain the part number of the assembly, rather than the detailed part.

#### EXAMPLE FOR ORDERING PARTS

			REF
4 -	5726422	FAN ASM-P/S ENCLOSURE FOR NEXT HIGHER ASSEMBLY SEE FIGURE 1-184 FOR ILLUSTRATION SEE FIGURE 4	
- 1	334921	. TERMINAL RING- 18-22 AWG, #6 HOLE, 1/8"	2
- 2	187854	. SHIELD, TERMINAL BLOCK- 2 POS	1
- 3	210984	. SCREW, RD HD MACH-6-32 X .250 LG	ATT PT 1
- 4	5357050	. FAN ASM-NO CONNECTOR	1
- 5	32042	. SCREW, MACH BIND. HD 10-32 X .375 LG	ATT PT 2
- 6	5357066	. BLADE	1
- 7	5357067	. MOTOR 208V/230V 60CY 220V 50CY	1
- 8	130434	. SCREW, MACH-SLOTTED HEX HD 10-32 X .375 LG	ATT PT 2
- 9	56079	. WASHER, LOCK-EXT T .1951D .410 OD	ATT PT 2
- 10	5726436	. HEADER-POWER SUPPLY FAN	1

If the entire fan is required, part number 5726422 should be ordered (all one dot items will be received). If only the subassembly is required, part number 5357050 should be ordered (all two dot items will be received). Each part may be ordered individually.

HOW TO USE THIS ILLUSTRATED PARTS CATALOG (IPC)

PART II

- ① AR  
As Required (AR) in the units per assembly column denotes that the quantity is used as required.
- ② ATT PT  
Attaching Parts: These parts are used to attach a subassembly to an assembly. The attaching parts are listed immediately following the part to be attached.
- ③ "COMM"  
Commercial hardware: When this indication appears in the part number column, it denotes hardware procurable from normal commercial sources and not identified by an IBM part number.
- ④ INDENTURE  
The relationship of a part to its next higher assembly is indicated by indentures. For example:  

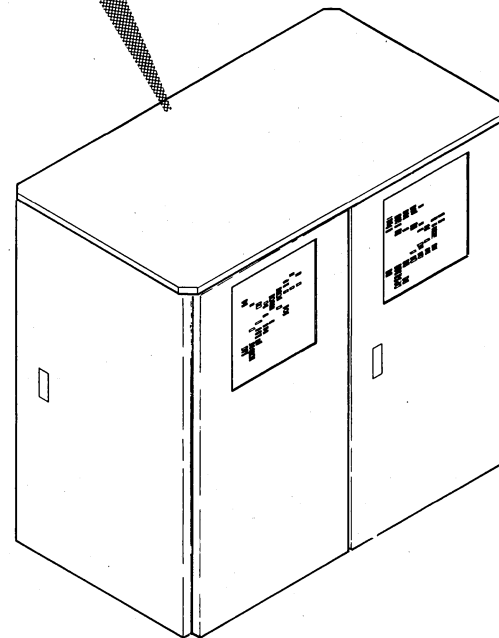
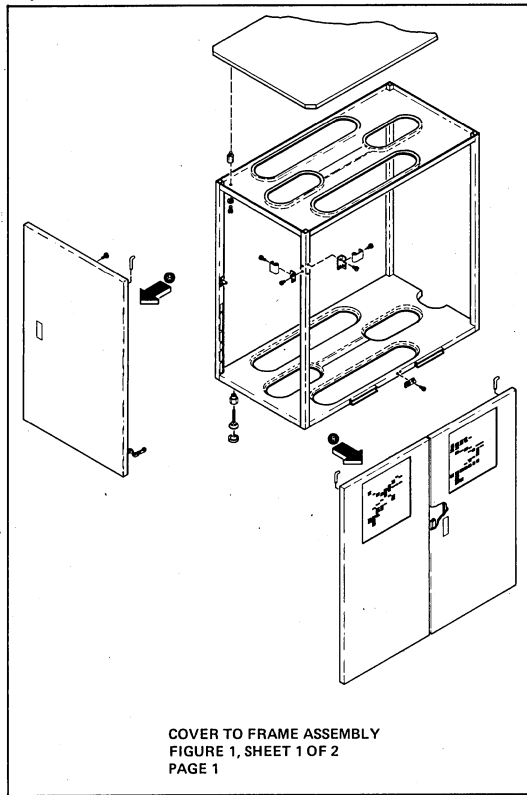
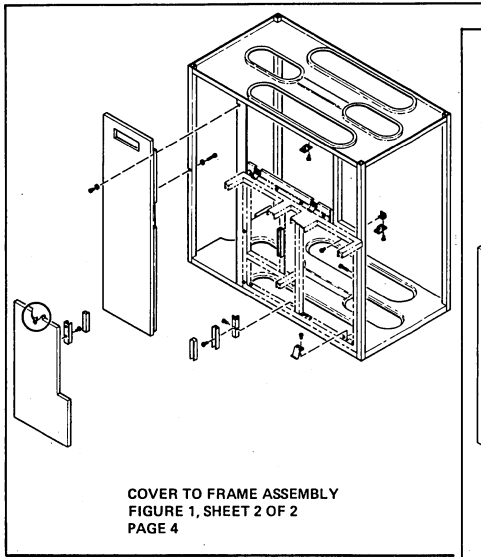
1	2	3	4
Unit			
·	Assemblies and Detail Parts of Unit		
·	Attaching Parts for Assemblies & Detail Parts		
·	·	Subassemblies	
·	·	Attaching Parts for Subassemblies	
·	·	·	Detail Parts for Subassemblies, etc.
- ⑤ NR  
The NR in the part number column indicates parts not recommended for field replacement; order next higher assembly.
- ⑥ NP  
The entry NP in the part number column denotes the assembly is non-procurable and the detail parts should be ordered separately.

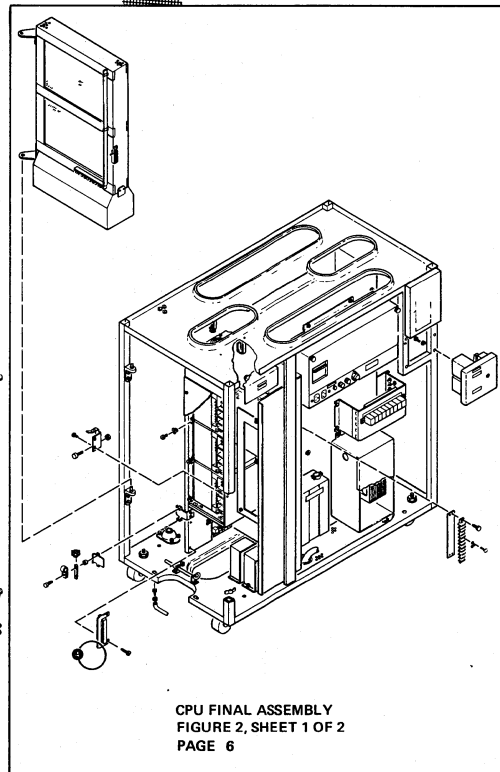
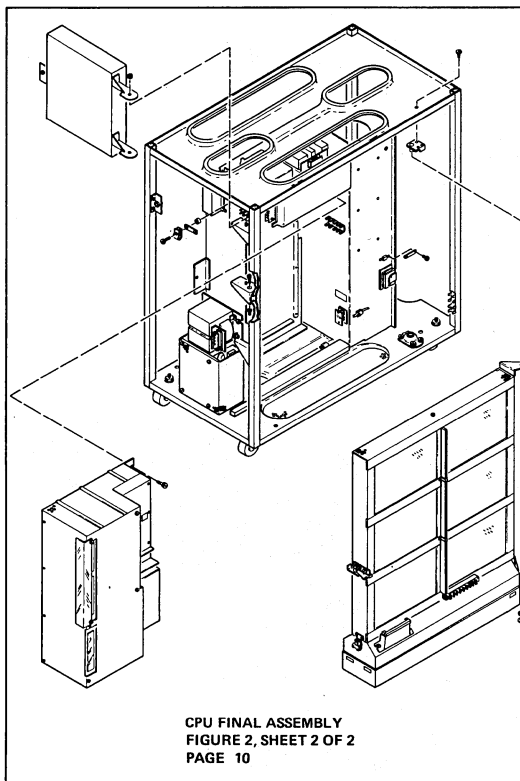
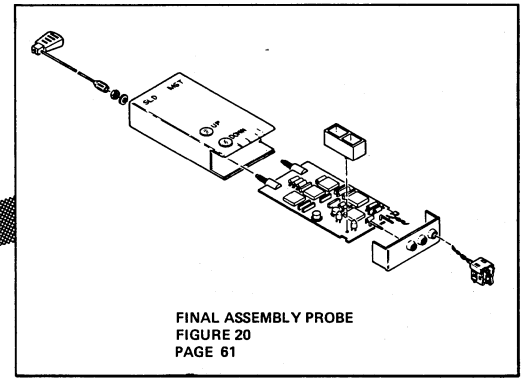
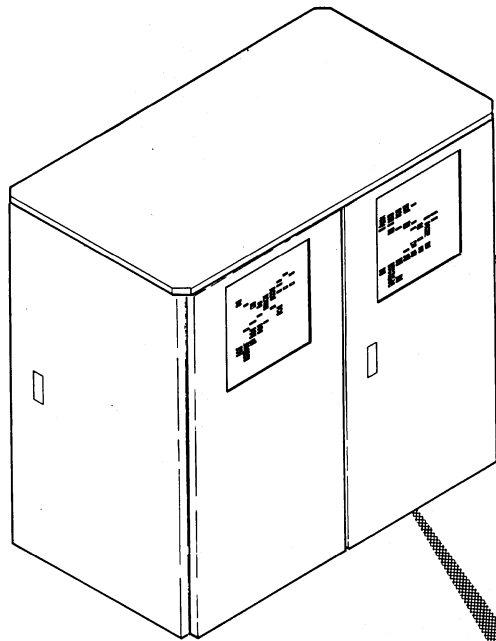
- ⑦ NO NO.  
When this indication appears in the part number column, it denotes a group of parts for which no assembly part number has been assigned, and the detail parts should be ordered separately.
- ⑧ REF  
This entry in the units per assembly column denotes an assembly which is completely assembled on a preceding illustration. Quantities for such items are found in its next higher assembly.
- ⑨ SIMILAR ASSEMBLIES  
If two assemblies contain a majority of identical parts, they are broken down on the same list. Common parts are shown by one index number. Parts peculiar to one or the other of the assemblies are listed separately and identified by Usable On Code.
- ⑩ USABLE ON CODE  
Part application and interchangeability is indicated by the usable on code. If this column is blank, the parts pertain to all equipment(s) covered. Two types of codes are used. The alphabetic code denotes similar assemblies and/or features; the numeric code denotes level. Refer to the beginning of each list for the explanation of the code(s).
- ⑪ SUFFIX CODE  
The suffix code indicates the month (alphabetic) and the year (numeric) of the engineering change which affected interchangeability of the part.

EXAMPLE OF PARTS LIST

LIST AND INDEX NO.	PART NO.	DESCRIPTION				UNITS PER ASM.	USABLE ON CODE
		1	2	3	4		
2-		DRIVE MOTOR ASSEMBLY					
-	⑨ 2199376 NP ⑥	⑩	CODE A USED ON 60 CYCLE ONLY	⑪	⑧	⑩	
-	2199386 NP		CODE B USED ON 50 CYCLE ONLY		REF	1A	
			CODE 1 USED ON ASM PRIOR TO B6 SUFFIX		REF	1B	
- 1	2204176 ④	·	PULLEY, 60 CYCLE	②	①	A	
- 1	2199255	·	PULLEY, 50 CYCLE		1	B	
- 2	79842	·	SETSCREW, SPLINE DR CUP PT 8-32 X 3/8 LG		AR		
- 3	2204116 ⑦	·	MOTOR ASM, 220V AC 60 CYCLE		1	A	
- 4	NO NO. ⑦	·	MOTOR ASM, 220V AC 50 CYCLE		1	B	
- 5	5526	·	SCREW, MACH BIND HD 8-32 X 0.625 LG	ATT PT	4		
- 6	2204082 ③	·	FERRULE, OUTER		1		
- 7	2204033	·	FERRULE, INNER		1		
- 8	"COMM"	·	MOTOR, 1/12 HP-220V 60CPS		1		
- 8	2199258 ⑤	·	MOTOR, DRIVE - 220V 50CPS		1		
- 9	2199401 NR	·	PLATE, MOTOR MT-115/220 VOLTS 60 CYCLE		1	A	
- 9	2199402 NR	·	PLATE, MOTOR MT-220 VOLTS 50 CYCLE		1	B	

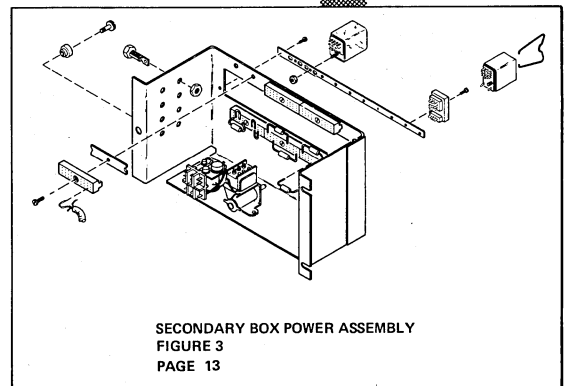
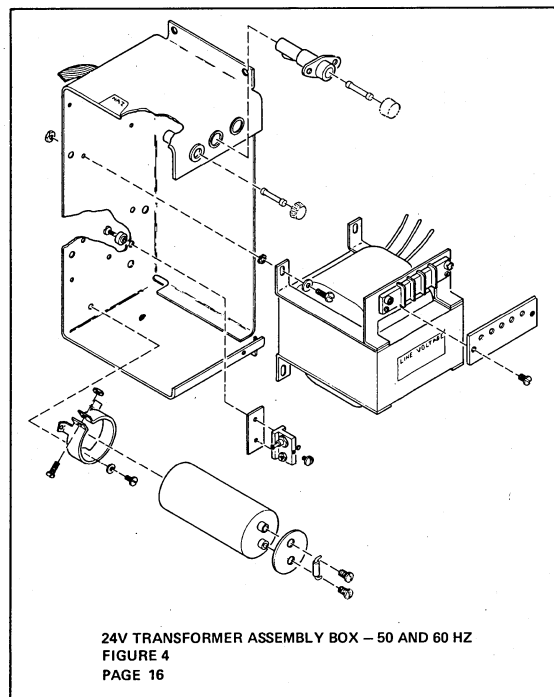
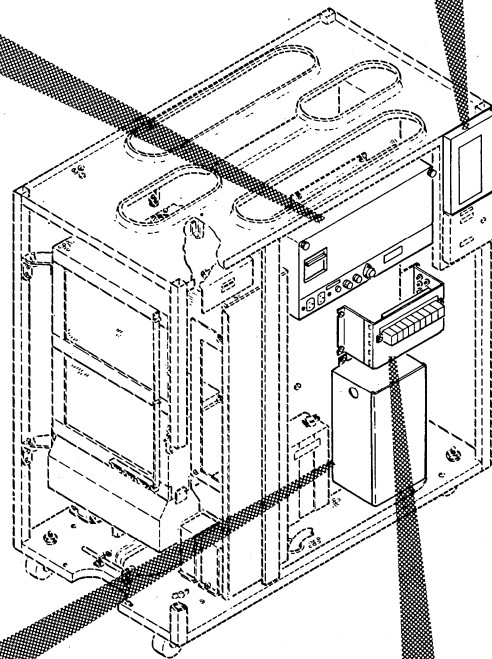
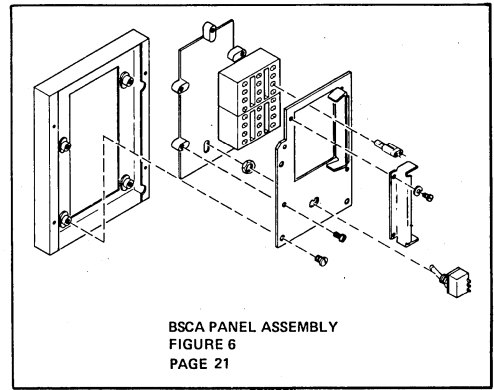
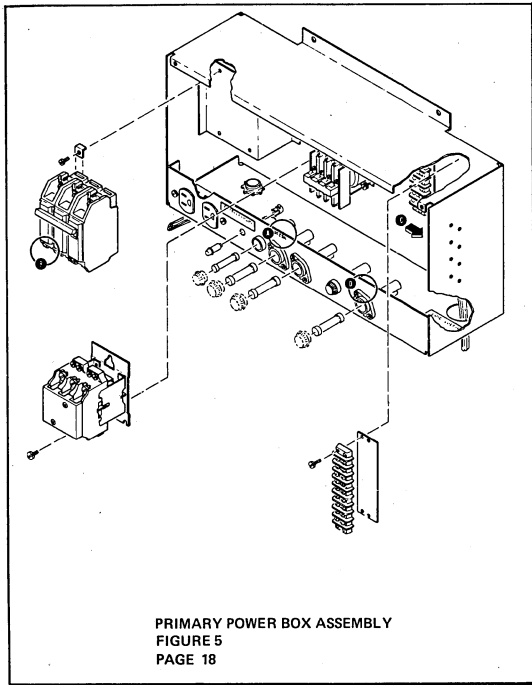
VISUAL INDEX

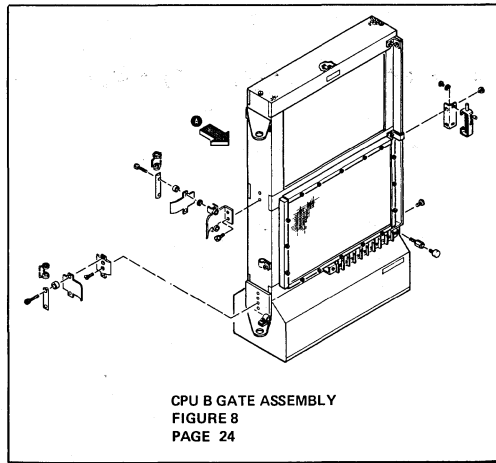




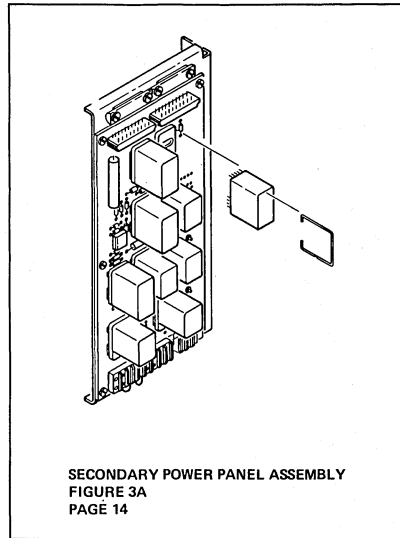


VISUAL INDEX

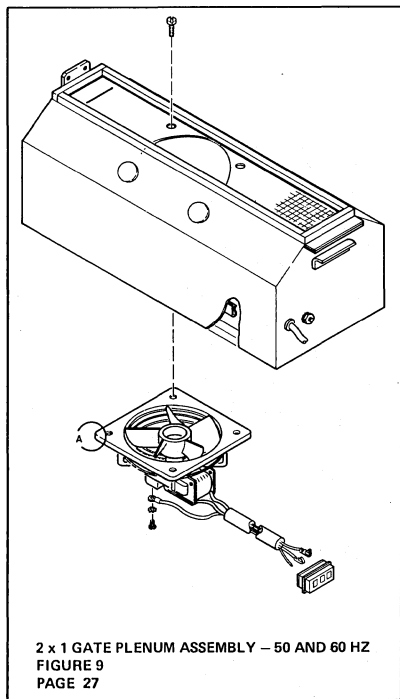




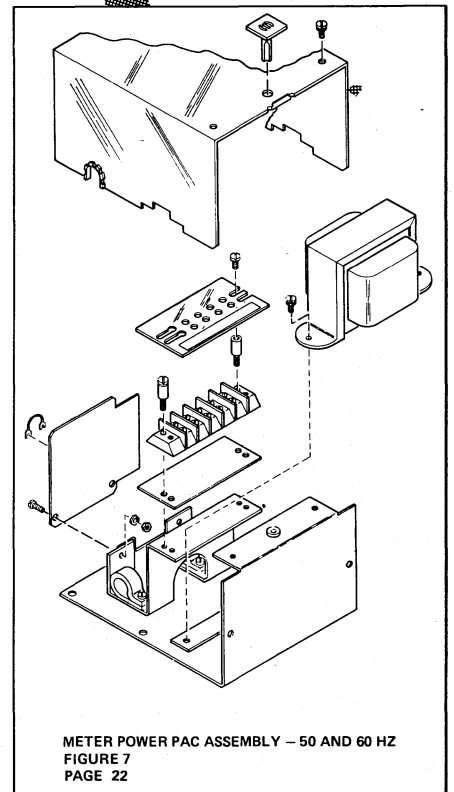
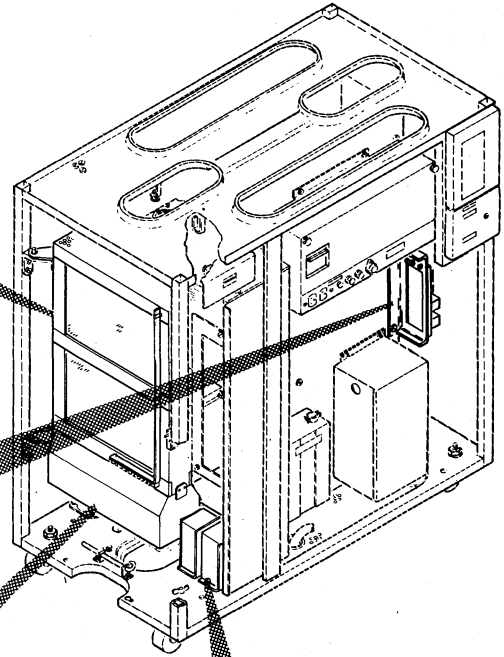
CPU B GATE ASSEMBLY  
FIGURE 8  
PAGE 24



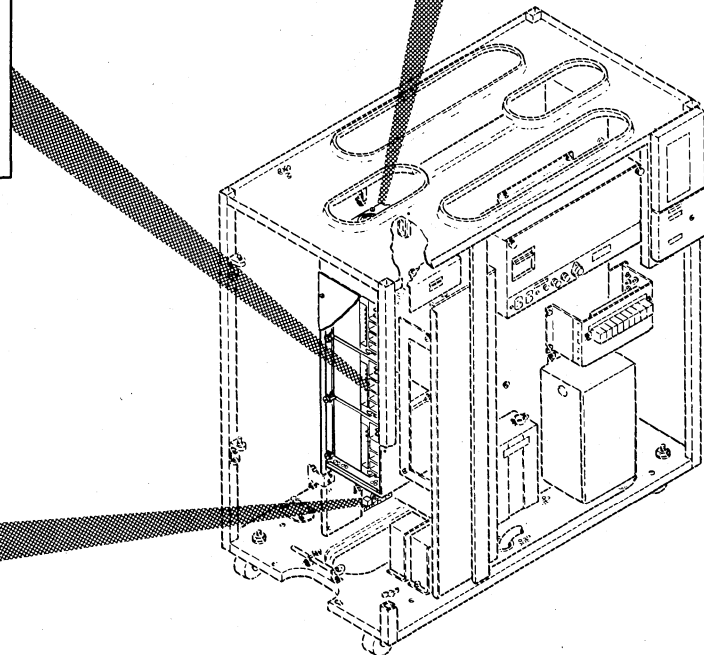
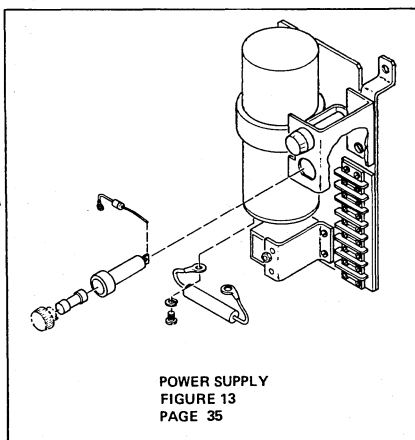
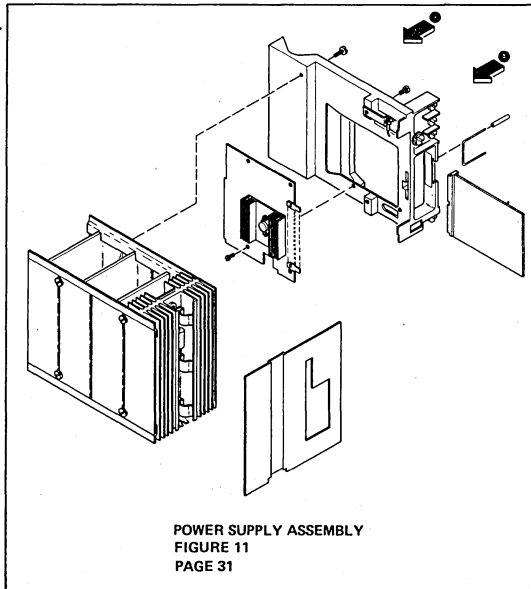
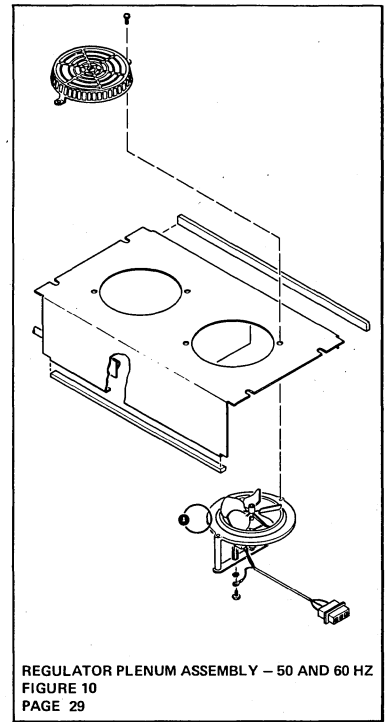
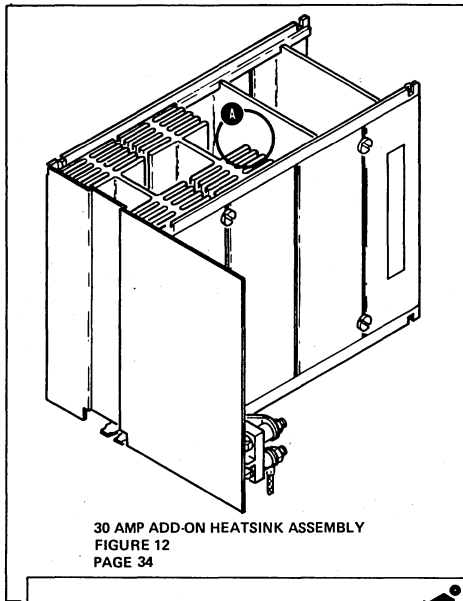
SECONDARY POWER PANEL ASSEMBLY  
FIGURE 3A  
PAGE 14

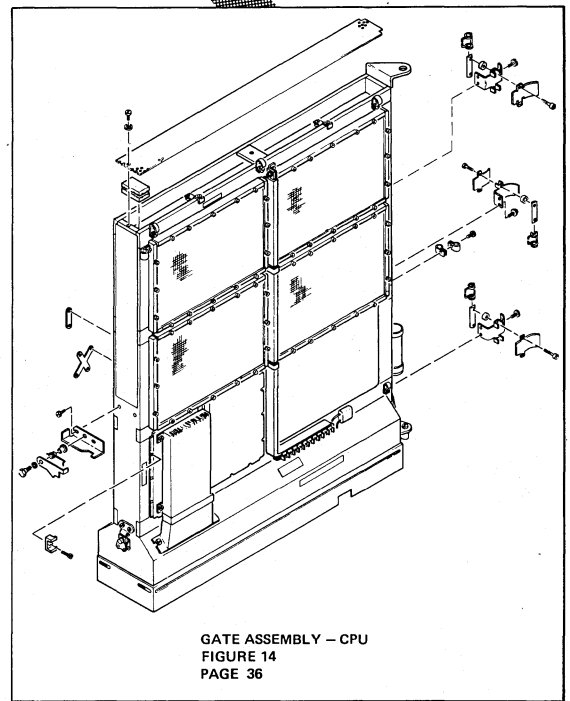
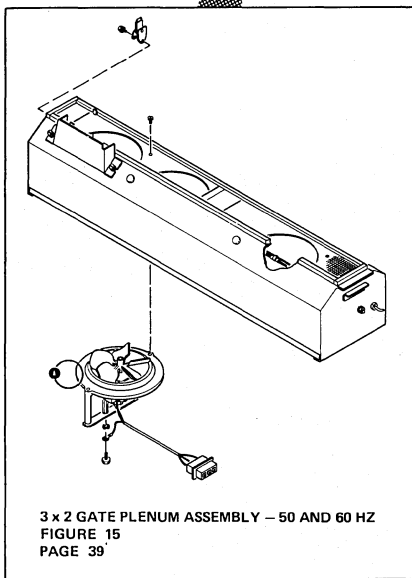
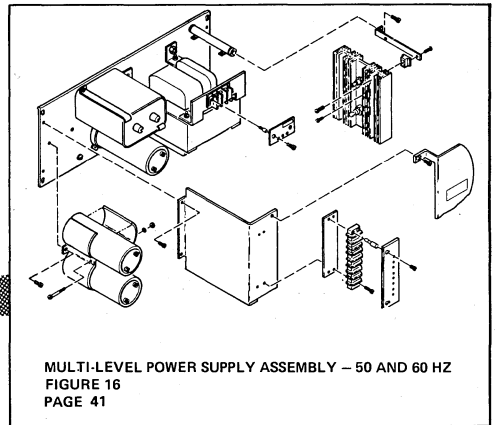
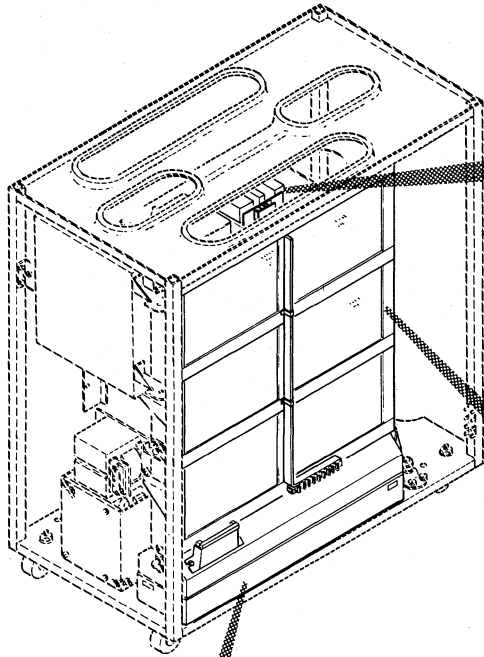


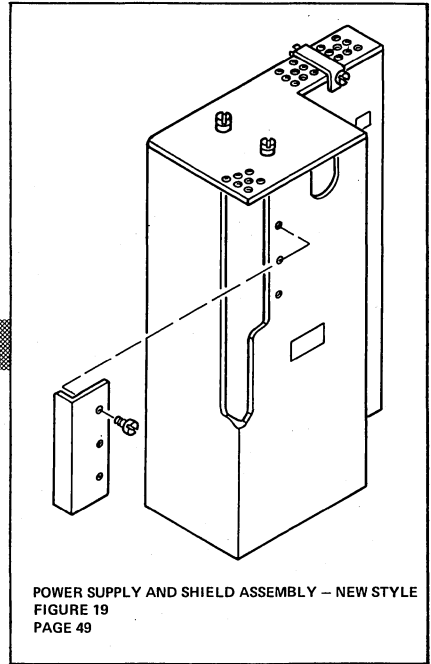
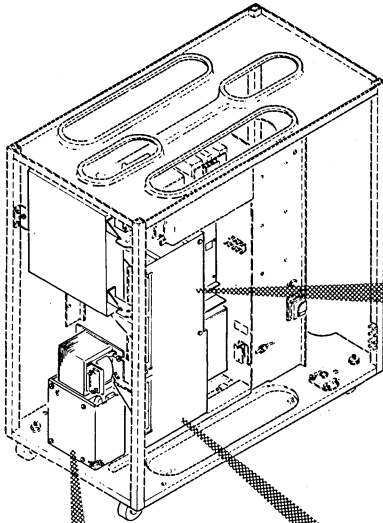
2 x 1 GATE PLENUM ASSEMBLY - 50 AND 60 HZ  
FIGURE 9  
PAGE 27



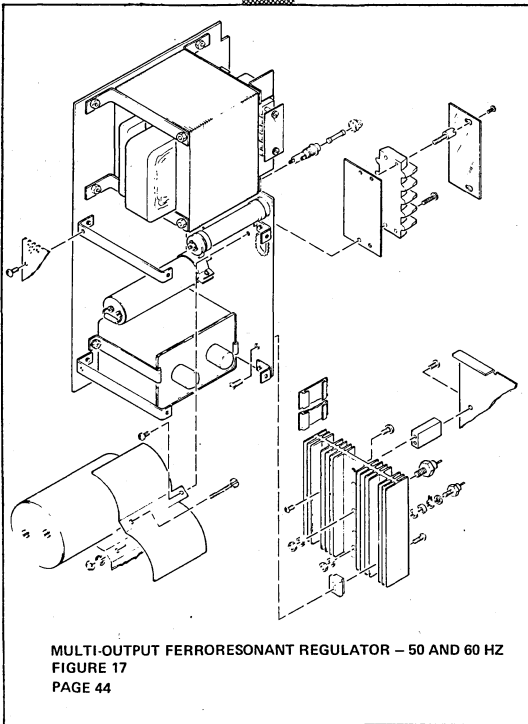
METER POWER PAC ASSEMBLY - 50 AND 60 HZ  
FIGURE 7  
PAGE 22



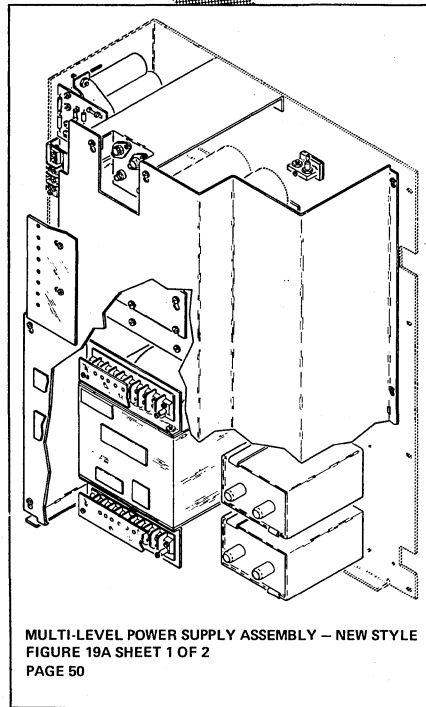




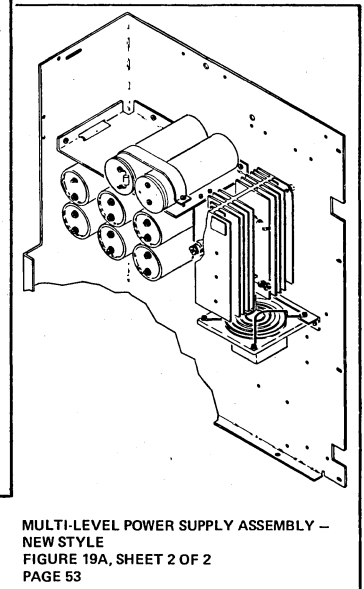
POWER SUPPLY AND SHIELD ASSEMBLY - NEW STYLE  
FIGURE 19  
PAGE 49



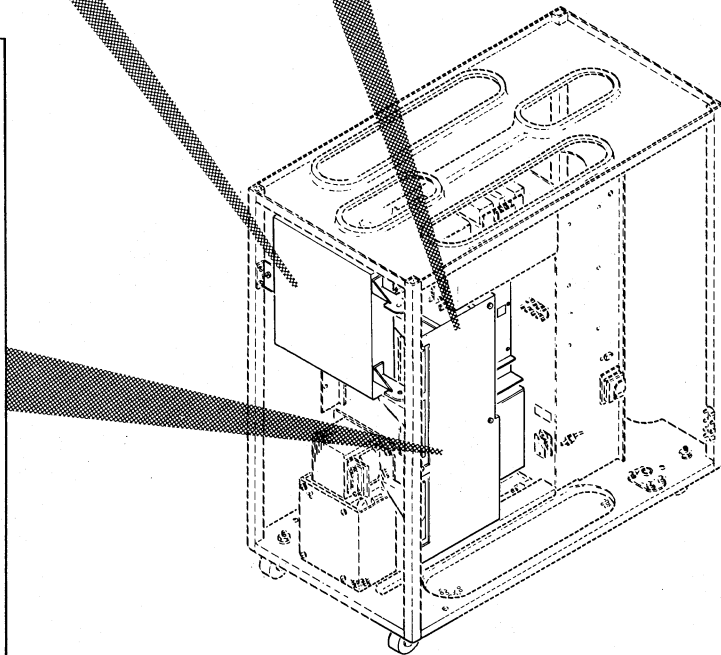
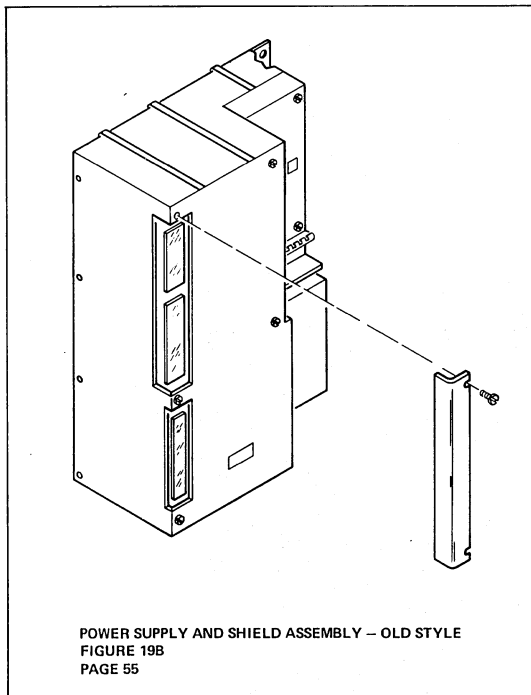
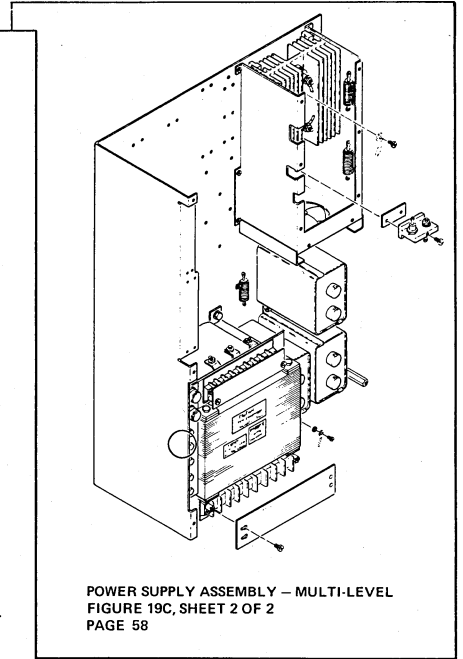
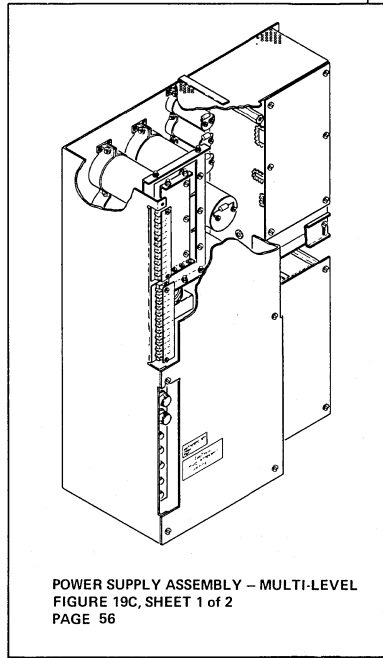
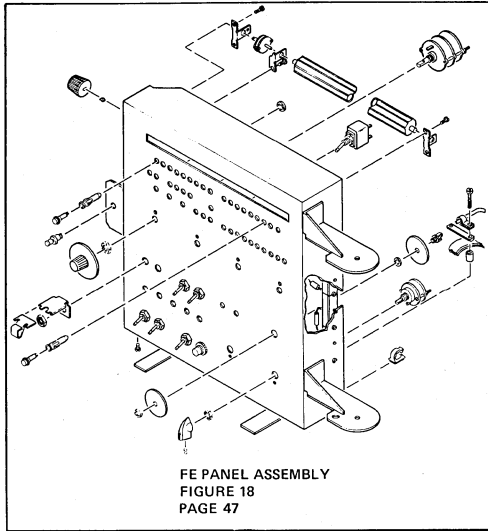
MULTI-OUTPUT FERRORESONANT REGULATOR - 50 AND 60 HZ  
FIGURE 17  
PAGE 44



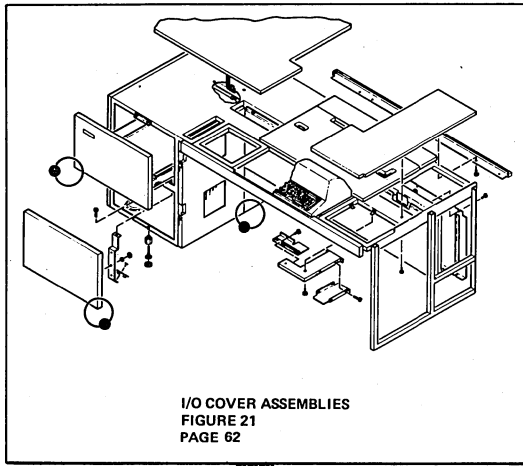
MULTI-LEVEL POWER SUPPLY ASSEMBLY - NEW STYLE  
FIGURE 19A SHEET 1 OF 2  
PAGE 50



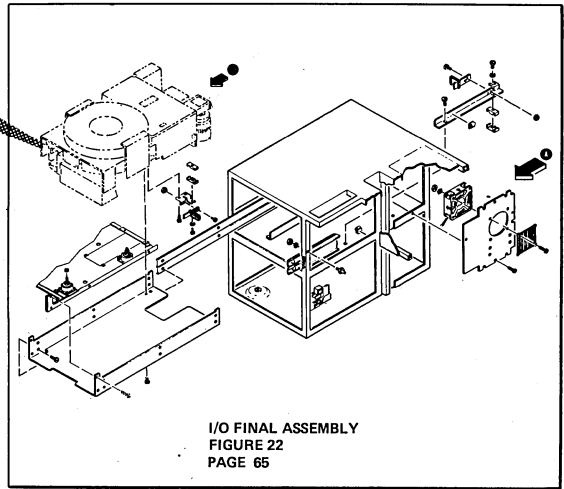
MULTI-LEVEL POWER SUPPLY ASSEMBLY -  
NEW STYLE  
FIGURE 19A, SHEET 2 OF 2  
PAGE 53



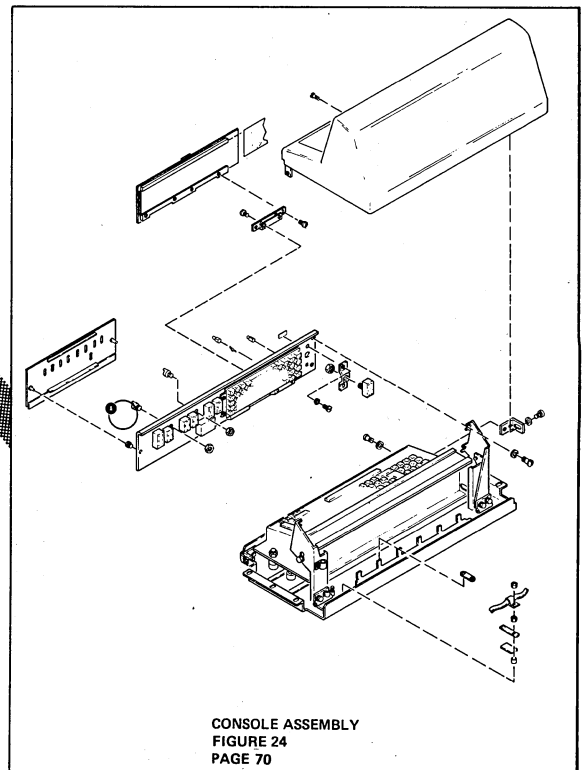
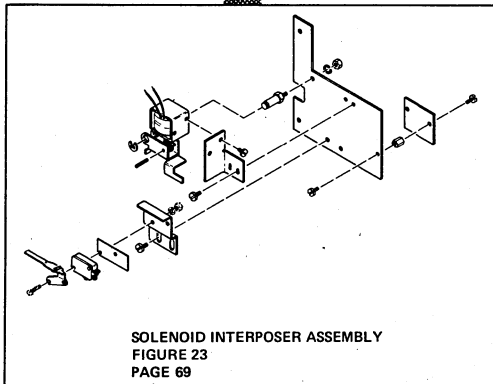
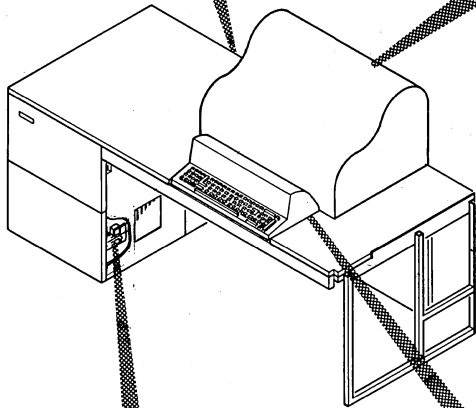
VISUAL INDEX



5444 Parts Catalog  
(Below Serial 30,100) S135-0001  
(Above Serial 30,100) S135-0002

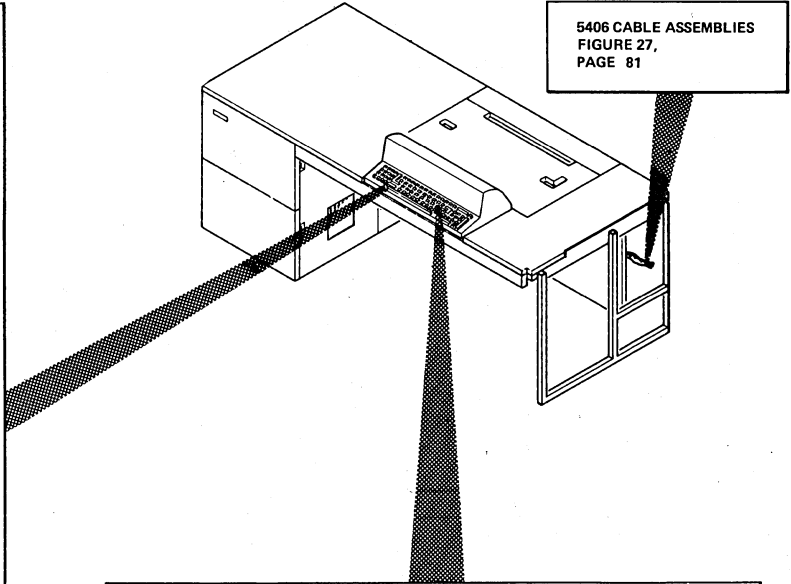
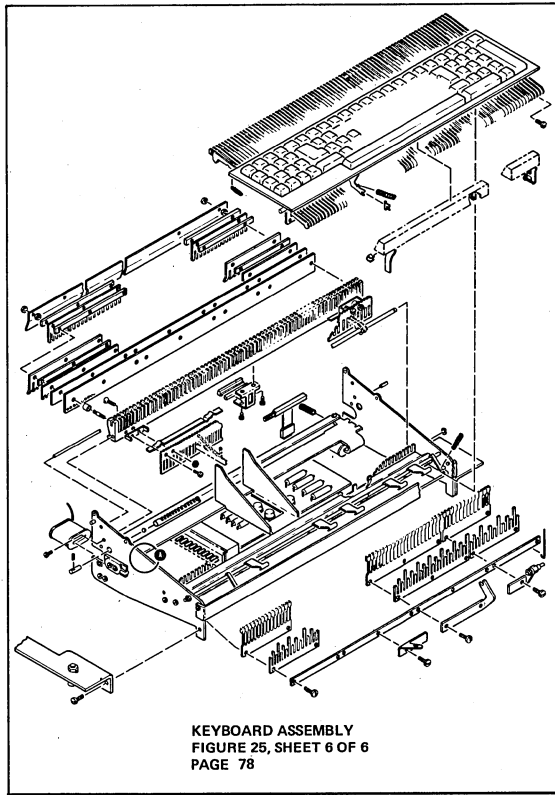


5213 Models 2 and 3 Parts Catalog S124-0105  
2222 Parts Catalog S124-0111









**KEYLEVER POSITIONS**

**FOR KEYLEVERS IN SHADED AREA, SEE CHART III, PART 2**

**CHART III. INTERPOSER AND KEYLEVER POSITIONS (PART 1 OF 2)**

KEYLEVER POSITION	0	1	2	3	4	5	6	7	8	9
INTERPOSER	515189	518104	518104	518104	518104	518104	518104	518104	518104	518104
INTERPOSER SPRING	130487	130487	130487	130487	130487	130487	130487	130487	130487	130487
KEYLEVER	NONE	515191	515191	515191	515191	515191	999392	112947	112947	112947

KEYLEVER POSITION	10	11	12	13	14	15	16	17	18	19
INTERPOSER	518104	518104	518104	518104	518104	518104	518104	518104	518104	518104
INTERPOSER SPRING	130487	130487	130487	130487	130487	130487	130487	130487	130487	130487
KEYLEVER	112948	112948	112947	515191	515191	515191	515191	515191	112949	112948

KEYLEVER POSITION	20	21	22	23	24	25	26	27	28	29
INTERPOSER	518104	518104	518104	518104	518104	518104	518104	518104	518104	518104
INTERPOSER SPRING	130487	130487	130487	130487	130487	130487	130487	130487	130487	130487
KEYLEVER	112948	112948	112948	112948	515208	515208	515208	515208	112949	112949

KEYLEVER POSITION	30	31	32	33	34	35	36	37	38	39
INTERPOSER	518104	518104	518104	518104	518104	518104	518104	518104	518104	518104
INTERPOSER SPRING	130487	130487	130487	130487	130487	130487	130487	130487	130487	130487
KEYLEVER	112949	112949	112949	112949	515196	515196	515196	515196	58851	112950

KEYLEVER POSITION	40	41	42	43	44	45
INTERPOSER	518104	518104	518104	518104	518104	518104
INTERPOSER SPRING	130487	130487	130487	130487	130487	130487
KEYLEVER	112950	112950	112950	112950	112950	*

\* KEYLEVER PART NO. 112950 USED ON ALL LANGUAGE GROUPS EXCEPT DENMARK.  
KEYLEVER PART NO. 515199 USED ON DENMARK LANGUAGE GROUP ONLY.

**INTERPOSER AND KEYLEVER POSITIONS**  
FIGURE 25, SHEET 4 OF 6  
PAGE 77

**KEYLEVER POSITIONS**

**FOR KEYLEVERS IN SHADED AREA, SEE CHART III, PART 2**

**CHART III. INTERPOSER AND KEYLEVER POSITIONS (PART 2 OF 2)**

KEYLEVER POSITION	46	47	48	49	50	51	* 52	** 53	54	55
INTERPOSER	518104	518104	518104	518104	518104	518104	518104	518104	518104	518104
INTERPOSER SPRING	130487	130487	130487	130487	130487	130487	130487	130487	130487	130487
KEYLEVER	112947	112947	112947	112947	112947	112947	112947	999424	112948	112948

KEYLEVER POSITION	56	57	58	59	60	61	62	** 63	64	65
INTERPOSER	518104	518104	518104	518104	518104	518104	518104	518104	518104	518104
INTERPOSER SPRING	130487	130487	130487	130487	130487	130487	130487	130487	130487	130487
KEYLEVER	112948	112948	112948	112948	112948	515191	515191	999430	112949	112949

KEYLEVER POSITION	66	67	68	69	70	71	72	73	74	75
INTERPOSER	518104	518104	518104	518104	518104	518104	518104	518104	518104	518104
INTERPOSER SPRING	130487	130487	130487	130487	130487	130487	130487	130487	130487	130487
KEYLEVER	112949	112949	112949	515199	515199	515199	112950	112950	112950	112950

KEYLEVER POSITION	76	77	78	79	80	81	82
INTERPOSER	518104	518104	518104	518104	518104	518104	515180
INTERPOSER SPRING	130487	130487	130487	130487	130487	130487	130487
KEYLEVER	113072	515196	515196	515196	515199	515199	NONE

\* KEYLEVER, PART NO. 999392, USED ON ALL LANGUAGE GROUPS EXCEPT FINLAND/SWEDEN.  
KEYLEVER, PART NO. 999392, USED ON FINLAND/SWEDEN LANGUAGE GROUP.  
PART NO. 515360, ON DENMARK LANGUAGE GROUP ONLY.  
\* KEYLEVER, PART NO. 999424, USED ON ALL LANGUAGE GROUPS EXCEPT DENMARK.  
KEYLEVER, PART NO. 112947, USED ON DENMARK LANGUAGE GROUP.  
\*\* KEYLEVER, PART NO. 999430, USED ON ALL LANGUAGE GROUPS EXCEPT DENMARK.  
KEYLEVER, PART NO. 515189, USED ON DENMARK LANGUAGE GROUP.  
† REQUIRES NEW STYLE KEYBUTTON (2 MOUNTING POSTS)

**INTERPOSER AND KEYLEVER POSITIONS**  
FIGURE 25, SHEET 5 OF 6  
PAGE 76

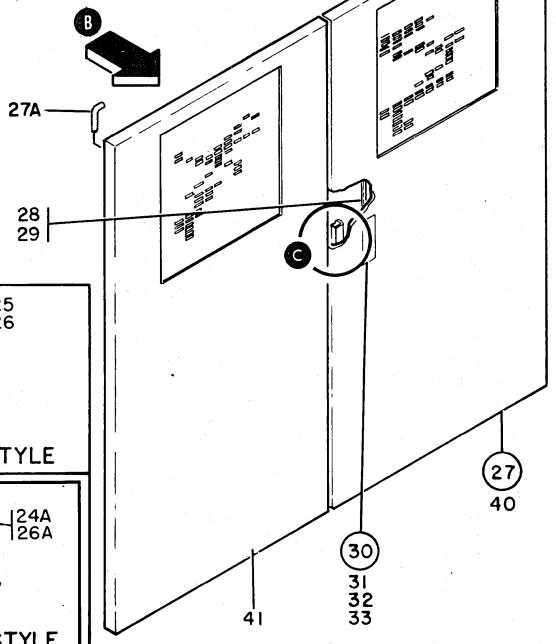
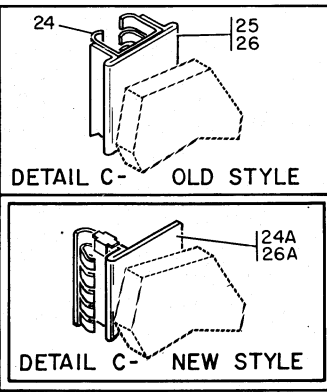
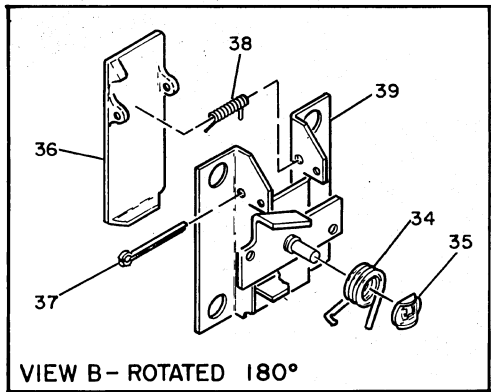
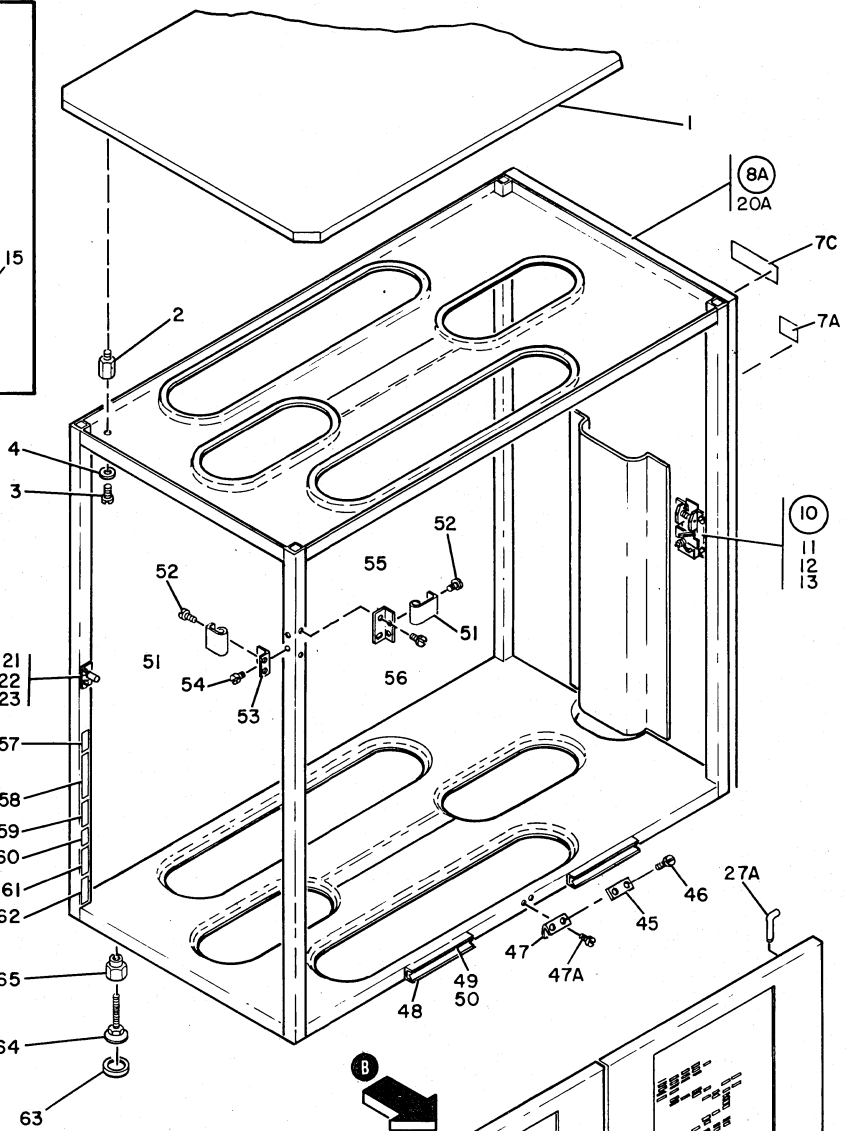
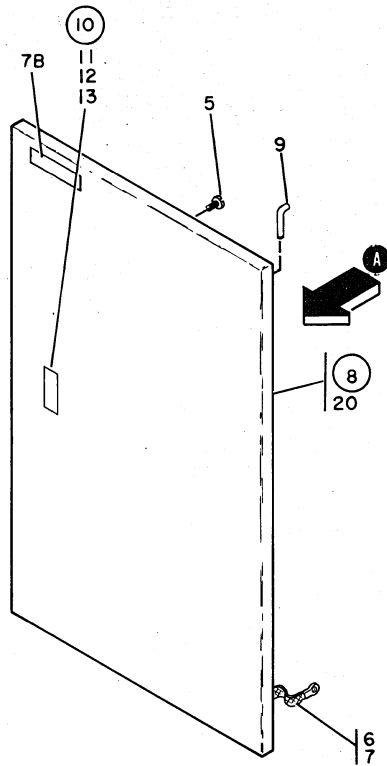
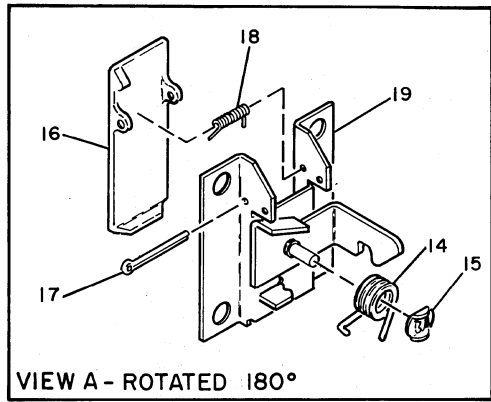


FIGURE 1. COVER TO FRAME ASSEMBLY. SHEET 1 OF 2. INDEX NOS. 1-65. SEE LIST 1.

LIST AND INDEX NUMBER	PART NUMBER	DESCRIPTION	UNITS	USABLE
			PER ASM.	ON CODE
		COVER TO FRAME,ASSEMBLY		
1 -	5133549 NP	COVER TO FRAME ASSEMBLY FOR ILLUSTRATION SEE FIGURE 1		
- 1	5129200	. COVER ASM, TOP	1	
- 2	5129088	. STUD, SUPPORT	4	
- 3	2566640	. SCREW, MACH BD HD- 1/4-20 X 0.437 ATT PT	4	
- 4	2566648	. WASHER, FL- 0.330 ID X 0.625 OD 0.0050 THK ATT PT	4	
- 5	749089	. SCREW, FLAT HD- 10-32 X 0.437 LG	3	
- 6	518611	. JUMPER ASM-GROUND 8 IN. 1 LUG EA END	4	
- 7	2566607	. SCREW, MACH BD HD- 10-32 X 0.250 LG ATT PT	8	
- 7A	3010982	. LABEL, IMPORT- MFD IN ITALY	AR	
- 7B	5133824	. NAMEPLATE, SYSTEM- ENGLISH/GERMAN	AR	
- 7B	5133825	. NAMEPLATE, SYSTEM- ITALIAN/SPANISH	AR	
- 7B	5133826	. NAMEPLATE, SYSTEM- FRENCH	AR	
- 7B	5133827	. NAMEPLATE, SYSTEM- JAPANESE	AR	
- 7C	5133718	. NAMEPLATE, CPU- ENGLISH	AR	
- 7C	5133719	. NAMEPLATE, CPU- GERMAN	AR	
- 7C	5133720	. NAMEPLATE, CPU- FRENCH	AR	
- 7C	5133721	. NAMEPLATE, CPU- ITALIAN	AR	
- 7C	5133722	. NAMEPLATE, CPU- SPANISH	AR	
- 7C	5133723	. NAMEPLATE, CPU- JAPANESE	AR	
- 8	5129233	. COVER AND LATCH ASM, FRONT SPECIFY COLOR WHEN ORDERING	1	
- 8A	5129239	. COVER AND LATCH ASM, REAR	1	
- 9	5129214	. PIN, HINGE ATT PT	4	
- 10	5129232	. . LATCH ASSEMBLY, FRONT SPECIFY COLOR WHEN ORDERING	1	
- 10	5129232	. . LATCH ASSEMBLY, REAR SPECIFY COLOR WHEN ORDERING	1	
- 11	110029	. . WASHER, FL- 0.170 ID X 0.625 OD 0.031 THK ATT PT	4	
- 12	1090873	. LOCKWASHER, SPLIT- 0.168 ID X 0.296 OD 0.046 ATT PT	4	
- 13	257189	. . NUT, HEX- 8-32 ATT PT	4	
- 14	2590333	. . . SPRING, LATCH	1	
- 15	2590341	. . . NUT, SPEED ATT PT	1	
- 16	2590337	. . . HANDLE, LATCH	1	
		SPECIFY COLOR WHEN ORDERING		
- 17	605685	. . . PIN-COTTER ATT PT	1	
- 18	2590332	. . . SPRING	1	
- 19	5129230	. . . LATCH ASM, RH	1	
- 20	5129388	. . COVER, FRONT SPECIFY COLOR WHEN ORDERING	1	
- 20A	5129383	. . COVER, REAR SPECIFY COLOR WHEN ORDERING	1	
- 21	5129084	. STRIKER, LATCH	2	
- 22	2566603	. SCREW, MACH BD HD- 8-32 X .312 ATT PT	4	
- 23	2566646	. WASHER, FL- 0.170 ID X 0.375 OD 0.032 THK ATT PT	4	
- 24	2532078	. STOCK, FINGER- 0.170 ID	1	
		USED ON DOORS WITH OLD STYLE FINGERSTOCK		
- 24A	2590032	. STOCK, FINGER USED ON DOORS WITH NEW STYLE FINGERSTOCK	1	
- 25	5129377	. CHANNEL, FINGER USED ON DOORS WITH OLD STYLE FINGERSTOCK	1	
- 26	38364	. SCREW, MACH FIL HD- 8-32 X 0.188 LG	2	
		USED ON DOORS WITH OLD STYLE FINGERSTOCK		
- 26A	2566610	. SCREW, BD HD- 8-32 X 0.250 LG ATT PT	2	
		USED ON DOORS WITH NEW STYLE FINGERSTOCK		
- 27	5129235	. COVER ASM, RIGHT REAR SPECIFY COLOR WHEN ORDERING DOORS WITH OLD STYLE FINGERSTOCK MUST BE REPLACED IN PAIRS ORDER 1-27, 1-41, 1-24A, AND 1-26A	1	
- 27A	5129214	. PIN, HINGE ATT PT	4	
- 28	5129094	. . ARM	2	
- 29	25282	. . RING, RETAINING EXT- 0.125 ID X 0.015 THK ATT PT	2	
- 30	2590339	. . LATCH ASM	1	
		SPECIFY COLOR WHEN ORDERING		
- 31	110029	. . WASHER, FL- 0.170 ID X 0.625 OD 0.063 THK ATT PT	4	
- 32	1090873	. . LOCKWASHER, SPLIT- 0.168 ID X 0.296 OD ATT PT	4	
- 33	257189	. . NUT, HEX- 8-32 ATT PT	4	
- 34	2590333	. . . SPRING, LATCH	1	
- 35	2590341	. . . NUT, SPEED ATT PT	1	
- 36	2590337	. . . HANDLE, LATCH SPECIFY COLOR WHEN ORDERING	1	
- 37	605685	. . . PIN-COTTER ATT PT	1	
- 38	2590332	. . . SPRING	1	
- 39	2590334	. . . LATCH ASM, IH	1	



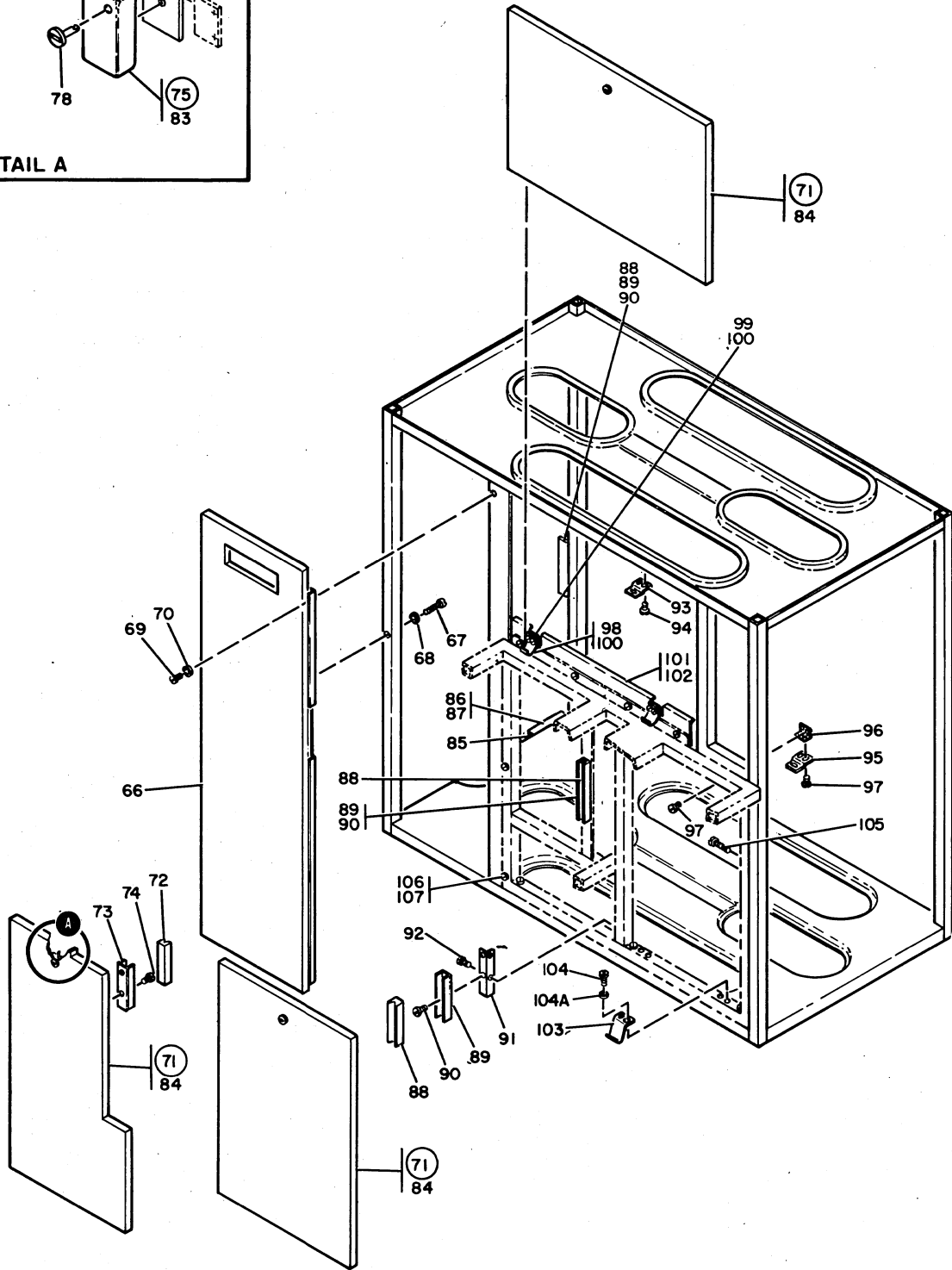
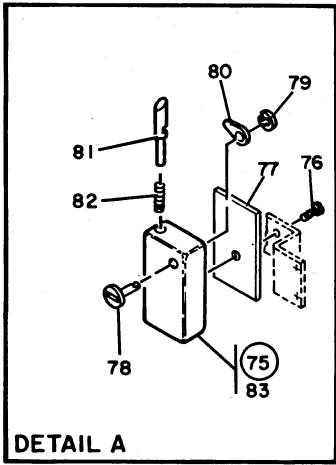


FIGURE 1. COVER TO FRAME ASSEMBLY. SHEET 2 OF 2. INDEX NOS. 66-107. SEE LIST 1.



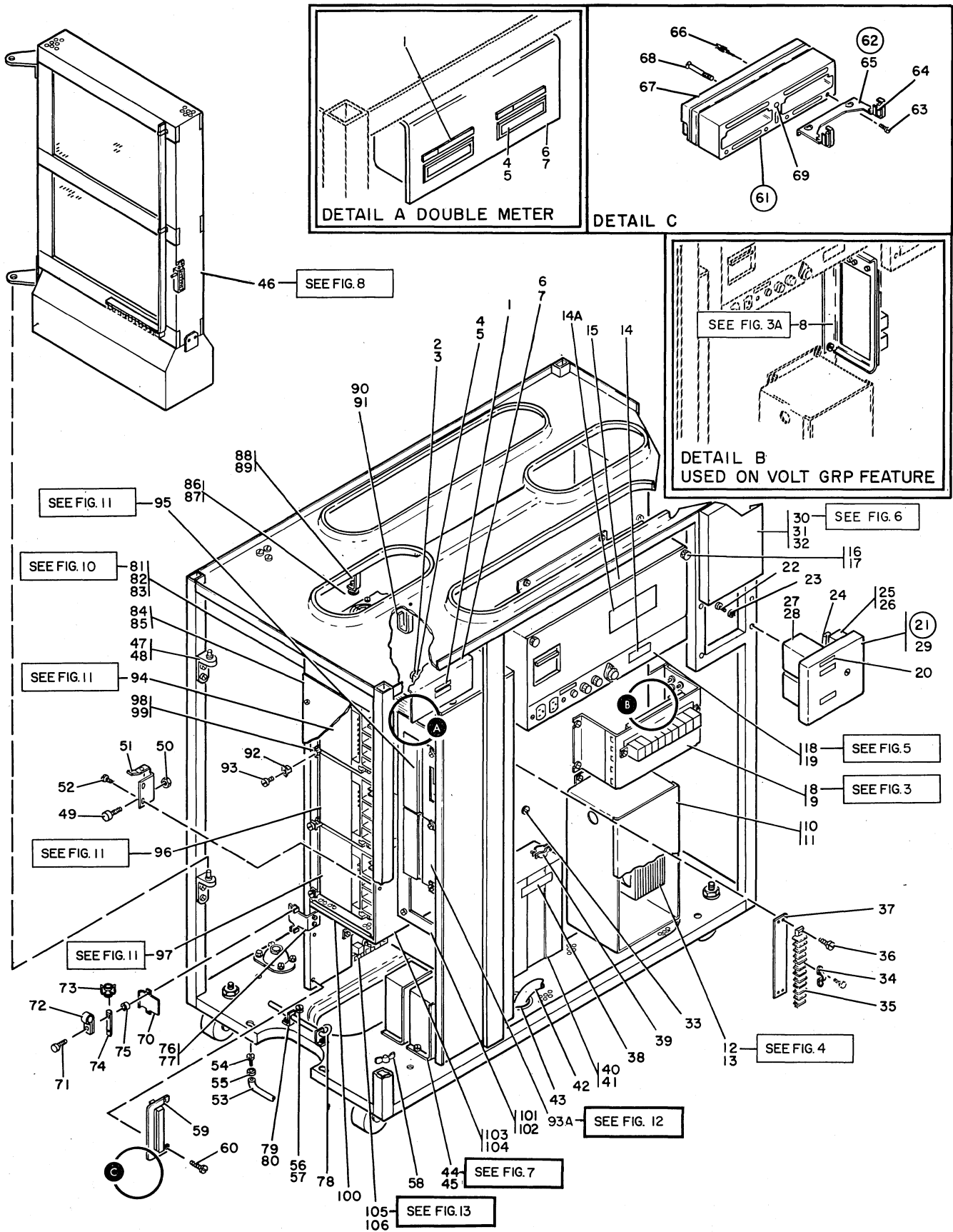


FIGURE 2. CPU FINAL ASSEMBLY. SHEET 1 OF 2. INDEX NOS. 1-106. SEE LIST 2.

LIST AND INDEX NUMBER	PART NUMBER	DESCRIPTION	UNITS PER ASM.				USABLE ON CODE
			1	2	3	4	
		CPU FINAL ASSEMBLY					
2 -	5129571 NP	CPU FINAL ASSEMBLY FOR ILLUSTRATION SEE FIGURE 2					
- 1	740490	. NAMEPLATE					1
- 2	257189	. NUT, HEX 8-32					1
- 3	55901	. LOCKWASHER, EXT- 0.168 ID X 0.296 OD 0.046					1
- 4	740503	. CLOCK- 60 HZ					AR
- 4	740608	. CLOCK- 50 HZ					AR
- 5	1017C	. SCREW, MACH BD HD- 6-32 X 0.250 LG ATT PT					AR
- 6	5129501	. PANEL-SINGLE METER					1
- 6	5129390	. PANEL-DOUBLE METER					1
- 7	28413	. SCREW, MACH BD HD- 10-32 X 0.313 LG ATT PT					2
- 8	5128985	. POWER ASSEMBLY, SECONDARY BOX MACHINES PRIOR TO EC 572060 (WITHOUT PRINTED CIRCUIT BOARD)					1
- 8	5133813	FOR DETAIL BREAKDOWN SEE FIGURE 3 . SECONDARY POWER PANEL ASSEMBLY MACHINES AFTER EC 572060 (WITH PRINTED CIRCUIT BOARD)					1
- 9	2181004	FOR DETAIL BREAKDOWN SEE FIGURE 3A . SCREW, THREAD FORMING-HEX WASHER HD ATT PT					2
- 10	5128956	. COVER, TRANSFORMER BOX					1
- 11	2181005	. SCREW, SELF TAPPING- 6-32 X 0.375 LG ATT PT					2
- 12	5133873	. BOX ASSEMBLY, 24V TRANSFORMER- 60 HZ MACHINES AFTER EC 572060 (WITH PRINTED CIRCUIT BOARD)					1
- 12	5129013	FOR DETAIL BREAKDOWN SEE FIGURE 4 . BOX ASSEMBLY, 24V TRANSFORMER- 60 HZ MACHINES PRIOR TO EC 572060 (WITHOUT PRINTED CIRCUIT BOARD)					1
- 12	5129559	FOR DETAIL BREAKDOWN SEE FIGURE 4 . BOX ASSEMBLY, 24V TRANSFORMER- 50 HZ FOR DETAIL BREAKDOWN SEE FIGURE 4					1
- 13	2181004	. SCREW, THREAD FORMING-HEX WASHER HD ATT PT					4
- 14	845762	. DECAL-VOLTAGE					1
- 14A	2992703	. LABEL					1
- 15	5129342	USED AFTER NOV. 1970 . COVER, PRIMARY POWER HOUSING					1
- 16	824673	. SCREW, KNURLED HD, FASTENING 10-32 ATT PT					2
- 17	257701	. CLIP-FRAME ATT PT					2
- 18	5133810	. BOX ASSEMBLY, PRIMARY POWER- 60 HZ MACHINES AFTER EC 572060 (WITH PRINTED CIRCUIT BOARD)					1
- 18	5133811	FOR DETAIL BREAKDOWN SEE FIGURE 5 . BOX ASSEMBLY, PRIMARY POWER- 50 HZ MACHINES AFTER EC 572060 (WITH PRINTED CIRCUIT BOARD)					1
- 18	5128983	FOR DETAIL BREAKDOWN SEE FIGURE 5 . BOX ASSEMBLY, PRIMARY POWER- 60 HZ MACHINES PRIOR TO EC 572060 (WITHOUT PRINTED CIRCUIT BOARD)					1
- 18	5129557	FOR DETAIL BREAKDOWN SEE FIGURE 5 . BOX ASSEMBLY, PRIMARY POWER- 50 HZ MACHINES PRIOR TO EC 572060 (WITHOUT PRINTED CIRCUIT BOARD)					1
- 19	2181004	FOR DETAIL BREAKDOWN SEE FIGURE 5 . SCREW, THREAD FORMING-HEX WASHER HD ATT PT					4
- 20	740490	. NAMEPLATE					1
- 21	5129563	. PANEL ASM, METER- 60HZ					1
- 21	5129567	. PANEL ASM, METER- 50HZ					1
- 22	438588	. SCREW, MACH BD HD- 8-32 X 1.250 ATT PT					4
- 23	45690	. WASHER, FL- 0.203 ID X 0.438 OD 0.031 THK ATT PT					4
- 24	2589213	. . RESISTOR CAPACITOR ASM					2
- 25	740513	. . SWITCH, PUSH-DPDT 250V AC 1 AMP					1
- 26	1017C	. . SCREW, MACH BD HD- 6-32 X 0.250 LG ATT PT					2
- 27	740503	. . CLOCK-60 HZ					2
- 27	740608	. . CLOCK-50 HZ					2
- 28	10170	. . SCREW, MACH BD HD- 6-32 X 0.250 LG ATT PT					4
- 29	5125526	. . PANEL, METER MOUNTING					1
- 30	5129527	. PANEL, DUMMY					1
- 30	5133557 NF	USED WITHOUT BSCA FEATURE . PANEL ASSEMBLY, BSCA					1
- 31	438588	USED ON ASSEMBLIES WITH BSCA FEATURE FOR DETAIL BREAKDOWN SEE FIGURE 6 . SCREW, MACH-UNDRCT BIND HD 8-32 X 1-1/4 ATT PT					4
- 32	45690	. WASHER, FL - NO.10 X 7/16 OD X 1/32 THK ATT PT					4
- 33	186759	. SCREW, MACH-BIND HD 8-32 X 5/16 LG					1



LIST AND INDEX NUMBER	PART NUMBER	DESCRIPTION	UNITS	USABLE
			PER ASM.	ON CODE
2 - 34	367115	. JUMPER, BRASS	2	
- 35	301731	. TERMINAL BOARD- 16 DBL SCREW TERMINALS	1	
- 36	322550	. SCREW, MACH-BIND HD 6-32 X 1/2 LG	4	ATT PT
- 37	322269	. MARKER STRIP- 16 POS. NOS. 1 THRU 16	1	
- 38	5397579	. NAMEPLATE- 50 HZ	1	
- 39	2100264	. RELIEF, CABLE STRAIN	1	
- 40	5128959	. FILTER, LINE- 30 AMP 60HZ	1	
- 40	5129558	. FILTER, LINE- 250/440V 40 AMPS 50HZ	1	
- 41	2181004	. SCREW, THREAD FORMING-HEX WASHER HD	4	ATT PT
- 42	5133608	. CORD, POWER- 6 FT 60HZ 3PH FOR COMPONENT PARTS SEE FIGURE 27	1	
- 42	5129153	. CORD, POWER- 8 FT 60HZ 3PH FOR COMPONENT PARTS SEE FIGURE 27	1	
- 42	5133837	. CORD, POWER- 6 FT 60 HZ 1 PHASE FOR COMPONENT PARTS SEE FIGURE 27	1	
- 42	5133795	. CORD, POWER- 8 FT 60 HZ 1 PHASE FOR COMPONENT PARTS SEE FIGURE 27	1	
- 42	5129286	. CORD, POWER- 8 FT 50HZ 3PH-WT EXCEPT UK, AUSTRALIAN AND NEW ZEALAND FOR COMPONENT PARTS SEE FIGURE 27	1	
- 42	5129522	. CORD, POWER- 8 FT 50HZ 3PH-WT USED IN UK, AUSTRALIAN AND NEW ZEALAND FOR COMPONENT PARTS SEE FIGURE 27	1	
- 42	5129523	. CORD, POWER- 8 FT 50-60HZ 3PH-WT JAPAN FOR COMPONENT PARTS SEE FIGURE 27	1	
- 43	5133703	. GROMMET	1	
- 44	483747	. METER POWER PAC ASM- 50 HZ	AR	
- 44	483748	. METER POWER PAC ASM- 60 HZ FOR DETAIL BREAKDOWN SEE FIGURE 7	AR	
- 45	58207	. SCREW, BD HD MACH- 8-32 X 0.250 LG	AR	ATT PT
- 46	5133558 NP	. B GATE ASM-CPU FOR DETAIL BREAKDOWN SEE FIGURE 8		
- 47	225532	. HINGE ASSEMBLY-MALE	2	
- 48	332620	. SCREW, MACH BD HD- 10-32 X 0.500 LG	4	ATT PT
- 49	2132688	. STOP	1	
- 50	344015	. NUT, SELF LKG HEX- 6-32 X 0.312 FL W	1	ATT PT
- 51	5133525	. STRIKER, LATCH	1	
- 52	2574810	. SCREW, SELF TAPPING- 10-32 X 0.375	2	ATT PT
- 53	5133726	. ROD	1	
- 54	10170	. SCREW, MACH BD HD- 6-32 X 0.250 LG	2	ATT PT
- 55	22478	. WASHER, FL- 0.170 ID 0.375 OD 0.032 THK	2	ATT PT
- 56	2566667	. SCREW, MACH BD HD- 10-32 X 0.250	1	
- 57	56079	. LOCKWASHER, EXT T- 0.204 ID X 0.410 OD	1	
- 58	615818	. SCREW-WING HEAD	1	
- 59	5129578	. BRACKET, CONNECTOR	1	
- 60	10170	. SCREW, MACH BD HD- 6-32 X 0.250 LG	2	ATT PT
- 61	5362304	. HALF STYLE CONNECTOR ASSEMBLY-A	1	
- 62	5404468	. . CLAMP ASM-CABLE	2	
- 63	112628	. . SCREW, THREAD FORMING BD HD- 0.375 LG	4	ATT PT
- 64	5353894	. . . PAD-PRESSURE	2	
- 65	5353899	. . . BRACKET	1	
- 66	5362303	. . CONTACT AND PIN ASSEMBLY	48	
- 67	5353867	. . CONNECTOR BLOCK, A STYLE	1	
- 68	109918	. . SCREW, MACH FLAT HD- 0.500 LG	2	ATT PT
- 69	5353902	. . GUIDE-PIN	1	
- 70	815217	. PLATE-FRONT	1	
- 71	332560	. SCREW, CAP SOC HD- 8-32 X 1.250 LG	2	ATT PT
- 72	2102365	. CLAMP, CABLE USED WITHOUT B GATE FEATURE	1	
- 72	2102366	. CLAMP, LOOP- 0.470 ID 0.170 DIA MTG HOLE USED WITH B GATE FEATURE	1	
- 73	813321	. SPRING	1	
- 74	815220	. BAR	1	
- 75	815219	. SPACER	1	
- 76	815167	. PLATE-BACK	1	
- 77	236849	. SCREW, MACH BD HD- 10-32 X 0.250 LG	2	ATT PT
- 78	5129643	. ROD	1	
- 79	5129026	. BRACKET, MOUNTING	2	
- 80	2574810	. SCREW, SELF TAPPING- 10-32 X 0.375	2	ATT PT
- 81	5129614	. PLENUM ASSEMBLY, REGULATOR- 60HZ	1	
- 81	5129561	. PLENUM ASSEMBLY, REGULATOR- 50HZ FOR DETAIL BREAKDOWN SEE FIGURE 10	1	
- 82	2181004	. SCREW, THREAD FORMING-HEX WASHER HD	4	ATT PT
- 83	45690	. WASHER, FL- 0.438 OD X 0.031 THK	1	ATT PT
- 84	5133551	. COVER ASM	1	
- 85	58207	. SCREW, MACH BD HD- 8-32 X 0.250 LG	4	ATT PT
- 86	2590821	. SWITCH, THERMAL	2	
- 87	58207	. SCREW, MACH BD HD- 8-32 X 0.250 LG	2	ATT PT
- 88	5128967	. BRACKET, MOUNTING	2	



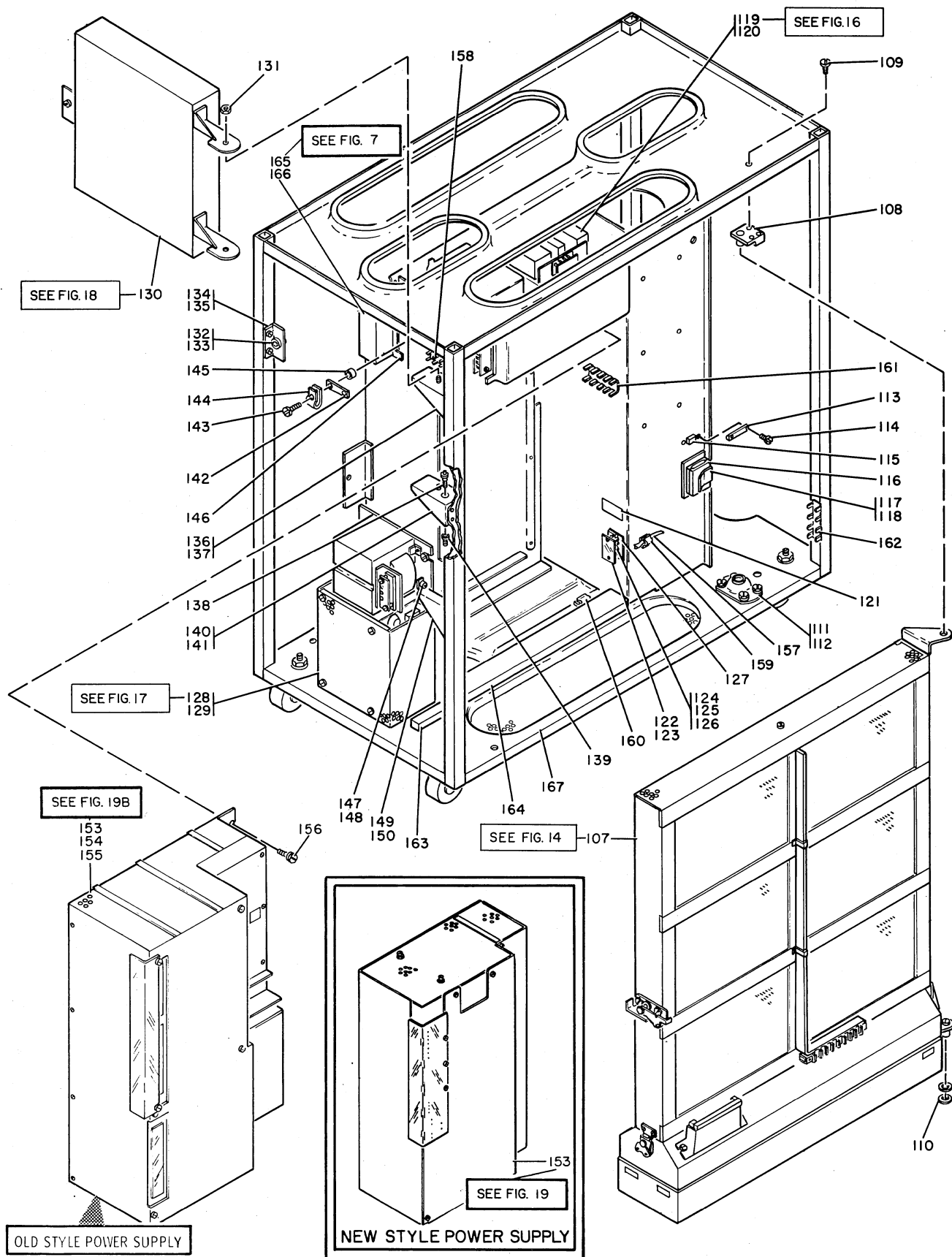


FIGURE 2. CPU FINAL ASSEMBLY, SHEET 2 OF 2. INDEX NOS. 107-167. SEE LIST 2.

LIST AND INDEX NUMBER	PART NUMBER	DESCRIPTION	UNITS PER ASM.	USABLE ON CODE
2-107	5129500 NP	. GATE ASSEMBLY,CPU FOR DETAIL BREAKDOWN SEE FIGURE 14		
-108	5128981	. PLATE,HINGE	1	
-109	322029	. SCREW,MACH BD HD- 1/4-20 X 0.500 LG ATT PT	3	
-110	121973	. WASHER,FLAT THRUST- 0.635 ID X 1.000 OD ATT PT	2	
-111	824349	. HINGE PIVOT, LCWER	1	
-112	5353301	. SCREW THREAD FORMING,HEX WASHER HEAD ATT PT	4	
-113	815220	. EAR	1	
-114	186758	. SCREW,MACH BD HD- 8-32 X 0.438 LG ATT PT	2	
-115	599557	. SEAL	1	
-116	853288	. CORE,FERRITE	2	
-117	2588046	. SPRING,CORE	1	
-118	221790	. SCREW,MACH BD HD- 8-32 X 0.188 LG ATT PT	2	
-119	2562460	. POWER SUPPLY ASM,MULTI-LEVEL- 60HZ	1	
-119	2562470	. POWER SUPPLY ASM,MULTI-LEVEL- 50HZ FOR DETAIL BREAKDOWN SEE FIGURE 16	1	
-120	332620	. SCREW,MACH BD HD- 10-32 X 0.500 LG ATT PT	4	
-121	369207	. LABEL,WARNING	1	
-122	352827	. COVER, TERMINAL 3 ON 141	1	
-123	10170	. SCREW,MACH BD HD- 6-32 X 0.250 LG ATT PT	2	
-124	323841	. TERMINAL BOARD- 3 DBL SCREW TERMINALS	1	
-125	210883	. STUD-SHIELD MTG,TAPPED,NO. 6-32 ATT PT	2	
-126	35739	. SCREW,MACH BD HD- 6-32 X 0.438 LG ATT PT	2	
-127	323681	. MARKER STRIP- 3 POS NOS. 1 THRU 3	1	
-128	2562480	. FERRORESONANT REGULATOR,MULTI-OUTPUT- 60 HZ	1	
-128	2562490	. FERRORESONANT REGULATOR,MULTI-OUTPUT- 50 HZ	1	
-129	32042	FOR DETAIL BREAKDOWN SEE FIGURE 17 . SCREW,MACH BD HD- 10-32 X 0.375 LG ATT PT	4	
-130	5129302	. PANEL ASSEMBLY,FE	1	
-131	336766	FOR DETAIL BREAKDOWN SEE FIGURE 18 . NUT,HEXAGON,SEMI-FINISHED DOUBLE CHAMFER ATT PT	1	
-132	808360	. FASTENER	1	
-133	179743	. NUT,PLAIN,HEX- 15/32-32 X 9/16 FL W ATT PT	1	
-134	5129303	. BRACKET,LATCH	1	
-135	2574810	. SCREW,SELF TAPPING- 10-32 X 0.375 LG ATT PT	2	
-136	5129276	. SUPPORT ASM	1	
-137	2574810	. SCREW,SELF TAPPING- 10-32 X 0.375 LG ATT PT	2	
-138	815963	. CATCH,PULL	1	
-139	815964	. CATCH	1	
-140	5129277	. SUPPORT ASM	1	
-141	2574810	. SCREW,SELF TAPPING- 10-32 X 0.375 LG ATT PT	2	
-142	815220	. BAR	1	
-143	438586	. SCREW,MACH BD HD- 8-32 X 0.875 LG ATT PT	2	
-144	2102364	. CLAMP	1	
-145	815219	. SPACER	2	
-146	599557	. SEAL	1	
-147	2162561	. SCREW ASSEMBLY,RETRACT STOP- 1.156 LG	1	
-148	3960	. NUT,HEX-- 1/4-20 X 0.438 FL W	1	
-149	5129292	. PLATE,LATCH	1	
-150	2574810	. SCREW,SELF TAPPING 10-32 X 0.375 ATT PT	2	
-153	5133877	. POWER SUPPLY AND SHIELD ASM,NEW STYLE- 60 HZ ORDER ABOVE FOR COMPLETE POWER SUPPLY REPLACEMENT FOR DETAIL BREAKDOWN SEE FIGURE 19	1	
-153	5133878	. POWER SUPPLY AND SHIELD ASM,NEW STYLE- 50 HZ ORDER ABOVE FOR COMPLETE PS REPLACEMENT FOR DETAIL BREAKDOWN SEE FIGURE 19	1	
-153	5133881 NP	POWER SUPPLY AND SHIELD ASM,OLD STYLE- 60 HZ NON PROCURABLE ORDER NEW STYLE FOR DETAIL BREAKDOWN SEE FIGURE 19B	1	
-153	5133882 NP	POWER SUPPLY AND SHIELD ASM,OLD STYLE- 60 HZ NCN PROCURABLE,ORDER NEW STYLE FOR DETAIL BREAKDOWN SEE FIGURE 19B	1	
-154	32617	. SCREW,MACH BD HD- 10-32 X 0.4375 LG ATT PT	4	
-155	45690	. WASHER,FL- 0.203 ID X 0.438 OD 0.031 THK ATT PT	4	
-156	2181004	. SCREW,THREAD FORMING-HEX WASHER HD ATT PT	4	
-157	5128980	. CABLE ASM- 115VAC OUTLET,CB1-T3	1	
-157	5129152	. CABLE ASM-FILTER TO CB1	1	
-157	5129155	. CABLE ASM-AC TO BULKS,TB2 AND METERS	1	
-157	5129156	. CABLE ASM-AC LAMP DISTRIBUTION- 7.25VAC	1	
-157	5129157	. CABLE ASM-REGULATOR BLOWER	1	
-157	5129164	. CABLE ASM-REG CKTS,FAULT,BIAS AND SENSE	1	
-157	5129178	. CABLE ASM-AC TO FILE 1 OR 2 METER	1	
-157	5129179	. CABLE ASM-AC TO I/O PWR PACK	1	
-157	5129193	. CABLE ASM-GATE BLOWERS	1	
-157	5129287	. CABLE ASM-FILTER TO CB1	1	
-157	5129304	. CABLE ASM- 220VAC OUTLET TBO-T3 50HZ	1	
-157	5129308	. CABLE ASM-AC DIST TO FILE FANS- 50HZ	1	
-157	5129353	. CABLE ASM-SEC PWR BOX-REG-CONSOLE-T2	1	
-157	5129372	. CABLE ASM-TAPE RECORDER	1	



FOR PARTS  
NOT SHOWN  
SEE FIG. 2  
SHEET 1

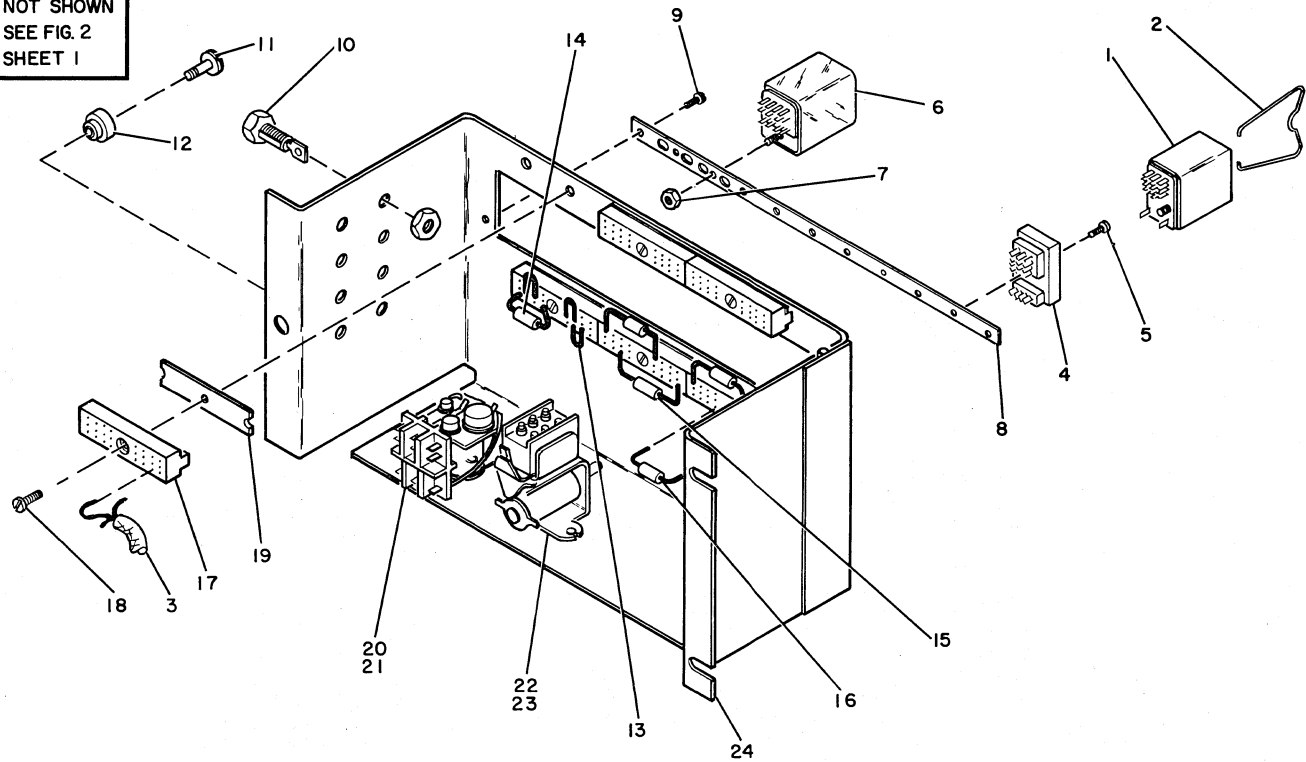


FIGURE 3. SECONDARY BOX POWER ASSEMBLY. SEE LIST 3.

LIST AND INDEX NUMBER	PART NUMBER	DESCRIPTION				UNITS PER ASM.	USABLE ON CODE
		1	2	3	4		
		SECONDARY BOX POWER ASSEMBLY					
3 -	5128985	POWER ASSEMBLY, SECONDARY BOX FOR NEXT HIGHER ASM SEE FIGURE 2-8 FOR ILLUSTRATION SEE FIGURE 3				REF	
- 1	5318968	. RELAY-4 PDT				7	
- 2	5318966	. RETAINER-RELAY				7	ATT PT
- 3	5129355	. CABLE ASM, SECONDARY POWER BOX				1	
- 4	5318967	. SOCKET				7	
- 5	438548	. SCREW, MACH-BIND HD 4-40 X .188 LG				7	ATT PT
- 6	2195640	. RELAY				2	
- 7	8506	. NUT, PLAIN, HEX- 3-48 X 3/16 FL W				2	ATT PT
- 8	5128901	. BAR, MOUNTING				1	
- 9	2181005	. SCREW, SELF TAPPING, 6-32 X .375 LG.				2	ATT PT
- 10	2102577	. JACK, TIP				8	
- 11	5261314	. SCREW, CAPTIVE, FIL HD- 10-32X.5				1	
- 12	5261315	. ADAPTER-CAPTIVE SCREW				1	
- 13	205331	. JUMPER-RELAY GATES UNIT 1/8 BRASS				3	
- 14	5133546	. RESISTOR ASM				2	
- 15	315974	. RESISTOR- 80 OHM 1 WATT				1	
- 16	615354	. DIODE ASM				2	
- 17	302090	. BLOCK, TERMINAL				6	
- 18	438549	. SCREW, MACH-BIND HD 4-40 X 7/16 LG				6	ATT PT
- 19	302131	. STRIP-TERMINAL BLOCK INSULATOR				6	
- 20	5258016	. RELAY, DPDT, 6V DC COIL				1	
- 21	38776	. NUT, HEX				1	ATT PT
- 22	824347	. RELAY, TD 24VDC, 2 SEC DELAY				1	
- 23	2181005	. SCREW, SELF TAPPING- 6-32 X 0.375 LG				2	ATT PT
- 24	5129333	. PANEL, SECONDARY POWER				1	

FOR PARTS  
NOT SHOWN  
SEE FIG. 2  
SHEET 1

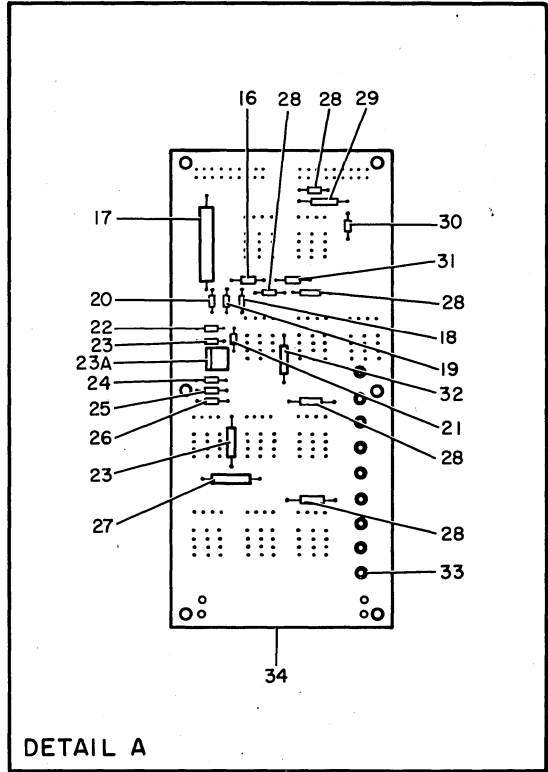
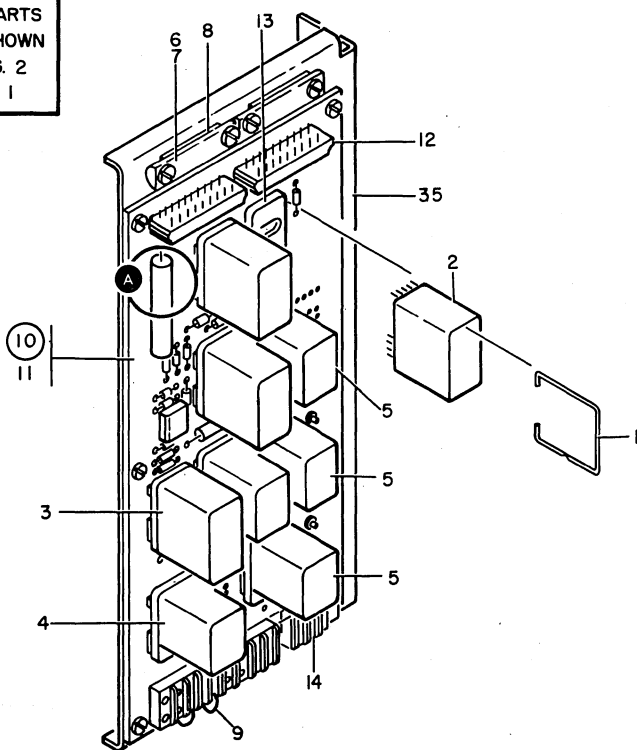


FIGURE 3A. SECONDARY POWER PANEL ASSEMBLY. SEE LIST 3A.





FOR PARTS  
NOT SHOWN  
SEE FIG. 2  
SHEET 1

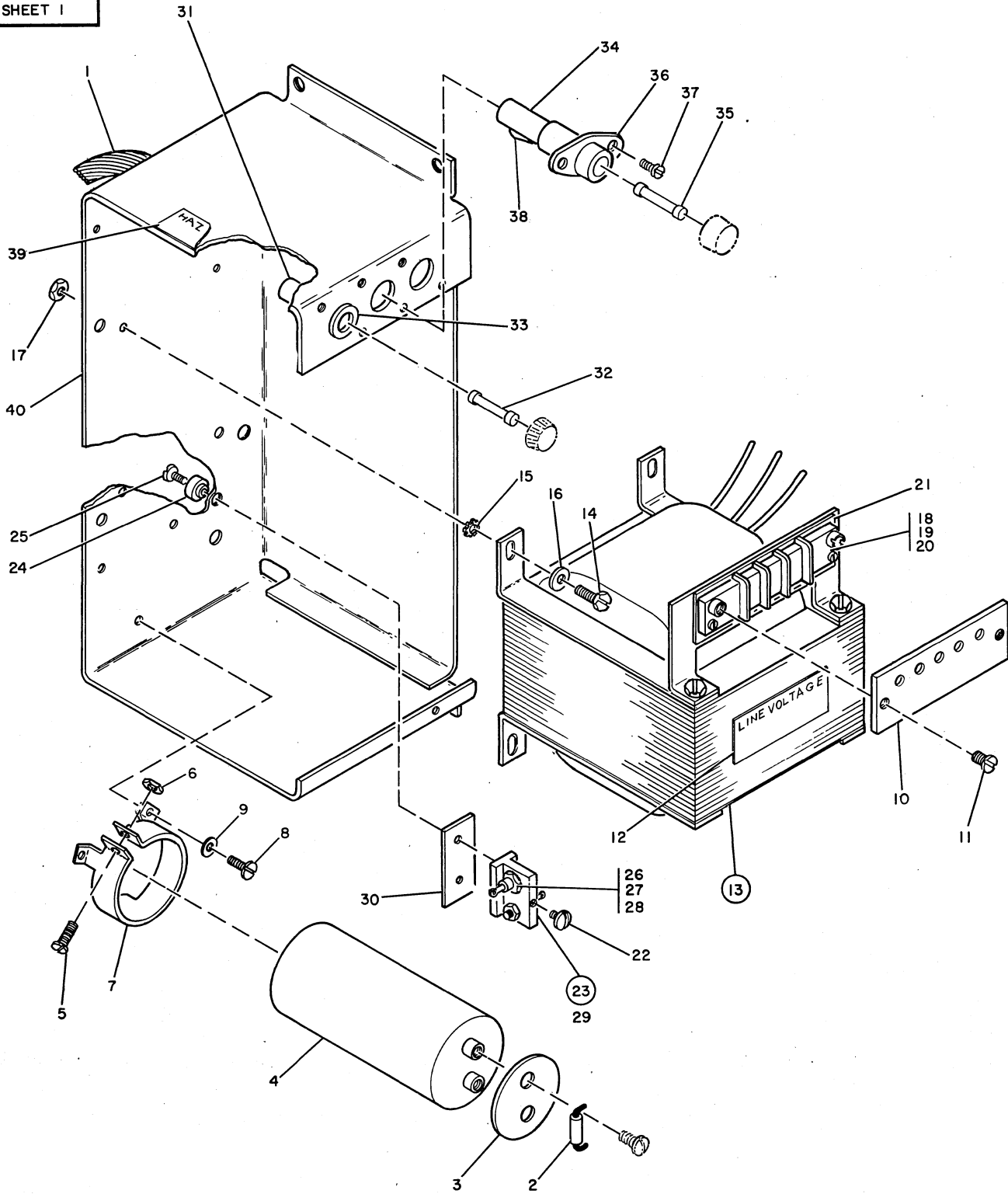
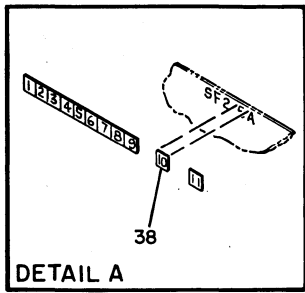


FIGURE 4. 24V TRANSFORMER ASSEMBLY BOX 50 AND 60 HZ. SEE LIST 4.

LIST AND INDEX NUMBER	PART NUMBER	DESCRIPTION	UNITS	USABLE
			PER ASM.	ON CODE
		24V TRANSFORMER ASSEMBLY BOX 50 AND 60 HZ		
4 -	5133873	BOX ASSEMBLY, 24V TRANSFORMER- 60 HZ MACHINES AFTER EC 572060 (WITH PRINTED CIRCUIT BOARD) FOR NEXT HIGHER ASSEMBLY SEE FIGURE 2 FOR ILLUSTRATION SEE FIGURE 4	REF	
-	5129013	BOX ASSEMBLY, 24V TRANSFORMER- 60 HZ MACHINES PRIOR TO EC 572060 (WITHOUT PRINTED CIRCUIT BOARD) FOR NEXT HIGHER ASM SEE FIGURE 2 FOR ILLUSTRATION SEE FIGURE 4	REF	
-	5129559	BOX ASSEMBLY, 24V TRANSFORMER- 50 HZ FOR NEXT HIGHER ASM SEE FIGURE 2 FOR ILLUSTRATION SEE FIGURE 4	REF	
- 1	5133784	. CABLE ASSEMBLY, 115VAC- 60 HZ MACHINES AFTER EC 572060 (WITH PRINTED CIRCUIT BOARD) FOR COMPONENT PARTS SEE FIGURE 27	1	
- 1	5128980	. CABLE ASM, 115VAC OUTLET CB1-T3- 60 HZ MACHINES PRIOR TO EC 572060 (WITHOUT PRINTED CIRCUIT BOARD) FOR COMPONENT PARTS SEE FIGURE 27	1	
- 1	5129304	. CABLE ASM, 220VAC OUTLET, TB0-T3- 50 HZ FOR COMPONENT PARTS SEE FIG 27	1	
- 2	1160395	. RESISTOR	1	
- 3	362206	. COVER, CAPACITOR	1	
- 4	5213837	. CAPACITOR	1	
- 5	19944	. SCREW, MACH BD HD- 8-32 X 0.750 LG	1	
- 6	600960	. NUT	1	
- 7	320456	. BRACKET-CAPACITOR MOUNTING	1	
- 8	55726	. SCREW, MACH BD HD- 6-32 X 0.188 LG	ATT PT	3
- 9	257986	. WASHER, FL- 0.156 ID X 0.312 OD 0.035 THK	ATT PT	3
- 10	337193	. SHIELD, TERMINAL BOARD- 6 POSITION		1
- 11	10170	. SCREW, MACH BD HD- 6-32 X 0.250 LG	ATT PT	2
- 12	138755	. DECAL, INST-LINE V PRESENT W/MACH PWR OFF		1
- 13	2590275	. TRANSFORMER ASM, OUTPUT- 60 HZ		1
- 13	4118440	. TRANSFORMER ASM, POWER- 220/235V 50HZ		1
- 14	55711	. SCREW, MACH HEX HD- 10-32 X 0.562 LG	ATT PT	AR
- 14	113305	. SCREW, MACH HEX HD- 8-32 X 0.562 LG	ATT PT	AR
- 15	56079	. LOCKWASHER, EXT- 0.204 ID X 0.410 OD		AR
- 15	55901	. LCCWASHER, EXT- 0.168 ID X 0.381 OD 0.023	ATT PT	AR
- 16	23141	. WASHER, FL- 0.203 ID X 0.438 OD X 0.062 THK	ATT PT	AR
- 17	602721	. NUT, HEX HD- 8-32	ATT PT	AR
- 17	600960	. NUT	ATT PT	4
- 18	317131	. . TERMINAL BOARD- 6 DBL SCREW TERMINALS USED ON 60HZ		1
- 18	317485	. . TERMINAL BOARD- 4 DBL SCREW TERMINALS USED ON 50HZ		1
- 19	5762407	. . STUD	ATT PT	2
- 20	35739	. . SCREW, MACH BD HD- 6-32 X 0.438 LG	ATT PT	2
- 21	322266	. . MARKER STRIP- 6 POS NOS. 1 THRU 6		1
- 21	527916	. . MARKER STRIP- 4 POS NOS. 1 THRU 4 USED ON 50HZ		1
- 22	10170	. SCREW, MACH BD HD- 6-32 X 0.250 LG		1
- 23	5232889	. HEATSINK ASM		1
- 24	5232824	. BUSHING	ATT PT	2
- 25	81693	. SCREW, MACH BD HD- 6-32 X 0.375 LG	ATT PT	2
- 26	598479	. . SEMICONDUCTOR DEVICE, D10- 150V 10 AMP		2
- 27	602721	. . NUT	ATT PT	2
- 28	419131	. . SLEEVE- 0.195 ID X 0.275 OD X 0,050 THK	ATT PT	2
- 29	5762383	. . HEATSINK		1
- 30	5761979	. INSULATOR		1
- 31	642763	. INSULATOR		1
- 32	123786	. FUSE, CARTRIDGE- 5 AMP 250V		1
- 33	179946	. HOLDER, FUSE		1
- 34	257680	. INSULATOR, LONG		2
- 35	107668	. FUSE, CARTRIDGE TIME DELAY- 8 AMP 250V		2
- 36	104615	. FUSEHOLDER		2
- 37	38235	. SCREW, MACH BD HD- 6-32 X 0.310 LG	ATT PT	4
- 38	257079	. INSULATOR, SHORT		2
- 39	369207	. LABEL, WARNING		1
- 40	5129329	. BOX, MOUNTING-TRANSFORMER		1



FOR PARTS  
NOT SHOWN  
SEE FIG. 2  
SHEET 1

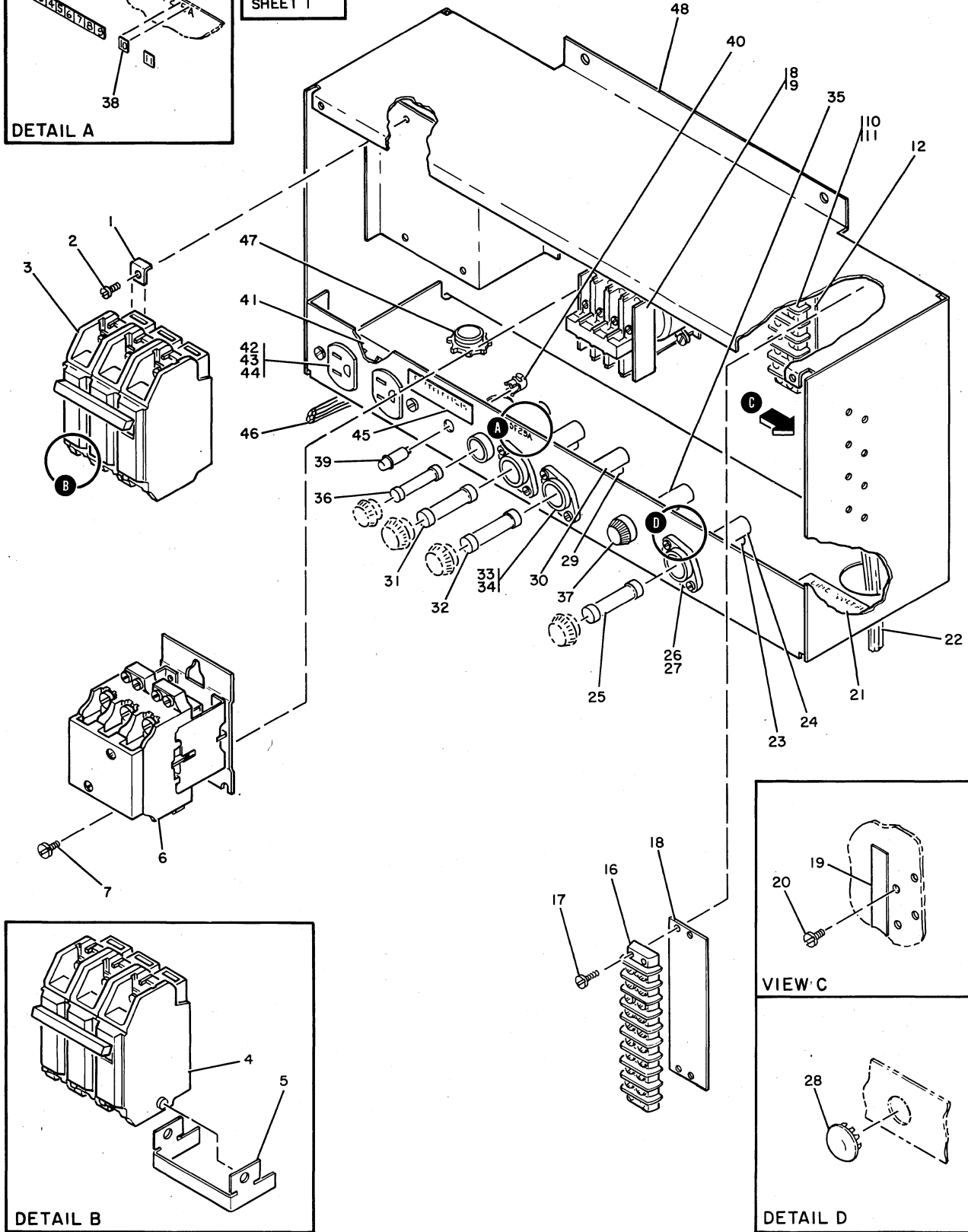


FIGURE 5. PRIMARY POWER BOX ASSEMBLY. SEE LIST 5.

LIST AND INDEX NUMBER	PART NUMBER	DESCRIPTION				UNITS PER ASM.	USABLE ON CODE
		1	2	3	4		
		PRIMARY POWER BOX ASSEMBLY					
		CODE A USED ON 60 HZ BOX ASM AFTER EC 572060 (WITH PRINTED CIRCUIT BOARD)					
		CODE B USED ON 60 HZ BOX ASM PRIOR TO EC 572060 (WITHOUT PRINTED CIRCUIT BOARD)					
		CODE C USED ON 50 HZ BOX ASM AFTER EC 572060 (WITH PRINTED CIRCUIT BOARD)					
		CODE D USED ON 50 HZ BOX ASM PRIOR TO EC 572060 (WITHOUT PRINTED CIRCUIT BOARD)					
5 -	5128983	BOX ASSEMBLY, PRIMARY POWER- 60 HZ FOR NEXT HIGHER ASM SEE FIGURE 2				REF	B
-	5129557	BOX ASSEMBLY, PRIMARY POWER- 50 HZ FOR NEXT HIGHER ASM SEE FIGURE 2				REF	D
-	5133810	BOX ASSEMBLY, PRIMARY POWER- 60 HZ FOR NEXT HIGHER ASM SEE FIGURE 2				REF	A
-	5133811	BOX ASSEMBLY, PRIMARY POWER- 50 HZ FOR NEXT HIGHER ASM SEE FIGURE 2				REF	C
- 1	760731	. CLAMP				4	
- 2	170225	. SCREW- 6-32 X 0.438 LG ATT PT				4	
- 3	5719453	. CIRCUIT BREAKER, 30 AMP, 240 VOLT, 3 POLE- 60 HZ				1	
- 4	4116957	. CIRCUIT BREAKER- 35A 440V 3 POLE- 50 HZ				1	
- 5	4685040	. COVER, SAFTY- 50 HZ ONLY				1	
- 6	2590115	. CONTACTOR, MAGNETIC- 24VDC MACHINES PRIOR TO EC 572060 (WITHOUT PRINTED CIRCUIT BOARD)				1	
- 6	2588425	. CONTACTOR, MAGNETIC- 24VDC MACHINES AFTER EC 572060 (WITH PRINTED CIRCUIT BOARD)				1	
- 7	10170	. SCREW, MACH BD HD- 6-32 X 0.250 LG ATT PT				AR	
- 7	322550	. SCREW, ED HD- 6-32 X 0.500 ATT PT				AR	
- 8	5213421	. CONTACTOR, MAGNETIC- 24V DC				1	B
- 8	2590115	. CONTACTOR, MAGNETIC- 24V DC				1	D
- 8	2588425	. CONTACTOR, MAGNETIC- 24V DC MACHINES AFTER EC 572060 (WITH PRINTED CIRCUIT BOARD)				1	
- 9	10170	. SCREW, MACH BD HD- 6-32 X 0.250 LG ATT PT				AR	
- 9	322550	. SCREW, ED HD- 6-32 X 0.500 ATT PT				AR	
- 10	317145	. TERMINAL BOARD, 8 DBL SCREW TERMINALS- 50 HZ				1	
- 11	35739	. SCREW, MACH BD HD- 6-32 X 0.438 LG- 50 HZ ATT PT				4	
- 12	360339	. STRIP, INSULATOR MARKER- 50 HZ				1	
- 16	65317	. TERMINAL BOARD- 11 DBL SCREW TERMINALS MACHINES PRIOR TO EC 572060				1	
- 16	82353	. TERMINAL BOARD MACHINES AFTER EC 572060 (WITH PRINTED CIRCUIT BOARD)				1	
- 17	35739	. SCREW, MACH BD HD- 6-32 0.438 LG ATT PT				4	
- 18	5219E5	. STRIP-MARKER USED ON BASIC POWER ASM				1	
- 18	620240	. MARKER STRIP				1	
- 19	352774	USED WITH FEATURE PARTS				1	
- 20	221790	. LABEL-NUMBERING L TO R 1 THRU 8				1	
- 21	138755	. SCREW, MACH BD HD- 8-32 X 0.188 LG				8	
- 21	138755	. DECAL, INST-LINE V PRESENT W/MACH PWR OFF				1	
- 22	5129177	. CABLE ASSEMBLY, POWER BOX- 60 HZ				1	B
- 22	5129289	. CABLE ASSEMBLY, POWER BOX- 50 HZ				1	D
- 22	5133783	. CABLE ASSEMBLY, POWER BOX- 60 HZ				1	A
- 22	5133785	. CABLE ASSEMBLY, POWER BOX- 50 HZ				1	C
- 23	257079	. INSULATOR, SHORT- 50 HZ BOX ASSEMBLY				1	
- 24	257080	. INSULATOR, LONG- 50 HZ BOX ASSEMBLY				1	
- 25	107666	. FUSE, 5 AMP- 50 HZ BOX ASSEMBLY				1	
- 26	104615	. FUSEHOLDER- 50 HZ BOX ASSEMBLY				1	
- 27	38235	. SCREW, MACH- 6-32 X 0.310 LG- 50 HZ ATT PT				2	
- 28	5361962	. PLUG, INNER COVER- 60 HZ BOX ASSEMBLY				1	
- 29	257079	. INSULATOR-SHORT				2	
- 30	257080	. INSULATOR-LONG				2	
- 31	107666	. FUSE, 5 AMP- 60 HZ BOX ASSEMBLY USED WITH NO B GATE POSITION F2				1	
- 31	107669	. FUSE, CTRGE, LONG TIME DELAY- 10 AMP USED WITH B GATE POSITION F2				1	
- 31	107668	. FUSE, CARTRIDGE-TIME DELAY 8 AMP 250V USED WITH B GATE POSITION F2				1	
- 32	117252	. FUSE, CARTRIDGE- 20 AMP 125V				1	



FOR PARTS  
NOT SHOWN  
SEE FIG. 2  
SHEET 1

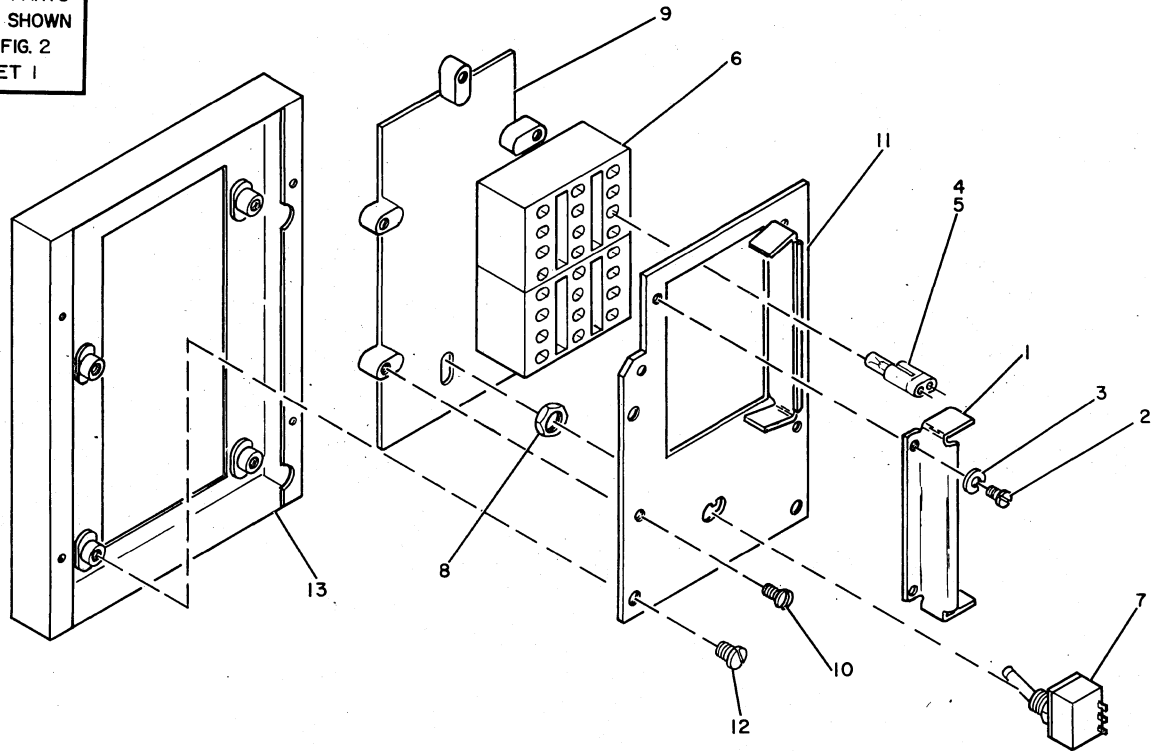


FIGURE 6. BSCA PANEL ASSEMBLY. SEE LIST 6.

LIST AND INDEX NUMBER	PART NUMBER	DESCRIPTION				UNITS PER ASM.	USABLE ON CODE
		1	2	3	4		
		BSCA PANEL ASSEMBLY					
6 -	5133557 NP	BSCA PANEL ASSEMBLY FOR NEXT HIGHER ASSEMBLY SEE FIG 2-30 FOR ILLUSTRATION SEE FIG 6					
- 1	2590399	. BRACKET				2	
- 2	38350	. SCREW, MACH-FIL H 6-32 X 1/4 LG		ATT PT	4		
- 3	6364	. WASHER, LOCK-SPLIT NO. 6 X 1/4 OD		ATT PT	4		
- 4	2391023	. LAMP, INDICATOR- 4.5V 140 MA				20	
- 5	165010	. PLUG AND INSERT ASSEMBLY				20	
- 6	185196	. LIGHT BLOCK, 12 POSITION				2	
- 7	738826	. SWITCH, TOGGLE				1	
		RATE SELECT SWITCH FEATURE					
- 8	179743	. NUT, PLAIN, HEX- 15/32-32 X 9/16 FL W		ATT PT	1		
- 9	5133535	. MOLDING ASM-ENGLISH				1	
- 9	5133518	. MOLDING ASM-GERMAN				1	
- 9	5133517	. MOLDING ASM-ITALIAN				1	
- 9	5133516	. MOLDING ASM-FRENCH				1	
- 9	5133519	. MOLDING ASM-SPANISH NOT USED WITH RATE SELECT SWITCH FEATURE				1	
- 9	5133515	. MOLDING ASM-ENGLISH				1	
- 9	5133522	. MOLDING ASM-GERMAN				1	
- 9	5133521	. MOLDING ASM-ITALIAN				1	
- 9	5133520	. MOLDING ASM-FRENCH				1	
- 9	5133523	. MOLDING ASM-SPANISH USED WITH RATE SELECT SWITCH FEATURE				1	
- 10	80651	. SCREW, SELF TAPPING- 6-32 X 0.375 LG		ATT PT	4		
- 11	5129592	. PANEL				1	
- 12	28413	. SCREW, MACH-BIND HD 10-32 X 5/16 LG		ATT PT	4		
- 13	5129591	. PANEL ASM				1	

FOR PARTS  
NOT SHOWN  
SEE FIG. 2  
SHEET 1

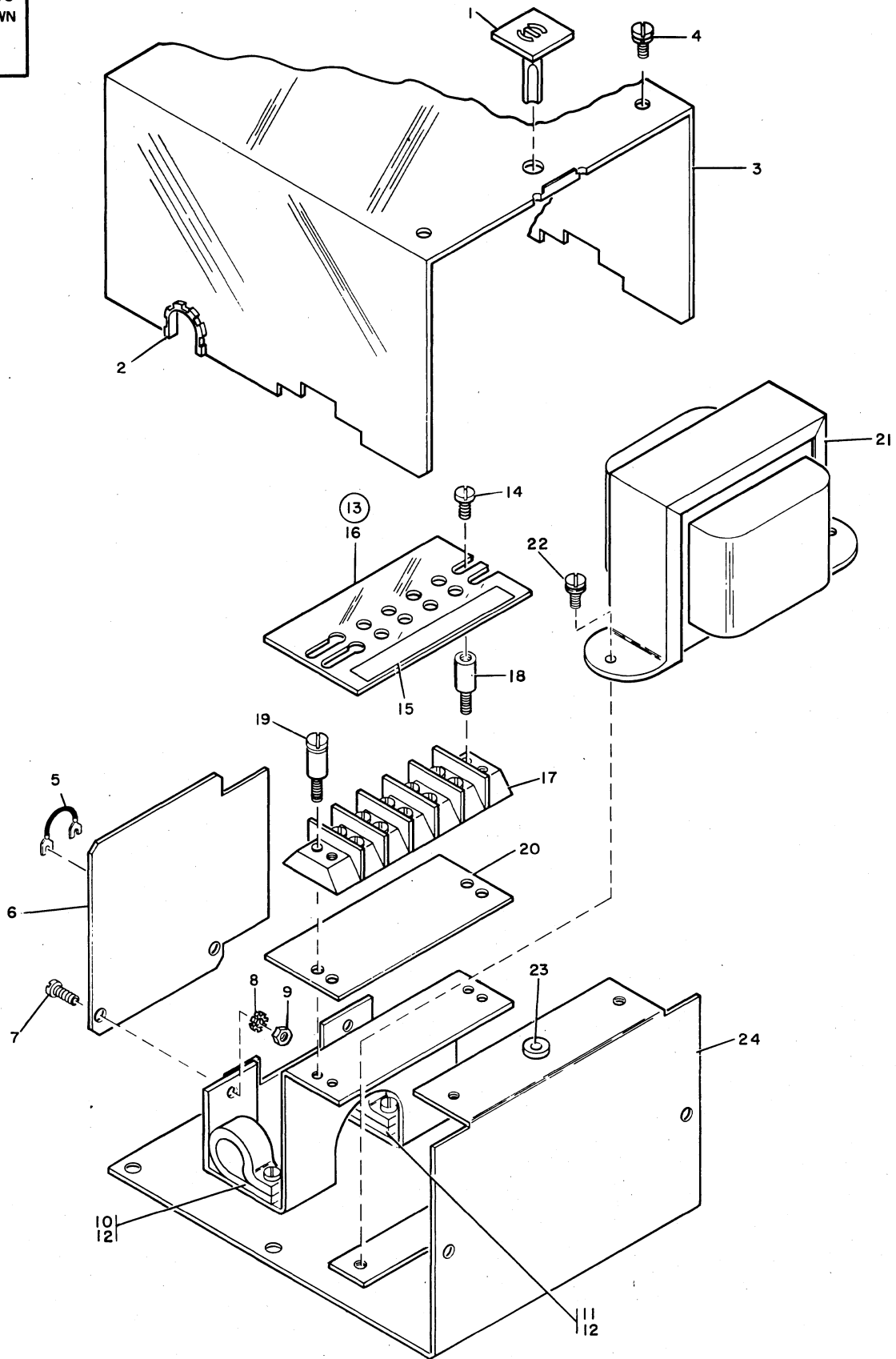


FIGURE 7. METER POWER PAC ASSEMBLY. 50 AND 60 HZ. SEE LIST 7.





FOR PARTS  
NOT SHOWN  
SEE FIG. 2  
SHEET 1

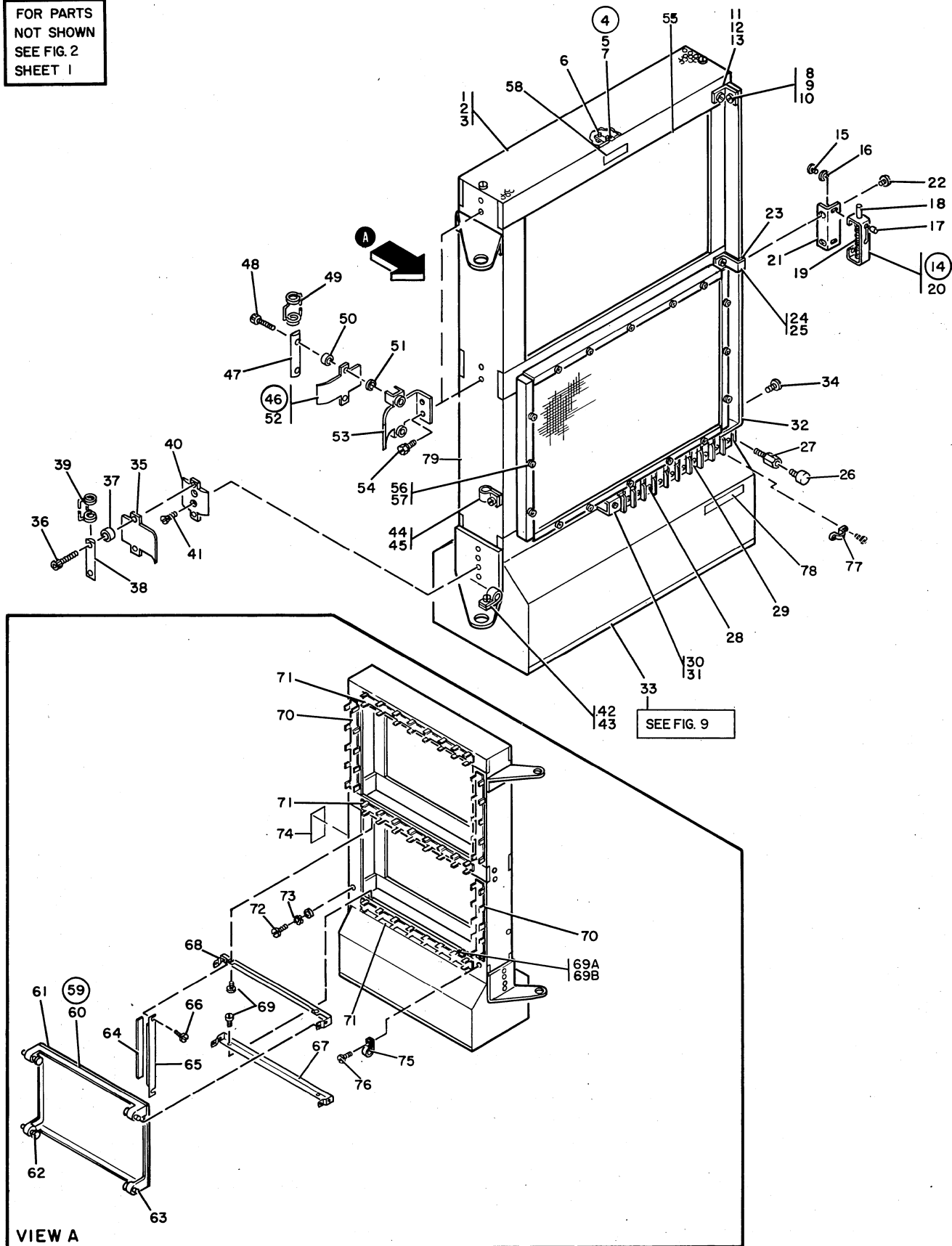


FIGURE 8. CPU B GATE ASSEMBLY. SEE LIST 8.

LIST AND INDEX NUMBER	PART NUMBER	DESCRIPTION	UNITS PER ASM.	USABLE ON CODE
		CPU B GATE ASSEMBLY CPU B GATE ASSEMBLY		
8 -	5133558	B GATE ASSEMBLY,CPU FOR NEXT HIGHER ASM SEE FIGURE 2-46 FOR ILLUSTRATION SEE FIGURE 8	REF	
- 1	5133524	. SCREEN	1	
- 2	5350012	. SCREW, THD FORMING HEX WSR HD 8-32 X .25	ATT PT	2
- 3	45690	. WASHER, FL - NO. 10 X 7/16 OD X 1/32 THK	ATT PT	2
- 4	5428339	. THERMAL SWITCH ASM		1
- 5	811426	. SCREW, MACH-PAN HD 6-32 X 3/8 IN. LG	ATT PT	1
- 6	5428337	. . THERMAL SWITCH ASM- 134 DEG F EARLY MACHINES PRIOR TO EC 572060		1
- 6	5489114	. . THERMAL SWITCH ASM- 140 DEG F LATE MACHINES AFTER EC 572060		1
- 7	5428338	. . BRACKET, TERMINAL SWITCH		1
- 8	5356580	. SCREW		1
- 9	815039	. WASHER		1
- 10	5373223	. NUT, PLAIN, HEX- 4-40 X 0.250 FL W		1
- 11	811742	. SUPPORT		1
- 12	811426	. SCREW, MACH-PAN HD 6-32 X 3/8 IN. LG	ATT PT	1
- 13	2129550	. WASHER, FLAT- 5/16 OD 5/32 ID 1/32 THK	ATT PT	1
- 14	2172092	. LATCH ASSEMBLY-GATE		1
- 15	10170	. SCREW-MACH,BIND HD NO. 6-32 X .250 LG	ATT PT	2
- 16	22478	. WASHER, FL- 0.170 ID 0.375 OD 0.032 THK	ATT PT	2
- 17	528013	. . STUD-LATCH		1
- 18	528014	. . PIN-LATCH		1
- 19	528012	. . SPRING, HELICAL, COMPR		1
- 20	528011	. . BRACKET-LATCH		1
- 21	5133526	. BRACKET, LATCH		1
- 22	5350012	. SCREW, THD FORMING HEX WSR HD 8-32 X .25	ATT PT	2
- 23	816752	. PAD, SPACER		1
- 24	816751	. BRACKET		1
- 25	811426	. SCREW, MACH-PAN HD 6-32 X 3/8 IN. LG	ATT PT	1
- 26	2132088	. STOP		1
- 27	535249	. STUD, EXT-INT 6-32 EXT 8-32 X 1-1/2 LG OA		1
- 28	815151	. SCREW-MACH NO. 8-32 X .2		10
- 29	817754	. BLOCK, TERMINAL- 10 POSITION		1
- 30	817758	. BRACKET		2
- 31	38372	. SCREW, MACH-RH 8-32 X 11/16 LG	ATT PT	2
- 32	816640	. BUSS ASSEMBLY		1
- 33	5133541	. PLENUM ASM, GATE- 60HZ		1
- 33	5133554	. PLENUM ASM, GATE- 50HZ		1
- 34	2181004	FOR DETAIL BREAKDOWN SEE FIG 9 . SCREW, THREAD FORMING-HEX WASHER HD	ATT PT	2
- 35	815218	. FRONT PLATE		1
- 36	256106	. SCREW, CAP, SOC HD- 8-32 X 7/8 LG	ATT PT	2
- 37	815219	. SPACER		2
- 38	815220	. BAR		1
- 39	813321	. SPRING		1
- 40	815215	. BACKPLATE		1
- 41	99	. SCREW, MACH-FL CSK HD 10-32 X 3/8 LG	ATT PT	2
- 42	327922	. CLAMP-CABLE		1
- 43	28413	. SCREW, MACH-BIND HD 10-32 X 5/16 LG	ATT PT	1
- 44	327923	. CLAMP, CABLE		1
- 44	350663	USED ON BSCA HIGH SPEED FEATURE . CLAMP, CABLE		2
- 45	5319854	USED ON BSCA MEDIUM SPEED FEATURE . SCREW, SELF TAPPING, 8-32 X .375 LONG	ATT PT	AR
- 46	815224	. CLAMP ASSEMBLY		2
- 47	815220	. . BAR		1
- 48	332560	. . SCREW, CAP, SOC HD- 8-32 X 1-1/4 LG	ATT PT	2
- 49	813321	. . SPRING		1
- 50	815219	. . SPACER		2
- 51	816649	. . RETAINER		2
- 52	815217	. . PLATE-FRONT		1
- 53	815167	. . PLATE-BACK		2
- 54	813706	. SCREW, THREAD FORMING, HEX. WASHER HEAD	ATT PT	4
- 55	2590329	. CHIMNEY ASM		1
- 56	2181088	. SCREW		16
- 57	257986	. WASHER, FLAT NO. 6		6
- 58	5133622	. LABEL, MST BOARD		1
- 59	813466	. COVER ASM-CARD		1
- 60	813465	. . COVER		1
- 61	815456	. . SEAL		4
- 62	815963	. . CATCH-PULL		4
- 63	815964	. . CATCH		2
- 64	813482	. SEAL		2



FOR PARTS  
NOT SHOWN  
SEE FIG. 8

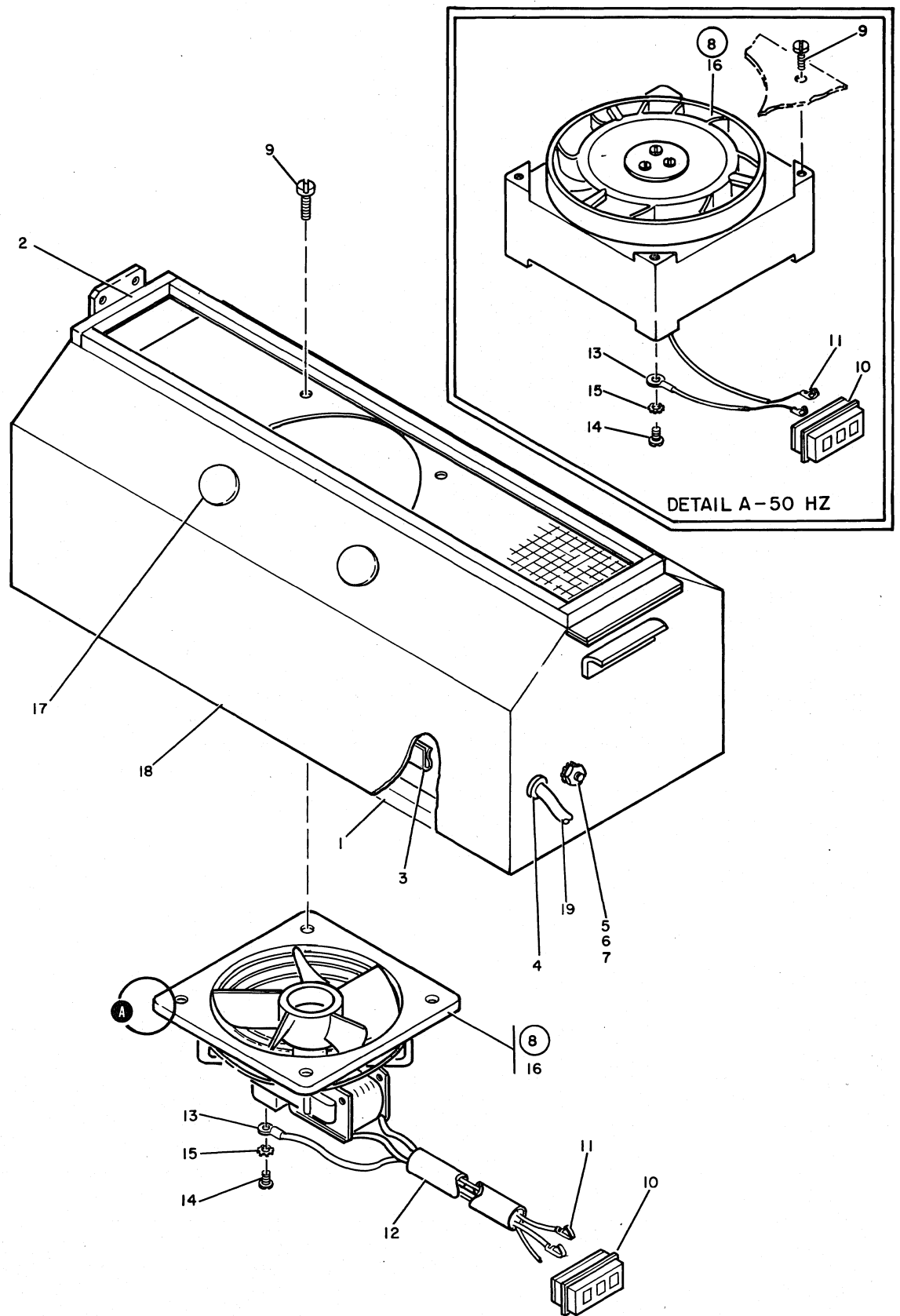


FIGURE 9. 2X1 GATE PLENUM ASSEMBLY. 50 AND 60 HZ. SEE LIST 9.



FOR PARTS  
NOT SHOWN  
SEE FIG. 2  
SHEET 1

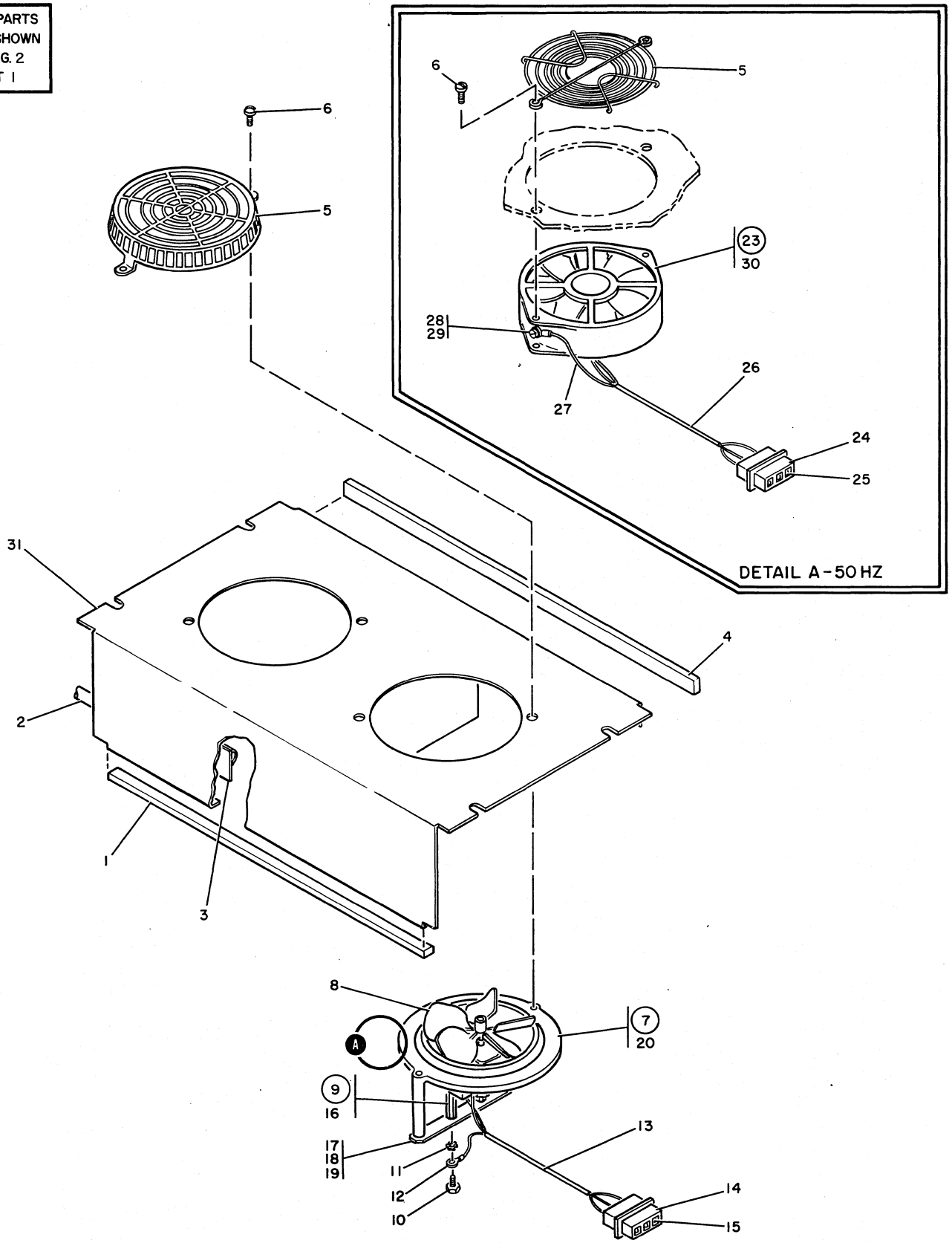
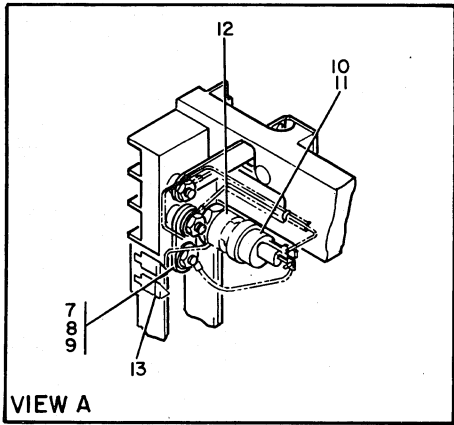


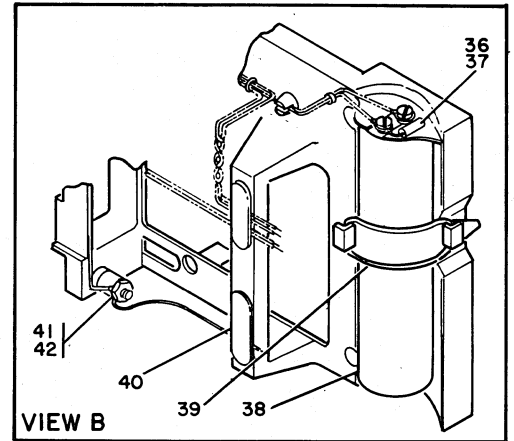
FIGURE 10. REGULATOR PLENUM ASSEMBLY. 50 AND 60 HZ. SEE LIST 10.





VIEW A

FOR PARTS  
NOT SHOWN  
SEE FIG. 2  
SHEET 1



VIEW B

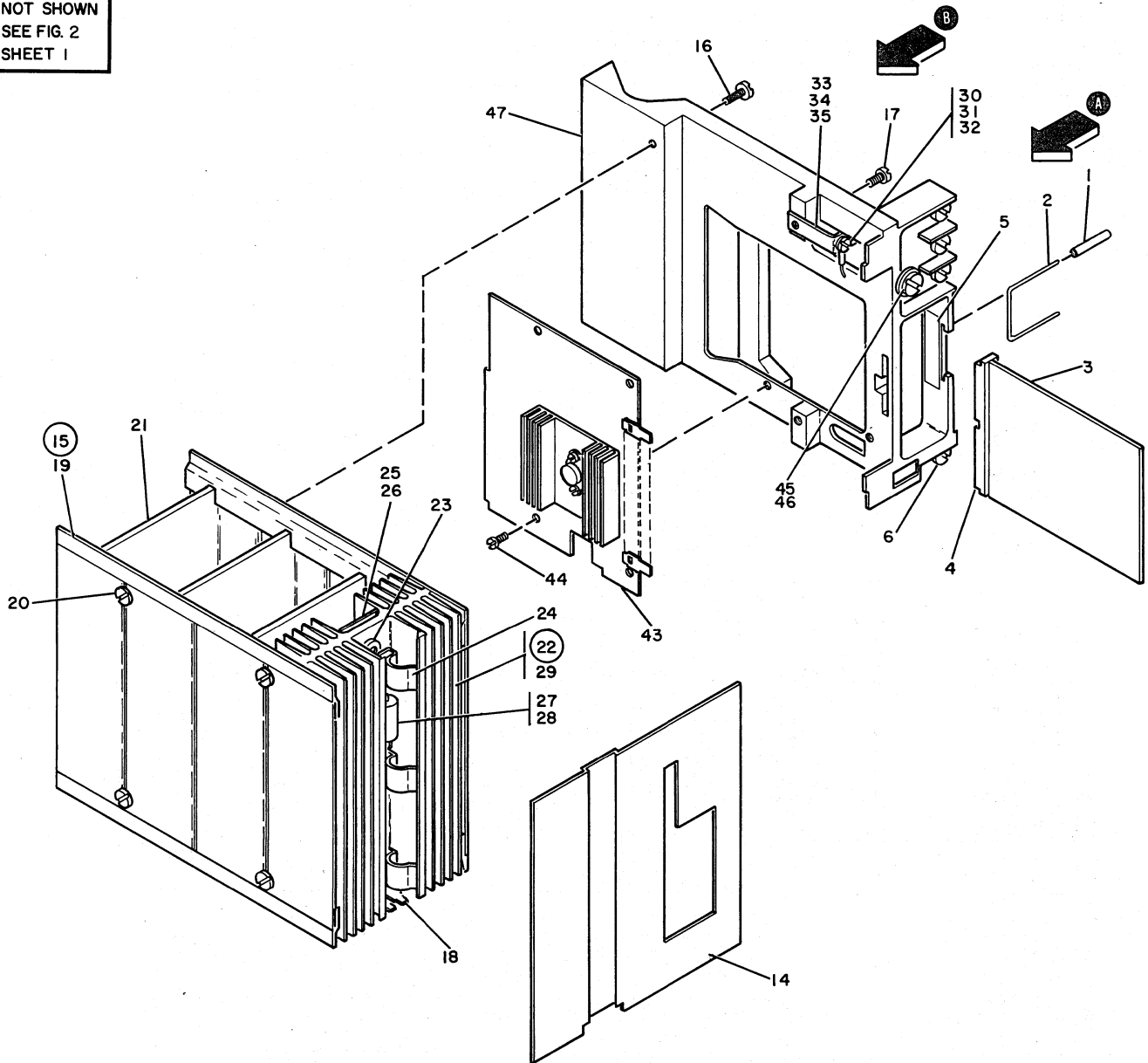


FIGURE 11. POWER SUPPLY ASSEMBLY. SEE LIST 11.



LIST AND INDEX NUMBER	PART NUMBER	DESCRIPTION				UNITS PER ASM.	USABLE ON CODE
		1	2	3	4		
		POWER SUPPLY ASSEMBLY					
11 -	2557500	POWER SUPPLY ASM- 4VDC AT 32AMPS				REF	
-	2557470	POWER SUPPLY ASM,6VDC AT 12 AMPS				REF	
-	5797480	POWER SUPPLY ASM- 4VDC AT 65AMPS				REF	
-	5797450	POWER SUPPLY ASM- 30V AT 9.5AMPS FOR NEXT HIGHER ASM				REF	
		SEE FIGURE 2-94, -95, -96 AND -97 FOR ILLUSTRATION SEE FIGURE 11					
- 1	5785286	. CUSHION,CARD				1	
- 2	5797497	. RETAINER,CARD				2	
- 3	5808959	. CARD ASM				1	
		USED ON 4VDC,32AMP AND 4VDC,65AMP ASMS					
- 3	5808955	. CARD ASM				1	
		USED ON 6VDC,12AMP ASM					
- 3	5808958	. CARD ASM					
		USED ON 30V,9.5AMP ASM					
- 4	811804	. GUIDE, CARD				1	
- 5	5785130	. LABEL				1	
- 6	322029	. SCREW,MACH-BIND HD 1/4-20 X 1/2 LG				4	
- 7	5797532	. JUMPER				1	
- 8	3960	. NUT,PLAIN,HEX- 1/4-20 X 7/16 FL W				2	ATT PT
- 9	65756	. WASHER,LOCK				2	ATT PT
- 10	5785299	. SEMICONDUCTOR ASM				1	
		USED PRIOR TO NOV. 1970					
- 10	5214335	. SEMICONDUCTOR DEVICE,DIODE				1	
		USED AFTER NOV. 1970					
		USED ON 6VDC,12AMP AND 25AMP ASM					
- 11	332765	. TERMINAL				1	
- 12	5785319	. EXTENSION				1	
- 13	2557525	. TERMINAL,MALE BLADE-DOUBLE				2	
		USED ON 30V,9.5AMP AND 6VDC,12AMP ASMS					
- 14	5785277	. SEAL,AIR				1	
- 15	2557546	. HEATSINK ASSEMBLY				1	
		USED ON 4VDC,32AMP ASM					
- 15	2557545	. HEATSINK ASSEMBLY				1	
		USED ON 6VDC,12AMP ASM					
- 15	2557519	. HEATSINK ASSEMBLY				1	
		USED ON 4VDC,65AMP ASM					
- 15	2557568	. HEATSINK ASSEMBLY				1	
		USED ON 30V,9.5AMP ASM					
- 16	358	. SCREW,MACH-FIL H 10-32 X 3/4 LG				3	ATT PT
- 17	32042	. SCREW, MACH BIND. HD 10-32 X 3/8 LG.				1	ATT PT
- 18	2572142	. . . BUS,PLUGGABLE				AR	
- 19	5797495	. . . BAIL- 4 POS				4	
- 20	38094	. . . SCREW,MACH-BIND HD 10-32 X 1/4 LG				4	ATT PT
- 21	2572145	. . . FILLER,HEATSINK				AR	
- 22	2572235	. . . HEATSINK ASM,TRANSISTOR				AR	
		USED ON 32AMP ASM POS HS-2 AND 65AMP ASM					
		POSITIONS HS-2,3 AND 4					
- 22	2572236	. . . HEATSINK ASM,TRANSISTOR				1	
		USED ON 32,12 AND 65 AMP ASMS POS HS-1					
- 22	2572237	. . . HEATSINK ASM,TRANSISTOR				1	
		USED ON 9.5AMP ASM POS HS-2					
- 22	2572238	. . . HEATSINK ASM,TRANSISTOR				1	
		USED ON 9.5AMP ASM POS HS-1					
- 23	2391346	. . . . TRANSISTOR-NPN TYPE 358				3	
		USED ON ASMS 2572235 AND 2572236					
- 23	2391667	. . . . TRANSISTOR				3	
		USED ON ASMS 2572237 AND 2572238					
- 24	2572161	. . . . CLIP				3	ATT PT
- 25	2572169	. . . . COMPONENT ASSEMBLY				1	
		USED ON ASM 2572235					
- 25	2572141	. . . . COMPONENT ASSEMBLY				1	
		USED ON ASM 2572236					
- 25	2572168	. . . . COMPONENT ASSEMBLY				1	
		USED ON ASM 2572237					
- 25	2572167	. . . . COMPONENT ASSEMBLY				1	
		USED ON ASM 2572238					
- 26	5785308	. . . . SCREW,MACH-STANDARD 6-32				2	ATT PT
- 27	801615	. . . . RESISTOR,FXD,WW- 50 OHMS P/M 5% 50W				1	
		USED ON ASM 2572238					
- 28	251970	. . . . SCREW-MACH BD. HD. 4-40 X 1/4 LG				2	ATT PT
- 29	2572162	. . . . HEATSINK				1	
		USED ON ASM 2572238					
- 29	5797486	. . . . HEAT SINK				1	
- 30	38352	. SCREW,MACH-FIL H 6-32 X 3/8 LG				1	
- 31	56722	. WASHER-LOCK,EXT T, .150 ID				1	



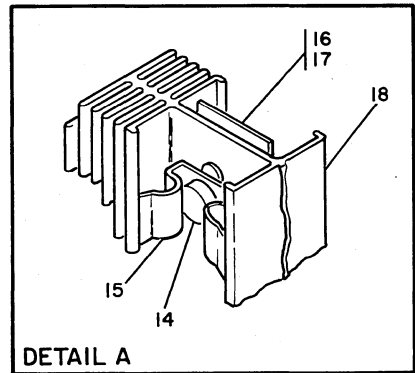
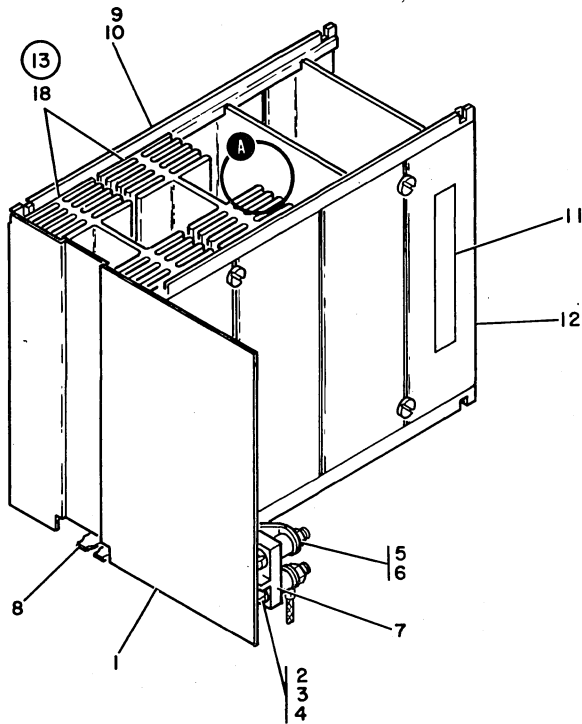


FIGURE 12. 30 AMP ADD-ON HEAT SINK ASSEMBLY. SEE LIST 12.

LIST AND INDEX NUMBER	PART NUMBER	DESCRIPTION	UNITS PER ASM.	USABLE ON CODE
		1 2 3 4		
		30 AMP ADD-ON HEAT SINK ASSEMBLY		
12 -	2557530	HEATSINK ASM,ADD-ON- 30 AMP FOR NEXT HIGHER ASM SEE FIGURE 2-93A FOR ILLUSTRATION SEE FIG 12	REF	
- 1	5785279	. SEAL,AIR	1	
- 2	322029	. SCREW,MACH-BIND HD 1/4-20 X 1/2 LG	2	
- 3	3960	. NUT,PLAIN,HEX- 1/4-20 X 7/16 FL W	2	
- 4	65756	. WASHER,LOCK	2	
- 5	5797499	. STRAP	1	
- 6	32042	. SCREW, MACH BIND. HD 10-32 X 3/8 LG.	2	ATT PT
- 7	5797488	. TERMINAL BLOCK	1	
- 8	2572142	. BUS,PLUGGABLE	2	
- 9	5797495	. RAIL- 4 POSITION	4	
- 10	38094	. SCREW,MACH-BIND HD 10-32 X 1/4 LG	7	ATT PT
- 11	5785130	. LABEL	1	
- 12	2572145	. FILLER,HEATSINK	2	
- 13	2572235	. HEATSINK ASM,TRANSISTOR	1	
- 13	2572236	USED IN POSITION HS-2 . HEATSINK ASM,TRANSISTOR USED IN POSITION HS-1	1	
- 14	2391346	. . . TRANSISTOR-NPN TYPE 358	3	
- 15	2572161	. . . CLIP	3	
- 16	2572169	. . . COMPONENT ASSEMBLY	1	
- 16	2572141	USED ON ASM 2572235 . . . COMPONENT ASSEMBLY USED ON ASM 2572236	1	
- 17	5785308	. . . SCREW,MACH-STANDARD 6-32	2	ATT PT
- 18	5797486	. . . HEAT SINK	1	

FOR PARTS  
NOT SHOWN  
SEE FIG. 2  
SHEET 1

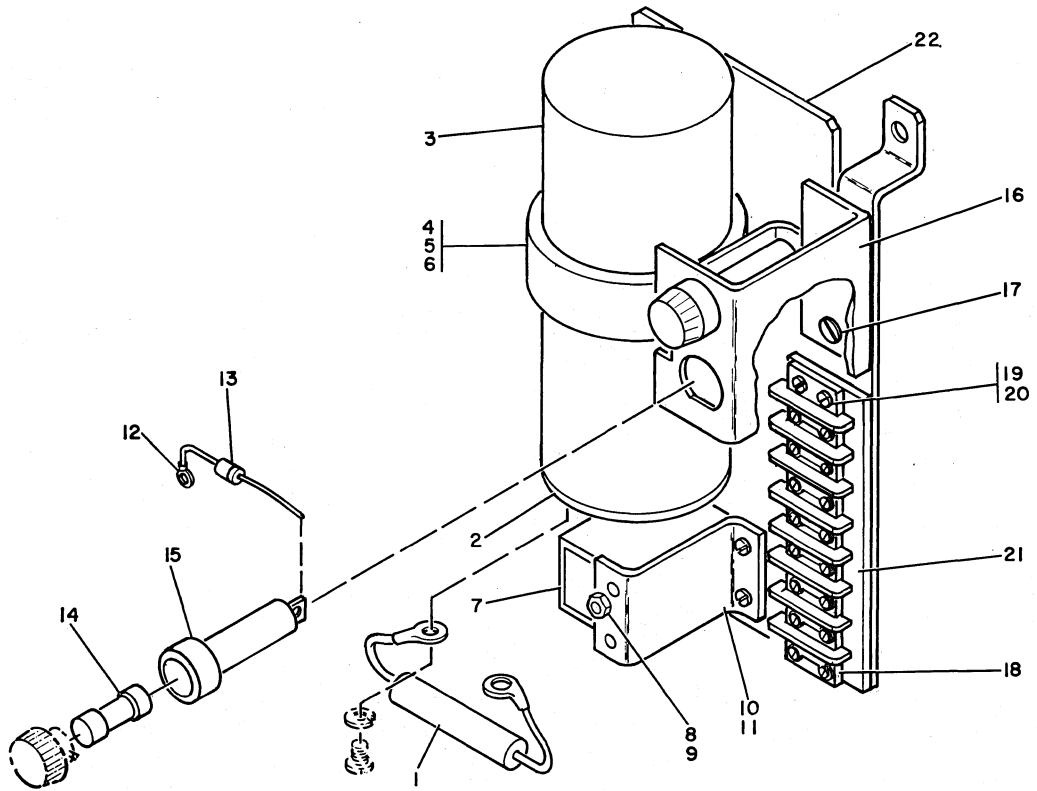


FIGURE 13. POWER ASSEMBLY. SEE LIST 13.

LIST AND INDEX NUMBER	PART NUMBER	DESCRIPTION				UNITS PER ASM.	USABLE ON CODE
		1	2	3	4		
		POWER ASSEMBLY					
13 -	2590900	POWER SUPPLY, -12V BSCA MEDIUM SPEED FOR NEXT HIGHER ASM SEE FIGURE 2-105 FOR ILLUSTRATION SEE FIGURE 13				REF	
- 1	644518	. RESISTOR ASM-300 OHMS, 5W				1	
- 2	362206	. COVER, CAPACITOR				1	
- 3	5214180	. CAPACITOR, FIXED- 21,000 UF P/M 10%				1	
- 4	5761786	. STRAP, CAP				1	
- 5	438568	. SCREW, MACH-UNDRCT BIND HD 6-32 X 1-1/8				ATT PT	1
- 6	311699	. NUT				ATT PT	1
- 7	2122194	. RELAY					1
- 8	8506	. NUT, PLAIN, HEX- 3-48 X 3/16 FL W				ATT PT	1
- 9	1091111	. WASHER, LOCK-INT TEETH NO. 3 X 0.225 OD				ATT PT	1
- 10	2590906	. BRACKET, RELAY					1
- 11	250525	. SCREW, MACH-BIND HD 10-32 X 3/16 LG				ATT PT	2
- 12	334910	. TERMINAL-LUG NO. 16 THRU NO. 14 WIRE					2
- 13	5323537	. SEMICONDUCTOR DEVICE, DIO- 200V 6 AMP					2
- 14	615683	. FUSE, CARTRIDGE- 2 AMP 230V					2
- 15	179946	. HOLDER-FUSE					2
- 16	2590902	. BRACKET, FUSE					1
- 17	250525	. SCREW, MACH-BIND HD 10-32 X 3/16 LG				ATT PT	2
- 18	512071	. TERMINAL BOARD- 7 DBL SCREW TERMINALS					1
- 19	322550	. SCREW, MACH-BIND HD 6-32 X 1/2 LG				ATT PT	4
- 20	311699	. NUT				ATT PT	4
- 21	362243	. MARKER, TERMINAL STRIP					1
- 22	2590901	. CHASSIS					1

FOR PARTS  
NOT SHOWN  
SEE FIG. 2  
SHEET 2

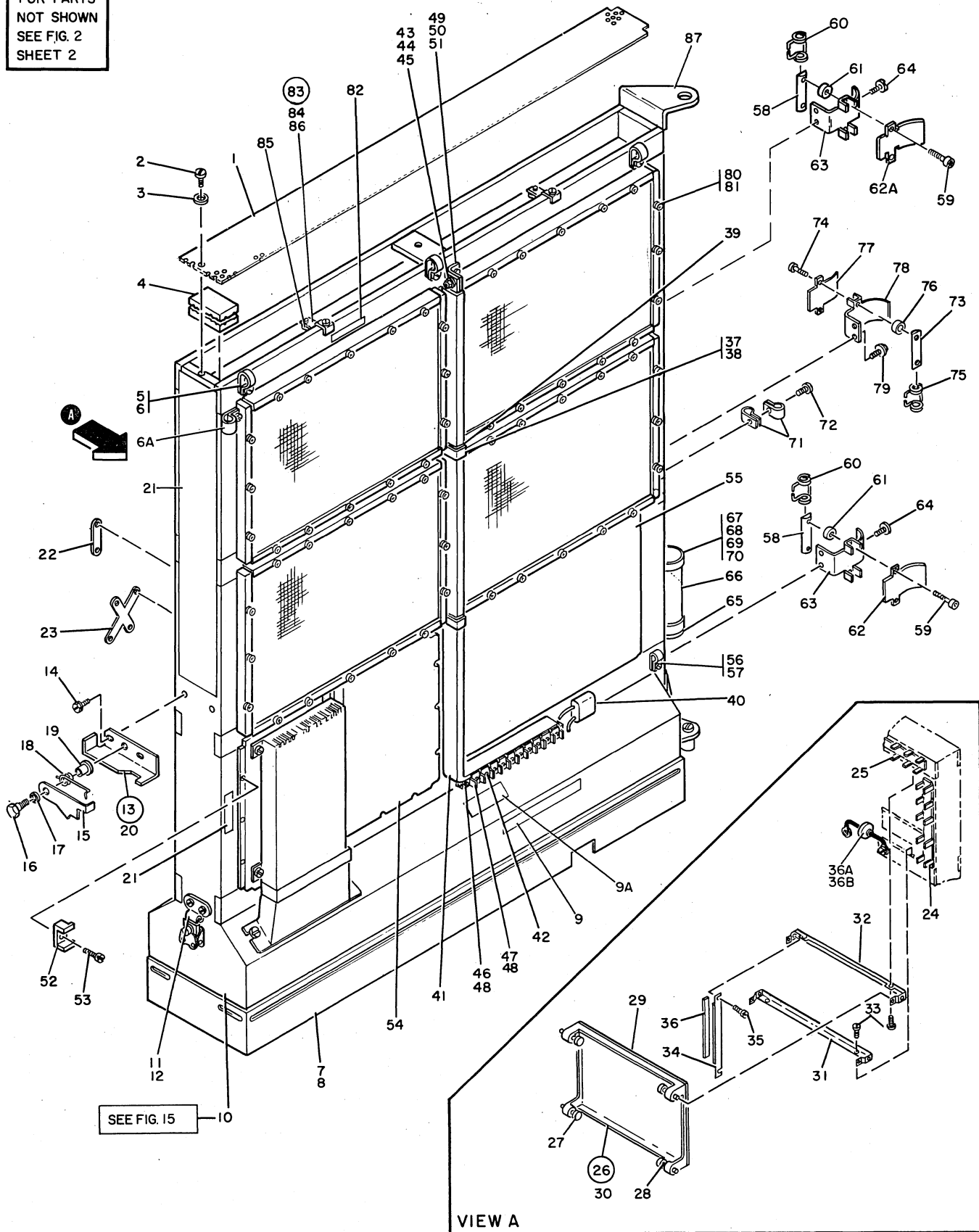


FIGURE 14. GATE ASSEMBLY. CPU SEE LIST 14.

LIST AND INDEX NUMBER	PART NUMBER	DESCRIPTION	UNITS PER ASM.	USABLE ON CODE
		GATE ASSEMBLY- CPU		
14 -	5129500 NP	GATE ASSEMBLY-CPU FOR NEXT HIGHER ASM SEE FIGURE 2-107 FOR ILLUSTRATION SEE FIGURE 14		
- 1	5128843	. SCREEN	1	
- 2	5350012	. SCREW, THD FORMING HEX HD- 8-32 X 0.250 LG ATT PT	2	
- 3	45690	. WASHER, FL- 0.203 ID X 0.438 OD X 0.031 THK ATT PT	1	
- 4	824703	. BLOCK, RUBBER	2	
- 5	2102365	. CLAMP, CABLE	3	
- 6	2181005	. SCREW, SELF TAPPING- 6-32 X 0.375 LG ATT PT	3	
- 6A	2596291	. CLAMP, CABLE	1	
- 7	5133699	. SKIRT	1	
- 8	2592619	. CLIP ATT PT	10	
- 9	5133619	. LABEL, VOLTAGE	1	
- 9A	369207	. LABEL	1	
		USED AFTER EC 572059		
- 10	5129016	. PLENUM ASM- 60HZ	1	
- 10	5129166	. PLENUM ASM- 50HZ	1	
		FOR DETAIL BREAKDOWN SEE FIGURE 15		
- 11	5349887	. STRIKE-FAN HOUSING	1	
- 12	5700484	. SCREW, SELF TAPPING- 4-40 X 0.375 LG ATT PT	2	
- 13	5129290	. LATCH ASM	1	
- 14	2181005	. SCREW, SELF TAPPING, 6-32 X .375 LG. ATT PT	2	
- 15	5128846	. HANDLE, LOCKING	1	
- 16	609789	. SCREW- 1/4-20 X 0.375 LG ATT PT	1	
- 17	3550	. WASHER, FL- 0.250 ID X 0.562 OD ATT PT	1	
- 18	2145188	. SPRING, GATE LATCH, R H	1	
- 19	204604	. CCLLAR	1	
- 20	5129291	. PLATE ASM, LATCH	1	
- 21	5133620	. LABEL, CE AID	1	
- 22	811427	. RETAINER	40	
- 23	813519	. RETAINER, CABLE	10	
- 24	2590010	. TROUGH, FLAT CABLES	6	
- 25	2590011	. TROUGH, FLAT CABLES	6	
- 26	813466	. COVER ASM-CARD	5	
- 27	760303	. CATCH-PULL	4	
- 28	811879	. SPACER-HINGE	4	
- 29	813483	. BRACKET	1	
- 30	813465	. COVER	1	
- 31	813452	. BRACKET, HINGE MTG	5	
- 32	813451	. BRACKET, UPPER	5	
- 33	734483	. SCREW, PAN HD- 6-32 X 0.380 LG ATT PT	20	
- 34	817927	. RETAINER ASM, CABLE	10	
- 35	10170	. SCREW, MACH BD HD- 6-32 X 0.250 LG ATT PT	20	
- 36	813482	. SEAL	10	
- 36A	2454956	. THERMISTER	1	
- 36B	438548	. SCREW, MACH BD HD- 4-40 X 0.188 LG ATT PT	2	
- 37	816754	. BRACKET, MOUNTING	2	
- 38	811426	. SCREW, MACH PAN HD- 6-32 X 0.375 LG ATT PT	4	
- 39	816752	. PAD, SPACER	2	
- 40	5129363	. CAPACITOR ASM	1	
- 41	816735	. BUS ASSEMBLY	1	
- 42	815151	. SCREW, BD HD- 8-32 X 0.375 LG ATT PT	10	
- 43	5356580	. SCREW, BD HD- 4-40 X 0.500 LG ATT PT	1	
- 44	815039	. WASHER- 0.125 ID X 0.250 OD ATT PT	1	
- 45	5373223	. NUT, HEX- 4-40 X 0.250 FL W ATT PT	1	
- 46	817758	. BRACKET	2	
- 47	817754	. BLOCK, TERMINAL- 10 POSITION	1	
- 48	38372	. SCREW, MACH- 8-32 X 0.688 LG ATT PT	2	
- 49	811742	. SUPPORT	1	
- 50	811426	. SCREW, MACH PAN HD- 6-32 X 0.375 LG ATT PT	1	
- 51	2129550	. WASHER, FLAT- 0.156 ID X 0.313 OD ATT PT	16	
- 52	813179	. CLAMP-BOARD	16	
- 53	813417	. SCREW ATT PT	16	
- 54	2512360	. BOARD ASM, 8K - 9 BIT USED FOR 8K STORAGE	1	
- 54	2512420	. BOARD ASM, 16K - 9 BIT USED FOR 12K AND 16K STORAGE	1	
- 55	2590329	. CHIMNEY ASM	1	
- 56	2102365	. CLAMP, CABLE	1	
- 57	34512	. SCREW, MACH BD HD- 8-32 X 0.375 LG ATT PT	1	
- 58	815221	. EAR, CABLE CLAMP	2	
- 59	813706	. SCREW, SOC HD- 8-32 X 1.250 LG ATT PT	4	
- 60	813321	. SPRING	2	
- 61	815219	. SPACER	4	
- 62	815217	. PLATE-FRONT	1	
- 62A	815218	. PLATE-FRONT	1	



FOR PARTS  
NOT SHOWN  
SEE FIG. 14

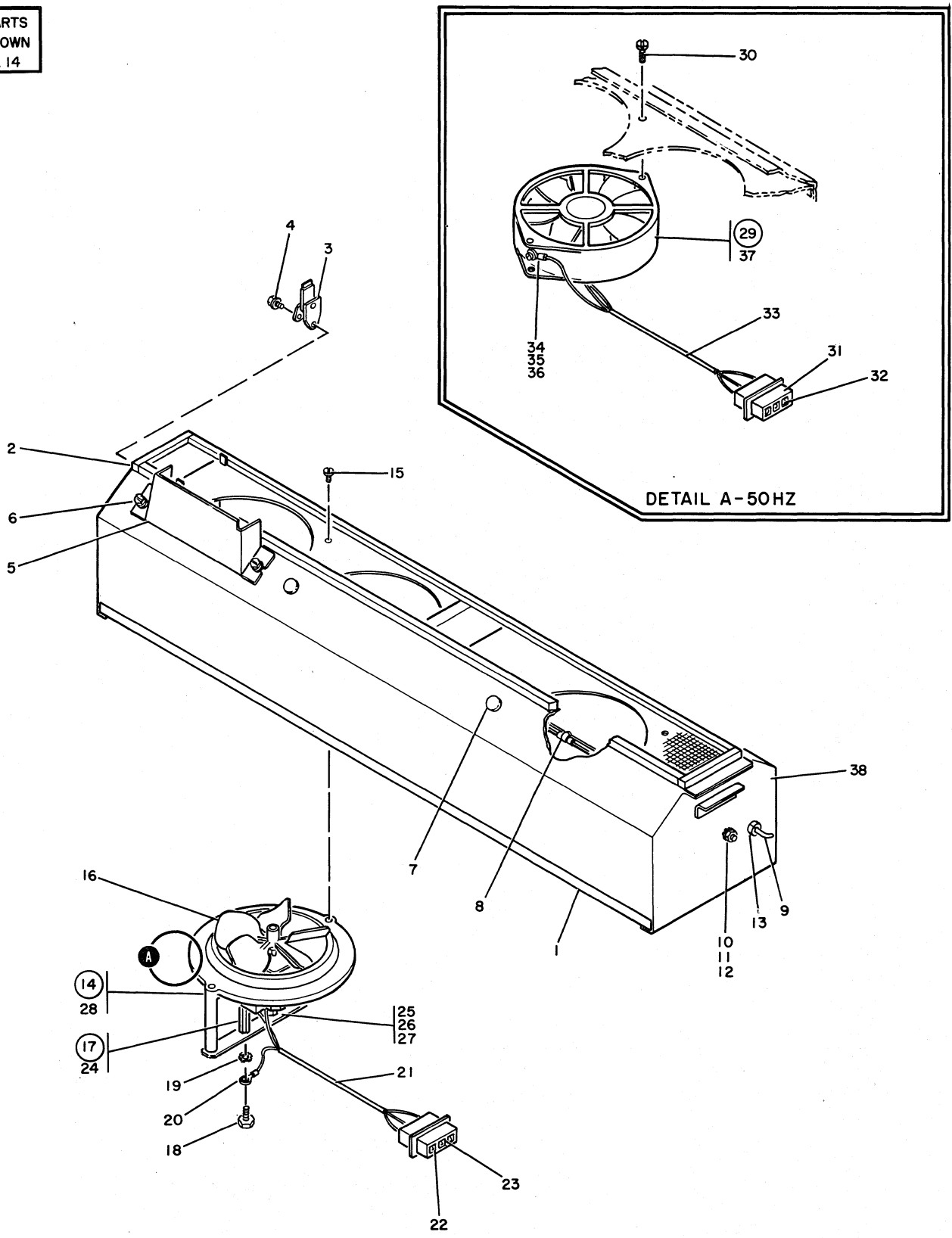


FIGURE 15. 3X2 GATE PLENUM ASSEMBLY. SEE LIST 15.



LIST AND INDEX NUMBER	PART NUMBER	DESCRIPTION	UNITS PER ASM.	USABLE ON CODE
		3X2 GATE PLENUM ASSEMBLY		
15 -	5129016	PLENUM ASM- 60HZ	REF	
-	5129166	PLENUM ASM- 50HZ	REF	
		FOR NEXT HIGHER ASM SEE FIGURE 14-10 FOR ILLUSTRATION SEE FIGURE 15		
- 1	5128844	. FILTER,AIR	1	
- 2	599557	. SEAL	1	
- 3	5349888	. LATCH	1	
- 4	5700484	. SCREW, SELF TAPPING, 4-40 X .375 LG. ATT PT	2	
- 5	5128963	. DUCT	1	
- 6	5700484	. SCREW, SELF TAPPING, 4-40 X .375 LG. ATT PT	2	
- 7	723455	. PLUG,BUTTON	5	
- 8	5349886	. CLIP,U	4	
- 9	5129193	. CABLE ASM FOR COMPONENT PARTS SEE FIG 27	1	
- 10	28413	. SCREW,MACH-BIND HD 10-32 X 5/16 LG ATT PT	1	
- 11	56079	. WASHER-LOCK,EXT T .204 ID .410 OD ATT PT	1	
- 12	11598	. NUT PLAIN HEX 10/32 ATT PT	1	
- 13	99174	. GROMMET-STRAIN RELIEF	1	
- 14	5129331	. FAN ASSEMBLY- 208V 60 HZ	3	
- 15	32042	. SCREW, MACH BIND. HD 10-32 X 3/8 LG. ATT PT	6	
- 16	5357066	. . BLADE,FAN	1	
- 17	5129158	. . MOTOR ASM	1	
- 18	130434	. . SCREW-MACH,SLOTTED HEX HD NO.10-32 X.375 ATT PT	2	
- 19	56079	. . WASHER-LOCK,EXT T .204 ID .410 OD ATT PT	2	
- 20	5129332	. . . JUMPER,GROUND	1	
- 21	253569	. . . INSULATION SLEEVING,ELEC- 0.375 ID	AR	
- 22	725558	. . . COVER-CONNECTOR	1	
- 23	2145170	. . . TERMINAL,QUICK DISCONNECT- 16/18AWG	2	
- 24	5357067	. . . MOTOR 208V/230V 60CY 220V 50CY	1	
- 25	5357068	. . BRACKET-MOTOR MTG	1	
- 26	120211	. . SCREW,MACH-HEX HD 10-32 X 1/2 LG ATT PT	2	
- 27	56079	. . WASHER-LOCK,EXT T .204 ID .410 OD ATT PT	2	
- 28	5357069	. . ORIFICE-FAN	1	
- 29	5129560	. FAN ASSEMBLY- 50HZ	3	
- 30	32042	. SCREW, MACH BIND. HD 10-32 X 3/8 LG. ATT PT	6	
- 31	725558	. . COVER-CONNECTOR	1	
- 32	2145170	. . TERMINAL,QUICK DISCONNECT- 16/18AWG	2	
- 33	253569	. . INSULATION SLEEVING,ELEC- 0.375 ID	AR	
- 34	5133586	. . JUMPER,GROUND	1	
- 35	58207	. . SCREW, BD HD MACH-8-32 NC-2A X .250 LG ATT PT	1	
- 36	55901	. . LOCKWASHER,EXT TOOTH-NO. 8 ATT PT	1	
- 37	4120172	. . FAN ASM	1	
- 38	5129245	. PLENUM,GATE- 3X2	1	

FOR PARTS  
NOT SHOWN  
SEE FIG. 2  
SHEET 2

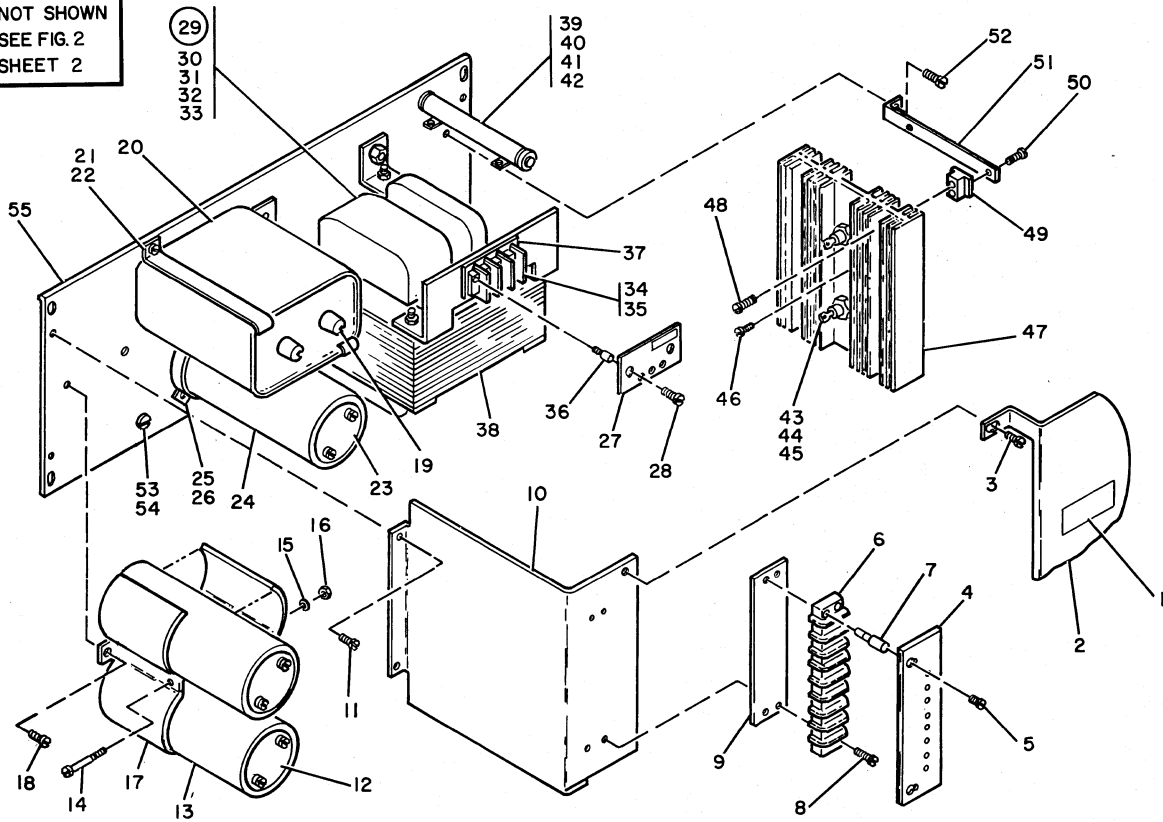


FIGURE 16. MULTI-LEVEL POWER SUPPLY ASSEMBLY. 50 AND 60 HZ. SEE LIST 16.

LIST AND INDEX NUMBER	PART NUMBER	DESCRIPTION	UNITS PER ASM.	USABLE ON CODE
		1 2 3 4		
		MULTI-LEVEL POWER SUPPLY ASM 50 AND 60 HZ		
16 -	2562460	POWER SUPPLY ASM, MULTI-LEVEL- 60HZ	REF	
-	256247C	POWER SUPPLY ASM, MULTI-LEVEL- 5CHZ	REF	
		FOR NEXT HIGHER ASM SEE FIGURE 2-119 FOR ILLUSTRATION SEE FIGURE 16		
- 1	369207	. LABEL, WARNING	1	
- 2	2562465	. COVER	1	
- 3	236849	. SCREW, MACH-BIND HD 10-32 X 1/4 LG	ATT PT	4
- 4	533361	. COVER-TERMINAL BOARD		1
- 5	10170	. SCREW-MACH, BIND HD NO. 6-32 X .250 LG	ATT PT	2
- 6	315956	. STRIP-TERMINAL		1
- 7	2125898	. STUD, TAPPED MOUNTING, 6-32 X 1.087 LG	ATT PT	2
- 8	322550	. SCREW, MACH-BIND HD 6-32 X 1/2 LG	ATT PT	2
- 9	315957	. STRIP, MARKER-TERM BD 8 POS 1 THRU 8		1
- 10	2562464	. PLATE, MOUNTING		1
- 11	236849	. SCREW, MACH-BIND HD 10-32 X 1/4 LG	ATT PT	2
- 12	631769	. SHIELD, CAPACITOR		2
- 13	5796427	. CAPACITOR		2
- 14	438603	. SCREW, MACH-UNDRCT BIND HD 10-32 X 2-1/4		1
- 15	9092	. WASHER-LOCK, SPLIT RING, .194 ID .337OD		1
- 16	11598	. NUT PLAIN HEX 10/32		1
- 17	2562477	. CLAMP		2
- 18	221790	. SCREW, MACH-BIND HD 8-32 X 3/16 LG	ATT PT	2
- 19	526378	. CAP		2
- 20	361536	. CAPACITOR, PAPER-30 UF 330VAC USED ON 60HZ		1
- 20	5319839	. CAPACITOR, PAPER-40UF 330 VOLT USED ON 50HZ		1
- 21	517197	. BRACKET-CAPACITOR MOUNTING USED ON 60HZ		2
- 21	361968	. BRACKET USED ON 50HZ		2
- 22	34512	. SCREW, MACH-BIND HD 8-32 X 3/8 LG	ATT PT	AR
- 22	25627	. SCREW, MACH-BIND HD 8-32 X 1/2 LG	ATT PT	AR
- 23	631769	. SHIELD, CAPACITOR		1
- 24	5796427	. CAPACITOR		1
- 25	5261284	. CLAMP, CAPACITOR		1
- 26	38235	. SCREW MACH 6/32 X .310 LG	ATT PT	3
- 27	352827	. COVER, TERMINAL 3 ON 141 USED ON 60HZ		1
- 27	350966	. COVER-TERMINAL BLOCK USED ON 50HZ		1
- 28	10170	. SCREW-MACH, BIND HD NO. 6-32 X .250 LG	ATT PT	2
- 29	5762318	. TRANSFORMER ASM- 60HZ		1
- 29	4119207	. TRANSFORMER ASM- 50HZ		1
- 30	36844	. SCREW, CAP-SLOT HD 1/4-20 X 1/2 LG	ATT PT	4
- 31	76574	. WASHER, LOCK-EXT. TEETH .250	ATT PT	1
- 32	3550	. WASHER, FL- 1/4 X 9/16 OD X 0.050 THK	ATT PT	4
- 33	5232793	. NUT, LOCK	ATT PT	4
- 34	317485	. . . TERMINAL BOARD- 4 DBL SCREW TERMINALS USED ON 60HZ		1
- 34	323841	. . . TERMINAL BOARD- 3 DBL SCREW TERMINALS USED ON 50HZ		1
- 35	35739	. . . SCREW, MACH-BIND HD 6-32 X .438 LG	ATT PT	AR
- 36	5762407	. . . STUD		AR
- 36	210883	. . . STUD-SHIELD MTG, TAPPED, NO. 6-32	ATT PT	AR
- 37	527916	. . . MARKER STRIP- 4 POS NOS. 1 THRU 4 USED ON 60HZ		1
- 37	5214567	. . . MARKER STRIP USED ON 50HZ		1
- 38	4118680	. . . TRANSFORMER- 50HZ		1
- 39	208825	. RESISTOR, FXD, WW- 25 OHMS P/M 10% 50W		1
- 40	504698	. SCREW, MACH-RH 8-32 X 4-1/4 LG	ATT PT	1
- 41	507144	. WASHER-CENTERING 0.173 ID X 5/8 OD	ATT PT	2
- 42	442958	. INSULATOR, WASH- 7/16 ID 3/4 OD 1/32 THK	ATT PT	2
- 43	127324	. SEMICONDUCTOR DEVICE, D10- 150V 30 AMP		2
- 44	160017	. NUT, PLAIN, HEX- 1/4-28 X 7/16 FL W	ATT PT	2
- 45	76574	. WASHER, LOCK-EXT. TEETH .250	ATT PT	2
- 46	236849	. SCREW, MACH-BIND HD 10-32 X 1/4 LG		1
- 47	2562437	. HEATSINK		1
- 48	125738	. SCREW	ATT PT	4
- 49	473531	. INSULATOR		4
- 50	80651	. SCREW, THD CTG-BIND HD 6-32 X 3/8 LG	ATT PT	4
- 51	2562463	. BRACKET, SUPPORT		2
- 52	236849	. SCREW, MACH-BIND HD 10-32 X 1/4 LG	ATT PT	2
- 53	58207	. SCREW, BD HD MACH-8-32 NC-2A X .250 LG		1
- 54	55901	. LOCKWASHER, EXT TOOTH-NO. 8		1



FOR PARTS  
NOT SHOWN  
SEE FIG. 2  
SHEET 2

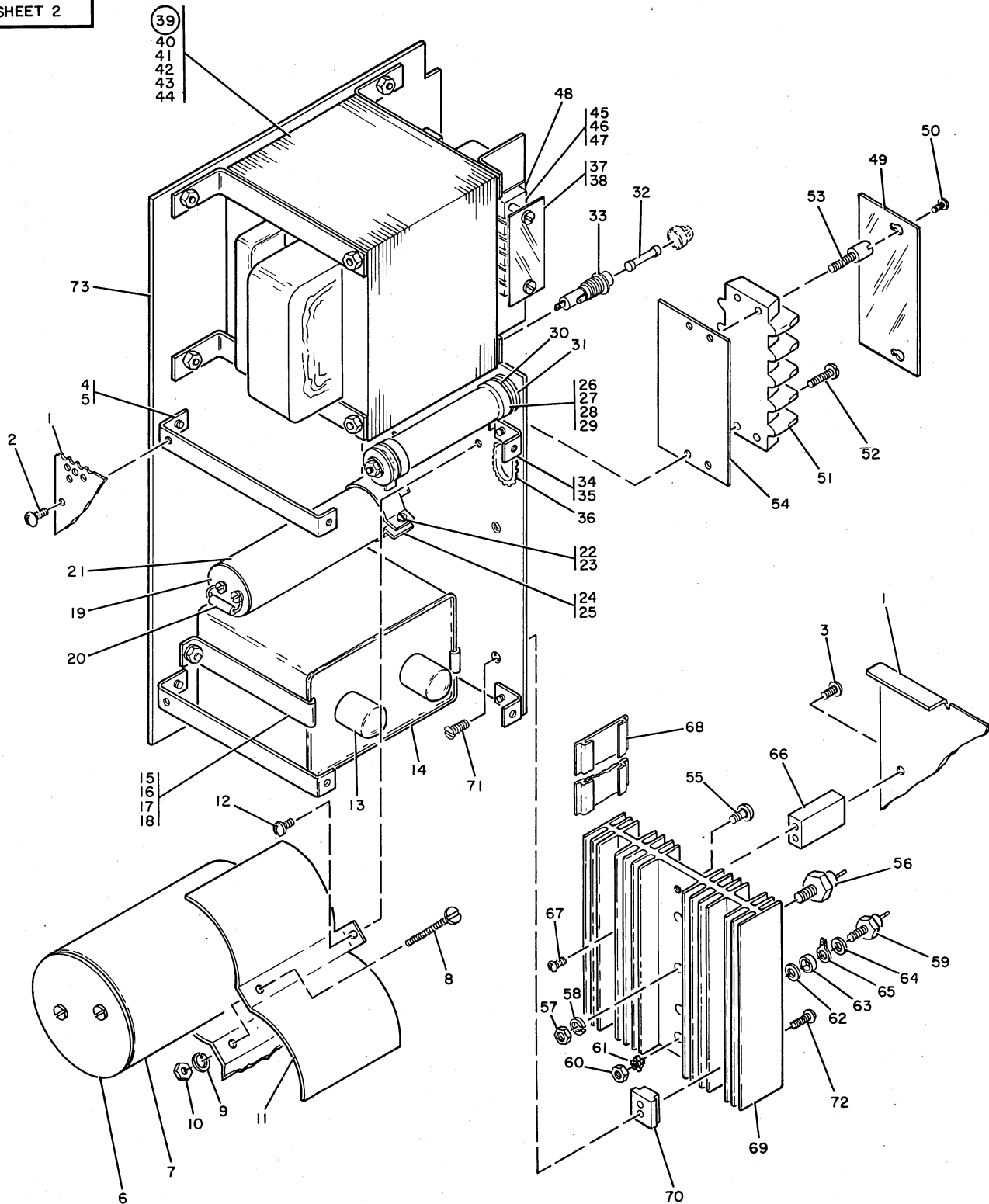


FIGURE 17. MULTI-OUTPUT FERRORESONANT REGULATOR 50 AND 60 HZ. SEE LIST 17.

LIST AND INDEX NUMBER	PART NUMBER	DESCRIPTION	UNITS PER ASM.	USABLE ON CODE
		MULTI-OUTPUT FERRORESONANT REGULATOR 50 AND 60 HZ		
17 -	2562480	FERRORESONANT REGULATOR, MULTI-OUTPUT- 60	REF	
-	2562490	FERRORESONANT REGULATOR, MULTI-OUTPUT- 50 FOR NEXT HIGHER ASM SEE FIGURE 2-128 FOR ILLUSTRATION SEE FIGURE 17	REF	
- 1	5762346	. SHIELD	1	
- 2	10170	. SCREW-MACH, BIND HD NO. 6-32 X .250 LG	ATT PT	6
- 3	80651	. SCREW, THD CTG-BIND HD 6-32 X 3/8 LG	ATT PT	1
- 4	5762343	. BRACKET		2
- 5	38443	. SCREW, MACH-FL CSK HD 6-32 X 5/16 LG	ATT PT	4
- 6	631769	. SHIELD, CAPACITOR		2
- 7	5796393	. CAPACITOR		
- 8	438593	. SCREW-MACH-BIND HD NO. 8-32 X 2 1/2 LG		1
- 9	1090873	. WASHER-SPLIT LOCK-NO.8		1
- 10	257189	. NUT, HEX 8-32		1
- 11	2562477	. CLAMP		2
- 12	221790	. SCREW, MACH-BIND HD 8-32 X 3/16 LG	ATT PT	2
- 13	526378	. CAP		2
- 14	361536	. CAPACITOR, PAPER-30 UF 330VAC		1
- 15	591587	. BRACKET		2
- 16	438574	. SCREW	ATT PT	2
- 17	6364	. WASHER, LOCK-SPLIT NO. 6 X 1/4 OD	ATT PT	2
- 18	257187	. NUT, PLAIN HEX 6-32	ATT PT	2
- 19	5261296	. COVER-CAPACITOR		1
- 20	5261936	. RESISTOR ASSEMBLY, 200 OHMS 5W		1
- 21	5214969	. CAPACITOR		1
- 22	322065	. SCREW, MACH-BIND HD 6-32 X 5/8 LG		1
- 23	257187	. NUT, PLAIN HEX 6-32		1
- 24	301768	. BRACKET-THERMISTOR MOUNTING		1
- 25	55726	. SCREW, MACH-BIND HD 6-32 X .188 LG	ATT PT	2
- 26	476364	. RESISTOR-FXD-WW 5 OHM P/M 10PCT 50W		1
- 27	331982	. SCREW, MACH RD HD 8-32 X 1-1/4 LG	ATT PT	1
- 28	1090873	. WASHER-SPLIT LOCK-NO.8	ATT PT	1
- 29	257189	. NUT, HEX 8-32	ATT PT	1
- 30	528007	. WASHER, CENTERING		2
- 31	521695	. INSULATOR, WASH- 1/2 ID 1 OD 1/32 THK		2
- 32	111256	. FUSE-1.5 AMP		1
- 33	179946	. HOLDER-FUSE		1
- 34	5762344	. BRACKET		2
- 35	38443	. SCREW, MACH-FL CSK HD 6-32 X 5/16 LG	ATT PT	4
- 36	730432	. GROMMET, CATERPILLAR		1
- 37	352827	. COVER, TERMINAL 3 ON 141		1
- 37	350966	USED ON 60HZ . COVER-TERMINAL BLOCK USED ON 50HZ		1
- 38	10170	. SCREW-MACH, BIND HD NO. 6-32 X .250 LG	ATT PT	2
- 39	5762347	. TRANSFORMER ASM- 60HZ		1
- 39	2572858	. TRANSFORMER ASM- 50HZ		1
- 40	367	. SCREW, MACH-FL CSK HD 10-32 X 5/8 LG	ATT PT	4
- 41	56079	. WASHER-LOCK, EXT T .204 ID .410 OD	ATT PT	1
- 42	45690	. WASHER, FL - NO. 10 X 7/16 OD X 1/32 THK	ATT PT	4
- 43	9092	. WASHER-LOCK, SPLIT RING, .194 ID .337OD	ATT PT	4
- 44	11598	. NUT PLAIN HEX 10/32	ATT PT	4
- 45	323841	. . TERMINAL BOARD- 3 DBL SCREW TERMINALS		1
- 45	317485	USED ON 60HZ . . TERMINAL BOARD- 4 DBL SCREW TERMINALS USED ON 50HZ		1
- 46	210883	. . STUD-SHIELD MTG, TAPPED, NO. 6-32	ATT PT	2
- 47	322550	. . SCREW, MACH-BIND HD 6-32 X 1/2 LG	ATT PT	2
- 48	5214567	. . MARKER STRIP		1
- 48	527916	USED ON 60HZ . . MARKER STRIP- 4 POS NOS. 1 THRU 4 USED ON 50HZ		1
- 49	438891	. SHIELD, CLEAR SAFETY, 4 POSITION		1
- 50	10170	. SCREW-MACH, BIND HD NO. 6-32 X .250 LG	ATT PT	2
- 51	323845	. TERMINAL BOARD- 4 DBL SCREW TERMINALS		1
- 52	322065	. SCREW, MACH-BIND HD 6-32 X 5/8 LG	ATT PT	2
- 53	2125898	. STUD, TAPPED MOUNTING, 6-32 X 1.087 LG	ATT PT	2
- 54	2101400	. MARKER STRIP- 4 POS		1
- 55	28413	. SCREW, MACH-BIND HD 10-32 X 5/16 LG		1
- 56	127324	. SEMICONDUCTOR DEVICE, D10- 150V 30 AMP		2
- 57	160017	. NUT, PLAIN, HEX- 1/4-28 X 7/16 FL W	ATT PT	2
- 58	76574	. WASHER, LOCK-EXT. TEETH .250	ATT PT	2
- 59	595257	. SEMICONDUCTOR DEVICE, D10- 200V 10 AMP		2
- 60	11598	. NUT PLAIN HEX 10/32	ATT PT	2
- 61	56079	. WASHER-LOCK, EXT T .204 ID .410 OD	ATT PT	2
- 62	45690	. WASHER, FL - NO. 10 X 7/16 OD X 1/32 THK	ATT PT	2



FOR PARTS  
NOT SHOWN  
SEE FIG. 2  
SHEET 2

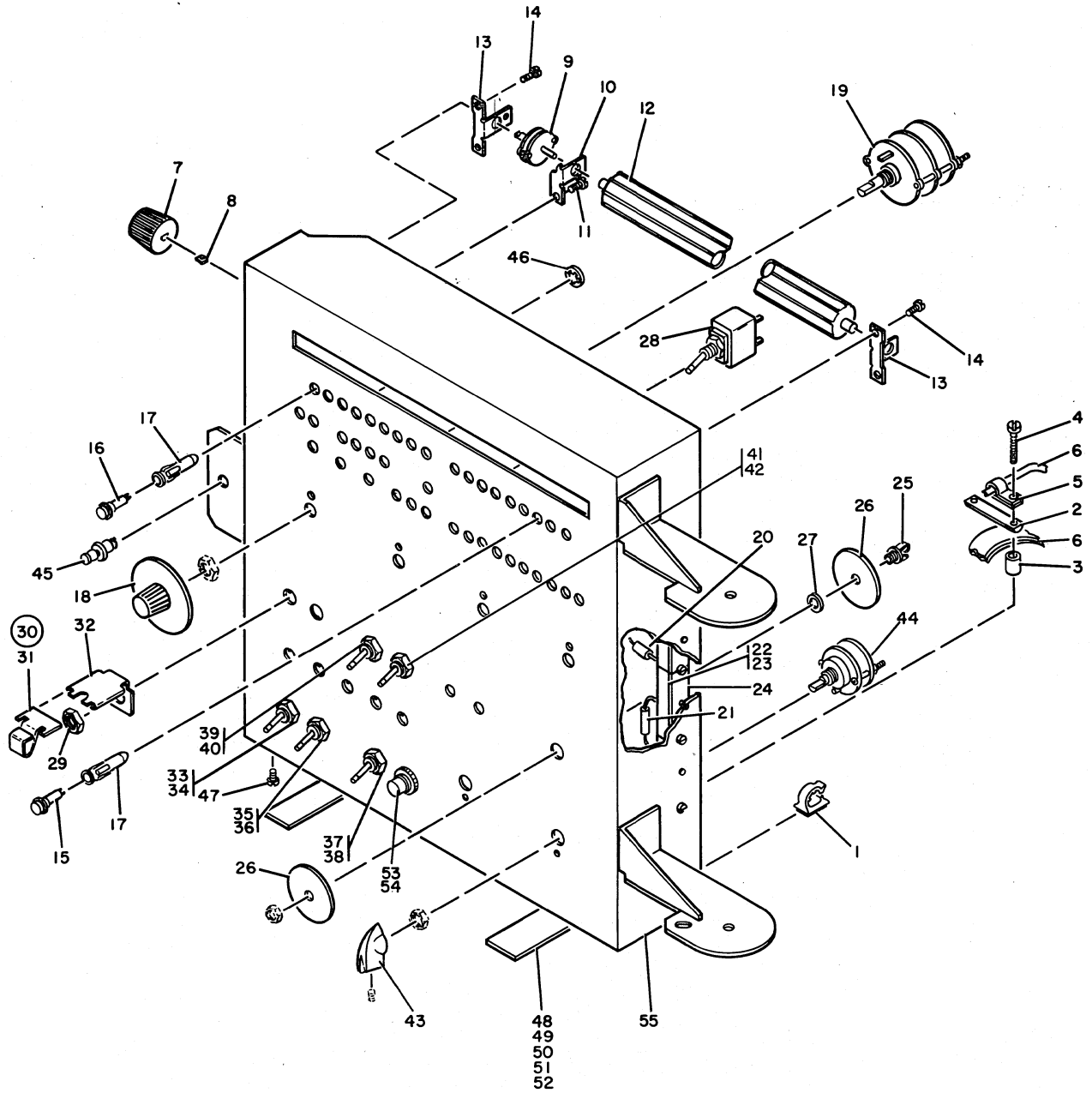


FIGURE 18. FE PANEL ASSEMBLY. SEE LIST 18.



LIST AND INDEX NUMBER	PART NUMBER	DESCRIPTION	UNITS PER ASM.	USABLE ON CODE
		FE PANEL ASSEMBLY		
18 -	5129302	PANEL ASSEMBLY,FE FOR NEXT HIGHER ASM SEE FIGURE 2-130 FOR ILLUSTRATION SEE FIGURE 18	REF	
- 1	2596293	. CLAMP,CABLE	8	
- 2	815220	. EAR	1	
- 3	535983	. TUBING	2	
- 4	321483	. SCREW,MACH BD HD- 8-32 X 1.000 LG	2	ATT PT
- 5	2102364	. CLAMP	1	
- 6	5129278	. CABLE ASM,DRUM INDICATORS	1	
- 6	5129279	. CABLE ASM,MACHINE CYCLE INDICATORS	1	
- 6	5129280	. CABLE ASM,CLOCK INDICATORS	1	
- 6	5129281	. CABLE ASM,ROTARY BIT SWITCHES	1	
- 6	5129282	. CABLE ASM,CE MODE AND TOGGLE SWITCHES	1	
- 6	5129283	. CABLE ASM,DRUM SWITCH	1	
- 6	5129284	. CABLE ASM,OPER CTRL AND LSR SELECTOR SW	1	
- 6	5129285	. CABLE ASM,FE TO DISCONNECT	1	
- 6	5129372	. CABLE ASM,TAPE REC'DR	1	
- 6	5129703	. CABLE ASM,BSCA SWITCHES AND 2V SUPPLY FOR COMPONENT PARTS SEE FIG 27 USED ON BSCA FEATURE	1	
- 7	839722	. KNOB	1	
- 8	482195	. SPRING-CONTROL KNOB	1	
- 9	5129300	. SWITCH,ROTARY- 8 POSITION	1	
- 10	5129577	. BRACKET,MOUNTING	1	
- 11	10170	. SCREW MACH BD HD- 6-32 X 0.250 LG	2	ATT PT
- 12	5129392	. RCLER AND INDICATOR STRIPS ASM	1	
- 13	5352238	. BRACKET	2	
- 14	10170	. SCREW MACH BD HD- 6-32 X 0.250 LG	4	ATT PT
- 15	5372183	. INDICATOR ASSEMBLY,4.5V	39	
- 16	5372182	. INDICATOR ASM, AMBER, 4.5V	4	
- 17	5353887	. HOUSING, LAMP	43	
- 18	2227522	. KNCB	4	
- 19	5128831	. SWITCH,ROTARY- 16 POSITION	4	
- 20	814008	. INDICATOR DRIVER TYPE 1	1	
- 21	467983	. CAPACITOR	1	
- 22	302090	. BLOCK,TERMINAL	3	
- 23	438549	. SCREW,MACH-BD HD 4-40 X 0.438 LG	3	ATT PT
- 24	302131	. STRIP-TERMINAL BLOCK INSULATOR	3	
- 25	1134451	. JACK,AUX PWR- 0.440 OD	1	
- 26	5129243	. INSULATOR,PHONE JACK	2	
- 27	504853	. WASHER,NM-NO. 12 X 1/2 OD X 1/32 THK	1	
- 28	738825	. SWITCH,TOGGLE,SPST	7	
- 29	179743	. NUT,PLAIN HEX- 15/32-32 X 0.562 FL W	7	ATT PT
- 30	5133697	. INTERLOCK ASM,SWITCH	1	
- 31	5133689 NR	. . SPRING	1	
- 32	5133688 NR	. . GUIDE	1	
- 33	738829	. SWITCH,TOGGLE,DPDT,MOMENTARY	1	
- 34	179743	. NUT,PLAIN HEX- 15/32-32 X 0.562 FL W	1	ATT PT
- 35	738828	. SWITCH,TOGGLE	1	
- 36	179743	. NUT,PLAIN HEX- 15/32-32 X 0.562 FL W	1	ATT PT
- 37	5129273	. SWITCH,TOGGLE-DPDT	1	
- 38	179743	. NUT,PLAIN HEX- 15/32-32 X 0.562 FL W	1	ATT PT
- 39	738826	. SWITCH, TOGGLE	1	
- 40	179743	USED ON BSCA FE PANEL FEATURE . NUT,PLAIN HEX- 15/32-32 X 0.562 FL W	1	ATT PT
- 41	738828	. SWITCH,TOGGLE	1	
- 42	179743	USED ON BSCA FE PANEL FEATURE . NUT,PLAIN HEX- 15/32-32 X 0.562 FL W	1	ATT PT
- 43	300793	. KNOB, SWITCH	2	
- 44	5128830	. SWITCH,ROTARY- 7 POSITION	2	
- 45	808362	. ACTUATOR-PRINT HEAD	1	
- 46	808361	. LOCKWASHER,INT- 0.510 OD X 0.300 ID	1	ATT PT
- 47	38350	. SCREW,MACH FIL HD- 6-32 X 0.250 LG	4	
- 48	5129309	. FOOT	2	
- 49	7327	. SCREW,MACH-HEX HD 10-32 X 0.437 LG	2	ATT PT
- 50	3550	. WASHER,FL- 0.250 ID X 0.562 OD X 0.050 THK	2	ATT PT
- 51	2181054	. WASHER, TEFLON, .391 ID X 1.00 OD	2	ATT PT
- 52	11598	. NUT,HEX- 10-32	1	
- 53	725510	. PUSH BUTTON,PROGRAM LOAD	1	
- 54	179743	. NUT,HEX- 15/32-32	1	
- 55	5129301	. PANEL,FE	1	

FOR PARTS  
NOT SHOWN  
SEE FIG. 2  
SHEET 2

NEW STYLE POWER SUPPLY  
FOR OLD STYLE.  
SEE FIGURE 19B

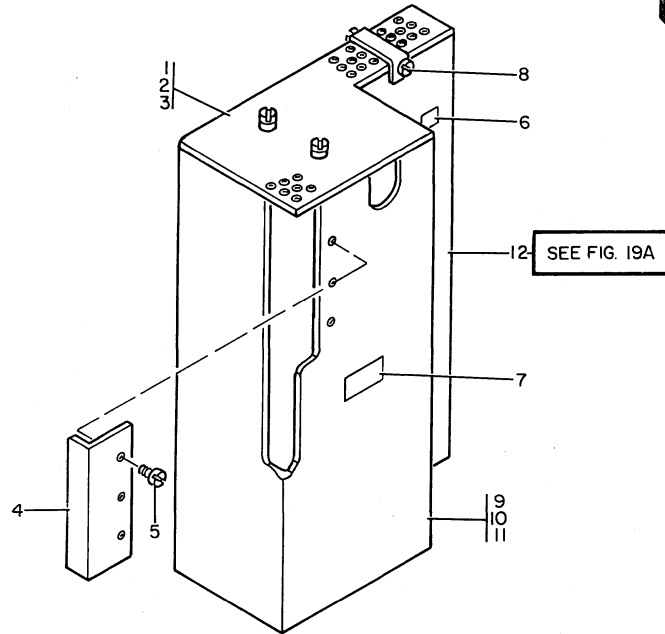
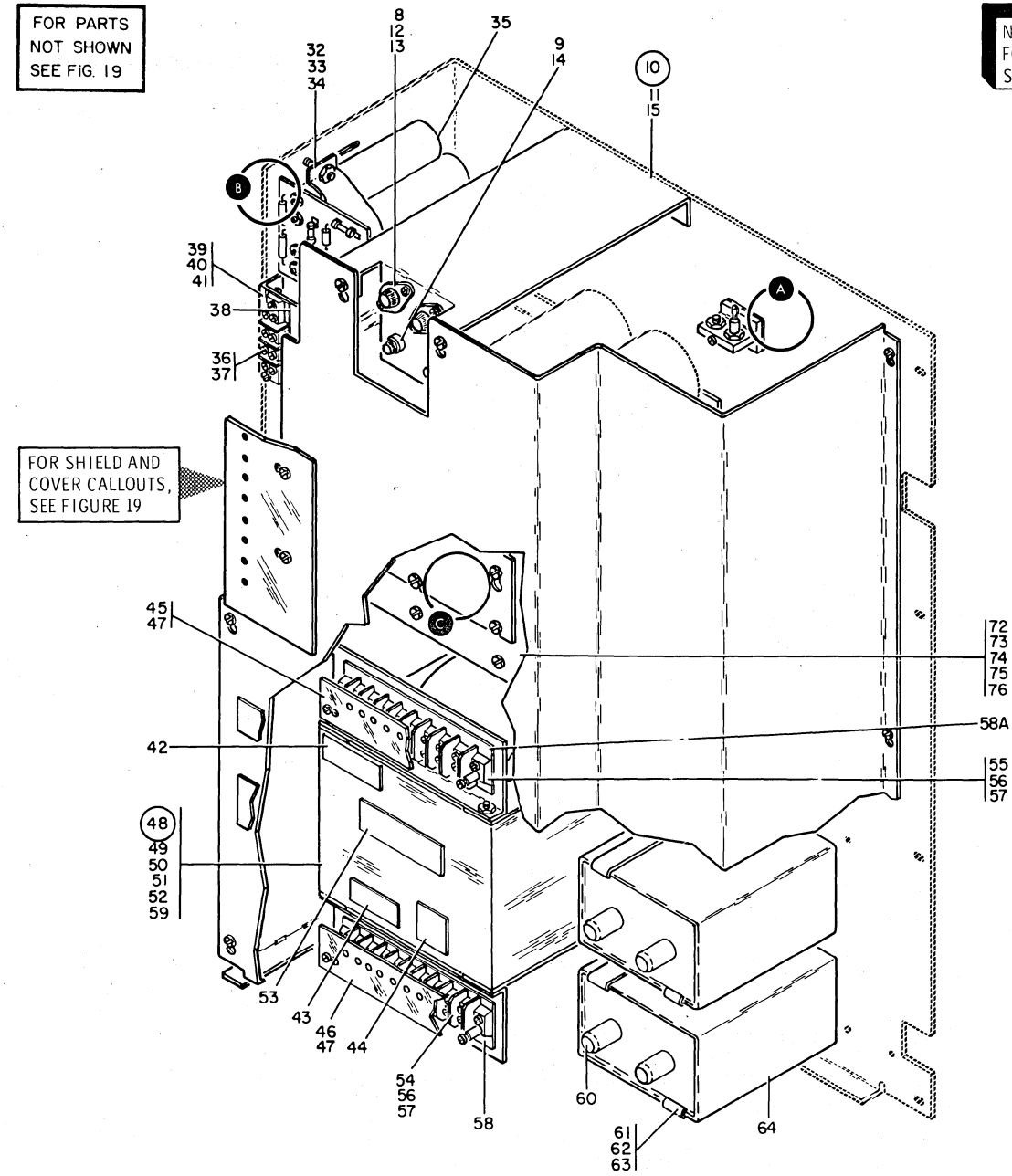


FIGURE 19. POWER SUPPLY AND SHIELD ASSEMBLY. 50 AND 60 HZ NEW STYLE. SEE LIST 19.

LIST AND INDEX NUMBER	PART NUMBER	DESCRIPTION	UNITS	USABLE
			PER ASM.	ON CODE
		1 2 3 4		
		POWER SUPPLY AND SHIELD ASSEMBLY, NEW STYLE		
19 -	5133877	POWER SUPPLY AND SHIELD ASM- 60 HZ	REF	
	5133878	POWER SUPPLY AND SHIELD ASM- 50 HZ FOR NEXT HIGHER ASM SEE FIGURE 2-153 AND FOR ILLUSTRATIONS SEE FIGURE 19	REF	
- 1	2588391	. SHIELD	1	
- 2	10170	. SCREW, BD HD- 6-32 X 0.250 LG	3	ATT PT
- 3	2592155	. WASHER, FL	2	ATT PT
- 4	5133879	. SHIELD	1	
- 5	10170	. SCREW, BD HD- 6-32 X 0.250 LG	3	ATT PT
- 6	1141554	. LABEL	1	
- 7	369207	. LABEL	1	
- 8	38235	. SCREW, BD HD- 6-32 X 0.312 LG	1	
- 9	2572194	. COVER- 60 HZ	1	
- 9	5134067	. COVER- 50 HZ	1	
- 10	221790	. SCREW, BD HD- 8-32 X 0.1875 LG	5	ATT PT
- 11	80650	. SCREW, BD HD THD CTG- 6-32 X 0.1875 LG	2	ATT PT
- 12	2572190	. POWER SUPPLY ASM, MULTI-LEVEL- 60 HZ	1	
- 12	2572200	. POWER SUPPLY ASM, MULTI-LEVEL- 50 HZ FOR DETAIL BREAKDOWN SEE FIGURE 19A	1	

FOR PARTS  
NOT SHOWN  
SEE FIG. 19

NEW STYLE POWER SUPPLY  
FOR OLD STYLE  
SEE FIGURE 19B



FOR SHIELD AND  
COVER CALLOUTS,  
SEE FIGURE 19

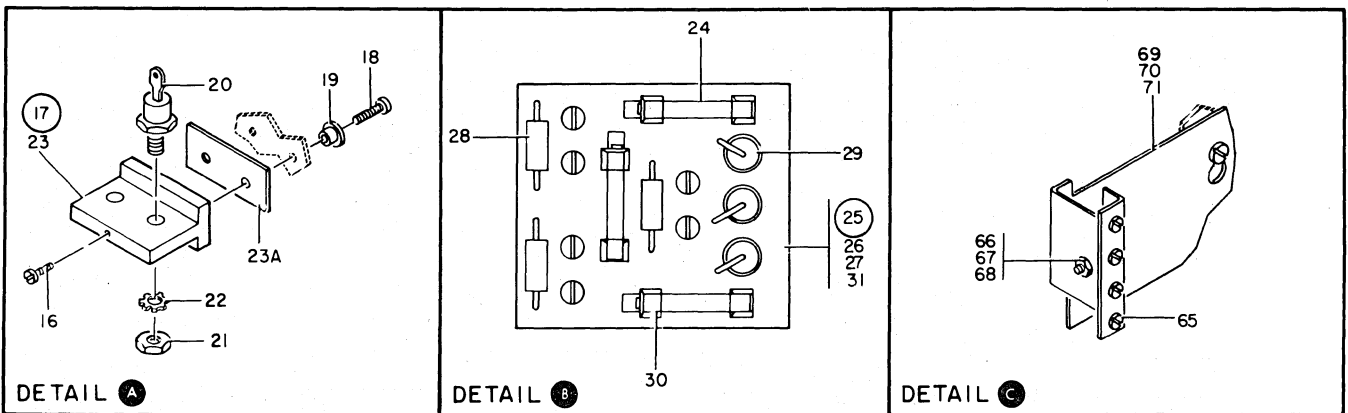


FIGURE 19A. MULTI-LEVEL POWER SUPPLY ASSEMBLY. 50 AND 60 HZ NEW STYLE. SHEET 1 OF 2. INDEX NOS. 8-76. SEE LIST 19A.

LIST AND INDEX NUMBER	PART NUMBER	DESCRIPTION	UNITS	USABLE
			PER ASM.	ON CODE
		POWER SUPPLY ASM,MULTI LEVEL- 50/60 HZ NEW STYLE		
19A-	2572190	POWER SUPPLY ASM,MULTI-LEVEL- 60 HZ	REF	
-	2572200	POWER SUPPLY ASM,MULTI-LEVEL- 50 HZ	REF	
		FOR NEXT HIGHER ASM,SEE FIGURE 19-12 AND FOR ILLUSTRATION,SEE FIGURE 19A		
- 8	5232814	. FUSE- 30A 32V	2	
- 9	596676	. FUSE- 250V, 15A	2	
- 10	2572208	. HOLDER ASM,FUSE	1	
- 11	221790	. SCREW,MACH BD HD- 8-32 X 3/16 LG ATT PT	2	
- 12	92752	. . FUSEHOLDER	2	
- 13	80651	. . SCREW,THD CTG BD HD- 6-32 X 3/8 LG ATT PT	4	
- 14	179946	. . HOLDER,FUSE	2	
- 15	2572193	. . BRACKET	1	
- 16	10170	. SCREW,MACH BD HD- 6-32 X 0.250 LG	2	
- 17	5232887	. HEATSINK ASM	2	
- 18	81693	. SCREW,MACH BD HD- 6-32 X 0.375 LG ATT PT	4	
- 19	5232824	. BUSHING ATT PT	4	
- 20	127324	. . SEMICONDUCTOR DEVICE,D10 150V 30 AMP	2	
- 21	160017	. . NUT,PLAIN HEX- 1/4-28 X 7/16 PL W ATT PT	2	
- 22	76574	. . WASHER,LOCK EXT TEETH- 0.250 ATT PT	2	
- 23	5762383	. . HEATSINK	1	
- 23A	5761979	. INSULATOR	1	
- 24	1143492	. FUSE- 125V 4A	3	
- 25	2572807	. BIAS ASM	1	
- 26	10170	. SCREW,MACH BD HD- 6-32 X 0.250 LG ATT PT	6	
- 27	2572189	. STANDOFF- 10-32 X 0.500 LG ATT PT	6	
- 28	317049	. . RESISTOR- 1K OHM, 5%	3	
- 29	5252534	. . DIODE	3	
- 30	2481727	. . CLIP,FUSE	6	
- 31	2572206	. . CARD	1	
- 32	2572188	. STRAP,CAPACITOR MTG	1	
- 33	38457	. SCREW,PH- 8-32 X 0.750 LG ATT PT	1	
- 34	60090	. NUT,WASHER- 8-32 ATT PT	1	
- 35	5214420	. CAPACITOR,ELECTROLYTIC- 8200 MF,P75M	3	
- 36	317485	. BLOCK,4 DBL SCREW TERMINAL	1	
- 37	35739	. SCREW,MACH BD HD- 6-32 X 0.438 LG ATT PT	2	
- 38	510188	. STRIP,INSULATOR	1	
- 39	2572199	. BRACKET,TB	1	
- 40	316807	. SCREW,PH- 6-32 X 0.375 LG ATT PT	2	
- 41	5761943	. NUT,LOCKWASHER ASM- 6-32 ATT PT	2	
- 42	5232877	. LABEL-CAUTION	1	
- 43	801652	. LABEL	1	
- 43	5240513	USED ON 60 HZ ONLY . LABEL	1	
- 44	1141554	USED ON 50 HZ ONLY . LABEL,WARNING-HIGH TEMP	1	
- 45	533361	. COVER,TERMINAL BOARD	1	
- 46	352088	. SHIELD,9 POS	1	
- 47	10170	. SCREW,MACH BD HD- 6-32 X 0.250 LG ATT PT	2	
- 48	5252551	. TRANSFORMER ASM- 60 HZ ONLY	1	
- 48	4118437	. TRANSFORMER ASM- 50 HZ ONLY	1	
- 49	5471	. SCREW,MACH HEX HD- 5/16-18 X 0.750LG ATT PT	4	
- 50	161351	. WASHER,FLAT ATT PT	4	
- 51	179966	. LOCKWASHER,EXT- 0.312 ID X 0.610 OD ATT PT	1	
- 52	5232794	. NUT,LOCK- 0.312-18 ID ATT PT	4	
- 53	5232808	. . LABEL,CAUTION	1	
- 54	323844	. . BLOCK,TERMINAL- 9 POSITION	1	
- 55	315956	. . BLOCK- 8 DBL SCREW TERMINAL	1	
- 56	322550	. . SCREW,MACH BD HD- 6-32 X 0.500 LG ATT PT	4	
- 57	210883	. . STUD,SHIELD MTG TAPPED- 6-32 ATT PT	4	
- 58	730439	. . PLATE,DESIGNATION- 9 POS	1	
- 58A	315957	. . STRIP,MARKER TERM BD- 8 POS 1 THRU 8	1	
- 59	4119360	. . TRANSFORMER- 50 HZ	1	
- 60	526378	USED ON 50 HZ ONLY . CAP,INSULATOR	4	
- 61	361968	. BRACKET,CAPACITOR MTG	4	
- 62	322551	. SCREW,BD HD- 6-32 X 0.750 LG ATT PT	4	
- 63	311699	. NUT,HEX ATT PT	4	
- 64	5319839	. CAPACITOR- 40 MFD,PM 6%	2	
- 64	5214085	USED ON 60 HZ ONLY . CAPACITOR,PAPER- 50MF,PM 10%	2	
- 65	236849	. SCREW,MACH BD HD- 10-32 X 0.250 LG	8	
- 66	38686	. SCREW,MACH HEX HD- 1/4-20 X 0.500 LG	1	
- 67	3550	. WASHER,FL- 0.250 X 9/16 OD 0.050 THK	1	
- 68	5232793	. NUT,LOCK- 1/4-20 ID	1	
- 69	2572204	. PLATE,BUS	1	



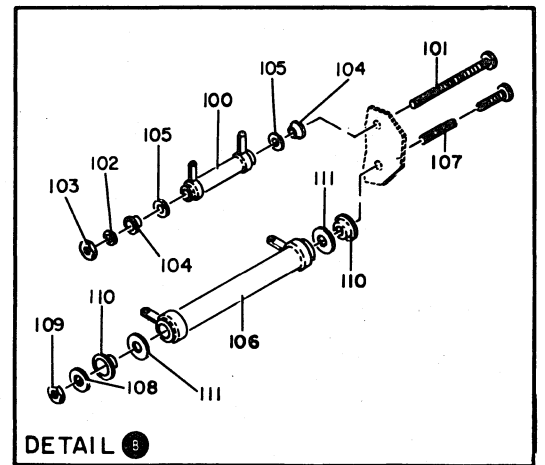
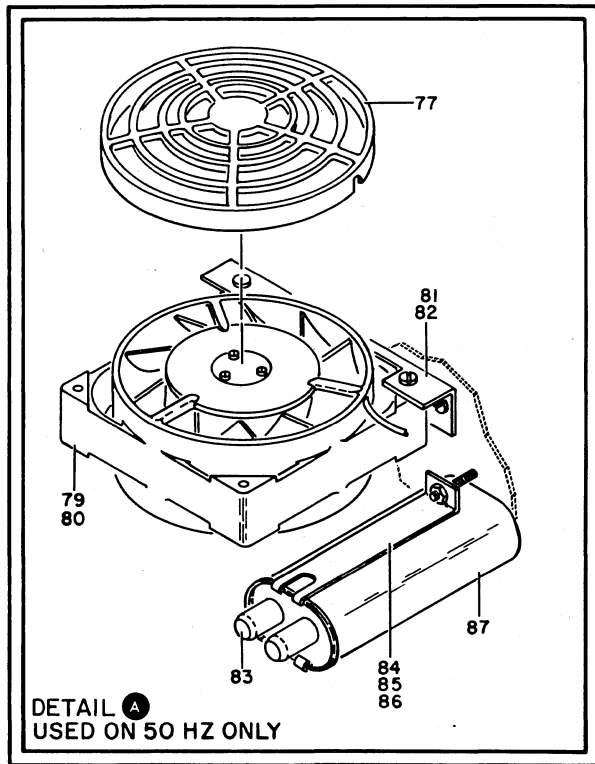
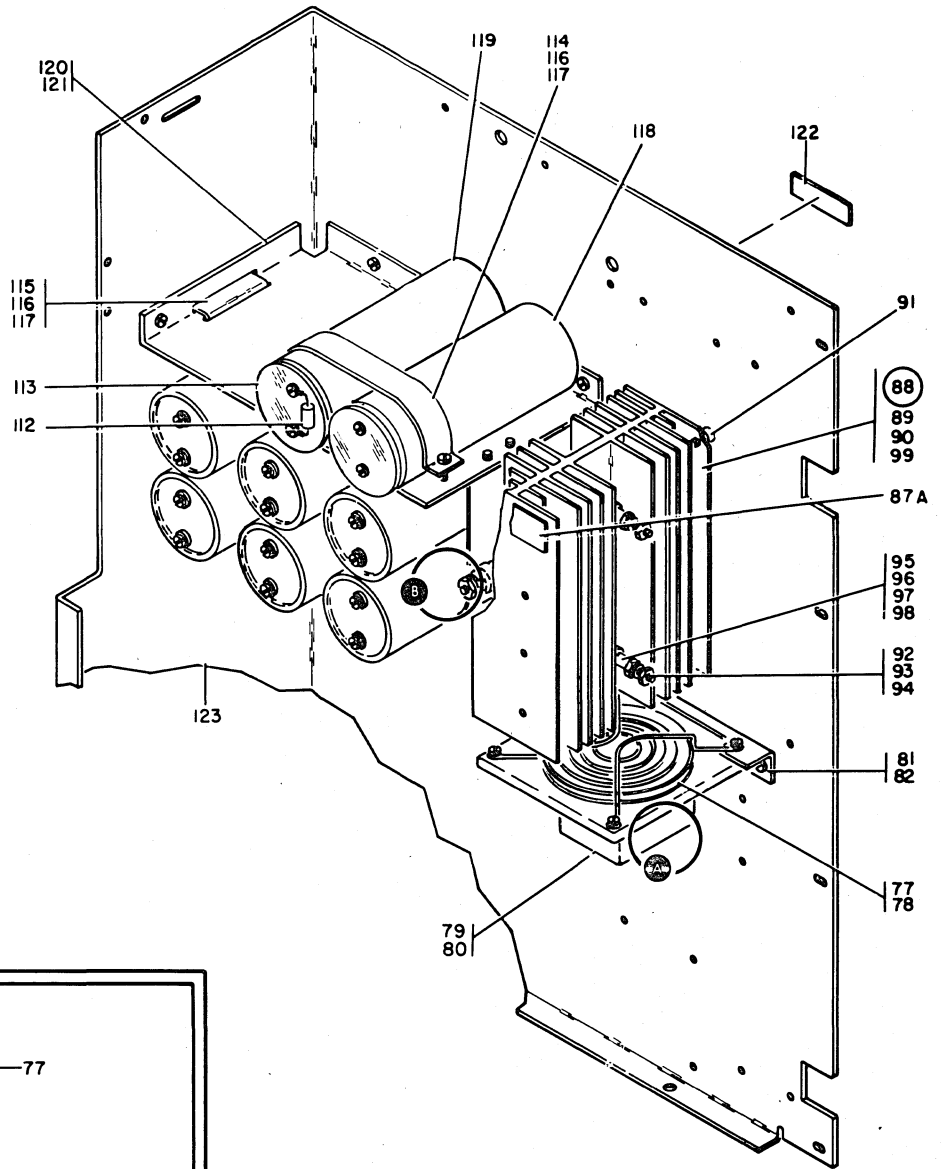


FIGURE 19A. MULTI-LEVEL POWER SUPPLY ASSEMBLY. 50 AND 60 HZ-NEW STYLE. SHEET 2 OF 2. INDEX NOS. 77-123. SEE LIST 19A.



FOR PARTS  
NOT SHOWN  
SEE FIG. 2  
SHEET 2

OLD STYLE POWER SUPPLY  
FOR NEW STYLE,  
SEE FIGURE 19

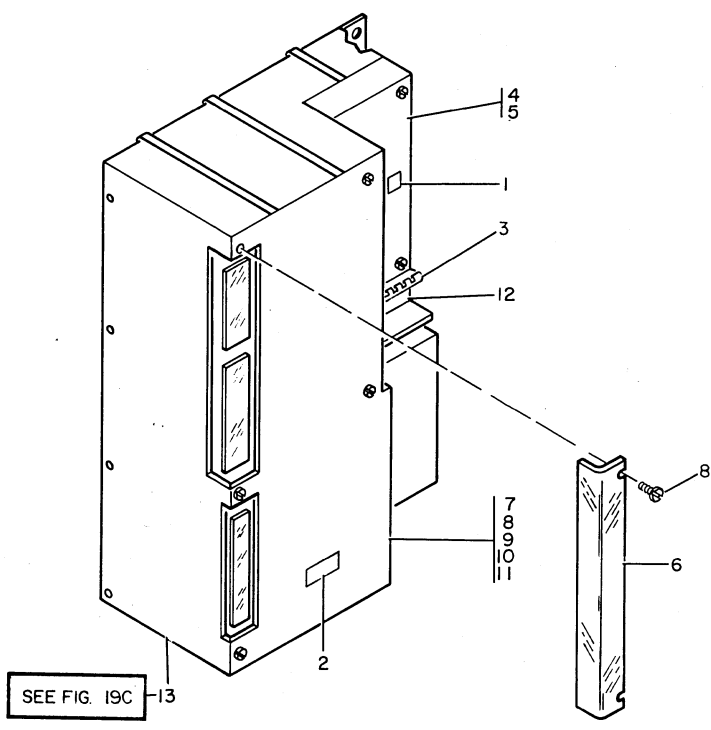


FIGURE 19B. POWER SUPPLY AND SHIELD ASSEMBLY. 50 AND 60 HZ OLD STYLE. SEE LIST 19B.

LIST AND INDEX NUMBER	PART NUMBER	DESCRIPTION				UNITS PER ASM.	USABLE ON CODE
		1	2	3	4		
		POWER SUPPLY AND SHIELD ASSEMBLY- 50/60 HZ					
19B-	5133881 NP	POWER SUPPLY AND SHIELD ASM- 60 HZ NON PROCURABLE, ORDER NEW STYLE FOR NEXT HIGHER ASM SEE FIGURE 2-153 AND FOR ILLUSTRATION SEE FIGURE 19B				REF	
-	5133882 NP	POWER SUPPLY AND SHIELD ASM- 50 HZ NON PROCURABLE, ORDER NEW STYLE FOR NEXT HIGHER ASM SEE FIGURE 2-153 AND FOR ILLUSTRATION SEE FIGURE 19B				REF	
- 1	1141554	. LABEL				1	
- 2	369207	. LABEL				1	
- 3	5213226	. CHANNEL, RUBBER				AR	
- 4	5232848	. COVER				1	
- 5	81693	. SCREW, BD HD- 6-32 X 0.375 LG				6	ATT PT
- 6	5133698	. SHIELD				1	
- 7	5232733	. COVER				1	
- 8	34512	. SCREW, BD HD- 8-32 X 0.375 LG				7	ATT PT
- 9	5232774	. STANDOFF				2	
- 10	5232858	. STANDOFF				2	
- 11	25627	. SCREW, BD HD- 6-32 X 0.500 LG				4	ATT PT
- 12	5232876	. FILTER				1	
- 13	5232850	. POWER SUPPLY ASM, MULTI-LEVEL- 60 HZ				1	
- 13	5232840	. POWER SUPPLY ASM, MULTI-LEVEL- 50 HZ				1	
		FOR DETAIL BREAKDOWN SEE FIGURE 19C					



OLD STYLE POWER SUPPLY  
FOR NEW STYLE  
SEE FIGURE 19

FOR PARTS  
NOT SHOWN  
SEE FIG. 19B

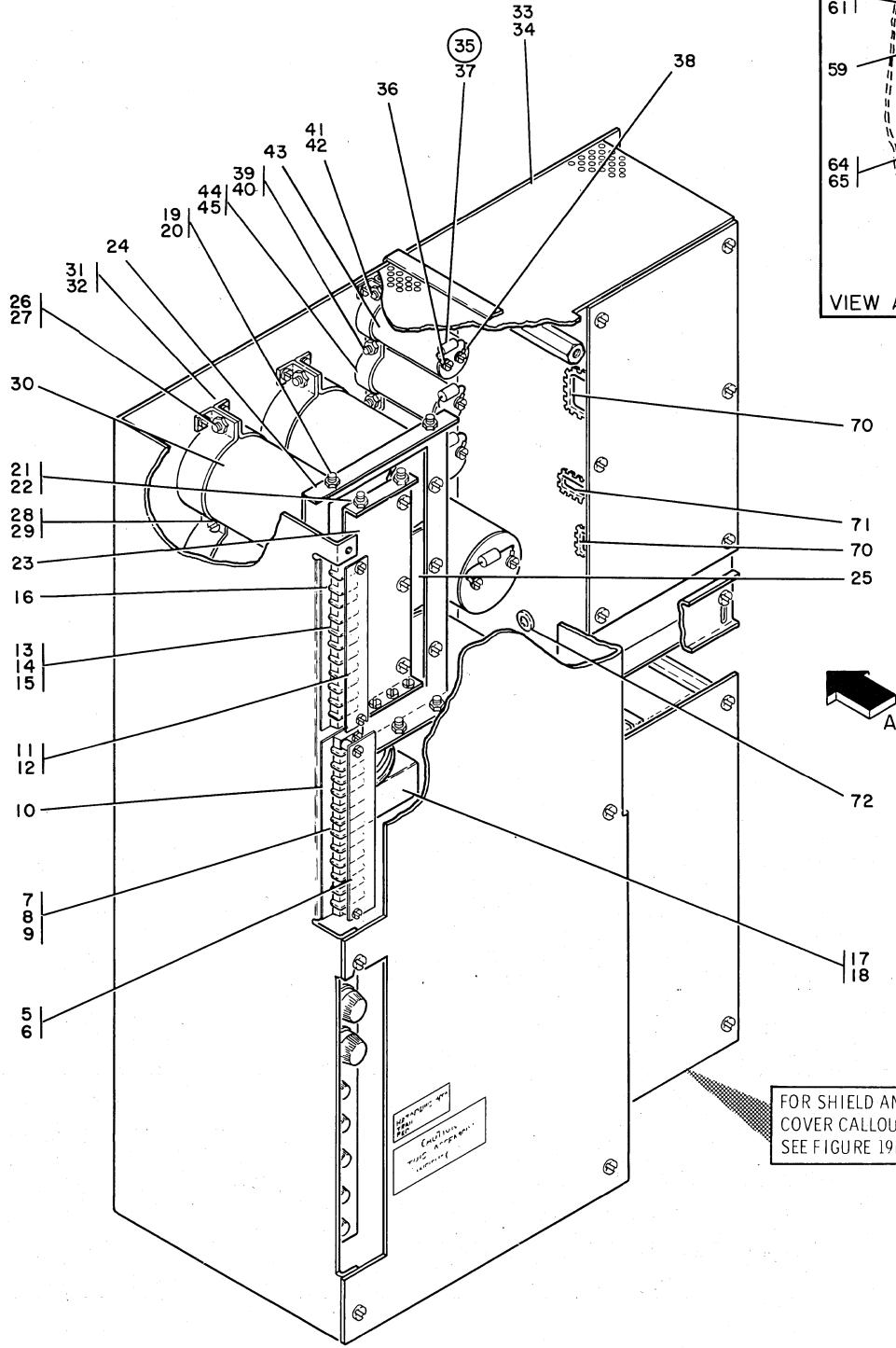
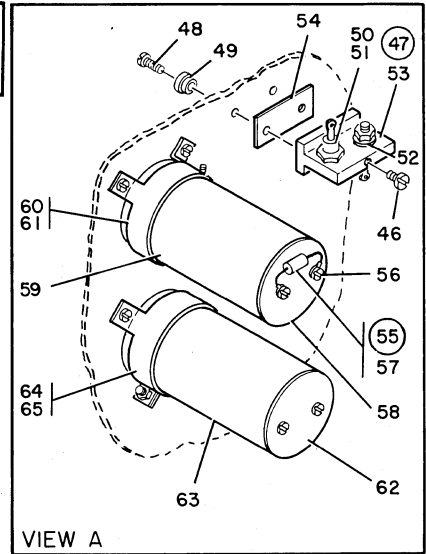


FIGURE 19C. MULTI-LEVEL POWER SUPPLY ASSEMBLY. 50 AND 60 HZ OLD STYLE. SHEET 1 OF 2. INDEX NOS. 5-72. SEE LIST 19C.

LIST AND INDEX NUMBER	PART NUMBER	DESCRIPTION				UNITS PER ASM.	USABLE ON CODE
		1	2	3	4		
		POWER SUPPLY ASM, MULTI LEVEL- 50/50 HZ					
19C-	5232850	POWER SUPPLY ASM, MULTI-LEVEL- 60 HZ					
-	5232840	POWER SUPPLY ASM, MULTI-LEVEL- 50 HZ					
		FOR NEXT HIGHER ASM SEE FIGURE 2-153 FOR ILLUSTRATION SEE FIGURE 19					
- 5	535506	. COVER- 8 POSITION				1	
- 6	10170	. SCREW, MACH BD HD- 6-32 X 0.250 LG				2	
- 7	317315	. BLOCK, BARRIER TERMINAL- 8 TERM				1	
- 8	322065	. SCREW, MACH BD HD- 6-32 X 5/8 LG				2	
- 9	2125898	. STUD, TAPPED MOUNTING- 6-32 X 1.087 LG				2	
- 10	2101342	. MARKER STRIP				1	
- 11	582444	. COVER, TERMINAL BLOCK				1	
- 12	10170	. SCREW, MACH BD HD- 6-32 X 0.250 LG				2	
- 13	322767	. TERMINAL BOARD- 10 DBL SCREW TERMINALS				1	
- 14	322550	. SCREW, MACH BD HD- 6-32 X 0.500 LG				2	
- 15	210883	. STUD, SHIELD MTG TAPPED- 6-32				2	
- 16	363434	. MARKER STRIP- 10 POS NOS. 1 THRU 10				1	
- 17	5232787	. COIL ASSEMBLY				1	
- 18	10170	. SCREW, MACH BD HD- 6-32 X 0.250 LG				3	
- 19	180894	. SCREW, CAP HEX HD- 1/4-20 X 3/8 LG				4	
- 20	5232793	. NUT, LOCK				4	
- 21	32042	. SCREW, MACH BD HD- 10-32 X 3/8 LG				8	
- 22	602721	. NUT, HEX HD- 8-32				8	
- 23	5232846	. PLATE, INNER				1	
- 24	5232845	. PLATE, OUTER				1	
- 25	631769	. SHIELD, CAPACITOR				6	
- 26	236550	. SCREW, MACH BD HD- 4-40 X 0.375 LG				4	
- 27	1141209	. NUT- 4-40				4	
- 28	438556	. SCREW, MACH BD HD- 4-40 X 1.500				4	
- 29	1141209	. NUT- 4-40				4	
- 30	5796393	. CAPACITOR				6	
- 31	5232844	. BRACKET				4	
- 32	55726	. SCREW, MACH BD HD- 6-32 X 0.188 LG				8	
- 33	5232825	. SHIELD				1	
- 34	58207	. SCREW, MACH BD HD- 8-32 X 0.250 LG				3	
- 35	1160395	. RESISTOR				3	
- 36	334932	. . TERMINAL, LUG- 18 THRU 22 WIRE INSUL				2	
- 37	472579	. . RESISTOR, FXD COMP- 510 OHM P/M 5 PCT 2W				1	
- 38	5261296	. COVER, CAPACITOR				3	
- 39	438554	. SCREW, MACH BD HD- 4-40 X 1 LG				2	
- 40	1141209	. NUT- 4-40				2	
- 41	236550	. SCREW, MACH BD HD- 4-40 X 0.375 LG				1	
- 42	1141209	. NUT- 4-40				2	
- 43	5796426	. CAPACITOR				3	
- 44	5232843	. BRACKET				2	
- 45	438548	. SCREW, MACH BD HD- 4-40 X 0.188 LG				4	
- 46	10170	. SCREW, MACH BD HD- 6-32 X 0.250 LG				3	
- 47	5232888	. HEATSINK ASM				3	
- 48	81693	. SCREW, MACH BD HD- 6-32 X 3/8 LG				6	
- 49	5232824	. BUSHING				6	
- 50	598479	. . SEMICONDUCTOR DEVICE, DIO- 150V 10 AMP				1	
- 51	602721	. . NUT, HEX HD- 8-32				1	
- 52	419131	. . WASHER, INSULATING- 0.195 ID 0.275 OD 0.050 THK				1	
- 53	5762838	. . HEATSINK				1	
- 54	5761979	. INSULATOR				3	
- 55	5232884	. RESISTOR ASM				1	
- 56	334932	. . TERMINAL LUG- 18 THRU 22 WIRE INSUL				2	
- 57	216991	. . RESISTOR				1	
- 58	631769	. SHIELD, CAPACITOR				1	
- 59	5796393	. CAPACITOR				1	
- 60	5261284	. CLAMP, CAPACITOR				1	
- 61	55726	. SCREW, MACH BD HD- 6-32 X 0.188 LG				3	
- 62	631769	. SHIELD, CAPACITOR				1	
- 63	5214233	. CAPACITOR				1	
- 64	5261284	. CLAMP, CAPACITOR				1	
- 65	55726	. SCREW, MACH BD HD- 6-32 X 0.188 LG				3	
- 70	473442	. GROMMET- CATERPILLAR				AR	
- 71	5213226	. GROMMET				AR	
- 72	123070	. GROMMET, RUBBER				1	

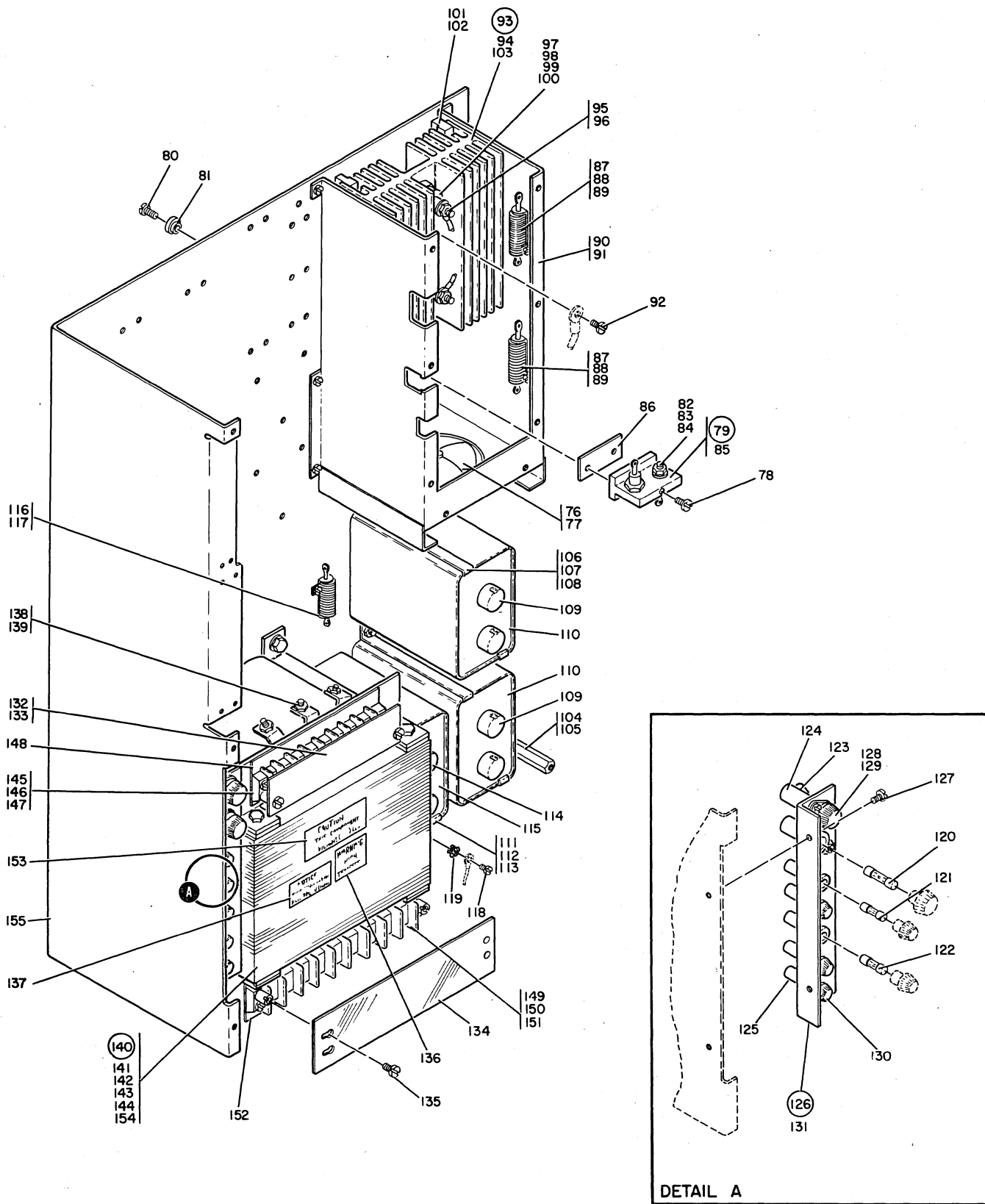


FIGURE 19C. MULTI-LEVEL POWER SUPPLY ASSEMBLY. 50 AND 60 HZ-OLD STYLE. SHEET 2 OF 2. INDEX NOS. 76-155. SEE LIST 19C.

LIST AND INDEX NUMBER	PART NUMBER	DESCRIPTION	UNITS	USABLE
			PER ASM.	ON CODE
19C- 76	5232828	. FAN- 60 HZ	1	
- 76	4120171	. FAN- 50 HZ	1	
- 77	322550	. SCREW,MACH BD HD- 6-32 X 0.500 LG ATT PT	4	
- 78	10170	. SCREW,MACH BD HD- 6-32 X 0.250 LG	2	
- 79	5232887	. HEATSINK ASM	2	
- 80	81693	. SCREW,MACH BD HD- 6-32 X 0.375 LG ATT PT	4	
- 81	5232824	. BUSHING ATT PT	4	
- 82	127324	. . SEMICONDUCTOR DEVICE,D10- 150V 30 AMP	2	
- 83	160017	. . NUT,PLAIN HEX- 0.250-28 X 0.438 FL W ATT PT	2	
- 84	76574	. . LOCKWASHER,EXT- 0.250 ID X 0.510 OD ATT PT	2	
- 85	5762383	. . HEATSINK	1	
- 86	5761979	. INSULATOR	2	
- 87	2194889	. RESISTOR	2	
- 88	338238	. SCREW,MACH BD HD- 4-40 X 0.3125 LG ATT PT	4	
- 89	37913	. NUT,HEX HD- 4-40 ATT PT	4	
- 90	5232739	. SHROUD	1	
- 91	55726	. SCREW,MACH BD HD- 6-32 X 0.188 LG ATT PT	6	
- 92	438622	. SCREW,MACH BD HD- 1/4-20 X 0.375	2	
- 93	5232886	. HEATSINK ASM	1	
- 94	91610	. SCREW,THD CTG BD HD- 6-32 X 0.500 LG ATT PT	4	
- 95	160017	. . NUT,PLAIN HEX- 1/4-20 X 0.438 FL W	2	
- 96	65756	. . LOCKWASHER,INT- 0.250 ID X 0.438 OD ATT PT	2	
- 97	5214179	. . RECTIFIER	2	
- 98	8163	. . NUT,PLAIN HEX- 8-32 X 0.562 FL W ATT PT	2	
- 99	322572	. . LOCKWASHER,INT- 0.375 X 0.678 OD ATT PT	2	
-100	453	. . WASHER,FL- 0.375 ID X 0.813 OD ATT PT	2	
-101	5762034	. . INSULATOR,HEATSINK	4	
-102	255629	. . SCREW,THD CTG FL HD- 6-32 X 0.500 LG ATT PT	4	
-103	5232849	. . HEATSINK	1	
-104	5232858	. STANDOFF	2	
-105	25627	. SCREW,MACH BD HD- 8-32 X 0.500 LG ATT PT	2	
-106	361968	. BRACKET	4	
-107	322551	. SCREW,MACH BD HD- 6-32 X 0.750 LG ATT PT	4	
-108	5761943	. NUT,LOCKWASHER ASM- 6-32 ATT PT	4	
-109	526378	. CAP	4	
-110	5319639	. CAPACITOR,PAPER 40UF 330 VOLT	2	
-111	517197	. BRACKET,CAPACITOR MOUNTING	2	
-112	322550	. SCREW,MACH BD HD- 6-32 X 0.500 LG ATT PT	2	
-113	5761943	. NUT,LOCKWASHER ASM- 6-32 ATT PT	2	
-114	526378	. CAP	2	
-115	361536	. CAPACITOR,PAPER- 30 UK 330 VAC	1	
-116	5261946	. RESISTOR,FXD WW- 250 OHMS P/W 5% 25W	1	
-117	438548	. SCREW,MACH BD HD- 4-40 X 0.188 LG ATT PT	2	
-118	221790	. SCREW,MACH BD HD- 8-32 X 0.188 LG	1	
-119	55901	. LOCKWASHER,EXT- 0.168 ID X 0.381 OD	1	
-120	5232814	. FUSE	2	
-121	596676	. FUSE,CARTRIDGE- 15 AMP 250V	2	
-122	1143492	. FUSE- 4 AMP	3	
-123	2133112	. INSULATOR	2	
-124	257080	. INSULATOR, LONG	2	
-125	642763	. INSULATOR	3	
-126	5232799	. HOLDER ASM,FUSES	1	
-127	58207	. SCREW,MACH BD HD- 8-32 X 0.250 LG ATT PT	3	
-128	92752	. . FUSEHOLDER- 1 PCS 15 AMP 250V	2	
-129	337	. . SCREW,MACH FIL HD- 8-32 X 0.375 LG ATT PT	3	
-130	179946	. . HOLDER-FUSE	3	
-131	5232726	. . BRACKET	1	
-132	533361	. COVER,TERMINAL BOARD	1	
-133	10170	. SCREW,MACH BD HD- 6-32 X 0.250 LG ATT PT	2	
-134	352088	. COVER	1	
-135	10170	. SCREW,MACH BD HD- 6-32 X 0.250 LG ATT PT	2	
-136	1141554	. DECAL	1	
-137	801652	. LABEL- 60 HZ	1	
-137	5240513	. LABEL- 50 HZ	1	
-138	38686	. SCREW,MACH HEX HD- 1/4-20 X 0.500 LG	3	
-139	5232793	. LOCKNUT- 0.250-20	3	
-140	5232853	. TRANSFORMER ASM- 60 HZ	1	
-140	4118437	. TRANSFORMER ASM- 50 HZ	1	
-141	5471	. SCREW,MACH HEX HD- 5/16-18 X 0.750 LG ATT PT	4	
-142	161351	. WASHER,PLAIN FIAT ATT PT	4	
-143	179966	. LOCKWASHER,EXT- 0.312 ID X 0.610 OD ATT PT	4	
-144	5232794	. LOCKNUT- 0.312-18	4	
-145	315956	. . STRIP-TERMINAL	1	
-146	210883	. . STUD SHIELD MTG,TAPPED- 6-32 ATT PT	2	
-147	322550	. . SCREW,MACH BD HD- 6-32 X 0.500 LG ATT PT	2	
-148	315957	. . STRIP,MARKER TERM ED 8 POS 1 THUR 8	1	
-149	323844	. . BLOCK,TERMINAL- 9 POSITION	1	
-150	210883	. . STUD,SHIELD MTG-TAPPED 6-32 ATT PT	2	
-151	322550	. . SCREW,MACH BD HD- 6-32 X 0.500 LG ATT PT	2	



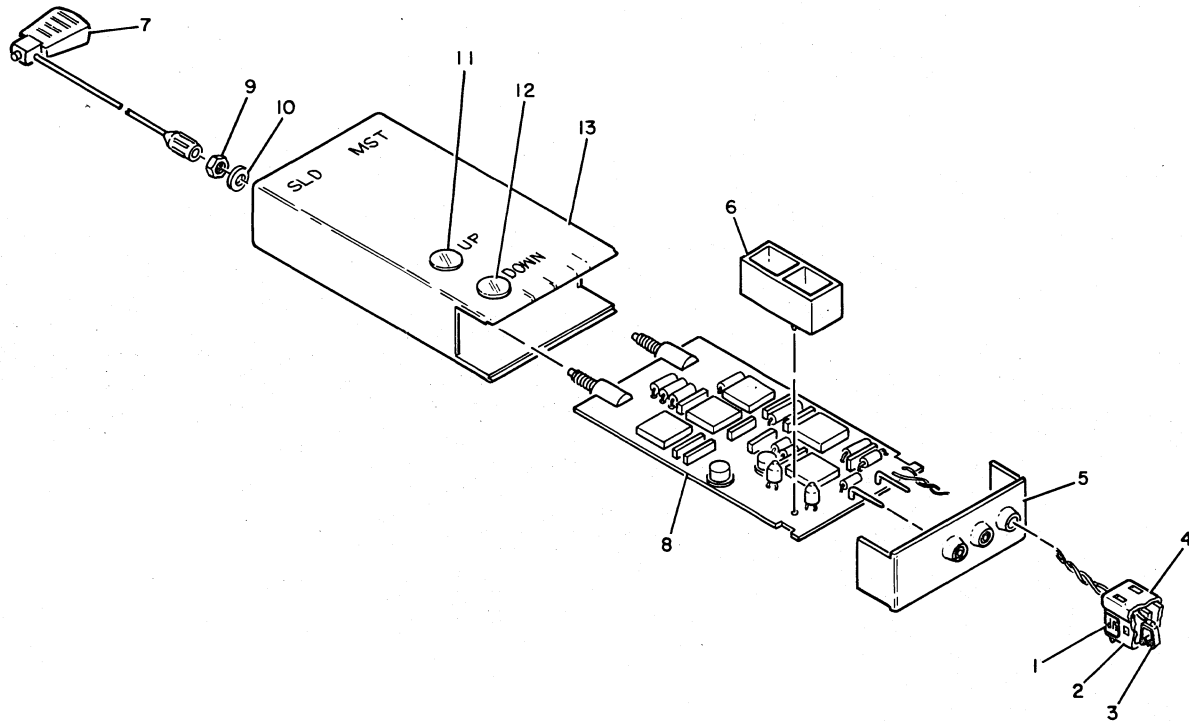


FIGURE 20. PROBE FINAL ASSEMBLY. SEE LIST 20.

LIST AND INDEX NUMBER	PART NUMBER	DESCRIPTION				UNITS PER ASM.	USABLE ON CODE
		1	2	3	4		
		PROBE FINAL ASSEMBLY					
20 -	817971	PROBE, FINAL ASSEMBLY FOR ILLUSTRATION SEE FIGURE 20				184298C 1/70	REF
- 1	813769	. DECAL, DIRECT CONTROL				1	
- 2	813801	. HOUSING				1	
- 3	813681	. CONTACT				4	
- 4	813802	. COVER				1	
- 5	817955	. CAP, END				1	
- 6	817956	. SHROUD				1	
- 7	453163	. TIP, PROBE				2	
- 8	5808641	. CARD ASM, CE PROBE				1	
- 9	2590837	. NUT, HEX- 6-32 X .114 THK				2	ATT PT
- 10	535643	. WASHER				2	ATT PT
- 11	2590835	. LENS- RED				1	
- 12	2590834	. LENS- GREEN				1	
- 13	817954	. COVER				1	

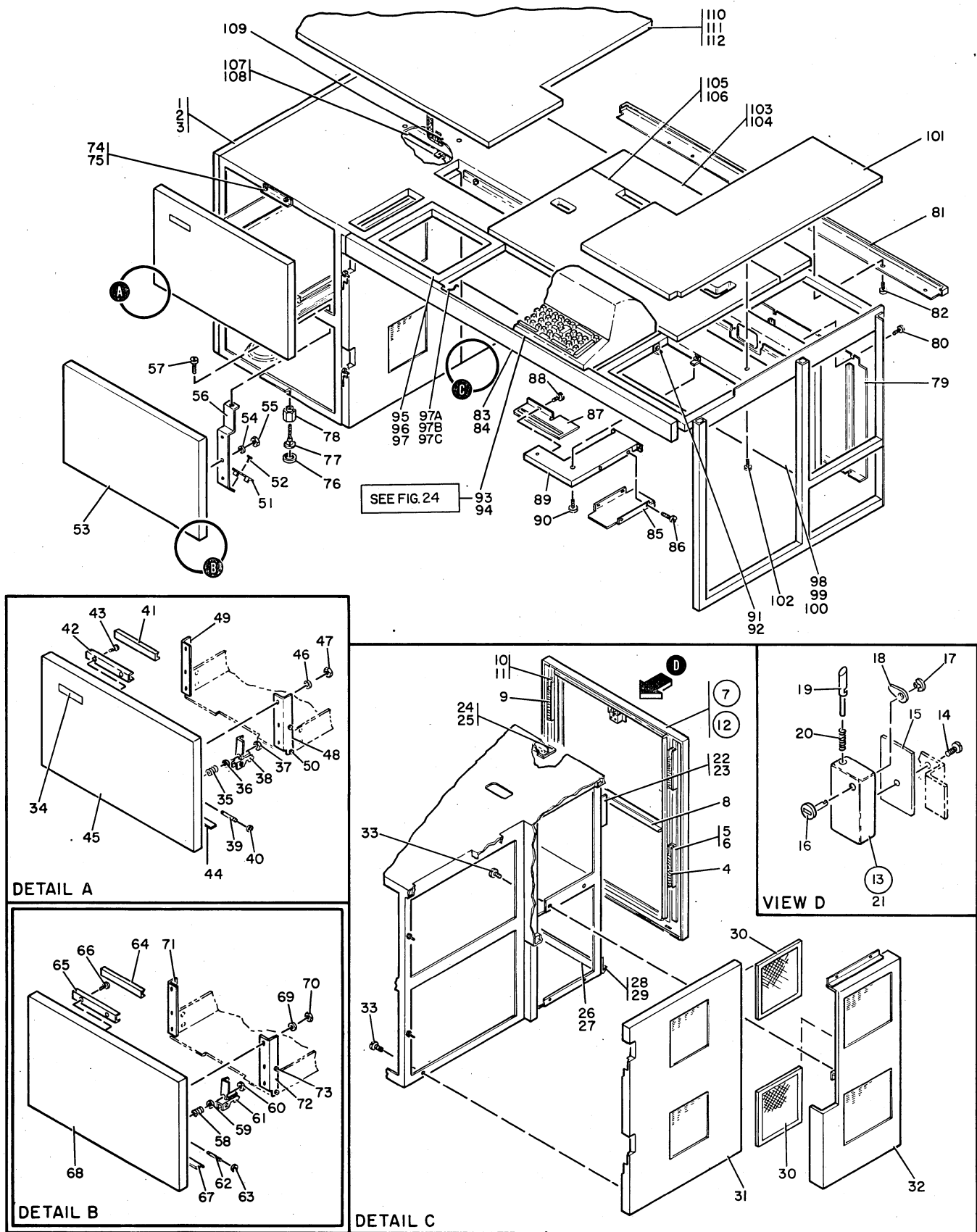


FIGURE 21. I/O COVER ASSEMBLIES. SEE LIST 21.

LIST AND INDEX NUMBER	PART NUMBER	DESCRIPTION	UNITS PER ASM.	USABLE ON CODE
		I/O COVER ASSEMBLIES		
		CODE A USED ON 13 INCH PRINTER ASM CODE B USED ON 22 INCH PRINTER ASM		
21 -	NO NO. NP	I/O COVER ASSEMBLIES FOR ILLUSTRATION SEE FIGURE 21		
- 1	5129076	. COVER,FILE-LH	1	
- 2	5319854	. SCREW,SELF TAPPING- 8-32 X 0.375 LG	6	
- 3	5350091	. SCREW ATT PT	1	
- 4	2532078	. STRIP,FINGER	2	
- 5	5129377	. CHANNEL,FINGER	2	
- 6	438566	. SCREW,MACH BD HD- 6-32 X 0.125 LG ATT PT	4	
- 7	5129197 NP	. COVER ASM,FILE-REAR	1	
- 8	739494	. . SEAL PVC DUAL DUROMETER	AR	
- 9	2532078	. . STRIP,FINGER	2	
- 10	5129377	. . CHANNEL,FINGER	2	
- 11	438566	. . SCREW,MACH BD HD- 6-32 X 0.125 LG ATT PT	4	
- 12	5129052	. . COVER ASM,FILE-REAR	1	
		SPECIFY COLOR WHEN ORDERING		
- 13	5129083	. . . LATCH ASM	1	
- 14	34512	. . . SCREW,MACH BD HD- 8-32 X 0.375 LG ATT PT	3	
- 15	4055804	. . . PLATE ATT PT	1	
- 16	5129552	. . . BOLT PART OF 5129083 LATCH ASSEMBLY	1	
- 17	60489	. . . CLIP-SPRING ATT PT PART OF 5129083 LATCH ASSEMBLY	1	
- 18	4208950	. . . ARM	1	
- 19	5129082	. . . PLUNGER PART OF 5129083 LATCH ASSEMBLY	1	
- 20	2154459	. . . SPRING, COMPRESSOR, 0.543 LG X 0.218DIA PART OF 5129083 LATCH ASSEMBLY	1	
- 21	5129081	. . . HOUSING,LATCH PART OF 5129083 LATCH ASSEMBLY	1	
- 22	5129505	. BLADE	2	
- 23	2566600	. SCREW,MACH BD HD- 6-32 X 0.250 ATT PT	4	
- 24	5129507	. CATCH,COVER	1	
- 25	2566617	. SCREW,MACH BD HD- 8-32 X 0.375 ATT PT	2	
- 26	5129504	. BRACKET	1	
- 27	2566607	. SCREW,MACH BD HD- 10-32 X 0.250 ATT PT	2	
- 28	5129508	. BRACKET,PIVOT	2	
- 29	2566617	. SCREW,MACH BD HD- 8-32 X 0.375 LG ATT PT	4	
- 30	5129089	. FILTER,AIR	2	
- 31	5129079	. COVER,FILE-RH FRCNT	1	
- 32	5129075	. COVER,FILE-RH REAR	1	
- 33	5319854	. SCREW,SELF TAPPING- 8-32 X 0.375 LG ATT PT	16	
- 34	2591903	. NAMEPLATE-ENGLISH	1	
- 34	2591906	. NAMEPLATE-FRENCH	1	
- 34	2591908	. NAMEPLATE-GERMAN	1	
- 34	2591905	. NAMEPLATE-ITALIAN	1	
- 34	2591917	. NAMEPLATE-SPANISH	1	
- 34	2592056	. NAMEPLATE-JAPANESE	1	
- 35	602943	. SPRING	1	
- 36	47242	. WASHER,FL- 0.500 OD X 0.062 THK ATT PT	1	
- 37	125930	. NUT,PLAIN HEX- 10-32 ATT PT	1	
- 38	5129031	. LATCH ASM	1	
- 39	5129030	. PIN,LATCH	1	
- 40	257982	. CLIP,RETAINING-E TYPE 0.188 CIA GROOVE ATT PT	2	
- 41	2532078	. FINGER STOCK	1	
- 42	5129377	. CHANNEL,FINGER	2	
- 43	438566	. SCREW,MACH BD HD- 6-32 X 0.125 LG ATT PT	4	
- 44	739494	. SEAL PVC DUAL DUROMETER	AR	
- 45	5129041	. COVER ASM-UPPER FRONT	1	
		SPECIFY COLOR WHEN ORDERING		
- 46	3550	. WASHER,FL- 0.250 ID X 0.562 OD X 0.050 THK ATT PT	6	
- 47	11598	. NUT,PLAIN HEX- 10-32 ATT PT	6	
- 48	5129034	. BRACKET,COVER-LEFT HAND	1	
- 49	5129033	. BRACKET,COVER-RIGHT HAND	1	
- 50	5129396	. SCREW- 10-32 ATT PT	4	
- 51	5129182	. BRACKET,RETAINING	2	
- 52	2574822	. SCREW,MACH-BIND HD 8-32 X .188 ATT PT	4	
- 53	5129040	. COVER ASM-LOWER FRONT	1	
		SPECIFY COLOR WHEN ORDERING		
- 54	237032	. WASHER,FL- 0.203 ID X 0.438 OD X 0.032 THK ATT PT	6	
- 55	11590	. NUT,HEX- 10-32 ATT PT	6	
- 56	5129184	. BRACKET	2	
- 57	58207	. SCREW,BD HD MACH- 8-32 X 0.250 LG ATT PT	2	



LIST AND INDEX NUMBER	PART NUMBER	DESCRIPTION	UNITS PER ASM.	USABLE ON CODE
		1 2 3 4		
21 - 58	602943	. SPRING	1	
- 59	47242	. WASHER, FL- 0.219 ID X 0.500 OD	1	
- 60	125930	. NUT, PLAIN HEX- 10-32	1	
- 61	5129031	. LATCH ASM	1	
- 62	5129030	. PIN, LATCH	1	
- 63	257982	. CLIP, RETAINING-E TYPE 0.188 DIA GROOVE	2	
- 64	2532078	. FINGER STOCK	2	
- 65	5129377	. CHANNEL, FINGER	2	
- 66	438566	. SCREW, MACH BD HD- 6-32 X 0.125 LG	4	
- 67	739494	. SEAL PVC DUAL DUROMETER	AR	
- 68	5129040	. COVER ASM-LOWER FRONT	1	
		SPECIFY COLOR WHEN ORDERING		
- 69	237032	. WASHER, FLAT	6	
- 70	11598	. NUT, PLAIN HEX- 10-32	6	
- 71	5129034	. BRACKET, COVER-LEFT HAND	1	
- 72	5129033	. BRACKET, COVER-RIGHT HAND	1	
- 73	5129396	. SCREW- 10-32	4	
- 74	5129505	. BLADE	AR	
- 75	2566600	. SCREW, MACH BD HD- 6-32 X 0.250	AR	
- 76	2162666	. CUP	2	
- 77	5129397	. BOLT, LEVELER	2	
- 78	5129099	. SPACER	2	
- 79	5133702	. COVER, CHANNEL-CABLE	1	
		USED WITH INTERNAL TRANSFORMER FEATURE		
- 79	5129078	. COVER, CABLE	1	
- 80	5E207	. SCREW, MACH BD HD- 8-32 X 0.250 LG	5	
- 81	5129077	. COVER, PANEL-REAR	1	
- 82	43E6C2	. SCREW, MACH BD HD- 10-32 X 1.500 LG	5	A
- 82	322061	. SCREW, MACH BD HD- 10-32 X 1.250 LG	5	B
- 83	5129067	. COVER, PANEL-FRONT	1	A
- 83	5129319	. COVER, FRONT	1	B
- 84	4386C2	. SCREW, MACH BD HD- 10-32 X 1.500 LG	4	
- 85	5129C73	. COVER	1	
- 86	2566624	. SCREW, MACH BD HD- 8-32 X 0.188 LG	4	
- 87	5129072	. COVER	1	A
- 87	5129312	. COVER	1	B
- 88	2566624	. SCREW, MACH BD HD- 8-32 X 0.188 LG	AR	
- 89	5129240	. CHANNEL	1	A
- 89	5129313	. CHANNEL	1	B
- 90	2566610	. SCREW, MACH BD HD- 8-32 X 0.250	AR	
- 91	5129074	. BRACKET	AR	
- 92	2566610	. SCREW, MACH BD HD- 8-32 X 0.250	ATT PT	
- 93	5128888	. CONSOLE ASSEMBLY, KEYBOARD FOR DETAIL BREAKDOWN SEE FIGURE 24	1	
- 94	5319E54	. SCREW, SELF TAPPING- 8-32 X 0.375 LG	ATT PT	
- 95	5129191	. ADAPTER, FRAME	1	
- 96	19852	. SCREW, MACH HEX HD- 1/4-20 X 1.250 LG	2	
- 97	2566614	. SCREW, CAP HEX HD- 0.250-20 X 0.500 LG	2	
- 97A	856575	. JUMPER- 50 HZ	1	
- 97B	367027	. SCREW- 10-32	1	
- 97C	56121	. LOCKWASHER, EXT- 0.195 ID X 0.381 OD	ATT PT	
- 98	5129395	. COVER, FRONT CABLE	1	
- 99	58207	. SCREW, MACH BD HD- 8-32 X 0.250 LG	5	
- 100	25627	. SCREW, MACH BD HD- 8-32 X 0.500 LG	5	
- 101	5129066	. TOP, TABLE-RH	1	A
- 101	5129315	. TOP, TABLE-RH	1	B
- 102	332620	. SCREW, MACH BD HD- 10-32 X 0.500 LG	1	
- 103	5129080	. TOP, TABLE-REAR	1	A
- 103	5129316	. TOP, TABLE-REAR	1	B
- 104	332620	. SCREW, MACH BD HD- 10-32 X 0.500 LG	1	
- 105	5129068	. TOP, TABLE	1	A
- 106	43E6C2	. SCREW, MACH BD HD- 10-32 X 1.500 LG	ATT PT	
- 107	5129246	. CHANNEL, CABLE	1	A
- 108	2574822	. SCREW, MACH BD HD- 8-32 X 0.188 LG	3	
- 109	58207	. SCREW, BD HD MACH- 8-32 X 0.250 LG	1	
- 110	5129091	. TOP, TABLE-LH	1	A
		USED WITH CRT FEATURE AND 13 INCH PTR		
- 110	5129069	. TOP, TABLE-LH	1	A
- 110	5129314	. TOP, TABLE-LH	1	B
- 111	332620	. SCREW, MACH BD HD- 10-32 X 0.500 LG	2	
- 112	4386C2	. SCREW, MACH BD HD- 10-32 X 1.500 LG	2	

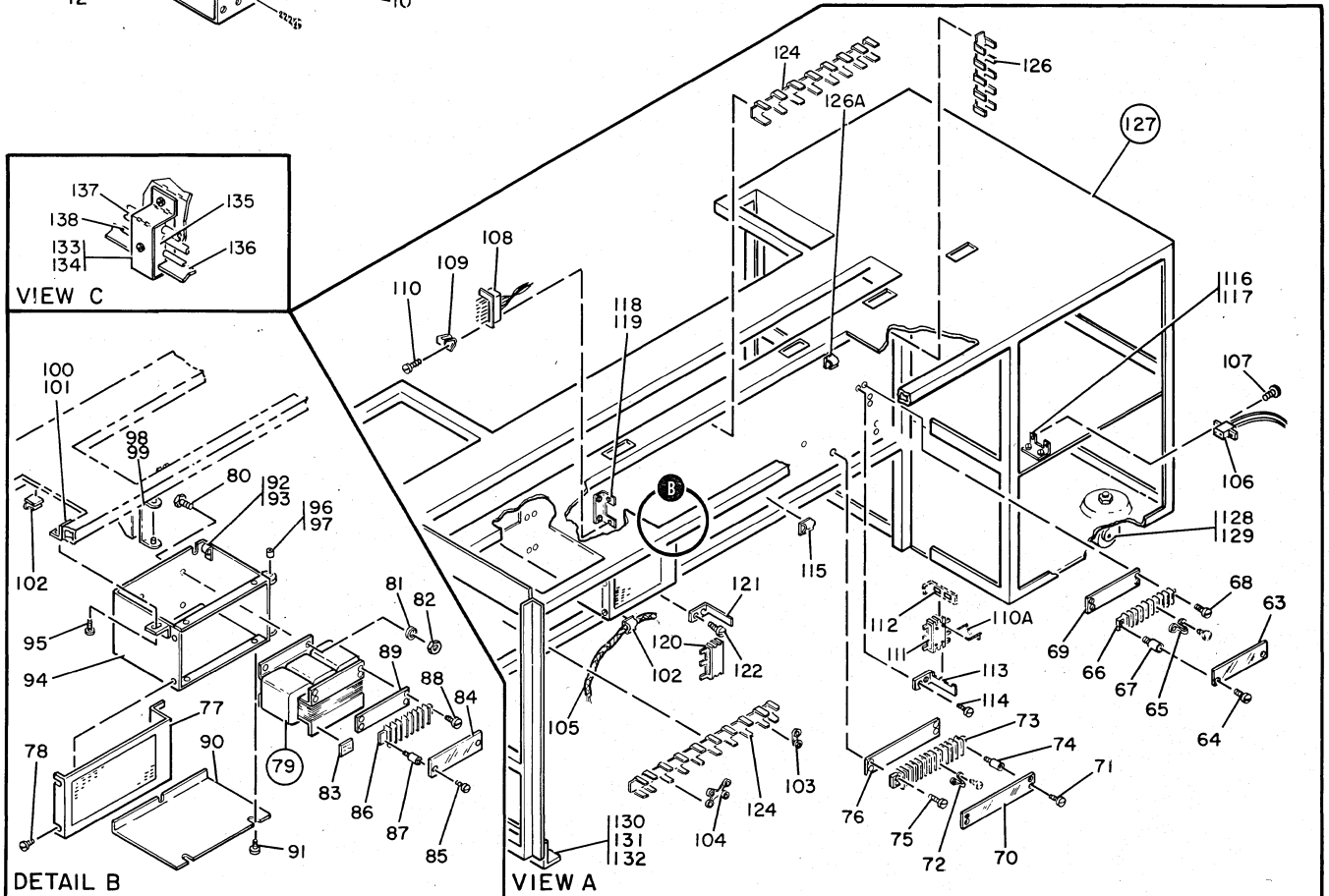
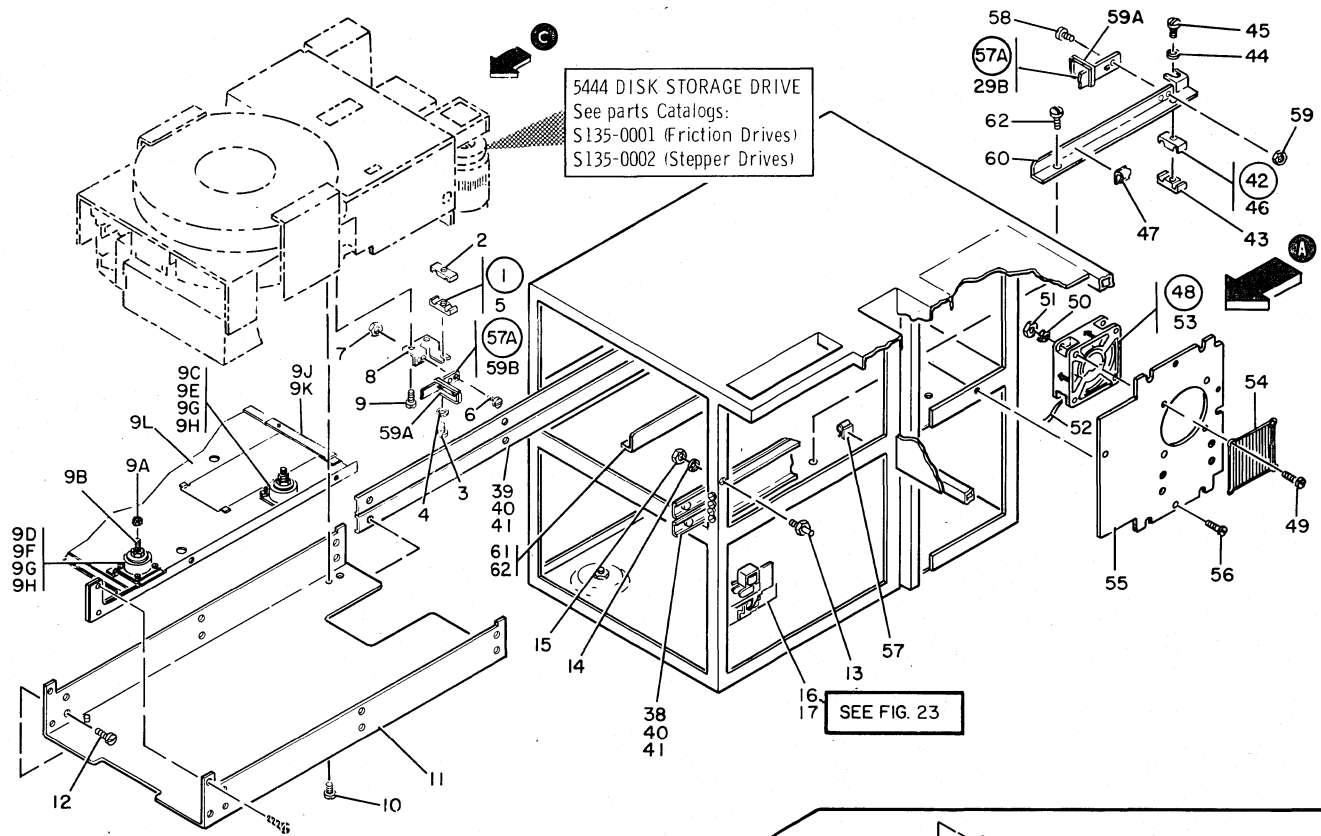


FIGURE 22. I/O FINAL ASSEMBLY. SEE LIST 22.

LIST AND INDEX NUMBER	PART NUMBER	DESCRIPTION	UNITS	USABLE
			PER ASM.	ON CODE
		I/O FINAL ASSEMBLY		
22 -	NO NO. NP	I/O FINAL ASSEMBLY FOR ILLUSTRATION SEE FIGURE 22		
- 1	2590960	. CLAMP ASM	2	
- 2	2590959	. . CLAMP	1	
- 3	322551	. . SCREW, MACH BD HD- 6-32 X 0.750 LG ATT PT	1	
- 4	257986	. . WASHER, FLAT- 0.156 ID X 0.312 OD ATT PT	1	
- 5	2590573	. . CLAMP	1	
- 6	38235	. SCREW, MACH- 6-32 X 0.310 LG	1	
- 7	257187	. NUT, FLAIN HEX 6-32	1	
- 8	5129365	. BRACKET	2	
- 9	2574822	. SCREW, MACH BD HD- 8-32 X 0.188 LG ATT PT	4	
- 9A	3960	. NUT, HEX- 1/4-20	4	
- 9B	2590958	. STUD	4	
- 9C	2592735	. SHCCMCMCUNT, REAR	AR	
		USED ON STEPPER MOTOR DRIVE FILES SERIAL NOS. 30100 AND HIGHER		
- 9C	2590957	. SHCCMCMCUNT, REAR	AR	
		USED ON FRICTION DRIVE FILES SERIAL NOS. UP TO 30100		
- 9D	2590957	. SHCCMCMCUNT, FRONT	2	
- 9E	38454	. SCREW, CSK HD- 8-32 X 0.438 ATT PT	6	
- 9F	186758	. SCREW, BD HD- 8-32 X 0.438 ATT PT	6	
- 9G	1090873	. LOCKWASHER, SPLIT- 0.168 ID X 0.296 OD ATT PT	12	
- 9H	257189	. NUT, HEX- 8-32 ATT PT	12	
- 9J	2590371	. COVER	1	
- 9K	38451	. SCREW, CSK HD- 8-32 X 0.250 ATT PT	2	
- 9L	2590565	. EASE	1	
- 10	2566610	. SCREW, MACH BD HD- 8-32 X 0.250	4	
- 11	5129054	. EASE ASM	2	
- 12	1017C	. SCREW, MACH BD HD- 6-32 X 0.250 LG ATT PT	24	
- 13	5129029	. STUD, LATCH	2	
- 14	2574799	. LOCKWASHER, SPLIT- 0.194 ID X 0.337 OD	2	
- 15	2566612	. NUT, HEX- 10-32	2	
- 16	5129573	. INTERPCSER ASM, SLENOID FOR DETAIL BREAKDOWN SEE FIGURE 23	2	
- 17	25666C7	. SCREW, MACH BIND HD- 10-32 X 0.250 ATT PT	4	
- 38	5129038	. SLIDE-RH	2	
- 39	5129C39	. SLIDE-LH	2	
- 40	5129027	. BLOCK	4	
- 41	4636	. SCREW, MACH FL CSK HD- 8-32 X 0.375 LG ATT PT	32	
- 42	259096C	. CLAMP ASM	2	
- 43	2590959	. . CLAMP	1	
- 44	257986	. . WASHER, FLAT- 0.156 ID X 0.312 OD ATT PT	1	
- 45	322551	. . SCREW, MACH BD HD- 6-32 X 0.750 LG ATT PT	1	
- 46	2590573	. . CLAMP	1	
- 47	2596291	. CLAMP, CABLE	6	
- 48	5129086	. FAN ASM	2	
- 49	438551	. SCREW, MACH BD HD- 4-40 X 0.625 LG ATT PT	8	
- 50	257984	. LOCKWASHER, SPLIT- 0.319 ID X 0.591 OD ATT PT	8	
- 51	37913	. NUT JAW HEX- 4-40 X 0.250 FL W ATT PT	8	
- 52	5129173	. . CABLE ASM, FILE BLOWER TO I/O AC DISTRIB. FOR COMPONENT PARTS SEE FIG 27	1	
- 53	5313650	. . FAN	1	
- 54	177946	. GUARD-FAN	2	
- 55	5129058	. BRACKET, UPPER	1	
- 55	5129057	. BRACKET, LOWER	1	
- 56	2574822	. SCREW, MACH BD HD- 8-32 X 0.188 LG ATT PT	AR	
- 57	2596291	. CLIP, CABLE	4	
- 57A	2590967	. RETAINER ASSEMBLY, CABLE	AR	
- 58	38235	. SCREW, MACH- 6-32 X 0.310 LG ATT PT	1	
- 59	257187	. NUT, FLAIN HEX - 6-32 ATT PT	1	
- 59A	2261616	. . CLIP	AR	
- 59B	2590358 NR	. . RETAINER	AR	
- 60	5129366	. GUIDE, FILE	2	
- 61	5129367	. GUIDE, FILE- UPPER FILE	1	
- 61	5129506	. GUIDE, FILE- LOWER FILE	1	
- 62	2574822	. SCREW, MACH BD HD-8-32 X 0.188 LG ATT PT	8	
- 63	5762534	. SHIELD	1	
- 64	38350	. SCREW, MACH FIL HD- 6-32 X 0.250 LG ATT PT	2	
- 65	367115	. JUMPER, BRASS	1	
- 66	301731	. TERMINAL BOARD- 16 DBL SCREW TERMINALS	1	
- 67	210883	. STUD-SHIELD MTG, TAPPED, NO. 6-32 ATT PT	2	
- 68	35739	. SCREW, MACH BD HD- 6-32 X 0.438 LG ATT PT	2	
- 69	322269	. MARKER STRIP- 16 POS. NOS. 1 THRU 16	1	
- 70	4681795	. SHIELD	1	
- 71	10170	. SCREW, MACH BD HD- 6-32 X 0.250 LG ATT PT	2	

LIST AND INDEX NUMBER	PART NUMBER	DESCRIPTION	UNITS PER ASM.	USABLE ON CODE
- 72	367115	. JUMPER, BRASS	10	
- 73	526310	. TERMINAL BOARD	1	
- 74	210883	. STUD-SHIELD MTG, TAPPED, NO. 6-32	2	ATT PT
- 75	35739	. SCREW, MACH-BIND HD 6-32 X .438 LG	2	ATT PT
- 76	596455	. MARKER STRIP	1	
- 77	5133692	. SCREEN, TRANSFORMER	1	
- 78	221790	. SCREW, MACH-BIND HD 8-32 X 3/16 LG	3	ATT PT
- 79	4118369	. TRANSFORMER ASM, AUTO- 50/60HZ	1	
- 80	36844	. SCREW, CAP-SLOT HD 1/4-20 X 1/2 LG	4	ATT PT
- 81	3550	. WASHER, FL- 1/4 X 9/16 OD X 0.050 THK	4	ATT PT
- 82	36109	. NUT, PLAIN, HEX- 1/4-20 X 7/16 FL W	4	ATT PT
- 83	1141554	. . DECAL	1	
- 84	533342	. . COVER, TERMINAL BOARD	1	
- 85	10170	. . SCREW-MACH, BIND HD NO. 6-32 X .250 LG	2	ATT PT
- 86	320451	. . TERMINAL BOARD- 10 DBL SCREW TERMINALS	1	
- 87	4118821	. . STUD-NO. 8-32 X .962 LG	2	ATT PT
- 88	5528	. . SCREW, MACH BIND HD 8-32 X .625 LG	2	ATT PT
- 89	550578	. . MARKER STRIP- 10 POS NOS. 1 THRU 10	1	
- 90	5133690	. COVER, TRANSFORMER	2	
- 91	221790	. SCREW, MACH-BIND HD 8-32 X 3/16 LG	6	ATT PT
- 92	2102365	. CLAMP, CABLE	1	
- 93	34512	. SCREW, MACH-BIND HD 8-32 X 3/8 LG	1	ATT PT
- 94	5133691	. FRAME, TRANSFORMER	1	
- 95	236849	. SCREW, MACH-BIND HD 10-32 X 1/4 LG	1	ATT PT
- 96	9299	. COLLAR- 0.376 ID X 0.625 OD X 0.250 THK	1	
- 97	173937	. SETSCREW-SPLINE DR CUP PT 8-32 X 1/8 LG	2	ATT PT
- 98	5133693	. BRACKET	1	
- 99	438622	. SCREW, MACH-UNDRCT BIND HD 1/4-20 X 3/8	3	ATT PT
-100	5133694	. BRACKET, LATCH	1	
-101	438622	. SCREW, MACH-UNDRCT BIND HD 1/4-20 X 3/8	1	ATT PT
-102	2596293	. CLAMP, CABLE	2	
-103	811427	. RETAINER	30	
-104	813519	. RETAINER, CABLE	10	
-105	5129575	. CABLE ASM, VFC-PRINTER SENSE	1	
-105	5129169	. CABLE ASM, PIN FEED SENSE	1	
-105	5129353	. CABLE ASM, SEC POWR BOX-REG-CONSOLE-T2	1	
-105	5129164	. CABLE ASM, REG CKTS-FAULT-BIAS AND SENSE	1	
-105	5129247	. CABLE ASM, 824VDC DIRTY TO I/O DISTR	1	
-105	5129248	. CABLE ASM, 824VDC CLEAN TO I/O DISTR	1	
-105	5128992	. CABLE ASM, AC PWR TO I/O	1	
-105	5128866	. CABLE ASM, FIELD AND CMND INDICATOR	1	
-105	5128865	. CABLE ASM, HALT INDICATORS	1	
-105	5128867	. CABLE ASM, CONSOLE TO DISCONNECT	1	
-105	5129092	. CABLE ASM, FEATURE-CMND INDICATORS	1	
-105	5129198	. CABLE ASM, DC POWER TO PRINTER	1	
-106	5133537	FOR COMPONENT PARTS SEE FIG 27 . CABLE ASM, AC TO FILE NO-1 CONN	1	
-106	5133538	. CABLE ASM, DC TO FILE NO-1 CONN	1	
-106	5133539	. CABLE ASM, AC TO FILE NO-2 CONN	1	
-106	5133540	. CABLE ASM, DC TO FILE NO-2 CONN	1	
-107	2574822	FOR COMPONENT PARTS SEE FIG 27 . SCREW, MACH-BIND HD 8-32 X .188	8	ATT PT
-108	5129354	. CABLE ASM, DC POWER TO CONSOLE	1	
-109	5129568	FOR COMPONENT PARTS SEE FIG 27 . LOCK, AUXILIARY	2	ATT PT
-110	55726	. SCREW, MACH-BIND HD 6-32 X .188 LG	2	ATT PT
-110A	2595721	. CLIP, CABLE	6	
-111	2592846	. CONNECTOR	2	
-112	5133732	. DECAL	3	
-113	5129241	. BRACKET, MOUNTING	2	
-114	55726	. SCREW, MACH-BIND HD 6-32 X .188 LG	4	ATT PT
-115	2596293	. CLAMP, CABLE	5	
-115	2590010	USED PRIOR TO OCT. 1970 . THROUGH, CABLE	1	
-116	5129589	USED AFTER OCT. 1970 . BRACKET, CONNECTOR	2	
-117	81693	. SCREW, MACH-BIND HD 6-32 X 3/8 LG	4	ATT PT
-118	5129326	. BRACKET, CONNECTOR	1	
-119	58207	. SCREW, BD HD MACH-8-32 NC-2A X .250 LG	2	ATT PT
-120	813392	. INTERFACE ASSEMBLY-I/O	4	
-121	5129241	. BRACKET, MOUNTING	4	
-122	55726	. SCREW, MACH-BIND HD 6-32 X .188 LG	8	ATT PT
-124	5129597	. TROUGH, CABLE	5	
-126	2590010	. TROUGH, FLAT CABLES	2	
-126A	2596293	. CLAMP, CABLE	1	
-127	5129192	. FRAME ASM, I/O	1	
-128	5129056	. . CASTER	4	
-129	186950	. . NUT, PLAIN, HEX- 1/2-13 X 3/4 FL W	4	ATT PT
-130	5129598	. . BRACKET, CASTER	1	



FOR PARTS  
NOT SHOWN  
SEE FIG. 22

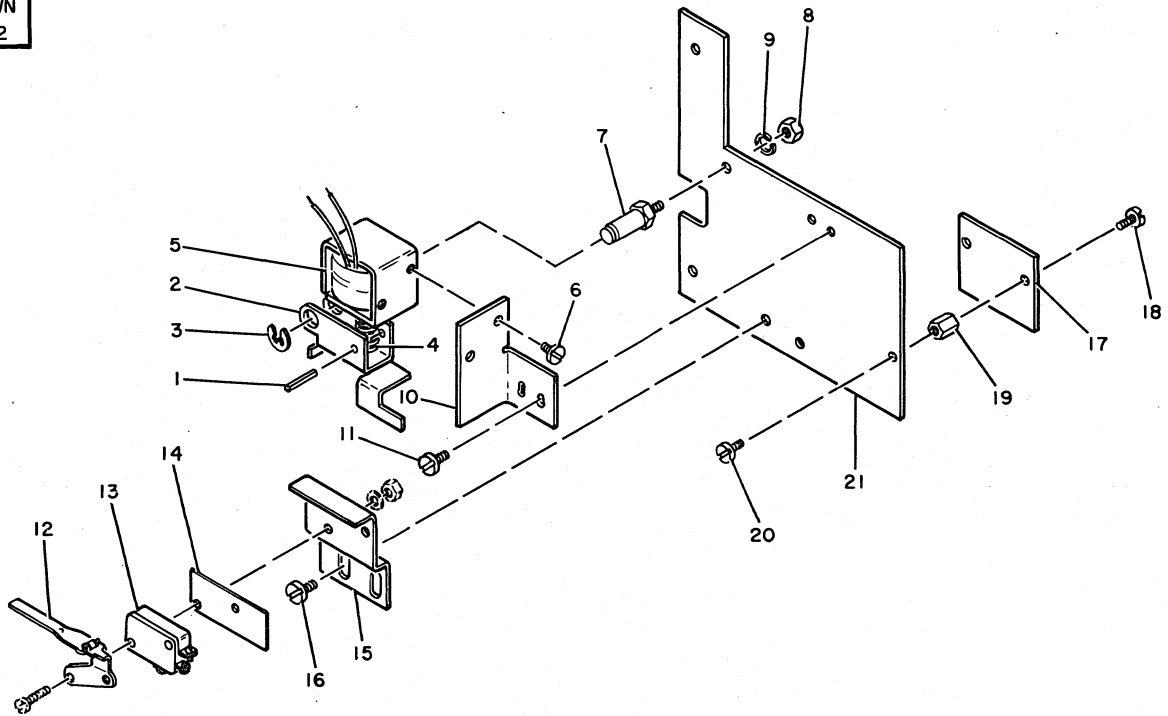


FIGURE 23. SOLENOID INTERPOSER ASSEMBLY. SEE LIST 23.

LIST AND INDEX NUMBER	PART NUMBER	DESCRIPTION	UNITS	
			PER ASM.	USABLE ON CODE
		SOLENOID INTERPOSER ASSEMBLY		
23 -	5129573	INTERPOSER ASM, SOLENOID FOR NEXT HIGHER ASM SEE FIGURE 22-16 FOR ILLUSTRATION SEE FIGURE 23		
- 1	221542	. PIN, ROLL		1
- 2	5129035	. INTERPOSER, SOLENOID		1
- 3	257982	. CLIP, RETAINING-E TYPE 0.188 DIA GROOVE	ATT PT	1
- 4	5129318	. SPRING, COMPRESSION		1
- 5	5129042	. SOLENOID ASM		1
- 6	2566624	. SCREW, MACH-BIND HD 8-32 X 3/16 LG	ATT PT	2
- 7	5129028	. STUD, PIVOT		1
- 8	2566612	. NUT, HEX- 10-32 X .130	ATT PT	1
- 9	2574799	. WASHER, LOCK-SPLIT NO. 10 X .337 OD	ATT PT	1
- 10	5129048	. BRACKET, MOUNTING		1
- 11	2566624	. SCREW, MACH-BIND HD 8-32 X 3/16 LG	ATT PT	2
- 12	1144714	. ACTUATOR, SWITCH		1
- 13	228093	. SWITCH-SPDT 125/250V AC 10 AMP		1
- 14	627764	. INSULATOR-STACKER INTERLOCK		1
- 15	5129049	. BRACKET, MOUNTING		1
- 16	2566624	. SCREW, MACH-BIND HD 8-32 X 3/16 LG	ATT PT	2
- 17	2588142	. BOARD ASM		1
- 18	438548	. SCREW, MACH-BIND HD 4-40 X .188 LG	ATT PT	2
- 19	2153748	. STUD, CARD MTG		2
- 20	438548	. SCREW, MACH-BIND HD 4-40 X .188 LG	ATT PT	2
- 21	5129050	. PLATE, MOUNTING		1

FOR PARTS  
NOT SHOWN  
SEE FIG. 22

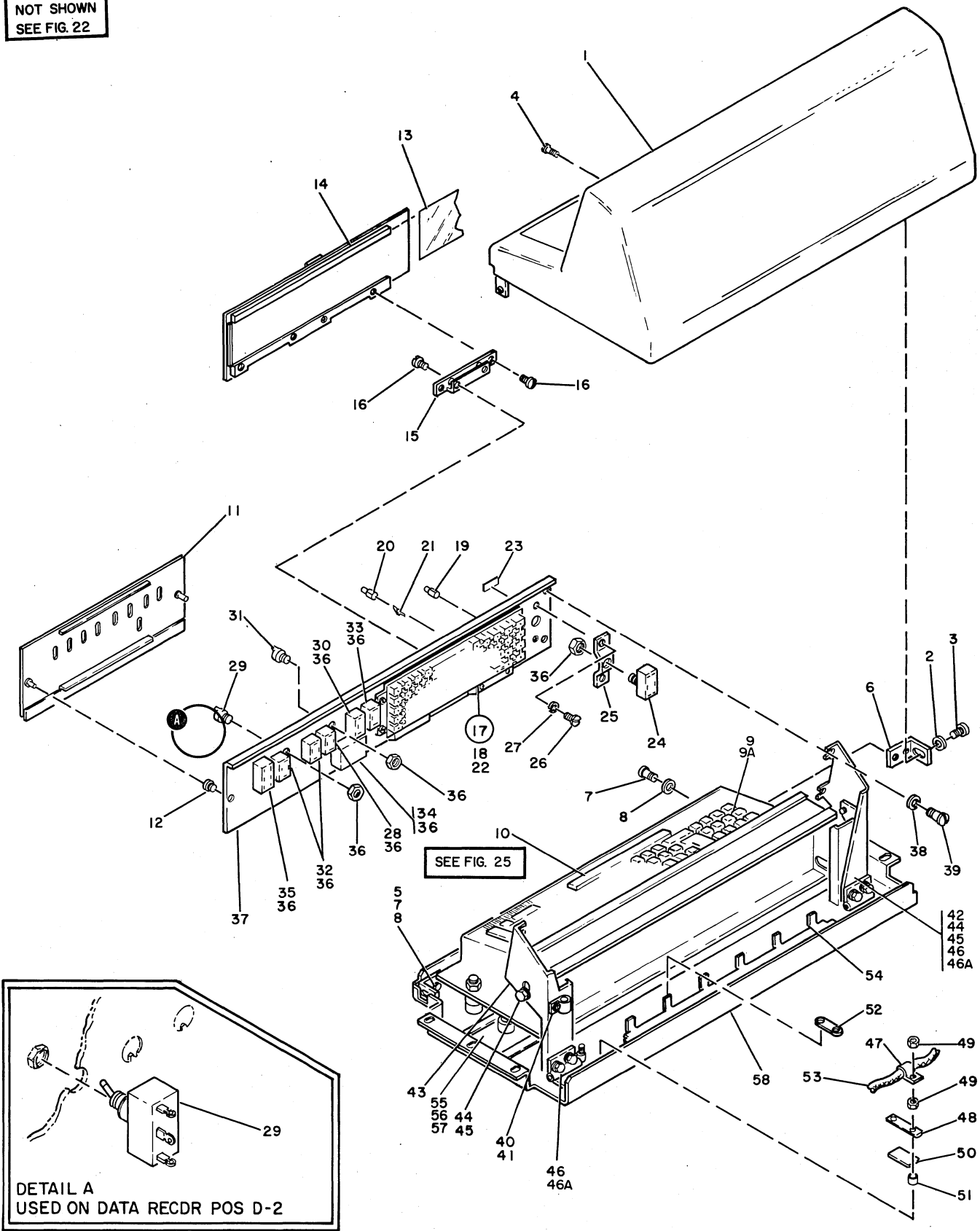


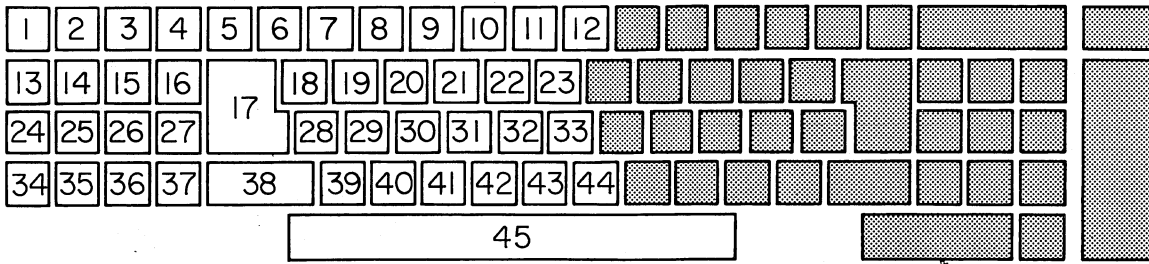
FIGURE 24. CONSOLE ASSEMBLY. SEE LIST 24.

LIST AND INDEX NUMBER	PART NUMBER	DESCRIPTION				UNITS PER ASM.	USABLE ON CODE
		1	2	3	4		
		CONSOLE ASSEMBLY					
24 -	5128888	CONSOLE ASSEMBLY,KEYBOARD FOR NEXT HIGHER ASM SEE FIGURE 21-93 FOR ILLUSTRATION SEE FIGURE 24				REF	
- 1	5129344	. COVER,CONSOLE				1	
- 2	2566646	. WASHER,FL- 0.170 ID X 0.375 OD ATT PT				2	
- 3	807040	. SCREW,MACH BD HD- 8-32 X 0.312 ATT PT				3	
- 4	130431	. SCREW,SPECIAL- 8-32 X 0.172 LG ATT PT				1	
- 5	5129356	. BRACKET,MOUNTING-RIGHT				1	
- 6	5129357	. BRACKET,MOUNTING-LEFT				1	
- 7	5256500	. SCREW,MACH BD HD- 6-32 X 0.250 LG ATT PT				4	
- 8	2566645	. WASHER,FL-NO. 6 X .312 OD X .035 THK ATT PT				4	
- 9	5152201	. CLIP,LOCKING				8	
- 9A	811789	. TAPE BULK				AR	
- 10	5173460	. KEYBOARD ASSEMBLY-UNITED STATES				1	
- 10	5180958	. KEYBOARD ASSEMBLY-AUSTRIA/GERMANY				1	
- 10	5180959	. KEYBOARD ASSEMBLY-BELGIUM/FRANCE 1				1	
- 10	5180963	. KEYBOARD ASSEMBLY-BELGIUM/FRANCE 2				1	
- 10	5993058	. KEYBOARD ASSEMBLY-PORTUGAL/BRAZIL				1	
- 10	5993045	. KEYBOARD ASSEMBLY-DENMARK				1	
- 10	5993082	. KEYBOARD ASSEMBLY-ITALIAN				1	
- 10	5993083	. KEYBOARD ASSEMBLY-UNITED KINGDOM				1	
- 10	5993085	. KEYBOARD ASSEMBLY-FINLAND/SWEDEN				1	
- 10	5993086	. KEYBOARD ASSEMBLY-SPANISH				1	
- 10	5993087	. KEYBOARD ASSEMBLY-SPAIN				1	
- 10	5993088	. KEYBOARD ASSEMBLY-NORWAY FOR DETAIL BREAKDOWN SEE FIG 25				1	
- 11	5129335	. PANEL ASM,CONSOLE-ENGLISH & JAPANESE				1	
- 11	5133502	. PANEL ASM,CONSOLE-FRENCH				1	
- 11	5133503	. PANEL ASSEMBLY,CCNSOLE-GERMAN				1	
- 11	5133504	. PANEL ASM,CONSOLE-ITALIAN				1	
- 11	5133505	. PANEL ASM,CONSOLE-SPANISH				1	
- 12	5129359	. CLIP ATT PT				2	
- 13	5129064	. OVERLAY,LIGHT PANEL				3	
- 14	5129321	. PANEL ASM,INDICATOR-ENGLISH				1	
- 14	5134049	. PANEL ASM,INDICATOR-ENGLISH & JAPANESE				1	
- 14	5133507	WORLD TRADE SUBSTITUTE PANEL . PANEL ASM,INDICATOR-FRENCH				1	
- 14	5133508	. PANEL ASSEMBLY,INDICATOR-GERMAN				1	
- 14	5133509	. PANEL ASM,INDICATOR-ITALIAN				1	
- 14	5133510	. PANEL ASM,INDICATOR-SPANISH				1	
- 15	5129323	. HINGE				1	
- 16	5489041	. SCREW,MACH BD HD- 4-40 X 0.188 LG ATT PT				8	
- 17	5128965	. LIGHT BLOCK ASM				1	
- 18	5256500	. SCREW,MACH BD HD- 6-32 X 0.250 LG ATT PT				4	
- 19	2391121	. . LAMP,INCANDESCENT-4.5 V 200 MA				AR	
- 20	2122160	. . LAMP				1	
- 21	770385	. . PIN, CONTACT				90	
- 22	5129194	. . LIGHT BLOCK				1	
- 23	5133641	. LABEL,LAMP TEST-ENGLISH				1	
- 23	5133642	. LABEL,LAMP TEST-FRENCH				1	
- 23	5133643	. LABEL,LAMP TEST-GERMAN				1	
- 23	5133644	. LABEL,LAMP TEST-ITALIAN				1	
- 23	5133645	. LABEL,LAMP TEST-SPANISH				1	
- 24	553380	. SWITCH,PUSH-DPDT				1	
- 25	5129360	. BRACKET,SWITCH				1	
- 26	5488889	. SCREW,MACH-FIL HD 6-32 X 1/4 LG ATT PT				2	
- 27	2566650	. LOCKWASHER,SPLIT- 0.156 ID X 0.253 OD ATT PT				2	
- 28	738825	. SWITCH,TOGGLE,SPST				1	
- 29	738826	. SWITCH, TOGGLE				1	
- 29	5129368	USED WITH DATA RECDR FEATURE . PLUG				1	
- 30	738827	. SWITCH-TOGGLE DPDT 20V 0.02A				AR	
- 31	5129368	. PLUG				1	
- 32	738828	. SWITCH,TOGGLE				2	
- 34	2588070	. SWITCH,TOGGLE- 4 PDT				1	
- 35	5129273	. SWITCH,START STOP				1	
- 36	179743	. NUT,PLAIN,HEX- 15/32-32 X 0.562 FL W ATT PT				9	
- 37	5129297	. PANEL,BACK				1	
- 38	2566647	. WASHER,FL- 0.203 ID X 0.438 OD X 0.032 THK ATT PT				4	
- 39	5488999	. SCREW,MACH BD HD- 10-32 X 0.250 LG ATT PT				4	
- 40	166668	. CLAMP,LOOP- 0.750 ID 0.281 DIA MTG HOLE				1	
- 41	5488915	. SCREW,MACH BD HD- 8-32 X 0.250 LG ATT PT				1	
- 42	5129295	. BRACKET-LEFT				1	
- 43	5129296	. BRACKET-RIGHT				1	
- 44	807040	. SCREW,MACH BD HD- 8-32 X 0.3125 LG ATT PT				2	
- 45	2566646	. WASHER,FL- 0.170 ID X 0.375 OD X 0.032 THK ATT PT				2	





KEYBUTTON POSITIONS



FOR KEYBUTTONS IN SHADED AREA SEE CHART I, PART 2 PAGE 74

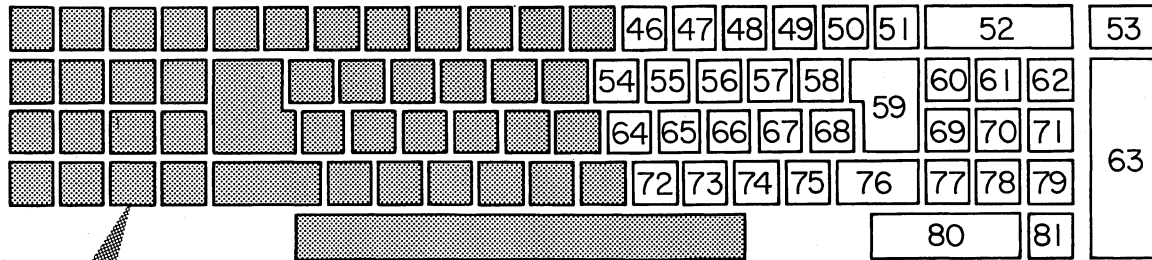
CHART I. KEYBUTTON LANGUAGE GROUPS (PART 1 OF 2)

NOTE: FOR KEYBUTTON NOMENCLATURE, SEE CHART II.

BUTTON POS.	UNITED STATES	AUSTRIA GERMANY	BELGIUM FRANCE I	BELGIUM FRANCE II	BRAZIL PORTUGAL	DENMARK	ITALY	UNITED KINGDOM AFTER DECIMAL	FINLAND SWEDEN	SPANISH SPEAKING	SPAIN	NORWAY	BUTTON POS.
1	5152088	5152088	5152088	5152088	5152088	5152088	5152088	5152088	5152088	5152088	5152088	5152088	1
2	5152206	5152206	5152206	5152206	5152206	5152206	5152206	5152206	5152206	5152206	5152206	5152206	2
3	5152207	5152207	5152207	5152207	5152207	5152207	5152207	5152207	5152207	5152207	5152207	5152207	3
4	5152208	5152208	5152208	5152208	5152208	5152208	5152208	5152208	5152208	5152208	5152208	5152208	4
5	5173484	5153455	5153455	5153455	5153455	5153455	5153455	5153455	5153455	5153455	5153455	5153455	5
6	5153488	5153488	5153488	5153488	5153488	5153488	5153488	5153488	5153488	5153488	5153488	5153488	6
7	5172373	5993056	5993057	5993057	5993067	5993056	5172373	5172373	5993056	5172373	5172373	5993056	7
8	5172374	5993029	5172374	5172374	5993068	5993029	5172374	5172374	5993029	5172374	5172354	5993029	8
9	5172375	5993030	5993059	5993059	5993030	5993030	5153653	5153653	5993030	5172375	5180953	5993030	9
10	5172376	5172376	5993061	5993061	5172376	5172376	5172376	5172376	5172376	5172376	5172376	5172376	10
11	5172435	5172435	5993062	5993062	5172435	5172435	5153652	5153652	5172435	5172435	5172435	5172435	11
12	5172378	5172378	5172378	5172378	5172378	5172378	5172378	5172378	5172378	5172378	5172378	5172378	12
13	5152209	5152209	5152209	5152209	5152209	5152209	5152209	5152209	5152209	5152209	5152209	5152209	13
14	5153410	5153410	5153410	5153410	5153410	5153410	5153410	5153410	5153410	5153410	5153410	5153410	14
15	5181048	5181048	5181048	5181048	5181048	5181048	5181048	5181048	5181048	5181048	5181048	5181048	15
16	5992925	5992925	5992925	5992925	5992925	5992925	5992925	5992925	5992925	5992925	5992925	5992925	16
17	5153468	5153486	5993027	5993027	5993027	5993027	5993027	5993027	5993027	5993027	5993027	5993027	17
18	5172384	5172384	5153674	5172384	5172384	5172384	5172384	5172384	5172384	5172384	5172384	5172384	18
19	5172385	5172385	5153675	5172385	5172385	5172385	5172385	5172385	5172385	5172385	5172385	5172385	19
20	5172386	5172386	5172386	5172386	5172386	5172386	5172386	5172386	5172386	5172386	5172386	5172386	20
21	5172387	5172387	5172387	5172387	5172387	5172387	5172387	5172387	5172387	5172387	5172387	5172387	21
22	5172388	5172388	5172388	5172388	5172388	5172388	5172388	5172388	5172388	5172388	5172388	5172388	22
23	5172389	5153675	5172389	5172389	5172389	5172389	5172389	5172389	5172389	5172389	5172389	5172389	23
24	5992926	5992926	5992926	5992926	5992926	5992926	5992926	5992926	5992926	5992926	5992926	5992926	24
25	5153475	5153475	5153475	5153475	5153475	5153475	5153475	5153475	5153475	5153475	5153475	5153475	25
26	5153474	5153474	5153474	5153474	5153474	5153474	5153474	5153474	5153474	5153474	5153474	5153474	26
27	5153473	5153473	5153473	5153473	5153473	5153473	5153473	5153473	5153473	5153473	5153473	5153473	27
28	5172406	5172406	5153676	5172406	5172406	5172406	5172406	5172406	5172406	5172406	5172406	5172406	28
29	5172407	5172407	5172407	5172407	5172407	5172407	5172407	5172407	5172407	5172407	5172407	5172407	29
30	5172408	5172408	5172408	5172408	5172408	5172408	5172408	5172408	5172408	5172408	5172408	5172408	30
31	5172409	5172409	5172409	5172409	5172409	5172409	5172409	5172409	5172409	5172409	5172409	5172409	31
32	5172410	5172410	5172410	5172410	5172410	5172410	5172410	5172410	5172410	5172410	5172410	5172410	32
33	5172411	5172411	5172411	5172411	5172411	5172411	5172411	5172411	5172411	5172411	5172411	5172411	33
34	5153472	5153472	5153472	5153472	5153472	5153472	5153472	5153472	5153472	5153472	5153472	5153472	34
35	5153471	5153471	5153471	5153471	5153471	5153471	5153471	5153471	5153471	5153471	5153471	5153471	35
36	5153470	5153470	5153470	5153470	5153470	5153470	5153470	5153470	5153470	5153470	5153470	5153470	36
37	5153476	5153476	5153476	5153476	5153476	5153476	5153476	5153476	5153476	5153476	5153476	5153476	37
38	1127936	1127936	1127936	1127936	1127936	1127936	1127936	1127936	1127936	1127936	1127936	1127936	38
39	5172419	5153690	5153678	5172419	5172419	5172419	5172419	5172419	5172419	5172419	5172419	5172419	39
40	5172420	5172420	5172420	5172420	5172420	5172420	5172420	5172420	5172420	5172420	5172420	5172420	40
41	5172421	5172421	5172421	5172421	5172421	5172421	5172421	5172421	5172421	5172421	5172421	5172421	41
42	5172422	5172422	5172422	5172422	5172422	5172422	5172422	5172422	5172422	5172422	5172422	5172422	42
43	5172423	5172423	5172423	5172423	5172423	5172423	5172423	5172423	5172423	5172423	5153488	5172423	43
44	5172424	5172424	5172424	5172424	5172424	5172424	5172424	5172424	5172424	5172424	5172424	5172424	44
45	1124885	1124885	1124885	1124885	1124885	1124885	1124885	1124885	1124885	1124885	1124885	1124885	45

FIGURE 25. KEYBOARD ASSEMBLY. SHEET 1 OF 6. KEYBUTTON LANGUAGE GROUPS. SEE CHART 1.

KEYBUTTON POSITIONS



FOR KEYBUTTONS IN SHADED AREA, SEE CHART I, PART I PAGE 73

CHART I. KEYBUTTON LANGUAGE GROUPS (PART 2 OF 2)

NOTE: FOR KEYBUTTON NOMENCLATURE, SEE CHART II.

BUTTON POS.	UNITED STATES	AUSTRIA GERMANY	BELGIUM FRANCE I	BELGIUM FRANCE II	BRAZIL PORTUGAL	DENMARK	ITALY	UNITED KINGDOM AFTER DECIMAL	FINLAND SWEDEN	SPANISH SPEAKING	SPAIN	NORWAY	BUTTON POS.
46	5173512	5993040	5993063	5993063	5993040	5993040	5173512	5173512	5993040	5993040	5993040	5993040	46
47	5172380	5172380	5993064	5993064	5172380	5172380	5172380	5172380	5172380	5172380	5172380	5172380	47
48	5172381	5172381	5153670	5153670	5172381	5172381	5172381	5172381	5172381	5172381	5172381	5172381	48
49	5172382	5172382	5993066	5993066	5172382	5172382	5172382	5172382	5172382	5172382	5172382	5172382	49
50	5173458	5152204	5173458	5173458	5173458	5152204	5173458	5173458	5152204	5173458	5173458	5152204	50
51	5151937	5153672	5153672	5153672	5153672	5153672	5153672	5153672	5153672	5153672	5153672	5153672	51
52	5153477	5180561	5993048	5993048	5993048	5993048	5993048	5993048	5993048	5993048	5993048	5993048	52
53	5153491	5180562	5993055	5993055	5993055	5993055	5993055	5993055	5993055	5993055	5993055	5993055	53
54	5172401	5172401	5172401	5172401	5172401	5172401	5172401	5172401	5172401	5172401	5172401	5172401	54
55	5172402	5172402	5172402	5172402	5172402	5172402	5172402	5172402	5172402	5172402	5172402	5172402	55
56	5172403	5172403	5172403	5172403	5172403	5172403	5172403	5172403	5172403	5172403	5172403	5172403	56
57	5172404	5172404	5172404	5172404	5172404	5172404	5172404	5172404	5172404	5172404	5172404	5172404	57
58	5153469	5993043	5153469	5153469	5153469	5152000	5153469	5153469	5151965	5153469	5153469	5151965	58
59	5153490	5993047	5993047	5993047	5993047	5993047	5993047	5993047	5993047	5993047	5993047	5993047	59
60	5153484	5153484	5153484	5153484	5153484	5153484	5153484	5153484	5153484	5153484	5153484	5153484	60
61	5153485	5153485	5153485	5153485	5153485	5153485	5153485	5153485	5153485	5153485	5153485	5153485	61
62	5153486	5153486	5153486	5153486	5153486	5153486	5153486	5153486	5153486	5153486	5153486	5153486	62
* 63	5153498	5180563	5993054	5993054	5993054	5993054	5993054	5993054	5993054	5993054	5993054	5993054	63
64	5172412	5172412	5172412	5172412	5172412	5172412	5172412	5172412	5172412	5172412	5172412	5172412	64
65	5172413	5172413	5172413	5172413	5172413	5172413	5172413	5172413	5172413	5172413	5172413	5172413	65
66	5172414	5172414	5172414	5172414	5172414	5172414	5172414	5172414	5172414	5172414	5172414	5172414	66
67	5172415	5993041	5172415	5172415	5993072	5151934	5172415	5172415	5153505	5173450	5173450	5993039	67
68	5173457	5993044	5173457	5173457	5993074	5152003	5173457	5173457	5153511	5173441	5173441	5180956	68
69	5153494	5153494	5153494	5153494	5153494	5153494	5153494	5153494	5153494	5153494	5153494	5153494	69
70	5153493	5153493	5153493	5153493	5153493	5153493	5153493	5153493	5153493	5153493	5153493	5153493	70
71	5153492	5153492	5153492	5153492	5153492	5153492	5153492	5153492	5153492	5153492	5153492	5153492	71
72	5172425	5172425	5172425	5172425	5993071	5172425	5172425	5172425	5172425	5172425	5172425	5172425	72
73	5173447	5173447	5173447	5173447	5993906	5173447	5173447	5173447	5153487	5172355	5172355	5180954	73
74	5173452	5173452	5173452	5173452	5993907	5173452	5173452	5173452	5153489	5172372	5172372	5180955	74
75	5172428	5993042	5172428	5172428	5993042	5993042	5172428	5172428	5153507	5993073	5993073	5152205	75
76	5151942	5993046	5993046	5993046	5993046	5993046	5993046	5993046	5993046	5993046	5993046	5993046	76
77	5153478	5153478	5153478	5153478	5153478	5153478	5153478	5153478	5153478	5153478	5153478	5153478	77
78	5153479	5153479	5153479	5153479	5153479	5153479	5153479	5153479	5153479	5153479	5153479	5153479	78
79	5153480	5153480	5153480	5153480	5153480	5153480	5153480	5153480	5153480	5153480	5153480	5153480	79
80	5153499	5153499	5153499	5153499	5153499	5153499	5153499	5153499	5153499	5153499	5153499	5153499	80
81	5153464	5993049	5993049	5993049	5993049	5993049	5993049	5153464	5993049	5993049	5993049	5153464	81

\* NEW STYLE KEYBUTTON MOUNTS WITH TWO POSTS. NEW STYLE KEYLEVER PART NO. 5994930

FIGURE 25. KEYBOARD ASSEMBLY. SHEET 2 OF 6. KEYBUTTON LANGUAGE GROUPS. SEE CHART 1.

## CHART II. KEYBUTTON NOMENCLATURE

NOTE: PART NUMBERS OF BUTTONS LISTED IN NUMERICAL ORDER. USAGE INDICATED IN CHART I

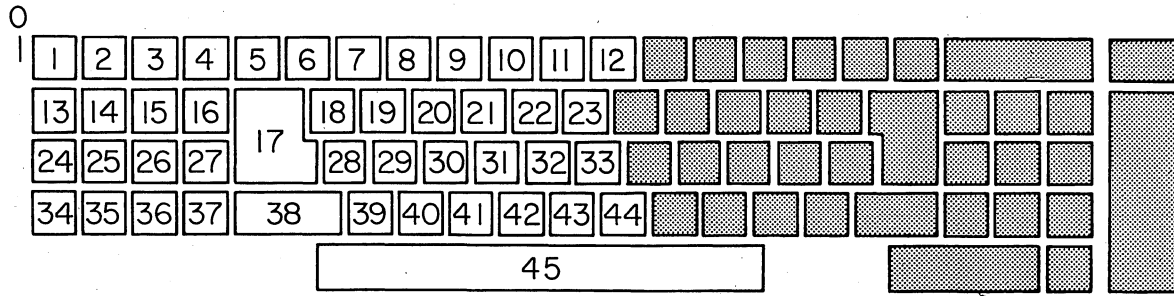
PART NUMBER	NOMENCLATURE	
	LOWER CASE	UPPER CASE
1124885	SPACE BAR	
1127936	BLANK	
1132259	SHIFT	
5151934	Æ	
5151937	BKSP	
5151942	SHIFT	
5151965	/	*
5152000	Å	]
5152003	Ø	≠
5152088	01	=
5152204	+	=
5152205	.	
5152206	02	
5152207	03	
5152208	04	
5152209	05	
5153410	06	
5153455	→	
5153464	.	
5153468	PROG	
	START	
5153469	'	+
5153470	15	
5153471	14	
5153472	13	
5153473	12	
5153474	11	
5153475	10	
5153476	16	
5153477	ERASE	
5153478	1	
5153479	2	
5153480	3	
5153484	7	
5153485	8	
5153486	9	
5153487	Å	<
5153488	1	↑
5153489	Å	>
5153490	RETURN	
5153491	ENTER-	
5153492	6	
5153493	5	
5153494	4	
5153498	ENTER+	
5153499	0	
5153505	.	
5153507	Ö	]
5153511	,	]

PART NUMBER	NOMENCLATURE	
	LOWER CASE	UPPER CASE
5153652	6	\$
5153653	4	£
5153670	0	α
5153672		←
5153674		A
5153675		Z
5153676		Q
5153678		W
5153690		Y
5172354	3	'
5172355		:
5172372	.	:
5172373	2	@
5172374	3	#
5172375	4	\$
5172376	5	%
5172378	7	&
5172380	9	(
5172381	0	)
5172382	-	-
5172384		Q
5172385		W
5172386		E
5172387		R
5172388		T
5172389		Y
5172401		U
5172402		I
5172403		O
5172404		P
5172406		A
5172407		S
5172408		D
5172409		F
5172410		G
5172411		H
5172412		J
5172413		K
5172414		L
5172415	:	;
5172419		Z
5172420		X
5172421		C
5172422		V
5172423		B
5172424		N
5172425		M
5172428	\	?
5172435	6	€

PART NUMBER	NOMENCLATURE	
	LOWER CASE	UPPER CASE
5173441	*	>
5173447	,	<<
5173450	Ñ	<<
5173452	>	·
5173457	*	≠
5173458	=	]
5173484	TAB	
5173512	8	'
5180561	KORR	
5180562	EING-	
5180563	EING+	
5180953	4	PTS
5180954	Ø	<
5180955	Æ	>
5180956	,	≠
5181048	07	
5992925	08	
5992926	09	
5993027	PROGR	
5993029	3	:
5993030	4	;
5993039	Å	]
5993040	8	?
5993041	ö	
5993042	/	*
5993043	ü	]
5993044	Å	≠
5993046	BLANK	
5993047	←	
5993048	R	
5993049	,	
5993054	ENTR+	
5993055	ENTR-	
5993056	2	:
5993057	2	:
5993059	4	≠
5993061	5	(
5993062	6	%
5993063	8	
5993064	9	§
5993066	-	)
5993067	2	Å
5993068	3	Ø
5993071	§	
5993072	M	:
5993073	/	≠
5993074	*	;
5993906	.	<
5993907	,	>

FIGURE 25. KEYBOARD ASSEMBLY. SHEET 3 OF 6. KEYBUTTON NOMENCLATURE. SEE CHART 2.

### KEYLEVER POSITIONS



FOR KEYLEVERS IN  
SHADED AREA,  
SEE CHART III, PART 2  
PAGE 77

### CHART III. INTERPOSER AND KEYLEVER POSITIONS (PART 1 OF 2)

KEYLEVER POSITION	0	1	2	3	4	5	6	7	8	9
INTERPOSER	5151890	5181004	5181004	5181004	5181004	5181004	5181004	5181004	5181004	5181004
INTERPOSER SPRING	130487	130487	130487	130487	130487	130487	130487	130487	130487	130487
KEYLEVER	NONE	5151911	5151911	5151911	5151911	5993932	1123947	1123947	1123947	1123947

KEYLEVER POSITION	10	11	12	13	14	15	16	17	18	19
INTERPOSER	5181004	5181004	5181004	5181004	5181004	5181004	5181004	5181004	5181004	5181004
INTERPOSER SPRING	130487	130487	130487	130487	130487	130487	130487	130487	130487	130487
KEYLEVER	1123947	1123947	1123947	5151910	5151910	5152084	5151910	1123949	1123948	1123948

KEYLEVER POSITION	20	21	22	23	24	25	26	27	28	29
INTERPOSER	5181004	5181004	5181004	5181004	5181004	5181004	5181004	5181004	5181004	5181004
INTERPOSER SPRING	130487	130487	130487	130487	130487	130487	130487	130487	130487	130487
KEYLEVER	1123948	1123948	1123948	1123948	5152084	5152084	5152084	5152084	1123949	1123949

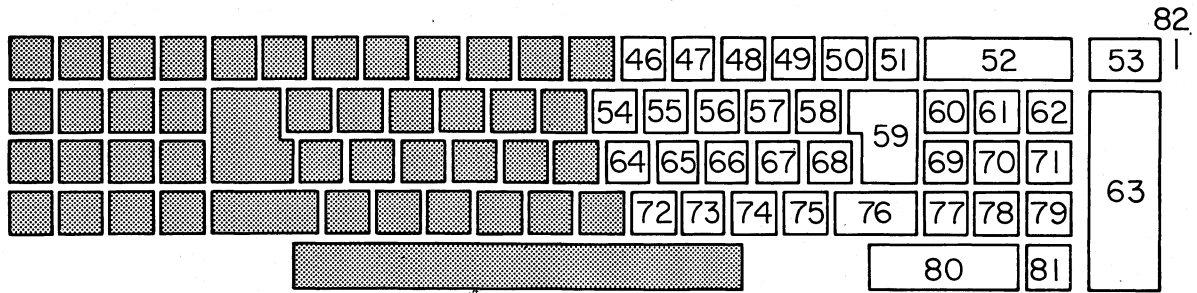
KEYLEVER POSITION	30	31	32	33	34	35	36	37	38	39
INTERPOSER	5181004	5181004	5181004	5181004	5181004	5181004	5181004	5181004	5180974	5181004
INTERPOSER SPRING	130487	130487	130487	130487	130487	130487	130487	130487	58851	130487
KEYLEVER	1123949	1123949	1123949	1123949	5151966	5151966	5151966	5151966	5153496	1123950

KEYLEVER POSITION	40	41	42	43	44	*45
INTERPOSER	5181004	5181004	5181004	5181004	5181004	5181004
INTERPOSER SPRING	130487	130487	130487	130487	130487	130487
KEYLEVER	1123950	1123950	1123950	1123950	1123950	*

\* KEYLEVER PART NO. 1187223 USED ON ALL LANGUAGE GROUPS EXCEPT DENMARK.  
KEYLEVER PART NO. 5151999 USED ON DENMARK LANGUAGE GROUP ONLY.

FIGURE 25. KEYBOARD ASSEMBLY. SHEET 4 OF 6. INTERPOSER AND KEYLEVER POS. SEE CHART 3.

KEYLEVER POSITIONS



FOR KEYLEVERS IN  
SHADED AREA,  
SEE CHART III, PART 2  
PAGE 77

CHART III. INTERPOSER AND KEYLEVER POSITIONS (PART 2 OF 2)

KEYLEVER POSITION	46	47	48	49	50	51	+ 52	* * 53	54	55
INTERPOSER	5181004	5181004	5181004	5181004	5181004	5181004	5181004	5181004	5181004	5181004
INTERPOSER SPRING	130487	130487	130487	130487	130487	130487	130487	130487	130487	130487
KEYLEVER	1123947	1123947	1123947	1123947	1123947	*	5151911	5994924 †	1123948	1123948

KEYLEVER POSITION	56	57	58	59	60	61	62	++ 63	64	65
INTERPOSER	5181004	5181004	5181004	5181004	5181004	5181004	5181004	5181004	5181004	5181004
INTERPOSER SPRING	130487	130487	130487	130487	130487	130487	130487	130487	80487	130487
KEYLEVER	1123948	1123948	1123948	1123949	5151910	5151910	5151910	5994930 †	1123949	1123949

KEYLEVER POSITION	66	67	68	69	70	71	72	73	74	75
INTERPOSER	5181004	5181004	5181004	5181004	5181004	5181004	5181004	5181004	5181004	5181004
INTERPOSER SPRING	130487	130487	130487	130487	130487	130487	130487	130487	130487	130487
KEYLEVER	1123949	1123949	1123949	5151909	5151909	5151909	1123950	1123950	1123950	1123950

KEYLEVER POSITION	76	77	78	79	80	81	82
INTERPOSER	5181004	5181004	5181004	5181004	5181004	5181004	5151890
INTERPOSER SPRING	130487	130487	130487	130487	130487	130487	130487
KEYLEVER	1133672	5151966	5151966	5151966	5151999	5992975	NONE

- \* KEYLEVER, PART NO. 5993932, USED ON ALL LANGUAGE GROUPS EXCEPT FINLAND/SWEDEN.  
KEYLEVER, PART NO. 5993992, USED ON FINLAND/SWEDEN LANGUAGE GROUP.
- + USE TWO ADDITIONAL KEYLEVERS, PART NO. 5151911, AND TWO KEYLEVER HOLD DOWN HOOKS,  
PART NO. 5153462, ON DENMARK LANGUAGE GROUP ONLY.
- \* \* KEYLEVER, PART NO. 5994924, USED ON ALL LANGUAGE GROUPS EXCEPT DENMARK.  
KEYLEVER, PART NO. 1123947, USED ON DENMARK LANGUAGE GROUP.
- ++ KEYLEVER, PART NO. 5994930, USED ON ALL LANGUAGE GROUPS EXCEPT DENMARK.  
KEYLEVER, PART NO. 5151909, USED ON DENMARK LANGUAGE GROUP.
- † REQUIRES NEW STYLE KEY BUTTON (2 MOUNTING POSTS)

FIGURE 25. KEYBOARD ASSEMBLY. SHEET 5 OF 6. INTERPOSER AND KEYLEVER POS. SEE CHART 3.

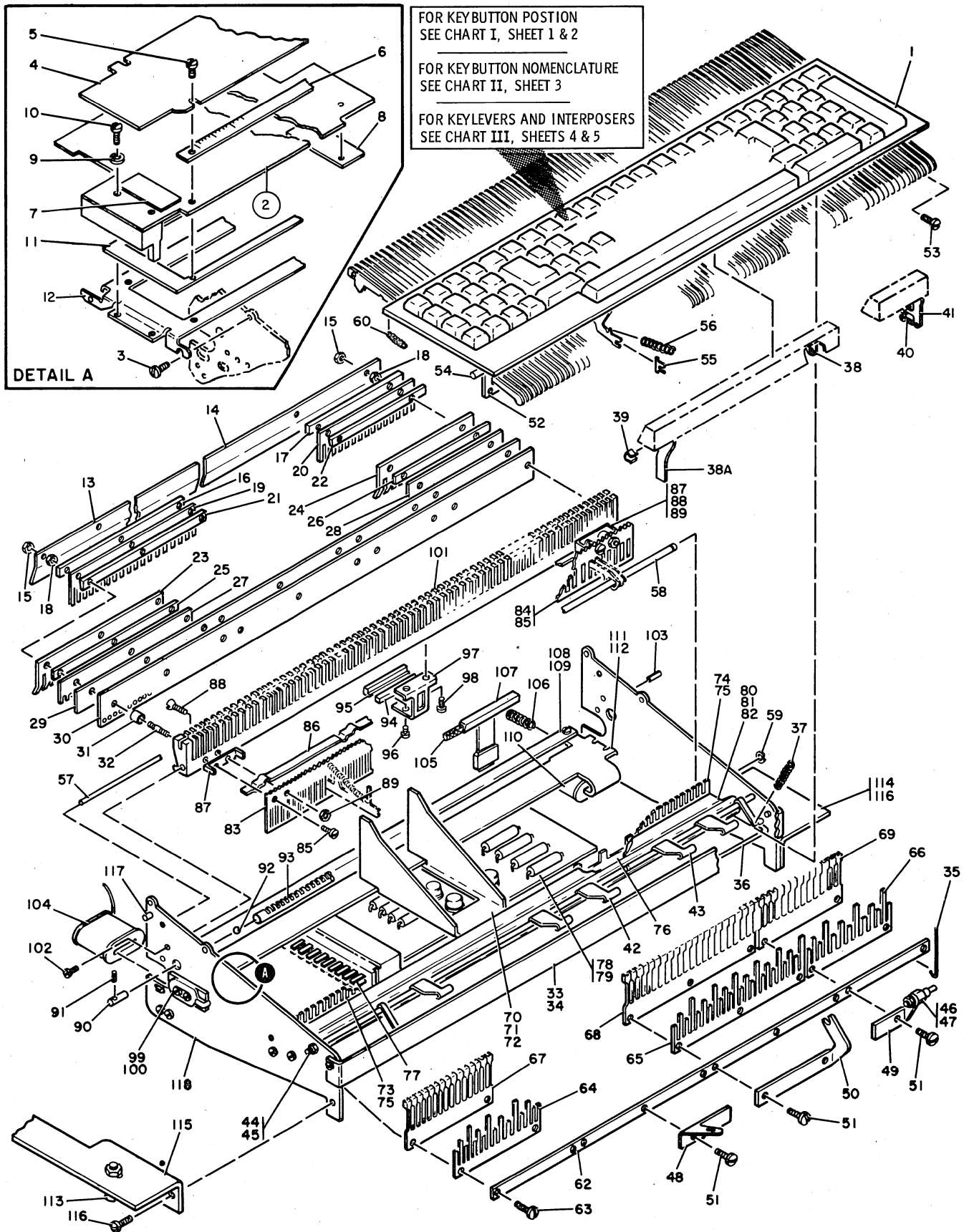


FIGURE 25. KEYBOARD ASSEMBLY. SHEET 6 OF 6. SEE LIST 25.

LIST AND INDEX NUMBER	PART NUMBER	DESCRIPTION	UNITS PER ASM.	USABLE ON CODE
		KEYBOARD ASSEMBLY		
25 -	5173460	KEYBOARD ASSEMBLY-UNITED STATES	REF	
-	5180958	KEYBOARD ASSEMBLY-AUSTRIA/GERMANY	REF	
-	5180959	KEYBOARD ASSEMBLY-BELGIUM/France 1	REF	
-	5180963	KEYBOARD ASSEMBLY-BELGIUM/France 2	REF	
-	5993058	KEYBOARD ASSEMBLY-PORTUGAL/BRAZIL	REF	
-	5993045	KEYBOARD ASSEMBLY-DENMARK	REF	
-	5993082	KEYBOARD ASSEMBLY-ITALIAN	REF	
-	5993083	KEYBOARD ASSEMBLY-UNITED KINGDOM	REF	
-	5993085	KEYBOARD ASSEMBLY-FINLAND/SWEDEN	REF	
-	5993086	KEYBOARD ASSEMBLY-SPANISH	REF	
-	5993087	KEYBOARD ASSEMBLY-SPAIN	REF	
-	5993088	KEYBOARD ASSEMBLY-NORWAY FOR NEXT HIGHER ASM SEE FIG 24-10 FOR ILLUSTRATION SEE FIG 25	REF	
- 1	5153510	. INSULATION	1	
- 2	5993094	. ENCODE BOARD, BRACKET ASSEMBLY	1	
- 3	55726	. SCREW, MACH-BIND HD 6-32 X .188 LG ATT PT	4	
- 4	5181006	. . COVER, ENCODING BOARD	1	
- 5	438548	. . SCREW, MACH BD HD- 4-40 X 0.188 LG ATT PT	8	
- 6	5151933	. . CLAMP, EDS BASE	1	
- 7	5173404	. . LABEL	1	
- 8	5994845	. . INSULATOR, ENCODE, LONG	1	
- 9	839413	. . WASHER, BEARING ATT PT	8	
- 10	338238	. . SCREW, MACH-BD HD 4-40 NC X .3125 LG ATT PT	4	
- 11	5153731	. . INSULATOR	1	
- 12	5151935	. . BRACKET	1	
- 13	1164103	. PLATE, SPRING RETAINER	1	
- 14	5151899	. GUARD, MEMBRANE SWITCH	1	
- 15	37913	. NUT ATT PT	4	
- 16	5151929	. CLAMP, OUTER	3	
- 17	5151930	. CLAMP, OUTER-SPECIAL, LONG	1	
- 18	37913	. NUT ATT PT	12	
- 19	5180997	. SPRING, LATCH-CENTER	3	
- 20	5181003	. SPRING, LATCH-RH	1	
- 21	5151925	. SPACER, ANGLE	3	
- 22	5151926	. SPACER, SPRING	1	
- 23	5151923	. SPRING, ACTUATOR	3	
- 24	5151924	. SPRING, ACTUATOR-SPECIAL, LONG	1	
- 25	5151921	. SPACER, SPRING	3	
- 26	5151922	. SPACER, SPRING-SPECIAL, LONG	1	
- 27	5151919	. CLAMP, SWITCH	3	
- 28	5151920	. CLAMP, SWITCH-SPECIAL, LONG	1	
- 29	5151918 NP	. DIAPHRAGM, LONG-EDS FOR DIAPHRAGM REPLACEMENT, ORDER 5993931	1	
- 30	5151917 NP	. SEPARATOR, LONG-EDS FOR SEPARATOR REPLACEMENT, ORDER 5993931	1	
- 31	5151915	. SPACER, STUD- .151 ID	12	
- 32	2161341	. SCREW-HEADLESS SET, 4-40 X 3/4 LG	12	
- 33	5151885	. GUIDE, KEYLEVER	1	
- 34	55726	. SCREW, MACH-BIND HD 6-32 X .188 LG ATT PT	2	
- 35	5153462	. HOOK USED PRIOR TO EC 308957	AR	
- 36	5151904	. BAIL, SHIFT KEY	1	
- 37	150735	. SPRING, HELICAL, EXTENSION 35 TURNS	2	
- 38	1134899	. INSERT, SPACE BAR	3	
- 38A	1203250	. ARM	1	
- 39	1128270	. RETAINER	3	
- 40	1073866	. BUSHING	2	
- 41	1141109	. STEM, SB CENTER	2	
- 42	5994878	. SHAFT ASM	1	
- 43	5153501	. SHAFT ASM	1	
- 44	1123987	. SCREW ATT PT	2	
- 45	38051	. NUT, PLAIN HEX- 6-32 X 1/4 PL W STL ATT PT	2	
- 46	1141106	. STUD	2	
- 47	37913	. NUT ATT PT	2	
- 48	5993095	. SUPPORT	1	
- 49	5153495	. SUPPORT	1	
- 50	5153504	. SUPPORT ASM	1	
- 51	81693	. SCREW, MACH BD HD- 6-32 X 0.375 LG ATT PT	4	
- 52	5151881	. COMB, KL GUIDE-RH	2	
- 53	81693	. SCREW, MACH BD HD- 6-32 X 0.375 LG ATT PT	6	
- 54	5151883	. ROD	1	
- 55	1141269	. SLEEVE	2	
- 56	1090404	. SPRING, HELICAL, EXTENSION	2	
- 57	5151874	. ROD, FULCRUM	1	
- 58	5151877	. ROD	1	



LIST AND INDEX NUMBER	PART NUMBER	DESCRIPTION	UNITS PER ASM.	USABLE ON CODE
		1 2 3 4		
- 59	1092125	. RING-RETAINING	ATT PT	2
- 60	1164080	. SPRING,EXTENSION		79
- 62	5151878	. PLATE KL,SPRING CODE		1
- 63	81693	. SCREW,MACH-BIND HD 6-32 X 3/8 LG	ATT PT	9
- 64	5153497	. COMB ASSEMBLY		1
- 65	1133683	. COMB, R.H.		2
- 66	1133682	. COMB, KL RETURN LH		1
- 67	5152096	. SPRING-KL RETURN LH		1
- 68	1133654	. SPRING-KL RETURN		2
- 69	5181002	. SPRING-KL RETURN LH		1
- 70	5993079	. BRACKET,SUPPORT		1
- 71	1077739	. PIN,SPRING- 0.103 X 0.375 LG		2
- 72	5993080	. STUD,HEX- 4-40		1
- 73	5151879	. COMB,INTER FULCRUM-LH		1
- 74	5151880	. COMB,INTER FULCRUM-RH		1
- 75	10170	. SCREW,MACH-BIND HD 6-32 X 0.250 LG	ATT PT	6
- 76	5993076	. SUPPORT		2
- 77	216075	. TERMINAL BLOCK AND CONTACT ASSEMBLY		1
- 78	375410	. CARD ASSEMBLY		1
- 79	338238	. SCREW, MACH-BD HD 4-40 NC X .3125 LG	ATT PT	1
- 80	5151875	. SUPPORT,COMB		1
- 81	58207	. SCREW, BD HD MACH-8-32 NC-2A X .250 LG	ATT PT	4
- 82	2102365	. CLAMP,CABLE		1
- 83	5151882	. PLATE,GUIDE-LH		1
- 84	5181001	. PLATE,INTERPOSER GUIDE-RH		1
- 85	438551	. SCREW,MACH-BIND HD 4-40 X 5/8 LG	ATT PT	7
- 86	5151888	. PLATE,GUIDE-LH USED PRIOR TO EC 308957		1
- 87	1134980	. CLAMP, TUBE RETAINING		7
- 87	1148453	. CLAMP,TUBE RETAINING USED PRIOR TO 808957 USED AFTER EC 808957		7
- 88	438558	. SCREW,PLATE MTG	ATT PT	7
- 89	38214	. NUT,PLAIN,HEX- 4-40 X 1/4 FL W	ATT PT	7
- 90	5151884	. PLUNGER,COMP TUBE		2
- 90	104699	. PLUNGER,COMP TUBE USED PRIOR TO EC 808957 USED AFTER EC 808957		2
- 91	1175213	. SETSCREW- 4-48 UNC X 1/4	ATT PT	2
- 92	1124682	. BALL, COMPENSATOR, S ST, 0.18750 DIA		AR
- 93	5151876	. TUBE,COMPENSATOR		1
- 93	5181033	. TUBE,COMPENSATOR USED PRIOR TO EC-808957		1
- 94	5993937	. FOAM		1
- 95	5993936	. BLOCK,BAIL DAMPENER MTG		1
- 96	438548	. SCREW,MACH-BIND HD 4-40 X .188 LG	ATT PT	1
- 97	5993935	. BRACKET,RESTORE BAIL SUPPORT		1
- 98	38429	. SCREW,MACH-PH 2-56 X 3/16 LG	ATT PT	2
- 99	5993941	. STOP,BAIL		2
-100	10170	. SCREW-MACH,BIND HD NO. 6-32 X .250 LG	ATT PT	4
-101	5151873	. SUPPORT,KL FULCRUM-LONG		1
-102	58207	. SCREW, BD HD MACH-8-32 NC-2A X .250 LG	ATT PT	2
-103	1077739	. PIN,SPRING- 0.103 X 0.375 LG		2
-104	5181030	. COIL ASM-LH		1
-105	5152202 NP	. FOAM		1
-106	58852	FOR FOAM REPLACEMENT,ORDER 5993078		2
-107	5151889 NP	. SPRING,HELICAL,EXTENSION- 42 TURNS . BAIL,INTERPOSER RESET		1
-108	5172366	FOR BAIL ASM REPLACEMENT,ORDER 5993078		1
-109	55726	. RETAINER,ARMATURE		2
-110	5181028	. SCREW,MACH BD HD- 6-32 X 0.188 LG	ATT PT	1
-111	5993926	. COIL ASM		1
-112	58207	. YOKE-LONG		4
-113	802135	. SCREW, BD HD MACH-8-32 NC-2A X .250 LG	ATT PT	1
-114	5180970	. MOUNT, RUBBER SHOCK		4
-115	5180961	. BRACKET-RH		1
-116	58207	. BRACKET-LH		1
-117	437289	. SCREW, BD HD MACH-8-32 NC-2A X .250 LG	ATT PT	4
-118	5151892	. PIN,ROLL		2
		. PLATE,SIDE		2

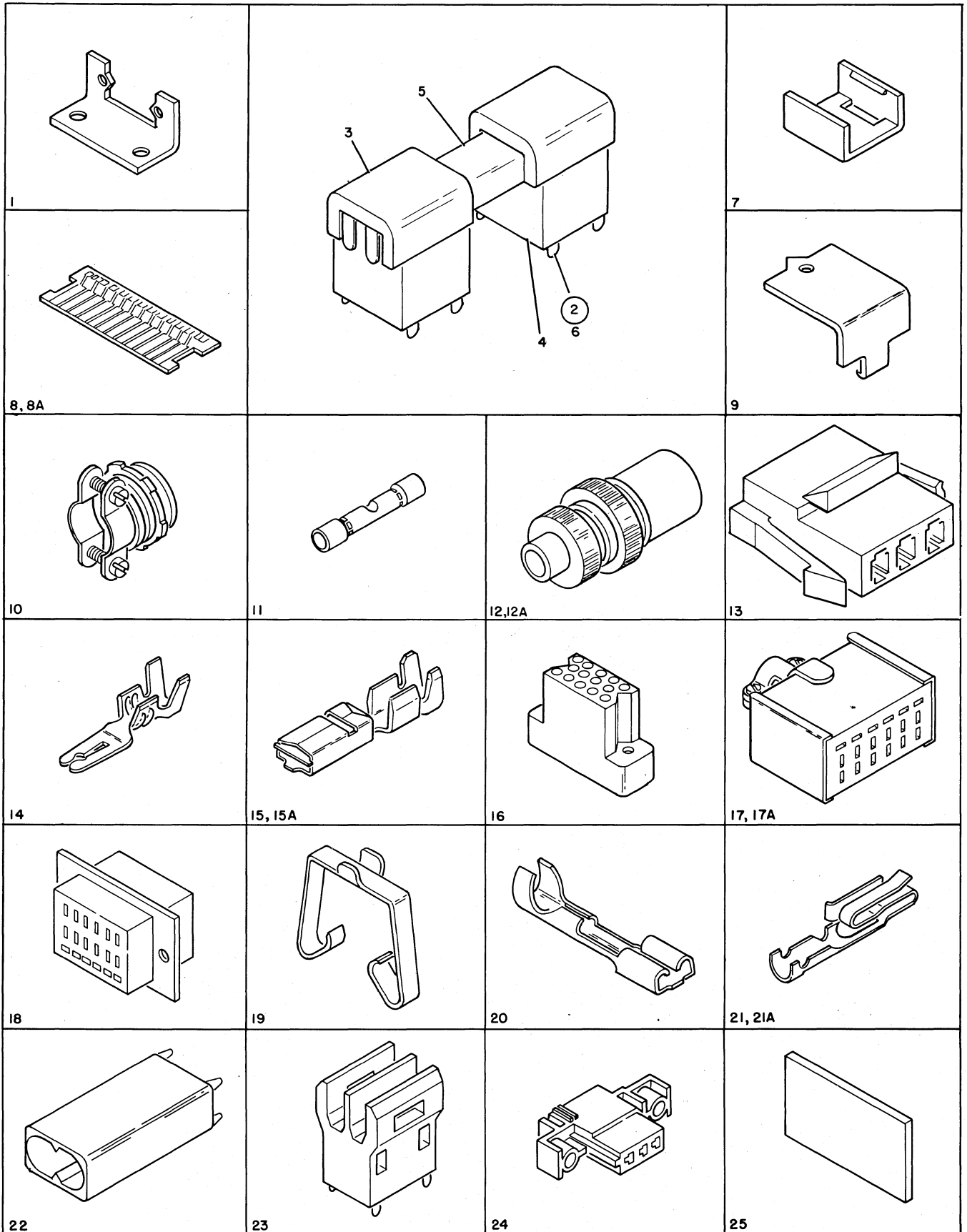


FIGURE 27. 5406 CABLE ASSEMBLIES. SHEET 1 OF 2. INDEX NOS. 1-25. SEE LIST 27.

LIST AND INDEX NUMBER	PART NUMBER	DESCRIPTION				UNITS PER ASM.	USABLE ON CODE
		1	2	3	4		
		5406 CABLE ASSEMBLIES					
27 -	NO NO.	5406 CABLE ASSEMBLIES FOR ILLUSTRATIONS SEE FIG 27					
-	5128865	CABLE ASM, HALT INDICATORS FOR COMPONENT PARTS SEE INDEXES 8, 11, 25, 28, 31, 33, 38 AND 38A				1	
-	5128866	CABLE ASM, FIELD AND CMND INDICATOR FOR COMPONENT PARTS SEE INDEXES 8, 25, 28, 31, 33, 38 AND 38A				1	
-	5128867	CABLE ASM, CONSOLE TO DISCONNECT FOR COMPONENT PARTS SEE INDEXES 8, 28, 31, 33, 38 AND 38A				1	
-	5128980	CABLE ASM, 115VAC OUTLET CB1-T3 FOR COMPONENT PARTS SEE INDEXES 35C, 35F AND 40				1	
-	5128992	CABLE ASM, AC PWR TO I/O FOR COMPONENT PARTS SEE INDEXES 35, 35C AND 35F				1	
-	5129092	CABLE ASM, FEATURE CMND INDICATORS FOR COMPONENT PARTS SEE INDEXES 8, 25, 28, 31, 33, 38 AND 38A				1	
-	5129152	CABLE ASM, FILTER TO CB1 FOR COMPONENT PARTS SEE INDEXES 34B AND 35				1	
-	5129153	CORD, POWER 8FT 60HZ 3PH FOR COMPONENT PARTS SEE INDEXES 10, 12, 34C AND 35				1	
-	5129155	CABLE ASM, AC TO BULKS, TB2 AND MTRS FOR COMPONENT PARTS SEE INDEXES 34, 35C, 35D, 35F, 37 AND 39				1	
-	5129156	CABLE ASM, AC LAMP DISTRI- 7.25VAC FOR COMPONENT PARTS SEE INDEXES 2, 7, 19, 23, 34 AND 35F				1	
-	5129157	CABLE ASM, REGULATOR BLOWER FOR COMPONENT PARTS SEE INDEXES 13, 35D AND 44				1	
-	5129164	CABLE ASM, REG CKTS, FAULT, BIAS AND SENSE FOR COMPONENT PARTS SEE INDEXES 15, 20, 34, 35B, 35D THRU 36A, 40, 43 AND 45				1	
-	5129169	CABLE ASM, PIN FEED SENSE FOR COMPONENT PARTS SEE INDEXES 8, 28, 31 AND 33				1	
-	5129173	CABLE ASM, FILE BLOWER TO I/O DISTR FOR COMPONENT PARTS SEE INDEX 35D				1	
-	5129178	CABLE ASM, AC TO FILE 1 OR 2 MTR FOR COMPONENT PARTS SEE INDEXES 34 AND 37A				1	
-	5129179	CABLE ASM, AC TO I/O PWR PAC FOR COMPONENT PARTS SEE INDEXES 35 AND 35C				1	
-	5129193	CABLE ASM, GATE BLOWERS FOR COMPONENT PARTS SEE INDEXES 13, 35C, 35D, 35E AND 44				1	
-	5129198	CABLE ASM, DC PWR TO PRTR FOR COMPONENT PARTS SEE INDEXES 35C AND 39				1	
-	5129247	CABLE ASM, +24VDC DIRTY TO I/O DISTR FOR COMPONENT PARTS SEE INDEXES 35C, 35F, 41 AND 42				1	
-	5129248	CABLE ASM, +24VDC CLEAN TO I/O DISTR FOR COMPONENT PARTS SEE INDEXES 35C, 35F, 41 AND 42				1	
-	5129278	CABLE ASM, DRUM INDICATORS FOR COMPONENT PARTS SEE INDEXES 8A, 21, 21A, 25 AND 32				1	
-	5129279	CABLE ASM, MACHINE CYCLE INDICATORS FOR COMPONENT PARTS SEE INDEXES 8A, 21, 21A, 25, 32 AND 36				1	
-	5129280	CABLE ASM, CLOCK INDICATORS FOR COMPONENT PARTS SEE INDEXES 8A, 21, 21A, 25 AND 32				1	
-	5129281	CABLE ASM, ROTARY BIT SWITCHES FOR COMPONENT PARTS SEE INDEXES 8A, 25 AND 32				1	
-	5129282	CABLE ASM, CE MODE AND TOGGLE SWITCHES FOR COMPONENT PARTS SEE INDEXES				1	

LIST AND INDEX NUMBER	PART NUMBER	DESCRIPTION				UNITS PER ASM.	USABLE ON CODE
		1	2	3	4		
27'-	5129283	CABLE ASM, DRUM SWITCH				1	
-	5129284	FOR COMPONENT PARTS SEE INDEXES 8A, 25, 32, 36, 38 AND 38A CABLE ASM, OPER CTRL AND LSR SELECTOR SW				1	
-	5129285	FOR COMPONENT PARTS SEE INDEXES 8A, 25, 32, 36, 38 AND 38A CABLE ASM, FE TO DISCONNECT				1	
-	5129286	FOR COMPONENT PARTS SEE INDEXES 8, 15A, 21, 28, 31, 33, 36 AND 38A CORD, POWER 8FT 50HZ 3PH-WT				1	
-	5129287	FOR COMPONENT PARTS SEE INDEXES 10, 34B AND 34C CABLE ASM, FILTER TO CB1				1	
-	5129304	FOR COMPONENT PARTS SEE INDEXES 34B, 34C, 35 AND 39 CABLE ASM, 220VAC OUTLET TB0-T3 50HZ				1	
-	5129308	FOR COMPONENT PARTS SEE INDEXES 35C AND 35F CABLE ASM, AC DISTR TO FILE FANS 50HZ				1	
-	5129353	FOR COMPONENT PARTS SEE INDEX 35C CABLE ASM, SEC PWR BOX-REG-CONSOLE-T2				1	
-	5129354	FOR COMPONENT PARTS SEE INDEXES 17, 34, 34D, 35A, 35C, 35D, 35F, 36, 36A, 37, 38 AND 38A CABLE ASM, DC POWER TO CONSOLE				1	
-	5129355	FOR COMPONENT PARTS SEE INDEXES 15A, 17A, 18, 38 AND 38A CABLE ASM, SECONDARY POWER BOX				1	
-	5129372	FOR COMPONENT PARTS SEE INDEXES 36, 38 AND 38A . CABLE ASM, TAPE RECORDER				1	
-	5129522	FOR COMPONENT PARTS SEE INDEXES 8, 28, 31 AND 33 . CORD, POWER 8FT 50HZ 3PH-WT				1	
-	5129523	FOR COMPONENT PARTS SEE INDEXES 10, 34B AND 34C . CORD, POWER 8FT 50/60HZ 3PH-WT JAPAN				1	
-	5129525	FOR COMPONENT PARTS SEE INDEXES 10, 34B AND 34C . CABLE ASM, MTR RUN CKTS				1	
-	5129554	FOR COMPONENT PARTS SEE INDEXES 7, 14, 19, 22, 23, 35D AND 37A . CABLE ASM, AC TO BULKS, TB2 AND MTRS				1	
-	5129575	FOR COMPONENT PARTS SEE INDEXES 34, 35C, 35F AND 37A . CABLE ASM, VFC-PRTR SENSE				1	
-	5129702	FOR COMPONENT PARTS SEE INDEXES 8, 28, 31 AND 33 . CABLE ASM, AC LAMP DIST-BSCA				1	
-	5129703	FOR COMPONENT PARTS SEE INDEXES 2 AND 34 . CABLE ASM, SWITCHES AND -12V SUPPLY-BSCA				1	
-	5129704	FOR COMPONENT PARTS SEE INDEXES 7, 19, 23, 35, 35A, 35D, 36 AND 38 . CABLE ASM, 6V, -4V BIAS, SENSE AND THERML				1	
-	5129705	FOR COMPONENT PARTS SEE INDEXES 20, 34, 35A, 35F, 36 AND 43 . CABLE ASM, 208VAC TO FERRO 3				1	
-	5129706	FOR COMPONENT PARTS SEE INDEXES 35C, 35F AND 40 . CABLE ASM, AC TO -12V SUPPLY-BSCA				1	
-	5133537	FOR COMPONENT PARTS SEE INDEXES 35C AND 40 . CABLE ASM, AC TO FILE NO-1 CONN				1	
-	5133538	FOR COMPONENT PARTS SEE INDEXES 20, 24, 35C AND 35F . CABLE ASM, DC TO FILE NO-1 CONN				1	
-	5133539	FOR COMPONENT PARTS SEE INDEXES 1, 9, 16, 26, 29, 30, 34A, 35C AND 35D . CABLE ASM, AC TO FILE NO-2 CONN				1	
-	5133540	FOR COMPONENT PARTS SEE INDEXES 20, 24, 35C AND 35F . CABLE ASM, DC TO FILE NO-2 CONN				1	
-	5133559	FOR COMPONENT PARTS SEE INDEXES 1, 9, 16, 26, 29, 30, 34A, 35C AND 35D . CABLE ASM, 60HZ FAN				1	
		FOR COMPONENT PARTS SEE INDEXES 35E AND 44					



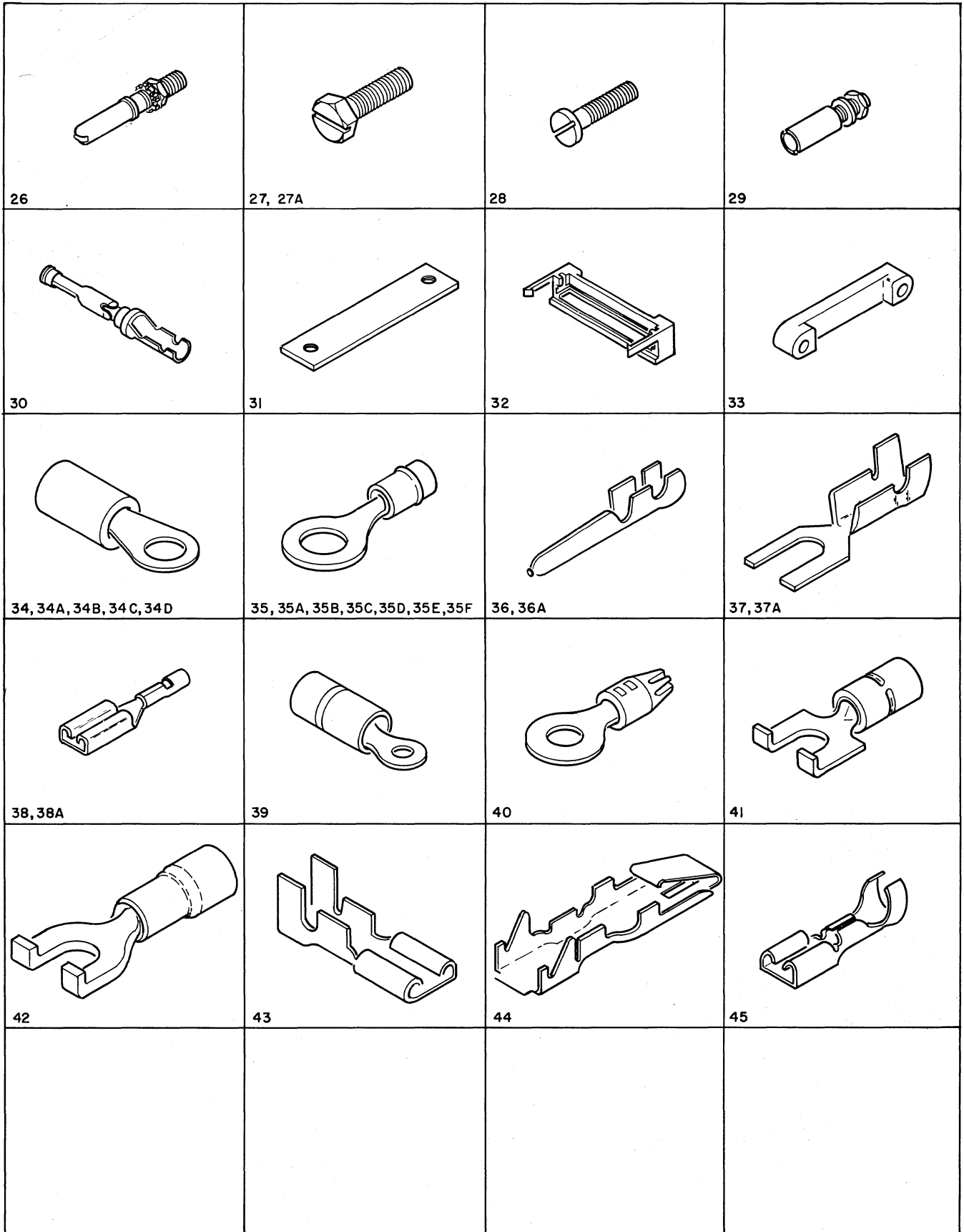


FIGURE 27. 5406 CABLE ASSEMBLIES. SHEET 2 OF 2. INDEX NOS. 26-45. SEE LIST 27.



# NUMERICAL INDEX

PART NO.	LIST AND INDEX NO.	PART NO.	LIST AND INDEX NO.	PART NO.	LIST AND INDEX NO.	PART NO.	LIST AND INDEX NO.
99	8 - 41	11590	21 - 55	38364	1 - 26	58207-CONT	21 - 109
337	19C-129	11598	9 - 7	38372	8 - 31		22 - 119
358	11 - 16		15 - 12		14 - 48		25 - 81
360	2 - 99		16 - 16	38429	25 - 98		25 - 102
367	17 - 40		17 - 44	38443	17 - 5		25 - 112
453	19A- 98		17 - 60		17 - 35		25 - 116
	19C-100		18 - 52	38451	22 - 9K	58852	25 - 106
2903	19A- 76		21 - 47	38454	22 - 9R	60090	19A- 34
	19A-102		21 - 70	38457	19A- 33	60489	1 - 79
3550	14 - 17	19852	21 - 96	38686	19A- 66		21 - 17
	16 - 32	19944	4 - 5		19C-138	65317	5 - 16
	18 - 50	22478	2 - 55	38776	3 - 21	65756	11 - 9
	19A- 67		8 - 16	45690	2 - 23		11 - 35
	19A- 94	23141	4 - 16		2 - 32		11 - 42
	21 - 46	24107	22 - 132		2 - 83		12 - 4
	22 - 81	25282	1 - 29		2 - 155		19A- 93
3960	2 - 148	25627	16 - 22		8 - 3		19C- 96
	11 - 8		19B- 11		14 - 3	76574	16 - 31
	11 - 34		19C-105		17 - 42		16 - 45
	11 - 41		21 - 100		17 - 62		17 - 58
	12 - 3	28413	2 - 7		19A- 74		19A- 22
	22 - 9A		6 - 12	47242	21 - 36		19C- 84
4636	22 - 41		8 - 43		21 - 59	79779	17 - 72
5471	19A- 49		9 - 5	55711	4 - 14	80650	19 - 11
	19C-141		15 - 10	55726	17 - 25	80651	6 - 10
5528	14 - 68		17 - 55		19C- 32		16 - 50
	22 - 88	32042	2 - 129		19C- 61		17 - 3
6364	6 - 3		9 - 14		19C- 65		19A- 13
	17 - 17		10 - 6		19C- 91	8163	19C- 98
7327	18 - 49		11 - 17		22 - 110	81693	7 - 7
8163	19A- 96		12 - 6		22 - 114		19A- 18
8506	3 - 7		15 - 15		22 - 122		19A- 78
	13 - 8		15 - 30		22 - 134		19B- 5
9092	16 - 15		19C- 21		25 - 3		19C- 48
	17 - 43	32617	2 - 154		25 - 34		19C- 80
9299	22 - 96	34512	5 - 43		25 - 109		22 - 117
10170	2 - 5		14 - 57		4 - 8		25 - 51
	2 - 26		16 - 22	55901	2 - 3		25 - 53
	2 - 28		19B- 8		8 - 73		25 - 63
	2 - 54		21 - 14		10 - 27		4 - 25
	2 - 60		22 - 93		15 - 36	82353	5 - 16
	2 - 123		3A - 7		16 - 54	91610	19C- 94
	5 - 7	35739	2 - 126		19A-117	92752	19A- 12
	5 - 9		5 - 11		19C-119		19C-128
	7 - 12		5 - 17		4 - 15	92784	27 - 34
	8 - 15		9 - 9	56079	2 - 57	99174	9 - 4
	8 - 66		16 - 35		9 - 6		15 - 13
	14 - 35		19A- 37		9 - 15	104294	7 - 10
	16 - 5		22 - 68		10 - 11	104615	5 - 26
	16 - 28		22 - 75		10 - 19		5 - 33
	17 - 2		4 - 20		15 - 11		4 - 36
	17 - 38	36109	22 - 82		15 - 19	104699	25 - 90
	17 - 50	36844	16 - 30		15 - 27	107666	5 - 25
	18 - 11		22 - 80		17 - 41		5 - 31
	18 - 14	37913	19C- 89		17 - 61	107668	5 - 31
	19 - 2		22 - 51		4 - 15		4 - 35
	19 - 5		25 - 15	56121	21 - 97C	107669	5 - 31
	19A- 16		25 - 18	56722	7 - 8	109918	2 - 68
	19A- 26		25 - 47		9 - 15	110029	1 - 11
	19A- 47	38051	25 - 45		11 - 31		1 - 31
	19C- 6	38094	11 - 20	58207	1 - 76	110775	1 - 104
	19C- 12		12 - 10		2 - 45	111256	17 - 32
	19C- 18	38214	25 - 89		2 - 85	112628	2 - 63
	19C- 46	38235	5 - 27		2 - 87	113305	4 - 14
	19C- 78		5 - 34		2 - 102	117252	5 - 32
	19C-133		9 - 14		2 - 104	120211	10 - 18
	19C-135		16 - 26		2 - 106		15 - 26
	22 - 12		19 - 8		2 - 166	121973	2 - 110
	22 - 71		22 - 6		10 - 29	123070	19C- 72
	22 - 85		22 - 58		15 - 35	123786	4 - 32
	25 - 75		4 - 37		16 - 53	124943	5 - 45
	25 - 100	38350	6 - 2		19C- 34		7 - 15
	3A - 11		18 - 47		19C-127	125738	16 - 48
	4 - 11		22 - 64		21 - 57	125930	21 - 37
	4 - 22	38352	11 - 30		21 - 80		21 - 60
10305	22 - 131	38362	1 - 87		21 - 99	127324	16 - 43



PART NO.	LIST AND INDEX NO.	PART NO.	LIST AND INDEX NO.	PART NO.	LIST AND INDEX NO.	PART NO.	LIST AND INDEX NO.
127324-CONT	17 - 56	216465	3A - 23	257986-CONT	22 - 44	323841-CONT	17 - 45
	19A- 20	216475	3A - 25		4 - 9	323844	19A- 54
130431	24 - 4	216479	3A - 19	269127	3A - 16		19C-149
130434	10 - 10	216991	19C- 57	300793	18 - 43	323845	17 - 51
	15 - 18	217019	17 - 64	301731	2 - 35	327922	8 - 42
131713	19A-108	221542	23 - 1		22 - 66	327923	8 - 44
138755	5 - 21	221790	2 - 118	301768	17 - 24	331982	17 - 27
	4 - 12		5 - 20	302090	3 - 17	332560	2 - 71
150735	25 - 37		16 - 18		18 - 22		8 - 48
160017	16 - 44		17 - 12	302131	3 - 19		14 - 64
	17 - 57		19 - 10		18 - 24	332620	2 - 48
	19A- 21		19A- 11	311699	13 - 6		2 - 120
	19A- 92		19A- 82		13 - 20		19A- 70
	19C- 83		19C-118		19A- 63		21 - 102
	19C- 95		22 - 78		19A- 86		21 - 104
161351	19A- 50		22 - 91	313361	27 - 37A		21 - 111
	19C-142	222063	3A - 29	315956	16 - 6	332765	11 - 11
165010	6 - 5	225532	2 - 47		19A- 55	333769	11 - 46
166668	24 - 40	228093	23 - 13		19C-145	334768	27 - 35B
167338	24 - 47	236550	19C- 26	315957	16 - 9	334910	13 - 12
170202	7 - 4		19C- 41		19A- 58A		27 - 35C
	7 - 22	236849	2 - 77		19C-148	334921	27 - 35D
170225	5 - 2		11 - 37	315974	3 - 15	334932	19C- 36
173937	22 - 97		16 - 3	315975	3A - 32		19C- 56
177946	22 - 54		16 - 11	316170	19A- 71		27 - 35E
179743	2 - 133		16 - 46	316807	19A- 40	336766	2 - 131
	6 - 8		16 - 52	316996	17 - 65	337193	4 - 10
	18 - 29		19A- 65	317049	19A- 28	338238	19C- 88
	18 - 34		19A- 73	317131	4 - 18		25 - 10
	18 - 36		19A-121	317145	5 - 10		25 - 79
	18 - 38	236915	22 - 95	317310	7 - 17	342250	27 - 10
	18 - 40	236916	27 - 38	317315	19C- 7	344015	2 - 50
	18 - 42	237032	27 - 38A	317485	16 - 34	350663	8 - 44
	18 - 54	250525	21 - 69		17 - 45		8 - 75
	24 - 36		13 - 11		19A- 36	350966	16 - 27
179946	5 - 37		13 - 17		4 - 18		17 - 37
	13 - 15	251970	11 - 28	320451	22 - 86	352088	19A- 46
	17 - 33	253569	9 - 12	320456	4 - 7		19C-134
	19A- 14		10 - 13	321483	18 - 4	352774	5 - 19
	19C-130		10 - 26		19A-116	352827	2 - 122
	4 - 33		15 - 21	322025	27 - 35A		16 - 27
179966	19A- 51	253740	15 - 33	322029	2 - 109		17 - 37
	19C-143	255629	27 - 39		11 - 6	357995	5 - 42
180894	19C- 19		17 - 71		12 - 2	359695	27 - 40
185196	6 - 6		19C-102	322061	1 - 105	360339	5 - 12
186758	2 - 114	256106	8 - 36		21 - 82	360370	27 - 35F
	22 - 9F	257079	5 - 23	322065	17 - 22	360433	27 - 36A
	2 - 33		5 - 29		17 - 52	361497	3A - 23A
186759	19A- 75		4 - 38		19A- 89	361536	16 - 20
	27 - 27	257080	5 - 24		19C- 8		17 - 14
186915	27 - 27A		5 - 30	322266	4 - 21		19C-115
186916	22 - 129		19C-124	322269	2 - 37	361968	16 - 21
186968	27 - 35		4 - 34		22 - 69		19A- 61
187243	27 - 36	257187	7 - 9	322550	2 - 36		19C-106
187410	27 - 37		11 - 32		5 - 7	362206	13 - 2
204604	14 - 19		17 - 18		5 - 9		4 - 3
205331	3 - 13		17 - 23		13 - 19	362243	13 - 21
208825	16 - 39		22 - 7		16 - 8	363434	19C- 16
210883	2 - 125		22 - 59		17 - 47	365716	1 - 104A
	7 - 18	257189	1 - 13		19A- 56	367027	21 - 97B
	16 - 36		1 - 33		19A- 80	367115	2 - 34
	17 - 46		2 - 2		19C- 14		22 - 65
	19A- 57		5 - 44		19C- 77		22 - 72
	19C- 15		14 - 70		19C-112	368168	5 - 40
	19C-146		17 - 10		19C-147	368222	27 - 41
	19C-150		17 - 29		19C-151	369207	2 - 121
	22 - 67		22 - 9R	322551	19A- 62		14 - 9A
	22 - 74		24 - 49		19C-107		16 - 1
210884	7 - 19	257701	2 - 17		22 - 3		19 - 7
213693	3A - 31	257982	21 - 40		22 - 45		19B- 2
216075	25 - 77		21 - 63	322572	19A- 97		4 - 39
216362	7 - 11		23 - 3		19C- 99	369388	3A - 21
216443	3A - 24	257984	22 - 50		19C- 13	375350	7 - 6
216452	3A - 20	257986	8 - 57	322767	2 - 127	375410	25 - 78
216463	3A - 26		14 - 81	323681	2 - 124	418835	5 - 42
			22 - 4	323841	16 - 34	419131	19C- 52

PART NO.	LIST AND INDEX NO.	PART NO.	LIST AND INDEX NO.	PART NO.	LIST AND INDEX NO.	PART NO.	LIST AND INDEX NO.
419131-CONT	4 - 28	526310	22 - 73	631769-CONT	19C- 58	811426-CONT	14 - 50
437289	25 - 117	526378	16 - 19		19C- 62		14 - 84
438548	3 - 5		17 - 13	642763	5 - 35	811427	14 - 22
	8 - 69B		19A- 60		19C-125		22 - 103
	14 - 36B		19A- 83		4 - 31		24 - 52
	19C- 45		19C-109	644518	13 - 1	811742	8 - 11
	19C-117		19C-114	721609	27 - 12A		14 - 49
	23 - 18	527916	16 - 37	723455	15 - 7	811804	11 - 4
	23 - 20		17 - 48	725510	18 - 53	811879	14 - 28
	25 - 5		4 - 21	725557	27 - 13	813179	14 - 52
	25 - 96	528007	17 - 30	725558	9 - 10	813195	27 - 14
438549	3 - 18		19A-110		10 - 14	813197	27 - 22
	18 - 23	528011	8 - 20		10 - 24	813253	27 - 5
	27 - 28	528012	8 - 19		15 - 22	813263	27 - 2
438551	22 - 49	528013	8 - 17		15 - 31	813321	2 - 73
	25 - 85	528014	8 - 18	725745	3A - 27		8 - 39
438554	19C- 39	533342	22 - 84	730432	17 - 36		8 - 49
438556	19C- 28	533361	16 - 4	730439	19A- 58		14 - 60
438558	25 - 88		19A- 45		19C-152		14 - 75
438566	21 - 6		19C-132	734483	8 - 69	813392	22 - 120
	21 - 11	534768	14 - 71		14 - 33	813417	14 - 53
	21 - 43	535249	8 - 27	736917	8 - 74	813451	8 - 67
	21 - 66	535506	19C- 5	738825	18 - 28		14 - 32
438567	19A- 85	535643	20 - 10		24 - 28	813452	8 - 68
438568	13 - 5	535983	18 - 3	738826	6 - 7		14 - 31
438574	17 - 16		24 - 51		18 - 39	813465	8 - 60
438586	2 - 93	550049	3A - 22		24 - 29		14 - 30
	2 - 143	550051	3A - 30	738827	24 - 30	813466	8 - 59
438588	2 - 22	550578	22 - 89	738828	18 - 35		14 - 26
	2 - 31	553380	24 - 24		18 - 41	813482	8 - 64
438593	17 - 8	563893	19A- 84		24 - 32		14 - 36
	19A-101	582444	19C- 11	738829	18 - 33	813483	14 - 29
438602	21 - 82	586305	5 - 39	739494	21 - 8	813519	14 - 23
	21 - 84	591465	19A-106		21 - 44		22 - 104
	21 - 106	591587	17 - 15		21 - 67	813549	27 - 3
	21 - 112	595257	17 - 59	740459	27 - 31		27 - 7
438603	16 - 14	595357	3A - 18	740489	7 - 1	813550	27 - 23
438622	19C- 92	596455	22 - 76	740490	2 - 1	813681	20 - 3
	22 - 99	596458	8 - 77		2 - 20		27 - 4
	22 - 101	596676	19A- 9	740491	7 - 23		27 - 19
438891	17 - 49		19C-121	740503	2 - 4	813703	27 - 6
442958	16 - 42	598479	19C- 50		2 - 27	813706	8 - 54
453163	20 - 7		4 - 26	740513	2 - 25		14 - 59
454517	5 - 38	599557	2 - 115	740550	7 - 5		14 - 74
467983	18 - 21		2 - 146		3A - 9	813769	20 - 1
472579	19C- 37		9 - 2	740554	7 - 20	813801	20 - 2
473442	19C- 70		10 - 4	740560	7 - 21	813802	20 - 4
473531	16 - 49		15 - 2	740562	7 - 21	814008	18 - 20
	17 - 70		24 - 50	740564	7 - 3	815039	8 - 9
473536	17 - 68		3A - 8	740571	7 - 2		14 - 44
473544	17 - 67	600250	3A - 33	740606	7 - 14	815151	8 - 28
473582	17 - 63	600960	19A-103	740608	2 - 4		14 - 42
474644	7 - 16		19A-109		2 - 27	815167	2 - 76
476364	17 - 26		4 - 6	741129	7 - 13		8 - 53
482175	3A - 17		4 - 17	749059	10 - 1	815168	14 - 63
482195	18 - 8	602721	19C- 22	749089	1 - 5	815172	14 - 78
483747	2 - 44		19C- 51	760303	14 - 27	815174	14 - 79
	2 - 165		4 - 17	760731	5 - 1	815215	8 - 40
	7 - REF		4 - 27	765548	3A - 3	815217	2 - 70
483748	2 - 44	602803	9 - 17	767004	3A - 4		8 - 52
	2 - 165	602943	21 - 35	767037	3A - 5		14 - 62
	7 - REF		21 - 58	770385	24 - 21	815218	8 - 35
504698	16 - 40	603152	27 - 42	801615	11 - 27		14 - 62A
504853	18 - 27	609685	1 - 17	801652	19A- 43		14 - 77
507144	16 - 41		1 - 37		19C-137	815219	2 - 75
510188	19A- 38	609789	14 - 16	802135	25 - 113		2 - 145
510468	19A-104	615354	3 - 16	804715	27 - 34A		8 - 37
511063	5 - 36	615683	13 - 14	807040	24 - 3		8 - 50
512071	13 - 18	615818	2 - 58		24 - 44		14 - 61
517197	16 - 21	620240	5 - 18	808360	2 - 132		14 - 76
	19C- 111	627764	23 - 14	808361	18 - 46	815220	2 - 74
518611	1 - 6	631769	16 - 12	808362	18 - 45		2 - 113
521695	17 - 31		16 - 23	811426	8 - 5		2 - 142
	19A-111		17 - 6		8 - 12		8 - 38
521985	5 - 18		19A-113		8 - 25		8 - 47
523176	27 - 11		19C- 25		14 - 38		18 - 2

PART NO.	LIST AND INDEX NO.	PART NO.	LIST AND INDEX NO.	PART NO.	LIST AND INDEX NO.	PART NO.	LIST AND INDEX NO.
815220-CONT	24 - 48	1133682	25 - 66	2162666-CONT	21 - 76	2566600	1 - 46
815221	3A - 6	1133683	25 - 65	2172092	8 - 14		1 - 47A
	14 - 58	1134451	18 - 25	2172166	19A- 77		21 - 23
815224	14 - 73	1134899	25 - 38	2181004	2 - 9		21 - 75
	8 - 46	1134980	25 - 87		2 - 13	2566603	1 - 22
815456	8 - 61	1141106	25 - 46		2 - 19		1 - 92
815933	27 - 15	1141109	25 - 41		2 - 41		1 - 94
815934	27 - 15A	1141209	19C- 27		2 - 82		1 - 97
815963	2 - 138		19C- 29		2 - 156		1 - 100
	8 - 62		19C- 40		8 - 34	2566604	1 - 102
815964	2 - 139		19C- 42	2181005	2 - 11	2566607	1 - 7
	8 - 63	1141269	25 - 55		3 - 9		2 - 56
816640	8 - 32	1141554	19 - 6		3 - 23		21 - 27
816649	8 - 51		19A- 44		14 - 6		22 - 17
816735	14 - 41		19B- 1		14 - 14	2566610	1 - 26A
816751	8 - 24		19C-136		14 - 72		1 - 52
816752	8 - 23		22 - 83	2181054	18 - 51		1 - 54
	14 - 39	1143492	19A- 24	2181088	8 - 56		1 - 56
816754	14 - 37		19C-122		14 - 80		21 - 90
817754	8 - 29	1144714	23 - 12	2182919	19A- 87A		21 - 92
	14 - 47	1148453	25 - 87	2194889	19C- 87		22 - 10
817758	8 - 30	1160395	19C- 35	2195640	3 - 6	2566612	22 - 15
	14 - 46		4 - 2	2227522	18 - 18		23 - 8
817927	8 - 65	1164080	25 - 60	2242323	2 - 158	2566614	21 - 97
	14 - 34	1164103	25 - 13	2261616	22 - 59A	2566617	1 - 69
817954	20 - 13	1175213	25 - 91	237032	21 - 54		21 - 25
817955	20 - 5	1203250	25 - 38A	2391023	6 - 4		21 - 29
817956	20 - 6	1981069	2 - 92	2391121	24 - 19	2566619	1 - 67
817971	20 - REF	1993603	2 - 98	2391346	11 - 23	2566624	21 - 86
818554	3A - 12	2100264	2 - 39		12 - 14		21 - 88
818556	27 - 32		5 - 47	2391667	11 - 23		23 - 6
824347	3 - 22	2101326	27 - 34B	2454956	8 - 69A		23 - 11
824349	2 - 111	2101327	27 - 34C		14 - 36A		23 - 16
824673	2 - 16	2101342	19C- 10	2481727	19A- 30	2566626	24 - 56
824703	14 - 4	2101400	17 - 54	2512360	14 - 54	2566640	1 - 3
839413	25 - 9	2102364	2 - 144	2512420	14 - 54	2566642	1 - 50
839722	18 - 7		18 - 5	2532078	1 - 24		1 - 74
845762	2 - 14	2102365	2 - 72		1 - 48		1 - 90
853288	2 - 116		14 - 5		1 - 72	2566645	24 - 8
855260	1 - 58		14 - 56		1 - 85	2566646	1 - 23
855262	1 - 61		22 - 92		1 - 88		1 - 70
855263	1 - 61		25 - 82		21 - 4		24 - 2
855264	1 - 61	2102366	2 - 72		21 - 9		24 - 45
855265	1 - 61	2102369	14 - 67		21 - 41		24 - 57
855266	1 - 61	2102577	3 - 10		21 - 64	2566647	1 - 68
855270	1 - 61	2102582	19A-100	2532172	1 - 49		24 - 38
855271	1 - 61	2111232	3A - 28		1 - 73		24 - 46A
855272	1 - 61	2114849	27 - 34D		1 - 86	2566648	1 - 4
855273	1 - 61	2122160	24 - 20		1 - 89	2566650	24 - 27
855274	1 - 61	2122194	13 - 7	2557470	2 - 96	2572141	11 - 25
855275	1 - 61	2122202	27 - 29		11 - REF		12 - 16
855282	1 - 59	2122203	27 - 26	2557477	11 - 43	2572142	11 - 18
855283	1 - 60	2122214	27 - 16	2557500	2 - 97		12 - 8
855284	1 - 62	2122261	27 - 30		11 - REF	2572145	11 - 21
855286	1 - 57	2125898	16 - 7	2557519	11 - 15		12 - 12
856575	21 - 97A		17 - 53	2557525	11 - 13	2572146	11 - 39
960746	1 - 61		19C- 9	2557530	2 - 93A	2572161	11 - 24
960766	1 - 57	2127985	27 - 9		12 - REF		12 - 15
1073866	25 - 40	2129550	8 - 13	2557545	11 - 15	2572162	11 - 29
1077739	25 - 71		14 - 51	2557546	11 - 15	2572167	11 - 25
	25 - 103	2132088	2 - 49	2557568	11 - 15	2572168	11 - 25
1090404	25 - 56		8 - 26	2562437	16 - 47	2572169	11 - 25
1090873	1 - 12	2133112	19C-123	2562460	2 - 119		12 - 16
	1 - 32	2145170	9 - 11		16 - REF	2572186	19A-120
	14 - 69		10 - 15	2562463	16 - 51	2572187	19A-115
	17 - 9		10 - 25	2562464	16 - 10	2572188	19A- 32
	17 - 28		15 - 23	2562465	16 - 2	2572189	19A- 27
	22 - 9G		15 - 32	2562466	16 - 55	2572190	19 - 12
1091111	13 - 9		27 - 44	2562470	2 - 119		19A- REF
1091655	11 - 44	2145188	14 - 18		16 - REF	2572193	19A- 15
1092125	25 - 59	2153748	23 - 19	2562477	16 - 17	2572194	19 - 9
1123987	25 - 44	2154459	1 - 82		17 - 11	2572195	19A- 81
1124682	25 - 92		21 - 20	2562480	2 - 128	2572198	19A-123
1127037	27 - 43	2161341	25 - 32		17 - REF	2572199	19A- 39
1128270	25 - 39	2162561	2 - 147	2562490	2 - 128	2572200	19 - 12
1133654	25 - 68	2162666	1 - 63		17 - REF		19A- REF

PART NO.	LIST AND INDEX NO.	PART NO.	LIST AND INDEX NO.	PART NO.	LIST AND INDEX NO.	PART NO.	LIST AND INDEX NO.
2572203	19A- 72	2590900	2 -105	5128888-CONT	24 - REF	5129088	1 - 2
2572204	19A- 69		13 - REF	5128901	3 - 8	5129089	21 - 30
2572206	19A- 31	2590901	13 - 22	5128956	2 - 10	5129091	21 -110
2572208	19A- 10	2590902	13 - 16	5128959	2 - 40	5129092	22 -105
2572235	11 - 22	2590906	13 - 10	5128963	15 - 5		27 - REF
	12 - 13	2590957	22 - 9C	5128965	24 - 17	5129094	1 - 28
2572236	11 - 22		22 - 9D	5128967	2 - 88	5129099	1 - 65
	12 - 13	2590958	22 - 9B	5128980	2 -157		21 - 78
2572237	11 - 22	2590959	22 - 2		27 - REF	5129152	2 -157
2572238	11 - 22		22 - 43		4 - 1		5 - 46
2572807	19A- 25	2590960	22 - 1	5128981	2 -108		27 - REF
2572858	17 - 39		22 - 42	5128983	2 - 18	5129153	2 - 42
2574799	22 - 14		22 -135		5 - REF		27 - REF
	23 - 9	2590967	22 - 57A	5128985	2 - 8	5129155	2 -157
2574810	2 - 52	2591889	22 -133		3 - REF		27 - REF
	2 - 80	2591903	21 - 34	5128992	22 -105	5129156	2 -157
	2 -135	2591905	21 - 34		27 - REF		27 - REF
	2 -137	2591906	21 - 34	5129013	2 - 12	5129157	2 -157
	2 -141	2591908	21 - 34		4 - REF		10 - 2
	2 -150	2591917	21 - 34	5129014	2 - 81		27 - REF
2574815	2 - 91	2592056	21 - 34		10 - REF	5129158	10 - 9
2574822	21 - 52	2592155	19 - 3	5129016	14 - 10		15 - 17
	21 -108	2592619	14 - 8		15 - REF	5129164	2 -157
	22 - 9	2592735	22 - 9C	5129026	2 - 79		22 -105
	22 - 56	2592846	22 -111	5129027	22 - 40		27 - REF
	22 - 62	2595721	22 -110A	5129028	23 - 7	5129166	14 - 10
	22 -107	2596291	2 -160	5129029	22 - 13		15 - REF
2575293	1 -107		9 - 3	5129030	21 - 39	5129169	22 -105
2575295	1 -106		10 - 3		21 - 62		27 - REF
2588046	2 -117		14 - 6A	5129031	21 - 38	5129173	22 - 52
2588053	2 - 89		22 - 47		21 - 61		27 - REF
2588070	24 - 34		22 - 57	5129033	21 - 49	5129177	5 - 22
2588131	22 -137	2596293	2 -159		21 - 72	5129178	2 -157
2588134	22 -138		18 - 1	5129034	21 - 48		27 - REF
2588142	23 - 17		22 -102		21 - 71	5129179	2 -157
2588298	22 -136		22 -115	5129035	23 - 2		27 - REF
2588391	19 - 1		22 -126A	5129038	22 - 38	5129182	21 - 51
2588425	5 - 6	2609067	19A- 90	5129039	22 - 39	5129184	21 - 56
	5 - 8	2992703	2 - 14A	5129040	21 - 53	5129190	2 -167
2588444	3A - 14	3010982	1 - 7A		21 - 68	5129191	21 - 95
2589213	2 - 24	4059804	1 - 77	5129041	21 - 45	5129192	22 -127
2590010	2 -161		21 - 15	5129042	23 - 5	5129193	2 -157
	8 - 70	4103594	10 - 5	5129043	2 - 78		15 - 9
	14 - 24	4103890	19A- 77	5129048	23 - 10		27 - REF
	22 -115	4116957	5 - 4	5129049	23 - 15	5129194	24 - 22
	22 -126	4118369	22 - 79	5129050	23 - 21	5129197	21 - 7
	24 - 54	4118437	19A- 48	5129052	21 - 12	5129198	22 -105
2590011	2 -162		19C-140	5129054	22 - 11		27 - REF
	8 - 71	4118440	4 - 13	5129056	22 -128	5129200	1 - 1
	14 - 25	4118680	16 - 38	5129057	22 - 55	5129209	1 - 93
2590032	1 - 24A	4118821	22 - 87	5129058	22 - 55		1 - 95
2590115	5 - 6	4119207	16 - 29	5129060	27 - 17	5129210	1 - 96
	5 - 8	4119360	19A- 59	5129061	27 - 25	5129211	1 - 53
2590275	4 - 13		19C-154	5129063	27 - 18	5129212	1 - 55
2590329	8 - 55	4120171	9 - 16	5129064	24 - 13	5129213	1 - 51
	14 - 55		19A- 79	5129066	21 -101	5129214	1 - 9
2590332	1 - 18		19C- 76	5129067	21 - 83		1 - 27A
	1 - 38	4120172	10 - 30	5129068	21 -105	5129215	1 -101
2590333	1 - 14		15 - 37	5129069	21 -110	5129216	1 - 98
	1 - 34	4208950	1 - 80	5129072	21 - 87	5129217	1 - 99
2590334	1 - 39		21 - 18	5129073	21 - 85	5129220	1 -103
2590337	1 - 16	4681692	5 - 41	5129074	21 - 91	5129221	1 - 91
	1 - 36	4681795	22 - 70	5129075	21 - 32	5129230	1 - 19
2590339	1 - 30	4685040	5 - 5	5129076	21 - 1	5129232	1 - 10
2590341	1 - 15	5128830	18 - 44	5129077	21 - 81		1 - 10
	1 - 35	5128831	18 - 19	5129078	21 - 79	5129233	1 - 8
2590358	22 - 59B	5128843	14 - 1	5129079	21 - 31	5129235	1 - 27
2590371	22 - 9J	5128844	15 - 1	5129080	21 -103	5129236	1 - 71
2590399	6 - 1	5128846	14 - 15	5129081	1 - 83	5129237	1 - 71
2590565	22 - 9L	5128865	22 -105		21 - 21	5129238	1 - 71
2590573	22 - 5		27 - REF	5129082	1 - 81	5129239	1 - 8A
	22 - 46	5128866	22 -105		21 - 19	5129240	21 - 89
2590821	2 - 86		27 - REF	5129083	1 - 75	5129241	22 -113
2590834	20 - 12	5128867	22 -105		21 - 13		22 -121
2590835	20 - 11		27 - REF	5129084	1 - 21	5129243	18 - 26
2590837	20 - 9	5128888	21 - 93	5129086	22 - 48	5129244	14 - 87

PART NO.	LIST AND INDEX NO.	PART NO.	LIST AND INDEX NO.	PART NO.	LIST AND INDEX NO.	PART NO.	LIST AND INDEX NO.
5129245	15 - 38	5129354-CONT	27 - REF	5129575	22 -105	5133608-CONT	27 - REF
5129246	21 -107	5129355	3 - 3	5129577	27 - REF	5133619	14 - 9
5129247	22 -105		27 - REF	5129578	18 - 10	5133620	14 - 21
	27 - REF	5129356	24 - 5	5129588	2 - 59	5133621	14 - 82
5129248	22 -105	5129357	24 - 6	5129589	27 - 1	5133622	8 - 58
	27 - REF	5129359	24 - 12	5129590	22 -116	5133641	24 - 23
5129273	18 - 37	5129360	24 - 25	5129591	8 - 79	5133642	24 - 23
	24 - 35	5129363	14 - 40	5129592	6 - 13	5133643	24 - 23
5129275	24 - 58	5129365	22 - 8	5129595	6 - 11	5133644	24 - 23
5129276	2 -136	5129366	22 - 60	5129597	9 - 18	5133645	24 - 23
5129277	2 -140	5129367	22 - 61	5129598	22 -124	5133688	18 - 32
5129278	18 - 6	5129368	24 - 29	5129599	22 -130	5133689	18 - 31
	27 - REF		24 - 31	5129702	2 -157	5133690	22 - 90
5129279	18 - 6	5129372	2 -157		27 - REF	5133691	22 - 94
	27 - REF		18 - 6	5129703	2 -157	5133692	22 - 77
5129280	18 - 6		27 - REF		18 - 6	5133693	22 - 98
	27 - REF	5129377	1 - 25		27 - REF	5133694	22 -100
5129281	18 - 6		21 - 5	5129704	2 -157	5133696	8 - 78
	27 - REF		21 - 10		27 - REF	5133697	18 - 30
5129282	18 - 6		21 - 42	5129705	2 -157	5133698	19B- 6
	27 - REF		21 - 65		27 - REF	5133699	14 - 7
5129283	18 - 6	5129382	1 - 66	5129706	2 -157	5133702	21 - 79
	27 - REF	5129383	1 - 20A		27 - REF	5133703	2 - 43
5129284	18 - 6	5129384	1 - 41	5133500	2 -103	5133718	1 - 7C
	27 - REF	5129385	1 - 40	5133502	24 - 11	5133719	1 - 7C
5129285	18 - 6	5129386	1 - 84	5133503	24 - 11	5133720	1 - 7C
	27 - REF	5129387	1 - 84	5133504	24 - 11	5133721	1 - 7C
5129286	2 - 42	5129388	1 - 20	5133505	24 - 11	5133722	1 - 7C
	27 - REF	5129390	2 - 6	5133507	24 - 14	5133723	1 - 7C
5129287	2 -157	5129392	18 - 12	5133508	24 - 14	5133726	2 - 53
	5 - 46	5129393	1 - 45	5133509	24 - 14	5133732	22 -112
	27 - REF	5129394	1 - 47	5133510	24 - 14	5133783	5 - 22
5129289	5 - 22	5129395	21 - 98	5133515	6 - 9	5133784	4 - 1
5129290	14 - 13	5129396	21 - 50	5133516	6 - 9	5133785	5 - 22
5129291	14 - 20		21 - 73	5133517	6 - 9	5133795	2 - 42
5129292	2 -149	5129397	1 - 64	5133518	6 - 9		27 - REF
5129295	24 - 42		21 - 77	5133519	6 - 9	5133800	3A - 35
5129296	24 - 43	5129399	2 - 90	5133520	6 - 9	5133803	3A - 34
5129297	24 - 37	5129500	2 -107	5133521	6 - 9	5133805	3A - 10
5129300	18 - 9		14 - REF	5133522	6 - 9	5133810	2 - 18
5129301	18 - 55	5129501	2 - 6	5133523	6 - 9		5 - REF
5129302	2 -130	5129503	1 - 84	5133524	8 - 1	5133811	2 - 18
	18 - REF	5129504	21 - 26	5133525	2 - 51		5 - REF
5129303	2 -134	5129505	21 - 22	5133526	8 - 21	5133813	2 - 8
5129304	2 -157		21 - 74	5133527	2 -100		3A - REF
	27 - REF	5129506	22 - 61	5133528	9 - 1	5133824	1 - 7B
	4 - 1	5129507	21 - 24	5133529	2 -101	5133825	1 - 7B
5129308	2 -157	5129508	21 - 28	5133535	6 - 9	5133826	1 - 7B
	27 - REF	5129522	2 - 42	5133537	22 -106	5133827	1 - 7B
5129309	18 - 48		27 - REF		27 - REF	5133830	5 - 48
5129312	21 - 87	5129523	2 - 42	5133538	22 -106	5133831	5 - 48
5129313	21 - 89		27 - REF		27 - REF	5133834	8 - 78
5129314	21 -110	5129525	2 -157	5133539	22 -106	5133837	2 - 42
5129315	21 -101		27 - REF		27 - REF		27 - REF
5129316	21 -103	5129526	2 - 29	5133540	22 -106	5133873	2 - 12
5129318	23 - 4	5129527	2 - 30		27 - REF		4 - REF
5129319	21 - 83	5129552	1 - 78	5133541	8 - 33	5133877	2 -153
5129321	24 - 14		21 - 16		9 - REF		19 - REF
5129323	24 - 15	5129554	2 -157	5133546	3 - 14	5133878	2 -153
5129326	22 -118		27 - REF	5133549	1 - REF	5133879	19 - 4
5129328	5 - 48	5129556	5 - 48	5133551	2 - 84	5133881	2 -153
5129329	4 - 40	5129557	2 - 18	5133554	8 - 33		19B - REF
5129331	10 - 7		5 - REF		9 - REF	5133882	2 -153
	15 - 14	5129558	2 - 40	5133555	9 - 8		19B - REF
5129332	10 - 12	5129559	2 - 12	5133556	9 - 8	5134049	24 - 14
	15 - 20		4 - REF	5133557	2 - 30	5134056	24 - 55
5129333	3 - 24	5129560	10 - 23		6 - REF	5134067	19 - 9
5129335	24 - 11		15 - 29	5133558	2 - 46	5151873	25 -101
5129342	2 - 15	5129561	2 - 81		8 - REF	5151874	25 - 57
5129343	27 -17A		10 - REF	5133559	9 - 13	5151875	25 - 80
5129344	24 - 1	5129563	2 - 21		27 - REF	5151876	25 - 93
5129353	2 -157	5129567	2 - 21	5133585	9 - 13	5151877	25 - 58
	22 -105	5129568	22 -109		27 - REF	5151878	25 - 62
	27 - REF	5129571	2 - REF	5133586	10 - 28	5151879	25 - 73
5129354	22 -108	5129573	22 - 16		15 - 34	5151880	25 - 74
	24 - 53		23 - REF	5133608	2 - 42	5151881	25 - 52

PART NO.	LIST AND INDEX NO.	PART NO.	LIST AND INDEX NO.	PART NO.	LIST AND INDEX NO.	PART NO.	LIST AND INDEX NO.
5151882	25 - 83	5232787	19C- 17	5319839-CONT	19C-110	5761979-CONT	4 - 30
5151883	25 - 54	5232793	16 - 33	5319854	8 - 45	5762034	19C-101
5151884	25 - 90		19A- 68		8 - 76	5762318	16 - 29
5151885	25 - 33		19C- 20		21 - 2	5762326	17 - 73
5151888	25 - 86		19C-139		21 - 33	5762327	17 - 69
5151889	25 -107	5232794	19A- 52		21 - 94	5762343	17 - 4
5151892	25 -118		19C-144	5323537	13 - 13	5762344	17 - 34
5151899	25 - 14	5232799	19C-126	5349886	15 - 8	5762345	17 - 66
5151904	25 - 36	5232806	19A-114	5349887	14 - 11	5762346	17 - 1
5151915	25 - 31	5232808	19A- 53	5349888	15 - 3	5762347	17 - 39
5151917	25 - 30		19C-153	5350012	8 - 2	5762383	19A- 23
5151918	25 - 29	5232809	19A-122		8 - 22		19C- 85
5151919	25 - 27	5232814	19A- 8		8 - 72		4 - 29
5151920	25 - 28		19C-120		14 - 2	5762407	16 - 36
5151921	25 - 25	5232816	19A-107	5350091	21 - 3		4 - 19
5151922	25 - 26	5232818	19A- 91	5351177	27 - 45	5762534	22 - 63
5151923	25 - 23	5232824	19A- 19	5352238	18 - 13	5762838	19C- 53
5151924	25 - 24		19C- 49	5353301	2 -112	5785130	11 - 5
5151925	25 - 21		19C- 81	5353851	27 - 24		12 - 11
5151926	25 - 22		4 - 24	5353852	27 - 20	5785135	11 - 36
5151929	25 - 16	5232825	19C- 33	5353867	2 - 67	5785277	11 - 14
5151930	25 - 17	5232828	19A- 79	5353877	9 - 16	5785279	12 - 1
5151933	25 - 6		19C- 76	5353887	18 - 17	5785286	11 - 1
5151935	25 - 12	5232840	19B- 13	5353894	2 - 64	5785296	11 - 43
5152096	25 - 67		19C- REF	5353899	2 - 65	5785298	11 - 45
5152201	24 - 9	5232843	19C- 44	5353902	2 - 69	5785299	11 - 10
5152202	25 -105	5232844	19C- 31	5353922	27 - 33	5785308	11 - 26
5153462	25 - 35	5232845	19C- 24	5356580	8 - 8		12 - 17
5153495	25 - 49	5232846	19C- 23		14 - 43	5785319	11 - 12
5153497	25 - 64	5232848	19B- 4	5357059	10 - 5	5796393	17 - 7
5153501	25 - 43	5232849	19A- 99	5357066	10 - 8		19A-119
5153504	25 - 50		19C-103		15 - 16		19C- 30
5153510	25 - 1	5232850	19B- 13	5357067	10 - 16		19C- 59
5153731	25 - 11		19C- REF		15 - 24	5796426	19C- 43
5172366	25 -108	5232853	19C-140	5357068	10 - 17	5796427	16 - 13
5173404	25 - 7	5232854	19C-154		15 - 25		16 - 24
5173460	24 - 10	5232855	19C-155	5357069	10 - 20	5797450	2 - 94
	25 - REF	5232858	19B- 10		15 - 28	5797450	11 - REF
5180958	24 - 10		19C-104	5361962	5 - 28	5797480	2 - 95
	25 - REF	5232876	19B- 12	5362301	27 - 21		11 - REF
5180959	24 - 10	5232877	19A- 42	5362303	2 - 66	5797484	11 - 47
	25 - REF	5232864	19A-112	5362304	2 - 61	5797486	11 - 29
5180961	25 -115		19C- 55	5372182	18 - 16		12 - 18
5180963	24 - 10	5232886	19A- 88	5372183	18 - 15	5797488	12 - 7
	25 - REF		19C- 93	5373223	8 - 10	5797495	11 - 19
5180970	25 -114	5232887	19A- 17		14 - 45		12 - 9
5180997	25 - 19		19C- 79	5397579	2 - 38	5797497	11 - 2
5181001	25 - 84	5232888	19C- 47	5404468	2 - 62	5797499	12 - 5
5181002	25 - 69	5232889	4 - 23	5404480	27 - 21A	5797504	11 - 33
5181003	25 - 20	5240513	19A- 43	5405190	2 -163	5797506	11 - 40
5181006	25 - 4		19C-137	5405197	2 -164	5797532	11 - 7
5181028	25 -110	5252534	19A- 29	5428337	8 - 6	5800634	27 - 8
5181030	25 -104	5252551	19A- 48		14 - 85	5800700	27 - 8A
5181033	25 - 93	5256500	24 - 7	5428338	8 - 7	5808641	20 - 8
5213226	19B- 3		24 - 18	5428339	14 - 86	5808955	11 - 3
	19C- 71	5258016	3 - 20		8 - 4	5808958	11 - 3
5213421	5 - 8	5261284	16 - 25		14 - 83	5808959	11 - 3
5213591	11 - 38		19C- 60	5488889	24 - 26	5993045	24 - 10
5213758	27 - 12		19C- 64	5488915	24 - 41		25 - REF
5213837	4 - 4	5261287	11 - 38	5488999	24 - 39	5993058	24 - 10
5214085	19A- 64		14 - 66		24 - 46		25 - REF
5214120	3A - 13	5261296	14 - 65	5489041	24 - 16	5993076	25 - 76
5214179	19A- 95		17 - 19	5489114	8 - 6	5993079	25 - 70
	19C- 97		19C- 38	5700484	14 - 12	5993080	25 - 72
5214180	13 - 3	5261314	3 - 11		15 - 4	5993082	24 - 10
5214233	19A-118	5261315	3 - 12		15 - 6		25 - REF
	19C- 63	5261936	17 - 20	5708948	19A- 87	5993083	24 - 10
5214335	11 - 10	5261946	19C-116	5719453	5 - 3		25 - REF
5214420	19A- 35	5313850	22 - 53	5761786	13 - 4	5993085	24 - 10
5214567	16 - 37	5318966	3 - 2	5761935	19A-105		25 - REF
	17 - 48		3A - 1	5761943	19A- 41	5993086	24 - 10
5214969	17 - 21	5318967	3 - 4		19C-108		25 - REF
5232726	19C-131	5318968	3 - 1		19C-113	5993087	24 - 10
5232733	19B- 7		3A - 2	5761979	19A- 23A		25 - REF
5232739	19C- 90	5319839	16 - 20		19C- 54	5993088	24 - 10
5232774	19B- 9		19A- 64		19C- 86		25 - REF

PART NO.	LIST AND INDEX NO.	PART NO.	LIST AND INDEX NO.	PART NO.	LIST AND INDEX NO.	PART NO.	LIST AND INDEX NO.
5993094	25 - 2						
5993095	25 - 48						
5993926	25 - 111						
5993935	25 - 97						
5993936	25 - 95						
5993937	25 - 94						
5993941	25 - 99						
5994845	25 - 8						
5994878	25 - 42						
811789	24 - 9A						

5406 Processing Unit (PC)

READER'S  
COMMENT  
FORM

S134-0001-2

*Your views about this publication may help improve its usefulness; this form will be sent to the author's department for appropriate action. Using this form to request system assistance or additional publications will delay response, however. For more direct handling of such requests, please contact your IBM representative or the IBM Branch Office serving your locality.*

Possible topics for comment are:

Clarity   Accuracy   Completeness   Organization   Index   Figures   Examples   Legibility

Cut or Fold Along Line

What is your occupation? \_\_\_\_\_

Number of latest Technical Newsletter (if any) concerning this publication: \_\_\_\_\_

Please indicate your name and address in the space below if you wish a reply.

\_\_\_\_\_  
\_\_\_\_\_  
\_\_\_\_\_

Thank you for your cooperation. No postage stamp necessary if mailed in the U.S.A. (Elsewhere, an IBM office or representative will be happy to forward your comments.)



**Your comments, please . . .**

This manual is part of a library that serves as a reference source for systems analysts, programmers, and operators of IBM systems. Your comments on the other side of this form will be carefully reviewed by the persons responsible for writing and publishing this material. All comments and suggestions become the property of IBM.

Cut Along Line

Fold

Fold

First Class  
Permit 40  
Armonk  
New York

**Business Reply Mail**  
No postage stamp necessary if mailed in the U.S.A.



IBM Corporation  
Systems Publications, Dept 27T  
P.O. Box 1328  
Boca Raton, Florida 33432

5406 Processing Unit (PC) Printed in U. S. A. S134-0001-2

Fold

Fold

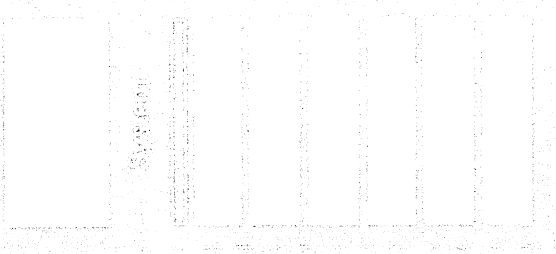


**International Business Machines Corporation**  
**Data Processing Division**  
**1133 Westchester Avenue, White Plains, New York 10604**  
**(U.S.A. only)**

**IBM World Trade Corporation**  
**821 United Nations Plaza, New York, New York 10017**  
**(International)**



WISCONSIN  
MILWAUKEE  
LIBRARY



1851 1852 1853 1854 1855 1856

1851 1852 1853 1854 1855 1856

1851 1852 1853 1854 1855 1856



Wisconsin State Library  
Milwaukee, Wisconsin  
1851 1852 1853 1854 1855 1856

1851 1852 1853 1854 1855 1856

System  
Maintenance  
Library



System



cut here

S134-0001-2

5406 Processing Unit (PC) Printed in U. S. A. S134-0001-2



International Business Machines Corporation  
Data Processing Division  
1133 Westchester Avenue, White Plains, New York 10604  
(U.S.A. only)

IBM World Trade Corporation  
821 United Nations Plaza, New York, New York 10017  
(International)