

DATE 11-13-75

PART NO. 5554810

E.C. NO. 825083

VERSION 000

SIZE SINGLE

MACHINE 1442SM15

LOCATION 01A-A3

PIN ID: #-I/O PIN  
\*-I/O & LOGIC  
T-TERMINATING RES.  
V-VOLTAGE/GROUND

PLANES: 1-CARD SIDE SHALLOW 3-PROBE SIDE SHALLOW  
2-PROBE SIDE SHALLOW 4-PROBE SIDE SHALLOW  
W-DISCRETE OVERFLOW

WIRE TYPES: YEL-YELLOW, 30, AG  
TWL-TWIN LEAD WRAP  
TW-TWIST PR CONNECT  
FTR-50 OHM TRI-LEAD

NTR-90 OHM TRI-LEAD  
FTW-50 OHM TWIN LEAD  
NTW-90 OHM TWIN HEAD  
CX-COAX CONNECTOR

NOTES: WIRE LENGTH IS IN TENTHS OF AN INCH. YELLOW WIRE LENGTH INCLUDES WIRE FOR WRAP.

NET NO.	FROM PIN	P L	TO PIN	P L	WIRE TYP	WIRE LNPTH	FROM PIN	P L	TO PIN	P L	WIRE TYP	WIRE LNPTH	FROM PIN	P L	TO PIN	P L	WIRE TYP	WIRE LNPTH		
FH121AD2	P4B03	W	S2B03	W	YEL	8.0	T5D04	2	S5D10	2	YEL	4.5	FH134AY6	R5B11	2	Q5B10	2	YEL	4.5	
FH121AE2	S2B05	2	R3D10	2	YEL	6.0	S5D10	2	R2D11	2	YEL	9.0	FH135AM6	T5D02	2	Q5C04	2	YEL	5.5	
	R3D10	2	P4B04	2	YEL	5.5	R2B10	2	S5B13	2	YEL	10.0	FH135AN6	Q3D05	2	M2D03	2	YEL	7.0	
	P4B04	2	F2B07	2	YEL	12.0	FH123AX6	R2B04	2	Q2D04	2	YEL	4.0		T5B02	2	M2D03	2	YEL	12.0
FH121AF2	P4B09	2	T4D09	2	YEL	7.0	FH123AY2	R2B04	2	S3B08	2	YEL	6.0	FH135BR2	T5B03	2	J4B06	2	YEL	9.0
	P4B09	2	F3B04	2	YEL	11.0	FH123AZ2	H3D06	2	S4B12	2	YEL	10.0	FH141AF6	R3B02	2	R3D13	2	YEL	7.0
	S2B09	2	T4D09	2	YEL	8.0	FH123BA6	R2B07	2	S5B09	2	YEL	10.0	FH141AH6	M3D03	2	R3C09	2	YEL	7.0
FH121AG2	S2B11	2	P4B11	2	YEL	8.0	FH123BB2	H3B05	2	F2B04	2	YEL	7.0	FH141AJ6	M3D02	2	M3B04	2	YEL	7.0
	P4B11	2	F2B13	2	YEL	12.0		S3B11	2	L4B04	2	YEL	8.0	FH141AK6	R3B05	2	R2C05	2	YEL	10.0
FH121AH2	S2B02	2	R3D11	2	YEL	7.0		L4B04	2	J5B05	2	YEL	7.0	FH141AM6	J4B10	2	H1A11#	2	YEL	11.0
FH121AL2	F2D09	2	P4B05	2	YEL	11.0		R2B02	2	S3B11	2	YEL	7.0	FH142AJ2	R2B12	2	J4B08	2	YEL	10.0
	P4B05	2	S2B04	2	YEL	8.0	FH123BC2	F2B04	2	R2B02	2	YEL	10.0	FH143AE6	R2D06	2	J4B08	2	YEL	7.0
FH121AM2	T5D06	2	P4B07	2	YEL	8.0		R3B07	2	T2B10	2	YEL	7.0	FH143AF2	S5D02	2	R3D06	2	YEL	8.0
	P4B07	2	F3B03	2	YEL	11.0		R3B07	2	T2B10	2	YEL	5.5		L4D04	2	S5C02	2	YEL	8.0
	R3B10	2	T5D06	2	YEL	7.0	FH123BH2	F2B02	2	S4D05	2	YEL	12.0		R3B09	2	L4B12	2	YEL	11.0
	S2B07	2	R3B10	2	YEL	6.0		T4B02	2	R3D05	2	YEL	5.5	FH143AK2	R2D07	2	L1C13#	2	YEL	8.0
FH121AN2	F3B02	2	P4B10	2	YEL	12.0		T4B02	2	Q3D05	2	YEL	7.0	FH143AL2	R2D09	2	M1A13#	2	YEL	8.0
	P4B10	2	S2B10	2	YEL	8.0		R3D05	2	Q4D13	2	YEL	6.0	FH143AQ6	R2B05	2	S5D09	2	YEL	10.0
FH121AP2	F3D02	2	P4B12	2	YEL	10.0		Q4D13	2	N5D12	2	YEL	10.0	FH143AU6	R2D12	2	T4B13	2	YEL	8.0
	S2B12	2	T4D02	2	YEL	7.0	FH123BJ6	N5D12	2	G4B10	2	YEL	5.0	FH152AE6	R4D02	2	M3D04	2	YEL	8.0
	T4D02	2	P4B12	2	YEL	9.0		Q3D09	2	S3B13	2	YEL	5.0	FH152AK6	R4D03	2	M3B03	2	YEL	8.0
FH121AT6	Q2D11	2	S4B05	2	YEL	7.0	FH123BM6	S4B09	2	R4D06	2	YEL	4.5	FH153AE6	R4D04	2	M3B02	2	YEL	9.0
FH121AU6	Q4B11	2	S4D04	2	YEL	5.5	FH123BN2	R3B12	2	S4B11	2	YEL	5.5	FH153AK6	R4D05	2	M3B05	2	YEL	8.0
FH121AV6	Q2B13	2	S3B10	2	YEL	5.5	FH126AG6	T4B12	2	N1A13#	2	YEL	12.0	FH154AE6	R4B13	2	M4D03	2	YEL	7.0
FH121AW6	S3B02	2	Q4B08	2	YEL	7.0	FH126AH6	T4D12	2	N1E13#	2	YEL	12.0	FH154AK6	M3B13	2	R5B02	2	YEL	8.0
FH121AX6	S2D07	2	Q2D12	2	YEL	5.5	FH126AT6	T5D09	2	J3B11	2	YEL	11.0	FH155AE6	R5D02	2	M4B02	2	YEL	8.0
FH121AY6	S2D12	2	Q2B07	2	YEL	5.5	FH126AU6	R3B11	2	T5D12	2	YEL	8.0	FH155AK6	R5D02	2	L1E11#	2	YEL	11.0
FH122AB2	Q3D10	2	S4D02	2	YEL	5.5	FH126AW2	T5B10	2	Q5D10	2	YEL	5.5	FH161BA2	R4B03	2	M1B11#	2	YEL	11.0
FH122AC2	S4B10	2	Q5B05	2	YEL	8.0	FH126AX6	T4B11	2	H1A13#	2	YEL	13.0	FH161BC2	R4B04	2	M1C11#	2	YEL	11.0
FH122AD2	Q2D13	2	S5B03	2	YEL	5.5	FH126BB6	T5D05	2	K5B10	2	YEL	9.0	FH161BD2	R4B05	2	M1D11#	2	YEL	11.0
FH122AE2	Q2D03	2	S4B07	2	YEL	8.0	FH127AE2	Q2D09	2	T4D13	2	YEL	7.0	FH161BF2	R4B07	2	N1A11#	2	YEL	11.0
FH122AF6	S3B05	2	Q4D03	2	YEL	5.5	FH127AM6	T4D03	2	Q3B05	2	YEL	7.0	FH161BG2	R4B09	2	N1A11#	2	YEL	11.0
FH122AL2	S4D10	2	Q5B08	2	YEL	6.0	FH127AR4	N1B11#	2	T5B08	2	YEL	11.0	FH161BL2	R5D05	2	F3B05	2	YEL	11.0
FH122AM2	K2B11	2	Q4D06	2	YEL	8.0		T5B08	2	R4B10	2	YEL	7.0	FH162AJ6	R5D12	2	J1C11#	2	YEL	13.0
	S3D12	2	T5B13	2	YEL	8.0	FH129AM6	T2D11	2	J1D13#	2	YEL	12.0	FH162AT2	R4B02	2	L1D11#	2	YEL	11.0
	Q4D06	2	Q4B09	2	YEL	8.0	FH131AU6	T5B12	2	Q3D04	2	YEL	9.0	FH162AU6	R5D13	2	J1D11#	2	YEL	13.0
	Q4B09	2	T5B13	2	YEL	4.0	FH132AG6	Q3D02	2	M2D02	2	YEL	7.0	FH162BH2	R4B11	2	M1C11#	2	YEL	11.0
FH122AT2	R3D04	2	S5B05	2	YEL	8.0		T4B07	2	M2D02	2	YEL	11.0	FH162BK2	R4B12	2	N1E11#	2	YEL	11.0
FH122BG2	S5D11	2	R4D07	2	YEL	6.0	FH132AK6	Q5D12	2	H1D13#	2	YEL	13.0	FH162BM6	R5D07	2	H1C13#	2	YEL	13.0
FH122BJ6	S2B13	2	Q4B02	2	YEL	10.0	FH132AM6	Q5B11	2	T4D11	2	YEL	8.0	FH162BX2	R5D10	2	H1D13#	2	YEL	13.0
	Q4B02	2	F3B11	2	YEL	8.0	FH132AR6	K5B05	2	Q5B10	2	YEL	7.0	FH162CW4	R2B09	2	M4B04	2	YEL	9.0
FH122BK2	Q3B11	2	S5D13	2	YEL	8.0	FH133AB6	T5D13	2	Q4B05	2	YEL	7.0		R5D03	2	M4B04	2	YEL	8.0
FH122BL6	S3B12	2	Q5D11	2	YEL	8.0	FH133AC2	Q5B02	2	L4B10	2	YEL	7.0	FH221AG2	Q2B09	2	T2C03	2	YEL	6.0
FH122BM2	S2D05	2	Q2B04	2	YEL	5.5	FH133AD2	R3D12	2	Q5B09	2	YEL	7.0		Q2B09	2	G2C06	2	YEL	9.0
FH122BN2	S4D11	2	R5B13	2	YEL	6.0	FH133AE2	Q4B12	2	L4B11	2	YEL	7.0		Q2D06	2	K4B13	2	YEL	9.0
FH123AA2	H3D05	2	J4B13	2	YEL	10.0	FH133AG2	F2B03	2	Q4B04	2	YEL	11.0	FH221AG6	J3D12	2	K3C04	2	YEL	7.0
	S5B07	2	T4D06	2	YEL	6.0	FH133AH6	F2B12	2	Q4D04	2	YEL	10.0		L5B04	2	J3D12	2	YEL	7.0
	S5B07	2	J4B13	2	YEL	10.0	FH133AJ6	R3B04	2	Q4B13	2	YEL	7.0		Q5D13	2	L5B04	2	YEL	7.0
	T4D06	2	R3D07	2	YEL	6.0	FH133AP6	Q2B12	2	M2D09	2	YEL	5.5		T4D07	2	Q5D13	2	YEL	8.0
FH123AG2	S3D13	2	T4B04	2	YEL	4.5	FH133AQ6	M2B09	2	Q2B08	2	YEL	6.0	FH221AH2	K4B11	2	H5B03	2	YEL	5.0
FH123AL2	R2D10	2	J4D03	2	YEL	11.0	FH133AR6	M4D02	2	Q2D02	2	YEL	8.0	FH221AH6	K4D11	2	G4B05	2	YEL	6.0
	L4B13	2	J4D03	2	YEL	5.5	FH133AS6	Q2D05	2	M2B07	2	YEL	6.0	FH221AP4	F3B13	2	K3C11	2	YEL	7.0
	R2D10	2	S4B04	2	YEL	7.0	FH133AX2	T5D11	2	Q5D06	2	YEL	5.5	FH221AQ2	K5B03	2	S3D09	2	YEL	9.0
FH123AN2	R2B11	2	T2B03	2	YEL	5.5	FH133AZ2	Q5B03	2	L4D07	2	YEL	7.0		K5D10	2	K5B03	2	YEL	4.5
	T5B11	2	L4B07	2	YEL	10.0	FH133BB6	N4B03	2	M2B02	2	YEL	8.0	FH222AA2	K2D10	2	G4D13	2	YEL	8.0
	Q3D11	2	L4B07	2	YEL	8.0	FH133BC6	Q2B05	2	M3D13	2	YEL	7.0	FH222AF6	M2B04	2	K3D10	2	YEL	7.0
	R2B11	2	Q3D11	2	YEL	5.5	FH134AL2	R5B12	2	S3B10	2	YEL	8.0		Q5B04	2	M2B04	2	YEL	11.0
	S2D13	2	T2B03	2	YEL	5.5	FH134AS6	R5B09	2	Q3D12	2	YEL	7.0	FH223AU2	K2D07	2	H4B07	2	YEL	8.0
FH123AT2	H3D10	2	L4D10	2	YEL	7.0	FH134AT6	K3B04	2	Q4B10	2	YEL	8.0	FH223AV2	H5D04	2	K5B12	2	YEL	5.0
	T5D04	2	L4D10	2	YEL	9.0	FH134AV6													

DATE 11-13-75

PART NO. 5554810

E.C. NO. 825083

VERSION 000

SIZE SINGLE

MACHINE 1442SM15

LOCATION 01A-A3

PIN ID: #-I/O PIN  
\*-I/O & LOGIC  
T-TERMINATING RES.  
V-VOLTAGE/GROUND

PLANES: 1-CARD SIDE SHALLOW 3-PROBE SIDE SHALLOW WIRE TYPES:  
2-PROBE SIDE SHALLOW 4-PROBE SIDE SHALLOW  
W-DISCRETE OVERFLOW

YEL-YELLOW, 30 GA  
TWL-TWIN LEAD WRAP  
TW-TWIST PR CONNECT  
FTR-50 OHM TRI-LEAD

NTR-90 OHM TRI-LEAD  
FTW-50 OHM TWIN LEAD  
NTW-90 OHM TWIN FEAC  
CX-COAX CONNECTOR

NOTES: WIRE LENGTH IS IN TENTHS OF AN INCH. YELLOW WIRE LENGTH INCLUDES WIRE FOR WRAP.

NET NO.	FROM PIN	P L	TO PIN	P L	WIRE TYP	WIRE LGTH	FROM PIN	P L	TO PIN	P L	WIRE TYP	WIRE LGTH	FROM PIN	P L	TO PIN	P L	WIRE TYP	WIRE LGTH	
	Q3D13	2	F3D10	2	YEL	10.0	FH234AD6	G3B05	2	A5D04#	2	YEL	11.0	M4B12	2	J2D05	2	YEL	9.0
	T4B09	2	Q3D13	2	YEL	6.0	FH234AE6	G3B13	2	A2D17#	2	YEL	10.0	N4D12	2	M5B05	2	YEL	5.0
FH223AV6	F3D12	W	Q3B04	W	YEL	9.0	FH234AL2	G2B03	2	A3B04#	2	YEL	9.0	J2D06	W	M5B05	W	YEL	9.0
	K4D12	W	F3D12	W	YEL	7.0	FH234AM2	G5D12	2	A3D02#	2	YEL	12.0	N3B11	2	M5B07	2	YEL	7.0
FH223BA2	K4B08	2	L5B13	1	YEL	6.0	FH234AN2	G3B03	2	A4D05#	2	YEL	9.0	M5B07	1	J2D07	1	YEL	11.0
FH223BB2	K3D06	W	H5B04	W	YEL	8.0	FH234AP2	G3D11	2	A4D04#	2	YEL	8.0	M3B08	W	N3B07	W	YEL	4.5
FH224AA6	G2B12	W	M2D11	W	YEL	7.0	FH234AQ2	G2D05	2	A3B05#	2	YEL	9.0	J2D10	W	M3B08	W	YEL	6.0
	M2D11	2	K2B05	2	YEL	5.5	FH235AA2	K5D13	1	G4D10	1	YEL	7.0	M3B08	2	M3D09	2	YEL	4.5
FH224AB6	G2D11	2	K2B02	2	YEL	5.5	FH235AQ6	J4D12	W	K4B10	W	YEL	5.5	N3B05	2	J2D11	2	YEL	6.0
	G2D11	2	M2D12	2	YEL	7.0	FH235AR6	L2D09	W	G4D05	W	YEL	8.0	N3B10	1	M4D12	1	YEL	6.0
FH224AC6	K2B07	2	G2D12	2	YEL	5.5	FH236AA2	L2B10	W	G5D04	W	YEL	9.0	J2D12	W	M4D12	W	YEL	8.0
	G2D12	W	M2D13	W	YEL	7.0	FH236AA6	K5B02	2	G5D02	2	YEL	5.5	M4B13	2	N3B09	2	YEL	6.0
FH224AD6	M2B02	1	G2B13	2	YEL	7.0	FH236AB2	G4D09	2	F3D05	2	YEL	6.0	J2D13	W	M4B13	W	YEL	5.0
	M2B02	2	K2B04	2	YEL	5.0		K5B07	2	F3D05	2	YEL	10.0	N4D10	2	M3B12	2	YEL	8.0
FH224AE6	M2B03	2	G2D13	2	YEL	7.0	FH236AB6	Q5B07	2	K5B07	2	YEL	7.0	J2B02	2	N2D09	2	YEL	7.0
	M2B03	2	K2B09	2	YEL	5.0		G4D07	2	L5B03	2	YEL	7.0	M5B08	2	J2B03	2	YEL	12.0
FH224AJ2	K4D06	2	Q4D09	2	YEL	7.0	FH236AC2	L2B09	W	F3B08	W	YEL	8.0	M4B11	2	N2B02	2	YEL	9.0
	M2D10	2	Q4D09	W	YEL	8.0		G4D04	2	F3B08	2	YEL	5.5	N2B07	W	M3B07	W	YEL	6.0
FH224AK6	G5B02	2	F3D09	1	YEL	7.0	FH236AC6	K4B07	2	F3B08	2	YEL	7.0	N2B03	W	M4D04	W	YEL	8.0
	F3D09	2	K2B03	2	YEL	7.0		G4B13	2	K5B09	2	YEL	6.0	M3B09	1	N2B05	1	YEL	6.0
FH224AL2	Q3D07	2	K2D04	2	YEL	8.0	FH236AD2	M2B12	W	G5D06	W	YEL	9.0	FH333AJ6	1	M5D05	1	YEL	9.0
	T5D03	2	Q4D02	1	YEL	7.0	FH321AA6	J3D10	W	N3D04	W	YEL	7.0	FH333AM6	1	N2B07	1	YEL	9.0
FH224AP6	K3D05	2	J3B04	2	YEL	4.5	FH321AD6	J3B07	W	N3D06	W	YEL	7.0	FH333AJ6	1	N4D10	1	YEL	8.0
	L4D09	1	J3B04	2	YEL	8.0	FH321AG6	J2B12	W	N3D09	W	YEL	7.0	FH333AK2	2	N4C13	2	YEL	8.0
	Q4D02	1	L4D09	2	YEL	7.0	FH321AR6	N3D03	2	J2B04	2	YEL	7.0	FH333AE2	2	N5D02	2	YEL	7.0
FH225BB2	G2D02	1	K3B03	1	YEL	6.0	FH321AU6	J3B03	W	N3D05	W	YEL	7.0	FH333AJ2	2	N5B03	2	YEL	9.0
	Q2D10	2	G2D02	2	YEL	9.0	FH321AX6	J2B11	W	N3D07	W	YEL	7.0	FH333AM6	2	N2B11	2	YEL	9.0
	T5D10	1	Q2D10	2	YEL	11.0	FH322AA6	J2B09	W	N3D11	W	YEL	7.0	FH342AG6	W	F2D10	W	YEL	9.0
FH231AM2	G2D04	W	K5D03	W	YEL	9.0	FH322AD6	J3B02	W	N3D11	W	YEL	7.0	FH342AQ6	2	L4D05	2	YEL	8.0
	G2B02	2	F3D13	2	YEL	7.0	FH322AG6	N3B08	2	J3D07	2	YEL	6.0	FH342AS6	2	J5D02	2	YEL	8.0
FH232BJ2	G2D10	W	K5D05	W	YEL	9.0	FH322AR6	N3D10	2	J3D03	2	YEL	7.0	FH342AT2	1	F3B09	1	YEL	10.0
	G2B09	W	K4D13	W	YEL	9.0	FH322AU6	J2B13	W	N3D12	W	YEL	7.0	FH343AD2	2	F3D06	2	YEL	5.5
FH232BP2	K3D07	W	G5B10	W	YEL	8.0	FH322AX6	J2B07	W	N3B12	W	YEL	7.0	FH343AF2	2	H4D05	2	YEL	5.5
	K3D07	W	G5B12	W	YEL	8.0	FH322AK2	F2B09	1	J5B08	1	YEL	9.0	FH343AH2	2	F3D11	2	YEL	4.0
FH232CB2	K5D02	2	G5B11	2	YEL	6.0	FH324AK2	J4D02	W	R2B03	W	YEL	9.0	FH422AT6	1	L2C02	1	YEL	7.0
	K2D05	W	G5B11	W	YEL	10.0	FH324AQ2	J4D02	W	R2B03	W	YEL	9.0	L2D11	W	P3D11	W	YEL	7.0
FH233AA2	K4B04	W	G5B09	W	YEL	7.0	FH324AT6	J5B12	W	R3B13	W	YEL	10.0	FH422AV6	W	P3C13	W	YEL	7.0
	K4B09	W	G5B08	W	YEL	6.0	FH324AV6	J4B04	2	F3D03	2	YEL	6.0	L2D13	W	P3C13	W	YEL	7.0
FH233AA6	J3B13	W	K4B09	W	YEL	5.0	FH324AW6	J3D02	W	K4D04	W	YEL	6.0	FH422AW6	2	L2D07	2	YEL	7.0
	F3B07	W	G5B05	W	YEL	7.0	FH324AZ6	L4D03	2	J4B09	2	YEL	5.5	FH423AR2	2	L2C06	2	YEL	7.0
FH233AD2	K2D03	W	F3B07	W	YEL	8.0	FH324BA6	F2D13	2	J3D05	2	YEL	6.0	FH423AS6	2	L2D03	2	YEL	7.0
	K5B13	2	G4B12	2	YEL	7.0	FH324BD6	G5D10	2	J4B05	2	YEL	7.0	FH423AU2	2	L2C05	2	YEL	7.0
FH233AD6	K5B07	2	J5D13	2	YEL	5.5		K3D09	1	G5D10	1	YEL	9.0	FH424AL6	1	L2D12	1	YEL	7.0
	K2D13	2	J5D13	2	YEL	10.0	FH325AA2	M2D06	2	K3D09	2	YEL	6.0	FH424AN6	1	L2B02	1	YEL	7.0
FH233AG2	M2B11	2	K2D13	2	YEL	5.0		M2B10	2	J2B05	2	YEL	5.5	FH424AP6	W	P3D10	W	YEL	7.0
	G5D07	2	J4D13	2	YEL	5.5	FH325AB2	J3B10	W	M2B05	W	YEL	7.0	FH424AT6	2	L2C04	2	YEL	7.0
FH233AG6	K3D03	W	J4D13	W	YEL	7.0	FH325AC2	M3D10	2	J2B10	2	YEL	7.0	FH424AU2	1	L2B03	1	YEL	6.0
	G5B03	2	K5B04	2	YEL	5.5	FH325BK4	K2D11	W	M5D11	W	YEL	9.0	FH433AD2	2	L4C02	2	YEL	5.0
FH233AR2	K5B04	1	J3D13	1	YEL	6.0		J3D11	W	K2D11	W	YEL	5.5	FH433AD6	2	L4D06	2	YEL	7.0
	M2B13	2	J3D13	2	YEL	6.0	FH325BN6	K3B09	1	J5B10	1	YEL	8.0		W	H3B04	W	YEL	4.5
FH233AR6	Q5B13	2	L5B07	2	YEL	7.0		G3B02	W	K3B09	W	YEL	6.0	FH433AG6	2	M5D10	2	YEL	8.0
	K4B08	W	L5B07	W	YEL	7.0	FH325BP6	M2D04	W	J5D04	W	YEL	10.0	M5D10	2	H3B11	2	YEL	6.0
FH233AU6	K3B08	W	G5D03	W	YEL	7.0	FH325BQ6	M2D05	W	J5B13	W	YEL	11.0	H3B11	2	M4D09	2	YEL	6.0
	M5B10	2	K2D02	1	YEL	11.0	FH325BR2	J4D05	W	M4B05	W	YEL	5.5	H3B13	2	N4D09	2	YEL	7.0
FH233AX2	M5B10	2	G4B07	2	YEL	8.0	FH331AC2	N4B08	2	M3D06	2	YEL	6.0	M5D04	1	L4C12	1	YEL	4.5
	G2B11	2	K4D09	2	YEL	8.0		M3D06	1	J2C02	1	YEL	7.0	FH434AH2	W	M4D07	W	YEL	5.0
FH233BH2	K5D04	2	G5B04	2	YEL	6.0	FH331AD2	N5D03	2	M3D07	2	YEL	7.0	H2D02	W	L3D13	W	YEL	8.0
	K4B02	2	G3D12	2	YEL	5.5	FH331AE2	M3D07	2	J2D03	2	YEL	7.0	L3B03	1	L3D13	1	YEL	6.0
FH233BJ6	G2B05	1	A5D02#	1	YEL	12.0		N5D07	2	M4B10	2	YEL	5.5	FH434AJ2	2	H2D03	2	YEL	6.0
	G2B10	1	A5B03#	1	YEL	12.0	FH331AF2	M4B10	1	J2D04	1	YEL	9.0	H2D04	2	L3B02	2	YEL	6.0
FH233AB6	G5B13	2	A3B08#	2	YEL	12.0		N5B08	2	M4B12	2	YEL	5.0	FH434AK2	W	M3D11	W	YEL	5.0

DATE 11-13-75

PART NO. 5554810

E.C. NO. 825083

VERSION 000

SIZE SINGLE

MACHINE 1442SM15

LOCATION 01A-A3

PIN ID: #-I/O PIN  
\*-I/O & LOGIC  
T-TERMINATING RES.  
V-VOLTAGE/GROUND

PLANES: 1-CARD SIDE SHALLOW 3-PROBE SIDE SHALLOW  
2-PROBE SIDE SHALLOW 4-PROBE SIDE SHALLOW  
W-DISCRETE OVERFLOW

WIRE TYPES: YEL-YELLOW, 30, AG  
TWL-TWIN LEAD WRAP  
TW-TWIST PR CONNECT  
FTR-50 OHM TRI-LEAD

NTR-90 CHM TRI-LEAD  
FTW-50 CHM TWIN LEAD  
NTW-90 CHM TWIN HEAD  
CX-COAX CONNECTOR

NOTES: WIRE LENGTH IS IN TENTHS OF AN INCH. YELLOW WIRE LENGTH INCLUDES WIRE FOR WRAP.

NET NO.	FROM PIN	P L	TO PIN	P L	WIRE TYP	LNKTH	FROM PIN	P L	TO PIN	P L	WIRE TYP	LNKTH	FROM PIN	P L	TO PIN	P L	WIRE TYP	LNKTH		
FH434AL2	H2D05	1	L3D11	1	YEL	7.0	FH522AQ2	H5D07	1	A3B02#	1	YEL	13.0	WHO10AH7	S2D06	2	U1E11#	1	YEL	6.0
FH434AM2	M5D07	2	L3D11	1	YEL	7.0	FH522AT2	H5D06	2	A4B04#	2	YEL	11.0	WHO10AJ1	U2B11	2	S2D06	2	YEL	5.0
FH434AN2	L3D12	W	M5D13	W	YEL	8.0	FH522AZ2	H4D11	2	A4B03#	2	YEL	9.0	WHO10AJ3	S3D03	1	V1B11#	1	YEL	8.0
FH434AP2	H2D06	W	L3D12	W	YEL	7.0	FH600AA4	H4D09	1	H3D09	1	YEL	5.5	WHO10AJ5	U2B12	2	S3C03	2	YEL	5.0
FH434AQ2	H2D07	1	L3D10	2	YEL	7.0		J3D09	2	H3D09	2	YEL	4.5	WHO10AJ7	S4D06	2	T1A13#	1	YEL	8.0
FH434AR2	L3D10	W	M5D12	W	YEL	8.0		H4D09	1	H6D02#	1	YEL	7.0	WHO10AK1	U2B13	1	S4D06	1	YEL	7.0
FH434AS2	L3D07	W	M5B04	W	YEL	7.0	FH600AB4	J3D09	2	G2D09	2	YEL	7.0	WHO10AK3	TIC13#	1	S5B12	1	YEL	11.0
FH434AT2	L3D07	W	M5B04	W	YEL	7.0	FH600AC4	G2B08	W	H4B08	W	YEL	8.0	WHO10AK5	S5B12	2	U2D02	2	YEL	12.0
FH434AU2	H2D10	W	L3D07	W	YEL	6.0	FH600AD4	U2C06	2	U2B06	2	YEL	4.0	WHO10AL1	S5D04	2	T1D13#	1	YEL	10.0
FH441AA2	H2D11	2	L3D06	2	YEL	6.0	FH600AR4	U3C06	2	U3B06	2	YEL	4.0	WHO10AL3	C2D04	2	S5D04	2	YEL	10.0
FH441AB2	L3D06	W	M5D03	W	YEL	7.0	FH600AT4	T4B06	2	T4C06	2	YEL	4.0	WHO10AL5	S4D09	1	T1E13#	1	YEL	9.0
FH441AC2	L3D02	W	M4B09	W	YEL	7.0	FH600AV4	T5B06	V	T5C06	V	YEL	4.0	WHO10AH7	U2D05	2	S4D09	2	YEL	9.0
FH441AD2	H2D12	2	L3D02	2	YEL	6.0	WHO10AA2	S2B06	2	T2B06	2	YEL	8.0	WHO10AJ1	U1B13#	2	S2D04	2	YEL	5.0
FH441AE2	L3D05	W	M4B08	W	YEL	6.0		P1E11#	1	S4B08	1	YEL	10.0	WHO10AJ3	U2D06	2	S2D04	2	YEL	5.0
FH441AF2	L3D05	W	M4B08	W	YEL	6.0		U3B02	2	S4B08	2	YEL	8.0	WHO10AJ5	R4D09	2	K1B13#	2	YEL	12.0
FH441AG2	H2B02	1	L3D04	2	YEL	7.0	WHO10AA4	S3D07	2	Q1A11#	2	YEL	8.0	WHO10AJ7	U3D13	2	R4D09	2	YEL	7.0
FH441AH2	L3D04	W	M3D12	W	YEL	5.0		U3B03	2	S3D07	2	YEL	5.0	WHO10AK7	S5D07	2	U1C13#	1	YEL	11.0
FH441AJ2	L3D03	W	M5D06	W	YEL	8.0	WHO10AA6	U3B04	2	S5B08	2	YEL	10.0	WHO10AL1	U2D07	2	S5D07	2	YEL	10.0
FH441AK2	H2B03	W	L3D03	W	YEL	7.0		S5B08	2	Q1C11#	1	YEL	11.0	WHO10AL3	S5D12	2	U2E09	2	YEL	11.0
FH441AL2	L2B04	W	H5B11	W	YEL	10.0	WHO10AB2	Q1D11#	1	S5D05	1	YEL	11.0	WHO10AL5	S5D12	1	U1C13#	1	YEL	12.0
FH441AM2	L2B12	W	H5B10	W	YEL	9.0		U3B05	1	S5D05	1	YEL	8.0	WHO10AH7	S5B02	1	V1A13#	1	YEL	11.0
FH441AN2	L2B05	W	H5D11	W	YEL	10.0	WHO10AB4	Q1E11#	1	S4B13	1	YEL	10.0	WHO10AJ1	U2D10	2	S5B02	2	YEL	10.0
FH441AP2	H4B03	2	L3B12	2	YEL	5.5		U3B07	2	S4B13	2	YEL	8.0	WHO10AJ3	S5D10	2	V1B13#	1	YEL	11.0
FH441AQ2	H4D02	2	L3B04	2	YEL	6.0	WHO10AB6	S3D06	2	R1B11#	1	YEL	9.0	WHO10AJ5	U2D12	2	S5D03	2	YEL	9.0
FH441AR2	L3B07	2	H4D03	2	YEL	5.5		U3B09	2	S3D06	2	YEL	5.0	WHO10AJ7	G3D09	2	A2C11#	2	YEL	9.0
FH441AS2	L3B08	W	H5D03	W	YEL	7.0	WHO10AC2	S4D07	2	R1C11#	2	YEL	9.0	WHO10AK1	G3B09	2	A5D07#	2	YEL	10.0
FH441AT2	H4B13	W	L3D09	W	YEL	7.0		U3B10	2	S4D07	2	YEL	6.0	WHO10AK3	G2B04	2	A3B10#	2	YEL	10.0
FH441AU2	L3B10	W	H5D13	W	YEL	8.0	WHO10AC4	U3B11	2	S4D07	2	YEL	7.0	WHO10AK5	G3B08	2	A3B09#	2	YEL	8.0
FH441AA2	L3B09	W	H5B13	W	YEL	8.0		R1D11#	W	S4D13	W	YEL	10.0	WHO10AK7	G2D03	2	A5B07#	2	YEL	13.0
FH441AB2	L2B07	W	H5D02	W	YEL	9.0	WHO10AC6	S1A11#	1	S5B04	1	YEL	10.0	WHO10AL1	G3B10	2	A5C09#	2	YEL	11.0
FH441AC2	L2B13	W	H5B02	W	YEL	8.0		U3B12	2	P1E13#	1	YEL	7.0	WHO10AL3	J4B12	1	A2B03#	1	YEL	13.0
FH441AD2	K2D09	W	L5D04	W	YEL	9.0	WHO10AD2	U3B13	2	Q1B13#	1	YEL	10.0	WHO10AL5	J4B07	2	A2B02#	2	YEL	13.0
FH441AE2	R3B08	2	L2B11	2	YEL	7.0		U3D06	1	Q1B13#	1	YEL	9.0	WHO10AH7	J5D12	2	A4D12#	2	YEL	10.0
FH441AF2	R3B08	2	K5B08	2	YEL	11.0	WHO10AD4	Q1C13#	1	T4B10	1	YEL	10.0	WHO10AJ1	J5B07	2	A4P10#	2	YEL	10.0
FH441AG2	L5D10	2	H4B09	2	YEL	7.0	WHO10AD6	U3D10	2	T4B10	2	YEL	6.0	WHO10AJ3	J3B08	2	A2B04#	2	YEL	11.0
FH441AH2	L5B11	1	H4D07	2	YEL	7.0		U3D02	2	S3B09	2	YEL	7.0	WHO10AJ5	J3B08	2	A4B13#	2	YEL	11.0
FH441AJ2	J4B02	2	L5D13	2	YEL	7.0	WHO10AE2	S3B09	2	Q1D13#	1	YEL	8.0	WHO10AJ7	J2D09	2	A4D13#	2	YEL	13.0
FH441AK2	P2B13	2	L5B02	2	YEL	8.0		R1A13#	2	S4B03	2	YEL	8.0	WHO10AK1	J3B12	2	A4B12#	2	YEL	10.0
FH441AL2	H2B04	W	L4B09	W	YEL	9.0	WHO10AE4	U3D04	2	S4B03	2	YEL	7.0	WHO10AK3	J3D06	2	A2B05#	2	YEL	11.0
FH441AM2	H2B09	W	L3B05	W	YEL	7.0		R1B13#	1	T4B03	1	YEL	9.0	WHO10AK5	J4D04	2	A3C13#	2	YEL	9.0
FH441AN2	G4B09	2	L4B08	2	YEL	5.0	WHO10AE6	U3D05	2	T4B03	2	YEL	6.0	WHO10AJ1	J3B05	2	A2B08#	2	YEL	10.0
FH441AP2	M5B02	2	L4B08	2	YEL	5.0		K4D10	1	R1C13#	1	YEL	12.0	WHO10AJ3	J4B03	1	A2B10#	1	YEL	11.0
FH441AQ2	G3B11	2	K3B07	2	YEL	5.5	WHO10AF2	U3D07	2	K4D10	2	YEL	11.0	WHO10AJ5	G4D03	2	A3D12#	2	YEL	8.0
FH441AR2	K3B07	W	M2D07	W	YEL	6.0		U3D09	1	R1E13#	1	YEL	8.0	WHO10AJ7	G4D11	1	A2L07#	1	YEL	12.0
FH441AS2	G3B11	W	L3B13	W	YEL	7.0	WHO10AF4	U3D09	1	R1E13#	1	YEL	8.0	WHO10AH7	G3D02	2	A2B13#	2	YEL	8.0
FH441AT2	L5D12	2	J5D03	2	YEL	5.5		S5D06	2	U2D13	2	YEL	10.0	WHO10AK1	H3B10	2	A5B12#	2	YEL	12.0
FH521AB6	H5D12	2	A3B07#	2	YEL	13.0	WHO10AF6	S1A13#	2	S5D06	W	YEL	10.0	WHO10AK3	G5D11	2	A2B09#	2	YEL	13.0
FH521AD6	H5B09	2	A5B08#	2	YEL	8.0		S2D11	1	T1A11#	1	YEL	5.5	WHO10AK5	H3D07	2	A4D11#	2	YEL	10.0
FH521AF6	H5B08	1	A2D09#	1	YEL	13.0	WHO10AG1	U2B02	2	S2D10	2	YEL	5.5	WHO10AH7	H3D07	2	A4D11#	2	YEL	10.0
FH521AH6	H4B05	2	A3D07#	2	YEL	9.0		T1B11#	2	S2D10	2	YEL	7.0	WHO10AJ1	G5D09	2	A5D13#	2	YEL	8.0
FH521AK6	H4B10	2	A5D06#	2	YEL	9.0	WHO10AG3	U2B03	2	S2D10	2	YEL	5.0	WHO10AJ3	H3D03	1	A4C10#	1	YEL	11.0
FH521AM6	H4D12	2	A5D05#	2	YEL	9.0		T1D11#	1	S2D09	2	YEL	7.0	WHO10AJ5	G4B11	2	A5B13#	2	YEL	10.0
FH521AP6	H4D13	2	A4D07#	2	YEL	9.0	WHO10AG5	U2B04	2	S2D09	2	YEL	5.0	WHO10AJ7	H3D12	1	A4B09#	1	YEL	10.0
FH521AR6	H4D10	2	A5B04#	2	YEL	9.0		U2B05	2	T1E11#	2	YEL	7.0	WHO10AK1	H3D04	2	A4B08#	2	YEL	11.0
FH521AT6	H5B12	2	A4B07#	2	YEL	11.0	WHO10AG7	S3D05	2	T1E11#	2	YEL	7.0	WHO10AK3	H3B03	2	A3B13#	2	YEL	10.0
FH521AV6	H5B07	2	A4D06#	2	YEL	10.0		U2B05	2	S3D05	2	YEL	7.0	WHO10AK5	H2B12	2	A3D11#	2	YEL	9.0
FH521AY2	H4B12	1	A3D06#	1	YEL	10.0	WHO10AH1	S3D04	2	U2B07	2	YEL	6.0	WHO10AH7	H2B11	2	A3B12#	2	YEL	10.0
FH521BB2	H5D09	2	A3D05#	2	YEL	12.0		U1A11#	1	S3D04	2	YEL	7.0	WHO10AJ1	H2B10	2	A5D10#	2	YEL	13.0
FH522AC2	H4B02	2	A4B02#	2	YEL	8.0	WHO10AH3	S3D10												

MST-1 BOARD DISCRETE WIRE EQUIVALENT LIST SEQUENCED BY NET NUMBER

DATE 11-13-75

PART NO. 5554810

E.C. NO. 825083

VERSION 000

SIZE SINGLE

MACHINE 1442SM15

LOCATION 01A-A3

PIN ID: #-I/O PIN  
 \*-I/O & LOGIC  
 T-TERMINATING RES.  
 V-VOLTAGE/GROUND

PLANES: 1-CARD SIDE SHALLOW 3-PROBE SIDE SHALLOW  
 2-PROBE SIDE SHALLOW 4-PROBE SIDE SHALLOW  
 W-DISCRETE OVERFLOW

WIRE TYPES: YEL-YELLOW, 30, AG  
 TWL-TWIN LEAD WRAP  
 TW-TWIST PR CONNECT  
 FTR-50 OHM TRI-LEAD

NTR-90 OHM TRI-LEAD  
 FTW-50 OHM TWIN LEAD  
 NTW-90 OHM TWIN HEAD  
 CX-COAX CONNECTOR

NOTES: WIRE LENGTH IS IN TENTHS OF AN INCH. YELLOW WIRE LENGTH INCLUDES WIRE FOR WRAP.

NET NO.	FROM PIN	P L	TO PIN	P L	WIRE TYP	WIRE LNPTH
WH141AM1	H3B02	1	A5D11#	1	YEL	13.0
WH141AM3	H2B13	2	A3D10#	2	YEL	9.0
WH141AM5	H2B07	2	A5B10#	2	YEL	13.0
WH141AM7	H2B05	2	A3D09#	2	YEL	10.0

FROM PIN L TO PIN L P WIRE TYP LNPTH

FROM PIN L TO PIN L P WIRE TYP LNPTH

MST-1 BOARD DISCRETE WIRE EQUIVALENT LIST SEQUENCED BY PIN NUMBER

DATE 11-13-75

PART NO. 5554810

E.C. NO. 825083

VERSION 000

SIZE SINGLE

MACHINE 1442SM15

LOCATION 01A-A3

PIN ID: #-I/O PIN  
\*-I/O & LOGIC  
V-VOLTAGE/GROUND

NOTE: 'T' FOLLOWING PIN LOCATION INDICATES TERMINATING RESISTOR

PIN	NET NO.	PIN	NET NO.	PIN	NET NO.	PIN	NET NO.	PIN	NET NO.	PIN	NET NO.	PIN	NET NO.
A2B02#	WH131AV4	A5D02#	FH234AA6	G2D03	WH131AT4	G5D12	FH234AM2	H4D07	FH443AF2	J3B10	FH325AB2	K2D10	FH222AA2
A2B03#	WH131AV2	A5D04#	FH234AD6	G2D04	FH231AM2	G5D13	FH232BW2	H4D09	FH600AA4	J3B11	FH126AT6	K2D11	FH325BK4
A2B04#	WH131AX4	A5D05#	FH521AM6	G2D05	FH234AQ2	H1A11#	FH142AJ2	H4D10	FH521AR6	J3B12	WH131AZ3	K2D13	FH233AG2
A2B05#	WH131AZ5	A5D06#	FH521AK6	G2D06	FH221AG2	H1A13#	FH126AX6	H4D11	FH522AZ2	J3B13	FH233AA6	K3B03	FH225BB2
A2B07#	WH141AB7	A5D07#	WH131AR4	G2D07	FH232BJ6	H1C13#	FH162BM6	H4D12	FH521AM6	J3D02	FH324AW6	K3B04	FH134AT6
A2B08#	WH141AB1	A5D09#	WH131AT6	G2D09	FH600AA4	H1D13#	FH162BX2	H4D13	FH521AP6	J3D03	FH322AR6	K3B07	FH445AA6
A2B09#	WH141AD5	A5D10#	WH141AK1	G2D10	FH232BJ2	H1E13#	FH132AK6	H5B02	FH441AM2	J3D04	FH134AV6	K3B08	FH233AU6
A2B10#	WH141AB3	A5D11#	WH141AM1	G2D11	FH224AB6	H2B02	FH434AT2	H5B03	FH221AH2	J3D05	FH324BA6	K3B09	FH325BN6
A2B13#	WH141AD1	A5D13#	WH141AF1	G2D12	FH224AC6	H2B03	FH434AU2	H5B04	FH223BB2	J3D06	WH131AZ5	K3D03	FH221AG6
A2D06#	FH522AM2	F2B02	FH123BC2	G2D13	FH224AE6	H2B04	FH444AP6	H5B05	FH522001	J3D07	FH322AG6	K3D04	FH221AG6
A2D07#	FH234AE6	F2B03	FH133AG2	G3B02	FH325BN6	H2B05	WH141AM7	H5B07	FH521AV6	J3D09	FH600AA4	K3D05	FH224AP6
A2D09#	FH521AF6	F2B04	FH123BB2	G3B03	FH234AN2	H2B07	WH141AM5	H5B08	FH521AF6	J3D10	FH321AA6	K3D06	FH223BB2
A2D11#	WH131AR2	F2B05	FH143AF6	G3B05	FH234AD6	H2B09	WH141AK5	H5B09	FH521AD6	J3D11	FH325BK4	K3D07	FH232BW6
A2C12#	WH141AK3	F2B07	FH121AE2	G3B08	WH131AT2	H2B10	WH141AK1	H5B10	FH441AB2	J3D12	FH221AG6	K3D09	FH324BC6
A3B02#	FH522AQ2	F2B09	FH324AK2	G3B09	WH131AR4	H2B11	WH141AH7	H5B11	FH441AA2	J3D13	FH233AR2	K3C10	FH222AF6
A3B03#	FH522AJ2	F2B12	FH133AH6	G3B10	WH131AT6	H2B12	WH141AH5	H5B12	FH521AT6	J4B02	FH444AC2	K3D11	FH221AP4
A3B04#	FH234AL2	F2B13	FH121AG2	G3B11	FH445AA6	H2B13	WH141AM3	H5B13	FH441AK2	J4B03	WH141AB3	K4B02	FH233BJ6
A3B05#	FH234AQ2	F2D02	FH324AA6	G3B13	FH234AE6	H2D02	FH434AH2	H5D02	FH441AL2	J4B04	FH324AV6	K4B04	FH233AA2
A3B07#	FH521AB6	F2D03	FH342AB6	G3D02	WH141AD1	H2D03	FH434AJ2	H5D03	FH441AG2	J4B05	FH324BD6	K4B07	FH236AC2
A3B08#	FH234AC6	F2D04	FH342AC6	G3D09	WH131AR2	H2D04	FH434AK2	H5D04	FH223AV2	J4B07	WH131AV4	K4B08	FH223BA2
A3B09#	WH131AT2	F2D05	FH342AD6	G3D11	FH234AP2	H2D05	FH434AL2	H5D05	FH522AW2	J4B08	FH143AE6	K4B09	FH233AA6
A3B10#	WH131AR6	F2D06	FH342AE6	G3D12	FH233BJ6	H2D06	FH434AM2	H5D06	FH522AT2	J4B09	FH324AZ6	K4B10	FH235AQ6
A3B12#	WH141AH7	F2D07	FH342AF6	G4B05	FH221AH6	H2D07	FH434AN2	H5D07	FH522AQ2	J4B10	FH141AM6	K4B11	FH221AH2
A3B13#	WH141AH3	F2D09	FH121AL2	G4B07	FH233AX2	H2D09	WH141AK3	H5D09	FH521BB2	J4B12	WH131AV2	K4B13	FH221AG2
A3D02#	FH234AM2	F2D10	FH342AG6	G4B08	FH233AR6	H2D10	FH434AP2	H5D10	FH522AM2	J4B13	FH123AA2	K4C04	FH324AW6
A3D05#	FH521BB2	F2D11	FH342AQ6	G4B09	FH444AQ2	H2D11	FH434AQ2	H5D11	FH441AC2	J4D02	FH324AQ2	K4C06	FH224AJ2
A3D06#	FH521AY2	F2D13	FH324BA6	G4B10	FH123BH2	H2D12	FH434AR2	H5D12	FH521AB6	J4D03	FH123AL2	K4C07	FH223001
A3D07#	FH521AH6	F3B02	FH121AN2	G4B11	WH141AF5	H2D13	FH434AS2	H5D13	FH441AJ2	J4D04	WH131AZ7	K4D09	FH233AX6
A3D09#	WH141AM7	F3B03	FH121AM2	G4B12	FH233AD6	H3B02	WH141AM1	H6D02#	FH600AA4	J4D05	FH325BR2	K4C10	WH010AF2
A3D10#	WH141AM3	F3B04	FH121AF2	G4B13	FH236AC6	H3B03	WH141AH3	J1C11#	FH162AJ6	J4D06	FH141AF6	K4C11	FH221AH6
A3D11#	WH141AH5	F3B05	FH161BL2	G4D03	WH141AB5	H3B04	FH433AD6	J1D11#	FH162AU6	J4D13	FH233AG6	K4D12	FH223AV6
A3D12#	WH141AB5	F3B07	FH233AD2	G4D04	FH236AC2	H3B05	FH123BB2	J1D13#	FH129AM6	J5B02	FH342AG6	K4C13	FH232BP2
A3D13#	WH131AZ7	F3B08	FH236AC2	G4D05	FH235AR6	H3B07	FH433AR2	J2B02	FH332AE2	J5B03	FH336AJ2	K5B02	FH236AA6
A4B02#	FH522AC2	F3B09	FH342AT2	G4D06	FH235AK4	H3B08	FH433AD2	J2B03	FH332AF2	J5B04	FH324AC6	K5B03	FH221AQ2
A4B03#	FH522AZ2	F3B10	FH343AH2	G4D07	FH236AB6	H3B10	WH141AD3	J2B04	FH321AR6	J5B05	FH123BB2	K5B04	FH233AR2
A4B04#	FH522AT2	F3B11	FH122BJ6	G4D09	FH236AB2	H3B11	FH433AG6	J2B05	FH325AA2	J5B07	WH131AX2	K5B05	FH132AR6
A4B07#	FH521AT6	F3B13	FH221AP4	G4D10	FH235AA2	H3B13	FH433BK6	J2B07	FH322AX6	J5B08	FH324AK2	K5B07	FH236AB2
A4B08#	WH141AH1	F3D02	FH121AP2	G4D11	WH141AB7	H3D02	WH141AK7	J2B09	FH322AA6	J5B10	FH325BN6	K5B08	FH443AC6
A4B09#	WH141AF7	F3D03	FH324AV6	G4D12	FH235AQ6	H3D03	WH141AF3	J2B10	FH325AC2	J5B12	FH324AT6	K5B09	FH236AC6
A4B10#	WH131AX2	F3D04	FH342AS6	G4D13	FH222AA2	H3D04	WH141AH1	J2B11	FH321AX6	J5B13	FH325BQ6	K5B10	FH126BB6
A4B12#	WH131AZ3	F3D05	FH236AB2	G5B02	FH224AK6	H3D05	FH123AA2	J2B12	FH321AG6	J5D02	FH342AS6	K5B12	FH223AV2
A4B13#	WH131AX6	F3D06	FH343AD2	G5B03	FH233AR2	H3D06	FH123AZ2	J2B13	FH322AU6	J5D03	FH445AF2	K5B13	FH233AC6
A4D02#	FH522AF2	F3D07	FH343AF2	G5B04	FH233BH2	H3D07	WH141AD7	J2D02	FH331AC2	J5D04	FH325BP6	K5C02	FH232CB2
A4D04#	FH234AP2	F3D09	FH224AK6	G5B05	FH233AC2	H3D09	FH600AA4	J2D03	FH331AD2	J5D12	WH131AV6	K5D03	FH231AM2
A4D05#	FH234AN2	F3D10	FH223AV2	G5B07	FH233AG2	H3D10	FH123AT2	J2D04	FH331AE2	J5D13	FH233AG2	K5D04	FH233BH2
A4D06#	FH521AV6	F3D11	FH343AH2	G5B08	FH233AA6	H3D12	WH141AF7	J2D05	FH331AF2	K1B13#	WH010AK5	K5C05	FH232BJ2
A4D07#	FH521AP6	F3D12	FH223AV6	G5B09	FH233AA2	H4B02	FH522AC2	J2D06	FH331AJ2	K2B02	FH224AP6	K5D10	FH221AC2
A4D09#	WH141AK7	F3D13	FH231AN6	G5B10	FH232BW6	H4B03	FH441AD2	J2D07	FH331AK2	K2B03	FH224AK6	K5D13	FH235AA2
A4D10#	WH141AF3	G2B02	FH231AN6	G5B11	FH232CB6	H4B05	FH521AH6	J2D09	WH131AZ1	K2B04	FH224AC6	L1C11#	FH162AT2
A4D11#	WH141AD7	G2B03	FH234AL2	G5B12	FH232CB2	H4B07	FH223AU2	J2D10	FH331AL2	K2B05	FH224AA6	L1C13#	FH143AK2
A4D12#	WH131AV6	G2B04	WH131AR6	G5B13	FH234AC6	H4B08	FH600AB4	J2D11	FH331AM2	K2B07	FH224AC6	L1E11#	FH161BA2
A4D13#	WH131AZ1	G2B05	FH234AA6	G5D02	FH236AA6	H4B09	FH443AE2	J2D12	FH332AC2	K2B09	FH224AE6	L2B02	FH424AN6
A5B03#	FH234AB6	G2B07	FH233AU6	G5D03	FH233AU6	H4B10	FH521AK6	J2D13	FH332AD2	K2B11	FH122AM2	L2B03	FH424AU2
A5B04#	FH521AR6	G2B08	FH600AB4	G5D04	FH236AA2	H4B11	FH522AF2	J3B02	FH332AD6	K2D02	FH233AX2	L2B04	FH441AA2
A5B07#	WH131AT4	G2B09	FH232BP2	G5D05	FH233AU2	H4B12	FH521AY2	J3B03	FH321AU6	K2D03	FH233AC2	L2B05	FH441AC2
A5B08#	FH521AD6	G2B10	FH234AB6	G5D06	FH236AD2	H4B13	FH441AH2	J3B04	FH224AP6	K2D04	FH224AL2	L2B07	FH441AL2
A5B09#	WH141AK5	G2B11	FH233AX6	G5D07	FH233AG6	H4D02	FH441AE2	J3B05	WH141AB1	K2D05	FH232CB6	L2B09	FH236AB6
A5B10#	WH141AM5	G2B12	FH224AA6	G5D09	WH141AF1	H4D03	FH441AF2	J3B07	FH321AD6	K2D06	FH343AC2	L2B10	FH236AA2
A5B12#	WH141AD3	G2B13	FH224AD6	G5D10	FH324BD6	H4D05	FH343AF2	J3B08	WH131AX6	K2D07	FH223AU2	L2B11	FH443AC6
A5B13#	WH141AF5	G2D02	FH225BB2	G5D11	WH141AD5	H4D06	FH522AJ2	J3B09	WH131AX4	K2D09	FH443AC2	L2B12	FH441AB2



DATE 11-13-75

PART NO. 5554810

E.C. NO. 825083

VERSION 000

SIZE SINGLE

MACHINE 1442SM15

LOCATION 01A-A3

PIN ID: #-I/O PIN  
\*-I/O & LOGIC  
V-VOLTAGE/GROUND

NOTE: 'T' FOLLOWING PIN LOCATION INDICATES TERMINATING RESISTOR

PIN	NET NO.	PIN	NET NO.	PIN	NET NO.	PIN	NET NO.	PIN	NET NO.	PIN	NET NO.	PIN	NET NO.	PIN	NET NO.
L2B13	FH441AM2	L5B13	FH223BA2	M4B13	FH332AD2	N3D07	FH321AX6	Q2B13	FH121AV6	Q5D12	FH132AK6	R4D06	FH123EM6		
L2D02	FH422AT6	L5D04	FH443AC2	M4D02	FH133AR6	N3D09	FH321AG6	Q2D02	FH133AR6	Q5D13	FH221AG6	R4C07	FH122BG2		
L2D03	FH423AS6	L5D10	FH443AE2	M4D03	FH154AE6	N3D10	FH322AR6	Q2D03	FH122AE2	R1A13#	WH010AF4	R4C09	WH010AK5		
L2D04	FH424AT6	L5D12	FH445AF2	M4D04	FH334AL2	N3D11	FH322AA6	Q2D04	FH123AY2	R1B11#	WH010AB6	R5B02	FH154AK6		
L2D05	FH423AU2	L5D13	FH444AC2	M4D05	FH434AJ2	N3D12	FH322AU6	Q2D05	FH133AS6	R1B13#	WH010AE6	R5B08	FH162CA6		
L2D06	FH423AR2	M1A13#	FH143AL2	M4D06	FH153002	N3D13	FH322AD6	Q2D07	FH136001	R1C11#	WH010AC2	R5B09	FH134AS6		
L2D07	FH423AQ6	M1B11#	FH161BC2	M4D07	FH434AH2	N4B08	FH331AC2	Q2D09	FH127AE2	R1C13#	WH010AF2	R5B11	FH134AY6		
L2D09	FH235AR6	M1C11#	FH161BD2	M4D09	FH433AR2	N4D10	FH332AE2	Q2D10	FH225BB2	R1D11#	WH010AC4	R5B12	FH134AL2		
L2D10	FH424AP6	M1D11#	FH161BF2	M4D10	FH335AK2	N4D12	FH331AJ2	Q2D11	FH121AT6	R1E13#	WH010AF4	R5B13	FH122BN2		
L2D11	FH422AV6	M2B02	FH224AD6	M4D11	FH152004	N5B02	FH335AL4	Q2D12	FH121AX6	R2B02	FH123BB2	R5C02	FH155AE6		
L2D12	FH424AL6	M2B03	FH224AE6	M4D12	FH332AC2	N5B08	FH331AF2	Q2D13	FH122AD2	R2B03	FH324AC2	R5C03	FH162CW4		
L2D13	FH422AW6	M2B04	FH222AF6	M4D13	FH336AE2	N5D02	FH336AJ2	Q3B02	FH135BR2	R2B04	FH123AY2	R5C05	FH161BL2		
L3B02	FH434AK2	M2B05	FH325AB2	M5B02	FH444AS6	N5D03	FH331AD2	Q3B04	FH223AV6	R2B05	FH143AQ6	R5D07	FH162BM6		
L3B03	FH434AJ2	M2B07	FH133AS6	M5B03	FH154001	N5D07	FH331AE2	Q3B05	FH127AM6	R2B07	FH123BA6	R5D09	FH162001		
L3B04	FH441AE2	M2B09	FH133AQ6	M5B04	FH434AP2	N5D11	FH342AT2	Q3B08	FH133AQ6	R2B09	FH162CW4	R5D10	FH162BX2		
L3B05	FH444AQ2	M2B10	FH325AA2	M5B05	FH331AJ2	N5D12	FH123BH2	Q3B10	FH134AL2	R2B10	FH123AX6	R5D12	FH162AJ6		
L3B07	FH441AG2	M2B11	FH233AG2	M5B07	FH331AK2	P1E11#	WH010AA2	Q3B11	FH122BK2	R2B11	FH123AN2	R5D13	FH162AU6		
L3B08	FH441AF2	M2B12	FH236AD2	M5B08	FH332AF2	P1E13#	WH010AD2	Q3B13	FH134AV6	R2B12	FH142AJ2	S1A11#	WH010AC6		
L3B09	FH441AK2	M2B13	FH233AR2	M5B09	FH336AM6	P2B03	FH421AC6	Q3D02	FH132AG6	R2B13	FH143AR6	S1A13#	WH010AF6		
L3B10	FH441AJ2	M2D02	FH132AG6	M5B10	FH233AX2	P2B04	FH421AJ6	Q3D04	FH131AU6	R2D04	FH142AK2	S2B02	FH121AH2		
L3B11	FH443AZ4	M2D03	FH135AN6	M5B11	FH152001	P2B05	FH421AK6	Q3D05	FH135AN6	R2D05	FH141AM6	S2B03	FH121AC2		
L3B12	FH441AD2	M2D04	FH325BP6	M5B12	FH155001	P2B07	FH421AD6	Q3D07	FH224AL2	R2D06	FH143AE6	S2B04	FH121AL2		
L3B13	FH445AA6	M2D05	FH325BQ6	M5B13	FH155002	P2B09	FH421AE6	Q3D09	FH123BJ6	R2D07	FH143AK2	S2B05	FH121AE2		
L3D02	FH434AR2	M2D06	FH324BD6	M5D02	FH433AD6	P2B10	FH421AL6	Q3D10	FH122AB2	R2D09	FH143AL2	S2B06	FH600AV4		
L3D03	FH434AU2	M2D07	FH445AA6	M5D03	FH434AQ2	P2B11	FH421AM6	Q3D11	FH123AN2	R2D10	FH123AL2	S2B07	FH121AM2		
L3D04	FH434AT2	M2D09	FH133AP6	M5D04	FH433BK6	P2B12	FH421AF6	Q3D12	FH134AS6	R2D11	FH123AT2	S2B09	FH121AF2		
L3D05	FH434AS2	M2D10	FH224AJ2	M5D05	FH335AJ6	P2B13	FH444AL2	Q3D13	FH223AV2	R2D12	FH143AU6	S2B10	FH121AG2		
L3D06	FH434AQ2	M2D11	FH224AA6	M5D06	FH434AU2	P3B02	FH424AN6	Q4B02	FH122BJ6	R3B02	FH141AF6	S2B11	FH121AP2		
L3D07	FH434AP2	M2D12	FH224AB6	M5D07	FH434AL2	P3B03	FH424AU2	Q4B04	FH133AG2	R3B04	FH133AJ6	S2B12	FH122BJ6		
L3D09	FH441AH2	M2D13	FH224AC6	M5D09	FH152002	P3D02	FH422AT6	Q4B05	FH133AB6	R3B05	FH141AK6	S2B13	FH122AJ6		
L3D10	FH434AN2	M3B02	FH153AE6	M5D10	FH433AG6	P3D03	FH423AS6	Q4B08	FH121AW6	R3B07	FH123BC2	S2D02	FH122AH6		
L3D11	FH434AL2	M3B03	FH152AK6	M5D11	FH325BK4	P3D04	FH424AT6	Q4B09	FH122AM2	R3B08	FH443AC6	S2C03	WH010AK3		
L3D12	FH434AM2	M3B04	FH141AK6	M5D12	FH434AN2	P3D05	FH423AU2	Q4B10	FH134AT6	R3B09	FH143AF6	S2C04	WH010AK3		
L3D13	FH434AH2	M3B05	FH153AK6	M5D13	FH434AM2	P3D06	FH423AR2	Q4B11	FH121AU6	R3B10	FH121AM2	S2D05	FH122BM2		
L4B02	FH442AQ2	M3B07	FH334AJ6	N1A11#	FH161BG2	P3D07	FH423AQ6	Q4B12	FH133AE2	R3B11	FH126AU6	S2C06	WH010AH7		
L4B04	FH123BB2	M3B08	FH331AL2	N1A13#	FH126AG6	P3D10	FH424AP6	Q4B13	FH133AJ6	R3E12	FH123BN2	S2C07	FH121AX6		
L4B07	FH123AN2	M3B09	FH334AM6	N1B11#	FH127AR4	P3D11	FH422AV6	Q4D02	FH224AP6	R3E13	FH324AT6	S2D09	WH010AG5		
L4B08	FH444AS6	M3B12	FH332AE2	N1C11#	FH162BH2	P3D12	FH422AL6	Q4D03	FH122AF6	R3D04	FH122AT2	S2D10	WH010AG3		
L4B09	FH444AP6	M3B13	FH154AK6	N1E11#	FH162BK2	P3D13	FH422AW6	Q4D04	FH133AH6	R3C05	FH123BH2	S2D11	WH010AG1		
L4B10	FH133AC2	M3D02	FH141AJ6	N1E13#	FH126AH6	P4B03	FH121AD2	Q4D06	FH122AM2	R3D06	FH123AF2	S2D12	FH121AY6		
L4B11	FH133AE2	M3D03	FH141AH6	N2B02	FH333AY2	P4B04	FH121AE2	Q4D09	FH224AJ2	R3D07	FH123AA2	S2D13	FH123AN2		
L4B12	FH143AF6	M3D04	FH152AE6	N2B03	FH334AL2	P4B05	FH121AL2	Q4D12	FH136002	R3D09	FH141AJ6	S3B02	FH121AW6		
L4B13	FH123AL2	M3D05	FH153001	N2B04	FH334AJ6	P4B07	FH121AM2	Q4D13	FH123BH2	R3D10	FH121AE2	S3B03	FH121AZ6		
L4D02	FH433AD2	M3D06	FH331AC2	N2B05	FH334AM6	P4B09	FH121AF2	Q5B02	FH133AC2	R3D11	FH121AH2	S3B04	WH010AH5		
L4D03	FH324AZ6	M3D07	FH331AD2	N2B07	FH335AK2	P4B10	FH121AN2	Q5B03	FH133AZ2	R3D12	FH133AC2	S3B05	FH122AF6		
L4D04	FH143AF2	M3D09	FH331AM2	N2B09	FH336AE2	P4B11	FH121AG2	Q5B04	FH222AF6	R3D13	FH141AH6	S3B08	FH123AY2		
L4D05	FH342AQ6	M3D10	FH325AC2	N2B10	FH335AJ6	P4B12	FH121AP2	Q5B05	FH122AC2	R4B02	FH162AT2	S3B09	WH010AE2		
L4D06	FH433AD6	M3D11	FH434AK2	N2B11	FH336AM6	Q1A11#	WH010AA4	Q5B07	FH236AB2	R4B03	FH161BA2	S3B10	FH121AV6		
L4D07	FH133AZ2	M3D12	FH434AT2	N2D09	FH332AF2	Q1B13#	WH010AD4	Q5B08	FH122AL2	R4B04	FH161BC2	S3B11	FH123BB2		
L4D09	FH224AP6	M3D13	FH133BC6	N3B05	FH331AM2	Q1C11#	WH010AA6	Q5B09	FH133AC2	R4B05	FH161BD2	S3B12	FH122BL6		
L4D10	FH123AT2	M4B02	FH155AE6	N3B07	FH331AL2	Q1C13#	WH010AD6	Q5B10	FH133AZ2	R4B07	FH161BF2	S3B13	FH123BJ6		
L4D11	FH444AR2	M4B03	FH133BB6	N3B08	FH322AG6	Q1D11#	WH010AB2	Q5B11	FH132AM6	R4B09	FH161BG2	S3D02	FH121BA6		
L4D12	FH433BK6	M4B04	FH162CW4	N3B09	FH332AD2	Q1D13#	WH010AE2	Q5B12	FH132AR6	R4B10	FH127AR4	S3D03	WH010AJ1		
L5B02	FH444AL2	M4B05	FH325BR2	N3B10	FH332AC2	Q1E11#	WH010AB4	Q5B13	FH233AR6	R4B11	FH162BH2	S3D04	WH010AH1		
L5B03	FH236AB6	M4B07	FH152003	N3B11	FH331AK2	Q2B02	WH010AB6	Q5D02	FH133BF6	R4B12	FH162BK2	S3D05	WH010AG7		
L5B04	FH221AG6	M4B08	FH434AS2	N3B12	FH322AX6	Q2B04	FH133BB6	Q5C03	FH133AF2	R4B13	FH154AE6	S3C06	WH010AA4		
L5B07	FH233AR6	M4B09	FH434AR2	N3D03	FH321AR6	Q2B05	FH122BM2	Q5D04	FH132AL2	R4D02	FH152AE6	S3D07	WH010AA4		
L5B10	FH433AR2	M4B10	FH331AE2	N3D04	FH321AA6	Q2B07	FH133BC6	Q5D06	FH135AM6	R4D03	FH152AK6	S3D09	FH221AQ2		
L5B11	FH443AF2	M4B11	FH333AY2	N3D05	FH321AU6	Q2B09	FH121AY6	Q5D10	FH133AX2	R4D04	FH153AE6	S3C10	WH010AH3		
L5B12	FH433AG6	M4B12	FH331AF2	N3D06	FH321AD6	Q2B12	FH221AG2	Q5D11	FH126AW2	R4D05	FH153AK6	S3D11	FH123BK6		

MST-1

BOARD DISCRETE WIRE EQUIVALENT LIST SEQUENCED BY PIN NUMBER

DATE 11-13-75

PART NO. 5554810

E.C. NO. 825083

VERSION 000

SIZE SINGLE

MACHINE 1442SM15

LOCATION 01A-A3

PIN ID: #-I/O PIN  
\*-I/O & LOGIC  
V-VOLTAGE/GROUND

NOTE: 'T' FOLLOWING PIN LOCATION INDICATES TERMINATING RESISTOR

PIN	NET NO.	PIN	NET NO.	PIN	NET NO.	PIN	NET NO.	PIN	NET NO.	PIN	NET NO.
S3D12	FH122AM2	T2D12	FH129003	U2D04	WHO10AJ7						
S3D13	FH123AG2	T2D13	FH129002	U2D05	WHO10AK1						
S4B03	WHO10AE4	T4B02	FH123BH2	U2D06	WHO10AK3						
S4B04	FH123AL2	T4B03	WHO10AE6	U2D07	WHO10AK7						
S4B05	FH121AT6	T4B04	FH123AG2	U2D09	WHO10AL1						
S4B07	FH122AE2	T4B06	FH600AR4	U2D10	WHO10AL3						
S4B08	WHO10AA2	T4B07	FH132AG6	U2D11	FH171021						
S4B09	FH123BM6	T4B09	FH223AV2	U2D12	WHO10AL5						
S4B10	FH122AC2	T4B10	WHO10AD6	U2D13	WHO10AF6						
S4B11	FH123BN2	T4B11	FH126AX6	U3B02	WHO10AA2						
S4B12	FH123AZ2	T4B12	FH126AG6	U3B03	WHO10AA4						
S4B13	WHO10AB4	T4B13	FH143AU6	U3B04	WHO10AA6						
S4D02	FH122AB2	T4C06	FH600AR4	U3B05	WHO10AB2						
S4D03	FH123BC2	T4D02	FH121AP2	U3B06	FH600AD4						
S4D04	FH121AU6	T4D03	FH127AM6	U3B07	WHO10AB4						
S4D05	FH123BH2	T4D06	FH123AA2	U3B09	WHO10AB6						
S4D06	WHO10AJ3	T4D07	FH221AG6	U3B10	WHO10AC2						
S4D07	WHO10AC2	T4D09	FH121AF2	U3B11	WHO10AC4						
S4D09	WHO10AK1	T4D11	FH132AM6	U3B12	WHO10AC6						
S4D10	FH122AL2	T4D12	FH126AH6	U3B13	WHO10AD2						
S4D11	FH122BN2	T4D13	FH127AE2	U3C06	FH600AC4						
S4D12	FH123BF6	T5B02	FH135AN6	U3D02	WHO10AE2						
S4D13	WHO10AC4	T5B03	FH135BR2	U3D04	WHO10AE4						
S5B02	WHO10AL3	T5B06 V	FH600AT4	U3D05	WHO10AE6						
S5B03	FH122AD2	T5B08	FH127AR4	U3D06	WHO10AD4						
S5B04	WHO10AC6	T5B10	FH126AW2	U3D07	WHO10AF2						
S5B05	FH122AT2	T5B11	FH123AN2	U3D09	WHO10AF4						
S5B07	FH123AA2	T5B12	FH131AU6	U3D10	WHO10AD6						
S5B08	WHO10AA6	T5B13	FH122AM2	U3D11	FH181021						
S5B09	FH123BA6	T5C06 V	FH600AT4	U3D12	FH181022						
S5B10	FH122001	T5D02	FH135AM6	U3D13	WHO10AK5						
S5B11	FH122BD2	T5D03	FH224AP6	V1A13#	WHO10AL3						
S5B12	WHO10AJ5	T5D04	FH123AT2	V1B11#	WHO10AJ1						
S5B13	FH123AX6	T5D05	FH126BB6	V1B13#	WHO10AL5						
S5D02	FH143AF2	T5D06	FH121AM2								
S5D03	WHO10AL5	T5D09	FH126AT6								
S5D04	WHO10AJ7	T5D10	FH225BB2								
S5D05	WHO10AB2	T5D11	FH133AX2								
S5D06	WHO10AF6	T5D12	FH126AU6								
S5D07	WHO10AK7	T5D13	FH133AB6								
S5D09	FH143AQ6	U1A11#	WHO10AH1								
S5D10	FH123AT2	U1B13#	WHO10AK3								
S5D11	FH122BG2	U1C11#	WHO10AH3								
S5D12	WHO10AL1	U1C13#	WHO10AK7								
S5D13	FH122BK2	U1D11#	WHO10AH5								
T1A11#	WHO10AG1	U1D13#	WHO10AL1								
T1A13#	WHO10AJ3	U1E11#	WHO10AH7								
T1B11#	WHO10AG3	U2B02	WHO10AG1								
T1C13#	WHO10AJ5	U2B03	WHO10AG3								
T1D11#	WHO10AG5	U2B04	WHO10AG5								
T1D13#	WHO10AJ7	U2B05	WHO10AG7								
T1E11#	WHO10AG7	U2B06	FH600AC4								
T1E13#	WHO10AK1	U2B07	WHO10AH1								
T2B03	FH123AN2	U2B09	WHO10AH3								
T2B06	FH600AV4	U2B10	WHO10AH5								
T2B10	FH123BC2	U2B11	WHO10AH7								
T2D02	FH129001	U2B12	WHO10AJ1								
T2D03	FH221AG2	U2B13	WHO10AJ3								
T2D10	FH129AQ4	U2C06	FH600AC4								
T2D11	FH129AM6	U2D02	WHO10AJ5								





DATE 11-13-75

PART NO.	5554810	E.C. NO.	825083	VERSION 000	SIZE SINGLE	MACHINE 1442SM15	LOCATION 01A-A3
					VOLTAGE PINS		
P6C05	GND	Q1A13	GND	Q1B11	GND	Q1E13	GND
Q3D08	GND	Q4D08	GND	Q5D08	GND	Q6A04	GND
Q6E04	GND	R1A11	GND	R1D13	GND	R1E11	GND
R3D08	GND	R4D08	GND	R5D08	GND	R6A02	GND
R6E02	GND	S1C10	GND	S1D13	GND	S2D08	GND
S4D08	GND	S5D08	GND	S6C02	GND	S6D05	GND
T1C11	GND	T2C03	GND	T2C04	GND	T2C07	GND
T2C12	GND	T2D08	GND	T3C03	GND	T3C04	GND
T3C11	GND	T3C12	GND	T3D08	GND	T4C03	GND
T4C07	GND	T4C11	GND	T4C12	GND	T4D08	GND
T5C04	GND	T5C07	GND	T5C11	GND	T5C12	GND
T6B04	GND	T6C02	GND	U1A13	GND	U1B11	GND
U2C03	GND	U2C04	GND	U2C07	GND	U2C11	GND
U2D08	GND	U2E14	GND	U3A01	GND	U3C03	GND
U3C07	GND	U3C11	GND	U3C12	GND	U3D08	GND
U4A01	GND	U4C03	GND	U4C04	GND	U4C07	GND
U4C12	GND	U4D08	GND	U4E14	GND	U5A01	GND
U5C04	GND	U5C07	GND	U5C11	GND	U5C12	GND
U6A04	GND	U6B02	GND	U6E04	GND	V1A11	GND
V2C04	GND	V2C07	GND	V2C11	GND	V2C12	GND
V3C03	GND	V3C04	GND	V3C07	GND	V3C11	GND
V3D08	GND	V4C03	GND	V4C04	GND	V4C07	GND
V4C12	GND	V4D08	GND	V5C03	GND	V5C04	GND
V5C11	GND	V5C12	GND	V5D08	GND	V6A02	GND
							Q2D08 GND
							Q6B02 GND
							R2D08 GND
							R6D04 GND
							S3D08 GND
							T1B13 GND
							T2C11 GND
							T3C07 GND
							T4C04 GND
							T5C03 GND
							T5D08 GND
							U1E13 GND
							U2C12 GND
							U3C04 GND
							U3E14 GND
							U4C11 GND
							U5C03 GND
							U5D08 GND
							V2C03 GND
							V2D08 GND
							V3C12 GND
							V4C11 GND
							V5C07 GND

FOR ANY VOLTAGE PIN NOT INDICATED IN THE VOLTAGE PIN LIST, USE THE NET NUMBER TO LOCATE THE AID PAGE FOR DETERMINING THE VOLTAGE INFORMATION

END OF LIST

R2

CONNECTOR	
B02	WH131RV4
B03	WH131RV2
B04	WH131RX4
B05	WH131RZ5
B07	WH141RB7
B08	WH141RB1
B09	WH141RB5
B10	WH141RB3
B13	WH141RB1
D06	FH522AR2
D07	FH234AR6
D09	FH521AR6
D11	WH131AR2
D12	WH141AR3

R3

CONNECTOR	
B02	FH522AR2
B03	FH522AR2
B04	FH234AR2
B05	FH234AR2
B07	FH521AR6
B08	FH234AR6
B09	WH131AT2
B10	WH131AR6
B12	WH141AR7
B13	WH141AR3
D02	FH234AR2
D05	FH521582
D06	FH521AR2
D07	FH521AR6
D09	WH141AR7
D10	WH141AR3
D11	WH141AR5
D12	WH141AR5
D13	WH131AR27

R4

CONNECTOR	
B02	FH522AR2
B03	FH522AR2
B04	FH522AR2
B07	FH521AR6
B08	WH141AR1
B09	WH141AR7
B10	WH131RX2
B12	WH131AR23
B13	WH131AR6
D02	FH522AR2
D04	FH234AR2
D05	FH234AR2
D06	FH521AR6
D07	FH521AR6
D09	WH141AR7
D10	WH141AR3
D11	WH141AR7
D12	WH131AR6
D13	WH131AR21

R5

CONNECTOR	
B03	FH234AR6
B04	FH521AR6
B07	WH131AR4
B08	FH521AR6
B09	WH141AR3
B10	WH141AR5
B12	WH141AR3
B13	WH141AR5
D02	FH234AR6
D04	FH234AR6
D05	FH521AR6
D06	FH521AR6
D07	WH131AR4
D09	WH131AR6
D10	WH141AR1
D11	WH141AR1
D13	WH141AR1

R2

DOUBLE CARD	
5855123 3084	
FH341	00 01 02 03 04
FH342	05 06 07 08 09 0A
FH341	0A 0B 0C 0D 0E
FH342	0F 0G 0H 0J
FH341	0K 0L 0M 0N 0P 0Q
FH342	0R 0S 0T 0U
FH341	0V 0W 0X 0Y 0Z 10 11 12
FH342	13 14 15 16 17 18 19
FH341	1C
QUAD CARD	
5854434 3078	
FH234	00 01 02 03 08 09

CONNECTOR	
FH231	0A 13 14 15 16 17
FH232	1A 1B
FH233	1C
FH234	1D 1E 1F 1G
FH235	1H 1I 1J 1K 1L 1M 1N 1O
FH236	2A 2B 2C 2D 2E 2F 2G 2H 2I 2J 2K 2L 2M 2N 2O 2P 2Q 2R 2S 2T 2U 2V 2W 2X 2Y 2Z 30 31 32 33 34
FH237	3A 3B 3C 3D 3E 3F 3G 3H 3I 3J 3K 3L 3M 3N 3O 3P 3Q 3R 3S 3T 3U

H1

CONNECTOR	
A11	FH142AR2
A13	FH126AR6
C13	FH162BR6
D13	FH162BK2
E13	FH162AR6

H2

DOUBLE CARD	
8238886 3086	
FH434	00 01 02 03 04 05
	06 07 08 09 0A 0B
	0C 0D 0E 0F 0G 0H
	15
FH431	1Z 20 22 24 26 28
	2A
FH432	2C 2E 2G 2J 2L 2N
FH433	2W 2X 2Y 2Z 30 31
FH431	88 89 90 91 92 93
FH432	94 95 96 97 98 99

H3

DOUBLE CARD	
5853079 3079	
FH521	00 01 02 03 04 05
	06
FH522	07 08 09
FH521	0A 0B 0C
FH522	0D
FH521	0E 0F 0G 0H 0J
FH522	0K 0L 0M 0N 0P 0Q 0R
FH521	0S 0T
FH522	0U 0V
FH521	0X
FH522	0Y 0Z
FH521	10
FH522	11 12
FH521	13
FH522	14 15
FH521	16 17 18
FH522	19 1A 1B
FH521	1C 1D 1E
FH522	1F 1G 1H
FH521	1I 1K
FH522	1L 1M
FH521	1N
FH522	1P
FH521	1Q 1R
FH522	1S
FH521	1T 1U 1V 1W 1X 1Y 1Z 20 21 22 23
FH522	24
FH521	25
FH522	26 27 28 29

H4

CONNECTOR	
D02	FH600AR4

H5

CONNECTOR	
C11	FH162AR6
D11	FH162AR6
D13	FH129AR6

J3

QUAD CARD	
5853090 3080	
FH323	00 01 02 03 04 05
FH324	06 07 08 09 0A 0B 0C 0D
FH325	0E 0F
FH324	0G 0H 0J 0K
FH325	0L
FH323	0M 0N 0P 0Q
FH324	0R 0S 0T 0U 0V 0W 0X
FH325	0Y 0Z 10
FH324	11
FH325	12
FH324	13

K1

CONNECTOR	
B13	WH01OR6

K2

QUAD CARD	
8216631 3085	

K3

FH221	00
FH222	01
FH223	02 03 04
FH224	05 06
FH221	07 08 09
FH222	0A 0B 0C 0D 0E
FH223	0F 0G 0H 0J 0K 0L
FH224	0M 0N
FH221	0P 0Q
FH222	0R 0S 0T
FH223	0V 0W 0X
FH224	0Y 0Z 10 11
FH221	12
FH222	13
FH221	14 15
FH222	16
FH221	17 18
FH222	19 1A 1B 1C 1D 1E
FH223	1F 1G 1H
FH225	1J 1K
FH223	1L
FH221	1M
FH222	1N
FH224	1P
FH221	1Q
FH224	1R
FH221	1S
FH225	23
FH224	24
FH225	25
FH223	26 27 28 29

L1

CONNECTOR	
D11	FH162AR2
D13	FH143AR2
E11	FH161BA2

L2

QUAD CARD	
8210789 3081	

L3

FH443	00 01
FH445	02 03
FH444	04 05 06
FH443	07 08 09 0A 0B 0C 0D
FH442	0E 0F 0G 0H 0J 0K 0L 0M 0N 0P 0Q 0R
FH441	0S 0T 0U 0V 0W 0X
FH443	0Y 0Z 10 11
FH444	12
FH445	13
FH442	14 15 16 17
FH444	18 19 1A
FH443	1B
FH442	1C 1D 1E
FH445	1F
FH444	1G
FH441	1J 1K
FH444	1L
FH441	1M
FH444	1N 1P
FH443	1Q 1R

M1

CONNECTOR	
A13	FH143AL2
B11	FH161BC2
C11	FH161BD2
D11	FH161BF2

M2

QUAD CARD	
5853087 3087	
FH153	00 01 02 03 04 05 06 07 08 09
FH154	0A 0B 0C 0D
FH155	0E 0F 0G 0H
FH154	0J 0K
FH155	0L 0M
FH152	0N 0P
FH153	0Q 0R
FH154	0S 0T
FH155	0U 0V
FH151	0W 0X 0Y
FH153	0Z
FH151	10 11 12
FH153	13
FH151	14 15 16
FH152	17 18 19 1A 1B 1C

M3

CONNECTOR	
A11	FH161BG2
B11	FH126AR6
C11	FH162BH2
E11	FH162BK2
E13	FH126AR6

M4

QUAD CARD	
5855122 3077	
FH331	00 01 02 03 04 05
FH332	06 07 08 09 0A 0B
FH333	0C 0D 0E 0F 0G 0H
FH334	10
FH335	11
FH336	12
FH335	13
FH334	14 15
FH333	16 17
FH332	18 19
FH334	1A
FH336	1B
FH333	1C 1D 1E
FH332	1F 1G
FH334	1H 1J
FH335	1K 1L
FH334	1M 1N
FH333	1R 1S 1T
FH335	1U 1V 1W 1X 1Y 1Z 20 21 22 23 24
FH333	25 26 27 28 29
FH336	2A 2B 2C 2D 2E 2F 2G 2H 2J 2K
FH335	2P 2Q 2R 2S 2K
FH334	2A 2Q
FH335	2R 2S
FH333	2T
FH335	2U
FH336	2V
FH334	2W 2Y
FH335	2Z 30
FH334	31 32
FH332	33 34
FH333	35 36 37

M5

QUAD CARD	
8234489 Y581	
FH333	00
FH335	01 02 03 04 05 06
FH333	07 08 09
FH334	0A 0B 0C 0D 0E 0F
FH335	0G 0H 0J 0K 0L 0M
FH334	0N 0P 0Q 0R 0S 0T
FH333	0U 0V 0W 0X
FH335	0Y 0Z 10 11 12
FH334	13
FH333	14 15 16
FH335	17 18 19 1A 1B 1C 1D 1E 1F 1G 1H 1I 1J 1K 1L 1M 1N 1O 1P 1Q 1R 1S 1T 1X 1Y 1Z 20 21 22 23 24 25 26 27 28 29 2A 2B 2C 2D 2E 2F 2G 2H 2J 2K
FH334	2A 2Q
FH335	2R 2S
FH333	2T
FH335	2U
FH336	2V
FH334	2W 2Y
FH335	2Z 30
FH334	31 32
FH332	33 34
FH333	35 36 37

P1

CONNECTOR	
E11	WH01OR2
E13	WH01OR2

P2

QUAD CARD	
5855121 3076	
FH421	00 01 02 03 04 05
FH423	06 07 08 09 0A 0B
FH424	0C 0D
FH422	0E 0F
FH424	0G 0H
FH422	0I 0J 0K 0L
FH423	0M 0N 0O 0P 0Q 0R 0S

R1

CONNECTOR	
A13	WH01OR4
B11	WH01OR6
B13	WH01OR6
C11	WH01OR2
C13	WH01OR2
E11	WH01OR4
E13	WH01OR4

R2

DOUBLE CARD	
5855125 3083	
FH41	01 02 03 04
FH42	05 06 08 09
FH41	0A 0B 0C 0D 0E 0F 0G 0H 0J 0K 0L 0M 0N
FH42	0P 0Q 0R
FH41	0S 0T 0V
FH42	0X 0Y 0Z 10 11
FH41	12 13 14 15 16 17 18 19 1A 1B 1C 1D 1E 1F 1G 1H 1J 1K 1L 1M 1N 1O 1P 1Q 1R 1S 1T 1U 1V 1X 1Y 1Z 20 21 22 23 24 25 26 27 28 29 2A 2B 2C 2D 2E 2F 2G 2H 2J 2K 2L

R3

QUAD CARD	
8234489 Y581	
FH333	00
FH335	01 02 03 04 05 06
FH333	07 08 09
FH334	0A 0B 0C 0D 0E 0F
FH335	0G 0H 0J 0K 0L 0M
FH334	0N 0P 0Q 0R 0S 0T
FH333	0U 0V 0W 0X
FH335	0Y 0Z 10 11 12
FH334	13
FH333	14 15 16
FH335	17 18 19 1A 1B 1C 1D 1E 1F 1G 1H 1I 1J 1K 1L 1M 1N 1O 1P 1Q 1R 1S 1T 1X 1Y 1Z 20 21 22 23 24 25 26 27 28 29 2A 2B 2C 2D 2E 2F 2G 2H 2J 2K
FH334	2A 2Q
FH335	2R 2S
FH333	2T
FH335	2U
FH336	2V
FH334	2W 2Y
FH335	2Z 30
FH334	31 32
FH332	33 34
FH333	35 36 37

R4

DOUBLE CARD	
8210780 2666	
FH61	00 01 02
FH62	03 04 05 06
FH61	07 08 09
FH62	0A 0B 0C 0D 0E 0F 0G 0H 0J 0K 0L 0M
FH61	0N 0P 0Q 0R 0S
FH62	0T 0U 0V 0W 0X 0Y 0Z 10 11
FH61	12 13 14 17 19 1A
FH62	1B 1C 1D 1E 1F 1G 1H 1I 1J 1K 1L 1M 1N 1O 1P 1Q 1R 1S 1T 1X 1Y 1Z 20 21 22

R1

CONNECTOR	
A13	WH01OR4
B11	WH01OR6
B13	WH01OR6
C11	WH01OR2
C13	WH01OR2
E11	WH01OR4
E13	WH01OR4

R2

DOUBLE CARD	
8234494 Y589	
FH27	00 01 02 03 04 05
FH26	06 07 08 09 0A 0B
FH27	0C 0D 0E 0F 0G 0H 0J 0K
FH26	0L 0M 0N 0P 0Q 0R 0S 0T 0U 0V 0W 0X 0Y 0Z 10 11 12 13 14

R3

CONNECTOR	
A11	WH01OR4
B13	WH01OR4
C11	WH01OR6
C13	WH01OR6
D11	WH01OR2
D13	WH01OR2
E11	WH01OR4

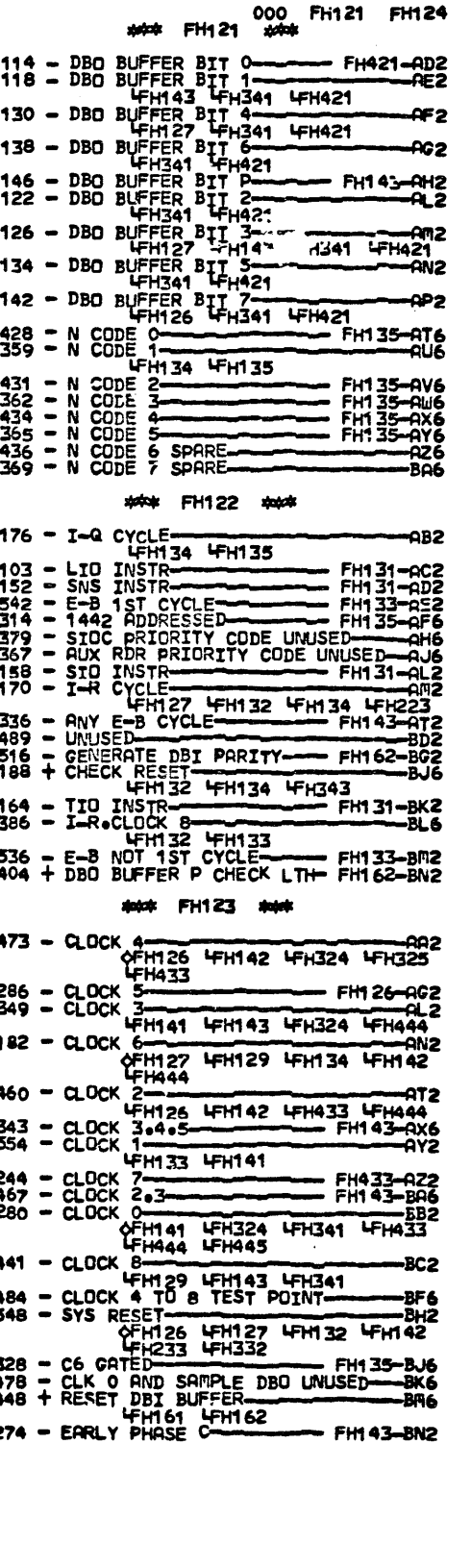
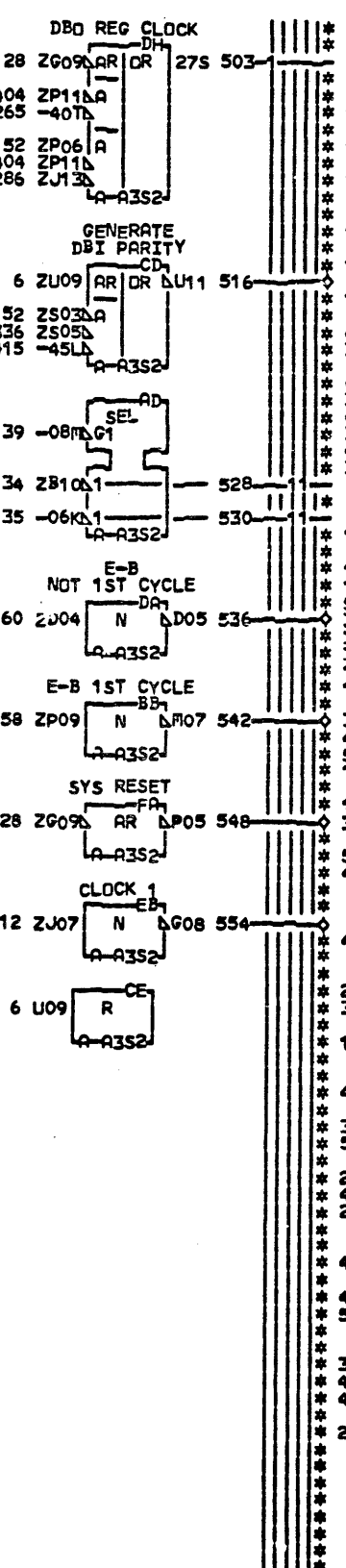
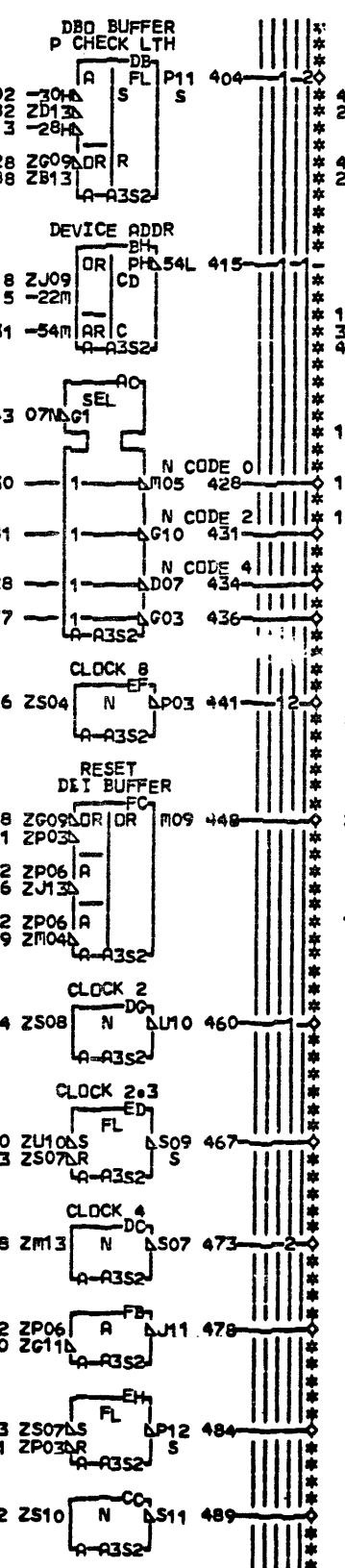
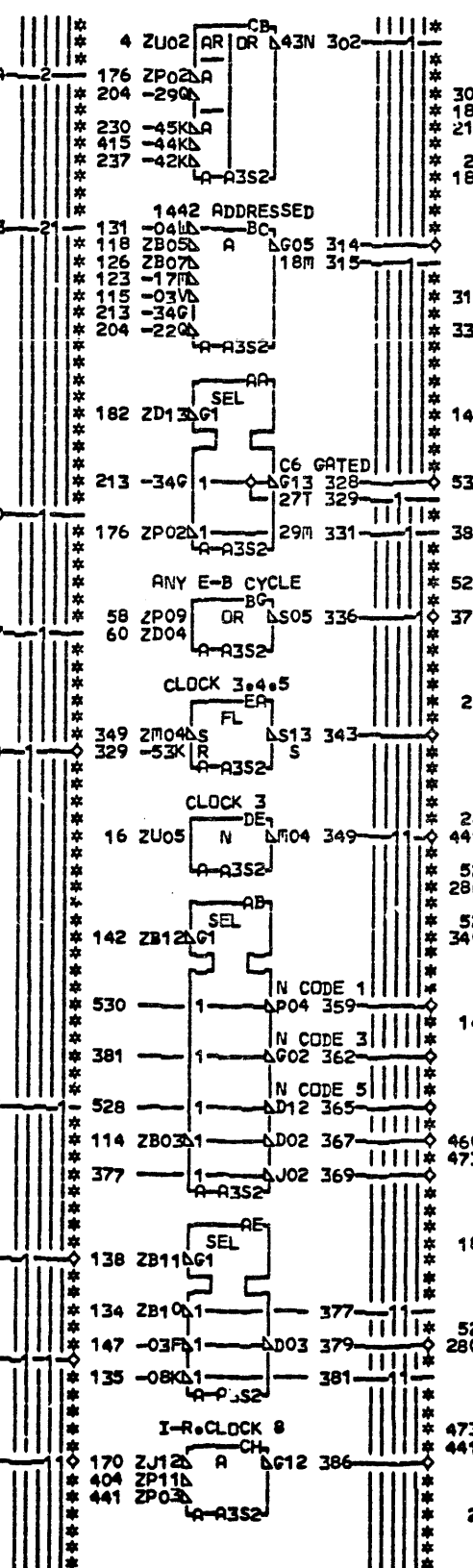
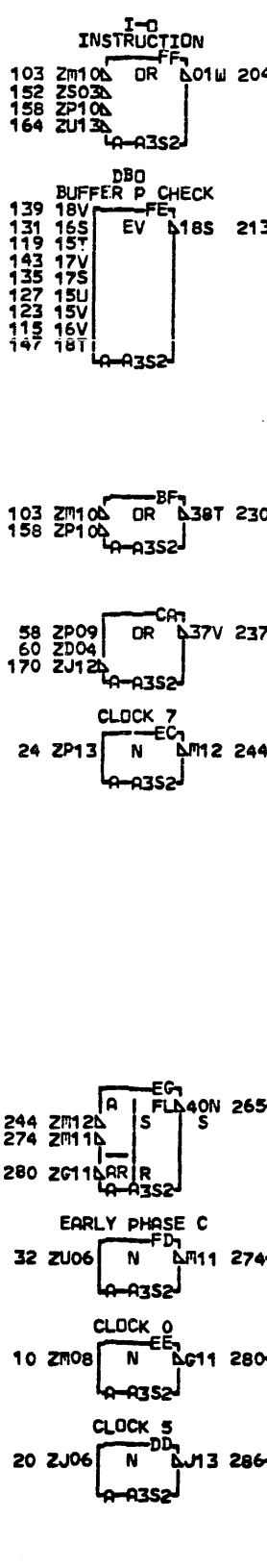
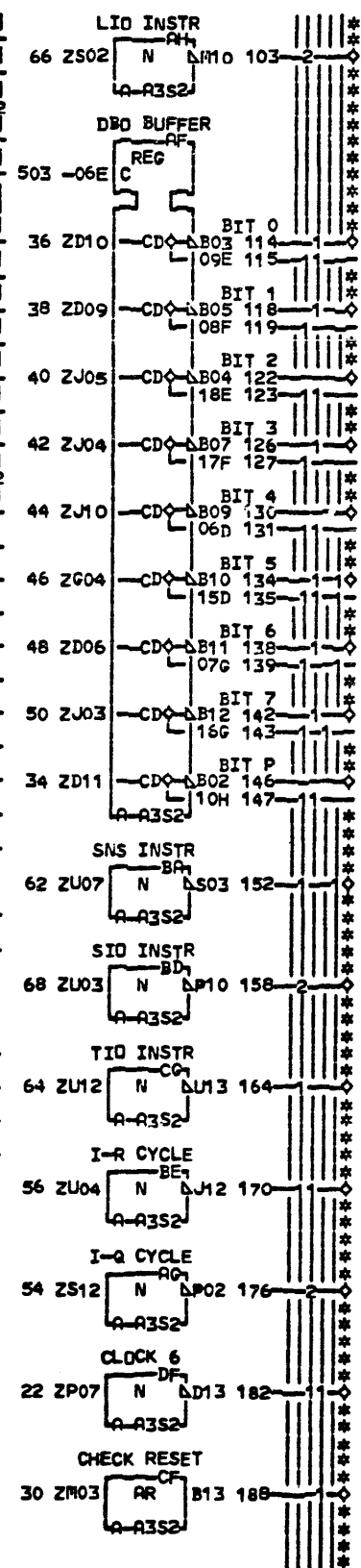
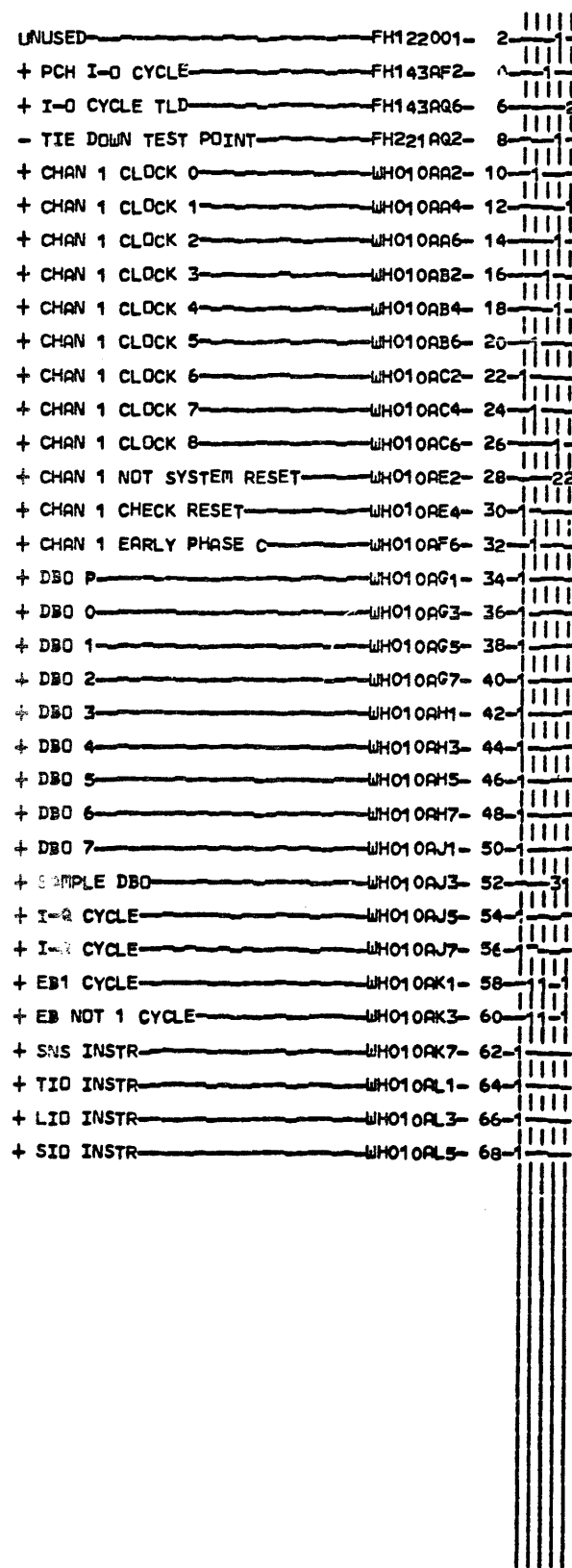
R4

DOUBLE CARD	
8213789 1945	
FH71	01 02 03 04 05 06
	07 08 09 0A 0B 0C
	0D 0E 0F 0G 0H 0J
	0K 0L

R5

QUAD CARD	
8218242 4582	
FH21	00 01 02 03 04 05
FH22	06 07





LOC. TYPE  
A-A3S2 4582

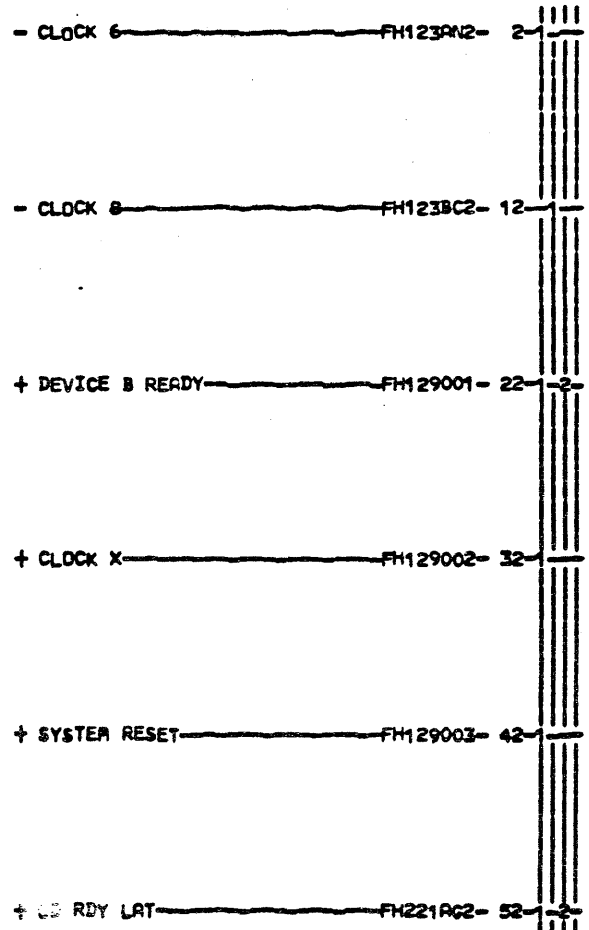
PAGE VER EC LEV  
FH121 000 821459  
FH122 000 821759  
FH123 000 824896  
FH124 000 821459

CHANNEL OUT INTERFACE			
E-C-HISTORY	C-MACH	1442SM15	
821459	FRAME	01	FH121
821759	IBM CORP	65D	FH124
824883	PoNo.	556004	000
DATE	LAST EC		
12-31-74	824896		

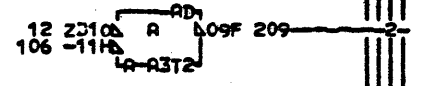
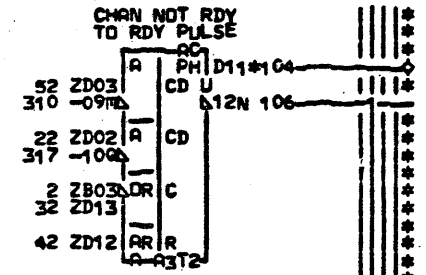
FH121  
FH124  
000



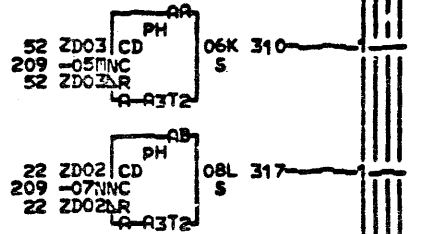




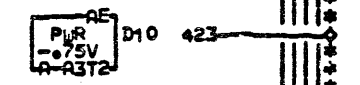
EDGE CONN.  
104 A-3J1D13



LOC. TYPE  
A-3T2 Y663



PAGE VER EC LEV  
FH129 000 824896



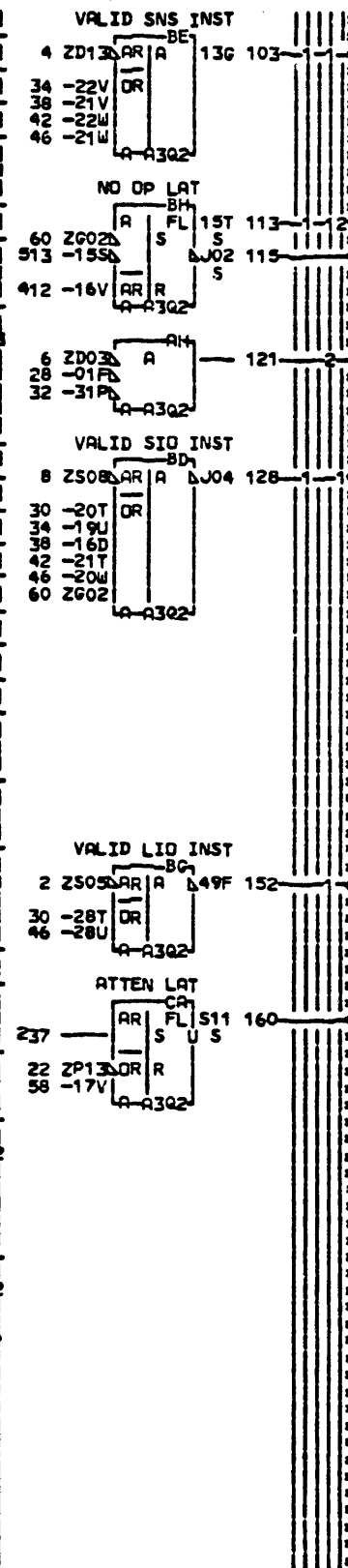
000 FH129 FH129  
104 + CHAN NOT RDY TO RDY PULSE AR6  
44015

423 + TIEUP AQ4

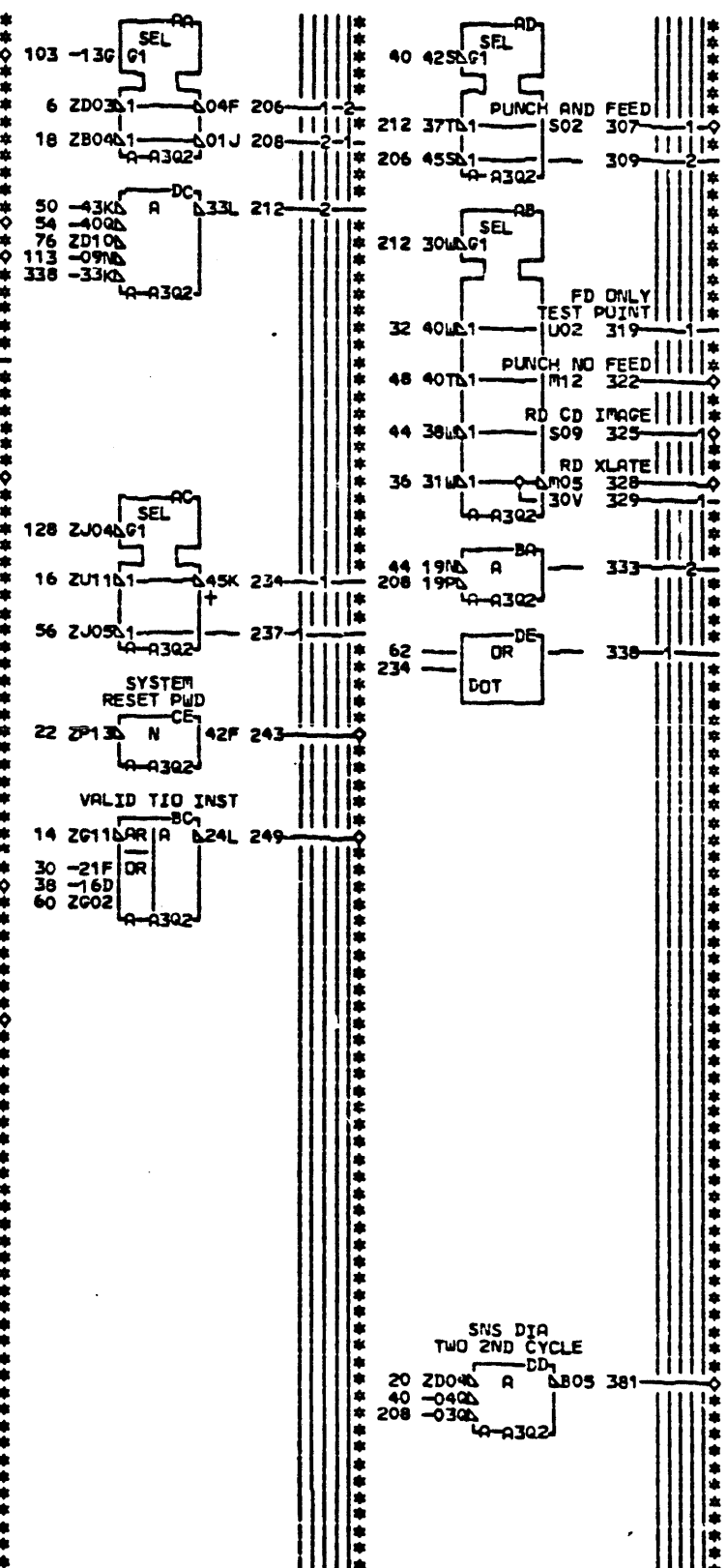
FH129  
FH129  
000

NOT READY TO READY DETECT			
E-C-HISTORY		C-MACH#14425R15	
FRAME	01	FH129	
DATE	LAST EC	IBR	CORP-RO
12-31-74	824896	P.No	1607841 000

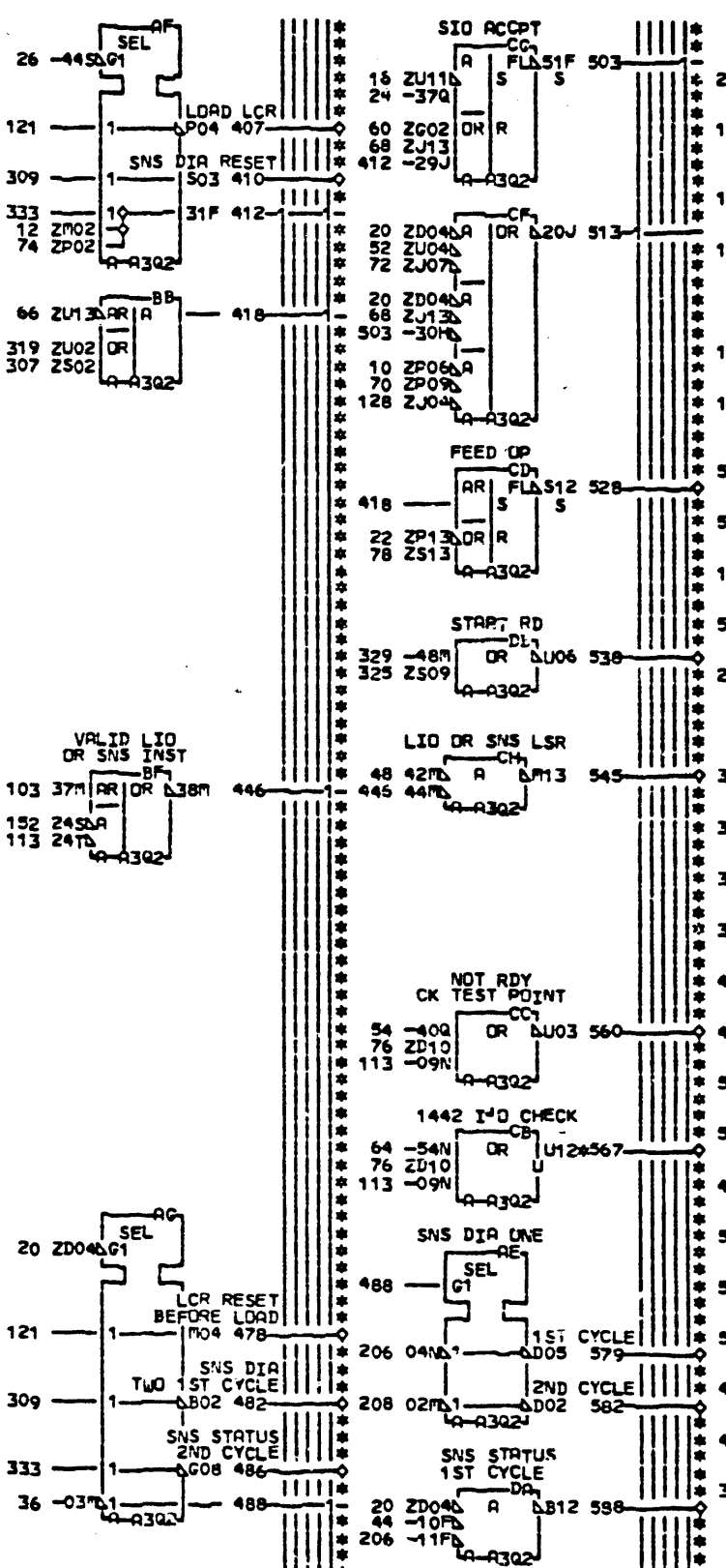
- LIO INSTR FM122AC2 2
- SNS INSTR FM122AD2 4
- E-B 1ST CYCLE FM122AE2 6
- SIO INSTR FM122AL2 8
- I-R CYCLE FM122AF2 10
- + CHECK RESET FM122BJ6 12
- TIO INSTR FM122BK2 14
- I-R CLOCK B FM122BL6 16
- E-B NOT 1ST CYCLE FM122BR2 18
- CLOCK 1 FM123AY2 20
- SYS RESET FM123BH2 22
- + SIO ACCEPTED FM134AB2 24
- CL6 PWD FM134AR6 26
- EXECUTE LIO FM134AU6 28
- + F0 FM135AD2 30-2
- F0 FM135AD6 32-1
- + F1 FM135AE2 34-2
- F1 FM135AE6 36-1
- + F2 FM135AF2 38-2
- F2 FM135AF6 40-1
- + F3 FM135AG2 42-2
- F3 FM135AG6 44-1
- + F4 FM135AK2 46-3
- F4 FM135AK6 48-2
- + BUSY FM135AR2 50
- BUSY FM135AR6 52
- + I-O ATTENTION PH FM135AN2 54
- I-O ATTENTION PH FM135AN6 56
- GATE ATTENTION FM135BG6 58
- + F5 FM135BR2 60-2
- + INHIBIT SIO ACCEPTANCE FM136AE6 62
- + CE SET I-O CHECK FM136AF2 64
- CD RDY LAT FM221AG6 66
- + SRP BUSY FM223AV2 68
- FD CHK FM224AJ2 70
- HPR OR PCH STA CHK FM224AL2 72
- + NPRO OR SYSTEM RESET FM224AP6 74
- + DEVICE ERROR FM225BB2 76
- + FD CB 1 FM223AR6 78



EDGE CONN.  
567 A-A3H13



LOC. TYPE  
A-A3Q2 Y581

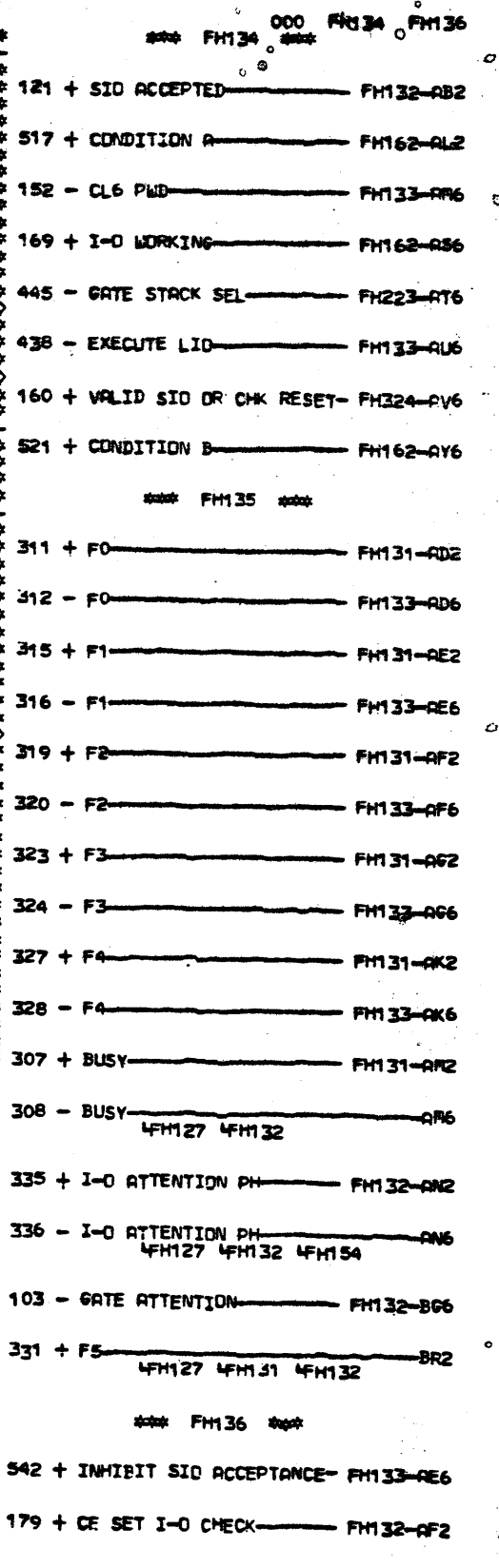
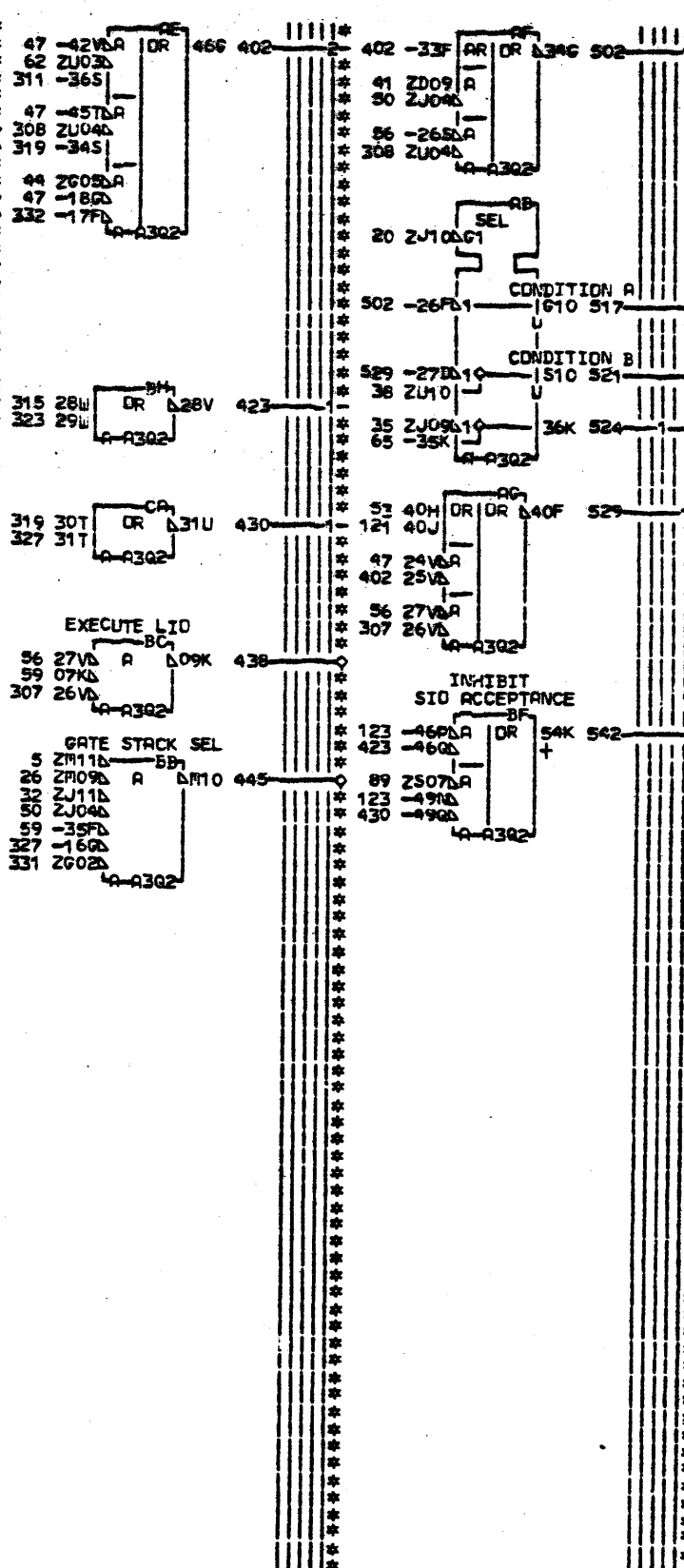
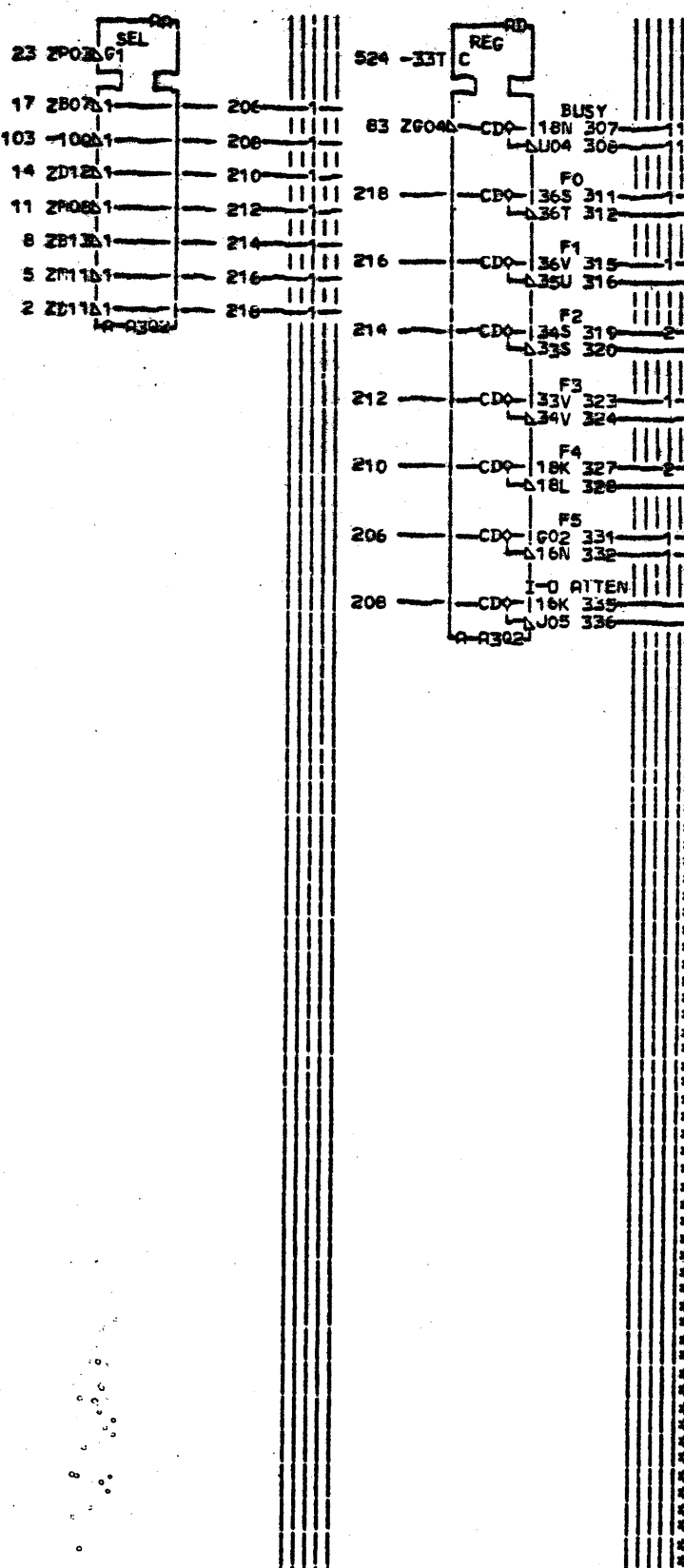
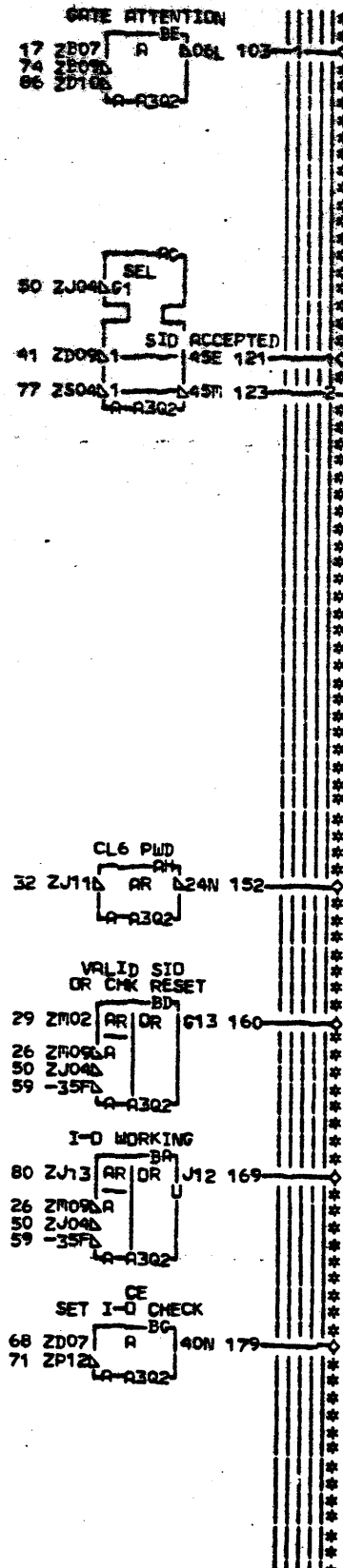
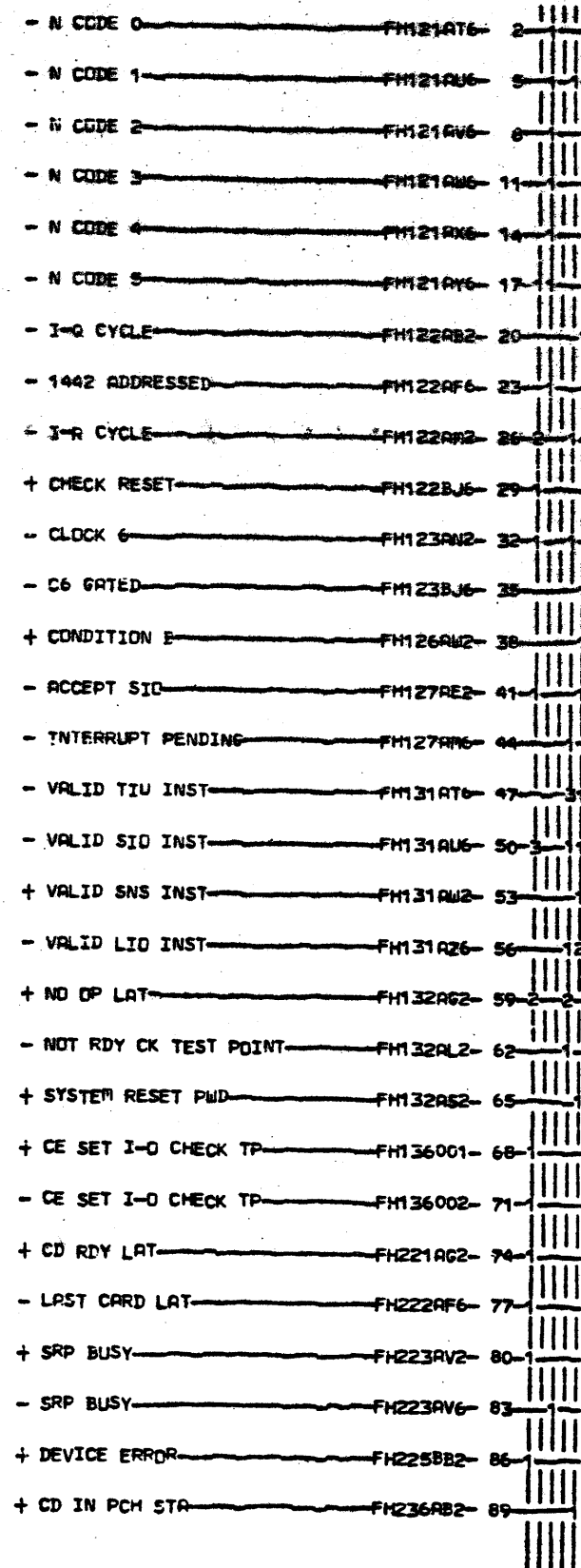


PAGE VER EC LEV  
 FM131 000 821459  
 FM132 000 821759  
 FM133 000 821459

- 249 - VALID TIO INST FM134-AT6
- 128 - VALID SIO INST FM127 FM134 FM136
- 103 + VALID SNS INST FM134-AW2
- 152 - VALID LIO INST FM134-AZ6
- 113 + NO OP LAT FM134-AG2
- 115 - NO OP LAT FM127 FM154
- 567 + 1442 I/O CHECK WH015-AK6
- 560 - NOT RDY CK TEST POINT FM134-AL2
- 160 + 1442 ATTN FM126-AM6
- 528 - FEED UP FM223-AR6
- 243 + SYSTEM RESET PWD FM135-AS2
- 328 - RD XLATE FM126-AB6
- 307 + PUNCH AND FEED FM443-AC2
- 325 + RD CD IMAGE FM141-AD2
- 322 + PUNCH NO FEED FM443-AE2
- 478 + LCR RESET BEFORE LOAD FM341-AQ2
- 407 - LOAD LCR FM341-AM6
- 545 - LIO OR SNS LSR FM143-AJ6
- 588 - SNS STATUS 1ST CYCLE FM151-AP6
- 486 - SNS STATUS 2ND CYCLE FM151-AQ6
- 582 - SNS DIA ONE 2ND CYCLE FM151-AR6
- 579 - SNS DIA ONE 1ST CYCLE FM151-AS6
- 538 - START RD FM126-AX2
- 410 + SNS DIA RESET FM444-AZ2
- 482 - SNS DIA TWO 1ST CYCLE FM151-BB6
- 381 - SNS DIA TWO 2ND CYCLE FM151-BC6

INST DECODE AND ACKNOWLEDGE		
E.C. HISTORY	C. PACH. 1442SP15	
821459		
DATE	LAST EC	
12-17-73	821759	
	P.No. 5556006	000

FM131  
 FM133  
 000



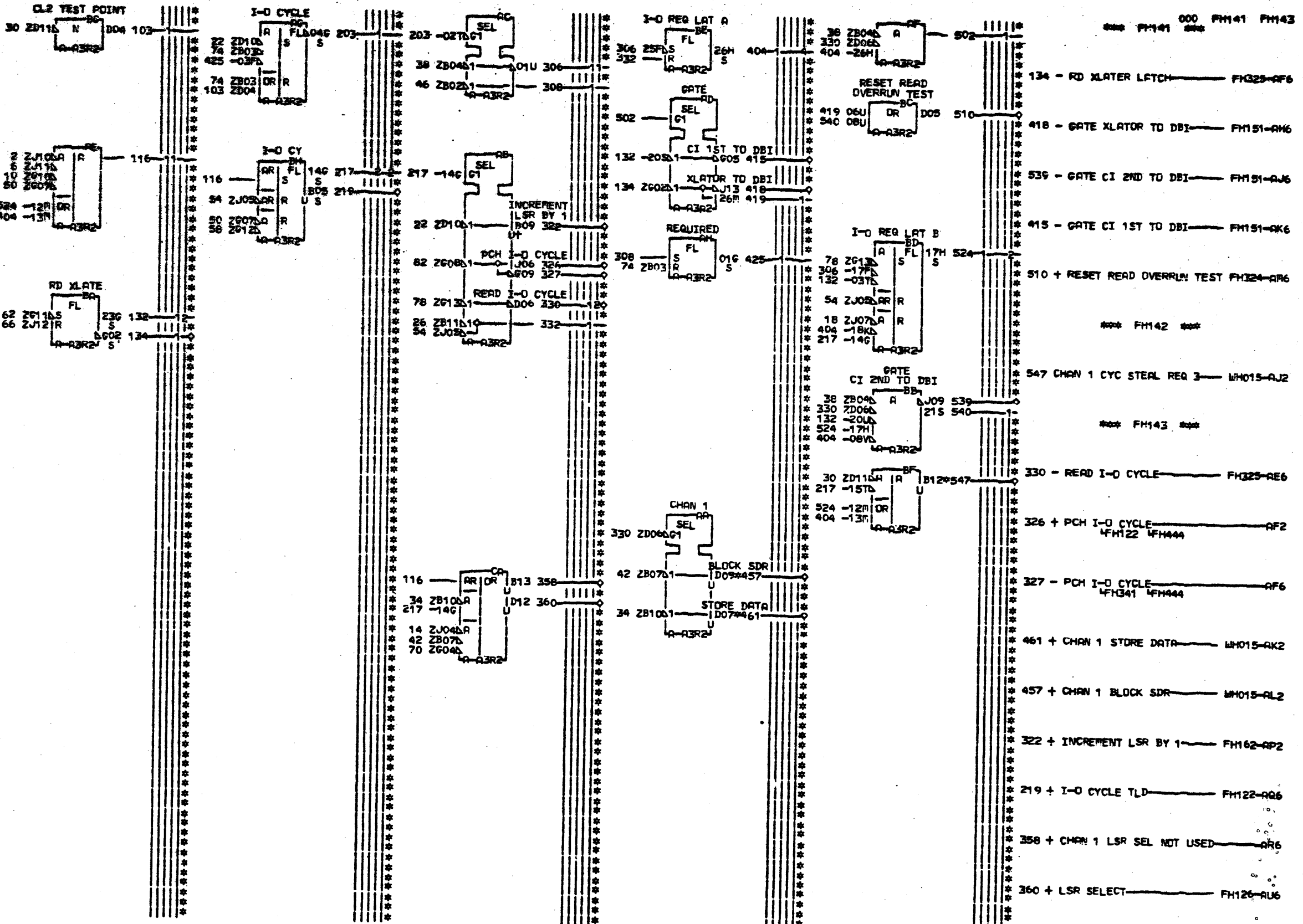
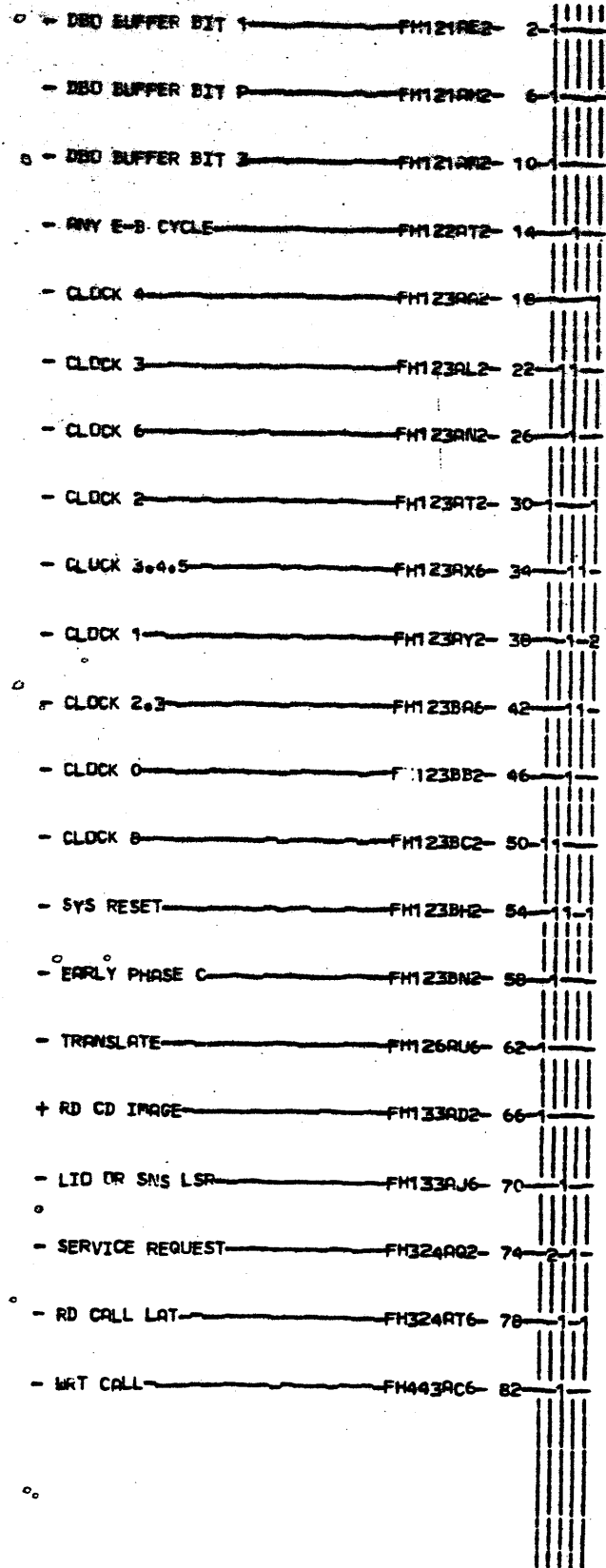
LOC. TYPE  
A-A302 Y581

PAGE VER EC LEV  
 FM134 000 821459  
 FM135 000 821459  
 FM136 000 821459

THIS DOCUMENT IS IBM CONFIDENTIAL  
 UNTIL ANNOUNCEMENT DECLASSIFY  
 THEREAFTER.

INST DECODE AND ACKNOWLEDGE			
E.C. HISTORY	C. No.	14425M15	
DATE	LAST EC	06-01-73 821459	
FRAME	01	FM134	
IBR CORP. GSD		FM136	
P. No.	5556007		000

FM134  
 FM136  
 000



000 FM141 FM143

EDGE CONN.  
457 A-A3M1A13  
461 A-A3L1D13  
547 A-A3M1A11

LOC. TYPE  
A-A3R2 3083

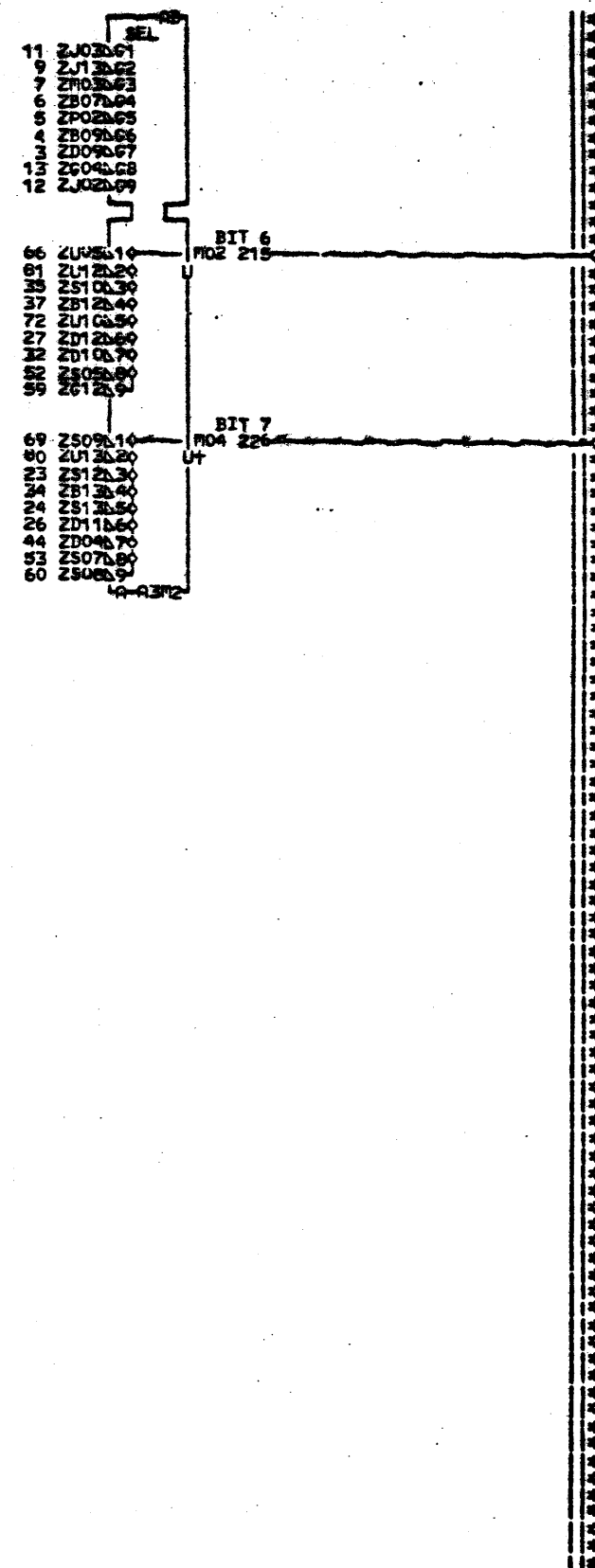
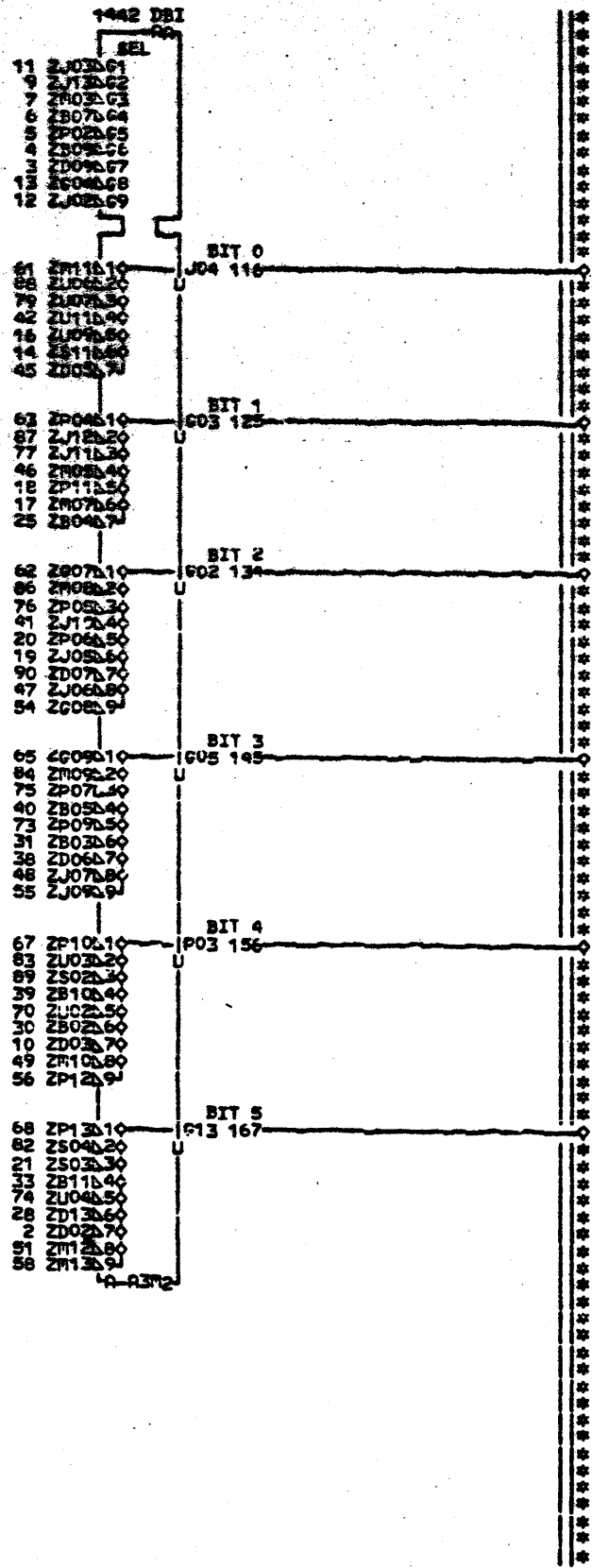
PAGE VER EC LEV  
FM141 000 821459  
FM142 000 821459  
FM143 000 821459

THIS DOCUMENT IS IBM CONFIDENTIAL  
UNTIL ANNOUNCEMENT DECLASSIFY  
THEREAFTER.

I-O CYCLE CONTROLS	
E.C. HISTORY	C. MACH. 14425M15
FRMPE 01	FM141
IBM CORP. GSD	FM143
DATE LAST EC	P. No. 5556008 000
06-01-73 821459	

FM141  
FM143  
000

NO OP LAT	FM132000	1
SNS STATUS 1ST CYCLE	FM132001	2
SNS STATUS 2ND CYCLE	FM132002	3
SNS DIA ONE 2ND CYCLE	FM132003	4
SNS DIA ONE 1ST CYCLE	FM132004	5
SNS DIA TWO 1ST CYCLE	FM132005	6
SNS DIA TWO 2ND CYCLE	FM132006	7
I-O ATTENTION FN	FM132007	8
GATE KLATOR TO DBI	FM141001	9
GATE CI 2ND TO DBI	FM141002	10
GATE CI 1ST TO DBI	FM141003	11
SPARE	FM152001	12
SPARE	FM152002	13
SPARE	FM152003	14
SPARE	FM152004	15
SPARE	FM153001	16
SPARE	FM153002	17
SPARE	FM154001	18
CE DIAGNOSTIC BIT TWO	FM155001	19
CE DIAGNOSTIC BIT ONE	FM155002	20
LAST CARD LAT	FM222001	21
TRANS CHECK LAT	FM224001	22
PUNCH STATION CHECK	FM224002	23
FEED CLUTCH CHECK	FM224003	24
HOPPER CHECK	FM224004	25
READ STATION CHECK	FM224005	26
FD CHK	FM224006	27
READ EMITTER	FM233001	28
FD CB 1	FM233002	29
PUNCH CELL DARK	FM233003	30
FD CB 2 OR 3 OR 4	FM233004	31
DATA OVERRUN	FM324001	32
READ CELLS 12-11 OR 0 ON	FM325001	33
READ CELLS 1-2 OR 3 ON	FM325002	34
READ CELLS 4-5 OR 6 ON	FM325003	35
ALL CELLS ON	FM325004	36
INVALID CARD CODE	FM325005	37
READ COMPARE ERROR	FM325006	38
READ CELLS 7-8 OR 9 ON	FM325007	39
READ BUF BIT 12	FM331001	40
READ BUF BIT 11	FM331002	41
READ BUF BIT 10	FM331003	42
READ BUF BIT 9	FM331004	43
READ BUF BIT 8	FM331005	44
READ BUF BIT 7	FM331006	45
READ BUF BIT 6	FM331007	46
READ BUF BIT 5	FM331008	47
READ BUF BIT 4	FM331009	48
READ BUF BIT 3	FM331010	49
READ BUF BIT 2	FM331011	50
READ BUF BIT 1	FM331012	51
READ BUF BIT 0	FM331013	52
XLATE BIT 0	FM334001	53
XLATE BIT 1	FM334002	54
XLATE BIT 2	FM334003	55
XLATE BIT 3	FM334004	56
XLATE BIT 4	FM334005	57
XLATE BIT 5	FM334006	58
XLATE BIT 6	FM334007	59
XLATE BIT 7	FM334008	60
PCH CB2	FM433001	61
PCH INCR DR CB B	FM433002	62
PCH INCR DR CB A	FM433003	63
PCH CB 1	FM433004	64
PCH ECHO BUF 12	FM434001	65
PCH ECHO BUF 11	FM434002	66
PCH ECHO BUF 10	FM434003	67
PCH ECHO BUF 9	FM434004	68
PCH ECHO BUF 8	FM434005	69
PCH ECHO BUF 7	FM434006	70
PCH ECHO BUF 6	FM434007	71
PCH ECHO BUF 5	FM434008	72
PCH ECHO BUF 4	FM434009	73
PCH ECHO BUF 3	FM434010	74
PCH ECHO BUF 2	FM434011	75
PCH ECHO BUF 1	FM434012	76
PCH ECHO BUF 0	FM434013	77
PCH ECHO BUF 11	FM434014	78
PCH ECHO BUF 10	FM434015	79
PCH ECHO BUF 9	FM434016	80
PCH ECHO BUF 8	FM434017	81
PCH ECHO BUF 7	FM434018	82
PCH ECHO BUF 6	FM434019	83
PUNCH CHK ECHO VALID	FM444001	84
PUNCH CHK	FM444002	85



116 + 1442 DBI BIT 0	FM161-RE6
125 + 1442 DBI BIT 1	FM161-RK6
134 + 1442 DBI BIT 2	FM161-RE6
145 + 1442 DBI BIT 3	FM161-RK6
156 + 1442 DBI BIT 4	FM161-RE6
167 + 1442 DBI BIT 5	FM161-RK6
215 + 1442 DBI BIT 6	FM162-RE6
226 + 1442 DBI BIT 7	FM162-RK6

LOC. TYPE  
A-43R2 3087

PAGE VER EC LEV  
FM151 000 821459  
FM152 000 821459  
FM153 000 821459  
FM154 000 821459  
FM155 000 821459

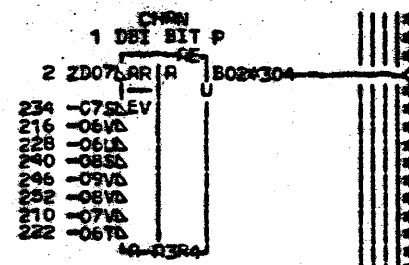
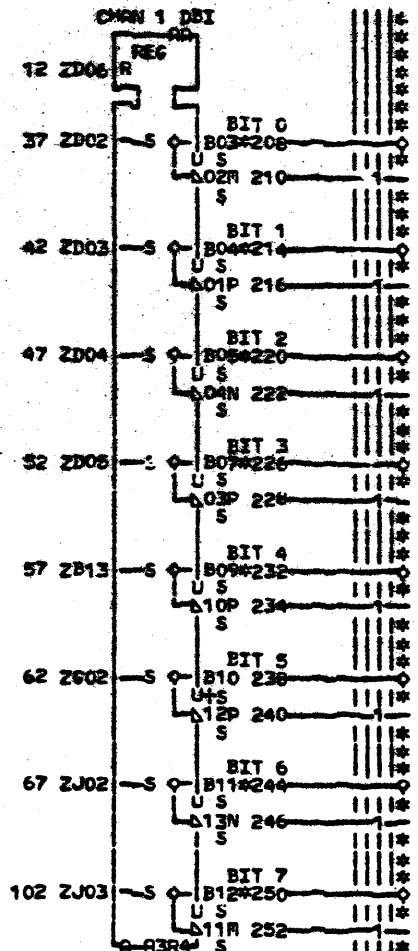
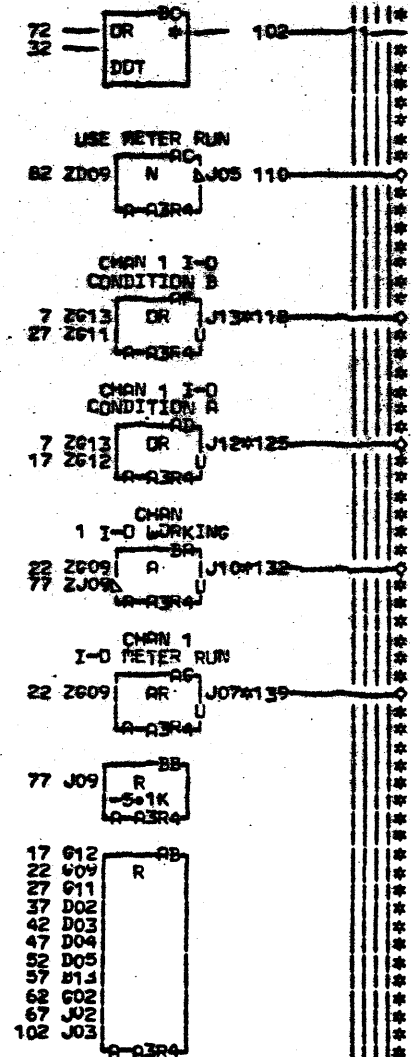
FM151  
FM155  
000

THIS DOCUMENT IS IBM CONFIDENTIAL  
UNTIL ANNOUNCEMENT DECLASSIFY  
THEREAFTER.

DATA INPUT GATING	
ECHO HISTORY	PROG 14425R15
FRG	01 FM151
DATE LAST EC	IBM CORP 6SD FM155
06-01-73 821459	P. No. 5556009 000



- GENERATE DBI PARITY - FH122B6 2  
 + DBD BUFFER P CHECK LTH - FH122B2 7  
 + RESET DBI BUFFER - FH123B6 12  
 + CONDITION A - FH134A2 17  
 + I-O WORKING - FH134R6 22  
 + CONDITION B - FH134Y6 27  
 + INCREMENT LSR BY 1 - FH143P2 32  
 + 1442 DBI BIT 0 - FH152A6 37  
 + 1442 DBI BIT 1 - FH152K6 42  
 + 1442 DBI BIT 2 - FH153A6 47  
 + 1442 DBI BIT 3 - FH153K6 52  
 + 1442 DBI BIT 4 - FH154A6 57  
 + 1442 DBI BIT 5 - FH154K6 62  
 + 1442 DBI BIT 6 - FH155A6 67  
 + 1442 DBI BIT 7 - FH155K6 72  
 - 2V UNUSED LINE - FH162001- 77  
 + CPU METER RUN - MH010AK5 82



\*\*\* FH161 \*\*\*  
 208 + CHAN 1 DBI BIT 0 - MH015-BR2  
 214 + CHAN 1 DBI BIT 1 - MH015-BC2  
 220 + CHAN 1 DBI BIT 2 - MH015-BD2  
 226 + CHAN 1 DBI BIT 3 - MH015-BE2  
 232 + CHAN 1 DBI BIT 4 - MH015-BG2  
 238 + CHAN 1 DBI BIT 5 - FH127-BJ2  
 110 - USE METER RUN - FH343-BL2  
 \*\*\* FH162 \*\*\*  
 125 + CHAN 1 I-O CONDITION A - MH015-AJ6  
 304 + CHAN 1 DBI BIT P - MH015-AT2  
 118 + CHAN 1 I-O CONDITION B - MH015-AU6  
 244 + CHAN 1 DBI BIT 6 - MH015-BH2  
 250 + CHAN 1 DBI BIT 7 - MH015-BK2  
 139 + CHAN 1 I-O METER RUN - MH015-BR6  
 132 + CHAN 1 I-O WORKING - MH015-BX2  
 444 + TIE UP VOLTAGE SPARE - CA6

EDGE CONN. 244 R-R3M1C11  
 118 P-R3J1D11  
 125 P-R3J1C11  
 132 P-R3J1D13  
 139 P-R3J1C13  
 208 P-R3M1E11  
 214 P-R3M1B11  
 220 P-R3M1C11  
 226 P-R3M1D11  
 232 P-R3M1A11  
 244 R-R3M1C11  
 250 R-R3M1E11  
 304 R-R3L1D11

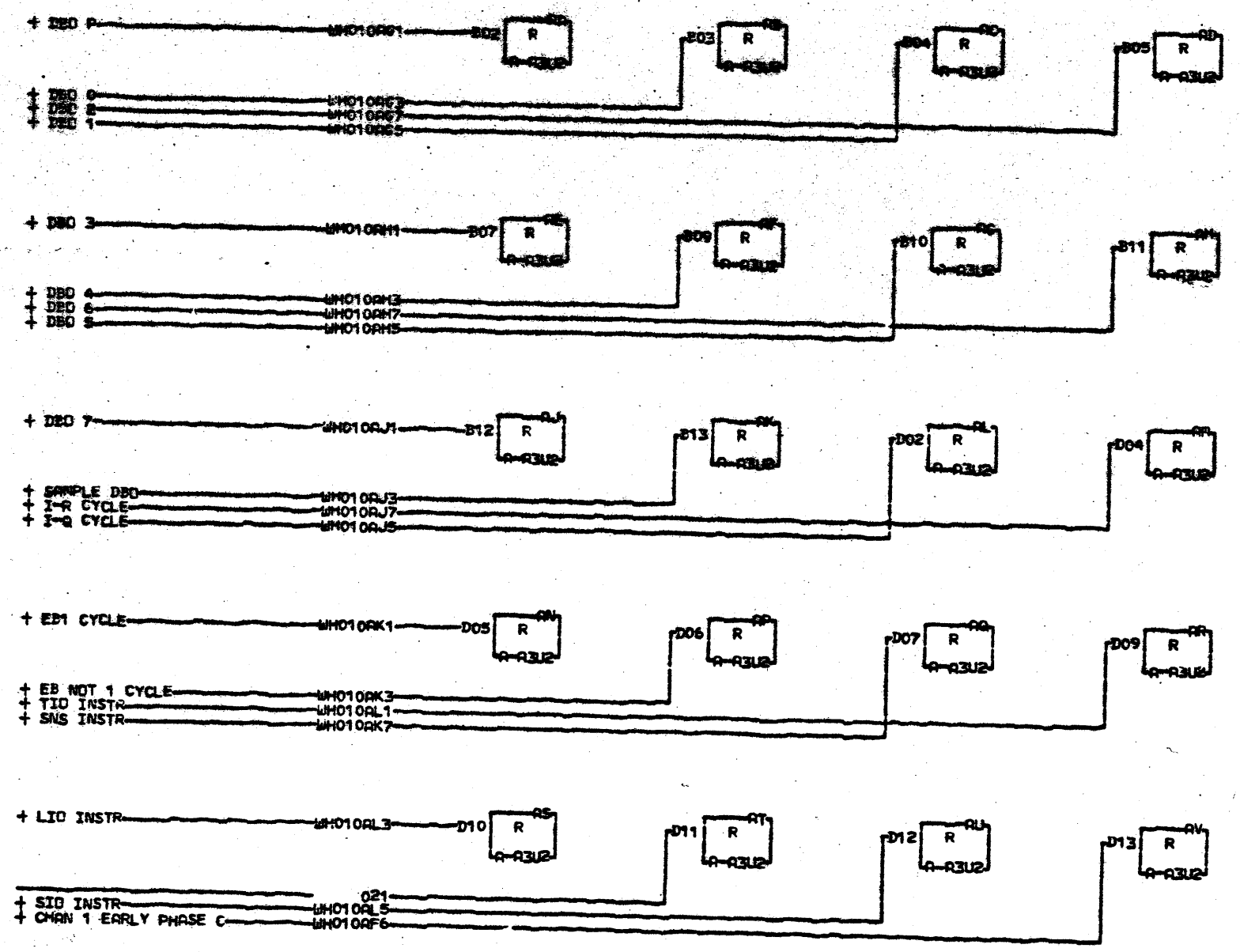
LDC TYPE R-R3R4 2666

PAGE VER EC LEV  
 FH161 000 821459  
 FH162 000 821459

THIS DOCUMENT IS IBM CONFIDENTIAL  
 UNTIL ANNOUNCEMENT DECLASSIFY  
 THEREAFTER.

DBI BUFFER AND CHANNEL IN  
 -E.C.-HISTORY - C-RACH-1442SM15  
 FRAME 01 FH161  
 IBM CORP.CSD FM162  
 DATE LAST EC P.No. 5556010 000  
 06-01-73 821459

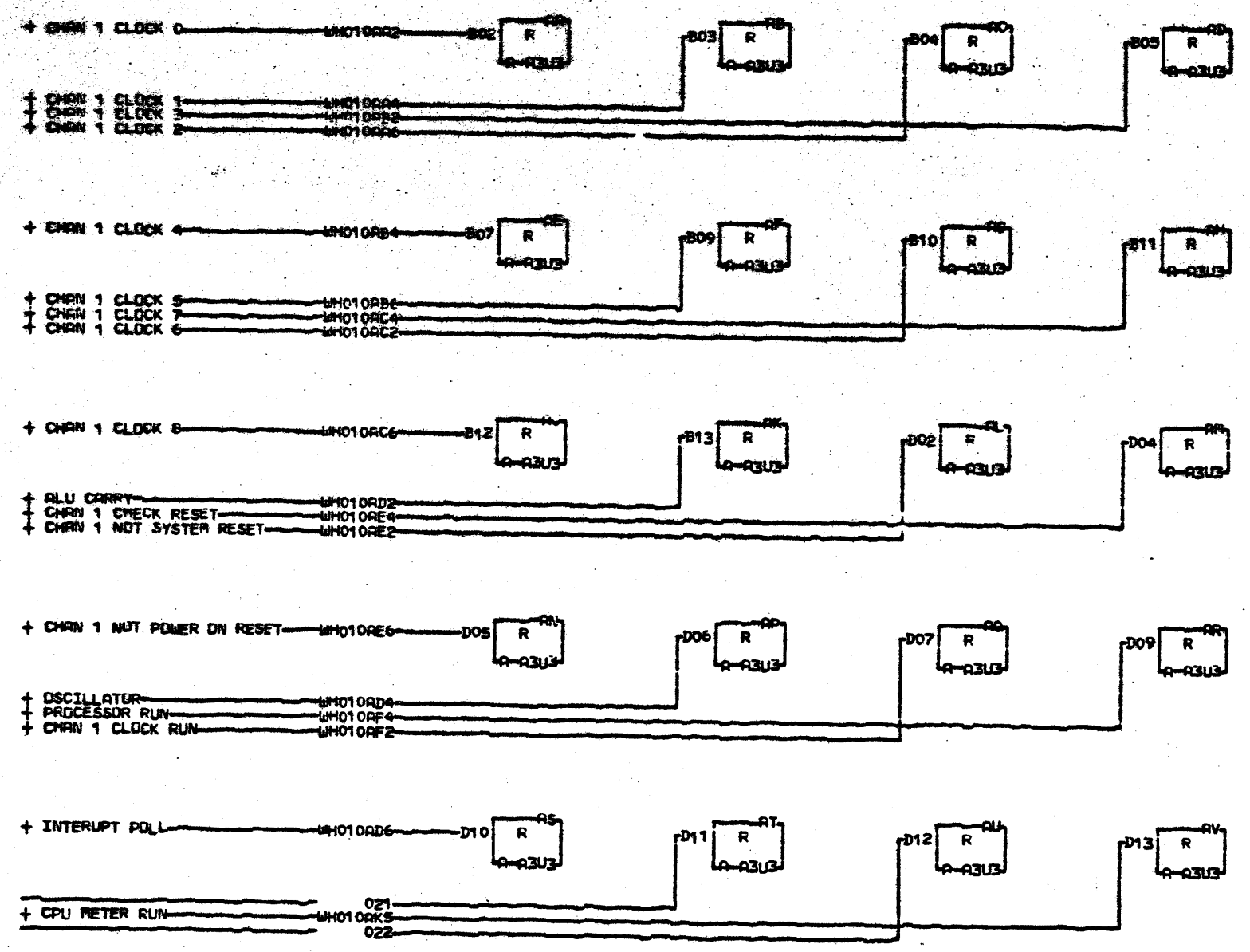
FH161  
 FH162  
 000



THIS DOCUMENT IS IBM CONFIDENTIAL  
UNTIL ANNOUNCEMENT DECLASSIFY  
THEREAFTER.

LOC. TYPE  
A-A3U2 1945

CHANNEL TERMINATOR CARD	
E.C. HISTORY	C. RACH: 14425M15
DATE	LAST EC
06-01-73	821459
FRAME	01
IBM CORP. GSD	
P.No. 5556011	



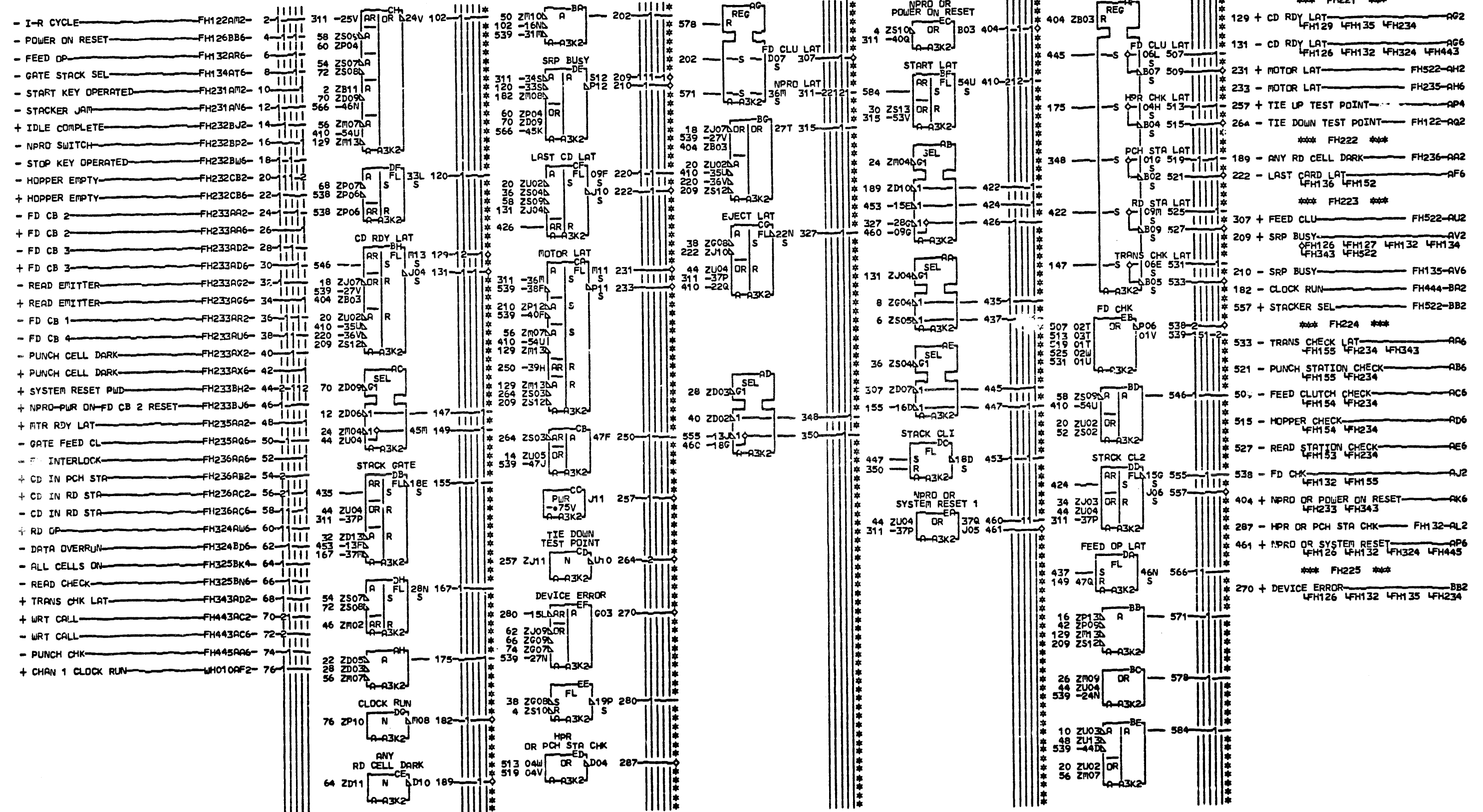
THIS DOCUMENT IS IBM CONFIDENTIAL  
 UNTIL ANNOUNCEMENT DECLASSIFY  
 THEREAFTER.

FM181  
 000

LDC TYPE  
 A-23U3 1943

CHANNEL TERMINATOR CARD	
E-C-HISTORY	C-NACH-14425M15
DATE LAST EC	FRAME 01
06-01-73 821459	IBM CORP. GSD
	P.No. 5556.12

FM181  
 000



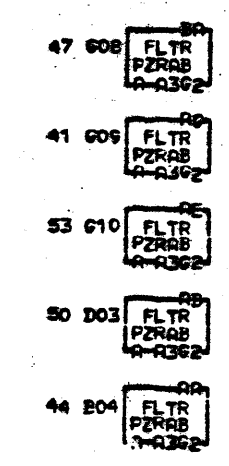
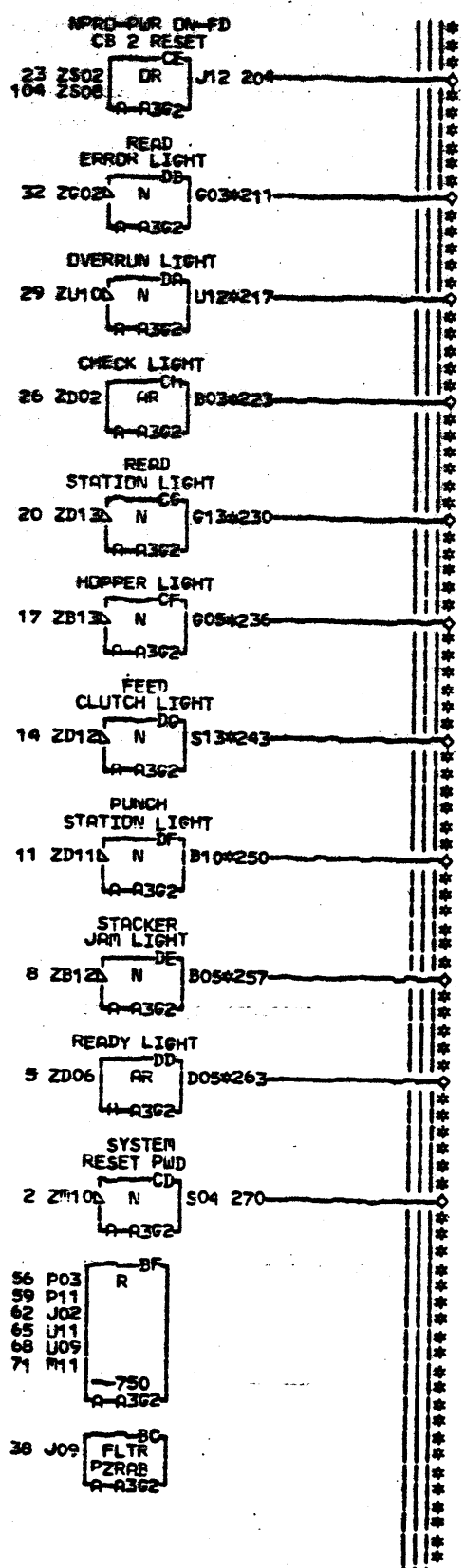
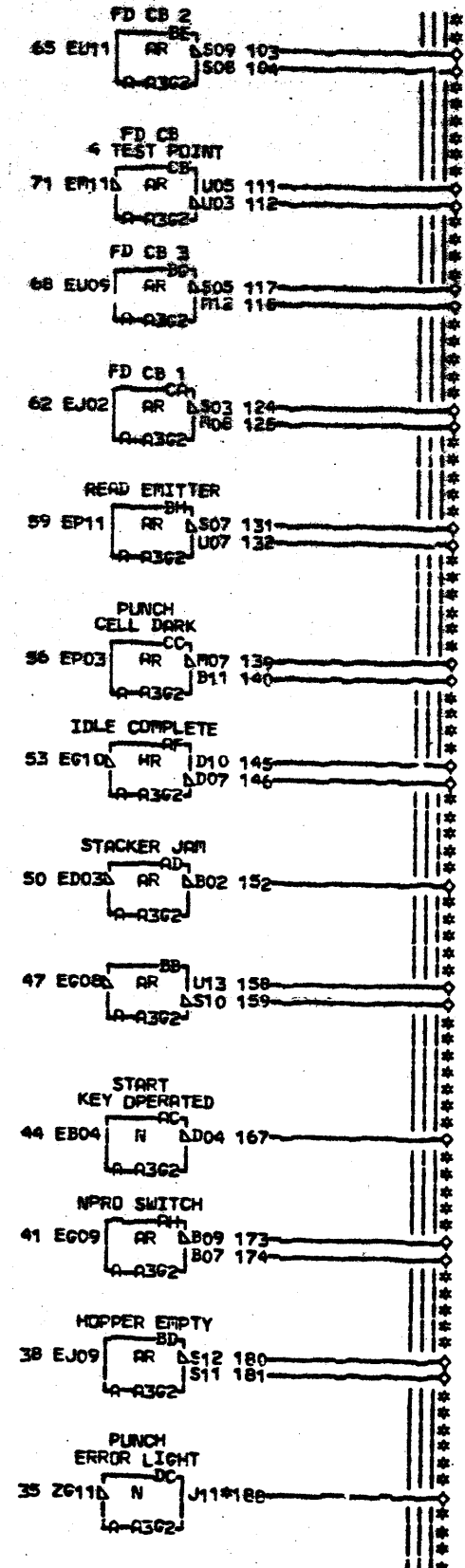
LOC. TYPE  
A-A3K2 3085

PAGE VER EC LEV  
 FH221 000 824896  
 FH222 000 821459  
 FH223 000 824882  
 FH224 000 824883  
 FH225 000 821459

FEED CONTROLS			
E-C-HISTORY	C	RACH.1442SM15	
821459		FRANE 01	FH221
824883		IBM CORP.GSD	FH225
DATE	LAST EC	P.No. 5556013	000
12-31-74	824896		

FH221  
FH225  
000

- SYS RESET — FM23BN2 — 2
- + CD RDY LAT — FM221AG2 — 3
- TRANS CHECK LAT — FM224AA6 — 8
- PUNCH STATION CHECK — FM224AB6 — 11
- FEED CLUTCH CHECK — FM224AC6 — 14
- HOPPER CHECK — FM224AD6 — 17
- READ STATION CHECK — FM224AE6 — 20
- + NPRO OR POWER DN RESET — FM224AK6 — 23
- + DEVICE ERROR — FM225BB2 — 26
- DATA OVERRUN — FM224BD6 — 29
- READ CHECK — FM225BN6 — 32
- PUNCH CHK — FM445AA6 — 35
- + HOPPER EMPTY SW — WM131AR2 — 38
- + NPRO SWITCH — WM131AR4 — 41
- + START SWITCH — WM131AR6 — 44
- STOP SWITCH — WM131AT2 — 47
- STACKER JAM SWITCH — WM131AT4 — 50
- IDLE RELAY CONTACT — WM131AT6 — 53
- + PUNCH LAMP DARK SLT — WM141AB5 — 56
- + READ EMITTER SLT — WM141AB7 — 59
- + FEED CB 1 SLT — WM141AD1 — 62
- + FEED CB 2 SLT — WM141AD5 — 65
- + FEED CB 3 SLT — WM141AF1 — 68
- FEED CB 4 SLT — WM141AF5 — 71



- 000 FM231 FM234
- 167 - START KEY OPERATED — FM221-AR2
- 152 - STACKER JAM — FM224-AN6
- \*\*\* FM232 \*\*\*
- 145 + IDLE COMPLETE — FM221-BJ2
- 146 - IDLE COMPLETE TEST POINT — BJ6
- 173 - NPRO SWITCH — FM224-BP2
- 174 + NPRO TEST POINT — BP6
- 158 + STOP KEY OPERATED TEST POINT — BU2
- 159 - STOP KEY OPERATED — FM221-BW6
- 180 - HOPPER EMPTY — FM221 FM222
- 181 + HOPPER EMPTY — FM224-CB6
- \*\*\* FM233 \*\*\*
- 103 - FD CB 2 — AA2  
FM222 FM223 FM224
- 104 + FD CB 2 — AA6  
FM223 FM236 FM324
- 117 - FD CB 3 — AD2  
FM223 FM224 FM343
- 118 + FD CB 3 — AD6  
FM221 FM235 FM236
- 131 - READ EMITTER — AC2  
FM154 FM223 FM324
- 132 + READ EMITTER — AC6  
FM223 FM324
- 124 - FD CB 1 — AR2  
FM155 FM222 FM223 FM224  
FM236 FM324
- 125 + FD CB 1 — AR6  
FM132 FM236 FM444
- 111 + FD CB 4 TEST POINT — FM236-AL2
- 112 - FD CB 4 — AU6  
FM222 FM225
- 139 - PUNCH CELL DARK — AX2  
FM155 FM224 FM236
- 140 + PUNCH CELL DARK — FM224-AX6
- 270 + SYSTEM RESET PWD — BM2  
FM223 FM224 FM236
- 204 + NPRO-POWER DN-FD CB 2 RESET — BJ6  
FM223 FM236
- \*\*\* FM234 \*\*\*
- 257 + STACKER JAM LIGHT — WM151-AA6
- 250 + PUNCH STATION LIGHT — WM151-AB6
- 243 + FEED CLUTCH LIGHT — WM151-AC6
- 236 + HOPPER LIGHT — WM151-AD6
- 230 + READ STATION LIGHT — WM151-AE6
- 223 + CHECK LIGHT — WM151-AL2
- 217 + OVERRUN LIGHT — WM151-AP2
- 211 + READ ERROR LIGHT — WM151-AR2
- 188 + PUNCH ERROR LIGHT — WM151-AP2
- 263 + READY LIGHT — WM151-AQ2

EDGE CONN. 263 A-3363B05

185 A-3364D04  
211 A-3364D05  
217 A-3363D02  
223 A-3363B04  
230 A-3362D07  
236 A-3365D04  
243 A-3363B04  
250 A-3365B03  
257 A-3365U02

LOC. TYPE  
A-3362 3078

THIS DOCUMENT IS IBM CONFIDENTIAL  
UNTIL ANNOUNCEMENT DECLASSIFY  
THEREAFTER.

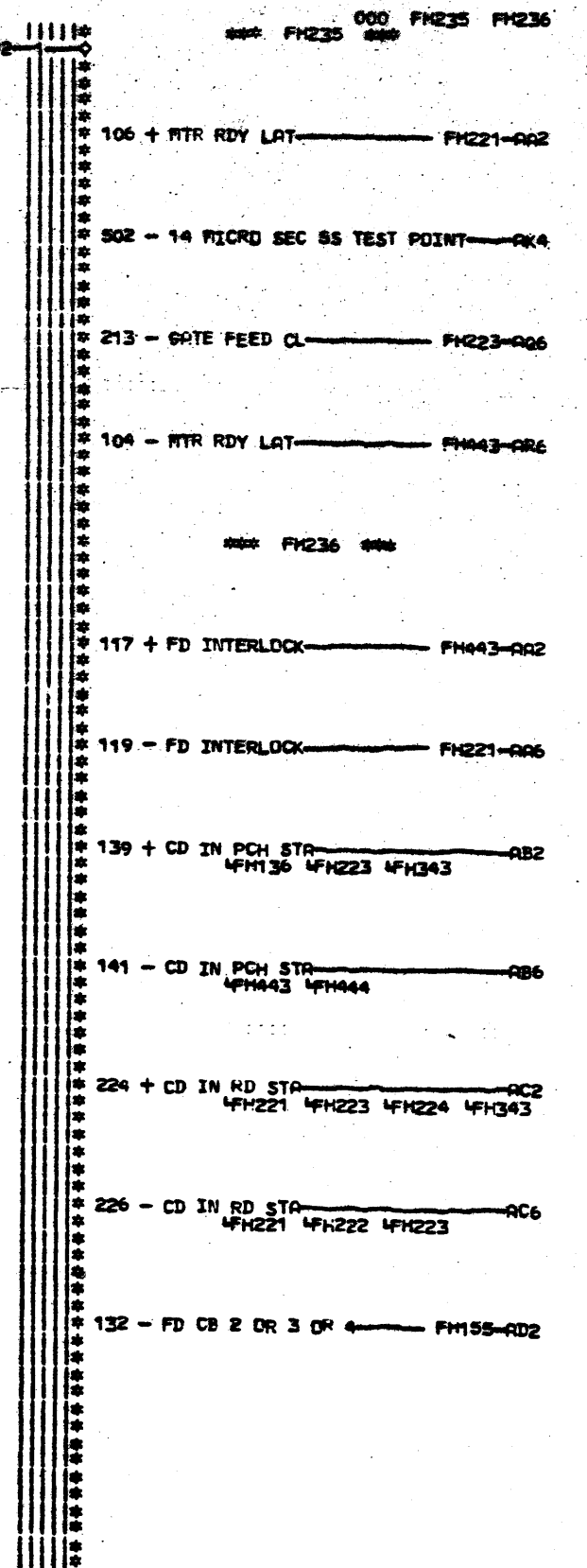
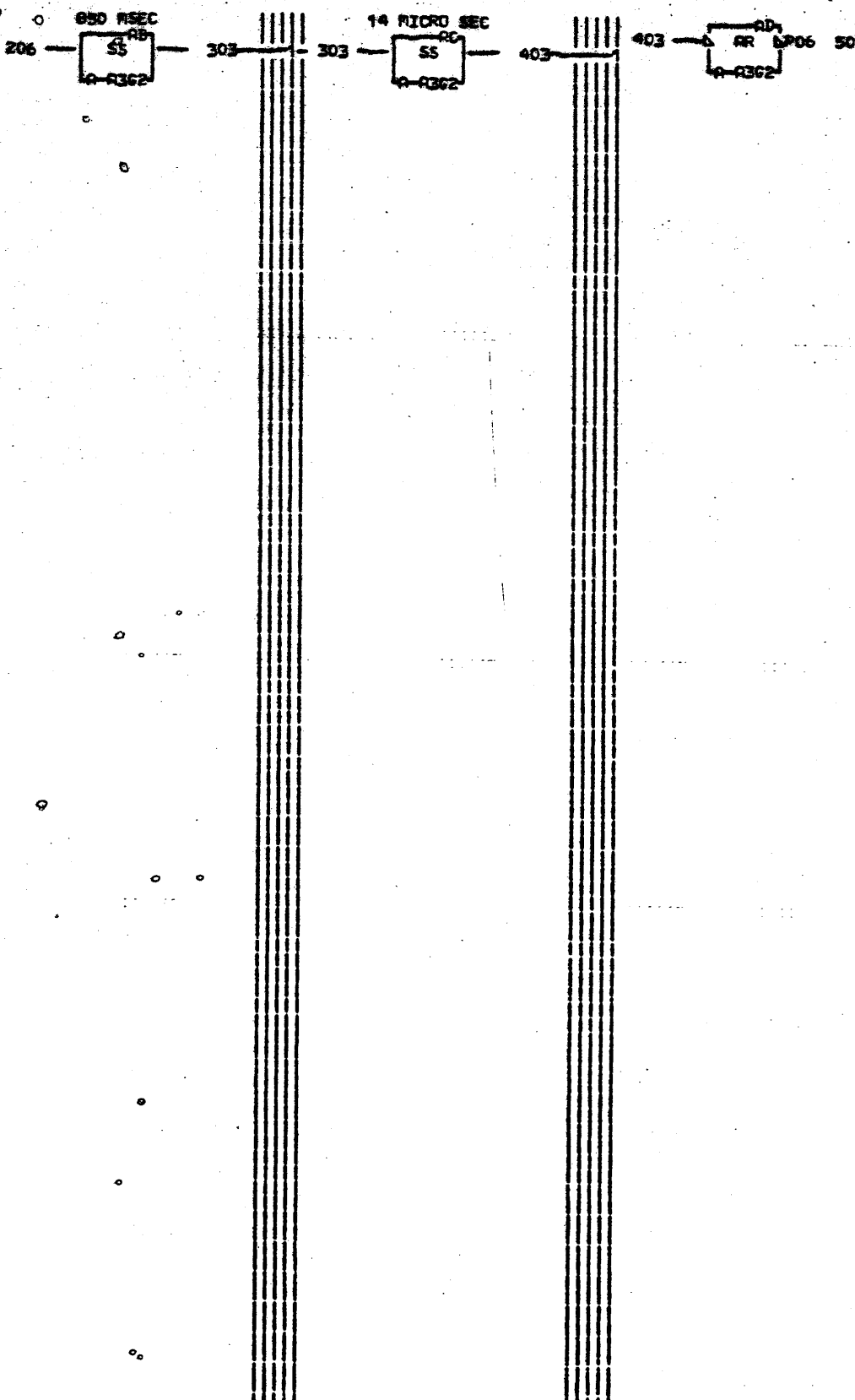
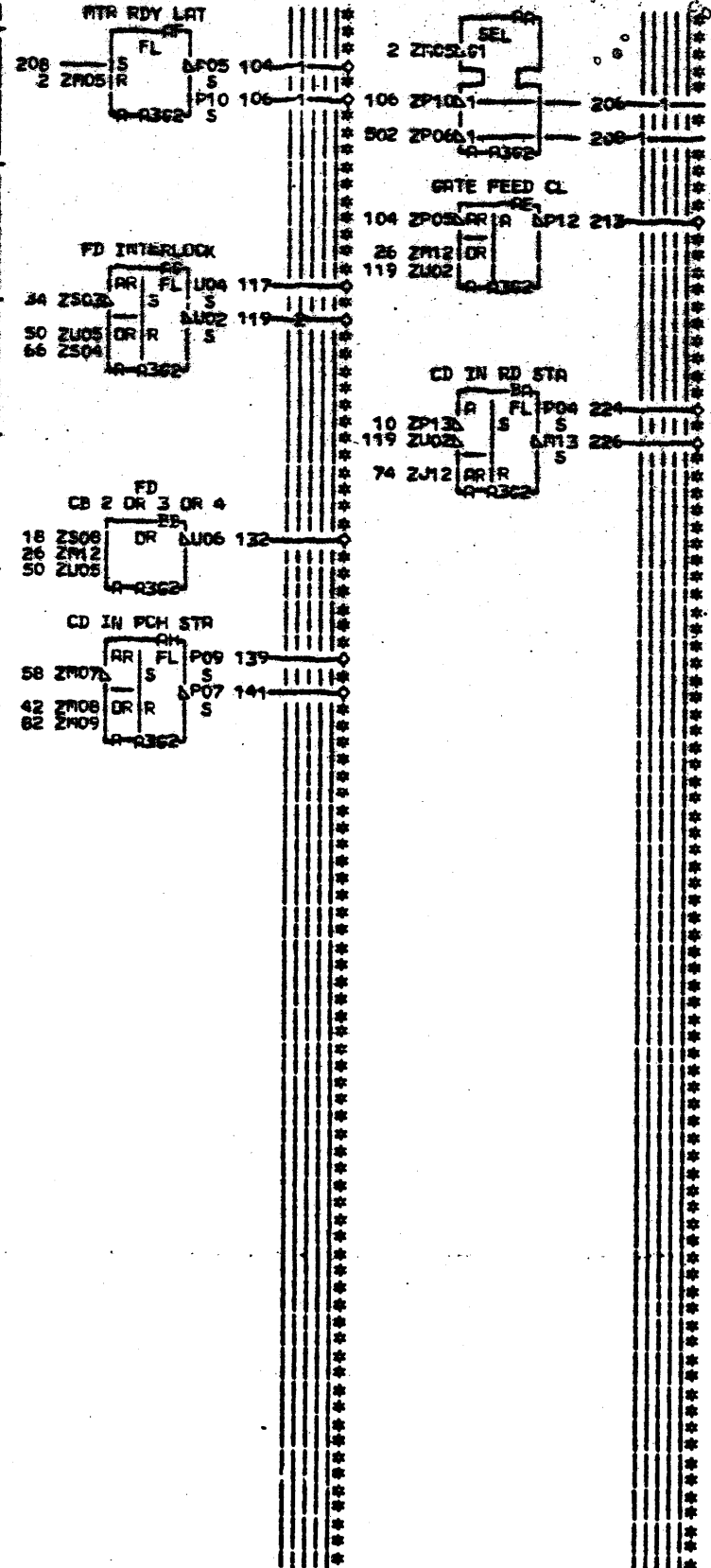
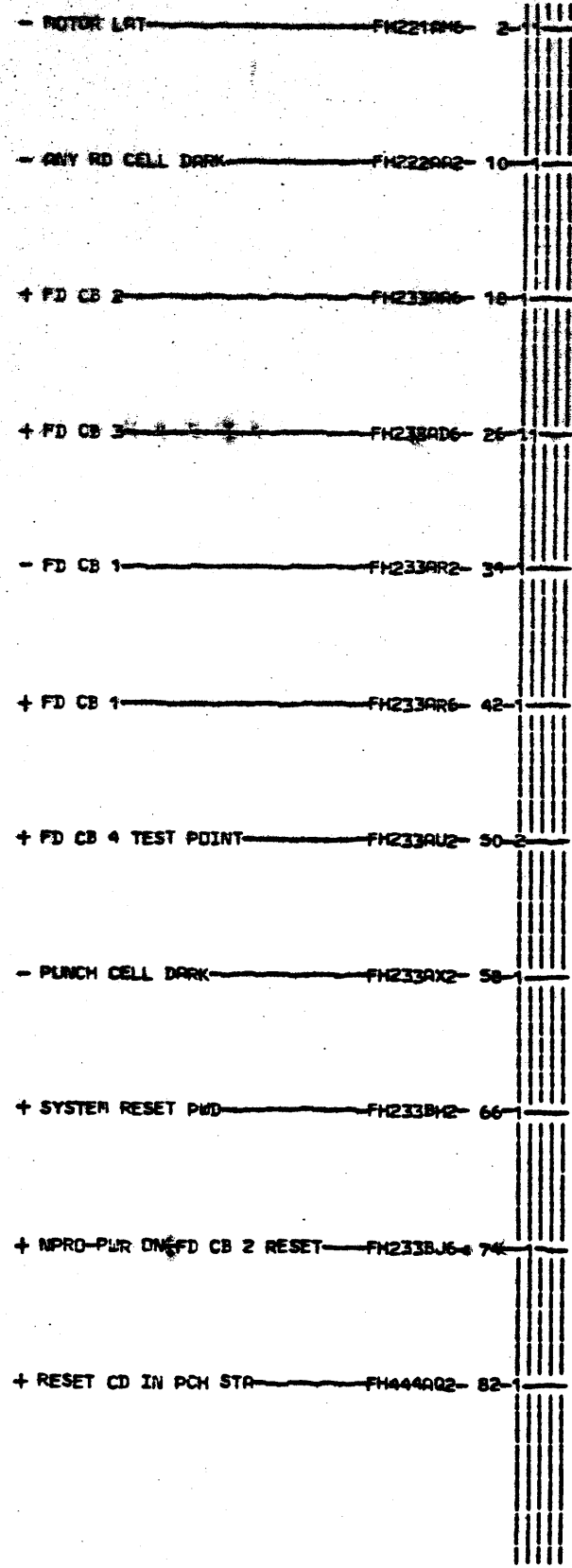
PAGE VER EC LEV  
FM231 000 821459  
FM232 000 821459  
FM233 000 821459  
FM234 000 821459

SWITCH AND FEED CB  
CONVERT TO RST AND SLT  
E.C. HISTORY C: RACH: 1442SR15

FRAME 01 FM231  
IBR CORP. GSD FM234  
DATE LAST EC  
06-01-73 821459  
P.N. 5556014 JJO

FM231  
FM234  
000





000 FH235 FH236  
FH235

FH236

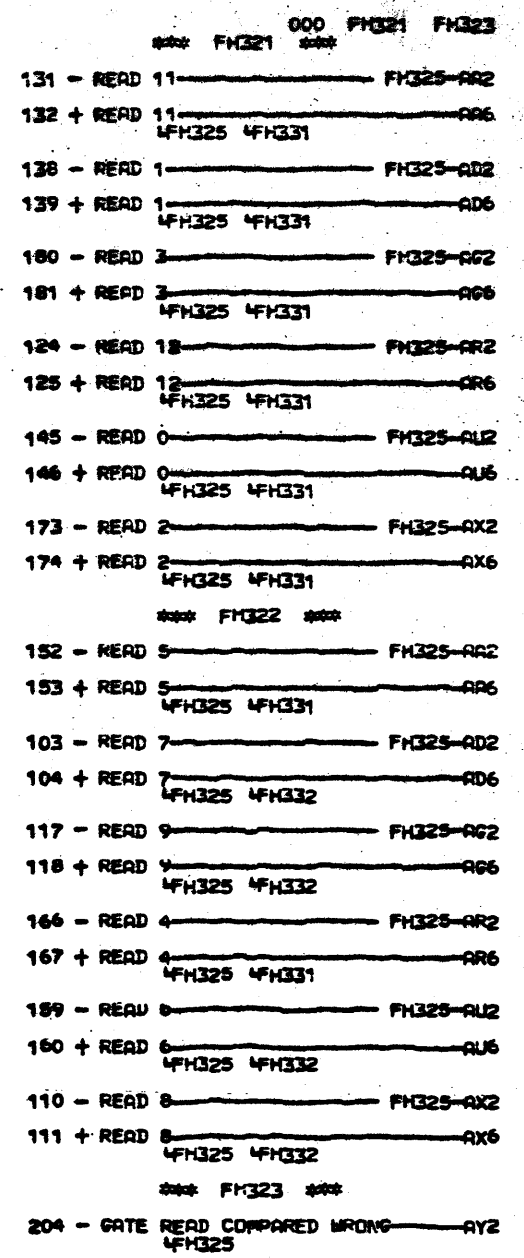
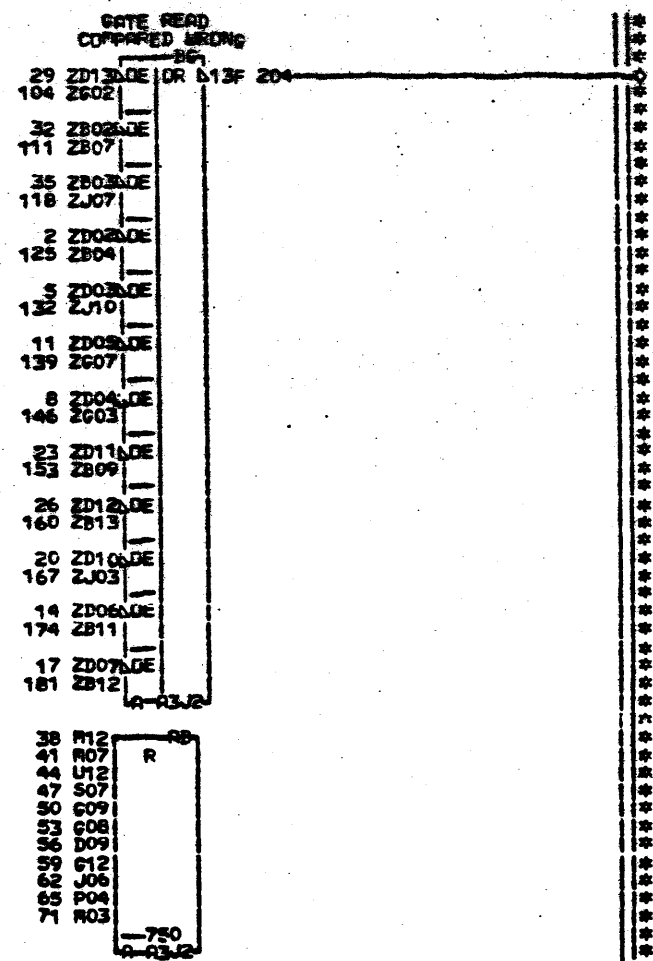
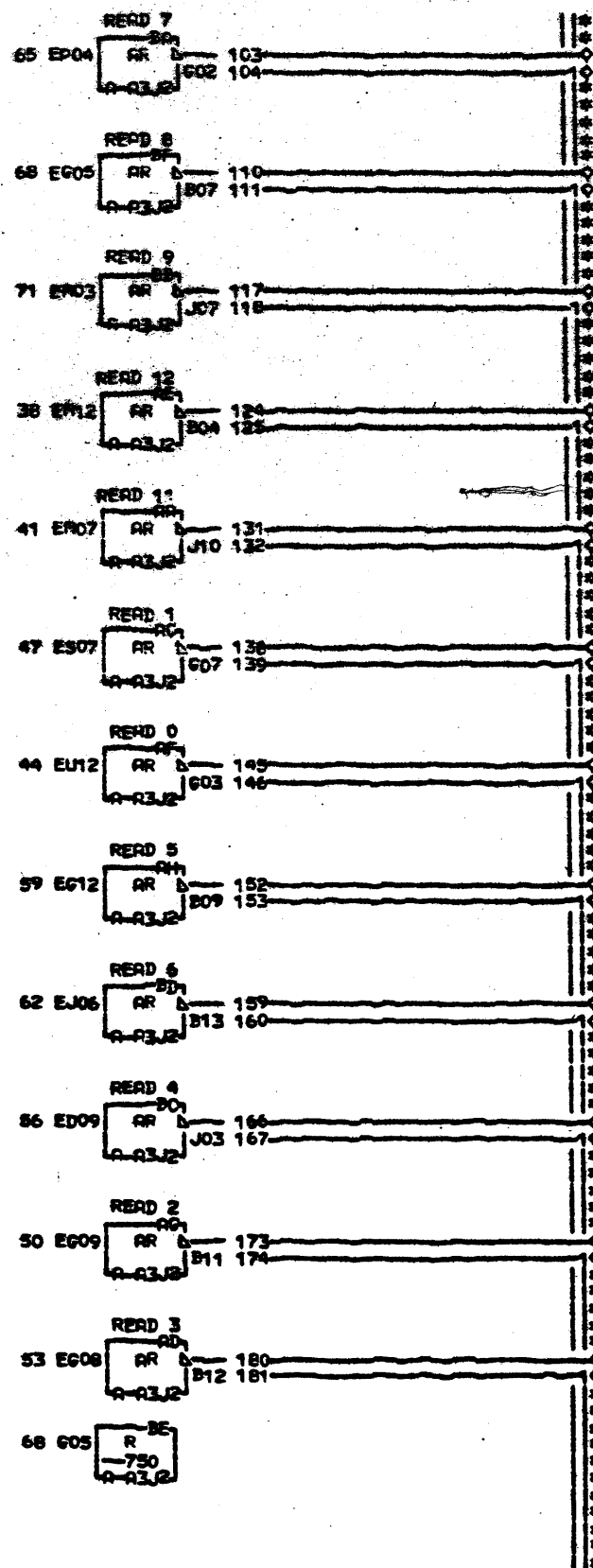
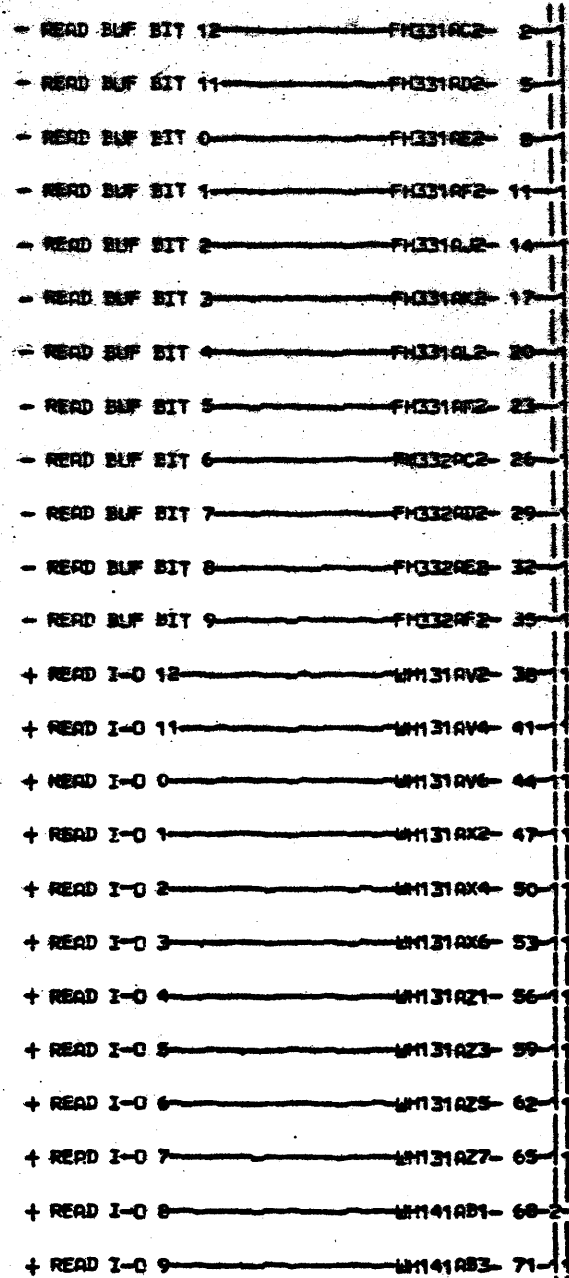
LOC. TYPE  
A-3362 3078

PAGE VER EC LEV  
FH235 000 821459  
FH236 000 821459

FH235  
FH236  
000

THIS DOCUMENT IS IBM CONFIDENTIAL  
UNTIL ANNOUNCEMENT DECLASSIFY  
THEREAFTER.

SWITCH AND FEED CB	
CONVERT TO RST	
E.C. HISTORY	C1 MACH 14423R15
DATE LAST EC	FRAME 01 FH235
06-01-73 821459	IBM CORP. GSD FH236
	P.No. 5556015 J00



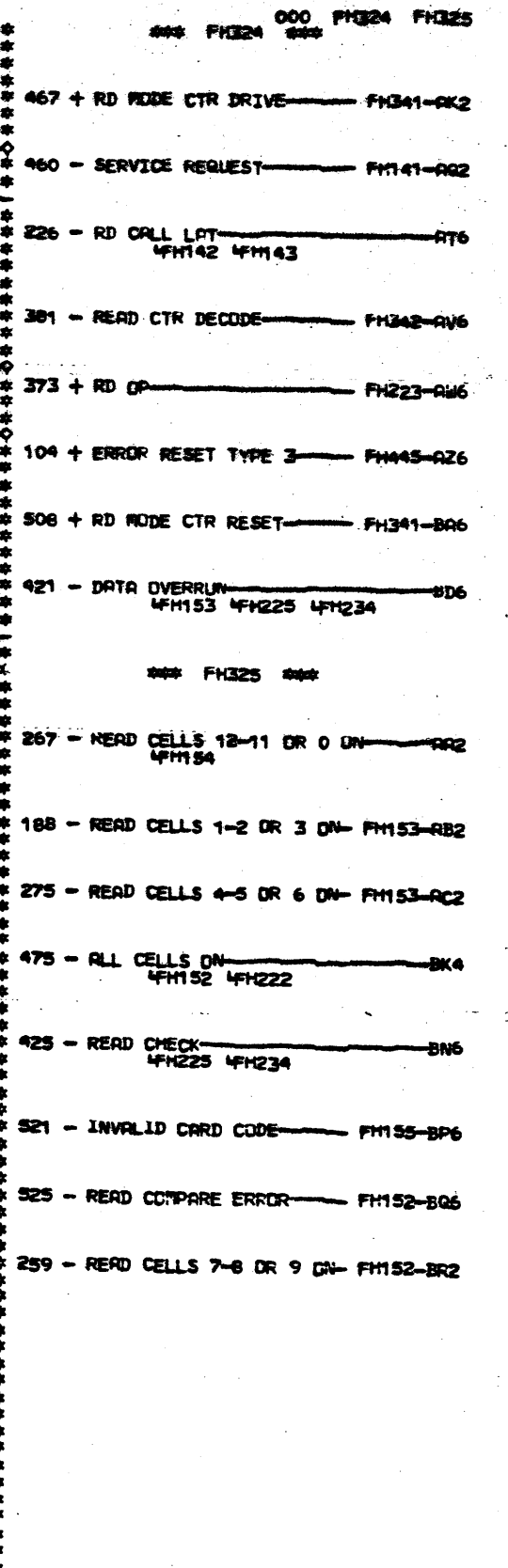
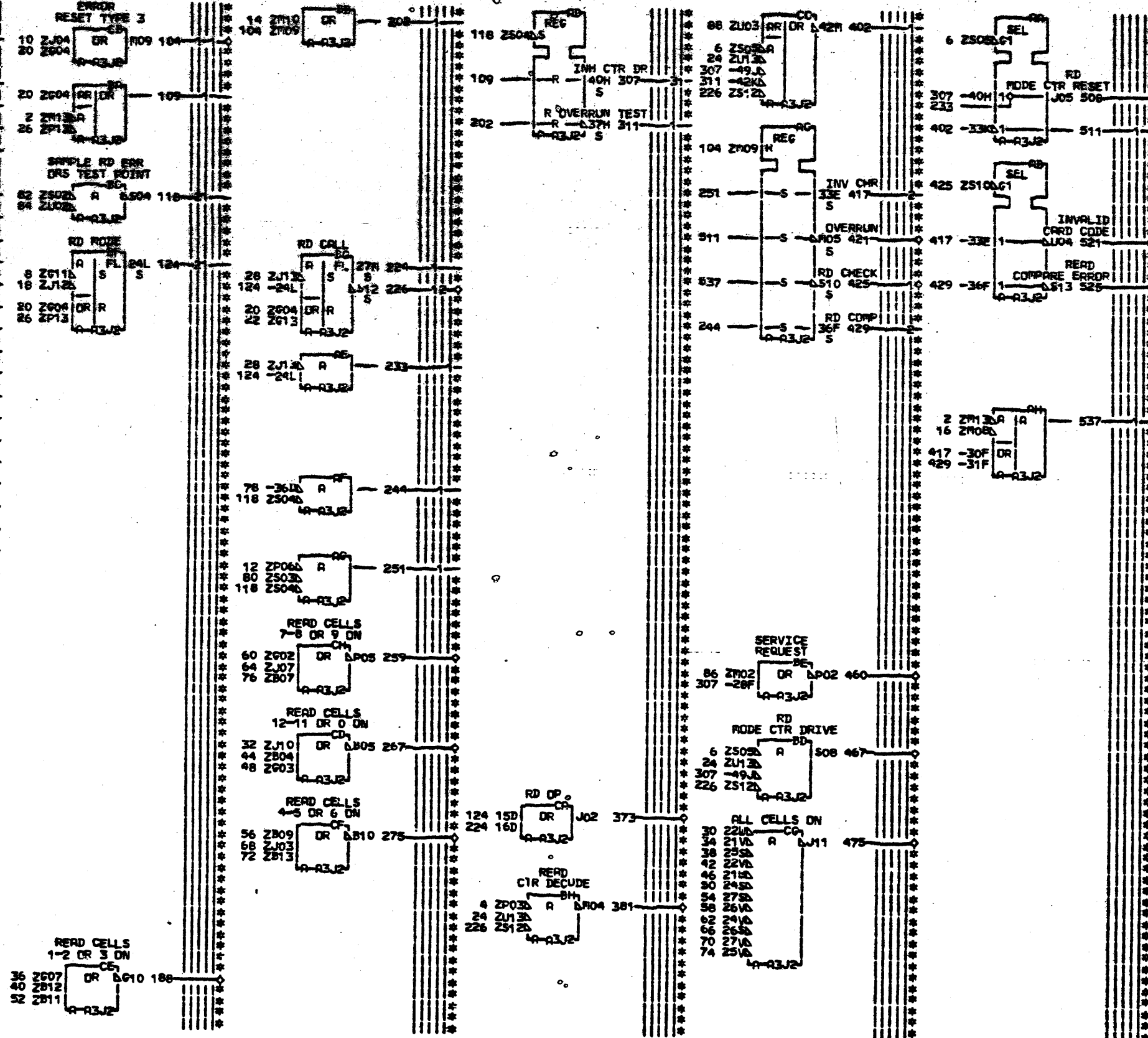
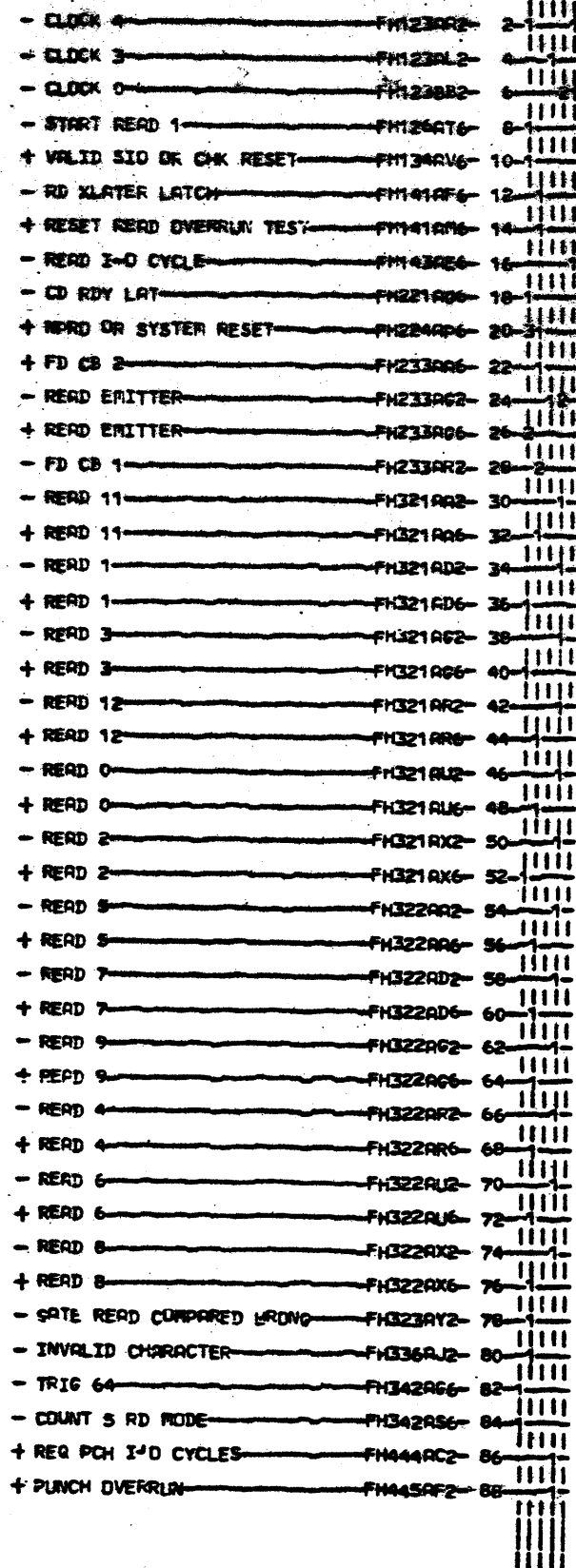
LOC. TYPE  
R-03J2 3080

PAGE VER EC LEV  
FH321 000 821459  
FH322 000 821459  
FH323 000 821459

THIS DOCUMENT IS IBM CONFIDENTIAL  
UNTIL ANNOUNCEMENT DECLASSIFY  
THEREAFTER.

FH321  
FH323  
000

RD CELL INTERFACE RD CTRLS  
RD VALIDITY AND COMPARE GATING  
E.C. HISTORY C/RACH.14425M15  
FRAME 01 FH321  
IBM CORP.6SD FH323  
DATE LAST EC 06-01-73 821459  
P.No 5556016 1 000



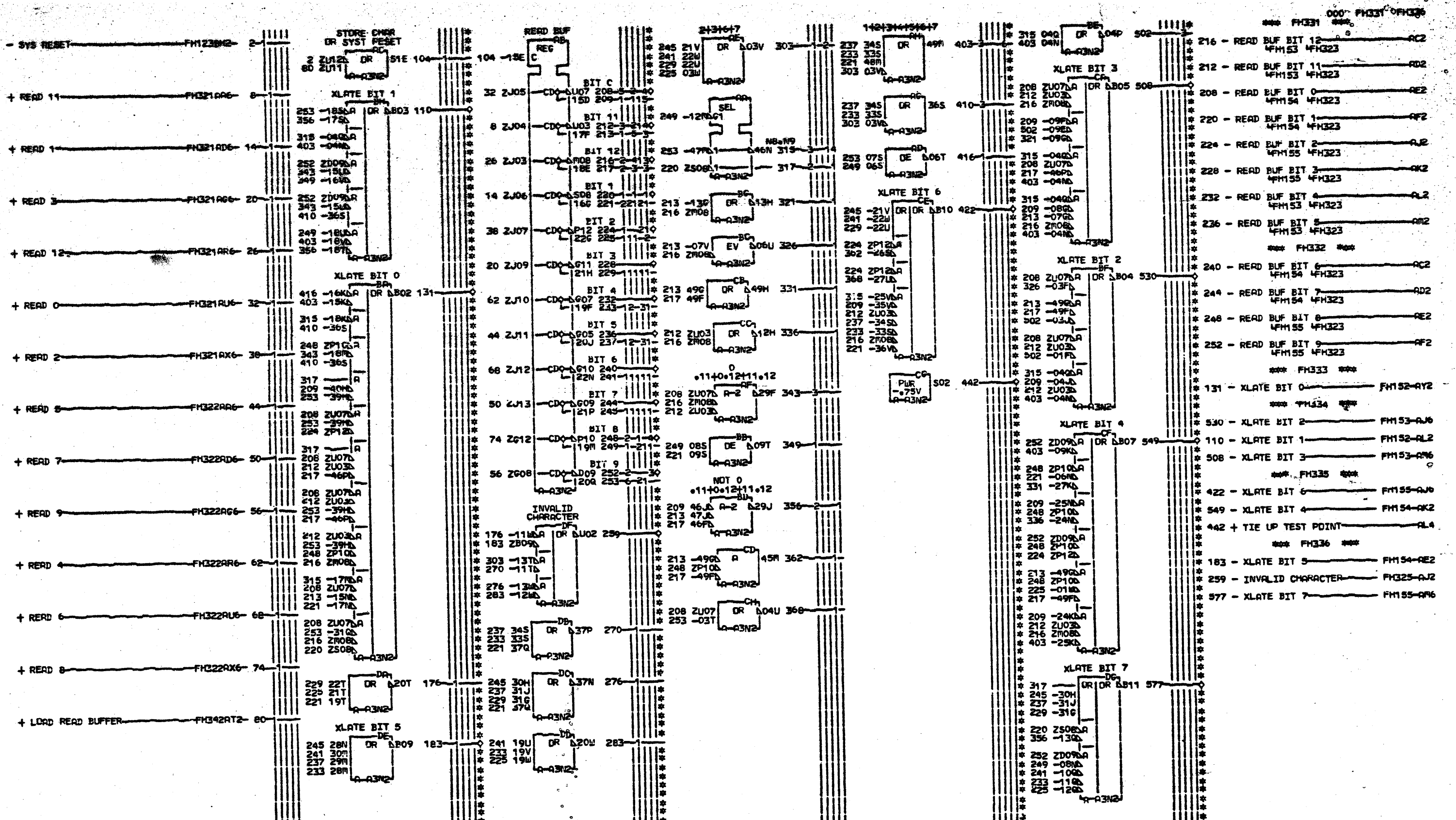
FH324  
 FH325  
 000

THIS DOCUMENT IS IBM CONFIDENTIAL  
 UNTIL ANNOUNCEMENT DECLASSIFY  
 THEREAFTER.

LOC. TYPE  
 A-A3J2 3080

RD CELL INTERFACE RD CTRLS  
 RD VALIDITY AND COMPARE GATING  
 E.C. HISTORY C. RACH 14425M15  
 FRAME 01 FH324  
 IBM CORP. GSD FH325  
 DATE LAST EC  
 06-01-73 821459 P.No. 5556017 000





THIS DOCUMENT IS IBM CONFIDENTIAL  
UNTIL ANNOUNCEMENT DECLASSIFY  
THEREAFTER.

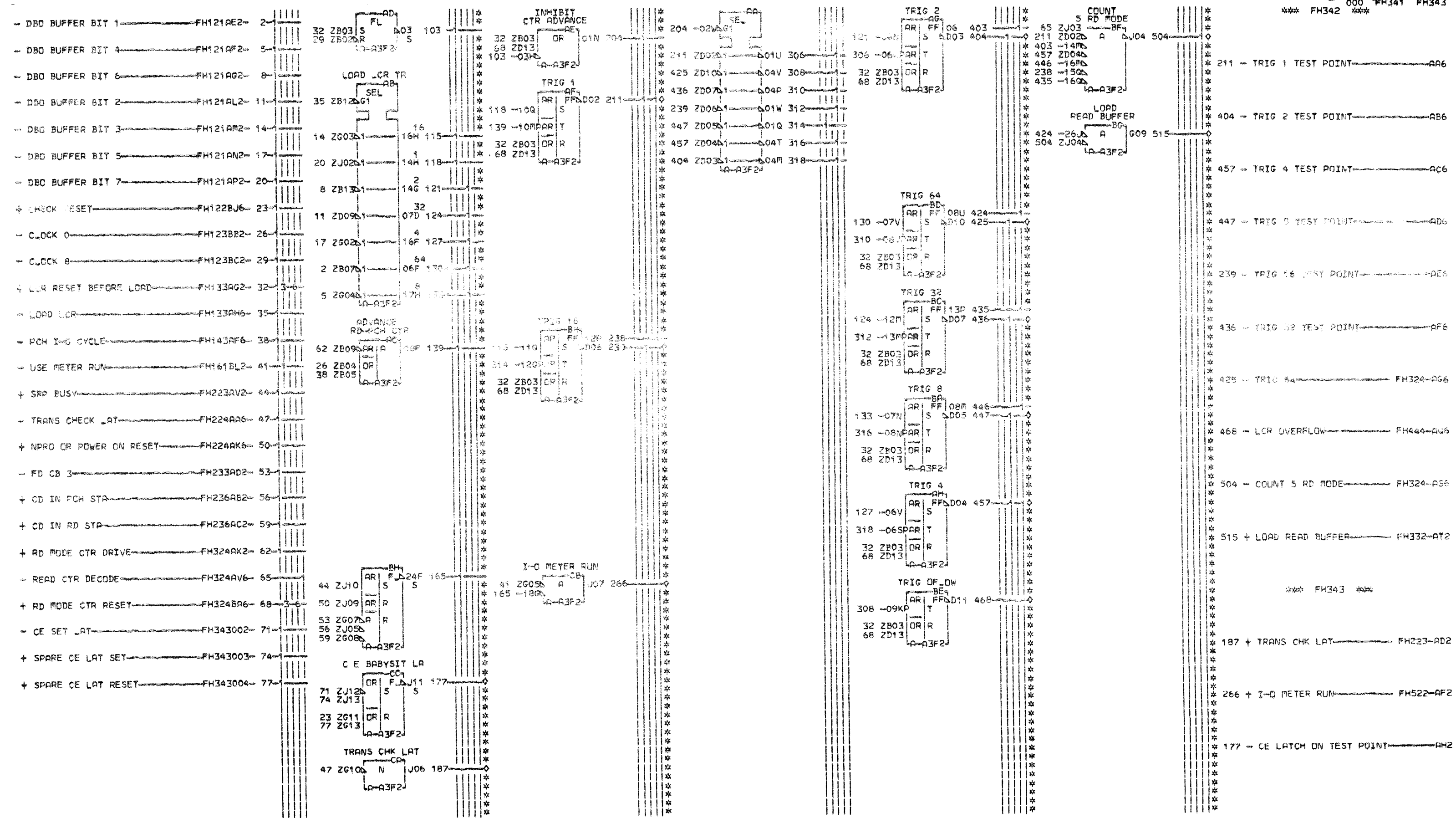
LOC TYPE  
A-A3N2 3077

PAGE VER EC LEV  
FH331 000 821459  
FH332 000 821459  
FH333 000 821459  
FH334 000 821459  
FH335 000 821459  
FH336 000 821459

DATA BUFFER AND TRANSLATOR			
E.C. HISTORY	C	RACH	14425715
FRARE	01	FH331	
IBR	CORP	GSD	FH336
DATE	LAST EC		
06-01-73	821459	P.No	5556018 000

FH331  
FH336  
000

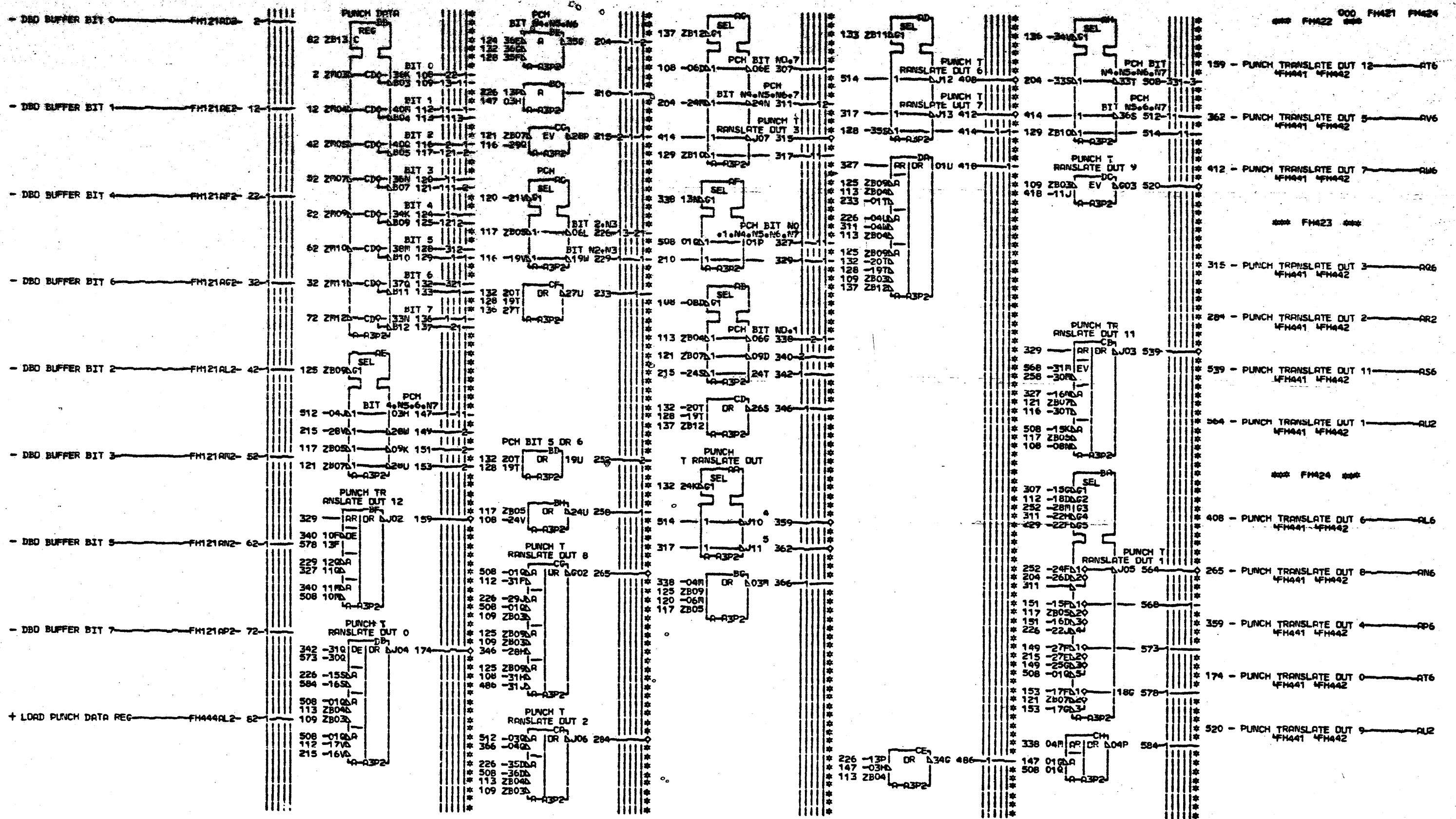




LOC. TYPE  
 A-A3F2 3084

PAGE VER EC LEV  
 FH341 000 821459  
 FH342 000 821459  
 FH343 000 824883

READ-PUNCH CTL CTR			
E.C.-HISTORY	C	MACH-1442SM15	
821459			
DATE	LAST EC	IBN CORP-GSD	FH343
10-21-74	824883	P-N-5556019	000



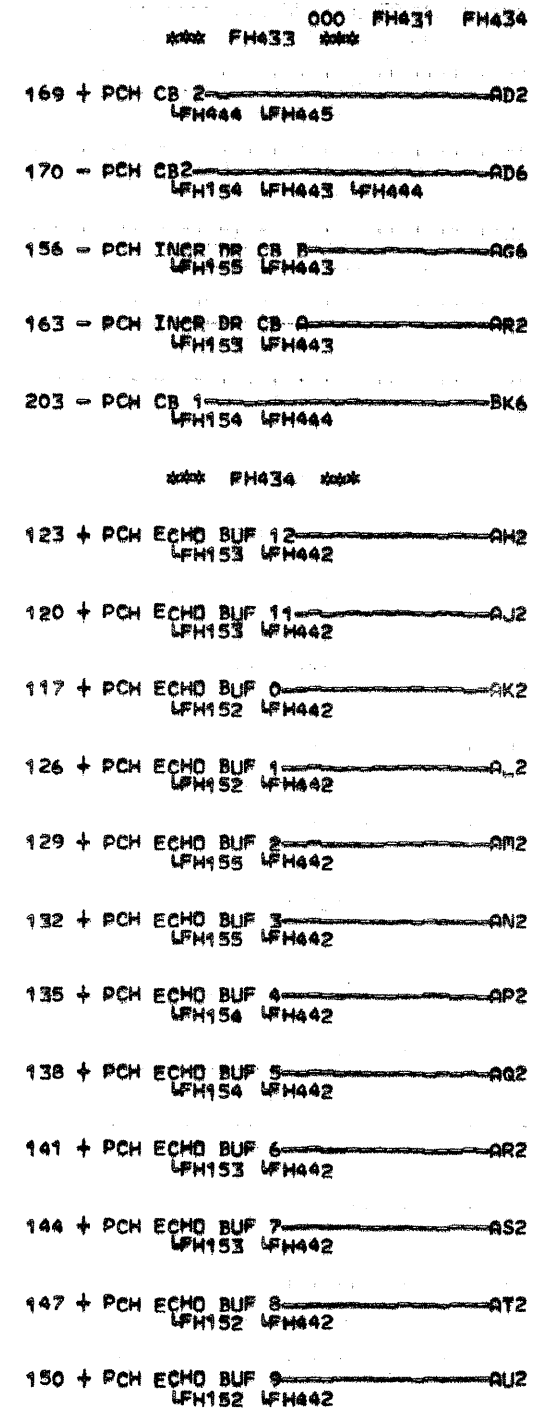
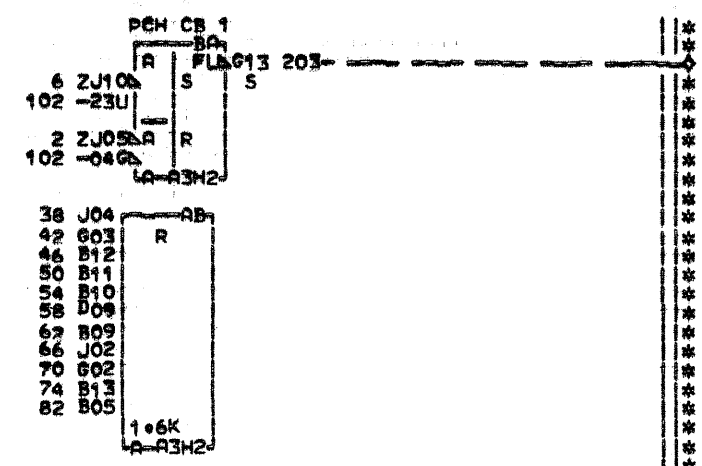
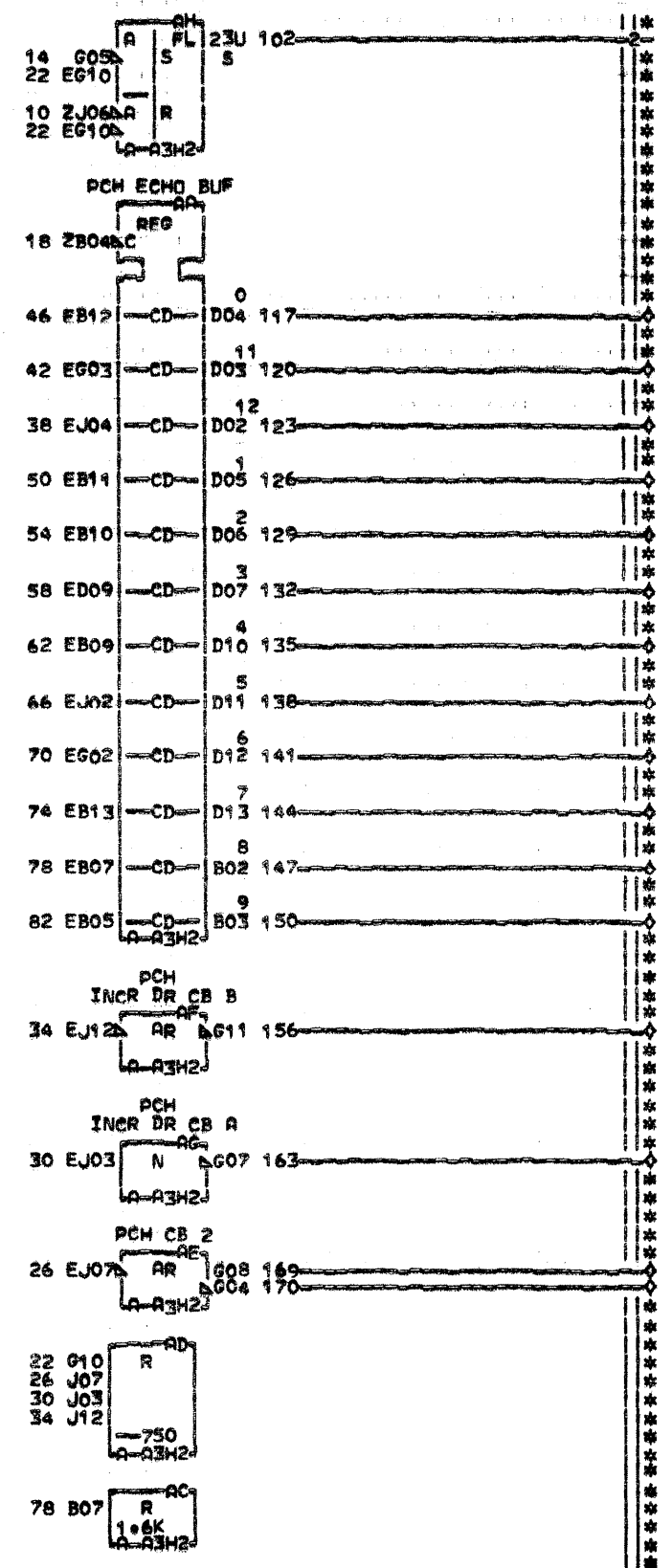
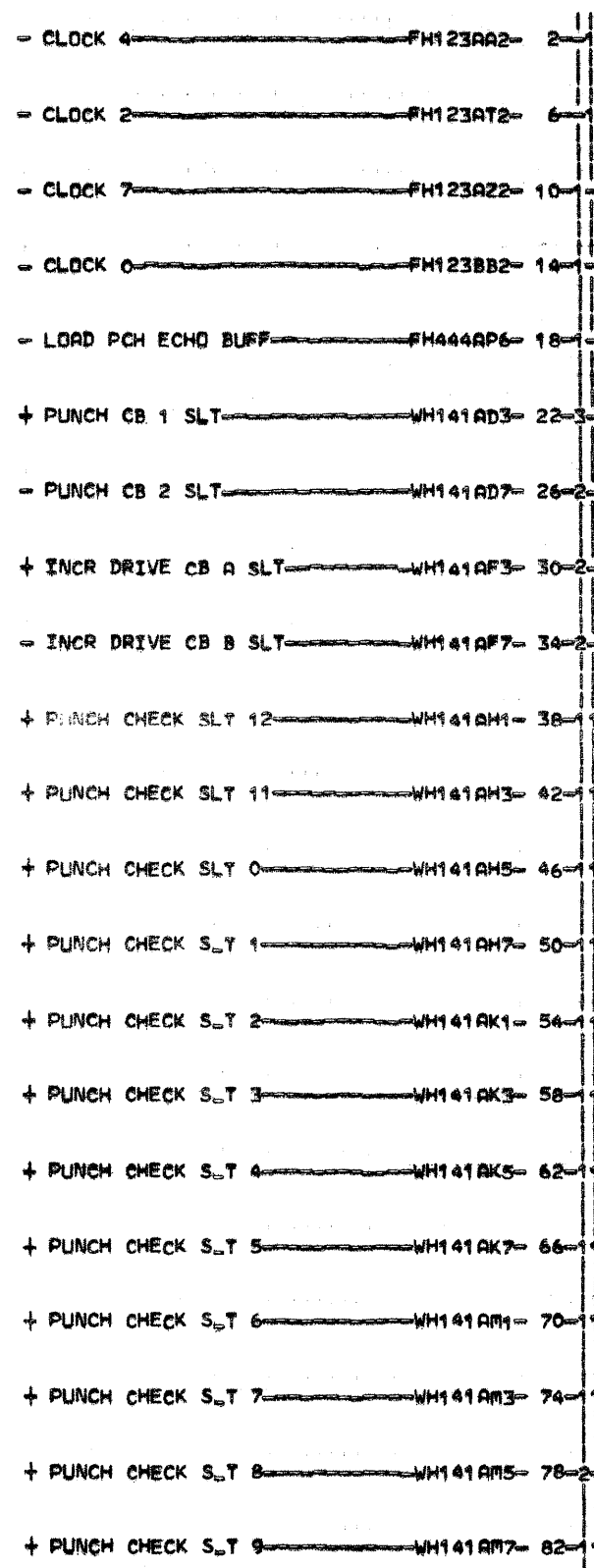
LOC. TYPE  
A-3P2 3076

PAGE VER EC LEV  
 FH421 000 821459  
 FH422 000 821459  
 FH423 000 821459  
 FH424 000 821459

THIS DOCUMENT IS IBM CONFIDENTIAL  
 UNTIL ANNOUNCEMENT DECLASSIFY  
 THEREAFTER.

PUNCH OUTPUT BUFFER AND TRANSLATOR		
E.C. HISTORY - C, MACH. 14425715		
DATE LAST EC	IBR CORP. GSD	FRAME 01 FH421
06-01-73 821459	P.No. 5556020	FH424 000

FH421  
 FH424  
 000



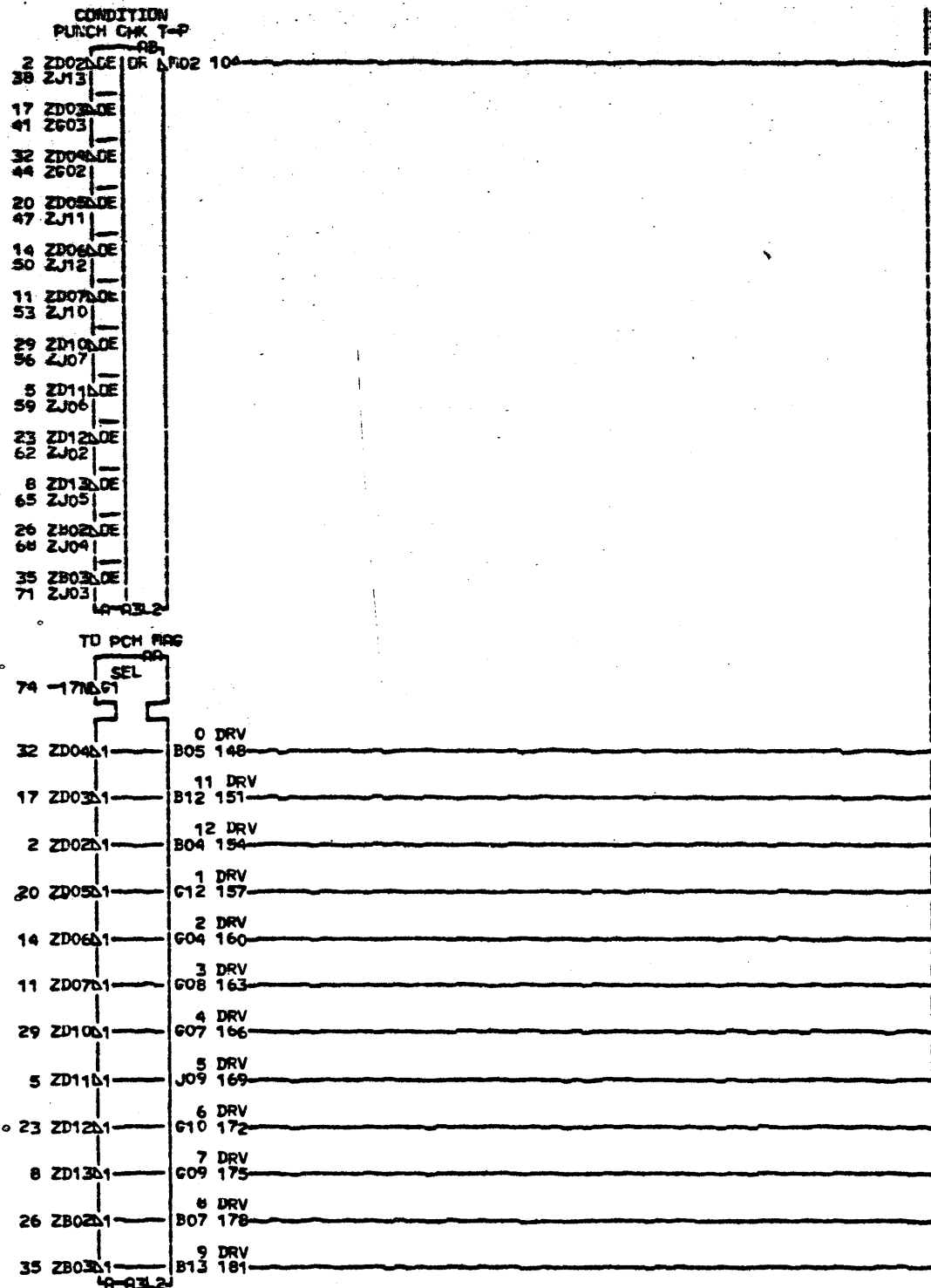
FH431  
FH434  
000

LOC. TYPE  
A-A3H2 3086

PAGE VER EC LEV  
 FH431 000 824805  
 FH432 000 824805  
 FH433 000 821459  
 FH434 000 821459

PUNCH SLT TO MST CONVERSION			
E-C-HISTORY		C-MACH. 14425M15	
821459			
DATE	LAST EC	FRAME	01 FH431
04-22-74	824805	IBM CORP. GSD	FH434
PeNo 5556021		000	

- PUNCH TRANSLATE OUT 12 - FM422AT6 - 2-2  
 - PUNCH TRANSLATE OUT 5 - FM422AV6 - 5-2  
 - PUNCH TRANSLATE OUT 7 - FM422AV6 - 8-2  
 - PUNCH TRANSLATE OUT 3 - FM423AV6 - 11-2  
 - PUNCH TRANSLATE OUT 8 - FM423AR2 - 14-2  
 - PUNCH TRANSLATE OUT 11 - FM423AS5 - 17-2  
 - PUNCH TRANSLATE OUT 1 - FM423AL2 - 20-2  
 - PUNCH TRANSLATE OUT 6 - FM424AL6 - 23-2  
 - PUNCH TRANSLATE OUT 8 - FM424AN6 - 26-2  
 - PUNCH TRANSLATE OUT 4 - FM424AP6 - 29-2  
 - PUNCH TRANSLATE OUT 0 - FM424AT6 - 32-2  
 - PUNCH TRANSLATE OUT 9 - FM424AL2 - 35-2  
 + PCH ECHO BUF 12 - FM434AR2 - 38-1  
 + PCH ECHO BUF 11 - FM434AJE - 41-1  
 + PCH ECHO BUF 0 - FM434AK2 - 44-1  
 + PCH ECHO BUF 1 - FM434AL2 - 47-1  
 + PCH ECHO BUF 2 - FM434AR2 - 50-1  
 + PCH ECHO BUF 3 - FM434AR2 - 53-1  
 + PCH ECHO BUF 4 - FM434AP2 - 56-1  
 + PCH ECHO BUF 5 - FM434AQ2 - 59-1  
 + PCH ECHO BUF 6 - FM434AR2 - 62-1  
 + PCH ECHO BUF 7 - FM434AS2 - 65-1  
 + PCH ECHO BUF 8 - FM434AT2 - 68-1  
 + PCH ECHO BUF 9 - FM434AL2 - 71-1  
 - PUNCH TYPE - FM444AR6 - 74-1



000 FM441 FM442

154 + TO PCH MAG 12 DRV - FM521-AR2

151 + TO PCH MAG 11 DRV - FM521-AR2

148 + TO PCH MAG 0 DRV - FM521-AR2

157 + TO PCH MAG 1 DRV - FM521-AR2

160 + TO PCH MAG 2 DRV - FM521-AR2

163 + TO PCH MAG 3 DRV - FM521-AR2

166 + TO PCH MAG 4 DRV - FM521-AR2

169 + TO PCH MAG 5 DRV - FM521-AR2

172 + TO PCH MAG 6 DRV - FM521-AJ2

175 + TO PCH MAG 7 DRV - FM521-AR2

178 + TO PCH MAG 8 DRV - FM521-AL2

181 + TO PCH MAG 9 DRV - FM521-AR2

\*\*\* FM442 \*\*\*

104 - CONDITION PUNCH CHK T-P FM445-AQ2

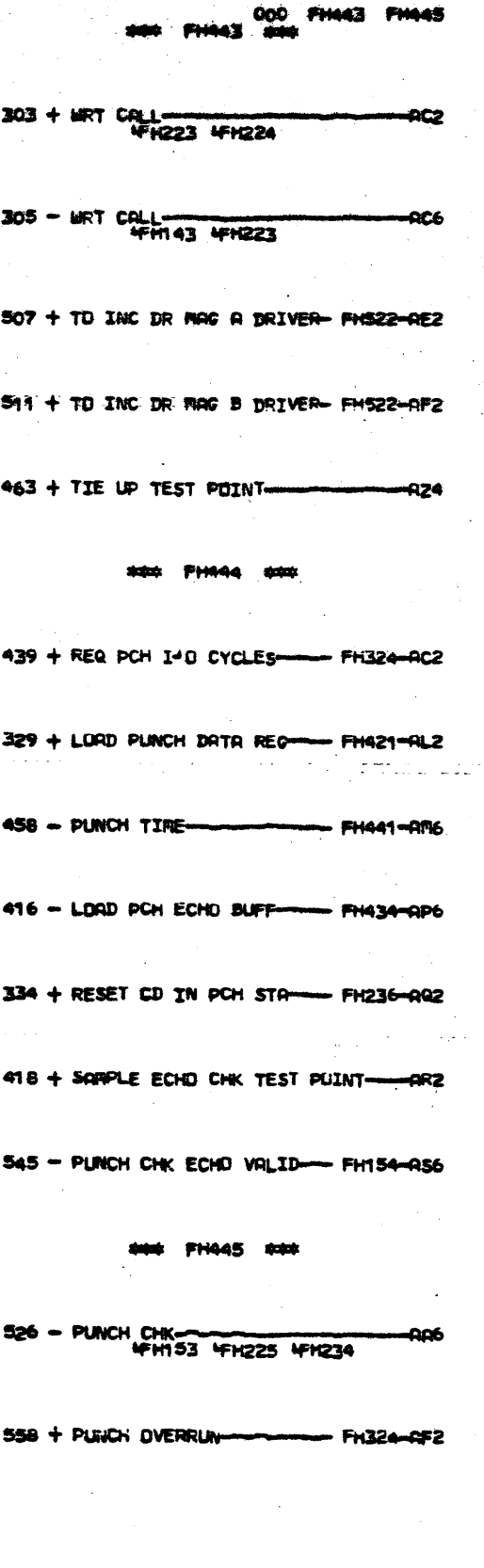
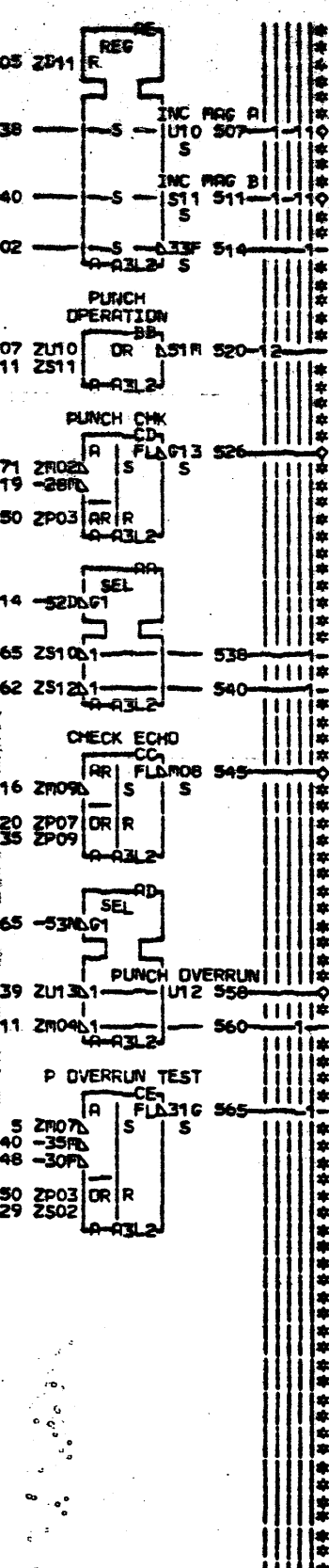
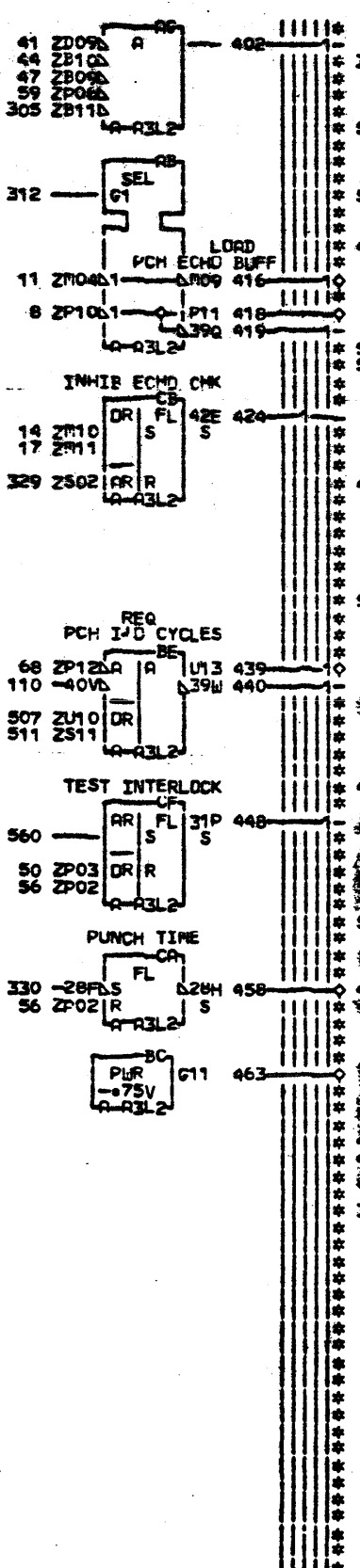
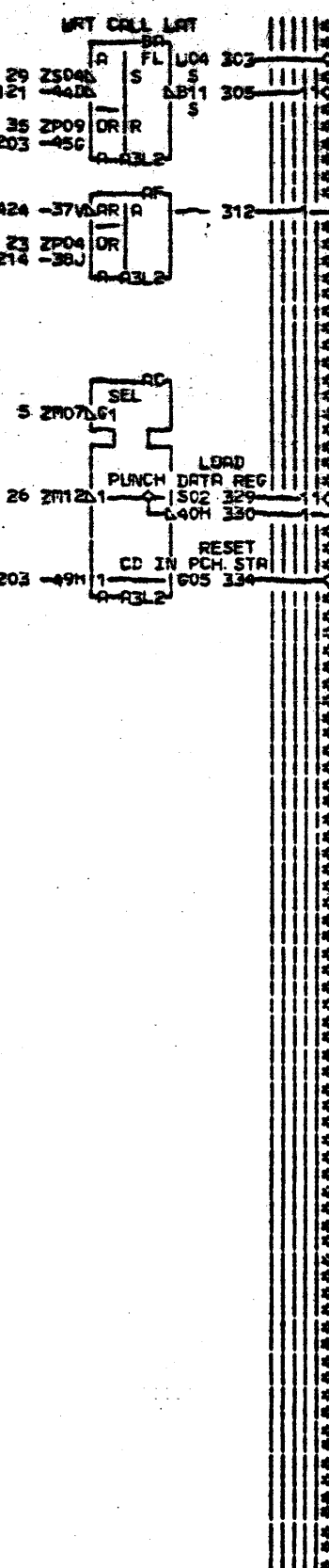
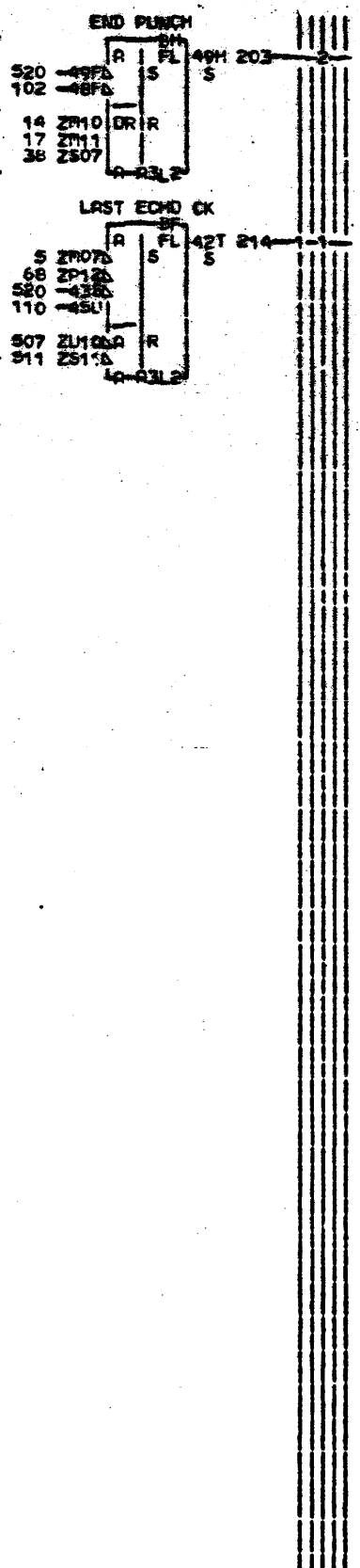
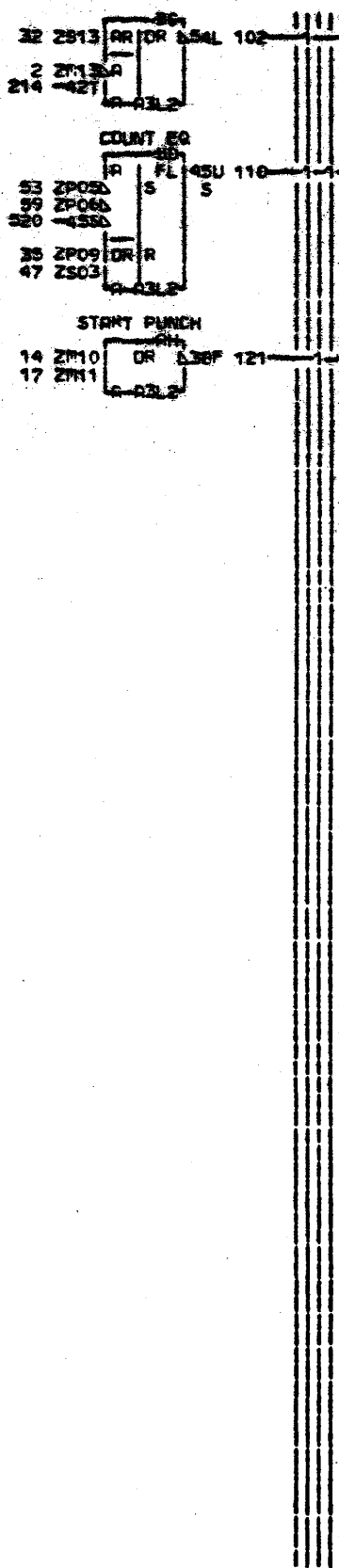
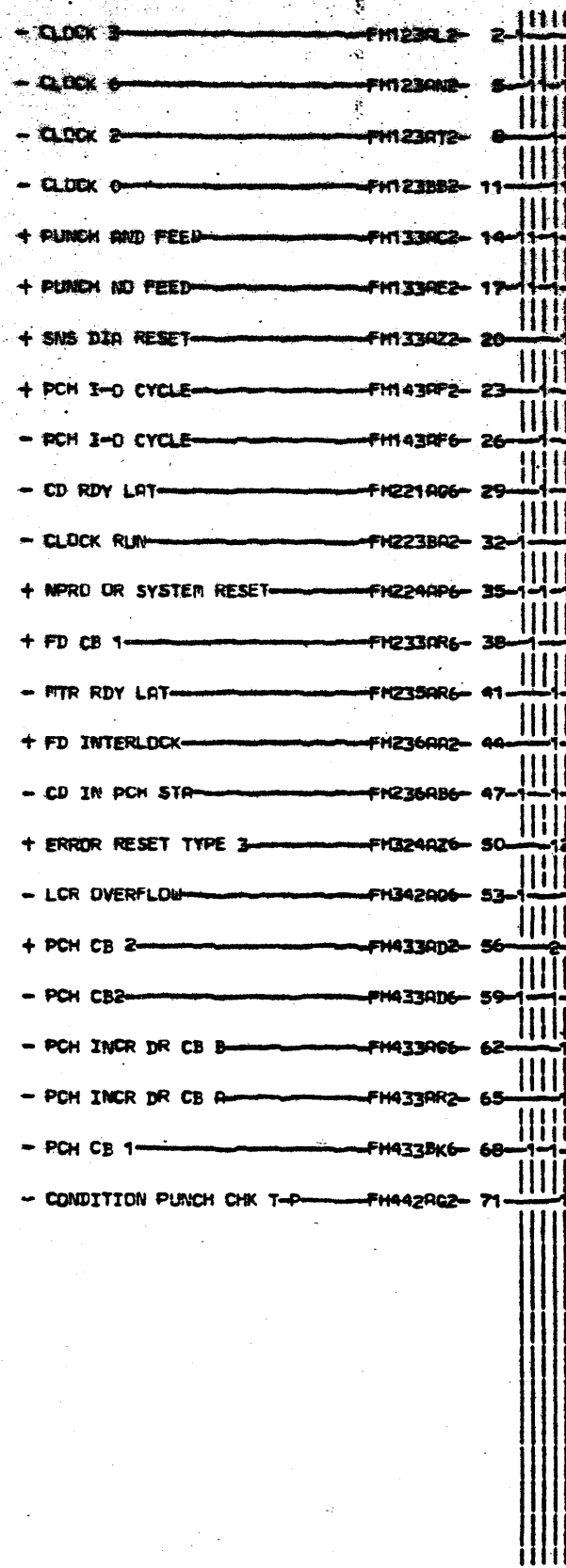
LDC. TYPE  
A-AL2 3081

PAGE VER EC LEV  
FM441 000 821459  
FM442 000 821459

FM441  
FM442  
000

THIS DOCUMENT IS IBM CONFIDENTIAL  
UNTIL ANNOUNCEMENT DECLASSIFY  
THEREAFTER.

PUNCH CONTROLS			
E.C. HISTORY	C	FRAMES	14425M15
		FRAME	01 FM441
		IBM CORP.	GSD FM442
DATE	LAST EC	P.N.	5556022 C30
06-01-73	821459		



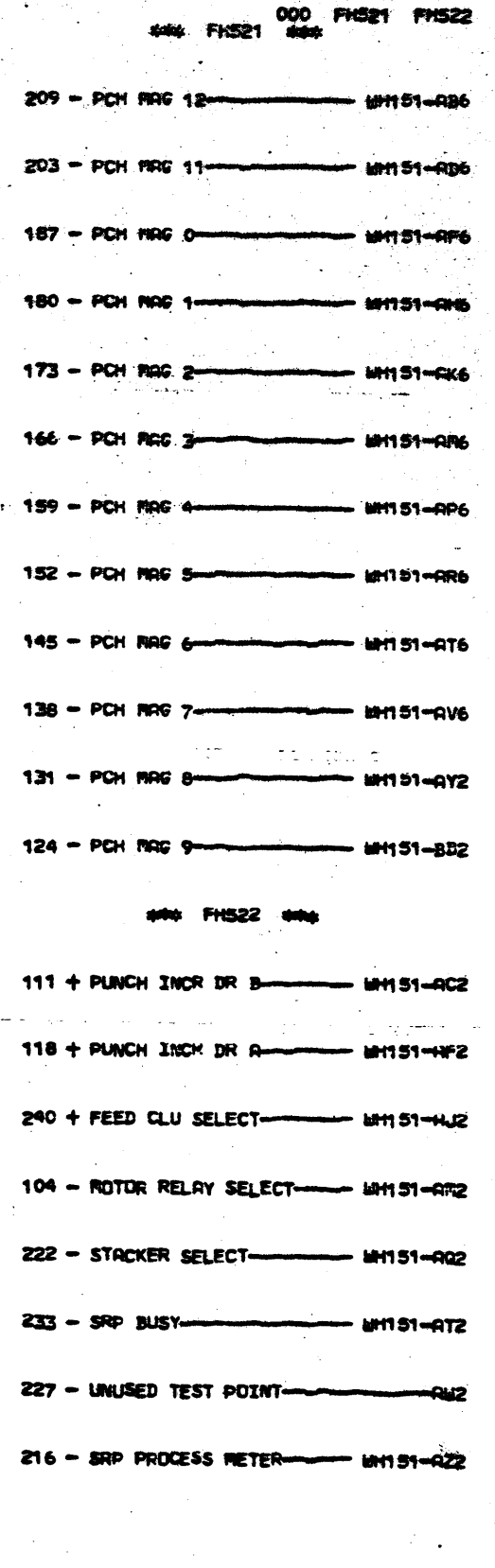
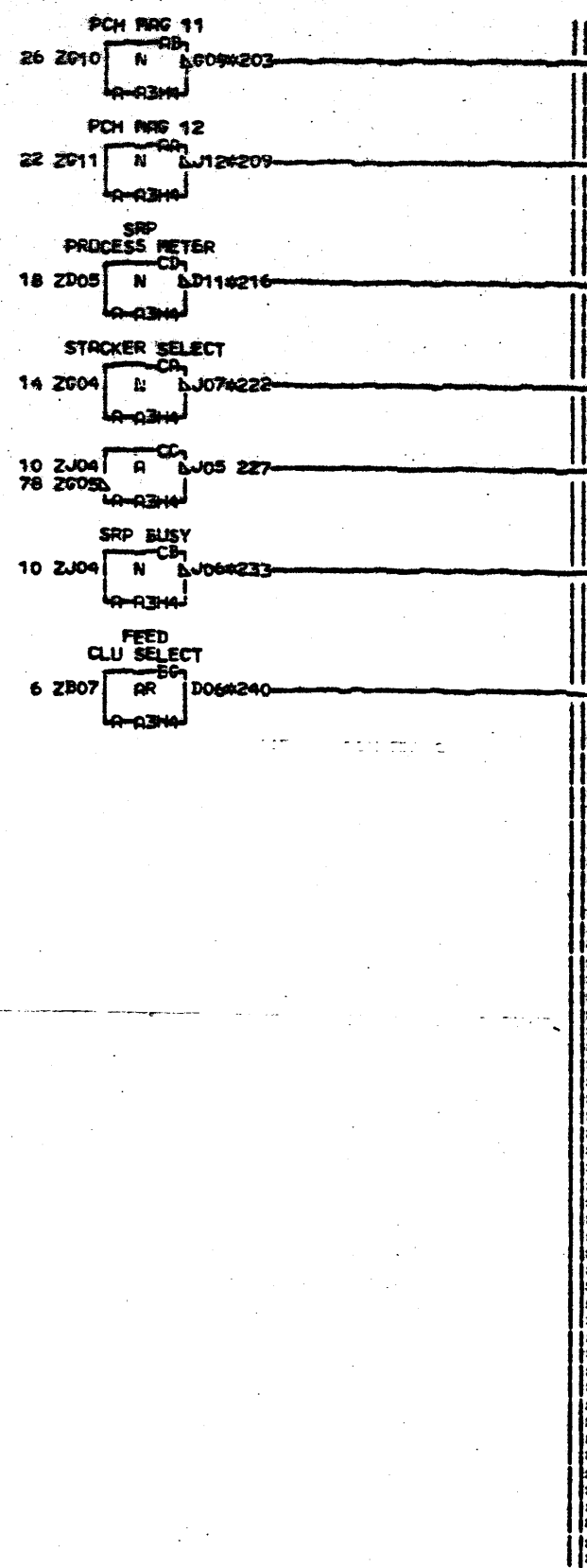
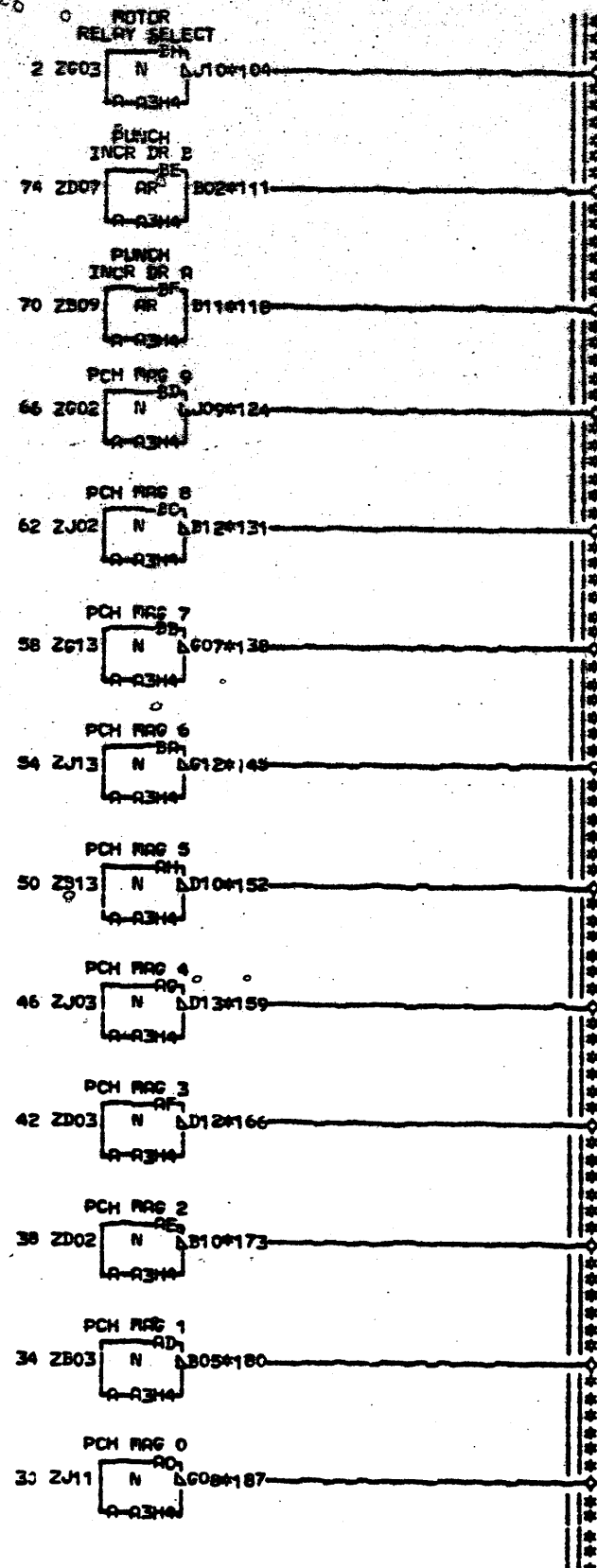
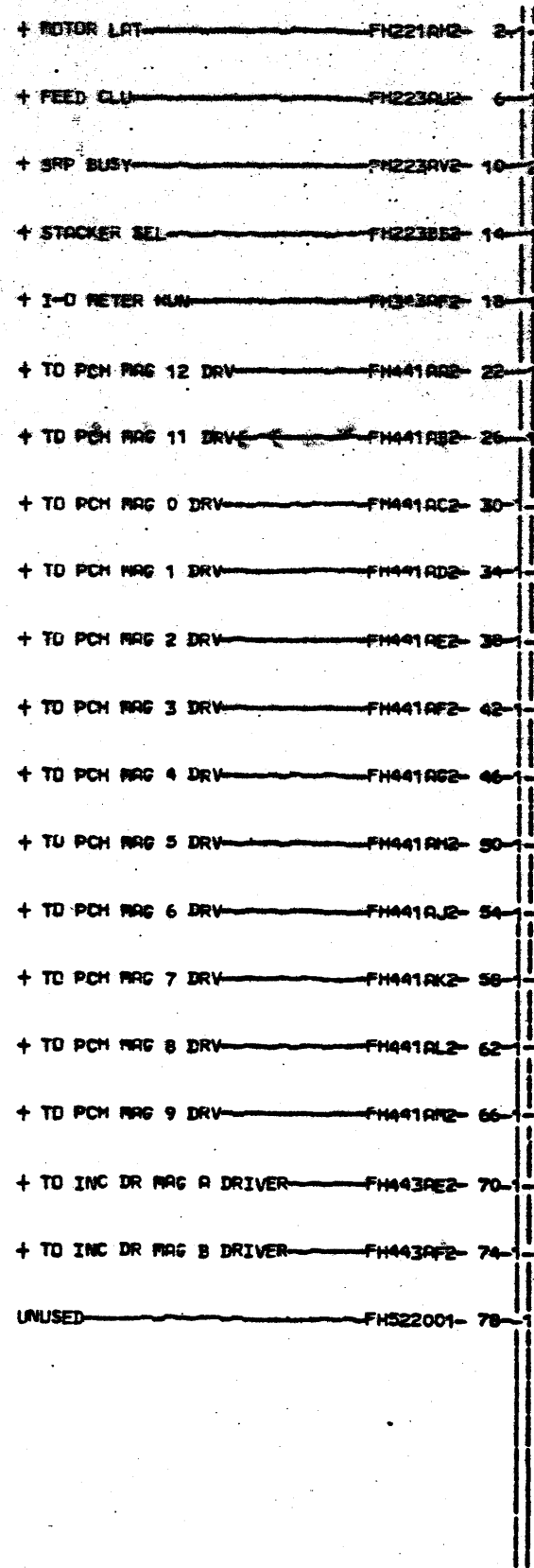
LOC. TYPE  
A-3L2 3081

PAGE VER EC LEV  
 FM443 000 821459  
 FM444 000 821459  
 FM445 000 821459

PUNCH CONTROLS			
E-C-HISTORY	C	FRCH-14425R15	
FRAME	01		FM443
DATE	LAST EC	IBR CORP-GSD	FM445
06-01-73	821459	P.No. 5556023	000

FM443  
 FM445  
 000

THIS DOCUMENT IS IBM CONFIDENTIAL  
 UNTIL ANNOUNCEMENT DECLASSIFY  
 THEREAFTER.



EDGE COUN	166	A-A3A5D05	
104	A-A3A2D06	173	A-A3A5D06
111	A-A3A4B02	180	A-A3A3D07
118	A-A3A4D02	187	A-A3A2D09
124	A-A3A3D05	203	A-A3A5B08
131	A-A3A3D06	209	A-A3A3B07
138	A-A3A4D06	216	A-A3A4B03
145	A-A3A4B07	222	A-A3A3B02
152	A-A3A5B04	233	A-A3A4B04
159	A-A3A4D07	240	A-A3A3B03

LOC. TYPE  
A-A3A4 3079

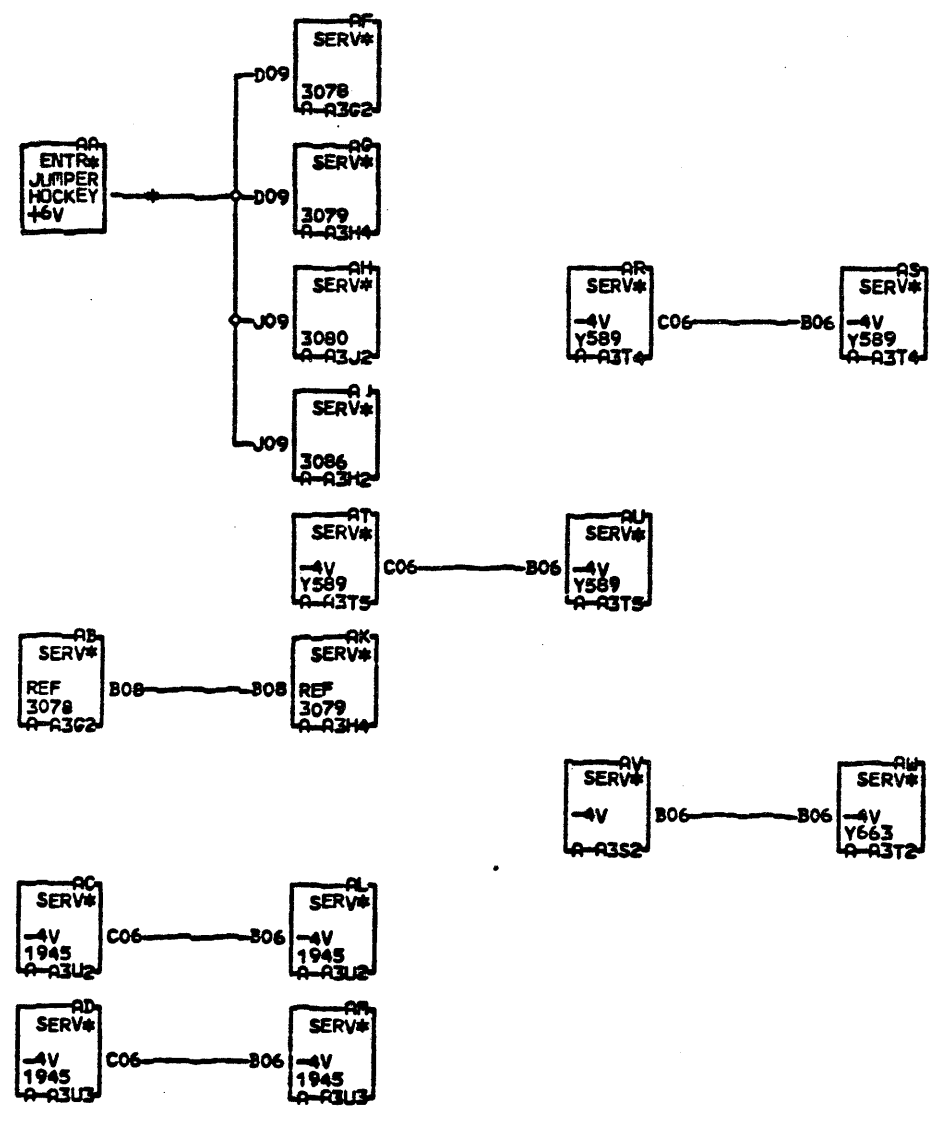
PAGE VER EC LEV  
FHS21 000 821459  
FHS22 000 821459

THIS DOCUMENT IS IBM CONFIDENTIAL  
UNTIL ANNOUNCEMENT DECLASSIFY  
THEREAFTER.

FHS21  
FHS22  
000

LIST TO SLT CLAV		RAGNET PREDRIVERS	
E.C.HISTORY		RACH.14425R15	
FRAME	01	FHS21	
DATE	LAST EC	IBM CORP.65D	FHS22
06-01-73	821459	P.No. 5556024	000



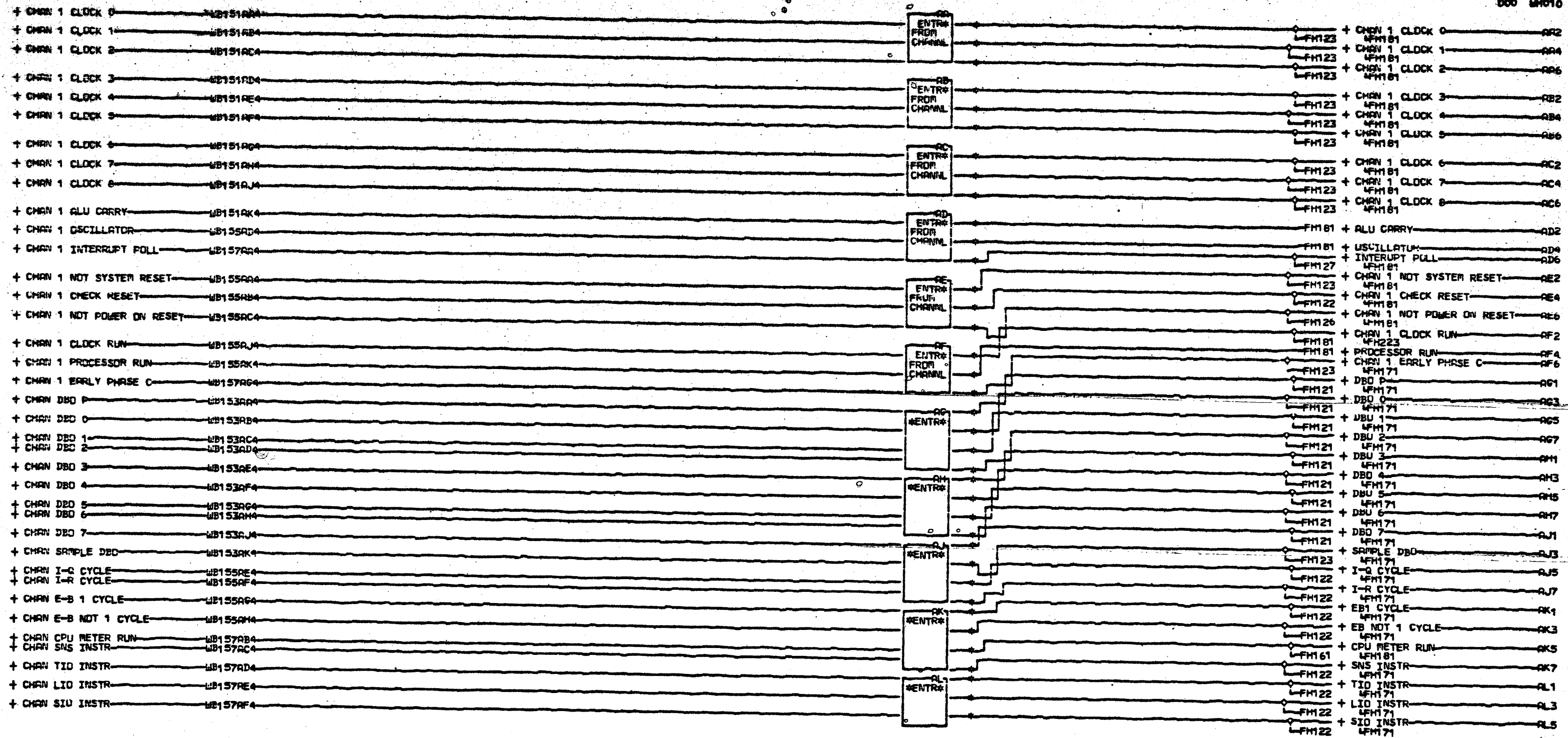


RA4 A-A3H6D02

LOC. TYPE

1442 SERV	
E-C-HISTORY 821459	C-MACH-1442SR15
	FRAME 01
DATE LAST EC 12-31-74 824896	IBM CORP. GSD P.No. 5586025

F  
H  
6  
0  
0



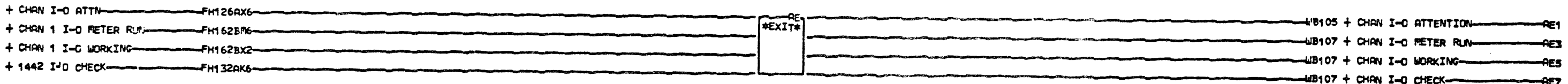
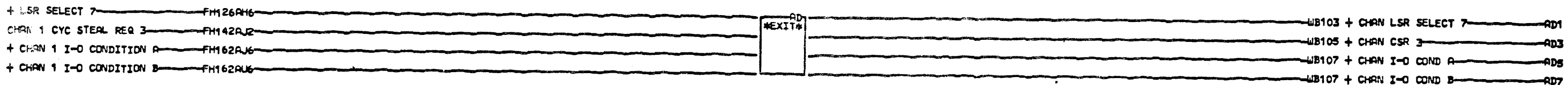
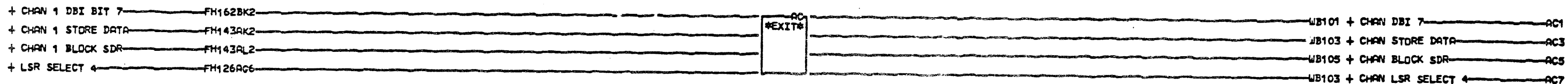
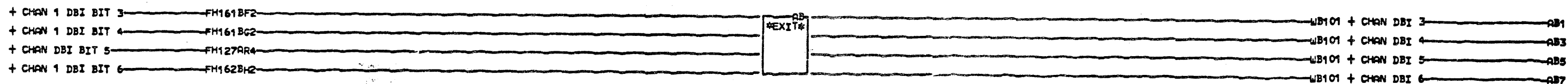
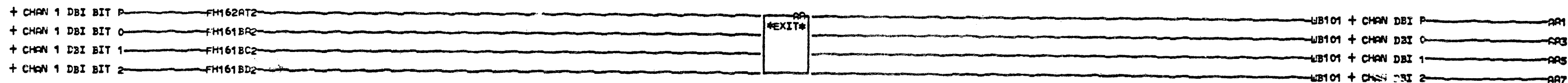
A02 P-A3P1E11 A02 P-A3P1E13 A01 P-A3T1A11 A03 P-A3T1A13 A05 P-A3V1B13  
 A04 P-A3Q1D11 A04 P-A3Q1B11 A02 P-A3T1B11 A02 P-A3T1C11  
 A02 P-A3Q1C11 A02 P-A3Q1C11 A02 P-A3T1E11 A02 P-A3T1D11  
 A04 P-A3Q1E11 A02 P-A3T1A11 A02 P-A3T1E11 A02 P-A3T1D11  
 A02 P-A3R1B11 A02 P-A3R1B11 A02 P-A3T1A11 A02 P-A3T1E11  
 A02 P-A3R1C11 A02 P-A3R1C11 A02 P-A3T1A11 A02 P-A3T1E11  
 A04 P-A3R1D11 A02 P-A3R1E11 A02 P-A3T1A11 A02 P-A3T1E11  
 A06 P-A3S1A11 A02 P-A3S1B11 A02 P-A3T1A11 A02 P-A3T1E11

THIS DOCUMENT IS IBM CONFIDENTIAL  
UNTIL ANNOUNCEMENT DECLASSIFY  
THEREAFTER.

LDC TYPE

CHANNEL ENTR TO 1442 ATCH		M 0 1 0
E.C. HISTORY	C. MACH. 1442SM15	
DATE LAST EC	FRAME 01	000
06-01-73 821459	IBM CORP. GSD	
P. No. 5556026		

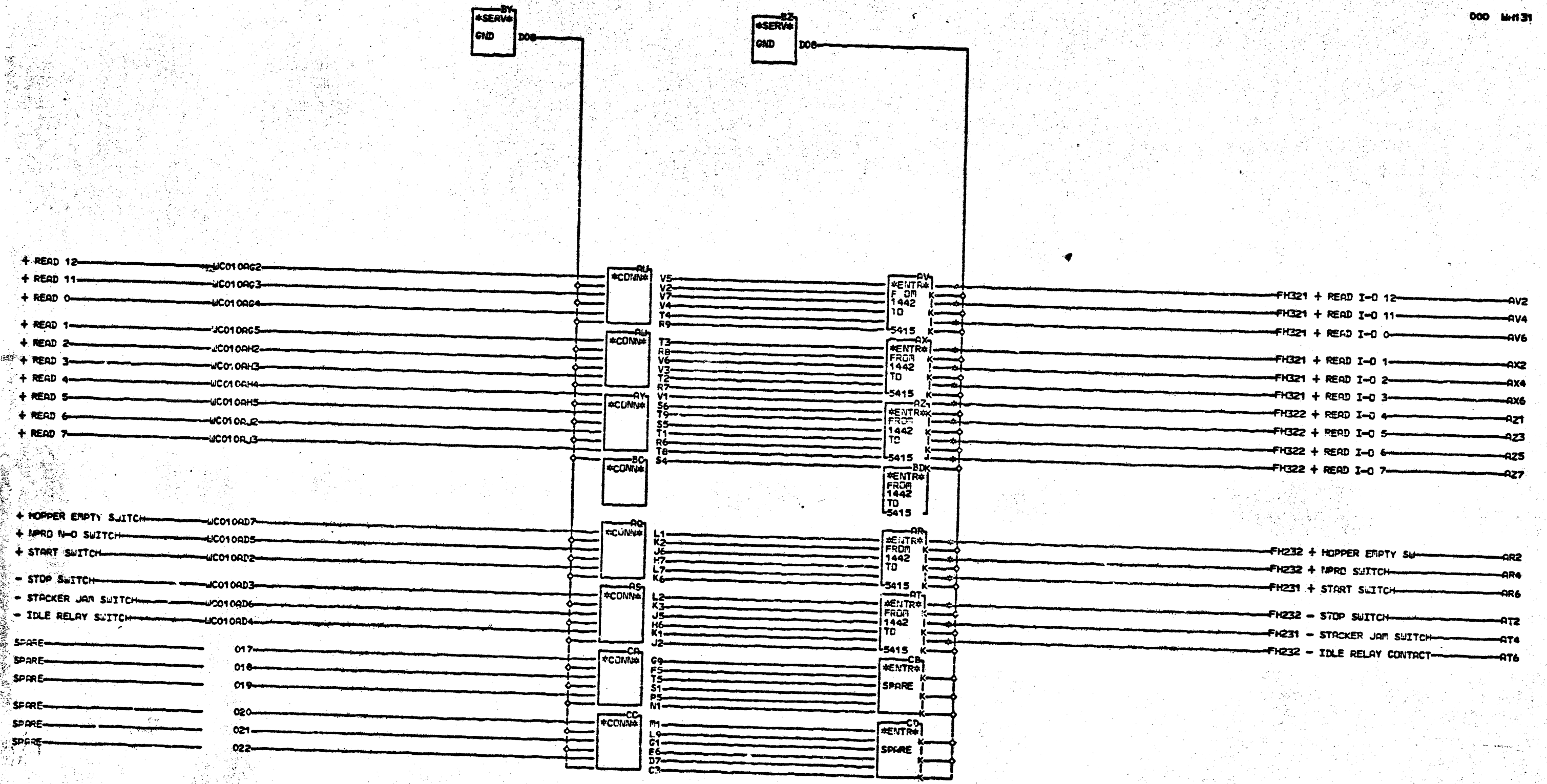
10100



LDC TYPE

CHANNEL EXIT FROM 1442 ATCH	
E-C-HISTORY 821459	C-MACH-1442SR15
DATE 12-31-74	LAST EC 824896
FRAME 01	IBR CORP. GSD PoNo 5556027

WH015  
000



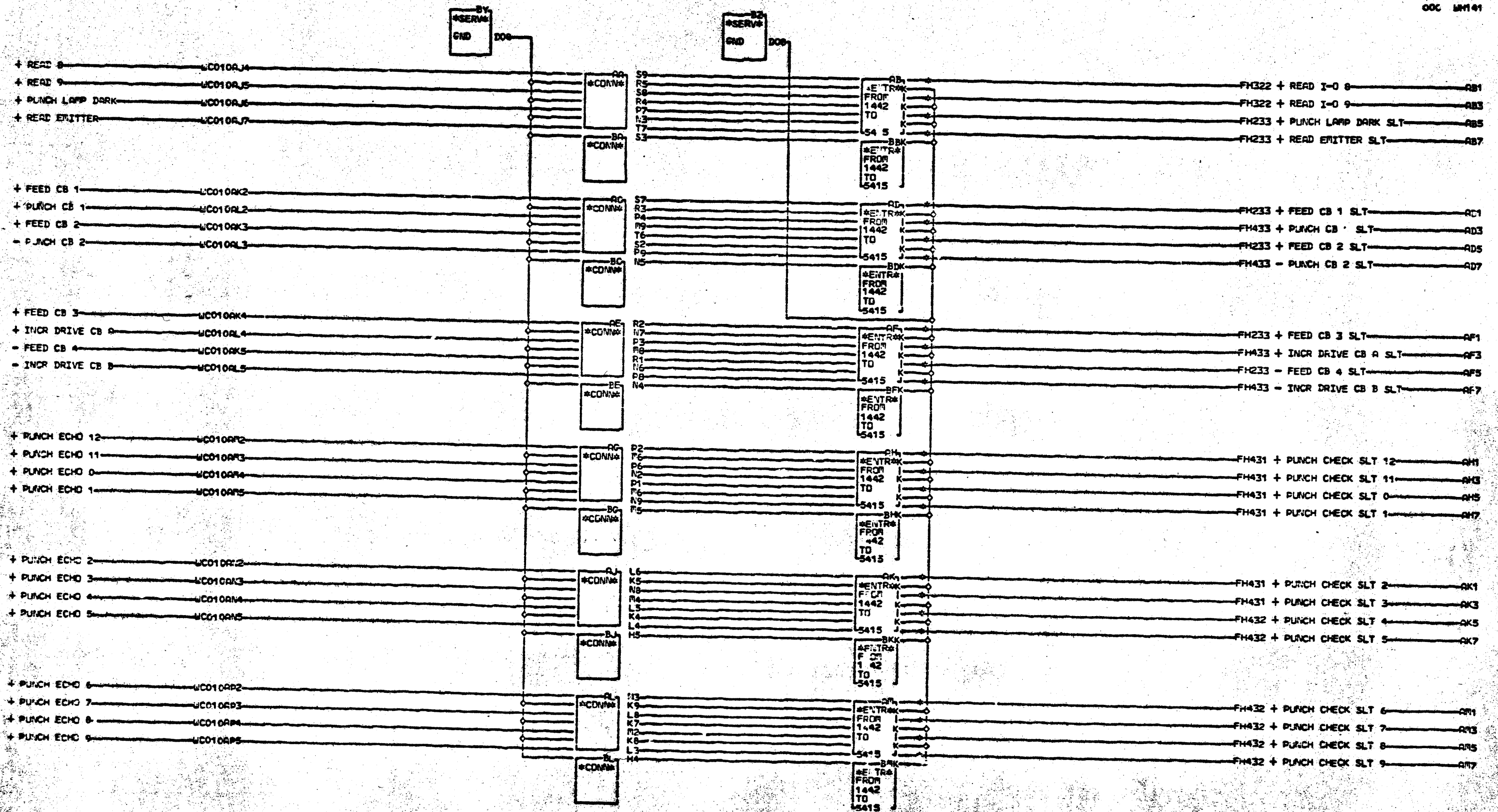
000

- AR2 P-03A2D11 AX2 P-03A4B10
- AR4 P-03A5D07 AX4 P-03A2F06
- AR6 P-03A2B10 AX6 P-03A4B13
- AT2 P-03A3B09 AZ1 P-03A4D13
- AT4 P-03A5B07 AZ3 P-03A4B12
- AT6 P-03A5D09 AZ5 P-03A2B09
- AV2 P-03A2B03 AZ7 P-03A3D13
- AV4 P-03A2B02
- AV6 P-03A4D12

LOC. TYPE

ENTER FROM 1442 TO 5415	
E.C. HISTORY	C. MACH. 1442S-15
8-1459	FRAME 01
DATE LAST EC	IBM CORP. GSD
10-21-73 821715	P.N. 5556028

M  
H  
1  
3  
1  
000

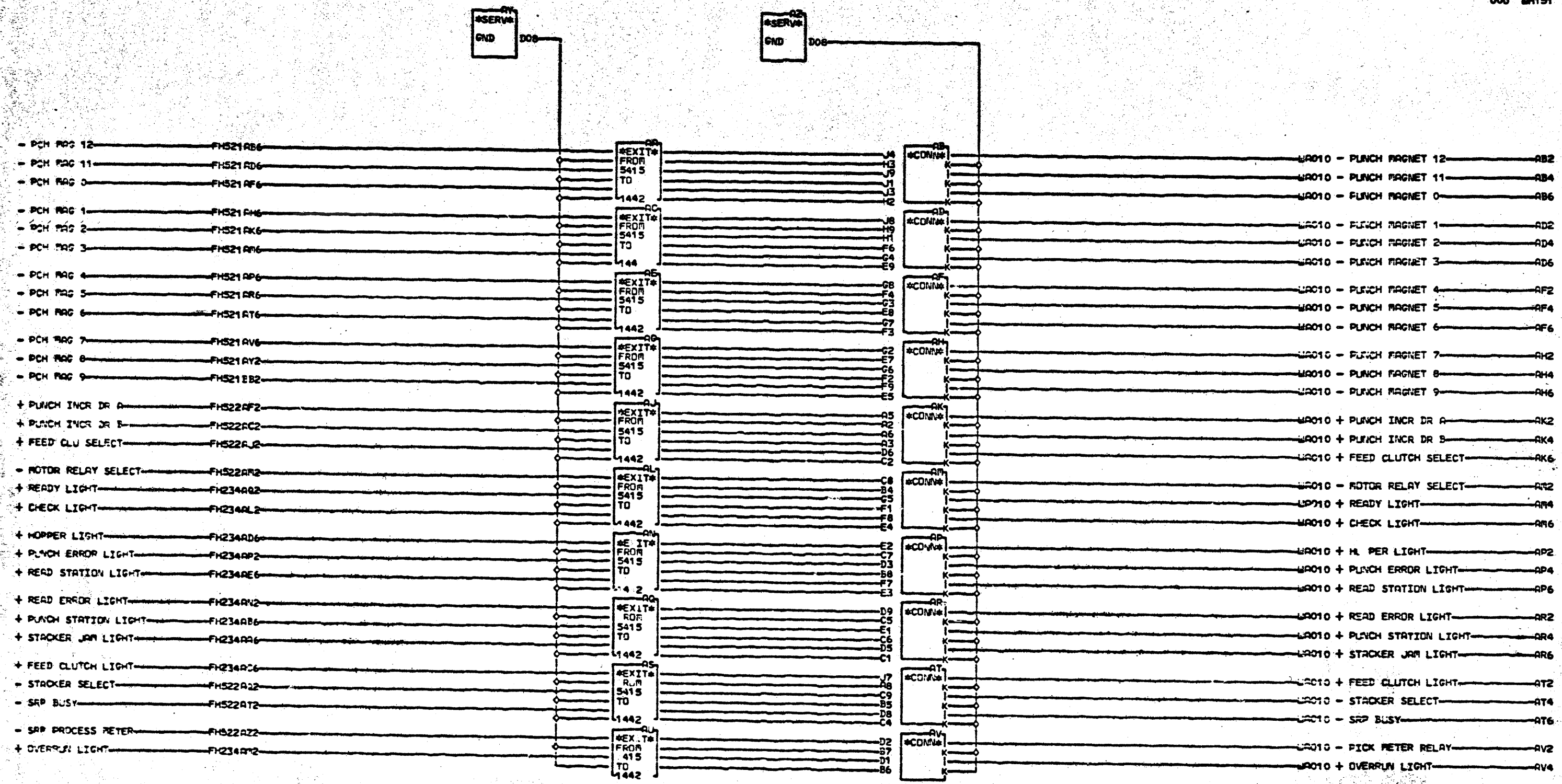


AF1	A-A3A2B08	AF3	A-A3A4D10	AK5	A-A3A5B09
AF3	A-A3A2B10	AF5	A-A3A5B11	AK7	A-A3A4D09
AF5	A-A3A3D12	AF7	A-A3A 809	AK9	A-A3A5D11
AF7	A-A3A2B07	AF9	A-A3A4B08	AK11	A-A3A3D10
AF9	A-A3A2 13	AK1	A-A3A3B13	AK3	A-A3A5B10
AK3	A-A3A5B12	AK5	A-A3A D11	AK7	A-A3A5B08
AK5	A-A3A2B09	AK7	A-A3A3B12		
AK7	A-A3A4D11	AK9	A-A3A5D10		
AK9	A-A3A5B13	AK11	A-A3A2D12		

LOC. TYPE

EJTER FROM 1442 TO 5415	
E-C-HISTORY	C, MACH. 14425415
821459	FRAME 01
DATE LAST EC	IBR CORP. GSD
10-21-73 821715	P.No. 5556029

000



LOC. TYPE

EXIT FROM 5415 TO 1442	
E.C. HISTORY 821459	D. RACH. 14423719
FRAME 01	
DATE LAST EC 01-21-73 821715	IDR CORP. 63D P.N. 9554030

000



