

CONTENTS

HOW TO USE THIS PARTS CATALOG FRAME A14 1-1

VISUAL INDEXES FRAME A04 1-1

Figure	Title	Page
1	Covers, Panels, and Mounting Hardware Sheet 1 of 3	1
	Covers, Panels, and Mounting Hardware Sheet 2 of 3	2
	Covers, Panels, and Mounting Hardware Sheet 3 of 3	3
2	Cover, Right Rear	6
3	Cover, Right Front	7
4	Cover, Left Rear	8
5	Cover, Left Front	9
5A	5475 Data Entry Keyboard Cover and Final Asm	10
5B	5475 Panel Asm	12
5C	5475 Keyboard Chart—USA, UK, Portuguese/ Brazil, Italy and Japan. No Listing Required	13
5D	5475 Keypress Chart—French, Belgium, German/Austria, Spain, Finnish/Sweden, Denmark and Norway. No Listing Required	14
5E	5475 Keylever and Interposer Chart—USA, UK, Portuguese/Brazil, Italy and Japan. No Listing Required	15
5F	5475 Keylever and Interposer Chart—French, Belgium, German/Austria, Spain, Finnish/ Sweden, Denmark and Norway. No Listing Required	16
5G	5475 Keyboard Asm Sheet 1 of 2	17
	5475 Keyboard Asm Sheet 2 of 2	18
5H	5475 Keyboard Asm	21
6	Table Top, For Data Entry Keyboard	23
6A	Table Top, For Printer Keyboard	24
7	Console Asm	25
8	C E Panel	29
9	Panel Asm, BSCA Feature	FR. C15 1-1
10	Operators Panel	32
11	Dual Program Panel	34
12	Disk Control Panel, 1 and 2 Spindle	36
13	Display Panel	38

FRAME LOCATION TABLE

Page	Frame	Card
1	--- B01 ---	1-1
2	--- B02 ---	1-1
3	--- B03 ---	1-1
6	--- B06 ---	1-1
7	--- B07 ---	1-1
8	--- B08 ---	1-1
9	--- B09 ---	1-1
10	--- B10 ---	1-1
12	--- B12 ---	1-1
13	--- B13 ---	1-1
14	--- B14 ---	1-1
15	--- B15 ---	1-1
16	--- B16 ---	1-1
17	--- C01 ---	1-1
18	--- C02 ---	1-1
21	--- C05 ---	1-1
23	--- C07 ---	1-1
24	--- C08 ---	1-1
26	--- C10 ---	1-1
29	--- C13 ---	1-1
31	--- C15 ---	1-1
32	--- C16 ---	1-1
34	--- D01 ---	1-1
36	--- D03 ---	1-1
38	--- D05 ---	1-1

CONTENTS

FRAME LOCATION TABLE

Figure	Title	Page
14	Mechanical Asm CPU	40
15	A Gate Asm	43
16	Blower Asm	46
17	B Gate Asm	47
18	Blower Asm	49
19	Power Supply, Signal Lamp	50
19A	Power Supply Asm Multi-Level	51
20	Power Supply, -12V BSCA Medium Speed	53
20A	Power Supply Asm, 12V	54
20B	Auto Transformer Asm	55
21	Primary Power Supply, Pre-Redesigned Sheet 1 of 2	56
	Primary Power Supply, Pre-Redesigned Sheet 2 of 2	57
21A	Primary Power Supply, Redesigned Sheet 1 of 2	60
	Primary Power Supply, Redesigned Sheet 2 of 2	61

Page	Frame	Card
40	--- D07 ---	1-1
43	--- D10 ---	1-1
46	--- D13 ---	1-1
47	--- D14 ---	1-1
49	--- D16 ---	1-1
50	--- D17 ---	1-1
51	--- E01 ---	1-1
53	--- E03 ---	1-1
54	--- E04 ---	1-1
55	--- E05 ---	1-1
56	--- E06 ---	1-1
57	--- E07 ---	1-1
60	--- E10 ---	1-1
61	--- E11 ---	1-1

CONTENTS

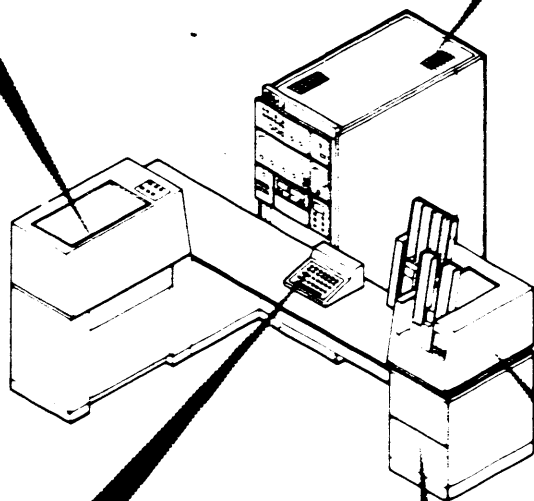
FRAME LOCATION TABLE

22	Bulk Power Supply No. 1	65	
22A	Bulk Power Supply No. 1	68	
23	Bulk Power Supply No. 2 and 3	70	
23A	Bulk Power Supply No. 2 and 3	73	
24	Power Supply Asm, 4 VDC at 32 Amp	76	
25	Power Supply Section, Front	78	
26	Power Supply Asm, 50 Amp	80	
27	Power Supply Asm, 4 VDC at 65 Amp	81	
28	Power Supply Asm, 6 VDC at 25 Amp	83	
29	Power Supply Asm, 30 VDC at 9.5 Amp	85	
30	Fan Asm, Regulator Cooling	87	
31	Cable and Jumper Asm Component Parts	88	
32	Cable Part Numbers and Routing	91	
33	Attaching Parts	97	
NUMERICAL INDEX			FRAME C08 1-2

Page	Frame	Card
65	--- E15 ---	1-1
68	--- A12 ---	1-2
70	--- A14 ---	1-2
73	--- A17 ---	1-2
76	--- B02 ---	1-2
78	--- B04 ---	1-2
80	--- B06 ---	1-2
81	--- B07 ---	1-2
83	--- B09 ---	1-2
85	--- B11 ---	1-2
87	--- B13 ---	1-2
88	--- B14 ---	1-2
93	--- C01 ---	1-2
97	--- C05 ---	1-2
INDEX	--- C08 ---	1-2

5203
PRINTER
SEE FORM NO. 5124-0101

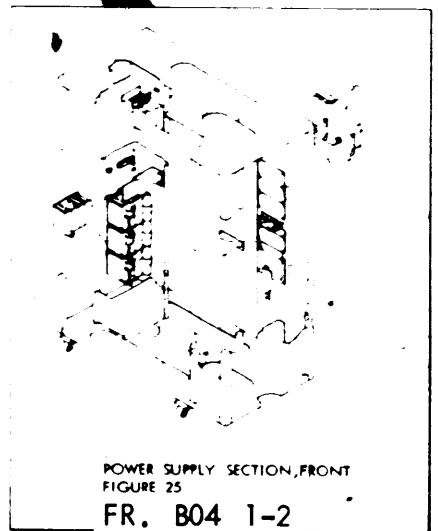
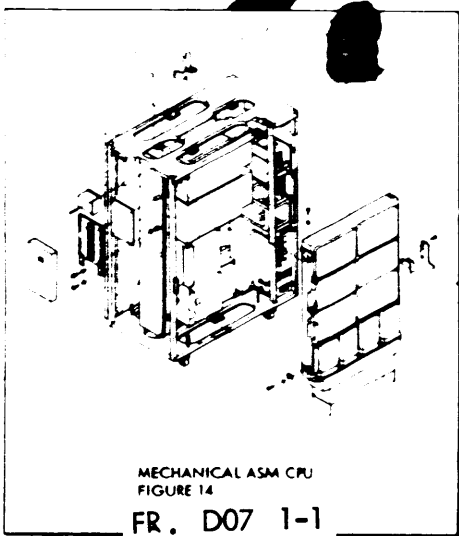
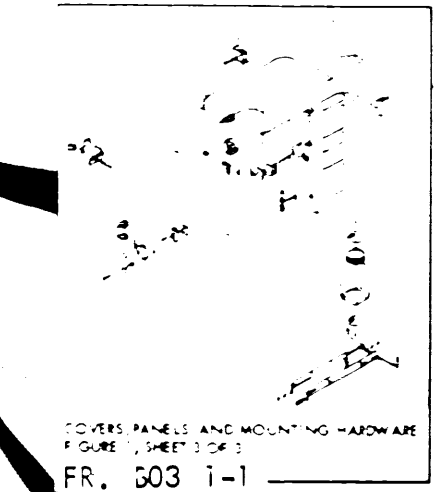
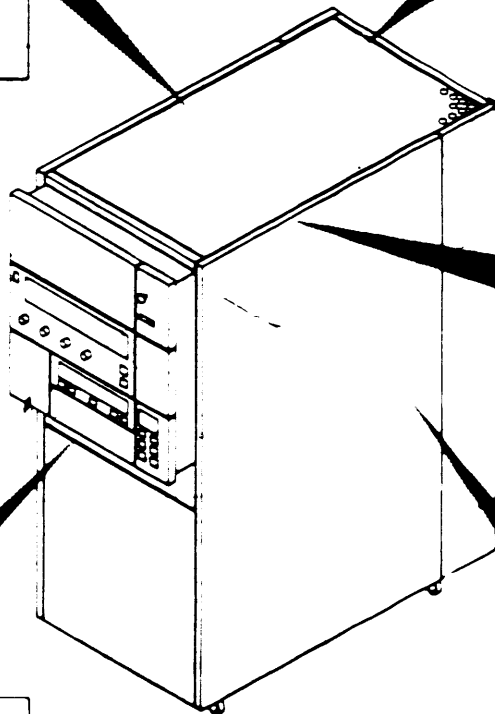
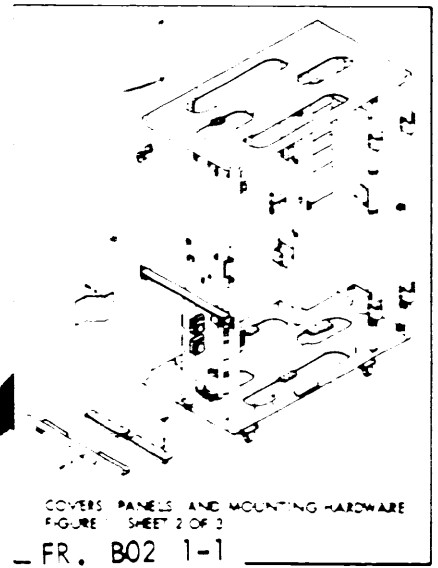
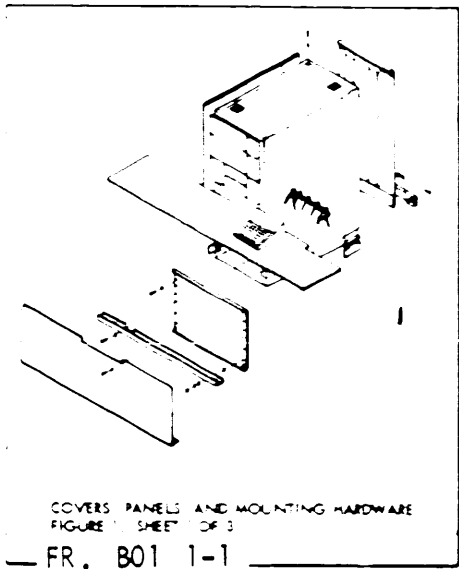
5410
PROCESSING UNIT
SEE FORM NO. 5131-0574

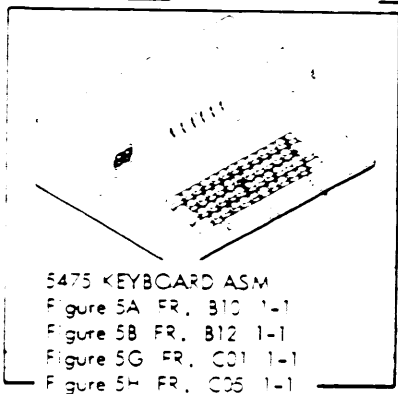
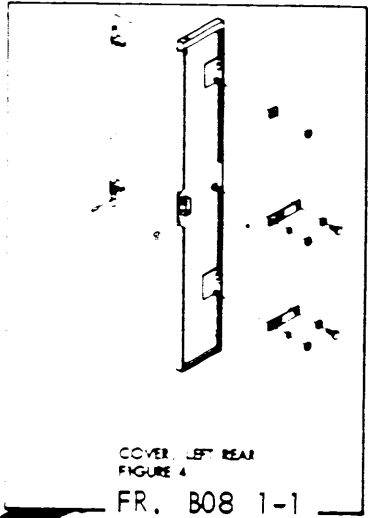
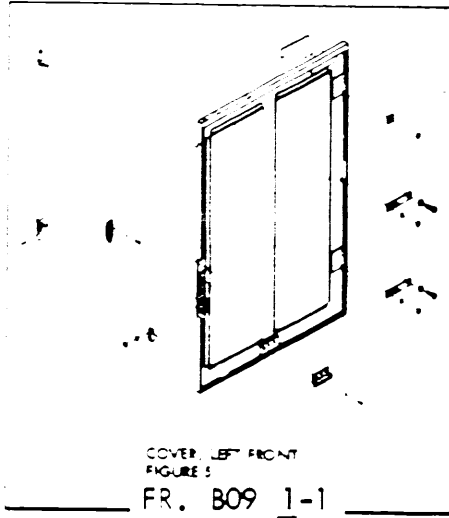
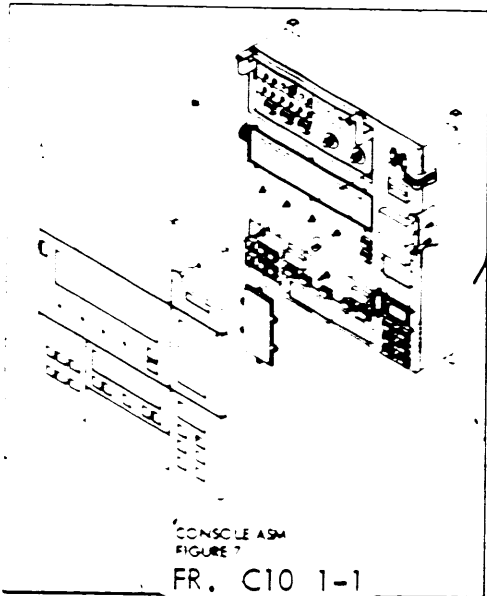


5471
PRINTER KEYBOARD
SEE FORM NO. 5131-0024

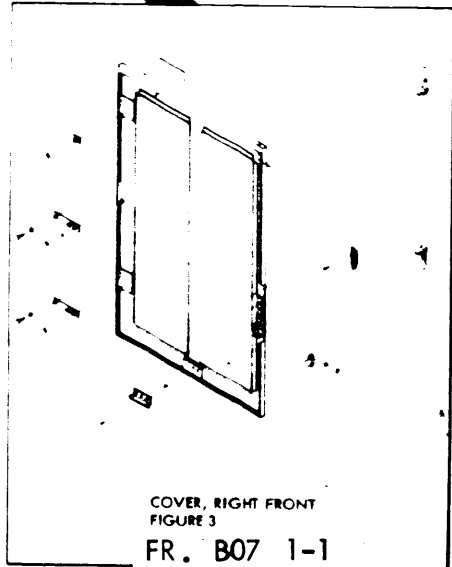
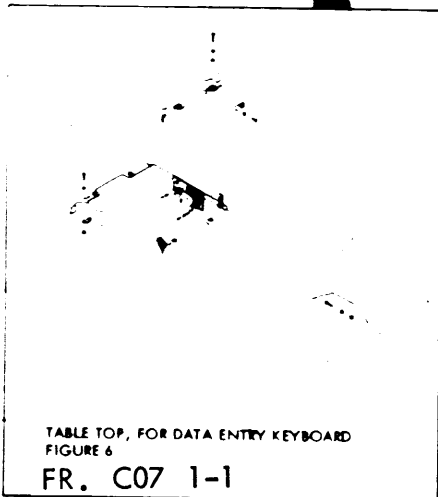
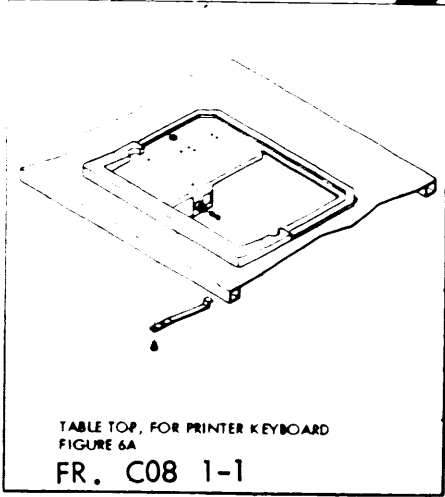
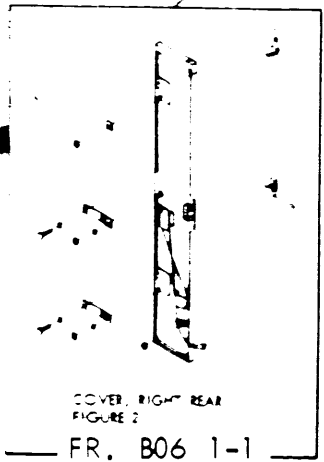
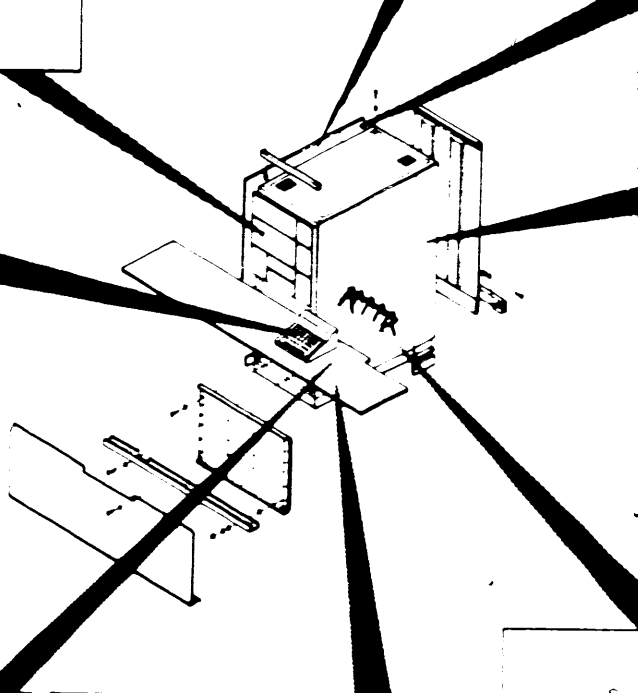
5424
MULTI-FUNCTION CARD UNIT
SEE FORM NO. 5131-0570

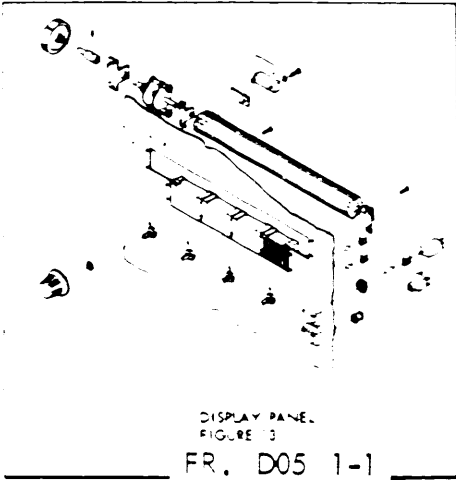
5444
DISK FILE UNIT
SEE FORM NO. 5135-0001



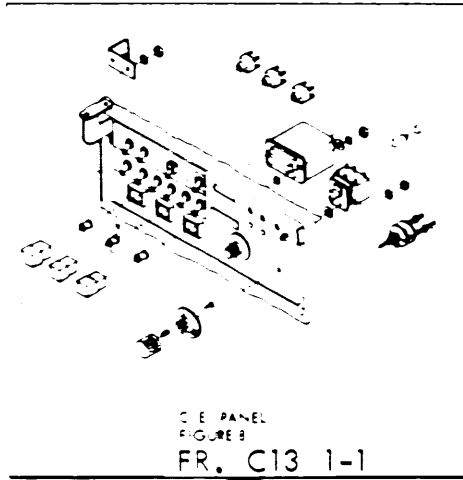


KEYBUTTON CHARTS
SEE FIGURE 5C, FR. B13 1-1
AND FIGURE 5D, FR. B14 1-1
KEYLEVER CHART
SEE FIGURE 5E, FR. B15 1-1
AND FIGURE 5F, FR. B16 1-1

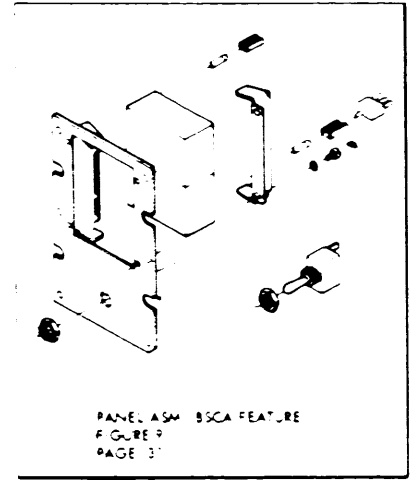




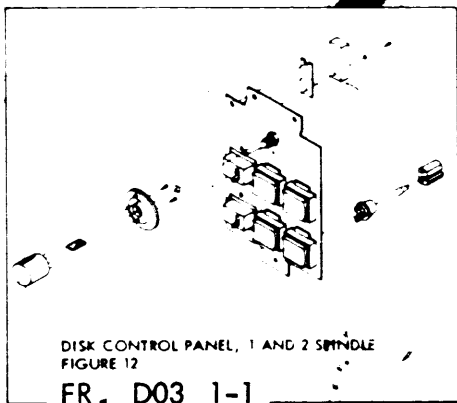
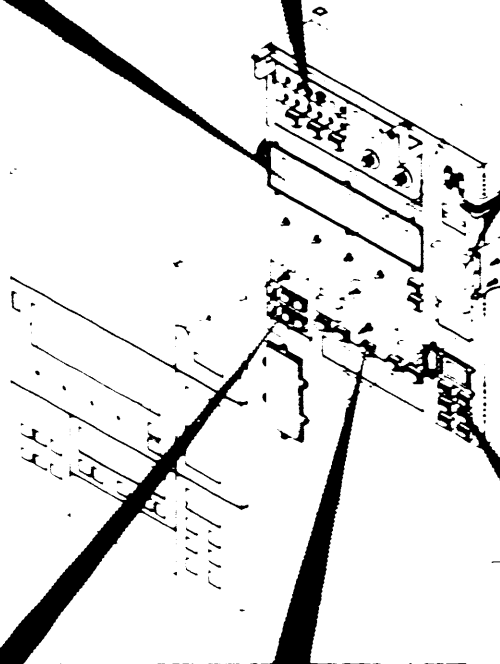
DISPLAY PANEL
FIGURE 3
FR. D05 1-1



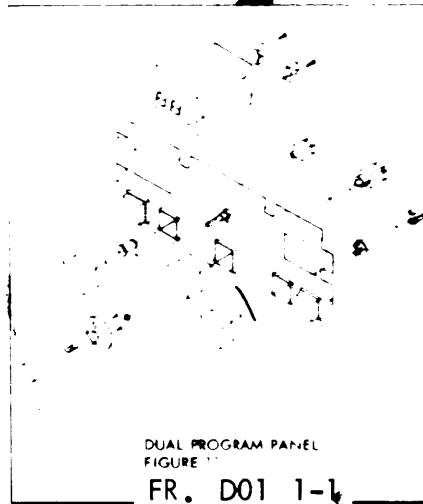
C/E PANEL
FIGURE 8
FR. C13 1-1



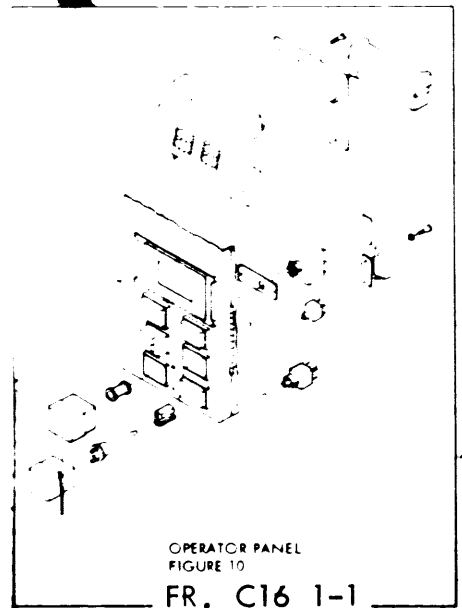
PANEL ASM BSCA FEATURE
FIGURE 9
PAGE 31



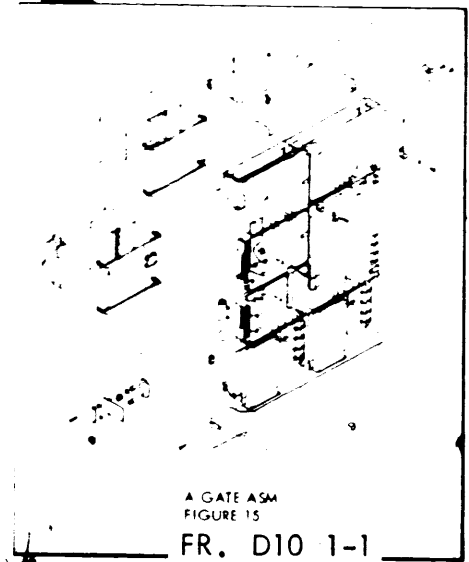
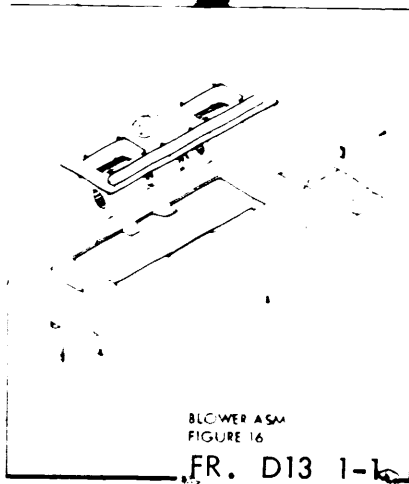
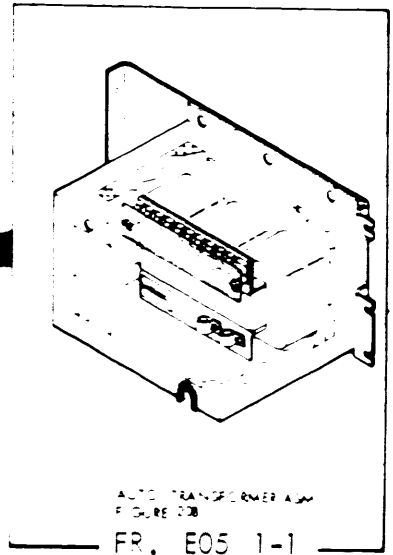
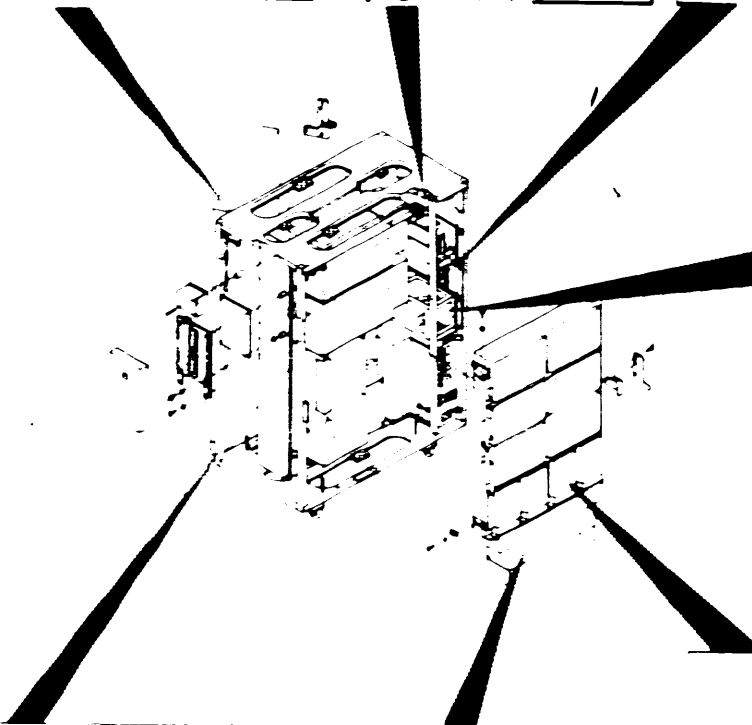
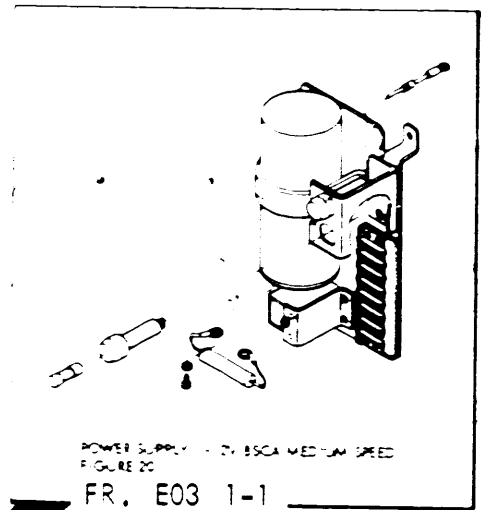
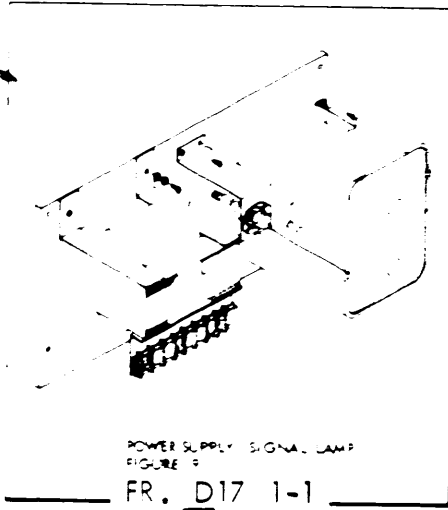
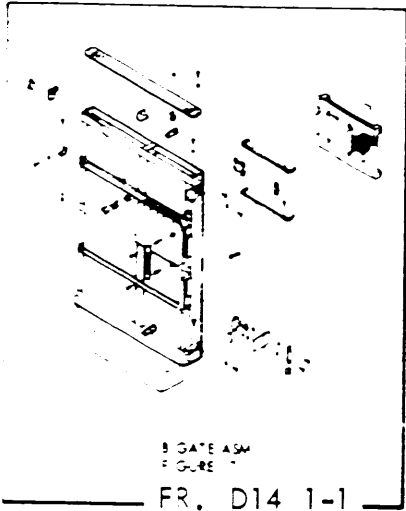
DISK CONTROL PANEL, 1 AND 2 SPINDLE
FIGURE 12
FR. D03 1-1

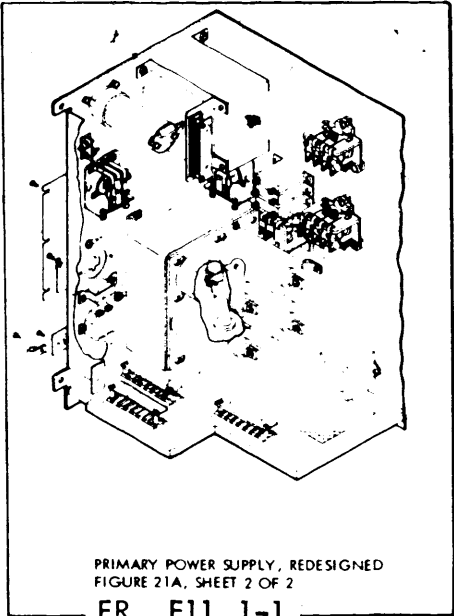


DUAL PROGRAM PANEL
FIGURE 11
FR. D01 1-1

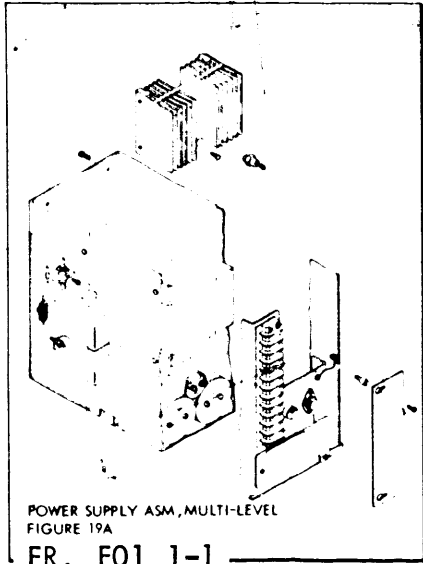


OPERATOR PANEL
FIGURE 10
FR. C16 1-1

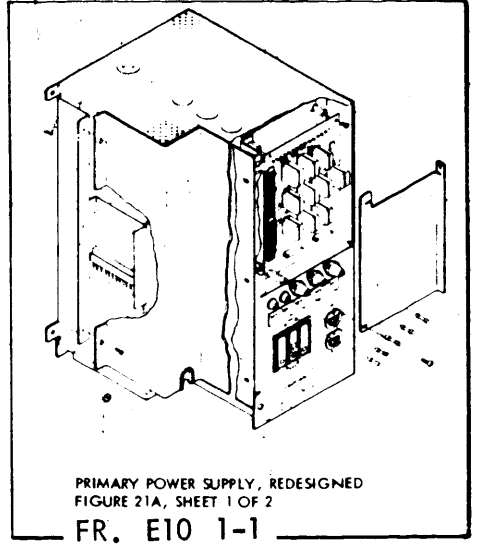




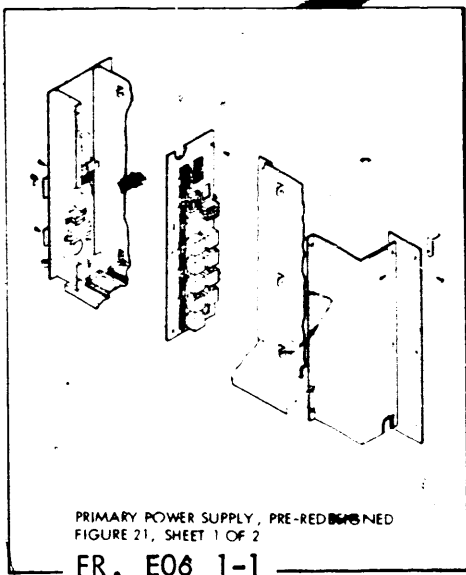
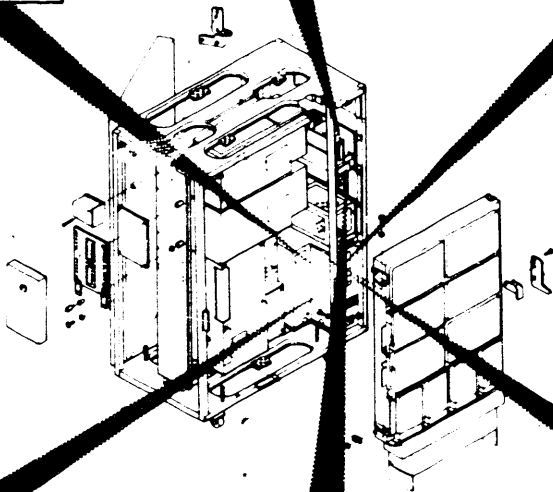
PRIMARY POWER SUPPLY, REDESIGNED
FIGURE 21A, SHEET 2 OF 2
FR. E11 1-1



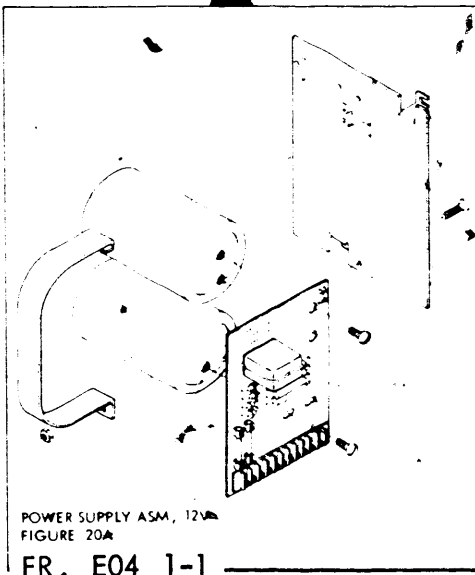
POWER SUPPLY ASM, MULTI-LEVEL
FIGURE 19A
FR. E01 1-1



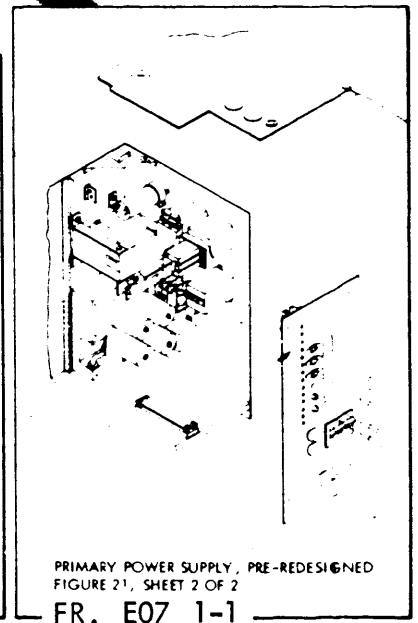
PRIMARY POWER SUPPLY, REDESIGNED
FIGURE 21A, SHEET 1 OF 2
FR. E10 1-1



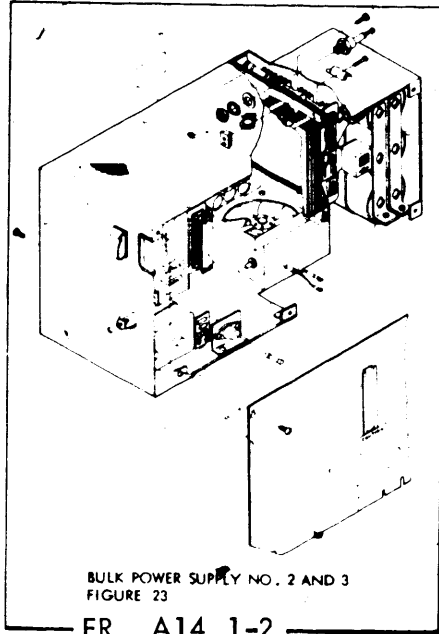
PRIMARY POWER SUPPLY, PRE-REDESIGNED
FIGURE 21, SHEET 1 OF 2
FR. E06 1-1



POWER SUPPLY ASM, 12V
FIGURE 20A
FR. E04 1-1

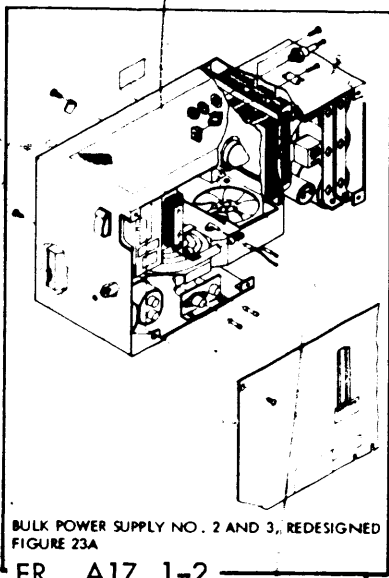


PRIMARY POWER SUPPLY, PRE-REDESIGNED
FIGURE 21, SHEET 2 OF 2
FR. E07 1-1



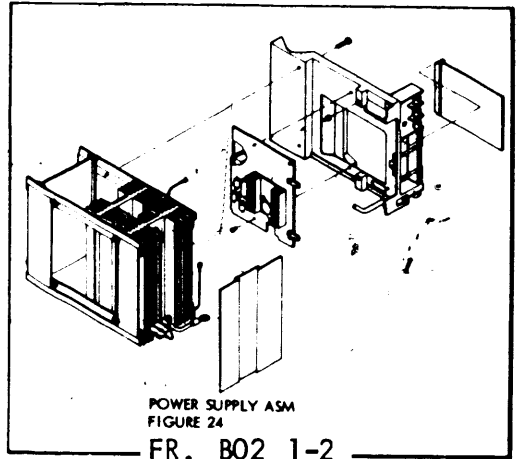
BULK POWER SUPPLY NO. 2 AND 3
FIGURE 23

FR. A14 1-2



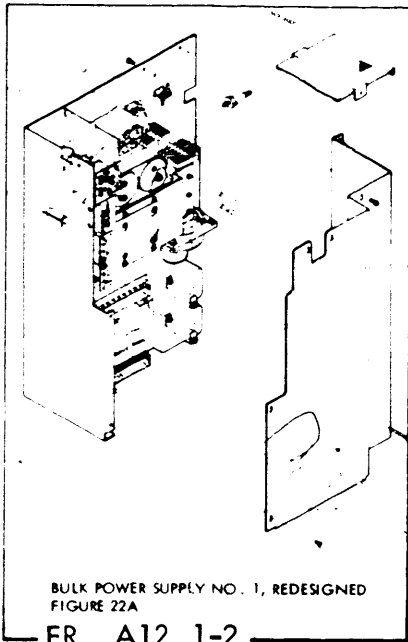
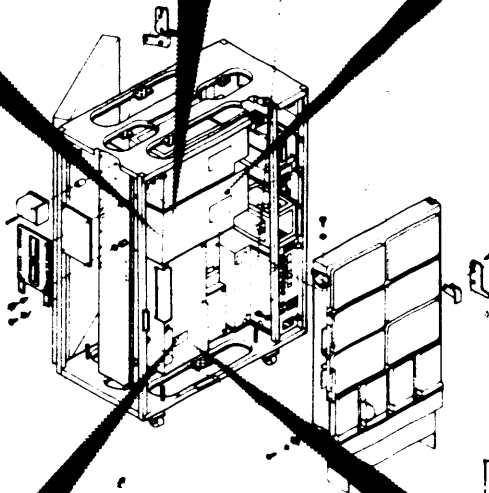
BULK POWER SUPPLY NO. 2 AND 3, REDESIGNED
FIGURE 23A

FR. A17 1-2



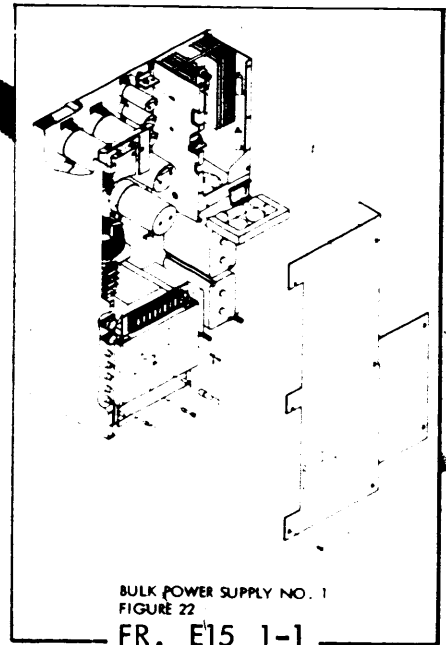
POWER SUPPLY ASM
FIGURE 24

FR. B02 1-2



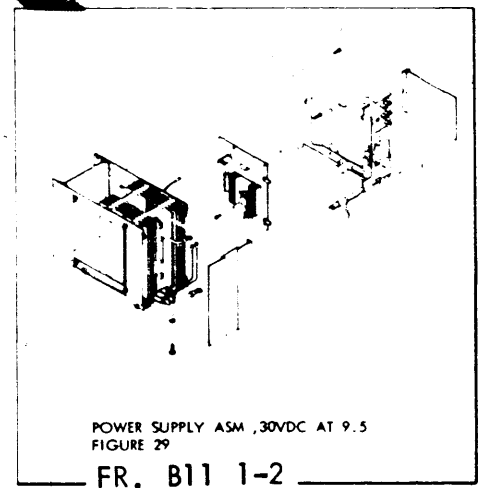
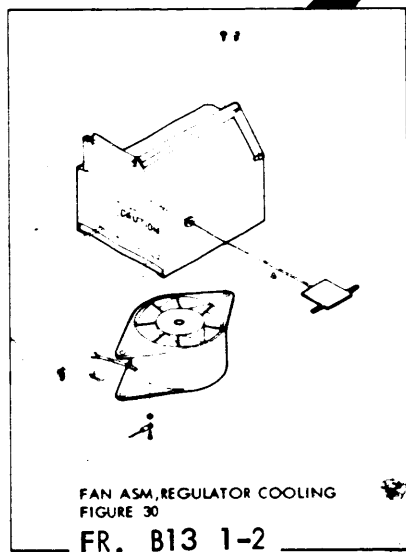
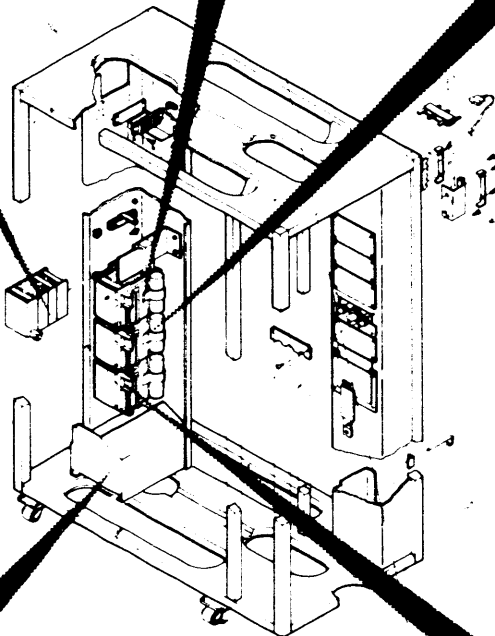
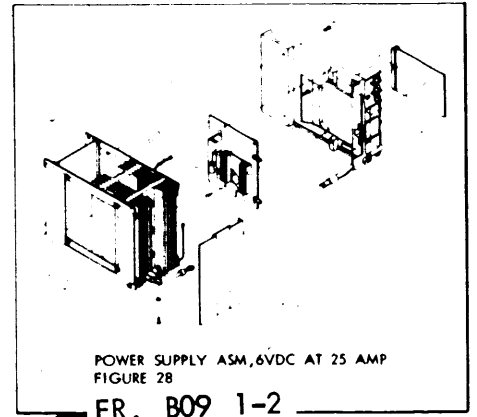
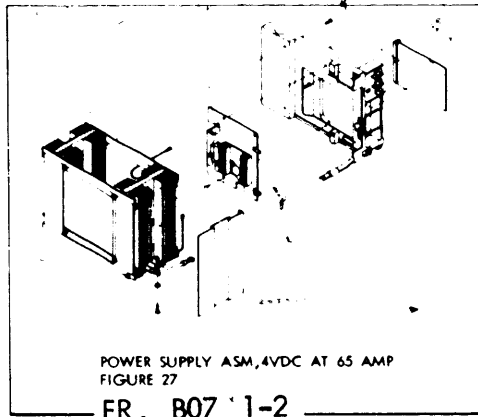
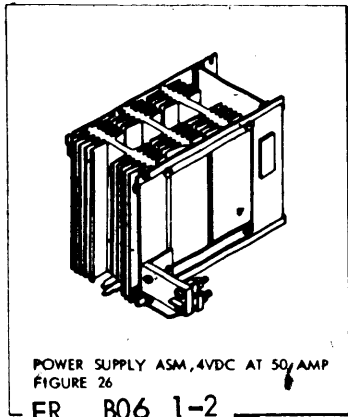
BULK POWER SUPPLY NO. 1, REDESIGNED
FIGURE 22A

FR. A12 1-2



BULK POWER SUPPLY NO. 1
FIGURE 22

FR. E15 1-1



FOR PARTS NOT SHOWN SEE FIG. 14

FR. D07 1-1

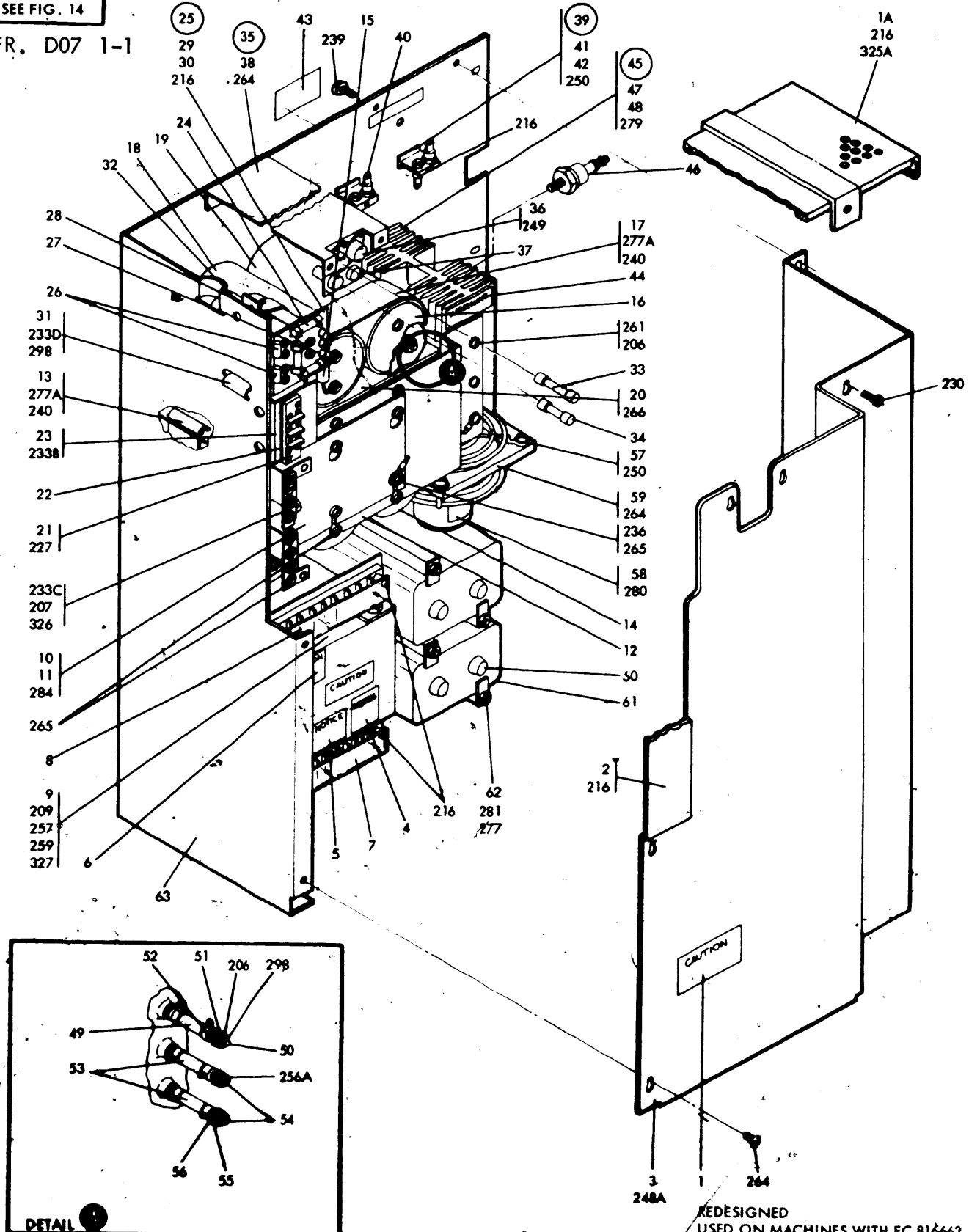


FIGURE 22A. BULK POWER SUPPLY NO. 1. SEE LIST 22A.

LIST AND INDEX NUMBER	PART NUMBER	DESCRIPTION	UNITS PER ASM.	USABLE ON CODE
22A -	2572190	BULK POWER SUPPLY NO. 1,60 CYCLE		
-	2572200	BULK POWER SUPPLY NO. 1,50 CYCLE FOR NEXT HIGHER ASM SEE LIST 14-16 AND FOR ILLUSTRATION FIG. 22A		
- 1	5232809	. LABEL	1	
- 1A	2588391	. SHIELD	1	
- 2	2609066	. COVER	1	
- 3	2572194	. COVER USED ON MACHINES WITHOUT EC 818969	1	
- 3	7369563	. COVER USED ON MACHINES WITH EC 818969	1	
- 4	1141554	. LABEL	1	
- 5	801652	. LABEL	1	
- 6	5232877	. LABEL	1	
- 7	352088	. SHIELD	1	
- 8	533361	. SHIELD	1	
- 9	5252551	. TRANSFORMER ASM,60 CYCLE	1	
- 9	4118437	. TRANSFORMER,50 CYCLE	1	
- 10	2572204	. BUS PLATE	1	
- 11	316170	. SPACER	6	
- 12	2572203	. BUS PLATE	1	
- 13	2572187	. STRAP	1	
- 14	5796393	. CAPACITOR	6	
- 15	5232884	. RESISTOR ASM	1	
- 16	631769	. SHIELD	2	
- 17	5232806	. STRAP	1	
- 18	5796393	. CAPACITOR	1	
- 19	5214233	. CAPACITOR	1	
- 20	2572186	. BRACKET	1	
- 21	317485	. TERMINAL BLOCK	1	
- 22	510188	. INSULATOR	1	
- 23	2572199	. BRACKET	1	
- 24	1143492	. FUSE	3	
- 25	2572207	. COMPONENT ASM	1	
- 26	317049	. . RESISTOR,R5,R6,R7	3	
- 27	1149212	. . DIODE-CR3,CR4,CR5	3	
- 28	2481727	. . FUSE CLIP	6	
- 29	2572206	. . CARD	1	
- 30	2572189	. STANDOFF	6	
- 31	2572188	. STRAP	1	
- 32	5214420	. CAPACITOR	3	
- 33	5232814	. FUSE	2	
- 34	596676	. FUSE	2	
- 35	2572208	. FUSE BRACKET ASM	1	
- 36	92752	. . FUSE HOLDER	2	
- 37	179946	. . FUSE HOLDER	2	
- 38	2572193	. . BRACKET	1	
- 39	5232887	. HEATSINK ASM	2	
- 40	127324	. . RECTIFIER	2	
- 41	5761979	. INSULATOR	2	
- 42	5232824	. BUSHING	4	
- 43	5232809	. LABEL	1	
- 44	2182919	. LABEL	1	
- 45	5232886	. HEATSINK ASM	1	
- 46	5214179	. . RECTIFIER	2	
- 47	5232818	. SPACER	4	
- 48	2609067	. BUSHING	4	
- 49	2102582	. RESISTOR	1	
- 50	438593	. SCREW	1	
- 51	5761935	. WASHER, INSULATOR	1	
- 52	510468	. WASHER,CENTERING	1	
- 53	591465	. RESISTOR	2	
- 54	5232816	. SCREW	2	
- 55	521695	. WASHER, INSULATOR	2	
- 56	528007	. WASHER,CENTERING	2	
- 57	2172166	. GUARD	1	
- 58	5232828	. FAN	1	
- 59	2572195	. BRACKET	1	
- 60	526378	. INSULATOR	4	
- 61	5319839	. CAPACITOR	2	
- 62	301968	. BRACKET	2	
- 63	2572198	. CHASSIS	1	
-		FOR ATTACHING PARTS, INDEX 201 AND ABOVE, SEE LIST 33		

FR. B02
FR. B07

SEE FIG. 24 & 27

FOR PARTS
NOT SHOWN
SEE FIG. 14

FR. D07 1-1

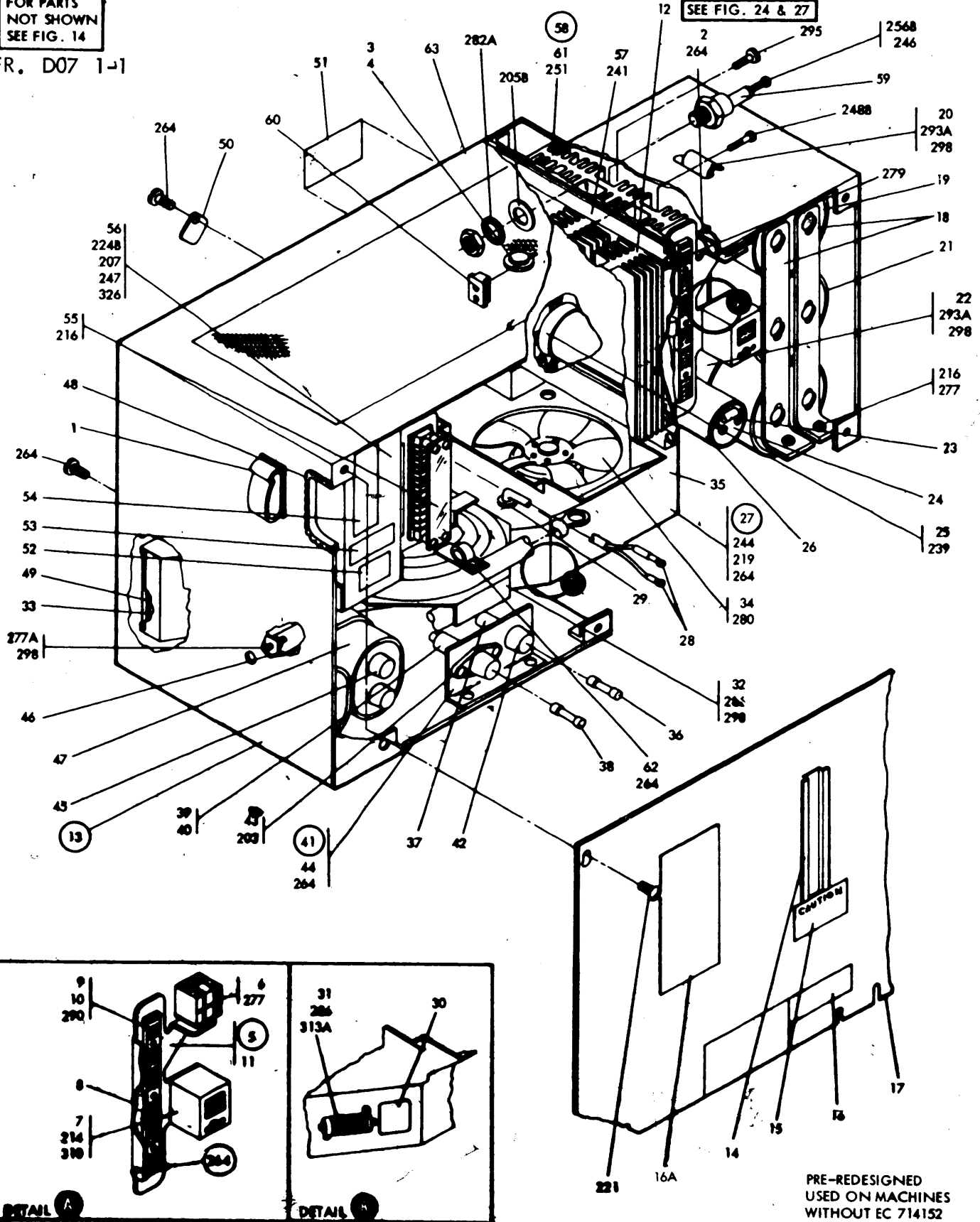


FIGURE 23. BULK POWER SUPPLY NO. 2 AND 3. SEE LIST 23.

LIST AND INDEX NUMBER	PART NUMBER	DESCRIPTION	UNITS PER ASM.	USABLE ON CODE
23 -	2590929	BULK POWER SUPPLY NO. 2 AND 3, 32A 60 CYCLE		
-	2590930	BULK POWER SUPPLY NO. 2 AND 3, 65A 60 CYCLE		
-	2590931	BULK POWER SUPPLY NO. 2 AND 3, 32A 50 CYCLE		
-	2590932	BULK POWER SUPPLY NO. 2 AND 3, 65A 50 CYCLE		
-		FOR NEXT HIGHER ASM SEE LIST 14-17 AND FOR ILLUSTRATION FIG. 23		
- 1	2588079	. CLAMP	1	
- 2	356742	. CLAMP	1	
- 3	2590821	. THERMAL SWITCH	1	
- 4	2588053	. CLIP	1	
- 5	2590922	. PANEL ASM	1	
- 6	2128689	. . RELAY	1	
- 7	2195640	. . RELAY	1	
- 8	613752	. . RESISTOR ASM	1	
- 9	302090	. . TERMINAL BLOCK	3	
- 10	302131	. . INSULATOR	3	
- 11	2590942	. . BRACKET	1	
- 12	2557500	. POWER SUPPLY ASM, 4VAC AT 32 AMP	1	
- 12	5797480	FOR DETAIL BREAKDOWN SEE FIG. 24 . POWER SUPPLY ASM, 4VAC AT 65 AMP	1	
- 12		FOR DETAIL BREAKDOWN SEE FIG. 27		
- 13	2583960	. BULK POWER SUPPLY, 60 CYCLE	1	
- 13	2583950	. BULK POWER SUPPLY, 50 CYCLE	1	
- 13		USED ON MACHINES WITHOUT EC714152		
- 14	471672	. . CHANNEL	1	
- 15	5232809	. . LABEL	1	
- 16	369207	. . LABEL	1	
- 16A	7369697	. . LABEL, USED ON BULK NO. 2 ONLY	1	
- 17	2583956	. . COVER	1	
- 18	5232725	. . BUS BAR	2	
- 19	631769	. . SHIELD	3	
- 20	5761793	. . STRAP	1	
- 21	5766393	. . CAPACITOR	3	
- 22	5761785	. . STRAP	1	
- 23	1160395	. . RESISTOR	1	
- 24	5261296	. . SHIELD	1	
- 25	301750	. . BRACKET	1	
- 26	5796426	. . CAPACITOR	1	
- 27	2583958	. . BLOWER ASM, 60 CYCLE	1	
- 27	2583957	. . BLOWER ASM, 50 CYCLE	1	
- 28	334921	. . . TERMINAL	2	
- 29	123070	. . . GROMMET	1	
- 30	1141554	. . . LABEL	1	
- 31	2194889	. . . RESISTOR	1	
- 32	2583969	. . . COIL ASM	1	
- 33	307653	. . . FOAM	AR	
- 34	5353877	. . . FAN, 60 CYCLE	1	
- 34	4120171	. . . FAN, 50 CYCLE	1	
- 35	2583959	. . . HOUSING	1	
- 36	1143492	. . FUSE	1	
- 37	642763	. . INSULATOR	1	
- 38	107669	. . FUSE	1	
- 39	2133112	. . INSULATOR	1	
- 40	257080	. . INSULATOR	1	
- 41	5232864	. . FUSE PANEL ASM	1	
- 42	179946	. . . FUSEHOLDER	1	
- 43	92752	. . . FUSEHOLDER	1	
- 44	2583953	. . . BRACKET	1	
- 45	526378	. . INSULATOR	1	
- 46	5761795	. . STRAP	1	
- 47	524854	. . CAPACITOR, 20 MFD 330 VAC	2	
- 48	730432	. . GROMMET	1	
- 49	2583954	. . FILTER	1	
- 50	638085	. . BRACKET	1	
- 51	5232809	. . LABEL	1	
- 52	1141554	. . LABEL	1	
- 53	801652	. . LABEL, 60 CYCLE	1	
- 53	5240513	. . LABEL, 50 CYCLE	1	
- 54	5232877	. . LABEL	1	
- 55	533271	. . SHIELD	1	
- 56	2583963	. . TRANSFORMER, 60 CYCLE	1	
- 56	4119210	. . TRANSFORMER, 50 CYCLE	1	
- 57	5785314	. . RAIL	2	
- 58	2583966	. . HEATSINK ASM	1	
- 59	5214179	. . . RECTIFIER	2	
- 60	473531	. . . INSULATOR	4	

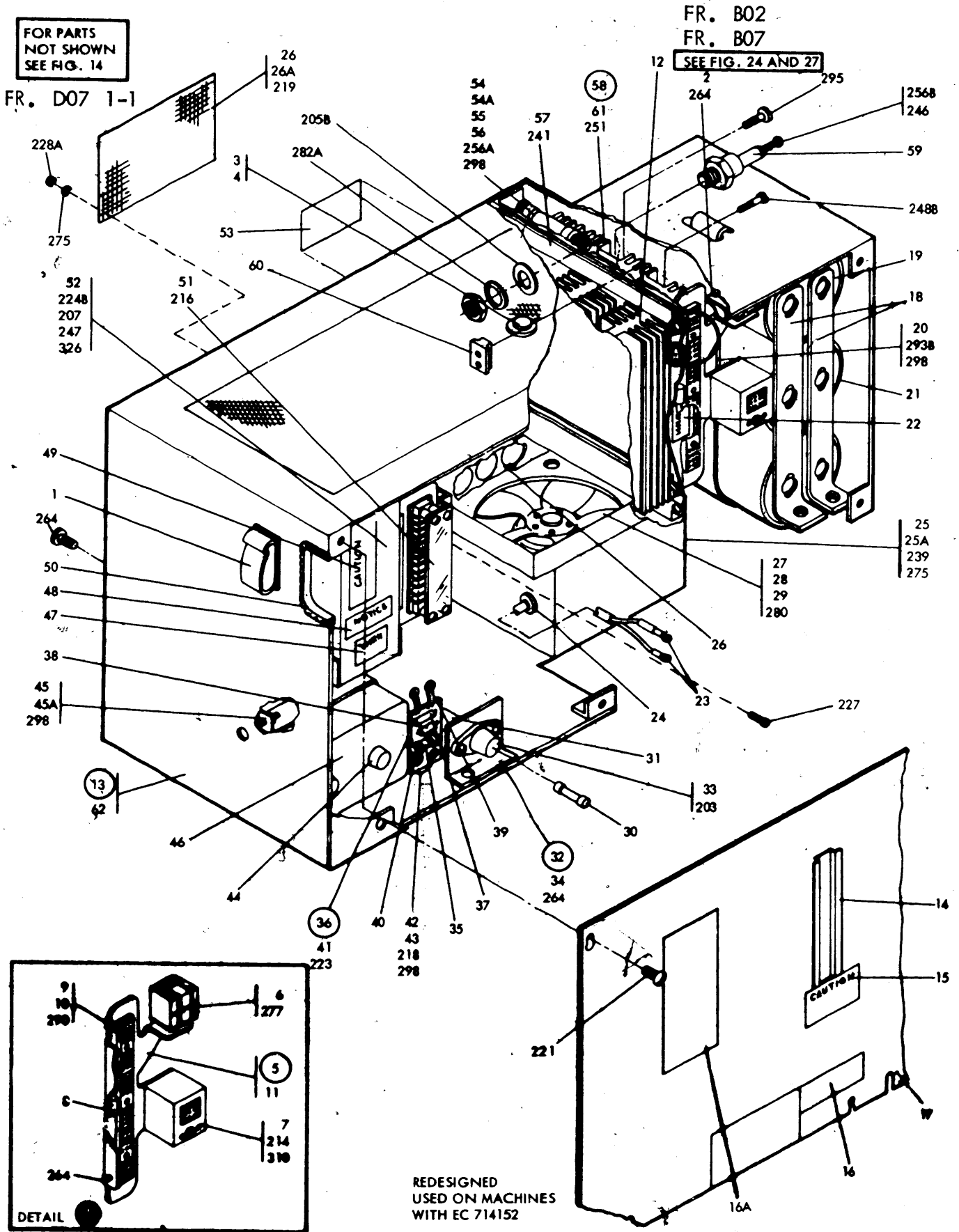


FIGURE 23A. BULK POWER SUPPLY NO. 2 AND 3. SEE LIST 23A.

LIST AND INDEX NUMBER	PART NUMBER	DESCRIPTION	UNITS PER ASM.	USABLE ON CODE
23A -	2590929	BULK POWER SUPPLY NO. 2 AND 3, 32A 60 CYCLE		
-	2590930	BULK POWER SUPPLY NO. 2 AND 3, 65A 60 CYCLE		
-	2590931	BULK POWER SUPPLY NO. 2 AND 3, 32A 50 CYCLE		
-	2590932	BULK POWER SUPPLY NO. 2 AND 3, 65A 50 CYCLE		
-		FOR NEXT HIGHER ASM SEE LIST 14-17 AND FOR ILLUSTRATION FIG. 23A		
- 1	2588079	. CLAMP	1	
- 2	396742	. CLAMP	1	
- 3	7369696	. THERMAL SWITCH	1	
- 4	2588053	. CLIP	1	
- 5	2590922	. PANEL	1	
- 6	2128689	. . RELAY	1	
- 7	2195640	. . RELAY	1	
- 8	613752	. . RESISTOR	1	
- 9	302090	. . TERMINAL BLOCK	1	
- 10	302131	. . INSULATOR	1	
- 11	2590942	. . BRACKET	1	
- 12	2557500	. POWER SUPPLY ASM, 4VAC AT 32 AMP	1	
- 12		FOR DETAIL BREAKDOWN SEE FIG. 24		
- 12	5797480	. POWER SUPPLY ASM, 4VAC AT 65 AMP	1	
- 12		FOR DETAIL BREAKDOWN SEE FIG. 27		
- 13	2583960	. BULK POWER SUPPLY, 60 CYCLE	1	
- 13	2583950	. BULK POWER SUPPLY, 50 CYCLE	1	
- 13		USED ON MACHINES WITH EC 714152		
- 14	471672	. . CHANNEL, 5.88 LG	2	
- 15	5232809	. . LABEL	1	
- 16	369207	. . LABEL	1	
- 16A	7369697	. . LABEL	1	
- 17	2583956	. . COVER	1	
- 18	5232725	. . BUS BAR	2	
- 19	631769	. . SHIELD	3	
- 20	2572224	. . STRAP	1	
- 21	5796393	. . CAPACITOR	3	
- 22	2182919	. . LABEL	1	
- 23	334921	. . TERMINAL	2	
- 24	123070	. . GROMMET	1	
- 25	2572214	. . HOUSING	1	
- 25		USED ON MACHINES WITHOUT EC 716114		
- 25	2624909	. . HOUSING	1	
- 25		USED ON MACHINES WITH EC 716114		
- 25A	2624908	. . PLENUM	1	
- 25A		USED ON MACHINES WITH EC 716114		
- 26	5232826	. . FILTER	1	
- 26		USED ON MACHINES WITHOUT EC 716114		
- 26	2624907	. . SCREEN	1	
- 26		USED ON MACHINES WITH EC 716114		
- 26A	5319854	. . SCREW	2	
- 27	5357090	. . FAN, 60 CYCLE	1	
- 27	4120171	. . FAN, 50 CYCLE	1	
- 27		USED ON MACHINES WITHOUT EC 716114		
- 27	4120174	. . FAN, 50 AND 60 CYCLE	1	
- 27		USED ON MACHINES WITH EC 716114		
- 28	4103890	. . GUARD, 50 CYCLE ONLY	1	
- 28		USED ON MACHINES WITHOUT EC 716114		
- 29	2145165	. . SPACER, 50 CYCLE ONLY	4	
- 29		USED ON MACHINES WITHOUT EC 716114		
- 30	107669	. . FUSE	1	
- 31	2501330	. . INSULATOR	1	
- 32	5232864	. . FUSE PANEL ASM	1	
- 33	92752	. . FUSEHOLDER	1	
- 34	2583953	. . BRACKET	1	
- 35	1143492	. . FUSE	1	
- 36	2572216	. . CARD ASM, BIAS	1	
- 37	472579	. . RESISTOR	1	
- 38	1149212	. . RECTIFIER	1	
- 39	5760008	. . JUMPER	2	
- 40	2481727	. . CLIP	2	
- 41	2572217	. . P.C. BOARD	1	
- 42	5214420	. . CAPACITOR	1	
- 43	2572213	. . STRAP	1	
- 44	526378	. . INSULATOR	2	
- 45	5761783	. . STRAP	1	
- 45A	438587	. . SCREW, MACH-BIND HD 8-32 X 1-1/8 LG	1	
- 46	5319839	. . CAPACITOR	1	
- 47	1141554	. . LABEL	1	

FOR PARTS
NOT SHOWN
SEE FIG. 23

FR. A14

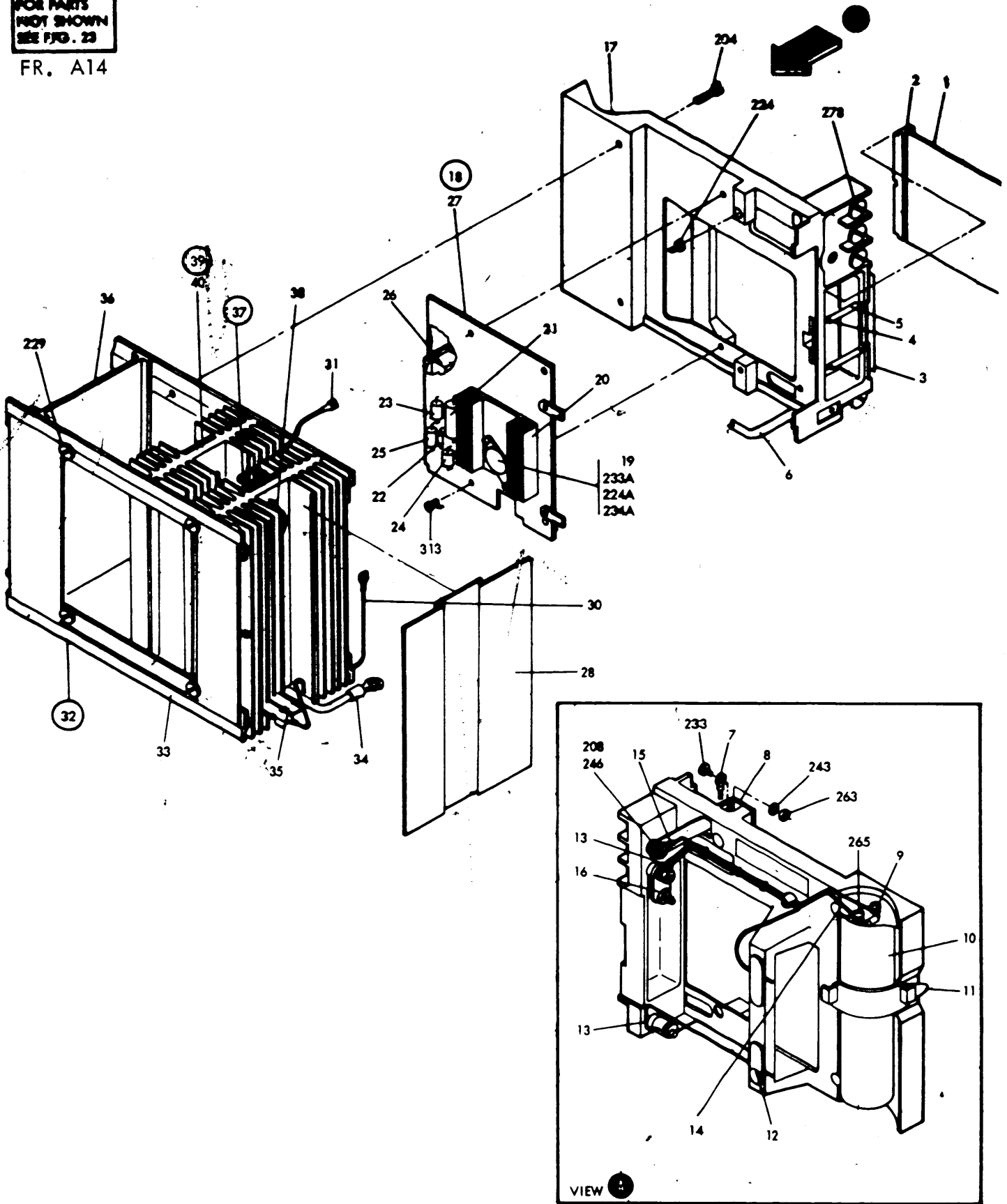


FIGURE 24. POWER SUPPLY ASM, 4VDC AT 32 AMP. SEE LIST 24.

LIST AND INDEX NUMBER	PART NUMBER	DESCRIPTION				UNITS PER ASM.	USABLE ON CODE
		1	2	3	4		
24 -	2557500	POWER SUPPLY ASM, 4VDC AT 32 AMP					
-		FOR NEXT HIGHER ASM SEE LIST 23-					
-		AND FOR ILLUSTRATION FIG. 24					
- 1	5860519	. CARD,SLT				1	
- 2	811804	. GUIDE				1	
- 3	5785130	. LABEL				1	
- 4	5797497	. RETAINER				1	
- 5	5785286	. SLEEVING				2	
- 6	2572156	. JUMPER				1	
- 7	2557506	. JUMPER				1	
- 8	5797504	. STRAP				1	
- 9	5785149	. RESISTOR				1	
- 10	5213591	. CAPACITOR				1	
- 11	2572146	. CLAMP				1	
- 12	5797506	. CLAMP				2	
- 13	2557507	. JUMPER				2	
- 14	5797519	. JUMPER				1	
- 15	2557508	. JUMPER				1	
- 16	5797532	. LINK				1	
- 17	5797484	. CHASSIS				1	
- 18	2557477	. CARD ASM				1	
- 19	2391347	. . TRANSISTOR				1	
- 20	5797505	. . HEATSINK				1	
- 21	5796397	. . RESISTOR,R1				1	
- 22	550051	. . RESISTOR,R2				1	
- 23	132771	. . RESISTOR,R3				1	
- 24	222077	. . CAPACITOR,C1				1	
- 25	222092	. . CAPACITOR,C4				1	
- 26	813329	. . CONNECTOR				1	
- 27	2557476	. . CIRCUIT CARD				1	
- 28	5785277	. AIR SEAL				1	
- 30	2557498	. JUMPER				1	
- 31	2557504	. JUMPER				1	
- 32	2557546	. HEAT SINK ASM				1	
- 33	5797495	. . RAIL				4	
- 34	2572156	. . JUMPER				1	
- 35	2572142	. . BUS BAR				2	
- 36	2572145	. . FILLER				2	
- 37	2572236	. . HEAT SINK ASM				1	
- 38	2391346	. . . TRANSISTOR,TYPE 358				3	
- 39	2572235	. . HEAT SINK ASM				1	
- 40	2391346	. . . TRANSISTOR,TYPE 358				3	
-							
-							
-		FOR ATTACHING PARTS, INDEX NOS. 201					
-		AND ABOVE, SEE LIST 33					

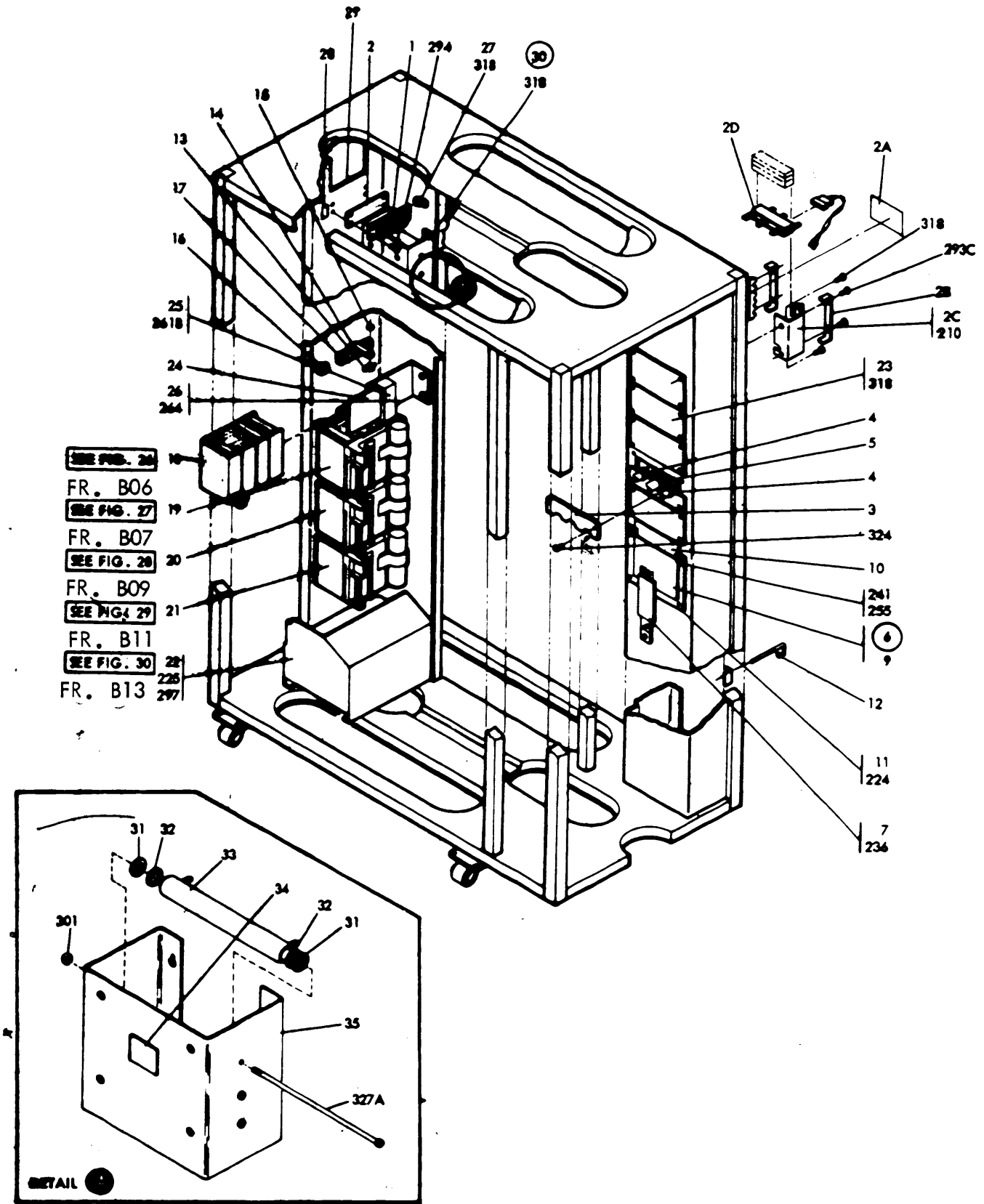


FIGURE 25. POWER SUPPLY SECTION, FRONT. SEE LIST 25.

LIST AND INDEX NUMBER	PART NUMBER	DESCRIPTION				UNITS PER ASM.	USABLE ON CODE
		1	2	3	4		
25	NO NO.	POWER SUPPLY SECTION, FRONT					
		FOR ILLUSTRATION SEE FIG. 25					
- 1	315956	. TERMINAL BLOCK				1	
- 2	315957	. MARKER STRIP				1	
- 24	2455626	. LABEL, USED ON MACHINES WITH MLTA FEATURE				1	
- 28	2454578	. BAR, USED ON MACHINES WITH MLTA FEATURE				2	
- 20	2454576	. FRAME, USED ON MACHINES WITH MLTA FEATURE				2	
- 20	2454577	. CONNECTOR, USED ON MACHINES WITH MLTA FEATURE				4	
- 3	2590841	. PLATE, CABLE ENTRY				2	
- 4	5313905	. GROMMET				2	
- 5	338239	. GROMMET				1	
- 6	2590810	. CONNECTOR ASM				1	
- 7	2588309	. . SHIELD, QUICK DISCONNECT BRAID				1	
- 9	5446011	. . BLOCK				1	
- 10	2588282	. BRACKET				1	
- 11	2590811	. BRACKET				1	
- 12	2590864	. PIN				1	
- 13	2590821	. SWITCH				1	
- 13		USED ON MACHINES WITHOUT EC 818973					
- 13	7369696	. SWITCH				1	
- 14	2590853	. BRACKET				1	
- 15	2588053	. CLIP				1	
- 16	2590133	. CLAMP				4	
- 17	2590134	. RAIL				4	
- 18	2557510	. POWER SUPPLY ASM, 50 AMP				1	
- 18		USED ON MACHINES WITH ADD ON FEATURE					
- 18		FOR DETAIL BREAKDOWN SEE FIG. 26					
- 19	5797480	. POWER SUPPLY ASM, -4VDC AT 65 AMP				1	
- 19		FOR DETAIL BREAKDOWN SEE FIG. 27					
- 20	5797460	. POWER SUPPLY ASM, -6VDC AT 25 AMP				1	
- 20	2480680	. POWER SUPPLY ASM, 6VDC AT 40 AMP				1	
- 20		FOR DETAIL BREAKDOWN SEE FIG. 28					
- 21	5797450	. POWER SUPPLY ASM, -30VDC AT 9.5 AMP				1	
- 21		FOR DETAIL BREAKDOWN SEE FIG. 29					
- 22	2590285	. FAN ASM, REGULATOR COOLING				1	
- 22		FOR DETAIL BREAKDOWN SEE FIG. 30					
- 23	2590072	. PLATE				4	
- 24	375415	. SMS CARD				1	
- 24		USED ON MACHINES WITH EC 816683					
- 25	634613	. SOCKET				1	
- 26	2588427	. BRACKET				1	
- 27	303514	. CLAMP				1	
- 28	7369594	. LABEL				1	
- 29	237455	. SEAL				AR	
- 30	7369597	. RESISTOR ASM, PRE LOAD				1	
- 31	628948	. . WASHER, CUP				6	
- 32	521695	. . WASHER				6	
- 33	322465	. . RESISTOR				3	
- 34	1141554	. . LABEL				1	
- 35	7369596	. . SHIELD				1	
-		FOR ATTACHING PARTS, INDEX NOS. 201 AND ABOVE, SEE LIST 33					

FOR PARTS
NOT SHOWN
SEE FIG. 25

FR. B04

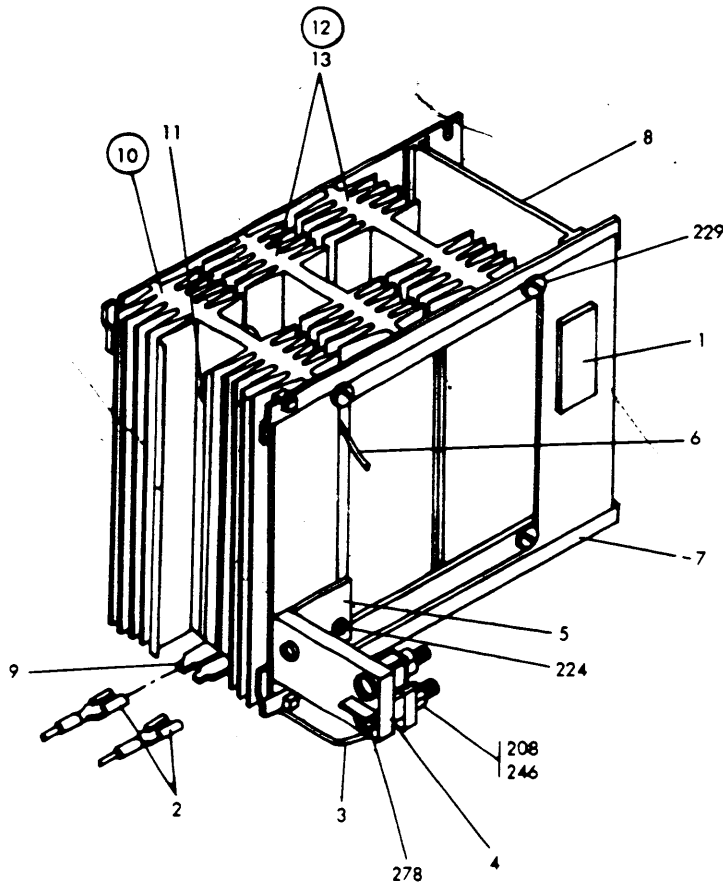


FIGURE 26. POWER SUPPLY ASM, 4VDC AT 50 AMP. SEE LIST 26.

LIST AND INDEX NUMBER	PART NUMBER	DESCRIPTION				UNITS PER ASM.	USABLE ON CODE
		1	2	3	4		
26 -	2557510	POWER SUPPLY ASM, 4 VDC AT 50 AMP					
-		FOR NEXT HIGHER ASM SEE LIST 25-18					
-		AND FOR ILLUSTRATION FIG. 26					
- 1	5785130	• LABEL				1	
- 2	2557497	• JUMPER ASM				2	
- 3	5797498	• JUMPER ASM				1	
- 4	5797488	• TERMINAL BLOCK				1	
- 5	5797499	• STRAP				1	
- 6	2557499	• JUMPER ASM				1	
- 7	5797495	• RAIL				1	
- 8	2557527	• FILLER				4	
- 9	2572142	• BUS BAR				1	
- 10	2557517	• HEAT SINK ASM				2	
- 11	2391346	• TRANSISTOR, TYPE 358				1	
- 12	2557516	• HEAT SINK ASM				3	
- 13	2391346	• TRANSISTOR, TYPE 358				2	
-		• TRANSISTOR, TYPE 358				3	
-		FOR ATTACHING PARTS, INDEX NOS. 201 AND ABOVE, SEE LIST 33					

FOR PARTS
NOT SHOWN
SEE FIG. 23 & 25

FR. A13
FR. B04

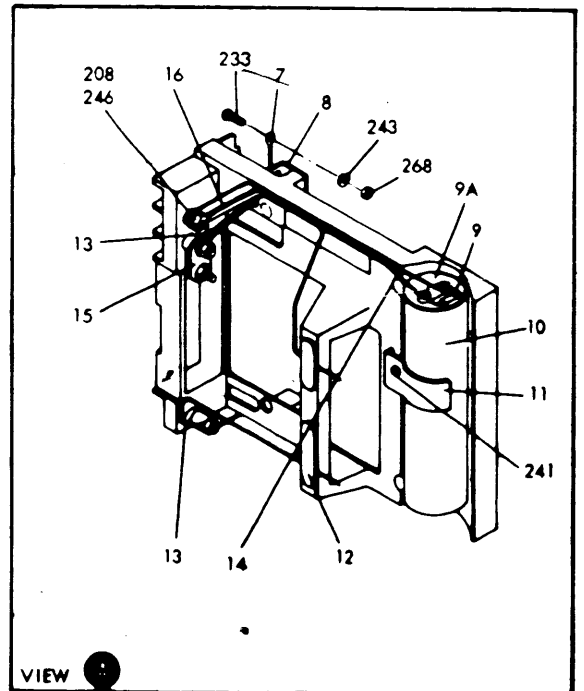
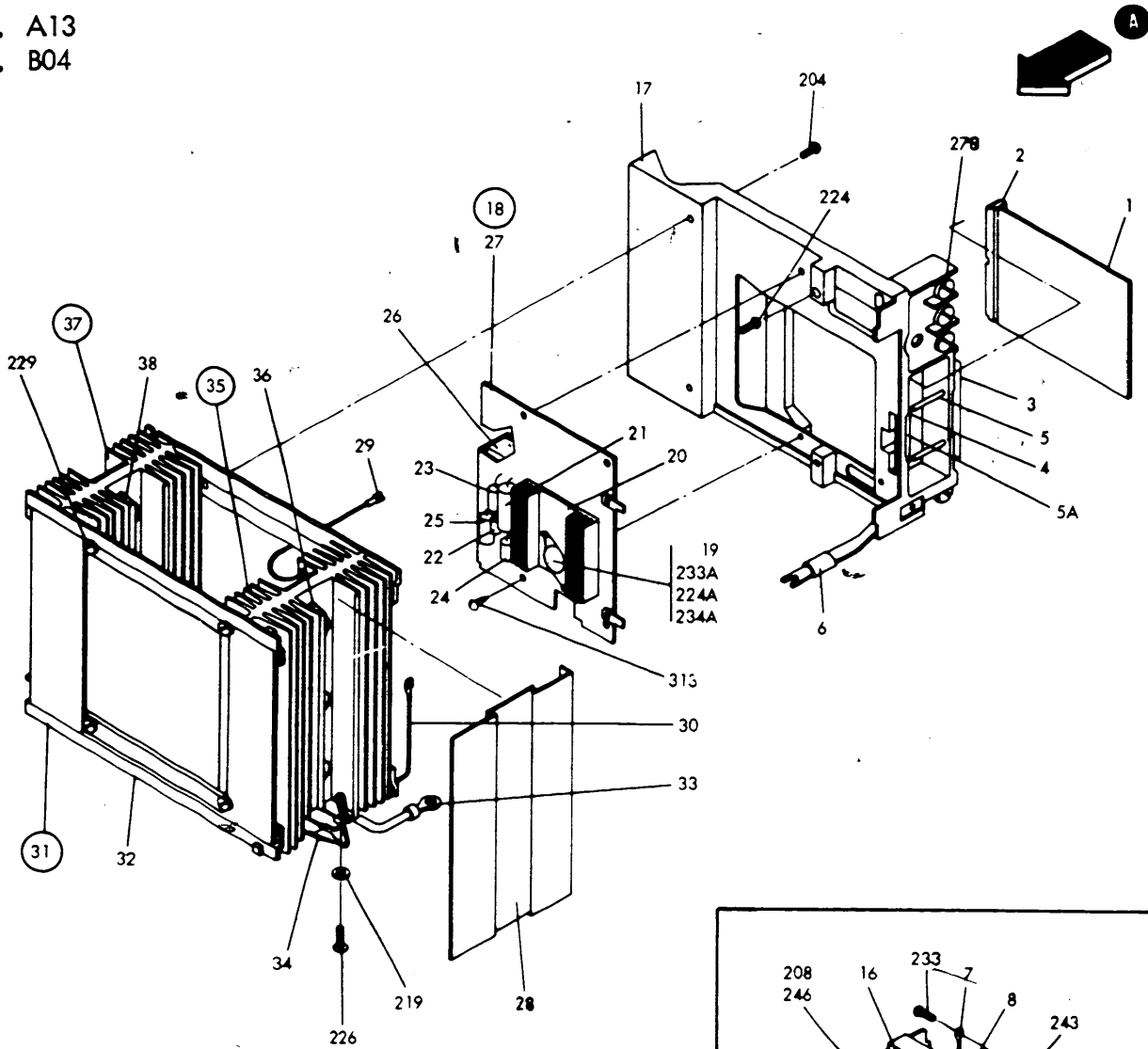


FIGURE 27. POWER SUPPLY ASM, 4VDC AT 65 AMP. SEE LIST 27.

LIST AND INDEX NUMBER	PART NUMBER	DESCRIPTION				UNITS PER ASM.	USABLE ON CODE
		1	2	3	4		
27 -	5797480	POWER SUPPLY ASM,4VDC AT 65 AMP					
-		FOR NEXT HIGHER ASM SEE LIST 25-19					
-		AND FOR ILLUSTRATION FIG. 27					
- 1	5860519	. CARD,SLT				1	
- 2	811804	. GUIDE				1	
- 3	5785130	. LABEL				1	
- 4	5797497	. RETAINER				1	
- 5	5785286	. SLEEVING				1	
- 5A	5797508	. CLAMP				1	
- 6	5797498	USED PRIOR TO EC 714157					
- 6		. STRAP				1	
- 6		USED PRIOR TO EC 714157					
- 6	2572158	. JUMPER				1	
- 6		USED AFTER EC 714157					
- 7	2557506	. JUMPER				1	
- 8	5797504	. STRAP				1	
- 9	5785135	. RESISTOR ASM				1	
- 9A	5261296	. SHIELD				1	
- 10	5213591	USED PRIOR TO EC 714157					
- 11	5797507	. CAPACITOR				1	
- 11		. CLAMP				1	
- 11	2572146	USED PRIOR TO EC 714157					
- 11		. CLAMP				1	
- 11		USED AFTER EC 714157					
- 12	5797506	. CLAMP				2	
- 13	2557507	. JUMPER ASM				1	
- 14	5797519	. JUMPER ASM				1	
- 15	5797532	. LINK				1	
- 16	2557508	. JUMPER ASM				1	
- 17	5797484	. CHASSIS				1	
- 18	2557477	. CARD ASM				1	
- 19	2391347	. . TRANSISTOR				1	
- 20	5797505	. . HEATSINK				1	
- 21	5796397	. . RESISTOR,R1				1	
- 22	550051	. . RESISTOR,R2				1	
- 23	132771	. . RESISTOR,R3				1	
- 24	222077	. . CAPACITOR,C1				1	
- 25	222092	. . CAPACITOR,C4				1	
- 26	813329	. . CONNECTOR				1	
- 27	2557476	. . CIRCUIT CARD				1	
- 28	5785277	. AIR SEAL				1	
- 29	2557504	. JUMPER ASM				1	
- 30	2557498	. JUMPER ASM				1	
- 31	2557519	. HEAT SINK ASM				1	
- 32	5797495	. . RAIL				4	
- 33	2572158	. . JUMPER				1	
- 34	2572142	. . BUS BAR				2	
- 35	2572236	. . HEAT SINK ASM				1	
- 36	2391346	. . . TRANSISTOR,TYPE 358				3	
- 37	2572235	. . HEAT SINK ASM				3	
- 38	2391346	. . . TRANSISTOR,TYPE 358				3	
-		FOR ATTACHING PARTS, INDEX NOS. 201					
-		AND ABOVE, SEE LIST 33					

FOR PARTS
NOT SHOWN
SEE FIG. 25

FR. B04

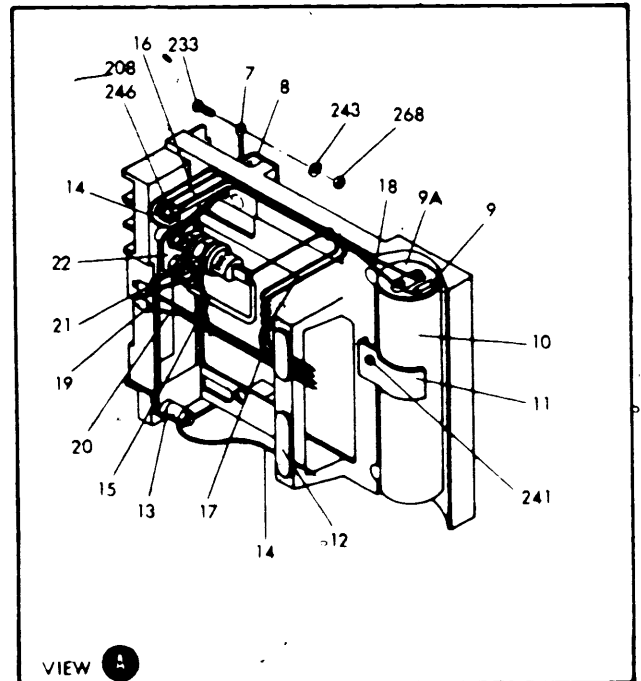
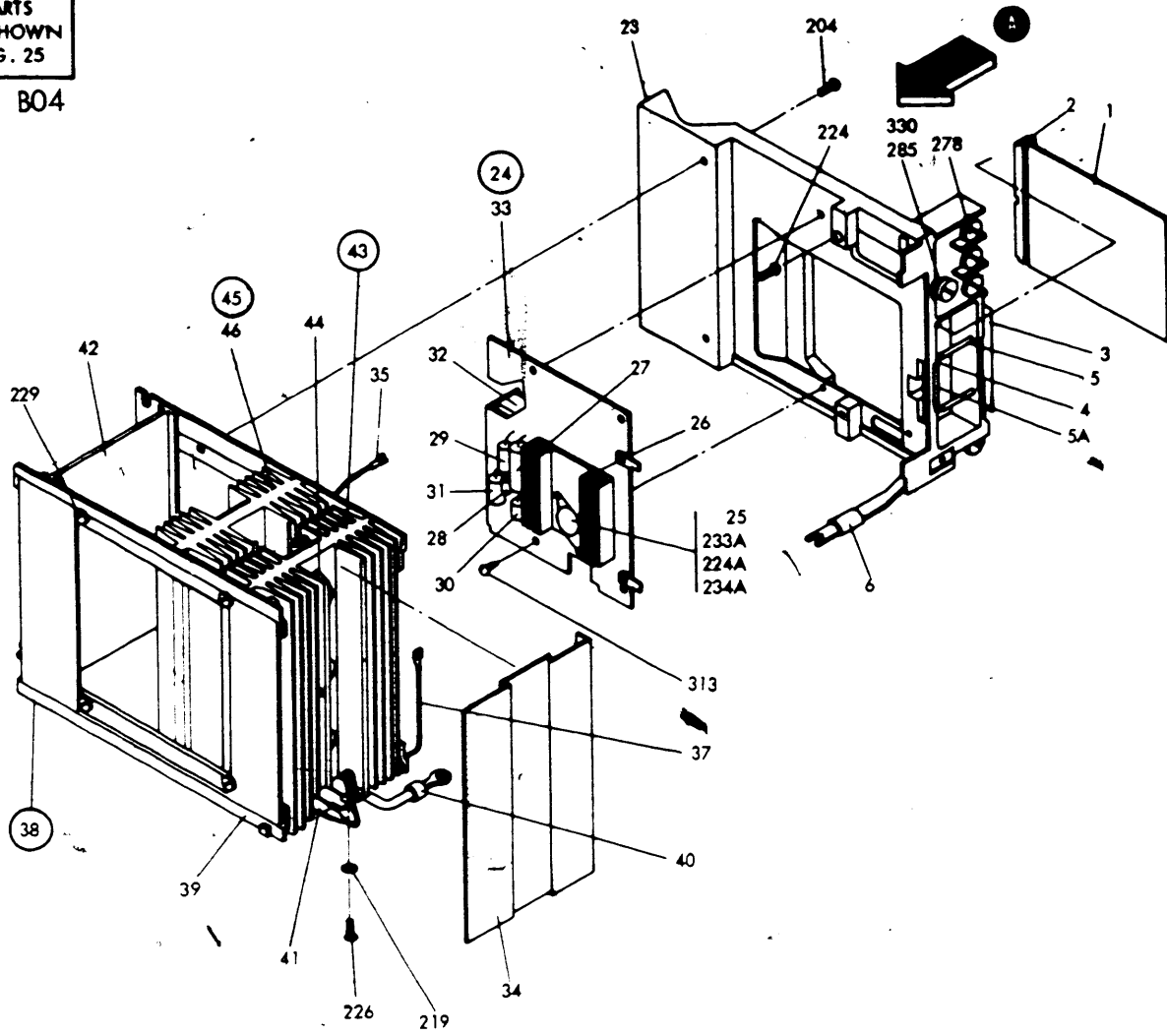


FIGURE 28. POWER SUPPLY ASM, 6VDC AT 25 AMP, 6VDC AT 40 AMP. SEE LIST 28.

LIST AND INDEX NUMBER	PART NUMBER	DESCRIPTION	UNITS PER ASM.	USABLE ON CODE
28 -	2480680 5797460	POWER SUPPLY ASM, 6VDC AT 40 AMP POWER SUPPLY ASM, 6VDC AT 25 AMP		
-		FOR NEXT HIGHER ASM SEE LIST 25-20 AND FOR ILLUSTRATION FIG. 28		
- 1	5860524	. CARD, SLT	1	
- 2	811804	. GUIDE	1	
- 3	5785130	. LABEL	1	
- 4	5797497	. RETAINER	1	
- 5	5785286	. SLEEWING	2	
- 5A	5797508	. CLAMP	1	
- 6		USED PRIOR TO EC 714157		
- 6	5797498	. STRAP	1	
- 6		USED PRIOR TO EC 714157		
- 6	2572156	. JUMPER	1	
- 6		USED AFTER EC 714157		
- 7	2557506	. JUMPER ASM	1	
- 8	2797504	. STRAP	1	
- 9	5785135	. RESISTOR ASM	1	
- 9A	5261296	. SHIELD	1	
- 9A		USED PRIOR TO EC 714157		
- 10	5213591	. CAPACITOR	1	
- 11	5797507	. CLAMP	1	
- 11		USED PRIOR TO EC 714157		
- 11	2572146	. CLAMP	1	
- 11		USED AFTER EC 714157		
- 12	5797506	. CLAMP	2	
- 13	5785297	. JUMPER ASM	1	
- 14	2557507	. JUMPER ASM	2	
- 15	5785304	. JUMPER ASM	1	
- 16	2557508	. JUMPER ASM	1	
- 17	5785274	. JUMPER ASM	1	
- 18	5797519	. JUMPER ASM	1	
- 19	2557525	. TERMINAL	2	
- 20	5785309	. JUMPER	2	
- 21	5785299	. SEMICONDUCTOR DEVICE	1	
- 22	5797532	. LINK	1	
- 23	5797484	. CHASSIS	1	
- 24	2557477	. CARD ASM	1	
- 25	2391347	. . TRANSISTOR	1	
- 26	5797505	. . HEAT SINK	1	
- 27	5796397	. . RESISTOR, R1	1	
- 28	550051	. . RESISTOR, R2	1	
- 29	132771	. . RESISTOR, R3	1	
- 30	222077	. . CAPACITOR, C1	1	
- 31	222092	. . CAPACITOR, C4	1	
- 32	813329	. . CONNECTOR	1	
- 33	2557476	. . CIRCUIT CARD	1	
- 34	5785277	. AIR SEAL	1	
- 35	2557504	. JUMPER	1	
- 37	2557498	. JUMPER	1	
- 38	2557546	. HEAT SINK ASM, 25 AMP	1	
- 38	2624917	. HEAT SINK ASM, 40 AMP	1	
- 39	5797495	. . RAIL	4	
- 40	2572156	. . JUMPER, 25 AMP	1	
- 40	2572157	. . JUMPER, 40 AMP	1	
- 41	2572152	. . BUS BAR	2	
- 42	2572145	. . FILLER, 25 AMP	2	
- 42	2572145	. . FILLER, 40 AMP	1	
- 43	2572238	. . HEAT SINK, 25 AMP	1	
- 44	2391348	. . . TRANSISTOR, TYPE 358	3	
- 45	2572235	. . HEAT SINK, 25 AMP	1	
- 45	2572235	. . HEAT SINK, 40 AMP	2	
- 46	2391346	. . . TRANSISTOR, TYPE 358	3	
		FOR ATTACHING PARTS, INDEX NOS. 201 AND ABOVE, SEE LIST 33		

FOR PARTS
NOT SHOWN
SEE FIG. 25

FR. B04

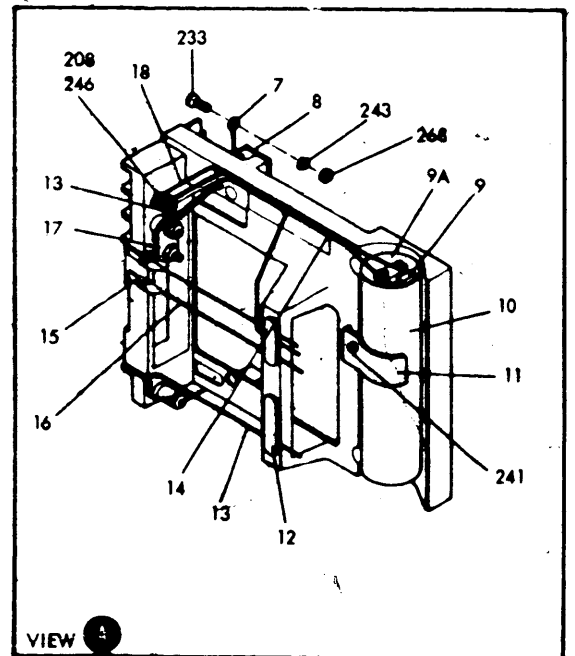
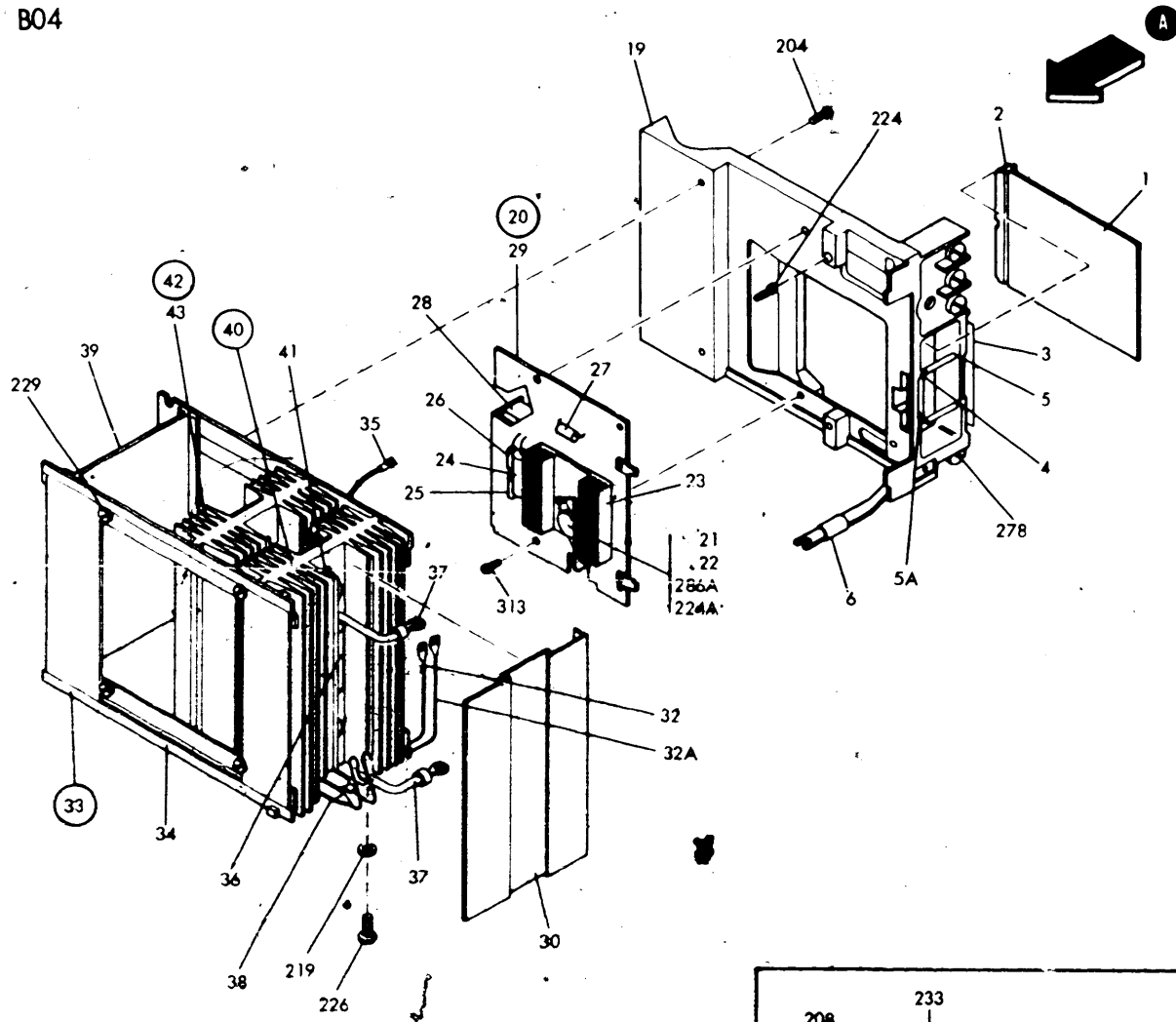


FIGURE 29. POWER SUPPLY ASM, 30VDC AT 9.5 AMP. SEE LIST 29.

LIST AND INDEX NUMBER	PART NUMBER	DESCRIPTION	UNITS PER ASM.	USABLE ON CODE
29	5797450	POWER SUPPLY ASM, 30VDC AT 9.5 AMP FOR NEXT HIGHER ASM SEE LIST 25-21 AND FOR ILLUSTRATION FIG. 29		
- 1	5860517	• CARD, SLT	1	
- 2	811804	• GUIDE	1	
- 3	5785130	• LABEL	1	
- 4	5797497	• RETAINER	1	
- 5	5785286	• SLEEVING	2	
- 5A	5797508	• CLAMP	1	
- 5A		USED PRIOR TO EC 714157		
- 6	5797498	• STRAP	1	
- 6		USED PRIOR TO EC 714157		
- 6	2572156	• JUMPER	1	
- 6		USED AFTER EC 714157		
- 7	2557506	• JUMPER ASM	1	
- 8	5797504	• STRAP	1	
- 9	5785135	• RESISTOR ASM	1	
- 9A	5261296	• SHIELD	1	
- 9A		USED PRIOR TO EC 714157		
- 10	5261287	• CAPACITOR	1	
- 11	5797507	• CLAMP	1	
- 11		USED PRIOR TO EC 714157		
- 11	2572146	• CLAMP	1	
- 11		USED AFTER EC 714157		
- 12	5797506	• CLAMP	2	
- 13	2557507	• JUMPER ASM	1	
- 14	5797519	• JUMPER ASM	2	
- 15	2557525	• TERMINAL	2	
- 16	5785309	• JUMPER ASM	2	
- 17	5797523	• LINK	1	
- 18	2557508	• JUMPER	1	
- 19	5797484	• CHASSIS	1	
- 20	5785296	• CARD ASM	1	
- 21	2391347	• • TRANSISTOR	1	
- 22	5797459	• • INSULATOR	2	
- 23	5797505	• • HEAT SINK	1	
- 24	5796397	• • RESISTOR, R1	1	
- 25	216422	• • RESISTOR, R2	1	
- 26	725746	• • RESISTOR, R3	1	
- 27	5213937	• • CAPACITOR, C1	1	
- 28	813329	• • CONNECTOR	1	
- 29	2557476	• • CIRCUIT CARD	1	
- 30	5785277	• AIR SEAL	1	
- 32	2557498	• JUMPER	1	
- 32A	2557497	• JUMPER	1	
- 33	2557568	• HEAT SINK ASM	1	
- 34	5797495	• • RAIL	4	
- 35	2557505	• • JUMPER	2	
- 36	801615	• • RESISTOR, R14	1	
- 37	2572156	• • JUMPER	1	
- 38	2572142	• • BUS BAR	2	
- 39	2572145	• • FILLER	2	
- 40	2572238	• • HEAT SINK	1	
- 41	2391667	• • • TRANSISTOR, TYPE 364	2	
- 42	2572237	• • HEAT SINK	1	
- 43	2391667	• • • TRANSISTOR, TYPE 364	3	
-		FOR ATTACHING PARTS, INDEX NOS. 201 AND ABOVE, SEE LIST 33		
-				
-				
-				
-				
-				
-				
-				
-				

FOR PARTS
NOT SHOWN
SEE FIG. 25

FR. B04

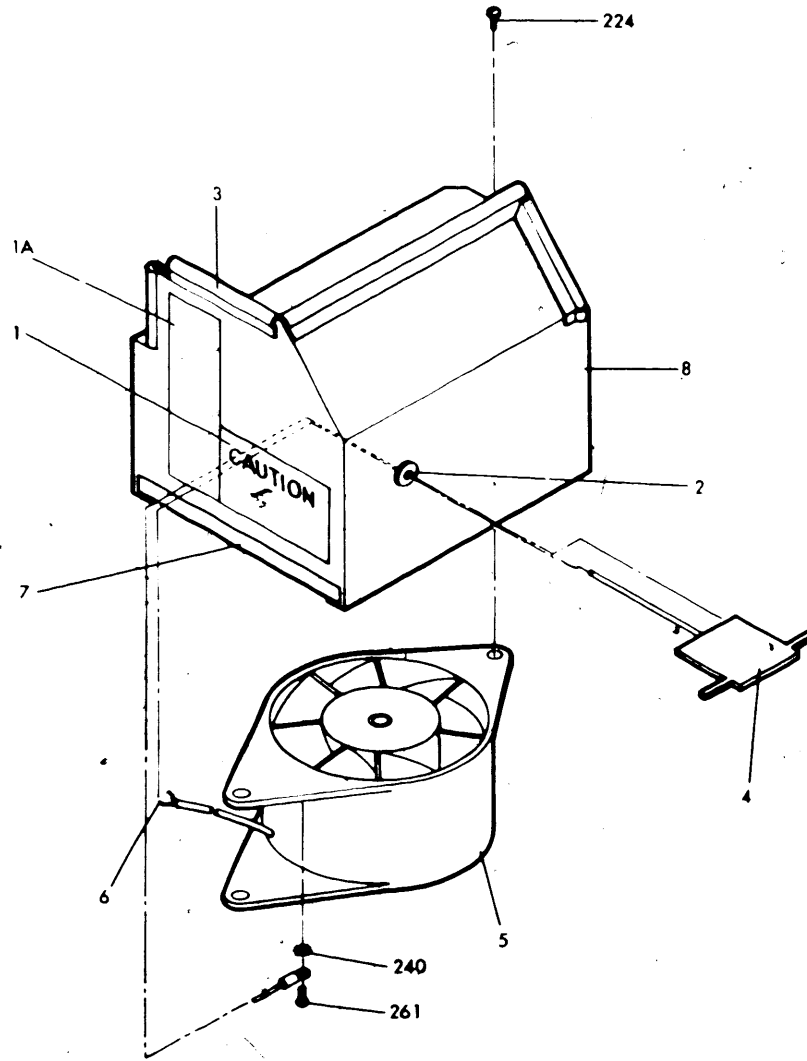


FIGURE 30. FAN ASM,REGULATOR COOLING. SEE LIST 30.

LIST AND INDEX NUMBER	PART NUMBER	DESCRIPTION				UNITS PER ASM.	USABLE ON CODE
		1	2	3	4		
30 -	2590285	FAN ASM,REGULATOR COOLING					
-		FOR NEXT HIGHER ASM SEE LIST 25-22					
-		AND FOR ILLUSTRATION FIG. 30					
- 1	2588302	•				1	
- 1A	2454558	•				1	
- 2	450821	•				1	
- 3	739494	•				AR	
- 4	2590286	•				1	
- 5	4120174	•				1	
- 6	5353854	•				2	
- 7	2590287	•				1	
- 8	2590289	•				1	
-		FOR ATTACHING PARTS, INDEX NOS. 201					
-		AND ABOVE, SEE LIST 33					

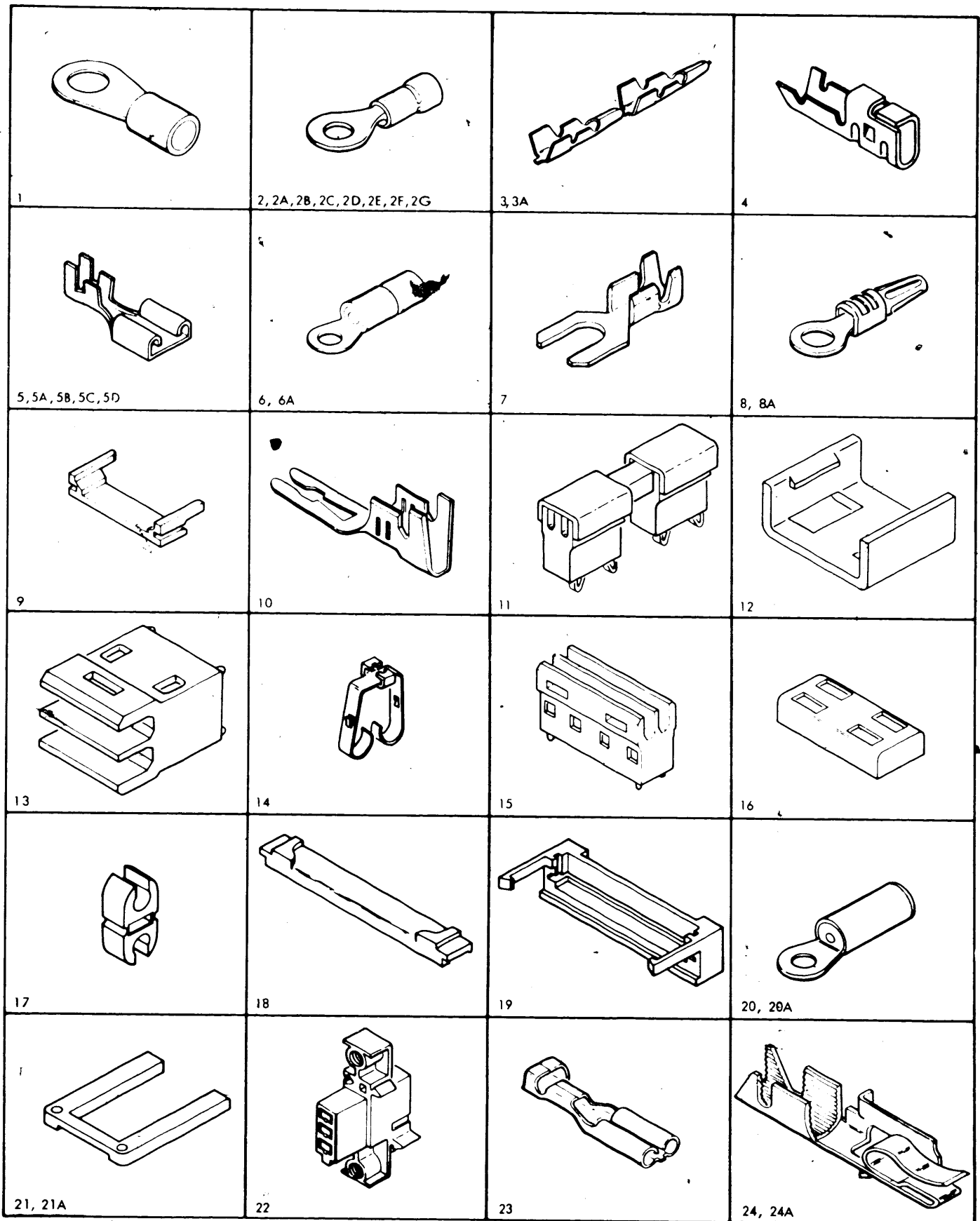


FIGURE 31. CABLE AND JUMPER ASM COMPONENT PARTS. SHEET 1 OF 3. INDEX NOS. 1 THRU 24A. SEE LIST 31.

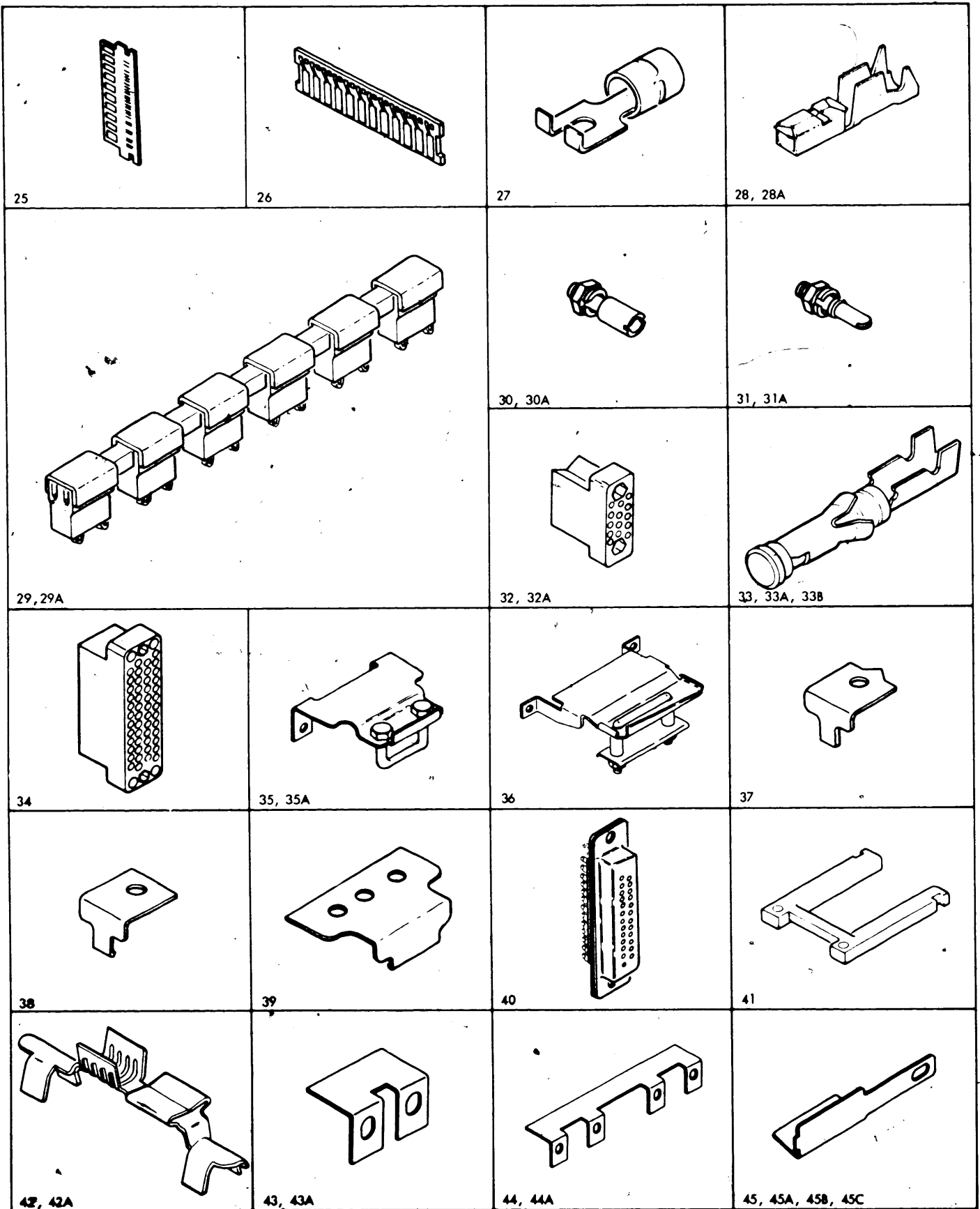


FIGURE 31. CABLE AND JUMPER ASM COMPONENT PARTS. SHEET 2 OF 3. INDEX NOS. 25 THRU 45C. SEE LIST 31.

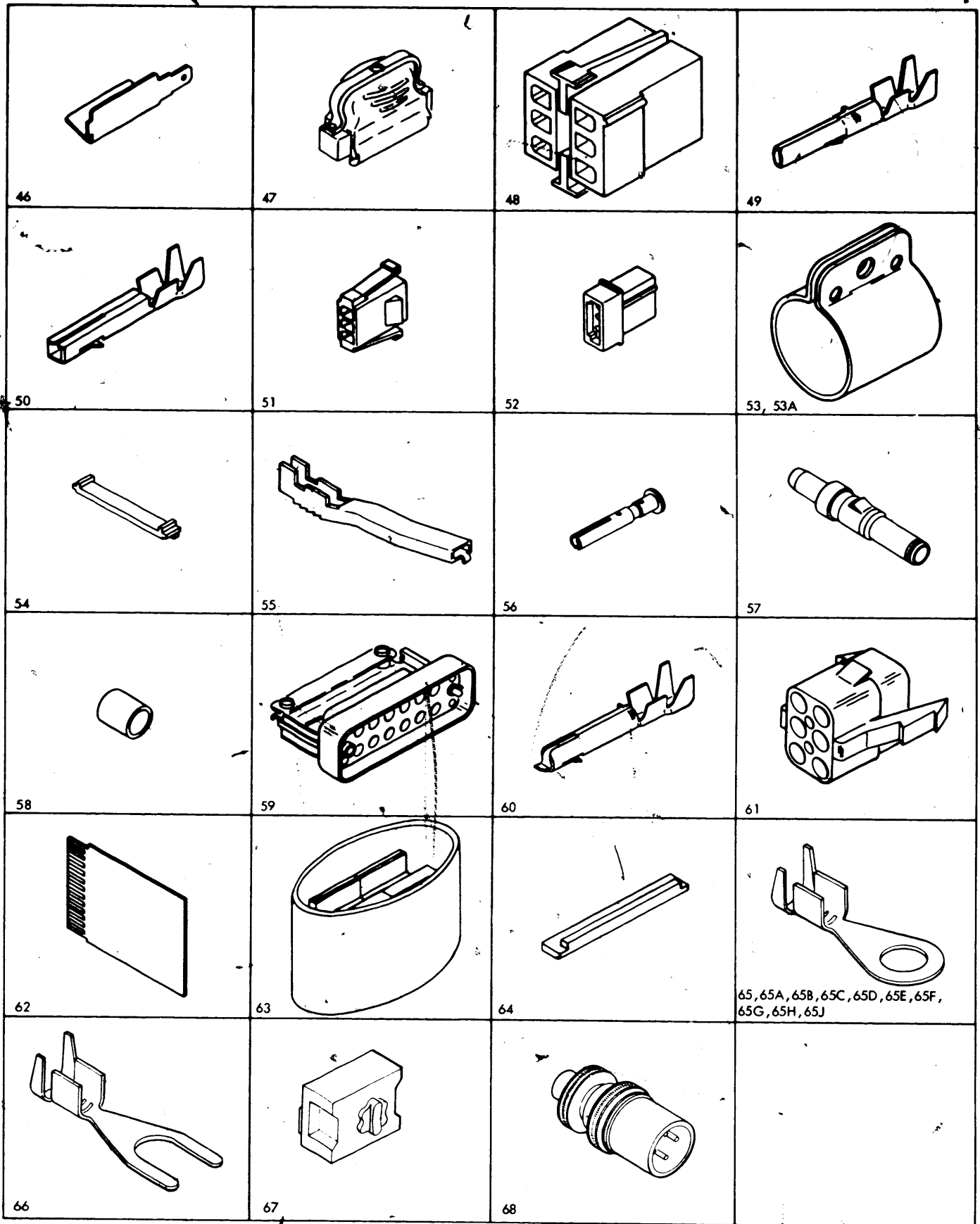


FIGURE 31. CABLE AND JUMPER ASM COMPONENT PARTS. SHEET 3 OF 3. INDEX NOS. 46 THRU 62. SEE LIST 31.

LIST AND INDEX NUMBER	PART NUMBER	DESCRIPTION	UNITS PER ASM.	USABLE ON CODE
31	NO NO.	CABLE AND JUMPER COMPONENT PARTS		
- 1	92784	. TERMINAL,RING 22-18 AWG NO. 8 HOLE INS		
- 2	186968	. TERMINAL,RING 12-10 AWG NO. 8 HOLE INS		
- 2A	322025	. TERMINAL,RING 16-14 AWG NO. 12 HOLE INS		
- 2B	334768	. TERMINAL,RING 22-18 AWG NO. 12 HOLE INS		
- 2C	334910	. TERMINAL,RING 16-14 AWG NO. 6 HOLE INS		
- 2D	334921	. TERMINAL,RING 22-18 AWG NO. 6 HOLE INS		
- 2E	334932	. TERMINAL,RING 22-18 AWG NO. 10 HOLE INS		
- 2F	360370	. TERMINAL,RING 16-14 AWG NO. 8 HOLE INS		
- 2G	806715	. TERMINAL,RING 30-22 AWG NO. 8 HOLE INS		
- 3	187243	. TERMINAL,TAPER PIN 26-17 AWG 0.060 TAPER		
- 3A	360433	. TERMINAL,TAPER PIN 22-16 AWG		
- 4	216265	. TERMINAL,SLIP ON 24-20 AWG		
- 5	236915	. TERMINAL,SLIP ON 20-18 AWG		
- 5A	236916	. TERMINAL,SLIP ON 24-22 AWG		
- 5B	430798	. TERMINAL,RECEPTACLE WIRE 20-18 AWG		
- 5C	430799	. TERMINAL,SLIP ON 24-18 AWG		
- 5D	1127037	. TERMINAL,SLIP ON 18-14 AWG		
- 6	253740	. TERMINAL,RING 12-10 AWG NO. 6 HOLE INS		
- 6A	356705	. TERMINAL,RING 16-14 AWG NO. 8 HOLE INS		
- 7	313361	. TERMINAL,SPADE 24-20 AWG NO. 4 STUD		
- 8	359695	. TERMINAL,RING 16-14 AWG NO. 10 HOLE INS		
- 8A	186596	. TERMINAL,RING 14-16 AWG NO. 10 HOLE INS		
- 9	811802	. CARD GUIDE,6 PAC		
- 10	813194	. TERMINAL,SPADE 20-18 AWG		
- 11	813263	. BUS ASM,MINIATURE 2 POS		
- 12	813549	. CAP,MINIATURE BUS		
- 13	813550	. HOUSING,2 PIN GRN USES CAP PN 813549		
- 14	813681	. CONTACT		
- 15	813801	. HOUSING,VOLTAGE CROSSOVER		
- 16	813802	. CARD GUIDE,6 PAC		
- 17	817425	. BUS CONNECTOR		
- 18	818555	. CABLE SUPPORT,STRAIN RELIEF		
- 19	818556	. STRAIN RELIEF		
- 20	2101326	. TERMINAL,CLIP BARREL 12-10 AWG INS		
- 20A	2101327	. TERMINAL,LUG 12-10 AWG NO. 12 HOLE INS		
- 21	5352958	. STRAIN RELIEF		
- 21A	5352960	. STRAIN RELIEF COAX FOR 2-HI APPLICATION		
- 22	5353851	. HOUSING,CONNECTOR RECEPTACLE 3 POS		
- 23	5353852	. TERMINAL,SLIP ON 20-16 AWG		
- 24	5362301	. TERMINAL,26-22 AWG		
- 24A	5404480	. TERMINAL,20-18 AWG		
- 25	5800634	. CARD ASM		
- 26	5800700	. CARD ASM		
- 27	368222	. TERMINAL,SPADE 16-14 AWG NO. 8 STUD		
- 28	815934	. TERMINAL,SLIP ON 26-22 AWG		
- 28A	815933	. TERMINAL,SLIP ON 20-18 AWG		
- 29	813267	. BUS ASM,MINIATURE 6 POS		
- 29A	813271	. BUS ASM,MINIATURE 10 POS		
- 30	2122202	. SOCKET,GUIDE CENTER		
- 30A	2122735	. SOCKET,GUIDE CORNER 30 AND 50 POS CONN		
- 31	2122203	. PIN,GUIDE CENTER		
- 31A	2122734	. PIN,GUIDE CORNER 34 AND 50 POS CONN		
- 32	2122254	. CONNECTOR,MINIATURE 20 POS FEMALE		
- 32A	2122837	. CONNECTOR,MINIATURE 26 POS FEMALE		
- 33	2122259	. TERMINAL,RECEPTACLE 22-20 AWG		
- 33A	2122261	. TERMINAL,RECEPTACLE 18-16 AWG		
- 33B	2127890	. TERMINAL,SLIP ON 26-24 AWG		
- 34	2122472	. CONNECTOR,MINIATURE 50 POS FEMALE		
- 35	2122839	. CLAMP,STRAIN RELIEF 26 POS		
- 35A	2123032	. CLAMP,STRAIN RELIEF 20 POS		
- 36	2123034	. CLAMP,STRAIN RELIEF 50 POS		
- 37	2127985	. CATCH,LOCKING SPRING 14 AND 20 POS CONN		
- 38	2127987	. CATCH,SPRING LOCKING 20 POS CONN		
- 39	2127989	. CATCH,SPRING LOCKING 34 AND 50 POS CONN		
- 40	5302662	. CONNECTOR,MINIATURE 25 POS MALE		
- 41	5352967	. STRAIN RELIEF		
- 42	596255	. TERMINAL,SLIP ON 24-20		
- 42A	591047	. TERMINAL,SLIP-ON 18-16		
- 43	2590848	. JUMPER ASM 2 POS		
- 43A	2590856	. JUMPER ASM 2 POS		
- 44	2590850	. JUMPER ASM 4 POS		
- 44A	2590858	. JUMPER ASM 4 POS		
- 45	5805875	. TERMINAL,FLAT WIRE NO. 6 STUD		
- 45A	5805876	. TERMINAL,FLAT WIRE NO. 8 STUD		
- 45B	5805877	. TERMINAL,FLAT WIRE NO. 10 STUD		

LIST AND INDEX NUMBER	PART NUMBER	DESCRIPTION				UNITS PER ASM.	USABLE ON CODE
		1	2	3	4		
		CABLE AND JUMPER ASM COMPONENT PARTS- CONT					
31 - 45C	5805878	• TERMINAL, FLAT WIRE .250 STUD					
- 46	5805879	• TERMINAL, FLAT WIRE .250 SLIP ON					
- 47	765295	• HOOD AND STRAIN RELIEF ASM					
- 48	1160977	• HOUSING-SOCKET TERMINAL 6 POS					
- 49	1166114	• TERMINAL, PIN 22-18 AWG					
- 50	1166115	• TERMINAL, SOCKET 22-18 AWG					
- 51	1166116	• HOUSING, SOCKET TERMINAL					
- 52	1166117	• HOUSING, PIN, TERMINAL					
- 53	4037302	• CLAMP-CABLE					
- 53A	4037307	• CLAMP-CABLE					
- 54	4685093	• CABLE SUPPORT-STRAIN RELIEF TOP, CARD.					
- 55	364471	• TERMINAL, SLIP ON 24-20 AWG					
- 56	5180041	• CONTACT, COAX, INNER FEMALE					
- 57	5180042	• CONTACT, COAX, OUTER MALE					
- 58	5337089	• FERRULE, OUTER, COAX TERMINATING					
- 59	5337092	• HOUSING, PLUG-12 POS, COAX					
- 60	5412643	• TERMINAL, SOCKET 16-14 AWG					
- 61	2426171	• HOUSING FOR FEMALE RECEPTACLES					
- 62	5800610	• CARD ASM					
- 63	2454958	• JUMPER ASM					
- 64	2454975	• STRAIN RELIEF					
- 65	483677	• TERMINAL, RING 18-20 AWG NO. 6 HOLE					
- 65A	483678	• TERMINAL, RING 14-16 AWG NO. 6 HOLE					
- 65B	483679	• TERMINAL, RING 10-12 AWG NO. 6 HOLE					
- 65C	483680	• TERMINAL, RING 22-26 AWG NO. 8 HOLE					
- 65D	483681	• TERMINAL, RING 18-20 AWG NO. 8 HOLE					
- 65E	483682	• TERMINAL, RING 14-16 AWG NO. 8 HOLE					
- 65F	483683	• TERMINAL, RING 10-12 AWG NO. 8 HOLE					
- 65G	483686	• TERMINAL, RING 14-16 NO. 10 HOLE					
- 65H	483687	• TERMINAL, RING 10-12 AWG NO. 10 HOLE					
- 65J	483690	• TERMINAL, RING 10-12 AWG 1/4 HOLE					
- 66	483693	• TERMINAL, SPADE 22-26 AWG NO. 4 HOLE					
- 67	2590378	• CONNECTOR ASM, SIOC DIAGNOSTIC					
- 68	5213758	• PLUG, MALE POWER CONNECTOR					

PART NO.	DESCRIPTION	ROUTING
2454633	CABLE ASM, PEC DC LOGIC -4V	PEC TB3, BRP2 01 & 02
2454634	CABLE ASM, PEC-MFCU DC PWR 24V & 60V	PEC TB3, MFCU TB4
2454575	CABLE ASM, LLB TO 01B-B3 USED ON MACHINES WITH MLTA FEATURE	LLB, 01B-B3
2454581	CABLE ASM, LINE ADAPTER-EXTERNAL USED ON MACHINES WITH MLTA FEATURE	01C-A1, LINE A, LINE B
2454582	CABLE ASM, ACU TO ADAPTER USED ON MACHINES WITH MLTA FEATURE	ACU TO ADAPTER
2454586	CABLE ASM, MLTA INDICATOR USED ON MACHINES WITH MLTA FEATURE	GATE B BOARD B4, 7.25V DISTRIBUTION, INDICATOR PANEL
2454588	CABLE ASM, DATA SET TWO USED ON MACHINES WITH MLTA FEATURE	DATA SETS, 01C-A1
2454840	CABLE ASM, +6, +12, -12 TO 01B-B4 USED ON MACHINES WITH MLTA FEATURE	+6, +12, -12, 01B-B4
2454849	CABLE ASM, 12V POWER SUPPLY OUTPUT USED ON MACHINES WITH MLTA FEATURE	12V P/S TB1, B-GATE LOWER LAMINAR BUS
2454892	CABLE ASM, -12V POWER SUPPLY (BSCA)	-12V SUPPLY-TB1, RPTB1&2, TB2 BULK SUPPLY #1
2454893	CABLE ASM, BULK-B GATE #3 PS	PRIMARY CONTROL BOX RPTB1, #2 PS, LOWER LAMINAR BUS, -4V REG, #3 PS
2454894	CABLE ASM, AC DIST #2 PS TO #3 PS	#2 PS TB1, #3 PS TB1
2454991	CABLE ASM, 32K BSM D.C. DIST	32K BSM D.C. DIST
2545629	CABLE ASM, FILTER CAPACITOR USED ON MACHINES WITH MLTA FEATURE	FILTER CAPACITORS, B-GATE LOWER LAMINAR BUS
2588012	CABLE ASM, HALT INDICATOR P1-FLAT	INDICATOR SOCKET P-1, SOCKET A-B2V4
2588013	CABLE ASM, DRUM INDICATORS	ROTARY DRUM INDICATORS, SOCKET A-B2V5
2588014	CABLE ASM, MACHINE CYCLE INDICATORS	MACHINE CYCLE INDICATORS, SOCKET A-B3U2
2588015	CABLE ASM, CLOCK INDICATORS-FLAT	CLOCK INDICATORS, I/O CHECK, ADDR COMP, SOCKET A-B3V2
2588016	CABLE ASM, CONSOLE BIT SWITCHES-FLAT	CONSOLE BIT SWITCHES, SOCKET A-B2V3
2588017	CABLE ASM, CE MODE AND TOGGLE SWITCHES-FLAT	CE MODE SELECTOR, SOCKET A-B3V3
2588018	CABLE ASM, DRUM SWITCH-FLAT	DRUM SWITCH, I-P, I-O, SOCKET A-B2U5
2588019	CABLE ASM, OPERATOR CONTROL AND LSR SELECT-FLAT	LSR SELECTOR SWITCH, CE KEY SWITCH POST NO. 2, CE KEY SWITCH NO. 1, PROC NO. 2 CHECK, I/O ATTN NO. 1, STOP NO. 2 LAMP, OPERATOR CONTROLS, SOCKET A-B3V4
2588020	CABLE ASM, MFCU INDICATORS 1-FLAT	SOCKET M-B1B2, SOCKET A-A3V4
2588021	CABLE ASM, MFCU INDICATORS 2-FLAT	SOCKET M-B1B3, SOCKET A-A3V5
2588022	CABLE ASM, MFCU SWITCHES-FLAT	SOCKET M-B1C, SOCKET A-A3V3
2588023	CABLE ASM, PRINTER OPERATOR CTRLS	SOCKET P-A1A2, SOCKET A-B1V5
2588026	CABLE ASM, AC LAMP DISTRIBUTION USED ON MACHINES WITHOUT EC 816683	CPU GATE A, METER POWER PACK, 7.25 VAC DISTRIBUTION TB
2588028	CABLE ASM, FEATURE PUNCH AND PRINT	SOCKET M-B1A3, SOCKET A-A3A2
2588029	CABLE ASM, HALF AMP CONTROL MAGNETS	SOCKET M-B1F5, SOCKET A-A3A3
2588030	CABLE ASM, 3 AMP CONTROL AND B PRINT	SOCKET M-B1A2, SOCKET A-A3A4
2588031	CABLE ASM, 18 PUNCH MAG CONTROL	SOCKET M-B1D5, SOCKET A-A3A5

FIGURE 32. CABLE PART NUMBERS AND ROUTING

PART NO.	DESCRIPTION	ROUTING
2588032	CABLE ASM, HALF INDICATOR P2	INDICATOR SOCKET P-2, SOCKET A-82V4
2588033	CABLE ASM, DUAL PROGRAM CONTROL	SOCKET A-83V5, HALT RESET SW P2, PROCESS LAMP P2, DUAL PROGRAM CONTROLS, INTERRUPT SW & LAMP, HALT RESET SW P1, PROCESS LAMP P1
2588035	CABLE ASM, PRIMARY GATE, BR PLATE TO UPPER LAM BUS	BRPL 01 & 02, UPPER LAMINAR BUS
2588041	CABLE ASM, CPU AND PRINTER BOARDS	+6, CPU, PRINTER BOARDS
2588042	CABLE ASM, +6 TO MFCU BOARD	GATE A-BOARD A3, +6
2588045	CABLE ASM, MEMORY D.C. DISTRIBUTION	MEMORY BOARD, VOLTAGE BUS
2588047	CABLE ASM, SEQUENCE-LOW VOLTAGE USED ON MACHINES WITHOUT EC 816683	POWER ON RESET, POWER ON SW, LAMP TEST SW, THERMAL LAMP, POWER CHECK LAMP, CUSTOMER USE METER, CE SW, CHECK RESET, CE USE METER, EPO SW, GATE THERMAL COL B, GATE THERMAL COL A, USE METER POWER PAC, 7.25 VAC DIST TB, REGULATOR THERMAL, REMOTE SENSE BRASS PLATE, REMOTE SENSE -30V CAP, MEMORY THERMISTOR, -4V, BULK SUPPLY NO. 1, BULK THERMAL, -4V UNDERVOLT CNTL CARD ASM SOCKET, TPB1, TPB2, TPB3, TPB4, TPB5, TPB6, TPB7
2588048	CABLE ASM, CPU SEC PWR 60 HZ USED ON MACHINES WITHOUT EC 816683	USE METER POWER PAC, GATE A BLOWER, REGULATOR BLOWER, BULK TRANSFORMER, SEQUENCE BOS TB3, 7.25 VOLT PS TB
2588061	CABLE ASM, BSCA INDICATORS	BSCA INDICATORS, SOCKET 01B-A2A2
2588062	CABLE ASM, BSCA	BSCA INDICATORS, SOCKET 01B-A2B2
2588066	CABLE ASM, +6 JUMPER	+6 JUMPER
2588067	CABLE ASM, AC LAMP DIST C I/O AND KEYBOARD	7.25 VAC DIST TB, GATE A-BOARD B2
2588068	CABLE ASM, +6, -12 TO BSCA	GATE B-BOARD A2, BUS ASM +6, BUS ASM -12
2588069	CABLE ASM, AC LAMP DIST BSCA	GATE B-BOARD A2, 7.25 VAC DIST TB
2588077	CABLE ASM, #2 PWR SPLY TO B GATE USED ON MACHINES WITHOUT EC 816683	B GATE, -4V REGULATOR #2 PWR SPLY, #2 PWR SPLY, PRIMARY CONTROL BOX
2588078	CABLE ASM, #2 PWR SPLY AC POWER	SEQUENCE TB3, COMMON SYSTEM GROUND, B GATE-BLOWER, PWR SPLY
2588080	CABLE ASM, FILE CONTROL	WRITE INHIBIT SW, TPB10, IPL SEL SW, TPB11, DISK DRIVE 1 START/STOP SW, DISK DRIVE 1 READY LIGHT, DISK DRIVE 1 READY LIGHT, DISK DRIVE 1 OPEN LIGHT, DISK DRIVE 2 OPEN LIGHT, DISK DRIVE 2 OPEN LIGHT, DISK DRIVE 2 READY LIGHT, DISK DRIVE 2 START/STOP SW, SOCKET A-A2B3
2588081	CABLE ASM, AC LAMP (FILE)	7.25 VAC DIST TB, A2B2
2588082	CABLE ASM, +6 JUMPER FILE	01A-A2D2, 01A-A2
2588085	CABLE ASM, CPU SEC PWR 50 HZ USED ON MACHINES WITHOUT EC 816683	USE METER PWR PAC, GND PLATE, GATE A BLOWER, REGULATOR BLOWER, TB1 BULK TRANSFORMER, SEQUENCE BOX TB3, 7.25 VOLT PS TB
2588212	CABLE ASM, PRINTER DC LOGIC VOLTAGE	PEB-TB2, BRPL 03, BRPL 02, BRPL 03
2588213	CABLE ASM, REG TO BULK POWER SUPPLY	-4V, +6V & -30V REGULATORS, BULK PS NO. 1
2588214	CABLE ASM, REGULATORS TO BRPL	-4V, +6V & -30V REGULATORS, LOWER LAMINAR BUS A-GATE, BRPL 01, 02 & 03
2588215	CABLE ASM, A-GATE BRPL TO UPPER LAM BUS 1	UPPER LAMINAR BUS A-GATE, BRPL 01, 02 & 03
2588216	CABLE ASM, BRPL TO LOWER LAM BUS-A-GATE	LOWER LAMINAR BUS A-GATE, BRPL 01 & 02
2588217	CABLE ASM, LAMINAR BUS JUMPER	A-GATE LOWER LAMINAR BUS, A-GATE UPPER LAMINAR BUS
2588218	CABLE ASM, BRPL TO BULK AND ADD ON REG	-4V ADD-ON REGULATOR, BULK SUPPLY PS NO. 1, BRPL 01 & 02

FIGURE 32. CABLE PART NUMBERS AND ROUTING

PART NO.	DESCRIPTION	ROUTING
2588219	CABLE ASM, A-GATE BRPL TO UPPER LAM BUS II	UPPER LAMINAR BUS A-GATE, BRPL 01 & 02
2588220	CABLE ASM, #2 P/S TO B-GATE, UPPER LAM BUS	#2 P/S, BRPL 03, UPPER LAM BUS B-GATE
2588221	CABLE ASM, A-GATE ULB TO G-GATE ULB	UPPER LAM BUS A-GATE, UPPER LAM BUS B-GATE
2588222	CABLE ASM, MFCU-DC POWER 24V & 60V	MFCU TB4, BRPL 01, PRINTER PCB TB4
2588223	CABLE ASM, MFCU DC LOGIC VOLTAGE	MFCU TB3, BRPL 01, 02 & 03
2588226	CABLE ASM, (FLAT WIRE) MFCU-DC POWER	PSTB4, PCB TB4
2588227	CABLE ASM, (FLAT WIRE) MFCU DC LOGIC	TB3 @ MFCU, BRPL 01, 02 & 03
2588241	CABLE ASM, BULK-B GATE #3 PS FIELD USE	PRIMARY CONTROL BOX, TPB19 #2 PS, LOWER LAMINAR BUS, -4V REG, #3 PS
2588295	CABLE ASM, 5444 ATTACH-CONSOLE TO DISK USED ON MACHINES WITHOUT EC 818980	START/STOP SW-DISK DRIVE 1 & 2, TPB11, LOWER LAMINAR BUS GATE A, CONN CF-1
2588571	CABLE ASM, 5444 ATTACH-CONSOLE TO DISK USED ON MACHINES WITH EC 818980	CONN CF-1, USE METER CARD, LOWER LAMINAR BUS GATE A, TPB11, START/STOP SW DISK DRIVE 1, START/STOP SW DISK DRIVE 2
2588316	CABLE ASM, +24V FUSING	TB1 IN PAN, FUSE
2588342	CABLE ASM, AC OUTLET	TERM GND 4, K9A-1 & 2
2588370	CABLE ASM, PRIMARY CONTROL BOX	TEST POINTS, CONTACTOR K1, TPB19, TPB1, TPB7
2588383	CABLE ASM, BULK SUPPLY TO RELAY K9A-1-OP USED ON MACHINES WITHOUT EC 816750	BULK TRANSFORMER TB1, SF6
2454981	CABLE ASM, BULK SUPPLY TO RELAY K9A-1-OP-50 CYCLE USED ON MACHINES WITH EC 816750	BULK TRANSFORMER TB1, SF6
2588675	CABLE ASM, POWER SERVICE-50 HZ-UK	RF FILTER LINE SIDE
2588676	CABLE ASM, POWER SERVICE-50 HZ-UK	RF FILTER LINE SIDE
2588677	CABLE ASM, POWER SERVICE-50 HZ-UK	RF FILTER LINE SIDE
2588688	CABLE ASM, AC LAMP DISTRIBUTION	7.25 VAC DIST TB, USE METER CARD, A3V4, A3V5, BUS ASM, B2S4, CPU GATE A
2588689	CABLE ASM, METER CARD TO MFCU	MFCU TB6, MFCU TB4, USAGE METER CARD
2588690	CABLE ASM, SEQ. LOW VOLTAGE	30V REG, 6V REG, BULK SUPPLY NO. 1, 4V REG, -4V UNDERVOLTAGE CONTROL CARD, REG THERMAL, RBTB1, SF5 (SEQ. BOX), C1 (SEQ. BOX), USE METER CARD, BULK THERMAL, 7.25 VAC DIST TB, -30V CAPACITOR, MEMORY THERMISTOR, REMOTE SENSE BRASS PLATE, METER CASE GND, POWER ON SW, LAMP TEST SW, LAMPS, THERMAL POWER CHK, CUSTOMER USE METER, CE USE METER, CE SWITCH, EPO SWITCH, GATE THERMAL
2588691	CABLE ASM, AC TO A-GATE & REG BLOWER	PRIMARY PWR CONTROL BOX TB3, #1 BULK TRANSFORMER TB1, REG BLOWER, SYSTEM GND, GATE A-BLOWER
2588692	CABLE ASM, #2 PWR SPLY TO B-GATE	#2 PWR SPLY, TPB12, 13 & 14, -4V REG #2 PWR SPLY, RPTB1 & 2, GATE B THERMALS, B GATE UPPER LAM BUS
2588693	CABLE ASM, PRIMARY PWR BOX TO JB1	J1, COIL B, K3, K9, K1, SF5, RBTB1, JB1
2588694	CABLE ASM, AC TO A GATE AND REG BLOWER-50 CYCLE USED ON MACHINES WITH EC 816683	PRIMARY PWR BOX TB3, BULK PWR SUPPLY TRANSFORMER, REG BLOWER, SYS GRD, GATE A BLOWER
2588695	CABLE ASM, PRIMARY PWR CONT BOX-50 CYCLE USED ON MACHINES WITH EC 816683	CONVENIENCE OUTLET, SYS FUSES SF1, SF2, SF3 & SF5, CB1, TB2, TB3, LINE FILTERS, K9, K3, TB1, C1, K1, HS1, K9B, USAGE METER CARD, I/O PWR, TB4
2588696	CABLE ASM, 7.25V PWR SPLY TO CONTROL BOX	7.25 PWR SPLY TB, K9B, CPU TB1

FIGURE 32. CABLE PART NUMBERS AND ROUTING

PART NO.	DESCRIPTION	ROUTING
2588697	CABLE ASM, RELAY PANEL REG-CONSOLE	POWER ON RESET (TPB-9), PWR ON SW, LAMP TEST SW, LAMPS, THERMAL PWR CHK, CHK RESET SW, EPO SW, GATE THERMAL COL A, 30V REG, 6V REG, 4V REG, -4V UV DETECTION CARD, SOCKET JB1
2588698	CABLE ASM, PRIMARY POWER BOX HARNESS-60 HZ	CONVENIENCE OUTLET, SF1&2, SF3&5, CB1, TB2&3, LINE FILTERS, K3, K9, TB1, C1, K1, USAGE METER CARD, TB4, I/O PWR CONN, K9B, H51, C1
2590252	CABLE ASM, MAIN LINE C.B. TO AUTO TFMR	PRIMARY CONTROL BOX CB1, AUTO TRANSFORMER TB1
2590253	CABLE ASM, AUTO TFMR TO PCBTB2	PRIMARY CONTROL BOX TB2, AUTO TRANSFORMER TB1
2590284	CABLE ASM, PRIMARY CONTROL BOX USED ON MACHINES WITHOUT EC 816683	C1, K3, K9, TP1-TP14, TPB19, TPB8, TPB1-TPB7, J1 CONNECTOR
2590382	CABLE ASM, SIOC INDICATOR	7.25V DIST, GATE A-BOARD A1
2590290	CABLE ASM, CIO AC POWER	LOWER OUTLET J4, CPU GND PLATE, TB1 IN PAN
2590387	CABLE ASM, CIO KEYBOARD & PRINTER	20 PIN CONN, 50 PIN CONN, SOCKET A-B2V2
2590388	CABLE ASM, CIO +24V	TB1 IN PAN, TERM TB4 +24V & GND
2590391	CABLE ASM, SWITCH AND LIGHT	26 PIN CONN, SOCKET A-B2U3
2590392	CABLE ASM, KBD +24 VOLTS	KBD TB1SMS CONN
2590405	CABLE ASM, CIO-TXPD TO DRIVER	CONSOLE I/O B SOCKET IN PAN, SOCKET A-B2U2
2590414	CABLE ASM, SW AND LIGHT PANEL-KBD	KEYBOARD SW AND LIGHT SOCKET, SOCKET A-B2U3
2590415	CABLE ASM, COLUMN INDICATOR-KBD	KBD COLUMN INDICATOR SOCKET, SOCKET A-B2T3
2590509	CABLE ASM, EPO SWITCH-SIOC	EPO SWITCH, 192 PIN I/O CONN
2590514	CABLE ASM, SIOC-I/O #1	SIOC-I/O CONNECTOR, A-A1B4
2590515	CABLE ASM, SIOC-I/O #3	SIOC-I/O CONNECTOR, A-A1B5
2590516	CABLE ASM, SIOC-I/O #2	SIOC-I/O CONNECTOR, A-A1A4
2590517	CABLE ASM, SIOC-I/O #4	SIOC-I/O CONNECTOR, A-A1A5
2590800	CABLE ASM, DATA SET TO ADAPTER (MED SPEED)	01B, A2A3, SYS GRD, DATA SET
2590802	CABLE ASM, ACU TO ADAPTER	01B, A2A5, SYS GRD, ACU
2590803	CABLE ASM, -12V P/S INPUT USED ON MACHINES WITHOUT EC 816683	-12V SUPPLY, PRIMARY CONTROL BOX, BULK P/S ASM
2590804	CABLE ASM, -12 P/S OUTPUT	-12V SUPPLY, LAMINATED VOLTAGE BUS
2590805	CABLE ASM, LOCAL TEST (BSCA)	LOCAL TEST, B-A2L4
2590806	CABLE ASM, RATE SELECT (BSCA)	BPS SWITCH, B-A2L5
2590807	CABLE ASM, DATA SET (HIGH SPEED) TO ADAPTER	DATA SET, ADAPTER
7369321	CABLE ASM, #3 PS TO B GATE LOWER LAMINAR BUS	-4V REG #3 PS, B-GATE LOWER LAMINAR BUS
7369580	CABLE ASM, #1 BULK PS TO PRELOAD	BULK PS #1 TB3, PRELOAD RESISTORS
7369581	CABLE ASM, AC TO AUXILIARY 6V PS	PRIMARY POWER BOX TB3, AUXILIARY 6V PS
7369582	CABLE ASM, BIAS AUX 6V PS TO 6V REG	AUXILIARY 6V PS TB1, 6V REG E9 & E10
7369586	CABLE ASM, 6V REG TO AUX 6V PS	AUXILIARY 6V PS TB1, 6V REG E1 & E2
7369643	CABLE ASM, LAMINAR BUS JUMPER B-GATE	B-GATE LOWER LAMINAR BUS, B-GATE UPPER LAMINAR BUS

FIGURE 32. CABLE PART NUMBERS AND ROUTING

LIST AND INDEX NUMBER	PART NUMBER	DESCRIPTION				UNITS PER ASM.	USABLE ON CODE
		1	2	3	4		
33	-	ATTACHING PARTS					
-201	99	. SCREW,MACH-FL CSK HD 10-32 X 3/8 LG					
-202	266	. SCREW,MACH FIL HD 10-32 X 1 LG					
-203	337	. SCREW,MACH-FIL H 8-32 X 3/8 LG					
-204	358	. SCREW,MACH-FIL H 10-32 X 3/4 LG					
-205	360	. SCREW,MACH-BIND HD 10-32 X 9/16 LG					
-205A	2179	. SCREW,MACH FL HD 8-32 X 5/8 LG					
-205B	453	. WASHER,FLAT 3/8 X 13/16 OD X 1/16 THK					
-206	2903	. WASHER,FL-NO. 6 X 1/2 OD X 1/32 THK					
-207	3550	. WASHER,FLAT 1/4 X 9/16 OD X 0.050 THK					
-208	3960	. NUT,PLAIN,HEX-1/4-20 X 7/16 FL W					
-209	5471	. SCREW,HEX HD SLOTTED 5/16-18 X 3/4 LG					
-210	5528	. SCREW,MACH BIND HD 8-32 X 0.625 LG					
-211	5677	. SCREW,MACH-BIND HD 10-32 X 3/4 LG					
-212	6364	. WASHER,LOCK-SPLIT NO. 6 X 1/4 OD					
-213	6444	. WASHER FLAT 0.166 ID X 3/8 OD X 3/32 THK					
-213A	6935	. WASHER,LOCK-SPLIT 1/4 ID X .493 OD					
-214	8506	. NUT,HEX 3-48					
-215	9092	. WASHER-LOCK,SPLIT RING, 0.194 ID 0.337OD					
-216	10170	. SCREW,MACH-BIND HD NO. 6-32 X 0.250 LG					
-217	11598	. NUT,PLAIN HEX 10-32					
-218	19944	. SCREW,MACH-BIND HD 8-32 X 3/4 LG					
-219	22478	. WASHER,FL- 0.170 ID 0.375 OD 0.032 THK					
-220	23141	. WASHER, FL-NO. 10 X 9/16 OD X 1/16 THK					
-221	25627	. SCREW,MACH-BIND HD 8-32 X 1/2 LG					
-222	25891	. SCREW,MACH-FL CSK HD 10-32 X 1/2 LG					
-223	28413	. SCREW,MACH-BIND HD 10-32 X 5/16 LG					
-224	32042	. SCREW,MACH-BIND HD 10-32 X 3/8 LG					
-224A	36776	. NUT					
-224B	36844	. SCREW,CAP SLOT HD 1/4-20 X 1/2 LG					
-224C	36109	. NUT,HEX-1/4-20 X 7/16 FL W					
-225	32617	. SCREW,MACH-BIND HD 10-32 NF X 0.4375 LG					
-226	34512	. SCREW,BIND HD 8-32 X 0.375 LG					
-227	35739	. SCREW,MACH-BIND HD 6-32 X 7/16 LG					
-228	37913	. NUT,HEX 4-40 .NC					
-228A	38051	. NUT,JAM 6-32 X 0.098 THK					
-229	38094	. SCREW					
-229A	38214	. NUT					
-230	38235	. SCREW,MACH 6-32 X 0.310 LG					
-231	38266	. SCREW,MACH-FIL HD 4-40 X 1/2 LG					
-232	38269	. SCREW,MACH-FIL HD 4-40 X 1 LG					
-233	38352	. SCREW,MACH-FIL HD 6-32 X 3/8 LG					
-233A	38353	. SCREW,MACH FIL HD 6-32 X 7/16 LG					
-233B	38442	. SCREW,MACH FL CSK HD 6-32 X 1/4 LG					
-233C	38686	. SCREW,MACH HEX HD 1/4-20 X 1/2 LG					
-233D	38457	. SCREW					
-233E	38354	. SCREW					
-233F	38350	. SCREW					
-234	45642	. WASHER,FL NO. 6 X 11/32 OD X 0.040 THK					
-234A	45652	. WASHER					
-235	45677	. WASHER,FLAT 5/32 ID					
-236	45690	. WASHER,FL - NO. 10 X 7/16 OD X 1/32 THK					
-236A	47987	. NUT,PLAIN HEX 2-56 X 3/16 FL W					
-237	52580	. SCREW,MACH-FLAT CTSK HD 10-32 X 3/4 LG					
-238	55711	. SCREW,MACH-HEX HD 10-32 X 9/16 LG					
-238B	5372858	. SCREW					
-239	55726	. SCREW,MACH-BIND HD 6-32 X 0.1875 LG					
-240	55901	. WASHER,LOCK-EXT TEETH 0.168 ID 0.381 OD					
-241	55918	. SCREW,MACH-BIND HD 10-32 X 5/8 LG					
-242	56079	. WASHER,LOCK-EXT T 0.195 ID 0.410 OD					
-242A	56121	. WASHER,LOCK-INT T NO. 10 X 0.381 OD					
-243	56722	. WASHER,LOCK-EXT T 0.141 ID					
-244	58207	. SCREW,MACH-BIND HD 8-32 X 1/4 LG					
-245	60646	. WASHER,LOCK INT T NO. 8 X 0.340 OD					
-246	65756	. WASHER,LOCK-INT TEETH 1/4 ID X .478 OD					
-247	76574	. LOCKWASHER,EXT TOOTH 1/4 ID					
-248	79778	. SCREW,SELF TAP 6-32 X 5/16 LG					
-248A	80650	. SCREW,THD CTG-BIND HD NO. 6 X 3/16 LG					
-248B	79779	. SCREW					
-249	80651	. SCREW,THD CTG-BIND HD 6-32 X 3/8 LG					
-250	81693	. SCREW,MACH-BIND HD 6-32 X 3/8 LG					
-251	91610	. SCREW,THD CTG-BD HD NO. 6 X 1/2 LG					
-252	92050	. SCREW,SELF TAP BIND HD NO. 10 X 3/4 LG					
-252A	110775	. SCREW					
-253	113305	. SCREW,MACH-HEX HD 8-32 X 9/16 LG					

LIST AND INDEX NUMBER	PART NUMBER	DESCRIPTION				UNITS PER ASM.	USABLE ON CODE
		1	2	3	4		
		ATTACHING PARTS- CONT					
33 -254	120789	• WASHER, FLAT NO. 10 X 3/4 OD X 0.046 THK					
-255	125930	• NUT, PLAIN-HEX 10-32					
-256	130434	• SCREW, MACH-SLOT HEX HD 10-32 X 0.37 LG					
-260A	131713	• WASHER					
-256B	160017	• NUT, PLAIN HEX 1/4-28 X 7/16 FW					
-257	161351	• WASHER, PLAIN 0.330 ID 0.625 OD 0.050 THK					
-258	171049	• SCREW, MACH-HEX HD 5/16-18 X 5/8 LG					
-259	179966	• WASHER, EXT TOOTH LOCK 5/16					
-260	180894	• SCREW, HEX HD 1/4-20 X 3/8 LG					
-260A	186758	• SCREW, MACH-BIND HD 8-32 X 7/16 LG					
-261	186759	• SCREW, MACH-BIND HD 8-32 X 5/16 LG					
-261A	210984	• SCREW, MACH RD HD 6-32 X 1/4 LG					
-261B	196299	• SCREW, MACH BIND HD 5-40 X 1/2 LG					
-262	216128	• NUT HEX ELASTIC STOP 4-40					
-263	216323	• NUT DRESS					
-264	221790	• SCREW, MACH-BIND HD 8-32 X 3/16 LG					
-264A	236550	• SCREW, MACH BIND HD 4-40 X 3/8 LG					
-265	236849	• SCREW, MACH-BIND HD 10-32 X 1/4 LG					
-266	250525	• SCREW, MACH-BIND HD 10-32 X 3/16 LG					
-267	251970	• SCREW, MACH-BIND HD 4-40 X 1/4 LG					
-267A	255629	• SCREW, THD CTG-CSK HD NO. 6 X 1/2 LG					
-268	257187	• NUT, HEX NO. 6-32 NC					
-269	257189	• NUT, HEX 8-32 UNC THD					
-270	257956	• SETSCREW, SPLINE DP FP 4-40 X 1/8 LG					
-271	257965	• SETSCREW, CUP POINT 4-40 X 3/8 LG					
-272	257968	• SCREW, SET HOLDS FLAT PT 6-32 X 1/8 LG					
-273	257984	• WASHER, LOCK-SPLIT 0.115 ID X 0.212 OD					
-274	257985	• WASHER, PLAIN 0.125 ID 0.250 OD					
-275	257986	• WASHER, FLAT 0.156 ID 0.312 OD X 0.035 TH					
-276	285620	• WASHER					
-277	311699	• NUT AND LOCKWASHER 6-32					
-277A	321483	• SCREW, MACH BIND HD 8-32 X 1 LG					
-278	322029	• SCREW, MACH-BIND HD 1/4-20 X 1/2 LG					
-279	322065	• SCREW, MACH-BIND HD 6-32 X 5/8 LG					
-280	322550	• SCREW, MACH-BIND HD 6-32 X 1/2 LG					
-281	322551	• SCREW, MACH-BIND HD 6-32 X 3/4 LG					
-282	322566	• SCREW, MACH-BIND HD 10-32 X 1/2 LG BRASS					
-282A	322572	• WASHER, LOCK					
-283	332560	• SCREW, MACH-SOC HD CAP 8-32 X 1-1/4 LG					
-284	332620	• SCREW, MACH-BIND HD 10-32 X 1/2 LG					
-285	333769	• WASHER					
-286	338238	• SCREW, MACH-BIND HD 4-40 NC X 0.312 LG					
-286A	365775	• SCREW					
-287	344015	• NUT, SELF LOCK-HEX 6-32 X 5/16 FL WASH					
-288	438542	• SCREW, MACH-BIND HD 2-56 X 1/2 LG					
-289	438548	• SCREW, MACH BIND HD 4-40 X 3/16 LG					
-290	438549	• SCREW, MACH-BIND HD 4-40 X 7/16 LG					
-290A	438550	• SCREW, MACH UNDRCT BIND HD 4-40 XX 1 1/4 LG					
-291	438551	• SCREW, MACH-BIND HD 4-40 X 5/8 LG					
-292	438554	• SCREW, MACH-BIND HD 4-40 X 1 LG					
-292A	438556	• SCREW, MACH UNDRCT BIND HD 4-40 X 1 1/2 LG					
-292B	438558	• SCREW					
-293	438567	• SCREW, MACH BIND HD UNDRCT 6-32 X 1.0 LG					
-293A	438588	• SCREW, MACH BIND HD 8-32 X 1-1/4 LG					
-293B	438589	• SCREW, MACH-BIND HD 8-32 X 1-1/2 LG					
-293C	438586	• SCREW, MACH-UNDRCT BIND HD 8-32 X 7/8 LG					
-294	438601	• SCREW, MACH-UNDRCT BIND HD 10-32 X 7/8 LG					
-294A	438606	• SCREW, MACH-FL CSK HD 10-32 X 1-1/8 LG					
-295	438622	• SCREW, MACH-BIND HD 1/4-20 X 3/8 LG					
-296	512508	• SCREW, MACH-FL HD 6-32 X 0.417 LG					
-297	600395	• WASHER, FL 13164 ID 3/4 OD 3/32 THK					
-298	600960	• NUT, LOCK-NO. 8-32					
-299	601093	• SCREW, THD FORMING 8-32 X 3/8 LG					
-300	601185	• SCREW, THD FORMING 10-16 X 1/2 LG					
-300A	602291	• SPACER					
-301	602721	• NUT, LOCK-NO. 10-32					
-301A	651684	• NUT					
-302	731627	• SCREW, SELF TAP PAN HD 6-32 X 3/4 LG					
-303	734483	• SCREW					
-304	811417	• SCREW					
-305	811426	• SCREW, THD FORMING 6-32 X 3/8 LG					
-305A	813179	• SPACER					
-306	815039	• WASHER, PLAIN 1/8 ID					
-307	815151	• SCREW, MACH-BIND HD 8-32 X 3/8 LG					
-308	815173	• SCREW, SOC HD 8-32 X 1 1/4 LG					
-309	1090873	• WASHER, LOCK-SPLIT 3/16 ID X 5/16 OD					

LIST AND INDEX NUMBER	PART NUMBER	DESCRIPTION	UNITS PER ASM.	USABLE ON CODE
		1 2 3 4		
		ATTACHING PARTS- CONT		
33 -310	1091111	. LOCKWASHER, INT TOOTH 7/64 ID		
-311	1091159	. WASHER, PLAIN 11/64 ID		
-312	1091173	. SCREW, MACH FL CSK HD 4-40 X 5/8 LG		
-313	1091655	. SCREW		
-313A	1141209	. NUT		
-314	1166150	. SCREW, DRIVE 1/16 DIA		
-314A	1175213	. SETSCREW		
-315	2121160	. SCREW, THD FORMING 10-32 X 1/2 LG		
-316	2129550	. WASHER, FL- 5/16 OD X 5/32 ID X 1/32 THK		
-317	2162972	. WASHER, BELLEVILLE 9/16 OD X .208 ID		
-318	2181004	. SCREW, THD FORMING 10-32 X 3/8 LG		
-319	2181006	. SCREW, THD FORM HEX WASHER HEAD 6-32 X 1 LG		
-320	2181008	. SCREW, MACH BIND HD UNDRCT 8-32 X 3/8 LG		
-321	2181088	. SCREW, THD FORMING SOC HD 6-32 X 7/8 LG		
-321A	2588325	. SCREW		
-322	2588872	. SCREW, HEX SOCKET HD THD FORM 6-32 X 1 LG		
-323	2588873	. SCREW, HEX SOCKET HD THD FORM 6-32 X 0.38		
-324	2588874	. SCREW, FLAT HD THD FORMING 10-32 X 0.5 LG		
-325	2590018	. WASHER, INSULATOR		
-326	5232793	. NUT, LOCK 1/4-20		
-327	5232794	. NUT AND LOCKWASHER, 5/16-18		
-327A	5232817	. SCREW		
-328	5356580	. SCREW, MACH-BIND HD UNDRCT 4-40 X 1/2 LG		
-328A	5373223	. NUT		
-329	5761943	. NUT AND LOCKWASHER, 6-32		
-330	5785298	. SCREW		
-331	5785307	. SCREW		
-332	6935	. WASHER, LOCK 1/4 ID X 0.473 OD		
-333	36109	. NUT, PLAIN HEX 1/4-20 X 7/16 FL W		
-334	7369654	. SCREW, HEX SLOT HD-THD FORM 8-32 X 3/8 LG		

FRAME LISTING FOR NUMERICAL INDEX

SECT.	LIST	FRAME	CARD	SECT.	LIST	FRAME	CARD	SECT.	LIST	FRAME	CARD
	1	B04	1-1		21	E08	1-1				
	2	B06	1-1		21A	E12	1-1				
	3	B07	1-1		22	E16	1-1				
	4	B08	1-1		22A	A13	1-2				
	5	B09	1-1		23	A15	1-2				
	5A	B10	1-1		23A	A18	1-2				
	5B	B12	1-1		24	B03	1-2				
	5G	C03	1-1		25	B05	1-2				
	5H	C06	1-1		26	B06	1-2				
	6	C07	1-1		27	B08	1-2				
	6A	C09	1-1		28	B10	1-2				
	7	C11	1-1		29	B12	1-2				
	8	C14	1-1		30	B13	1-2				
	9	C15	1-1		31	B17	1-2				
	10	C17	1-1		33	C05	1-2				
	11	D02	1-1								
	12	D04	1-1								
	13	D06	1-1								
	14	D08	1-1								
	15	D11	1-1								
	16	D13	1-1								
	17	D15	1-1								
	18	D16	1-1								
	19	D17	1-1								
	19A	E02	1-1								
	20	E03	1-1								
	20A	E04	1-1								
	20B	E05	1-1								

NUMERICAL INDEX

PART NO.	LIST AND INDEX NO.	PART NO.	LIST AND INDEX NO.	PART NO.	LIST AND INDEX NO.	PART NO.	LIST AND INDEX NO.
99	33 -201	56079	33 -242	132771	24 - 29	222092	27 - 25
266	33 -202	56121	33 -242A	138755	21 - 67	222092	28 - 31
337	33 -203	56722	33 -243	138755	21A- 74	227379	5A- 15
358	33 -204	57100	5A- 14	150735	50- 36	236550	5B- 5
360	33 -205	57100	6 - 2	160017	33 -256B	236550	33 -264A
453	33 -205B	58207	5G- 67	161351	33 -257	236849	14 + 36
2179	33 -205A	58207	5G- 86A	165010	5B- 7	236849	33 -265
2903	33 -206	58207	5G- 99	165010	9 - 2	236915	31 - 5
3550	33 -207	58207	33 -244	165010	10 - 17	236916	31 - 5A
3960	33 -208	58852	5G- 86	165010	11 - 12	237455	25 - 29
5471	33 -209	58852	5H- 41	165010	12 - 9	246463	21 - 67
5520	33 -210	60646	33 -245	165010	13 - 10	246463	21A- 60
5677	33 -211	62955	5A- 18	171049	33 -258	250525	33 -266
6364	33 -212	62955	5G- 54	173706	21 - 82	251970	33 -267
6444	33 -213	65317	21A-103	173706	21A- 75	252590	21 - 47
6935	33 -213A	65756	33 -246	177744	5B- 14	253760	31 - 6
6935	33 -332	73430	15 - 33	179946	6 - 11	255629	33 -267A
8506	33 -214	73430	17 - 24	179946	6A- 5	257079	19 - 6
7092	33 -215	76574	33 -247	179946	19A- 10	257080	19 - 7
10170	5G- 69	79778	33 -248	179946	20 - 10	257080	21 - 49
10170	33 -216	79779	33 -248B	179946	21 - 52	257080	21A- 52A
11590	33 -217	80650	33 -248A	179946	21A- 48	257080	22 - 14
19944	5A- 17	80651	33 -249	179946	22 - 16	257080	23 - 40
19944	33 -218	81693	5G- 48	179946	22A- 37	257187	5A- 4
22476	5A- 11	81693	5G- 59	179946	23 - 42	257187	5A- 10
22478	33 -219	81693	5G- 64	179966	33 -259	257187	33 -268
23141	33 -220	81693	33 -250	180894	33 -260	257189	33 -269
25627	33 -221	81698	19A- 2	185196	9 - 4	257956	33 -270
25891	14 - 34	91610	33 -251	185198	13 - 14	257965	33 -271
25891	33 -222	92050	33 -252	186596	31 - 6A	257968	33 -272
28413	33 -223	92752	19A- 7	186758	33 -260A	257984	33 -273
32042	33 -224	92752	21 - 48	186759	33 -261	257985	33 -274
32617	33 -225	92752	21A- 51	186968	31 - 2	257986	33 -275
34512	33 -226	92752	22 - 17	187243	31 - 3	285620	33 -276
35739	33 -227	92752	22A- 36	196299	33 -261B	301750	23 - 25
36109	33 -224C	92752	23 - 43	198981	21 - 85	302090	21 - 16
36109	33 -333	92752	23A- 33	198981	21A- 61	302090	23 - 9
36776	33 -224A	92784	31 - 1	207385	19A- 30	302090	23A- 9
36844	33 -224B	101922	23 - 62	208226	20A- 12	302131	21 - 17
37913	5G- 14	101923	20B- 7	208287	20A- 13	302131	23 - 10
37913	5G- 17	104294	21 - 32A	208528	21 - 32	302131	23A- 10
37913	5G- 45	104294	21A- 65A	208528	21A- 80	303514	25 - 27
37913	33 -228	104615	19 - 5	210883	6 - 8	307653	23 - 33
38051	5G- 43	104699	5H- 33	210883	6A- 20	311699	33 -277
38051	33 -228A	107664	19 - 4	210883	19A- 1A	313361	31 - 7
38094	33 -229	107664	21A- 56	210883	21 - 27	313453	6 - 17
38214	5G- 80	107665	19A- 6	210883	21 - 31	315956	21 - 25
38214	33 -229A	107666	21 - 45	210883	21 - 63	315956	21 - 61
38235	33 -230	107666	21A- 54	210883	21A- 69	315956	21A- 67
38266	33 -231	107668	21 - 47	210883	22 - 31	315956	25 - 1
38269	33 -232	107669	21 - 45	210984	33 -261A	315957	21 - 26
38350	33 -233F	107669	21A- 54	213693	21A- 16	315957	21 - 62
38352	33 -233	107669	21A- 56	216075	5G- 51	315957	21A- 68
38353	33 -233A	107669	23 - 38	216075	5H- 15	315957	25 - 2
38354	33 -233E	107669	23A- 30	216128	33 -262	316170	22A- 11
38429	5G- 72	110029	6 - 1	216265	31 - 4	317013	21A- 26
38442	33 -233B	110775	33 -252A	216283	33 -263	317049	22A- 26
38457	33 -233D	113305	33 -253	216422	29 - 25	317082	21A- 26
38686	33 -233C	120789	33 -254	216443	21A- 31	317145	21A-103
45642	33 -234	123070	1 - 3	216452	21A- 35	317315	22 - 20
45652	33 -234A	123070	14 - 20	216463	21A- 28	317428	21A- 18
45677	33 -235	123070	22 - 57	216465	21A- 27	317485	6A- 18
45690	33 -236	123070	23 - 29	216475	21A- 30	317485	22A- 21
47987	33 -236A	123070	23A- 24	216479	21A- 34	317766	10 - 9
52580	33 -237	123074	21 - 86	220546	9 - 6	317766	12 - 2
55711	33 -238	125930	33 -255	220764	21 - 64	317766	13 - 3
55726	5B- 10	127324	19A- 20	220764	21A- 79	317767	10 - 8
55726	5G- 2A	127324	22 - 53	221790	33 -264	317767	12 - 1
55726	5G- 35	127324	22A- 40	222063	21A- 21	317767	13 - 2
55726	5G- 92	130434	33 -256	222077	24 - 24	320451	20B- 10
55726	33 -239	131713	33 -256A	222077	27 - 24	320456	21 - 78
55901	33 -240	132771	24 - 23	222077	28 - 30	320456	21A- 87
55918	33 -241	132771	27 - 23	222092	24 - 25	320610	21A- 19

PART NO.	LIST AND INDEX NO.	PART NO.	LIST AND INDEX NO.	PART NO.	LIST AND INDEX NO.	PART NO.	LIST AND INDEX NO.
321483	33 - 277A	369207	19A- 4	479999	7 - 20	526378	23 - 45
322025	31 - 2A	369207	21 - 1	482175	21A- 15	526378	23A- 44
322029	33 - 278	369207	21A- 57	482188	7 - 19	527916	6A- 16
322065	33 - 279	369207	22 - 2	482195	8 - 18	528007	22A- 56
322465	25 - 33	369207	23 - 10	482195	11 - 18	528007	23A- 55
322550	33 - 280	369207	23A- 16	482195	12 - 4	532393	21 - 35
322551	33 - 281	369388	21A- 33	482219	7 - 21	532393	21A- 94
322566	33 - 282	369633	21A- 14A	483550	11 - 9	532974	21 - 33
322572	33 - 282A	375359	5G- 52	483554	10 - 20	532974	21A- 81
322767	22 - 29	375359	5H- 16	483568	8 - 7	533271	23 - 55
323681	6 - 7	375415	21 - 37	483568	13 - 19	533271	23A- 51
323841	6 - 6	375415	25 - 24	483581	8 - 6	533342	20B- 6
327921	2 - 1	375429	21A- 63	483677	31 - 65	533361	21 - 24
327921	21A-106	396127	21A- 14	483678	31 - 65A	533361	21 - 60
332560	33 - 283	412179	22 - 60	483679	31 - 65B	533361	21A- 66
332620	14 - 28	418835	21 - 55	483680	31 - 65C	533361	22 - 7
332620	33 - 284	418835	21A- 42	483681	31 - 65D	533361	22A- 8
333586	14 - 27	419131	21A- 99	483682	31 - 65E	533783	1 - 28
333586	14 - 29	430798	31 - 5B	483683	31 - 65F	533783	1 - 63
333769	33 - 285	430799	31 - 5C	483686	31 - 65G	535506	22 - 19
334768	31 - 2B	433566	21 - 53A	483687	31 - 65H	550049	21A- 32
334910	20 - 12	433566	21A- 47	483690	31 - 65J	550051	21A- 23
334910	31 - 2C	437249	5G-107	483693	31 - 66	550051	24 - 22
334921	23 - 2a	438542	33 - 288	483828	10 - 15	550051	27 - 22
334921	23A- 23	438548	5G- 4	483829	11 - 11	550051	28 - 28
334921	31 - 2D	438548	33 - 289	483830	11 - 15	550578	20B- 11
334932	31 - 2E	438549	33 - 290	483831	11 - 8	582444	22 - 28
337193	21 - 70	438550	33 - 290A	483832	12 - 12	591047	31 - 42A
338165	6A- 6	438551	5B- 4	483835	10 - 15	591465	22A- 53
338227	21A- 60	438551	5G- 75	483836	10 - 22	591465	23A- 54
338238	5G- 8	438551	33 - 291	483837	11 - 11	595397	21A- 17
338238	33 - 286	438552	5G- 53	483838	11 - 15	596255	31 - 42
338239	25 - 5	438553	5B- 2	483839	11 - 8	596676	22 - 10
343571	5H- 38	438553	5B- 16	483840	12 - 12	596676	22A- 34
344015	33 - 287	438554	33 - 292	483842	13 - 22	598479	19A- 24
350965	21 - 28	438556	33 - 292A	483843	12 - 13	598479	21A- 98
350965	21A- 70	438558	5G- 79	483844	10 - 14	598479	22 - 43
350966	6A- 19	438558	33 - 292B	483846	10 - 16	600250	21A- 29
350966	21 - 70	438567	33 - 293	483847	10 - 15	600395	14 - 37
350977	19 - 10	438586	33 - 293C	483848	10 - 22	600395	33 - 297
350977	21A- 89	438587	23A- 45A	483849	11 - 11	600960	33 - 298
351781	21A- 89	438588	33 - 293A	483850	11 - 15	601093	33 - 299
352088	22 - 6	438589	33 - 293B	483851	11 - 8	601185	33 - 300
352088	22A- 7	438593	22A- 50	483852	12 - 12	602291	33 - 300A
352827	6 - 5	438601	33 - 294	483854	13 - 22	602664	14 - 19
356705	31 - 6A	438606	33 - 294A	483855	12 - 13	602721	33 - 301
356742	15 - 12	438622	33 - 295	483856	10 - 14	603683	19 - 10
356742	17 - 14B	438827	10 - 16	483857	10 - 16	611396	1 - 57
356742	23 - 2	438834	10 - 16	483858	10 - 15	612790	14 - 42
356742	23A- 2	441092	21 - 22	483859	11 - 11	613191	21 - 12
357433	15 - 25	441355	6A- 11	483860	12 - 12	613752	21 - 14
357995	21 - 55	441356	6A- 10	483861	13 - 22	613752	23 - 8
357995	21A- 42	450821	6 - 9	483867	8 - 13	613752	23A- 8
359695	31 - 8	450821	30 - 2	483867	13 - 18	615354	21 - 7
360044	21A- 36	454612	10 - 3	505071	6 - 10	615683	20 - 9
360370	31 - 2F	454612	11 - 3	510188	22A- 22	615683	21 - 52A
360433	31 - 3A	458853	2 - 4	510468	22A- 52	615683	21A- 46A
361497	21A- 24	458853	3 - 4	512071	20 - 1	628948	25 - 31
361536	19 - 1	458853	4 - 4	512508	33 - 296	630143	21 - 84
361536	19A- 29	458853	5 - 4	515616	17 - 47	630143	21A- 73
361536	22 - 64	471672	23 - 14	515661	15 - 13	631769	19A- 16
361755	21 - 51	471672	23A- 14	517197	19 - 2	631769	22 - 25
361755	21A- 50	472579	23A- 37	517197	22 - 65	631769	22A- 16
361968	22 - 63	473442	20B- 4	521695	22A- 55	631769	23 - 19
361968	22A- 62	473442	21 - 2	521695	23A- 56	631769	23A- 19
362206	20 - 6	473442	21 - 57	521695	25 - 32	634613	21 - 38
362206	21 - 77	473442	21A- 41	524519	1 - 88	634613	21A- 64
362206	21A- 85	473442	22 - 51	524854	23 - 47	634613	25 - 25
362243	20 - 2	473531	23 - 60	526378	16 - 8	638085	23 - 50
363434	22 - 30	473531	23A- 60	526378	19 - 3	642763	6 - 12
364471	31 - 55	479986	11 - 21	526378	19A- 28	642763	6A- 7
365775	33 - 286A	479986	12 - 7	526378	22 - 61	642763	21 - 53
368222	31 - 27	479986	13 - 25	526378	22A- 60	642763	21 - 53B

PART NO.	LIST AND INDEX NO.	PART NO.	LIST AND INDEX NO.	PART NO.	LIST AND INDEX NO.	PART NO.	LIST AND INDEX NO.
642763	21A- 47A	812526	10 - 2	818466	1 - 76	1143492	22 - 9
642763	21A- 49	812526	11 - 2	818554	21A- 12	1143492	22A- 24
642763	22 - 11	813179	33 - 305A	818555	31 - 18	1143492	23 - 36
642763	23 - 37	813194	31 - 10	818556	31 - 19	1143492	23A- 35
644519	20 - 5	813263	31 - 11	824469	8 - 11	1148453	5H- 27
646007	21 - 43	813267	31 - 29	824471	8 - 12	1149212	22A- 27
646007	21A- 59	813271	31 - 29A	824473	13 - 22	1149212	23A- 38
648511	10 - 19	813321	1 - 73	824560	10 - 14	1160395	19A- 12
648511	11 - 14	813321	15 - 30	824586	13 - 22	1160395	21 - 76
648511	12 - 11	813321	17 - 21	827842	10 - 23	1160395	21A- 86
648511	13 - 17	813329	24 - 26	827842	11 - 16	1160395	22 - 38
651684	33 - 301A	813329	27 - 26	827842	12 - 14	1160395	23 - 23
725419	7 - 22	813329	28 - 32	827842	13 - 23	1160977	31 - 48
725746	29 - 26	813329	29 - 28	827960	21A- 76	1164080	5G- 55
726549	1 - 31	813392	6A- 8	835232	12 - 13	1164080	5H- 18
730432	21 - 5	813451	15 - 41	835242	12 - 13	1164103	5G- 12
730432	23 - 48	813451	17 - 41	838480	5A- 8	1166114	31 - 49
730432	23A- 50	813452	15 - 42	839413	5G- 9	1166115	31 - 50
731627	33 - 302	813452	17 - 42	839722	11 - 20	1166116	31 - 51
734483	33 - 303	813466	15 - 38	845762	21 - 40	1166117	31 - 52
738506	11 - 8	813466	15 - 38A	845762	21A- 58	1166150	8 - 19
738513	10 - 13	813466	17 - 38	847110	13 - 24	1166150	33 - 314
738825	8 - 1	813482	15 - 40	853288	1 - 5	1175213	5G- 81
738826	5D- 13	813482	17 - 40	855241	10 - 13	1175213	33 - 314A
738826	8 - 2	813519	15 - 44	855285	5 - 13	2101089	7 - 30
738826	9 - 5	813519	17 - 36	855288	10 - 13	2101089	14 - 4
738827	5H- 11	813549	31 - 12	1073866	5G- 39	2101089	17 - 26
738827	12 - 16	813550	31 - 13	1077739	5G- 106	2101089	31 - 20
738828	5H- 12	813661	31 - 14	1090175	5G- 36	2101327	31 - 20A
737494	30 - 3	813801	31 - 15	1090775	5H- 4	2101337	21 - 29
740501	18 - 2	813802	31 - 16	1090873	33 - 309	2101337	21A- 71
740503	7 - 23	814008	9 - 3A	1091111	33 - 310	2101342	22 - 21
740503	8 - 15	814008	13 - 15	1091159	33 - 311	2101357	21 - 30
740513	8 - 16	815039	33 - 306	1091173	33 - 312	2101357	21A- 72
740540	14 - 4L	815151	33 - 307	1091655	33 - 313	2101376	6 - 3
740550	21A- 9	815173	33 - 308	1092125	5G- 61	2102367	1 - 34
740608	7 - 23	815215	1 - 50	1092125	5H- 22A	2102367	1 - 69
740608	8 - 15	815215	14 - 32	1123963	5G- 60	2102367	21 - 65
740609	14 - 41	815215	15 - 34	1123963	5H- 22	2102367	21A- 77
753270	1 - 36	815215	17 - 25	1123987	5G- 42	2102368	21A- 107
753270	2 - 5	815217	15 - 32	1123987	5H- 8	2102369	15 - 35
753270	3 - 5	815217	17 - 23	1124682	5G- 83	2102369	17 - 25B
753270	4 - 6	815218	1 - 80	1124682	5H- 34	2102582	22A- 49
753270	5 - 10	815219	1 - 79	1127037	31 - 5D	2109292	5H- 17
753270	14 - 35	815219	15 - 31	1128270	5G- 38	2111232	17 - 14A
765295	31 - 47	815219	17 - 22	1132166	5G- 85	2111232	21 - 9
765546	21A- 4	815220	1 - 77	1132166	5H- 36	2111232	21A- 22
767004	21A- 5	815220	15 - 29	1133633	5G- 56	2121160	33 - 315
767031	21A- 6	815220	17 - 20	1133633	5H- 19	2122194	20 - 3
767037	21A- 7	815224	15 - 28	1133654	5G- 50	2122202	31 - 30
801615	29 - 36	815224	17 - 19	1133654	5G- 50A	2122203	31 - 31
801652	19 - 9	815933	31 - 28A	1133654	5H- 14	2122254	31 - 32
801652	22 - 5	815934	31 - 28	1133683	5G- 49	2122259	31 - 33
801652	22A- 5	815963	15 - 38E	1133683	5G- 49A	2122261	31 - 33A
801652	23 - 53	815964	15 - 38F	1133683	5H- 12	2122472	31 - 34
801652	23A- 48	816649	1 - 81	1134899	5G- 37	2122734	31 - 31A
804109	16 - 2	816708	17 - 10	1134899	5H- 5	2122735	31 - 30A
805598	1 - 59	816709	17 - 11	1134980	5G- 78	2122837	31 - 32A
805598	8 - 26	816752	15 - 9	1134981	5G- 77	2122839	31 - 35
805598	14 - 18	816752	17 - 9	1141105	5G- 46	2123032	31 - 35A
806715	31 - 2G	816754	15 - 8	1141106	5G- 44	2123034	31 - 36
811417	33 - 304	816754	17 - 8	1141109	5G- 40	2125898	22 - 22
811426	33 - 305	817425	31 - 17	1141209	33 - 313A	2127890	31 - 33B
811427	15 - 43	817753	15 - 50	1141554	14 - 16A	2127985	31 - 37
811427	17 - 35	817753	17 - 31	1141554	20B- 9	2127987	31 - 38
811742	15 - 7	817754	15 - 52	1141554	21 - 71	2127989	31 - 39
811742	17 - 7	817754	17 - 33	1141554	22 - 4	2128689	21 - 21
811802	31 - 9	817757	15 - 49	1141554	22A- 4	2128689	23 - 6
811804	24 - 2	817757	17 - 30	1141554	23 - 30	2128689	23A- 6
811804	27 - 2	817758	15 - 51	1141554	23 - 52	2129550	33 - 316
811804	28 - 2	817758	17 - 32	1141554	23A- 47	2133112	21 - 49
811804	29 - 2	817927	15 - 39	1141554	25 - 34	2133112	21A- 52
812526	5H- 6	817927	17 - 39	1143492	19A- 9	2133112	22 - 13

PART NO.	LIST AND INDEX NO.	PART NO.	LIST AND INDEX NO.	PART NO.	LIST AND INDEX NO.	PART NO.	LIST AND INDEX NO.
2133112	23 - 39	2454916	14 - 40	2557517	26 - 10	2583955	23A- 62
2134661	21 - 13	2454922	6 - 18	2557519	27 - 31	2583956	23 - 17
2137305	21 - 8	2454922	6A- 1	2557525	28 - 19	2583956	23A- 17
2145165	23A- 29	2454923	1 - 11	2557525	29 - 15	2583957	23 - 27
2161341	5G- 32	2454924	15 - 24	2557527	26 - 8	2583958	23 - 27
2162972	33 - 317	2454925	21A-108	2557546	24 - 32	2583958	23 - 27
2172166	22A- 57	2454943	21A- 38	2557546	28 - 38	2583959	23 - 35
2176094	11 - 15	2454944	21A- 2	2557568	29 - 33	2583960	23 - 13
2180938	12 - 15	2454945	21A- 62	2561584	16 - 3	2583960	23A- 13
2180939	12 - 15	2454946	21A- 1A	2561585	16 - 4	2583963	23 - 56
2181004	33 - 318	2454947	21A- 39	2566991	5B- 3	2583963	23A- 52
2181006	33 - 319	2454948	21A- 65	2572142	24 - 35	2583965	23 - 61
2181008	33 - 320	2454949	21A- 40	2572142	26 - 9	2583965	23A- 61
2181088	33 - 321	2454950	21A- 90	2572142	27 - 34	2583966	23 - 58
2182914	22A- 44	2454956	15 - 56	2572142	28 - 41	2583966	23A- 58
2182919	23A- 22	2454958	31 - 63	2572142	29 - 38	2583969	23 - 32
2190986	10 - 14	2454975	31 - 64	2572145	24 - 36	2584070	14 - 10A
2194727	10 - 14	2454976	21A-105A	2572145	28 - 42	2584070	19A-
2194889	22 - 50	2454979	14 - 168	2572145	28 - 42	2584080	14 - 10A
2194889	23 - 31	2454982	21A-105A	2572145	29 - 39	2584080	19A-
2195640	21 - 20	2454996	15 - 38A	2572146	24 - 11	2584083	19A- 18
2195640	23 - 7	2454996	15 - 38A	2572146	27 - 11	2584084	19A- 5
2195640	23A- 7	2455615	20A- 6	2572146	28 - 11	2584085	19A- 31
2391023	5B- 8	2455625	17 - 46	2572156	29 - 11	2584086	19A- 11
2391023	9 - 1	2455626	25 - 2A	2572156	24 - 6	2588000	13 - 7
2391023	10 - 18	2480680	25 - 20	2572156	24 - 34	2588001	13 - 26
2391023	11 - 13	2480680	28 -	2572156	28 - 6	2588002	10 - 16
2391023	12 - 10	2481727	20A- 8	2572156	28 - 40	2588003	10 - 15
2391023	13 - 11	2481727	22A- 28	2572156	29 - 6	2588004	10 - 22
2391023	13 - 16	2481727	23A- 40	2572156	29 - 37	2588008	11 - 11
2391062	13 - 12	2501330	19A- 8	2572157	28 - 40	2588009	8 - 10
2391121	10 - 21	2501330	23A- 31	2572158	27 - 6	2588009	10 - 12
2391121	11 - 10	2512360	15 - 17	2572158	27 - 33	2588009	11 - 7
2391204	12 - 10A	2512360	15 - 21	2572186	22A- 20	2588009	13 - 21
2391346	24 - 38	2512420	15 - 17	2572187	22A- 13	2588010	8 - 22
2391346	24 - 40	2512420	15 - 17	2572188	22A- 31	2588011	11 - 22
2391346	26 - 11	2512420	15 - 21	2572189	22A- 30	2588011	11 - 15
2391346	26 - 13	2557476	24 - 27	2572190	14 - 16	2588035	11 - 8
2391346	27 - 36	2557476	27 - 27	2572190	22A-	2588046	1 - 46
2391346	27 - 38	2557476	24 - 33	2572193	22A- 38	2588053	1 - 72
2391346	28 - 44	2557476	29 - 29	2572194	22A- 3	2588053	14 - 22
2391346	28 - 46	2557477	24 - 18	2572195	22A- 59	2588053	15 - 3
2391347	24 - 19	2557477	27 - 18	2572198	22A- 63	2588053	17 - 3
2391347	27 - 19	2557477	28 - 24	2572199	22A- 23	2588053	23 - 4
2391347	28 - 25	2557497	26 - 2	2572200	14 - 16	2588053	23A- 4
2391347	29 - 21	2557497	29 - 32A	2572200	22A-	2588053	25 - 15
2391667	29 - 41	2557498	24 - 30	2572203	22A- 12	2588060	13 - 18
2391667	29 - 43	2557498	27 - 30	2572204	22A- 10	2588064	12 - 12
2414810	20A- 11	2557498	26 - 37	2572204	22A- 10	2588065	12 - 8
2426171	31 - 61	2557498	29 - 32	2572206	22A- 29	2588070	10 - 5
2434535	15 - 11	2557498	29 - 32	2572207	22A- 25	2588071	8 - 13
2454544	15 - 38G	2557499	26 - 6	2572208	22A- 35	2588079	14 - 24
2454545	15 - 38B	2557500	23 - 12	2572208	22A- 35	2588079	23 - 1
2454546	15 - 38C	2557500	23A- 12	2572213	23A- 43	2588079	23A- 1
2454558	30 - 1A	2557500	24 -	2572214	23A- 25	2588079	23A- 1
2454570	25 - 2C	2557504	24 - 31	2572216	23A- 36	2588252	15 - 10
2454577	25 - 2U	2557504	27 - 29	2572217	23A- 41	2588253	15 - 11
2454570	25 - 2B	2557504	28 - 35	2572223	19A- 22	2588254	15 - 48
2454590	20A- 15	2557504	29 - 35	2572224	23A- 20	2588254	17 - 29
2454591	20A- 14	2557505	29 - 35	2572235	24 - 39	2588255	15 - 46
2454770	15 - 18	2557506	24 - 7	2572235	27 - 37	2588255	17 - 27
2454797	15 - 23	2557506	27 - 7	2572235	28 - 45	2588256	15 - 47
2454810	17 - 15U	2557506	28 - 7	2572235	28 - 45	2588257	15 - 45
2454814	17 - 15L	2557506	29 - 7	2572236	24 - 37	2588257	15 - 45
2454823	14 - 11	2557507	24 - 13	2572236	27 - 35	2588258	1 - 64
2454823	20A-	2557507	27 - 13	2572236	28 - 43	2588264	14 - 22A
2454833	7 - 11	2557507	28 - 14	2572237	29 - 42	2588282	25 - 10
2454890	21A- 40	2557507	29 - 13	2572238	29 - 40	2588288	21 - 6
2454891	21A- 40	2557508	24 - 15	2572749	19 - 10	2594291	21 - 10
2454900	21A- 40	2557508	27 - 16	2583950	23 - 13	2588302	30 - 1
2454913	14 - 20	2557508	28 - 16	2583950	23A- 13	2588309	25 - 7
2454914	14 - 20A	2557508	29 - 14	2583953	23 - 44	2588317	21 - 18
2454915	14 - 40B	2557510	25 - 18	2583953	23A- 34	2588325	33 - 321A
		2557510	26 -	2583954	23 - 49	2588330	6 - 4
		2557516	26 - 12	2583955	23 - 63	2588332	21 - 15
						2588334	6A- 14

PART NO.	LIST AND INDEX NO.	PART NO.	LIST AND INDEX NO.	PART NO.	LIST AND INDEX NO.	PART NO.	LIST AND INDEX NO.
2500335	6A- 15	2590047	1 - 66	2590273	21 - 8d	2590454	7 - 6
2500335	21A- 47	2590048	14 - 5	2590274	21 - 39	2590455	7 - 8
2500337	6A- 21	2590048	15 -	2590275	21 - 75	2590456	7 - 5
2500338	21 - 46	2590049	1 - 32	2590276	21 - 83A	2590457	7 - 9
2500338	21A- 55	2590062	14 - 10	2590276	21A-105A	2590458	7 - 7
2500354	1 - 71	2590072	25 - 23	2590277	21 - 23	2590459	13 - 8
2500355	21 - 50	2590073	1 - 48	2590279	21 - 3	2590460	13 - 6
2500356	2 - 3	2590074	1 - 42	2590280	21 - 67	2590461	13 - 5
2500363	14 - 22	2590074	1 - 44	2590281	21 - 34	2590462	13 - 13
2500363	14 - 26	2590079	3 - 8	2590281	21A- 83	2590463	7 - 31
2500371	21 - 11	2590079	5 - 8	2590282	21 - 4	2590467	10 - 7
2500382	1 - 62	2590081	3 - 6	2590283	6A- 13	2590468	7 - 16
2500386	21 - 83A	2590081	5 - 6	2590283	6A- 17	2590469	7 - 14
2500388	21A-105A	2590083	14 - 1	2590283	21 - 41A	2590470	7 - 17
2500391	22A- 1A	2590084	14 - 2	2590283	21A-105B	2590471	7 - 15
2500420	17 - 37	2590087	2 - 1	2590285	25 - 22	2590473	8 - 27
2500425	21 - 81A	2590087	3 - 1	2590285	30 -	2590475	7 - 13
2500425	21A-105	2590089	4 - 2	2590285	30 -	2590476	10 - 24
2500426	21 - 32	2590089	5 - 2	2590286	30 - 4	2590477	13 - 4
2500426	21A- 80	2590091	4 - 1	2590287	30 - 7	2590496	10 - 6
2500427	25 - 26	2590091	5 - 1	2590289	30 - 8	2590498	7 - 26
2500428	21A-101	2590092	6A- 2	2590290	21 - 66	2590518	3 - 12
2500432	21A- 37	2590100	15 - 4	2590290	21A- 78	2590518	5 - 12
2500433	21A- 11	2590100	17 - 4	2590291	21 - 36	2590519	3 - 12
2500434	21A- 3	2590104	17 + 17	2590291	21A- 93	2590519	5 - 12
2500435	14 - 15	2590108	2 - 3	2590308	15 - 17	2590520	3 - 12
2500435	21A-	2590108	3 - 3	2590310	17 - 15A	2590520	5 - 12
2500436	14 - 15	2590109	4 - 3	2590312	15 - 14	2590521	3 - 12
2500436	21A-	2590109	5 - 3	2590318	15 - 16	2590521	5 - 12
2500442	17 - 28	2590109	5 - 3	2590320	15 - 18	2590522	3 - 12
2500444	20A- 7	2590117	3 - 9	2590322	15 - 19	2590522	5 - 12
2500444	21A- 13	2590117	5 - 9	2590324	15 - 20	2590523	3 - 12
2500448	21A- 1	2590118	1 - 38	2590326	15 - 19	2590523	5 - 12
2500449	21 - 80	2590118	1 - 74	2590328	17 - 13	2590545	14 - 38
2500449	21A-104A	2590133	25 - 16	2590329	15 - 17	2590572	1 - 27A
2500682	1 - 39	2590134	25 - 17	2590329	17 - 12	2590646	7 - 10
2500682	1 - 52	2590159	2 - 6	2590329	17 - 12	2590647	7 - 10
2500684	1 - 41	2590159	3 - 11	2590330	17 - 14	2590648	7 - 10
2500699	2 - 8	2590159	4 - 5	2590331	15 - 5	2590649	7 - 10
2500872	33 - 322	2590159	5 - 11	2590331	17 - 6	2590660	7 - 28
2500873	33 - 323	2590160	1 - 37	2590366	1 - 58	2590660	12 -
2500874	33 - 324	2590160	1 - 65	2590378	31 - 67	2590661	8 - 5
2509216	6 - 14	2590161	1 - 30	2590393	11 - 17	2590664	7 - 2
2509216	6 - 13	2590198	2 - 2	2590393	12 - 3	2590665	7 - 2
2509224	15 - 18	2590198	3 - 2	2590394	8 - 20	2590668	12 - 15
2509248	6 - 16	2590204	1 - 5	2590394	11 - 19	2590669	12 - 15
2590010	1 - 67	2590207	1 - 6	2590394	12 - 5	2590676	1 - 68
2590010	15 - 54	2590208	1 - 7	2590395	7 - 24	2590677	14 - 7
2590010	17 - 44	2590216	15 - 27	2590395	9 -	2590678	14 - 6
2590011	15 - 55	2590218	16 - 1	2590395	9 -	2590679	1 - 35
2590011	17 - 45	2590219	16 - 7	2590398	7 - 5	2590702	16 - 1
2590014	15 - 1	2590220	17 - 43	2590398	9 - 7	2590703	15 - 26
2590014	17 - 1	2590221	16 - 9	2590399	9 - 3	2590703	16 -
2590018	33 - 325	2590223	16 - 12	2590411	1 - 10A	2590704	14 - 8
2590020	15 - 53	2590224	15 - 26	2590417	10 - 7	2590704	17 -
2590025	3 - 13	2590224	16 -	2590418	10 - 7	2590750	7 - 12
2590026	5 - 14	2590247	1 - 33	2590419	10 - 7	2590751	7 - 12
2590027	2 - 9	2590250	20B- 5	2590420	10 - 7	2590752	7 - 12
2590028	4 - 7	2590251	20B- 14	2590422	1 - 61	2590753	7 - 12
2590029	1 - 4	2590254	20B- 3	2590423	1 - 62A	2590754	7 - 9
2590030	1 - 27	2590255	20B- 2	2590424	1 - 60	2590755	7 - 9
2590031	1 - 21	2590256	20B- 1	2590434	7 - 12	2590756	7 - 9
2590032	3 - 5	2590257	21 - 19	2590436	11 - 23	2590757	7 - 9
2590032	5 - 5	2590258	21 - 41	2590437	7 - 8	2590762	7 - 9
2590034	1 - 1	2590259	21 - 58	2590440	12 - 18	2590763	7 - 9
2590035	1 - 55	2590260	14 - 15	2590441	7 - 9	2590764	7 - 9
2590039	1 - 19	2590260	21 -	2590443	7 - 9	2590765	7 - 9
2590040	1 - 8	2590261	14 - 10B	2590447	13 - 9	2590775	10 - 25
2590041	1 - 20	2590263	21 - 69	2590448	8 - 21	2590775	12 - 17
2590042	6A- 3	2590263	21A- 90	2590448	12 - 6	2590775	13 - 1
2590044	1 - 17	2590268	21 - 41	2590449	8 - 17	2590780	7 - 27
2590045	1 - 18	2590270	14 - 15	2590450	1 - 22	2590780	11 -
2590047	1 - 29	2590270	21 -	2590450	7 -	2590782	7 - 28
		2590271	14 - 10C	2590452	7 - 4		
				2590453	7 - 10		

PART NO.	LIST AND INDEX NO.	PART NO.	LIST AND INDEX NO.	PART NO.	LIST AND INDEX NO.	PART NO.	LIST AND INDEX NO.
2590782	12 -	2592619	14 - 3A	5151998	5G- 90	5213830	21 - 33
2590786	7 - 11	2595694	5B- 17	5151998	5H- 43	5213830	21A- 81
2590789	7 - 11	2595635	5H- 47	5152001	5G- 13	5213837	21 - 79
2590792	7 - 11	2595636	5H- 49	5152004	5G- 1	5213837	21A- 88
2590795	7 - 11	2595721	5H- 46	5152005	5G- 16	5213937	29 - 27
2590796	7 - 11	2596225	3 - 7	5152007	5G- 21	5214120	20A- 10
2590797	7 - 11	2596225	5 - 7	5152008	5G- 23	5214120	21A- 25
2590798	7 - 14	2596291	1 - 40	5152009	5G- 27	5214179	22 - 49
2590799	7 - 11	2596291	1 - 54	5152010	5G- 25	5214179	22A- 46
2590810	25 - 6	2596291	1 - 70	5152011	5G- 30	5214179	23 - 59
2590811	25 - 11	2596291	17 - 18	5152012	5G- 29	5214179	23A- 59
2590820	14 - 12	2596291	17 - 34	5152013	5G- 11	5214180	20 - 7
2590821	1 - 73	2596293	1 - 53	5152014	5G- 7	5214233	22 - 26
2590821	14 - 21	2596293	1 - 75	5152015	5G- 5	5214233	22A- 19
2590821	14 - 21	2596293	15 - 57	5152017	5G- 41	5214259	21 - 54
2590821	15 - 2	2596293	21 - 89	5152018	5G- 86	5214259	21A- 45
2590821	17 - 2	2596991	10 - 4	5152019	5G- 26	5214272	21 - 68
2590821	23 - 3	2596991	11 - 4	5152059	5A- 12	5214272	21 - 68
2590821	25 - 13	2596994	5B- 1	5152061	5A- 13	5214272	21A- 91
2590824	1 - 51	2596994	5B- 15	5152062	5A- 9	5214367	20A- 2
2590825	14 - 33	2596994	10 - 1	5152063	5A- 16	5214420	19A- 15
2590826	14 - 30	2596994	11 - 1	5152066	5B- 19	5214420	22A- 32
2590827	14 - 31	2598390	14 - 3	5152068	5A- 2	5214420	23A- 42
2590828	14 - 40	2609066	22A- 2	5152068	5G-	5214560	21A-104
2590829	14 - 39	2609067	22A- 48	5152072	5A- 3	5214702	20A- 4
2590830	14 - 23	2624907	23A- 26	5152097	5G- 28	5214702	21A- 8
2590841	25 - 3	2624908	23A- 25A	5152201	5G- 33	5232725	23 - 18
2590848	31 - 43	2624909	23A- 25	5152203	5G- 87A	5232725	23A- 18
2590850	31 - 44	2624917	28 - 38	5152203	5H- 42	5232726	22 - 18
2590851	7 - 11	2797504	28 - 8	5153400	5A- 19	5232733	22 - 3
2590852	14 - 25	4007035	21 - 66	5153400	5G-	5232739	22 - 56
2590853	25 - 14	4007035	21A- 78	5153520	5G- 7	5232774	22 - 46
2590856	31 - 43A	4037302	31 - 53	5153521	5G- 7	5232781	22 - 23
2590858	31 - 44A	4037307	31 - 53A	5153522	5G- 7	5232782	19A- 19
2590864	25 - 12	4061290	21 - 49	5153523	5G- 7	5232793	33 - 326
2590867	1 - 56	4061290	21A- 53	5153524	5G- 7	5232794	33 - 327
2590873	1 - 16	4103890	23A- 28	5153525	5G- 7	5232799	22 - 15
2590876	7 - 2	4118369	20B- 8	5153526	5G- 7	5232806	22A- 17
2590886	7 - 2	4118370	20B- 13	5153589	5A- 9	5232809	21 - 42
2590886	15 - 22	4118437	22 - 8	5153592	5B- 9	5232809	21A- 43
2590890	6A- 4	4118437	22A- 9	5153621	5B- 18	5232809	22 - 1
2590891	8 - 6	4118440	21 - 75	5153623	5H- 48	5232809	22A- 1
2590891	10 - 10	4118821	20B- 12	5153635	5A- 3	5232809	22A- 43
2590891	11 - 5	4119210	23 - 56	5153637	5A- 3	5232809	23 - 15
2590893	6A- 9	4119210	23A- 52	5153638	5A- 3	5232809	23 - 51
2590900	14 - 11	4119245	21A-101	5153639	5A- 3	5232809	23A- 15
2590900	20 -	4119308	19A- 18	5153730	5G- 10	5232809	23A- 53
2590901	20 - 14	4120171	23 - 34	5153928	5A- 5	5232814	22 - 12
2590902	20 - 11	4120171	23A- 27	5172352	5A- 7	5232814	22A- 33
2590906	20 - 4	4120174	23A- 27	5172367	5G- 91	5232816	22A- 54
2590908	8 - 3	4120174	30 - 5	5172367	5H- 44	5232816	23A- 54A
2590909	8 - 4	4120241	21A-104	5172371	5A- 1	5232817	33 - 327A
2590911	8 - 25	4253796	1 - 47	5180041	31 - 56	5232818	22A- 47
2590912	1 - 49	4685093	31 - 54	5180042	31 - 57	5232824	19A- 26
2590922	23 - 5	5129172	15 - 15	5180572	5G- 76	5232824	21 - 74
2590922	23A- 5	5151884	5G- 82	5180973	5G- 34	5232824	21A- 97
2590929	14 - 17	5151892	5G-109	5180973	5H- 1	5232824	22 - 45
2590929	23 -	5151915	5G- 31	5180997	5G- 18	5232824	22 - 55
2590929	23A-	5151921	5G- 24	5180998	5G- 19	5232824	22A- 42
2590930	14 - 17	5151923	5G- 22	5181005	5G- 3	5232825	22 - 32
2590930	23 -	5151925	5G- 20	5181007	5H- 35	5232826	22 - 59
2590930	23A-	5151929	5G- 15	5181029	5G- 97	5232826	23A- 26
2590931	14 - 17	5151985	5G- 58	5181029	5H- 40	5232827	22 - 58
2590931	23 -	5151986	5G- 57	5181030	5G- 87	5232828	22 - 60
2590931	23A-	5151987	5G- 62	5181030	5H- 39	5232828	22A- 58
2590932	14 - 17	5151988	5G- 63	5181046	5A- 6	5232840	14 - 16
2590932	23 -	5151989	5G- 66	5212440	15 - 21	5232840	22 -
2590932	23A-	5151989	5H- 24	5213226	22 - 51A	5232843	22 - 41
2590941	15 - 6	5151990	5G- 47	5213591	24 - 10	5232844	22 - 36
2590942	23 - 11	5151990	5H- 10	5213591	27 - 10	5232845	22 - 34
2590942	23A- 11	5151991	5G- 73	5213591	28 - 10	5232846	22 - 33
2591163	6 - 15	5151992	5G- 74	5213694	20A- 5	5232848	22 - 47
2591163	6A- 12	5151997	5G- 84	5213758	31 - 68	5232850	14 - 16

PART NO.	LIST AND INDEX NO.	PART NO.	LIST AND INDEX NO.	PART NO.	LIST AND INDEX NO.	PART NO.	LIST AND INDEX NO.
5232850	22 -	5357003	18 -	5785286	28 - 5	5797532	27 - 15
5232855	22 - 67	5357005	18 - 1	5785286	29 - 5	5797532	28 - 22
5232858	22 - 66	5357006	18 - 1	5785296	29 - 20	5800610	31 - 62
5232864	23 - 41	5357011	18 - 7	5785297	28 - 13	5800634	31 - 25
5232864	23A- 32	5357013	18 - 3	5785298	33 - 330	5800700	31 - 26
5232877	22A- 6	5357020	18 - 1A	5785299	28 - 21	5805875	31 - 45
5232877	23 - 54	5357090	23A- 27	5785304	28 - 15	5805876	31 - 45A
5232877	23A- 49	5357135	18 - 4	5785307	33 - 331	5805877	31 - 45B
5232884	22 - 37	5357136	16 - 10	5785309	28 - 20	5805878	31 - 45C
5232884	22A- 15	5357136	18 - 6	5785309	29 - 16	5805879	31 - 46
5232886	22 - 46	5362301	31 - 24	5785314	23 - 57	5860228	6A- 22
5232886	22A- 45	5371671	7 - 3	5785314	23A- 57	5860519	24 - 1
5232887	22 - 52	5372183	8 - 24	5785314	23A- 57	5860519	27 - 1
5232887	22A- 39	5372858	33 - 2388	5796393	19A- 17	5860524	28 - 1
5232888	19A- 23	5373223	33 - 328A	5796393	22 - 35	5865525	29 - 1
5232888	22 - 42	5373656	12 - 13	5796393	22A- 14	5993050	5A- 1
5232889	21 - 72	5373660	8 - 14	5796393	22A- 18	5993051	5A- 1
5232889	21A- 95	5397579	21 - 44	5796393	23A- 21	5993052	5A- 1
5240422	19A- 3	5397579	21A- 44	5796397	24 - 21	5993053	5A- 1
5240513	19 - 9	5404480	31 - 24A	5796397	27 - 21	5993076	5G- 65
5240513	22 - 5	5405152	16 - 6	5796397	28 - 27	5993084	5A- 1
5240513	23 - 53	5405155	16 - 5	5796397	29 - 24	5993095	5G- 46
5240513	23A- 48	5412643	31 - 60	5796426	22 - 40	5993095	5H- 9
5248818	21 - 59	5423864	21A- 82	5796426	23 - 26	5993096	5G- 40
5252506	21 - 54	5446011	25 - 9	5797450	25 - 21	5993096	5H- 6
5252534	20A- 9	5468387	16 - 4	5797450	29 -	5993911	5G- 2
5252551	22 - 8	5468388	16 - 3	5797459	29 - 22	5993911	5H- 30
5252551	22A- 9	5708920	14 - 9	5797460	25 - 20	5993912	5G- 2
5261284	22 - 27	5708920	19 -	5797460	28 -	5993912	5G- 2
5261287	15 - 37	5708921	19 - 11	5797460	23 - 12	5993914	5G- 2
5261287	29 - 10	5708922	19 - 11	5797480	23A- 12	5993914	5G- 2
5261296	15 - 36	5708923	19 - 12	5797480	25 - 19	5993915	5G- 2
5261296	17 - 25A	5708924	19 - 8	5797480	27 -	5993916	5G- 2
5261296	19A- 14	5708992	14 - 9	5797484	24 - 17	5993917	5G- 2
5261296	22 - 39	5708992	19 -	5797484	27 - 17	5993918	5G- 2
5261296	23 - 24	5760008	23A- 39	5797484	28 - 23	5993925	5G- 41
5261296	27 - 9A	5761783	23A- 45	5797484	29 - 19	5993925	5H- 7
5261296	28 - 9A	5761785	23 - 22	5797488	26 - 4	5993927	5G- 98
5261296	29 - 9A	5761786	20 - 8	5797495	24 - 33	5993927	5H- 45
5261297	17 - 25C	5761793	19A- 13	5797495	26 - 7	5993935	5G- 71
5261446	21 - 68	5761793	23 - 20	5797495	27 - 32	5993941	5G- 68
5261446	21 - 68	5761794	20A- 1	5797495	29 - 34	5993941	5H- 2
5261446	21A- 91	5761795	19A- 27	5797497	24 - 4	5994914	5G- 50A
5261446	21A- 91	5761795	23 - 46	5797497	27 - 4	5994914	5H- 13
5261946	22 - 24	5761935	22A- 51	5797497	28 - 4	5994921	5G- 49A
5276701	21 - 83	5761943	33 - 329	5797497	29 - 4	5994921	5H- 13
5302662	31 - 40	5761979	19A- 25	5797498	26 - 3	5994922	5H- 21
5312202	1 - 2	5761979	21 - 73	5797498	27 - 6	5994922	5H- 37
5313905	25 - 4	5761979	21A- 96	5797498	28 - 6	5994922	5H- 29
5318966	20A- 3	5761979	22 - 44	5797498	29 - 6	5994922	5H- 50
5318966	21A- 10	5761979	22 - 54	5797498	29 - 6	5994922	5H- 28
5319839	22 - 62	5761979	22A- 41	5797499	26 - 5	5994922	5H- 3
5319839	22A- 61	5761979	22A- 41	5797504	24 - 8	5994922	5H- 30
5319839	23A- 46	5762034	19A- 21	5797504	27 - 8	5994922	5H- 30
5319854	23A- 26A	5762383	21A- 100	5797504	29 - 8	5994922	5H- 32
5323537	20 - 13	5762407	21A- 102	5797505	24 - 20	5994922	5H- 31
5337089	31 - 58	5762428	19A- 1	5797505	27 - 20	5994922	5H- 31
5337092	31 - 59	5766393	23 - 21	5797505	28 - 26	7369024	17 - 15B
5349888	16 - 11	5785130	24 - 3	5797505	29 - 23	7369563	22A- 3
5349888	18 - 5	5785130	26 - 1	5797506	24 - 12	7369564	22 - 32
5350020	10 - 13	5785130	27 - 3	5797506	27 - 12	7369565	22 - 3
5352958	31 - 21	5785130	28 - 3	5797506	28 - 12	7369566	1 - 84
5352960	31 - 21A	5785130	29 - 3	5797506	28 - 12	7369567	1 - 82
5352967	31 - 41	5785135	27 - 9	5797507	29 - 12	7369568	1 - 86
5353851	31 - 22	5785135	28 - 9	5797507	27 - 11	7369568	1 - 86
5353852	31 - 23	5785135	29 - 9	5797507	28 - 11	7369588	1 - 87
5353854	30 - 6	5785149	24 - 9	5797507	29 - 11	7369593	15 - 4A
5353877	23 - 34	5785274	28 - 17	5797508	27 - 5A	7369593	17 - 5
5353887	8 - 23	5785277	24 - 28	5797508	28 - 5A	7369594	25 - 28
5356580	33 - 328	5785277	27 - 28	5797508	29 - 5A	7369596	25 - 35
5357002	17 - 16	5785277	28 - 34	5797519	24 - 14	7369597	25 - 30
5357002	18 -	5785277	29 - 30	5797519	27 - 14	7369599	21 - 81
5357003	17 - 16	5785286	24 - 5	5797519	28 - 18	7369612	1 - 17
		5785286	27 - 5	5797519	29 - 14	7369613	1 - 43
				5797523	29 - 17	7369616	15 - 380
				5797532	24 - 16	7369617	17 - 6A

PART NO.	LIST AND INDEX NO.
7369622	21 - 818
7369654	33 - 334
7369655	7 - 2
7369658	7 - 1
7369660	7 - 1
7369662	7 - 1
7369664	7 - 1
7369689	1 - 85
7369695	21 - 68
7369695	21 - 68
7369695	21 - 68
7369695	21A- 91
7369695	21A- 91
7369696	23A- 3
7369696	25 - 13
7369697	23 - 16A
7369697	23A- 16A
7369720	1 - 83
8112176	5H- 20
8112177	5H- 26
8112178	5H- 23