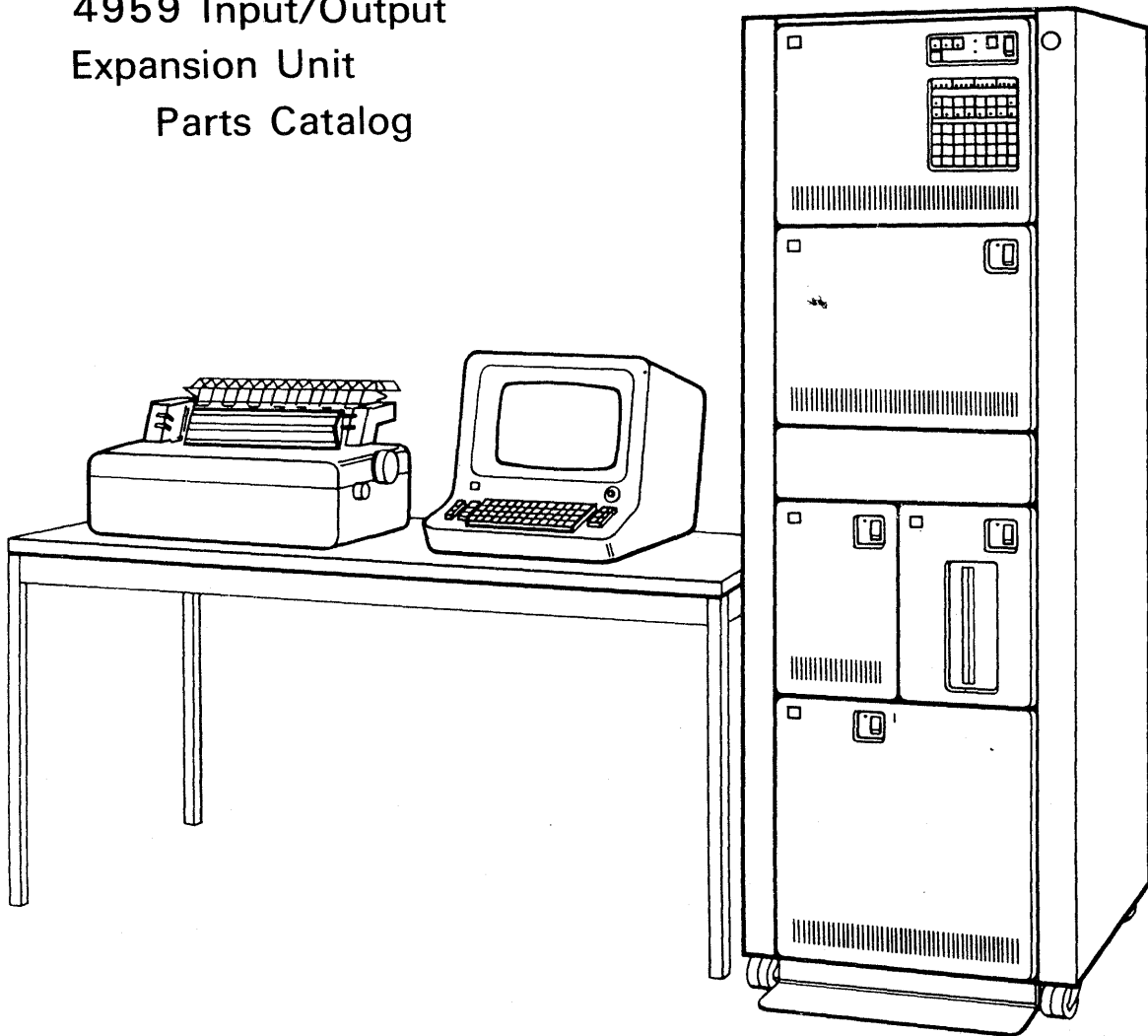




S134-0028-0

IBM Series/1
4953 Processor
4955 Processor
4959 Input/Output
Expansion Unit
Parts Catalog



4953, 4955, & 4959 PARTS CATALOG



S134-0028-0

IBM Series/1
4953 Processor
4955 Processor
4959 Input/Output
Expansion Unit
Parts Catalog

4953, 4955, & 4959 PARTS CATALOG

Second Edition (September 1977)

This Parts Catalog (PC) contains listings and illustrations of all replaceable assemblies, subassemblies, and detail parts released on or before August 15, 1977, for the Series/1.

Changes that affect this catalog are made periodically; any such changes will be reported in subsequent revisions or Technical Newsletters.

Requests for copies of IBM publications should be made to your IBM representative or the IBM branch office serving your locality.

A form for readers' comments is provided at the back of this publication. If the form has been removed, send your comments to IBM Corporation, Systems Publications, Department 27T, P.O. Box 1328, Boca Raton, Florida 33432. Comments become the property of IBM

© Copyright International Business Machines Corporation 1976, 1977

HOW TO USE A PARTS CATALOG iv

CATALOG SECTION 1

Figure 1. 4953B, D, 4955A, B, C, and D, Card File ASM, CPU. Sh 1 of 2 2

Figure 1. 4953B, D, 4955A, B, C, and D, Card File ASM, CPU. Sh 2 of 2 4

Figure 2. 4953A, C, Half Wide Card File ASM, CPU. Sh 1 of 2 6

Figure 2. 4953A, C, Half Wide Card File ASM, CPU. Sh 2 of 2 8

Figure 3. 4959, I/O Expansion Unit ASM. Sh 1 of 2 10

Figure 3. 4959, I/O Expansion Unit ASM. Sh 2 of 2 12

Figure 4. 4953B, D, 4955A, B, C, and D, 4959, Cover ASM, Top Fan 14

Figure 5. 4953B, D, 4955A, B, C, and D, 4959, Filter ASM 16

Figure 6. 4953A, B, C, and D, 4955A, B, C, and D, Basic Console ASM 17

Figure 7. 4953A, B, C, and D, 4955A, B, C, and D, F/F Console ASM 18

Figure 8. 4953B, D, 4955A, B, C, and D, 4959, Power Supply ASM. Sh 1 of 2 20

Figure 8. 4953B, D, 4955A, B, C, and D, 4959, Power Supply ASM. Sh 2 of 2 22

Figure 9. 4953B, D, 4955A, B, C, and D, 4959, Console ASM 24

Figure 10. 4953A, C, Half Module Filter ASM 25

Figure 11. 4953A, C, Power Supply ASM 26

Figure 12. Cable and Jumper ASM Component Parts 28

NUMERICAL INDEX X-1

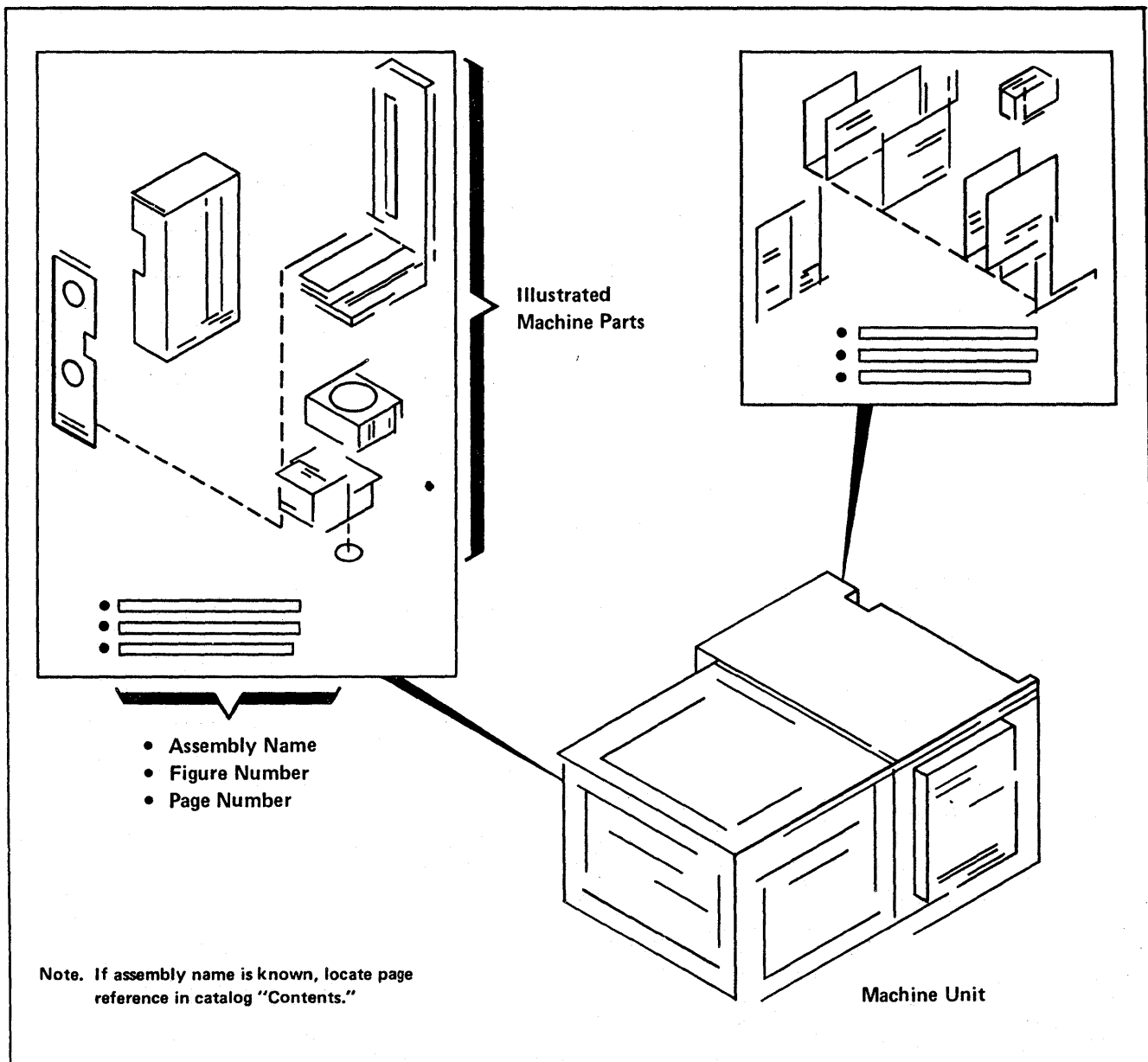
How to Use a Parts Catalog

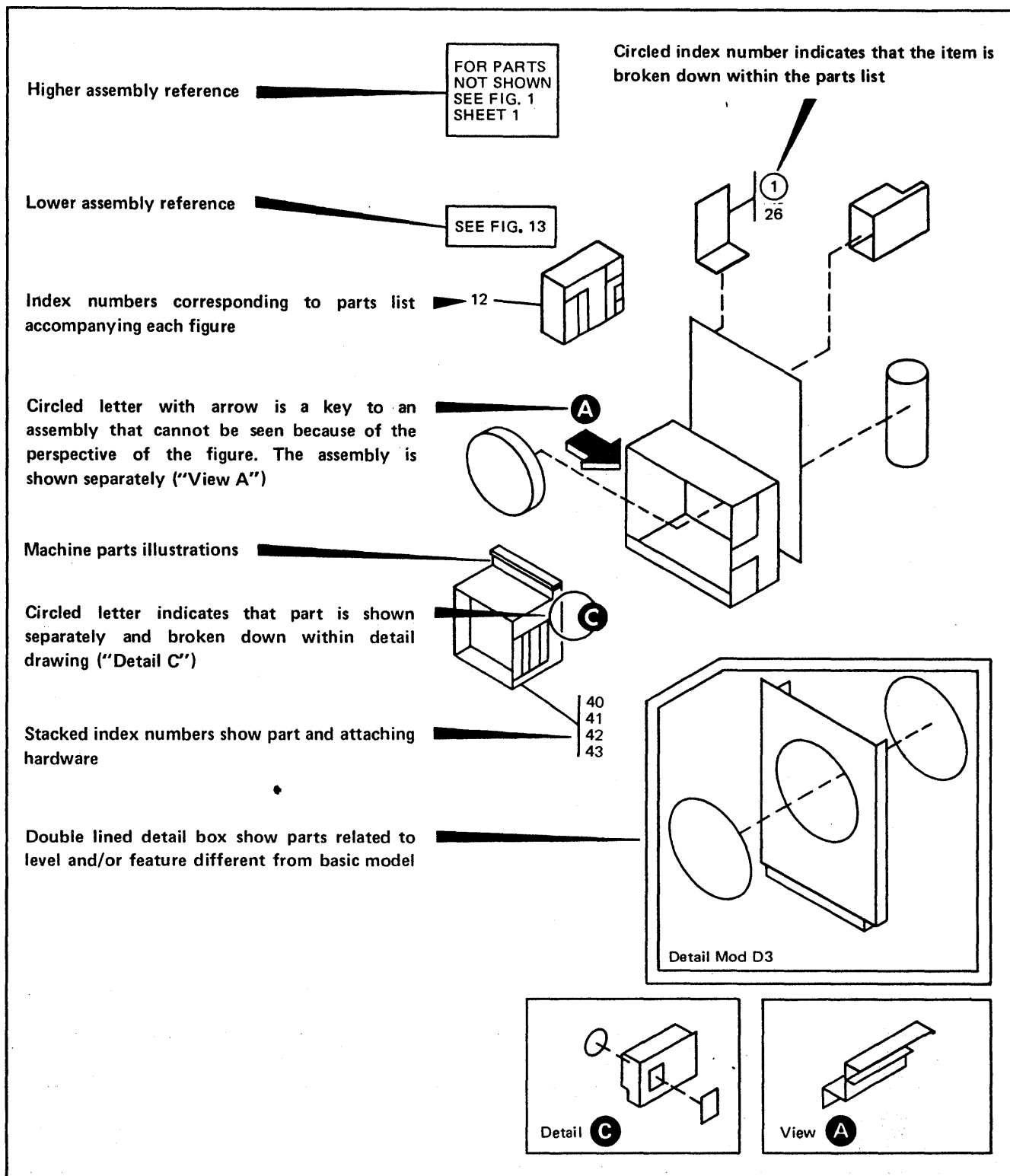
PARTS CATALOG STRUCTURE

To find parts quickly, you should have a general understanding of the three major sections of this catalog:

- 1** Visual Index (machine assembly illustrations and page locations within the Catalog Section)
- 2** Catalog Section (assembly illustrations with accompanying parts lists)
- 3** Numerical Index (parts listed in numerical order with cross-references to applicable figure numbers within the Catalog Section)

1 VISUAL INDEX This is a starting point for locating a part in the Catalog Section





POWER SUPPLY

FIGURE- INDEX NUMBER	PART NUMBER	UNITS PER ASM.	DESCRIPTION				
			1	2	3	4	
3 -	5892856	1	REF	POWER SUPPLY ASM,NO.1- 110V 50 AND 60 HZ			
-	5892858	1	REF	POWER SUPPLY ASM,NO.1- 208V 50 AND 60 HZ			
-	1553193	1	REF	POWER SUPPLY ASM,NO.1 AND 3- 60 HZ LV			
-	1553194	1	REF	POWER SUPPLY ASM,NO.1 AND 3- 60 HZ HV			
-	1553195 NP	1	REF	POWER SUPPLY ASM,NO.1 AND 3- 50 HZ LV			
-	1553196 NP	1	REF	POWER SUPPLY ASM,NO.1 AND 3- 50 HZ HV			
-	1631389	1	REF	PWR SPLY ASM,NO.1 AND 3-50 HZ LV-UK ONLY			
-	1631390	1	REF	PWR SPLY ASM,NO.1 AND 3-50 HZ HV-UK ONLY			
				FOR NEXT HIGHER ASM SEE LIST 2-21 AND 23 AND FOR ILLUSTRATION FIG. 3			
- 1	NO NO.	1		• LABEL			
- 2	845762	1		• LABEL			
- 3	5891299	1		• COVER			
- 4	"COMM"	4		• SCREW,MACH BIND HD 8-32 NC-2A X .250 LG			
- 5	1632336	1		• FUSE,7A-USED ON 208V POWER SUPPLY NO. 1 NO FUSE REQUIRED ON 110V POWER SUPPLY			
- 6	512137	1		• FUSE,5A-USED ON 110V POWER SUPPLY NO. 1			
- 6	1632336	1		• FUSE,7A-USED ON 208V POWER SUPPLY NO. 1			
- 7	5130278 NR	1		• LABEL-USED ON 208V POWER SUPPLY NO. 1			
- 8	5130277	1		• LABEL-USED ON 110V POWER SUPPLY NO. 1			
- 8	5130278	1		• LABEL-USED ON 208V POWER SUPPLY NO. 1			
- 9	1553738	1		• POWER INPUT ASM			
				FOR DETAIL BREAKDOWN SEE LIST 4			
- 10	58207	AR		• SCREW,MACH BIND HD 8-32 NC-2A X .250 LG			ATT PT 8
- 11	5130276	1		• BRACKET			
- 12	58207	3		• SCREW,MACH BIND HD 8-32 NC-2A X .250 LG			ATT PT
- 13	2546652	5		• TIE,CABLE			
- 14	2100264	2		• RELIEF, CABLE STRAIN			
- 15	55901	3		• WASHER,LOCK EXT T .176DIA			
- 16	58207	3		• SCREW,MACH BIND HD 8-32 NC-2A X .250 LG			

ITEM	MEANING
1 Similar Assemblies	Two assemblies having majority of identical parts are broken down on same list (common parts have same index number).
2 NP	Nonprocurable — parts not available separately; order next higher assembly.
3 Indenture	Shows the relationship of a part to its next higher assembly. For example: <i>Indenture</i> 1 2 3 4 MAIN ASSEMBLY • Detail parts of main assembly • Assembly within main assembly • • Detail part of one-dot assembly • • • Assembly within one-dot assembly • • • • Detail parts of two-dot assembly
4 NO NO.	No number — order detail parts separately.
5 "COMM"	Commercial hardware — order from commercial hardware source, not IBM.
6 NR	Not recommended — not recommended for field replacement; order next higher assembly.
7 REF	Reference — see complete assembly on a previous drawing for parts quantities.
8 ATT PT	Attaching parts — used to attach two-dot assembly to one-dot assembly. They are listed following part to be attached.
9 AR	As required — use quantity as required.

3 NUMERICAL INDEX

NUMERICAL INDEX

The numerical index follows the catalog section. Use it to locate a part when you know the part number only. The index lists part numbers in numerical order along with all applicable figures and parts lists.

Part numbers in numerical order

References to figure, parts list, and part index number

PART NO.	LIST AND INDEX NO.	PART NO.	LIST AND INDEX NO.	PART NO.	LIST AND INDEX NO.	PART NO.	LIST AND INDEX NO.
453	6 - 77	6935-CONT	12 - 4	10170-CONT	8 - 18	25627	6 - 17
	6 - 83		14 -127		9 - 41		8 - 15
	6 - 93		14 -132		9 - 84		15 - 93
455	11 - 31		15 - 77		10 - 42		15A- 75
845	1 - 69		15 - 81		11 - 2		24 - 8
2032	7 - 8		15 - 85		11 - 9	25891	2 - 49
3550	1 - 28		15A- 66		13 - 11		2 -101
	1 - 55		15A- 70		14 - 18	26380	14 -110

ORDERING PARTS

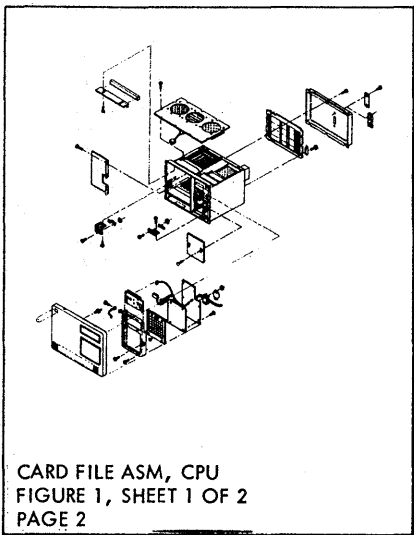
Refer to the Catalog Section when ordering parts. The example shown here should help guide you through a typical situation.

FIGURE-INDEX NUMBER	PART NUMBER	UNITS PER ASM.	DESCRIPTION			
			1	2	3	4
5 -	5891860 A	REF	POWER SUPPLY, NO. 3, 60 HZ			
-	5892846	REF	POWER SUPPLY, NO. 3, 50 HZ			
-	1631386	REF	POWER SUPPLY, NO. 3, 50 HZ-UK ONLY			
			FOR NEXT HIGHER ASM SEE LIST 3-25 AND FOR ILLUSTRATION FIG. 5			
- 1	475124	1	. CLAMP, CAPACITOR			
- 2	58207	2	. SCREW, MACH BIND HD 8-32 NC-2A X .250 LG ATT PT			
- 3	5252807	1	. CAPACITOR, C3			
- 4	526378	2	. CAP			
- 5	2701001	1	. TRANSFORMER, 60HZ			
- 5	2701011	1	. TRANSFORMER, 50HZ			
- 5	5130347 B	1	. TRANSFORMER, 50 HZ-UK ONLY			
- 6	236849	4	. SCREW, MACH BIND HD 10-32 X .250LG ATT PT			
- 7	56079	1	. WASHER, LOCK EXT T .204ID .4100D ATT PT			
- 8	351237	1	. SHIELD			
- 9	10170	2	. SCREW, MACH-BIND HD 6-32 X 1/4 LG ATT PT			
- 10	322766	1	. TERMINAL BOARD- 8 DBL SCREW TERMINAL			

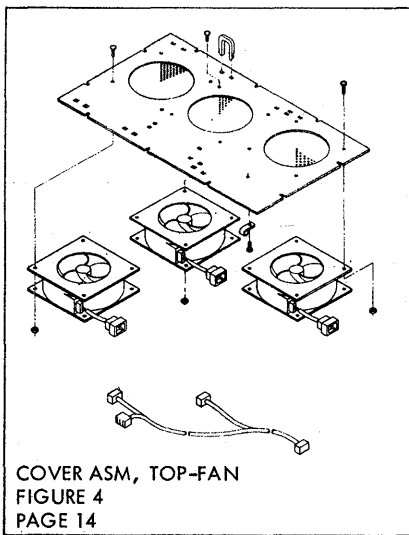
If, for example, you need the *power supply, no. 3, 60 HZ*, order part number 5891860 **A** (all one-dot items will also be received). See the explanation of the Catalog Section for information on how the leading dots are used in the parts listings. If you need the *transformer, 50 HZ-UK only*, order part number 5130347 **B** (all two-dot items will also be received). Each part may also be ordered separately except in the following cases:

- Many detail parts are unavailable if they are part of an inseparable assembly or if they are part of an assembly that is ordered as a unit. In such cases they are noted "Assembly components are not replaceable."
- Parts found on purchased assemblies may not have IBM part numbers. These parts are noted "Assembly components not available."

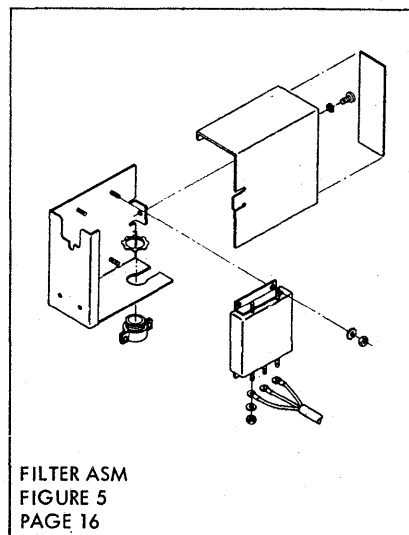
In either case, order the assembly rather than the detail parts.



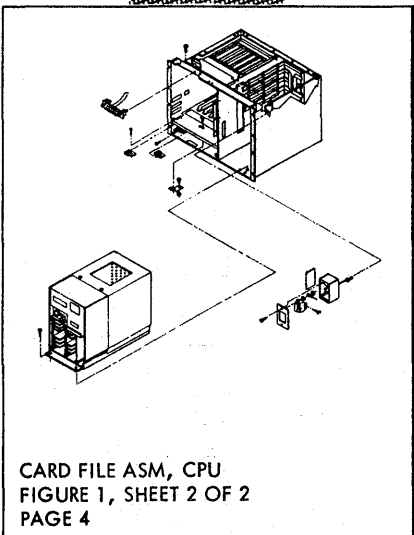
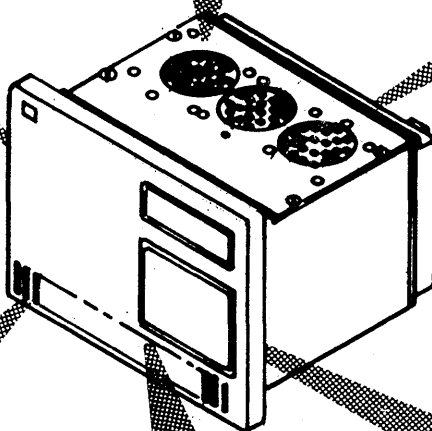
CARD FILE ASM, CPU
FIGURE 1, SHEET 1 OF 2
PAGE 2



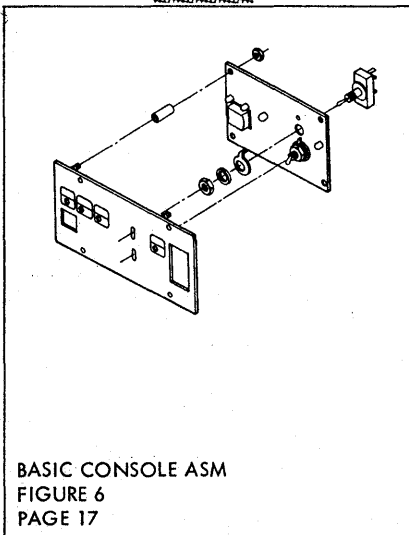
COVER ASM, TOP-FAN
FIGURE 4
PAGE 14



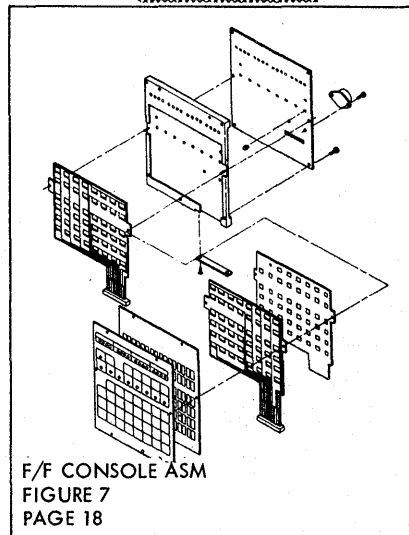
FILTER ASM
FIGURE 5
PAGE 16



CARD FILE ASM, CPU
FIGURE 1, SHEET 2 OF 2
PAGE 4

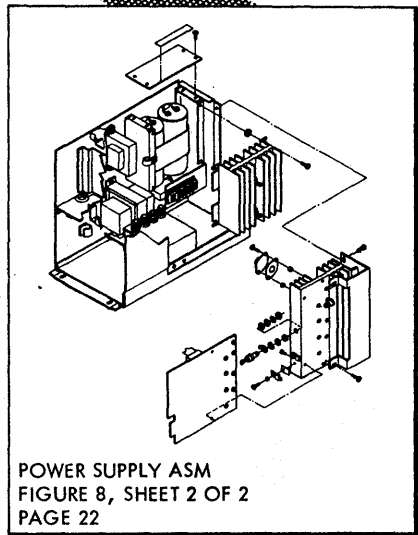
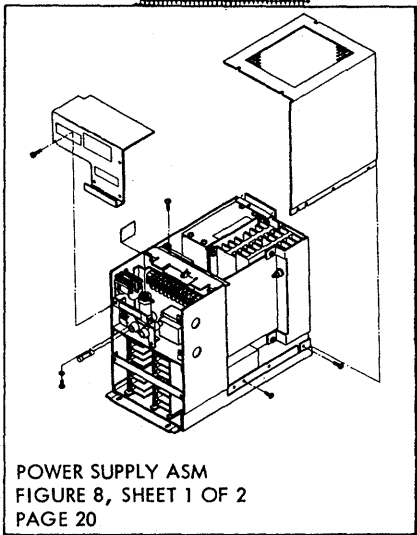
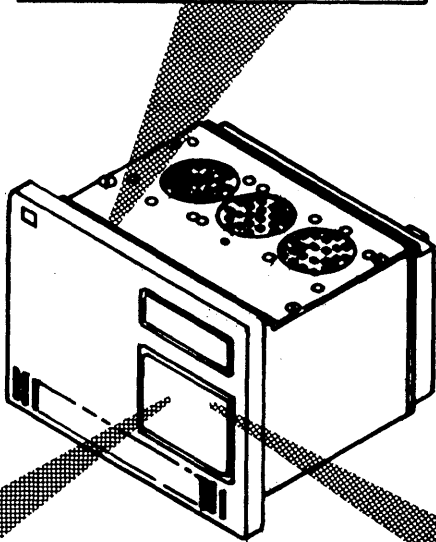
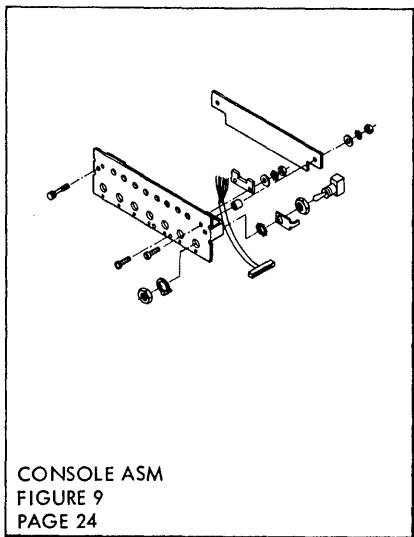


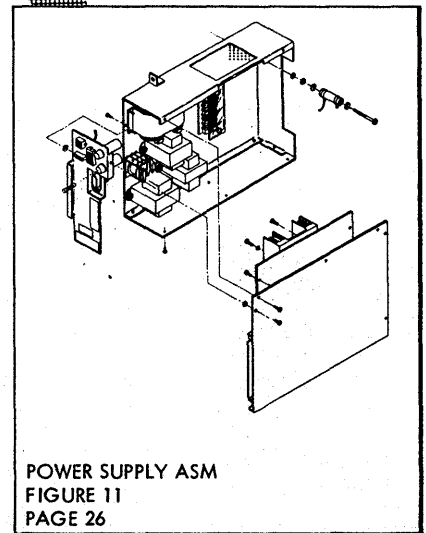
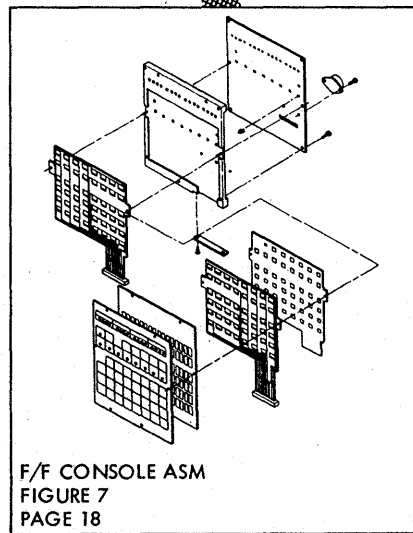
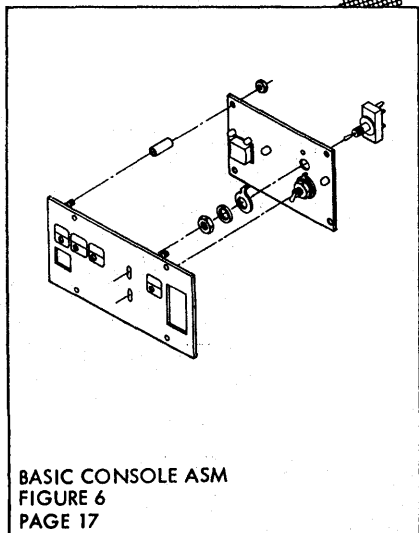
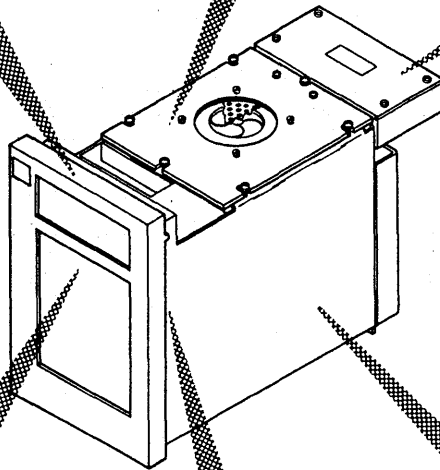
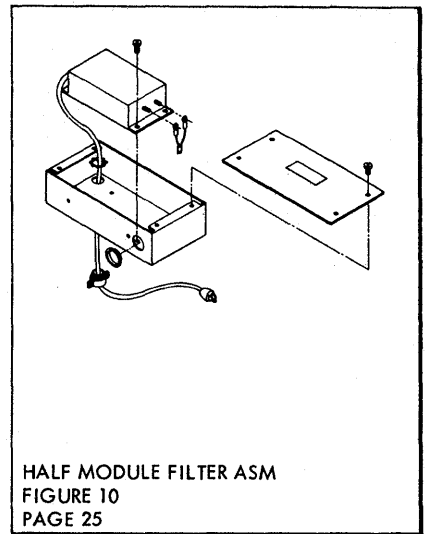
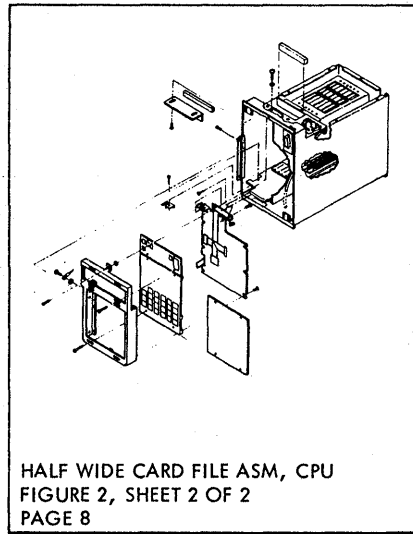
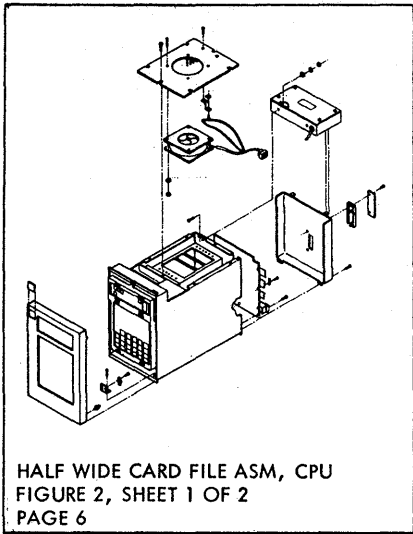
BASIC CONSOLE ASM
FIGURE 6
PAGE 17

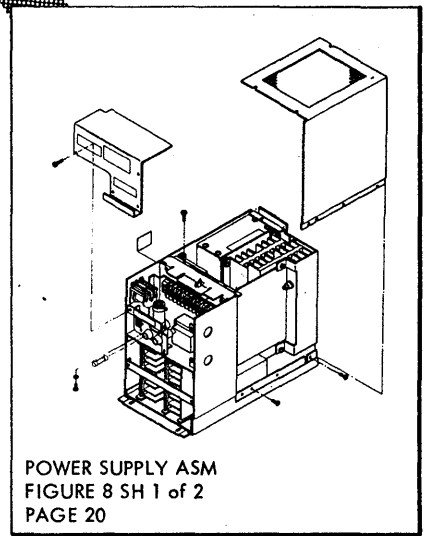
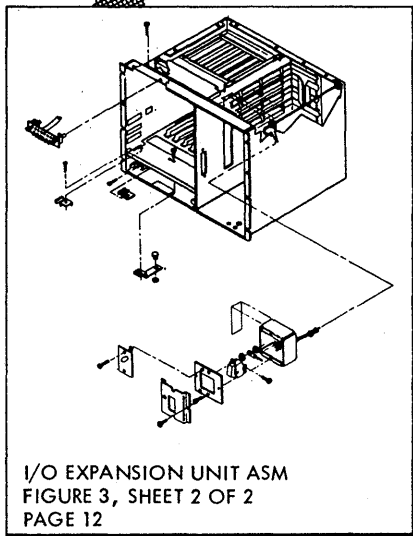
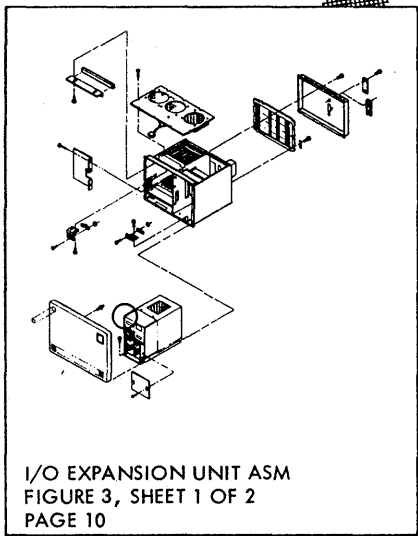
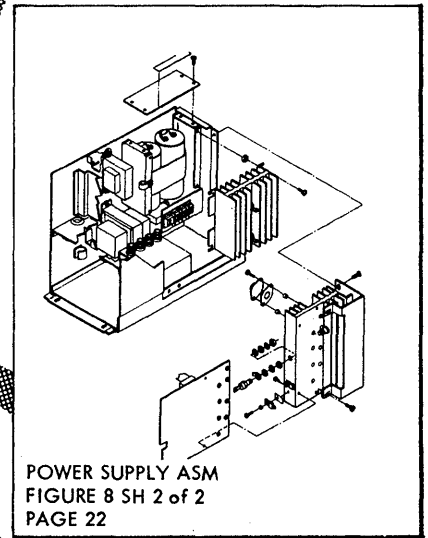
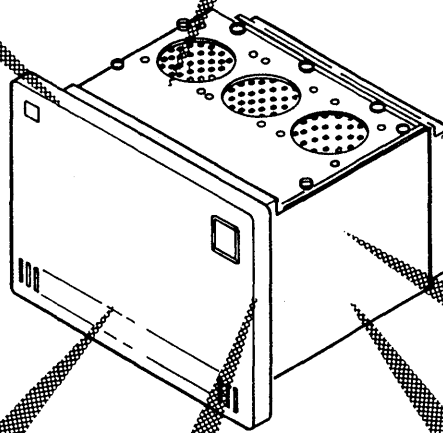
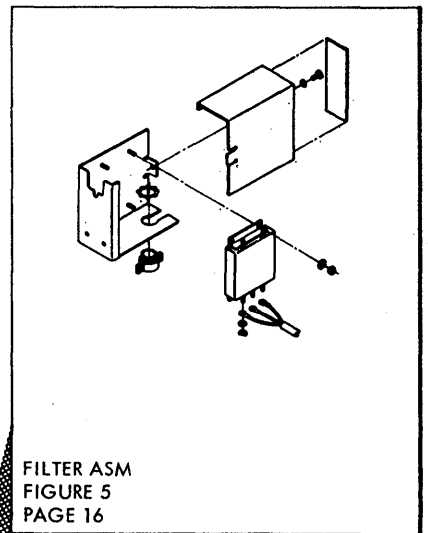
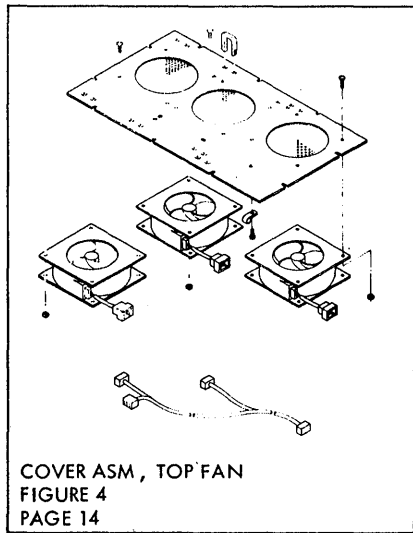
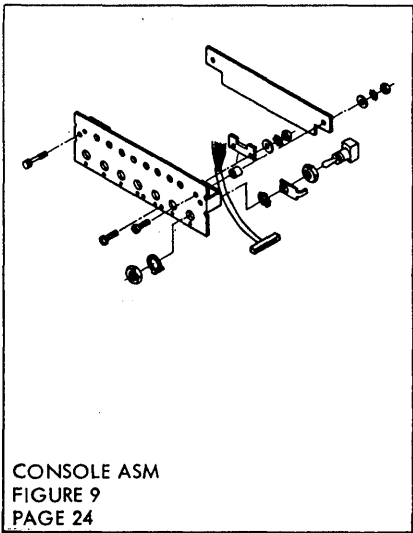


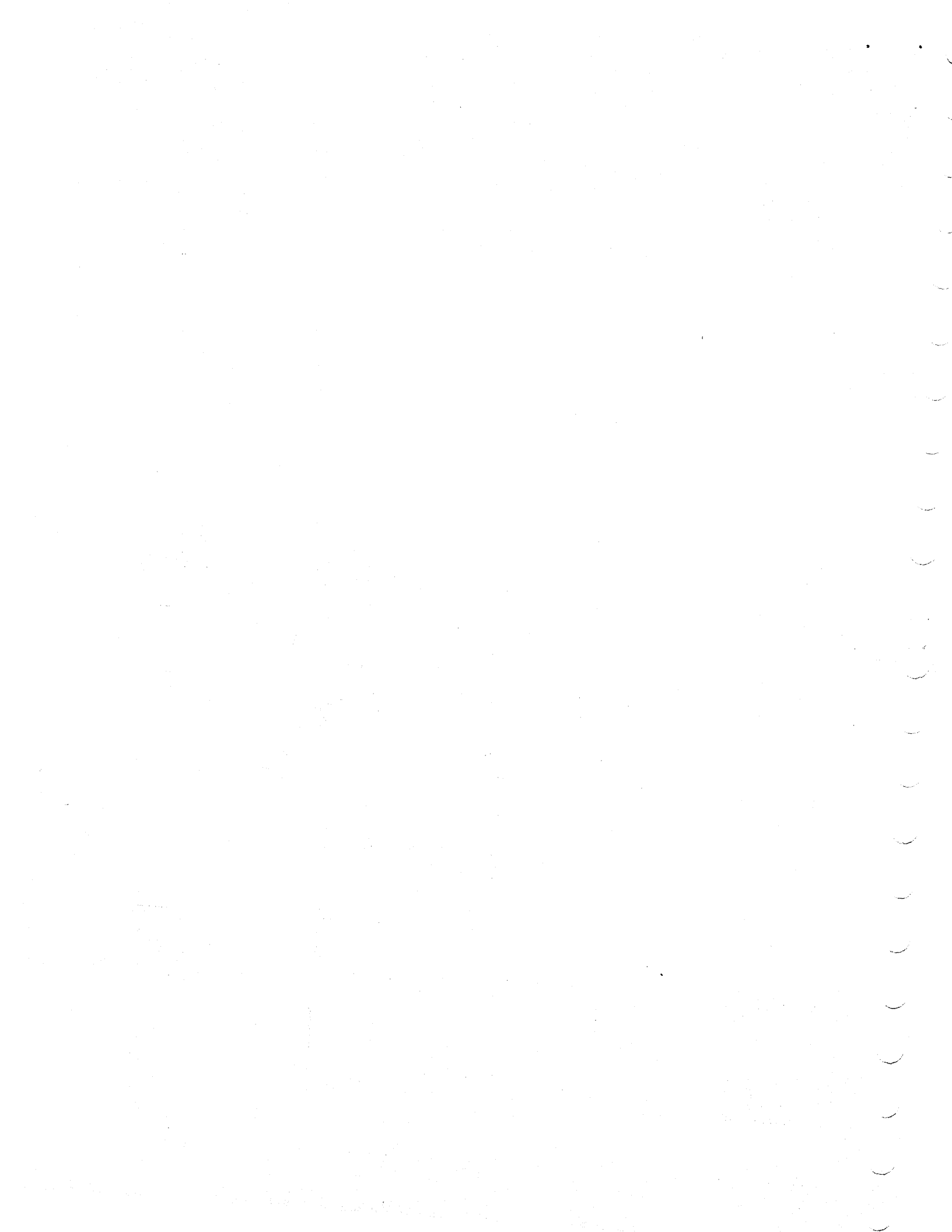
F/F CONSOLE ASM
FIGURE 7
PAGE 18

VISUAL INDEX I









CATALOG SECTION

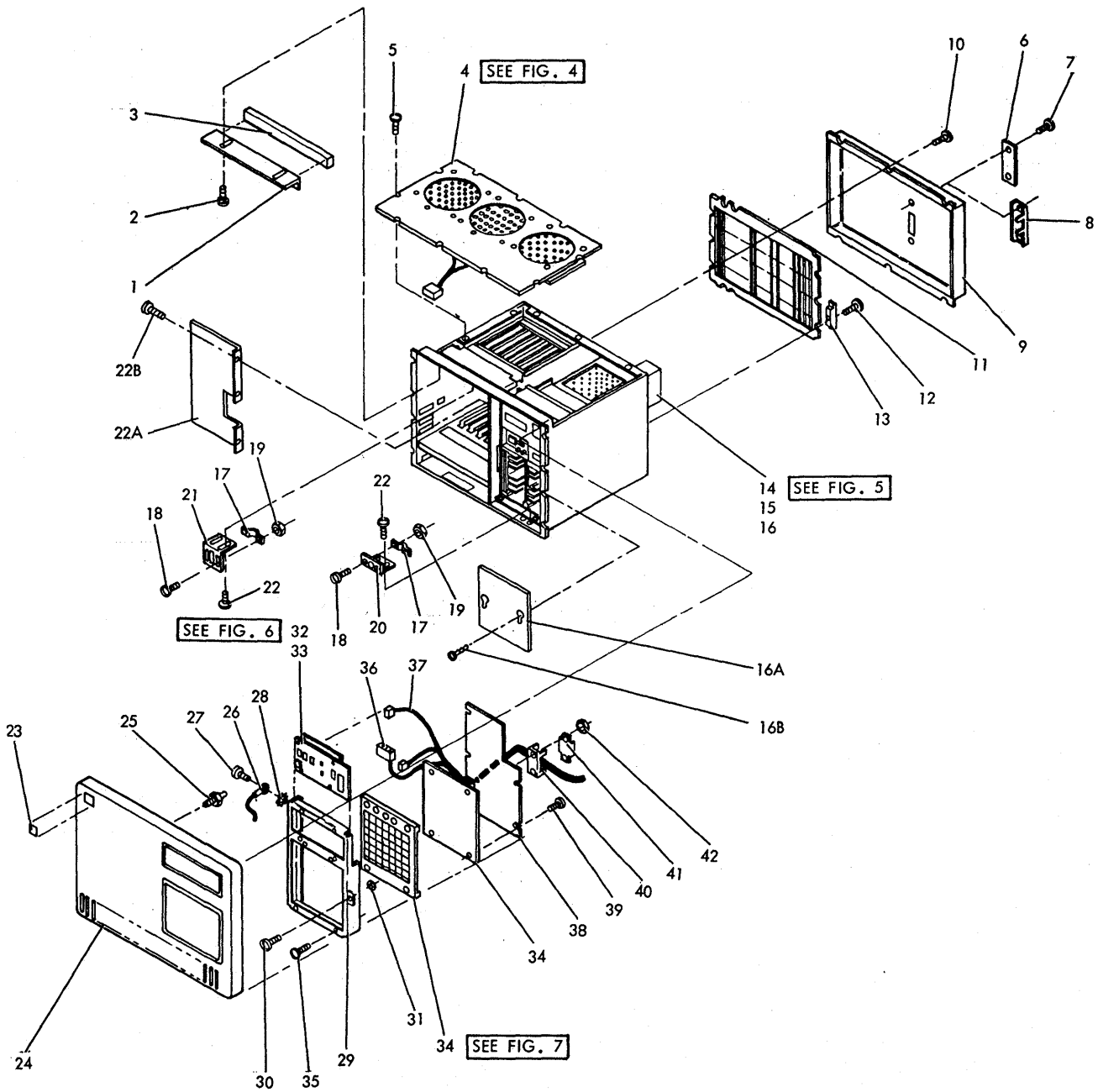


FIGURE 1. CARD FILE ASM, CPU. SHEET 1 OF 2. INDEX NOS. 1-42. SEE LIST 1.

FIGURE- INDEX NUMBER	PART NUMBER	UNITS PER ASM.	DESCRIPTION			
			1	2	3	4
1 -	NO NO.	REF	CARD FILE ASM, CPU FOR ILLUSTRATION SEE FIGURE 1			
- 1	1631007	1	. BRACKET-CABLE RETAINER			
- 2	10170	2	. SCREW, MACH-BIND HD 6-32 X 1/4 LG			
- 3	1631005	1	. FOAM			
- 4	1634933	1	. COVER ASM, TOP FAN FOR DETAIL BREAKDOWN SEE FIGURE 4			
- 5	10170	8	. SCREW, MACH-BIND HD 6-32 X 1/4 LG			
- 6	1637685	1	. PLATE			
- 7	221790	2	. SCREW, MACH BIND HD 8-32 X 3/16LG			
- 8	1637719	1	. RETAINER CABLE USED WITH 4999			
- 9	1631010	1	. COVER			
- 10	10170	6	. SCREW, MACH-BIND HD 6-32 X 1/4 LG			
- 11	1637547	1	. BACKBOARD, 4953 MODEL B			
- 11	4411935	1	. BACKBOARD, 4953 MODEL D			
- 11	1631120	1	. BACKBOARD, 4955 MODEL A			
- 11	1631122	1	. BACKBOARD, 4955 MODEL B			
- 11	4413322	1	. BACKBOARD, 4955 MODEL C			
- 11	4413324	1	. BACKBOARD, 4955 MODEL D			
- 12	811417	16	. SCREW, CAP-SOC HD 6-32 X 1/2 LG			
- 13	813179	16	. CLAMP			
- 14	NO NO.	1	. FILTER ASM FOR DETAIL BREAKDOWN SEE FIGURE 5			
- 15	32042	3	. SCREW, MACH-BIND HD 10-32 X 3/8 LG			
- 16	56079	3	. WASHER, LOCK EXT T .204ID .410OD			
- 16A	1634994	1	. SHIELD, SAFETY WTC 50 HZ AND JAPAN 50/60 HZ			
- 16B	38235	2	. SCREW, MACH-BIND HD 6-32 X 5/16 LG WTC 50 HZ AND JAPAN 50/60 HZ			
- 17	313453	3	. LATCH, CARD FEED COVER			
- 18	251970	6	. SCREW, MACH-PAN HD 4-40 X 1/4 LG			
- 19	37913	6	. NUT, JAM HEX 4-40 X .250 PL W			
- 20	1632719	2	. BRACKET			
- 21	1632150	1	. BRACKET			
- 22	10170	6	. SCREW, MACH-BIND HD 6-32 X 1/4 LG			
- 22A	1634786	1	. SHIELD, SAFETY WTC 50 HZ AND JAPAN 50/60 HZ			
- 22B	251970	3	. SCREW, MACH-PAN HD 4-40 X 1/4 LG WTC 50 HZ AND JAPAN 50/60 HZ			
- 23	1634855	1	. LOGO, 4953			
- 23	1634843	1	. LOGO, 4955			
- 24	1632721	1	. COVER ASM-FRONT			
- 25	220839	3	. STUD			
- 26	1637857	1	. JUMPER ASM			
- 27	221790	2	. SCREW, MACH BIND HD 8-32 X 3/16LG			
- 28	55901	2	. WASHER, LOCK EXT T .176DIA			
- 29	1637515	1	. FRAME-CONSOLE MTG			
- 30	55726	1	. SCREW, MACH BIND HD 6-32 X .188 LG			
- 31	1634599	1	. RETAINER			
- 32	1632009	1	. BASIC CONSOLE ASM, ENGLISH			
- 32	1634822	1	. BASIC CONSOLE ASM, FRENCH			
- 32	1634823	1	. BASIC CONSOLE ASM, GERMAN			
- 32	1634824	1	. BASIC CONSOLE ASM, ITALIAN FOR DETAIL BREAKDOWN SEE FIGURE 6			
- 33	251970	4	. SCREW, MACH-PAN HD 4-40 X 1/4 LG			
- 34	1637533	1	. PLATE, BLANK FILE FEATURE CONSOLE			
- 34	1637513	1	. F/F CONSOLE ASM, ENGLISH			
- 34	1634733	1	. F/F CONSOLE ASM, FRENCH			
- 34	1634734	1	. F/F CONSOLE ASM, GERMAN			
- 34	1634735	1	. F/F CONSOLE ASM, ITALIAN FOR DETAIL BREAKDOWN SEE FIGURE 7			
- 35	236550	4	. SCREW, MACH-BIND HD 4-40 X 3/8 LG			
- 36	1632010	1	. CABLE, INPUT			
- 37	1632196	1	. CABLE ASM, 5V DISTRIBUTION TO CONSOLE			
- 38	1637651	1	. COVER-CONSOLE FRAME			
- 39	10170	5	. SCREW, MACH-BIND HD 6-32 X 1/4 LG			
- 40	2456419	1	. GUIDE			
- 41	2456425	1	. CLAMP			
- 42	257189	2	. NUT, HEX 8-32 X 0.343 W			

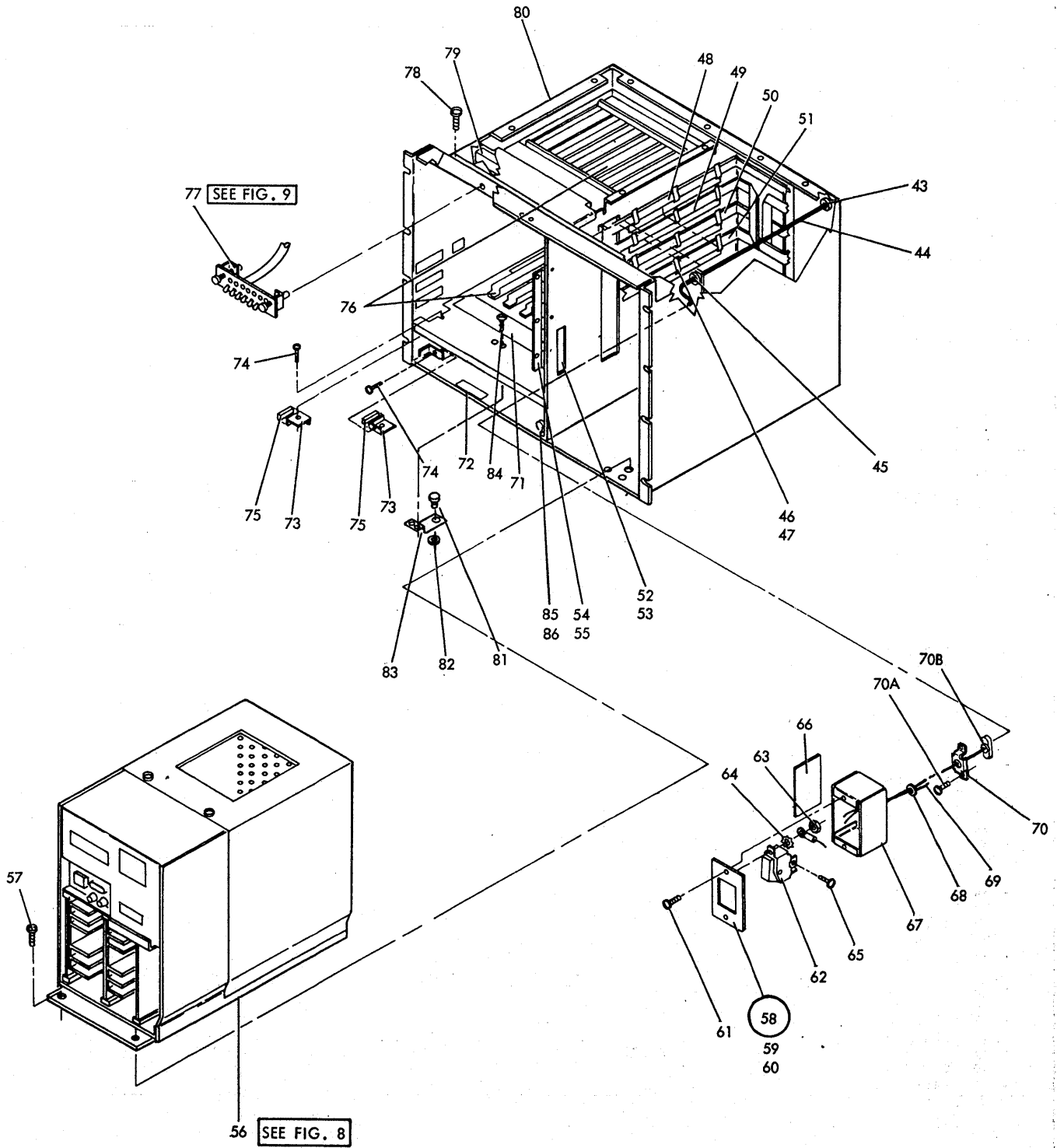


FIGURE 1. CARD FILE ASM, CPU. SHEET 2 OF 2. INDEX NOS. 43-86. SEE LIST 1.

FIGURE- INDEX NUMBER	PART NUMBER	UNITS PER ASM.	DESCRIPTION			
			1	2	3	4
1 - 43	265059	1
- 44	1632199	1
- 45	473442	1
- 46	1637720	4
- 47	438548	12	.	.	.	ATT PT
- 48	1632065	1
- 49	1632066	1
- 50	1632068	1
- 51	1632067	1
- 52	1634928	1
- 53	438548	2
- 54	1631013	1
- 55	438548	6	.	.	.	ATT PT
- 56	1637621	1
			FOR DETAIL BREAKDOWN SEE FIGURE 8			
- 57	236849	2	.	.	.	ATT PT
- 58	4411489	1
- 58	4411491	1
- 58	4411490	1
- 59	10170	4	.	.	.	ATT PT
- 60	1637516	1
- 61	438548	2	.	.	.	ATT PT
- 62	1634668	1
- 62	1634990	1
- 62	1634989	1
- 63	37913	2	.	.	.	ATT PT
- 64	338169	2	.	.	.	ATT PT
- 65	10170	2	.	.	.	ATT PT
- 66	138754	1
- 67	1637710	1
- 68	473422	1
- 69	1632199	1
- 70	2704110	1
- 70A	2704107	2	.	.	.	ATT PT
- 70B	1632198	1
- 71	1637977	1
- 72	737858	1
- 73	1634926	2
- 74	251970	2	.	.	.	ATT PT
- 75	1634927	2
- 76	1632634	30
- 77	1634580	1
			FOR DETAIL BREAKDOWN SEE FIGURE 9			
- 78	221790	14	.	.	.	ATT PT
- 79	1631005	1
- 80	1631002	1
- 81	5468294	1
- 82	2588053	1
- 83	4411313	1
- 84	251970	2	.	.	.	ATT PT
- 85	2102364	1
- 86	251970	1

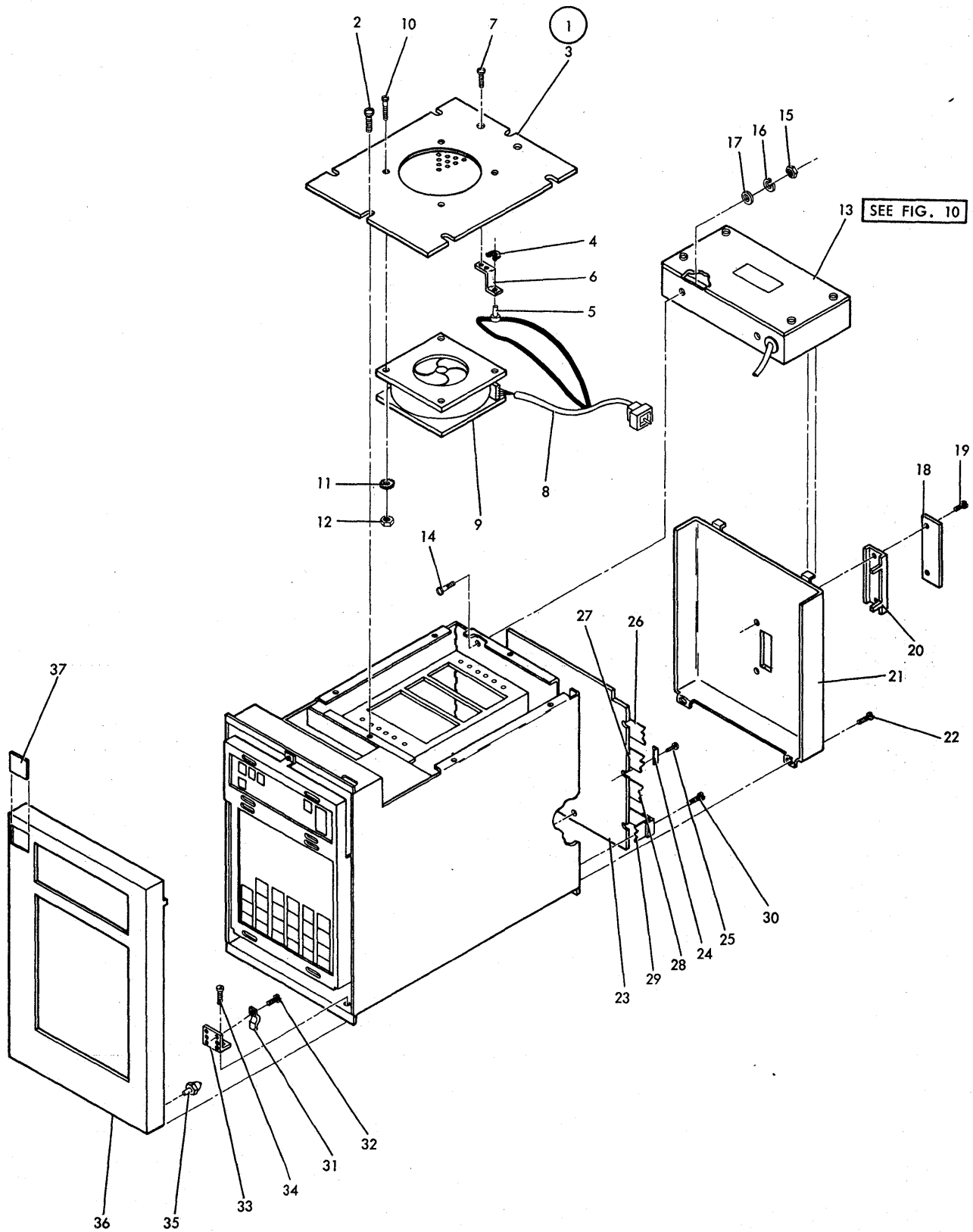


FIGURE 2. HALF WIDE CARD FILE ASM;CPU. SHEET 1 OF 2. INDEX NOS. 1-37. SEE LIST 2.

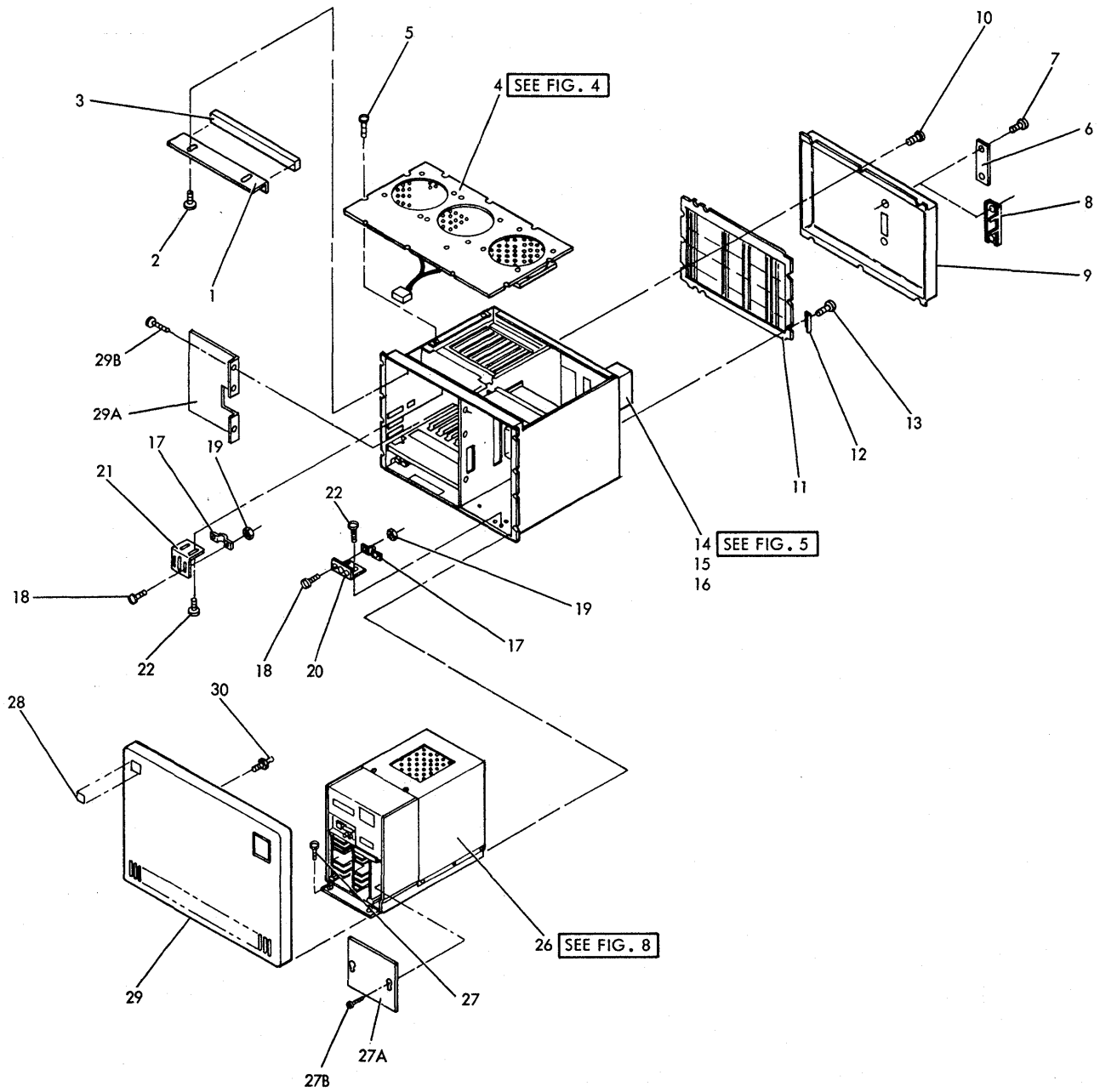


FIGURE 3. I/O EXPANSION UNIT ASM. SHEET 1 OF 2. INDEX NOS. 1 THRU 30. SEE LIST 3.

FIGURE- INDEX NUMBER	PART NUMBER	UNITS PER ASM.	DESCRIPTION			
			1	2	3	4
3 -	NO NO.	REF	I/O EXPANSION UNIT ASM			
			FOR ILLUSTRATION SEE FIGURE 3			
- 1	1631007	1	. BRACKET-CABLE RETAINER			
- 2	10170	2	. SCREW,MACH-BIND HD 6-32 X 1/4 LG			
- 3	1631005	1	. FOAM			
- 4	1634933	1	. COVER ASM, TOP FAN			
			FOR DETAIL BREAKDOWN SEE FIGURE 4			
- 5	10170	8	. SCREW,MACH-BIND HD 6-32 X 1/4 LG			
- 6	1637685	1	. PLATE			
- 7	221790	2	. SCREW,MACH BIND HD 8-32 X 3/16LG			
- 8	1637719	1	. RETAINER CABLE			
- 9	1631010	1	. COVER			
- 10	10170	6	. SCREW,MACH-BIND HD 6-32 X 1/4 LG			
- 11	1631124	1	. BACKBOARD			
- 12	813179	16	. CLAMP			
- 13	811417	16	. SCREW,CAP-SOC HD 6-32 X 1/2 LG			
- 14	NO NO.	1	. FILTER ASM			
			FOR DETAIL BREAKDOWN SEE FIGURE 5			
- 15	32042	3	. SCREW,MACH-BIND HD 10-32 X 3/8 LG			
- 16	56079	3	. WASHER, LOCK EXT T .204ID .4100D			
- 17	313453	3	. LATCH, CARD FEED COVER			
- 18	251970	6	. SCREW,MACH-PAN HD 4-40 X 1/4 LG			
- 19	37913	6	. NUT, JAM HEX 4-40 X .250 PL W			
- 20	1632719	2	. BRACKET			
- 21	1632150	1	. BRACKET			
- 22	10170	6	. SCREW,MACH-BIND HD 6-32 X 1/4 LG			
- 26	1637621	1	. POWER SUPPLY ASM			
			FOR DETAIL BREAKDOWN SEE FIGURE 8			
- 27	236849	2	. SCREW, MACH BIND HD 10-32 X .250LG			
- 27A	1634994	1	. SHIELD, SAFETY			
			WTC 50 HZ AND JAPAN 50/60 HZ			
- 27B	38235	2	. SCREW,MACH-BIND HD 6-32 X 5/16 LG			
			WTC 50 HZ AND JAPAN 50/60 HZ			
- 28	1634854	1	. LOGO			
- 29	1632722	1	. COVER ASM, FRONT I/O			
- 29A	1634786	1	. SHIELD, SAFETY			
			WTC 50 HZ AND JAPAN 50/60 HZ			
- 29B	251970	2	. SCREW,MACH-PAN HD 4-40 X 1/4 LG			
			WTC 50 HZ AND JAPAN 50/60 HZ			
- 30	220839	3	. STUD			

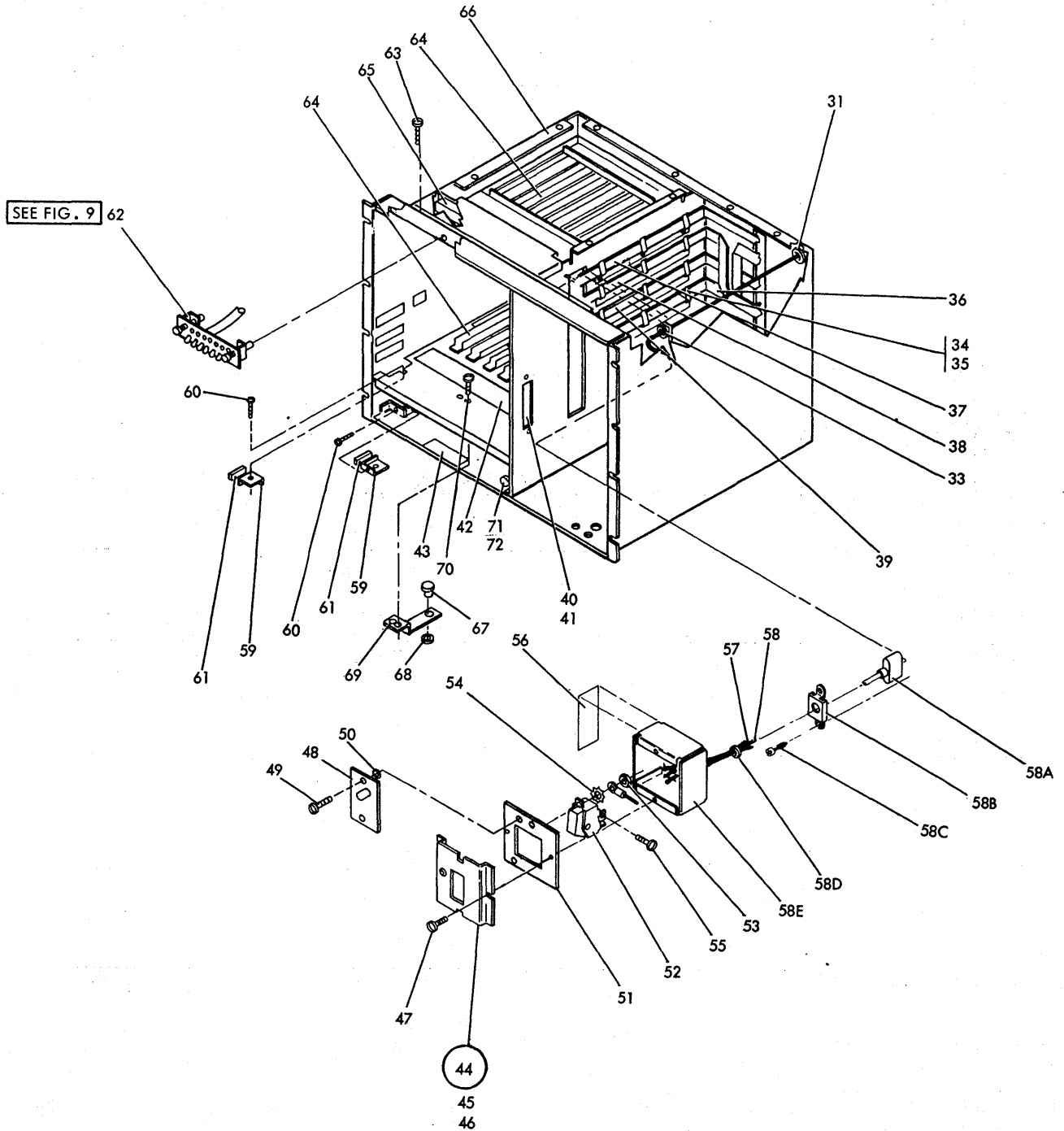


FIGURE 3. I/O EXPANSION UNIT ASM. SHEET 2 OF 2. INDEX NOS. 31-72. SEE LIST 3.

FIGURE- INDEX NUMBER	PART NUMBER	UNITS PER ASM.	DESCRIPTION					
			1	2	3	4		
J - 31	473442	1	GROMMET,CATERPILLAR- 12.62 INCH LG	
- 33	473442	1	GROMMET,CATERPILLAR- 12.62 INCH LG	
- 34	1637720	4	CLIP, SPRING-CABLE RETAINER	
- 35	438548	12	SCREW,MACH-BIND HD 4-40 X 3/16 LG	ATT PT
- 36	1632067	1	CABLE ASM,S3 TO P4	
- 37	1632065	1	CABLE ASM,S2 TO P1	
- 38	1632066	1	CABLE ASM,S5 TO P2	
- 39	1632068	1	CABLE ASM,PWR SUPPLY-SIGNAL	
- 40	1634928	1	COVER	
- 41	438548	2	SCREW,MACH-BIND HD 4-40 X 3/16 LG	ATT PT
- 42	1637977	1	MARKER STRIP	
- 43	737858	1	LABEL, WARNING	
- 44	4411485	1	SWITCH BOX ASM,ENGLISH	
- 44	4411487	1	SWITCH BOX ASM,FRENCH AND ITALIAN	
- 44	4411486	1	SWITCH BOX ASM,GERMAN	
- 45	81693	3	SCREW,MACH BIND HD 6-32 X 3/8 LG	ATT PT
- 46	1637708	1	BRACKET	
- 47	251970	2	SCREW,MACH-PAN HD 4-40 X 1/4 LG	ATT PT
- 48	1634988	1	CARD ASM	
- 49	186759	2	SCREW, MACH BIND HD 8-32 X .313 LG	ATT PT
- 50	521652	2	SPACER	ATT PT
- 51	1637707	1	PLATE,MOUNTING	
- 52	1634668	1	SWITCH,ROCKER-POWER ON/OFF ENGLISH	
- 52	1634990	1	SWITCH,ROCKER-POWER ON/OFF FRENCH AND ITALIAN	
- 52	1634989	1	SWITCH,ROCKER-POWER ON/OFF GERMAN	
- 53	37913	2	NUT, JAM HEX 4-40 X .250 FL W	ATT PT
- 54	338169	2	WASHER,LOCK EXT T 1/8 ID X 1/4 OD	ATT PT
- 55	10170	4	SCREW,MACH-BIND HD 6-32 X 1/4 LG	ATT PT
- 56	138754	1	LABEL,VOLTAGE	
- 57	1632768	1	CABLE ASM,PLUS 5V DISTRIBUTION-I/O EXP	
- 58	1632199	1	CABLE ASM,FILTER TO SWITCH	
- 58A	1632198	1	POWER CABLE,SHIELDED	
- 58B	2704110	1	RETAINER,CABLE	
- 58C	2704107	2	SCREW,CAPTIVE	ATT PT
- 58D	473422	1	GROMMET	
- 58E	1637709	1	BOX,SWITCH	
- 59	1634926	2	CLAMP,INTERFACE CABLE	
- 60	251970	2	SCREW,MACH-PAN HD 4-40 X 1/4 LG	
- 61	1634927	2	FOAM	
- 62	1634580	1	CONSOLE ASM FOR DETAIL BREAKDOWN SEE FIGURE 9	
- 63	221790	14	SCREW,MACH BIND HD 8-32 X 3/16LG	ATT PT
- 64	1632634	30	CARD GUIDE	
- 65	1631005	1	FOAM	
- 66	1631002	1	CHASSIS,CARD FILE	
- 67	5468294	1	THERMAL SWITCH	
- 68	2588053	1	CLIP	
- 69	4411313	1	BRACKET	
- 70	251970	2	SCREW,MACH-PAN HD 4-40 X 1/4 LG	
- 71	2102364	1	CLAMP,CABLE .220 ID	
- 72	251970	1	SCREW,MACH-PAN HD 4-40 X 1/4 LG	ATT PT

FOR PARTS
NOT SHOWN
SEE FIGS. 1 & 3

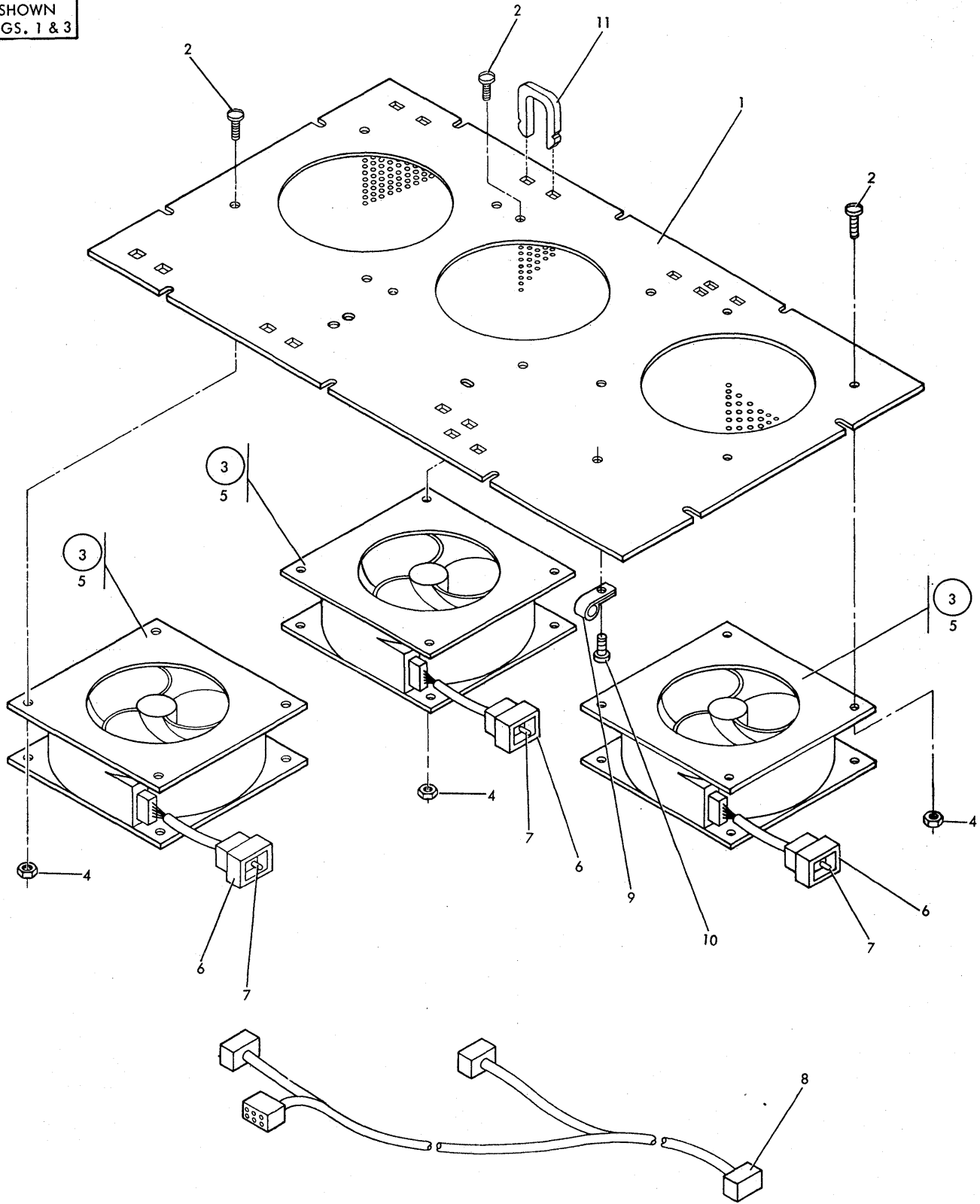


FIGURE 4. COVER ASM, TOP-FAN. SEE LIST 4.

FOR PARTS
NOT SHOWN
SEE FIGS. 1 & 3

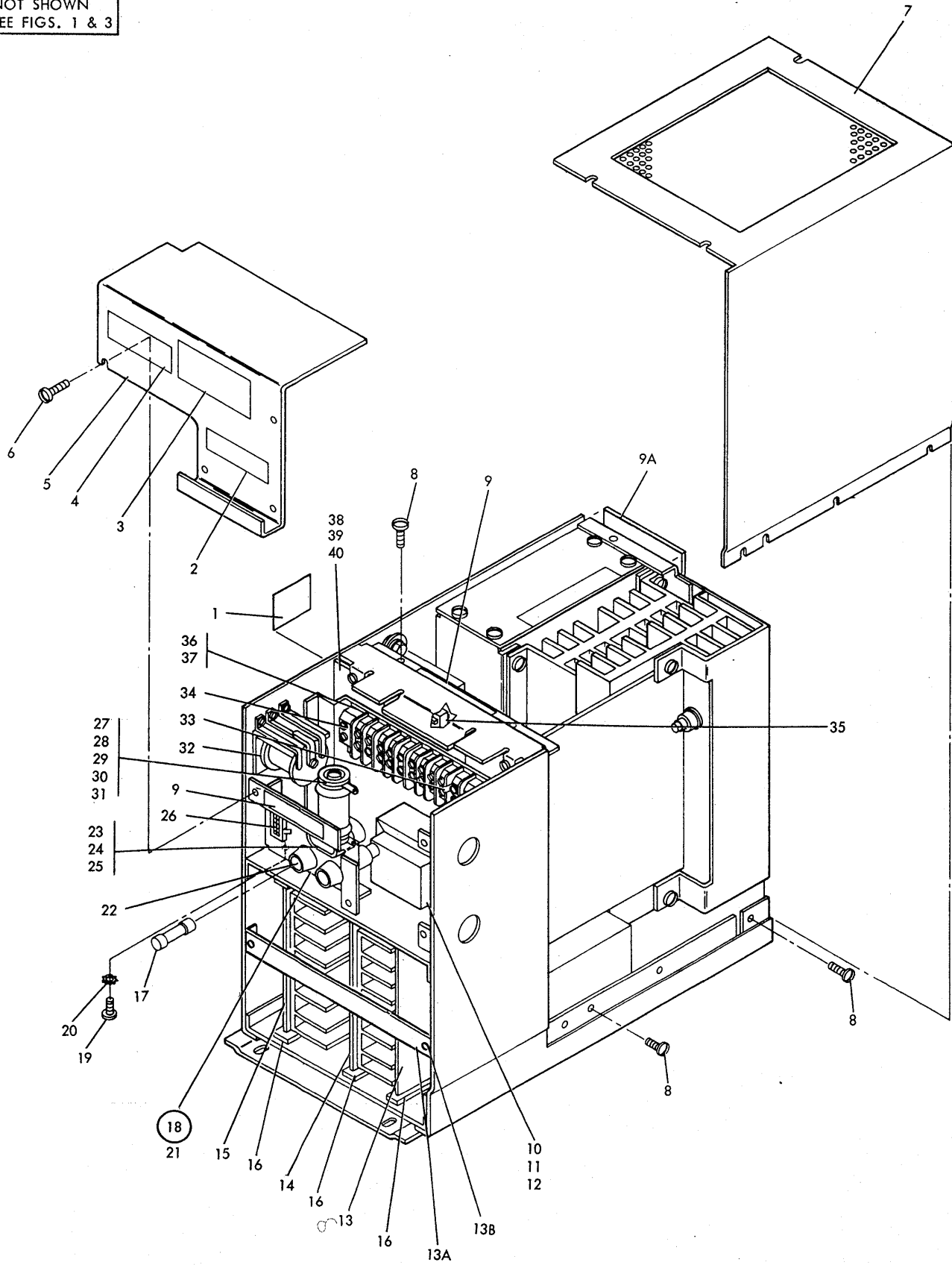


FIGURE 8. POWER SUPPLY ASM. SHEET 1 OF 2. INDEX NOS. 1 THRU 40. SEE LIST 8.

FIGURE- INDEX NUMBER	PART NUMBER	UNITS PER ASM.	DESCRIPTION				
			1	2	3	4	
8 -	1637621	REF	. POWER SUPPLY ASM FOR NEXT HIGHER ASM SEE FIGURE 1-56 AND 3-26 AND FOR ILLUSTRATION FIGURE 8				
- 1	1634511	1	. LABEL,OUTPUT CONNECTORS				
- 2	845762	1	. LABEL,VOLTAGE				
- 3	1637972	1	. LABEL,SAFETY				
- 4	5892077	1	. LABEL				
- 5	1637623	1	. COVER-PRIME POWER				
- 6	55726	4	. SCREW, MACH BIND HD 6-32 X .188 LG				ATT PT
- 7	1637622	1	. COVER-TOP				
- 8	55726	6	. SCREW, MACH BIND HD 6-32 X .188 LG				ATT PT
- 9	124943	2	. LABEL,HAZARD				
- 9A	4410715	1	. PAD				
- 10	1637693	1	. TRANSFORMER				
- 11	10170	2	. SCREW,MACH-BIND HD 6-32 X 1/4 LG				ATT PT
- 12	56722	1	. WASHER,LOCK EXT T .150ID				ATT PT
- 13	4412948	1	. CARD ASM,SEQ				
- 13A	4412998	1	. RETAINER				
- 13B	38235	2	. SCREW,MACH-BIND HD 6-32 X 5/16 LG				ATT PT
- 14	4412933	1	. CARD ASM,8.5/5V				
- 15	4412932	1	. CARD ASM,12V				
- 16	1637632	6	. GUIDE-CARD				
- 17	511063	2	. FUSE,CARTRIDGE- 10 A 250 V AC/DC				
- 18	1637837	1	. CONNECTOR ASM				
- 19	10170	4	. SCREW,MACH-BIND HD 6-32 X 1/4 LG				ATT PT
- 20	56722	2	. WASHER,LOCK EXT T .150ID				ATT PT
- 21	1637838	1	. BRACKET,CONNECTOR MOUNTING				
- 22	179946	2	. FUSEHOLDER- 1 POS 15 AMP 250V				
- 23	4406541	1	. CONNECTOR				
- 24	2704109	2	. STUD				
- 25	338169	4	. WASHER,LOCK EXT T 1/8 ID X 1/4 OD				ATT PT
- 26	609686	1	. CONNECTOR,6 POS				
- 27	2392055	1	. RESISTOR				
- 28	438583	1	. SCREW				ATT PT
- 29	55901	1	. WASHER,LOCK EXT T .176DIA				ATT PT
- 30	510468	2	. WASHER,CUPPED- 1/64ID X 1/20D X 1/32 LG				ATT PT
- 31	321603	2	. WASHER,FLAT- 0.380ID X 0.6250D X 0.031TK				ATT PT
- 32	2283000	1	. RELAY				
- 33	1143227	2	. JUMPER				
- 34	522850	1	. BLOCK,TERMINAL -10 POSITION				
- 35	2731837	1	. HOUSING				
- 36	522849	1	. STRIP,MARKER				
- 37	35739	4	. SCREW,MACH BIND HD 6-32 X 15/16 LG				ATT PT
- 38	1634934	1	. CARD ASM				
- 39	10170	4	. SCREW,MACH-BIND HD 6-32 X 1/4 LG				ATT PT
- 40	236849	4	. SCREW, MACH BIND HD 10-32 X .250LG				ATT PT

FOR PARTS
NOT SHOWN
SEE FIGS. 1 & 3

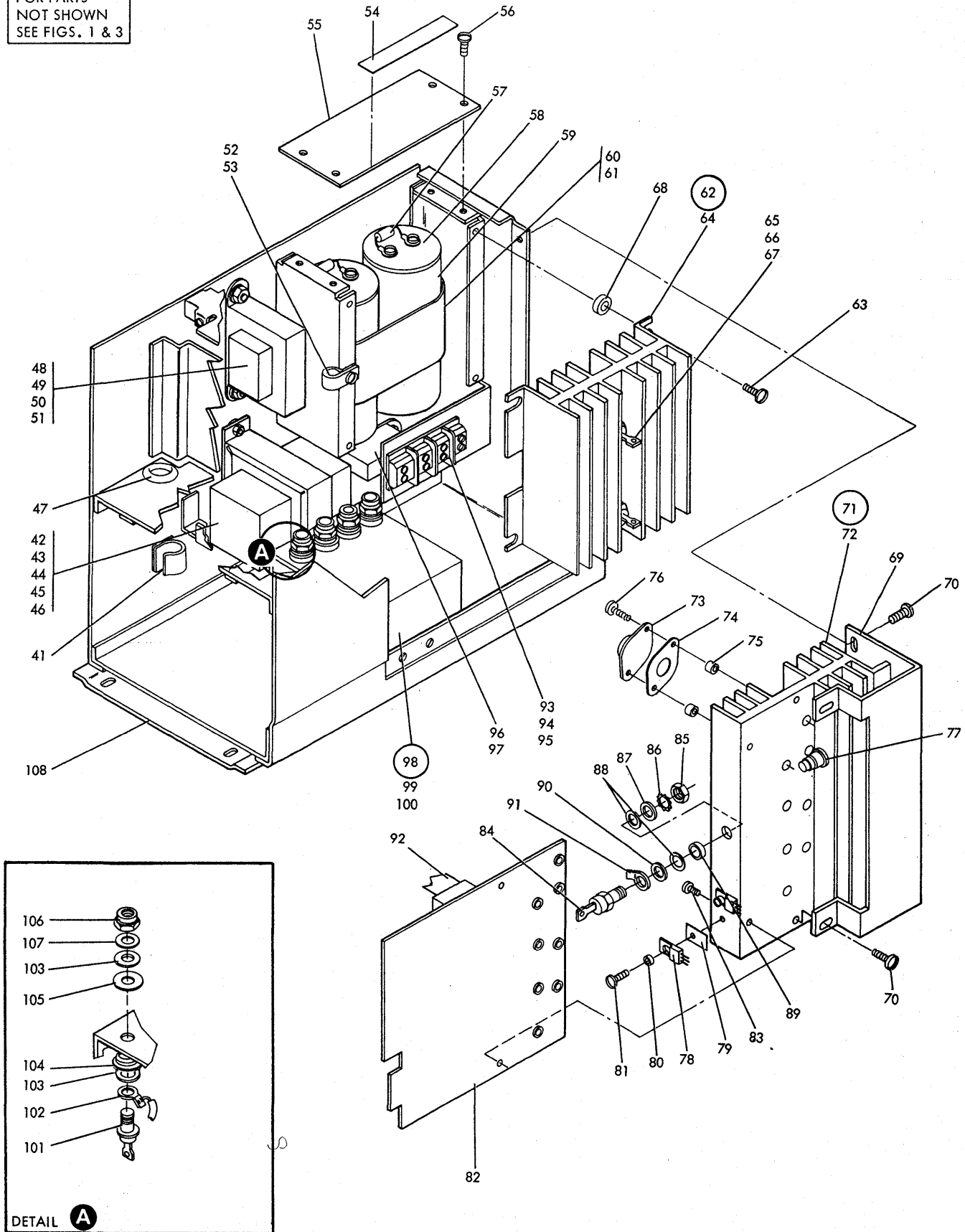


FIGURE 8. POWER SUPPLY ASM. SHEET 2 OF 2. INDEX NOS. 41 THRU 108. SEE LIST 8.

FIGURE- INDEX NUMBER	PART NUMBER	UNITS PER ASM.	DESCRIPTION			
			1	2	3	4
8 - 41	2596291	1	.	CLAMP		
- 42	1637903	1	.	TRANSFORMER ASM		
- 43	221790	1	.	SCREW,MACH BIND HD 8-32 X 3/16LG	ATT PT	
- 44	34512	1	.	SCREW,MACH-BIND HD 8-32 X 3/8 LG	ATT PT	
- 45	257189	1	.	NUT,PLAIN-HEX 8-32 X 0.343 W	ATT PT	
- 46	55901	3	.	WASHER,LOCK EXT T .176DIA	ATT PT	
- 47	265059	1	.	GROMMET		
- 48	1637696	1	.	TRANSFORMER		
- 49	34512	2	.	SCREW,MACH-BIND HD 8-32 X 3/8 LG	ATT PT	
- 50	257189	2	.	NUT,PLAIN-HEX 8-32 X 0.343 W	ATT PT	
- 51	55901	3	.	WASHER,LOCK EXT T .176DIA	ATT PT	
- 52	533289	1	.	CLAMP		
- 53	81693	1	.	SCREW,MACH BIND HD 6-32 X 3/8 LG	ATT PT	
- 54	1637839	1	.	LABEL, CAUTION		
- 55	1637816	1	.	SHIELD, SAFETY		
- 56	10170	4	.	SCREW,MACH-BIND HD 6-32 X 1/4 LG	ATT PT	
- 57	1637697	2	.	RESISTOR ASM		
- 58	362206	2	.	SHIELD,CAPACITOR		
- 59	1582627	2	.	CAPACITOR		
- 60	1637698	1	.	BRACKET-CAP MTG		
- 61	322551	2	.	SCREW,MACH BIND HD 6-32 X 3/4 LG	ATT PT	
- 62	1637692	1	.	HEATSINK ASM		
- 63	81693	4	.	SCREW,MACH BIND HD 6-32 X 3/8 LG	ATT PT	
- 64	1637630	1	.	HEAT SINK		
- 65	1582810	2	.	RECTIFIER		
- 66	160017	2	.	NUT,HEX 1/4-28 X 7/16 FL W	ATT PT	
- 67	76574	2	.	WASHER,LOCK EXT T 1/4 ID X 1/2 OD	ATT PT	
- 68	337549	4	.	INSULATOR		
- 69	1637821	1	.	BRACKET, MOUNTING		
- 70	10170	4	.	SCREW,MACH-BIND HD 6-32 X 1/4 LG	ATT PT	
- 71	4411056	1	.	CARD ASM		
- 72	1637699	1	.	HEATSINK		
- 73	2396783	4	.	TRANSISTOR		
- 74	1842438	4	.	INSULATOR		
- 75	4411057	8	.	BUSHING		
- 76	81693	8	.	SCREW,MACH BIND HD 6-32 X 3/8 LG	ATT PT	
- 77	2590821	1	.	SWITCH, THERMAL		
- 78	2396682	2	.	TRANSISTOR		
- 79	1634570	2	.	INSULATOR,TRANSISTOR		
- 80	5564427	2	.	BUSHING		
- 81	251970	2	.	SCREW,MACH-PAN HD 4-40 X 1/4 LG	ATT PT	
- 82	1634906	1	.	CARD		
- 83	81693	2	.	SCREW,MACH BIND HD 6-32 X 3/8 LG	ATT PT	
- 84	2396801	1	.	DIODE		
- 85	11598	1	.	NUT, HEX 10-32	ATT PT	
- 86	9092	1	.	WASHER,LOCK SPLIT RING .194ID .337OD	ATT PT	
- 87	4410752	1	.	WASHER,FLAT NO. 10 X .610 OD X 1/32 THK	ATT PT	
- 88	2611165	1	.	WASHER		
- 89	4410721	1	.	BUSHING		
- 90	4410752	1	.	WASHER,FLAT NO. 10 X .610 OD X 1/32 THK		
- 91	316996	1	.	LUG,SOLDER TERMINAL		
- 92	1637844	1	.	CABLE ASM, CAPS TO CONN		
- 93	436972	1	.	TERMINAL BLOCK		
- 94	607331	1	.	INSULATOR,TERMINAL BLOCK		
- 95	5528	4	.	SCREW,MACH BIND HD 8-32 X .625LG	ATT PT	
- 96	1637695	1	.	INDUCTOR		
- 97	221790	2	.	SCREW,MACH BIND HD 8-32 X 3/16LG	ATT PT	
- 98	4410719	1	.	HEATSINK ASM		
- 99	10170	3	.	SCREW,MACH-BIND HD 6-32 X 1/4 LG	ATT PT	
-100	4410720	1	.	HEATSINK		
-101	2396803	4	.	DIODE		
-102	1637819	1	.	CABLE ASM		
-103	4410752	8	.	WASHER,FLAT NO. 10 X .610 OD X 1/32 THK	ATT PT	
-104	4410721	8	.	BUSHING		
-105	2611165	4	.	WASHER		
-106	11598	4	.	NUT, HEX 10-32	ATT PT	
-107	9092	4	.	WASHER,LOCK SPLIT RING .194ID .337OD	ATT PT	
-108	1637650	1	.	CHASSIS		