

88 Collator

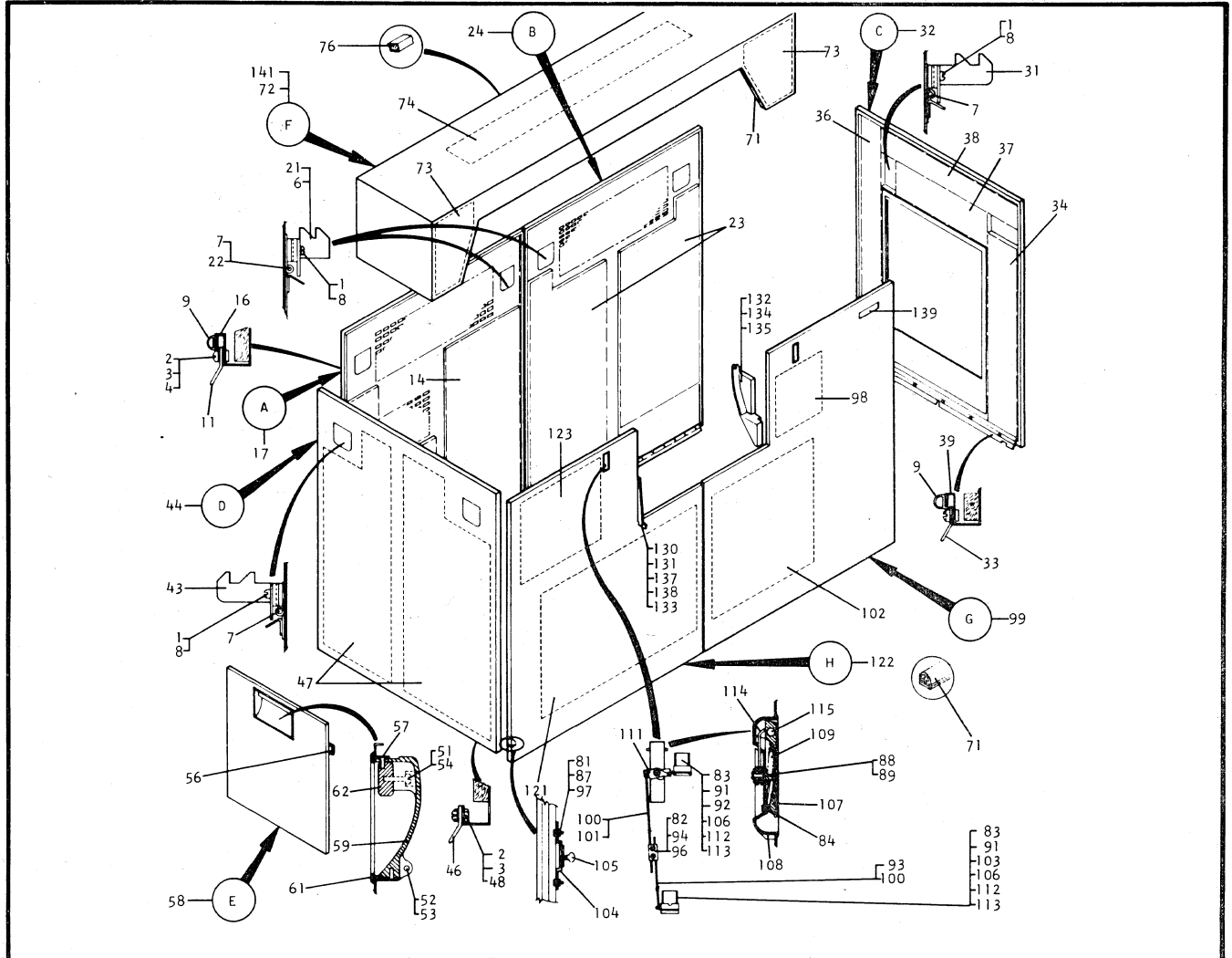
*Page 2 will help in locating the figure number on which the particular part desired will be found.*

*All assemblies are identified by an alphabetical character enclosed in a circle. The component parts of the assembly are indicated by a reference no. When an assembly is listed, for example B, all parts that are listed between B and C are component parts of B.*

## Table of Contents

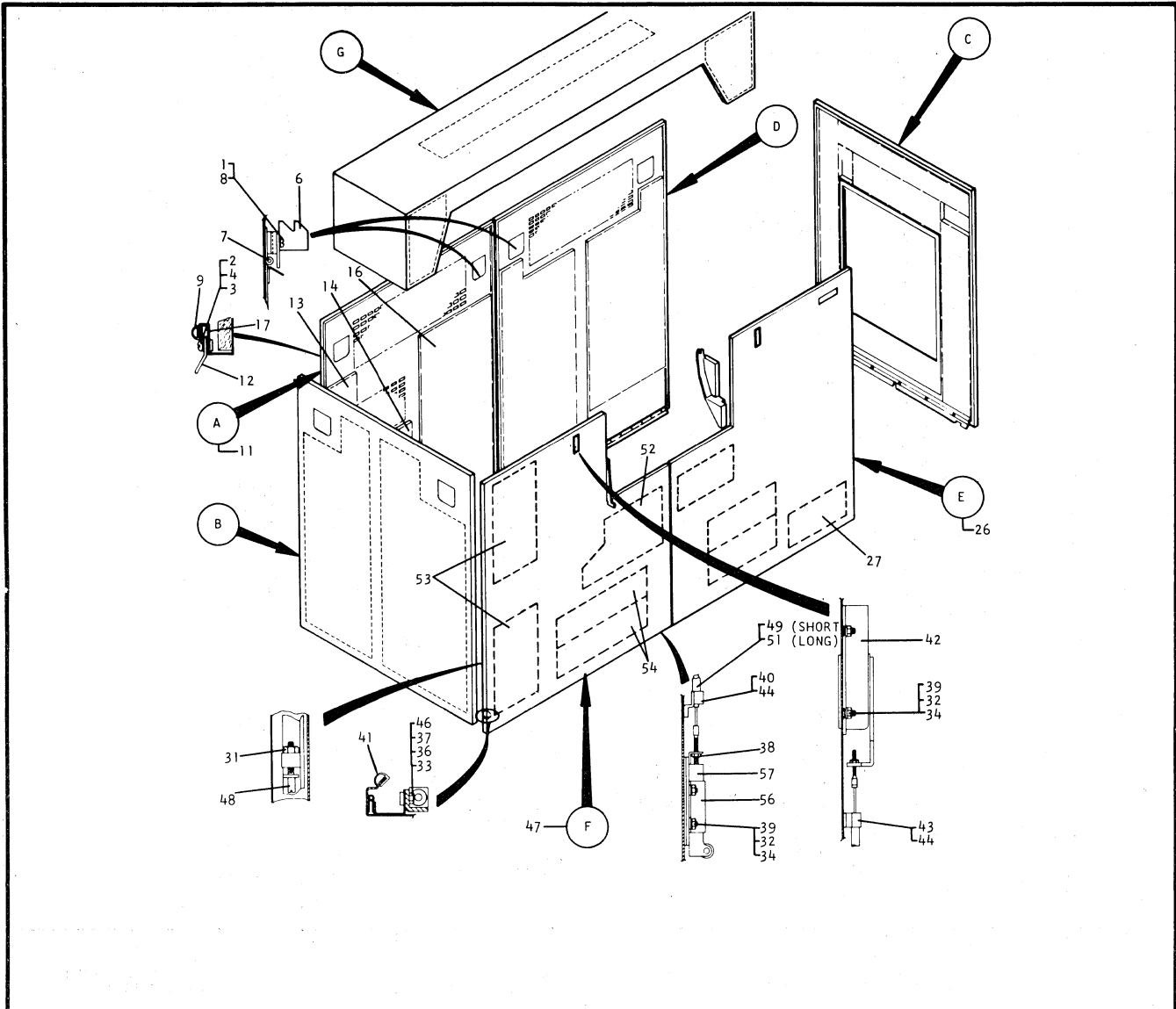
FIGURES 1 &	2	COVERS
	3	DIAGNOSTIC AID PANEL AND UNITIZED SWITCH ASMS
4 &	5	PRIMARY FILE FEED ASM
	6	SECONDARY FEED ASM
	7	PRIMARY AND SECONDARY UPPER FEED ROLL ASMS
	8	PRIMARY AND SECONDARY LOWER FEED ROLL ASMS
	9	PRIMARY AND SECONDARY FRONT SIDE FRAME ASM
	10	PRIMARY AND SECONDARY REAR SIDE FRAME ASM
	11	RETRACTABLE BRUSH AND CARD GUIDE ASMS
	12	DYNAMIC TIMER ASM
	13	TRANSPORT ASM
	14	STACKER ASM
	15	PRIMARY CLUTCH ASM
	16	SECONDARY CLUTCH ASM
	17	C. B. ASMS
	18	C. E. AID PANEL ASM
	19	RELAY GATE AND R. C. PANEL ASMS (TUBE AND TSTR)
	20	SMS GATE AND DYNAMIC TIMER POWER SUPPLY ASMS
	21	TUBE GATE ASM
22 THRU	24	POWER SUPPLY ASMS
	25	FRAME ASM
	26	CONTROL PANEL ASM
	27	51-80 COL FILE FEED AND FEED ROLL ASMS
	28	51-80 COL HOPPER AND JOGGLER ASMS
	29	51-80 COL CARD GUIDE AND C. B. ASMS
	30	51-80 COL TRANSPORT ASM
31 &	32	51-80 COL STACKER ASM
	33	COUNT DEVICE ASM
	34	AUXILIARY COUNTER AND INNER RELAY GATE ASMS
	35	CASTING, JOGGLER & D. P. D. T. SWITCHES
	36	CABLE COMPONENTS
37 THRU	41	NUMERICAL INDEX

# SIDE COVER ASMS (REDESIGNED)



A	603675	COVER ASM LEFT REAR	E	602659	PANEL ASM PLUG BOARD	96	535802	CLAMP ROD TOP
1	232	SCREW LATCH MTG	51	358	SCREW HANDLE MOUNTING	97	602721	LOCK NUT
2	32042	SCREW REAR STRIP MTG	52	443	SCREW HANDLE MOUNTING	98	603151	DAMPER RT FRONT UPPER
3	45690	WASHER REAR STRIP MTG	53	56079	LWASHER HANDLE MOUNTING	99	603192	COVER RIGHT FRONT
4	56079	LWASHER REAR STRIP MTG	54	56121	LWASHER HANDLE MOUNTING	100	603895	COVER PULL ROD
6	207638	LATCH RH	56	205565	STOP CTRL PNL DOOR	101	603274	PULL ROD
7	211561	SPRING RH LATCH	57	316807	SCREW HANDLE MOUNTING	102	603500	DAMPER RT FRONT LOWER
8	219608	BUSHING RH LATCH	58	602513	DOOR CONTROL PANEL	103	607610	SCREW
9	444806	SEAL DUST	59	608914	HANDLE CTRL PNL DOOR	104	609664	BRACKET FRONT DOOR HINGE
11	602583	STRIP MOUNTING REAR	61	2102475	TRIM HANDLE	105	609671	THUMB SCREW FRONT COVER
14	602621	DAMPER L R COVER	62	2102478	BAR HANDLE CTRL PNL DOOR	106	609668	BAIL LIFT LATCH
16	602802	MTG MEMBER R CVR	F	602982	COVER ASM TOP	107	721933	HANDLE LIFT LATCH
17	603674	COVER LEFT REAR	71	444806	SEAL DUST	108	721934	HOUSING LIFT LATCH
B	602519	COVER ASM RIGHT REAR	72	602541	COVER-TOP	109	721935	SPRING HANDLE
21	207678	LATCH-LH	73	602608	DAMPER TOP COVER	111	721936	LEVER LIFT LATCH
22	223736	SPRING-LATCH	74	602609	DAMPER-TOP COVER	112	609685	PIN
23	602161	DAMPER-R R COVER	76	602611	GASKET-TOP COVER	113	721940	SPRING BAIL
24	602517	COVER RIGHT REAR	G	603193	COVER ASM RIGHT FRONT	114	721941	SPRING LEVER
		FOR REMAINDER OF PARTS SEE ASM A 603675	81	1940	WASHER	115	2100265	PIN
C	602522	COVER ASM RIGHT END	82	10170	SCREW	H	603195	COVER ASM LEFT FRONT
31	219715	LATCH- R H	83	62031	WASHER	121	602619	DAMPER LEFT FRONT LOWER
32	602520	COVER RIGHT END	84	79204	BUMPER RUBBER	122	603194	COVER LEFT FRONT
33	602582	STRIP-MOUNTING END	87	120211	SCREW	123	603501	DAMPER LEFT FRONT UPPER
34	602620	DAMPER R E COVER	88	221651	WASHER			FOR REMAINDER OF PARTS SEE ASM G 603193
36	602622	DAMPER-RE COVER	89	251970	SCREW			PARTS NOT INCLUDED WITH ASM
37	602623	DAMPER RT END COVER	91	257187	NUT	130	25263	WASHER FT CVR CAP MTG
38	602624	DAMPER-RE COVER	92	609728	SCREW SPADE	131	55901	LWASHER FT CVR CAP MTG
39	602801	MTG MEMBER E CVR	93	535799	PULL ROD	132	236849	SCREW PKT FILLER CVR MTG
		FOR REMAINDER OF PARTS SEE ASM A 603675	94	535801	CLAMP ROD BASE	133	257189	NUT FT COV CAP MTG
D	602523	COVER ASM LEFT END				134	602514	FILLER STACKER LEFT
43	219717	LATCH LH COVER				135	602515	FILLER STACKER RIGHT
44	602521	COVER LEFT END				137	602546	CAP LEFT FT COVER
46	602582	STRIP MTG END				138	602547	CAP RIGHT FT COVER
47	602614	DAMPER TOP COVER				139	602553	NAME PLATE-COLLATOR
48	602721	LOCK NUT				141	603078	NUT TOP COVER MTG
		FOR REMAINDER OF PARTS SEE ASM A 603675						

# SIDE COVER ASMS

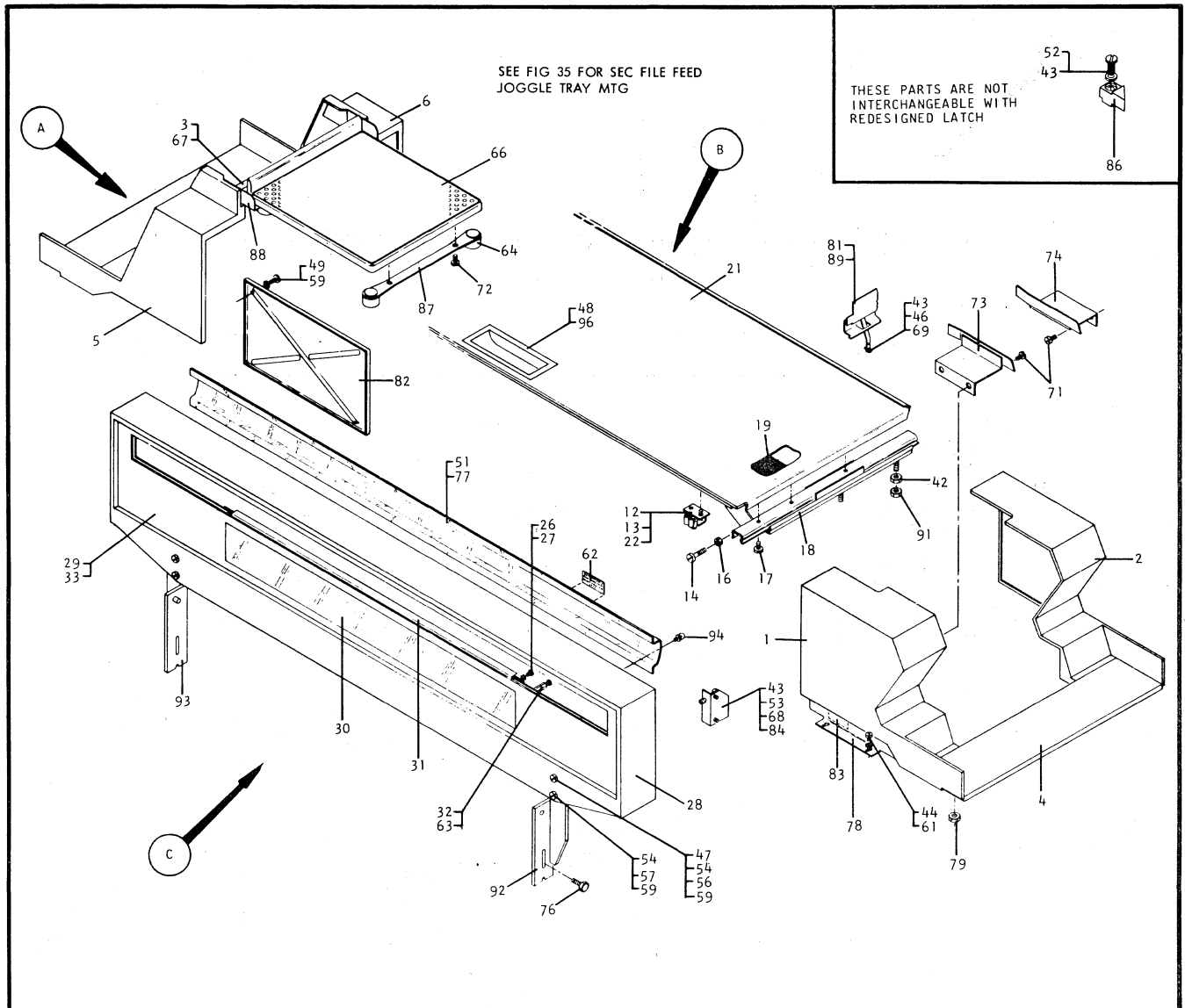


A	602518	COVER ASM LEFT REAR
1	232	SCREW-LATCH MTG
2	32042	SCREW-REAR STRIP MTG
3	45690	WASHER REAR STRIP
4	56079	LWASHER REAR STRIP MTG
6	207638	LATCH-R H
7	211561	SPRING-RH LATCH
8	219608	BUSHING-R H LATCH
9	444806	SEAL DUST
11	602516	COVER LEFT REAR
12	602583	STRIP-MOUNTING REAR
13	602618	DAMPER-LR COVER
14	602619	DAMPER-LR COVER
16	602621	DAMPER LR CVR
17	602802	MTG MEMBER R CVR
B	602519	COVER ASM RIGHT REAR FOR BREAKDOWN OF PARTS SEE FIG 1 ASM B

C	602522	COVER ASM RIGHT END FOR BREAKDOWN OF PARTS SEE FIG 1 ASM C
D	602523	COVER ASM LEFT END FOR BREAKDOWN OF PARTS SEE FIG 1 ASM D
E	602529	COVER ASM RIGHT FRONT
26	602527	COVER
27	602615	DAMPER
F	602530	COVER ASM LEFT FRONT FOR REMAINDER OF PARTS SEE ASM F 602530
31	221	NUT PIN MTG
32	22478	WASHER
33	45690	WASHER
34	55901	LWASHER

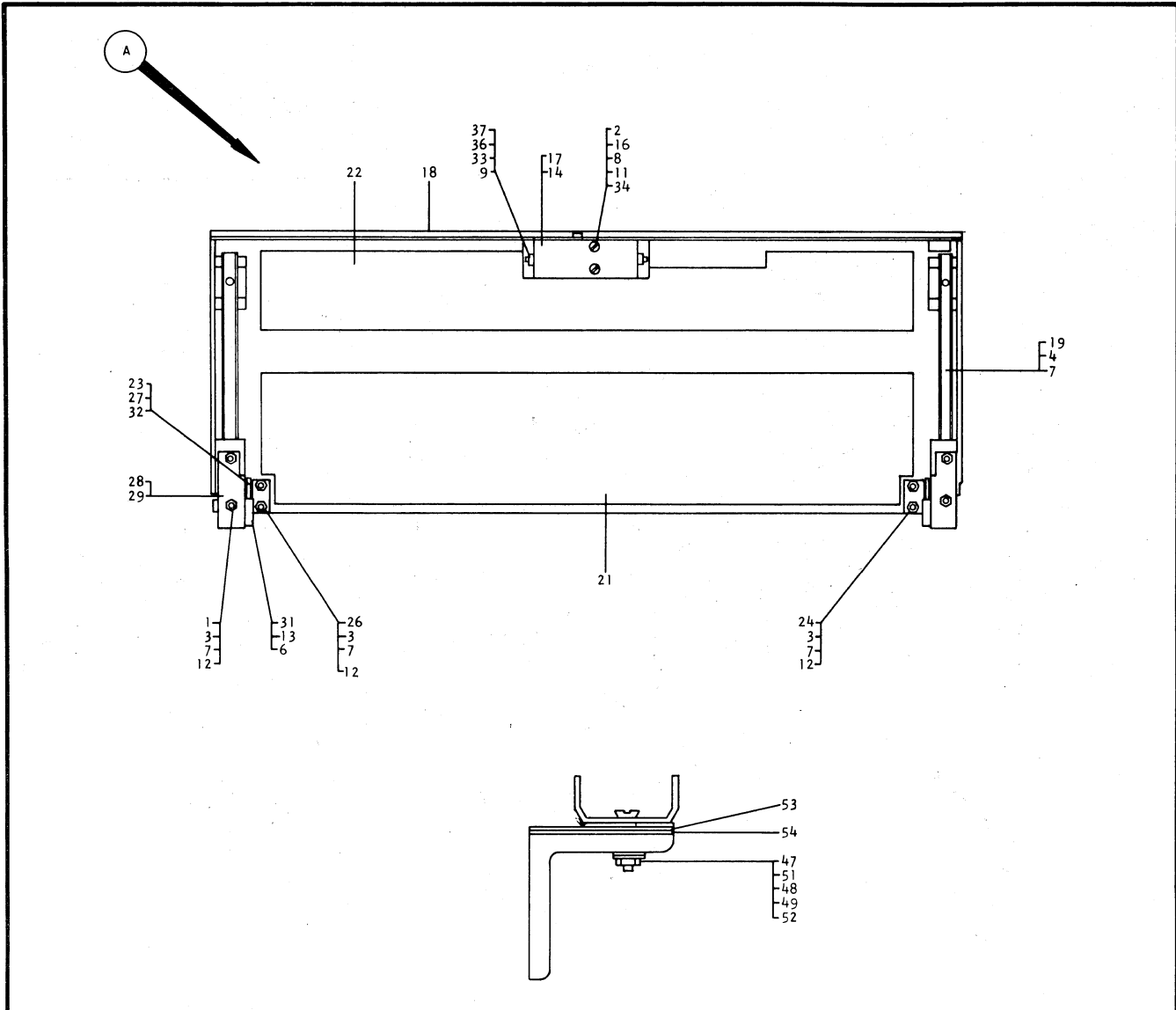
36	56079	LWASHER
37	130434	SCREW
38	216128	NUT
39	257189	NUT
40	442165	CLAMP
41	444806	SEAL DUST
42	477946	LATCH
43	447952	CLAMP
44	512508	SCREW
46	602526	BRACKET
47	602528	COVER
48	602533	PIN
49	602548	CABLE
51	602550	CABLE
52	602616	DAMPER
53	602220	DAMPER
54	602623	DAMPER
56	602800	PLATE
57	602944	LATCH
G	602982	TOP COVER ASM FOR BREAKDOWN OF PARTS

# TOP COVER ASMS (REDESIGNED)



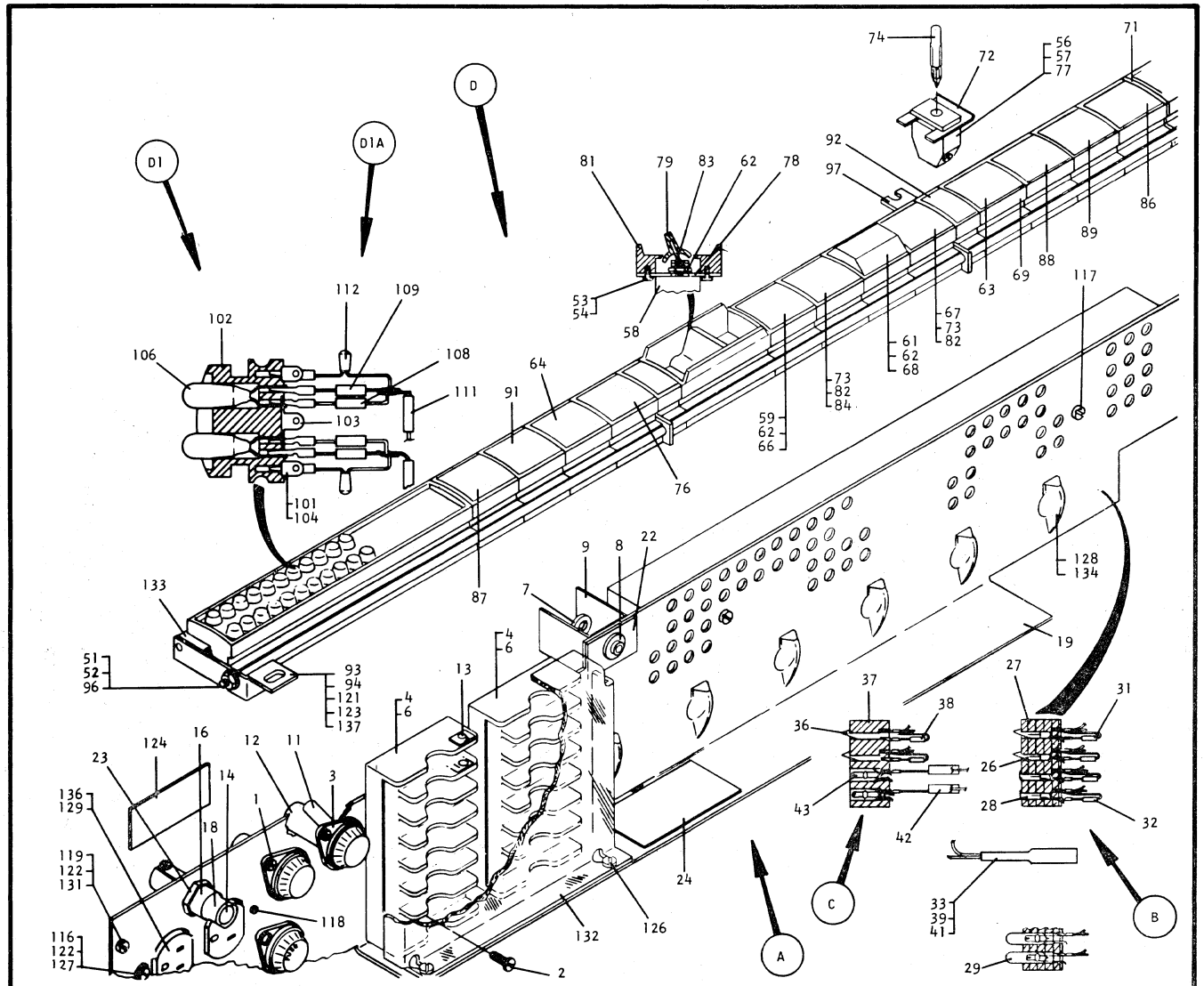
SEE FIG 1 ASM F									
A	602584	CASTING GROUP ASM	42	3960	NUT-SLIDE BRKT MTG	71	438622	SCREW PLUG MTG	
1	602539	COVER FEED RIGHT FRONT	43	6364	LWASHER	72	601185	SCREW JOGGLE PLATE MTG	
2	602540	COVER FEED RIGHT REAR	44	9092	LWASHER PRI DRI GRD MTG	73	602575	PLUG FRONT	
3	602562	TIE BAR LEFT FEED COVER	46	10170	SCREW FILLER FILE FD	74	602576	PLUG REAR	
4	602563	FLOOR RIGHT FEED	47	11598	NUT TOP CASTING MTG	76	602607	SCREW TOP CSTG MTG	
5	602565	COVER FEED LEFT FRONT	48	30037	SCREW HAND PULL	77	602657	GUARD-SWITCH ASM	
6	602566	COVER FEED LEFT REAR	49	32042	SCREW GUARD MTG	78	602720	GUARD PRI GEARS	
	603191	COVER ASM TOP SLIDING	51	38235	SCREW GUARD MTG	79	602721	LOCKNUT	
B	12	38350	SCREW	52	38345	SCREW LATCH STRIKER MTG	81	602786	SPRING-FILLER FILE FD
	13	56722	LOCKWASHER	53	38350	SCREW SWITCH MTG	82	602819	GUARD-SEC CONT ROLL ASM
	14	139498	SCREW	54	45690	WASHER CSTG MTG	83	602903	CHART-BASIC COLL OPER
	16	257189	NUT	56	52580	SCREW TOP CSTG MTG	84	602952	GUARD-TOP CVR INTL SW
	17	345815	SCREW	57	55711	SCREW TOP CSTG MTG	86	602956	LATCH STRIKER
	18	602596	SLIDE	59	56079	LWASHER	87	602985	MOUNT JOGGLE PL BUMPER
	19	602610	DAMPER	61	104763	SCREW PRI DR GRD MTG	88	602987	PIVOT ARM JOGGLE PLATE
	21	603190	COVER TOP SLIDING	62	138754	DECAL LINE VOLTAGE	89	602999	FILLER FILE FEED
	22	609549	CATCH HINGE COVER	63	186759	SCREW	91	603078	NUT SLIDE BRKT MTG
C	602577	TOP CASTING ASM	64	219616	GROMMET JOGGLE PLATE MTG	92	603819	BRACKET TOP CSTG R	
	26	38350	SCREW TRIM SUPPORT	66	219617	PLATE-JOGGLE	93	603820	BRACKET TOP CSTG L
	27	56722	LWASHER TRIM SUPPORT MTG	67	225859	SCREW TIE BAR MTG	94	609551	STUD COVER LOCK
	28	602569	TOP CASTING	68	231658	SWITCH	96	609602	HAND PULL
	29	602599	TRIM SWITCH	69	257986	WASHER-FILLER FILE FD			
	30	602600	WINDOW						
	31	602672	TRIM SUPPORT						
	32	602914	STUD TOP CASTING						
	33	603545	SPEED NUT SW ASM MTG						
			PARTS NOT INCLUDED WITH ASM						

# TOP COVER ASM



A	602570	COVER ASM TOP SLIDING	16	257986	WASHER	31	602799	YOKE
1	21179	SCREW	17	602543	HANDLE	32	602930	SPRING
2	10170	SCREW	18	602549	COVER SLIDING	33	602957	LATCH
3	22478	WASHER	19	602596	SLIDE	34	602958	SPRING
4	24752	SCREW	21	602610	DAMPER	36	602959	MTG PLATE
6	45690	WASHER	22	602612	DAMPER	37	602966	PIVOT ROD
7	55901	LWASHER	23	602788	LATCH			PARTS NOT INCLUDED WITH ASM
8	56722	LWASHER	24	602791	LATCH R H	47	3153	SCREW
9	251970	SCREW	26	602792	LATCH L H	48	22478	WASHER
11	257187	NUT	27	602794	WASHER	49	55901	LWASHER
12	257189	NUT	28	602797	MTG BRACKET L H	51	60646	LWASHER
13	257701	CLIP	29	602798	MTG BRACKET R H	52	257189	NUT
14	257958	SET SCREW				53	602993	SPACER
						54	602994	SPACER

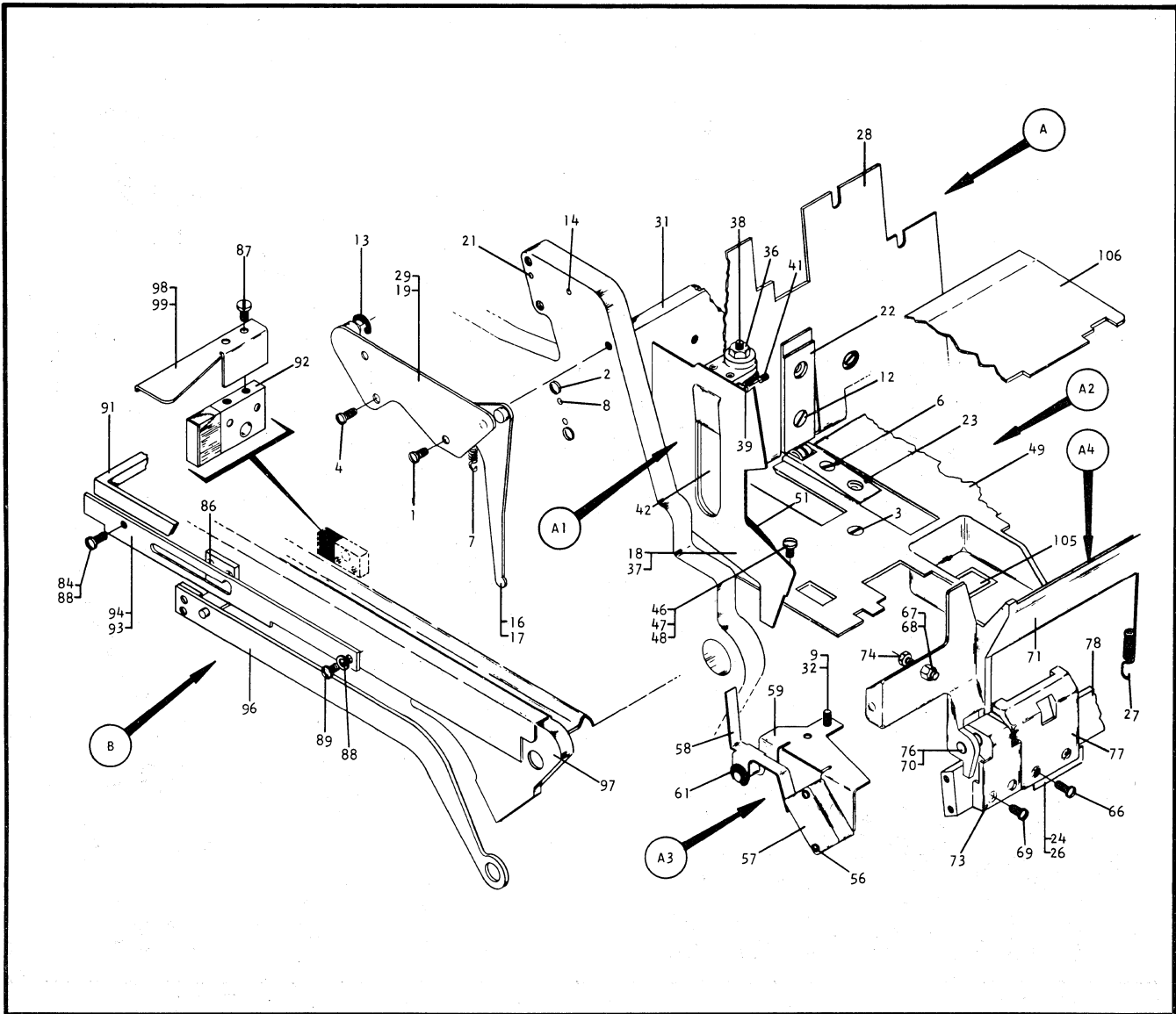
# DIAGNOSTIC AID PANEL & UNITIZED SWITCH ASMS



A	603097	PANEL ASM DIAG AID TSTR TYPE	D	51	602578	SWITCH ASM UNITIZED	96	602579	ROD-SWITCH
A	602397	PANEL ASM DIAG AID TUBE TYPE	52	221	NUT-SWITCH ROD MTG	97	602595	BRACKET SWITCH TOP	
1	337	SCREW FUSE HOLDER MTG	53	9092	LWASHER SW ROD MTG	D1	602641	NEON PANEL ASM	
2	845	SCREW FUSE BLK MTG	54	62031	LWASHER SW PLATE MTG	101	105792	SCREW SELF TAPPING DRIVE	
3	104615	HOLDER FUSE	55	80651	SCREW SW PLATE MTG	102	602538	BLK NEON LAMP MTG	
4	104909	FUSE 5 AMP TSTR ONLY	56	103430	JUMPER SHORT	103	602633	BUS BAR NEON COMMON	
6	206554	BLOCK FUSE	57	108126	JUMPER LONG	104	602634	BUS BAR DIODE COMMON	
7	237291	WASHER ROTOR SWITCH MTG	58	109872	SWITCH	106	603680	NEON LAMP INDICATOR	
8	237334	JACK ROTOR SWITCH	59	117185	SWITCH	D1A	602637	RESISTOR 6 DIODE ASM	
9	239498	INSULATOR ROTOR SWITCH	61	117186	SWITCH	* 108	300728	RESISTOR .10 MEG 1/2 W	
11	257079	INSULATOR TERMINAL	62	159373	LWASHER SWITCH	* 109	300736	RESISTOR 1.0 MEG 1/2 W	
12	257080	INSULATOR TERMINAL	63	233805	LENS-FUSE	* 111	602603	CONNECTOR	
13	257910	NUMBERING STRIP-FUSE	64	233808	LENS-DP & BC DETECT	112	602632	DIODE	
14	308346	LAMP-INCAND	66	233841	BUTTON-START	** 117	845	SCREW NEON PANEL MTG	
16	331802	LAMP HOLDER	67	233843	BUTTON RESET	** 118	2300	SCREW OUTLET MTG	
18	602005	SHIELD-LAMPHOLDER	68	233871	BUTTON-STOP	119	25627	SCREW DIAG AID PANEL	
19	602313	PANEL-FUSE	69	233880	HOUSING-UNITIZED SW	121	38351	SCREW SWITCH MTG	
22	602811	INSULATOR ROTOR SW JACK	71	233883	END PLATE-SWITCH ASM	122	55901	LWASHER	
23	603028	LOCKNUT-LAMPHOLDER	72	233888	CLIP-UNITIZED SW	123	56722	LWASHER SWITCH MTG	
24	620230	LABEL CAUTION BRUSH	73	253267	SWITCH - DPDT	124	138754	DECAL-LINE VOLT	
B	602705	NEON PANEL ASM TUBE TYPE	74	308346	LAMP-UNITIZED SW	126	186759	SCREW MTG	
26	300707	BULB NEON	76	356908	LENS-READY	** 127	257189	NUT OUTLET MTG	
27	602651	PANEL NEON	77	437459	LAMP HOLDER UNIT SW	** 128	317173	KNOB SWITCH	
28	602653	BULB NEON NE2 H	78	477420	PLATE SWITCH MTG	** 129	357995	OUTLET CONVENIENCE	
29	602674	BULB LAMP 55V	79	477421	LEVER SWITCH	131	600960	KEP NUT DIAG AID PNL	
31	602701	RESISTOR 1 MEG 1/2 W	81	477422	HOUSING SWITCH	132	602404	COVER FUSE BLOCK	
32	602702	RESISTOR 36K 1/2W	82	516919	LWASHER SWITCH	133	602591	SEAL UNITIZED SW	
33	602703	JUMPER NEON COMMON	83	517164	SPRING SWITCH LEVER	134	602656	SWITCH ROTOR	
C	603073	NEON PANEL ASM TSTR TYPE	84	600311	BUTTON RUNOUT	** 136	602784	SAFETY COVER CONV OUTLET	
36	300707	BULB NEON	86	602502	LENS-PRIMARY CARD	137	602951	SQUARE WASHER SW ASM MTG	
37	602651	PANEL NEON	87	602503	LENS-SECONDARY CARD	** THESE PARTS APPEAR ON			
38	602701	RESISTOR 1 MEG 1/2 W	88	602504	LENS-TRANSPORT	115 V MACHINES ONLY			
39	602704	JUMPER LAMP COMMON	89	602505	LENS-PRIMARY TEST	* NOT RECOMMEND FOR NORMAL			
41	603072	JUMPER NEON COMMON	91	602506	LENS-SECONDARY TEST	FIELD REPLACEMENT			
42	603073	NEON PANEL ASM TSTR TYPE	92	602545	SPACER-UNITIZED SW				
43	719293	INCAND LAMP-10V	93	602555	BRKT SWITCH ASM MTG RH				
			94	602574	BRKT SWITCH ASM MTG LH				



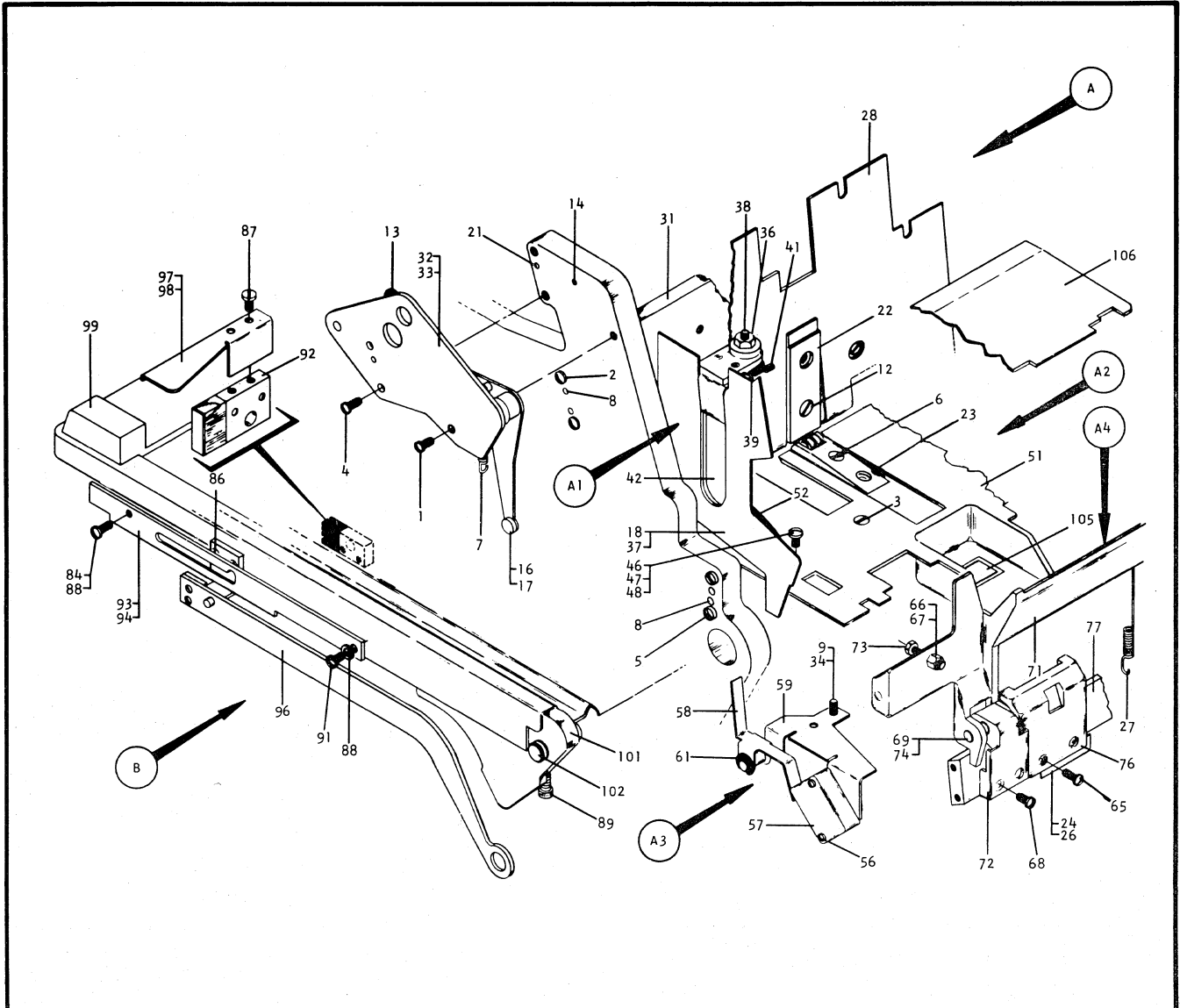
# PRI FILE FEED ASM - I



*A	603076	PRIMARY FEED ASM	A1	327576	PLATE ASM JOGGLER	A4	602426	JOGGLER ASM
1	119	SCREW TRAY SUPPORT BRKT MTG	36	257189	NUT JOGGLER ADJ SCR	66	232	SCREW GUARD MTG
2	641	SCREW MTG	37	327557	PLATE LEFT SIDE	67	24511	SPACER JOGGLER ADJ
3	2179	SCREW FILE FD BEDPLATE	38	327580	SCREW JOGGLER ADJ	68	163518	NUT JOGGLER ADJ SCR
4	3153	SCREW TRAY SUPPORT BRKT MTG	39	327619	SHAFT SIDE JOGGLER PIVOT	69	234321	SCREW BLOCK MTG
5	38370	SCREW JOGGLER ASM MTG	41	328833	SCREW JOG PIV SFT	70	327605	STUD-FR JOGGLER PIVOT
6	55918	SCREW BLOCK MTG	42	603200	JOGGLER CARD SLIDE	71	327694	PLATE FRONT JOGGLER
7	58851	SPRING FT JOGGLER LEVER	A2	602139	BED PLATE ASM PRI FEED	73	327697	BLOCK FRONT JOGGLER PIVOT
8	127735	TAPER PIN SUPP BAR	46	22066	WASHER CD DECK SUPP SPG	74	327871	SCREW JOGGLE ADJ
9	130562	SCREW JOGGLER GATE SW MTG	47	52522	SCREW CD DECK SUPP SPG	76	328833	SET SCREW FRONT JOG PIV
12	225859	SCREW FILE FD PLATE MTG	48	257186	NUT CD DECK SUPP SPG	77	369383	GUARD PICKER KNIFE
13	257700	CLIP UPR MAG ASM MTG	49	602192	BED PLATE FILE FEED	78	603890	BAR-CD POST SUPPORT
14	259823	PIN TRAY SUPPT BKT MTG	51	609780	SPRING CD DECK SUPP	B	602877	MAGAZINE ASM UPPER
16	327551	LEVER JOGGLER R H	A3	602362	SWITCH ASM-JOGGLER GATE	84	1413	SCREW BRKT SUPP LINK UP
17	327552	LEVER JOGGLER LH	56	38266	SCREW SWITCH MTG	86	38454	SCREW MAG BUMPER BLK
18	327569	PLATE FILE FD RT SIDE	57	228093	SWITCH-JOGGLER INTLK	87	55726	SCREW GUARD MTG
19	327593	BRACKET TRAY SUPPORT RIGHT	58	602388	LEVER-JOGGLER INTLK	88	60646	LWASHER
21	327862	PIN, TRAY SUPPT MTG	59	602639	BRACKET SWITCH MTG	89	306063	SCREW BRKT SUPP LINK LWR
22	336151	BLOCK THROAT KNIFE	61	1092125	CLIP-JOG INTLK LEV MTG	91	327648	TRIM UPPER MAGAZINE
23	336232	BLOCK THROAT ROLLER				92	327868	BLOCK MAGAZINE BUMPER
24	369384	SHIM, CARD POST				93	327869	BRKT SUPP LINK STP FR
26	369385	SHIM, CARD POST				94	327883	BRKT SUPP LINK STP REAR
27	602147	SPRING JOGGLER FILE FD				96	602889	HANDLE AND STRUT
28	602194	BACKPLATE FILE FEED				97	602912	MAGAZINE AND HINGE
29	602437	BRACKET TRAY SUPPORT LEFT				98	603207	GUARD FD TRAY HANDLE R
31	602446	BAR THROAT KNIFE SUPP				99	603208	GUARD FD TRAY HANDLE L
32	1090873	LWASHER JOGG GATE SW MTG						PARTS NOT INCLUDED WITH ASM
						105	196833	DECAL BED PLATE
						106	602334	CARD WEIGHT

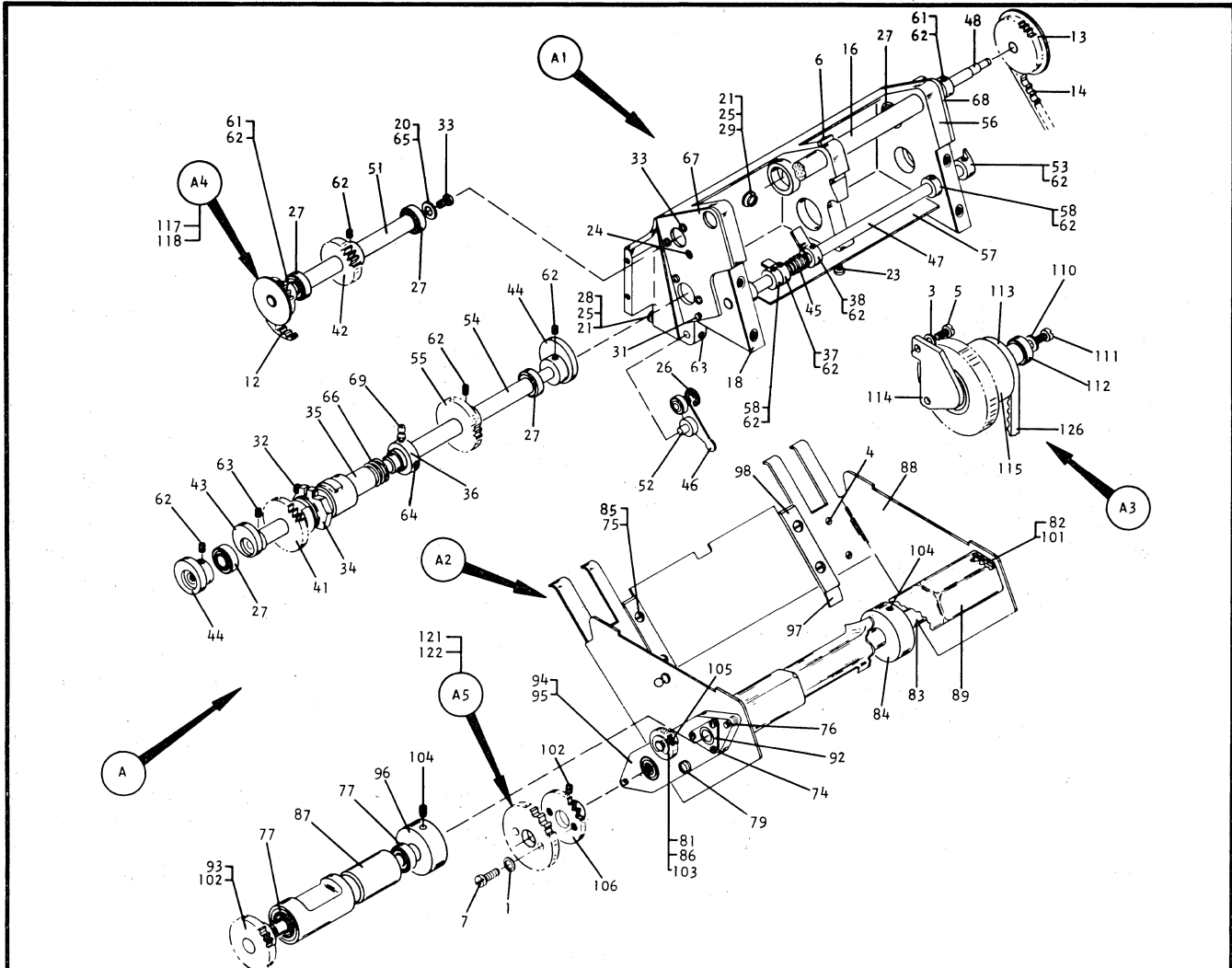
88 FIG. 4

# PRI FILE FEED ASM - I (REDESIGNED)



*A	603076	PRIMARY FEED ASM	A1	327576	PLATE ASM JOGGLER	71	327694	PLATE FRONT JOGGLER
1	119	SCREW TRAY SUPPORT BRKT MTG	36	257189	NUT JOGGLER ADJ SCR	72	327697	BLOCK FRONT JOGGLER PIVOT
2	641	SCREW	37	327557	PLATE LEFT SIDE	73	327871	SCREW JOGGLER ADJ
3	2179	SCREW FILE FD BEDPLATE	38	327580	SCREW JOGGLER ADJ	74	328833	SET SCREW FR JOG PIVOT STUD
4	3153	SCREW TRAY SUPPORT BRKT MTG	39	327619	SHAFT SIDE JOGGLER PIVOT	76	369383	GUARD PICKER KNIFE
5	38370	SCREW JOGGLER ASM MTG	41	328833	SCREW JOG PIV SFT	77	603890	BAR-CD POST SUPPORT
6	55918	SCREW THROAT ROLL BLK MTG	42	603200	JOGGLER CARD SIDE	B	603781	MAGAZINE ASM UPPER
7	58851	SPRING FT JOGGLER LEVER	A2	602139	BED PLATE ASM PRI FEED	84	1413	SCREW BRKT SUPP LINK UP
8	127735	TAPER PIN BAR MTG	46	22066	WASHER CD DECK SUPPORT SPG	86	38454	SCREW MAG BUMPER BLK
9	130562	SCREW JOGGLER GATE SW MTG	47	52522	SCREW CD DECK SUPPORT SPG	87	55726	SCREW GUARD MTG
12	225859	SCREW	48	257186	NUT CD DECK SUPP SPG	88	60646	LWASHER BRKT SUPPORT LINK
13	257700	CLIP UPR MAG ASM MTG	51	602192	BED PLATE FILE FEED	89	149897	SCREW FILE FD TRAY PIVOT
14	259823	PIN TRAY SUPPT BKT MTG	52	609780	SPRING CD DECK SUPP	91	306063	SCREW BRKT SUPPORT LINK
16	327551	LEVER JOGGLER R H	A3	602362	SWITCH ASM-JOGGLER GATE	92	327868	BLOCK BUMPER MAG
17	327552	LEVER JOGGLER L H	56	38266	SCREW SWITCH MTG	93	327869	BRACKET SUPPORT LINK FR
18	327569	PLATE FILE FD RT SIDE	57	228093	SWITCH-JOGGLER INTLK	94	327883	BRACKET SUPPORT LINK REAR
21	327862	PIN, TRAY SUPPT MTG	58	602388	LEVER-JOGGLER INTLK	96	602889	HANDLE AND STRUT
22	336151	BLOCK THROAT KNIFE	59	602639	BRACKET JOG INTLK MTG	97	603207	GUARD FD TRAY HANDLE R
23	336232	BLOCK THROAT ROLLER	61	1092125	CLIP-JOG INTLK LEV MTG	98	603208	GUARD FD TRAY HANDLE L
24	369384	SHIM, CARD POST	A4	602426	JOGGLER ASM	99	603771	TRIM UPR MAGAZINE
26	369385	SHIM, CARD POST	65	232	SCREW PICKER KNIFE GD MTG	101	603780	MAGAZINE
27	602147	SPRING JOGGLER FILE FD	66	24511	SPACER JOGGLER ADJ	102	603821	STUD FILE FD TRAY PIVOT
28	602194	BACKPLATE FILE FEED	67	163518	NUT JOGGLER ADJ SCR			PARTS NOT INCLUDED WITH ASM
31	602446	BAR THROAT KNIFE SUPP	68	234321	SCREW FT JOGGLER PIVOT BLK	105	196833	DECAL-BED PLATE
32	603823	BRACKET TRAY SUPPORT RT	69	327605	STUD-FR JOGGLER PIVOT	106	602334	CARD WEIGHT
33	603825	BRACKET TRAY SUPPORT LT						
34	1090873	LWASHER JOGGLER GATE SW MTG						

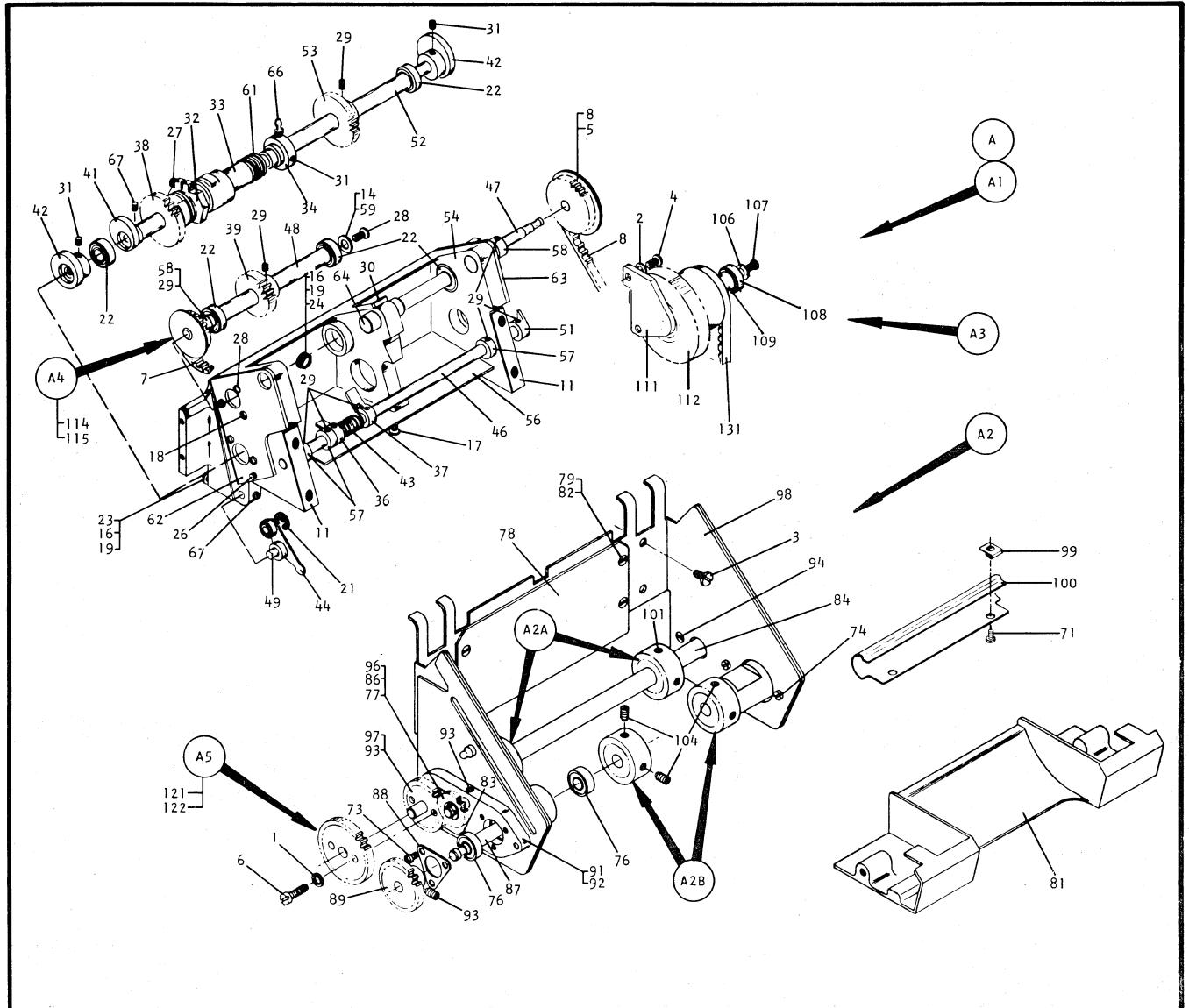
# PRI FILE FEED ASM-2



*A	1	603076	PRIMARY FEED ASM	51	327596	SHAFT CLU OUTPUT	92	327627	RETAINER DRIVE SHAFT BRG
	2	45642	WASHER PULLEY ASM	52	327599	STUD IDLER GR PIVOT	93	327635	GEAR FEED ROLL DRIVE
	3	150566	WASHER IDLER MTG	53	327600	LEVER CLUTCH OPERATING	94	327644	HOUSING FEED ROLL LH
	4	225859	SCREW LWR MAG ASM MTG	54	327606	SHAFT MAIN DRIVE	95	327645	HOUSING FEED ROLL RH
	5	234321	SCREW IDLER MTG	55	327631	GEAR OUTPUT DRIVE	96	327677	FEED ROLL
	6	257970	SET SCREW	56	327642	HOUSING DRIVE	97	327715	GUIDE THROAT
	7	336324	SCREW PULLEY ASM	57	327647	COVER DRIVE GEAR	98	327716	RETAINER THROAT GUIDE
	12	602439	BELT FILE FEED DRIVE	58	327686	COLLAR CLU DNT PIV SFT	101	327882	BLOCK FEED ROLL COVER
	13	602440	PULLEY FILE FEED	61	327863	COLLAR INPUT & OUTPUT	102	328815	SET SCREW FD ROLL DR GEAR
	14	602442	BELT FILE FEED DRIVE	62	257969	SET SCREW MULTIPLE USAGE	103	328816	SET SCREW IDLER GEAR
	16	602824	SHAFT FILE FEED TRAY PIVOT	63	1100523	SET SCREW	104	257971	SET SCREW FD ROLL ASM
	18	603554	SHIM LWR MAG ASM	64	257973	SET SCREW FR JOG CAMS	105	602433	STUD IDLER GEAR PIVOT
A1		327607	DRIVE ASM FILE FEED	65	338169	LWASHER BEARING MTG	106	603020	GEAR FD ROLL DRIVE
	20	10610	WASHER	66	340728	SPRING CLUTCH	A3	602434	IDLER ASM FILE FD
	21	22478	WASHER MULTIPLE USAGE	67	347594	PLATE FRONT SUPPORT	110	22478	WASHER BRG RET
	23	38352	SCREW DRIVE GEAR COVER	68	347595	PLATE REAR SUPPORT	111	81693	SCREW BRG RET
	24	38434	SCREW FR & REAR PL	69	438145	FITTING GREASE	* 112	110129	BEARING FILE FD IDLER
	25	55901	LWASHER MULTIPLE USAGE	A2	602427	MAGAZINE ASM LOWER	* 113	602416	SPACER - IDLER PULL BRG
	26	60488	CLIP JOGGLE CAM FOLL ARM	74	38262	SCREW BRG RETAINER MTG	* 114	602420	BRACKET IDLER PULLEY MTG
	27	110129	BEARING DRIVE SHAFT	75	38442	SCREW LWR MAG GUIDE MTG	115	602435	PULLEY - FILE FD IDLER
	28	186758	SCREW HOPPER BACK PLATE	76	81693	SCREW FD RL HSG MTG	A4	609588	PULLEY ASM FILE FEED
	29	186759	SCREW HOPPER BACK PLATE	77	110129	BEARING FD RL DRIVE SHAFT	117	257969	SET SCREW
*	31	216837	TAPER PIN	79	234321	SCREW COVER MTG	118	602429	PULLEY
	32	228348	SCREW CLUTCH COLL MTG	81	192049	CLIP IDLER GEAR RETAINING	A5	609589	PULLEY ASM FILE FEED
	33	326550	SCREW	82	322550	SCREW FD RL COVER BLOCK	121	257975	SET SCREW
	34	309747	COLLAR CLUTCH	83	327545	SHAFT FD RL DRIVE LONG	122	602432	PULLEY
	35	319381	SLEEVE CLUTCH	84	327548	FEED ROLL			
	36	327562	HUB CLUTCH INPUT	85	327583	SPEED NUT THROAT GDE MTG			
	37	327563	LEVER CLUTCH DETENT	86	327585	GEAR IDLER	126	602443	PARTS NOT INCLUDED WITH ASM
	38	327564	LEVER CLUTCH	87	327598	SHAFT FEED ROLL SHORT			BELT TIMING FILE FD DR
	41	327568	DETENT & BEARING	88	327612	MAGAZINE AND STUD			* NOT RECOMMENDED FOR NORMAL
	42	327575	GEAR INPUT DRIVE	89	327621	COVER CARD FEED ROLL			FIELD REPLACEMENT
	43	327581	CAM SIDE JOGGLE						
	44	327582	CAM FRONT JOGGLE						
	45	327584	SPRING CLUTCH DETENT						
	46	327590	ARM SIDE JOGGLE CAM FOLL						
	47	327594	SHAFT CLU DETENT PIV						
	48	327595	SHAFT CONT DRV INPUT						

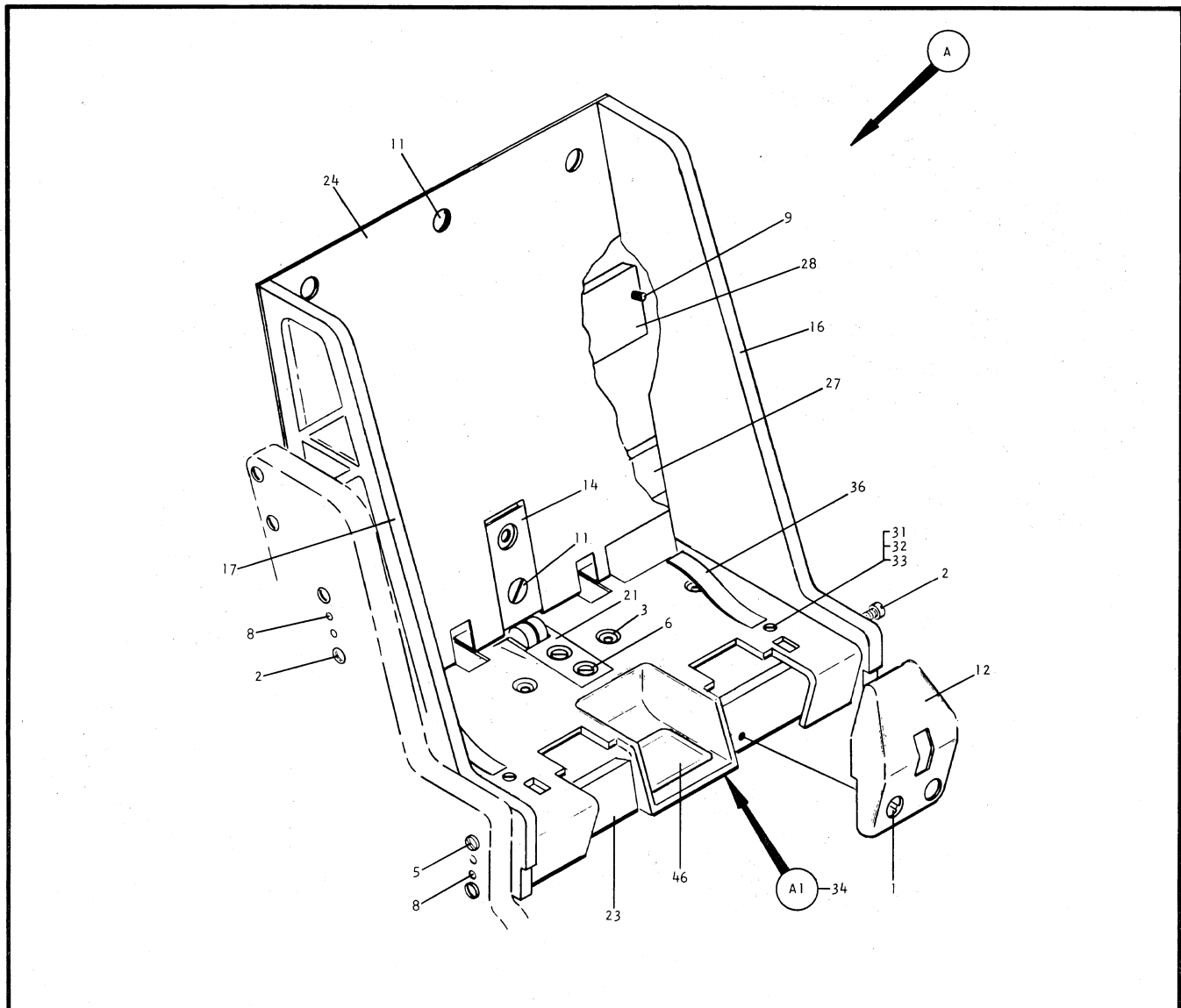
88 FIG. 5

# PRI FILE FEED ASM-2 (REDESIGNED)



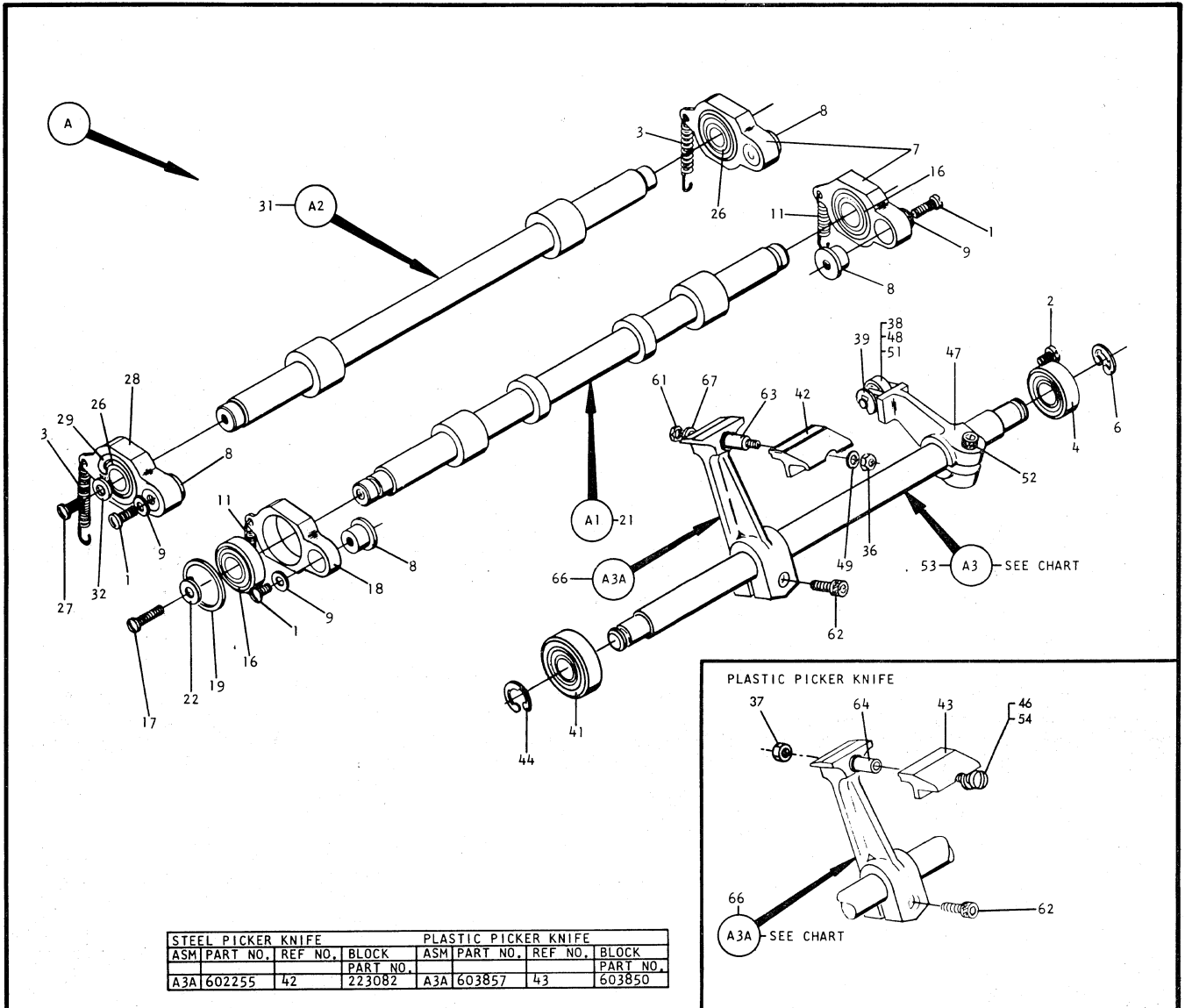
*A	603076	PRIMARY FEED ASM	41	327581	CAM SIDE JOGGLE	86	327585	GEAR IDLER
1	45642	WASHER PULLEY ASM	42	327582	CAM FRONT JOGGLE	87	327598	SHAFT FD RL SHORT
2	150566	WASHER FILE FD IDLER ASM	43	327584	SPRING CLUTCH DETENT	88	327627	RETAINER DR SFT BRG
3	225859	SCREW LWR MAG ASM MTG	44	327590	ARM SIDE JOG CAM FOLL	89	327635	GEAR FD RL DRIVE
4	234321	SCREW FILE FD IDLER ASM	46	327594	SHAFT CLU DETENT PIV	91	327644	HOUSING FEED ROLL L H
5	257971	SET SCREW FF PULLEY	47	327595	SHAFT CLU DRV INPUT	92	327645	HOUSING FEED ROLL R H
6	336324	SCREW PULLEY ASM	48	327596	SHAFT CLU OUTPUT	93	328816	SET SCREW IDLER GEAR
7	602439	BELT FILE FD DRIVE	49	327599	STUD IDLER GR PIVOT	94	438573	SCREW FD RL COV BLOCK
8	602440	PULLEY FILE FEED	51	327600	LEVER CLUTCH OPERATING	96	602433	STUD IDLER GEAR PIVOT
9	602442	BELT FILE FEED DRIVE	51	327600	LEVER CLUTCH OPERATING	97	603020	GEAR
11	603554	SHIM LOWER MAGAZINE ASM	52	327606	SHAFT MAIN DRIVE	98	603817	MAGAZINE & STUD
A1	327607	DRIVE ASM FILE FEED	53	327631	GEAR OUTPUT DRIVE	99	603726	SPEEDNUT J TYPE
14	10610	WASHER	54	327642	HOUSING DRIVE	100	603727	GUARD LOWER MAGAZINE SHAFT
16	22478	WASHER MULTIPLE USAGE	56	327647	COVER DRIVE GEAR	A2A	209146	FEED ROLL ASM
17	38352	SCREW DRIVE GEAR COVER	57	327686	COLLAR CLU DNT PIV SFT	101	257971	SET SCREW
18	38434	SCREW FR & REAR PL	58	327863	COLLAR INPUT & OUTPU	A2B	209147	FEED ROLL ASM
19	55901	LWASHER MULTIPLE USAGE	59	338169	LWASHER BRG MTG	104	257971	SET SCREW
21	60488	CLIP JOGGLE CAM FOLL ARM	61	340728	SPRING CLUTCH	A3	602434	IDLER ASM FILE FD
22	110129	BRG DRIVE SHAFT	62	347594	PLATE FRONT SUPPORT	106	22478	WASHER BRG RET
23	186758	SCREW HOPPER BACK PLATE	63	347595	PLATE REAR SUPPORT	107	81693	SCREW BRG RET
24	186759	SCREW HOPPER BACK PLATE	64	368128	TRAY SUPPORT	* 108	110129	BEARING FILE FEED IDLER
26	216837	TAPER PIN	66	438145	FITTING GREASE	* 109	602416	SPACER - IDLER PULL BRG
* 27	228348	SCREW CLUTCH COLL MTG	67	1100523	SET SCREW	* 111	602420	BRACKET IDLER PULLEY MTG
28	236550	SCREW	A2	603770	MAGAZINE ASM LOWER	112	602435	PULLEY - FILE FD IDLER
29	257969	SET SCREW MULTIPLE USAGE	71	10170	SCREW GUARD MTG	A4	609588	PULLEY ASM FILE FEED
30	257970	SET SCREW	73	38262	SCREW BRG RETAINER MTG	114	257969	SET SCREW
31	257973	SET SCREW FR JOG CAMS	74	81693	SCREW FD RL HSG MTG	115	602429	PULLEY
32	309747	COLLAR CLUTCH	76	110129	BEARING FD RL DRIVE SFT	A5	609589	PULLEY ASM FILE FEED
33	313381	SLEEVE CLUTCH	77	192049	CLIP IDLER GEAR RET	121	257975	SET SCREW
34	327562	HUB CLUTCH INPUT	78	209182	GUIDE THROAT FILE FEED	122	602432	PULLEY
36	327563	LEVER CLUTCH DETENT	79	209184	SCREW LWR MAG GUIDE MTG			
37	327564	LEVER CLUTCH	81	212903	COVER CARD FD ROLL			
38	327568	DETENT & BEARING	82	212912	SPEED NUT THROAT GDE MTG			
39	327575	GEAR INPUT DRIVE	83	234323	SCREW CD FD RL CVR MTG			
			84	327545	SHAFT FD RL DR LONG	131	602443	PARTS NOT INCLUDED WITH ASM BELT-TIMING FILE FD DR *NOT RECOMMENDED FOR NORMAL FIELD REPLACEMENT

# SECONDARY FEED ASM



*A	603077	SECONDARY FEED ASM	14	336151	BLOCK THROAT KNIFE	A1	602137	BED PLATE ASM SEC FEED
1	232	SCREW HOPPER POST GD MTG	16	336165	PLATE HOPPER RIGHT	31	22066	WASHER CD DECK SUPP SPG
2	641	SCREW MTG	17	336166	PLATE HOPPER LEFT	32	56722	SCREW CD DECK SUPP SPG
3	2179	SCREW BEDPLATE MTG	21	336232	BLOCK THROAT ROLLER	33	257186	NUT CD DECK SUPP SPG
5	38370	SCREW CD POST SUPP BAR MTG	23	602203	BAR CARD POST SUPP	34	602218	BED PLATE HOPPER
6	55918	SCREW BLOCK MTG	24	602240	SUPPORT FRONT CD DECK	36	609780	SPRING CD DECK SUPP
8	127735	TAPER PIN SUPP BAR	27	602446	BAR THROAT KNIFE SUPP			PARTS NOT INCLUDED WITH ASM
9	170228	SCREW UPR PL SUPP BAR MTG	28	602971	BAR UPR PLATE SUPP	46	196832	DECAL-BED PLATE
11	225859	SCREW MTG						
12	336144	POST HOPPER GUARD						

# PRI & SEC UPPER FEED ROLL ASMS



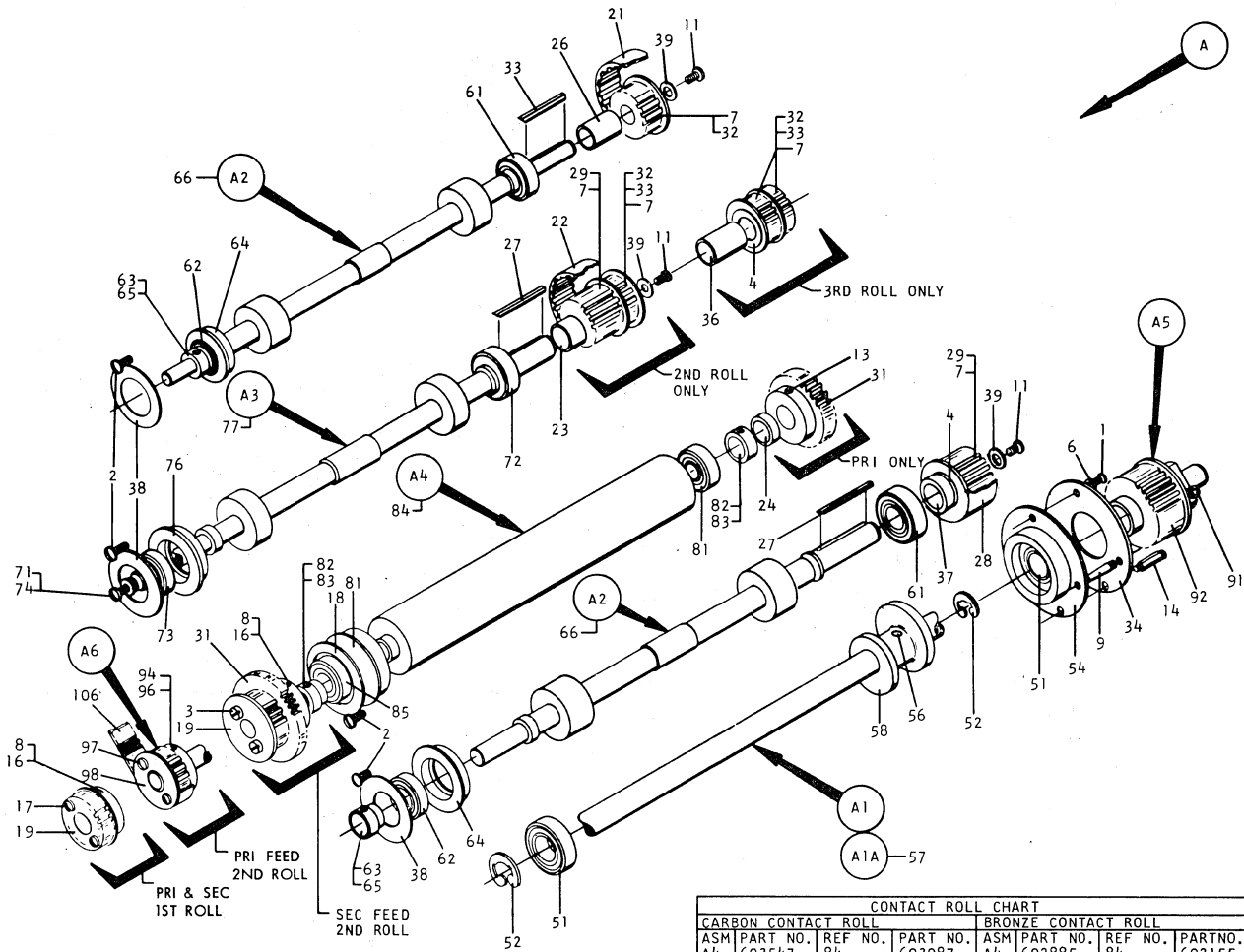
STEEL PICKER KNIFE			PLASTIC PICKER KNIFE		
ASM PART NO.	REF NO.	BLOCK	ASM PART NO.	REF NO.	BLOCK
		PART NO.			PART NO.
A3A	602255	42	223082	A3A	603857
					43
					603850

- \*A 603076 PRIMARY FEED ASM
- \*A 603077 SECONDARY FEED ASM
- 1 19944 SCREW FD RL BRG SLEEVE
- 2 38235 SCREW PK SFT BRG RET
- 3 101338 SPRING LONG 3RD UPPER FD RL
- 4 156364 BEARING PK SHAFT
- 6 237245 CLIP PK SFT BRG RET
- 7 336146 HANGER FD ROLL BRG
- 8 336152 SLEEVE FD ROLL BRG
- 9 336323 WASHER FD ROLL BRG RET
- 11 602174 SPRING SHORT 1ST 2ND & 4TH
- A1 602883 FEED ROLL ASM 1ST UPPER
- 16 156364 BEARING
- 17 234321 SCREW
- 18 336153 HANGER
- 19 336320 CLIP
- 21 602215 SHAFT
- 22 1090448 WASHER

- A2 602884 FEED ROLL ASM 2ND 3RD & 4TH
- 26 156364 BEARING
- 27 234321 SCREW
- 28 336153 HANGER BEARING
- 29 336320 CLIP
- 31 602209 SHAFT
- 32 1090448 WASHER
- A3 602886 SHAFT ASM-PICKER KNIFE
- 36 6503 NUT USED WITH 223082
- 37 216128 NUT USED WITH 602850
- 38 12552 WASHER
- 39 60489 CLIP
- 41 156364 BEARING
- 42 223082 BLOCK STEEL
- 43 603850 BLOCK PLASTIC
- 44 237245 CLIP

- 46 333182 SCREW USED WITH 603850
  - 47 336141 ARM
  - 48 336263 STUD
  - 49 336282 WASHER USED WITH 223082
  - 51 336321 BEARING
  - 52 437763 SCREW
  - 53 602186 SHAFT
  - 54 603703 WASHER USED WITH 603850
  - A3A 602255 ARM ASM PICKER KNIFE
  - A3A 603857 ARM ASM PICKER KNIFE
  - 61 6503 NUT USED ON 602255
  - 62 129654 SCREW
  - \* 63 336903 STUD USED ON 602255
  - \* 64 603846 STUD USED ON 603857
  - \* 66 602249 ARM
  - 67 1090873 LWASHER USED ON 602255
- \* NOT RECOMMENDED FOR NORMAL FIELD REPLACEMENT

# PRI & SEC LOWER FEED ROLL ASMS



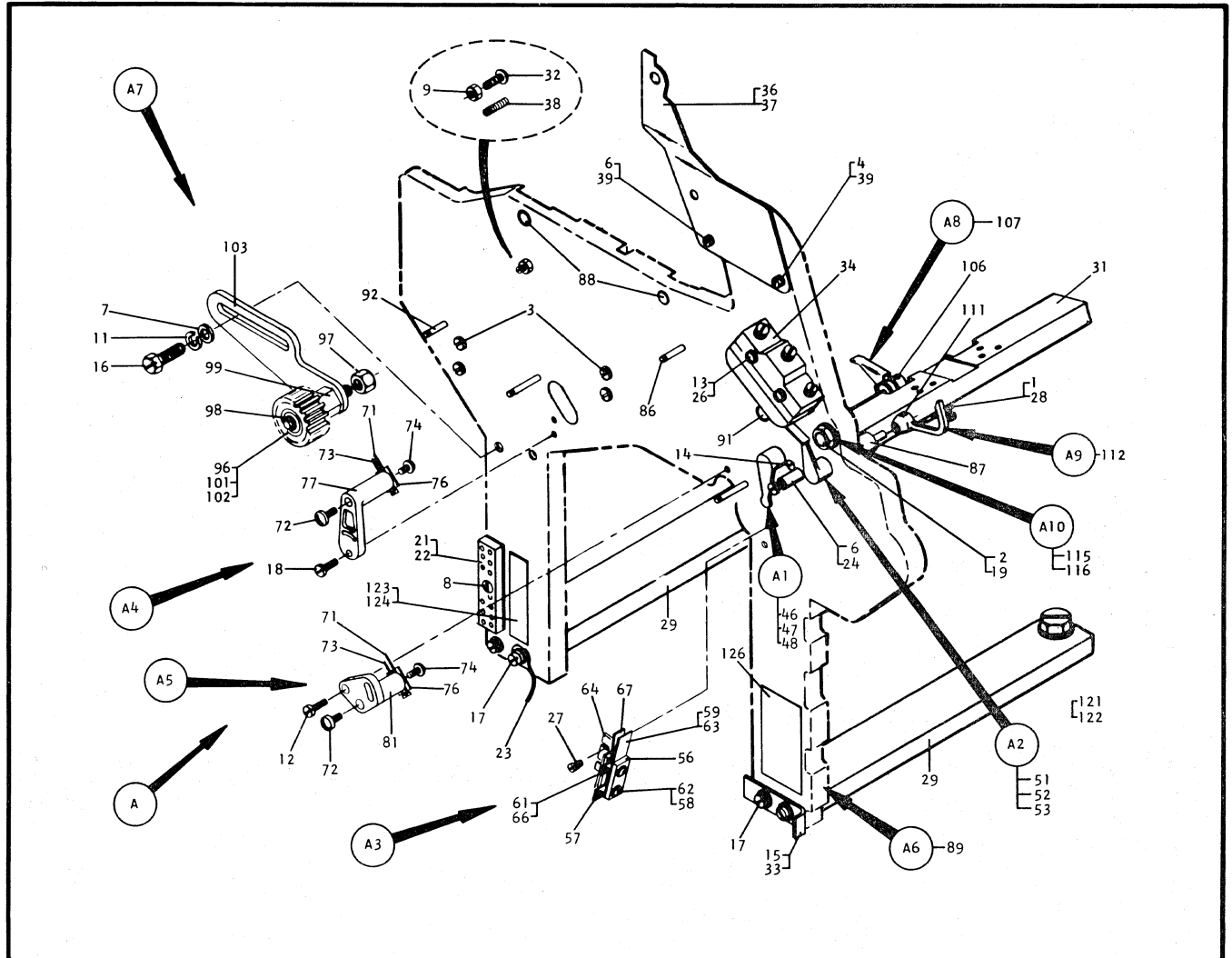
CONTACT ROLL CHART					
CARBON CONTACT ROLL			BRONZE CONTACT ROLL		
ASM PART NO.	REF NO.	PART NO.	ASM PART NO.	REF NO.	PART NO.
A4	603547	84	603087	A4	602885
				84	602155

FEED ROLL CHART					
CORK FEED ROLLS			HYPALON FEED ROLLS		
ASM PART NO.	REF NO.	PART NO.	ASM PART NO.	REF NO.	PART NO.
A2	602881	66	602260	A2	603872
A3	602882	77	602261	A3	603873
				66	603870
				77	603871

*A	603076	PRIMARY FEED ASM	31	602474	GEAR CONTACT ROLL	A3	602882	FEED ROLL ASM 2ND & 3RD LWR
*A	603077	SECONDARY FEED ASM	32	602483	PULLEY TIMING BELT 234	A3	603873	FEED ROLL ASM 2ND & 3RD LWR
1	25627	SCREW CAM SFT BRG RET	33	602497	KEY 16 T PULLEY	71	102691	WASHER
2	38235	SCREW BEARING RET	34	602647	WASHER CAM SHAFT BRG	72	156231	BEARING
3	38359	SCREW CONT RL PULL MTG	36	602669	SPACER LWR FD RL PULLEY	73	156364	BEARING
4	52905	SPACER 1ST & 3RD LWR FD RL	37	602670	SPACER LWR FD RL PULLEY	74	234321	SCREW
6	60646	WASHER CAM SFT BRG RET	38	603116	RETAINER LWR FD RL BRG	76	336270	RETAINER BRG
7	151720	SET SCREW PULLEY MTG	39	603844	WASHER LWR FD RL PULL MTG	77	602261	SHAFT USED ON 602882
8	209077	SET SCREW CONT RL COLLAR	A1	602880	SHAFT ASM-CAM	77	603871	SHAFT USED ON 603873
9	216837	PIN CAM SFT BRG RET	51	156231	BEARING	A4	602885	1ST & 2ND CONTACT ROLL ASM
11	234321	SCREW LWR FD RL PULL MTG	52	219743	CLIP	A4	603547	1ST & 2ND CONTACT ROLL ASM
13	257974	SET SCREW CONT RL GEAR	54	602648	RETAINER	81	156364	BEARING
14	327614	STUD FT JOGGLER SPG	A1A	602254	SHAFT ASM CAM	82	257968	SET SCREW
16	336254	COLLAR CONT RL PULL MTG	* 56	255597	TAPER PIN-PKR KNIFE CAM	83	336310	COLLAR
17	336324	SCREW CONT ROLL PULLEY MTG	* 57	602250	SHAFT-CAM	84	602155	CONTACT ROLL
18	602217	PLATE CONT RL BRG RET	* 58	602253	CAM PICKER KNIFE	84	603087	CONTACT ROLL
19	602230	PULLEY CONTACT ROLL	A2	602881	FEED ROLL ASM 1ST & 4TH LWR	85	602216	HUB
21	602268	BELT TIMING 51 T	A2	603872	FEED ROLL ASM 1ST & 4TH LWR	A5	609581	PULLEY ASM CAM SHAFT
22	602272	BELT TIMING 41 T	61	156231	BEARING	91	129654	CAP SCREW CAM SHAFT
23	602278	SPACER 2ND LWR FD RL	62	156364	BEARING	92	602496	PULLEY CAM SHAFT
24	602279	SPACER 2ND CONT RL	63	257968	SET SCREW	92	609585	PULLEY ASM CONTACT ROLL
26	602280	SPACER 4TH FD RL LWR	64	336270	RETAINER BRG	A6	209077	SET SCREW
27	602314	KEY LWR FD RL PULLEY	65	336310	COLLAR	96	336254	COLLAR
28	602326	TIMING BELT	66	602260	SHAFT USED ON 602881	97	336324	SCREW
29	602452	PULLEY LWR FD RL	66	603870	SHAFT USED ON 603872	98	602230	PULLEY
						106	602324	PARTS NOT INCLUDED WITH ASM TIMING BELT CONT ROLL * NOT RECOMMENDED FOR NORMAL FIELD REPLACEMENT

88 FIG. 8

# PRI & SEC FRONT SIDE FRAME ASM



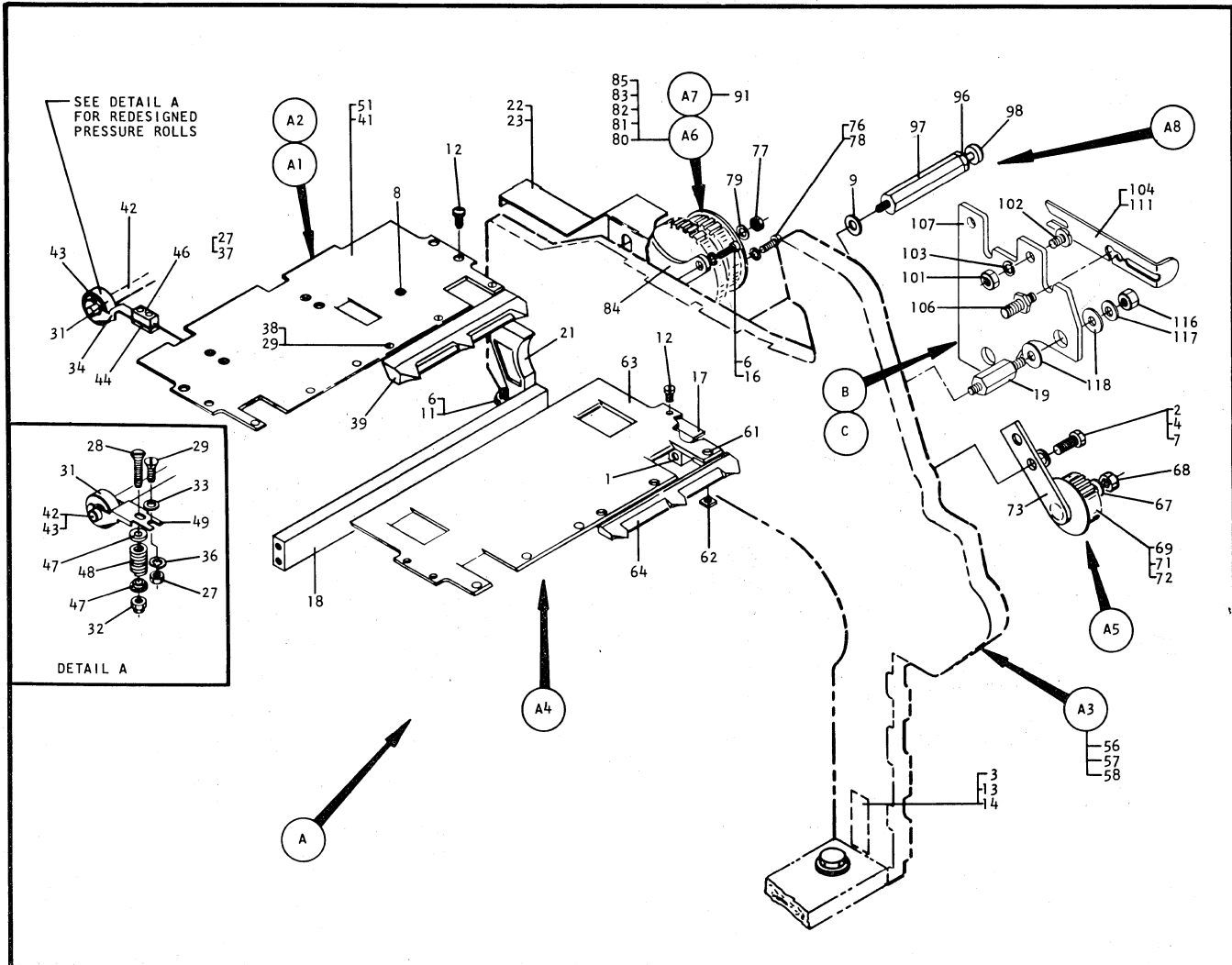
*A	603076	PRIMARY FEED ASM
*A	603077	SECONDARY FEED ASM
1	337	SCREW BRKT ASM LEVER MTG
2	420	SCREW HOPPER SIDE PLATE ADJ
3	641	SCREW MTG
4	845	SCREW JOGGLER PLATE BRKT
6	2384	SCREW THROAT BLK SUP BAR
7	3550	WASHER BELT TIGHT ASM MTG
8	5644	SCREW TERMINAL BLOCK MTG
9	6503	NUT ADJUSTING
11	6935	LWASHER BELT TIGHT ASM MTG
12	34512	SCREW 1ST CMN BR MTG
13	38269	SCREW SWITCH MTG
14	38370	SCREW THROAT BLK SUP BAR
15	45690	WASHER
16	38688	SCREW BELT TIGHT ASM MTG
17	234335	SCREW SIDE FRAME TIE BAR
18	236550	SCREW 2ND CMN BR MTG
19	257985	WASHER HOPPER SIDE PLATE ADJ
21	302090	TERMINAL BLOCK
22	302131	INSULATOR TERM BLK
23	320644	JUMPER PRI FD TO FR GD
24	336300	DOWEL THROAT BLK SUP BAR
26	338169	LWASHER CARD LEVER SWITCH
27	338238	SCREW CONTACT ASM CD LEV
28	602184	BRACKET LEVER SHAFT
29	602187	TIE BAR
31	602202	BAR ROLLER SUPP
32	602228	SCREW BRUSH HOLDER
33	602271	STOP ADJUSTABLE
34	602980	MICRO SWITCH-CARD LEV SW
36	602990	BRACKET JOGGLER PLATE LT RE
37	602991	BRACKET JOGGLER PLATE LT FR
38	610148	SCREW BRUSH HOLDER ADJ
39	1090873	LWASHER

A1	602135	CARD LEVER SHAFT ASM 1ST
46	257958	SET SCREW
47	602181	SHAFT 1ST CARD LEVER
48	602185	CARD LEVER
A2	602136	CARD LEVER SHAFT ASM HOPPER
51	257958	SET SCREW
52	602185	CARD LEVER
53	602196	SHAFT HOPPER CONTACT
A3	602197	CONTACT ASM CARD LEVER
56	11900	INSULATOR-CONT ASM
57	24957	TERMINAL STRAP
58	100229	TUBING-CONT ASM INSUL
59	107070	CONTACT SPRING
61	118418	SCREW-CONTACT TERM
62	173204	SCREW-CONT ASM
63	239236	SPRING STIFFENER
64	602182	MTG BRKT-CD LEV CONT
66	607612	STRAP-TERM
67	610315	CONTACT SPRING
A4	602227	BRUSH ASM #2 COMMON
71	1769	BRUSH COMMON
72	81693	SCREW BRUSH LEAD
73	109339	BRUSH COMMON
74	438549	SCREW BRUSH MTG
76	602381	WASHER BRUSH HOLDER
77	610290	BRUSH HOLDER
A5	602231	BRUSH ASM #1 COMMON
81	610291	BRUSH HOLDER
FOR REMAINDER OF PARTS SEE ASM A4 602227		

A6	602242	FRAME ASM FRONT
86	336301	STUD FRM ASM BRG HGR
* 87	602173	BEARING HOPPER CRD LEVER
88	602210	INSERT-BR ASM LKG PIN
* 89	602241	FRAME-FRONT FEED
91	602264	BEARING-CARD LEVER
92	602646	STUD-BRG HANGER SPG
A7	603835	BELT TIGHTNER ASM CONT ROLL
* 96	110129	BEARING PULLEY IDLER
97	117281	NU STUD RETAINING
98	603836	CLIP PULLEY RETAINING
99	603837	STUD PULLEY MTG
* 101	607536	PULLEY BELT TIGHTNER
* 102	607537	SPACER BEARING
103	609142	BRACKET BELT TIGHTNER
A8	609586	CARD LEVER ASM
106	257956	SET SCREW
107	602180	CARD LEVER
A9	609587	CARD LEVER ASM HOPPER
111	257956	SET SCREW
112	602238	CARD LEVER
A10	609591	BUSHING ASM
115	138296	BUSHING
116	215150	NUT
PARTS NOT INCLUDED WITH ASM		
121	10309	LWASHER FEED ASM MTG
122	37935	SCREW FEED ASM MTG
123	602913	NUMBER STRIP TUBE TYPE
124	603270	NUMBER STRIP TSTR TYPE
126	603273	LABEL CAM TIMING TSTR TYPE
* NOT RECOMMENDED FOR NORMAL FIELD REPLACEMENT		



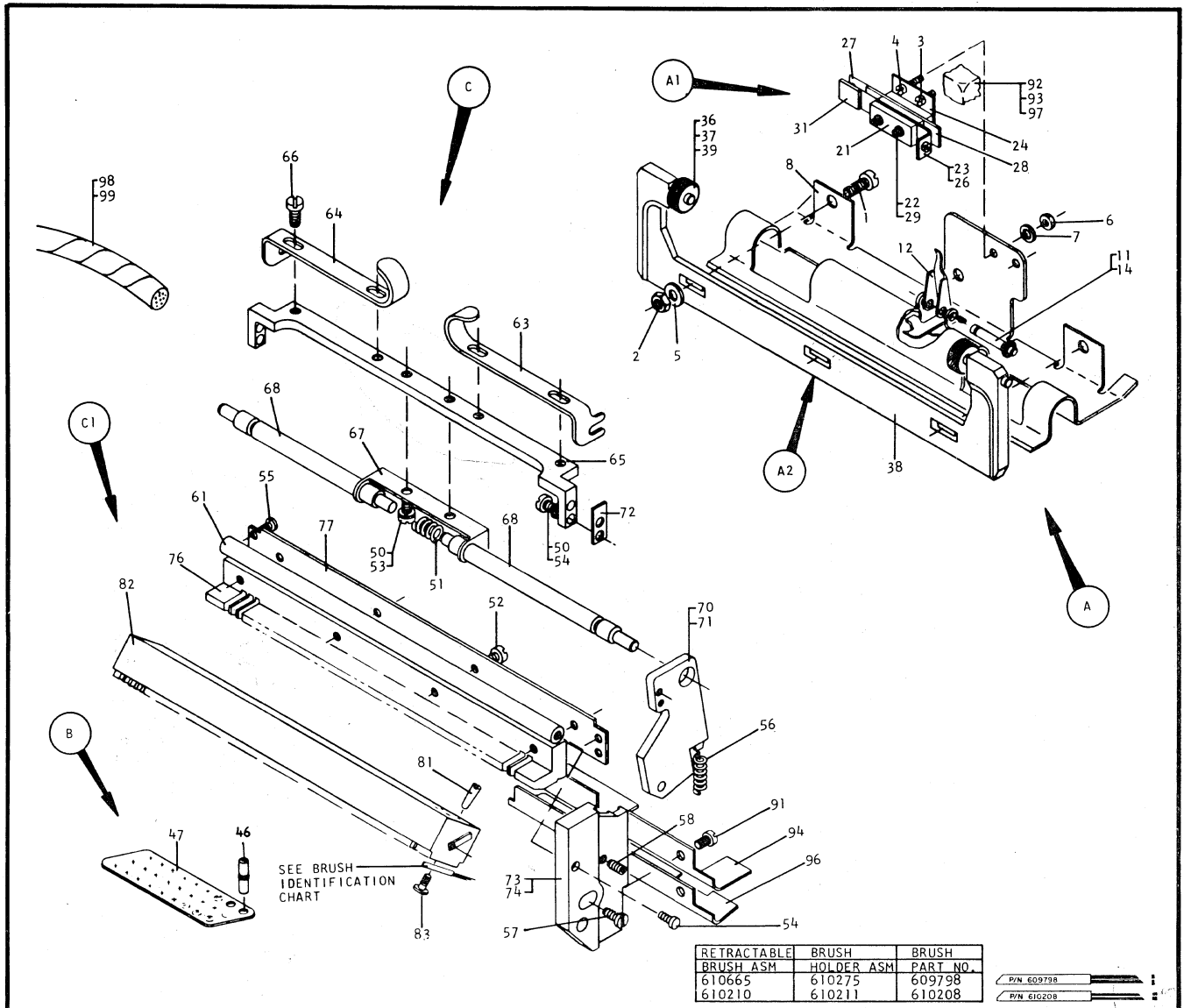
# PRI & SEC REAR SIDE FRAME ASM



*A	603076	PRIMARY FEED ASM	A2	602163	CARD GUIDE ASM SECONDARY	A7	602302	IDLER ASM CONT ROLL
*A	603077	PRIMARY FEED ASM	51	602344	CARD GUIDE-SEC FOR REMAINDER OF PARTS SEE ASM A1 602162	* 91	602303	PULLEY-FD RL 19T FOR REMAINDER OF PARTS SEE ASM A6 602295
1	641	SCREW CENTER CD GDE BLK MTG	A3	602221	FRAME ASM REAR	A8	602425	BUMPER ASM SEC FEED
2	3550	WASHER ID PULL ASM	56	336325	STUD-FRM ASM BRG HGR	96	3960	NUT - TUBE CHASSIS BUMPR
3	5644	SCREW TERMINAL BLK MTG	57	602210	INSERT-BRSH ASM LKG PIN	97	104038	STUD - TUBE CHASSIS BUMPR
4	6935	LWASHER ID PULL ASM MTG	* 58	602219	FRAME-REAR FEED	98	255939	BUMPER
6	9092	LWASHER	A4	602248	CARD GUIDE ASM CENTER	B	603685	HANGER ASM LT FR & RT R CVR
7	38688	SCREW IDLER PULL ASM MTG	61	52522	SCREW	101	11598	NUT COV HANGER ADJ
8	52522	SCREW CD GUIDE MTG	62	602229	LOCKING NUT-CD GUIDE	102	28413	SCREW CLIP STOP
9	82242	SPACER SEC FEED ONLY	63	602239	CD GUIDE-CENTER LOWER	103	56079	LWASHER CLIP STOP
11	129654	CAP SCREW CD GDE SUPP MTG	64	602247	CD GUIDE-CONT ROLL	104	602004	CLIP COVER RETAINING
12	170150	SCREW CD GD ASM MTG	A5	602289	PULLEY ASM IDLER	106	603267	STUD ADJUSTING
13	302090	TERMINAL BLOCK	67	22478	WASHER-IDLER PULLEY MTG	107	603269	HANGER FEED COVER
14	302131	INSULATOR TERM BLK	68	72828	NUT-IDLER PULLEY MTG	C	603686	HANGER ASM RT FR & LT R CVR
16	437763	SCREW CONT RL IDLER ASM	* 69	110129	BEARING IDLER PULLEY	111	603268	CLIP COVER RETAINING FOR REMAINDER OF PARTS SEE ASM B 603685 PARTS NOT INCLUDED WITH ASM
17	602199	MTG BLOCK CENTER LWR CD GDE	* 71	602290	PULLEY-IDLER	116	11598	NUT HANGER MTG
18	602222	BAR FEED FRAME TIE	* 72	602291	SPACER-CL IDLER PULLEY	117	56079	LWASHER HANGER MTG
19	602597	STUD FEED COVER MTG	* 73	602292	IDLER PULLEY BRACKET	118	120789	WASHER HANGER MTG
21	602660	CARD GUIDE SUPPORT	A6	602295	IDLER ASM CONT ROLL			* NOT RECOMMENDED FOR NORMAL FIELD REPLACEMENT
22	602765	GUARD IDLER ASM PRI FEED	76	641	SCREW FD ROLL PULLEY MTG			
23	602766	GUARD IDLER ASM SEC FEED	77	11598	NUT-FD RL PULLEY MTG			
A1	602162	CARD GUIDE ASM PRIMARY	78	22478	WASHER FD ROLL PULLEY MTG			
27	37913	NUT	79	45690	WASHER FD ROLL PULLEY MTG			
28	38435	SCREW	* 80	110129	BEARING CONT RL ID DR GR			
29	52522	SCREW	* 81	602296	PULLEY-FD ROLL			
31	155749	BRG LOWER FD ROLL	* 82	602298	SPACER CONT RL IDLER BRG			
32	216128	NUT	* 83	602299	GEAR-CONT RL IDLER DR			
33	257986	WASHER	84	602300	MTG PLATE CONT RL IDLER			
34	336651	BRACKET	85	602935	BUSHING&ALIGNMENT			
36	338169	LWASHER						
37	438558	SCREW LWR FD RL MTG						
38	602229	LOCKING NUT-CD GDE						
39	602247	CARD GUIDE-CONT ROLL						
41	602366	CARD GUIDE-PRI						
42	602469	SHAFT LWR FD ROLL						
43	602490	SPACER LOWER FD RL						
44	602493	PLATE LWR FD RL CLAMP						
46	602495	INSULATOR LWR FD RL						
47	603862	RETAINER SPRING						
48	603863	SPRING COMPRESSION						
49	603864	BRKT LOWER						

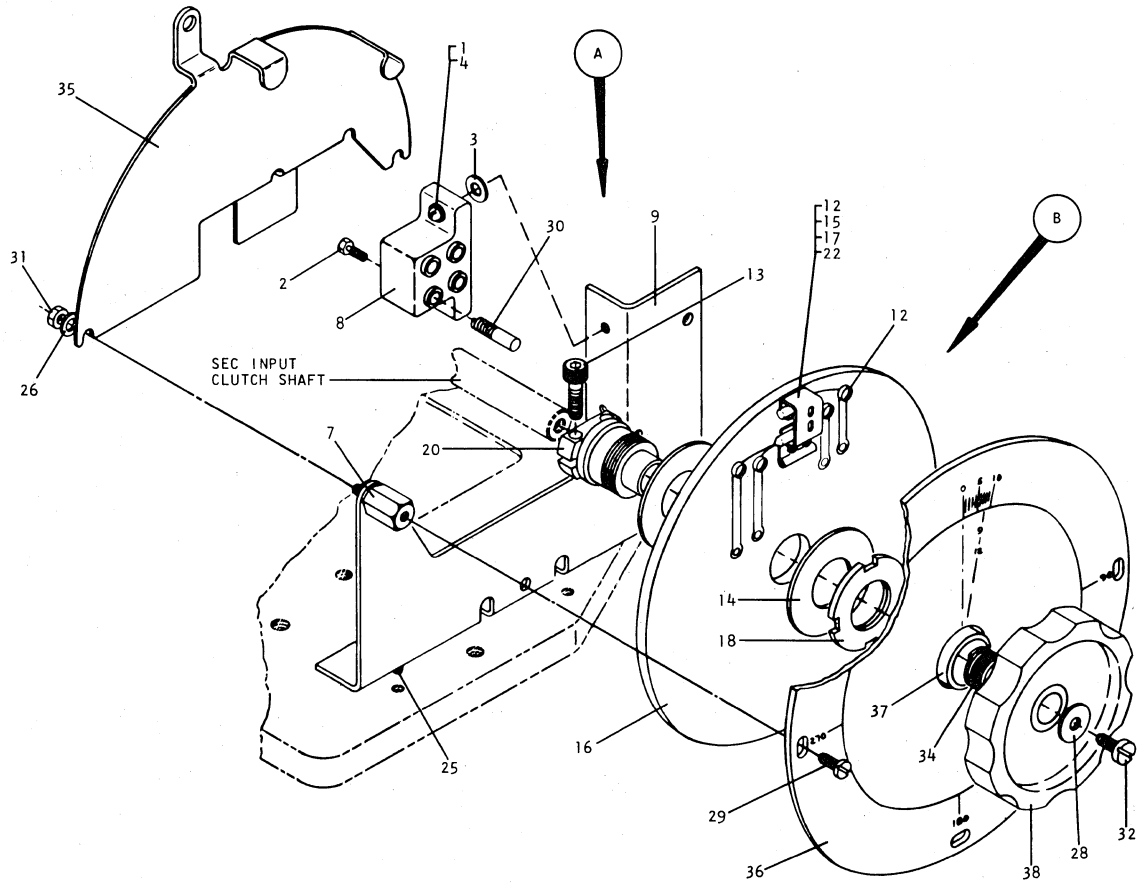
88 FIG. 10

# RETRACTABLE BRUSH & CARD GUIDE ASMS



A	602236	GUIDE ASM UPPER CARD	A2	602668	SUPPORT ASM CD GDE SLIDE	70	608234	FRAME BRUSH UNIT LEFT
1	443	SCREW-CD GUIDE MTG	36	12953	COMPRESSION SPRING	71	608235	FRAME BRUSH UNIT RIGHT
2	11598	NUT-CD GUIDE MTG	37	255883	STOP NUT ELASTIC PLUN KN	72	608297	SHIM BRUSH RELEASE BAR
3	38262	SCREW CONT ASM MTG	38	602606	CARD GUIDE SLIDE SUPPORT	73	608448	FRAME BR HOLDER RT
4	38266	SCREW CONT ASM MTG	39	607965	PLUNGER CARD SLIDE LOCK	74	608453	FRAME BR HOLDER LT
5	45690	WASHER-CD GUIDE MTG	B	342715	QUICK DISCONNECT ASM 27 POS	76	610150	GUIDE BRUSH
6	257186	NUT-CONT ASM MTG	46	342713	CONTACT	77	610151	BAR BR GD SUPPORT
7	257984	LWASHER CONT ASM MTG	C	342714	PLATE	C1	610275	BRUSH HOLDER ASM
8	602232	PLATE-CARD GUIDE	C	610665	RETRACTABLE BRUSH UNIT ASM	C1	610211	CRUSH HOLDER ASM
11	602233	STUD-PIVOT	50	6364	RETRACTABLE BRUSH UNIT ASM	81	154404	NUT CD BR CLAMPING
12	602235	CARD LEVER	51	8519	LWASHER MTG	82	249348	BLOCK BRUSH HOLDER
14	1073418	CLIP-PIVOT STUD	52	38235	SCREW BR GD MTG	83	257261	BOLT BRUSH CLAMPING
A1	602234	CONTACT ASM CARD	53	38350	SCREW BRKT SUPPORT MTG			PARTS NOT INCLUDED WITH ASM
21	11900	INSULATOR-CONT ASM	54	38351	SCREW MTG	91	38235	SCREW BRUSH UNIT GUIDE
22	100229	TUBING-CONT ASM INSUL	55	38443	SCREW BR GD SUPP BAR MTG	92	257186	NUT-CD LEVER #2 COVER
23	118418	SCREW CONTACT TERMINAL	56	108779	SPRING	93	257985	WASHER-CD LVR #2 CVR
24	133202	BRACKET-CONT ASM MTG	57	196698	SCREW	94	602195	GUIDE BR UNIT CARD 2ND STAT
26	141964	CONTACT TERMINAL	58	477037	SET SCREW	96	602237	GUIDE BR UNIT CARD 1ST STAT
27	150243	SPRING CARD CONTACT	61	607262	BAR BR HOLDER TIE	97	602821	COVER-CD LEV #2
28	152794	CONTACT TERMINAL	63	607267	RELEASE BR HOLDER L H	98	602359	CABLE PRI READ BRUSH
29	173204	SCREW-CONT ASM	64	607269	RELEASE BR HOLDER R H	99	602360	CABLE SEC READ BRUSH
31	610315	SPRING CONTACT	65	607272	BAR BR HLDL REL MTG			
			66	607473	SCREW RELEASE MTG			
			67	608211	BRACKET SUPPORT BRUSH LCKG			
			68	608215	STUD BR UNIT LOCKING			

# DYNAMIC TIMER ASM

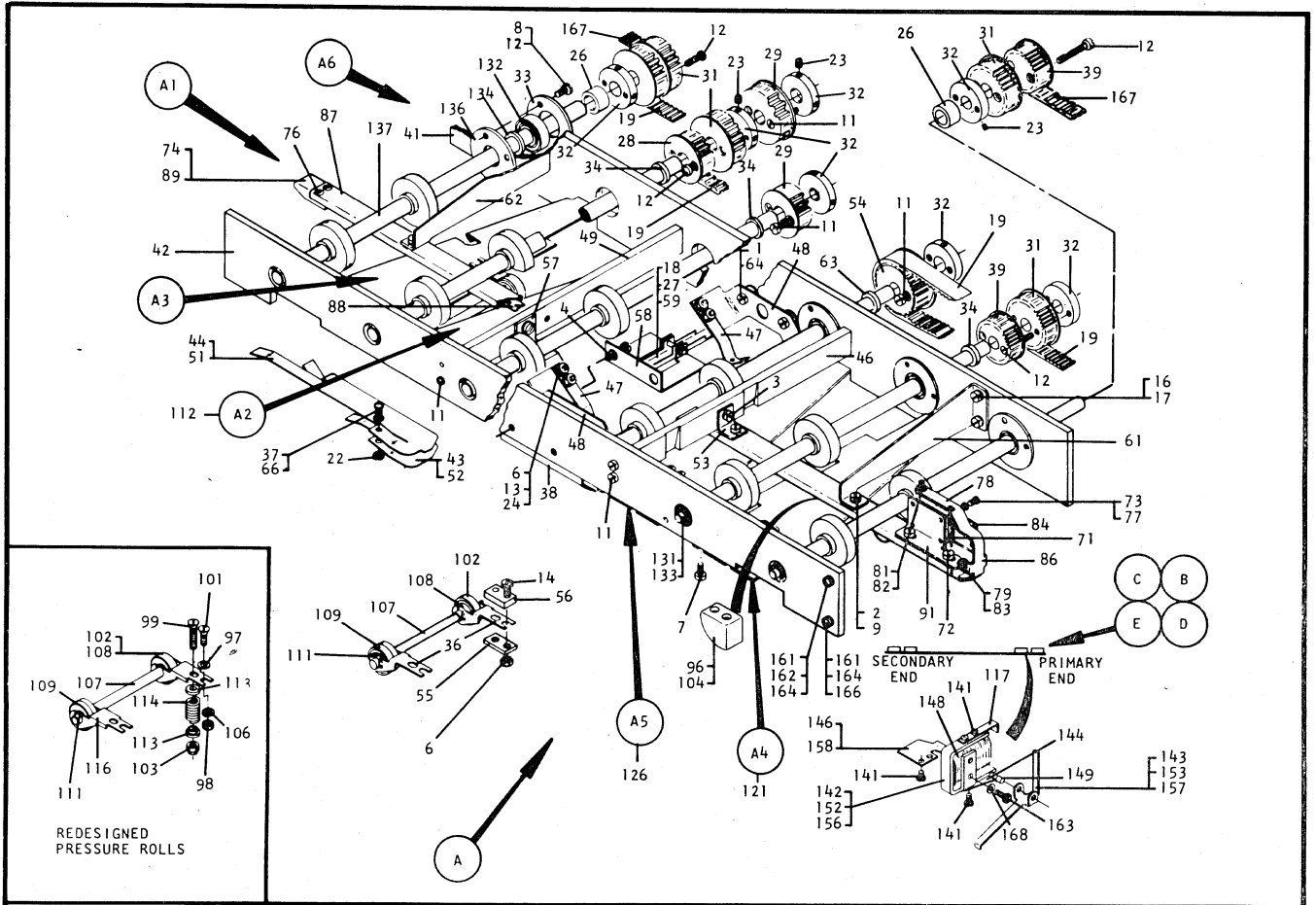


A	Part Number	Description
1	603922	BRACKET ASM DYNAMIC TIMER
2	1957	SCREW BRUSH HOLDER MTG
3	4473	SCREW HEX HEAD
4	22478	WASHER
7	113204	SPACER DIAL MTG
8	206430	HOLDER BRUSH
9	602327	MTG BRKT DYN TIMER

B	Part Number	Description
12	602422	DISC ASM-DYN TIMER
13	75983	SCREW LIGHT TERMINAL
14	129654	SCREW TIMER HUB CLAMP
15	205086	WASHER DISC RETAINING
16	205094	HOLDER LIGHT
17	205097	DISC DYNAMIC TIMER
18	205876	SHIELD-TIMER LIGHT BULB
20	257213	NUT-DISC RETAINING
22	602363	HUB-TIMER
22	610188	NEON LAMP

Part Number	Description
25	32042 PARTS NOT INCLUDED WITH ASM
26	60646 SCREW DYN TIM MTG BRKT
28	120789 WASHER HAND CRANK
29	186759 SCREW DYN TIM DIAL MTG
30	205773 BRUSH-CONTACT TIMER
31	257189 NUT DYN TIMER GD
32	332620 SCREW-HAND CRANK
34	442822 SPRING DYN TMR CLUTCH
35	602270 GUARD DYN TIMER
36	602361 TIMER DIAL
37	602398 COVER-CLUTCH SPRING
38	602400 HAND CRANK

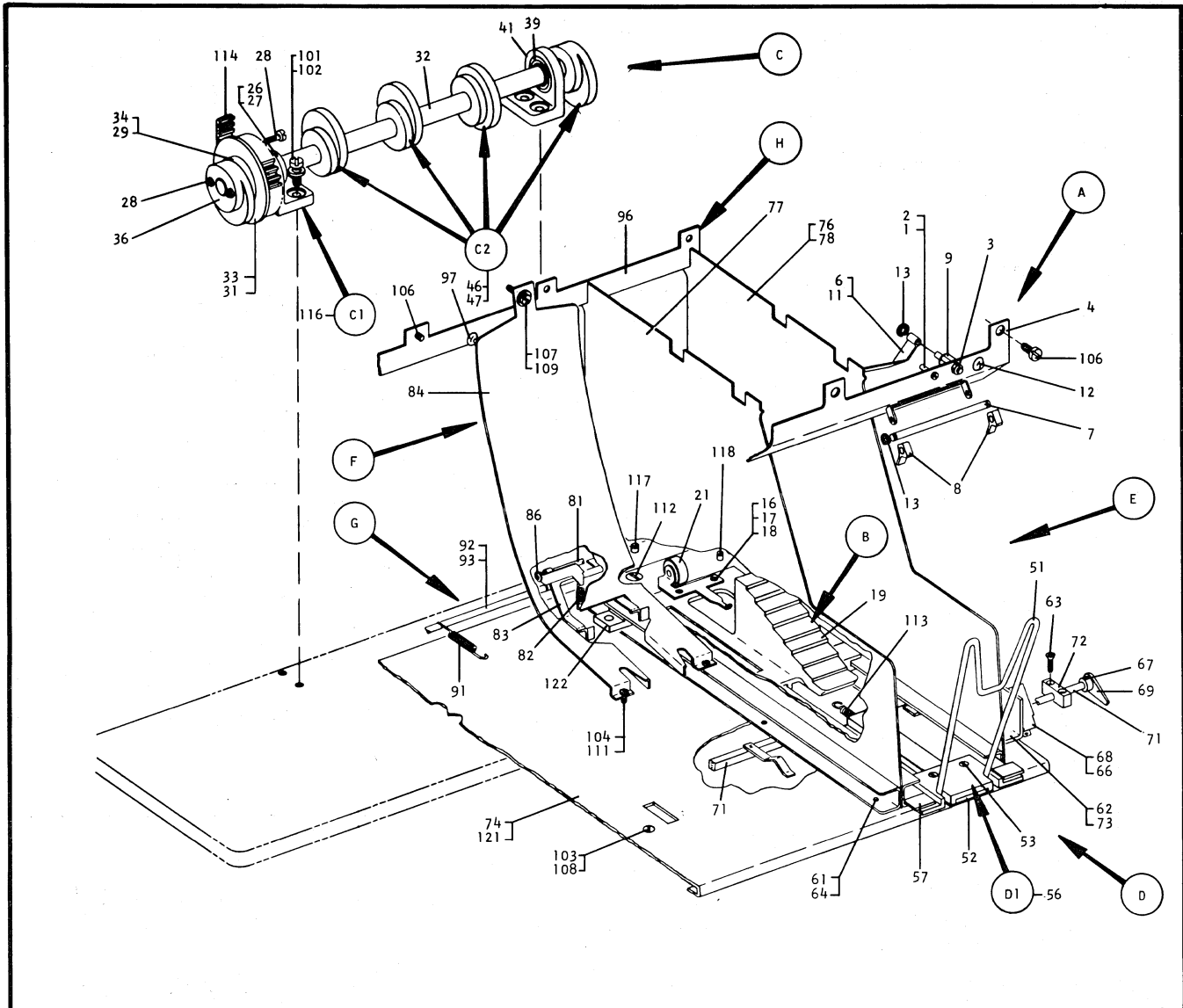
# TRANSPORT ASM



REDESIGNED  
PRESSURE ROLLS

A	1	602265	TRANSPORT ASM	58	602968	BRACKET-JAM LEVER	A4	603867	DEFLECTOR ASM PKT NO 1
	2	2300	SCREW MERGE PKT REAR GDE	59	602969	JAM LEVER	121	603015	DEFLECTING PLATE CARD
	3	6364	LWASHER JAM BAR MTG	61	603879	BRACKET JAM BAR MTG			FOR BREAKDOWN OF PARTS
	4	10170	SCREW JAM BAR BRKT MTG	62	609932	BRACKET JAM BAR MTG			SEE ASM A2 603865
	5	24752	SCREW GUIDE MERGE PKT FT	63	610074	SPACER STACKER TRAN ASM	A5	603868	DEFLECTOR ASM PKT NO 2
	6	37913	NUT MERGE PKT SPR MTG	64	1090448	SPACER MERGE PKT	126	603015	DEFLECTING PLATE CARD
	7	38235	SCREW CHUTE BLADE MTG	66	1091061	WASHER CARD DEFL PLATE MTG			FOR BREAKDOWN OF PARTS
	8	38263	SCREW JPP RL BRG RET MTG		602458	JAM BAR ASM			SEE ASM A2 603865
	9	38348	SCREW JAM BAR MTG	A1	71	27083	548	609718	SHAFT ASM TRANS ROLL
	11	38354	SCREW MTG	72	38348	SCREW-JAM BAR SW BRKT	131	110129	BEARING
	12	38361	SCREW JPP TRANS RL PULL MTG	73	45624	WASHER-JAM BAR SW MTG	132	156364	BEARING
	13	38433	SCREW MERGE PKT SPG MTG	74	48594	SCREW JAM BAR TIP MTG	133	332747	CLIP BEARING RETAINING
	14	38434	SCREW INSULATION MTG	76	52570	SCREW CHANNEL MTG	134	336534	SPACER
	16	55901	LWASHER JAM BAR BRKT MTG	77	52618	SCREW-JAM BAR SW MTG	136	602557	RETAINER SHAFT
	17	58207	SCREW JAM BAR BRKT MTG	78	65266	SWITCH-JAM BAR	137	609713	SHAFT UPPER TRANS ROLL
	18	147297	CLIP-JAM LEVER SHAFT RET	79	147297	CLIP-JAM BAR LEV PIV	B	602383	MAGNET ASM SELECTOR LEFT SEC
	19	148368	BELT UP RL TIMING	81	257187	NUT-JAM BAR LEV ADJ	141	48594	SCREW MAGNET
	21	163899	LWASHER UPP RL BRG RET MTG	82	336131	SCREW JAM BAR LEV ADJ	142	602329	YOKE SEL MAG RIGHT
	22	257186	NUT-CARD DEFL PL MTG	83	336132	STUD-JAM BAR LEV PIV	143	602390	ARMATURE-SEL MAG L
	23	257973	SCREW PULLEY RETAINING COLLAR	84	336592	BRKT -JAM BAR SW MTG	144	602393	SPRING-ARMATURE PIV
	24	257985	WASHER MERGE PKTS SPG MTG	86	602459	LEVER-JAM BAR	146	602395	DEFLECTOR SPR-SEC
	26	287013	SPACER UP TRANS RL PULL	87	602460	CHANNEL JAM BAR			USED ON ASM 602383 ONLY
	27	336132	SHAFT-JAM LEVER	88	602462	TAPE-JAM BAR	147	602401	ARMATURE STOP
	28	336143	PULLEY-UP TRANS ROLL	89	602464	TIP-JAM BAR	148	602405	COIL SEL MAG
	29	336145	PULLEY UPPER TRANS ROLL	91	602465	MOUNT-JAM BAR SW	149	602415	PIN-ARMATURE PIV
	31	336176	PULLEY UPPER TRANS ROLL	A2	603865	DEFLECTOR ASM PKT NO 4	C	602385	MAGNET ASM SELECTOR LEFT PRI
	32	336254	COLLAR PULLEY RETAINING	96	288	SCREW FLIPPER ASM MTG			FOR BREAKDOWN OF PARTS
	33	336345	RETAINER UPP TRANS RL BRG	97	24327	WASHER			SEE ASM B 602383
	34	336593	SPACER UP RL PULLEY	98	37913	NUT INSUL MTG	D	602391	MAGNET ASM SELECTOR RIGHT SEC
	36	336651	BRACKET BEARING RETAINING	99	38435	SCREW SPRING MTG	152	602340	YOKE SEL MAG L
	37	438548	SCREW CARD DEFLECTOR PLATE	101	52522	SCREW BRACKET MTG	153	602384	ARMATURE-SEL MAG R
	38	602169	LEDGE MERGE POCKET	102	195749	BEARING LOWER FEED ROLL			FOR REMAINDER OF PARTS
	39	602230	PULLEY-16T CONT ROLL	103	216128	NUT SPRING RETAINING			SEE ASM B 602383
	41	602310	SIDE RAIL-REAR	104	336808	FLIPPER CARD	E	602392	MAGNET ASM SELECTOR RIGHT PRI
	42	602311	SIDE RAIL FRONT	106	338169	LWASHER BRACKET MTG	156	602340	YOKE SEL MAG L
	43	602374	CHUTE BLADE SHORT SEC	107	602469	SHAFT LWR FD ROLLS	157	602384	ARMATURE-SEL MAG R
	44	602375	CHUTE LONG SEC	108	602490	SPACER TRANS ROLL	158	602396	DEFLECTOR SPRING PRI
	46	602382	MTG BAR-CD DEFL-RT	109	602782	BEARING MERGE POCKET			FOR REMAINDER OF PARTS
	47	602408	SPRING MERGE PKT FR			USED ON ASMS 603865 & 603868			SEE ASM B 602383
	48	602409	GUIDE MERGE PKT FR	111	602783	SPACER ROLL BRG			PARTS NOT INCLUDED WITH ASM
	49	602411	MTG BAR-CD DEFL-LT			USED ON ASMS 603865 & 603868	161	221	NUT TRANSPORT ASM MTG
	51	602450	CHUTE BLADE LONG PRI	112	603014	DEFLECTING PLATE CARD	162	232	SCREW TRANSPORT ASM MTG
	52	602456	CHUTE BLADE SHORT PRI			RETAINER SPRING	163	337	SCREW SEL MAG ASM MTG
	53	602468	MTG BRKT-JAM BAR	113	603862	RETAINER SPRING	164	9092	LWASHER TRANSPORT ASM MTG
	54	602486	PULLEY-FD ROLL-22T	114	603863	SPRING COMPRESSION	166	336284	SCREW TRANSPORT ASM MTG
	55	602493	PLATE FD ROLL CLAMP	116	603864	BRACKET LOWER FEED ROLL	167	602325	TIMING BELT 60T
	56	602495	INSULATOR FEED ROLL	A3	603866	DEFLECTOR ASM PKT NO 5	168	1090873	LWASHER SEL MAG ASM MTG
	57	602936	BRACKET-CENTER DEFLECTOR			FOR BREAKDOWN OF PARTS			SEE ASM A2 603865

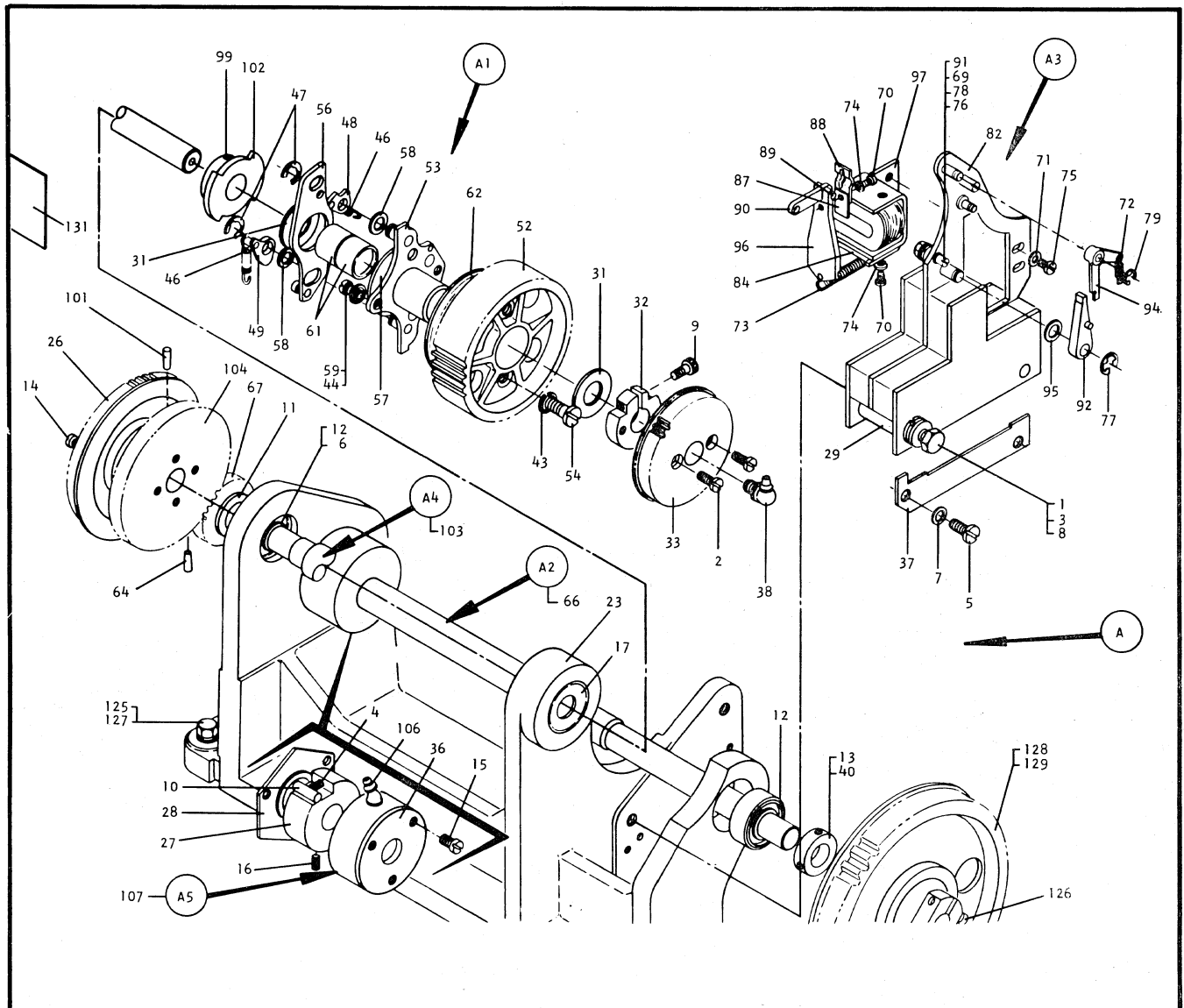
# STACKER ASM



A	1	602149	PIVOT & LEVER ASM CARD	C1	39	602472	BRACKET ASM STKR SHAFT MTG	F	81	609785	RADIAL CARD GUIDE ASM
	2	5644	SCREW CARD LEVER STOP	*	41	156364	BEARING STACKER SHAFT		81	209063	SHAFT CARD ALIGNER
	3	113821	TUBING CARD LEVER STOP		41	602473	BRACKET STACKER SHAFT MTG		82	209217	SPRING CARD ALIGNER
	4	257187	NUT CD RETAINER	C2	46	603525	CAM ASM CARD PUSHER		83	209220	LEVER CARD ALIGNER
	5	602153	CARD PIVOT		47	257975	SET SCREW CAM MTG		84	602476	GUIDE CARD
	6	602447	LEVER CD RESTRAIN LH		47	603546	CAM CARD PUSHER		86	1073418	CLIP RETAINING
	7	602488	SHAFT-CD RET LEVER	D	51	603796	SLIDE ASM CARD DECK SUPPORT		86	609787	ANCHOR ROD ASM
	8	602489	LEVER-CARD RETAINING		52	602372	SUPPORT CD DECK		91	150603	SPRING SLIDE
	9	602593	STUD, REST LEV PIVOT		52	602642	PLATE CD SUP CLAMP		92	264641	RING RETAINING
	11	602594	LEVER CD RESTRAIN RH		53	1115735	SCREW MTG PLATE		93	602629	ROD ANCHOR
	12	602978	BUMPER PLUG		56	603799	SLIDE ASM BUMPER AND		93	603074	RETAINER ASM POCKET SEP
	13	1073418	CLIP-PIVOT STUD	D1	56	363023	SLIDE CD DECK SUP		96	602367	RETAINER-POCKET SEP
B	16	602338	SLIDE ASM CARD PUSHER	E	57	603795	INSERT SLIDE		97	602978	BUMPER PLUG
	17	35739	SCREW CAM FOLLOWER MTG		61	602972	POCKET ASM				PARTS NOT INCLUDED WITH ASM
	18	257986	WASHER BRKT MTG		61	38261	SCREW CHANNEL MTG		101	358	SCREW SHAFT ASM MTG
	19	344015	NUT BRKT MTG		62	38451	SCREW BRACKET MTG		102	9092	LWASHER SHAFT ASM MTG
	21	602373	SLIDE CARD PUSHER		63	38452	SCREW PIVOT MTG		103	10476	SCREW STACKER SLIDE STOP
C	26	602470	BRACKET CARD FOLLER		64	150209	L WASHER CHANNEL MTG		104	38562	SCREW MTG
	27	602343	SHAFT ASM STACKER DRIVE		66	228093	SWITCH RADIAL STACKER		106	58207	SCREW MTG
	28	9299	COLLAR CARD PSHR SFT		67	251350	SET SCREW SWITCH ARM ASM		107	60646	LWASHER GUIDE ASM MTG
	28	123639	SET SCREW CD PSHR SHAFT COL		68	438550	SCREW SW MTG		108	94378	LWASHER STACKER SLIDE STOP
	29	170241	SCREW & LWASHER		69	602347	SWITCH ARM		109	130562	SCREW GUIDE ASM MTG
	31	257975	SET SCREW DR PULLEY HUB		71	602355	SHAFT POCKET STOP		111	150209	LWASHER GUIDE ASM MTG
	31	491796	SPACER-CD PSHR SFT PULL		72	602364	PIVOT POCKET STOP		112	512508	SCREW PLATE
	32	602266	SHAFT-CARD PUSHER		73	602413	BRACKET SWITCH MTG		113	602406	SPRING EXT RADIAL STACKER
	33	602296	PULLEY FD ROLL		74	602592	PLATE CARD POCKET		114	602643	BELT TIMING STKR DR
	34	602644	HUB-STKR DR PULL		76	603068	PLATE LH STACKER POCKET		116	602679	SHIM STKR SFT MTG BRKT
	36	603546	CAM CARD PUSHER		77	603069	PLATE STACKER POCKET		117	602808	STUD SPRING
					78	603070	PLATE RH STACKER POCKET		118	602809	STUD STOP
									121	602967	GASKET-VIBRATION DMPING
									122	603798	BUMPER CD DK SUP SL ASM

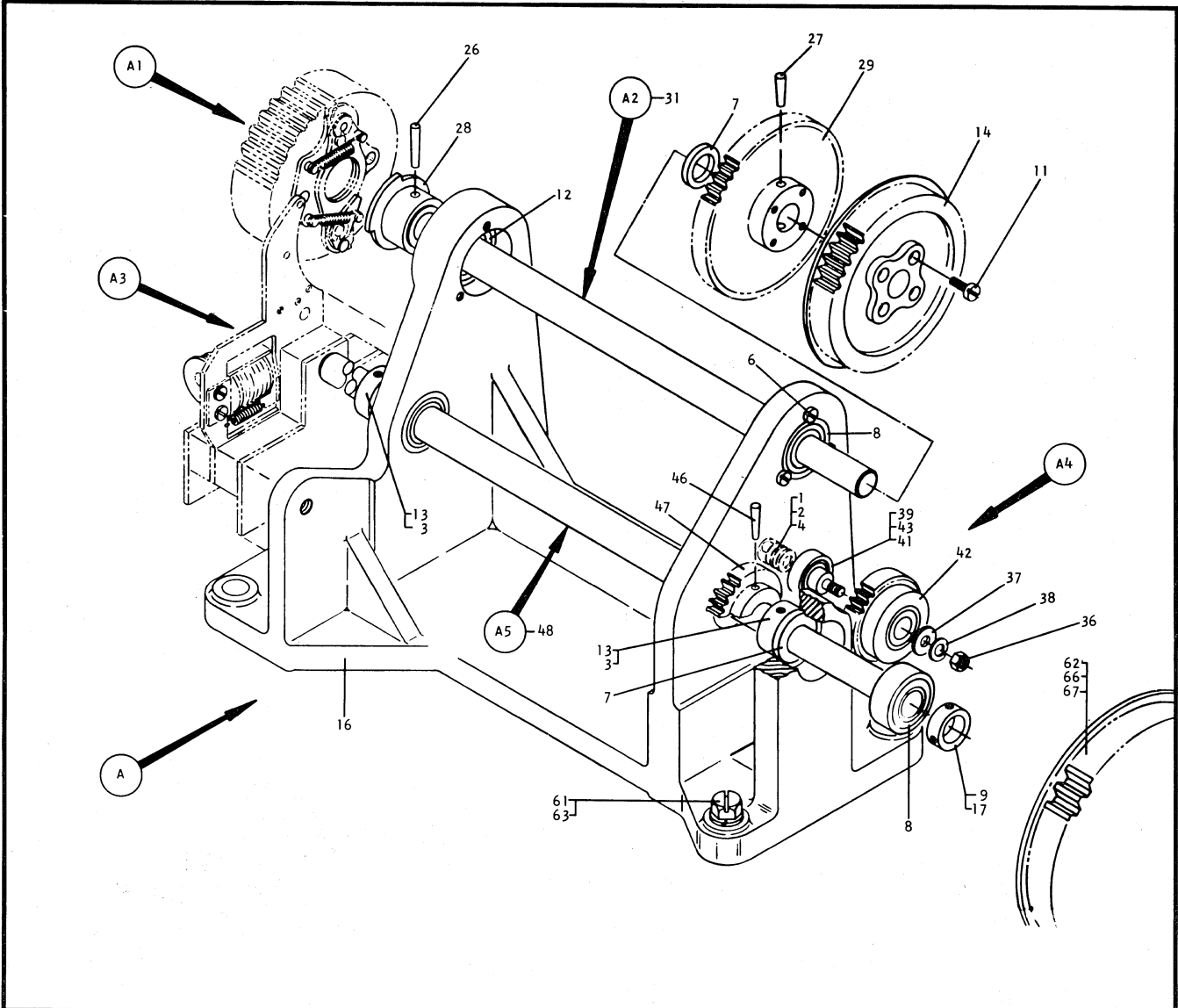
88 FIG. 14

# PRIMARY CLUTCH ASM

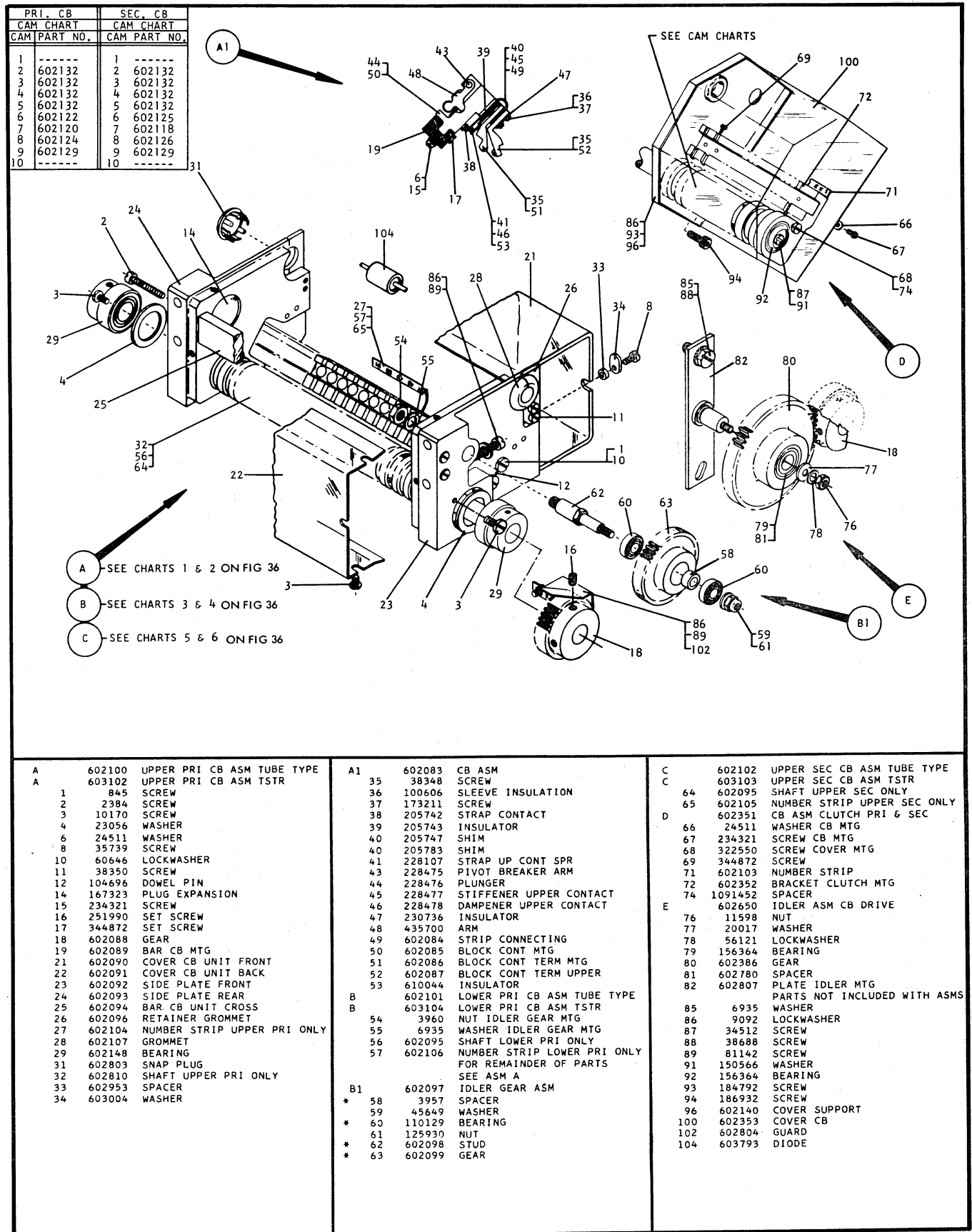


A	602011	SUPPORT ASM CL DR PRI	A1	602013	CLUTCH ASM	82	602053	CENTER PLATE
1	3550	WASHER-LAT ASM MTG	43	6935	LWASHER POS CLU PULLEY	84	602062	ARMATURE-PIVOT
2	5528	SCREW FILE FD DR PULL MTG	44	9092	L WASHER-POS CLUTCH SCR	87	602065	RESIDUAL-CL MAG UNIT
3	6935	LWASHER-LAT ASM MTG	46	125898	SPRING-CLUTCH DR DOG	88	602066	SPRING-LINK PIV
4	8499	SPRING-REV LOCK ROLLER	47	257982	CLIP-CLU DRIVE ARM STUD	89	602067	STUD-ARMATURE
5	25627	SCREW LAT ASM LOC BLK MTG	48	602014	DRIVE DOG POS CLUTCH	90	602068	LINK-LAT AND ARM
6	38235	SCREW CLUTCH DRIVE BRG	49	602017	DETENT POS CLUTCH	91	602069	STUD-LATCH STOP
7	55901	LWASHER LAT LOC BLK MTG	52	602023	PULLEY-POS CL	92	602070	LATCH CLUTCH
8	59648	SCREW-LAT ASM MTG	53	602024	DRIVE ARM POS CLUTCH	94	602073	KEEPER-LATCH
9	101807	SCREW-COLLAR PULL MTG	54	602029	SCREW-POS CL PULLEY	95	602074	SPACER-LATCH PIV
10	104699	ROLLER-REV LOCK	56	602030	INT ARM POS CLUTCH	96	602075	ARMATURE-LATCH
11	144040	SPACER INPUT SHAFT	57	602033	THRUST BRG-POS CL	97	603026	YOKE & COIL CL MAG UNIT
12	156231	BEARING CLU & INPUT SFT	58	602034	SPACER THRUST BRG POS CLUTCH	A4	602947	SHAFT ASM-PRI CLUTCH
13	162096	COLLAR-BRG RET	59	602035	SHOULDER SCREW POS CLUTCH	99	4159	TAPER PIN-DRIVE WHEEL
14	170241	SCREW CONT ROLL PULL MTG	61	602457	BEARING CL DR ARM	101	151230	TAPER PIN-PRN CLU GEAR
15	170351	SCREW & LWASHER REV LOCK	62	603750	SHOCK MOUNT POS CLUTCH	* 102	602037	DRIVE WHEEL POS CLUTCH
16	186635	SET SCREW REV LOC ROTOR	A2	602040	SHAFT ASM INPUT PRIMARY	* 103	602039	CLUTCH-SHAFT
17	204433	BEARING CLUTCH SHAFT	* 64	28441	TAPER PIN-SPUR GEAR	* 104	602945	SPUR GEAR-PRI CLU
23	602012	SUPPORT-PRI CL DR	* 66	602041	INPUT SHAFT-PRIMARY	A5	603797	HOUSING ASM REV LOCK
26	602043	PULLEY-CONT ROLL INPUT	* 67	602946	GEAR-PRI CLU DRIVE	* 106	120620	FITTING GREASE
27	602045	CAM-REV LOCK	A3	602052	LATCH ASM-MTG UNIT	107	602454	HOUSING REV LOCK
28	602046	INSERT-BEARING	69	6364	LWASHER LAT STOP STUD MTG	125	10303	SCREW CLUTCH ASM MTG
29	602047	SPACER-LAT ASM PLATE	70	53042	SCREW MTG	126	129654	SCREW-INPUT PULLEY ASM
31	602050	THRUST BRG-POS CL	71	55901	LWASHER YOKE MTG	127	179966	LWASHER CLUTCH ASM MTG
32	602170	COLLAR CL SH CLAMP	72	58854	SPRING-LATCH-KEEPER	128	602048	PULLEY INPUT DRIVE 60 CY
33	602423	PULLEY FILE FEED DRIVE	73	131191	SPRING-LATCH ARMATURE	129	602898	PULLEY INPUT DRIVE 50 CY
36	602558	PLATE REV LOCK	74	150209	LWASHER MTG	131	602933	DECAL-CLUTCH ADJ
37	603673	BLOCK CLU LATCH ASM POS	75	186759	SCREW YOKE MTG			
38	610347	FITTING GREASE CLUTCH DR	76	257187	NUT-LAT STOP STUD MTG			
40	1100523	SET SCREW BRG RET COLLAR	77	257982	CLIP LATCH ASM SPRING			
			78	257986	WASHER-LAT STOP STUD MTG			
			79	264641	CLIP LATCH KEEPER SPRING			
								* NOT RECOMMENDED FOR NORMAL FIELD REPLACEMENT

# SECONDARY CLUTCH ASM

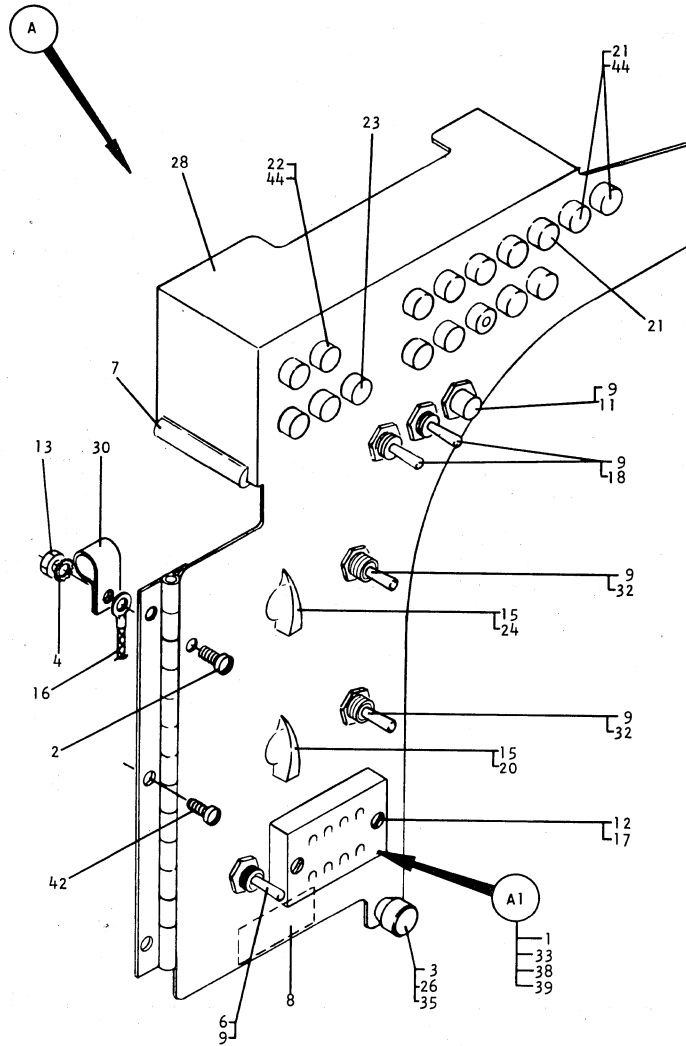


A	602076	SUPPORT ASM CL DR SEC	A1	602013	CLUTCH ASM FOR BREAKDOWN OF PARTS SEE PRI CLUTCH ASM A1 602013	A4	602078	GEAR ASM IDLER
1	453	WASHER-IDLER GEAR ASM				36	11598	NUT BRG RET
2	10309	LWASHER-IDLER GEAR ASM	A2	602036	SHAFT ASM SEC CLUTCH	37	20017	WASHER BEARING RETAINING
3	15004	SCREW-BRG RET COLLAR	26	4159	TAPER PIN-CL DR GEAR	38	56121	LWASHER BEARING RETAINING
4	24107	NUT-IDLER GEAR ASM MTG	* 27	151230	TAPER PIN-DRIVE WHEEL	* 39	156364	BEARING
6	38235	SCREW CLUTCH DR BRG	* 28	602037	DRIVE WHEEL POS CLUTCH	* 41	602080	STUD-IDLER GEAR
7	144040	SPACER CLUTCH SHAFT	* 29	602038	GEAR-CLUTCH DRIVE	* 42	602445	SPUR GEAR-37 T IDLER
8	156231	BEARING CLUTCH & INPUT SFT	* 31	602039	CLUTCH-SHAFT	* 43	602780	SPACER IDLER GEAR BRG
9	162096	COLLAR-BRG RET	A3	602052	LATCH ASM MTG UNIT FOR BREAKDOWN OF PARTS SEE PRI CLUTCH ASM A3 602052	A5	602081	SHAFT ASM INPUT SEC
11	170241	SCREW CONT ROLL PULL MTG				46	28441	TAPER PIN SPUR GEAR
12	204433	BEARING CLUTCH SHAFT				* 47	602042	SPUR GEAR-35 T
13	204452	COLLAR BEARING RETAINING				* 48	602082	INPUT SHAFT-SEC
14	602043	PULLEY-CONT ROLL INPUT						PARTS NOT INCLUDED WITH ASM
16	602077	SUPPORT-SEC CL DR				61	10303	SCREW CLUTCH ASM MTG
17	1100523	SET SCREW BRG RET COLLAR				62	129654	SCREW INPUT PULLEY ASM
						63	179966	LWASHER CLUTCH ASM MTG
						66	602048	PULLEY INPUT DRIVE 60 CY
						67	602898	PULLEY INPUT DRIVE 50 CY
								* NOT RECOMMENDED FOR NORMAL FIELD REPLACEMENT



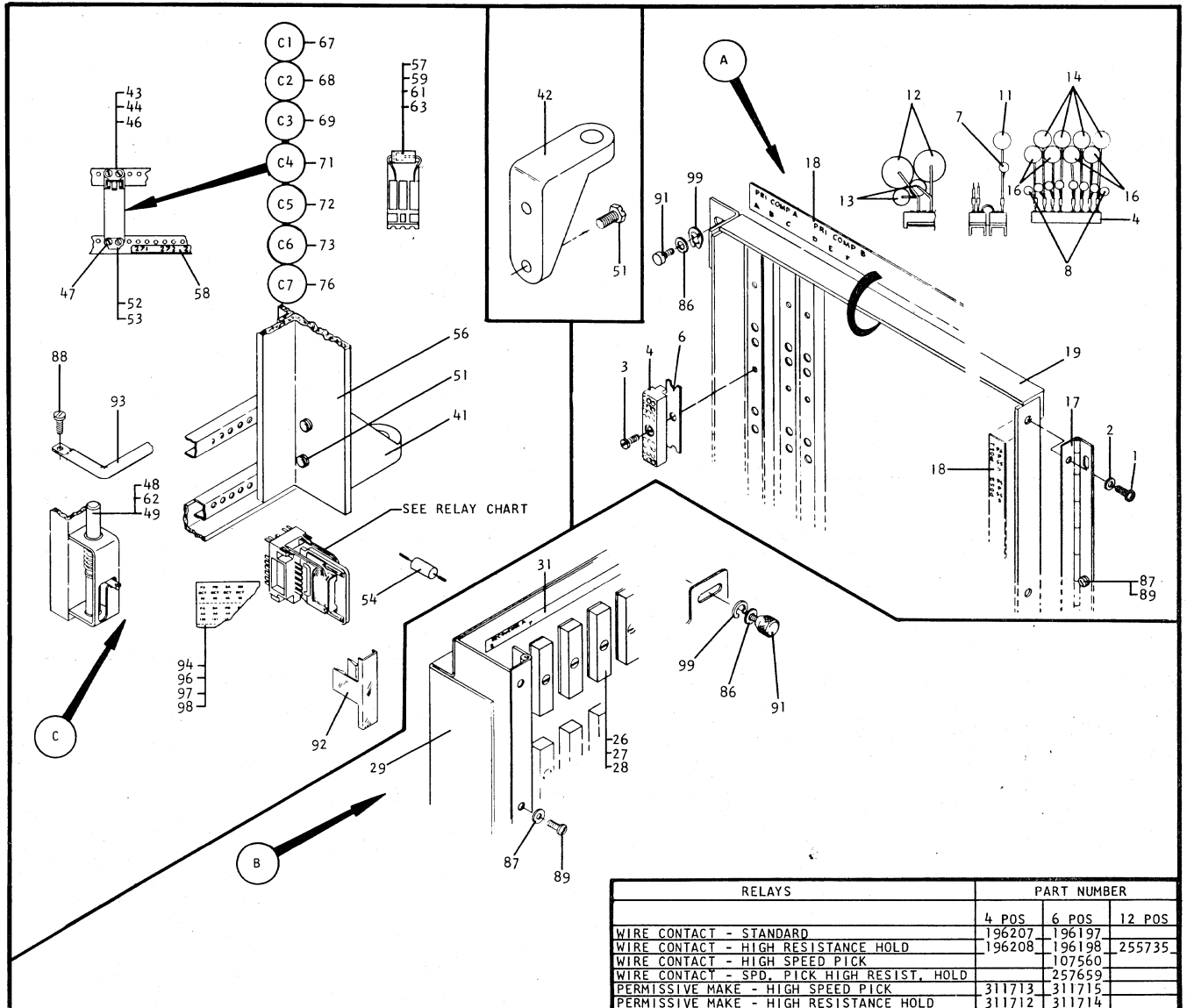


# C.E. AID PANEL ASM



A	602499	PANEL ASM CE AID TUBE TYPE	11	215679	SWITCH TUBE TYPE ONLY	26	602923	THUMB SCREW CE PANEL
A	603099	PANEL ASM CE AID TSTR TYPE	12	257187	NUT TERMINAL BLOCK MTG	28	602498	PANEL CE AID TUBE TYPE
1	24327	SPACER TERM GUARD	13	257189	NUT CABLE CLAMP MTG	28	603098	PANEL CE AID TSTR
2	34512	SCREW CABLE CLAMP MTG	15	317173	KNOB ROTARY SWITCH	30	603696	CABLE CLAMP AID PANEL
3	45690	WASHER THUMB SCREW MTG	16	320644	JUMPER AID PANEL GROUND	32	608279	SWITCH TOGGLE
4	55901	WASHER AID PANEL GROUND	17	322551	SCREW TERMINAL BLK MTG	33	608717	GUARD TIMER TERM BLK
6	121756	SWITCH TOGGLE	18	340517	SWITCH TOGGLE	35	1092125	CLIP RETAINING THBSCR
7	124822	CHANNEL RUBBER	20	602613	ROTOR SWITCH 2 DECK	A1	237322	TERMINAL BLOCK ASM
		ORDER LENGHT DESIRED	21	602626	NYLON TIP JACK-WHITE	38	237321	CLIP
8	138754	DECAL LINE VOLTAGE	22	602627	NYLON TIP JACK-RED	39	237320	TERMINAL BLOCK
9	159373	LWASHER TOGGLE SW MTG	23	602628	NYLON TIP JACK-BLACK			PARTS NOT INCLUDED WITH ASMS
			24	602654	ROTOR SWITCH SINGLE DECK	42	55726	SCREW PANEL MTG
						44	602269	INSULATOR

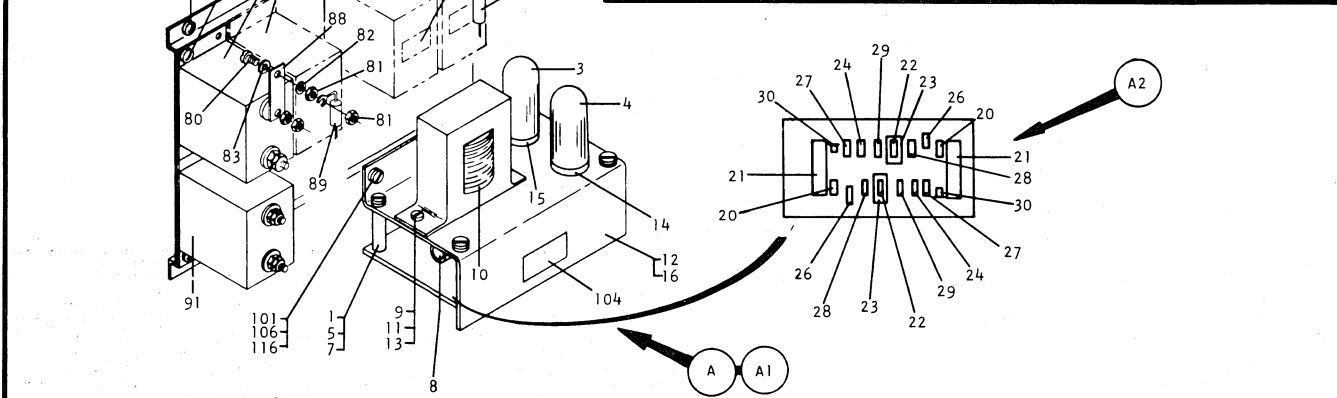
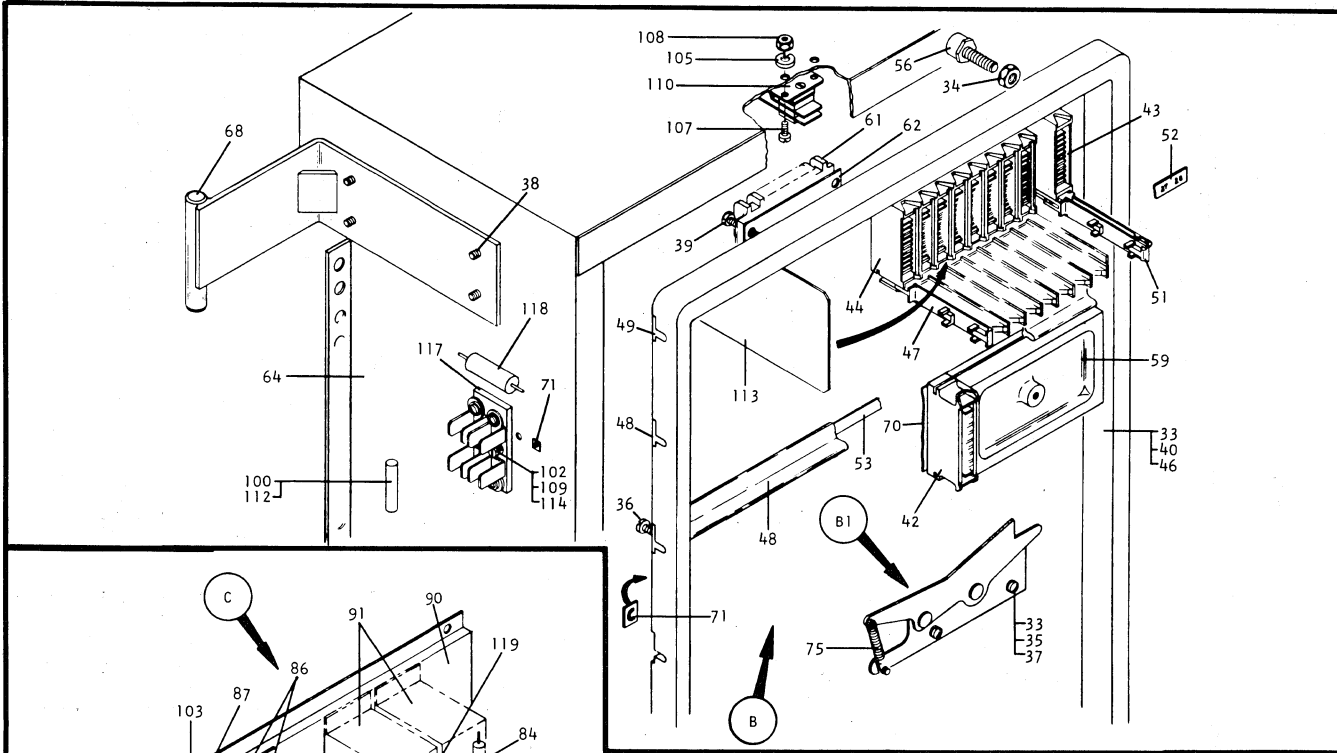
# RELAY GATE & R.C. PANEL ASMS (TUBE & TSTR)



RELAYS	PART NUMBER		
	4 POS	6 POS	12 POS
WIRE CONTACT - STANDARD	196207	196197	
WIRE CONTACT - HIGH RESISTANCE HOLD	196208	196198	255735
WIRE CONTACT - HIGH SPEED PICK			107560
WIRE CONTACT - SPD, PICK HIGH RESIST, HOLD			257659
PERMISSIVE MAKE - HIGH SPEED PICK	311713	311715	
PERMISSIVE MAKE - HIGH RESISTANCE HOLD	311712	311714	

A	602144	R C PANEL ASM 22 POS TUBE TYPE	C	602694	RELAY GATE ASM 10 POS TUBE TYPE	C1	159941	TERMINAL MLDG ASM 4 PT WC
A	602145	R C PANEL ASM 16 POS TUBE TYPE	C	602695	RELAY GATE ASM 16 POS TUBE TYPE	C2	156731	SPRING TERMINAL
A	602146	R C PANEL ASM 10 POS TUBE TYPE	C	602696	RELAY GATE ASM 22 POS TUBE TYPE	C2	159942	TERMINAL MLDG ASM 6 PT WC
1	28413	SCREW HINGE MTG	C	603094	RELAY GATE ASM 10 POS TSTR TYPE	C6	156731	SPRING TERMINAL
2	56079	LWASHER HINGE MTG	C	603095	RELAY GATE ASM 16 POS TSTR TYPE	C3	159943	TERMINAL MLDG ASM 12 PT WC
3	198363	SCREW TERMINAL BLOCK MTG	C	603096	RELAY GATE ASM 22 POS TSTR TYPE	C3	156731	SPRING TERMINAL
4	302090	TERMINAL BLOCK	41	128017	HINGE GATE USED ON MACHINES WITH REDESIGNED FRAME	C4	225355	SELENIUM VALVE UNIT
6	302131	INSULATOR TERMINAL BLOCK	42	289335	HINGE	C4	156731	SPRING TERMINAL
7	326366	RESISTOR 330 OHM 1/2W	43	159944	CLIP TOP MTG 4 POS	C5	344599	TERMINAL MLDG ASM 4 PT PM
8	438278	RESISTOR 1800 OHM 2W	44	159945	CLIP TOP MTG 6 POS	C5	156731	SPRING TERMINAL
11	513568	CAPACITOR 0.47 MFD	46	159946	CLIP TOP MTG 12 POS	C6	344603	TERMINAL MLDG ASM 6 PT PM
12	602276	CAPACITOR 40 MFD	47	198363	SCREW MTG CLIP	C7	156731	SPRING TERMINAL
13	602421	RESISTOR 500 OHM 10W	48	204499	PIN GATE LOCKING	C7	694296	BINDER POST ASM
14	602638	CAPACITOR 4MFD LONG	49	220856	SPRING LOCKING PIN	C7	156731	SPRING TERMINAL
16	602666	CAPACITOR 4 MFD SHORT	51	234341	SCREW HINGE MTG			PARTS NOT INCLUDED WITH ASM
17	602915	HINGE	52	284424	CLIP BOTTOM MTG 12 POS	86	45690	WASHER THUMBSCREW MTG
18	602961	NUMBERING STRIP	53	308704	CLIP BOTTOM MTG 4 POS	87	56079	LWASHER RC HINGE FR GRD
19	602996	PANEL RESISTOR CAPACITOR	54	602309	RESISTOR 820 OHM 2 W	88	234328	SCREW HANDLE MTG
B	603144	R C PANEL ASM 22 POS TSTR TYPE	56	602312	GATE	89	236849	SCREW RC PANEL MTG
B	603145	R C PANEL ASM 16 POS TSTR TYPE	57	602931	DIODE IN92	91	602923	THUMB SCREW
B	603146	R C PANEL ASM 10 POS TSTR TYPE	58	603067	NUMBERING STRIP TSTR TYPE	92	602955	DUST COVER RELAY
26	198363	SCREW TERMINAL BLOCK MTG	58	602667	NUMBERING STRIP TUBE TYPE	93	603010	HANDLE RELAY GATE
27	302090	TERMINAL BLOCK	59	603793	DIODE IN1218	94	603037	LABELS 10 POS RELAY
28	302131	INSULATOR TERMINAL BLOCK	61	603794	DIODE IN1218	96	603038	LABELS 16 POS RELAY
29	603035	PANEL RESISTOR CAPACITOR	62	610052	STUD LOCKING PIN	97	603039	LABELS 22 POS RELAY
31	603105	NUMBERING STRIP RC PANEL	63	696073	DIODE IN1221	98	605150	LABELS SHEET OF 24 BLANK
						99	1092125	CLIP THUMBSCREW MTG

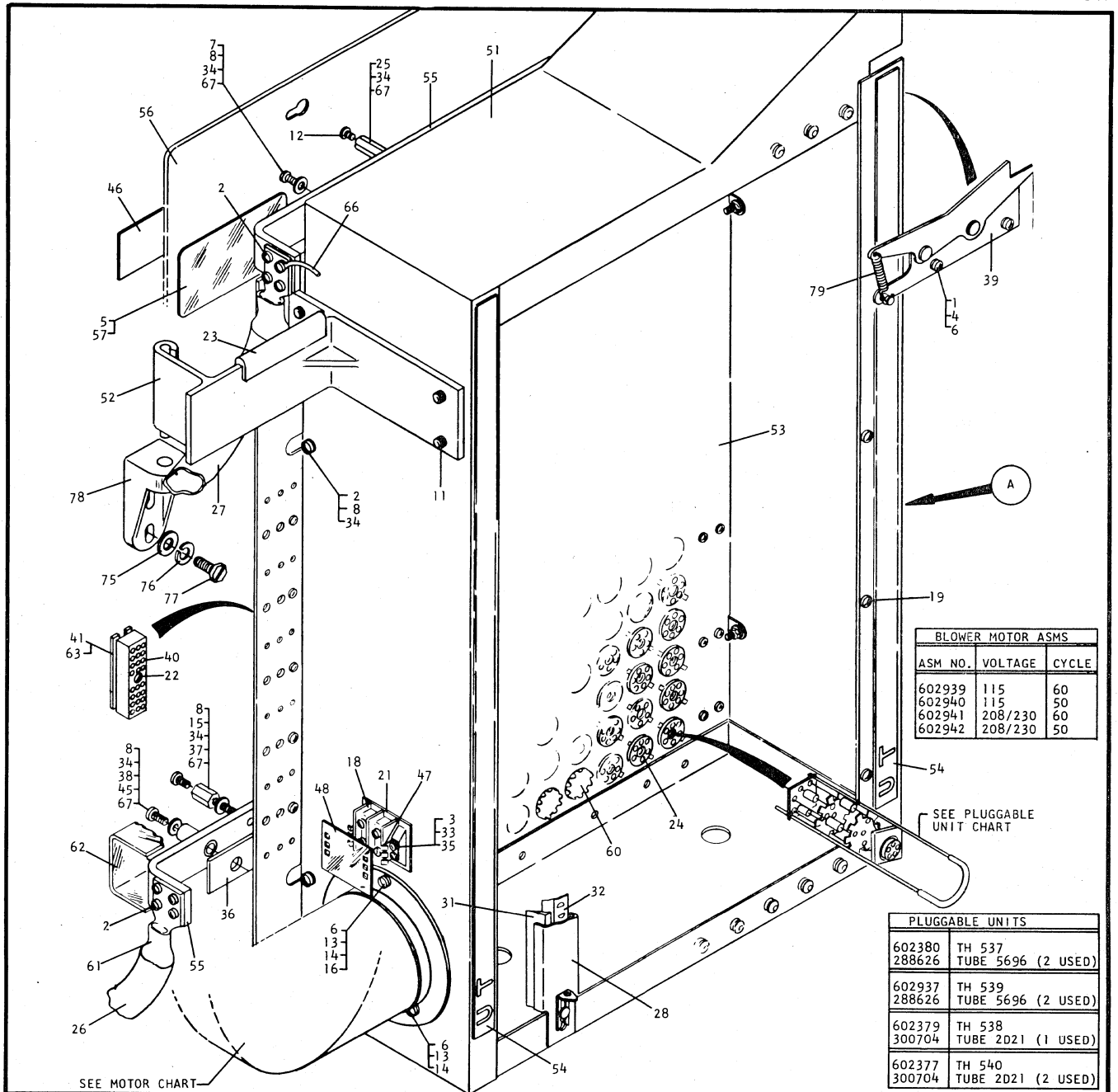
# SMS GATE & DYN TIMER PWR SUPPLY ASMS



A	602708	DYN TIMER PWR SUPPLY TUBE	B	603117	SMS GATE ASM	C	603132	ARC SUPP ASM TSTR
A	603045	DYN TIMER PWR SUPPLY TSTR	33	232	SCREW	80	5614	SCREW
1	257189	NUT	34	3960	NUT COVER ADJ	81	23815	NUT
3	317785	TUBE 6AL5	35	9092	LCK WASHER LATCH MTG	82	45652	WASHER
4	323932	TUBE 12 AX 7	36	10170	SCREW T BAR MTG	83	105047	LWASHER
5	438589	SCREW	37	11598	NUT LATCH MTG	84	132766	RESISTOR 150 OHM 1W TSTR ONLY
7	602164	SPACER	38	32042	SCREW HINGE MTG	86	148012	CAPACITOR 2MFD
8	2102364	CLAMP-CABLE	39	38354	SCREW TERM MTG	87	183900	SCREW CAPACITOR MTG
A1	602706	CHASSIS ASM	40	56121	LCK WASHER FRAME MTG	88	283015	INSULATION
9	55901	LWSHR TRANS GRD	42	216073	RECEPTACLE 1POS DUMMY	89	322777	RESISTOR 47 OHM 1W
10	149893	TRANS DYN TIMER	43	216076	RECEPTACLE 1 POS	90	603131	PANEL TSTR ONLY
11	186759	SCR DYN TIMER	44	216083	RECEPTACLE 8 POS	91	603257	CAPALITOR TSTR ONLY
12	204362	GROMMET DYN TIMER	46	216084	FRAME			PARTS NOT INCLUDED WITH ASMS
13	257189	NUT DYN TIMER	47	216085	GUIDE 8 POS	100	9022	PLUG FUSE
14	317517	SOCKET DYN TIMER	48	216094	T BAR	101	55901	L WSHR-DYN TIM POW SUP
15	317520	SOCKET DYN TIMER ASM	49	216204	BAR & ADAPTER	102	62031	WASHER-FUSE BLK MTG
16	602168	CHASSIS DYN TIMER	51	216206	GUIDE CARD 1 POS	103	83606	SCR ARC SUP MTG
A2	602707	COMPONENT ASM	52	216285	NUMBERING STRIP	104	138754	DECAL-LINE VOLT
20	180846	RESISTOR 47K 1W	53	216286	NUMBERING STRIP	105	150209	LOCKWASHER
21	206592	CAPACITOR 4MFD	56	255939	SCREW ASM COVER ADJ	106	183900	SCR DYN TIMER PWR
22	206595	CAPACITOR 500 MFD	59	364372	BLOCK RECEPT 8 POS DUM	107	251970	SCREW
23	213539	RESISTOR 150K 1/2W	61	480009	BLOCK TERMINAL	108	257186	NUT
24	213714	RESISTOR 1.8K 1/2W	62	480010	INSULATOR	109	257187	NUT FUSE BLK MTG
26	300734	RESISTOR 510K 1/2W	64	603029	FRAME GATE	110	111263	SWITCH
27	301804	RESISTOR 470 OHM 1W	68	603051	HINGE	112	335010	FUSE LAMP
28	301818	RESISTOR 6.8K 1W	70	603108	INSULATOR BACK PANEL	113	371887	CARD SMS
29	317037	RESISTOR 220K 1/2W	71	603271	LABEL	113	371888	CARD SMS
30	333264	DIODE 1N92	B1	301432	LATCH ASM	114	512508	SCR-FUSE BLK MTG
			75	7495	SPRING	116	600960	NUT
			C	602006	ARC SUPP ASM TUBE TYPE	117	603211	BLOCK-FUSE MTG
						118	603212	RESISTOR 10 OHM 5W
						119	603272	NUMBER STRIP

88 FIG. 20

# TUBE GATE ASM

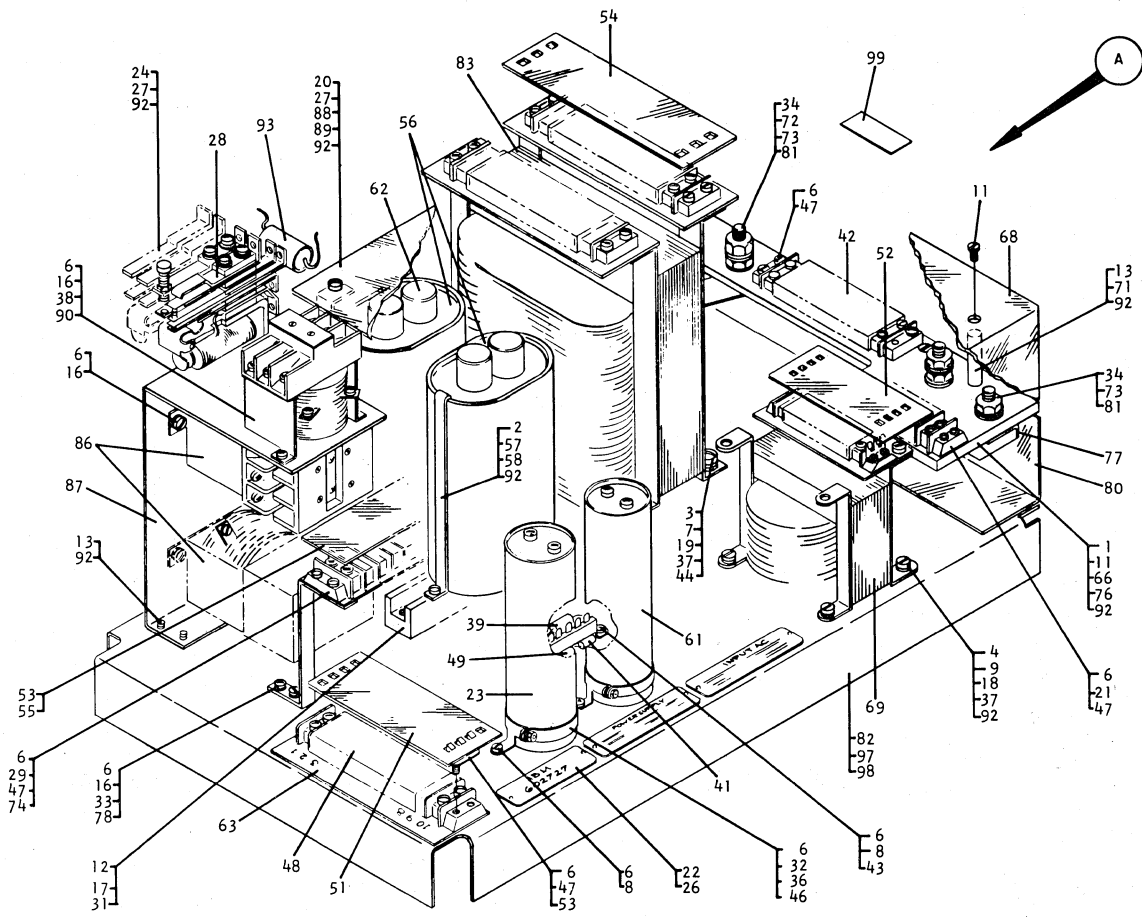


BLOWER MOTOR ASMS		
ASM NO.	VOLTAGE	CYCLE
602939	115	60
602940	115	50
602941	208/230	60
602942	208/230	50

PLUGGABLE UNITS	
602380	TH 537
288626	TUBE 5696 (2 USED)
602937	TH 539
288626	TUBE 5696 (2 USED)
602379	TH 538
300704	TUBE 2D21 (1 USED)
602377	TH 540
300704	TUBE 2D21 (2 USED)

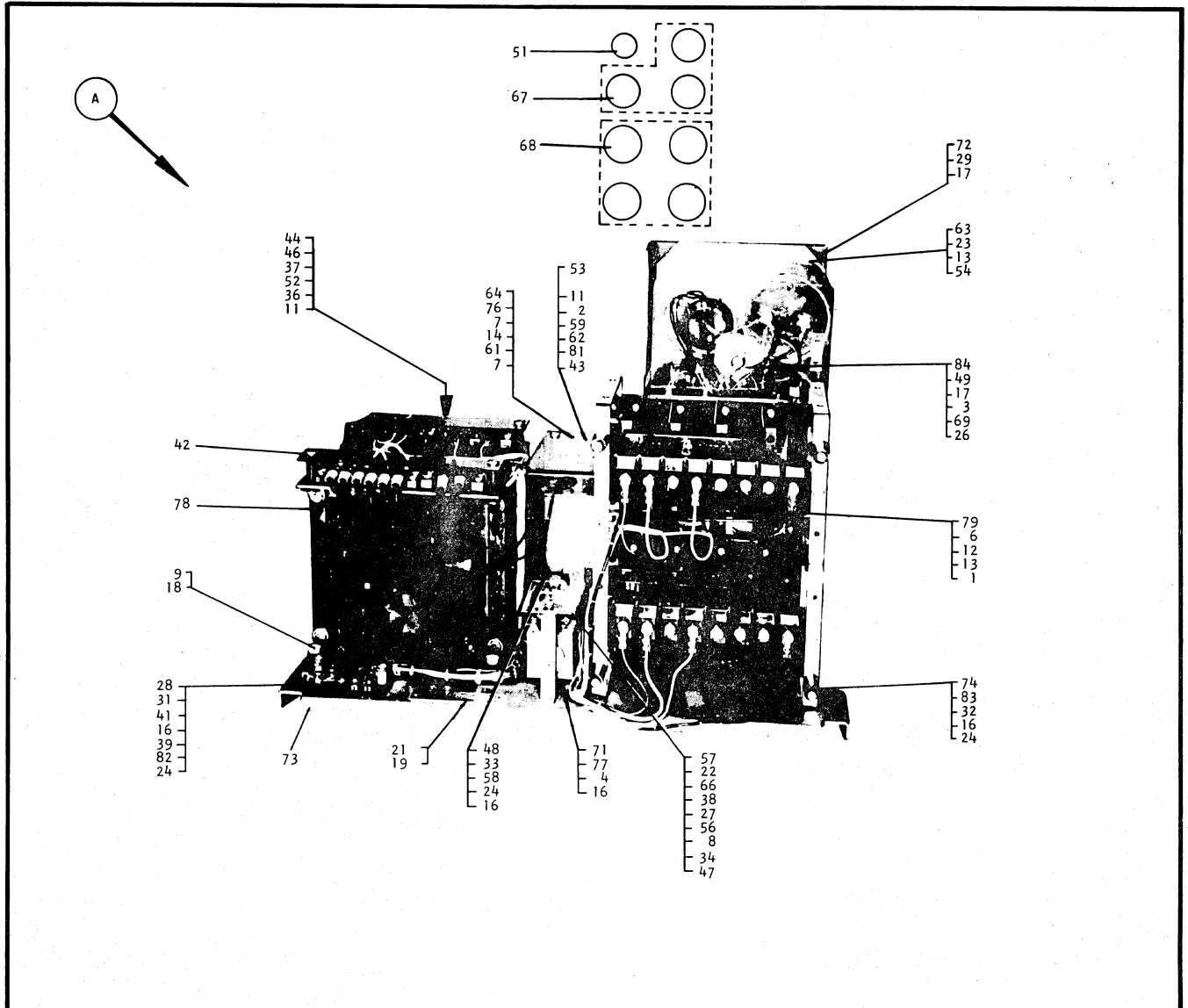
A	602717	TUBE CHASSIS PANEL ASM 10 POS	24	252568	SOCKET	51	602315	HOOD
A	602718	TUBE CHASSIS PANEL ASM 16 POS	25	253312	STUD	52	602317	HINGE
A	602719	TUBE CHASSIS PANEL ASM 22 POS	26	253437	CABLE	53	602322	PANEL TUBE CHASSIS
1	232	SCREW LATCH MTG	27	253438	CABLE	54	602424	NUMBER STRIP
2	337	SCREW	28	254364	BAR RETAINER	55	602444	BUS BAR
3	5644	SCREW TERM BLOCK MTG	31	254368	SEAL	56	602636	COVER TUBE GATE
4	9092	LOCKWASHER LATCH MTG	32	254441	RETAINER SEAL	57	602658	GUARD
5	10170	SCREW	33	257187	NUT BLOCK MTG	60	602664	PLUG SNAP IN
6	11598	NUT	34	257189	NUT	61	602722	INSULATOR
7	19944	SCREW CHASSIS MTG	35	257986	WASHER BLOCK MTG	62	602724	CAP
8	22478	WASHER	36	300603	INSULATOR	63	602905	NUMBER STRIP 10 POS
11	32042	SCREW HINGE MTG	37	300606	WASHER INSULATION	63	602906	NUMBER STRIP 16 POS
12	34512	SCREW COVER MTG	38	300607	INSULATOR BUSHING	63	602907	NUMBER STRIP 22 POS
13	38383	SCREW BLOWER MTG	39	301432	LATCH	66	602964	JUMPER GROUND
14	45690	WASHER BLOWER MTG	40	302090	TERMINAL BLOCK	67	1090873	LOCKWASHER
15	55519	STUD	41	302131	INSULATOR	PARTS NOT INCLUDED WITH ASMS		
16	56079	LOCKWASHER BLOWER MTG	45	321483	SCREW CHASSIS MTG	75	3550	WASHER HINGE MTG
18	80817	TERMINAL BLOCK	46	369207	LABEL DANGER	76	6935	LOCKWASHER HINGE MTG
19	206343	SCREW RETAINER	47	441042	CLIP	77	36844	SCREW HINGE MTG
21	234188	INSULATOR	48	441234	SHIELD	78	117207	HINGE TUBE GATE
22	236550	SCREW BLOCK MTG				79	7995	SPRING
23	237455	CHANNEL RUBBER						
		ORDER LENGTH DESIRED						

# POWER SUPPLY ASM UNIT I (TUBE TYPE)



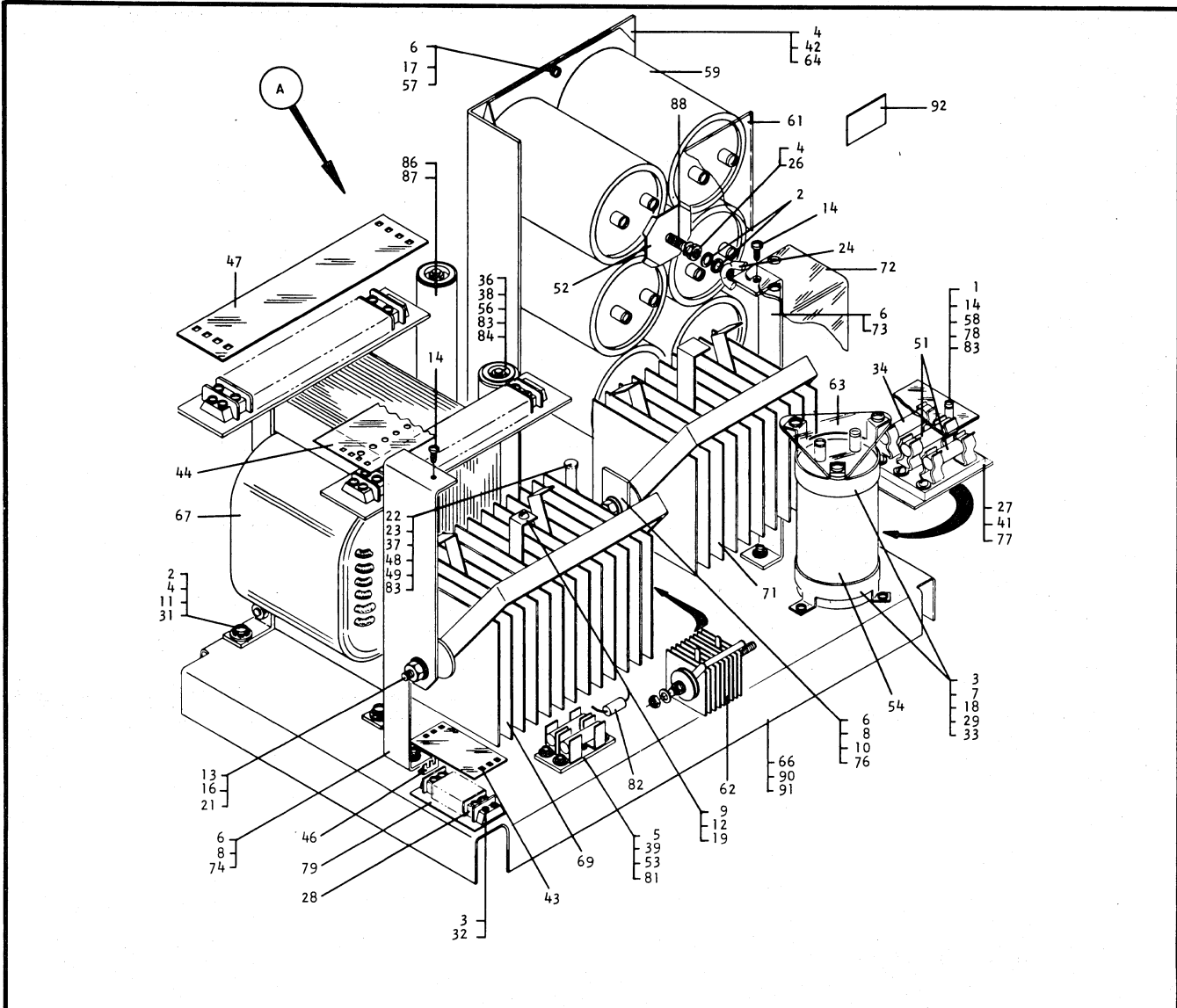
A	602727	PWR SUPPLY 60 CY UNIT 1 ASM	31	253675	FUSE 3 AMP	66	602729	SPACER
A	602863	PWR SUPPLY 50 CY UNIT 1 ASM	32	257187	NUT CAPACITOR CLAMP	68	602733	SHIELD
1	119	SCREW TERMINAL PANEL	33	257986	WASHER	69	602734	TRANSFORMER 60 CYCLE
2	337	SCREW CAPACITOR MTG	34	257983	LOCKWASHER	69	602860	TRANSFORMER 50 CYCLE
3	3550	WASHER	36	301768	BRACKET	71	602736	SPACER
4	5528	SCREW	37	304931	TUBING	72	602743	STUD
6	6364	LOCKWASHER	38	311403	COVER	73	602745	NUT
7	6935	LOCKWASHER	39	317012	RESISTOR 510 OHM 1/2	74	602843	NUMBER STRIP
8	10170	SCREW	41	317056	RESISTOR 3900 OHM 1W	76	602849	PANEL TERMINAL
9	22478	WASHER	42	317145	BLOCK TERMINAL	77	602850	BUS BAR
11	25627	SCREW	43	317156	STRIP TERMINAL	78	602856	BRACKET
12	32676	BLOCK FUSE MTG	44	322028	SCREW	80	602890	SHIELD
13	34512	SCREW	46	322065	SCREW	81	603075	WASHER
14	36109	NUT SHIELD MTG	47	322550	SCREW TERM BLOCK MTG	82	603158	PANEL
16	38235	SCREW	48	322767	BLOCK TERMINAL	83	603160	REGULATOR 50 CYCLE
17	38368	SCREW FUSE BLOCK MTG	49	356235	RESISTOR 15 OHM 2W	83	603161	REGULATOR 60 CYCLE
18	55901	LOCKWASHER	51	440752	SHIELD	86	603166	CONTACTOR 40-60V DC
19	76574	LOCKWASHER	52	440881	SHIELD	87	603167	PANEL
20	58207	SCREW	53	441042	CLIP	88	603180	SHIELD
21	92650	BLOCK TERMINAL	54	441046	SHIELD	89	603176	BRACKET
22	105792	SCREW PLATE MTG	55	441238	SHIELD	90	605168	CONTACTOR 6.3 TO 6.7V AC
23	134954	CAPACITOR 2000 MFD-60V DC	56	442688	CAP 25 MFD 330V AC 50 CYCLE	92	1090873	LOCKWASHER
24	177287	RELAY	56	524854	CAP 20 MFD 330V AC 60 CYCLE	93	2101469	CAPACITOR DELAY 40MF 200V
26	180528	NAME PLATE	57	517913	CLIP			PARTS NOT INCLUDED WITH ASMS
27	186759	SCREW	58	520913	BRACKET 60 CYCLE	97	6935	LOCKWASHER
28	252857	RELAY	58	603175	BRACKET 50 CYCLE	98	38688	SCREW
29	253220	BLOCK TERMINAL	61	526333	CAPACITOR 125MFD 400V DC	99	138754	LABEL LINE VOLTAGE
			62	526378	INSULATOR			
			63	529087	NUMBER STRIP			

# POWER SUPPLY ASM UNIT 2 (TUBE TYPE)



A	602867	POWER SUPPLY ASM 60 CY UNIT 2	27	316807	SCREW	57	602285	SHIELD
A	602711	POWER SUPPLY ASM 50 CY UNIT 2	28	317485	TERMINAL BOARD	58	602297	WASHER
	1	221	29	322029	SCREW	59	602713	CAPACITOR 50 CYCLE
	2	845	31	322065	SCREW	61	602714	SHIELD 50 CYCLE
	3	3960	32	322550	SCREW	62	602715	BRACKET CAPACITOR MTG 50 CYCLE
	4	10170	33	322555	SCREW	63	602725	MTG PLATE
	6	32042	34	322781	FUSE	64	602730	SHIELD
	7	34512	36	323598	CENT WASHER RESISTOR MTG	66	602736	SPACER
	8	38442	37	334588	SCREW	67	602746	CAPACITOR 12000 MFD 55V DC
	9	38686	38	359776	FUSE BLOCK	68	602747	CAPACITOR 5000 MFD 90V DC
	11	55901	39	440546	SHIELD	69	602749	SHIELD CAPACITOR
	12	55918	41	441042	CLIP	71	602841	RECTIFIER
	13	56121	42	441050	SHIELD	72	602852	MTG PANEL
	14	60646	43	460564	CAP BRACKET 60 CYCLE	73	602868	PANEL
	16	62031	44	472583	RESISTOR 648V	74	602869	SHIELD
	17	65756	46	476457	RESISTOR 670V	76	602870	BRACKET
	18	76574	47	509780	FUSE MIC 10	77	602871	BRACKET
	19	105792	48	510962	RESISTOR	78	602875	TRANSFORMER 60 CYCLE
	21	180528	49	512376	CLAMP CAPACITOR	78	602712	TRANSFORMER 50 CYCLE
	22	186759	51	515385	CAPACITOR	79	602876	RECTIFIER
	23	236849	52	526318	WASHER	81	602878	CAPACITOR 60 CYCLE
	24	257986	53	526378	INSULATION	82	602879	MARKER STRIP
	26	312469	54	602007	BRACKET	83	2101101	SPACER
			56	602284	MTG PLATE	84	7330504	BOLT CAPACITOR MTG

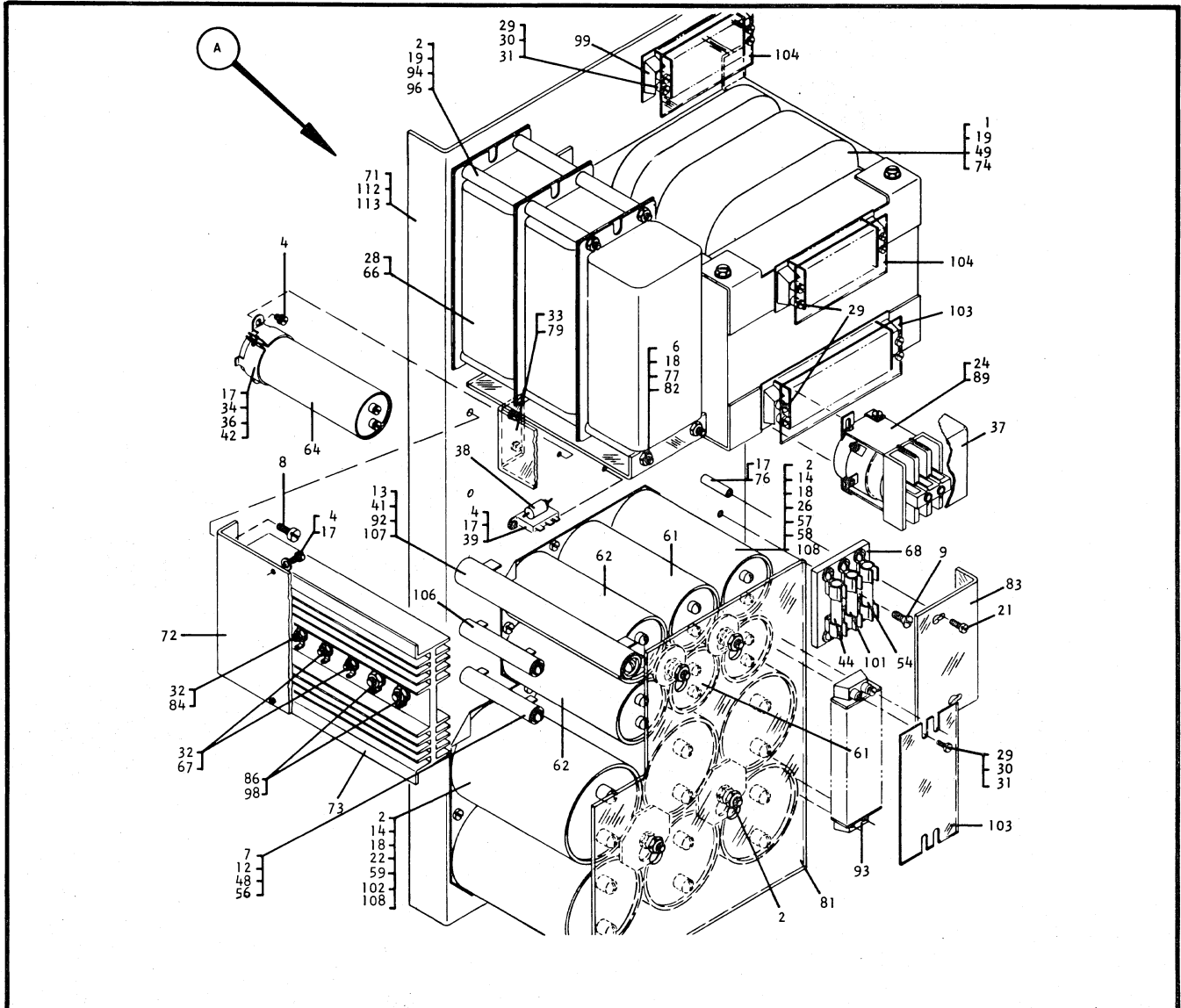
# POWER SUPPLY ASM UNIT 2 (TUBE TYPE, REDESIGNED)



A	602728	PWR SUPPLY ASM 60 CY UNIT 2	31	322028	SCREW	61	602749	SHIELD
A	602864	PWR SUPPLY ASM 50 CY UNIT 2	32	322065	SCREW	62	602841	RECTIFIER
1	845	SCREW SHIELD MTG	33	322551	SCREW CLAMP MTG	63	602846	SHIELD
2	3550	WASHER	34	322781	FUSE .5 AMP	64	602852	PANEL
3	6364	LWASHER	36	323598	WASHER	66	603159	PANEL
4	6935	LWASHER	37	331150	WASHER	67	603162	TRANSFORMER 50 CYCLE
5	9022	DUMMY FUSE	38	334588	SCREW	67	603163	TRANSFORMER 60 CYCLE
6	9092	LWASHER	39	111263	FUSE 1 AMP	69	603168	RECTIFIER
7	10170	SCREW	41	359776	FUSE BLOCK	71	603169	RECTIFIER
8	32042	SCREW	42	438622	SCREW PANEL MTG	72	603170	SHIELD
9	45651	NUT	43	440546	SHIELD	73	603171	BRACKET
10	45690	WASHER	44	440887	SHIELD	74	603172	BRACKET
11	76574	WASHER	46	441042	CLIP	76	603173	BRACKET
12	103901	SCREW	47	441236	SHIELD	77	603174	INSULATOR
13	161351	WASHER	48	442958	WASHER MTG	78	603178	SHIELD
14	186759	SCREW SHIELD MTG	49	507144	CUP WASHER	79	603181	MARKER STRIP
16	226637	NUT	51	509780	FUSE 10 AMP	81	603211	FUSE BLOCK
17	236849	SCREW	52	512376	CLAMP	82	603212	RESISTOR 10 OHM 5 W
18	257187	NUT	53	512308	SCREW	83	1090873	LWASHER
19	257188	NUT	54	515385	CAPACITOR 2500 MFD 80V DC	84	2100123	RESISTOR 50 OHM 100 W
21	257983	LWASHER	56	526318	WASHER	86	2114086	RESISTOR 75 OHM 160 W
22	301806	RESISTOR 750 OHM 25 W	57	602725	PLATE CAPACITOR MTG	87	2114088	SCREW RESISTOR MTG
23	304478	SCREW	58	602736	SPACER	88	7330504	BOLT CAPACITOR MTG
24	312469	WING NUT	59	602747	CAPACITOR 5000 MFD 90V DC			PARTS NOT INCLUDED WITH ASMS
26	316109	NUT				90	6935	LWASHER PWR SUPPLY MTG
27	316807	SCREW				91	38688	SCREW PWR SUPPLY MTG
28	317485	TERMINAL BLOCK				92	138754	DECAL LINE VOLTAGE
29	320456	CLAMP						

88 FIG. 23A

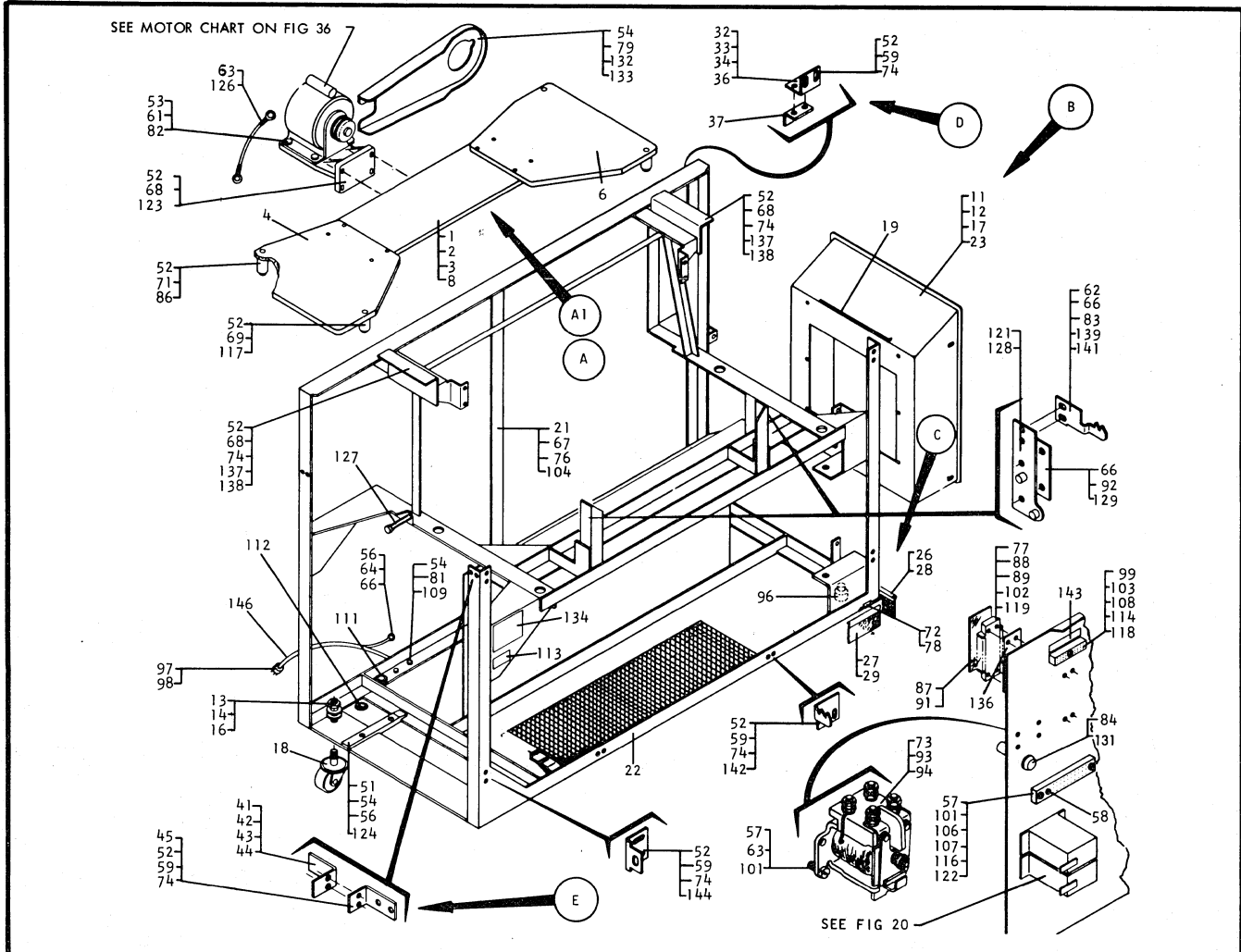
# POWER SUPPLY ASM (TSTR TYPE)



A	603027	POWER SUPPLY ASM 60 CY	36	301768	BRKT CAP MTG	76	603230	STUD SHIELD MTG
A	603063	POWER SUPPLY ASM 50 CY	37	311403	SHIELD CONT	77	603231	STUD SHIELD MTG
1	3550	WASHER FERRO MTG	38	317049	RESISTOR 1000 OHM 1W	79	603235	SHIELD DIODE
2	3960	NUT CAPACITOR MTG	39	317155	TERMINAL STRIP RESISTOR MTG	81	603236	SHIELD DC CAP
4	10170	SCREW MTG	41	322023	SCREW RESISTOR MTG	82	603237	SHIELD CAP
6	11598	NUT SHIELD MTG	42	322550	SCREW BRKT MTG	83	603238	SHIELD FUSE BLOCK
7	22478	WASHER RESISTOR MTG	44	334828	FUSE MIC 5/10	84	603239	DIODE
8	32042	SCREW BRKT MTG	48	438591	SCREW RESISTOR MTG	86	603240	DIODE
9	38443	SCREW FUSE BLOCK MTG	49	438623	SCREW FERRO MTG	89	603243	CONTACTOR 12V DC
12	55901	LWASHER RESISTOR MTG	54	509780	FUSE MIC 10	92	603246	CENT WASHER RES MTG
13	56079	LWASHER RESISTOR MTG	56	510962	RESISTOR 1500 OHM 10W	93	603248	TERMINAL BLOCK OUTPUT
14	58207	SCREW BASE MTG	57	511099	BASE CAP MTC	94	603249	SPACER CAP MTG
17	62031	LWASHER STUD MTG	58	511642	CLAMP CAP MTG	96	603250	THD ROD CAP MTG
18	65756	LWASHER CAPACITOR MTG	59	512376	CLAMP CAP MTG	98	603252	TERMINAL DIODE
19	76574	LWASHER MTG	61	515385	CAPACITOR 2500 MFD 80 VDC	99	603253	TERMINAL BLOCK INPUT
21	81693	SCREW SHIELD MTG	62	515386	CAPACITOR 1250 MFD 180 VDC	101	603256	FUSE MIN 20
22	122622	CAPACITOR 8000 MFD 55 V DC	64	526333	CAPACITOR 125MFD 400 VDC	102	603262	BASE CAP MTG
24	170214	SCREW CONTACTOR MTG	66	526378	TERMINAL INSULATOR CAPACITOR	103	603683	SHIELD TERM BLOCK
26	207311	CAPACITOR 12500 MFD 15 VDC	67	598479	DIODE	104	603684	SHIELD TERM BLOCK
28	208388	CAPACITOR 25 MFD 330 VAC	68	603179	FUSE BLOCK	106	805227	RESISTOR 25 OHM 10W
29	210984	SCREW SHIELD MTG	71	603225	CHASSIS MAIN	107	2100123	RESISTOR 50 OHM-100W
30	210985	STUD TB MTG	72	603227	BRACKET HEAT SINK MTG	108	2102526	BOLT CAPACITOR MTG
31	210986	STUD TB MTG	73	603228	HEAT SINK DIODE			PARTS NOT INCLUDED WITH ASM
32	217174	TERMINAL DIODE	74	603229	FERRO RESONANT 60 CY	112	6935	LWASHER POWER SUPPLY MTG
33	234318	SCREW SHIELD MTG	74	603888	FERRO RESONANT 50 CY	113	38688	SCREW POWER SUPPLY MTG
34	257187	NUT BRKT MTG						

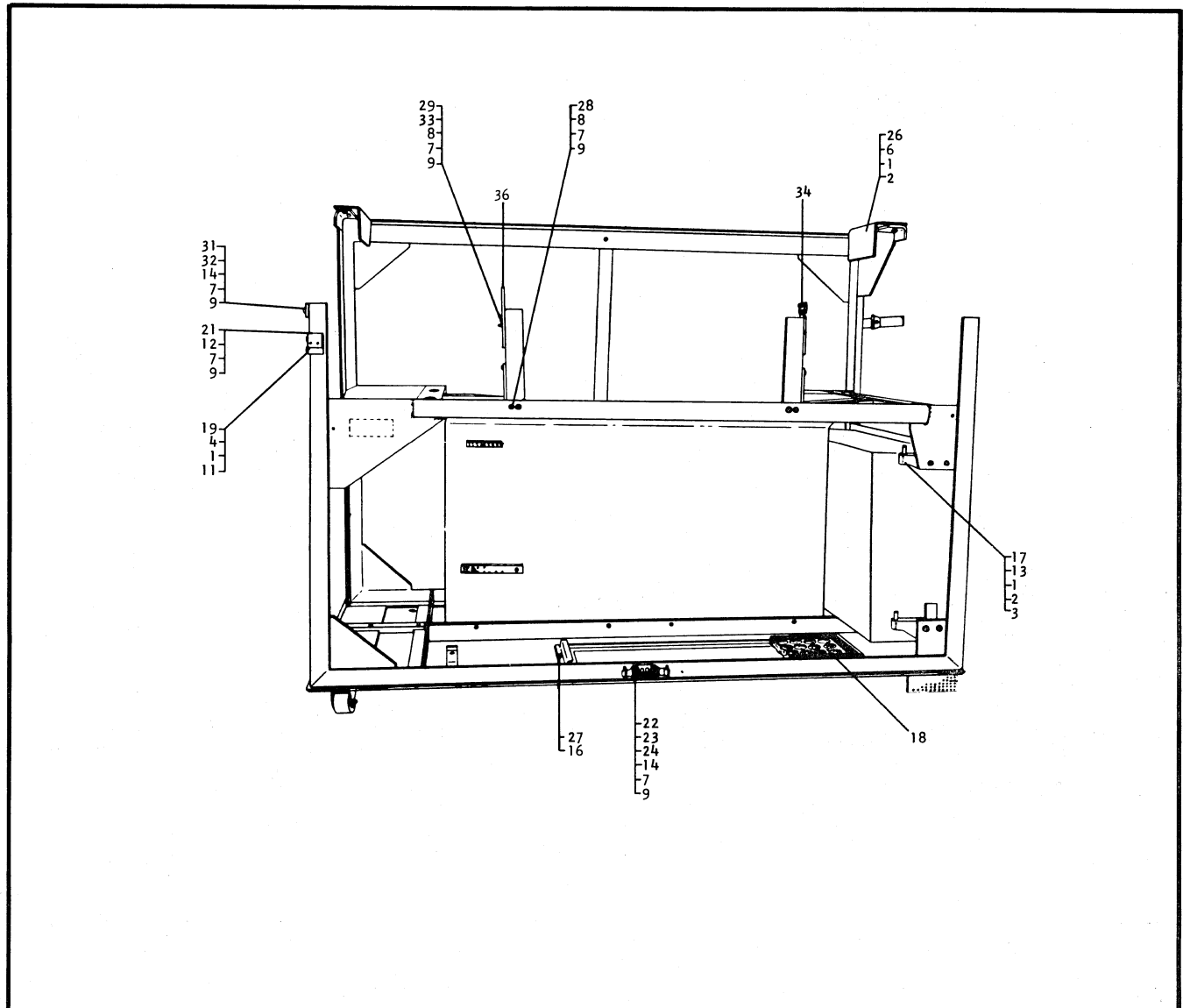


# FRAME ASM (REDESIGNED)



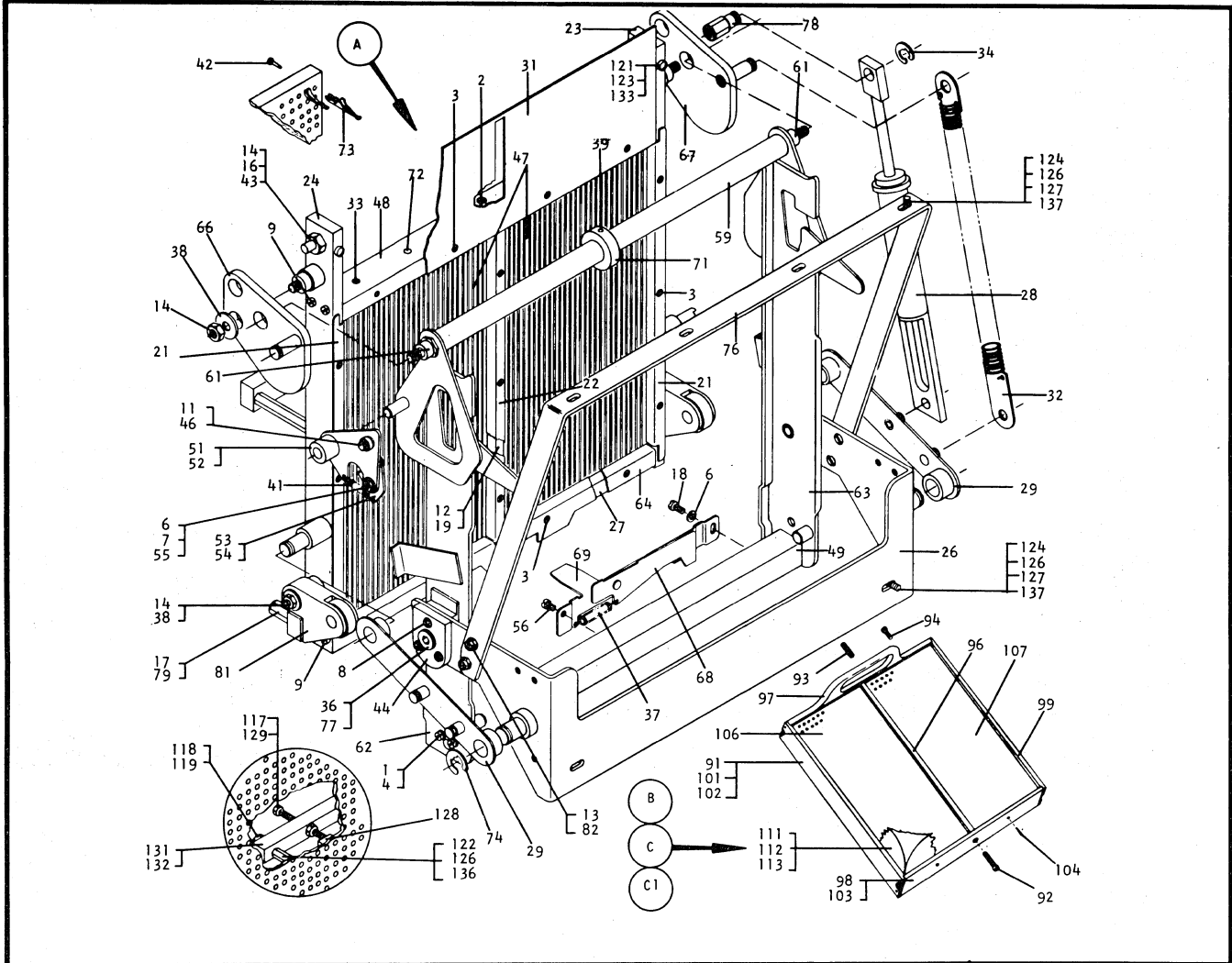
A	602305	BASE ASM	51	358	SCREW SKID BLOCK	101	257189	NUT MTG
1	3550	WASHER FEED BASE MTG	52	3550	WASHER MULTIPLE USAGE	102	257793	SPEEDNUT LIN TERM MTG
2	6935	LWASHER FEED BASE MTG	53	6935	LWASHER MOTOR MTG	103	257985	WASHER-TERM BLK
3	19852	SCREW FEED BASE MTG	54	9092	LWASHER MTG	104	257986	WASHER SEAL PLATE MTG
4	602306	FEED BASE-SECONDARY	56	11598	NUT LINE CORD GRD	106	300606	INSULATION WASHER ZERO BAR
6	602307	FEED BASE-PRIMARY	57	22478	WASHER MTG	107	300607	BUSHING-ZERO BAR
A1	602981	TIE PLATE ASM BASE	58	34512	SCREW MTG	108	302131	INSULATOR-TERM BLK
8	602365	BASE-TIE PLATE	59	38686	SCREW MULTIPLE USAGE	109	315838	CLAMP POWER CORD
B	602501	CASTER TO FRAME ASM	61	38688	SCREW MOTOR MTG	111	317367	GROMMET
11	3550	WASHER CAN MTG	62	45690	WASHER STRIKE MTG	112	328102	GROMMET BASE
12	6935	LWASHER CAN MTG	63	55901	LWASHER DRIVE MOTOR GRD	113	369207	LABEL-DANGER VOLT
13	76846	NUT-CASTER MTG	64	55918	SCREW LINE CORD GRD	114	438551	SCREW-TERM BLK
14	130985	WASHER CASTER MTG	66	56079	LWASHER MTG	116	438586	SCREW-ZERO BAR
16	130987	LWASHER CASTER MTG	67	56722	LWASHER SEAL PLATE MTG	117	471918	SHOCK MOUNT
17	325626	SCREW PLUGBOARD CASE MTG	68	59647	SCREW MTG	118	510015	TERMINAL BLOCK
18	436926	CASTER	69	59649	SCREW	119	511696	JUMPER
19	444806	DUST SEAL	71	59652	SCREW	121	602138	PIVOT BRACKET LEFT
21	602580	PLATE-SEALING	72	72670	SCREW	122	602246	ZERO BAR
22	602625	FRAME	73	72915	RELAY MOTOR	123	602304	MOTOR SUPPORT
23	602820	CASE INCLOSED PLUGBOARD	74	76574	LWASHER MULTIPLE USAGE	124	602331	BLOCK SKID
C	602918	KICKSTRIP GROUP	76	81693	SCREW SEAL PLATE MTG	126	602419	JUMPER DR MOTOR GROUND
26	322029	SCREW KICKSTRIP MTG	77	91469	TERMINAL BLOCK	127	602425	BUMPER TUBE GATE
27	602536	KICKSTRIP FRONT	78	101923	CLIP	128	602671	PIVOT BRACKET RIGHT
28	602537	KICKSTRIP ENDS	79	104763	SCREW GUARD MTG	129	602773	BACKING PL BRKT
29	602916	KICKSTRIP REAR	81	120211	SCREW CLAMP	131	602781	INSULATOR FUSE TERMINAL
D	603923	BRACKET ASM STRIKE MTG R	82	120571	WASHER-MTR MTG	132	602817	GUARD PRIMARY DRIVE
32	3550	WASHER	83	130434	SCREW STRIKE MTG FRONT	133	602818	GUARD SECONDARY DRIVE
33	38686	SCREW	84	179946	FUSE POST	134	602933	DECAL CLU ADJ
34	76574	LWASHER	86	186843	SHOCK MOUNT	136	602995	INSULATOR-LINE TERM
36	602534	BRACKET REAR STRIKE	87	187858	SHIELD LINE TERM	137	603078	NUT TOP CVR BRKT MTG
37	602535	STRIKE REAR	88	210956	STUD LINE TERM MTG	138	603153	BRACKET TOP CVR SUPPORT
E	603924	BRACKET ASM STRIKE MTG END	89	210957	STUD LINE TERM MTG	139	603196	STRIKE TOP R FRONT
41	45690	WASHER	91	210984	SCREW LINE TERM SHIELD	141	603197	STRIKE TOP L FRONT
42	56079	LWASHER	92	234341	SCREW & LWASHER MTG	142	603198	STRIKE LWR FRONT CVR
43	140425	SCREW	93	252178	HEAVY DUTY REL CVR BASE	143	603272	NUMBERING STRIP FIREWALL
44	602524	STRIKE END	94	252179	HEAVY DUTY RELAY COVER	144	609665	BRACKET HINGE SUPPORT
45	602525	BRACKET END STRIKE	96	255522	INSULATOR CASTER BOLT	146	624069	LINE CORD 1PH
		PARTS NOT INCLUDED WITH ASM	97	256341	PLUG NON-LOCK 115V AC 1 PH			
			98	624037	PLUG TWIST LOCK 115V AC 1PH			
			99	256342	PLUG NON-LOCK 208/230V AC 1PH			
				98	624036	PLUG TWIST LOCK 208/230V AC 1PH		
				99	257186	NUT-TERM BLK		

# FRAME ASM



1	3550	WASHER	11	76574	LWASHER	24	602581	BRACKET STRIKE
2	6935	LWASHER	12	120211	SCREW	26	602589	BRACKET TOP COVER
3	36109	NUT	13	129147	SCREW HINGE MTG	27	602761	MTG BRACKET FILTER
4	38686	SCREW BRKT MTG	14	140425	SCREW	28	602768	BRACKET POCKET LINER
6	38688	SCREW BRKT MTG	16	236849	SCREW FILTER BRKT MTG	29	602769	BRACKET BACKING PLATE RH
7	45690	WASHER	17	238210	HINGE	31	602771	STRIKE LEFT
8	55711	SCREW	18	300787	FILTER	32	602772	STRIKE RIGHT
9	56079	LWASHER	19	602531	BRACKET BLOCK MTG	33	602773	BRACKET BACKING PLATE LH
			21	602532	BLOCK	34	602774	PIVOT BRACKET
			22	602559	STRIKE LEFT	36	602775	PIVOT BRACKET
			23	602560	STRIKE RIGHT			

# CONTROL PANEL ASM

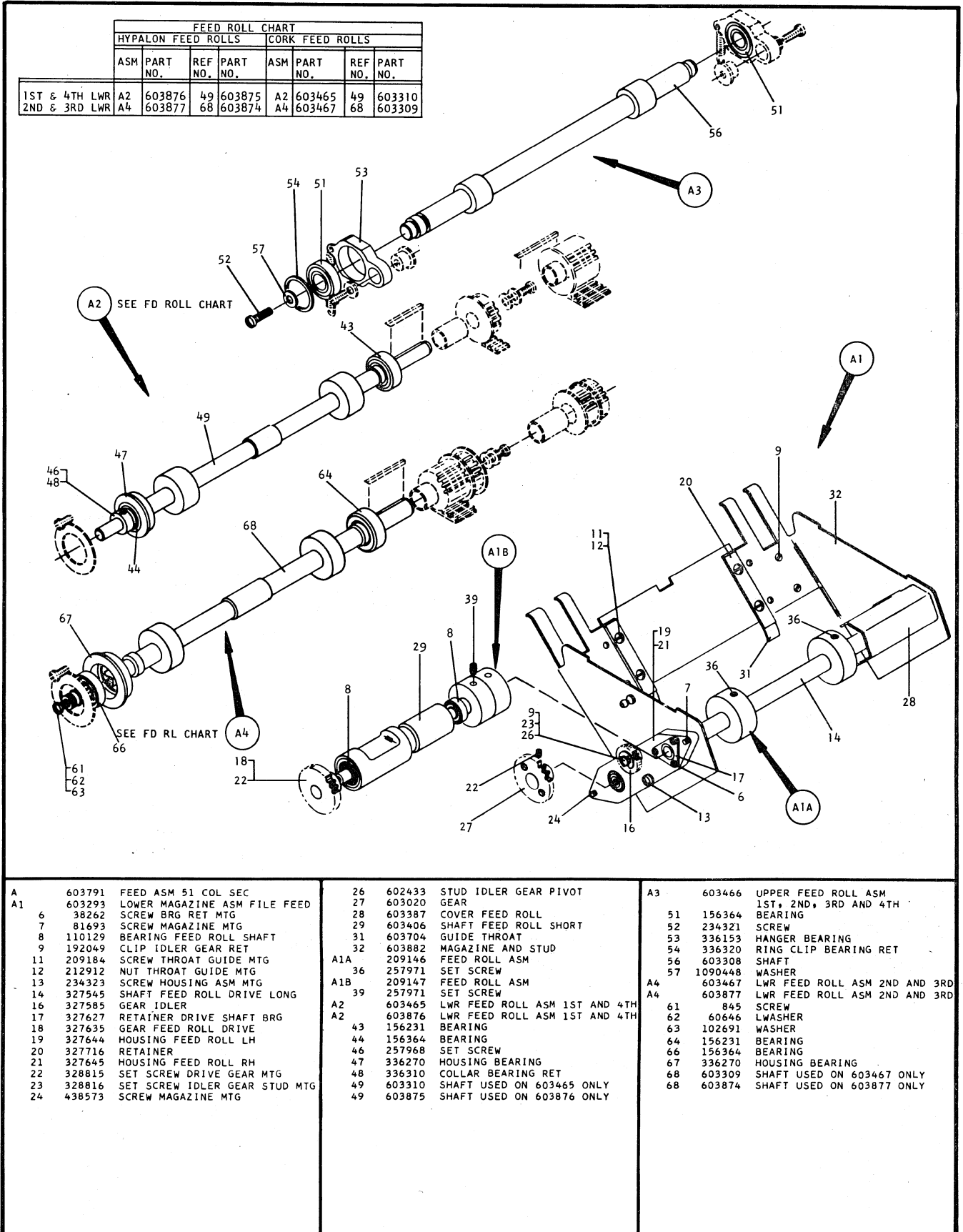


<b>A</b>	602152	CONTROL PANEL ASM
1	845	SCREW BOTTOM BAR MTG
2	1500	SCREW CENTER RAIL MTG
3	1858	SCREW CLAMP MTG
4	6318	LWASHER BOTTOM BAR MTG
6	9092	LWASHER MTG
7	11598	NUT LATCH MTG
8	22812	SCREW LIFTING CAM
9	23362	SCREW BOARD FRAM MTG
11	25282	CLIP SPRING
12	25887	SCREW CENTER RAIL MTG
13	25891	SCREW DOOR BRKT MTG
14	36109	NUT HUB HINGE STOP
16	37073	LWASHER HINGE STOP
17	75717	SCREW ADJUSTING ROLLER
18	120211	SCREW CENTER BRKT MTG
19	120344	RAIL CENTER
21	121369	CLAMP SIDE RAIL
22	121859	CLAMP CENTER RAIL
23	123108	RAIL SIDE RIGHT
24	123110	RAIL SIDE LEFT
26	123111	BRACKET CLOSING
27	123112	BAR FRAME BOTTOM
28	123113	DASHPOT
29	123115	LINK CLOSING
31	123124	STRIP TOP CLAMPING
32	123132	SPRING EXTENSION
33	135341	SCREW PANEL ADJUSTING
34	139766	CLIP DASHPOT SPRING
36	139919	BEARING PIVOT STUD CAM
37	141052	SPRING SAFETY CATCH
38	150390	WASHER
39	151230	PIN POSITIONING COLLAR

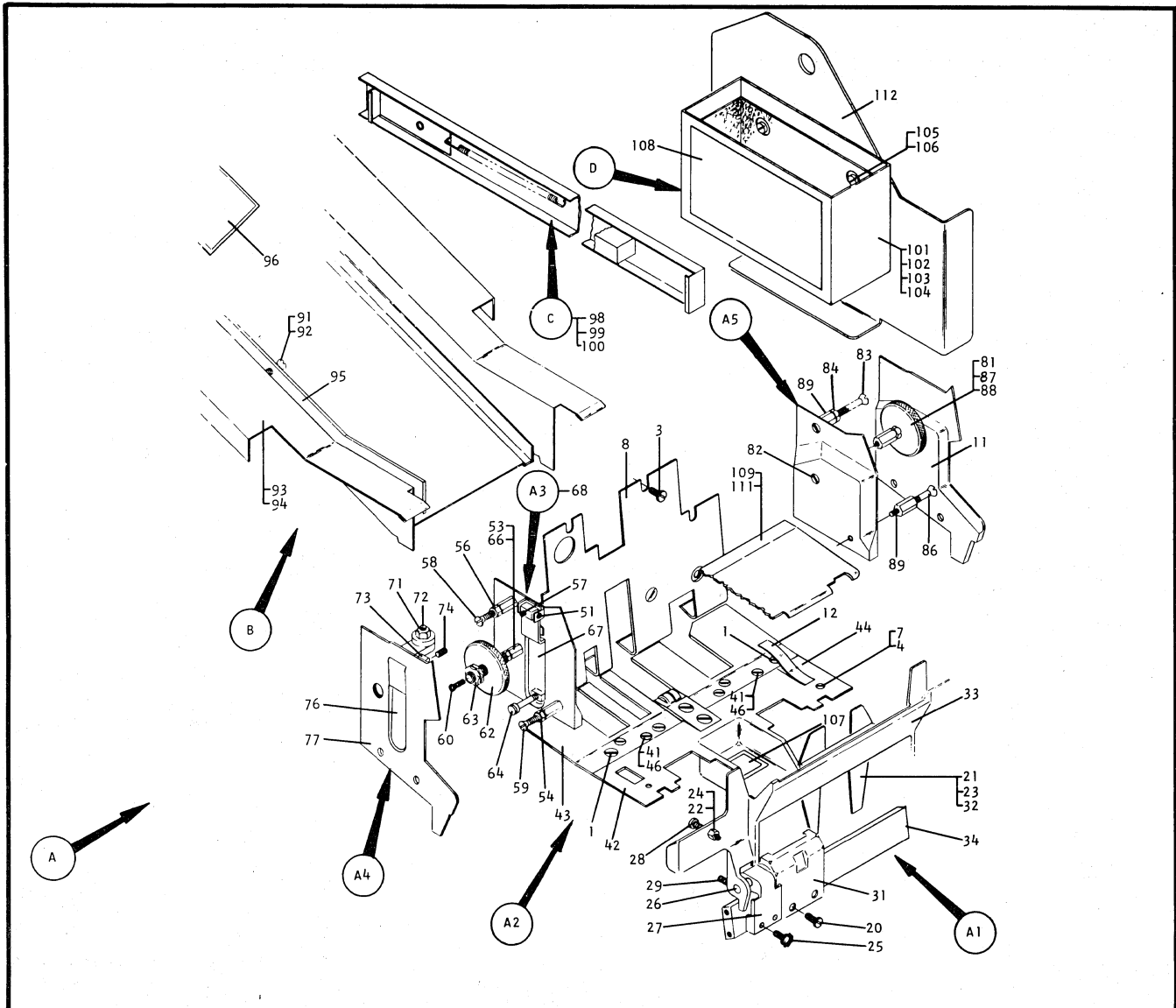
41	151439	SPRING LIFT LEVER CATCH
42	153681	PLUG DUMMY
43	186881	STUD HINGE
44	204902	CAM LIFTING
46	205142	ROLLER LIFT LEVER
47	205709	PANEL
48	205978	BAR FRAME TOP
49	210101	UBAR BOTTOM RETAINER
51	210103	LEVER LIFTING LEFT
52	210104	LEVER LIFTING RIGHT
53	210105	LATCH LIFT LEVER RIGHT
54	210106	LATCH LIFT LEVER LEFT
55	210107	STUD LIFT LEVER LATCH
56	210108	SCREW CENTER BRKT DOWEL
59	210110	BAR UPPER SUPPORT
61	210112	STUD
62	210115	RAIL RETAINER LEFT
63	210117	RAIL RETAINER RIGHT
64	210119	STRIP BOTTOM CLAMPING
66	210121	CAM HINGE LEFT
67	210122	CAM HINGE RIGHT
68	210123	CATCH PLUGBOARD SAFETY
69	210125	BRACKET CENTRALIZING
71	210132	COLLAR POSITIONING
72	210154	PIN PANEL POSITIONING
73	214442	CONTACT
74	219743	CLIP
76	232358	HANDLE BRACKET
77	233035	STUD CAM PIVOT
78	237521	STUD HEX
79	255513	LOCKNUT ROLLER SCREW
81	257625	BLOCK ADJUSTING ROLLER
82	358670	NUT

<b>B</b>	602156	MANUAL CONTROL PANEL ASM
91	19167	TAPER PIN
92	38370	SCREW CONTROL BAR MTG
93	135341	SCREW ADJUSTING
94	200518	SCREW RETAINING
96	200522	BAR CENTER FRAME
97	210148	BAR UPPER FRAME
98	210149	BAR LOWER FRAME
99	210150	BAR FRAME RIGHT
101	210151	BAR FRAME LEFT
102	210152	SCREW PLUG BOARD
103	210154	PIN PANEL POSITION
104	216897	PIN RETAINING
106	602925	PANEL CONTROL LEFT
107	602927	PANEL CONTROL RIGHT
<b>C</b>	602157	FIXED CONTROL PANEL ASM
111	118343	SHIELD
112	200581	COVER CONTROL PANEL
113	239577	COVER CONTROL PANEL MANUAL
<b>C1</b>	602156	CONTROL PANEL FRAM ASM
FOR BREAKDOWN OF PARTS SEE ASM B 602156		
117	3960	NUT BRACE PRESSURE ADJ
118	9092	LWASHER BRACE PRESSURE ADJ
119	11598	NUT BRACE MTG
121	22478	WASHER CLOS MECH SIDE RAIL
122	23141	WASHER CONTROL PANEL STUD
123	38376	SCREW CLOS MECH SIDE RAIL
124	38383	SCREW MTG
126	45690	WASHER MTG
127	56079	LWASHER MTG
128	115987	BRACE CONTROL PANEL PRESSURE
129	116000	SCREW CONTROL PANEL BRACE MTG
131	121458	INSULATOR CP SUPPORT BAR
132	121982	BAR CONTROL PANEL SUPPORT
133	257189	NUT CLOS MECH SIDE RAIL
136	602407	STUD CONTROL PANEL SUPPORT BAR
137	602652	WELD NUT CONTROL PANEL MTG

# 51-80 COL FILE FEED & FEED ROLL ASMS



# 51-80 COL HOPPER & JOGGLER ASMS



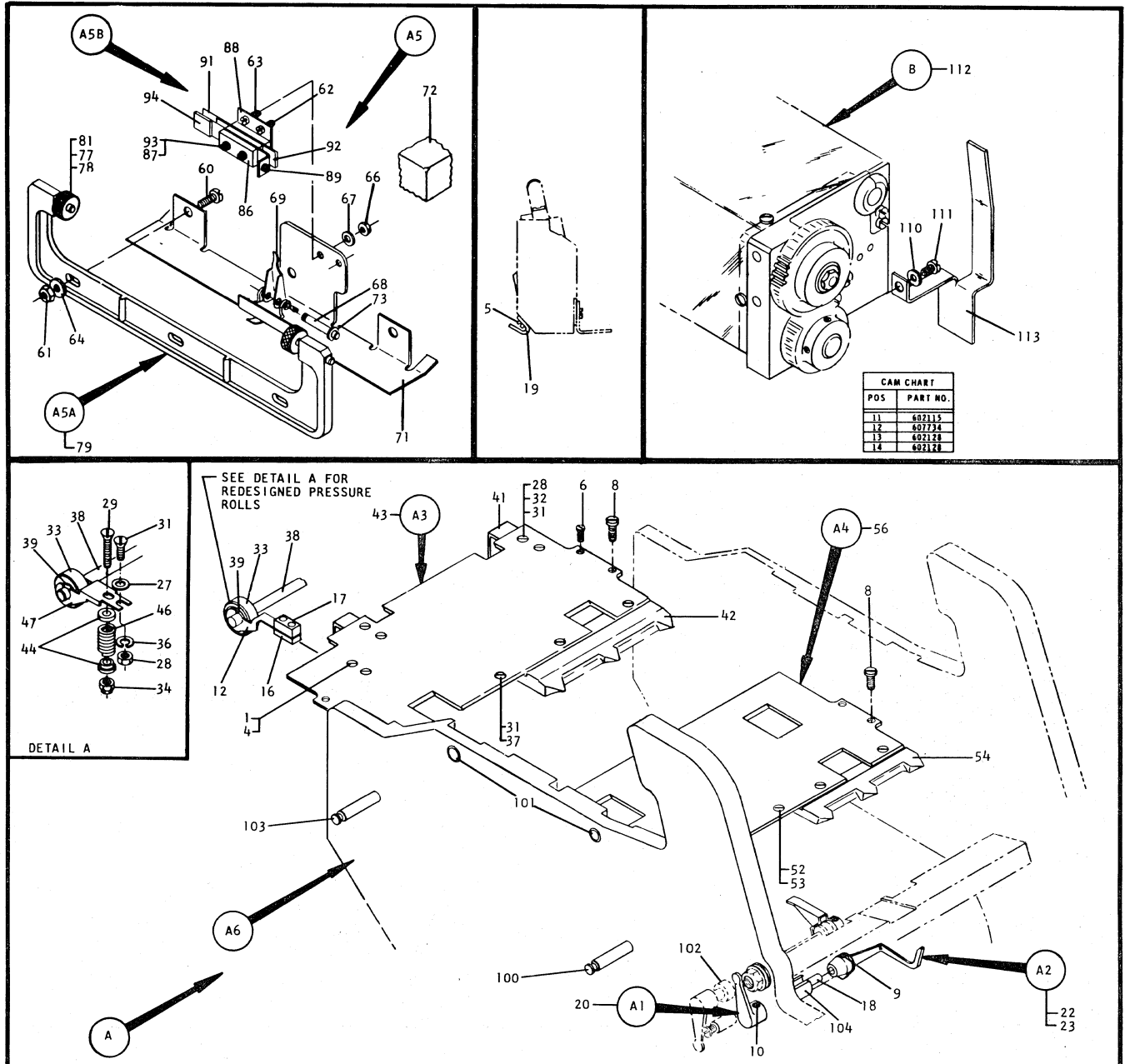
A	603791	FEED ASM 51 COL SEC
1	2179	SCREW BED PLATE MTG
3	225859	SCREW BACK PLATE MTG
4	257186	NUT HOPPER SPRING
7	438548	SCREW HOPPER SPRING
8	603286	BACK PLATE FILE FEED
11	603299	SIDE PLATE RIGHT HAND
12	603305	SPRING HOPPER
A1	603292	JOGGLER ASM FRONT
20	232	SCREW GUARD MTG
21	6364	LWASHER FRONT JOGGLER MTG
22	24511	WASHER JOGGLER ADJ SCREW
23	38350	SCREW 51 COL JOGGLER MTG
24	163518	NUT JOGGLER ADJ SCREW
26	327605	STUD FRONT JOGGLER PIVOT
27	327697	BLOCK FRONT JOGGLER PIVOT
28	327871	SCREW JOGGLER ADJ
29	328833	SET SCREW JOGGLER PIVOT
31	369383	BLOCK PICKER KNIFE GUARD
32	603297	JOGGLER FRONT
33	603513	PLATE FRONT JOGGLER
34	603890	BAR CARD POST SUPPORT
25	234321	SCREW PIVOT BLOCK MTG
A2	603430	PLATE ASM HOPPER BED
41	38442	SCREW
42	603445	BEDPLATE
43	603446	PLATE BEDPLATE FINGER L
44	603447	PLATE BEDPLATE FINGER R
46	1073043	NUT

A3	603485	SIDE PLATE ASM LH
51	26344	PIN JOGGLER PIVOT
53	38442	SCREW SPACER MTG
54	257186	NUT SIDE ALGNR EXT
56	257187	NUT STAND OFF SCREW
57	257956	SET SCREW JOGGLER PIV PIN
58	438574	SCREW STANDOFF
59	438576	SCREW STANDOFF
60	510379	SCREW
62	603329	THUMB SCREW
63	603440	LOCKNUT
64	603480	ALIGNER SIDE
66	603486	STUD STAND OFF SCREW
67	603487	SIDE JOGGLER
68	603498	SIDE PLATE HOPPER LH
A4	603494	PLATE ASM JOGGLER LH
71	257189	NUT JOGGLER ADJ SCREW
72	327580	SCREW JOGGLER ADJ
73	327619	SHAFT JOGGLER PIVOT
74	328833	SET SCREW JOGGLER PIVOT
76	603200	JOGGLER CARD SIDE
77	603298	SIDE PLATE LH
A5	603495	SIDE PLATE ASM RH
81	5644	SCREW MTG
82	38442	SCREW SPACER MTG
83	52360	SCREW STAND OFF
84	257187	NUT STAND OFF SCREW

86	438575	SCREW STAND OFF
87	603329	THUMB SCREW
88	603440	LOCKNUT
89	603486	STUD STAND OFF SCREW
90	603497	SIDE PLATE HOPPER
B	603291	HOPPER LINER ASM
91	37913	NUT
92	52522	SCREW
93	603284	LINER
94	603362	PAD
95	603508	FILLER
96	603551	DECAL
C	614315	GUIDE ASM FILE FEED
98	6364	LWASHER
99	10170	SCREW
100	185562	SPRING
D	603478	BOX ASM 51 COL HOPPER PARTS
101	603425	BOX 51 COL PARTS
102	603434	LINER BOTTOM
103	603435	LINER SIDE
104	603442	LINER END
PARTS NOT INCLUDED WITH ASM		
105	11598	NUT BOX MTG
106	28413	SCREW BOX MTG
107	196833	DECAL BED PLATE
108	602903	DECAL CL ACTION
109	603484	CARD WEIGHT 51-80 COL
111	603453	CARD WEIGHT 51 COL
112	603518	GUARD PRIMARY GEARS

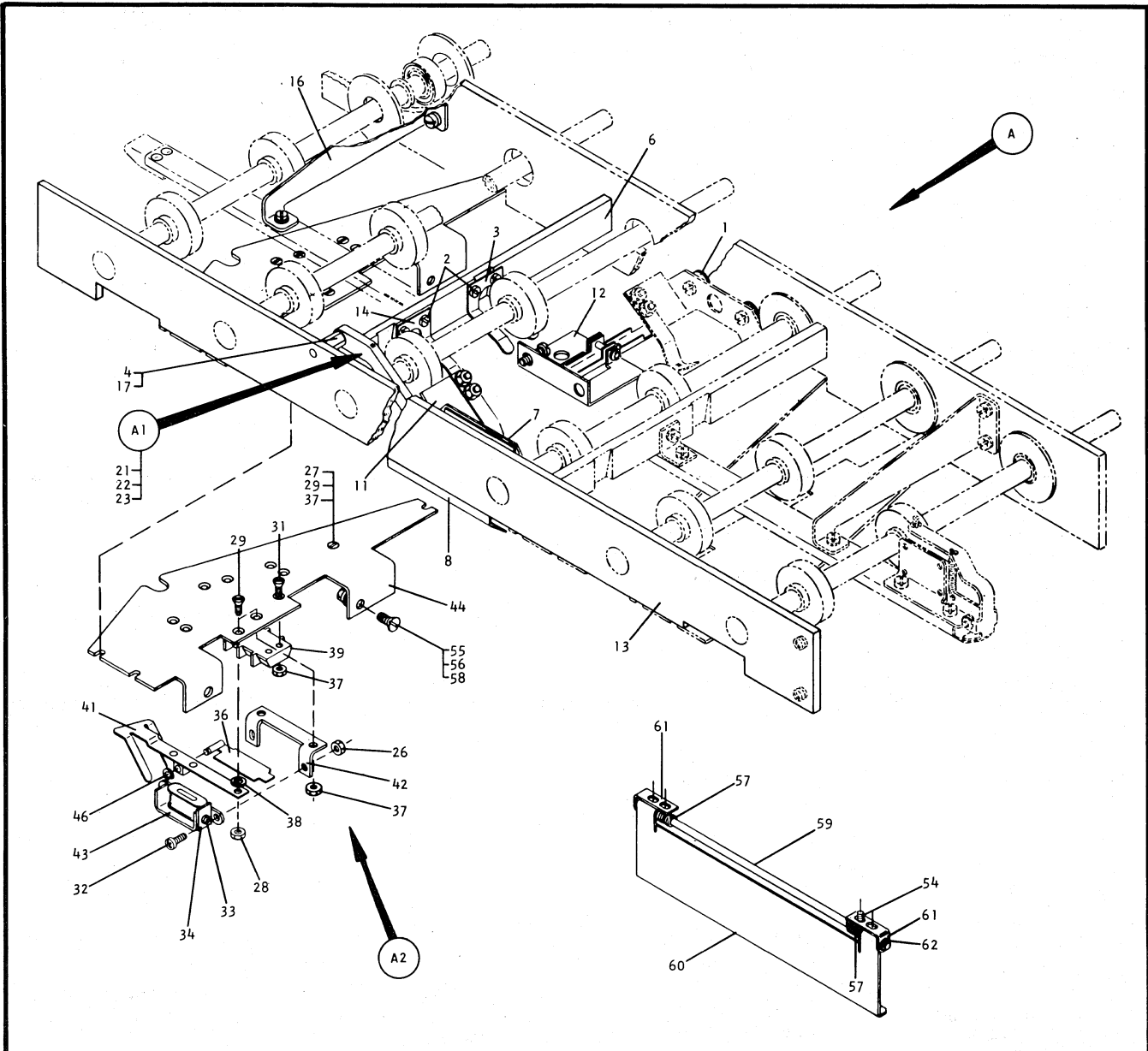
88 FIG. 28

# 51-80 COL CARD GUIDE & C.B. ASMS



A	603791	FEED ASM 51 COL SEC	37	602229	NUT GUIDE MTG	A5A	602668	SUPPORT ASM CARD GUIDE SLIDE
1	37913	NUT	38	602469	SHAFT LWR PRESS ROLL	77	12953	COMPRESSION SPRING
4	38434	SCREW	39	602490	SPACER LWR PRESS ROLL	78	255883	KNOB PLUNGER
5	38565	SCREW GUIDE MTG	41	603287	BRACKET	79	602606	CARD GUIDE SLIDE SUPPORT
6	52522	SCREW CARD GUIDE MTG	42	603391	GUIDE CARD	81	607965	CARD SLIDE LOCK PLUNGER
8	170150	SCREW CD GD ASM MTG	43	603418	CARD GUIDE PLATE SEC	A5B	602234	CONTACT ASM CARD LEVER
9	257956	SET SCREW CD LEVER MTG	44	603862	RETAINER PRESS ROLL SPRING	86	11900	INSULATOR-CONT ASM
10	257958	SET SCREW CD LEVER MTG	46	603863	SPRING PRESS ROLL	87	100229	TUBING-CONT ASM INSUL
12	336651	BRACKET	47	603864	BRACKET LWR PRESS ROLL	88	133202	BRACKET-CONT ASM MTG
16	602493	PLATE	43	603390	CARD GUIDE ASM	89	141964	CONTACT TERMINAL
17	602495	INSULATOR	52	52522	SCREW CARD GUIDE MTG	91	150243	SPRING CONTACT
18	603302	PIVOT ROD CARD LEVER	53	602229	NUT CARD GUIDE MTG	92	152794	CONTACT TERMINAL
19	609428	CARD GUIDE 2ND BRUSH	54	603391	GUIDE CARD	93	173204	SCREW-CONT ASM
A1	602185	CARD LEVER ASM HOPPER CONTACT	56	603417	CARD GUIDE PLATE SEC	94	610315	SPRING CONTACT
* 20	602172	BEARING	A5	603408	CARD GUIDE ASM UPPER	*A6	603424	FRAME ASM SEC RIGHT SIDE
* A2	603304	CARD LEVER ASM	60	443	SCREW CARD GUIDE MTG	100	336301	STUD
* 22	603381	LEVER	61	11598	NUT CARD GUIDE MTG	101	602210	BUSHING
* 23	603381	HUB	62	38262	SCREW CONTACT MTG	102	602264	BEARING CARD LEVER
A3	603389	CARD GUIDE ASM 51 COL SEC	63	38266	SCREW CONTACT MTG	103	602646	STUD
27	24327	INSULATOR FD ROLL	64	45690	WASHER CARD GUIDE MTG	104	603303	BEARING CARD LEVER
28	37913	NUT	66	257186	NUT CONTACT MTG	B	698106	C B UNIT LOWER SEC
29	38435	SCREW PRESS ROLL SPRING	67	257984	LWASHER CONTACT MTG	110	9092	LWASHER C B UNIT MTG
31	52522	SCREW MTG	68	602233	SHAFT CARD LEVER MTG	111	81142	SCREW CB UNIT MTG
32	150209	LWASHER BRKT MTG	69	602235	CARD LEVER	112	694916	C B UNIT LOWER SEC
33	155749	BEARING LWR PRESS ROLL	71	603416	CARD GUIDE	113	694917	GUARD GEAR
34	216128	NUT PRESS ROLL SPRING	72	603515	COVER CARD LEVER CONTACT			* NOT RECOMMENDED FOR
36	338169	LWASHER PRESS ROLL MTG	73	1073418	CLIP CARD LEVER RET			NORMAL FIELD REPLACEMENT

# 51-80 COL TRANSPORT ASM

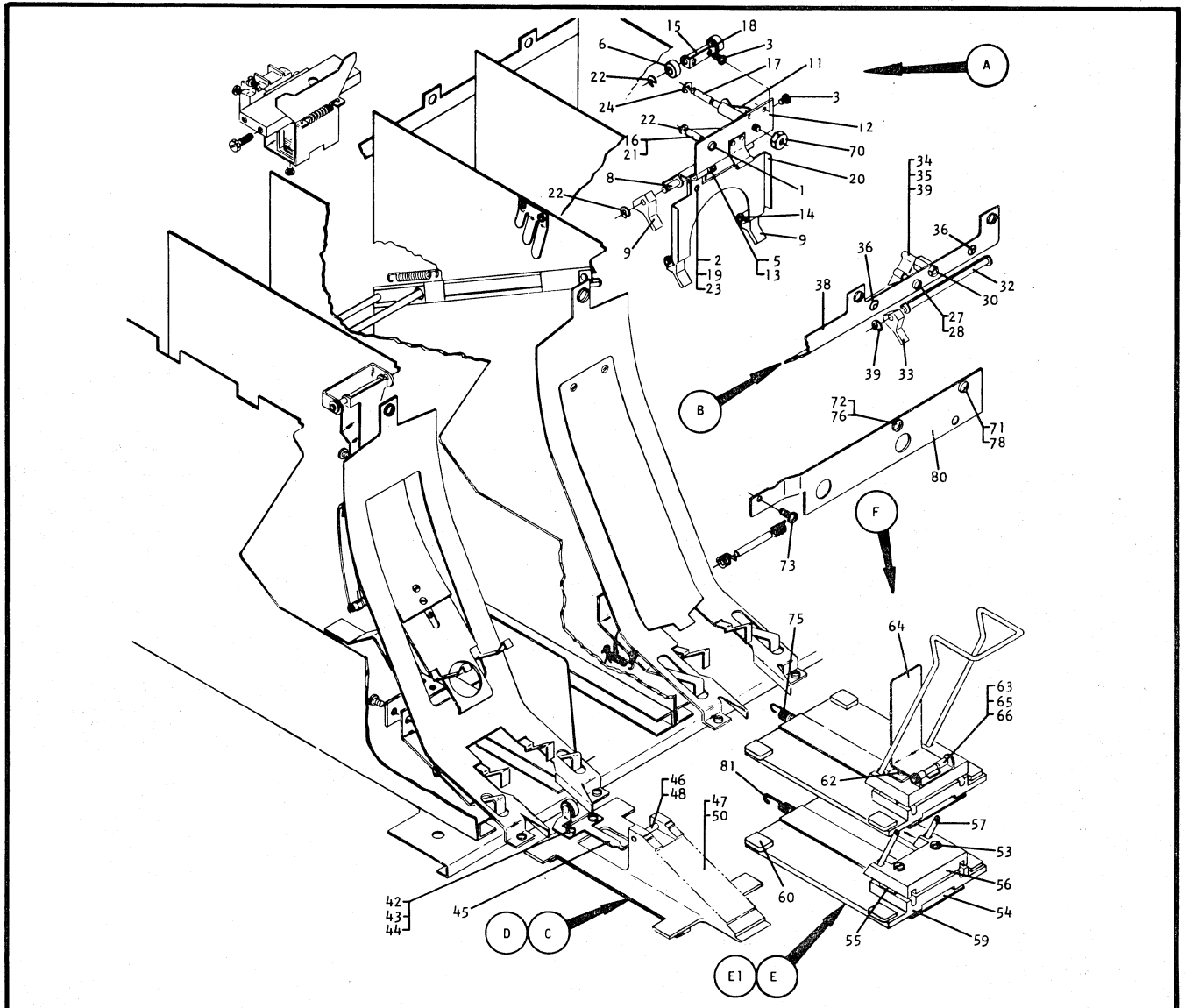


<b>A</b>	603432	TRANSPORT ASM 51 COL
1	25263	SPACER
2	38350	SCREW CARD DEFLECTOR SPRING
3	603301	SPRING CARD DEFLECTOR
4	603336	STUD CARD RESTRAINER MTG
6	603345	TIE BAR
7	603365	GUIDE REAR EDGE
8	603454	LEDGE MERGE POCKET
11	603458	GUIDE MERGE POCKET
12	603459	BRACKET JAM LEVER
13	603460	SIDE RAIL FRONT
14	603557	SPRING CARD DEFLECTOR
16	603879	BRACKET JAM BAR MTG
17	1073418	CLIP CARD RESTRAINER MTG

<b>A1</b>	603339	RESTRAINER ASM CARD
21	3350	SCREW CARD RESTRAINING SPG
22	603337	SPRING CARD RESTRAINING
23	603338	BLOCK CARD RESTRAINING
<b>A2</b>	603401	PLATE ASM SELECT POCKET
26	8506	NUT MAGNET ASM MTG
27	26320	CLAMP CABLE
28	37913	NUT DEFLECTOR SPRING MTG
29	38433	SCREW MTG
31	38434	SCREW TERMINAL BLOCK MTG
32	91373	SCREW MAGNET ASM MTG
33	107168	SCREW ARMATURE RET -PLATE MTG
34	226880	PLATE ARMATURE RET
36	227010	ARMATURE
37	257186	NUT
38	257986	WASHER DEFLECTOR MTG
39	303453	TERMINAL BLOCK

41	603332	SPRING DEFLECTOR
42	603333	BRACKET SELECTOR MAGNET
43	603350	COIL
44	603396	PLATE CARD DEFLECTOR
46	1073418	CLIP ARMATURE RETAINING
		PARTS NOT INCLUDED WITH ASM
54	10170	SCREW STKR LEDGE CVR BRKT
55	52522	SCREW
56	150209	LWASHER
57	211530	SPRING STKR LEDGE CVR
58	257186	NUT
59	603341	ROD STACKER LEDGE PIVOT
60	603342	COVER RAD STKR LEDGE
61	603343	BRKT STKR LEDGE COV MTG
62	1073418	CLIP STKR LEDGE COV ROD

# 51-80 COL STACKER ASM - I



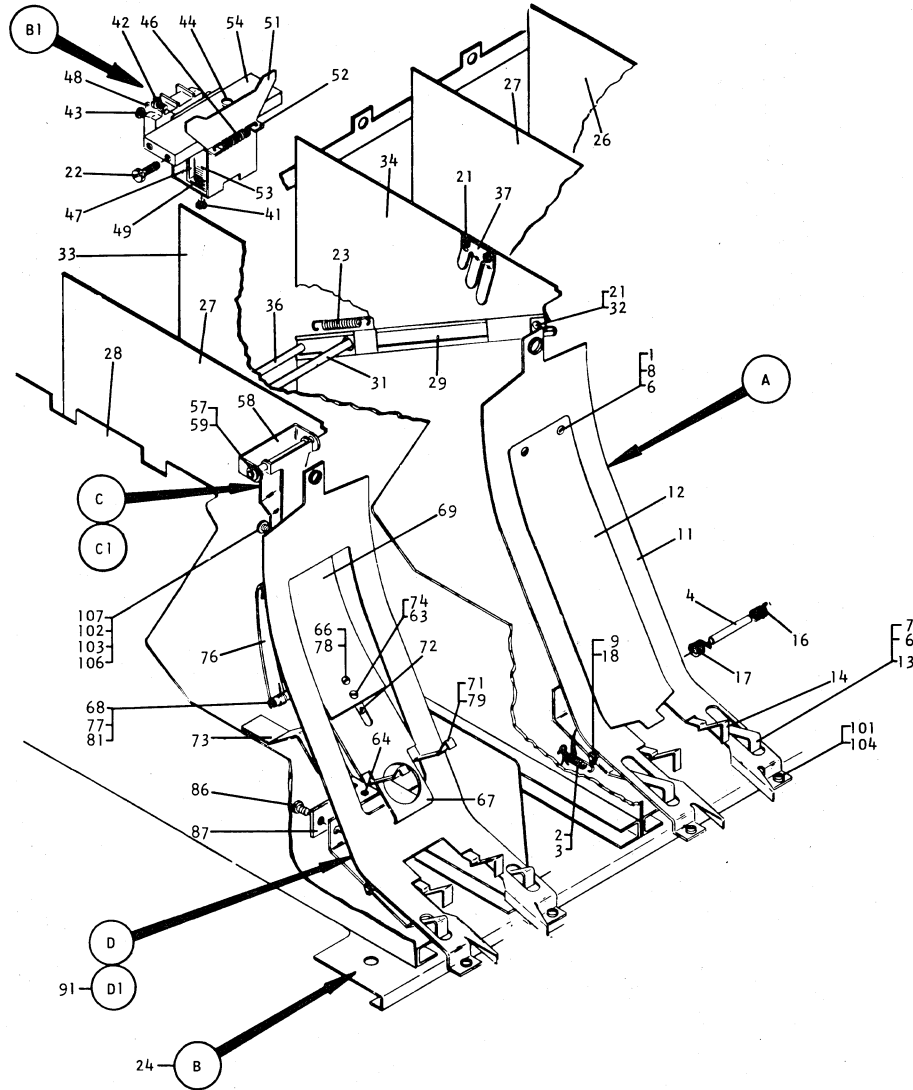
<b>A</b>	603398	LEDGE ASM UPPER & LOWER
1	10170	SCREW STUD MTG
2	38432	SCREW STOP BLOCK MTG
3	48594	SCREW
5	211530	SPRING LEDGE RETAINER
6	228105	ROLLER LEDGE SLIDING
8	602488	SHAFT CARD RET LEVER
9	602489	LEVER CARD RET
11	603323	SPRING STKR STUD DETENT
12	603356	LEDGE LATCH SPRING
13	603359	SHAFT LOWER LEDGE PIVOT
14	603370	SHAFT CARD LEVER
15	603383	SHAFT SLIDING LEVER
16	603906	LEVER CARD RETAINER LEFT
17	603511	STUD STKR LEDGE MTG
18	603537	BRACKET UPPER LEDGE SLIDING
19	603543	STOP LOWER LEDGE
20	603544	LEDGE LOWER
21	603598	STUD RESTRAINING LEVER
22	1073418	CLIP
23	1090394	SPACER LWR LEDGE
24	1092125	CLIP

<b>B</b>	603404	PIVOT & LEVER ASM
27	5644	SCREW LEVER STOP
28	113821	TUBING LEVER BUMPER
30	257187	NUT PIVOT STUD MTG
32	602488	SHAFT CARD RET LEVER
33	602489	LEVER CARD RET
34	602593	STUD REST LEVER PIVOT
35	602594	LEVER CARD RESTRAINING
36	602978	BUMPER PLUG
38	603403	PIVOT
39	1073418	CLIP
<b>C</b>	603472	SLIDE ASM POCKET 3
42	35739	SCREW CAM FOLL MTG
43	257986	WASHER BRACKET MTG
44	344015	NUT BRACKET MTG
45	602470	BRACKET CAM FULL
46	603344	ROD VIBRATOR ACTUATOR
47	603400	SLIDE CARD PUSHER
48	1073418	CLIP
<b>D</b>	603752	SLIDE ASM POCKETS 4 & 5
50	603751	SLIDE CARD PUSHER
		FOR REMAINDER OF ASM SEE ASM C 603472
<b>E</b>	603681	SLIDE ASM POCKETS 1 & 2
53	322551	SCREW SUPPORT PLATE MTG
54	602642	PLATE SUPPORT CLAMP
55	603433	GASKET DECK SUPPORT
56	603470	BLOCK DECK SUPPORT MTG
57	603753	SUPPORT CARD DECK

<b>E1</b>	603799	SLIDE ASM SUPP DECK & BMPR
59	363023	SLIDE
60	603795	INSERT
<b>F</b>	603682	SLIDE ASM POCKET 3
62	322552	SCREW SUPPORT PLATE MTG
63	603371	BRACKET
64	603372	LEVER
65	603373	SHAFT
66	1073418	CLIP
		FOR REMAINDER OF ASM SEE ASM E 603681 PARTS NOT INCLUDED WITH ASM
70	11598	NUT STKR STUD MTG
71	24752	SCREW STKR PLATE MTG
72	34512	SCREW STKR PLATE MTG
73	58207	SCREW STKR PLATE MTG
75	363157	SPRING SLIDE OPERATING
76	441569	SPACER STKR PLATE
78	521652	SPACER STKR PLATE
80	603444	PLATE STKR STUD MTG
81	603474	SPRING STACKER SLIDE

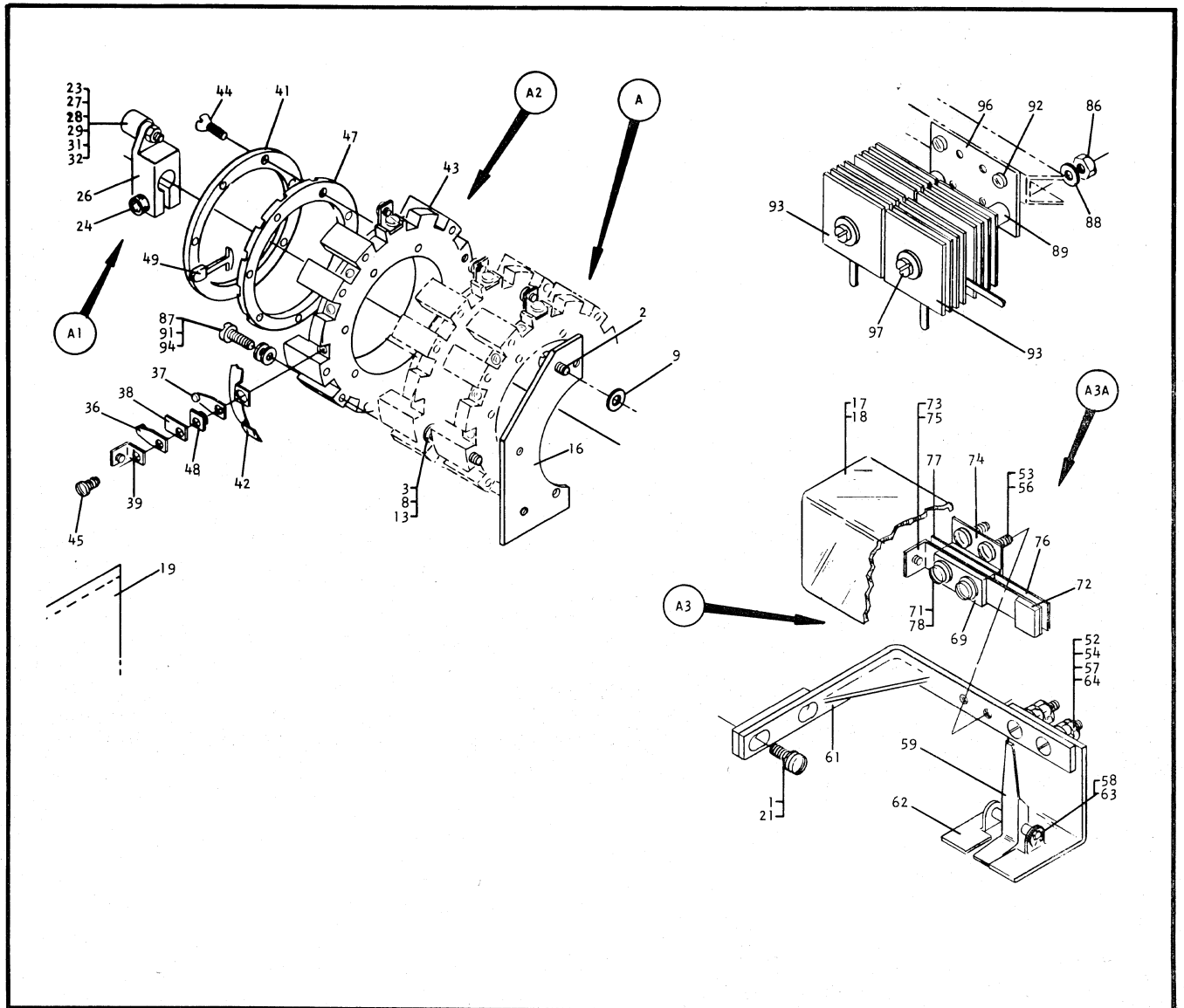


# 51-80 COL STACKER ASM-2



A	603428	RADIAL GUIDE ASM MERGE PKT	31	603320	ROD TAPE ACTUATOR	66	216128	NUT SLIDE MTG
1	38432	SCREW VIBRATOR MTG	32	603327	PLATE TAPE CLAMPING	67	603522	SLIDE
2	106681	SPRING ARRESTOR LEVER	33	603394	PLATE POCKET SEP NO. 4	68	603526	PIN PIVOT DECK ARRESTOR
3	185093	COTTER PIN SPRING ANCHOR	34	603395	PLATE POCKET SEP NO. 3	69	603530	GUIDE RADIAL STR
4	209063	SHAFT ALIGN LEVER PIVOT	36	603507	ROD TAPE ACT LWR	71	603531	ARRESTOR DECK
6	257186	NUT	37	603520	SPRING MERGE POCKET	72	603532	GUIDE BLOCK RADIAL BAND
7	257967	SET SCREW LEVER ADJ	B1	603334	MAGNET ASM MERGE POCKET	73	603535	SPRING DECK ARREST ACT
8	257985	WASHER VIBRATOR MTG	41	38271	SCREW ARM STOP BRKT MTG	74	603536	SPRING SLIDE RADIAL GDE
9	603370	SHAFT LEVER PIVOT	42	38350	SCREW BAR MTG	76	603538	STOP RADIAL GUIDE
11	603377	GUIDE	43	38351	SCREW TERMINAL BLOCK MTG	77	603540	SPRING STOP ALTUATING
12	603399	VIBRATOR BAND	44	52607	SCREW ARMATURE PIVOT MTG	78	603548	SCREW SLIDE MTG
13	603412	LEVER DECK ARRESTOR	46	196143	SPRING ARMATURE RETAINING	79	603719	SPRING DECK ARRESTOR
14	603512	LEVER CARD ALIGNMENT	47	196194	YOKE	81	1073418	CLIP ARRESTOR MTG
16	603719	SPRING DECK ARRESTOR RIGHT	48	303453	BLOCK TERMINAL	D	614321	GUIDE / ARRESTOR ASM
17	609964	SPRING DECK ARRESTOR LEFT	49	603318	BRACKET ARMATURE STOP	86	48594	SCREW
18	1073418	CLIP	51	603319	ARMATURE LOWER MAGNET	87	603539	BRACKET
B	603448	POCKET ASM 51-80 COL	52	603321	BRACKET ARMATURE PIVOT	D1	603429	GUIDE ASM
21	48594	SCREW	53	603335	COIL	91	603374	GUIDE
22	110775	SCREW MAGNET MTG	54	603380	BAR TAPE MAGNET MTG			FOR REMAINDER OF PARTS
23	196143	SPRING	58	603731	RADIAL GUIDE ASM PKT 4/5			SEE ASM A 603429
24	602592	PLATE POCKET BASE	57	603527	PIN			PARTS NOT INCLUDED WITH ASMS
26	603070	PLATE POCKET SEP NO. 1	58	603528	BRACKET	101	38562	SCREW
27	603281	PLATE POCKET SEP NO. 4/5	59	1073418	CLIP	102	45663	SPACER
28	603283	PLATE POCKET SEP NO. 6	C1	603521	GUIDE ASM RADIAL STR	103	55901	LOCKWASHER
29	603306	TPAE CARD ARRESTOR	63	38432	SCREW SLIDE MTG	104	150209	WASHER
			64	48594	SCREW SPRING MTG	106	257189	NUT
						107	603549	SCREW

# COUNT DEVICE ASM

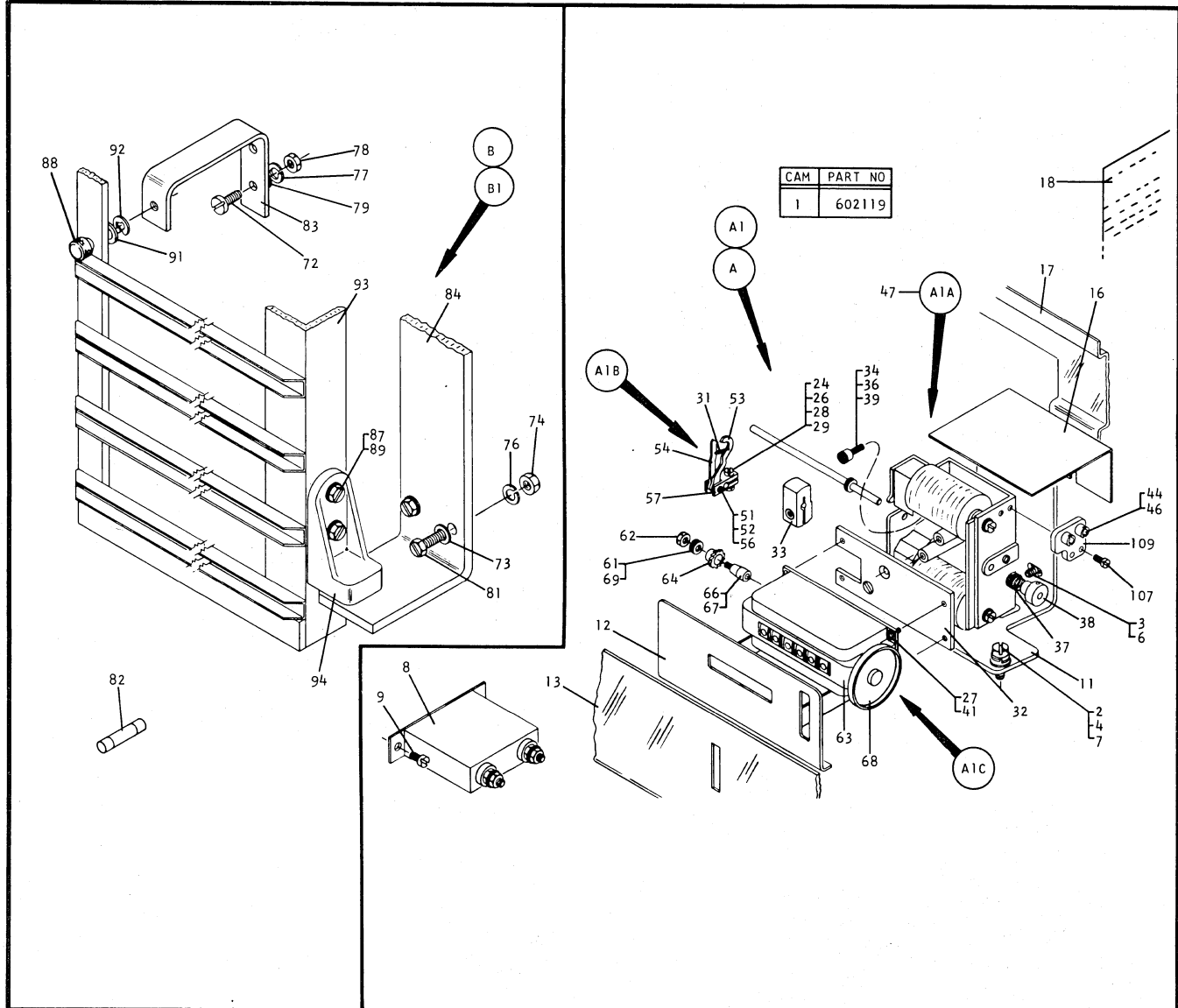


A	691097	COUNT DEVICE 2 POSITION
A	691098	COUNT DEVICE 3 & OR 4 POS
1	845	SCREW 3RD CL ASM MTG
2	4636	SCREW EMITTER BRKT MTG
3	6364	LWASHER EMITTER MTG
8	38353	SCREW EMITTER MTG
9	45690	WASHER EMITTER BRKT
13	257986	WASHER EMITTER MTG
16	694523	BRACKET EMITTER MTG
17	694618	COVER SEC 3RD CL
18	694892	COVER PRI 3RD CL
19	696210	LABEL
21	1090873	LWASHER CL 3RD ASM MTG
A1	194585	ROTOR ASM EMITTER
23	6364	LWASHER
24	129654	CAP SCREW
26	194584	ROTOR
27	255574	BEARING
28	257187	NUT
29	257986	WASHER
31	694528	SHAFT ECCENTRIC BRG
32	1073418	CLIP

A2	694521	EMITTER ASM
36	103639	CONTACT UPPER
37	103663	CONTACT LOWER
38	103743	STRAP-CONTACT SUPPORT
39	103744	TERMINAL CONTACT BRACKET
41	104473	RETAINER PLUNGER
42	104543	STRAP COMMON TERMINAL
43	104616	MOULDING EMITTER FRAME
44	123148	SCREW
45	123149	SCREW
47	127131	GUIDE PLUNGER
48	255879	INSULATOR
49	694531	PLUNGER
A3	694619	CONTACT ASM PRI 3RD CL
A3	694620	CONTACT ASM SEC 3RD CL
52	2179	SCREW PLATE MTG
53	6364	LWASHER CONTACT MTG
54	22478	WASHER PLATE MTG SCR
56	38350	SCREW CONTACT MTG
57	257188	NUT PLATE MTG SCREW
58	602233	SHAFT CL PIVOT
59	602235	LEVER CARD
61	694615	BRKT 3 CL ASM MTG
62	694616	PLATE 3 CL ASM MTG
63	1073418	CLIP PIVOT RETAINING
64	1090873	LWASHER PLATE MTG SCREW

A3A	602234	CONTACT ASM SEC
A3A	694617	CONTACT ASM PRI
69	11900	INSULATOR-CONT ASM
71	100229	TUBING-CONT ASM INSUL
72	106988	SPRING CONTACT
72	610315	SPRING CONTACT
73	118418	SCREW CONTACT TERMINAL
74	133202	BRACKET-CONT ASM MTG
75	141964	CONTACT TERMINAL
76	150243	SPRING CARD CONTACT
77	152794	CONTACT TERMINAL
78	173204	SCREW-CONT ASM
PARTS NOT INCLUDED WITH ASM		
86	123	NUT
87	420	SCREW EMITTER MTG
88	9092	LWASHER
89	109287	SPACER
91	163899	LWASHER EMITTER MTG
92	198363	SCREW
93	246424	RECTIFIER
94	257986	WASHER EMITTER MTG
96	282036	PLATE
97	438583	SCREW

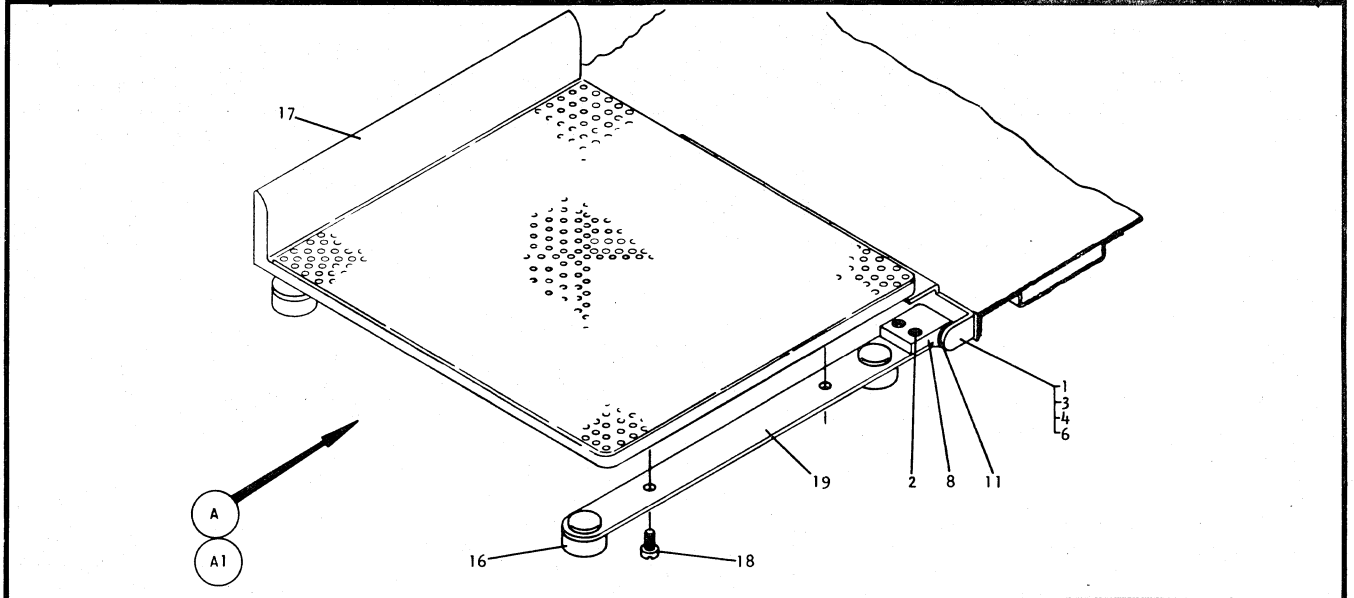
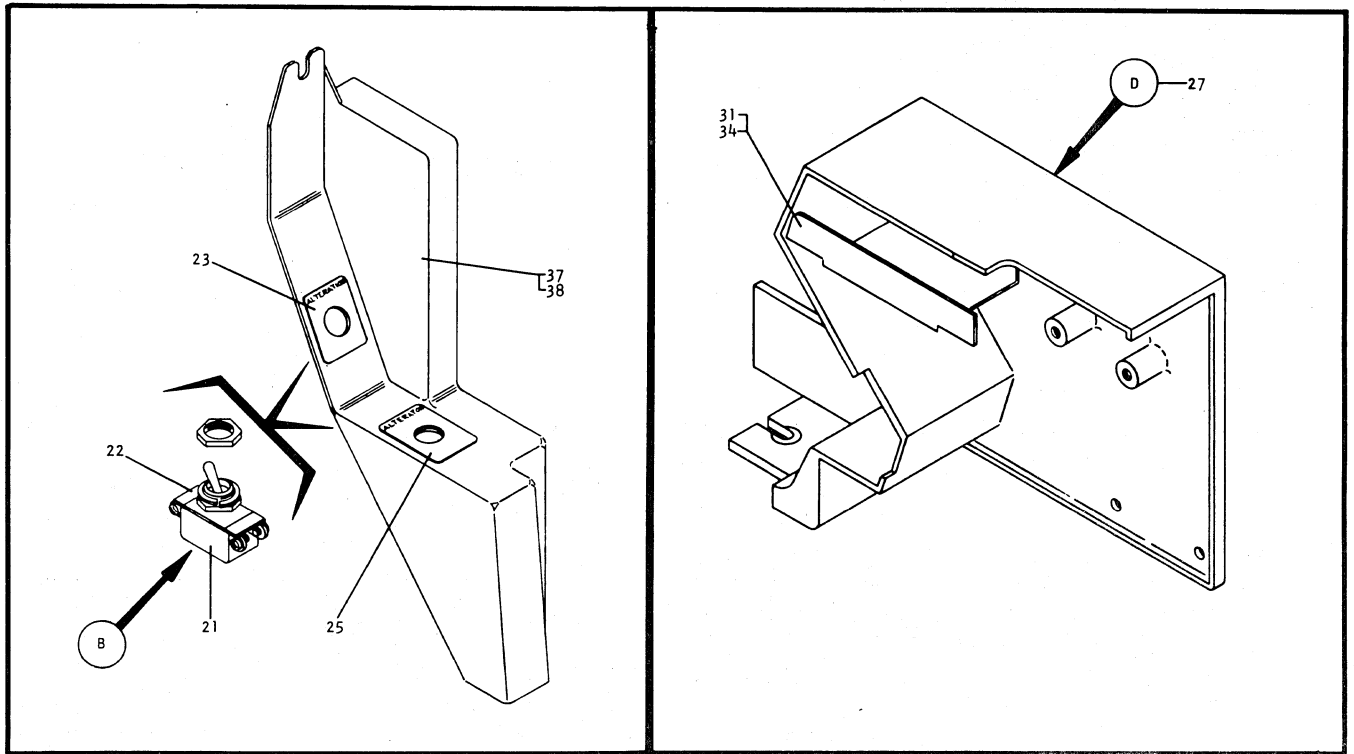
# AUXILLIARY COUNTER & INNER RELAY GATE ASMS



A	698218	AUX CARD COUNTER 1 COUNTER	A1A	262900	COIL ASM COUNTER	B	698223	INNER RELAY GATE
	698219	AUX CARD COUNTER 2 COUNTERS	44	12936	NUT	72	232	SCREW BRACKET MTG
2	443	SCREW BRACKET MTG	46	114773	TERMINAL CONNECTOR	73	3550	WASHER BRACKET MTG
3	2300	SCREW COUNTER MTG	47	263046	COIL	74	3960	NUT BRACKET MTG SCREW
4	45690	WASHER BRACKET MTG	A1B	264995	PAWL ASM	76	6935	LWASHER BRKT MTG
6	55901	LWASHER COUNTER MTG	51	37913	NUT	77	9092	LWASHER BRKT MTG
7	56079	LWASHER BRKT MTG	52	150209	WASHER	78	11598	NUT BRACKET MTG SCREW
8	176407	CAPACITOR .5MFD 100HMS	53	264992	PAWL	79	23141	WASHER BRKT MTG
9	183900	SCREW CAPACITOR MTG	54	264993	PAWL	81	36844	SCREW BRACKET MTG
11	694533	BRACKET COUNTER MTG	56	264994	STUD	82	104909	FUSE 5A INDICATING
12	694597	PLATE FRONT COUNTER	57	264997	COLLAR	83	695105	BRACKET GATE MTG
13	694605	WINDOW 1 COUNTER	A1C	268057	COUNTER ASM	84	695537	BRACKET INNER GATE HINGE
13	694606	WINDOW 2 COUNTERS	61	22066	WASHER	B1	603869	INNER GATE ASM
16	695073	GUARD AUX CD CTR	62	37913	NUT	87	6935	LWASHER HINGE MTG
17	695077	GUARD SWITCH 1 COUNTER	63	264988	COUNTER	88	22886	SCREW THUMB
	695072	GUARD SWITCH 2 COUNTERS	64	264991	RATCHET	89	38686	SCREW HINGE MTG
18	696210	LABEL	66	264996	SLEEVE	91	45690	WASHER THUMB SCREW
A1	265000	COUNTER ASM AUXILIARY	67	264998	PIN	92	436442	CLIP THUMB SCREW
24	22066	WASHER	68	265048	RESET KNOB	93	694599	GATE INNER RELAY
26	38051	NUT	69	338169	LWASHER	94	695534	HINGE
27	38262	SCREW						PART NOT INCLUDED WITH ASM
28	38353	SCREW				107	3500	SCREW
29	56722	LWASHER				109	116313	TERMINAL BLOCK
31	225769	SPRING						
32	264989	PLATE COUNTER MTG						
33	264990	MAGNET ROTOR						
34	304660	PIN						
36	304661	SCREW						
37	308139	SPRING						
38	308140	COLLAR						
39	308174	SCREW						
41	338169	LWASHER						

88 FIG. 34

# CASTING, JOGGLER & D.P.D.T. SWITCHES


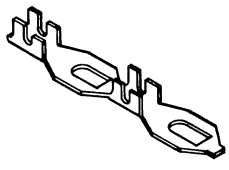
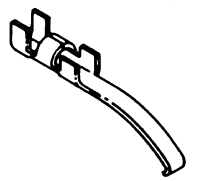
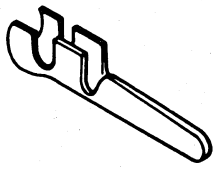
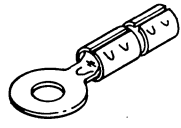
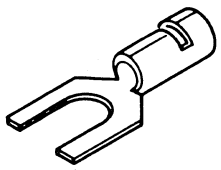

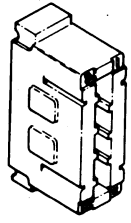
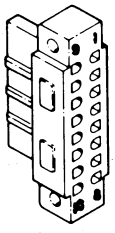

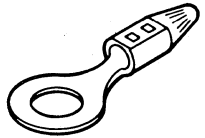


A	695592	JOGGLE PLATE MOUNTING
1	35739	SCREW PIVOT BRKT MTG
2	38348	SCREW PIVOT MTG
3	56722	LWASHER PIVOT BRKT MTG
4	257187	NUT PIVOT BRKT MTG
6	695582	BRACKET JOGGLER PL PIVOT
8	695591	PIVOT JOGGLER PLATE
11	1071723	WASHER FRICTION PIVOT
A1	695589	PLATE ASM JOGGLER
16	219616	BUMPER RUBBER JOGGLER PL
17	219617	PLATE JOGGLER
18	601185	SCREW JOGGLER PL MTG
19	695590	MOUNT JOGGLER PL BUMPER

B	690750	DPDT SWITCH ASM #1 & OR #2
21	128455	SWITCH DPDT TOGGLE
22	159373	LWASHER
23	220747	PLATE ALTERATION #1
25	220748	PLATE ALTERATION #2
D	695078	COVER FEED LEFT REAR SEC
27	602539	COVER FEED

PARTS NOT INCLUDED WITH ASM		
31	438622	SCREW PLUG MTG
34	602575	PLUG
37	694525	FILLER STACKER R H DPDT #1
38	694526	FILLER STACKER R H DPDT #1 & #2

# CABLE COMPONENTS

 <p>92784, 334910, 334921, 334932, 360370 CLIP</p>	 <p>115186 CLIP</p>	 <p>122610 TERMINAL</p>	 <p>179007, 187243 PLUG</p>
 <p>186960, 257284 CLIP</p>	 <p>186967, 186968, 187460 CLIP</p>	 <p>253740 CLIP</p>	 <p>257243 CONNECTOR</p>
 <p>257244 CONNECTOR</p>	 <p>322025 CLIP</p>	 <p>359695 CLIP</p>	

#1		#2		#3		#4		#5		#6	
TUBE TYPE	TSTR TYPE	TUBE TYPE	TSTR TYPE	TUBE TYPE	TSTR TYPE	TUBE TYPE	TSTR TYPE	TUBE TYPE	TSTR TYPE	TUBE TYPE	TSTR TYPE
CAM PART NO.	CAM PART NO.	CAM PART NO.	CAM PART NO.	CAM PART NO.	CAM PART NO.	CAM PART NO.	CAM PART NO.	CAM PART NO.	CAM PART NO.	CAM PART NO.	CAM PART NO.
1	602113	1	602113	41	602128	41	602128	21	602970	21	602970
2	602128	2	602128	42	602113	42	602113	22	602109	22	602109
3	602110	3	602110	43	602113	43	602113	23	602109	23	602109
4	602111	4	602111	44	602111	44	602111	24	602143	24	603110
5	602114	5	602114	45	602115	45	602115	25	602142	25	603110
6	602127	6	602127	46	602113	46	602113	26	602130	26	603112
7	602120	7	602120	47	602110	47	602110	27	602131	27	603110
8	602970	8	602970	48	602128	48	602128	28	602128	28	603113
9	602109	9	602109	49	602114	49	602113	29	602128	29	603111
10	602109	10	602109	50	602115	50	602115	30	602128	30	603115
11	602143	11	603110	51	-----	51	602128	31	602122	31	602122
12	602141	12	603110	52	-----	52	602128	32	602122	32	603594
13	602134	13	603112	53	-----	53	602127	33	602127	33	603593
14	602133	14	603110	54	-----	54	602129	34	602129	34	602111
15	602128	15	603113	55	-----	55	-----	35	602111	35	602128
16	602128	16	603111	56	-----	56	-----	36	602128	36	602128
17	602128	17	603114	57	-----	57	-----	37	602128	37	602128
18	602122	18	602122	58	-----	58	-----	38	-----	38	-----
19	-----	19	602120	59	-----	59	-----	39	-----	39	602121
20	-----	20	602114	60	-----	60	-----	40	602109	40	608604

MAIN DRIVE MOTOR ASM

MOTOR	H. P.	VOLTAGE	CY	PH	BELT PART NO.	MOTOR PULLEY	CORD
602346	1/4	115/230	60	1	602323	602160	601925
602697	1/4	115/230	50	1	602897	602894	601925
602346	1/4	208/230	60	1	602323	602160	601925
602697	1/4	208/330	50	1	602897	602894	601925

# NUMERICAL LISTING

FIG NO.	REF NO.	PART NO.	FIG NO.	REF NO.	PART NO.	FIG NO.	REF NO.	PART NO.	FIG NO.	REF NO.	PART NO.	FIG NO.	REF NO.	PART NO.	FIG NO.	REF NO.	PART NO.
4		119	9	8	5644	9	56	11900	10	27	37913	10	7	38688	25A	9	56079
4A		119	10	3	5644	11	21	11900	13	6	37913	17	88	38688	26	127	56079
22		119	14	1	5644	29	86	11900	13	98	37913	22	98	38688	34	7	56079
33	86	123	21	3	5644	33	69	11900	28	91	37913	23A	91	38688	1	54	56121
1A	31	221	28	81	5644	7	38	12552	29	1	37913	24	113	38688	16	38	56121
3	51	221	31	27	5644	34	44	12936	29	28	37913	25	61	38688	17	78	56121
13	161	221	26	4	6318	11	36	12953	30	28	37913	25A	6	38688	20	40	56121
23	1	221	2	43	6364	29	77	12953	34	51	37913	13	73	45624	23	13	56121
1	1	232	11	50	6364	16	3	15004	34	62	37913	5	1	45642	2	13	56722
1A	1	232	13	2	6364	26	91	19167	9	122	37935	5A	1	45642	2	27	56722
4	66	232	15	69	6364	25	3	19852	34	26	38051	17	59	45649	2A	8	56722
4A	65	232	22	6	6364	7	1	19944	2	51	38235	23A	9	45651	3	123	56722
6	1	232	23A	3	6364	21	7	19944	7	2	38235	20	82	45652	6	32	56722
13	162	232	28	21	6364	16	37	20017	8	2	38235	32	102	45663	25	67	56722
20	33	232	28	98	6364	17	77	20017	11	52	38235	1	3	45690	34	29	56722
21	1	232	33	3	6364	4	46	22066	11	91	38235	1A	3	45690	35	3	56722
28	20	232	33	23	6364	4A	46	22066	13	7	38235	1A	33	45690	13	17	58207
34	72	232	33	53	6364	6	31	22066	15	6	38235	2	54	45690	14	106	58207
13	96	288	7	36	6503	34	24	22066	16	6	38235	2A	6	45690	22	20	58207
3	1	337	7	61	6503	34	61	22066	22	16	38235	9	15	45690	24	14	58207
9	1	337	9	9	6503	1A	32	22478	14	61	38261	10	79	45690	31	73	58207
13	163	337	9	11	6935	2A	3	22478	5	74	38262	11	5	45690	4	7	58851
21	2	337	10	4	6935	2A	48	22478	5A	73	38262	18	3	45690	4A	7	58851
22	2	337	15	3	6935	5	21	22478	11	3	38262	19	86	45690	15	72	58854
1	51	358	15	43	6935	5	110	22478	27	6	38262	21	14	45690	25	68	59647
14	101	358	17	55	6935	5A	16	22478	29	62	38262	23A	10	45690	15	8	59648
25	51	358	17	85	6935	5A	106	22478	34	27	38262	25	41	45690	25	69	59649
9	2	420	21	76	6935	10	67	22478	13	8	38263	25	62	45690	25	71	59649
33	87	420	22	7	6935	10	78	22478	4	56	38266	25A	7	45690	5	26	60488
1	52	443	22	97	6935	12	3	22478	4A	56	38266	26	126	45690	5A	21	60488
11	1	443	23A	4	6935	21	8	22478	11	4	38266	29	64	45690	7	39	60489
29	60	443	23A	90	6935	22	9	22478	29	63	38266	33	9	45690	2A	51	60646
34	2	443	24	112	6935	24	7	22478	9	13	38269	34	4	45690	4	88	60646
16	1	453	25	2	6935	25	57	22478	32	41	38271	34	91	45690	4A	88	60646
4	2	641	25	12	6935	26	121	22478	2	52	38345	13	74	48594	8	6	60646
4A	2	641	25	53	6935	33	54	22478	13	9	38348	13	141	48594	12	26	60646
6	2	641	25A	2	6935	26	8	22812	13	72	38348	31	3	48594	14	107	60646
9	3	641	34	76	6935	34	88	22886	17	35	38348	32	21	48594	17	10	60646
10	1	641	34	87	6935	17	4	23056	35	2	38348	32	64	48594	23	14	60646
10	76	641	20	75	7495	26	122	23141	2	12	38350	32	86	48594	27	62	60646
3	3	845	21	79	7995	34	79	23141	2	53	38350	28	83	52360	1	83	62031
3	117	845	15	4	8499	26	9	23362	2	26	38350	4	47	52522	3	53	62031
9	4	845	30	26	8506	20	81	23815	11	53	38350	4A	47	52522	20	102	62031
17	1	845	11	51	8519	16	4	24107	17	11	38350	10	8	52522	23	16	62031
23	2	845	20	100	9022	13	97	24327	28	23	38350	10	29	52522	24	17	62031
23A	1	845	23A	5	9022	18	1	24327	30	2	38350	10	61	52522	13	78	65266
26	1	845	2	44	9092	29	27	24327	32	42	38350	13	101	52522	23	17	65756
27	61	845	3	52	9092	4	67	24511	33	56	38350	28	92	52522	24	18	65756
33	1	845	10	6	9092	4A	66	24511	3	121	38351	29	6	52522	25	72	72670
4	84	1413	13	164	9092	17	6	24511	11	54	38351	29	31	52522	10	68	72828
4A	84	1413	14	102	9092	17	66	24511	32	43	38351	29	52	52522	25	73	72915
26	2	1500	15	44	9092	28	22	24511	5	23	38352	30	55	52522	26	17	75717
9	71	1769	17	86	9092	2A	4	24752	5A	17	38352	13	76	52570	12	12	75983
26	3	1858	20	35	9092	13	4	24752	33	8	38353	2	56	52580	22	19	76574
1	81	1940	21	4	9092	31	71	24752	34	28	38353	32	44	52607	23	18	76574
12	1	1957	23A	6	9092	9	57	24957	13	11	38354	13	77	52618	23A	11	76574
2A	1	2179	25	54	9092	1	130	25263	20	39	38354	8	4	52905	24	19	76574
4	3	2179	26	6	9092	30	1	25263	8	3	38359	15	70	53042	25	34	76574
4A	3	2179	26	118	9092	26	11	25282	13	12	38361	21	15	55519	25	74	76574
6	3	2179	29	110	9092	3	119	25627	22	17	38368	2	57	55711	25A	11	76574
28	1	2179	33	88	9092	8	1	25627	4	5	38370	25A	8	55711	25	13	76846
33	52	2179	34	77	9092	15	5	25627	4A	5	38370	4	87	55726	1	84	79204
3	118	2300	14	26	9299	22	11	25627	6	5	38370	4A	87	55726	3	54	80651
13	1	2300	1	82	10170	26	12	25887	9	14	38370	18	42	55726	21	18	80817
34	3	2300	2	46	10170	26	13	25891	26	92	38370	1	131	55901	17	89	81142
9	6	2384	2A	4	10170	30	27	26320	26	123	38376	1A	34	55901	29	111	81142
17	2	2384	5A	71	10170	28	51	26344	21	13	38383	2A	7	55901	5	76	81693
2A	4	3153	13	3	10170	13	71	27083	26	124	38383	2A	49	55901	5	111	81693
4	4	3153	17	3	10170	10	102	28413	31	2	38432	3	122	55901	5A	74	81693
4A	4	3153	20	36	10170	19	1	28413	32	1	38432	5	25	55901	5A	107	81693
30	21	3350	21	5	10170	28	106	28413	32	1	38432	5A	19	55901	9	72	81693
34	107	3500	22	8	10170	15	64	28441	32	63	38432	12	4	55901	24	21	81693
9	7	3550	23	4	10170	16	46	28441	13	13	38433	13	16	55901	25	76	81693
10	2	3550	23A	7	10170	2	48	30037	30	29	38433	15	7	55901	27	7	81693
15	1	3550	24	4	10170	1	2	32042	5	24	38434	15	71	55901	10	9	82242
21	75	3550	28	99	10170	1A	2	32042	5A	18	38434	18	4	55901	20	103	83606
22	3	3550	30	54	10170	2	49	32042	13	14	38434	20	9	55901	30	32	91373
23A	2	3550	31	1	10170	12	25	32042	29	4	38434	20	101	55901	25	77	91469
24	1	3550	15	125	10303	20	38	32042	30	31	38434	22	18	55901	22	21	92650
25	1	3550	16	61	10303	21	11	32042	10	28	38435	23	11	55901	14	108	94378
25	11	3550	9	121	10309	23	6	32042	13	99	38435	24	12	55901	9	58	100229
25	32	3550	16	2	10309	23A	8	32042	29	29	38435	25	63	55901	11	22	100229
25	52	3550	14	103	10476	24	8	32042	5	75	38442	32	103	55901	29	87	100229
25A	1	3550	5	20	10610	22	12	32676	23	8	38442	34	6	55901	33	71	100229
34	73																

# NUMERICAL LISTING

FIG NO.	REF NO.	PART NO.	FIG NO.	REF NO.	PART NO.	FIG NO.	REF NO.	PART NO.	FIG NO.	REF NO.	PART NO.	FIG NO.	REF NO.	PART NO.	FIG NO.	REF NO.	PART NO.
15	10	104699	26	33	135341	10	12	170150	5A	79	209184	17	43	228475	29	66	257186
2	61	104763	26	93	135341	29	8	170150	27	11	209184	17	44	228476	30	37	257186
25	79	104763	9	115	138296	24	24	170214	14	82	209217	17	45	228477	30	58	257186
3	4	104909	2	62	138754	6	9	170228	14	83	209220	17	46	228478	32	6	257186
34	82	104909	3	124	138754	14	28	170241	26	49	210101	17	47	230736	1	91	257187
20	83	105047	18	8	138754	15	14	170241	26	51	210103	2	68	231658	2A	11	257187
3	101	105792	20	104	138754	16	11	170241	26	52	210104	26	76	232358	13	81	257187
22	22	105792	22	99	138754	15	15	170351	26	53	210105	26	77	233035	14	3	257187
23	19	105792	23A	92	138754	9	62	173204	26	54	210106	3	63	233805	15	76	257187
32	2	106681	2	14	139498	11	29	173204	26	55	210107	3	64	233808	18	12	257187
33	72	106988	26	34	139766	29	93	173204	26	56	210108	3	66	233841	20	109	257187
9	59	107070	26	36	139919	33	78	173204	26	59	210110	3	67	233843	21	33	257187
30	33	107168	25	43	140425	17	37	173211	26	61	210112	3	68	233871	22	32	257187
3	57	108126	25A	14	140425	34	8	176407	26	62	210115	3	69	233880	23A	18	257187
11	56	108779	26	37	141052	22	24	177287	26	63	210117	3	71	233883	24	34	257187
33	89	109287	11	26	141964	25	84	179946	26	64	210119	3	72	233888	28	56	257187
9	73	109339	29	89	141964	15	127	179966	26	66	210121	21	21	234188	28	84	257187
3	58	109872	33	75	141964	16	63	179966	26	67	210122	24	33	234318	31	30	257187
5	27	110129	15	11	144040	22	26	180528	26	68	210123	4	69	234321	33	28	257187
5	77	110129	16	7	144040	23	21	180528	26	69	210125	4A	68	234321	35	4	257187
5	112	110129	13	18	147297	20	20	180846	26	71	210132	5	5	234321	23A	19	257188
5A	22	110129	13	79	147297	20	87	183900	26	97	210148	5	79	234321	33	57	257188
5A	76	110129	20	86	148012	20	106	183900	26	98	210149	5A	4	234321	1	133	257189
5A	108	110129	13	19	148368	34	9	183900	26	99	210150	7	17	234321	1A	39	257189
9	96	110129	20	10	149893	17	93	184792	26	101	210151	7	27	234321	2	16	257189
10	69	110129	14A	89	149897	32	3	185093	26	102	210152	8	11	234321	2A	12	257189
13	80	110129	14	64	150209	28	100	185562	26	72	210154	8	74	234321	2A	52	257189
10	131	110129	14	111	150209	15	16	186635	26	103	210154	17	15	234321	3	127	257189
17	60	110129	15	74	150209	5	28	186758	25	88	210956	17	67	234321	4	36	257189
27	8	110129	20	105	150209	5A	23	186758	25	89	210957	27	52	234321	4A	36	257189
32	22	110775	29	32	150209	2	63	186759	24	29	210984	28	25	234321	12	31	257189
12	7	113204	30	56	150209	3	126	186759	25	91	210984	5A	83	234323	18	13	257189
14	2	113821	32	104	150209	5	29	186759	24	30	210985	27	13	234323	20	1	257189
31	28	113821	34	52	150209	5A	24	186759	24	31	210986	19	88	234328	20	13	257189
34	46	114773	11	27	150243	12	29	186759	30	57	211530	9	17	234335	21	34	257189
26	128	115987	29	91	150243	15	75	186759	31	5	211530	19	51	234341	25	101	257189
34	129	116000	33	76	150243	20	11	186759	1	7	211561	25	92	234341	26	133	257189
34	109	116313	26	38	150390	22	27	186759	1A	7	211561	5	33	236550	28	71	257189
3	59	117185	5	3	150566	23	22	186759	5A	81	212903	5A	28	236550	32	106	257189
3	61	117186	5A	2	150566	23A	14	186759	5A	82	212912	9	18	236550	12	18	257189
21	78	117207	17	91	150566	25	86	186843	27	12	212912	21	22	736550	11	83	257261
9	97	117281	14	91	150603	26	43	186881	20	23	213539	1	132	236849	26	81	257625
26	111	118343	15	101	151230	17	94	186932	20	24	213714	19	89	236849	4	13	257700
9	61	118418	16	27	151230	25	87	187858	26	73	214442	23	23	236849	4A	13	257700
11	23	118418	26	39	151230	5	81	192049	9	116	215150	23A	17	236849	2A	13	257701
13	73	118418	26	41	151439	5A	77	192049	18	11	215679	25A	16	236849	25	102	257793
1	87	120211	8	7	151720	27	9	192049	20	42	216073	7	6	237245	3	13	257910
25	81	120211	11	28	152794	33	26	194584	20	43	216076	7	44	237245	9	106	257956
25A	12	120211	29	92	152794	33	A1	194585	20	44	216083	3	7	237291	9	111	257956
26	18	120211	33	77	152794	32	23	196143	20	46	216084	18	39	237320	28	57	257956
26	19	120344	26	42	153681	32	46	196143	20	47	216085	18	38	237321	29	9	257956
25	82	120571	11	81	154404	32	47	196194	20	48	216094	18	38	237322	2A	14	257958
15	106	120620	10	31	155749	11	57	196698	1A	38	216128	3	8	237334	9	46	257958
10	118	120789	13	102	155749	6	46	196832	7	37	216128	21	23	237455	9	51	257958
12	28	120789	29	33	155749	4	105	196833	10	32	216128	26	78	237521	29	10	257958
26	21	121369	8	51	156231	4A	105	196833	13	103	216128	25A	17	238210	32	7	257967
26	131	121458	8	61	156231	28	107	196833	29	34	216128	9	63	239236	8	63	257968
18	6	121756	8	72	156231	19	3	198363	32	66	216128	3	9	239498	8	82	257968
26	22	121859	15	12	156231	19	26	198363	20	49	216204	26	113	239577	27	46	257968
26	132	121982	16	8	156231	19	47	198363	20	51	216206	33	93	246424	5	62	257969
24	22	122622	27	43	156231	33	92	198363	20	52	216285	11	82	249348	5	117	257969
26	23	123108	27	64	156231	26	94	200518	20	53	216286	14	67	251350	5A	29	257969
26	24	123110	7	4	156364	26	96	200522	5	31	216837	1	89	251970	5A	114	257969
26	26	123111	7	16	156364	26	112	200581	5A	26	216837	2A	9	251970	5	6	257970
26	27	123112	7	26	156364	20	12	204362	8	9	216837	20	107	251970	5A	30	257970
26	28	123113	7	41	156364	15	17	204433	26	104	216897	17	16	251990	5A	5	257971
26	29	123115	8	62	156364	16	12	204433	24	32	217174	25	93	252178	5A	101	257971
26	31	123124	8	73	156364	16	13	204452	1	8	219608	25	94	252179	5A	104	257971
26	32	123132	8	81	156364	19	48	204499	1A	8	219608	21	24	252568	27	36	257971
33	44	123148	13	132	156364	26	44	204902	2	64	219616	22	28	252857	27	39	257971
33	45	123149	14	39	156364	12	14	205086	35	16	219616	22	29	253220	5	64	257973
14	27	123639	16	39	156364	12	15	205094	2	66	219617	3	73	253267	5A	31	257973
18	7	124822	17	79	156364	12	16	205097	35	17	219617	21	25	253312	13	23	257973
15	46	125898	17	92	156364	26	46	205142	1	31	219715	21	26	253437	8	13	257974
17	61	125930	27	44	156364	1	56	205565	1	43	219717	21	27	253438	5	121	257975
33	47	127131	27	51	156364	26	47	205709	8	52	219743	22	31	253675	5A	121	257975
4	8	127735	27	66	156364	17	38	205742	26	74	219743	21	28	254364	14	29	257975
4A	8	127735	19	67	156731	17	39	205743	35	23	220747	21	31	254368	14	46	257975
6	8	127735	19	68	156731	17	40	205747	35	25	220748	21	32	254441	15		

# NUMERICAL LISTING

FIG NO.	REF NO.	PART NO.	FIG NO.	REF NO.	PART NO.	FIG NO.	REF NO.	PART NO.	FIG NO.	REF NO.	PART NO.	FIG NO.	REF NO.	PART NO.	FIG NO.	REF NO.	PART NO.	
33	94	257986	22	44	322028	5A	91	327644	8	17	336324	31	76	441569	15	31	602050	
4	14	259823	23A	31	322028	27	19	327644	8	97	336324	1A	40	442165	15	A3	602052	
4A	14	259823	23	29	322029	5	95	327645	10	56	336325	22	56	442688	16	A3	602052	
34	A1A	262900	25	26	322029	5A	92	327645	13	33	336345	12	34	442822	15	82	602053	
34	47	263046	22	46	322065	27	21	327645	13	134	336534	23A	48	442958	15	84	602062	
14	92	264641	23	31	322065	5	57	327647	13	84	336592	1	9	444806	15	87	602066	
15	79	264641	23A	32	322065	5A	56	327647	13	34	336593	1	71	444806	15	88	602066	
34	63	264988	5	82	322550	4	91	327648	10	34	336651	1A	9	444806	15	89	602067	
34	32	264989	17	68	322550	5	96	327677	13	36	336651	1A	41	444806	15	90	602068	
34	33	264990	22	47	322550	5	58	327686	29	12	336651	25	19	444806	15	91	602069	
34	64	264991	23	32	322550	5A	57	327686	13	104	336808	1A	43	447952	15	92	602070	
34	53	264992	24	42	322550	4	71	327694	7	*	63	336903	23	43	460564	15	94	602073
34	54	264993	18	17	322551	4A	71	327694	5	65	338169	25	117	471918	15	95	602074	
34	56	264994	23A	33	322551	4	73	327697	5A	59	338169	23	44	472583	15	96	602075	
34	A1B	264995	31	53	322551	4A	72	327697	9	26	338169	23	46	476457	16	A	602076	
34	66	264996	31	62	322552	28	27	327697	10	36	338169	11	58	477037	16	16	602077	
34	57	264997	23	33	322555	5	97	327715	13	106	338169	3	78	477420	16	A4	602078	
34	67	264998	22	48	322767	5	98	327716	29	36	338169	3	79	477421	16	*	41	602080
34	A1	265000	20	89	322777	27	20	327716	34	41	338169	3	81	477422	16	A5	602081	
34	68	265048	23	34	322781	4	21	327862	34	69	338169	1A	42	477946	16	*	48	602082
34	A1C	268057	23A	34	322781	4A	21	327862	9	27	338238	20	61	480009	17	A1	602083	
33	96	282036	23	36	323598	5	61	327863	18	18	340517	20	62	480010	17	49	602084	
20	88	283015	23A	36	323598	5A	58	327863	5	66	340728	14	31	491796	17	50	602085	
19	52	284424	20	4	323932	4	92	327868	5A	61	340728	23A	49	507144	17	51	602086	
13	26	287013	25	17	325626	4A	92	327868	11	46	342713	23	47	509780	17	52	602087	
19	42	289335	19	7	326366	4	93	327869	11	47	342714	23A	51	509780	17	18	602088	
21	36	300603	5	83	327545	4A	93	327869	11	B	342715	24	54	509780	17	19	602089	
21	37	300606	5A	84	327545	4	74	327871	14	18	344015	25	118	510015	17	21	602090	
25	106	300606	27	14	327545	4A	73	327871	31	44	344015	28	60	510379	17	22	602091	
21	38	300607	5	84	327548	28	28	327871	19	C5	344599	23	48	510962	17	23	602092	
25	107	300607	4	16	327551	5	101	327882	17	C6	344603	24	56	510962	17	24	602093	
3	26	300707	4A	16	327551	4	94	327883	19	17	344872	24	57	511099	17	25	602094	
3	36	300707	4	17	327552	4A	94	327883	17	69	344872	24	58	511642	17	56	602095	
3	* 108	300728	4A	17	327552	25	112	328102	2	17	345815	25	119	511696	17	64	602095	
20	26	300734	4	37	327557	5	102	328815	5	67	347594	23	49	512376	17	26	602096	
3	* 109	300736	4A	37	327557	27	22	328815	5A	62	347594	23A	52	512376	17	B1	602097	
25A	18	300787	5	36	327562	5	103	328816	5	68	347595	24	59	512376	17	*	62	602098
20	B1	301432	5A	34	327562	5A	93	328816	5A	63	347595	1A	44	512508	17	*	63	602099
21	39	301432	5	37	327563	27	23	328816	22	49	356235	14	112	512508	17	A	602100	
22	36	301768	5A	36	327563	5	104	328817	3	76	356908	20	114	512508	17	B	602101	
24	36	301768	5	38	327564	4	41	328833	3	** 129	357995	23A	53	512508	17	C	602102	
20	27	301804	5A	37	327564	4	76	328833	26	82	358670	19	11	513568	17	71	602103	
23A	22	301806	5	41	327568	4A	41	328833	23	38	359776	23	51	515385	17	27	602104	
20	28	301818	5A	38	327568	4A	74	328833	23A	41	359776	23A	54	515385	17	65	602105	
9	21	302090	4	18	327569	28	29	328833	14	56	363023	24	61	515385	17	57	602106	
10	13	302090	4A	18	327569	28	74	328833	31	59	363023	24	62	515386	17	28	602107	
19	4	302090	5	42	327575	23A	37	331150	31	75	363157	3	82	516919	9	A1	602135	
19	27	302090	5A	39	327575	3	16	331802	20	59	364372	3	83	517164	9	A2	602136	
21	40	302090	4A	A1	327576	12	32	332620	5A	64	368128	22	57	517913	6	A1	602137	
9	22	302131	4A	A1	327576	13	133	332747	21	46	369207	22	58	520913	25	121	602138	
10	14	302131	4	38	327580	7	46	333182	25	113	369207	31	78	521652	4	A2	602139	
19	6	302131	4A	38	327580	20	30	333264	4	77	369383	22	56	524854	4A	A2	602139	
19	28	302131	28	72	327580	20	110	333587	4A	76	369383	23	52	526318	17	96	602140	
21	41	302131	5	43	327581	23	37	334588	28	31	369383	23A	56	526318	19	A	602144	
25	108	302131	5A	41	327581	23A	38	334588	4	24	369384	22	61	526333	19	A	602145	
30	39	303453	5	44	327582	24	44	334828	4A	24	369384	24	64	526333	19	A	602146	
32	48	303543	5A	42	327582	20	112	335010	4	26	369385	22	62	526378	4	27	602147	
23A	23	304478	5	85	327583	23A	39	335010	4A	26	369385	23	53	526378	4A	27	602147	
34	34	304660	5	45	327584	13	82	336131	20	113	371887	24	66	526378	17	29	602148	
34	36	304661	5A	43	327584	13	27	336132	20	113	371888	22	63	526387	14	A	602149	
22	37	304931	5	86	327585	13	83	336132	17	48	435700	1	93	535799	26	A	602152	
4	89	306063	5A	86	327585	7	47	336141	34	92	436442	1	94	535801	14	4	602153	
4A	91	306063	27	16	327585	13	28	336143	25	18	436926	1	96	535802	8	84	602155	
34	37	308139	5	46	327590	6	12	336144	3	77	437459	24	67	598479	26	B	602156	
34	38	308140	5A	44	327590	13	29	336145	7	52	437763	3	84	600311	26	C1	602156	
34	39	308174	4	19	327593	7	7	336146	10	16	437763	3	131	600960	26	C	602157	
3	14	308346	5	47	327594	4	22	336151	5	69	438145	20	116	600960	1	23	602161	
3	74	308346	5A	46	327594	4A	22	336151	5A	66	438145	2	72	601185	10	A1	602162	
19	53	308704	5	48	327595	6	14	336151	19	8	438278	35	18	601185	10	A2	602163	
5	34	309747	5A	47	327595	7	8	336152	13	37	438548	10	104	602004	20	7	602164	
5A	32	309747	5	51	327596	7	18	336153	28	7	438548	3	18	602005	20	16	602168	
22	38	311403	5A	48	327596	7	28	336153	9	74	438549	20	C	602006	13	38	602169	
24	37	311403	5	87	327598	27	53	336153	14	68	438550	23	54	602007	15	32	602170	
23	26	312469	5A	87	327598	6	16	336165	25	114	438551	15	A	602011	29	*	20	602172
23A	24	312469	5	52	327599	6	17	336166	10	37	438558	15	23	602012	9	*	87	602173
5	35	313381	5A	49	327599	13	31	336176	5A	94	438573	15	A1	602013	7	11	602174	
5A	33	313381	5	53	327600	4	23	336232	27	24	438573	16	A1	602013	9	107	602180	
25	109	315838	5A	51	327600	4A	23	336232	28	58	438574	15	48	602014	9	47	602181	
23A	26	316109	4	70	327605	6	21	336232	28	86	438575	15	49	602017				

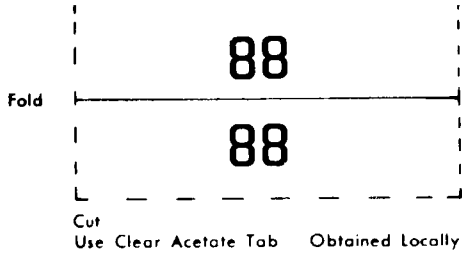


# NUMERICAL LISTING

FIG NO.	REF NO.	PART NO.	FIG NO.	REF NO.	PART NO.	FIG NO.	REF NO.	PART NO.	FIG NO.	REF NO.	PART NO.	FIG NO.	REF NO.	PART NO.	FIG NO.	REF NO.	PART NO.	
6		602218	11	98	602359	14	84	602476	31	35	602594	23A	57	602725	25	29	602916	
10	*	602219	11	99	602360	8	32	602483	3	97	602595	22	602727	25	C	602918		
1A	53	602220	12	36	602361	13	54	602486	2	18	602596	22A	A	602728	18	26	602923	
10	A3	602221	4	A3	602362	14	7	602488	2A	19	602596	22	66	602729	19	91	602923	
10	18	602222	4A	A3	602362	31	8	602488	10	19	602597	23	64	602730	26	106	602925	
9	A4	602227	12	20	602363	31	32	602488	2	29	602599	22	68	602733	26	107	602927	
9	32	602228	14	72	602364	14	8	602489	2	30	602600	22	69	602734	2A	32	602930	
10	38	602229	25	8	602365	31	9	602489	3	*	111	602603	22	71	602736	19	57	602931
10	62	602229	10	41	602366	31	33	602489	11	38	602606	23	66	602736	15	131	602933	
29	37	602229	14	96	602367	10	43	602490	29	79	602606	23A	58	602736	25	134	602933	
29	53	602229	14	51	602372	13	108	602490	2	76	602607	22	72	602743	10	85	602935	
8	19	602230	14	19	602373	29	39	602490	1	73	602608	22	73	602745	13	57	602936	
8	39	602230	13	43	602374	10	44	602493	1	74	602609	23	67	602746	1A	57	602944	
13	39	602230	13	44	602375	13	55	602493	2	19	602610	23	68	602747	15	104	602945	
9	A5	602231	9	76	602381	29	16	602493	2A	21	602610	23A	59	602747	15	* 67	602946	
11	8	602232	13	46	602382	10	46	602495	1	76	602611	23	59	602749	15	A4	602947	
11	11	602233	13	B	602383	13	56	602495	2A	22	602612	23A	61	602749	3	137	602951	
29	68	602233	13	153	602384	29	17	602495	18	20	602613	25A	27	602761	2	84	602952	
33	58	602233	13	157	602384	8	92	602496	1	47	602614	10	22	602765	17	33	602953	
11	A1	602234	13	C	602385	8	33	602497	1A	27	602615	10	23	602766	19	92	602955	
29	A5B	602234	17	80	602386	18	28	602498	1A	52	602616	25A	28	602768	2	86	602956	
33	A3A	602234	4	58	602388	18	A	602499	1A	13	602618	25A	29	602769	2A	33	602957	
11	12	602235	4A	58	602388	25	B	602501	1	121	602619	25A	31	602771	2A	34	602958	
29	69	602235	13	143	602390	3	86	602502	1A	14	602619	25A	32	602772	2A	36	602959	
33	59	602235	13	D	602391	3	87	602503	1	34	602620	25	129	602773	19	18	602961	
11	A	602236	13	E	602392	3	88	602504	1	14	602621	25A	33	602773	21	66	602964	
11	96	602237	13	144	602393	3	89	602505	1A	16	602621	25A	34	602774	2A	37	602966	
9	112	602238	13	146	602395	3	91	602506	1	36	602622	25A	36	602775	14	121	602967	
10	63	602239	13	158	602396	1	58	602513	1	37	602623	16	*	43	602780	13	58	602968
6	24	602240	3	A	602397	1	134	602514	1A	54	602623	17	81	602780	13	59	602969	
9	89	602241	12	37	602398	1	135	602515	1	38	602624	25	131	602781	6	28	602971	
9	A6	602242	12	38	602400	1A	11	602516	25	22	602625	13	109	602782	14	E	602972	
25	122	602246	13	147	602401	1	24	602517	18	21	602626	13	111	602783	14	12	602978	
10	39	602247	3	132	602404	1A	A	602518	18	22	602627	3	** 136	602784	14	97	602978	
10	64	602247	13	148	602405	1	B	602519	18	23	602628	2	81	602786	31	36	602978	
10	A4	602248	14	113	602406	1A	B	602519	14	93	602629	2A	23	602788	9	34	602980	
7	* 66	602249	26	136	602407	1	32	602520	3	112	602632	2A	24	602791	25	A1	602981	
8	* 57	602250	13	47	602408	1	44	602521	3	103	602633	2A	26	602792	1	F	602982	
8	* 58	602253	13	48	602409	1	C	602522	3	104	602634	2A	27	602794	1A	G	602982	
8	A1A	602254	13	49	602411	1A	C	602522	21	56	602636	2A	28	602797	2	87	602985	
7	A3A	602255	14	73	602413	1	D	602523	3	D1A	602637	2A	29	602798	2	88	602987	
8	66	602260	13	149	602415	1A	D	602523	19	14	602638	2A	31	602799	9	36	602990	
8	77	602261	5	*	113	602416	25	44	602524	4	59	602639	1A	56	602800	9	37	602991
9	91	602264	5A	* 109	602416	25	45	602525	4A	59	602639	1	39	602801	2A	53	602993	
29	102	602264	25	126	602419	1A	46	602526	3	D1	602641	1	16	602802	2A	54	602994	
13	A	602265	5	* 114	602420	1A	26	602527	14	52	602642	1A	17	602802	25	136	602995	
14	32	602266	5A	* 111	602420	1A	47	602528	31	54	602642	17	31	602803	19	19	602996	
8	21	602268	19	113	602421	1A	E	602529	14	114	602643	17	102	602804	2	89	602999	
18	44	602269	12	B	602422	1A	F	602530	14	34	602644	17	82	602807	17	34	603004	
12	35	602270	15	33	602423	25A	19	602531	9	92	602646	14	117	602808	19	93	603010	
9	33	602271	21	54	602424	25A	21	602532	29	103	602646	14	118	602809	13	112	603014	
8	22	602272	10	A8	602425	1A	48	602533	8	34	602647	17	32	602810	13	121	603015	
19	12	602276	25	127	602425	25	36	602534	8	54	602648	3	22	602811	13	126	603015	
8	23	602278	4	A4	602426	25	37	602535	17	E	602650	25	132	602817	5	106	603020	
8	24	602279	4A	A4	602426	25	27	602536	3	37	602651	25	133	602818	5A	97	603020	
8	26	602280	5	A2	602427	25	28	602537	3	27	602651	2	82	602819	27	27	603020	
23	56	602284	5	118	602429	3	102	602538	26	137	602652	25	23	602820	15	97	603026	
23	57	602285	5A	115	602429	3	1	602539	3	28	602653	11	97	602821	24	A	603027	
10	A5	602289	5	122	602432	35	27	602539	18	24	602654	5	16	602824	3	23	603028	
10	* 71	602290	5A	122	602432	2	2	602540	3	134	602656	23	71	602841	20	64	603029	
10	* 72	602291	5	105	602433	1	72	602541	2	77	602657	23A	62	602841	19	29	603035	
10	73	602292	5A	96	602433	2A	17	602543	21	57	602658	22	74	602843	19	94	603037	
10	A6	602295	27	26	602433	3	92	602545	1	E	602659	23A	63	602846	19	96	603038	
10	* 81	602296	5	A3	602434	1	137	602546	10	21	602660	22	76	602849	19	97	603039	
14	33	602296	5A	A3	602434	1	138	602547	21	60	602664	22	77	602850	20	A	603045	
23	58	602297	5	115	602435	1A	49	602548	19	16	602666	23	72	602852	20	68	603051	
10	* 82	602298	5A	112	602435	2A	18	602549	19	58	602667	23A	64	602852	24	A	603063	
10	* 83	602299	4	29	602437	1A	51	602550	11	A2	602668	22	78	602856	19	58	603067	
10	84	602300	5	12	602439	1	139	602553	29	A5A	602668	22	69	602860	14	76	603068	
10	A7	602302	5A	7	602439	3	93	602555	8	36	602669	22	A	602863	14	77	603069	
10	* 91	602303	5	13	602440	13	136	602557	8	37	602670	23A	A	602864	14	78	603070	
25	123	602304	5A	8	602440	15	36	602558	25	128	602671	23	A	602867	32	26	603070	
25	A	602305	5	14	602442	25A	22	602559	2	31	602672	23	A	602868	3	41	603072	
25	4	602306	5A	9	602442	25A	23	602560	3	29	602674	23	74	602869	3	C	603073	
25	6	602307	5	126	602443	2	3	602562	14	116	602679	23	76	602870	14	H	603074	
19	54	602309	5A	131	602443	2	4	602563	19	C	602694	23	77	602871	22	81	603075	
13	41	602310	21	55	602444	2	5	602565	19	C	602695	23	78	602875	4	*A	603076	
13	42	602311	16	*	42	602445	2	6	602566	19	C	602696	23	79	602876	4A	*A	603076
19	56	602312	4	31	602446	2	28	602569	3	31	602701	4	B	602877	5	*A	603076	
3	19	602313	4A	31														

# NUMERICAL LISTING

FIG NO.	REF NO.	PART NO.	FIG NO.	REF NO.	PART NO.	FIG NO.	REF NO.	PART NO.	FIG NO.	REF NO.	PART NO.	FIG NO.	REF NO.	PART NO.	FIG NO.	REF NO.	PART NO.
19		603105	27	49	603310	28	95	603508	8	77	603871	35	38	694526			
20		603108	32	49	603318	31	17	603511	8	A2	603872	33	31	694528			
8		603116	32	51	603319	32	14	603512	8	A3	603873	33	49	694531			
20	B	603117	32	31	603320	28	33	603513	27	68	603874	34	11	694533			
20		603131	32	52	603321	29	72	603515	27	49	603875	34	12	694597			
20	C	603132	31	11	603323	28	112	603518	27	A2	603876	34	93	694599			
19	B	603144	32	32	603327	32	37	603520	27	A4	603877	34	13	694605			
19	B	603145	28	62	603329	32	C1	603521	13	61	603879	34	13	694606			
19	B	603146	28	87	603329	32	C2	603522	30	16	603879	33	61	694615			
1	98	603151	30	41	603332	14	67	603525	27	32	603882	33	62	694616			
25	138	603153	30	42	603333	32	68	603526	24	74	603888	33	A3A	694617			
22	82	603158	32	B1	603334	32	57	603527	4	78	603890	33	A3	694618			
23A	66	603159	32	53	603335	32	58	603528	4A	77	603890	33	A3	694619			
22	83	603160	30	4	603336	32	69	603530	28	34	603890	33	A3	694620			
22	83	603161	30	22	603337	32	71	603531	1	100	603895	33	18	694892			
23A	67	603162	30	23	603338	32	72	603532	12	A	603922	29	112	694916			
23A	67	603163	30	A1	603339	32	73	603535	25	D	603923	29	113	694917			
22	86	603166	30	59	603341	32	74	603536	25	E	603924	34	17	695072			
22	87	603167	30	60	603342	31	18	603537	19	98	605150	34	16	695073			
23A	69	603168	30	61	603343	32	76	603538	22	90	605168	34	17	695077			
23A	71	603169	31	46	603344	32	87	603539	11	61	607262	35	D	695078			
23A	72	603170	30	6	603345	32	77	603540	11	63	607267	34	83	695105			
23A	73	603171	30	43	603350	31	19	603543	11	64	607269	34	94	695534			
23A	74	603172	3	42	603352	31	20	603544	11	65	607272	34	84	695537			
23A	76	603173	31	12	603356	2	33	603545	11	66	607473	35	6	695582			
23A	77	603174	31	13	603359	14	36	603546	9	*	101	607536	35	A1	695589		
22	58	603175	28	94	603362	14	47	603546	9	*	102	607537	35	19	695590		
22	89	603176	30	7	603365	8	A4	603547	1	103	607610	35	8	695591			
23A	78	603178	31	14	603370	32	78	603548	9	66	607612	35	A	695592			
24	68	603179	32	9	603370	32	107	603549	11	39	607965	19	63	696073			
22	88	603180	31	63	603371	28	96	603551	29	81	607965	33	19	696210			
23A	79	603181	31	64	603372	5	18	603554	11	67	608211	34	18	696210			
2	21	603190	31	65	603373	5A	11	603554	11	68	608215	29	B	698106			
2		603191	32	91	603374	30	14	603557	11	70	608234	34	A	698218			
1	99	603192	32	11	603377	31	21	603558	11	71	608235	34	A	698219			
1		603193	32	54	603380	15	37	603673	18	32	608279	34	B	698223			
1		603194	29	22	603381	1	17	603674	11	72	608297	3	43	719293			
1		603195	29	23	603381	1	A	603675	11	73	608448	1	107	721933			
25	139	603196	31	15	603383	3	106	603680	11	74	608453	1	108	721934			
25	141	603197	27	28	603387	3	E	603681	18	33	608717	1	109	721935			
25	142	603198	29	A3	603389	31	F	603682	1	59	608914	1	111	721936			
4A	42	603200	29	A4	603390	24	103	603683	9	103	609142	1	113	721940			
28	76	603200	29	42	603391	24	104	603684	29	19	609428	1	114	721941			
4	97	603207	32	33	603394	10	B	603685	2	22	609549	24	106	805227			
4	98	603207	32	34	603395	18	C	603686	2	94	609551	35	11	1071723			
4	99	603208	30	44	603396	7	54	603696	8	A5	609581	28	46	1073043			
4A	98	603208	31	A	603398	27	31	603704	9	A6	609585	11	14	1073418			
20	117	603211	32	12	603399	32	16	603719	9	A8	609586	14	13	1073418			
23A	81	603211	31	47	603400	32	79	603719	5	A9	609587	14	86	1073418			
20	118	603212	30	A2	603401	5A	99	603726	5A	A4	609588	29	73	1073418			
23A	82	603212	31	38	603403	5A	100	603727	5A	A5	609589	30	46	1073418			
24	71	603225	31	B	603404	32	C	603731	5A	A5	609589	30	62	1073418			
24	72	603227	27	29	603406	15	62	603750	9	A10	609591	31	22	1073418			
24	73	603228	29	A5	603408	31	50	603751	2	96	609602	31	39	1073418			
24	74	603229	32	13	603412	31	D	603752	1	104	609664	31	48	1073418			
24	76	603230	29	71	603416	31	57	603753	25	144	609665	31	66	1073418			
24	77	603231	29	56	603417	5A	A2	603770	1	106	609668	32	18	1073418			
24	79	603235	29	43	603418	4A	99	603771	1	105	609671	32	59	1073418			
24	81	603236	29	A6	603424	4A	101	603780	1	112	609685	32	81	1073418			
24	82	603237	28	101	603425	4A	A	603781	13	137	609713	33	63	1073418			
24	83	603238	32	A	603428	27	B	603791	13	A6	609718	33	63	1073418			
24	84	603239	32	D1	603429	28	A	603791	1	92	609728	31	23	1090394			
24	86	603240	28	A2	603430	29	A	603791	4	51	609780	7	22	1090448			
24	89	603243	30	A	603432	17	104	603793	4A	52	609780	13	32	1090448			
24	92	603246	31	55	603433	19	59	603793	6	36	609780	13	64	1090448			
24	93	603248	28	102	603434	19	61	603794	14	F	609785	27	57	1090448			
24	94	603249	28	103	603435	14	57	603795	14	G	609787	4	32	1090873			
24	96	603250	28	63	603440	31	60	603795	11	84	609798	7	67	1090873			
24	98	603252	28	88	603440	14	D	603796	13	62	609932	9	39	1090873			
24	99	603253	28	104	603442	15	A5	603797	32	17	609964	13	67	1090873			
24	101	603256	31	80	603444	14	122	603798	17	53	610044	21	168	1090873			
20	91	603257	28	42	603445	14	D1	603799	19	62	610052	21	67	1090873			
24	102	603262	28	43	603446	31	E1	603799	13	63	610074	22	83	1090873			
10	106	603267	28	44	603447	5A	98	603817	9	38	610148	23A	83	1090873			
10	111	603268	32	B	603448	2	92	603819	11	76	610150	33	21	1090873			
10	107	603269	28	111	603453	2	93	603820	11	77	610151	33	64	1090873			
9	124	603270	30	8	603454	4A	102	603821	12	22	610188	13	66	1091061			
20	71	603271	30	11	603458	4A	32	603823	11	C	610210	17	74	1091452			
20	119	603272	30	12	603459	4A	33	603825	11	C1	610211	4	61	1092125			
25	143	603272	30	13	603460	9	A7	603835	11	C1	610275	4	61	1092125			
9	126	603273	27	A2	603465	9	98	603836	9	77	610290	18	35	1092125			
1	101	603274	27	A3	603466	9	99	603837	9	81	610291	19	99	1092125			
32	27	603281	27	A4	603467	8	39	603844	9	67	610315	31	24	1092125			
32	28	603283	31	56	603470	7	*	603846	11	31	610315	5	63	1100523			
28	93	603284	31	C	603472	7	43	603850	29	94	610315	15	40	1100523			
28	8	603286	31	81	603474	7	A3A	603857	33	72	610315	16	17	1100523			
29	41	603287	28	D	603478	10	47	603862	15	38	610347	14	53	1115735			
28		603291	28	64	603480	13	113	603862	11	C	610665	23A	84	2100123			
28	A1	603292	28	109	603484	29	44	603862	28	C	614315	24	107	2100123			
27	A1	603293	28	A3	603485	10	48	603863	32	D	614321	24	115	2100265			
28		603297	28	66	603486	13	114	603863	3	24	620230	23	83	2101101			
28	77	603298	28	89	603488	29	46	603863	25	98	624036	22	93	2101469			
28	11	603299	28	67	603487	10	49	603864	25	97	624037	20	8	2102364			
30	3	603301	28	A4	603494	13	116	603864	25	146	624069	1	61	2102475			
29																	



IBM 88 Printed in U. S. A. 121-0501-4

**IBM**

**International Business Machines Corporation  
Field Engineering Division  
112 East Post Road, White Plains, N. Y. 10601**