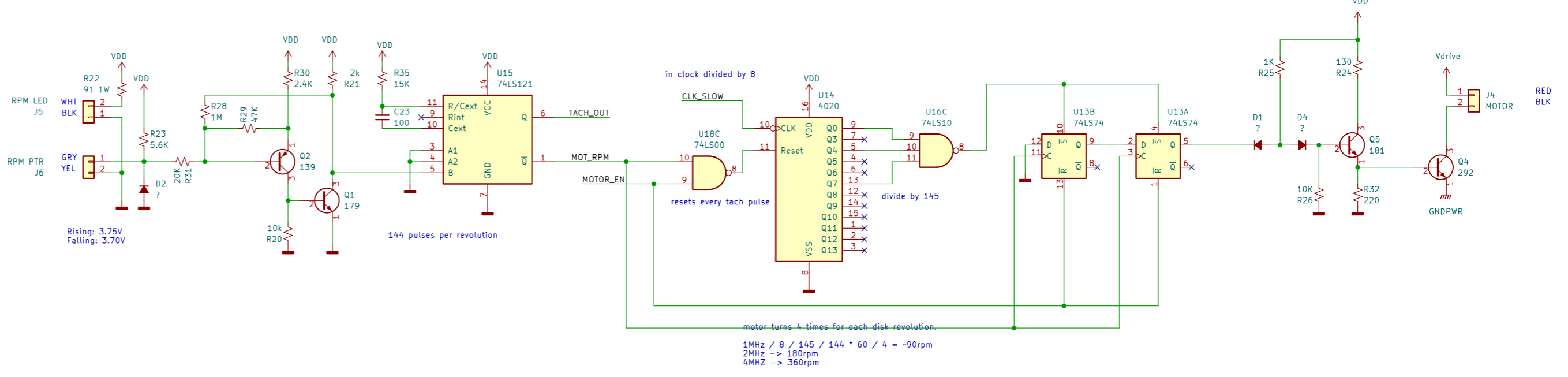


WRITE_GATE=0 means read
 ERASE=0 means don't erase
 (erase disabled)

first edge, we preload 0100 (only on single clk pulse).
 then count up, b7 goes high when we reach 8.
 a guess is that this is our bit cell time: 2MHz / 8 = 250kpbs.

SPINDLE MOTOR SPEED CONTROL



STEPPER MOTOR CONTROL

