



Maintenance Library



**Processor
Parts Catalog**

PREFACE

This Parts Catalog contains listings and illustrations of all replaceable assemblies, subassemblies, and detail parts released on or before June 1981

Fourth Edition, August 1981

This is a major revision of, and obsoletes, S124-0152-2.

The drawings and specifications contained herein shall not be reproduced in whole or in part without written permission.

IBM has prepared this maintenance manual for the use of IBM customer engineers in the installation, maintenance and repair of the specific machines indicated. IBM makes no representations that it is suitable for any other purpose.

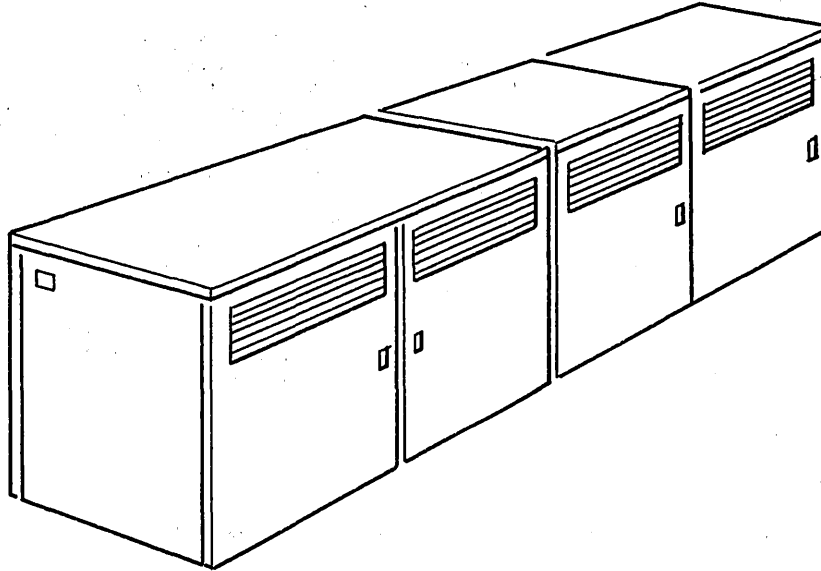
Information contained in this manual is subject to change from time to time. Any such changes will be reported in subsequent revisions or through the System Library Subscription Service.

It is possible that this material may contain reference to, or information about, IBM products (machines and programs), programming, or services that are not announced in your country. Such references or information must not be construed to mean that IBM intends to announce such IBM products, programming, or services in your country.

Requests for copies of IBM publications should be made to your IBM representative or to the IBM branch office servicing your locality.

A form for reader's comments is provided at the back of this publication. If the form has been removed, comments may be addressed to IBM System Products Division, Dept. K10, P.O. Box 6, Endicott, NY 13760. IBM may use or distribute any of the information you supply in any way it believes appropriate without incurring any obligation whatever. You may, of course, continue to use the information you supply.

HOW TO USE THIS PARTS CATALOG



- To find a part in this catalog, go to the Visual Index pages V-1 through V-8.

LOCATE THE ILLUSTRATION ON THE VISUAL INDEX PAGE CONTAINING THE PART THAT YOU ARE INTERESTED IN. THEN GO TO THE FIGURE AND PAGE INDICATED FOR THE SPECIFIC PART NUMBER.

- For additional information on catalog structure, see page ii.
- For Cable Assemblies and Component Parts, see page 97.
- For NUMERICAL LISTING of all part numbers, see pages X-1 through X-9

GLOSSARY

1 **INDENTURE** The indentation of items under the numerals 1 through 4 at the head of the Description column shows the relationship between assemblies, subassemblies and detail parts. For example:

- | | |
|-------------|--|
| (No dot) | MAIN ASSEMBLY |
| (One dot) | ● Detail parts of main assembly |
| (One dot) | ● Assembly within main assembly |
| (Two dot) | ● ● Detail part of one dot assembly |
| (Two dot) | ● ● Assembly within one dot assembly |
| (Three dot) | ● ● ● Detail parts of two dot assembly |

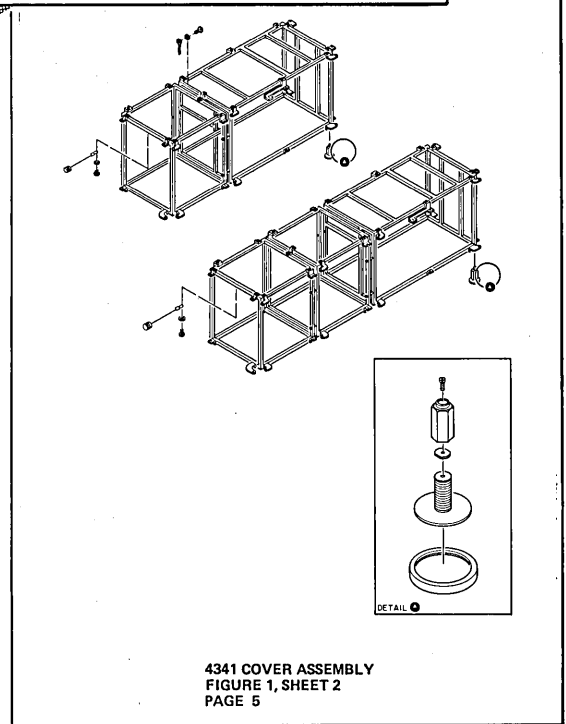
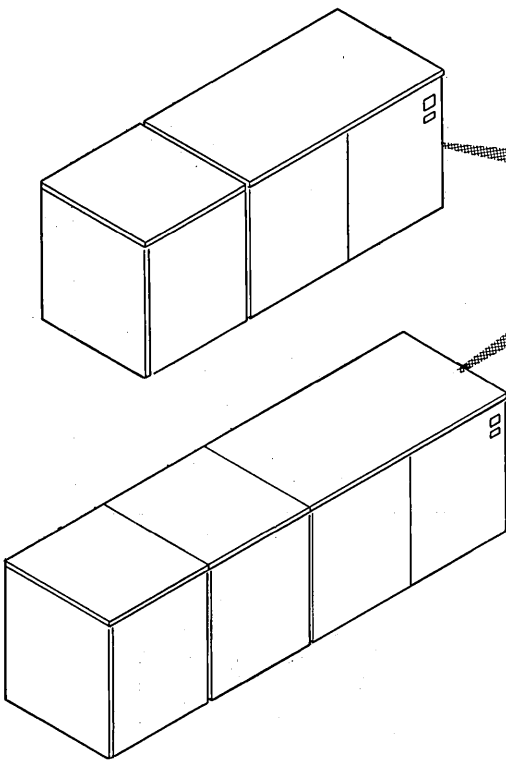
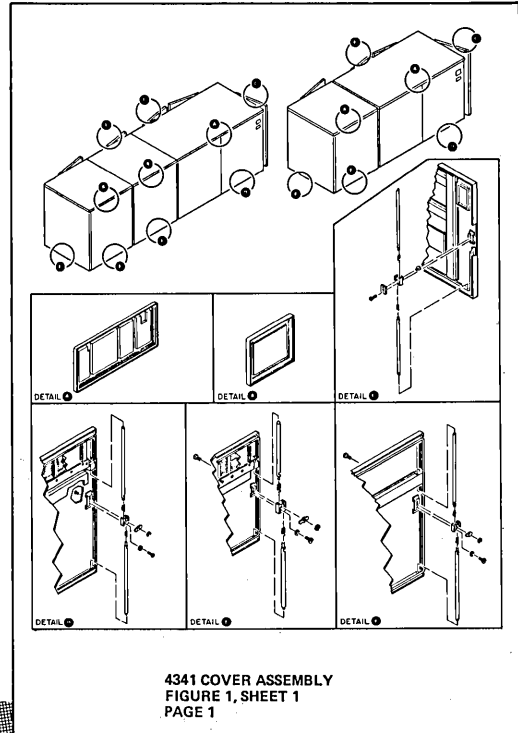
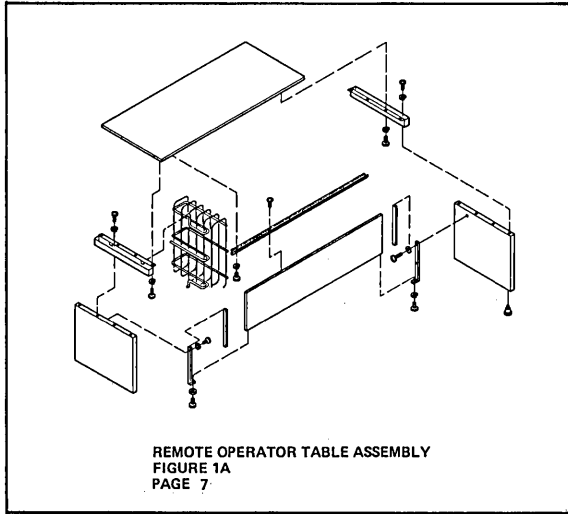
2 **AR** The notation AR in the Units Per Asm column indicates that the quantity of the part is used as required.

3 **SIMILAR ASSEMBLIES** If two or more assemblies contain a majority of identical parts, they are combined in the same listing. Parts common to assemblies are illustrated and listed by one index number. Parts peculiar to one or the other of the assemblies are listed separately and identified by a descriptive trailer line.

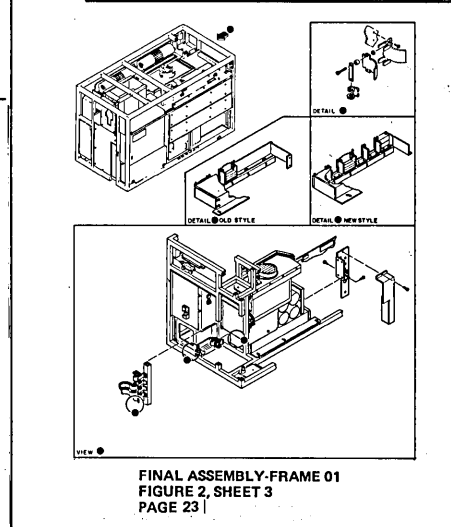
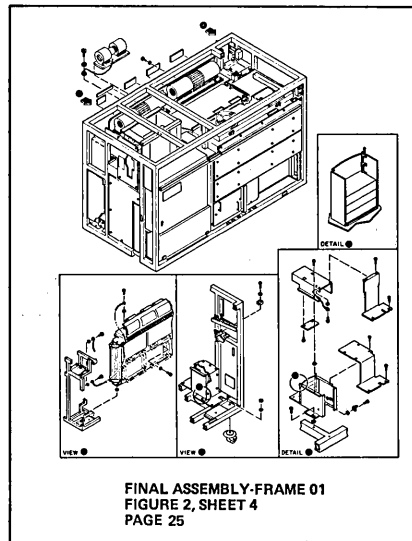
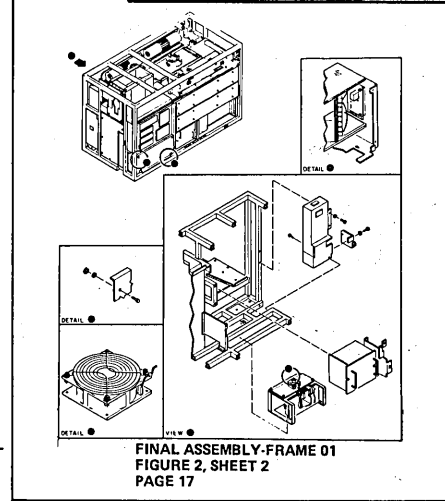
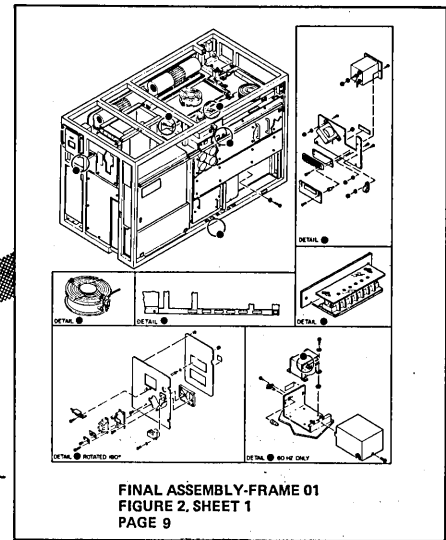
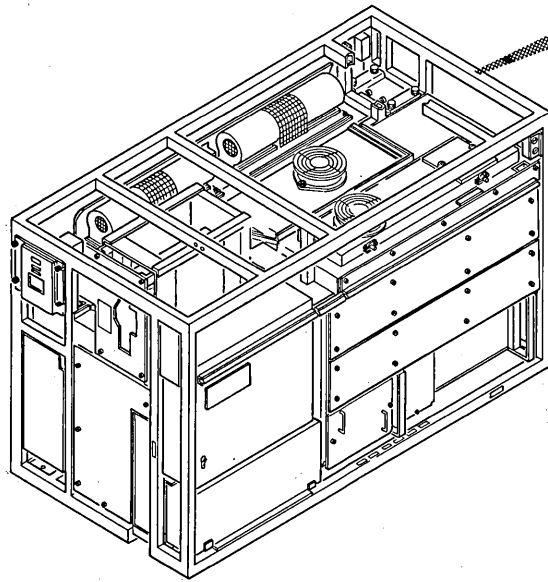
4 **NP** denotes the part is nonprocurable

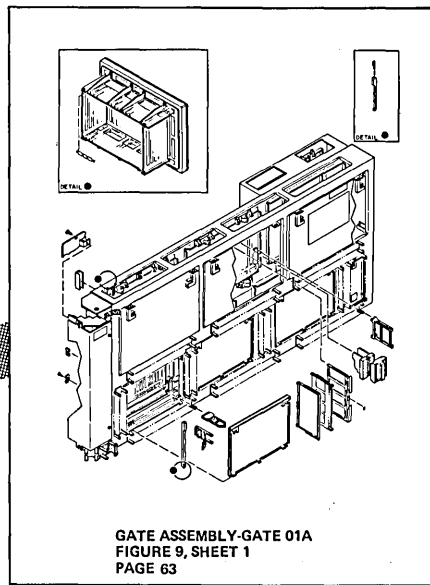
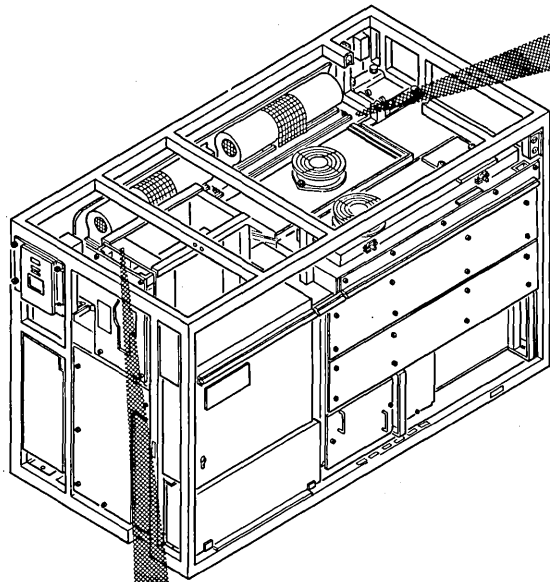
5 **NR** denotes the part is not recommended for field replacement, and the next higher assembly should be ordered.

FIGURE - INDEX NUMBER	PART NUMBER	UNITS PER ASM.	DESCRIPTION				
			1	2	3	4	
22 -			TRANSPORT AND VACUUM ASM				
			THIS ASSEMBLY CANNOT BE ORDERED FOR REPLACEMENT,SEE LIST 2-252 FOR NEXT HIGHER ASM				
- 1	1846187	1	●	DOOR ASSEMBLY,VACUUM COLUMN USED ON MODELS 6 AND 8			
- 1	1846188	1	●	DOOR ASSEMBLY,VACUUM COLUMN USED ON MODEL 4			
				SEE LIST 23A FOR DETAIL BREAKDOWN			
- 2	55918	5	●	SCREW,MACH BD HD- 10-32 X 0.625 LG			
- 3	45690	5	●	WASHER,FL- 0.203 ID X 0.408 OD			
- 4	2512946	AR	●	SHIM,DOOR VAC COLUMN 0.015 THK			
- 4	2512948	AR	●	SHIM,DOOR VAC COLUMN 0.030 THK			
- 5		AR	●	PNEUMATIC HOSES TRANSPORT ASM			
				SEE LIST 24 FOR DETAIL BREAKDOWN			
- 9	2523727	1	●	DISC,DECORATIVE			
- 10	1767707	1	●	COVER			
- 11	322562	3	●	SCREW,BD HD- 10-32 X 2.000 INCHES LG			
- 12	1767705	1	●	CAM			
- 13	1766920	1	●	SPRING,COMP 1.190 OD X 2.750 LG			
- 14	1767720	1	●	HUB ASSEMBLY			
- 15	356742	3	● ●	CLAMP,0.375 ID X 0.173 MTG HOLE			
- 16	5489002	3	● ●	SCREW,MACH BD HD- 6-32 X 0.250 LG			
- 17	1090873	6	● ● ●	LOCKWASHER,SPLIT- 0.168 ID X 0.296 OD			
- 18	1767703	3	● ● ●	ROLLER,TRIPLE			
- 19	1767711	3	● ● ●	ROLLER,SINGLE			

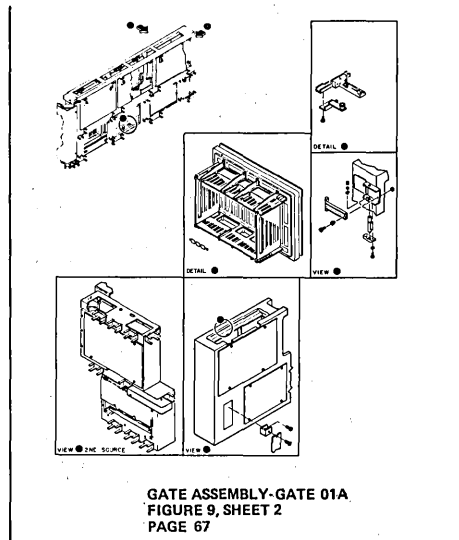


CABLE ASSEMBLIES
WITH COMPONENT PARTS
FIGURE 21 (5 SHEETS)
PAGE 97

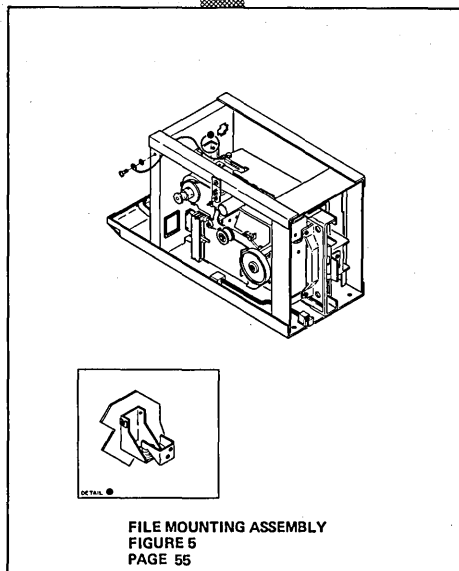




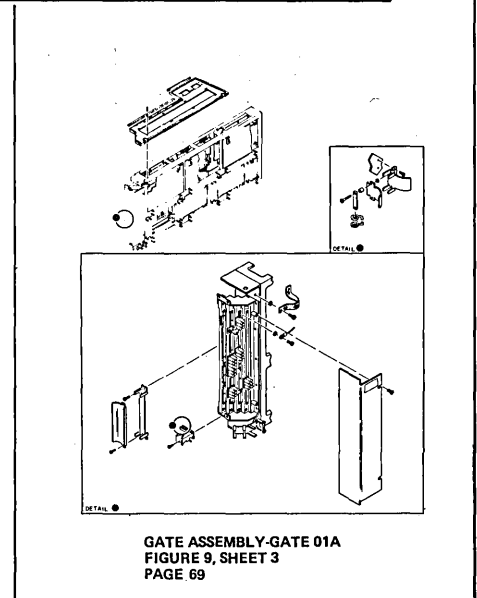
GATE ASSEMBLY-GATE 01A
FIGURE 9, SHEET 1
PAGE 63



GATE ASSEMBLY-GATE 01A
FIGURE 9, SHEET 2
PAGE 67

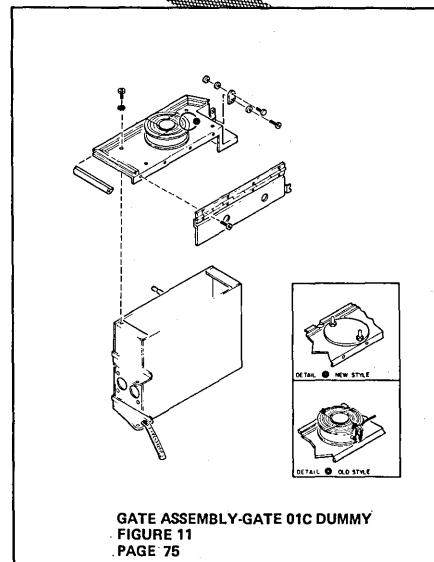
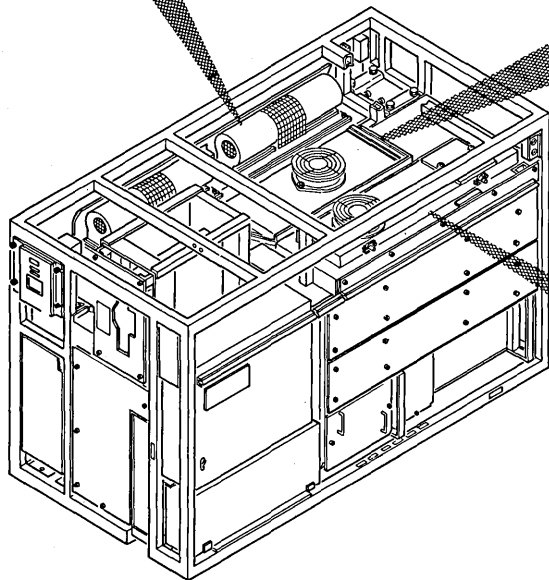
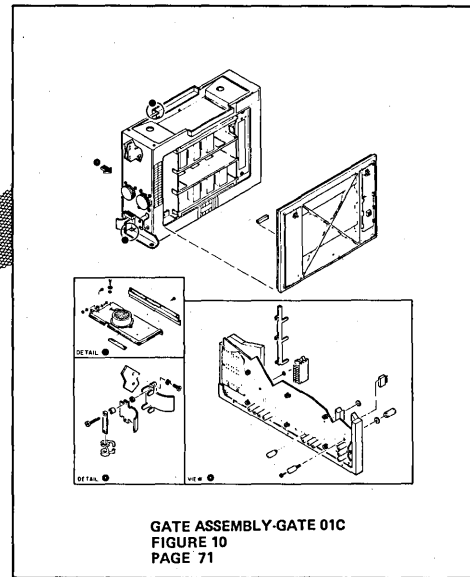
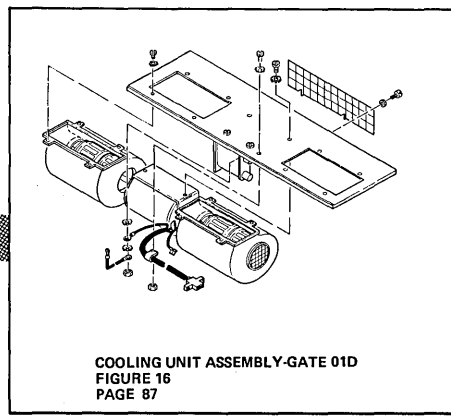
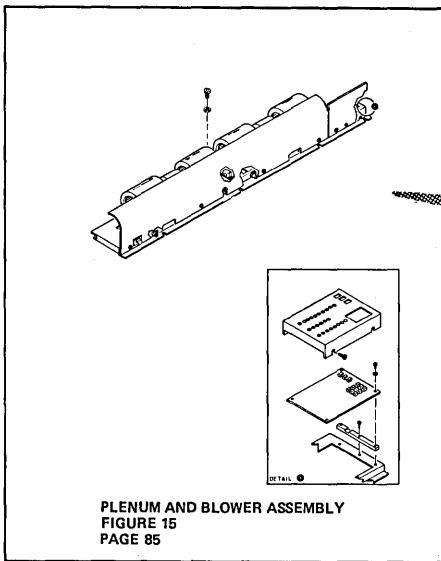


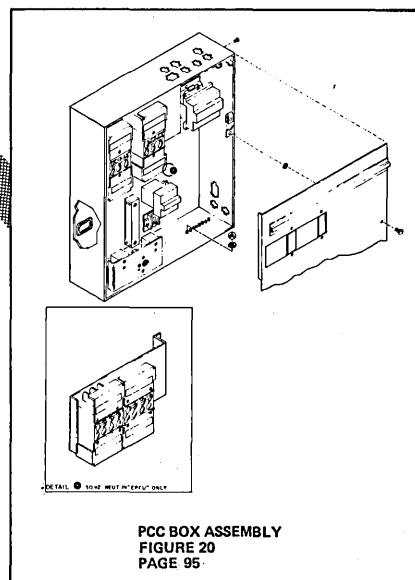
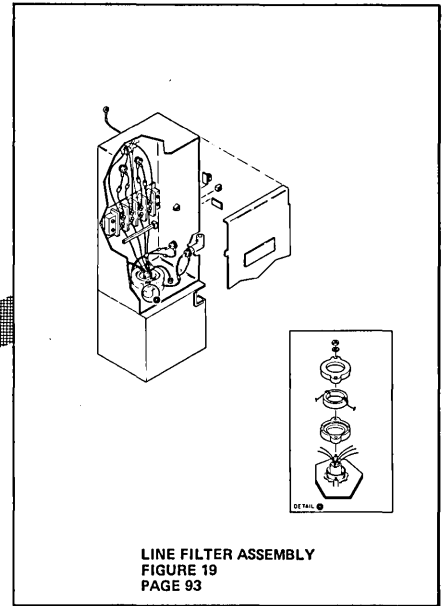
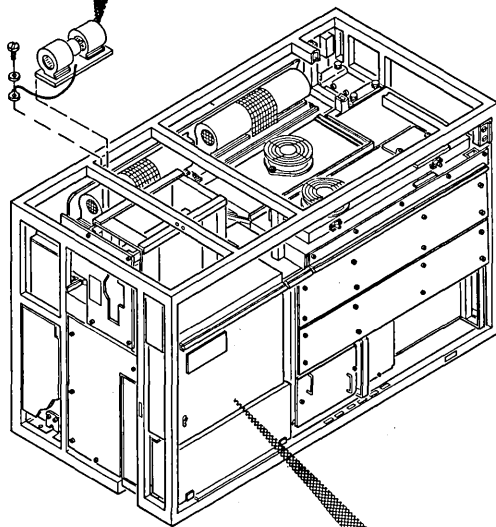
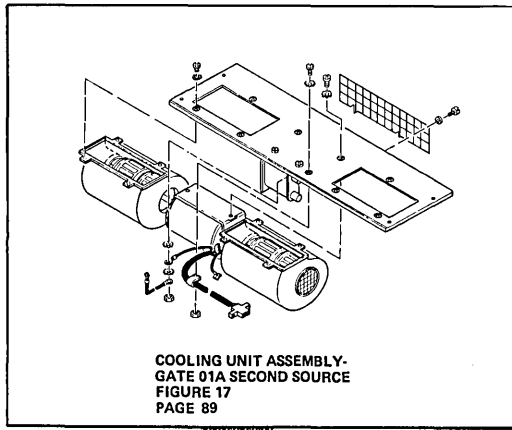
FILE MOUNTING ASSEMBLY
FIGURE 5
PAGE 55

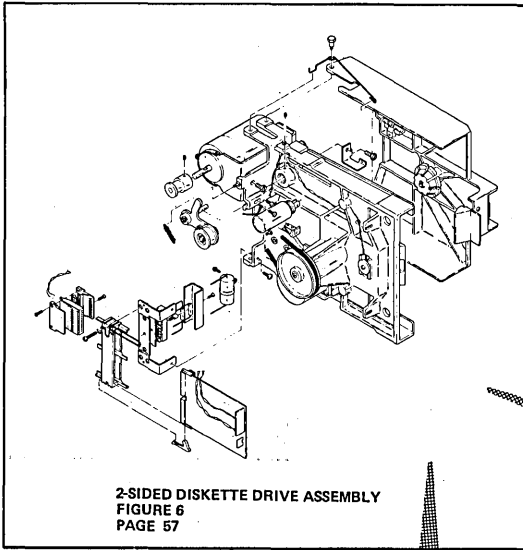
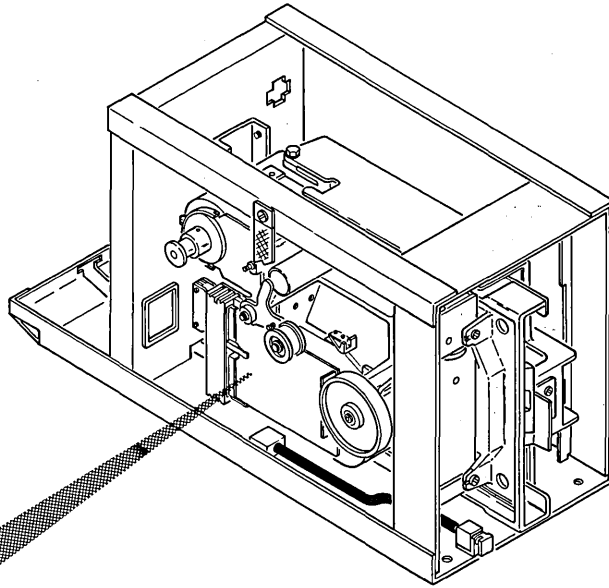


GATE ASSEMBLY-GATE 01A
FIGURE 9, SHEET 3
PAGE 69

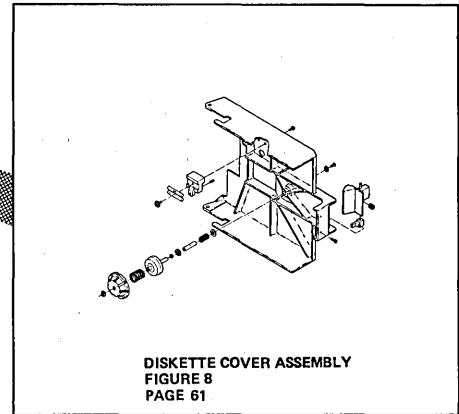
VISUAL INDEX



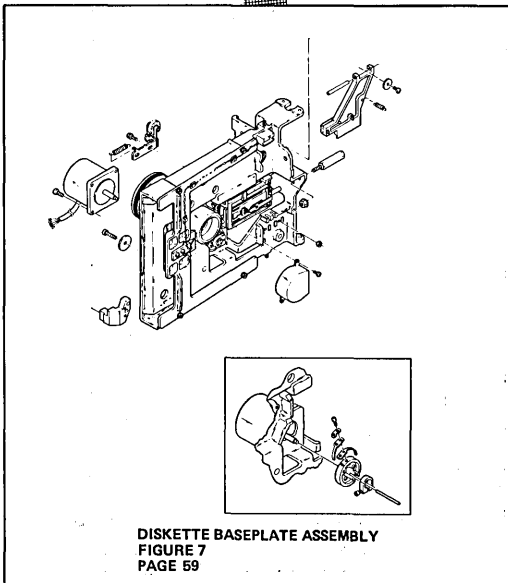




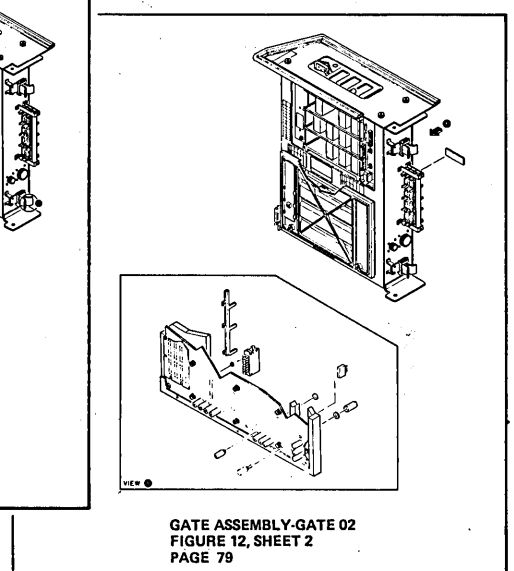
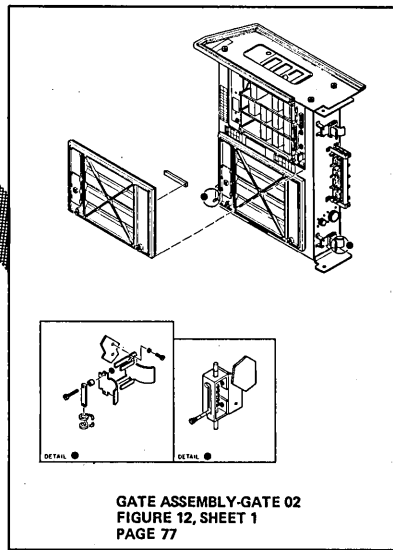
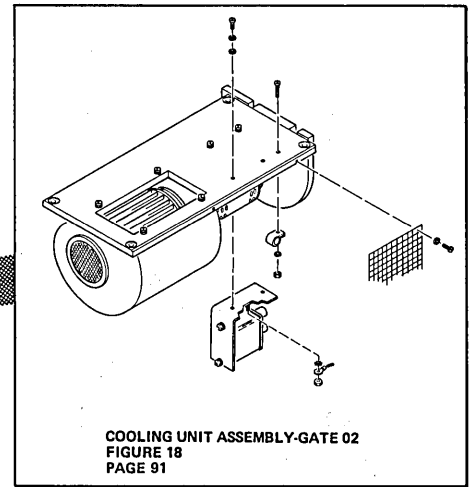
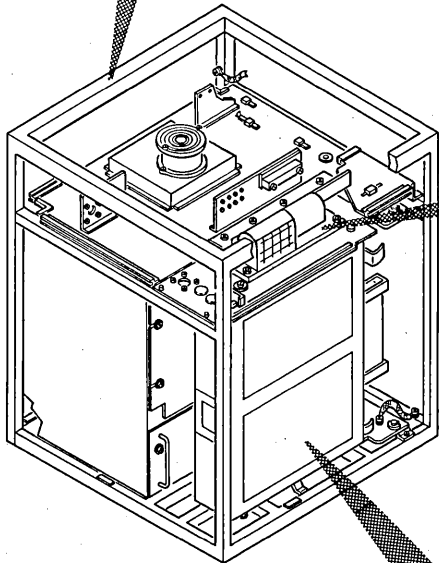
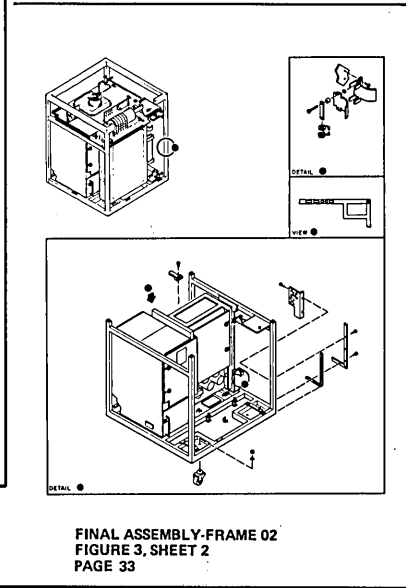
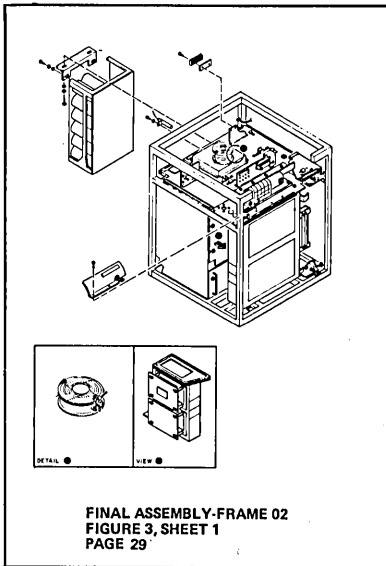
2-SIDED DISKETTE DRIVE ASSEMBLY
FIGURE 6
PAGE 57



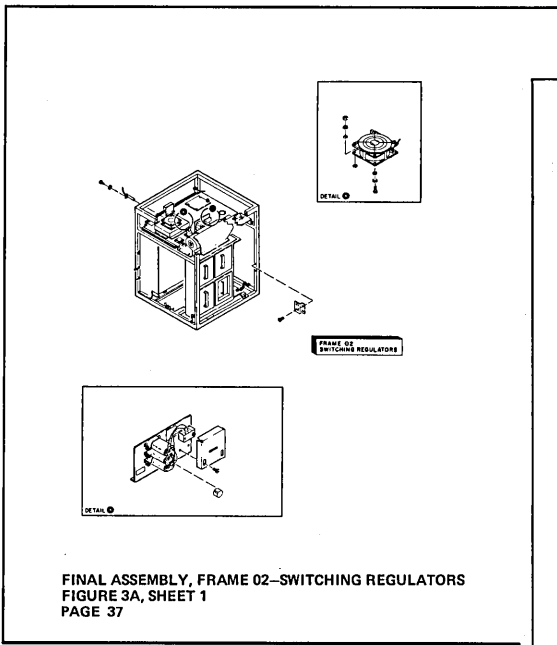
DISKETTE COVER ASSEMBLY
FIGURE 8
PAGE 61



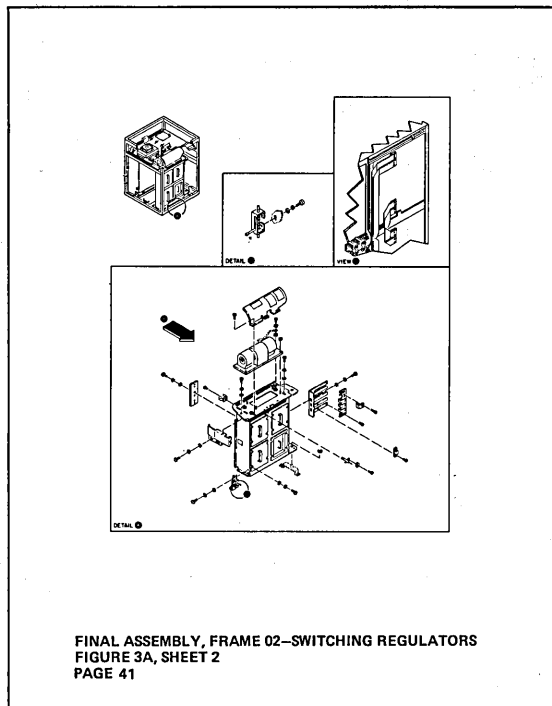
DISKETTE BASEPLATE ASSEMBLY
FIGURE 7
PAGE 59



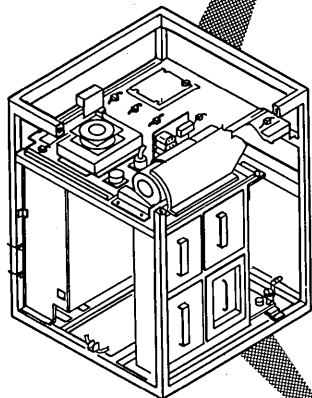
SEE VISUAL INDEX 8
FOR FRAME 02 WITH
SWITCHING REGULATORS



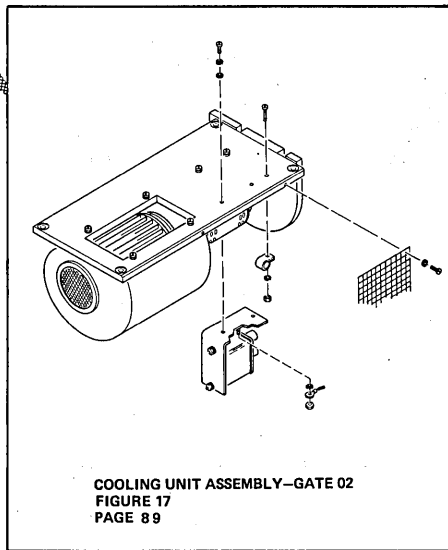
FINAL ASSEMBLY, FRAME 02—SWITCHING REGULATORS
FIGURE 3A, SHEET 1
PAGE 37



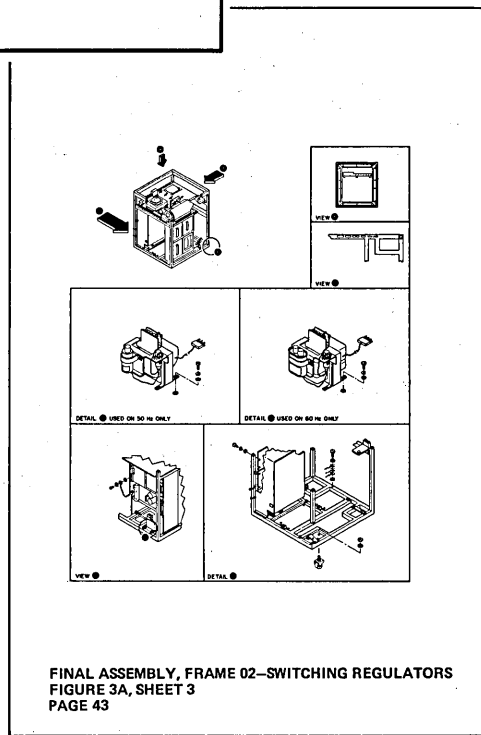
FINAL ASSEMBLY, FRAME 02—SWITCHING REGULATORS
FIGURE 3A, SHEET 2
PAGE 41



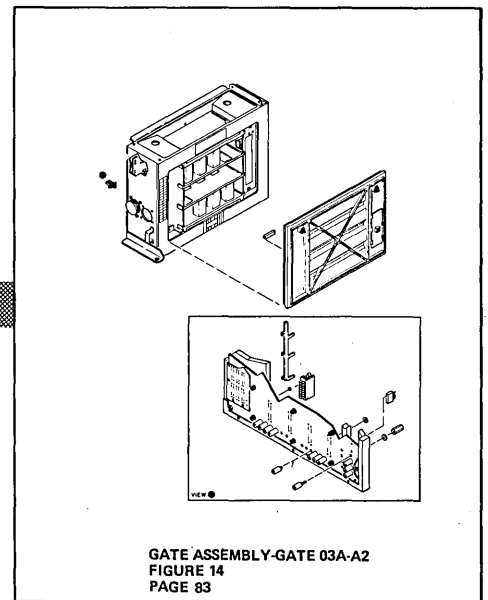
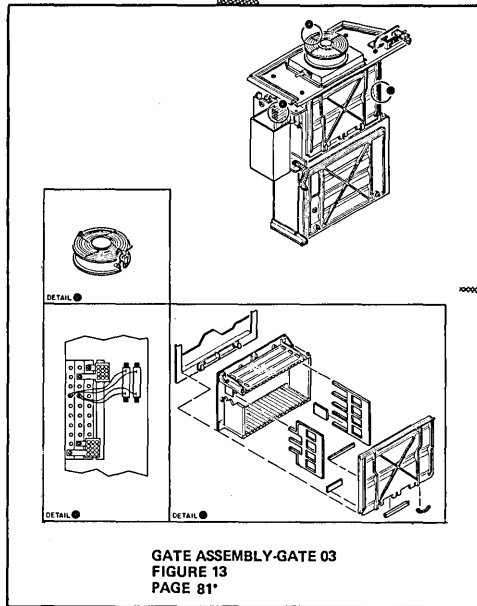
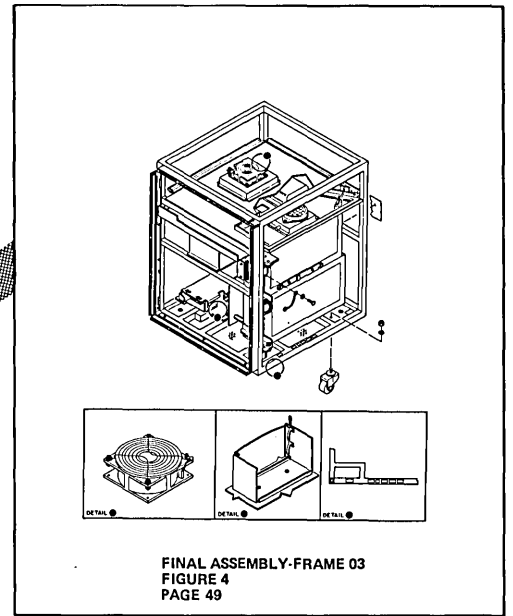
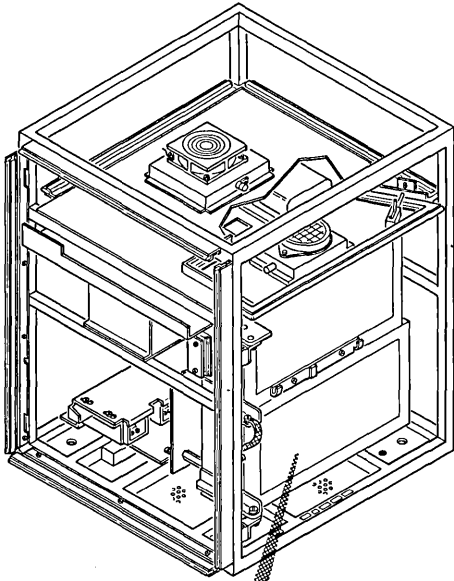
FRAME 02 WITH SWITCHING REGULATORS

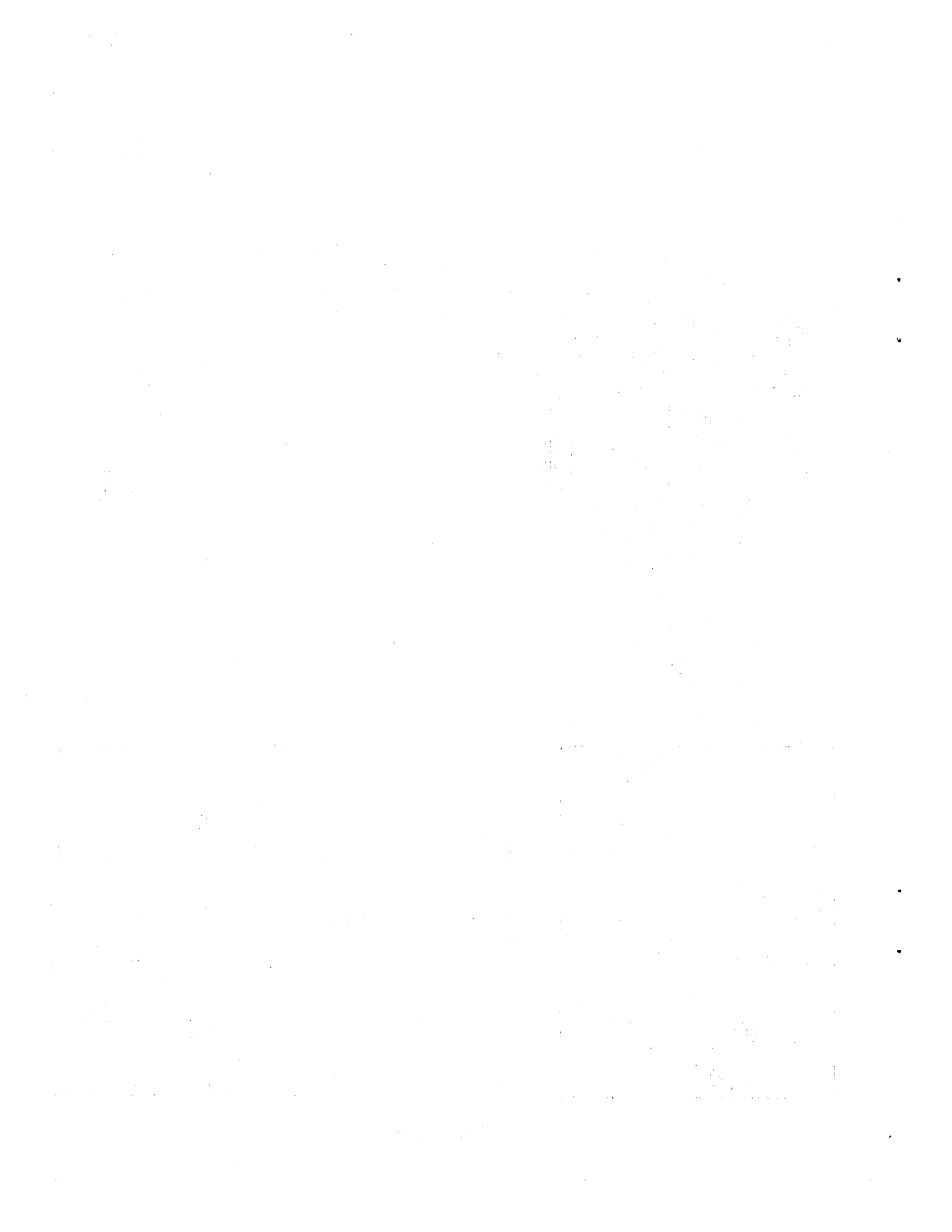


COOLING UNIT ASSEMBLY—GATE 02
FIGURE 17
PAGE 89



FINAL ASSEMBLY, FRAME 02—SWITCHING REGULATORS
FIGURE 3A, SHEET 3
PAGE 43





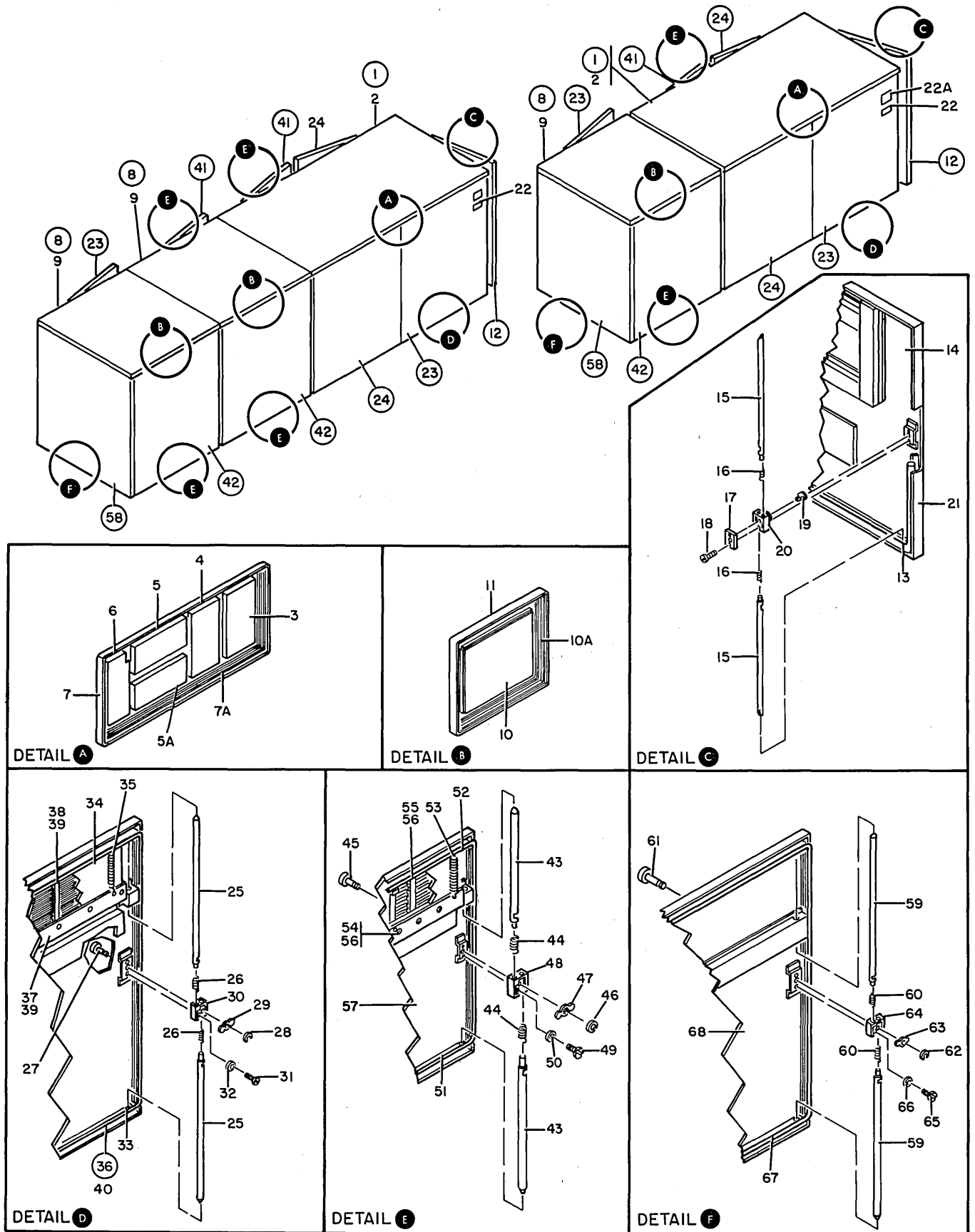


FIGURE 1. 4341 COVER ASSEMBLY. SHEET 1 OF 2. INDEX NOS. 1-68. SEE LIST 1.

4341 COVER ASSEMBLY

FIGURE- INDEX NUMBER	PART NUMBER	UNITS PER ASM.	DESCRIPTION			
			1	2	3	4
1 -	1310484 NP	1	4341 COVER ASSEMBLY FOR ILLUSTRATION SEE FIGURE 1			
- 1	5578623	1	. COVER ASM, TOP-WHITE			
- 2	1621190	2	. SCREW, PAN HD- M4 X 8 LG ATT PT			
- 3	4124095	1	. . . PAD, FOAM			
- 4	4124094	1	. . . PAD, FOAM			
- 5	4124093	1	. . . PAD, FOAM			
- 5A	4109378	1	. . . PAD, FOAM			
- 6	4124092	1	. . . PAD, FOAM			
- 6A	8483347	AR	. . . SEAL			
- 7	5578578	1	. . . COVER, TOP-WHITE			
- 8	1310009	AR	. COVER ASM, TOP			
- 9	1621190	AR	. SCREW, PAN HD- M4 X 8 LG ATT PT			
- 10	1310008	1	. . . PAD, FOAM			
- 10A	8483347	AR	. . . SEAL			
- 11	1310007	1	. . . COVER, TOP			
- 12	8330644	1	. COVER ASM, END IPO-BLUE			
- 12	8330646	1	. COVER ASM, END IPO-YELLOW			
- 12	8330648	1	. COVER ASM, END IPO-GREY			
- 12	8330650	1	. COVER ASM, END IPO-ROSE			
- 12	8330652	1	. COVER ASM, END IPO-BROWN			
- 12	8330654	1	. COVER ASM, END IPO-GREEN			
- 13	8483347	AR	. . . SEAL			
- 15	8483368	2	. . . SHAFT, LATCH-BOLT			
- 16	2514459	2	. . . SPRING			
- 17	8483370	1	. . . PLATE, STOP			
- 17A	4154577	1	. . . PLATE ASM-OPTIONAL			
- 17B	4154576	1	. . . BOLT, SLIDING-OPTIONAL			
- 17C	2154459	1	. . . SPRING-OPTIONAL			
- 18	8483361	2	. . . SCREW, THREAD FORMING-M3.5 X 30 LG ATT PT			
- 19	8483369	1	. . . BOLT			
- 20	8483371	1	. . . HOUSING			
- 21	8330660	1	. . . COVER, END IPO-BLUE			
- 21	8330662	1	. . . COVER, END IPO-YELLOW			
- 21	8330664	1	. . . COVER, END IPO-GREY			
- 21	8330666	1	. . . COVER, END IPO-ROSE			
- 21	8330668	1	. . . COVER, END IPO-BROWN			
- 21	8330670	1	. . . COVER, END IPO-GREEN			
- 22	960766	1	. PLATE-CSA			
- 22	2676715	2	. LABEL-CANADA PWR			
- 22	4109377	2	. LABEL-CSA, CANADA PWR			
- 22	4447204	2	. PLATE-FCC, US ONLY			
- 22A	4109355	1	. NAMEPLATE			
- 22A	4154560	1	. NAMEPLATE-MODEL 2			
- 23	8483454	2	. COVER ASM			
- 24	8483455	2	. COVER ASM			
			INDEX NOS. 25-32 ARE USED ON 8483454 COVER ASM ONLY			
- 25	8483488	2	. . . SHAFT, LATCH-BOLT			
- 26	2154459	2	. . . SPRING, COMPRESSION- 0.543 LG X 0.218 DIA			
- 27	4109678	1	. . . KNOB			
- 28	1092125	1	. . . CLIP ATT PT			
- 29	8483353	1	. . . LATCH			
- 30	8483352	1	. . . HOUSING			
- 31	1621061	2	. . . SCREW, CHEESE HD- M4 X 10 LG ATT PT			
- 32	1622346	2	. . . LOCKWASHER, EXT STAR- M4, 8 OD X .5 ATT PT			
- 33	8483347	AR	. . . SEAL			
- 34	8483343	1	. . . FILTER, AIR			
- 35	307984	5	. . . SPRING			
- 36	8483469	1	. . . COVER ASM-USED ON 8483454 COVER ASM			
- 36	8483482	1	. . . COVER ASM-USED ON 8483455 COVER ASM			
- 37	8483356	1	. . . FLANGE			
- 38	8483355	1	. . . LOUVER			
- 39	1621852	14	. . . SCREW, SELF TAP PAN HD-M4 X 10 LG ATT PT			
- 40	8483486	1	. . . COVER-USED ON 8483454 COVER ASM			
- 40	8483487	1	. . . COVER-USED ON 8483455 COVER ASM			
- 41	4124006	AR	. COVER ASM			
- 42	1310488	AR	. COVER ASM			
- 43	8483488	2	. . . SHAFT, LATCH-BOLT			
- 44	2154459	2	. . . SPRING, COMPRESSION- 0.543 LG X 0.218 DIA			
- 45	4109678	1	. . . KNOB			
- 46	1092125	1	. . . CLIP ATT PT			
- 47	8483353	1	. . . LATCH			
- 48	8483352	1	. . . HOUSING			
- 49	1621061	2	. . . SCREW, CHEESE HD- M4 X 10 LG ATT PT			

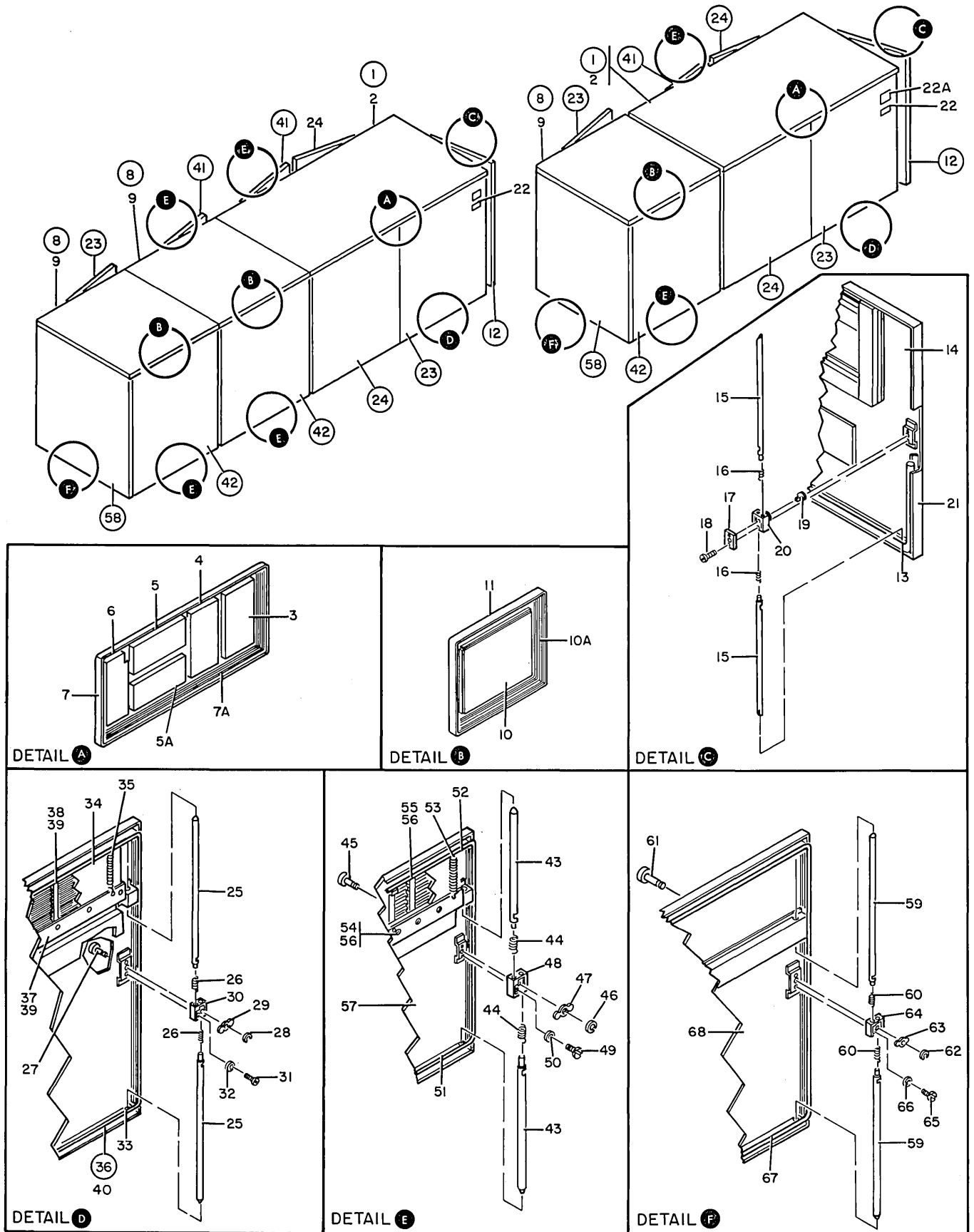


FIGURE 1. 4341 COVER ASSEMBLY. SHEET 1 OF 2. INDEX NOS. 1-68. SEE LIST 1.

4341 COVER ASSEMBLY

FIGURE- INDEX NUMBER	PART NUMBER	UNITS PER ASM.	DESCRIPTION			
			1	2	3	4
1 - 50	1622346	2	. .	LOCKWASHER,EXT STAR- M4, 8 OD X .5	ATT PT	
- 51	8483347	AR	. .	SEAL		
- 52	8483343	1	. .	FILTER,AIR		
- 53	307984	3	. .	SPRING		
- 54	8483356	1	. .	FLANGE		
- 55	8483355	1	. .	LOUVER		
- 56	1621852	7	. .	SCREW,SELF TAP PAN HD-M4 X 10 LG	ATT PT	
- 57	4124004	1	. .	COVER-USED ON 4124046 COVER ASM		
- 57	1310006	1	. .	COVER-USED ON 1310488 COVER ASM		
- 58	8330643	1	. .	COVER ASM,END-BLUE		
- 58	8330645	1	. .	COVER ASM,END-YELLOW		
- 58	8330647	1	. .	COVER ASM,END-GREY		
- 58	8330649	1	. .	COVER ASM,END-ROSE		
- 58	8330651	1	. .	COVER ASM,END-BROWN		
- 58	8330653	1	. .	COVER ASM,END-GREEN		
- 59	8483352	2	. .	HOUSING		
- 60	2154459	2	. .	SPRING,COMPRESSION- 0.543 LG X 0.218 DIA		
- 61	4109678	1	. .	KNOB		
- 62	1092125	1	. .	CLIP	ATT PT	
- 63	8483353	1	. .	LATCH		
- 64	8483352	1	. .	HOUSING		
- 65	1621061	2	. .	SCREW,CHEESE HD- M4 X 10 LG	ATT PT	
- 66	1622346	2	. .	LOCKWASHER,EXT STAR- M4, 8 OD X .5	ATT PT	
- 67	8483347	AR	. .	SEAL		
- 68	8330661	1	. .	COVER,END-BLUE		
- 68	8330663	1	. .	COVER,END-YELLOW		
- 68	8330665	1	. .	COVER,END-GREY		
- 68	8330667	1	. .	COVER,END-ROSE		
- 68	8330669	1	. .	COVER,END-BROWN		
- 68	8330671	1	. .	COVER,END-GREEN		

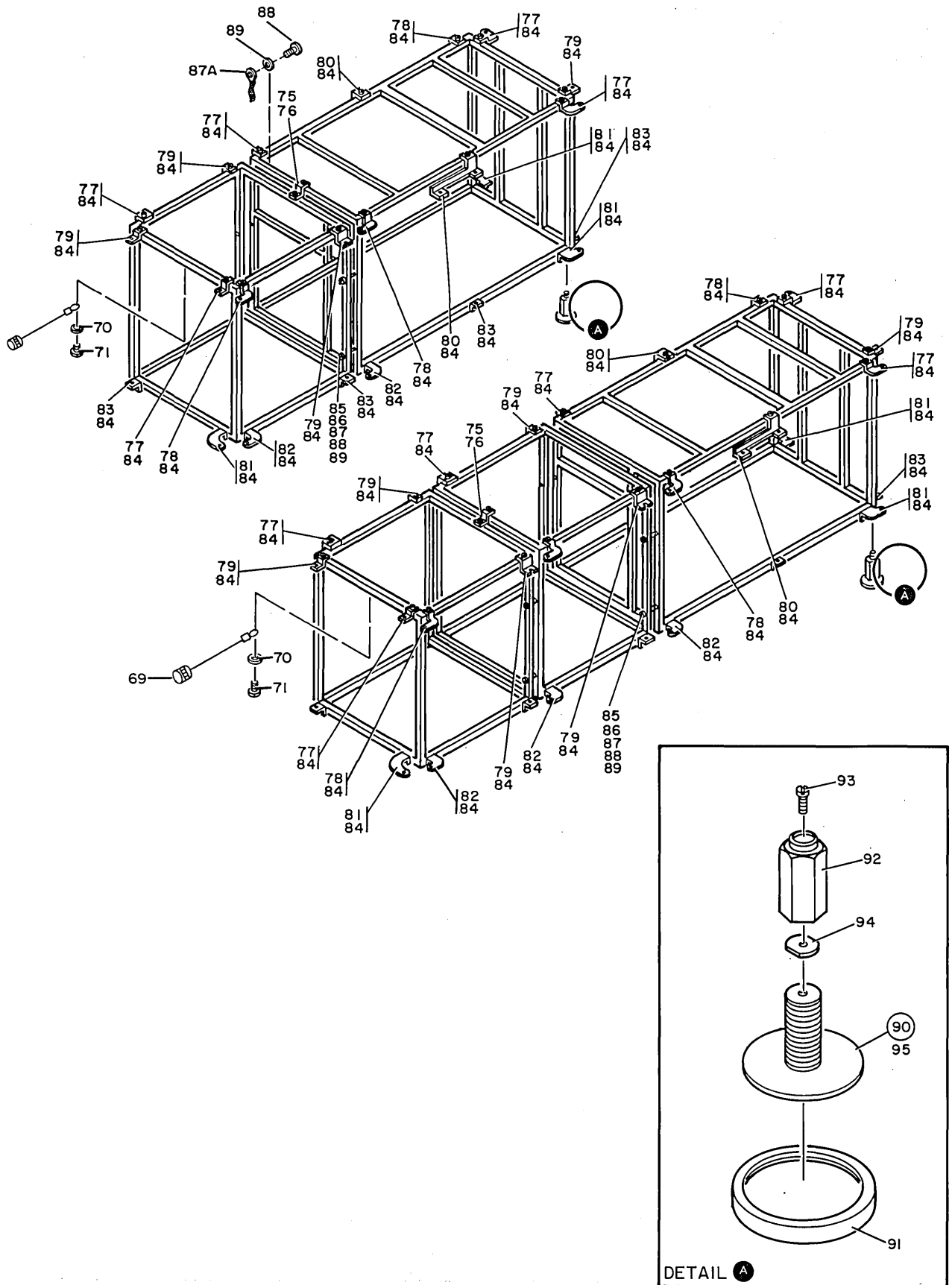


FIGURE 1. 4341 COVER ASSEMBLY. SHEET 2 OF 2. INDEX NOS. 69-95. SEE LIST 1.

4341 COVER ASSEMBLY

FIGURE- INDEX NUMBER	PART NUMBER	UNITS PER ASM.	DESCRIPTION			
			1	2	3	4
1 - 69	8483495	AR	.	STOP ASM,COVER		
- 70	1622305	AR	.	WASHER,FL- M5 10 OD X 1 THK	ATT PT	
- 71	1621210	AR	.	SCREW,PAN HD- M5 X 10 LG	ATT PT	
- 75	5578557	AR	.	BRACKET		
- 76	1621190	AR	.	SCREW,PAN HD- M4 X 8 LG	ATT PT	
- 76A	1622318	AR	.	WASHER,SPRING-M4 9.2 OD X 1.2 THK	ATT PT	
- 77	8483491	AR	.	HINGE-TOP RIGHT		
- 78	8483489	AR	.	HINGE-TOP LEFT		
- 79	8483493	AR	.	BRACKET,LATCH-TOP		
- 80	8483497	2	.	BRACKET,LATCH-DOUBLE TOP		
- 81	8483492	AR	.	HINGE-BOTTOM RIGHT		
- 82	8483490	AR	.	HINGE-BOTTOM LEFT		
- 83	8483494	AR	.	BRACKET,LATCH-BOTTOM		
- 84	1621210	AR	.	SCREW,PAN HD- M5 X 10 LG	ATT PT	
- 85	6831319	AR	.	BOLT,HEX SLOT HD-M6 X 110 LG X 35 THD		
- 86	1622306	16	.	WASHER,FLAT,M5- 12.5 OD X 2 THK		
- 87	1622405	8	.	NUT,HEX-M6 X 10 FL W		
- 87A	4154642	1	.	STRAP		
- 88	1621210	1	.	SCREW,PAN HD- M5 X 10 LG	ATT PT	
- 89	1622347	1	.	LOCKWASHER EXT STAR- M5, 10 OD X .6	ATT PT	
- 90	1310170	AR	.	LEVELER ASM.		
- 91	1310167	1	.	PAD		
- 92	1310168	1	.	NUT,HEX-M20 X 25 FLW X 51 LG		
- 93	1621210	1	.	SCREW,PAN HD- M5 X 10 LG		
- 94	1310169	1	.	WASHER,FL-M5 X 20 OD X 2.5 THK		
- 95	1310171	1	.	PLATE ASM		

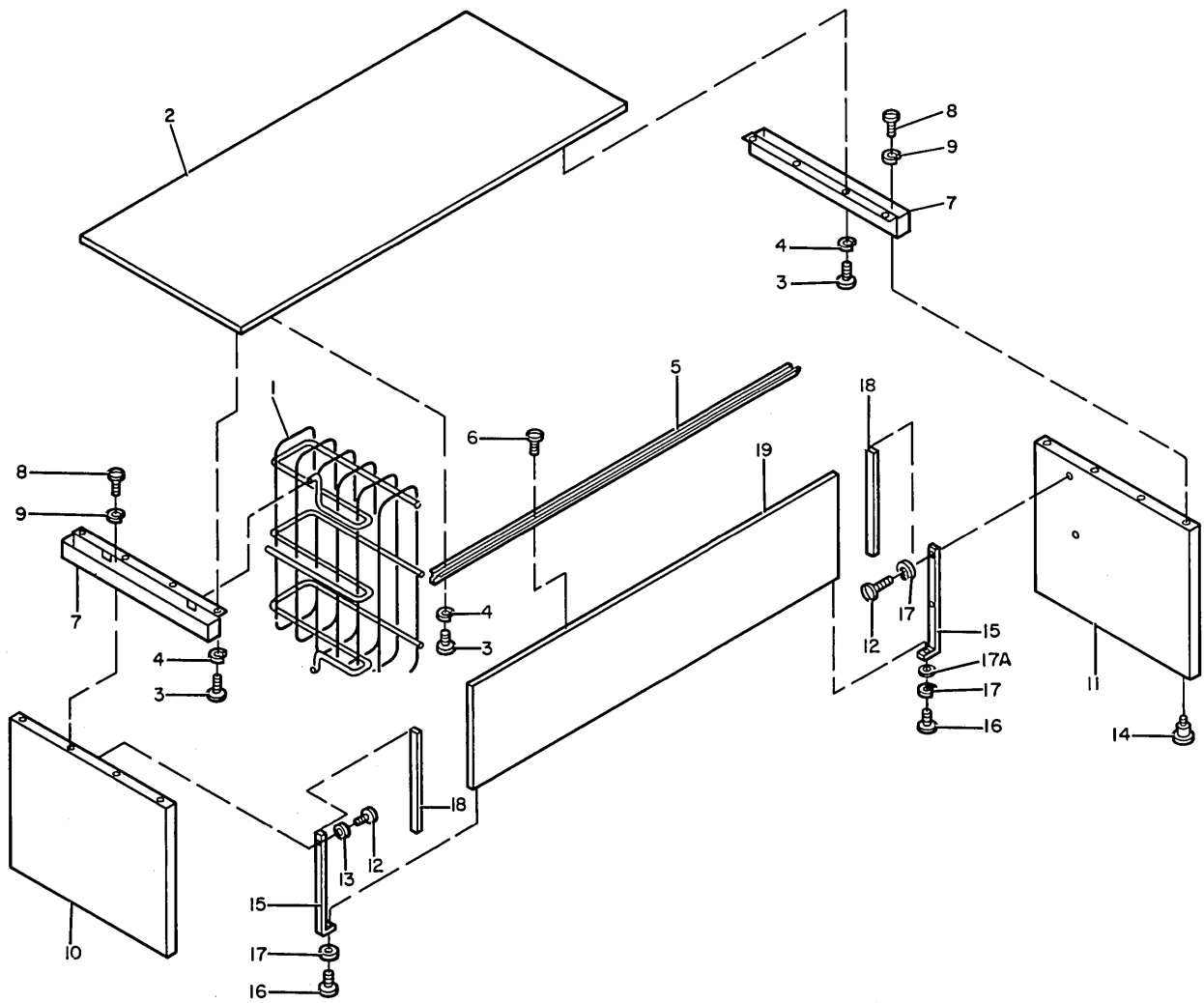


FIGURE 1A. REMOTE OPERATOR TABLE ASSEMBLY. SEE LIST 1A.

REMOTE OPERATOR TABLE ASSEMBLY

FIGURE- INDEX NUMBER	PART NUMBER	UNITS PER ASM.	DESCRIPTION			
			1	2	3	4
1A-	5578613	1	TABLE ASM-REMOTE OPERATOR, PEBBLE GRAY			
-	5578614	1	TABLE ASM-REMOTE OPERATOR, CHARCOAL BROWN			
-	5578615	1	TABLE ASM-REMOTE OPERATOR, CLASSIC BLUE			
-	5578616	1	TABLE ASM-REMOTE OPERATOR, WILLOW GREEN			
-	5578617	1	TABLE ASM-REMOTE OPERATOR, GARNET ROSE			
-	5578618	1	TABLE ASM-REMOTE OPERATOR, SUNRISE YELLOW			
			FOR ILLUSTRATION SEE FIGURE 1A			
- 1	8330678	AR	. RACK, WIRE			
- 2	1310163	1	. BOARD ASM, READING			
- 3	1621190	8	. LOCKWASHER			
- 4	1622346	8	. WASHER			
- 5	5578591	1	. SPACER			
- 6	1621190	4	. SCREW, PAN HD- M4 X 8 LG			
- 7	5578593	2	. SPACER			
- 8	1621190	16	. SCREW, PAN HD- M4 X 8 LG			
- 9	1622346	16	. LOCKWASHER, EXT STAR- M4, 8 OD X .5			
- 10	1310165	1	. LEG ASSEMBLY			
- 11	1310164	1	. LEG ASSEMBLY			
- 12	1621190	8	. SCREW, PAN HD- M4 X 8 LG			
- 13	1622346	4	. LOCKWASHER, EXT STAR- M4, 8 OD X .5			
- 14	5578609	4	. GLIDE			
- 15	5578592	2	. SPACER			
- 16	1621192	4	. SCREW, MACH PAN HD-M4 X 12 LG			
- 17	1622346	12	. LOCKWASHER, EXT STAR- M4, 8 OD X .5			
- 17A	150390	4	. WASHER, FL- 0.250 ID X 0.625 OD			
- 18	353598	AR	. FOAM			
- 19	5578597	1	. SKIRT ASM, MOD.			
			SPECIFY COLOR WHEN ORDERING-PEBBLE GRAY, CHARCOAL BROWN, CLASSIC BLUE, WILLOW GREEN, GARNET ROSE OR SUNRISE YELLOW.			

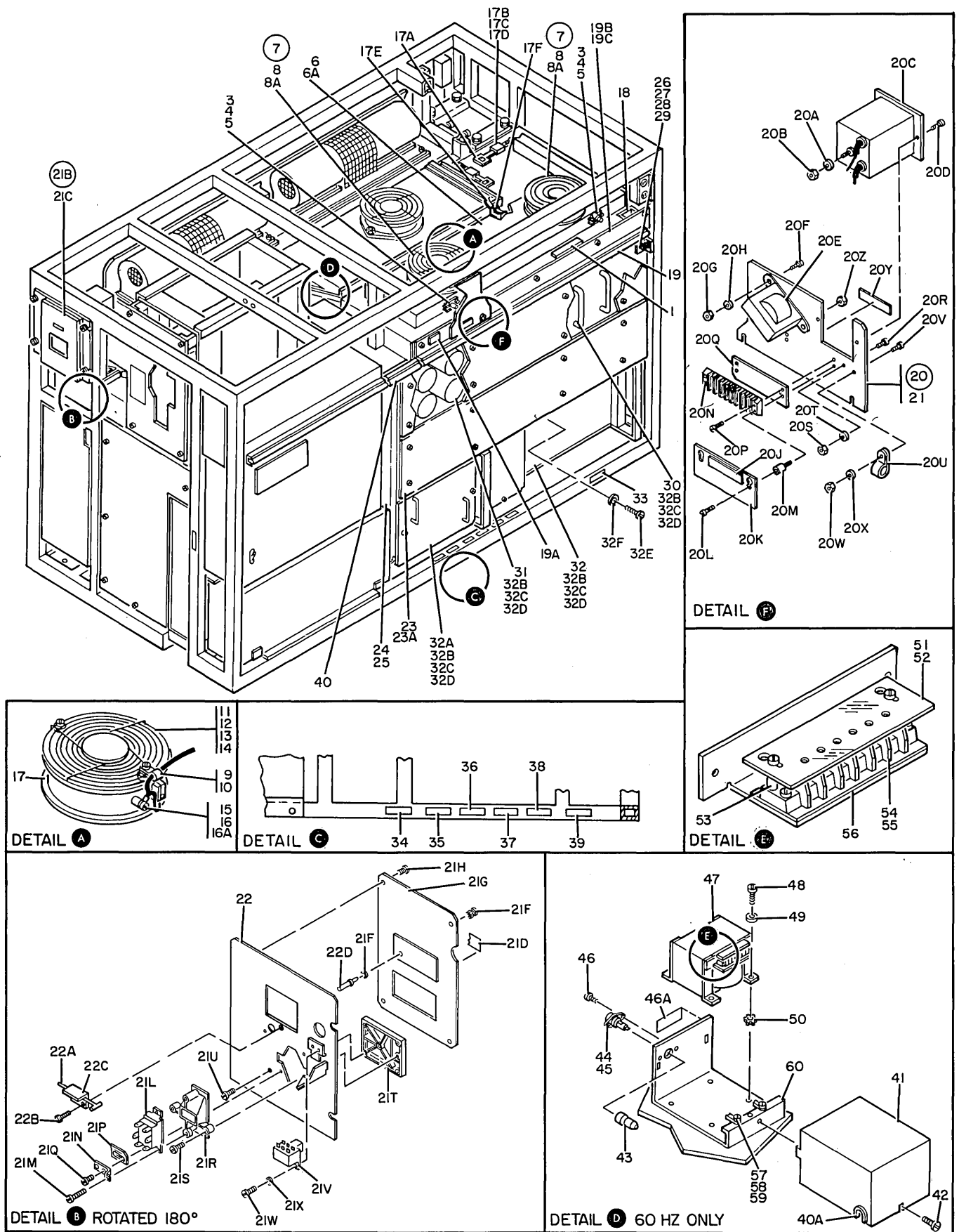


FIGURE 2. FINAL ASSEMBLY-FRAME 01. SHEET 1 OF 4. INDEX NOS. 1-60. SEE LIST 2.

FINAL ASSEMBLY-FRAME 01

FIGURE- INDEX NUMBER	PART NUMBER	UNITS PER ASM.	DESCRIPTION			
			1	2	3	4
2 -	6831440 NP		FINAL ASSEMBLY FRAME- 01 FOR ILLUSTRATION SEE FIGURE 2			
- 1	369207	1	. LABEL-ENGLISH/NORWEGIAN			
- 1	4056733	1	. LABEL-GERMAN			
- 1	1743548	1	. LABEL-CANADIAN			
- 1	6815182	1	. LABEL-FRENCH			
- 1	5685244	1	. LABEL-FRENCH DUTCH			
- 1	8326801	1	. LABEL-FINNISH			
- 1	6815181	1	. LABEL-ITALIAN			
- 1	8551904	1	. LABEL-SWEDISH			
- 3	5578666	3	. SENSOR, AIR FLOW			
			SECOND SOURCE ONLY			
- 4	1621170	AR	. SCREW,PAN HD- M3 X 1.6A ATT PT			
- 5	1622344	AR	. LOCKWASHER,EXT STAR- M3 X 2.94 THK ATT PT			
- 6	2676665	1	. PLATE			
			FIRST SOURCE ONLY			
- 6	2676666	1	. PLENUM			
			SECOND SOURCE ONLY-REPLACES PLATE			
- 6A	1621198	AR	. SCREW,PAN HD-M4 X 4 LG			
- 7	4123900	2	. FAN ASM			
			SECOND SOURCE ONLY			
- 8	1622403	4	. NUT,DBL CHAMFERED HEX M4 X 3.2 THK AR ATT PT			
- 8A	1622346	1	. LOCKWASHER,EXT STAR- M4, 8 OD X .5			
- 9	825559	1	. CLAMP			
- 10	1621195	1	. SCREW,PAN HD-M4 X 30 LG ATT PT			
- 11	4123902	1	. GUARD,FAN			
- 12	1621194	1	. SCREW,PAN HD-M4 X 20 LG ATT PT			
- 13	1622346	2	. LOCKWASHER,EXT STAR- M4, 8 OD X .5 ATT PT			
- 14	1622403	2	. NUT,DBL CHAMFERED HEX M4 X 3.2 THK ATT PT			
- 15	4109474	1	. CABLE ASM-FAN			
			FOR CABLE COMPONENT PARTS SEE FIGURE 21			
- 16	1673983	1	. SCREW,PAN HD-M5 X 6 LG-BLUE ZINC COATED ATT PT			
- 16A	1622347	1	. LOCKWASHER EXT STAR- M5, 10 OD X .6 ATT PT			
- 17	2549540	1	. FAN,TUBE AXIAL- 200/240 V 50/60 HZ			
- 17A	1159519	2	. STRAP			
- 17B	4154638	2	. CLAMP			
- 17C	1621192	2	. SCREW, MACH PAN HD-M4 X 12 LG ATT PT			
- 17D	1622403	2	. NUT,DBL CHAMFERED HEX M4 X 3.2 THK ATT PT			
- 17E	524519	3	. TIE, CABLE			
- 17F	2277082	3	. PUSH MOUNT			
- 18	730432	AR	. GROMMET,CATERPILLAR			
- 19	8483347	AR	. SEAL			
- 19A	2542403	1	. LABEL-ENGLISH			
- 19A	984117	1	. LABEL, WARNING-CANADIAN			
- 19B	6831334	1	. PLATE-SECOND SOURCE			
- 19B	6831334	1	. BRACKET			
- 19C	1621190	5	. SCREW,PAN HD- M4 X 8 LG ATT PT			
- 20	4432876	1	. METER ASM- 60HZ			
- 20	4432877	1	. METER ASM- 50HZ			
- 20A	1622346	1	. WASHER,LOCK			
- 20B	257189	1	. NUT,HEX- 8-32			
- 20C	740503	1	. METER- 60HZ			
- 20C	740608	1	. METER- 50HZ			
- 20D	1621191	1	. SCREW,PAN HD- M4 X 10 LG ATT PT			
- 20E	1310267	1	. TRANSFORMER- 60HZ			
- 20E	4119729	1	. TRANSFORMER- 50HZ			
- 20F	1621191	2	. SCREW,PAN HD- M4 X 10 LG ATT PT			
- 20G	1622403	2	. NUT,DBL CHAMFERED HEX M4 X 3.2 THK			
- 20H	1622346	2	. LOCKWASHER,EXT STAR- M4, 8 OD X .5			
- 20J	124943	1	. LABEL			
- 20K	351237	1	. SHIELD			
- 20L	10170	2	. SCREW,BD HD- 6-32 X 0.250 LG ATT PT			
- 20M	210883	2	. STUD			
- 20N	322766	1	. TERMINAL BOARD			
- 20P	81693	2	. SCREW,BD HD- 6-32 X 0.375 LG ATT PT			
- 20Q	126036	1	. MARKER STRIP			
- 20R	1621191	1	. SCREW,PAN HD- M4 X 10 LG			
- 20S	1622403	1	. NUT,DBL CHAMFERED HEX M4 X 3.2 THK			
- 20T	1622346	1	. LOCKWASHER,EXT STAR- M4, 8 OD X .5			
- 20U	356742	1	. CLAMP			
- 20V	1621191	1	. SCREW,PAN HD- M4 X 10 LG ATT PT			
- 20W	1622403	1	. NUT,DBL CHAMFERED HEX M4 X 3.2 THK ATT PT			
- 20X	1622304	1	. WASHER,FL- M4 9 OD X 0.3 THK ATT PT			
- 20Y	124943	1	. LABEL			
- 20Z	257187	2	. NUT,HEX- 6-32			
- 21	4432879	2	. PLATE ATT PT			
- 21B	4432881	1	. SWITCH ASM,IPO/CE-ENGLISH			

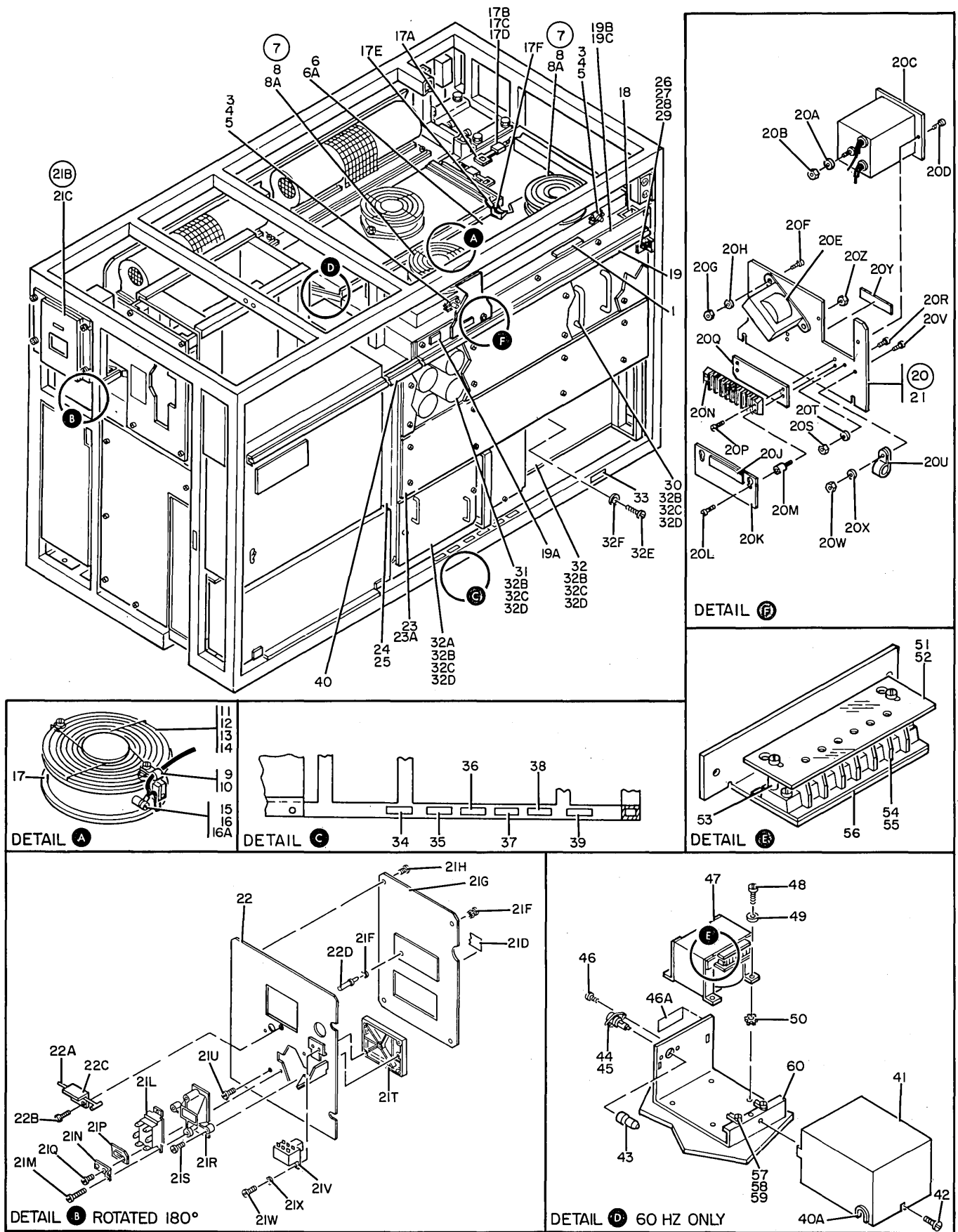


FIGURE 2. FINAL ASSEMBLY-FRAME 01. SHEET 1 OF 4. INDEX NOS. 1-50. SEE LIST 2.

FINAL ASSEMBLY-FRAME 01

FIGURE- INDEX NUMBER	PART NUMBER	UNITS PER ASM.	DESCRIPTION				
			1	2	3	4	
2 - 21B	4432886	1	SWITCH ASM, IPO/CE-BRAZIL/PORTUGUESE
- 21B	4432884	1	SWITCH ASM, IPO/CE-GERMAN
- 21B	4432890	1	SWITCH ASM, IPO/CE-ITALIAN
- 21B	4432892	1	SWITCH ASM, IPO/CE-SPANISH
- 21B	4432888	1	SWITCH ASM, IPO/CE-CANADIAN FRENCH
- 21C	1621210	4	SCREW, PAN HD- M5 X 10 LG
- 21D	8330683	1	PLATE, IDENTIFICATION-ENGLISH
- 21D	8330685	1	PLATE, IDENTIFICATION-GERMAN
- 21D	8330686	1	PLATE, IDENTIFICATION-ITALIAN
- 21D	8330687	1	PLATE, IDENTIFICATION-SPANISH
- 21D	8330684	1	PLATE, IDENTIFICATION-BRAZIL/PORTUGAL
- 21D	8330688	1	PLATE, IDENT. -CANADIAN FRENCH
- 21F	2744256	1	MOUNT, LED
- 21G	4432872	1	PLATE
- 21H	1621197	4	SCREW, PAN HD-M4 X 6 LG
- 21L	4521305	1	SWITCH, IPO
- 21M	1621181	2	SCREW
- 21N	4796840	1	BRACKET
- 21P	4521307	1	SPRING
- 21Q	1621197	2	SCREW, PAN HD-M4 X 6 LG
- 21R	4521357	1	HOUSING, IPO SWITCH
- 21S	1621184	2	SCREW
- 21T	4521358	1	COVER, IPO SWITCH-ENGLISH
- 21T	4797001	1	COVER, IPO SWITCH-GERMAN
- 21T	4797370	1	COVER, IPO SWITCH-CANADIAN FRENCH
- 21T	4797005	1	COVER, IPO SWITCH-ITALIAN
- 21T	4797003	1	COVER, IPO SWITCH-SPANISH
- 21T	4797367	1	COVER, IPO SWITCH-BRAZIL/PORTUGUESE
- 21U	1621181	4	SCREW
- 21V	740513	4	SWITCH, CE
- 21W	1621170	1	SCREW, PAN HD- M3 X L 6A
- 21X	1622344	2	LOCKWASHER, EXT STAR- M3 X 294 THK
- 22	4432871	1	SUPPORT PLATE
- 22A	524219	1	CLAMP
- 22B	1621197	2	SCREW, PAN HD-M4 X 6 LG
- 22C	2637524	1	MOUNT
- 22D	4432775	AR	CABLE/LED
- 23	6831338	AR	PLATE
- 23A	1621210	6	SCREW, PAN HD- M5 X 10 LG
- 24	4432849	1	SHIELD
- 25	1673983	2	SCREW, PAN HD-M5 X 6 LG-BLUE ZINC COATED
- 26	4109503	2	BRACKET
- 27	1621210	2	SCREW, PAN HD- M5 X 10 LG
- 28	150390	2	WASHER, FL- 0.250 ID X 0.625 OD
- 29	1622320	2	LOCKWASHER, SPLIT- M6, 11.8 OD X 1.6 THK
- 30	1310300	1	T/R PAC ASM- 60HZ SECOND SOURCE ONLY
- 30	1310315	1	T/R PAC ASM- 50HZ SECOND SOURCE ONLY
- 31	1310281	1	POWER SUPPLY ASM (PS 2J1)
- 32	8482651	1	POWER SUPPLY ASM- 50/60HZ (PS 1Q1)
- 32A	8482691	1	T/P PAC ASM- 60HZ (TR 101)
- 32A	8482681	1	T/P PAC ASM- 50HZ (TR 101)
- 32B	1621210	6	SCREW, PAN HD- M5 X 10 LG
- 32C	150390	6	WASHER, FL- 0.250 ID X 0.625 OD
- 32D	1622320	6	LOCKWASHER, SPLIT- M6, 11.8 OD X 1.6 THK
- 32E	1621210	2	SCREW, PAN HD- M5 X 10 LG
- 32F	1622347	2	LOCKWASHER EXT STAR- M5, 10 OD X .6
- 33	6004802	1	LABEL
- 34	855282	1	PLATE, SERIAL NO. LEFT
- 35	855283	1	PLATE, SERIAL NO. RIGHT
- 36	855264	1	PLATE, MANUFACTURED BY USA
- 36	855265	1	PLATE, MFG BY IBM-CANADA
- 36	855266	1	PLATE, MFG BY WTC
- 36	855267	1	PLATE, MANUFACTURED FOR USA
- 36	855268	1	PLATE, MANUFACTURED FOR
- 36	855269	1	PLATE, MANUFACTURED FOR WT
- 36	855270	1	PLATE, RECONDITIONED BY USA
- 36	855272	1	PLATE, RECONDITIONED BY WT
- 36	855273	1	PLATE, RENOVATED BY USA
- 36	855275	1	PLATE, RENOVATED BY WT
- 36	855276	1	PLATE, RECONDITIONED FOR USA
- 36	855278	1	PLATE, RECONDITIONED FOR WT
- 36	855279	1	PLATE, RENOVATED FOR USA
- 36	855281	1	PLATE, RENOVATED FOR WT
- 36	855284	1	PLATE, MFG EXPORT

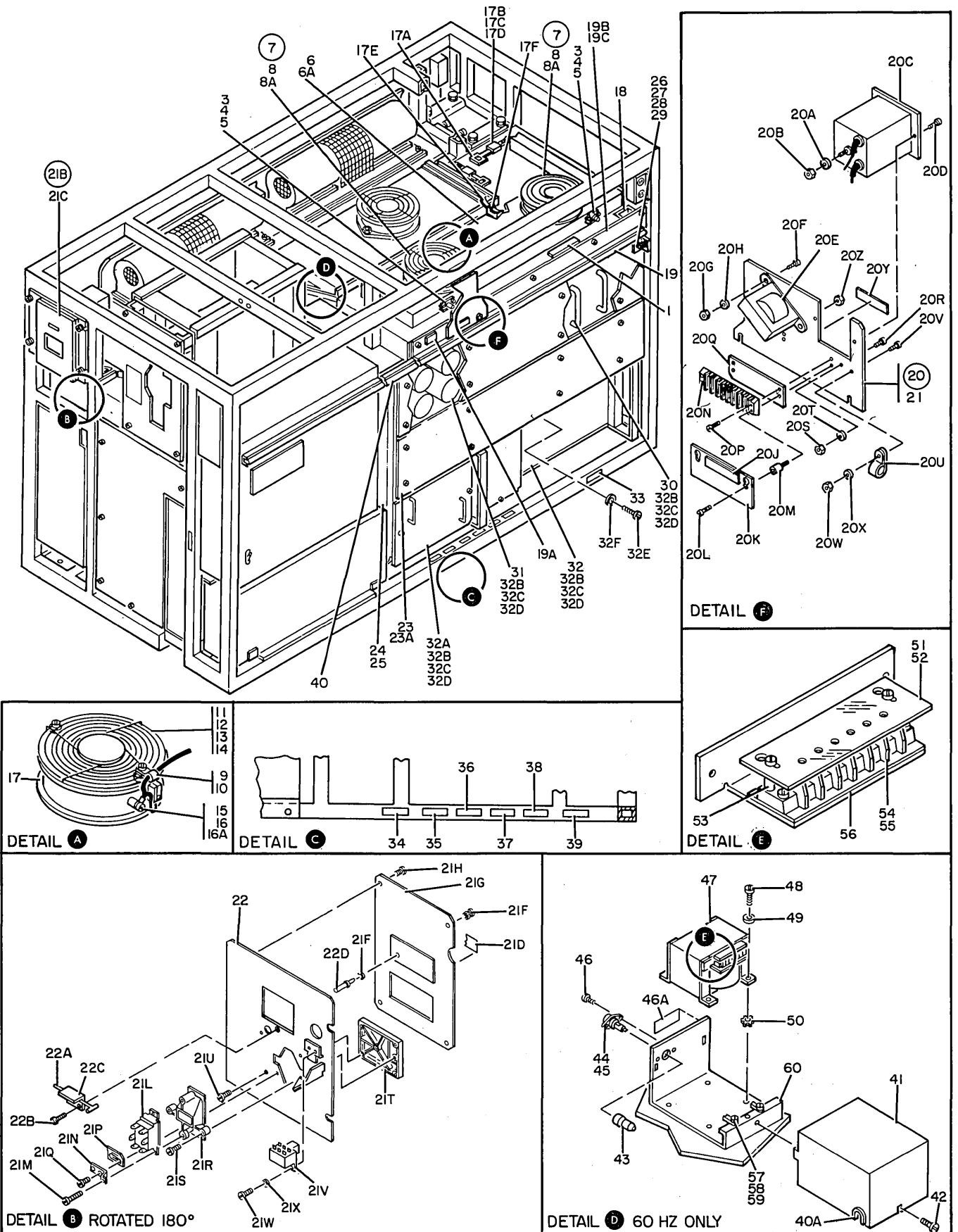


FIGURE 2. FINAL ASSEMBLY-FRAME 01. SHEET 1 OF 4. INDEX NOS. 1-60. SEE LIST 2.

FINAL ASSEMBLY-FRAME J1

FIGURE- INDEX NUMBER	PART NUMBER	UNITS PER ASM.	DESCRIPTION			
			1	2	3	4
2						
						THE FOLLOWING PLATES ARE FOR WT AND CANADIAN USE
- 36	4056395	1				. PLATE, RECONDITIONED BY CANADA
- 36	4056397	1				. PLATE, RECONDITIONED BY WT
- 36	4056399	1				. PLATE, RECONDITIONED FOR CANADA
- 36	4056401	1				. PLATE, RECONDITIONED FOR WT
- 36	4056403	1				. PLATE, RENOVATED BY CANADA
- 36	4056405	1				. PLATE, RENOVATED BY WT
- 36	4056407	1				. PLATE, RENOVATED FOR CANADA
- 36	4056409	1				. PLATE, RENOVATED FOR WT
- 36	4056413	1				. PLATE, MANUFACTURED BY CANADA
- 36	4056415	1				. PLATE, MANUFACTURED BY WT
- 36	4056417	1				. PLATE, MANUFACTURED FOR CANADA
- 36	4056419	1				. PLATE, MANUFACTURED FOR WT
						THE FOLLOWING PLATES ARE FOR WORLD TRADE SUMARE BRAZIL USE ONLY
- 36	6003013	1				. PLATE MANUFACTURED BY SUMARE
- 36	6003012	1				. PLATE, MANUFACTURED FOR SUMARE
						THE FOLLOWING ARE PROPERTY PLATES FOR DOMESTIC AND WORLD TRADE USE
- 36	855262	1				. PLATE, PROP IBM ARM
- 36	855263	1				. PLATE, PROP IBM W. I.
- 36	960746	1				. PLATE, PROPERTY OF CANADA
- 36	1310782	1				. PLATE, PROPERTY-ARGENTINA
- 36	1976194	1				. PLATE, PROPERTY-JAPAN
- 36	2418180	1				. PLATE, PROPERTY-ITALIA
- 36	2992717	1				. PLATE, PROPERTY-FRENCH
- 36	4056393	1				. PLATE, PROPERTY-WT
- 36	4134351	1				. PLATE, PROPERTY-AUSTRALIA
- 36	4134352	1				. PLATE, PROPERTY-BAHAMAS
- 36	4134353	1				. PLATE, PROPERTY-BELGIUM
- 36	4134354	1				. PLATE, PROPERTY-BOLIVIA
- 36	4134355	1				. PLATE, PROPERTY-CHILE
- 36	4134356	1				. PLATE, PROPERTY-COLUMBIA
- 36	4134357	1				. PLATE, PROPERTY-COSTA RICA
- 36	4134358	1				. PLATE, PROPERTY-DENMARK
- 36	4134359	1				. PLATE, PROPERTY-ECUADOR
- 36	4134360	1				. PLATE, PROPERTY-FINLAND
- 36	4134361	1				. PLATE, PROPERTY-GUATEMALA
- 36	4134362	1				. PLATE, PROPERTY-IRELAND
- 36	4134363	1				. PLATE, PROPERTY-KOREA
- 36	4134364	1				. PLATE, PROPERTY-MEXICO
- 36	4134365	1				. PLATE, PROPERTY-NORWAY
- 36	4134366	1				. PLATE, PROPERTY-PANAMA
- 36	4134367	1				. PLATE, PROPERTY-PERU
- 36	4134368	1				. PLATE, PROPERTY-PHILLIPINES
- 36	4134369	1				. PLATE, PROPERTY-PORUGAL
- 36	4134370	1				. PLATE, PROPERTY-SOUTH AFRICA
- 36	4134371	1				. PLATE, PROPERTY-SPAIN
- 36	4134372	1				. PLATE, PROPERTY-SWITZERLAND
- 36	4134373	1				. PLATE, PROPERTY-TAIWAN
- 36	4134374	1				. PLATE, PROPERTY-THAILAND
- 36	4134375	1				. PLATE, PROPERTY-URUGUAY
- 36	4134376	1				. PLATE, PROPERTY-VENEZUELA
- 36	4134580	1				. PLATE, PROPERTY-APE
- 36	4134581	1				. PLATE, PROPERTY-EMEA
- 36	4134582	1				. PLATE, PROPERTY-AUSTRIA
- 36	4134583	1				. PLATE, PROPERTY-NEW ZEALAND
- 36	4134584	1				. PLATE, PROPERTY-NIGERIA
- 36	4135783	1				. PLATE, PROPERTY-NETHERLANDS
- 36	5054478	1				. PLATE, PROPERTY-SWEDEN
- 36	5576379	1				. PLATE, PROPERTY-ADAGASCAR
- 36	5966292	1				. PLATE, PROPERTY-INDIA
- 36	6003013	1				. PLATE, PROPERTY-BRAZIL
- 36	8112294	1				. PLATE, PROPERTY-UNITED KINGDOM
- 36	8330628	1				. PLATE, PROPERTY-WHITE PLAINS
- 36	4135783	1				. PLATE, PROPERTY-NETHERLANDS
- 37	855286	1				. PLATE, U. L. APPROVAL
- 37	960766	1				. PLATE, CSA INSIGNIA
- 38	4433023	1				. PLATE, VOLTAGE- 200V, 50 HZ
- 38	4433024	1				. PLATE, VOLTAGE- 220V, 50 HZ

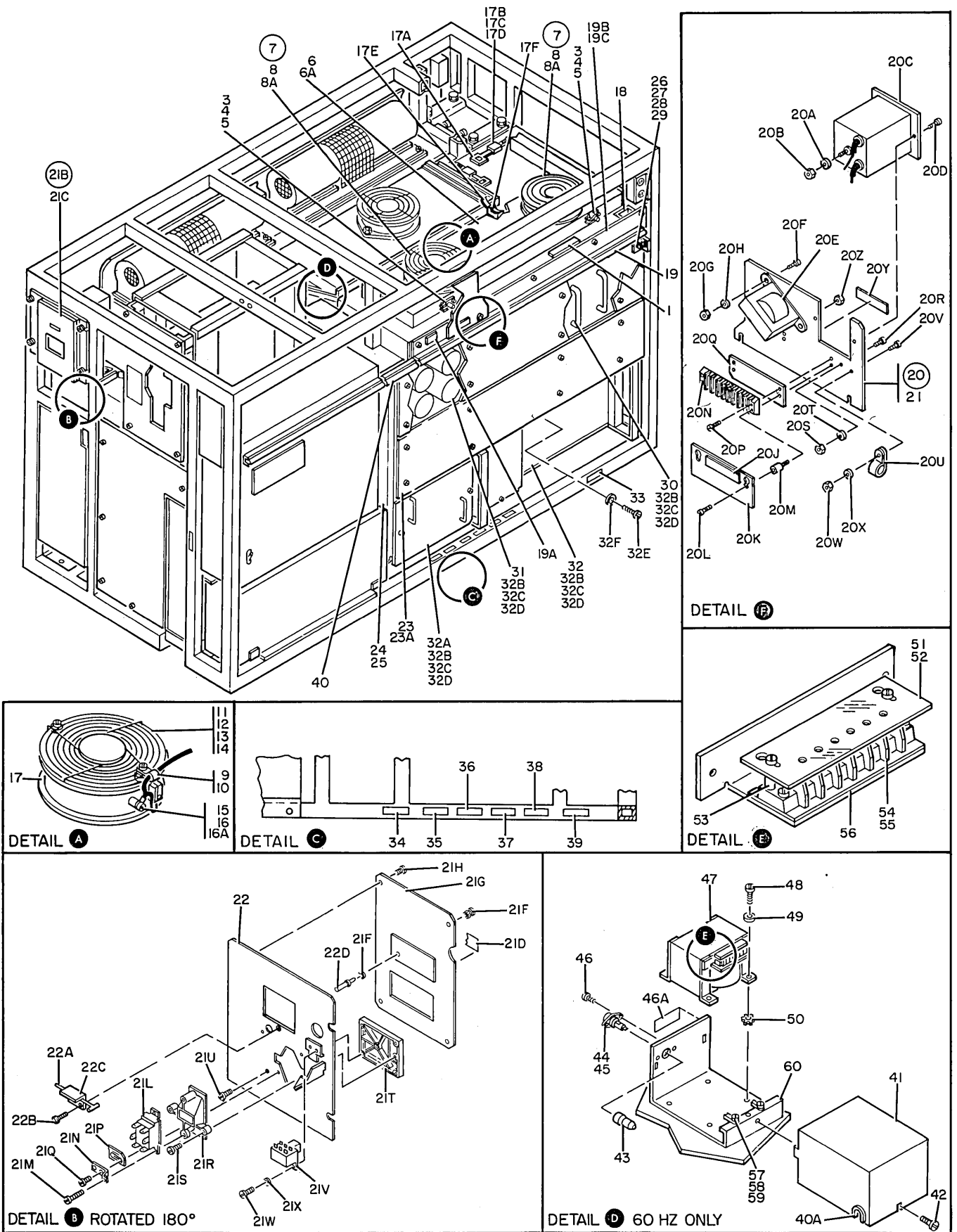


FIGURE 2. FINAL ASSEMBLY-FRAME 01. SHEET 1 OF 4. INDEX NOS. 1-50. SEE LIST 2.

FINAL ASSEMBLY-FRAME 01

FIGURE- INDEX NUMBER	PART NUMBER	UNITS PER ASM.	DESCRIPTION			
			1	2	3	4
2 - 38	4433025	1	. PLATE,VOLTAGE- 380/400-415V,50 HZ			
- 38	4433026	1	. PLATE,VOLTAGE- 200V,60 HZ			
- 38	4433027	1	. PLATE,VOLTAGE- 200/240V,60 HZ			
- 39	855284	1	. PLATE,MFG EXPORT			
- 39	4056411	1	. PLATE,MANUFACTURING EXPORT			
- 39	6003011	1	. PLATE,MANUFACTURE EXPORT-SUMARE			
- 40	8483347	AR	. SEAL			
- 40A	825880	AR	. TAPE,FOAM			
- 41	6831317	1	. COVER			
- 42	1621210	1	. SCREW,PAN HD- M5 X 10 LG			
- 43	4061290	1	. CAP,INSULATOR			
- 44	218793	1	. FUSE			
- 45	92752	1	. FUSEHOLDER			
- 46	1621172	2	. SCREW,PAN HD- M3 X 10 LG			
- 46A	2542403	1	. LABEL,FUSE WARNING			
- 46A	984117	1	. LABEL, WARNING-CANADIAN			
- 47	5252645	1	. TRANSFORMER ASM			
- 48	1621211	4	. SCREW,PAN HD- M5 X 12 LG			
- 49	2125974	4	. SPACER			
- 50	179966	1	. LOCKWASHER, EXT- .312 ID X .610 OD			
- 51	337193	1	. . SHIELD,TERMINAL BOARD 6 POS			
- 52	10170	2	. . SCREW,BD HD- 6-32 X 0.250 LG			
- 53	210883	2	. . STUD			
- 54	317131	1	. . BLOCK			
- 55	322550	2	. . SCREW,BD HD- 6-32 X 0.500 LG			
- 56	322266	1	. . STRIP,MARKER,6 POS NOS.			
- 57	825559	2	. STRAP			
- 58	1621210	2	. SCREW,PAN HD- M5 X 10 LG			
- 59	1622347	1	. LOCKWASHER EXT STAR- M5, 10 OD X .6			
- 60	6831316	1	. BRACKET			

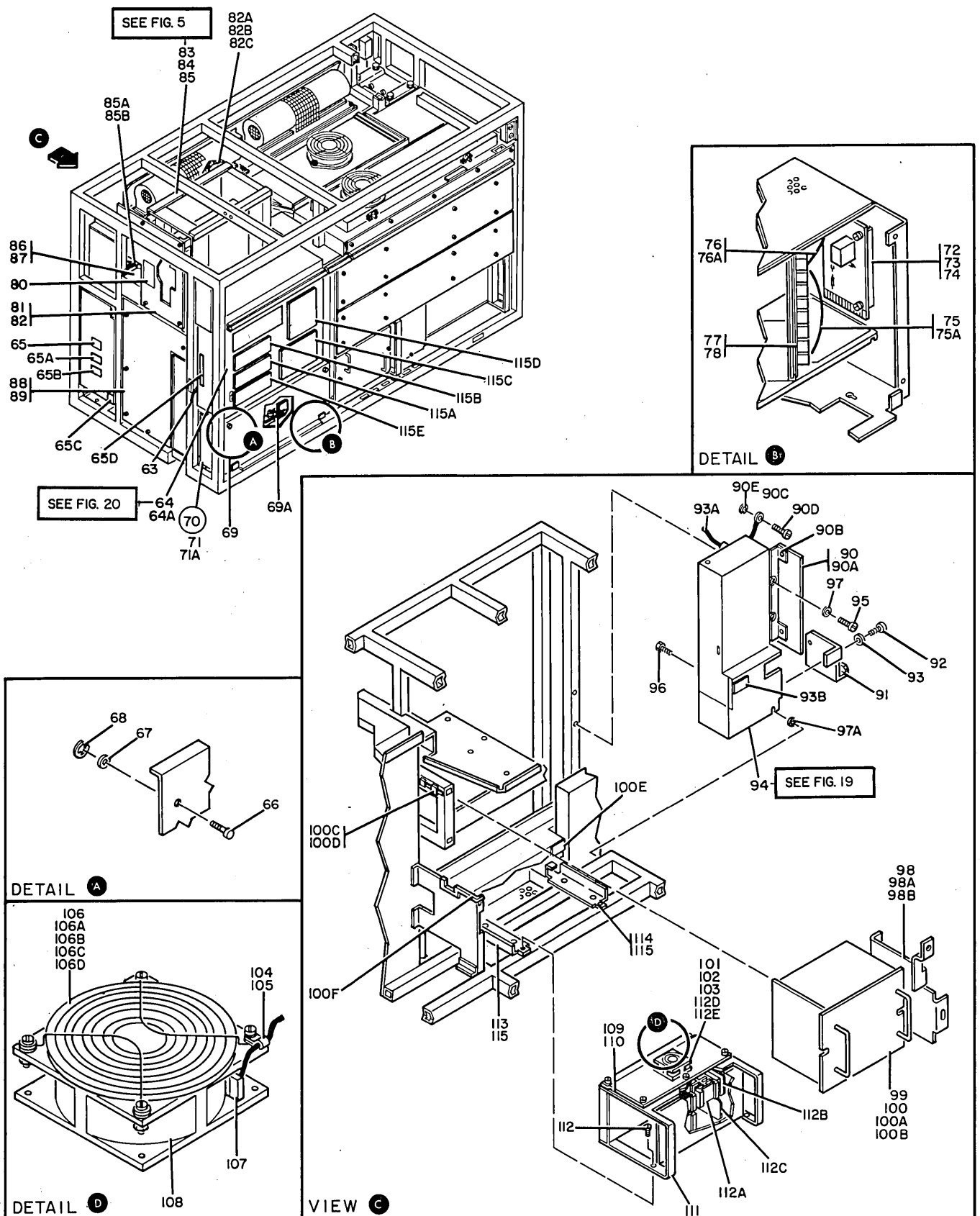


FIGURE 2. FINAL ASSEMBLY-FRAME J1. SHEET 2 OF 4. INDEX NOS. 63-115E. SEE LIST 2.

FINAL ASSEMBLY-FRAME J1

FIGURE- INDEX NUMBER	PART NUMBER	UNITS PER ASM.	DESCRIPTION			
			1	2	3	4
2 - 63	4109469	1	. JUMPER ASM			
- 64	6831445	1	. PCC BOX ASSEMBLY- 60 HZ			
- 64	6831446	1	. PCC BOX ASSEMBLY- 50 HZ			
			FOR DETAIL BREAKDOWN SEE FIGURE 2D			
- 64A	1673983	5	. SCREW,PAN HD-M5 X 6 LG-BLUE ZINC COATED			
- 65	369207	1	. LABEL-ENGLISH/NORWEGIAN			
- 65	1743548	1	. LABEL-CANADIAN			
- 65	6815182	1	. LABEL-FRENCH			
- 65	5685244	1	. LABEL-FRENCH DUTCH			
- 65	4045673	1	. LABEL-GERMAN			
- 65	8326801	1	. LABEL-FINNISH			
- 65	6815181	1	. LABEL-ITALIAN			
- 65	8551904	1	. LABEL-SWEDISH			
- 65A	4433023	1	. LABEL- 50HZ, 200V, 17.7A			
- 65A	4433024	1	. LABEL- 50HZ, 220V, 15.7A			
- 65A	4433025	1	. LABEL- 50HZ, 380/400/415V, 9.3/8.6/8.4A			
- 65A	2676716	1	. LABEL- 50HZ, 200V, 19.4A			
- 65A	2676717	1	. LABEL- 50HZ, 220V, 17.7A			
- 65A	2676718	1	. LABEL- 50HZ, 380/400/415V, 10.2/9.8/9.4A			
- 65A	4433026	1	. LABEL- 60HZ, 200V, 14A			
- 65A	4433027	1	. LABEL- 60HZ, 208/240V, 13.2/11.6A			
- 65A	4433028	1	. LABEL- 60HZ, 220V, 12.6A			
- 65A	2676719	1	. LABEL- 60HZ, 200V, 16.6A			
- 65A	2676720	1	. LABEL- 60HZ, 208/240V, 15.9/13.7A			
- 65A	2676721	1	. LABEL- 60HZ, 220V, 15A			
- 65B	855286	1	. LABEL-UL USA			
- 65C	8547121	1	. LABEL			
- 65D	5397579	1	. LABEL			
- 66	8267564	2	. SCREW, THUMB-M5 X 10 LG			
- 67	25009	2	. WASHER, FLAT			
- 68	264641	2	. RING, RETAINING EXT 0.114 ID X 0.025 THK			
- 69	1310250	1	. COVER			
- 69A	4432869	2	. SHIELD			
- 70	1310239	NP	. SPI ASM			
- 71	1621210	2	. SCREW,PAN HD- M5 X 10 LG			
- 71A	1622347	2	. LOCKWASHER EXT STAR- M5, 10 OD X .6			
- 72	8482761	1	. . CARD ASM, PANEL			
- 73	1621170	4	. . SCREW,PAN HD- M3 X L 6A			
- 74	1622304	4	. . WASHER, FL- M4 9 OD X 0.8 THK			
- 75	8482757	1	. . CABLE ASM-I/O COMPLETE FOR SPI			
			FOR CABLE COMPONENT PARTS SEE FIGURE 21			
- 75A	4109359	1	. . CABLE ASM, I/O			
- 76	8482759	AR	. . CABLE ASM-SPI CARD TO CARD			
			FOR CABLE COMPONENT PARTS SEE FIGURE 21			
- 76A	4109360	1	. . CABLE ASM-ON LAST CARD ONLY			
			FOR CABLE COMPONENT PARTS SEE FIGURE 21			
- 77	8482757	AR	. . CARD ASM, RELAY			
- 78	1621190	AR	. . SCREW,PAN HD- M4 X 8 LG			
- 80	4432854	1	. LABEL			
- 81	6831339	1	. PLATE			
- 82	1621194	4	. SCREW,PAN HD-M4 X 20 LG			
- 82A	4109539	1	. JUMPER			
- 82B	1621210	1	. SCREW,PAN HD- M5 X 10 LG			
- 82C	1622347	1	. LOCKWASHER EXT STAR- M5, 10 OD X .6			
- 83	6831442	NP	. FILE MOUNTING ASSEMBLY- 60 HZ			
- 83	6831443	NP	. FILE MOUNTING ASSEMBLY- 50 HZ			
			FOR DETAIL BREAKDOWN SEE FIGURE 5			
- 84	1621210	4	. SCREW,PAN HD- M5 X 10 LG			
- 85	1622347	4	. LOCKWASHER EXT STAR- M5, 10 OD X .6			
- 85A	825559	1	. TIE, CABLE			
- 85B	1621191	1	. SCREW,PAN HD- M4 X 10 LG			
- 86	6831311	1	. HOUSING, FILE			
- 87	1621210	6	. SCREW,PAN HD- M5 X 10 LG			
- 88	6831473	1	. SHIELD			
- 89	1621198	5	. SCREW,PAN HD-M4 X 4 LG			
- 90	4109524	1	. SHIELD			
- 90A	1673984	2	. SCREW			
- 90B	4109537	1	. BRACKET			
- 90C	4109506	1	. JUMPER			
- 90D	1673983	1	. SCREW,PAN HD-M5 X 6 LG-BLUE ZINC COATED			
- 90E	1622347	1	. LOCKWASHER EXT STAR- M5, 10 OD X .6			
- 91	1310059	1	. COVER			
- 92	1621190	2	. SCREW,PAN HD- M4 X 8 LG			
- 93	2125963	2	. WASHER, FL SQUARE-M4			
- 93A	4109469	1	. JUMPER ASM			
- 93B	5731697	AR	. LABEL, ENGLISH			
- 93B	4154583	AR	. LABEL, CANADIAN			

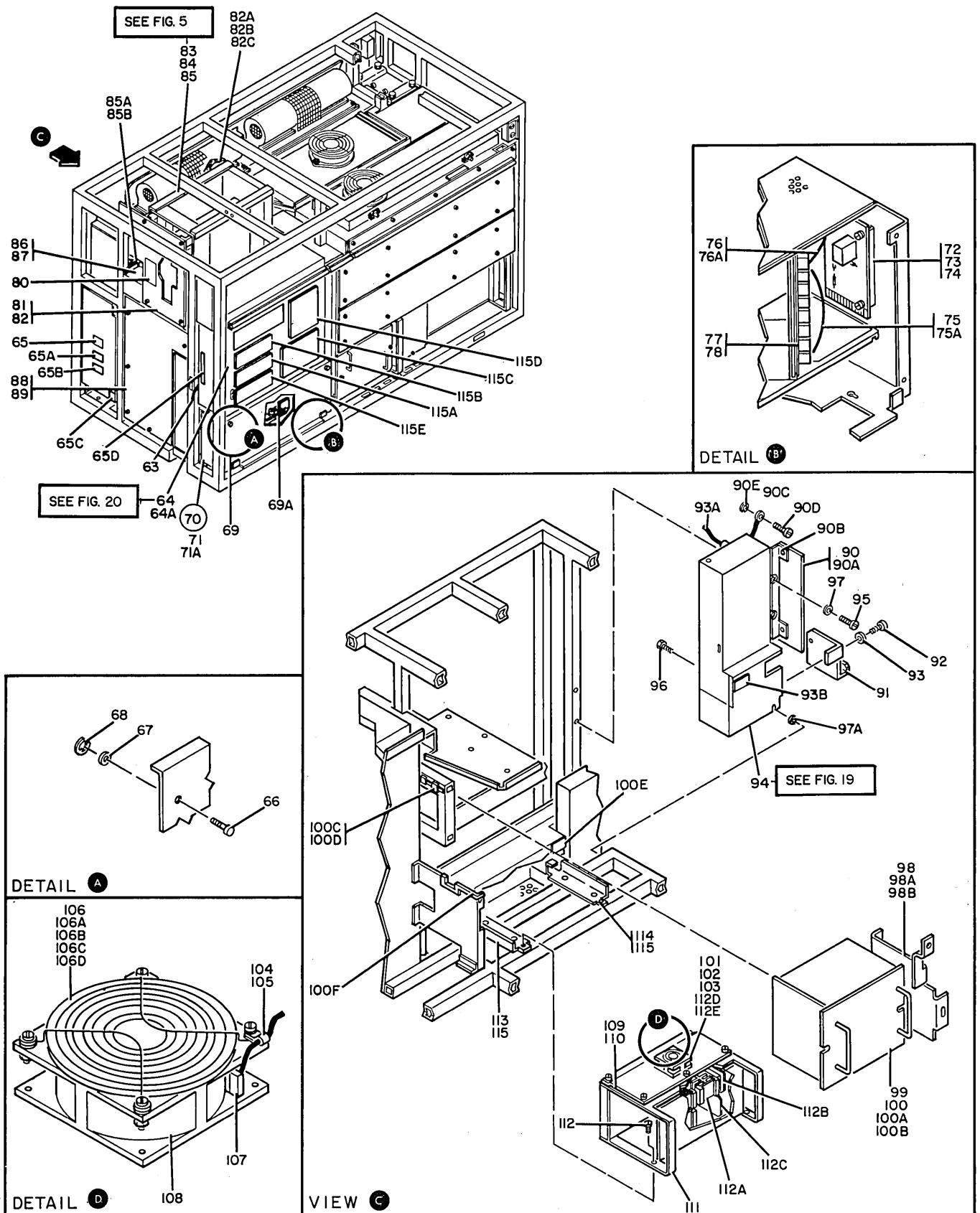


FIGURE 2. FINAL ASSEMBLY-FRAME 01. SHEET 2 OF 4. INDEX NOS. 63-115E. SEE LIST 2.

FINAL ASSEMBLY-FRAME 01

FIGURE- INDEX NUMBER	PART NUMBER	UNITS PER ASM.	DESCRIPTION			
			1	2	3	4
2 - 93B	6825908	AR	. LABEL, FRENCH			
- 93B	6825879	AR	. LABEL, FINNISH			
- 94	6831458	1	. USED ON SWITCHING REGULATORS ONLY			
- 94	6831460	1	. LINE FILTER ASSEMBLY- 50 HZ			
- 94	6831464	1	. LINE FILTER ASSEMBLY- 60 HZ			
- 94	6831462	1	. FIRST SOURCE ONLY			
- 94	4109477	1	. LINE FILTER ASM, 200V 50/60 HZ WTC			
- 94	4109477	1	. LINE FILTER ASM, 50 HZ			
- 94	4109477	1	. LINE FILTER ASM-CANADA ONLY			
- 95	1621210	2	. SECOND SOURCE ONLY			
- 96	1621594	1	. FOR DETAIL BREAKDOWN SEE FIGURE 19			
- 97	2125974	2	. SCREW,PAN HD- M5 X 10 LG			
- 97A	1622348	2	. ATT PT			
- 98	4432848	1	. SCREW,HEX HD- M6 X 10 LG			
- 98A	1621199	2	. LOCKWASHER			
- 98B	4109439	1	. ATT PT			
- 99	1310280	1	. . WASHER,LOCK			
- 99	1310290	1	. ATT PT			
- 100	1621212	2	. SHIELD			
- 100A	150390	2	. SCREW,PAN HD-M4 X 35 LG			
- 100B	1622320	2	. ATT PT			
- 100C	524519	1	. NUT,SPEED			
- 100D	2277082	1	. ATT PT			
- 100E	138756	1	. T/R PAC ASM- 60 HZ (FR 104)			
- 100E	4057827	1	. T/R PAC ASM- 50 HZ (FR 104)			
- 100E	984123	1	. SCREW,PAN HD- M5 X 10 LG			
- 100E	6825828	1	. ATT PT			
- 100E	8329452	1	. WASHER			
- 100E	6825818	1	. ATT PT			
- 100E	6825820	1	. WASHER,LOCK			
- 100E	4418722	1	. ATT PT			
- 100E	8551903	1	. TIL,CABLE			
- 100F	825880	1	. CLIP,CABLE			
- 101	8330692	1	. LABEL, ENGLISH			
- 102	1621172	4	. LABEL, GERMAN			
- 103	1622332	4	. LABEL, CANADIAN			
- 104	825559	1	. LABEL, FRENCH			
- 105	1621173	1	. LABEL, FRENCH DUTCH			
- 106	2172166	1	. LABEL, FINNISH			
- 106A	1621172	3	. LABEL, ITALIAN			
- 106B	1622302	4	. LABEL, NORWEGIAN			
- 106C	1622344	4	. LABEL, SWEDISH			
- 106D	1622401	4	. TAPE,FOAM			
- 107	8330691	1	. FAN ASM			
- 108	4109480	1	. SECOND SOURCE ONLY			
- 109	4432815	4	. SCREW,PAN HD- M3 X 10 LG			
- 110	1621191	4	. WASHER-LOCK INT STAR-M3, 0 OD X .4			
- 111	4432590	1	. CLAMP			
- 112	1621190	2	. SCREW,PAN HD-M3 X 12 LG			
- 112A	375522	4	. GUARD			
- 112B	375520	1	. SCREW,PAN HD- M3 X 10 LG			
- 112C	372422	1	. WASH,FL-M3 7 OD X 0.5 THK			
- 112D	5501993	1	. LOCKWASHER,EXT STAR- M3 X 294 THK			
- 112E	5501991	1	. NUT,DBL CHAMFERED HEX M3 X 2.4 THK			
- 113	4432383	1	. CABLE ASM, FAN			
- 114	4432384	1	. FOR CABLE COMPONENT PARTS SEE FIGURE 21			
- 115	1621308	4	. FAN			
- 115A	845762	1	. PLATE-SECOND SOURCE ONLY			
- 115B	138756	1	. SCREW,PAN HD- M4 X 10 LG			
- 115B	4057827	1	. POWER SUPPLY ASM, 50/60 HZ			
- 115B	984123	1	. SCREW,PAN HD- M4 X 8 LG			
- 115B	6825828	1	. MODULE,POWER-SECOND SOURCE ONLY			
- 115B	8329452	1	. CARD ASSEMBLY			
- 115B	6825818	1	. CARD ASSEMBLY			
- 115B	6825820	1	. SWITCH,THERMAL			
- 115B	4418722	1	. CLIP			
- 115B	8551903	1	. RAIL-SECOND SOURCE ONLY			
- 115C	4109341	1	. RAIL			
- 115C	4109390	1	. SCREW,FL HD-M4 X 9 LG			
- 115C	4109390	1	. INDEX NOS. 109 THRU 115 ARE			
- 115C	4109390	1	. SECOND SOURCE ONLY			
- 115C	4109390	1	. PLATE,VOLTAGE			
- 115C	4109390	1	. LABEL, ENGLISH			
- 115C	4109390	1	. LABEL, GERMAN			
- 115C	4109390	1	. LABEL, CANADIAN			
- 115C	4109390	1	. LABEL, FRENCH			
- 115C	4109390	1	. LABEL, FRENCH DUTCH			
- 115C	4109390	1	. LABEL, FINNISH			
- 115C	4109390	1	. LABEL, ITALIAN			
- 115C	4109390	1	. LABEL, NORWEGIAN			
- 115C	4109390	1	. LABEL, SWEDISH			
- 115C	4109390	1	. LABEL			
- 115C	4109390	1	. FIRST SOURCE ONLY			
- 115C	4109390	1	. LABEL			
- 115C	4109390	1	. SECOND SOURCE ONLY			

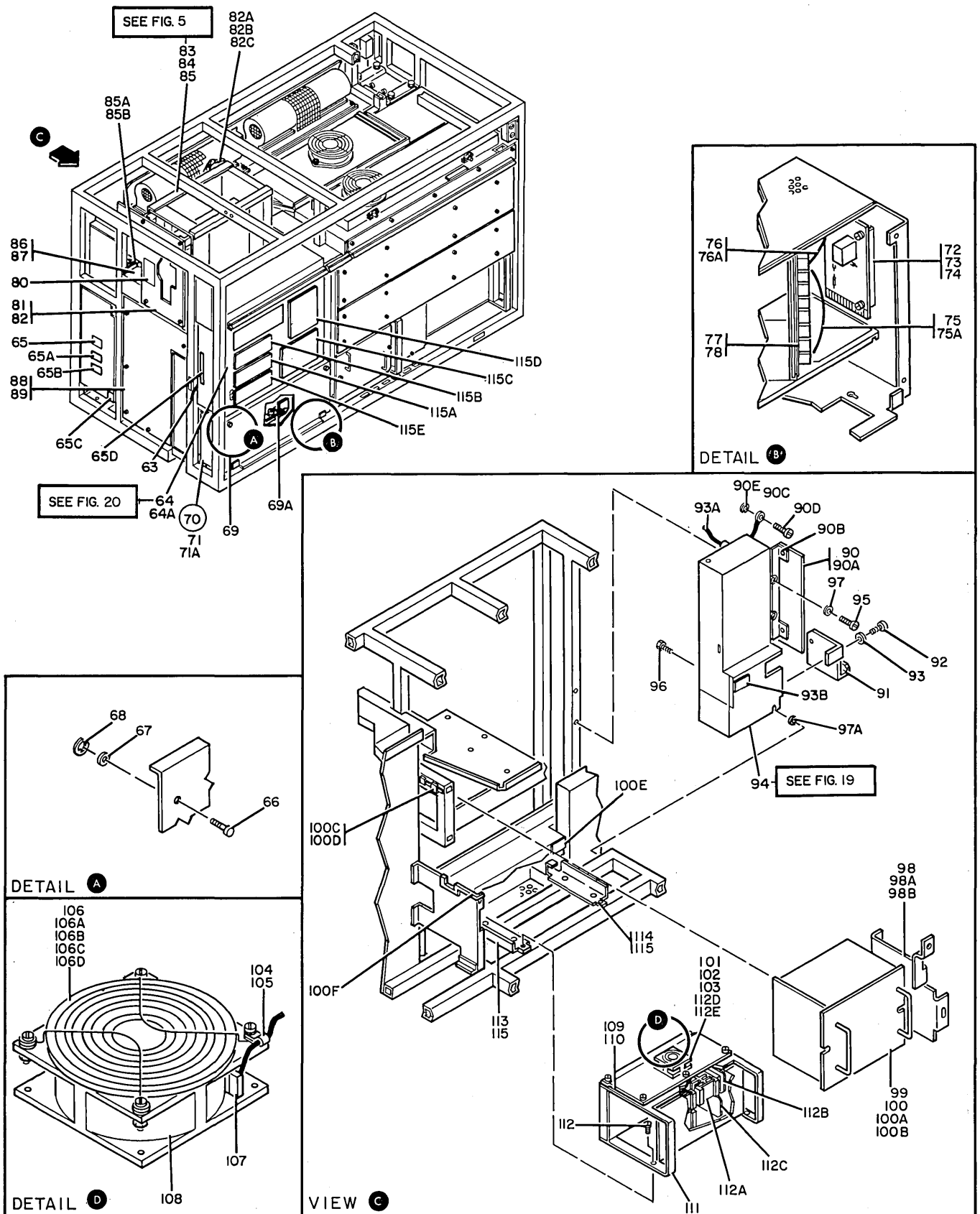


FIGURE 2. FINAL ASSEMBLY-FRAME 01. SHEET 2 OF 4. INDEX NOS. 63-115E. SEE LIST 2.

FINAL ASSEMBLY-FRAME 01

FIGURE- INDEX NUMBER	PART NUMBER	UNITS PER ASM.	DESCRIPTION			
			1	2	3	4
2 -115D	4109346	1	.	LABEL		
-115E	369207	1	.	LABEL, ENGLISH		
-115E	4056733	1	.	LABEL, GERMAN		
-115E	6815182	1	.	LABEL, FRENCH		
-115E	5685244	1	.	LABEL, FRENCH DUTCH		
-115E	8326801	1	.	LABEL, FINNISH		
-115E	6815181	1	.	LABEL, ITALIAN		
-115E	8551904	1	.	LABEL, SWEDISH		

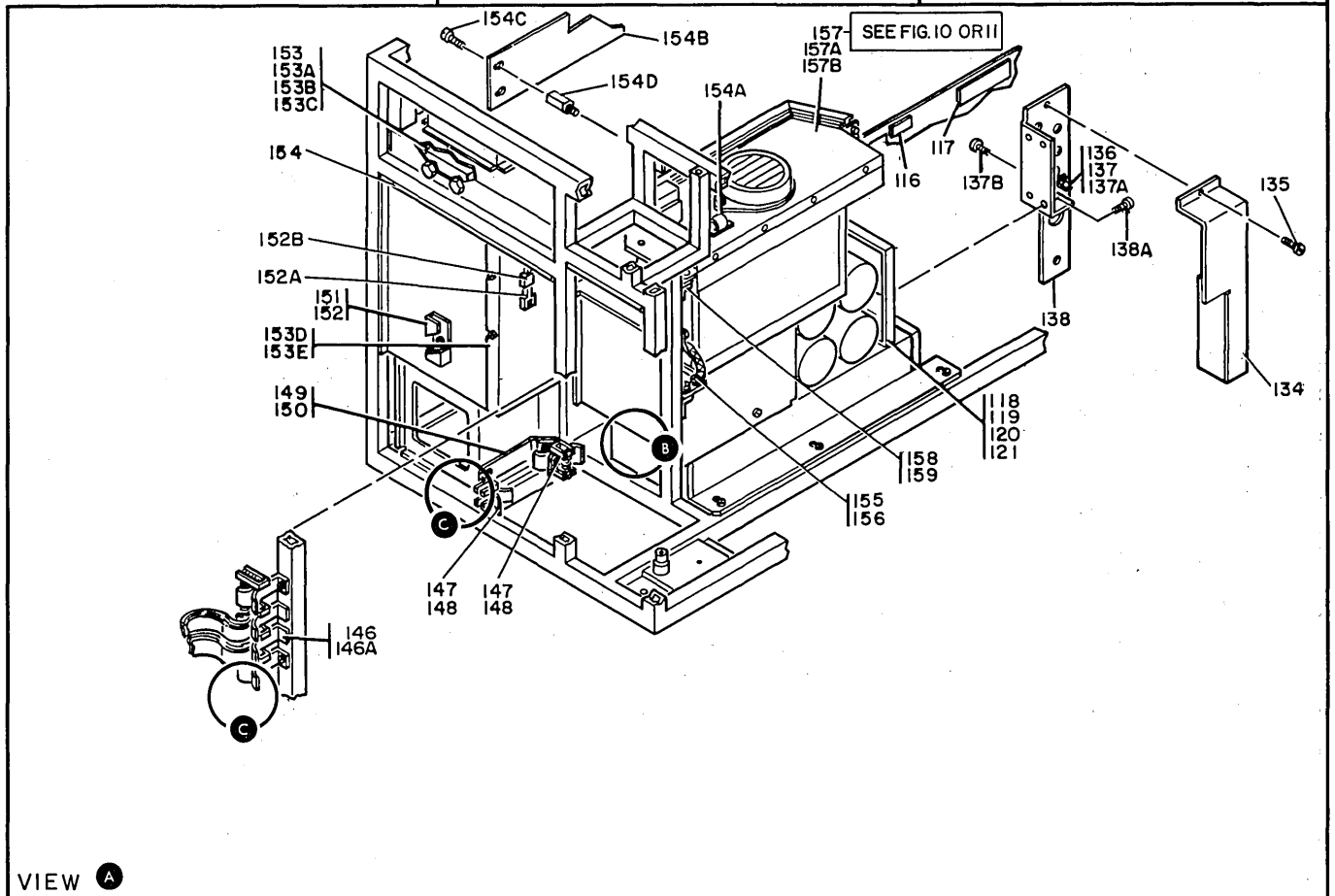
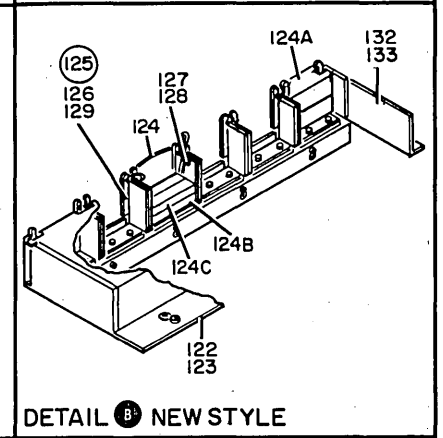
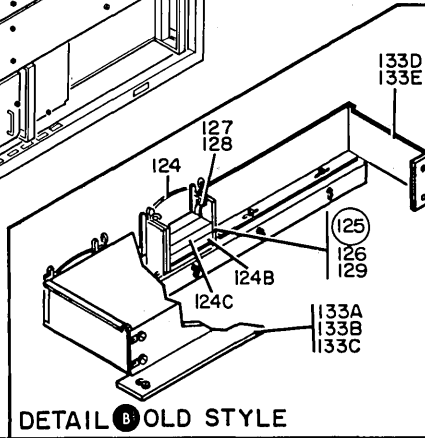
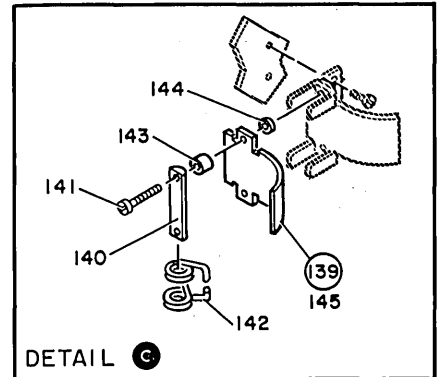
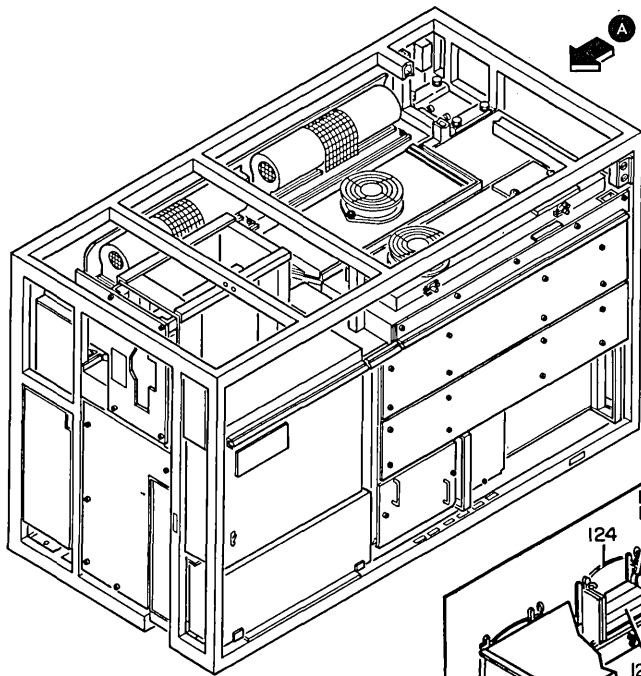


FIGURE 2. FINAL ASSEMBLY-FRAME 01. SHEET 3 OF 4. INDEX NOS. 116-159. SEE LIST 2.

FINAL ASSEMBLY-FRAME 01

FIGURE-INDEX NUMBER	PART NUMBER	UNITS PER ASM.	DESCRIPTION				
			1	2	3	4	
2 -116	2542403	1	
-116	984117	1	
-117	4432799	1	
-118	1310288	1	
-119	1621210	4	ATT PT
-120	150390	4	ATT PT
-121	1622320	4	ATT PT
-122	4109372	1	
-123	1673983	3	
-124	6831342	6	
-124A	8483040	6	
-124B	2282675	1	
-124C	2282676	1	
-125	4432933	6	
-126	1621197	12	ATT PT
-127	6831349	2	
-128	4432389	2	ATT PT
-129	6831341	1	
-132	4109371	1	
-133	1621210	6	ATT PT
-133A	6831346	1	
-133B	1621060	4	ATT PT
-133C	1621010	3	ATT PT
-133D	6831344	1	
-133E	1621210	5	ATT PT
-134	6831348	1	
-135	1621190	2	ATT PT
-136	5271288	2	
-137	1621170	1	ATT PT
-137A	1622344	1	ATT PT
-137B	1621170	4	ATT PT
-138	6831347	1	ATT PT
-138A	1621060	4	ATT PT
-139	815225	10	
-140	815220	1	
-141	815174	2	ATT PT
-142	813321	1	
-143	815219	2	
-144	816649	2	
-145	815217	1	
-146	815375	2	
-146A	1621210	2	ATT PT
-147	815171	2	
-148	1621190	6	ATT PT
-149	4109523	1	
-150	1621190	2	ATT PT
-151	4432450	2	
-152	1621308	2	ATT PT
-152A	524519	2	
-152B	2277082	2	
-153	4109507	1	
-153A	1621595	2	ATT PT
-153B	1622320	2	ATT PT
-153C	1622306	2	ATT PT
-153D	4109376	1	
-153E	1621198	4	ATT PT
-154	8483347	AR	
-154A	825557	1	
-154B	8330658	1	
-154C	1621170	4	ATT PT
-154D	8330659	4	
-155	1621210	1	
-156	1622347	1	
-157	1310329 NP	1	
-157	6831365	1	
-157A	1621210	1	ATT PT
-157B	1622306	1	ATT PT
-158	5578567	2	
-159	1621210	4	ATT PT

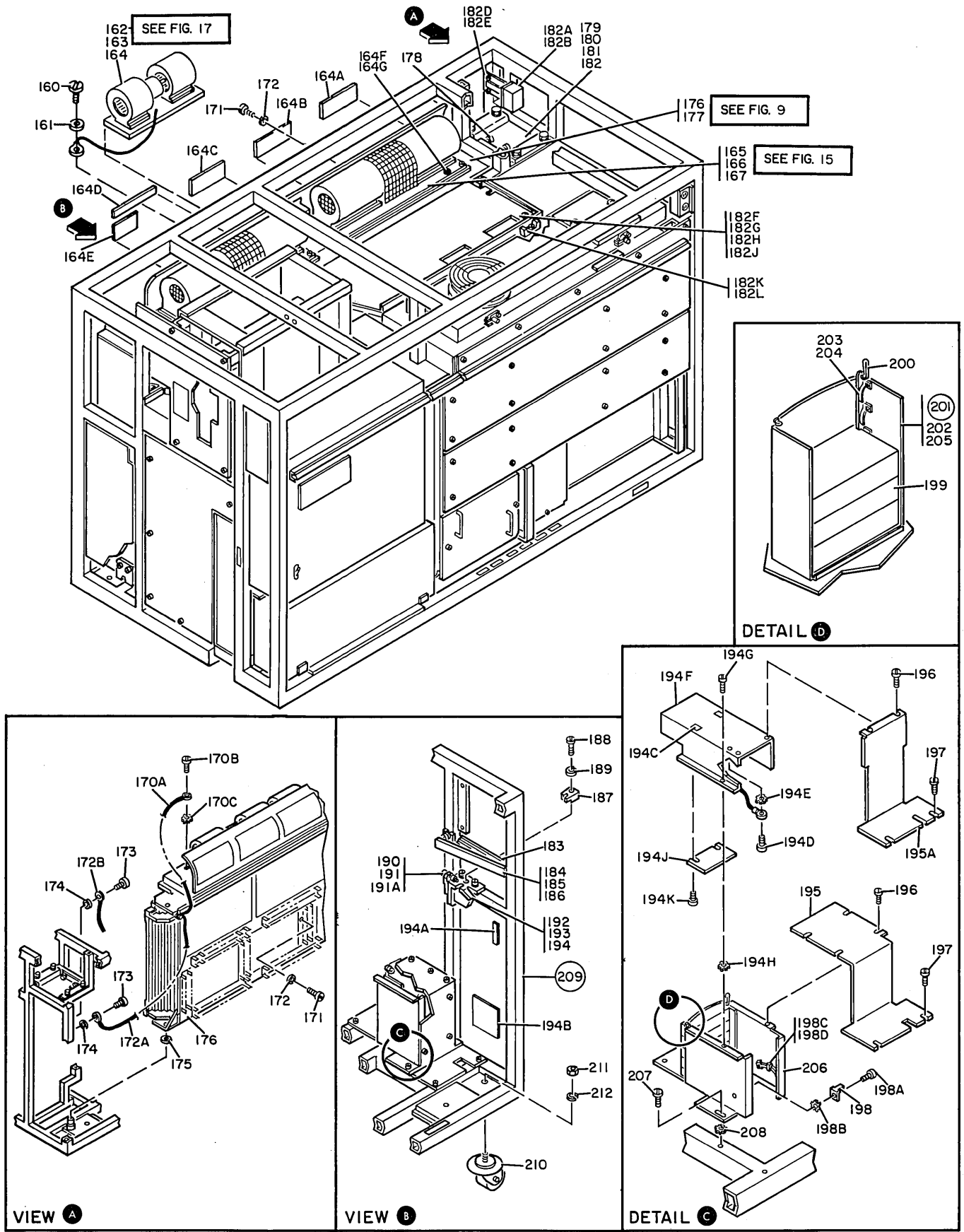


FIGURE 2. FINAL ASSEMBLY-FRAME 01. SHEET 4 OF 4. INDEX NOS. 150-212. SEE LIST 2.

FINAL ASSEMBLY-FRAME 01

FIGURE- INDEX NUMBER	PART NUMBER	UNITS PER ASM.	DESCRIPTION			
			1	2	3	4
2 -160	1621170	1	. SCREW,PAN HD- M3 X L 6A			
-161	1622344	1	. LOCKWASHER,EXT STAR- M3 X 294 THK			
-162	4432800	1	. COOLING UNIT ASSEMBLY-GATE 01A, 60HZ			
-162	4432810	1	. COOLING UNIT ASSEMBLY-GATE 01A, 50HZ USED ON SECOND SOURCE GATE 01C ONLY FOR DETAIL BREAKDOWN SEE FIGURE 17			
-163	1621212	4	. SCREW,PAN HD-M5 X 16 LG			
-164	1622306	2	. WASHER,FLAT,M6- 12.5 OD X 2 THK ATT PT			
-164A	4109340	1	. LABEL-MOD 1,FIRST SOURCE			
-164A	4109389	1	. LABEL-MOD 1,SECOND SOURCE			
-164A	4109394	1	. LABEL-MOD 2,FIRST SOURCE			
-164B	4109346	1	. LABEL			
-164C	4109343	1	. LABEL-MOD 1, FIRST SOURCE			
-164C	4109392	1	. LABEL-MOD 1,SECOND SOURCE			
-164C	4109397	1	. LABEL-MOD 2,FIRST SOURCE			
-164D	4109452	1	. LABEL, ENGLISH			
-164D	2676662	1	. LABEL, GERMAN			
-164D	2676657	1	. LABEL, CANADIAN			
-164D	2676664	1	. LABEL, FRENCH			
-164D	2676660	1	. LABEL, FRENCH DUTCH			
-164D	2676659	1	. LABEL, FINNISH			
-164D	2676658	1	. LABEL, ITALIAN			
-164D	2676663	1	. LABEL, SWEDISH			
-164E	4109354	1	. LABEL-MOD 1,FIRST SOURCE			
-164E	4109441	1	. LABEL-MOD 1,SECOND SOURCE			
-164E	4109440	1	. LABEL-MOD 2,FIRST SOURCE			
-165	4124228	1	. PLENUM AND BLOWER ASSEMBLY- 60 HZ			
-165	4124227	1	. PLENUM AND BLOWER ASSEMBLY- 50 HZ FIRST SOURCE			
-165	6831412	1	. PLENUM AND BLOWER ASM, 60 HZ			
-165	6831411	1	. PLENUM AND BLOWER ASM, 50 HZ SECOND SOURCE ONLY FOR DETAIL BREAKDOWN SEE FIGURE 15			
-166	1621190	5	. SCREW,PAN HD- M4 X 8 LG ATT PT			
-167	1622304	5	. WASHER,FL- M4 9 OD X 0.8 THK ATT PT			
-168	8483728	1	. PLATE			
-169	1621518	2	. SCREW,HEX SOC HD- M5 X 10 LG ATT PT			
-170	2125974	2	. SPACER ATT PT			
-170A	4609539	1	. JUMPER ASM			
-170B	1673983	1	. SCREW,PAN HD-M5 X 6 LG-BLUE ZINC COATED ATT PT			
-170C	1622347	1	. LOCKWASHER EXT STAR- M5, 10 OD X .6 ATT PT			
-171	1621210	1	. SCREW,PAN HD- M5 X 10 LG			
-172	1622335	1	. LOCKWASHER,INT STAR- M5, 10 OD X .6			
-172A	4154642	1	. JUMPER ASM			
-172B	5578899	1	. JUMPER ASM			
-173	1621210	2	. SCREW,PAN HD- M5 X 10 LG ATT PT			
-174	1622347	2	. LOCKWASHER EXT STAR- M5, 10 OD X .6 ATT PT			
-175	4014244	1	. SPACER			
-176	5578810	NP	. GATE ASSEMBLY-GATE 01A,60 HZ			
-176	6831355	NP	. GATE ASSEMBLY-GATE 01A,50 HZ FIRST SOURCE			
-176	6831357	1	. GATE ASSEMBLY, 01A SECOND SOURCE ONLY FOR DETAIL BREAKDOWN SEE FIGURE 9			
-178	1621539	2	. SCREW,HEX SOC CAP HD-M8 X 25 LG			
-179	4124215	1	. HINGE			
-180	1621595	4	. SCREW-MACH HEX HD,M6 X 12 LG ATT PT			
-181	1622320	4	. LOCKWASHER,SPLIT- M6,11.3 OD X 1.6 THK ATT PT			
-182	1622306	4	. WASHER,FLAT,M6- 12.5 OD X 2 THK ATT PT			
-182A	4109387	1	. OUTLET-EMEA,60 HZ			
-182A	6831483	1	. OUTLET-DCM,60 HZ			
-182A	5578873	1	. OUTLET-WORLD TRADE,50 HZ			
-182B	1621210	4	. SCREW,PAN HD- M5 X 10 LG ATT PT			
-182D	4109361	1	. PLATE			
-182E	1621210	2	. SCREW,PAN HD- M5 X 10 LG ATT PT			
-182F	2676639	1	. BARRIER			
-182G	1621210	2	. SCREW,PAN HD- M5 X 10 LG ATT PT			
-182H	150390	4	. WASHER,FL- 0.250 ID X 0.625 OD ATT PT			
-182J	1622403	2	. NUT,DBL CHAMFERED HEX M4 X 3.2 THK ATT PT			
-182K	4154638	1	. CLAMP			
-182L	1621192	1	. SCREW, MACH PAN HD-M4 X 12 LG ATT PT			
-183	8483347	AR	. SEAL			
-184	5578824	1	. BRACKET			
-185	1621210	2	. SCREW,PAN HD- M5 X 10 LG ATT PT			
-186	2125974	2	. SPACER ATT PT			
-187	8483524	1	. CLAMP,BOARD			
-188	1621523	1	. SCREW ATT PT			

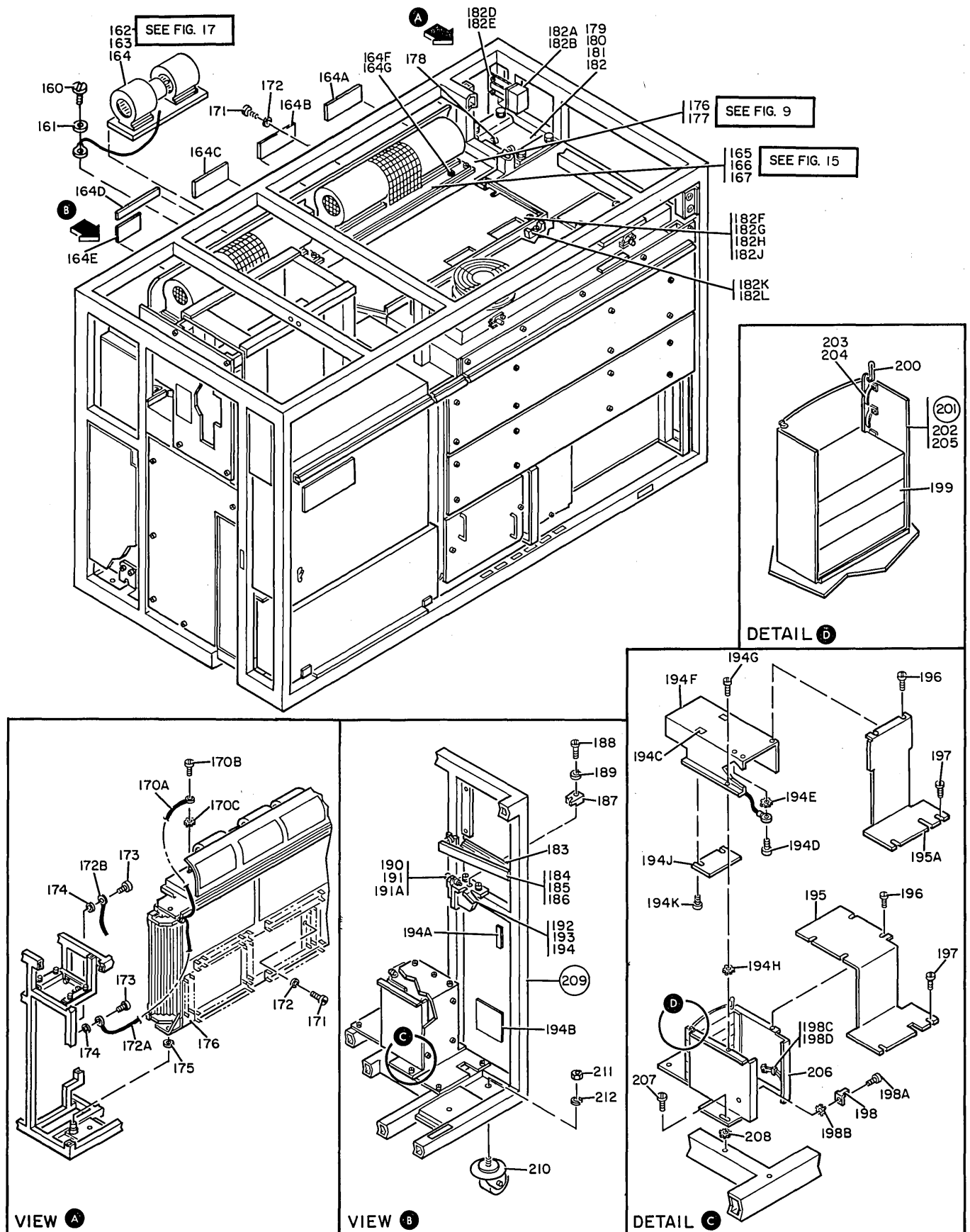
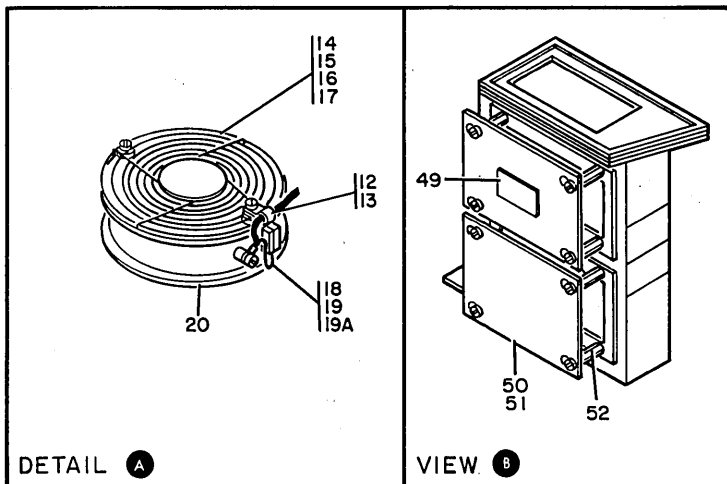
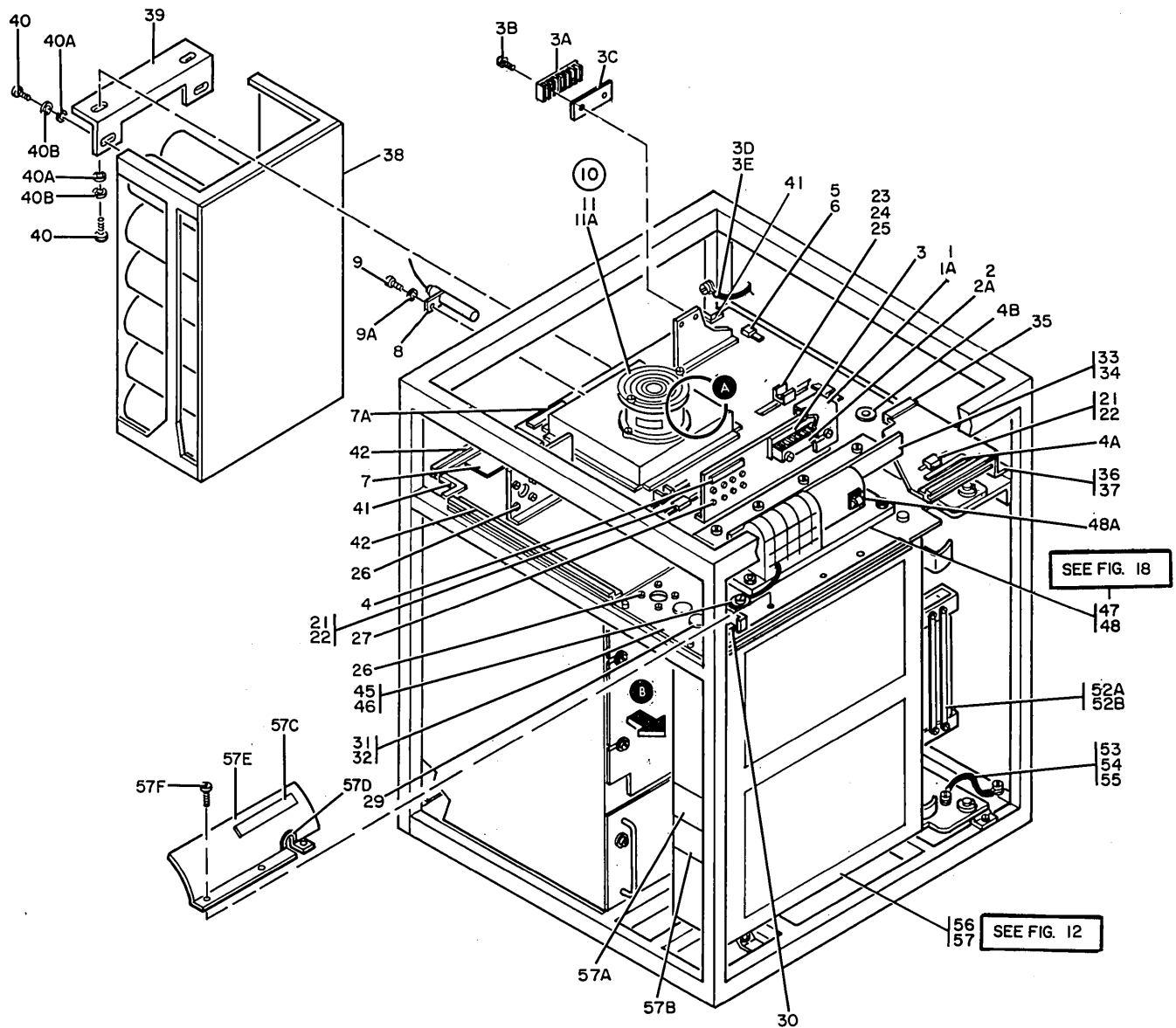


FIGURE 2. FINAL ASSEMBLY-FRAME J1. SHEET 4 OF 4. INDEX NOS. 160-212. SEE LIST 2.

FINAL ASSEMBLY-FRAME J1

FIGURE- INDEX NUMBER	PART NUMBER	UNITS PER ASM.	DESCRIPTION			
			1	2	3	4
2 -189	2125974	1	.	SPACER		ATT PT
-190	223781	1	.	BUMPER		
-191	3960	1	.	NUT,HEX- 1/4-20		ATT PT
-191A	6935	1	.	LOCKWASHER,SPLIT- 0.250 ID X 0.493 OD		ATT PT
-192	8483096	1	.	BRACKET		
-193	1621210	3	.	SCREW,PAN HD- M5 X 10 LG		ATT PT
-194	2125974	3	.	WASHER,LOCK		ATT PT
-194A	369207	1	.	LABEL, ENGLISH		
-194A	4056733	1	.	LABEL, GERMAN		
-194A	1743548	1	.	LABEL, CANADIAN		
-194A	6815182	1	.	LABEL, FRENCH		
-194A	5685244	1	.	LABEL, FRENCH DUTCH		
-194A	8326801	1	.	LABEL, FINNISH		
-194A	6815181	1	.	LABEL, ITALIAN		
-194A	8551904	1	.	LABEL, SWEDISH		
-194B	6331474	1	.	LABEL		
-194C	82588J	AR	.	TAPE,FOAM		
-194D	1621199	1	.	SCREW,PAN HD-M4 X 35 LG		
-194E	1622346	1	.	LOCKWASHER,EXT STAR- M4, 8 OD X .5		
-194F	4432867	1	.	HOUSING-USED ON J1G GATE SHIELD WITH BARRIER		
-194G	1621020	4	.	SCREW,CHEESE HD- M3 X 6 LG		ATT PT
-194H	1622344	4	.	LOCKWASHER,EXT STAR- M3 X 294 THK		ATT PT
-194J	4109520	1	.	BRACKET-USED ON J1G GATE SHIELD WITH BARRIER		
-194K	1621020	1	.	SCREW,CHEESE HD- M3 X 6 LG		ATT PT
-195	6831345	1	.	COVER-USED ON 01G GATE SHIELD WITHOUT BARRIER		
-195A	4432868	1	.	COVER-USED ON 01G GATE SHIELD GROUP WITH BARRIER		
-196	1621210	2	.	SCREW,PAN HD- M5 X 10 LG		ATT PT
-197	1621020	6	.	SCREW,CHEESE HD-M3 X 6 LG- USED ON 01G GATE SHIELD WITHOUT BARRIER		ATT PT
-197	1621190	2	.	SCREW-USED ON J1G GATE SHIELD GROUP WITH BARRIER		ATT PT
-198	5271288	1	.	TERMINAL-USED ON J1G GATE SHIELD WITHOUT BARRIER		
-198A	1621170	1	.	SCREW,PAN HD- M3 X L 6A		ATT PT
-198B	1622344	1	.	LOCKWASHER,EXT STAR- M3 X 294 THK		
-198C	524519	1	.	TIE,CABLE		
-198D	2277082	1	.	PUSHMOUNT		
-199	8483040	AR	.	BLOCK,DUMMY		
-200	6831342	1	.	CLIP,RETAINER		
-201	4432802	1	.	BRACKET ASM		
-202	1621197	2	.	SCREW,PAN HD-M4 X 6 LG		ATT PT
-203	6831349	5	.	SPRING		
-204	4432389	5	.	RIVET		ATT PT
-205	6831340	1	.	BRACKET		
-206	6831343	1	.	BRACKET		
-207	1621210	4	.	SCREW,PAN HD- M5 X 10 LG		ATT PT
-208	1622347	1	.	LOCKWASHER EXT STAR- M5, 10 OD X .6		
-209	6831310	1	.	FRAME ASM		
-210	471901	4	.	CASTER,GATE		
-211	186950	4	.	NUT,HEX 3-32		ATT PT
-212	130987	4	.	LOCKWASHER,SPLIT- 0.500 ID X 0.879 OD		ATT PT

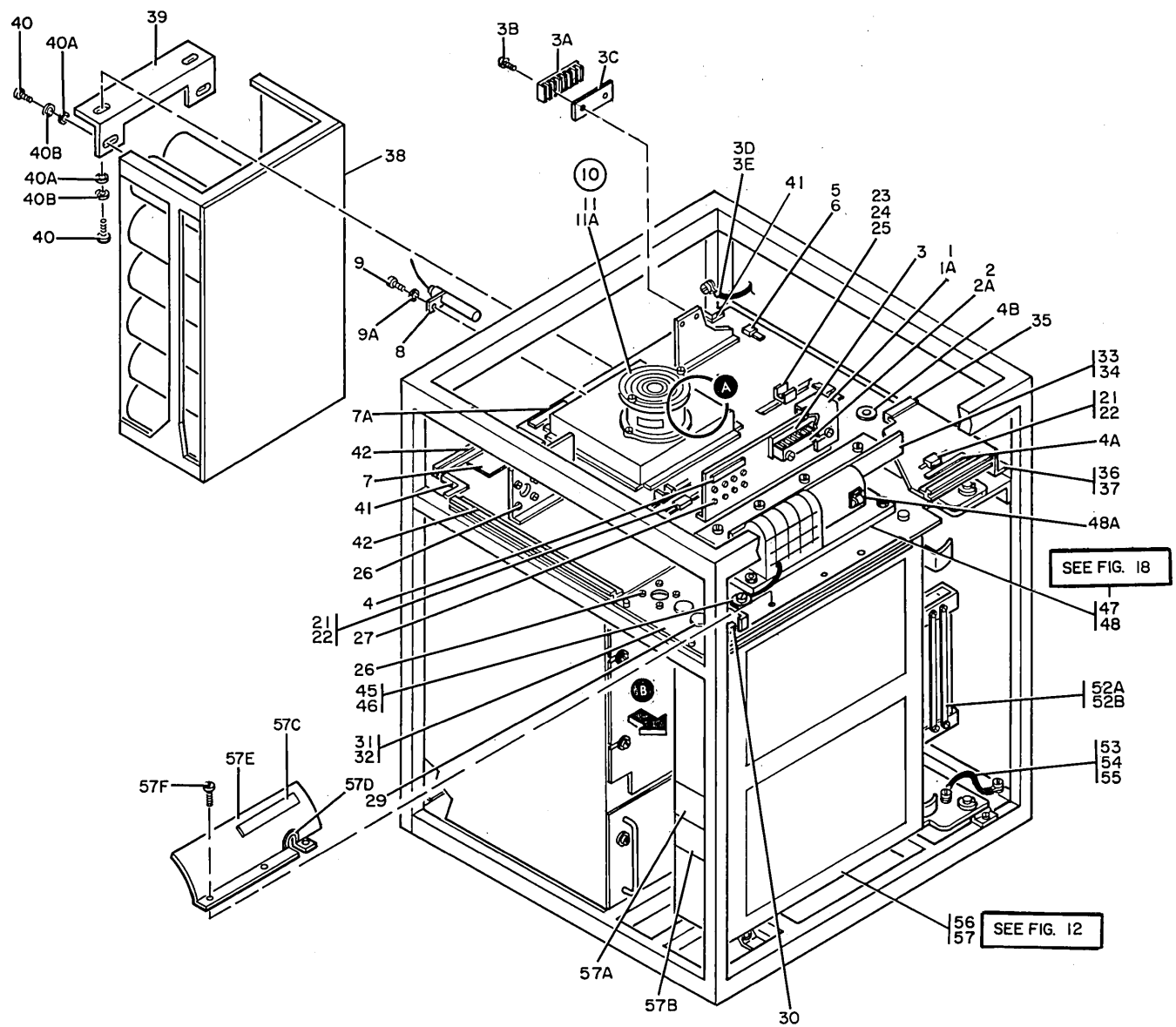


FRAME 02

FIGURE 3. FINAL ASSEMBLY-FRAME 02. SHEET 1 OF 2. INDEX NOS. 1-57F. SEE LIST 3.

FINAL ASSEMBLY-FRAME 02

FIGURE- INDEX NUMBER	PART NUMBER	UNITS PER ASM.	DESCRIPTION			
			1	2	3	4
3 -	4155177 NP	1	FINAL ASSEMBLY-FRAME 02 FOR ILLUSTRATION SEE FIGURE 3			
- 1	2676633	1	. SHIELD			
- 1A	1621216	1	. SCREW			
- 2	1799218	1	. BLOCK, TERMINAL			
- 2A	1624357	1	. SCREW, SPECIAL-NYLON			
- 3	1799206	1	. INSULATOR, TERMINAL BOARD			
- 3A	1799218	1	. BLOCK, TERMINAL			
- 3B	1621216	2	. SCREW			
- 3C	1799206	1	. INSULATOR			
- 3D	4154642	1	. STRAP, GROUND			
- 3E	1621210	1	. SCREW, PAN HD- M5 X 10 LG			
- 4	845762	1	. LABEL, VOLTAGE			
- 4A	369207	1	. LABEL, ENGLISH			
- 4A	4056733	1	. LABEL, GERMAN			
- 4A	1743548	1	. LABEL, CANADIAN			
- 4A	6815182	1	. LABEL, FRENCH			
- 4A	5865244	1	. LABEL, FRENCH DUTCH			
- 4A	8326801	1	. LABEL, FINNISH			
- 4A	6815181	1	. LABEL, ITALIAN			
- 4A	8551904	1	. LABEL, SWEDISH			
- 4B	730432	AR	. GROMMET			
- 5	524519	1	. STRAP			
- 6	2277082	1	. CLAMP			
- 7	4109344	1	. LABEL			
- 7A	2542403	1	. LABEL-ENGLISH			
- 7A	984117	1	. LABEL-CANADIAN FRENCH			
- 8	5578666	1	. SENSOR, AIR FLOW			
- 9	1621170	1	. SCREW, PAN HD- M3 X L 6A			
- 9A	1622344	1	. LOCKWASHER, EXT STAR- M3 X 294 THK			
- 10	4109519	1	. FAN ASM- 50/60 HZ			
- 11	1622403	2	. NUT, DBL CHAMFERED HEX M4 X 3.2 THK			
- 11A	1622346	1	. LOCKWASHER, EXT STAR- M4, 8 OD X .5			
- 12	825559	1	. CLAMP			
- 13	1621195	1	. SCREW, PAN HD-M4 X 30 LG			
- 14	4123902	1	. GUARD, FAN			
- 15	1621194	1	. SCREW, PAN HD-M4 X 20 LG			
- 16	1622346	2	. LOCKWASHER, EXT STAR- M4, 8 OD X .5			
- 17	1622403	2	. NUT, DBL CHAMFERED HEX M4 X 3.2 THK			
- 18	4124247	1	. CABLE ASM-FAN			
- 19	1673983	1	. SCREW			
- 19A	1622347	1	. LOCKWASHER EXT STAR- M5, 10 OD X .6			
- 20	4120598	1	. FAN, AXIAL- 200/240V, 50/60HZ			
- 21	524519	3	. TIE, CABLE			
- 22	2277082	3	. MOUNT, PUSH SWITCH			
- 23	524519	3	. STRAP			
- 24	2637669	2	. CLAMP			
- 25	1621190	2	. SCREW, PAN HD- M4 X 8 LG			
- 26	1621170	12	. SCREW, PAN HD- M3 X L 6A			
- 27	1621210	16	. SCREW, PAN HD- M5 X 10 LG			
- 29	850070	AR	. PLUG- 1.50 HOLE			
- 30	8483347	AR	. SEAL			
- 31	5578545	1	. BARRIER			
- 32	1621210	4	. SCREW, PAN HD- M5 X 10 LG			
- 33	5578546	1	. BRACKET			
- 34	1621210	4	. SCREW, PAN HD- M5 X 10 LG			
- 35	8483347	AR	. SEAL			
- 36	5578551	1	. BARRIER			
- 37	1621210	2	. SCREW, PAN HD- M5 X 10 LG			
- 38	4151659	1	. POWER SUPPLY ASM- 50/60 HZ (PS 201)			
- 39	1310161	1	. BRACKET			
- 40	1521210	6	. SCREW, PAN HD- M5 X 10 LG			
- 40A	150390	6	. WASHER, FL- 0.250 ID X 0.625 OD			
- 40B	1622320	6	. LOCKWASHER, SPLIT- M6, 11.9 OD X 1.6 THK			
- 41	730432	AR	. GROMMET, CATERPILLAR			
- 42	8483347	1	. SEAL			
- 45	1621170	1	. SCREW, PAN HD- M3 X L 6A			
- 46	1622344	1	. LOCKWASHER, EXT STAR- M3 X 294 THK			
- 47	8330712	1	. COOLING UNIT ASSEMBLY-GATE 02, 60 HZ			
- 47	8330711	1	. COOLING UNIT ASSEMBLY-GATE 02, 50 HZ			
- 48	1622404	4	. NUT, DBL CHAMFERED HEX-M5 X 4 THK			
- 48A	825557	1	. CLAMP			
- 49	4109396	1	. LABEL			
- 50	8330658	2	. COVER, SAFETY			
- 51	1621170	8	. SCREW, PAN HD- M3 X L 6A			



FRAME 02

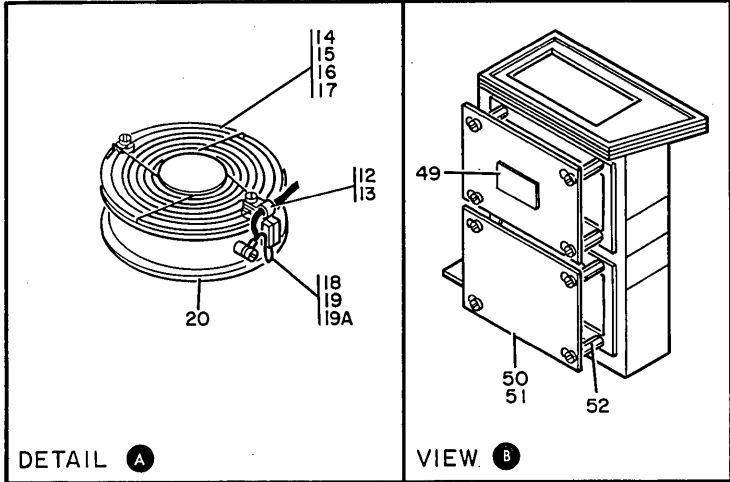


FIGURE 3. FINAL ASSEMBLY-FRAME 02. SHEET 1 OF 2. INDEX NOS. 1-57P. SEE LIST 3.

FINAL ASSEMBLY-FRAME 02

FIGURE- INDEX NUMBER	PART NUMBER	UNITS PER ASM.	DESCRIPTION			
			1	2	3	4
3 - 52	8330659	8	. STANDOFF			
- 52A	4109483	4	. STRAP			
- 52B	1621171	8	. SCREW,PAN HD- M3 X 8 LG			
- 53	4154632	1	. STRAP			
- 54	1621198	2	. SCREW,PAN HD-M4 X 4 LG			
- 55	1622346	2	. LOCKWASHER,EXT STAR- M4, 3 OD X .5			
- 56	4432600	1	. GATE ASSEMBLY-GATE 02			
			FIRST SOURCE			
- 56	1310330	1	. GATE ASSEMBLY, 02			
			SECOND SOURCE ONLY			
			FOR DETAIL BREAKDOWN SEE FIGURE 12			
- 57	219743	2	. RING,RETAINING EXT- 0.392 ID X 0.042 THK			
- 57A	6831364	1	. LABEL-MODEL 1			
- 57A	4109443	1	. LABEL-MODEL 2			
- 57B	4109347	1	. LABEL-MODEL 1 FIRST SOURCE			
- 57B	4109393	1	. LABEL-MODEL 1 SECOND SOURCE			
- 57B	4109398	1	. LABEL-MODEL 2 FIRST SOURCE			
- 57C	4109452	1	. LABEL, ENGLISH			
- 57C	2676662	1	. LABEL, GERMAN			
- 57C	2676657	1	. LABEL, CANADIAN			
- 57C	2676664	1	. LABEL, FRENCH			
- 57C	2676660	1	. LABEL, FRENCH DUTCH			
- 57C	2676659	1	. LABEL, FINNISH			
- 57C	2676658	1	. LABEL, ITALIAN			
- 57C	2676663	1	. LABEL, SWEDISH			
- 57D	825580	AR	. TAPE			
- 57E	4109379	1	. BARRIER			
- 57F	1621198	3	. SCREW,PAN HD-M4 X 4 LG			

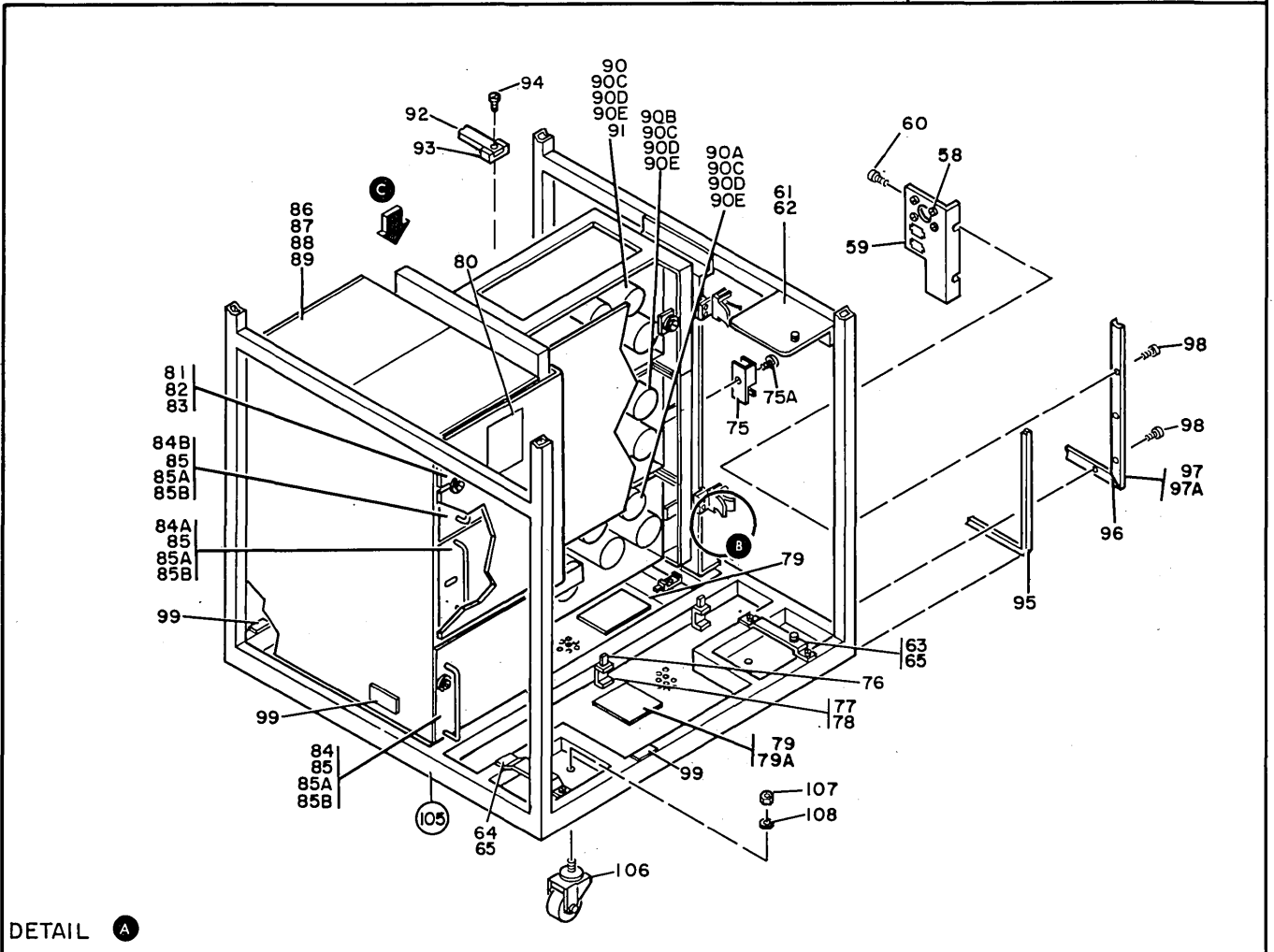
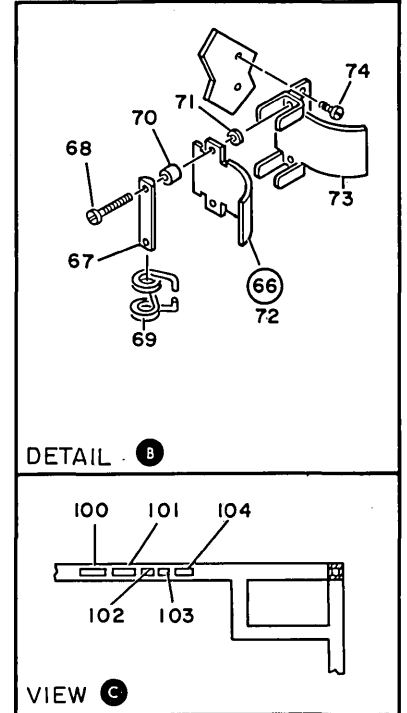
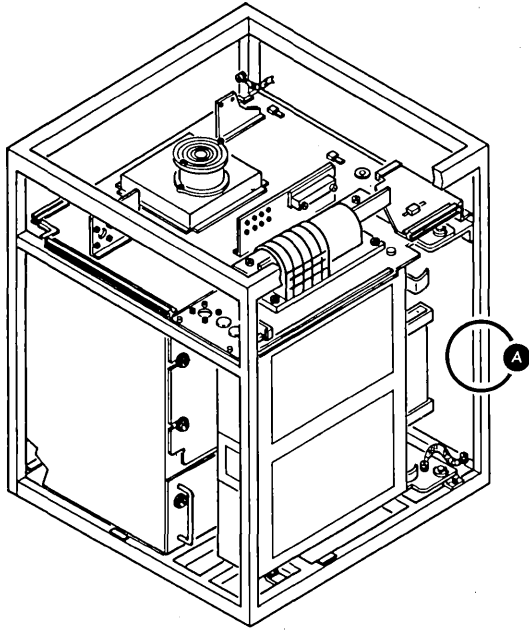
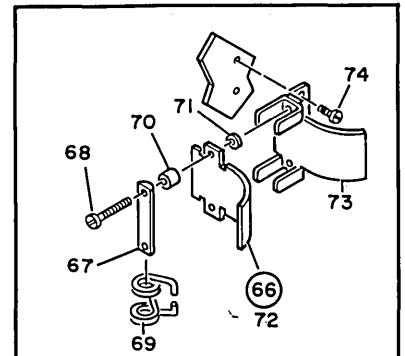
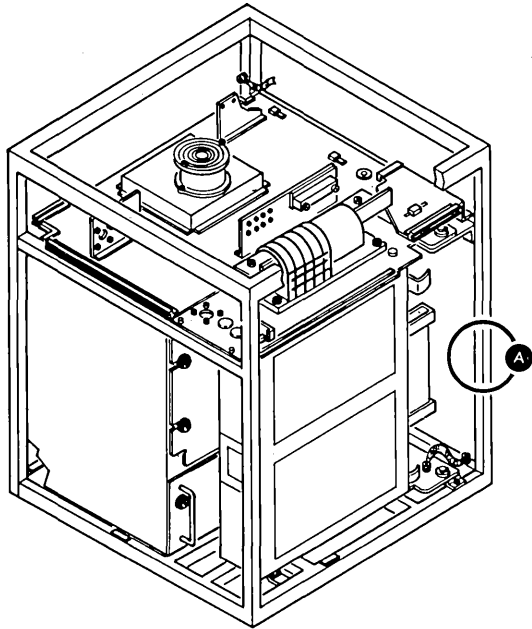


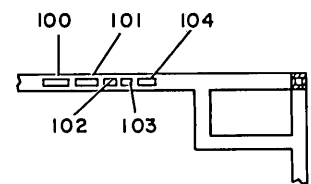
FIGURE 3. FINAL ASSEMBLY-FRAME 02. SHEET 2 OF 2. INDEX NOS. 58-108. SEE LIST 3.

FINAL ASSEMBLY-FRAME 02

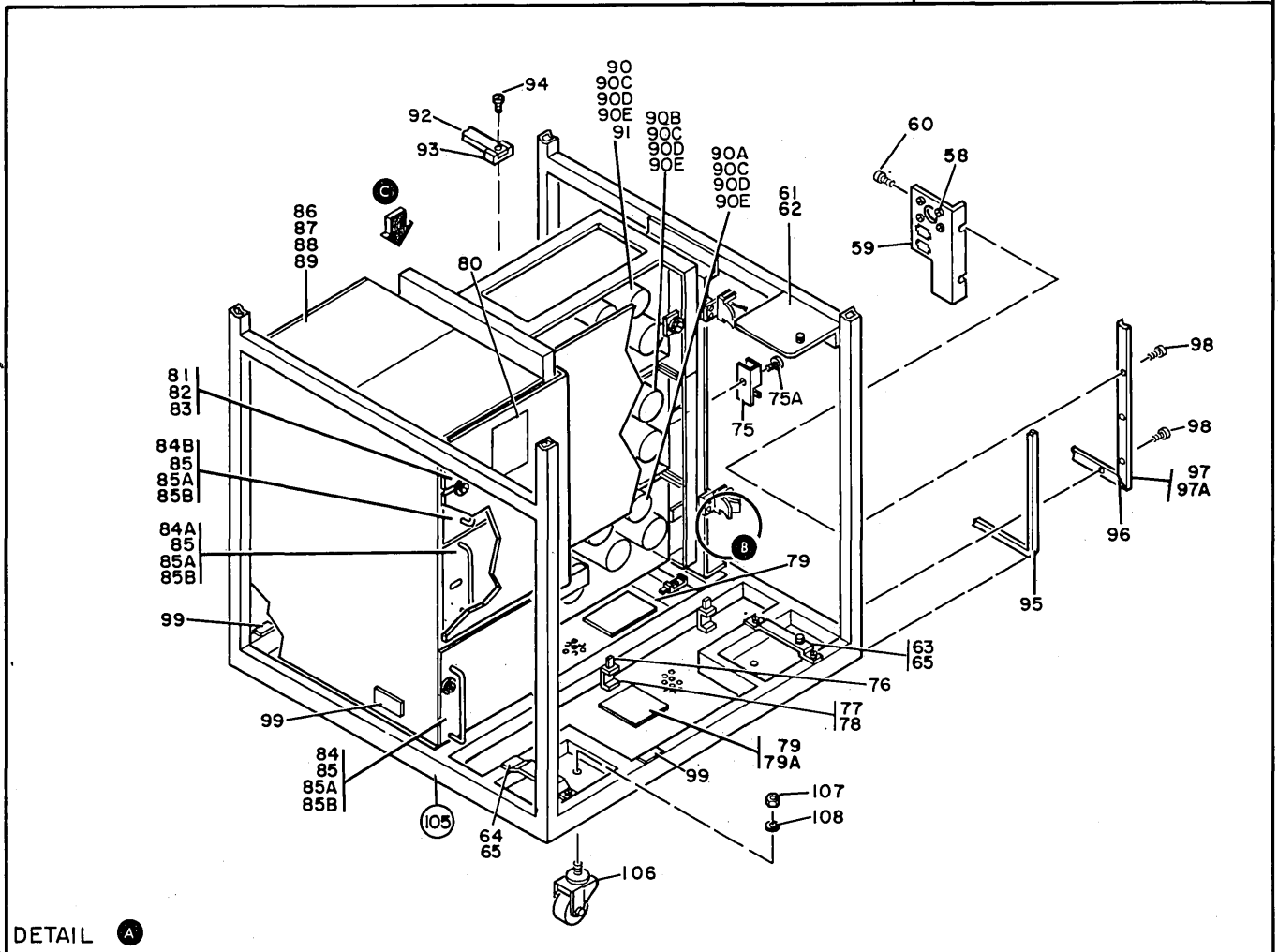
FIGURE- INDEX NUMBER	PART NUMBER	UNITS PER ASM.	DESCRIPTION			
			1	2	3	4
3 - 58	1621170	4	.	SCREW,PAN HD- M3 X L 6A		ATT PT
- 59	1310483	1	.	BRACKET		
- 60	1621210	2	.	SCREW,PAN HD- M5 X 10 LG		ATT PT
- 61	5578550	1	.	BRACKET,HINGE		
- 62	1621210	2	.	SCREW,PAN HD- M5 X 10 LG		ATT PT
- 63	5578549	1	.	BRACKET		
- 64	5578556	1	.	BRACKET		
- 65	1621210	5	.	SCREW,PAN HD- M5 X 10 LG		ATT PT
- 66	815224	2	.	CLAMP ASM		
- 67	815220	1	.	BAR		
- 68	815174	2	.	SCREW,HEX SOC HD 8-32 X 1.750 LG		ATT PT
- 69	813321	1	.	SPRING		
- 70	815219	2	.	SPACER		
- 71	816649	2	.	RETAINER		
- 72	815217	1	.	PLATE		
- 73	815171	2	.	BACKPLATE		
- 74	1621190	4	.	SCREW,PAN HD- M4 X 8 LG		ATT PT
- 75	4432450	1	.	CLAMP-MODEL 2		
- 76	524519	1	.	STRAP		
- 77	2637669	6	.	CLAMP		
- 78	1621190	6	.	SCREW,PAN HD- M4 X 8 LG		ATT PT
- 79	2542403	1	.	LABEL,FUSE WARNING-ENGLISH		
- 79A	984117	1	.	LABEL,FUSE WARNING-CANADIAN		
- 80	4109342	1	.	LABEL-MODEL 1 ONLY		
- 81	4432866	1	.	COVER-MODEL 1 ONLY		
- 82	1621210	6	.	SCREW,PAN HD- M5 X 10 LG		ATT PT
- 83	150390	6	.	WASHER,FL- 0.250 ID X 0.625 OD		ATT PT
- 84	4151648	1	.	T/R PAC ASM- 60 HZ (TR 202)		
- 84	4151647	1	.	T/R PAC ASM- 50 HZ (TR 202)		
- 84A	1310270	1	.	T/R PAC ASM- 60 HZ (TR 206) MODEL 2 ONLY		
- 84A	1310273	1	.	T/R PAC ASM- 50 HZ (TR 206) MODEL 2 ONLY		
- 84B	5576248	1	.	T/R PAC ASM- 60 HZ (TR 204) MODEL 2 ONLY		
- 84B	5576247	1	.	T/R PAC ASM- 50 HZ (TR 204) MODEL 2 ONLY		
- 85	1621210	2	.	SCREW,PAN HD- M5 X 10 LG		ATT PT
- 85A	150390	6	.	WASHER,FL- 0.250 ID X 0.625 OD		ATT PT
- 85B	1622320	6	.	LOCKWASHER,SPLIT- M6,11.3 OD X 1.6 THK		ATT PT
- 86	4124198	1	.	T/R PAC ASM- 60 HZ (TR 201)		
- 86	4124208	1	.	T/R PAC ASM- 50 HZ (TR 201)		
				ALL TR 201 T/R PAC ASMS MUST BE REPLACED TOGETHER IN SETS OF 3, WITH MATCHING SERIAL NUMBERS		
- 87	1621210	6	.	SCREW,PAN HD- M5 X 10 LG		ATT PT
- 88	150390	2	.	WASHER,FL- 0.250 ID X 0.625 OD		ATT PT
- 89	1622320	2	.	LOCKWASHER,SPLIT- M6,11.8 OD X 1.6 THK		ATT PT
- 90	1310260	1	.	POWER SUPPLY ASM- 60 HZ (PS 205)		
- 90	1310255	1	.	POWER SUPPLY ASM- 50 HZ (PS 205)		
- 90A	1310275	1	.	POWER SUPPLY ASM (PS 206) MODEL 2 ONLY		
- 90B	5576249	1	.	POWER SUPPLY ASM (PS 204) MODEL 2 ONLY		
- 90C	1621210	6	.	SCREW,PAN HD- M5 X 10 LG		ATT PT
- 90D	150390	6	.	WASHER,FL- 0.250 ID X 0.625 OD		ATT PT
- 90E	1622320	6	.	LOCKWASHER,SPLIT- M6,11.8 OD X 1.6 THK		ATT PT
- 91	117403	1	.	FUSE-.4A,240V		ATT PT
- 92	524519	1	.	STRAP		
- 93	2637669	1	.	CLAMP		
- 94	1621190	1	.	SCREW,PAN HD- M4 X 8 LG		ATT PT
- 95	8483347	1	.	SEAL		
- 96	1310012	2	.	FILLER,FRAME		
- 97	1310011	2	.	FILLER,FRAME		
- 97A	1310013	1	.	BARRIER		
- 98	1673983	AR	.	SCREW,PAN HD-M5 X 6 LG-BLUE ZINC COATED		ATT PT
- 99	369207	1	.	LABEL, ENGLISH		
- 99	4056733	1	.	LABEL, GERMAN		
- 99	1743548	1	.	LABEL, CANADIAN		
- 99	6815182	1	.	LABEL, FRENCH		
- 99	5685244	1	.	LABEL, FRENCH DUTCH		
- 99	8326801	1	.	LABEL, FINNISH		
- 99	6815181	1	.	LABEL, ITALIAN		
- 99	8551904	1	.	LABEL, SWEDISH		
- 99	4056733	3	.	LABEL, GERMAN		
-100	855284	1	.	PLATE,MFG EXPORT		
-101	855264	1	.	PLATE,MANUFACTURED BY USA		
-101	855265	1	.	PLATE,MFG BY IBM-CANADA		
-101	855266	1	.	PLATE,MFG BY WTC		
-101	855267	1	.	PLATE,MANUFACTURED FOR USA		
-101	855268	1	.	PLATE,MANUFACTURED FOR		
-101	855269	1	.	PLATE,MANUFACTURED FOR WT		
-101	855270	1	.	PLATE,RECONDITIONED BY USA		



DETAIL **B**



VIEW **C**

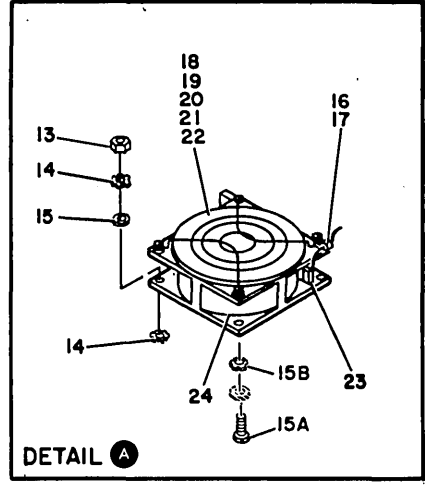
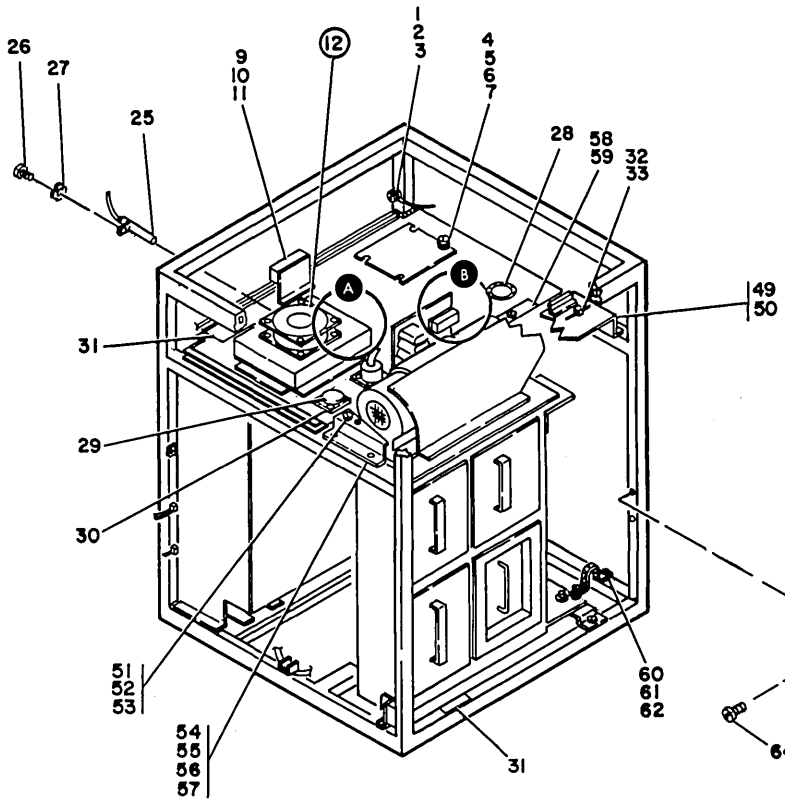


DETAIL **A**

FIGURE 3. FINAL ASSEMBLY-FRAME C2. SHEET 2 OF 2. INDEX NOS. 58-109. SEE LIST 3.

FINAL ASSEMBLY-FRAME 02

FIGURE- INDEX NUMBER	PART NUMBER	UNITS PER ASM.	DESCRIPTION			
			1	2	3	4
3	-101	855272	1	.	PLATE,RECONDITIONED BY WT	
	-101	855273	1	.	PLATE,RENOVATED BY USA	
	-101	855275	1	.	PLATE,RENOVATED BY WT	
	-101	855276	1	.	PLATE,RECONDITIONED FOR USA	
	-101	855278	1	.	PLATE,RECONDITIONED FOR WT	
	-101	855279	1	.	PLATE,RENOVATED FOR USA	
	-101	855281	1	.	PLATE,RENOVATED FOR WT	
					THE FOLLOWING PROPERTY PLATES ARE FOR DOMESTIC AND WORLD TRADE USE	
	-101	855262	1	.	PLATE,PROP IBM ARM	
	-101	855263	1	.	PLATE,PROP IBM W.T.	
	-101	960746	1	.	PLATE,PROPERTY OF CANADA	
	-101	1310782	1	.	PLATE,PROPERTY-ARGENTINA	
	-101	1976194	1	.	PLATE,PROPERTY-JAPAN	
	-101	2418180	1	.	PLATE, PROPERTY-ITALIA	
	-101	2992717	1	.	PLATE, PROPERTY-FRENCH	
	-101	4056393	1	.	PLATE,PROPERTY-WT	
	-101	4134351	1	.	PLATE,PROPERTY-AUSTRALIA	
	-101	4134352	1	.	PLATE,PROPERTY-BAHAMAS	
	-101	4134353	1	.	PLATE,PROPERTY-BELGIUM	
	-101	4134354	1	.	PLATE,PROPERTY-BOLIVIA	
	-101	4134355	1	.	PLATE,PROPERTY-CHILE	
	-101	4134356	1	.	PLATE,PROPERTY-COLUMBIA	
	-101	4134357	1	.	PLATE,PROPERTY-COSTA RICA	
	-101	4134358	1	.	PLATE,PROPERTY-DENMARK	
	-101	4134359	1	.	PLATE,PROPERTY-ECUADOR	
	-101	4134360	1	.	PLATE,PROPERTY-FINLAND	
	-101	4134361	1	.	PLATE,PROPERTY-GUATEMALA	
	-101	4134362	1	.	PLATE,PROPERTY-IRELAND	
	-101	4134363	1	.	PLATE,PROPERTY-KOREA	
	-101	4134364	1	.	PLATE,PROPERTY-MEXICO	
	-101	4134365	1	.	PLATE,PROPERTY-NORWAY	
	-101	4134366	1	.	PLATE,PROPERTY-PANAMA	
	-101	4134367	1	.	PLATE,PROPERTY-PERU	
	-101	4134368	1	.	PLATE,PROPERTY-PHILIPPINES	
	-101	4134369	1	.	PLATE,PROPERTY-PORUGAL	
	-101	4134370	1	.	PLATE,PROPERTY-SOUTH AFRICA	
	-101	4134371	1	.	PLATE,PROPERTY-SPAIN	
	-101	4134372	1	.	PLATE,PROPERTY-SWITZERLAND	
	-101	4134373	1	.	PLATE,PROPERTY-TAIWAN	
	-101	4134374	1	.	PLATE,PROPERTY-THAILAND	
	-101	4134375	1	.	PLATE,PROPERTY-URUGUAY	
	-101	4134376	1	.	PLATE,PROPERTY-VENEZUELA	
	-101	4134580	1	.	PLATE,PROPERTY-WT/AMER/FAR EAST	
	-101	4134581	1	.	PLATE,PROPERTY-WT EUROPE/AID	
	-101	4134582	1	.	PLATE,PROPERTY-AUSTRIA	
	-101	4134583	1	.	PLATE,PROPERTY-NEW ZEALAND	
	-101	4134584	1	.	PLATE,PROPERTY-NIGERIA	
	-101	4135783	1	.	PLATE,PROPERTY-NETHERLANDS	
	-101	5054478	1	.	PLATE,PROPERTY-SWEDEN	
	-101	5576379	1	.	PLATE,PROPERTY-MADAGASCAR	
	-101	5966292	1	.	PLATE,PROPERTY-INDIA	
	-101	6003013	1	.	PLATE,PROPERTY-BRAZIL	
	-101	8112294	1	.	PLATE,PROPERTY-UNITED KINGDOM	
	-101	8330628	1	.	PLATE,PROPERTY-WHITE PLAINS	
	-102	855286	1	.	PLATE,U.L. APPROVAL	
	-102	960766	1	.	PLATE,CSA INSIGNIA	
	-103	855283	1	.	PLATE,SERIAL NO. RIGHT	
	-104	855282	1	.	PLATE,SERIAL NO. LEFT	
	-105	1310005	1	.	FRAME ASM	
	-106	471901	4	.	CASTER,GATE	
	-107	186950	4	.	NUT,HEX 8-32	ATT PT
	-108	130987	4	.	LOCKWASHER,SPLIT- 0.500 ID X 0.879 OD	ATT PT



**FRAME 02
SWITCHING REGULATORS**

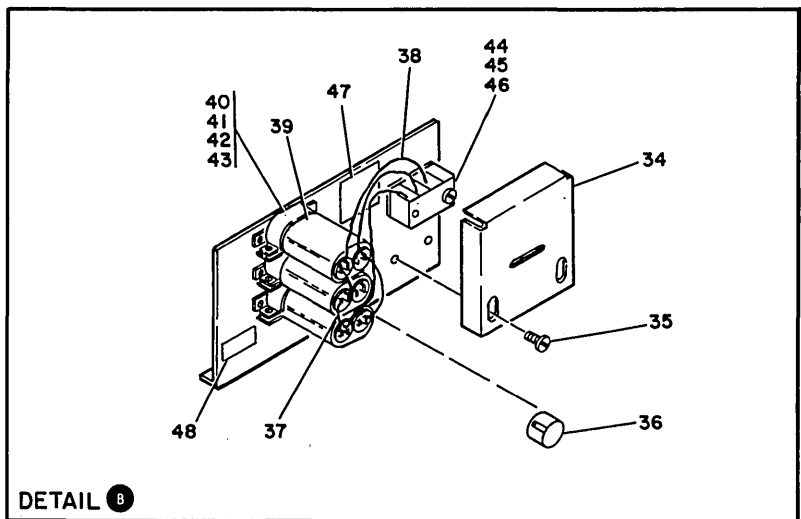
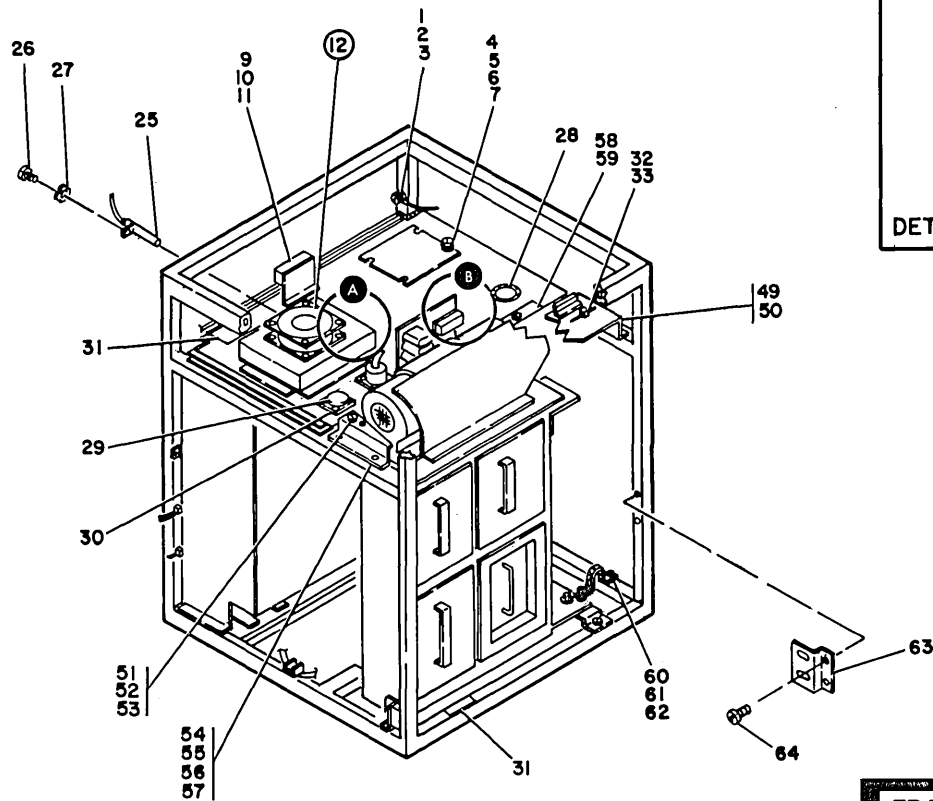


FIGURE JA. FINAL ASSEMBLY, FRAME 02- SWITCHING REGULATORS. SHEET 1 OF 3. INDEX NOS. 1-64. SEE LIST 3A.

FINAL ASSEMBLY, FRAME J2-SWITCHING REGULATORS

FIGURE- INDEX NUMBER	PART NUMBER	UNITS PER ASM.	DESCRIPTION			
			1	2	3	4
3A-	4154550 NP		FINAL ASSEMBLY FOR ILLUSTRATION SEE FIGURE 3A			
- 1	4154642	1	. STRAP, GROUND			
- 2	1621210	1	. SCREW, PAN HD- M5 X 10 LG			
- 3	1622347	2	. LOCKWASHER, EXT STAR- M5, 10 OD X .6			
- 4	4154618	1	. PLATE			
- 5	1622403	4	. NUT, DBL CHAMFERED HEX M4 X 3.2 THK			
- 6	1622318	4	. WASHER, SPRING-M4 9.2 OD X 1.2 THK			
- 7	1622305	4	. WASHER, FL- M5 10 OD X 1 THK			
- 9	1726314	1	. BLOCK, TERMINAL			
- 10	1621066	2	. SCREW-MACH CHEESE HD, M4 X 30 LG			
- 11	1726315	1	. INSULATOR			
- 12	8330692	1	. FAN ASM			
- 13	1622401	4	. NUT, DBL CHAMFERED HEX M3 X 2.4 THK			
- 14	1622344	8	. LOCKWASHER, EXT STAR- M3 X 294 THK			
- 15	1622302	4	. WASHER, FL-M3 7 OD X 0.5 THK			
- 15A	1621197	1	. . SCREW, PAN HD-M4 X 6 LG			
- 15B	1622346	1	. . LOCKWASHER, EXT STAR- M4, 8 OD X .5			
- 16	825559	1	. . CLAMP			
- 17	1621175	1	. . SCREW-MACH PAN HD, M3 X 20 LG			
- 18	2172166	1	. . GUARD			
- 19	1621173	3	. . SCREW, PAN HD-M3 X 12 LG			
- 20	1622302	4	. . WASHER, FL-M3 7 OD X 0.5 THK			
- 21	1622344	4	. . LOCKWASHER, EXT STAR- M3 X 294 THK			
- 22	1622401	4	. . NUT, DBL CHAMFERED HEX M3 X 2.4 THK			
- 23	8330691	1	. . CABLE ASM, FAN FOR COMPONENT PARTS SEE FIGURE 21			
- 24	4109480	1	. . FAN, 50/50HZ			
- 25	5578666	1	. . SENSOR, AIR FLOW			
- 26	1621170	1	. SCREW, MACH SLOT PAN HD-M3 X 6 LG			
- 27	1622344	1	. LOCKWASHER, EXT STAR- M3 X 294 THK			
- 28	730432	AR	. GROMMET, CATERPILLAR			
- 29	850070	AR	. PLUG- 1.50 HOLE			
- 30	1621170	AR	. SCREW, MACH SLOT PAN HD-M3 X 6 LG			
- 31	369207	1	. LABEL, HAZARDOUS AREA-ENGLISH			
- 31	4056733	2	. LABEL-WT-GERMAN			
- 31	1743548	1	. LABEL, HAZARDOUS AREA-CANADIAN			
- 31	6815182	1	. LABEL, HAZARDOUS AREA-FRENCH			
- 31	5685244	1	. LABEL, HAZARDOUS AREA-FRENCH DUTCH			
- 31	8326801	1	. LABEL, HAZARDOUS AREA-FINNISH			
- 31	6815181	1	. LABEL, HAZARDOUS AREA-ITALIAN			
- 31	8551904	1	. LABEL, HAZARDOUS AREA-SWEDISH			
- 31	6815180	2	. LABEL, SPANISH			
- 31	6815183	2	. LABEL, PORTUGUESE			
- 31	8326797	2	. LABEL, JAPANESE			
- 32	1159519	11	. STRAP, CABLE			
- 33	2277082	11	. MOUNT, PUSH SWITCH			
- 34	4154634	1	. SHIELD			
- 35	1621216	2	. SCREW			
- 36	526378	6	. INSULATOR			
- 37	4154643	3	. JUMPER ASM			
- 38	4154644	3	. JUMPER ASM			
- 39	5252850	3	. CAPACITOR			
- 40	737732	3	. BRACKET			
- 41	1621190	6	. SCREW, PAN HD- M4 X 8 LG			
- 42	1622318	6	. WASHER, SPRING-M4 9.2 OD X 1.2 THK			
- 43	1622305	6	. WASHER, FL- M5 10 OD X 1 THK			
- 44	1726314	1	. BLOCK, TERMINAL			
- 45	1621066	2	. SCREW-MACH CHEESE HD, M4 X 30 LG			
- 46	1726315	1	. INSULATOR			
- 47	2582954	1	. LABEL, DANGER-ENGLISH			
- 47	5718485	1	. LABEL, DANGER-GERMAN			
- 47	4422117	1	. LABEL, DANGER-FRENCH DUTCH			
- 47	6825833	1	. LABEL, DANGER-FINNISH			
- 47	5718487	1	. LABEL, DANGER-ITALIAN			
- 47	8551902	1	. LABEL, DANGER-SWEDISH			
- 47	5718488	1	. LABEL, PORTUGUESE			
- 47	6825839	1	. LABEL, JAPANESE			
- 47	6825830	1	. LABEL, SPANISH			
- 48	845762	1	. PLATE, VOLTAGE			
- 49	4154601	1	. BARRIER			
- 50	1621210	3	. SCREW, PAN HD- M5 X 10 LG			
- 51	1621599	2	. SCREW			
- 52	1622320	2	. LOCKWASHER, SPLIT- M6, 11.8 OD X 1.6 THK			
- 53	150390	2	. WASHER, FL- 0.250 ID X 0.625 OD			
- 54	4154604	1	. BARRIER			
- 55	1621596	2	. SCREW, HEX HD-M6 X 16 LG			



**FRAME 02
SWITCHING REGULATORS**

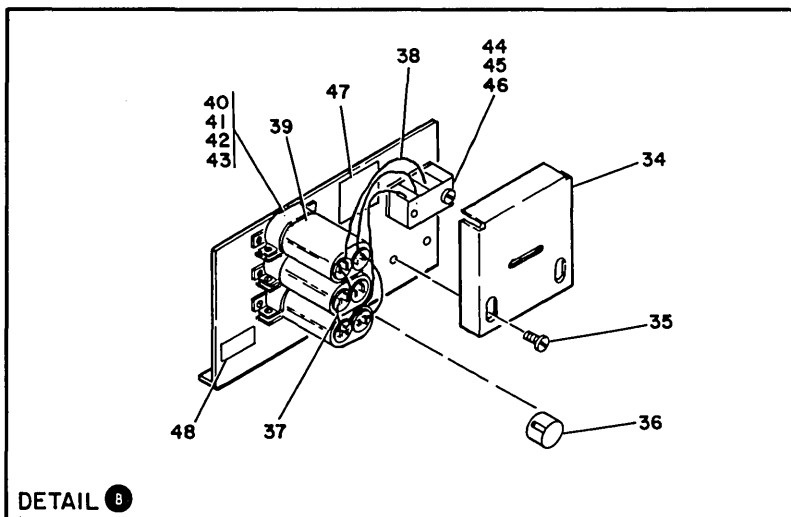


FIGURE 3A. FINAL ASSEMBLY, FRAME 02- SWITCHING REGULATORS. SHEET 1 OF 3. INDEX NOS. 1-64. SEE LIST 3A.

FINAL ASSEMBLY, FRAME 02-SWITCHING REGULATORS

FIGURE- INDEX NUMBER	PART NUMBER	UNITS PER ASM.	DESCRIPTION			
			1	2	3	4
3A - 56	1622320	2	.	LOCKWASHER, SPLIT- M6, 11.8 OD X 1.6 THK		ATT PT
- 57	150390	2	.	WASHER, FL- 0.250 ID X 0.625 OD		ATT PT
- 58	4154603	1	.	BRACKET		
- 59	1673983	3	.	SCREW, PAN HD-M5 X 6 LG-BLUE ZINC COATED		ATT PT
- 60	4154632	1	.	JUMPER ASM		
- 61	1621197	2	.	SCREW, PAN HD-M4 X 6 LG		ATT PT
- 62	1622346	4	.	LOCKWASHER, EXT STAR- M4, 3 OD X .5		ATT PT
- 63	4154619	1	.	BRACKET		
- 64	1621210	2	.	SCREW, PAN HD- M5 X 10 LG		ATT PT

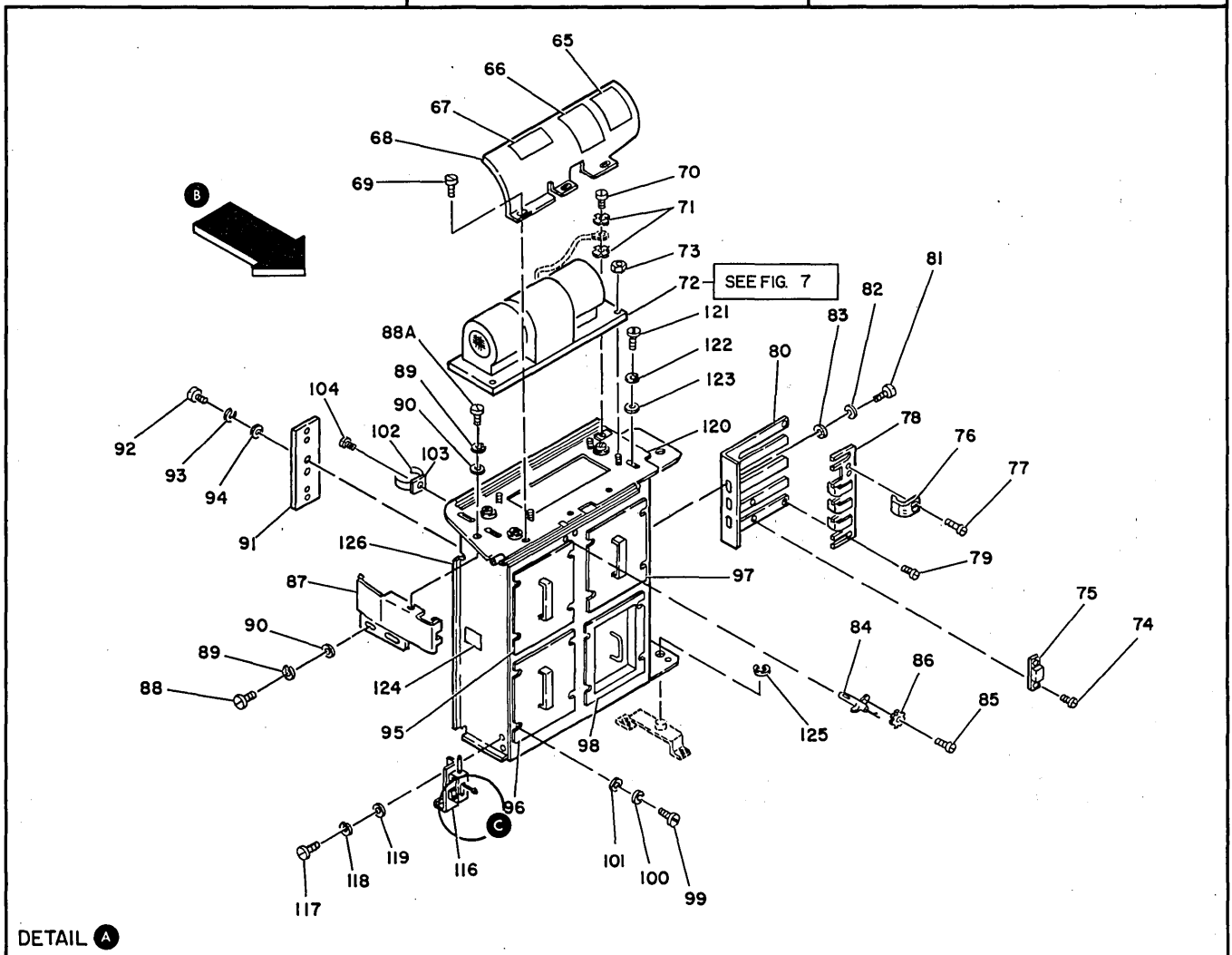
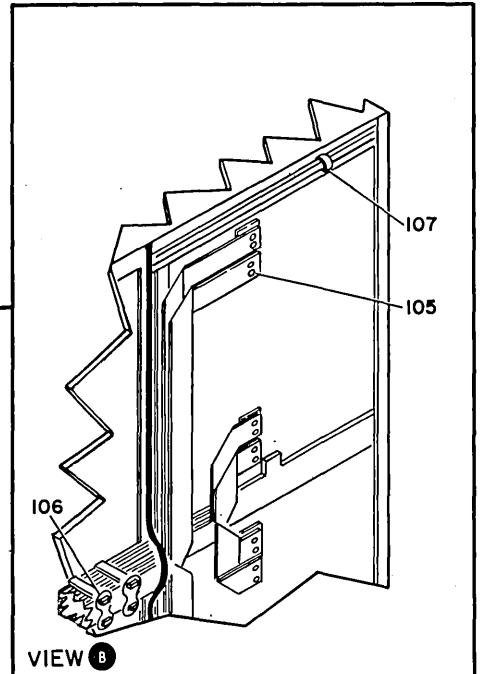
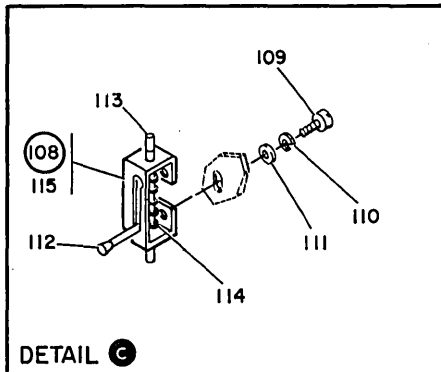
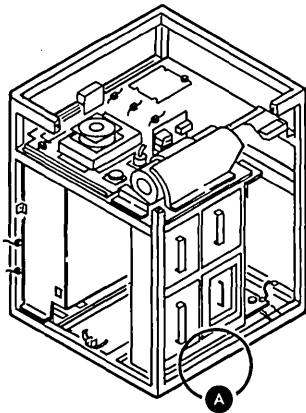
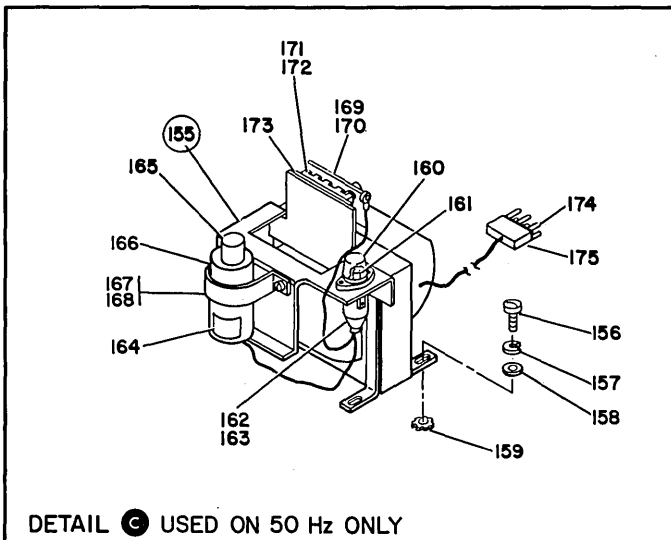
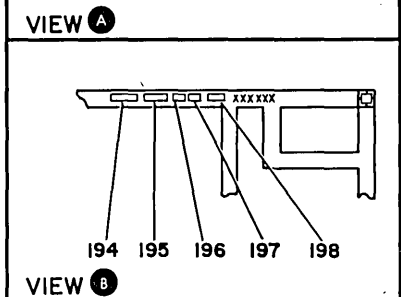
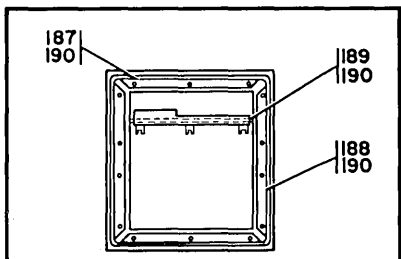
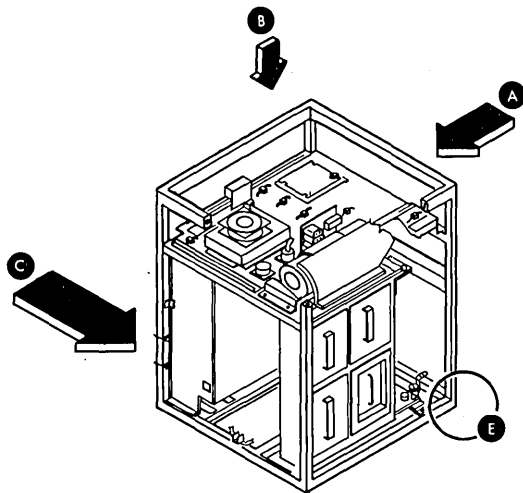


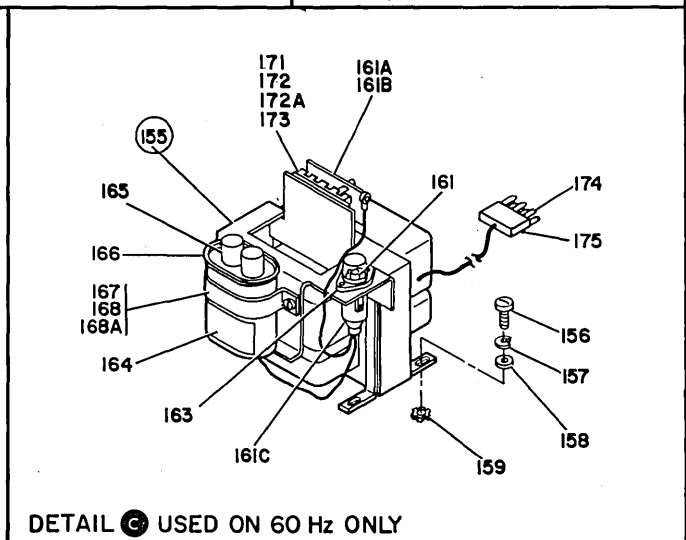
FIGURE 3A. FINAL ASSEMBLY, FRAME 02- SWITCHING REGULATORS. SHEET 2 OF 3. INDEX NOS. 65-126. SEE LIST 3A.

FINAL ASSEMBLY, FRAME 02-SWITCHING REGULATORS

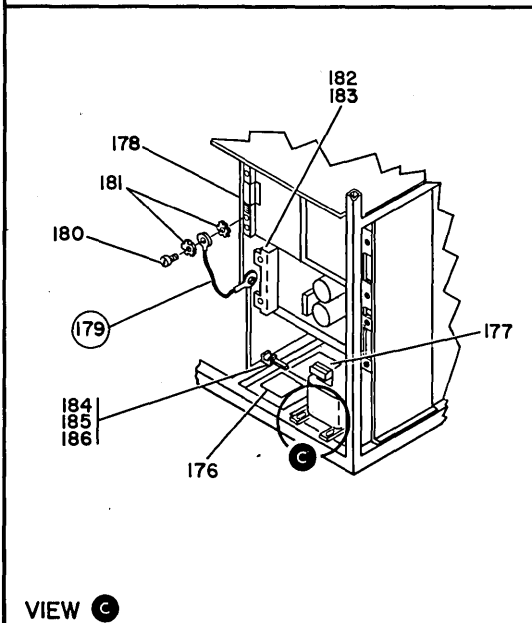
FIGURE- INDEX NUMBER	PART NUMBER	UNITS PER ASM.	DESCRIPTION			
			1	2	3	4
3A- 65	4154611	1
- 66	4154613	1
- 67	4109452	1
- 67	2676662	1
- 67	2676657	1
- 67	2676664	1
- 67	2676660	1
- 67	2676659	1
- 67	2676658	1
- 67	2676663	1
- 67	4154580	1
- 67	4154598	1
- 67	2676661	1
- 68	4154626	1
- 69	1621198	3	.	.	.	ATT PT
- 70	1673984	1
- 71	1622347	2
- 72	4432800	1
- 72	4432810	1
- 73	1622404	4	.	.	.	ATT PT
- 74	1621182	30
- 75	8268897	AR
- 76	4154629	4
- 77	1621210	8	.	.	.	ATT PT
- 78	4154616	1
- 79	1621211	2	.	.	.	ATT PT
- 80	4154615	1
- 81	1621210	3	.	.	.	ATT PT
- 82	1622320	3	.	.	.	ATT PT
- 83	150390	3	.	.	.	ATT PT
- 84	5578667	1
- 85	1621170	1	.	.	.	ATT PT
- 86	1622344	1	.	.	.	ATT PT
- 87	4154636	1
- 88	1621170	2	.	.	.	ATT PT
- 88A	1621172	1	.	.	.	ATT PT
- 89	1622318	3	.	.	.	ATT PT
- 90	1090448	3	.	.	.	ATT PT
- 91	4154639	2
- 92	1621210	4	.	.	.	ATT PT
- 93	1622320	4	.	.	.	ATT PT
- 94	150390	4	.	.	.	ATT PT
- 95	2674400	1
- 96	2674401	1
- 97	2674402	1
- 98	2674410	1
- 99	1621212	16	.	.	.	ATT PT
-100	1622320	16	.	.	.	ATT PT
-101	150390	16	.	.	.	ATT PT
-102	1159519	11
-103	4154638	11
-104	1621198	11	.	.	.	ATT PT
-105	1621191	32
-106	811427	2
-107	1159519	10
-108	2172092	1
-109	35739	2	.	.	.	ATT PT
-110	1622318	2	.	.	.	ATT PT
-111	1622304	2	.	.	.	ATT PT
-112	528013	1
-113	528014	1
-114	528012	1
-115	528011	1
-116	4154609	1
-117	1621210	2	.	.	.	ATT PT
-118	2125974	2	.	.	.	ATT PT
-120	4154602	1
-121	1621210	4	.	.	.	ATT PT
-122	1622320	4	.	.	.	ATT PT
-123	150390	4	.	.	.	ATT PT
-124	2542403	1
-124	984117	1
-125	219743	2
-126	4154605	1



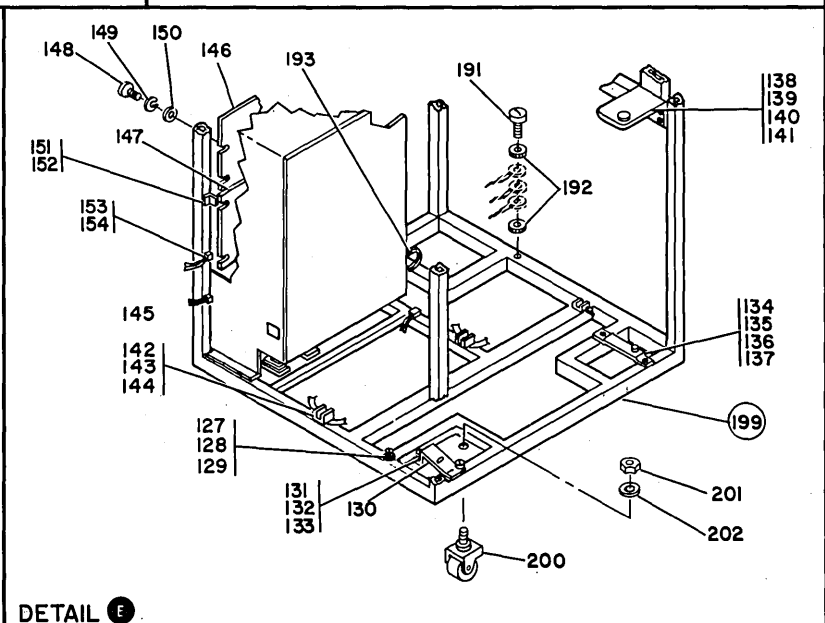
DETAIL C USED ON 50 Hz ONLY



DETAIL C USED ON 60 Hz ONLY



VIEW C

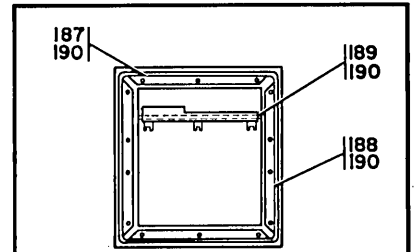
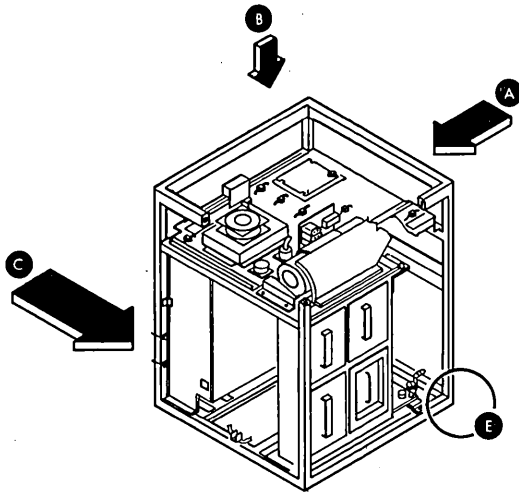


DETAIL E

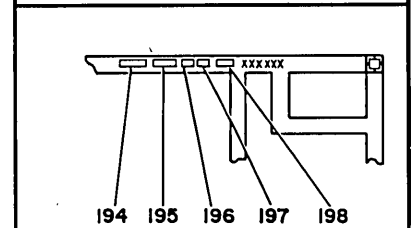
FIGURE 3A. FINAL ASSEMBLY, FRAME 02- SWITCHING REGULATORS. SHEET 3 OF 3. INDEX NOS. 127-202. SEE LIST 3A.

FINAL ASSEMBLY, FRAME J2-SWITCHING REGULATORS

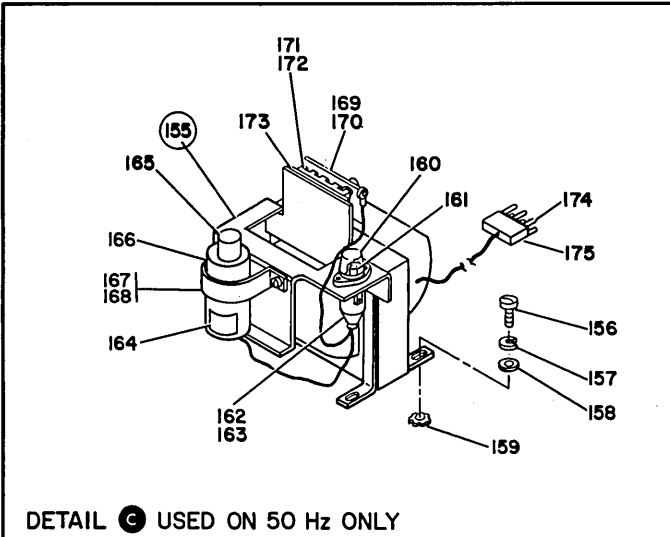
FIGURE- INDEX NUMBER	PART NUMBER	UNITS PER ASM.	DESCRIPTION			
			1	2	3	4
3A-127	1621527	1	. SCREW			
-128	1622320	1	. LOCKWASHER, SPLIT- M6, 11.3 OD X 1.6 THK			
-129	150390	1	. WASHER, FL- 0.250 ID X 0.625 OD			
-130	4154608	1	. RAMP			
-131	1621211	3	. SCREW, PAN HD- M5 X 12 LG			
-132	1622320	2	. LOCKWASHER, SPLIT- M6, 11.3 OD X 1.6 THK			
-133	150390	2	. WASHER, FL- 0.250 ID X 0.625 OD			
-134	4154606	1	. BRACKET			
-135	1621211	2	. SCREW, PAN HD- M5 X 12 LG			
-136	1622320	2	. LOCKWASHER, SPLIT- M6, 11.3 OD X 1.6 THK			
-137	150390	2	. WASHER, FL- 0.250 ID X 0.625 OD			
-138	4154607	1	. BRACKET			
-139	1621596	4	. SCREW, HEX HD- M5 X 16 LG			
-140	1622320	4	. LOCKWASHER, SPLIT- M6, 11.3 OD X 1.6 THK			
-141	150390	4	. WASHER, FL- 0.250 ID X 0.625 OD			
-142	1159519	4	. STRAP, CABLE			
-143	2637669	4	. CLAMP			
-144	1621190	4	. SCREW, PAN HD- M4 X 8 LG			
-145	369207	1	. LABEL, HAZARDOUS AREA-ENGLISH			
-145	4056733	1	. LABEL-NT-GERMAN			
-145	1743548	1	. LABEL, HAZARDOUS AREA-CANADIAN			
-145	6815182	1	. LABEL, HAZARDOUS AREA-FRENCH			
-145	5685244	1	. LABEL, HAZARDOUS AREA-FRENCH DUTCH			
-145	8326801	1	. LABEL, HAZARDOUS AREA-FINNISH			
-145	6815181	1	. LABEL, HAZARDOUS AREA-ITALIAN			
-145	8551904	1	. LABEL, HAZARDOUS AREA-SWEDISH			
-145	6815183	1	. LABEL, PORTUGUESE			
-145	8326797	1	. LABEL, JAPANESE			
-145	6815180	1	. LABEL, SPANISH			
-146	2674425	1	. POWER SUPPLY ASSEMBLY			
-147	2532500	1	. POWER SUPPLY ASSEMBLY			
-148	1621211	8	. SCREW, PAN HD- M5 X 12 LG			
-149	1622320	8	. LOCKWASHER, SPLIT- M6, 11.3 OD X 1.6 THK			
-150	150390	8	. WASHER, FL- 0.250 ID X 0.625 OD			
-151	5271288	1	. TERMINAL			
-152	1621170	1	. SCREW, MACH SLOT PAN HD- M3 X 6 LG			
-153	1159519	2	. STRAP, CABLE			
-154	2277082	2	. MOUNT, PUSH SWITCH			
-155	2532510	1	. TRANSFORMER ASM, 60HZ			
-155	4119849	1	. TRANSFORMER ASM, 50HZ			
-156	1621596	4	. SCREW, HEX HD- M6 X 16 LG			
-157	1622320	4	. LOCKWASHER, SPLIT- M6, 11.3 OD X 1.6 THK			
-158	150390	4	. WASHER, FL- 0.250 ID X 0.625 OD			
-159	1622349	1	. WASHER, LOCK- EXT PH			
-160	4061290	1	. . CAP, INSULATING USED ON 50HZ ONLY			
-161	107663	1	. . FUSE F5			
-161A	350966	1	. . COVER, TERMINAL BLOCK USED ON 60HZ ONLY			
-161B	10170	2	. . SCREW, BD HD- 6-32 X 0.250 LG USED ON 60HZ ONLY			
-161C	8544812	1	. . SHIELD USED ON 60HZ ONLY			
-162	92752	1	. . FUSEHOLDER			
-163	1621060	2	. . SCREW, CHEESE HD- M4 X 8 LG USED ON 50HZ ONLY			
-163	4432610	2	. . RIVET USED ON 60HZ ONLY			
-164	4120650	1	. . LABEL USED ON 50HZ ONLY			
-164	8483959	1	. . LABEL USED ON 60HZ ONLY			
-165	2722507	1	. . COVER USED ON 50HZ ONLY			
-165	526378	2	. . INSULATOR USED ON 60HZ ONLY			
-166	4120824	1	. . CAPACITOR, 4 UF 50HZ USED ON 50HZ ONLY			
-166	6814311	1	. . CAPACITOR, 60HZ USED ON 60HZ ONLY			
-167	4120492	1	. . CLAMP, CAPACITOR USED ON 50HZ ONLY			
-167	1310297	1	. . CLAMP, CAPACITOR USED ON 60HZ ONLY			
-168	1621060	2	. . SCREW, CHEESE HD- M4 X 8 LG			
						ATT PT



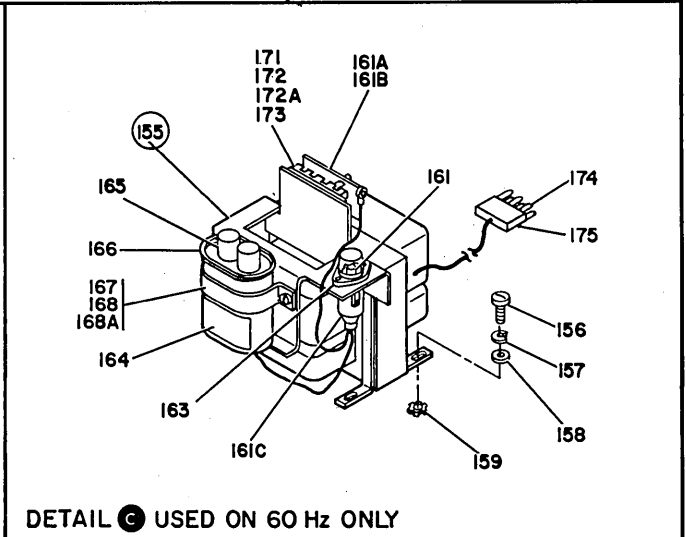
VIEW A



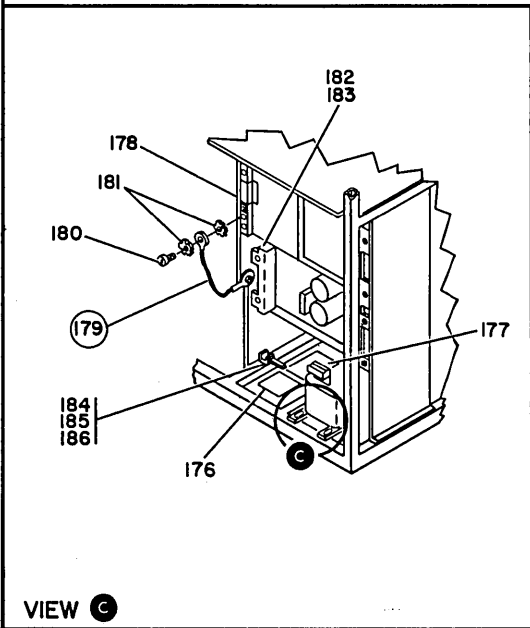
VIEW B



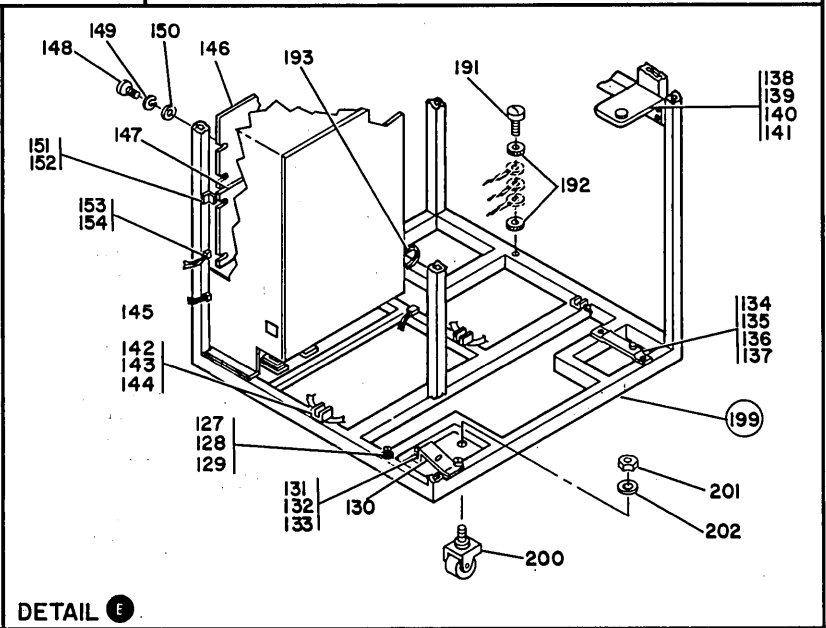
DETAIL C USED ON 50 Hz ONLY



DETAIL C USED ON 60 Hz ONLY



VIEW C

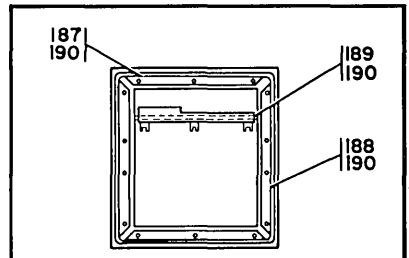
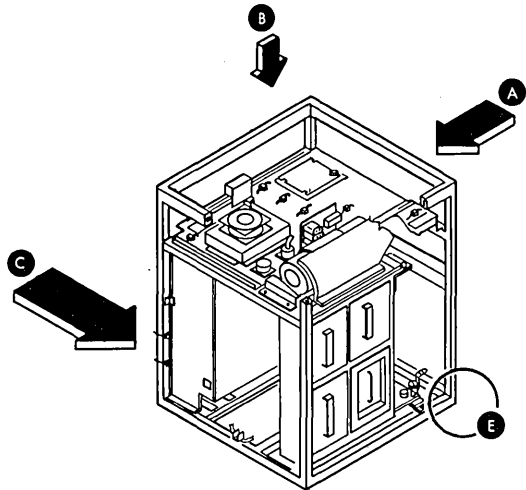


DETAIL E

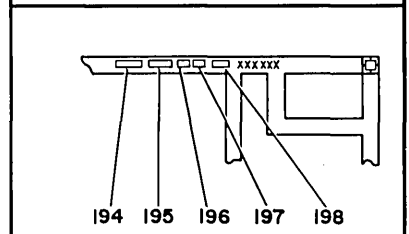
FIGURE 3A. FINAL ASSEMBLY, FRAME 02- SWITCHING REGULATORS. SHEET 3 OF 3. INDEX NOS. 127-202. SEE LIST 3A.

FINAL ASSEMBLY, FRAME 02-SWITCHING REGULATORS

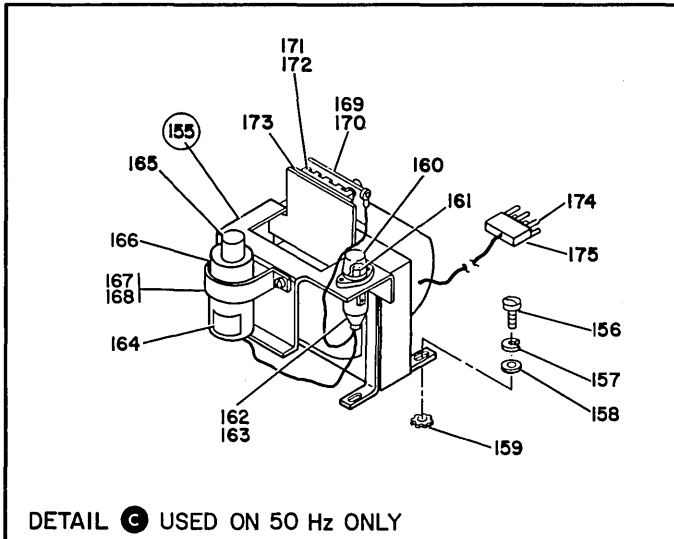
FIGURE- INDEX NUMBER	PART NUMBER	UNITS PER ASM.	DESCRIPTION			
			1	2	3	4
3A						
-168	1621191	2			USED ON 50HZ ONLY	
					SCREW,PAN HD- M4 X 10 LG	ATT PT
-168A	1622318	2			USED ON 60HZ ONLY	
					WASHER,SPRING-M4 9.2 OD X 1.2 THK	
-169	5236656	1			USED ON 60HZ ONLY	
					COVER,TERMINAL BLOCK	
-170	1621181	2			USED ON 50HZ ONLY	
					SCREW,PAN HEAD-M3.5 X 6 LG	ATT PT
-171	317310	1			USED ON 50HZ ONLY	
					BLOCK, 5 DBL SCREW TERMINAL	
-171	317485	1			USED ON 50HZ ONLY	
					BLOCK,TERMINAL	
-172	4120570	2			USED ON 60HZ ONLY	ATT PT
					STUD	
-172	210883	2			USED ON 50HZ ONLY	ATT PT
					STUD	
-172A	38354	2			USED ON 60HZ ONLY	ATT PT
					SCREW,FIL HD- 6-32 X 0.500 LG	
-173	4120303	1			USED ON 60HZ ONLY	
					STRIP,MARKER	
-173	322280	1			USED ON 50HZ ONLY	
					STRIP,MARKER- 4 POS 50 HZ	
-174	4123689	12			USED ON 60HZ ONLY	
					TERMINAL,PIN	
-175	1847534	1				
					PLUG	
-176	2542403	1				
					LABEL,FUSE WARNING	
-176	984117	1				
					LABEL, WARNING-CANADIAN	
-177	4154612	1				
					LABEL	
-178	4441141	1				
					LABEL	
-179	4154641	1				
					JUMPER ASM	
-180	518704	1				
					SCREW,BIND HD .250- 20 UNC 2A X 0.250 LG	ATT PT
-181	1622348	1				
					LOCKWASHER,EXT STAR- M6 11 OD X .7	ATT PT
-182	1673983	1				
					SCREW,PAN HD-M5 X 6 LG-BLUE ZINC COATED	ATT PT
-183	1622347	2				
					LOCKWASHER EXT STAR- M5, 10 OD X .6	ATT PT
-184	1159519	1				
					STRAP,CABLE	
-185	2637669	1				
					CLAMP	
-186	1621190	1				
					SCREW,PAN HD- M4 X 8 LG	ATT PT
-187	1310012	2				
					FILLER,FRAME	
-188	1310011	2				
					FILLER,FRAME	
-189	1310013	1				
					BARRIER	
-190	1673983	17				
					SCREW,PAN HD-M5 X 6 LG-BLUE ZINC COATED	ATT PT
-191	1621191	1				
					SCREW,PAN HD- M4 X 10 LG	
-192	1622346	2				
					LOCKWASHER,EXT STAR- M4, 8 OD X .5	
-193	1159519	13				
					STRAP,CABLE	
-194	855284	1				
					PLATE,MFG EXPORT	
-195	855264	1				
					PLATE,MANUFACTURED BY USA	
-195	855265	1				
					PLATE,MFG BY IBM-CANADA	
-195	855266	1				
					PLATE,MFG BY WTC	
-195	855267	1				
					PLATE,MANUFACTURED FOR USA	
-195	855268	1				
					PLATE,MANUFACTURED FOR	
-195	855269	1				
					PLATE,MANUFACTURED FOR WT	
-195	855270	1				
					PLATE,RECONDITIONED BY USA	
-195	855272	1				
					PLATE,RECONDITIONED BY WT	
-195	855273	1				
					PLATE,RENOVATED BY USA	
-195	855275	1				
					PLATE,RENOVATED BY WT	
-195	855276	1				
					PLATE,RECONDITIONED FOR USA	
-195	855278	1				
					PLATE,RECONDITIONED FOR WT	
-195	855279	1				
					PLATE,RENOVATED FOR USA	
-195	855281	1				
					PLATE,RENOVATED FOR WT	
-195	855262	1				
					PLATE,PROP IBM ARM	
-195	855263	1				
					PLATE,PROP IBM W.I.	
-195	960746	1				
					PLATE,PROPERTY OF CANADA	
-195	1310782	1				
					PLATE,PROPERTY-ARGENTINA	
-195	1976194	1				
					PLATE,PROPERTY-JAPAN	
-195	2418180	1				
					PLATE, PROPERTY-ITALIA	
-195	2992717	1				
					PLATE,PROPERTY-FRENCH	
-195	4056393	1				
					PLATE,PROPERTY-WT	
-195	4134351	1				
					PLATE,PROPERTY-AUSTRALIA	
-195	4134352	1				
					PLATE,PROPERTY-BAHAMAS	
-195	4134353	1				
					PLATE,PROPERTY-BELGIUM	
-195	4134354	1				
					PLATE,PROPERTY-BOLIVIA	
-195	4134355	1				
					PLATE,PROPERTY-CHILE	
-195	4134356	1				
					PLATE,PROPERTY-COLUMBIA	
-195	4134357	1				
					PLATE,PROPERTY-COSTA RICA	
-195	4134358	1				
					PLATE,PROPERTY-DENMARK	
-195	4134359	1				
					PLATE,PROPERTY-ECUADOR	
-195	4134360	1				
					PLATE,PROPERTY-FINLAND	



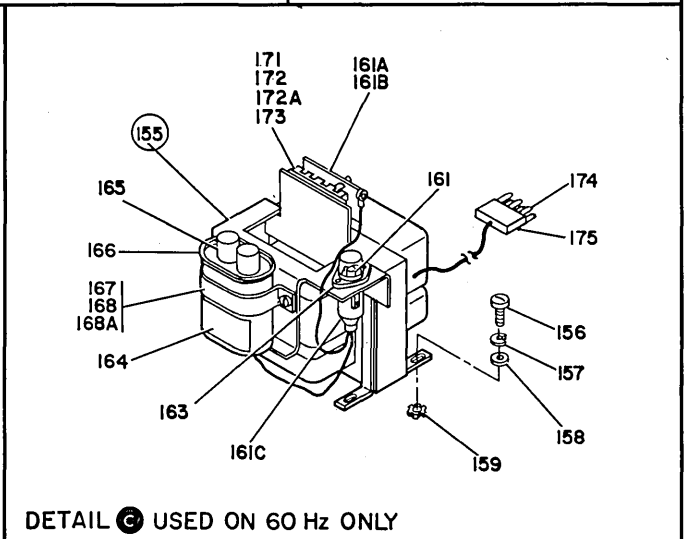
VIEW A



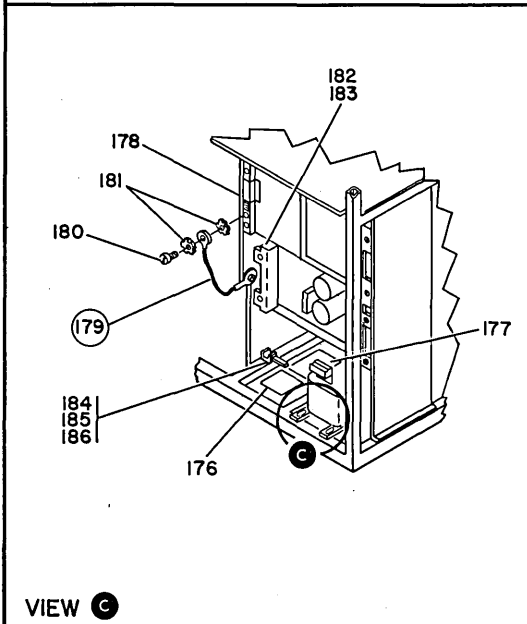
VIEW B



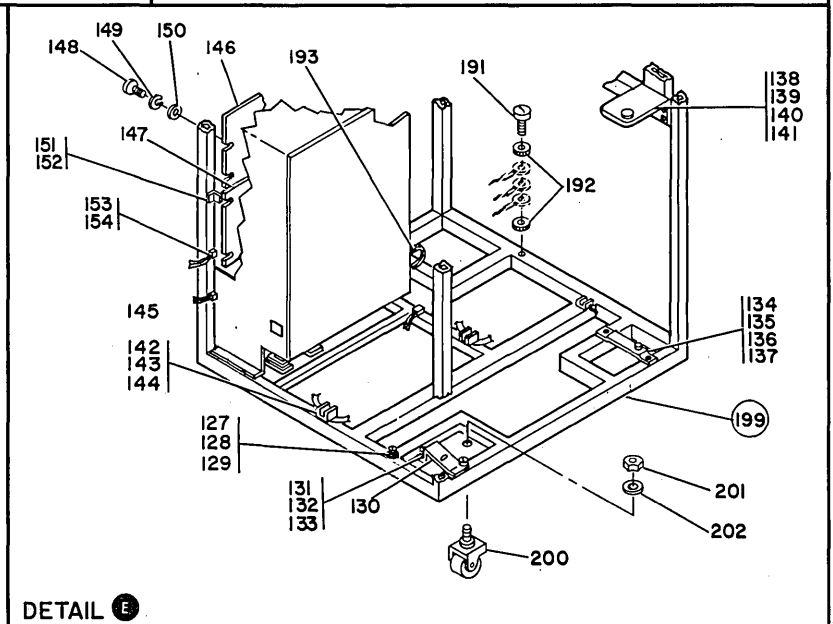
DETAIL C USED ON 50 Hz ONLY



DETAIL C USED ON 60 Hz ONLY



VIEW C



DETAIL E

FIGURE 3A. FINAL ASSEMBLY, FRAME O2- SWITCHING REGULATORS. SHEET 3 OF 3. INDEX NOS. 127-202. SEE LIST 3A.

FINAL ASSEMBLY, FRAME 02-SWITCHING REGULATORS

FIGURE- INDEX NUMBER	PART NUMBER	UNITS PER ASM.	DESCRIPTION					
			1	2	3	4		
3A -195	4134361	1	PLATE,PROPERTY-GUATEMALA	
-195	4134362	1	PLATE,PROPERTY-IRELAND	
-195	4134363	1	PLATE,PROPERTY-KOREA	
-195	4134365	1	PLATE,PROPERTY-NORWAY	
-195	4134366	1	PLATE,PROPERTY-PANAMA	
-195	4134367	1	PLATE,PROPERTY-PERU	
-195	4134368	1	PLATE,PROPERTY-PHILLIPINES	
-195	4134369	1	PLATE,PROPERTY-PORTUGAL	
-195	4134370	1	PLATE,PROPERTY-SOUTH AFRICA	
-195	4134371	1	PLATE,PROPERTY-SPAIN	
-195	4134372	1	PLATE,PROPERTY-SWITZERLAND	
-195	4134373	1	PLATE,PROPERTY-TAIWAN	
-195	4134374	1	PLATE,PROPERTY-THAILAND	
-195	4134375	1	PLATE,PROPERTY-URUGUAY	
-195	4134376	1	PLATE,PROPERTY-VENEZUELA	
-195	4134580	1	PLATE,PROPERTY-WT/AMER/FAR EAST	
-195	4134581	1	PLATE,PROPERTY-WT/EUROPE/MID	
-195	4134582	1	PLATE,PROPERTY-AUSTRIA	
-195	4134583	1	PLATE,PROPERTY-NEW ZEALAND	
-195	4134384	1	PLATE	
-195	4135783	1	PLATE,PROPERTY-NEETHERLANDS	
-195	5054478	1	PLATE,PROPERTY-SWEDEN	
-195	5576379	1	PLATE,PROPERTY-MADAGASCAR	
-195	5966292	1	PLATE,PROPERTY-INDIA	
-195	6003013	1	PLATE,PROPERTY-BRAZIL	
-195	8112294	1	PLATE,PROPERTY-UNITED KINGDOM	
-195	8330628	1	PLATE,PROPERTY-WHITE PLAINS	
-196	855286	1	PLATE,U.L. APPROVAL	
-196	960766	1	PLATE,CSA INSIGNIA	
-197	855283	1	PLATE,SERIAL NO. RIGHT	
-198	855282	1	PLATE,SERIAL NO. LEFT	
-199	4154459	1	FRAME ASM	
-200	471901	4	CASTER,GATE	
-201	186950	4	NUT,HEX 8-32	ATT PT
-202	130987	4	LOCKWASHER,SPLIT- 0.500 ID X 0.879 OD	ATT PT

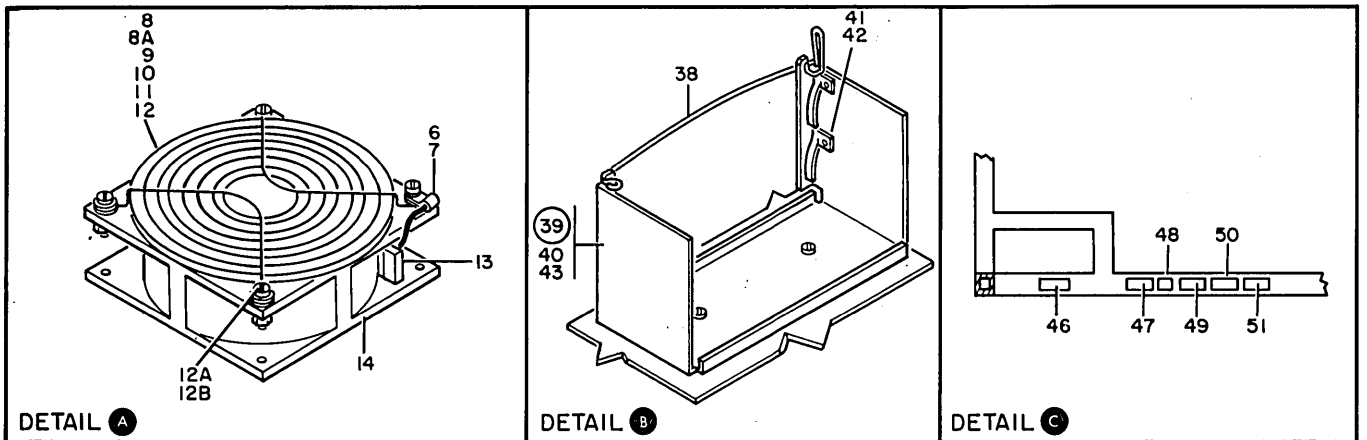
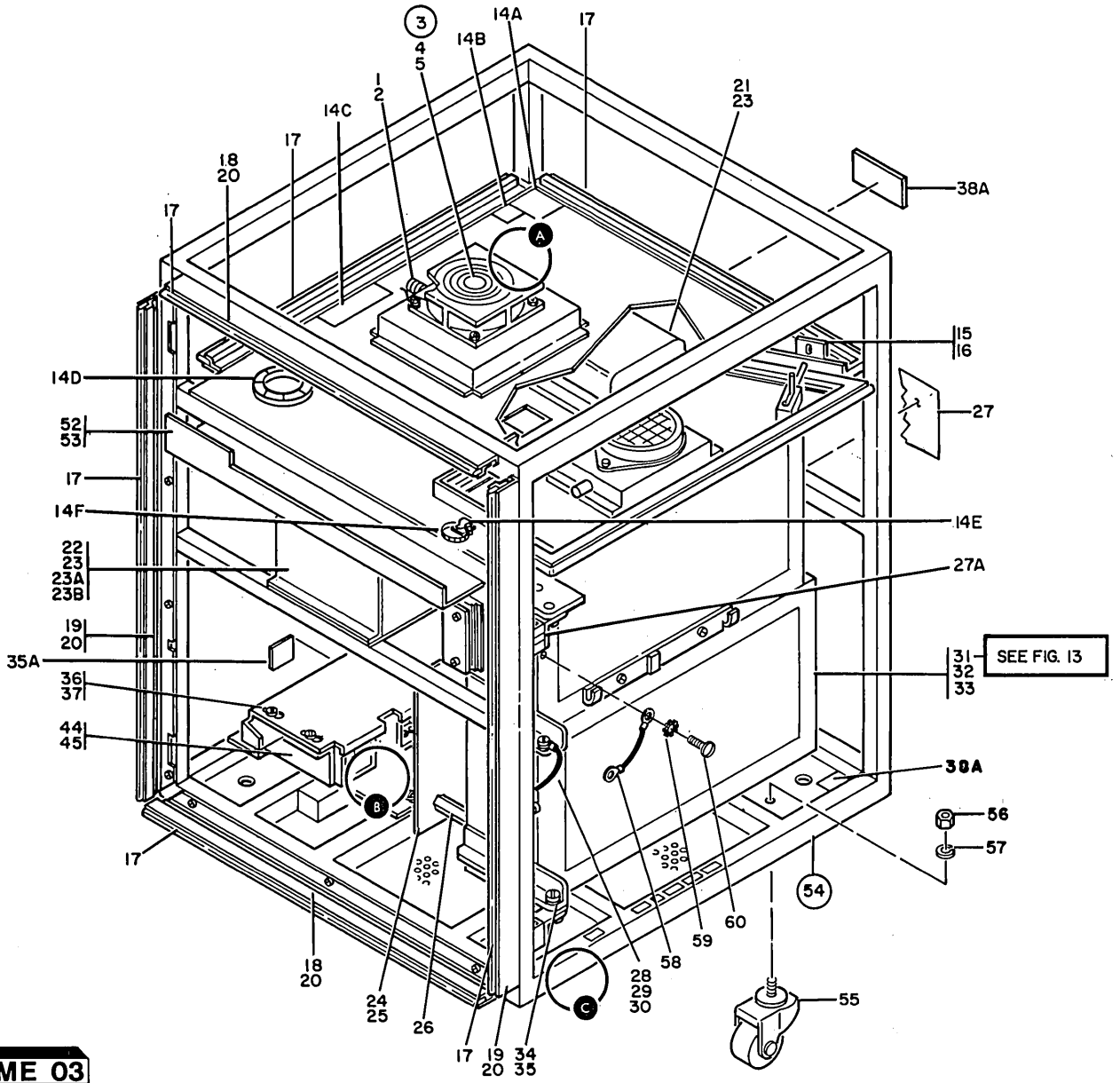
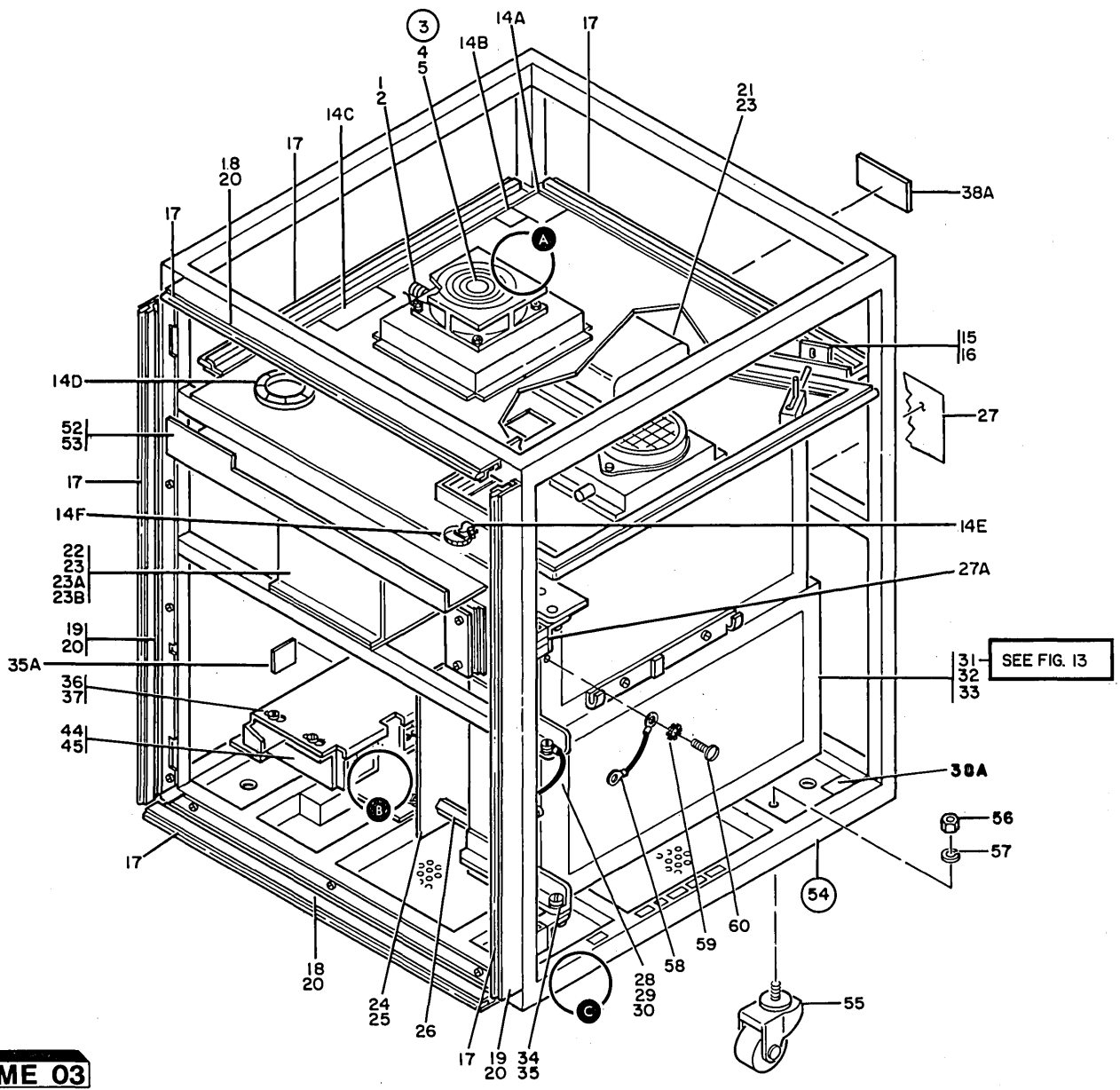


FIGURE 4. FINAL ASSEMBLY-FRAME 03. SEE LIST 4.

FINAL ASSEMBLY-FRAME J3

FIGURE- INDEX NUMBER	PART NUMBER	UNITS PER ASM.	DESCRIPTION			
			1	2	3	4
4 -	6831471 NP	REF	FINAL ASSEMBLY-FRAME 03, 60 HZ			
-	6831383 NP	REF	FINAL ASSEMBLY-FRAME 03, 50 HZ FOR ILLUSTRATION SEE FIGURE 4			
- 1	5578666	1	. SENSOR, AIR FLOW			
- 2	1621170	1	. SCREW, PAN HD- M3 X L 6A			
- 3	8330692	1	. FAN ASM			
- 4	1622401	4	. NUT, DBL CHAMFERED HEX M3 X 2.4 THK			
- 5	1622344	1	. LOCKWASHER, EXT STAR- M3 X 294 THK			
- 6	825559	1	. CLAMP			
- 7	1621175	1	. SCREW-MACH PAN HD, M3 X 20 LG			
- 8	2172166	1	. GUARD			
- 8A	177946	1	. GUARD, SUB 25-GERMANY			
- 9	1621173	3	. SCREW, PAN HD-M3 X 12 LG			
- 10	1622302	4	. WASHER, FL-M3 7 OD X 0.5 THK			
- 11	1622344	4	. LOCKWASHER, EXT STAR- M3 X 294 THK			
- 12	1622401	4	. NUT, DBL CHAMFERED HEX M3 X 2.4 THK			
- 12A	1621197	1	. SCREW, PAN HD-M4 X 6 LG			
- 12B	1622346	1	. LOCKWASHER, EXT STAR- M4, 8 OD X .5			
- 13	8330691	1	. CABLE ASM-FAN			
- 14	4109480	1	. FAN			
- 14A	4109345	1	. LABEL-ENGLISH			
- 14A	2676662	1	. LABEL-GERMAN			
- 14A	2676657	1	. LABEL-CANADIAN			
- 14A	2676664	1	. LABEL-FRENCH			
- 14A	2676660	1	. LABEL-FRENCH/DUTCH			
- 14A	2676659	1	. LABEL-FINNISH			
- 14A	2676658	1	. LABEL-ITALIAN			
- 14A	4109452	1	. LABEL-NORWEGIAN			
- 14A	2676663	1	. LABEL-SWEDISH			
- 14B	2542403	1	. LABEL-ENGLISH			
- 14B	984117	1	. LABEL-CANADIAN			
- 14C	369207	1	. LABEL-ENGLISH/NORWEGIAN			
- 14C	4056733	1	. LABEL-GERMAN			
- 14C	1743548	1	. LABEL-CANADIAN			
- 14C	6815182	1	. LABEL-FRENCH			
- 14C	5685244	1	. LABEL-FRENCH/DUTCH			
- 14C	8326801	1	. LABEL-FINNISH			
- 14C	6815181	1	. LABEL-ITALIAN			
- 14C	8551904	1	. LABEL-SWEDISH			
- 14D	730432	AR	. GROMMET			
- 14E	2277082	1	. CLAMP			
- 14F	524519	1	. STRAP			
- 15	4124231	1	. BRACKET			
- 16	1621210	2	. SCREW, PAN HD- M5 X 10 LG			
- 17	8483347	AR	. SEAL			
- 18	1310012	2	. FILLER, FRAME			
- 19	1310011	2	. FILLER, FRAME			
- 20	1673983	14	. SCREW, PAN HD-M5 X 6 LG-BLUE ZINC COATED			
- 21	4151668	1	. T/R PAC ASM- 60 HZ (TR 301)			
- 21	4151656	1	. T/R PAC ASM- 50 HZ (TR 301)			
- 22	4151669	1	. POWER SUPPLY ASM- 50/60 HZ (PS 301)			
- 23	1621210	2	. SCREW, PAN HD- M5 X 10 LG			
- 23A	150390	2	. WASHER, FL- 0.250 ID X 0.625 OD			
- 23B	1622320	2	. LOCKWASHER, SPLIT- M6, 11.8 OD X 1.6 THK			
- 24	8330658	1	. COVER, SAFETY			
- 25	1621170	4	. SCREW, PAN HD- M3 X L 6A			
- 26	8330659	4	. STANDOFF			
- 27	6831327	1	. LABEL			
- 27A	1141554	1	. LABEL-ENGLISH/NORWEGIAN			
- 27A	6825823	1	. LABEL-GERMAN			
- 27A	984119	1	. LABEL-CANADIAN			
- 27A	1731460	1	. LABEL-FRENCH			
- 27A	5585245	1	. LABEL-FRENCH/DUTCH			
- 27A	6825834	1	. LABEL-FINNISH			
- 27A	6825822	1	. LABEL-ITALIAN			
- 27A	8551905	1	. LABEL-SWEDISH			
- 28	4154632	1	. STRAP			
- 29	1621210	1	. SCREW, PAN HD- M5 X 10 LG			
- 30	1622347	1	. LOCKWASHER EXT STAR- M5, 10 OD X .6			
- 31	6831336	1	. GATE ASSEMBLY-GATE 03 FOR DETAIL BREAKDOWN SEE FIGURE 13			
- 32	1621210	1	. SCREW, PAN HD- M5 X 10 LG			
- 33	1622306	1	. WASHER, FLAT, M6- 12.5 OD X 2 THK			
- 34	5578567	2	. HINGE			
- 35	1621230	4	. SCREW, PAN HD-M6 X 12 LG			
- 35A	4109349	2	. LABEL			
- 36	4432851	1	. COVER			



FRAME 03

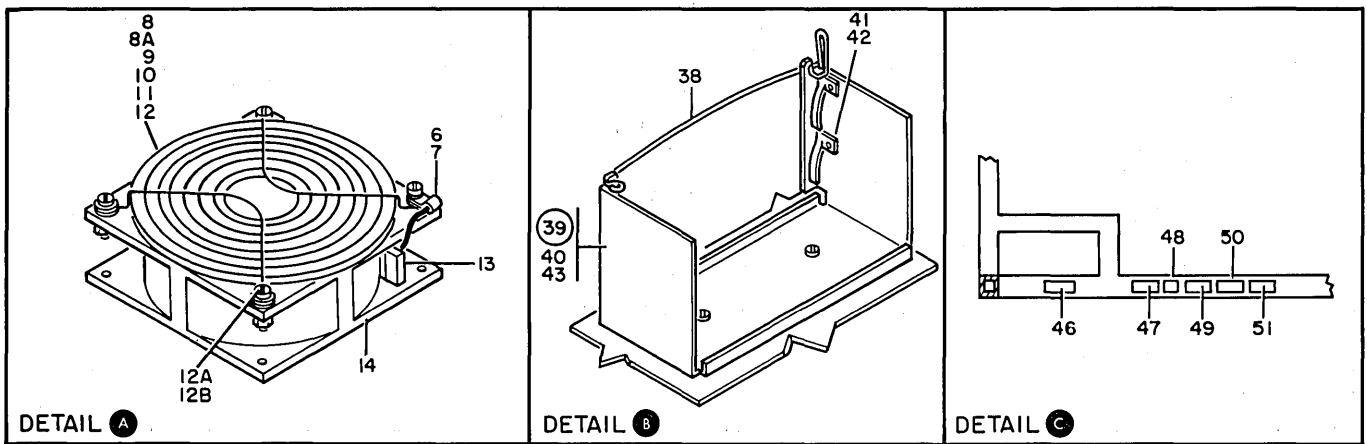
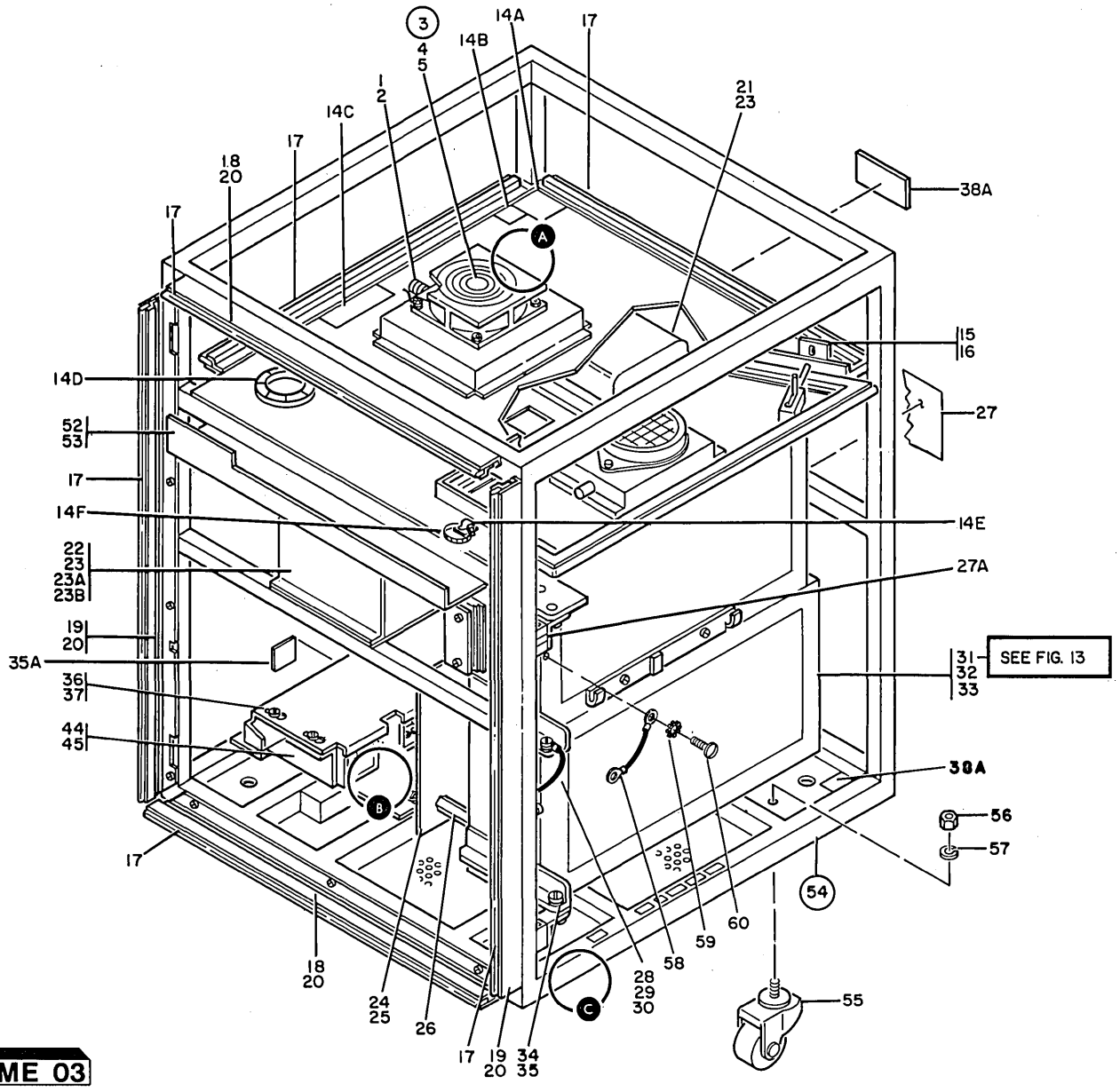


FIGURE 4. FINAL ASSEMBLY-FRAME 03. SEE LIST 4.

FINAL ASSEMBLY-FRAME 03

FIGURE- INDEX NUMBER	PART NUMBER	UNITS PER ASM.	DESCRIPTION			
			1	2	3	4
4 - 37	1673983	7	. SCREW,PAN HD-M5 X 6 LG-BLUE ZINC COATED			ATT PT
- 38	6831342	4	. CLIP,RETAINER			
- 38A	369207	2	. LABEL-ENGLISH/NORWEGIAN			
- 38A	4056733	2	. LABEL-GERMAN			
- 38A	1743548	2	. LABEL-CANADIAN			
- 38A	6815182	2	. LABEL-FRENCH			
- 38A	5685244	2	. LABEL-FRENCH/DUTCH			
- 38A	8326801	2	. LABEL-FINNISH			
- 38A	6815181	2	. LABEL-ITALIAN			
- 38A	8551904	2	. LABEL-SWEDISH			
- 39	4432803	4	. BRACKET ASM			
- 40	1673983	8	. SCREW,PAN HD-M5 X 6 LG-BLUE ZINC COATED			ATT PT
- 41	6831349	2	. . SPRING			
- 42	4432389	2	. . RIVET			ATT PT
- 43	6831341	1	. . BRACKET			
- 44	4432852	1	. FRAME			
- 45	1673984	5	. SCREW			ATT PT
- 46	369207	3	. LABEL, ENGLISH			
- 46	4056733	1	. LABEL-WT-GERMAN			
- 46	1743548	1	. LABEL, CANADIAN			
- 46	6815182	1	. LABEL, FRENCH			
- 46	5685244	1	. LABEL, FRENCH DUTCH			
- 46	8326801	1	. LABEL, FINNISH			
- 46	6815181	1	. LABEL, ITALIAN			
- 46	8551904	1	. LABEL, SWEDISH			
- 47	855282	1	. PLATE,SERIAL NO. LEFT			
- 48	855283	1	. PLATE,SERIAL NO. RIGHT			
- 49	855286	1	. PLATE,U.L. APPROVAL			
- 49	960766	1	. PLATE,CSA INSIGNIA			
- 50	855264	1	. PLATE,MANUFACTURED BY USA			
- 50	855265	1	. PLATE,MFG BY IBM-CANADA			
- 50	855266	1	. PLATE,MFG BY WTC			
- 50	855267	1	. PLATE,MANUFACTURED FOR USA			
- 50	855268	1	. PLATE,MANUFACTURED FOR			
- 50	855269	1	. PLATE,MANUFACTURED FOR WT			
- 50	855270	1	. PLATE,RECONDITIONED BY USA			
- 50	855272	1	. PLATE,RECONDITIONED BY WT			
- 50	855273	1	. PLATE,RENOVATED BY USA			
- 50	855275	1	. PLATE,RENOVATED BY WT			
- 50	855276	1	. PLATE,RECONDITIONED FOR JSA			
- 50	855278	1	. PLATE,RECONDITIONED FOR WT			
- 50	855279	1	. PLATE,RENOVATED FOR USA			
- 50	855281	1	. PLATE,RENOVATED FOR WT			
THE FOLLOWING PROPERTY PLATES ARE FOR DOMESTIC AND WORLD TRADE USE						
- 50	855262	1	. PLATE,PROP IBM ARM			
- 50	855263	1	. PLATE,PROP IBM W.T.			
- 50	960746	1	. PLATE,PROPERTY OF CANADA			
- 50	1310782	1	. PLATE,PROPERTY-ARGENTINA			
- 50	1976194	1	. PLATE,PROPERTY-JAPAN			
- 50	2418180	1	. PLATE, PROPERTY-ITALIA			
- 50	2992717	1	. PLATE,PROPERTY-FRENCH			
- 50	4056393	1	. PLATE,PROPERTY-WT			
- 50	4134351	1	. PLATE,PROPERTY-AUSTRALIA			
- 50	4134352	1	. PLATE,PROPERTY-BAHAMAS			
- 50	4134353	1	. PLATE,PROPERTY-BELGIUM			
- 50	4134354	1	. PLATE,PROPERTY-BOLIVIA			
- 50	4134355	1	. PLATE,PROPERTY-CHILE			
- 50	4134356	1	. PLATE,PROPERTY-COLUMBIA			
- 50	4134357	1	. PLATE,PROPERTY-COSTA RICA			
- 50	4134358	1	. PLATE,PROPERTY-DENMARK			
- 50	4134359	1	. PLATE,PROPERTY-ECJADOR			
- 50	4134360	1	. PLATE,PROPERTY-FINLAND			
- 50	4134361	1	. PLATE,PROPERTY-GUATEMALA			
- 50	4134362	1	. PLATE,PROPERTY-IRELAND			
- 50	4134363	1	. PLATE,PROPERTY-KOREA			
- 50	4134364	1	. PLATE,PROPERTY-MEXICO			
- 50	4134365	1	. PLATE,PROPERTY-NORWAY			
- 50	4134366	1	. PLATE,PROPERTY-PANAMA			
- 50	4134367	1	. PLATE,PROPERTY-PERU			
- 50	4134368	1	. PLATE,PROPERTY-PHILLIPINES			
- 50	4134369	1	. PLATE,PROPERTY-PORTUGAL			
- 50	4134370	1	. PLATE,PROPERTY-SOUTH AFRICA			
- 50	4134371	1	. PLATE,PROPERTY-SPAIN			
- 50	4134372	1	. PLATE,PROPERTY-SWITZERLAND			



FRAME 03

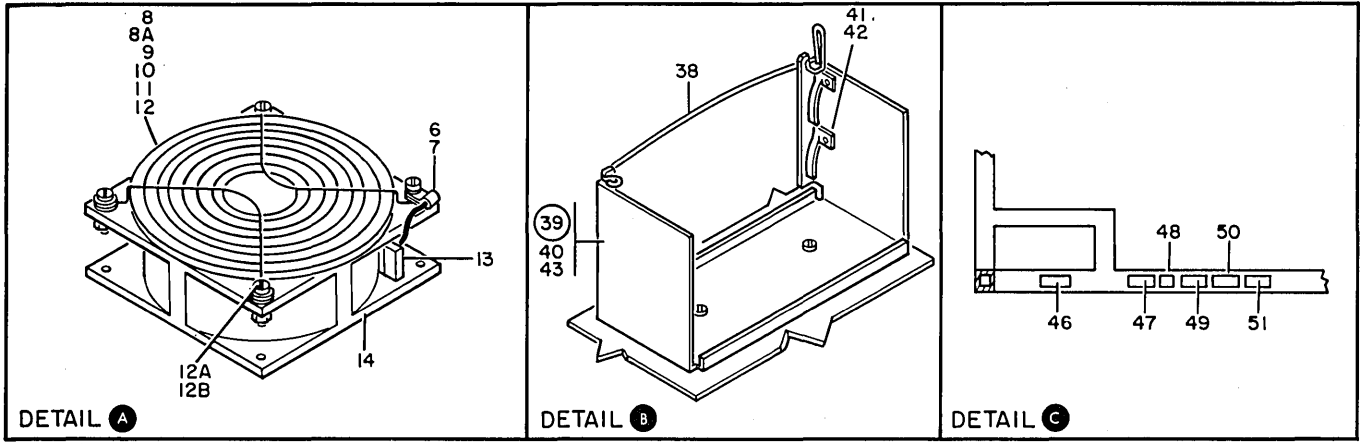


FIGURE 4. FINAL ASSEMBLY-FRAME 03. SEE LIST 4.

FINAL ASSEMBLY-FRAME 03

FIGURE- INDEX NUMBER	PART NUMBER	UNITS PER ASM.	DESCRIPTION				
			1	2	3	4	
4 - 50	4134373	1	
- 50	4134374	1	
- 50	4134375	1	
- 50	4134580	1	
- 50	4134581	1	
- 50	4134582	1	
- 50	4134583	1	
- 50	4134584	1	
- 50	4135783	1	
- 50	5054478	1	
- 50	5576379	1	
- 50	5966292	1	
- 50	6003013	1	
- 50	8112294	1	
- 50	8330628	1	
- 50	855264	1	
- 51	855284	1	
- 52	1310013	1	
- 53	1673983	1	ATT PT
- 54	6831330	1	
- 55	471901	4	
- 56	186950	4	ATT PT
- 57	130987	4	ATT PT
- 58	4154642	1	
- 59	1622347	1	ATT PT
- 60	1621210	1	ATT PT

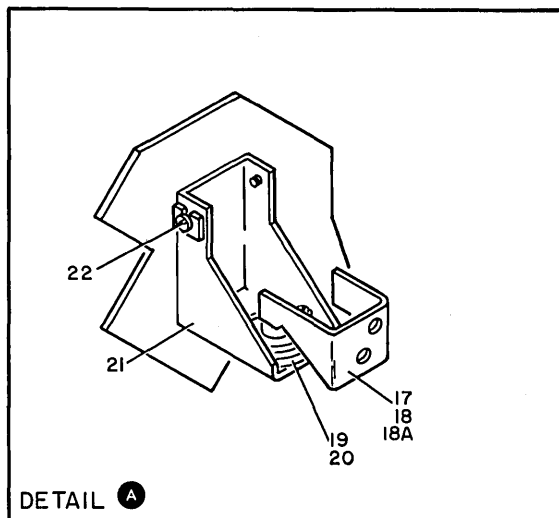
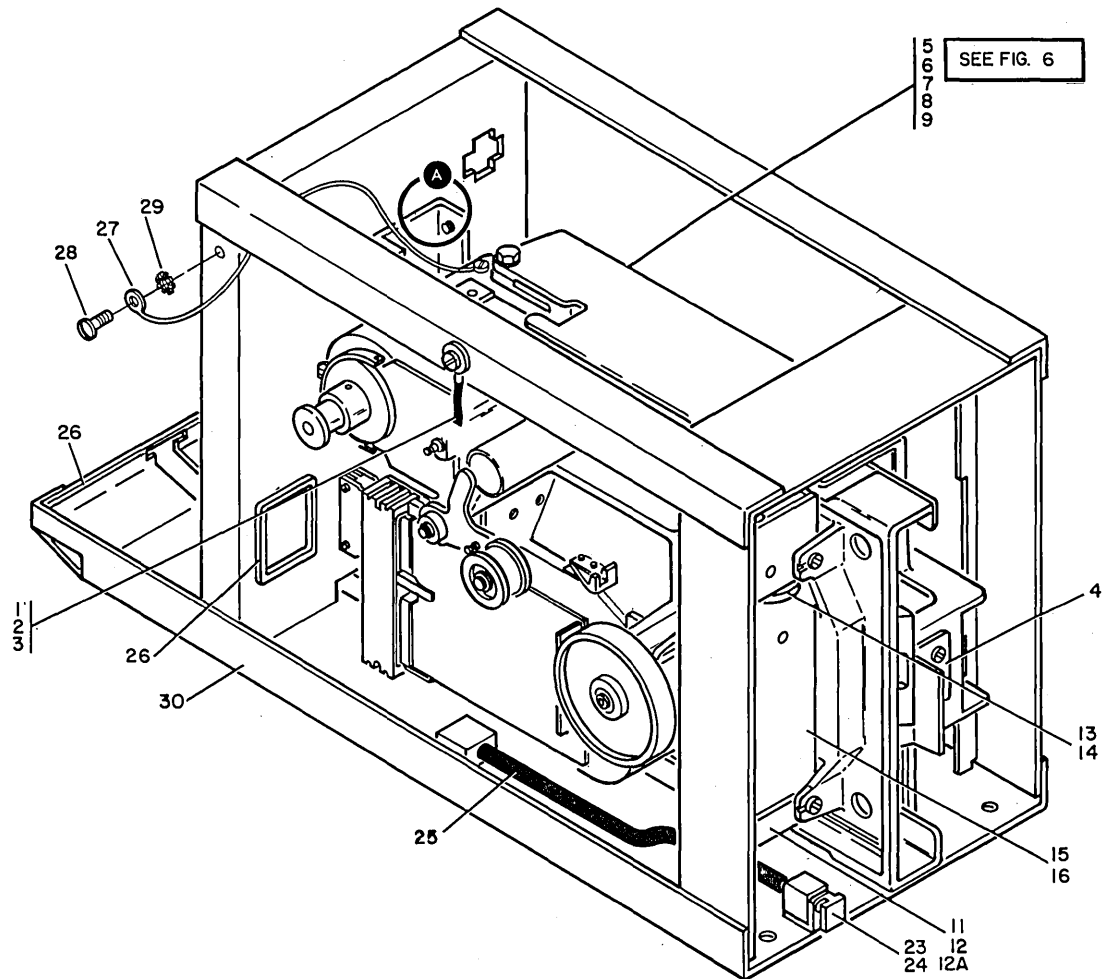


FIGURE 5. FILE MOUNTING ASSEMBLY. SEE LIST 5.

FILE MOUNTING ASSEMBLY

FIGURE- INDEX NUMBER	PART NUMBER	UNITS PER ASM.	DESCRIPTION			
			1	2	3	4
5 -	6831442 NP	REF	FILE MOUNTING ASSEMBLY- 60 HZ			
-	6831443 NP	REF	FILE MOUNTING ASSEMBLY- 50 HZ			
			FOR NEXT HIGHER ASM SEE FIGURE 2-83 AND FOR ILLUSTRATION SEE FIGURE 5			
- 1	4109539	1	. JUMPER ASM			
- 2	1621190	1	. SCREW,PAN HD- M4 X 8 LG ATT PT			
- 3	1622346	1	. LOCKWASHER,EXT STAR- M4, 8 OD X .5 ATT PT			
- 4	4432386	1	. BRACKET			
- 5	4178339	1	. 2 SIDED DISKETTE DRIVE ASM- 60 HZ			
- 5	4178011	1	. 2 SIDED DISKETTE DRIVE ASM- 50 HZ FOR DETAIL BREAKDOWN SEE FIGURE 6			
- 6	25627	2	. SCREW,BD HD- 8-32 X 0.500 LG ATT PT			
- 7	59901	2	. LOCKWASHER,EXT FEETH- 0.176 ID X .381 OD ATT PT			
- 8	5677	2	. SCREW,BD HD- 10-32 X 0.750 LG ATT PT			
- 9	125930	2	. LOCKNUT ATT PT			
- 11	5562336	1	. BRACKET			
- 12	226162	2	. SCREW,SOC HD- 8-32 X 0.750 LG ATT PT			
- 12A	72828	2	. LOCKNUT ATT PT			
- 13	2455575	2	. SHOCKMOUNT			
- 14	2181005	4	. SCREW,HEX HD- 6-32 X 0.375 LG ATT PT			
- 15	5562328	1	. BRACKET			
- 16	1621190	2	. SCREW,PAN HD- M4 X 8 LG ATT PT			
- 17	5562337	1	. BRACKET			
- 18	256106	1	. SCREW,SOC HD0 8032 X 0.875 LG ATT PT			
- 18A	72828	1	. NUT,STOP ELASTIC HEX- 8-32 ATT PT			
- 19	2455576	1	. SHOCKMOUNT			
- 20	2181005	2	. SCREW,HEX HD- 6-32 X 0.375 LG ATT PT			
- 21	5562338	1	. BRACKET			
- 22	58207	2	. SCREW,BD HD- 8-32 X 0.250 LG ATT PT			
- 23	1831799	1	. BUTTON,SWITCH			
- 24	5578637	1	. ADAPTER,SWITCH			
- 25	5578904	1	. CABLE ASM-LOGIC RESET SWITCH FOR CABLE COMPONENT PARTS SEE FIGURE 21			
- 26	825880	AR	. TAPE,FOAM			
- 27	4109471	1	. JUMPER ASM			
- 28	1621190	1	. SCREW,PAN HD- M4 X 8 LG ATT PT			
- 29	1622346	1	. LOCKWASHER,EXT STAR- M4, 8 OD X .5 ATT PT			
- 30	6831312	1	. FRAME			

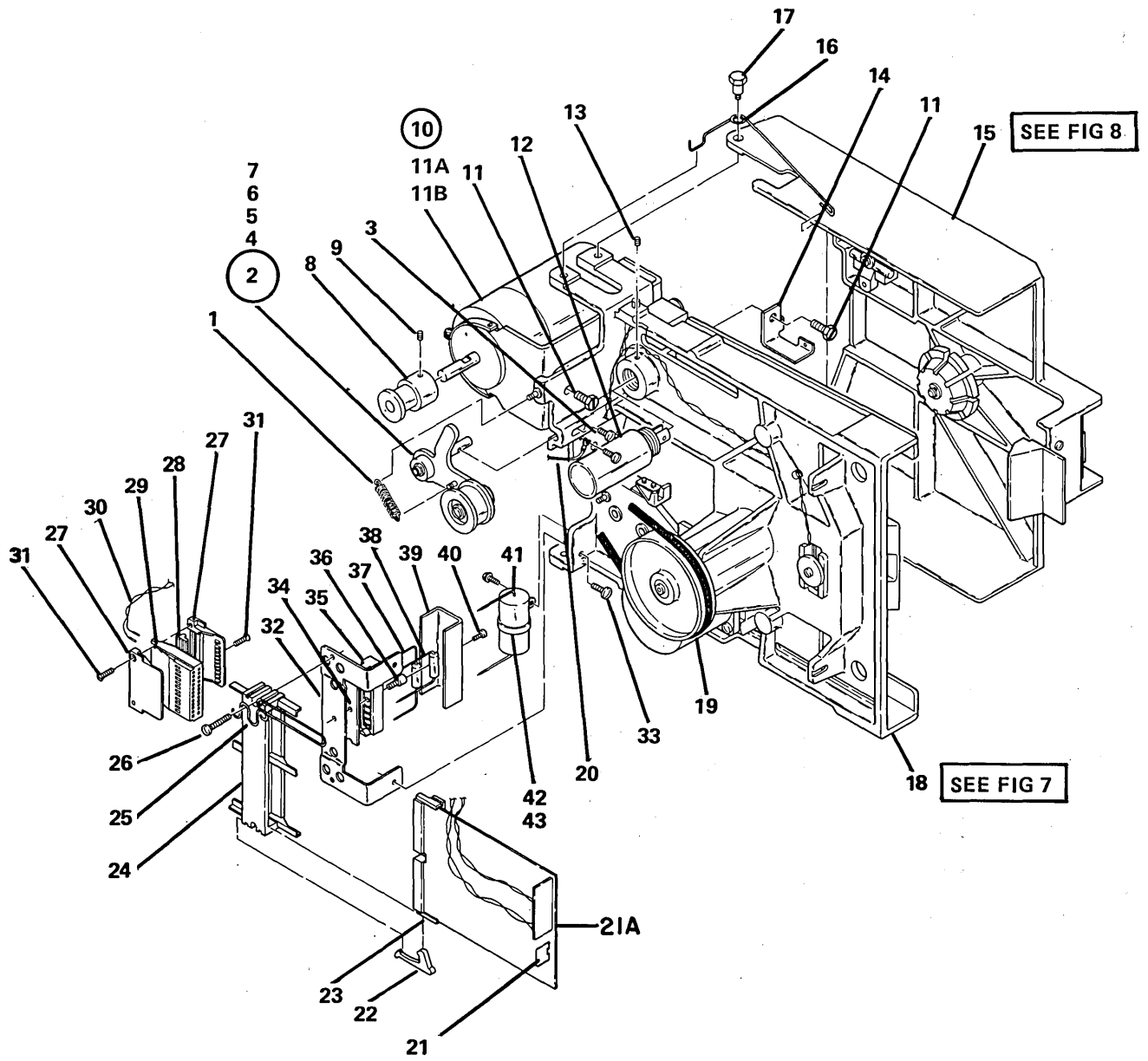


FIGURE 6. 2 SIDED DISKETTE DRIVE ASSEMBLY. SEE LIST 6.

2 SIDED DISKETTE DRIVE ASSEMBLY

FIGURE- INDEX NUMBER	PART NUMBER	UNITS PER ASM.	DESCRIPTION				
			1	2	3	4	
6 -	4178009	REF	2	SIDED	DISKETTE	DRIVE	ASM- 60 HZ
-	4178011	REF	2	SIDED	DISKETTE	DRIVE	ASM- 50 HZ
							FOR NEXT HIGHER ASM SEE FIGURE 5->
							AND FOR ILLUSTRATION SEE FIGURE 6
- 1	2305726	1	.	SPRING			
- 2	5562020	1	.	IDLER ASM,BELT			
- 3	81693	1	.	SCREW,BD HD- 6-32 X 0.375 LG			ATT PT
- 4	2305720	1	.	ROLL ASM			
- 5	22478	1	.	WASHER,FL- 0.170 ID X 0.375 OD			
- 6	58207	1	.	SCREW,BD HD- 8-32 X 0.250 LG			
- 7	5562022	1	.	ARM ASM			
- 8	2305597	1	.	PULLEY- 50 HZ			
- 8	2305540	1	.	PULLEY- 50 HZ			
- 9	257970	1	.	SCREW,SET,SPLINE DR PP- 6-32 X 0.250 LG			ATT PT
- 10	4178053	1	.	MOTOR ASM- 60 HZ			
- 10	4178057	1	.	MOTOR ASM- 50 HZ			
- 11	234341	2	.	SCREW,ASMD FIL HD- 1/4-20 X 0.625 LG			ATT PT
- 11A	4178052	1	.	MOTOR- 60 HZ			
- 11A	4178056	1	.	MOTOR- 50 HZ			
- 11B	2305632	1	.	BRACKET			
- 12	5562064	1	.	SOLENOID-USED ON ASMS. WITHOUT EC 829696			
- 12	4178047	1	.	SOLENOID-USED ON ASMS. WITH EC 829696			
- 13	5562115	1	.	SETScrew, 5 FLUTE,CUP PP- 10.32 X .19 LG			ATT PT
- 14	5562046	1	.	BRACKET,BALL SPRING			
- 15	4178027	1	.	DISKETTE COVER ASSEMBLY			
							FOR DETAIL BREAKDOWN SEE FIGURE 8
- 16	5562313	1	.	SPRING			
- 17	2305553	2	.	PIVOT			ATT PT
- 18	NO NO. NP	1	.	DISKETTE BASEPLATE ASSEMBLY			
							FOR DETAIL BREAKDOWN SEE FIGURE 7
- 19	2305616	1	.	BELT			
- 20	2305598	1	.	JUMPER ASM			
- 21	1794401	1	.	JUMPER ASM			
- 21A	4178065	1	.	CARD ASM			
- 22	5562116	2	.	RETAINER			
- 23	811804	1	.	GULDE,CARD- 2 WIDE			
- 24	2274833	1	.	CONNECTOR			
- 25	5562102	1	.	GUIDE,CABLE			
- 26	438567	2	.	SCREW,BD HD- 6-32 X 1.000 LG			ATT PT
- 27	5466397	2	.	STRAIN RELIEF			
- 28	5466393	2	.	CLAMP,STRAIN RELIEF			
- 29	5447741	1	.	HOUSING,SINGLE HI			
- 30	5562071	1	.	SCREW			
							USED ON ASSEMBLIES WITHOUT EC 829696
- 31	109918	2	.	SCREW,FL HD- 0.500 LG			ATT PT
- 32	5562066	1	.	BRACKET			
- 33	81693	2	.	SCREW,BD HD- 6-32 X 0.375 LG			
							THE FOLLOWING PARTS ARE ONLY USED
							ON ASSEMBLIES WITHOUT EC 829696
- 34	302131	1	.	STRIP,INSULATOR 2.094 LG			
- 35	302090	1	.	BLOCK,TERMINAL			
- 36	2592384	1	.	STUD			ATT PT
- 37	2127635	1	.	RESISTOR ASM			
- 38	5562096	1	.	RESISTOR ASM			
- 39	4178058	1	.	SHIELD			
- 40	38235	1	.	SCREW,BD HD- 6-32 X 0.312 LG			ATT PT
- 41	2103010	1	.	CAPACITOR ASM			
- 42	532393	1	.	TIE,CABLE			
- 43	5349929	1	.	SCREW,THD FORMING 8-32 X 0.500 LG			ATT PT

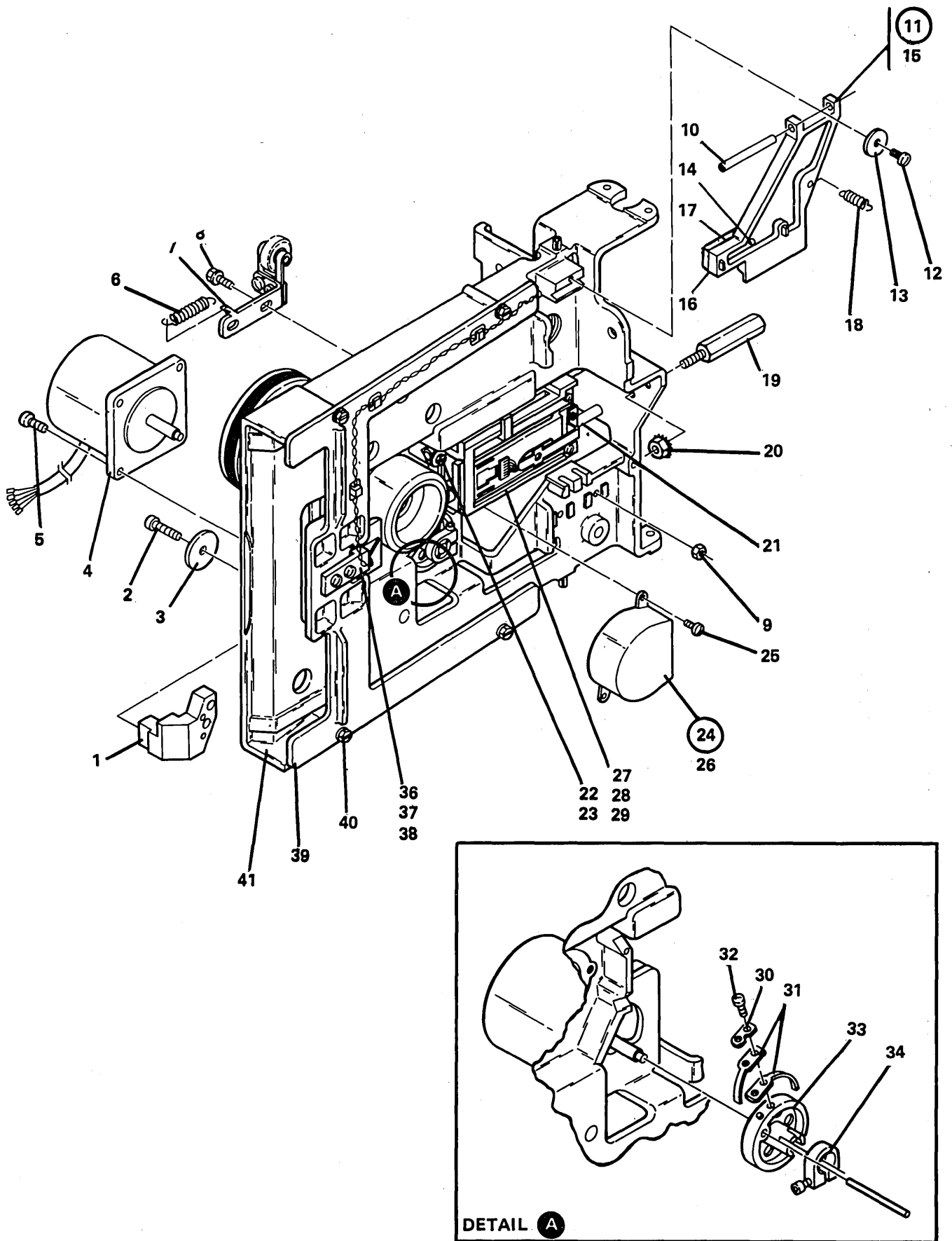


FIGURE 7. DISKETTE BASEPLATE ASSEMBLY. SEE LIST 7.

DISKETTE BASEPLATE ASSEMBLY

FIGURE- INDEX NUMBER	PART NUMBER		UNITS PER ASM.	REF	DESCRIPTION
	NO	NP			
7 -	NO	NO.	NP	REF	DISKETTE BASEPLATE ASSEMBLY FOR NEXT HIGHER ASM SEE FIGURE 6-13 AND FOR ILLUSTRATION SEE FIGURE 7
- 1	5562083			1	. TRANSISTOR ASM, PHOTO
- 2	170241			1	. SCREW, SEMS- 6-32 X 0.750 LG ATT PT
- 3	2130285			1	. WASHER, FLAT ATT PT
- 4	2462606			1	. MOTOR, STEPPER
- 5	81693			3	. SCREW, BD HD- 6-32 X 0.375 LG ATT PT
- 6	5562051			1	. SPRING
- 7	5562085			1	. PULLEY ASM
- 8	5562103			2	. SCREW ATT PT
- 9	257189			2	. NUT, HEX- 6-32 ATT PT
- 10	5562098			1	. PIN
- 11	4178066			1	. BAIL ASM
- 12	10170			1	. SCREW, BD HD- 6-32 X 0.250 LG ATT PT
- 13	110029			1	. WASHER, FL NO 8 X 5/8 OD X 1/16 THK
- 14	651858			1	. . BUMPER
- 15	4178061			1	. . BAIL
- 16	4178063			1	. . SPRING
- 17	4178062			1	. . SHOE
- 18	150676			1	. SPRING-USED ON ASMS WITHOUT EC 829696
- 18	4178067			1	. SPRING-USED ON ASMS WITH EC 829696
- 19	2305697			1	. STANDOFF
- 20	602721			1	. NUT, LOCK- 10-32 ATT PT
- 21	5562038			2	. ROD-GUIDE
- 22	2181011			2	. SCREW, THD FORMING- 6-32 X 0.500 LG ATT PT
- 23	1591469			2	. WASHER, FL NO. 6 ATT PT
- 24	5562088			1	. COVER/WIPER ASM
- 25	55726			2	. SCREW, BD HD- 6-32 X 0.188 LG ATT PT
- 26	5562035			1	. . WIPER
- 27	4178035			1	. CARRIAGE ASM, HEAD
- 28	236550			2	. SCREW, BD HD- 4-40 X 0.375 LG ATT PT
- 29	5562041			1	. CLAMP
- 30	5562037			1	. CLAMP
- 31	5562044			1	. BAND
- 32	438548			1	. SCREW, BD HD- 4-40 X 0.188 LG ATT PT
- 33	5562086			1	. PULLEY DRIVE
- 34	5562099			1	. CLAMP
- 35	186925			1	. SCREW, CAP, SOC HD, FLU- 4-40 X 0.625 LG ATT PT
- 36	5562081			1	. L.E.D. ASM
- 37	81693			2	. SCREW, BD HD- 6-32 X 0.375 LG ATT PT
- 38	257187			2	. NUT, HEX- 6-32
- 39	5562061			1	. GUIDE
- 40	5700484			4	. SCREW, HEX WASHER HEAD-THD FORMING ATT PT
- 41	5562082			1	. CASTING ASM

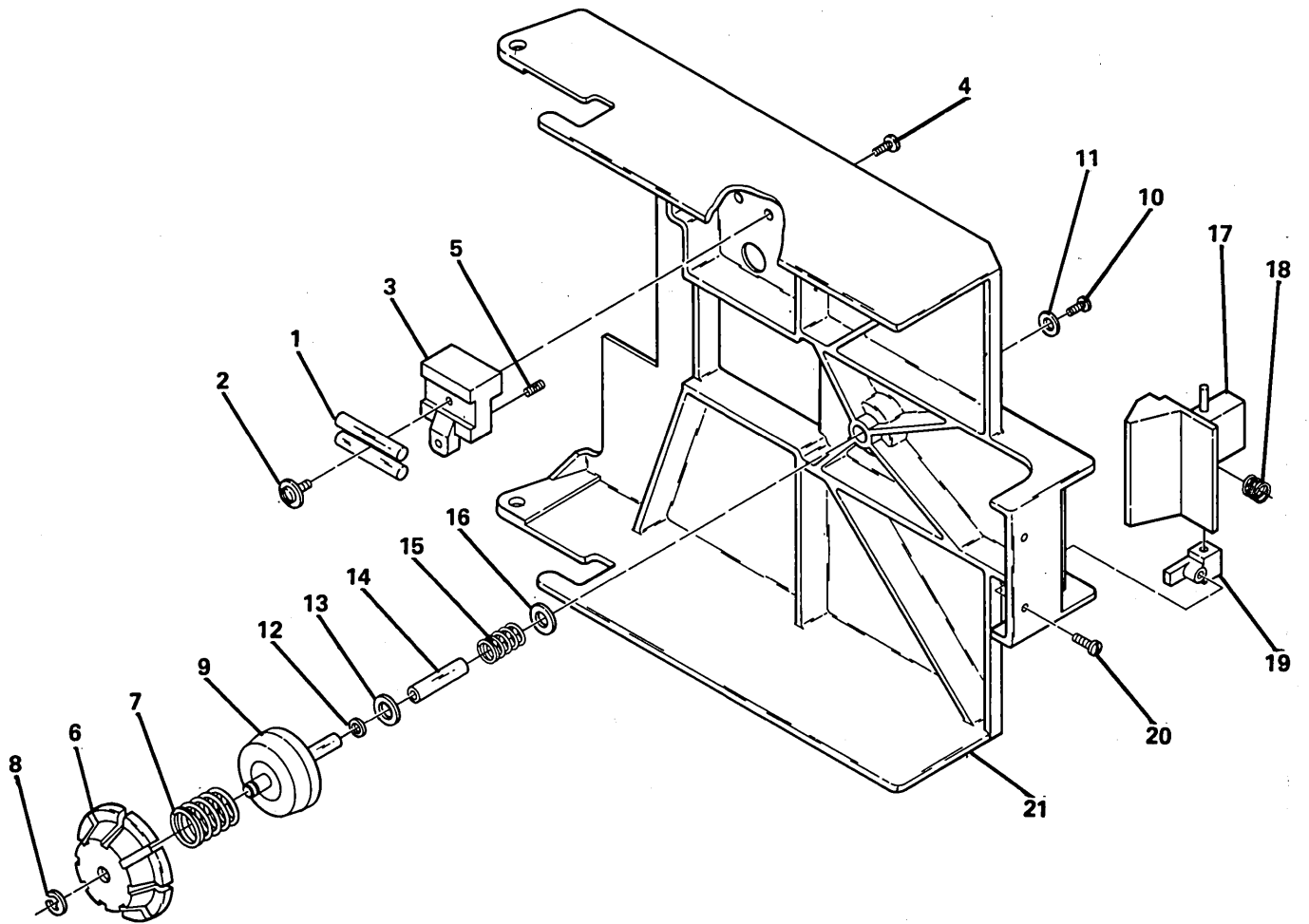


FIGURE 8. DISKETTE COVER ASSEMBLY. SEE LIST 8.

DISKETTE COVER ASSEMBLY

FIGURE- INDEX NUMBER	PART NUMBER	UNITS PER ASM.	DESCRIPTION			
			1	2	3	4
8 -	4178027	REF	DISKETTE COVER ASSEMBLY FOR NEXT HIGHER ASM SEE FIGURE 6-15 AND FOR ILLUSTRATION SEE FIGURE 8			
- 1	5562019	2	. TIMING PIN			
- 2	1164265	1	. SCREW			
- 3	5562084	1	. BACKSTOP			
- 4	81693	2	. SCREW,BD HD- 6-32 X 0.375 LG			
- 5	311167	1	. SCREW,SET-NYLOK			
- 6	2305644	1	. COLLET			
- 7	2305647	1	. SPRING,COMPRESSION			
- 8	332747	1	. CLIP			
- 9	2305526	1	. CONE AND SHAFT ASM			
- 10	34512	1	. SCREW,BD HD- 8-32 X 0.375 LG			
- 11	2903	1	. WASHER,FL- 0.172 ID X 0.500 OD			
- 12	555427	1	. SHIM			
- 13	25018	1	. WASHER,FL- 0.250 ID X 0.500 OD			
- 14	2305462	1	. SLEEVE			
- 15	2305646	1	. SPRING,COMPRESSION			
- 16	120571	1	. WASHER			
- 17	4236352	1	. LATCH			
- 18	736822	1	. SPRING			
- 19	2305523	2	. PIVOT			
- 20	322550	2	. SCREW,BD HD- 6-32 X 0.500 LG			
- 21	5562062	1	. PLATE			

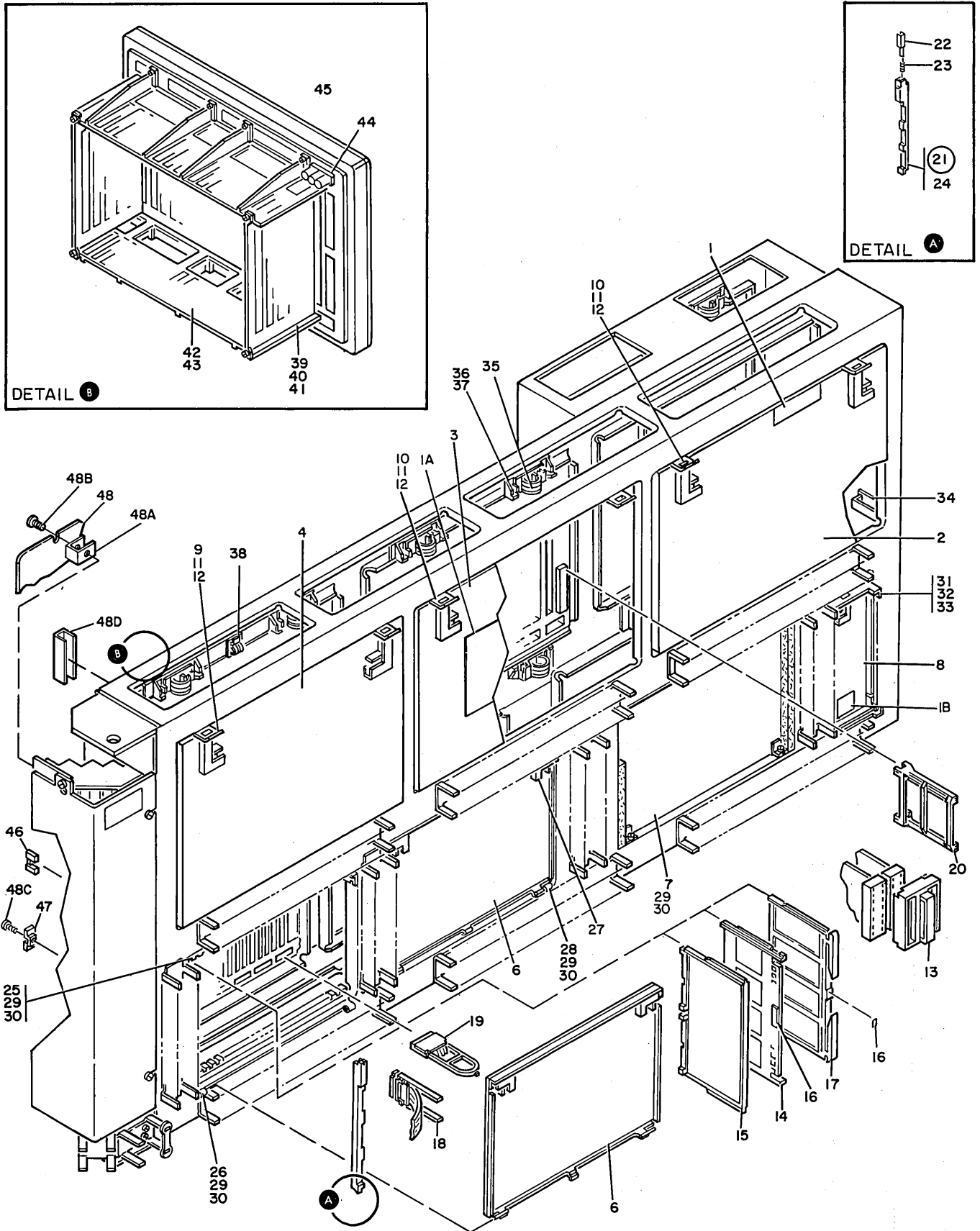


FIGURE 9. GATE ASSEMBLY-GATE 01A. SHEET 1 OF 3. INDEX NOS. 1-48D. SEE LIST 9.

GATE ASSEMBLY-GATE 01A

FIGURE- INDEX NUMBER	PART NUMBER	UNITS PER ASM.	DESCRIPTION			
			1	2	3	4
9 -	5578810 NP	REF	GATE ASSEMBLY-GATE J1A, 60 J2, 1ST SOURCE			
-	6831355 NP	REF	GATE ASSEMBLY-GATE J1A, 50 H2, 1ST SOURCE FIRST SOURCE ONLY			
-	6831357 NP	REF	GATE ASSEMBLY, J1A SECOND SOURCE ONLY FOR NEXT HIGHER ASM SEE FIGURE 2-176 FOR ILLUSTRATION SEE FIGURE 9			
- 1	6831354	3	. LABEL			
- 1A	4432392	1	. LABEL-MODEL 1, B1 POSITION ONLY			
- 1A	4109508	1	. LABEL-MODEL 2, B1 POSITION ONLY			
- 1A	4432399	1	. LABEL-MODEL 1 SECOND SOURCE, B1 POS ONLY			
- 1B	8330642	1	. LABEL			
- 2	1310002	1	. COVER ASM FIRST SOURCE ONLY			
- 2	4432395	1	. COVER ASM SECOND SOURCE ONLY			
- 3	1310002	1	. COVER			
- 4	4123913	1	. COVER-FIRST SOURCE			
- 4	4432395	1	. COVER-SECOND SOURCE			
- 6	819251	2	. COVER ASM, GATE			
- 7	819013	1	. COVER ASM-GATE FIRST SOURCE ONLY			
- 7	819251	1	. COVER ASM-GATE SECOND SOURCE ONLY			
- 8	8483376	1	. COVER ASM			
- 9	4138593	2	. BRACKET USED ON FIRST SOURCE THIN COVERS			
- 10	8330637	4	. BRACKET USED ON FIRST AND SECOND SOURCE THICK COVERS			
- 11	1621170	1	. SCREW, PAN HD- M3 X L 6A			
- 12	1622344	1	. WASHER, LOCK			
- 13	2399086	AR	. CROSSOVER ASM- 1 POSITION			
- 13	1794410	AR	. CROSSOVER ASM- 2 POSITION USED ON LOWER BOARDS			
- 13	8482113	AR	. CROSSOVER ASM, 3 POS. - B2W			
- 13	8482118	AR	. CROSSOVER ASM, 3 POS. - B2X			
- 13	4138552	AR	. CROSSOVER ASM, 2 POS. USED ON UPPER BOARDS			
- 14	2766708	AR	. HOLDER, TOP CARD CONNECTOR- 2W, 3H			
- 14	2766709	AR	. HOLDER, TOP CARD CONNECTOR- 4W, 3H			
- 15	819632	AR	. CARD, DUMMY- 4W, 3H			
- 15	816983	AR	. CARD, DUMMY- 2W, 3H			
- 15	819412	AR	. CARD, DUMMY- 1W, 3H			
- 15	4138564	AR	. CARD, DUMMY			
- 16	818579	AR	. LABEL			
- 17	819408	AR	. HOLDER, CARD- 4W, 3H			
- 17	818002	AR	. HOLDER, CARD- 2W, 3H			
- 17	819407	AR	. HOLDER, CARD- 1W, 3H			
- 17	819033	AR	. HOLDER, CARD- 4W, 6H SECOND SOURCE ONLY			
- 18	4150776	AR	. EXTENDER- TRI LEAD			
- 18	819411	AR	. EXTENDER- FLAT CABLE			
- 19	4150496	AR	. HOLDER, CABLE 3 HIGH- TRI LEAD			
- 19	819410	AR	. HOLDER, FLAT CABLE- 1 AND 6 ROW 3 HIGH			
- 19A	740459	1	. STIFFENER			
- 19B	438549	2	. SCREW, BD HD- 4-40 X 0.437 LG			
- 19C	6831356	1	. BRACKET, STRAIN RELIEF			
- 20	4138527	AR	. GUIDE, TOOL			
- 21	819284	12	. BRACKET ASM			
- 22	819282	1	. LATCH			
- 23	753317	1	. SPRING			
- 24	819283	1	. BRACKET			
- 25	819268	2	. BRACKET, HINGE			
- 26	815879	2	. BRACKET, HINGE			
- 27	819268	1	. BRACKET, HINGE-TOP FIRST SOURCE ONLY			
- 27	2731306	1	. GUIDE SECOND SOURCE ONLY			
- 28	815879	1	. BRACKET, HINGE-BOTTOM FIRST SOURCE ONLY			
- 28	4139582	1	. BRACKET, LOWER HINGE SECOND SOURCE ONLY			
- 29	811417	12	. SCREW, HEX SOCKET HD 6-32 X 0.500 LG			
- 30	257986	12	. WASHER			
- 31	8483375	2	. GUIDE			
- 32	811417	4	. SCREW, HEX SOCKET HD 6-32 X 0.500 LG			
- 33	257986	4	. WASHER			

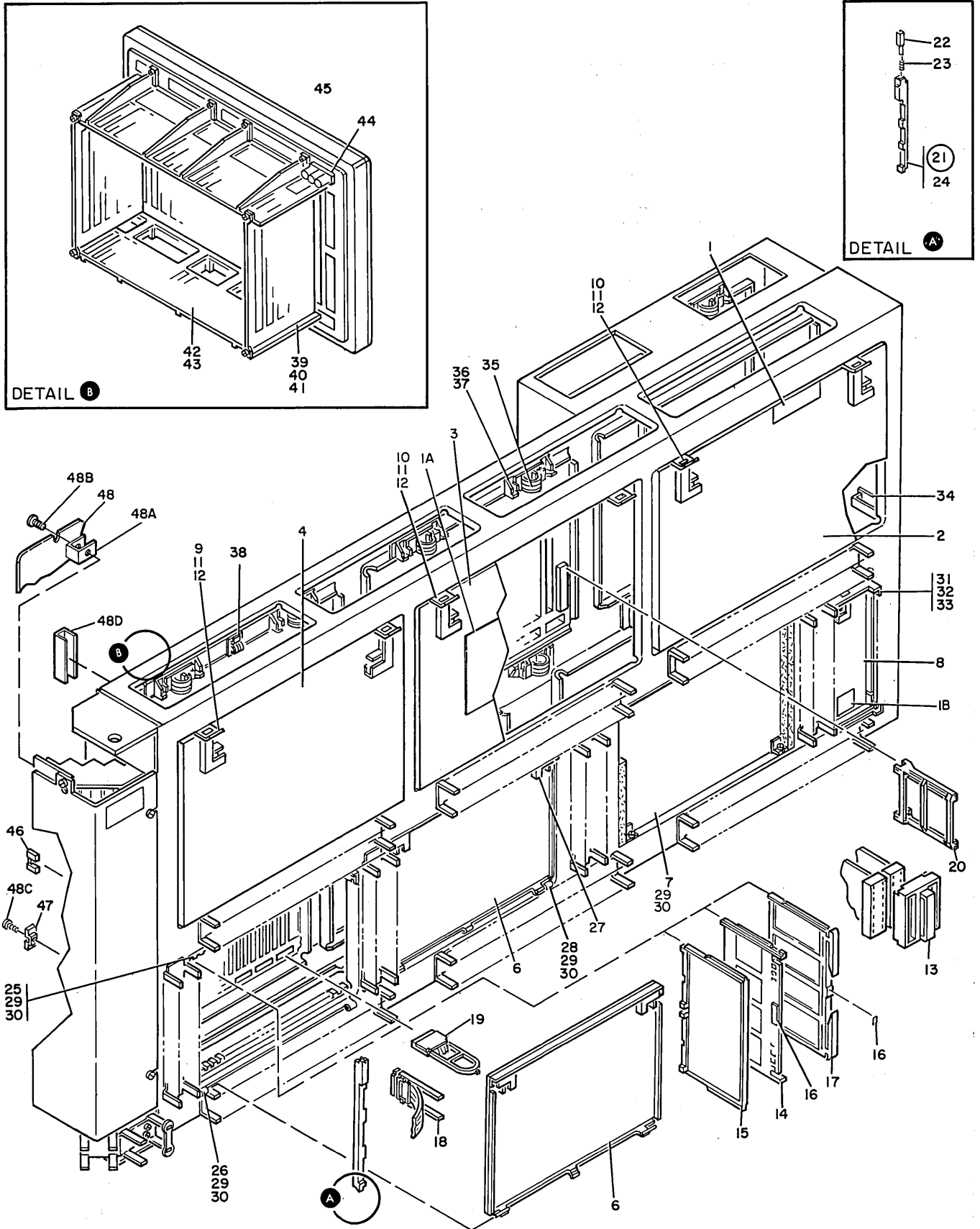


FIGURE 9. GATE ASSEMBLY-GATE 01A. SHEET 1 OF 3. INDEX NOS. 1-48D. SEE LIST 9.

GATE ASSEMBLY-GATE 01A

FIGURE- INDEX NUMBER	PART NUMBER	UNITS PER ASM.	DESCRIPTION			
			1	2	3	4
9 - 34	1310209	6	.	CLAMP, CABLE		
- 35	4138566	8	.	CLAMP		
- 36	4138565	8	.	BRACKET		
- 37	1621181	16	.	SCREW, PAN HEAD-M3.5 X 6 LG	ATT PT	
- 38	4123928	AR	.	CLIP, CABLE		
- 39	4138524	4	.	PLATE		
- 40	1621170	8	.	SCREW, PAN HD- M3 X L 6A	ATT PT	
- 41	1622344	4	.	WASHER, LOCK	ATT PT	
- 42	4138523	4	.	GUIDE, CARD		
- 43	2360072	16	.	SCREW AND LOCKWASHER, THD FORM PAN HD-M4	ATT PT	
- 44	4138522	4	.	CAPACITOR HOUSING ASM		
- 46	816645	3	.	JUMPER ASM		
- 47	813179	32	.	FIRST SOURCE ONLY		
- 48	4109434	1	.	SPACER		
- 48A	4109436	AR	.	COVER	ATT PT	
- 48B	1673984	4	.	BRACKET		
- 48C	811417	32	.	SCREW		
- 48D	4109427	1	.	SCREW, HEX SOCKET HD 6-32 X 0.500 LG		
			.	INSULATOR		
			.	FIRST SOURCE ONLY		

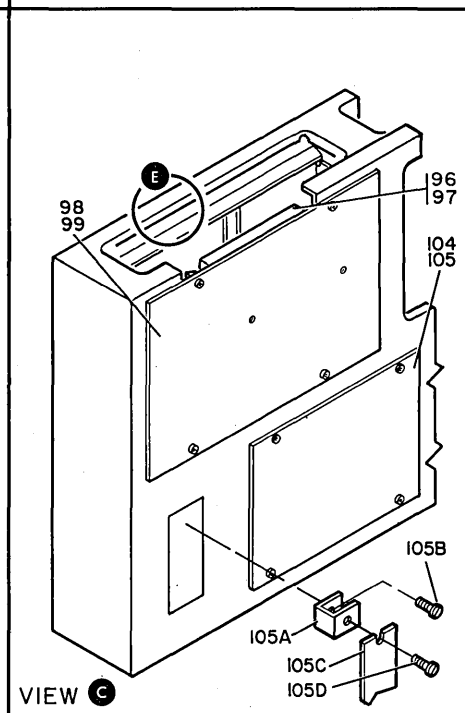
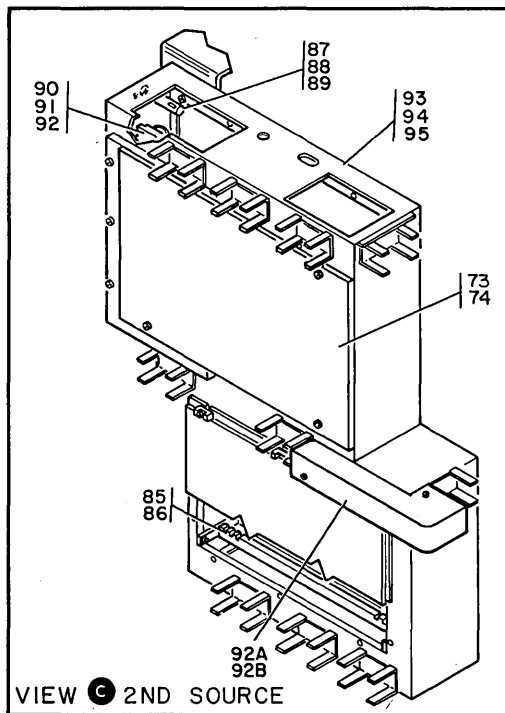
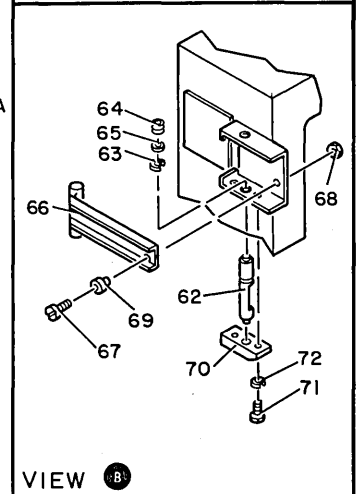
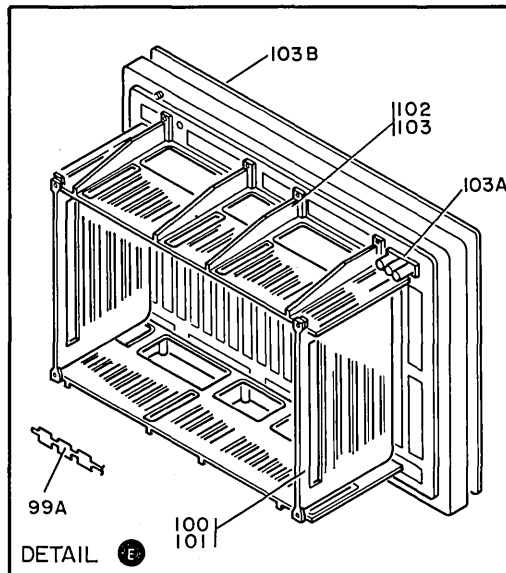
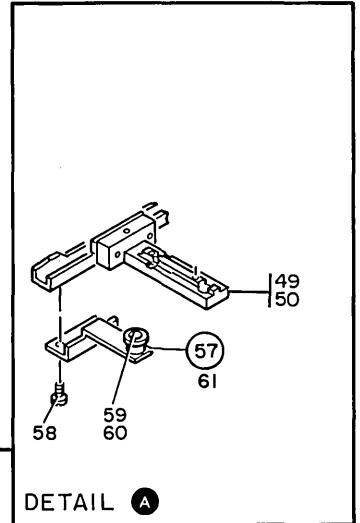
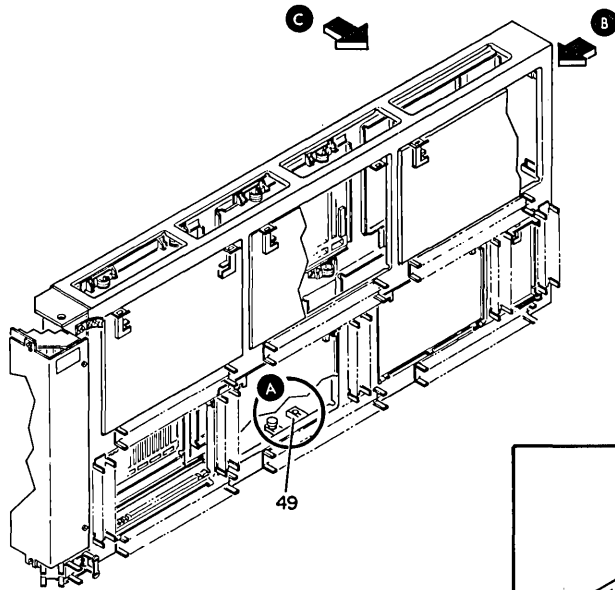


FIGURE 9. GATE ASSEMBLY-GATE 01A. SHEET 2 OF 3. INDEX NOS. 49-105D. SEE LIST 9.

GATE ASSEMBLY-GATE 01A

FIGURE- INDEX NUMBER	PART NUMBER	UNITS PER ASM.	DESCRIPTION			
			1	2	3	4
9 - 49	8483012	3
- 50	1621173	6
- 57	1310001	1	.	.	.	ATT PT
- 58	1621190	2
- 59	5501995	1	.	.	.	ATT PT
- 60	5501997	1
- 61	1310000	1	.	.	.	ATT PT
- 62	8483089	1
- 63	251015	1	.	.	.	ATT PT
- 64	2181052	1
- 65	161351	1
- 66	8483503	1
- 67	1621211	1	.	.	.	ATT PT
- 68	1622404	1	.	.	.	ATT PT
- 69	8483504	1
- 70	8483091	1
- 71	1621060	2	.	.	.	ATT PT
- 72	819431	1	.	.	.	ATT PT
- 73	819431	4	.	.	.	ATT PT
- 74	731626	4	.	.	.	ATT PT
- 85	2733280	2
- 86	1621170	4
- 87	5578667	1
- 88	1621170	1
- 89	1622344	1
- 90	4138577	2
- 91	4138565	2
- 92	1621181	4
- 92A	4109468	1
- 92B	1621198	1	.	.	.	ATT PT
- 93	6831350	1
- 94	1621181	12
- 95	811417	8
- 96	4432899	1
- 97	1621176	5	.	.	.	ATT PT
- 98	5578827	1
- 99	1621181	4	.	.	.	ATT PT
- 99A	4138559	2
- 99A	4138559	6
-100	4138524	2
-101	1621170	4	.	.	.	ATT PT
-102	4138523	2
-103	2360072	8	.	.	.	ATT PT
-103A	4138522	AR
-103A	4138587	AR
-103B	4138580	1
-104	819431	1
-105	731626	4	.	.	.	ATT PT
-105A	4109436	AR
-105B	811417	AR
-105C	4109435	1
-105D	1673984	4	.	.	.	ATT PT

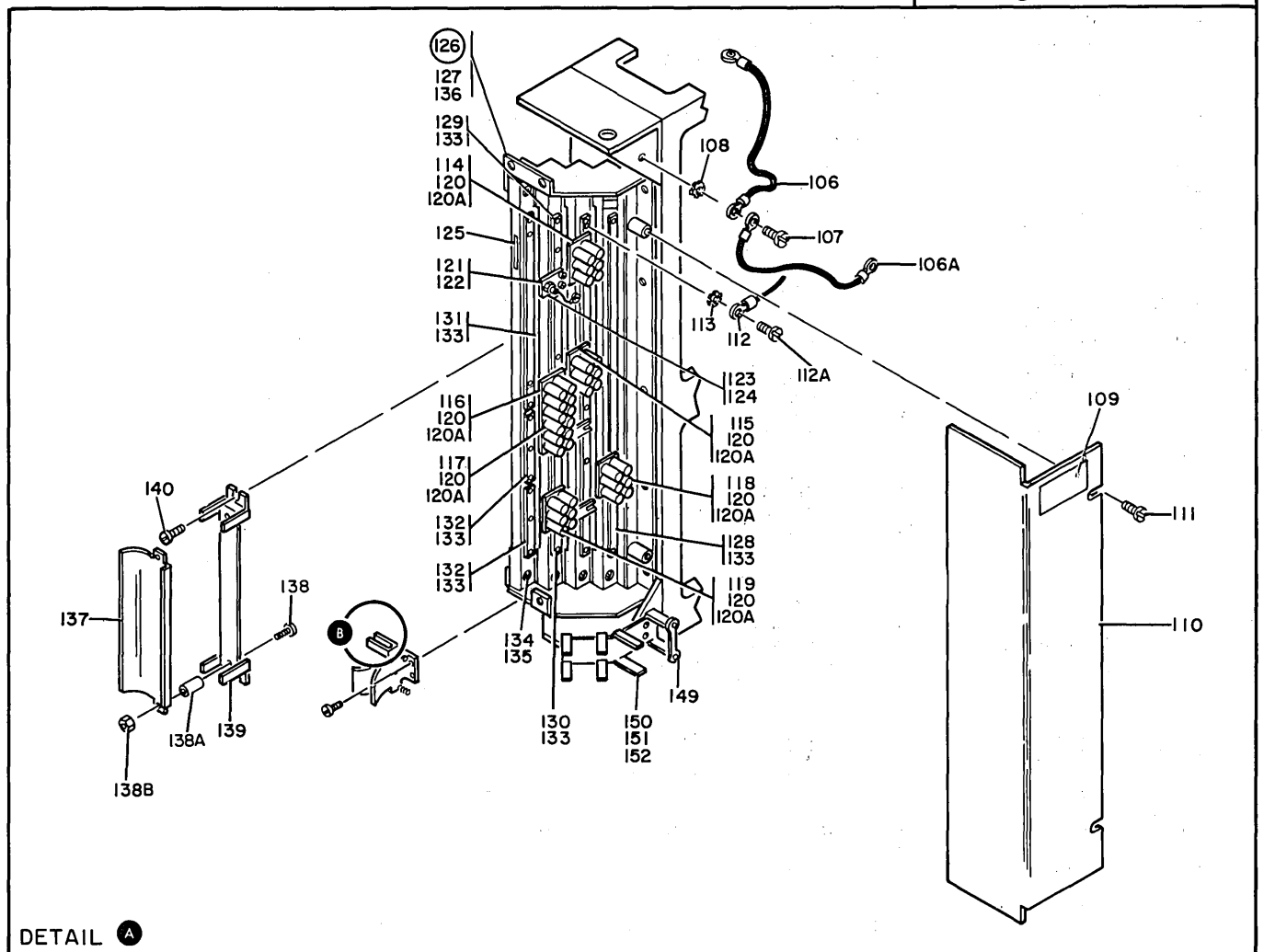
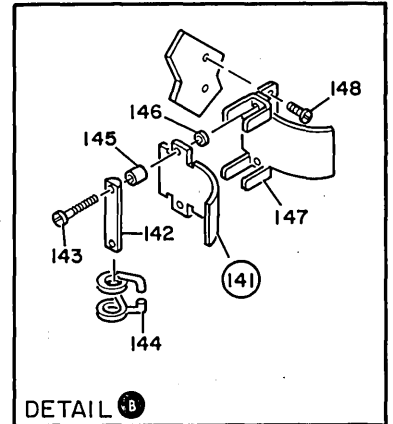
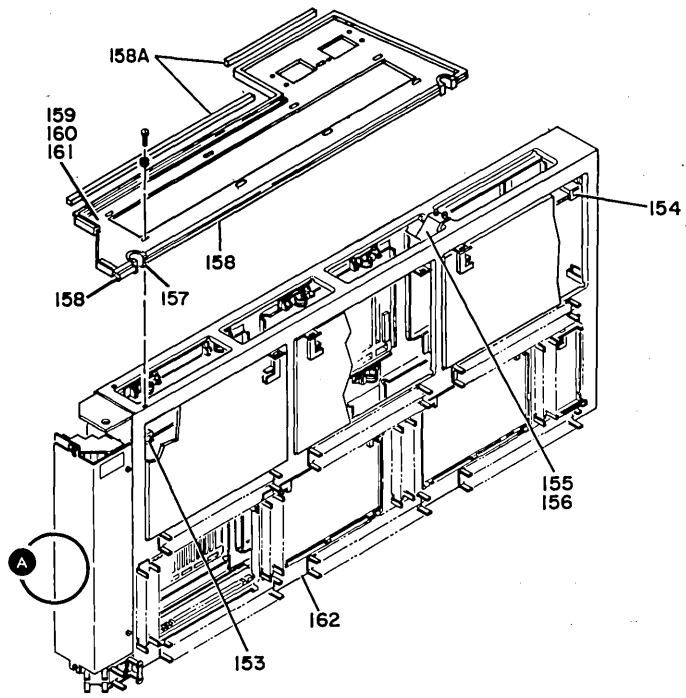


FIGURE 9. GATE ASSEMBLY-GATE 01A. SHEET 3 OF 3. INDEX NOS. 106-162. SEE LIST 9.

GATE ASSEMBLY-GATE J1A

FIGURE- INDEX NUMBER	PART NUMBER	UNITS PER ASM.	DESCRIPTION			
			1	2	3	4
9 -106	4109539	1	.	STRAP		
-106A	4154642	1	.	STRAP		
-107	1621211	1	.	SCREW,PAN HD- M5 X 12 LG		ATT PT
-108	1622347	1	.	LOCKWASHER EXT STAR- M5, 10 OD X .6		ATT PT
-109	8330638	1	.	LABEL		
-110	4109517	1	.	SHIELD		
-111	1621210	4	.	SCREW,PAN HD- M5 X 10 LG		ATT PT
-112	5578899	1	.	JUMPER ASM		
-112A	1621191	1	.	SCREW,PAN HD- M4 X 10 LG		
-113	1622347	2	.	LOCKWASHER EXT STAR- M5, 10 OD X .6		
-114	4124218	1	.	CAPACITOR ASM		
				FIRST SOURCE ONLY		
-114	4124217	1	.	CAPACITOR ASM.		
				SECOND SOURCE ONLY		
-115	4124217	1	.	CAPACITOR ASM		
				FIRST SOURCE ONLY		
-115	1310234	1	.	CAPACITOR ASM.		
				SECOND SOURCE ONLY		
-116	4124217	1	.	CAPACITOR ASM		
-117	1310234	1	.	CAPACITOR ASM		
-118	4124218	1	.	CAPACITOR ASM		
-119	4124219	1	.	CAPACITOR ASM		
-120	1621191	10	.	SCREW,PAN HD- M4 X 10 LG		ATT PT
-120A	1622304	12	.	WASHER,FL- M4 9 OD X 0.8 THK		ATT PT
-121	4109590	1	.	DIODE ASM		
				FIRST SOURCE ONLY		
-122	1621191	1	.	SCREW,PAN HD- M4 X 10 LG		ATT PT
-123	8330718	1	.	PLATE		
				FIRST SOURCE ONLY		
-124	1621191	2	.	SCREW,PAN HD- M4 X 10 LG		ATT PT
-125	5578829	1	.	LABEL		
-126	2676628	1	.	BLOCK ASM,TERMINAL		
-127	1621210	5	.	SCREW,PAN HD- M5 X 10 LG		ATT PT
-128	5578696	2	.	STRIP,TERMINAL- 15 POSITION		
-129	4123923	1	.	BUS BAR		
-130	4123924	1	.	STRIP,TERMINAL- 10 POSITION		
-131	1310235	1	.	BUS BAR		
-132	4123923	2	.	BUS BAR		
-133	1621230	14	.	SCREW,PAN HD-M5 X 12 LG		
-134	4123925	4	.	BLOCK,TERMINAL		
-135	1621231	8	.	SCREW, MACH.		ATT PT
-136	4123929	1	.	BRACKET		
-137	4123930	1	.	FRONT PLATE		
-138	1621216	2	.	SCREW,PAN HD-M5 X 35 LG		ATT PT
-138A	4154574	2	.	BUSHING		ATT PT
-138B	1622404	2	.	NUT,DBL CHAMFERED HEX-M5 X 4 THK		ATT PT
-139	4123931	1	.	BACKPLATE		
-140	1621210	2	.	SCREW,PAN HD- M5 X 10 LG		ATT PT
-141	815225	1	.	CLAMP ASM		
-142	815220	1	.	BAR		
-143	815174	2	.	SCREW,HEX SOC HD 8-32 X 1.750 LG		ATT PT
-144	813321	1	.	SPRING		
-145	815219	2	.	SPACER		
-145A	816649	2	.	RETAINER		
-146	815217	1	.	PLATE		
-147	815214	1	.	BACKPLATE,CABLE CLAMP		
-148	1621210	2	.	SCREW,PAN HD- M5 X 10 LG		ATT PT
-149	811427	75	.	RETAINER		
-150	4109516	1	.	RACEWAY		
-151	1621230	1	.	SCREW,PAN HD-M6 X 12 LG		ATT PT
-152	1621333	2	.	SCREW,FL HD-M6 X 12 LG		ATT PT
-153	1310201	2	.	BAFFLE ASM,AIR		
-154	1310204	1	.	BAFFLE ASM,AIR		
-155	1310207	1	.	BAFFLE ASM		
-156	1621190	2	.	SCREW,PAN HD- M4 X 8 LG		ATT PT
-157	825880	AR	.	TAPE,FOAM		
-158	8483347	AR	.	SEAL		
-158A	475465	AR	.	SEAL		
-159	4124216	1	.	BARRIER- 60 HZ		
-159	6831351	1	.	BARRIER- 50 HZ		
				FIRST SOURCE ONLY		
-159	6831353	1	.	BARRIER, 50/60 HZ		
				SECOND SOURCE ONLY		
-160	1622305	8	.	WASHER,FL- M5 13 OD X 1 THK		ATT PT
-161	1621190	8	.	SCREW,PAN HD- M4 X 8 LG		ATT PT
-162	4155181	1	.	GATE		
				FIRST SOURCE ONLY		
-162	6831358	1	.	GATE		
				SECOND SOURCE ONLY		

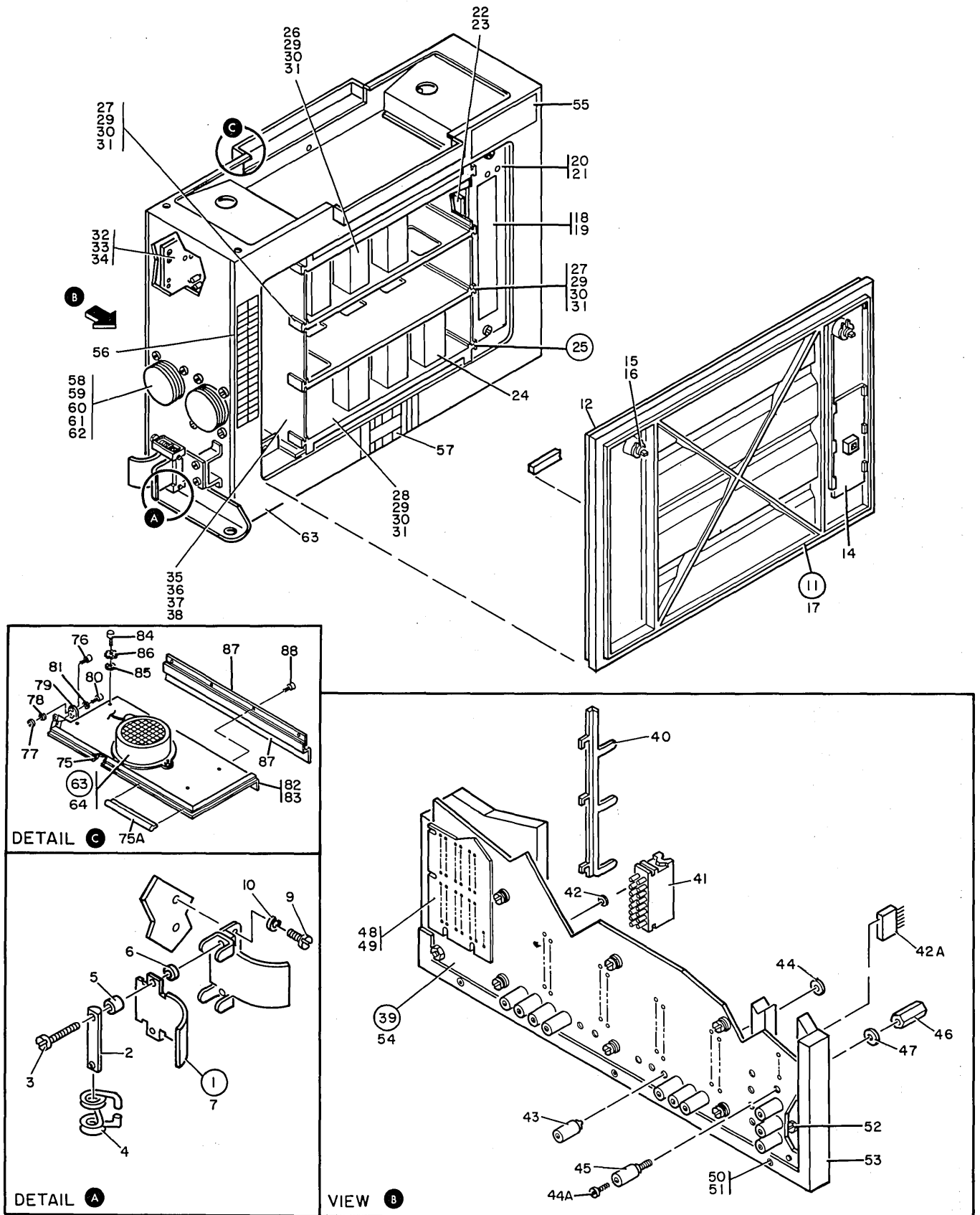


FIGURE 10. GATE ASSEMBLY-GATE J1C. SEE LIST 10.

GATE ASSEMBLY-GATE 01C

FIGURE- INDEX NUMBER	PART NUMBER	UNITS PER ASM.	DESCRIPTION			
			1	2	3	4
10 -	1310329 NP	REF	GATE ASSEMBLY, IPS FOR NEXT HIGHER ASM SEE FIGURE 2-157 AND FOR ILLUSTRATION SEE FIGURE 10			
- 1	815225	1	. CLAMP			
- 2	815220	1	. . . BAR			
- 3	815174	2	. . . SCREW, HEX SJC HD 8-32 X 1.750 LG			
- 4	813321	1	. . . SPRING			
- 5	815219	2	. . . SPACER			
- 6	816649	2	. . . RETAINER			
- 7	815217	1	. . . PLATE			
- 8	815171	1	. BACKPLATE			
- 9	1621062	2	. SCREW, CHEESE HD- M4 X 12 LG			
- 10	1622346	2	. LOCKWASHER, EXT STAR- M4, 8 OD X .5			
- 11	5576260	1	. COVER ASM, CARD			
- 12	5576286	1	. . . SEAL			
- 13	5576209	2	. . . SEAL			
- 14	5576289	1	. . . COVER-SLIDE			
- 15	5576281	2	. . . STUD			
- 16	139766	2	. . . CLIP			
- 17	5576285	1	. . . COVER			
- 18	317296	1	. LABEL			
- 19	598381	1	. LABEL			
- 20	5576245	1	. RETAINER, CARD			
- 21	1621192	2	. SCREW, MACH PAN HD-M4 X 12 LG			
- 22	1310350	AR	. CARD ASM, CONTROL			
- 23	811804	AR	. GUIDE, CARD			
- 24	1310340	AR	. MODULE ASM, POWER			
- 25	1310320	1	. IPS ASM			
- 26	5576264	1	. . . SUPPORT, CARD			
- 27	5576265	2	. . . SUPPORT, CARD			
- 28	5576266	1	. . . SUPPORT, CARD			
- 29	1621211	12	. . . SCREW, PAN HD- M5 X 12 LG			
- 30	1622305	12	. . . WASHER, FL- M5 10 OD X 1 THK			
- 31	5576199	12	. . . WASHER, FL INSULATING-M5 17 OD X 1.6 THK			
- 32	5576202	1	. . . CARD ASM			
- 33	1621192	5	. . . SCREW, MACH PAN HD-M4 X 12 LG			
- 34	2125963	5	. . . WASHER, FL SQUARE-M4			
- 35	5576267	2	. . . SUPPORT, CARD-VERTICAL			
- 36	1622405	4	. . . NUT, HEX-M6 X 10 FL W			
- 37	1622320	4	. . . LOCKWASHER, SPLIT- M6, 11.8 OD X 1.6 THK			
- 38	1622306	4	. . . WASHER, FLAT, M6- 12.5 OD X 2 THK			
- 39	1310321	1	. . . STIFFENER AND BOARD ASM			
- 40	811781	3	. . . GUIDEPOST			
- 41	5576219	12	. . . RECEPTACLE			
- 42	839413	24	. . . WASHER, FLAT NO. 14			
- 42A	5922113	1	. . . HEADER			
- 43	5576282	31	. . . STUD			
- 44	5576287	31	. . . WASHER 5.8 ID X 2 THK			
- 44A	1621191	1	. . . SCREW, PAN HD- M4 X 10 LG			
- 45	5576284	5 STUD			
- 46	5576288	5	. . . STANDOFF			
- 47	5576287	5	. . . WASHER 5.8 ID X 2 THK			
- 48	1310322 NR	1	. . . PERSONALIZATION CARD ASM			
- 49	5576283	1	. . . SPACER			
- 50	4138473	8	. . . SCREW, SHOULDER			
- 51	1177332	8	. . . RING, RETAINER-C			
- 52	1621596	4	. . . SCREW, HEX HD-M6 X 16 LG			
- 53	5576268	1	. . . STIFFENER-BOARD			
- 54	5576296 NR	1	. . . BOARD ASM			
- 55	4432593	1	. LABEL			
- 56	4432591	1	. LABEL, SOCKET LOCATION			
- 57	4432592	1	. LABEL			
- 58	4123928	6	. CLAMP			
- 59	4432780	1	. CABLE ASM			
- 60	1621034	8	. SCREW, PAN HEAD-M3.5 X 12 LG			
- 61	1622345	8	. LOCKWASHER EXT STAR- M3.5, 7 OD			
- 62	1622402	8	. NUT, DBL CHAMFERED HEX-M 3.5 X 2.8 THK			
- 63	4123900	1	. PAN ASM			
- 63	4124211	1	. GATE			
- 64	1622403	2	. NUT, DBL CHAMFERED HEX M4 X 3.2 THK			
- 65	825559	1	. . . CLAMP			
- 66	1621195	1	. . . SCREW, PAN HD-M4 X 30 LG			
- 67	4123902	1	. . . GUARD, PAN			
- 68	1621194	2	. . . SCREW, PAN HD-M4 X 20 LG			
- 69	1622346	2	. . . LOCKWASHER, EXT STAR- M4, 8 OD X .5			
- 70	1622403	2	. . . NUT, DBL CHAMFERED HEX M4 X 3.2 THK			
- 71	4124247	1	. . . CABLE ASM-PAN			

GATE ASSEMBLY-GATE 01C

FIGURE- INDEX NUMBER	PART NUMBER	UNITS PER ASM.	DESCRIPTION			
			1	2	3	4
10			FOR CABLE COMPONENT PARTS SEE FIGURE 11			
- 72	1673983	1	SCREW,PAN HD-M5 X 6 LG-BLUE ZINC COATED	ATT PT
- 73	1622347	1	LOCKWASHER EXT STAR- M5, 10 OD X .6	ATT PT
- 74	2549540	1	FAN	
- 75	825880	AR	TAPE,FOAM	
- 75A	8483347	AR	SEAL	
- 76	4432813	1	SCREW,THUMB	
- 77	264641	1	RING,RETAINING EXT 0.114 ID X 0.025 THK	ATT PT
- 78	45690	1	WASHER,FL- 0.203 ID X 0.438 OD	
- 79	4109453	1	PLATE	
- 80	1621198	2	SCREW,PAN HD-M4 X 4 LG	ATT PT
- 81	1622304	2	WASHER,FL- M4 9 OD X 0.8 THK	ATT PT
- 82	6831326	1	BARRIER ASM	
- 83	1673983	4	SCREW,PAN HD-M5 X 6 LG-BLUE ZINC COATED	ATT PT
- 84	1621190	4	SCREW,PAN HD- M4 X 8 LG	ATT PT
- 85	1622304	4	WASHER,FL- M4 9 OD X 0.8 THK	ATT PT
- 86	1622346	4	LOCKWASHER,EXT STAR- M4, 9 OD X .5	ATT PT
- 87	6831412	1	HINGE	
- 88	1673983	4	SCREW,PAN HD-M5 X 6 LG-BLUE ZINC COATED	ATT PT
- 89	6831366	1	BRACKET	
- 90	4124211	1	GATE-IPS 01 FRAME	

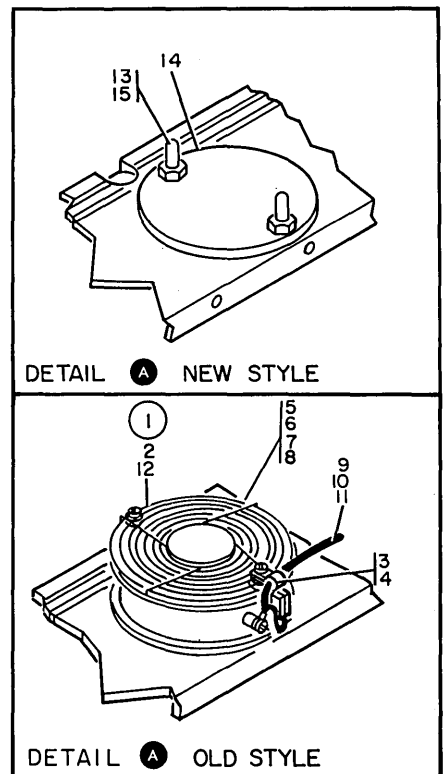
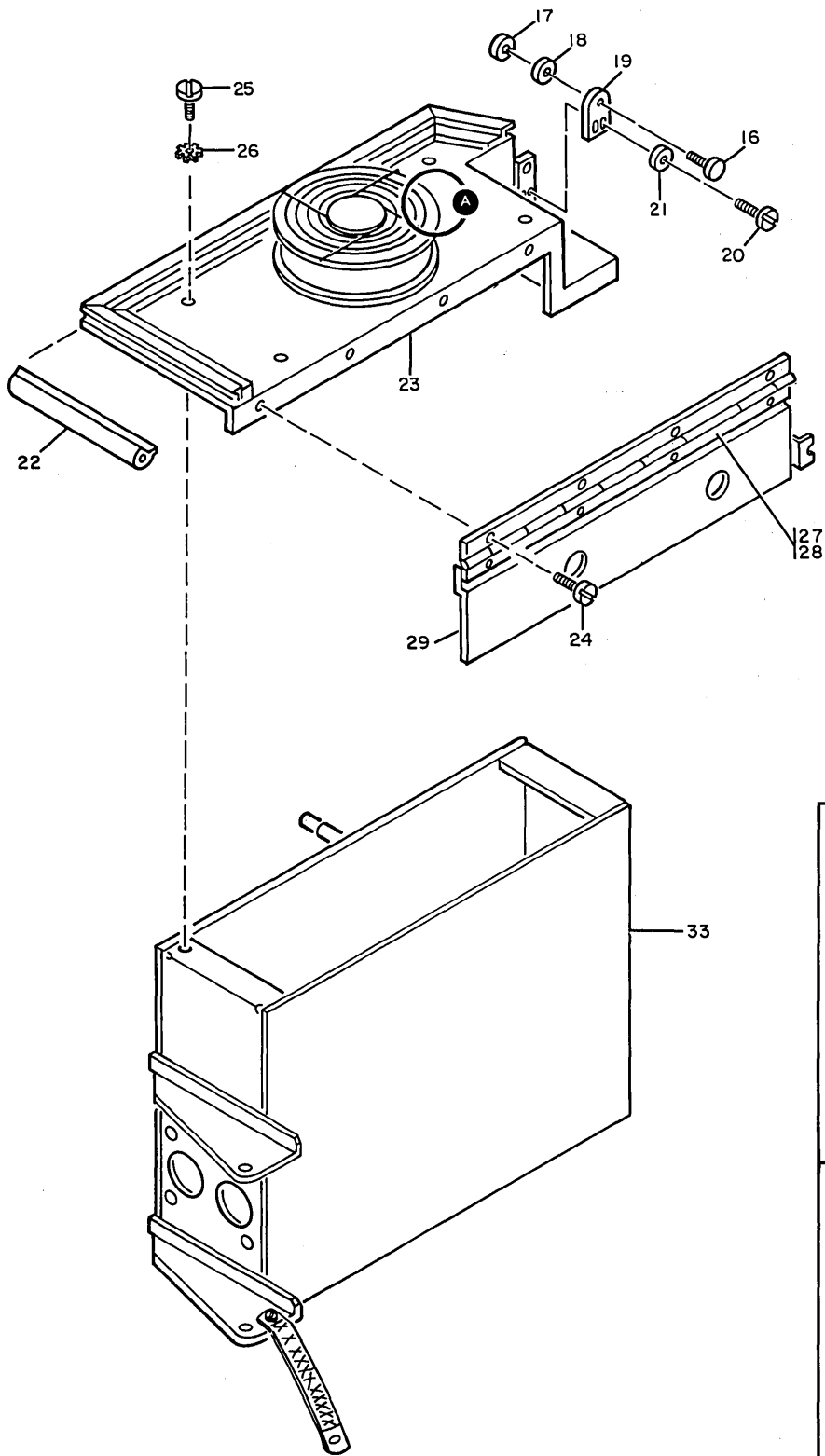


FIGURE 11. GATE ASSEMBLY-GATE OIC DUMMY. SEE LIST 11.

GATE ASSEMBLY-GATE OIC DUMMY

REF

FIGURE- INDEX NUMBER	PART NUMBER	UNITS PER ASM.	DESCRIPTION			
			1	2	3	4
11 -	6831365		GATE ASSEMBLY-GAT OIC DUMMY FOR NEXT HIGHER ASM SEE FIGURE 2-157 AND FOR ILLUSTRATION SEE FIGURE 11			
- 1	4123900	1	. FAN ASM			
- 2	1622403	2	. NUT, DBL CHAMFERED HEX M4 X 3.2 THK			
- 3	825559	1	. . CLAMP			
- 4	1621195	1	. . SCREW			
- 5	4123902	1	. . GUARD FAN			
- 6	1621194	2	. . SCREW			
- 7	1622346	2	. . LOCKWASHER			
- 8	1622403	2	. . NUT			
- 9	4124247	1	. . CABLE ASM, FAN FOR COMPONENT PARTS SEE FIGURE 21			
- 10	1673983	1	. . SCREW			
- 11	1622347	1	. . LOCKWASHER			
- 12	2549540	1	. . FAN, TUBE AXIAL			
- 13	2568941	2	. CAP, PROTECTIVE			
- 14	6831333	1	. PLATE			
- 15	1622403	2	. NUT, DBL CHAMFERED HEX M4 X 3.2 THK			
- 16	8267564	1	. SCREW-THUMB			
- 17	264641	1	. RING, RETAINING EXT 0.114 ID X 0.025 THK			
- 18	25009	1	. WASHER			
- 19	4109453	1	. LATCH PLATE			
- 20	1621198	2	. SCREW			
- 21	1622304	2	. WASHER			
- 22	8483347	AR	. SEAL			
- 23	6831326	1	. BARRIER ASM			
- 24	1673983	4	. SCREW			
- 25	1621190	4	. SCREW			
- 26	2125963	4	. LOCKWASHER			
- 27	6831421	1	. HINGE			
- 28	1673983	4	. SCREW			
- 29	6831366	1	. BRACKET			
- 30	526098	1	. STRAP-USED ON GATES WITH FAN			
- 31	1621190	1	. SCREW			
- 32	1522347	1	. LOCKWASHER			
- 33	4432811	1	. GATE, OIC DUMMY			

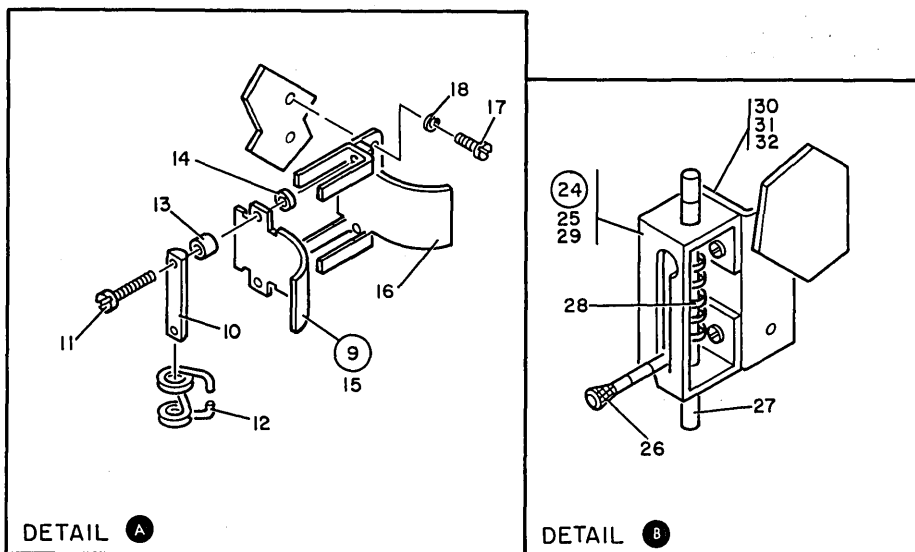
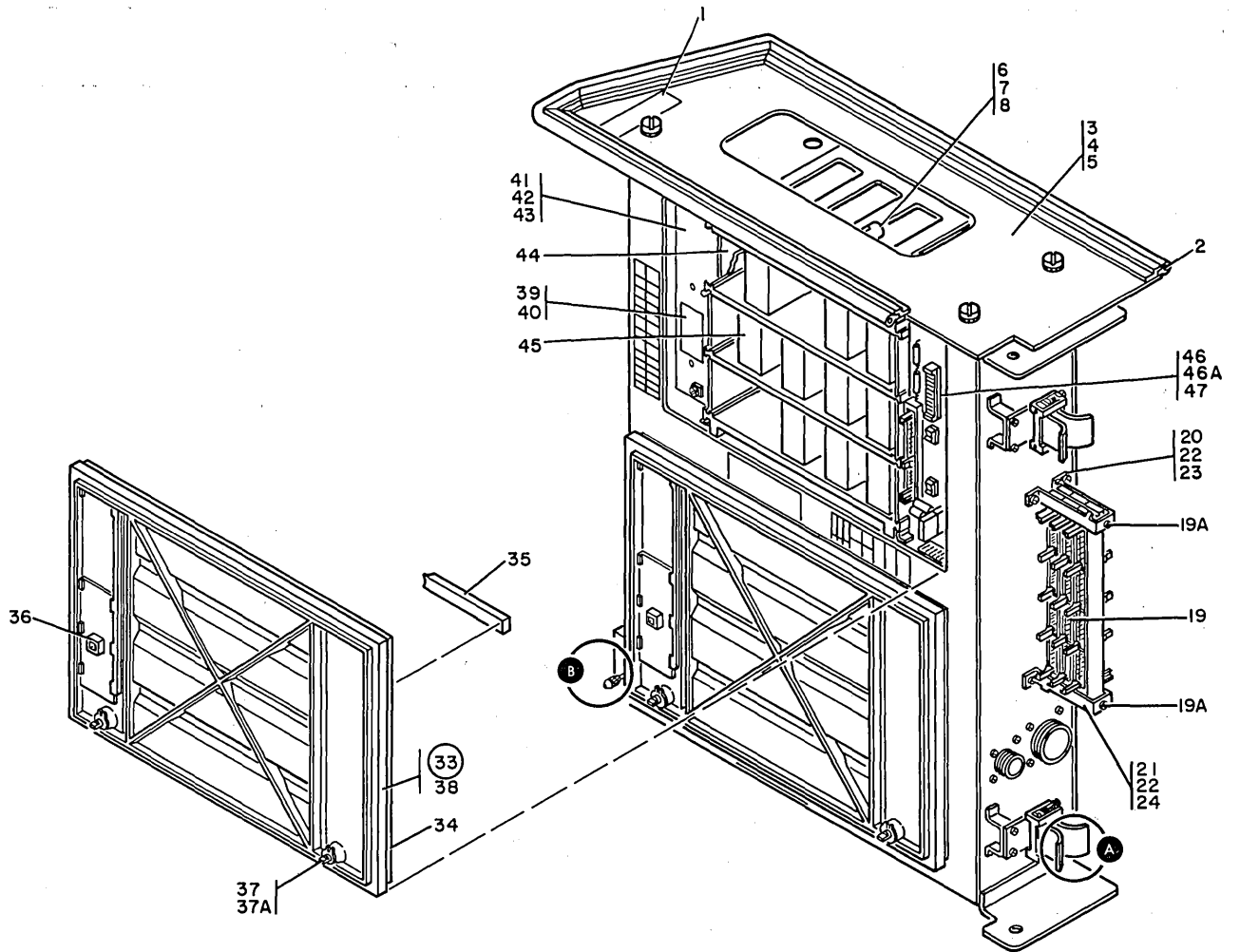


FIGURE 12. GATE ASSEMBLY-GATE 02. SHEET 1 OF 2. INDEX NOS. 1-47. SEE LIST 12.

GATE ASSEMBLY-GATE 02

FIGURE- INDEX NUMBER	PART NUMBER	UNITS PER ASM.	DESCRIPTION			
			1	2	3	4
12 -	4432600	REF	GATE ASSEMBLY-GATE 02			
-	1310330	REF	FIRST SOURCE ONLY			
			GATE ASSEMBLY, 02			
			SECOND SOURCE ONLY			
			FOR NEXT HIGHER ASM, SEE FIGURE 3-36			
			FOR ILLUSTRATION SEE FIGURE 12			
- 1	4432595	1	. LABEL-IMPORTANT,BOTH BOARDS INVERTED			
- 2	8483347	1	. SEAL,GASKET			
- 3	4432814	1	. BARRIER ASM			
- 4	1621081	4	. SCREW,CHEESE HD-M5 X 12 LG			
- 5	1622347	4	. LOCKWASHER EXT STAR- M5, 10 OD X .6			
- 6	5578666	1	. SENSOR,AIR FLOW			
- 7	1621021	1	. SCREW,CHEESE HD- M3 X 8 LG			
- 8	1622344	1	. LOCKWASHER,EXT STAR- M3 X 294 PHK			
- 9	815225	2	. CLAMP			
- 10	815220	1	. . BAR			
- 11	815174	2	. . SCREW,HEX SOC HD 8-32 X 1.750 LG			
- 12	813321	1	. . SPRING			
- 13	815219	2	. . SPACER			
- 14	816649	2	. . RETAINER			
- 15	815217	1	. . PLATE			
- 16	815171	2	. BACKPLATE			
- 17	1621062	4	. SCREW,CHEESE HD- M4 X 12 LG			
- 18	1622346	4	. LOCKWASHER,EXT STAR- M4, 8 OD X .5			
- 19	2732364	4	. BLOCK,CONNECTOR			
- 19A	1621210	4	. SCREW,PAN HD- M5 X 10 LG			
- 20	4109481	2	. CLAMP			
- 21	4109482	2	. CLAMP			
- 22	1621062	4	. SCREW,CHEESE HD- M4 X 12 LG			
- 23	1622346	4	. LOCKWASHER,EXT STAR- M4, 8 OD X .5			
- 24	2172092	1	. LATCH ASM			
- 24A	10170	2	. SCREW,BD HD- 6-32 X 0.250 LG			
- 25	38352	2	. SCREW,BD HD- 6-32 X 0.375 LG			
- 26	528013	1	. . STUD			
- 27	528014	1	. . PIN			
- 28	528012	1	. . SPRING			
- 29	528011	1	. . BRACKET			
- 30	5578548	1	. BRACKET			
- 31	1621062	2	. SCREW,CHEESE HD- M4 X 12 LG			
- 32	1622346	2	. LOCKWASHER,EXT STAR- M4, 8 OD X .5			
- 33	5576260	1	. COVER ASM,IPS			
- 34	5576286	AR	. . SEAL			
- 35	5576209	AR	. . SEAL			
- 36	5576289	1	. . COVER-SLIDE			
- 37	5576281	2	. . STUD			
- 37A	139766	2	. . CLIP			
- 38	5576285	1	. . COVER			
- 39	317296	1	. LABEL			
- 40	598381	1	. LABEL			
- 41	5576245	2	. RETAINER,CARD			
- 42	1621192	4	. SCREW, MACH PAN HD-M4 X 12 LG			
- 43	1310350	AR	. CARD ASM, CONTROL			
- 44	811804	AR	. GUIDE,CARD			
- 45	1310340	AR	. MODULE ASM,POWER			
- 46	5576207	1	. CARD ASM-TEST STATION			
- 46A	1621193	2	. SCREW,PAN HD- M4 X 16LG			
- 47	2125963	2	. WASHER,FL SQUARE-M4			

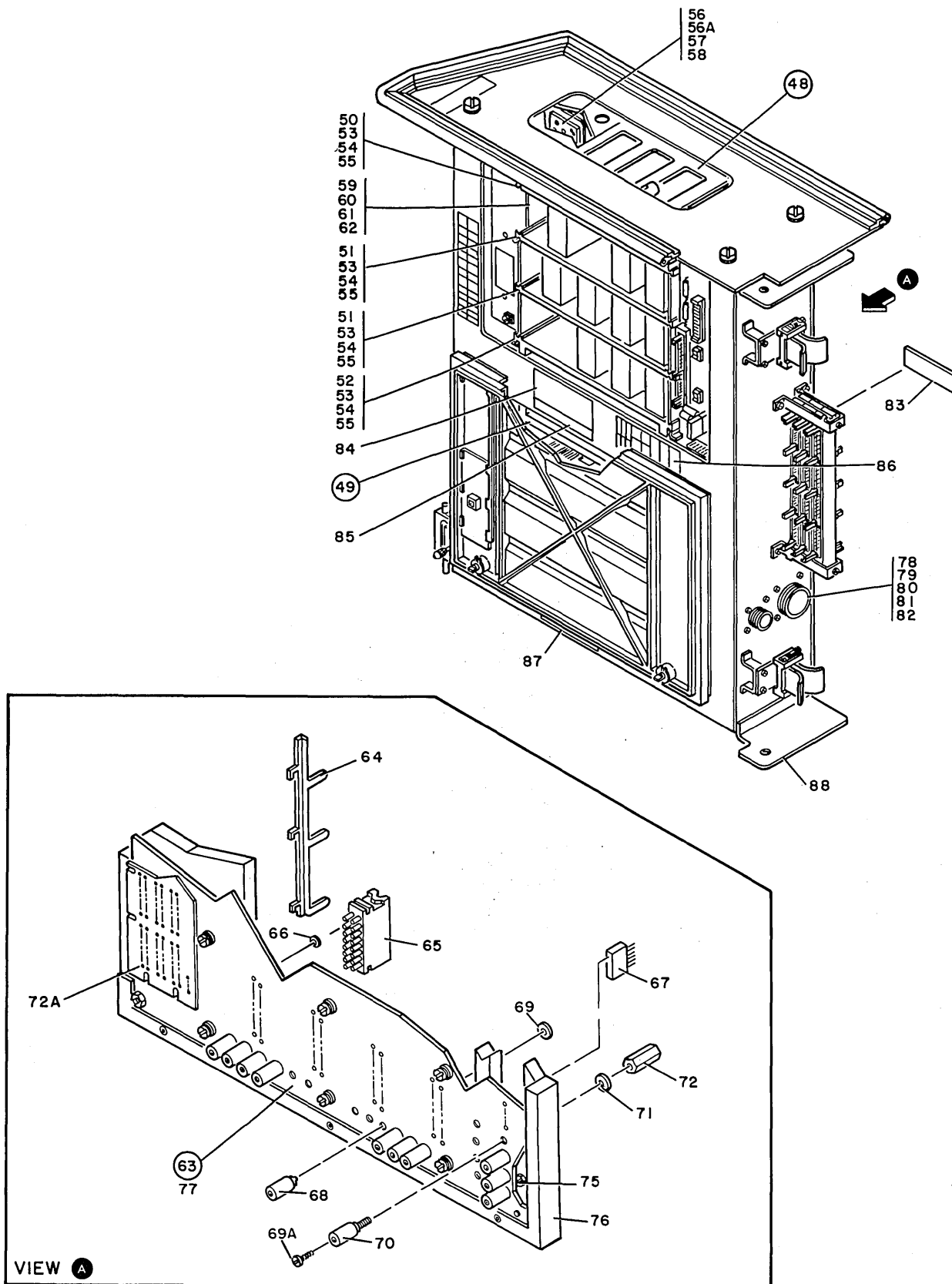


FIGURE 12. GATE ASSEMBLY-GATE 02. SHEET 2 OF 2. INDEX NOS. 48-88. SEE LIST 12.

GATE ASSEMBLY-GATE 02

FIGURE- INDEX NUMBER	PART NUMBER	UNITS PER ASM.	DESCRIPTION				
			1	2	3	4	
12 - 48	5576271	1	
- 49	5576272	1	
- 49	1310331	1	
- 50	5576264	1	
- 51	5576265	1	
- 52	5576266	1	
- 53	1621211	12	ATT PT
- 54	1622305	12	ATT PT
- 55	5576199	12	ATT PT
- 56	5576202	1	
- 56A	5576203	1	
- 57	1621192	6	ATT PT
- 58	2125963	6	ATT PT
- 59	5576267	2	
- 60	1622405	4	ATT PT
- 61	1622320	4	ATT PT
- 62	1622306	4	ATT PT
- 63	5576261	1	
- 63	4432629	1	
- 63	1310332	1	
- 64	811781	3	
- 65	5576219	12	
- 66	839413	24	
- 67	5922113	1	
- 68	5576282	AR	
- 69	5576287	AR	
- 69A	1621191	1	
- 70	5576284	AR	
- 71	5576288	AR	ATT PT
- 72	5576287	AR	ATT PT
- 72A	1310257 NR	1	
- 72A	4432589 NR	1	
- 72A	1310333	1	
- 72B	5576283	4	
- 73	4138473	8	
- 74	1177332	8	ATT PT
- 75	1621596	4	
- 76	5576268	1	
- 77	5576296	1	
- 78	4123928	6	
- 79	1310360	1	
- 80	1621034	8	ATT PT
- 81	1622345	8	ATT PT
- 82	1622402	8	ATT PT
- 83	4432595	1	
- 84	4432593	1	
- 85	4432594	1	
- 86	4432592	2	
- 87	4432595	1	
- 88	5576294	1	

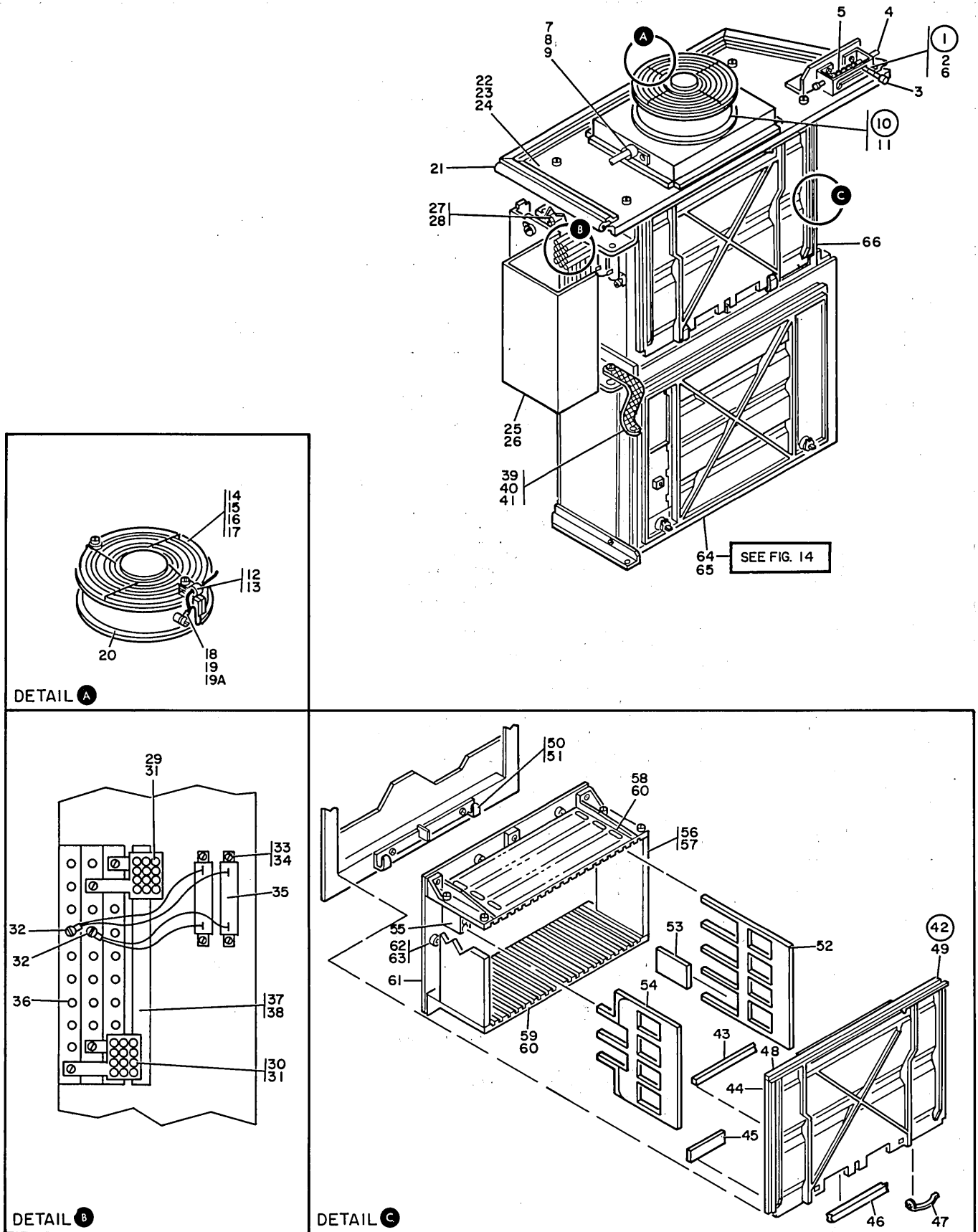


FIGURE 13. GATE ASSEMBLY-GATE JJ. SEE LIST 13.

GATE ASSEMBLY-GATE 03

FIGURE- INDEX NUMBER	PART NUMBER	UNITS PER ASM.	DESCRIPTION			
			1	2	3	4
13 -	6831336	REF	GATE ASSEMBLY-GATE 03 FOR NEXT HIGHER ASM SEE FIGURE 4-31 AND FOR ILLUSTRATION SEE FIGURE 13			
- 1	2172092	1	. LATCH ASM			
- 2	10170	1	. SCREW,BD HD- 6-32 X 0.250 LG ATT PT			
- 3	528013	1	. . . STUD			
- 4	528014	1	. . . PIN			
- 5	528012	1	. . . SPRING			
- 6	528011	1	. . . BRACKET			
- 7	5578666	1	. SENSOR,AIR FLOW			
- 8	1621170	1	. SCREW,PAN HD- M3 X L 6A ATT PT			
- 9	1622344	1	. LOCKWASHER,EXT STAR- M3 X 294 THK ATT PT			
- 10	4123900	1	. FAN ASM- 50/60 HZ			
- 11	1622403	2	. NUT,DBL CHAMFERED HEX M4 X 3.2 THK ATT PT			
- 12	825559	1	. . . CLAMP			
- 13	1621195	1	. . . SCREW,PAN HD-M4 X 30 LG ATT PT			
- 14	4123902	1	. . . GUARD,FAN			
- 15	1621194	1	. . . SCREW,PAN HD-M4 X 20 LG ATT PT			
- 16	1622346	2	. . . LOCKWASHER,EXT STAR- M4, 8 OD X .5 ATT PT			
- 17	1622403	2	. . . NUT,DBL CHAMFERED HEX M4 X 3.2 THK ATT PT			
- 18	4124247	1	. . . CABLE ASM-FAN FOR CABLE COMPONENT PARTS SEE FIGURE 21			
- 19	1673983	1	. . . SCREW,PAN HD-M5 X 6 LG-BLUE ZINC COATED ATT PT			
- 19A	1622347	1	. . . LOCKWASHER EXT STAR- M5, 10 OD X .6 ATT PT			
- 20	2549540	1	. . . FAN,TUBE AXIAL- 200/240 V 50/60 HZ			
- 21	8483347	AR	. SEAL			
- 22	6831321	1	. BARRIER ASM			
- 23	1621190	4	. SCREW,PAN HD- M4 X 8 LG ATT PT			
- 24	1622346	4	. LOCKWASHER,EXT STAR- M4, 3 OD X .5 ATT PT			
- 25	4124233	1	. SHIELD			
- 26	32042	2	. SCREW,BD HD- 10-32 X 0.375 LG ATT PT			
- 27	819778	2	. STUD- 10-32 X 0.470LG			
- 28	819779	2	. SLEEVE,TERMINAL BLOCK STJD			
- 29	2637335	1	. CAPACITOR ASM,12PAC-(-3V)			
- 30	2637340	1	. CAPACITOR ASM, 12 PAC-(+1.25V)			
- 31	819765	4	. SCREW,BD HD- 8-32 X 0.375 LG ATT PT			
- 32	819765	2	. SCREW,BD HD- 8-32 X 0.375 LG			
- 33	510316	4	. BRACKET			
- 34	1621198	4	. SCREW,PAN HD-M4 X 4 LG ATT PT			
- 35	5896531	2	. RESISTOR ASM			
- 36	819030	1	. BLOCK ASM,TERMINAL			
- 37	819770	1	. BLOCK ASM			
- 38	92050	2	. SCREW,THD CTG PAN HD- 10-32 X 0.750 L3 ATT PT			
- 39	526098	1	. STRAP			
- 40	1621210	1	. SCREW,PAN HD- M5 X 10 LG ATT PT			
- 41	1622347	1	. LOCKWASHER EXT STAR- M5, 10 OD X .6 ATT PT			
- 42	2637563	1	. COVER ASM			
- 43	2637576	3	. . . SEAL,0.250 X 12.984 LG			
- 44	2637578	2	. . . SEAL,0.400 X 9.06 LG			
- 45	2637577	2	. . . SEAL,0.438 X 2.625 LG			
- 46	2637579	1	. . . SEAL,0.375 X 8.875 LG			
- 47	2637568	2	. . . SPRING			
- 48	2637580	1	. . . SEAL,0.375 X 13.9 LG			
- 49	2637565	1	. . . COVER			
- 50	2637567	1	. BRACKET			
- 51	731626	2	. SCREW,PAN HD- 6-32 X 0.250 LG ATT PT			
- 52	819078	2	. EXTENDER,CARD HOLDER			
- 53	818575	33	. HOUSING AND DUMMY CARD			
- 54	5298109	2	. HOLDER,CARD			
- 55	817388	4	. CAPACITOR ASM			
- 56	819075	2	. SPACER,BRACKET			
- 57	2181005	4	. SCREW,HEX HD- 6-32 X 0.375 LG ATT PT			
- 58	819074	1	. GUIDE,UPPER CARD			
- 59	819076	1	. GUIDE,LOWER CARD			
- 60	2457745	6	. SCREW,HEX SOC HD- 6-32 X 1.00 LG ATT PT			
- 61	4145588	NR	. BOARD ASM			
- 62	2457745	6	. SCREW,HEX SOC HD- 6-32 X 1.00 LG ATT PT			
- 63	220666	6	. WASHER- 0.140 ID X 0.231 OD ATT PT			
- 64	4432630	1	. GATE ASSEMBLY-GATE 03A-A2 FOR DETAIL BREAKDOWN SEE FIGURE 14			
- 65	1621190	4	. SCREW,PAN HD- M4 X 8 LG ATT PT			
- 66	5578611	1	. GATE			

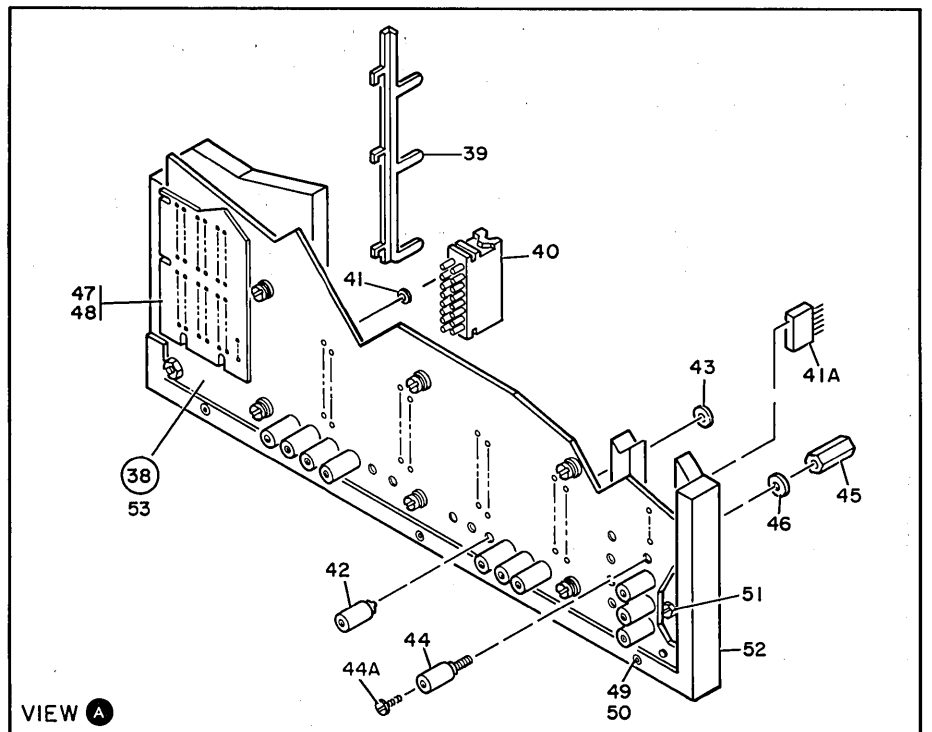
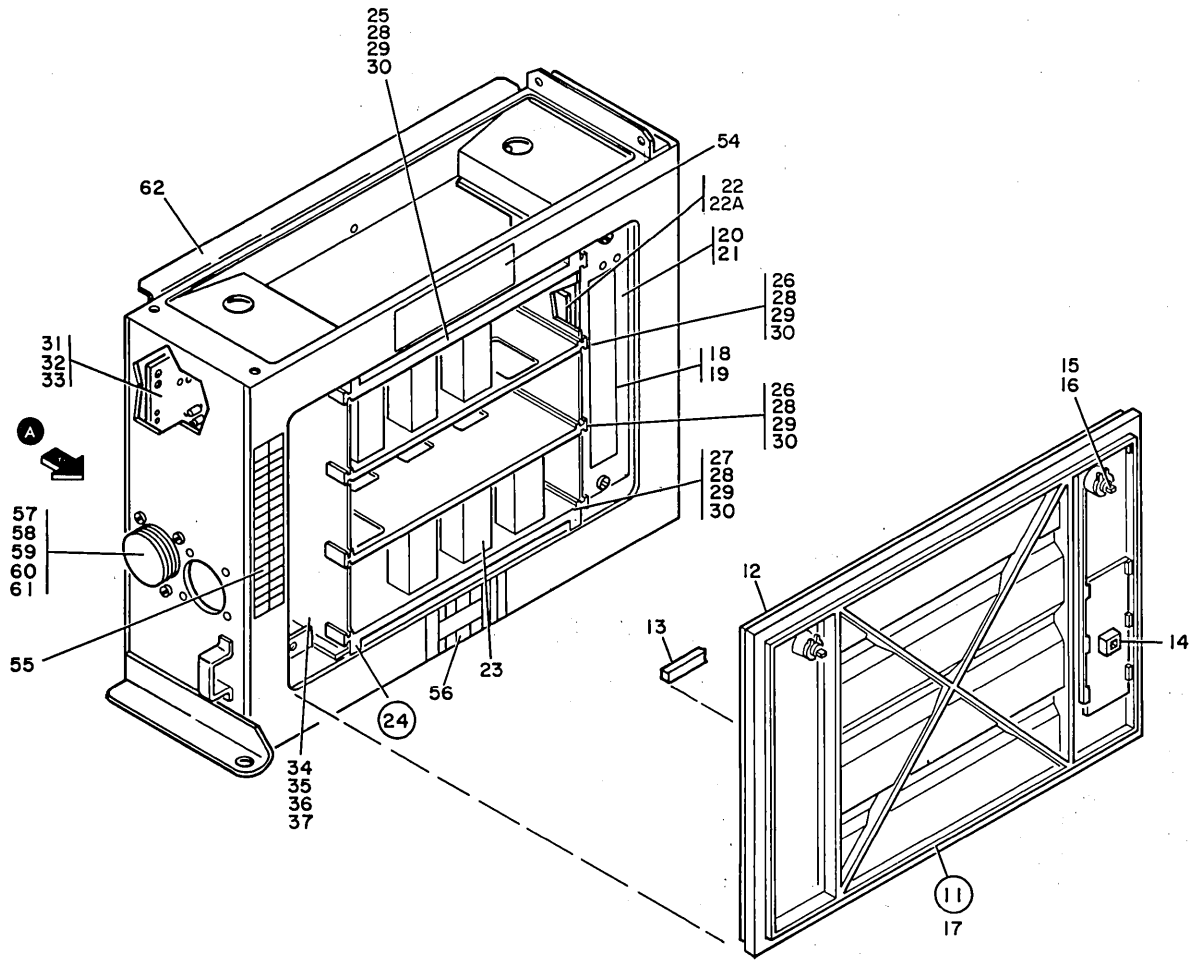


FIGURE 14. GATE ASSEMBLY-GATE 03A-A2. SEE LIST 14.

GATE ASSEMBLY-GATE 03A-42

FIGURE- INDEX NUMBER	PART NUMBER	UNITS PER ASM.	DESCRIPTION			
			1	2	3	4
14 -	4432630	REF	GATE ASSEMBLY-GATE 03A-42 FOR NEXT HIGHER ASM SEE FIGURE 13-64 AND FOR ILLUSTRATION SEE FIGURE 14			
- 11	5576260	1	. COVER ASM,CARD			
- 12	5576286	1	. . . SEAL			
- 13	5576209	2	. . . SEAL			
- 14	5576289	1	. . . COVER-SLIDE			
- 15	5576281	2	. . . STUD			
- 16	139766	2	. . . CLIP			
- 17	5576285	1	. . . COVER			
- 18	317296	1	. LABEL			
- 19	598381	1	. LABEL			
- 20	5576245	1	. RETAINER,CARD			
- 21	1621192	2	. SCREW, MACH PAN HD-M4 X 12 LG			
- 22	1310350	2	. CARD ASM, CONTROL			
- 22A	811804	2	. GUIDE,CARD- 2 WIDE			
- 23	1310340	2	. MODULE ASM,POWER			
- 24	4432588	1	. IPS ASM			
- 25	5576264	1	. . . SUPPORT,CARD			
- 26	5576265	2	. . . SUPPORT,CARD			
- 27	5576266	1	. . . SUPPORT,CARD			
- 28	1621211	12	. . . SCREW,PAN HD- M5 X 12 LG			
- 29	1622305	12	. . . WASHER,FL- M5 10 OD X 1 THK			
- 30	5576199	12	. . . WASHER,FL INSULATING-M5 17 OD X 1.6 THK			
- 31	5576202	1	. . . CARD ASM			
- 32	1621192	6	. . . SCREW, MACH PAN HD-M4 X 12 LG			
- 33	2125963	6	. . . WASHER,FL SQUARE-M4			
- 34	5576267	2	. . . SUPPORT,CARD-VERTICAL			
- 35	1622405	4	. . . NUT,HEX-M6 X 10 FL W			
- 36	1622320	4	. . . LOCKWASHER,SPLIT- M6,11.8 OD X 1.6 THK			
- 37	1622306	4	. . . WASHER,FLAT,M6- 12.5 OD X 2 THK			
- 38	1310321	1	. . . STIFFENER AND BOARD ASM			
- 39	811781	3	. . . GUIDEPOST			
- 40	5576219	12	. . . RECEPTACLE			
- 41	839413	24	. . . WASHER,FLAT NO. 14			
- 41A	5922113	NR	. . . HEADER			
- 42	5576282	24	. . . STUD			
- 43	5576287	24	. . . WASHER 5.8 ID X 2 THK			
- 44	5576284	26	. . . STUD			
- 44A	1621191	1	. . . SCREW,PAN HD- M4 X 10 LG			
- 45	5576288	26	. . . STANDOFF			
- 46	5576287	26	. . . WASHER 5.8 ID X 2 THK			
- 47	4432586	NR	. . . PERSONALIZATION CARD ASM			
- 48	5576283	4	. . . SPACER			
- 49	4138473	8	. . . SCREW,SHOULDER			
- 50	1177332	8	. . . RING,RETAINER-C			
- 51	1621596	4	. . . SCREW,HEX HD-M6 X 16 LG			
- 52	5576268	1	. . . STIFFENER-BOARD			
- 53	5576296	1	. . . BOARD ASM			
- 54	4432593	1	. LABEL			
- 55	4432591	1	. LABEL,SOCKET LOCATION			
- 56	4432592	1	. LABEL			
- 57	825557	6	. CLAMP			
- 58	6831431	1	. CABLE ASM-J342 TO 3AA2B4,3AA2B5 FOR CABLE COMPONENT PARTS SEE FIGURE 21			
- 59	1621034	4	. SCREW,PAN HEAD-M3.5 X 12 LG			
- 60	1622345	4	. LOCKWASHER EXT STAR- M3.5, 7 OD			
- 61	1622402	4	. NUT,DBL CHAMFERED HEX-M 3.5 X 2.8 THK			
- 62	5576259	1	. GATE			

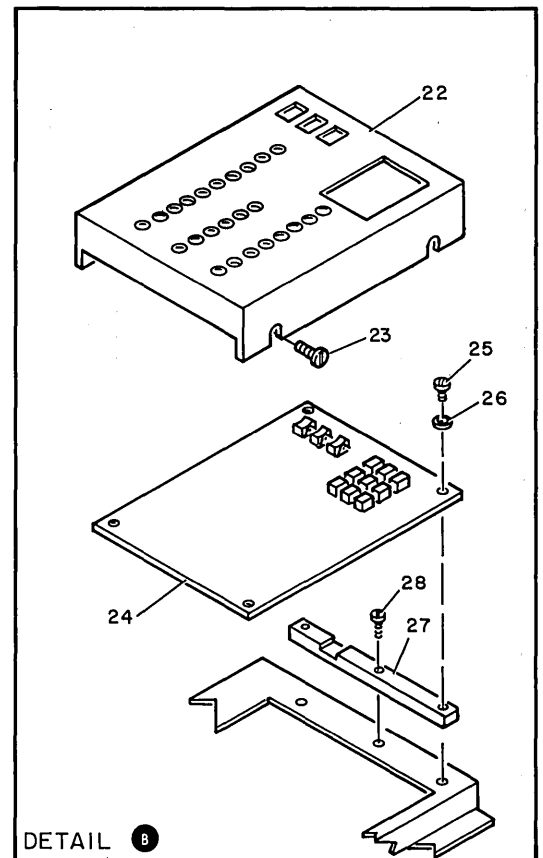
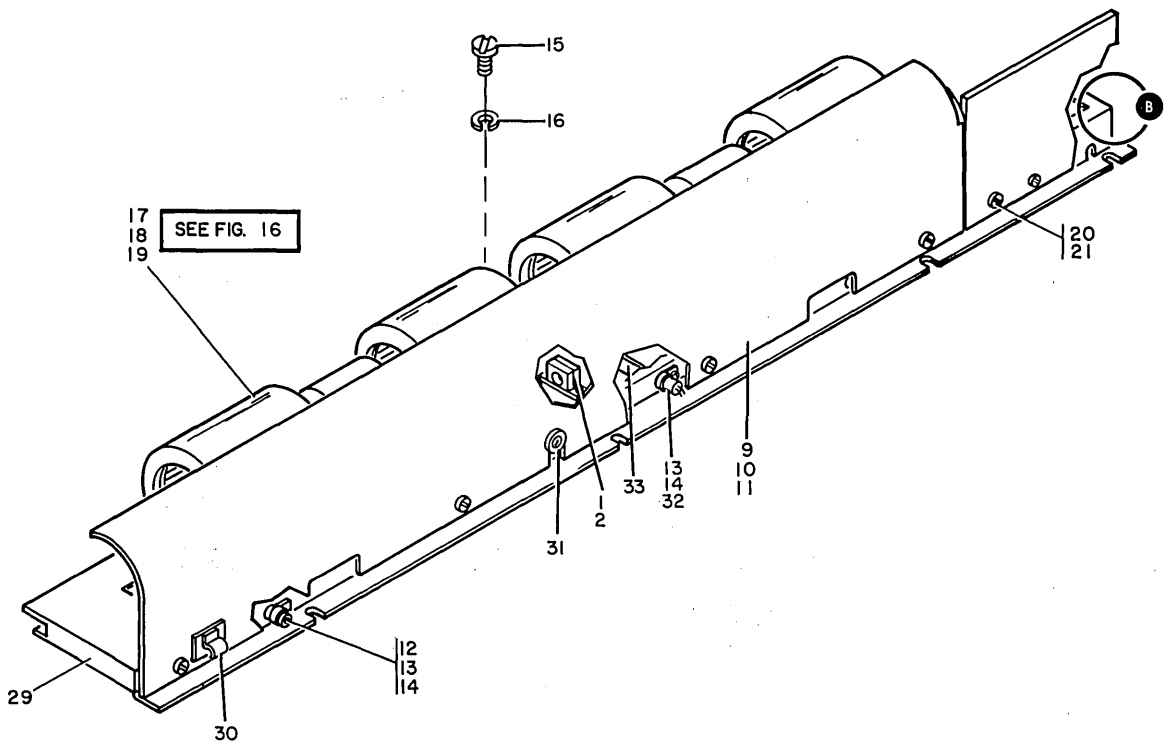


FIGURE 15. PLENUM AND BLOWER ASSEMBLY. SEE LIST 15.

PLENUM AND BLOWER ASSEMBLY

FIGURE- INDEX NUMBER	PART NUMBER	UNITS PER ASM.	DESCRIPTION			
			1	2	3	4
15 -	4124228	REF	PLENUM AND BLOWER ASSEMBLY- 60 HZ			
-	4124227	REF	PLENUM AND BLOWER ASSEMBLY- 50 HZ			
-	6831412	REF	FIRST SOURCE ONLY			
-	6831411	REF	PLENUM AND BLOWER ASM, 60 HZ			
-		REF	PLENUM AND BLOWER ASM, 50 HZ			
-			SECOND SOURCE ONLY			
-			FOR NEXT HIGHER ASM, SEE FIGURE 2-165			
-			FOR ILLUSTRATION SEE FIGURE 15			
- 1	8483012	1	. THERMISTOR ASM			
- 2	1621173	2	. SCREW,PAN HD-M3 X 12 LG			
- 9	8330641	1	. BAFFLE			
- 10	1621190	4	. SCREW,PAN HD- M4 X 8 LG			
- 11	1622304	4	. WASHER,FL- M4 9 OD X 0.8 THK			
- 12	5578667	1	. SENSOR			
- 13	1621170	2	. SCREW,PAN HD- M3 X L 6A			
- 14	1622344	2	. LOCKWASHER,EXT STAR- M3 X 294 THK			
- 15	2549780	1	. SCREW AND LOCKWASHER-PHD FORM-M3 X 6 LG			
- 16	1622347	1	. LOCKWASHER EXT STAR- M5, 10 OD X .6			
- 17	5578672	2	. COOLING UNIT ASSEMBLY-GATE 01A, 60 HZ			
- 17	5578671	2	. COOLING UNIT ASSEMBLY-GATE 01A, 50 HZ			
- 18	1621212	8	FOR DETAIL BREAKDOWN SEE FIGURE 16			
- 19	1622306	8	. SCREW,PAN HD-M5 X 16 LG			
- 20	4432863	1	. WASHER,FLAT,M6- 12.5 OD X 2 THK			
- 21	1621190	2	. BARRIER,CE PANEL			
- 22	8483510	1	. SCREW,PAN HD- M4 X 8 LG			
- 23	1621190	2	. HOUSING-CE PANEL			
- 24	4123644	1	. SCREW,PAN HD- M4 X 8 LG			
- 25	1621174	4	. PANEL ASM,CE			
- 26	1622302	4	. SCREW-MACH PAN HD,M3 X 16 LG			
- 27	8483505	2	. WASHER,FL-M3 7 OD X 0.5 THK			
- 28	1621198	2	. SPACER			
- 29	4123898	1	. SCREW,PAN HD-M4 X 4 LG			
- 29	6831352	1	. PLENUM			
- 29A	2676700	1	FIRST SOURCE ONLY			
- 29B	2676723	1	. PLENUM			
- 29B	2676722	1	SECOND SOURCE ONLY			
- 30	825557	3	. SENSOR			
- 31	53193	1	. BAFFLE			
- 32	2676070	1	FIRST SOURCE ONLY			
- 33	2676722	2	. BAFFLE			
			SECOND SOURCE ONLY			
			. CLAMP			
			. GROMMET			
			. SENSOR			
			. BAFFLE			

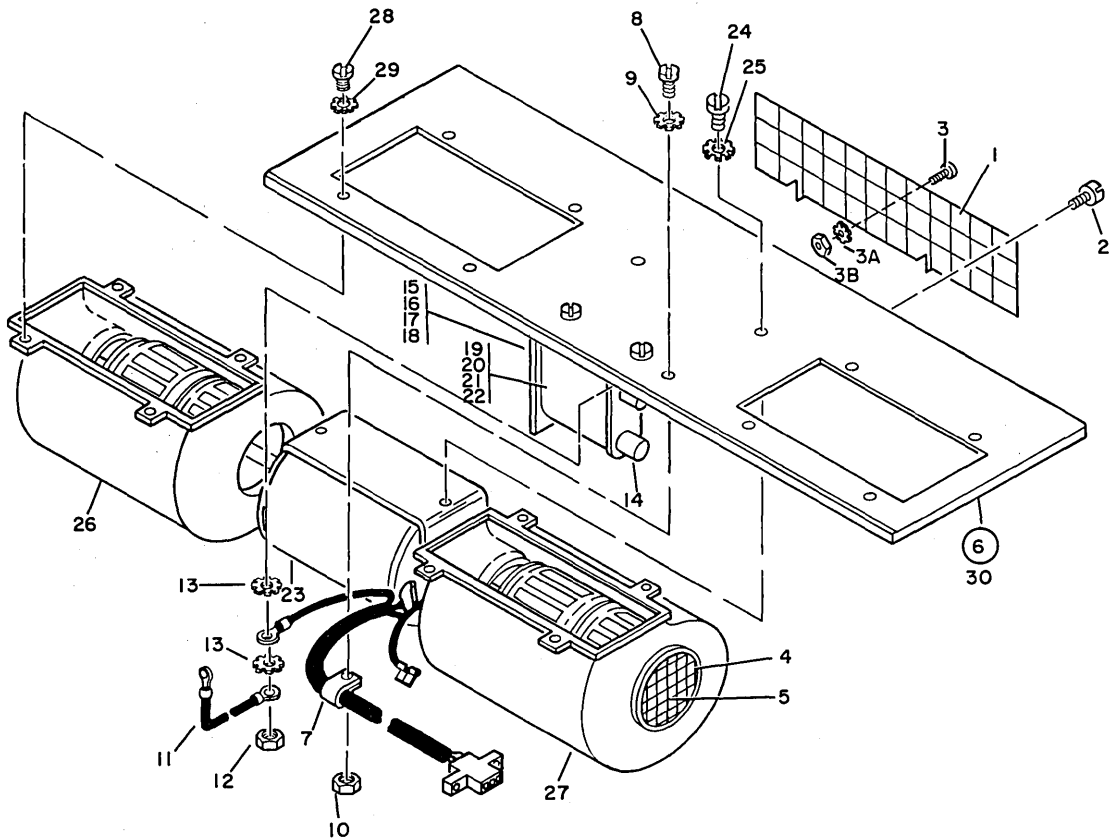


FIGURE 16. COOLING UNIT ASSEMBLY-GATE 01A. SEE LIST 16.

COOLING UNIT ASSEMBLY-GATE 01A

FIGURE- INDEX NUMBER	PART NUMBER	UNITS PER ASM.	DESCRIPTION			
			1	2	3	4
16 -	5578672	REF	COOLING UNIT ASSEMBLY-GATE 01A, 60 HZ			
-	5578671	REF	COOLING UNIT ASSEMBLY-GATE 01A, 50 HZ			
			FOR NEXT HIGHER ASM SEE FIGURE 15-17			
			AND FOR ILLUSTRATION SEE FIGURE 10			
- 1	5578663	1	. SCREEN			
- 2	1621685	4	. SCREW			
- 3	1621182	1	. SCREW,PAN HD-M3.5 X 8 LG			
- 3A	1622345	1	. LOCKWASHER EXT STAR- M3.5, 7 OD			
- 3B	1622402	1	. NUT,DBL CHAMFERED HEX-M 3.5 X 2.8 Tda			
- 4	5578511	2	. HUB			
- 5	5578512	1	. SCREEN			
- 6	4123904	1	. BLOWER ASM- 60 HZ			
- 6	4123905	1	. BLOWER ASM- 50 HZ			
- 6	4123906	1	. BLOWER ASM-60 HZ			
- 6	4123907	1	. BLOWER ASM-50 HZ			
- 7	804109	1	. . CLAMP,0.375 ID X 0.173 MTG HOLE			
- 3	322551	1	. . SCREW,BD HD- 6-32 X J.750 LG			
- 9	56722	1	. . LOCKWASHER,EXT TEETH NO. 6			
- 10	257187	1	. . NUT,HEX- 6-32			
- 11	2676706	1	. . JUMPER ASM			
- 12	257187	1	. . NUT,HEX- 6-32			
- 13	56722	2	. . LOCKWASHER,EXT TEETH NO. 6			
- 14	526378	2	. . INSULATOR			
- 15	5252824	1	. . CAPACITOR			
- 16	11598	2	. . NUT,HEX- 10-32			
- 17	56079	2	. . LOCKWASHER,EXT TEETH- 0.204 ID X 0.410 O			
- 18	47242	2	. . WASHER,FL- 0.219 ID X 0.500 OD			
- 19	5463318	1	. . BRACKET,CAPACITOR			
- 20	322551	2	. . SCREW,BD HD- 6-32 X J.750 LG			
- 21	56722	4	. . LOCKWASHER,EXT TEETH NO. 6			
- 22	257187	2	. . NUT,HEX- 6-32			
- 23	4109449	1	. . MOTOR ASM			
- 24	5677	2	. . SCREW,BD HD- 10-32 X 0.750 LG			
- 25	56079	2	. . LOCKWASHER,EXT TEETH- 0.204 ID X 0.410 O			
- 26	2561584	1	. . SCROLL ASM,LEFT- 60 HZ			
- 26	1574353	1	. . SCROLL ASM,LEFT- 50 HZ			
- 27	2561585	1	. . SCROLL ASM,RIGHT- 60 HZ			
- 27	1574352	1	. . SCROLL ASM,RIGHT- 50 HZ			
- 28	322065	8	. . SCREW,BD HD- 6-32 X J.625 LG			
- 29	56722	8	. . LOCKWASHER,EXT TEETH NO. 6			
- 30	4123903	1	. . PLATE,GERMAN SUBSTITUTE			

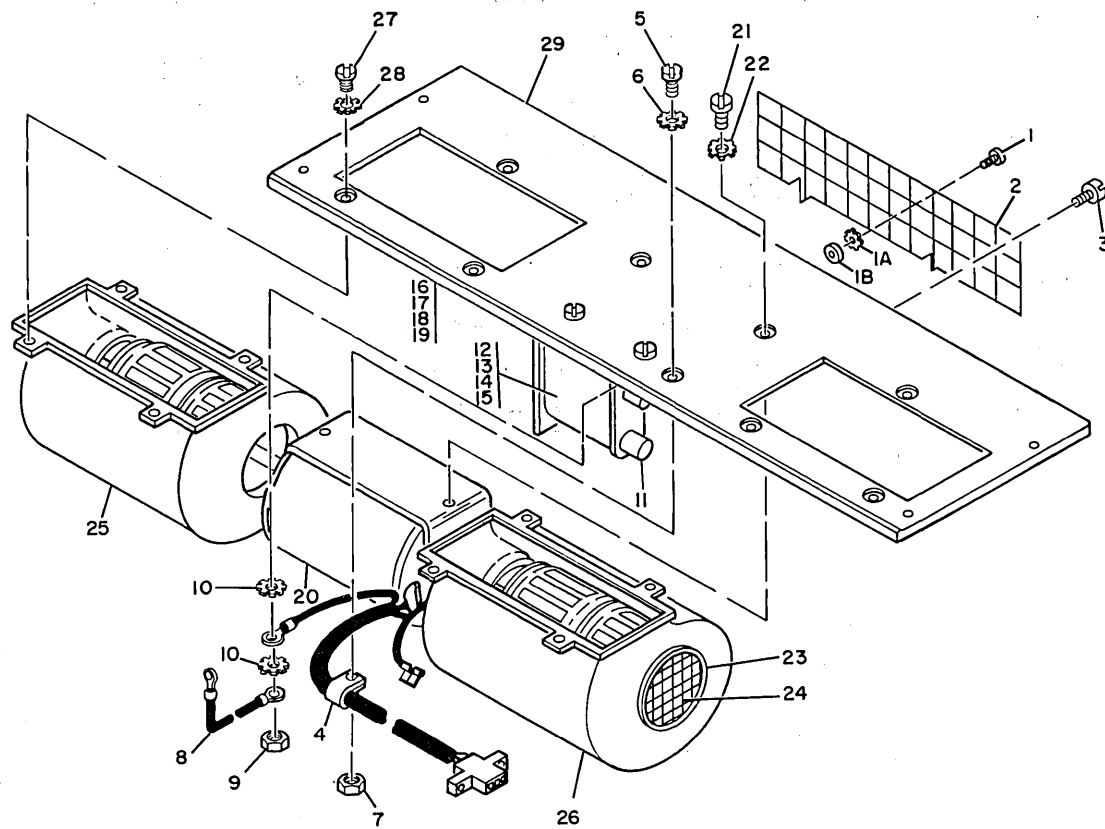


FIGURE 17. COOLING UNIT ASSEMBLY-GATE 01A SECOND SOURCE. SEE LIST 17.

COOLING UNIT ASSEMBLY-GATE 01A SECOND SOURCE

FIGURE- INDEX NUMBER	PART NUMBER	UNITS PER ASM.	DESCRIPTION			
			1	2	3	4
17 -	4432800	REF	COOLING UNIT ASM, GATE 01A-60 HZ			
-	4432810	REF	COOLING UNIT ASM, GATE 01A-50 HZ FOR USE ON SECOND SOURCE GATE 01A ONLY FOR NEXT HIGHER ASM SEE FIGURE 2-162 AND FOR ILLUSTRATION SEE FIGURE 17			
- 1	1621182	1	. SCREW,PAN HD-M3.5 X 8 LG			
- 1A	1622345	1	. LOCKWASHER EXT STAR- M3.5, 7 OD			
- 1B	1622402	1	. NUT,DBL CHAMFERED HEX-M 3.5 X 2.8 THK			
- 2	8330707	1	. SCREEN			
- 3	1621685	4	. SCREW			
- 4	804109	1	. CLAMP,0.375 ID X 0.173 MTG HOLE			
- 5	322551	1	. SCREW,BD HD- 6-32 X 0.750 LG			
- 6	56722	1	. LOCKWASHER,EXT TEETH NO. 6			
- 7	257187	1	. NUT,HEX- 6-32			
- 8	2676706	1	. JUMPER ASM			
- 9	257187	1	. NUT,HEX- 6-32			
- 10	56722	2	. LOCKWASHER,EXT TEETH NO. 6			
- 11	526378	2	. INSULATOR			
- 12	5252823	1	. CAPACITOR-NON PCB			
- 13	11598	2	. NUT,HEX- 10-32			
- 14	56079	2	. LOCKWASHER,EXT TEETH- 0.204 ID X 0.410 O			
- 15	47242	2	. WASHER,FL- 0.219 ID X 0.500 OD			
- 16	5468318	1	. BRACKET,CAPACITOR			
- 17	322551	2	. SCREW,BD HD- 6-32 X 0.750 LG			
- 18	56722	4	. LOCKWASHER,EXT TEETH NO. 6			
- 19	257187	2	. NUT,HEX- 6-32			
- 20	4109445	1	. MOTOR ASM, 60HZ			
- 20	4109446	1	. MOTOR ASM, 50HZ			
- 21	322620	2	. SCREW			
- 22	56079	2	. LOCKWASHER,EXT TEETH- 0.204 ID X 0.410 O			
- 23	4109449	2	. HUB			
- 24	5578512	2	. SCREEN			
- 25	5357145	1	. SCROLL AND WHEEL ASM- RIGHT, 60HZ			
- 25	5468305	1	. SCROLL ASM- RIGHT, 50HZ			
- 26	5357144	1	. SCROLL AND WHEEL ASM- LEFT, 60HZ			
- 26	5468306	1	. SCROLL ASM- LEFT, 50HZ			
- 27	322550	6	. SCREW,BD HD- 6-32 X 0.500 LG			
- 28	56722	6	. LOCKWASHER,EXT TEETH NO. 6			
- 29	8330704	1	. PLATE			

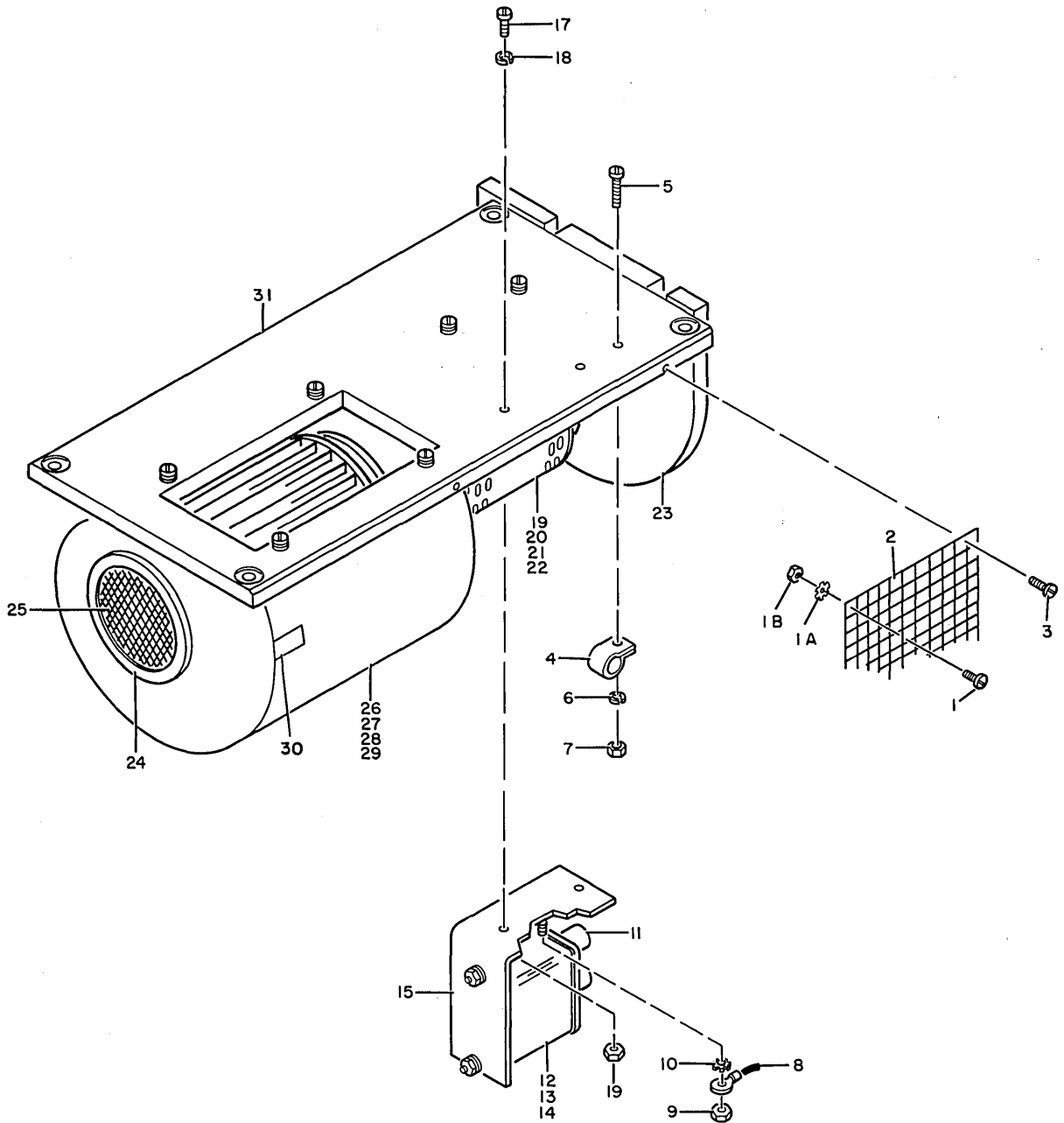


FIGURE 18. COOLING UNIT ASSEMBLY-GATE 02. SEE LIST 13.

COOLING UNIT ASSEMBLY-GATE 02

FIGURE- INDEX NUMBER	PART NUMBER	UNITS PER ASM.	DESCRIPTION			
			1	2	3	4
18 -	8333712	REF	COOLING UNIT ASSEMBLY-GATE 02, 60 HZ			
-	8333711	REF	COOLING UNIT ASSEMBLY-GATE 02, 50 HZ FOR NEXT HIGHER ASM SEE FIGURE 3-47 AND FOR ILLUSTRATION SEE FIGURE 18			
- 1	1621182	1	. SCREW,PAN HD-M3.5 X 8 LG			
- 1A	1622345	1	. LOCKWASHER,EXT STAR- M3.5, 7 OD			
- 1B	1622402	1	. NUT,DBL CHAMFERED HEX-M 3.5 X 2.3 THK			
- 2	5578663	1	. SCREEN			
- 3	1621685	4	. SCREW			
- 4	804109	1	. CLAMP,C.375 ID X J.173 MTG HOLE			
- 5	322551	1	. SCREW,BD HD- 6-32 X 0.750 LG			
- 6	56722	1	. LOCKWASHER,EXT TEETH NO. 6			
- 7	257187	1	. NUT,HEX- 6-32			
- 8	2676725	1	. JUMPER ASM			
- 9	257187	1	. NUT,HEX- 6-32			
- 10	56722	2	. LOCKWASHER,EXT TEETH NO. 6			
- 11	526378	2	. INSULATOR			
- 12	5252857	1	. CAPACITOR,NON PCB			
- 13	11598	2	. NUT,HEX- 10-32			
- 14	56079	2	. LOCKWASHER,EXT TEETH- 0.204 ID X 0.410 O			
- 15	1573510	1	. BRACKET			
- 16	322065	2	. SCREW,BD HD- 6-32 X 0.625 LG			
- 17	257986	2	. WASHER			
- 19	56722	2	. LOCKWASHER,EXT TEETH NO. 6			
- 19	8330713	1	. MOTOR ASM, 60HZ			
- 19	4109444	1	. MOTOR ASM, 50HZ			
- 20	10295	2	. SCREW,BD HD- 10-32 X 1.125 LG			
- 21	56079	2	. LOCKWASHER,EXT TEETH- 0.204 ID X 0.410 O			
- 22	45690	2	. WASHER,FL- 0.203 ID X 0.438 OD			
- 23	8330708	1	. SHIELD			
- 24	5578511	1	. HUB			
- 25	5578512	1	. SCREEN			
- 26	5468388	1	. SCROLL ASM- 60 HZ			
- 26	2561584	1	. SCROLL ASM- 50 HZ			
- 27	322065	4	. SCREW,BD HD- 6-32 X 0.625 LG			
- 28	56722	4	. LOCKWASHER,EXT TEETH NO. 6			
- 29	257986	4	. WASHER			
- 30	4441141	1	. LABEL			
- 31	8333709	1	. PLATE			

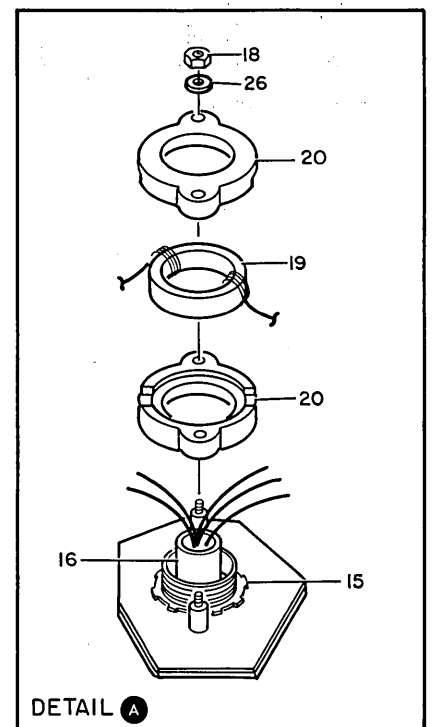
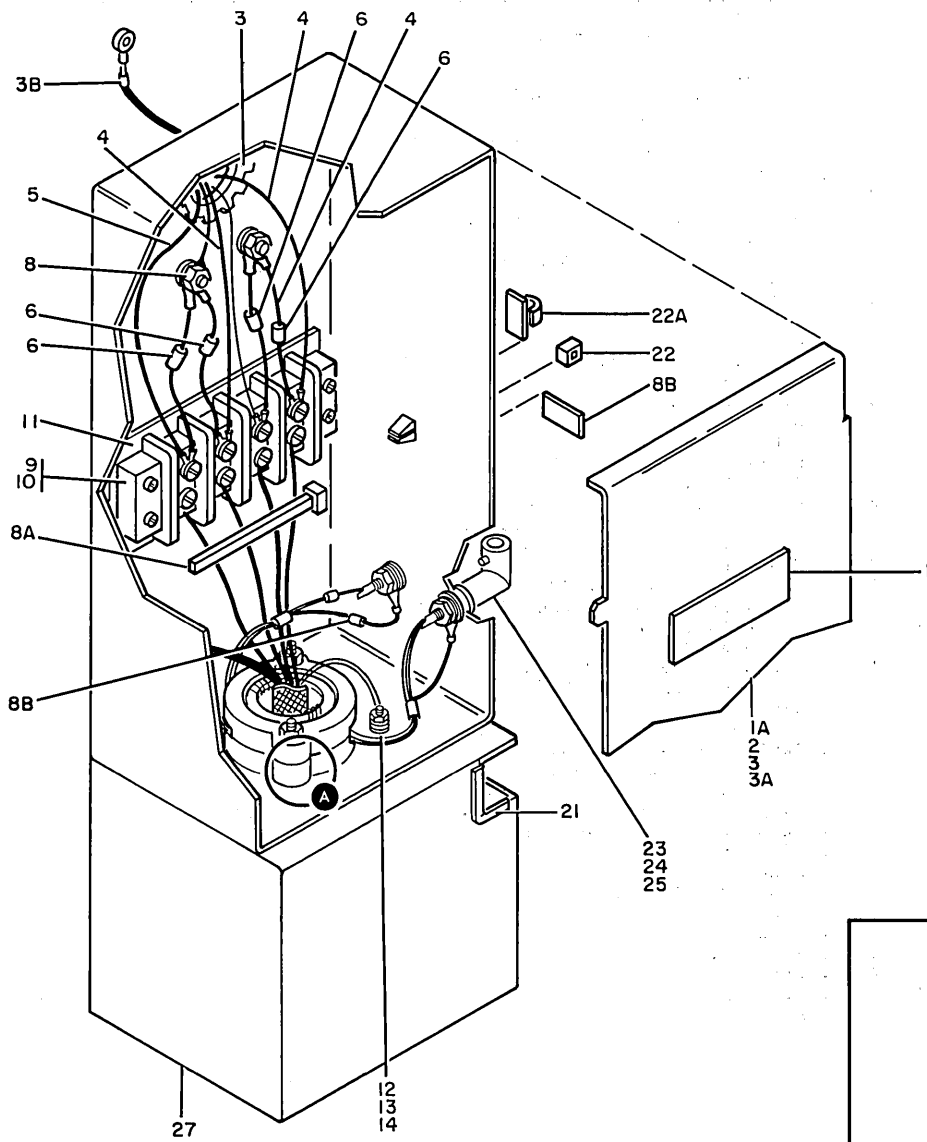


FIGURE 19. LINE FILTER ASSEMBLY. SEE LIST 19.

LINE FILTER ASSEMBLY

FIGURE- INDEX NUMBER	PART NUMBER	UNITS PER ASM.	DESCRIPTION			
			1	2	3	4
19 -	6831458	REF	LINE FILTER ASSEMBLY- 50HZ 1/0 200V			
-	6831460	REF	LINE FILTER ASSEMBLY- 60 HZ FIRST SOURCE ONLY			
-	6831462	REF	LINE FILTER ASM, 60 HZ			
-	6831464	REF	LINE FILTER ASM, 200V 50/60 HZ WFC SECOND SOURCE ONLY FOR NEXT HIGHER ASM, SEE FIGURE 2-94 FOR ILLUSTRATION SEE FIGURE 19			
- 1	138756	1	. DECAL			
- 1A	6831368	1	. COVER			
- 2	1621519	2	. SCREW,HEX SOCKET CAP HD-M5 X 12 LG			
- 3	1622305	1	. WASHER,			
- 3A	1622319	2	. WASHER,LOCKING SPRING,M5- 9.2 OD X 1.2 T			
- 3B	352870	1	. LABEL			
- 4	6831497	3	. JUMPER			
- 5	6831498	3	. JUMPER, USED ON 50HZ ONLY			
- 6	4432847	3	. CAPACITOR ASM			
- 7	4432847	1	. CAPACITOR-USED ON 50 HZ 1ST SOURCE ONLY			
- 8	1622405	2	. NUT,HEX-M5 X 10 FL W			
- 8A	524519	1	. STRAP,CABLE			
- 8B	4109521	2	. LABEL			
- 9	323845	1	. BLOCK,TERMINAL- 4 POS			
- 10	1621193	4	. SCREW,PAN HD- M4 X 16LG			
- 11	2101400	1	. STRIP,MARKER			
- 12	1622405	2	. NUT,HEX-M5 X 10 FL W			
- 13	1622320	2	. LOCKWASHER,SPLIT- M6,11.8 OD X 1.6 THK			
- 14	1622306	2	. WASHER,FLAT,M6- 12.5 OD X 2 THK			
- 15	342250	1	. CLAMP,BOX CONNECTOR TYPE			
- 16	6831493	1	. CABLE ASM, 30A,3P,50HZ WITHOUT 200V, 4.3M FIRST SOURCE ONLY			
- 16	6831494	1	. CABLE ASM, 30A 3P 60 HZ 238/240V 4.3M FIRST SOURCE ONLY			
- 16	4109478	1	. CABLE ASM, 30A, 3P 50 HZ 50HZ CANADA ONLY			
- 16	6831495	1	. CABLE ASM, 30A, 3P 60 HZ 60HZ 1.8M SECOND SOURCE ONLY			
- 16	6831496	1	. CABLE ASM, 30A, 3P 50 HZ 200V 50/60HZ, 4.3M SECOND SOURCE ONLY FOR CABLE COMPONENT PARTS SEE FIGURE 21			
- 17	1622403	2	. NUT,DBL CHAMFERED HEX M4 X 3.2 THK			
- 18	1622305	2	. WASHER,FL- M5 10 OD X 1 THK			
- 19	8483180	1	. CORE ASM,FERRITE			
- 20	6831367	1	. SPACER			
- 21	473442	1	. GROMMET,CATERPILLAR			
- 22	2277082	1	. CLAMP			
- 22A	825557	2	. LABEL			
- 23	1310058	2	. RECEPTACLE			
- 24	1310482	4	. INSULATOR			
- 25	846555	2	. WASHER, LOCK			
- 26	6831369	1	. BOX			

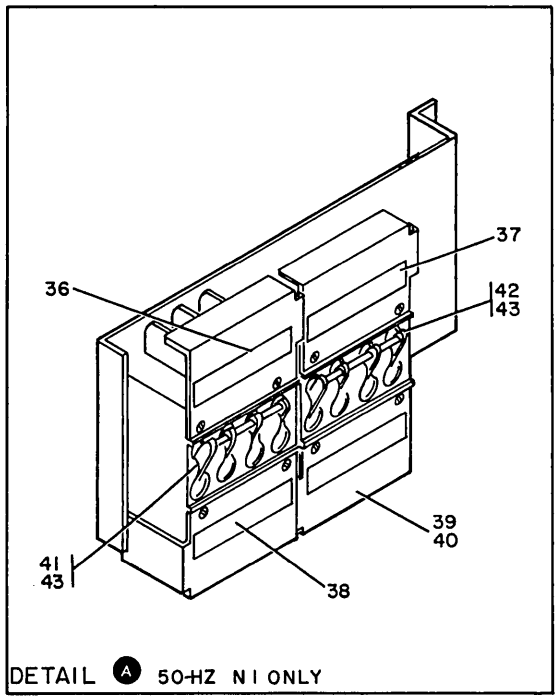
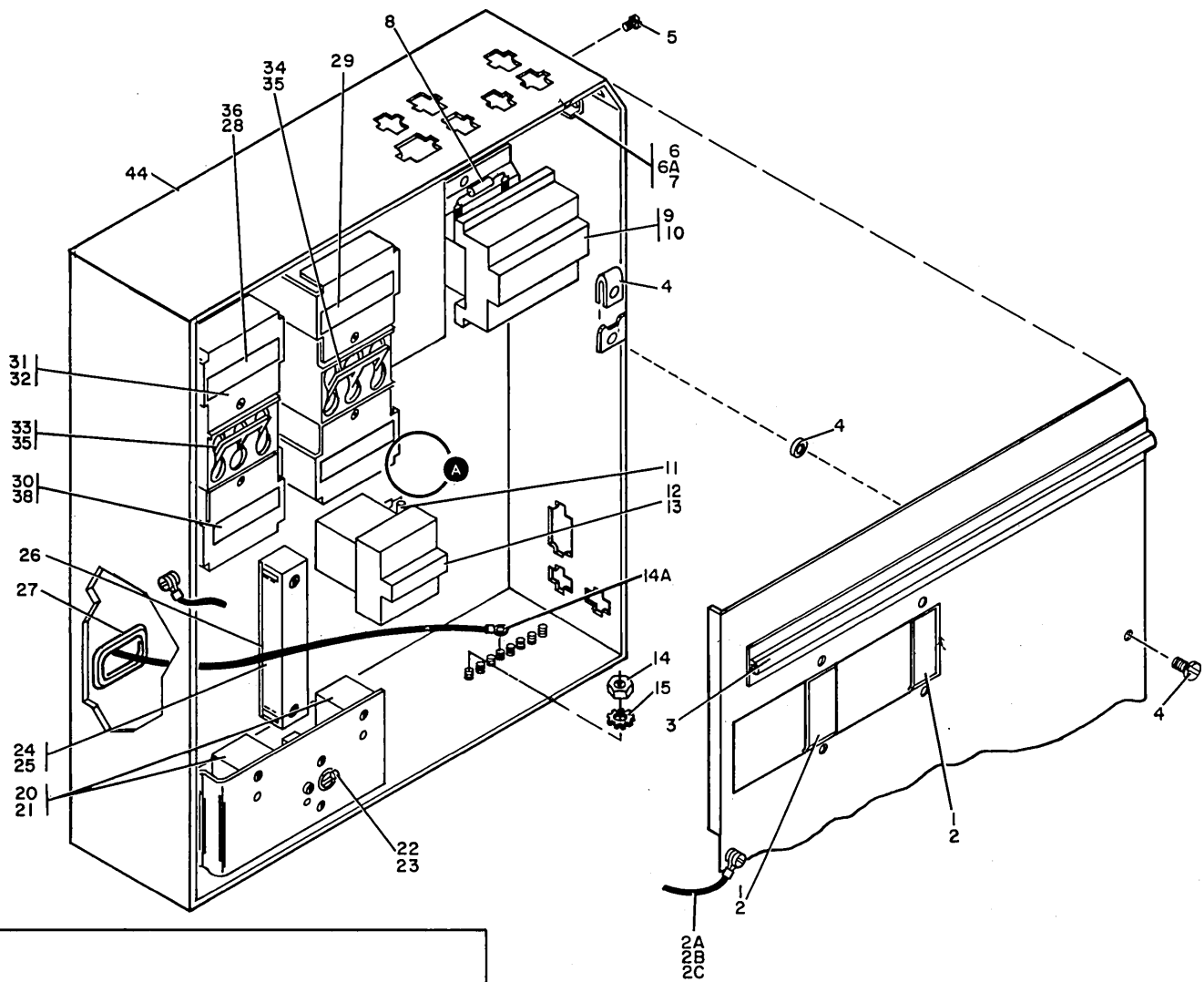


FIGURE 20. PCC BOX ASSEMBLY. SEE LIST 20.

PCC BOX ASSEMBLY

FIGURE- INDEX NUMBER	PART NUMBER	UNITS PER ASM.	DESCRIPTION			
			1	2	3	4
20 -	6831445	REF	PCC BOX ASSEMBLY- 60 HZ			
-	6831446	REF	PCC BOX ASSEMBLY- 50 HZ FOR NEXT HIGHER ASM SEE FIGURE 2-63 AND FOR ILLUSTRATION SEE FIGURE 20			
- 1	8483160	2	. BRACKET			
- 2	1621170	4	. SCREW,PAN HD- M3 X L 6A			
- 2A	4109506	2	. JUMPER			
- 2B	1621198	4	. SCREW,PAN HD-M4 X 4 LG			
- 2C	1622346	4	. LOCKWASHER,EXT STAR- M4, 3 OD X .5			
- 3	8483347	AR	. SEAL			
- 4	4204962	1	. FASTENER ASM			
- 5	1621171	4	. SCREW,PAN HD- M3 X L 8 LG			
- 6	5271288	1	. TERMINAL			
- 6A	1622344	1	. WASHER, LOCK			
- 7	1621170	1	. SCREW,PAN HD- M3 X L 6A			
- 8	2542049	1	. RESISTOR, DIODE ASM WITH SPADE TERMINALS			
- 9	2561149	1	. CONTACTOR ASM USED ON 50HZ			
- 9	2128748	1	. CONTACTOR, MAGNETIC 24 VOLT COIL USED ON 60HZ			
- 10	1621198	2	. SCREW,PAN HD-M4 X 4 LG			
- 11	2542049	1	. RESISTOR, DIODE ASM WITH SPADE TERMINALS			
- 12	5276701	1	. CONTACTOR, MAGNETIC 24 VDC			
- 13	1621170	2	. SCREW,PAN HD- M3 X L 6A			
- 14	1622403	8	. NUT, DBL CHAMFERED HEX M4 X 3.2 THK			
- 14A	4109469	1	. JUMPER, GROUND			
- 15	1622346	8	. LOCKWASHER, EXT STAR- M4, 3 OD X .5			
- 20	2242321	2	. RELAY			
- 21	81693	2	. SCREW, BD HD- 6-32 X 0.375 LG			
- 22	2574136	1	. CIRCUIT PROTECTOR, 60HZ			
- 22	2676638	1	. CIRCUIT PROTECTOR, 50HZ			
- 23	38442	2	. SCREW, FL HD- 6-32 X 0.250 LG			
- 24	1799218	1	. BLOCK, TERMINAL			
- 25	1621066	2	. SCREW-NACH CHEESE HD, M4 X 30 LG			
- 26	1799206	1	. INSULATOR, TERMINAL BOARD			
- 27	730432	1	. GROMMET, CAPER PILLAR			
- 28	8483171	1	. LABEL-CB1 USED ON 60HZ			
- 29	8483173	1	. LABEL-CB2 USED ON 50HZ			
- 30	8483177	2	. LABEL-T1/T4 USED ON 60HZ			
- 31	1570563	4	. COVER USED ON 60HZ			
- 32	38443	4	. SCREW, FL CSK HD- 6-32 X 0.312 LG			
- 33	5214256	1	. CIRCUIT PROTECTOR-USED ON ALL 60HZ			
- 33	4120541	1	. CIRCUIT PROTECTOR USED ON 50HZ W/O N.I.			
- 34	5252506	1	. CIRCUIT PROTECTOR-USED ON 60 HZ			
- 34	4120543	1	. CIRCUIT PROTECTOR USED ON 50HZ W/O N.I.			
- 35	1621191	8	. SCREW,PAN HD- M4 X 10 LG USED ON 50HZ ONLY			
- 36	8483163	1	. LABEL-CB1 USED ON 50HZ			
- 37	8483165	1	. LABEL-CB2 USED ON 50HZ			
- 38	8483169	2	. LABEL-T1/T4 USED ON 50HZ			
- 39	1896820	4	. COVER USED ON 50HZ			
- 40	38443	8	. SCREW, FL CSK HD- 6-32 X 0.312 LG			
- 41	4109388	1	. CIRCUIT PROTECTOR, 50 HZ USED ON 50HZ WITH N.I.			
- 42	4120601	1	. CIRCUIT PROTECTOR, 50 HZ USED ON 50HZ WITH N.I.			
- 43	1621191	8	. SCREW,PAN HD- M4 X 10 LG			
- 44	6831332	1	. BOX ASM, PCC			

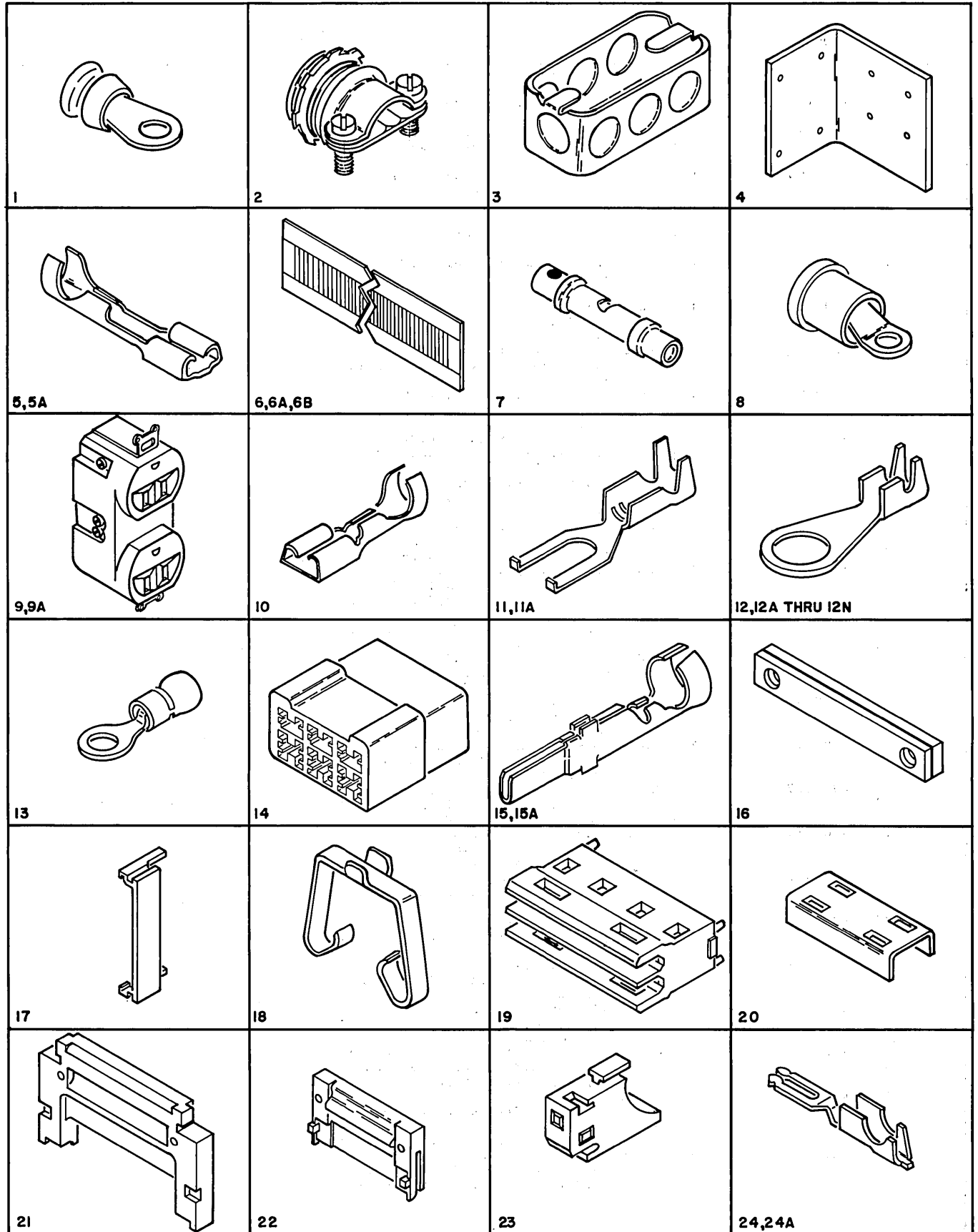


FIGURE 21. CABLE ASSEMBLIES WITH COMPONENT PARTS. SHEET 1 OF 5. INDEX NOS. 1-24A. SEE LIST 21.

CABLE ASSEMBLIES WITH COMPONENT PARTS

FIGURE- INDEX NUMBER	PART NUMBER	UNITS PER ASM.	DESCRIPTION			
			1	2	3	4
21			LINE CORD ASSEMBLIES			
- A	4109478	1	LINE CORD AND PLUG ASM,30A 3P CANADA ONLY			
- A	6831493	1	LINE CORD ASM,30A 3P 50HZ WITHOUT 200V WORLD TRADE EXCEPT CANADA			
- A	6831494	1	LINE CORD AND PLUG ASM,30A 3P 60HZ 208/240V 4.26M LONG			
- A	6831495	1	LINE CORD AND PLUG ASM,30A 3P 60HZ 208/240V 1.83M LONG			
- A	6831496	1	LINE CORD ASM,30A 3P 50HZ 200/208/220V AND 240V WORLD TRADE EXCEPT CANADA			
- B	1310304	1	CABLE ASM-CONN 26 TO TB1 FOR COMPONENT PARTS SEE INDEXES 6,12C,12M,29A,43,63,64			
- B	1310352	1	HARNESS ASM-A1V2-B1A2 FOR COMPONENT PARTS SEE INDEXES 30,92,111			
- B	1310353	1	HARNESS ASM- 3 CHANNEL BASIC FOR COMPONENT PARTS SEE INDEXES 30,92			
- B	1310354	1	HARNESS ASM- 3 CHANNEL FEATURE FOR COMPONENT PARTS SEE INDEXES 30,92,111			
- B	1310355	1	HARNESS ASM 1AA1-1AA1-1AB1,LOWER FOR COMPONENT PARTS SEE INDEXES 30,92,111			
- B	1310357	1	CABLE ASM- 01A B2 TO FRAME J2 HSC FOR COMPONENT PARTS SEE INDEXES 16,17,30,35,54B,55,55A,65,71,80,81A,81D			
- B	1310360	1	CABLE ASM- PS240,242 TO 02A-A1,A2 FOR COMPONENT PARTS SEE INDEXES 16,30,36,54A,54C,71,72,81A,81G,119			
- B	1310363	1	CABLE ASM-METER FOR COMPONENT PARTS SEE INDEXES 5,12,30,34,44			
- B	1310366	1	CABLE ASM-RSF- 1AA2 BY 1G CCA2 FOR COMPONENT PARTS SEE INDEXES 16,17,65,81A,86,94,98			
- B	4109347	1	CABLE ASM-P142 TO 1AB2B5 FOR COMPONENT PARTS SEE INDEXES 16,17,30,35,54,65,81A			
- B	4109359	1	CABLE ASM-I/O COMPLETE FOR SPI FOR COMPONENT PARTS SEE INDEXES 14,28,43,63			
- B	4109387	1	CABLE ASM-CONV OUTLET- 60HZ EMEA FOR COMPONENT PARTS SEE INDEXES 2,3,9,11,11A,30,33C,39,85,113			
- B	4109438	1	CABLE ASM- 01 FRAME SENSORS FOR COMPONENT PARTS SEE INDEXES 16,17,30,33G,41,57,683,91			
- B	4109459	1	CABLE ASM-PS 103-02 TO PS 105-03 FOR COMPONENT PARTS SEE INDEXES 30,32,33,41			
- B	4109460	1	CABLE ASM-TB 205 TO TR 102-1 FOR COMPONENT PARTS SEE INDEXES 12K,15A,29A,30,55B,61			
- B	4109461	1	CABLE ASM-TBB1 TO 01A-C1 FOR COMPONENT PARTS SEE INDEXES 12F,12G,18,19,20,30			
- C	4109462	1	CABLE ASM-TBB1 TO CONN 245 FOR COMPONENT PARTS SEE INDEXES 12E,30,31D,37			
- C	4109463	1	CABLE ASM-PS206 TO IPS 201 TO CON 245 FOR COMPONENT PARTS SEE INDEXES 30,31E,38,41,56,67,68			
- C	4109499	1	JUMPER ASM-IPS 201 FOR COMPONENT PARTS SEE INDEX 87			
- C	4109500	1	JUMPER ASM-IPS 201 FOR COMPONENT PARTS SEE INDEX 87			
- C	4109511	1	CABLE ASM- 03A TO 03E FOR COMPONENT PARTS SEE INDEXES 6C,16,24A,27,72A,81A,95,96,97			

CABLE ASSEMBLIES WITH COMPONENT PARTS

FIGURE- INDEX NUMBER	PART NUMBER	UNITS PER ASM.	DESCRIPTION			
			1	2	3	4
21 - C	4109512	1	CABLE ASM- 01AAZ TO 01E, 3 CHANNEL BASIC FOR COMPONENT PARTS SEE INDEXES 16, 17, 65, 65A, 81A, 88, 90, 115			
- C	4109513	1	CABLE ASM- J1AAZ TO 01E, 3 CHANNEL FEAT. FOR COMPONENT PARTS SEE INDEXES 16, 17, 55, 55A, 81A, 90, 115			
- C	4109522	1	CABLE ASM- PCC- 20 TO ADD 107 FOR COMPONENT PARTS SEE INDEXES 30, 43, 44, 63, 64			
- C	4109532	1	CABLE ASM- J1AAZB4 TO J1GCCA2 FOR COMPONENT PARTS SEE INDEXES 16, 17, 30, 65, 81A, 90, 94, 98			
- C	4109533	1	CABLE ASM-AC CONN 54 (CONV OUTLET) FOR COMPONENT PARTS SEE INDEXES 6, 10, 12E, 30, 32, 44			
- C	4123750	1	CABLE ASM-PS205-CONN 2-IPS 201 FOR COMPONENT PARTS SEE INDEXES 30, 33, 49, 56, 57, 68A			
- C	4123752	1	CABLE ASM-CONN 57 TO TB205 (60HZ) FOR COMPONENT PARTS SEE INDEXES 12K, 15, 29A, 30, 62			
- C	4123753	1	CABLE ASM-Tb 205 TO TR 201-A-P1 FOR COMPONENT PARTS SEE INDEXES 12K, 15A, 29A, 30, 61			
- C	4123754	1	CABLE ASM-Tb 205 TO TR 202-P1 FOR COMPONENT PARTS SEE INDEXES 12K, 15A, 29A, 55A, 61			
- C	4123755	1	CABLE ASHCONN 24 TO PROJ BLOWERS FOR COMPONENT PARTS SEE INDEXES 30, 32, 33, 49, 43, 44			
- D	4123765	1	CABLE ASM-PROJ SENSORS TO J241 FOR COMPONENT PARTS SEE INDEXES 30, 31B, 33B, 36, 40, 41, 45, 54A			
- D	4123774	1	CABLE ASM- FOR COMPONENT PARTS SEE INDEXES 16, 17, 30, 33E, 47, 51, 65, 81A			
- D	4123824	1	CABLE ASM-TR 201 FOR COMPONENT PARTS SEE INDEXES 12D, 12N, 15, 29A, 55A, 62			
- D	4123827	1	CABLE ASM-BIAS FOR COMPONENT PARTS SEE INDEXES 12B, 12L, 29, 33, 39			
- D	4123828	1	CABLE ASM-TR 202 FOR COMPONENT PARTS SEE INDEXES 12B, 12N, 15, 55A, 62			
- D	4124112	1	CABLE ASM-PCC GATE AND'S FOR COMPONENT PARTS SEE INDEXES 30, 39, 43, 63, 64			
- D	4124138	1	CABLE ASM-CH/CH FOR COMPONENT PARTS SEE INDEXES 12D, 12N, 15, 29A, 55A, 62			
- D	4124178	1	CABLE ASM-THERMAL SWITCH FOR COMPONENT PARTS SEE INDEXES 30, 31, 37			
- D	4124179	1	CABLE ASM-THERMAL SWITCH FOR COMPONENT PARTS SEE INDEXES 30, 31, 37			
- D	4124182	1	CABLE ASM-THERMAL SWITCH			
- D	4124183	1	CABLE ASM-THERMAL SWITCH FOR COMPONENT PARTS SEE INDEXES 30, 31, 37			
- D	4124192	1	CABLE ASM-TR 201-C FOR COMPONENT PARTS SEE INDEXES 1, 6, 8, 30, 52, 53			
- D	4124193	1	CABLE ASM-TR 201-B FOR COMPONENT PARTS SEE INDEXES 6, 8, 30, 52, 53, 56			
- D	4124194	1	CABLE ASM-TR 201-B FOR COMPONENT PARTS SEE INDEXES 1, 6, 8, 30, 52, 53			
- D	4124195	1	CABLE ASM-TR 201-A FOR COMPONENT PARTS SEE INDEXES 1, 5, 8, 30, 52, 53			
- E	4124196	1	CABLE ASM-TR 201-C			
- E	4124197	1	CABLE ASM-TR 202 FOR COMPONENT PARTS SEE INDEXES			

CABLE ASSEMBLIES WITH COMPONENT PARTS

FIGURE- INDEX NUMBER	PART NUMBER	UNITS PER ASM.	DESCRIPTION			
			1	2	3	4
21						
- E	4124202	1	CABLE	6,12J,30,49,64		
				ASM-TR 202		
				FOR COMPONENT PARTS SEE INDEXES		
- E	4124203	1	CABLE	ASM-TR 201-A		
				FOR COMPONENT PARTS SEE INDEXES		
				6,8,30,52,53,66		
- E	4124240	1	CABLE	ASM-CONN 57 TO TB 205 (50HZ)		
				FOR COMPONENT PARTS SEE INDEXES		
				12K,15,29A,30,62		
- E	4124241	1	CABLE	ASM-TB 205 TO TR 201-B-P1		
				FOR COMPONENT PARTS SEE INDEXES		
				12K,15A,29A,30,61		
- E	4124242	1	CABLE	ASM-TB 205 TO TR 201-C-P1		
				FOR COMPONENT PARTS SEE INDEXES		
				12K,15A,29A,30,61		
- E	4124247	1	CABLE	ASM-PAN		
				FOR COMPONENT PARTS SEE INDEXES		
				6,10,12H,30,32,43		
- E	4155354	1	CABLE	ASM-CONN 1		
				FOR COMPONENT PARTS SEE INDEXES		
				12D,12N,16,29A,55A,62		
- E	4155374	1	CABLE	ASM-CONN 1 TO CR3,4 41-1		
				FOR COMPONENT PARTS SEE INDEXES		
				6,8,13,30,52,53		
- E	4432400	1	CABLE	ASM-CONN 224 TO IPS 201		
				FOR COMPONENT PARTS SEE INDEXES		
				30,32,48,56,67,68		
- E	4432401	1	CABLE	ASM-FBB1 TO CONN 224		
				FOR COMPONENT PARTS SEE INDEXES		
				12E,30,33,47		
- E	4432402	1	CABLE	ASM-PS 205-CONN 2-IPS 201 AND CONN		
				FOR COMPONENT PARTS SEE INDEXES		
				30,32,33,42,49,56,67,68A		
- E	4432403	1	CABLE	ASM-CONN 246 TO IPS-101		
				FOR COMPONENT PARTS SEE INDEXES		
				30,32,41,56,57,68A		
- E	4432404	1	CABLE	ASM-IPS 101 REMOTE SENSE		
				FOR COMPONENT PARTS SEE INDEXES		
				12E,30,56,67,68		
- F	4432405	1	CABLE	ASM-J243 TO IPS 101 (J1C-AL)		
				FOR COMPONENT PARTS SEE INDEXES		
				12E,12F,30,33,45,59,67		
- F	4432406	1	CABLE	ASM-PS 201 AND TB 206 TO P 243		
				FOR COMPONENT PARTS SEE INDEXES		
				12F,29,30,32,46		
- F	4432408	1	CABLE	ASM-TB 205-TR 102- 1		
				FOR COMPONENT PARTS SEE INDEXES		
				12K,15A,29A,30,55A,61		
- F	4432409	1	CABLE	ASM-PCC- 20 TO AMD'S 101,107		
				FOR COMPONENT PARTS SEE INDEXES		
				33,43,44,63		
- F	4432410	1	CABLE	ASM-PCC- 20 TO AMD'S 101,106,107		
				FOR COMPONENT PARTS SEE INDEXES		
				30,32,33,43,44,64		
- F	4432411	1	CABLE	ASM-PCC TO GATE AMD'S		
				FOR COMPONENT PARTS SEE INDEXES		
				30,39,43,63,64		
- F	4432471	1	CABLE	ASM-TB 205-TR 204-P1		
				FOR COMPONENT PARTS SEE INDEXES		
				12K,15A,29A,61,112		
- F	4432473	1	CABLE	ASM-IPS 101-PS206-03 AND P243		
				FOR COMPONENT PARTS SEE INDEXES		
				12E,30,33,37,45,56,59,67,68,68A,118		
- F	4432474	1	CABLE	ASM- +5 VOLT AND +24 VOLT DIST		
				FOR COMPONENT PARTS SEE INDEXES		
				29,30,32,33D,37,46		
- F	4432624	1	CABLE	ASM-TR204		
				FOR COMPONENT PARTS SEE INDEXES		
				12D,12N,15,29B,55A,62		
- F	4432626	1	CABLE	ASM-TR206		
				FOR COMPONENT PARTS SEE INDEXES		
				12D,12N,15,29C,55A,62		
- F	4432775	1	CABLE	ASM-1A,D2,F3 TO PS101,104,APS 103		
				THS 101		
				FOR COMPONENT PARTS SEE INDEXES		
				5,10,16,17,30,34,40,43,45,65,61,99		
- F	4432777	1	CABLE	ASM-01F-J2 TO 01A-D2		

CABLE ASSEMBLIES WITH COMPONENT PARTS

FIGURE- INDEX NUMBER	PART NUMBER	UNITS PER ASM.	DESCRIPTION			
			1	2	3	4
21						FOR COMPONENT PARTS SEE INDEXES 6,23,24A,27,30,35,54D,60,73,74,75,78
- P	4432780	1				CABLE ASM-J142,J150 TO 1CA164,1CA165 16,17,30,36,54A,71,72,81A,81G,93,117
- F	4432784	1				CABLE ASM-1AB2A5 TO 1AC2V5,AFS 106 FOR COMPONENT PARTS SEE INDEXES 16,17,30,33A,33B,40,65,77,81A,83
- G	4432785	1				CABLE ASM-FR01 SENSORS 01A B2 B4 FOR COMPONENT PARTS SEE INDEXES 5,5A,7,16,17,30,31A,33B,40,44,57
- G	4432786	1				CABLE ASM-IAA 2B4-IAA2B4-IGCCA2 (ASF) FOR COMPONENT PARTS SEE INDEXES 16,17,30,65,81A,90,94,98
- G	4432787	1				HARNES ASM-A1V2-B1A2 FOR COMPONENT PARTS SEE INDEXES 30,92
- G	4432788	1				HARNES ASM-IAAI-IABI-IACI LOWER FOR COMPONENT PARTS SEE INDEXES 30,92
- G	4432790	1				HARNES ASM-B1V2-C1A2 FOR COMPONENT PARTS SEE INDEXES 30,92
- G	4432794	1				HARNES ASM-B1V-C1A3 FOR COMPONENT PARTS SEE INDEXES 30,92,111
- G	5576244	1				CABLE ASM-TEST STATION FOR COMPONENT PARTS SEE INDEXES 31,33,41,42
- G	5578478	1				CABLE ASM-FILE FOR COMPONENT PARTS SEE INDEXES 12H,15,17,37,51,63,64,65A,71,81A
- G	5578479	1				CABLE ASM-COAX- 01A B2Y5 TO 01F FOR COMPONENT PARTS SEE INDEXES 6,16,30,65A,69,81A
- G	5578846	1				CABLE ASM-COAX 244 TO IPS 201 FOR COMPONENT PARTS SEE INDEXES 30,32,48,56,57,68
- G	5578847	1				CABLE ASM-TBB1 TO COAX 244 FOR COMPONENT PARTS SEE INDEXES 12E,30,33,47
- G	5578870	1				CABLE ASM-CB2 TO K4 WITH NEUP INTERRUPT FOR COMPONENT PARTS SEE INDEXES 12K,30
- G	5578871	1				CABLE ASM-CB2 TO K4 WITH NEUP INTERRUPT FOR COMPONENT PARTS SEE INDEXES 12K,30
- G	5578873	1				CABLE ASM-CONV OUTLET (50HZ) FOR COMPONENT PARTS SEE INDEXES 2,3,9A,11,11A,30,33,43
- G	5578876	1				CABLE ASM-AC COAX 20,21,24,25 (AMD) FOR COMPONENT PARTS SEE INDEXES 6,10,12E,29,30,44,64
- H	5578879	1				CABLE ASM-PCC COAX 47 TO DISK FOR COMPONENT PARTS SEE INDEXES 44,45,53,64
- H	5578880	1				CABLE ASM-CB1 TO TB2 FOR COMPONENT PARTS SEE INDEXES 12J,29,30
- H	5578881	1				CABLE ASM-AC DIST FOR COMPONENT PARTS SEE INDEXES 12B,12C,12F,29,30,32,33,44,46,48,64
- H	5578882	1				CABLE ASM-AC COAX 54 (CONV OUTLET) FOR COMPONENT PARTS SEE INDEXES 6,10,12E,29,30,32,44
- H	5578884	1				CABLE ASM-PCC TO 01A-D2 FOR COMPONENT PARTS SEE INDEXES 16,17,30,33,49,65,81A
- H	5578886	1				JUMPER ASM-CB1-CB2 FOR COMPONENT PARTS SEE INDEX 12K
- H	5578887	1				JUMPER ASM-TB205 FOR COMPONENT PARTS SEE INDEX 12K
- H	5578888	1				CABLE ASM-K4 TO COAX 57 FOR COMPONENT PARTS SEE INDEXES 12G,12K,15A,29A,30,61
- H	5578889	1				CABLE ASM-K4 TO COAX 57 WITH NEUP INTRP FOR COMPONENT PARTS SEE INDEXES 12G,12K,15A,29A,30,61

CABLE ASSEMBLIES WITH COMPONENT PARTS

FIGURE- INDEX NUMBER	PART NUMBER	UNITS PER ASM.	DESCRIPTION			
			1	2	3	4
21 - H	5578890	1	CABLE ASM-TB2 TO CONN 27 (TR 101) FOR COMPONENT PARTS SEE INDEXES 12E, 29, 30, 44, 64 FOR COMPONENT PARTS SEE INDEX 29A			
- H	5578909	1	JUMPER ASM-02A-A2 FOR COMPONENT PARTS SEE INDEX 87A			
- H	5578917	1	JUMPER ASM-TB2-CB1/TB1 (50HZ)			
- H	5578919	1	CABLE ASM-TR 206 TO PS 201, 205 FOR COMPONENT PARTS SEE INDEXES 29, 30, 33, 37, 43			
- H	5578920	1	CABLE ASM-J243 TO IPS 101 FOR COMPONENT PARTS SEE INDEXES 29, 30, 33, 41, 59, 67			
- J	5578922	1	CABLE ASM- 24 VOLT DIST FOR COMPONENT PARTS SEE INDEXES 5, 6, 10, 12A, 12B, 12C, 30, 32, 50			
- J	5578931	1	CABLE ASM-J243 TO IPS 101 FOR COMPONENT PARTS SEE INDEXES 12F, 12G, 30, 33, 45, 59, 67			
- J	5578932	1	CABLE ASM-PS 203 TO IPS 101 FOR COMPONENT PARTS SEE INDEXES 30, 33, 43, 56, 67, 68A			
- J	5578933	1	CABLE ASM-IPS 101 TO TBB2 FOR COMPONENT PARTS SEE INDEXES 12F, 12G, 30			
- J	5578934	1	CABLE ASM-TBB2 TO IPS 101 (REMOTE SENSE) FOR COMPONENT PARTS SEE INDEXES 12E, 30, 56, 57, 68			
- J	5578939	1	CABLE ASM-MPP-01 TO IPO SWITCH FOR COMPONENT PARTS SEE INDEXES 29, 30, 32, 42			
- J	5802225	1	CABLE ASM- 20SIG (POLYETHYLENE) FOR COMPONENT PARTS SEE INDEXES 6A, 21, 22, 81B			
- J	5896504	1	JUMPER ASM-IPS 201 FOR COMPONENT PARTS SEE INDEX 87B			
- J	5896506	1	JUMPER ASM-IPS 201 FOR COMPONENT PARTS SEE INDEX 87C			
- J	5896524	1	JUMPER ASM- J2A-A2 FOR COMPONENT PARTS SEE INDEX 87D			
- J	6831425	1	HARNES ASM- 1AA2 TO 01E 3 CHANNEL BASIC FOR COMPONENT PARTS SEE INDEXES 30, 76, 77, 79			
- J	6831426	1	HARNES ASM- 1AA2 TO 01E 3 CHAN FEATURE FOR COMPONENT PARTS SEE INDEXES 30, 76, 77, 79			
- J	6831427	1	HARNES ASM- 1AA1-1AB1 UPPER FOR COMPONENT PARTS SEE INDEXES 30, 76, 77, 79A, 92, 111			
- J	6831428	1	HARNES ASM- 03A-03E (CH-CH) FOR COMPONENT PARTS SEE INDEXES 26, 27, 30, 76, 77, 79, 79A			
- J	6831430	1	CABLE ASM- 1AB2-A4 TO PR 03 AND CH-CH FOR COMPONENT PARTS SEE INDEXES 16, 17, 30, 33A, 36, 45, 47, 54, 81K, 117			
- K	6831431	1	CABLE ASM-J342 TO 3AA2B4, 3AA2B5 FOR COMPONENT PARTS SEE INDEXES 16, 17, 30, 36, 54A, 71, 72, 81A, 81E			
- K	6831432	1	CABLE ASM-J300 TO PR 03 SENSE FOR COMPONENT PARTS SEE INDEXES 6B, 23, 24A, 25, 26, 30, 31A, 31B, 33B, 40, 48			
- K	6831475	1	CABLE ASM-PS 301 TO IPS 301 FOR COMPONENT PARTS SEE INDEXES 30, 33B, 43, 56, 67, 68A			
- K	6831476	1	CABLE ASM-PS 301 CONN 05 TO 03A-A1 FOR COMPONENT PARTS SEE INDEXES 24, 25, 32A, 45			
- K	6831477	1	CABLE ASM-TBB2 TO IPS 301 03AA2 FOR COMPONENT PARTS SEE INDEXES 12E, 30, 56, 67, 68			
- K	6831478	1	CABLE ASM-IPS 301 TO TBB2 FOR COMPONENT PARTS SEE INDEXES 12F, 12G, 30			
- K	6831479	1	CABLE ASM-PS 301 AND J247 TO IPS 301 FOR COMPONENT PARTS SEE INDEXES 12F, 12G, 30, 32, 38, 59, 67			

CABLE ASSEMBLIES WITH COMPONENT PARTS

FIGURE- INDEX NUMBER	PART NUMBER	UNITS PER ASM.	DESCRIPTION			
			1	2	3	4
21 - K	6831480	1	CABLE ASM-TB 206 TO P247 +5V BIAS FOR COMPONENT PARTS SEE INDEXES 30, 33, 37, 70 FOR COMPONENT PARTS SEE INDEXES 12K, 15A, 29A, 30, 61			
- K	6831482	1	CABLE ASM-PCC-25 TO FR 03 AMD'S FOR COMPONENT PARTS SEE INDEXES 30, 32, 33, 43, 44			
- K	6831483	1	CABLE ASM-TB 206 TO PS 301-01 FOR COMPONENT PARTS SEE INDEXES 30, 33A, 41, 70			
- K	6831484	1	CABLE ASM-CONN 54 TO TR 107 FOR COMPONENT PARTS SEE INDEXES 6, 12B, 12H, 30, 33, 43			
- K	6831485	1	CABLE ASM-CONV OUTLET (60HZ) FOR COMPONENT PARTS SEE INDEXES 2, 3, 4, 9, 11, 11A, 30, 33, 39			
- K	6831486	1	CABLE ASM-TR 107 TO TR 107 CONN 1 FOR COMPONENT PARTS SEE INDEXES 12B, 12H, 30, 32, 40, 70			
- K	6831487	1	CABLE ASM-TBB1, PS 104 TO 01A-A2 FOR COMPONENT PARTS SEE INDEXES 12E, 12G, 18, 19, 20, 30, 33A, 43, 45, 89			
- K	6831488	1	CABLE ASM-PS 104-CONO3 TO 01A-D2 FOR COMPONENT PARTS SEE INDEXES 16, 17, 18, 19, 20, 30, 49 AND 65			
- L	6831489	1	CABLE ASM-PS 101-03 TO PS 104-02 FOR COMPONENT PARTS SEE INDEXES 30, 32, 33, 41			
- L	6831490	1	CABLE ASM-PS 101-07 TO TB 206 FOR COMPONENT PARTS SEE INDEXES 29, 30, 33, 45			
- L	6831491	1	CABLE ASM-PS 101 TO SPI AND MPP-01 FOR COMPONENT PARTS SEE INDEXES 29, 30, 43, 56, 63, 67			
- L	6831492	1	CABLE ASM-PS 101 TO 01A-D2 FOR COMPONENT PARTS SEE INDEXES 18, 19, 20, 30, 33, 47, 63			
- L	6831497	1	JUMPER ASM-LINE FILTER-CB1 FOR COMPONENT PARTS SEE INDEX 12K			
- L	6831498	1	JUMPER ASM-LF-4 TO CB1-4 (50HZ) FOR COMPONENT PARTS SEE INDEX 12J			
- L	8330695	1	JUMPER ASM- J2A-A2 FOR COMPONENT PARTS SEE INDEX 87E			
- L	8330696	1	JUMPER ASM- J2A-A2 FOR COMPONENT PARTS SEE INDEX 87F			
- L	8482220	1	JUMPER ASM-TB2 FOR COMPONENT PARTS SEE INDEX 29			
- L	8482247	1	CABLE ASM-01A D2 TO LINE FILTER FOR COMPONENT PARTS SEE INDEXES 16, 17, 55, 81A			
- L	8482759	1	CABLE ASM-SPI FOR COMPONENT PARTS SEE INDEXES 43, 63, 64			
- 1	82725	AR	. TERMINAL, INSULATED- 17/64 ID			
- 2	151598	AR	. CLAMP			
- 3	194335	AR	. OUTLET BOX			
- 4	194356	AR	. BRACKET			
- 5	236915	AR	. TERMINAL, CONTACT-FEMALE 20-18 AWG			
- 5A	236916	AR	. TERMINAL, CONTACT-FEMALE 24-22 AWG			
- 6	317296	AR	. LABEL			
- 6A	811825	AR	. LABEL			
- 6B	813769	AR	. DECAL			
- 7	321051	AR	. CONNECTOR, TWO WAY INSULATED			
- 8	335970	AR	. TERMINAL, LUG 3 AWG 1/4 HPG HOLE			
- 9	357995	AR	. OUTLET, CONVENIENCE 115V 60HZ			
- 9A	418835	AR	. OUTLET, CONVENIENCE 220V 50 CY			
- 10	430798	AR	. TERMINAL, RECEPTACLE 20-18 AWG			
- 11	483651	AR	. TERMINAL, FLANGED SPADE- NO. 8 STUD			
- 11A	483652	AR	. TERMINAL, FLANGED SPADE- 14-16 AWG			
- 12	483673	AR	. TERMINAL, RING, NO. 2 STUD, 18-20 AWG			
- 12A	483675	AR	. TERMINAL, RING, NO. 4 STUD, 18-20 AWG			
- 12B	483677	AR	. TERMINAL, RING, NO. 6 STUD, 18-20 AWG			
- 12C	483678	AR	. TERMINAL, RING, NO. 6 STUD, 14-16 AWG			
- 12D	483679	AR	. TERMINAL, RING, NO. 6 STUD, 10-12 AWG			
- 12E	483681	AR	. TERMINAL, RING, NO. 8 STUD, 18-20 AWG			
- 12F	483682	AR	. TERMINAL, RING, NO. 8 STUD, 14-16 AWG			

CABLE ASSEMBLIES WITH COMPONENT PARTS

FIGURE- INDEX NUMBER	PART NUMBER	UNITS PER ASM.	DESCRIPTION			
			1	2	3	4
21	- 12G	483683	AR	.	TERMINAL,RING, NO.8 STUD,10-12 AWG	
	- 12H	483685	AR	.	TERMINAL,RING, NO.10 STUD,18-20 AWG	
	- 12J	483686	AR	.	TERMINAL,RING, NO.10 STUD,14-16 AWG	
	- 12L	483688	AR	.	TERMINAL,RING, NO.0.250 STUD,18-20 AWG	
	- 12M	483689	AR	.	TERMINAL,RING, NO.0.250 STUD,14-16 AWG	
	- 12N	483690	AR	.	TERMINAL,RING, NO.0.250 STUD,10-12 AWG	
	- 13	504879	AR	.	TERMINAL,LUG	
	- 14	523268	AR	.	CONNECTOR	
	- 15	738254	AR	.	TERMINAL ASM,MALE,12-14 AWG	
	- 15A	738255	AR	.	TERMINAL ASM,FEMALE,12-14 AWG	
	- 16	740459	AR	.	STIFFENER	
	- 17	811802	AR	.	CARD GUIDE	
	- 18	813681	AR	.	CONTACT	
	- 19	813801	AR	.	HOUSING	
	- 20	813802	AR	.	COVER,VOLTAGE CROSSOVER	
	- 21	813803	AR	.	RELIEF	
	- 22	813804	AR	.	RELIEF	
	- 23	815688	AR	.	LABEL-5 PAC	
	- 24	816883	AR	.	CONNECTOR-18-20AWG	
	- 24A	817770	AR	.	CONNECTOR-22-24AWG	

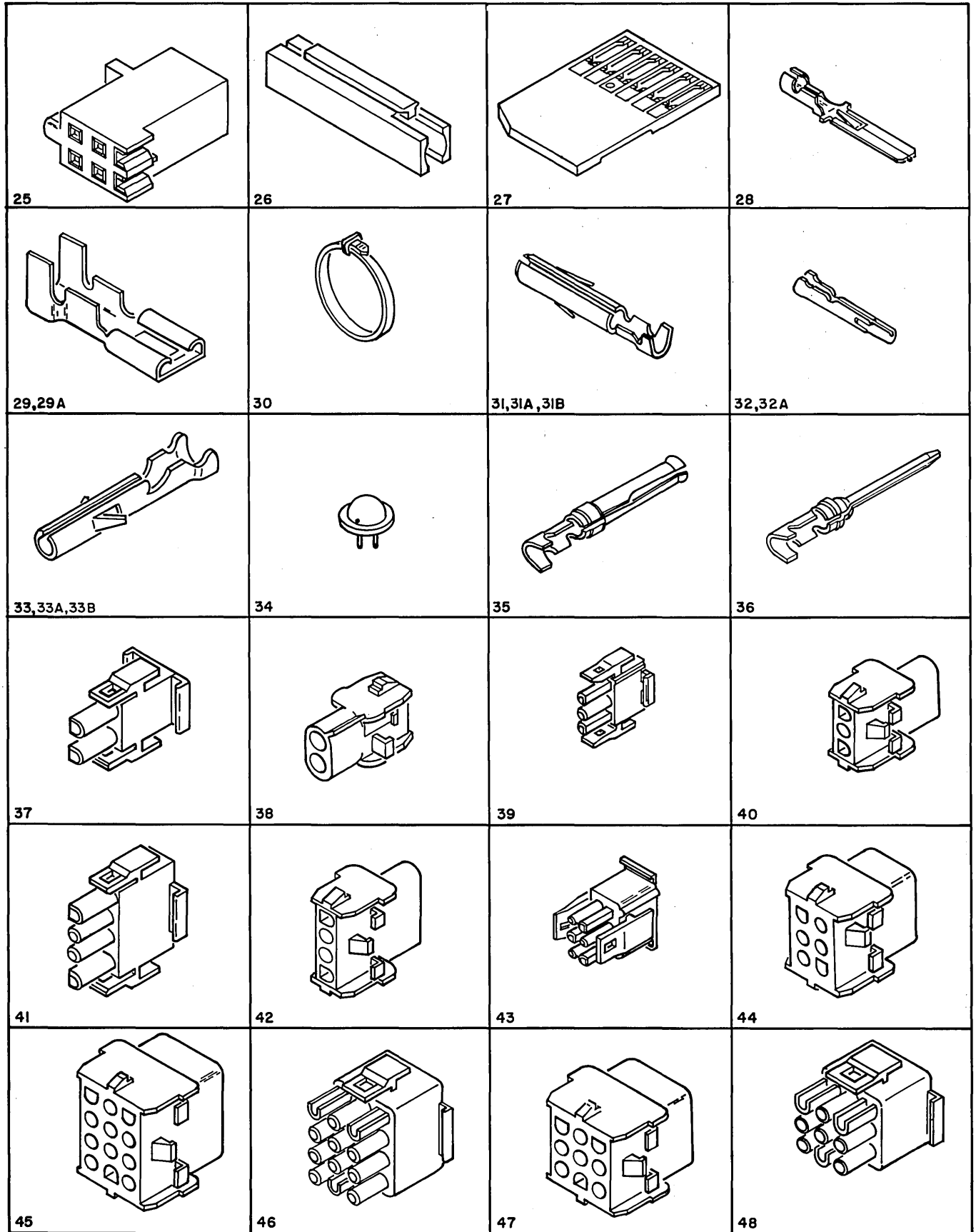


FIGURE 21. CABLE ASSEMBLIES WITH COMPONENT PARTS. SHEET 2 OF 5. INDEX NOS. 25-48. SEE LIST 21.

CABLE ASSEMBLIES WITH COMPONENT PARTS

FIGURE- INDEX NUMBER	PART NUMBER	UNITS PER ASM.	DESCRIPTION			
			1	2	3	4
21 - 25	818101	AR	.	HOUSING,CROSSOVER CONNECTOR		
- 26	818268	AR	.	RETAINER,CONNECTOR HOUSING-GREY BLACK		
- 27	818686	AR	.	RETAINER,CONNECTOR HOUSING-NATURAL		
- 28	827991	AR	.	CONNECT,TAB TERMINAL		
- 29	1127037	AR	.	TERMINAL,WIRE		
- 29A	2502307	AR	.	TERMINAL		
- 30	1159913	AR	.	CLAMP,STRAP CAM STAY		
- 31	1471018	AR	.	TERMINAL,SOCKET		
- 31A	1661131	AR	.	TERMINAL,SOCKET		
- 31B	1661132	AR	.	TERMINAL,SOCKET		
- 32	1471027	AR	.	PIN,TERMINAL		
- 32A	1661129	AR	.	TERMINAL		
- 33	1471028	AR	.	CONTACT		
- 33A	1661128	AR	.	TERMINAL,SOCKET		
- 33B	1661130	AR	.	TERMINAL		
- 34	1589880	AR	.	L.E.D.		
- 35	1655337	AR	.	CONTACT SOCKET		
- 36	1655339	AR	.	PIN,CONTACT		
- 37	1847524	AR	.	PLUG		
- 38	1847525	AR	.	HOUSING		
- 39	1847526	AR	.	CONNECTOR		
- 40	1847527	AR	.	CONNECTOR		
- 41	1847528	AR	.	PLUG,UNIVERSAL- 4 CIRCUIT		
- 42	1847529	AR	.	HOUSING,UNIVERSAL- 4 CIRCUIT		
- 43	1847530	AR	.	PLUG		
- 44	1847531	AR	.	HOUSING,CONNECTOR 6 POS MALE		
- 45	1847535	AR	.	HOUSING,12 POSITION		
- 46	1847534	AR	.	PLUG,12 POSITION		
- 47	1847533	AR	.	HOUSING,9 POSITION		
- 48	1847532	AR	.	PLUG,9 POSITION		

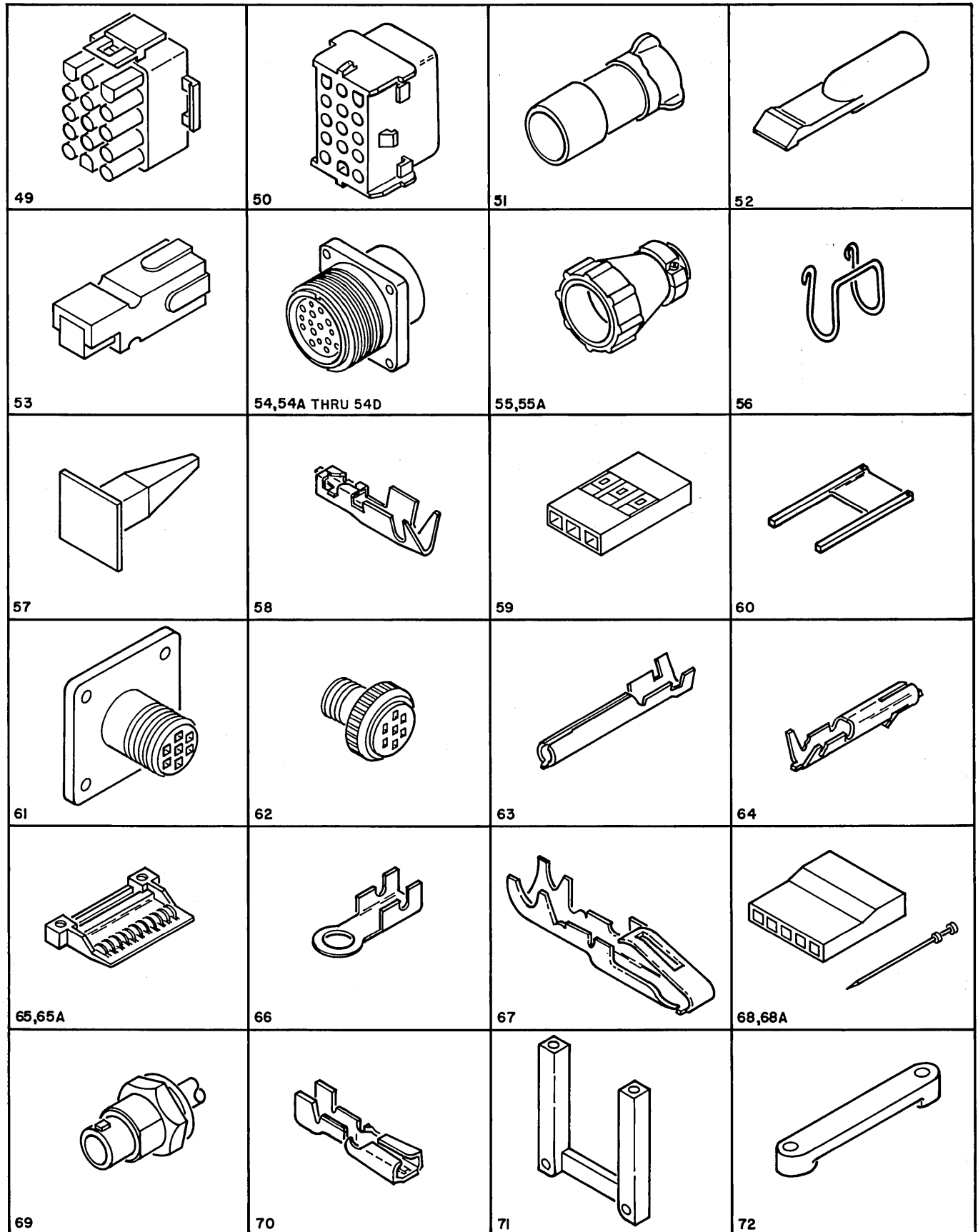


FIGURE 21. CABLE ASSEMBLIES WITH COMPONENT PARTS. SHEET 3 OF 5. INDEX NOS. 49-72. SEE LIST 21.

CABLE ASSEMBLIES WITH COMPONENT PARTS

FIGURE- INDEX NUMBER	PART NUMBER	UNITS PER ASM.	DESCRIPTION			
			1	2	3	4
21 - 49	1847536	AR	.	PLUG, UNIVERSAL-15 CIRCUIT		
- 50	1847537	AR	.	HOUSING- 15 POS FEMALE		
- 51	2103412	AR	.	CONNECTOR		
- 52	2281128	AR	.	CONTACT		
- 53	2281129	AR	.	HOUSING		
- 54	2462057	AR	.	PLUG, HOUSING 28 POSITION-FEMALE		
- 54A	4123761	AR	.	RECEPTACLE, HOUSING 28 POSITION-MALE		
- 54B	2462054	AR	.	CONNECTOR- 63 POSITION-FOR SOCKET CONTACTS		
- 54C	4123762	AR	.	CONNECTOR- 63 POSITION-FOR PIN CONTACTS		
- 54D	5578491	AR	.	CONNECTOR- 28 POSITION-FEMALE		
- 55	2462055	AR	.	CLAMP		
- 55A	2745029	AR	.	STRAIN RELIEF, CLAMP		
- 56	2565041	AR	.	CLIP, SPRING		
- 57	2637689	AR	.	INSERT		
- 58	2637691	AR	.	CONNECTOR, DISCRETE WIRE-22-26 AWG		
- 59	2744805	AR	.	HOUSING- 3 POSITION		
- 60	2744811	AR	.	STRAIN RELIEF		
- 61	2745023	AR	.	CONNECTOR- 7 POSITION		
- 62	2745024	AR	.	CONNECTOR- 7 POSITION		
- 63	4123688	AR	.	TERMINAL, SOCKET		
- 64	4123689	AR	.	TERMINAL, PIN		
- 65	4123780	AR	.	STRAIN RELIEF		
- 65A	4124485	AR	.	STRAIN RELIEF		
- 66	4124210	AR	.	TERMINAL, RING		
- 67	5252582	AR	.	TERMINAL-NO. 18		
- 68	5252584	AR	.	HOUSING- 5 POSITION		
- 68A	5252587	AR	.	HOUSING, CONNECTOR- 9 POS		
- 69	5252661	AR	.	CONNECTOR		
- 70	430799	AR	.	RECEPTACLE-TERMINAL		
- 71	5352960	AR	.	STRAIN RELIEF		
- 72	5353922	AR	.	STRAIN REL		

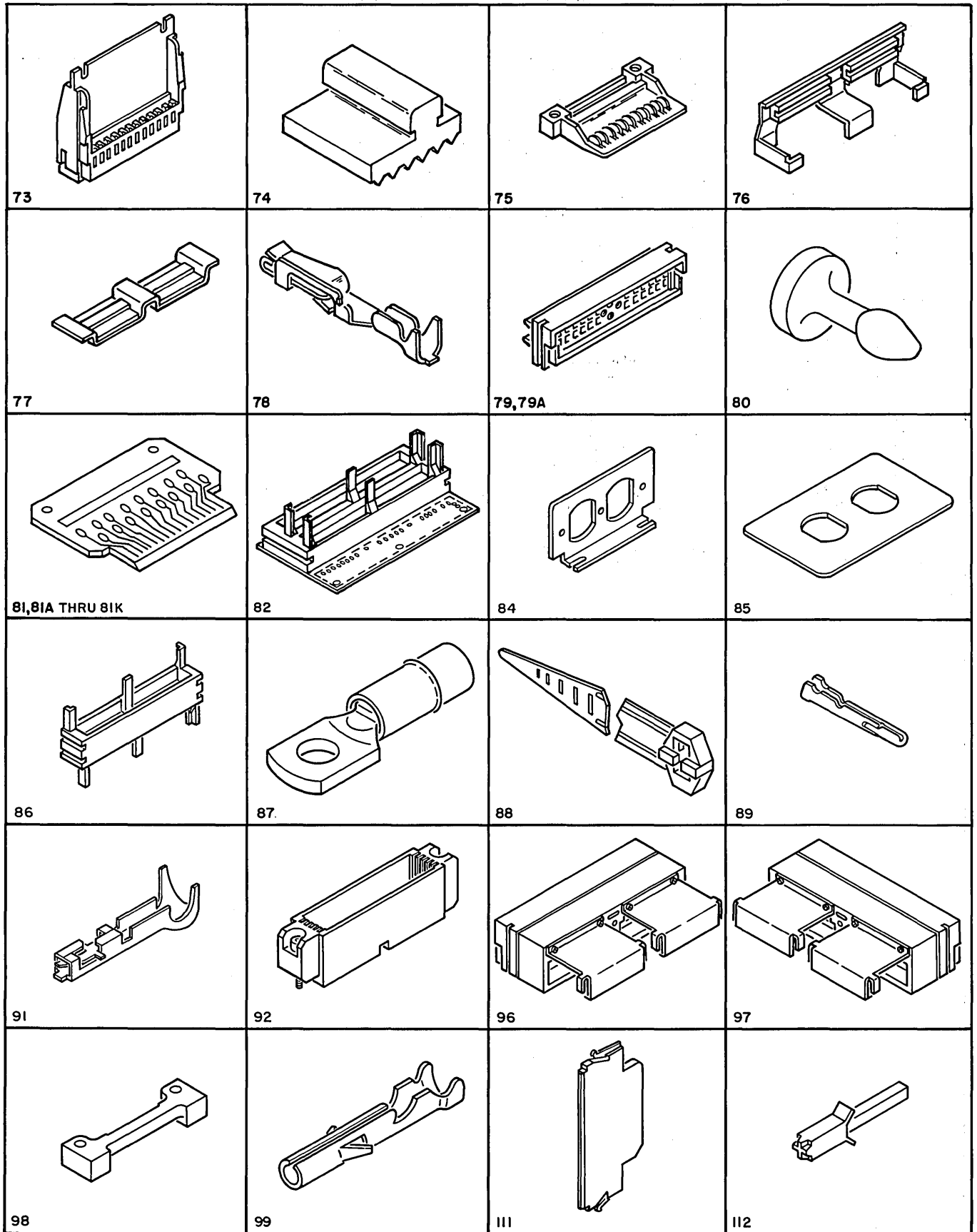


FIGURE 21. CABLE ASSEMBLIES WITH COMPONENT PARTS. SHEET 4 OF 5. INDEX NOS. 73-112. SEE LIST 21.

CABLE ASSEMBLIES WITH COMPONENT PARTS

FIGURE- INDEX NUMBER	PART NUMBER	UNITS PER ASM.	DESCRIPTION			
			1	2	3	4
21 - 73	5447741	AR	.	HOUSING,SINGLE HI		
- 74	5466393	AR	.	CLAMP,STRAIN RELIEF		
- 75	5466397	AR	.	STRAIN RELIEF		
- 76	5466467	AR	.	GUIDE		
- 77	5466468	AR	.	BRACKET,STRAIN RELIEF		
- 78	5486851	AR	.	CONTACT,SERPENT-SINGLE HI,22-26 RNS		
- 79	5529190	AR	.	BLOCK, CONNECTOR-LIGHT GREY		
- 79A	5529191	AR	.	BLOCK, CONNECTOR-DARK GREY		
- 80	5578489	AR	.	PLUG,KEYING		
- 81	5800610	AR	.	CARD ASM		
- 81A	5800634	AR	.	CARD ASM-TERMINATOR,TWISTED PR.		
- 81B	5800660	AR	.	CARD ASM		
- 81C	8254915	AR	.	CARD ASM		
- 81D	8254918	AR	.	CARD ASM		
- 81E	8254919	AR	.	CARD ASM		
- 81F	8565297	AR	.	CARD ASM		
- 81G	8565268	AR	.	CARD ASM		
- 81H	8565269	AR	.	CARD ASM		
- 81J	8565273	AR	.	CARD ASM		
- 81K	8565274	AR	.	CARD ASM		
- 82	838166	AR	.	GUIDE,CARD		
- 84	4432862	AR	.	BRACKET		
- 85	2502115	AR	.	SHROUD		
- 86	813392	AR	.	BLOCK		
- 87	335327	AR	.	TERMINAL		
- 88	524519	AR	.	TIE,CABLE		
- 89	813392	AR	.	CONNECTOR		
- 91	1661528	AR	.	TERMINAL,CONTACT		
- 92	1726285	AR	.	RETAINER ASM		
- 96	2676631	AR	.	CONNECTOR ASM-LIGHT GREY		
- 97	2676632	AR	.	CONNECTOR ASM-DARK GREY		
- 98	2757868	AR	.	STRAIN RELIEF		
- 99	1635821	AR	.	SOCKET,PIN 0.760 LG		
-111	4150495	AR	.	HOUSING,DUMMY		
-112	4155126	AR	.	PLUG,KEYING		

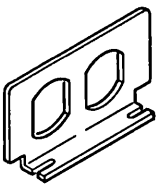
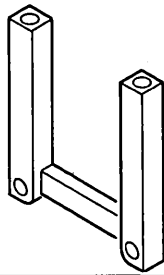
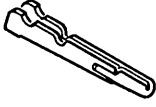
 <p>113</p>	 <p>117</p>	 <p>118</p>	

FIGURE 21. CABLE ASSEMBLIES WITH COMPONENT PARTS. SHEET 5 OF 5. INDEX NOS. 113-118. SEE LIST 21.

CABLE ASSEMBLIES WITH COMPONENT PARTS

FIGURE- INDEX NUMBER	PART NUMBER	UNITS PER ASM.	DESCRIPTION			
			1	2	3	4
21 -113	4432862	AR	.	BRACKET		
-117	6831356	AR	.	BRACKET, STRAIN RELIEF		
-118	8267333	AR	.	TERMINAL, PIN		

NUMERICAL INDEX

PART NO.	LIST AND INDEX NO.	PART NO.	LIST AND INDEX NO.	PART NO.	LIST AND INDEX NO.	PART NO.	LIST AND INDEX NO.
2903	8 - 11	124943-CONT	2 - 20Y	257970	6 - 9	483673	21 - 12
3960	2 - 191	125930	5 - 9	257986	9 - 30	483675	21 - 12A
5677	5 - 8	126036	2 - 20Q		9 - 33	483677	21 - 12B
	16 - 24	130987	2 - 212		18 - 17	483678	21 - 12C
6935	2 - 191A		3 - 108		18 - 29	483679	21 - 12D
10170	2 - 20L		3A-202	264641	2 - 68	483681	21 - 12E
	2 - 52		4 - 57		10 - 77	483682	21 - 12F
	3A-161B	138756	2 - 100E		11 - 17	483683	21 - 12G
	7 - 12		2 - 115B	302090	6 - 35	483685	21 - 12H
	12 - 24A		19 - 1	302131	6 - 34	483686	21 - 12J
	13 - 2	139766	10 - 1b	307984	1 - 35	483687	21 - 12K
10295	18 - 20		12 - 37A		1 - 53	483688	21 - 12L
11598	16 - 16		14 - 16	311167	8 - 5	483689	21 - 12M
	17 - 13	150390	1A- 17A	317131	2 - 54	483690	21 - 12N
	18 - 13		2 - 28	317296	10 - 18	504879	21 - 13
22066	13 - 63		2 - 32C		12 - 39	510316	13 - 33
22478	6 - 5		2 - 100A		14 - 18	518704	3A-180
25009	2 - 67		2 - 120		21 - 6	523268	21 - 14
	11 - 18		2 - 122H	317310	3A-171	524219	2 - 22A
25018	8 - 13		3 - 40A	317485	3A-171	524519	2 - 17E
25627	5 - 6		3 - 83	321051	21 - 7		2 - 100C
32042	13 - 26		3 - 85A	322065	16 - 28		2 - 152A
34512	8 - 10		3 - 88		18 - 16		2 - 198C
35739	3A-109		3 - 90D		18 - 27		3 - 5
38235	6 - 40		3A- 53	322266	2 - 56		3 - 21
38352	12 - 25		3A- 57	322280	3A-173		3 - 23
38354	3A-172A		3A- 83	322550	2 - 55		3 - 76
38442	20 - 23		3A- 94		8 - 20		3 - 92
38443	20 - 32		3A-101		17 - 27		4 - 14F
	20 - 40		3A-123	322551	16 - 8		19 - 8A
45690	10 - 78		3A-129		16 - 20		21 - 88
	18 - 22		3A-133		17 - 5	526098	11 - 30
47242	16 - 18		3A-137		17 - 17		13 - 39
	17 - 15		3A-141		18 - 5	526378	3A- 36
53193	15 - 31		3A-150	322620	17 - 21		3A-165
55726	7 - 25		3A-158	322766	2 - 20N		16 - 14
55901	5 - 7		4 - 23A	323845	19 - 9		17 - 11
56079	16 - 17	150676	7 - 18	332747	8 - 8		18 - 11
	16 - 25	151598	21 - 2	335327	21 - 87	528011	3A-115
	17 - 14	161351	9 - 65	335970	21 - 8		12 - 29
	17 - 22	170241	7 - 2	337193	2 - 51		13 - 6
	18 - 14	177946	4 - 8A	342250	19 - 15	528012	3A-114
	18 - 21	179966	2 - 50	350966	3A-161A		12 - 28
56722	16 - 9	186925	7 - 35	351237	2 - 20K		13 - 5
	16 - 13	186950	2 - 211	352870	19 - 3B	528013	3A-112
	16 - 21		3 - 107	353598	1A- 18		12 - 26
	16 - 29		3A-201	356742	2 - 20U		13 - 3
	17 - 6		4 - 56	357995	21 - 9	528014	3A-113
	17 - 10	194335	21 - 3	369207	2 - 1		12 - 27
	17 - 18	194356	21 - 4		2 - 65		13 - 4
	17 - 28	210883	2 - 20M		2 - 115E	532393	6 - 42
	18 - 6		2 - 53		2 - 194A	555427	8 - 12
	18 - 10		3A-172		3 - 4A	598381	10 - 19
	18 - 18	218793	2 - 44		3 - 99		12 - 40
	18 - 28	219743	3 - 57		3A- 31		14 - 19
58207	5 - 22		3A-125		3A-145	602721	7 - 20
	6 - 6	223781	2 - 190		4 - 14C	651858	7 - 14
72828	5 - 12A	226162	5 - 12		4 - 38A	730432	2 - 18
	5 - 18A	234341	6 - 11		4 - 46		3 - 4B
81693	2 - 20P	236550	7 - 28	372422	2 - 112C		3 - 41
	6 - 3	236915	21 - 5	375520	2 - 112B		3A- 28
	6 - 33	236916	21 - 5A	375522	2 - 112A		4 - 14D
	7 - 5	251015	9 - 63	418835	21 - 9A		20 - 27
	7 - 37	256106	5 - 18	430798	21 - 10	731626	9 - 74
	8 - 4	257187	2 - 20Z	430799	21 - 70		9 - 105
	20 - 21		7 - 38	438548	7 - 32		13 - 51
82725	21 - 1		16 - 10	438549	9 - 19B	736822	8 - 18
92050	13 - 38		16 - 12	438567	6 - 26	737732	3A- 40
92752	2 - 45		16 - 22	471901	2 - 210	738254	21 - 15
	3A-162		17 - 7		3 - 106	738255	21 - 15A
107663	3A-161		17 - 9		3A-200	740459	9 - 19A
109918	6 - 31		17 - 19		4 - 55		21 - 16
110029	7 - 13		18 - 7	473442	19 - 21	740503	2 - 20C
117403	3 - 91		18 - 9	475465	9 - 158A	740513	2 - 21V
120571	8 - 16	257189	2 - 20B	483651	21 - 11	740608	2 - 20C
124943	2 - 20J		7 - 9	483652	21 - 11A	753317	9 - 23

PART NO.	LIST AND INDEX NO.	PART NO.	LIST AND INDEX NO.	PART NO.	LIST AND INDEX NO.	PART NO.	LIST AND INDEX NO.
804109	16 - 7	817770	21 - 24A	855264	2 - 36	960746-CONT	3 - 101
	17 - 4	818002	9 - 17		3 - 101		3A-195
	18 - 4	818101	21 - 25		3A-195		4 - 50
811417	9 - 29	818268	21 - 26		4 - 50	960766	1 - 22
	9 - 32	818575	13 - 53		4 - 50		2 - 37
	9 - 48C	818579	9 - 16	855265	2 - 36		3 - 102
	9 - 95	818686	21 - 27		3 - 101		3A-196
	9 - 105B	819013	9 - 7		3A-195		4 - 49
811427	3A-106	819030	13 - 36		4 - 50	984117	2 - 19A
	9 - 149	819033	9 - 17		2 - 36		2 - 46A
811781	10 - 40	819074	13 - 58	855266	3 - 101		2 - 116
	12 - 64	819075	13 - 56		3A-195		3 - 7A
	14 - 39	819076	13 - 59		4 - 50		3 - 79A
811802	21 - 17	819078	13 - 52	855267	2 - 36		3A-124
811804	6 - 23	819251	9 - 6		3 - 101		3A-176
	10 - 23		9 - 7		3A-195		4 - 14B
	12 - 44	819268	9 - 25		4 - 50	984119	4 - 27A
	14 - 22A		9 - 27	855268	2 - 36	984123	2 - 100E
811825	21 - 6A	819282	9 - 22		3 - 101		2 - 115B
813179	9 - 47	819283	9 - 24		3A-195		6 - 18
813321	2 - 142	819284	9 - 21		4 - 50	NO NO.	7 - REF
	3 - 69	819407	9 - 17	855269	2 - 36	1090448	3A-90
	9 - 144	819408	9 - 17		3 - 101	1092125	1 - 28
	10 - 4	819410	9 - 19		3A-195		1 - 46
	12 - 12	819411	9 - 18		4 - 50		1 - 62
813392	21 - 86	819412	9 - 15	855270	2 - 36	1127037	21 - 29
	21 - 89	819431	9 - 72		3 - 101	1141554	4 - 27A
813681	21 - 18		9 - 73		3A-195	1159519	2 - 17A
813769	21 - 6B		9 - 104		4 - 50		3A-32
813801	21 - 19	819632	9 - 15	855272	2 - 36		3A-102
813802	21 - 20	819765	13 - 31		3 - 101		3A-107
813303	21 - 21		13 - 32		3A-195		3A-142
813804	21 - 22	819770	13 - 37		4 - 50		3A-153
815171	2 - 147	819773	13 - 27	855273	2 - 36		3A-184
	3 - 73	819779	13 - 28		3 - 101		3A-193
	10 - 8	825557	2 - 154A		3A-195	1159913	21 - 30
	12 - 16		3 - 48A		4 - 50	1164265	8 - 2
815174	2 - 141		14 - 57	855275	2 - 36	1177332	10 - 51
	3 - 68		15 - 30		3 - 101		12 - 74
	9 - 143		19 - 22A		3A-195		14 - 50
	10 - 3	825559	2 - 9		4 - 50	1310000	9 - 61
	12 - 11		2 - 57	855276	2 - 36	1310001	9 - 57
815214	9 - 147		2 - 85A		3 - 101	1310002	9 - 2
815217	2 - 145		2 - 104		3A-195		9 - 3
	3 - 72		3 - 12		4 - 50	1310005	3 - 105
	9 - 146		3A-16	855278	2 - 36	1310006	1 - 57
	10 - 7		4 - 6		3 - 101	1310007	1 - 11
	12 - 15		10 - 65		3A-195	1310008	1 - 10
815219	2 - 143		11 - 3		4 - 50	1310009	1 - 8
	3 - 70		13 - 12	855279	2 - 36	1310011	3 - 97
	9 - 145	825580	3 - 57D		3 - 101		3A-188
	10 - 5	825880	2 - 40A		3A-195		4 - 19
	12 - 13		2 - 100F		4 - 50	1310012	3 - 96
815220	2 - 140		2 - 194C	855281	2 - 36		3A-187
	3 - 67		5 - 26		3 - 101		4 - 18
	9 - 142		9 - 157		3A-195	1310013	3 - 97A
	10 - 2		10 - 75		4 - 50		3A-189
	12 - 10	827991	21 - 28	855282	2 - 34		4 - 52
815224	3 - 66	838166	21 - 82		3 - 104	1310058	19 - 23
815225	2 - 139	839413	10 - 42		3A-198	1310059	2 - 91
	9 - 141		12 - 66		4 - 47	1310161	3 - 39
	10 - 1		14 - 41	855283	2 - 35	1310163	1A- 2
	12 - 9	845762	2 - 115A		3 - 103	1310164	1A- 11
815375	2 - 146		3 - 4		3A-197	1310165	1A- 10
815688	21 - 23		3A-48		4 - 48	1310167	1 - 91
815879	9 - 26	846555	19 - 25	855284	2 - 36	1310168	1 - 92
	9 - 28	850070	3 - 29		2 - 39	1310169	1 - 94
816645	9 - 46		3A-29		3 - 100	1310170	1 - 90
816649	2 - 144	855262	2 - 36		3A-194	1310171	1 - 95
	3 - 71		3 - 101		4 - 51	1310201	9 - 153
	9 - 145A		3A-195	855286	2 - 37	1310204	9 - 154
	10 - 6		4 - 50		2 - 65B	1310207	9 - 155
	12 - 14	855263	2 - 36		3 - 102	1310209	9 - 34
816883	21 - 24		3 - 101		3A-196	1310234	9 - 115
816983	9 - 15		3A-195		4 - 49		9 - 117
817388	13 - 55		4 - 50	960746	2 - 36	1310235	9 - 131

PART NO.	LIST AND INDEX NO.	PART NO.	LIST AND INDEX NO.	PART NO.	LIST AND INDEX NO.	PART NO.	LIST AND INDEX NO.
1310239	2 - 70	1621062	10 - 9	1621190-CONT	2 - 135	1621198-CONT	2 - 153E
1310250	2 - 69		12 - 17		2 - 148		3 - 54
1310255	3 - 90		12 - 22		2 - 150		3 - 57F
1310257	12 - 72A		12 - 31		2 - 166		3A- 69
1310260	3 - 90	1621066	3A- 10		2 - 197		3A-104
1310267	2 - 20E		3A- 45		3 - 25		3A-154A
1310273	3 - 84A		20 - 25		3 - 74		9 - 92B
1310275	3 - 90A	1621081	12 - 4		3 - 78		10 - 80
1310280	2 - 99	1621170	2 - 4		3 - 94		11 - 20
1310281	2 - 31		2 - 21W		3A- 41		13 - 34
1310288	2 - 118		2 - 73		3A-144		15 - 28
1310290	2 - 99		2 - 137		3A-186		20 - 2B
1310297	3A-167		2 - 137B		5 - 2		20 - 10
1310300	2 - 30		2 - 154C		5 - 16	1621199	2 - 98A
1310304	21 - B		2 - 160		5 - 28		2 - 194D
1310315	2 - 30		2 - 198A		9 - 58	1621210	1 - 71
1310320	10 - 25		3 - 9		9 - 156		1 - 84
1310321	10 - 39		3 - 26		9 - 161		1 - 88
	14 - 38		3 - 45		10 - 84		1 - 93
1310322	10 - 48		3 - 51		11 - 25		2 - 21C
1310329	2 - 157		3 - 58		11 - 31		2 - 23A
	10 - REF		3A- 26		13 - 23		2 - 27
1310330	3 - 56		3A- 30		13 - 65		2 - 32B
	12 - REF		3A- 85		15 - 10		2 - 32E
1310331	12 - 49		3A- 88		15 - 21		2 - 42
1310332	12 - 63		3A-152		15 - 23		2 - 58
1310333	12 - 72A		4 - 2	1621191	2 - 20D		2 - 71
1310340	10 - 24		4 - 25		2 - 20F		2 - 82B
	12 - 45		9 - 11		2 - 20R		2 - 84
	14 - 23		9 - 40		2 - 20V		2 - 87
1310350	10 - 22		9 - 86		2 - 85B		2 - 95
	12 - 43		9 - 88		2 - 110		2 - 119
	14 - 22		9 - 101		3A-105		2 - 133
1310352	21 - B		13 - 8		3A-168		2 - 133E
1310353	21 - B		15 - 13		3A-191		2 - 146A
1310354	21 - B		20 - 2		9 - 112A		2 - 155
1310355	21 - B		20 - 7		9 - 120		2 - 157A
1310357	21 - B		20 - 13		9 - 122		2 - 159
1310360	12 - 79	1621171	3 - 52B		9 - 124		2 - 171
	21 - B		20 - 5		10 - 44A		2 - 173
1310363	21 - B	1621172	2 - 46		12 - 69A		2 - 182B
1310366	21 - B		2 - 102		14 - 44A		2 - 182E
1310482	19 - 24		2 - 106A		20 - 35		2 - 182G
1310483	3 - 59		3A- 88A		20 - 43		2 - 185
1310484	1 - REF	1621173	2 - 105	1621192	1A- 16		2 - 193
1310488	1 - 42		3A- 19		2 - 17C		2 - 196
1310782	2 - 36		4 - 9		2 - 182L		2 - 207
	3 - 101		9 - 50		10 - 21		3 - 3E
	3A-195		15 - 2		10 - 33		3 - 27
	4 - 50	1621174	15 - 25		12 - 42		3 - 32
1471018	21 - 31	1621175	3A- 17		12 - 57		3 - 34
1471027	21 - 32		4 - 7		14 - 21		3 - 37
1471028	21 - 33	1621175	9 - 97		14 - 32		3 - 40
1570563	20 - 31	1621181	2 - 21M	1621193	12 - 46A		3 - 60
1573510	18 - 15		2 - 21U		19 - 10		3 - 62
1574352	16 - 27		3A-170	1621194	2 - 12		3 - 65
1574353	16 - 26		9 - 37		2 - 82		3 - 82
1589880	21 - 34		9 - 92		3 - 15		3 - 85
1591469	7 - 23		9 - 94		10 - 68		3 - 87
1621010	2 - 133C		9 - 99		11 - 6		3 - 90C
1621020	2 - 194G	1621182	3A- 74		13 - 15		3A- 2
	2 - 194K		16 - 3	1621195	2 - 10		3A- 50
	2 - 197		17 - 1		3 - 13		3A- 64
1521021	12 - 7		18 - 1		10 - 66		3A- 77
1621034	10 - 60	1621184	2 - 21S		11 - 4		3A- 81
	12 - 80	1621190	1 - 2		13 - 13		3A- 92
	14 - 59		1 - 9	1621197	2 - 21H		3A-117
1621060	2 - 133B		1 - 76		2 - 21Q		3A- 121
	2 - 138A		1A- 3		2 - 22B		4 - 16
	3A-163		1A- 6		2 - 126		4 - 23
	3A-168		1A- 8		2 - 202		4 - 29
	9 - 71		1A- 12		3A- 15A		4 - 32
1621061	1 - 31		2 - 19C		3A- 61		4 - 60
	1 - 49		2 - 78		4 - 12A		9 - 111
	1 - 65		2 - 92	1621198	2 - 6A		9 - 127
			2 - 112		2 - 89		9 - 140

PART NO.	LIST AND INDEX NO.	PART NO.	LIST AND INDEX NO.	PART NO.	LIST AND INDEX NO.	PART NO.	LIST AND INDEX NO.
1621210-CONT	9 - 148	1622306-CONT	4 - 33	1622346-CONT	1A- 17	1622403-CONT	3 - 11
	12 - 19A		10 - 38		2 - 8A		3 - 17
	13 - 40		12 - 02		2 - 13		3A- 5
1621211	2 - 48		14 - 37		2 - 20A		10 - 04
	3A- 79		15 - 19		2 - 20H		10 - 70
	3A-131		19 - 14		2 - 20T		11 - 2
	3A-135	1622318	1 - 70A		2 -194E		11 - 8
	3A-148		3A- 6		3 - 11A		11 - 15
	9 - 67		3A- 42		3 - 16		13 - 11
	9 -107		3A- 89		3 - 55		13 - 17
	10 - 29		3A-11J		3A- 15B		19 - 17
	12 - 53		3A-168A		3A- 62		20 - 14
	14 - 28	1622319	19 - 3A		3A-154B	1622404	3 - 48
1621212	2 -100	1622320	2 - 29		3A-192		3A- 73
	2 -163		2 - 32D		4 - 12B		9 - 68
	3A- 99		2 -11JB		5 - 3		9 -138B
	15 - 18		2 -121		5 - 29	1622405	1 - 87
	3 - 1A		2 -153B		10 - 10		10 - 36
1621216	3 - 3B		2 -181		10 - 09		12 - 60
	3A- 35		3 - 40B		10 - 86		14 - 35
	9 -138		3 - 85B		11 - 7		19 - 8
1621230	4 - 35		3 - 89		12 - 18		19 - 12
	9 -133		3 - 90E		12 - 23		3 - 2A
	9 -151		3A- 52		12 - 32	1624357	21 - 99
1621231	9 -135		3A- 56		13 - 16	1635821	21 - 35
1621308	2 -115		3A- 82		13 - 24	1655337	21 - 36
	2 -152		3A- 93		20 - 2C	1655339	21 - 33A
	9 -152		3A-100		20 - 15	1661128	21 - 33A
1621333	2 -169		3A-122	1622347	1 - 89	1661129	21 - 32A
1621518	19 - 2		3A-128		2 - 16A	1661130	21 - 33B
1621519	2 -188		3A-132		2 - 32F	1661131	21 - 31A
1621523	3A-127		3A-136		2 - 59	1661132	21 - 31B
1621527	2 -178		3A-140		2 - 71A	1661528	21 - 91
1621539	2 - 96		3A-149		2 - 82C	1673983	2 - 16
1621594	2 -153A		3A-157		2 - 85		2 - 25
1621595	2 -180		4 - 233		2 - 85		2 - 64A
	3A- 55		10 - 37		2 - 90E		2 - 90D
1621596	3A-139		12 - 61		2 -156		2 -123
	3A-156		14 - 36		2 -170C		2 -170B
	10 - 52		19 - 13		2 -174		3 - 19
	12 - 75	1622332	2 -103		2 -208		3 - 98
	14 - 51	1622335	2 -172		3 - 19A		3A- 59
1621599	3A- 51	1622344	2 - 5		3A- 3		3A-182
1621685	16 - 2		2 - 21K		3A- 71		3A-190
	17 - 3		2 -106C		3A-183		4 - 20
	18 - 3		2 -137A		4 - 3J		4 - 37
1621852	1 - 39		2 -161		4 - 59		4 - 40
	1 - 56		2 -194H		9 -108		4 - 53
1622302	2 -106B		2 -198B		9 -113		10 - 72
	3A- 15		3 - 9A		10 - 73		10 - 83
	3A- 20		3 - 46		11 - 11		10 - 88
	4 - 10		3A- 14		11 - 32		11 - 10
	15 - 26		3A- 21		12 - 5		11 - 24
1622304	2 - 20X		3A- 27		13 - 19A		11 - 28
	2 - 74		3A- 86		13 - 41		13 - 19
	2 -167		4 - 5	1622348	15 - 16	1673984	2 - 90A
	3A-111		4 - 11		2 - 97A		3A- 70
	9 -120A		9 - 12		3A-181		4 - 45
	10 - 81		9 - 41	1622349	3A-159		9 - 48B
	10 - 85		9 - 89	1622401	2 -106D		9 -105D
	11 - 21		12 - 8		3A- 13	1726285	21 - 92
	15 - 11		13 - 9		3A- 22	1726314	3A- 9
1622305	1 - 70		15 - 14		4 - 4		3A- 44
	3A- 7		20 - 6A		4 - 12	1726315	3A- 11
	3A- 43	1622345	10 - 61		10 - 62		3A- 46
	9 -160		12 - 81		12 - 82	1731460	4 - 27A
	10 - 30		14 - 60		14 - 61	1743548	2 - 1
	12 - 54		16 - 3A		16 - 3B		2 - 65
	14 - 29		17 - 1A		17 - 1B		2 -115E
	19 - 3		18 - 1A		18 - 1B		2 -194A
	19 - 18		1 - 32	1622402	2 - 8		3 - 4A
1622306	1 - 86	1622346	1 - 50		2 - 14		3 - 99
	2 -153C		1 - 66		2 - 17D		3A- 31
	2 -157B		1A- 4		2 - 20G		3A-145
	2 -164		1A- 9		2 - 20S		4 - 14C
	2 -182		1A- 13		2 - 20W		4 - 38A
					2 -182J		4 - 46

PART NO.	LIST AND INDEX NO.	PART NO.	LIST AND INDEX NO.	PART NO.	LIST AND INDEX NO.	PART NO.	LIST AND INDEX NO.
1794401	6 - 21	2281129	21 - 53	2637669-CONT	3 - 93	2992717-CONT	3 - 101
1794410	9 - 13	2282675	2 - 124B		3A-143		3A-195
1799206	3 - 3	2282676	2 - 124C		3A-185		4 - 50
	3 - 3C	2305462	8 - 14	2637689	21 - 57	4014244	2 - 175
	20 - 26	2305523	8 - 19	2637691	21 - 58	4045673	2 - 65
1799218	3 - 2	2305526	8 - 9	2674400	3A-95	4056393	2 - 36
	3 - 3A	2305540	6 - 8	2674401	3A-96		3 - 101
	20 - 24	2305553	6 - 17	2674402	3A-97		3A-195
1831799	5 - 23	2305597	6 - 8	2674410	3A-98		4 - 50
1847524	21 - 37	2305598	6 - 20	2674425	3A-146	4056395	2 - 36
1847525	21 - 38	2305616	6 - 19	2676070	15 - 32	4056397	2 - 36
1847526	21 - 39	2305632	6 - 11B	2676628	9 - 126	4056399	2 - 36
1847527	21 - 40	2305644	8 - 6	2676631	21 - 96	4056401	2 - 36
1847528	21 - 41	2305646	8 - 15	2676632	21 - 97	4056403	2 - 36
1847529	21 - 42	2305647	8 - 7	2676633	3 - 1	4056405	2 - 36
1847530	21 - 43	2305697	7 - 19	2676638	20 - 22	4056407	2 - 36
1847531	21 - 44	2305720	6 - 4	2676639	2 - 182F	4056409	2 - 36
1847532	21 - 48	2305726	6 - 1	2676657	2 - 164D	4056411	2 - 39
1847533	21 - 47	2360072	9 - 43		3 - 57C	4056413	2 - 36
1847534	3A-175		9 - 133		3A-67	4056415	2 - 36
	21 - 46	2399086	9 - 13		4 - 14A	4056417	2 - 36
1847535	21 - 45	2418180	2 - 36	2676658	2 - 164D	4056419	2 - 36
1847536	21 - 49		3 - 131		3 - 57C	4056733	2 - 1
1847537	21 - 50		3A-195		3A-67		2 - 115E
1896820	20 - 39		4 - 50		4 - 14A		2 - 194A
1976194	2 - 36	2455575	5 - 13	2676659	2 - 164D		3 - 4A
	3 - 101	2455576	5 - 19		3 - 57C		3 - 99
	3A-195	2457745	13 - 60		3A-67		3 - 99
	4 - 50		13 - 62		4 - 14A		3A-31
2101400	19 - 11	2462054	21 - 54B	2676660	2 - 164D		3A-145
2103010	6 - 41	2462055	21 - 55		3 - 57C		4 - 14C
2103412	21 - 51	2462057	21 - 54		3A-67		4 - 38A
2125963	2 - 93	2462606	7 - 4		4 - 14A		4 - 46
	10 - 34	2502115	21 - 35	2676661	3A-67	4057827	2 - 100E
	11 - 26	2502307	21 - 29A	2676662	2 - 164D		2 - 115B
	12 - 47	2514459	1 - 16		3 - 57C	4061290	2 - 43
	12 - 58	2532500	3A-147		3A-67		3A-160
	14 - 33	2532510	3A-155		4 - 14A	4109340	2 - 164A
2125974	2 - 49	2542049	20 - 8	2676663	2 - 164D	4109341	2 - 115C
	2 - 97		20 - 11		3 - 57C	4109342	3 - 80
	2 - 170	2542403	2 - 19A		3A-67	4109343	2 - 164C
	2 - 186		2 - 46A		4 - 14A	4109344	3 - 7
	2 - 189		2 - 116	2676664	2 - 164D	4109345	4 - 14A
	2 - 194		3 - 7A		3 - 57C	4109346	2 - 115D
	3A-118		3 - 79		3A-67		2 - 164B
2127635	6 - 37		3A-124		4 - 14A	4109347	3 - 57B
2128748	20 - 9		3A-176	2676665	2 - 6		21 - B
2130285	7 - 3		4 - 143	2676666	2 - 6	4109349	4 - 35A
2154459	1 - 17C	2549540	2 - 17	2676700	15 - 29A	4109354	2 - 164E
	1 - 26		10 - 74	2676706	16 - 11	4109355	1 - 22A
	1 - 44		11 - 12		17 - 8	4109359	2 - 75A
	1 - 60		13 - 20	2676715	1 - 22		21 - B
2172092	3A-108	2549780	15 - 15	2676716	2 - 65A	4109360	2 - 76A
	12 - 24	2561149	20 - 9	2676717	2 - 65A	4109361	2 - 182D
	13 - 1	2561584	16 - 26	2676718	2 - 65A	4109371	2 - 132
2172166	2 - 106		18 - 26	2676719	2 - 65A	4109372	2 - 122
	3A-18	2561585	16 - 27	2676720	2 - 65A	4109376	2 - 153D
	4 - 8	2565041	21 - 56	2676721	2 - 65A	4109377	1 - 22
2181005	5 - 14	2568941	11 - 13	2676722	15 - 29B	4109378	1 - 5A
	5 - 20	2574136	20 - 22		15 - 33	4109379	3 - 57B
	13 - 57	2582954	3A-47	2676723	15 - 29B	4109387	2 - 182A
	7 - 22	2592384	6 - 36	2676725	18 - 8		21 - B
2181011	9 - 64	2637335	13 - 29	2722507	3A-165	4109388	20 - 41
2242321	20 - 20	2637340	13 - 30	2731306	9 - 27	4109389	2 - 164A
2274833	6 - 24	2637524	2 - 22C	2732364	12 - 19	4109390	2 - 115C
2277082	2 - 17F	2637563	13 - 42	2733280	9 - 85	4109392	2 - 164C
	2 - 100D	2637565	13 - 49	2744256	2 - 21F	4109393	3 - 57B
	2 - 152B	2637567	13 - 50	2744805	21 - 59	4109394	2 - 164A
	2 - 198D	2637568	13 - 47	2744811	21 - 60	4109396	3 - 49
	3 - 6	2637576	13 - 43	2745023	21 - 61	4109397	2 - 164C
	3 - 22	2637577	13 - 45	2745024	21 - 62	4109398	3 - 57B
	3A-33	2637578	13 - 44	2745029	21 - 55A	4109427	9 - 48D
	3A-154	2637579	13 - 46	2757868	21 - 98	4109434	9 - 48
	4 - 14E	2637580	13 - 48	2766708	9 - 14	4109435	9 - 105C
	19 - 22	2637669	3 - 24	2766709	9 - 14	4109436	9 - 48A
2281128	21 - 52		3 - 77	2992717	2 - 36		9 - 105A

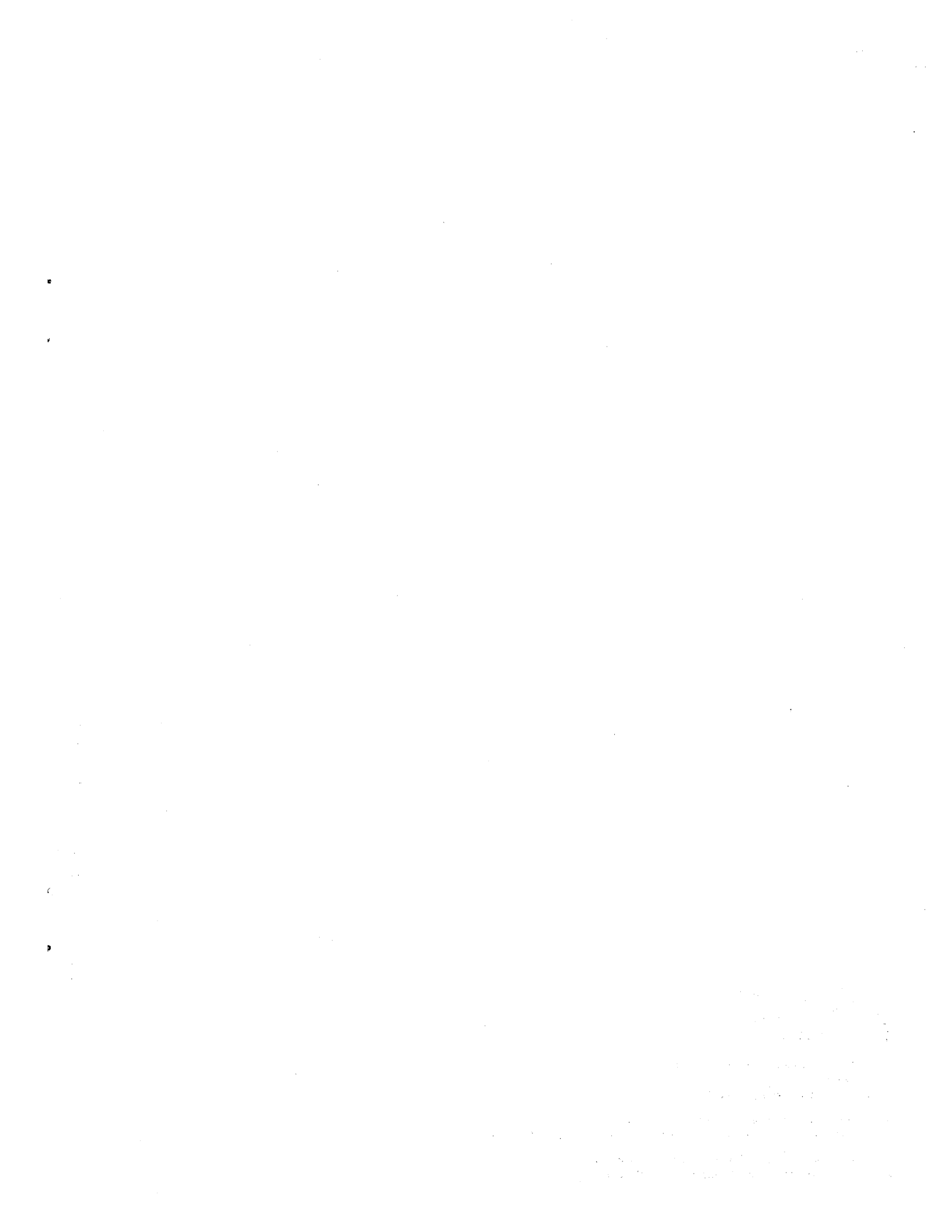
PART NO.	LIST AND INDEX NO.	PART NO.	LIST AND INDEX NO.	PART NO.	LIST AND INDEX NO.	PART NO.	LIST AND INDEX NO.
4109438	21 - B	4123688	21 - 63	4124227-CONT	15 - REF	4134366-CONT	3A-195
4109439	2 - 98B	4123689	3A-174	4124228	2 - 165		4 - 50
4109440	2 - 164E		21 - 64		15 - REF	4134367	2 - 36
4109441	2 - 164E	4123750	21 - C	4124231	4 - 15		3 - 101
4109443	3 - 57A	4123752	21 - C	4124233	13 - 25		3A-195
4109444	18 - 19	4123753	21 - C	4124240	21 - E		4 - 50
4109445	17 - 20	4123754	21 - C	4124241	21 - E	4134368	2 - 36
4109446	17 - 20	4123755	21 - C	4124242	21 - E		3 - 101
4109449	16 - 23	4123761	21 - 54A	4124247	3 - 18		3A-195
	17 - 23	4123762	21 - 54C		10 - 71		4 - 50
4109452	2 - 164D	4123765	21 - D		11 - 9	4134369	2 - 36
	3 - 57C	4123774	21 - D		13 - 18		3 - 101
	3A-67	4123780	21 - 65		21 - E		3A-195
	4 - 14A	4123824	21 - D	4124485	21 - 65A		4 - 50
4109453	10 - 79	4123827	21 - D	4134351	2 - 36	4134370	2 - 36
	11 - 19	4123828	21 - D		3 - 101		3 - 101
4109459	21 - B	4123898	15 - 29		3A-195		3A-195
4109460	21 - B	4123900	2 - 7		4 - 50		4 - 50
4109461	21 - B		10 - 63	4134352	2 - 36	4134371	2 - 36
4109462	21 - C		11 - 1		3 - 101		3 - 101
4109463	21 - C		13 - 10		3A-195		3A-195
4109468	9 - 92A	4123902	2 - 11		4 - 50		4 - 50
4109469	2 - 63		3 - 14	4134353	2 - 36	4134372	2 - 36
	2 - 93A		10 - 67		3 - 101		3 - 101
	20 - 14A		11 - 5		3A-195		3A-195
	5 - 27		13 - 14		4 - 50		4 - 50
4109471	2 - 15	4123903	16 - 30	4134354	2 - 36	4134373	2 - 36
4109474	2 - 94	4123904	16 - 6		3 - 101		3 - 101
4109477	2 - 94	4123905	16 - 6		3A-195		3A-195
4109478	19 - 16	4123906	16 - 6		4 - 50		4 - 50
	21 - A	4123907	16 - 6	4134355	2 - 36	4134374	2 - 36
4109480	2 - 108	4123913	9 - 4		3 - 101		3 - 101
	3A-24	4123923	9 - 129		3A-195		3A-195
	4 - 14		9 - 132		4 - 50		4 - 50
4109481	12 - 20	4123924	9 - 130	4134356	2 - 36	4134375	2 - 36
4109482	12 - 21	4123925	9 - 134		3 - 101		3 - 101
4109483	3 - 52A	4123928	9 - 38		3A-195		3A-195
4109499	21 - C		10 - 58		4 - 50		4 - 50
4109500	21 - C		12 - 78	4134357	2 - 36	4134376	2 - 36
4109503	2 - 26	4123929	9 - 136		3 - 101		3 - 101
4109506	2 - 90C	4123930	9 - 137		3A-195		3A-195
	20 - 2A	4123931	9 - 139		4 - 50		4 - 50
4109507	2 - 153	4124004	1 - 57	4134358	2 - 36	4134384	3A-195
4109508	9 - 1A	4124006	1 - 41		3 - 101	4134580	2 - 36
4109511	21 - C	4124092	1 - 6		3A-195		3 - 101
4109512	21 - C	4124093	1 - 5		4 - 50		3A-195
4109513	21 - C	4124094	1 - 4	4134359	2 - 36		4 - 50
4109516	9 - 150	4124095	1 - 3		3 - 101	4134581	2 - 36
4109517	9 - 110	4124112	21 - D		3A-195		3 - 101
4109519	3 - 10	4124138	21 - D		4 - 50		3A-195
4109520	2 - 194J	4124178	21 - D	4134360	2 - 36		4 - 50
4109521	19 - 8B	4124179	21 - D		3 - 101		2 - 36
4109522	21 - C	4124182	21 - D		3A-195	4134582	2 - 36
4109523	2 - 149	4124183	21 - D		4 - 50		3 - 101
4109524	2 - 90	4124192	21 - D	4134361	2 - 36		3A-195
4109532	21 - C	4124193	21 - D		3 - 101	4134583	2 - 36
4109533	21 - C	4124194	21 - D		3A-195		3 - 101
4109537	2 - 90B	4124195	21 - D		4 - 50		3A-195
4109539	2 - 82A	4124196	21 - E	4134362	2 - 36		4 - 50
	5 - 1	4124197	21 - E		3 - 101	4134584	2 - 36
	9 - 106	4124198	3 - 86		3A-195		3 - 101
4109590	9 - 121	4124202	21 - E		4 - 50		4 - 50
4109678	1 - 27	4124203	21 - E	4134363	2 - 36		2 - 36
	1 - 45	4124208	3 - 86		3 - 101	4135783	2 - 36
	1 - 61	4124210	21 - 66		3A-195		3 - 101
	2 - 20E	4124211	10 - 63		4 - 50		3A-195
4119729	3A-155		10 - 90	4134364	2 - 36		4 - 50
4119849	3A-173	4124215	2 - 179		3 - 101	4138473	10 - 50
4120303	3A-167	4124216	9 - 159		3A-195		12 - 73
4120492	20 - 33	4124217	9 - 114		4 - 50		14 - 49
4120541	20 - 34		9 - 115	4134365	2 - 36	4138522	9 - 44
4120543	3A-172		9 - 116		3 - 101		9 - 103A
4120570	3 - 20	4124218	9 - 114		3A-195	4138523	9 - 42
4120598	3 - 20		9 - 118		4 - 50		9 - 102
4120601	20 - 42	4124219	9 - 119	4134366	2 - 36	4138524	9 - 39
4120650	3A-164	4124227	2 - 165		3 - 101		9 - 100

PART NO.	LIST AND INDEX NO.	PART NO.	LIST AND INDEX NO.	PART NO.	LIST AND INDEX NO.	PART NO.	LIST AND INDEX NO.
4138527	9 - 20	4178011-CONT	6 - REF	4432784	21 - F	5054478-CONT	4 - 50
4138552	9 - 13	4178027	6 - 15	4432785	21 - G	5214256	20 - 33
4138559	9 - 99A		8 - REF	4432786	21 - G	5236656	3A-169
	9 - 99A	4178035	7 - 27	4432787	21 - G	5252506	20 - 34
4138564	9 - 15	4178047	6 - 12	4432788	21 - G	5252582	21 - 67
4138565	9 - 36	4178052	6 - 11A	4432790	21 - G	5252584	21 - 68
	9 - 91	4178053	6 - 10	4432794	21 - G	5252587	21 - 68A
4138566	9 - 35	4178056	6 - 11A	4432799	2 - 117	5252645	2 - 47
4138577	9 - 90	4178057	6 - 10	4432800	2 - 162	5252661	21 - 69
4138580	9 - 103B	4178058	6 - 39		3A- 72	5252823	17 - 12
4138587	9 - 103A	4178060	7 - 11		17 - REF	5252824	16 - 15
4138593	9 - 9	4178061	7 - 15	4432802	2 - 201	5252850	3A- 39
4139582	9 - 28	4178062	7 - 17	4432803	2 - 125	5252857	18 - 12
4145588	13 - 61	4178063	7 - 16		4 - 39	5271288	2 - 136
4150495	21 - 111	4178065	6 - 21A	4432810	2 - 162		2 - 198
4150496	9 - 19	4178067	7 - 18		3A- 72		3A-151
4150776	9 - 18	4204962	20 - 4		17 - REF		20 - 6
4151647	3 - 84	4236352	8 - 17	4432811	11 - 33	5276701	20 - 12
4151648	3 - 84	4418722	2 - 100E	4432813	10 - 76	5298109	13 - 54
4151656	4 - 21		2 - 115B	4432814	12 - 3	5349929	6 - 43
4151659	3 - 38	4422117	3A- 47	4432815	2 - 109	5352960	21 - 71
4151668	4 - 21	4432383	2 - 113	4432847	19 - 6	5353922	21 - 72
4151669	4 - 22	4432384	2 - 114		19 - 7	5357144	17 - 26
4154459	3A-199	4432386	5 - 4	4432848	2 - 98	5357145	17 - 25
4154550	3A- REF	4432389	2 - 128	4432849	2 - 24	5397579	2 - 65D
4154560	1 - 22A		2 - 204	4432851	4 - 36	5447741	6 - 29
4154574	9 - 138A		4 - 42	4432852	4 - 44		21 - 73
4154576	1 - 17B	4432392	9 - 1A	4432854	2 - 80	5466393	6 - 28
4154577	1 - 17A	4432395	9 - 2	4432862	21 - 84		21 - 74
4154580	3A- 67		9 - 4		21 - 113	5466397	6 - 27
4154583	2 - 93B	4432399	9 - 1A	4432863	15 - 20		21 - 75
4154598	3A- 67	4432400	21 - E	4432866	3 - 81	5466467	21 - 76
4154601	3A- 49	4432401	21 - E	4432867	2 - 194F	5466468	21 - 77
4154602	3A-120	4432402	21 - E	4432868	2 - 195A	5468305	17 - 25
4154603	3A- 58	4432403	21 - E	4432869	2 - 69A	5468306	17 - 26
4154604	3A- 54	4432404	21 - E	4432871	2 - 22	5468318	16 - 19
4154605	3A-126	4432405	21 - F	4432872	2 - 21G		17 - 16
4154606	3A-134	4432406	21 - F	4432876	2 - 20	5468388	18 - 26
4154607	3A-138	4432408	21 - F	4432877	2 - 20	5486851	21 - 78
4154608	3A-130	4432409	21 - F	4432879	2 - 21	5501991	2 - 112E
4154609	3A-116	4432410	21 - F	4432881	2 - 21B	5501993	2 - 112D
4154611	3A- 65	4432411	21 - F	4432884	2 - 21B	5501995	9 - 59
4154612	3A-177	4432450	2 - 151	4432886	2 - 21B	5501997	9 - 60
4154613	3A- 66		3 - 75	4432888	2 - 21B	5529190	21 - 79
4154615	3A- 80	4432471	21 - F	4432890	2 - 21B	5529191	21 - 79A
4154616	3A- 78	4432473	21 - F	4432892	2 - 21B	5562019	8 - 1
4154618	3A- 4	4432474	21 - F	4432899	9 - 96	5562020	6 - 2
4154619	3A- 63	4432586	14 - 47	4433023	2 - 38	5562022	6 - 7
4154626	3A- 68	4432588	14 - 24		2 - 65A	5562035	7 - 26
4154629	3A- 76	4432589	12 - 72A	4433024	2 - 38	5562037	7 - 30
4154632	3 - 53	4432590	2 - 111		2 - 65A	5562038	7 - 21
	3A- 60	4432591	10 - 56	4433025	2 - 38	5562041	7 - 29
	4 - 28		14 - 55		2 - 65A	5562044	7 - 31
4154634	3A- 34	4432592	10 - 57	4433026	2 - 38	5562046	6 - 14
4154636	3A- 87		12 - 86		2 - 65A	5562051	7 - 6
4154638	2 - 17B		14 - 56	4433027	2 - 38	5562061	7 - 39
	2 - 182K	4432593	10 - 55		2 - 65A	5562062	8 - 21
	3A-103		12 - 94	4433028	2 - 38	5562064	6 - 12
4154639	3A- 91		14 - 54		2 - 65A	5562066	6 - 32
4154641	3A-179	4432594	12 - 85	4441141	3A-178	5562071	6 - 30
4154642	1 - 87A	4432595	12 - 1		18 - 30	5562081	7 - 36
	2 - 172A		12 - 83	4447204	1 - 22	5562082	7 - 41
	3 - 3D		12 - 97	4521305	2 - 21L	5562083	7 - 1
	3A- 1	4432600	3 - 56	4521307	2 - 21P	5562084	8 - 3
	4 - 58		12 - REF	4521357	2 - 21R	5562085	7 - 7
	9 - 106A	4432610	3A-163	4521358	2 - 21T	5562086	7 - 33
4154643	3A- 37	4432624	21 - F	4609539	2 - 170A	5562088	7 - 24
4154644	3A- 38	4432626	21 - F	4796840	2 - 21N	5562096	6 - 38
4155126	21 - 112	4432629	12 - 63	4797001	2 - 21T	5562098	7 - 10
4155177	3 - REF	4432630	13 - 64	4797003	2 - 21T	5562099	7 - 34
4155181	9 - 162		14 - REF	4797005	2 - 21T	5562102	6 - 25
4155354	21 - E	4432775	2 - 220	4797367	2 - 21T	5562103	7 - 8
4155374	21 - E		21 - F	4797370	2 - 21T	5562115	6 - 13
4178009	5 - 5	4432777	21 - F		2 - 36	5562116	6 - 22
	6 - REF	4432780	10 - 59	5054478	3 - 101	5562313	6 - 16
4178011	5 - 5		21 - F		3A-195	5562328	5 - 15

PART NO.	LIST AND INDEX NO.	PART NO.	LIST AND INDEX NO.	PART NO.	LIST AND INDEX NO.	PART NO.	LIST AND INDEX NO.
5562336	5 - 11	5576294	12 - 38	5578887	21 - H	6815182-CONT	3 - 4A
5562337	5 - 17	5576296	10 - 54	5578888	21 - H		3 - 99
5562338	5 - 21		12 - 77	5578889	21 - H		3A- 31
5576199	10 - 31		14 - 53	5578890	21 - H		3A-145
	12 - 55	5576379	2 - 36	5578899	2 -172B		4 - 14C
	14 - 30		3 -1J1		9 -112		4 - 38A
5576202	10 - 32		3A-195	5578901	21 - H		4 - 46
	12 - 56		4 - 50	5578904	5 - 25	6815183	3A- 31
	14 - 31	5578478	21 - J	5578909	21 - H		3A-145
5576203	12 - 56A	5578479	21 - G	5578917	21 - H	6815190	3A-145
5576207	12 - 46	5578489	21 - 3J	5578919	21 - H	6825818	2 -100E
5576209	10 - 13	5578491	21 - 54D	5578920	21 - H		2 -115B
	12 - 35	5578511	10 - 4	5578922	21 - J	6825820	2 -100E
	14 - 13		18 - 24	5578931	21 - J		2 -115B
5576219	10 - 41	5578512	16 - 5	5578932	21 - J	6825822	4 - 27A
	12 - 65		17 - 24	5578933	21 - J	6825823	4 - 27A
	14 - 40		18 - 25	5578934	21 - J	6825828	2 -100E
5576244	21 - 3	5578545	3 - 31	5578939	21 - J		2 -115B
5576245	10 - 20	5578546	3 - 33	5685244	2 - 1	6825830	3A- 47
	12 - 41	5578548	12 - 30		2 - 65	6825833	3A- 47
	14 - 20	5578549	3 - 63		2 -115E	6825834	4 - 27A
5576247	3 - 84B	5578550	3 - 61		2 -194A	6825839	3A- 47
5576248	3 - 84B	5578551	3 - 36		3 - 99	6825879	2 - 93B
5576249	3 - 90B	5578556	3 - 64		3A- 31	6825908	2 - 93B
5576259	14 - 62	5578557	1 - 75		3A-145	6831310	2 -209
5576260	10 - 11	5578567	2 -158		4 - 14C	6831311	2 - 86
	12 - 33		4 - 34		4 - 38A	6831312	5 - 30
	14 - 11	5578578	1 - 7		4 - 46	6831316	2 - 60
5576261	12 - 63	5578591	1A- 5	5685245	4 - 27A	6831317	2 - 41
5576264	10 - 26	5578592	1A- 15	5700484	7 - 40	6831319	1 - 85
	12 - 50	5578593	1A- 7	5718485	3A- 47	6831321	13 - 22
	14 - 25	5578597	1A- 19	5718487	3A- 47	6831326	10 - 82
5576265	10 - 27	5578609	1A- 14	5718488	3A- 47		11 - 23
	12 - 51	5578611	13 - 66	5731697	2 - 93B	6831327	4 - 27
	14 - 26	5578613	1A- REP	5800610	21 - 81	6831330	4 - 54
5576266	10 - 28	5578614	1A- REP	5800634	21 - 81A	6831332	20 - 44
	12 - 52	5578615	1A- REP	5800660	21 - 81B	6831333	11 - 14
	14 - 27	5578616	1A- REP	5802225	21 - J	6831334	2 - 19B
5576267	10 - 35	5578617	1A- REP	5865244	3 - 4A		2 - 19B
	12 - 59	5578619	1A- REP	5896504	21 - J	6831336	4 - 31
	14 - 34	5578623	1 - 1	5896506	21 - J		13 - REP
5576268	10 - 53	5578637	5 - 24	5896524	21 - J	6831338	2 - 23
	12 - 76	5578663	16 - 1	5896531	13 - 35	6831339	2 - 81
	14 - 52		18 - 2	5922113	10 - 42A	6831340	2 -205
5576271	12 - 48	5578666	2 - 3		12 - 67	6831341	2 -129
5576272	12 - 49		3 - 8		14 - 41A		4 - 43
5576281	10 - 15		3A- 25	5966292	2 - 36	6831342	2 -124
	12 - 37		4 - 1		3 -101		2 -200
	14 - 15		12 - 6		3A-195		4 - 38
5576282	10 - 43		13 - 7		4 - 50	6831343	2 -206
	12 - 68	5578667	3A- 84	6003011	2 - 39	6831344	2 -133D
	14 - 42		9 - 87	6003012	2 - 36	6831345	2 -195
5576283	10 - 49		15 - 12	6003013	2 - 36	6831346	2 -133A
	12 - 72B	5578671	15 - 17		2 - 36	6831347	2 -138
	14 - 48		16 - REP		3 -101	6831348	2 -134
5576284	10 - 45	5578672	15 - 17		3A-195	6831349	2 -127
	12 - 70		16 - REP		4 - 50		2 -203
	14 - 44	5578696	9 -128	6004802	2 - 33		4 - 41
5576285	10 - 17	5578810	2 -176	6331474	2 -194B	6831350	9 - 93
	12 - 38		9 - REP	6814311	3A-166	6831351	9 -159
	14 - 17	5578824	2 -184	6815180	3A- 31	6831352	15 - 29
5576286	10 - 12	5578827	9 - 98	6815181	2 - 1	6831353	9 -159
	12 - 34	5578829	9 -125		2 - 65	6831354	9 - 1
	14 - 12	5578846	21 - G		2 -115E	6831355	2 -176
5576287	10 - 44	5578847	21 - G		2 -194A		9 - REP
	10 - 47	5578870	21 - G		3 - 4A	6831356	9 - 19C
	12 - 69	5578871	21 - G		3 - 99		21 -117
	12 - 72	5578873	2 -182A		3A- 31	6831357	2 -176
	14 - 43		21 - G		3A-145		9 - REP
	14 - 46	5578875	21 - G		4 - 14C	6831358	9 -162
5576288	10 - 46	5578879	21 - H		4 - 38A	6831364	3 - 57A
	12 - 71	5578880	21 - H		4 - 46	6831365	2 -157
	14 - 45	5578881	21 - H	6815182	2 - 1		11 - REP
5576289	10 - 14	5578882	21 - H		2 - 65	6831366	10 - 89
	12 - 36	5578884	21 - H		2 -115E		11 - 29
	14 - 14	5578885	21 - H		2 -194A	6831367	19 - 20

PART NO.	LIST AND INDEX NO.	PART NO.	LIST AND INDEX NO.	PART NO.	LIST AND INDEX NO.	PART NO.	LIST AND INDEX NO.
6831368	19 - 1A	8267564-CONT	11 - 16	8330712	3 - 47	8483486	1 - 40
6831369	19 - 26	8268897	3A- 75		18 - REF	8483487	1 - 40
6831383	4 - REF	8326797	3A- 31	8330713	18 - 19	8483488	1 - 25
6831411	2 - 165		3A-145	8330718	9 - 123		1 - 43
	15 - REF	8326801	2 - 1	8482113	9 - 13	8483489	1 - 78
6831412	2 - 165		2 - 65	8482118	9 - 13	8483490	1 - 82
	10 - 87		2 - 115E	8482220	21 - L	8483491	1 - 77
	15 - REF		2 - 134A	8482247	21 - L	8483492	1 - 81
6831421	11 - 27		3 - 4A	8482651	2 - 32	8483493	1 - 79
6831425	21 - J		3 - 99	8482681	2 - 32A	8483494	1 - 83
5831426	21 - J		3A- 31	8482691	2 - 32A	8483495	1 - 69
6831427	21 - J		3A-145	8482757	2 - 75	8483497	1 - 80
6831428	21 - J		4 - 14C		2 - 77	8483503	9 - 65
5831430	21 - J		4 - 38A	8482759	2 - 76	8483504	9 - 69
6831431	14 - 58		4 - 46		21 - L	8483505	15 - 27
	21 - K	8329452	2 - 100E	8482761	2 - 72	8483510	15 - 22
6831432	21 - K		2 - 115B	8483012	9 - 49	8483524	2 - 187
6831440	2 - REF	8330628	2 - 36		15 - 1	8483728	2 - 168
6831442	2 - 83		3 - 101	8483040	2 - 124A	8483959	3A-164
	5 - REF		3A-195		2 - 199	8544812	3A-161C
6831443	2 - 83		4 - 50	8483089	9 - 62	8547121	2 - 65C
	5 - REF	8330637	9 - 10	8483091	9 - 70	8551902	3A- 47
6831445	2 - 64	8330638	9 - 109	8483095	2 - 192	8551903	2 - 100E
	20 - REF	8330641	15 - 9	8483160	20 - 1		2 - 115B
5831446	2 - 64	8330642	9 - 1A	8483163	20 - 36	8551904	2 - 1
	20 - REF	8330643	1 - 58	8483165	20 - 37		2 - 65
5831458	2 - 94	8330644	1 - 12	8483169	20 - 38		2 - 115E
	19 - REF	8330645	1 - 58	8483171	20 - 28		2 - 194A
6831460	2 - 94	8330646	1 - 12	8483173	20 - 29		3 - 4A
	19 - REF	8330647	1 - 58	8483177	20 - 35		3 - 99
6831462	2 - 94	8330648	1 - 12	8483180	19 - 19		3A- 31
	19 - REF	8330649	1 - 58	8483343	1 - 34		3A-145
5831464	2 - 94	8330650	1 - 12		1 - 52		4 - 14C
	19 - REF	8330651	1 - 58	8483347	1 - 6A		4 - 38A
6831471	4 - REF	8330652	1 - 12		1 - 10A		4 - 46
6831473	2 - 88	8330653	1 - 58		1 - 13	8551905	4 - 27A
6831475	21 - K	8330654	1 - 12		1 - 33	8565268	21 - 81G
6831476	21 - K	8330658	2 - 154B		1 - 51	8565269	21 - 81H
5831477	21 - K		3 - 50		1 - 67	8565273	21 - 81J
6831478	21 - K		4 - 24		2 - 19	8565274	21 - 81K
5831479	21 - K	8330659	2 - 154D		2 - 40	8565297	21 - 81F
6831480	21 - K		3 - 52		2 - 154		
6831481	21 - K		4 - 26		2 - 183		
6831482	21 - K	8330660	1 - 21		3 - 30		
6831483	2 - 182A	8330661	1 - 68		3 - 35		
	21 - K	8330662	1 - 21		3 - 42		
6831484	21 - K	8330663	1 - 68		3 - 95		
5831485	21 - K	8330664	1 - 21		4 - 17		
6831486	21 - K	8330665	1 - 68		9 - 158		
5831487	21 - K	8330666	1 - 21		10 - 75A		
6831488	21 - K	8330667	1 - 68		11 - 22		
5831489	21 - L	8330668	1 - 21		12 - 2		
6831490	21 - L	8330669	1 - 68		13 - 21		
5831491	21 - L	8330670	1 - 21		20 - 3		
6831492	21 - L	8330671	1 - 68	8483352	1 - 30		
5831493	19 - 16	8330678	1A- 1		1 - 48		
	21 - A	8330683	2 - 21D		1 - 59		
5831494	19 - 16	8330684	2 - 21D		1 - 64		
	21 - A	8330685	2 - 21D	8483353	1 - 29		
5831495	19 - 16	8330686	2 - 21D		1 - 47		
	21 - A	8330687	2 - 21D		1 - 63		
6831496	19 - 16	8330688	2 - 21D	8483355	1 - 38		
	21 - A	8330691	2 - 137		1 - 55		
5831497	19 - 4		3A- 23	8483356	1 - 37		
	21 - L		4 - 13		1 - 54		
6831498	19 - 5	8330692	2 - 101	8483361	1 - 18		
	21 - L		3A- 12	8483368	1 - 15		
8112294	2 - 36		4 - 3	8483369	1 - 19		
	3 - 101	8330695	21 - L	8483370	1 - 17		
	3A-195	8330696	21 - L	8483371	1 - 20		
	4 - 50	8330704	17 - 29	8483375	9 - 31		
8254915	21 - 81C	8330707	17 - 2	8483376	9 - 8		
8254918	21 - 81D	8330708	18 - 23	8483454	1 - 23		
8254919	21 - 81E	8330709	18 - 31	8483455	1 - 24		
8267333	21 - 118	8330711	3 - 47	8483469	1 - 36		
8267564	2 - 66		18 - REF	8483482	1 - 36		





4341

Cut

Fold Use clear acetate tab
obtained locally.

S124-0152-3

4341 Processor (PC) Printed in U.S.A. S124-0152-3



International Business Machines Corporation
Data Processing Division
1133 Westchester Avenue, White Plains, N. Y. 10604

IBM World Trade Americas/Far East Corporation
Town of Mount Pleasant, Route 9, North Tarrytown, N. Y., U. S. A. 10591

IBM World Trade Europe/Middle East/Africa Corporation
360 Hamilton Avenue, White Plains, N. Y., U. S. A. 10601

4341 Processor
Parts Catalog
Order No. S124-0152-3

**READER'S
COMMENT
FORM**

This form may be used to communicate your views about this publication. They will be sent to the author's department for whatever review and action, if any, is deemed appropriate. Comments may be written in your own language; use of English is not required.

IBM may use or distribute any of the information you supply in any way it believes appropriate without incurring any obligation whatever. You may, of course, continue to use the information you supply.

Note: *Copies of IBM publications are not stocked at the location to which this form is addressed. Please direct any requests for copies of publications, or for assistance in using your IBM system, to your IBM representative or to the IBM branch office serving your locality.*

- Did you find the part you needed in the catalog?
- If you *did not* find the part in the catalog, how did you obtain the correct part number?
- What parts were you unable to find? (Include numbers if you were able to determine them by an alternate means.)
- If you *did* find the part you needed in the catalog, but had unusual difficulty locating it, please send us the part number and page number. Include a description of your difficulty if you wish.

Please contact your local IBM branch office for address and subscription service changes.

Your comments:

Note: *Staples can cause problems with automated mail sorting equipment. Please use pressure sensitive or other gummed tape to seal this form. If you would like a reply, please supply your name and address on the reverse side of this form.*

Thank you for your cooperation. No postage stamp necessary if mailed in the U.S.A. (Elsewhere, an IBM office or representative will be happy to forward your comments.)

Reader's Comment Form

Cut or Fold Along Line

Fold and Tape

Please Do Not Staple

Fold and Tape



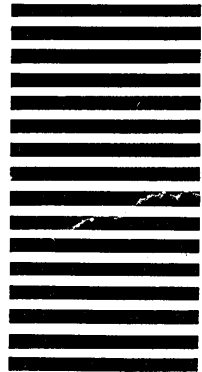
NO POSTAGE
NECESSARY
IF MAILED
IN THE
UNITED STATES

BUSINESS REPLY MAIL

FIRST CLASS PERMIT NO. 40 ARMONK, N.Y.

POSTAGE WILL BE PAID BY ADDRESSEE:

International Business Machines Corporation
Department K10
P.O. Box 6
Endicott, New York 13760



Fold

Fold

If you would like a reply, *please print:*

Your Name _____

Company Name _____ Department _____

Street Address _____

City _____

State _____ Zip Code _____

IBM Branch Office serving you _____



International Business Machines Corporation
Data Processing Division
1133 Westchester Avenue, White Plains, N. Y. 10604

IBM World Trade Americas/Far East Corporation
Town of Mount Pleasant, Route 9, North Tarrytown, N. Y., U. S. A. 10591

IBM World Trade Europe/Middle East/Africa Corporation
360 Hamilton Avenue, White Plains, N. Y., U. S. A. 10601