



**Maintenance Library**



**Processor  
Parts Catalog**

## Preface

This Parts Catalog contains listings and illustrations of all replaceable assemblies, subassemblies, and detail parts released on or before June 15, 1987.

### Sixth Edition

This is a major revision of, and obsoletes, S124-0153-4

The drawings and specifications contained herein shall not be reproduced in whole or in part without written permission.

IBM has prepared this maintenance manual for the use of IBM service representatives in the installation, maintenance, or repair of the specific machines indicated. IBM makes no representation that it is suitable for any other purpose.

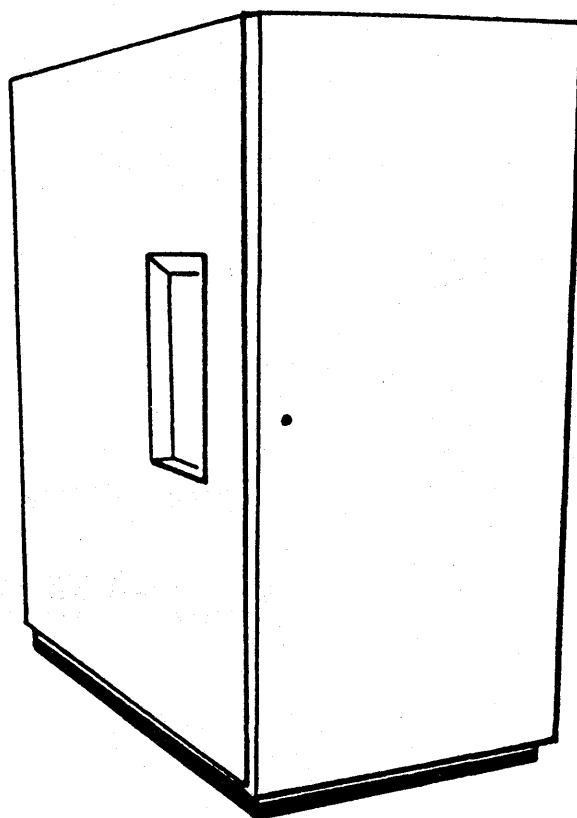
Information contained in this manual is subject to change from time to time. Any such change will be reported in subsequent revisions or through the System Library Subscription Service.

It is possible that this material may contain reference to, or information about IBM products (machines and programs), programming, or services that are not announced in your country. Such references or information must not be construed to mean that IBM intends to announce such IBM products, programming, or services in your country.

Request for copies of IBM publications should be made to your IBM representative or to the IBM branch office servicing your locality.

A form for reader's comments is provided at the back of the publication. If the form has been removed, comments may be addressed to IBM Systems Technology Division, Dept. K11, P.O. Box 6, Endicott, NY 13760. IBM may use or distribute any of the information you supply in any way it believes appropriate without incurring any obligation whatever. You may, of course, continue to use the information you supply.

## HOW TO USE THIS PARTS CATALOG



- To find a part in this catalog, go to the Visual Index pages V-1 and V-2.

**LOCATE THE ILLUSTRATION ON THE VISUAL INDEX PAGE CONTAINING THE PART THAT YOU ARE INTERESTED IN. THEN GO TO THE FIGURE AND PAGE INDICATED FOR THE SPECIFIC PART NUMBER.**

- For additional information on catalog structure, see page ii.
- For Cable Assemblies and Component Parts, see pages 62 through 81.
- For NUMERICAL LISTING of all part numbers, see pages X-1 through X-6.

# GLOSSARY

**1** **INDENTURE** The indentation of items under the numerals 1 through 4 at the head of the Description column shows the relationship between assemblies, subassemblies and detail parts. For example:

- |             |  |
|-------------|--|
| (No dot)    | <b>MAIN ASSEMBLY</b>                   |
| (One dot)   | ● Detail parts of main assembly        |
| (One dot)   | ● Assembly within main assembly        |
| (Two dot)   | ● ● Detail part of one dot assembly    |
| (Two dot)   | ● ● Assembly within one dot assembly   |
| (Three dot) | ● ● ● Detail parts of two dot assembly |

**2** **AR** The notation AR in the Units Per Asm column indicates that the quantity of the part is used as required.

**3** **SIMILAR ASSEMBLIES** If two or more assemblies contain a majority of identical parts, they are combined in the same listing. Parts common to assemblies are illustrated and listed by one index number. Parts peculiar to one or the other of the assemblies are listed separately and identified by a descriptive trailer line.

**4** **NP** denotes the part is nonprocurable

**5** **NR** denotes the part is not recommended for field replacement, and the next higher assembly should be ordered.

FIGURE - INDEX NUMBER	PART NUMBER	UNITS PER ASM.	DESCRIPTION			
			1	2	3	4
22 -			TRANSPORT AND VACUUM ASM			
			THIS ASSEMBLY CANNOT BE ORDERED FOR REPLACEMENT, SEE LIST 2-252 FOR NEXT HIGHER ASM			
- 1	1846187	1	●	●	●	●
			DOOR ASSEMBLY, VACUUM COLUMN USED ON MODELS 6 AND 8			
- 1	1846188	1	●	●	●	●
			DOOR ASSEMBLY, VACUUM COLUMN USED ON MODEL 4			
			SEE LIST 23A FOR DETAIL BREAKDOWN			
- 2	55918	5	●	●	●	●
			SCREW, MACH BD HD- 10-32 X 0.625 LG			
- 3	45690	5	●	●	●	●
			WASHER, FL- 0.203 ID X 0.408 OD			
- 4	2512946	AR	●	●	●	●
			SHIM, DOOR VAC COLUMN 0.015 THK			
- 4	2512948	AR	●	●	●	●
			SHIM, DOOR VAC COLUMN 0.030 THK			
- 5		AR	●	●	●	●
			PNEUMATIC HOSES TRANSPORT ASM			
			SEE LIST 24 FOR DETAIL BREAKDOWN			
- 9	2523727	1	●	●	●	●
			DISC, DECORATIVE			
- 10	1767707	1	●	●	●	●
			COVER			
- 11	322562	3	●	●	●	●
			SCREW, BD HD- 10-32 X 2.000 INCHES LG			
- 12	1767705	1	●	●	●	●
			CAM			
- 13	1766920	1	●	●	●	●
			SPRING, COMP 1.190 OD X 2.750 LG			
- 14	1767720	1	●	●	●	●
			HUB ASSEMBLY			
- 15	356742	3	●	●	●	●
			● ● CLAMP, 0.375 ID X 0.173 MTG HOLE			
- 16	5489002	3	●	●	●	●
			● ● SCREW, MACH BD HD- 6-32 X 0.250 LG			
- 17	1090873	6	●	●	●	●
			● ● LOCKWASHER, SPLIT- 0.168 ID X 0.296 OD			
- 18	1767703	3	●	●	●	●
			● ● ROLLER, TRIPLE			
- 19	1767711	3	●	●	●	●
			● ● ROLLER, SINGLE			

4381 Processor (Front View)

BLOWER ASSEMBLY  
FIGURE 7A  
PAGE 48  
BLOWER ASSEMBLY  
FIGURE 7B  
PAGE 50

GATE ASSEMBLY  
MODELS 3, 14 AND 24 ONLY  
FIGURE 4  
PAGE 34  
BLOWER ASSEMBLY  
DUPLEX II  
FIGURE 8  
PAGE 52

AC/DC CONVERTER  
ASSEMBLY  
FIGURE 11  
PAGE 60

BLOWER ASSEMBLY  
DUPLEX II  
FIGURE 8  
PAGE 52

FILE ASSEMBLY  
50/60 HZ  
FIGURE 5  
PAGE 36

PCC ASSEMBLY  
FIGURE 10  
PAGE 56

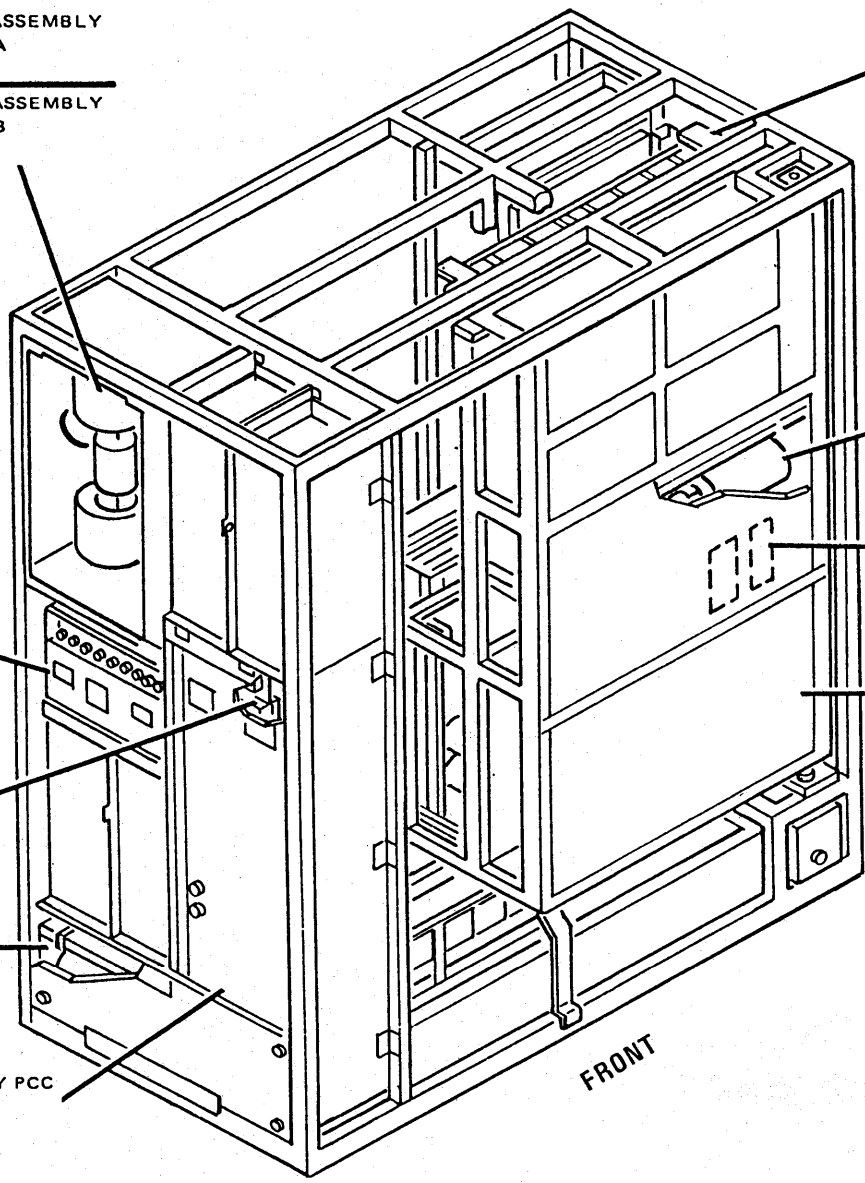
POWER GATE ASSEMBLY  
FIGURE 5  
PAGE 36

BLOWER ASSEMBLY  
SUPER DUPLEX I  
FIGURE 7  
PAGE 46

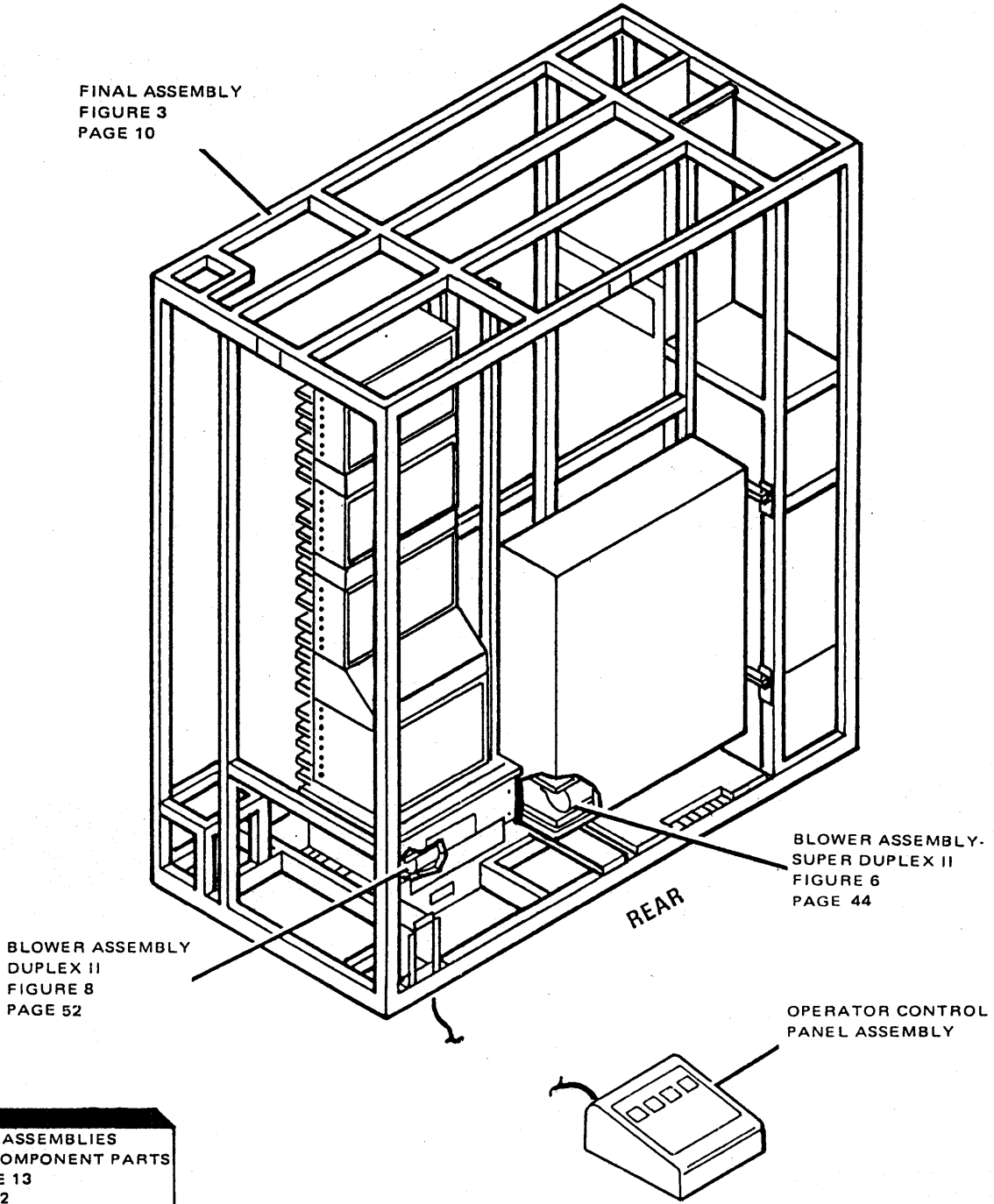
COVER ASSEMBLY PCC  
FIGURE 9  
PAGE 54

COVER ASSEMBLY  
FIGURE 1  
PAGE 2

REMOTE OPERATOR  
TABLE ASSEMBLY  
FIGURE 2  
PAGE 8



4381 Processor (Rear View)



CABLE ASSEMBLIES  
WITH COMPONENT PARTS  
FIGURE 13  
PAGE 62

Visual Index II. 4381 Processor (Rear View)

CATALOG SECTION

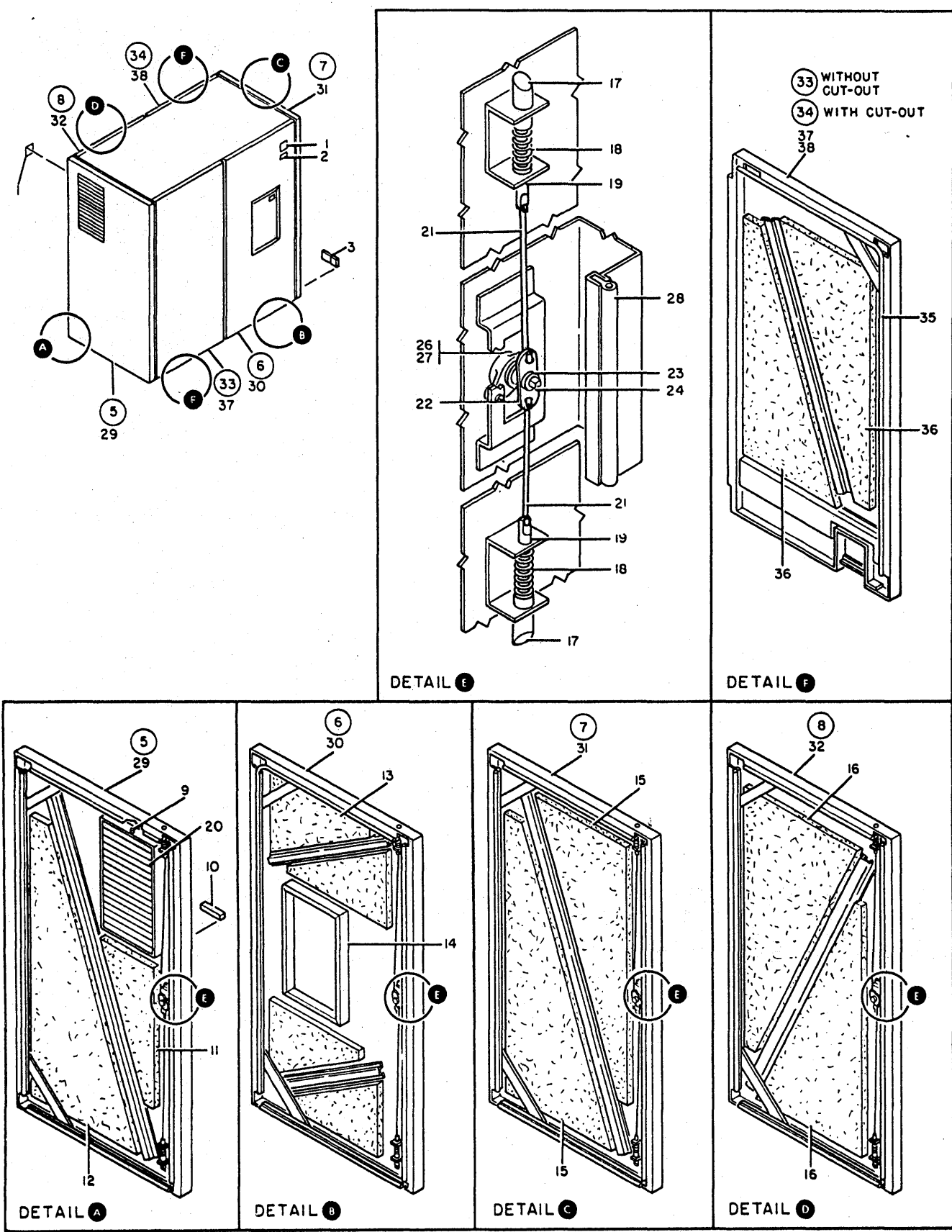
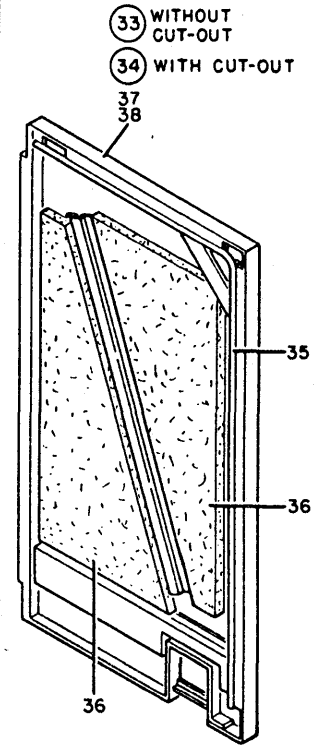
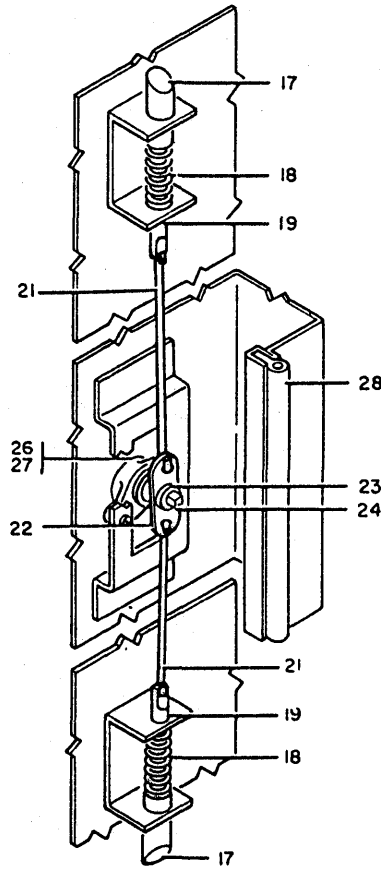
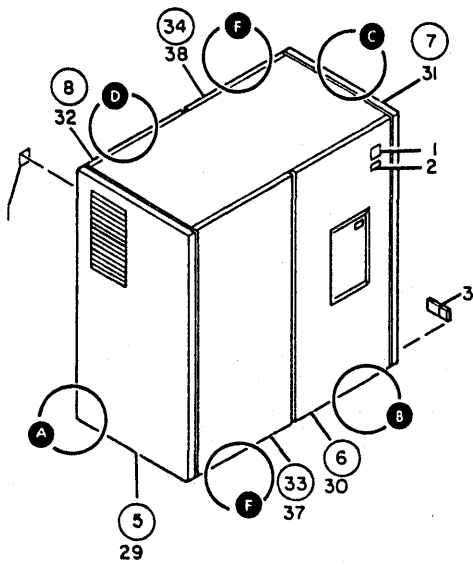


FIGURE 1. COVER ASSEMBLY. SHEET 1 OF 3. INDEX NOS. 1-32. SEE LIST 1.



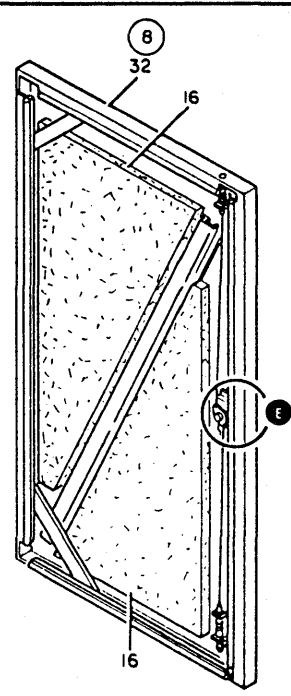
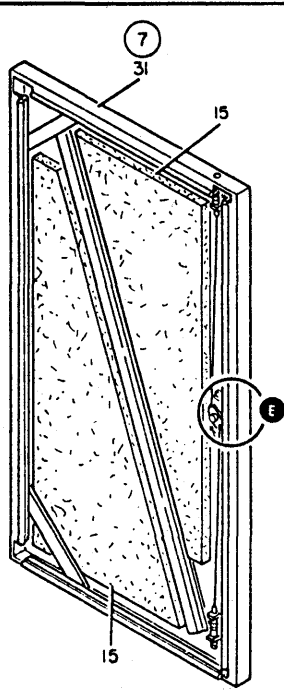
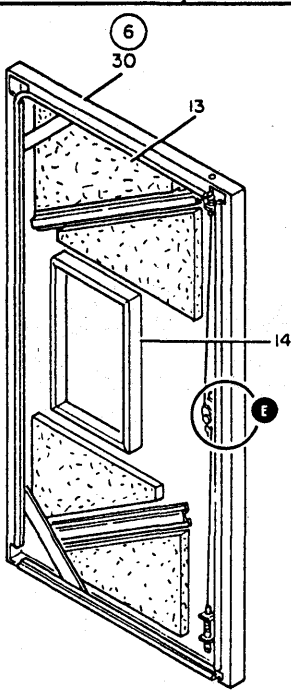
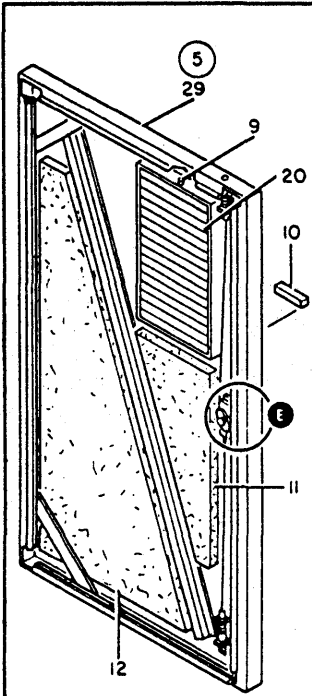
## COVER ASSEMBLY

FIGURE INDEX NUMBER	PART NUMBER	UNITS PER ASM	DESCRIPTION			
			1	2	3	4
1 -	8645031 NP	REF	COVER ASSEMBLY FOR ILLUSTRATION SEE FIGURE 1			
- 1	401455	2	. NAMEPLATE (MODEL 1)			
- 1	401460	2	. NAMEPLATE (MODEL 2)			
- 1	4495014	2	. NAMEPLATE (MODEL 3)			
- 1	4495024	2	. NAMEPLATE (MODEL 11)			
- 1	4495025	2	. NAMEPLATE (MODEL 12)			
- 1	4495059	2	. NAMEPLATE (MODEL 13)			
- 1	4495060	2	. NAMEPLATE (MODEL 14)			
- 1	6933029	2	. NAMEPLATE (MODEL 21)			
- 1	6933031	2	. NAMEPLATE (MODEL 22)			
- 1	6933018	2	. NAMEPLATE (MODEL 23)			
- 1	6933019	2	. NAMEPLATE (MODEL 24)			
- 2	855284	1	. PLATE EXPORT			
- 2	855285	1	. PLATE,UK IMPORT			
- 2	4053985	1	. PLATE,WT EXPORT			
- 3	4447204	1	. PLATE,FCC-USA ONLY			
- 3	8547121	1	. PLATE,FCC-USA ONLY(WITH RSF FEATURE ONLY)			
- 3	960766	1	. PLATE,CSA-CANADA ONLY			
- 3	401447	1	. PLATE,VOLTAGE-50HZ,220V-MODEL 1,2,11,12,13,21, 22,23-FINLAND ONLY			
- 3	401448	1	. PLATE,VOLTAGE-50HZ,380,400,415V-MODEL 1,2,11,12, 13,21,22,23-FINLAND ONLY			
- 3	4494982	1	. PLATE,VOLTAGE-50HZ,220V-MODEL 3,14,24-FINLAND ONLY			
- 3	4494983	1	. PLATE,VOLTAGE-50HZ,380,400,415V-MODEL 3,14,24- FINLAND ONLY			
- 3	401457	1	. PLATE,VOLTAGE(MODEL 1 AND 2 - CANADA ONLY)			
- 3	4495026	1	. PLATE,VOLTAGE(MODEL 3 - CANADA ONLY)			
- 3	6932986	1	. PLATE,VOLTAGE(MODEL 11, 12 AND 13 - CANADA ONLY)			
- 3	6932987	1	. PLATE,VOLTAGE(MODEL 14,24 - CANADA ONLY)			
- 3	6933033	1	. PLATE,VOLTAGE(MODEL 21,22,23 - CANADA ONLY)			
- 3	65X2932	1	. PLATE,VCII - JAPAN ONLY			
- 5	8645740	1	. COVER ASSEMBLY,LEFT END-WHITE			
- 6	8645757	1	. COVER ASSEMBLY,RIGHT FRONT-BLUE			
- 6	8645758	1	. COVER ASSEMBLY,RIGHT FRONT-YELLOW			
- 6	8645759	1	. COVER ASSEMBLY,RIGHT FRONT-GREY			
- 6	8645760	1	. COVER ASSEMBLY,RIGHT FRONT-RED			
- 6	8645761	1	. COVER ASSEMBLY,RIGHT FRONT-BROWN			
- 6	8645121	1	. COVER ASSEMBLY,RIGHT FRONT-GREEN			
- 7	8645745	1	. COVER ASSEMBLY,RIGHT END-WHITE			
- 8	8645762	1	. COVER ASSEMBLY,LEFT REAR-BLUE			
- 8	8645763	1	. COVER ASSEMBLY,LEFT REAR-YELLOW			
- 8	8645764	1	. COVER ASSEMBLY,LEFT REAR-GREY			
- 8	8645765	1	. COVER ASSEMBLY,LEFT REAR-RED			
- 8	8645766	1	. COVER ASSEMBLY,LEFT REAR-BROWN			
- 8	8645478	1	. COVER ASSEMBLY,LEFT REAR-GREEN			
- 9	5357135	1	. . PLUNGER(USED ON OLD LEVEL COVERS ONLY)			
- 9	760303	1	. . CATCH(USED ON NEW LEVEL COVERS ONLY)			
- 9A	401458	1	. . RING,RETAINER(USED ON NEW LEVEL COVERS ONLY) NOTE: P/N 1117607 OPTIONAL FOR BRAZIL ONLY			
- 10	599557	AR	. . SEAL			
- 11	8645736	1	. . FOAM			
- 12	8645724	1	. . FOAM			
- 13	8645733	4	. . FOAM			
- 14	8483347	AR	. . SEAL			
- 15	8645724	2	. . FOAM			
- 16	8645724	2	. . FOAM			
- 17	8645506	2	. . BAR			
- 18	8645512	2	. . SPRING			
- 19	8645507	2	. . SHAFT			
- 20	8645609	1	. . FILTER,AMD 107 BLOWER ASM(LEFT END COVER ONLY)			
- 21	401396	2	. . ROD			
- 22	1806841	1	. . LEVER			
- 23	401406	1	. . CLIP			
- 24	1806786	1	. . ACTUATOR			
- 26	4144032	1	. . HOUSING,METAL			
- 27	1621198	2	. . SCREW,PAN HD-M4 X 4 LG			
- 28	8483347	AR	. . SEAL			
- 29	8645499	1	. . COVER			
- 30	8645488	1	. . COVER			
- 31	8645498	1	. . COVER			
- 32	8645486	1	. . COVER			



DETAIL E

DETAIL F



DETAIL A

DETAIL B

DETAIL C

DETAIL D

FIGURE 1. COVER ASSEMBLY. SHEET 2 OF 3. INDEX NOS. 33-38. SEE LIST 1.

## COVER ASSEMBLY

FIGURE INDEX NUMBER	PART NUMBER	UNITS PER ASM	1 2 3 4				DESCRIPTION
1 - 33	8645747	1	.	.	.	.	COVER ASSEMBLY, LEFT FRONT-BLUE
- 33	8645748	1	.	.	.	.	COVER ASSEMBLY, LEFT FRONT-YELLOW
- 33	8645749	1	.	.	.	.	COVER ASSEMBLY, LEFT FRONT-GREY
- 33	8645750	1	.	.	.	.	COVER ASSEMBLY, LEFT FRONT-RED
- 33	8645751	1	.	.	.	.	COVER ASSEMBLY, LEFT FRONT-BROWN
- 33	8645120	1	.	.	.	.	COVER ASSEMBLY, LEFT FRONT-GREEN WITHOUT CORNER CUT-OUT
- 34	8645752	1	.	.	.	.	COVER ASSEMBLY, RIGHT REAR-BLUE
- 34	8645753	1	.	.	.	.	COVER ASSEMBLY, RIGHT REAR-YELLOW
- 34	8645754	1	.	.	.	.	COVER ASSEMBLY, RIGHT REAR-GREY
- 34	8645755	1	.	.	.	.	COVER ASSEMBLY, RIGHT REAR-RED
- 34	8645756	1	.	.	.	.	COVER ASSEMBLY, RIGHT REAR-BROWN
- 34	8645639	1	.	.	.	.	COVER ASSEMBLY, RIGHT REAR-GREEN WITH CORNER CUT-OUT
- 35	8483347	AR	.	.	.	.	SEAL
- 36	8645724	2	.	.	.	.	FOAM
- 37	8645487	1	.	.	.	.	COVER
- 38	8645489	1	.	.	.	.	COVER

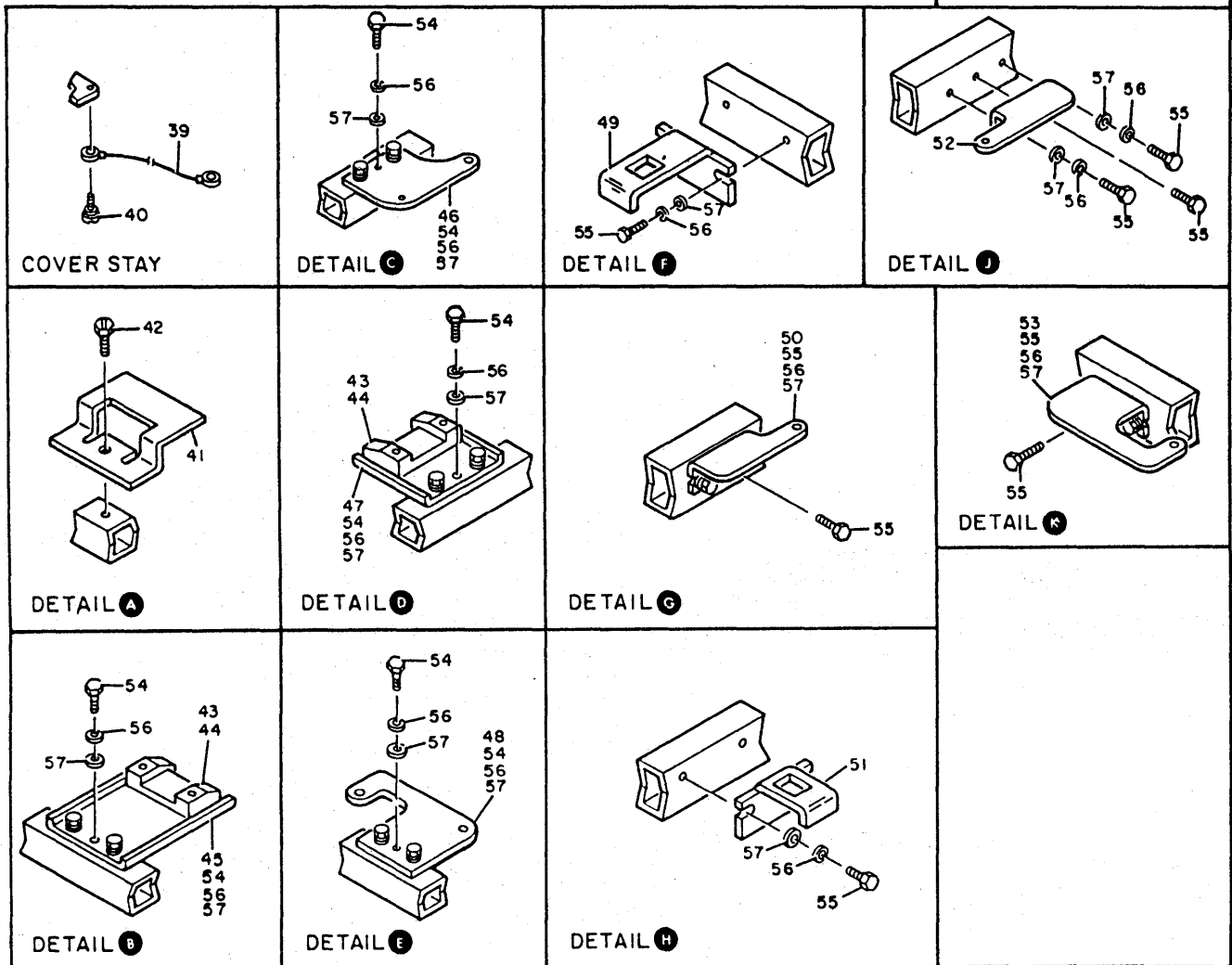
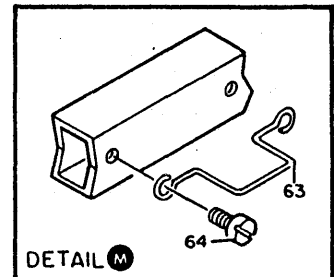
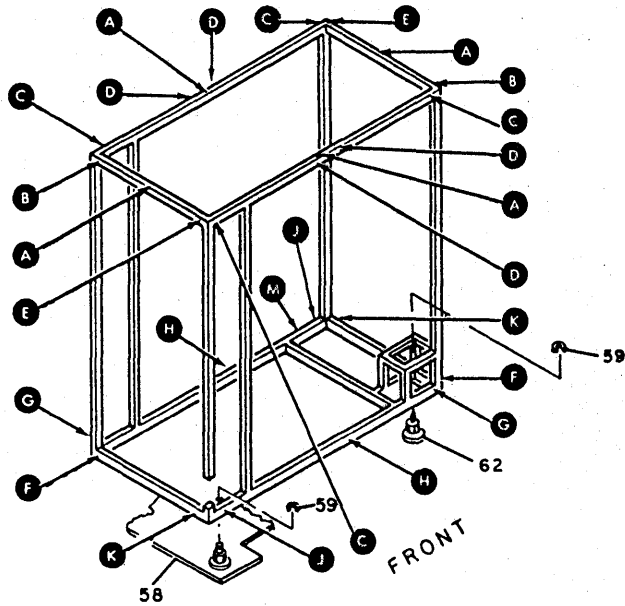


FIGURE 1. COVER ASSEMBLY. SHEET 3 OF 3. INDEX NOS. 39-64. SEE LIST 1.

## COVER ASSEMBLY

FIGURE INDEX NUMBER	PART NUMBER	UNITS PER ASM	DESCRIPTION			
			1	2	3	4
1 - 39	8324807	6	.	.	.	CABLE-COVER STAY
- 40	8324808	12	.	.	.	SHOULDER STUD
- 41	401420	4	.	.	.	BRACKET, SHIPPING
- 42	5353301	4	.	.	.	SCREW, HEX WSR HD THD FORMING
- 43	1806796	6	.	.	.	RAMP
- 44	1621852	12	.	.	.	SCREW, SELF TAP PAN HD-M4 X 10 LG
- 45	1806787	2	.	.	.	LATCH
- 46	8645495	4	.	.	.	HINGE
- 47	1806788	4	.	.	.	LATCH
- 48	8645496	2	.	.	.	HINGE
- 49	8645508	2	.	.	.	LATCH
- 50	1806783	2	.	.	.	HINGE
- 51	8645491	2	.	.	.	LATCH
- 52	1806784	2	.	.	.	HINGE
- 53	1806785	2	.	.	.	HINGE
- 54	1621626	36	.	.	.	SCREW, HEX HD-M5 X 16 LG
- 55	1673730	26	.	.	.	SCREW, HEX HD- M5 X 12 LG
- 56	1622319	56	.	.	.	WASHER, LOCKING SPRING, M5- 9.2 OD X 1.2 T
- 57	1622306	56	.	.	.	WASHER, FLAT, M6- 12.5 OD X 2 THK
- 58	401481	2	.	.	.	PLATE ASM.-RIGHT(FIELD USE-CTC FEATURE ONLY)
- 58	401482	2	.	.	.	PLATE ASM.-LEFT(FIELD USE-CTC FEATURE ONLY)
- 58	401502	2	.	.	.	PLATE ASM.-LEVELER NO LONGER USED. ORDER LEVELER ASSEMBLY P/N 4154689 (INDEX NUMBER 62) INSTEAD.
- 59	1622970	4	.	.	.	RING, RETAINING (JAPAN ONLY)
- 62	4154689	4	.	.	.	LEVELER ASSEMBLY
- 63	401525	1	.	.	.	BRACKET, CABLE
- 64	1621190	2	.	.	.	SCREW, PAN HD-M4 X 8 LG

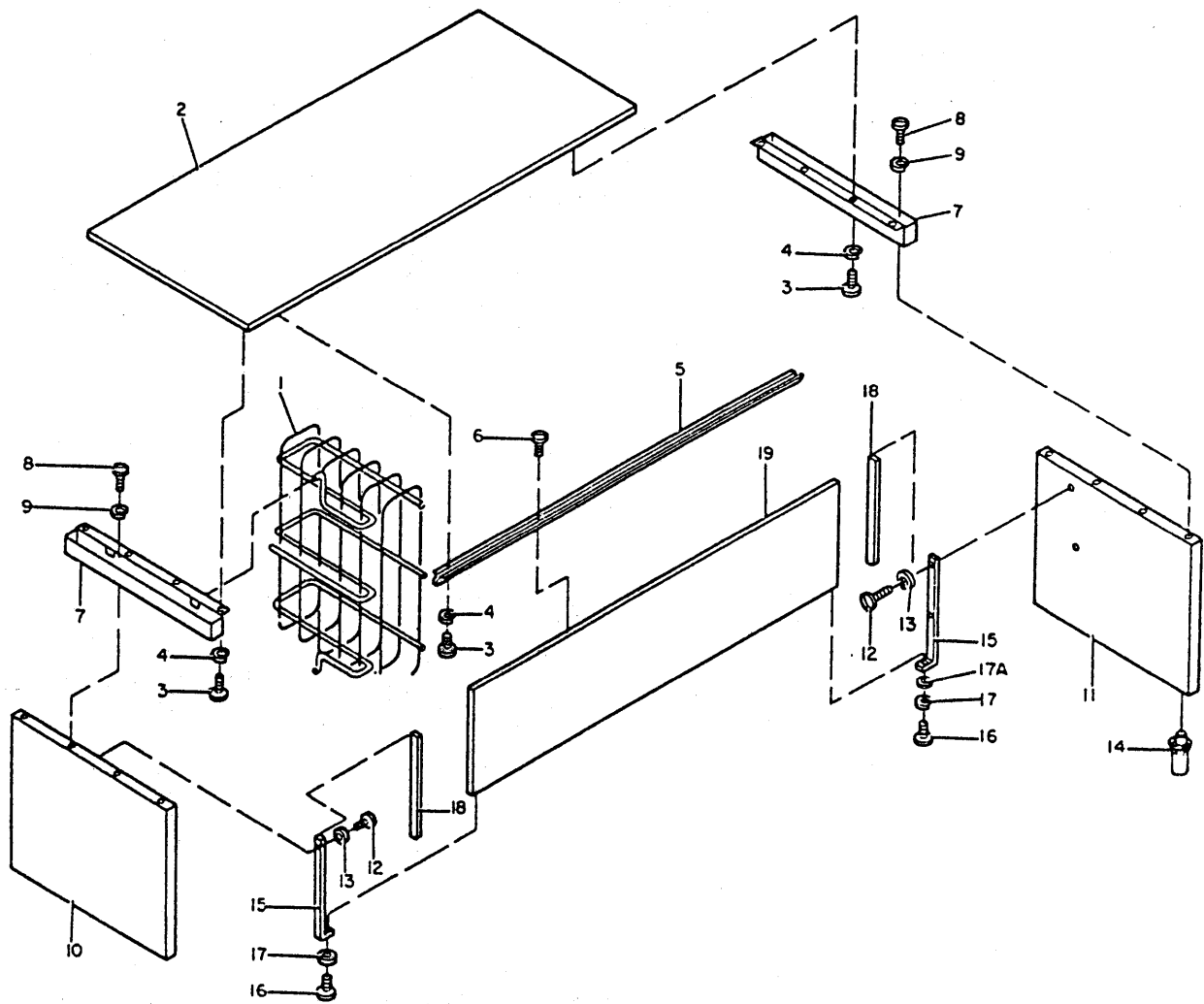


FIGURE 2. REMOTE OPERATOR TABLE ASSEMBLY. SEE LIST 2.

REMOTE OPERATOR TABLE ASSEMBLY

FIGURE INDEX NUMBER	PART NUMBER	UNITS PER ASM	DESCRIPTION			
			1	2	3	4
2 -	5578613	1	TABLE ASM-REMOTE OPERATOR, PEBBLE GRAY			
-	5578614	1	TABLE ASM-REMOTE OPERATOR, CHARCOAL BROWN			
-	5578615	1	TABLE ASM-REMOTE OPERATOR, CLASSIC BLUE			
-	5578616	1	TABLE ASM-REMOTE OPERATOR, WILLOW GREEN			
-	5578617	1	TABLE ASM-REMOTE OPERATOR, GARNET ROSE			
-	5578618	1	TABLE ASM-REMOTE OPERATOR, SUNRISE YELLOW FOR ILLUSTRATION SEE FIGURE 2			
- 1	8330678	AR	. RACK, WIRE			
- 2	1310163	1	. BOARD ASM, READING			
- 3	1621190	8	. SCREW, PAN HD-M4 X 8LG			
- 4	1622346	8	. LOCKWASHER, EXT TOOTH-M4			
- 5	5578591	1	. SPACER			
- 6	1621190	4	. SCREW, PAN HD- M4 X 8 LG			
- 7	5578593	2	. SPACER			
- 8	1621190	16	. SCREW, PAN HD- M4 X 8 LG			
- 9	1622346	16	. LOCKWASHER, EXT STAR- M4			
- 10	1310165	1	. LEG ASSEMBLY			
- 11	1310164	1	. LEG ASSEMBLY			
- 12	1621190	8	. SCREW, PAN HD- M4 X 8 LG			
- 13	1622346	8	. LOCKWASHER, EXT STAR- M4			
- 14	5717999	4	. FOOT			
- 15	5578592	2	. SPACER			
- 16	1621192	4	. SCREW, MACH PAN HD-M4 X 12 LG			
- 17	1622346	4	. LOCKWASHER, EXT STAR- M4			
- 17A	150390	4	. WASHER, FL- 0.250 ID X 0.625 OD			
- 18	353598	AR	. FOAM			
- 19	5578597	1	. SKIRT ASM, MOD. SPECIFY COLOR WHEN ORDERING-PEBBLE GRAY, CHARCOAL BROWN, CLASSIC BLUE, WILLOW GREEN, GARNET ROSE OR SUNRISE YELLOW.			

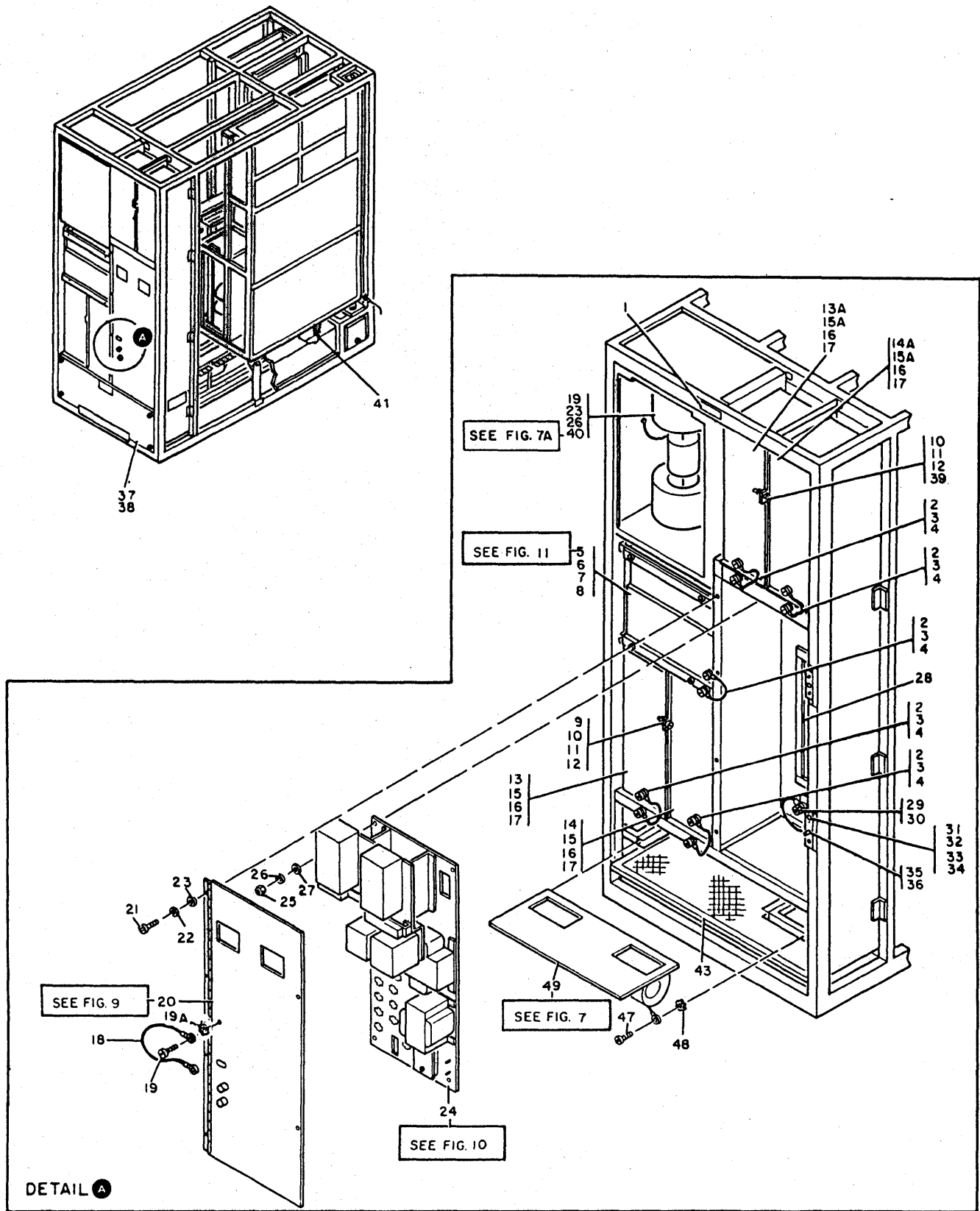


FIGURE 3. FINAL ASSEMBLY. SHEET 1 OF 12. INDEX NOS. 1-49. SEE LIST 3.



FINAL ASSEMBLY

FIGURE INDEX NUMBER	PART NUMBER	UNITS PER ASM	DESCRIPTION			
			1	2	3	4
3 -	1806859 NP	1	FINAL ASSEMBLY			
			FOR ILLUSTRATION SEE FIGURE 3			
- 1	369207	1	. LABEL,HAZARDOUS AREA-ENGLISH/CANADIAN			
- 1	6815193	1	. LABEL,HAZARDOUS AREA-GERMAN AND SWITZERLAND			
- 1	6815179	1	. LABEL,HAZARDOUS AREA-CANADIAN FRENCH			
- 1	6815182	1	. LABEL,HAZARDOUS AREA-FRENCH AND SWITZERLAND			
- 1	6081052	1	. LABEL,HAZARDOUS AREA-FRENCH/DUTCH			
- 1	6836801	1	. LABEL,HAZARDOUS AREA-FINNISH			
- 1	6815181	1	. LABEL,HAZARDOUS AREA-ITALIAN			
- 1	6815180	1	. LABEL,HAZARDOUS AREA-SPANISH			
- 1	8551904	1	. LABEL,HAZARDOUS AREA-SWEDISH			
- 1	6815183	1	. LABEL,HAZARDOUS AREA-BRAZILIAN/PORTUGAL			
- 1	8326797	1	. LABEL,HAZARDOUS AREA-JAPANESE			
- 1	1806772	1	. LABEL,HAZARDOUS AREA-DANISH			
- 2	8645345	5	. JUMPER ASM			
- 3	1621210	10	. SCREW,PAN HD- M5 X 10 LG			
- 4	1622347	10	. LOCKWASHER EXT STAR- M5, 10 OD X .6			
- 5	8645451	1	. AC/DC CONVERTER ASSEMBLY			
			FOR DETAIL BREAKDOWN SEE FIGURE 11			
- 6	1673730	4	. SCREW,HEX SOCKET-M5 X 12 LG			
- 7	1622320	4	. LOCKWASHER,SPLIT- M6,11.8 OD X 1.6 THK			
- 8	1622306	4	. WASHER,FLAT,M6- 12.5 OD X 2 THK			
- 9	1621626	1	. SCREW,HEX HD-M5 X 16 LG			
- 10	1622306	2	. WASHER,FLAT,M6- 12.5 OD X 2 THK			
- 11	1622320	2	. LOCKWASHER,SPLIT- M6,11.8 OD X 1.6 THK			
- 12	1622404	2	. NUT,DBL CHAMFERED HEX-M5 X 4 THK			
- 13	4494199	1	. POWER SUPPLY-PS105			
- 13A	4494199	1	. POWER SUPPLY-PS111(MODEL 3,14 AND 24 ONLY)			
- 14	4494190	1	. POWER SUPPLY-PS106			
- 14A	4494190	1	. POWER SUPPLY-PS112(MODEL 3,14 AND 24 ONLY)			
- 15	1673730	4	. SCREW,HEX SOCKET-M5 X 12 LG			
- 15A	1673730	4	. SCREW,HEX HD-M5 X 12 LG(MODEL 3,14 AND 24 ONLY)			
- 16	1622320	8	. LOCKWASHER,SPLIT- M6,11.8 OD X 1.6 THK			
- 17	1622306	8	. WASHER,FLAT,M6- 12.5 OD X 2 THK			
- 18	1806798	1	. JUMPER ASM			
- 19	1621210	6	. SCREW,PAN HD- M5 X 10 LG			
- 19A	1622347	1	. LOCKWASHER,EXT STAR-M5, 10MM OD X 0.6 THK			
- 20	8645782	1	. PCC COVER ASSEMBLY- 60HZ			
- 20	8645783	1	. PCC COVER ASSEMBLY- 50HZ			
			FOR DETAIL BREAKDOWN SEE FIGURE 9			
- 21	1621211	4	. SCREW,PAN HD- M5 X 12 LG			
- 22	1622319	4	. WASHER,LOCKING SPRING,M5- 9.2 OD X 1.2 T			
- 23	1622305	9	. WASHER,FL- M5 10 OD X 1 THK			
- 24	8645091	1	. PCC ASSEMBLY- 60HZ			
- 24	8645464	1	. PCC ASSEMBLY- 50HZ EXCEPT 200V			
- 24	8645830	1	. PCC ASSEMBLY- 50HZ,200V ONLY			
			FOR DETAIL BREAKDOWN SEE FIGURE 10			
- 25	1622404	5	. NUT,DBL CHAMFERED HEX-M5 X 4 THK			
- 26	1622347	6	. LOCKWASHER EXT STAR- M5, 10 OD X .6			
- 27	1622305	5	. WASHER,FL- M5 10 OD X 1 THK			
- 28	599557	AR	. SEAL			
- 29	1622404	1	. NUT,DBL CHAMFERED HEX-M5 X 4 THK			
- 30	1622347	1	. LOCKWASHER EXT STAR- M5, 10 OD X .6			
- 31	321571	2	. RECEPTACLE,TWIST LOCK			
- 32	1621286	4	. SCREW-MACH FLAT HD,M3 X 8 LG			
- 33	1622316	4	. WASHER,SPRING-M3 6.2 OD X 0.8 THK			
- 34	1622401	4	. NUT,DBL CHAMFERED HEX M3 X 2.4 THK			
- 35	8645625	1	. SWITCH			
- 36	316807	2	. SCREW,FL CSK HD- 6-32 X 0.375 LG			
- 37	8645697	1	. COVER ASM			
- 38	1621210	4	. SCREW,PAN HD- M5 X 10 LG			
- 39	1621626	1	. SCREW,HEX HD-M5 X 16 LG(MODEL 3,14 AND 24 ONLY)			
- 40	5579148	1	. BLOWER ASM.-60 HZ.(MODEL 3,14 AND 24 ONLY)			
- 40	5579155	1	. BLOWER ASM.-50 HZ.(MODEL 3,14 AND 24 ONLY)			
			FOR DETAIL BREAKDOWN SEE FIGURE 7A			
- 41	4435637	1	. SEAL,CABLE- 150NM(SPECIFY LENGTH WHEN ORDERING)			
- 43	8645606	1	. FILTER			
- 47	1621190	1	. SCREW,PAN HD- M4 X 8 LG			
- 48	1622346	1	. LOCKWASHER,EXT STAR- M4, 8 OD X .5			
- 49	8644937	1	. BLOWER ASSEMBLY-SUPER DUPLEX I,60HZ			
- 49	8645455	1	. BLOWER ASSEMBLY-SUPER DUPLEX I,50HZ			
			FOR DETAIL BREAKDOWN SEE FIGURE 7			

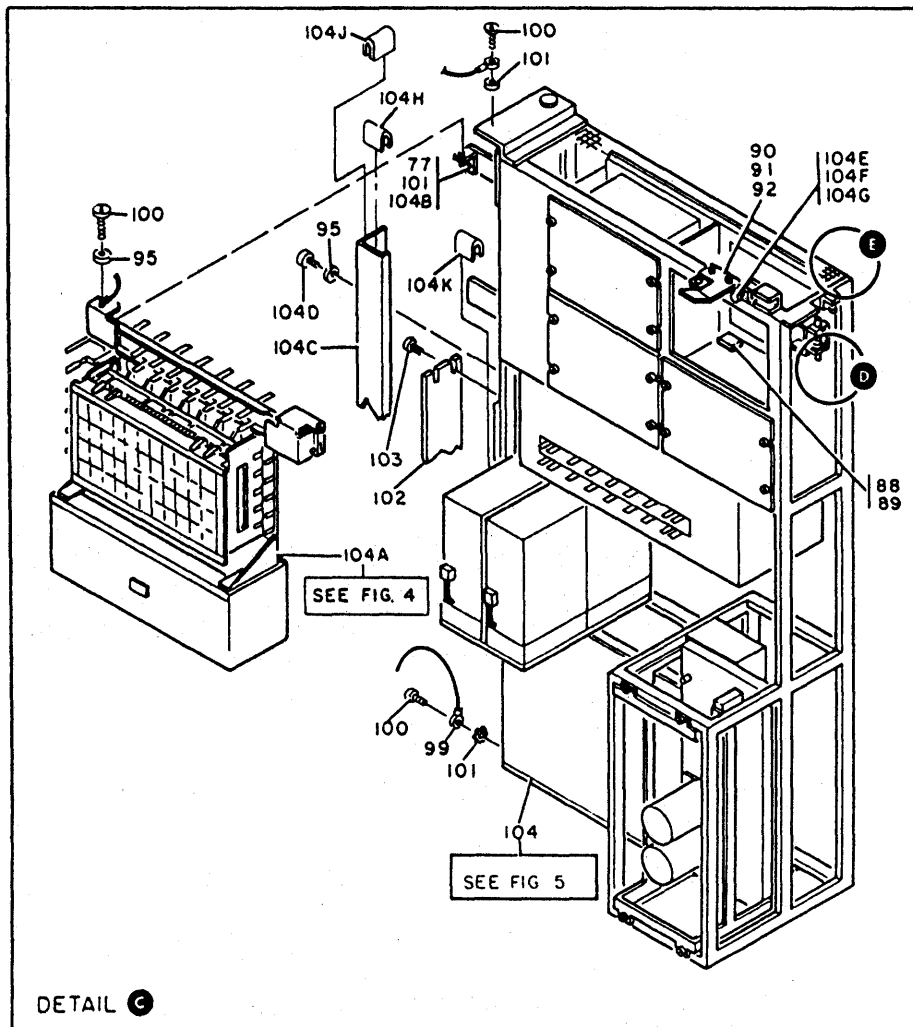
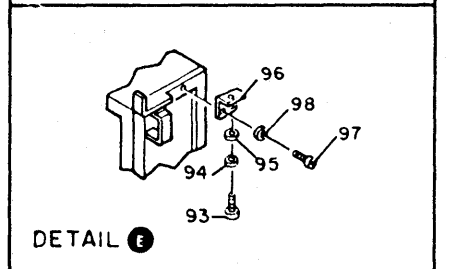
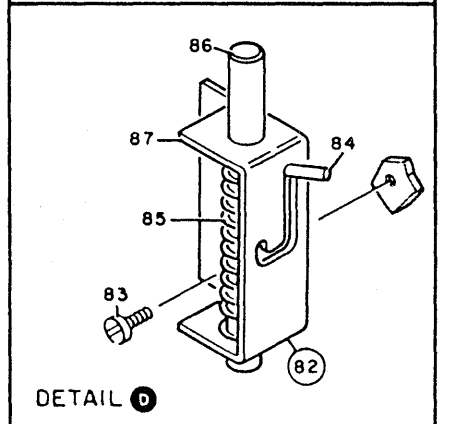
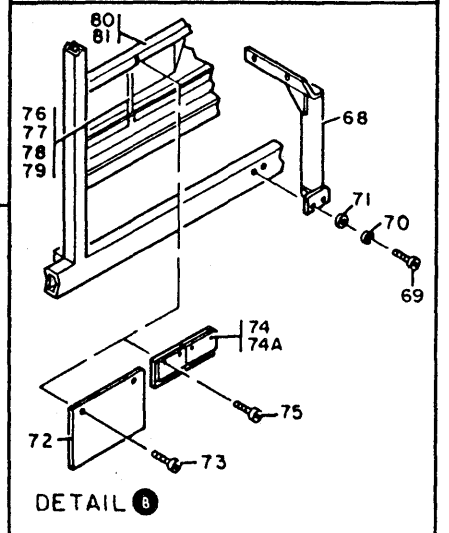
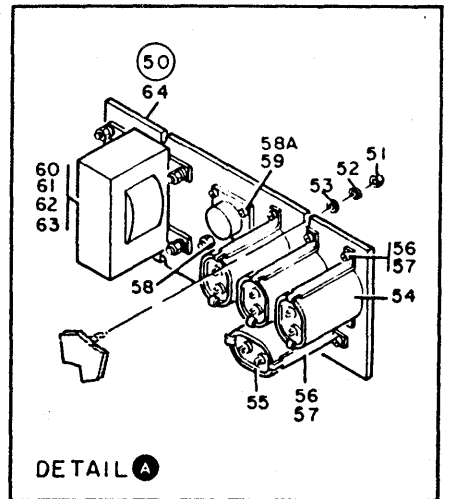
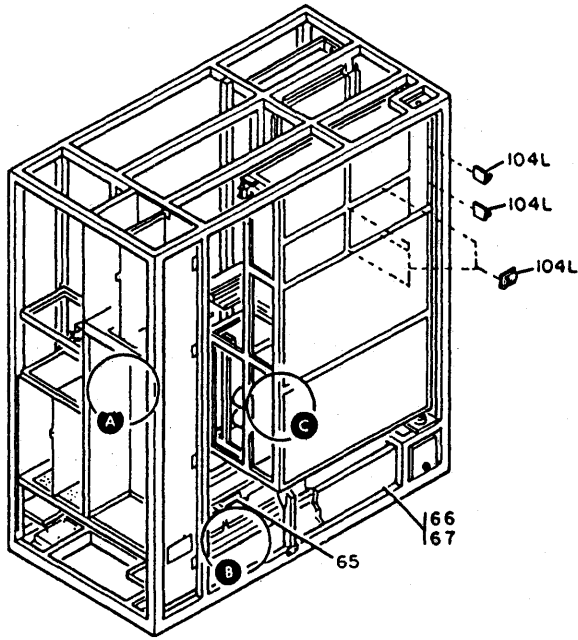


FIGURE 3. FINAL ASSEMBLY. SHEET 2 OF 12. INDEX NOS. 50-100. SEE LIST 3.

FINAL ASSEMBLY

FIGURE INDEX NUMBER	PART NUMBER	UNITS PER ASM	DESCRIPTION			
			1	2	3	4
3 - 50	8645903	1	.	.	.	PLATE ASM,PCC SUB- 60 HZ AND 200V,50HZ
- 50	1806735	1	.	.	.	PLATE ASM,PCC SUB- 50HZ EXCEPT 200V
- 51	1622404	4	.	.	.	NUT,DBL CHAMFERED HEX-M5 X 4 THK
- 52	1622319	4	.	.	.	WASHER,LOCKING SPRING,M5- 9.2 OD X 1.2 T
- 53	1622305	4	.	.	.	WASHER,FLAT,M5- 10MM OD X 1 THK
- 54	5252850	3	.	.	.	CAPACITOR
- 55	5252850	1	.	.	.	CAPACITOR-USED ON 50HZ EXCEPT 200V ONLY
- 56	6214463	1	.	.	.	BRACKET
- 57	1621063	AR	.	.	.	SCREW-MACH CHEESE HD,M4 X 16 LG
- 58	1622404	2	.	.	.	NUT,DBL CHAMFERED HEX-M5 X 4 THK
- 58A	8645343	1	.	.	.	CABLE ASM-USED ON 60HZ & 50HZ,200V
- 58A	8645428	1	.	.	.	CABLE ASM-USED ON 50HZ EXCEPT 200V
- 59	1621170	4	.	.	.	SCREW,PAN HD- M3 X L 6
- 60	4494304	1	.	.	.	INDUCTOR- 60HZ AND 50HZ,200V
- 60	4494305	1	.	.	.	INDUCTOR- 50HZ EXCEPT 200V
- 61	1622404	4	.	.	.	NUT,DBL CHAMFERED HEX-M5 X 4 THK
- 62	1622319	4	.	.	.	WASHER,LOCKING SPRING,M5- 9.2 OD X 1.2 T
- 63	1622305	4	.	.	.	WASHER,FL- M5 10 OD X 1 THK
- 64	8645637	1	.	.	.	PLATE
- 65	401471	1	.	.	.	LABEL(MODEL 1,2,11,12,13,21,22 AND 23 ONLY)
- 65	89X3375	1	.	.	.	LABEL(MODEL 3,14 AND 24 ONLY)
- 66	8645628	1	.	.	.	COVER, I/O RACK
- 67	1673984	8	.	.	.	SCREW
- 68	406889	1	.	.	.	BRACKET
- 69	1621626	4	.	.	.	SCREW,HEX HD-M5
- 70	1622319	4	.	.	.	WASHER,LOCKING SPRING,M5- 9.2 OD X 1.2 T
- 71	1622306	4	.	.	.	WASHER,FLAT,M6- 12.5 OD X 2 THK
- 72	8645895	AR	.	.	.	PLATE,FILLER
- 73	1621198	AR	.	.	.	SCREW,PAN HD-M4 X 4 LG
- 74	401466	AR	.	.	.	SPRING
- 74A	401467	AR	.	.	.	PLATE,I/O SPRING
- 75	1621198	AR	.	.	.	SCREW,PAN HD-M4 X 4 LG
- 76	8645851	3	.	.	.	PLATE
- 77	1673984	AR	.	.	.	SCREW
- 78	1622319	12	.	.	.	WASHER,LOCKING SPRING,M5- 9.2 OD X 1.2 T
- 79	1622305	12	.	.	.	WASHER,FL- M5 10 OD X 1 THK
- 80	8645627	1	.	.	.	RACK,I/O
- 81	1673984	7	.	.	.	SCREW
- 82	760447	1	.	.	.	LATCH ASM
- 83	1621190	2	.	.	.	SCREW,PAN HD- M4 X 8 LG
- 84	610052	1	.	.	.	STUD,LATCH- 8-32
- 85	220856	1	.	.	.	SPRING
- 86	204499	1	.	.	.	PIN,GATE LATCH
- 87	760446	1	.	.	.	BRACKET,LATCH
- 88	8645823	1	.	.	.	PAD,LATCH
- 89	1621192	2	.	.	.	SCREW, MACH PAN HD-M4 X 12 LG
- 90	8645659	1	.	.	.	BRACKET(MODEL 3,14 AND 24 ONLY)
- 91	1673729	2	.	.	.	SCREW,HEX SOCKET-M5 X 10 LG (MODELS 3,14 AND 24 ONLY)
- 92	1622319	2	.	.	.	WASHER,SPRING,M5-9.2 OD X 1.2 THK (MODELS 3,14 AND 24 ONLY)
- 93	1621596	1	.	.	.	SCREW,HEX HD- M6 X 16 LG (SHIP BRACKET)
- 94	1622320	1	.	.	.	LOCKWASHER,SPLIT-M6,11.8MM OD X 1.6 THK
- 95	1622306	AR	.	.	.	WASHER,FLAT,M6- 12.5 OD X 2 THK
- 96	401407	1	.	.	.	BRACKET,SHIPPING
- 97	1673730	2	.	.	.	SCREW,HEX HD- M5 X 12 LG
- 98	1622319	2	.	.	.	WASHER,LOCKING SPRING,M5- 9.2 OD X 1.2 T
- 99	1806798	1	.	.	.	JUMPER ASM
-100	1621210	AR	.	.	.	SCREW,PAN HD- M5 X 10 LG

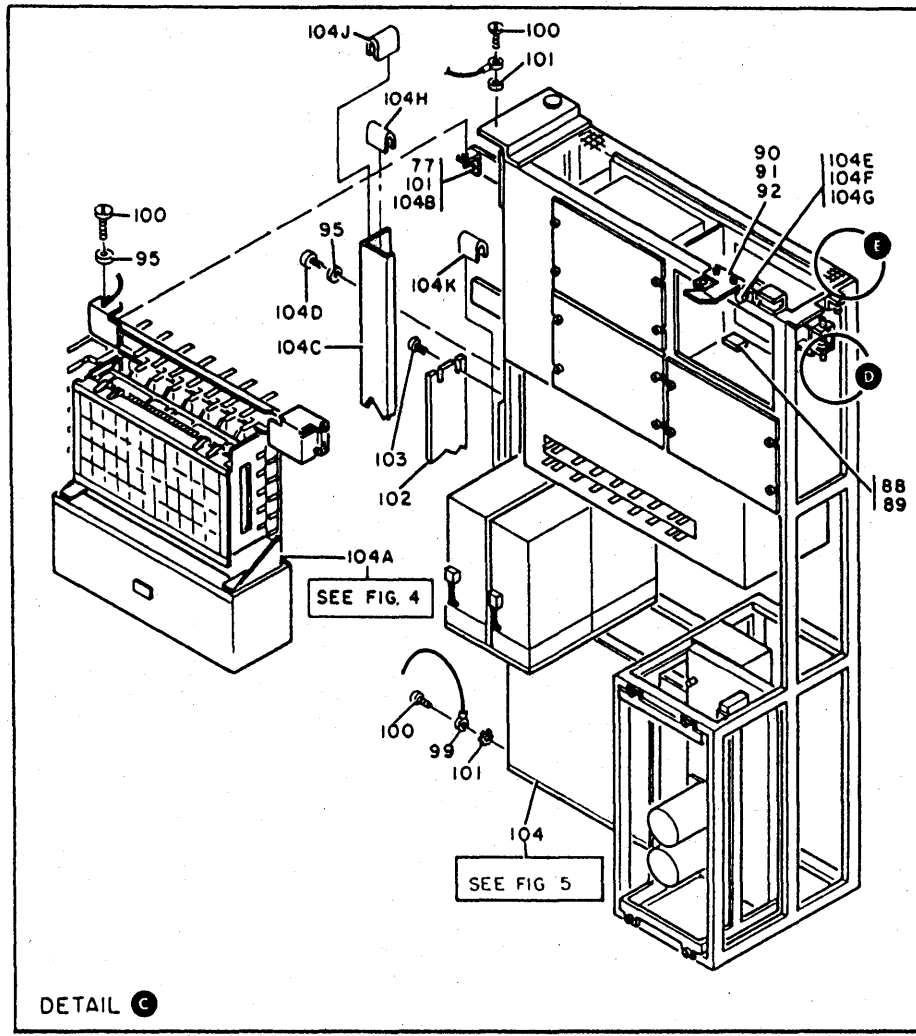
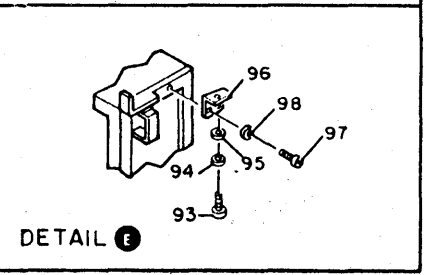
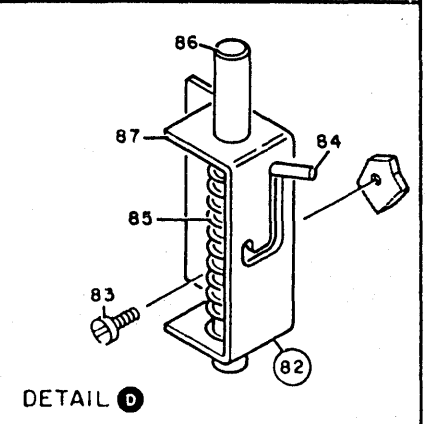
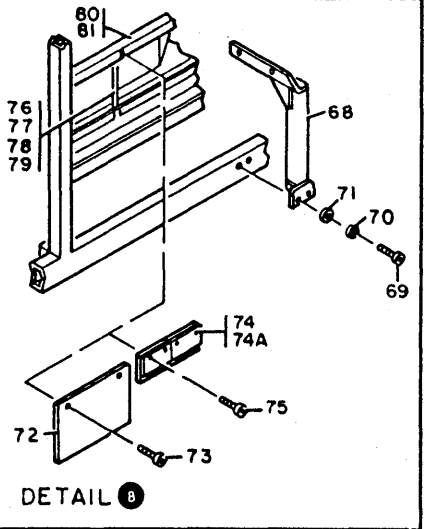
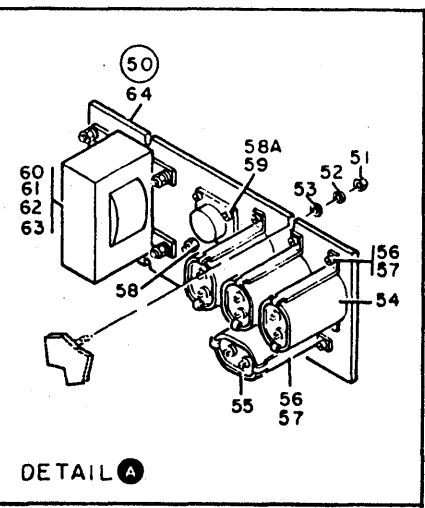
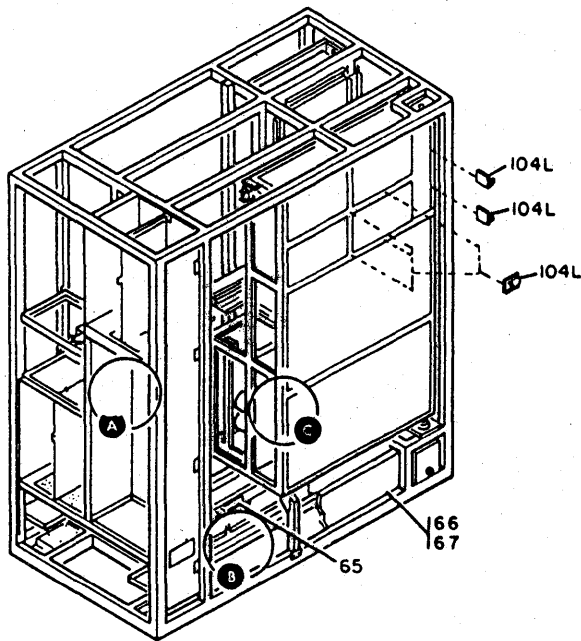
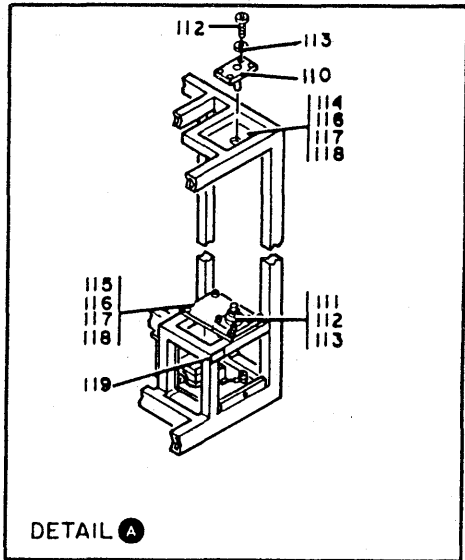
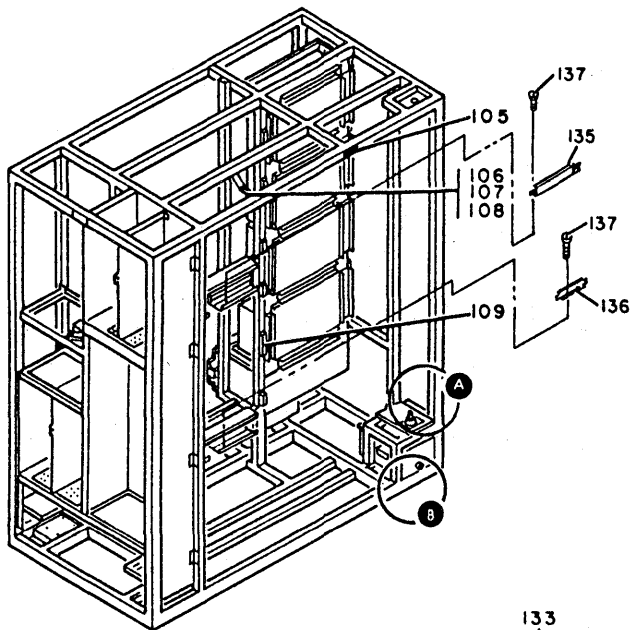


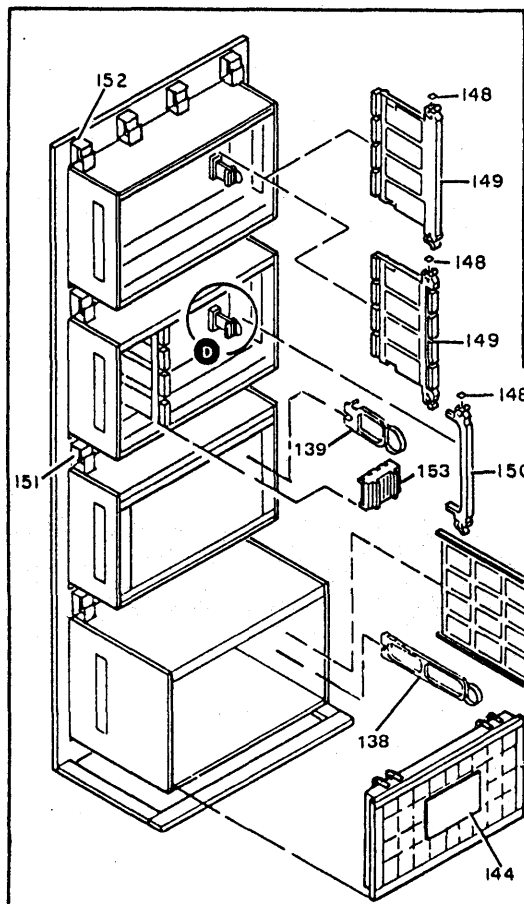
FIGURE 3. FINAL ASSEMBLY. SHEET 3 OF 12. INDEX NOS. 101-104L. SEE LIST 3.

FINAL ASSEMBLY

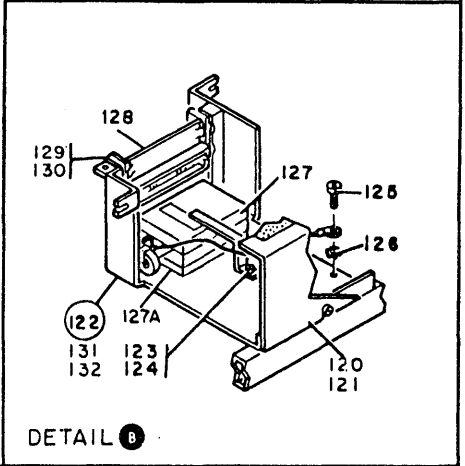
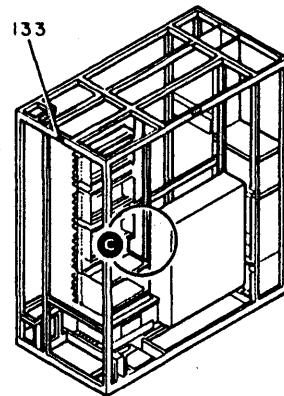
FIGURE INDEX NUMBER	PART NUMBER	UNITS PER ASM	DESCRIPTION				
			1	2	3	4	
3 -101	1622347	AR	.	.	.	.	LOCKWASHER EXT STAR- M5, 10 OD X .6
-102	8645893	2	.	.	.	.	SHIELD, FILE CABLE
-103	1621170	6	.	.	.	.	SCREW, PAN HD- M3 X L 6
-104	8644908	1	.	.	.	.	POWER, GATE ASSEMBLY
							FOR DETAIL BREAKDOWN SEE FIGURE 5
-104A	4143551	1	.	.	.	.	GATE ASM.-50 HZ.(MODEL 3,14 AND 24 ONLY)
-104A	4143559	1	.	.	.	.	GATE ASM.-60 HZ.(MODEL 3,14 AND 24 ONLY)
							FOR DETAIL BREAKDOWN SEE FIGURE 4
-104B	8645681	2	.	.	.	.	BRACKET
-104C	89X3374	1	.	.	.	.	RACEWAY
-104D	1621211	3	.	.	.	.	SCREW, PAN HD- M5 X 12 LG(MODEL 3,14 AND 24 ONLY)
-104E	8483228	1	.	.	.	.	BUMPER
-104F	1622403	1	.	.	.	.	NUT, DBL CHAMFERED HEX-M4 X 3.2 THK
-104G	1622318	1	.	.	.	.	WASHER, SPRING-M4 9.2 OD X 1.2 THK
-104H	4435637	2	.	.	.	.	SEAL, BULK(56 MM LONG)
-104J	4435637	2	.	.	.	.	SEAL, BULK(88 MM LONG)
-104K	4435637	2	.	.	.	.	SEAL, BULK(56 MM LONG)
-104L	2513269	6	.	.	.	.	CLAMP, CABLE
-104L	6000421	6	.	.	.	.	CLAMP, CABLE(USED IN BRAZIL ONLY)



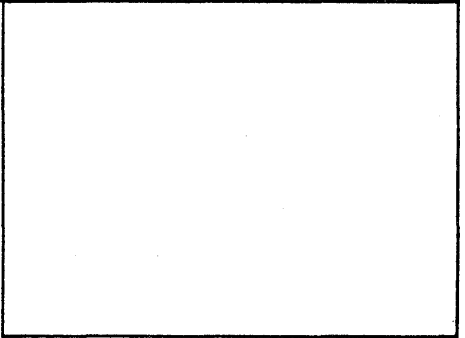
DETAIL A



DETAIL C



DETAIL B



DETAIL D

FIGURE 3. FINAL ASSEMBLY. SHEET 4 OF 12. INDEX NOS. 105-148. SEE LIST 3.

FINAL ASSEMBLY

FIGURE INDEX NUMBER	PART NUMBER	UNITS PER ASM	DESCRIPTION			
			1	2	3	4
3 -105	369207	1	.	.	.	LABEL,HAZARDOUS AREA-ENGLISH/CANADIAN
-105	6815193	1	.	.	.	LABEL,HAZARDOUS AREA-GERMAN AND SWITZERLAND
-105	6815179	1	.	.	.	LABEL,HAZARDOUS AREA-CANADIAN FRENCH
-105	6815182	1	.	.	.	LABEL,HAZARDOUS AREA-FRENCH AND SWITZERLAND
-105	6081052	1	.	.	.	LABEL,HAZARDOUS AREA-FRENCH/DUTCH
-105	6836801	1	.	.	.	LABEL,HAZARDOUS AREA-FINNISH
-105	6815181	1	.	.	.	LABEL,HAZARDOUS AREA-ITALIAN
-105	6815180	1	.	.	.	LABEL,HAZARDOUS AREA-SPANISH
-105	8551904	1	.	.	.	LABEL,HAZARDOUS AREA-SWEDISH
-105	6815183	1	.	.	.	LABEL,HAZARDOUS AREA-BRAZILIAN/PORTUGAL
-105	8326797	1	.	.	.	LABEL,HAZARDOUS AREA-JAPANESE
-105	1806772	1	.	.	.	LABEL,HAZARDOUS AREA-DANISH
-106	8645644	1	.	.	.	PLATE,STRIKER
-107	1673730	4	.	.	.	SCREW,HEX SOC HD- M5 X 12 LG
-108	150390	4	.	.	.	WASHER,FL- 0.250 ID X 0.625 OD
-109	8645623	16	.	.	.	PAD,SHOCK
-110	8645642	1	.	.	.	PIN,HINGE
-111	824348	1	.	.	.	PIN,HINGE
-112	1621596	8	.	.	.	SCREW,HEX HD-M6 X 16 LG
-113	1622348	8	.	.	.	LOCKWASHER,EXT STAR- M6 11 OD X .7
-114	8645643	1	.	.	.	PLATE
-115	8645641	1	.	.	.	PLATE
-116	1621596	8	.	.	.	SCREW,HEX HD-M6 X 16 LG
-117	1622348	8	.	.	.	LOCKWASHER,EXT STAR- M6 11 OD X .7
-118	150390	8	.	.	.	WASHER-FL- 0.250 ID X 0.625 OD
-119	8645896	1	.	.	.	LABEL,RSF
-120	8645673	1	.	.	.	COVER,RSF
-121	1621176	3	.	.	.	SCREW,PAN HD-M3 X 4 LG
-122	NP 8645884	1	.	.	.	RSF ASM
-123	401479	1	.	.	.	BRACKET
-124	1621176	1	.	.	.	SCREW,PAN HD-M3 X 4 LG
-125	1621190	1	.	.	.	SCREW,PAN HD- M4 X 8 LG
-126	1622346	1	.	.	.	LOCKWASHER,EXT STAR- M4, 8 OD X .5
-127	401441	1	.	.	.	COUPLER ASM(WITH FEATURE 9514 ONLY)
-127A	401478	1	.	.	.	PAD
-128	8645890	AR	.	.	.	BLOCK,FILLER-USED ON FRAMES WITHOUT RSF
-128	1807942	1	.	.	.	CABLE ASM-USED ON FRAMES WITH RSF (USED ON ALL FEATURES EXCEPT 9514)
-128	1807943	1	.	.	.	CABLE ASM-USED ON FRAMES WITH RSF (USED ON FEATURE 9514 ONLY)
-129	8645854	2	.	.	.	SPRING
-130	1621198	4	.	.	.	SCREW,PAN HD-M4 X 4 LG
-131	8645672	1	.	.	.	BRACKET
-132	1673984	3	.	.	.	SCREW
-133	369207	1	.	.	.	LABEL,HAZARDOUS AREA-ENGLISH/CANADIAN
-133	6815193	1	.	.	.	LABEL,HAZARDOUS AREA-GERMAN AND SWITZERLAND
-133	6815179	1	.	.	.	LABEL,HAZARDOUS AREA-CANADIAN FRENCH
-133	6815182	1	.	.	.	LABEL,HAZARDOUS AREA-FRENCH AND SWITZERLAND
-133	6081052	1	.	.	.	LABEL,HAZARDOUS AREA-FRENCH/DUTCH
-133	6836801	1	.	.	.	LABEL,HAZARDOUS AREA-FINNISH
-133	6815181	1	.	.	.	LABEL,HAZARDOUS AREA-ITALIAN
-133	6815180	1	.	.	.	LABEL,HAZARDOUS AREA-SPANISH
-133	8551904	1	.	.	.	LABEL,HAZARDOUS AREA-SWEDISH
-133	6815183	1	.	.	.	LABEL,HAZARDOUS AREA-BRAZILIAN/PORTUGAL
-133	8326797	1	.	.	.	LABEL,HAZARDOUS AREA-JAPANESE
-133	1806772	1	.	.	.	LABEL,HAZARDOUS AREA-DANISH
-134	1953172	AR	.	.	.	CARD HOLDER ASSEMBLY,4 WIDE X 6 HIGH(W/O TCC)
-135	4495022	1	.	.	.	RETAINER,CABLE
-136	8645899	1	.	.	.	RETAINER,CABLE
-137	1621210	6	.	.	.	SCREW,PAN HD-M5 X 10 LG
-138	174171	4	.	.	.	EXTENDER,CABLE 6H-A4 POSITIONS X2,X3,X4,X5
-139	1802706	17	.	.	.	EXTENDER,CABLE 3H-A3 POSITIONS A4,C2 TO C5, D2 TO D5,V2 TO V5,W2 TO W5
-139			.	.	.	
-144	1953083	4	.	.	.	LABEL
-147	1953222	4	.	.	.	COVER,BOARDS
-148	818579	AR	.	.	.	LABEL,PLUG LOCATION

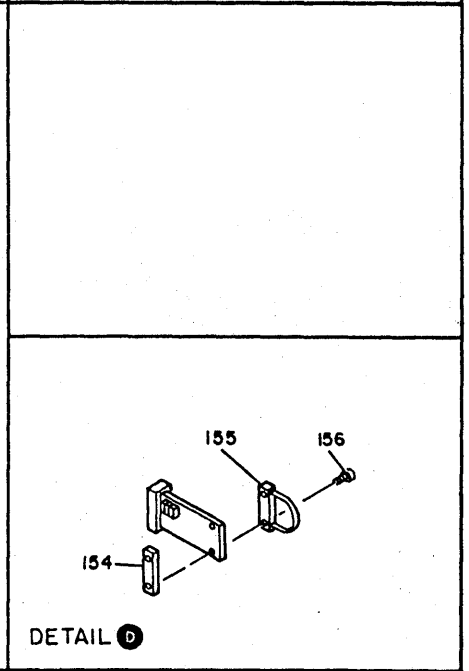
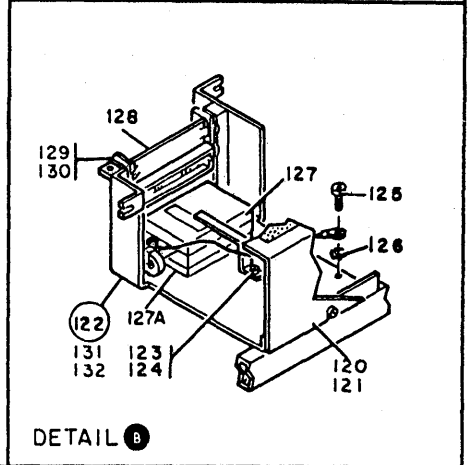
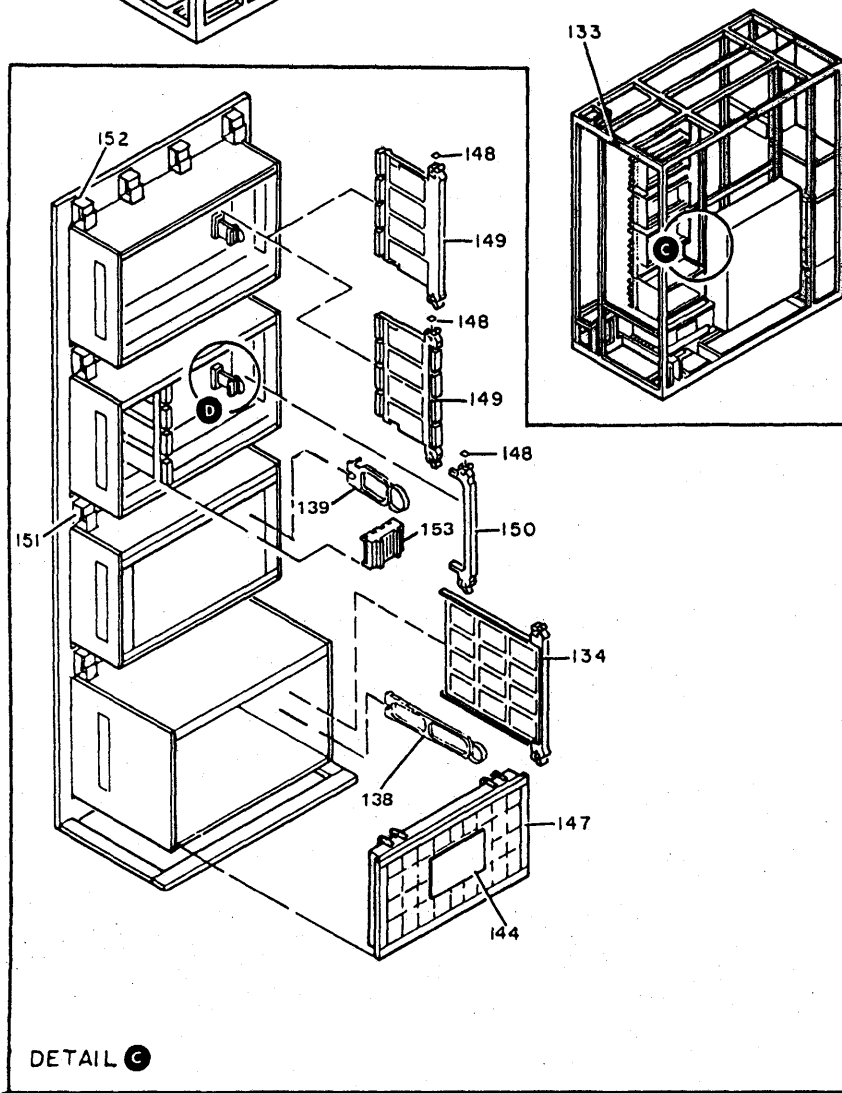
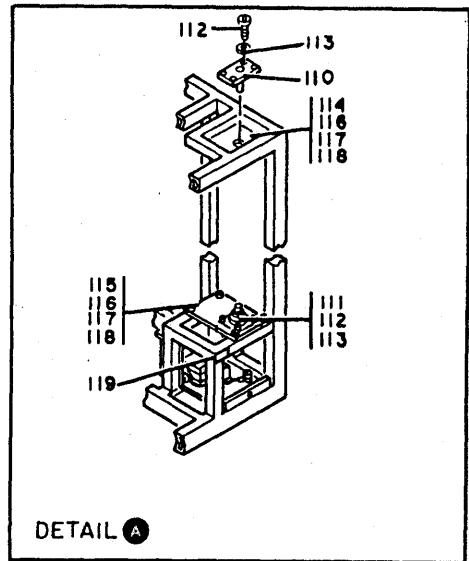
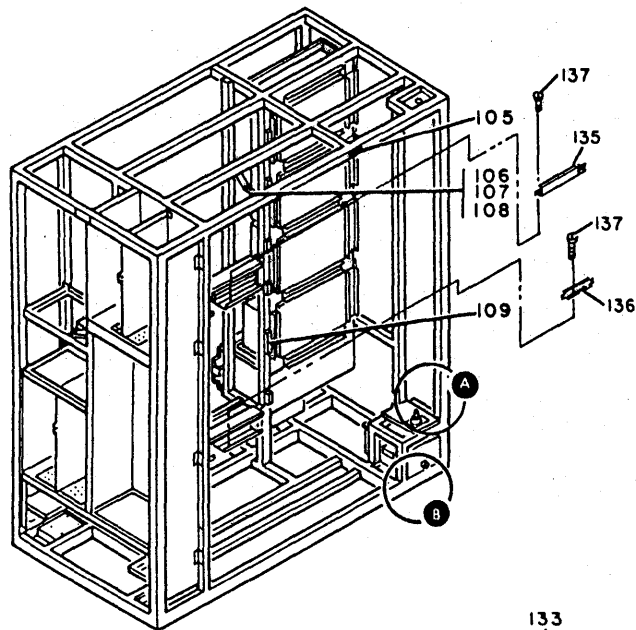
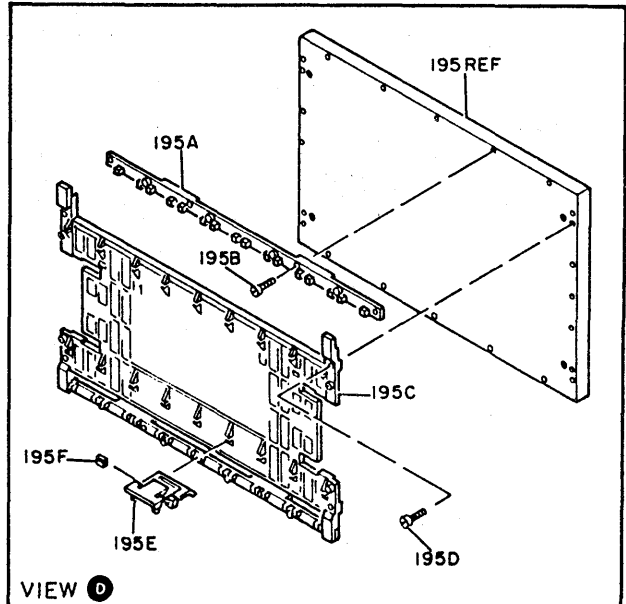
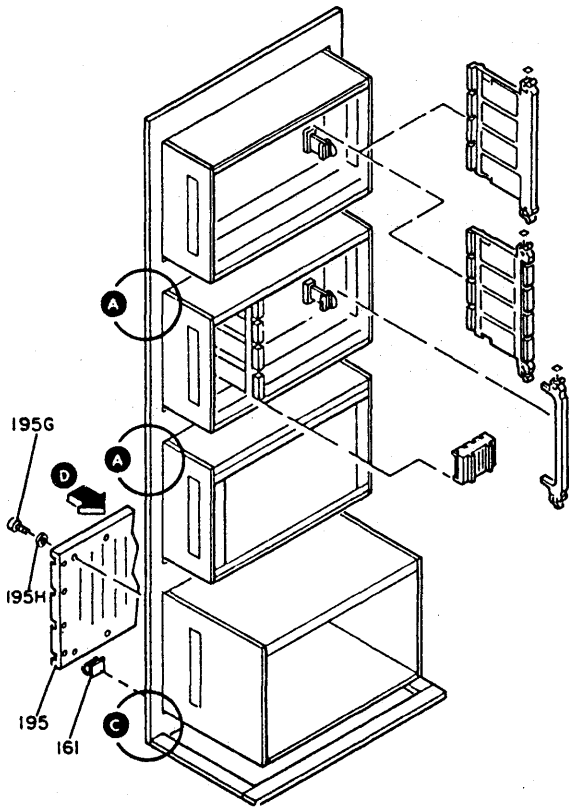


FIGURE 3. FINAL ASSEMBLY. SHEET 5 OF 12. INDEX NOS. 149-156. SEE LIST 3.

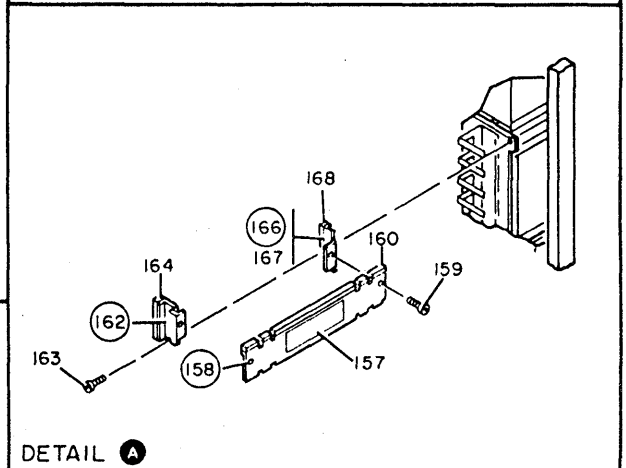


FINAL ASSEMBLY

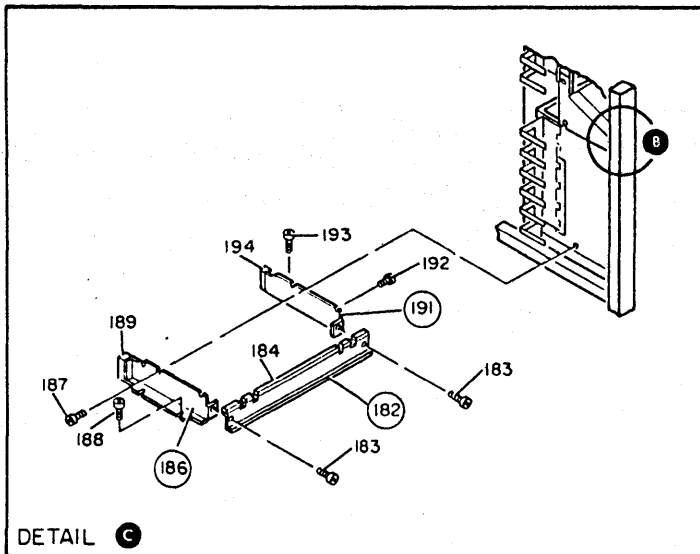
FIGURE INDEX NUMBER	PART NUMBER	UNITS PER ASM	DESCRIPTION				
			1	2	3	4	
3 -149	1953181	AR	.	.	.	.	CARD HOLDER
-149	1953179	AR	.	.	.	.	CARD HOLDER
-150	1953110	1	.	.	.	.	INTERMIX BRACKET ASM-POSITION A1/W2
-151	4873815	12	.	.	.	.	RETAINER, CABLE
-152	4873814	4	.	.	.	.	RETAINER, CABLE
-153	8645658	AR	.	.	.	.	TCC-2 POS. (A1-BW/CW, BX/CX, BY/CY & BZ/CZ)
-153	8645678	AR	.	.	.	.	TCC-1 POS. (A1-VW, VX, VY & VZ)
-153	8645778	AR	.	.	.	.	TCC-3 POS. (A2-DW/EW/FW)
-153	8645777	AR	.	.	.	.	TCC-2 POS. (A2-GY/HY, VX/WX, VY/WY & VZ/WZ)
-153	8645776	AR	.	.	.	.	TCC-1 POS. (A2-KX, LX, KY, LY, SX & TX)
-153	8645779	AR	.	.	.	.	TCC-3 POS. (A2-DX/EX/FX)
-154	740459	2	.	.	.	.	STIFFENER-POSITIONS A1/W2 AND A2/B3
-155	5665948	2	.	.	.	.	STRAIN RELIEF
-156	438549	4	.	.	.	.	SCREW, BD HD- 4-40 X 0.437 LG



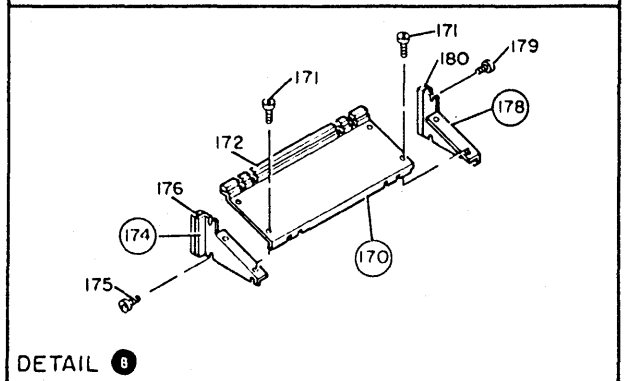
VIEW D



DETAIL A



DETAIL C



DETAIL B

FIGURE 3. FINAL ASSEMBLY. SHEET 6 OF 12. INDEX NOS. 157-195H. SEE LIST 3.

FINAL ASSEMBLY

FIGURE INDEX NUMBER	PART NUMBER	UNITS PER ASM	DESCRIPTION			
			1	2	3	4
3 -157	401394	2	.	.	.	LABEL,WARNING
-158	1806824	2	.	.	.	BAFFLE ASM- 3HI TO 3HI
-159	1621197	4	.	.	.	SCREW,PAN HD-M4 X 6 LG
-160	2495692	AR	.	.	.	SEAL
-161	2513269	4	.	.	.	CLAMP,CABLE
-161	6000421	4	.	.	.	CLAMP,CABLE(USED IN BRAZIL ONLY)
-162	4144030	2	.	.	.	BRACKET ASM- 3HI TO 3HI,LEFT
-163	1621844	4	.	.	.	SCREW,THD FORMING PAN HD-M3 X 6 LG
-164	475465	AR	.	.	.	SEAL
-166	1806829	2	.	.	.	BRACKET,ASM- 3HI TO 3HI,RIGHT
-167	1621844	4	.	.	.	SCREW,THD FORMING PAN HD-M3 X 6 LG
-168	475465	AR	.	.	.	SEAL
-170	1806825	1	.	.	.	BAFFLE ASM- 3HI TO 6HI
-171	1621197	4	.	.	.	SCREW,PAN HD-M4 X 6 LG
-172	2495692	AR	.	.	.	SEAL
-174	1806831	1	.	.	.	BRACKET ASM- 3HI TO 6HI,LEFT
-175	1621844	3	.	.	.	SCREW,THD FORMING PAN HD-M3 X 6 LG
-176	475465	AR	.	.	.	SEAL
-178	1806833	1	.	.	.	BRACKET,ASM- 3HI TO 6HI,RIGHT
-179	1621844	3	.	.	.	SCREW,THD FORMING PAN HD-M3 X 6 LG
-180	475465	AR	.	.	.	SEAL
-182	1806830	1	.	.	.	BAFFLE ASM- 6HI TO BLOWER
-183	1621197	2	.	.	.	SCREW,PAN HD-M4 X 6 LG
-184	2495692	AR	.	.	.	SEAL
-186	1806837	1	.	.	.	BRACKET ASM- 6HI TO BLOWER,LEFT
-187	1621844	2	.	.	.	SCREW,THD FORMING PAN HD-M3 X 6 LG
-188	1621197	2	.	.	.	SCREW,PAN HD-M4 X 6 LG
-189	475465	AR	.	.	.	SEAL
-191	1806835	1	.	.	.	BRACKET,ASM- 6HI TO BLOWER,RIGHT
-192	1621844	2	.	.	.	SCREW,THD FORMING PAN HD-M3 X 6 LG
-193	1621197	2	.	.	.	SCREW,PAN HD-M4 X 6 LG
-194	475465	AR	.	.	.	SEAL
-195	NO NO.	4	.	.	.	BOARD ASSEMBLY (A1,A2,A3,A4)
-195A	5665975	4	.	.	.	RAIL (USED WITH A1 AND A2 BOARDS ONLY)
-195A	5665975	2	.	.	.	RAIL (USED ON A3 AND SOURCE 1 STORAGE A4 BOARDS)
-195B	2457745	8	.	.	.	SCREW (USED WITH A1 AND A2 BOARDS ONLY)
-195B	2457745	4	.	.	.	SCREW (USED WITH A3 AND SOURCE 1 A4 BOARDS ONLY)
-195C	1953162	2	.	.	.	BACKCOVER (USED WITH A1 AND A2 BOARDS ONLY)
-195C	1953162	1	.	.	.	BACKCOVER (USED WITH A3 AND SOURCE 1 BOARDS)
-195D	1953318	8	.	.	.	SCREW (USED ON A1 AND A2 BOARDS ONLY)
-195D	1953318	4	.	.	.	SCREW (USED ON A3 AND SOURCE 1 A4 BOARDS ONLY)
-195E	5665962	18	.	.	.	LATCH (USED ON A1 AND A2 BOARDS ONLY)
-195E	5665962	11	.	.	.	LATCH (USED ON A3 BOARD ONLY)
-195E	5665962	16	.	.	.	LATCH (USED ON SOURCE 1 STORAGE A4 BOARD ONLY)
-195F	401445	36	.	.	.	RETAINER (USED ON A1 AND A2 BOARDS ONLY)
-195F	401445	2	.	.	.	RETAINER (USED ON A3 BOARD ONLY)
-195F	401445	8	.	.	.	RETAINER (USED ON SOURCE 1 A4 BOARD ONLY)
-195G	2457745	12	.	.	.	SCREW (A1 AND A2 BOARDS)
-195G	2457745	6	.	.	.	SCREW (A3 BOARD)
-195G	2457745	6	.	.	.	SCREW (SOURCE 1 A4 BOARD)
-195G	2457745	10	.	.	.	SCREW (SOURCE 2 A4 BOARD)
-195H	22066	12	.	.	.	WASHER-0.140 ID X 0.281 OD (A1 AND A2 BOARDS)
-195H	22066	6	.	.	.	WASHER-0.140 ID X 0.281 OD (A3 BOARD)
-195H	22066	6	.	.	.	WASHER-0.140 ID X 0.281 OD (SOURCE 1 A4 BOARD)
-195H	22066	10	.	.	.	WASHER-0.140 ID X 0.281 OD (SOURCE 2 A4 BAORD)

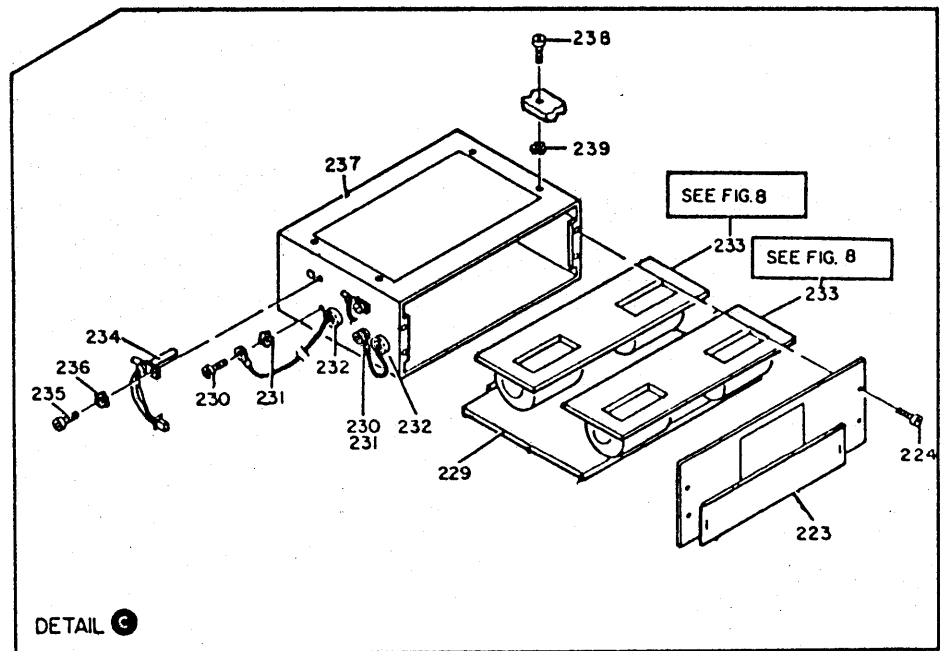
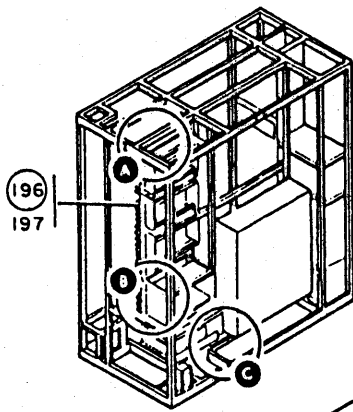
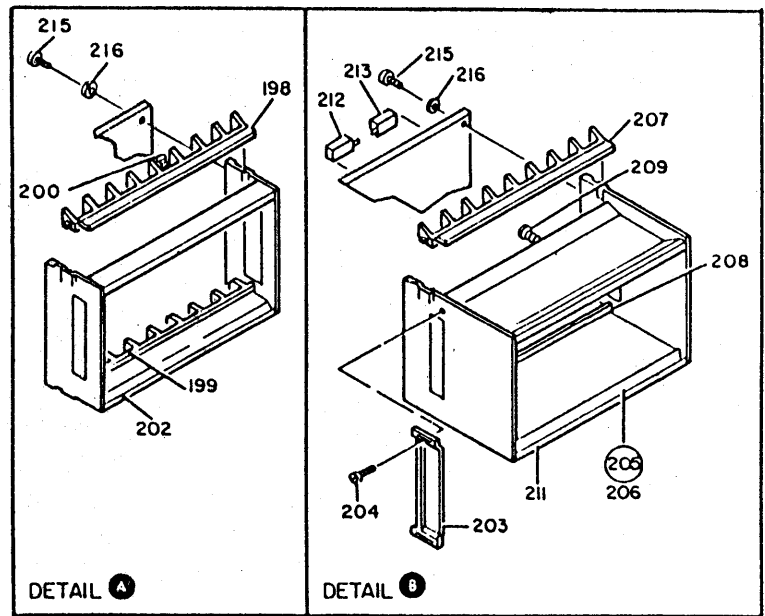
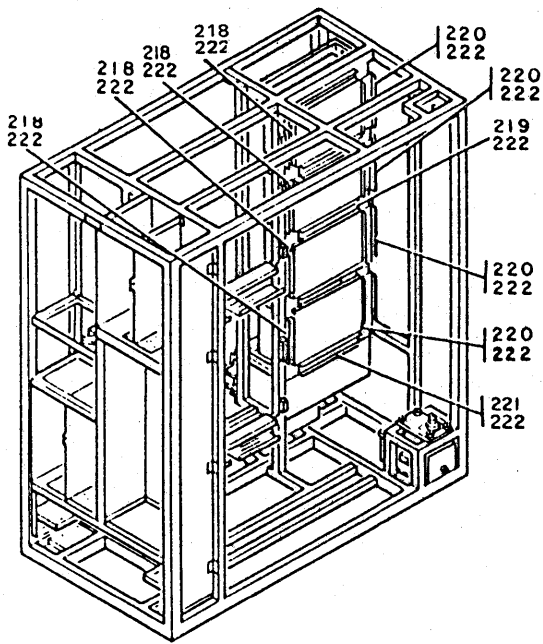


FIGURE 3. FINAL ASSEMBLY. SHEET 7 OF 12. INDEX NOS. 196-239A. SEE LIST 3.

FINAL ASSEMBLY

FIGURE INDEX NUMBER	PART NUMBER	UNITS PER ASM	DESCRIPTION			
			1	2	3	4
3 -196	1822943	3	.	.	.	GUIDE ASM- 3HI
-197	1953318	24	.	.	.	SCREW,M3.5
-198	1822851	1	.	.	.	RETAINER,UPPER
-199	1822850	1	.	.	.	RETAINER,LOWER
-200	NO NO.	2	.	.	.	SCREW,ADJUSTER
-202	1953315	1	.	.	.	GUIDE- 3HI
-203	1953319	8	.	.	.	COVER
-204	1621846	16	.	.	.	SCREW,SELF TAP PAN HD-M3 X 10 LG
-205	1822944	1	.	.	.	GUIDE ASM- 6HI
-206	1953318	8	.	.	.	SCREW,M3.5
-207	1822851	1	.	.	.	RETAINER,UPPER
-208	1822850	1	.	.	.	RETAINER,LOWER
-209	NO NO.	2	.	.	.	SCREW,ADJUSTER
-211	1953317	1	.	.	.	GUIDE- 6HI
-212	401403	4	.	.	.	CAPACITOR ASM
-213	8633860	4	.	.	.	CAPACITOR ASM
-215	2181088	40	.	.	.	SCREW,THD FORMING- 6-32 X 0.875 LG
-216	22066	40	.	.	.	WASHER- 0.140 ID X 0.281 OD
-218	2281858	4	.	.	.	RACEWAY
-219	2311716	1	.	.	.	RACEWAY
-220	8645713	3	.	.	.	RACEWAY
-221	8645714	4	.	.	.	RACEWAY
-222	2242394	39	.	.	.	RIVET,POP-.125 DIA
-223	8645698	1	.	.	.	COVER ASM
-224	1621191	4	.	.	.	SCREW,PAN HD- M4 X 10 LG
-225	1806839	1	.	.	.	RACEWAY
-229	8645607	1	.	.	.	FILTER
-230	1621190	2	.	.	.	SCREW,PAN HD- M4 X 8 LG
-231	1622346	2	.	.	.	LOCKWASHER,EXT STAR- M4, 8 OD X .5
-232	53193	2	.	.	.	GROMMET
-233	8644936	2	.	.	.	BLOWER ASSEMBLY-DUPLEX II,60HZ
-233	8645456	2	.	.	.	BLOWER ASSEMBLY-DUPLEX II,50HZ
-234	8645604	2	.	.	.	SENSOR ASM,AIRFLOW AFS103,AFS104
-235	1621171	2	.	.	.	SCREW,PAN HD- M3 X 8 LG
-236	1622344	2	.	.	.	LOCKWASHER,EXT STAR- M3 X 294 THK
-237	8645564	1	.	.	.	HOUSING
-238	1621211	4	.	.	.	SCREW,PAN HD- M5 X 12 LG
-239	1622347	1	.	.	.	LOCKWASHER EXT STAR- M5, 10 OD X .6
-239A	4873814	1	.	.	.	RETAINER,CABLE

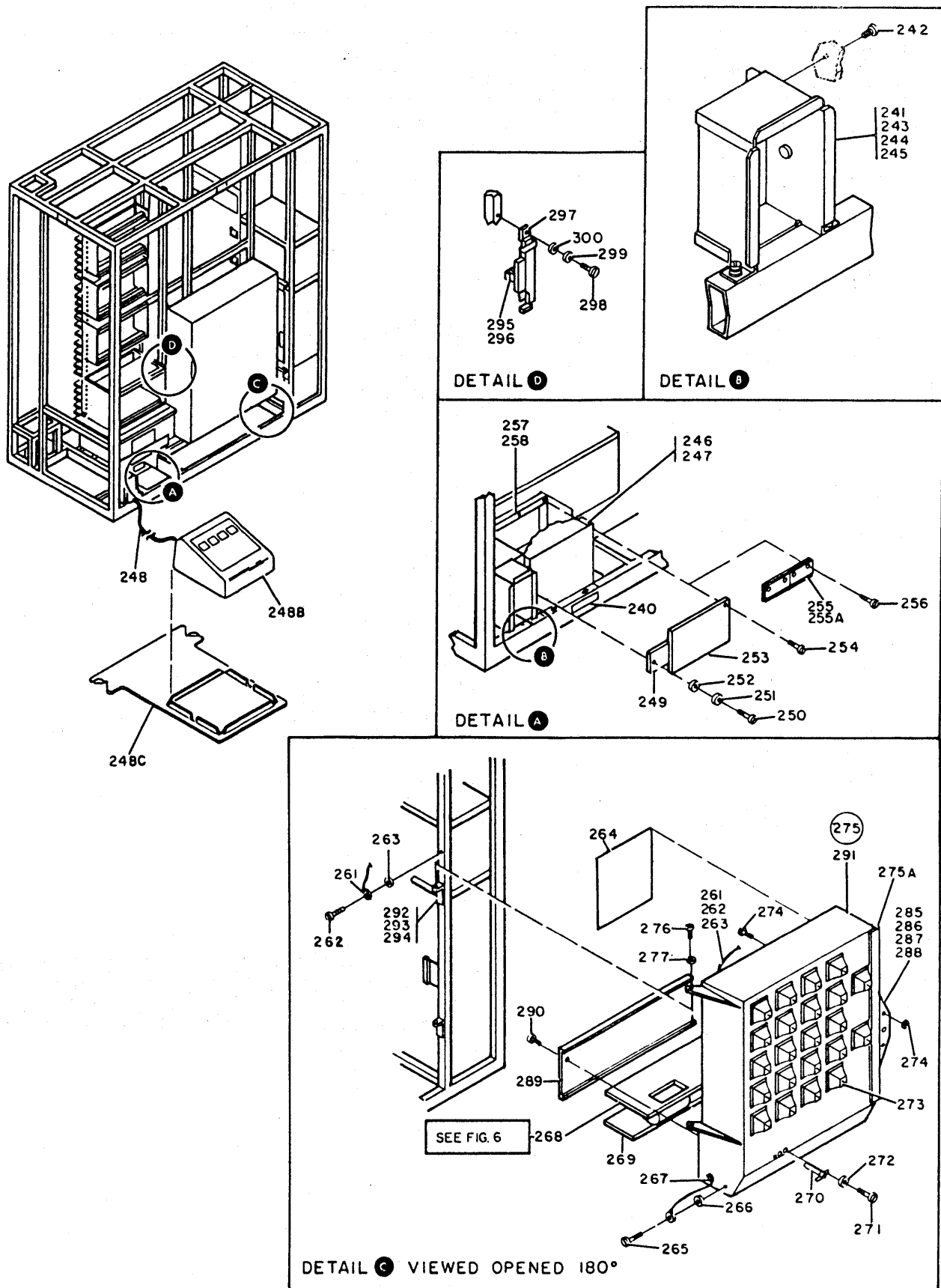


FIGURE 3. FINAL ASSEMBLY. SHEET 8 OF 12. INDEX NOS. 240-300. SEE LIST 3.

FINAL ASSEMBLY

FIGURE INDEX NUMBER	PART NUMBER	UNITS PER ASM	DESCRIPTION			
			1	2	3	4
3	-240	8645897	1	.	LABEL-CTC FEATURE	
	-241	8645873	1	.	BOX	
	-242	1621197	2	.	SCREW,PAN HD-M4 X 6 LG	
	-243	1621210	2	.	SCREW,PAN HD- M5 X 10 LG	
	-244	1622319	2	.	WASHER,LOCKING SPRING,M5- 9.2 OD X 1.2 T	
	-245	1622305	2	.	WASHER,FL- M5 10 OD X 1 THK	
	-246	8645790	1	.	COVER	
	-247	1621210	2	.	SCREW,PAN HD- M5 X 10 LG	
	-248	401462	1	.	CABLE ASSEMBLY-OPERATOR CONTROL PANEL	
	-248A	401330	1	.	OPERATOR CONTROL PANEL ASSEMBLY(ENGLISH)	
	-248A	401337	1	.	OPERATOR CONTROL PANEL ASSEMBLY(FRENCH)	
	-248A	401338	1	.	OPERATOR CONTROL PANEL ASSEMBLY(GERMAN)	
	-248A	401339	1	.	OPERATOR CONTROL PANEL ASSEMBLY(ITALIAN)	
	-248A	401340	1	.	OPERATOR CONTROL PANEL ASSEMBLY(SPANISH)	
	-248A	401341	1	.	OPERATOR CONTROL PANEL ASSEMBLY(BRAZIL/PORTUGUESE)	
	-248B	401280	1	.	FACEPLATE(ENGLISH)	
	-248B	401281	1	.	FACEPLATE(FRENCH)	
	-248B	401282	1	.	FACEPLATE(GERMAN)	
	-248B	401283	1	.	FACEPLATE(ITALIAN)	
	-248B	401284	1	.	FACEPLATE(SPANISH)	
	-248B	401285	1	.	FACEPLATE(BRAZIL/PORTUGUESE)	
	-248C	401345	1	.	PLATE,OCP	
	-249	8645815	1	.	BAR, I/O MTG	
	-250	1673984	5	.	SCREW,PAN HD- M5 X 10 LG	
	-251	1622319	5	.	WASHER,LOCKING SPRING,M5- 9.2 OD X 1.2 T	
	-252	1622305	5	.	WASHER,FL- M5 10 OD X 1 THK	
	-253	8645842	1	.	PLATE,FILLER	
	-254	1621197	2	.	SCREW	
	-255	401466	AR	.	SPRING	
	-255A	401467	AR	.	PLATE,I/O SPRING	
	-256	1621197	8	.	SCREW,PAN HD- M4 X 6 LG	
	-257	8645509	1	.	BRACKET	
	-258	1621210	4	.	SCREW,PAN HD-M5 X 10MM LG	
	-259	4123928	2	.	CLAMP,CABLE	
	-261	1806798	1	.	JUMPER	
	-262	1621210	2	.	SCREW,PAN HD- M5 X 10 LG	
	-263	1622347	2	.	LOCKWASHER EXT STAR- M5, 10 OD X .6	
	-264	1806737	1	.	LABEL- 01A GATE (MODELS 1,2,11,12,13,21,22 AND 23 ONLY)	
	-265	1621190	1	.	SCREW,PAN HD- M4 X 8 LG	
	-266	1622346	1	.	LOCKWASHER,EXT STAR- M4, 8 OD X .5	
	-267	53193	1	.	GROMMET	
	-268	8644938	1	.	BLOWER ASSEMBLY-SUPER DUPLEX II,60HZ	
	-268	8645454	1	.	BLOWER ASSEMBLY-SUPER DUPLEX II,50HZ FOR DETAIL BREAKDOWN SEE FIGURE 6	
	-269	8645605	1	.	FILTER	
	-270	5578666	1	.	SENSOR,AIR FLOW	
	-271	1621171	1	.	SCREW,PAN HD- M3 X 8 LG	
	-272	1622344	1	.	LOCKWASHER,EXT STAR- M3 X 294 THK	
	-273	8645583	22	.	NOZZLE	
	-274	4204962	1	.	LATCH SCREW	
	-275	8645600	1	.	PLENUM ASM	
	-275A	401523	1	.	GUARD	
	-276	1621190	2	.	SCREW,PAN HD- M4 X 8 LG	
	-277	110029	2	.	WASHER,FL NO 8 X 5/8 OD X 1/16 THK	
	-285	8645575	1	.	BRACKET,LATCH	
	-286	1621211	3	.	SCREW,PAN HD- M5 X 12 LG	
	-287	1622347	3	.	LOCKWASHER EXT STAR- M5, 10 OD X .6	
	-288	1622305	3	.	WASHER,FL- M5 10 OD X 1 THK	
	-289	8645696	1	.	COVER ASM	
	-290	1621191	4	.	SCREW,PAN HD- M4 X 10 LG	
	-291	8645140	1	.	PLENUM	
	-292	8645573	2	.	HINGE	
	-293	1621595	4	.	SCREW-MACH HEX HD,M6 X 12 LG	
	-294	1622348	4	.	LOCKWASHER,EXT STAR- M6 11 OD X .7	
	-295	8645625	1	.	SWITCH,INTERLOCK	
	-296	10170	2	.	SCREW,BD HD- 6-32 X 0.250 LG	
	-297	8645576	1	.	LATCH	
	-298	1621211	2	.	SCREW,PAN HD- M5 X 12 LG	
	-299	1622347	2	.	LOCKWASHER EXT STAR- M5, 10 OD X .6	
	-300	1622305	2	.	WASHER,FL- M5 10 OD X 1 THK	

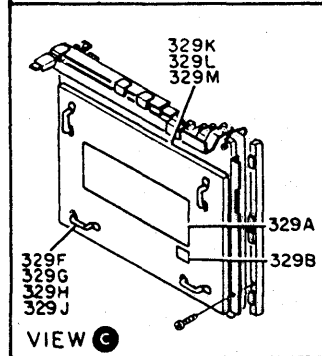
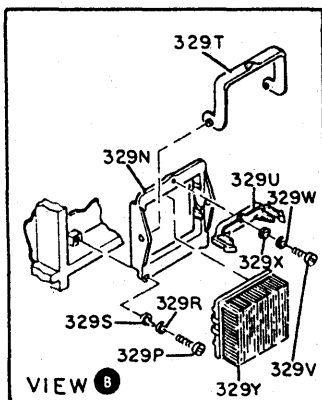
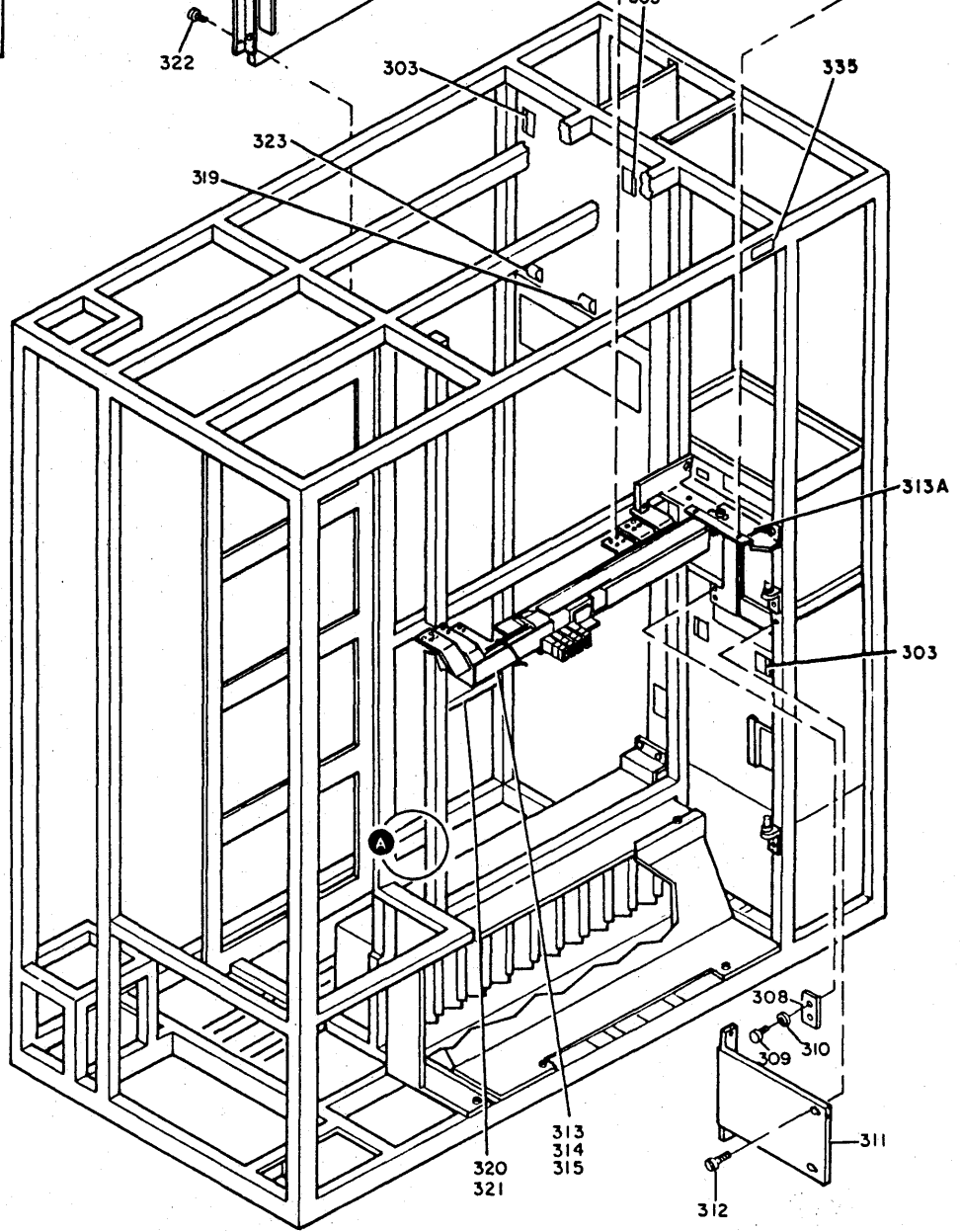
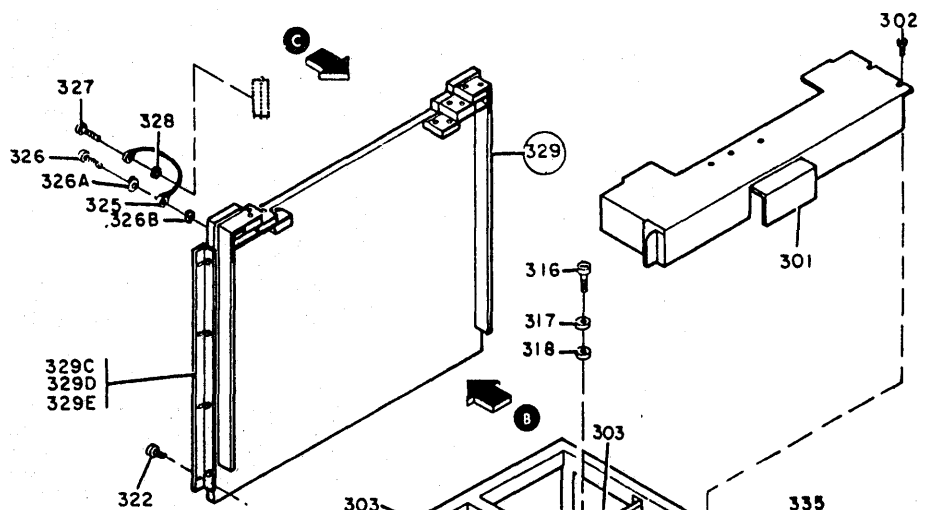
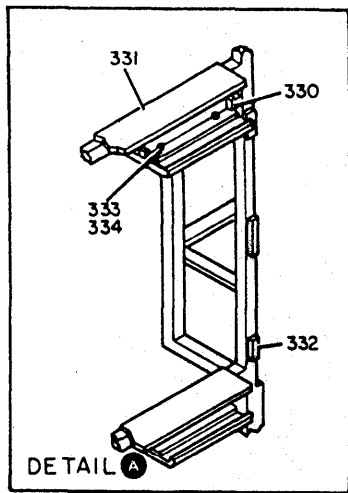


FIGURE 3. FINAL ASSEMBLY. SHEET 9 OF 12. INDEX NOS. 301-335. SEE LIST 3.



FINAL ASSEMBLY

FIGURE INDEX NUMBER	PART NUMBER	UNITS PER ASM	1 2 3 4	DESCRIPTION
3 -301	1806842	1	.	SHIELD
-302	1673984	3	.	SCREW
-303	4435637	4	.	SEAL,CABLE SAFETY
-304	1621190	6	.	SCREW,PAN HD- M4 X 8 LG
-305	8645666	1	.	BRACKET
-306	1621210	2	.	SCREW
-307	8645665	4	.	PAD,SPACER-BUS
-308	401434	4	.	PLATE,BUS BAR
-309	1621545	8	.	SCREW-MACH HEX HD M8 X 20 LG
-310	1622321	8	.	WASHER,LOCK-SPLIT M8,14.8 OD X 2 THK
-311	8645717	1	.	SHIELD
-312	1673984	4	.	SCREW
-313	401402	1	.	BUS BAR ASM
-313A	4495045	1	.	SHIELD, CABLE
-314	1621230	3	.	SCREW,PAN HD-M6 X 12 LG
-315	1622348	3	.	LOCKWASHER,EXT STAR- M6 11 OD X .7
-316	1621545	12	.	SCREW-MACH HEX HD M8 X 20 LG
-317	174330	12	.	WASHER.
-318	1726328	12	.	WASHER,DISK
-319	4123928	1	.	CLAMP,CABLE
-320	4144033	1	.	BRACKET
-321	1673984	2	.	SCREW
-322	1621545	8	.	SCREW,MACH HEX HD M8 X 20 LG
-323	2513269	1	.	CLAMP,CABLE
-323	6000421	1	.	CLAMP,CABLE(USED IN BRAZIL ONLY)
-325	8645811	1	.	JUMPER
-326	1621228	1	.	SCREW
-326A	1622306	1	.	WASHER,FLAT- 6.6MM ID X 12.5MM OD
-326B	1622348	1	.	LOCKWASHER,EXT- 6.2MM X 11MM OD
-327	1621210	1	.	SCREW,PAN HD- M5 X 10 LG
-328	1622347	1	.	LOCKWASHER EXT STAR- M5, 10 OD X .6
-329	NO NO.	1	.	BOARD ASM
-329A	1806827	1	.	. LABEL,BOARD REMOVAL/REPLACEMENT
-329B	840673	1	.	. LABEL,CAUTION WEIGHT
-329C	8645613	2	.	. BRACKET
-329D	1621545	8	.	. SCREW,MACH HEX HD M8 X 20 LG
-329E	1622321	8	.	. WASHER,LOCK-SPLIT M8,14.8 OD X 2 THK
-329F	840667	4	.	. HANDLE
-329G	1622304	8	.	. WASHER,FL- M4 9 OD X 0.8 THK
-329H	1622318	8	.	. WASHER,SPRING-M4 9.2 OD X 1.2 THK
-329J	1673725	8	.	. SCREW
-329K	6819154	1	.	. COVER ASSEMBLY
-329L	1621597	4	.	. SCREW,HEX HD- M6 X 20MM LG
-329M	1622348	4	.	. LOCKWASHER,EXT STAR- M6 11 X 0.7 THK
-329N	6819155	AR	.	. HOUSING,SPRING
-329P	1621511	AR	.	. SCREN,HEX SOC HD-M4 X 12 LG
-329R	1622304	AR	.	. WASHER,FL- M4 9 OD X 0.8 THK
-329S	1622318	AR	.	. WASHER,SPRING-M4 9.2 OD X 1.2 THK
-329T	6819156	AR	.	. ARM,BAIL
-329U	6819157	AR	.	. LATCH,BAIL
-329V	1621512	AR	.	. SCREW,HEX SOC HD- M4 X 16MM LG
-329W	1622304	AR	.	. WASHER,FL- M4 9 OD X 0.8 THK
-329X	1622318	AR	.	. WASHER,SPRING-M4 9.2 OD X 1.2 THK
-329Y	NO NO.	AR	.	. MODULE ASSEMBLY
-330	1806739	1	.	. SPACER
-331	8645679	1	.	. SHOCK PAD
-332	8645900	1	.	. SHOCK PAD
-333	8645899	4	.	. BRACKET
-334	1621210	8	.	. SCREW,PAN HD- M5 X 10 LG
-335	369207	1	.	. LABEL,HAZARDOUS AREA-ENGLISH/CANADIAN
-335	6815193	1	.	. LABEL,HAZARDOUS AREA-GERMAN AND SWITZERLAND
-335	6815179	1	.	. LABEL,HAZARDOUS AREA-CANADIAN FRENCH
-335	6815182	1	.	. LABEL,HAZARDOUS AREA-FRENCH AND SWITZERLAND
-335	6081052	1	.	. LABEL,HAZARDOUS AREA-FRENCH/DUTCH
-335	8326801	1	.	. LABEL,HAZARDOUS AREA-FINNISH
-335	6815181	1	.	. LABEL,HAZARDOUS AREA-ITALIAN
-335	6815180	1	.	. LABEL,HAZARDOUS AREA-SPANISH
-335	8551904	1	.	. LABEL,HAZARDOUS AREA-SWEDISH
-335	6815183	1	.	. LABEL,HAZARDOUS AREA-BRAZILIAN/PORTUGAL
-335	8326797	1	.	. LABEL,HAZARDOUS AREA-JAPANESE
-335	1806772	1	.	. LABEL,HAZARDOUS AREA-DANISH



FINAL ASSEMBLY

FIGURE INDEX NUMBER	PART NUMBER	UNITS PER ASM	1	2	3	4	DESCRIPTION
3	-336	8267564	2	.	.	.	SCREW
	-337	264641	2	.	.	.	RING,RETAINING EXT 0.114 ID X 0.025 THK
	-338	47242	2	.	.	.	WASHER, FLAT-0.219 ID X 0.500 OD
	-339	8645636	1	.	.	.	COVER,SPI
	-340	1621190	2	.	.	.	SCREW,PAN HD- M4 X 8 LG
	-341	2677389	1	.	.	.	PLATE,SERIAL NO.
	-342	2677390	1	.	.	.	PLATE,IDENTIFICATION
	-343	NO NO.	1	.	.	.	PLATE,MFG AND PROPERTY
	-344	855284	1	.	.	.	PLATE,MFG DOMESTIC
	-344	4053987	1	.	.	.	PLATE,MFG WORLD TRADE EMEA
	-344	6003011	1	.	.	.	PLATE,MFG WORLD TRADE AFE
	-345	855286	1	.	.	.	PLATE,UL APPROVAL
	-345	960766	1	.	.	.	PLATE,CSA APPROVAL
	-346	NO NO.	1	.	.	.	PLATE,POWER
	-347	1806850	1	.	.	.	SPI ASM
	-348	1621190	7	.	.	.	SCREW,PAN HD- M4 X 8 LG
	-349	8482759	3	.	.	.	CABLE ASM
	-350	8645880	4	.	.	.	BRACKET
	-351	1621191	4	.	.	.	SCREW,PAN HD- M4 X 10 LG
	-352	1622304	8	.	.	.	WASHER,FL- M4 9 OD X 0.8 THK
	-353	1622403	4	.	.	.	NUT,DBL CHAMFERED HEX M4 X 3.2 THK
	-354	1621170	4	.	.	.	SCREW,PAN HD- M3 X L 6
	-354A	1622344	4	.	.	.	LOCKWASHER,EXT TOOTH-M3, 7 OD X 0.4 THK
	-355	8485197	4	.	.	.	CARD,RELAY
	-355	8485194	4	.	.	.	CARD,RELAY-OPTIONAL
	-355A	2426298	10	.	.	.	RELAY(USED ON CARD P/N 8485194 ONLY)
	-355A	767031	10	.	.	.	RELAY(USED ON CARD P/N 8485197 ONLY)
	-355B	5318966	10	.	.	.	RETAINER,RELAY(USED ON CARD 8485197 ONLY)
	-356	8645161	1	.	.	.	CHASSIS
	-357	8645345	1	.	.	.	JUMPER
	-358	1673984	2	.	.	.	SCREW,PAN HD- M5 X 8 LG
	-359	1622347	2	.	.	.	LOCKWASHER EXT STAR- M5, 10 OD X .6
	-360	5397579	1	.	.	.	LABEL
	-360A	401405	2	.	.	.	LABEL (MODEL 3,14 AND 24 ONLY)
	-360B	4123928	2	.	.	.	CLAMP,CABLE
	-360C	2513269	3	.	.	.	CLAMP,CABLE
	-360C	6000421	3	.	.	.	CLAMP,CABLE(USED IN BRAZIL ONLY)
	-361	8645871	1	.	.	.	CLAMP
	-362	1622403	4	.	.	.	NUT,DBL CHAMFERED HEX M4 X 3.2 THK
	-363	45690	4	.	.	.	WASHER,FL- 0.203 ID X 0.438 OD
	-364	8645872	1	.	.	.	CLAMP
	-365	1621193	2	.	.	.	SCREW,PAN HD- M4 X 16LG
	-366	8645305	1	.	.	.	LINECORD ASM- 4.26M US/CANADA
	-366	8645304	1	.	.	.	LINECORD ASM- 1.8M,208/240V 60HZ
	-366	8645306	1	.	.	.	LINECORD ASM- 50HZ EXCEPT 200V
	-366	8645307	1	.	.	.	LINECORD ASM- 200V,50HZ
	-367	1806736	1	.	.	.	COVER
	-368	1673984	2	.	.	.	SCREW
	-369	401405	2	.	.	.	LABEL- J1,J2,J3
	-370	5578666	1	.	.	.	SENSOR,AIR FLOW
	-371	1621171	1	.	.	.	SCREW,PAN HD- M3 X 8 LG
	-372	1622344	1	.	.	.	LOCKWASHER,EXT STAR- M3 X 294 THK
	-373	8644934	1	.	.	.	FRAME ASM
	-374	4456950	4	.	.	.	CASTER
	-375	1621596	16	.	.	.	SCREW,HEX HD-M6 X 16 LG
	-376	150390	16	.	.	.	WASHER,FL- 0.250 ID X 0.625 OD
	-377	1622320	16	.	.	.	LOCKWASHER,SPLIT- M6,11.8 OD X 1.6 THK

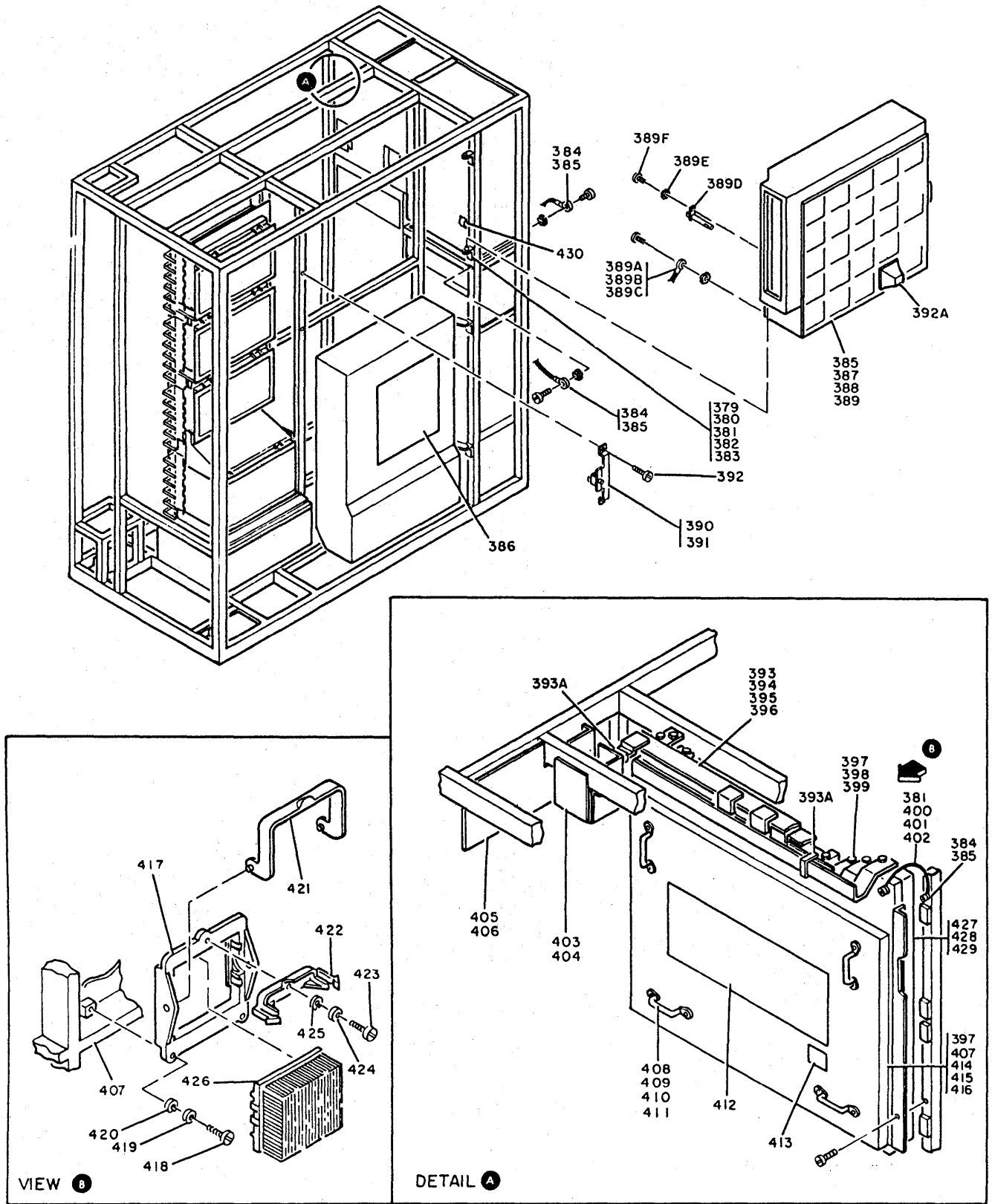


FIGURE 3. FINAL ASSEMBLY. SHEET 11 OF 12. INDEX NOS. 379-430. SEE LIST 3.

FINAL ASSEMBLY

FIGURE INDEX NUMBER	PART NUMBER	UNITS PER ASM	DESCRIPTION			
			1	2	3	4
3 -379	8645573	2	.	.	.	. HINGE (MODEL 3,14 AND 24 ONLY)
-380	1621595	4	.	.	.	. SCREW,HEX HD,M6 X 12 LG(MOD 3,14 AND 24 ONLY)
-381	1622348	5	.	.	.	. LWASHER,EXT STAR-M6,11 OD X .7 (MODELS 3,14 AND 24 ONLY)
-382	1621190	1	.	.	.	. SCREW,PAN HD-M4 X 8 LG(MODEL 3,14 AND 24 ONLY)
-383	110029	1	.	.	.	. WASHER,FL NO. 8 X 5/8 OD X 1/16 T (MODELS 3,14 AND 24 ONLY)
-384	1621210	3	.	.	.	. SCREW,PAN HD-M5 X 10 LG(MODEL 3,14 AND 24 ONLY)
-385	1622347	6	.	.	.	. LWASHER,EXT STAR-M5,10 OD X .6 (MODELS 3,14 AND 24 ONLY)
-386	1806738	1	.	.	.	. LABEL (MODEL 3,14 AND 24 ONLY)
-387	4495016	1	.	.	.	. PLENUM ASM. (MODEL 3,14 AND 24 ONLY)
-387	8645700	1	.	.	.	. PLENUM ASM. (MODEL 3,14 AND 24 ONLY-FIELD USE)
-388	1621211	3	.	.	.	. SCREW,PAN HD-M5 X12 LG(MODEL 3,14 AND 24 ONLY)
-389	1622305	3	.	.	.	. WASHER,FL-M5,10 OD X1 THK(MODEL 3,14 AND 24 ONLY)
-389A	1806798	1	.	.	.	. . JUMPER ASM.
-389B	1621210	1	.	.	.	. . SCREW,PAN HD-M5 X 10 LG
-389C	1622347	1	.	.	.	. . LOCKWASHER,EXT STAR-M5, 10 OD X 0.6 THK
-389D	5578666	1	.	.	.	. . SENSOR, AIR FLOW
-389E	1622344	1	.	.	.	. . LOCKWASHER,EXT STAR,M3 X 0.4 THK
-389F	1621171	1	.	.	.	. . SCREW, PAN HD-M3 X 8 LG
-390	8645576	1	.	.	.	. . PLATE
-391	8645625	1	.	.	.	. . SWITCH
-392	10170	2	.	.	.	. . SCREW,BD HD,6-32 X0.250 LG
-392A	8645583	22	.	.	.	. NOZZLE,AIR
-393	5579152	1	.	.	.	. BUS BAR ASM (MODEL 3,14 AND 24 ONLY)
-393A	2637668	2	.	.	.	. . TIE CABLE
-394	1621545	8	.	.	.	. SCREW,HEX HD,M8 X 20 LG(MODEL 3,14 AND 24 ONLY)
-395	1622321	8	.	.	.	. WASHER,LOCK SPL M8,14.8 OD X 2 T (MOD 3,14 AND 24)
-396	401434	4	.	.	.	. PLATE,BUS BAR (MODEL 3,14 AND 24 ONLY)
-397	1621545	20	.	.	.	. SCREW,HEX HD,M8 X 20 LG(MODEL 3,14 AND 24 ONLY)
-398	174330	12	.	.	.	. WASHER (MODEL 3,14 AND 24 ONLY)
-399	1726328	12	.	.	.	. WASHER, DISH SPRING(MODEL 3,14 AND 24 ONLY)
-400	8645811	1	.	.	.	. JUMPER ASM. (MODEL 3,14 AND 24 ONLY)
-401	1621228	1	.	.	.	. SCREW (MODEL 3,14 AND 24 ONLY)
-402	1622306	1	.	.	.	. WASHER,FL,M6- 12.5 OD X 2 THK(MODEL 3,14 AND 24 ONLY)
-403	401416	1	.	.	.	. SHIELD (MODEL 3,14 AND 24 ONLY)
-404	1621230	2	.	.	.	. SCREW,PAN HD-M6 X 12 LG (MODEL 3,14 AND 24 ONLY)
-405	8645817	1	.	.	.	. SHIELD (MODEL 3,14 AND 24 ONLY)
-406	1673984	3	.	.	.	. SCREW (MODEL 3,14 AND 24 ONLY)
-407	NO NO	1	.	.	.	. BOARD ASSEMBLY(MODEL 3,14 AND 24 ONLY)
-408	840667	4	.	.	.	. . HANDLE
-409	1622304	8	.	.	.	. . WASHER,FL- M4 9 OD X 0.8 THK
-410	1622318	8	.	.	.	. . WASHER,SPRING-M4 9.2 OD X 1.2 THK
-411	1673725	8	.	.	.	. . SCREW
-412	1806827	1	.	.	.	. . LABEL,BOARD REMOVAL/REPLACEMENT
-413	840673	1	.	.	.	. . LABEL,CAUTION WEIGHT
-414	6819154	1	.	.	.	. . COVER ASSEMBLY
-415	1621597	4	.	.	.	. . SCREW,HEX HD- M6 X 20MM LG
-416	1622348	4	.	.	.	. . LOCKWASHER,EXT STAR- M6 11 X 0.7 THK
-417	6819155	AR	.	.	.	. . HOUSING,SPRING
-418	1621511	AR	.	.	.	. . SCREW,HEX SOC HD-M4 X 12 LG
-419	1622304	AR	.	.	.	. . WASHER,FL- M4 9 OD X 0.8 THK
-420	1622318	AR	.	.	.	. . WASHER,SPRING-M4 9.2 OD X 1.2 THK
-421	6819156	AR	.	.	.	. . ARM,BAIL
-422	6819157	AR	.	.	.	. . LATCH,BAIL
-423	1621512	AR	.	.	.	. . SCREW,HEX SOC HD- M4 X 16MM LG
-424	1622304	AR	.	.	.	. . WASHER,FL- M4 9 OD X 0.8 THK
-425	1622318	AR	.	.	.	. . WASHER,SPRING-M4 9.2 OD X 1.2 THK
-426	NO NO.	AR	.	.	.	. . MODULE ASSEMBLY
-427	8645613	2	.	.	.	. . BRACKET
-428	1621545	8	.	.	.	. . SCREW,MACH HEX HD-M8 X 20 LG
-429	1622321	8	.	.	.	. . WASHER,LOCK-SPLIT,M8 14.8 OD X 2 THK
-430	2513269	1	.	.	.	. CLAMP,CABLE
-430	6000421	1	.	.	.	. CLAMP,CABLE(USED IN BRAZIL ONLY)

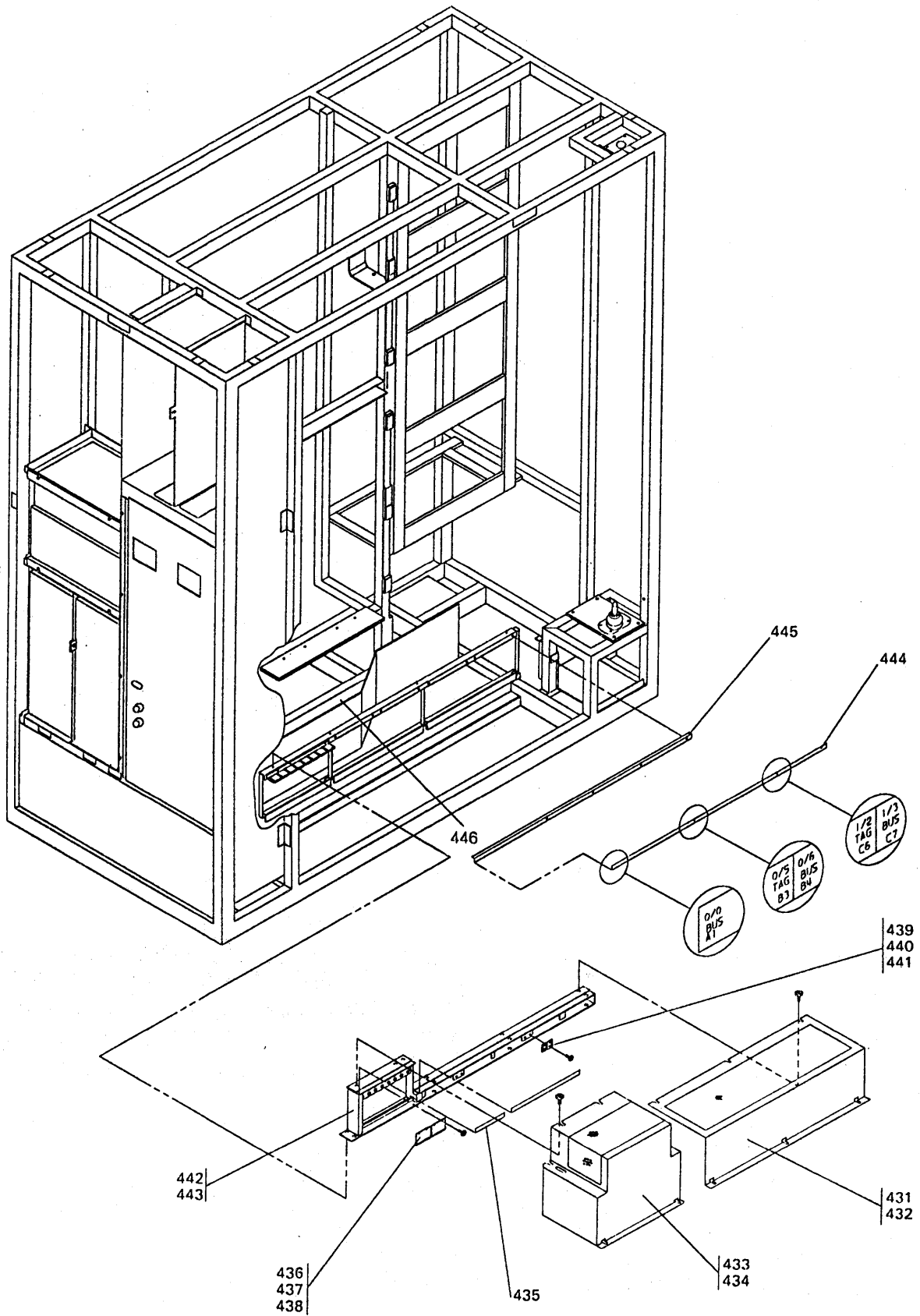


FIGURE 3. FINAL ASSEMBLY. SHEET 12 OF 12. INDEX NOS. 431-445. SEE LIST 3.

FINAL ASSEMBLY

FIGURE INDEX NUMBER	PART NUMBER	UNITS PER ASM	1 2 3 4				DESCRIPTION
3 -431	89X3372	1	.	.	.	.	COVER (24 CHANNEL FEATURE ONLY)
-432	1673984	4	.	.	.	.	SCREW (24 CHANNEL FEATURE ONLY)
-433	89X3371	1	.	.	.	.	COVER (24 CHANNEL FEATURE ONLY)
-434	1673984	6	.	.	.	.	SCREW (24 CHANNEL FEATURE ONLY)
-435	89X3370	1	.	.	.	.	LABEL (24 CHANNEL FEATURE ONLY)
-436	401466	4	.	.	.	.	SPRING (24 CHANNEL FEATURE ONLY)
-437	401467	4	.	.	.	.	PLATE (24 CHANNEL FEATURE ONLY)
-438	1621198	8	.	.	.	.	SCREW (24 CHANNEL FEATURE ONLY)
-439	89X3368	4	.	.	.	.	PLATE (24 CHANNEL FEATURE ONLY)
-440	89X3369	4	.	.	.	.	SPRING (24 CHANNEL FEATURE ONLY)
-441	1621198	8	.	.	.	.	SCREW (24 CHANNEL FEATURE ONLY)
-442	89X3367	1	.	.	.	.	BRACKET (24 CHANNEL FEATURE ONLY)
-443	1673984	4	.	.	.	.	SCREW (24 CHANNEL FEATURE ONLY)
-444	89X3375	1	.	.	.	.	LABEL,1-18 CHANNEL (24 CHANNEL FEATURE ONLY)
-444	10F6418	1	.	.	.	.	LABEL,1-12 CHANNEL (24 CHANNEL FEATURE ONLY)
-445	89X3380	1	.	.	.	.	BRACKET
-446	4435637	1	.	.	.	.	SEAL,CABLE - 1065MM LONG (24 CHANNEL FEATURE ONLY) SPECIFY LENGTH WHEN ORDERING

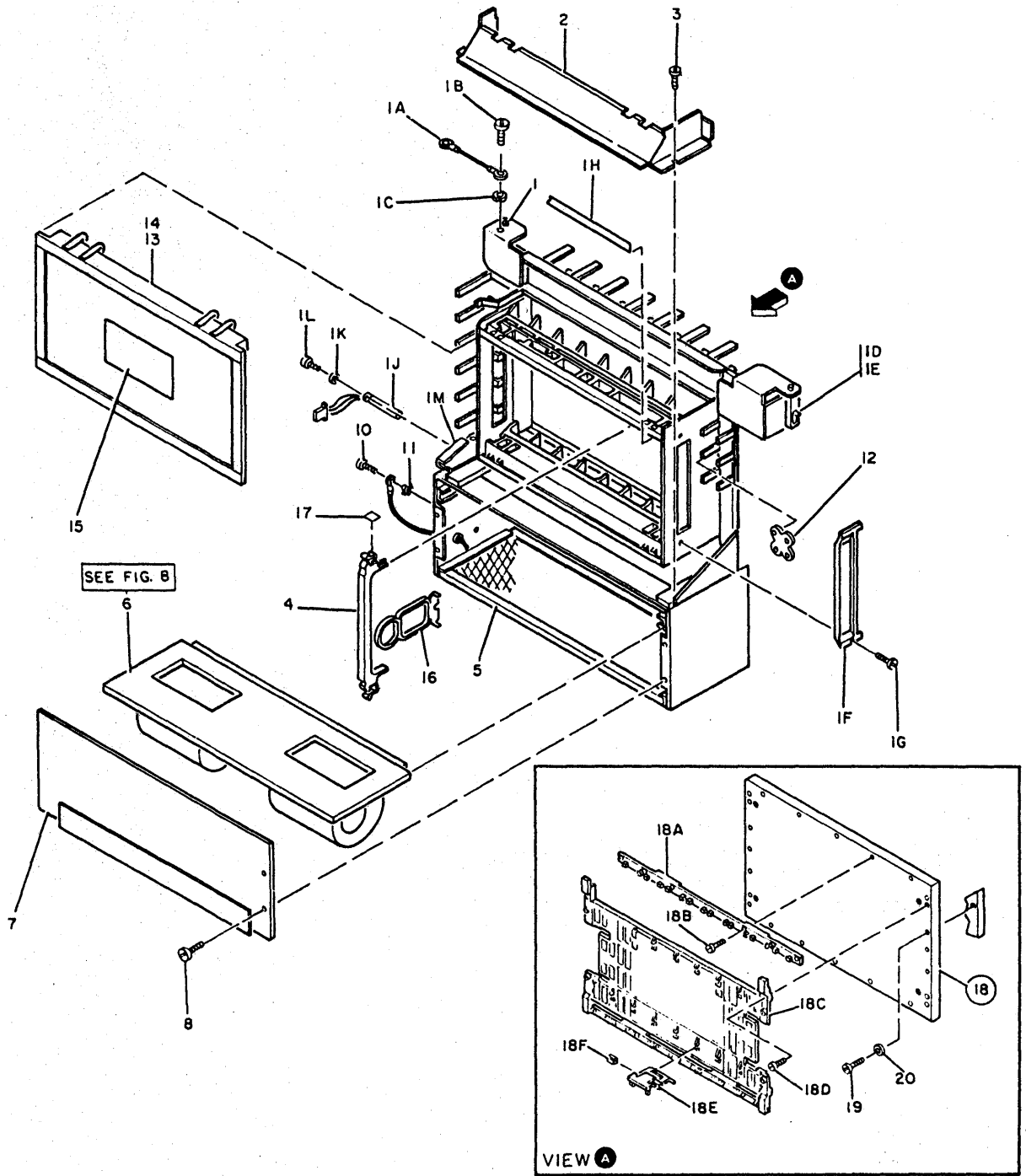


FIGURE 4. GATE ASSEMBLY-(MODEL 3,14 AND 24 ONLY). SEE LIST 4.



GATE ASSEMBLY - MODEL 3,14 AND 24 ONLY

FIGURE INDEX NUMBER	PART NUMBER	UNITS PER ASM	DESCRIPTION			
			1	2	3	4
4	4143559					GATE ASSEMBLY - 60 HZ
	4143551					GATE ASSEMBLY - 50 HZ FOR NEXT HIGHER ASM SEE FIGURE 3-104A FOR ILLUSTRATION SEE FIGURE 4
- 1	1806817	1				. GATE ASM.
- 1A	1806798	1				. . JUMPER ASSEMBLY,GROUND
- 1B	1673983	1				. . SCREW,PAN HD-M5 X 6 LG
- 1C	1622347	1				. . LOCKWASHER,EXT STAR-M5, 10 OD X 0.6
- 1D	2172092	1				. . LATCH
- 1E	10170	2				. . SCREW,BD HD- 6-32 X 0.250 LG
- 1F	1953319	2				. . COVER
- 1G	1621846	4				. . SCREW,SELF TAP PAN HD-M3 X 10 LG
- 1H	5665963	1				. . LABEL
- 1J	5578666	1				. . SENSOR,AIR FLOW
- 1K	1622344	1				. . LOCKWASHER,EXT STAR- M3 X0.4 THK
- 1L	1621171	1				. . SCREW,PAN HD- M3 X 8 LG
- 1M	4435637	1				. . SEAL,120MM LG(SPECIFY LENGTH WHEN ORDERING)
- 2	10F6419	1				. BAFFLE ASM.-AIR
- 3	1673984	2				. SCREW
- 4	1953110	5				. BRACKET, INTERMIX
- 5	8645608	1				. FILTER
- 6	8644936	1				. BLOWER ASM.-60 HZ.
- 6	8645456	1				. BLOWER ASM.-50 HZ.
						FOR DETAIL BREAKDOWN SEE FIGURE 8.
- 7	8645698	1				. COVER
- 8	1621191	4				. SCREW,PAN HD-M4 X10 LG
- 10	1621190	1				. SCREW,PAN HD-M4 X8 LG
- 11	1622346	1				. LOCKWASHER,EXT STAR-M4,8 OD X .5
- 12	813519	7				. RETAINER, CABLE
- 13	8483816	3				. PLUG,DUMMY
- 14	1953222	1				. COVER
- 15	1953083	1				. LABEL,COVER REMOVAL
- 16	1802706	AR				. EXTENDER,CABLE
- 17	818579	5				. LABEL
- 18	NO NO.	1				. BOARD ASSEMBLY, 01BA1
- 18A	5665975	2				. . RAIL
- 18B	2457745	4				. . SCREW
- 18C	1953162	1				. . BACKCOVER
- 18D	1953318	4				. . SCREW
- 18E	5665962	10				. . LATCH
- 18F	401445	2				. . RETAINER
- 19	2457745	6				. SCREW
- 20	22066	6				. WASHER, 0.140 ID X 0.281 OD

FOR PARTS  
NOT SHOWN  
SEE FIG. 3  
SHEET 2

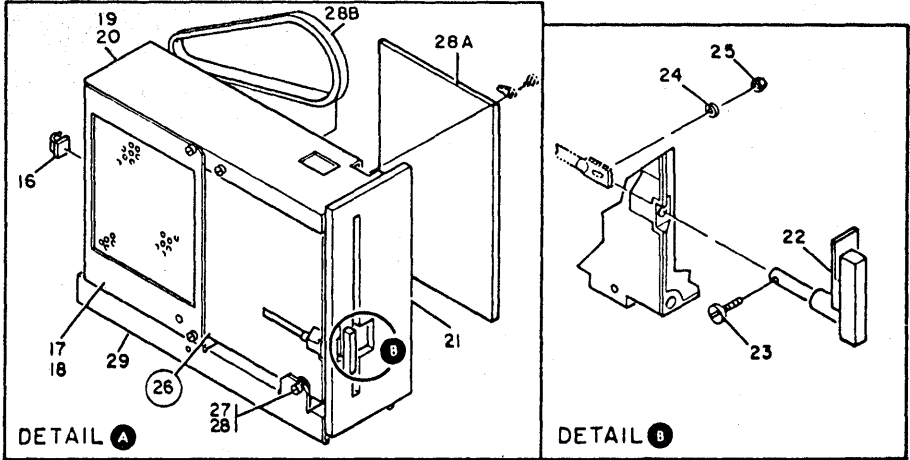
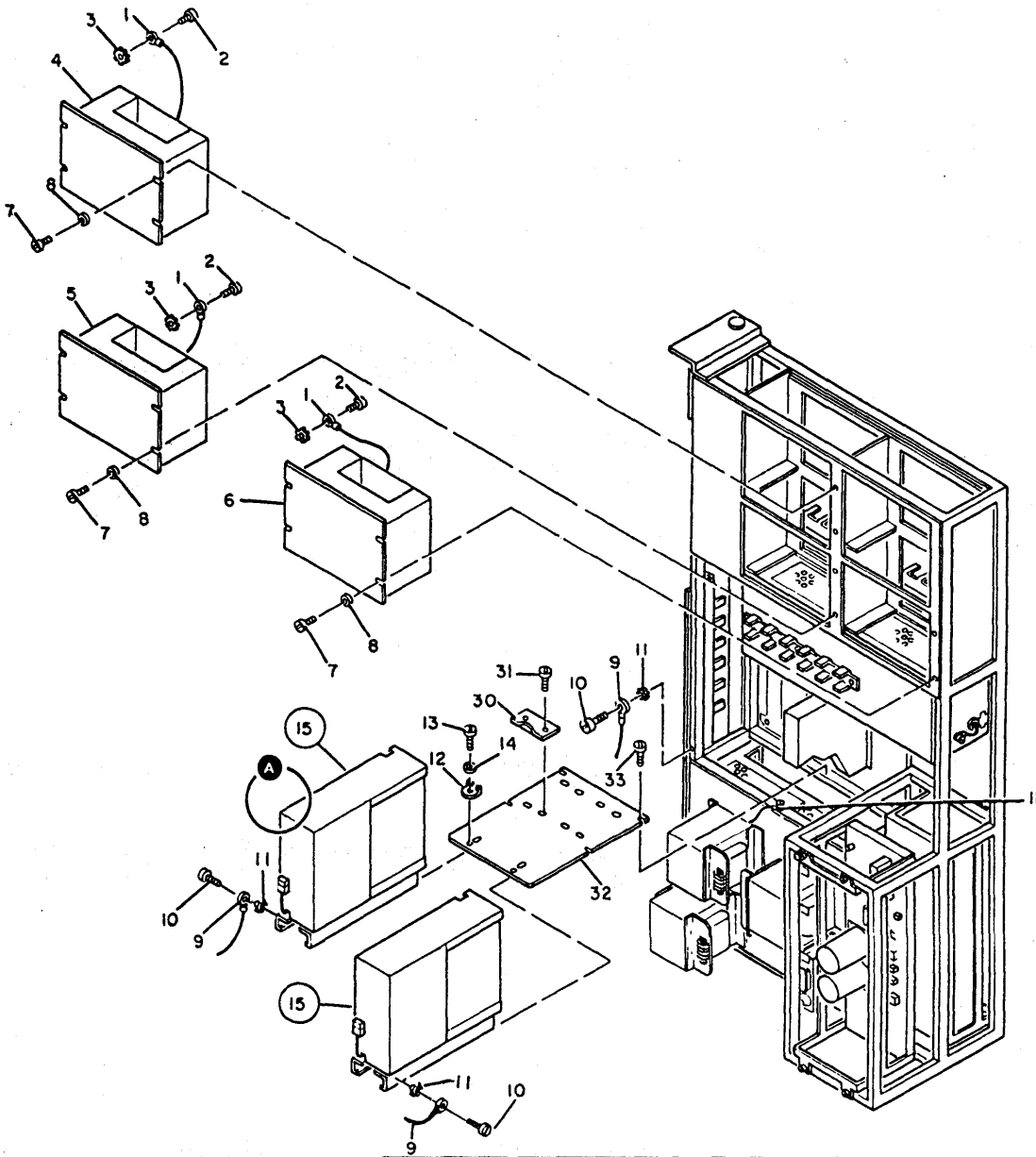


FIGURE 5. POWER GATE ASSEMBLY. SHEET 1 OF 4. INDEX NOS. 1-33. SEE LIST 5.

POWER GATE ASSEMBLY

FIGURE INDEX NUMBER	PART NUMBER	UNITS PER ASM	DESCRIPTION			
			1	2	3	4
5 -	8644908	NP	REF	POWER GATE ASSEMBLY FOR NEXT HIGHER ASM SEE FIGURE 3-104 FOR ILLUSTRATION SEE FIGURE 5		
- 1	8645345		4	. GROUND STRAP		
- 2	1673983		6	. SCREW,PAN HD- M5 X 6 LG		
- 3	1622347		6	. LOCKWASHER EXT STAR- M5, 10 OD X .6		
- 4	4494200		1	. POWER SUPPLY PS109		
- 5	4494250		1	. POWER SUPPLY PS108-1ST SOURCE		
- 5	4494350		1	. POWER SUPPLY PS108- 0-8 MEG 2ND SOURCE		
- 5	4494200		1	. POWER SUPPLY PS108- 12-16 MEG 2ND SOURCE		
- 6	4494225		1	. POWER SUPPLY PS107		
- 7	1621210		16	. SCREW,PAN HD- M5 X 10 LG		
- 8	1622306		16	. WASHER,FLAT,M6- 12.5 OD X 2 THK		
- 9	1806798		2	. GROUND STRAP		
- 10	1673983		4	. SCREW,PAN HD- M5 X 6 LG		
- 11	1622347		4	. LOCKWASHER EXT STAR- M5, 10 OD X .6		
- 12	1806769		2	. BRACKET		
- 13	1621190		2	. SCREW,PAN HD- M4 X 8 LG		
- 14	1622318		2	. WASHER,SPRING-M4 9.2 OD X 1.2 THK		
- 15	8644925	NP	2	. FILE ASSEMBLY- 60HZ		
- 15	8644924	NP	2	. FILE ASSEMBLY- 50HZ		
- 16	2596291		1	. . CLAMP		
- 17	8645650		1	. . COVER		
- 18	1621170		5	. . SCREW,PAN HD- M3 X L 6-		
- 19	8645657		1	. . BRACKET		
- 20	1621190		2	. . SCREW,PAN HD- M4 X 8 LG		
- 21	5267830		1	. . BEZEL		
- 22	1806797		1	. . HANDLE		
- 23	1621183		1	. . SCREW		
- 24	1622317		1	. . WASHER,SPRING-M3.5 6.7 OD X 0.8 THK		
- 25	1622402		1	. . NUT,DBL CHAMFERED HEX-M 3.5 X 2.8 THK		
- 26	4240517		1	. . FILE ASM- 60HZ		
- 26	4240513		1	. . FILE ASM- 50HZ		
- 26	6004051		1	. . FILE ASM- 50HZ (FOR BRAZIL ONLY)		
- 27	1621190		4	. . SCREW,PAN HD- M4 X 8 LG		
- 28	1622346		1	. . LOCKWASHER,EXT STAR- M4, 8 OD X .5		
- 28A	4240728		1	. . . CARD ASM		
- 28B	4240604		1	. . . BELT 50HZ		
- 28B	4240605		1	. . . BELT 60HZ		
- 29	8645646		1	. . SLIDE		
- 30	1806767		4	. GUIDE		
- 31	1623742		8	. SCREW		
- 32	1806768		1	. PLATE		
- 33	1673984		4	. SCREW		

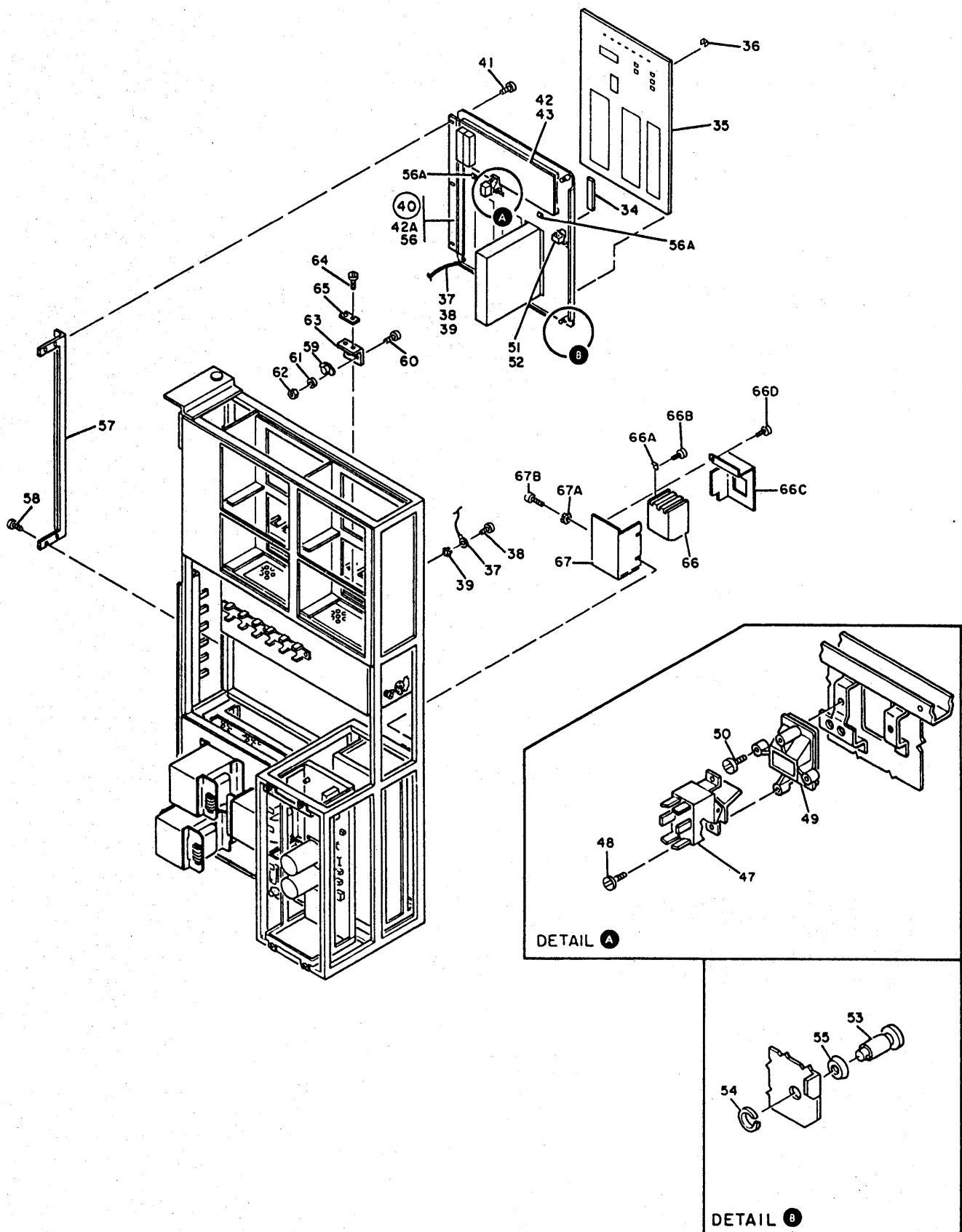


FIGURE 5. POWER GATE ASSEMBLY. SHEET 2 OF 4. INDEX NOS. 34-67B. SEE LIST 5.

POWER GATE ASSEMBLY

FIGURE INDEX NUMBER	PART NUMBER	UNITS PER ASM	1 2 3 4				DESCRIPTION
5 - 34	8645648	1	.	.	.	.	LABEL
- 35	8645796	1	.	.	.	.	LABEL-USA,UK,CANADA
- 35	8645797	1	.	.	.	.	LABEL-GERMAN
- 35	8645799	1	.	.	.	.	LABEL-FRANCE/CANADA
- 35	8645800	1	.	.	.	.	LABEL-ITALIAN
- 35	8645801	1	.	.	.	.	LABEL-SPANISH
- 35	8645798	1	.	.	.	.	LABEL-BRAZILIAN/PORTUGAL
- 36	4494978	5	.	.	.	.	BEZEL
- 37	1806798	1	.	.	.	.	GROUND STRAP
- 38	1673983	2	.	.	.	.	SCREW,PAN HD- M5 X 6 LG
- 39	1622347	2	.	.	.	.	LOCKWASHER EXT STAR- M5, 10 OD X .6
- 40	8645137	1	.	.	.	.	SERVICE PANEL ASSEMBLY
- 41	1621210	3	.	.	.	.	SCREW,PAN HD- M5 X 10 LG
- 42	256530	1	.	.	.	.	CARD ASSEMBLY
- 42A	401468	1	.	.	.	.	INSULATOR
- 43	1621190	6	.	.	.	.	SCREW,PAN HD- M4 X 8 LG
- 47	4521305	1	.	.	.	.	SWITCH
- 48	1621182	2	.	.	.	.	SCREW,PAN HD-M3.5 X 8 LG
- 49	4521357	1	.	.	.	.	HOUSING
- 50	1621172	2	.	.	.	.	SCREW,PAN HD- M3 X 10 LG
- 51	740513	1	.	.	.	.	SWITCH
- 52	1621190	2	.	.	.	.	SCREW,PAN HD- M4 X 8 LG
- 53	312568	2	.	.	.	.	STUD
- 54	312575	2	.	.	.	.	RING
- 55	312573	2	.	.	.	.	GROMMET
- 56	8645188	1	.	.	.	.	PANEL
- 56A	825557	2	.	.	.	.	CLAMP,CABLE
- 56A	6000421	2	.	.	.	.	CLAMP,CABLE(USED IN BRAZIL ONLY)
- 57	8645857	1	.	.	.	.	BRACKET
- 58	1621210	4	.	.	.	.	SCREW,PAN HD- M5 X 10 LG
- 59	312571	2	.	.	.	.	RECEPTACLE
- 60	1621286	4	.	.	.	.	SCREW-MACH FLAT HD,M3 X 8 LG
- 61	1622316	4	.	.	.	.	WASHER,SPRING-M3 6.2 OD X 0.8 THK
- 62	1622401	4	.	.	.	.	NUT,DBL CHAMFERED HEX M3 X 2.4 THK
- 63	8645855	2	.	.	.	.	BRACKET
- 64	1621210	4	.	.	.	.	SCREW,PAN HD- M5 X 10 LG
- 65	8645856	2	.	.	.	.	PLATE
- 66	2745127	1	.	.	.	.	CIRCUIT PROTECTOR-C.P.2
- 66A	4494999	1	.	.	.	.	CLAMP
- 66B	1621172	2	.	.	.	.	SCREW,PAN HD-M3 X 10 LG
- 66C	401495	1	.	.	.	.	SHIELD
- 66D	1621170	3	.	.	.	.	SCREW,PAN HD-M3 X 6 LG
- 67	401494	1	.	.	.	.	BRACKET,CP-2
- 67A	1622348	1	.	.	.	.	LOCKWASHER,EXT STAR-M6 11 OD X 0.7 THK
- 67B	1621210	3	.	.	.	.	SCREW,PAN HD-M5 X 10 LG

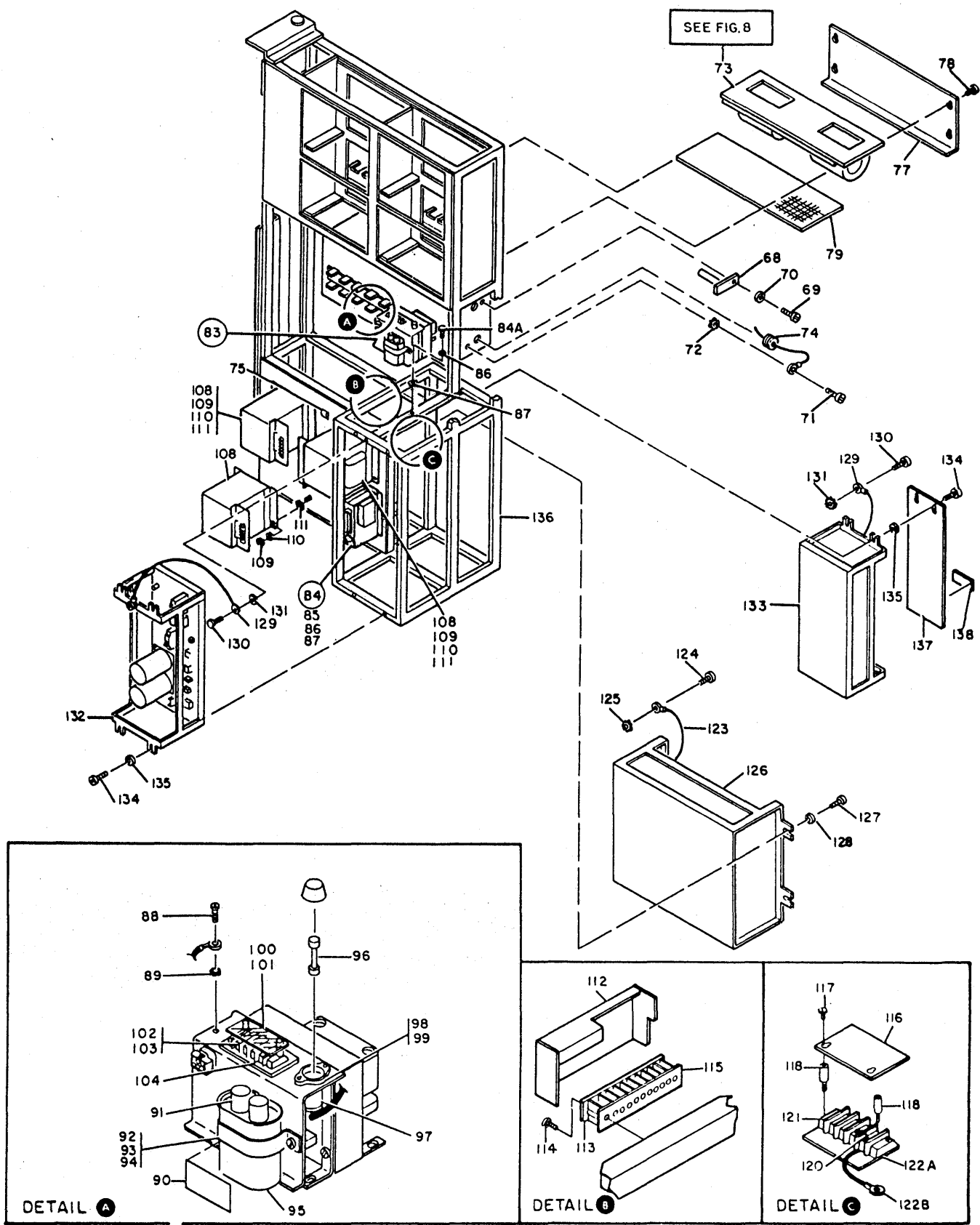


FIGURE 5. POWER GATE ASSEMBLY. SHEET 3 OF 4. INDEX NOS. 68-111. SEE LIST 5.

POWER GATE ASSEMBLY

FIGURE INDEX NUMBER	PART NUMBER	UNITS PER ASM	DESCRIPTION			
			1	2	3	4
5 - 68	5578666	1	.	.	.	SENSOR, AIR FLOW
- 69	1621171	1	.	.	.	SCREW, PAN HD- M3 X 8 LG
- 70	1622344	1	.	.	.	LOCKWASHER, EXT STAR- M3 X 294 THK
- 71	1621190	1	.	.	.	SCREW, PAN HD- M4 X 8 LG
- 72	1622346	1	.	.	.	LOCKWASHER, EXT STAR- M4, 8 OD X .5
- 73	8644936	1	.	.	.	BLOWER ASSEMBLY-DUPLEX II, 60HZ
- 73	8645456	1	.	.	.	BLOWER ASSEMBLY-DUPLEX II, 50HZ
						FOR DETAIL BREAKDOWN SEE FIGURE 8
- 74	53193	1	.	.	.	GROMMET
- 75	2513269	1	.	.	.	CLAMP, CABLE
- 75	6000421	1	.	.	.	CLAMP, CABLE(USED IN BRAZIL ONLY)
- 77	8645698	1	.	.	.	COVER
- 78	1621191	4	.	.	.	SCREW, PAN HD- M4 X 10 LG
- 79	8645608	1	.	.	.	FILTER
- 83	4494290	1	.	.	.	TRANSFORMER ASM-TR102, 60HZ
- 83	2722845	1	.	.	.	TRANSFORMER ASM-TR102, 50HZ
- 84	4494300	1	.	.	.	TRANSFORMER ASM-TR103, 60HZ
- 84	2722846	1	.	.	.	TRANSFORMER ASM-TR103, 50HZ
- 84A	1621595	4	.	.	.	SCREW, HEX HD-M6 X 12 LG
- 85	1622405	4	.	.	.	NUT, HEX-M6 X 10 FL W
- 86	1622306	8	.	.	.	WASHER, FLAT, M6- 12.5 OD X 2 THK
- 87	1622348	2	.	.	.	LOCKWASHER, EXT STAR- M6 11 OD X .7
- 88	1621079	1	.	.	.	SCREW, SLOTTED CHEESE HD-M5
- 89	1622347	1	.	.	.	LOCKWASHER EXT STAR- M5, 10 OD X .6
- 90	8483959	1	.	.	.	LABEL-USED ON 60HZ TRANSFORMERS
- 90	4120650	1	.	.	.	LABEL-USED ON 50HZ TRANSFORMERS
- 91	4494306	2	.	.	.	INSULATOR-USED ON 60HZ TRANSFORMERS
- 91	6003847	2	.	.	.	INSULATOR-60HZ(TR102-BRAZIL ONLY)
- 91	6003848	2	.	.	.	INSULATOR-60HZ(TR103-BRAZIL ONLY)
- 91	2722507	1	.	.	.	INSULATOR-USED ON 50HZ TRANSFORMERS
- 92	1310297	1	.	.	.	CLAMP-USED ON 60HZ TRANSFORMERS
- 92	6004664	1	.	.	.	CLAMP-60HZ(TR102-BRAZIL ONLY)
- 92	4120491	1	.	.	.	CLAMP-60HZ(TR103-BRAZIL ONLY)
- 92	4120493	1	.	.	.	CLAMP-USED ON 50HZ TRANSFORMERS
- 93	1621191	2	.	.	.	SCREW, PAN HD- M4 X 10 LG
						USED ON 60HZ TRANSFORMERS
- 93	1621197	2	.	.	.	SCREW, PAN HD-M4 X 6 LG
						USED ON 50HZ TRANSFORMERS
- 94	1622318	2	.	.	.	WASHER, SPRING-M4 9.2 OD X 1.2 THK
						USED ON 60HZ TRANSFORMERS ONLY
- 95	5252840	1	.	.	.	CAPACITOR- 60HZ TR102
- 95	6004608	1	.	.	.	CAPACITOR- 60HZ TR102(BRAZIL ONLY)
- 95	4120826	1	.	.	.	CAPACITOR- 50HZ TR102
- 95	6814312	1	.	.	.	CAPACITOR- 60HZ TR103
- 95	6004609	1	.	.	.	CAPACITOR- 60HZ TR103(BRAZIL ONLY)
- 95	4120825	1	.	.	.	CAPACITOR- 50HZ TR103
- 96	107664	1	.	.	.	FUSE, 3.2A USED ON TR102
- 96	107665	1	.	.	.	FUSE, 4.0A USED ON TR103
- 97	8544812	1	.	.	.	INSULATOR, FUSE HOLDER
- 98	92752	1	.	.	.	HOLDER, FUSE
- 99	4432610	2	.	.	.	RIVET, 3.96 DIA
-100	350966	1	.	.	.	SHIELD-USED ON 60HZ TRANSFORMERS
-100	5236656	1	.	.	.	SHIELD-USED ON 50HZ TRANSFORMERS
-101	10170	2	.	.	.	SCREW, BD HD- 6-32 X 0.250 LG
						USED ON 60HZ TRANSFORMERS
-101	1621181	2	.	.	.	SCREW, PAN HEAD-M3.5 X 6 LG
						USED ON 50HZ TRANSFORMERS
-102	317485	1	.	.	.	BLOCK, TERMINAL-USED ON 60HZ TRANSFORMERS
-102	317310	1	.	.	.	BLOCK, TERMINAL-USED ON 50HZ TRANSFORMERS
-103	210883	2	.	.	.	STUD-USED ON 60HZ TRANSFORMERS
-103	4120570	2	.	.	.	STUD-USED ON 50HZ TRANSFORMERS
-104	322280	1	.	.	.	STRIP, MARKER-USED ON 60HZ TRANSFORMERS
-104	4120303	1	.	.	.	STRIP, MARKER-USED ON 50HZ TRANSFORMERS
-108	4494307	3	.	.	.	TRANSFORMER ASM-TR104A, TR104B & TR104C
						USED ON WORLD TRADE ONLY(50HZ ONLY)
-109	1622405	12	.	.	.	NUT, HEX-M6 X 10 FL W
-110	1622306	12	.	.	.	WASHER, FLAT, M6- 12.5 OD X 2 THK
-111	1622348	3	.	.	.	LOCKWASHER, EXT STAR- M6 11 OD X .7

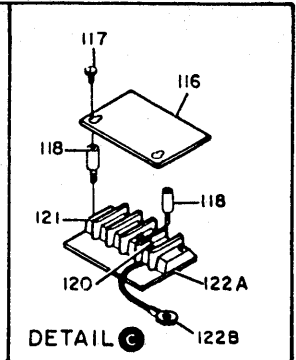
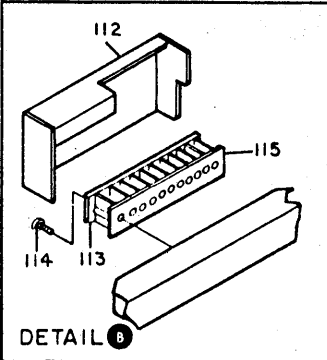
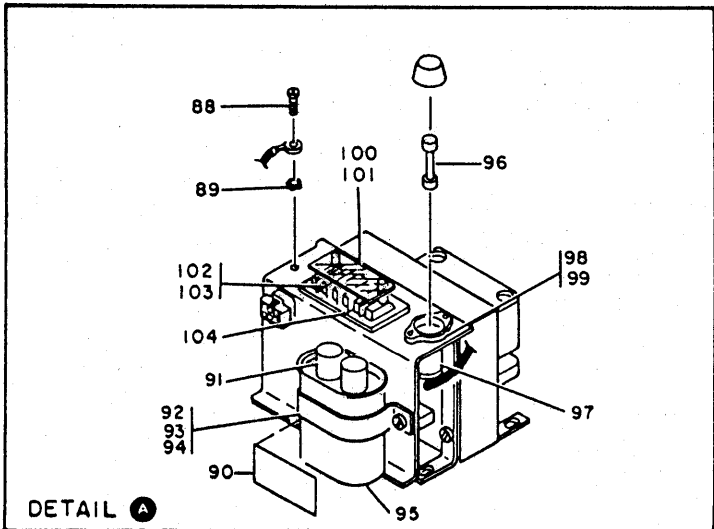
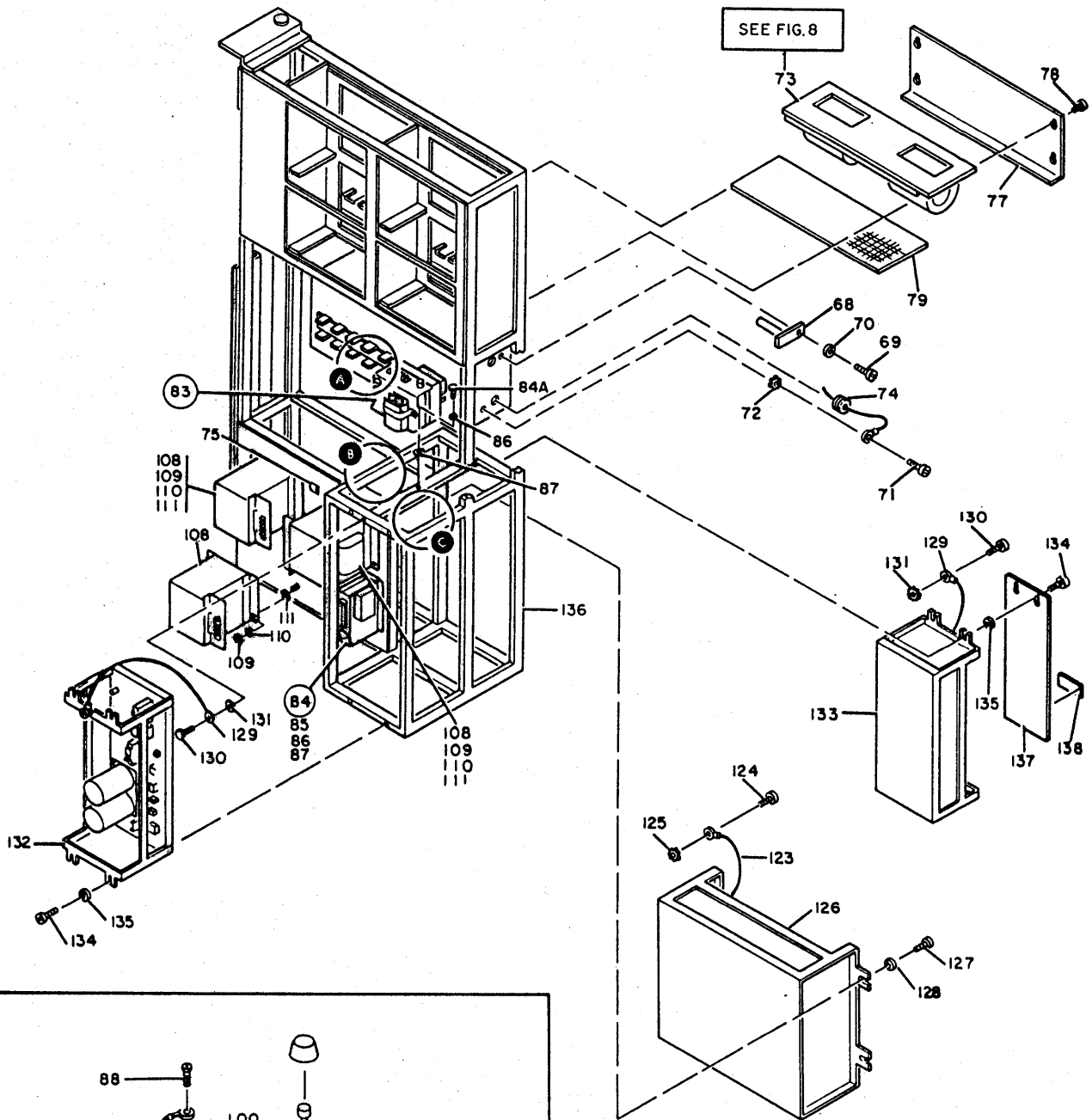


FIGURE 5. POWER GATE ASSEMBLY. SHEET 4 OF 4. INDEX NOS. 112-138. SEE LIST 5.



## POWER GATE ASSEMBLY

FIGURE INDEX NUMBER	PART NUMBER	UNITS PER ASM	DESCRIPTION			
			1	2	3	4
5 -112	401428	1	.	.	.	SHIELD
-113	1799218	1	.	.	.	BLOCK, TERMINAL
-114	1624357	2	.	.	.	SCREW
-115	1799206	1	.	.	.	INSULATOR
-116	350965	1	.	.	.	SHIELD
-117	10170	2	.	.	.	SCREW, BD HD- 6-32 X 0.250 LG
-118	2125898	2	.	.	.	STUD
-120	730468	1	.	.	.	JUMPER-POS 4 TO 5
-121	2101337	1	.	.	.	BLOCK, TERMINAL- 5 POSITION
-122A	2101357	1	.	.	.	STRIP, MARKER
-122B	401411	1	.	.	.	JUMPER ASM.
-123	8645345	1	.	.	.	STRAP, GROUND
-124	1673983	2	.	.	.	SCREW, PAN HD-M5 X 6 LG-BLUE ZINC COATED
-125	1622347	2	.	.	.	LOCKWASHER EXT STAR- M5, 10 OD X .6
-126	4494320	1	.	.	.	POWER SUPPLY-PS102
-127	1621210	4	.	.	.	SCREW, PAN HD- M5 X 10 LG
-128	1622306	4	.	.	.	WASHER, FLAT, M6- 12.5 OD X 2 THK
-129	8645345	2	.	.	.	STRAP, GROUND
-130	1673983	4	.	.	.	SCREW, PAN HD-M5 X 6 LG-BLUE ZINC COATED
-131	1622347	4	.	.	.	LOCKWASHER EXT STAR- M5, 10 OD X .6
-132	4494330	1	.	.	.	POWER SUPPLY, BIAS-PS103
-133	4494310	1	.	.	.	POWER SUPPLY, BIAS-PS101
-134	1621210	8	.	.	.	SCREW, PAN HD- M5 X 10 LG
-135	1622306	8	.	.	.	WASHER, FLAT, M6- 12.5 OD X 2 THK
-136	8645640	1	.	.	.	GATE, POWER
-137	401451	1	.	.	.	SHIELD, SAFETY
-138	5242331	1	.	.	.	LABEL, VOLTAGE PRESENT-ENGLISH AND CANADA
-138	6825819	1	.	.	.	LABEL, VOLTAGE PRESENT-GERMAN AND SWITZERLAND
-138	401529	1	.	.	.	LABEL, VOLTAGE PRESENT-FRENCH, CANADA AND SWITZERLAND
-138	401530	1	.	.	.	LABEL, VOLTAGE PRESENT-FRENCH/DUTCH
-138	401528	1	.	.	.	LABEL, VOLTAGE PRESENT-FINLAND
-138	401531	1	.	.	.	LABEL, VOLTAGE PRESENT-ITALIAN
-138	6825821	1	.	.	.	LABEL, VOLTAGE PRESENT-SPANISH
-138	401533	1	.	.	.	LABEL, VOLTAGE PRESENT-SWEDISH
-138	6815188	1	.	.	.	LABEL, VOLTAGE PRESENT-BRAZILIAN/PORTUGUESE
-138	6825840	1	.	.	.	LABEL, VOLTAGE PRESENT-JAPANESE
-138	401534	1	.	.	.	LABEL, VOLTAGE PRESENT-DENMARK

FOR PARTS  
NOT SHOWN  
SEE FIG. 3  
SHEET 6

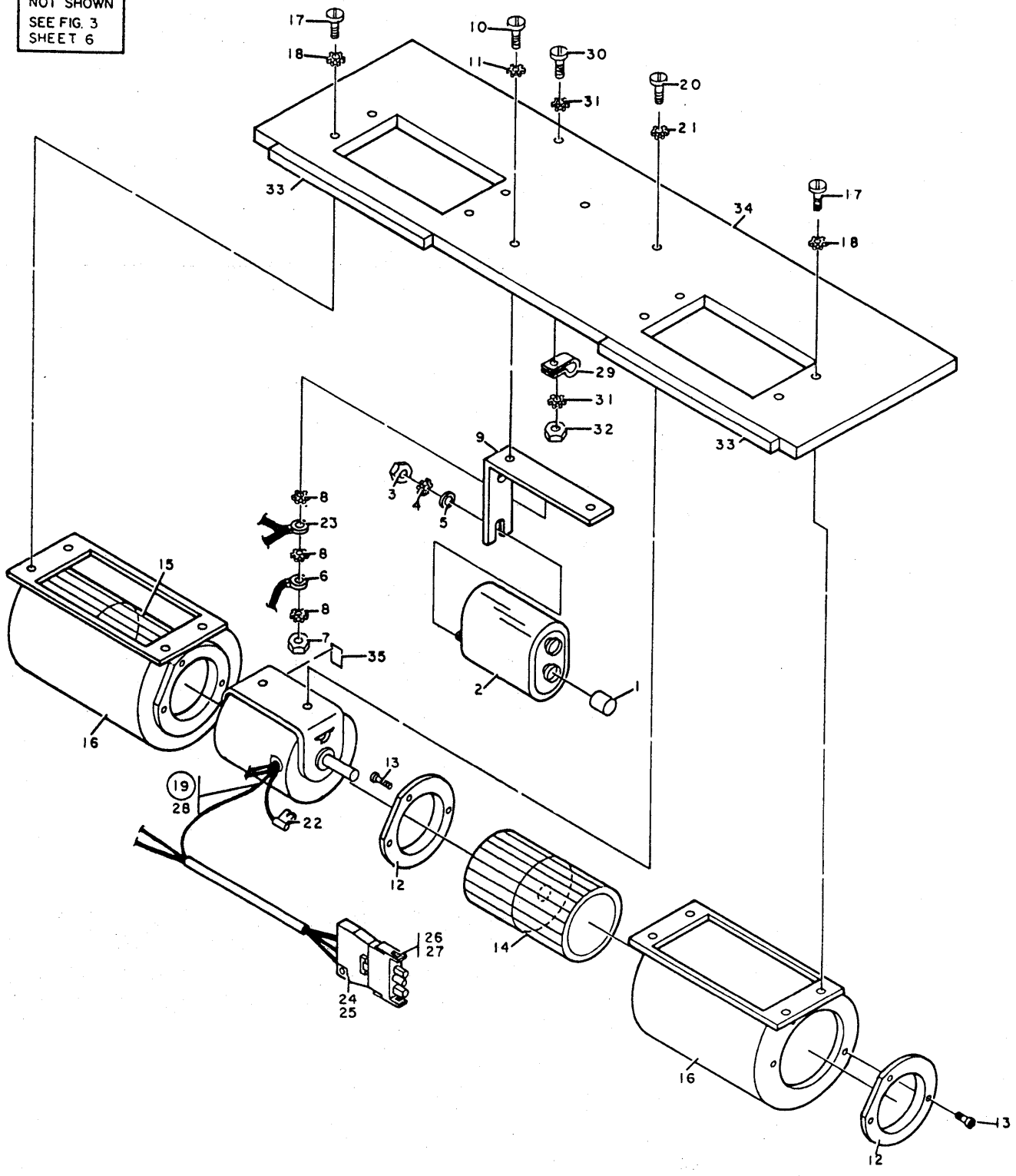


FIGURE 6. BLOWER ASSEMBLY-SUPER DUPLEX II. SEE LIST 6.

BLOWER ASSEMBLY-SUPER DUPLEX II

FIGURE INDEX NUMBER	PART NUMBER	UNITS PER ASM	DESCRIPTION			
			1	2	3	4
6 -	8644938	REF	BLOWER ASSEMBLY-SUPER DUPLEX II, 60HZ			
-	8645454	REF	BLOWER ASSEMBLY-SUPER DUPLEX II, 50HZ			
			FOR NEXT HIGHER ASM SEE FIGURE 3-268			
			FOR ILLUSTRATION SEE FIGURE 6			
- 1	526378	2	. CAP, CAPACITOR (NOT USED IN BRAZIL)			
- 1	6003163	1	. CAP, CAPACITOR (USED IN BRAZIL ONLY)			
- 2	8279078	1	. CAPACITOR (NOT USED IN BRAZIL)			
- 2	6004032	1	. CAPACITOR (USED IN BRAZIL ONLY)			
- 3	11598	2	. NUT, HEX- 10-32 (NOT USED IN BRAZIL)			
- 3	1622403	2	. NUT, HEX- M4 (USED IN BRAZIL ONLY)			
- 4	56079	2	. LOCKWASHER, EXT TEETH- 0.204 ID X 0.410 OD (NOT USED IN BRAZIL)			
- 4	1622346	2	. LOCKWASHER, EXT STAR, M4 (USED IN BRAZIL ONLY)			
- 5	45690	2	. WASHER, FL- 0.203 ID X 0.438 OD			
- 6	8645593	1	. JUMPER ASM			
- 7	257187	1	. NUT, HEX- 6-32			
- 8	56722	3	. LOCKWASHER, EXT TEETH NO. 6			
- 9	1573510	1	. BRACKET			
- 10	322065	2	. SCREW, BD HD- 6-32 X 0.625 LG			
- 11	56722	2	. LOCKWASHER, EXT TEETH NO. 6			
- 12	8645577	4	. INLET FLANGE			
- 13	5174643	NR 12	. RIVET- 0.294 LG			
- 14	2561586	1	. WHEEL- 60HZ			
- 14	1573511	1	. WHEEL- 50HZ			
- 15	2561587	1	. WHEEL- 60HZ			
- 15	1573516	1	. WHEEL- 50HZ			
- 16	8645566	2	. SCROLL- 60HZ			
- 16	8645565	2	. SCROLL- 50HZ			
- 17	1621193	8	. SCREW, PAN HD- M4 X 16LG			
- 18	1622346	8	. LOCKWASHER, EXT STAR- M4, 8 OD X .5			
- 19	8645569	1	. MOTOR ASM- 60HZ			
- 20	55918	2	. SCREW, BD HD- 10-32 X 0.625 LG			
- 21	56079	2	. LOCKWASHER, EXT TEETH- 0.204 ID X 0.410 O			
- 22	517913	3	. . TERMINAL			
- 23	483678	1	. . TERMINAL			
- 24	4454591	2	. . STRAIN RELIEF			
- 25	1622535	2	. . SCREW, PAN HD-M 3.5			
- 26	4123689	3	. . TERMINAL			
- 27	1847526	1	. . CONNECTOR			
- 28	NO NO.	NP 1	. . MOTOR			
- 29	804109	3	. CLAMP			
- 30	1621194	3	. SCREW, PAN HD-M4 X 20 LG			
- 31	1622346	6	. LOCKWASHER, EXT STAR- M4, 8 OD X .5			
- 32	1622403	3	. NUT, DBL CHAMFERED HEX M4 X 3.2 THK			
- 33	599557	2	. FOAM- 195 LONG			
- 34	8645572	1	. BASEPLATE			
- 35	4240650	1	. LABEL, 400V WARNING			

FOR PARTS  
NOT SHOWN  
SEE FIG. 3  
SHEET 1

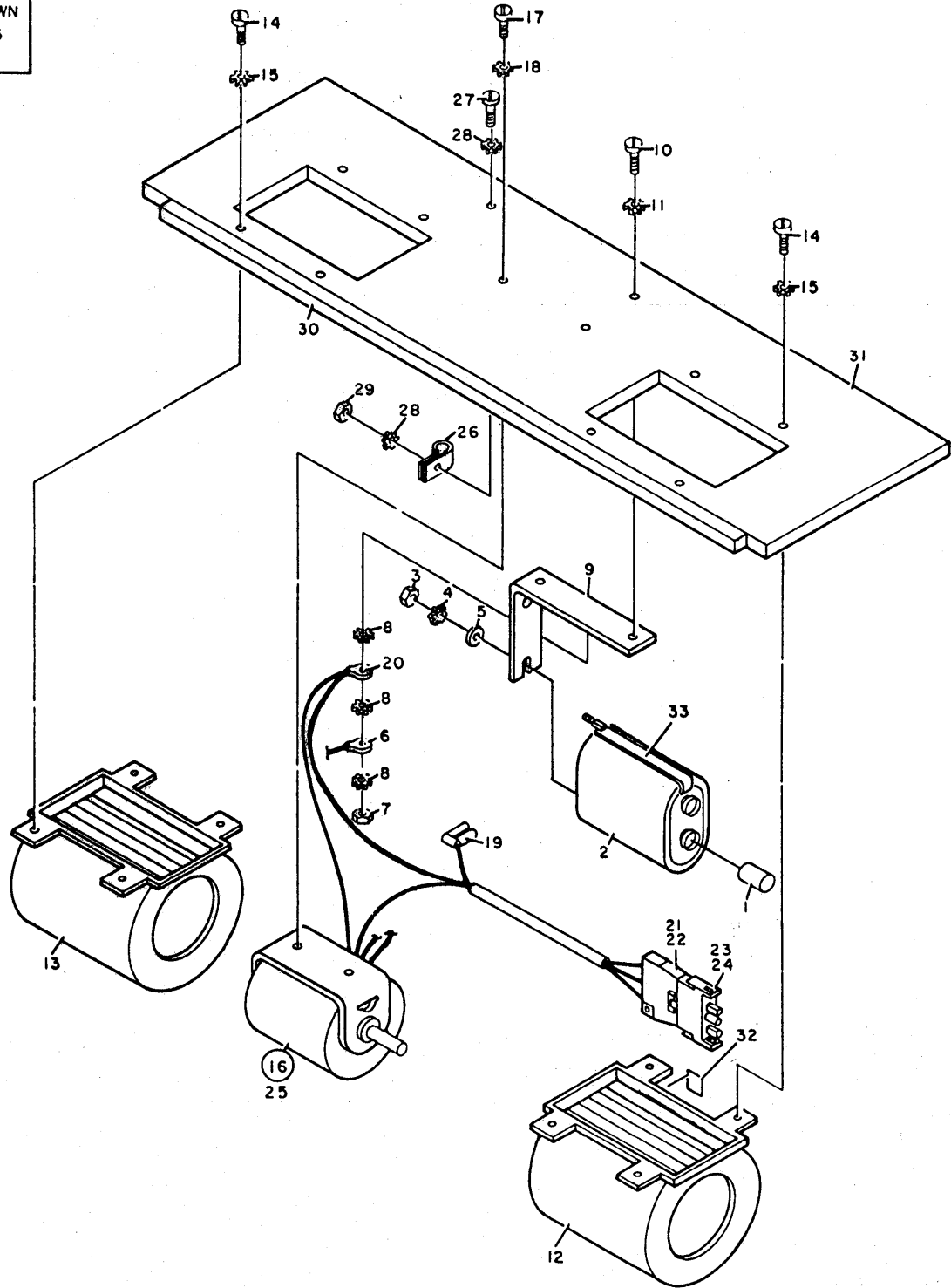


FIGURE 7. BLOWER ASSEMBLY-SUPER DUPLEX I. SEE LIST 7.

BLOWER ASSEMBLY-SUPER DUPLEX I

FIGURE INDEX NUMBER	PART NUMBER	UNITS PER ASM	1 2 3 4	DESCRIPTION
7 -	8644937	REF		BLOWER ASSEMBLY-SUPER DUPLEX I,60HZ
-	8645455	REF		BLOWER ASSEMBLY-SUPER DUPLEX I,50HZ
				FOR NEXT HIGHER ASM SEE FIGURE 3-49
				FOR ILLUSTRATION SEE FIGURE 7
- 1	526378	2		. CAP,CAPACITOR (NOT USED IN BRAZIL)
- 1	6003156	1		. CAP,CAPACITOR- 60HZ (USED IN BRAZIL ONLY)
- 1	6003164	1		. CAP,CAPACITOR- 50HZ (USED IN BRAZIL ONLY)
- 2	5252824	1		. CAPACITOR- 60HZ (NOT USED IN BRAZIL)
- 2	5252828	1		. CAPACITOR- 50HZ (NOT USED IN BRAZIL)
- 2	6004031	1		. CAPACITOR- 60HZ (USED IN BRAZIL ONLY)
- 2	6004033	1		. CAPACITOR- 50HZ (USED IN BRAZIL ONLY)
- 3	11598	2		. NUT,HEX- 10-32 (NOT USED IN BRAZIL)
- 3	1622403	2		. NUT,HEX,M4 (USED IN BRAZIL ONLY)
- 4	56079	2		. LOCKWASHER,EXT TEETH- 0.204 ID X 0.410 O
				(NOT USED IN BRAZIL)
- 4	1622346	2		. LOCKWASHER,EXT STAR,M4 (USED IN BRAZIL ONLY)
- 5	45690	2		. WASHER,FL- 0.203 ID X 0.438 OD
- 6	8645595	1		. GROUND JUMPER
- 7	257187	1		. NUT,HEX- 6-32
- 8	56722	3		. LOCKWASHER,EXT TEETH NO. 6
- 9	1573510	1		. MOUNTING BRACKET (NOT USED ON 50HZ IN BRAZIL)
- 9	6003372	1		. MOUNTING BRACKET (50HZ,BRAZIL ONLY)
- 10	322065	2		. SCREW,BD HD- 6-32 X 0.625 LG
- 11	56722	2		. LOCKWASHER,EXT TEETH NO. 6
- 12	5468387	1		. SCROLL ASM- 60HZ
- 12	2561585	1		. SCROLL ASM- 50HZ
- 13	5468388	1		. SCROLL ASM- 60HZ
- 13	2561584	1		. SCROLL ASM- 50HZ
- 14	322065	8		. SCREW,BD HD- 6-32 X 0.625 LG
- 15	56722	8		. LOCKWASHER,EXT TEETH NO. 6
- 16	8645589	1		. MOTOR AND CONNECTOR ASM- 60HZ
- 16	8645699	1		. MOTOR AND CONNECTOR ASM- 50HZ
- 17	55918	2		. SCREW,BD HD- 10-32 X 0.625 LG
- 18	56079	2		. LOCKWASHER,EXT TEETH- 0.204 ID X 0.410 O
- 19	517913	3		. . TERMINAL
- 20	483678	1		. . TERMINAL
- 21	4454591	2		. . STRAIN RELIEF
- 22	1622535	2		. . SCREW,PAN HD-M 3.5
- 23	4123689	3		. . TERMINAL
- 24	1847526	1		. . CONNECTOR
- 25	NO NO.	1		. . MOTOR
- 26	804109	1		. CLAMP,CABLE
- 27	1621194	1		. SCREW,PAN HD- M4 X 20MM LG
- 28	1622346	2		. LOCKWASHER,EXT- 4.2MM ID,8.5MM OD
- 29	1622403	1		. NUT,HEX HD- M4 X 3.2 THK
- 30	599557	1		. FOAM- 433 LG
- 31	8645571	1		. BASEPLATE
- 32	4240650	1		. LABEL, 400V WARNING
- 33	2676726	2		. CLAMP,CAPACITOR (50HZ ONLY EXCEPT BRAZIL)
- 33	1621194	2		. SCREW,PAN HD,M4 X 20 LG (50HZ, BRAZIL ONLY)

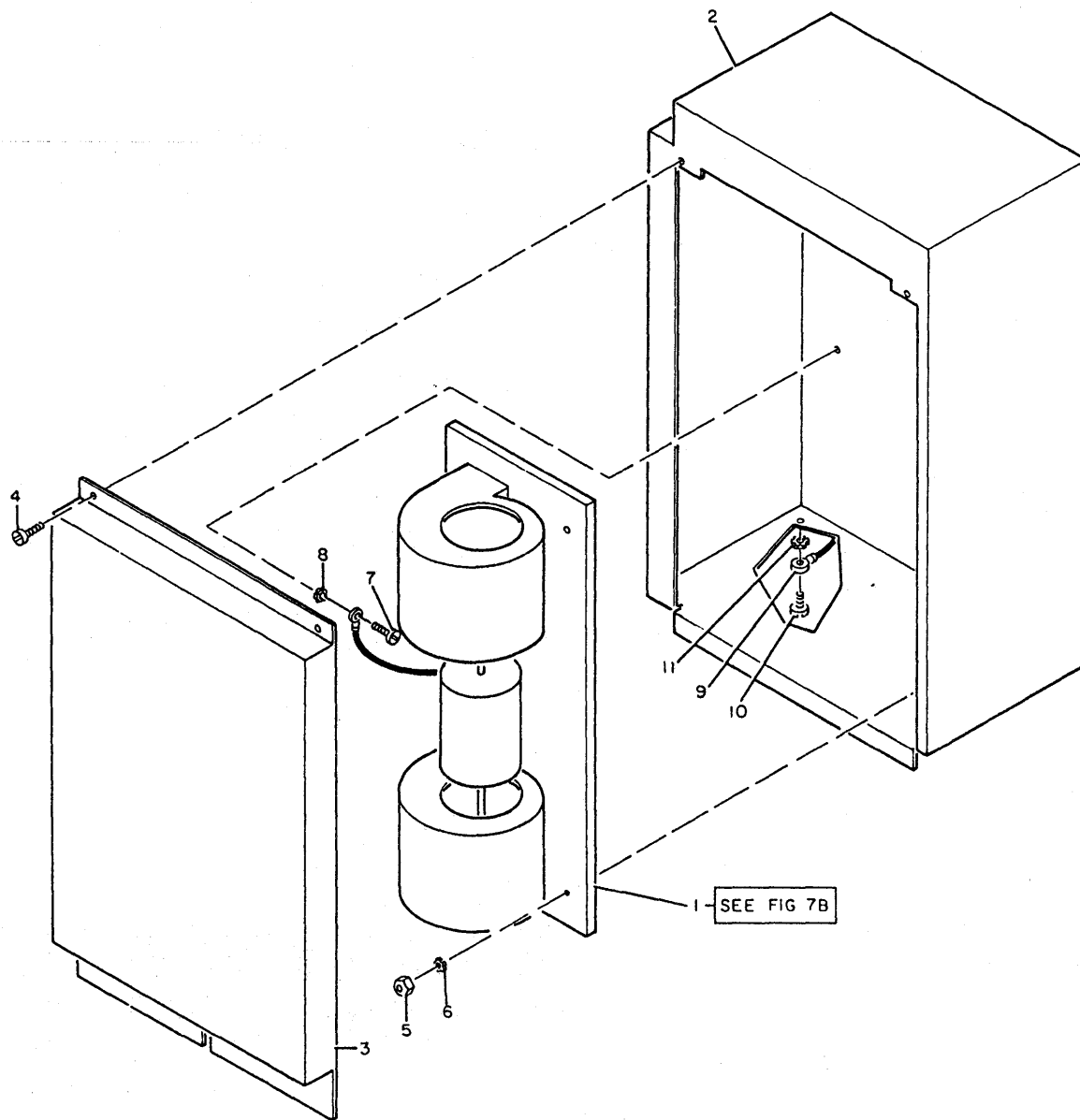


FIGURE 7A. BLOWER ASSEMBLY-MODEL 3 AND 14. SEE LIST 7A.

BLOWER ASSEMBLY - MODEL 3 AND 14 ONLY

FIGURE INDEX NUMBER	PART NUMBER	UNITS PER ASM	DESCRIPTION			
			1	2	3	4
7A-	5579148					BLOWER ASSEMBLY-60 HZ
-	5579155					BLOWER ASSEMBLY-50 HZ
						FOR NEXT HIGHER ASSEMBLY SEE FIGURE 3-40
						FOR ILLUSTRATION SEE FIGURE 7A
- 1	8645132	1	.			BLOWER ASM.-60 HZ.
- 1	8645131	1	.			BLOWER ASM.-50 HZ.
						FOR DETAIL BREAKDOWN SEE FIGURE 7B.
- 2	8645701	1	.			MUFFLER ASM.
- 3	8645702	1	.			COVER ASM.
- 4	1621190	3	.			SCREW,PAN HD-M4 X 8 LG
- 5	1622404	4	.			NUT,DBL CHAMFERED HEX-M5 X 4 T
- 6	1622347	4	.			LOCKWASHER,EXT STAR-M5,10 OD X .6
- 7	1621198	1	.			SCREW,PAN HD-M4 X 4 LG
- 8	1622346	1	.			LOCKWASHER,EXT STAR-M4,8 OD X .5
- 9	8645345	1	.			JUMPER
- 10	1621210	1	.			SCREW,PAN HD-M5 X 10 LG
- 11	1622347	1	.			LOCKWASHER,EXT STAR-M5,10 OD X .6

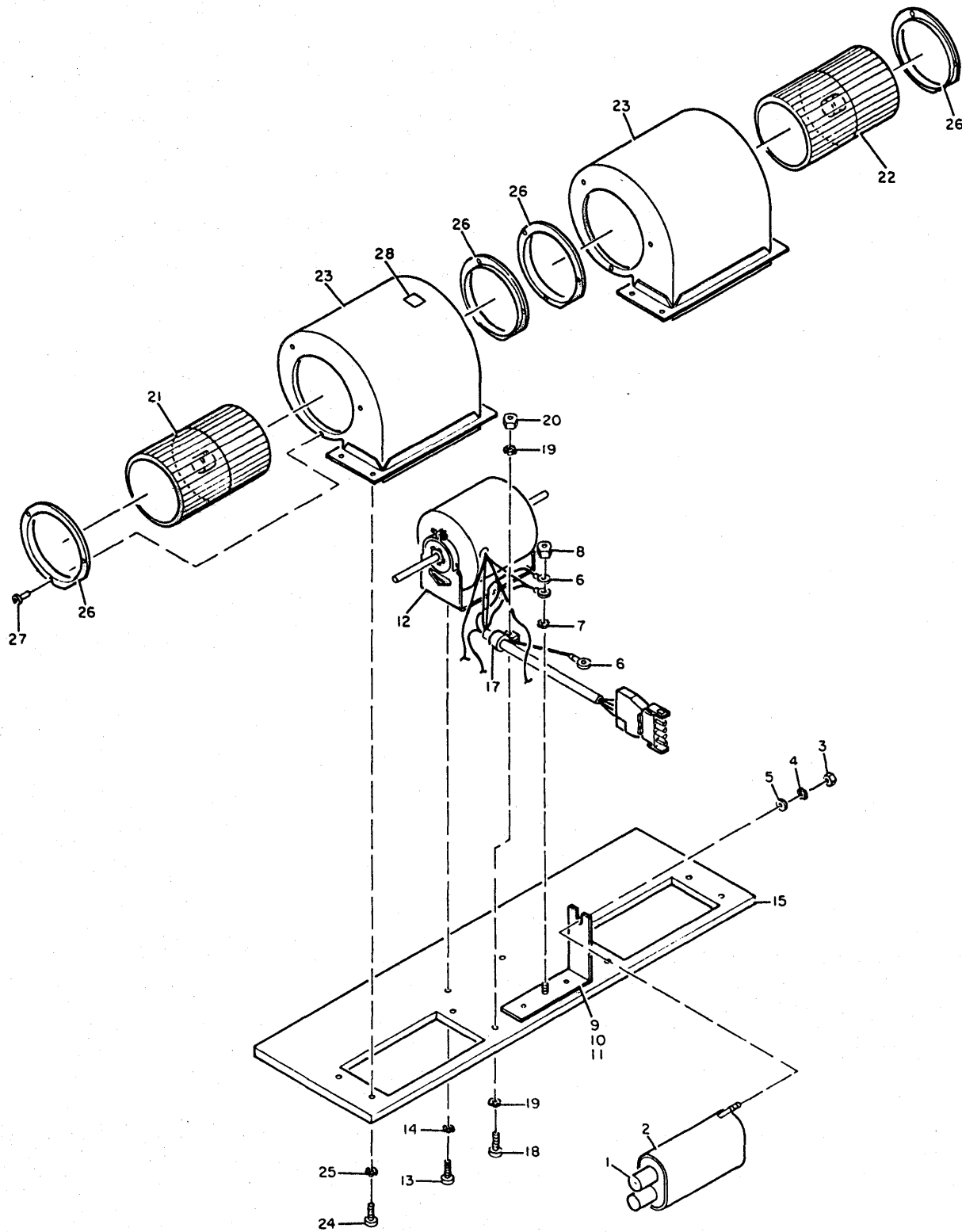


FIGURE 7B. BLOWER ASSEMBLY-SUPER DUPLEX II. SEE FIGURE 7B.



BLOWER ASSEMBLY-SUPER DUPLEX II

FIGURE INDEX NUMBER	PART NUMBER	UNITS PER ASM	DESCRIPTION			
			1	2	3	4
7B-	8645131	REF	BLOWER ASSEMBLY-SUPER DUPLEX II-50 HZ			
-	8645132	REF	BLOWER ASSEMBLY-SUPER DUPLEX II-60 HZ			
			FOR NEXT HIGHER ASSEMBLY SEE FIGURE 7A-1.			
			FOR ILLUSTRATION SEE FIGURE 7B.			
- 1	526378	2	. CAP,CAPACITOR (NOT USED IN BRAZIL)			
- 1	6003163	1	. CAP,CAPACITOR (USED IN BRAZIL ONLY)			
- 2	8279078	1	. CAPACITOR (NOT USED IN BRAZIL)			
- 2	6004032	1	. CAPACITOR (USED IN BRAZIL ONLY)			
- 3	11598	2	. NUT,HEX,10-32 (NOT USED IN BRAZIL)			
- 3	1622403	2	. NUT,HEX,M4 (USED IN BRAZIL ONLY)			
- 4	56079	2	. LOCKWASHER,EXT TEETH-0.204 ID X 0.410 OD (NOT USED IN BRAZIL)			
- 4	1622346	2	. LOCKWASHER,EXT STAR,M4 (USED IN BRAZIL ONLY)			
- 5	45690	2	. WASHER,FL-0.203 ID X 0.438 OD			
- 6	8645596	1	. JUMPER ASSEMBLY,GROUND			
- 7	56722	1	. LOCKWASHER,EXT TEETH-NO. 6			
- 8	257187	1	. NUT,HEX,6-32			
- 9	1573510	1	. BRACKET,CAPACITOR MOUNTING			
- 10	81693	2	. SCREW,BINDING HD,6-32 X 0.375 LG			
- 11	56722	2	. LOCKWASHER,EXT TEETH-NO. 6			
- 12	8645599	1	. MOTOR ASSEMBLY-60 AND 50 HZ			
- 13	32617	2	. SCREW,BINDING HD,10-32 X 0.437 LG			
- 14	56079	2	. LOCKWASHER,EXT STAR-0.204 ID X 0.410 OD			
- 15	8645581	1	. BASEPLATE			
- 17	804109	1	. CLAMP			
- 18	1621193	1	. SCREW,PAN HD-M4 X 16 LG			
- 19	1622346	2	. LOCKWASHER,EXT STAR-M4,8 OD X 0.5 THK			
- 20	1622403	1	. NUT,DBL CHAMFERED HEX,M4 X 3.2 THK			
- 21	2561586	1	. WHEEL,60 HZ			
- 21	1573511	1	. WHEEL,50 HZ			
- 22	2561587	1	. WHEEL,60 HZ			
- 22	1573516	1	. WHEEL,50 HZ			
- 23	8645566	2	. SCROLL,60 HZ			
- 23	8645565	2	. SCROLL,50 HZ			
- 24	1621191	8	. SCREW,PAN HD-M4 X 10 LG			
- 25	1622346	8	. LOCKWASHER,EXT TEETH-4.2MM ID X 8.5MM OD			
- 26	8645577	4	. FLANGE,INLET			
- 27	401436	12	. RIVET			
- 28	4240650	1	. LABEL, 400V WARNING			

FOR PARTS  
NOT SHOWN  
SEE FIG. 3  
SHEET 5  
AND FIG. 5  
SHEET 2

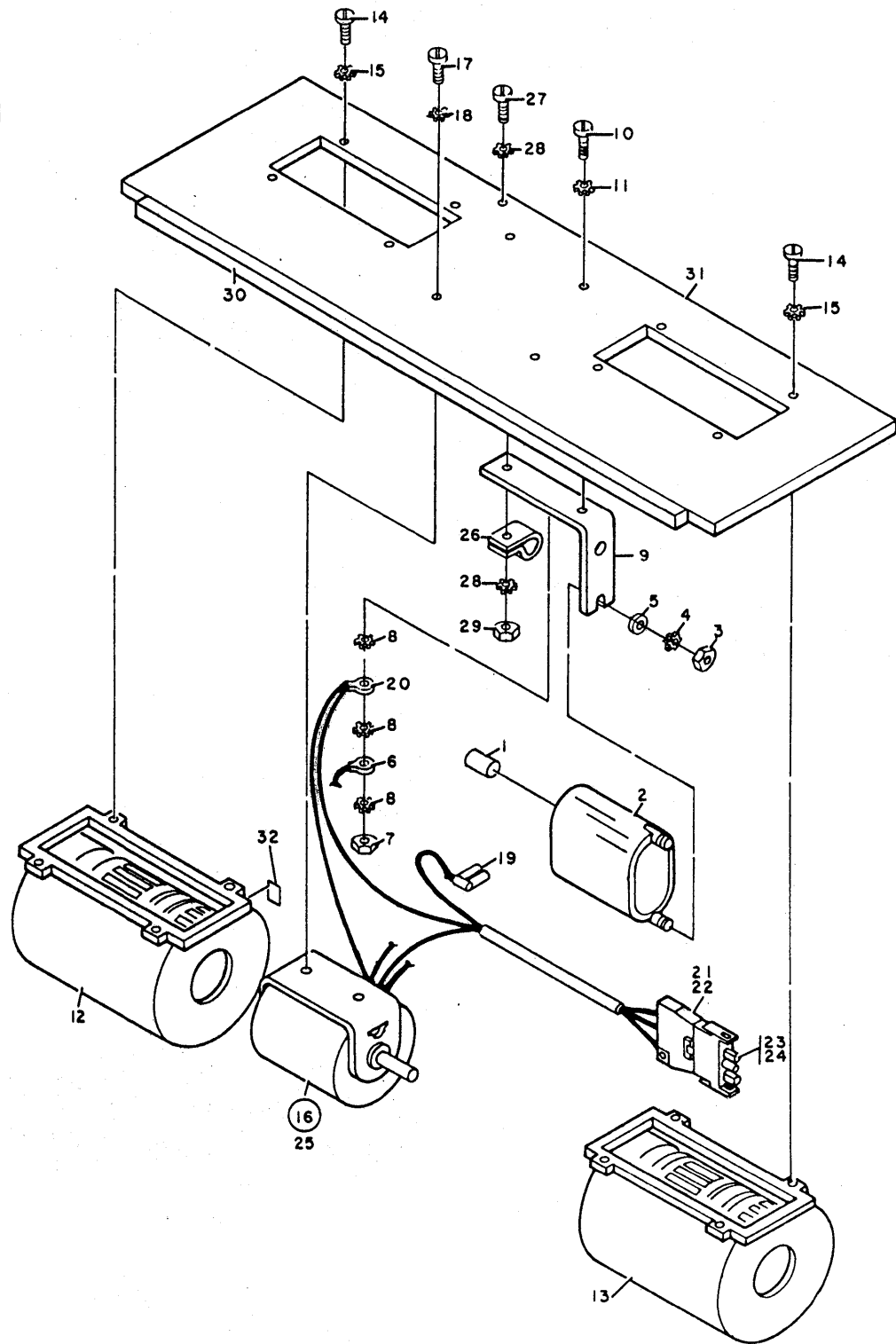


FIGURE 8. BLOWER ASSEMBLY-DUPLEX II. SEE LIST 8.

BLOWER ASSEMBLY-DUPLEX II

FIGURE INDEX NUMBER	PART NUMBER	UNITS PER ASM	DESCRIPTION			
			1	2	3	4
8 -	8644936	REF	BLOWER ASSEMBLY-DUPLEX II, 60HZ			
-	8645456	REF	BLOWER ASSEMBLY-DUPLEX II, 50HZ FOR NEXT HIGHER ASSEMBLY SEE FIGURE 3-233, 4-6 AND 5-73. FOR ILLUSTRATION SEE FIGURE 8			
- 1	526378	2	. CAP, CAPACITOR (NOT USED IN BRAZIL)			
- 1	6003156	1	. CAP, CAPACITOR (USED IN BRAZIL ONLY)			
- 2	5252823	1	. CAPACITOR- 60HZ (NOT USED IN BRAZIL)			
- 2	8279060	1	. CAPACITOR- 50HZ (NOT USED IN BRAZIL)			
- 2	6004035	1	. CAPACITOR- 60HZ (USED IN BRAZIL ONLY)			
- 2	6004034	1	. CAPACITOR- 50HZ (USED IN BRAZIL ONLY)			
- 3	11598	2	. NUT, HEX- 10-32 (NOT USED IN BRAZIL)			
- 3	1622403	2	. NUT, HEX, M4 (USED IN BRAZIL ONLY)			
- 4	56079	2	. LOCKWASHER, EXT TEETH- 0.204 ID X 0.410 O (NOT USED IN BRAZIL)			
- 4	1622346	2	. LOCKWASHER, EXT STAR, M4 (USED IN BRAZIL ONLY)			
- 5	45690	2	. WASHER, FL- 0.203 ID X 0.438 OD			
- 6	8645594	1	. GROUND JUMPER			
- 7	257187	1	. NUT, HEX- 6-32			
- 8	56722	3	. LOCKWASHER, EXT TEETH NO. 6			
- 9	1573510	1	. MOUNTING BRACKET			
- 10	322065	2	. SCREW, BD HD- 6-32 X 0.625 LG			
- 11	56722	2	. LOCKWASHER, EXT TEETH NO. 6			
- 12	5357144	1	. SCROLL ASM- 60HZ			
- 12	5468305	1	. SCROLL ASM- 50HZ			
- 13	5357145	1	. SCROLL ASM- 60HZ			
- 13	5468306	1	. SCROLL ASM- 50HZ			
- 14	322065	6	. SCREW, BD HD- 6-32 X 0.625 LG			
- 15	56722	6	. LOCKWASHER, EXT TEETH NO. 6			
- 16	8645579	1	. MOTOR ASM- 60HZ			
- 16	8645709	1	. MOTOR ASM- 50HZ			
- 17	55918	2	. SCREW, BD HD- 10-32 X 0.625 LG			
- 18	56079	2	. LOCKWASHER, EXT TEETH- 0.204 ID X 0.410 O			
- 19	517913	3	. . TERMINAL			
- 20	483678	1	. . TERMINAL			
- 21	4454591	2	. . STRAIN RELIEF			
- 22	1622535	2	. . SCREW, PAN HD-M 3.5			
- 23	4123689	3	. . TERMINAL			
- 24	1847526	1	. . CONNECTOR			
- 25	NO NO.	1	. . MOTOR			
- 26	804109	1	. CLAMP			
- 27	1621194	1	. SCREW, PAN HD-M4 X 20 LG			
- 28	1622346	2	. LOCKWASHER, EXT STAR- M4, 8 OD X .5			
- 29	1622403	1	. NUT, DBL CHAMFERED HEX M4 X 3.2 THK			
- 30	599557	1	. FOAM- 418 LONG			
- 31	8645561	1	. BASEPLATE			
- 32	4240650	1	. LABEL, 400V WARNING			

NP

FOR PARTS  
NOT SHOWN  
SEE FIG. 3  
SHEET 1 & 2

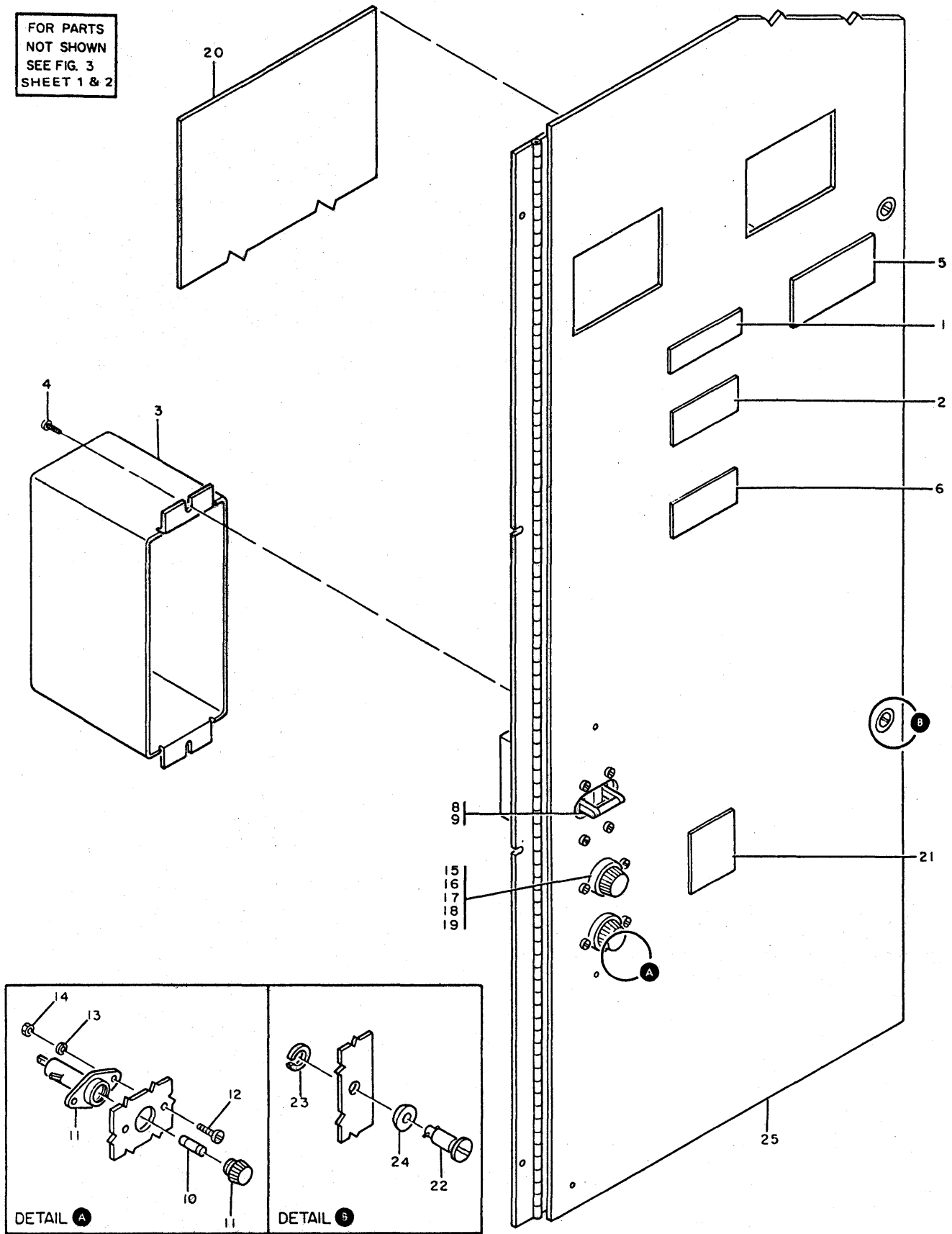


FIGURE 9. COVER ASSEMBLY-PCC. SEE LIST 9.

## COVER ASSEMBLY-PCC

FIGURE INDEX NUMBER	PART NUMBER	UNITS PER ASM	1 2 3 4				DESCRIPTION
9 -	8645782	REF					COVER ASM,PCC- 60HZ AND 50HZ,200V
-	8645783	REF					COVER ASM,PCC- 50HZ EXCEPT 220V FOR NEXT HIGHER ASM SEE FIGURE 3-20 FOR ILLUSTRATION SEE FIGURE 9
- 1	845762	1					. LABEL
- 2	369207	1					. LABEL,HAZARDOUS AREA-USA,UK,CANADA
- 2	6815193	1					. LABEL,HAZARDOUS AREA-GERMAN AND SWITZERLAND
- 2	6815179	1					. LABEL,HAZARDOUS AREA-CANADA
- 2	6815182	1					. LABEL,HAZARDOUS AREA-FRANCE AND SWITZERLAND
- 2	6081052	1					. LABEL,HAZARDOUS AREA-FRENCH/DUTCH
- 2	8326801	1					. LABEL,HAZARDOUS AREA-FINNISH
- 2	6815181	1					. LABEL,HAZARDOUS AREA-ITALIAN
- 2	6815180	1					. LABEL,HAZARDOUS AREA-SPANISH
- 2	8551904	1					. LABEL,HAZARDOUS AREA-SWEDISH
- 2	6815183	1					. LABEL,HAZARDOUS AREA-BRAZILIAN/PORTUGAL
- 2	8326797	1					. LABEL,HAZARDOUS AREA-JAPANESE
- 2	1806772	1					. LABEL,HAZARDOUS AREA-DENMARK
- 3	8645670	1					. COVER
- 4	1621198	2					. SCREW,PAN HD-M4 X 4 LG
- 5	401421	1					. LABEL
- 6	5731697	1					. LABEL,HIGH CURRENT-ENGLISH
- 6	4494963	1					. LABEL,HIGH CURRENT-SWITZERLAND
- 6	6825908	1					. LABEL,HIGH CURRENT-FRENCH
- 6	4154583	1					. LABEL,HIGH CURRENT-CANADIAN
- 6	4154584	1					. LABEL,HIGH CURRENT-GERMAN
- 6	4154587	1					. LABEL,HIGH CURRENT-FRENCH/DUTCH
- 6	4154585	1					. LABEL,HIGH CURRENT-BRAZILIAN/PORTUGUESE
- 6	4154586	1					. LABEL,HIGH CURRENT-SWEDISH
- 6	6825906	1					. LABEL,HIGH CURRENT-ITALIAN
- 6	1806779	1					. LABEL,HIGH CURRENT-DENMARK
- 6	6825879	1					. LABEL,HIGH CURRENT-FINLAND
- 6	6525877	1					. LABEL,HIGH CURRENT-JAPANESE
- 6	4154589	1					. LABEL,HIGH CURRENT-SPANISH
- 8	4473529	1					. CIRCUIT PROTECTOR
- 9	10170	4					. SCREW,BD HD- 6-32 X 0.250 LG
- 10	107665	1					. FUSE- 60HZ AND 50HZ 200V ONLY
- 11	92752	1					. FUSEHOLDER- 60HZ AND 50HZ 200V ONLY
- 12	1621192	2					. SCREW, MACH PAN HD-M4 X 12 LG
- 13	1622318	2					. WASHER,SPRING-M4 9.2 OD X 1.2 THK
- 14	1622403	2					. NUT,DBL CHAMFERED HEX M4 X 3.2 THK
- 15	2495469	1					. FUSE
- 16	92752	1					. FUSEHOLDER
- 17	1621192	2					. SCREW, MACH PAN HD-M4 X 12 LG
- 18	1622318	2					. WASHER,SPRING-M4 9.2 OD X 1.2 THK
- 19	1622403	2					. NUT,DBL CHAMFERED HEX M4 X 3.2 THK
- 20	8645894	1					. LABEL
- 21	4152771	1					. LABEL
- 22	312568	2					. STUD
- 23	312575	2					. RING,SNAP
- 24	312573	2					. GROMMET
- 25	8645631	1					. COVER- 60HZ AND 50HZ 200V
- 25	8645784	1					. COVER- 50HZ EXCEPT 200V

FOR PARTS  
NOT SHOWN  
SEE FIG 3  
SHEET 1

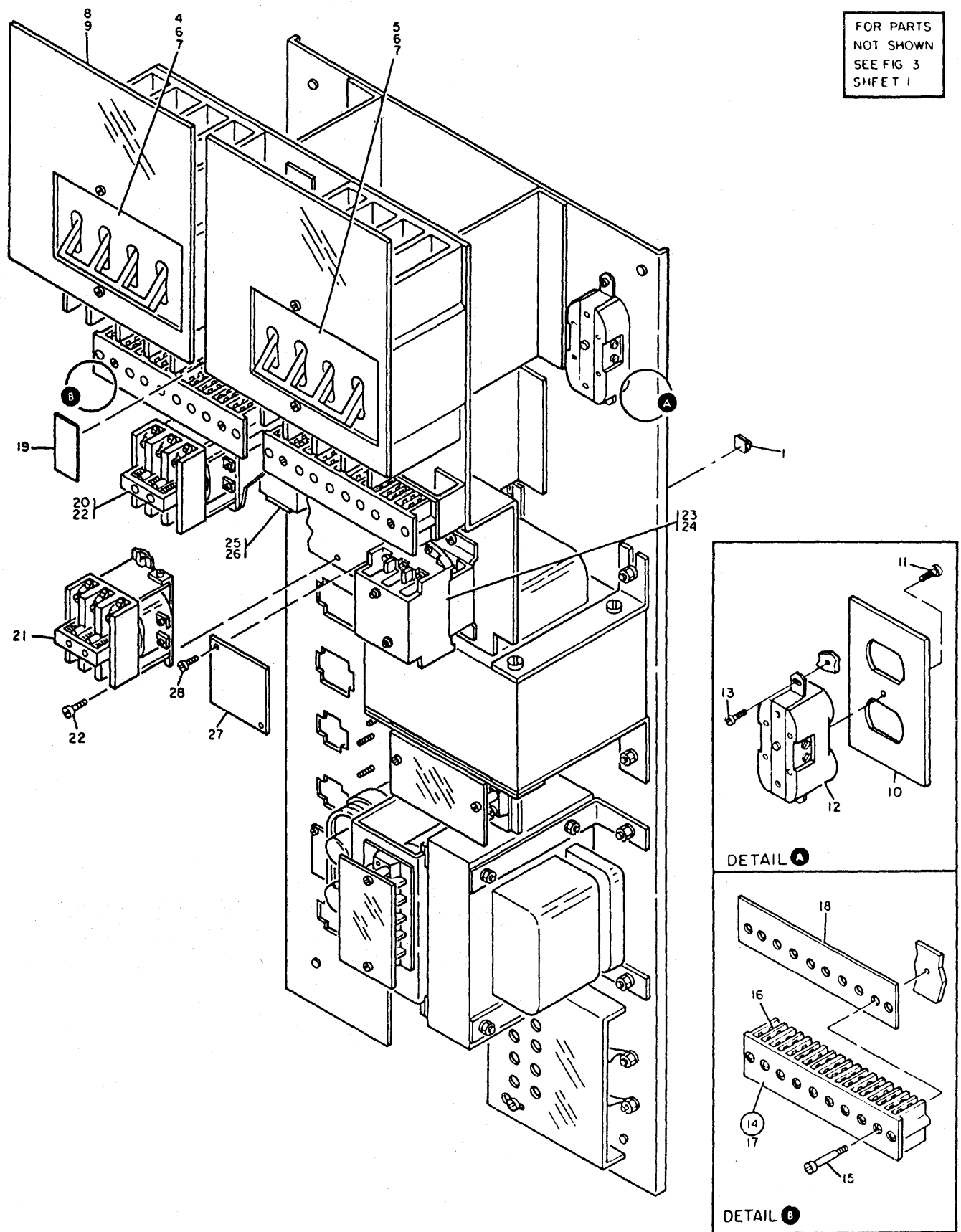


FIGURE 10. PCC ASSEMBLY SHEET 1 OF 2. INDEX NOS. 1-28 SEE LIST 10

PCC ASSEMBLY

FIGURE INDEX NUMBER	PART NUMBER	UNITS PER ASM	DESCRIPTION			
			1	2	3	4
10 -	8645091		PCC ASSEMBLY, 60 HZ			
-	8645464		PCC ASSEMBLY, 50 HZ (EXCEPT 200V)			
-	8645830		PCC ASSEMBLY, 50 HZ (200V ONLY)			
			FOR NEXT HIGHER ASM SEE FIGURE 3-24			
			FOR ILLUSTRATION SEE FIGURE 10			
- 1	4123928	1	. CLAMP, CABLE			
- 4	5214256	1	. CIRCUIT BREAKER 1-60 HZ			
- 4	4109388	1	. CIRCUIT BREAKER 1-50 HZ			
- 5	5252506	1	. CIRCUIT BREAKER 2-60 HZ			
- 5	4120601	1	. CIRCUIT BREAKER 2-50 HZ			
- 6	1621191	8	. SCREW, PAN HD- M4 X 10 LG			
- 7	307554	8	. WASHER, FL- M5 10 OD X 1 THK			
- 8	8645785	2	. COVER ASM-60HZ			
- 8	8645786	2	. COVER ASM-50HZ			
- 9	316807	4	. SCREW, FL CSK HD- 6-32 X 0.375 LG			
- 10	401427	1	. COVER (60 HZ ONLY)			
- 10	2502115	1	. SHROUD ( 50 HZ ONLY )			
- 11	81693	1	. SCREW, BD HD- 6-32 X 0.375 LG (50 HZ ONLY)			
- 11	1621190	1	. SCREW, PAN HD - M4 X 8 LG (60 HZ ONLY)			
- 12	357995	1	. OUTLET-60HZ			
- 12	418835	1	. OUTLET-50HZ			
- 13	1621307	2	. SCREW			
- 14	1799218	2	. TERM BLOCK ASM -			
- 15	1621066	4	. SCREW-MACH CHEESE HD, M4 X 30 LG			
- 16	1799203	9	. . TERMINAL			
- 17	1726308	1	. . HOUSING, TERMINAL BLOCK			
- 18	1799206	1	. . INSULATOR			
- 19	138755	1	. LABEL-LINE VOLTAGE PRESENT-ENGLISH			
- 19	984123	1	. LABEL-LINE VOLTAGE PRESENT-CANADIAN			
- 19	6825819	1	. LABEL-LINE VOLTAGE PRESENT-GERMAN			
- 19	6825828	1	. LABEL-LINE VOLTAGE PRESENT-FRENCH			
- 19	6121851	1	. LABEL-LINE VOLTAGE PRESENT-FRENCH/DUTCH			
- 19	6825818	1	. LABEL-LINE VOLTAGE PRESENT-FINNISH			
- 19	6825820	1	. LABEL-LINE VOLTAGE PRESENT-ITALIAN			
- 19	4154591	1	. LABEL-LINE VOLTAGE PRESENT-SPANISH			
- 19	8551903	1	. LABEL-LINE VOLTAGE PRESENT-SWEDISH			
- 19	6815188	1	. LABEL-LINE VOLTAGE PRESENT-BRAZILIAN/PORTUGAL			
- 19	6825840	1	. LABEL-LINE VOLTAGE PRESENT-JAPANESE			
- 19	1806773	1	. LABEL-LINE VOLTAGE PRESENT-DENMARK			
- 19	4494962	1	. LABEL-LINE VOLTAGE PRESENT-SWITZERLAND			
- 20	5276701	1	. CONTACTOR			
- 20	4216213	1	. CONTACTOR (50 HZ SUB -90V ONLY)			
- 21	5214059	1	. CONTACTOR			
- 22	1621182	4	. SCREW, PAN HD-M3.5 X 8 LG			
- 23	2128748	1	. CONTACTOR (60 HZ ONLY)			
- 23	2561149	1	. CONTACTOR (50 HZ ONLY)			
- 23	4216171	1	. CONTACTOR (50 HZ SUB - 90V ONLY)			
- 24	1621190	2	. SCREW, PAN HD- M4 X 8 LG			
- 25	2242321	1	. RELAY			
- 26	38235	1	. SCREW, BD HD- 6-32 X 0.312 LG			
- 27	8645853	1	. COVER			
- 28	1621176	2	. SCREW, PAN HD- M3 X L 4			

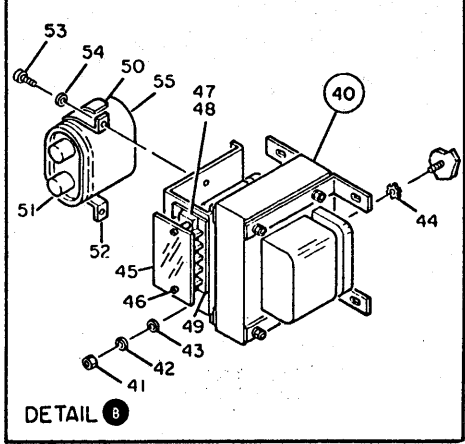
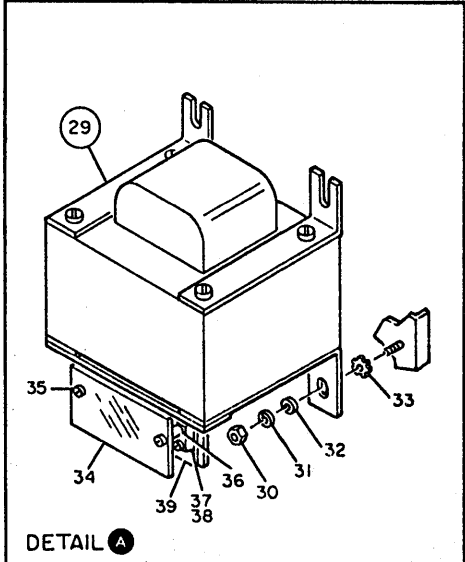
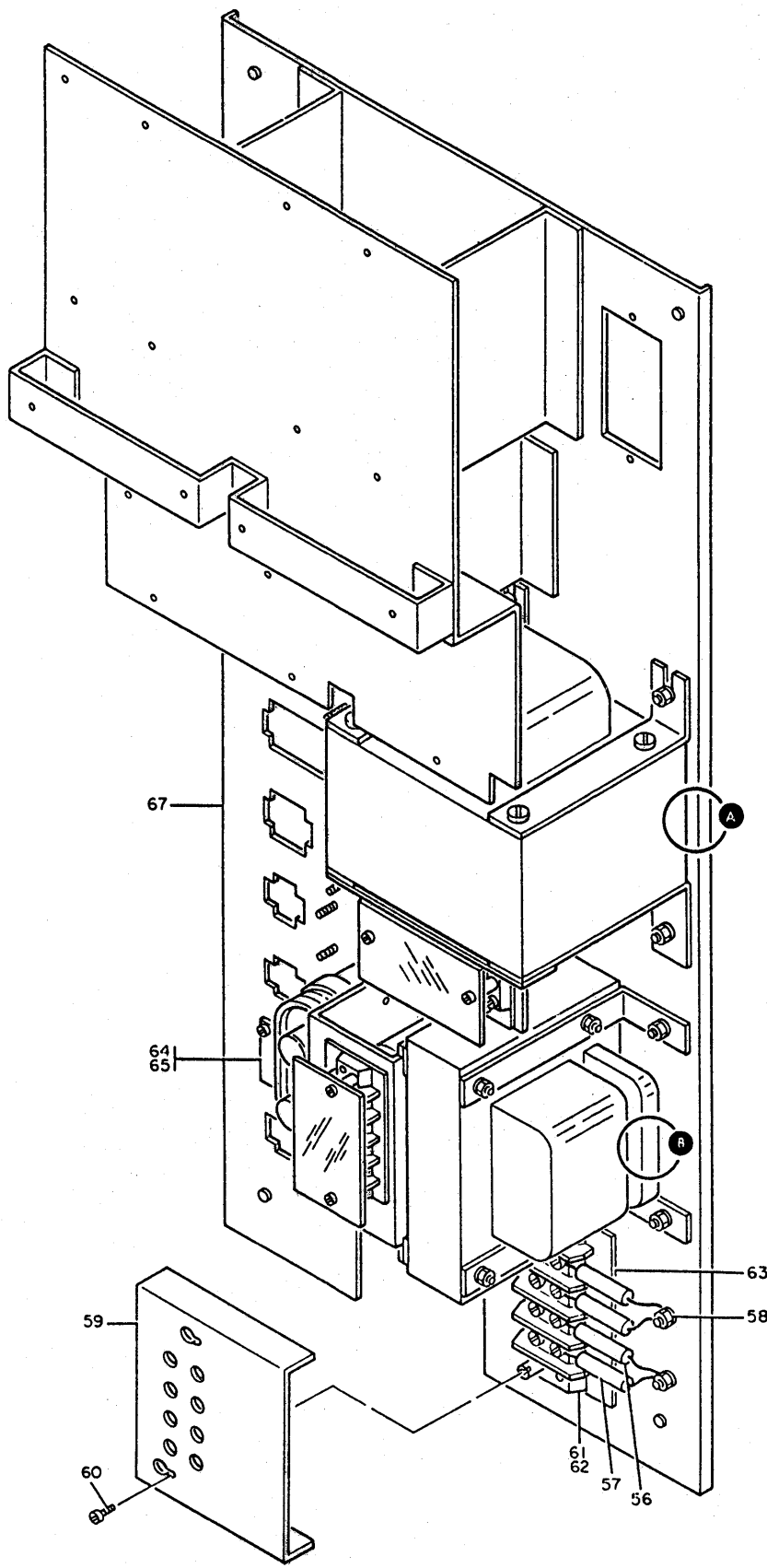


FIGURE 10. PCC ASSEMBLY SHEET 2 OF 2. INDEX NOS. 29-67 SEE LIST 10



PCC ASSEMBLY

FIGURE INDEX NUMBER	PART NUMBER	UNITS PER ASM	DESCRIPTION			
			1	2	3	4
10 - 29	5252645	1	.	.	.	TRANSFORMER,TR100
- 30	1622405	4	.	.	.	NUT,HEX-M6 X 10 FL W
- 31	1622320	4	.	.	.	LOCKWASHER,SPLIT- M6,11.8 OD X 1.6 THK
- 32	1622306	4	.	.	.	WASHER,FLAT,M6- 12.5 OD X 2 THK
- 33	1622348	1	.	.	.	LOCKWASHER,EXT STAR- M6 11 OD X .7
- 34	337193	1	.	.	.	COVER
- 35	10170	2	.	.	.	SCREW,BD HD- 6-32 X 0.250 LG
- 36	210883	2	.	.	.	STUD
- 37	317131	1	.	.	.	TERMINAL BLOCK
- 38	322550	2	.	.	.	SCREW,BD HD- 6-32 X 0.500 LG
- 39	322266	1	.	.	.	MARKER STRIP
- 40	4494280	1	.	.	.	TRANSFORMER ASM- 60HZ,TR101
- 40	2722844	1	.	.	.	TRANSFORMER ASM- 50HZ,TR101
- 41	1622405	4	.	.	.	NUT,HEX-M6 X 10 FL W
- 42	1622320	4	.	.	.	LOCKWASHER,SPLIT- M6,11.8 OD X 1.6 THK
- 43	1622306	4	.	.	.	WASHER,FLAT,M6- 12.5 OD X 2 THK
- 44	1622348	1	.	.	.	LOCKWASHER,EXT STAR- M6 11 OD X .7
- 45	350966	1	.	.	.	SHIELD
- 46	10170	2	.	.	.	SCREW,BD HD- 6-32 X 0.250 LG
- 47	317485	1	.	.	.	TERMINAL BLOCK
- 48	210883	2	.	.	.	STUD
- 49	322280	1	.	.	.	STRIP
- 50	8483959	1	.	.	.	LABEL
- 51	4494306	2	.	.	.	INSULATOR
- 51	6003847	2	.	.	.	INSULATOR(USED ON 4494280 IN BRAZIL ONLY)
- 52	1310297	1	.	.	.	CLAMP
- 52	6004664	1	.	.	.	CLAMP(USED ON 4494280 IN BRAZIL ONLY)
- 53	1621191	2	.	.	.	SCREW,PAN HD- M4 X 10 LG
- 54	1622318	2	.	.	.	WASHER,SPRING-M4 9.2 OD X 1.2 THK
- 55	5252840	1	.	.	.	CAPACITOR
- 55	6004608	1	.	.	.	CAPACITOR(USED ON 4494280 IN BRAZIL ONLY)
- 56	4432847	3	.	.	.	CAPACITOR ASM
- 57	4432847	1	.	.	.	CAPACITOR ASM- 50 HZ ONLY
- 58	1622405	2	.	.	.	NUT,HEX-M6 X 10 FL W
- 59	8645879	1	.	.	.	SHIELD
- 60	1621181	2	.	.	.	SCREW,PAN HEAD-M3.5 X 6 LG
- 61	323845	1	.	.	.	TERMINAL BLOCK
- 62	1815851	2	.	.	.	STUD,TAPPED MOUNTING
- 63	2101400	1	.	.	.	MARKER STRIP
- 64	8645853	1	.	.	.	COVER
- 65	1621176	2	.	.	.	SCREW,PAN HD- M3 X L 4
- 67	8645632	1	.	.	.	PLATE

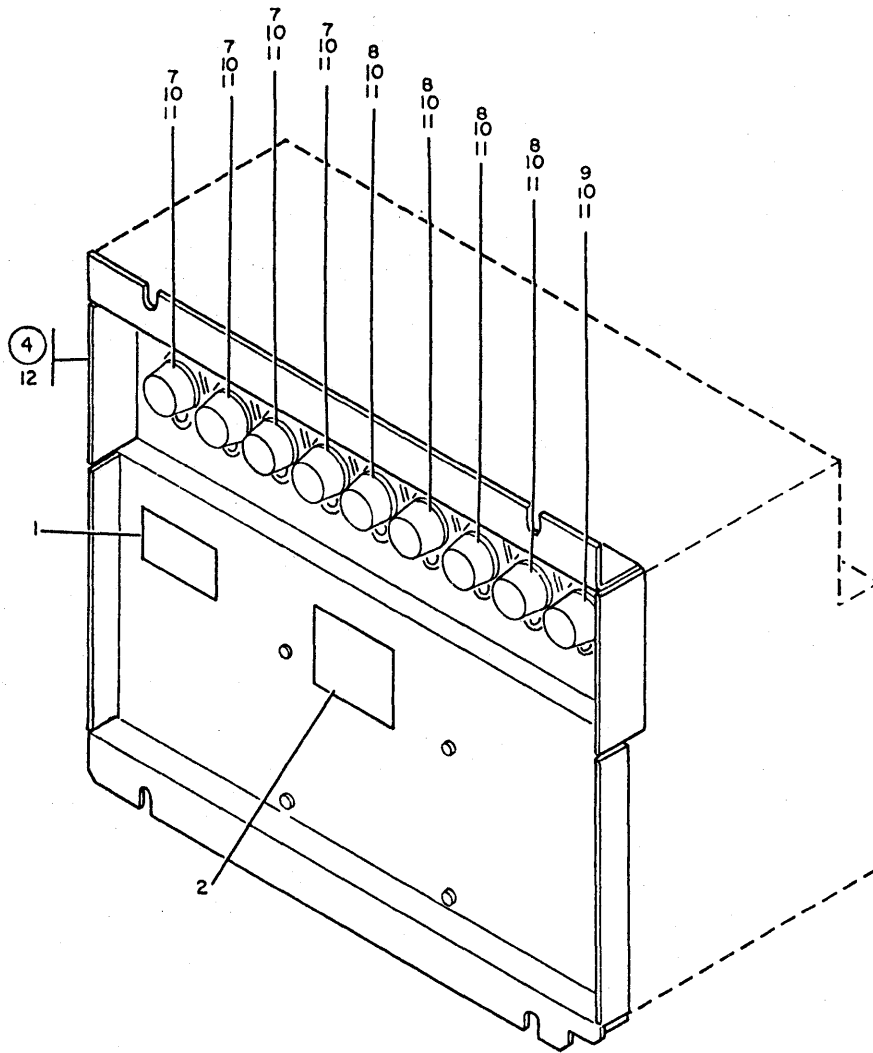


FIGURE 11. AC/DC CONVERTER ASSEMBLY. SEE LIST 11.

## AC/DC CONVERTER ASSEMBLY

FIGURE INDEX NUMBER	PART NUMBER	UNITS PER ASM	DESCRIPTION			
			1	2	3	4
11 -	8645451	REF	AC/DC CONVERTER ASSEMBLY, PS104 FOR NEXT HIGHER ASM SEE FIGURE 3-5 FOR ILLUSTRATION SEE FIGURE 11			
- 1	5785130	1	.	LABEL		
- 2	4152771	1	.	LABEL		
- 4	4494285	1	.	FUSE PANEL ASM		
- 7	4155096	1	.	. FUSE- 15 AMP		
- 8	4155082	1	.	. FUSE- 6 AMP		
- 9	4494279	2	.	. FUSE- 1.6 AMP		
- 10	92752	2	.	. HOLDER		
- 11	4432610	1	.	. RIVET		
- 12	8645535	4	.	COVER ASM		

CABLE ASSEMBLIES WITH COMPONENT PARTS

FIGURE INDEX NUMBER	PART NUMBER	UNITS PER ASM	DESCRIPTION				
			1	2	3	4	
13	A	8645304	1	LINE CORD ASM,1.86M CHICAGO ONLY			
-	A	8645305	1	LINE CORD ASM,4.26M US AND CANADA			
-	A	8645306	1	LINE CORD ASM			
-	A	8645307	1	LINE CORD ASM,WT AND 50HZ W/200V			
-	A	401441	1	. CABLE ASM,38LSPC COUPLER(FOR FEATURE 9514 ONLY) FOR LOCATION, SEE FIGURE 3-127			
-	A	1806791	1	. CABLE ASM,LOAD ASM TO TB1 FOR COMPONENT PARTS SEE INDEXES 5,63,AND 102			
-	A	1806792	1	. CABLE ASM,LOAD ASM TO TB2 FOR COMPONENT PARTS SEE INDEXES 5,63,AND 102			
-	A	1807942	1	. CABLE ASM,RSF 01AA2ZE TO 01GCCA1 (USED ON ALL RSF FEATURES EXCEPT 9514) FOR COMPONENT PARTS SEE INDEXES 15,28,64,71,91,103,105,106 AND 147			
-	A	1807943	1	. CABLE ASM,RSF 01AA2ZE TO 01GCCA1 (USED ON FEATURE 9514 ONLY) FOR COMPONENT PARTS SEE INDEXES 28,60,64,71,91,103,104,105,106 AND 147			
-	A	1807944	1	. CABLE ASM,01AA3 TO 01ECCA3-A6 FOR COMPONENT PARTS SEE INDEXES 63,72A,87,99,100,103 AND 105			
-	A	1807945	1	. CABLE ASM,01AA3 TO 01ECCA7-B3 FOR COMPONENT PARTS SEE INDEXES 67,72A,88,91 AND 102			
-	A	1807946	1	. CABLE ASM,01AA3 TO 01ECCB4-B9 FOR COMPONENT PARTS SEE INDEXES 67,72A,88,91 AND 102			
-	A	1807947	1	. CABLE ASM,01AA3 TO 01ECCC1-C6 FOR COMPONENT PARTS SEE INDEXES 67,72A,88,91,102 AND 103			
-	A	1807948	1	. CABLE ASM,01BA1 TO 01ECCC1-C6 FOR COMPONENT PARTS SEE INDEXES 63,72A,87,99,100,102,103 AND 105			
-	A	1807949	1	. CABLE ASM,01BA1 TO 01ECCC7-D3 FOR COMPONENT PARTS SEE INDEXES 63,72A,87,99,100,102 AND 105			
-	A	1807953	1	. CABLE ASM,1AA1,A2 TO CE PANEL FOR COMPONENT PARTS SEE INDEXES 72,81,99,100,102,103,105,122 AND 147			
-	A	1807954	1	. CABLE ASM,1AA2ZD/ZF TO FILE 1/2 FOR COMPONENT PARTS SEE INDEXES 11,14,18,43,45,51,65,72B,98,102 AND 103			
-	A	1807955	1	. CABLE ASM,01AA3 TO 01AA2 TO 01E FOR COMPONENT PARTS SEE INDEXES 67,72A,88,91 AND 102			
-	A	1807956	1	. CABLE ASM,1AA2YN TO 01F FOR COMPONENT PARTS SEE INDEXES 87 AND 102			
-	A	1807957	1	. CABLE ASM,01AA1X5 TO 01F-J1 FOR COMPONENT PARTS SEE INDEXES 21,37,58,85,87,97,100,103 AND 105			
-	A	1807958	1	. CABLE ASM,1AA1YH TO AFS103/104,PS102,CE KEY FOR COMPONENT PARTS SEE INDEXES 3,40,42,46,47,72,103,104,105,106 AND 113			
-	A	1807959	1	. CABLE ASM,1AA1YG TO PS101-P03/P06 FOR COMPONENT PARTS SEE INDEXES 5,39,43,46,55,72,72A,101A,103,104,105,106,114			
-	A	1807960	1	. CABLE ASM,1AA2A4 TO PS107,8,9,AFS105 FOR COMPONENT PARTS SEE INDEXES 33,39,42,47,52,68,72,87,100,103,105,109,111			

CABLE ASSEMBLIES WITH COMPONENT PARTS

FIGURE INDEX NUMBER	PART NUMBER	UNITS PER ASM	DESCRIPTION			
			1	2	3	4
13 -	A	1807961	1	.	CABLE ASM,1AA2A2 TO PS104,5,6,AFS102 TB1 SENSE CAPS,B2 PLENUM SWITCH FOR COMPONENT PARTS SEE INDEXES 34,39,43,46,47,54,72A,87,100,101A,101C,103, 105,109,110 AND 111	
-	A	1807962	1	.	CABLE ASM,1AA2A3 TO PS103-PO1,PO2 FOR COMPONENT PARTS SEE INDEXES 38,39,40,41,50,54,72,72A,72C,87,100,103 AND 105	
-	A	1807963	1	.	CABLE ASM,1AA2A5 TO 1AA3YH,1AA4ZA AFS101,AIS101 FOR COMPONENT PARTS SEE INDEXES 1,2,4,39,47,72C,99,100,105,109,111 AND 150	
-	A	1807964	1	.	CABLE ASM,1AA2B2 TO 1AA2YC FOR COMPONENT PARTS SEE INDEXES 72C,99,100,102,105,113 AND 155	
-	B	1847965	1	.	CABLE ASM,1AA1ZF TO 1AA2YJ FOR COMPONENT PARTS SEE INDEXES 102	
-	B	1807966	1	.	CABLE ASM,1AA1YN TO 1AA2YB FOR COMPONENT PARTS SEE INDEXES 102	
-	B	1807967	1	.	CABLE ASM,1AA1YM TO 1AA2YA FOR COMPONENT PARTS SEE INDEXES 102	
-	B	1807968	1	.	CABLE ASM,01AA1ZC TO 01AA2B5 FOR COMPONENT PARTS SEE INDEXES 7,99,100,104,105 AND 155	
-	B	1807969	1	.	CABLE ASM,01BA1 TO 01ECCD4-D9 FOR COMPONENT PARTS SEE INDEXES 63,72A,87,99,100,102 AND 105	
-	B	1807970	1	.	CABLE ASM,01AA1 TO 01HCCA1-A8 FOR COMPONENT PARTS SEE INDEXES 63,64,72,87,99,100,102,103 AND 105	
-	B	1807971	1	.	CABLE ASM,1AA2B3 TO AFS107,PS111,112,TB2 B1 PLENUM SWITCH FOR COMPONENT PARTS SEE INDEXES 5,18,19,34,39,43,47,54,72,87,100,101C,103, 105,109,110 AND 111	
-	B	1807972	1	.	CABLE ASM,1AA2B4 TO 1BA1YH AFS1 106 FOR COMPONENT PARTS SEE INDEXES 7,39,47,72,72C,99,100,102,105,109,111,150	
-	B	1807973	1	.	CABLE ASM,01AA2YE TO 01GCCA2 FOR COMPONENT PARTS SEE INDEXES 63,67,88,91 AND 102	
-	B	1808000	1	.	CABLE ASM,PCC-PO3 TO 01AA1X2 FOR COMPONENT PARTS SEE INDEXES 43,52,72C,87,100,103,104 AND 105	
-	B	8482930	1	.	CABLE ASM,DCE INTERFACE (FOR FEATURES 2833,2838 AND 9511) FOR COMPONENT PARTS SEE INDEXES 27,32,38,88,91,118,119,120,121,122,123 124,125,126,127,128,129,130,AND 131	
-	B	8482931	1	.	CABLE ASM,38LS-US-MA (FOR FEATURES 2943,2944 AND 9510) FOR COMPONENT PARTS SEE INDEXES 32,105,121,125,126,128,139,142,143 AND 146	
-	B	8482933	1	.	CABLE ASM,DCE INTERFACE-UK(FOR FEATURE 2839) FOR COMPONENT PARTS SEE INDEXES 18,19,27,32,38,88,91,118,119,120,121 122,123,124,125,126,127,128,129,130,131 132,133,134,135,136,138,139,140,AND 141	

CABLE ASSEMBLIES WITH COMPONENT PARTS

FIGURE INDEX NUMBER	PART NUMBER	UNITS PER ASM	1 2 3 4	DESCRIPTION
13 - B	8482934	1	.	CABLE ASM, 38 LS WT LINE PLATE (FOR FEATURES 2836 AND 2837) FOR COMPONENT PARTS SEE INDEXES 12, 30, 65, 109, 125, 128, 129, 130, 131, 142, 143 144, 145, 146, 147, AND 148
- B	8645308	1	.	CABLE ASM, CB1 TO CB2 FOR COMPONENT PARTS SEE INDEX 6
- B	8645310	1	.	CABLE ASM, LF TB1 TO CB1 50HZ FOR COMPONENT PARTS SEE INDEX 6
- B	8645311	1	.	CABLE ASM, LF TB1 TO CB1 FOR COMPONENT PARTS SEE INDEX 6
- C	8645313	1	.	CABLE ASM, CB1 TO CB2 50HZ FOR COMPONENT PARTS SEE INDEX 6
- C	8645314	1	.	CABLE ASM, PS103 TO 01AA4YH FOR COMPONENT PARTS SEE INDEXES 29, 51, 65, 72, 72A AND 97
- C	8645315	1	.	CABLE ASM, 115V CONVENIENCE OUTLET FOR COMPONENT PARTS SEE INDEXES 13, 15, 21, 101 AND 101B
- C	8645316	1	.	CABLE ASM, 220V CONVENIENCE OUTLET FOR COMPONENT PARTS SEE INDEXES 13, 21, 101 AND 101B
- C	8645317	1	.	CABLE ASM, TB1 TO K2, K3 FOR COMPONENT PARTS SEE INDEXES 14, 33 AND 101A
- C	8645318	1	.	CABLE ASM, K2, K3 TO J04, J05, J06, J07, J08, J10, J11 FOR COMPONENT PARTS SEE INDEXES 5, 12, 14, 15, 21, 51, 68, 69, 72C, 97 AND 101
- C	8645321	1	.	CABLE ASM, PS102-P04 TO 01AA1ZC, 01AA1ZD FOR COMPONENT PARTS SEE INDEXES 29, 65, 72A, 95, 96, 97 AND 99
- C	8645322	1	.	CABLE ASM, PCC-P11 TO AMD106 FOR COMPONENT PARTS SEE INDEXES 35, 36, 47, 50, 68, 75, 78 AND 79
- C	8645324	1	.	CABLE ASM, PCC-P01 TO PS101-P04 FOR COMPONENT PARTS SEE INDEXES 44, 55, 56, 72, 72A AND 73
- C	8645325	1	.	CABLE ASM, PCC-P08 TO AMD 102 AND 105 FOR COMPONENT PARTS SEE INDEXES 35, 36, 47, 50, 68, 69, 72, 72C, 75, 78 AND 79
- C	8645326	1	.	CABLE ASM, PS102 TO 01AA2 FOR COMPONENT PARTS SEE INDEXES 35, 55, 56 AND 72A
- C	8645327	1	.	CABLE ASM, PS103 TO BIAS DIST FOR COMPONENT PARTS SEE INDEXES 46, 49, 55, 56, 72, 72A AND 73
- C	8645328	1	.	CABLE ASM, PS103 TO PS111, PS112 FOR COMPONENT PARTS SEE INDEXES 49, 53, 72 AND 73
- C	8645329	1	.	CABLE ASM, PS101 TO 01AA1 FOR COMPONENT PARTS SEE INDEXES 29, 35, 53, 65, 72, 72A, 73 AND 97
- C	8645330	1	.	CABLE ASM, PCC CONTROL AND SENCE FOR COMPONENT PARTS SEE INDEXES 8, 15, 33, 54, 57 AND 101C
- C	8645331	1	.	CABLE ASM, PCC CONTROL AND SENCE 50HZ FOR COMPONENT PARTS SEE INDEXES 8, 15, 18, 19, 33, 54, 57 AND 101C

CABLE ASSEMBLIES WITH COMPONENT PARTS

FIGURE INDEX NUMBER	PART NUMBER	UNITS PER ASM	DESCRIPTION			
			1	2	3	4
13 -	C	8645332	1	.	CABLE ASM,PCC-P04 TO TR102 FOR COMPONENT PARTS SEE INDEXES 36,50,68,69 AND 78	
-	C	8645333	1	.	CABLE ASM,PCC-P012 TO TR103-P011 FOR COMPONENT PARTS SEE INDEXES 25,26,70,72,72A AND 86	
-	C	8645334	1	.	CABLE ASM,PCC-P06 TO FILE 1 FOR COMPONENT PARTS SEE INDEXES 37,51,52,72,72A,73,78 AND 92	
-	C	8645335	1	.	CABLE ASM,PCC-P07 TO FILE 2 FOR COMPONENT PARTS SEE INDEXES 36,50,68,69,78 AND 88	
-	C	8645336	1	.	CABLE ASM,PCC-P05 TO AMD 103 AND 104 FOR COMPONENT PARTS SEE INDEXES 36,47,50,68,69,72C,74,109 AND 111	
-	C	8645338	1	.	CABLE ASM,300V DISTRIBUTION FOR COMPONENT PARTS SEE INDEXES 22,36,50,54,68,72C,74,76,77,80,81,107 AND 151	
-	C	8645339	1	.	CABLE ASM,PCC-P010 TO AMD 101 AND 107 FOR COMPONENT PARTS SEE INDEXES 36,49,50,68,69,72C,74,111 AND 152	
-	C	8645340	1	.	CABLE ASM,PCC-P02 TO PS101-107 FOR COMPONENT PARTS SEE INDEXES 58,59,70,72,72A,86 AND 100	
-	D	8645341	1	.	CABLE ASM,TB2 TO K3,K4 FOR COMPONENT PARTS SEE INDEXES 16,22,33,AND 63	
-	D	8645342	1	.	CABLE ASM,K3 TO J12 FOR COMPONENT PARTS SEE INDEXES 16,22,26,33,69,AND 75	
-	D	8645343	1	.	CABLE ASM,K04 TO C5,C6,C7 FOR COMPONENT PARTS SEE INDEXES 22,33,AND 63	
-	D	8645344	1	.	CABLE ASM,PS102 TO PS101 FOR COMPONENT PARTS SEE INDEXES 33,46,AND 47	
-	D	8645346	1	.	CABLE ASM,TB1 TO 01AA2ZF/01AA2ZC FOR COMPONENT PARTS SEE INDEXES 17,19,29,33,65,AND 97	
-	D	8645347	1	.	CABLE ASM,PS102 TO 01A-A2 FOR COMPONENT PARTS SEE INDEXES 29,33,65,72A,95,96,97 AND 99	
-	D	8645348	1	.	CABLE ASM,PS102 TO 01A-A2 FOR COMPONENT PARTS SEE INDEXES 29,33,65,72A,95,96,97 AND 99	
-	D	8635349	1	.	CABLE ASM,PS102 TO 01AA3YA FOR COMPONENT PARTS SEE INDEXES 29,33,65,72,95,96,97 AND 99	
-	D	8645352	1	.	CABLE ASM,PS104 TO PS111/112 FOR COMPONENT PARTS SEE INDEXES 22,36,50,54,68,72C,74,76,80 AND 81	
-	D	8645354	1	.	CABLE ASM,01AB2 TO 01AA2 AND 01AA3	
-	D	8645372	1	.	CABLE ASM,PS101-P02 TO SPI FOR COMPONENT PARTS SEE INDEXES 33,51,72,72A AND 73	
-	D	8645382	1	.	CABLE ASM,TB1 TO 01AA4YA-01AA4ZA FOR COMPONENT PARTS SEE INDEXES 19,20,29,33,65,AND 97	
-	D	8645428	1	.	CABLE ASM,K04 TO C5,C6,C7,C8 50HZ FOR COMPONENT PARTS SEE INDEXES 22,33,AND 63	

CABLE ASSEMBLIES WITH COMPONENT PARTS

FIGURE INDEX NUMBER	PART NUMBER	UNITS PER ASM	DESCRIPTION						
			1	2	3	4			
13	- D 8645441	1	.	CABLE ASM,I/O COMPLETE					
				FOR COMPONENT PARTS SEE INDEXES					
				23,31,50 AND 68					
	- D 8645447	1	.	CABLE ASM,TB1 TO 01AA1ZB					
				FOR COMPONENT PARTS SEE INDEXES					
				19,29,65,AND 97					
	- D 8645448	1	.	CABLE ASM,PS107 TO 01AA1YB					
				FOR COMPONENT PARTS SEE INDEXES					
				29,61,72,91,92,93 AND 95					
	- D 4495012	1	.	CABLE ASM,01F-P1 DISPLAY P3-150 FEET					
				FOR COMPONENT PARTS SEE INDEXES					
				22A,37,58,101A,117,123,133 AND 134					
	- D 8645309	3	.	JUMPER ASM,CB1 TO TB1					
				FOR COMPONENT PARTS SEE INDEXES 21 AND 101					
	- D 8645312	1	.	JUMPER ASM,CB1 TO TB1(50 HZ ONLY)					
				FOR COMPONENT PARTS SEE INDEXES 21 AND 101					
	- D 401410		.	CABLE ASM,TB3 TO TR104-A/B/C					
				FOR COMPONENT PARTS SEE INDEXES					
				12,20,22,59 AND 72					
	- D 401452	1	.	CABLE ASM,TB-1 TO 01AA4ZA					
				FOR COMPONENT PARTS SEE INDEXES					
				19,29,61 AND 93					
	- D 401462	1	.	CABLE ASM,01F-P1 TO DISPLAY					
				FOR COMPONENT PARTS SEE INDEXES					
				22A,37,58,101A,117 AND 123.					
	- D 401543	1	.	CABLE ASM,INTERFRAME - CH. TO CH.					
				FOR COMPONENT PARTS SEE INDEXES					
				112,112A,112B,112C,112D,112E,112F,112G AND 112H					
	- D 89X3363	1	.	CABLE ASM,1BA1 TO 1ECCF,CHANNELS 1-9, 1-A, 1-B					
				FOR COMPONENT PARTS SEE INDEXES					
				63,87,99,100,102,103 AND 105					
	- D 89X3364	1	.	CABLE ASM,1AA3 TO 1ECCE,CHANNELS 0-9, 0-A, 0-B					
				FOR COMPONENT PARTS SEE INDEXES					
				63,87,99,100,102,103 AND 105					



THIS PAGE INTENTIONALLY LEFT BLANK

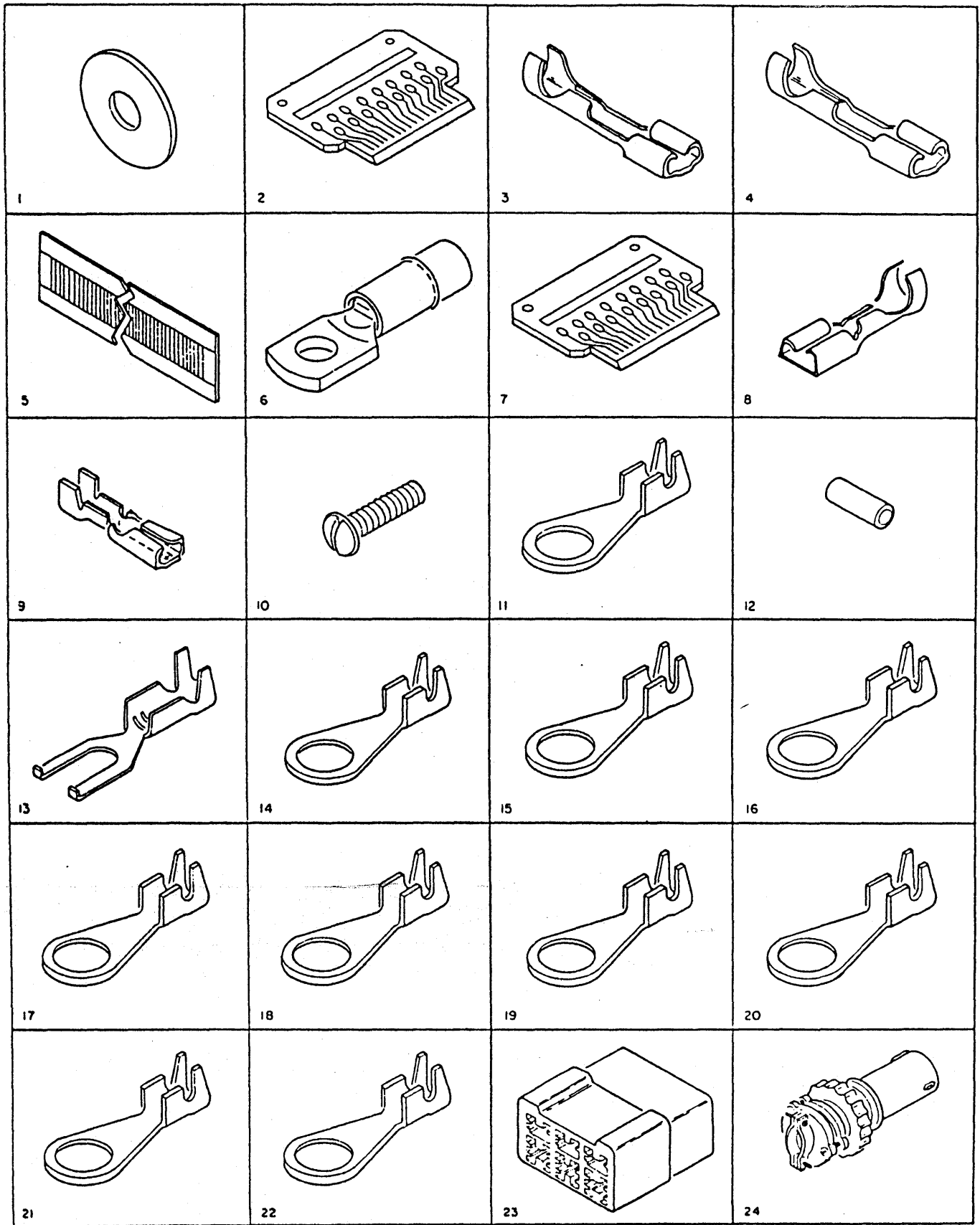


FIGURE 13. CABLE COMPONENT PARTS. SHEET 1 OF 7. INDEX NOS. 1-24. SEE LIST 13.

CABLE ASSEMBLIES WITH COMPONENT PARTS

FIGURE INDEX NUMBER	PART NUMBER	UNITS PER ASM	DESCRIPTION			
			1	2	3	4
13 - 1	638073	AR	.	WASHER		
- 2	174870	AR	.	CARD ASM		
- 3	236915	AR	.	TERMINAL, CONTACT FEMALE 20-18 AWG		
- 4	236916	AR	.	TERMINAL, CONTACT- FEMALE 24-22 AWG		
- 5	317296	AR	.	LABEL		
- 6	335327	AR	.	TERMINAL, LUG, NO. 10 SCREW		
- 7	400101	AR	.	CARD ASM		
- 8	430798	AR	.	TERMINAL, RECEPTACLE 20-18 AWG		
- 9	430799	AR	.	RECEPTACLE-TERMINAL		
- 10	438549	AR	.	SCREW, BD HD- 4-40 X 0.437 LG		
- 11	438685	AR	.	SPRING, LATCH-TORSION		
- 12	483619	AR	.	TUBING		
- 13	483652	AR	.	TERMINAL, FLANGED SPADE- 14-16AWG		
- 14	483677	AR	.	TERMINAL, RING, NO.6 STUD, 18-20 AWG		
- 15	483678	AR	.	TERMINAL, RING, NO.6 STUD, 14-16 AWG		
- 16	483679	AR	.	TERMINAL, RING, NO.6 STUD, 10-12 AWG		
- 17	483680	AR	.	TERMINAL, RING- 22 TO 26 AWG		
- 18	483681	AR	.	TERMINAL, RING, NO.8 STUD, 18-20 AWG		
- 19	483682	AR	.	TERMINAL, RING, NO.8 STUD, 14-16 AWG		
- 20	483683	AR	.	TERMINAL, RING, NO.8 STUD, 10-12 AWG		
- 21	483686	AR	.	TERMINAL, RING, NO.10 STUD, 14-16 AWG		
- 22	483687	AR	.	TERMINAL, RING, NO. 10 STUD, 10-12 AWG		
- 22A	483688	AR	.	TERMINAL, RING, NO. 0.250 STUD, 18-20 AWG		
- 23	523268	AR	.	CONNECTOR		
- 24	609543	AR	.	PLUG, MALE CABLE A		

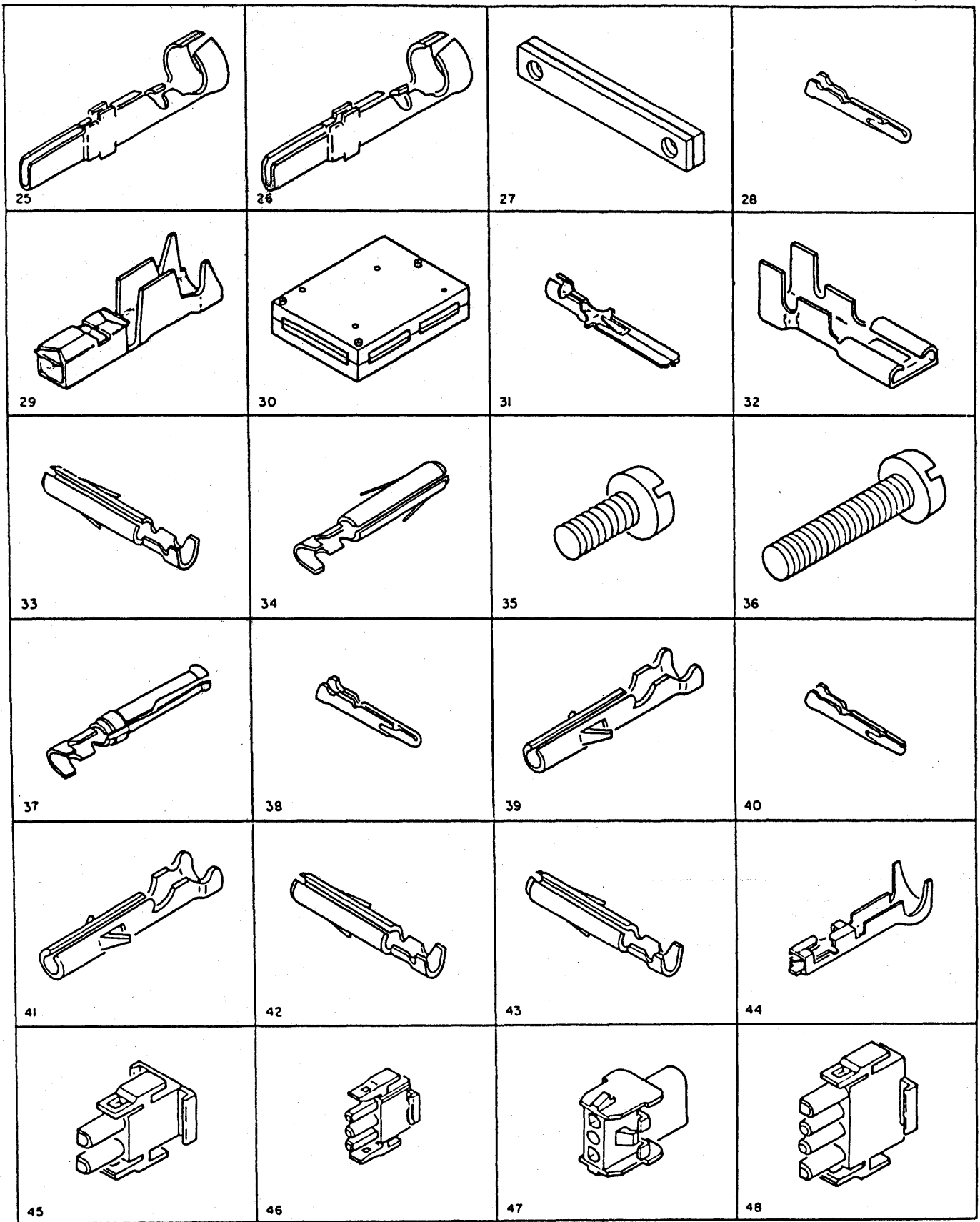


FIGURE 13. CABLE COMPONENT PARTS. SHEET 2 OF 7. INDEX NOS. 25-48. SEE LIST 13.

CABLE ASSEMBLIES WITH COMPONENT PARTS

FIGURE INDEX NUMBER	PART NUMBER	UNITS PER ASM	DESCRIPTION			
			1	2	3	4
13 - 25	738254	AR	.	TERMINAL ASM,MALE,12-14 AWG		
- 26	738255	AR	.	TERMINAL ASM,FEMALE,12-14 AWG		
- 27	740459	AR	.	STIFFENER		
- 28	813392	AR	.	CONNECTOR		
- 29	815933	AR	.	CONNECTOR-WIRE (18-20 AWG)		
- 30	1734234	AR	.	PSN ASM		
- 31	827991	AR	.	CONNECT,TAB TERMINAL		
- 32	1127037	AR	.	TERMINAL,WIRE		
- 33	1471018	AR	.	TERMINAL,SOCKET		
- 34	1471019	AR	.	TERMINAL,TAPER PIN		
- 35	1622535	AR	.	SCREW,PAN HD-M3.5		
- 36	1622538	AR	.	SCREW,PAN HD-M3.5		
- 37	1655337	AR	.	CONTACT SOCKET		
- 38	1661127	AR	.	TERMINAL-DUAL LANCE PIN		
- 39	1661128	AR	.	TERMINAL,SOCKET		
- 40	1661129	AR	.	TERMINAL		
- 41	1661130	AR	.	TERMINAL		
- 42	1661131	AR	.	TERMINAL,SOCKET		
- 43	1661132	AR	.	TERMINAL,SOCKET		
- 44	1661528	AR	.	TERMINAL,CONTACT		
- 45	1847524	AR	.	PLUG		
- 46	1847526	AR	.	CONNECTOR		
- 47	1847527	AR	.	CONNECTOR		
- 48	1847528	AR	.	PLUG,UNIVERSAL- 4 CIRCUIT		

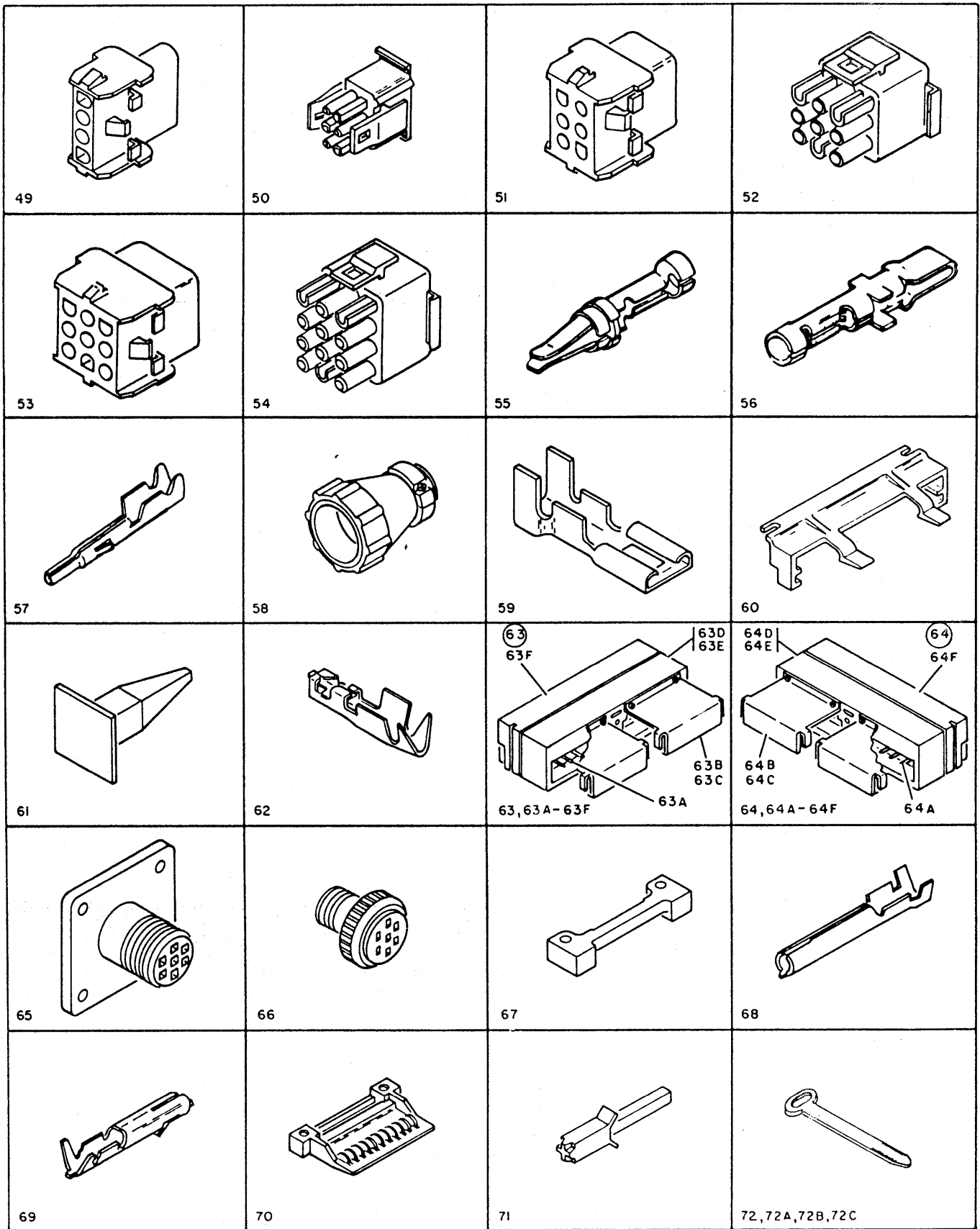


FIGURE 13. CABLE COMPONENT PARTS. SHEET 3 OF 7. INDEX NOS. 49-72C. SEE LIST 13.

CABLE ASSEMBLIES WITH COMPONENT PARTS

FIGURE INDEX NUMBER	PART NUMBER	UNITS PER ASM	DESCRIPTION			
			1	2	3	4
13 - 49	1847529	AR	.	HOUSING, UNIVERSAL- 4 CIRCUIT		
- 50	1847530	AR	.	PLUG		
- 51	1847531	AR	.	HOUSING, CONNECTOR 6 POS MALE		
- 52	1847532	AR	.	CONNECTOR		
- 53	1847533	AR	.	HOUSING, CONNECTOR 9 POS FEMALE		
- 54	1847534	AR	.	PLUG		
- 55	2192505	AR	.	TERMINAL ASM, FEMALE, 8 AND 10 AWG		
- 56	2192507	AR	.	TERMINAL		
- 57	2451131	AR	.	PIN, UNIVERSAL 0.920 LG		
- 58	2462055	AR	.	CLAMP		
- 59	2502307	AR	.	TERMINAL		
- 60	2546928	AR	.	RETAINER, CONNECTOR		
- 61	2637689	AR	.	INSERT		
- 62	2637690	AR	.	CONNECTOR- 18-20 AWG		
- 63	2676631	NR	AR	CONNECTOR ASM, LIGHT GRAY		
- 63A	5362303	NR	AR	. . PIN, CONNECTOR		
- 63B	5353895	NR	AR	. . BRACKET		
- 63C	112628	NR	AR	. . SCREW, THD FORMING BIND HD 3/8 IN. LG		
- 63D	5353902	NR	AR	. . BLOCK, GUIDE PIN		
- 63E	109918	NR	AR	. . SCREW, FL HD - 0.500 IN. LG		
- 63F	5529190	NR	AR	. . BLOCK, CONNECTOR PIN (LIGHT GRAY)		
- 64	2676632	NR	AR	CONNECTOR ASM, DARK GRAY		
- 64A	5362303	NR	AR	. . PIN, CONNECTOR		
- 64B	5353895	NR	AR	. . BRACKET		
- 64C	112628	NR	AR	. . SCREW, THD FORMING BIND HD 3/8 IN. LG		
- 64D	5353902	NR	AR	. . BLOCK, GUIDE PIN		
- 64E	109913	NR	AR	. . SCREW, FL HD - 0.500 IN. LG		
- 64F	5529191	NR	AR	. . BLOCK, CONNECTOR PIN (DARK GRAY)		
- 65	2745023	NR	AR	CONNECTOR- 7 POSITION		
- 66	2745024	NR	AR	CONNECTOR- 7 POSITION		
- 67	2757868	NR	AR	STRAIN RELIEF		
- 68	4123688	NR	AR	TERMINAL, SOCKET		
- 69	4123689	NR	AR	TERMINAL, PIN		
- 70	4123780	NR	AR	STRAIN RELIEF		
- 71	4155126	NR	AR	PLUG, KEYING		
- 72	1159519	NR	AR	TIE, CABLE (171 MM LONG X 5 MM WIDE)		
- 72A	2637668	NR	AR	TIE, CABLE (240 MM LONG X 8 MM WIDE)		
- 72B	825559	NR	AR	TIE, CABLE (198 MM LONG X 5 MM WIDE)		
- 72C	1159913	NR	AR	TIE, CABLE (96 MM LONG X 2 MM WIDE)		

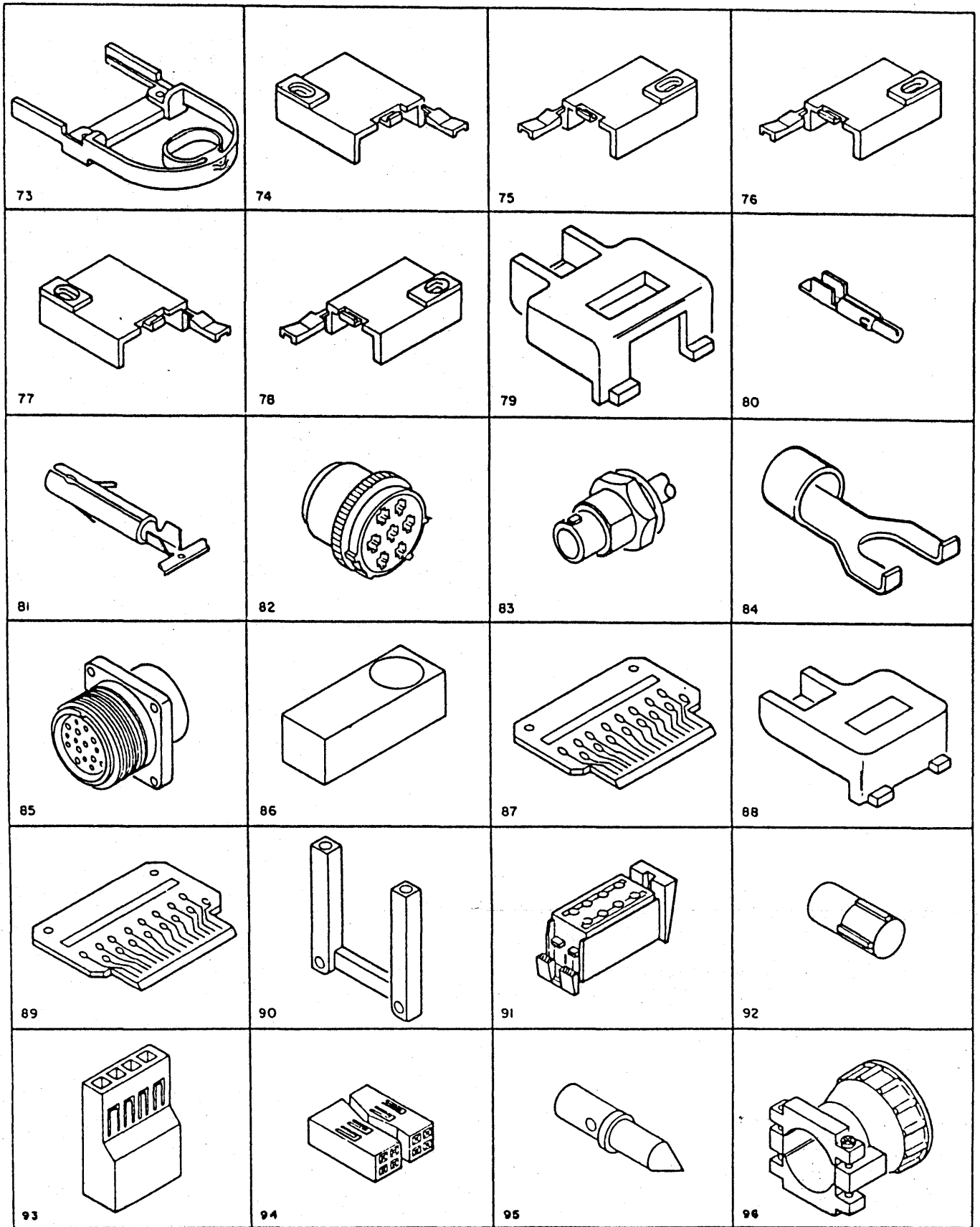


FIGURE 13. CABLE COMPONENT PARTS. SHEET 4 OF 7. INDEX NOS. 73-96. SEE LIST 13.



CABLE ASSEMBLIES WITH COMPONENT PARTS

FIGURE INDEX NUMBER	PART NUMBER	UNITS PER ASM	DESCRIPTION			
			1	2	3	4
13 - 73	4441166	AR	.	STRAIN RELIEF, 3 HI ELSI CONN		
- 74	4447188	AR	.	STRAIN RELIEF		
- 75	4454591	AR	.	STRAIN RELIEF		
- 76	4459324	AR	.	STRAIN RELIEF, 12 POS CONNECTOR		
- 77	4459325	AR	.	STRAIN RELIEF, 15 POS CONNECTOR		
- 78	4462361	AR	.	STRAIN RELIEF, 4 POS CONNECTOR		
- 79	4462370	AR	.	ADAPTOR		
- 80	4488201	AR	.	TERMINAL, PIN, MATE-N-LOK 12-		
- 81	4488202	AR	.	TERMINAL, SOC 12-10 AWG		
- 82	4867628	AR	.	CONNECTOR, SOCKET CONTACTS		
- 83	5252661	AR	.	CONNECTOR		
- 84	5275481	AR	.	STRAIN RELIEF		
- 85	5578491	AR	.	CONNECTOR- 28 POSITION		
- 86	5644034	AR	.	LABEL, ROTATION-ENG		
- 87	5800634	AR	.	CARD ASM-TERMINATOR, TWISTED PR.		
- 88	5865893	AR	.	ADAPTOR		
- 89	6819175	AR	.	CARD ASM		
- 90	6831356	AR	.	BRACKET, STRAIN RELIEF		
- 91	8268898	AR	.	HOUSING, TOP- 8 POS.		
- 92	8268903	AR	.	PLUG, ORIENTATION		
- 93	8324616	AR	.	HOUSING- 1 X 2		
- 94	8324648	AR	.	HOUSING- 2 X 18		
- 95	8330316	AR	.	CONTACT, PIN- 16 AWG		
- 96	8645426	AR	.	STRAIN RELIEF		

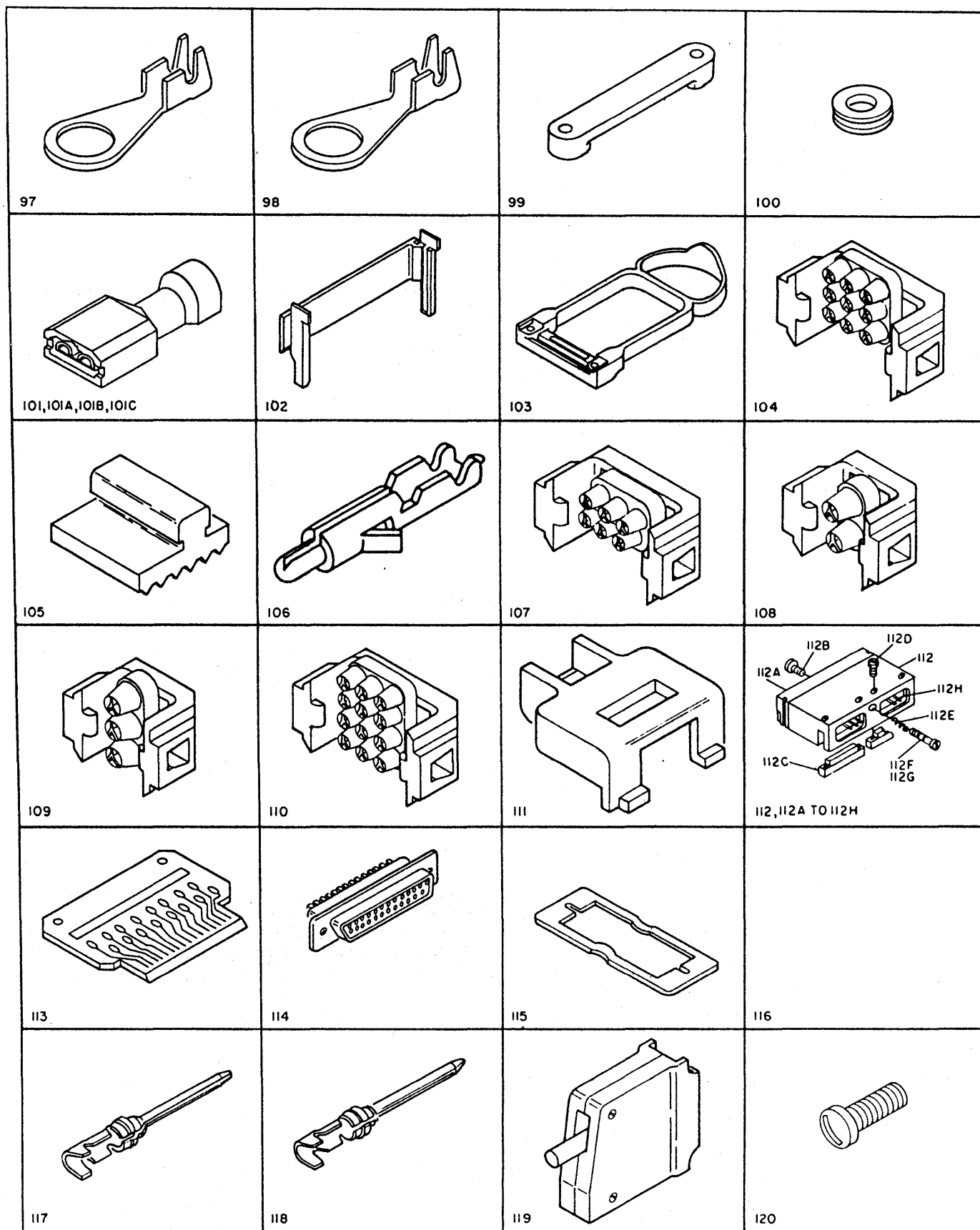


FIGURE 13. CABLE COMPONENT PARTS. SHEET 5 OF 7. INDEX NOS. 97-120. SEE LIST 13.

CABLE ASSEMBLIES WITH COMPONENT PARTS

FIGURE INDEX NUMBER	PART NUMBER	UNITS PER ASM	DESCRIPTION			
			1	2	3	4
13 - 97	483685	AR	.	TERMINAL,RING, NO.10 STUD,18-20 AWG		
- 98	483692	AR	.	TERMINAL,RING-NO .375 STUD,12-10 AWG		
- 99	401423	AR	.	CLAMP,STRAIN RELIEF		
-100	595720	AR	.	RIVET,ROLLED FLANGE		
-101	4495000	AR	.	TERMINAL,WIRE INSULATED		
-101A	4495001	AR	.	TERMINAL,WIRE INSULATED		
-101B	4495003	AR	.	TERMINAL,WIRE INSULATED		
-101C	4495005	AR	.	TERMINAL,WIRE INSULATED		
-102	8483774	AR	.	CARD GUIDE		
-103	1953289	AR	.	STRAIN RELIEF,WIRE EXTENDER		
-104	378470	AR	.	RETAINER,CONTACT- 9 CIRCUIT		
-105	5466393	AR	.	CLAMP,STRAIN RELIEF		
-106	1847520	AR	.	TERMINAL,14-20 AWG		
-107	378469	AR	.	RETAINER,CONTACT- 6 CIRCUIT		
-108	378466	AR	.	RETAINER,CONTACT- 2 CIRCUIT		
-109	378467	AR	.	RETAINER,CONTACT- 3 CIRCUIT		
-110	378471	AR	.	RETAINER,CONTACT- 12 CIRCUIT		
-111	4441534	AR	.	ADAPTER,STRAIN RELIEF		
-112	5362306	AR	.	COVER		
-112A	5353867	AR	.	BLOCK,CONNECTOR('A' STYLE)		
-112A	5353869	AR	.	BLOCK,CONNECTOR('B' STYLE-NO INSERT)		
-112B	5529184	AR	.	SCREW,SELF TAP-FL HD,4-40 X 1.06 LG		
-112C	5353896	AR	.	RELIEF,CABLE		
-112D	438560	AR	.	SCREW,FL HD,4-40 X 1.000 LG		
-112E	1105806	AR	.	SPRING		
-112F	5362308	AR	.	SCREW,BIND HD,8-32 X 2.928 LG		
-112G	264641	AR	.	RING,RETAINING		
-112H	5262301	AR	.	CONTACT(PART OF CABLE)		
-112H	5262302	AR	.	CONTACT(PART OF CABLE)		
-113	6819173	AR	.	CARD ASM		
-114	1655338	AR	.	CONNECTOR,MALE		
-115	1855807	AR	.	PLATE,RETAINER		
-117	1655339	AR	.	PIN,CONTACT		
-118	1655359	AR	.	PIN, CONTACT-24-28 AWG		
-119	1855555	AR	.	HOUSING ASM		
-120	438551	AR	.	SCREW,BD HD- 4-40 X 0.625 LG		

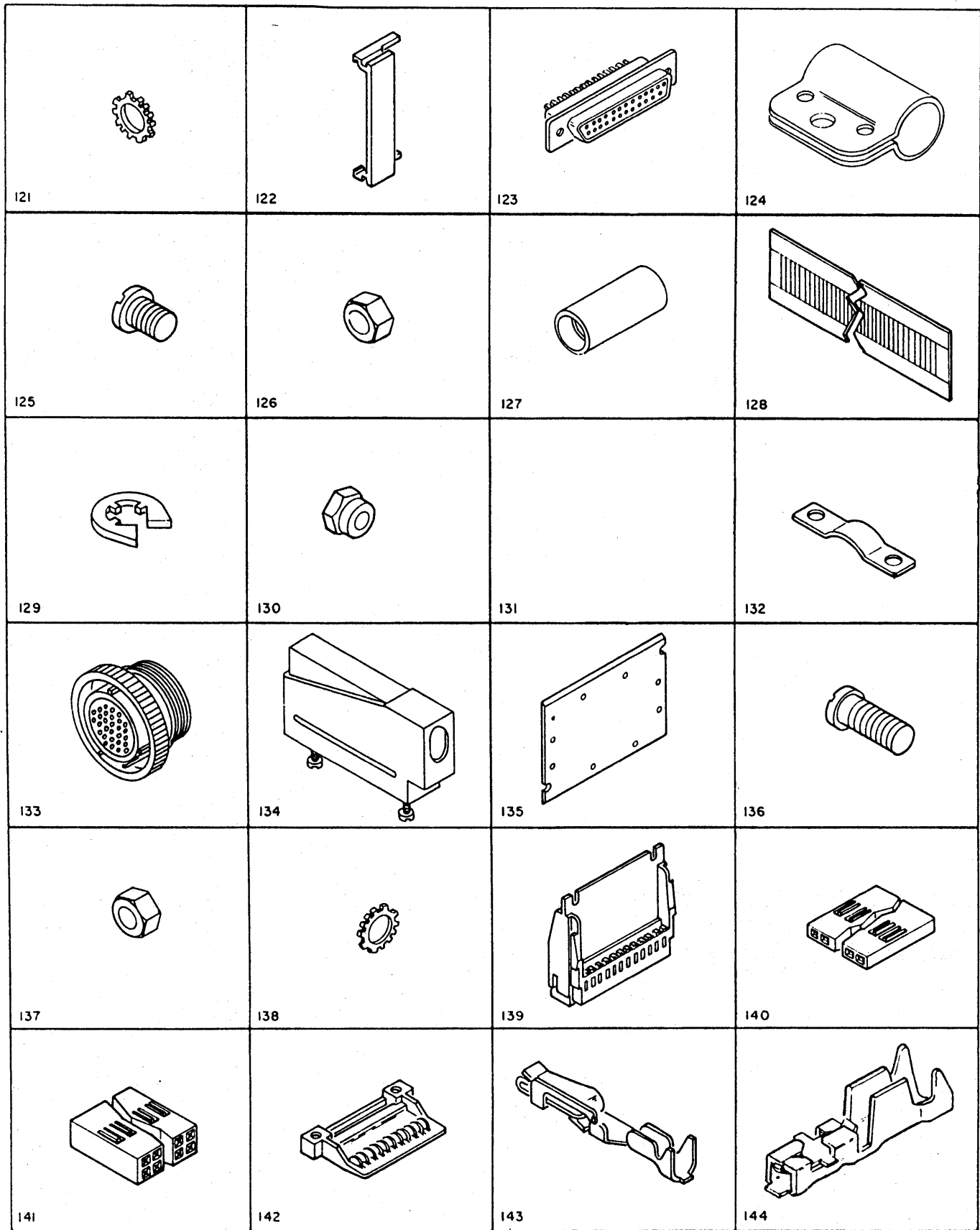


FIGURE 13. CABLE COMPONENT PARTS. SHEET 6 OF 7. INDEX NOS. 121-144. SEE LIST 13.

CABLE ASSEMBLIES WITH COMPONENT PARTS

FIGURE INDEX NUMBER	PART NUMBER	UNITS PER ASM	DESCRIPTION			
			1	2	3	4
13 -121	1622347	AR	.	LOCKWASHER	EXT STAR-	M5, 10 OD X .6
-122	811802	AR	.	CARD	GUIDE	
-123	1655336	AR	.	CONNECTOR,	25 POS	RECEPTICLE
-125	2549781	AR	.	SCREW,	PAN HD-	M5 X 8 LG
-126	1622404	AR	.	NUT, DBL	CHAMFERED	HEX-M5 X 4 THK
-127	8462879	AR	.	NUT,	CONDUIT-	4-40
-128	483770	AR	.	LABEL		
-129	264641	AR	.	RING,	RETAINING	EXT 0.114 ID X 0.025 THK
-130	344015	AR	.	NUT,	HEX-	6-32
-132	2181200	AR	.	CLAMP,	.40	INSIDE RADIUS
-133	5717874	AR	.	HOOD,	CONNECTOR	
-134	2462062	AR	.	HOUSING,	PLUG-28	POSITION
-135	8483618	AR	.	BRACKET,	CD	SAFETY
-136	1621191	AR	.	SCREW,	PAN HD-	M4 X 10 LG
-137	1622403	AR	.	NUT, DBL	CHAMFERED	HEX M4 X 3.2 THK
-138	1622346	AR	.	LOCKWASHER,	EXT STAR-	M4, 8 OD X .5
-139	5447741	AR	.	HOUSING,	SINGLE	HI
-140	2731406	AR	.	HOUSING,	10	POSITION
-141	2731392	AR	.	HOUSING-	2 X 8	
-142	5466397	AR	.	STRAIN	RELIEF	
-143	5486851	AR	.	CONTACT,	SERPENT-	SINGLE HI, 22-26 RNG
-144	2637682	AR	.	CONNECTOR,	WIRE	(22 26 AWG)

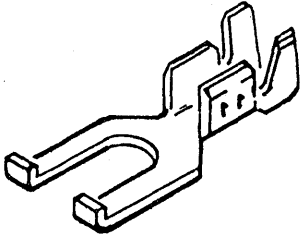

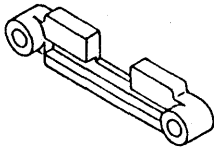
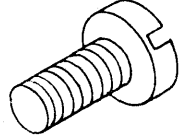
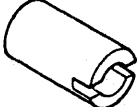
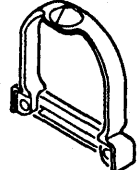
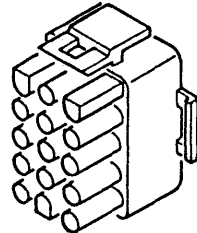
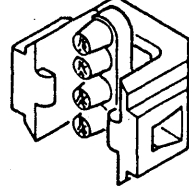
 <p>145</p>	 <p>146</p>	 <p>147</p>	 <p>148</p>
 <p>149</p>	 <p>150</p>	 <p>151</p>	 <p>152</p>

FIGURE 13. CABLE COMPONENT PARTS. SHEET 7 OF 7. INDEX NOS. 145-152. SEE LIST 13.

CABLE ASSEMBLIES WITH COMPONENT PARTS

FIGURE INDEX NUMBER	PART NUMBER	UNITS PER ASM	DESCRIPTION			
			1	2	3	4
13 -145	483648	AR	.	TERMINAL, 22-26 AWG		
-146	109918	AR	.	SCREW, FL HD- 0.500 LG		
-147	401435	AR	.	STRAIN RELIEF		
-148	52523	AR	.	SCREW, FIL HD- 4-40 X 0.625 LG		
-149	8482979	AR	.	NUT		
-150	5665948	AR	.	CLAMP		
-151	1847536	AR	.	CONNECTOR, 15 POSITION		
-152	378468	AR	.	RETAINER		

THIS PAGE INTENTIONALLY LEFT BLANK



# NUMERICAL INDEX

PART NO.	LIST AND INDEX NO.	PART NO.	LIST AND INDEX NO.	PART NO.	LIST AND INDEX NO.	PART NO.	LIST AND INDEX NO.
10170	3 -296	110029	3 -383	378466	13 -108	401481	1 - 58
	3 -392	112628	13 - 63C	378467	13 -109	401482	1 - 58
	4 - 1E		13 - 64C	378468	13 -152	401494	5 - 67
	5 -101	138755	10 - 19	378469	13 -107	401495	5 - 66C
	5 -117	150390	2 - 17A	378470	13 -104	401502	1 - 58
	9 - 9		3 -108	378471	13 -110	401523	3 -275A
	10 - 35		3 -118	400101	13 - 7	401525	1 - 63
	10 - 46		3 -376	401280	3 -248B	401528	5 -138
11598	6 - 3	174171	3 -138	401281	3 -248B	401529	5 -138
	7 - 3	174330	3 -317	401282	3 -248B	401530	5 -138
	7B- 3		3 -398	401283	3 -248B	401531	5 -138
	8 - 3	174870	13 - 2	401284	3 -248B	401533	5 -138
22066	3 -195H	204499	3 - 86	401285	3 -248B	401534	5 -138
	3 -195H	210883	5 -103	401330	3 -248A	401543	13 - D
	3 -195H		10 - 36	401337	3 -248A	406389	3 - 68
	3 -195H		10 - 48	401338	3 -248A	418835	10 - 12
	3 -216	220856	3 - 85	401339	3 -248A	430798	13 - 8
	4 - 20	236915	13 - 3	401340	3 -248A	430799	13 - 9
32617	7B- 13	236916	13 - 4	401341	3 -248A	438549	3 -156
38235	10 - 26	256530	5 - 42	401345	3 -248C		13 - 10
45690	3 -363	257187	6 - 7	401394	3 -157	438551	13 -120
	6 - 5		7 - 7	401396	1 - 21	438560	13 -112D
	7 - 5		7B- 8	401402	3 -313	438685	13 - 11
	7B- 5		8 - 7	401403	3 -212	475465	3 -164
	8 - 5	264641	3 -337	401405	3 -360A		3 -168
47242	3 -338		13 -112G		3 -369		3 -176
52523	13 -148		13 -129	401406	1 - 23		3 -180
53193	3 -232	307554	10 - 7	401407	3 - 96		3 -189
	3 -267	312568	5 - 53	401410	13 - D		3 -194
	5 - 74		9 - 22	401411	5 -122B	483619	13 - 12
55918	6 - 20	312571	5 - 59	401416	3 -403	483648	13 -145
	7 - 17	312573	5 - 55	401420	1 - 41	483652	13 - 13
	8 - 17		9 - 24	401421	9 - 5	483677	13 - 14
56079	6 - 4	312575	5 - 54	401423	13 - 99	483678	6 - 23
	6 - 21		9 - 23	401427	10 - 10		7 - 20
	7 - 4	316807	3 - 36	401428	5 -112		8 - 20
	7 - 18		10 - 9	401434	3 -308		13 - 15
	7B- 4	317131	10 - 37		3 -396	483679	13 - 16
	7B- 14	317296	13 - 5	401435	13 -147	483680	13 - 17
	8 - 4	317310	5 -102	401436	7B- 27	483681	13 - 18
	8 - 18	317485	5 -102	401441	3 -127	483682	13 - 19
56722	6 - 8		10 - 47		13 - A	483683	13 - 20
	6 - 11	321571	3 - 31	401445	3 -195F	483685	13 - 20
	7 - 8	322065	6 - 10		3 -195F	483686	13 - 21
	7 - 11		7 - 10		3 -195F	483687	13 - 22
	7 - 15		7 - 14		4 - 18F	483688	13 - 22A
	7B- 7		8 - 10	401447	1 - 3	483692	13 - 98
	7B- 11		8 - 14	401448	1 - 3	483770	13 -128
	8 - 8	322266	10 - 39	401451	5 -137	517913	6 - 22
	8 - 11	322280	5 -104	401452	13 - D		7 - 19
	8 - 15		10 - 49	401455	1 - 1		8 - 19
81693	7B- 10	322550	10 - 38	401457	1 - 3	523268	13 - 23
	10 - 11	323845	10 - 61	401458	1 - 9A	526378	6 - 1
92752	5 - 98	335327	13 - 6	401460	1 - 1		7 - 1
	9 - 11	337193	10 - 34	401462	3 -248		7B- 1
	9 - 16	344015	13 -130		13 - D		8 - 1
	11 - 10	350965	5 -116	401466	3 - 74	595720	13 -100
NO NO.	3 -195	350966	5 -100		3 -255	599557	1 - 10
	4 - 18		10 - 45		3 -436		3 - 28
107664	5 - 96	353598	2 - 18	401467	3 - 74A		6 - 33
107665	5 - 96	357995	10 - 12		3 -255A		7 - 30
	9 - 10	369207	3 - 1		3 -437		8 - 30
109918	13 - 63E		3 -105	401468	5 - 42A	609543	13 - 24
	13 - 64E		3 -133	401471	3 - 65	610052	3 - 84
	13 -146		3 -335	401478	3 -127A	638073	13 - 1
110029	3 -277		9 - 2	401479	3 -123	730468	5 -120

PART NO.	LIST AND INDEX NO.
----------	--------------------

738254 13 - 25  
738255 13 - 26  
740459 3 -154  
13 - 27  
740513 5 - 51  
760303 1 - 9  
760446 3 - 87  
760447 3 - 82  
767031 3 -355A  
804109 6 - 29  
7 - 26  
7B- 17  
8 - 26  
811802 13 -122  
813392 13 - 28  
813519 4 - 12  
815933 13 - 29  
818579 3 -148  
4 - 17  
824348 3 -111  
825557 5 - 56A  
825559 13 - 72B  
827991 13 - 31  
840667 3 -329F  
3 -408  
840673 3 -329B  
3 -413  
845762 9 - 1  
855284 1 - 2  
3 -344  
855285 1 - 2  
855286 3 -345  
960766 1 - 3  
3 -345  
984123 10 - 19  
NO NO 3 -407  
NO NO. 3 -200  
3 -209  
3 -329  
3 -329Y  
3 -343  
3 -346  
3 -426  
6 - 28  
7 - 25  
8 - 25  
3 -444  
10F6418 4 - 2  
10F6419 4 - 2  
1105806 13 -112E  
1127037 13 - 32  
1159519 13 - 72  
1159913 13 - 72C  
1310163 2 - 2  
1310164 2 - 11  
1310165 2 - 10  
1310297 5 - 92  
10 - 52  
1471018 13 - 33  
1471019 13 - 34  
1573510 6 - 9  
7 - 9  
7B- 9  
8 - 9  
1573511 6 - 14  
7B- 21  
1573516 6 - 15

PART NO.	LIST AND INDEX NO.
----------	--------------------

1573516 7B- 22  
1621063 3 - 57  
1621066 10 - 15  
1621079 5 - 88  
1621170 3 - 59  
3 -103  
3 -354  
5 - 18  
5 - 66D  
1621171 3 -235  
3 -271  
3 -371  
3 -389F  
4 - 11  
5 - 69  
1621172 5 - 50  
5 - 66B  
1621176 3 -121  
3 -124  
10 - 28  
10 - 65  
1621181 5 -101  
10 - 60  
1621182 5 - 48  
10 - 22  
1621183 5 - 23  
1621190 1 - 64  
2 - 3  
2 - 6  
2 - 8  
2 - 12  
3 - 47  
3 - 83  
3 -125  
3 -230  
3 -265  
3 -276  
3 -304  
3 -340  
3 -348  
3 -382  
4 - 10  
5 - 13  
5 - 20  
5 - 27  
5 - 43  
5 - 52  
5 - 71  
7A- 4  
10 - 11  
10 - 24  
1621191 3 -224  
3 -290  
3 -351  
4 - 8  
5 - 78  
5 - 93  
7B- 24  
10 - 6  
10 - 53  
13 -136  
1621192 2 - 16  
3 - 89  
9 - 12  
9 - 17  
1621193 3 -365

PART NO.	LIST AND INDEX NO.
----------	--------------------

1621193 6 - 17  
7B- 18  
1621194 6 - 30  
7 - 27  
7 - 33  
8 - 27  
1621197 3 -159  
3 -171  
3 -183  
3 -188  
3 -193  
3 -242  
3 -254  
3 -256  
5 - 93  
1621198 1 - 27  
3 - 73  
3 - 75  
3 -130  
3 -438  
3 -441  
7A- 7  
9 - 4  
1621210 3 - 3  
3 - 19  
3 - 38  
3 -100  
3 -137  
3 -243  
3 -247  
3 -258  
3 -262  
3 -306  
3 -327  
3 -334  
3 -384  
3 -389B  
5 - 7  
5 - 41  
5 - 58  
5 - 64  
5 - 67B  
5 -127  
5 -134  
7A- 10  
1621211 3 - 21  
3 -104D  
3 -238  
3 -286  
3 -298  
3 -388  
1621228 3 -326  
3 -401  
1621230 3 -314  
3 -404  
1621286 3 - 32  
5 - 60  
1621307 10 - 13  
1621511 3 -329P  
3 -418  
1621512 3 -329V  
3 -423  
1621545 3 -309  
3 -316  
3 -322  
3 -329D

PART NO.	LIST AND INDEX NO.
----------	--------------------

1621545 3 -394  
3 -397  
3 -428  
1621595 3 -293  
3 -380  
5 - 84A  
1621596 3 - 93  
3 -112  
3 -116  
3 -375  
1621597 3 -329L  
3 -415  
1621626 1 - 54  
3 - 9  
3 - 39  
3 - 69  
1621844 3 -163  
3 -167  
3 -175  
3 -179  
3 -187  
3 -192  
1621846 3 -204  
4 - 1G  
1621852 1 - 44  
1622304 3 -329G  
3 -329R  
3 -329W  
3 -352  
3 -409  
3 -419  
3 -424  
1622305 3 - 23  
3 - 27  
3 - 53  
3 - 63  
3 - 79  
3 -245  
3 -252  
3 -288  
3 -300  
3 -389  
1622306 1 - 57  
3 - 8  
3 - 10  
3 - 17  
3 - 71  
3 - 95  
3 -326A  
3 -402  
5 - 8  
5 - 86  
5 -110  
5 -128  
5 -135  
10 - 32  
10 - 43  
1622316 3 - 33  
5 - 61  
1622317 5 - 24  
1622318 3 -104G  
3 -329H  
3 -329S  
3 -329X  
3 -410  
3 -420

PART LIST AND  
NO. INDEX NO.

PART LIST AND  
NO. INDEX NO.

PART LIST AND  
NO. INDEX NO.

PART LIST AND  
NO. INDEX NO.

1622318 3 -425  
5 - 14  
5 - 94  
9 - 13  
9 - 18  
10 - 54  
1622319 1 - 56  
3 - 22  
3 - 52  
3 - 62  
3 - 70  
3 - 78  
3 - 92  
3 - 98  
3 -244  
3 -251  
1622320 3 - 7  
3 - 11  
3 - 16  
3 - 94  
3 -377  
10 - 31  
10 - 42  
1622321 3 -310  
3 -329E  
3 -395  
3 -429  
1622344 3 -236  
3 -272  
3 -354A  
3 -372  
3 -389E  
4 - 1K  
5 - 70  
1622346 2 - 4  
2 - 9  
2 - 13  
2 - 17  
3 - 48  
3 -126  
3 -231  
3 -266  
4 - 11  
5 - 28  
5 - 72  
6 - 4  
6 - 18  
6 - 31  
7 - 4  
7 - 28  
7A- 8  
7B- 4  
7B- 19  
7B- 25  
8 - 4  
8 - 28  
13 -138  
1622347 3 - 4  
3 - 19A  
3 - 26  
3 - 30  
3 -101  
3 -239  
3 -263  
3 -287  
3 -299

1622347 3 -328  
3 -359  
3 -385  
3 -389C  
4 - 1C  
5 - 3  
5 - 11  
5 - 39  
5 - 89  
5 -125  
5 -131  
7A- 6  
7A- 11  
13 -121  
1622348 3 -113  
3 -117  
3 -294  
3 -315  
3 -326B  
3 -329M  
3 -381  
3 -416  
5 - 67A  
5 - 87  
5 -111  
10 - 33  
10 - 44  
1622401 3 - 34  
5 - 62  
1622402 5 - 25  
1622403 3 -104F  
3 -353  
3 -362  
6 - 3  
6 - 32  
7 - 3  
7 - 29  
7B- 3  
7B- 20  
8 - 3  
8 - 29  
9 - 14  
9 - 19  
13 -137  
1622404 3 - 12  
3 - 25  
3 - 29  
3 - 51  
3 - 58  
3 - 61  
7A- 5  
13 -126  
1622405 5 - 85  
5 -109  
10 - 30  
10 - 41  
10 - 58  
1622535 6 - 25  
7 - 22  
8 - 22  
13 - 35  
1622538 13 - 36  
1622970 1 - 59  
1623742 5 - 31  
1624357 5 -114  
1655336 13 -123

1655337 13 - 37  
1655338 13 -114  
1655339 13 -117  
1655359 13 -118  
1661127 13 - 38  
1661128 13 - 39  
1661129 13 - 40  
1661130 13 - 41  
1661131 13 - 42  
1661132 13 - 43  
1661528 13 - 44  
1673725 3 -329J  
3 -411  
1673729 3 - 91  
1673730 1 - 55  
3 - 6  
3 - 15  
3 - 15A  
3 - 97  
3 -107  
1673983 4 - 1B  
5 - 2  
5 - 10  
5 - 38  
5 -124  
5 -130  
1673984 3 - 67  
3 - 77  
3 - 81  
3 -132  
3 -250  
3 -302  
3 -312  
3 -321  
3 -358  
3 -368  
3 -406  
3 -432  
3 -434  
3 -443  
4 - 3  
5 - 33  
1726308 10 - 17  
1726328 3 -318  
3 -399  
1734234 13 - 30  
1799203 10 - 16  
1799206 5 -115  
10 - 18  
1799218 5 -113  
10 - 14  
1802706 3 -139  
4 - 16  
1806735 3 - 50  
1806736 3 -367  
1806737 3 -264  
1806738 3 -386  
1806739 3 -330  
1806767 5 - 30  
1806768 5 - 32  
1806769 5 - 12  
1806772 3 - 1  
3 -105  
3 -133  
3 -335  
9 - 2

1806773 10 - 19  
1806779 9 - 6  
1806783 1 - 50  
1806784 1 - 52  
1806785 1 - 53  
1806786 1 - 24  
1806787 1 - 45  
1806788 1 - 47  
1806791 13 - A  
1806792 13 - A  
1806796 1 - 43  
1806797 5 - 22  
1806798 3 - 18  
3 - 99  
3 -261  
3 -389A  
4 - 1A  
5 - 9  
5 - 37  
4 - 1  
1806817 4 - 1  
1806824 3 -158  
1806825 3 -170  
1806827 3 -329A  
3 -412  
1806829 3 -166  
1806830 3 -182  
1806831 3 -174  
1806833 3 -178  
1806835 3 -191  
1806837 3 -186  
1806839 3 -225  
1806841 1 - 22  
1806842 3 -301  
1806850 3 -347  
1806859 3 - REF  
1807942 3 -128  
13 - A  
1807943 3 -128  
13 - A  
1807944 13 - A  
1807945 13 - A  
1807946 13 - A  
1807947 13 - A  
1807948 13 - A  
1807949 13 - A  
1807953 13 - A  
1807954 13 - A  
1807955 13 - A  
1807956 13 - A  
1807957 13 - A  
1807958 13 - A  
1807959 13 - A  
1807960 13 - A  
1807961 13 - A  
1807962 13 - A  
1807963 13 - A  
1807964 13 - A  
1807966 13 - B  
1807967 13 - B  
1807968 13 - B  
1807969 13 - B  
1807970 13 - B  
1807971 13 - B  
1807972 13 - B  
1807973 13 - B  
1808000 13 - B

PART NO.	LIST AND INDEX NO.
----------	--------------------

1815851	10 - 62
1822850	3 -199
	3 -208
1822851	3 -198
	3 -207
1822943	3 -196
1822944	3 -205
1847520	13 -106
1847524	13 - 45
1847526	6 - 27
	7 - 24
	8 - 24
	13 - 46
1847527	13 - 47
1847528	13 - 48
1847529	13 - 49
1847530	13 - 50
1847531	13 - 51
1847532	13 - 52
1847533	13 - 53
1847534	13 - 54
1847536	13 -151
1847965	13 - B
1855555	13 -119
1855807	13 -115
1953083	3 -144
	4 - 15
1953110	3 -150
	4 - 4
1953162	3 -195C
	3 -195C
	4 - 18C
1953172	3 -134
1953179	3 -149
1953181	3 -149
1953222	3 -147
	4 - 14
1953289	13 -103
1953315	3 -202
1953317	3 -211
1953318	3 -195D
	3 -195D
	3 -197
	3 -206
	4 - 18D
1953319	3 -203
	4 - 1F
2101337	5 -121
2101357	5 -122A
2101400	10 - 63
2125898	5 -118
2128748	10 - 23
2172092	4 - 1D
2181088	3 -215
2181200	13 -132
2192505	13 - 55
2192507	13 - 56
2242321	10 - 25
2242394	3 -222
2281858	3 -218
2311716	3 -219
2426298	3 -355A
2451131	13 - 57
2457745	3 -195B
	3 -195B
	3 -195G

PART NO.	LIST AND INDEX NO.
----------	--------------------

2457745	3 -195G
	3 -195G
	3 -195G
	4 - 18B
	4 - 19
2462055	13 - 58
2462062	13 -133
2495469	9 - 15
2495692	3 -160
	3 -172
	3 -184
2502115	10 - 10
2502307	13 - 59
2513269	3 -104L
	3 -161
	3 -323
	3 -360C
	3 -430
	5 - 75
2546928	13 - 60
2549781	13 -125
2561149	10 - 23
2561584	7 - 13
2561585	7 - 12
2561586	6 - 14
	7B- 21
2561587	6 - 15
	7B- 22
2596291	5 - 16
2637668	3 -393A
	13 - 72A
2637682	13 -144
2637689	13 - 61
2637690	13 - 62
2676631	13 - 63
2676632	13 - 64
2676726	7 - 33
2677389	3 -341
2677390	3 -342
2722507	5 - 91
2722844	10 - 40
2722845	5 - 83
2722846	5 - 84
2731392	13 -141
2731406	13 -140
2745023	13 - 65
2745024	13 - 66
2745127	5 - 66
2757868	13 - 67
4053985	1 - 2
4053987	3 -344
4109388	10 - 4
4120303	5 -104
4120491	5 - 92
4120493	5 - 92
4120570	5 -103
4120601	10 - 5
4120650	5 - 90
4120825	5 - 95
4120826	5 - 95
4123688	13 - 68
4123689	6 - 26
	7 - 23
	8 - 23
	13 - 69
4123780	13 - 70

PART NO.	LIST AND INDEX NO.
----------	--------------------

4123928	3 -259
	3 -319
	3 -360B
	10 - 1
4143551	3 -104A
4143559	3 -104A
4144030	3 -162
4144032	1 - 26
4144033	3 -320
4152771	9 - 21
	11 - 2
4154583	9 - 6
4154584	9 - 6
4154585	9 - 6
4154586	9 - 6
4154587	9 - 6
4154589	9 - 6
4154591	10 - 19
4154689	1 - 62
4155082	11 - 8
4155096	11 - 7
4155126	13 - 71
4204962	3 -274
4216171	10 - 23
4216213	10 - 20
4240513	5 - 26
4240517	5 - 26
4240604	5 - 28B
4240605	5 - 28B
4240650	6 - 35
	7 - 32
	7B- 28
	8 - 32
4240728	5 - 28A
4432610	5 - 99
	11 - 11
4432847	10 - 56
	10 - 57
4435637	3 - 41
	3 -104H
	3 -104J
	3 -104K
	3 -303
	3 -446
	4 - 1M
4441166	13 - 73
4441534	13 -111
4447188	13 - 74
4447204	1 - 3
4454591	6 - 24
	7 - 21
	8 - 21
	13 - 75
4456950	3 -374
4459324	13 - 76
4459325	13 - 77
4462361	13 - 78
4462370	13 - 79
4473529	9 - 8
4488201	13 - 80
4488202	13 - 81
4494190	3 - 14
	3 - 14A
4494199	3 - 13
	3 - 13A
4494200	5 - 4

PART NO.	LIST AND INDEX NO.
----------	--------------------

4494200	5 - 5
4494225	5 - 6
4494250	5 - 5
4494279	11 - 9
4494280	10 - 40
4494285	11 - 4
4494290	5 - 83
4494300	5 - 84
4494304	3 - 60
4494305	3 - 60
4494306	5 - 91
	10 - 51
4494307	5 -108
4494310	5 -133
4494320	5 -126
4494330	5 -132
4494350	5 - 5
4494962	10 - 19
4494963	9 - 6
4494978	5 - 36
4494982	1 - 3
4494983	1 - 3
4494999	5 - 66A
4495000	13 -101
4495001	13 -101A
4495003	13 -101B
4495005	13 -101C
4495012	13 - D
4495014	1 - 1
4495016	3 -387
4495022	3 -135
4495024	1 - 1
4495025	1 - 1
4495026	1 - 3
4495045	3 -313A
4495059	1 - 1
4495060	1 - 1
4521305	5 - 47
4521357	5 - 49
4867628	13 - 82
4873814	3 -152
	3 -239A
	3 -151
4873815	3 -151
5174643	6 - 13
5214059	10 - 21
5214256	10 - 4
5236656	5 -100
5242331	5 -138
5252506	10 - 5
5252645	10 - 29
5252661	13 - 83
5252823	8 - 2
5252824	7 - 2
5252828	7 - 2
5252840	5 - 95
	10 - 55
5252850	3 - 54
	3 - 55
5262301	13 -112H
5262302	13 -112H
5267830	5 - 21
5275481	13 - 84
5276701	10 - 20
5318966	3 -355B
5353301	1 - 42
5353867	13 -112A

PART NO.	LIST AND INDEX NO.
----------	--------------------

PART NO.	LIST AND INDEX NO.
----------	--------------------

PART NO.	LIST AND INDEX NO.
----------	--------------------

PART NO.	LIST AND INDEX NO.
----------	--------------------

5353869	13 -112A	6000421	3 -360C	6815193	3 -335	8483816	4 - 13
5353895	13 - 63B		3 -430		9 - 2	8483959	5 - 90
	13 - 64B		5 - 56A	6819154	3 -329K		10 - 50
5353896	13 -112C		5 - 75		3 -414	8485194	3 -355
5353902	13 - 63D	6003011	3 -344	6819155	3 -329N	8485197	3 -355
	13 - 64D	6003156	7 - 1		3 -417	8544812	5 - 97
5357135	1 - 9		8 - 1	6819156	3 -329T	8547121	1 - 3
5357144	8 - 12	6003163	6 - 1		3 -421	8551903	10 - 19
5357145	8 - 13		7B- 1	6819157	3 -329U	8551904	3 - 1
5362303	13 - 63A	6003164	7 - 1		3 -422		3 -105
	13 - 64A	6003372	7 - 9	6819173	13 -113		3 -133
5362306	13 -112	6003847	5 - 91	6819175	13 - 89		3 -335
5362308	13 -112F		10 - 51	6825818	10 - 19		9 - 2
5397579	3 -360	6003848	5 - 91	6825819	5 -138	8633860	3 -213
5447741	13 -139	6004031	7 - 2		10 - 19	8635349	13 - D
5466393	13 -105	6004032	6 - 2	6825820	10 - 19	8644908	3 -104
5466397	13 -142		7B- 2	6825821	5 -138		5 - REF
5468305	8 - 12	6004033	7 - 2	6825828	10 - 19	8644924	5 - 15
5468306	8 - 13	6004034	8 - 2	6825840	5 -138	8644925	5 - 15
5468387	7 - 12	6004035	8 - 2		10 - 19	8644934	3 -373
5468388	7 - 13	6004051	5 - 26	6825879	9 - 6	8644936	3 -233
5486851	13 -143	6004608	5 - 95	6825906	9 - 6		4 - 6
5529184	13 -112B		10 - 55	6825906	9 - 6		5 - 73
5529190	13 - 63F	6004609	5 - 95	6831356	13 - 90		8 - REF
5529191	13 - 64F	6004664	5 - 92	6836801	3 - 1	8644937	3 - 49
5578491	13 - 85		10 - 52		3 -105		7 - REF
5578591	2 - 5	6081052	3 - 1		3 -133	8644938	3 -268
5578592	2 - 15		3 -105	6932986	1 - 3		6 - REF
5578593	2 - 7		3 -133	6932987	1 - 3	8645031	1 - REF
5578597	2 - 19		3 -335	6933018	1 - 1	8645091	3 - 24
5578613	2 - REF		9 - 2	6933019	1 - 1		10 - REF
5578614	2 - REF	6121851	10 - 19	6933029	1 - 1	8645120	1 - 33
5578615	2 - REF	6214463	3 - 56	6933031	1 - 1	8645121	1 - 6
5578616	2 - REF	65X2932	1 - 3	6933033	1 - 3	8645131	7A- 1
5578617	2 - REF	6525877	9 - 6	8267564	3 -336		7B- REF
5578618	2 - REF	6814312	5 - 95	8268898	13 - 91	8645132	7A- 1
5578666	3 -270	6815179	3 - 1	8268903	13 - 92		7B- REF
	3 -370		3 -105	8279060	8 - 2	8645137	5 - 40
	3 -389D		3 -133	8279078	6 - 2	8645140	3 -291
	4 - 1J		3 -335		7B- 2	8645161	3 -356
	5 - 68		9 - 2	8324616	13 - 93	8645188	5 - 56
5579148	3 - 40	6815180	3 - 1	8324648	13 - 94	8645304	3 -366
	7A- REF		3 -105	8324807	1 - 39		13 - A
5579152	3 -393		3 -133	8324808	1 - 40	8645305	3 -366
5579155	3 - 40		3 -335	8326797	3 - 1		13 - A
	7A- REF		9 - 2		3 -105	8645306	3 -366
5644034	13 - 86	6815181	3 - 1		3 -133		13 - A
5665948	3 -155		3 -105		3 -335	8645307	3 -366
	13 -150		3 -133		9 - 2		13 - A
5665962	3 -195E		3 -335	8326801	3 -335	8645308	13 - B
	3 -195E		9 - 2		9 - 2	8645309	13 - D
	3 -195E	6815182	3 - 1	8330316	13 - 95	8645310	13 - B
	4 - 18E		3 -105	8330678	2 - 1	8645311	13 - B
5665963	4 - 1H		3 -133	8462879	13 -127	8645312	13 - D
5665975	3 -195A		3 -335	8482759	3 -349	8645313	13 - C
	3 -195A		9 - 2	8482930	13 - B	8645314	13 - C
	4 - 18A	6815183	3 - 1	8482931	13 - B	8645315	13 - C
5717874	13 -134		3 -105	8482933	13 - B	8645316	13 - C
5717999	2 - 14		3 -133	8482934	13 - B	8645317	13 - C
5731697	9 - 6		3 -335	8482979	13 -149	8645318	13 - C
5785130	11 - 1		9 - 2	8483228	3 -104E	8645321	13 - C
5800634	13 - 87	6815188	5 -138	8483347	1 - 14	8645322	13 - C
5865893	13 - 88		10 - 19		1 - 28	8645324	13 - C
6000421	3 -104L	6815193	3 - 1		1 - 35	8645325	13 - C
	3 -161		3 -105	8483618	13 -135	8645326	13 - C
	3 -323		3 -133	8483774	13 -102	8645327	13 - C

PART NO.	LIST AND INDEX NO.
----------	--------------------

PART NO.	LIST AND INDEX NO.
----------	--------------------

PART NO.	LIST AND INDEX NO.
----------	--------------------

PART NO.	LIST AND INDEX NO.
----------	--------------------

8645328 13 - C  
8645329 13 - C  
8645330 13 - C  
8645331 13 - C  
8645332 13 - C  
8645333 13 - C  
8645334 13 - C  
8645335 13 - C  
8645336 13 - C  
8645338 13 - C  
8645339 13 - C  
8645340 13 - C  
8645341 13 - D  
8645342 13 - D  
8645343 3 - 58A  
13 - D  
8645344 13 - D  
8645345 3 - 2  
3 - 357  
5 - 1  
5 - 123  
5 - 129  
7A- 9  
8645346 13 - D  
8645347 13 - D  
8645348 13 - D  
8645352 13 - D  
8645354 13 - D  
8645372 13 - D  
8645382 13 - D  
8645426 13 - 96  
8645428 3 - 58A  
13 - D  
8645441 13 - D  
8645447 13 - D  
8645448 13 - D  
8645451 3 - 5  
11 - REF  
8645454 3 - 268  
6 - REF  
8645455 3 - 49  
7 - REF  
8645456 3 - 233  
4 - 6  
5 - 73  
8 - REF  
8645464 3 - 24  
10 - REF  
8645478 1 - 8  
8645486 1 - 32  
8645487 1 - 37  
8645488 1 - 30  
8645489 1 - 38  
8645491 1 - 51  
8645495 1 - 46  
8645496 1 - 48  
8645498 1 - 31  
8645499 1 - 29  
8645506 1 - 17  
8645507 1 - 19  
8645508 1 - 49  
8645509 3 - 257  
8645512 1 - 18  
8645535 11 - 12  
8645561 8 - 31  
8645564 3 - 237

8645565 6 - 16  
7B- 23  
8645566 6 - 16  
7B- 23  
8645569 6 - 19  
8645571 7 - 31  
8645572 6 - 34  
8645573 3 - 292  
3 - 379  
8645575 3 - 285  
8645576 3 - 297  
3 - 390  
8645577 6 - 12  
7B- 26  
8645579 8 - 16  
8645581 7B- 15  
8645583 3 - 273  
3 - 392A  
8645589 7 - 16  
8645593 6 - 6  
8645594 8 - 6  
8645595 7 - 6  
8645596 7B- 6  
8645599 7B- 12  
8645600 3 - 275  
8645604 3 - 234  
8645605 3 - 269  
8645606 3 - 43  
8645607 3 - 229  
8645608 4 - 5  
5 - 79  
8645609 1 - 20  
8645613 3 - 329C  
3 - 427  
8645623 3 - 109  
8645625 3 - 35  
3 - 295  
3 - 391  
8645627 3 - 80  
8645628 3 - 66  
8645631 9 - 25  
8645632 10 - 67  
8645636 3 - 339  
8645637 3 - 64  
8645639 1 - 34  
8645640 5 - 136  
8645641 3 - 115  
8645642 3 - 110  
8645643 3 - 114  
8645644 3 - 106  
8645646 5 - 29  
8645648 5 - 34  
8645650 5 - 17  
8645657 5 - 19  
8645658 3 - 153  
8645659 3 - 90  
8645665 3 - 307  
8645666 3 - 305  
8645670 9 - 3  
8645672 3 - 131  
8645673 3 - 120  
8645678 3 - 153  
8645679 3 - 331  
8645681 3 - 104B  
8645696 3 - 289  
8645697 3 - 37

8645698 3 - 223  
4 - 7  
5 - 77  
8645699 7 - 16  
8645700 3 - 387  
8645701 7A- 2  
8645702 7A- 3  
8645709 8 - 16  
8645713 3 - 220  
8645714 3 - 221  
8645717 3 - 311  
8645724 1 - 12  
1 - 15  
1 - 16  
1 - 36  
8645733 1 - 13  
8645736 1 - 11  
8645740 1 - 5  
8645745 1 - 7  
8645747 1 - 33  
8645748 1 - 33  
8645749 1 - 33  
8645750 1 - 33  
8645751 1 - 33  
8645752 1 - 34  
8645753 1 - 34  
8645754 1 - 34  
8645755 1 - 34  
8645756 1 - 34  
8645757 1 - 6  
8645758 1 - 6  
8645759 1 - 6  
8645760 1 - 6  
8645761 1 - 6  
8645762 1 - 8  
8645763 1 - 8  
8645764 1 - 8  
8645765 1 - 8  
8645766 1 - 8  
8645776 3 - 153  
8645777 3 - 153  
8645778 3 - 153  
8645779 3 - 153  
8645782 3 - 20  
9 - REF  
8645783 3 - 20  
9 - REF  
8645784 9 - 25  
8645785 10 - 8  
8645786 10 - 8  
8645790 3 - 246  
8645796 5 - 35  
8645797 5 - 35  
8645798 5 - 35  
8645799 5 - 35  
8645800 5 - 35  
8645801 5 - 35  
8645811 3 - 325  
3 - 400  
8645815 3 - 249  
8645817 3 - 405  
8645823 3 - 88  
8645830 3 - 24  
10 - REF  
8645842 3 - 253  
8645851 3 - 76

8645853 10 - 27  
10 - 64  
8645854 3 - 129  
8645855 5 - 63  
8645856 5 - 65  
8645857 5 - 57  
8645871 3 - 361  
8645872 3 - 364  
8645873 3 - 241  
8645879 10 - 59  
8645880 3 - 350  
8645890 3 - 128  
8645893 3 - 102  
8645894 9 - 20  
8645895 3 - 72  
8645896 3 - 119  
8645897 3 - 240  
8645899 3 - 136  
3 - 333  
3 - 332  
8645900 3 - 332  
8645903 3 - 50  
89X3363 13 - D  
89X3364 13 - D  
89X3367 3 - 442  
89X3368 3 - 439  
89X3369 3 - 440  
89X3370 3 - 435  
89X3371 3 - 433  
89X3372 3 - 431  
89X3374 3 - 104C  
89X3375 3 - 65  
3 - 444  
3 - 445  
P 89X3380 3 - 445  
8645884 3 - 122

IBM 4381 Processor  
Parts Catalog  
Order No. S124-0153-5

**READER'S  
COMMENT  
FORM**

Did you locate the part in this catalog?

- By using the visual index? \_\_\_\_\_
- By using the illustrations? \_\_\_\_\_
- By using the table of contents? \_\_\_\_\_
- By using the numerical index? \_\_\_\_\_
- By using visual random scan of the pages? \_\_\_\_\_

Based on your experience, rate this publication for:

- |                            | Good  | Fair  | Poor  |
|----------------------------|-------|-------|-------|
| • Ease of finding part     | _____ | _____ | _____ |
| • Clarity of illustrations | _____ | _____ | _____ |

Your occupation is: \_\_\_\_\_

**COMMENTS:**

You may use this form to communicate your comments about this publication, its organization, or subject matter, with the understanding that IBM may use or distribute whatever information you supply in any way it believes appropriate without incurring any obligation to you.

No postage is necessary if mailed in the U.S.A. (Elsewhere, an IBM representative or office will forward your comments, or you can mail directly to the address in the Edition Notice on the back of the title page.)

*Note: Please direct any requests for copies of publications, or for assistance in using your IBM systems, to your IBM representative or to the IBM branch office serving your locality.*

Reader's Comment Form

Cut or Fold Along Line

Fold and Tape

Please Do Not Staple

Fold and Tape



NO POSTAGE  
NECESSARY  
IF MAILED  
IN THE  
UNITED STATES



**BUSINESS REPLY MAIL**  
FIRST CLASS      PERMIT NO. 40      ARMONK, N.Y.

POSTAGE WILL BE PAID BY ADDRESSEE:

International Business Machines Corporation  
Department K11  
P.O. Box 6  
Endicott, New York 13760

Fold

Fold

If you would like a reply, please print:

Your Name \_\_\_\_\_

Company Name \_\_\_\_\_ Department \_\_\_\_\_

Street Address \_\_\_\_\_

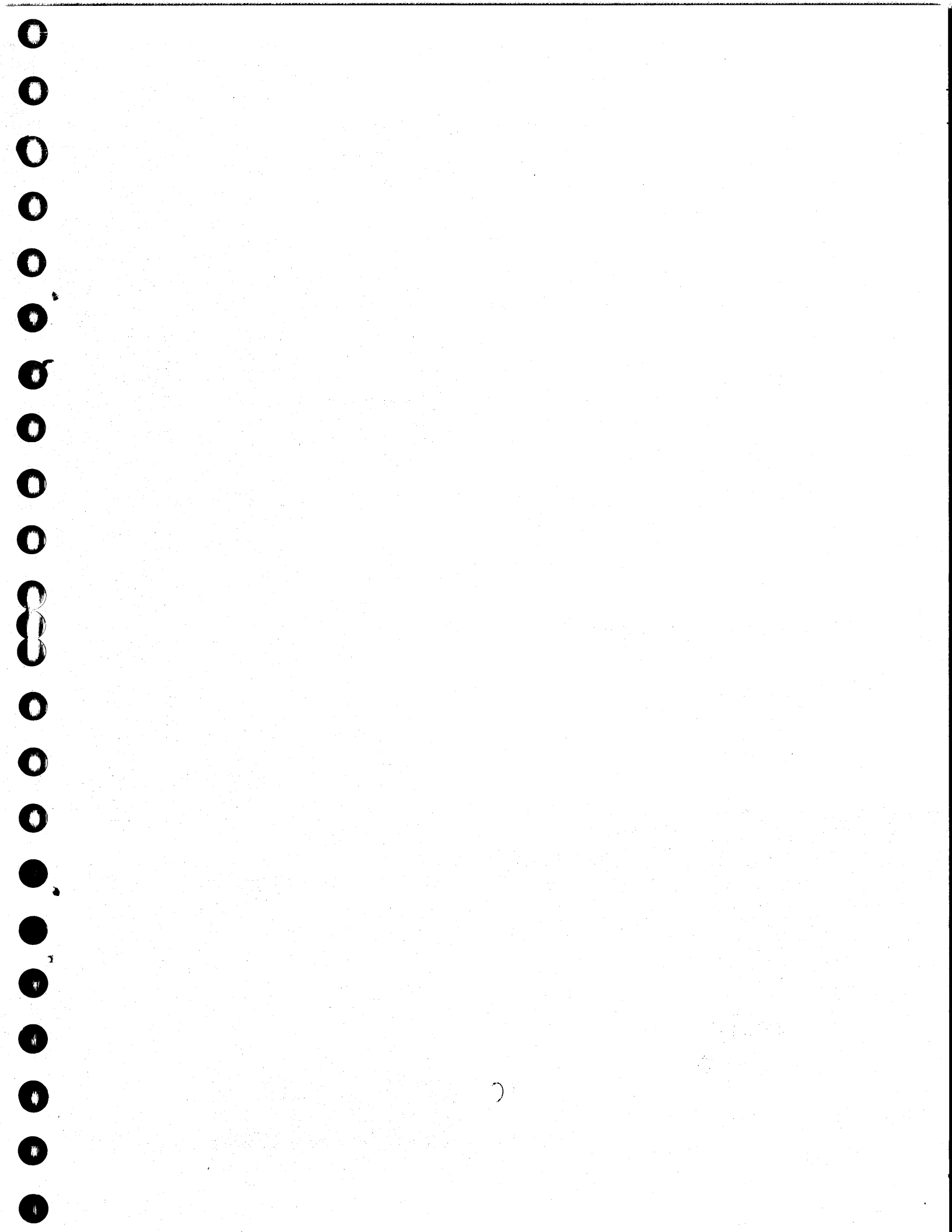
City \_\_\_\_\_

State \_\_\_\_\_ Zip Code \_\_\_\_\_

IBM Branch Office serving you \_\_\_\_\_







4381

4381

Fold

Cut

S124-0153-5



4381 Processor (PC) Printed in U.S.A. S124-0153-5

S124-0153-05

