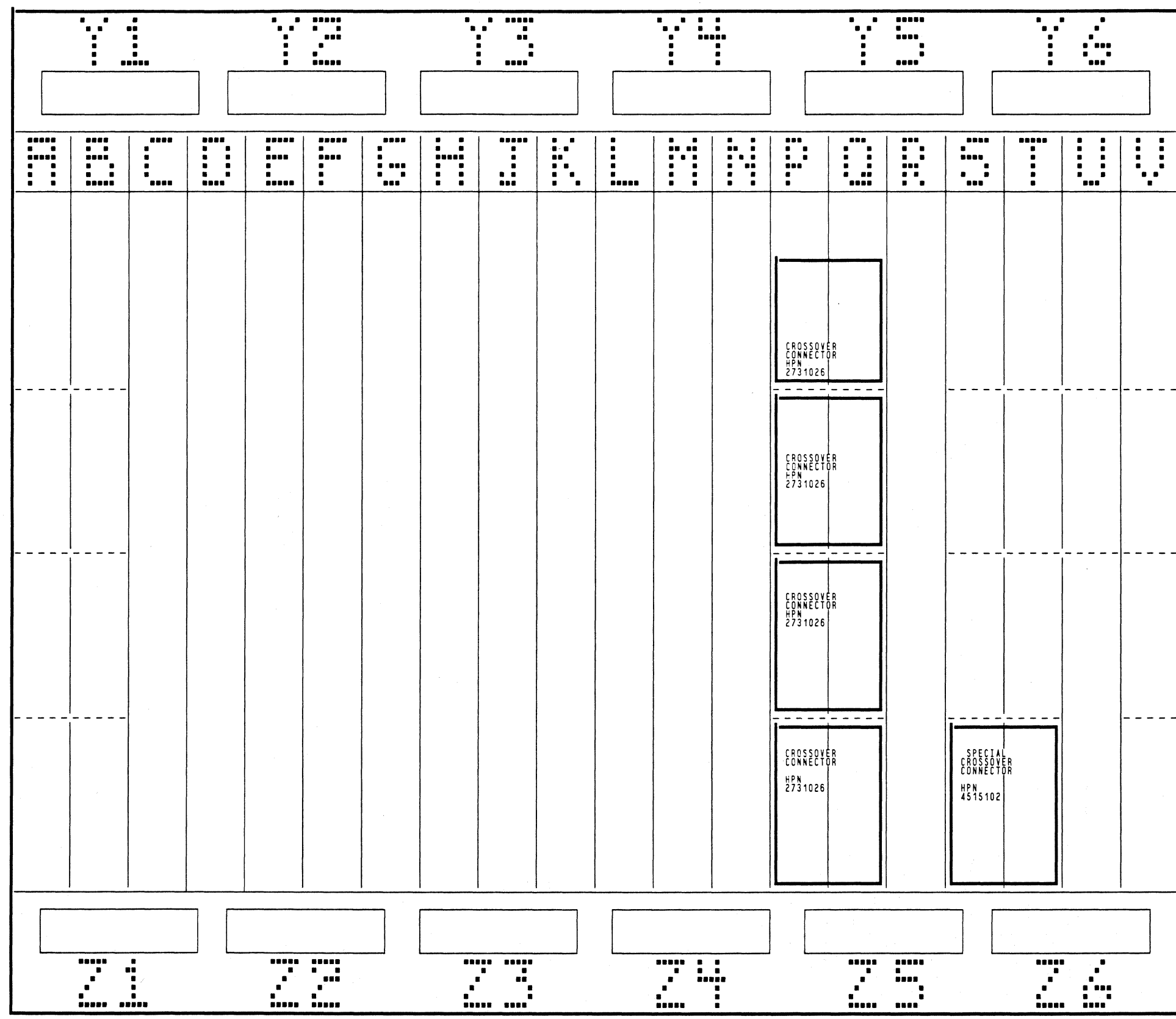


10 20 30 40 50 60 70 80 90 100 110 120 130 140 150 160 170 180 190 200 210 220 230 240 250 260 270 280 290 EBDXB

010  
020  
030  
040  
050  
060  
070  
080  
090  
100  
110  
120

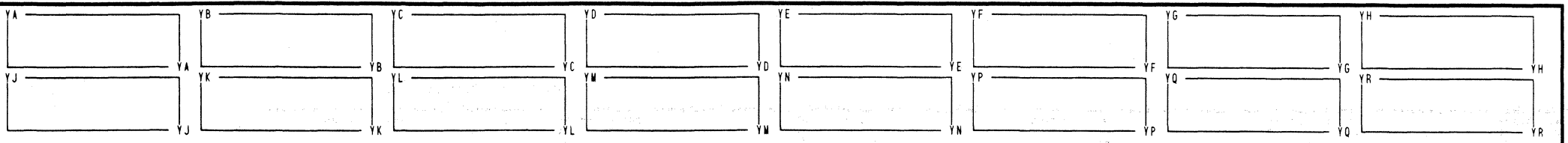
010  
020  
030  
040  
050  
060  
070  
080  
090  
100  
110  
120



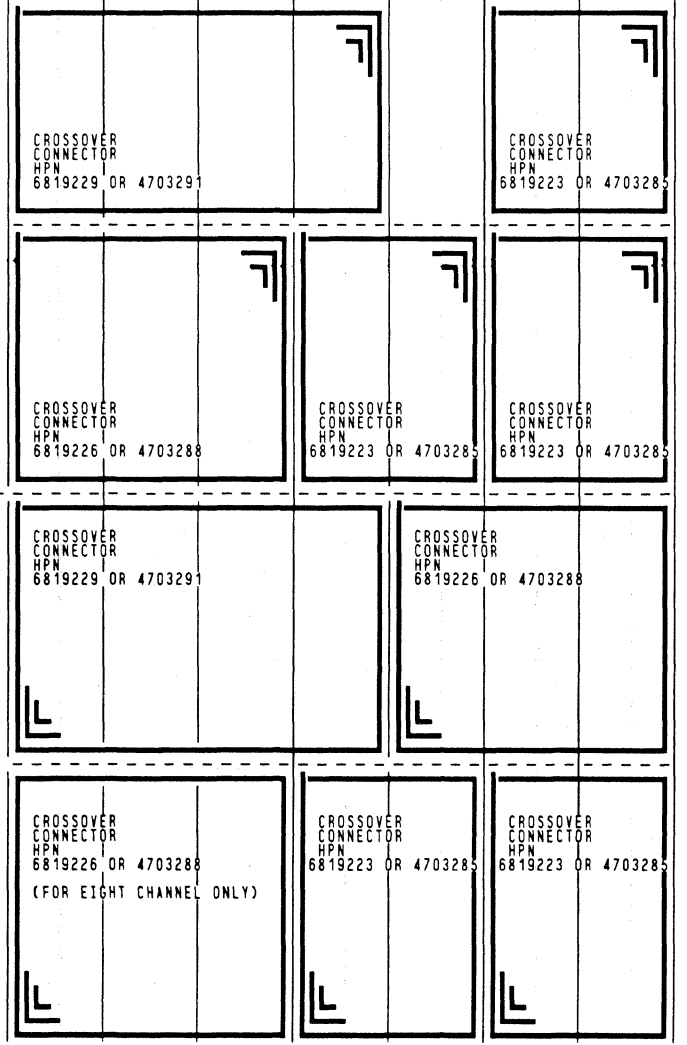
NOTE:  
CROSS-OVER PLACEMENT CHART  
FOR MAINTENANCE BOARD 1A-B1.

BOARD (HARDWARE) PART NUMBER:

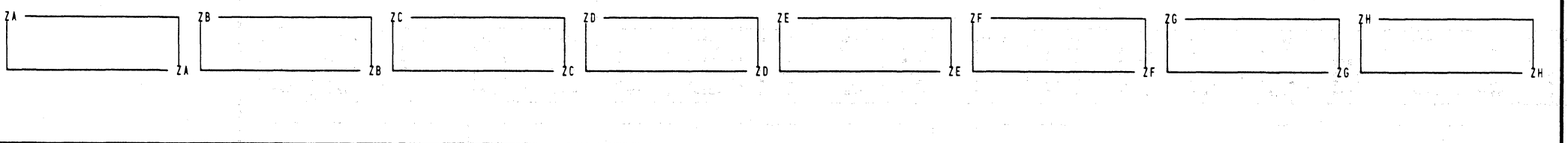
EC HISTORY	
01AUG84 461543	MAINTENANCE BOARD
04FEB85 461403	MOD-1.2.3.4
05AUG85 461405	SEQ A060 - N997747.FIELD.BW.IDF
06MAR86 A29314	PRINT 06MAR86 1588 PW 4518353
	PAGE 1 OF 14
MACH 3880	HPN
PNAM SCGMASK	HEC A29314
LOC 1A-B1XX	



A B C D E F G H I J K L M N P O R S T U V W X



NOTE  
CROSS-OVER PLACEMENT CHART  
FOR ALL 22 SCKT SD BOARDS



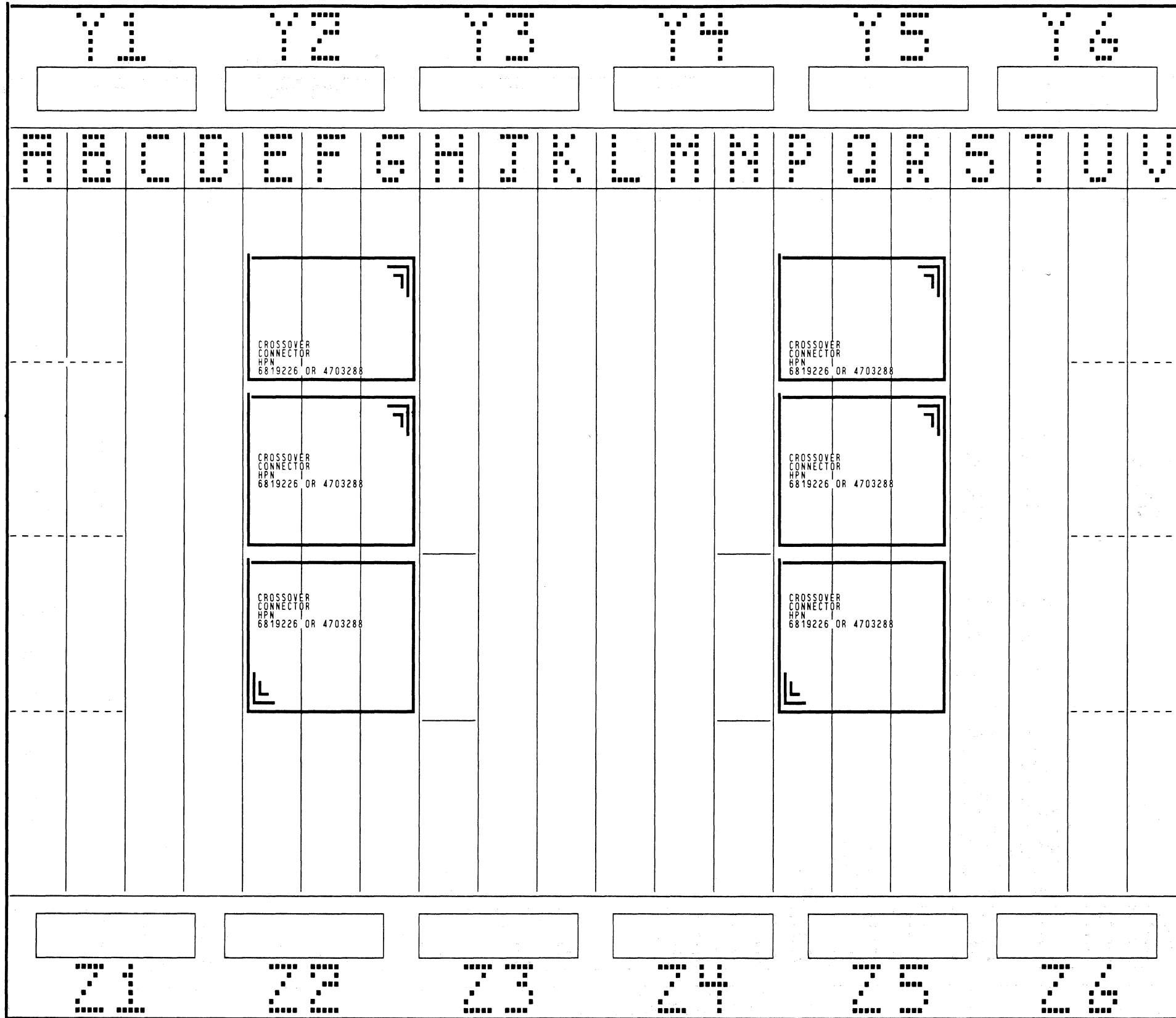
BOARD (HARDWARE) PART NUMBER:

EC HISTORY		STORAGE DIRECTOR	
01AUG84 461543		ALL 22 SCKT SD BOARDS	
04FEB85 461403		SD A4060 - N997747 FIELD RM IDF	
05AUG85 461405		PRINT 06MAR86 1606 PW 4518353	
06MAR86 A29314		PAGE 2 OF 14	
MACH 3880		HPN	
PNAME SCV4MASK		HEC A29314	
LOC 1A-B3XX			

10 20 30 40 50 60 70 80 90 100 110 120 130 140 150 160 170 180 190 200 210 220 230 240 250 260 270 280 290 CDDXB

010  
020  
030  
040  
050  
060  
070  
080  
090  
100  
110  
120

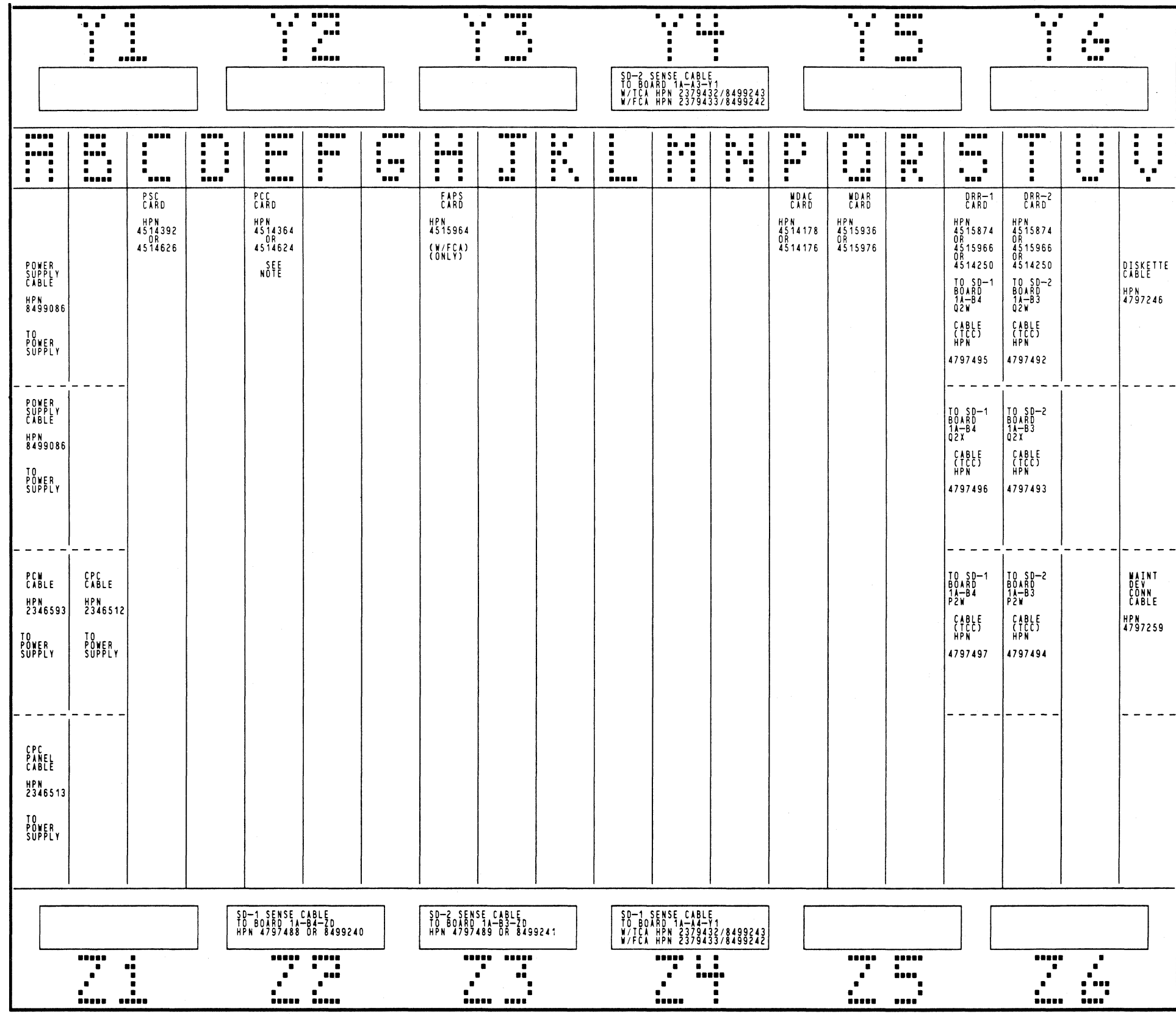
010  
020  
030  
040  
050  
060  
070  
080  
090  
100  
110  
120



NOTE:  
CROSS-OVER PLACEMENT CHART  
FOR 1A-11, A2, A3, AND A4.

BOARD (HARDWARE) PART NUMBER:

EC HISTORY	
01AUG84 461543	CHANNEL SWITCH ADDITIONAL BOARD
04FEB85 461403	W/TCA OR FCA
05AUG85 461405	SEQ AA060 - N997747 FIELD 8W TDF
06MAR86 A29314	PRINT 06MAR86 1608 PN 4518353 PAGE 3 OF 14
WACH 3880	HPN
PCNAME SCLDWMASK	HEC A29314
LOC 1A-A3XX	



NOTE:  
 OPTIONAL BOARD COMPONENT  
 FBW 8499454 INSTALLS A 1.2  
 MICRO-FARAD POLARIZED  
 CAPACITOR ASSEMBLY  
 P/N 1848742  
 BETWEEN PIN E4B12 (+ SIDE)  
 AND PIN E4D08 (- SIDE)  
 THIS COMPONENT WILL ONLY BE  
 PRESENT IF "AS REQUIRED"  
 E/C 450175 IS INSTALLED

TCA = 4X1 CHAN SW (TCA)  
 FCA = 8X2 CHAN SW (FCA)

NOTE:  
 CROSS-OVER PLACEMENT  
 SEE PAGE 1 OF 14 'EBDXB'

BOARD (HARDWARE) PART NUMBER: 4514064

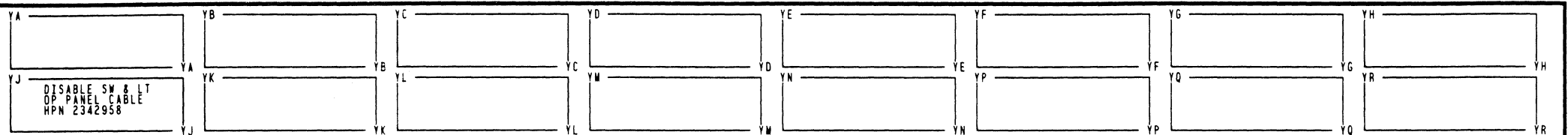
EC HISTORY

01AUG84	461543	MAINTENANCE BOARD
04FEB85	461403	MOD-1,2,3
05AUG85	461403	ALL CHAN SW FEATURES
06MAR86	A29314	SER 1A060 - N997747

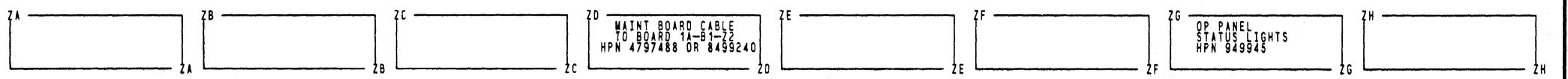
FIELD BN IDF  
 PAGE 4 OF 14  
 PRINT 07MAR86 1592 PN 4518353

WACH	3880	HPN
PRIME	SCM6	HEC
LOC	1A-B1XX	A29314





A	B	C	D	E	F	G	H	J	K	L	N	P	O	R	S	T	U	V	W	X
CHAN A CABLE TO TAIL GATE T-A1-CD T-A1-ED HPN 4797482	CHAN B CABLE TO TAIL GATE T-A1-GD T-A1-JD HPN 4797482	ICR CARD HPN 4514222	CIF-A CARD HPN 4514594 OR 4514582	CIF-B CARD HPN 4514594 OR 4514582	CSC CARD HPN 4514616	CDX CARD HPN 4514600	CSR CARD HPN 4514376	ADTC/DXA CARD SEE TABLE 1	ADTM/DXD CARD SEE TABLE 1	BFR-1 CARD HPN 8634717 W/3375 SWB OR 3380 SWB OR ALB/RPQ ONLY	BFR-2 CARD HPN 8634717 W/3380 SWB OR ALB/RPQ ONLY	CLK CARD HPN 4515982 OR 4514398 OR 4514618	SDM CARD HPN 4514378	MNT CARD HPN 4514358	SCS-1 CARD HPN 8282150 8K	SCS-3 CARD HPN 8282155 4K 3380 EXTN OR 3380 SWB OR LL/RPQ ONLY	DCSR CARD SEE TABLE 1	DCT CARD SEE TABLE 1	DDCV/DDCV CARD SEE TABLE 2 CABLE (TCC) HPN 4797490 TO TAIL GATE T-J3D (MOD 1 OR MOD 2)	
CHAN A CABLE TO TAIL GATE T-A1-CJ T-A1-EJ HPN 4797482	CHAN B CABLE TO TAIL GATE T-A1-GJ T-A1-JJ HPN 4797482												CABLE (TCC) HPN 4797497 TO MAINT BOARD 1A-B1-S2Y	CABLE (TCC) HPN 4797495 TO MAINT BOARD 1A-B1-S2W					CABLE (TCC) HPN 4797496 TO MAINT BOARD 1A-B1-S2X	
CHAN A CABLE TO TAIL GATE T-A1-DD T-A1-FD HPN 2679456	CHAN B CABLE TO TAIL GATE T-A1-HD T-A1-KD HPN 2679456	SBP-B CARD HPN 4514614																		CABLE (TCC) HPN 4797490 TO TAIL GATE T-J4D
CHAN A CABLE TO TAIL GATE T-A1-DJ T-A1-FJ HPN 8499134	CHAN B CABLE TO TAIL GATE T-A1-HJ T-A1-KJ HPN 8499134	SBP-A CARD HPN 4514614																		CABLE (TCC) HPN 4797490 TO TAIL GATE T-J4J



TWO CHANNEL

TABLE 1

CARD LOC	MOD 1.2 W/D SWB OR ALB/RPQ	MOD 3 W/D SWB OR ALB/RPQ	MOD 1.2.3 W/SWB OR ALB/RPQ
	J2	(ADTC) 4514234	(ADTC) 4514234
K2	(ADTM) 4514300	(ADTM) 4514300	(DXD) 5667952
U2	(DCSR) 2402073	(DCSR) 2402072 OR 2402073	(DCSR) 2402072
V2	(DCT) 4514206 OR 4514336	(DCT) 4514336	(DCT) 4514336

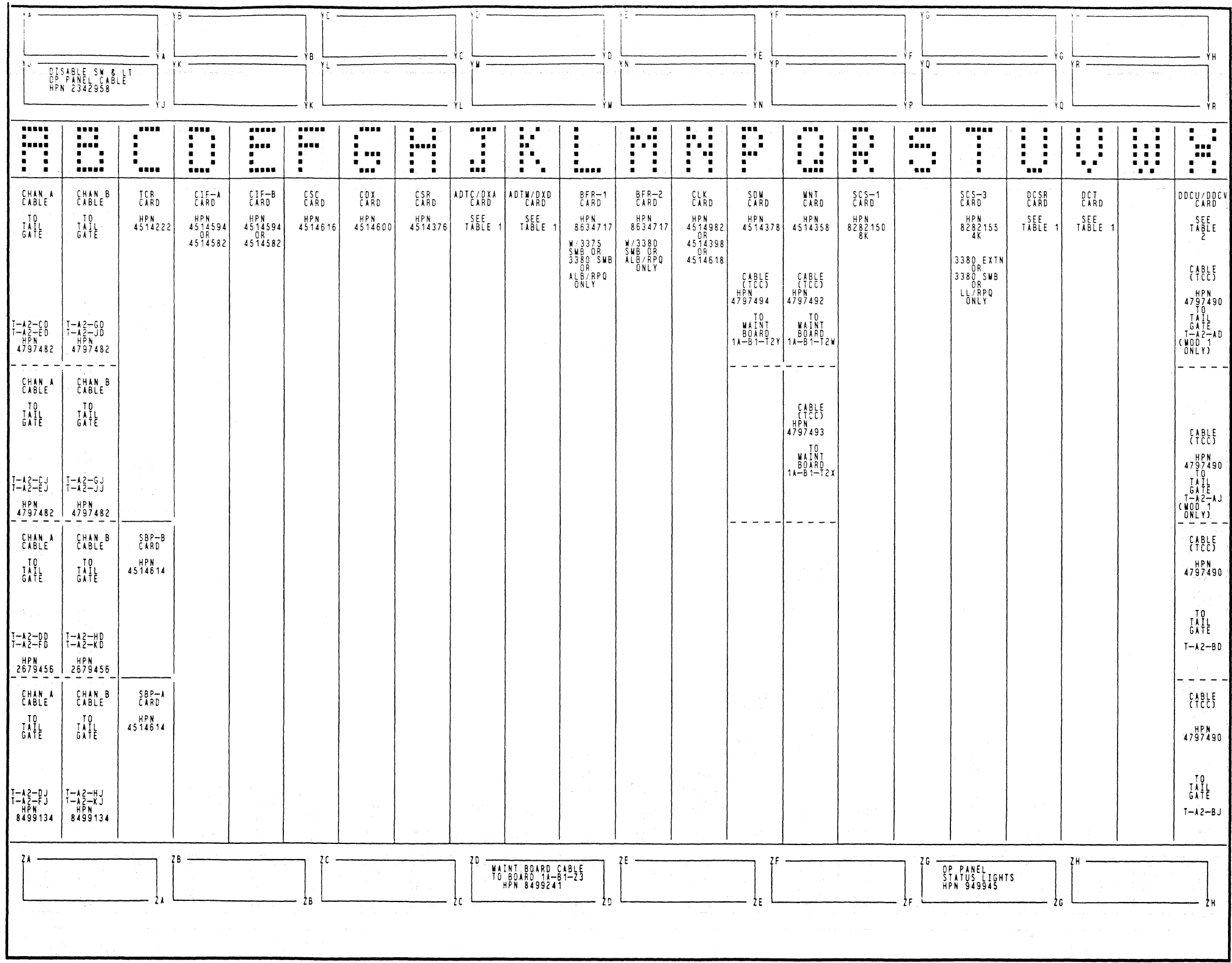
TABLE 2

CARD LOC	MODEL 1	MODEL 2	MODEL 3
	SD1	SD2	
X2	(DDCV) 4514322	(DDCV) 4514322	(DDCV) 4514216 OR 4514572

NOTE:  
CROSS-OVER PLACEMENT  
SEE PAGE 2 OF 14 '6BDBZ'

EC HISTORY

01OCT84 461545	STORAGE DIRECTOR 1
04FEB85 461545	SD1 BOARD
05AUG85 461403	CH STG
06MAR86 A29314	SD1 A4040
	PRINT 07MAR86 1621 PN 4518353
	PAGE 5 OF 14
	WACH 3880 HPN 120314
	BLUC 2799 HCF 120314



TWO CHANNEL

TABLE 1

CARD LOC	MOD 1-2 W/O SWB OR ALB/RPQ	MOD 3 W/O SWB OR ALB/RPQ	MOD 1-2,3 W/SWB OR ALB/RPQ
	J2	(ADTC) 4514234	(ADTC) 4514234
K2	(ADTM) 4514300	(ADTM) 4514300	(DXD) 5667952
U2	(DCSR) 2402073	(DCSR) 2402072 OR 2402073	(DCSR) 2402072
V2	(DCT) 4514206 OR 4514336	(DCT) 4514336	(DCT) 4514336

TABLE 2

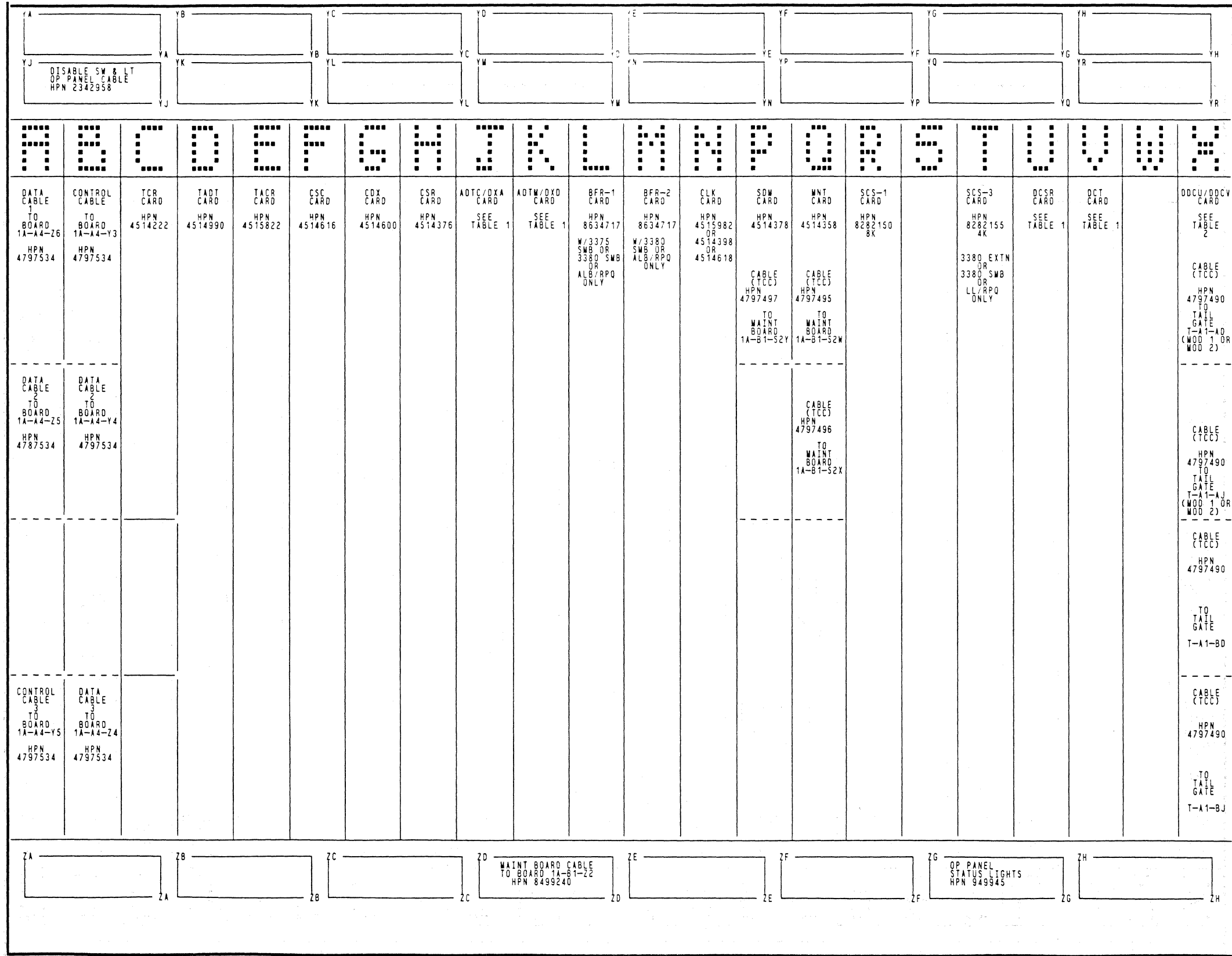
CARD LOC	MODEL 1	MODEL 2	MODEL 3
	SD1	SD2	
X2	(DDCU) 4514322	(DDCU) 4514322	(DDCV) 4514216 OR 4514572

NOTE:  
CROSS-OVER PLACEMENT  
SEE PAGE 2 OF 14 'GBDZB'

BOARD (HARDWARE) PART NUMBER: P/N 4514020 OR 4514038

EC HISTORY

01AUG84	461543	STORAGE DIRECTOR 2
04FEB85	461403	SD2 BOARD
05AUG85	461405	2 CH
06MAR86	A29314	SEO AAO60 - N997747, FIELD, BW, IDF
		PRINT 07MAR86 1623 PN 4518353
		PAGE 6 OF 14
		MACH 3880 HPN
		PNLW SEV3 HEC A29314
		LOC 1A-B3XX



TWO CHANNEL

TABLE 1

CARD LOC	MOD 1,2 W/O SWB OR ALB/RPQ	MOD 3 W/O SWB OR ALB/RPQ	MOD 1,2,3 W/SWB OR ALB/RPQ
	J2	(ADTC) 4514234	(ADTC) 4514234
K2	(ADTM) 4514300	(ADTM) 4514300	(DXD) 5667952
U2	(DCSR) 2402073	(DCSR) 2402072 OR 2402073	(DCSR) 2402072
V2	(DCT) 4514206 OR 4514336	(DCT) 4514336	(DCT) 4514336

TABLE 2

CARD LOC	MODEL 1	MODEL 2	MODEL 3
		SD1	SD2
X2	(DDCU) 4514322	(DDCU) 4514322	(DDCV) 4514216 OR 4514572

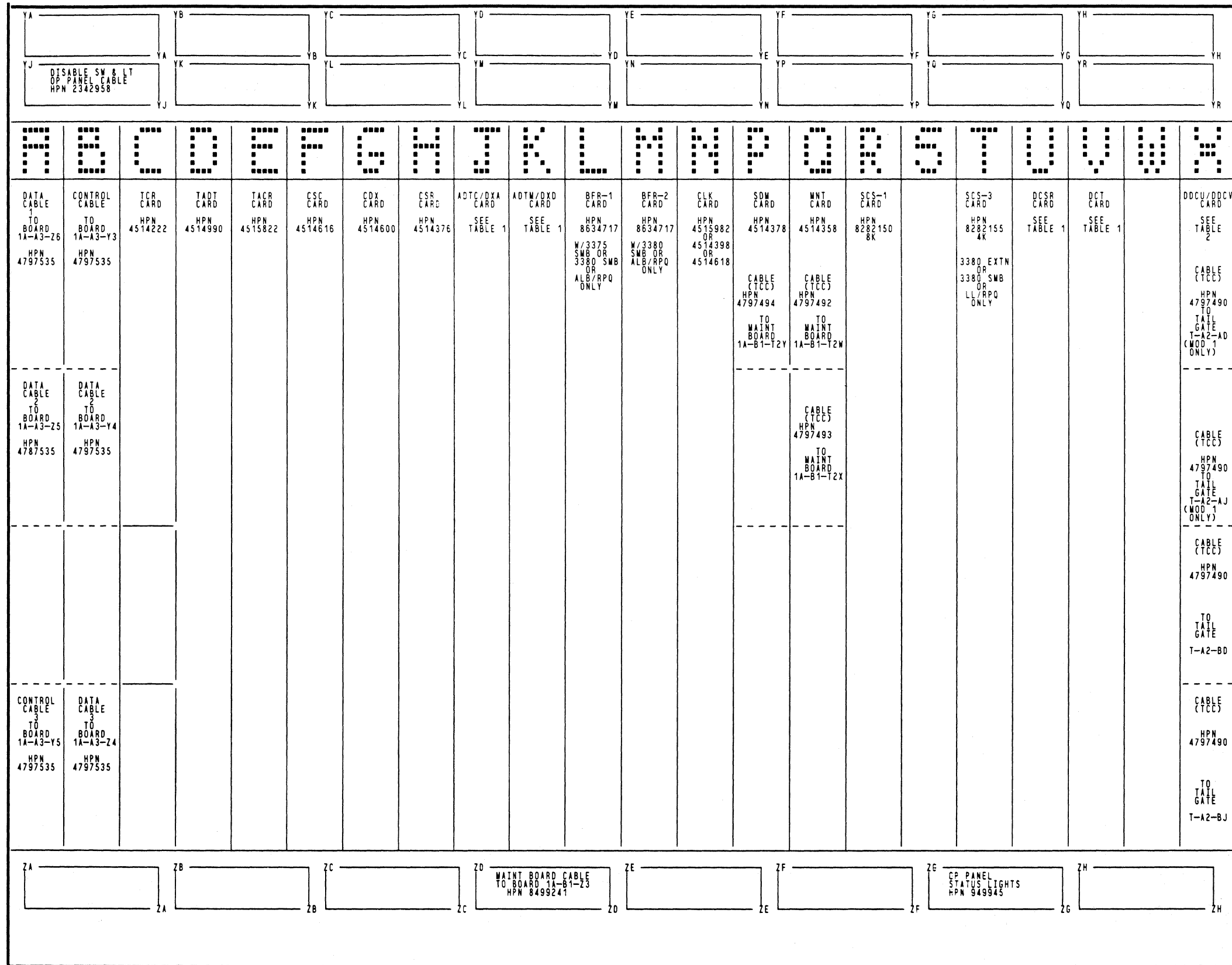
NOTE: CROSS-OVER PLACEMENT  
SEE PAGE 2 OF 14 'GDBZB'

BOARD (HARDWARE) PART NUMBER: P/N 4514034

EC HISTORY

01AUG84	451543	STORAGE DIRECTOR 1
04FEB85	451403	SD1 BOARD
05AUG85	451405	FOUR CHAN (TCA)
06MAR86	429314	REV 1A060 - N997747 FIELD BW ICF PRINT 07MAR86 1533 PW 4518353 PAGE 7 OF 14

WACH 3880 HPN  
NAME SCY... HEC A29314



TWO CHANNEL

TABLE 1

CARD LOC	MOD 1, 2 W/O SWB OR ALB/RPQ	MOD 3 W/O SWB OR ALB/RPQ	MOD 1, 2, 3 W/SWB OR ALB/RPQ
	J2	(ADTC) 4514234	(ADTC) 4514234
K2	(ADTM) 4514300	(ADTM) 4514300	(DXD) 5667952
U2	(DCSR) 2402073	(DCSR) 2402072 OR 2402073	(DCSR) 2402072
V2	(DCT) 4514206 OR 4514336	(DCT) 4514336	(DCT) 4514336

TABLE 2

CARD LOC	MODEL 1	MODEL 2	MODEL 3
	SD1	SD2	
X2	(DDCU) 4514322	(DDCU) 4514322	(DDCV) 4514216 OR 4514572

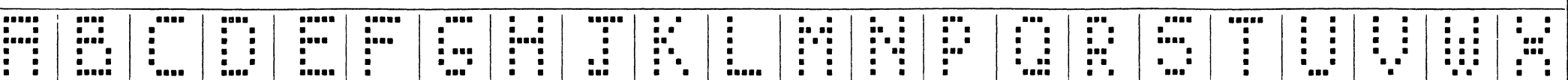
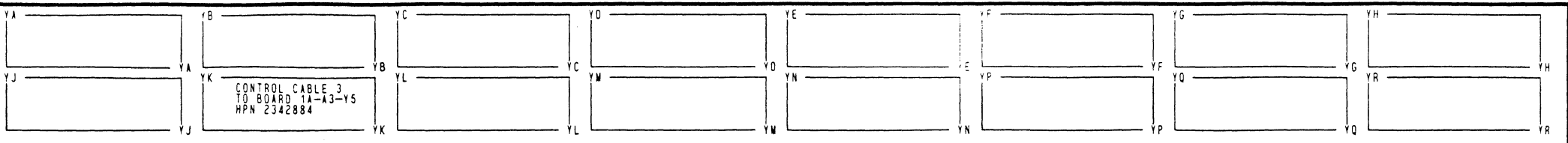
NOTE:  
CROSS-OVER PLACEMENT  
SEE PAGE 2 OF 14 '680ZB'

BOARD (HARDWARE) PART NUMBER: P/N 4514034

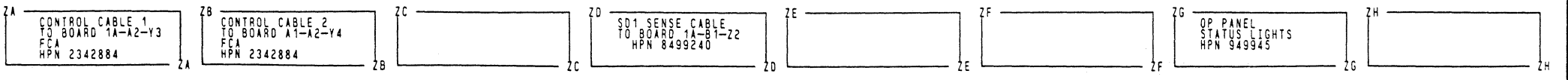
EC HISTORY

01AUG84 461543	STORAGE DIRECTOR 2
04FEB85 461403	SD2 BOARD
05AUG85 461405	FOUR CHAN (TCA)
06MAR86 429314	SEQ AAD60 - N997747 FIELD, BW, IDF
	PRINT 07MAR86 1636 PW 4518251
	PAGE 8 OF 14

MACH 3880 HPN  
PNAME SCY HEC  
LOC 1A-B3XX A29314



A	B	C	D	E	F	G	H	I	J	K	L	M	N	P	O	R	S	T	U	V	W	X	
FCA DATA CABLE 1 TO BOARD 1A-A2-26 HPN 2342884	TCA CONTROL CABLE TO BOARD 1A-A4-Y3 HPN 2342882	TCR CARD HPN 4514222	FADT CARD HPN 4515098	FACR CARD HPN 4515934	FASC CARD HPN 4514616	CDX CARD HPN 4514600	CSR CARD HPN 4514376	ADTC/DXA CARD SEE TABLE 1	ADTW/DXD CARD SEE TABLE 1	BFR-1 CARD HPN 8634717 W/3375 SWB OR 3380 SWB OR ALB/RPQ ONLY	BFR-2 CARD HPN 8634717 W/3380 SWB OR ALB/RPQ ONLY	CLK CARD HPN 4515982 OR 4514398 OR 4514618	SDW CARD HPN 4514378	MNT CARD HPN 4514358	SCS-1 CARD HPN 8282150 8K	SCS-3 CARD HPN 8282155 4K	DCSR CARD SEE TABLE 1	DCT CARD SEE TABLE 1	DDCU/DDCV CARD SEE TABLE 2				
FCA DATA CABLE TO BOARD 1A-A2-25 HPN 2342884	TCA DATA CABLE TO BOARD 1A-A4-Y4 HPN 2342882																						
TCA DATA CABLE TO BOARD 1A-A4-Y5 HPN 2342882	FCA DATA CABLE TO BOARD 1A-A2-Z4 HPN 2342884																						



TWO CHANNEL

TABLE 1

CARD LOC	MOD 1-2 W/O SWB OR ALB/RPQ	MOD 3 W/O SWB OR ALB/RPQ	MOD 1,2,3 W/SWB OR ALB/RPQ
	J2	(ADTC) 4514234	(ADTC) 4514234
K2	(ADTW) 4514300	(ADTW) 4514300	(DXD) 5667952
U2	(DCSR) 2402073	(DCSR) 2402072 OR 2402073	(DCSR) 2402072
V2	(DCT) 4514206 OR 4514336	(DCT) 4514336	(DCT) 4514336

TABLE 2

CARD LOC	MODEL 1	MODEL 2	MODEL 3
		SD1   SD2	
X2	(DDCU) 4514322	(DDCV) 4514322	(DDCV) 4514216 OR 4514572

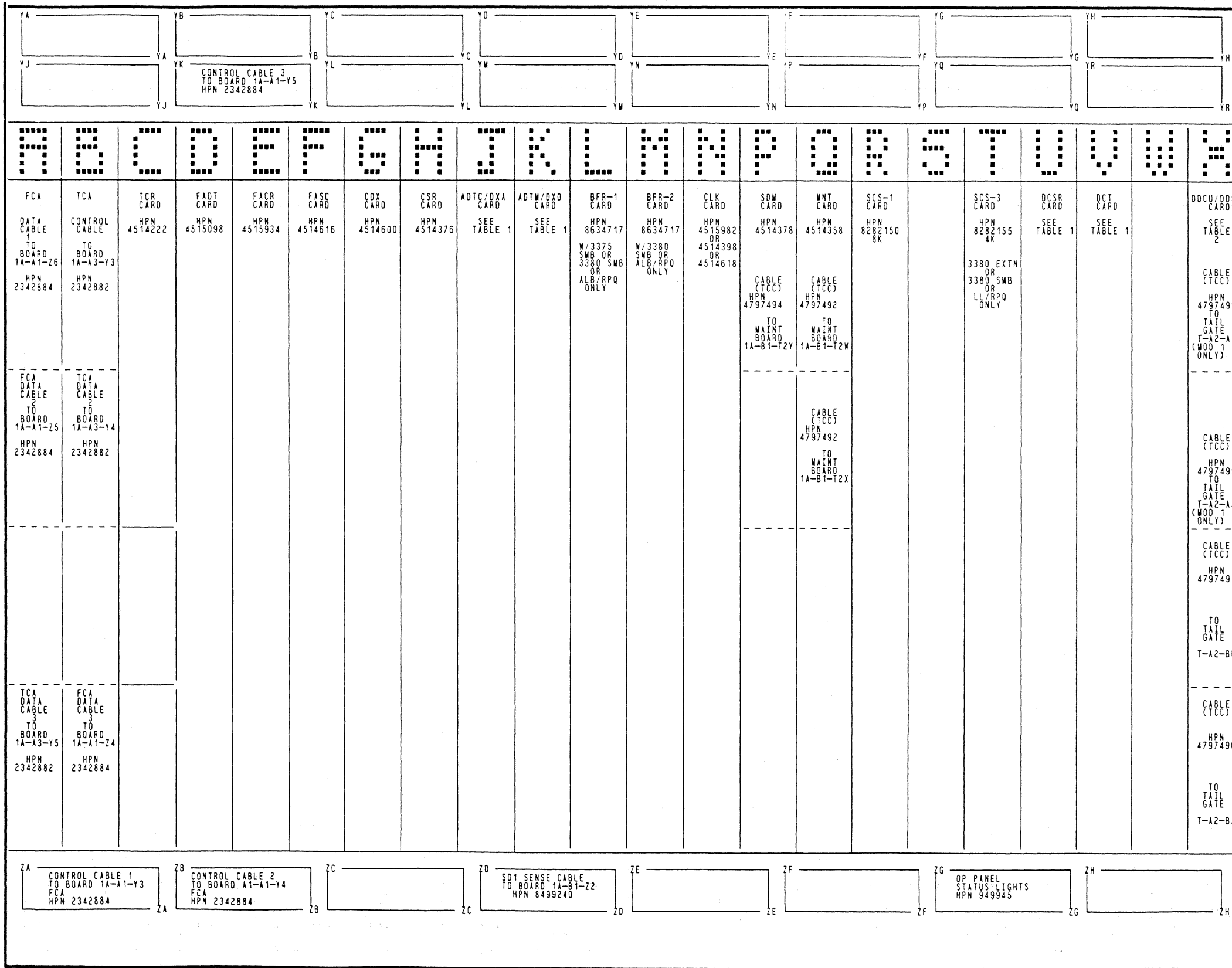
NOTE:  
CROSS-OVER PLACEMENT  
SEE PAGE 2 OF 14 '68DZB'

BOARD (HARDWARE) PART NUMBER: P/N 4514014

EC HISTORY

01AUG84	451543	STORAGE DIRECTOR 1
04FEB85	451443	SD1 BOARD
05AUG85	451443	CHAN (FCA)
06MAR86	A29314	PRINT 07MAR86 1632 PN 4518353 PAGE 9 OF 14

MACH 3880 HPN  
NAME SLY4 HEC A29314  
OP 11-3111



TWO CHANNEL

TABLE 1

CARD LOC	MOD 1,2 W/D SWB OR ALB/RPQ	MOD 3 W/D SWB OR ALB/RPQ	MOD 1,2,3 W/SWB OR ALB/RPQ
	J2	(ADTC) 4514234	(ADTC) 4514234
K2	(ADTM) 4514300	(ADTM) 4514300	(DXD) 5667952
U2	(DCSR) 2402073	(DCSR) 2402072 OR 2402073	(DCSR) 2402072
V2	(DCT) 4514206 OR 4514336	(DCT) 4514336	(DCT) 4514336

TABLE 2

CARD LOC	MODEL 1	MODEL 2	MODEL 3
	SD1	SD2	
X2	(DDCU) 4514322	(DDCV) 4514322	(DDCV) 4514216 OR 4514572

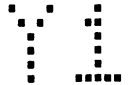
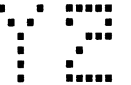




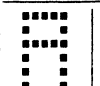
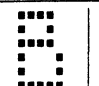
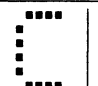
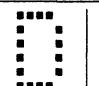
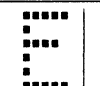
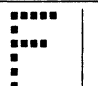
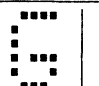
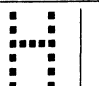
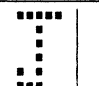
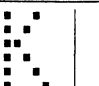
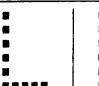
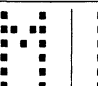
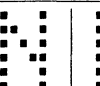
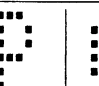
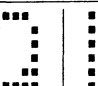
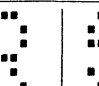
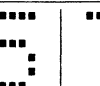

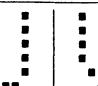


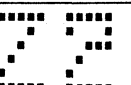
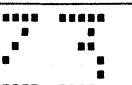
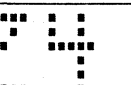
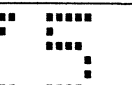
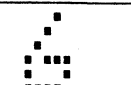
NOTE:  
CROSS-OVER PLACEMENT  
SEE PAGE 2 OF 14 "6B0ZB"

BOARD (HARDWARE) PART NUMBER: P/N 4514014

EC HISTORY

01AUG84	461543	STORAGE DIRECTOR 2
04FEB85	461433	SD2 BOARD
05AUG85	461435	8-CHAN (FCA)
06MAY86	423314	SD2 CHAN (FCA)
		SEQ AA06D - N997747 FIELD BW IDF
		PRINT 07MAR86 1635 PN 4518353
		PAGE 10 OF 14

WACH 3880 HPN  
PNAME SCV4 HEC A29314  
LOC 1A-B3XX

																					
SD-1 SENSE CABLE TO BOARD 1A-B1-Z4 W/TCA HPN 8499243 W/FCA HPN 8499242		SD-1 SENSE CABLE TO BOARD 1A-A2-Y1 W/FCA HPN 8499239		CONTROL CABLE 1 TO BOARD 1A-B4-B2 W/TCA HPN 4797534 W/FCA HPN 2342882		CONTROL CABLE 2 TO BOARD 1A-B4-B3 W/TCA HPN 4797534 W/FCA HPN 2342882		CONTROL CABLE 3 TO BOARD 1A-B4-A5 W/TCA HPN 4797534 W/FCA HPN 2342882		DISABLE SW & LT OP PANEL CABLE HPN 2342958											
																					
CHAN C CABLE (TCA) T-A1-LD T-A1-ND HPN 4797482	CHAN D CABLE (TCA) T-A1-OD T-A1-SD HPN 4797482			CIF-C CARD HPN 4514594 OR 4514582	CIF-D CARD HPN 4514594 OR 4514582	SDT/FAST CARD SEE NOTE 1					SCK CARD HPN 4515004 OR 4514620	SDR CARD HPN 4514992	CIF-B CARD HPN 4514594 OR 4514582	CIF-A CARD HPN 4514594 OR 4514582			CHAN B CABLE (TCA) T-A1-GD T-A1-JD HPN 4797482	CHAN A CABLE (TCA) T-A1-CD T-A1-ED HPN 4797482			
(FCA) T-A1-ND A3A2 HPN 2342805	(FCA) T-A1-SD A3B2 HPN 2342805																(FCA) T-A1-JD A3U2 HPN 2342804	(FCA) T-A1-ED A3V2 HPN 2342804			
CHAN C CABLE (TCA) T-A1-LJ T-A1-NJ HPN 4797482	CHAN D CABLE (TCA) T-A1-QJ T-A1-SJ HPN 4797482																CHAN B CABLE (TCA) T-A1-GJ T-A1-JJ HPN 4687482	CHAN A CABLE (TCA) T-A1-EJ T-A1-FJ HPN 4797482			
(FCA) T-A1-NJ A3A3 HPN 2342805	(FCA) T-A1-SJ A3B3 HPN 2342805																(FCA) T-A1-JJ A3U3 HPN 2342804	(FCA) T-A1-EJ A3V3 HPN 2342804			
CHAN C CABLE (TCA) T-A1-WD T-A1-PD HPN 2679456	CHAN D CABLE (TCA) T-A1-RD T-A1-FD HPN 2679456					SBP-D CARD HPN 4514614					SBP-B CARD HPN 4514614						CHAN B CABLE (TCA) T-A1-HD T-A1-KD HPN 2679456	CHAN A CABLE (TCA) T-A1-OD T-A1-FD HPN 2679456			
(FCA) T-A1-PD A3A4 HPN 2342808	(FCA) T-A1-FD A3B4 HPN 2342808																(FCA) T-A1-KD A3U4 HPN 2342807	(FCA) T-A1-FD A3V4 HPN 2342807			
CHAN C CABLE (TCA) T-A1-WJ T-A1-PJ HPN 8499134	CHAN D CABLE (TCA) T-A1-RJ T-A1-FJ HPN 8499134					SBP-C CARD HPN 4514614					SBP-A CARD HPN 4514614						CHAN B CABLE (TCA) T-A1-HJ T-A1-KJ HPN 8499134	CHAN A CABLE (TCA) T-A1-OJ T-A1-FJ HPN 8499134			
(FCA) T-A1-PJ A3A3 HPN 8499205	(FCA) T-A1-FJ A3B3 HPN 8499205																(FCA) T-A1-KJ A3U3 HPN 8499204	(FCA) T-A1-FJ A3V3 HPN 8499204			
								DATA CABLE 3 TO BOARD TCA HPN 4797534 1A-B4-B5 FCA HPN 2342884 1A-A2-Z3				DATA CABLE 2 TO BOARD TCA HPN 4797534 1A-B4-A3 FCA HPN 2342884 1A-A2-Z2				DATA CABLE 1 TO BOARD TCA HPN 4797534 1A-B4-A2 FCA HPN 2342884 1A-A2-Z1					
																					

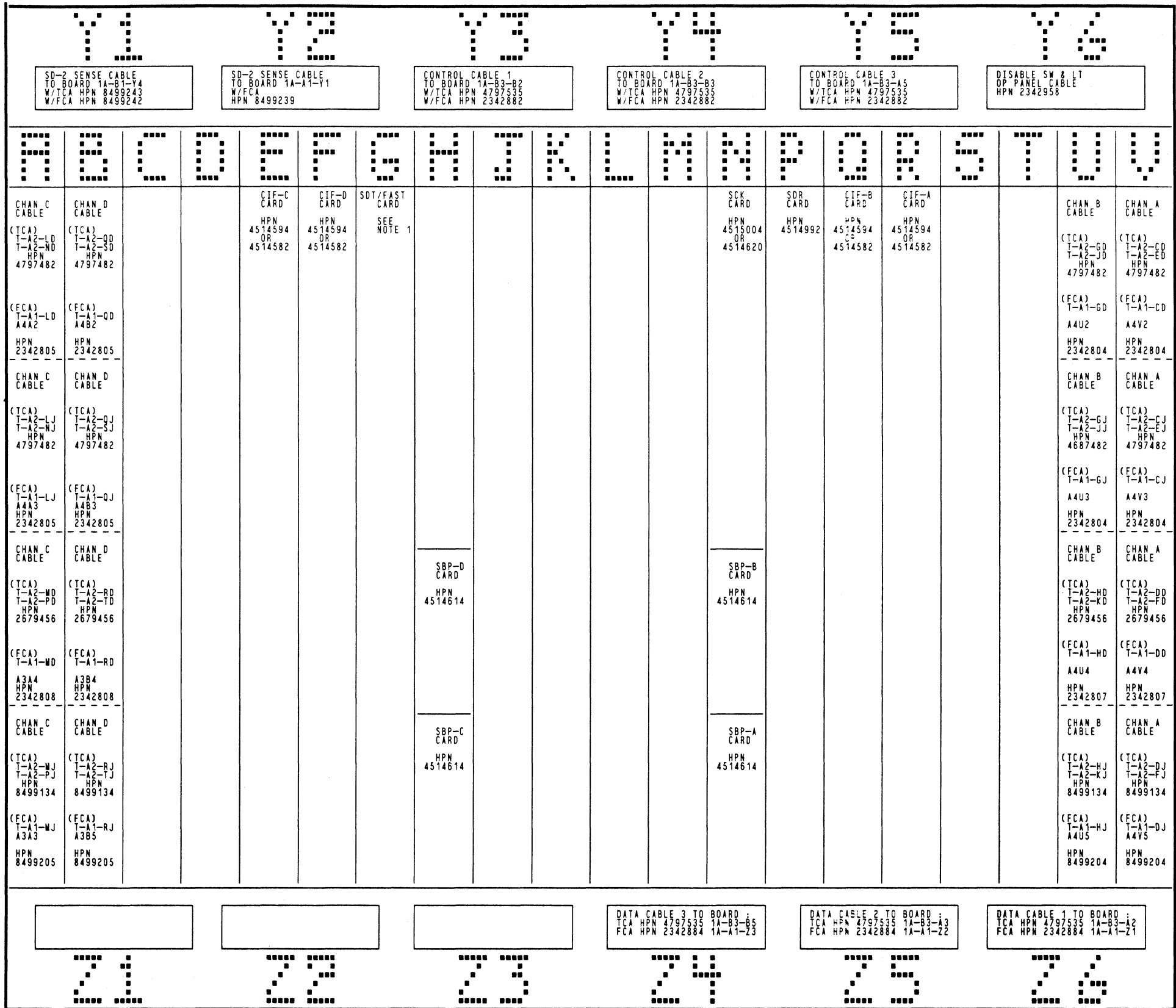
NOTE: 1. USE SDT 4514994 WITH 4X1  
CHAN SW (TCA)  
USE FAST 4515372 WITH 8X2  
CHAN SW (FCA)  
2. CROSS-OVER PLACEMENT  
SEE PAGE 3 OF 14 'C80XB'

BOARD (HARDWARE) PART NUMBER: P/N 4513993

EC HISTORY  
 01OCT84 461545  
 04FEB85 460545  
 05AUG85 460545  
 06MAR86 460545

CHANNEL SWITCH ADDITIONAL BOARD  
 SD1  
 W/TCA OR FCA  
 SED 44060 - 9997747 FIELD BW IOP  
 PRINT 07MAR86 1602 PN 4513993  
 PAGE 11 OF 14

WACH 8880 HPN  
 PNAME SLD HEC  
 OF 11-11-88 A29314



SD-2 SENSE CABLE  
TO BOARD 1A-B-1-4  
W/TCA HPN 8499243  
W/FCA HPN 8499242

SD-2 SENSE CABLE  
TO BOARD 1A-A-1-Y1  
W/FCA HPN 8499239

CONTROL CABLE 1  
TO BOARD 1A-B3-B2  
W/TCA HPN 4797535  
W/FCA HPN 2342882

CONTROL CABLE 2  
TO BOARD 1A-B3-B3  
W/TCA HPN 4797535  
W/FCA HPN 2342882

CONTROL CABLE 3  
TO BOARD 1A-B3-A5  
W/TCA HPN 4797535  
W/FCA HPN 2342882

DISABLE SW & LT  
OP. PANEL CABLE  
HPN 2342958

NOTE: 1. USE SDT 4514994 WITH 4X1  
CHAN SW (TCA)  
USE FAST 4515372 WITH 8X2  
CHAN SW (FCA)  
2. CROSS-OVER PLACEMENT  
SEE PAGE 3 OF 14 CBDXB

BOARD (HARDWARE) PART NUMBER: P/N 4513993

DATA CABLE 3 TO BOARD  
TCA HPN 4797535 1A-B3-B5  
FCA HPN 2342884 1A-A1-23

DATA CABLE 2 TO BOARD  
TCA HPN 4797535 1A-B3-B3  
FCA HPN 2342884 1A-A1-22

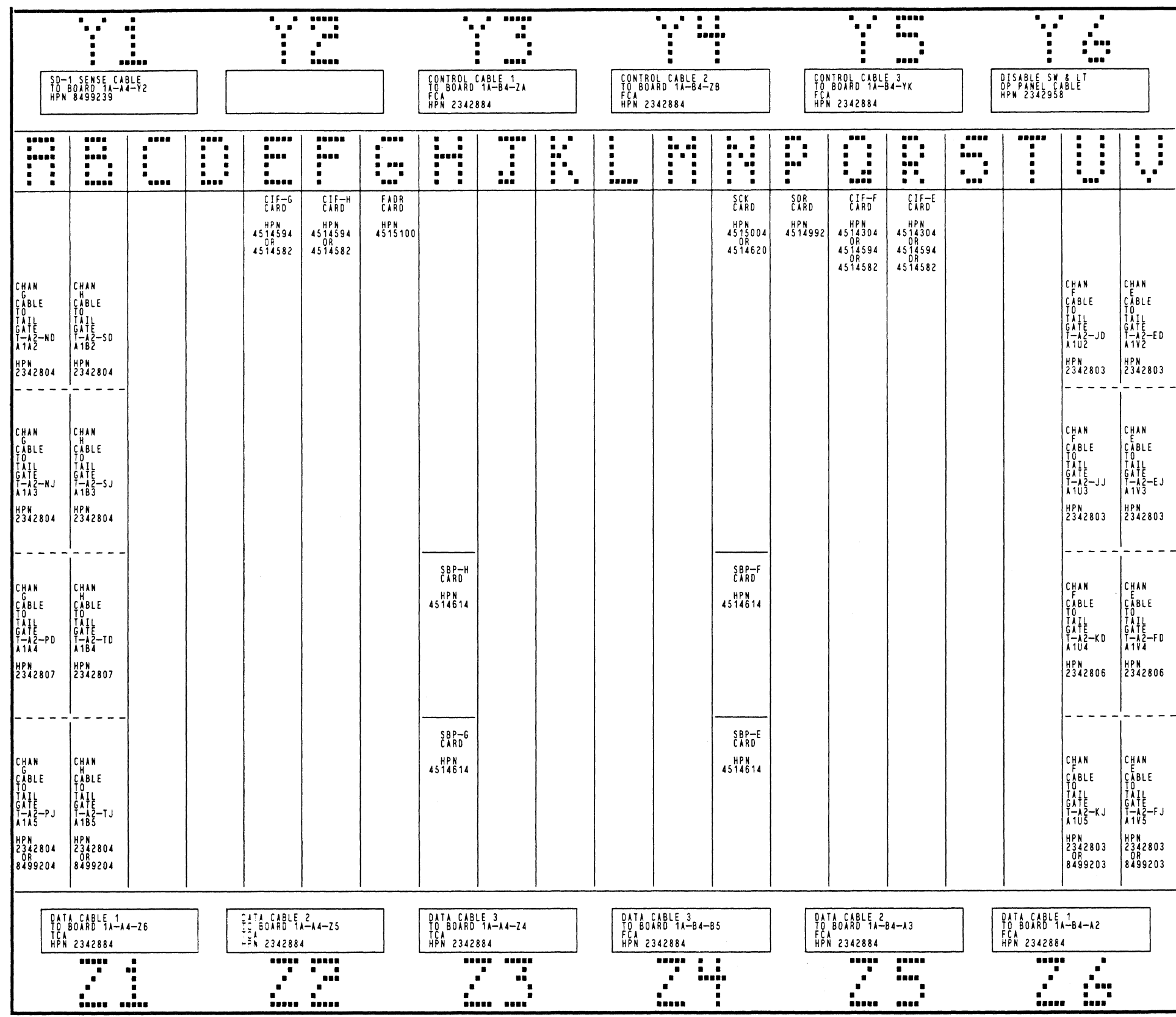
DATA CABLE 1 TO BOARD  
TCA HPN 4797535 1A-B3-B2  
FCA HPN 2342884 1A-A1-21

EC HISTORY  
01OCT84 461545 CHANNEL SWITCH ADDITIONAL BOARD  
04FEB85 461545 SDT  
05AUG85 461405 W/TCA OR FCA  
06MAR86 A29314 SEQ AAD60 - N997747, FIELD, BW, IDF  
PRINT 07MAR86 1604 PW 4518353  
PAGE 12 OF 14  
MACH 3880 HPN  
PRIME SLD HEC A29314  
LOC 1A-A3XX

010  
020  
030  
040  
050  
060  
070  
080  
090  
100  
110  
120

CBDXB  
010  
020  
030  
040  
050  
060  
070  
080  
090  
100  
110  
120  
CBDXB





NOTE:  
CROSS-OVER PLACEMENT  
SEE PAGE 3 OF 14 'CBOXB'

BOARD (HARDWARE) PART NUMBER: P/N 4513997

EC HISTORY	
01OCT84 461545	FOUR CHANNEL ADDITIONAL BOARD (FCA) SD1
04FEB85 461542	
05AUG 85 461405	
08MAR86 A29314	SEQ AA060 - M997747, FIELD, BW, IOP PRINT 07MAR86 0988 PN 4518353 PAGE 13 OF 14
	WACH- 3880 HPN 450244

010  
020  
030  
040  
050  
060  
070  
080  
090  
100  
110  
120

010  
020  
030  
040  
050  
060  
070  
080  
090  
100  
110  
120

SD-2 SENSE CABLE TO BOARD 1A-A3-Y2 HPN 8499239				CONTROL CABLE 1 TO BOARD 1A-B3-ZA FCA HPN 2342884		CONTROL CABLE 2 TO BOARD 1A-B3-ZB FCA HPN 2342884		CONTROL CABLE 3 TO BOARD 1A-B3-YK FCA HPN 2342884		DISABLE SW & LT OP PANEL CABLE HPN 2342958															
CHAN G CABLE TO TAIL GATE T-A2-LD A2A2 HPN 2342804		CHAN H CABLE TO TAIL GATE T-A2-OD A2B2 HPN 2342804		CIF-G CARD HPN 4514594 OR 4514582		CIF-H CARD HPN 4514594 OR 4514582		FADR CARD HPN 4515100						SCK CARD HPN 4515004 OR 4514620		SDR CARD HPN 4514992		CIF-F CARD HPN 4514594 OR 4514582		CIF-E CARD HPN 4514594 OR 4514582		CHAN E CABLE TO TAIL GATE T-A2-OD A2V2 HPN 2342803		CHAN E CABLE TO TAIL GATE T-A2-CD A2V2 HPN 2342803	
CHAN G CABLE TO TAIL GATE T-A2-LJ A2A3 HPN 2342804		CHAN H CABLE TO TAIL GATE T-A2-QJ A2B3 HPN 2342804																		CHAN F CABLE TO TAIL GATE T-A2-GJ A2U3 HPN 2342803		CHAN E CABLE TO TAIL GATE T-A2-CJ A2V3 HPN 2342803			
CHAN G CABLE TO TAIL GATE T-A2-MD A2A4 HPN 2342807		CHAN H CABLE TO TAIL GATE T-A2-RD A2B4 HPN 2342807						SBP-H CARD HPN 4514614						SBP-F CARD HPN 4514614						CHAN F CABLE TO TAIL GATE T-A2-HD A2U4 HPN 2342806		CHAN E CABLE TO TAIL GATE T-A2-SD A2V4 HPN 2342806			
CHAN G CABLE TO TAIL GATE T-A2-MJ A2A5 HPN 2342804 OR 8499204		CHAN H CABLE TO TAIL GATE T-A2-RJ A2B5 HPN 2342804 OR 8499204						SBP-G CARD HPN 4514614						SBP-E CARD HPN 4514614						CHAN F CABLE TO TAIL GATE T-A2-HJ A2U5 HPN 8499203		CHAN E CABLE TO TAIL GATE T-A2-DJ A2V5 HPN 8499203			
DATA CABLE 1 TO BOARD 1A-A3-Z6 FCA HPN 2342884		DATA CABLE 2 TO BOARD 1A-A3-Z5 FCA HPN 2342884		DATA CABLE 3 TO BOARD 1A-A3-Z4 FCA HPN 2342884		DATA CABLE 3 TO BOARD 1A-B3-B5 FCA HPN 2342884		DATA CABLE 2 TO BOARD 1A-B3-A3 FCA HPN 2342884		DATA CABLE 1 TO BOARD 1A-B3-A2 FCA HPN 2342884															

NOTE:  
CROSS-OVER PLACEMENT  
SEE PAGE 3 OF 14 'CBDXB'

BOARD (HARDWARE) PART NUMBER: P/N 4513997

EC HISTORY	
01OCT84 461545	FOUR CHANNEL ADDITIONAL
04FEB85 461542	BOARD (FCA) SD2
05AUG85 461405	SEQ A4060 - N997747 FIELD, BW, IDF
06MAR86 A29314	PRINT 07MAR86 0989 PN 4513997
	PAGE 14 OF 14
	MACH 3880 HPN
	NAME SCLC HEC
	LOC 1A-A2XX A29314

10 20 30 40 50 60 70 80 90 100 110 120 130 140 150 160 170 180 190 200 210 220 230 240 250 260 270 280 290 YA010

010

020

```

3333 888 888 000
 333 888 888 000
 333 888 888 000
3333 888 888 000
  
```

030

```

PPPP Q0000 W W EEEEE RRRR R
P P O O O W W W F F F EEE RRRR R
PPPP P O O O W W W F F F EEE RRRR R
P P O O O W W W EEEEE RRRR R
L L 00000 GGGGG IIIII CCCCC
L L 00000 GGGGG IIIII CCCCC
L L 00000 GGGGG IIIII CCCCC
L L LLLL 00000 GGGGG IIIII CCCCC
  
```

040

T I T L E	P A G E	N U M B E R
INDEX	YA010	1
POWER GROUP LOCATION	YA020	2
SYMBOLS USED IN POWER DIAGRAMS	YA100	3
+ 24V SCHEMATIC	YA105	4
BLOCK DIAGRAM, GROUNDING SCHEMATIC	YA110	5
PRIMARY POWER BOX	YA111	6
PRIMARY POWER BOX CONTROLS	YA115	7
PSM POWER SUPPLY	YA121	8
DC BULK SUPPLIES - STACK	YA131	9
BULK DC SUPPLY - VMEM	YA132	10
REGULATOR STACK	YA133	11
DC SWITCH	YA137	12
LOGIC GATE POWER DISTRIBUTION	YA151	13
CENTRAL POWER CONTROL BOARD	YA161	14
CENTRAL POWER CONTROL BOARD FEED THRU	YA163	15
HOST AND DEVICE CONTROL PANEL	YA165	16
OPERATOR PANEL AND CHANNEL SWITCHES	YA171	17
OPERATOR PANEL WITH REMOTE CH SW	YA171	18
OP PANEL WITH LOC/REM SW	YA171	19
LOCAL/REMOTE SWITCHES	YA175	20
DC SWITCH PANEL	YA181	21
DEVICE INTERFACE BOARD	YA191	22
MAINT BD CONN A2.A3.A4	YA211	23
MAINT BD CONN B4.A5	YA215	24
MAINT BD CONN Z2.Z3.Z4.Y4.V2	YA217	25
DISKETTE	YA311	26
POWER SENSOR CARD EDS	YA405	27
POWER CONTROL CARD EDS	YA407	28

070

080

090

100

110

120

EC HISTORY

27APR84 458505	INDEX TABLE OF CONTENTS 1. 2. 4 CHANNEL
YA001	PRINT 19APR84 1547 PN 2127250 PAGE 1 OF 28
MACH 3880 PNAME POWR LOC	HPN HEC 0020

IBM CORP

DISKETTE

CENTRAL  
POWER  
CONTROL  
  
PN 2290618 OR  
2288573

DEVICE  
INTERFACE  
  
PN 2679469 OR  
PN 4797125

NOTE 1.

SV REG ASM  
PN 4797595

FAN

6V REG  PN 2342734	7.25V REG  PN 2342724	MULTI-LEVEL REG  PN 2290588
--------------------------	-----------------------------	--------------------------------------

CIRCUIT PROTECTOR PANEL

DC BULK POWER

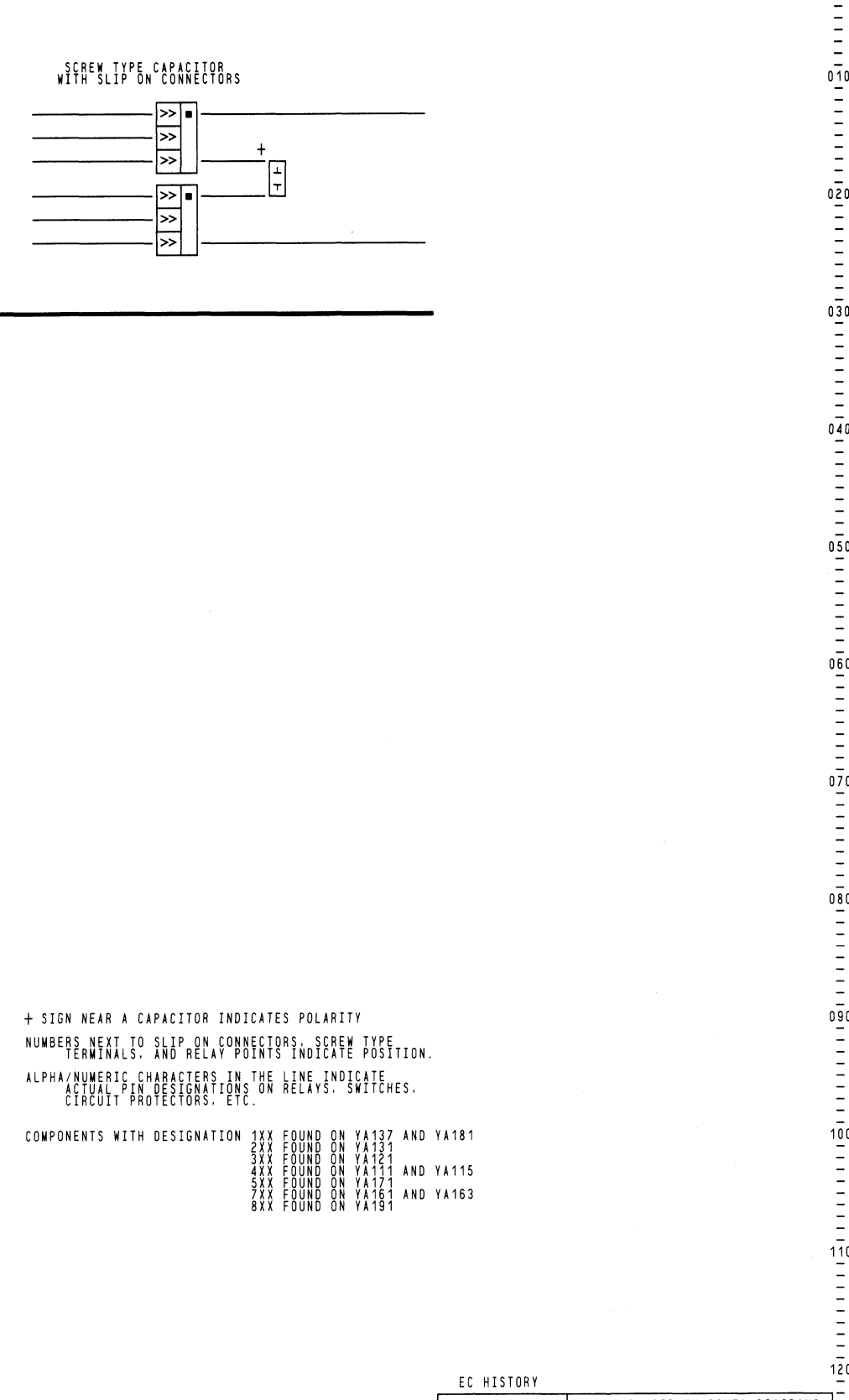
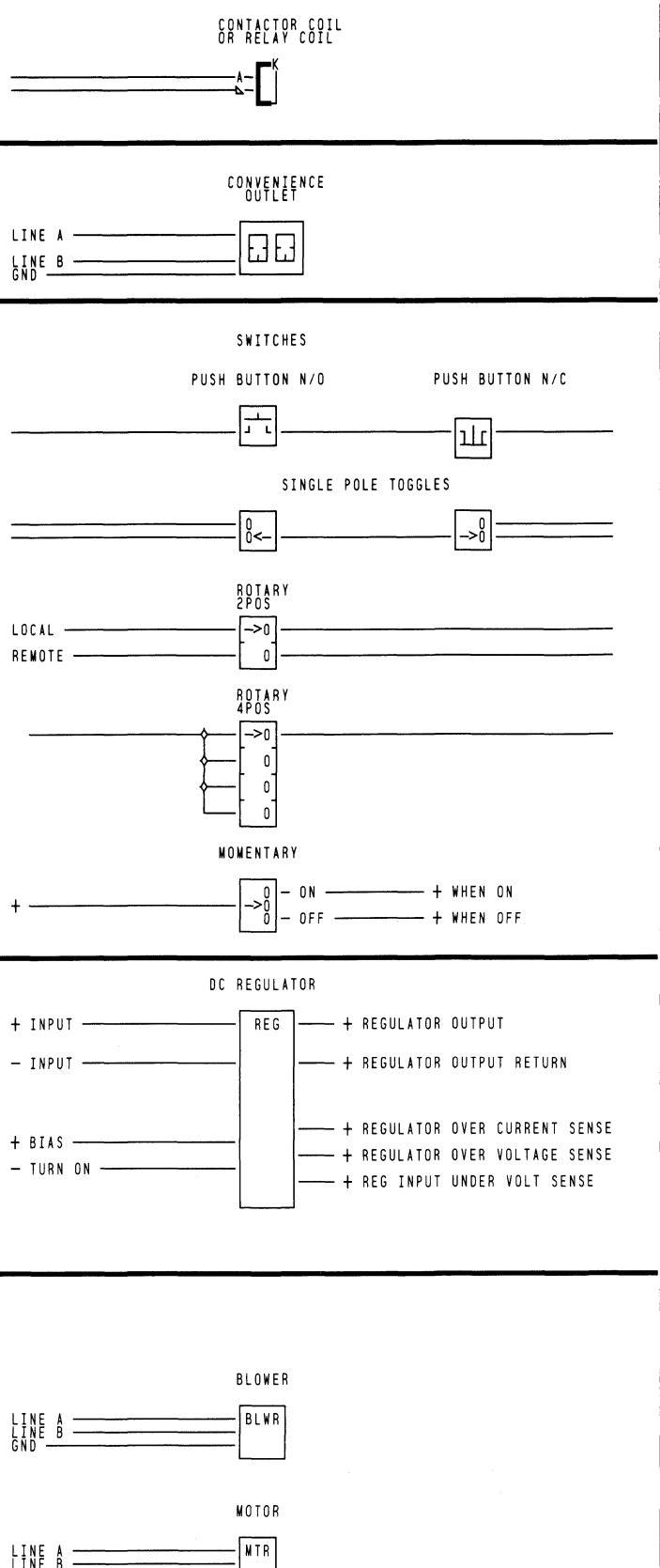
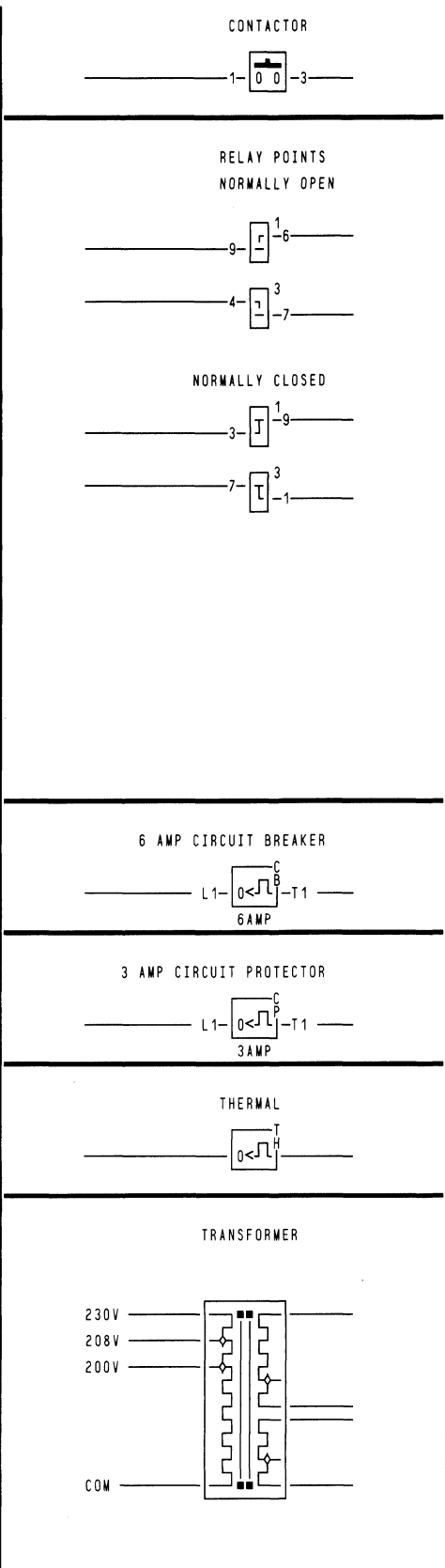
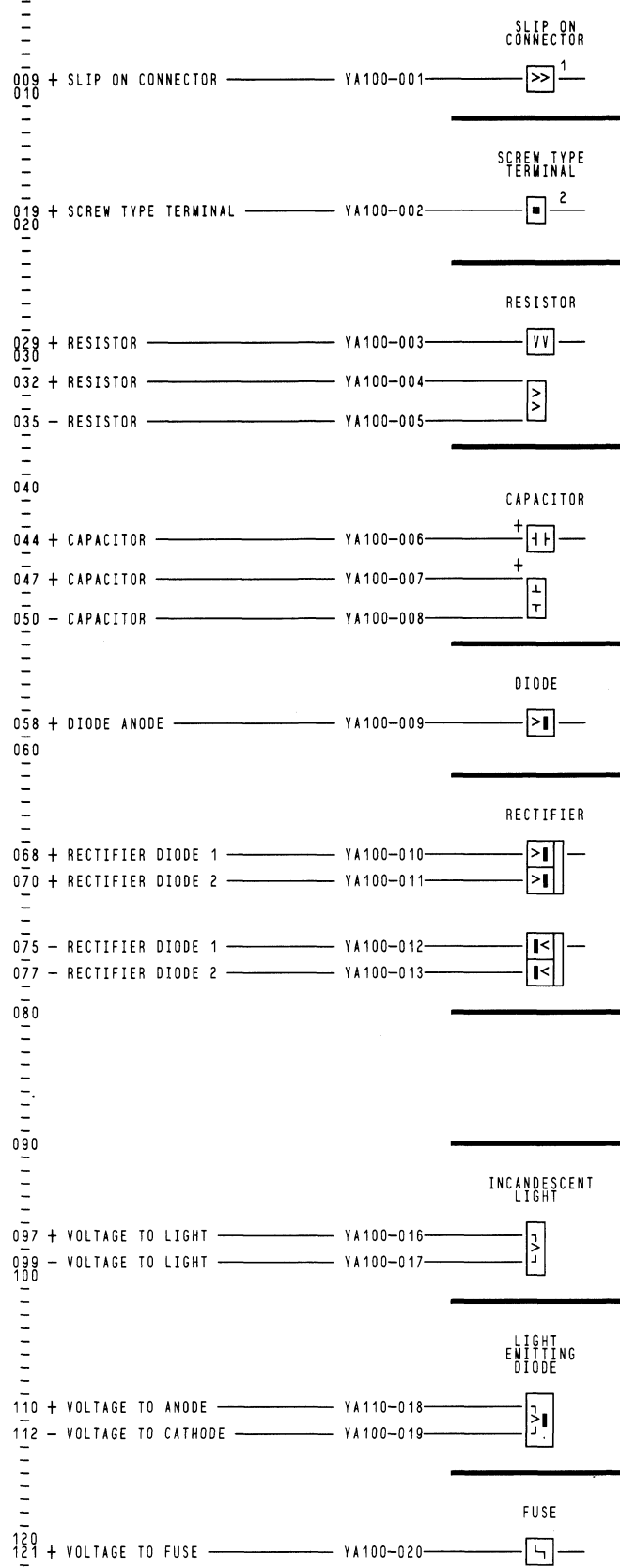
MAINTENANCE  
SUPPLY

AC POWER BOX

NOTE 1. IF "HIGH DENSITY" LABEL IS INSTALLED ON THE B3 BOARD COVER, THE 7.25V REGULATOR IS ALREADY REMOVED, AND THE +5V REGULATOR IS P/N 949941.

EC HISTORY	
27APR84 458505	POWER GROUP LOCATION
PRINT 19APR84 1326	PN 2127250
YAA01	PAGE 2 OF 28
MACH 3880	HPN
PRNAME POWR	HEC
LOC	

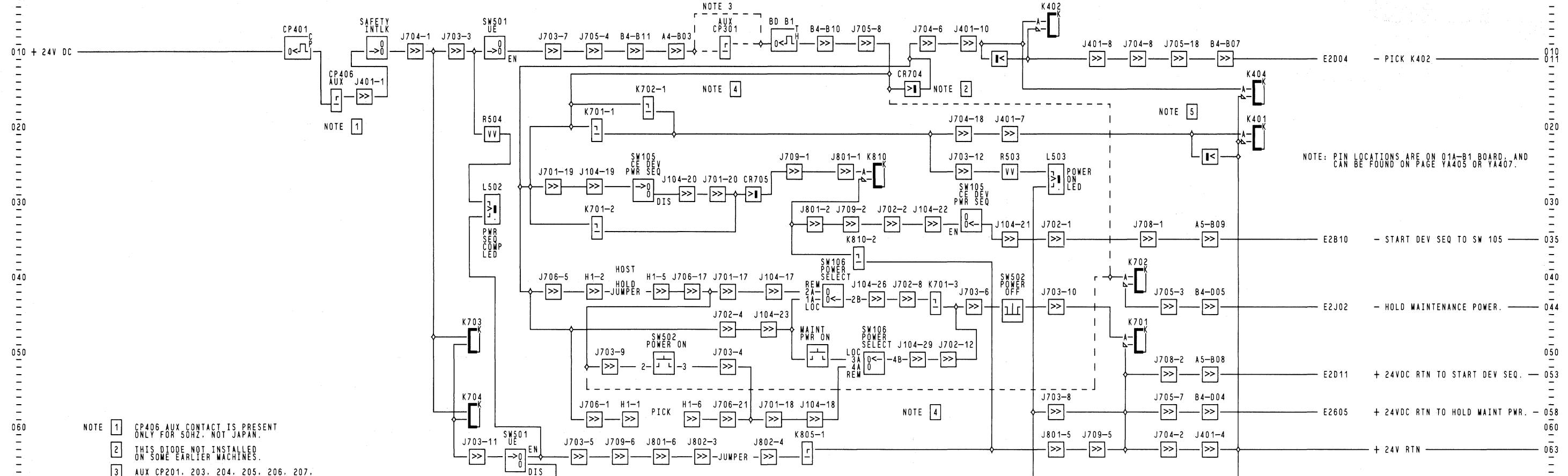
10 20 30 40 50 60 70 80 90 100 110 120 130 140 150 160 170 180 190 200 210 220 230 240 250 260 270 280 290 300 YA100



EC HISTORY  
 27APR84 458505 SYMBOLS USED IN POWER DIAGRAMS

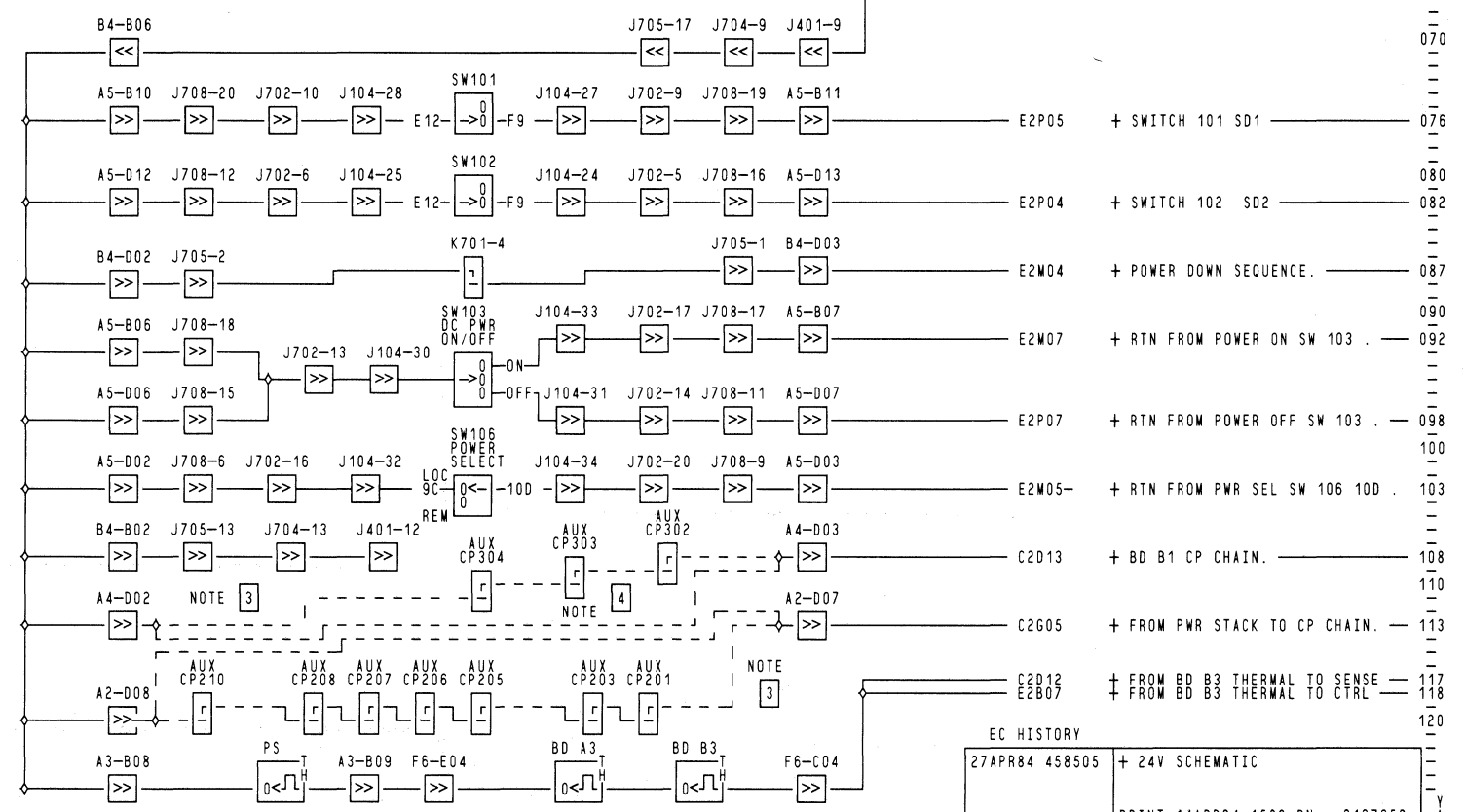
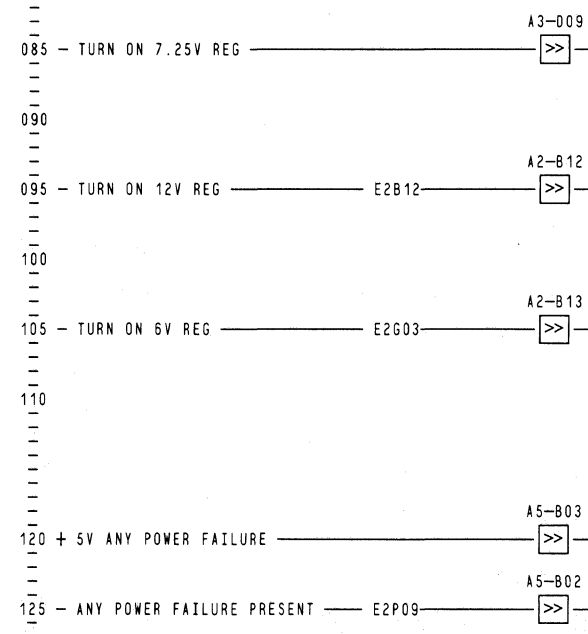
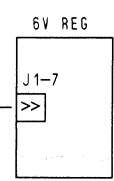
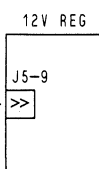
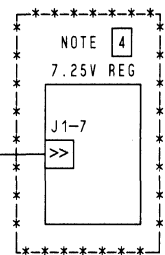
PRINT 19APR84 1755 PN 2127250  
 YAAD1 PAGE 3 OF 28

MACH 3880 HPN  
 PNAME POWR HEC  
 LOC 0000



NOTE: PIN LOCATIONS ARE ON 01A-B1 BOARD, AND CAN BE FOUND ON PAGE YA405 OR YA407.

- NOTE 1 CP406 AUX CONTACT IS PRESENT ONLY FOR 50HZ. NOT JAPAN.
- NOTE 2 THIS DIODE NOT INSTALLED ON SOME EARLIER MACHINES.
- NOTE 3 AUX CP201, 203, 204, 205, 206, 207, 208, 209 AND 210 MAY NOT BE REMOVED ON ALL MACHINES.
- NOTE 4 AUX CP301, 302, 303 AND 304 MAY NOT BE REMOVED ON ALL MACHINES.
- NOTE 5 MAY BE REMOVED ON SOME MACHINES.
- NOTE 6 DOTTED LINES NOT PRESENT WITH MACHINES THAT HAVE HIGH DENSITY LABEL ON B2 BOARD COVER.
- NOTE 7 THESE DOTTED LINES ARE INCLUDED WITH MACHINES HAVING HIGH DENSITY LABEL ON B2 BOARD COVER.



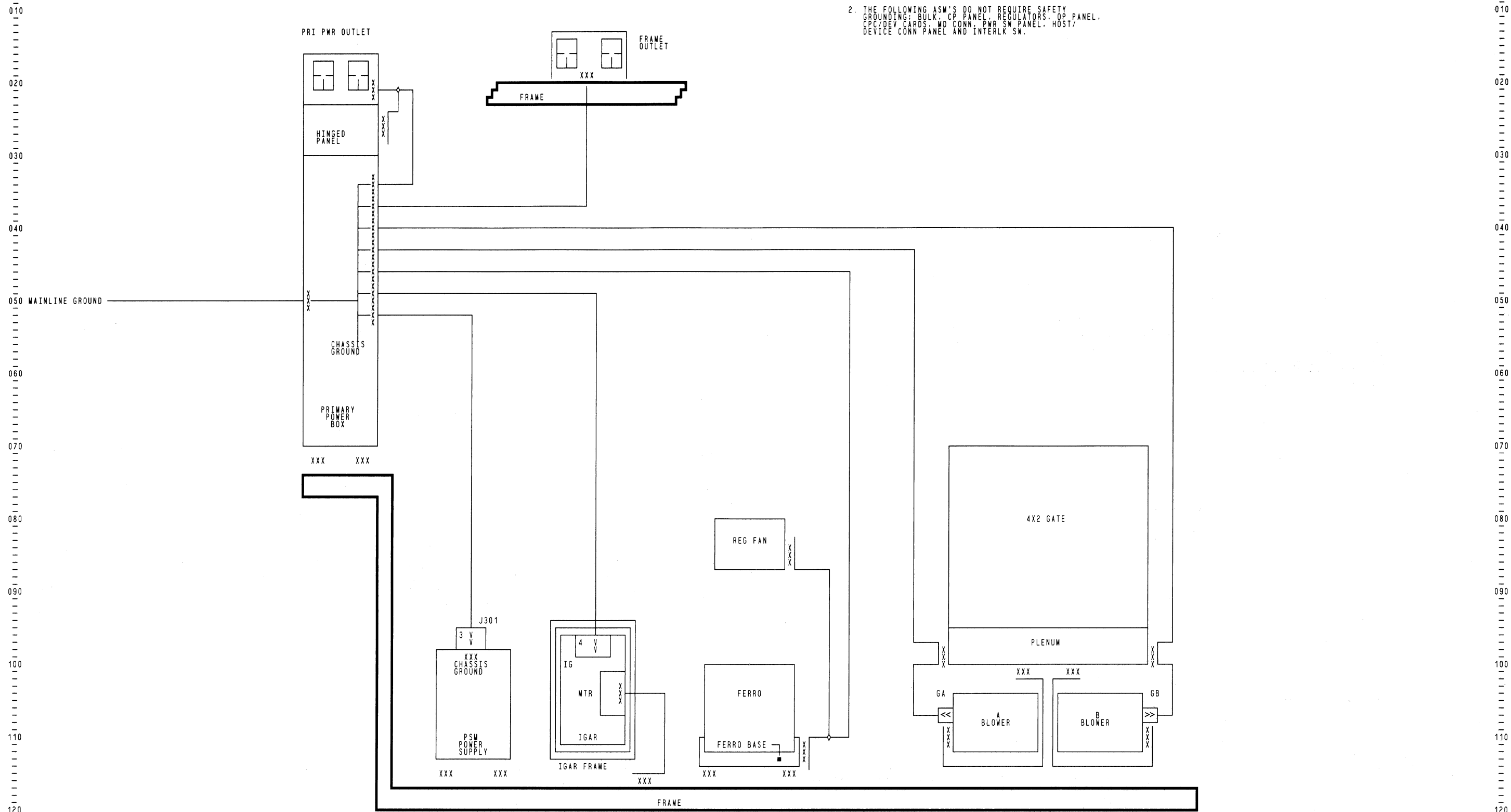
EC HISTORY  
27APR84 458505 + 24V SCHEMATIC

PRINT 14APR84 1588 PN 2127250  
YAA01 PAGE 4 OF 28

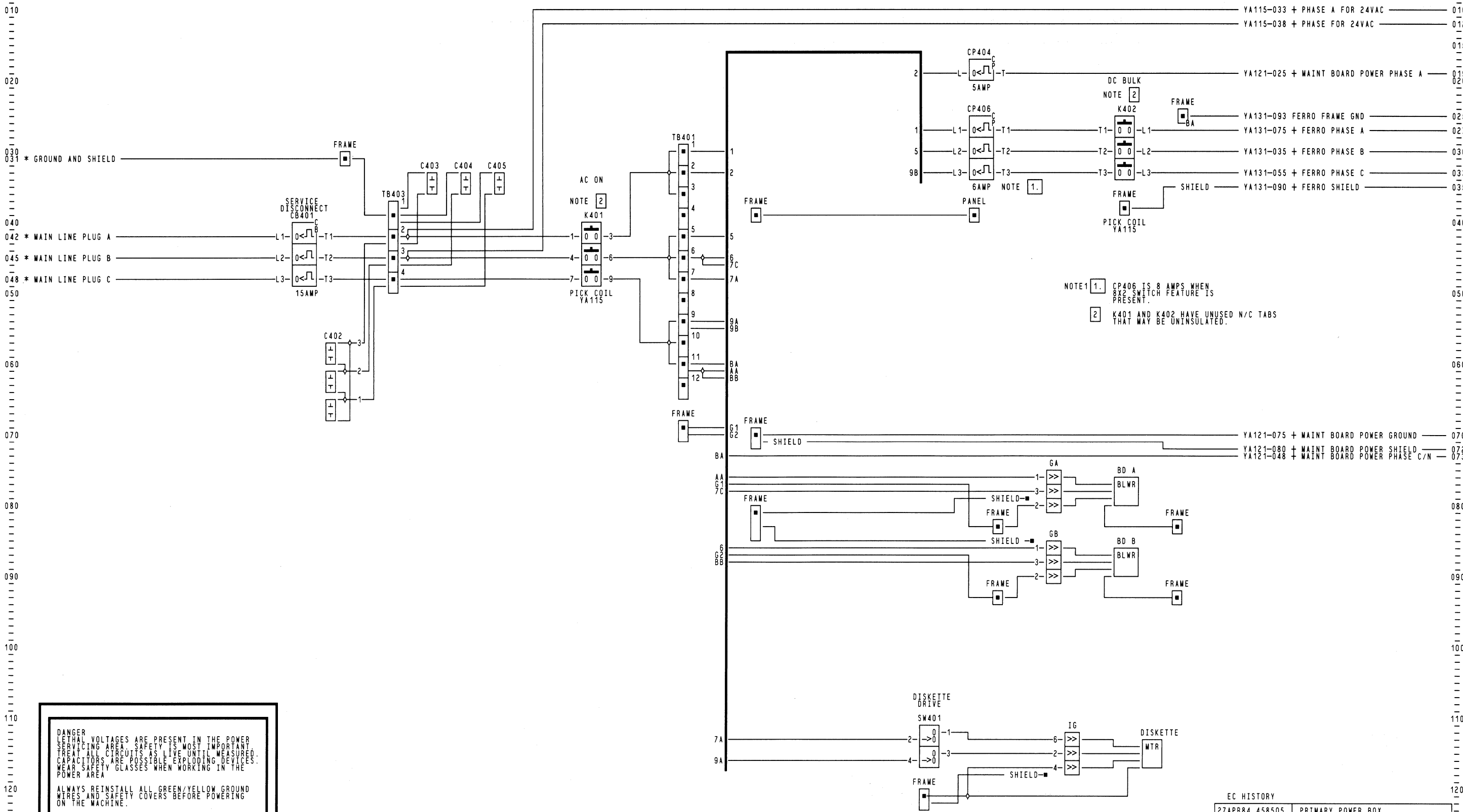
MACH 3880 HPN  
LOC PWR REC 0000

10 20 30 40 50 60 70 80 90 100 110 120 130 140 150 160 170 180 190 200 210 220 230 240 250 260 270 280 290 YA110

- NOTES:
1. XXX DENOTES EXTERNAL STAR WASHER.
  2. THE FOLLOWING ASM'S DO NOT REQUIRE SAFETY GROUNDING: BULK, CP PANEL, REGULATORS, OP PANEL, CPC/DEV CARDS, MD CONN, PWR SW PANEL, HOST/DEVICE CONN PANEL AND INTERLK SW.



EC HISTORY	
27APR84 458505	BLOCK DIAGRAM GROUNDING SCHEMATIC
YAA01	PRINT 19APR84 0020 PN 2127250 PAGE 5 OF 28
MACH PNAME POWR LOC	HPN HEC 0000



031 \* GROUND AND SHIELD  
 042 \* MAIN LINE PLUG A  
 045 \* MAIN LINE PLUG B  
 048 \* MAIN LINE PLUG C

**DANGER**  
 LETHAL VOLTAGES ARE PRESENT IN THE POWER SERVICING AREA. SAFETY IS MOST IMPORTANT. TREAT ALL CIRCUITS AS LIVE UNTIL MEASURED. CAPACITORS ARE POSSIBLE EXPLODING DEVICES. WEAR SAFETY GLASSES WHEN WORKING IN THE POWER AREA.  
 ALWAYS REINSTALL ALL GREEN/YELLOW GROUND WIRES AND SAFETY COVERS BEFORE POWERING ON THE MACHINE.

NOTE 1. CP406 IS 8 AMPS WHEN BX2 SWITCH FEATURE IS PRESENT.  
 NOTE 2. K401 AND K402 HAVE UNUSED N/C TABS THAT MAY BE UNINSULATED.

EC HISTORY	
27APR84 458505	PRIMARY POWER BOX
	ALL 60HZ MACHINES
	OR 50HZ JAPAN ONLY MACHINES
PRINT 19APR84 1069	PN 2127250
YAA01	PAGE 6 OF 28
MACH 3880	HPN
NAME POWR	HEC
LOC	



10 20 30 40 50 60 70 80 90 100 110 120 130 140 150 160 170 180 190 200 210 220 230 240 250 260 270 280 290 YA115

010 010

020 020

030 030

033 + PHASE A FOR 24VAC — YA111-010 — L — CP402 — T — COM — T401TB — 1 — 200/208V — T401 — 2 — 220V — T401TB — 3 — 240V — T401TB — 4 — 240V — T401TB — 5 — COM — T401TB — 6 — 115V — T401TB — 7 — CP403 — 6AMP — K404 — 1 — 6 — PRI. PWR. BOX CONV. OUTLET — 3 — 4 — FRAME GND — 7 —

038 + PHASE FOR 24VAC — YA111-012 — L — CP402 — T — COM — T401TB — 1 — 200/208V — T401 — 2 — 220V — T401TB — 3 — 240V — T401TB — 4 — 240V — T401TB — 5 — COM — T401TB — 6 — 115V — T401TB — 7 — CP403 — 6AMP — K404 — 1 — 6 — PRI. PWR. BOX CONV. OUTLET — 3 — 4 — FRAME GND — 7 —

040 040

048 + 24VDC UE TO PICK K404 — YA161-117 — J401 — 10 — K404 — CONVENIENCE OUTLET — K401 — AC ON — AC — CR401 — C401 — 10K MFD — R401 — 1000 OHM 10W — CP401 — 3AMP — J401 — 1 — SAFETY INTERLOCK SWITCH — YA161-119 + 24VDC BOOTSTRAP — 049

050 050

054 + FROM BD B1 THERM TO PICK K401. YA161-119 — J401 — 7 — K401 — AC ON — AC — CR401 — C401 — 10K MFD — R401 — 1000 OHM 10W — CP401 — 3AMP — J401 — 1 — SAFETY INTERLOCK SWITCH — YA161-119 + 24VDC BOOTSTRAP — 049

060 060

062 062

066 066

070 070

072 - PICK K402 — YA163-096 — J401 — 8 — K402 — DC BULK SUPPLY — J401 — 4 — YA161-121 + 24VDC RTN — 062

074 + FWB RTN TO PICK K402. — YA163-098 — J401 — 9 — K402 — DC BULK SUPPLY — J401 — 4 — YA161-121 + 24VDC RTN — 062

080 080

090 090

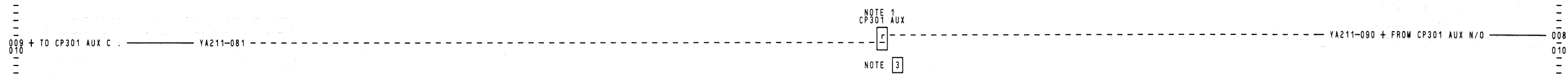
100 100

110 110

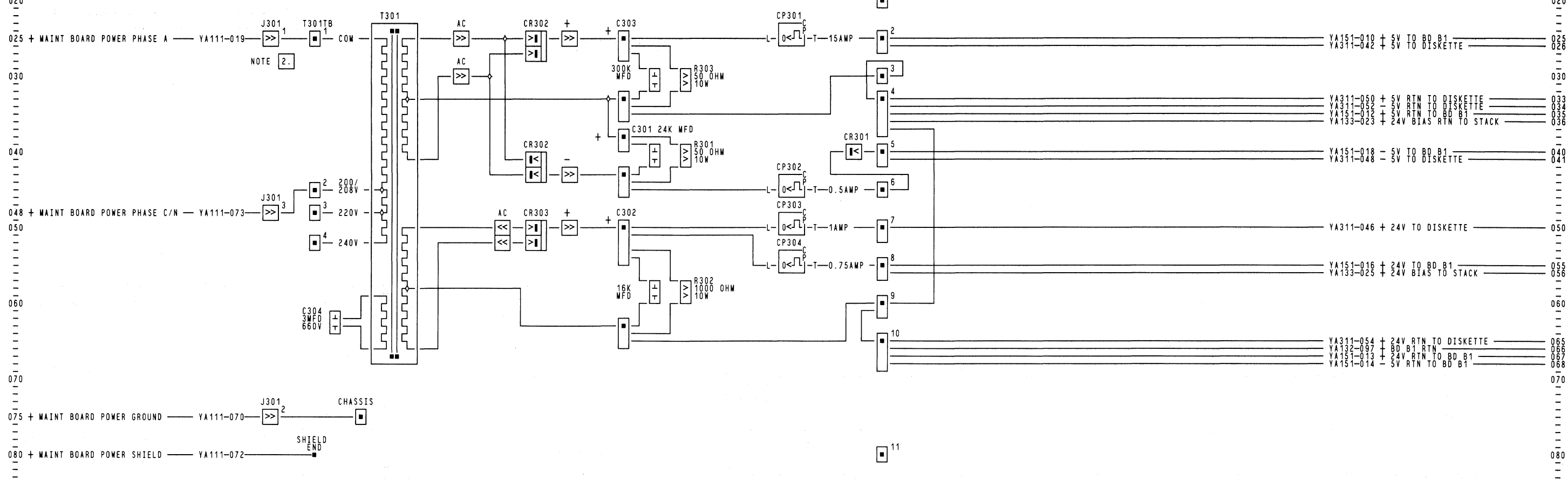
120 120

DANGER  
LETHAL VOLTAGES ARE PRESENT IN THE POWER  
SERVICING AREA. SAFETY IS MOST IMPORTANT.  
TREAT ALL CIRCUITS AS LIVE UNTIL MEASURED.  
CAPACITORS ARE POSSIBLE EXPLODING DEVICES.  
WEAR SAFETY GLASSES WHEN WORKING IN THE  
POWER AREA.  
ALWAYS REINSTALL ALL GREEN/YELLOW GROUND  
WIRES AND SAFETY COVERS BEFORE POWERING  
ON THE MACHINE.

EC HISTORY  
27APR84 458505 PRIMARY POWER BOX CONTROLS  
ALL 60HZ MACHINES  
OR 50HZ JAPAN  
PRINT 19APR84 1576 PN 2127250  
YAA01 PAGE 7 OF 28  
MACH 3880 HPN  
PNAME POWR HEC  
LOC 0700



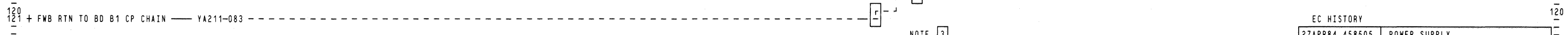
MAINTENANCE POWER SUPPLY



- NOTES :
- 2. J301 MAY NOT BE INSTALLED.
  - 3. AUX CP301, 302, 303 AND 304 MAY NOT BE REMOVED ON ALL MACHINES.

**DANGER**  
 LETHAL VOLTAGES ARE PRESENT IN THE POWER SERVICING AREA. SAFETY IS MOST IMPORTANT. TREAT ALL CIRCUITS AS LIVE UNTIL MEASURED. CAPACITORS ARE POSSIBLE EXPLODING DEVICES. WEAR SAFETY GLASSES WHEN WORKING IN THE POWER AREA.

ALWAYS REINSTALL ALL GREEN/YELLOW GROUND WIRES AND SAFETY COVERS BEFORE POWERING ON THE MACHINE.

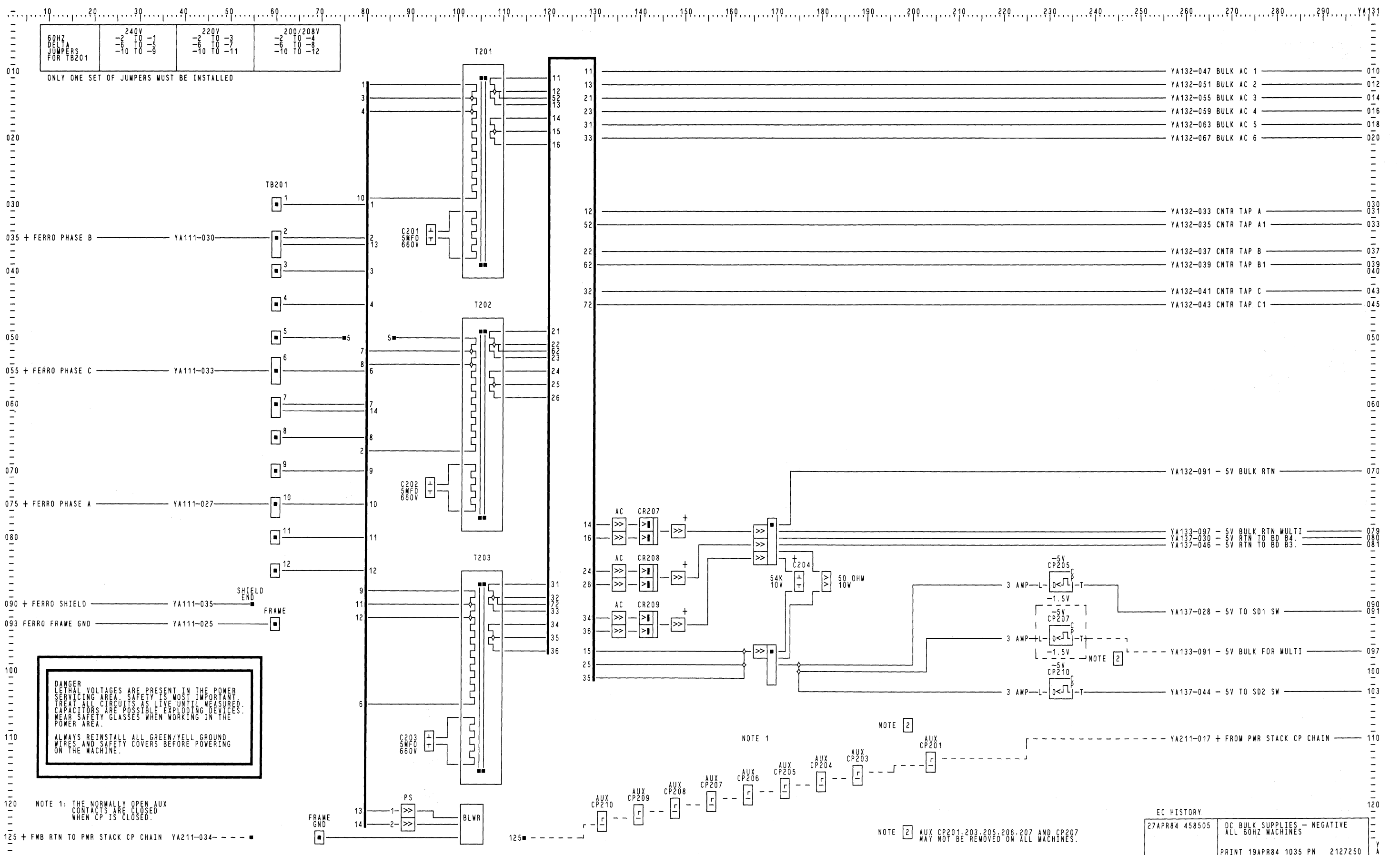


EC HISTORY

27APR84 458505	POWER SUPPLY ALL 60HZ MACHINES
PRINT 19APR84 1079 PN 2127250	YAA01 PAGE 8 OF 28
MACH 3880	HPN
PNM NAME POWR	HEC
LOC	0600

60HZ DELTA JUMPERS FOR TB201	240V -2 TO -1 -6 TO -5	220V -2 TO -3 -6 TO -11	200/208V -2 TO -4 -6 TO -8 -10 TO -12
---------------------------------------	------------------------------	-------------------------------	--

ONLY ONE SET OF JUMPERS MUST BE INSTALLED



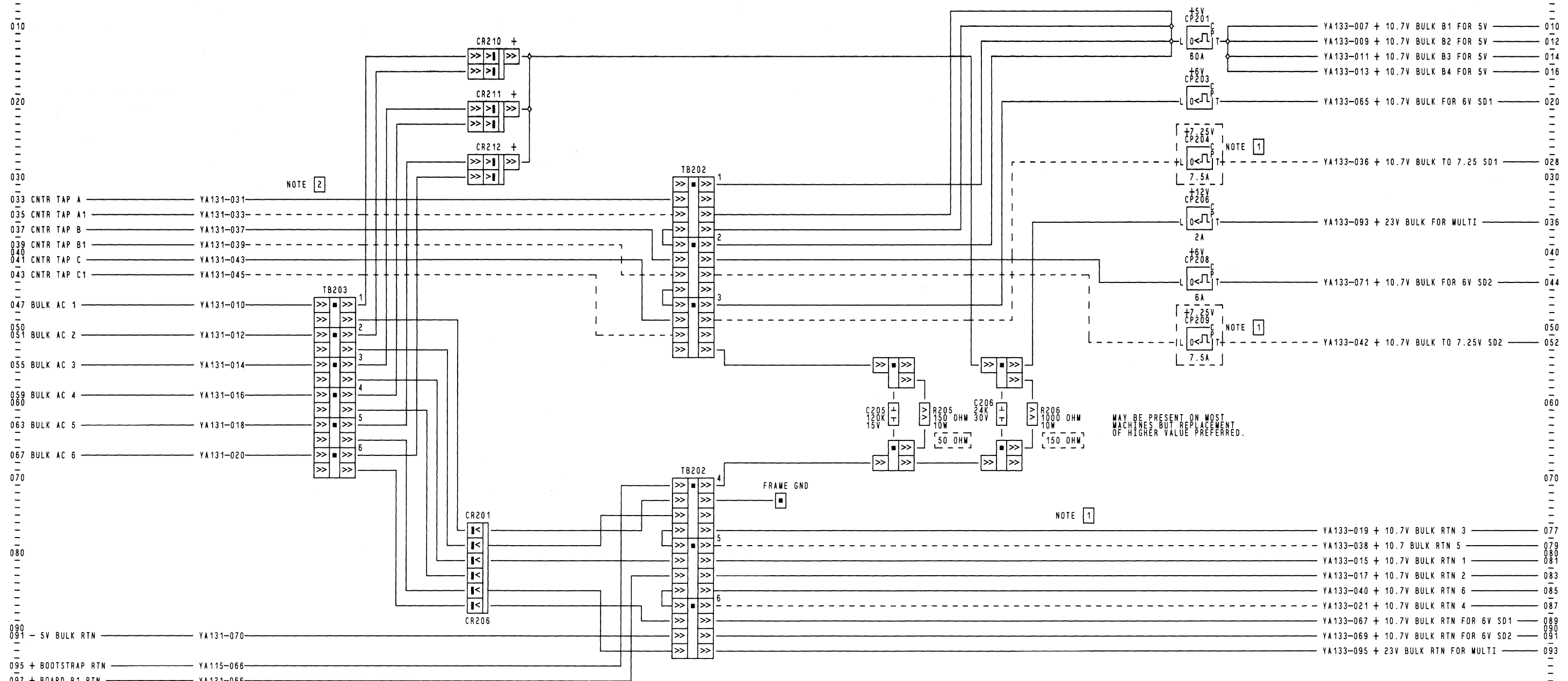
**DANGER**  
LETHAL VOLTAGES ARE PRESENT IN THE POWER SERVICING AREA. SAFETY IS MOST IMPORTANT. TREAT ALL CIRCUITS AS LIVE UNTIL MEASURED. CAPACITORS ARE POSSIBLE EXPLODING DEVICES. WEAR SAFETY GLASSES WHEN WORKING IN THE POWER AREA.  
ALWAYS REINSTALL ALL GREEN/YELL GROUND WIRES AND SAFETY COVERS BEFORE POWERING ON THE MACHINE.

NOTE 1: THE NORMALLY OPEN AUX CONTACTS ARE CLOSED WHEN CP IS CLOSED.

NOTE 2

NOTE 2: AUX CP201, 203, 205, 206, 207 AND CP207 MAY NOT BE REMOVED ON ALL MACHINES.

EC HISTORY 27APR84 458505	DC BULK SUPPLIES - NEGATIVE ALL 60HZ MACHINES
PRINT 19APR84 1035 PN 2127250 YA01 PAGE 9 OF 28	
MACH 3880 PNAME POWR	HPN HEC



NOTE 2

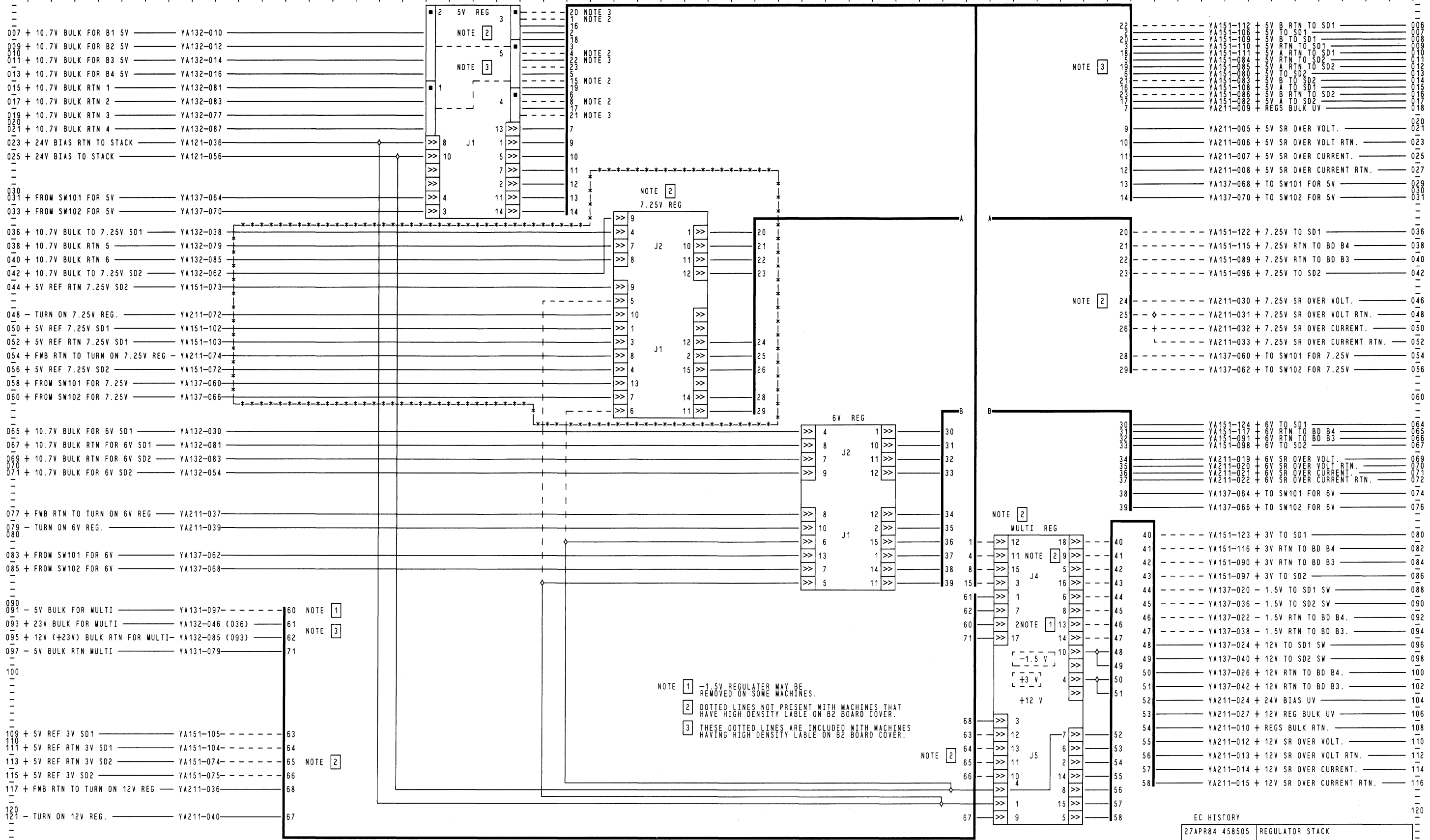
NOTE 1

NOTE 1

MAY BE PRESENT ON MOST MACHINES BUT REPLACEMENT OF HIGHER VALUE PREFERRED.

NOTE 1 DOTTED LINES NOT PRESENT WITH MACHINES THAT HAVE HIGH DENSITY LABEL ON B2 BOARD COVER.  
 NOTE 2 THESE DOTTED LINES ARE INCLUDED WITH MACHINES HAVING HIGH DENSITY LABEL ON B2 BOARD COVER.

EC HISTORY	
27APR84 458505	BULK DC SUPPLY V.WEM/NORWICH
PRINT 19APR84 1145 PN 2127250	
YAA01 PAGE 10 OF 28	
MACH 3880	HPN
NAME POWR	HEC
LOC	0020



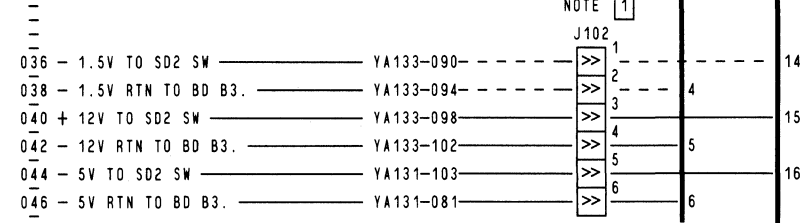
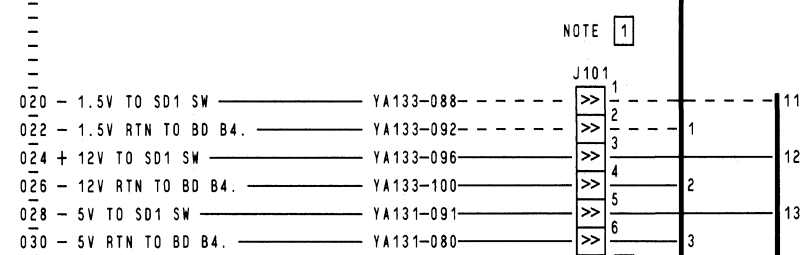
- 007 + 10.7V BULK FOR B1 5V YA132-010
- 009 + 10.7V BULK FOR B2 5V YA132-012
- 010 + 10.7V BULK FOR B3 5V YA132-014
- 013 + 10.7V BULK FOR B4 5V YA132-016
- 015 + 10.7V BULK RTN 1 YA132-081
- 017 + 10.7V BULK RTN 2 YA132-083
- 019 + 10.7V BULK RTN 3 YA132-077
- 021 + 10.7V BULK RTN 4 YA132-087
- 023 + 24V BIAS RTN TO STACK YA121-036
- 025 + 24V BIAS TO STACK YA121-056
- 030 + FROM SW101 FOR 5V YA137-064
- 031 + FROM SW102 FOR 5V YA137-070
- 036 + 10.7V BULK TO 7.25V SD1 YA132-038
- 038 + 10.7V BULK RTN 5 YA132-079
- 040 + 10.7V BULK RTN 6 YA132-085
- 042 + 10.7V BULK TO 7.25V SD2 YA132-062
- 044 + 5V REF RTN 7.25V SD2 YA151-073
- 048 - TURN ON 7.25V REG. YA211-072
- 050 + 5V REF 7.25V SD1 YA151-102
- 052 + 5V REF RTN 7.25V SD1 YA151-103
- 054 + FWB RTN TO TURN ON 7.25V REG YA211-074
- 056 + 5V REF 7.25V SD2 YA151-072
- 058 + FROM SW101 FOR 7.25V YA137-060
- 060 + FROM SW102 FOR 7.25V YA137-066
- 065 + 10.7V BULK FOR 6V SD1 YA132-030
- 067 + 10.7V BULK RTN FOR 6V SD1 YA132-081
- 069 + 10.7V BULK RTN FOR 6V SD2 YA132-083
- 070 + 10.7V BULK FOR 6V SD2 YA132-054
- 071 + 10.7V BULK FOR 6V SD2 YA132-054
- 077 + FWB RTN TO TURN ON 6V REG YA211-037
- 079 - TURN ON 6V REG. YA211-039
- 080
- 083 + FROM SW101 FOR 6V YA137-062
- 085 + FROM SW102 FOR 6V YA137-068
- 090
- 091 - 5V BULK FOR MULTI YA131-097
- 093 + 23V BULK FOR MULTI YA132-046 (036)
- 095 + 12V (+23V) BULK RTN FOR MULTI YA132-085 (093)
- 097 - 5V BULK RTN MULTI YA131-079
- 100
- 109 + 5V REF 3V SD1 YA151-105
- 110 + 5V REF RTN 3V SD1 YA151-104
- 113 + 5V REF RTN 3V SD2 YA151-074
- 115 + 5V REF 3V SD2 YA151-075
- 117 + FWB RTN TO TURN ON 12V REG YA211-036
- 120
- 121 - TURN ON 12V REG. YA211-040

- 006
- 007
- 008
- 009
- 010
- 011
- 012
- 013
- 014
- 015
- 016
- 017
- 018
- 020
- 021
- 023
- 025
- 027
- 029
- 031
- 036
- 038
- 040
- 042
- 046
- 048
- 050
- 052
- 054
- 056
- 060
- 064
- 065
- 066
- 067
- 069
- 070
- 071
- 072
- 074
- 076
- 080
- 082
- 084
- 086
- 088
- 090
- 092
- 094
- 096
- 098
- 100
- 102
- 104
- 106
- 108
- 110
- 112
- 114
- 116
- 120

EC HISTORY  
27APR84 458505 REGULATOR STACK  
PRINT 25APR84 1775 PN 2127250  
YAA01 PAGE 11 OF 28  
MACH 3880 HPN  
PNAME POWR HEC  
LOC 0020

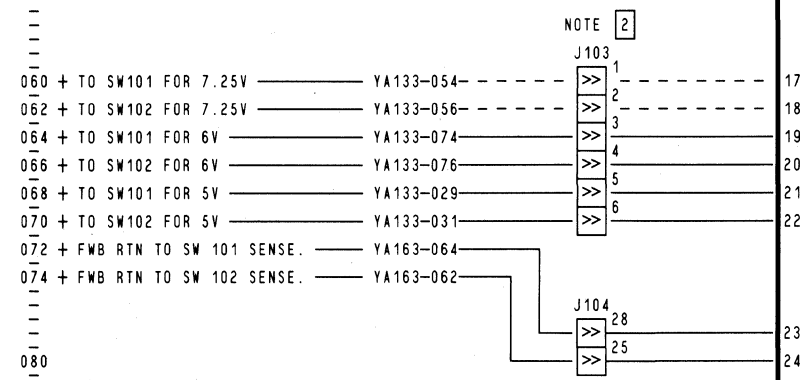
010

010



050

050



080

080

090

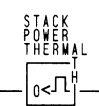
090

100

100

110

110



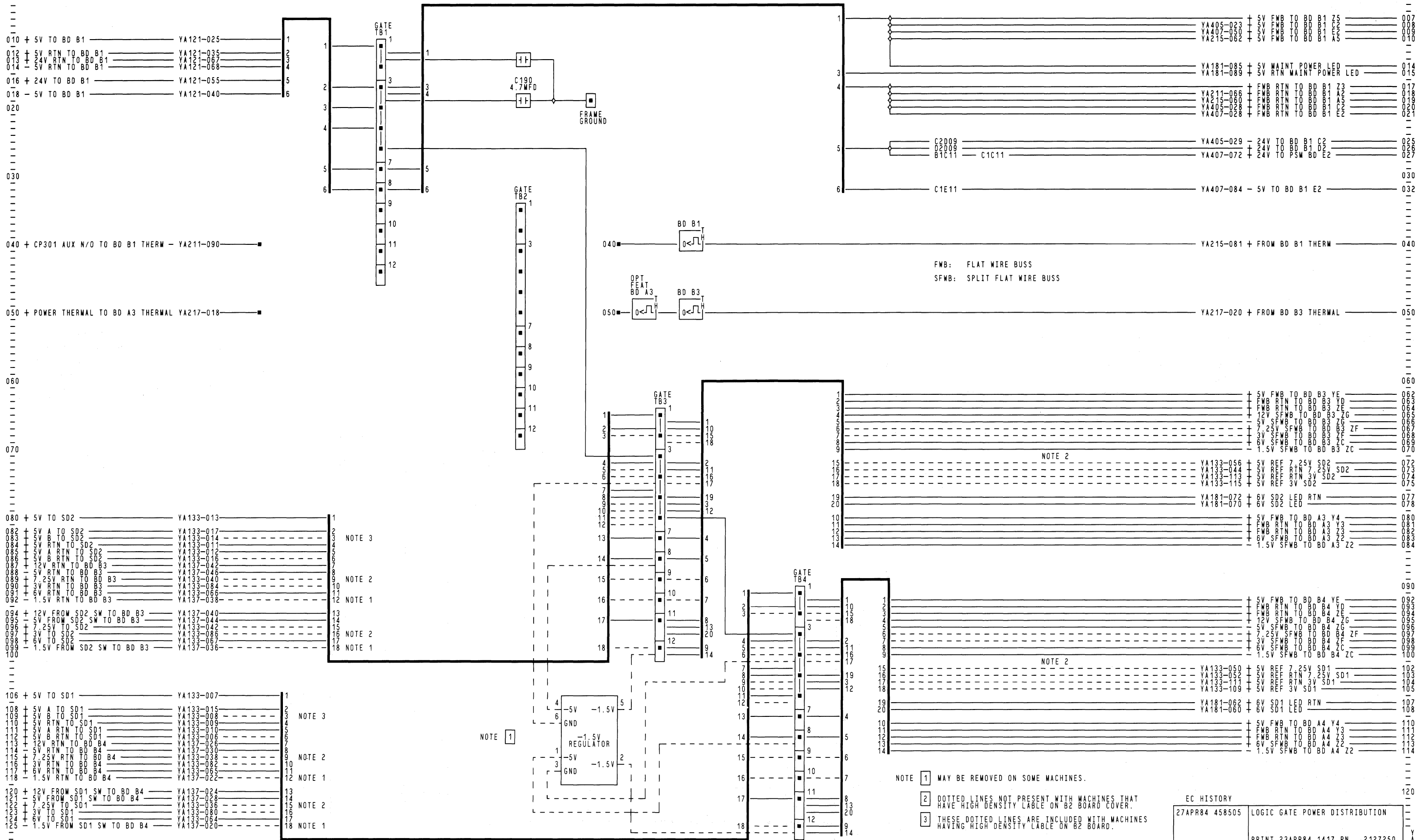
120

120

NOTE 1 MAY BE REMOVED ON SOME MACHINES.  
 NOTE 2 DOTTED LINES NOT PRESENT WITH MACHINES THAT HAVE HIGH DENSITY LABEL ON B2 BOARD.

EC HISTORY	
27APR84 458505	DC SWITCH PANEL
PRINT 25APR84 1772 PN 2127250	YAA01 PAGE 12 OF 28
MACH 3880	HPN
PLANE POWR	REC
LOC	0000

YA137



FWB: FLAT WIRE BUSS  
 SFWB: SPLIT FLAT WIRE BUSS

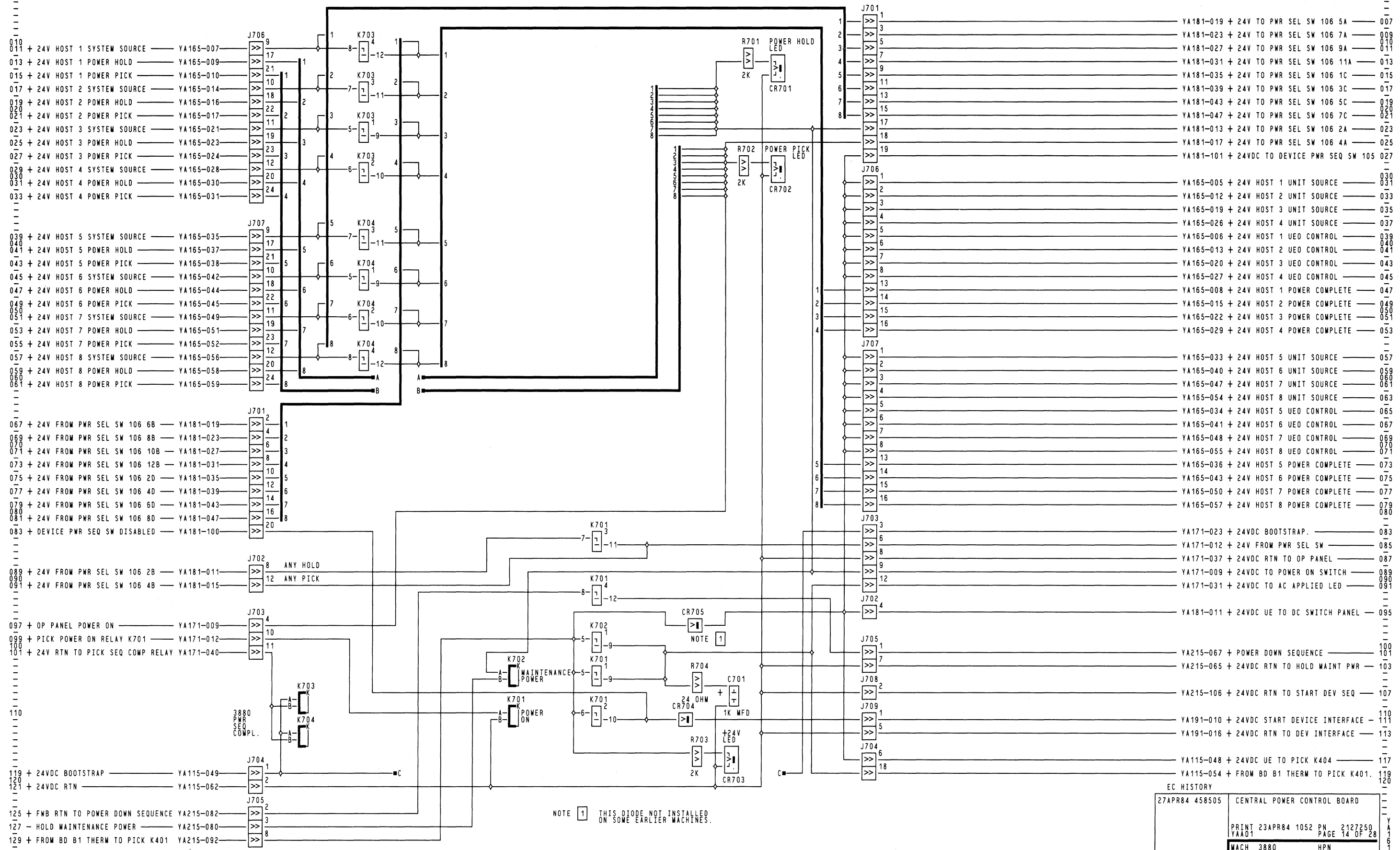
- NOTE 1 MAY BE REMOVED ON SOME MACHINES.
- NOTE 2 DOTTED LINES NOT PRESENT WITH MACHINES THAT HAVE HIGH DENSITY LABEL ON B2 BOARD COVER.
- NOTE 3 THESE DOTTED LINES ARE INCLUDED WITH MACHINES HAVING HIGH DENSITY LABEL ON B2 BOARD.

EC HISTORY  
 27APR84 458505

LOGIC GATE POWER DISTRIBUTION

PRINT 23APR84 1417 PN 2327250  
 YAA01 PAGE 13 OF 28

MACH 3880 HPN  
 NAME POWR HEC



- 011 + 24V HOST 1 SYSTEM SOURCE — YA165-007
- 013 + 24V HOST 1 POWER HOLD — YA165-009
- 015 + 24V HOST 1 POWER PICK — YA165-010
- 017 + 24V HOST 2 SYSTEM SOURCE — YA165-014
- 019 + 24V HOST 2 POWER HOLD — YA165-016
- 021 + 24V HOST 2 POWER PICK — YA165-017
- 023 + 24V HOST 3 SYSTEM SOURCE — YA165-021
- 025 + 24V HOST 3 POWER HOLD — YA165-023
- 027 + 24V HOST 3 POWER PICK — YA165-024
- 029 + 24V HOST 4 SYSTEM SOURCE — YA165-028
- 031 + 24V HOST 4 POWER HOLD — YA165-030
- 033 + 24V HOST 4 POWER PICK — YA165-031
- 039 + 24V HOST 5 SYSTEM SOURCE — YA165-035
- 041 + 24V HOST 5 POWER HOLD — YA165-037
- 043 + 24V HOST 5 POWER PICK — YA165-038
- 045 + 24V HOST 6 SYSTEM SOURCE — YA165-042
- 047 + 24V HOST 6 POWER HOLD — YA165-044
- 049 + 24V HOST 6 POWER PICK — YA165-045
- 051 + 24V HOST 7 SYSTEM SOURCE — YA165-049
- 053 + 24V HOST 7 POWER HOLD — YA165-051
- 055 + 24V HOST 7 POWER PICK — YA165-052
- 057 + 24V HOST 8 SYSTEM SOURCE — YA165-056
- 059 + 24V HOST 8 POWER HOLD — YA165-058
- 061 + 24V HOST 8 POWER PICK — YA165-059
- 067 + 24V FROM PWR SEL SW 106 6B — YA181-019
- 069 + 24V FROM PWR SEL SW 106 8B — YA181-023
- 071 + 24V FROM PWR SEL SW 106 10B — YA181-027
- 073 + 24V FROM PWR SEL SW 106 12B — YA181-031
- 075 + 24V FROM PWR SEL SW 106 2D — YA181-035
- 077 + 24V FROM PWR SEL SW 106 4D — YA181-039
- 079 + 24V FROM PWR SEL SW 106 6D — YA181-043
- 081 + 24V FROM PWR SEL SW 106 8D — YA181-047
- 083 + DEVICE PWR SEQ SW DISABLED — YA181-100
- 089 + 24V FROM PWR SEL SW 106 2B — YA181-011
- 091 + 24V FROM PWR SEL SW 106 4B — YA181-015
- 097 + OP PANEL POWER ON — YA171-009
- 099 + PICK POWER ON RELAY K701 — YA171-012
- 101 + 24V RTN TO PICK SEQ COMP RELAY — YA171-040
- 119 + 24VDC BOOTSTRAP — YA115-049
- 121 + 24VDC RTN — YA115-062
- 125 + FNB RTN TO POWER DOWN SEQUENCE — YA215-082
- 127 - HOLD MAINTENANCE POWER — YA215-080
- 129 + FROM BD B1 THERM TO PICK K401 — YA215-092

- YA181-019 + 24V TO PWR SEL SW 106 5A — 007
- YA181-023 + 24V TO PWR SEL SW 106 7A — 009
- YA181-027 + 24V TO PWR SEL SW 106 9A — 011
- YA181-031 + 24V TO PWR SEL SW 106 11A — 013
- YA181-035 + 24V TO PWR SEL SW 106 1C — 015
- YA181-039 + 24V TO PWR SEL SW 106 3C — 017
- YA181-043 + 24V TO PWR SEL SW 106 5C — 019
- YA181-047 + 24V TO PWR SEL SW 106 7C — 021
- YA181-013 + 24V TO PWR SEL SW 106 2A — 023
- YA181-017 + 24V TO PWR SEL SW 106 4A — 025
- YA181-101 + 24VDC TO DEVICE PWR SEQ SW 105 — 027
- YA165-005 + 24V HOST 1 UNIT SOURCE — 030
- YA165-012 + 24V HOST 2 UNIT SOURCE — 033
- YA165-019 + 24V HOST 3 UNIT SOURCE — 035
- YA165-026 + 24V HOST 4 UNIT SOURCE — 037
- YA165-006 + 24V HOST 1 UEO CONTROL — 039
- YA165-013 + 24V HOST 2 UEO CONTROL — 041
- YA165-020 + 24V HOST 3 UEO CONTROL — 043
- YA165-027 + 24V HOST 4 UEO CONTROL — 045
- YA165-008 + 24V HOST 1 POWER COMPLETE — 047
- YA165-015 + 24V HOST 2 POWER COMPLETE — 049
- YA165-022 + 24V HOST 3 POWER COMPLETE — 051
- YA165-029 + 24V HOST 4 POWER COMPLETE — 053
- YA165-033 + 24V HOST 5 UNIT SOURCE — 057
- YA165-040 + 24V HOST 6 UNIT SOURCE — 059
- YA165-047 + 24V HOST 7 UNIT SOURCE — 061
- YA165-054 + 24V HOST 8 UNIT SOURCE — 063
- YA165-034 + 24V HOST 5 UEO CONTROL — 065
- YA165-041 + 24V HOST 6 UEO CONTROL — 067
- YA165-048 + 24V HOST 7 UEO CONTROL — 069
- YA165-055 + 24V HOST 8 UEO CONTROL — 071
- YA165-036 + 24V HOST 5 POWER COMPLETE — 073
- YA165-043 + 24V HOST 6 POWER COMPLETE — 075
- YA165-050 + 24V HOST 7 POWER COMPLETE — 077
- YA165-057 + 24V HOST 8 POWER COMPLETE — 079
- YA171-023 + 24VDC BOOTSTRAP — 083
- YA171-012 + 24V FROM PWR SEL SW — 085
- YA171-037 + 24VDC RTN TO OP PANEL — 087
- YA171-009 + 24VDC TO POWER ON SWITCH — 089
- YA171-031 + 24VDC TO AC APPLIED LED — 091
- YA181-011 + 24VDC UE TO DC SWITCH PANEL — 095
- YA215-067 + POWER DOWN SEQUENCE — 100
- YA215-065 + 24VDC RTN TO HOLD MAINT PWR — 103
- YA215-106 + 24VDC RTN TO START DEV SEQ — 107
- YA191-010 + 24VDC START DEVICE INTERFACE — 110
- YA191-016 + 24VDC RTN TO DEV INTERFACE — 113
- YA115-048 + 24VDC UE TO PICK K404 — 117
- YA115-054 + FROM BD B1 THERM TO PICK K401 — 119

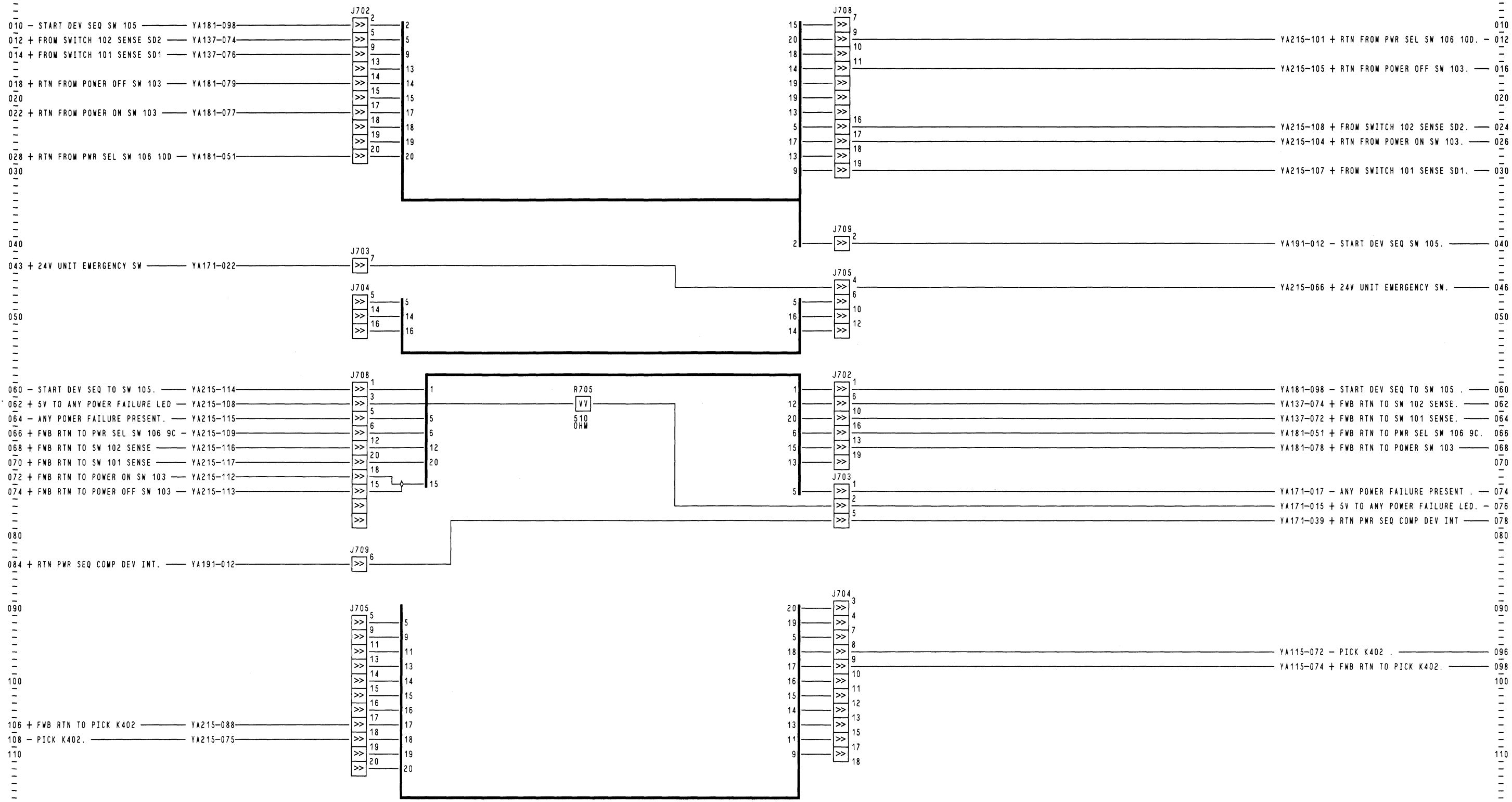
NOTE 1 THIS DIODE NOT INSTALLED ON SOME EARLIER MACHINES.

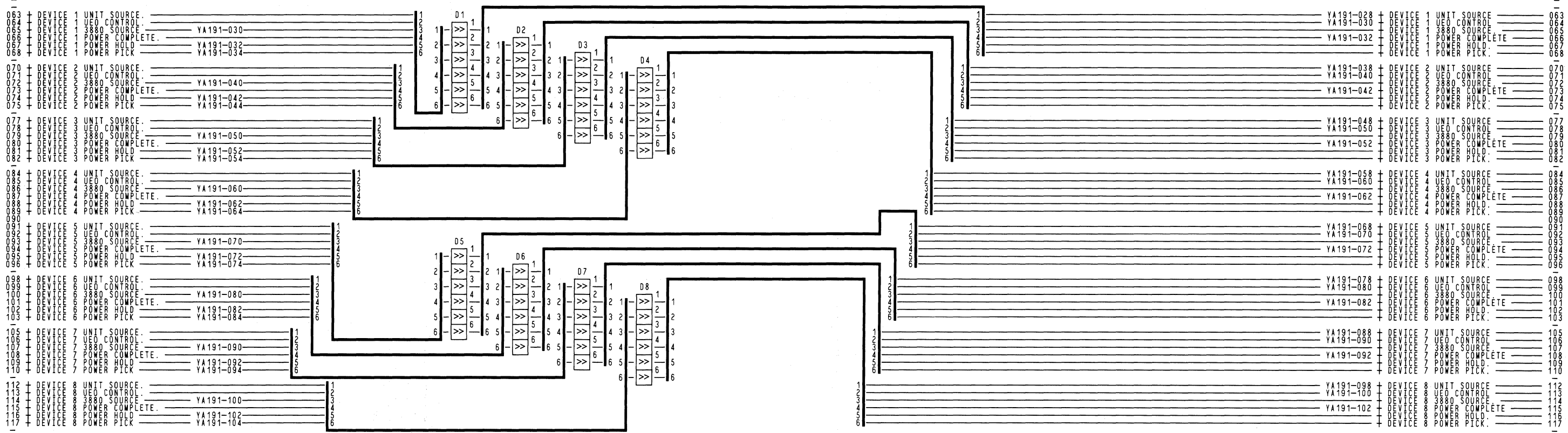
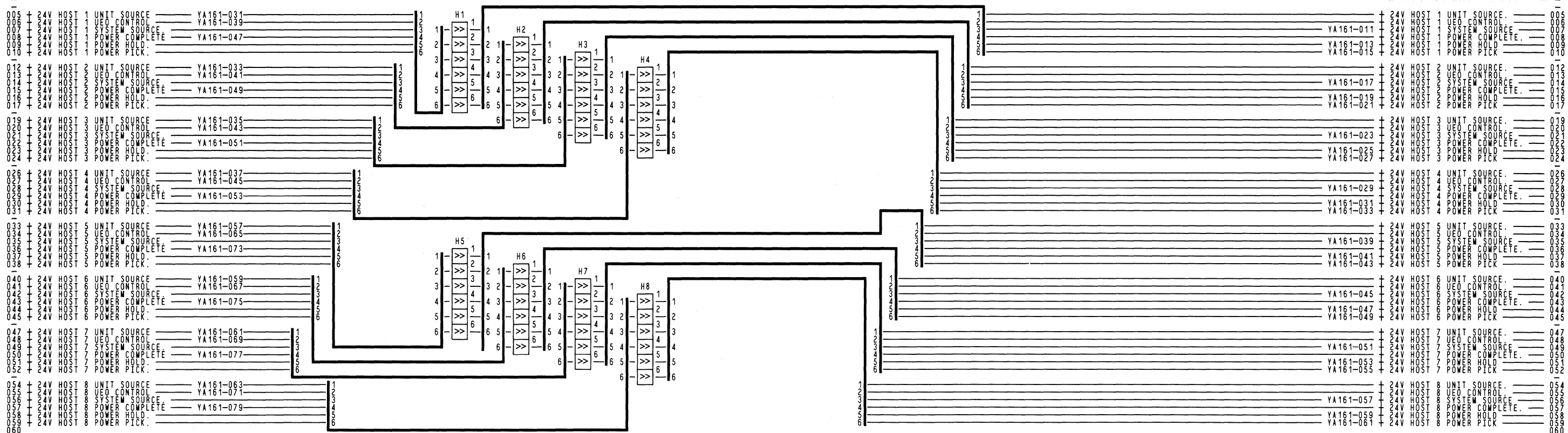
EC HISTORY

27APR84 458505	CENTRAL POWER CONTROL BOARD
PRINT 23APR84 1052 PN 2127250	
YAA01 PAGE 14 OF 28	
MACH 3880	HPN
NAME PWR	REC
LOC	0000

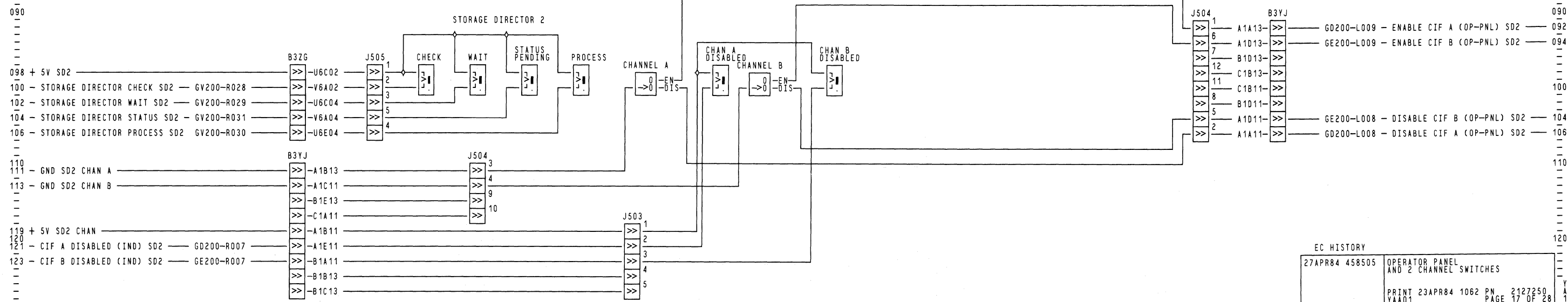
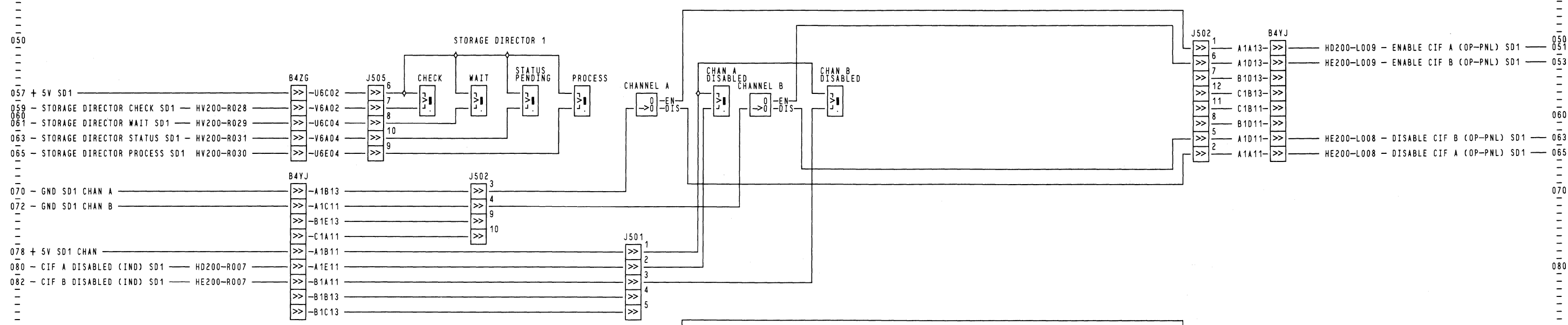
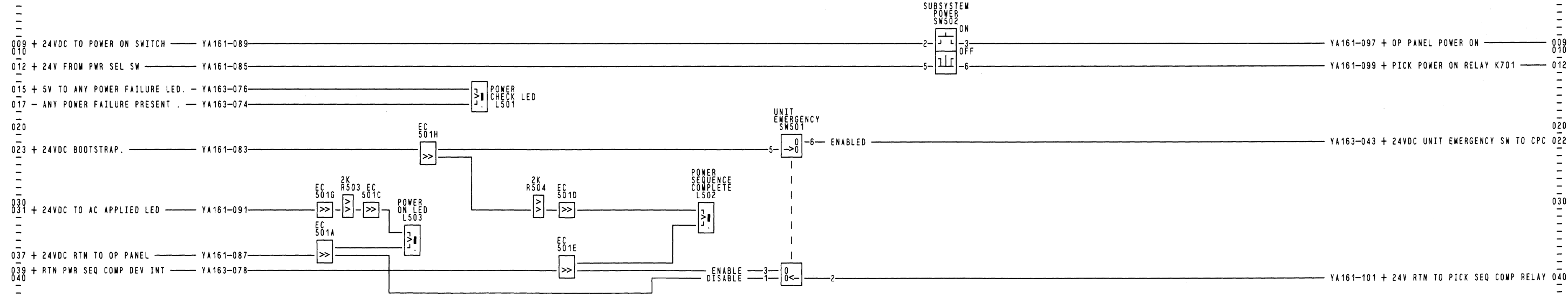


10 20 30 40 50 60 70 80 90 100 110 120 130 140 150 160 170 180 190 200 210 220 230 240 250 260 270 280 290 YA193

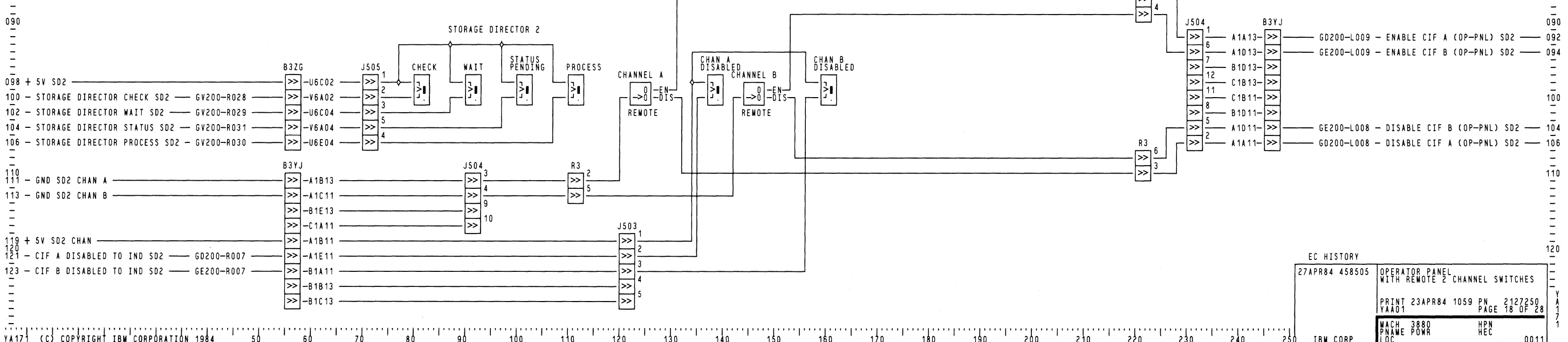
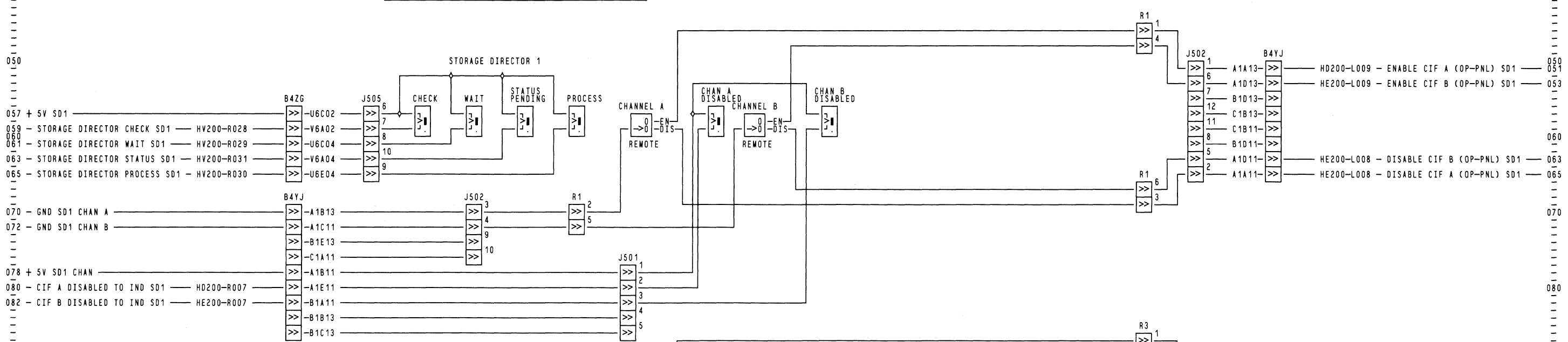
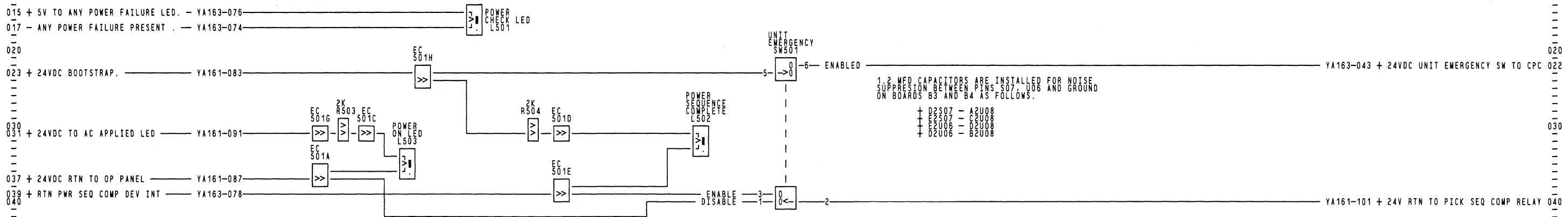
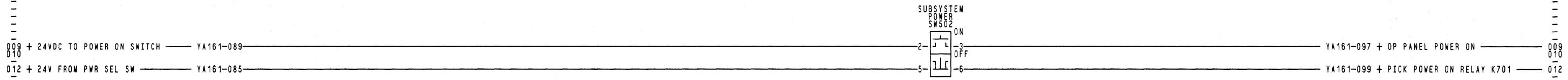




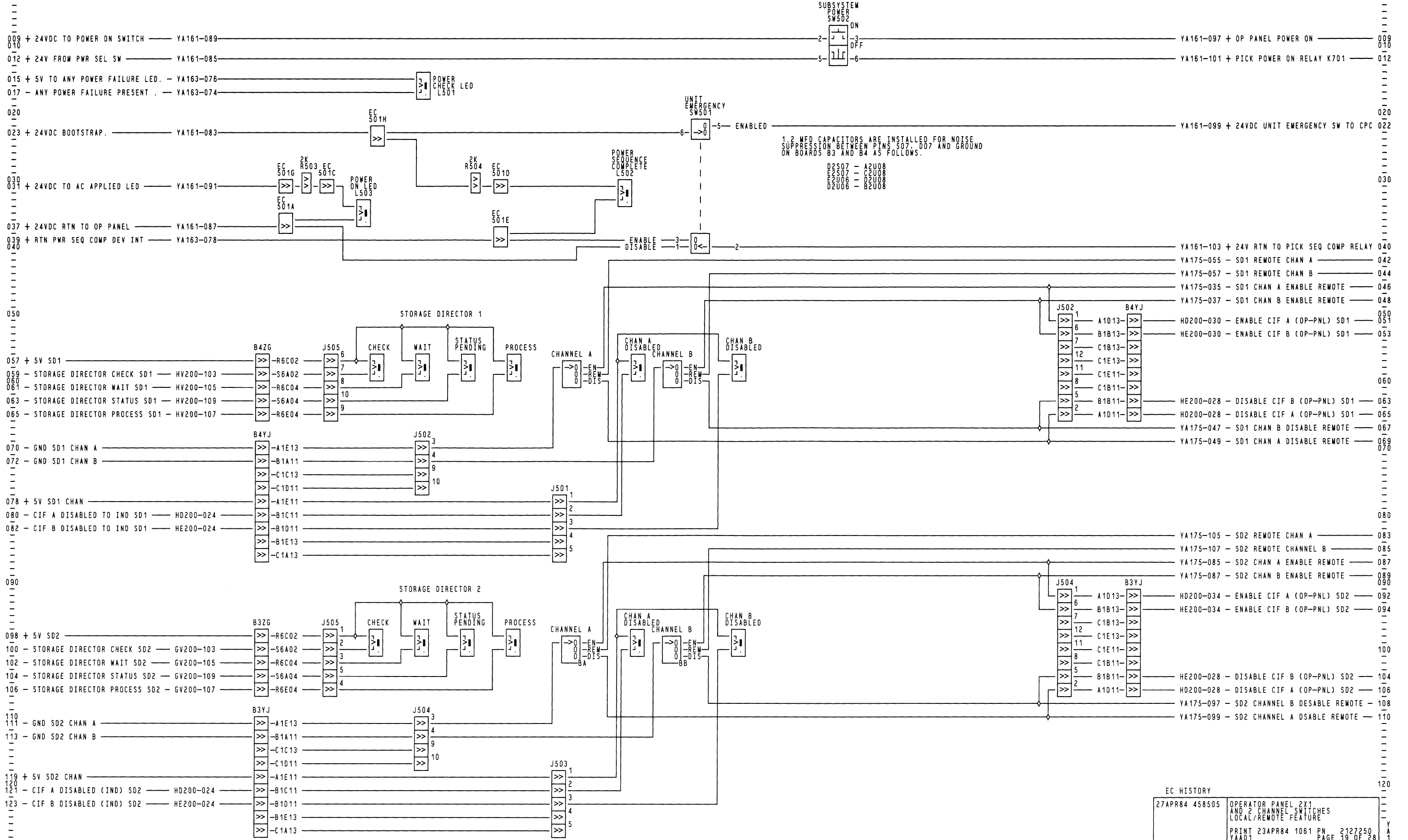
10 20 30 40 50 60 70 80 90 100 110 120 130 140 150 160 170 180 190 200 210 220 230 240 250 260 270 280 290 YA171



EC HISTORY  
 27APR84 458505  
 OPERATOR PANEL AND 2 CHANNEL SWITCHES  
 PRINT 23APR84 1062 PN 2127250  
 YAA01 PAGE 17 OF 28  
 MACH 3880 HPN  
 PNAME POWR HEC  
 LOC 0010



EC HISTORY  
 27APR84 458505 OPERATOR PANEL WITH REMOTE 2 CHANNEL SWITCHES  
 PRINT 23APR84 1059 PN 2127250  
 YAA01 PAGE 18 OF 28  
 WACH 3880 HPN  
 PNAME POWR HEC  
 LOC 0011



1.2 MFD CAPACITORS ARE INSTALLED FOR NOISE SUPPRESSION BETWEEN PINS S07, D07 AND GROUND ON BOARDS B3 AND B4 AS FOLLOWS.

D2S07 - A2U08  
 E2S07 - C2U08  
 D2U08 - B2U08  
 E2U08 - D2U08

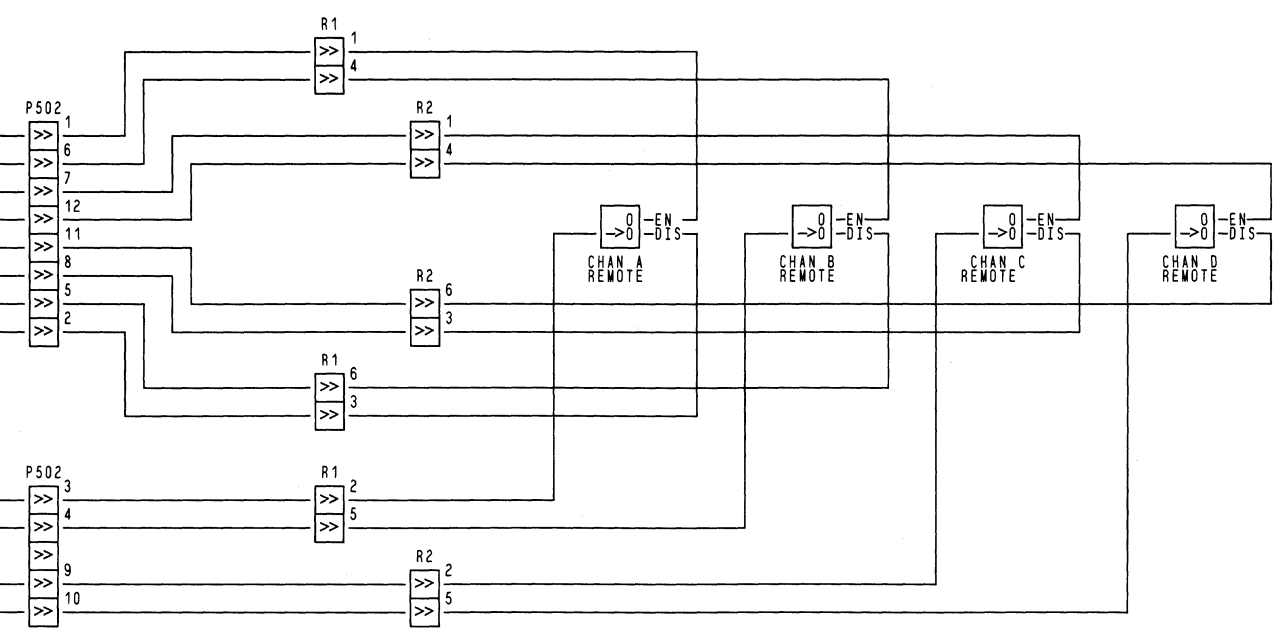
EC HISTORY	
27APR84 458505	OPERATOR PANEL 2X1 AND 2 CHANNEL SWITCHES LOCAL/REMOTE FEATURE
PRINT 23APR84 1061	PN 2127250
YAAD1	PAGE 19 OF 28
MACH 3880	HPN
PNNAME POWR	HEC
LOC	

010

020

030

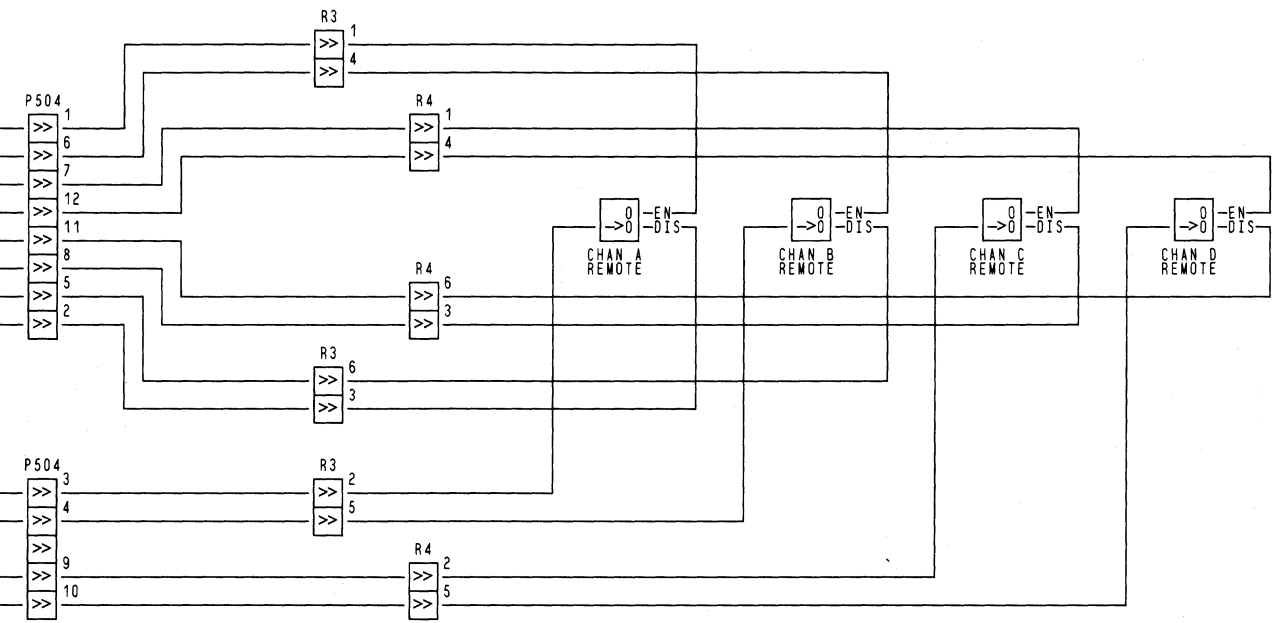
035 - SD1 CHAN A ENABLE REMOTE — YA171-046  
 037 - SD1 CHAN B ENABLE REMOTE — YA171-048  
 039 - SD1 CHAN C ENABLE REMOTE — YA171-044  
 041 - SD1 CHAN D ENABLE REMOTE — YA171-042  
 043 - SD1 CHAN D DISABLE REMOTE — YA171-073  
 045 - SD1 CHAN C DISABLE REMOTE — YA171-071  
 047 - SD1 CHAN B DISABLE REMOTE — YA171-067  
 049 - SD1 CHAN A DISABLE REMOTE — YA171-069



060 - SD1 REMOTE CHAN A — YA171-028  
 061 - SD1 REMOTE CHAN B — YA171-030  
 063 - SD1 REMOTE CHAN C — YA171-032  
 067 - SD1 REMOTE CHAN D — YA171-034

080

085 - SD2 CHAN A ENABLE REMOTE — YA171-087  
 087 - SD2 CHAN B ENABLE REMOTE — YA171-089  
 089 - SD2 CHAN C ENABLE REMOTE — YA171-085  
 091 - SD2 CHAN D ENABLE REMOTE — YA171-083  
 093 - SD2 CHAN D DISABLE REMOTE — YA171-114  
 095 - SD2 CHAN C DISABLE REMOTE — YA171-112  
 097 - SD2 CHAN B DISABLE REMOTE — YA171-108  
 099 - SD2 CHAN A DISABLE REMOTE — YA171-110



110 - SD2 REMOTE CHAN A — YA171-075  
 113 - SD2 REMOTE CHAN B — YA171-077  
 117 - SD2 REMOTE CHAN C — YA171-079  
 119 - SD2 REMOTE CHAN D — YA171-081

EC HISTORY  
 27APR84 458505 4X1 LOCAL REMOTE SWITCH FEATURE  
 PRINT 23APR84 0006 PN 2127250  
 YAA01 PAGE 20 OF 28  
 MACH 3880 HPN  
 PRNVE POWR HEC  
 LOC 0022

010

020

030

040

050

060

070

080

090

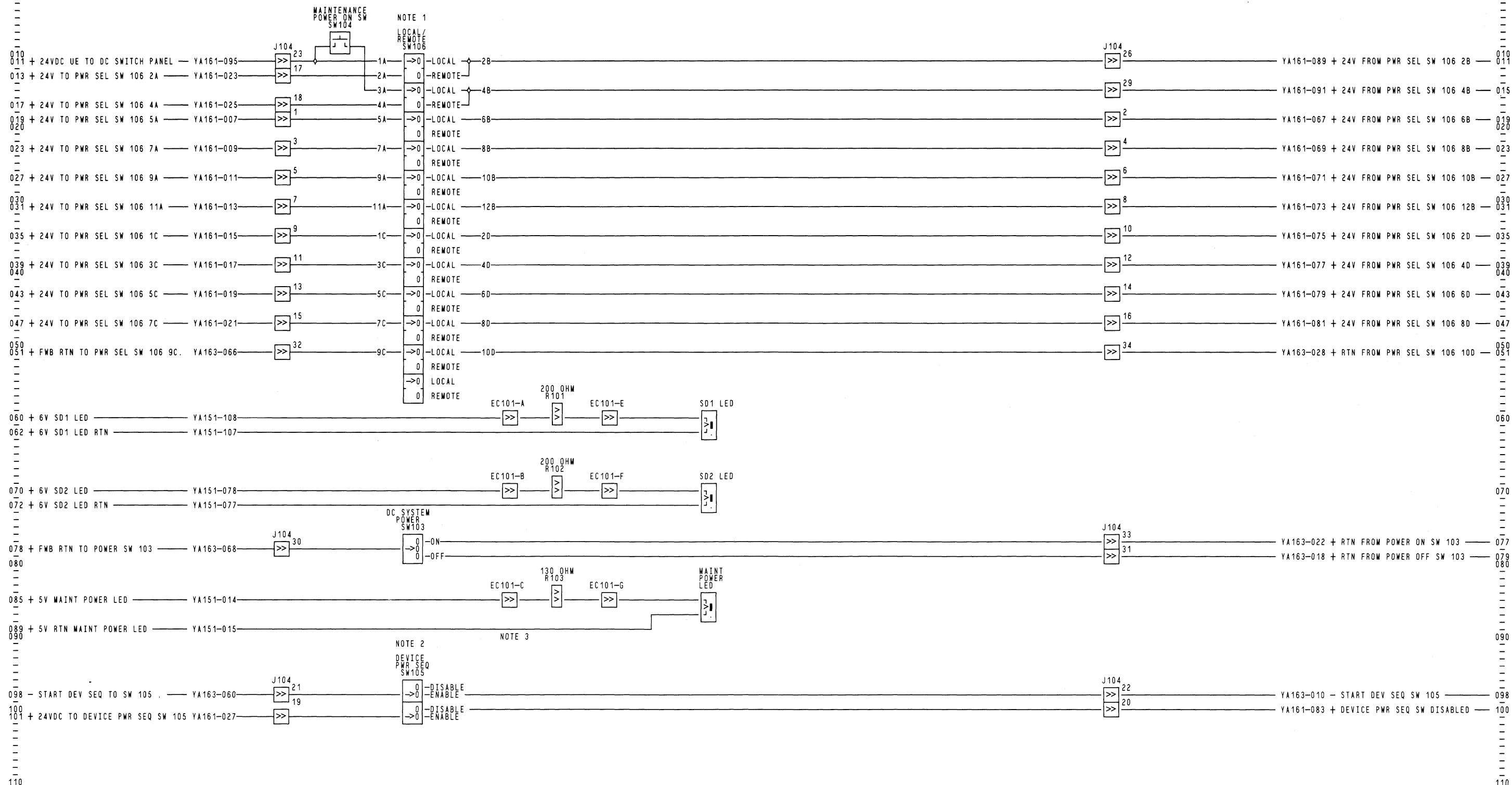
100

110

120

YA175

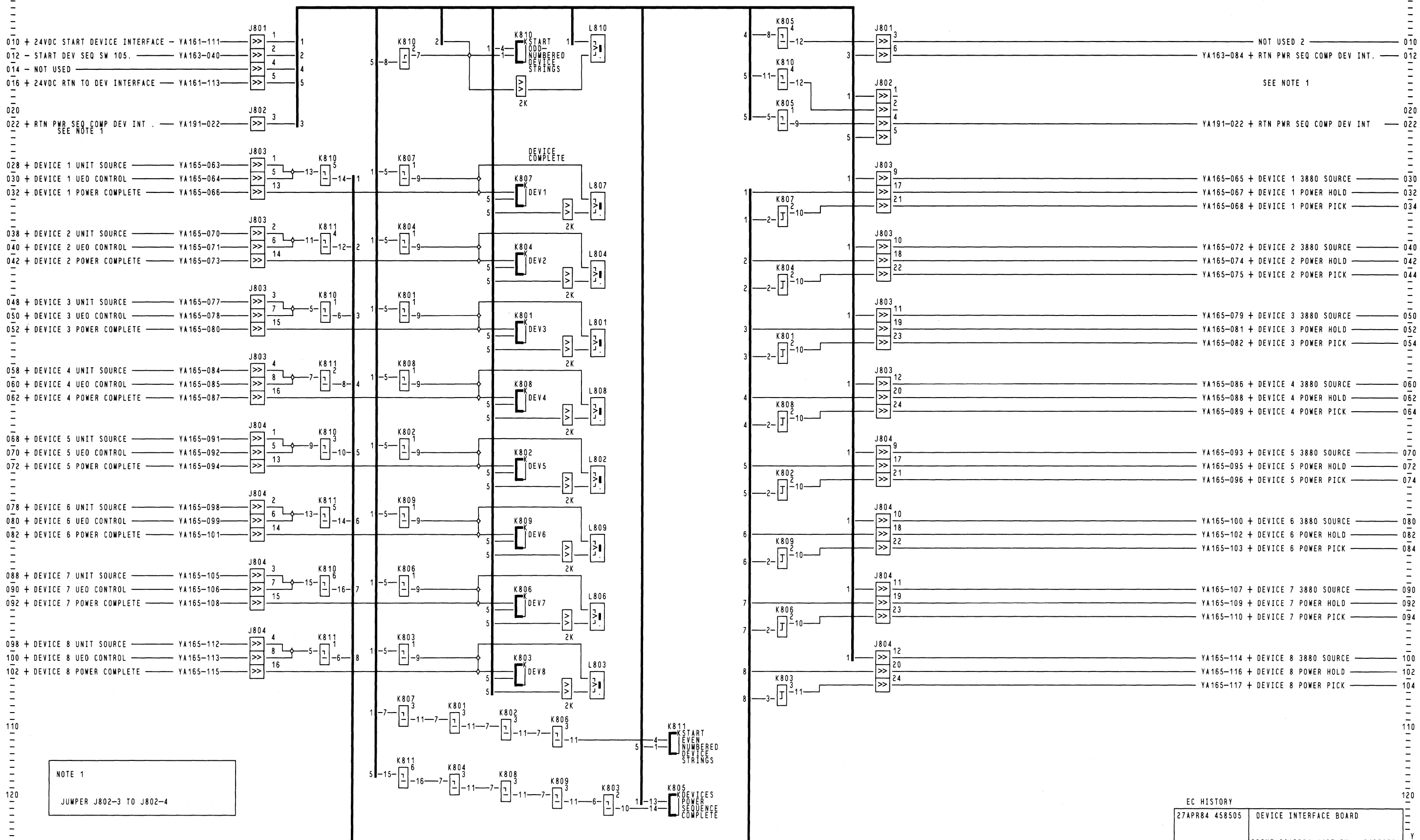
10 20 30 40 50 60 70 80 90 100 110 120 130 140 150 160 170 180 190 200 210 220 230 240 250 260 270 280 290 YA181



NOTE 1: POWER SELECT SWITCH SHOWN IN LOCAL POSITION  
 NOTE 2: CE DEVICE SWITCH SHOWN IN ENABLE POSITION

NOTE 3: E.C. POSITIONS D AND H RESERVED FOR FEATURES

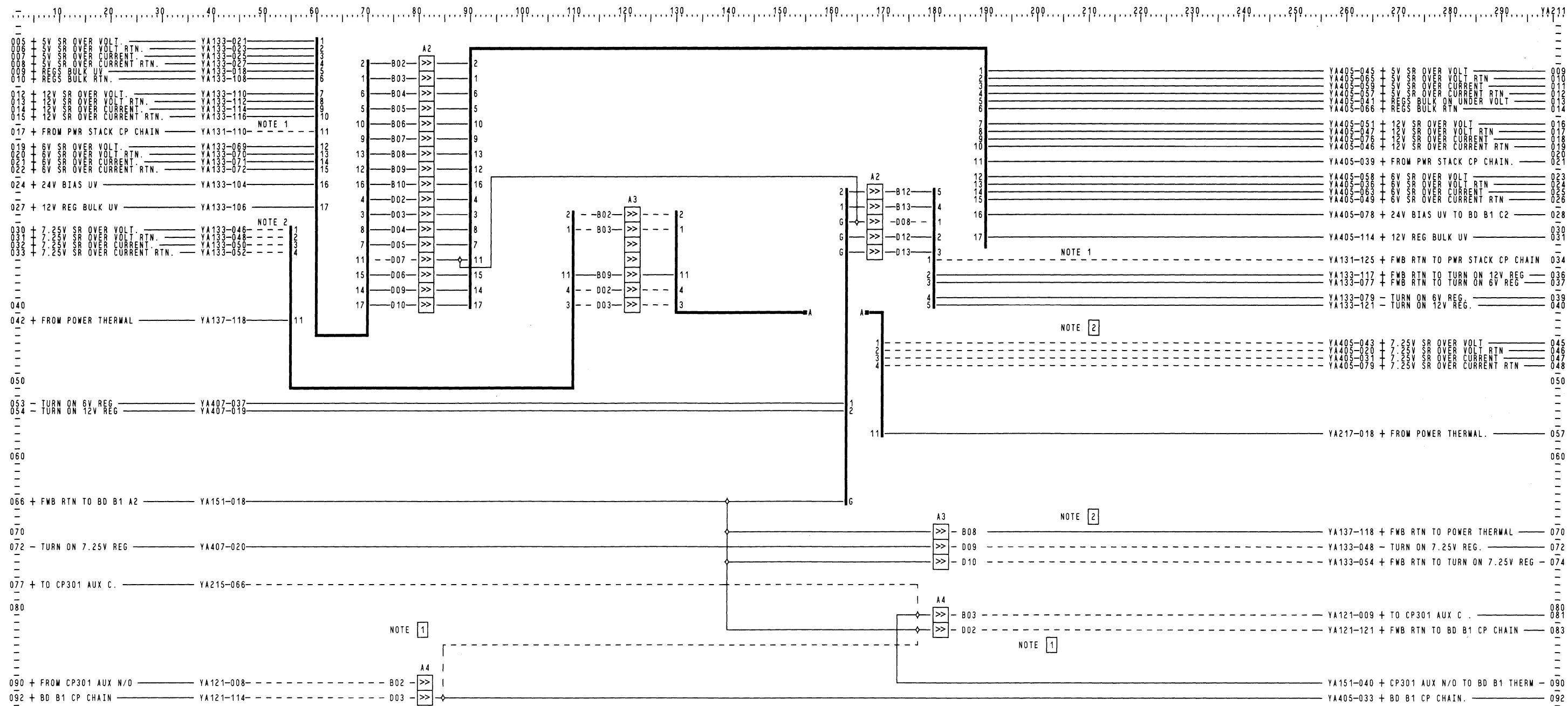
EC HISTORY	
27APR84 458505	DC SWITCH PANEL
PRINT 23APR84 1421 PN 2127250	Y A 1 8 1
YAA01 PAGE 21 OF 28	
WACH 3880 HPN	
NAME POWR HEC	
TRW CORR	0000



NOTE 1  
JUMPER J802-3 TO J802-4

EC HISTORY	
27APR84 458505	DEVICE INTERFACE BOARD
PRINT 23APR84 1107 PM	2127250
YAA01	PAGE 22 OF 28
MACH 3880	HPN
PRIME POWR	HEC
LOC	0000



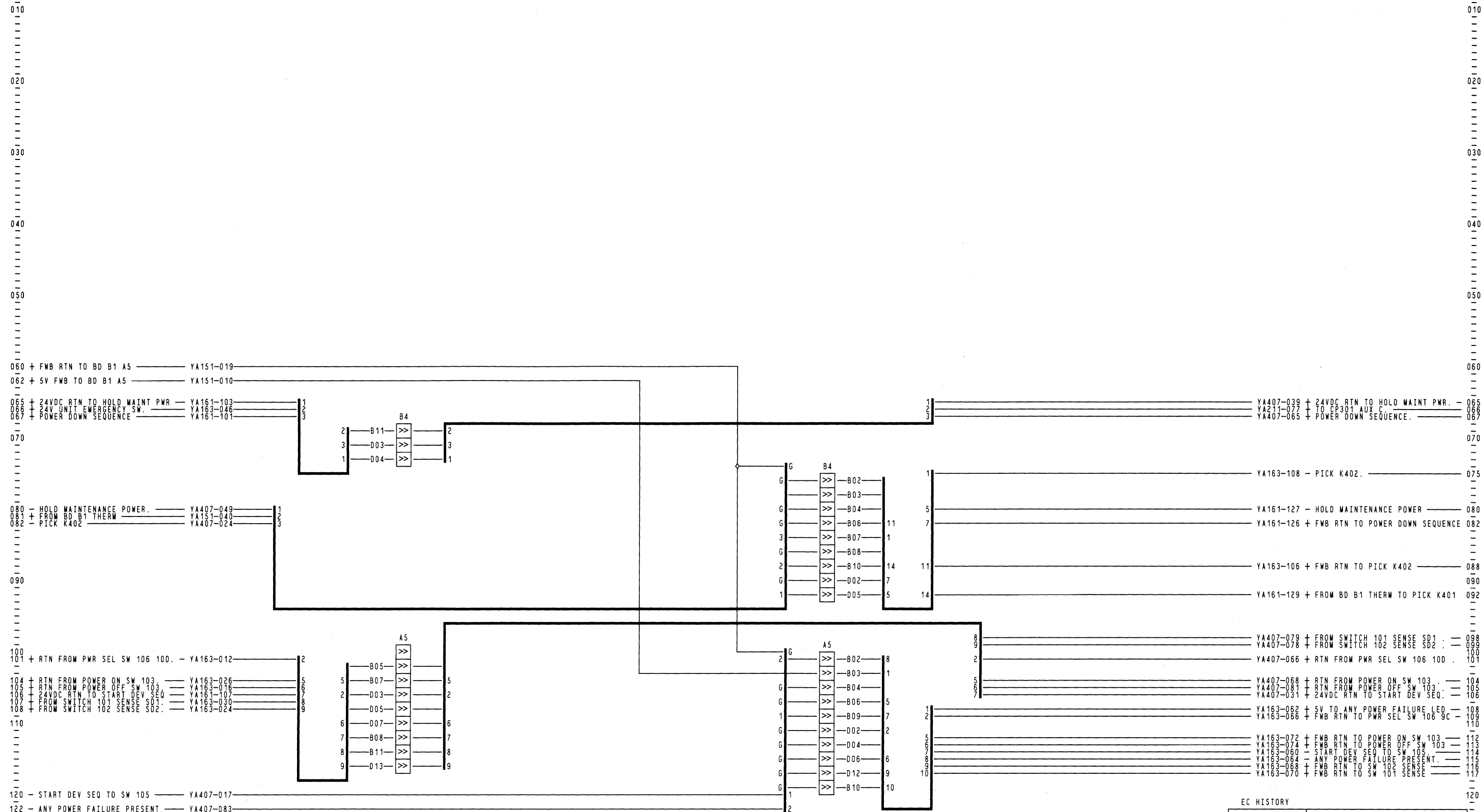


NOTE 1 MAY BE REMOVED ON SOME MACHINES.

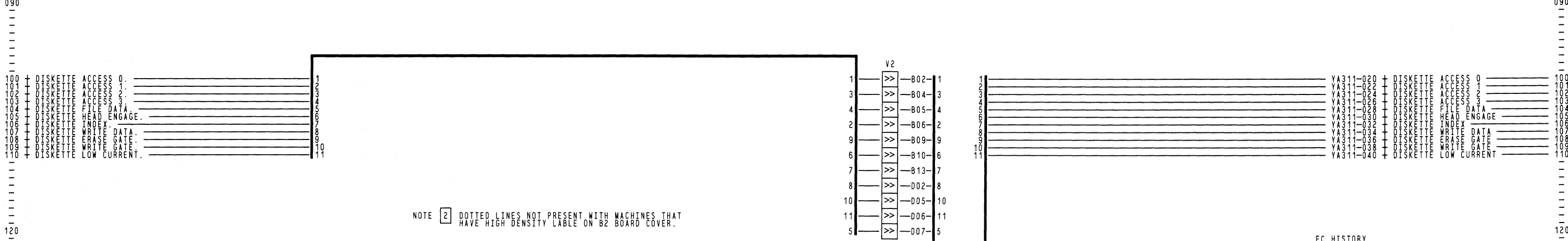
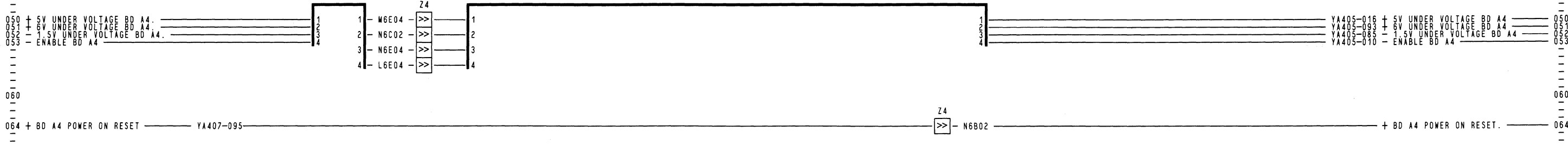
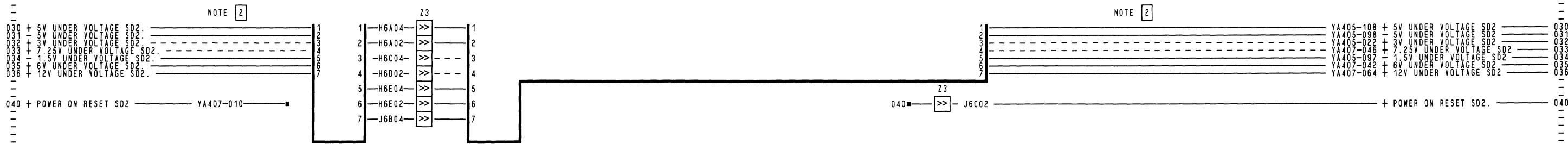
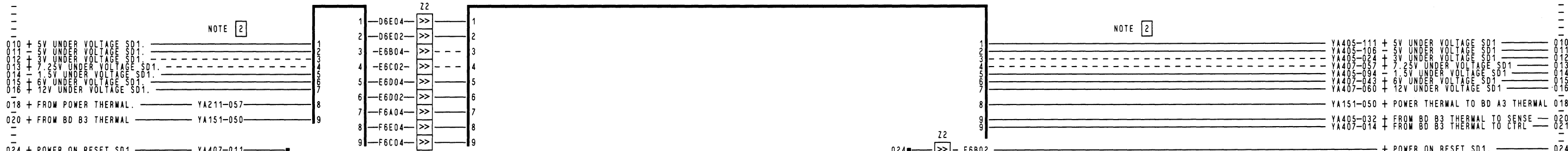
NOTE 2 DOTTED LINES NOT PRESENT WITH MACHINES THAT HAVE HIGH DENSITY LABEL ON B2 BOARD COVER.

EC HISTORY

27APR84 458505	MAINT BD CONN A2,A3,A4
PRINT 25APR84 1119 PN 2127250	
YAA01 PAGE 23 OF 28	
MACH 3880	HPN
PNAME POWR	HEC

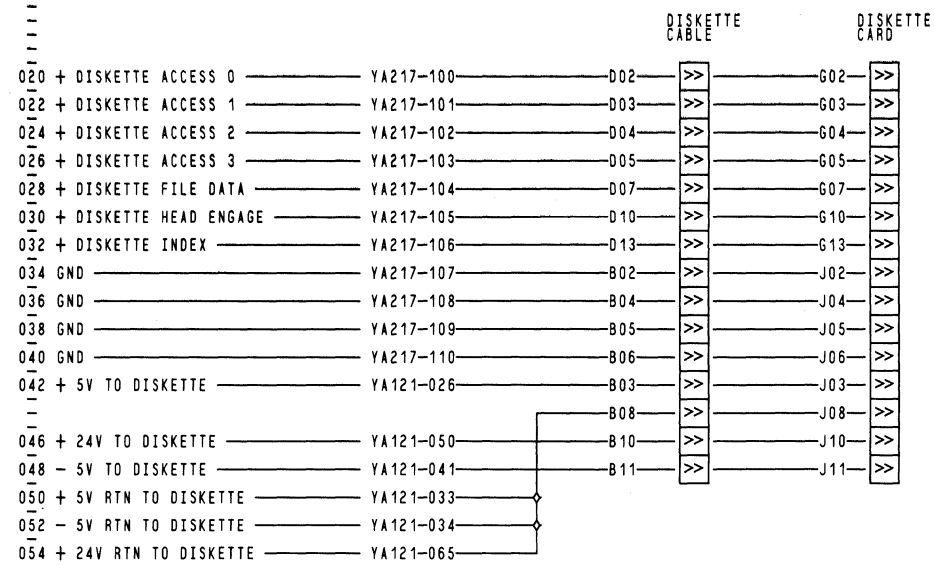


EC HISTORY	
27APR84 458505	MAINT BD CONN B4.A5
PRINT 23APR84 1328 PN 2127250	
PAGE 24 OF 28	
MACH 3880	HPN
LCR	HEC
IBW CORP	0000



010  
020  
030  
040  
050  
060  
070  
080  
090  
100  
110  
120

010  
020  
030  
040  
050  
060  
070  
080  
090  
100  
110  
120



EC HISTORY	
27APR84 458505	DISKETTE
PRINT 23APR84 1761 PN 2127250	
YAA01 PAGE 26 OF 28	
WACH 3880	HPN
PRANE POWR	HEC
LOC	0000

10 20 30 40 50 60 70 80 90 100 110 120 130 140 150 160 170 180 190 200 210 220 230 240 250 260 270 280 290 YA405

009 - ENABLE BD A3 ----- YA217-073 ----- B02  
 010 - ENABLE BD A4 ----- YA217-053 ----- B03

015 - MASK 1 SD1 ----- YA407-012 ----- B08  
 016 + 5V UNDER VOLTAGE BD A4 ----- YA217-050 ----- B09

019 + 10.24V REF IN ----- YA405-036 ----- B12  
 020 + 7.25V SR OVER VOLT RTN ----- YA211-046 ----- B13

022 + 3V UNDER VOLTAGE SD2 ----- YA217-032 ----- D02  
 023 + 3V FWD TO BD B1 C2 ----- YA151-028 ----- D03  
 024 + 3V UNDER VOLTAGE SD1 ----- YA217-012 ----- D04

027 - MASK 1 SD2 ----- YA407-026 ----- D07  
 028 + FWD RTN TO BD B1 C2 ----- YA151-020 ----- D08  
 029 + 24V TO BD B1 C2 ----- YA151-023 ----- D09

031 + 7.25V SR OVER CURRENT ----- YA211-047 ----- D11  
 032 + FROM BD B3 THERMAL TO SENSE ----- YA217-020 ----- D12  
 033 + BD B1 CP CHAIN ----- YA211-092 ----- D13

036 + 6V SR OVER VOLT RTN ----- YA211-024 ----- G02

039 + FROM PWR STACK CP CHAIN ----- YA211-021 ----- G05  
 040 + COUNT 4 ----- YA407-101 ----- G06  
 041 + REGS BULK ON UNDER VOLT ----- YA211-013 ----- G07  
 042 + COUNT 1 ----- YA407-097 ----- G08  
 043 + 7.25V SR OVER VOLT ----- YA211-045 ----- G09

045 + 5V SR OVER VOLT ----- YA211-009 ----- G11  
 046 + 12V SR OVER CURRENT RTN ----- YA211-019 ----- G12  
 047 + 12V SR OVER VOLT RTN ----- YA211-017 ----- G13

049 + 6V SR OVER CURRENT RTN ----- YA211-026 ----- J02  
 050 ----- YA211-016 ----- J03  
 051 + 12V SR OVER VOLT ----- YA211-016 ----- J04  
 052 + COUNT 2 ----- YA407-099 ----- J05  
 053 + COUNT 8 ----- YA407-112 ----- J06  
 054 - TURN ON 6V REG SENSE ----- YA407-036 ----- J07  
 ----- YA407-086 ----- J08  
 056 - MAIN K402 PICKED SENSE ----- YA407-086 ----- J09  
 057 + 5V SR OVER CURRENT RTN ----- YA211-012 ----- J10  
 058 + 6V SR OVER VOLT ----- YA211-023 ----- J11  
 059 + 5V SR OVER CURRENT ----- YA211-011 ----- J12  
 060 - TURN ON 7.25V AND 12V REGS ----- YA407-033 ----- J13

063 + 6V SR OVER CURRENT ----- YA211-025 ----- M02  
 065 + 5V SR OVER VOLT RTN ----- YA211-010 ----- M04  
 066 + REGS BULK RTN ----- YA211-014 ----- M05

070 - MASK 3 SD1 ----- YA407-106 ----- M09  
 071 - MASK 3 SD2 ----- YA407-114 ----- M10

074 - MASK 3 ----- YA407-032 ----- M13

076 + 12V SR OVER CURRENT ----- YA211-018 ----- P02  
 078 + 24V BIAS UV TO BD B1 C2 ----- YA211-028 ----- P03  
 079 + 7.25V SR OVER CURRENT RTN ----- YA211-048 ----- P04  
 080 ----- YA211-048 ----- P05

085 - 1.5V UNDER VOLTAGE BD A4 ----- YA217-052 ----- P11  
 087 + BD B1 RESET ----- YA407-110 ----- P13

090 - 1.5V UNDER VOLTAGE BD A3 ----- YA217-072 ----- S02  
 091 - MASK 2 ----- YA407-029 ----- S03  
 092 + 6V UNDER VOLTAGE BD A3 ----- YA217-071 ----- S04  
 093 + 6V UNDER VOLTAGE BD A4 ----- YA217-051 ----- S05  
 094 - 1.5V UNDER VOLTAGE SD1 ----- YA217-014 ----- S06

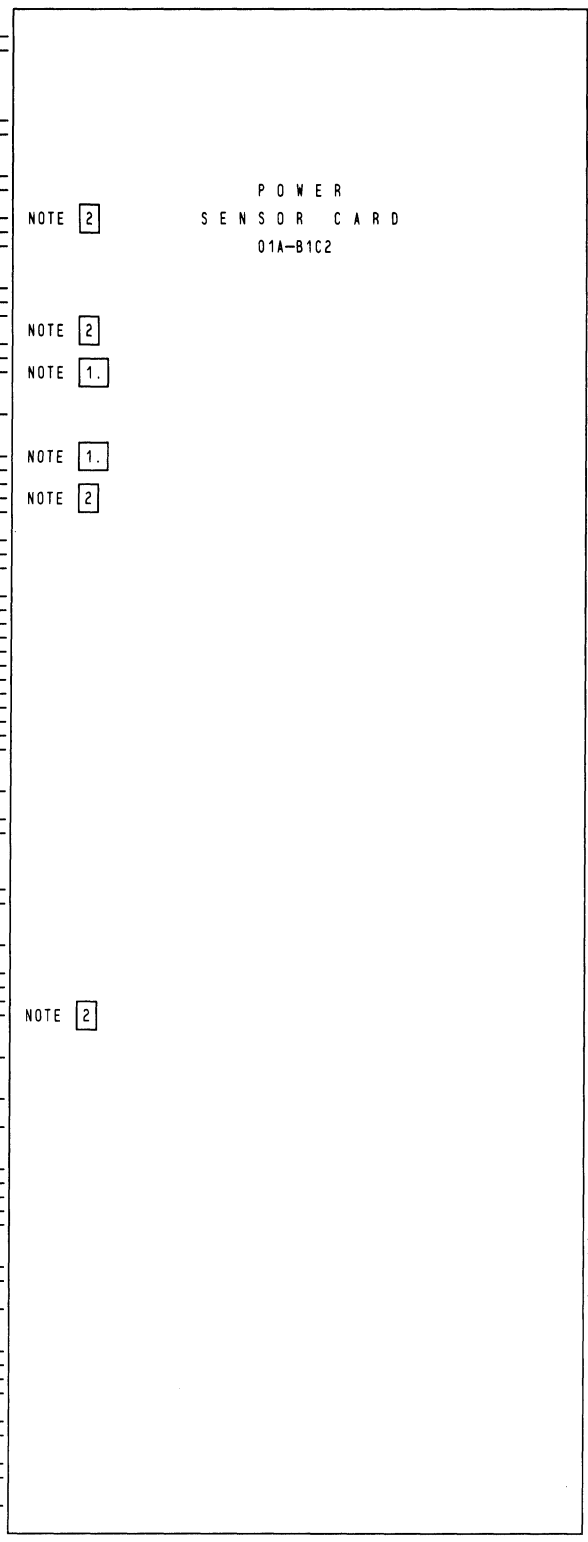
097 - 1.5V UNDER VOLTAGE SD2 ----- YA217-034 ----- S09  
 098 - 5V UNDER VOLTAGE SD2 ----- YA217-031 ----- S10

100 - MAINTENANCE BOARD SELECT ----- YA217-031 ----- S12

103 - DATA LOCK ----- YA407-052 ----- U02  
 105 + 5V UNDER VOLTAGE BD A3 ----- YA217-070 ----- U03  
 106 - 5V UNDER VOLTAGE SD1 ----- YA217-011 ----- U04  
 108 + 5V UNDER VOLTAGE SD2 ----- YA217-030 ----- U07  
 ----- YA217-030 ----- U08

110 ----- YA217-010 ----- U10  
 111 + 5V UNDER VOLTAGE SD1 ----- YA217-010 ----- U10  
 112 - MASK 1 ----- YA407-016 ----- U11

114 + 12V REG BULK UV ----- YA211-031 ----- U13



-B04 ----- FRU DATA BIT 2 EBO 2 SENSE ----- 010  
 -B05 ----- FRU DATA BIT 2 EBO 2 SENSE ----- 012

-B10 ----- YA407-099 + 7.6V REF ----- 017  
 -B11 ----- YA407-113 + 1.5V SD1 SENSE ----- 018

-D05 ----- FRU DATA BIT 1 EBO 1 SENSE ----- 025  
 -D06 ----- FRU DATA BIT 3 EBO 3 SENSE ----- 026

-G10 ----- YA407-056 + 4.6V REF ----- 030  
 ----- YA409-030 + 4.6V REF IN 8X2 ----- 031

-G03 ----- YA409-019 + 10.24V REF IN 8X2 ----- 035  
 ----- YA409-018 + 10.24V REF IN ----- 036  
 -G04 ----- YA407-063 + 10.24V REF ----- 037  
 ----- YA407-041 + 5.4V REF ----- 038  
 ----- YA409-037 + 5.4V REF IN 8X2 ----- 039

-G10 ----- YA407-105 - 1.5V SD2 SENSE ----- 044

M03 ----- YA407-058 + 6.6V REF ----- 064

-M11 ----- YA407-091 + 6V BD A4 SENSE ----- 072  
 -M12 ----- YA407-051 + TYPE B FAILURE ----- 073

-P06 ----- YA407-030 + 2.7V REF ----- 080  
 ----- YA409-078 + 2.7V REF IN 8X2 ----- 081

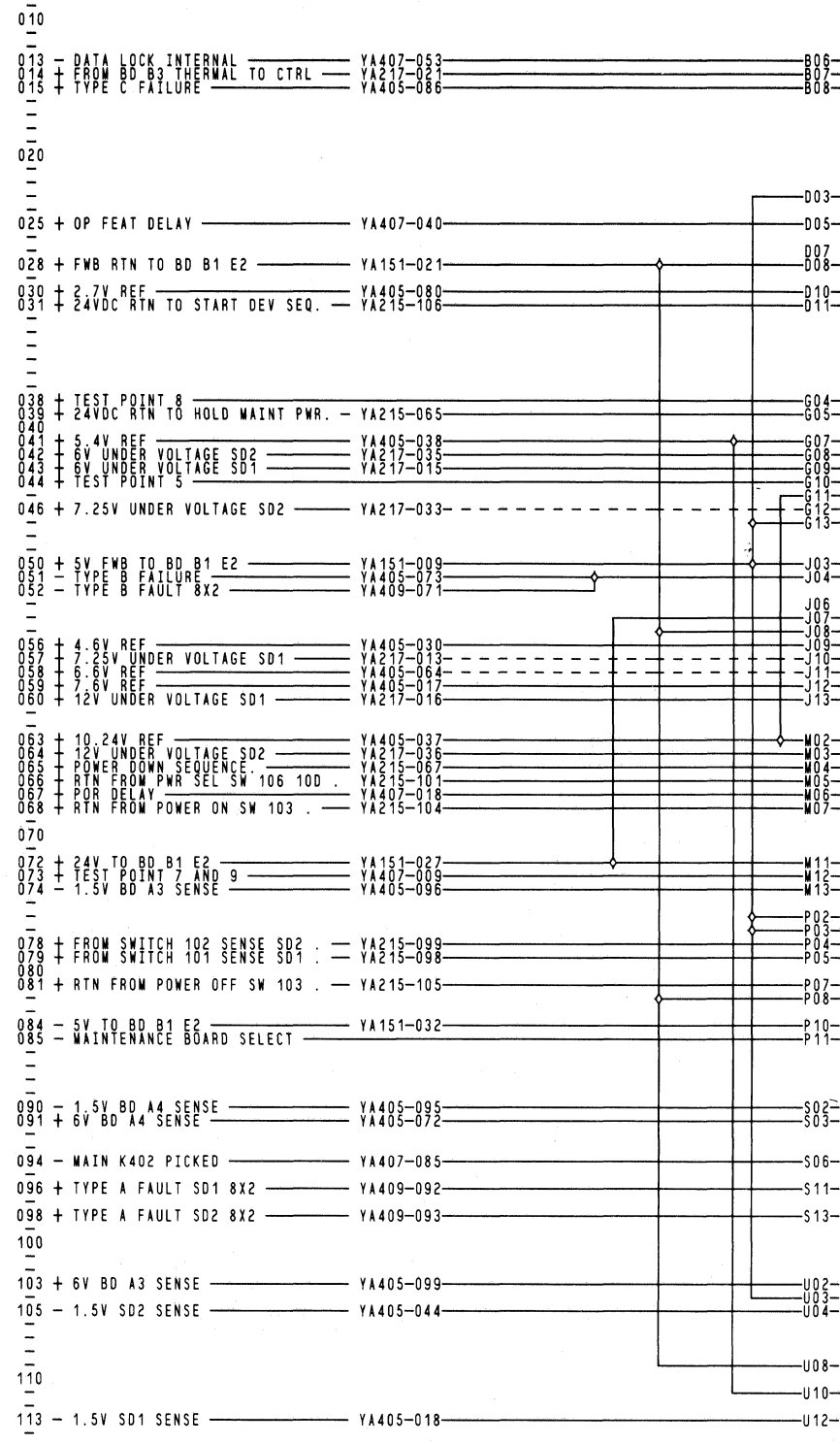
-P09 ----- + 8.9V REF TEST POINT ----- 083

-P12 ----- YA407-015 + TYPE C FAILURE ----- 086

-S07 ----- YA407-090 - 1.5V BD A4 SENSE ----- 095  
 -S08 ----- YA407-074 - 1.5V BD A3 SENSE ----- 096

-S11 ----- YA407-103 + 6V BD A3 SENSE ----- 099

NOTE 1 THERE ARE 1.2 MFD CAPACITORS CONNECTED FROM C2605 AND C2013 TO GROUND ON SOME 50HZ MACHINES.  
 NOTE 2 DOTTED LINES NOT PRESENT WITH MACHINES THAT HAVE HIGH DENSITY LABEL ON B2 BOARD COVER.



POWER CONTROL CARD  
01A-B1E2

TEST POINT 7

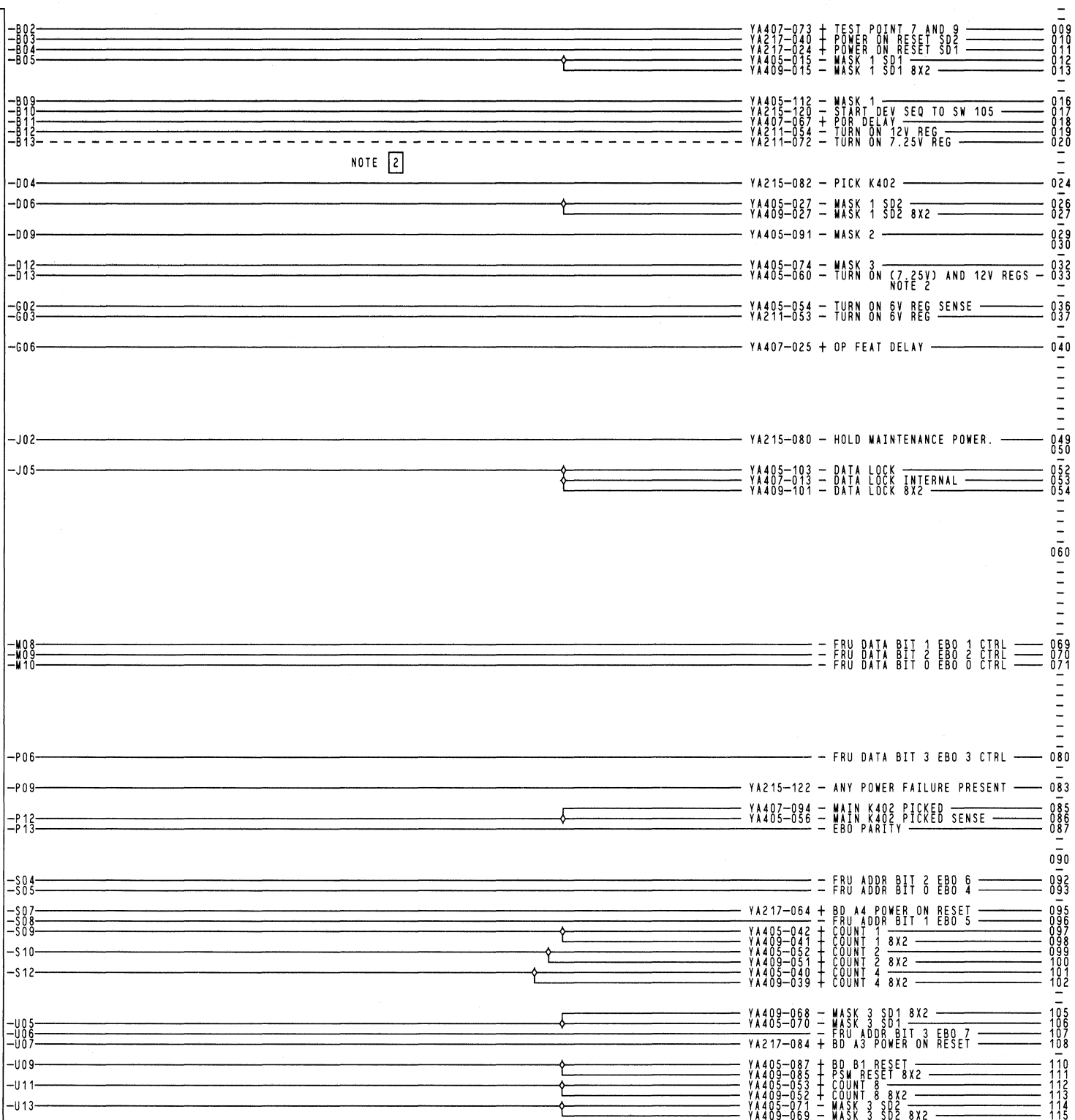
D07 TIED TO GND TO BYPASS D2 CARD TYPE C FAILURE

J06 TIED TO GND TO BYPASS 1.4 SEC DELAY +24V UV

NOTE 2

TEST POINT 9

SWITCH REF



NOTE 2 DOTTED LINES NOT PRESENT WITH MACHINES THAT HAVE HIGH DENSITY LABEL ON B2 BOARD COVER.

EC HISTORY

27APR84 458505	POWER CONTROL CARD WITH ADDITIONAL 4 CHANNEL SWITCHES
PRINT 25APR84 1428	PN PAGE 2127250
YA401	28 OF 28
MACH 3880	HPN
LOC	HEC

0000

10 20 30 40 50 60 70 80 90 100 110 120 130 140 150 160 170 180 190 200 210 220 230 240 250 260 270 280 290 YA010

010  
020  
030  
040  
050  
060  
070  
080  
090  
100  
110  
120

010  
020  
030  
040  
050  
060  
070  
080  
090  
100  
110  
120

3333 888 888 000  
333 888 888 000  
3333 888 888 000

PPPP 00000 W W EEEEE RRRR  
P P P P O O W W W EEEEE RRRR R  
P P P P O O W W W EEEEE RRRR R  
P 00000 W W EEEEE R R

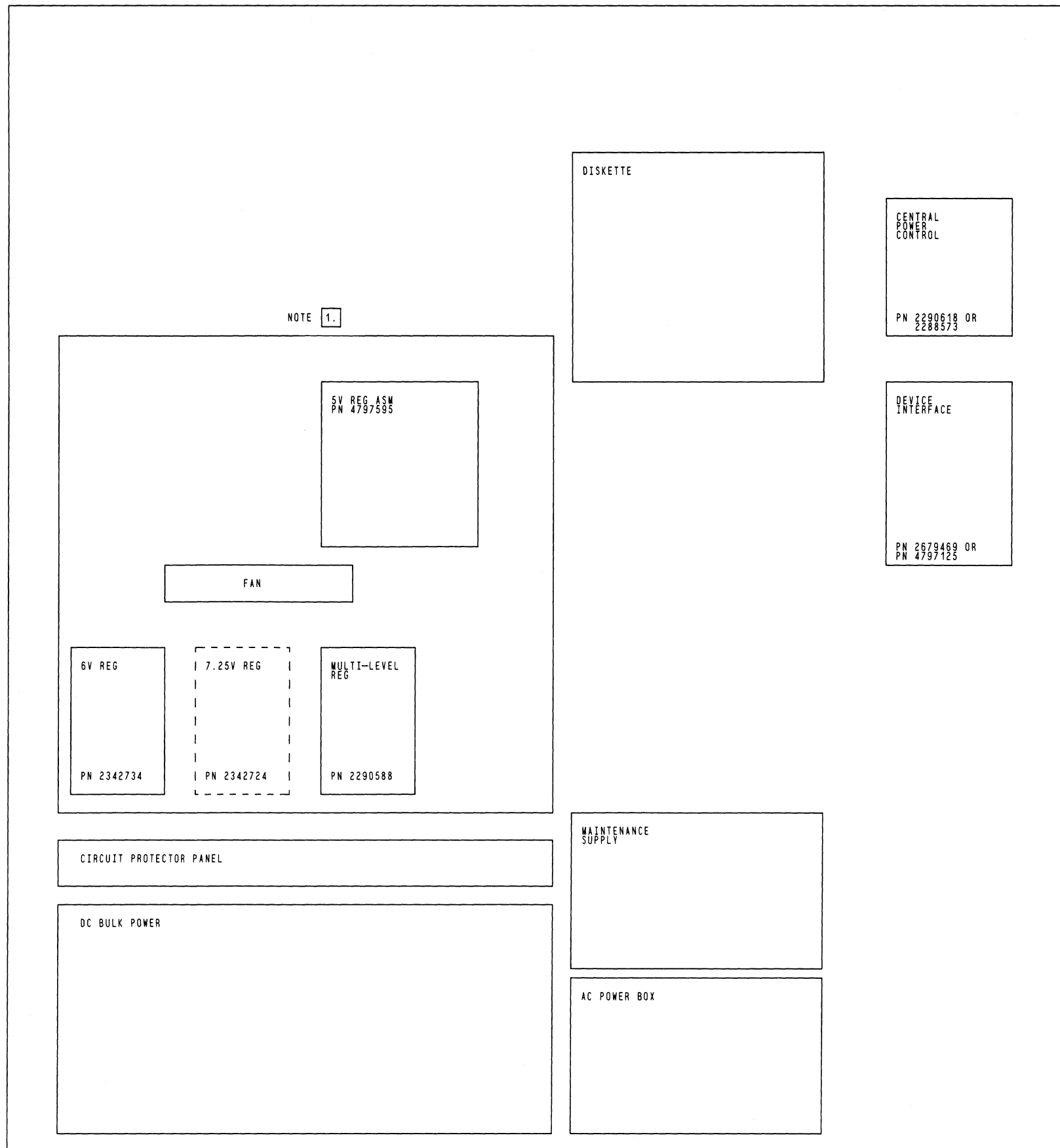
L 00000 GGGGG IIIII CCCCC  
L L L L L O O O O O G G G G G I I I I I C C C C C  
L L L L L 00000 GGGGG IIIII CCCCC

T I T L E	PAGE	NUMBER
INDEX	YA010	1
POWER GROUP LOCATION	YA020	2
SYMBOLS USED IN POWER DIAGRAMS	YA100	3
+ 24V SCHEMATIC	YA105	4
BLOCK DIAGRAM, GROUNDING SCHEMATIC	YA110	5
PRIMARY POWER BOX	YA111	6
PRIMARY POWER BOX CONTROLS	YA115	7
PSM POWER SUPPLY	YA121	8
DC BULK SUPPLIES - STACK	YA131	9
BULK DC SUPPLY - VMEW	YA132	10
REGULATOR STACK	YA133	11
DC SWITCH	YA137	12
LOGIC GATE POWER DISTRIBUTION	YA151	13
CENTRAL POWER CONTROL BOARD	YA161	14
CENTRAL POWER CONTROL BOARD FEED THRU	YA163	15
HOST AND DEVICE CONTROL PANEL	YA165	16
OPERATOR PANEL AND CHANNEL SWITCHES	YA171	17
OPERATOR PANEL WITH REMOTE CH SW	YA171	18
OP PANEL WITH LOC/REM SW	YA171	19
LOCAL/REMOTE SWITCHES	YA175	20
DC SWITCH PANEL	YA181	21
DEVICE INTERFACE BOARD	YA191	22
MAINT BD CONN A2.A3.A4	YA211	23
MAINT BD CONN B4.A5	YA215	24
MAINT BD CONN Z2.Z3.Z4.Y4.V2	YA217	25
DISKETTE	YA311	26
POWER SENSOR CARD EDS	YA405	27
POWER CONTROL CARD EDS	YA407	28

YA010

010  
020  
030  
040  
050  
060  
070  
080  
090  
100  
110  
120

010  
020  
030  
040  
050  
060  
070  
080  
090  
100  
110  
120



NOTE 1.

5V REG ASM  
PN 4797595

FAN

6V REG

PN 2342734

7.25V REG

PN 2342724

MULTI-LEVEL  
REG

PN 2290588

CIRCUIT PROTECTOR PANEL

DC BULK POWER

DISKETTE

CENTRAL  
POWER  
CONTROL

PN 2290618 OR  
2288573

DEVICE  
INTERFACE

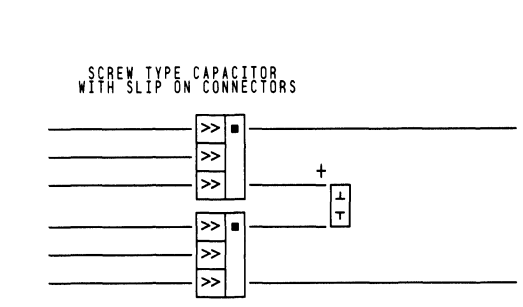
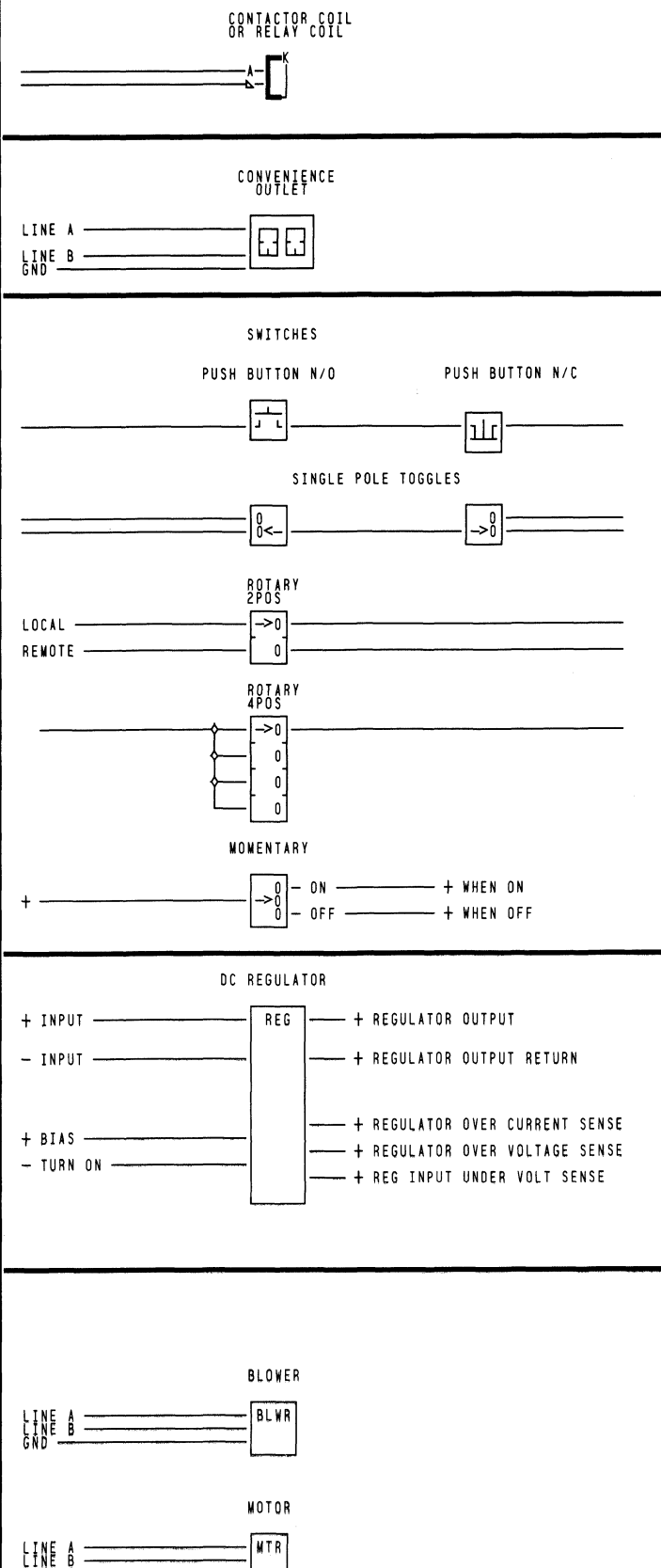
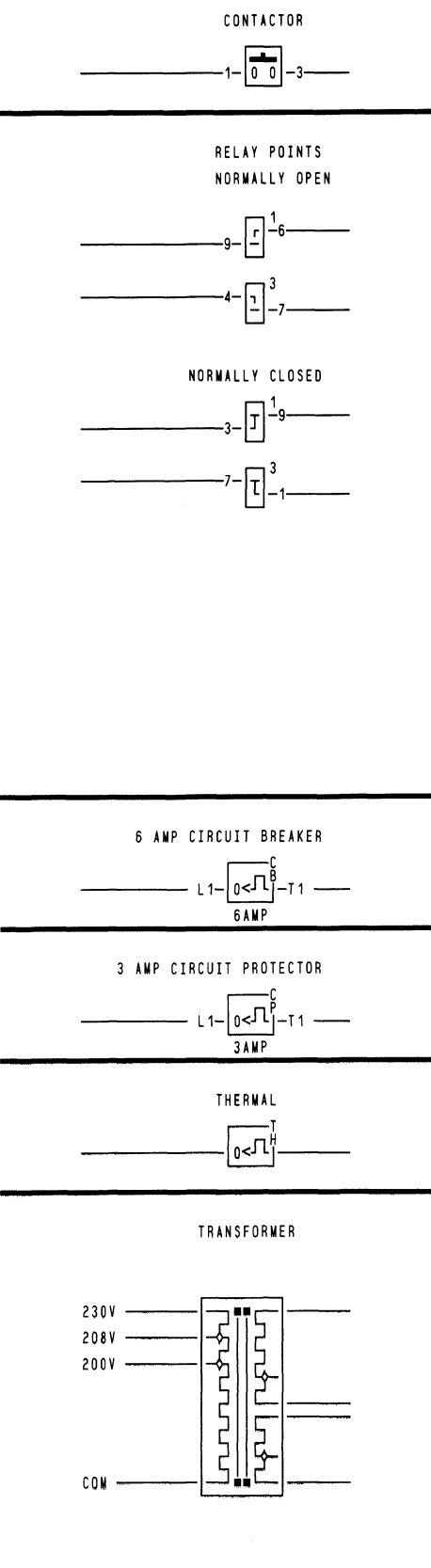
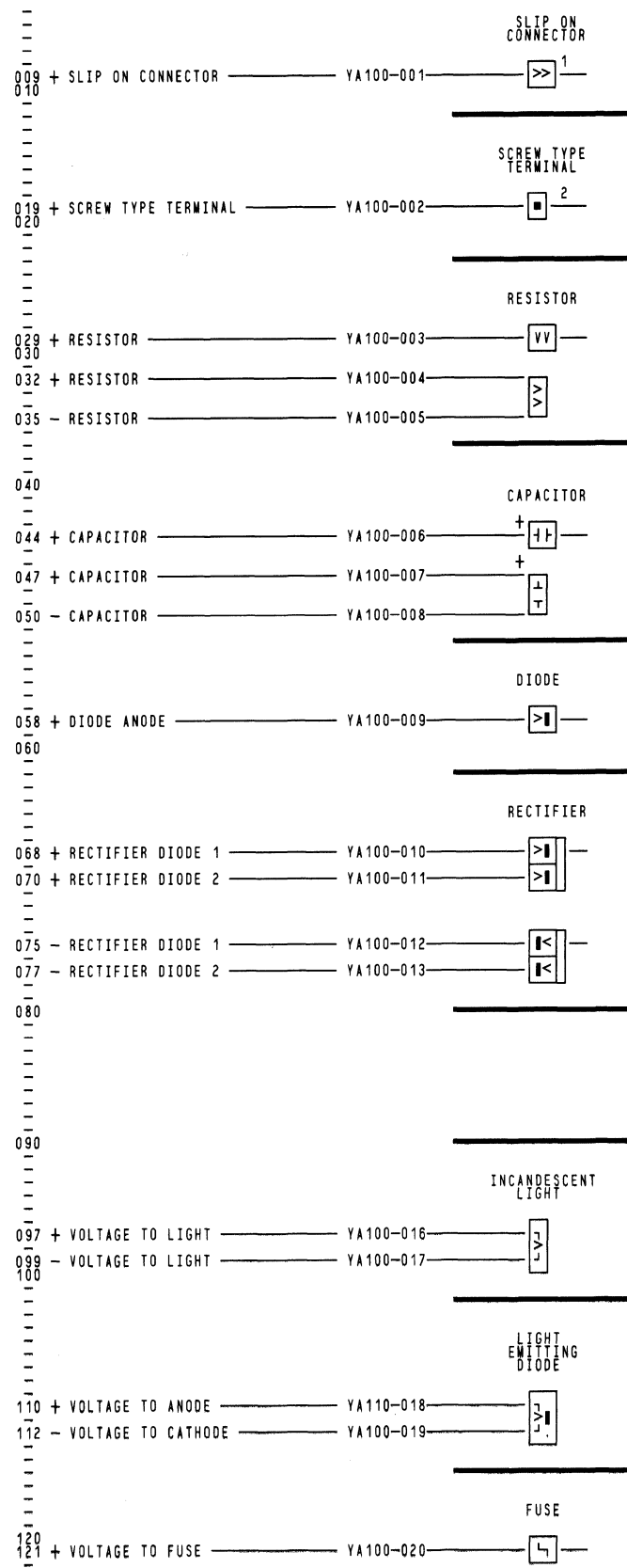
PN 2679469 OR  
PN 4797125

MAINTENANCE  
SUPPLY

AC POWER BOX

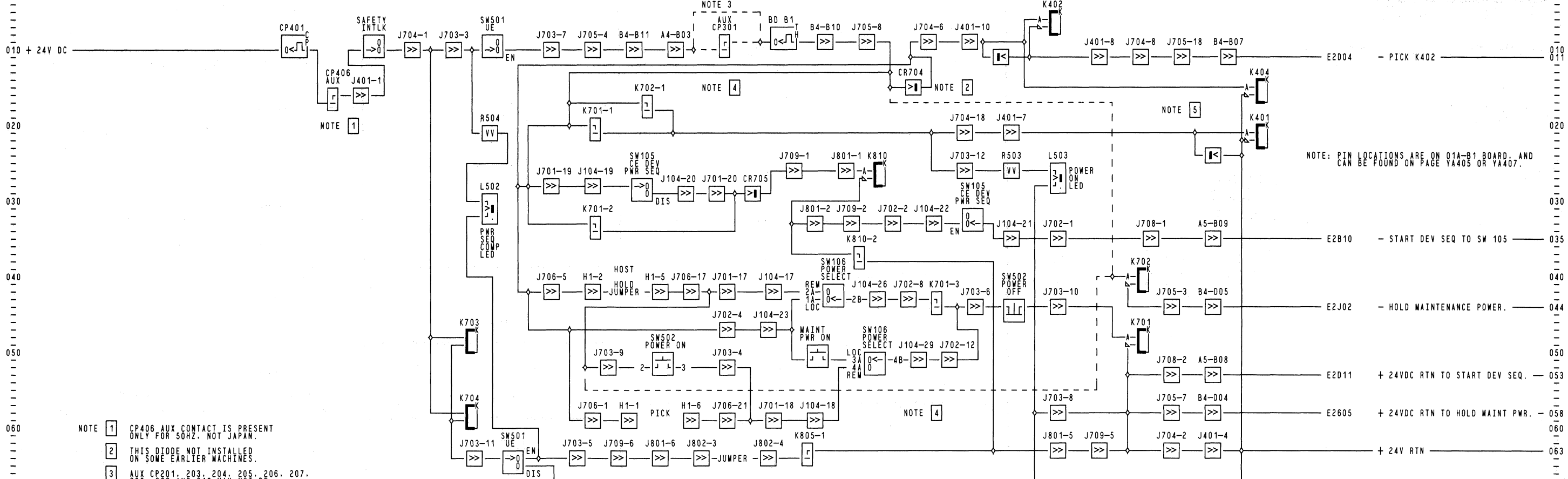
NOTE 1. IF "HIGH DENSITY" LABEL IS INSTALLED ON THE B3 BOARD COVER, THE 7.25V REGULATOR IS ALREADY REMOVED, AND THE 45V REGULATOR IS P/N 949941.





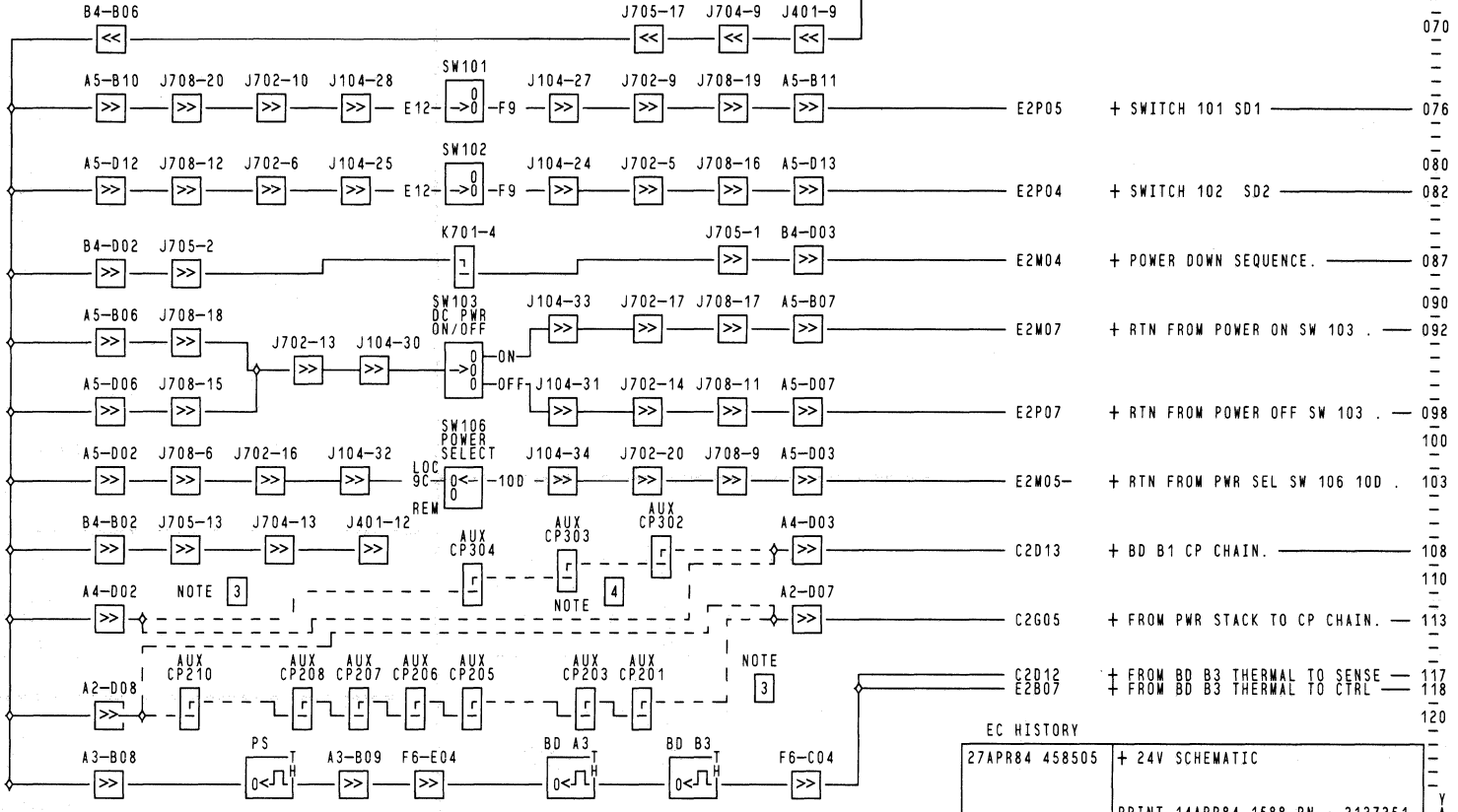
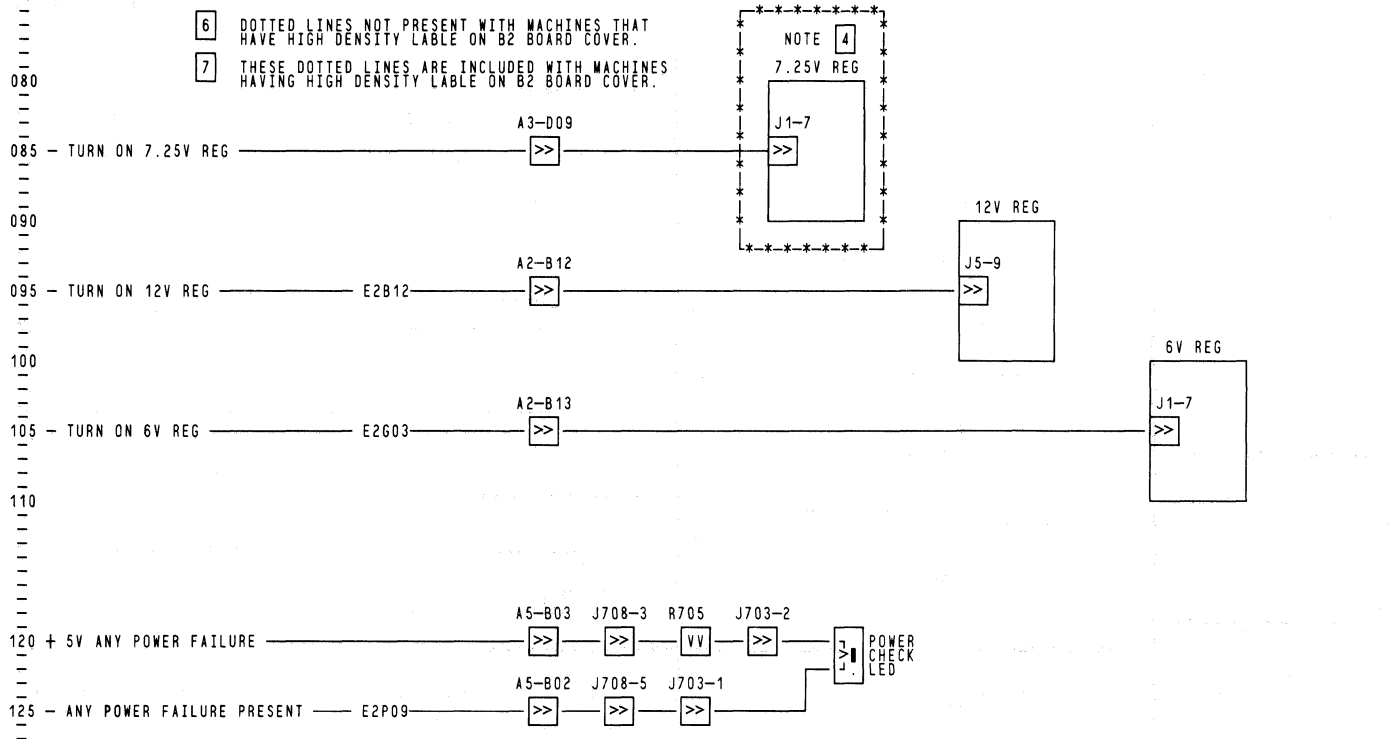
+ SIGN NEAR A CAPACITOR INDICATES POLARITY  
 NUMBERS NEXT TO SLIP ON CONNECTORS, SCREW TYPE TERMINALS, AND RELAY POINTS INDICATE POSITION.  
 ALPHA/NUMERIC CHARACTERS IN THE LINE INDICATE ACTUAL PIN DESIGNATIONS ON RELAYS, SWITCHES, CIRCUIT PROTECTORS, ETC.

COMPONENTS WITH DESIGNATION 1XX FOUND ON YA137 AND YA181  
 2XX FOUND ON YA131  
 3XX FOUND ON YA121  
 4XX FOUND ON YA111 AND YA115  
 5XX FOUND ON YA171  
 7XX FOUND ON YA161 AND YA163  
 8XX FOUND ON YA191



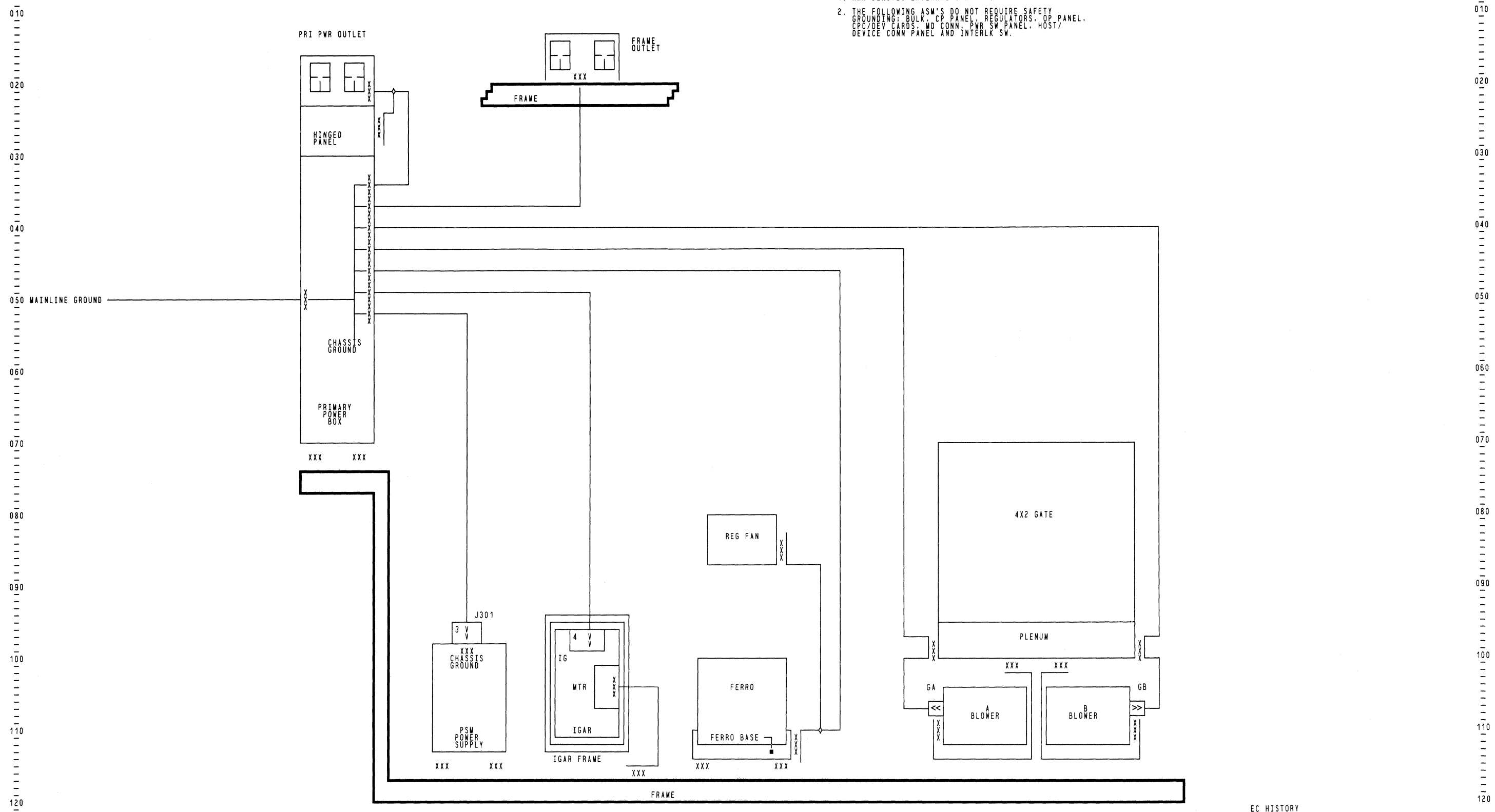
- NOTE 1 CP406 AUX CONTACT IS PRESENT ONLY FOR 50HZ. NOT JAPAN.
- NOTE 2 THIS DIODE NOT INSTALLED ON SOME EARLIER MACHINES.
- NOTE 3 AUX CP201, 203, 204, 205, 206, 207, 208, 209 AND 210 MAY NOT BE REMOVED ON ALL MACHINES.
- NOTE 4 AUX CP301, 302, 303 AND 304 MAY NOT BE REMOVED ON ALL MACHINES.
- NOTE 5 MAY BE REMOVED ON SOME MACHINES.
- NOTE 6 DOTTED LINES NOT PRESENT WITH MACHINES THAT HAVE HIGH DENSITY LABEL ON B2 BOARD COVER.
- NOTE 7 THESE DOTTED LINES ARE INCLUDED WITH MACHINES HAVING HIGH DENSITY LABEL ON B2 BOARD COVER.

NOTE: PIN LOCATIONS ARE ON 01A-B1 BOARD, AND CAN BE FOUND ON PAGE YA405 OR YA407.



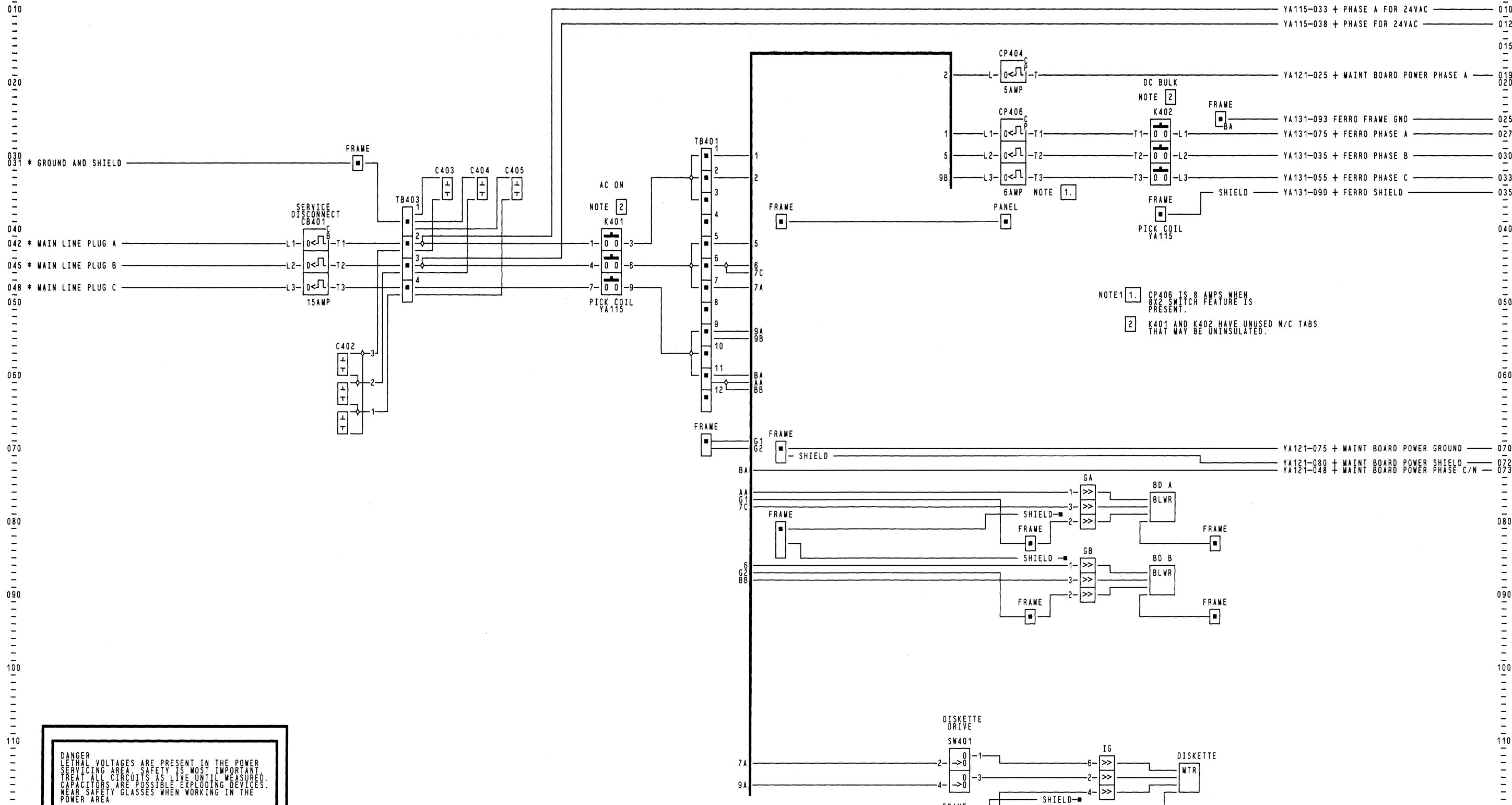
EC HISTORY  
27APR84 458505 + 24V SCHEMATIC  
PRINT 14APR84 1588 PN 2127251  
YAB01 PAGE 4 OF 28  
MACH 3880 HPN  
PNAME POWR HEC  
LOC 0000

10 20 30 40 50 60 70 80 90 100 110 120 130 140 150 160 170 180 190 200 210 220 230 240 250 260 270 280 290 YA110



NOTES:  
 1. XXX DENOTES EXTERNAL STAR WASHER.  
 2. THE FOLLOWING ASM'S DO NOT REQUIRE SAFETY GROUNDING: BULK, CP PANEL, REGULATORS, OP PANEL, CPC/DEV CARDS, MD CONN, PWR SW PANEL, HOST/DEVICE CONN PANEL AND INTERLK SW.

EC HISTORY  
 27APR84 458505  
 BLOCK DIAGRAM  
 GROUNDING SCHEMATIC  
 PRINT 19APR84 0020 PN 2127251  
 YAB01 PAGE 5 OF 28  
 MACH NAME POWR HPN  
 LOC HEC 0000



NOTE 1. CP406 IS 8 AMPS WHEN 8X2 SWITCH FEATURE IS PRESENT.  
 NOTE 2. K401 AND K402 HAVE UNUSED N/C TABS THAT MAY BE UNINSULATED.

**DANGER**  
 LETHAL VOLTAGES ARE PRESENT IN THE POWER SERVICING AREA. SAFETY IS MOST IMPORTANT. TREAT ALL CIRCUITS AS LIVE UNTIL MEASURED. CAPACITORS ARE POSSIBLE EXPLODING DEVICES. WEAR SAFETY GLASSES WHEN WORKING IN THE POWER AREA.  
 ALWAYS REINSTALL ALL GREEN/YELLOW GROUND WIRES AND SAFETY COVERS BEFORE POWERING ON THE MACHINE.

EC HISTORY  
 27APR84 458505 PRIMARY POWER BOX ALL 60HZ MACHINES OR 50HZ JAPAN ONLY MACHINES  
 PRINT 19APR84 1069 PN 2127251 YAB01 PAGE 6 OF 28  
 MACH 3880 HPN  
 LOC POWER HEC

10 20 30 40 50 60 70 80 90 100 110 120 130 140 150 160 170 180 190 200 210 220 230 240 250 260 270 280 290 YA115

010

020

030

033 + PHASE A FOR 24VAC — YA111-010 — L — CP402 — T — COM — T401TB 1

038 + PHASE FOR 24VAC — YA111-012 — L — CP402 — T — 200/208V — T401TB 2

040

048 + 24VDC UE TO PICK K404 — YA161-117 — J401 10 — K404 — CONVENIENCE OUTLET

050

054 + FROM BD B1 THERM TO PICK K401. YA161-119 — J401 7 — K401 — AC ON

060

062

066

070

072 - PICK K402 — YA163-096 — J401 8 — K402 — DC BULK SUPPLY

074 + FWB RTN TO PICK K402. — YA163-098 — J401 9 — K402 — DC BULK SUPPLY

080

090

100

110

120

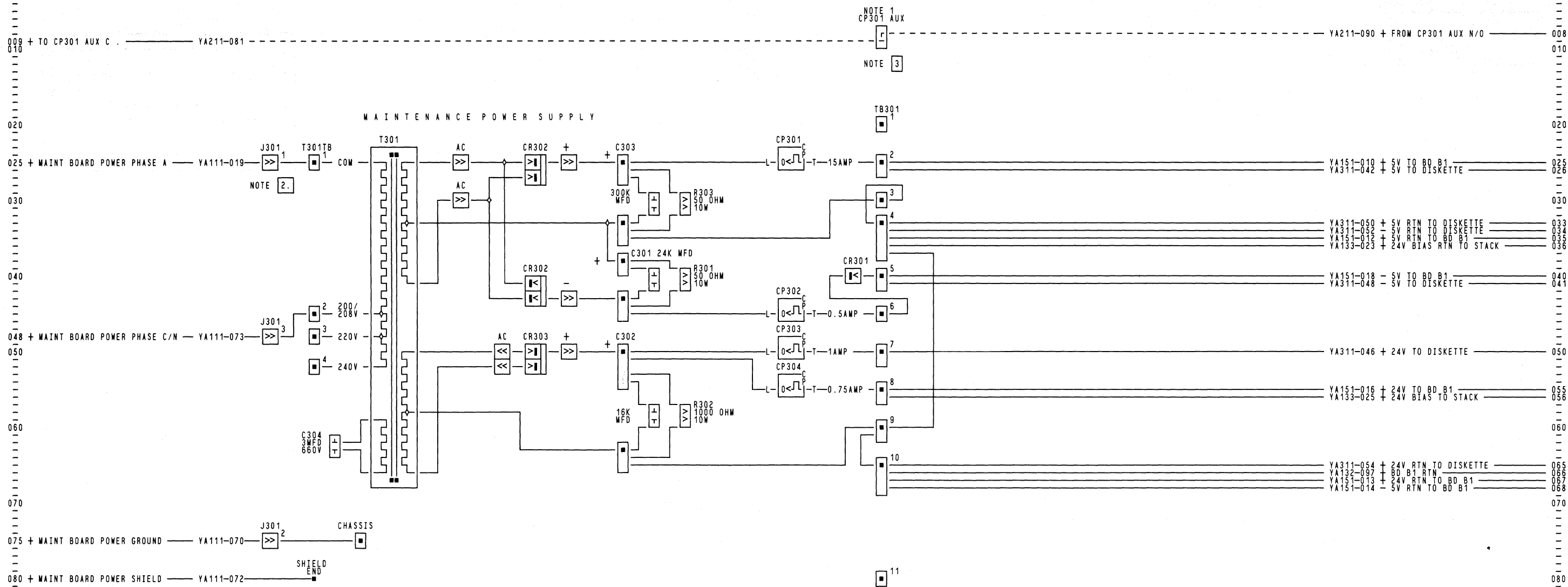
DANGER  
LETHAL VOLTAGES ARE PRESENT IN THE POWER  
SERVICING AREA. SAFETY IS MOST IMPORTANT.  
TREAT ALL CIRCUITS AS LIVE UNTIL MEASURED.  
CAPACITORS ARE POSSIBLE EXPLODING DEVICES.  
WEAR SAFETY GLASSES WHEN WORKING IN THE  
POWER AREA.

ALWAYS REINSTALL ALL GREEN/YELLOW GROUND  
WIRES AND SAFETY COVERS BEFORE POWERING  
ON THE MACHINE.

YA115 (C) COPYRIGHT IBM CORPORATION 1984 50 60 70 80 90 100 110 120 130 140 150 160 170 180 190 200 210 220 230 240 250 260 270 280 290

EC HISTORY  
27APR84 458505 PRIMARY POWER BOX CONTROLS  
ALL 60HZ MACHINES  
OR 50HZ JAPAN  
PRINT 19APR84 1576 PN 2127251  
YAB01 PAGE 7 OF 28  
MACH 3880 HPN  
LOC PNAME POWR HEC 0700

010  
020  
030  
040  
049  
050  
060  
062  
066  
070  
080  
090  
100  
110  
120  
YA115



009 + TO CP301 AUX C. — YA211-081

YA211-090 + FROM CP301 AUX N/O

025 + MAINT BOARD POWER PHASE A — YA111-019

YA151-010 + 5V TO BD B1  
YA311-042 + 5V TO DISKETTE

048 + MAINT BOARD POWER PHASE C/N — YA111-073

YA311-050 + 5V RTN TO DISKETTE  
YA311-052 + 5V RTN TO DISKETTE  
YA151-012 + 5V RTN TO BD B1  
YA133-023 + 24V BIAS RTN TO STACK

YA151-018 - 5V TO BD B1  
YA311-048 - 5V TO DISKETTE

YA311-046 + 24V TO DISKETTE

YA151-016 + 24V TO BD B1  
YA133-025 + 24V BIAS TO STACK

YA311-054 + 24V RTN TO DISKETTE  
YA132-097 + BD B1 RTN  
YA151-013 + 24V RTN TO BD B1  
YA151-014 - 5V RTN TO BD B1

075 + MAINT BOARD POWER GROUND — YA111-070

CHASSIS

080 + MAINT BOARD POWER SHIELD — YA111-072

SHIELD END

- NOTES :
- 2. J301 MAY NOT BE INSTALLED.
  - 3. AUX CP301, 302, 303 AND 304 MAY NOT BE REMOVED ON ALL MACHINES.

**DANGER**  
LETHAL VOLTAGES ARE PRESENT IN THE POWER SERVICING AREA. SAFETY IS MOST IMPORTANT. TREAT ALL CIRCUITS AS LIVE UNTIL MEASURED. CAPACITORS ARE POSSIBLE EXPLODING DEVICES. WEAR SAFETY GLASSES WHEN WORKING IN THE POWER AREA.

ALWAYS REINSTALL ALL GREEN/YELLOW GROUND WIRES AND SAFETY COVERS BEFORE POWERING ON THE MACHINE.

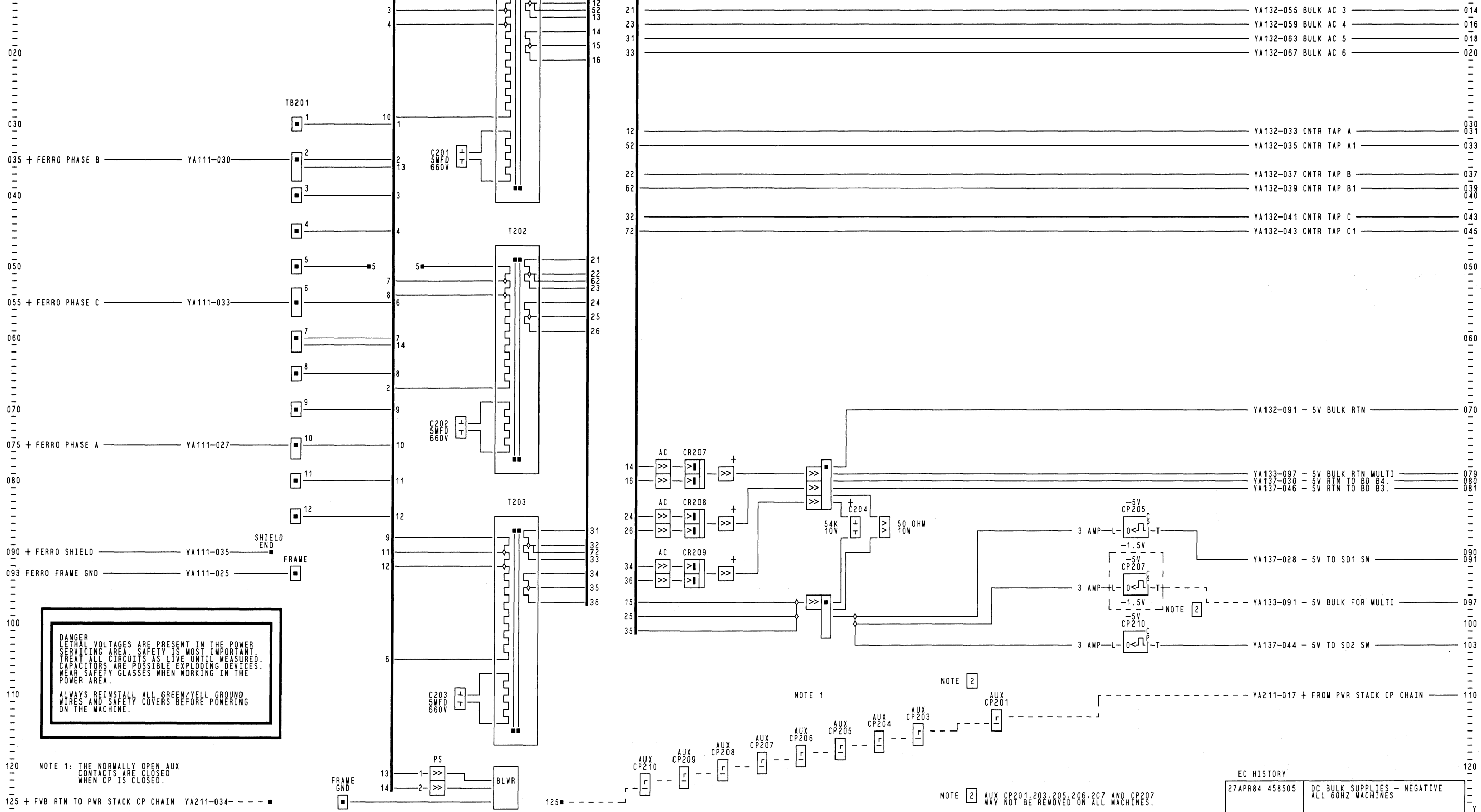
121 + FWB RTN TO BD B1 CP CHAIN — YA211-083

YA211-092 + BD B1 CP CHAIN

EC HISTORY	
27APR84 458505	POWER SUPPLY ALL 60HZ MACHINES
PRINT 19APR84 1079	PN 2127251
YA801	PAGE 8 OF 28
MACH 3880	HPN
NAME POWR	HEC
LOC	0600

60HZ DELTA JUMPERS FOR TB201	240V	220V	200/208V
	-2 TO -1	-2 TO -3	-2 TO -4
	-6 TO -5	-6 TO -7	-6 TO -8
	-10 TO -9	-10 TO -11	-10 TO -12

ONLY ONE SET OF JUMPERS MUST BE INSTALLED



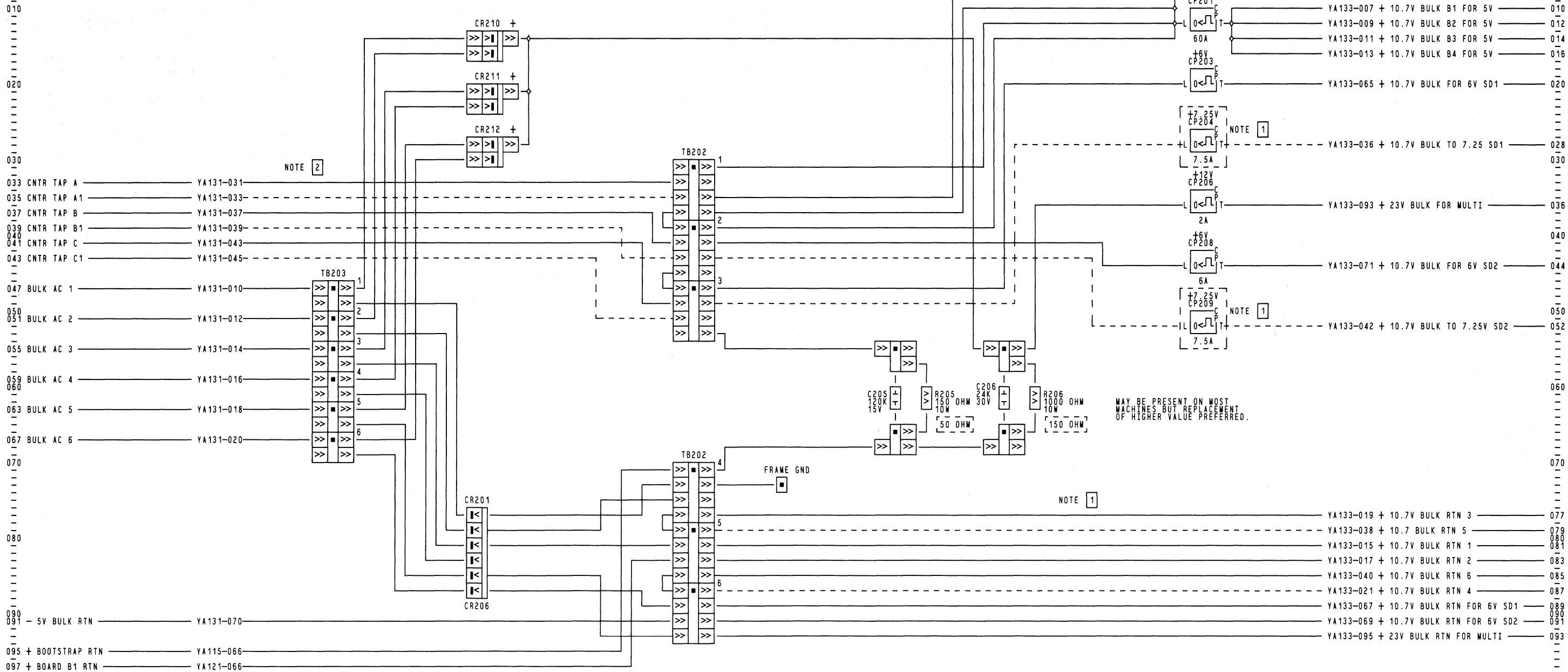
**DANGER**  
LETHAL VOLTAGES ARE PRESENT IN THE POWER  
SERVICING AREA. SAFETY IS MOST IMPORTANT.  
TREAT ALL CIRCUITS AS LIVE UNTIL MEASURED.  
CAPACITORS ARE POSSIBLE EXPLODING DEVICES.  
WEAR SAFETY GLASSES WHEN WORKING IN THE  
POWER AREA.

ALWAYS REINSTALL ALL GREEN/YELL GROUND  
WIRES AND SAFETY COVERS BEFORE POWERING  
ON THE MACHINE.

NOTE 1: THE NORMALLY OPEN AUX CONTACTS ARE CLOSED WHEN CP IS CLOSED.

NOTE 2: AUX CP201, 203, 205, 206, 207 AND CP207 MAY NOT BE REMOVED ON ALL MACHINES.

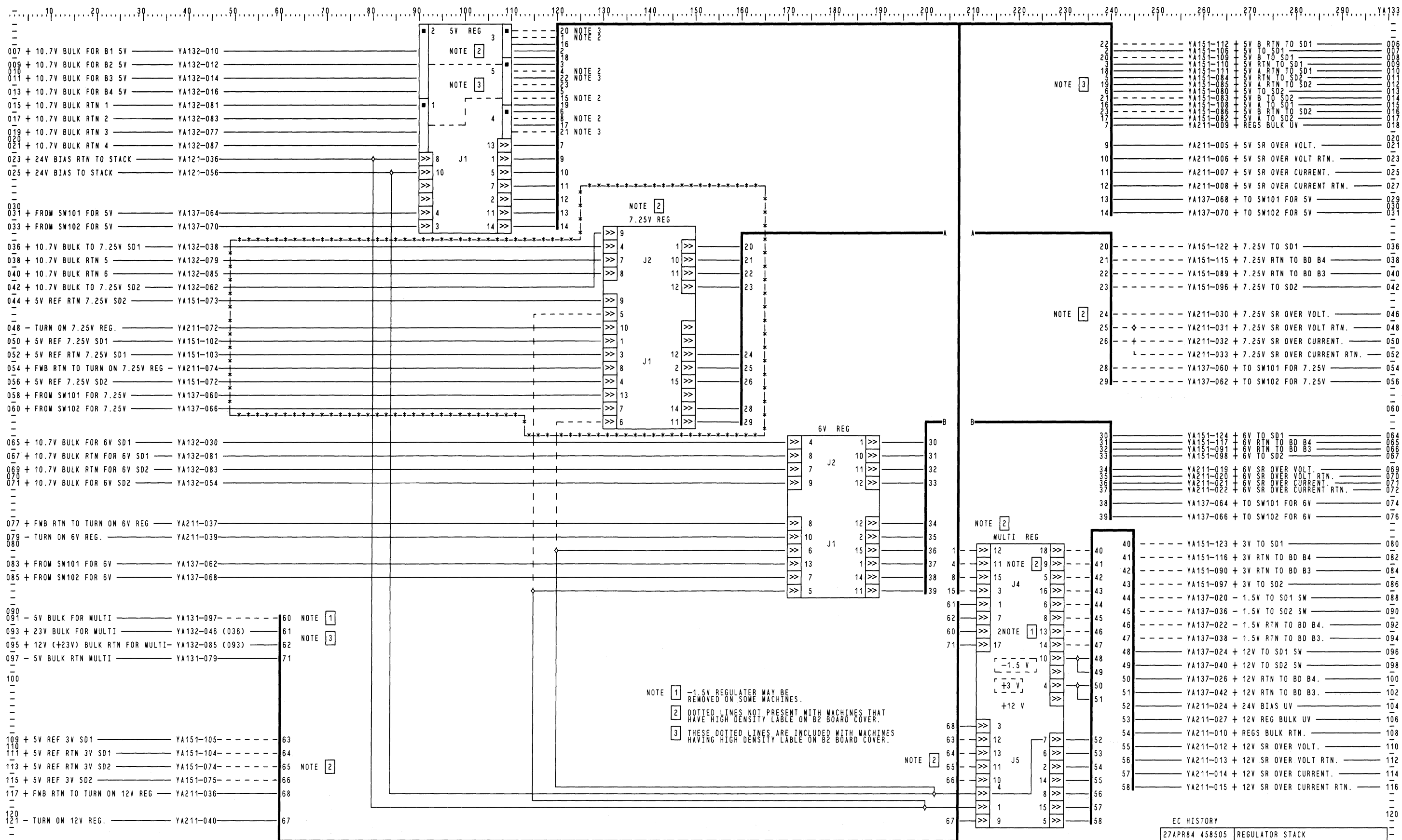
EC HISTORY	
27APR84 458505	DC BULK SUPPLIES - NEGATIVE ALL 60HZ MACHINES
PRINT 19APR84 1035 PN	2127251
YAB01	PAGE 9 OF 28
MACH 3880	HPN
FRAME PWR	HEC
TRW CORP	0620



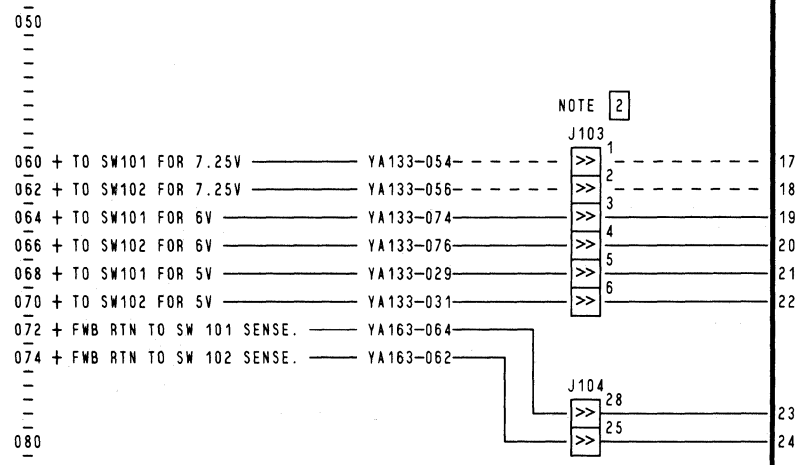
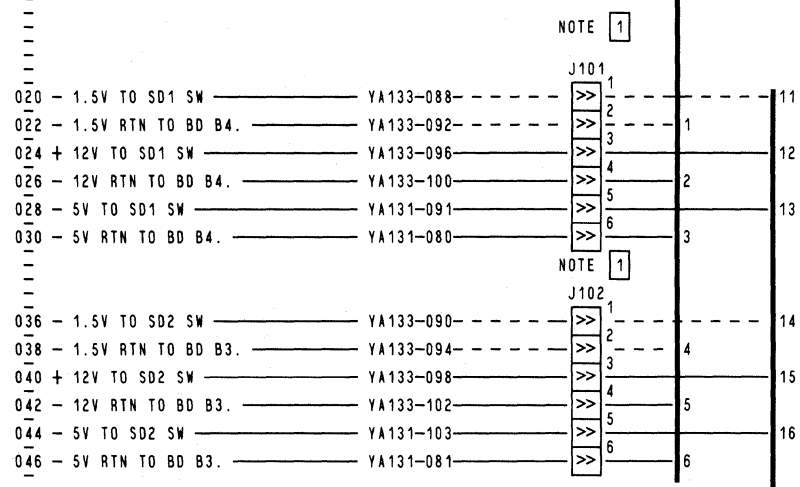
NOTE 1 DOTTED LINES NOT PRESENT WITH MACHINES THAT HAVE HIGH DENSITY LABEL ON B2 BOARD COVER.  
 NOTE 2 THESE DOTTED LINES ARE INCLUDED WITH MACHINES HAVING HIGH DENSITY LABEL ON B2 BOARD COVER.

EC HISTORY	
27APR84 458505	BULK DC SUPPLY V. WEM/NORWICH
PRINT 19APR84 1145	PN 2127251
YAB01	PAGE 10 OF 28
MACH 3880	HPN
NAME POWR	HEC
LOC	





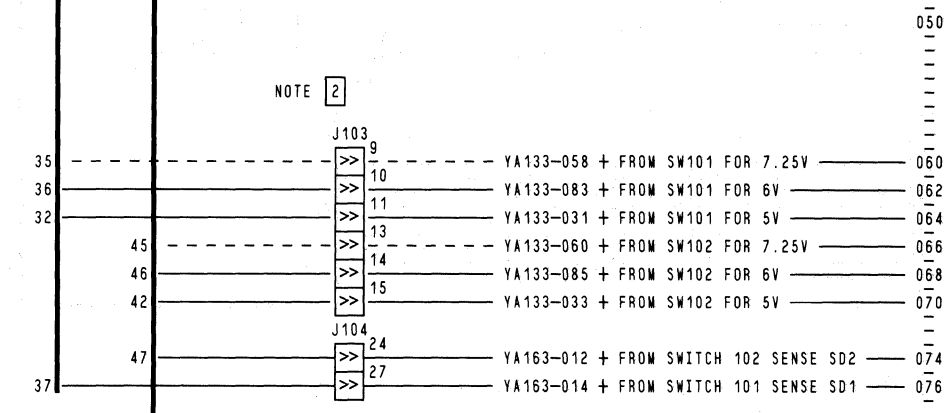
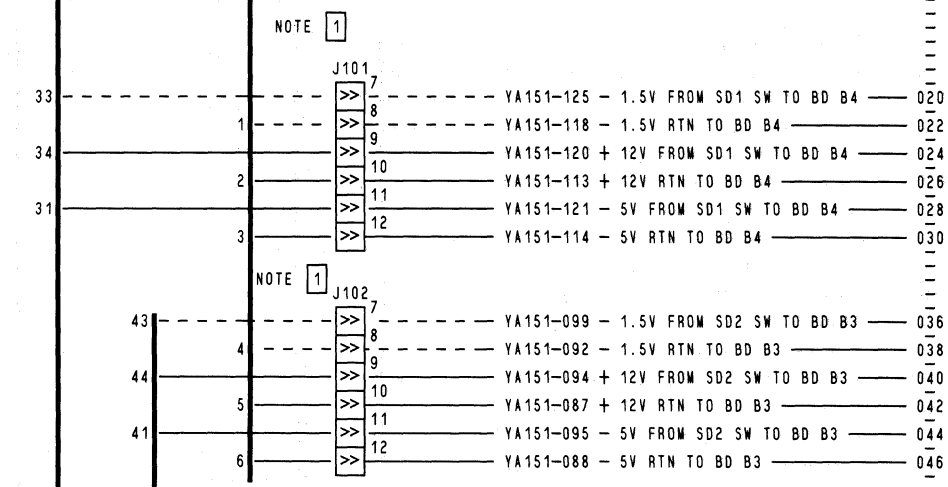
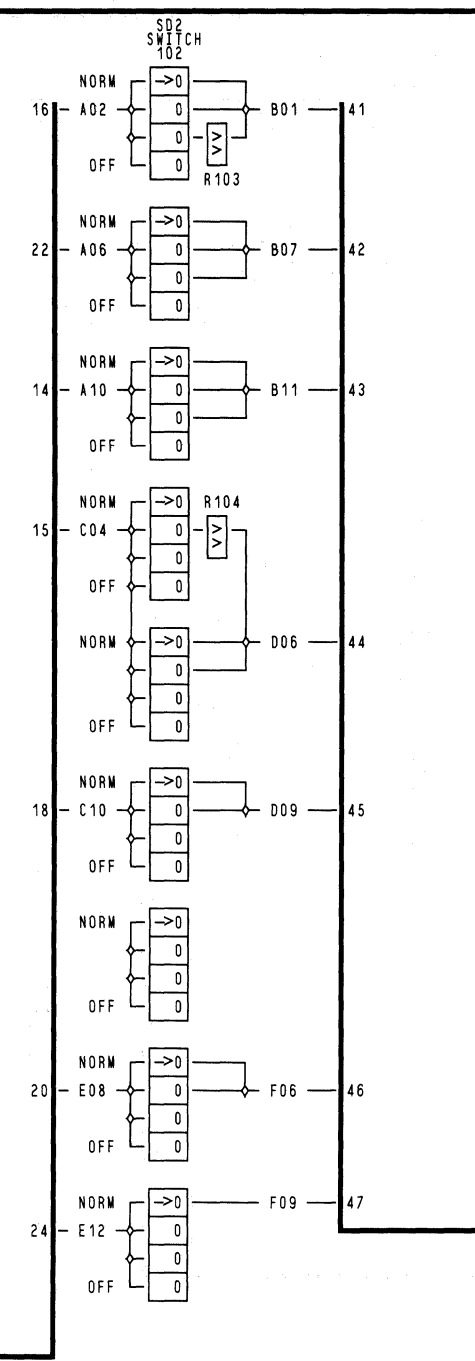
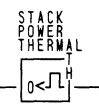
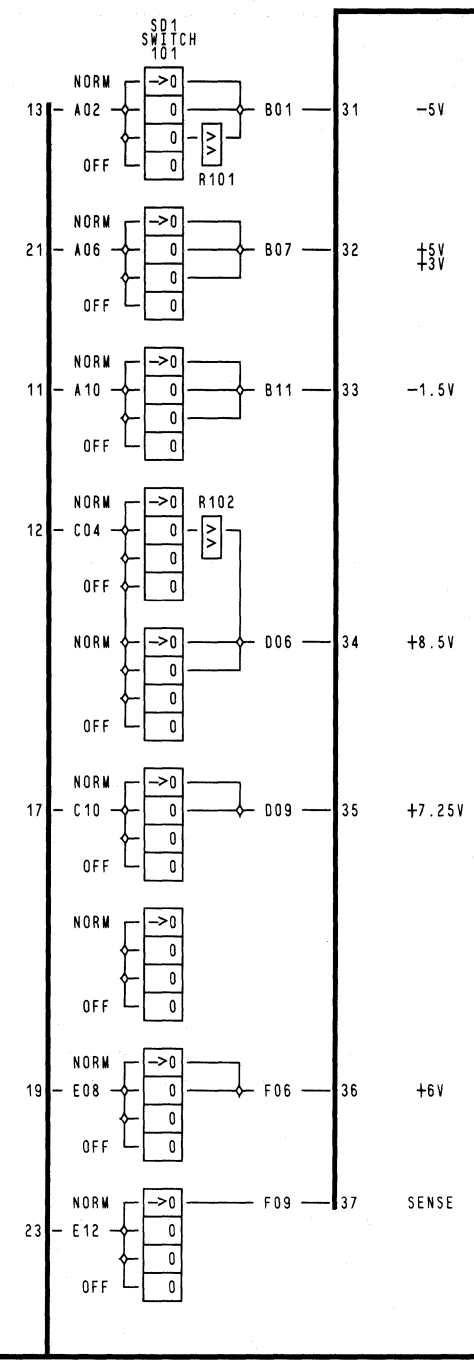
010 010



118 + FWB RTN TO POWER THERMAL — YA211-070

NOTE 1 MAY BE REMOVED ON SOME MACHINES.

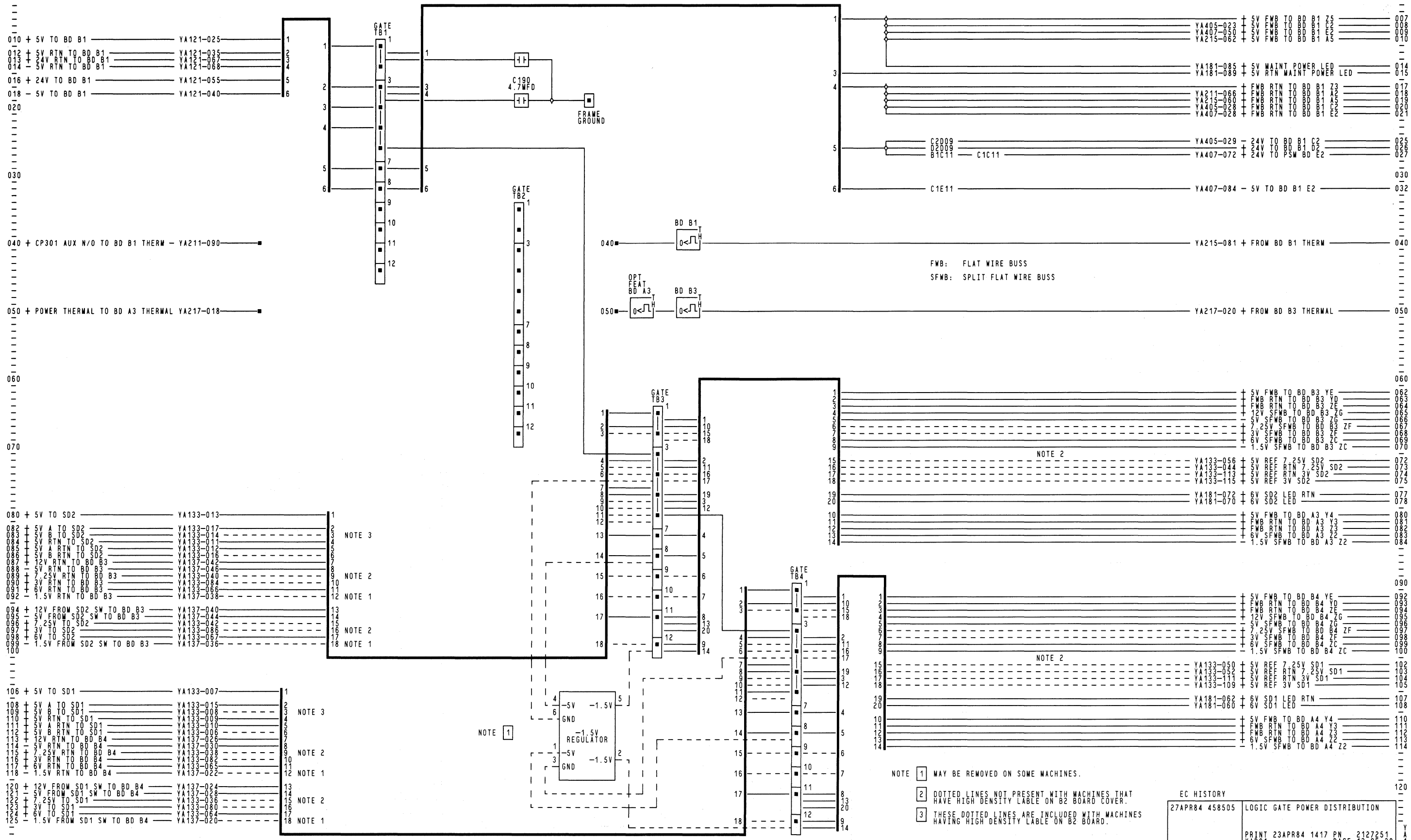
NOTE 2 DOTTED LINES NOT PRESENT WITH MACHINES THAT HAVE HIGH DENSITY LABEL ON B2 BOARD.



118 YA211-042 + FROM POWER THERMAL

EC HISTORY

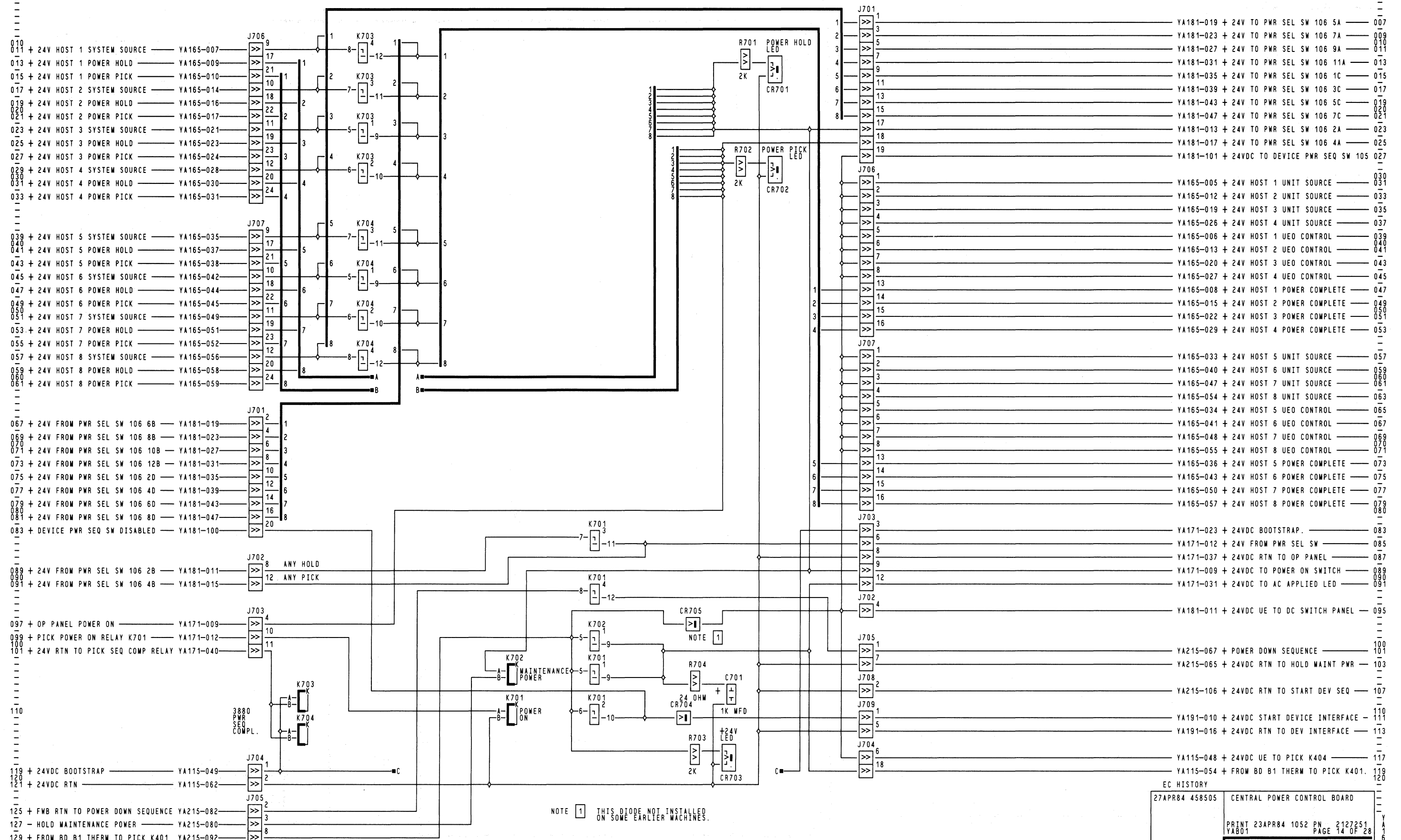
27APR84 458505	DC SWITCH PANEL
PRINT 25APR84 1772	PN 2127251
YAB01	PAGE 12 OF 28
MACH 3880	HPN
PLANE POWR	HEC
LOC	0000



FWB: FLAT WIRE BUSS  
 SFWB: SPLIT FLAT WIRE BUSS

- NOTE 1 MAY BE REMOVED ON SOME MACHINES.  
 NOTE 2 DOTTED LINES NOT PRESENT WITH MACHINES THAT HAVE HIGH DENSITY LABEL ON B2 BOARD COVER.  
 NOTE 3 THESE DOTTED LINES ARE INCLUDED WITH MACHINES HAVING HIGH DENSITY LABEL ON B2 BOARD.

EC HISTORY	
27APR84 458505	LOGIC GATE POWER DISTRIBUTION
PRINT 23APR84 1417	PN 2127251
YAB01	PAGE 13 OF 28
MACH 3880	HPN
PNAME POWR	HEC
LOC	0020



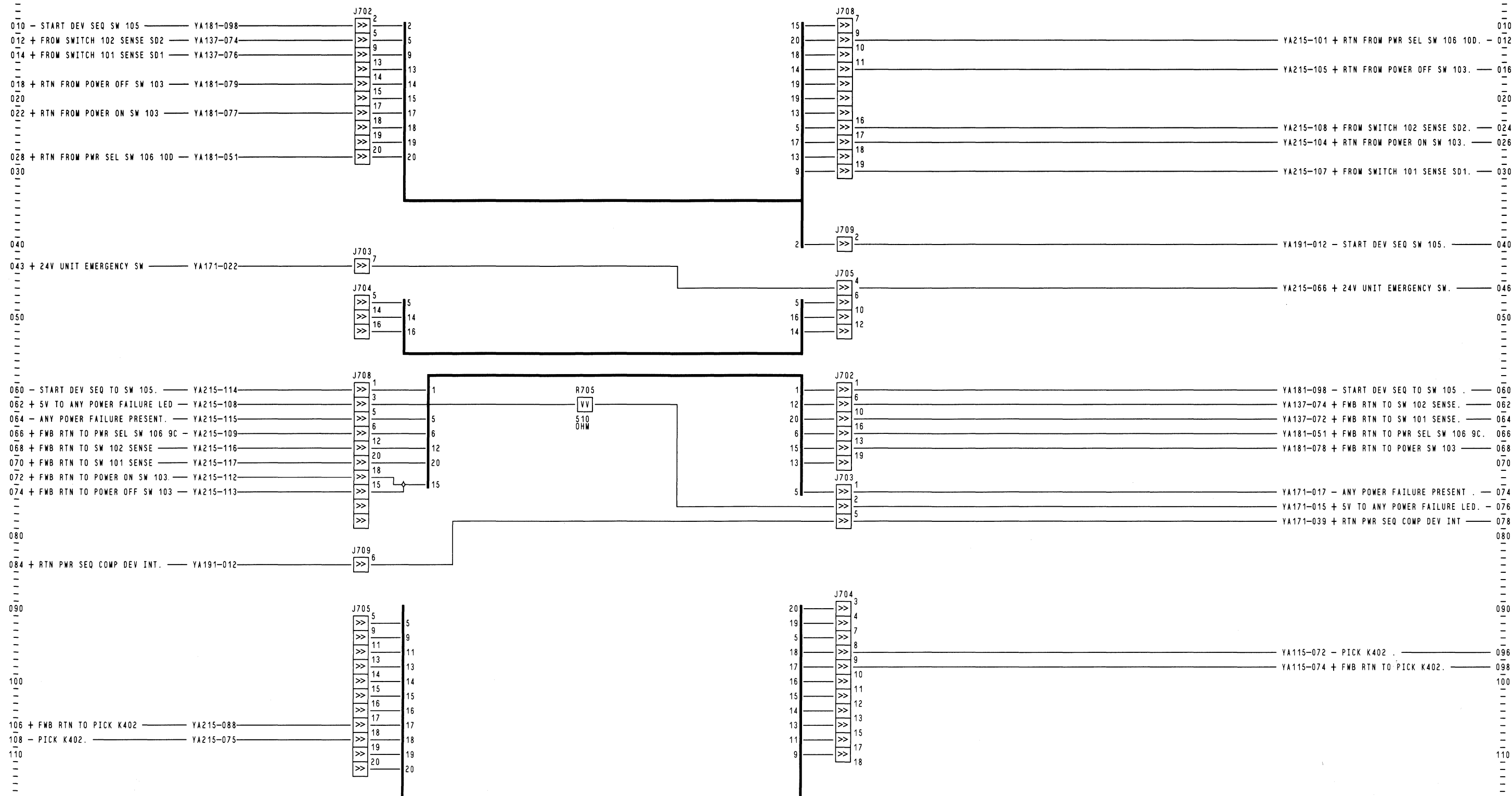
- 011 + 24V HOST 1 SYSTEM SOURCE — YA165-007
- 013 + 24V HOST 1 POWER HOLD — YA165-009
- 015 + 24V HOST 1 POWER PICK — YA165-010
- 017 + 24V HOST 2 SYSTEM SOURCE — YA165-014
- 019 + 24V HOST 2 POWER HOLD — YA165-016
- 021 + 24V HOST 2 POWER PICK — YA165-017
- 023 + 24V HOST 3 SYSTEM SOURCE — YA165-021
- 025 + 24V HOST 3 POWER HOLD — YA165-023
- 027 + 24V HOST 3 POWER PICK — YA165-024
- 029 + 24V HOST 4 SYSTEM SOURCE — YA165-028
- 031 + 24V HOST 4 POWER HOLD — YA165-030
- 033 + 24V HOST 4 POWER PICK — YA165-031
- 039 + 24V HOST 5 SYSTEM SOURCE — YA165-035
- 041 + 24V HOST 5 POWER HOLD — YA165-037
- 043 + 24V HOST 5 POWER PICK — YA165-038
- 045 + 24V HOST 6 SYSTEM SOURCE — YA165-042
- 047 + 24V HOST 6 POWER HOLD — YA165-044
- 049 + 24V HOST 6 POWER PICK — YA165-045
- 051 + 24V HOST 7 SYSTEM SOURCE — YA165-049
- 053 + 24V HOST 7 POWER HOLD — YA165-051
- 055 + 24V HOST 7 POWER PICK — YA165-052
- 057 + 24V HOST 8 SYSTEM SOURCE — YA165-056
- 059 + 24V HOST 8 POWER HOLD — YA165-058
- 061 + 24V HOST 8 POWER PICK — YA165-059
- 067 + 24V FROM PWR SEL SW 106 6B — YA181-019
- 069 + 24V FROM PWR SEL SW 106 8B — YA181-023
- 071 + 24V FROM PWR SEL SW 106 10B — YA181-027
- 073 + 24V FROM PWR SEL SW 106 12B — YA181-031
- 075 + 24V FROM PWR SEL SW 106 2D — YA181-035
- 077 + 24V FROM PWR SEL SW 106 4D — YA181-039
- 079 + 24V FROM PWR SEL SW 106 6D — YA181-043
- 081 + 24V FROM PWR SEL SW 106 8D — YA181-047
- 083 + DEVICE PWR SEQ SW DISABLED — YA181-100
- 089 + 24V FROM PWR SEL SW 106 2B — YA181-011
- 091 + 24V FROM PWR SEL SW 106 4B — YA181-015
- 097 + OP PANEL POWER ON — YA171-009
- 099 + PICK POWER ON RELAY K701 — YA171-012
- 101 + 24V RTN TO PICK SEQ COMP RELAY YA171-040
- 119 + 24VDC BOOTSTRAP — YA115-049
- 121 + 24VDC RTN — YA115-062
- 125 + FWB RTN TO POWER DOWN SEQUENCE YA215-082
- 127 - HOLD MAINTENANCE POWER — YA215-080
- 129 + FROM BD B1 THERM TO PICK K401 YA215-092

- YA181-019 + 24V TO PWR SEL SW 106 5A — 007
- YA181-023 + 24V TO PWR SEL SW 106 7A — 009
- YA181-027 + 24V TO PWR SEL SW 106 9A — 011
- YA181-031 + 24V TO PWR SEL SW 106 11A — 013
- YA181-035 + 24V TO PWR SEL SW 106 1C — 015
- YA181-039 + 24V TO PWR SEL SW 106 3C — 017
- YA181-043 + 24V TO PWR SEL SW 106 5C — 019
- YA181-047 + 24V TO PWR SEL SW 106 7C — 021
- YA181-013 + 24V TO PWR SEL SW 106 2A — 023
- YA181-017 + 24V TO PWR SEL SW 106 4A — 025
- YA181-101 + 24VDC TO DEVICE PWR SEQ SW 105 — 027
- YA165-005 + 24V HOST 1 UNIT SOURCE — 030
- YA165-012 + 24V HOST 2 UNIT SOURCE — 033
- YA165-019 + 24V HOST 3 UNIT SOURCE — 035
- YA165-026 + 24V HOST 4 UNIT SOURCE — 037
- YA165-006 + 24V HOST 1 UEO CONTROL — 039
- YA165-013 + 24V HOST 2 UEO CONTROL — 041
- YA165-020 + 24V HOST 3 UEO CONTROL — 043
- YA165-027 + 24V HOST 4 UEO CONTROL — 045
- YA165-008 + 24V HOST 1 POWER COMPLETE — 047
- YA165-015 + 24V HOST 2 POWER COMPLETE — 049
- YA165-022 + 24V HOST 3 POWER COMPLETE — 051
- YA165-029 + 24V HOST 4 POWER COMPLETE — 053
- YA165-033 + 24V HOST 5 UNIT SOURCE — 057
- YA165-040 + 24V HOST 6 UNIT SOURCE — 059
- YA165-047 + 24V HOST 7 UNIT SOURCE — 061
- YA165-054 + 24V HOST 8 UNIT SOURCE — 063
- YA165-034 + 24V HOST 5 UEO CONTROL — 065
- YA165-041 + 24V HOST 6 UEO CONTROL — 067
- YA165-048 + 24V HOST 7 UEO CONTROL — 069
- YA165-055 + 24V HOST 8 UEO CONTROL — 071
- YA165-036 + 24V HOST 5 POWER COMPLETE — 073
- YA165-043 + 24V HOST 6 POWER COMPLETE — 075
- YA165-050 + 24V HOST 7 POWER COMPLETE — 077
- YA165-057 + 24V HOST 8 POWER COMPLETE — 079
- YA171-023 + 24VDC BOOTSTRAP. — 083
- YA171-012 + 24V FROM PWR SEL SW — 085
- YA171-037 + 24VDC RTN TO OP PANEL — 087
- YA171-009 + 24VDC TO POWER ON SWITCH — 089
- YA171-031 + 24VDC TO AC APPLIED LED — 091
- YA181-011 + 24VDC UE TO DC SWITCH PANEL — 095
- YA215-067 + POWER DOWN SEQUENCE — 100
- YA215-065 + 24VDC RTN TO HOLD MAINT PWR — 103
- YA215-106 + 24VDC RTN TO START DEV SEQ — 107
- YA191-010 + 24VDC START DEVICE INTERFACE — 110
- YA191-016 + 24VDC RTN TO DEV INTERFACE — 113
- YA115-048 + 24VDC UE TO PICK K404 — 117
- YA115-054 + FROM BD B1 THERM TO PICK K401. — 119

NOTE 1 THIS DIODE NOT INSTALLED ON SOME EARLIER MACHINES.

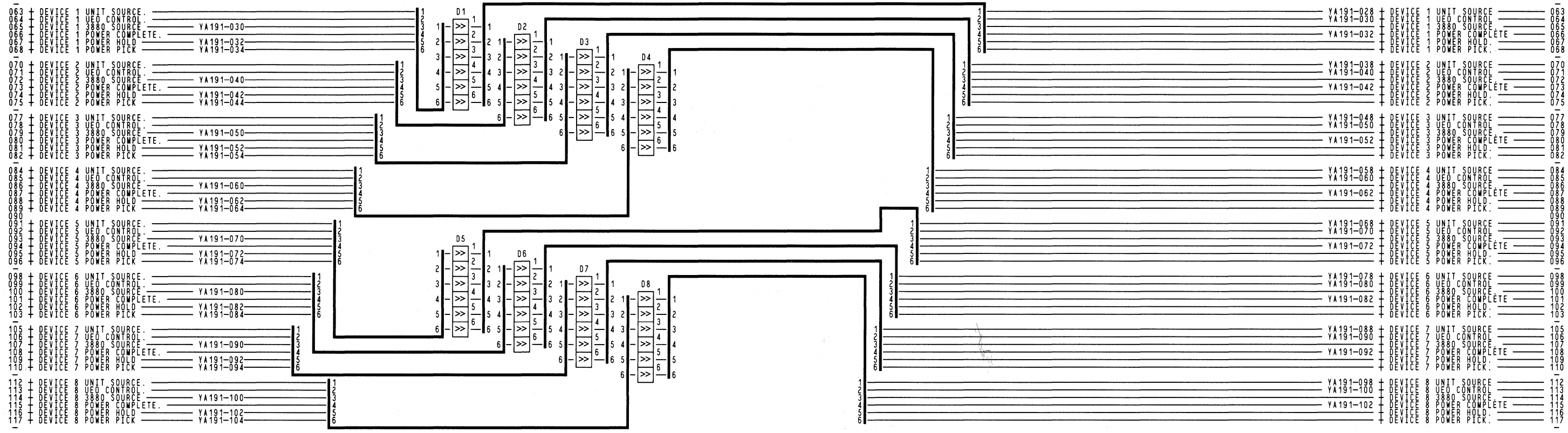
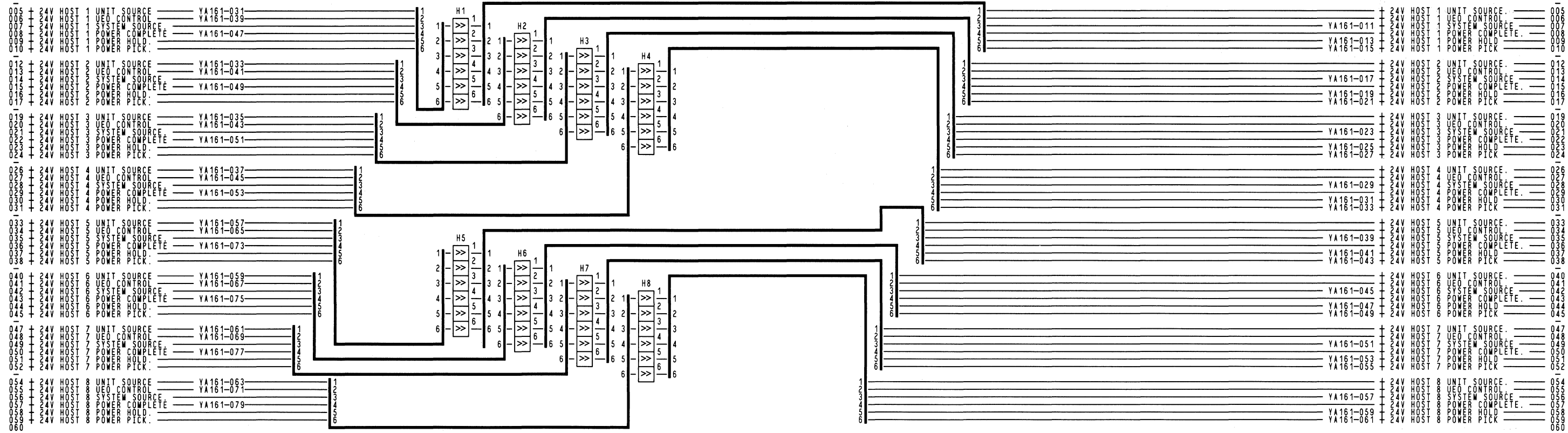
EC HISTORY  
 27APR84 458505  
 CENTRAL POWER CONTROL BOARD  
 PRINT 23APR84 1052 PN 2127251  
 YA801 PAGE 14 OF 28  
 MACH 3880 HPN  
 PNAME PWR HEC  
 LOC 0000

10 20 30 40 50 60 70 80 90 100 110 120 130 140 150 160 170 180 190 200 210 220 230 240 250 260 270 280 290 YA163

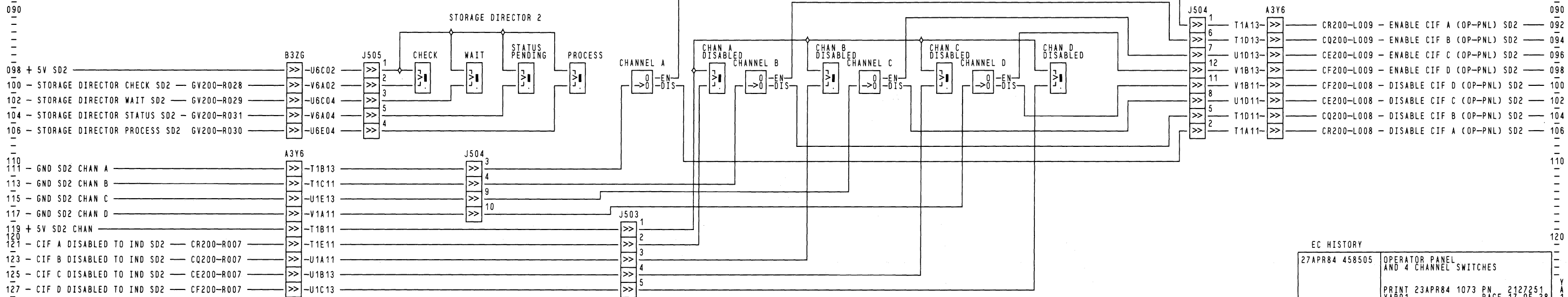
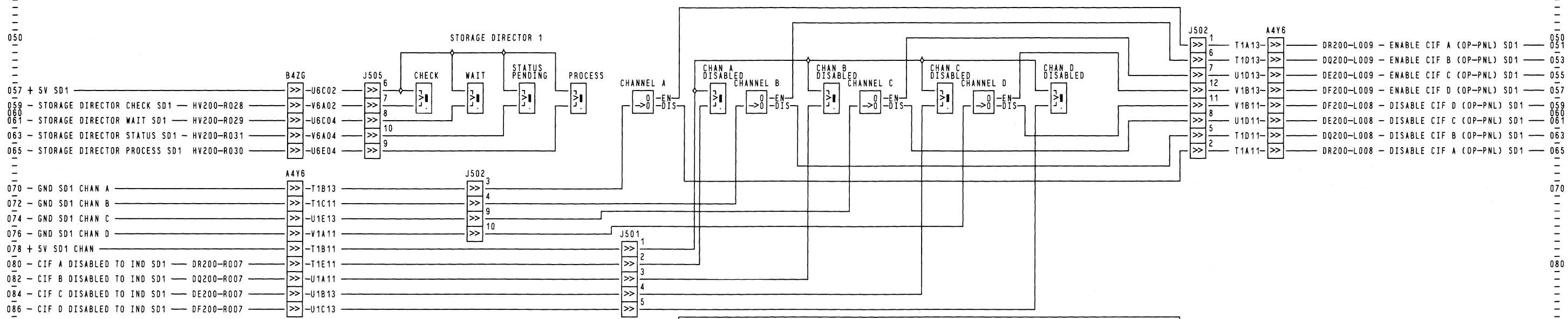
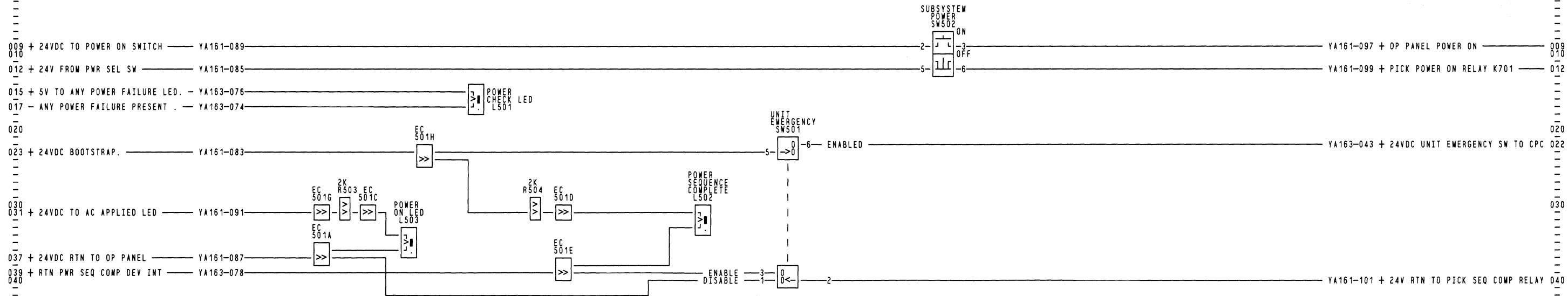


120

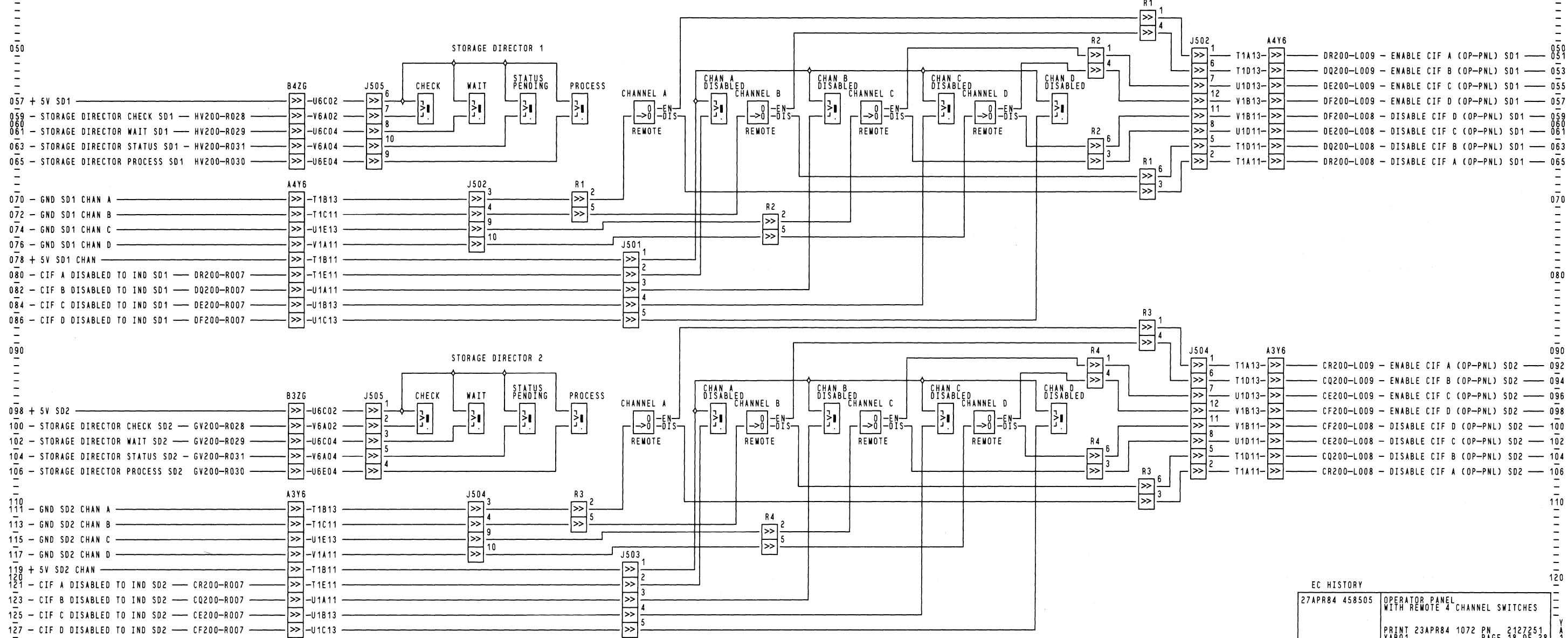
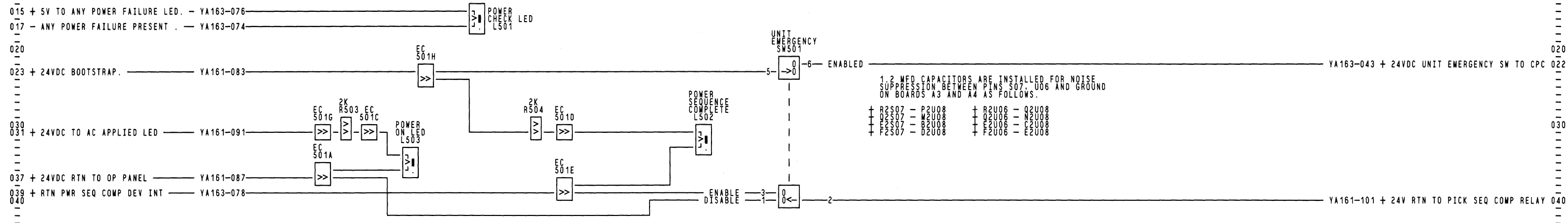
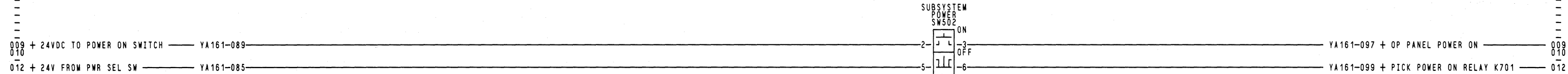
EC HISTORY	
27APR84 458505	CENTRAL POWER CONTROL BOARD FEED THRU
PRINT 23APR84 1032 PN 2127251	Y A 1 6 3
YAB01	PAGE 15 OF 28
MACH 3880	HPN
LOC PNAME POWR	HEC
IBW CORP	0000



10 20 30 40 50 60 70 80 90 100 110 120 130 140 150 160 170 180 190 200 210 220 230 240 250 260 270 280 290 YA171

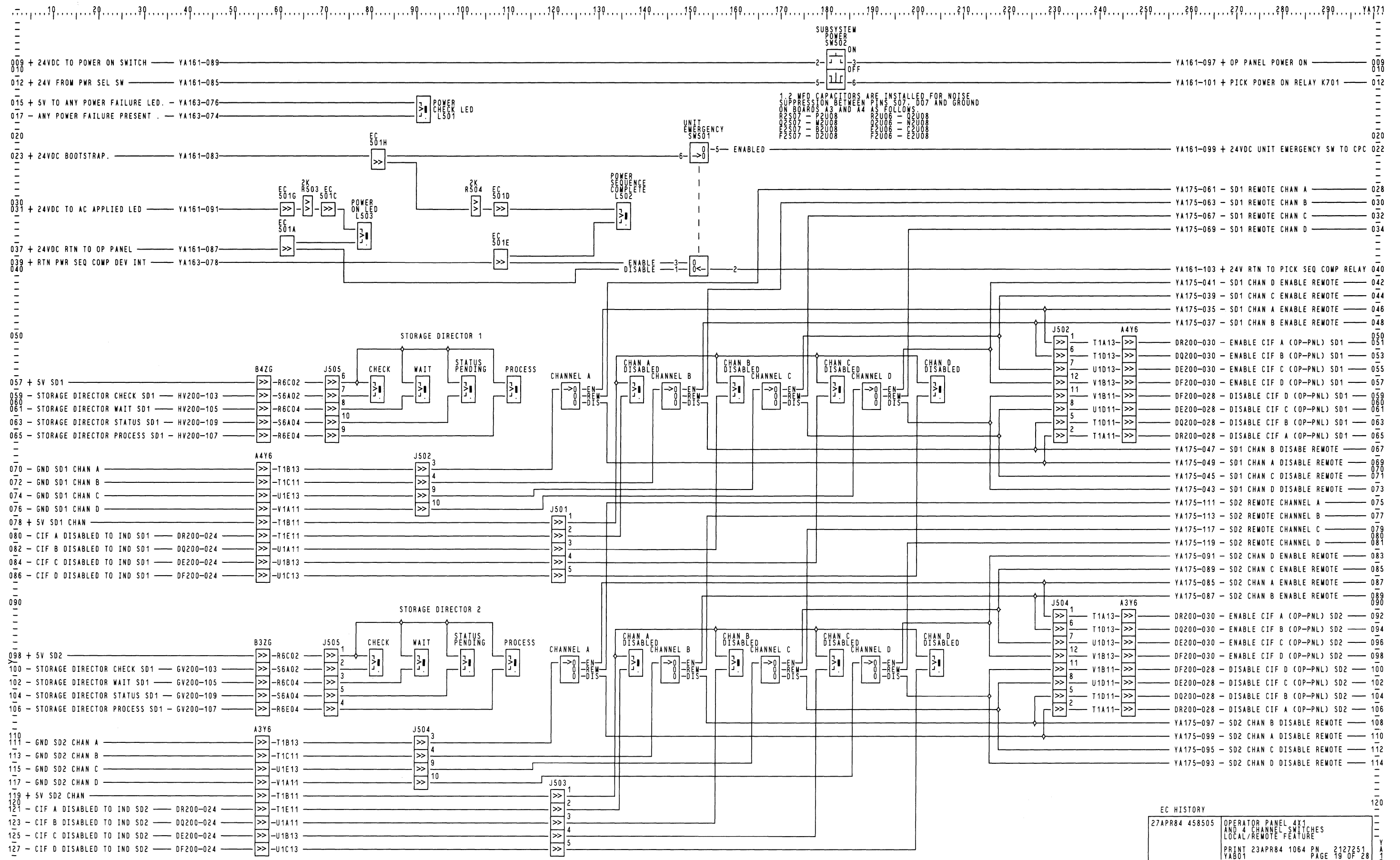


EC HISTORY  
 27APR84 458505 OPERATOR PANEL AND 4 CHANNEL SWITCHES  
 PRINT 23APR84 1073 PN 2127251  
 YABD1 PAGE 17 OF 28  
 MACH 3880 HPN  
 PNAME POWR HEC



EC HISTORY  
 27APR84 458505 OPERATOR PANEL WITH REMOTE 4 CHANNEL SWITCHES  
 PRINT 23APR84 1072 PN 212251  
 YAB01 PAGE 18 OF 28  
 MACH 3880 HPN  
 PNAME POWR HEC  
 LOC 0061





10 20 30 40 50 60 70 80 90 100 110 120 130 140 150 160 170 180 190 200 210 220 230 240 250 260 270 280 290 YA171

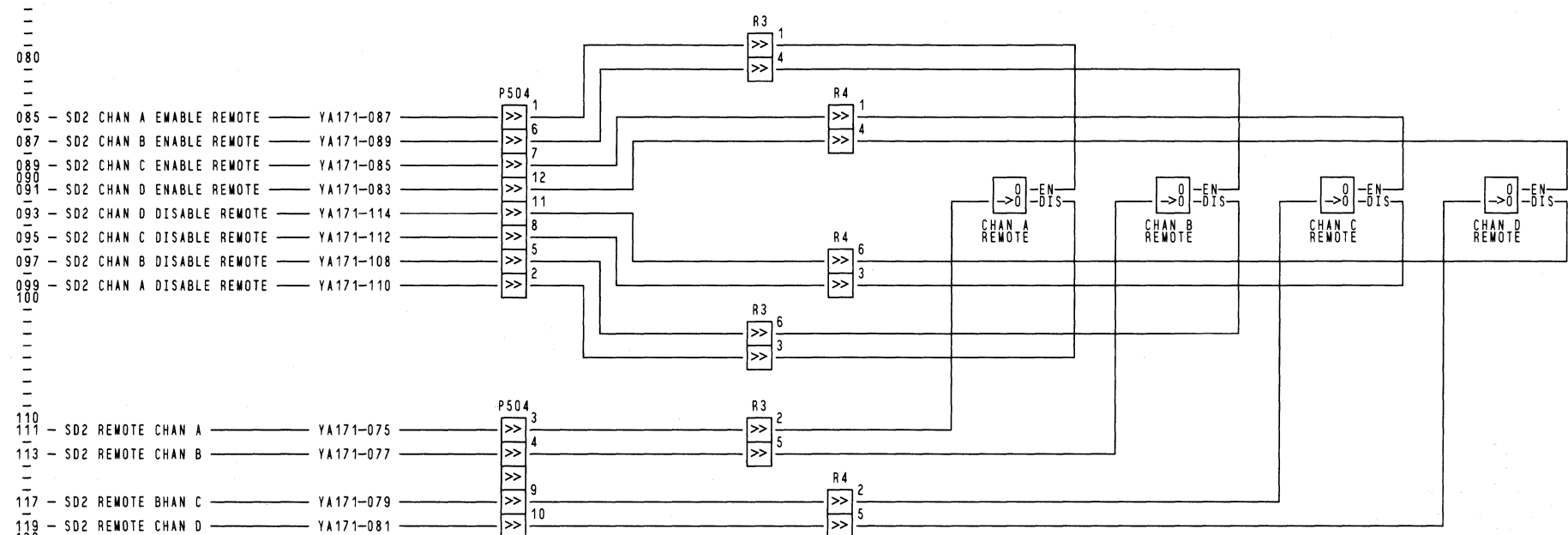
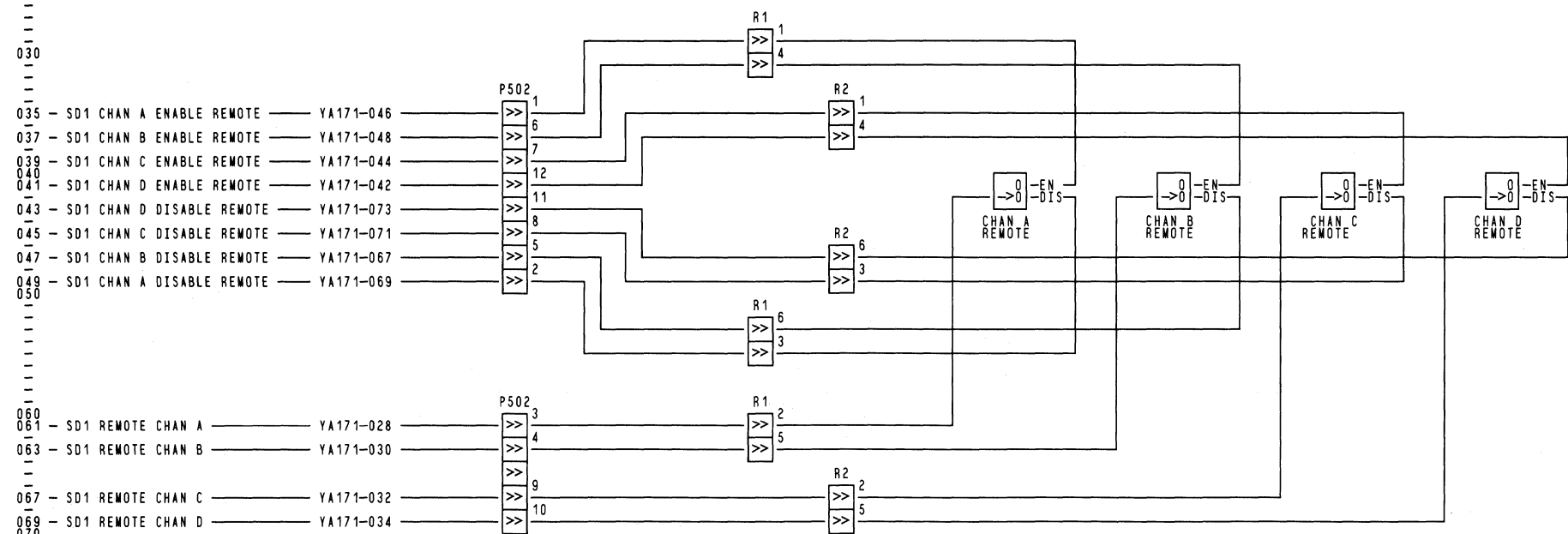
009 + 24VDC TO POWER ON SWITCH — YA161-089 — 009  
 010 — 010  
 012 + 24V FROM PWR SEL SW — YA161-085 — 012  
 015 + 5V TO ANY POWER FAILURE LED. — YA163-076 —  
 017 — ANY POWER FAILURE PRESENT. — YA163-074 —  
 020 — 020  
 023 + 24VDC BOOTSTRAP. — YA161-083 — 023  
 030 — 030  
 031 + 24VDC TO AC APPLIED LED — YA161-091 — 031  
 037 + 24VDC RTN TO OP PANEL — YA161-087 — 037  
 039 + RTN PWR SEQ COMP DEV INT — YA163-078 — 039  
 040 — 040  
 050 — 050  
 057 + 5V SD1 — 057  
 059 — STORAGE DIRECTOR CHECK SD1 — HV200-103 — 059  
 060 — STORAGE DIRECTOR WAIT SD1 — HV200-105 — 060  
 061 — STORAGE DIRECTOR STATUS SD1 — HV200-109 — 061  
 063 — STORAGE DIRECTOR PROCESS SD1 — HV200-107 — 063  
 065 — STORAGE DIRECTOR PROCESS SD1 — HV200-107 — 065  
 070 — GND SD1 CHAN A — 070  
 072 — GND SD1 CHAN B — 072  
 074 — GND SD1 CHAN C — 074  
 076 — GND SD1 CHAN D — 076  
 078 + 5V SD1 CHAN — 078  
 080 — CIF A DISABLED TO IND SD1 — DR200-024 — 080  
 082 — CIF B DISABLED TO IND SD1 — DQ200-024 — 082  
 084 — CIF C DISABLED TO IND SD1 — DE200-024 — 084  
 086 — CIF D DISABLED TO IND SD1 — DF200-024 — 086  
 090 — 090  
 098 + 5V SD2 — 098  
 100 — STORAGE DIRECTOR CHECK SD1 — GV200-103 — 100  
 102 — STORAGE DIRECTOR WAIT SD1 — GV200-105 — 102  
 104 — STORAGE DIRECTOR STATUS SD1 — GV200-109 — 104  
 106 — STORAGE DIRECTOR PROCESS SD1 — GV200-107 — 106  
 110 — GND SD2 CHAN A — 110  
 113 — GND SD2 CHAN B — 113  
 115 — GND SD2 CHAN C — 115  
 117 — GND SD2 CHAN D — 117  
 119 + 5V SD2 CHAN — 119  
 121 — CIF A DISABLED TO IND SD2 — DR200-024 — 121  
 123 — CIF B DISABLED TO IND SD2 — DQ200-024 — 123  
 125 — CIF C DISABLED TO IND SD2 — DE200-024 — 125  
 127 — CIF D DISABLED TO IND SD2 — DF200-024 — 127

1 2 MFD CAPACITORS ARE INSTALLED FOR NOISE SUPPRESSION BETWEEN PINS S07, D07 AND GROUND ON BOARDS A3 AND A4 AS FOLLOWS:  
 R2S07 - P2U08 R2U06 - D2U08  
 Q2S07 - M2U08 Q2U06 - N2U08  
 F2S07 - B2U08 F2U06 - C2U08  
 F2S07 - D2U08 F2U06 - E2U08

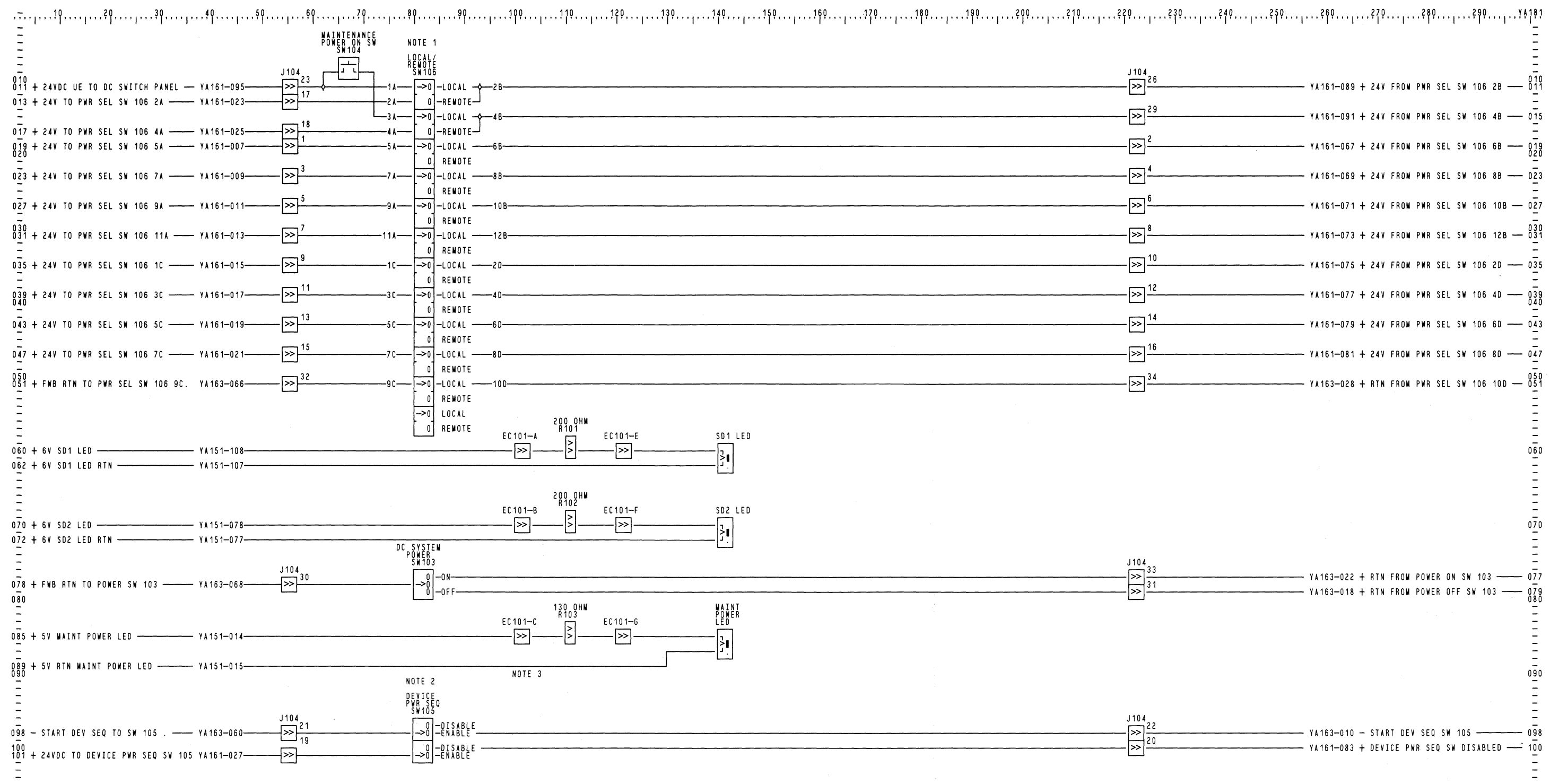
EC HISTORY  
 27APR84 458505  
 OPERATOR PANEL 4X1 AND 4 CHANNEL SWITCHES LOCAL/REMOTE FEATURE  
 PRINT 23APR84 1064 PN 2127251  
 YAB01 PAGE 19 OF 28  
 WACH 3880 HPN  
 NAME POWR HEC  
 TRM CORP 0062

010  
020  
030  
035  
037  
039  
041  
043  
045  
047  
049  
050  
060  
061  
063  
067  
069  
070  
080  
085  
087  
089  
091  
093  
095  
097  
099  
100  
110  
111  
113  
117  
119  
120

010  
020  
030  
040  
050  
060  
070  
080  
090  
100  
110  
120



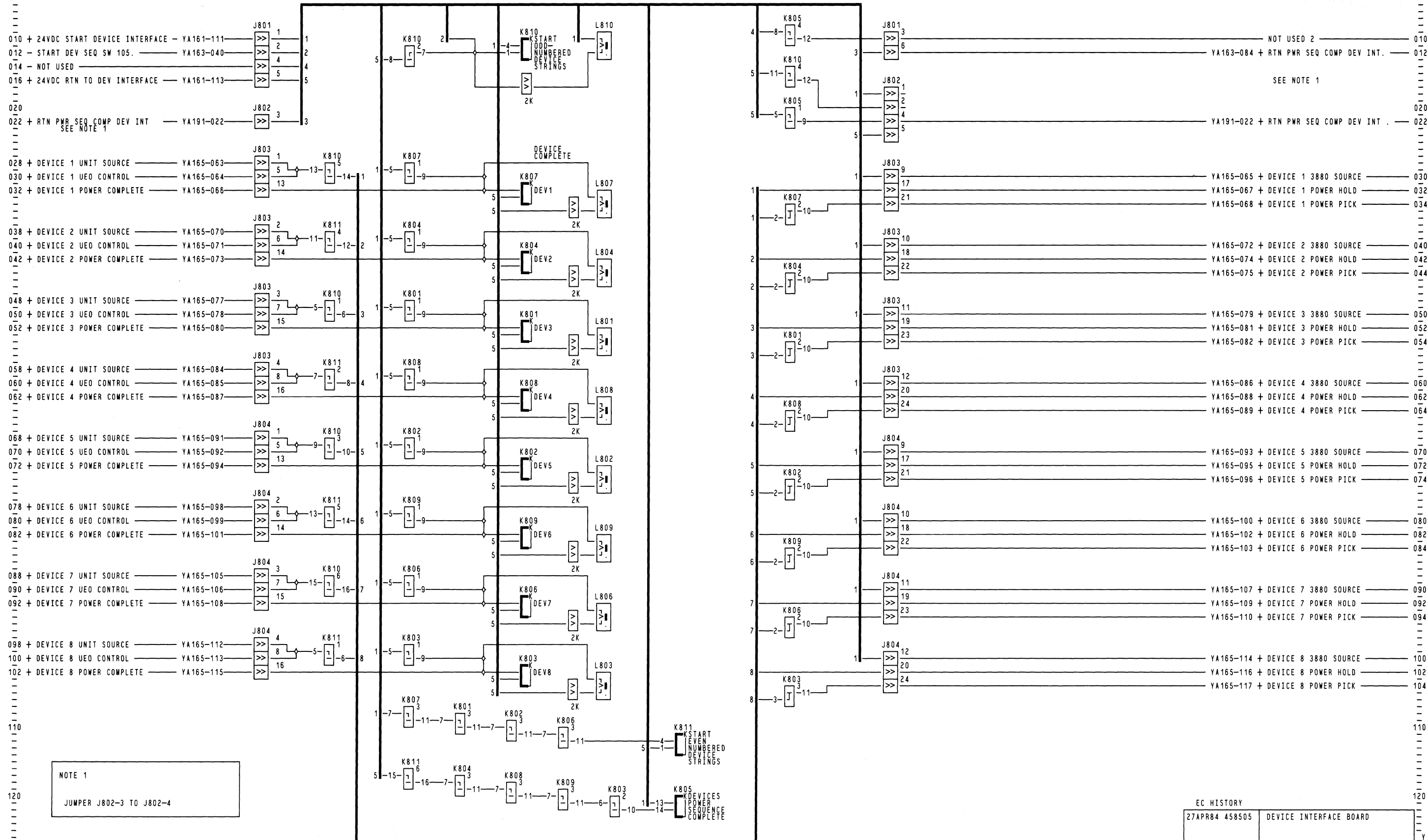
EC HISTORY	
27APR84 458505	4X1 LOCAL REMOTE SWITCH FEATURE
PRINT 23APR84 0006 PN 2127251	
YAB01 PAGE 20 OF 28	
WACH 3880	HPN
NAME POWR	HEC
LOC	0022



NOTE 1: POWER SELECT SWITCH SHOWN IN LOCAL POSITION  
NOTE 2: CE DEVICE SWITCH SHOWN IN ENABLE POSITION

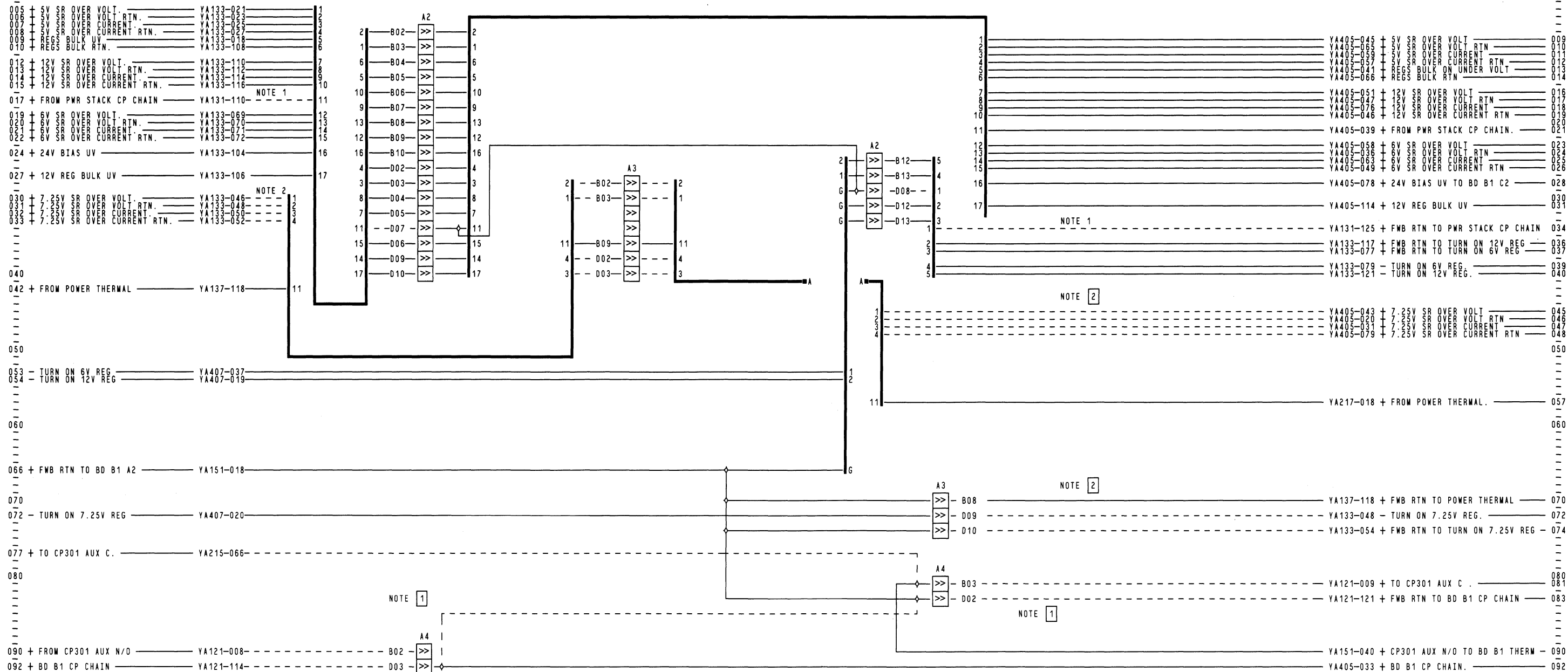
NOTE 3: E.C. POSITIONS D AND H RESERVED FOR FEATURES

EC HISTORY	
27APR84 458505	DC SWITCH PANEL
PRINT 23APR84 1421 PN 2127251 YAB01 PAGE 21 OF 28	
MACH 3880 PNAME POWR LOC	HPN HEC 0000



NOTE 1  
 JUMPER J802-3 TO J802-4

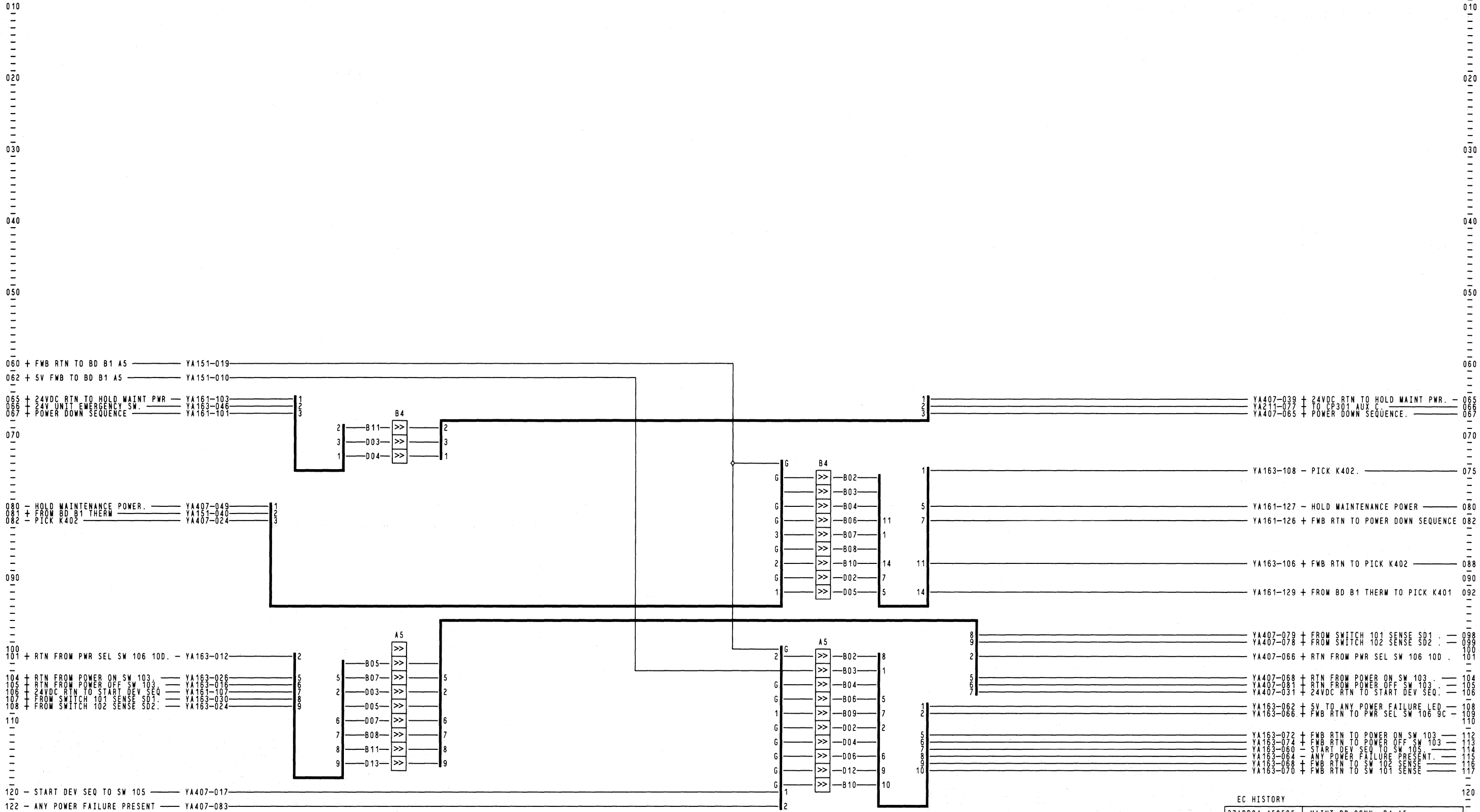
EC HISTORY  
 27APR84 458505 DEVICE INTERFACE BOARD  
 PRINT 23APR84 1107 PN. 2127251  
 YAB01 PAGE 22 OF 28  
 MACH 3880 HFN  
 NAME POWR HEC  
 LOC 0000



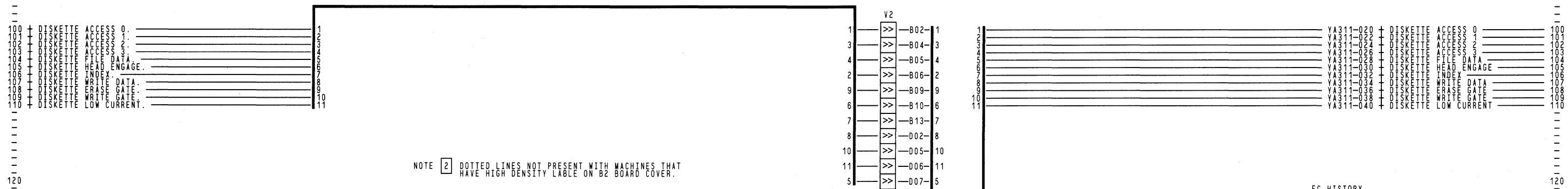
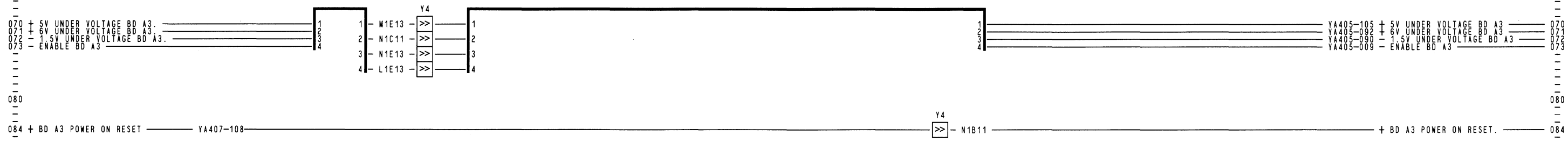
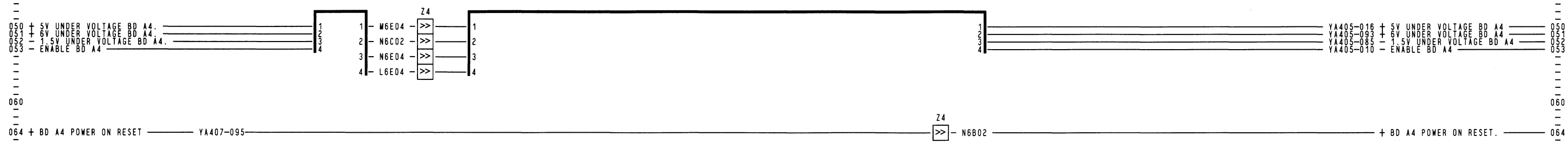
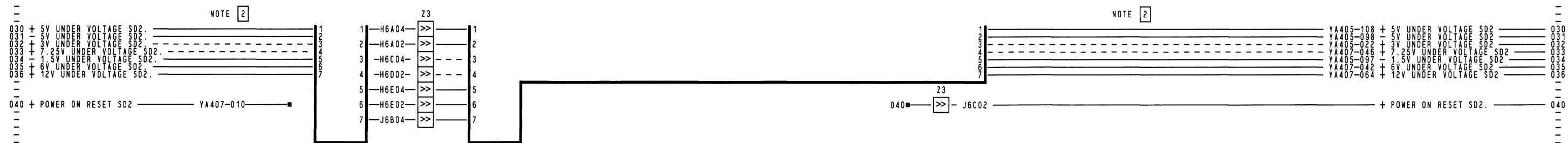
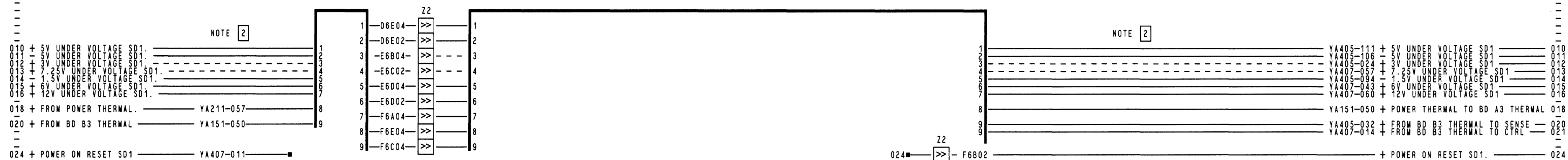
NOTE 1 MAY BE REMOVED ON SOME MACHINES.

NOTE 2 DOTTED LINES NOT PRESENT WITH MACHINES THAT HAVE HIGH DENSITY LABEL ON B2 BOARD COVER.

EC HISTORY	
27APR84 458505	MAINT BD CONN A2,A3,A4
PRINT 25APR84 1119	PN 2127251
YA801	PAGE 23 OF 28
MACH 3880	HPN
PNWAVE POWR	HEC
LOC	0000

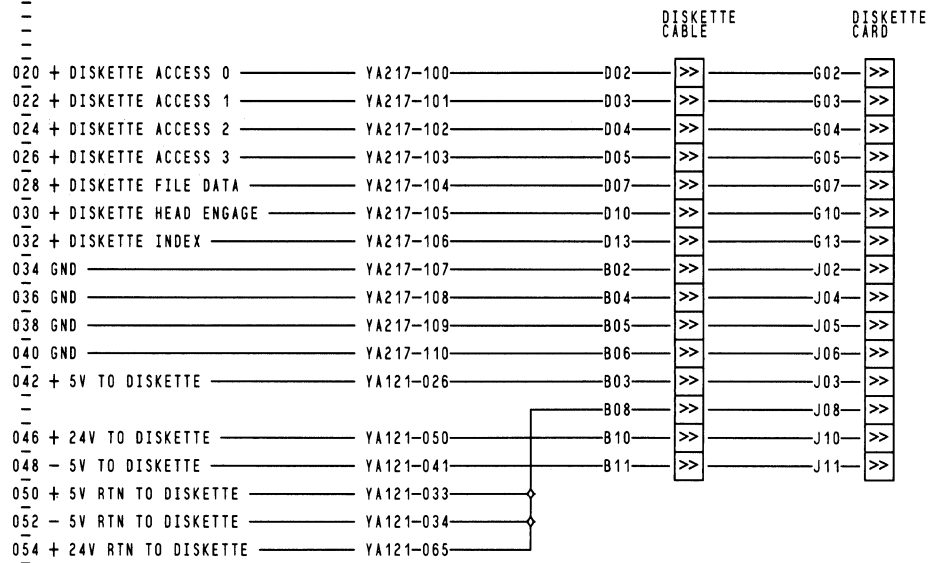


EC HISTORY  
 27APR84 458505 MAINT BD CONN B4.A5  
 PRINT 23APR84 1328 PN 212251  
 YAB01 PAGE 24 OF 28  
 MACH 3880 HPN  
 PNAME POWR HEC  
 LOC 0000



010

010



020

030

040

050

060

060

070

070

080

080

090

090

100

100

110

110

120

120

EC HISTORY

27APR84 458505	DISKETTE
PRINT 23APR84 1761 PN 2127251	
YA801 PAGE 26 OF 28	
WACH 3880	HPN
LOC PNAME POWR	HEC
IBM CORP	0000



009 - ENABLE BD A3  
010 - ENABLE BD A4

015 - MASK 1 SD1  
016 + 5V UNDER VOLTAGE BD A4

019 + 10.24V REF IN  
020 + 7.25V SR OVER VOLT RTN

022 + 3V UNDER VOLTAGE SD2  
023 + 5V FWB TO BD B1 C2  
024 + 3V UNDER VOLTAGE SD1

027 - MASK 1 SD2  
028 + FWB RTN TO BD B1 C2  
029 + 24V TO BD B1 C2

031 + 7.25V SR OVER CURRENT  
032 + FROM BD B3 THERMAL TO SENSE  
033 + BD B1 CP CHAIN.

036 + 6V SR OVER VOLT RTN

039 + FROM PWR STACK CP CHAIN.  
041 + REGS BULK ON UNDER VOLT  
042 + COUNT 1  
043 + 7.25V SR OVER VOLT

045 + 5V SR OVER VOLT  
046 + 12V SR OVER CURRENT RTN  
047 + 12V SR OVER VOLT RTN

049 + 6V SR OVER CURRENT RTN

050 + 12V SR OVER VOLT  
051 + COUNT 2  
052 + COUNT 3  
054 - TURN ON 6V REG SENSE

056 - MAIN K402 PICKED SENSE  
057 + 5V SR OVER CURRENT RTN  
058 + 6V SR OVER VOLT  
059 + 5V SR OVER CURRENT  
060 - TURN ON 7.25V AND 12V REGS

063 + 6V SR OVER CURRENT  
065 + 5V SR OVER VOLT RTN  
066 + REGS BULK RTN

070 - MASK 3 SD1  
071 - MASK 3 SD2

074 - MASK 3

076 + 12V SR OVER CURRENT

078 + 24V BIAS UV TO BD B1 C2  
079 + 7.25V SR OVER CURRENT RTN

085 - 1.5V UNDER VOLTAGE BD A4  
087 + BD B1 RESET

090 - 1.5V UNDER VOLTAGE BD A3  
091 - MASK 2  
092 + 6V UNDER VOLTAGE BD A3  
093 + 6V UNDER VOLTAGE BD A4  
094 - 1.5V UNDER VOLTAGE SD1

097 - 1.5V UNDER VOLTAGE SD2  
098 - 5V UNDER VOLTAGE SD2

100 - MAINTENANCE BOARD SELECT

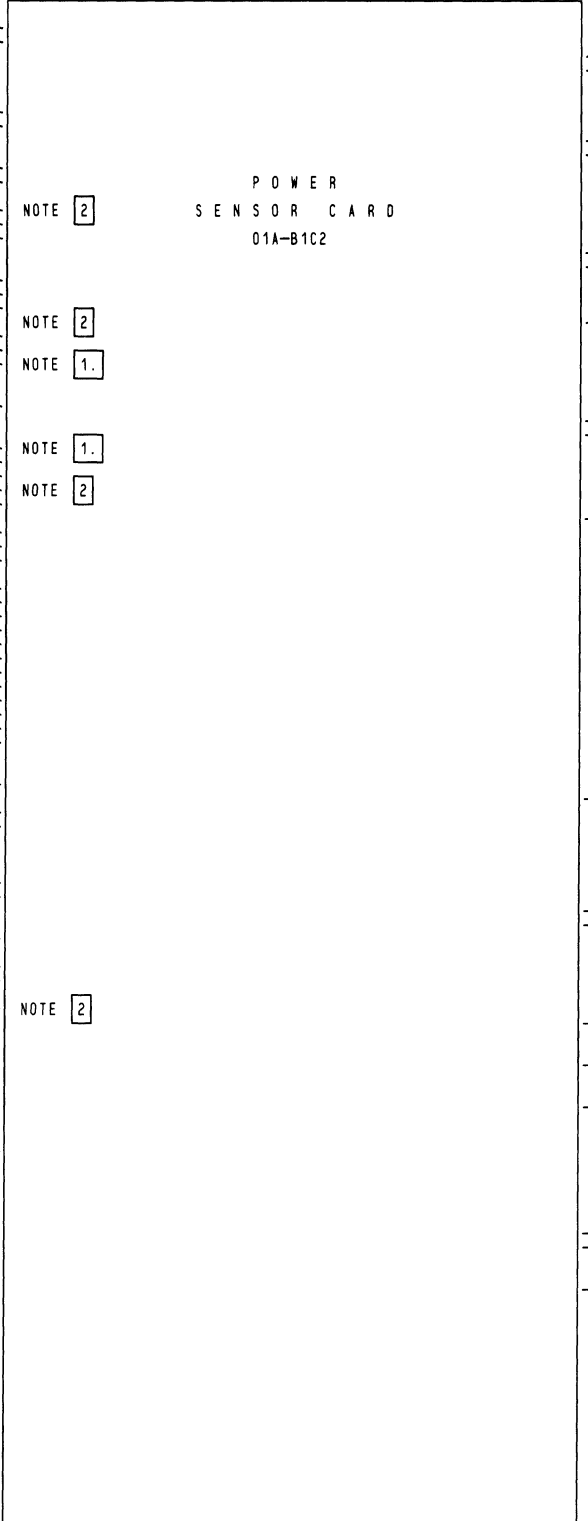
103 - DATA LOCK

105 + 5V UNDER VOLTAGE BD A3  
106 - 5V UNDER VOLTAGE SD1

108 + 5V UNDER VOLTAGE SD2

110 + 5V UNDER VOLTAGE SD1  
111 - MASK 1  
112 - MASK 1

114 + 12V REG BULK UV



B04  
B05 - FRU DATA BIT 0 EBO 0 SENSE  
B05 - FRU DATA BIT 2 EBO 2 SENSE

B10  
B11 - YA407-059 + 7.6V REF  
YA407-113 - 1.5V SD1 SENSE

D05  
D06 - FRU DATA BIT 1 EBO 1 SENSE  
D06 - FRU DATA BIT 3 EBO 3 SENSE

D10  
D10 - YA407-056 + 4.6V REF  
YA409-030 + 4.6V REF IN 8X2

G03  
G04 - YA409-019 + 10.24V REF IN 8X2  
YA405-019 + 10.24V REF IN  
YA407-063 + 10.24V REF IN  
YA407-041 + 5.4V REF IN 8X2  
YA409-037 + 5.4V REF IN 8X2

G10 - YA407-105 - 1.5V SD2 SENSE

M03 - YA407-058 + 6.6V REF

M11  
M12 - YA407-091 + 6V BD A4 SENSE  
YA407-051 - TYPE B FAILURE

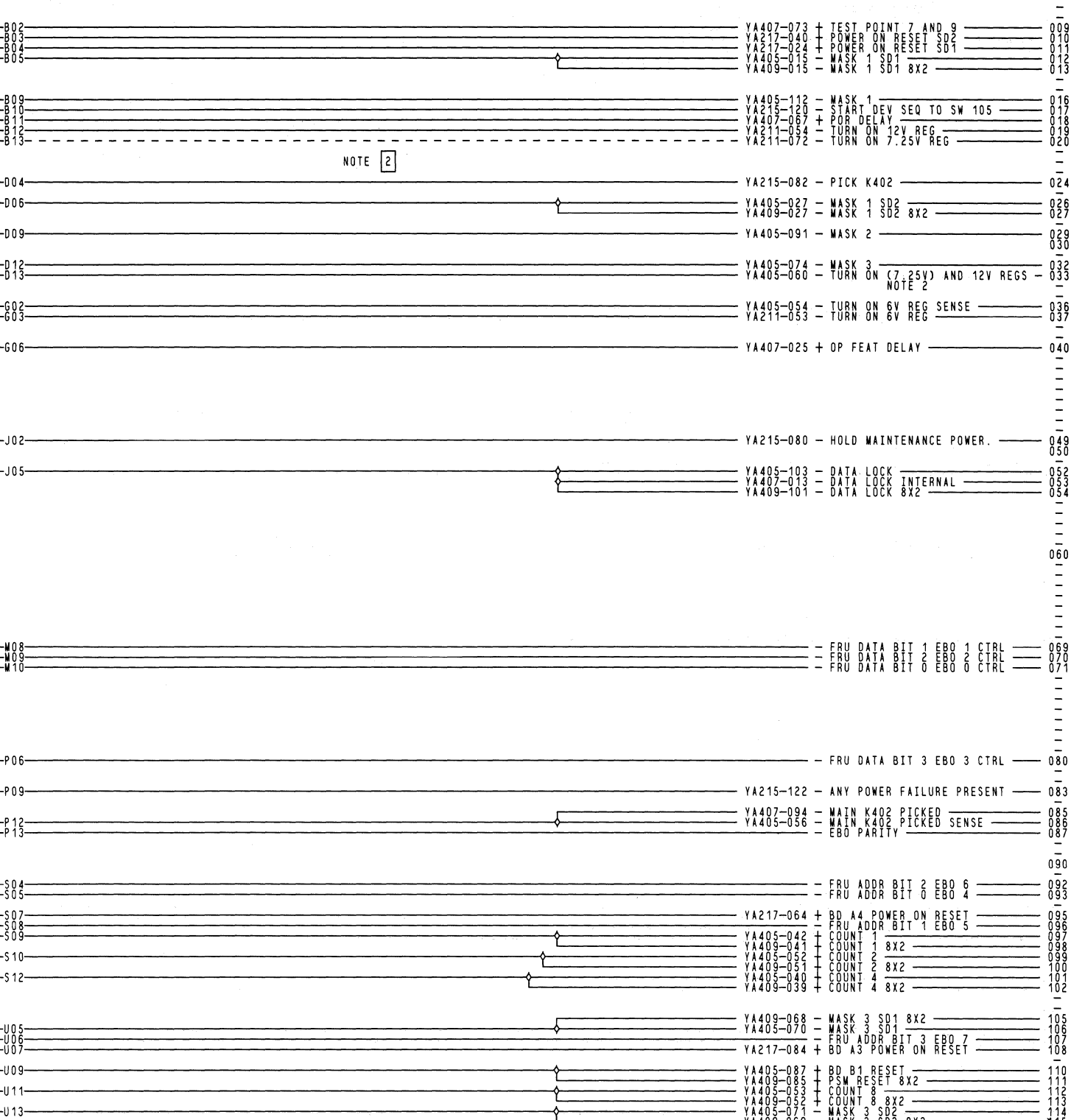
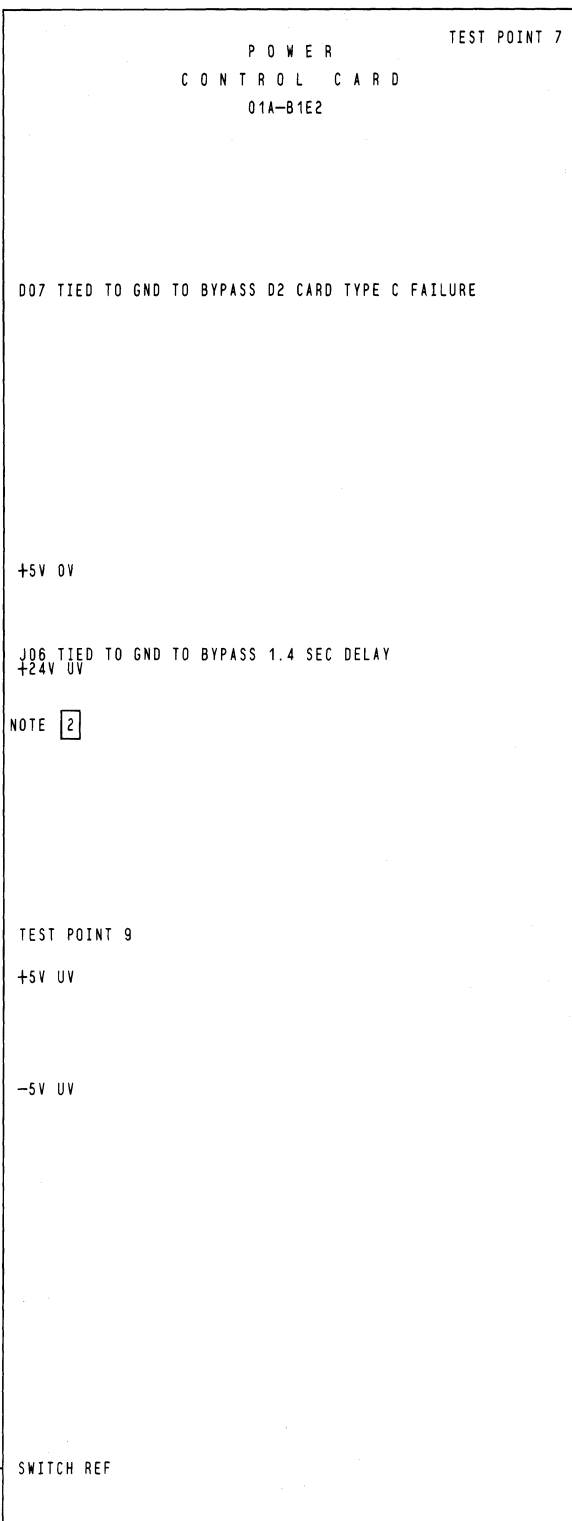
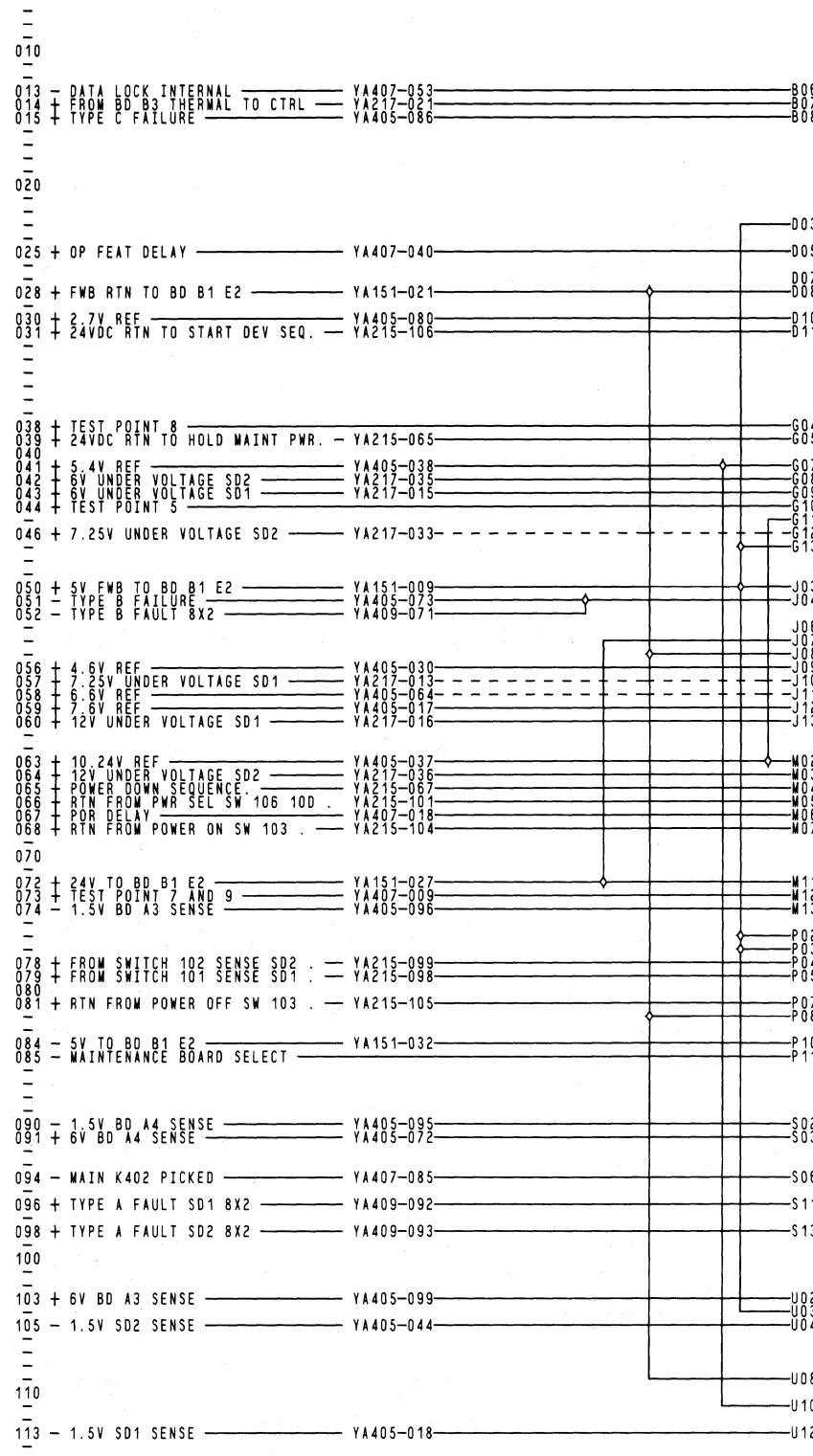
P06  
P09 - YA407-030 + 2.7V REF  
YA409-078 + 2.7V REF IN 8X2  
+ 8.9V REF TEST POINT

P12 - YA407-015 + TYPE C FAILURE

S07  
S08 - YA407-090 - 1.5V BD A4 SENSE  
YA407-074 - 1.5V BD A3 SENSE

S11 - YA407-103 + 6V BD A3 SENSE

NOTE 1 THERE ARE 1.2 MFD CAPACITORS CONNECTED FROM C2605 AND C2613 TO GROUND ON SOME 50HZ MACHINES.  
NOTE 2 DOTTED LINES NOT PRESENT WITH MACHINES THAT HAVE HIGH DENSITY LABEL ON B2 BOARD COVER.



NOTE 2 DOTTED LINES NOT PRESENT WITH MACHINES THAT HAVE HIGH DENSITY LABEL ON B2 BOARD COVER.

EC HISTORY	
27APR84 458505	POWER CONTROL CARD WITH ADDITIONAL 4 CHANNEL SWITCHES
PRINT 25APR84 1428 PN	2127251
YAB01	PAGE 28 OF 28
MACH 3880	HPN REC
PLANE POWER	LOC

010  
020  
030  
040  
050  
060  
070  
080  
090  
100  
110  
120

010  
020  
030  
040  
050  
060  
070  
080  
090  
100  
110  
120

3333 888 888 000  
333 888 888 000  
3333 888 888 000

PPPP 0000 W W EEEE RRRR  
P P P P O O O O W W W W E E E E R R R R  
P P P P O O O O W W W W E E E E R R R R  
P P P P O O O O W W W W E E E E R R R R

L 0000 GGGG IIII CCCC  
L L L L O O O O G G G G I I I I C C C C  
L L L L O O O O G G G G I I I I C C C C  
L L L L O O O O G G G G I I I I C C C C

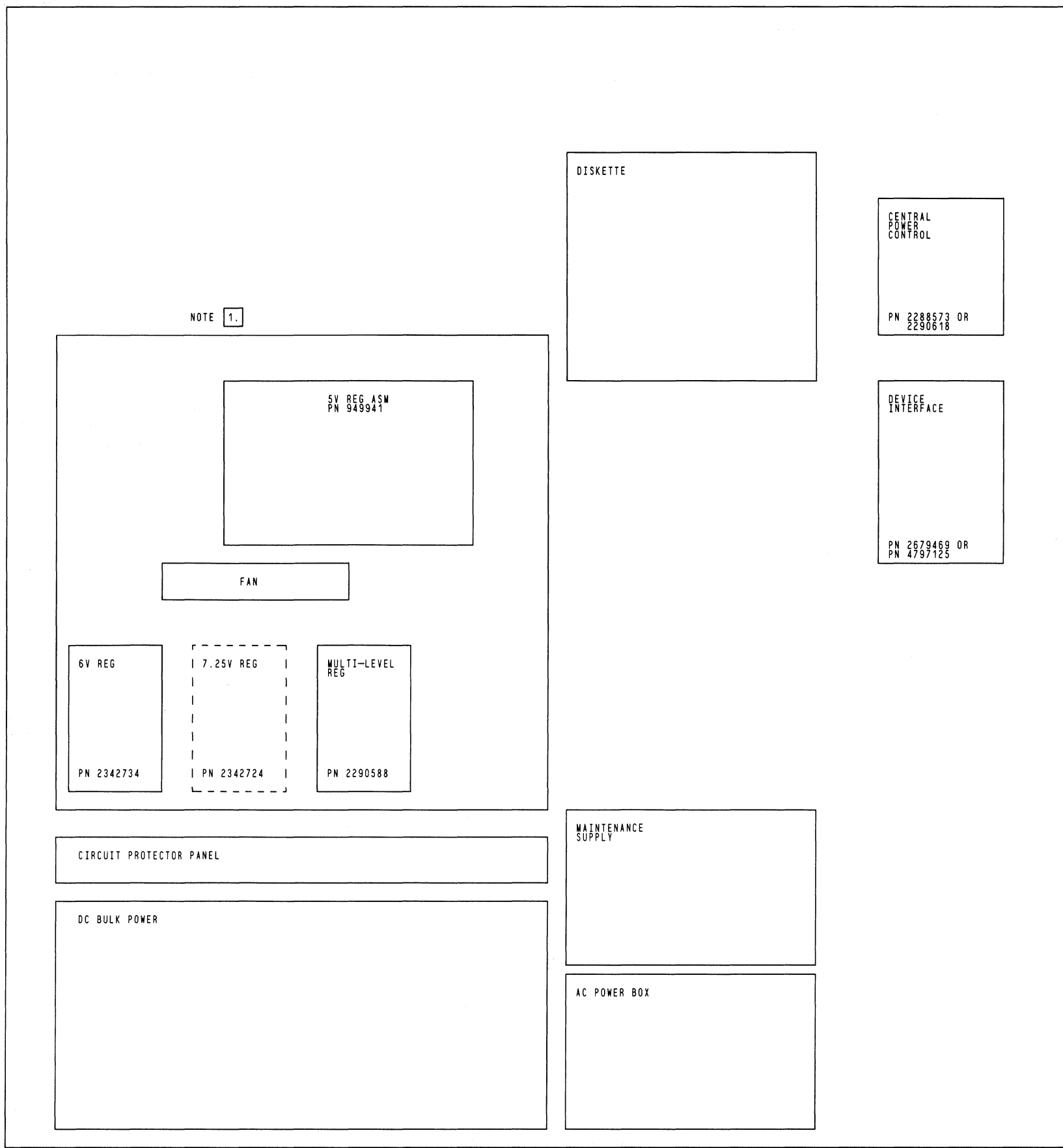
T I T L E	P A G E	N U M B E R
INDEX	YA010	1
POWER GROUP LOCATION	YA020	2
SYMBOLS USED IN POWER DIAGRAMS	YA100	3
+ 24V SCHEMATIC	YA105	4
BLOCK DIAGRAM, GROUNDING SCHEMATIC	YA110	5
PRIMARY POWER BOX	YA111	6
PRIMARY POWER BOX CONTROLS	YA115	7
PSM POWER SUPPLY	YA121	8
DC BULK SUPPLIES, NEGATIVE	YA131	9
BULK DC SUPPLY, POSITIVE	YA132	10
REGULATOR STACK	YA133	11
DC SWITCH	YA137	12
LOGIC GATE POWER DISTRIBUTION	YA151	13
CENTRAL POWER CONTROL BOARD	YA161	14
CENTRAL POWER CONTROL BOARD FEED THRU	YA163	15
HOST AND DEVICE CONTROL PANEL	YA165	16
OPERATOR PANEL AND CHANNEL SWITCHES	YA171	17
OPERATOR PANEL WITH REMOTE CH SW	YA171	18
OP PANEL, AND LOC/REM SW	YA171	19
OPER. PANEL, 8 CH SW, REMOTE SWITCHES	YA173	20
OPER. PANEL, 8 CH SW, REMOTE	YA173	21
OP PANEL, 8 CH SW LOC/REM	YA173	22
LOC/REM SW, 8 CHAN.	YA177	23
DC SWITCH PANEL	YA181	24
DEVICE INTERFACE BOARD	YA191	25
MAINT BD CONN A2,A3,A4	YA211	26
MAINT BD CONN B4,A5	YA215	27
MAINT BD CONN Z2,Z3,Z4,Y4,V2	YA217	28
DISKETTE	YA311	29
POWER SENSOR CARD EDS	YA405	30
POWER CONTROL CARD EDS	YA407	31
POWER SENSOR CARD, 8 CH	YA409	32

EC HISTORY

27APR84 458505	INDEX TABLE OF CONTENTS, 8 CH SW (4 CH ADDITIONAL)
	PRINT 19APR84 1550 PN 2127252 YACO1 PAGE 1 OF 32
IBW CORP	MACH 3880 HPN LOC PNAME POWR HEC 0080

010  
020  
030  
040  
050  
060  
070  
080  
090  
100  
110  
120

010  
020  
030  
040  
050  
060  
070  
080  
090  
100  
110  
120



NOTE 1.

5V REG ASM  
PN 949941

FAN

6V REG  
PN 2342734

7.25V REG  
PN 2342724

MULTI-LEVEL  
REG  
PN 2290588

CIRCUIT PROTECTOR PANEL

DC BULK POWER

DISKETTE

CENTRAL  
POWER  
CONTROL  
  
PN 2288573 OR  
2290618

DEVICE  
INTERFACE  
  
PN 2679469 OR  
PN 4797125

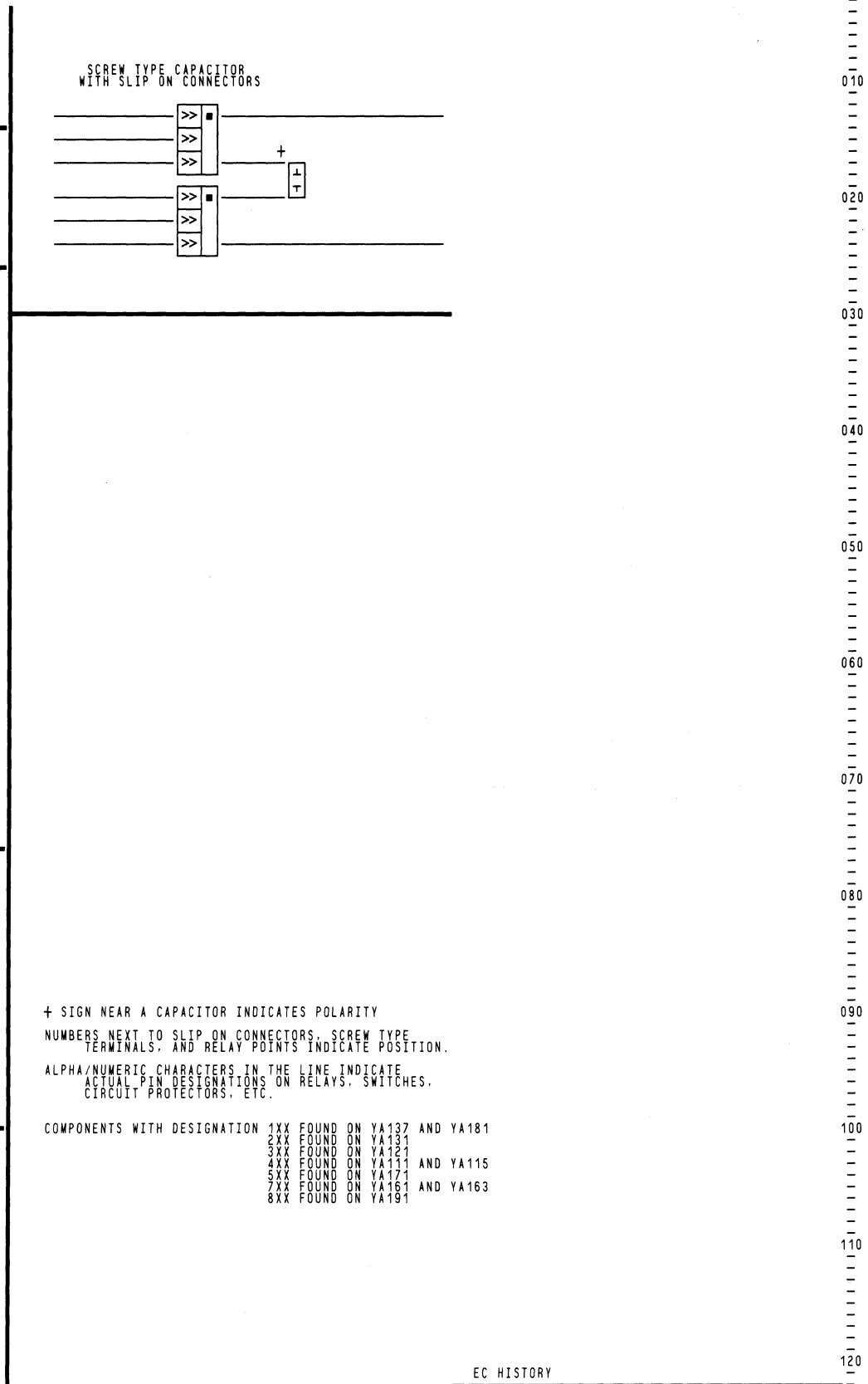
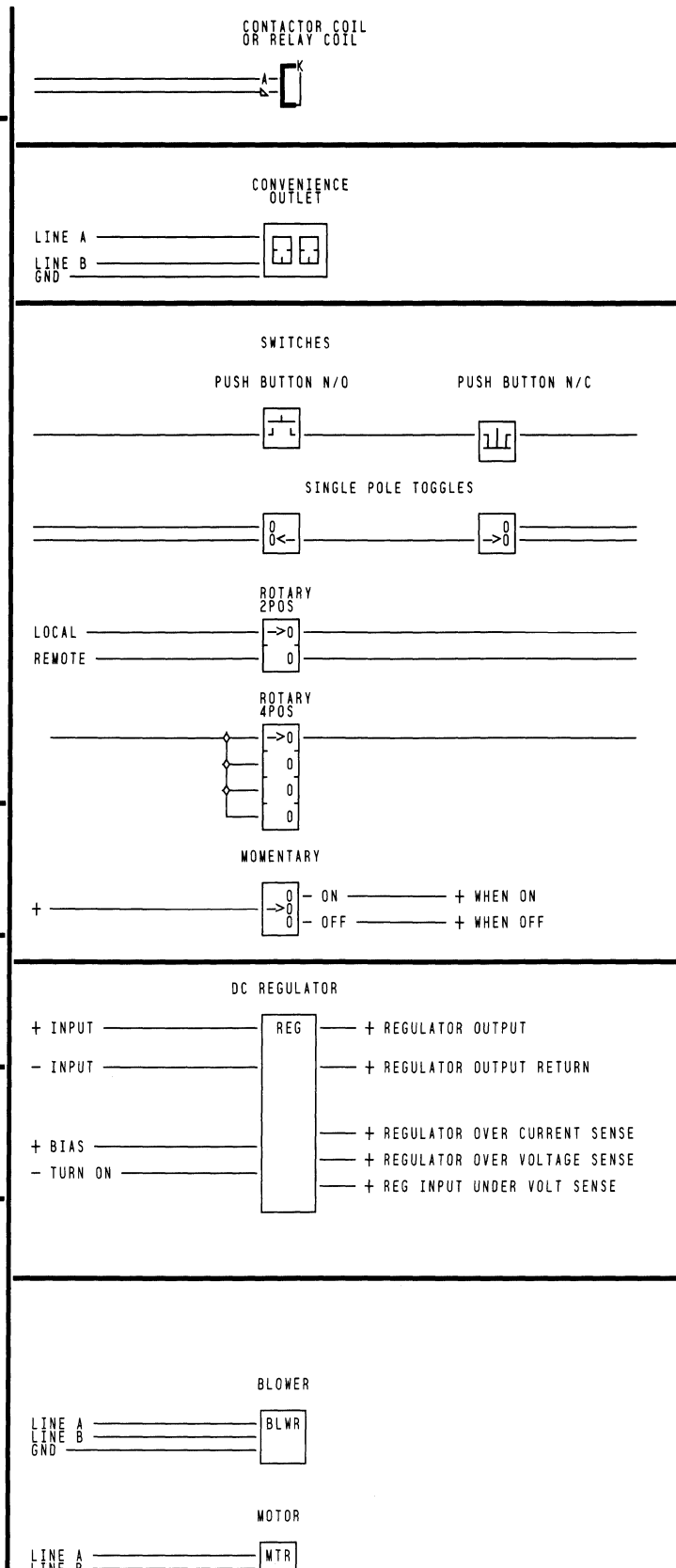
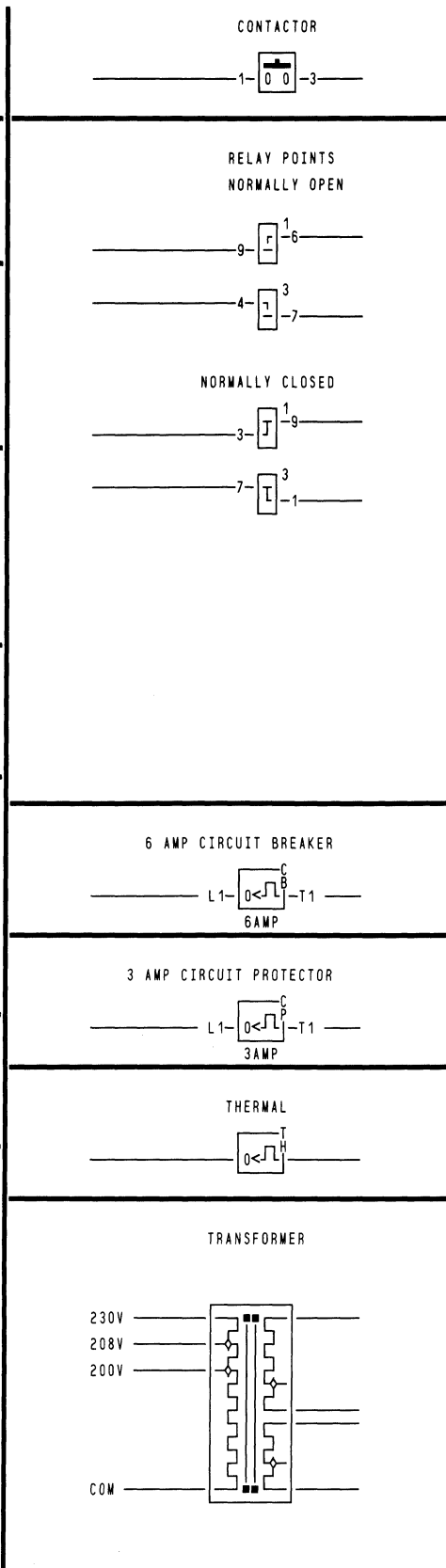
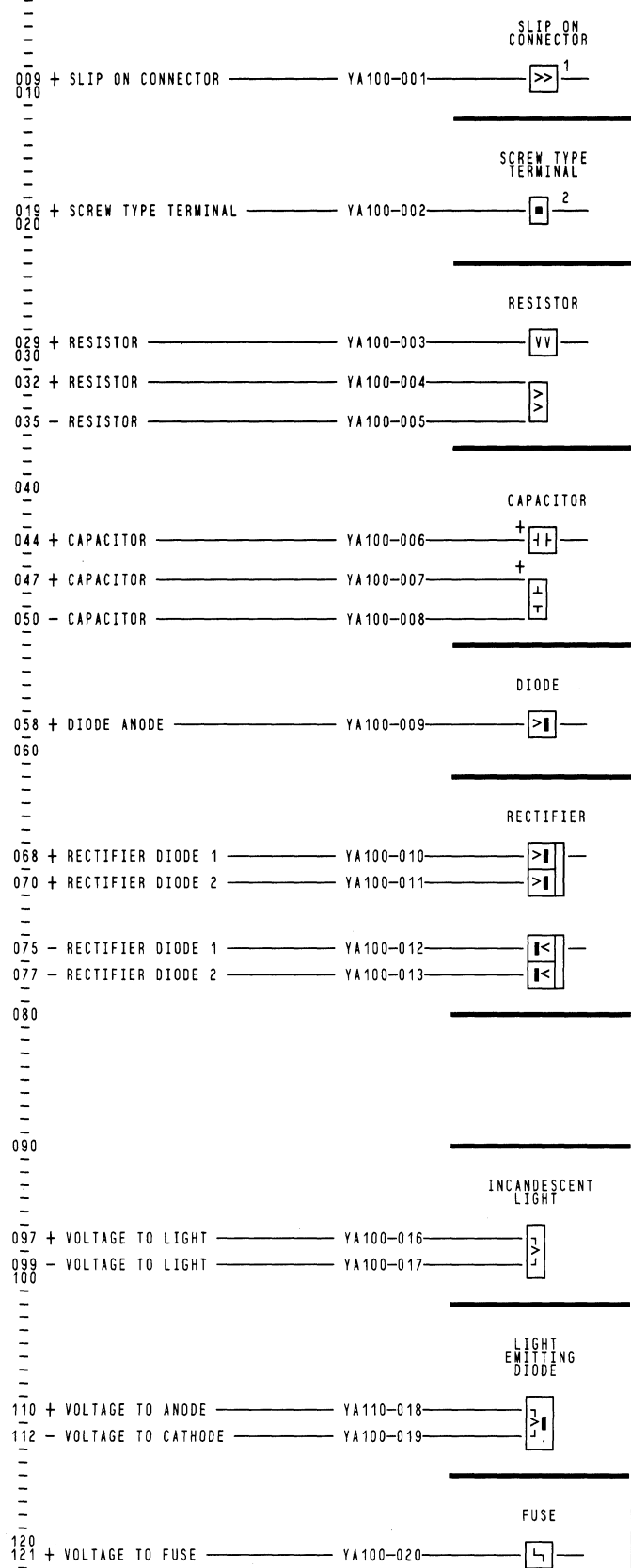
MAINTENANCE  
SUPPLY

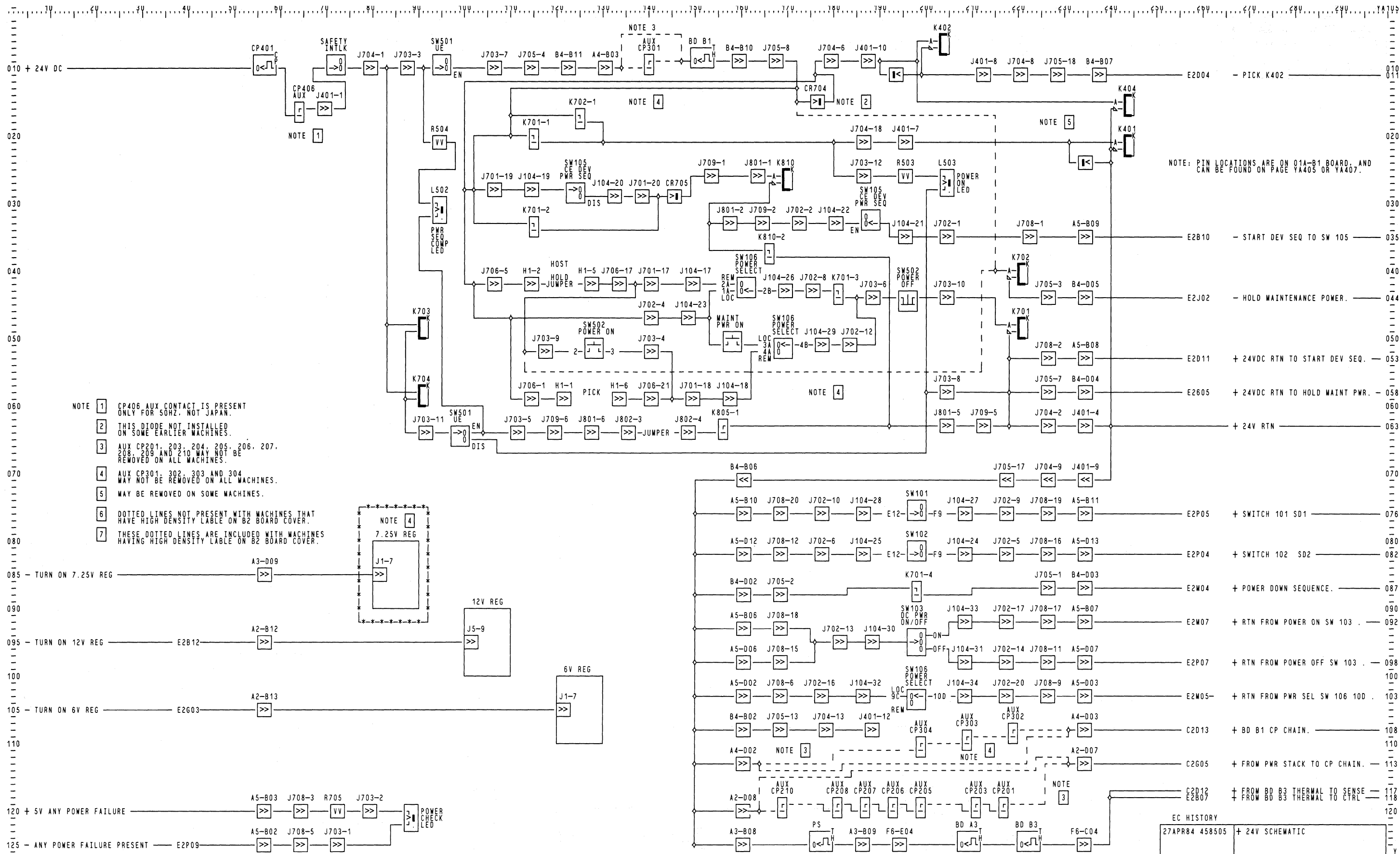
AC POWER BOX

NOTE 1. IF "HIGH DENSITY" LABEL IS INSTALLED ON B3 BOARD COVER, THE +7.25V REGULATOR HAS ALREADY BEEN REMOVED.

EC HISTORY

27APR84 458505	POWER GROUP LOCATION WITH ADDITIONAL 4 CHANNEL SWITCH
YACD1	PRINT 19APR84 1424 PN 2127252 PAGE 2 OF 32
MACH 3880	HPN
LOC PWRR	REC





- NOTE 1 CP406 AUX CONTACT IS PRESENT ONLY FOR 50HZ. NOT JAPAN.
- NOTE 2 THIS DIODE NOT INSTALLED ON SOME EARLIER MACHINES.
- NOTE 3 AUX CP201, 203, 204, 205, 206, 207, 208, 209 AND 210 MAY NOT BE REMOVED ON ALL MACHINES.
- NOTE 4 AUX CP301, 302, 303 AND 304 MAY NOT BE REMOVED ON ALL MACHINES.
- NOTE 5 MAY BE REMOVED ON SOME MACHINES.
- NOTE 6 DOTTED LINES NOT PRESENT WITH MACHINES THAT HAVE HIGH DENSITY LABEL ON B2 BOARD COVER.
- NOTE 7 THESE DOTTED LINES ARE INCLUDED WITH MACHINES HAVING HIGH DENSITY LABEL ON B2 BOARD COVER.

NOTE: PIN LOCATIONS ARE ON 01A-B1 BOARD, AND CAN BE FOUND ON PAGE YA405 OR YA407.

EC HISTORY  
27APR84 458505 + 24V SCHEMATIC

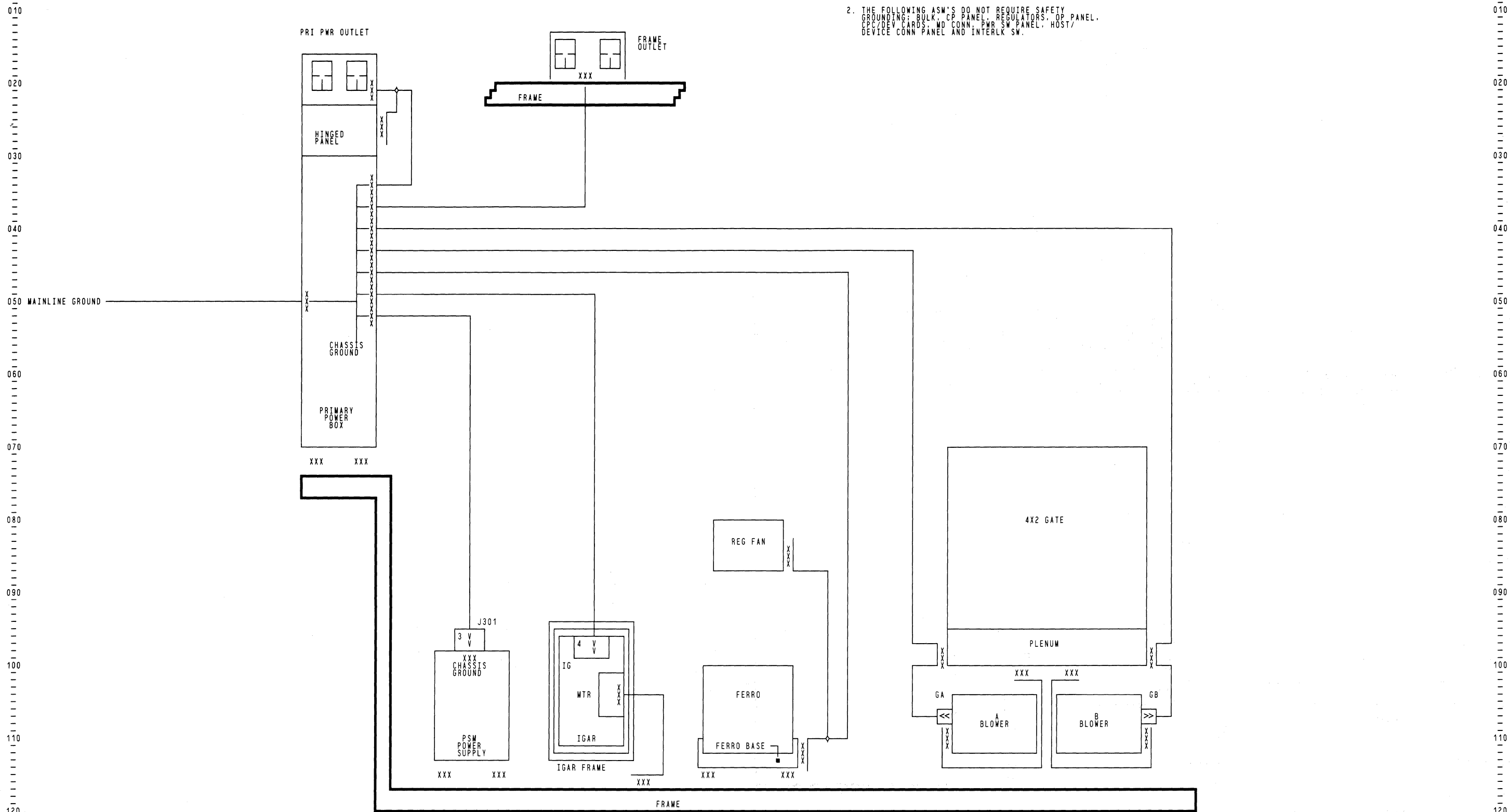
PRINT 14APR84 1588 PN 2127252  
YAC01 PAGE 4 OF 32

MACH 3880 HPN  
PNAME POWR HEC  
LOC 0000

10 20 30 40 50 60 70 80 90 100 110 120 130 140 150 160 170 180 190 200 210 220 230 240 250 260 270 280 290 Y4110

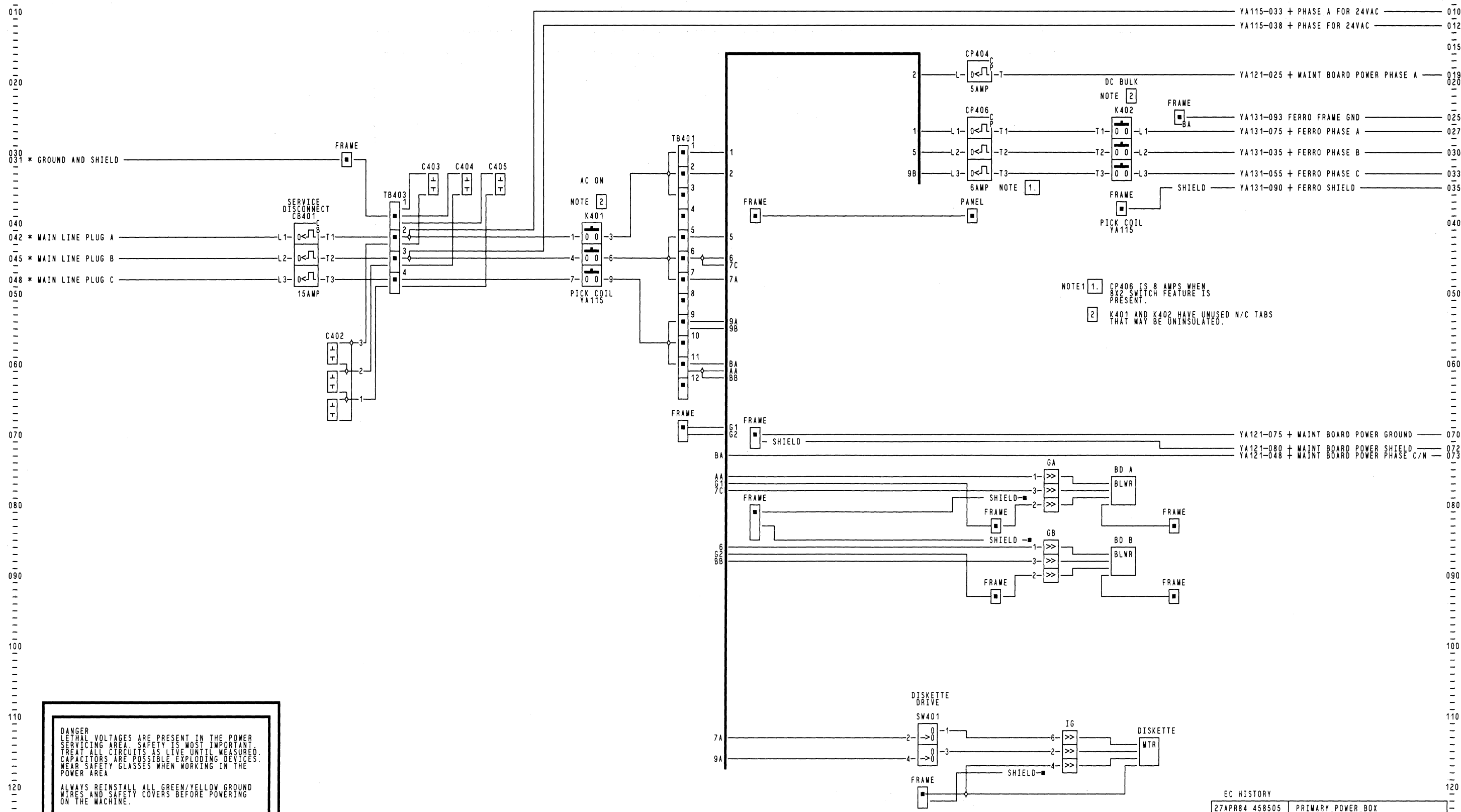
NOTES:

- 1. XXX DENOTES EXTERNAL STAR WASHER.
- 2. THE FOLLOWING ASM'S DO NOT REQUIRE SAFETY GROUNDING: BULK, CP PANEL, REGULATORS, OP PANEL, CPC/DEV CARDS, MD CONN, PWR SW PANEL, HOST/DEVICE CONN PANEL AND INTERLK SW.



EC HISTORY	
27APR84 458505	BLOCK DIAGRAM GROUNDING SCHEMATIC
PRINT 19APR84 0020 PN 2127252	YAC01 PAGE 5 OF 32
MACH PNAME POWR	HPN HEC

Y  
A  
1  
0



030 \* GROUND AND SHIELD  
 042 \* MAIN LINE PLUG A  
 045 \* MAIN LINE PLUG B  
 048 \* MAIN LINE PLUG C

YA115-033 + PHASE A FOR 24VAC  
 YA115-038 + PHASE FOR 24VAC  
 YA121-025 + MAINT BOARD POWER PHASE A  
 YA131-093 FERRO FRAME GND  
 YA131-075 + FERRO PHASE A  
 YA131-035 + FERRO PHASE B  
 YA131-055 + FERRO PHASE C  
 YA131-090 + FERRO SHIELD

YA121-075 + MAINT BOARD POWER GROUND  
 YA121-080 + MAINT BOARD POWER SHIELD  
 YA121-048 + MAINT BOARD POWER PHASE C/N

NOTE 1: CP406 IS 8 AMPS WHEN 8X2 SWITCH FEATURE IS PRESENT.  
 NOTE 2: K401 AND K402 HAVE UNUSED N/C TABS THAT MAY BE UNINSULATED.

**DANGER**  
 LETHAL VOLTAGES ARE PRESENT IN THE POWER SERVICING AREA. SAFETY IS MOST IMPORTANT. TREAT ALL CIRCUITS AS LIVE UNTIL MEASURED. CAPACITORS ARE POSSIBLE EXPLODING DEVICES. WEAR SAFETY GLASSES WHEN WORKING IN THE POWER AREA.  
 ALWAYS REINSTALL ALL GREEN/YELLOW GROUND WIRES AND SAFETY COVERS BEFORE POWERING ON THE MACHINE.

EC HISTORY  
 27APR84 458505 PRIMARY POWER BOY ALL 60HZ MACHINES OR 50HZ JAPAN ONLY MACHINES  
 PRINT 19APR84 1069 PN 2127252 YAC01 PAGE 6 OF 32  
 MACH 3880 HPN  
 LOC PRIME POWR REC 0700



10 20 30 40 50 60 70 80 90 100 110 120 130 140 150 160 170 180 190 200 210 220 230 240 250 260 270 280 290 YA115

010 010

020 020

030 030

033 + PHASE A FOR 24VAC YA111-010

038 + PHASE FOR 24VAC YA111-012

040 040

048 + 24VDC UE TO PICK K404 YA161-117

050 050

054 + FROM BD B1 THERM TO PICK K401. YA161-119

060 060

062 062

066\* 066\*

070 070

072 - PICK K402 YA163-096

074 + FMB RTN TO PICK K402. YA163-098

080 080

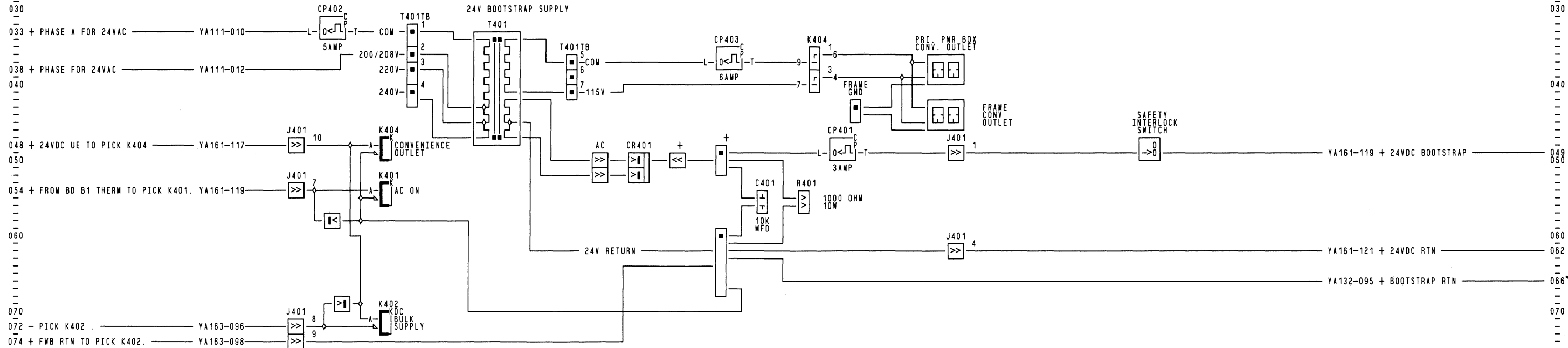
090 090

100 100

110 110

120 120

YA115 (C) COPYRIGHT IBM CORPORATION 1984 50 60 70 80 90 100 110 120 130 140 150 160 170 180 190 200 210 220 230 240 250 260 270 280 290 300 310 320 330 340 350 360 370 380 390 400 410 420 430 440 450 460 470 480 490 500 510 520 530 540 550 560 570 580 590 600 610 620 630 640 650 660 670 680 690 700 710 720 730 740 750 760 770 780 790 800 810 820 830 840 850 860 870 880 890 900 910 920 930 940 950 960 970 980 990 1000



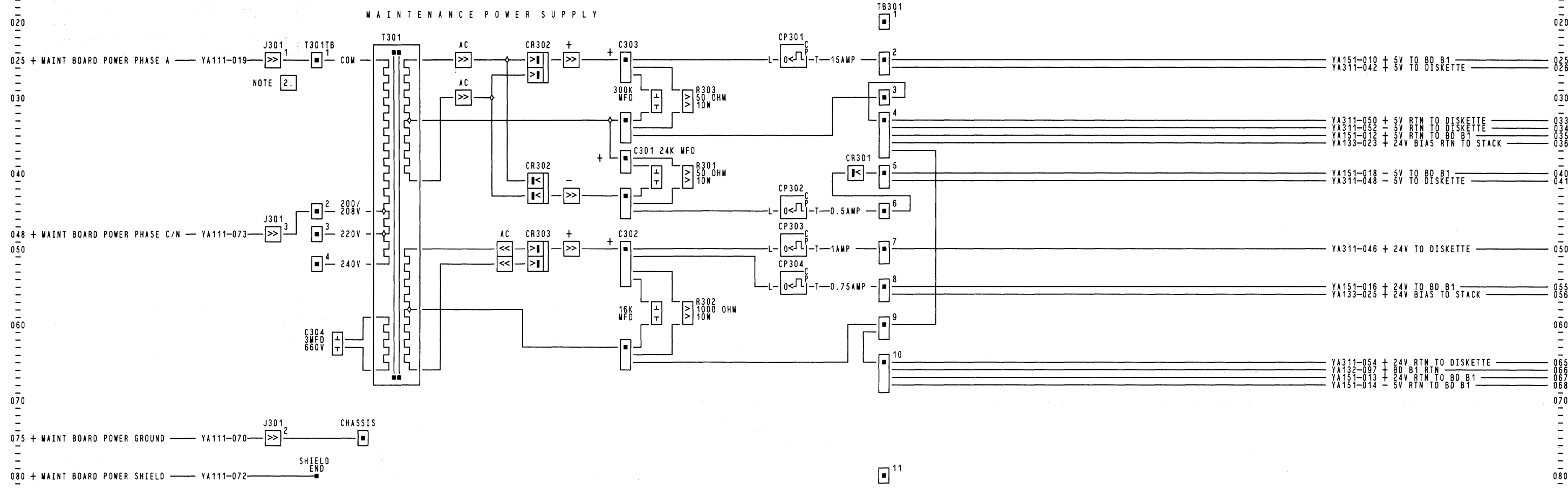
**DANGER**  
 LETHAL VOLTAGES ARE PRESENT IN THE POWER  
 SERVICING AREA. SAFETY IS MOST IMPORTANT.  
 TREAT ALL CIRCUITS AS LIVE UNTIL MEASURED.  
 CAPACITORS ARE POSSIBLE EXPLODING DEVICES.  
 WEAR SAFETY GLASSES WHEN WORKING IN THE  
 POWER AREA.

ALWAYS REINSTALL ALL GREEN/YELLOW GROUND  
 WIRES AND SAFETY COVERS BEFORE POWERING  
 ON THE MACHINE.

EC HISTORY  
 27APR84 458505 PRIMARY POWER BOX CONTROLS  
 ALL 60HZ MACHINES  
 OR 50HZ JAPAN  
 PRINT 19APR84 1576 PN 2127252  
 YACO1 PAGE 7 OF 32

MACH 3880 HPN  
 PNAME POWR HEC  
 LOC 0700

009 + TO CP301 AUX C — YA211-081 ———— NOTE 1  
CP301 AUX  
NOTE 3  
YA211-090 + FROM CP301 AUX N/O



NOTES :

2. J301 MAY NOT BE INSTALLED.

3. AUX CP301, 302, 303 AND 304 MAY NOT BE REMOVED ON ALL MACHINES.

**DANGER**  
LETHAL VOLTAGES ARE PRESENT IN THE POWER SERVICING AREA. SAFETY IS MOST IMPORTANT. TREAT ALL CIRCUITS AS LIVE UNTIL MEASURED. CAPACITORS ARE POSSIBLE EXPLODING DEVICES. WEAR SAFETY GLASSES WHEN WORKING IN THE POWER AREA.

ALWAYS REINSTALL ALL GREEN/YELLOW GROUND WIRES AND SAFETY COVERS BEFORE POWERING ON THE MACHINE.

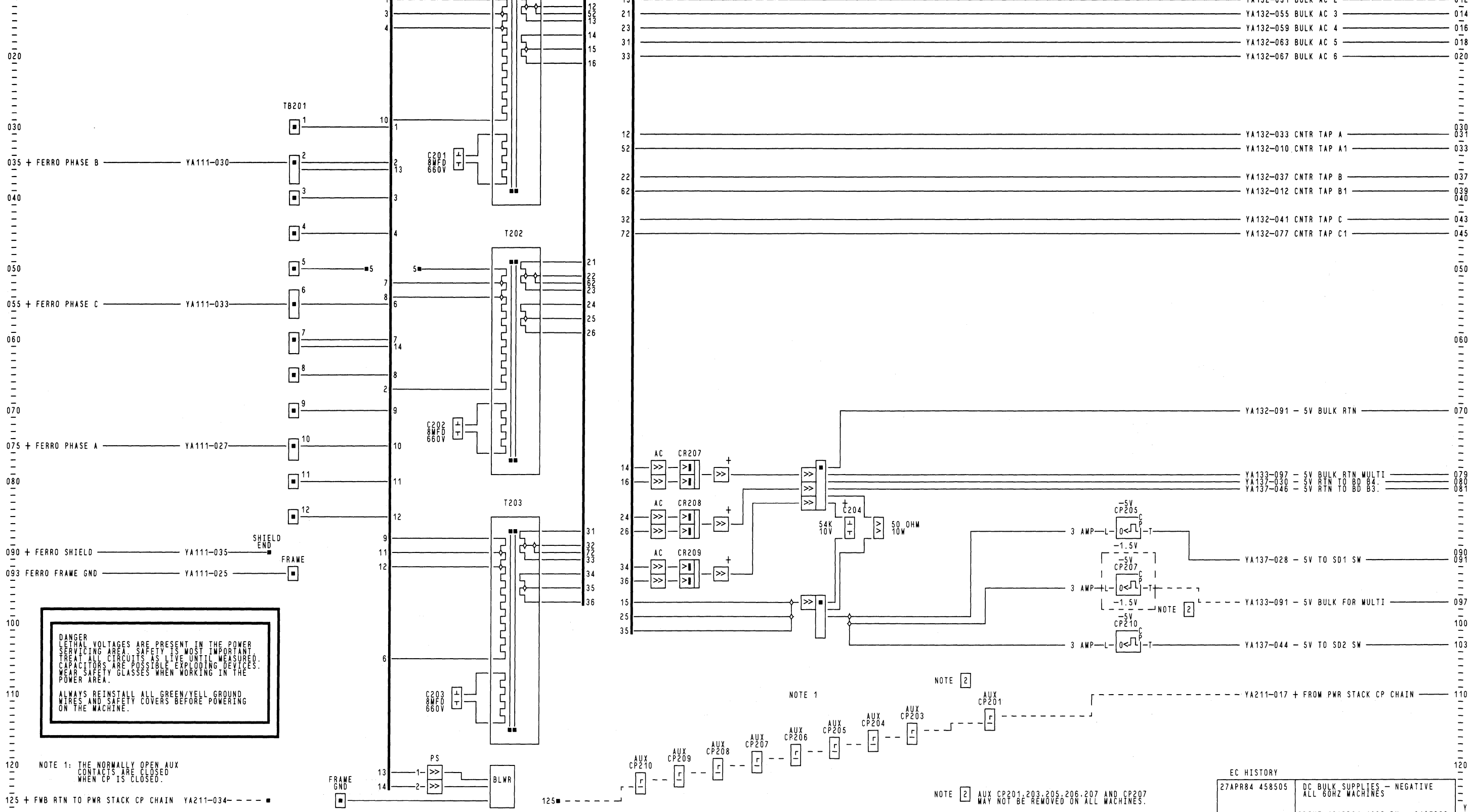
120 + FMB RTN TO BD B1 CP CHAIN — YA211-083 ———— NOTE 1  
AUX CP302  
AUX CP303  
AUX CP304  
NOTE 3  
YA211-092 + BD B1 CP CHAIN

EC HISTORY

27APR84 458505	POWER SUPPLY ALL 60HZ MACHINES
YAC01	PRINT 19APR84 1079 PN 2127252 PAGE 8 OF 32
MACH 3880 PNAME POWR LOC	HPN HEC

60HZ DELTA JUMPERS FOR TB201	240V	220V	200/208V
	-2 TO -1	-2 TO -3	-2 TO -4
	-6 TO -5	-6 TO -7	-6 TO -8
	-10 TO -9	-10 TO -11	-10 TO -12

ONLY ONE SET OF JUMPERS MUST BE INSTALLED

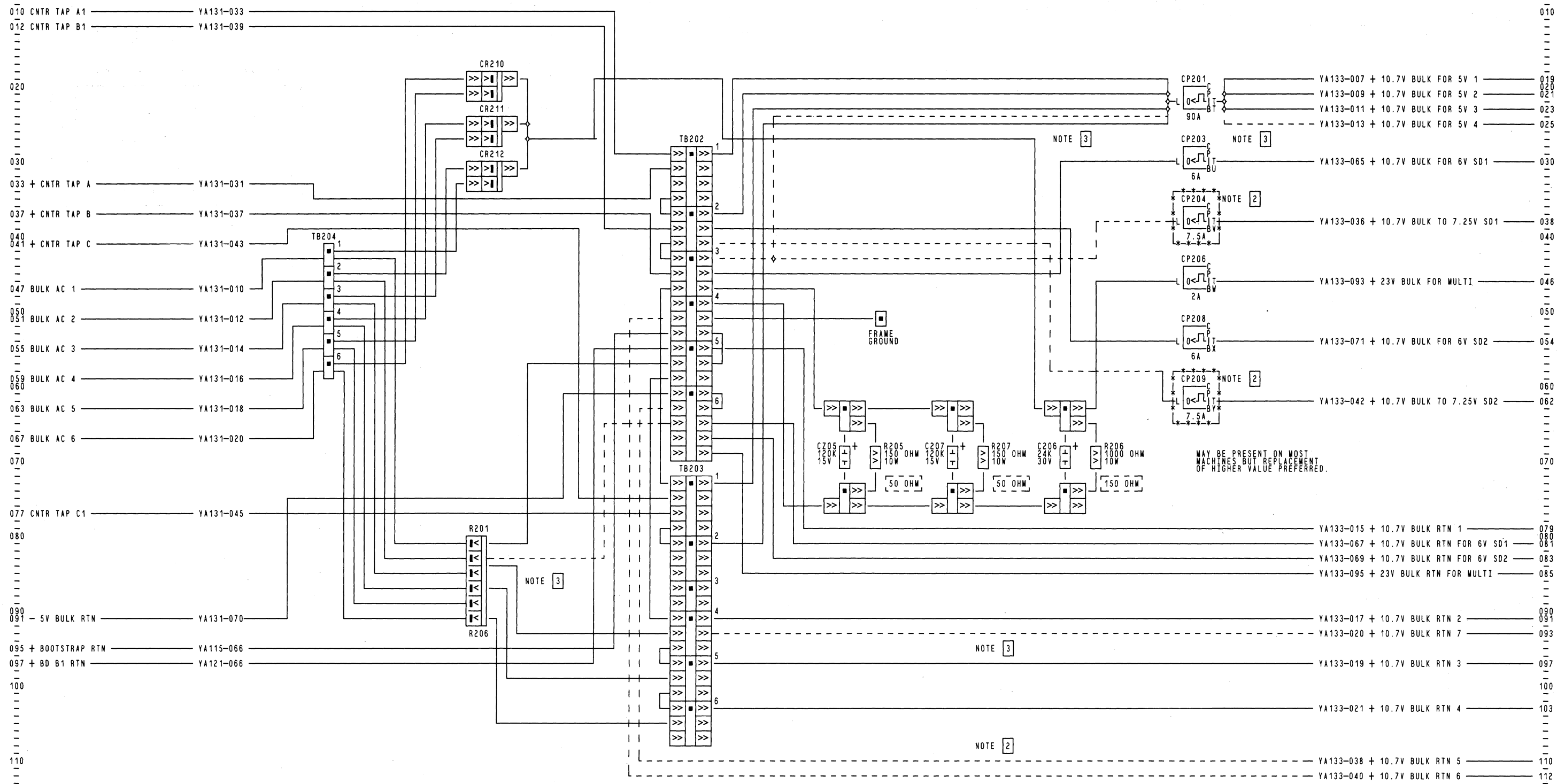


**DANGER**  
LETHAL VOLTAGES ARE PRESENT IN THE POWER  
SERVICING AREA. SAFETY IS MOST IMPORTANT.  
TREAT ALL CIRCUITS AS LIVE UNTIL MEASURED.  
CAPACITORS ARE POSSIBLE EXPLODING DEVICES.  
WEAR SAFETY GLASSES WHEN WORKING IN THE  
POWER AREA.  
  
ALWAYS REINSTALL ALL GREEN/YELL GROUND  
WIRES AND SAFETY COVERS BEFORE POWERING  
ON THE MACHINE.

NOTE 1: THE NORMALLY OPEN AUX  
CONTACTS ARE CLOSED  
WHEN CP IS CLOSED.

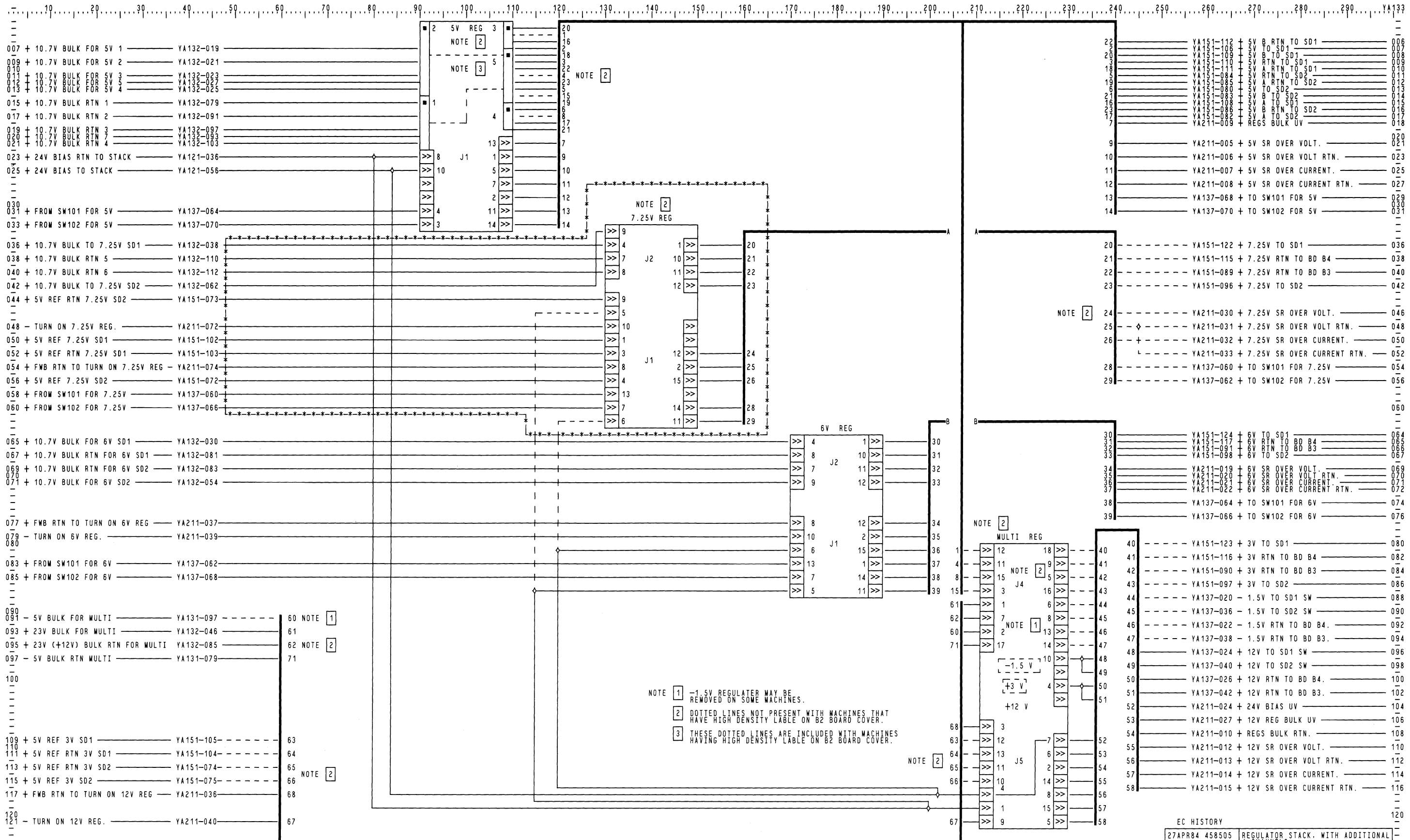
NOTE 2: AUX CP201, 203, 205, 206, 207 AND CP207  
MAY NOT BE REMOVED ON ALL MACHINES.

EC HISTORY	
27APR84 458505	DC BULK SUPPLIES - NEGATIVE ALL 60HZ MACHINES
PRINT 19APR84 1035 PN	2127252 PAGE 9 OF 32
MACH 3880	HPN
LOC	HEC



NOTE 2 DOTTED LINES NOT PRESENT WITH MACHINES THAT HAVE HIGH DENSITY LABEL ON B2 BOARD COVER.  
 NOTE 3 THESE DOTTED LINES ARE INCLUDED WITH MACHINES HAVING HIGH DENSITY LABEL ON B2 BOARD COVER.

EC HISTORY	
27APR84 458505	BULK DC SUPPLY
PRINT 25APR84 1129 PN 2127252 YACO1 PAGE 10 OF 32	
MACH 3880 PRIME POWR LOC	HPN HEC 0080



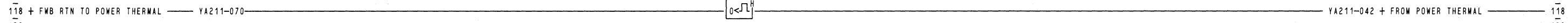
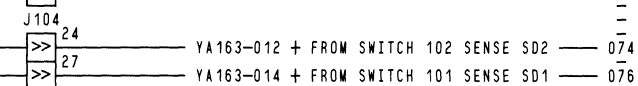
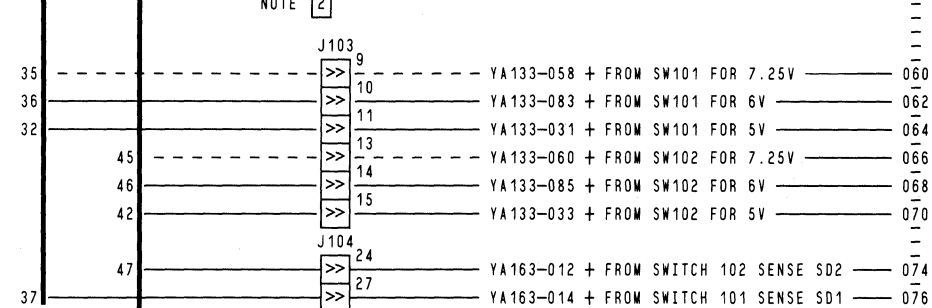
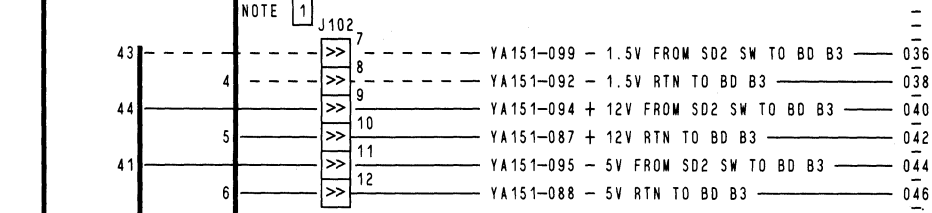
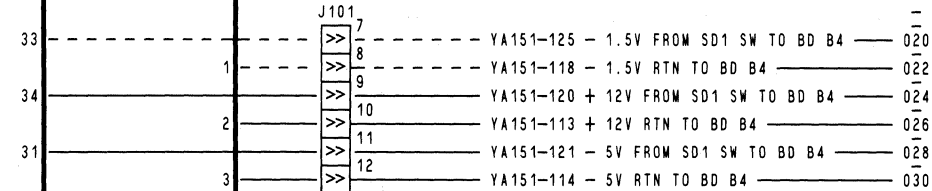
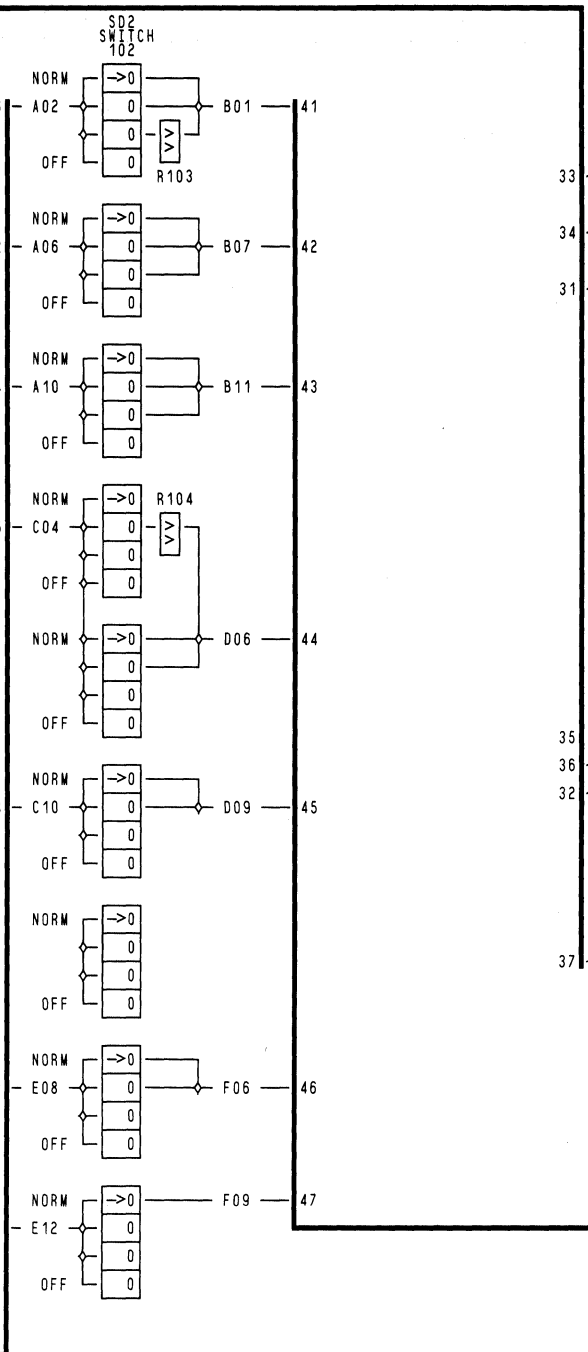
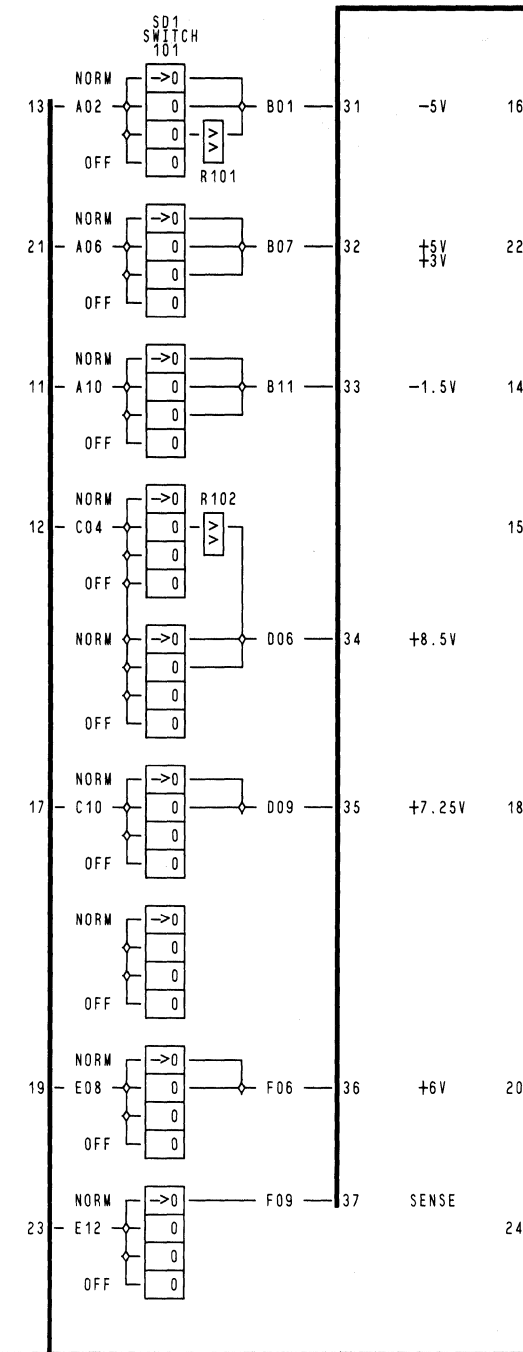
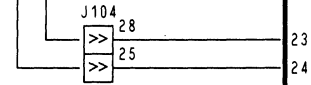
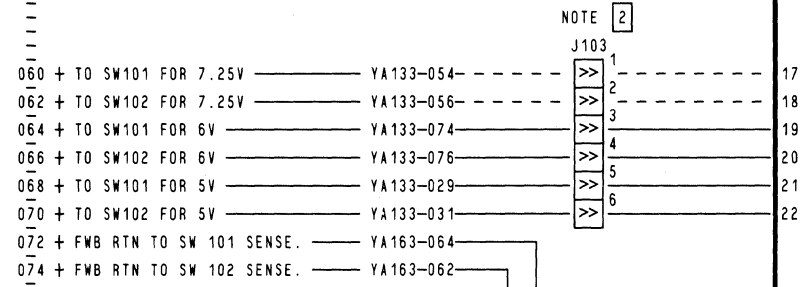
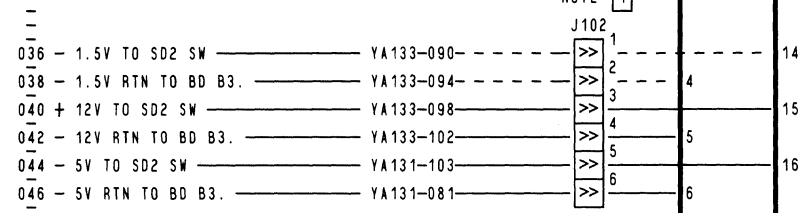
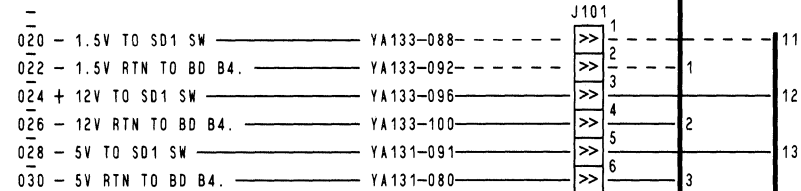
007 + 10.7V BULK FOR 5V 1 — YA132-019  
 009 + 10.7V BULK FOR 5V 2 — YA132-021  
 010 + 10.7V BULK FOR 5V 3 — YA132-023  
 012 + 10.7V BULK FOR 5V 5 — YA132-027  
 013 + 10.7V BULK FOR 5V 4 — YA132-025  
 015 + 10.7V BULK RTN 1 — YA132-079  
 017 + 10.7V BULK RTN 2 — YA132-091  
 019 + 10.7V BULK RTN 3 — YA132-097  
 020 + 10.7V BULK RTN 7 — YA132-093  
 021 + 10.7V BULK RTN 4 — YA132-103  
 023 + 24V BIAS RTN TO STACK — YA121-036  
 025 + 24V BIAS TO STACK — YA121-056  
 030  
 031 + FROM SW101 FOR 5V — YA137-064  
 033 + FROM SW102 FOR 5V — YA137-070  
 036 + 10.7V BULK TO 7.25V SD1 — YA132-038  
 038 + 10.7V BULK RTN 5 — YA132-110  
 040 + 10.7V BULK RTN 6 — YA132-112  
 042 + 10.7V BULK TO 7.25V SD2 — YA132-062  
 044 + 5V REF RTN 7.25V SD2 — YA151-073  
 048 - TURN ON 7.25V REG. — YA211-072  
 050 + 5V REF 7.25V SD1 — YA151-102  
 052 + 5V REF RTN 7.25V SD1 — YA151-103  
 054 + FWB RTN TO TURN ON 7.25V REG — YA211-074  
 056 + 5V REF 7.25V SD2 — YA151-072  
 058 + FROM SW101 FOR 7.25V — YA137-060  
 060 + FROM SW102 FOR 7.25V — YA137-066  
 065 + 10.7V BULK FOR 6V SD1 — YA132-030  
 067 + 10.7V BULK RTN FOR 6V SD1 — YA132-081  
 069 + 10.7V BULK RTN FOR 6V SD2 — YA132-083  
 070 + 10.7V BULK FOR 6V SD2 — YA132-054  
 071  
 077 + FWB RTN TO TURN ON 6V REG — YA211-037  
 079 - TURN ON 6V REG. — YA211-039  
 080  
 083 + FROM SW101 FOR 6V — YA137-062  
 085 + FROM SW102 FOR 6V — YA137-068  
 090  
 091 - 5V BULK FOR MULTI — YA131-097 — 60 NOTE 1  
 093 + 23V BULK FOR MULTI — YA132-046 — 61  
 095 + 23V (+12V) BULK RTN FOR MULTI — YA132-085 — 62 NOTE 2  
 097 - 5V BULK RTN MULTI — YA131-079 — 71  
 100  
 109 + 5V REF 3V SD1 — YA151-105 — 63  
 110 + 5V REF RTN 3V SD1 — YA151-104 — 64  
 113 + 5V REF RTN 3V SD2 — YA151-074 — 65  
 115 + 5V REF 3V SD2 — YA151-075 — 66  
 117 + FWB RTN TO TURN ON 12V REG — YA211-036 — 68  
 120  
 121 - TURN ON 12V REG. — YA211-040 — 67

22 YA151-112 + 5V B RTN TO SD1 — 006  
 YA151-106 + 5V TO SD1 — 007  
 YA151-109 + 5V B TO SD1 — 008  
 YA151-110 + 5V A RTN TO SD1 — 009  
 YA151-111 + 5V A RTN TO SD1 — 010  
 YA151-084 + 5V RTN TO SD2 — 011  
 YA151-085 + 5V A RTN TO SD2 — 012  
 YA151-080 + 5V TO SD2 — 013  
 YA151-083 + 5V B TO SD2 — 014  
 YA151-108 + 5V A TO SD1 — 015  
 YA151-089 + 5V B RTN TO SD2 — 016  
 YA151-089 + 5V A TO SD2 — 017  
 YA211-009 + REGS BULK UV — 018  
 9 YA211-005 + 5V SR OVER VOLT. — 020  
 10 YA211-006 + 5V SR OVER VOLT RTN. — 023  
 11 YA211-007 + 5V SR OVER CURRENT. — 025  
 12 YA211-008 + 5V SR OVER CURRENT RTN. — 027  
 13 YA137-068 + TO SW101 FOR 5V — 029  
 14 YA137-070 + TO SW102 FOR 5V — 031  
 20 YA151-122 + 7.25V TO SD1 — 036  
 21 YA151-115 + 7.25V RTN TO BD B4 — 038  
 22 YA151-089 + 7.25V RTN TO BD B3 — 040  
 23 YA151-096 + 7.25V TO SD2 — 042  
 24 YA211-030 + 7.25V SR OVER VOLT. — 046  
 25 YA211-031 + 7.25V SR OVER VOLT RTN. — 048  
 26 YA211-032 + 7.25V SR OVER CURRENT. — 050  
 YA211-033 + 7.25V SR OVER CURRENT RTN. — 052  
 28 YA137-060 + TO SW101 FOR 7.25V — 054  
 29 YA137-062 + TO SW102 FOR 7.25V — 056  
 60  
 30 YA151-124 + 6V TO SD1 — 064  
 31 YA151-117 + 6V RTN TO BD B4 — 065  
 32 YA151-091 + 6V RTN TO BD B3 — 066  
 33 YA151-098 + 6V TO SD2 — 067  
 34 YA211-019 + 6V SR OVER VOLT. — 069  
 35 YA211-020 + 6V SR OVER VOLT RTN. — 070  
 36 YA211-021 + 6V SR OVER CURRENT. — 071  
 37 YA211-022 + 6V SR OVER CURRENT RTN. — 072  
 38 YA137-064 + TO SW101 FOR 6V — 074  
 39 YA137-066 + TO SW102 FOR 6V — 076  
 40 YA151-123 + 3V TO SD1 — 080  
 41 YA151-116 + 3V RTN TO BD B4 — 082  
 42 YA151-090 + 3V RTN TO BD B3 — 084  
 43 YA151-097 + 3V TO SD2 — 086  
 44 YA137-020 - 1.5V TO SD1 SW — 088  
 45 YA137-036 - 1.5V TO SD2 SW — 090  
 46 YA137-022 - 1.5V RTN TO BD B4. — 092  
 47 YA137-038 - 1.5V RTN TO BD B3. — 094  
 48 YA137-024 + 12V TO SD1 SW — 096  
 49 YA137-040 + 12V TO SD2 SW — 098  
 50 YA137-026 + 12V RTN TO BD B4. — 100  
 51 YA137-042 + 12V RTN TO BD B3. — 102  
 52 YA211-024 + 24V BIAS UV — 104  
 53 YA211-027 + 12V REG BULK UV — 106  
 54 YA211-010 + REGS BULK RTN. — 108  
 55 YA211-012 + 12V SR OVER VOLT. — 110  
 56 YA211-013 + 12V SR OVER VOLT RTN. — 112  
 57 YA211-014 + 12V SR OVER CURRENT. — 114  
 58 YA211-015 + 12V SR OVER CURRENT RTN. — 116

NOTE 1 -1.5V REGULATOR MAY BE REMOVED ON SOME MACHINES.  
 NOTE 2 DOTTED LINES NOT PRESENT WITH MACHINES THAT HAVE HIGH DENSITY LABEL ON B2 BOARD COVER.  
 NOTE 3 THESE DOTTED LINES ARE INCLUDED WITH MACHINES HAVING HIGH DENSITY LABEL ON B2 BOARD COVER.

010  
020  
022  
024  
026  
028  
030  
036  
038  
040  
042  
044  
046  
050  
060  
062  
064  
066  
068  
070  
072  
074  
080  
090  
100  
110  
120

010  
020  
022  
024  
026  
028  
030  
036  
038  
040  
042  
044  
046  
050  
060  
062  
064  
066  
068  
070  
074  
076  
080  
090  
100  
110  
120

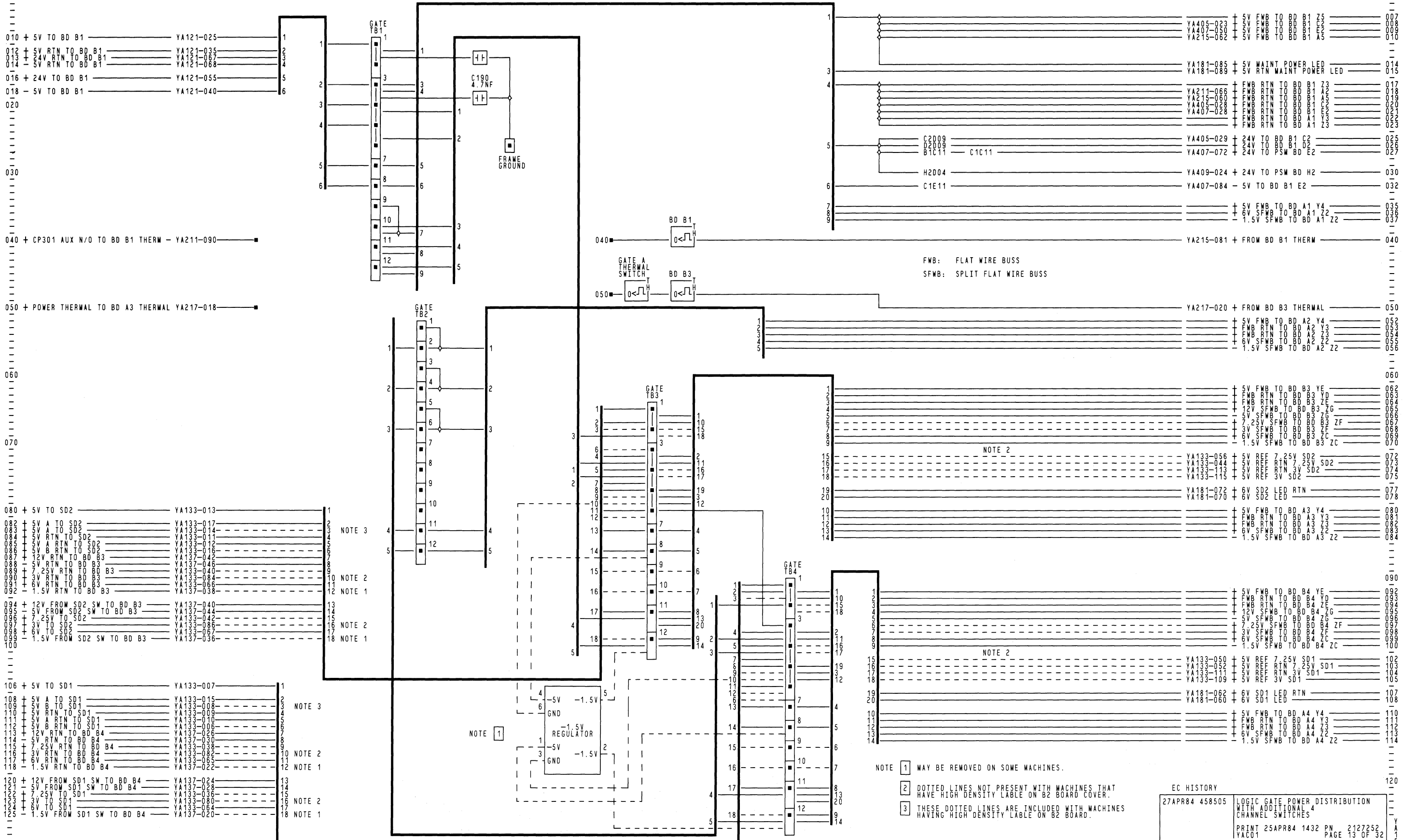


NOTE 1 MAY BE REMOVED ON SOME MACHINES.  
NOTE 2 DOTTED LINES NOT PRESENT WITH MACHINES THAT HAVE HIGH DENSITY LABEL ON B2 BOARD.

EC HISTORY

27APR84 458505	DC SWITCH PANEL
PRINT 25APR84 1772	PN 2127252
YAC01	PAGE 12 OF 32
MACH 3880	HPN
PRIME POWR	HEC
LOC	0000

10 20 30 40 50 60 70 80 90 100 110 120 130 140 150 160 170 180 190 200 210 220 230 240 250 260 270 280 290 YA151

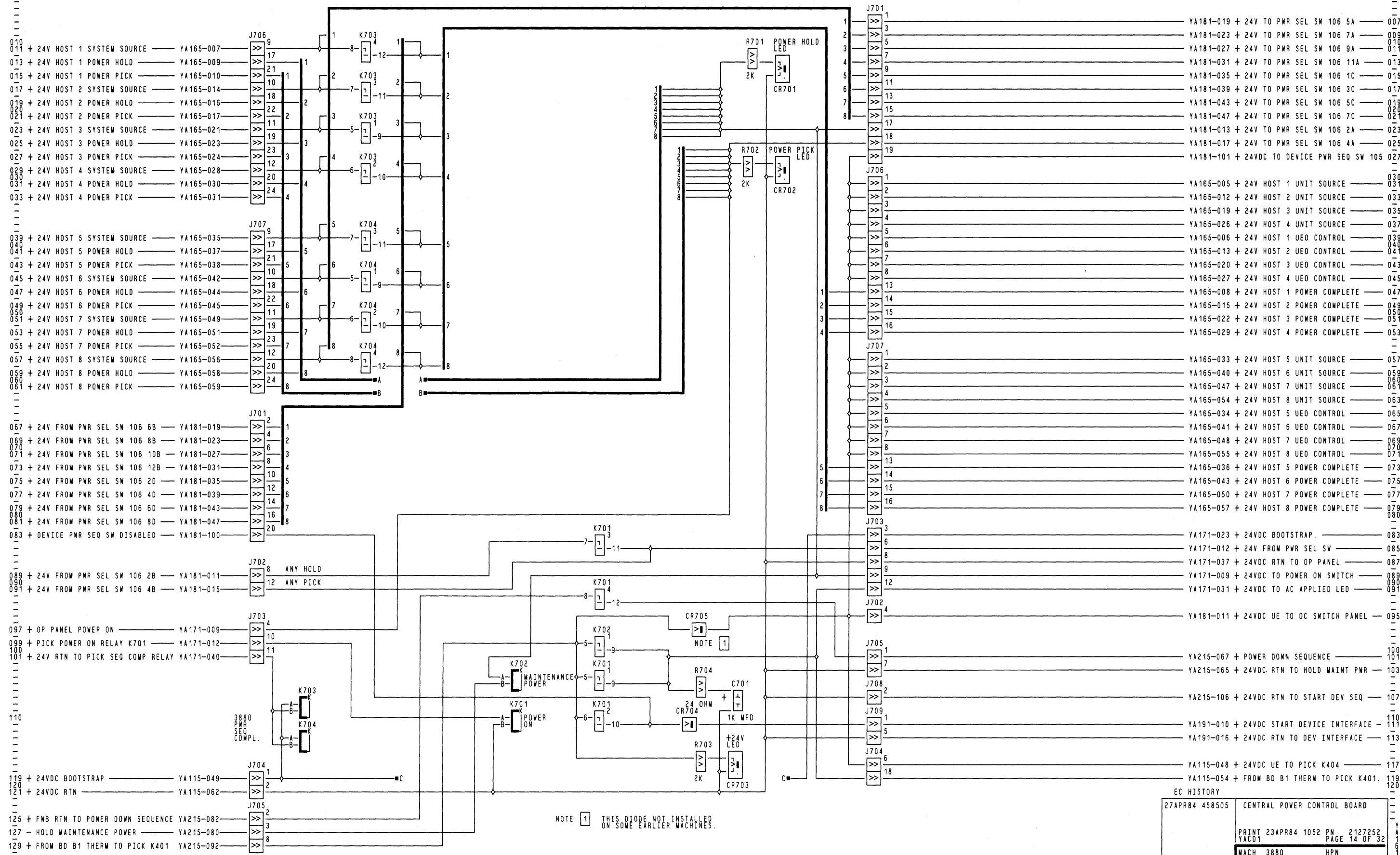


- 010 + 5V TO BD B1 YA121-025
- 012 + 5V RTN TO BD B1 YA121-035
- 013 + 24V RTN TO BD B1 YA121-067
- 014 - 5V RTN TO BD B1 YA121-068
- 016 + 24V TO BD B1 YA121-055
- 018 - 5V TO BD B1 YA121-040
- 020
- 030
- 040 + CP301 AUX N/O TO BD B1 THERM - YA211-090
- 050 + POWER THERMAL TO BD A3 THERMAL YA217-018
- 060
- 070
- 080 + 5V TO SD2 YA133-013
- 082 + 5V A TO SD2 YA133-017
- 083 + 5V A TO SD2 YA133-014
- 084 + 5V RTN TO SD2 YA133-012
- 085 + 5V B RTN TO SD2 YA133-016
- 086 + 5V B RTN TO SD2 YA133-016
- 087 + 12V RTN TO BD B3 YA137-042
- 088 - 5V RTN TO BD B3 YA137-046
- 089 + 7.25V RTN TO BD B3 YA133-040
- 090 + 3V RTN TO BD B3 YA133-084
- 091 + 6V RTN TO BD B3 YA133-066
- 092 - 1.5V RTN TO BD B3 YA137-038
- 094 + 12V FROM SD2 SW TO BD B3 YA137-040
- 095 - 5V FROM SD2 SW TO BD B3 YA137-044
- 096 + 7.25V TO SD2 YA133-042
- 097 + 3V TO SD2 YA133-086
- 098 + 6V TO SD2 YA133-089
- 099 - 1.5V FROM SD2 SW TO BD B3 YA137-036
- 100
- 106 + 5V TO SD1 YA133-007
- 108 + 5V A TO SD1 YA133-015
- 109 + 5V A TO SD1 YA133-018
- 110 + 5V RTN TO SD1 YA133-009
- 111 + 5V A RTN TO SD1 YA133-010
- 112 + 5V B RTN TO SD1 YA133-006
- 113 + 12V RTN TO BD B4 YA137-026
- 114 - 5V RTN TO BD B4 YA137-030
- 115 + 7.25V RTN TO BD B4 YA133-038
- 116 + 3V RTN TO BD B4 YA133-088
- 117 + 6V RTN TO BD B4 YA133-065
- 118 - 1.5V RTN TO BD B4 YA137-022
- 120 + 12V FROM SD1 SW TO BD B4 YA137-024
- 121 + 5V FROM SD1 SW TO BD B4 YA133-028
- 122 + 7.25V TO SD1 YA133-030
- 123 + 3V TO SD1 YA133-080
- 124 + 6V TO SD1 YA133-064
- 125 - 1.5V FROM SD1 SW TO BD B4 YA137-020

- 007 + 5V FWB TO BD B1 Z5
- 008 + 5V FWB TO BD B1 C2
- 009 + 5V FWB TO BD B1 E2
- 010
- 014 + 5V MAINT POWER LED
- 015 + 5V RTN MAINT POWER LED
- 017 + FWB RTN TO BD B1 Z3
- 018 + FWB RTN TO BD B1 A2
- 019 + FWB RTN TO BD B1 A5
- 020 + FWB RTN TO BD B1 C2
- 021 + FWB RTN TO BD B1 E2
- 022 + FWB RTN TO BD A1 Y3
- 023 + FWB RTN TO BD A1 Z3
- 025 + 24V TO BD B1 C2
- 026 + 24V TO BD B1 D2
- 027 + 24V TO PSM BD E2
- 030 + 24V TO PSM BD H2
- 032 - 5V TO BD B1 E2
- 035 + 5V FWB TO BD A1 Y4
- 036 + 6V SFWB TO BD A1 Z2
- 037 - 1.5V SFWB TO BD A1 Z2
- 040 + FROM BD B1 THERM
- 050 + FROM BD B3 THERMAL
- 052 + 5V FWB TO BD A2 Y4
- 053 + FWB RTN TO BD A2 Y3
- 054 + 6V SFWB TO BD A2 Z2
- 055 - 1.5V SFWB TO BD A2 Z2
- 060
- 062 + 5V FWB TO BD B3 YE
- 063 + FWB RTN TO BD B3 YD
- 064 + FWB RTN TO BD B3 ZE
- 065 + 12V SFWB TO BD B3 ZG
- 066 - 5V SFWB TO BD B3 ZG
- 069 + 7.25V SFWB TO BD B3 ZF
- 068 + 3V SFWB TO BD B3 ZC
- 069 + 6V SFWB TO BD B3 ZC
- 070 - 1.5V SFWB TO BD B3 ZC
- 072 + 5V REF 7.25V SD2
- 073 + 5V REF RTN 7.25V SD2
- 074 + 5V REF RTN 3V SD2
- 075 + 5V REF 3V SD2
- 077 + 6V SD2 LED RTN
- 078 + 6V SD2 LED
- 080 + 5V FWB TO BD A3 Y4
- 081 + FWB RTN TO BD A3 Y3
- 082 + FWB RTN TO BD A3 Z3
- 083 + 6V SFWB TO BD A3 Z2
- 084 - 1.5V SFWB TO BD A3 Z2
- 090
- 092 + 5V FWB TO BD B4 YE
- 093 + FWB RTN TO BD B4 YD
- 094 + FWB RTN TO BD B4 ZE
- 095 + 12V SFWB TO BD B4 ZG
- 096 - 5V SFWB TO BD B4 ZG
- 099 + 7.25V SFWB TO BD B4 ZF
- 098 + 3V SFWB TO BD B4 ZC
- 099 + 6V SFWB TO BD B4 ZC
- 100 - 1.5V SFWB TO BD B4 ZC
- 102 + 5V REF 7.25V SD1
- 103 + 5V REF RTN 7.25V SD1
- 104 + 5V REF RTN 3V SD1
- 105 + 5V REF 3V SD1
- 107 + 6V SD1 LED RTN
- 108 + 6V SD1 LED
- 110 + 5V FWB TO BD A4 Y4
- 111 + FWB RTN TO BD A4 Y3
- 112 + FWB RTN TO BD A4 Z3
- 113 + 6V SFWB TO BD A4 Z2
- 114 - 1.5V SFWB TO BD A4 Z2

FWB: FLAT WIRE BUSS  
SFWB: SPLIT FLAT WIRE BUSS

- NOTE 1 MAY BE REMOVED ON SOME MACHINES.
- NOTE 2 DOTTED LINES NOT PRESENT WITH MACHINES THAT HAVE HIGH DENSITY LABEL ON B2 BOARD COVER.
- NOTE 3 THESE DOTTED LINES ARE INCLUDED WITH MACHINES HAVING HIGH DENSITY LABEL ON B2 BOARD.



- 010 + 24V HOST 1 SYSTEM SOURCE — YA165-007
- 013 + 24V HOST 1 POWER HOLD — YA165-009
- 015 + 24V HOST 1 POWER PICK — YA165-010
- 017 + 24V HOST 2 SYSTEM SOURCE — YA165-014
- 019 + 24V HOST 2 POWER HOLD — YA165-016
- 020 + 24V HOST 2 POWER PICK — YA165-017
- 023 + 24V HOST 3 SYSTEM SOURCE — YA165-021
- 025 + 24V HOST 3 POWER HOLD — YA165-023
- 027 + 24V HOST 3 POWER PICK — YA165-024
- 029 + 24V HOST 4 SYSTEM SOURCE — YA165-028
- 031 + 24V HOST 4 POWER HOLD — YA165-030
- 033 + 24V HOST 4 POWER PICK — YA165-031
- 039 + 24V HOST 5 SYSTEM SOURCE — YA165-035
- 040 + 24V HOST 5 POWER HOLD — YA165-037
- 041 + 24V HOST 5 POWER PICK — YA165-038
- 043 + 24V HOST 6 SYSTEM SOURCE — YA165-042
- 045 + 24V HOST 6 POWER HOLD — YA165-044
- 047 + 24V HOST 6 POWER PICK — YA165-045
- 049 + 24V HOST 7 SYSTEM SOURCE — YA165-049
- 050 + 24V HOST 7 POWER HOLD — YA165-051
- 051 + 24V HOST 7 POWER PICK — YA165-052
- 053 + 24V HOST 8 SYSTEM SOURCE — YA165-056
- 055 + 24V HOST 8 POWER HOLD — YA165-058
- 057 + 24V HOST 8 POWER PICK — YA165-059
- 067 + 24V FROM PWR SEL SW 106 6B — YA181-019
- 069 + 24V FROM PWR SEL SW 106 8B — YA181-023
- 070 + 24V FROM PWR SEL SW 106 10B — YA181-027
- 071 + 24V FROM PWR SEL SW 106 12B — YA181-031
- 073 + 24V FROM PWR SEL SW 106 2D — YA181-035
- 075 + 24V FROM PWR SEL SW 106 4D — YA181-039
- 077 + 24V FROM PWR SEL SW 106 6D — YA181-043
- 079 + 24V FROM PWR SEL SW 106 8D — YA181-047
- 080 + 24V FROM PWR SEL SW 106 8D — YA181-047
- 081 + 24V FROM PWR SEL SW 106 8D — YA181-047
- 083 + DEVICE PWR SEQ SW DISABLED — YA181-100
- 089 + 24V FROM PWR SEL SW 106 2B — YA181-011
- 090 + 24V FROM PWR SEL SW 106 4B — YA181-015
- 097 + OP PANEL POWER ON — YA171-009
- 099 + PICK POWER ON RELAY K701 — YA171-012
- 100 + 24V RTN TO PICK SEQ COMP RELAY — YA171-040
- 119 + 24VDC BOOTSTRAP — YA115-049
- 120 + 24VDC RTN — YA115-062
- 125 + FMB RTN TO POWER DOWN SEQUENCE — YA215-082
- 127 - HOLD MAINTENANCE POWER — YA215-080
- 129 + FROM BD B1 THERM TO PICK K401 — YA215-092

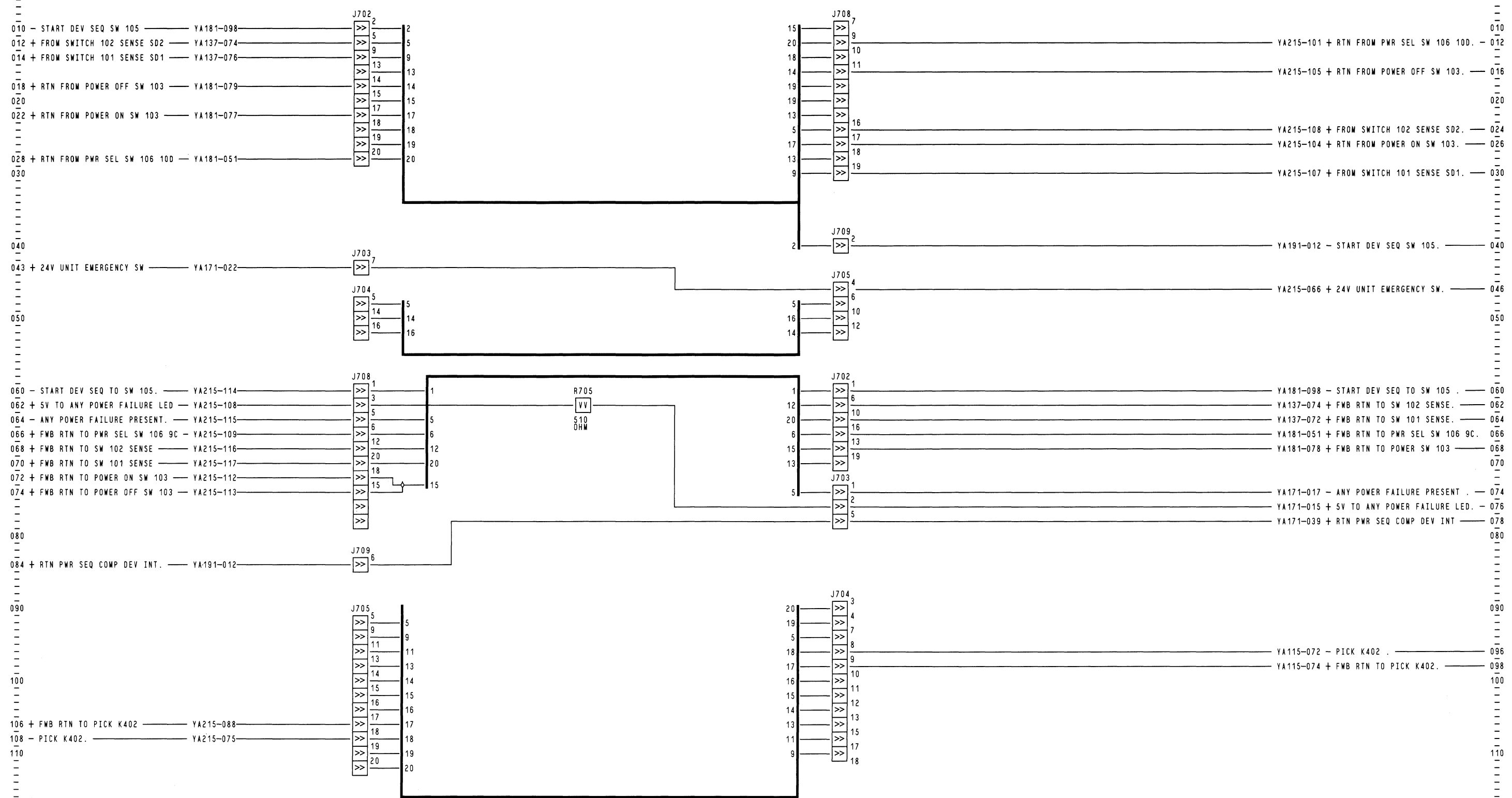
- 007 YA181-019 + 24V TO PWR SEL SW 106 5A
- 009 YA181-023 + 24V TO PWR SEL SW 106 7A
- 010 YA181-027 + 24V TO PWR SEL SW 106 9A
- 013 YA181-031 + 24V TO PWR SEL SW 106 11A
- 015 YA181-035 + 24V TO PWR SEL SW 106 1C
- 017 YA181-039 + 24V TO PWR SEL SW 106 3C
- 019 YA181-043 + 24V TO PWR SEL SW 106 5C
- 020 YA181-047 + 24V TO PWR SEL SW 106 7C
- 021 YA181-013 + 24V TO PWR SEL SW 106 2A
- 023 YA181-017 + 24V TO PWR SEL SW 106 4A
- 025 YA181-101 + 24VDC TO DEVICE PWR SEQ SW 105
- 030 YA165-005 + 24V HOST 1 UNIT SOURCE
- 031 YA165-012 + 24V HOST 2 UNIT SOURCE
- 033 YA165-019 + 24V HOST 3 UNIT SOURCE
- 035 YA165-026 + 24V HOST 4 UNIT SOURCE
- 037 YA165-006 + 24V HOST 1 UEO CONTROL
- 039 YA165-013 + 24V HOST 2 UEO CONTROL
- 040 YA165-020 + 24V HOST 3 UEO CONTROL
- 041 YA165-027 + 24V HOST 4 UEO CONTROL
- 043 YA165-008 + 24V HOST 1 POWER COMPLETE
- 045 YA165-015 + 24V HOST 2 POWER COMPLETE
- 047 YA165-022 + 24V HOST 3 POWER COMPLETE
- 049 YA165-029 + 24V HOST 4 POWER COMPLETE
- 050
- 051
- 053
- 057 YA165-033 + 24V HOST 5 UNIT SOURCE
- 059 YA165-040 + 24V HOST 6 UNIT SOURCE
- 060 YA165-047 + 24V HOST 7 UNIT SOURCE
- 061 YA165-054 + 24V HOST 8 UNIT SOURCE
- 063 YA165-034 + 24V HOST 5 UEO CONTROL
- 065 YA165-041 + 24V HOST 6 UEO CONTROL
- 067 YA165-048 + 24V HOST 7 UEO CONTROL
- 069 YA165-055 + 24V HOST 8 UEO CONTROL
- 070
- 071
- 073 YA165-036 + 24V HOST 5 POWER COMPLETE
- 075 YA165-043 + 24V HOST 6 POWER COMPLETE
- 077 YA165-050 + 24V HOST 7 POWER COMPLETE
- 079 YA165-057 + 24V HOST 8 POWER COMPLETE
- 080
- 083 YA171-023 + 24VDC BOOTSTRAP
- 085 YA171-012 + 24V FROM PWR SEL SW
- 087 YA171-037 + 24VDC RTN TO OP PANEL
- 089 YA171-009 + 24VDC TO POWER ON SWITCH
- 090 YA171-031 + 24VDC TO AC APPLIED LED
- 091
- 095 YA181-011 + 24VDC UE TO DC SWITCH PANEL
- 100 YA215-067 + POWER DOWN SEQUENCE
- 101 YA215-065 + 24VDC RTN TO HOLD MAINT PWR
- 103
- 107 YA215-106 + 24VDC RTN TO START DEV SEQ
- 110 YA191-010 + 24VDC START DEVICE INTERFACE
- 111 YA191-016 + 24VDC RTN TO DEV INTERFACE
- 113
- 117 YA115-048 + 24VDC UE TO PICK K404
- 119 YA115-054 + FROM BD B1 THERM TO PICK K401
- 120

NOTE 1 THIS DIODE NOT INSTALLED ON SOME EARLIER MACHINES.

EC HISTORY  
 27APR84 458505  
 CENTRAL POWER CONTROL BOARD  
 PRINT 23APR84 1052 PN 2127252  
 YAC01 PAGE 14 OF 32  
 MACH 3880 HPN  
 PNAME POWR HEC  
 LOC 0000

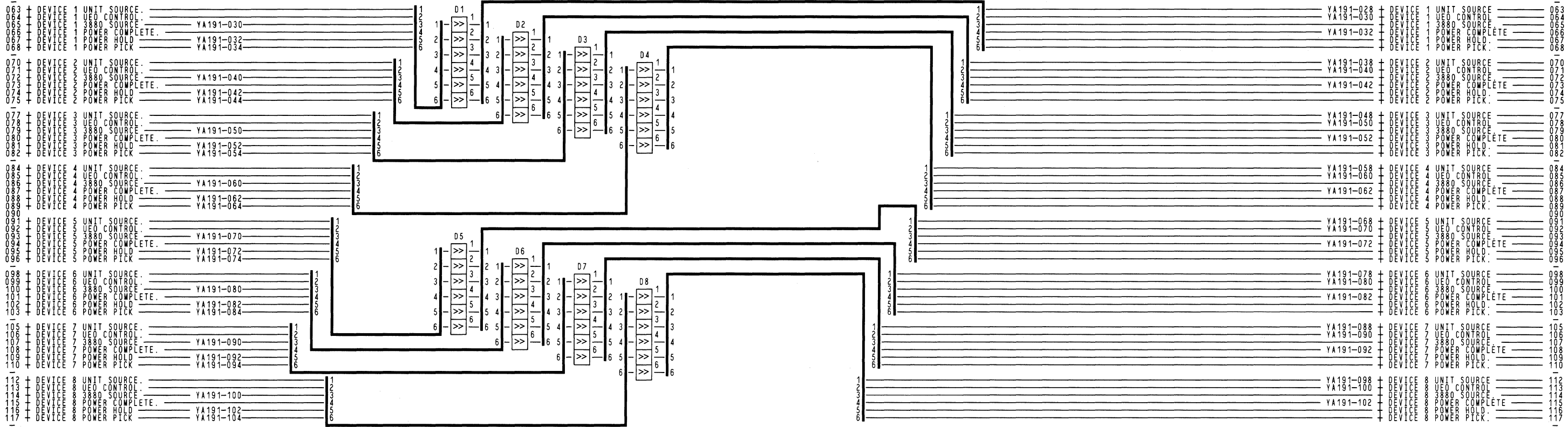
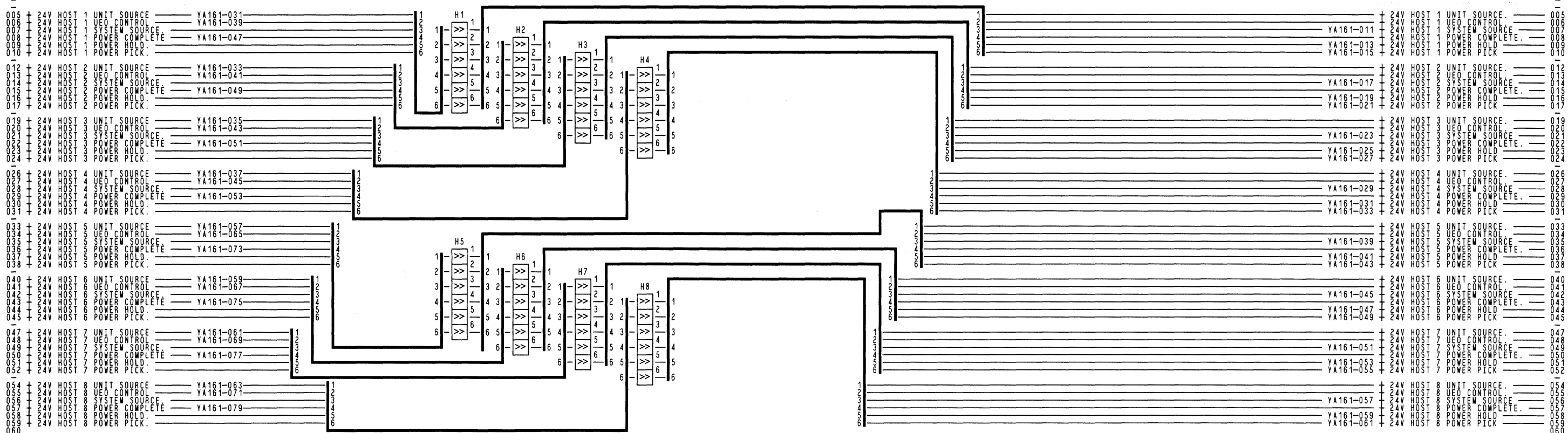


10 20 30 40 50 60 70 80 90 100 110 120 130 140 150 160 170 180 190 200 210 220 230 240 250 260 270 280 290 YA163

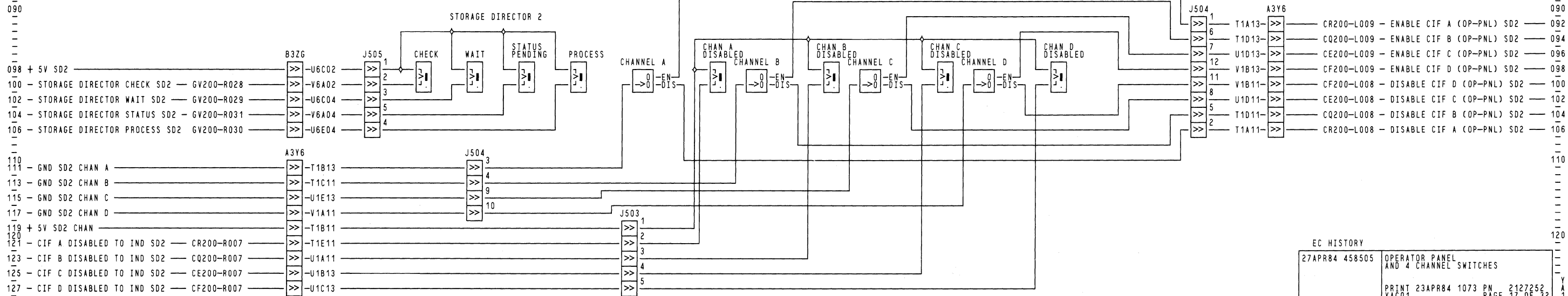
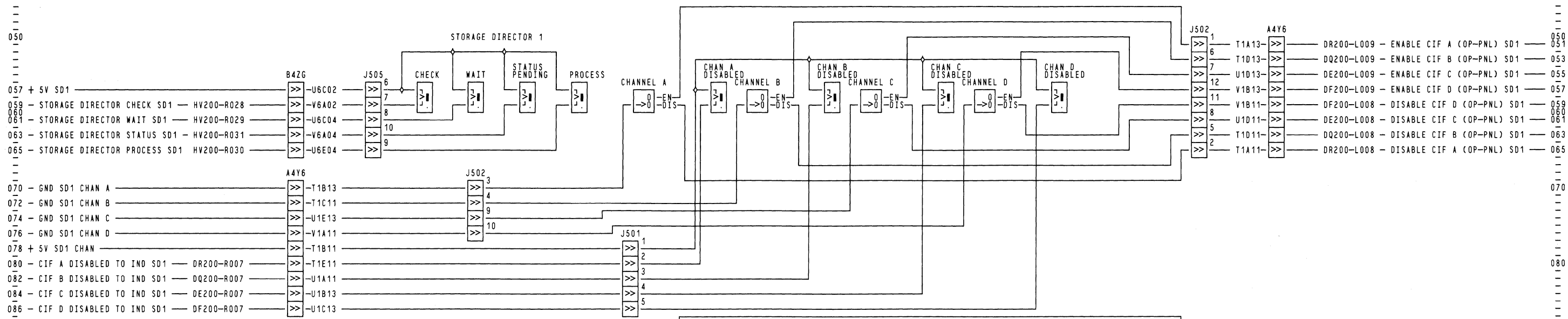
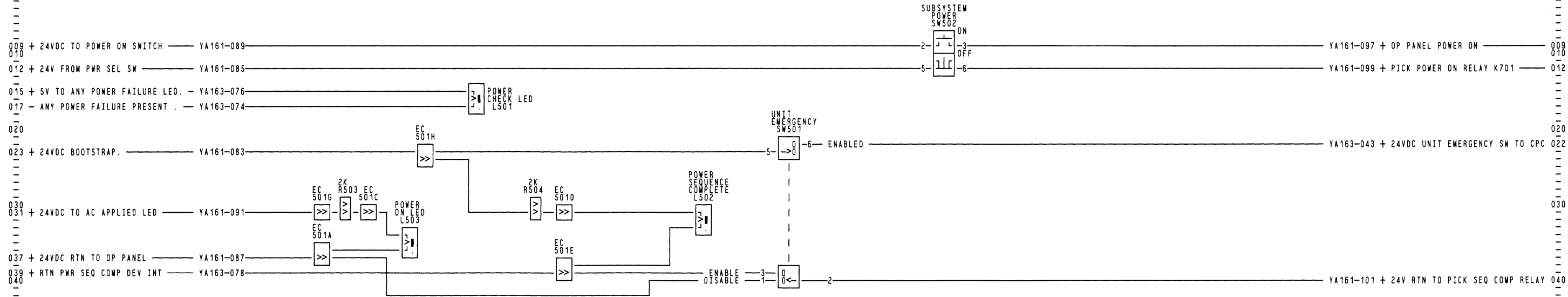


120

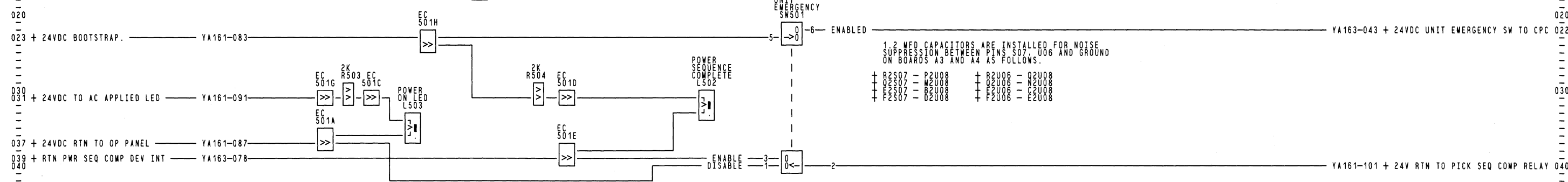
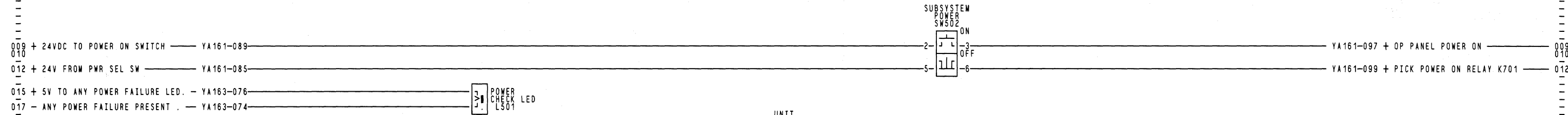
EC HISTORY  
 27APR84 458505  
 CENTRAL POWER CONTROL BOARD  
 FEED THRU  
 PRINT 23APR84 1032 PN 2127252  
 YAC01 PAGE 15 OF 32  
 MACH 3880 HPN  
 PNAME POWR HEC  
 LOC 0000



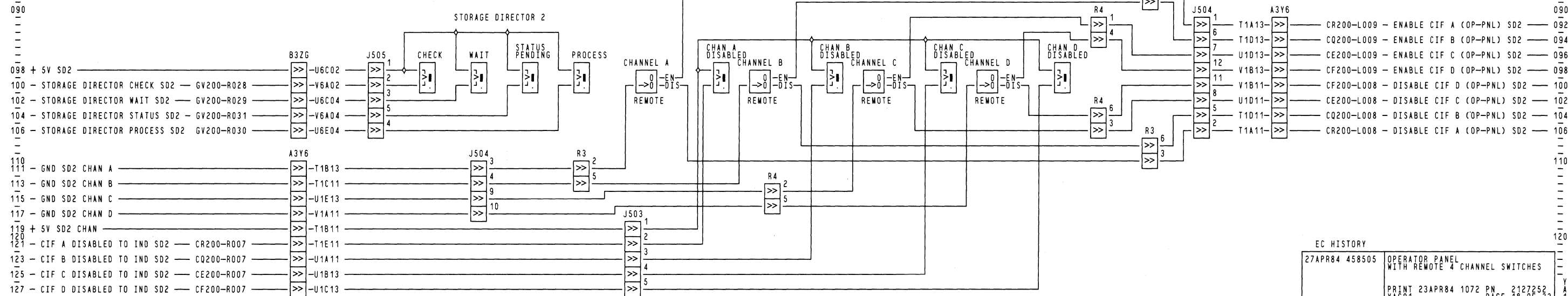
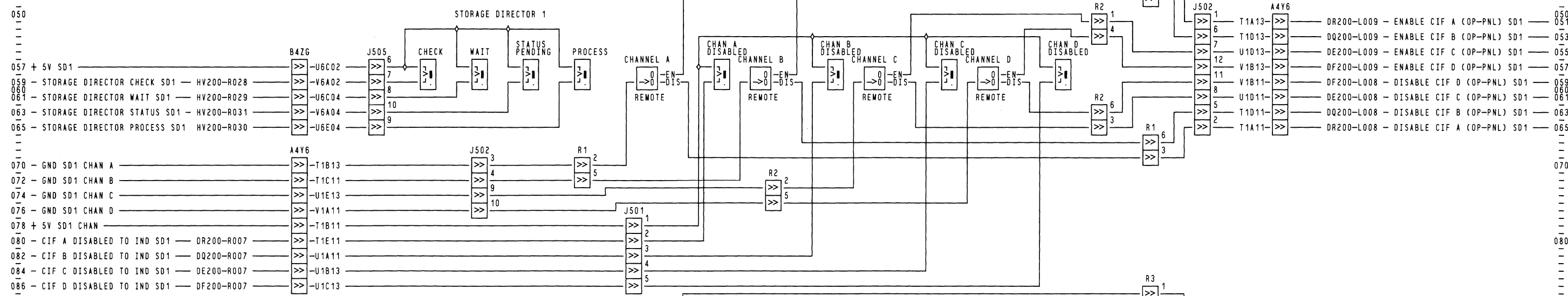
EC HISTORY  
 27APR84 458505 HOST AND DEVICE CONNECTOR PANEL  
 PRINT 23APR84 1754 PN 2127252  
 YAC01 PAGE 16 OF 32  
 MACH 3880 HPN  
 PNAME POWR HEC  
 LOC 0000



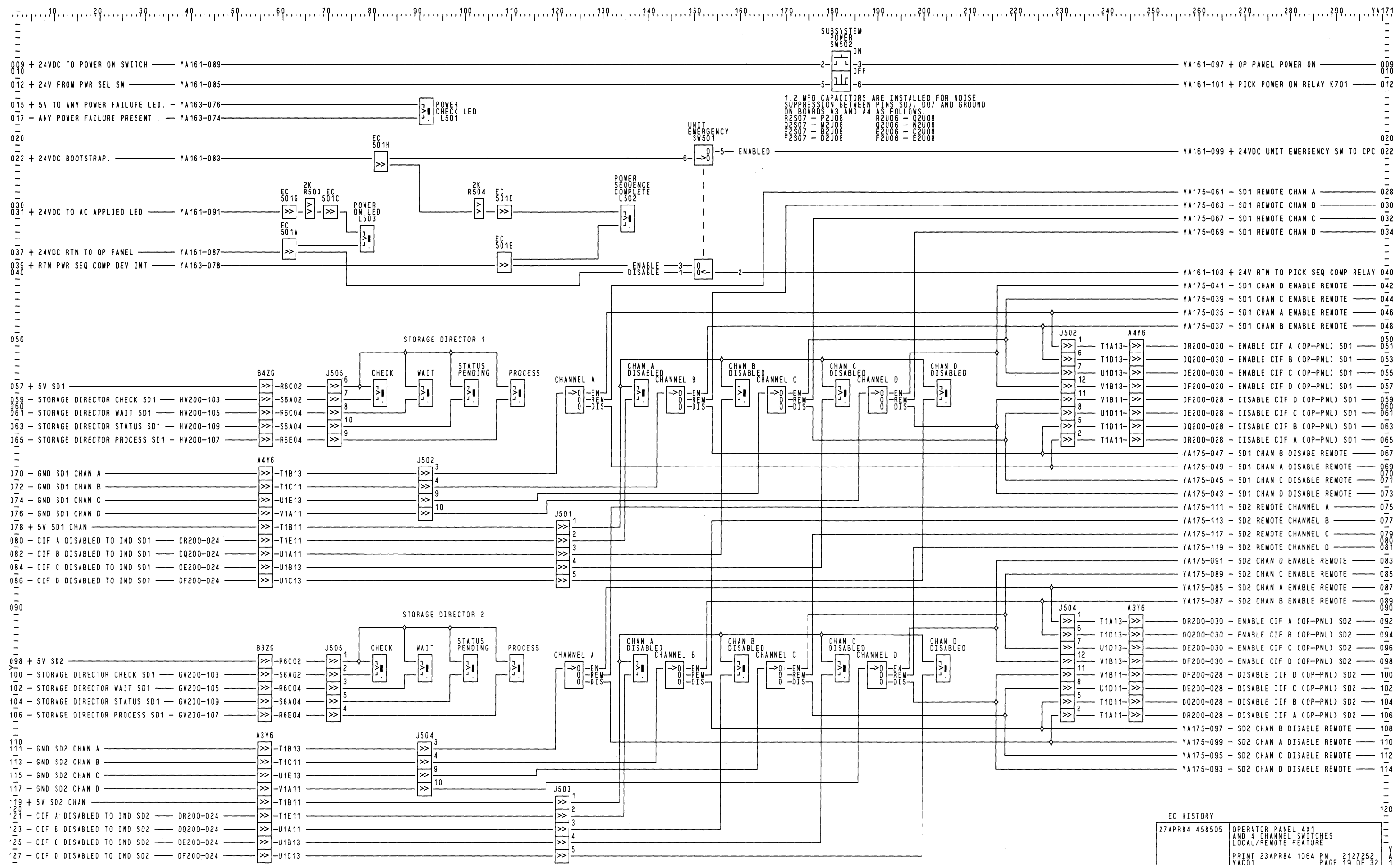
EC HISTORY	
27APR84 458505	OPERATOR PANEL AND 4 CHANNEL SWITCHES
PRINT 23APR84 1073 PN 2127252	
VAC01 PAGE 17 OF 32	
MACH 3880	HPN
PRNAME POWR	HEC
LOC	



1. 2 MFD CAPACITORS ARE INSTALLED FOR NOISE SUPPRESSION BETWEEN PINS S07, U06 AND GROUND ON BOARDS A3 AND A4 AS FOLLOWS:  
 + R2S07 - P2U08 + R2U06 - Q2U08  
 + Q2S07 - M2U08 + Q2U06 - N2U08  
 + F2S07 - B2U08 + F2U06 - C2U08  
 + F2S07 - D2U08 + F2U06 - E2U08



EC HISTORY  
 27APR84 458505 OPERATOR PANEL WITH REMOTE 4 CHANNEL SWITCHES  
 PRINT 23APR84 1072 PN 2127252  
 YAC01 PAGE 18 OF 32  
 WACH 3880 HPN  
 NAME POWR LOC HEC  
 0061

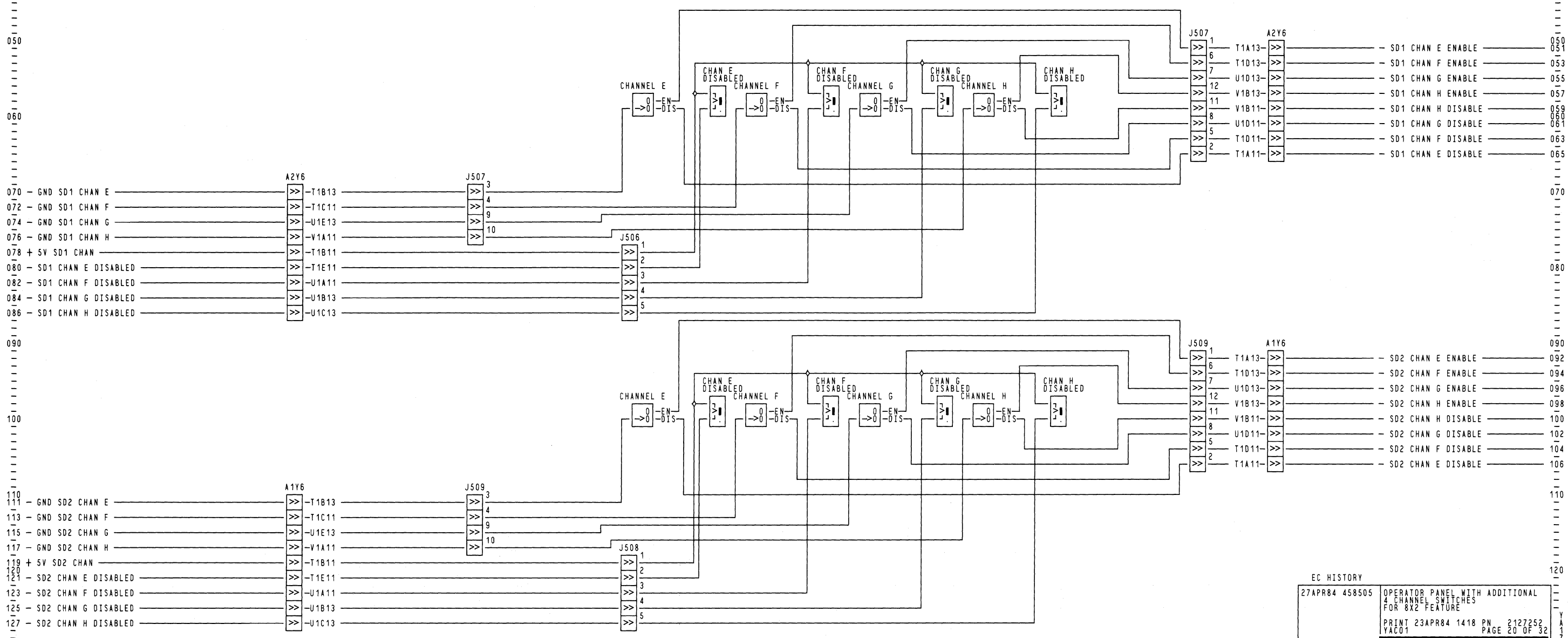


1 2 MFD CAPACITORS ARE INSTALLED FOR NOISE SUPPRESSION BETWEEN PINS SD7, D07 AND GROUND ON BOARDS A3 AND A4 AS FOLLOWS:  
P2S07 - P2U08 R2U08 - R2U08 Q2S07 - Q2U08 R2U08 - R2U08 P2S07 - B2U08 R2U08 - R2U08 P2S07 - D2U08 R2U08 - R2U08

EC HISTORY	
27APR84 458505	OPERATOR PANEL 4X1 AND 4 CHANNEL SWITCHES LOCAL/REMOTE FEATURE
	PRINT 23APR84 1064 PN 2127252 PAGE 19 OF 32
	WACH 3880 HPN
	PNAME POWR HEC

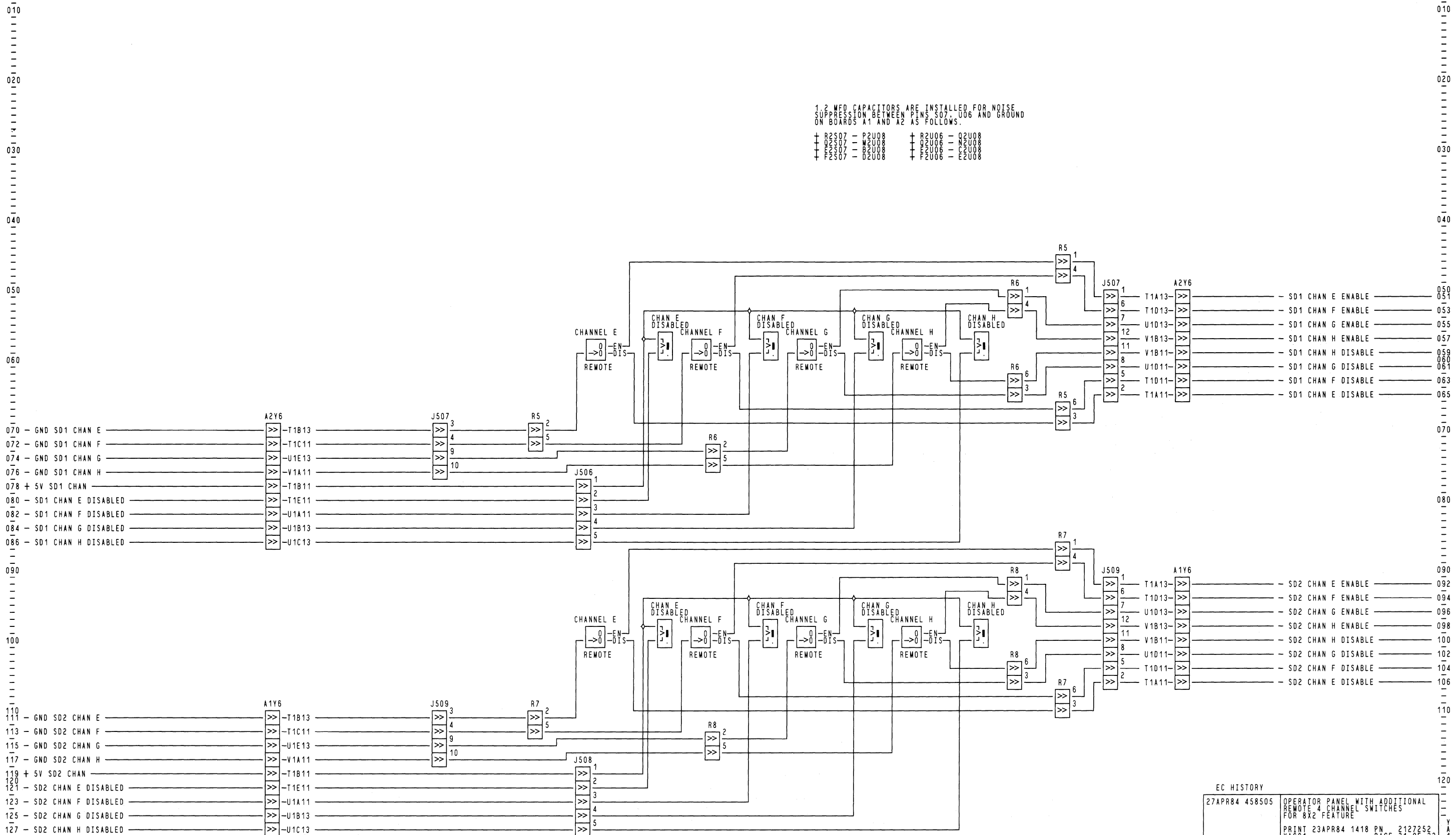
010  
020  
030  
040  
050  
060  
070  
080  
090  
100  
110  
120  
130  
140  
150  
160  
170  
180  
190  
200  
210  
220  
230  
240  
250

010  
020  
030  
040  
050  
051  
053  
055  
057  
059  
061  
063  
065  
070  
080  
090  
092  
094  
096  
098  
100  
102  
104  
106  
110  
120



EC HISTORY  
27APR84 458505 OPERATOR PANEL WITH ADDITIONAL  
4 CHANNEL SWITCHES  
FOR 8X2 FEATURE  
PRINT 23APR84 1418 PN 2127252  
YAC01 PAGE 20 OF 32  
MACH 3880 HPN  
FRM POWR HEC  
LOC 0080

10 20 30 40 50 60 70 80 90 100 110 120 130 140 150 160 170 180 190 200 210 220 230 240 250 260 270 280 290 YA173



1.2 MFD CAPACITORS ARE INSTALLED FOR NOISE SUPPRESSION BETWEEN PINS SD7, U06 AND GROUND ON BOARDS A1 AND A2 AS FOLLOWS.

+ R2S07 - P2U08	+ R2U06 - Q2U08
+ Q2S07 - M2U08	+ Q2U06 - N2U08
+ F2S07 - B2U08	+ F2U06 - C2U08
+ F2S07 - D2U08	+ F2U06 - E2U08

070 - GND SD1 CHAN E  
072 - GND SD1 CHAN F  
074 - GND SD1 CHAN G  
076 - GND SD1 CHAN H  
078 + 5V SD1 CHAN  
080 - SD1 CHAN E DISABLED  
082 - SD1 CHAN F DISABLED  
084 - SD1 CHAN G DISABLED  
086 - SD1 CHAN H DISABLED

110 - GND SD2 CHAN E  
113 - GND SD2 CHAN F  
115 - GND SD2 CHAN G  
117 - GND SD2 CHAN H  
119 + 5V SD2 CHAN  
121 - SD2 CHAN E DISABLED  
123 - SD2 CHAN F DISABLED  
125 - SD2 CHAN G DISABLED  
127 - SD2 CHAN H DISABLED

010

010

020

020

030

030

040

040

050

050

060

060

070

070

080

080

090

090

100

100

110

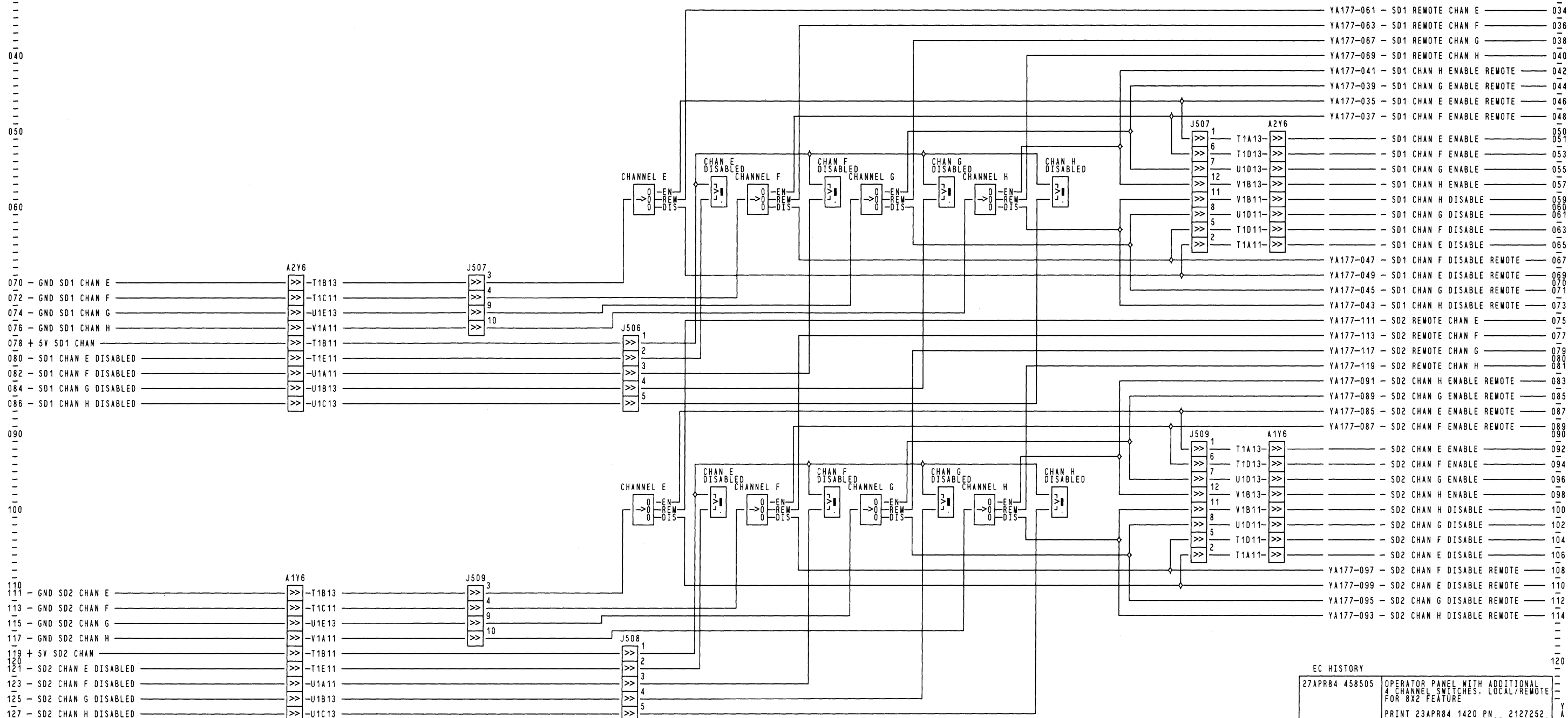
110

120

120

EC HISTORY

27APR84 458505	OPERATOR PANEL WITH ADDITIONAL 4 CHANNEL SWITCHES. LOCAL/REMOTE FOR 8X2 FEATURE
YAC01	PRINT 23APR84 1420 PN 2127252 PAGE 22 OF 32
MACH 3880	HPN
NAME POWR	HEC
LOC	0082



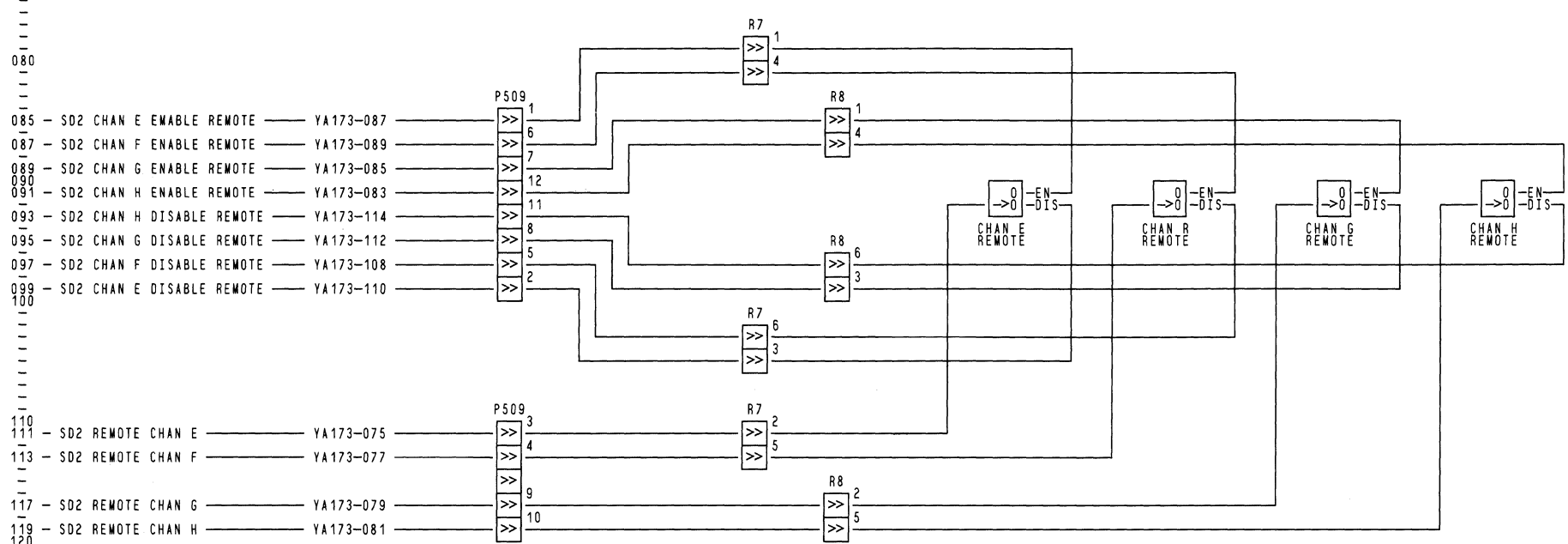
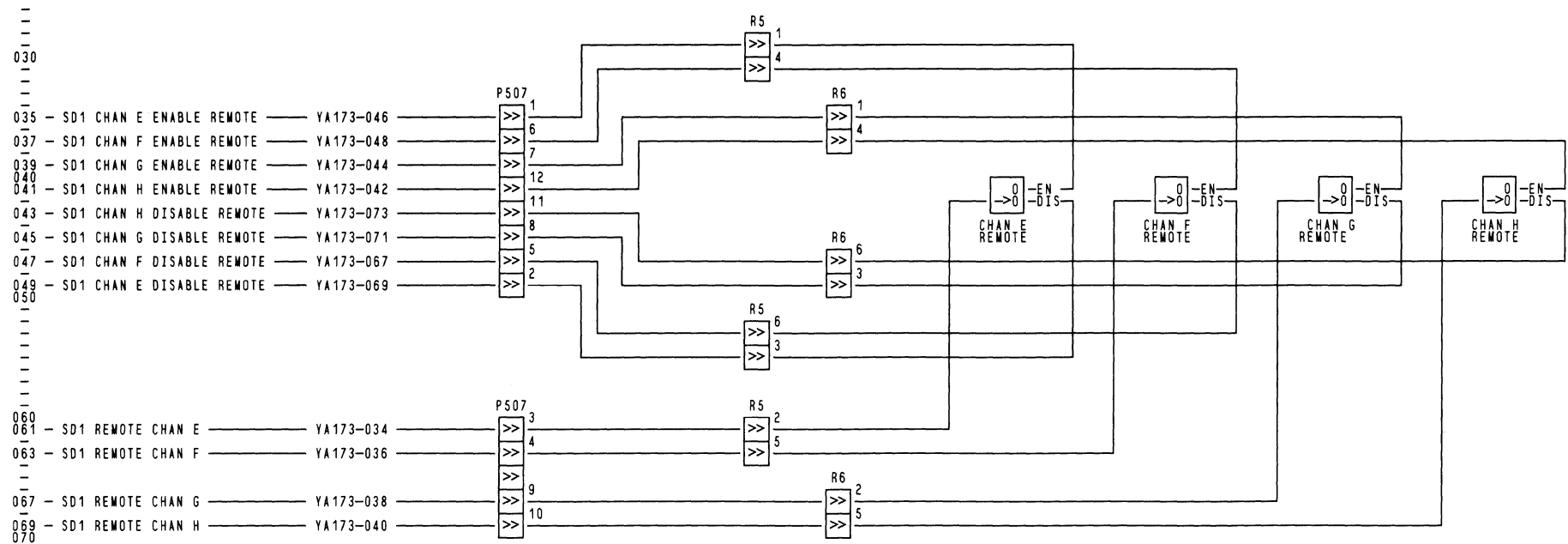
- YA177-061 - SD1 REMOTE CHAN E 034
- YA177-063 - SD1 REMOTE CHAN F 036
- YA177-067 - SD1 REMOTE CHAN G 038
- YA177-069 - SD1 REMOTE CHAN H 040
- YA177-041 - SD1 CHAN H ENABLE REMOTE 042
- YA177-039 - SD1 CHAN G ENABLE REMOTE 044
- YA177-035 - SD1 CHAN E ENABLE REMOTE 046
- YA177-037 - SD1 CHAN F ENABLE REMOTE 048
- SD1 CHAN E ENABLE 050
- SD1 CHAN F ENABLE 051
- SD1 CHAN G ENABLE 053
- SD1 CHAN H ENABLE 055
- SD1 CHAN H DISABLE 057
- SD1 CHAN H DISABLE 059
- SD1 CHAN G DISABLE 060
- SD1 CHAN F DISABLE 061
- SD1 CHAN E DISABLE 063
- SD1 CHAN F DISABLE 065
- YA177-047 - SD1 CHAN F DISABLE REMOTE 067
- YA177-049 - SD1 CHAN E DISABLE REMOTE 069
- YA177-045 - SD1 CHAN G DISABLE REMOTE 070
- YA177-043 - SD1 CHAN H DISABLE REMOTE 071
- YA177-111 - SD2 REMOTE CHAN E 075
- YA177-113 - SD2 REMOTE CHAN F 077
- YA177-117 - SD2 REMOTE CHAN G 079
- YA177-119 - SD2 REMOTE CHAN H 081
- YA177-091 - SD2 CHAN H ENABLE REMOTE 083
- YA177-089 - SD2 CHAN G ENABLE REMOTE 085
- YA177-085 - SD2 CHAN E ENABLE REMOTE 087
- YA177-087 - SD2 CHAN F ENABLE REMOTE 089
- SD2 CHAN E ENABLE 090
- SD2 CHAN F ENABLE 092
- SD2 CHAN G ENABLE 094
- SD2 CHAN H ENABLE 096
- SD2 CHAN H DISABLE 098
- SD2 CHAN H DISABLE 100
- SD2 CHAN G DISABLE 102
- SD2 CHAN F DISABLE 104
- SD2 CHAN E DISABLE 106
- SD2 CHAN F DISABLE 108
- YA177-097 - SD2 CHAN F DISABLE REMOTE 110
- YA177-099 - SD2 CHAN E DISABLE REMOTE 110
- YA177-095 - SD2 CHAN G DISABLE REMOTE 112
- YA177-093 - SD2 CHAN H DISABLE REMOTE 114

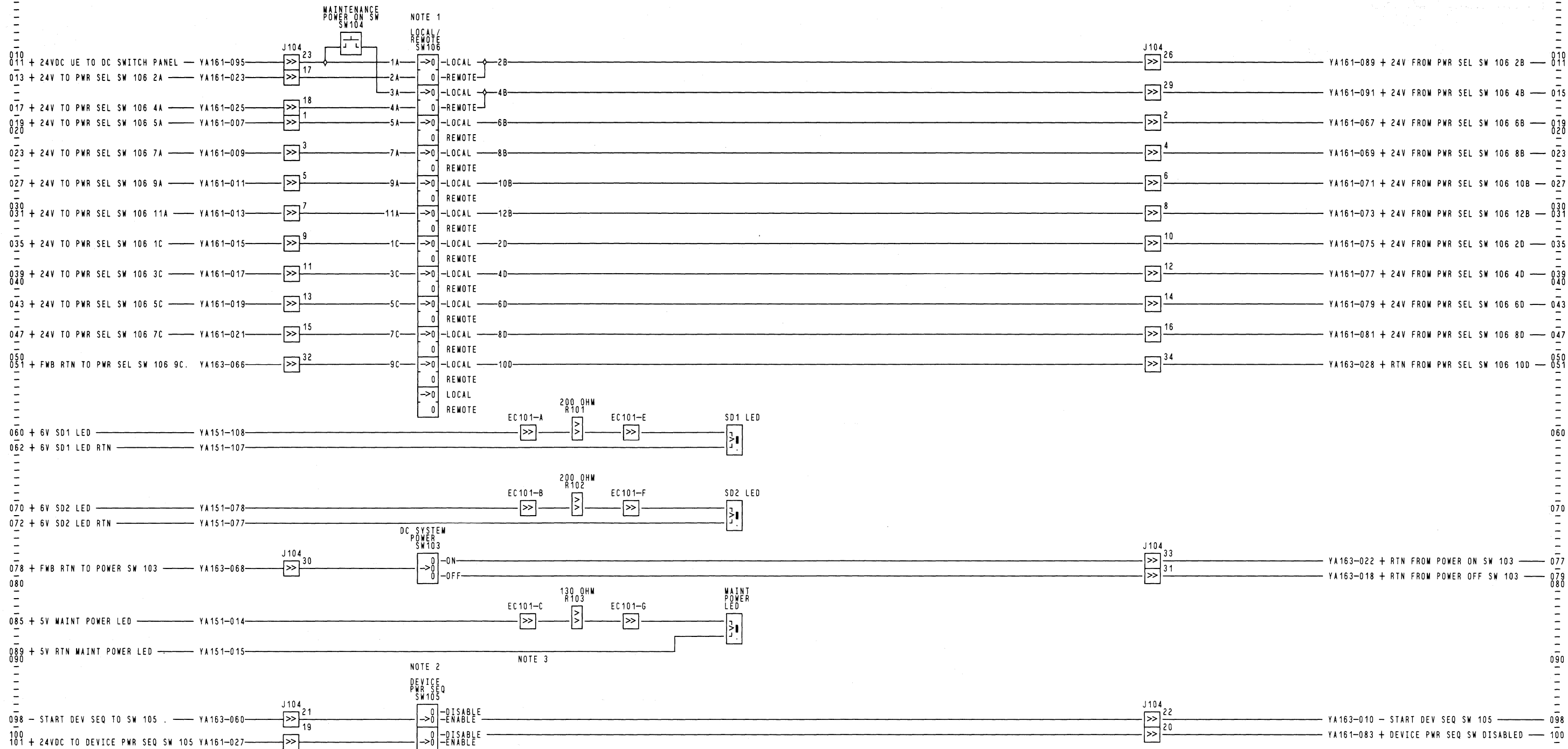


10 20 30 40 50 60 70 80 90 100 110 120 130 140 150 160 170 180 190 200 210 220 230 240 250 260 270 280 290 YA177

010  
020  
030  
035  
037  
039  
040  
041  
043  
045  
047  
049  
050  
060  
061  
063  
067  
069  
070  
080  
085  
087  
089  
090  
091  
093  
095  
097  
099  
100  
110  
111  
113  
117  
119  
120

010  
020  
030  
040  
050  
060  
070  
080  
090  
100  
110  
120



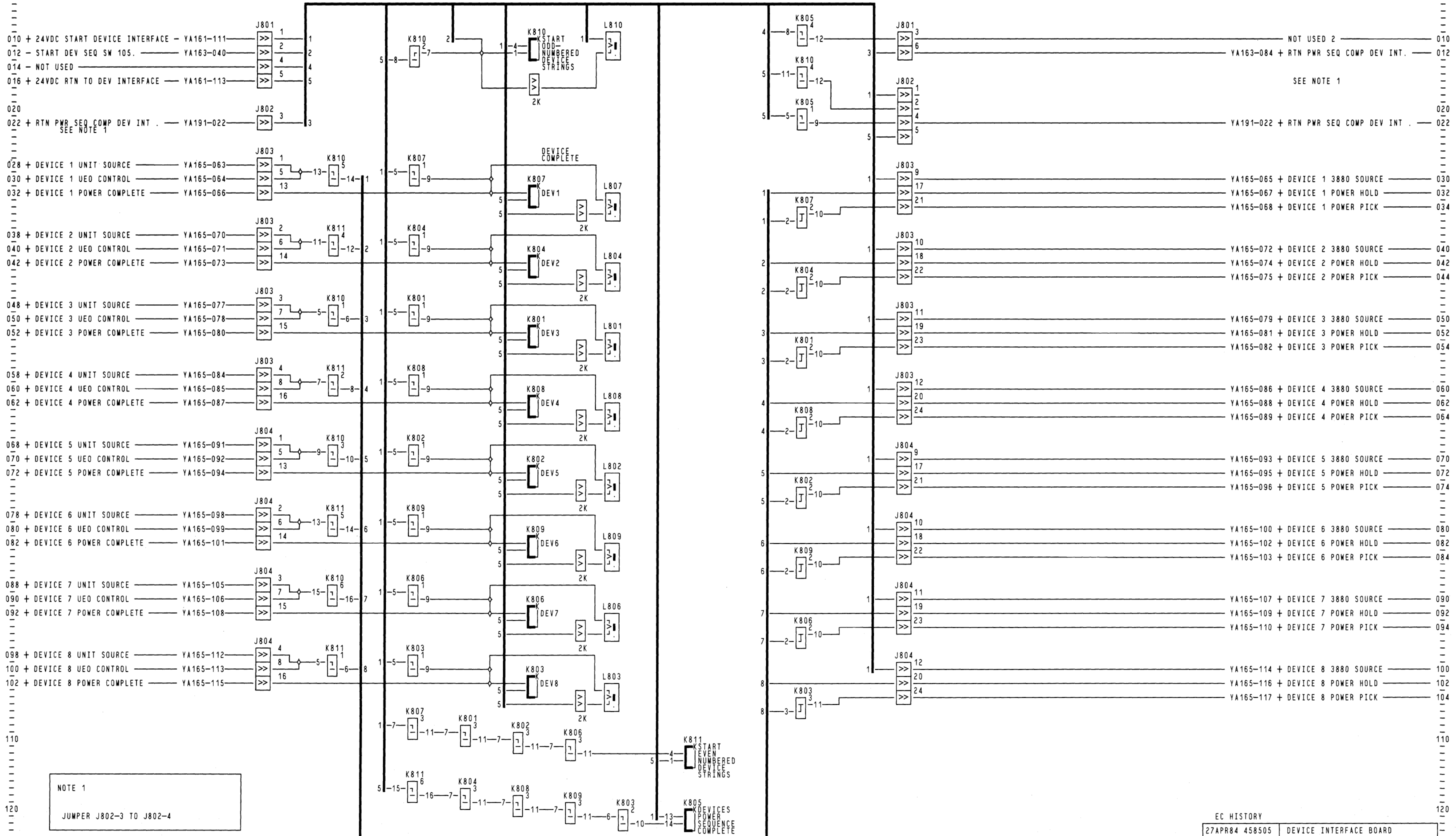


NOTE 1: POWER SELECT SWITCH SHOWN IN LOCAL POSITION  
NOTE 2: CE DEVICE SWITCH SHOWN IN ENABLE POSITION

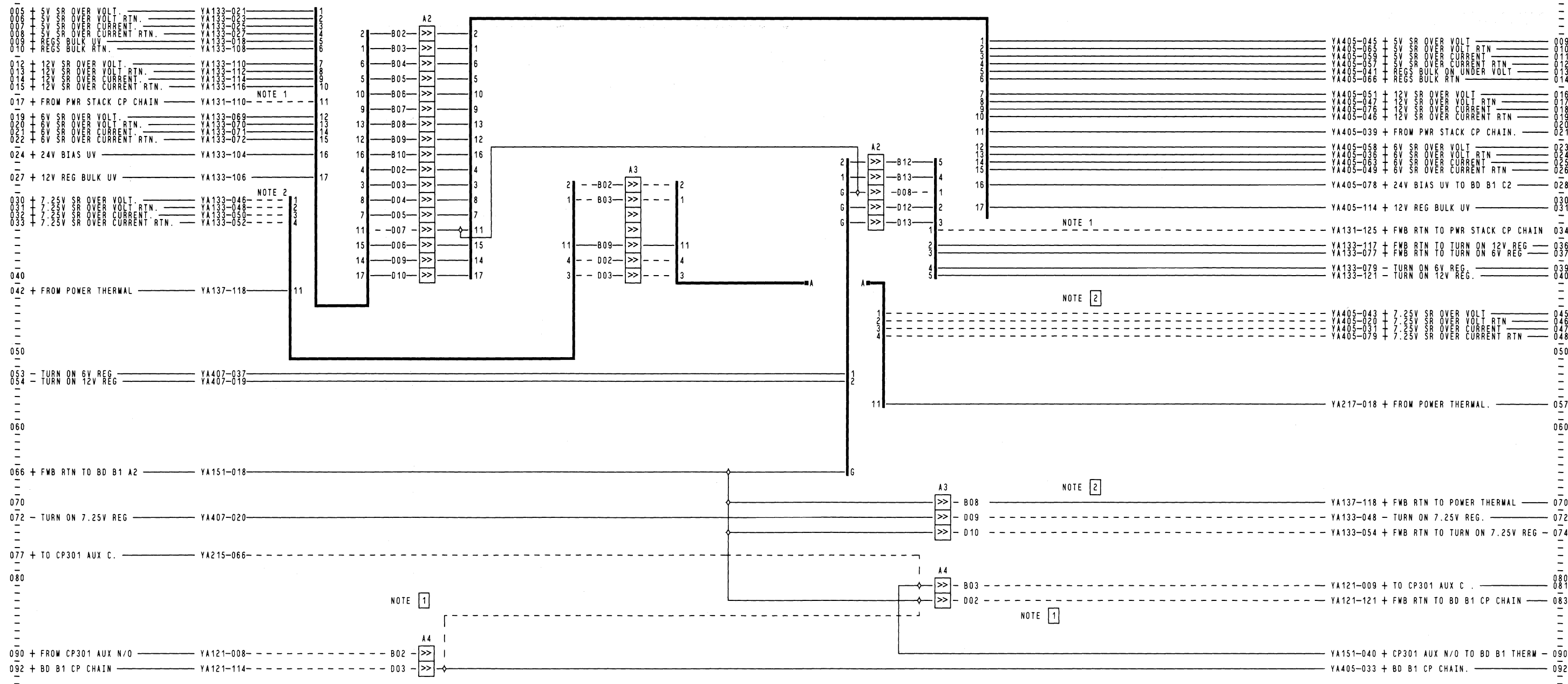
NOTE 3: E.C. POSITIONS D AND H RESERVED FOR FEATURES

EC HISTORY

27APR84 458505	DC SWITCH PANEL
PRINT 23APR84 1421 PN. 2127252	YACO1
MACH 3880	HPN
PNAME POWR	HEC
LOC	0000



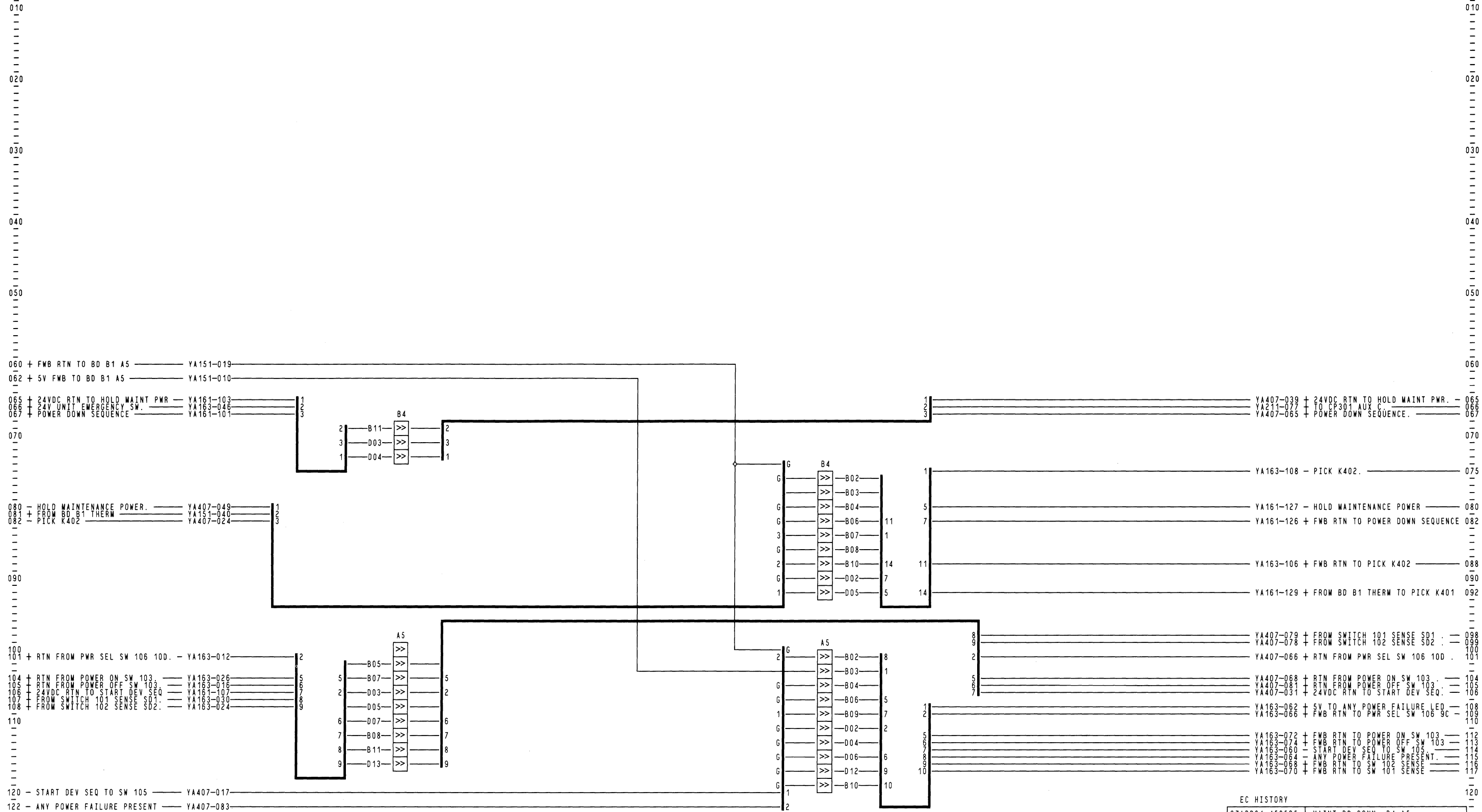
NOTE 1  
 JUMPER J802-3 TO J802-4



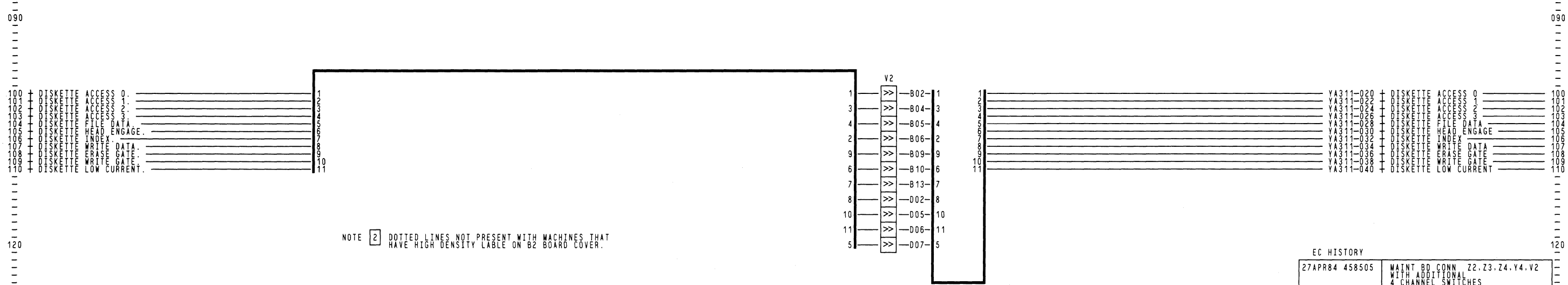
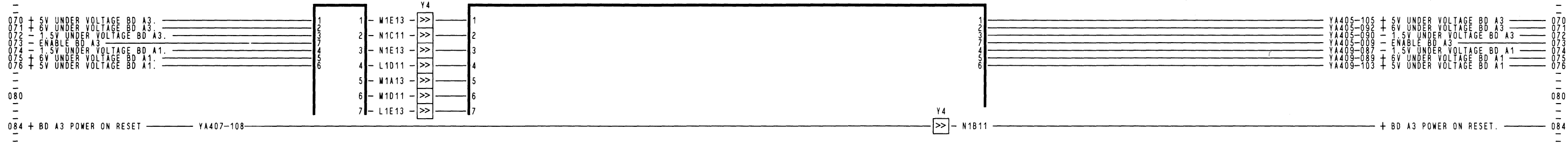
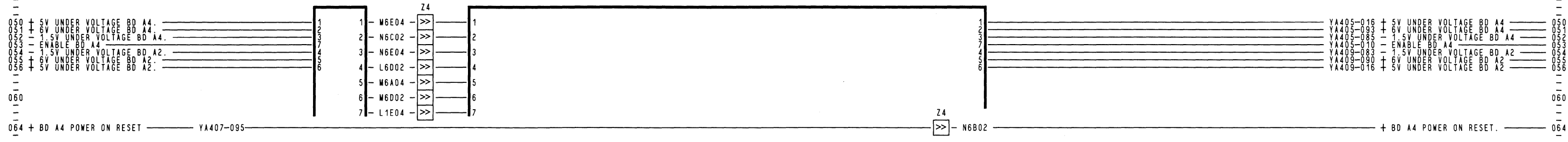
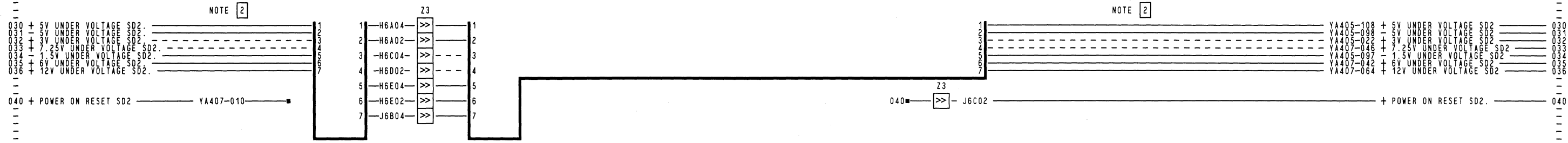
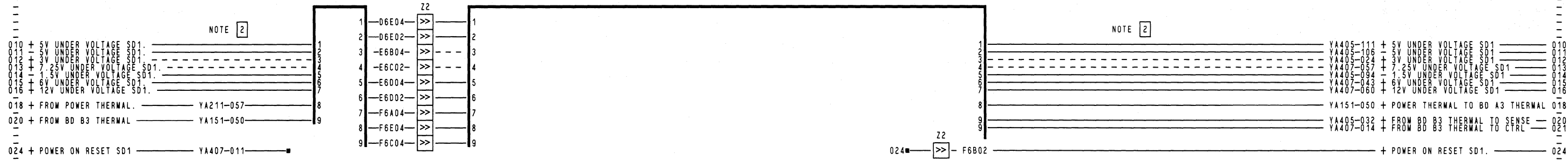
NOTE 1 MAY BE REMOVED ON SOME MACHINES.

NOTE 2 DOTTED LINES NOT PRESENT WITH MACHINES THAT HAVE HIGH DENSITY LABEL ON B2 BOARD COVER.

10 20 30 40 50 60 70 80 90 100 110 120 130 140 150 160 170 180 190 200 210 220 230 240 250 260 270 280 290 YA215



EC HISTORY	
27APR84 458505	MAINT BD CONN B4.A5
PRINT 23APR84 1328 PN 2127252	
YAC01 PAGE 27 OF 32	
MACH 3880	HPN
PNAME PWR	HEC
LOC	0000



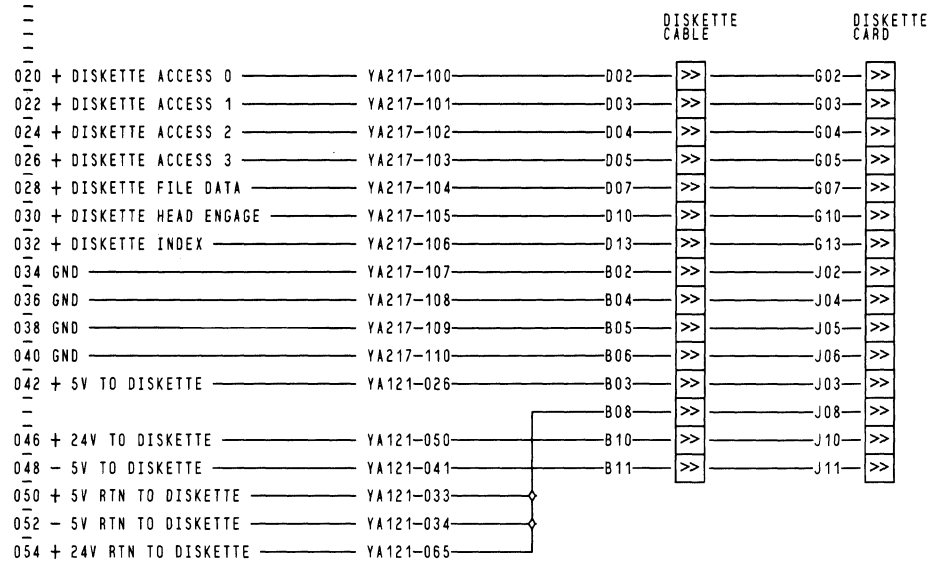
NOTE 2 DOTTED LINES NOT PRESENT WITH MACHINES THAT HAVE HIGH DENSITY LABEL ON B2 BOARD COVER.

EC HISTORY  
 27APR84 458505 MAINT BD CONN Z2,Z3,Z4,Y4,V2 WITH ADDITIONAL 4 CHANNEL SWITCHES  
 PRINT 25APR84 1422 PN 2127252  
 YAC01 PAGE 28 OF 32  
 MACH 3880 HPN  
 PNAME POWR HEC  
 LOC 0080

10 20 30 40 50 60 70 80 90 100 110 120 130 140 150 160 170 180 190 200 210 220 230 240 250 260 270 280 290 YA311

010

010



020

030

040

050

060

060

070

070

080

080

090

090

100

100

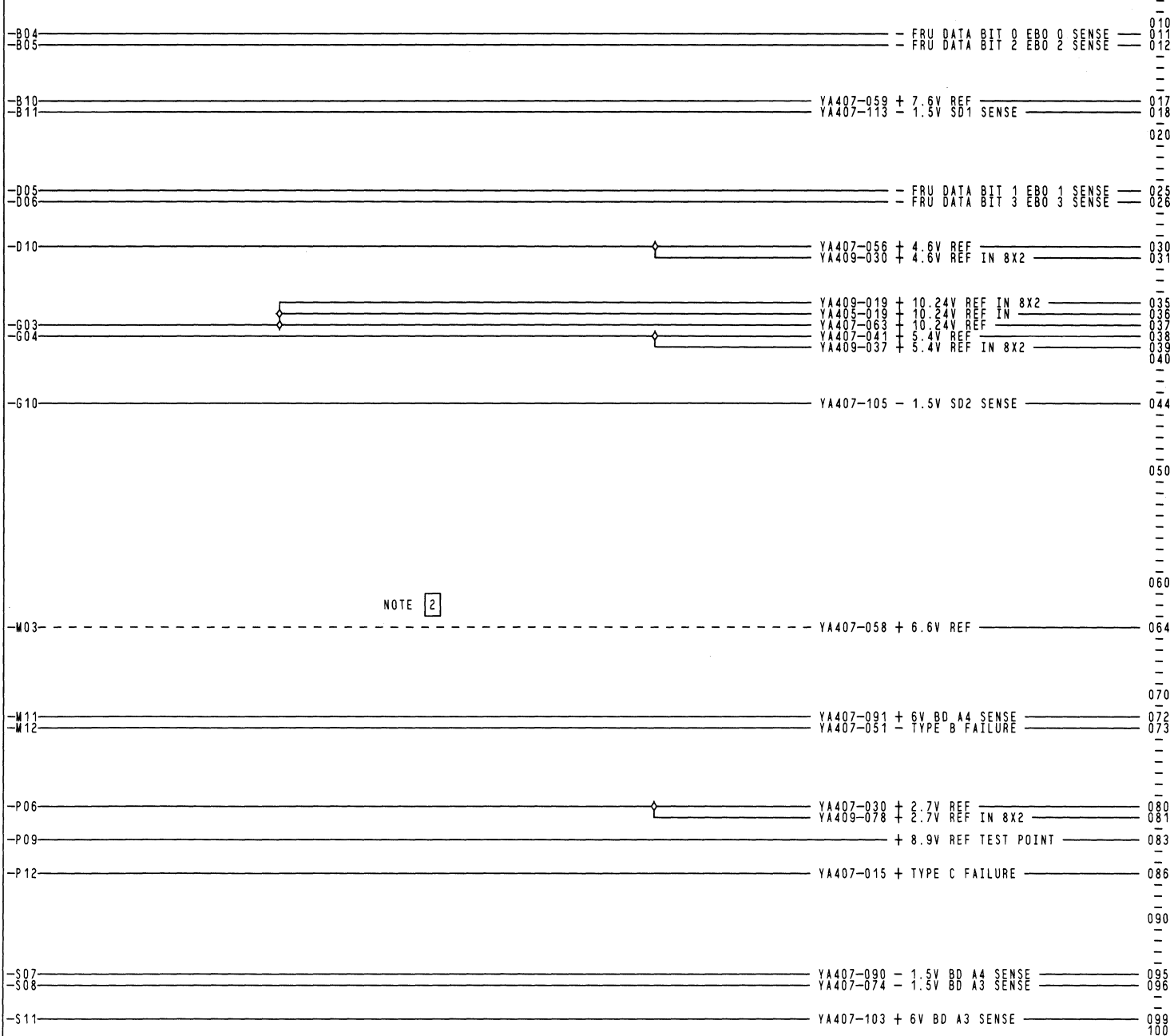
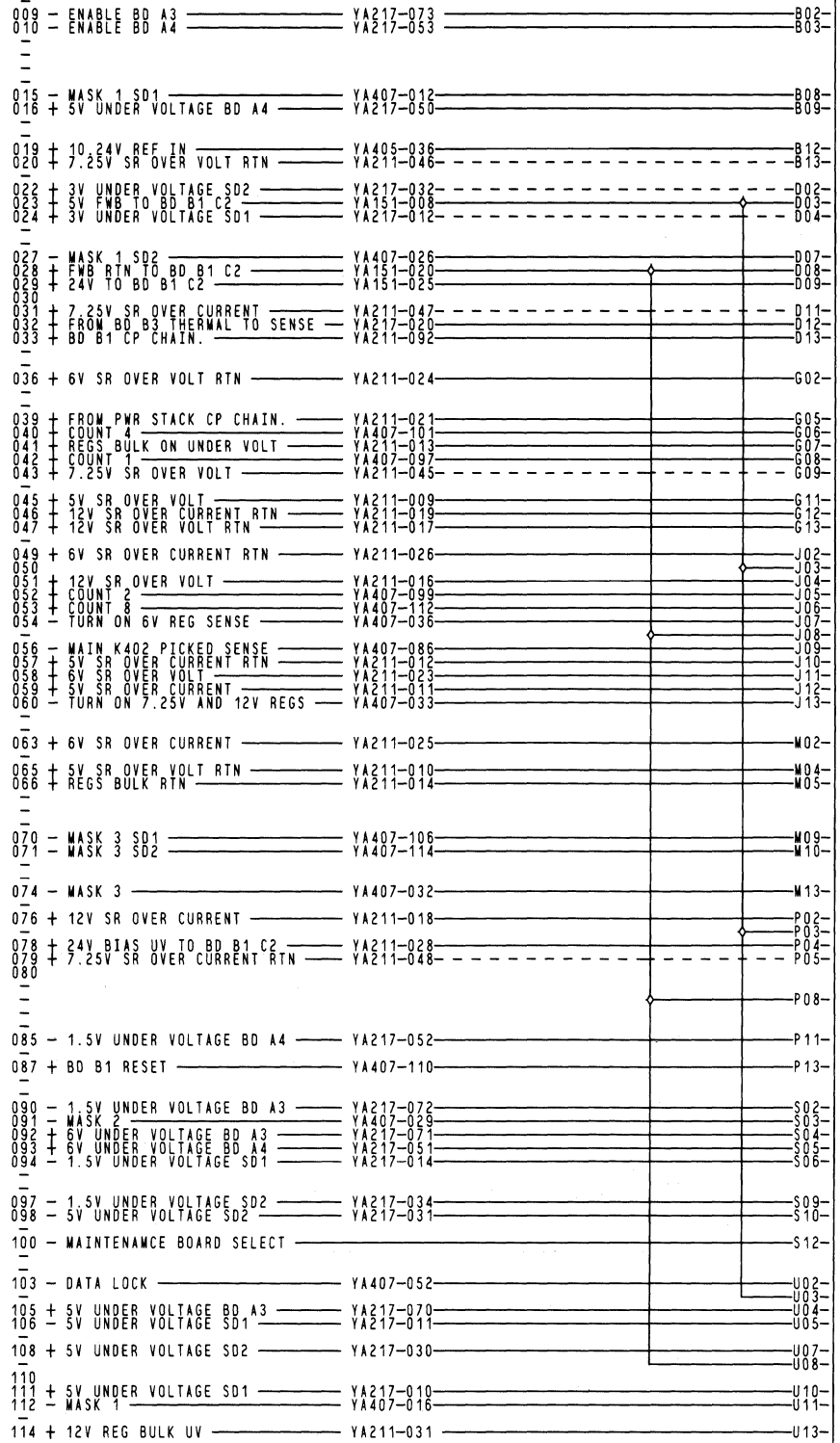
110

110

120

120

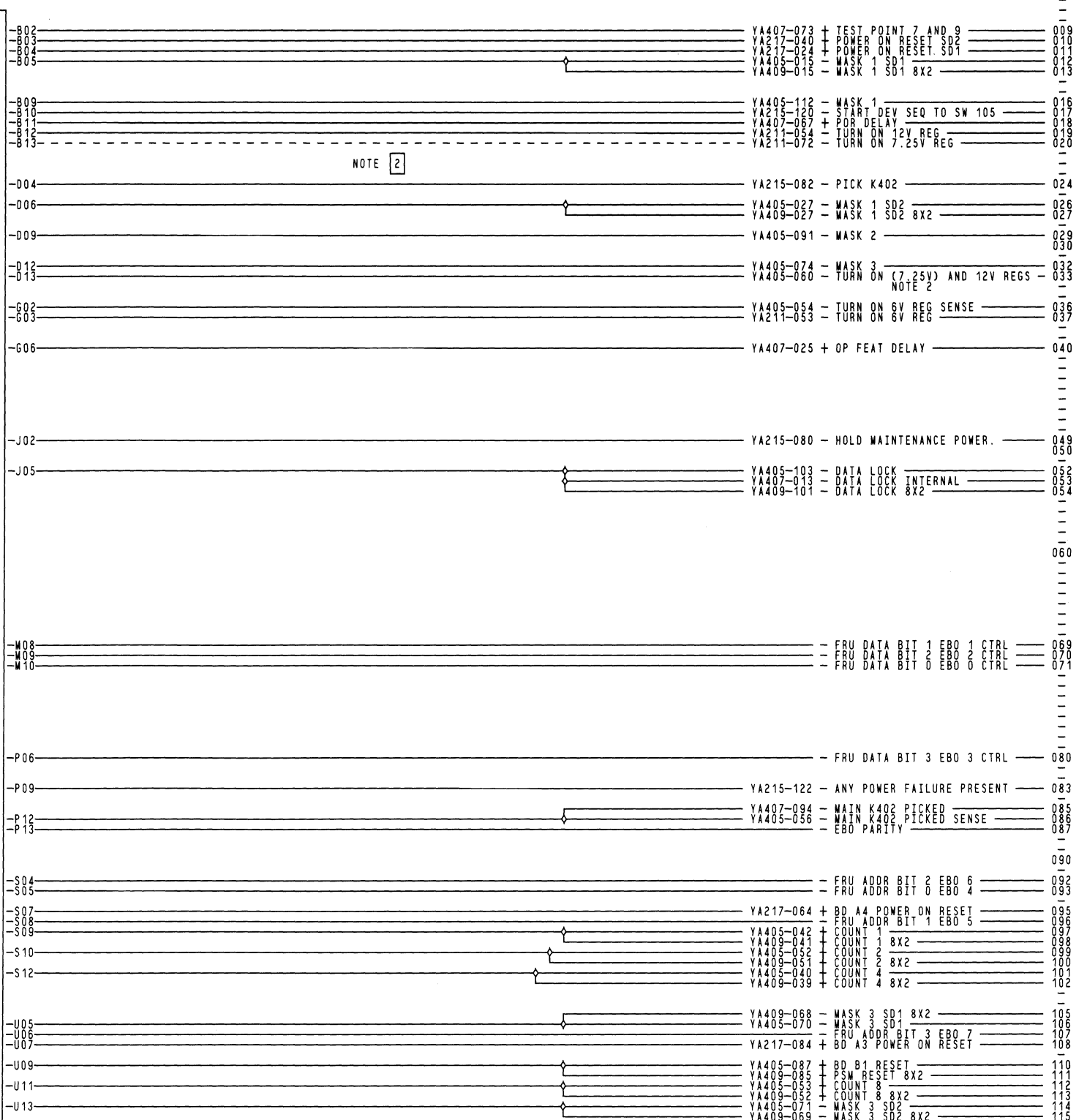
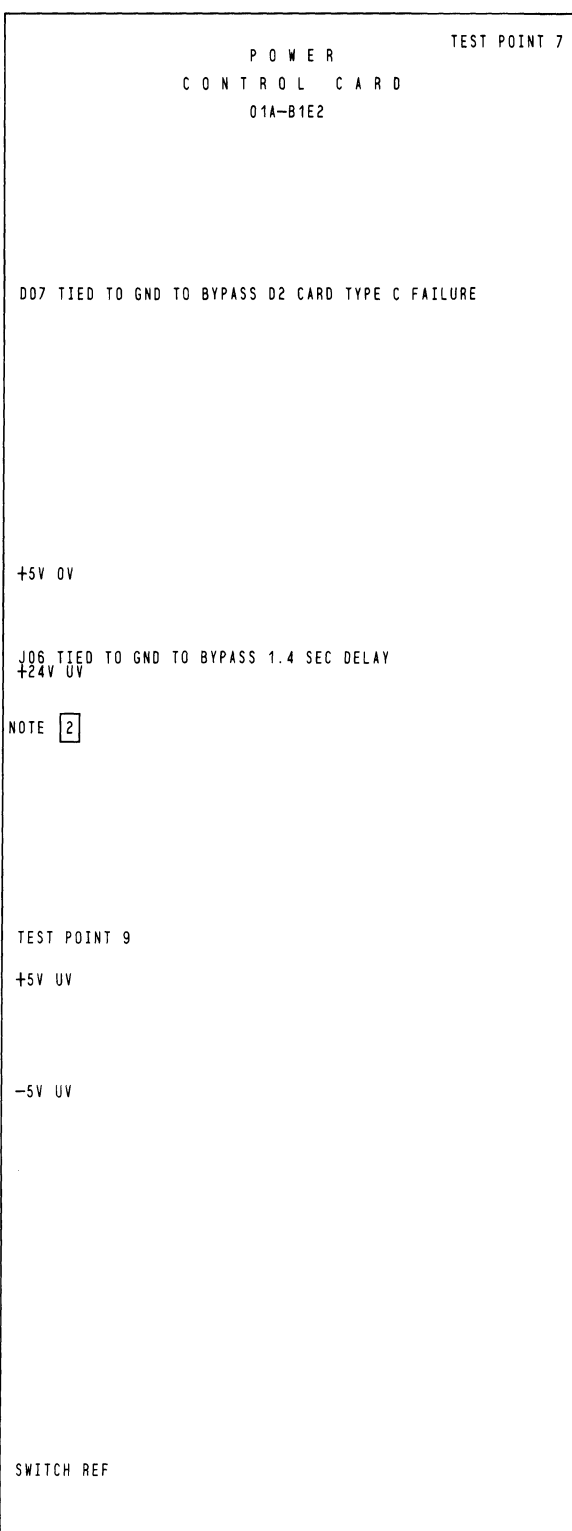
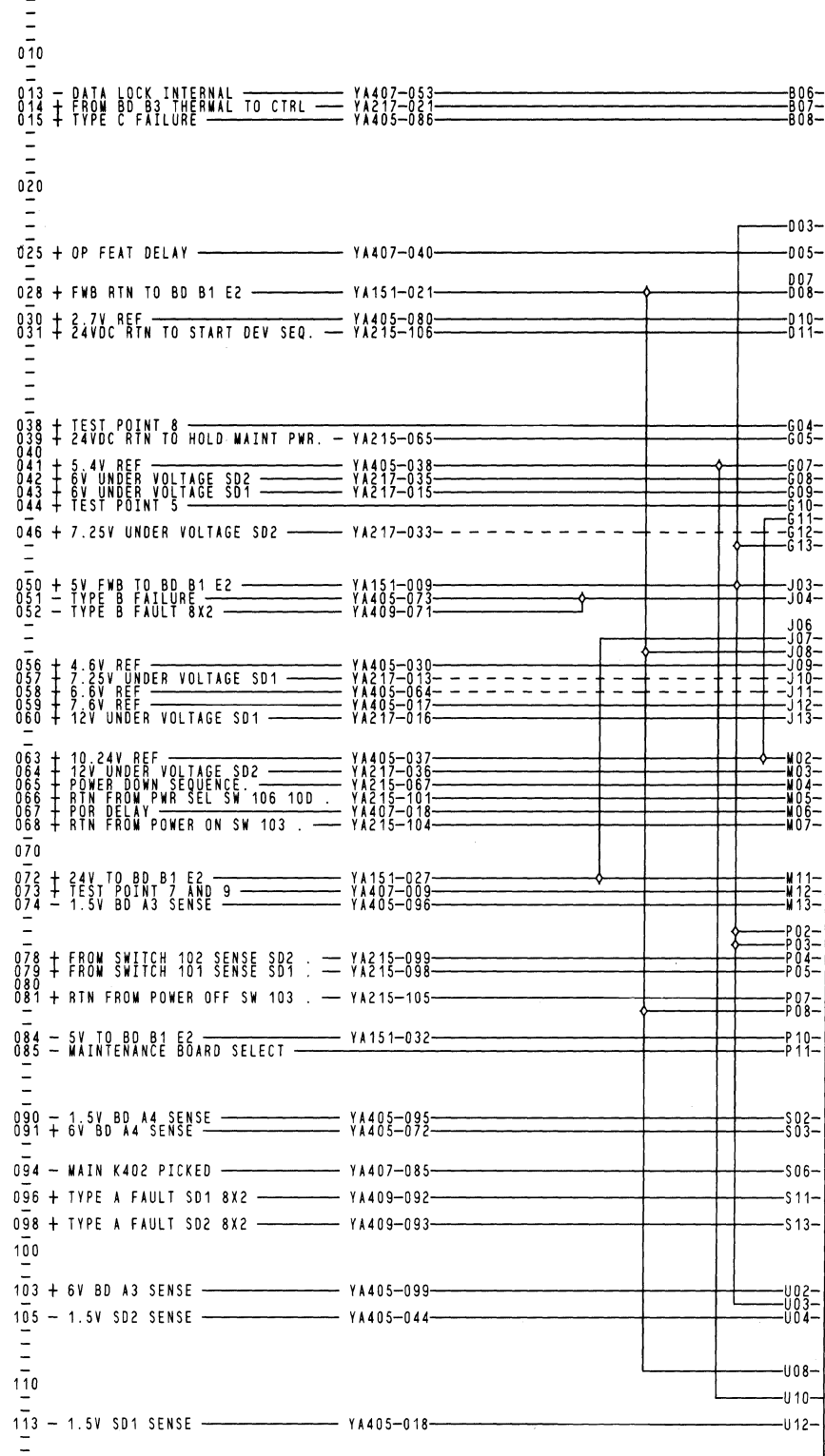
Y A 3 1



NOTE 1 THERE ARE 1.2 MFD CAPACITORS CONNECTED FROM C2G05 AND C2D13 TO GROUND ON SOME 50HZ MACHINES.  
 NOTE 2 DOTTED LINES NOT PRESENT WITH MACHINES THAT HAVE HIGH DENSITY LABEL ON B2 BOARD COVER.

EC HISTORY  
 27APR84 458505  
 POWER SENSOR CARD WITH ADDITIONAL 4 CHANNEL SWITCHES  
 PRINT 25APR84 1033 PN 2127252 PAGE 30 OF 32  
 YACD1  
 WACH 3880 HPN  
 PNAME POWR HEC  
 LOC 0000





NOTE 2 DOTTED LINES NOT PRESENT WITH MACHINES THAT HAVE HIGH DENSITY LABEL ON B2 BOARD COVER.

EC HISTORY

27APR84 458505

POWER CONTROL CARD WITH ADDITIONAL 4 CHANNEL SWITCHES

PRINT 25APR84 1428 PN 2127252

YAC01 PAGE 31 OF 32

MACH 3880 HPN

WIDE PRBR HEP

010  
 015 - MASK 1 SD1 8X2 ----- YA407-013 ----- B08  
 016 + 5V UNDER VOLTAGE BD A2 ----- YA217-056 ----- B09  
 019 + 10.24V REF IN 8X2 ----- YA405-035 ----- B12  
 020  
 024 + 24V TO PSM BD H2 ----- YA151-030 ----- D04  
 027 - MASK 1 SD2 8X2 ----- YA407-027 ----- D07  
 030 + 4.6V REF IN 8X2 ----- YA405-031 ----- D10  
 037 + 5.4V REF IN 8X2 ----- YA405-039 ----- G04  
 039 + COUNT 4 8X2 ----- YA407-102 ----- G06  
 040  
 041 + COUNT 1 8X2 ----- YA407-098 ----- G08  
 050  
 051 + COUNT 2 8X2 ----- YA407-100 ----- J05  
 052 + COUNT 8 8X2 ----- YA407-113 ----- J06  
 060  
 068 - MASK 3 SD1 8X2 ----- YA407-105 ----- M09  
 069 - MASK 3 SD2 8X2 ----- YA407-115 ----- M10  
 070  
 078 + 2.7V REF IN 8X2 ----- YA405-081 ----- P06  
 080  
 083 - 1.5V UNDER VOLTAGE BD A2 ----- YA217-054 ----- P11  
 085 + PSM RESET 8X2 ----- YA407-111 ----- P13  
 087 - 1.5V UNDER VOLTAGE BD A1 ----- YA217-074 ----- S02  
 089 + 6V UNDER VOLTAGE BD A1 ----- YA217-075 ----- S04  
 090 + 6V UNDER VOLTAGE BD A2 ----- YA217-053 ----- S05  
 097 - MAINT BOARD SELECT(PSM\_SEL 8X2)NOTE 1 ----- S12  
 098 - TYPE A FAULT SD1 UNUSED ----- S13  
 100  
 101 - DATA LOCK 8X2 ----- YA407-054 ----- U02  
 103 + 5V UNDER VOLTAGE BD A1 ----- YA217-076 ----- U04  
 110 - TYPE A FAULT SD2 UNUSED ----- U11



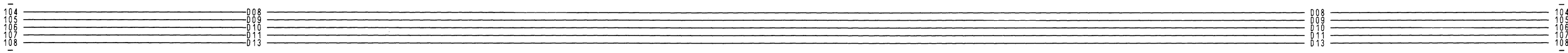
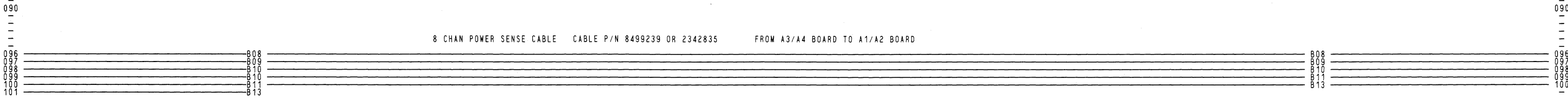
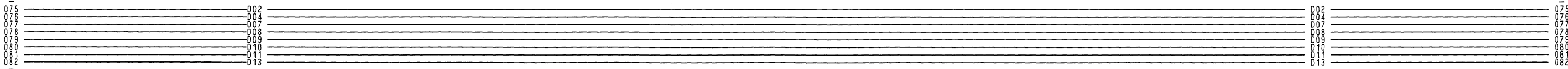
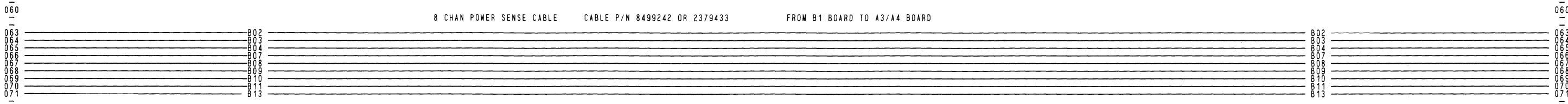
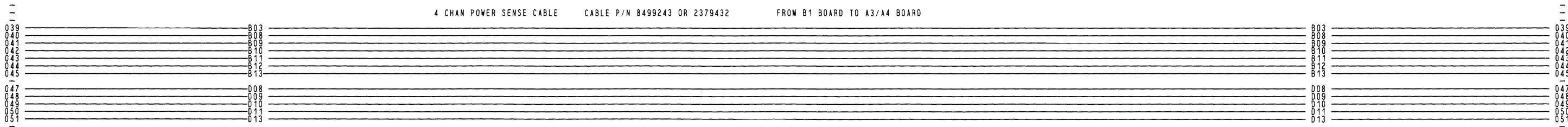
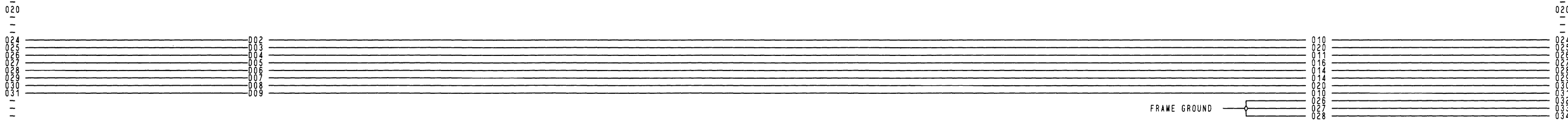
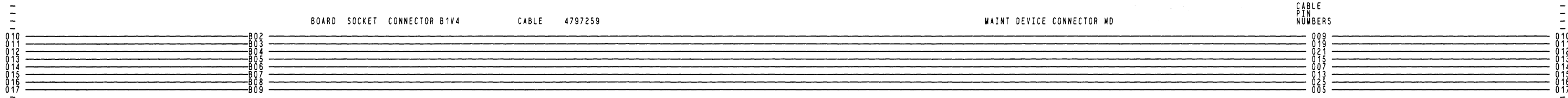
-B04 ----- NOTE 1 - FRU DATA BIT 0 EBO 0 ----- 010  
 -B05 ----- 011  
 -B05 ----- NOTE 1 - FRU DATA BIT 1 EBO 1 ----- 025  
 -B06 ----- NOTE 1 - FRU DATA BIT 3 EBO 3 ----- 026  
 -M12 ----- YA407-052 - TYPE B FAULT 8X2 ----- 070  
 -S07 ----- YA407-096 + TYPE A FAULT SD1 8X2 ----- 090  
 -S08 ----- YA407-098 + TYPE A FAULT SD2 8X2 ----- 092  
 ----- 093

NOTE 1. THESE LINES TIE INTO COMMON LOGIC NETS ON THE MAINTENANCE BOARD.

EC HISTORY

27APR84 458505	POWER SENSOR CARD 8X2
PRINT 23APR84 1025	PN 2127252
YAC01	PAGE 32 OF 32
MACH 3880	HPN
NAME POWR	HEC
LOC	0080

10 20 30 40 50 60 70 80 90 100 110 120 130 140 150 160 170 180 190 200 210 220 230 240 250 260 270 280 290 XMDA0



110

120

EC HISTORY

10APR84 461516	MAINTENANCE BOARD TO
01AUG84 461543	MAINTENANCE DEVICE
	AND POWER SENSE CABLES
	PRINT 28SEP84 1477 PN 2127299
	XAD10 PAGE 1 OF 6
	MACH 3880 HPN
	PNAME CABL HEC
	LOC

CABLES 4797488 , 8499240 AND 4797489 , 8499241

CABLES 4797534 AND 4797535 (TWO ADDED CHAN SWITCH)

010	B02	B02	B02	010
011	B03	B03	B03	011
012	B04	B04	B04	012
013	B05	B05	B05	013
014	B06	B06	B06	014
015	B07	B07	B07	015
016	B08	B08	B08	016
017	B09	B09	B09	017
018	B10	B10	B10	018
019	B11	B11	B11	019
020	B12	B12	B12	020
021	B13	B13	B13	021

022	B02	B02	B02	022
023	B03	B03	B03	023
024	B04	B04	B04	024
025	B05	B05	B05	025
026	B06	B06	B06	026
027	B07	B07	B07	027
028	B08	B08	B08	028
029	B09	B09	B09	029
030	B10	B10	B10	030
031	B11	B11	B11	031
032	B12	B12	B12	032
033	B13	B13	B13	033

CABLES 4797492 THRU 4797497

040	B02	B02	B02	040
041	B03	B03	B03	041
042	B04	B04	B04	042
043	B05	B05	B05	043
044	B06	B06	B06	044
045	B07	B07	B07	045
046	B08	B08	B08	046
047	B09	B09	B09	047

050	B02	B02	B02	050
051	B03	B03	B03	051
052	B04	B04	B04	052
053	B05	B05	B05	053
054	B06	B06	B06	054
055	B07	B07	B07	055
056	B08	B08	B08	056
057	B09	B09	B09	057

060 BOARD SOCKET CONNECTOR CABLES 4797490, 4797491, AND 8499479 TAIL GATE CONNECTOR

065	B02	THE WIRES AT THE INPUT AND OUTPUT CONNECTORS	THE WIRES AT THE INPUT AND OUTPUT CONNECTORS	065
066	B03	ARE TWISTED AND WOVEN TO REDUCE ELECTRICAL NOISE	ARE TWISTED AND WOVEN TO REDUCE ELECTRICAL NOISE	066
067	B04			067
068	B05			068
069	B06			069
070	B07			070
071	B08			071
072	B09			072
073	B10			073
074	B11			074
075	B12			075
076	B13			076

079	B02	THE WIRES AT THE INPUT AND OUTPUT CONNECTORS	THE WIRES AT THE INPUT AND OUTPUT CONNECTORS	079
080	B03	ARE TWISTED AND WOVEN TO REDUCE ELECTRICAL NOISE	ARE TWISTED AND WOVEN TO REDUCE ELECTRICAL NOISE	080
081	B04			081
082	B05			082
083	B06			083
084	B07			084
085	B08			085
086	B09			086
087	B10			087
088	B11			088
089	B12			089
090	B13			090

BOARD SOCKET CONNECTOR

TAIL GATE CONNECTOR

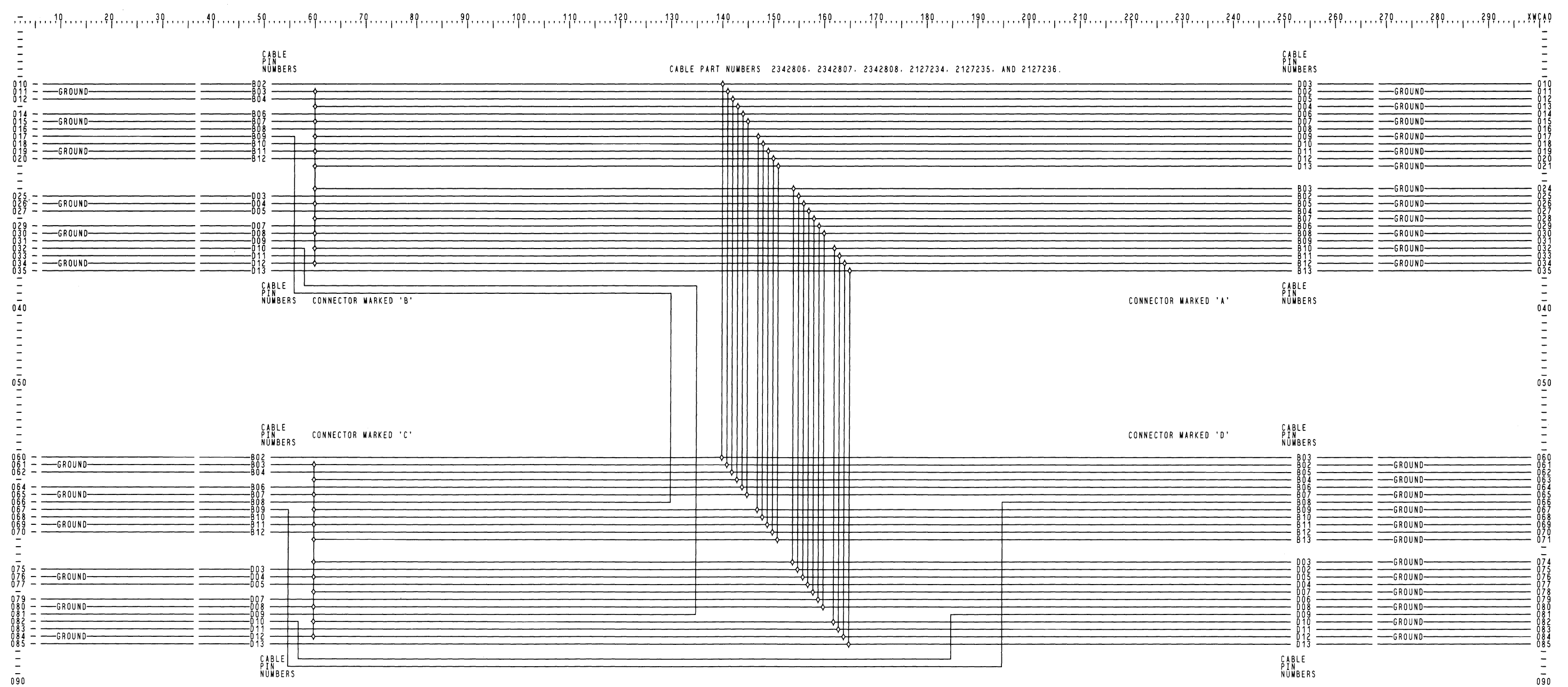
CABLE 4797529 (TWO ADDED CHAN SWITCH)

100	B08	B08	B08	100
101	B09	B09	B09	101
102	B10	B10	B10	102
103	B11	B11	B11	103
104	B13	B13	B13	104
107	B08	B08	B08	107
108	B09	B09	B09	108
109	B10	B10	B10	109
110	B11	B11	B11	110
111	B13	B13	B13	111

120

EC HISTORY

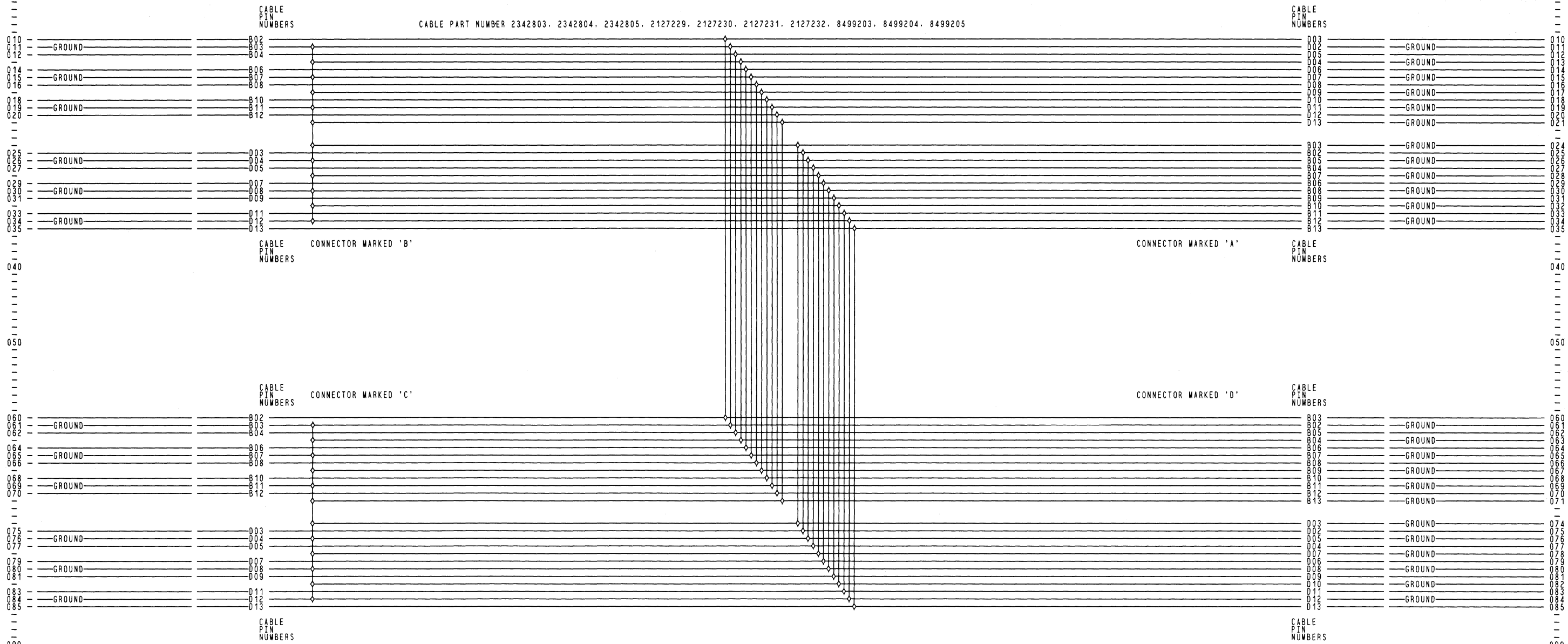
10APR84 461516	STORAGE DIRECTOR BOARD TO
01AUG84 461543	MAINTENANCE BOARD
	TAIL GATE TO TOP CARD CONN
	PRINT 28SEP84 1472 PN 2127299
	XAO10 PAGE 2 OF 6
	MACH 3880 HPN
	LOC PNAME CABL HEC



CABLE PART NUMBERS 2342806, 2342807, 2342808, 2127234, 2127235, AND 2127236.

NOTES  
 THE 'B' AND 'D' SIDES OF THE CONNECTORS ARE REVERSED ON THE INPUT AND OUTPUT CONNECTORS TO ALLOW REMOVAL OF THE CHANNEL CABLES AND CONNECTING THEM TOGETHER. THE GROUND WIRES FROM THE INPUT AND OUTPUT CONNECTORS ARE SHORTED TOGETHER AT THE STORAGE DIRECTOR AND GROUNDED THROUGH SIX PINS.

EC HISTORY	
10APR84 461516	TAIL GATE
01AUG84 461543	TO STORAGE DIRECTOR BOARDS
	CHAN CBL TYPE 'B' FCA
PRINT 28SEP84 1472 PN 2127299	
XAD10	PAGE 3 OF 6
MACH 3880	HPN
NAME CABL	HEC

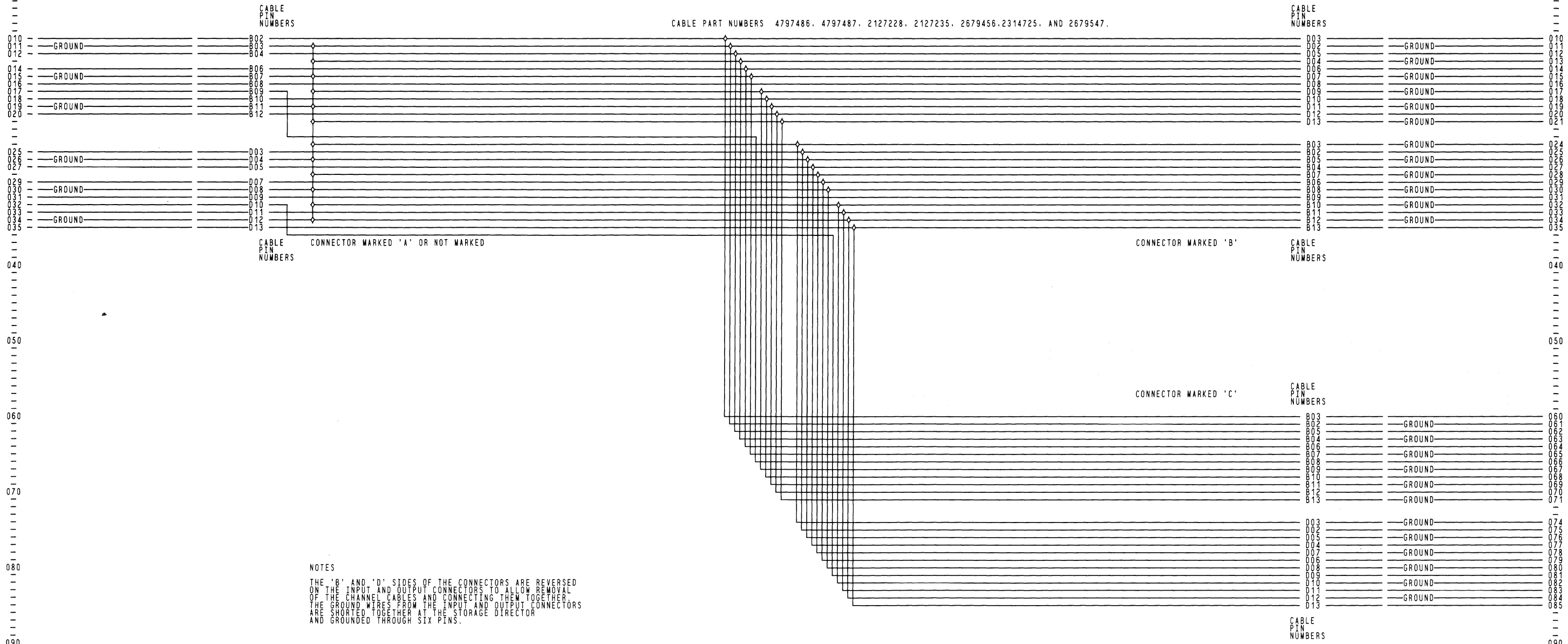


NOTES  
 THE 'B' AND 'D' SIDES OF THE CONNECTORS ARE REVERSED ON THE INPUT AND OUTPUT CONNECTORS TO ALLOW REMOVAL OF THE CHANNEL CABLES AND CONNECTING THEM TOGETHER. THE GROUND WIRES FROM THE INPUT AND OUTPUT CONNECTORS ARE SHORTED TOGETHER AT THE STORAGE DIRECTOR AND GROUNDED THROUGH SIX PINS.

EC HISTORY	
10APR84 461516	TAIL GATE
01AUG84 461543	TO STORAGE DIRECTOR BOARDS
	CHAN CBL TYPE 'A' FCA
PRINT 28SEP84 1476 PN 2127299	
XAG10	PAGE 4 OF 6
MACH 3880	HPN
LOC	HEC

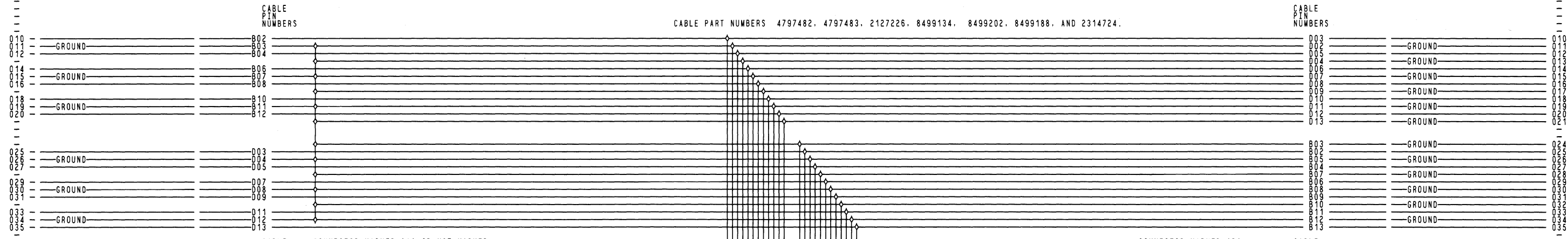
10 20 30 40 50 60 70 80 90 100 110 120 130 140 150 160 170 180 190 200 210 220 230 240 250 260 270 280 290 X Y C A O

CABLE PART NUMBERS 4797486, 4797487, 2127228, 2127235, 2679456, 2314725, AND 2679547.



NOTES  
 THE 'B' AND 'D' SIDES OF THE CONNECTORS ARE REVERSED ON THE INPUT AND OUTPUT CONNECTORS TO ALLOW REMOVAL OF THE CHANNEL CABLES AND CONNECTING THEM TOGETHER. THE GROUND WIRES FROM THE INPUT AND OUTPUT CONNECTORS ARE SHORTED TOGETHER AT THE STORAGE DIRECTOR AND GROUNDED THROUGH SIX PINS.

CABLE PART NUMBERS 4797482, 4797483, 2127226, 8499134, 8499202, 8499188, AND 2314724.



NOTES  
 THE 'B' AND 'D' SIDES OF THE CONNECTORS ARE REVERSED ON THE INPUT AND OUTPUT CONNECTORS TO ALLOW REMOVAL OF THE CHANNEL CABLES AND CONNECTING THEM TOGETHER. THE GROUND WIRES FROM THE INPUT AND OUTPUT CONNECTORS ARE SHORTED TOGETHER AT THE STORAGE DIRECTOR AND GROUNDED THROUGH SIX PINS.

EC HISTORY

10APR84 461516	TAIL GATE
01AUG84 461543	TO STORAGE DIRECTOR BOARDS
	CHAN CBL TYPE 'A'
	PRINT 28SEP84 1475 PN 2127299
	XAO10 PAGE 6 OF 6
IBM CORP	MACH 3880 HPN
	NAME CABL HEC
	LOC



SEQNO	PGE OF	FICHE CD	FRM	BOARD PARTNO	TYPE	BOARDLOC	COMMENTS
XZ010	1	1	A01	N/A	VDLI	N/A	
XZ010	2	1	A03	4513993	VDL	1A-A4	
XZ010	2	1	A03	4513997	VDL	1A-A2	SEE 4513993
XZ010	3	1	A05	4514064	VDL	1A-B1	
XZ010	4	1	A07	4514034	VDL	1A-B4	
XZ010	4	1	A07	4514038	VDL	1A-B4	SEE 4514034
XZ010	4	1	A07	4514014	VDL	1A-B4	SEE 4514034

3880 VDL

Seq XZ010 1 of 5	2127238 Part No.	461516 10APR84								N/A BOARDLOC
---------------------	---------------------	-------------------	--	--	--	--	--	--	--	-----------------

30 Jan. 85 11:38

VOLTAGE DISTRIBUTION LIST --- VDL - BRD P/N 4513993

VOLTAGE DISTRIBUTION LIST --- VDL - BRD P/N 4513993 VDL XZ010

VOLT	PIN	VOLT	PIN	VOLT	PIN	VOLT	PIN	VOLT	PIN	VOLT	PIN	VOLT	PIN	VOLT	PIN
GND	A1E13	GND	C6D02	GND	J1C12	GND	P2D08	GND	U3D04	+05.00	E4B06	+05.00	N1C12	+06.00	N5D12
.	A2B03	.	D2B11	.	J1D12	.	P3B11	.	U3D08	.	E4D03	.	N2B06	.	Q2D12
.	A2B07	.	D2D08	.	J1E12	.	P3D08	.	U3D12	.	E5B06	.	N2D03	.	Q3D12
.	A2B11	.	D3B11	.	J1E13	.	P4B11	.	U4B03	.	E5D03	.	N3B06	.	Q4D12
.	A2D04	.	D3D08	.	J2B11	.	P4D08	.	U4B07	.	F2B06	.	N3D03	.	Q5D12
.	A2D08	.	D4B11	.	J2D08	.	P5B11	.	U4B11	.	F2D03	.	N4B06	.	R2D12
.	A2D12	.	D4D08	.	J3B11	.	P5D08	.	U4D04	.	F3B06	.	N4D03	.	R3D12
.	A3B03	.	D5B11	.	J3D08	.	Q1A13	.	U4D08	.	F3D03	.	N5B06	.	R4D12
.	A3B07	.	D5D08	.	J4B11	.	Q1B11	.	U4D12	.	F4B06	.	N5D03	.	R5D12
.	A3B11	.	E1A13	.	J4D08	.	Q1E13	.	U5B03	.	F4D03	.	P2B06	.	
.	A3D04	.	E1B11	.	J5B11	.	Q2B11	.	U5B07	.	F5B06	.	P2D03	.	
.	A3D08	.	E1E13	.	J5D08	.	Q2D08	.	U5B11	.	F5D03	.	P3B06	.	
.	A3D12	.	E2B11	.	J6A03	.	Q3B11	.	U5D04	.	G2B06	.	P3D03	-01.50	E3B13
.	A4B03	.	E2D08	.	J6A04	.	Q3D08	.	U5D08	.	G2D03	.	P4B06	.	F3B13
.	A4B07	.	E3B11	.	J6B02	.	Q4B11	.	U5D12	.	G3B06	.	P4D03	.	F6A03
.	A4B11	.	E3D08	.	J6B03	.	Q4D08	.	U6A04	.	G3D03	.	P5B06	.	F6B03
.	A4D04	.	E4B11	.	J6C03	.	Q5B11	.	U6B02	.	G4B06	.	P5D03	.	F6C03
.	A4D08	.	E4D08	.	J6D03	.	Q5D08	.	U6E04	.	G4D03	.	Q2B06	.	F6D03
.	A4D12	.	E5B11	.	J6E03	.	Q6A04	.	V1A11	.	G5B06	.	Q2D03	.	Q3B13
.	A5B03	.	E5D08	.	J6E04	.	Q6B02	.	V2B03	.	G5D03	.	Q3B06	.	R3B13
.	A5B07	.	E6A04	.	K1A11	.	Q6E04	.	V2B07	.	H2B06	.	Q3D03	.	
.	A5B11	.	E6B02	.	K2B11	.	R1A11	.	V2B11	.	H2D03	.	Q4B06	.	
.	A5D04	.	E6E04	.	K2D08	.	R1D13	.	V2D04	.	H3B06	.	Q4D03	.	
.	A5D08	.	F1A11	.	K3B11	.	R1E11	.	V2D08	.	H3D03	.	Q5B06	.	
.	A5D12	.	F1D13	.	K3D08	.	R2B11	.	V2D12	.	H4B06	.	Q5D03	.	
.	A6E04	.	F1E11	.	K4B11	.	R2D08	.	V3B03	.	H4D03	.	R2B06	.	
.	B1A11	.	F2B11	.	K4D08	.	R3B11	.	V3B07	.	H5B06	.	R2D03	.	
.	B1D13	.	F2D08	.	K5B11	.	R3D08	.	V3B11	.	H5D03	.	R3B06	.	
.	B1E11	.	F3B11	.	K5D08	.	R4B11	.	V3D04	.	J2B06	.	R3D03	.	
.	B2B03	.	F3D08	.	K6A02	.	R4D08	.	V3D08	.	J2D03	.	R4B06	.	
.	B2B07	.	F4B11	.	L1E13	.	R5B11	.	V3D12	.	J3B06	.	R4D03	.	
.	B2B11	.	F4D08	.	L2B11	.	R5D08	.	V4B03	.	J3D03	.	R5B06	.	
.	B2D04	.	F5B11	.	L2D08	.	R6A02	.	V4B07	.	J4B06	.	R5D03	.	
.	B2D08	.	F5D08	.	L3B11	.	R6D04	.	V4B11	.	J4D03	.	S2B06	.	
.	B2D12	.	F6A02	.	L3D08	.	R6E02	.	V4D04	.	J5B06	.	S2D03	.	
.	B3B03	.	F6D04	.	L4B11	.	S2B11	.	V4D08	.	J5D03	.	S3B06	.	
.	B3B07	.	F6E02	.	L4D08	.	S2D08	.	V4D12	.	K2B06	.	S3D03	.	
.	B3B11	.	G2B11	.	L5B11	.	S3B11	.	V5B03	.	K2D03	.	S4B06	.	
.	B3D04	.	G2D08	.	L5D08	.	S3D08	.	V5B07	.	K3B06	.	S4D03	.	
.	B3D08	.	G3B11	.	L6E04	.	S4B11	.	V5B11	.	K3D03	.	S5B06	.	
.	B3D12	.	G3D08	.	M1A11	.	S4D08	.	V5D04	.	K4B06	.	S5D03	.	
.	B4B03	.	G4B11	.	M1D13	.	S5B11	.	V5D08	.	K4D03	.	T2B06	.	
.	B4B07	.	G4D08	.	M1E11	.	S5D08	.	V5D12	.	K5B06	.	T2D03	.	
.	B4B11	.	G5B11	.	M2B11	.	T1B13	.	V6A02	.	K5D03	.	T3B06	.	
.	B4D04	.	G5D08	.	M2D08	.	T1C11	.		.	L2B06	.	T3D03	.	
.	B4D08	.	H1B13	.	M3B11	.	T2B11	.		.	L2D03	.	T4B06	.	
.	B4D12	.	H1C11	.	M3D08	.	T2D08	.		.	L3B06	.	T4D03	.	
.	B5B03	.	H1C12	.	M4B11	.	T3B11	+05.00	C2B06	.	L3D03	.	T5B06	.	
.	B5B07	.	H1D12	.	M4D08	.	T3D08	.	C2D03	.	L4B06	.	T5D03	.	
.	B5B11	.	H1E12	.	M5B11	.	T4B11	.	C3B06	.	L4D03	.		.	
.	B5D04	.	H2B11	.	M5D08	.	T4D08	.	C3D03	.	L5B06	.		.	
.	B5D08	.	H2D08	.	M6A02	.	T5B11	.	C4B06	.	L5D03	.		.	
.	B5D12	.	H3B11	.	M6D04	.	T5D08	.	C4D03	.	M1A12	+06.00	E2D12	.	
.	B6A02	.	H3D08	.	M6E02	.	T6B04	.	C5B06	.	M1B12	.	E3D12	.	
.	B6D04	.	H4B11	.	N1C13	.	T6C02	.	C5D03	.	M1C12	.	E4D12	.	
.	B6E02	.	H4D08	.	N1D11	.	U1A13	.	D2B06	.	M1D12	.	E5D12	.	
.	C1C13	.	H5B11	.	N2B11	.	U1B11	.	D2D03	.	M1E12	.	E6B03	.	
.	C1D11	.	H5D08	.	N2D08	.	U1E13	.	D3B06	.	M2B06	.	E6C03	.	
.	C2B11	.	H6B04	.	N3B11	.	U2B03	.	D3D03	.	M2D03	.	E6D03	.	
.	C2D08	.	H6C02	.	N3D08	.	U2B07	.	D4B06	.	M3B06	.	E6E03	.	
.	C3B11	.	H6C03	.	N4B11	.	U2B11	.	D4D03	.	M3D03	.	F2D12	.	
.	C3D08	.	H6D03	.	N4D08	.	U2D04	.	D5B06	.	M4B06	.	F3D12	.	
.	C4B11	.	H6E03	.	N5B11	.	U2D08	.	D5D03	.	M4D03	.	F4D12	.	
.	C4D08	.	J1A12	.	N5D08	.	U2D12	.	E2B06	.	M5B06	.	F5D12	.	
.	C5B11	.	J1A13	.	N6C04	.	U3B03	.	E2D03	.	M5D03	.	H4D12	.	
.	C5D08	.	J1B11	.	N6D02	.	U3B07	.	E3B06	.	N1A12	.	H5D12	.	
.	C6C04	.	J1B12	.	P2B11	.	U3B11	.	E3D03	.	N1B12	.	N4D12	.	

VOLTAGE DISTRIBUTION LIST --- VDL - BRD P/N 4514064

VOLT	PIN
GND	A1D13
.	A2C02
.	A2D07
.	A2D08
.	A2D12
.	A2D13
.	A3B08
.	A3C02
.	A3D08
.	A3D10
.	A4C02
.	A4D02
.	A4D03
.	A4D08
.	A5B04
.	A5B06
.	A5B10
.	A5C02
.	A5D02
.	A5D04
.	A5D06
.	A5D08
.	A5D12
.	B1A12
.	B1A13
.	B1B11
.	B1B12
.	B1C12
.	B1C13
.	B1D11
.	B1D12
.	B1E11
.	B1E12
.	B2B03
.	B2B05
.	B2C02
.	B2D02
.	B2D04
.	B2D06
.	B2D07
.	B2D08
.	B3B03
.	B3B05
.	B3C02
.	B3D02
.	B3D04
.	B3D06
.	B3D08
.	B4B02
.	B4B04
.	B4B06
.	B4C02
.	B4D02
.	B4D06
.	B4D08
.	B4D10
.	B5B03
.	B5B05
.	B5B09
.	B5B11
.	B5C02
.	B5D02
.	B5D04
.	B5D06
.	B5D08
.	B5D10
.	B5D12

VOLT	PIN
GND	B6A03
.	B6B03
.	B6C03
.	B6D03
.	B6E02
.	B6E03
.	C1A11
.	C1A12
.	C1B12
.	C1B13
.	C1C12
.	C2C02
.	C2D08
.	C3C02
.	C3D08
.	C4C02
.	C4D08
.	C5C02
.	C5D08
.	C6A03
.	C6B03
.	C6C03
.	D2D08
.	D3D08
.	D4D08
.	D5D08
.	E2D08
.	E2J08
.	E3D08
.	E4D08
.	E5D08
.	E6A02
.	E6A04
.	E6B02
.	E6B03
.	E6C03
.	E6C04
.	E6D03
.	E6E02
.	E6E03
.	E6E04
.	F1A11
.	F2D08
.	F3D08
.	F4D08
.	F5D08
.	F6A02
.	F6A03
.	F6B03
.	F6B04
.	F6C03
.	F6D03
.	G2D08
.	G3D08
.	G4D08
.	G5D08
.	H1A13
.	H1C12
.	H1C13
.	H1D11
.	H1D12
.	H1E12
.	H1E13
.	H2D08
.	H3D08
.	H4D08
.	H5D08

VOLT	PIN
GND	H6B02
.	H6B04
.	H6C02
.	H6C03
.	H6D03
.	H6D04
.	H6E03
.	J1A11
.	J1A12
.	J1B11
.	J1B12
.	J1C11
.	J1C12
.	J1D12
.	J1D13
.	J1E12
.	J2D08
.	J2U08
.	J3D08
.	J4D08
.	J5D08
.	J6A02
.	J6A03
.	J6A04
.	J6B02
.	J6B03
.	J6C03
.	J6C04
.	J6D03
.	J6E03
.	K1B11
.	K1B13
.	K2D08
.	K3D08
.	K4D08
.	K5D08
.	L1D13
.	L2D08
.	L3D08
.	L4D08
.	L5D08
.	L6D04
.	M1A11
.	M1A12
.	M1B11
.	M1B12
.	M1C12
.	M1D12
.	M1D13
.	M1E11
.	M1E12
.	M2D08
.	M3D08
.	M4D08
.	M5D08
.	M6A02
.	M6A03
.	M6B02
.	M6B03
.	M6C03
.	M6D03
.	M6D04
.	M6E02
.	M6E03
.	N1A11
.	N1A12
.	N1B12

VOLT	PIN
GND	N1B13
.	N1C12
.	N1C13
.	N1E11
.	N2D08
.	N3D08
.	N4D08
.	N5D08
.	N6A02
.	N6A03
.	N6B03
.	N6B04
.	N6C03
.	N6C04
.	N6E02
.	P2D08
.	P3D08
.	P4D08
.	P5D08
.	Q1B12
.	Q1C12
.	Q1D12
.	Q1E12
.	Q2D08
.	Q3D08
.	Q4D08
.	Q5D08
.	R1A11
.	R1A12
.	R1B12
.	R1C12
.	R1D12
.	R2D08
.	R3D08
.	R4D08
.	R5D08
.	R6A02
.	S2D08
.	S3D08
.	S4D08
.	S5D08
.	T1C12
.	T1D12
.	T1E12
.	T2C02
.	T2D08
.	T3C02
.	T3D08
.	T4C02
.	T4D08
.	T5C02
.	T5D08
.	T6C03
.	T6D03
.	T6E03
.	U1A12
.	U1B11
.	U1B12
.	U1C12
.	U1D12
.	U1E12
.	U2C02
.	U2D08
.	U3C02
.	U3D08
.	U4C02
.	U4D08

VOLT	PIN
GND	U5C02
.	U5D08
.	U6A03
.	U6B02
.	U6B03
.	U6C03
.	U6D03
.	U6E03
.	V2B09
.	V2C02
.	V2D02
.	V2D05
.	V2D06
.	V2D08
.	V3C02
.	V3D08
.	V4C02
.	V4D02
.	V4D03
.	V4D04
.	V4D05
.	V4D06
.	V4D07
.	V4D08
.	V4D09
.	V5C02
.	V5D08
+05.00	A5B03
.	C2D03
.	C3D03
.	C4D03
.	C5D03
.	D2D03
.	D3D03
.	D4D03
.	D5D03
.	E1B12
.	E1C12
.	E1D12
.	E1E12
.	E2D03
.	E3D03
.	E4D03
.	E5D03
.	F1A12
.	F1B12
.	F1C12
.	F1D12
.	F2D03
.	F3D03
.	F4D03
.	F5D03
.	G2D03
.	G3D03
.	G4D03
.	G5D03
.	H2D03
.	H3D03
.	H4D03
.	H5D03
.	J2D03
.	J3D03
.	J4D03
.	J5D03

VOLT	PIN
+05.00	K2D03
.	K3D03
.	K4D03
.	K5D03
.	L2D03
.	L3D03
.	L4D03
.	L5D03
.	M2D03
.	M3D03
.	M4D03
.	M5D03
.	N2D03
.	N3D03
.	N4D03
.	N5D03
.	P2D03
.	P3D03
.	P4D03
.	P5D03
.	Q2D03
.	Q3D03
.	Q4D03
.	Q5D03
.	Q6B03
.	Q6C03
.	Q6D03
.	Q6E03
.	R2D03
.	R3D03
.	R4D03
.	R5D03
.	R6A03
.	R6B03
.	R6C03
.	R6D03
.	S2D03
.	S3D03
.	S4D03
.	S5D03
.	T2D03
.	T3D03
.	T4D03
.	T5D03

VOLTAGE DISTRIBUTION LIST --- VDL - BRD P/N 4514064 VDL XZ010



VOLT PIN

+07.25 R4D10  
 . R4D13  
 . R5B02  
 . R5B04  
 . R6A03  
 . S2D10  
 . S2D13  
 . S3B02  
 . S3B04  
 . S4D10  
 . S4D13  
 . S5B02  
 . S5B04  
 . T2D10  
 . T2D13  
 . T3B02  
 . T3B04  
 . T4D10  
 . T4D13  
 . T5B02  
 . T5B04

+12.00 T6B03  
 . T6C03  
 . T6E03  
 . T6E03  
 . U2B11  
 . U3B11  
 . U4B11  
 . U5B11

-01.50 D3B13  
 . E3B13  
 . G6E03  
 . H6A03  
 . H6B03  
 . H6C03  
 . X3B13

-05.00 U2B06  
 . U3B06  
 . U4B06  
 . U5B06  
 . U6A03  
 . U6B03  
 . U6C03  
 . U6D03  
 . X2B09  
 . X4B09