

PAGE NO.	SH	TITLE	PART NO	EC NO.	FEATURE B/M OR B/MS
** LOGIC TYPE		SYSTEM DIAGRAMS		0	
QT100		INST FETCH 1ST CYCLE	VC03	5379143	282232 .W. 5379137
QT105		INST FETCH ENTRY	V000	5449081	258545
QT110		INST FETCH 2ND CYCLE	V000	5449082	259399
QT115		INST FETCH COMP	VC03	5379144	282229 .W. 5379137
QT120		BRANCH ENTRY TO I FETCH	V000	5364833	255449
QT200		HALT LOOP & EXC SENS	V000	5364834	257389
QT210		TIMER UPDATE EXT INT 50CY	V000	5364916	255449
QT220		STORE DISPLAY	V000	5364836	255449
QT300		RDS FRCD ADDR FOR PROG	V000	5364837	255449
QT310		TRAP SEQUENCE STORE PSW	VC03	5379145	282232 .W. 5379137
QU100		SYST RESET IPL PSW REST	V000	5364839	255449
QV100		START I/O ROUT SEL CHAN	V000	5364840	255449
QV101		TRANS IN CHAN RTNE SEL	V000	5364841	256469
QV102		CCW1 ROUTINE SEL CHAN	V000	5364842	255449
QV103		CCW2 ROUTINE SEL CHAN	V000	5364843	256907
QV104		WRITE FETCH RTNE SEL CHAN	V000	5364844	255449
QV105		READ STOR ROUT SEL CHAN	V000	5364845	256469
QV106		END UPDATE RTNE SEL CHAN	V000	5364846	255449
QV107		INTERRUPT RTNE SEL CHAN	V000	5364847	256907
QV108		LOCAL STORE WRITE RTNE	V000	5364848	255449
QV109		LOCAL STORE READ RTNE	V000	5364849	255449
QV110		UNIT ADDRESS FETCH RTNE	V000	5364850	255449
QV111		COMPARE RTNE SEL CHAN	V000	5364851	255449
QV112		REST CPU MPX CHAN	V000	5364852	255449
QV113		READ STORE ROUTINE SEL CHAN	V000	5364911	255449
QV210		MPLX CHAN RTNE A0 CNT	V000	5364853	255449
QV220		MPLX CHAN RTNE A1 DATA	V000	5364854	255449
QV230		MPLX CHAN DATA HANDLING 1	V000	5364855	255449
QV231		MPLX CHAN RTNE A2 DATA H	V000	5364856	255449
QV240		MPLX CHAN DATA HANDLING 2	V000	5364857	255449
QV241		MPLX CHAN RTNE A3 DATA H	V000	5364858	255449
QV242		MPLX CHAN RTNE A3 STOP 0	V000	5364859	255449
QV243		MPLX CHAN RTNE READ BKWD	V000	5364860	255449
QV250		MPLX CHAN RTNE A4 END ST	V000	5364861	255449
QV260		MPLX CHAN RTNE C0	V000	5364862	255449
QV270		MPLX CHAN RTNE 7 CNT EQ	V000	5364863	255449
QV310		MPLX CHAN RTNE D1 CHAN C	V000	5364864	255449
QV320		MPLX CHAN RTNE D4 FTCH 2	V000	5364865	255449
QV321		MPLX CHAN RTNE D4 CH CNT	V000	5364866	255449
QV330		COMMAND CHAIN UNIT ADD	V000	5364867	256479
QV340		MULT CHAN RTNE 3RD COMM	V000	5364868	256479
QV350		MPLX CHAN RTNE A5 CCM CH	V000	5364869	256479
QV351		MPLX CHAN RTNE COMM CHA	V000	5364870	256479
QV352		MPLX CHAN RTNE A5 CCM C	V000	5364871	256479
QV360		MPLX CHAN RTNE D0 COMM ADD	V000	5364872	256479
QV370		MPLX CHAN RTNE D7 DATA CHA	V000	5364873	259855
QV410		MPLX CHAN RTNE B0 SEQ CTRL	V000	5364874	256479
QV420		MPLX CHAN START I/O UNIT SEL	V000	5364875	256479
QV430		MPLX CHAN RTNE B2 ST I/O AD	V000	5364876	256479
QV440		MPLX CHAN RTNE B3 ST I/C ST	V000	5364877	256479
QV460		MPLX CHAN RTNE B5 COUNT ST	V000	5364878	256479
QV470		MPLX CHAN RTNE B6 DATA STC	V000	5364879	256479
QV520		MPLX CHAN RTNE C1 TST I/O U	V000	5469513	258430
QV530		MPLX CHAN RTNE C7 TST I/O U	V000	5364881	256479
QV540		MPLX CHAN RTNE C2 TST I/O U	V000	5364882	256479
QV550		MPLX CHAN RTNE C3 TST I/O U	V000	5364883	259399
QV620		MPLX CHAN HALT I/O UN SEL RT	V000	5364884	256479
QV810		MPLX CHAN CTRL UNIT BUSY	V000	5364885	256479
QV820		MPLX CHAN INTERRUPT PREP R	V000	5364886	256479
QV830		MPLX CHAN LOAD 64 PREP ST	V000	5364887	256479
QV831		MPLX CHAN LOAD 64 PREP TST	V000	5364888	256479
QV832		MPLX CHAN LOAD 64 PREP CU	V000	5364889	256479
QV840		MPLX CHAN CHECK HANDLING RTNE	V000	5364890	257671A
QV850		MPLX CHAN RTNE C4 CONTRCL	V000	5364891	255449
QW111		BRING UP AIDS KEYS REG C	V000	5364892	255449
QW222		ALL IS ALL OS WRDS MAIN	V000	5364893	255449
QY110		DIAGNOSE INSTRUCTION	V000	5364894	255449
QY130		LOCAL STORE DIAGNOSTIC	V000	5364895	255449
QY140		BMP STRE INVERT SAR REST	V000	5364896	255449
QY150		FORCE MACHINE CHECK	V000	5364908	255449
QY310		SCAN IN SHRT SCAN IN I/O	V000	5364897	255449
QY410		LOG OUT SCAN OUT	V000	5364898	255449
QY420		LOG OUT OR SCAN OUT	V000	5364899	255449
QY430		LOG OUT OR SCAN OUT	V000	5364900	255449
QY440		RST MPX UCW	V000	5364901	255449
QY450		LOG LOCAL STORE KERNES	V000	5364902	255449
QY510		FLT COMPARE AND BRANCH	V000	5364903	255449
QZ000		ADDRESS LIST UNIT 00	VC03	5379146	282232 .W. 5379137
QZ010		ADDRESS LIST UNIT 01	VC03	5379147	282232 .W. 5379137
QZ020		ADDRESS LIST UNIT 02	V000	5364969	255785
QZ030		ADDRESS LIST UNIT 03	V000	5469459	258545
QZ040		ADDRESS LIST UNIT 04	V000	5469460	258545

*See 2*

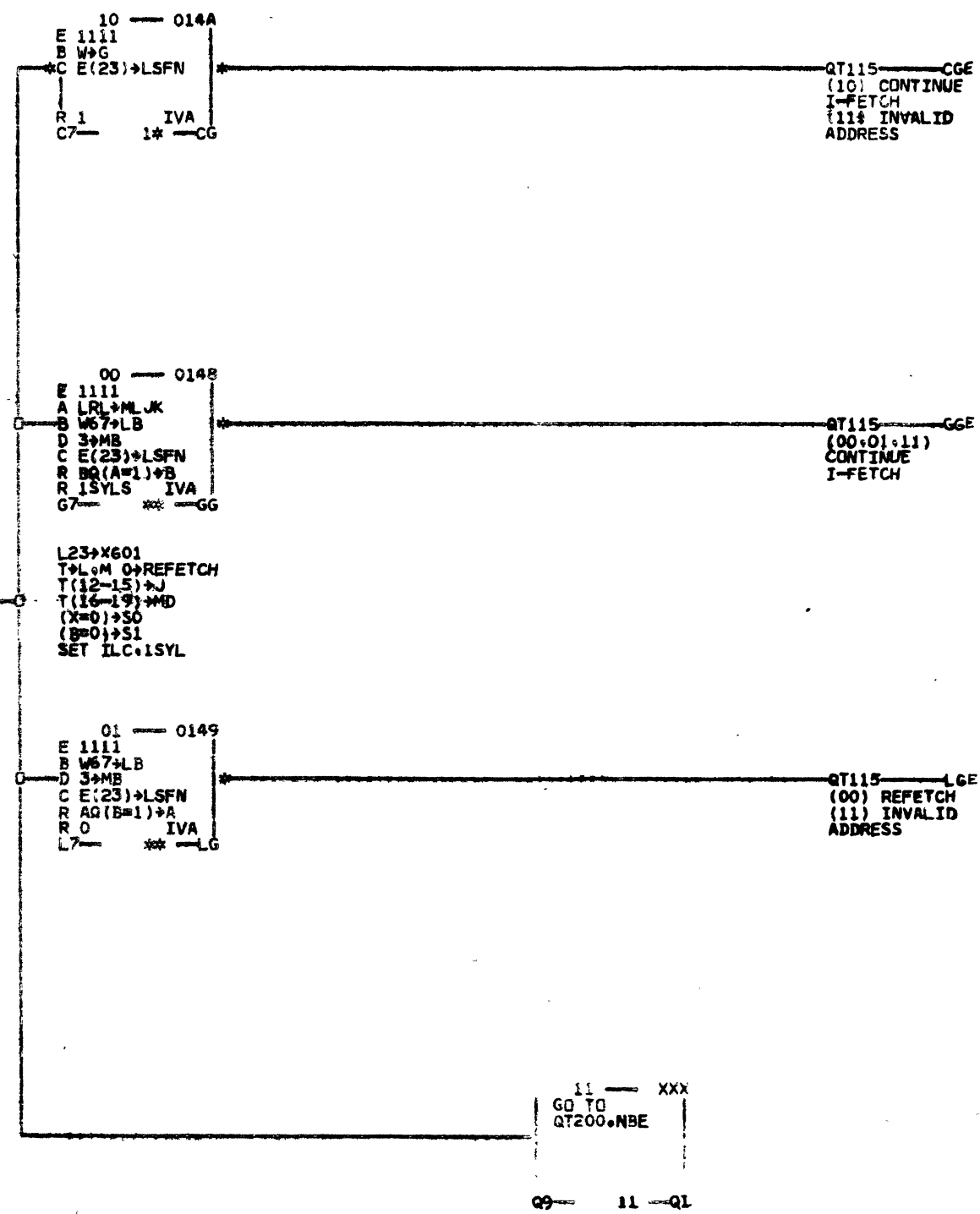
PAGE NO. SH	TITLE	PART NO	EC NO.	FEATURE B/M OR B/MS
** LOGIC TYPE	SYSTEM DIAGRAMS		0	
QZ050	ADDRESS LIST UNIT 05	V000	5469462	258545
QZ060	ADDRESS LIST UNIT 06	V000	5364973	255449
QZ070	ADDRESS LIST UNIT 07	V000	5469466	258545
QZ080	ADDRESS LIST UNIT 08	V000	5469470	258430
QZ090	ADDRESS LIST UNIT 09	V000	5469475	259855
QZ100	ADDRESS LIST UNIT 10	V000	5364977	256907
QZ110	ADDRESS LIST UNIT 11	V000	5364978	259399
QZ120	ADDRESS LIST UNIT 12	V000	5469476	258430
QZ130	ADDRESS LIST UNIT 13	VC03	5379158	282229 .W. 5379137
QZ140	ADDRESS LIST UNIT 14	V000	5469478	258430
QZ150	ADDRESS LIST UNIT 15	V000	5364982	255449

*Dec 72*

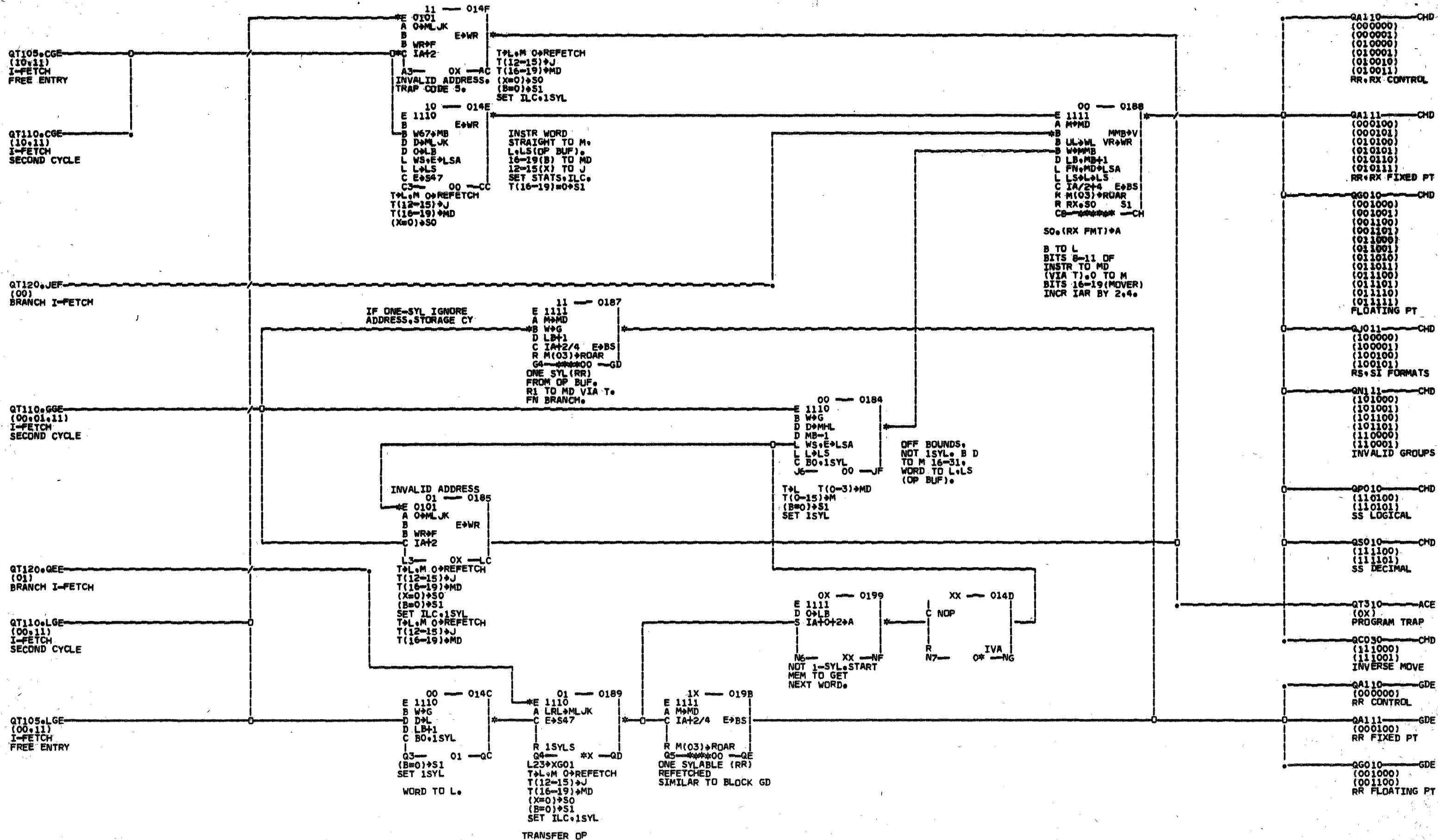


QT100.JGE  
 (00,01,10,11)  
 FIRST CYCLE  
 OF I-FETCH  
  
 QA400.CCE  
 (00,01,10,11)  
  
 QA700.ADE  
 (00,01,10,11)  
  
 QAB00.QIE  
 (00,01,10,11)  
  
 QB100.LEE  
 (00,01,10,11)  
  
 QB500.AEE  
 (00,01,10,11)  
  
 QB730.JEE  
 (00,01,10,11)  
  
 QB801.CCE  
 (00,01,10,11)  
  
 QB902.LGE  
 (00,01,10,11)  
  
 QG100.EHE  
 (00,01,10,11)  
  
 QG300.GCE  
 (00,01,10,11)  
  
 QG406.LDE  
 (00,01,10,11)  
  
 QG408.LIE  
 (00,01,10,11)  
  
 QG409.ABE  
 (00,01,10,11)  
  
 QG416.GBD  
 (00,01,10,11)  
  
 QG503.AFE  
 (00,01,10,11)  
 I-FETCH  
  
 QG702.ECE  
 (00,01,10,11)  
  
 QG804.JFE  
 (00,01,10,11)  
  
 QJ080.JGE  
 (00,01,10,11)  
  
 QJ090.EGE  
 (00,01,10,11)  
  
 QJ110.LHE  
 (00,01,10,11)

QJ130.NGE  
 (00,01,10,11)  
  
 QJ140.CHE  
 (00,01,10,11)  
  
 QJ600.AFE  
 (00,01,10,11)  
  
 QK555.AGE  
 (00,01,10,11)  
  
 QK701.CEE  
 (00,01,10,11)  
  
 QK702.AHE  
 (00,01,10,11)  
  
 QK705.JHD  
 (00,01,10,11)  
  
 QP100.EHE  
 (00,01,10,11)  
  
 QP102.GAE  
 (00,01,10,11)  
  
 QP206.EDD  
 (00,01,10,11)  
  
  
 QP900.QFD  
 (00,01,10,11)  
  
 QS120.EHE  
 (00,01,10,11)  
  
 QS202.NGE  
 (00,01,10,11)  
  
 QS308.NFE  
 (00,01,10,11)  
  
 QS406.EFD  
 (00,01,10,11)  
  
 QT105.GGE  
 (00,01,10,11)  
 FREE ENTRY  
 TO I-FETCH  
  
 QE901.ECF  
 (00,01,10,11)  
  
 QY110.QHE  
 (00,01,10,11)



0-1178



5-11-70

QA700.EDE  
(X0)  
BR ON COND  
BR ON COUNT

QJ600.EFE  
(X0)  
BRANCH ON  
INDEX

QT210.GIE  
(X0)  
TIMER UPDATE  
AND EXT INT

QT200.QHE  
(X0)  
FROM HALT LOOP  
AND EXCEPTION  
SENSING

ENTRIES TO HERE  
HAVE SENT BRANCH  
ADR TO SAR,R  
S3 IS SET TO ADR  
BIT 30 (BOUNDS)

X0 0102  
E 1111  
A R→IA  
B W67→LB  
D IA→H  
D 3→MB  
C E(23)→LSFN  
R AQ(B=1)→A  
R S3 IVA  
G3 →GC  
ADDR TO IAR  
TEST FOR  
LEFT RIGHT ALSO  
VALID ADDR

INVALID ADDRESS

11 01CF  
E 0101  
A 0→MLJK  
B WR→F E→WR  
C IA+2  
E5 →OX →EE  
T→L.M 0→REFETCH  
T(12-15)→J  
T(16-19)→MD  
(X=0)→S0  
(B=0)→S1  
SET ILC=1SYL  
SET ILC TO 01  
(MLJK WITH  
ZERO ON BUS)  
AND INCR IAR BY 2.  
CODE 5- INV. ADDR

00 01CC  
E 1110  
B W→G  
D D→MLJK  
D MB-1  
L WS→E→LSA  
L L→LS  
C E→S47  
R BQ(A=1)→B  
R R(31)  
J5 →\* →JE  
T→L.M 0→REFETCH  
T(12-15)→J  
T(16-19)→MD  
(X=0)→S0  
(B=0)→S1  
SET ILC=1SYL

ON BOUNDS.  
TRANSFER OP  
TEST L.O. BIT OF  
ADDR FOR SPECN.  
MUST BE ZERO.

10 01CE  
B W→G  
D D→L  
D LB+1  
C B0.1SYL  
R R(31)  
Q5 →\*1 →QE  
(B=0)→S1  
SET 1SYL  
OFF BOUNDS  
R(31) FOR ADR  
SPECN CHECK

ILLEGAL (ODD)  
ADDRESS

11 018B  
E 0110  
A 0→MLJK  
B WR→F E→WR  
C IA+2  
G7 →OX →GG  
T→L.M 0→REFETCH  
T(12-15)→J  
T(16-19)→MD  
(X=0)→S0  
(B=0)→S1  
SET ILC=1SYL

CODE 6-SPECIFICATION  
INCR IAR BY 2.  
SET ILC=01.

QT310.→EE  
(OX)  
TO INTERRUPT  
ROUTINE

QT115.→JEF  
(00)  
PROCEED WITH  
NORMAL I-FETCH

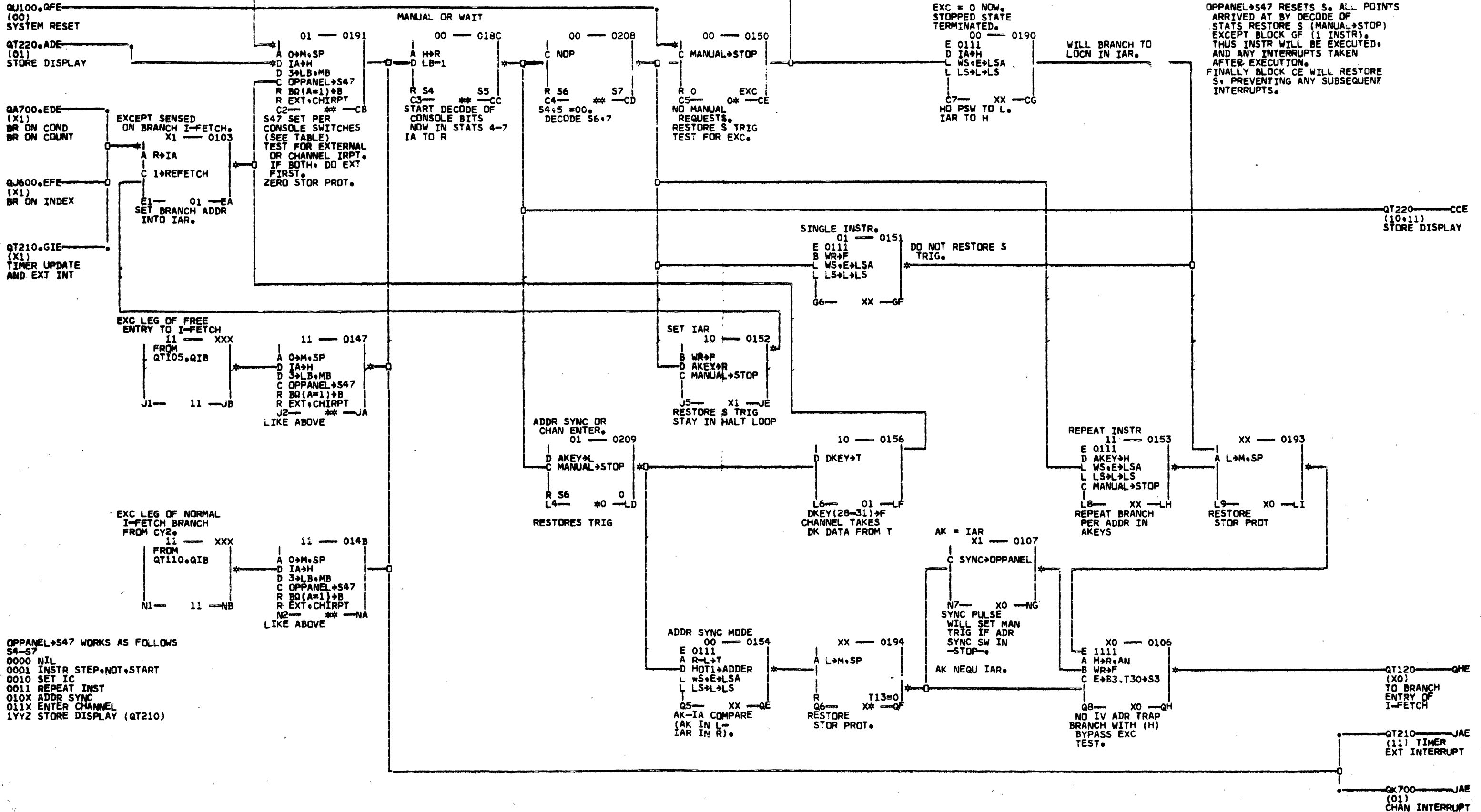
QT115.→QEE  
(01)  
REFETCH FOR  
I-FETCH

00000000

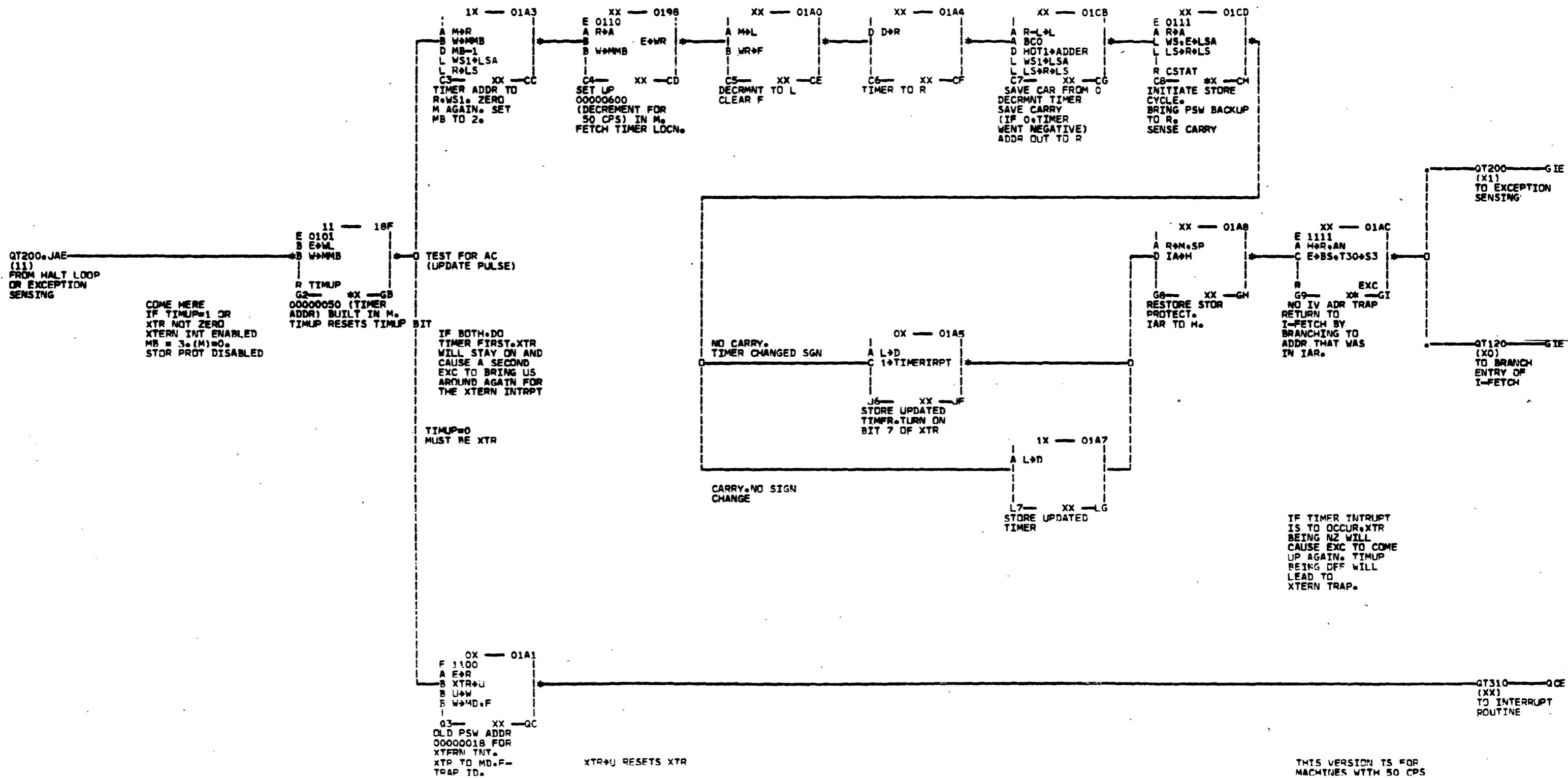
NOTE -EXC=WAIT OR MANUAL  
OR XTR(ENABLED,NOT STOP)  
OR CHAN INT(ENABLED,NOT STOP)  
OR TIMER UPDATE (NOT MANUAL)  
OR ADDR SYNC MODE.  
ARRIVE HERE WHEN EXC=1.

THIS IS THE HALT LOOP.

THERE ARE TWO STOP TRIGGERS-  
M (MANUAL) AND S (STOP).  
M LIGHTS THE MANUAL LIGHT  
AND IS A COMPONENT OF EXC.  
S INHIBITS XTR,CHANNEL IRPT.



OPPANEL→S47 WORKS AS FOLLOWS  
S4-S7  
0000 NIL  
0001 INSTR STEP,NOT,START  
0010 SET IC  
0011 REPEAT INST  
010X ADDR SYNC  
011X ENTER CHANNEL  
1YYZ STORE DISPLAY (QT210)



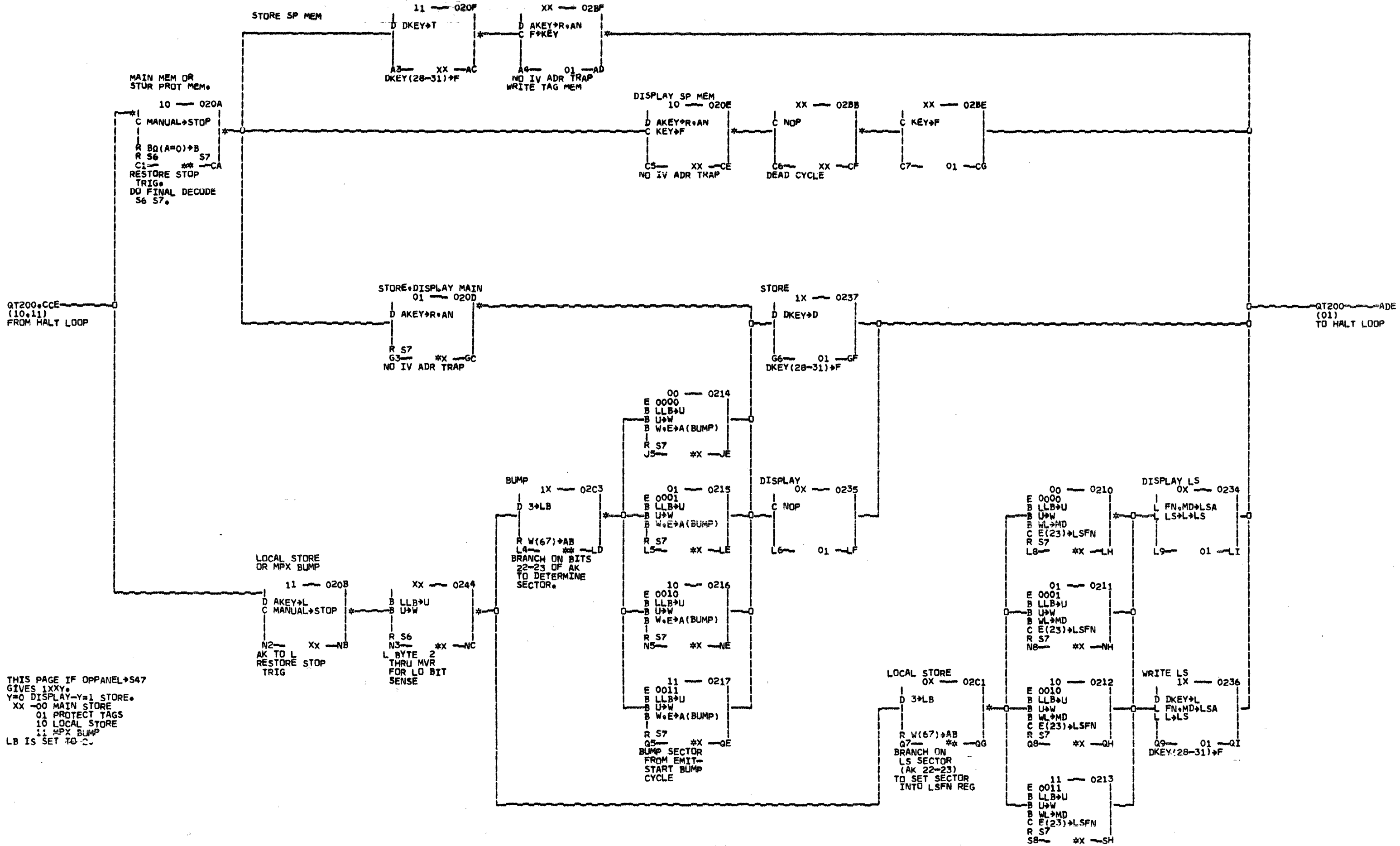
IF TIMER INTRUPT IS TO OCCUR, XTR BEING NZ WILL CAUSE EXC TO COME UP AGAIN. TIMUP BEING OFF WILL LEAD TO XTRN TRAP.

THIS VERSION IS FOR MACHINES WITH 50 CPS POWER SUPPLY. IT DIFFERS ONLY IN THE BMT FIELD VALUE IN BLOCK CD.

0  
1  
0

255439	05-11/65	MACH	C2050	DATE	10-01-65	SHEET	1	QT210
255440	06-10/65	NAMP	MANUAL	LOG	902	VERSION		101
255450	06-10/65	P.N.	5364916	TIMER UPDATE AND EXTERNAL INTERRUPT				
255449	06-20/65	TIM CORP.	SDD					

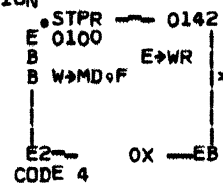




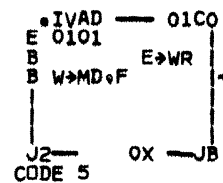
THIS PAGE IF OPPANEL→S47  
 GIVES 1XXY.  
 Y=0 DISPLAY-Y=1 STORE.  
 XX -00 MAIN STORE  
 01 PROTECT TAGS  
 10 LOCAL STORE  
 11 MPX BUMP  
 LB IS SET TO 2.

D-1111

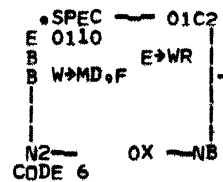
STORAGE PROTECT VIOLATIUN



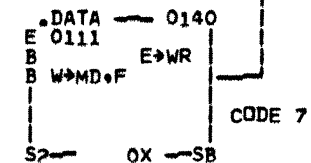
INVALID OPND ADDRESS



ADDR SPECIFICATION VIOLATION



INVALID DECIMAL DATA OR SIGN



QT310 EBE  
(OX)  
TO INTERRUPT  
ROUTINE

QT300

254770  
255449

02/01+65  
09/20+65

MACH  
NAME  
MODE  
P.N.  
IBM CORP.

C2050  
MANUAL  
5364837  
SND

DATE 10/01+65  
LOG 902

SHEET 1 QT300  
VERSION

ROS FORCED ADDRESSES FOR PROG  
TRAPS-ANDR,DATA,SPEC,PROT.



SYSTEM POWER ON  
RESET. FORCED ADDRESS.

```

SRES 242
E 1000
A 0>L
C SCAN#E.00
A1 XX AA
E>SCANCTL(2-5)
O>SCANCTL(1)
(FOLD)>
SCANCTL(0)
SCAN CONTROL
RESETS ERROR REG.
  
```

```

XX 02BA
E 0000
A 0>H
D 3>MD
E>S03
A2 XX AB
  
```

SET S3, MD TO INDICATE SYSTEM RESET. CLEAR H.

THIS LOOP RESETS THE 256X4 BUMP LOCNS. ALSO PUTS GOOD PARITY IN ALL LS LOCATIONS.

INITIAL PROGRAM LOAD

```

IPLD 240
E 1000
A 0>L
D 3>MD
C T>PSW>IPL>T
E1 XX EA
IPL UA>L(0-7)
IPL CA>L(21-23)
INHIBIT T>L
ALSO RESET ERROR REG
  
```

```

XX 02AF
E 1111
A 0>H
L WS1>LSA
L L>LS
C E>S03
E2 XX EB
  
```

STORE IPL UA IN WS1. CLEAR H.

```

XX 02B2
E 0000
A 0>M>SP
B WL>J
D 0>LB>MB
C SCAN#E.00
R AQ(B=0)>A
R PSS
E3 #0 EC
  
```

E>SCANCTL(2-5)  
O>SCANCTL(1)  
(FOLD)>  
SCANCTL(0)

SCAN CONTROL IS RESET TO MAKE INDICATORS WORK RIGHT  
PSS RESETS PROG SCAN STAT  
ZEROS TO STOR PROT. M. J

A1, B0 LEG ALWAYS BECAUSE OF FORCE.

```

10 282
E 0111
A -1>R
B E>WR
B W>MMB
C E(0)>IBFULL
E4 00 ED
  
```

ONES TO R.  
07 00 00 00 IN M FOR BUMP FLAGS  
OP RESET.  
RESET MPX INPUT BFR FULL STAT.

PSW RESTART OR IPL-IN (FEATURE)

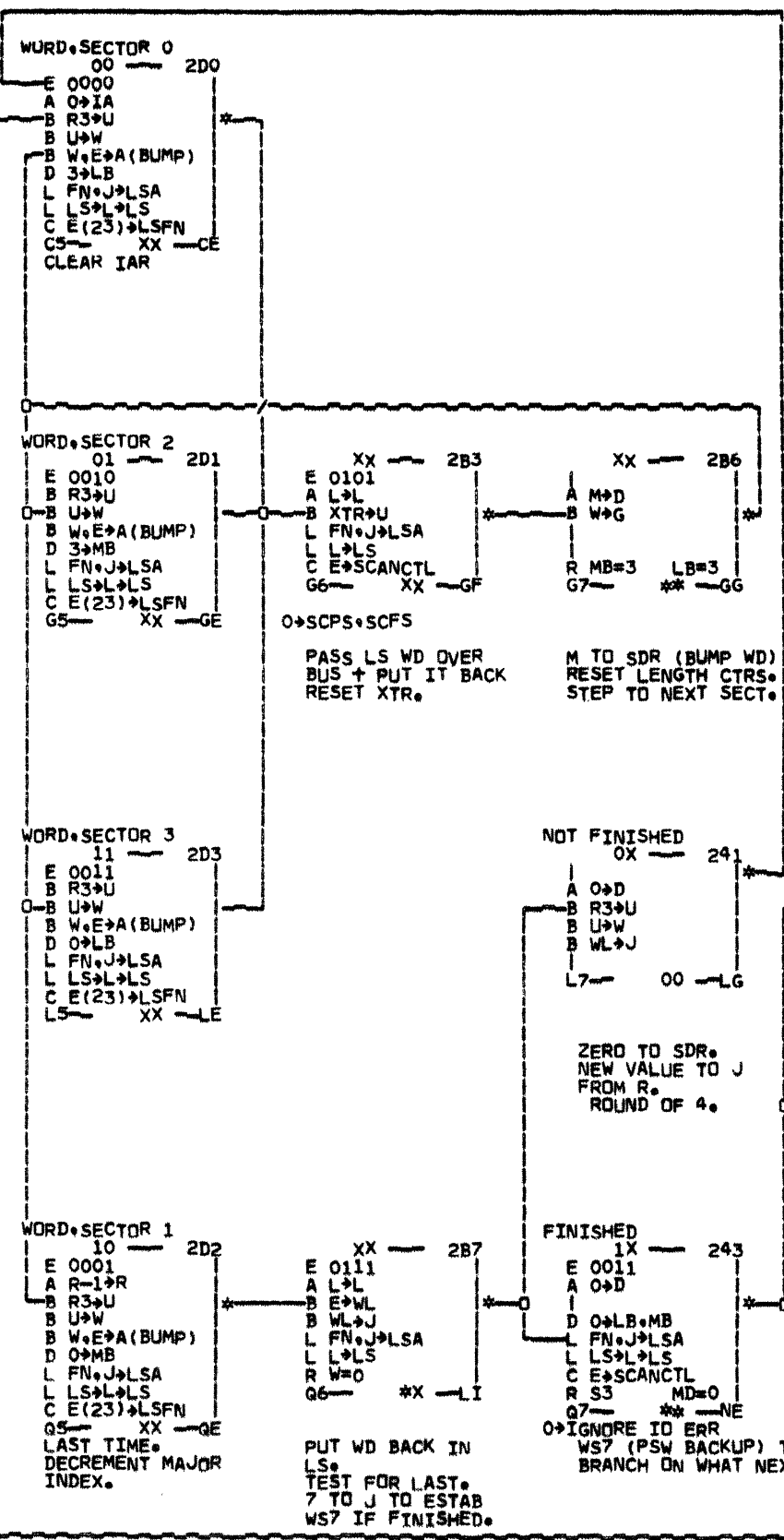
```

PSWR 2C2
E 1000
A 0>L
D 0>MD
C SCAN#E.00
J1 XX JA
E>SCANCTL(2-5)
O>SCANCTL(1)
(FOLD)>
SCANCTL(0)
  
```

FOR ALL 3 ENTRIES-  
IGNORE ERROR I=0  
TRIGGER HAS BEEN  
TURNED ON (MDW).  
FOR SYST RESET,  
MANUAL TRIG IS ON.  
FOR OTHERS, IT IS  
OFF UNLESS RATE  
SWITCH AT INSTR STEP.

S3 AND MD USED TO  
DISTINGUISH ENTRIES-  
S3 MD

0	3	SYST RESET
1	0	PSW RESTART
1	3	IPL



```

QT200 QFE
(00)
HALT LOOP
  
```

```

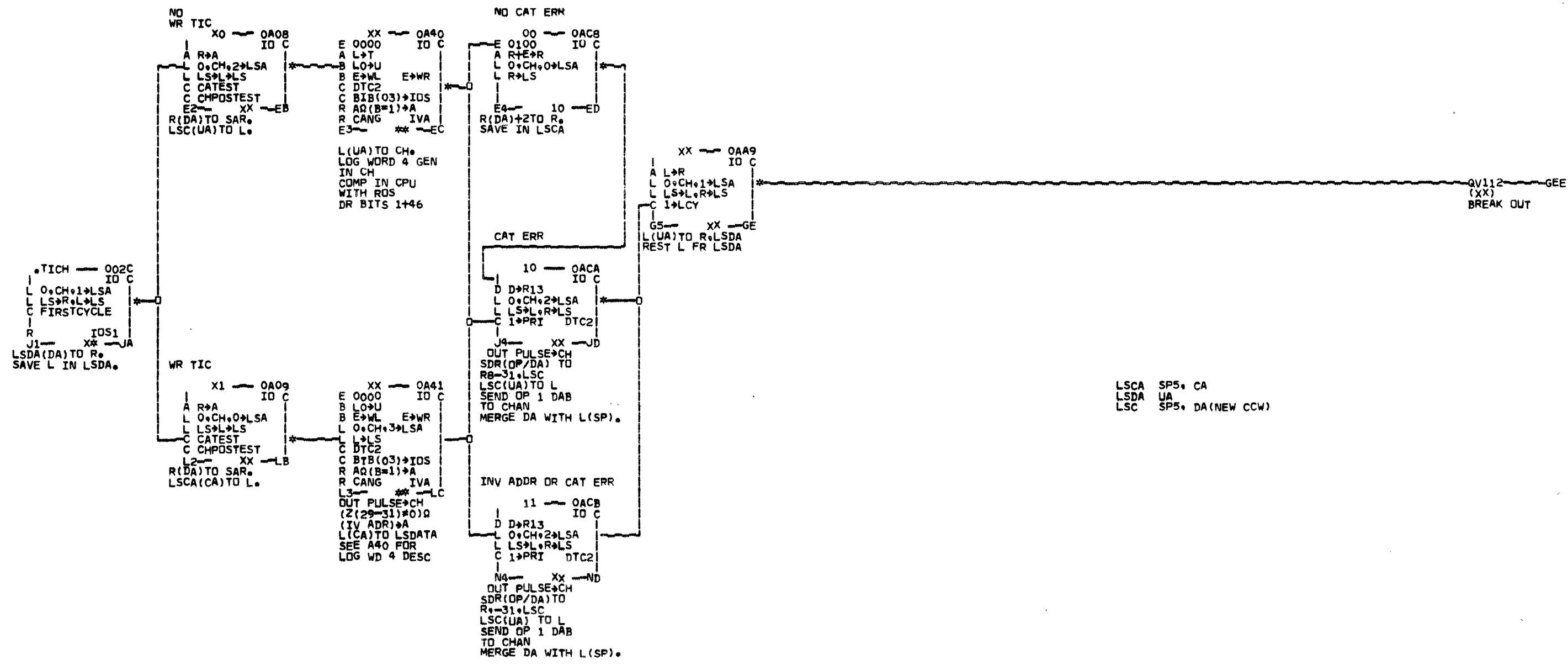
QK800 NEE
(10)
TO IPL
  
```

```

QJ200 NGE
(01)
LOAD PSW
  
```

QK801, JED  
(11)  
FROM IPL  
STATUS  
ANALYSIS

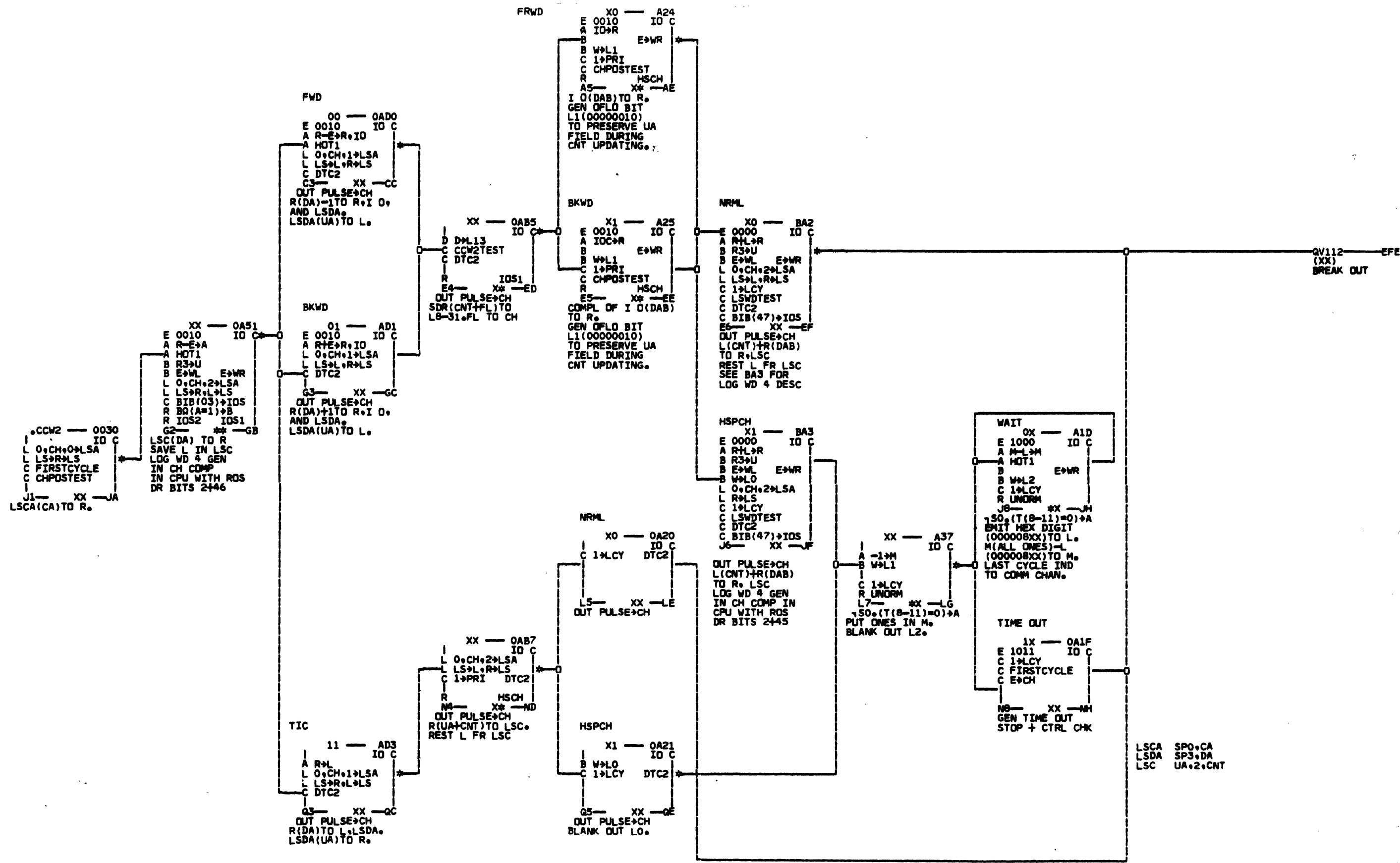




LSCA SP5, CA  
 LSDA UA  
 LSC SP5, DA (NEW CCW)

1-0-1-0-0





CCW2 0030  
 IO C  
 L 0,CH,0>LSA  
 L LS>R>LS  
 C FIRSTCYCLE  
 C CHPOSTEST  
 J1 XX JA  
 LSCA(CA) TO R.

XX 0A51  
 IO C  
 E 0010  
 A R-EA  
 A MOT1  
 B R3>U  
 B E>WL E>WR  
 L 0,CH,2>LSA  
 L LS>R>LS  
 C BIB(03)>IOS  
 R BQ(A=1)>B  
 R IOS2 IOS1  
 G2 \*\* GB  
 LSC(DA) TO R  
 SAVE L IN LSC  
 LOG WD 4 GEN  
 IN CH COMP  
 IN CPU WITH ROS  
 DR BITS 2+46

FWD  
 00 0A00  
 IO C  
 E 0010  
 A R-E>R>IO  
 A MOT1  
 L 0,CH,1>LSA  
 L LS>L>R>LS  
 C DTC2  
 G3 XX CC  
 OUT PULSE>CH  
 R(DA)=1 TO R>I O,  
 AND LSDA,  
 LSDA(UA) TO L.

BKWD  
 01 AD1  
 IO C  
 E 0010  
 A R-E>R>IO  
 L 0,CH,1>LSA  
 L LS>L>R>LS  
 C DTC2  
 G3 XX GC  
 OUT PULSE>CH  
 R(DA)=1 TO R>I O,  
 AND LSDA,  
 LSDA(UA) TO L.

XX 0A55  
 IO C  
 D D>L13  
 C CCW2TEST  
 C DTC2  
 R  
 E4 XX ED  
 OUT PULSE>CH  
 SDR(CNT+FL) TO  
 L8-31, FL TO CH

XX 0A57  
 IO C  
 L 0,CH,2>LSA  
 L LS>L>R>LS  
 C 1>PRI DTC2  
 R  
 N4 XX ND  
 OUT PULSE>CH  
 R(UA+CNT) TO LSC,  
 REST L FR LSC

TIC  
 11 AD3  
 IO C  
 A R>L  
 L 0,CH,1>LSA  
 L LS>R>L>LS  
 C DTC2  
 G3 XX QC  
 OUT PULSE>CH  
 R(DA) TO L, LSDA,  
 LSDA(UA) TO R.

FRWD  
 X0 A24  
 IO C  
 E 0010  
 A IO>R  
 B W>L1 E>WR  
 C 1>PRI  
 C CHPOSTEST  
 R HSCH  
 AS XX AE  
 I O(DAB) TO R,  
 GEN OFLO BIT  
 L1(0000010)  
 TO PRESERVE UA  
 FIELD DURING  
 CNT UPDATING.

BKWD  
 X1 A25  
 IO C  
 E 0010  
 A IO>R  
 B W>L1 E>WR  
 C 1>PRI  
 C CHPOSTEST  
 R HSCH  
 ES XX EE  
 COMPL OF I O(DAB)  
 TO R,  
 GEN OFLO BIT  
 L1(0000010)  
 TO PRESERVE UA  
 FIELD DURING  
 CNT UPDATING.

NRML  
 X0 BA2  
 IO C  
 E 0000  
 A R>L>R  
 B R3>U  
 B E>WL E>WR  
 L 0,CH,2>LSA  
 L LS>L>R>LS  
 C 1>LCY  
 C LSWDTEST  
 C DTC2  
 C BIB(47)>IOS  
 E6 XX EF  
 OUT PULSE>CH  
 L(CNT)+R(DAB)  
 TO R>LSC  
 REST L FR LSC  
 SEE BA3 FOR  
 LOG WD 4 DESC

HSPCH  
 X1 BA3  
 IO C  
 E 0000  
 A R>L>R  
 B R3>U  
 B E>WL E>WR  
 L 0,CH,2>LSA  
 L R>LS  
 C 1>LCY  
 C LSWDTEST  
 C DTC2  
 C BIB(47)>IOS  
 J6 XX F  
 OUT PULSE>CH  
 L(CNT)+R(DAB)  
 TO R>LSC  
 LOG WD 4 GEN  
 IN CH COMP IN  
 CPU WITH ROS  
 DR BITS 2+45

NRML  
 X0 0A20  
 IO C  
 C 1>LCY DTC2  
 LS XX LE  
 OUT PULSE>CH

HSPCH  
 X1 0A21  
 IO C  
 B W>L0  
 C 1>LCY DTC2  
 G5 XX GE  
 OUT PULSE>CH  
 BLANK OUT LO.

XX A37  
 IO C  
 A -1>M  
 B W>L1  
 C 1>LCY  
 R UNORM  
 L7 XX LG  
 150,(T(8-11)=0)>A  
 PUT ONES IN M,  
 BLANK OUT L2.

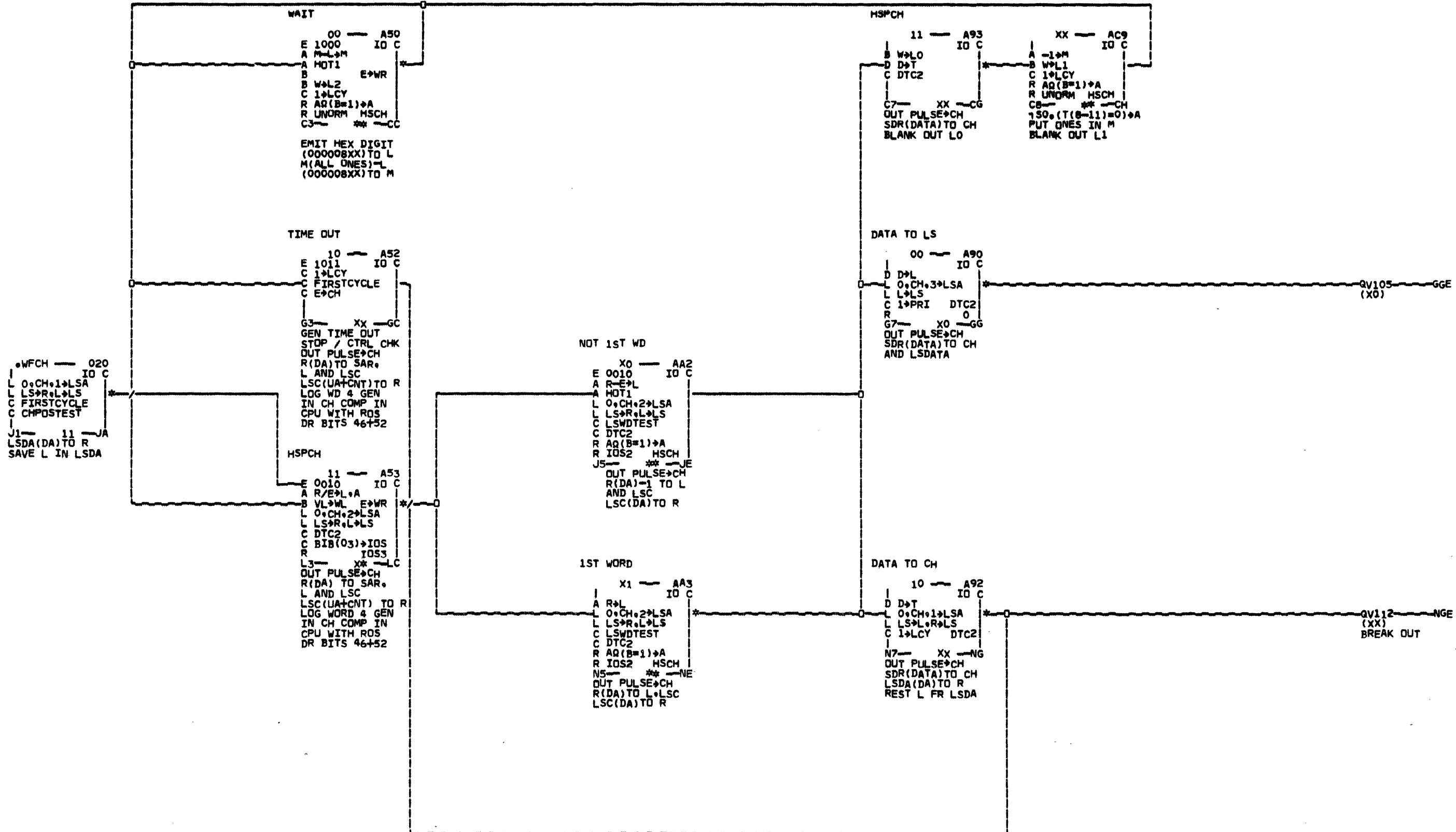
WAIT  
 0X A1D  
 IO C  
 E 1000  
 A M-L>M  
 A MOT1  
 B W>L2 E>WR  
 C 1>LCY  
 R UNORM  
 J8 XX JH  
 150,(T(8-11)=0)>A  
 EMIT HEX DIGIT  
 (000008XX) TO L,  
 M(ALL ONES)-L  
 (000008XX) TO M,  
 LAST CYCLE IND  
 TO COMM CHAN.

TIME OUT  
 1X 0A1F  
 IO C  
 E 1011  
 C 1>LCY  
 C FIRSTCYCLE  
 C E>CH  
 N8 XX NH  
 GEN TIME OUT  
 STOP + CTRL CHK

LSCA SPO,CA  
 LSDA SP3,DA  
 LSC UA,2,CNT

0103





40-10

QV113.NEE  
(X0,X1)

QV113.AEE  
(X1)

NO DATA  
IN LS

```

X0 --- A22
E 0010 IO C
A R-E=L
A MOT1
L 0,CH,2,LSA
L LS,R,LS
C CH,BI
C LSWDTEST
C DTC1
R AQ(B=1)A
R HSCH
A5 --- X* --- AE
IN PULSE=CH
R(CNT)-1 TO L
AND LSC
LSC(DA) TO R
SET MBCR TO
GP REG POS 1-4

```

NOT  
HSPCH

```

X0 --- 0A9E
IO C
D CH,D,BI
L 0,CH,1,LSA
L LS,R,LS
C 1,LCY
C7 --- XX --- CG
CH(DATA) TO SDR
PER MBCR
R(DA) TO LSDA
REST L FR LSDA

```

FRWD

```

00 --- A10
E 0010 IO C
A R-E=L,A
B E=WL E=WR
L 0,CH,2,LSA
L LS,R,LS
C DTC1
C BIB(03)IOS
R IUS3
C3 --- X* --- CC
R(DA)/1 TO SAR
L AND LSC
LSC(UA+CNT)
TO R
SEE A11 FOR
LOG WD4 DESC

```

BKWD

```

01 --- A11
E 0010 IO C
A R-E=L,A
A MOT1
B E=WL E=WR
L 0,CH,2,LSA
L LS,R,LS
C DTC1
C BIB(03)IOS
R IOS3
G3 --- X* --- GC
IN PULSE=CH
LSC(UA+CNT) TO R
LOG WD 4 GEN
IN CH COMP IN
CPU WITH RQS
DR BITS 2/46

```

DATA IN LS

```

X1 --- A23
E 0010 IO C
A R-E=L
A MOT1
L 0,CH,3,LSA
L LS,R,LS
C CH,BI
C LSWDTEST
C DTC1
G5 --- X* --- GE
R(CNT)-1 TO L
LSDATA(DATA) TO R
SET MBCR TO
GP REG POS 1-4

```

```

XX --- 0ACD
IO C
A R,D,BI
L 0,CH,2,LSA
L LS,R,LS
C 1,PRI
R
G7 --- X0 --- GG
R(DATA) TO SDR
PER MBCR
LSC(CNT) TO R
R(DA) TO LSC

```

```

RSTO --- 024
IO C
L 0,CH,1,LSA
L LS,R,LS
C FIRSTCYCLE
C CH,POSTEST
R BQ(A=1)B
R IOS2 IOS1
J1 --- ** --- JA
LSDA(DA) TO R
SAVE L IN LSDA

```

NOT HSPCH

```

X0 --- 0AA0
IO C
L 0,CH,1,LSA
L LS,R,LS
C 1,LCY
L8 --- XX --- LH
REST L FR LSDA
R(DA) TO LSDA

```

QV112.LHE  
(XX)  
BREAK OUT

SKIP

```

11 --- A13
E 0000 IO C
A R=L
B E=WL E=WR
L 0,CH,2,LSA
L LS,R,LS
C DTC1
C BIB(03)IOS
N3 --- X* --- NC
IN PULSE=CH
R(DA) TO L,LSC
LSC(UA+CNT) TO R
SEE A11 FOR
LOG WD 4 DESC

```

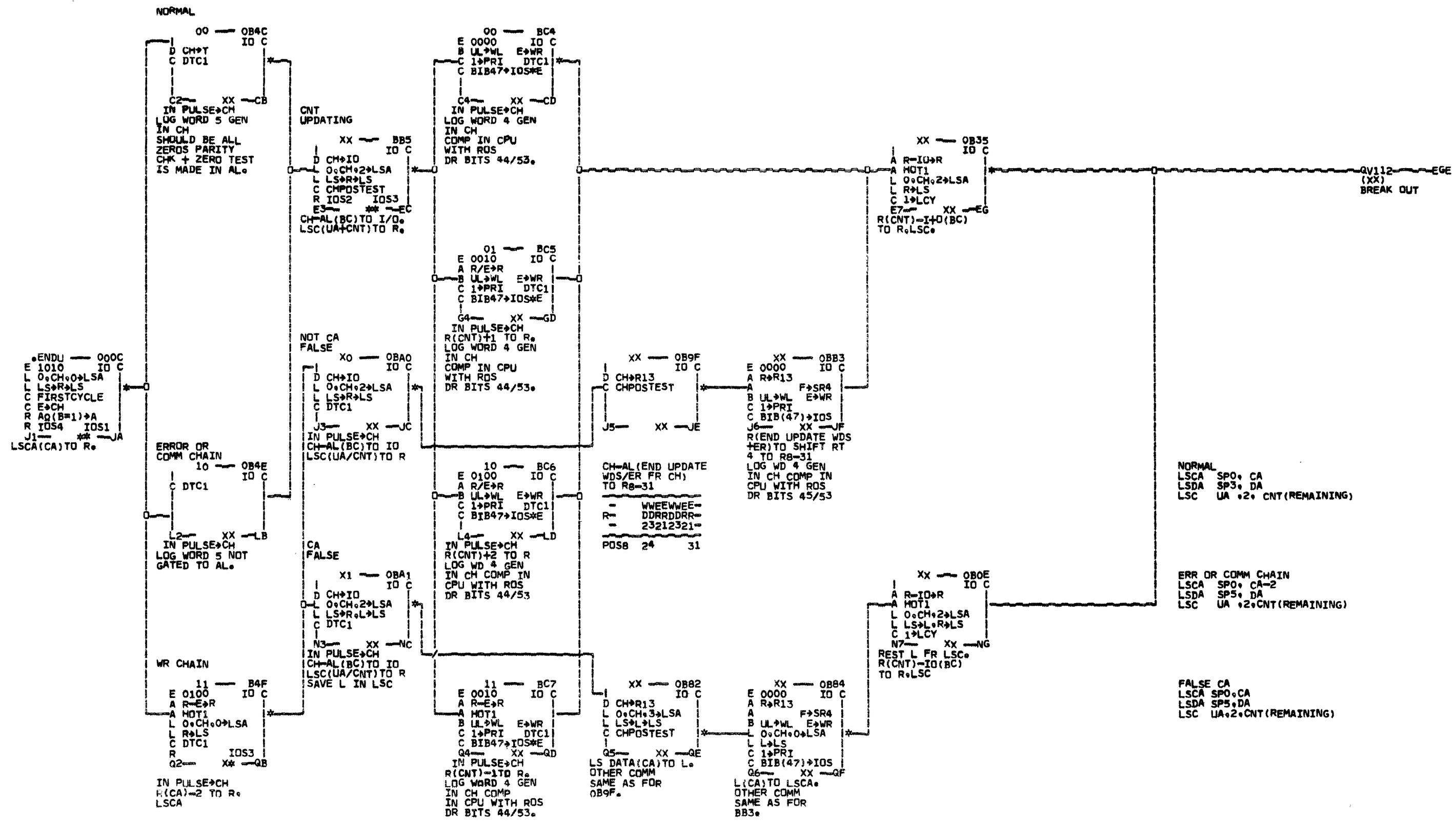
```

XX --- AB6
E 0010 IO C
A R-E=L
A MOT1
L 0,CH,2,LSA
L LS,R,LS
C LSWDTEST
C DTC1
R HSCH
N5 --- X* --- NE
R(CNT)-1 TO L
AND LSC
LSC(DA) TO R

```

QV113.NEE  
(X1)

QV113.NJE  
(XX)  
QV104.GGE  
(X0)



ENDU 000C ID C  
 E 1010  
 L O,CH,0>LSA  
 L LS>R>LS  
 C FIRSTCYCLE  
 C E>CH  
 R A0(B=1)>A  
 R IOS4 IOS1  
 J1 \*\* JA  
 LSCA(CA) TO R0

ERROR OR  
 COMM CHAIN  
 10 0B4E ID C  
 C DTC1

WR CHAIN  
 11 B4F ID C  
 E 0100  
 A R>E>R  
 A MOT1  
 L O,CH,0>LSA  
 L R>LS  
 C DTC1  
 R IOS3  
 Q2 X\* QB

IN PULSE>CH  
 R(CA)-2 TO R0  
 LSCA

CNT  
 UPDATING  
 XX BB5 ID C  
 D CH-ID  
 L O,CH,2>LSA  
 L LS>R>LS  
 C CHPOSTEST  
 R IOS2 IOS3  
 E3 \*\* EC  
 CH-AL(BC) TO I/O  
 LSC(UA+CNT) TO R0

NOT CA  
 FALSE  
 X0 0BA0 ID C  
 D CH-ID  
 L O,CH,2>LSA  
 L LS>R>LS  
 C DTC1  
 J3 XX JC  
 IN PULSE>CH  
 CH-AL(BC) TO IO  
 LSC(UA/CNT) TO R

CA  
 FALSE  
 X1 0BA1 ID C  
 D CH-ID  
 L O,CH,2>LSA  
 L LS>R>LS  
 C DTC1  
 N3 XX NC  
 IN PULSE>CH  
 CH-AL(BC) TO IO  
 LSC(UA/CNT) TO R  
 SAVE L IN LSC

00 BC4 ID C  
 E 0000  
 B UL>WL E>WR  
 C 1>PRI DTC1  
 C BIB47>IOS#E  
 C4 XX CD  
 IN PULSE>CH  
 LOG WORD 4 GEN  
 IN CH  
 COMP IN CPU  
 WITH ROS  
 DR BITS 44/53.

01 BC5 ID C  
 E 0010  
 A R>E>R  
 B UL>WL E>WR  
 C 1>PRI DTC1  
 C BIB47>IOS#E  
 G4 XX GD  
 IN PULSE>CH  
 R(CNT)+1 TO R0  
 LOG WORD 4 GEN  
 IN CH  
 COMP IN CPU  
 WITH ROS  
 DR BITS 44/53.

10 BC6 ID C  
 E 0100  
 A R>E>R  
 B UL>WL E>WR  
 C 1>PRI DTC1  
 C BIB47>IOS#E  
 L4 XX LD  
 IN PULSE>CH  
 R(CNT)+2 TO R  
 LOG WD 4 GEN  
 IN CH COMP IN  
 CPU WITH ROS  
 DR BITS 44/53

11 BC7 ID C  
 E 0010  
 A R>E>R  
 B UL>WL E>WR  
 C 1>PRI DTC1  
 C BIB47>IOS#E  
 Q4 XX QD  
 IN PULSE>CH  
 R(CNT)-1 TO R0  
 LOG WORD 4 GEN  
 IN CH COMP  
 IN CPU WITH ROS  
 DR BITS 44/53.

XX 0B9F ID C  
 D CH>R13  
 C CHPOSTEST  
 J5 XX JE

CH-AL(END UPDATE  
 WDS/ER FR CH)  
 TO R0-31  
 = W W E E W W E E =  
 R = D D R R D D R R =  
 = 2 3 2 1 2 3 2 1 =  
 POS8 24 31

XX 0B82 ID C  
 D CH>R13  
 L O,CH,3>LSA  
 L LS>L>LS  
 C CHPOSTEST  
 Q5 XX QE  
 LS DATA(CA) TO L0  
 OTHER COMM  
 SAME AS FOR  
 0B9F.

XX 0BB3 ID C  
 E 0000  
 A R>R13 F>SR4  
 B UL>WL E>WR  
 C 1>PRI  
 C BIB(47)>IOS  
 J6 XX JF  
 R(END UPDATE WDS  
 +ER) TO SHIFT RT  
 4 TO R0-31  
 LOG WD 4 GEN  
 IN CH COMP IN  
 CPU WITH ROS  
 DR BITS 45/53

XX 0B84 ID C  
 E 0000  
 A R>R13 F>SR4  
 B UL>WL E>WR  
 L O,CH,0>LSA  
 L L>LS  
 C 1>PRI  
 C BIB(47)>IOS  
 Q6 XX QF  
 L(CA) TO LSCA  
 OTHER COMM  
 SAME AS FOR  
 BB3.

XX 0B35 ID C  
 A R-ID>R  
 A MOT1  
 L O,CH,2>LSA  
 L R>LS  
 C 1>LCY  
 E7 XX EG  
 R(CNT)-1 TO I/O(BC)  
 TO R0LSC0

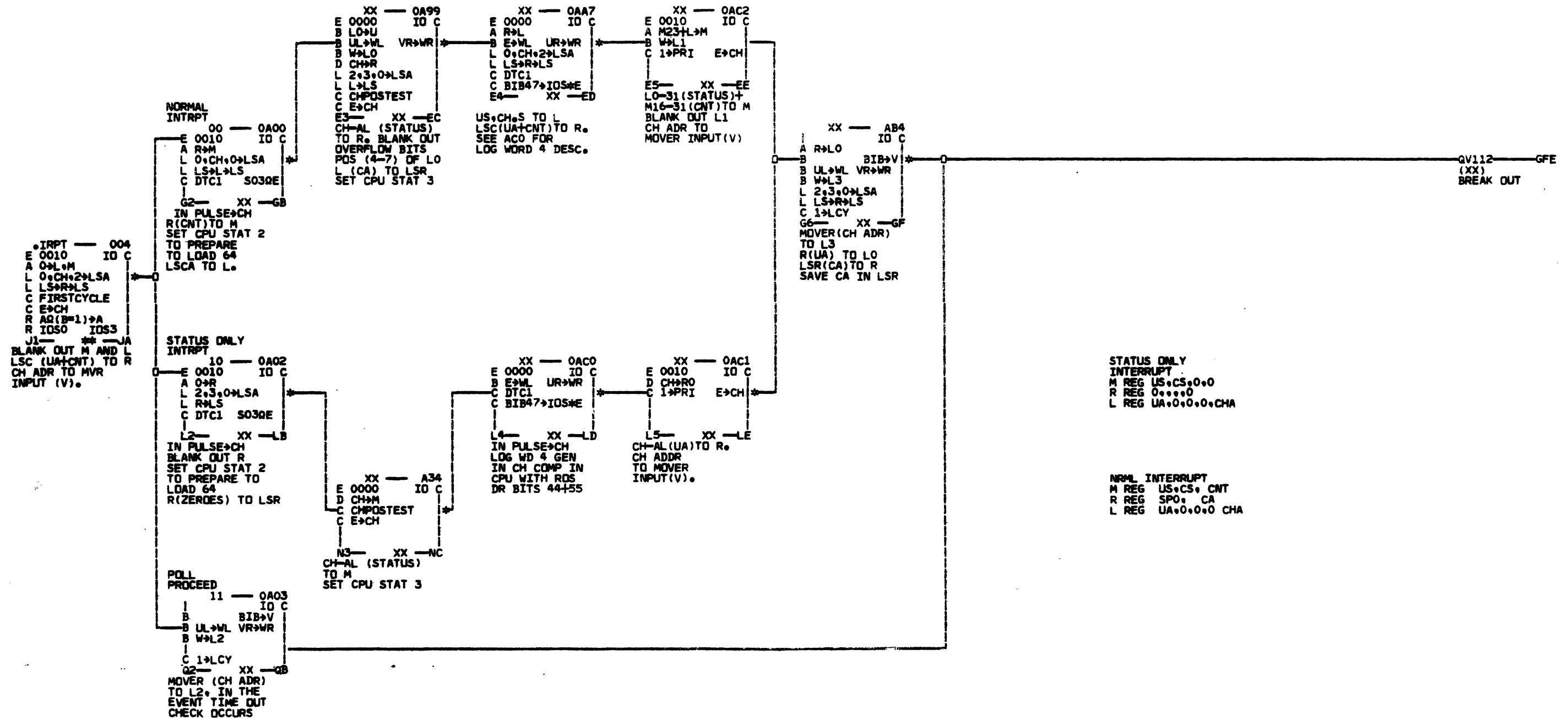
XX 0B0E ID C  
 A R-ID>R  
 A MOT1  
 L O,CH,2>LSA  
 L LS>L>R>LS  
 C 1>LCY  
 N7 XX NG  
 REST L FR LSC0  
 R(CNT)-IO(BC)  
 TO R0LSC

NORMAL  
 LSCA SP0, CA  
 LSDA SP3, DA  
 LSC UA+2, CNT(REMAINING)

ERR OR COMM CHAIN  
 LSCA SP0, CA-2  
 LSDA SP5, DA  
 LSC UA+2, CNT(REMAINING)

FALSE CA  
 LSCA SP0, CA  
 LSDA SP5, DA  
 LSC UA+2, CNT(REMAINING)

QV112 (XX) BREAK OUT  
 EAGE





LSRD 040  
ID C  
D CH→R  
L 0→CH→3→LSA  
L R→LS  
C 1→LCY  
C FIRSTCYCLE  
J1 XX JA  
CH→AL(DATA)TO R  
R(DATA)TO LSDATA

QV112 JAE  
(XX)  
BREAK OUT

LSDATA DATA WORD

254770  
254449

02/01+65  
09/20+65

MACH  
NAME  
MODE  
P.N.  
IRM CORP.

C2050  
MANUAL  
5364849  
SDD

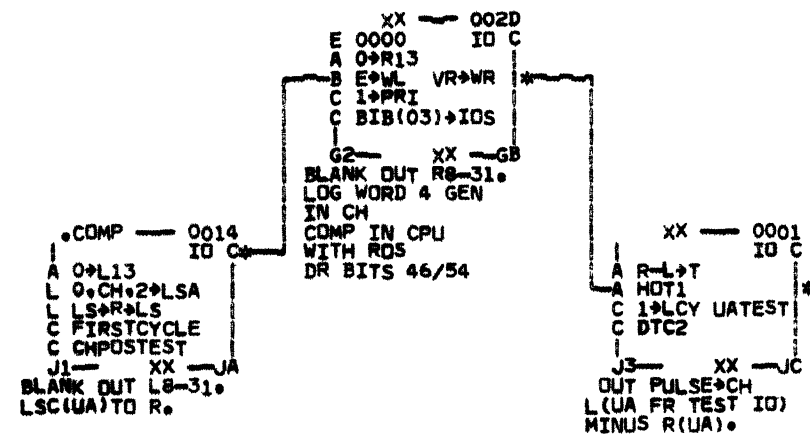
DATE 10/01+65  
LOG 902

SHEET  
VERSION  
LOCAL STORE READ ROUTINE  
SELECTOR CHANNEL.

1 QV109

98-V8





GV112 JCE  
(XX)  
BREAK OUT

IF T LA= 0+--+ THEN AL-CH=00800000  
IF T LA=NOT 0+--+ THEN AL-CH=XX000000

11111111



QV100.JEE  
 (XX)  
 QV101.GEE  
 (XX)  
 QV102.JEE  
 (XX)  
 QV103.EFE  
 (XX)  
 QV104.NGE  
 (XX)  
 QV105.LME  
 (XX)  
 QV106.EGE  
 (XX)  
 QV107.GFE  
 (XX)  
 QV108.GBE  
 (XX)  
 QV109.JAE  
 (XX)  
 QV110.GBE  
 (XX)  
 QV111.JCE  
 (XX)  
 QV113.JJE  
 (XX)  
 QV210.EDE  
 (XX)  
 QV220.GEE  
 (XX)  
 QV230.CEE  
 (XX)  
 QV231.GEE  
 (XX)  
 QV240.CEE  
 (XX)  
 QV241.GED  
 (XX)  
 QV242.EEE  
 (XX)  
 QV250.CFE  
 (XX)  
 QV260.CDE  
 (XX)  
 QV270.CDD  
 (XX)  
 QV310.GFD  
 (XX)  
 QV320.GFE  
 (XX)

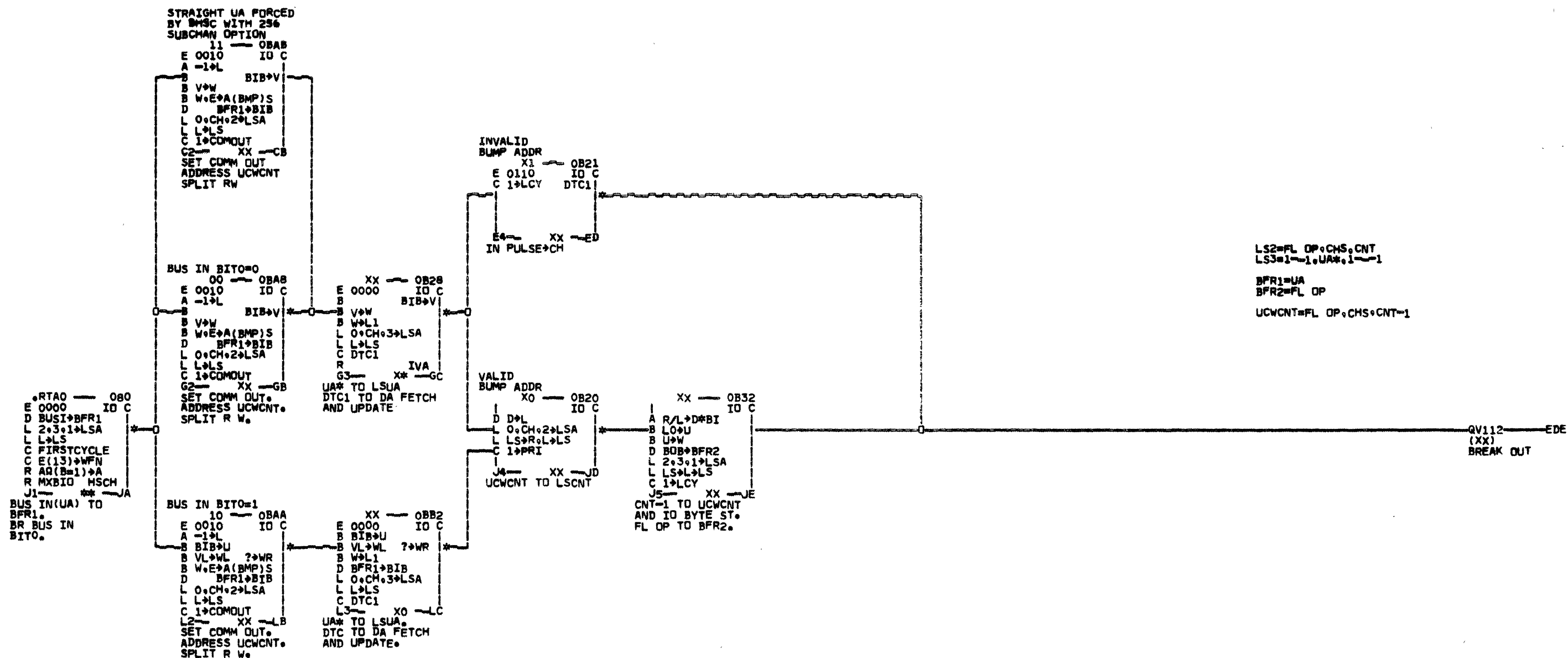
QV330.EFD  
 (XX)  
 QV340.AGD  
 (XX)  
 QV350.GFD  
 (XX)  
 QV351.CFD  
 (XX)  
 QV360.AFE  
 (XX)  
 QV370.GFD  
 (XX)  
 QV410.EDE  
 (XX)  
 QV420.EFE  
 (XX)  
 QV430.JFE  
 (XX)  
 QV440.LGD  
 (XX)  
 QV460.GEE  
 (XX)  
 QV470.EEE  
 (XX)  
 QV530.EEE  
 (XX)  
 QV540.LEE  
 (XX)  
 QV620.JEE  
 (XX)  
 QV810.JEE  
 (XX)  
 QV820.GEF  
 (XX)  
 QV830.JFE  
 (XX)  
 QV832.JFE  
 (XX)  
 QV840.JEE  
 (XX)  
 QV321.AHD  
 (XX)  
 QV520.CEE  
 (XX)  
 QV550.CGE  
 (XX)

XX — 03C  
 IO C  
 L 2,3,0+LSA  
 LS+R+LS  
 C 1+PRI  
 R RETURN+RDAR  
 AS — XX — AE  
 LSR TO R (REST  
 ORIG CPU CONT OF R)

20-11-18



FROM POLLING



01-NKD

FROM QV210 J5

```

RTA1 0B4
E 0001 ID C
A L→R
D BFR2→BIB
L 0,CH,3→LSA
L LS→LS
C FIRSTCYCLE
C BIB(47)→IOS
J1 XX JA
PCI OP TO IOS
LSUA TO L
L(CPUL) TO R
IF INPUT SKIP
HARDWARE SETS
IOS2,3

```

```

XX 0B09
E 0001 ID C
B L1→U
B U→W
B W→LO
D BFR1→BIB
L 0,CH,3→LSA
L LS→LS
R BQ(A=0)→B
R IOS2 IOS3
J2 JB
L1(UA*) AND EMIT
0001 TO SAR TO
FETCH UCWDA
SPLIT READ-WRITE
BR ON CODED OP
R(CPUL) TO LSL

```

```

INPUT 01 0B85
E 0010 ID C
B BIB→V
B V→W
B W→LO
D BFR1→BIB
L 0,CH,3→LSA
L LS→LS
C DTC1
G3 XX GC
BFR1(UA) TO LO
AND LSUA
DTC1 BR CNTL 2

```

```

OUTPUT 10 0B86
E 0001 ID C
B BIB→V
B V→W
B W→LO
D BFR1→BIB
L 0,CH,3→LSA
L LS→LS
C DTC1
L3 XX LC
BFR1(UA) TO LO
AND LSUA
DTC BR CNTL 1

```

```

STOP OR SKIP 11 0B87
E 0011 ID C
B BIB→V
B V→W
B W→LO
D BFR1→BIB
L 0,CH,3→LSA
L LS→LS
C DTC1
G3 XX GC
BFR1(UA) TO LO
AND LSUA
DTC1 BR CNTL 3

```

```

XX 0B0A
D D→R
L 0,CH,1→LSA
L R→LS
C 1→PRI DTC2
R IOS3
J4 XX JD
OUT PULSE→CH
OUT PULSE→CH
SDR(UCWDA) TO R
AND LSDA
DTC2(RESET LOG
OUT CNTL)

```

```

XX 0B0B
L L1→U
B U→W
D D→R BOB→BFR1
L 0,CH,1→LSA
L R→LS
C 1→PRI
G4 XX QD
SDR(UCWDA) TO R
AND LSDA
L1(UA*) TO BFR1

```

```

FWD XO 0BAE
A R→D*BI
A HOT1
B R3→U
B VL→WL UR→WR
D BOB→BFR1
L 2,3,1→LSA
L LS→LS
C 1→LCY DTC2
G5 XX GE
R(DA+1) TO SDR
PER I=0 BYTE STS
R3(DAB) TO BFR1R
LSBUL(CPUL) TO L
BYTE STS=0111
PER HDWE

```

```

BKWD X1 0BAF
A R→D*BI
B R3→U
B VL→WL UR→WR
D BOB→BFR1
L 2,3,1→LSA
L LS→LS
C 1→LCY
L5 XX LE
R(DA-) TO SDR
PER I=0 BYTE STS
R3(DAB) TO BFR1R
LSBUL(CPUL) TO L
BYTE STS=0111
PER HDWE

```

```

XX 0BB1
A R→D*BI
L 2,3,1→LSA
L LS→LS
C 1→LCY DTC2
G5 XX QE
OUT PULSE→CH
R(DA) TO SDR TO
UCWDA
DTC2 RST LOG
OUT CNTL
LSBUL(CPUL) TO L

```

```

LS1=SPK,SEQ CNTLS,DA
LS2=FL OP,CHS,CNT
LS3=UA,UA*,1-1
IOS0=PCI
IOS1,2,3=CODED OP
BFR2=FL OP
UCWDA=SPK,SEQ CNTLS,DA/1
UCWCNT=FL OP,CHS,CNT-1

```

QV112 GEE  
(XX)  
BREAK OUT

DNK6

FROM  
ST IO STATUS  
ANALYSIS  
CDA  
ONT FETCH AND  
UPDATE

.RTA2 — 0088  
ID C  
B V→W BIB→V  
L O·CH·1→LSA  
L LS→R·L→LS  
C FIRSTCYCLE  
R IOS1  
J1— XX—JA  
LSDA TO R  
BFR1(DAB) TO  
MVR FOR BYTE  
NUMBER TEST  
L(CPL) TO LSDA

OUTPUT X1 — 0B91  
ID C  
A R→A  
B V→W BIB→V  
L O·CH·2→LSA  
L LS→L→LS  
L2— XX—LB  
R(DA) TO SAR  
TO FETCH DATA  
WORD  
LSCNT TO L  
BFR1(DAB) TO  
MVR FOR BYTE  
NUMBER TEST

XX — 0BA4  
ID C  
E 0011  
A L→T  
B L3→U  
B VL→WL UR→WR  
C LSWDTEST  
R W(67)→AB  
L3— \*\*—LC  
L(CNT) TO ADDER  
LTH FOR LAST  
WORD TEST  
L3(CNTR) TO MVR  
FOR LAST BYTE  
TEST

THIS DAB=3  
11 — 0B47  
ID C  
E 0011  
D D→L  
C 1→PRI DTC1  
G4— XX—GD  
MDR(DATA WORD)  
TO L  
DTC1 BR CNTL 3

XX — 0B30  
ID C  
B L3→U  
B U→W  
D BOB→BFR2  
L O·CH·1→LSA  
L LS→L·R→LS  
C 1→LCY  
G5— XX—GE  
LSDA(CPL) TO L  
R(DA) TO LSDA  
L3(DATA) TO BFR2

THIS DAB=2  
10 — 0B46  
ID C  
E 0011  
D D→L  
C 1→PRI DTC1  
L4— XX—LD  
MDR(DATA WORD)  
TO L  
DTC1 BR CNTL 3

XX — 0B80  
ID C  
B L2→U  
B U→W  
D BOB→BFR2  
L O·CH·1→LSA  
L LS→L·R→LS  
C 1→LCY  
L5— XX—LE  
LSDA(CPL) TO L  
R(DA) TO LSDA  
L2(DATA) TO BFR2

THIS DAB=1  
01 — 0B45  
ID C  
E 0011  
D D→L  
C 1→PRI DTC1  
G4— XX—GD  
MDR(DATA WORD)  
TO L  
DTC1 BR CNTL 3

XX — 0BA5  
ID C  
B L1→U  
B U→W  
D BOB→BFR2  
L O·CH·1→LSA  
L LS→L·R→LS  
C 1→LCY  
G5— XX—GE  
LSDA(CPL) TO L  
R(DA) TO LSDA  
L1(DATA) TO BFR2

THIS DAB=0  
00 — 0B44  
ID C  
E 0011  
D D→L  
C 1→PRI DTC1  
G4— XX—GD  
MDR(DATA WORD)  
TO L  
DTC1 BR CNTL 3

XX — 0B4B  
ID C  
B L0→U  
B U→W  
D BOB→BFR2  
L O·CH·1→LSA  
L LS→L·R→LS  
C 1→LCY  
G5— XX—CE  
LSDA(CPL) TO L  
R(DA) TO LSDA  
L0(DATA) TO BFR2

BFR1=(DAB)  
BFR2=(DATA BYTE)  
IOS0=PCI  
IOS1,2,3=CODED OP

QV231 — JAE  
(XX)  
DATA HANDLING  
1 INPUT

QV112 — CEE  
(XX)  
BREAK OUT

03000

254760  
255103  
255450  
255449

12/21/64  
03/31/65  
08/10/65  
09/20/65

MACH  
NAME  
MODF  
P.N.  
IBM CORP.

C2050  
MANUAL  
5364855  
SDD

DATE 10/01/65  
LOG 902  
MPX CHAN DATA HANDLING 1  
(OUTPUT) A2

SHEET  
VFRSTON

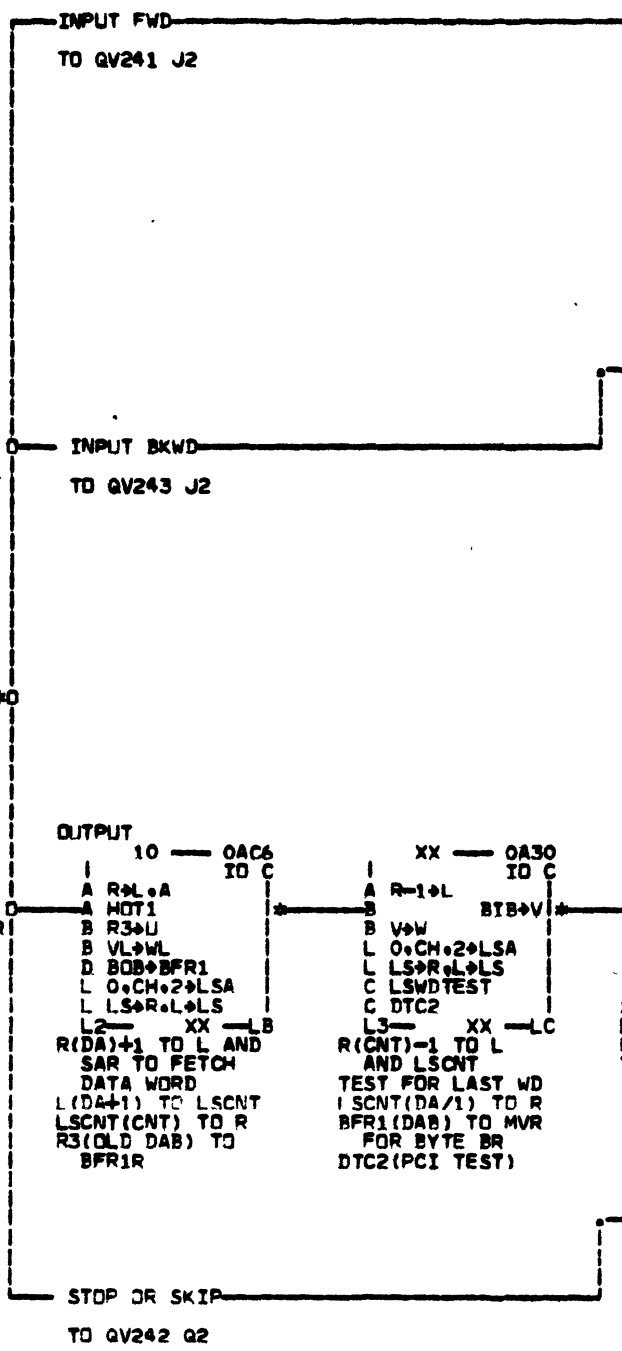
1 QV230



```

RTA3 008C
E 0100 ID C
B V+W BIB+V
D BFR1+BIB
L O.CH.1+LSA
L LS.R.L+LS
C FIRSTCYCLE
C F(13)+WPN
R IOS2 IOS3
JA ** JA
SET MVFR TO
OR
LS(DA) TO R
L(CPL) TO LSDA
BFR1(DAB) TO MVR

```



```

OLD DAB=0
00 0AB4
E 0111 ID C
B L1+U
B U+W
D BOB+BFR2
L O.CH.1+LSA
L LS.R.L+LS
C 1+LCY DTC1
CS XX CE
IN PULSE+CHAN
L1(DA) TO BFR2
R(DA/1) TO LSDA
LSDA(CPL) TO L
DTC1 BR CNTL 7

```

```

OLD DAB=1
01 0AB5
E 0111 ID C
B L2+U
B U+W
D BOB+BFR2
L O.CH.1+LSA
L LS.R.L+LS
C 1+LCY DTC1
CS XX CE
L2(DA) TO BFR2
R(DA/1) TO LSDA
LSDA(CPL) TO L
DTC1 BR CNTL 7

```

```

OLD DAB=2
10 0AB6
E 0111 ID C
B L3+U
B U+W
D BOB+BFR2
L O.CH.1+LSA
L LS.R.L+LS
C 1+LCY DTC1
L5 XX LE
L3(DA) TO BFR2
R(DA/1) TO LSDA
LSDA(CPL) TO L
DTC1 BR CNTL 7

```

```

OLD DAB=3
11 0AB7
E 0111 ID C
B L0+U
B U+W
D BOB+BFR2
L O.CH.1+LSA
L LS.R.L+LS
C 1+LCY DTC1
CS XX CE
L0(DA) TO BFR2
R(DA/1) TO LSDA
LSDA(CPL) TO L
DTC1 BR CNTL 7

```

```

LSDA=(SPK+SEQ CNTLS+DA+1)
LSCNT=(PL OP+CHS+CNT-1)
LSUA=(UA+UA*+---)
BFR1=(DAB)
BFR2=(DATA BYTE)
IOS0=PCI
IOS1,2,3=CODED OP

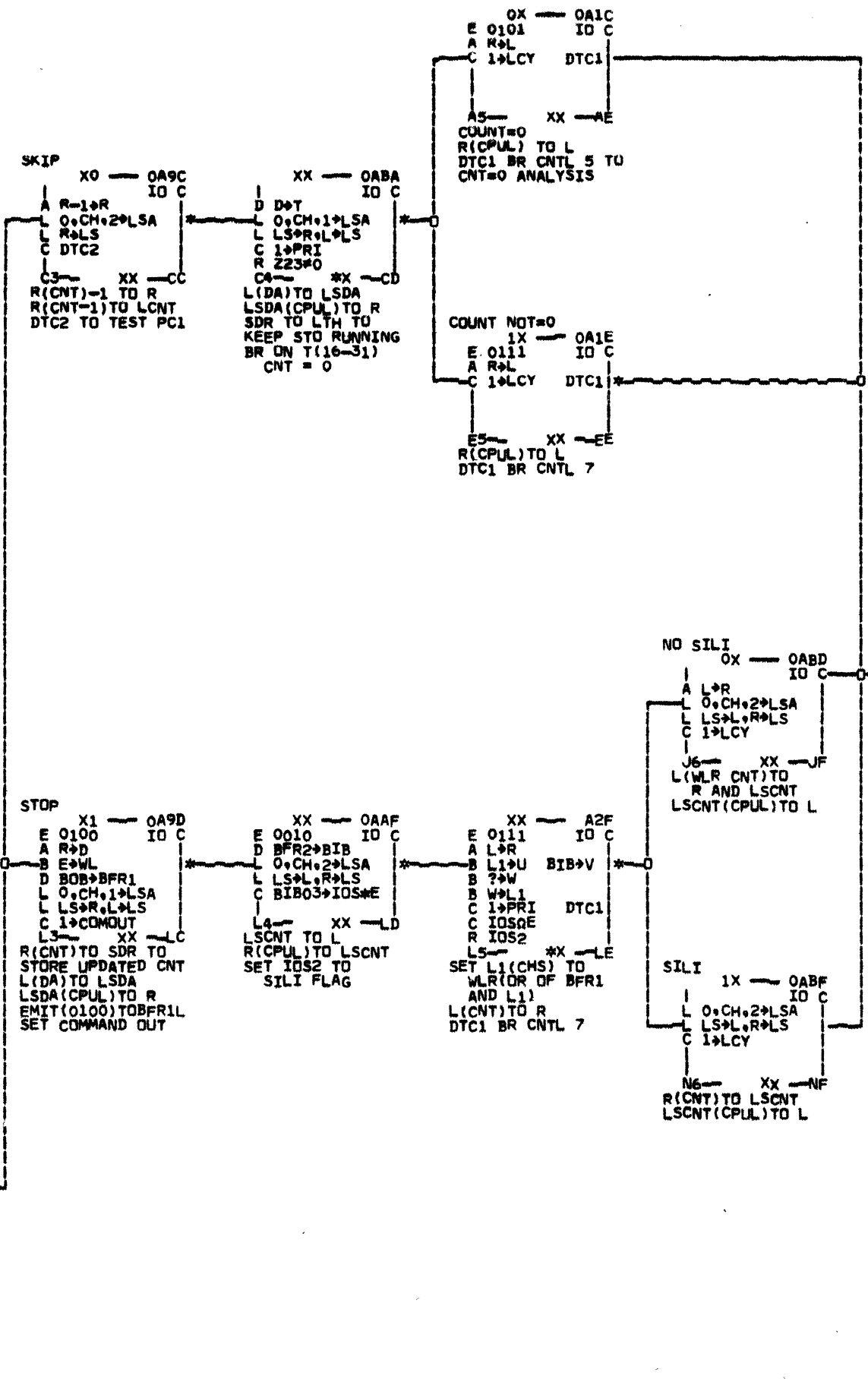
```





QV240 JAE  
(11)

QV112 EEE  
(XX)  
BREAK OUT



IN WLR CASE (NO SILI FLAG)  
HARDWARE SETS CC RESET  
CONTROL WHICH FORCES  
TO CK HANDLING RTNE  
TO RESET CC FLAG

STOP OR SKIP

11 OAC7  
E 0010 ID C  
A R>L  
B V>W  
B W>E+A(BMP)  
L 0,CH,2>LSA  
L LS>R>LS  
R IOS1  
Q2 X#>QB  
LSCNT TO R  
BFR1 (U&NOR DAB) AND  
EMIT XX10 TO  
SAR TO FETCH  
UCWCNT  
R(DA) TO L

STOP

X1 OAC9D  
E 0100 ID C  
A R>D  
B E>WL  
D BOB>BFR1  
L 0,CH,1>LSA  
L LS>R>LS  
C 1>COMOUT  
L3 XX>LC  
R(CNT) TO SDR TO  
STORE UPDATED CNT  
L(DA) TO LSDA  
LSDA(CPUL) TO R  
EMIT(0100) TO BFR1L  
SET COMMAND OUT

XX OAAF  
E 0010 ID C  
D BFR2>BIB  
L 0,CH,2>LSA  
L LS>L>R>LS  
C BIB03>IOS#E  
L4 XX>LD  
LSCNT TO L  
R(CPUL) TO LSCNT  
SET IOS2 TO  
SILI FLAG

XX A2F  
E 0111 ID C  
A L>R  
B 1>U  
B 7>W  
B W>L1  
C 1>PRI  
C IOSQE  
R IOS2  
LS XX>LE  
SET L1(CHS) TO  
WLR(DR OF BFR1  
AND L1)  
L(CNT) TO R  
DTC1 BR CNTL 7

NO SILI OX OABD  
ID C  
A L>R  
L 0,CH,2>LSA  
L LS>L>R>LS  
C 1>LCY  
J6 XX>JF  
L(WLR CNT) TO  
R AND LSCNT  
LSCNT(CPUL) TO L

SILI 1X OABF  
ID C  
L 0,CH,2>LSA  
L LS>L>R>LS  
C 1>LCY  
N6 XX>NF  
R(CNT) TO LSCNT  
LSCNT(CPUL) TO L

OX OAI C  
E 0101 ID C  
A R>L  
C 1>LCY  
DTC1

AS XX>AE  
COUNT=0  
R(CPUL) TO L  
DTC1 BR CNTL 5 TO  
CNT=0 ANALYSIS

COUNT NOT=0  
1X OAI E  
ID C  
E 0111 ID C  
A R>L  
C 1>LCY  
DTC1

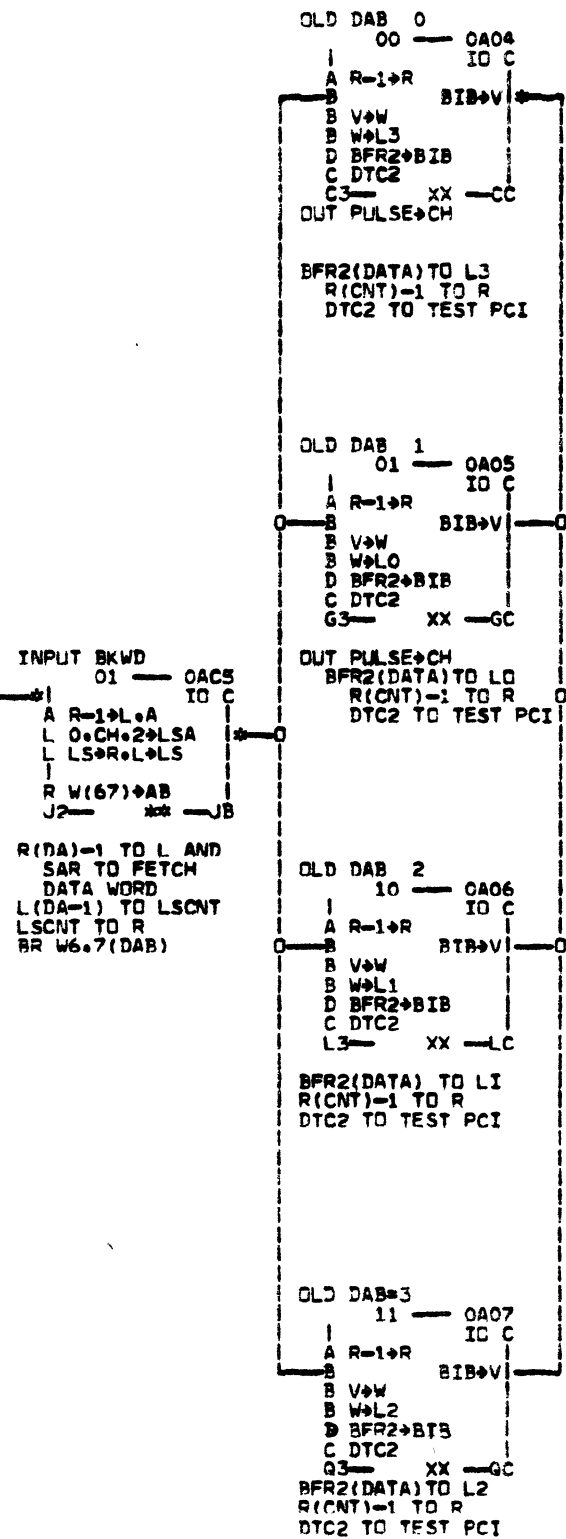
ES XX>EE  
R(CPUL) TO L  
DTC1 BR CNTL 7

REVISED

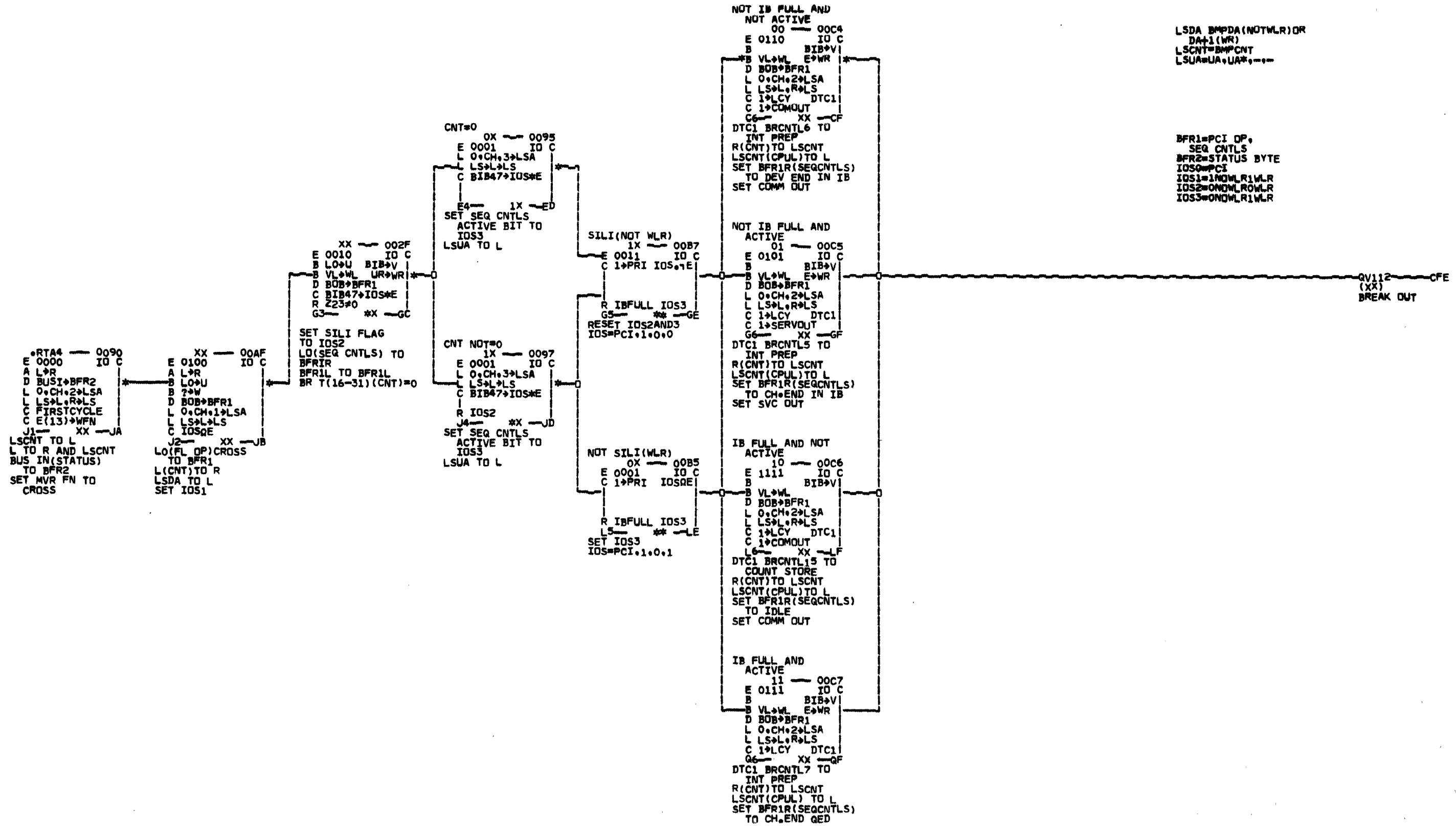
ENDING CONDITIONS  
 LSDA SP SEQ CNTLS.DA-1  
 LSCNT FL DP.CHS.CNT-1  
 LSUA UA.UA.\*\*

QV240.JAE  
 (01)

QV241  
 (XX)

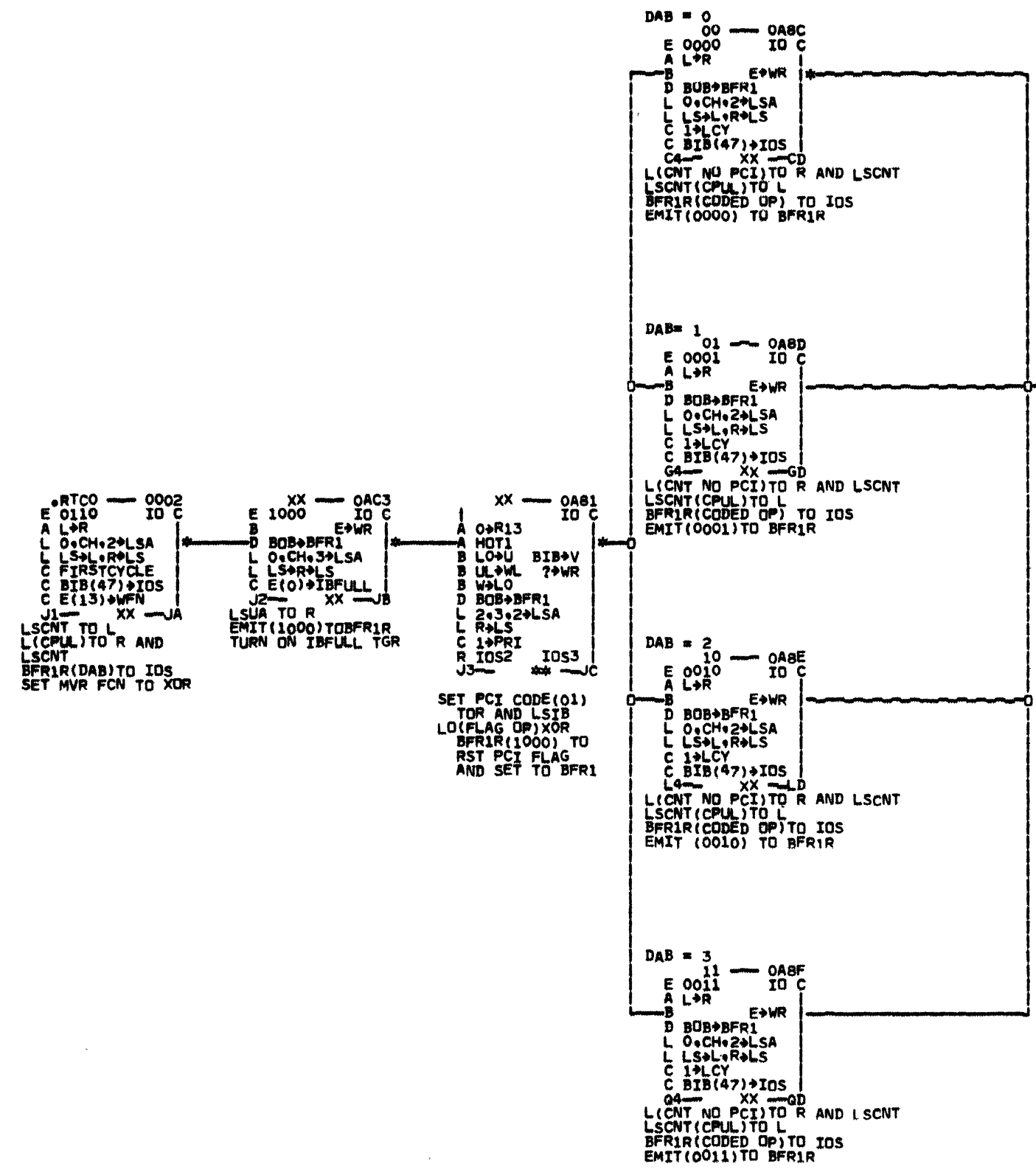


44000



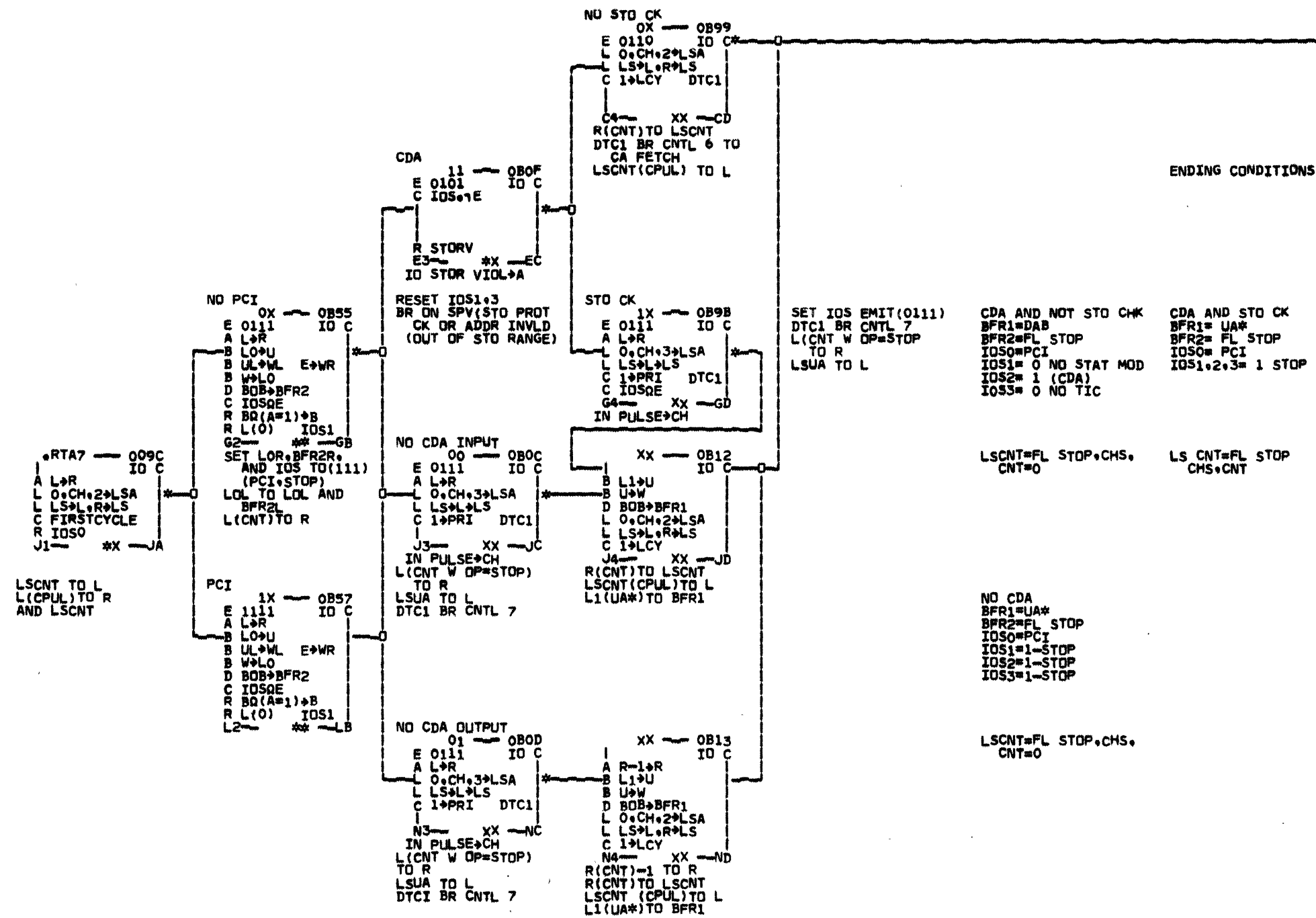
000000

\*\*ENDING CONDITIONS\*\*  
 LSCNT=CNT WORD W NO PCI  
 BFR1= DAB  
 BFR2= DATA BYTE  
 IOS0=0(NO PCI)  
 IOS1,2,3= CODED OP  
 LSIB=UA,0=0.0000 0001



QV112 --- CDE  
 (XX)  
 BREAK OUT

062KD



ENDING CONDITIONS

LSCNT TO L  
L(CPUL) TO R  
AND LSCNT

CDA AND NOT STO CHK  
BFR1=DAB  
BFR2=FL STOP  
IOS0=PCI  
IOS1= 0 NO STAT MOD  
IOS2= 1 (CDA)  
IOS3= 0 NO TIC

CDA AND STO CK  
BFR1= UA\*  
BFR2= FL STOP  
IOS0= PCI  
IOS1,2,3= 1 STOP

LSCNT=FL STOP, CHS,  
CNT=0

LS CNT=FL STOP  
CHS, CNT

NO CDA  
BFR1=UA\*  
BFR2=FL STOP  
IOS0=PCI  
IOS1=1-STOP  
IOS2=1-STOP  
IOS3=1-STOP

LSCNT=FL STOP, CHS,  
CNT=0

\*ENDING CONDITIONS\*

L=SPT0,DA

LS0=SPT0,CA  
LS1=CPUL  
LS2=OLD COUNT  
LS3=UA,UA\*,-,-

BFR1=CH.S,R  
BFR2=M OP  
IOS0=PCI  
IOS1=NEW OP=TIC  
IOS2=CC CDA(011)  
IOS3=PREV TIC

LSBU3=SPT0001,DA

QV112 GFD  
(XX)  
BREAK OUT

LS0=SPT0,CA(CCW2)  
LS1=SPTSEQ CNTLS,  
DA(OLD)  
LS2=FL OP,CHS,  
COUNT(OLD)  
LS3=UA,UA\*,-,-

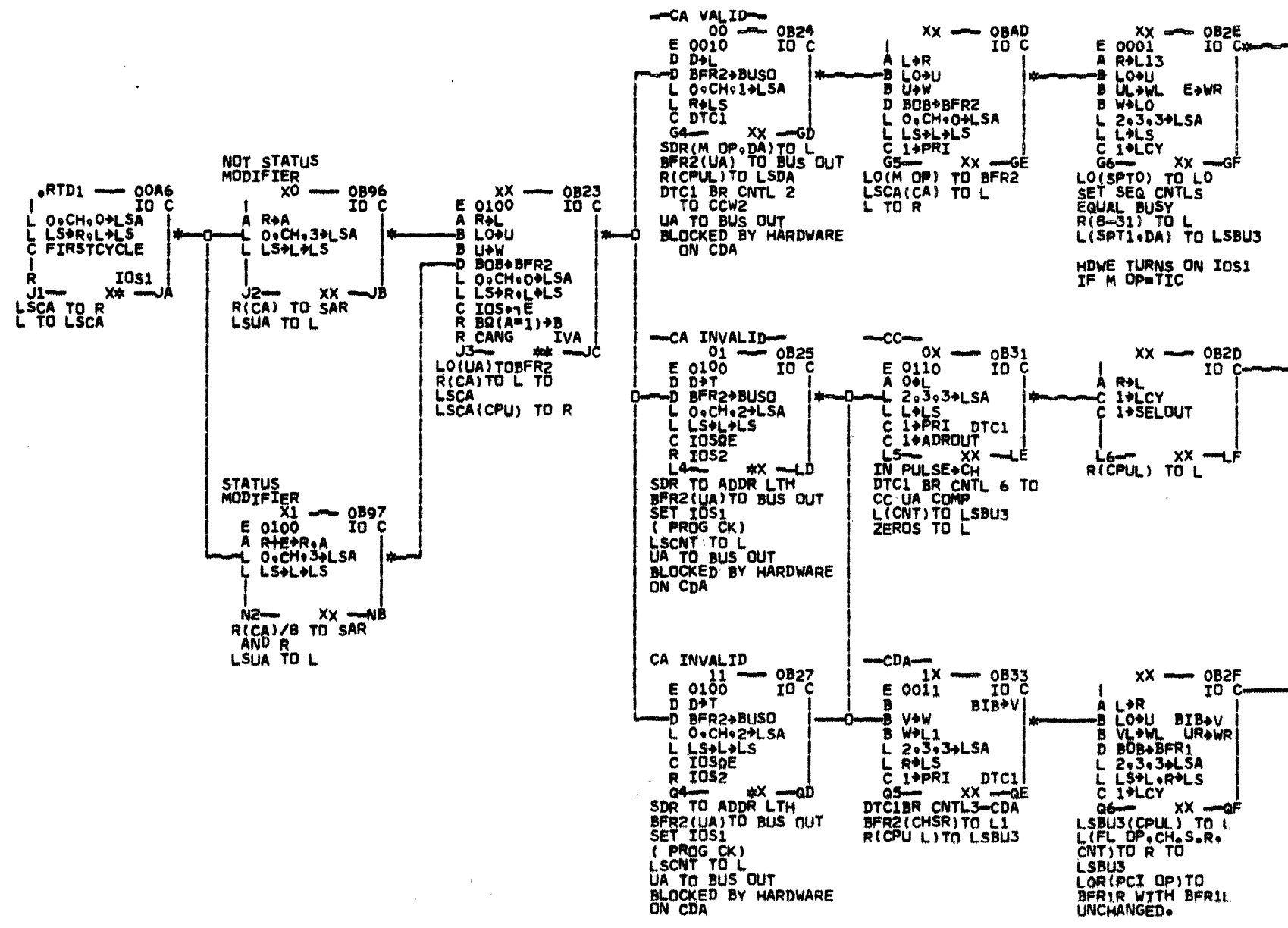
LSBU3=ZEROES

BFR1=CH.S,R  
BFR2=UA  
IOS0=PCI  
IOS1=1(PROG CK)  
IOS2=CC CDA(011)  
IOS3=PREV.TIC

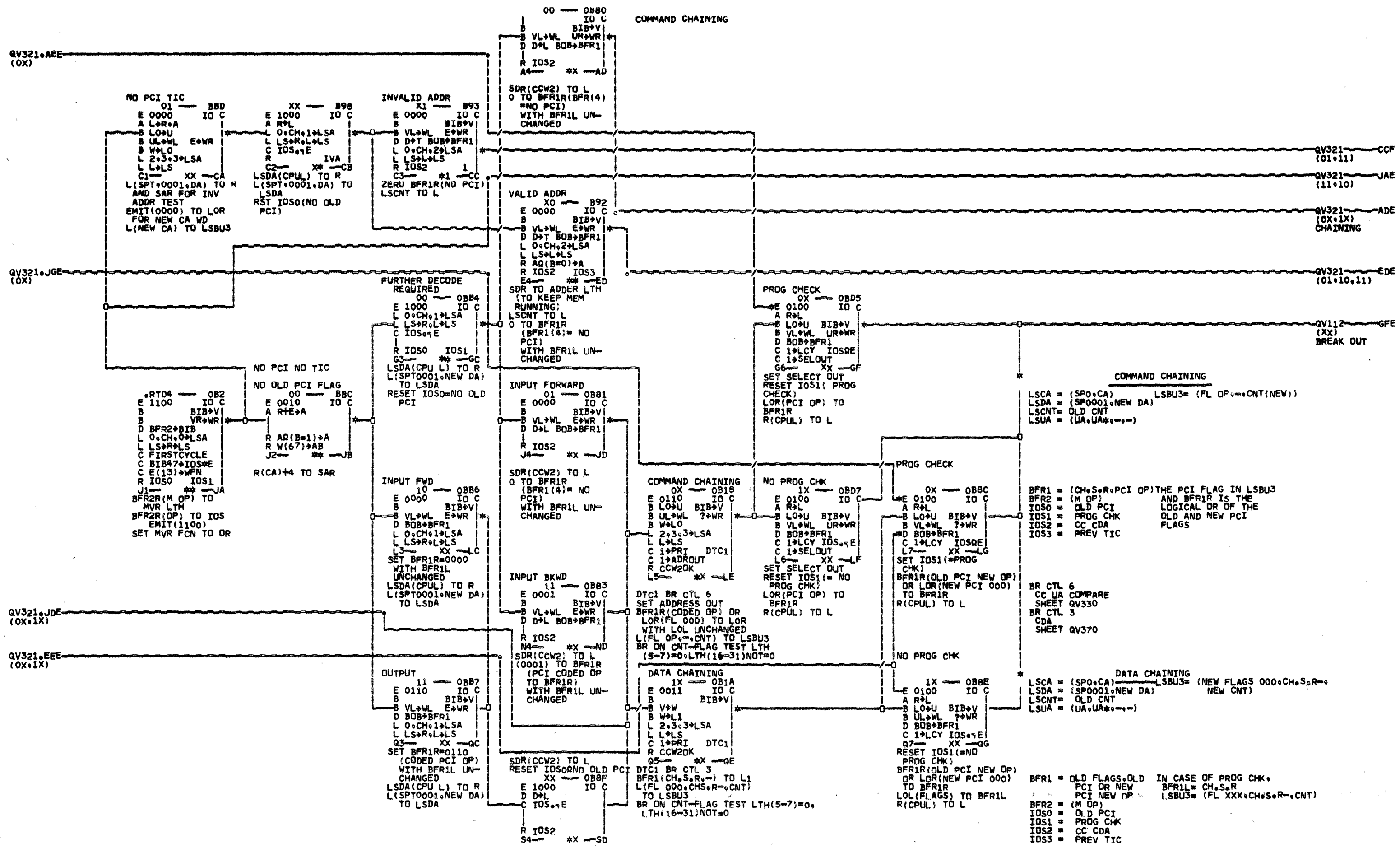
LS0=SPT0,CA(CCW2)  
LS1=SPTSEQ CNTLS  
LS2=FL OP,CHS,  
OLD COUNT  
LS3=UA,UA\*,-,-

LSBU3=FL OP,CHSR,  
COUNT

BFR1=CHSR,PCI OP  
(OLD)  
BFR2=UA  
IOS0=PCI  
IOS1=1(PROG CK)  
IOS2=1(CDA)  
IOS3=PREV.TIC



0-1000



**COMMAND CHAINING**

LSCA = (SPO,CA)      LSBU3 = (FL OP, CNT(NEW))  
 LSDA = (SPO001,NEW DA)  
 LSCNT = OLD CNT  
 LSUA = (UA,UA\*,\*,\*)

BFR1 = (CH,S,R,PCI OP) THE PCI FLAG IN LSBU3  
 BFR2 = (M OP) AND BFR1 IS THE LOGICAL OR OF THE OLD AND NEW PCI FLAGS  
 IOS0 = OLD PCI  
 IOS1 = PROG CHK  
 IOS2 = CC CDA  
 IOS3 = PREV TIC

BR CTL 6  
 CC UA COMPARE  
 SHEET QV330  
 BR CTL 3  
 CDA  
 SHEET QV370

**DATA CHAINING**

LSCA = (SPO,CA)      LSBU3 = (NEW FLAGS 000,CH,S,R, CNT)  
 LSDA = (SPO001,NEW DA)  
 LSCNT = OLD CNT  
 LSUA = (UA,UA\*,\*,\*)

BFR1 = OLD FLAGS, OLD IN CASE OF PROG CHK, PCI OR NEW BFR1 = CH,S,R  
 PCI NEW OP      LSBU3 = (FL XXX,CH,S,R, CNT)  
 BFR2 = (M OP)  
 IOS0 = OLD PCI  
 IOS1 = PROG CHK  
 IOS2 = CC CDA  
 IOS3 = PREV TIC

000000

INVALID OPERATION

00 0B40
E 1000 IO C
B VLWL EWR
D DPL BOB BFR1
R IUS2
A4 \*X AD
SDR(CCW2) TO L
EMIT(1000) TO BFR1
(OLD PCI 000)

0X 0B19
E 0110 IO C
B L0L1 BIBV
D DPL BOB BFR1
R IUS2
A4 \*X AD
SDR(CCW2) TO L
EMIT(1000) TO BFR1
(OLD PCI 000)

COMMAND CHAIN

10 0B16
E 0001 IO C
A RPL
L 2,3,3 LSA
L LSRLS
C 1PRI DTC1
C IUSRE
A7 XX AG
LSBU3(SPO,DA) TO K
M(CPUL) TO L
DTC1 BR CNTL 1
SET IOS3=PREV TIC

XX 0B2C
E 0100 IO C
L 0,CH,0 LSA
R LLS
C 1LCY IOS, E
AB XX AH
R TO LSCA
R IOS1=
NO PROG CK
NO STATUS MODIFIER

QV320, ADE (0X,1X)

QV320, CCF (01,11)

QV320, JAE (11,10) PCI

QV320, EDE (01,10,11)

PCI TIC
11 BBF
E 0000 IO C
A LRA
B L0L1 EWR
B VLWL EWR
B WLO
L 2,3,3 LSA
L LLS
C1 XX CA
L(SPT,0001,DA) TO R
AND SAR FOR INV
ADDR TEST
EMIT(0000) TO LOR
ROR NEW CA WD
L(NEW CA) TO LSBU3

XX B9A
E 1000 IO C
A RPL
L 0,CH,1 LSA
L LSRLS
C IUSRE
R
C2 XX CB
LSDA(CPUL) TO R
L(SPT,0001,DA) TO
LSDA
SET IOS0=OLD PCI

INVALID ADDR
X1 B3B
E 1000 IO C
B VLWL EWR
D DPL BOB BFR1
L 0,CH,2 LSA
L LSRLS
R IOS2
C3 \*1 CC
EMIT(1000) TO BFR1R
OLD PCI000
LSCNT TO L

VALID ADDR
X0 B3A
E 1000 IO C
B VLWL EWR
D DPL BOB BFR1
L 0,CH,2 LSA
L LSRLS
R AQ(B=0) A
R IOS2 IOS3
E4 \*X ED
SDR TO LTH; TO KEEP
STORAGE RUNNING
LSCNT TO L
EMIT(1000) TO BFR1
OLD PCI 000

CDA
1X 0B1B
E 0011 IO C
B VLWL EWR
B WLO
L 2,3,3 LSA
L LLS
C 1PRI DTC1
R CCW2OK
E5 \*X EE
DTC1 BR CNTL 3
BFR1(CHSR-) TO L1
L TO LSBU3
THERE SHOULD BE A
CNT FL TST IN THIS
WORD TO DETERMINE
PROG CHK

OCC AND PREV TIC
01 0B15
E 0110 IO C
L 2,3,3 LSA
L LLS
C 1PRI DTC1
C 1ADROUT
E7 XX EG
IN PULSE CH
SET ADDR OUT
DTC1 BR CNTL 6
L(OLD CNT WD)
TO LSBU3

XX 0BAC
E 0100 IO C
A RPL
C 1LCY IOSRE
C 1SELOUT
E8 XX EH
SET SELECT OUT
SET IOS1 = PROG CK
R(CPUL) TO L
MVR OP INCORRECT

ENDING CONDITIONS
LSCA=NEW DA
LSDA=SPO001,NEW DA
LSCNT=OLD CNT
LSUA=UA,UA\*

QV112 AMD (XX) BREAK OUT

QV320 AEE (OX)

QV320 JGE (OX)

QV320 EEE (OX,1X)

QV320 JDE (OX,1X)

PCI NO TIC
10 BBE
E 0010 IO C
A R/E A
R AQ(B=1) A
R W(67) AB
N2 \*X NB
R(CA)4 TO SAR

INPUT FWD
10 0B36
E 1000 IO C
B VLWL EWR
D BOB BFR1
L 0,CH,1 LSA
L LSRLS
L3 XX LC
EMIT(1000) TO
BFR1R
(OLD PCI CODED)
OP)
L(SPO001,NEW DA)
TO LSDA
LSDA(CPUL) TO R

OUTPUT FWD
01 0B41
E 1000 IO C
B VLWL EWR
D DPL BOB BFR1
R IOS2
J4 \*X JD
SDR(CCW2) TO L
EMIT(1000) TO BFR1
(OLD PCI CODE OP)

INPUT BKWD
11 0B43
E 1001 IO C
B VLWL EWR
D DPL BOB BFR1
R IOS2
N4 \*X ND

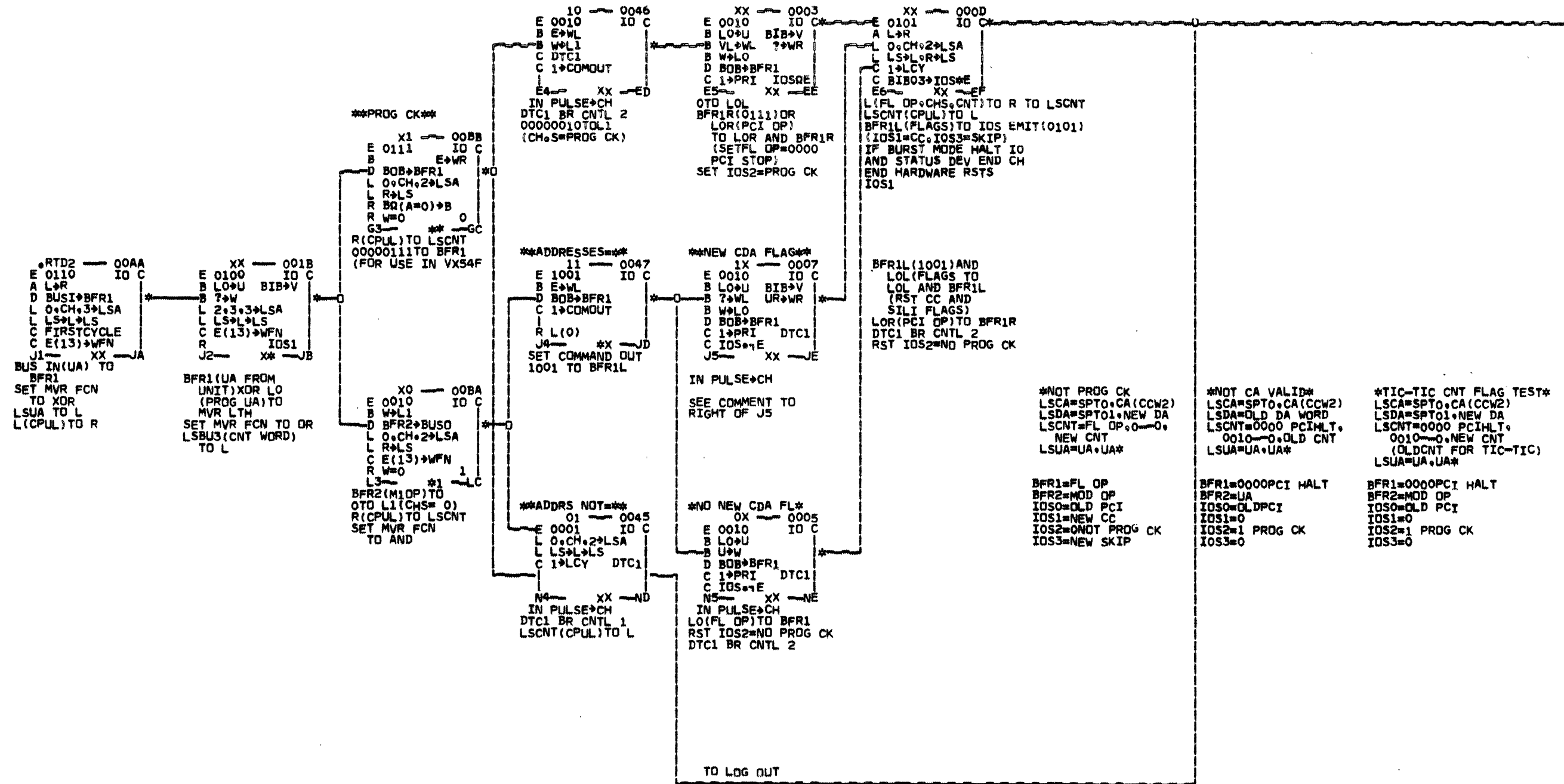
OUTPUT
11 0B37
E 1110 IO C
B VLWL EWR
D BOB BFR1
L 0,CH,1 LSA
L LSRLS
Q3 XX QC
EMIT(1110) TO BFR1
(OLD PCI CODED OP)
L(SPO001,NEW DA)
TO LSDA
LSDA(CPUL) TO R

SDR(CCW2) TO L
SET IOS0(OLD PCI)

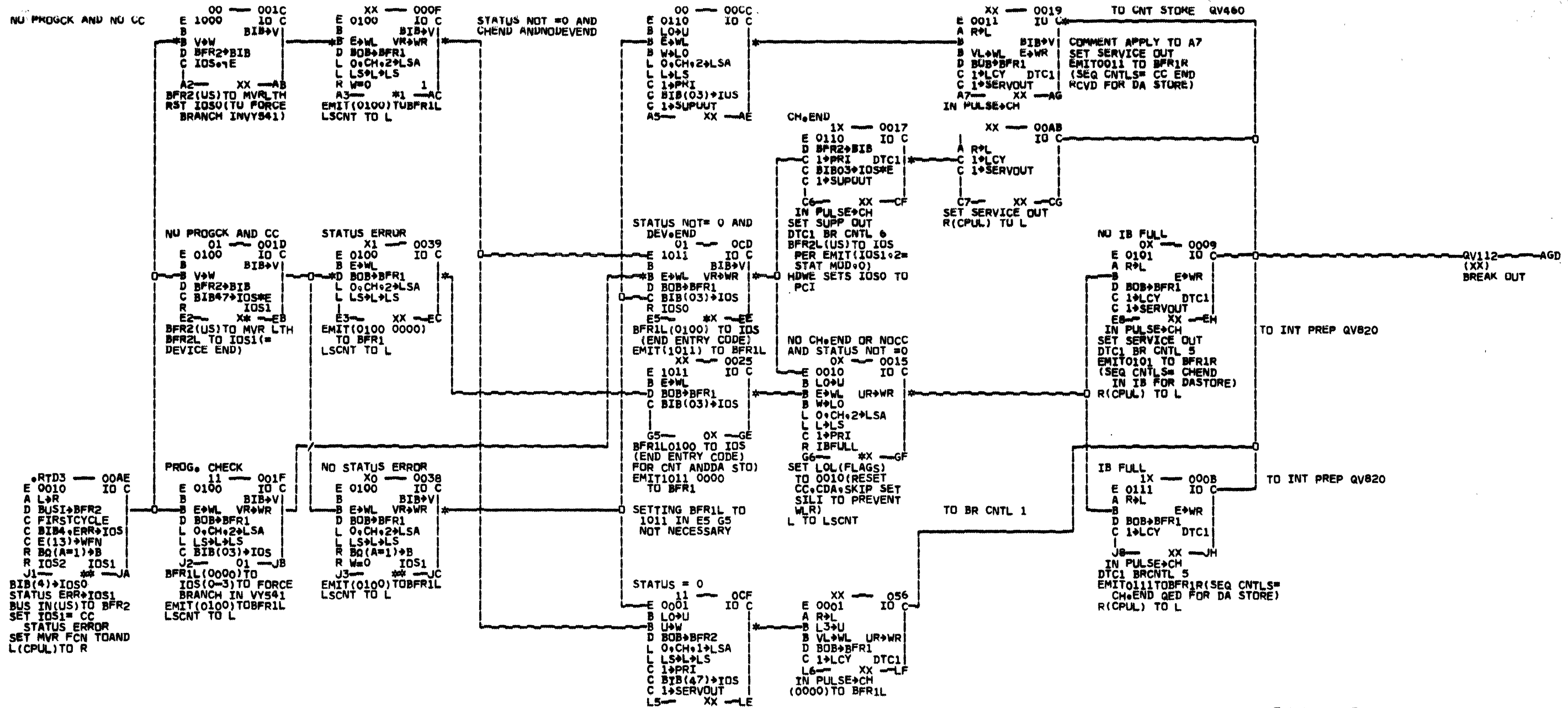
XX 0B2B
E 1000 IO C
D DPL
C IOSRE
R IOS2
S4 \*X SD

11-10-60





QV112



RTD3 00AE  
 E 0010 ID C  
 A L+R  
 D BUSI+BFRI  
 C FIRSTCYCLE  
 C BIB4+ERR+IOS  
 C E(13)+WPN  
 R BQ(A=1)+B  
 R IOS2 IOS1  
 J1 \*\* JA  
 BIB(4)+IOS0  
 STATUS ERR+IOS1  
 BUS IN(US) TO BFR2  
 SET IOS1= CC  
 STATUS ERROR  
 SET MVR FCN TOAND  
 L(CPUL) TO R

PROG. CHECK 11 001F  
 E 0100 ID C  
 B E+WL VR+WR  
 D BOB+BFRI  
 L O+CH+2+LSA  
 L LS+L+LS  
 C BIB(03)+IOS  
 J2 01 JB  
 BFR1L(0000) TO  
 IOS(0-3) TO FORCE  
 BRANCH IN VY541  
 EMIT(0100) TO BFR1L  
 LSCNT TO L

NO STATUS ERROR X0 0038  
 E 0100 ID C  
 B E+WL VR+WR  
 D BOB+BFRI  
 L O+CH+2+LSA  
 L LS+L+LS  
 R BQ(A=1)+B  
 R W=O IOS1  
 J3 \*\* JC  
 EMIT(0100) TO BFR1L  
 LSCNT TO L

STATUS = 0 11 00CF  
 E 0001 ID C  
 B LO+U  
 B U+W  
 D BOB+BFRI  
 L O+CH+1+LSA  
 L LS+L+LS  
 C 1+PRI  
 C BIB(47)+IOS  
 C 1+SERVOUT  
 L5 XX LE

SET SERVICE OUT  
 LO(FL-OP) TO BFR2  
 BFR1R(PCI-OP) TO  
 IOS  
 LSDA TO L  
 L(CPUL) TO R  
 IF INPUT SKIP  
 HARDWARE SETS  
 IOS2,3

XX 0056  
 E 0001 ID C  
 A R+L  
 B L3+U  
 B VL+WL UR+WR  
 D BOB+BFRI  
 C 1+LCY DTC1  
 L6 XX LF  
 IN PULSE+CH  
 (0000) TO BFR1L

TO BR CNTL 1

IB FULL 1X 000B  
 E 0111 ID C  
 A R+L  
 B E+WL VR+WR  
 D BOB+BFRI  
 C 1+LCY DTC1  
 J8 XX JH  
 IN PULSE+CH  
 DTC1 BR CNTL 5  
 EMIT0111 TO BFR1R (SEQ CNTLS=  
 CH.END QED FOR DA STORE)  
 R(CPUL) TO L

TO INT PREP QV820

NU IB FULL 0X 0009  
 E 0101 ID C  
 A R+L  
 B E+WL VR+WR  
 D BOB+BFRI  
 C 1+LCY DTC1  
 C 1+SERVOUT  
 E8 XX EH  
 IN PULSE+CH  
 SET SERVICE OUT  
 DTC1 BR CNTL 5  
 EMIT0101 TO BFR1R  
 (SEQ CNTLS= CHEND  
 IN IB FOR DASTORE)  
 R(CPUL) TO L

TO INT PREP QV820

XX 00AB  
 E 0110 ID C  
 A R+L  
 C 1+LCY  
 C 1+SERVOUT  
 C7 XX CG  
 SET SERVICE OUT  
 R(CPUL) TO L

TO CNT STORE QV400  
 XX 0019  
 E 0011 ID C  
 A R+L  
 B VL+WL VR+WR  
 D BOB+BFRI  
 C 1+LCY DTC1  
 C 1+SERVOUT  
 A7 XX AG  
 IN PULSE+CH  
 COMMENT APPLY TO A7  
 SET SERVICE OUT  
 EMIT0011 TO BFR1R  
 (SEQ CNTLS= CC END  
 RCVD FOR DA STORE)

BFR1=SEQ CNTLS.....BFR1=SEQ CNTLS  
 BFR2=STATUS BFR2=STATUS  
 IOS0= 0 IOS0= 0  
 IOS1= 1 IOS1= 1  
 IOS2= 0 IOS2= 0  
 IOS3= 0 IOS3= 0

BFR1=1011.PCI.OP  
 BFR2=STATUS  
 IOS0=PCI  
 IOS1=STATUS MOD  
 IOS2=0(CC)  
 IOS3=0(NO TIC)

BR CNTL 1  
 LSDA=SP0000.CA(CCW2)  
 LSDA=SP0001.DA  
 LSCNT=FL OP.CHS.CNT  
 LSUA=UA.UA\*

BFR1=0000 DAB  
 BFR2=FL OP  
 IOS0= PCI  
 IOS1= CODED OP  
 IOS2= CODED OP  
 IOS3= CODED OP

NOTE. IN INT PREP CC FLAG IS OFF  
 IN INT PREP AND PROG CK  
 FL OP=0000 PCI STOP  
 CH.S.=0010 0000

QV351.GED (11)

LSCNT TO L  
L(CPUL) TO R  
BUS IN(US) TO BFR1  
SET IOS0 CH END  
SET IOS1 CC STATUS  
ERROR

CC STATUS ERROR=  
BIT0,2,3,6,OR 7=1  
OR IF BIT1=1 AND  
BIT5 NOT=0

QV351.GED (00,10)

QV352.GEE (00,10)

ERR=CC STATUS ERROR

RTAS 0094  
E 0000 IO C  
A L→R  
D BUSI→BFR1  
L O.CH.2→LSA  
L LS→LS  
C FIRSTCYCLE  
C BIB4→ERR→IOS  
C E(13)→WFN  
J1 XX JA  
BIB(4)→IOS0  
STATUS ERR→IOS1

XX 0A3D  
E 0110 IO C  
A L→T  
B LO→U  
B ?→W  
D BOB→BFR1  
C BIB(47)→IOS  
C E(13)→WFN  
R AR(B=1)→A  
R IOS0 IOS1  
J2 \*\* JB  
BFR1 R(US) TO IOS  
LO(FL OP)CROSSED  
TO BFR1(BFR1=PCI  
OP(FLAGS) L(CNT)  
TO ADDERLTH SET.

NO CHEND NO ERR  
00 0A3C  
E 0011 IO C  
B E→WR  
D BOB→BFR2  
L O.CH.1→LSA  
L LS→LS  
C BIB(47)→IOS  
R Z23#0 IOS1  
J3 \*\* JC  
LSDA TO L  
(0000 0011) TO BFR2  
(FOR USE IN NEXT  
CYCLE)  
BFR1R(FLAGS) TO IOS  
(TO GET IOS2=SILI  
FLAG)

TO QV352 L3

CNT=0 AND NO  
DEV END  
00 0A4C  
E 0111 IO C  
B E→WR  
L O.CH.2→LSA  
L LS→LS  
C IOSQE  
C4 1X CD  
LSCNT TO L  
R(CPUL) TO LSCNT  
SET IOS1,2,3(PART  
OF END ENTRY  
CODE,CONTINUED  
NEXT CYCLE)  
EMIT(0000 0111) TO  
MVR LTH→TO FORCE  
BRANCH NEXT CYCLE  
CNT=0 AND DEVEND

TO QV351 E3

01 0A4D  
E 0111 IO C  
B LO→U BIB→V  
B VL→WL ?→WR  
D BFR2→BIB  
L O.CH.2→LSA  
L LS→LS  
C IOSRE  
C4 1X GD  
LSCNT TO L  
R(CPUL) TO LSCNT  
SET IOS1,2,3(PART  
OF END ENTRY CODE,  
CONTINUED NEXT  
CYCLE)  
LOR(SEQ CNTLS) XOR  
BFR2R(0011) TO  
MVR LTH

HDWE SETS IOS0  
TO PCI

CNT NOT=0 AND  
NOT DEV END  
10 0A4E  
E 0111 IO C  
B E→WR  
L O.CH.2→LSA  
L LS→LS  
C IOSRE  
R IOS2  
L4 \*X LD  
LSCNT TO L  
R(CPUL) TO LSCNT  
SET IOS1,2,3(PART  
OF END ENTRY CODE  
CONTINUED NEXT  
CYCLE)  
EMIT(0000 0111)  
TO MVR LTH(TO  
FORCE BRANCH NEXT  
CYCLE)

SILI 1X 0A57  
E 0011 IO C  
A L→R  
B LO→U UR→WR  
B W→LO  
D BUSI→BFR2  
C 1→PRI IOS.1E  
C 1→SUPOUT  
R AR(B=1)→A  
R IBFULL WR=0  
L5 \*X LE  
BUSIN(US) TO BFR2  
EMIT(0011) TO LOL  
(TO RST CC FLAG)  
L(LSCNT TO R  
RST IOS2,3(END  
ENTRY AND NOWLR)  
SET SUPP OUT

CNT NOT= 0 AND  
DEV END  
11 0A4F  
E 0111 IO C  
B LO→U BIB→V  
B VL→WL ?→WR  
D BFR2→BIB  
L O.CH.2→LSA  
L LS→LS  
C IOSQE  
R IOS2  
C4 \*X QD  
LSCNT TO L  
R(CPUL) TO LSCNT  
SET IOS1,2,3(PART  
OF END ENTRY CODE,  
CONTINUED NEXT CYCLE)  
LOR(SEQ CNTLS) XOR  
BFR2(0011) TO MVR LTH

NO SILI 0X 0A55  
E 0010 IO C  
A L→R  
B LO→U UR→WR  
B W→LO  
D BUSI→BFR2  
C 1→PRI IOS.1E  
R IBFULL 0  
C5 \*0 QE  
BUSIN(US) TO BFR2  
(0000) TO LOL(TORST  
CC FLAG)  
RST IOS2(ENTRY  
AND WLR CODE)

CC END RCVD  
11 0A0F  
E 0110 IO C  
D BFR2→BIB  
L O.CH.2→LSA  
L LS→LS  
C 1→LCY DTC1  
C BIB03→IOS#E  
C 1→SERVOUT  
G6 XX GF  
R(LSCNT) TO LSCNT  
LSCNT(CPUL) TO L  
SET SVC OUT  
DTC1 BRCNTL 6  
BFR2(US) TO IOS1,2  
(IOS1=STATUSMOD,  
IOS2= 0)

TO CA FETCH QV360

QV112 (XX) GFD  
BREAK OUT

IBF AND NO CC  
END RCVD  
10 0A0E  
E 0111 IO C  
A L→R  
B VL→WL BIB→V  
B VL→WL E→WR  
D BOB→BFR1  
L O.CH.2→LSA  
L LS→LS  
C 1→LCY DTC1  
L6 XX LF  
IN PULSE→CH

TO INT PREP QV820

BFR1=PCI.OP.FLAGS  
BFR2=STATUS  
IOS0=PCI  
IOS1=STATUS MOD  
IOS2=0(CC)  
IOS3=0(NOT TIC)

TO INTERRUPT PREP  
LSCA= -  
LSDA=SP SEQCNTLS.DA  
LSCNT=0000PCI OP.CH.S.CNT  
0011 IF SILI ON  
LSUA=UA.UA#-,-

L(00SILI-PCI OP.  
CHS.CNT) TO R TO  
LSCNT  
LSCNT(CPUL) TO L  
EMIT(0111) TO BFR1R  
(SEQCNTLS=CHENDQED  
IN DA STORE)

BFR1=PCI OP.SEQCNTLS  
BFR2=STATUS  
IOS0= 0  
IOS1= 1  
IOS2= 0  
IOS3= WLR

ODTC1 BRCNTL 7  
NO IBF AND  
NO CC END RCVD  
00 0A0C  
E 0101 IO C  
A L→R  
B VL→WL BIB→V  
B VL→WL E→WR  
D BOB→BFR1  
L O.CH.2→LSA  
L LS→LS  
C 1→LCY DTC1  
C 1→SERVOUT  
G6 XX QF  
IN PULSE→CH  
L(00SILI-PCI OP.CHS.CN  
TO R TO LSCNT  
LSCNT(CPUL) TO L  
SET SVC OUT  
EMIT(0101) TO BFR1R(SEQ  
END IN IB IN DA STORE)  
DTC1 BR CNTL 5

TO INT PREP QV820

QV350 JBE  
(10)

FROM QV350 J2  
VM51F

CH,END NO ERR  
10 0A3E  
E 0011 ID C  
L 0,CH,1,LSA  
L LS,LS  
C BIB47,IOS,E  
R Z23#0  
E3 \*X EC  
LSDA TO L  
BFR1R(FLAGS)TO  
IOS2,3(TO GET  
IOS2=SILI FLAG)

CNT= 0  
0X A48  
E 0111 ID C  
L 0,CH,2,LSA  
L LS,L,R,LS  
C IOSRE  
R 1 IOS1  
E4 1\* ED  
LSCNT TO L  
R(CPUL)TOLSCNT  
SET IOS1,2,3(PART  
OF END ENTRY CODE  
CONT,NEXT CYCLE)

CNT NOT= 0  
1X A4A  
E 0111 ID C  
L 0,CH,2,LSA  
L LS,L,R,LS  
C IOSRE  
R BQ(A=0)B  
R IOS2 IOS1  
J4 \*\* JD  
LSCNT TO L  
R(CPUL)TO LSCNT  
SET IOS 1,2,3(PART  
OF END ENTRY CODE,  
CONTINUED NEXT  
CYCLE)

SILI AND NQDEV END

10 0A3A  
E 0011 ID C  
D BUSI,BFR2  
C 1,PRI DTC1  
C 1,SUPOUT  
C5 XX CE  
IN PULSE,CH  
BUS IN(US)TO BFR2  
SET SUPPRESS OUT  
DTC1 BR CNTL 3  
RST IOS2,3(END  
ENTRY AND NO WLR  
CODE)

SILI AND DEV END

11 0A3B  
E 0011 ID C  
A L,R  
D BUSI,BFR2  
C 1,PRI IOS,E  
C 1,SUPOUT  
G5 11 GE  
BUS IN(US)TO BFR2  
L(LSCNT)TO R  
SET SUPPRESS OUT  
RST IOS2,3(END  
ENTRY AND NO WLR  
CODE)

NO SILI

01 0A39  
E 0010 ID C  
A L,R  
B LO,LJ  
B VL,WL UR,WR  
B W,LO  
D BUSI,BFR2  
C 1,PRI IOS,E  
R IBFULL 0  
Q5 #0 QE  
BUS IN(US)TO BFR2  
L(LSCNT)TO R  
(0000)TO LOL(TO  
RST CC FLAG)  
RST IOS2(END ENTRY  
AND WLR CODE)

XX 0A0D  
E 0011 ID C  
A L,R  
B VL,WL BIB,V  
D BUB,BFR1  
L 0,CH,2,LSA  
L LS,L,R,LS  
C 1,LCY  
C 1,SERVOUT  
C6 XX CF

TO COUNT STORE  
SHEET QV460

\*\*ENDING CONDITIONS\*\*  
LSDA=SP,SEQCNTLS,DA  
LSCNT=PL,DP,CHS,CNT  
LSUA=UA,UA\*

BFR1=PCI DP,SEQCNTLS  
BFR2=STATUS  
IOS0= 0  
IOS1= 1  
IOS2= 0  
IOS3= 0

TO SHEETQV350 G6  
VM555

TO SHEETQV350 L6  
VM554

TO SHEETQV350 Q6  
VM550

QV112 CFD  
(XX)  
BREAK OUT

QV350 GED  
(11)

QV350 GED  
(00,10)

ERR= CC STATUS ERR

QV350.JBE  
(11)

FROM VM51F  
QV350J2

```

ERROR 11 0A3F
      IO C
C BIB(47)+IOS
R Z23#0
L3 *X LC
BFR1R(FLAGS TO
IOS(TO GET IOS2
= SILI

```

```

CNT = 0 0X 0A2C
E 0111 IO C
L 0,CH,2+LSA
L LS+L,R+LS
C IOSQE
G4 1X GD
LSCNT TO L
R(CPUL)TO LSCNT
SET IOS1,2,3(PART
OF END ENTRY
CODE,CONTINUED
NEXT CYCLE)

```

```

CNT NOT= 0 1X 0A2E
E 0111 IO C
L 0,CH,2+LSA
L LS+L,R+LS
C IOSQE
R IOS2
L4 *X LD
LSCNT TO L
R(CPUL)TO LSCNT
SET IOS1,2,3(PART
OF END ENTRY
CODE,CONTINUED
NEXT CYCLE)

```

```

SILI 1X 0AAE
E 0011 IO C
B LO+U
B E+WL UR+WR
B W+LO
D BUSI+BFR2
C I+PRI IOS+E
R IBFULL 0
G5 *0 GE
EMIT(0011)TO LOL
(TO RST CC FLAG)
BUS IN(US)TOBFR2
RST IOS2,3(END
ENTRY AND NO
WLR CODE FORCNT
STO AND DA STO)

```

```

NOT SILI 0X 0AAC
E 0010 IO C
B LO+U
B VL+WL UR+WR
B W+LO
D BUSI+BFR2
C I+PRI IOS+E
R IBFULL 0
L5 *0 LE
(0000)TO LOL(TO
RST CC FLAG)
BUS IN(US)TO BFR2
RST IOS2(ENENTRY
AND WLR CODE
FOR CNT STO AND
DA STO)

```

TO VM554 QV350 L6

QV350 GEE  
(00.10)

TO VM550 QV350 Q6

UNCLD

254770  
255103  
255449  
256479

02/01+65  
03/31+65  
09/20+65  
02/10+66

MACH  
NAME  
MODE  
P.N.  
IBM CORP.

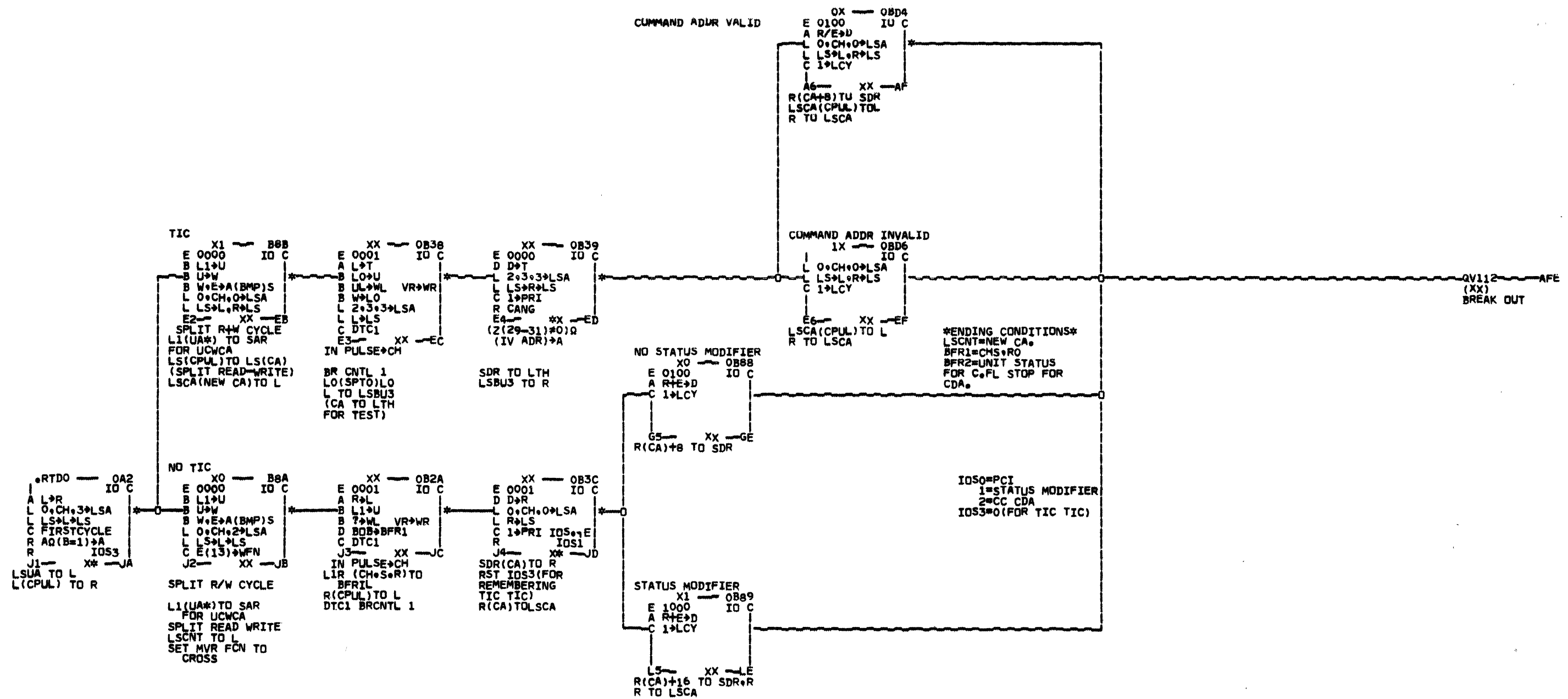
C2050  
MANUAL  
5364871  
SND

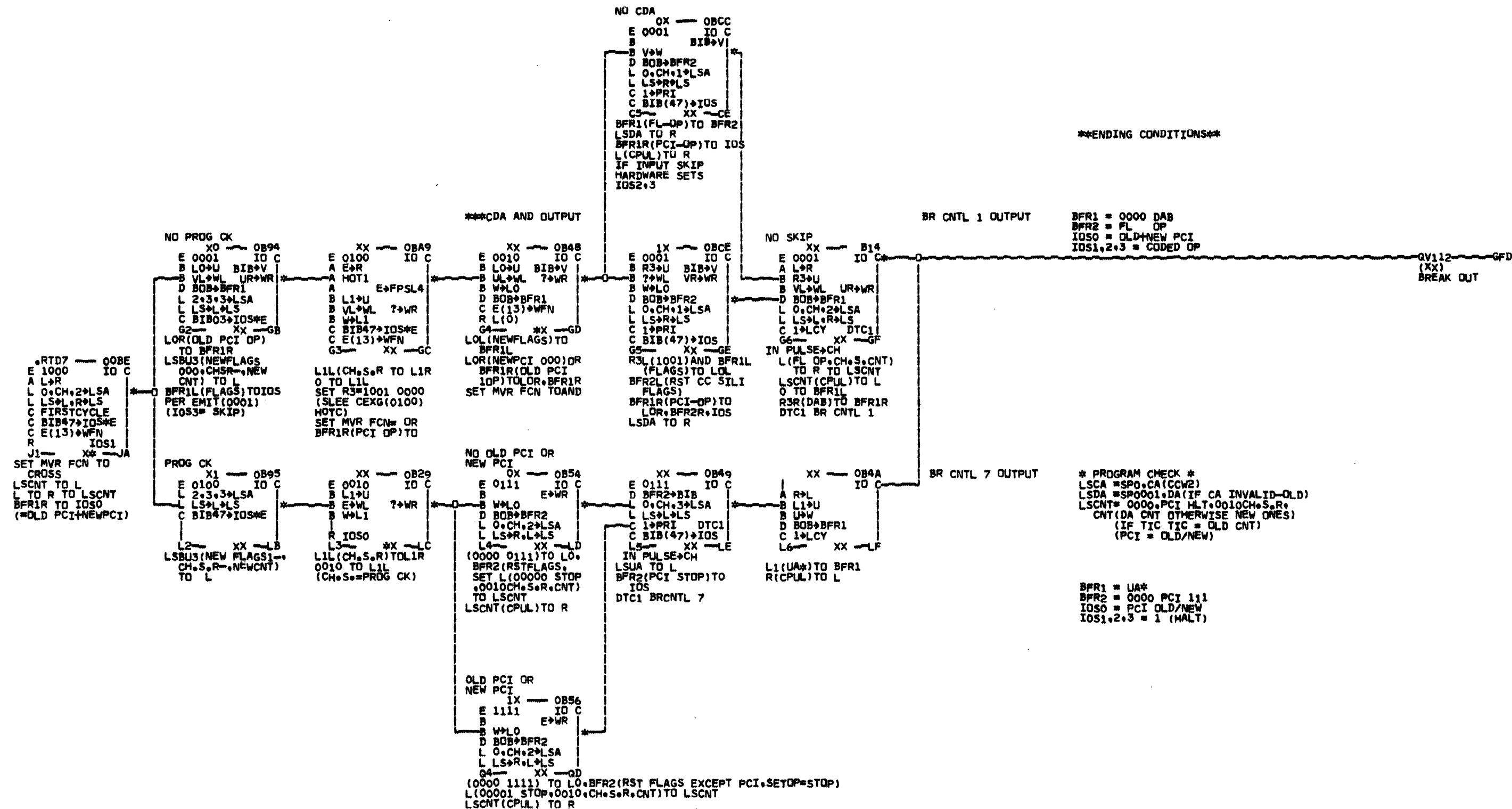
DATE 02/15+66  
LOG 655

SHEET  
VERSION

1 QV352

MPX CHAN RTNE AS COMMAND  
CHATN END STATUS ANALYSTS





\*\*ENDING CONDITIONS\*\*

BFR1 = 0000 DAB  
 BFR2 = FL OP  
 IOS0 = OLD+NEW PCI  
 IOS1,2,3 = CODED OP

\* PROGRAM CHECK \*  
 LSCA = SPO,CA(CW2)  
 LSDA = SPO001,DA(IF CA INVALID-OLD)  
 LSCNT = 0000,PCI HLT,0010CH,S,R,  
 CNT(DA CNT OTHERWISE NEW ONES)  
 (IF TIC TIC = OLD CNT)  
 (PCI = OLD/NEW)

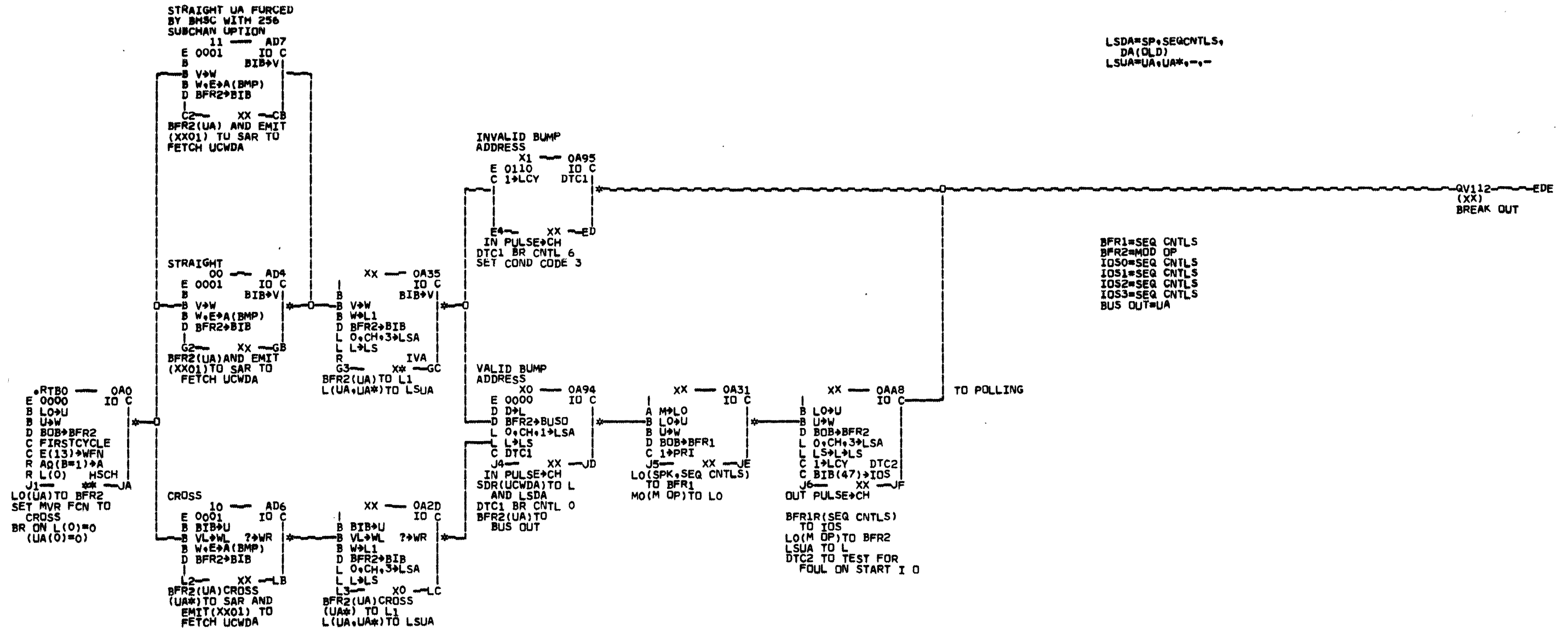
BFR1 = UA\*  
 BFR2 = 0000 PCI 111  
 IOS0 = PCI OLD/NEW  
 IOS1,2,3 = 1 (MALT)

0-4040

\*\*ENDING CONDITIONS\*\*

L=UA,UA\*,--  
R=SP,CA(ST I O)  
M=M OP,DA(ST I O)

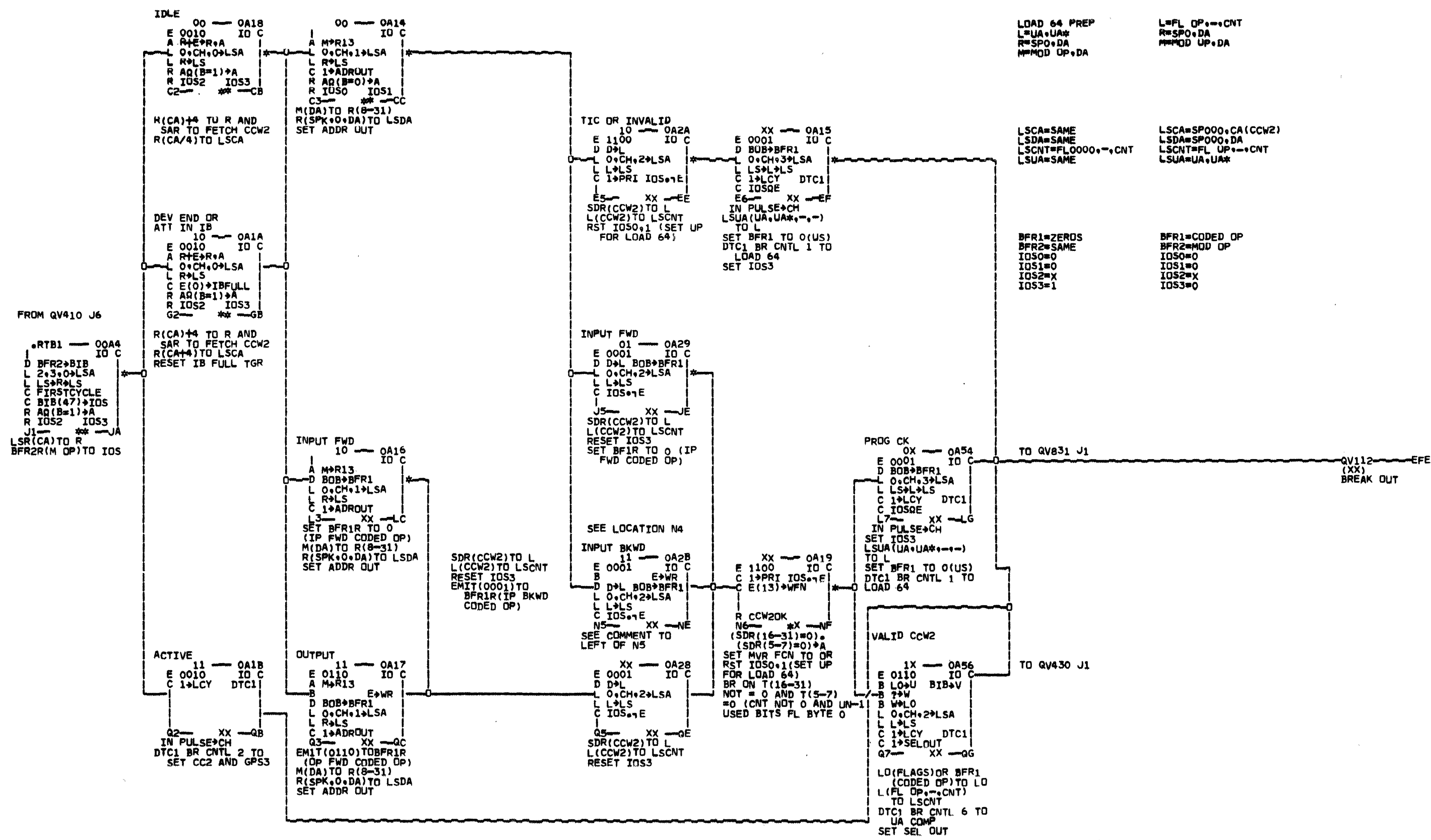
LSDA=SP,SEQCNTLS,  
DA(OLD)  
LSUA=UA,UA\*,--



01-100



ENDING CONDITIONS



02-15-66

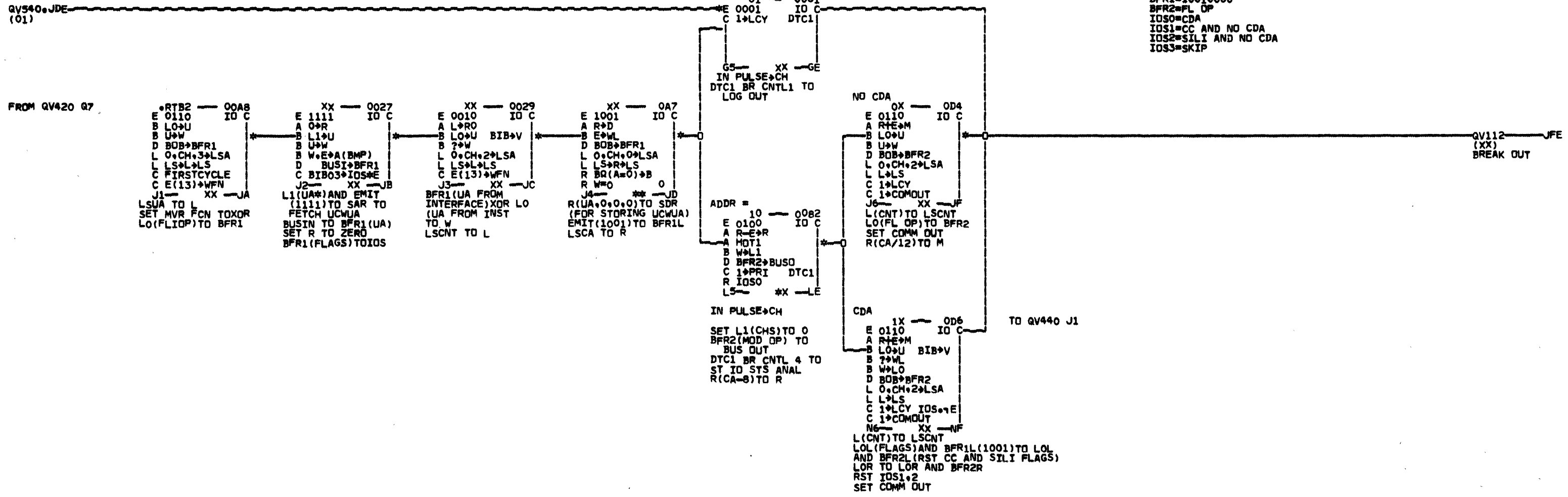
ENDING CONDITIONS

L=FL-OP,0-0,CNT  
R=CA  
M=CA+\*

NOTE, FLAGS=CDA,CC AND NO CDA,  
SILI AND NO CDA,SKIP

LSCA=SPO,CA  
LSDA=SPO,0,DA  
LSCNT=FL,OP,0,0,CNT  
LSUA=UA,UA\*,-,-

BFR1=10010000  
BFR2=FL,DP  
IOS0=CDA  
IOS1=CC AND NO CDA  
IOS2=SILI AND NO CDA  
IOS3=SKIP

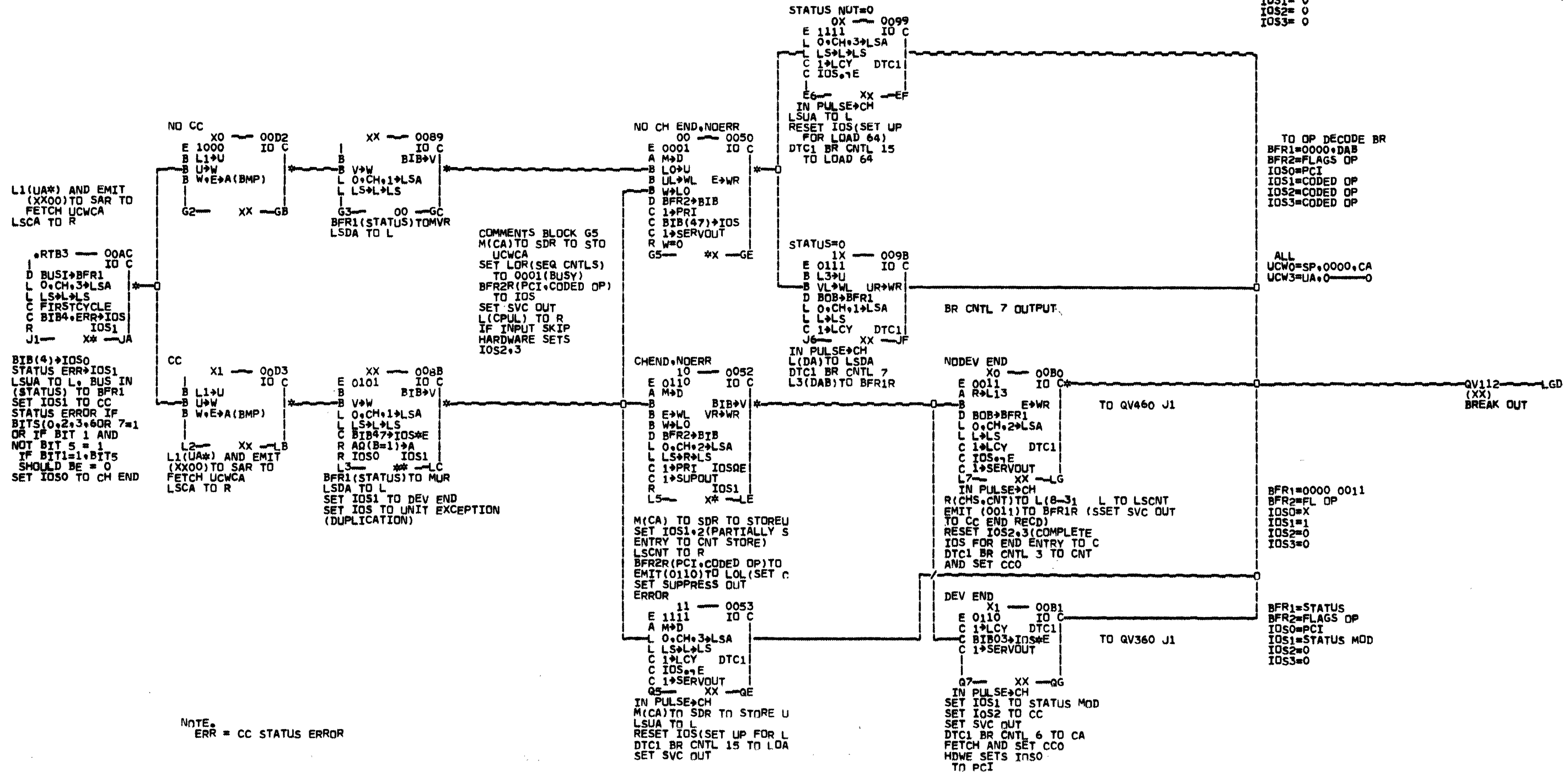


ENDING CONDITIONS  
SER CNTLS=0001IF  
INITIAL STATUS=0  
EQUAL000000OTHERWISE

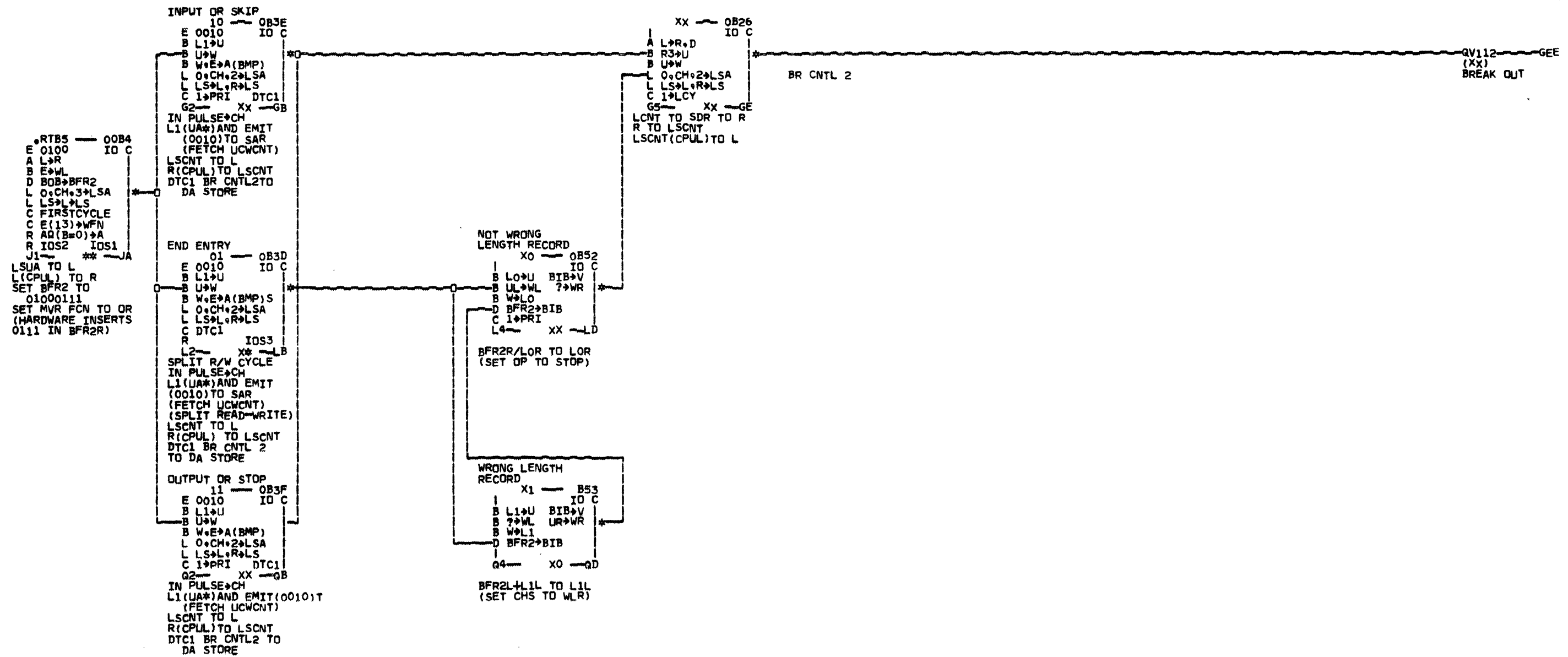
LSCA=SP0000,CA(CCW2)  
LSDA=SP SEWCNTL,DA  
LSCNT=FL OP,0000,CNT  
LSUA=UA,UA\*  
TO LOAD 64  
BFR1=UNIT STATUS  
BFR2=FLAGS OP

IOS0= 0  
IOS1= 0  
IOS2= 0  
IOS3= 0

FROM QV430 J6  
OR QV430 N6

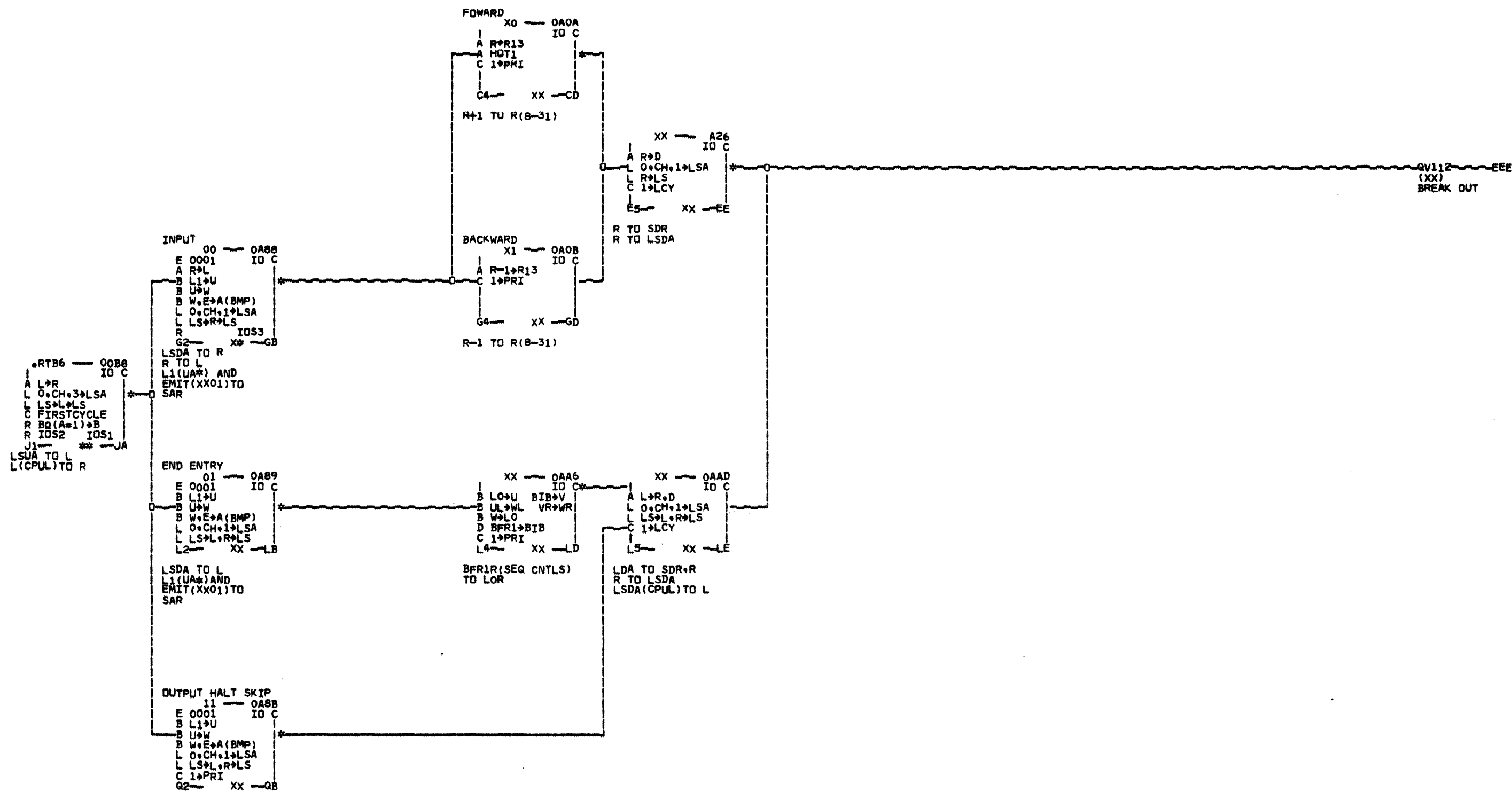


NOTE.  
ERR = CC STATUS ERROR



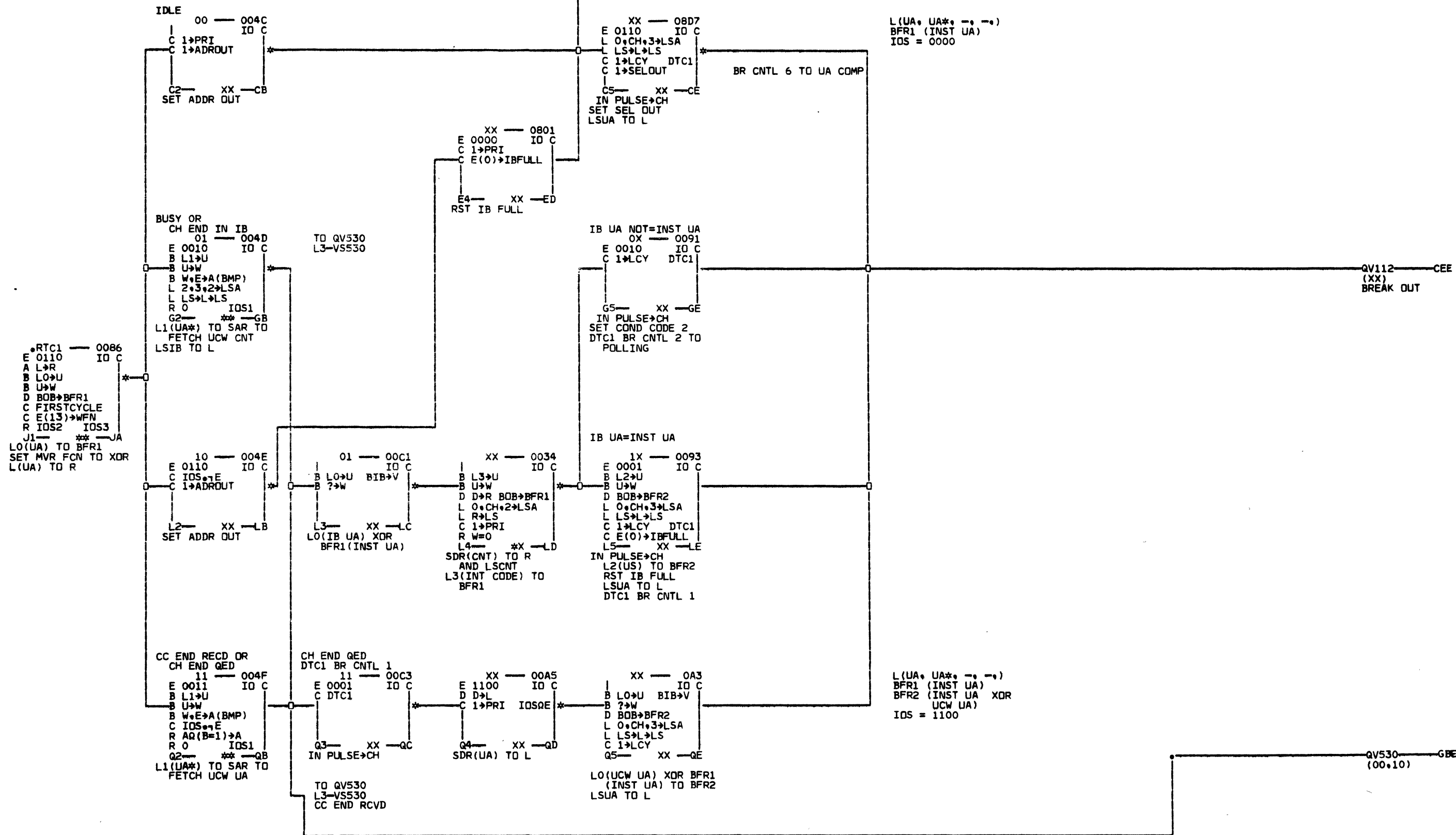
2  
V  
4  
6  
0

FROM QV460  
G5-VQ52F



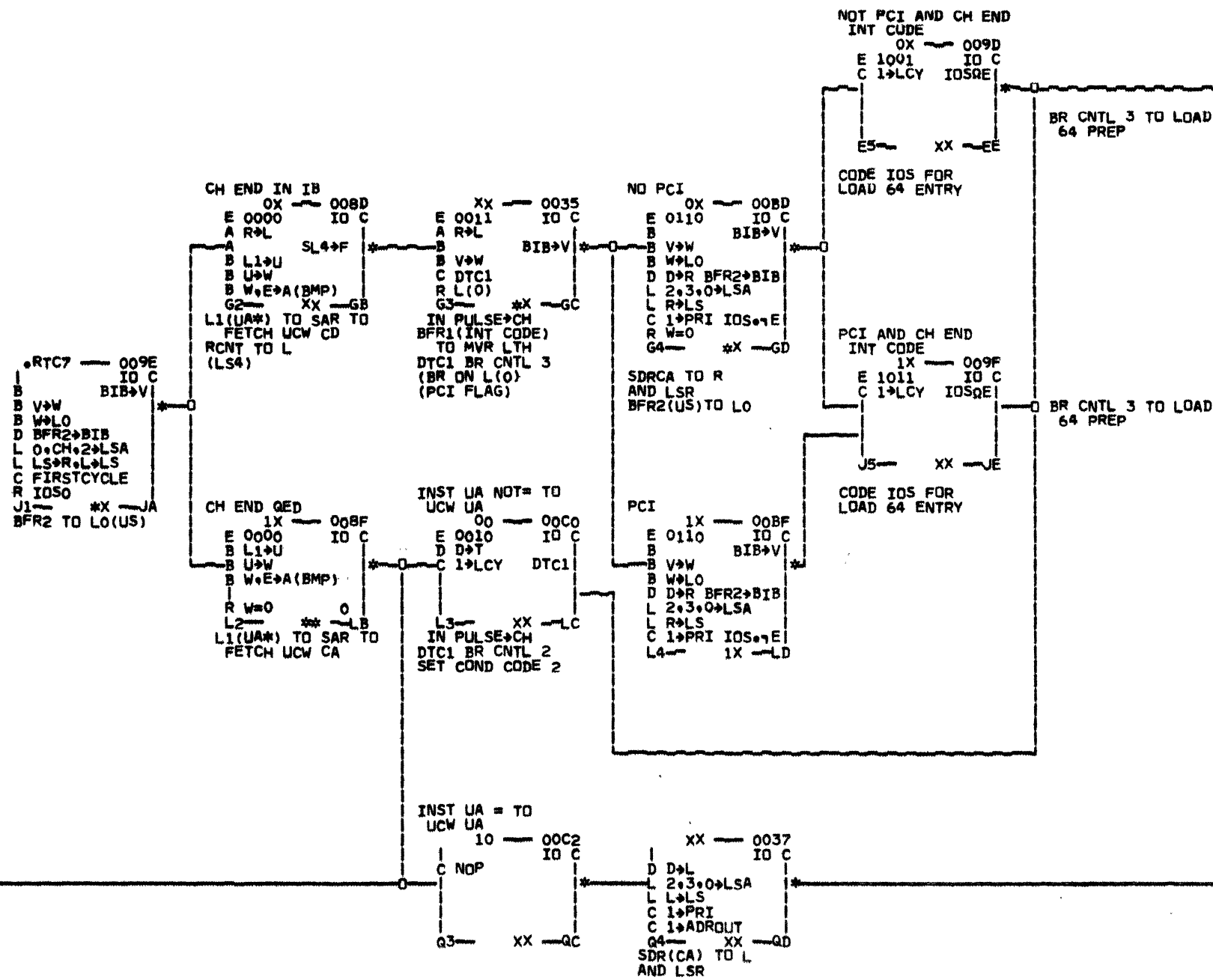
QV470

QV530-ADE  
(XX)



08000

QV520.GBE  
(00.10)



QV112-EEE  
(XX)  
BREAK OUT

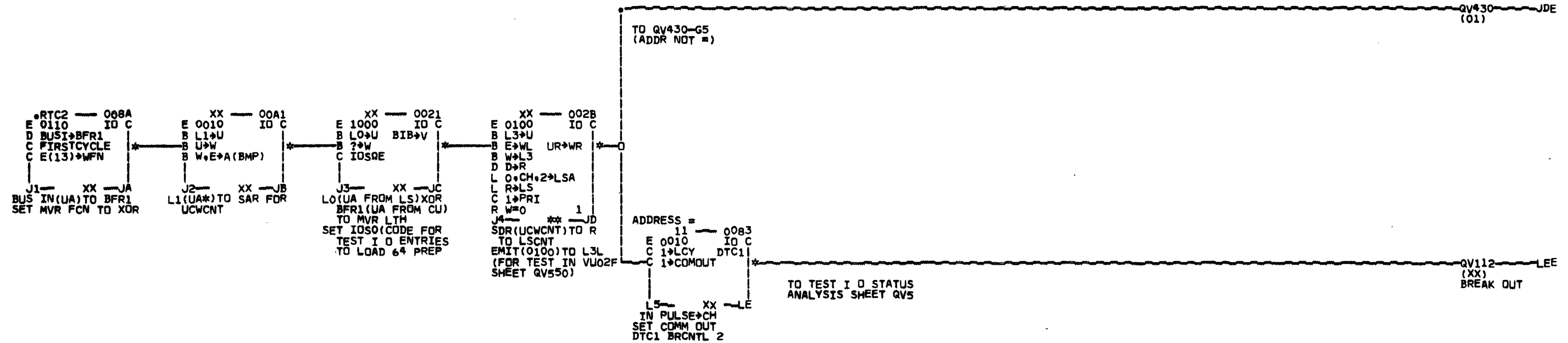
TO QV520 C5

QV520.QDE  
(XX)

00000

254760	12/21+64	MACH	C2050	DATE	02/15+66	SHEET	1	QV530
254765	01/13+65	NAME		LOG	655	VERSION		
255103	03/31+65	MODE	MANUAL					
255449	09/20+65	P.N.	5364881					
256479	02/10+66	IBM CORP.	SND					
						MULTIPLEX CHAN RTNF C7 TEST I/O INIT SELECT 2		

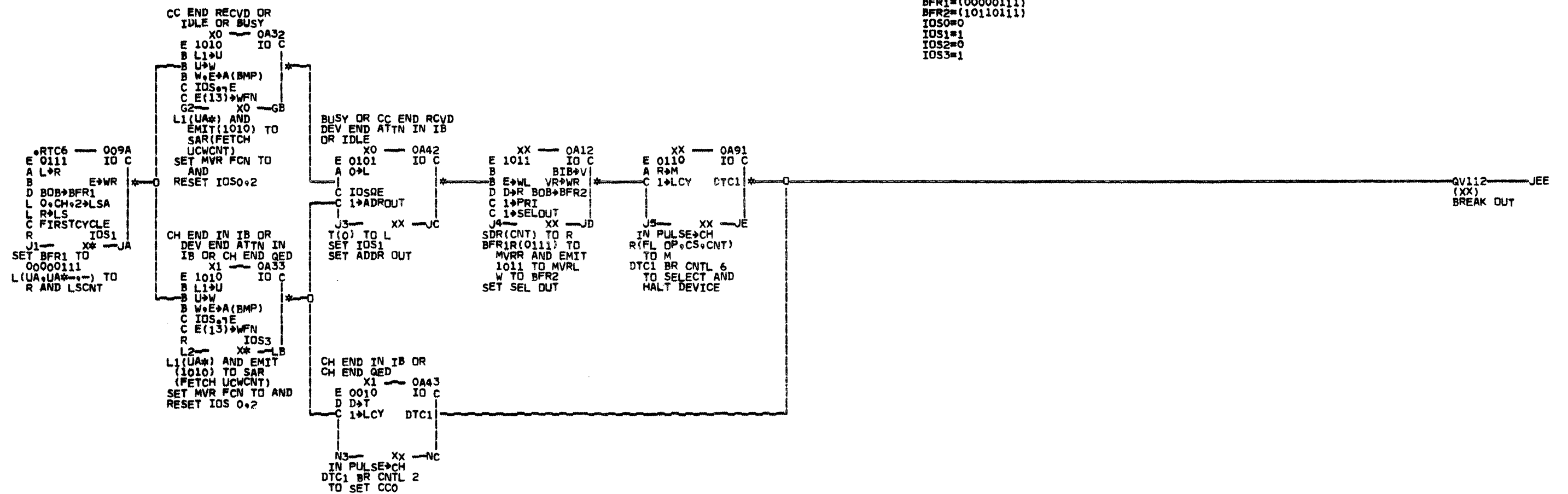
\*\*ENDING CONDITIONS\*\*  
 L=UA,UA\*,-,0001 0000  
 R=PL OP,CS,CNT  
 LSCNT=PL OP,CS,CNT  
 LSJA=UA,UA\*,-,  
 LSR=SP,CA



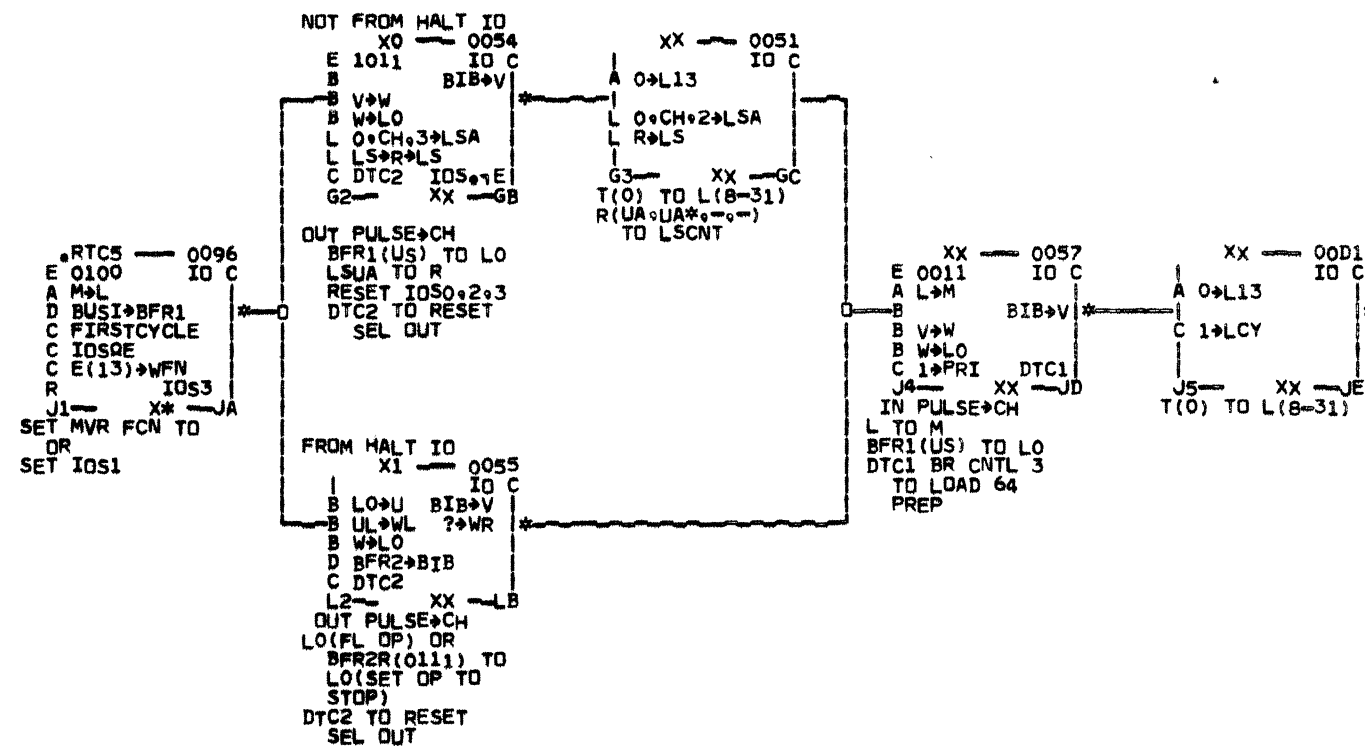
00000







01002

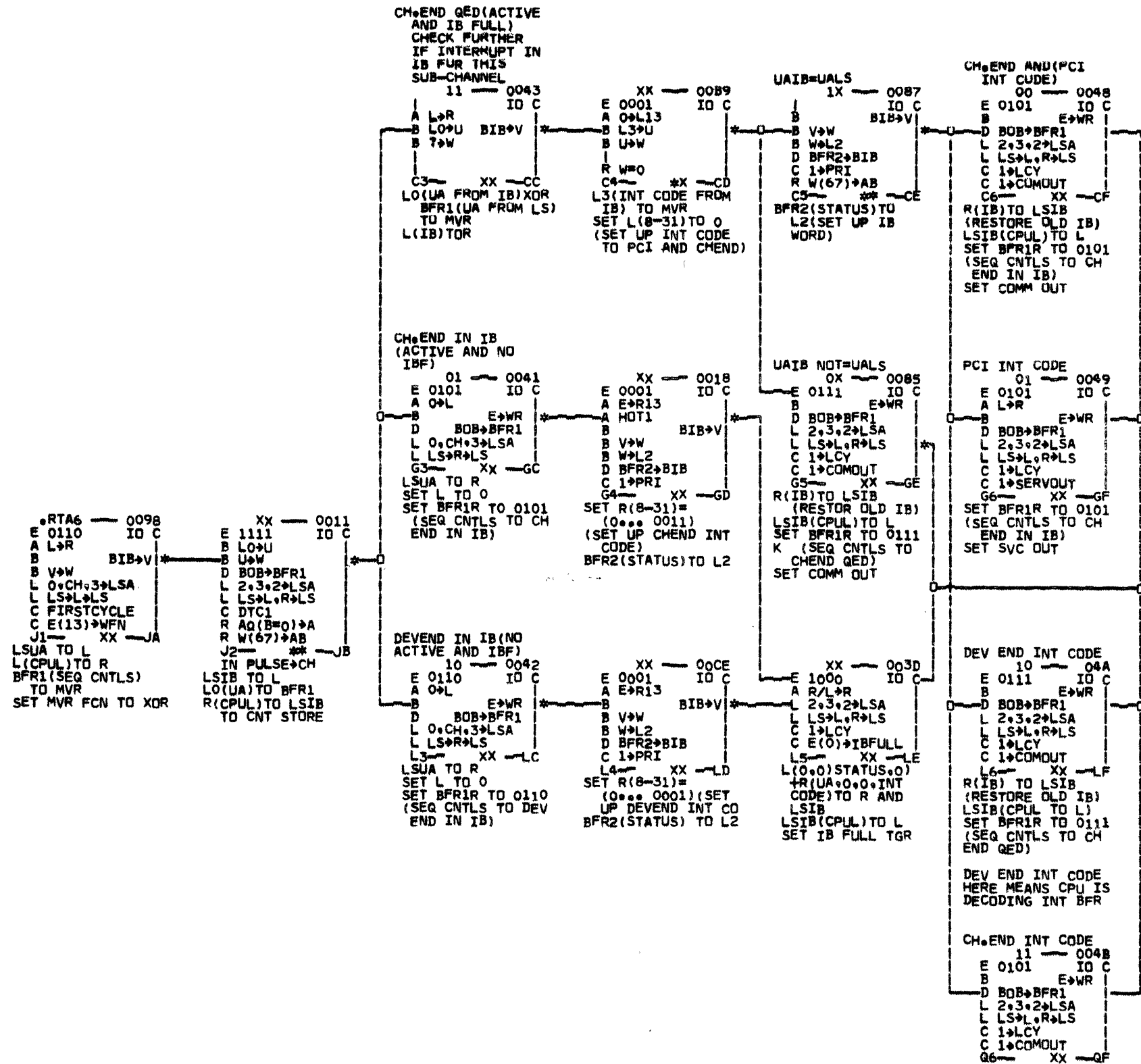


ENDING CONDITIONS

NOT FROM HALT ID  
 L=(US<sub>0</sub>0<sub>0</sub>0)  
 R=(UA<sub>0</sub>UA<sub>0</sub>0<sub>0</sub>0)  
 M=(US<sub>0</sub>0<sub>0</sub>0)  
 LSCNT=(SAME AS R)  
 LSUA=(SAME AS R)  
 BFR1=(US)  
 IOS0=0  
 IOS1=1  
 IOS2=0  
 IOS3=0

FROM HALT ID  
 L=(US<sub>0</sub>0<sub>0</sub>0)  
 M=(FL OP CS CNT) (OP SET TO STOP)  
 LSCNT=(UA<sub>0</sub>UA<sub>0</sub>0<sub>0</sub>0)  
 LSUA=(UA<sub>0</sub>UA<sub>0</sub>0<sub>0</sub>0)  
 BFR1=(US)  
 BFR2=(10110111)  
 IOS=(0101)

QV112 (XX) BREAK OUT



00000

INPUT CONDITIONS  
 LSCNT = FROM  
 (FL OP, CNT) START IO  
 (FL UP, CHS, CNT) TEST IO CH END QED  
 (US, UA, ) TEST IO NO CH END QED  
 (US, UA, ) TEST IO NO CH END QED  
 (UA, UA, ) HALT IO OR CU BUSY

L REG = FROM  
 (UA, UA, ) START IU  
 (UA, UA, ) TEST IO CH END QED  
 (US, CHS, CNT) TEST IO NO CH END QED  
 (US, O, O, O) CU BUSY  
 (O, O, O, O) HALT IO

M REG = FROM  
 (FL UP, CHS, CNT) HALT IO

COMING FROM IN IOS 0 1 2 3  
 START IO (PROG CK) 0 0 - 1  
 START IO (STATUS NOT=0) 0 0 0 0  
 TEST IO (END QED) 1 1 0 0  
 TEST IO (CH END IN IB NO PCI) 1 0 0 1  
 TEST IO (CH END IN IB PCI) 1 0 1 1  
 TEST IO (STATUS NOT=0) 1 0 0 0  
 TEST IO (STATUS = BUSY) 1 0 0 0  
 TEST IO (STATUS MODIFIER ONLY) 1 0 0 0  
 HALT OR HALT FROM CU BUSY 0 1 0 1  
 CU BUSY AND ALL OTHERS 0 1 0 0

START IO 00 0B8B IO C  
 E 1000  
 A 0PL13  
 B EWL  
 D BUBBPR2  
 C DTC1  
 C2 XX CB  
 IN PULSE CH  
 DTC1 TU DA STORE  
 TU ZERU SEQ  
 CNTLS  
 SET L(8-31) TO 0  
 SET BFR2=(100-0)

NO PCI AND NO  
 PROG CK 00 0BDO IO C  
 C 1PRI  
 CS XX CE

ENDING CONDITIONS

START ENTRY  
 L=(UA, O, O)  
 M=(US, CS, O, O)  
 LSI=(SPK, SEQ CNTL=O, DA)

TEST IO (CH END QED OR CH END IN IB)  
 L=(UA, O, O, O)  
 M=(US, CS, O, O)  
 LSR=(SPK, CA)

HALT OR CU BUSY  
 TO QV832 J2

NO PCI AND PROG  
 CK 01 0BD1 IO C  
 E 0010  
 B EWL  
 B WPL1  
 C 1PRI  
 G5 XX GE  
 SET (00100000) TO  
 L1 (CHS TO PROG  
 CK

TEST OR INT TEST I / (NO CH END QED OR CH END IN IB) (01)  
 L=(UA, O, O)  
 M=(US, CS, O, O)  
 R=(O, O)

QV831.GEE  
 (XX)

RTD5 00B6  
 E 0000 IO C  
 A L R  
 L O, CH, 2, LSA  
 L LS, L, LS  
 C FIRSTCYCLE  
 C E(13) WFN  
 R IOSO IOS1  
 J1 \*\* JA  
 SET MVR FCN TO  
 CROSS  
 LSCNT (SEE INPUT  
 CONDITINS)  
 TO L  
 L (SEE INPUT COND)  
 TO R

XX BBD  
 E 0010 IO C  
 B LOU  
 B 7W  
 B WLO  
 C IOSQE E503  
 J3 XX JC  
 SET CPU S2 LOAD  
 64 RESPONSE  
 OLO (FL OP) TO MVR  
 (CROSS) TO LO  
 (PCI TO L(O))  
 SET IOS2 SETUP  
 FOR DA STORE

XX 0B4D  
 E 0100 IO C  
 A 0PR13  
 B BIBV  
 B V+W  
 B WLO  
 L 2, 3, 3, LSA  
 L RLS  
 C IOSQE  
 C E(13) WFN  
 R L(O) IOS3  
 J4 \*\* JD  
 BFR1(US) TO LO  
 SET R(8-31) TO 0  
 R(UA, O, O, O) TO  
 LBU3  
 SET MVR FCN TO OR  
 SET IOS2 SETUP  
 FOR DA STORE

PCI AND NO PROG  
 CK 10 0BD2 IO C  
 B L1U BIBV  
 B 7W  
 B WPL1  
 D BFR2BIB  
 C 1PRI  
 L5 XX LE  
 BFR2(100-0) OR  
 L1(CS) TO L1  
 SET PCI IN CS

XX 0B42  
 E 0000 IO C  
 A L M  
 L 2, 3, 3, LSA  
 L LS, L, LS  
 C 1LCY ECH  
 J6 XX JF  
 L(US, CS, O, O) TO  
 M  
 LSRU3(UA, O, O, O)  
 TO L  
 CECC(0000)  
 COM CH RST OP  
 AND SET GPS3

QV112 JFE  
 (XX)  
 BREAK OUT

TEST IO AND NO  
 CH END QED  
 TO QV831 J2

TEST AND END QED  
 11 0B8B IO C  
 E 1000  
 B EWL  
 D BOBPR2  
 Q2 XX QB  
 SET BFR2=(100-0)

PCI AND PROG CK  
 11 0BD3 IO C  
 E 1010  
 B EWL  
 B WPL1  
 C 1PRI  
 Q5 XX QE  
 SET L1L TO(1010)  
 SET CS TO PCI  
 AND PROG CK

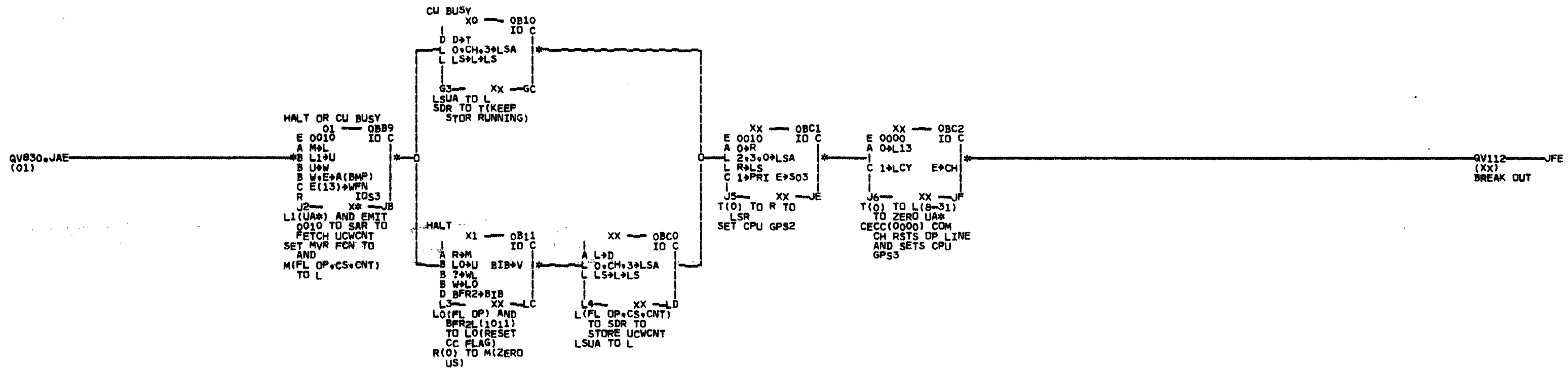
QV831 JAE  
 (10)

03850



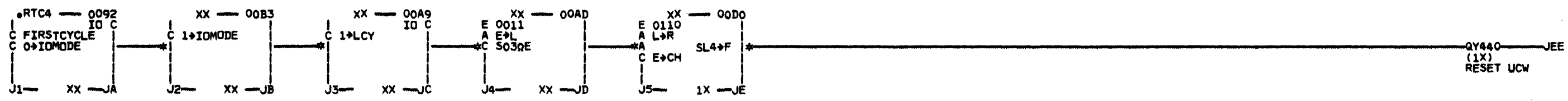
ENDING CONDITIONS

L=(UA,0,0,0)  
R=(0,0,0),0)  
M=(US,-,-,-)  
US=(0) FROM HALT

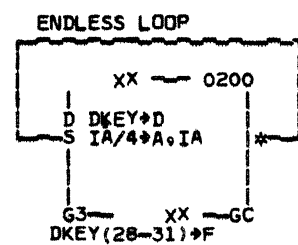
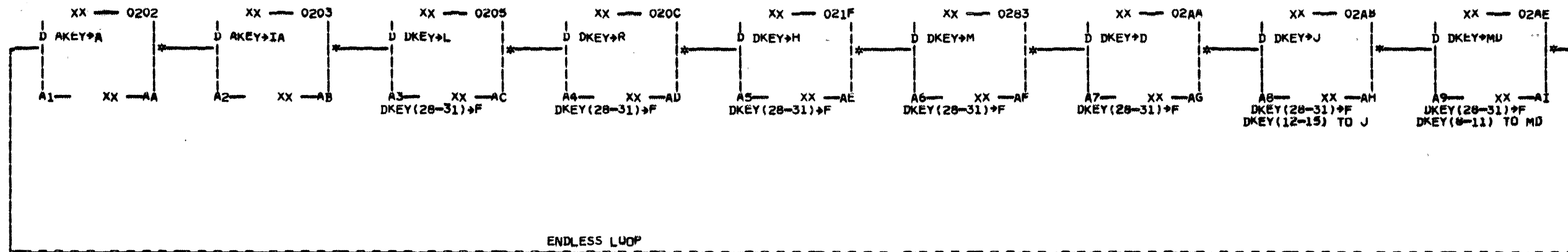




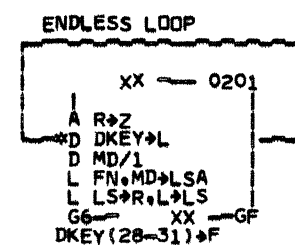




00000



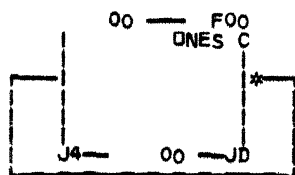
WRITE DKEY IN  
 CONSECUTIVE MEM  
 LOCNS PER IAR.



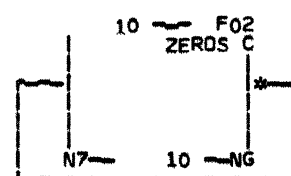
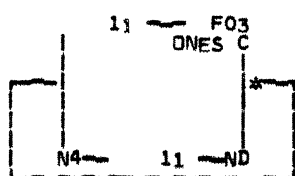
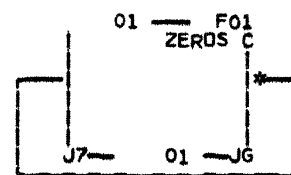
RIPPLE ONE SECTOR OF  
 LOCAL STORAGE.  
 LS TO R TO Y FOR HALF  
 SUM CHECK.  
 DATA KEYS TO L TO LS.  
 NOTE THAT A WORD STORED  
 ON ONE PASS WILL BE FETCHED  
 ON THE NEXT PASS, AND THAT  
 THE ORIGINAL CONTENTS OF LS  
 WILL BE READ AND CHECKED ON  
 THE FIRST PASS.

THE LOCAL STORE FN REG MAY  
 BE CHANGED BY PERFORMING  
 MICROINSTRUCTION LSL0, LSL1,  
 LSL2, OR LSL3 (SHEET QY450)

TWO WORDS OF ALL ONES  
EXCEPT BITS 16, 24 AND 83  
GOOD PARITY



TWO WORDS OF ALL ZEROS  
EXCEPT PARITY BITS  
GOOD PARITY



QY130.OME  
(1X) LOCAL  
STORE KERNEL

QY410.CAE  
(1X)

QJ011.AAE  
(0011XX)  
FROM I FETCH

0011XX 070E  
A M←M  
B V←W  
B W←MD,F  
D IA←H  
D O←MB  
R PROB  
C1 ← \*X ← CA  
CONTENTS B PLUS D  
TO M, I TO MD F

OX 0FOC  
A H←4+IA  
B MD←F→U  
B U←W  
B W←MMB  
D NOT1←ADDER  
C2 ← XX ← CB  
I MERGED INTO M,  
IAR REDUCED BY 4

XX FBA  
E 0001  
S MA←A  
C3 ← XX ← CC  
READ FROM 80  
FIRE OFF STORAGE TO  
PREVENT I-O BREAK  
IN

XX FBE  
A M←D  
F←SL1←F  
C4 ← 1X ← CD  
CONTENTS OF B PLUS  
D MERGED WITH I TO  
SDR

1X 0FBB  
E 1000  
C E←SCANCTL  
R D(7)  
C5 ← \*X ← CE  
SDR(0-2)←CTR  
SDR(5)←PSS  
SDR(6)←SST  
BITS 0-2 OF SDR  
ARE SCANNED INTO  
THE CLOCK ADVANCE  
CNTR AND BITS 5-6  
ARE SCANNED INTO  
THE PROGRESSIVE  
SCAN STAT AND THE  
SUPERVISORY STAT

OX 0F49  
R D←ROAR,SCAN  
C6 ← OX ← CF  
SDR(19-30)←ROAR  
SDR(1-3)←SCAN  
COUNTER  
SDR(4)←ENABLE  
STORAGE STAT  
SDR(5)←PSS  
SDR(6)←SUPERVIS  
STAT  
SDR(7)←MODE  
1X 0F4B  
C 1←IDMODE

BRANCH TO ROS INSTRUCTION  
SPECIFIED BY SCANNED IN ADDRESS

QY510.CBE  
(1X)  
CHANNEL LOG  
OUT

1X 0FOE  
E 0010  
B W←MD,F  
E←WR  
G2 ← OX ← GB  
PRIVILEGED OP TRAP

QY130.ADE  
(1X)  
FROM LOCAL  
STORE KERNEL

QY140.EDE  
(1X)  
BUMP STORE  
AND LCS PARITY  
CONTROL KERNEL

1X 0F4E  
E 0000  
S IA/4←A,IA  
C SCAN←E,00  
J3 ← XX ← JC  
E←SCANCTRL(2-5)  
O←SCANCTRL(1)  
(FOLD)←  
SCANCTRL(0)  
COUNT UP ONE INTO  
IAR  
FETCH NEXT DIAGNOSE  
CONTROL WORD

QY310.QHE  
(1X)  
SCAN IN

QY450.JHE  
(1X)  
LOG LOCAL  
STORE

QY430.LGE  
(1X)  
RETURN TO  
DIAGNOSE  
QY410.LGE  
(1X)  
LOG OUT

1X 0FOB  
C NOP  
N2 ← 1X ← NB

QY150.CBE  
(1X)

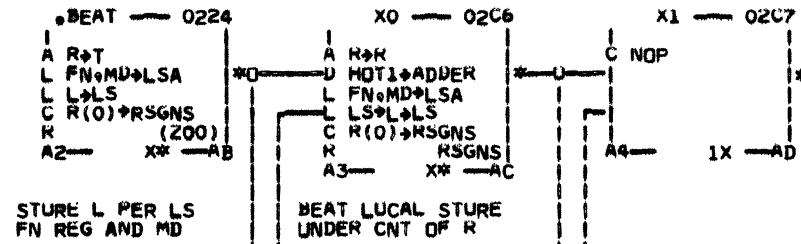
XX 0F1F  
C NOP  
J4 ← 1X ← JD

QT310 GBE  
(OX)  
TO INTERRUPT  
ROUTINE

TOIF 0FB9  
E 1110  
L WS←E←LSA  
L LS←L←LS  
S IA←4←A,IA  
C E←S47  
R I←FETCH  
QB ← \* ← QH  
EXCPNQIA(30)←A  
EXCPNQ(IA(30),REF)←B  
DIAGNOSE ENTRY TO  
I FETCH  
NEXT INST MUST BE  
ON BOUNDS

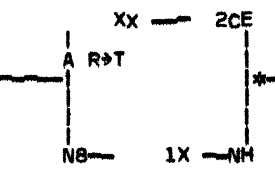
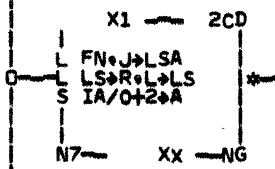
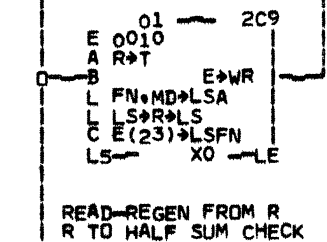
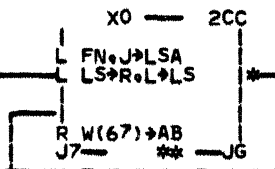
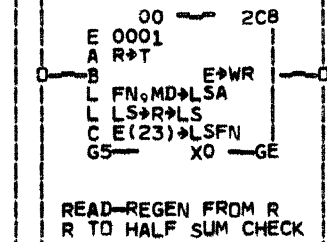
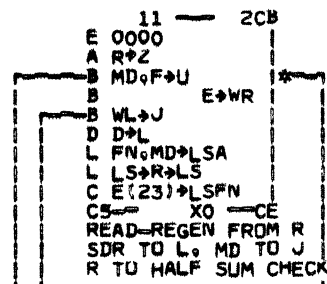
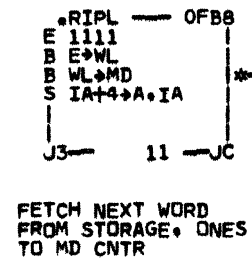
QT110 QHE  
(00,01,10,11)  
TO 2ND CYCLE  
OF I-FETCH

BEAT TEST ENTRY

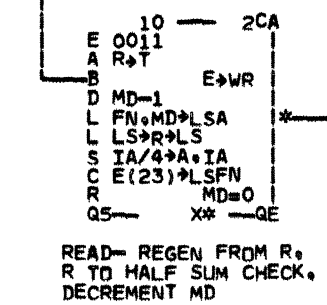


QY110 ADE  
(1X)  
RETURN TO  
DIAGNOSE  
INSTRUCTION

RIPPLE TEST ENTRY



QY110 NHE  
(1X)  
RETURN TO  
DIAGNOSE  
INSTRUCTION



00-40

254760  
255103  
255449

12/21/64  
03/31/65  
09/20/65

MACH  
NAME  
MODE  
P.N.  
IBM CORP.

C2050  
MANUAL  
5364895  
SND

DATE 10/01/65  
LDG 902

SHEET  
VERSION

1 QY130

LOCAL STORF DIAGNOSTICS

BUMP STORE TEST ENTRY  
FROM DIAG QY110

•BMP0 — OFB5  
E 0000  
B LLB→U  
B U→W  
B W→E→A(BUMP)  
R PSS  
A2 — \*X — AB

FETCH WORD 0 FROM  
BUMP STORE GROUP  
SPECIFIED BY L

•BMP1 — OF35  
E 0001  
B LLB→U  
B U→W  
B W→E→A(BUMP)  
R PSS  
E2 — \*X — EB

FETCH WORD 1 FROM  
BUMP STORE GROUP  
SPECIFIED BY L

•BMP2 — OFB4  
E 0010  
B LLB→U  
B U→W  
B W→E→A(BUMP)  
R PSS  
J2 — \*X — JB

FETCH WORD 2 FROM  
BUMP STORE GROUP  
SPECIFIED BY L

•BMP3 — OF34  
E 0011  
B LLB→U  
B U→W  
B W→E→A(BUMP)  
R PSS  
N2 — \*X — NB

FETCH WORD 3 FROM  
BUMP STORE GROUP  
SPECIFIED BY L

•LCS1 — OFB3  
E 1001  
C E→SCANCTL  
A4 — 1X — AD  
1→LCS PAR CTL

SET LCS PARITY  
CONTROL TRIG  
RETURN TO DIAGNOSE  
QY110

•LCS2 — OF33  
E 1010  
C E→SCANCTL  
A5 — 1X — AE  
1→LCS BYTE PAR MODE

SET LCS BYTE  
PARITY MODE TRIG  
RETURN TO DIAGNOSE  
QY110

•LCS3 — OFB2  
E 1011  
C E→SCANCTL  
A6 — 1X — AF  
0→LCS PAR CTL  
0→LCS BYTE PAR MODE

RESET LCS BYTE  
PARITY MODE AND  
PARITY CONTROL TRIG  
RETURN TO DIAGNOSE  
QY110

XX — FBC  
E 1010  
C SCAN#E.00  
CB — XX — CH  
E→SCANCTL(2-5)  
0→SCANCTL(1)  
(FOLD)→  
SCANCTL(0)  
CALL FOR FLT LOAD

OX — OFBB  
D D→R  
E4 — 1X — ED  
SDR TO R

1X — OFBA  
A R→D  
J4 — 1X — JD  
R TO BUMP STORE

•OF16 — F36  
E 0111  
S IA/4→A. IA  
C E→SCANCTL  
GB — 1X — GH  
0→INVERT SAR(16)  
TURN OFF INVERT  
SAR BIT 16

•ON16 — FB6  
E 0110  
S IA/4→A. IA  
C E→SCANCTL  
LB — 1X — LH  
1→INVERT SAR(16)  
TURN ON INVERT  
SAR BIT 16

•RSER — OFB7  
E 1000  
C SCAN#E.00  
Q7 — XX — QG  
E→SCANCTL(2-5)  
0→SCANCTL(1)  
(FOLD)→  
SCANCTL(0)  
RESET ERR REG

XX — F37  
E 0000  
S IA/4→A. IA  
C SCAN#E.00  
QB — 1X — QH  
E→SCANCTL(2-5)  
0→SCANCTL(1)  
(FOLD)→  
SCANCTL(0)  
RESET SCAN OP REG

QY110 — EDE  
(1X)  
RETURN TO  
DIAGNOSE INSTR

QT100 — QHE  
(1X)  
TO I-FETCH

•ERR1 — FD3  
A R→A  
B LLB→U  
B U→W  
B W→G  
D G→1  
S IA/4→A·IA  
C2 — 1X — CB  
IAR PLUS FOUR IS  
ORED WITH R TO SAR.  
A BYTE OF L IS ORED  
WITH ONE LESS THAN  
COUPLED G1 G2 INTO  
G1 G2

•ERR2 — FD5  
E 0011 ROSE R C  
A R→T  
A BCVC  
A 1→FPSR4→F  
B LLB→U  
B U→W  
B W→MD  
D MUT1→ADDER  
D MB·MD-1  
L LS→L→LS  
C E→SCANCTL  
C3 — 1X — CC  
SAVE CAR(0) V  
CAR(1)  
0→IGNORE IO ERR

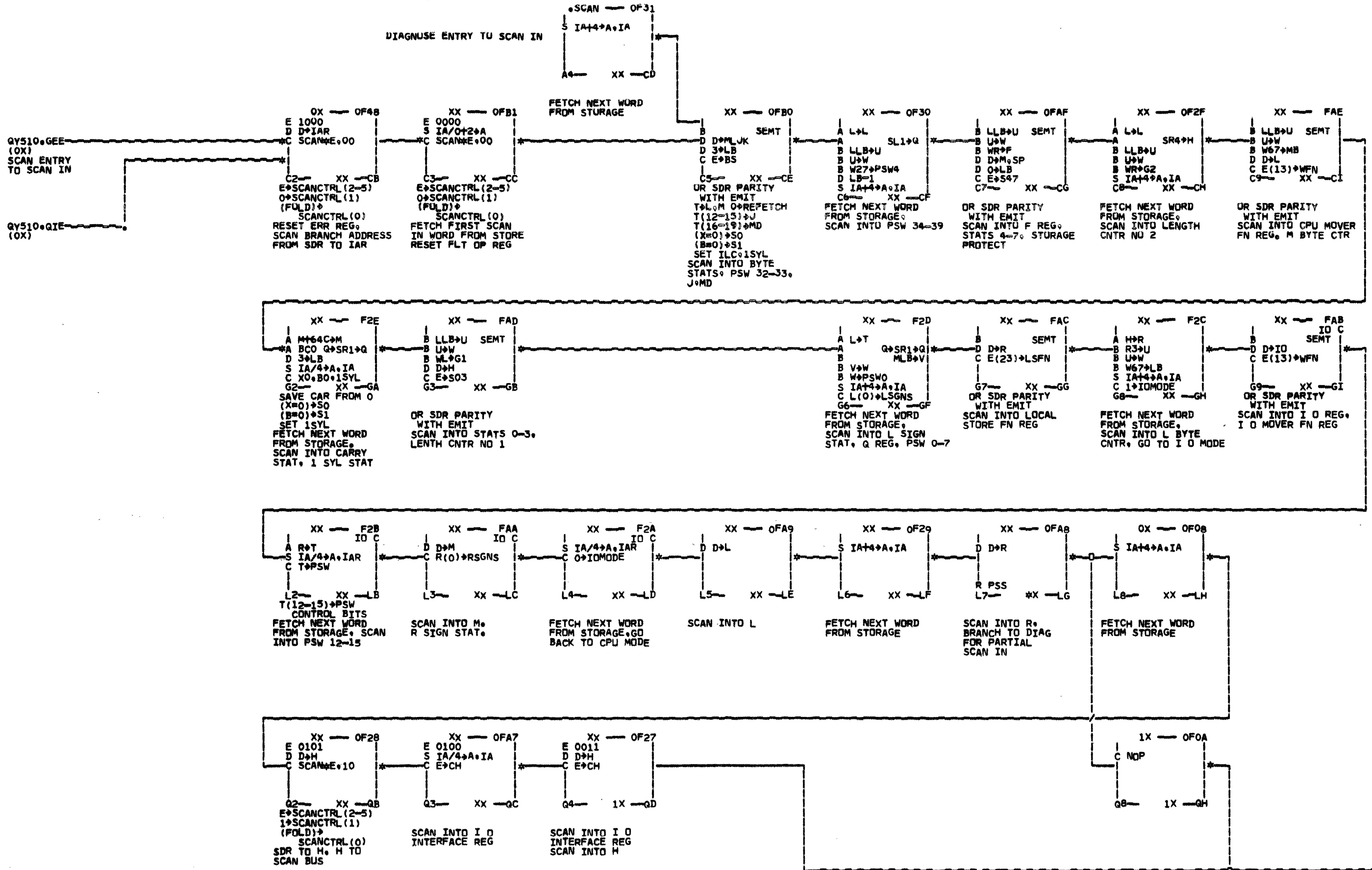
A BYTE OF L IS ORED  
WITH ONE LESS THAN  
MD INTO MD  
ADD HOT ONE TO R  
AND ENTER A HOT ONE  
THIS COMBINATION  
CAN CAUSE A DOUBLE  
CARRY AND A CARRY  
ERROR  
TURN OFF IGNORE  
ERROR TRIG.  
LSLL AND ROSE R  
CAUSE ROS GROUP ONE  
ONLY TO HAVE BAD  
PARITY

•ERR3 — FD7  
E 0011 ROSE R C  
A BCVC  
B LLB→U  
B U→W  
B W→MB  
D MB-1  
C E→SCANCTL  
C4 — 1X — CD  
SAVE CAR(0) V  
CAR(1)  
0→IGNORE IO ERR  
A BYTE OF L IS ORED  
WITH ONE LESS THAN  
M BYTE CNTR INTO  
M BYTE CNTR.  
TURN OFF IGNORE ERR  
TRIGGER.  
CAUSE ROS GROUP 3  
TO HAVE BAD PARITY

•ERR6 — F3A  
E 0100  
C E→SCANCTL  
J4 — 1X — JD  
1→IGNORE IO ERR  
TURN ON IGNORE  
ERR I/O TRIG

•ERR4 — FD6  
E 0011 ROSE R C  
B LLB→U  
B U→W  
B W→LB  
D LB-1  
C E→SCANCTL  
C5 — 1X — CE  
0→IGNORE IO ERR  
A BYTE OF L IS ORED  
WITH ONE LESS THAN  
L BYTE CNTR INTO  
L BYTE CNTR.  
TURN OFF IGNORE ERR  
TRIGGER.  
ROSE R CAUSES ROS  
GROUP 2 BAD PARITY

•ERR5 — FD4  
E 0011  
B LLB→U  
B ?→W  
C E→SCANCTL  
C6 — 1X — CF  
0→IGNORE IO ERR  
A BYTE OF L IS MOVED  
PER THE MOVER FN  
REG. IGNORE ERR TRIG  
IS TURNED OFF IN  
TIME TO MISS INPUT  
ERRORS BUT NOT OUTPUT  
ERRORS

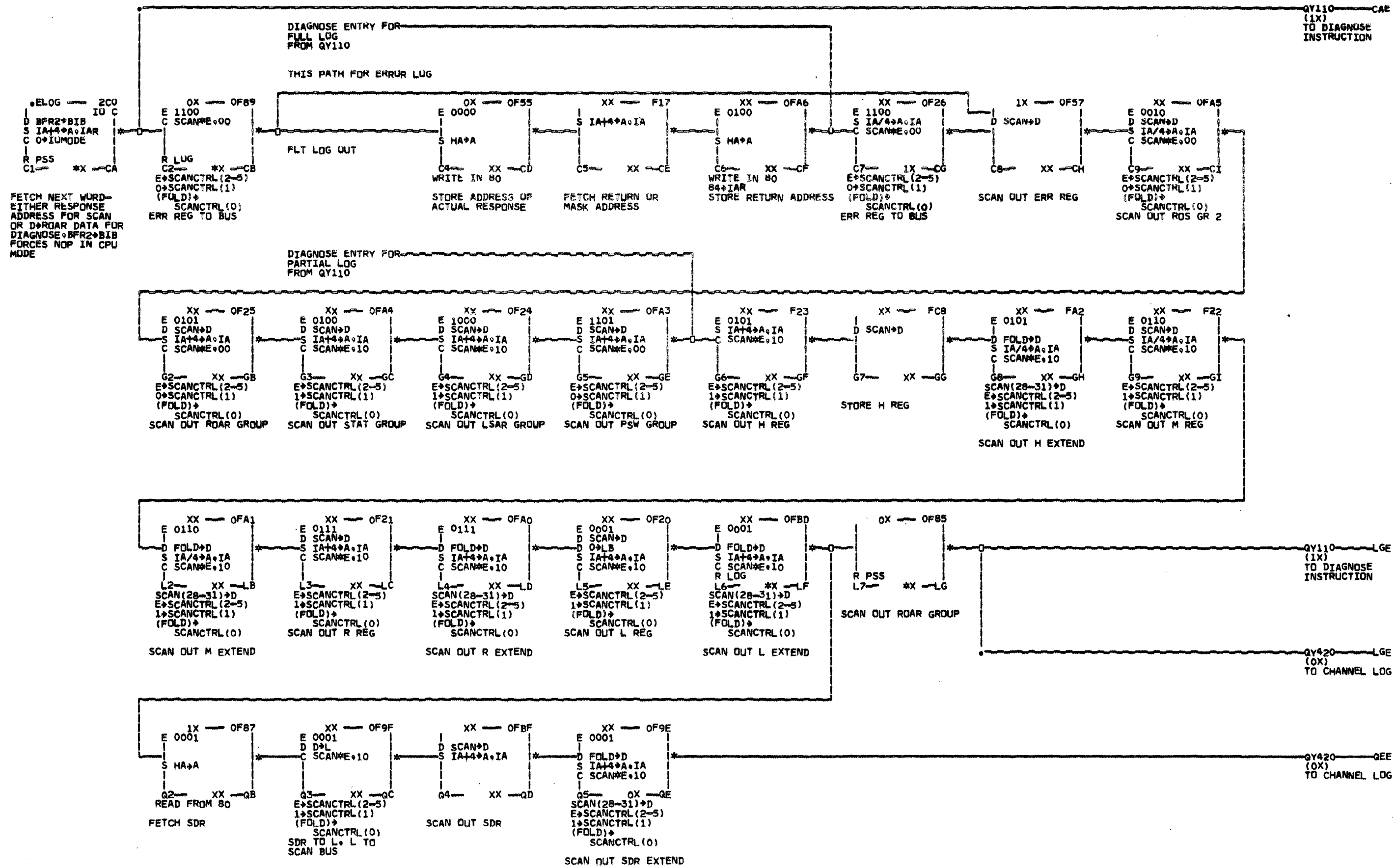


QY110-QHE  
(1X)  
TO DIAGNOSE  
INSTRUCTION

QY510

SCAN IN. SHORT SCAN IN. I+O  
INT SCAN IN KERNELS

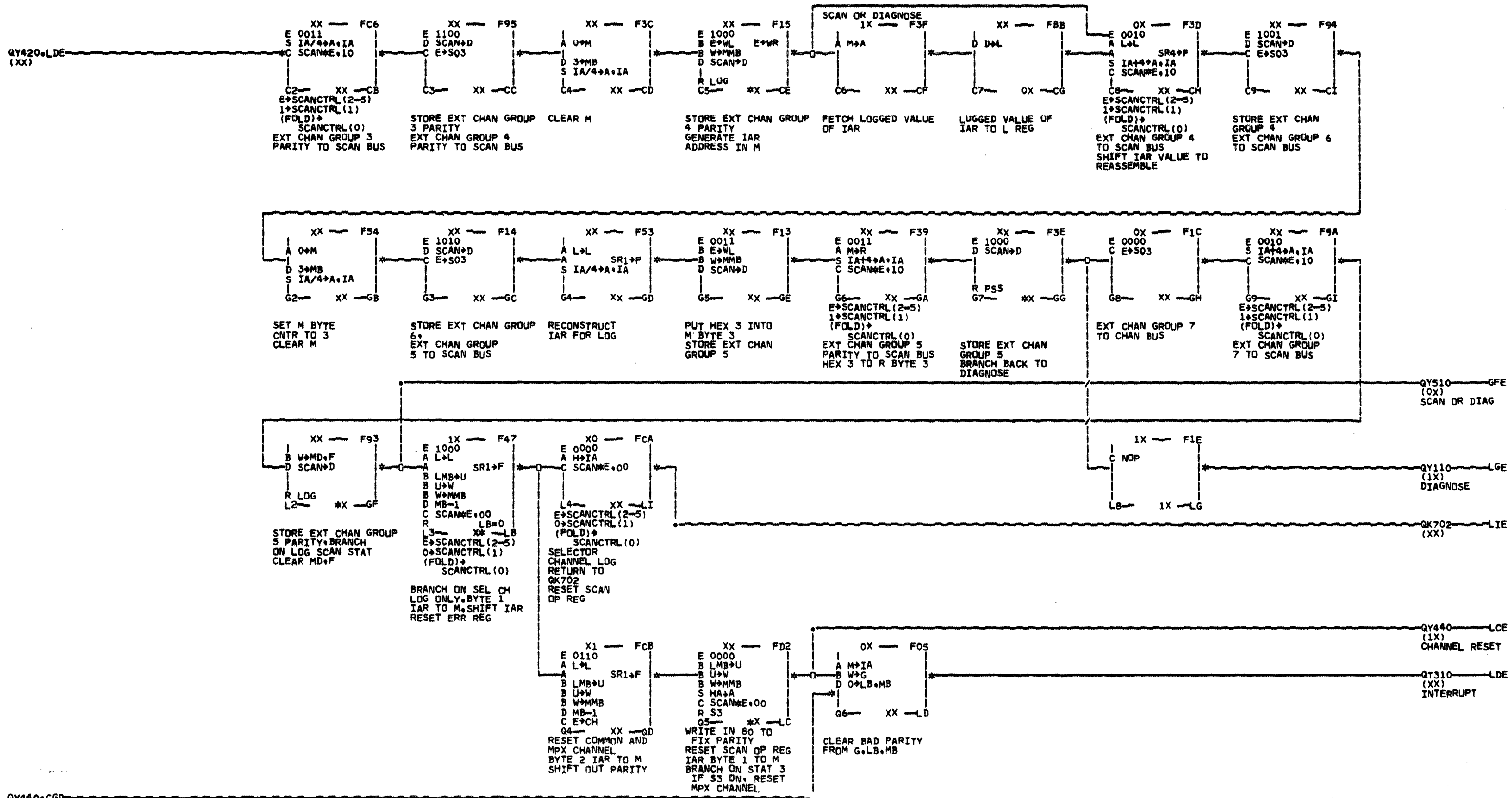




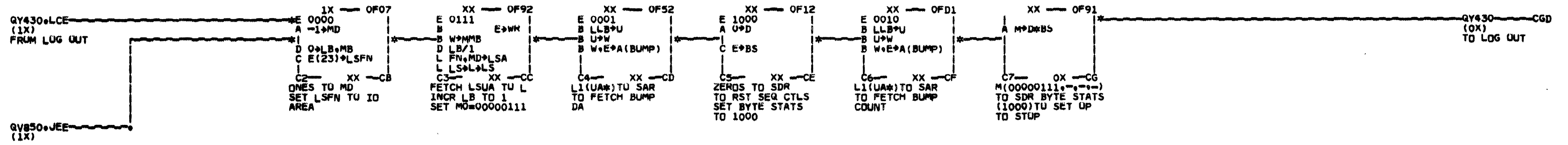
FETCH NEXT WORD - EITHER RESPONSE ADDRESS FOR SCAN OR D→ROAR DATA FOR DIAGNOSE. BFR2→BIB FORCES NOP IN CPU MODE

QY410





QY440 CGD (OX)



0440

```

•LSL0 — OF51
E 0000
D 0→MD
C E(23)→LSFN
C3 — X0 — CC

```

SET UP LOCAL STORE  
FN REG FOR SECTOR  
NO 0. ZEROS TO MD

```

•LSL1 — OF11
E 0001
D 0→MD
C E(23)→LSFN
G3 — X0 — GC

```

SET UP LOCAL STORE  
FN REG FOR SECTOR  
NO 1. ZEROS TO MD

```

•LSL2 — OFD0
E 0010
D 0→MD
C E(23)→LSFN
L3 — X0 — LC

```

SET UP LOCAL STORE  
FN REG FOR SECTOR  
NO 2. ZEROS TO MD

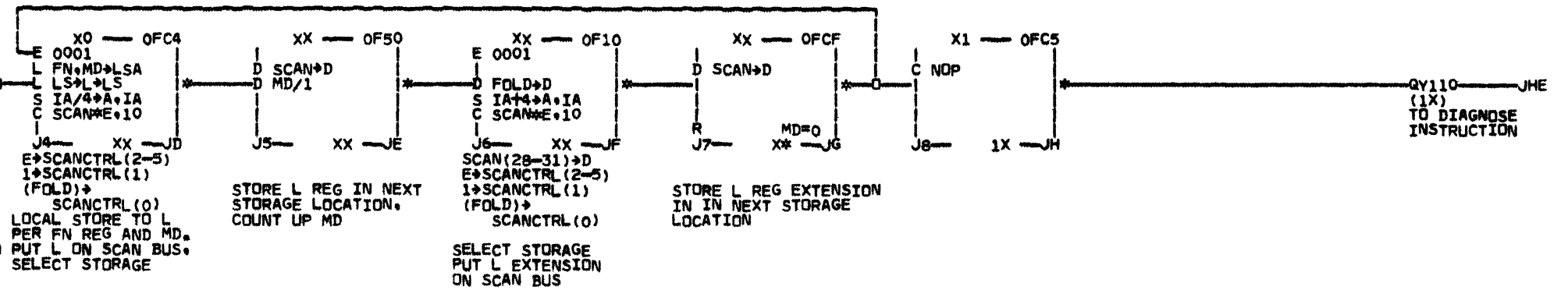
```

•LSL3 — OF90
E 0011
D 0→MD
C E(23)→LSFN
Q3 — X0 — QC

```

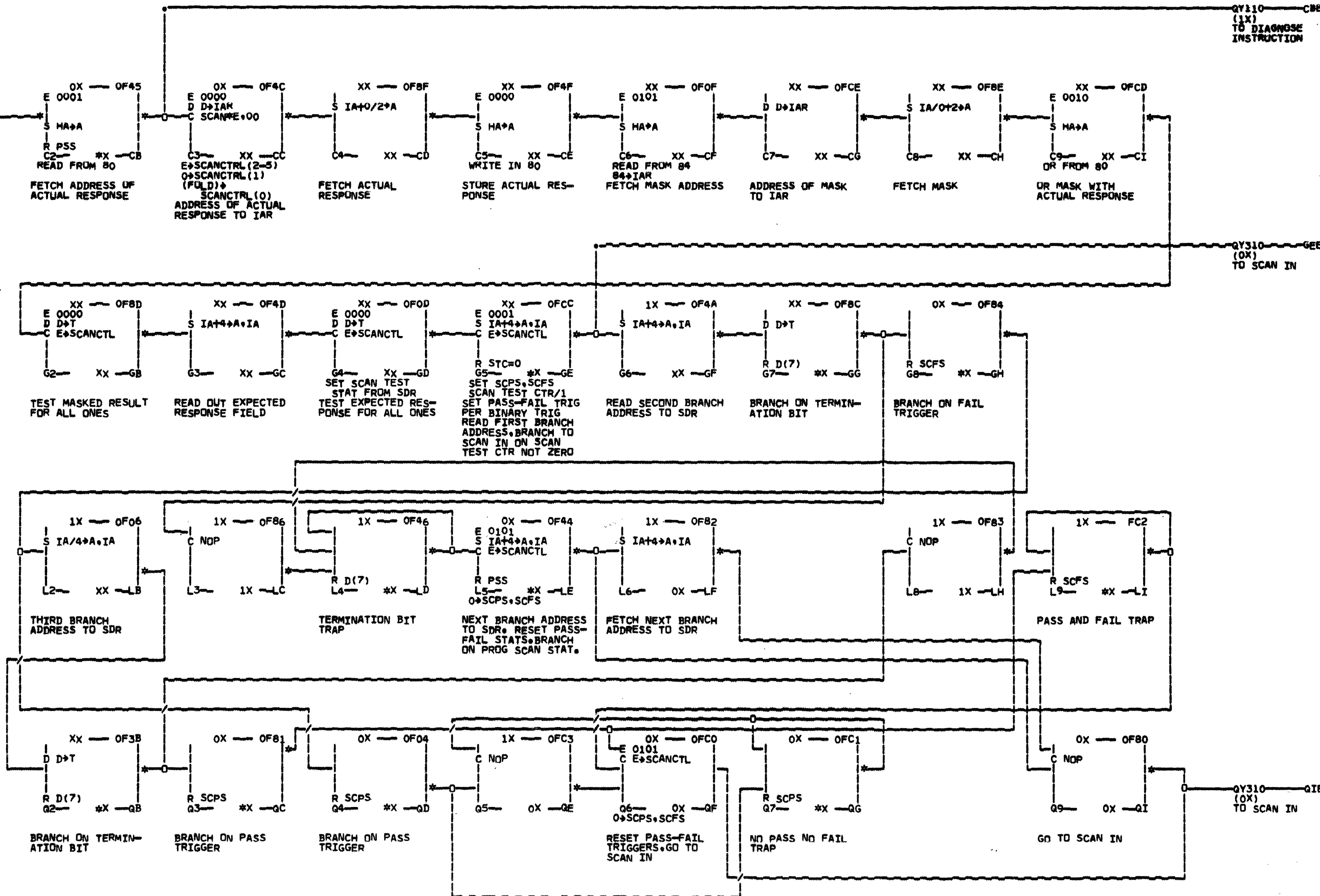
SET UP LOCAL STORE  
FN REG FOR SECTOR  
NO 3. ZEROS TO MD

DIAGNOSE ENTRY TO  
LOG LOCAL STORE  
KERNEL



QY430.GFE  
(OX)  
FROM LOG OUT

QY310 CBE  
(1X)  
TO DIAGNOSE  
INSTRUCTION



0-4-64

HE ADD	BINARY ADDRESS	SHEET	C BOX	MODE	BINARY BIT PATTERN	EC NUMBER	VERSION
0000	0 0000 0000 0000			-	P LU MV ZP ZF ZN TR ZR WS SF P IV AL WM UP MD LB MB DG UL UR P CE LX TC RY AD AB BB UX SS 92-97 0 000 00 000000 0000 100 00000 0 000 000 0 000 10111 0000 00 0 0 0 010 00 00 1 0000 000 0 000 0000 000000 00000 0 000000	255440	
0001	0 0000 0000 0001	QV111	J3	ID	P LU MV ZP ZF ZN TR ZR CS SA SF P CT AL WL HC MS CG MG UL UR P CE LX TC RY CL AB BB UX SS 92-97 1 000 00 000000 1111 100 00000 0 0 00 111 0 011 00000 000 1 000 11 011 01 01 1 0000 001 0 001 101 0 000000 00000 0 000000	255103	
0002	0 0000 0000 0010	QV260	J1	ID	0 000 00 101011 0000 100 00001 0 1 10 001 1 001 00000 000 0 010 00 011 01 01 0 0110 001 1 000 000 0 000001 00001 0 100110	255103	
0003	0 0000 0000 0011	QV330	E5	ID	1 100 10 000000 0011 100 00000 0 0 00 111 1 000 00000 001 0 101 10 100 10 11 0 0010 000 1 000 000 0 000000 00001 0 000000	255103	
0004	0 0000 0000 0100	QV107	J1	ID	0 000 00 101000 0000 011 11000 0 1 10 010 0 001 00000 000 0 000 00 011 01 01 0 0010 000 1 000 000 0 011011 11101 0 110100 00 000000	255452	
0005	0 0000 0000 0101	QV330	N5	ID	0 100 00 000000 0011 100 00000 0 0 00 111 0 010 00000 000 0 110 10 100 01 01 0 0010 000 1 000 000 0 000000 00001 0 000000	255103	
0006	0 0000 0000 0110	QV840	J2	ID	1 101 10 000000 1110 100 00000 0 1 01 010 0 011 00000 010 0 000 00 000 11 11 0 0010 000 1 000 000 0 000001 00001 0 100110 00 000000	257671	
0007	0 0000 0000 0111	QV330	J5	ID	1 100 10 000000 0011 100 00000 0 0 00 111 0 010 00000 001 0 110 10 100 11 01 0 0010 000 1 000 000 0 000000 00001 0 000000	255103	
0008	0 0000 0000 1000	QV110	J1	ID	0 000 00 000000 1000 100 00000 0 0 00 111 0 001 00000 000 0 000 10 001 01 01 0 0000 000 1 000 000 0 000001 00001 0 000000	255103	
0009	0 0000 0000 1001	QV340	E8	ID	0 000 00 000000 1111 100 00111 0 0 00 111 0 010 00000 000 0 000 11 100 01 00 1 0101 000 1 001 000 0 000000 00000 0 111111	255103	
000A	0 0000 0000 1010	QC030	G3	-	P LU MV ZP ZF ZN TR ZR WS SF P IV AL WM UP MD LB MB DG UL UR P CE LX TC RY AD AB BB UX SS 92-97 0 000 00 000000 0011 100 10100 0 100 111 1 000 00000 1111 00 0 1 0 000 01 00 0 1000 001 1 000 0001 000001 00000 0 000000 00 000000	282232	C03
000B	0 0000 0000 1011	QV340	J8	ID	0 000 00 000000 1111 100 00111 0 0 00 111 0 010 00000 000 0 000 11 100 01 00 0 0111 000 1 001 000 0 000000 00000 0 000000	255103	
000C	0 0000 0000 1100	QV106	J1	ID	1 000 00 101101 0011 011 00000 0 1 00 010 0 001 00000 000 0 000 00 011 01 01 1 1010 000 1 000 000 0 111101 11010 0 110100	254760	
000D	0 0000 0000 1101	QV330	E6	ID	0 000 00 000000 1111 100 00001 0 1 10 001 1 000 00000 000 0 011 11 011 01 01 1 0101 001 1 000 000 0 000000 00000 0 000000	255103	
000E	0 0000 0000 1110	QC030	G4	-	P LU MV ZP ZF ZN TR ZR WS SF P IV AL WM UP MD LB MB DG UL UR P CE LX TC RY AD AB BB UX SS 92-97 0 001 01 000000 0101 100 00000 0 100 111 0 000 00000 0000 10 0 0 0 000 11 11 0 0000 000 1 000 0001 000001 00000 0 000000 00 000000	282232	C03
000F	0 0000 0000 1111	QV340	A3	ID	1 000 10 000011 0011 100 00000 0 1 10 110 1 000 00000 000 0 000 00 100 00 10 0 0100 000 1 000 000 0 010001 00001 0 000000	255103	
0010	0 0000 0001 0000	QV100	J1	ID	0 000 00 101010 1010 100 00000 0 0 00 010 1 001 00000 000 0 000 00 001 01 01 0 0000 000 1 000 000 0 000001 00001 0 000000	255103	
0011	0 0000 0001 0001	QV820	J2	ID	0 100 00 000001 0000 010 00000 0 0 10 001 1 010 00000 000 0 000 00 100 01 01 1 1111 000 1 000 000 0 110001 00000 0 000000	254760	
0012	0 0000 0001 0010	QG420	Q4	-	P LU MV ZP ZF ZN TR ZR WS SF P IV AL WM UP MD LB MB DG UL UR P CE LX TC RY AD AB BB UX SS 92-97 0 000 00 000000 1000 100 00001 0 100 111 0 000 00000 0000 10 0 0 0 000 01 01 0 0000 000 1 001 0001 000001 00000 0 001101 00 000000	258545	
0013	0 0000 0001 0011	QV108	G2	ID	1 000 00 000000 1111 100 00000 0 0 00 111 1 000 00000 000 0 000 11 011 01 01 1 0111 000 1 001 000 0 000000 00000 0 110100	255103	
0014	0 0000 0001 0100	QV111	J1	ID	0 000 00 000000 1011 100 11110 0 1 10 010 1 001 00000 000 0 000 00 001 01 01 1 0000 000 1 000 000 0 000000 00001 0 000000	255103	
0015	0 0000 0001 0101	QV340	G6	ID	1 100 00 000000 0010 100 00000 0 1 10 100 0 000 00000 001 0 000 10 011 00 01 0 0010 000 1 000 000 0 110101 00001 0 000000	255103	
0016	0 0000 0001 0110	QC030	G5	-	P LU MV ZP ZF ZN TR ZR WS SF P IV AL WM UP MD LB MB DG UL UR P CE LX TC RY AD AB BB UX SS 92-97 1 000 00 110110 1110 100 00000 0 100 111 0 000 00000 0000 10 0 0 0 000 01 01 1 0000 000 1 000 0001 000001 01101 0 000000 00 000000	282232	C03
0017	0 0000 0001 0111	QV340	G6	ID	0 000 00 000010 1010 100 00000 0 0 00 111 1 010 00000 000 0 011 10 000 01 01 0 0110 000 1 000 000 0 000001 00001 0 110000	255103	
0018	0 0000 0001 1000	QV820	G4	ID	1 000 10 000000 1111 100 01110 0 0 00 111 1 000 00000 011 1 000 10 000 10 10 0 0001 011 1 000 000 0 000000 00001 0 000000	255103	

ADDRESS LIST UNIT: 0000  
DATE 04 MAR 68 RACH: 2050FP  
LOG 052 UNIT P.No. 5379130  
FRAME 01 PAGE P.No. 5379146  
IBM CORP. DSD PAGE 01

HEX ADD	BINARY ADDRESS	SHEET	CL BOX	MODE	BINARY BIT PATTERN	EC NUMBER	VERSION
0019	0 0000 0001 1001	QV340	A7	ID	P LU MV ZP ZF ZN TR ZR CS SA SF P CT AL WL HC MS CG MG UL UR P CE LX TC RY CL AB BB UX SS 92-97 1 000 10 000000 1111 100 00111 0 0 00 111 0 010 00000 000 0 000 11 100 10 00 1 0011 000 1 001 000 0 000000 00000 0 111111	255103	
001A	0 0000 0001 1010	QC031	G7	-	P LU MV ZP ZF ZN TR ZR WS SF P IV AL WM UP MD LB MB DG UL UR P CE LX TC RY AD AB BB UX SS 92-97 1 000 10 000110 1010 100 00000 0 110 110 1 000 00000 0001 10 0 0 0 000 01 10 1 0000 000 1 000 0001 000011 00001 0 010011 00 000000	282232	C03
001B	0 0000 0001 1011	QV330	J2	ID	P LU MV ZP ZF ZN TR ZR CS SA SF P CT AL WL HC MS CG MG UL UR P CE LX TC RY CL AB BB UX SS 92-97 0 100 10 000010 1110 100 00000 0 0 11 110 1 000 00000 000 0 000 00 011 11 11 0 0100 000 1 000 000 0 000001 11010 0 100110	255103	
001C	0 0000 0001 1100	QV340	A2	ID	0 000 10 000000 0011 100 00000 0 0 00 111 1 000 00000 000 0 110 00 000 10 10 1 1000 000 1 000 000 0 000001 00001 0 000000	255103	
001D	0 0000 0001 1101	QV340	E2	ID	1 000 10 000000 1110 100 00000 0 0 00 111 0 000 00000 000 0 100 00 000 10 10 0 0100 000 1 000 000 0 000000 11010 0 000000	255103	
001E	0 0000 0001 1110	QC032	C1	-	P LU MV ZP ZF ZN TR ZR WS SF P IV AL WM UP MD LB MB DG UL UR P CE LX TC RY AD AB BB UX SS 92-97 1 010 00 000000 1001 100 00000 0 100 111 0 000 00000 0011 10 0 0 0 000 01 01 0 0000 000 1 000 0001 000001 00000 0 000000 00 000000	282232	C03
001F	0 0000 0001 1111	QV340	J2	ID	P LU MV ZP ZF ZN TR ZR CS SA SF P CT AL WL HC MS CG MG UL UR P CE LX TC RY CL AB BB UX SS 92-97 1 000 10 000011 0011 100 00000 0 1 10 110 0 000 00000 000 0 001 00 100 00 10 0 0100 000 1 000 000 0 000000 00001 0 000000	255103	
0020	0 0000 0010 0000	QV104	J1	ID	0 000 00 101001 0100 100 00000 0 1 01 101 1 001 00000 000 0 000 00 001 01 01 0 0000 000 1 000 000 0 000001 00001 0 000000	254760	
0021	0 0000 0010 0001	QV540	J3	ID	1 100 10 000000 1010 100 00000 0 0 00 111 1 000 00000 000 0 101 00 011 11 11 1 1000 000 1 000 000 0 000001 00001 0 000000	255103	
0022	0 0000 0010 0010	QG420	N4	-	P LU MV ZP ZF ZN TR ZR WS SF P IV AL WM UP MD LB MB DG UL UR P CE LX TC RY AD AB BB UX SS 92-97 0 000 00 100111 0101 100 00000 0 100 111 0 000 00000 0000 10 0 0 0 000 01 01 1 0000 000 1 000 0001 000010 00001 0 000000 00 000000	258545	
0023	0 0000 0010 0011	QV110	G2	ID	P LU MV ZP ZF ZN TR ZR CS SA SF P CT AL WL HC MS CG MG UL UR P CE LX TC RY CL AB BB UX SS 92-97 0 001 00 000000 1111 100 00000 0 0 00 111 0 011 00000 000 0 001 11 011 00 00 1 0000 001 1 000 000 0 000000 00000 0 000000	255103	
0024	0 0000 0010 0100	QV105	J1	ID	1 000 00 101000 0100 111 00000 0 1 01 101 1 001 00000 000 0 000 00 001 01 01 0 0000 000 1 000 000 0 011100 11010 0 000000	254770	
0025	0 0000 0010 0101	QV340	G5	ID	1 000 00 000000 0101 100 00000 0 0 00 111 0 000 00000 000 0 001 00 100 00 01 0 1011 000 1 000 000 0 000000 00001 0 000000	255103	
0026	0 0000 0010 0110	QC032	C3	-	P LU MV ZP ZF ZN TR ZR WS SF P IV AL WM UP MD LB MB DG UL UR P CE LX TC RY AD AB BB UX SS 92-97 0 000 00 000100 1111 100 00111 0 100 111 0 000 11110 0000 10 0 0 0 000 01 01 0 0000 000 1 000 0001 000001 00000 0 000000 00 000000	282232	C03
0027	0 0000 0010 0111	QV430	J2	ID	P LU MV ZP ZF ZN TR ZR CS SA SF P CT AL WL HC MS CG MG UL UR P CE LX TC RY CL AB BB UX SS 92-97 0 101 00 000000 1010 100 00001 0 0 00 111 1 000 00000 101 0 011 00 110 01 01 1 1111 000 1 000 000 0 000000 00001 0 000000	255103	
0028	0 0000 0010 1000	QV102	J1	ID	0 000 00 101010 1001 100 00000 0 1 00 101 1 001 00000 000 0 000 00 001 01 01 1 0000 000 1 000 000 0 000000 11010 0 000000	254760	
0029	0 0000 0010 1001	QV430	J3	ID	0 100 10 000010 1001 100 00010 0 1 10 110 1 000 00000 000 0 000 00 011 11 11 1 0010 001 1 000 000 0 000001 00001 0 100110	255103	
002A	0 0000 0010 1010	QC032	J9	-	P LU MV ZP ZF ZN TR ZR WS SF P IV AL WM UP MD LB MB DG UL UR P CE LX TC RY AD AB BB UX SS 92-97 1 000 00 000100 1111 100 10100 0 100 111 1 000 00000 0000 10 0 1 0 000 01 01 0 0000 110 1 100 0001 000001 10100 0 010011 00 000000	282232	C03
002B	0 0000 0010 1011	QV540	J4	ID	P LU MV ZP ZF ZN TR ZR CS SA SF P CT AL WL HC MS CG MG UL UR P CE LX TC RY CL AB BB UX SS 92-97 1 111 00 000010 0000 100 00001 0 1 10 000 0 000 11110 100 0 000 10 011 00 01 0 0100 000 1 000 000 0 010001 00001 0 000000	255103	
002C	0 0000 0010 1100	QV101	J1	ID	1 000 00 101000 0010 100 00000 0 1 01 101 0 001 00000 000 0 000 00 011 01 01 1 0000 000 1 000 000 0 000000 11010 0 000000	255103	
002D	0 0000 0010 1101	QV111	G2	ID	0 000 00 000000 0000 100 01110 0 0 00 111 0 000 00000 000 0 001 10 011 00 10 1 0000 000 1 000 000 0 000000 00001 0 000000	255103	
002E	0 0000 0010 1110			-	P LU MV ZP ZF ZN TR ZR WS SF P IV AL WM UP MD LB MB DG UL UR P CE LX TC RY AD AB BB UX SS 92-97 1 000 00 000000 1011 100 00000 0 000 000 0 000 10111 0000 00 0 0 0 010 00 00 0 0000 000 0 000 0000 000001 00000 0 000000	255103	

ADDRESS LIST UNIT: 0000  
DATE 04 MAR 68 RACH: 2050FP  
LOG 052 UNIT P.N: 5379150  
FRAME 01 PAGE P.N: 5379146  
IBM CORP. DSD PAGE 02



ADD	BINARY ADDRESS	SHEET	BOX	MODE	BINARY BIT PATTERN	EC NUMBER	VERSION
					P LU MV ZP ZF ZN TR ZR CS SA SF P CT AL WL HC MS CG MG UL UR P CE LX TC RY CL AB BB UX SS 92-97		
002F	0 0000 0010 1111	QV250	G3	ID	0 100 10 000010 0101 100 00000 0 0 00 111 1 000 00000 000 0 100 00 100 10 01 1 0010 000 1 000 000 0 110010 00001 0 000000	255103	
0030	0 0000 0011 0000	QV103	J1	ID	0 000 00 101001 0100 100 00000 0 1 00 010 1 001 00000 000 0 000 00 001 01 01 1 0000 000 1 000 000 0 000000 00001 0 000000	255103	
					P LU MV ZP ZF ZN TR ZR WS SF P IV AL WM UP MD LB MB DG UL UR P CE LX TC RY AD AB BB UX SS 92-97		
0031	0 0000 0011 0001	QG420	Q2	-	0 000 00 000101 0001 001 00111 0 111 100 1 111 00000 0000 10 0 0 0 000 01 01 1 0000 001 1 000 0001 111000 00000 0 000000 00 000000	258430	
0032	0 0000 0011 0010	QG420	N2	-	0 000 00 000000 0100 100 00111 0 111 100 1 000 00000 1110 10 0 0 0 000 01 01 1 0000 001 1 000 0001 000001 00000 0 010001 00 000000	258545	
0033	0 0000 0011 0011	QG420	S2	-	1 000 00 001100 1010 000 00000 0 100 111 0 000 00000 0000 10 0 0 0 000 01 01 0 0000 000 1 000 0001 000000 00001 0 000000 00 000000	258430	
					P LU MV ZP ZF ZN TR ZR CS SA SF P CT AL WL HC MS CG MG UL UR P CE LX TC RY CL AB BB UX SS 92-97		
0034	0 0000 0011 0100	QV520	L4	ID	0 111 00 000010 0100 100 00001 0 1 10 000 1 000 11110 000 0 000 10 100 01 01 1 0000 000 1 000 000 0 010001 00001 0 000000	255103	
0035	0 0000 0011 0101	QV530	G3	ID	0 000 10 000010 1111 100 00111 0 0 00 111 0 010 00000 000 0 000 00 011 10 10 1 0011 000 1 001 000 0 011111 00001 0 000000	255103	
					P LU MV ZP ZF ZN TR ZR WS SF P IV AL WM UP MD LB MB DG UL UR P CE LX TC RY AD AB BB UX SS 92-97		
0036	0 0000 0011 0110			-	1 000 00 000000 1101 100 00000 0 000 000 0 000 10111 0000 00 0 0 0 010 00 00 0 0000 000 0 000 0000 000001 00000 0 000000	255103	
					P LU MV ZP ZF ZN TR ZR CS SA SF P CT AL WL HC MS CG MG UL UR P CE LX TC RY CL AB BB UX SS 92-97		
0037	0 0000 0011 0111	QV530	Q4	ID	1 000 00 100011 0101 100 00111 0 0 00 100 0 000 11110 000 0 000 10 011 01 01 1 0000 000 1 000 000 0 000001 00001 0 111101 00 000000	258430	
0038	0 0000 0011 1000	QV340	J3	ID	1 000 10 000011 0011 111 00000 0 1 10 110 1 000 00000 000 0 000 00 100 00 10 0 0100 000 1 000 000 0 010001 11010 0 000000	255103	
0039	0 0000 0011 1001	QV340	E3	ID	0 000 00 000000 1001 100 00000 0 1 10 110 1 000 00000 000 0 000 00 100 00 01 0 0100 000 1 000 000 0 000000 00001 0 000000	255103	
					P LU MV ZP ZF ZN TR ZR WS SF P IV AL WM UP MD LB MB DG UL UR P CE LX TC RY AD AB BB UX SS 92-97		
003A	0 0000 0011 1010			-	1 000 00 000000 1110 100 00000 0 000 000 0 000 10111 0000 00 0 0 0 010 00 00 0 0000 000 0 000 0000 000001 00000 0 000000	255103	
					P LU MV ZP ZF ZN TR ZR CS SA SF P CT AL WL HC MS CG MG UL UR P CE LX TC RY CL AB BB UX SS 92-97		
003B	0 0000 0011 1011	QV840	J3	ID	0 000 00 000011 0101 100 00001 0 0 00 111 0 010 00000 000 1 000 00 101 00 01 1 1011 000 1 001 000 0 000000 00001 0 000000 00 000000	257671	
003C	0 0000 0011 1100	QV112	A5	ID	1 000 00 000000 1110 000 00000 0 0 00 010 0 000 00000 000 0 000 10 011 01 01 0 0000 000 1 000 000 0 000000 00000 0 000000 00 000000	255449	
003D	0 0000 0011 1101	QV820	L5	ID	1 000 00 000000 1111 100 00001 0 0 10 001 1 000 00000 000 0 000 11 011 01 01 0 1000 001 1 001 000 0 000000 00000 0 110010	255103	
					P LU MV ZP ZF ZN TR ZR WS SF P IV AL WM UP MD LB MB DG UL UR P CE LX TC RY AD AB BB UX SS 92-97		
003E	0 0000 0011 1110	QC031	G3	-	0 000 00 000100 1110 100 01111 0 001 010 0 000 00000 0000 10 0 0 0 000 01 01 1 0000 110 1 001 0001 000001 00000 0 000000 00 000000	282232	C03
003F	0 0000 0011 1111	QC031	C3	-	1 000 00 000000 0110 100 11010 0 001 010 0 000 00000 0000 10 0 0 0 000 01 01 1 0000 100 1 000 0001 000001 00000 0 001111 00 000000	282232	C03
					P LU MV ZP ZF ZN TR ZR CS SA SF P CT AL WL HC MS CG MG UL UR P CE LX TC RY CL AB BB UX SS 92-97		
0040	0 0000 0100 0000	QV109	J1	ID	0 000 00 000000 1111 100 00001 0 1 11 000 0 001 11101 000 0 000 11 011 01 01 0 0000 000 1 000 000 0 000000 00000 0 000000	254760	
0041	0 0000 0100 0001	QV820	G3	ID	1 000 00 000000 0110 100 00111 0 1 11 010 1 000 00000 000 0 000 00 100 01 00 0 0101 000 1 000 000 0 000000 00000 0 000000	255103	
0042	0 0000 0100 0010	QV820	L3	ID	1 000 00 000011 0011 100 00111 0 1 11 010 1 000 00000 000 0 000 00 100 01 00 1 0110 000 1 000 000 0 000001 00000 0 000000	254760	
0043	0 0000 0100 0011	QV820	C3	ID	0 100 10 000010 1110 100 00001 0 0 00 111 1 000 00000 000 0 000 00 011 11 11 0 0000 001 1 000 000 0 000000 00001 0 000000	255103	
0044	0 0000 0100 0100	QV108	J1	ID	1 000 00 000000 0100 100 00000 0 1 11 010 1 001 00000 000 0 000 10 011 01 01 0 0000 000 1 000 000 0 000001 00001 0 000000	255103	
0045	0 0000 0100 0101	QV330	N4	ID	0 000 00 000000 1111 100 00000 0 1 10 110 0 010 00000 000 0 000 11 011 01 01 1 0001 000 1 000 000 0 000000 00000 0 000000	255103	
0046	0 0000 0100 0110	QV330	E4	ID	1 000 00 000000 0000 100 00000 0 0 00 111 0 010 00000 010 0 000 00 011 00 01 0 0010 000 1 000 000 0 000001 00001 0 111110	255103	
0047	0 0000 0100 0111	QV330	J4	ID	0 000 00 000000 0001 100 00000 0 0 00 111 1 000 00000 000 0 000 00 100 00 01 1 1001 000 1 000 000 0 011111 00001 0 111110	255103	
0048	0 0000 0100 1000	QV820	C6	ID	0 000 00 000000 1111 100 00000 0 0 10 001 1 000 00000 000 0 000 11 100 01 00 1 0101 000 1 000 000 0 000000 00000 0 111110	254760	
0049	0 0000 0100 1001	QV820	G6	ID	1 000 00 000000 1111 100 00001 0 0 10 001 1 000 00000 000 0 000 11 100 01 00 1 0101 001 1 000 000 0 000000 00000 0 111111	254760	

ADDRESS LIST UNIT: 0000  
DATE 04 MAR 68 PACH: 2050FP  
LOG 052 UNIT P.N: 5379150  
FRAME 01 PAGE P.N: 5379146  
IBI CORP. DSD PAGE 03

0  
2  
0  
0  
0  
C03



HEX ADD	BINARY ADDRESS	SHEET	CLB BOX	MODE	BINARY BIT PATTERN	EC NUMBER	VERSION
0099	0 0000 1001 1001	QV440	E6	ID	P LU MV ZP ZF ZN TR ZR CS SA SF P CT AL WL HC MS CG MG UL UR P CE LX TC RY CL AB BB UX SS 92-97		255103
009A	0 0000 1001 1010	QV620	J1	ID	1 000 00 101000 1100 100 00001 0 1 10 000 0 001 00000 000 0 000 00 100 01 00 0 0111 001 1 000 000 0 000001 11010 0 000000		255103
009B	0 0000 1001 1011	QV440	J6	ID	0 111 00 000000 1111 100 00000 0 1 01 100 1 010 00000 000 0 000 11 100 10 01 1 0111 000 1 000 000 0 000000 00000 0 000000		255103
009C	0 0000 1001 1100	QV270	J1	ID	0 000 00 101101 0101 100 00001 0 1 10 001 0 001 00000 000 0 000 00 011 01 01 0 0000 001 1 000 000 0 011011 00001 0 000000		255103
009D	0 0000 1001 1101	QV530	E5	ID	1 000 00 000000 1111 100 00000 0 0 00 111 1 000 00000 000 0 101 11 011 01 01 0 1001 000 1 000 000 0 000000 00000 0 000000		255103
009E	0 0000 1001 1110	QV530	J1	ID	0 000 10 000010 0011 100 00000 0 1 10 101 1 001 00000 001 0 000 00 000 10 10 1 0000 000 1 000 000 0 011011 00001 0 000000		254760
009F	0 0000 1001 1111	QV530	J5	ID	1 000 00 000000 1111 100 00000 0 0 00 111 1 000 00000 000 0 101 11 011 01 01 1 1011 000 1 000 000 0 000000 00000 0 000000		255103
00A0	0 0000 1010 0000	QV410	J1	ID	1 100 00 101011 0101 011 00000 0 0 00 111 0 001 00000 000 0 000 00 101 01 01 1 0000 000 1 000 000 0 011111 01011 0 100110		254770
00A1	0 0000 1010 0001	QV540	J2	ID	0 101 00 000000 1000 100 00000 0 0 00 111 1 000 00000 101 0 000 00 011 01 01 0 0010 000 1 000 000 0 000000 00001 0 000000		254760
00A2	0 0000 1010 0010	QV360	J1	ID	0 000 00 101110 0010 011 00001 0 1 11 110 0 001 00000 000 0 000 00 011 01 01 0 0000 001 1 000 000 0 000001 11101 0 000000		254765
00A3	0 0000 1010 0011	QV520	Q5	ID	1 100 10 000000 1111 100 00000 0 1 11 110 1 000 00000 000 0 000 11 101 11 11 0 0000 000 1 000 000 0 000000 00000 0 000000		254760
00A4	0 0000 1010 0100	QV420	J1	ID	0 000 00 101000 0110 011 00000 0 0 00 010 1 001 00000 000 0 010 00 000 01 01 1 0000 000 1 000 000 0 011100 11101 0 000000		255103
00A5	0 0000 1010 0101	QV520	Q4	ID	0 000 00 000010 1000 100 00111 0 0 00 111 0 000 11110 000 0 101 10 011 01 01 0 1100 000 1 000 000 0 000001 00001 0 000000		254760
00A6	0 0000 1010 0110	QV310	J1	ID	1 000 00 101110 0101 100 00000 0 1 00 101 0 001 00000 000 0 000 00 011 01 01 0 0000 000 1 000 000 0 000001 11010 0 000000		254760
00A7	0 0000 1010 0111	QV430	J4	ID	1 000 00 000010 0000 110 00100 0 1 00 010 1 000 00000 000 0 000 00 100 00 01 1 1001 000 1 001 000 0 010001 00000 0 000000		255103
00A8	0 0000 1010 1000	QV430	J1	ID	0 100 00 000000 1001 100 00000 0 1 11 110 1 001 00000 000 0 000 00 100 01 01 1 0110 000 1 000 000 0 000001 00001 0 100110		255103
00A9	0 0000 1010 1001	QV850	J3	ID	1 000 00 000010 1011 100 00000 0 0 00 111 1 000 00000 000 0 000 11 011 01 01 1 0000 000 1 000 000 0 000000 00001 0 000000		255103
00AA	0 0000 1010 1010	QV330	J1	ID	0 000 00 000000 0110 100 00001 0 1 11 110 0 001 00000 000 0 000 00 110 01 01 0 0110 001 1 000 000 0 000001 00001 0 100110		255103
00AB	0 0000 1010 1011	QV340	C7	ID	0 000 00 000000 1111 100 00111 0 0 00 111 1 000 00000 000 0 000 11 011 01 01 1 0000 000 1 001 000 0 000000 00000 0 111111		254760
00AC	0 0000 1010 1100	QV440	J1	ID	0 000 00 000011 0100 100 00000 0 1 11 110 1 001 00000 000 0 111 00 110 01 01 0 0000 000 1 000 000 0 000001 11010 0 000000		255103
00AD	0 0000 1010 1101	QV850	J4	-	P LU MV ZP ZF ZN TR ZR WS SF P IV AL WM UP MD LB MB DG UL UR P CE LX TC RY AD AB BB UX SS 92-97		255103
00AE	0 0000 1010 1110	QV340	J1	ID	0 000 00 000011 0100 100 00111 0 100 111 0 000 00000 0000 10 0 0 0 000 01 01 1 0011 011 1 000 0001 000000 00000 0 001010		255103
00AF	0 0000 1010 1111	QV250	J2	ID	P LU MV ZP ZF ZN TR ZR CS SA SF P CT AL WL HC MS CG MG UL UR P CE LX TC RY CL AB BB UX SS 92-97		255103
00B0	0 0000 1011 0000	QV440	L7	ID	1 000 00 000000 1011 100 00001 0 1 01 110 0 000 00000 000 0 101 00 100 11 11 0 0100 001 1 000 000 0 000001 00001 0 000000		254760
00B1	0 0000 1011 0001	QV440	Q7	ID	1 000 00 000000 1111 100 11110 0 1 10 100 0 010 00000 000 0 110 11 100 01 00 1 0011 000 1 001 000 0 000000 00000 0 111111		255103
00B2	0 0000 1011 0010	QV320	J1	ID	1 000 10 101110 1111 100 00000 0 1 00 010 1 001 00000 000 0 100 00 000 01 10 0 1100 000 1 000 000 0 011011 11010 0 100110		254770
00B3	0 0000 1011 0011	QV850	J2	-	P LU MV ZP ZF ZN TR ZR WS SF P IV AL WM UP MD LB MB DG UL UR P CE LX TC RY AD AB BB UX SS 92-97		255103
00B4	0 0000 1011 0100	QV460	J1	ID	1 000 00 000010 1010 100 00000 0 100 111 0 000 00000 0000 10 0 0 0 000 01 01 0 0000 000 1 000 0001 000000 00001 0 111010		255103
00B5	0 0000 1011 0101	QV250	L5	ID	P LU MV ZP ZF ZN TR ZR CS SA SF P CT AL WL HC MS CG MG UL UR P CE LX TC RY CL AB BB UX SS 92-97		255103
00B6	0 0000 1011 0110	QV830	J1	ID	0 000 00 000011 0001 100 00000 0 0 00 111 0 000 00000 000 0 101 10 011 01 01 1 0001 000 1 000 000 0 110101 11101 0 000000		255103
00B7	0 0000 1011 0111	QV250	Q5	ID	0 000 00 101110 1110 100 00001 0 1 10 110 0 001 00000 000 0 000 00 011 01 01 1 0000 001 1 000 000 0 011011 11010 0 100110		255103
00B8	0 0000 1011 1000	QV470	J1	ID	0 000 00 000011 0001 100 00000 0 0 00 111 0 000 00000 000 0 110 10 011 01 01 0 0011 000 1 000 000 0 110101 11101 0 000000		255103
00B9	0 0000 1011 1001	QV820	C4	ID	0 000 00 101010 0010 111 00001 0 1 11 110 0 001 00000 000 0 000 00 011 01 01 1 0000 001 1 000 000 0 011100 11010 0 000000		254760
					0 111 00 000010 0001 100 11110 0 0 00 111 1 000 00000 000 0 000 00 011 01 01 0 0001 000 1 000 000 0 010001 00001 0 000000		255103

ADDRESS LIST UNIT: 0000  
DATE 04 MAR 68 PACH: 2050FP  
LDG 052 UNIT P.N. 5379150  
FRAME 01 PAGE P.N. 5379146  
IBM CORP. DSD PAGE 05

Q  
Z  
0  
0  
0  
C03



HEX ADD	BINARY ADDRESS	SHEET	CLD BOX	MODE	BINARY BIT PATTERN	EC NUMBER	VERSI
					P LU MV ZP ZF ZN TR ZR WS SF P IV AL WM UP MD LB MB DG UL UR P CE LX TC RY AD AB BB UX SS 92-97		
0100	0 0001 0000 0000	QA110	G2	-	0 000 00 000110 1000 000 00000 0 100 010 1 000 00110 0010 10 0 0 0 000 01 01 0 0111 000 1 000 0001 000001 00000 0 010000 00 000000	255449	
0101	0 0001 0000 0001	QA110	L2	-	0 000 00 000110 1000 000 00000 0 100 010 1 000 00110 0010 10 0 0 0 000 01 01 0 0111 000 1 000 0001 000001 00000 0 010000 00 000000	255449	
0102	0 0001 0000 0010	QT120	G3	-	1 000 00 000111 0011 011 10101 0 100 111 1 000 00110 0011 01 0 0 1 000 01 01 1 1111 000 1 001 0001 000101 11100 0 100111	254760	
0103	0 0001 0000 0011	QT200	E1	-	0 000 00 000110 0100 100 10101 0 100 111 0 000 00000 0000 10 0 0 0 000 01 01 1 0000 000 1 001 0001 000000 00001 0 101101 00 000000	257389	
0104	0 0001 0000 0100	QA111	G2	-	1 000 00 001010 1000 000 00000 0 100 110 0 000 00000 0000 10 0 0 0 000 01 01 1 0000 000 1 000 0001 000000 00000 0 000000 00 000000	255449	
0105	0 0001 0000 0101	QA111	L2	-	1 000 00 001010 1000 000 00000 0 100 110 0 000 00000 0000 10 0 0 0 000 01 01 1 0000 000 1 000 0001 000000 00000 0 000000 00 000000	255449	
0106	0 0001 0000 0110	QT200	Q8	-	1 000 00 000100 0000 100 01001 0 100 111 1 000 00000 1110 10 0 0 0 000 01 01 1 1111 000 1 100 0001 000001 00000 0 010010	254760	
0107	0 0001 0000 0111	QT200	N7	-	0 000 00 000100 0001 100 00000 0 100 111 0 000 00000 0000 10 0 0 0 000 01 01 0 0000 000 1 000 0001 000001 00000 0 101110	254760	
0108	0 0001 0000 1000	QG010	Q5	-	0 000 00 001100 1000 000 00001 0 100 110 0 000 10100 0000 10 0 0 0 000 01 01 0 0010 000 1 000 0100 000000 00000 0 100111 00 000000	258068	
0109	0 0001 0000 1001	QG010	Q6	-	0 000 00 001100 1000 000 00001 0 100 110 0 000 10100 0000 10 0 0 0 000 01 01 0 0010 000 1 000 0100 000000 00000 0 100111 00 000000	258068	
010A	0 0001 0000 1010	QA500	C3	-	1 000 00 000111 0001 100 00010 0 110 000 0 000 00000 0000 10 0 0 0 000 01 01 1 0000 000 1 010 0001 000001 00000 0 000000	254760	
010B	0 0001 0000 1011	QA500	Q3	-	0 000 00 000101 0001 001 00010 0 110 000 1 111 00000 0000 10 0 0 0 000 01 01 1 0000 000 1 010 0001 111000 00000 0 000000	254760	
010C	0 0001 0000 1100	QG010	J5	-	0 000 00 001100 1000 000 00001 0 100 110 1 000 10100 0000 10 0 0 0 010 01 01 1 0010 000 0 000 0100 000000 00000 0 100111 00 000000	258068	
010D	0 0001 0000 1101	QG010	J6	-	0 000 00 001100 1000 000 00001 0 100 110 1 000 10100 0000 10 0 0 0 010 01 01 1 0010 000 0 000 0100 000000 00000 0 100111 00 000000	258068	
010E	0 0001 0000 1110	QT310	A9	-	0 000 00 000100 0011 100 00100 0 100 111 0 000 00000 0000 10 0 0 0 000 01 01 1 1100 000 1 010 0001 000001 00001 0 000100 00 000000	255449	
010F	0 0001 0000 1111	QT310	E9	-	1 000 00 011101 0100 100 00110 0 100 111 0 000 00000 0000 10 0 0 0 000 01 01 0 0000 001 1 001 0001 000000 00001 0 000000 00 000000	255449	
0110	0 0001 0001 0000	QA110	A5	-	0 000 00 000100 1000 100 00001 0 100 110 0 000 00000 0000 10 0 0 0 000 01 01 1 0000 001 1 011 0001 000001 00000 0 000000 00 000000	255449	
0111	0 0001 0001 0001	QA110	E5	-	0 000 00 000100 1000 100 00001 0 100 110 0 000 00000 0000 10 0 0 0 000 01 01 0 0000 000 1 011 0001 000001 00000 0 000000 00 000000	255449	
0112	0 0001 0001 0010	QA110	J5	-	1 000 00 011100 1000 000 00111 0 110 010 0 000 00110 0010 01 0 1 0 000 01 01 1 0000 001 1 011 0001 000000 00000 0 001000 00 000000	255449	
0113	0 0001 0001 0011	QA110	N5	-	1 000 00 011100 1000 000 00111 0 110 010 0 000 00110 0010 01 0 1 0 000 01 01 0 0000 000 1 011 0001 000000 00000 0 001000 00 000000	255449	
0114	0 0001 0001 0100	QA111	A5	-	0 000 00 000100 1000 100 00001 0 100 110 0 000 00000 0000 10 0 0 0 000 01 01 0 0000 001 1 011 0001 000001 00001 0 000000 00 000000	255449	
0115	0 0001 0001 0101	QA111	E5	-	0 000 00 000100 1000 100 00001 0 100 110 0 000 00000 0000 10 0 0 0 000 01 01 1 0000 000 1 011 0001 000001 00001 0 000000 00 000000	255449	
0116	0 0001 0001 0110	QA111	J5	-	0 000 00 001010 1000 000 01010 0 110 110 0 000 00000 0000 10 0 0 0 000 01 01 1 0000 001 1 011 0001 000000 00001 0 000000 00 000000	255449	
0117	0 0001 0001 0111	QA111	N5	-	0 000 00 001010 1000 000 01010 0 110 110 0 000 00000 0000 10 0 0 0 000 01 01 0 0000 000 1 011 0001 000000 00001 0 000000 00 000000	255449	
0118	0 0001 0001 1000	QG010	A3	-	0 000 00 001101 0001 100 00001 0 100 110 0 000 00000 0000 10 0 0 0 000 01 01 0 1110 001 1 011 0001 000000 00000 0 001000	254760	
0119	0 0001 0001 1001	QG010	E3	-	0 000 00 001101 0001 100 00001 0 100 110 0 000 00000 0000 10 0 0 0 000 01 01 1 1110 000 1 011 0001 000000 00000 0 001000	254760	
011A	0 0001 0001 1010	QG010	J3	-	1 000 00 100111 0001 100 01011 0 001 000 0 000 00000 0000 10 0 0 0 000 01 01 1 1110 001 1 011 0001 010100 00001 0 001000 00 000000	258060	
011B	0 0001 0001 1011	QG010	N3	-	1 000 00 100111 0001 100 01011 0 001 000 0 000 00000 0000 10 0 0 0 000 01 01 0 1110 000 1 011 0001 010100 00001 0 001000 00 000000	258060	
011C	0 0001 0001 1100	QG010	A1	-	1 000 00 001101 0000 100 00001 0 100 110 0 000 00000 0000 10 0 0 0 000 01 01 0 1111 001 1 011 0001 000000 00001 0 001000	254760	
011D	0 0001 0001 1101	QG010	E1	-	1 000 00 001101 0000 100 00001 0 100 110 0 000 00000 0000 10 0 0 0 000 01 01 1 1111 000 1 011 0001 000000 00001 0 001000	254760	
011E	0 0001 0001 1110	QG010	J1	-	0 000 00 100111 0001 100 01010 0 001 000 0 000 00000 0000 10 0 0 0 000 01 01 0 1111 001 1 011 0001 010100 00001 0 001000 00 000000	258060	
011F	0 0001 0001 1111	QG010	N1	-	0 000 00 100111 0001 100 01010 0 001 000 0 000 00000 0000 10 0 0 0 000 01 01 1 1111 000 1 011 0001 010100 00001 0 001000 00 000000	258060	
0120	0 0001 0010 0000	QJ011	A1	-	0 000 00 011100 1000 000 00001 0 110 110 1 000 00000 1110 10 0 0 0 000 01 01 1 0000 001 1 011 0001 000001 00000 0 000000	254760	
0121	0 0001 0010 0001	QJ011	E1	-	0 000 00 011100 1000 000 00001 0 110 110 1 000 00000 1110 10 0 0 0 000 01 01 0 0000 000 1 011 0001 000001 00000 0 000000	254760	
0122	0 0001 0010 0010	QA110	C7	-	1 000 00 011100 1000 000 00111 0 110 010 0 000 00110 0010 01 0 1 0 000 01 01 0 0000 001 1 001 0001 000000 00000 0 001000 00 000000	255449	
0123	0 0001 0010 0011	QA111	C7	-	0 000 00 001010 1000 000 01010 0 110 110 0 000 00000 0000 10 0 0 0 000 01 01 0 0000 001 1 001 0001 000000 00001 0 000000 00 000000	255449	
0124	0 0001 0010 0100	QJ011	L3	-	0 000 00 100100 1000 000 00001 0 001 000 0 000 00000 0000 10 0 0 0 000 01 01 1 0010 001 1 011 0001 000001 00000 0 001000	254760	
0125	0 0001 0010 0101	QJ011	N3	-	0 000 00 100100 1000 000 00001 0 001 000 0 000 00000 0000 10 0 0 0 000 01 01 0 0010 000 1 011 0001 000001 00000 0 001000	254760	
0126	0 0001 0010 0110	QA400	C3	-	0 111 00 000101 0010 100 00000 0 011 110 0 111 00000 0100 10 0 0 0 000 01 01 1 1110 000 1 000 0001 111000 00000 0 011000	254760	

ADDRESS LIST UNIT. 0001  
DATE 04 MAR 68 MACH. 2050FP  
LOG 052 UNIT P.N. 5379151  
FRAME 01 PAGE P.N. 5379147  
IBM CORP. DSD PAGE 01

Q  
Z  
0  
1  
0  
CO3



Table with columns: ADDRESS, SHEET, BUCK, BINARY BIT PATTERN, and NUMBER. Contains binary data for addresses 014E to 019C.

ADDRESS LIST UNIT: 0001
DATE 04 MAR 68 MACH: 2050FP
LOG 052 UNIT P.N. 5379151
FRAME 01 PAGE P.N. 5379147
IBM CORP. DSD PAGE 03





	ADDRESS	SHEET	CODE	BINARY BIT PATTERN	92-97	EC NUMBER
				P LU MV ZP ZF ZN TR ZR WS SF P IV AL WM UP MD LB MB DG UL UR P CE LX TC RY AD AB BB UX SS		
01C4	0 0001 1100 0100	QA700	R4	1 000 00 000101 0010 100 00000 0 011 110 1 111 00000 0000 10 0 0 0 000 01 01 1 1110 000 1 000 0001 111000 00000 0 011000		254760
01C5	0 0001 1100 0101	QA700	N4	0 000 00 011100 0101 100 00001 0 100 111 0 000 00000 0000 10 0 0 0 000 01 01 1 0000 001 1 000 0001 100010 00001 0 000000		254760
01C6	0 0001 1100 0110	QA700	E4	1 000 00 000100 0000 100 01001 0 100 111 0 000 00000 0000 10 0 0 0 000 01 01 1 1111 001 1 000 0001 000001 01100 0 010010		254760
01C7	0 0001 1100 0111	QA700	J4	1 000 00 000101 0010 100 00000 0 011 110 1 111 00000 0000 10 0 0 0 000 01 01 1 1110 000 1 000 0001 111000 00000 0 011000		254760
01C8	0 0001 1100 1000	QA800	L4	0 000 00 000110 0101 100 00000 0 100 111 1 000 00000 1111 10 0 0 0 000 01 00 0 0110 000 1 000 0001 000000 00001 0 000000		254760
01C9	0 0001 1100 1001	QA800	E5	0 000 00 000110 1111 100 01111 0 100 111 0 000 00000 0000 10 0 0 0 000 01 01 1 0000 000 1 001 0001 000000 00000 0 011111		254760
01CA	0 0001 1100 1010	QA800	Q6	1 000 00 000100 1001 100 00011 0 100 111 0 000 00000 0000 10 0 0 0 000 01 01 0 0000 001 1 000 0001 000001 00001 0 000000		254760
01CB	0 0001 1100 1011	QT210	C7	0 000 00 000111 0011 100 00111 0 001 010 1 000 00000 0000 10 0 0 0 010 01 01 1 0000 001 0 001 0100 000000 00001 0 000000		254760
01CC	0 0001 1100 1100	QT120	J5	1 000 00 000110 0010 111 11001 0 011 100 0 000 11110 1011 10 0 0 1 000 01 01 0 1110 000 1 000 0001 011101 00000 0 011000		254760
01CD	0 0001 1100 1101	QT210	C8	1 000 00 000110 1001 100 01111 0 011 010 0 000 00000 0000 10 0 0 0 000 01 01 0 0111 000 1 001 0001 001010 00001 0 000000		254760
01CE	0 0001 1100 1110	QT120	Q5	0 000 00 000110 0010 100 00111 0 100 111 1 000 11110 1011 11 0 1 0 000 01 01 0 0000 000 1 000 0001 011101 00001 0 001111		254760
01CF	0 0001 1100 1111	QT120	E5	1 000 00 000110 0101 100 11001 0 100 111 0 110 00000 1110 10 0 0 0 000 01 00 0 0101 000 1 000 0001 000000 00001 0 000000		254760
01D0	0 0001 1101 0000	QG500	C1	1 000 00 001100 1111 100 10100 0 011 100 0 000 00000 0000 10 0 0 0 000 01 01 0 0110 000 1 001 0001 000001 00001 0 000000 00 000000		258545
01D1	0 0001 1101 0001	QG502	E3	0 000 00 001110 1100 100 00001 0 100 111 0 000 00111 0000 10 0 0 0 010 01 01 0 0001 001 0 001 0001 000000 11111 0 001010 00 000000		258430
01D2	0 0001 1101 0010	QG503	G9	0 000 00 010010 0011 100 00000 0 110 110 0 000 10111 0000 10 0 0 0 000 01 01 0 0000 001 1 100 0110 000000 00000 0 011011 00 000000		258545
01D3	0 0001 1101 0011	QG502	E2	1 000 00 000111 0100 100 00111 0 100 111 0 000 10000 0000 01 0 1 0 000 01 01 1 0000 001 1 000 0001 000000 00001 0 000000 00 000000		258430
01D4	0 0001 1101 0100	QG406	N9	0 000 00 000110 0101 100 00111 0 110 100 1 000 00101 1111 10 0 0 0 000 01 00 0 1101 001 1 000 0001 000000 00001 0 000000 00 000000		258430
01D5	0 0001 1101 0101	QG406	S9	1 000 00 000110 0101 100 00111 0 100 100 1 000 00101 1111 10 0 0 0 000 01 00 0 1101 001 1 000 0001 000000 00001 0 000000 00 000000		258430
01D6	0 0001 1101 0110	QG408	Q9	0 000 00 001100 1010 000 01110 0 100 111 1 000 00000 0000 10 0 0 0 001 01 01 0 0000 000 0 001 0001 000000 00001 0 000000 00 000000		258424
01D7	0 0001 1101 0111	QG406	J9	0 101 00 001100 1001 100 00000 0 100 111 1 000 00000 0000 10 0 0 0 000 01 11 0 1101 000 1 000 0001 000001 00001 0 000000 00 000000		258430

ADDRESS LIST      UNIT. 0001  
 DATE 04 MAR 68      MACH. 2050FP  
 LOG      052      UNIT P.No. 5379151  
 FRAME 01      PAGE P.No. 5379147  
 IBM CORP.      DSD      PAGE 05

Q  
 Z  
 O  
 1  
 0  
 C03









HEX ADD	BINARY ADDRESS	SHEET	CLD BOX	MODE	BINARY BIT PATTERN	EC NUMBER	VERSION
					P LU MV ZP ZF ZN TR ZR WS SF P IV AL WM UP MD LB MB DG UL UR P CE LX TC RY AD AB BB UX SS 92-97		
02C1	0 0010 1100 0001	QT220	Q7	-	0 000 00 001000 0100 100 00000 0 100 111 1 000 00000 0000 01 0 1 0 000 01 01 0 0000 000 1 000 0001 110001 00000 0 000000	254760	
02C2	0 0010 1100 0010	QU100	J1	-	0 000 00 001010 1011 100 00111 0 100 111 0 000 00000 0000 00 1 0 0 000 01 01 0 1000 000 1 000 0001 000001 00001 0 111001	254760	
02C3	0 0010 1100 0011	QT220	L4	-	1 000 00 001000 0101 100 00000 0 100 111 1 000 00000 0000 01 0 1 0 000 01 01 0 0000 000 1 000 0001 110001 00000 0 000000	254760	
02C4	0 0010 1100 0100	QB902	C7	-	0 000 00 001011 0001 100 00000 0 001 010 0 000 00000 0000 10 0 0 0 000 01 01 0 0000 000 1 000 0001 000000 00001 0 000000	254760	
02C5	0 0010 1100 0101	QB902	C8	-	0 000 00 000110 0101 100 00000 0 110 000 1 000 00000 1111 10 0 0 0 000 01 00 0 1001 000 1 000 0001 000000 00001 0 000000 00 000000	255785	
02C6	0 0010 1100 0110	QY130	A3	-	1 000 00 001011 0001 100 00001 0 110 110 1 000 00000 0000 10 0 0 0 010 01 01 0 0000 000 1 001 0001 000001 01010 0 100101	254760	
02C7	0 0010 1100 0111	QY130	A4	-	1 000 00 111101 0011 100 00000 0 100 111 0 000 00000 0000 10 0 0 0 000 01 01 0 0000 000 1 000 0001 000001 00000 0 000000	254760	
02C8	0 0010 1100 1000	QY130	G5	-	0 000 00 001011 0011 100 00000 0 110 010 1 000 00000 0000 10 0 0 0 000 01 00 1 0001 000 1 001 0001 000000 00000 0 100111	255103	
02C9	0 0010 1100 1001	QY130	L5	-	0 000 00 001011 0011 100 00000 0 110 010 1 000 00000 0000 10 0 0 0 000 01 00 1 0010 000 1 001 0001 000000 00000 0 100111	255103	
02CA	0 0010 1100 1010	QY130	Q5	-	0 000 00 001011 0011 100 00000 0 110 010 1 100 00000 0000 10 1 0 0 000 01 00 1 0011 000 1 001 0001 000000 10110 0 100111	255103	
02CB	0 0010 1100 1011	QY130	C5	-	0 001 00 001011 0011 100 00111 0 110 010 1 000 11110 0110 10 0 0 0 000 01 00 0 0000 000 1 001 0001 000000 00000 0 100111	255103	
02CC	0 0010 1100 1100	QY130	J7	-	1 000 00 001011 0010 100 00000 0 100 101 0 000 00000 0000 10 0 0 0 000 01 01 0 0000 000 1 000 0001 110001 00000 0 000000	255103	
02CD	0 0010 1100 1101	QY130	N7	-	0 000 00 001011 0011 100 00000 0 100 101 1 111 00000 0000 10 0 0 0 000 01 01 0 0000 000 1 000 0001 000001 00000 0 000000	255103	
02CE	0 0010 1100 1110	QY130	N8	-	0 000 00 111110 0010 100 00000 0 100 111 0 000 00000 0000 10 0 0 0 000 01 01 0 0000 000 1 001 0001 000001 00001 0 000000	255103	
02CF	0 0010 1100 1111			-	1 000 00 001011 0011 100 00000 0 000 000 0 000 10111 0000 00 0 0 0 010 00 00 1 0000 000 0 000 0000 000001 00001 0 000000	254760	
02D0	0 0010 1101 0000	QU100	C5	-	1 010 00 001010 1100 100 10101 0 100 110 0 000 00000 1000 01 0 1 0 000 01 01 1 0000 000 1 000 0001 000001 00001 0 100111	255440	
02D1	0 0010 1101 0001	QU100	Q5	-	0 010 00 001010 1100 100 00000 0 100 110 0 000 00000 1000 01 0 0 1 000 01 01 0 0010 000 1 000 0001 000001 00001 0 100111	255103	
02D2	0 0010 1101 0010	QU100	Q5	-	0 010 00 001010 1101 100 00001 0 100 110 1 000 00000 1000 00 0 0 1 000 01 01 0 0001 000 0 001 0001 000001 00001 0 100111	255103	
02D3	0 0010 1101 0011	QU100	L5	-	0 010 00 001010 1100 100 00000 0 100 110 1 000 00000 1000 00 0 1 0 000 01 01 1 0011 000 1 000 0001 000001 00001 0 100111	255103	
02D4	0 0010 1101 0100			-	1 000 00 001011 0101 100 00000 0 000 000 0 000 10111 0000 00 0 0 0 010 00 00 1 0000 000 0 000 0000 000000 00000 0 000000	254760	
02D5	0 0010 1101 0101			-	1 000 00 001011 0101 100 00000 0 000 000 0 000 10111 0000 00 0 0 0 010 00 00 0 0000 000 0 000 0000 000000 00001 0 000000	254760	
02D6	0 0010 1101 0110			-	1 000 00 001011 0101 100 00000 0 000 000 0 000 10111 0000 00 0 0 0 010 00 00 0 0000 000 0 000 0000 000001 00000 0 000000	254760	
02D7	0 0010 1101 0111			-	1 000 00 001011 0101 100 00000 0 000 000 0 000 10111 0000 00 0 0 0 010 00 00 1 0000 000 0 000 0000 000001 00001 0 000000	254760	

ADDRESS LIST INIT# 0002  
DATE 11 APR 66 MACH# C2050  
ING 093 INIT P#N# 5364602  
FRAME 01 PAGE P#N# 5364969  
IBM CORP. DSD PAGE 05











HEX ADD	BINARY ADDRESS	SHEET	CLD BOX	MODE	BINARY BIT PATTERN	EC NUMBER	VERSION
					P LU MV ZP ZF ZN TR ZR WS SF P IV AL WM UP MD LB MB DG UL UR P CE LX TC RY AD AB BB UX SS 92-97		
03C4	0 0011 1100 0100	QG200	Q2	-	1 000 00 001111 0011 100 00000 0 111 000 1 000 00000 0001 10 0 0 0 000 00 00 1 1111 000 1 001 0001 100001 00010 0 100001 00 000000	258060	
03C5	0 0011 1100 0101	QG500	E2	-	0 000 00 100111 0101 100 00000 0 011 000 0 000 00000 0000 10 0 0 0 000 01 01 1 1101 001 1 000 0001 000001 00000 0 001101 00 000000	258545	
03C6	0 0011 1100 0110	QG200	E3	-	0 000 00 001111 0011 111 00000 0 100 111 1 000 00000 0001 10 0 0 0 000 00 00 0 1111 000 1 000 0001 100001 00000 0 011001 00 000000	258060	
03C7	0 0011 1100 0111	QG200	G2	-	0 000 00 001111 0011 111 00000 0 100 111 1 000 00000 0001 10 0 0 0 000 00 00 0 1111 000 1 000 0001 100001 00000 0 100000 00 000000	258060	
03C8	0 0011 1100 1000	QG408	N5	-	1 110 00 100011 0011 100 00111 0 110 010 0 000 10001 0000 10 0 0 0 000 01 01 0 0100 000 1 010 0001 000001 00001 0 010011 00 000000	258060	
03C9	0 0011 1100 1001	QG408	N7	-	1 000 00 000111 0101 100 00111 0 110 010 0 000 00000 0000 10 0 0 0 000 01 01 0 0000 000 0 010 0100 000001 00000 0 000000 00 000000	258424	
03CA	0 0011 1100 1010	QG200	L2	-	1 000 00 001101 0010 100 01110 0 100 111 0 000 00000 0000 10 0 0 0 000 01 01 1 0000 001 1 000 0001 001101 00000 0 000000 00 000000	258060	
03CB	0 0011 1100 1011	QG200	L4	-	1 000 00 000101 0001 001 00111 0 110 100 1 111 00000 0000 10 0 0 0 000 01 01 0 0000 000 1 000 0001 111000 00000 0 000000 00 000000	258060	
03CC	0 0011 1100 1100	QG200	J2	-	0 000 00 001111 0010 100 00001 0 100 111 0 000 00000 1110 10 0 0 0 010 01 01 1 0000 000 0 000 0100 000001 00010 0 100011 00 000000	258427	
03CD	0 0011 1100 1101	QG200	S3	-	1 000 00 001111 0100 010 00001 0 111 000 1 000 10000 0000 10 0 0 0 000 01 01 0 0000 000 1 001 0001 000000 10001 0 000000 00 000000	258060	
03CE	0 0011 1100 1110	QG200	Q3	-	1 000 00 001111 0100 100 00001 0 111 000 1 000 10000 0000 10 0 0 0 000 01 01 1 0000 000 1 001 0001 000001 00000 0 000000 00 000000	258060	
03CF	0 0011 1100 1111	QG200	G3	-	1 000 00 001111 0001 100 00111 0 110 100 0 000 10010 0000 10 0 0 0 000 01 01 1 0000 001 1 010 0110 000001 11110 0 000000 00 000000	258060	
03D0	0 0011 1101 0000	QG500	N6	-	1 000 00 001110 0001 100 00111 0 100 111 0 000 00000 0000 10 0 0 0 000 01 01 1 0000 000 1 001 0001 000001 00001 0 001101 00 000000	258060	
03D1	0 0011 1101 0001	QG200	S4	-	1 000 00 000101 0001 001 00000 0 110 000 1 111 00000 0000 10 0 0 0 000 01 01 0 0000 000 1 000 0001 111000 00000 0 000000 00 000000	258060	
03D2	0 0011 1101 0010	QG200	Q4	-	0 000 00 100111 0000 100 00111 0 110 100 1 000 10011 0000 10 0 0 0 000 01 01 1 1000 001 1 010 0110 000001 11110 0 010000 00 000000	258060	
03D3	0 0011 1101 0011	QG500	J6	-	0 000 00 000110 0101 100 00000 0 100 111 1 000 00000 1111 10 0 0 0 000 01 00 0 1111 000 1 000 0001 000000 00001 0 000000 00 000000	258060	
03D4	0 0011 1101 0100	QG200	A6	-	1 000 00 100111 0011 100 00000 0 111 000 0 000 00000 0000 10 0 0 0 000 01 01 0 0000 000 1 000 0001 000000 00001 0 000000 00 000000	258427	
03D5	0 0011 1101 0101	QG300	L4	-	1 000 00 100100 1010 100 01111 0 111 110 0 000 00000 0000 11 1 0 0 000 00 00 0 0000 110 1 001 0001 000100 00001 0 000000 00 000000	258060	
03D6	0 0011 1101 0110	QG200	E5	-	0 000 00 100111 0011 100 00001 0 111 000 0 000 10001 0000 10 0 0 0 000 01 01 0 0000 000 1 001 0001 000001 00001 0 000000 00 000000	258060	
03D7	0 0011 1101 0111	QG200	G5	-	0 000 00 100111 0011 100 00000 0 100 111 0 000 00000 0000 10 0 0 0 000 01 01 0 0000 000 1 000 0001 100001 00001 0 100001 00 000000	258427	

02 FEB 65	254772	ADDRESS LIST	UNIT. 0003
09 SEP 65	255449	DATE 01 FEB 68	MACH. 2050FP
29 JUL 66	256917	LOG 048	UNIT P.No. 5469463
66 SEP	258060	FRAME 01	PAGE P.No. 5469459
27 OCT 67	258068	IBM CORP.	DSD PAGE 05
06 NOV 67	258424		
14 NOV 67	258427		
06 DEC 67	258430		
01 FEB 68	258545		

Z  
0  
3  
0









HEX ADD	BINARY ADDRESS	SHEET	CLD BOX	MODE	BINARY BIT PATTERN	EC NUMBER	VERSION
					P LU MV ZP ZF ZN TR ZR WS SF P IV AL WM UP MD LB MB DG UL UR P CE LX TC RY AD AB BB UX SS 92-97		
04C4	0 0100 1100 0100	QG401	J4	-	1 000 00 010000 0110 100 01111 0 010 010 0 000 00000 0000 10 0 0 0 000 01 01 1 0010 011 1 001 0001 000000 00000 0 000000	254760	
04C5	0 0100 1100 0101	QG402	E4	-	0 001 00 010000 1100 000 00011 0 111 110 1 000 10101 0110 00 0 0 1 000 01 01 1 0000 001 1 000 0001 000001 00000 0 101011	254760	
04C6	0 0100 1100 0110	QG401	Q4	-	1 000 00 010000 1001 100 01111 0 010 010 0 000 00000 0000 10 0 0 0 000 01 01 1 0010 011 1 001 0001 000000 00000 0 000000	254760	
04C7	0 0100 1100 0111	QG402	A4	-	0 000 00 010000 1011 100 00011 0 100 010 0 000 00000 0000 10 0 0 0 000 01 01 0 0000 001 1 000 0001 000000 00000 0 101011	254760	
04C8	0 0100 1100 1000	QG405	G8	-	1 001 00 100001 0101 100 00011 0 100 111 0 000 00000 1111 10 0 0 0 000 11 11 1 0000 000 1 000 0001 000001 01000 0 000000 00 000000	258068	
04C9	0 0100 1100 1001	QG408	J8	-	0 000 00 010011 0011 100 00001 0 110 000 0 000 10011 0000 10 0 0 0 010 01 01 0 0000 000 0 001 0110 000000 11110 0 000000	254760	
04CA	0 0100 1100 1010	QG405	L8	-	1 001 00 001100 0110 100 00000 0 100 111 0 000 00000 1111 10 0 0 0 000 11 11 1 0000 000 1 000 0001 000001 00001 0 000000 00 000000	258068	
04CB	0 0100 1100 1011	QG408	N8	-	0 000 00 010010 1011 100 00001 0 110 000 0 000 10011 0000 10 0 0 0 010 01 01 1 0000 000 0 001 0110 000001 11110 0 000000	254760	
04CC	0 0100 1100 1100	QG408	G9	-	0 000 00 010010 0011 100 00111 0 110 100 0 000 00000 0000 10 0 0 0 000 01 01 0 0000 000 1 001 0001 000000 00000 0 100010 00 000000	258060	
04CD	0 0100 1100 1101	QG408	L9	-	1 000 00 000101 0010 100 00000 0 011 110 1 111 00000 0000 10 0 0 0 000 01 01 1 1110 000 1 000 0001 111000 00000 0 011000	254760	
04CE	0 0100 1100 1110	QG408	Q2	-	1 000 00 000101 0001 001 00001 0 111 000 0 111 10101 0000 10 0 0 0 000 01 01 1 0000 000 1 010 0001 111000 00000 0 000000	254760	
04CF	0 0100 1100 1111	QG408	L2	-	1 000 00 010010 0100 010 00001 0 111 000 1 000 10101 0000 10 0 0 0 000 01 01 1 0000 000 1 010 0001 000000 10100 0 100110 00 000000	258060	
04D0	0 0100 1101 0000	QG409	L2	-	1 000 00 010010 1100 100 00111 0 100 111 1 000 00010 0000 10 0 0 0 000 01 01 0 0000 001 1 000 0001 000010 10100 0 101100	254760	
04D1	0 0100 1101 0001	QG409	Q2	-	0 000 00 010010 1100 100 10100 0 100 111 1 000 10000 0000 10 0 0 0 000 01 01 1 0000 000 1 100 0001 000010 00000 0 101011 00 000000	258060	
04D2	0 0100 1101 0010	QG409	A3	-	1 000 00 000110 0111 100 00000 0 100 111 0 000 00000 0000 10 0 0 0 000 01 01 0 0000 000 1 000 0001 000101 00001 0 000000 00 000000	258430	
04D3	0 0100 1101 0011	QG409	G3	-	0 000 00 010011 0101 100 00001 0 110 000 0 000 00011 0000 10 0 0 0 000 01 01 0 0000 001 1 000 0001 000001 00001 0 101000 00 000000	258060	
04D4	0 0100 1101 0100	QG409	A7	-	1 000 00 010010 1110 100 00000 0 100 111 1 000 00000 1111 10 0 0 0 000 01 00 0 1110 000 1 000 0001 000000 00000 0 000000 00 000000	258060	
04D5	0 0100 1101 0101	QG408	E6	-	0 000 00 010010 1011 100 00001 0 110 000 0 000 10011 0000 10 0 0 0 010 01 01 0 0000 000 0 001 0110 000001 11110 0 100000 00 000000	258060	
04D6	0 0100 1101 0110	QG409	E7	-	0 000 00 000101 0001 001 00001 0 110 000 1 111 00000 0000 10 0 0 0 000 01 01 0 0000 000 1 000 0001 111000 00000 0 000000	254760	
04D7	0 0100 1101 0111	QG409	E3	-	1 000 00 010001 0001 100 00000 0 100 111 0 000 00000 0000 10 0 0 0 000 01 01 0 0010 000 1 000 0001 000000 00001 0 100110 00 000000	258060	

07 DEC 64	254760	ADDRESS LIST	UNIT. 0004
09 SEP 65	255449	DATE 01 FEB 68	MACH. 2050FP
15 JUL 66	256916	LOG 048	UNIT P.No. 5469464
66 SEP	258060	FRAME 01	PAGE P.No. 5469460
27 OCT 67	258068	IBM CORP.	DSD PAGE 05
06 NOV 67	258424		
14 NOV 67	258427		
06 DEC 67	258430		
01 FEB 68	258545		

Q  
2  
0  
4  
0











HEX ADD	BINARY ADDRESS	SHEET	CLD BOX	MODE	BINARY BIT PATTERN	EC NUMBER	VERSION
					P LU MV ZP ZF ZN TR ZR WS SF P IV AL WM UP MD LB MB DG UL UR P CE LX TC RY AD AB BB UX SS 92-97		
05C4	0 0101 1100 0100	QG801	A7	-	1 000 00 010111 0001 100 00000 0 100 111 0 000 00000 0000 10 0 0 0 000 01 01 0 0010 000 1 000 0001 000000 00001 0 011001	254760	
05C5	0 0101 1100 0101	QG801	E7	-	1 000 00 001110 1110 100 00001 0 100 111 0 000 00000 0000 10 0 0 0 000 01 01 0 1101 000 1 100 0001 011000 00000 0 010000	254760	
05C6	0 0101 1100 0110	QG803	A7	-	1 110 00 010111 0010 100 00000 0 011 110 0 000 00000 0110 10 0 0 0 000 01 01 1 0100 000 1 001 0001 000000 10100 0 100010 00 000000	258060	
05C7	0 0101 1100 0111	QG803	E7	-	1 110 00 010111 0100 100 00000 0 011 110 0 000 00000 0110 10 0 0 0 000 01 01 1 1100 000 1 000 0001 000000 00001 0 010000	254765	
05C8	0 0101 1100 1000	QG804	J3	-	0 000 00 010100 0110 100 11000 0 100 100 0 000 00101 0000 10 0 0 0 000 01 01 0 0010 000 1 001 0001 100001 00001 0 100111	254760	
05C9	0 0101 1100 1001	QG804	A3	-	0 000 00 010100 0101 100 11000 0 100 111 1 000 00010 0000 10 0 0 0 000 01 01 0 0010 000 1 001 0001 100001 00001 0 100111	254760	
05CA	0 0101 1100 1010	QG801	J7	-	1 000 00 010110 1011 100 00010 0 011 000 0 000 00000 0000 10 0 0 0 000 01 01 1 0100 111 1 001 0110 001010 11110 0 000000 00 000000	258060	
05CB	0 0101 1100 1011	QG801	N6	-	0 000 00 010100 1010 100 00000 0 100 111 0 000 00000 0000 10 0 0 0 000 01 01 0 0001 000 1 000 0001 000000 00001 0 011010 00 000000	258060	
05CC	0 0101 1100 1100	QG802	E3	-	0 000 00 010111 0011 100 10100 0 101 110 0 000 00000 0110 10 0 0 0 010 00 01 1 1100 001 0 100 0100 000000 00001 0 000000	254760	
05CD	0 0101 1100 1101	QG802	J7	-	0 000 00 010111 0101 010 00001 0 100 110 1 000 00000 0000 10 0 0 0 001 01 01 1 0000 001 0 001 0001 000100 11000 0 000000 00 000000	258060	
05CE	0 0101 1100 1110	QG802	J9	-	0 000 00 010110 1101 100 10100 0 101 110 0 000 11001 0000 10 0 0 0 010 01 01 1 0000 001 0 100 0100 000100 11000 0 000000	254760	
05CF	0 0101 1100 1111	QG803	N5	-	0 001 00 010100 1010 000 00000 0 100 111 0 000 00000 1110 10 0 0 0 110 01 11 0 0000 000 1 000 0001 000010 00000 0 000000	254760	
05D0	0 0101 1101 0000	QG804	E2	-	0 000 00 010111 0010 100 00001 0 011 110 1 000 00000 0000 10 0 0 0 001 01 01 0 0100 001 1 001 0001 000000 10100 0 000000	254760	
05D1	0 0101 1101 0001	QG804	A2	-	1 000 00 010111 0100 100 10100 0 011 110 0 000 00000 0000 10 0 0 0 000 01 01 0 1101 001 1 100 0100 000000 00000 0 100010 00 000000	258060	
05D2	0 0101 1101 0010	QG804	A5	-	1 000 00 110010 1101 100 00111 0 100 100 0 000 10011 0000 10 0 0 0 010 01 01 0 0000 000 0 010 0110 000000 11110 0 000000 00 000000	258060	
05D3	0 0101 1101 0011	QG804	J5	-	0 000 00 100000 0101 100 00111 0 100 100 0 000 10011 0000 10 0 0 0 010 01 01 0 0000 000 0 010 0110 001001 11110 0 000000 00 000000	258060	
05D4	0 0101 1101 0100	QG800	A2	-	1 000 00 010110 1100 100 10100 0 001 010 0 000 00000 0000 10 0 0 0 000 01 01 0 0100 000 1 010 0001 000000 00000 0 010011 00 000000	258060	
05D5	0 0101 1101 0101	QG802	S4	-	0 000 00 010111 0011 100 00000 0 100 111 0 000 00000 0000 10 0 0 0 000 01 01 0 0000 000 1 000 0001 000001 00000 0 000000 00 000000	258060	
05D6	0 0101 1101 0110	QG802	S5	-	0 000 00 010111 0011 100 00000 0 100 111 0 000 00000 0000 10 0 0 0 000 01 01 0 0000 000 1 000 0001 000001 00000 0 000000 00 000000	258060	
05D7	0 0101 1101 0111	QG802	A7	-	0 000 00 010110 1101 100 10100 0 101 110 0 000 10101 0000 10 0 0 0 010 01 01 0 0000 001 0 100 0100 000001 00001 0 000000 00 000000	258060	

07 DEC 64 254760  
06 JAN 65 254765  
09 SEP 65 255449  
66 SEP 258060  
27 OCT 67 258068  
14 NOV 67 258427  
06 DEC 67 258430  
01 FEB 68 258545

ADDRESS LIST UNIT. 0005  
DATE 01 FEB 68 MACH. 2050FP  
LOG 048 UNIT P.No. 5469465  
FRAME 01 PAGE P.No. 5469462  
IBM CORP. DSD PAGE 05

Q  
2  
0  
5  
0





HEX ADD	BINARY ADDRESS	SHEET	CLD BOX	MODE	BINARY BIT PATTERN	EC NUMBER	VERSION
064E	0 0110 0100 1110	QP800	02	-	P LU MV ZP ZF ZN TR ZR WS SF P IV AL MA UP RD LB RB DP UL UR P CE LX TC RY AD AB BB UX SS	254760	
064F	0 0110 0100 1111	QP102	06	-		254760	
0650	0 0110 0101 0000	QP800	L3	-		254760	
0651	0 0110 0101 0001	QP820	N7	-		254760	
0652	0 0110 0101 0010	QP800	05	-		254760	
0653	0 0110 0101 0011	QP800	L5	-		254760	
0654	0 0110 0101 0100	QP800	C9	-		254760	
0655	0 0110 0101 0101	QP800	L9	-		254760	
0656	0 0110 0101 0110	QP800	09	-		254760	
0657	0 0110 0101 0111	QP800	09	-		254760	
0680	0 0110 1000 0000	QP810	J3	-		254760	
0681	0 0110 1000 0001	QP810	N3	-		254760	
0682	0 0110 1000 0010	QP830	04	-		254760	
0683	0 0110 1000 0011	QP810	E3	-		254760	
0684	0 0110 1000 0100	QP810	J4	-		254760	
0685	0 0110 1000 0101	QP900	C3	-		254760	
0686	0 0110 1000 0110	QP810	J5	-		254760	
0687	0 0110 1000 0111	QP810	N5	-		254760	
0688	0 0110 1000 1000	QP810	J6	-		254760	
0689	0 0110 1000 1001	QP810	J7	-		254760	
068A	0 0110 1000 1010	QP900	C6	-		254760	
068B	0 0110 1000 1011	QP810	N7	-		254760	
068C	0 0110 1000 1100	QP830	04	-		254760	
068D	0 0110 1000 1101	QP820	N5	-		254760	
068E	0 0110 1000 1110	QP900	04	-		254760	
068F	0 0110 1000 1111	QP830	L4	-		254760	
0690	0 0110 1001 0000	QP820	C4	-		254760	
0691	0 0110 1001 0001	QP820	J4	-		254760	
0692	0 0110 1001 0010	QP820	L2	-		254760	
0693	0 0110 1001 0011	QP820	N4	-		254760	
0694	0 0110 1001 0100	QP830	C2	-		254760	
0695	0 0110 1001 0101	QP830	02	-		254760	
0696	0 0110 1001 0110	QP830	L2	-		254760	
0697	0 0110 1001 0111	QP830	02	-		254760	
0698	0 0110 1001 1000	QP830	08	-		254760	
0699	0 0110 1001 1001	QP830	18	-		254760	
069A	0 0110 1001 1010	QP830	16	-		254760	
069B	0 0110 1001 1011	QP830	C6	-		254760	
069C	0 0110 1001 1100	QP900	07	-		254760	

92-97

ADDRESS LIST UNIT 0006  
 DATE 14 OCT 65 MACH C2050  
 LOG 901 UNIT P.No 5364606  
 FRAME 01 PAGE P.No 5364973  
 DSD PAGE 03

07060



HEX ADD.	BINARY ADDRESS	SHEET	CLD BOX	MODE	BINARY BIT PATTERN	EC NUMBER	VERSION
069D	0 0110 1001 1101	QP900	L4	-	P LU RV ZP ZF ZN TR ZR MS SF P IV AL UN UP RD LB RB DS UL UR P CE LX TC RY AD AB BB UX SS	254760	
069E	0 0110 1001 1110	QP900	G3	-		254760	
069F	0 0110 1001 1111	QP900	C5	-		254760	
06A0	0 0110 1010 0000	QS600	A3	-		254760	
06A1	0 0110 1010 0001	QS600	E3	-		254760	
06A2	0 0110 1010 0010	QS600	J3	-		255437	
06A3	0 0110 1010 0011	QS600	N3	-		255437	
06A4	0 0110 1010 0100	QS600	E5	-		254760	
06A5	0 0110 1010 0101	QS600	J5	-		254760	
06A6	0 0110 1010 0110	QS600	N5	-		254760	
06A7	0 0110 1010 0111	QS600	S5	-		254760	
06A8	0 0110 1010 1000	QS601	A9	-		254760	
06A9	0 0110 1010 1001	QS601	J9	-		255437	
06AA	0 0110 1010 1010	QS601	E9	-		255437	
06AB	0 0110 1010 1011	QS601	N9	-		254760	
06AC	0 0110 1010 1100	QS601	J1	-		254760	
06AD	0 0110 1010 1101	QS601	E5	-		254760	
06AE	0 0110 1010 1110	QP900	L6	-		254760	
06AF	0 0110 1010 1111	QS601	E6	-		254760	
06B0	0 0110 1011 0000	QS602	A4	-		255437	
06B1	0 0110 1011 0001	QS602	F4	-		254760	
06B2	0 0110 1011 0010	QS602	J4	-		255437	
06B3	0 0110 1011 0011	QS602	N4	-		254760	
06B4	0 0110 1011 0100	QP820	J8	-		254760	
06B5	0 0110 1011 0101	QP820	N8	-		254760	
06B6	0 0110 1011 0110	QS600	A5	-		254760	
06B7	0 0110 1011 0111	QS602	A1	-		255437	
06B8	0 0110 1011 1000	QP900	G6	-		254760	
06B9	0 0110 1011 1001	QP900	L3	-		254760	
06BA	0 0110 1011 1010	QP900	G9	-		254760	
06BB	0 0110 1011 1011	QP900	G3	-		254760	
06BC	0 0110 1011 1100	QP900	L5	-		254760	
06BD	0 0110 1011 1101	QS600	F6	-		254760	
06BE	0 0110 1011 1110	QP900	A6	-		254760	
06BF	0 0110 1011 1111	QS600	A6	-		255437	
06C0	0 0110 1100 0000	QS601	S4	-		254760	
06C1	0 0110 1100 0001	QS601	J4	-		254760	
06C2	0 0110 1100 0010	QS601	A3	-		254760	
06C3	0 0110 1100 0011	QS601	E3	-		254760	

92-97

ADDRESS LIST INIT. 0006  
 DATE 14 OCT 65 MACH. C2050  
 LOG 901 INIT P.No. 5364606  
 FRAME 01 PAGE P.No. 5364973  
 IBM CORP. DSD PAGE 04

2060

HEX  
ADD

BINARY ADDRESS

SHEET

CLD  
BOX

MODE

BINARY BIT PATTERN

EC NUMBER

VERSION

HEX ADD	BINARY ADDRESS	SHEET	CLD BOX	MODE	BINARY BIT PATTERN	EC NUMBER	VERSION
06C4	0 0110 1100 0100	Q5602	A3	-	P LU MV ZP ZF ZN TR ZR MS SF P IV AL WM LP RD LB RB DG UL UR P CE LX TC RY AD AB BB UX SS 92-97 0 111 00 011010 1100 100 00000 0 100 111 1 000 00000 1100 10 0 1 1 111 00 11 1 1111 000 1 000 0001 011010 11001 0 010100	254760	
06C5	0 0110 1100 0101	Q5900	L7	-	0 000 00 011011 0001 100 11110 0 101 100 1 000 00000 0110 10 0 0 0 000 00 01 1 0010 000 1 001 0001 000001 00001 0 000000	254760	
06C6	0 0110 1100 0110	Q5602	L6	-	1 000 00 011011 0100 100 10100 0 100 111 1 000 00000 0000 10 0 0 0 010 01 01 0 0010 110 0 100 0001 000000 00001 0 001000 00 000000	255437	
06C7	0 0110 1100 0111	Q5900	L8	-	0 000 00 000101 0001 001 00111 0 100 100 1 111 00000 0000 10 0 0 0 000 01 01 1 0000 000 1 010 0001 111000 00000 0 000000	254760	
06C8	0 0110 1100 1000	Q5600	A2	-	0 111 00 011010 1000 100 00000 0 010 110 0 000 00000 0001 10 0 1 1 111 11 11 1 0000 000 1 000 0001 011010 11001 0 010100	255437	
06C9	0 0110 1100 1001	Q5600	A4	-	0 000 00 011010 1101 100 00000 0 011 110 0 000 00000 0000 10 0 0 0 000 01 01 0 0011 000 1 000 0001 000001 01111 0 000000	254760	
06CA	0 0110 1100 1010	Q5601	J3	-	0 000 00 011011 0000 100 01111 0 100 111 0 000 00000 0000 10 0 0 0 000 01 01 0 0000 000 1 001 0001 000000 01111 0 000000	254760	
06CB	0 0110 1100 1011	Q5601	J5	-	0 000 00 011011 0011 100 01111 0 100 111 0 000 00000 0000 10 0 0 0 000 01 01 0 0000 000 1 001 0001 000000 00000 0 000000	254760	
06CC	0 0110 1100 1100	Q5601	N5	-	0 000 00 011011 0100 100 11000 0 011 100 0 000 11110 0000 10 0 0 0 000 01 01 1 0011 000 1 000 0001 000001 00001 0 000000	255437	
06CD	0 0110 1100 1101	Q5601	E4	-	1 000 00 011010 1011 100 00111 0 010 100 1 000 00000 0000 10 0 0 0 010 01 01 1 0000 110 0 001 0001 000000 11000 0 000000	254760	
06CE	0 0110 1100 1110	Q5601	E1	-	0 000 00 011011 0100 100 01111 0 010 110 0 000 00000 0000 10 0 0 0 000 01 01 0 0000 110 1 100 0001 011000 00000 0 000000	255437	
06CF	0 0110 1100 1111	Q5600	L7	-	0 000 00 011011 0011 100 00111 0 011 100 0 000 00000 0000 10 0 0 0 000 01 01 1 0011 000 1 010 0001 000001 00000 0 000000	255437	
06D0	0 0110 1101 0000	Q5601	E2	-	0 000 00 011011 0000 100 00000 0 011 110 1 000 00000 0000 10 0 0 0 010 01 01 0 0011 101 0 100 0001 000001 00101 0 000000	254760	
06D1	0 0110 1101 0001	Q5602	L7	-	1 111 00 011011 0011 100 00111 0 011 100 0 000 00000 1110 10 0 0 0 000 01 11 1 0011 000 1 010 0001 000001 00000 0 000000 00 000000	255437	
06D2	0 0110 1101 0010	Q5601	A2	-	0 000 00 000110 0101 100 11101 0 100 111 0 000 00000 0000 10 0 0 0 000 01 01 0 0000 000 1 010 0001 000001 00001 0 000000	254760	
06D3	0 0110 1101 0011	Q5602	A2	-	0 111 00 011011 0001 100 00000 0 100 111 0 000 00000 1100 10 0 0 1 011 00 01 0 1111 000 1 000 0001 011010 00000 0 010100	255437	
06D4	0 0110 1101 0100	Q5600	L6	-	0 000 00 011011 0011 100 10100 0 100 111 1 000 00000 0000 10 0 0 0 010 01 01 0 0000 110 0 100 0001 000001 01111 0 000000	255437	
06D5	0 0110 1101 0101			-	0 000 00 011011 0101 100 00000 0 000 000 0 000 10111 0000 00 0 0 0 010 00 00 0 0000 000 0 000 0000 000000 00001 0 000000	254760	
06D6	0 0110 1101 0110			-	0 000 00 011011 0101 100 00000 0 000 000 0 000 10111 0000 00 0 0 0 010 00 00 0 0000 000 0 000 0000 000001 00000 0 000000	254760	
06D7	0 0110 1101 0111			-	0 000 00 011011 0101 100 00000 0 000 000 0 000 10111 0000 00 0 0 0 010 00 00 1 0000 000 0 000 0000 000001 00001 0 000000	254760	

ADDRESS 1 IST    UNIT# 0006  
DATE 14 OCT 65    MACH# C2050  
ING 901    UNIT P#N# 5364606  
FRAME 01    PAGE P#N# 5364973  
IBR CORP.    D&D    PAGE 05

0006









HEX  
ADD

BINARY ADDRESS

SHEET

CLD  
BOX

MODE

BINARY BIT PATTERN

EC NUMBER

VERSION

P LU MV ZP ZF ZN TR ZR WS SF P IV AL WM UP MD LB MB DG UL UR P CE LX TC RY AD AB BB UX SS 92-97

07C4	0 0111 1100 0100	QS705	G8	-	1 000 00 110110 0101 100 00110 0 010 000 1 000 00000 0000 10 0 0 0 010 01 01 1 0000 110 0 001 0001 000001 01000 0 000000 00 000000	255449
07C5	0 0111 1100 0101	QS705	C8	-	1 111 00 011110 1111 111 00000 0 001 010 0 011 00000 0001 10 0 1 1 111 01 01 1 0000 000 1 000 0001 011010 11001 0 010100 00 000000	255449
07C6	0 0111 1100 0110	QS705	G2	-	0 000 00 011111 0010 111 10100 0 100 111 1 000 00000 0000 10 0 0 0 010 01 01 0 0100 110 0 100 0001 011000 11000 0 011000 00 000000	255449
07C7	0 0111 1100 0111	QS705	L2	-	0 000 00 011111 0010 111 10100 0 100 111 1 000 00000 0000 10 0 0 0 010 01 01 1 0010 110 0 100 0001 011000 11000 0 011010 00 000000	255449
07C8	0 0111 1100 1000	QS705	G3	-	0 000 00 011110 1111 100 11101 0 100 111 0 000 00000 0000 10 0 0 0 000 01 01 0 0000 000 1 010 0001 000000 10101 0 010011 00 000000	255449
07C9	0 0111 1100 1001	QS705	L3	-	0 000 00 011110 1111 100 11101 0 100 111 0 000 00000 0000 10 0 0 0 000 01 01 0 0000 000 1 010 0001 000000 00001 0 010011 00 000000	255449
07CA	0 0111 1100 1010	QS705	C3	-	1 000 00 011111 0000 100 00000 0 011 110 1 000 00000 0000 10 0 0 0 010 01 01 1 1010 001 0 100 0111 000000 11110 0 100011 00 000000	255449
07CB	0 0111 1100 1011	QS705	Q3	-	1 000 00 110010 0110 100 11101 0 100 111 0 000 00000 0000 10 0 0 0 000 01 01 0 0000 000 1 010 0001 000001 11000 0 010011 00 000000	255449
07CC	0 0111 1100 1100	QS706	G7	-	1 111 00 110111 0100 100 01111 0 100 111 0 011 00000 0001 10 0 1 1 111 01 01 0 0000 000 1 100 0001 011010 00001 0 010100 00 000000	255449
07CD	0 0111 1100 1101	QG406	E6	-	0 000 00 011111 0100 100 00000 0 100 111 0 000 00000 0000 10 0 0 0 000 01 01 0 0000 000 1 000 0001 110001 00000 0 000000 00 000000	258430
07CE	0 0111 1100 1110	QS706	C7	-	1 111 00 011110 1111 111 00000 0 100 111 0 011 00000 0001 10 0 1 1 111 01 01 1 0000 000 1 000 0001 011010 11001 0 010100 00 000000	255449
07CF	0 0111 1100 1111	QS706	L7	-	0 000 00 110111 0100 100 01111 0 100 111 0 000 00000 0000 10 0 0 0 000 01 01 0 0000 000 1 100 0001 000001 00001 0 000000 00 000000	255449
07D0	0 0111 1101 0000	QG503	A6	-	1 000 00 000101 0010 100 00000 0 011 110 1 111 00000 0000 10 0 0 0 000 01 01 1 1110 000 1 000 0001 111000 00000 0 011000 00 000000	258060
07D1	0 0111 1101 0001	QG406	E7	-	0 000 00 000110 0101 100 00111 0 110 100 0 000 00100 1111 10 0 0 0 000 01 00 1 1100 001 1 000 0001 000000 00001 0 000000 00 000000	258060
07D2	0 0111 1101 0010	QG406	C8	-	0 000 00 000110 0101 100 00111 0 110 100 1 000 00011 1111 10 0 0 0 000 01 00 1 1100 001 1 000 0001 000000 00001 0 000000 00 000000	258060
07D3	0 0111 1101 0011	QG503	A8	-	0 000 00 000100 1101 100 00000 0 011 110 0 000 00000 0000 10 0 0 0 000 01 01 0 0110 000 1 000 0001 000001 00000 0 000000 00 000000	258545
07D4	0 0111 1101 0100	QG200	C8	-	0 000 00 010010 0011 100 00000 0 110 110 0 000 00000 0000 10 0 0 0 000 01 01 1 0000 001 1 001 0001 000000 00000 0 011011 00 000000	258060
07D5	0 0111 1101 0101	QG200	J8	-	0 000 00 010010 0011 100 00000 0 110 110 0 000 00000 0000 10 0 0 0 000 01 01 1 0000 001 1 001 0001 000000 00000 0 011011 00 000000	258060
07D6	0 0111 1101 0110	QG200	E8	-	1 000 00 000101 0001 001 00000 0 100 111 1 111 00000 0000 10 0 0 0 000 01 01 0 0000 000 1 000 0001 111000 00000 0 000000 00 000000	258060
07D7	0 0111 1101 0111	QG200	L8	-	0 000 00 010010 0011 100 00000 0 110 110 0 000 00000 0000 10 0 0 0 000 01 01 1 0000 001 1 001 0001 000000 00000 0 011011 00 000000	258060

21 JAN 65 254770  
 15 FEB 65 255033  
 26 FEB 65 255094  
 02 JUL 65 255443  
 09 SEP 65 255449  
 66 SEP 258060  
 27 OCT 67 258068  
 06 DEC 67 258430  
 10 JAN 68 258545

ADDRESS LIST UNIT. 0007  
 DATE 12 JAN 68 MACH. 2050FP  
 LOG 028 UNIT P.N. 5469467  
 FRAME 01 PAGE P.N. 5469466  
 IBM CORP. DSD PAGE 05

Q  
Z  
0  
7  
0











EX  
80

	BINARY ADDRESS	SHEET	CLD BOX	MODE	BINARY BIT PATTERN	EC NUMBER	VERSION
					P LU MV ZP ZF ZN TR ZR WS SF P IV AL WM UP MD LB MB DG UL UR P CE LX TC RY AD AB BB UX SS 92-97		
08C1	0 1000 1100 0001	QJ150	A4	-	0 000 00 100010 0111 100 00111 0 001 100 1 000 00000 0000 10 0 0 0 001 01 01 1 0000 001 0 000 0101 000001 00000 0 000000	254760	
08C2	0 1000 1100 0010	QJ150	E2	-	0 000 00 100010 1000 100 00011 0 111 110 1 000 01101 1110 10 0 1 0 000 01 01 1 0001 000 1 010 0001 011111 10100 0 100110	254760	
08C3	0 1000 1100 0011	QJ150	N4	-	1 000 00 100011 0011 100 00111 0 001 000 1 000 00000 0000 10 0 0 0 001 01 01 1 0000 001 0 000 0001 000000 00000 0 000000	254760	
08C4	0 1000 1100 0100	QJ150	L8	-	1 000 10 100011 0001 100 00111 0 111 000 0 000 00100 0000 10 0 0 0 001 01 10 0 0001 001 0 000 0001 000001 00001 0 101000	254760	
08C5	0 1000 1100 0101	QJ150	Q8	-	1 000 10 100011 0001 100 00111 0 111 000 0 000 00100 0000 10 0 0 0 001 01 10 0 0001 001 0 000 0101 000001 11110 0 101000	254760	
08C6	0 1000 1100 0110	QJ150	Q9	-	1 000 00 100010 0110 100 00000 0 110 100 0 000 00000 0000 10 0 0 0 000 01 01 0 0000 000 1 000 0001 000000 00001 0 000000	254760	
08C7	0 1000 1100 0111	QJ150	L9	-	1 000 00 100010 0000 100 00000 0 110 100 0 000 00000 0000 10 0 0 0 000 01 01 1 0000 000 1 000 0001 010011 00001 0 000000	254760	
08C8	0 1000 1100 1000	QJ150	E5	-	0 000 00 100011 0011 100 00111 0 100 111 0 000 01010 0000 10 0 0 0 000 01 01 1 0000 001 1 000 0001 000001 00000 0 000000	254760	
08C9	0 1000 1100 1001	QJ150	J5	-	1 001 00 100011 0010 100 00000 0 111 100 1 000 00000 0001 10 0 0 0 101 01 01 1 0000 000 1 001 0001 000001 10111 0 010001	254760	
08CA	0 1000 1100 1010	QJ150	C6	-	0 001 10 100011 0011 100 00111 0 100 111 1 000 10000 0001 10 0 0 0 000 01 11 1 0000 001 1 000 0001 000000 00001 0 000000	254760	
08CB	0 1000 1100 1011	QJ150	J6	-	1 001 10 100010 0111 111 00000 0 110 000 0 000 00000 0001 10 0 0 0 000 01 11 1 0000 000 1 001 0001 001101 10000 0 101001	254760	
08CC	0 1000 1100 1100	QJ150	N5	-	0 000 00 100011 0010 100 00001 0 001 110 1 000 00000 0001 10 0 0 0 101 01 01 1 0000 001 1 000 0001 000001 10111 0 000000	254760	
08CD	0 1000 1100 1101	QJ150	C7	-	1 000 00 100011 0010 100 00001 0 111 100 0 000 10001 0000 10 0 0 0 101 01 01 1 0000 000 1 001 0001 000001 10111 0 010001	254760	
08CE	0 1000 1100 1110	QJ150	E4	-	1 000 00 100011 0010 100 00001 0 100 111 0 000 01000 0000 10 0 1 0 000 01 01 0 0000 000 1 001 0001 000000 10100 0 000000	254760	
08CF	0 1000 1100 1111	QG408	J5	-	0 000 00 010010 1011 100 00001 0 110 000 0 000 10011 0000 10 0 0 0 010 01 01 1 0000 000 0 001 0110 010001 11110 0 100000 00 000000	258060	
08D0	0 1000 1101 0000	QJ090	N4	-	1 000 00 100011 0100 100 00001 0 100 111 1 000 01010 0000 10 0 1 0 000 01 01 0 0000 000 1 001 0001 000000 10100 0 000000	254760	
08D1	0 1000 1101 0001	QJ090	N7	-	1 000 00 100011 0100 100 00001 0 011 110 1 000 10000 0000 10 0 0 0 110 01 01 0 1110 000 1 001 0001 100111 00001 0 011000	254760	
08D2	0 1000 1101 0010	QJ090	G2	-	0 000 00 100011 0101 100 00001 0 100 111 0 000 01101 0000 10 0 1 0 000 01 01 0 0000 000 1 001 0001 000000 10100 0 000000	254760	
08D3	0 1000 1101 0011	QJ090	E7	-	0 000 00 000101 0010 100 00001 0 110 000 0 111 10101 0000 10 0 0 0 000 01 01 1 0000 000 1 001 0001 111000 00000 0 000000	254760	
08D4	0 1000 1101 0100	QJ090	J3	-	0 010 00 100011 0100 100 00001 0 100 111 0 000 01010 1011 10 0 1 0 000 10 01 0 0000 001 1 000 0001 000000 10100 0 000000	254760	
08D5	0 1000 1101 0101	QJ090	C3	-	0 010 00 100011 0100 100 00001 0 100 111 1 000 00000 1011 10 0 0 0 000 10 01 1 0000 001 1 000 0001 000000 00001 0 000000	254760	
08D6	0 1000 1101 0110	QG407	N2	-	0 000 00 010010 0000 100 10100 0 100 111 1 000 11001 0000 10 0 0 0 000 01 01 1 0000 000 1 100 0001 000000 00111 0 000000 00 000000	258060	
					P LU MV ZP ZF ZN TR ZR CS SA SF P CT AL WL HC MS CG MG UL UR P CE LX TC RY CL AB BB LUX SS 92-97		
08D7	0 1000 1101 0111	QV520	C5	ID	1 000 00 000000 1111 100 00000 0 1 11 110 0 010 00000 000 0 000 11 011 01 01 0 0110 000 1 000 000 0 000000 00000 0 111100 00 000000	258430	

07 DEC 64	254760	ADDRESS LIST	UNIT. 0008
21 JAN 65	254770	DATE 18 DEC 67	MACH. 2050FP
25 JAN 65	254772	LOG 019	UNIT P.No. 5469468
12 JUL 65	255443	FRAME 01	PAGE P.No. 5469470
09 SEP 65	255449	IBM CORP.	DSD PAGE 05
66 SEP	258060		
27 OCT 67	258068		
14 NOV 67	258427		
06 DEC 67	258430		

Q  
Z  
0  
8  
0











HEX ADD	BINARY ADDRESS	SHEET	CLD BOX	MODE	BINARY BIT PATTERN	EC NUMBER	VERSION
					P LU MV ZP ZF ZN TR ZR WS SF P IV AL WM UP MD LB MB DG UL UR P CE LX TC RY AD AB BB UX SS 92-97		
09BE	0 1001 1011 1110	QG700	A8	-	0 000 00 100101 0001 100 00011 0 100 111 0 000 11110 0111 10 0 0 0 000 01 00 1 0001 000 1 000 0001 000001 00000 0 000000	254770	
09BF	0 1001 1011 1111	QG700	J8	-	0 000 00 100101 0001 100 00011 0 100 111 0 000 11110 0111 10 0 0 0 000 00 01 1 0001 000 1 000 0001 000001 00000 0 000000	255033	
09C0	0 1001 1100 0000	QG702	E3	-	0 000 00 100101 0001 100 00001 0 001 000 0 000 00000 0001 10 0 0 0 000 01 00 1 0100 000 1 000 0001 000000 00001 0 000000	255440	
09C1	0 1001 1100 0001	QG702	N3	-	0 000 00 000110 0101 100 00000 0 100 111 0 000 00000 0000 10 0 0 0 000 01 01 1 0011 000 1 000 0001 000001 00001 0 101000 00 000000	255449	
09C2	0 1001 1100 0010	QG200	J5	-	0 000 00 001111 0011 100 00000 0 100 111 0 000 00000 0000 10 0 0 0 000 01 01 1 0001 000 1 000 0001 100001 00000 0 011001 00 000000	258060	
09C3	0 1001 1100 0011	QG200	Q5	-	0 000 00 001111 0011 100 00000 0 100 111 0 000 00000 0000 10 0 0 0 000 01 01 1 0000 000 1 000 0001 100001 00000 0 000000 00 000000	258060	
09C4	0 1001 1100 0100	QG404	J9	-	0 000 00 010010 0101 100 10100 0 100 111 0 000 00000 0000 10 0 0 0 000 01 01 1 0000 000 1 000 0001 000111 01000 0 000000 00 000000	258430	
09C5	0 1001 1100 0101	QG010	E6	-	0 000 00 000110 0101 100 00000 0 100 111 1 000 00000 1111 10 0 0 0 000 01 00 0 0110 000 1 000 0001 000000 00001 0 000000 00 000000	258060	
09C6	0 1001 1100 0110	QG404	L9	-	0 000 00 010010 0101 100 00000 0 100 111 0 000 00000 0000 10 0 0 0 000 01 01 1 0000 000 1 000 0001 000111 01000 0 000000 00 000000	258430	
09C7	0 1001 1100 0111	QG010	A6	-	1 000 00 001100 1000 000 00011 0 110 010 1 000 00000 0000 10 0 0 0 000 00 01 1 0010 000 1 000 0001 000001 00000 0 100111 00 000000	258068	
09C8	0 1001 1100 1000	QG406	N8	-	1 000 00 000111 0101 111 00000 0 100 111 0 000 00000 0000 10 0 0 0 000 01 01 1 0000 000 1 000 0001 001101 01010 0 100110 00 000000	258430	
09C9	0 1001 1100 1001	QG416	E2	-	0 000 00 100111 0011 100 00000 0 100 111 0 000 00000 0000 10 0 0 0 000 01 01 1 0000 000 1 000 0001 100001 00000 0 000000 00 000000	258060	
09CA	0 1001 1100 1010	QG420	Q1	-	0 000 00 000000 1100 010 00000 0 100 111 0 000 00000 0000 10 0 0 0 000 01 01 0 0000 000 1 000 0001 100001 00100 0 000000 00 000000	258430	
09CB	0 1001 1100 1011	QG409	N8	-	0 000 00 100000 0100 100 00000 0 100 111 0 000 00000 0000 10 0 0 0 000 01 01 0 0000 000 1 000 0001 001101 01010 0 000000 00 000000	258060	
09CC	0 1001 1100 1100	QG416	C3	-	0 000 00 010010 0011 100 00111 0 110 100 0 000 00000 0000 10 0 0 0 000 01 01 0 0000 000 1 001 0001 000000 00000 0 000000 00 000000	258060	
09CD	0 1001 1100 1101	QG200	E7	-	1 000 00 011111 0101 100 00001 0 001 110 0 000 00000 0000 10 0 0 0 000 01 01 0 1100 000 1 000 0001 001010 01001 0 010000 00 000000	258545	
09CE	0 1001 1100 1110	QG416	C1	-	0 000 00 100110 0110 100 00111 0 111 100 1 000 10000 0000 10 0 0 0 000 01 01 0 0000 001 1 000 0001 000001 00001 0 000000 00 000000	258060	
09CF	0 1001 1100 1111	QG200	E6	-	0 000 00 100111 0 1 100 00111 0 110 100 1 000 10011 0000 10 0 0 0 000 01 01 1 0000 001 1 010 0110 000000 00001 0 000000 00 000000	258060	
09D0	0 1001 1101 0000	QG409	Q5	-	1 000 00 000101 0001 001 00000 0 100 111 1 111 00000 0000 10 0 0 0 000 01 01 0 0000 000 1 000 0001 111000 00000 0 000000 00 000000	258427	
09D1	0 1001 1101 0001	QG100	N3	-	1 000 00 001101 0000 011 00111 0 110 101 1 000 00100 0000 10 0 0 0 000 01 01 0 0000 001 1 000 0001 001010 11011 0 011000 00 000000	258060	
09D2	0 1001 1101 0010	QG409	Q4	-	1 000 00 000101 0001 001 00000 0 100 111 1 111 00000 0000 10 0 0 0 000 01 01 0 0000 000 1 000 0001 111000 00000 0 101000 00 000000	258060	
09D3	0 1001 1101 0011	QG100	S3	-	1 000 00 001101 0000 011 00111 0 110 101 0 000 00011 0000 10 0 0 0 000 01 01 1 1000 001 1 000 0001 001010 11011 0 011000 00 000000	258060	
09D4	0 1001 1101 0100	QG800	E1	-	1 000 00 010111 0101 100 00011 0 011 100 0 000 00000 0000 11 0 0 1 011 01 01 1 1101 001 1 000 0001 000000 00000 0 000000 00 000000	258060	
09D5	0 1001 1101 0101	QG420	N7	-	1 000 00 000101 0001 001 00000 0 100 111 1 111 00000 0000 10 0 0 0 000 01 01 0 0000 000 1 000 0001 111000 00000 0 000000 00 000000	258545	
09D6	0 1001 1101 0110	QG500	C3	-	1 000 00 001101 0101 110 00001 0 010 100 0 000 10010 0000 10 0 0 0 000 01 01 1 0110 001 1 010 0110 100001 11110 0 011010 00 000000	258060	
09D7	0 1001 1101 0111	QG420	N5	-	1 000 00 010001 0001 100 00000 0 100 111 0 000 00000 0000 10 0 0 0 000 01 01 0 0010 000 1 000 0001 000000 00001 0 100110 00 000000	258545	

09 SEP 65	255449	ADDRESS LIST	UNIT. 0009
06 SEP	258060	DATE 16 MAR 71	MACH. 2050FP
27 OCT 67	258068	LOG	083 UNIT P.No. 5469469
14 NOV 67	258427	FRAME 01	PAGE P.No. 5469475
06 DEC 67	258430	IBM CORP.	DSD PAGE 05
01 FEB 68	258545		
12 FEB 69	259399		
06 OCT 69	259855		
17 DEC 70	260526		

BINARY ADDRESS	SHEET	CLD BOX	MODE	BINARY BIT PATTERN	EC NUMBER	VERSION
0A00	QV107	G2	ID	P LU MV ZP ZF ZN TR ZR CS SA SF P CT AL WL HC MS CG MG UL UR P CE LX TC RY CL AB BB UX SS 92-97 0 000 00 101010 0110 100 00011 0 1 00 110 0 010 00000 000 0 000 00 011 01 01 1 0010 000 1 001 000 0 000000 00001 0 001010 00 000000	255452	
0A01			-	P LU MV ZP ZF ZN TR ZR WS SF P LV AL WM UP MD LB MB DG UL UR P CE LX TC RY AD AB BB UX SS 92-97 0 000 00 101000 0000 100 00000 0 000 000 0 000 10111 0000 00 0 0 0 010 00 00 0 0000 000 0 000 0000 000000 00001 0 000000	255103	
0A02	QV107	L2	ID	P LU MV ZP ZF ZN TR ZR CS SA SF P CT AL WL HC MS CG MG UL UR P CE LX TC RY CL AB BB UX SS 92-97 0 000 00 101000 1101 100 00001 0 0 00 000 0 010 00000 000 0 000 00 011 01 01 1 0010 000 1 000 000 0 000000 00000 0 001010 00 000000	255452	
0A03	QV107	Q2	ID	0 000 10 000000 1111 100 00000 0 0 00 111 1 000 00000 011 0 000 11 011 01 10 0 0000 000 1 000 000 0 000000 00000 0 000000 00 000000	256907	
0A04	QV243	C3	ID	1 000 10 101010 1110 100 00001 0 0 00 111 0 011 00000 100 0 000 00 000 10 10 1 0000 000 0 001 000 0 000000 00001 0 000000 00 000000	255450	
0A05	QV243	G3	ID	1 000 10 101010 1110 100 00001 0 0 00 111 0 011 00000 001 0 000 00 000 10 10 1 0000 000 0 001 000 0 000000 00001 0 000000 00 000000	255450	
0A06	QV243	L3	ID	1 000 10 101010 1110 100 00001 0 0 00 111 0 011 00000 010 0 000 00 000 10 10 1 0000 000 0 001 000 0 000000 00001 0 000000 00 000000	255450	
0A07	QV243	Q3	ID	1 000 10 101010 1110 100 00001 0 0 00 111 1 011 00000 011 0 000 00 000 10 10 1 0000 000 0 001 000 0 000000 00001 0 000000 00 000000	255450	
0A08	QV101	E2	ID	1 000 00 101001 0000 100 01111 0 1 10 110 0 000 00000 000 0 000 00 001 01 01 0 0000 000 1 001 100 0 000000 00000 0 000000	255103	
0A09	QV101	L2	ID	0 000 00 101001 0000 100 01111 0 1 00 110 0 000 00000 000 0 000 00 001 01 01 1 0000 000 1 001 100 0 000000 00001 0 000000	255103	
0A0A	QV470	C4	ID	0 000 00 101000 1001 100 01110 0 0 00 111 1 000 00000 000 1 000 10 011 01 01 0 0000 000 1 001 000 0 000001 00000 0 000000	255103	
0A0B	QV470	G4	ID	0 000 00 101000 1001 100 01110 0 0 00 111 0 000 00000 000 0 000 10 011 01 01 1 0000 000 0 001 000 0 000001 00000 0 000000	255103	
0A0C	QV350	Q6	ID	1 000 10 000000 1111 100 00001 0 1 10 001 0 010 00000 000 0 000 11 100 10 00 1 0101 001 1 000 000 0 000000 00000 0 111111	255103	
0A0D	QV351	C6	ID	1 000 10 000000 1111 100 00001 0 1 10 001 1 000 00000 000 0 000 11 100 10 00 1 0011 001 1 000 000 0 000000 00000 0 111111	255103	
0A0E	QV350	L6	ID	1 000 10 000000 1111 100 00001 0 1 10 001 0 010 00000 000 0 000 11 100 10 00 0 0111 001 1 000 000 0 000000 00000 0 000000	255103	
0A0F	QV350	G6	ID	1 000 00 000000 1111 100 00000 0 1 10 001 0 010 00000 000 0 011 11 000 01 01 0 0110 000 1 000 000 0 000000 00000 0 111111	255103	
0A10	QV105	C3	ID	1 000 10 101000 1000 100 10000 0 1 10 101 1 010 00000 000 0 001 00 011 00 00 1 0010 011 1 001 000 0 000001 11101 0 000000 00 000000	254760	
0A11	QV105	G3	ID	1 000 10 101000 1000 100 10000 0 1 10 101 0 010 00000 000 1 001 00 011 00 00 0 0010 011 0 001 000 0 000001 11101 0 000000 00 000000	254760	
0A12	QV620	J4	ID	1 000 10 101010 0100 100 00001 0 0 00 111 1 000 11110 000 0 000 10 101 00 10 0 1011 000 1 000 000 0 000000 00001 0 111100	254760	
0A13	QV105	N3	ID	0 000 10 101010 1101 100 00111 0 1 10 101 1 010 00000 000 0 001 00 011 00 00 0 0000 000 1 001 000 0 000001 00000 0 000000 00 000000	254760	
0A14	QV420	C3	ID	1 000 00 101000 1010 010 01110 0 1 01 000 1 000 00000 000 0 000 00 011 01 01 1 0000 000 1 010 000 0 011011 11010 0 111101	255103	
0A15	QV420	E6	ID	1 000 00 000000 1111 100 00000 0 1 11 110 1 010 00000 000 0 101 11 100 01 01 1 0001 000 1 000 000 0 000000 00000 0 000000	255103	
0A16	QV420	L3	ID	1 000 00 101000 1010 100 01110 0 1 01 000 0 000 00000 000 0 000 00 100 01 01 0 0000 000 1 010 000 0 000000 00000 0 111101	255103	
0A17	QV420	Q3	ID	1 000 00 101000 1010 100 01110 0 1 01 000 1 000 00000 000 0 000 00 100 01 00 0 0110 000 1 010 000 0 000000 00000 0 111101	255103	
0A18	QV420	C2	ID	0 000 00 101000 0101 011 00110 0 1 00 000 1 000 00000 000 0 000 00 011 01 01 1 0010 011 1 001 000 0 011100 11101 0 000000	255103	
0A19	QV420	N6	ID	0 000 00 101001 0101 100 00000 0 0 00 111 0 000 00000 000 0 110 10 011 01 01 1 1100 000 1 000 000 0 110011 00000 0 100110	255103	
0A1A	QV420	G2	ID	0 000 00 101000 0101 011 00110 0 1 00 000 1 000 00000 000 0 000 00 011 01 01 0 0010 011 1 001 000 0 011100 11101 0 110010	255103	
0A1B	QV420	Q2	ID	1 000 00 000000 1111 100 00000 0 0 00 111 0 010 00000 000 0 000 11 011 01 01 1 0010 000 1 000 000 0 000000 00000 0 000000	255103	
0A1C	QV242	A5	ID	0 000 00 000000 1111 100 00111 0 0 00 111 0 010 00000 000 0 000 11 011 01 01 1 0101 000 1 001 000 0 000000 00000 0 000000	254760	
0A1D	QV103	J8	ID	0 000 00 101000 0111 100 00011 0 0 00 111 1 000 00000 011 1 000 11 011 01 00 1 1000 001 0 010 000 0 100001 00001 0 000000	254760	
0A1E	QV242	E5	ID	0 000 00 000000 1111 100 00111 0 0 00 111 0 010 00000 000 0 000 11 011 01 01 0 0111 000 1 001 000 0 000000 00000 0 000000	254760	
0A1F	QV103	N8	ID	1 000 00 000000 1111 100 00000 0 0 00 111 0 001 00000 000 0 000 11 011 01 01 0 1011 000 1 000 000 0 000000 00000 0 110100	254760	
0A20	QV103	L5	ID	1 000 00 000000 1111 100 00000 0 0 00 111 1 011 00000 000 0 000 11 011 01 01 0 0000 000 1 000 000 0 000000 00000 0 000000	255103	
0A21	QV103	Q5	ID	0 000 00 101000 1101 100 00000 0 0 00 111 0 011 00000 001 0 000 11 011 01 01 0 0000 000 1 000 000 0 000001 00001 0 000000	255103	
0A22	QV105	A5	ID	0 000 00 101010 0111 011 00111 0 1 10 101 0 010 00000 000 1 000 01 011 01 01 1 0010 011 0 001 110 0 000001 01011 0 000000 00 000000	255103	
0A23	QV105	G5	ID	1 000 00 101011 0011 100 00111 0 1 11 010 0 010 00000 000 1 000 01 011 01 01 0 0010 011 0 001 110 0 000000 00001 0 000000 00 000000	255103	

ADDRESS LIST UNIT. 0010  
DATE 10 JUN 66 MACH. C2050  
LOG 097 UNIT P.No. 5364610  
FRAME 01 PAGE P.No. 5364977  
IBM CORP. DSD PAGE 01

02  
100

DECIMAL ADDRESS	BINARY ADDRESS	SHEET	CLD BOX	MODE	BINARY BIT PATTERN	EC NUMBER	VERSION
0A24	0 1010 0010 0100	QV103	A5	ID	P LU MV ZP ZF ZN TR ZR CS SA SF P CT AL WL HC MS CG MG UL UR P CE LX TC RY CL AB BB UX SS 92-97	254760	
0A25	0 1010 0010 0101	QV103	E5	ID	1 000 00 101110 1000 100 00001 0 0 00 111 1 000 00000 010 0 000 10 001 01 00 0 0010 111 1 000 000 0 000001 01011 0 000000	254760	
0A26	0 1010 0010 0110	QV470	E5	ID	1 000 00 000000 1111 100 00100 0 1 01 000 1 000 00000 000 0 000 11 011 01 01 1 0000 000 1 001 000 0 000000 00000 0 000000	254760	
0A27	0 1010 0010 0111	QV240	L4	ID	1 111 00 101010 0001 100 00111 0 0 00 111 0 000 11110 000 0 000 10 011 01 01 1 0000 000 1 000 000 0 110001 00000 0 000000	255103	
0A28	0 1010 0010 1000	QV420	Q5	ID	0 000 00 101000 0110 100 00111 0 1 10 100 1 000 11110 000 0 110 00 011 01 01 0 0001 000 1 000 000 0 000000 00001 0 000000	255103	
0A29	0 1010 0010 1001	QV420	J5	ID	0 000 00 101000 0110 100 00111 0 1 10 100 0 000 11110 000 0 110 00 100 01 01 0 0001 000 1 000 000 0 000000 00001 0 000000	255103	
0A2A	0 1010 0010 1010	QV420	E5	ID	0 000 00 101000 0101 100 00111 0 1 10 100 0 000 11110 000 0 110 10 011 01 01 1 1100 000 1 000 000 0 000000 00001 0 000000	255103	
0A2B	0 1010 0010 1011	QV420	N5	ID	0 000 00 101000 0110 100 00111 0 1 10 100 1 000 11110 000 0 110 00 100 01 00 0 0001 000 1 000 000 0 000000 00001 0 000000	255103	
0A2C	0 1010 0010 1100	QV352	G4	ID	1 000 00 101010 1011 100 00000 0 1 10 001 1 000 00000 000 0 101 00 011 01 01 0 0111 000 1 000 000 0 000001 00000 0 000000	255103	
0A2D	0 1010 0010 1101	QV410	L3	ID	1 011 00 101010 0101 100 00000 0 1 11 100 1 000 00000 010 0 000 00 000 10 11 0 0000 000 1 000 000 0 000000 00000 0 000000	255103	
0A2E	0 1010 0010 1110	QV352	L4	ID	1 000 00 101010 1011 100 00000 0 1 10 001 1 000 00000 000 0 101 00 011 01 01 0 0111 000 1 000 000 0 011100 00000 0 000000	255103	
0A2F	0 1010 0010 1111	QV242	L5	ID	0 101 10 101010 1111 100 00001 0 0 00 111 0 010 00000 010 0 101 10 011 11 11 0 0111 001 1 000 000 0 011100 00001 0 000000	255103	
0A30	0 1010 0011 0000	QV240	L3	ID	0 000 10 101000 1001 100 00111 0 1 10 101 1 011 00000 000 0 000 00 011 10 10 0 0000 000 0 001 110 0 000001 00001 0 000000	255103	
0A31	0 1010 0011 0001	QV410	J5	ID	1 100 00 101010 1010 100 00101 0 0 00 111 1 000 00000 000 0 000 10 100 01 01 1 0000 000 1 010 000 0 000000 00000 0 000000	255103	
0A32	0 1010 0011 0010	QV620	G2	ID	0 101 00 101001 0000 100 00000 0 0 00 111 1 000 00000 101 0 110 00 011 01 01 0 1010 000 1 000 000 0 000001 00000 0 100110	255103	
0A33	0 1010 0011 0011	QV620	L2	ID	0 101 00 101001 0000 100 00000 0 0 00 111 1 000 00000 101 0 110 00 011 01 01 0 1010 000 1 000 000 0 000001 11101 0 100110	255103	
0A34	0 1010 0011 0100	QV107	N3	ID	1 000 00 101011 0000 100 00011 0 0 00 111 0 000 11101 000 0 000 00 001 01 01 1 0000 000 1 000 000 0 000000 00000 0 110100 00 000000	255452	
0A35	0 1010 0011 0101	QV410	G3	ID	0 000 10 101010 0101 100 00000 0 1 11 100 0 000 00000 010 0 000 00 000 10 10 1 0000 000 1 000 000 0 000000 11100 0 000000	255103	
0A36	0 1010 0011 0110	-	-	-	P LU MV ZP ZF ZN TR ZR WS SF P IV AL WM UP MD LB MB DG UL UR P CE LX TC RY AD AB BB UX SS 92-97	254770	
0A37	0 1010 0011 0111	QV103	L7	ID	0 000 00 101000 0111 100 00011 0 0 00 111 0 000 00000 010 0 000 11 011 01 01 0 0000 000 0 000 000 0 100001 00001 0 000000	254760	
0A38	0 1010 0011 1000	QV102	G4	ID	0 000 00 101010 0010 100 11110 0 1 10 101 0 011 11110 000 0 000 10 011 01 01 1 0000 000 1 000 000 0 000001 00000 0 000000	255103	
0A39	0 1010 0011 1001	QV351	Q5	ID	1 100 00 101000 0011 100 00001 0 0 00 111 0 000 00000 001 0 110 10 111 10 01 0 0010 001 1 000 000 0 110101 00000 0 000000	255103	
0A3A	0 1010 0011 1010	QV351	C5	ID	1 000 00 101000 0011 100 00000 0 0 00 111 0 010 00000 000 0 110 10 111 01 01 1 0011 000 1 000 000 0 000000 00001 0 110000	255103	
0A3B	0 1010 0011 1011	QV351	G5	ID	0 000 00 101000 0011 100 00001 0 0 00 111 1 000 00000 000 0 110 10 111 01 01 1 0011 001 1 000 000 0 000001 00001 0 110000	255103	
0A3C	0 1010 0011 1100	QV350	J3	ID	1 000 00 101001 0011 100 00000 0 1 01 110 1 000 00000 000 0 010 00 101 01 00 0 0011 000 1 000 000 0 110010 11010 0 000000	255103	
0A3D	0 1010 0011 1101	QV350	J2	ID	1 100 00 101000 1111 011 00000 0 0 00 111 1 000 00000 000 0 010 00 100 11 11 1 0110 001 1 000 000 0 011011 11010 0 100110	255103	
0A3E	0 1010 0011 1110	QV351	E3	ID	0 000 00 101001 0010 100 00000 0 1 01 110 0 000 00000 000 0 100 00 011 01 01 1 0011 000 1 000 000 0 110010 00000 0 000000	255103	
0A3F	0 1010 0011 1111	QV352	L3	ID	0 000 00 101000 1011 100 00000 0 0 00 111 0 000 00000 000 0 010 00 011 01 01 1 0000 000 1 000 000 0 110010 00000 0 000000	255103	
0A40	0 1010 0100 0000	QV101	E3	ID	0 100 00 101011 0010 011 00000 0 0 00 111 0 011 00000 000 0 001 00 011 00 00 0 0000 001 1 000 000 0 110110 11100 0 000000	255103	
0A41	0 1010 0100 0001	QV101	L3	ID	1 100 00 101011 0010 011 00000 0 1 11 100 0 011 00000 000 0 001 00 011 00 00 1 0000 000 1 000 000 0 110110 11100 0 000000	255103	
0A42	0 1010 0100 0010	QV620	J3	ID	1 000 00 101000 0100 100 00111 0 0 00 111 1 000 00000 000 0 101 00 011 01 01 0 0101 000 1 000 000 0 000001 00000 0 111101	255103	
0A43	0 1010 0100 0011	QV620	N3	ID	1 000 00 000000 1111 100 00000 0 0 00 111 0 010 11110 000 0 000 11 011 01 01 1 0010 000 1 000 000 0 000000 00000 0 000000	255103	
0A44	0 1010 0100 0100	QV241	C3	ID	1 000 10 101010 1110 100 00001 0 0 00 111 0 011 00000 010 0 000 00 000 10 10 1 0000 000 0 001 000 0 000000 00001 0 000000 00 000000	255450	
0A45	0 1010 0100 0101	QV241	G3	ID	1 000 10 101010 1110 100 00001 0 0 00 111 1 011 00000 011 0 000 00 000 10 10 1 0000 000 0 001 000 0 000000 00001 0 000000 00 000000	255450	
0A46	0 1010 0100 0110	QV241	L3	ID	1 000 10 101010 1110 100 00001 0 0 00 111 0 011 00000 100 0 000 00 000 10 10 1 0000 000 0 001 000 0 000000 00001 0 000000 00 000000	255450	
0A47	0 1010 0100 0111	QV241	Q3	ID	1 000 10 101010 1110 100 00001 0 0 00 111 0 011 00000 001 0 000 00 000 10 10 1 0000 000 0 001 000 0 000000 00001 0 000000 00 000000	255450	

ADDRESS LIST UNIT. 0010  
DATE 10 JUN 66 MACH. C2050  
LOG 097 UNIT P.No. 5364610  
FRAME 01 PAGE P.No. 5364977  
IWM CORP. DSD PAGE 02

2100

HEX ADD	BINARY ADDRESS	SHEET	CLD BOX	MODE	BINARY BIT PATTERN	EC NUMBER	VERSION
0A48	0 1010 0100 1000	QV351	E4	ID	P LU MV ZP ZF ZN TR ZR CS SA SF P CT AL WL HC MS CG MG UL UR P CE LX TC RY CL AB BB UX SS 92-97 0 000 00 101000 1110 100 00000 0 1 10 001 1 000 00000 000 0 101 00 011 01 01 1 0111 000 1 000 000 0 000001 11010 0 000000	255103	
0A49	0 1010 0100 1001			-	P LU MV ZP ZF ZN TR ZR WS SF P IV AL WM UP MD LB MB DG UL UR P CE LX TC RY AD AB BB UX SS 92-97 0 000 00 101001 0010 100 00000 0 000 000 0 000 10111 0000 00 0 0 0 010 00 00 0 0000 000 0 000 0000 000000 00001 0 000000 00 000000	255452	
0A4A	0 1010 0100 1010	QV351	J4	ID	P LU MV ZP ZF ZN TR ZR CS SA SF P CT AL WL HC MS CG MG UL UR P CE LX TC RY CL AB BB UX SS 92-97 1 000 00 101000 1110 110 00000 0 1 10 001 1 000 00000 000 0 101 00 011 01 01 1 0111 000 1 000 000 0 011100 11010 0 000000	255103	
0A4B	0 1010 0100 1011			-	P LU MV ZP ZF ZN TR ZR WS SF P IV AL WM UP MD LB MB DG UL UR P CE LX TC RY AD AB BB UX SS 92-97 0 000 00 101001 0010 100 00000 0 000 000 0 000 10111 0000 00 0 0 0 010 00 00 1 0000 000 0 000 0000 000001 00001 0 000000 00 000000	255452	
0A4C	0 1010 0100 1100	QV350	C4	ID	P LU MV ZP ZF ZN TR ZR CS SA SF P CT AL WL HC MS CG MG UL UR P CE LX TC RY CL AB BB UX SS 92-97 0 000 00 101001 0101 100 00000 0 1 10 001 0 000 00000 000 0 101 00 011 01 00 1 0111 000 1 000 000 0 000001 00001 0 000000	255103	
0A4D	0 1010 0100 1101	QV350	G4	ID	0 100 10 101001 0101 100 00000 0 1 10 001 0 000 00000 000 0 101 00 000 10 11 1 0111 000 1 000 000 0 000001 00001 0 000000	255103	
0A4E	0 1010 0100 1110	QV350	L4	ID	0 000 00 101001 0101 100 00000 0 1 10 001 0 000 00000 000 0 101 00 011 01 00 1 0111 000 1 000 000 0 011100 00001 0 000000	255103	
0A4F	0 1010 0100 1111	QV350	Q4	ID	0 100 10 101001 0101 100 00000 0 1 10 001 0 000 00000 000 0 101 00 000 10 11 1 0111 000 1 000 000 0 011100 00001 0 000000	255103	
0A50	0 1010 0101 0000	QV104	C3	ID	0 000 00 101001 0100 011 00011 0 0 00 111 1 000 00000 011 1 000 11 011 01 00 1 1000 001 0 010 000 0 100001 01011 0 000000 00 000000	254760	
0A51	0 1010 0101 0001	QV103	G2	ID	0 010 00 101011 0100 111 01111 0 1 10 101 1 000 00000 000 1 001 00 011 00 00 1 0010 011 0 001 000 0 011100 11010 0 000000	255103	
0A52	0 1010 0101 0010	QV104	G3	ID	1 000 00 000000 1111 100 00000 0 0 00 111 0 001 00000 000 0 000 11 011 01 01 0 1011 000 1 000 000 0 000000 00000 0 110100 00 000000	254760	
0A53	0 1010 0101 0011	QV104	L3	ID	1 000 00 101010 1000 100 10000 0 1 10 101 1 011 00000 000 0 001 00 011 10 00 1 0010 011 1 001 000 0 000001 11101 0 000000 00 000000	254760	
0A54	0 1010 0101 0100	QV420	L7	ID	1 000 00 000000 1111 100 00000 0 1 11 110 1 010 00000 000 0 101 11 100 01 01 1 0001 000 1 000 000 0 000000 00000 0 000000	254760	
0A55	0 1010 0101 0101	QV350	Q5	ID	1 100 00 101000 0011 100 00001 0 0 00 111 0 000 00000 001 0 110 10 111 10 01 0 0010 001 1 000 000 0 110101 00000 0 000000	255103	
0A56	0 1010 0101 0110	QV420	Q7	ID	1 100 10 000000 1111 100 00000 0 1 10 100 1 010 00000 001 0 000 11 011 11 11 0 0110 000 1 000 000 0 000000 00000 0 1111100	254760	
0A57	0 1010 0101 0111	QV350	L5	ID	0 100 00 101000 0011 011 00001 0 0 00 111 1 000 00000 001 0 110 10 111 00 01 0 0011 001 1 000 000 0 110101 01101 0 110000	255103	
0A80	0 1010 1000 0000	QV100	J5	ID	0 100 00 000000 1111 100 00000 0 1 10 100 1 000 00000 001 0 000 11 011 01 00 0 0101 000 1 000 000 0 000000 00000 0 000000	255103	
0A81	0 1010 1000 0001	QV260	J3	ID	1 100 10 101010 0011 100 01110 0 0 10 000 0 000 00000 001 1 000 10 100 01 11 1 0000 000 1 000 000 0 011100 11101 0 000000	255103	
0A82	0 1010 1000 0010			-	P LU MV ZP ZF ZN TR ZR WS SF P IV AL WM UP MD LB MB DG UL UR P CE LX TC RY AD AB BB UX SS 92-97 1 000 00 101010 0000 100 00000 0 000 000 0 000 10111 0000 00 0 0 0 010 00 00 0 0000 000 0 000 0000 000001 00000 0 000000	255103	
0A83	0 1010 1000 0011			-	1 000 00 101010 0000 100 00000 0 000 000 0 000 10111 0000 00 0 0 0 010 00 00 1 0000 000 0 000 0000 000001 00001 0 000000	255103	
0A84	0 1010 1000 0100	QV240	C5	ID	P LU MV ZP ZF ZN TR ZR CS SA SF P CT AL WL HC MS CG MG UL UR P CE LX TC RY CL AB BB UX SS 92-97 1 101 00 000000 1111 100 00000 0 1 01 001 0 010 00000 000 0 000 11 101 01 01 1 0111 000 1 000 000 0 000000 00000 0 000000 00 000000	255450	
0A85	0 1010 1000 0101	QV240	G5	ID	1 110 00 000000 1111 100 00000 0 1 01 001 0 010 00000 000 0 000 11 101 01 01 1 0111 000 1 000 000 0 000000 00000 0 000000 00 000000	255450	
0A86	0 1010 1000 0110	QV240	L5	ID	0 111 00 000000 1111 100 00000 0 1 01 001 0 010 00000 000 0 000 11 101 01 01 1 0111 000 1 000 000 0 000000 00000 0 000000 00 000000	255450	
0A87	0 1010 1000 0111	QV240	Q5	ID	0 100 00 000000 1111 100 00000 0 1 01 001 0 010 00000 000 0 000 11 101 01 01 1 0111 000 1 000 000 0 000000 00000 0 000000 00 000000	255450	
0A88	0 1010 1000 1000	QV470	G2	ID	1 101 00 101000 0010 100 00111 0 1 01 010 1 000 00000 101 0 000 00 011 01 01 1 0001 000 1 001 000 0 000001 11101 0 000000	255103	
0A89	0 1010 1000 1001	QV470	L2	ID	0 101 00 101010 1001 100 00000 0 1 01 001 1 000 00000 101 0 000 00 011 01 01 0 0001 000 1 000 000 0 000001 00000 0 000000	254760	
0A8A	0 1010 1000 1010	QV102	J5	ID	1 000 00 000000 1111 100 00001 0 1 00 001 1 000 00000 000 0 000 11 011 01 01 0 0100 011 1 001 000 0 000000 00000 0 000000	255103	
0A8B	0 1010 1000 1011	QV470	Q2	ID	1 101 00 101010 1011 100 00000 0 1 01 001 0 000 00000 101 0 000 10 011 01 01 0 0001 000 1 000 000 0 000000 00001 0 000000	255103	
0A8C	0 1010 1000 1100	QV260	C4	ID	0 000 00 000000 1111 100 00001 0 1 10 001 0 000 00000 000 0 010 11 100 01 00 1 0000 001 1 000 000 0 000000 00000 0 000000	255103	
0A8D	0 1010 1000 1101	QV260	G4	ID	0 000 00 000000 1111 100 00001 0 1 10 001 0 000 00000 000 0 010 11 100 01 00 0 0001 001 1 000 000 0 000000 00000 0 000000	255103	

ADDRESS LIST UNIT. 0010  
DATE 10 JUN 66 MACH. C2050  
LOG 097 UNIT P.No. 5364610  
FRAME 01 PAGE P.No. 5364977  
IBM CORP. DSD PAGE 03

Q  
Z  
1  
0  
0

HEX ADD	BINARY ADDRESS	SHEET	CLB BOX	MODE	BINARY BIT PATTERN	EC NUMBER	VERSION
					P LU MV ZP ZF ZN TR ZR CS SA SF P CT AL WL HC MS CG MG UL UR P CE LX TC RY CL AB BB UX SS 92-97		
0A8E	0 1010 1000 1110	QV260	L4	ID	0 000 00 000000 1111 100 00001 0 1 10 001 0 000 00000 000 0 010 11 100 01 00 0 0010 001 1 000 000 0 000000 00000 0 000000	255103	
0A8F	0 1010 1000 1111	QV260	Q4	ID	0 000 00 000000 1111 100 00001 0 1 10 001 0 000 00000 000 0 010 11 100 01 00 1 0011 001 1 000 000 0 000000 00000 0 000000	255103	
0A90	0 1010 1001 0000	QV104	G7	ID	1 000 00 101010 1000 100 00111 0 1 11 100 0 011 11110 000 0 000 10 011 01 01 0 0000 000 1 000 000 0 000000 00000 0 000000 00 000000	255103	
0A91	0 1010 1001 0001	QV620	J5	ID	1 000 00 000000 1111 100 00011 0 0 00 111 0 010 00000 000 0 000 11 011 01 01 1 0110 000 1 001 000 0 000000 00000 0 000000	254760	
0A92	0 1010 1001 0010	QV104	N7	ID	1 000 00 000000 1111 100 00000 0 1 01 001 1 011 11110 000 0 000 11 011 01 01 0 0000 000 1 000 000 0 000000 00000 0 000000 00 000000	254760	
0A93	0 1010 1001 0011	QV104	C7	ID	0 000 00 101011 0010 100 00000 0 0 00 111 0 011 11110 001 0 000 00 011 01 01 1 0000 000 1 000 000 0 000000 00001 0 000000 00 000000	255103	
0A94	0 1010 1001 0100	QV410	J4	ID	0 000 00 101000 1100 100 00111 0 1 01 100 1 010 11110 000 0 000 00 010 01 01 1 0000 000 1 000 000 0 000000 00001 0 000000	255103	
0A95	0 1010 1001 0101	QV410	E4	ID	1 000 00 000000 1111 100 00000 0 0 00 111 0 010 00000 000 0 000 11 011 01 01 0 0110 000 1 000 000 0 000000 00000 0 000000	254760	
0A96	0 1010 1001 0110	QV113	C3	ID	1 000 00 101010 0110 011 00011 0 0 00 111 0 000 00000 010 0 000 11 011 01 01 0 0000 000 0 000 000 0 100001 01011 0 000000 00 000000	255103	
0A97	0 1010 1001 0111	QV113	G3	ID	0 000 00 101011 0011 011 00011 0 0 00 111 0 000 00000 010 0 000 11 011 01 01 0 0000 000 0 000 000 0 100001 01011 0 000000 00 000000	255103	
0A98	0 1010 1001 1000	QV113	C5	ID	1 000 00 101010 0110 011 00011 0 0 00 111 1 000 00000 011 1 000 11 011 01 00 1 1000 001 0 010 000 0 100001 01011 0 000000 00 000000	255103	
0A99	0 1010 1001 1001	QV107	E3	ID	0 100 00 101010 1001 100 00001 0 0 00 100 1 000 11101 001 0 000 00 001 01 10 1 0000 000 1 000 000 0 000001 00001 0 110100 00 000000	255452	
0A9A	0 1010 1001 1010	QV113	J5	ID	1 000 00 000000 1111 100 00000 0 0 00 111 0 001 00000 000 0 000 11 011 01 01 0 1011 000 1 000 000 0 000000 00000 0 110100 00 000000	255103	
0A9B	0 1010 1001 1011	QV113	N5	ID	0 000 00 101000 1000 100 10000 0 1 10 101 0 010 00000 000 0 000 00 011 01 01 1 0010 011 1 001 000 0 000001 11101 0 000000 00 000000	255103	
0A9C	0 1010 1001 1100	QV242	C3	ID	1 000 00 101010 1110 100 00001 0 1 10 000 1 011 00000 000 0 000 00 011 01 01 1 0000 000 0 001 000 0 000001 00000 0 000000	255103	
0A9D	0 1010 1001 1101	QV242	L3	ID	1 000 00 101010 1011 100 00100 0 1 01 101 1 000 00000 000 0 000 00 100 00 01 1 0100 000 1 001 000 0 000001 00001 0 111110	254760	
0A9E	0 1010 1001 1110	QV105	C7	ID	0 000 00 000000 1111 100 11100 0 1 01 001 1 000 11101 000 0 000 11 011 01 01 0 0000 000 1 000 000 0 000000 00000 0 000000 00 000000	255103	
0A9F	0 1010 1001 1111	QV113	E2	ID	1 000 00 101010 0101 100 11100 0 0 00 111 1 000 11101 001 0 000 10 011 01 01 0 0000 000 1 000 000 0 000001 11010 0 000000 00 000000	255103	
0AA0	0 1010 1010 0000	QV105	L8	ID	1 000 00 000000 1111 100 00000 0 1 01 001 1 000 00000 000 0 000 11 011 01 01 0 0000 000 1 000 000 0 000000 00000 0 000000 00 000000	255103	
0AA1	0 1010 1010 0001	QV113	L1	ID	0 000 00 101011 0100 100 00000 0 0 00 111 0 000 00000 001 0 000 00 011 01 01 1 0000 000 1 000 000 0 000001 00000 0 000000 00 000000	255103	
0AA2	0 1010 1010 0010	QV104	J5	ID	0 000 00 101010 0100 011 00111 0 1 10 101 0 011 00000 000 1 000 00 011 01 01 1 0010 011 0 001 110 0 011100 01011 0 000000 00 000000	254760	
0AA3	0 1010 1010 0011	QV104	N5	ID	0 000 00 101010 0100 011 00111 0 1 10 101 1 011 00000 000 0 000 00 011 01 01 1 0000 000 1 001 110 0 011100 01011 0 000000 00 000000	254760	
0AA4	0 1010 1010 0100	QV102	G2	ID	0 100 00 101010 1110 100 10000 0 1 10 101 0 000 00000 000 0 001 00 011 00 00 0 0000 000 1 001 100 0 000000 00000 0 000000	254760	
0AA5	0 1010 1010 0101	QV102	L2	ID	0 100 00 101010 1110 100 10000 0 1 10 101 0 000 00000 000 0 001 00 011 00 00 1 0100 011 1 001 100 0 000000 00000 0 000000	254760	
0AA6	0 1010 1010 0110	QV470	L4	ID	1 100 10 101010 1011 100 00000 0 0 00 111 1 000 00000 001 0 000 10 011 01 10 1 0000 000 1 000 000 0 000000 00001 0 000000	255103	
0AA7	0 1010 1010 0111	QV107	E4	ID	0 000 00 101011 0000 100 00111 0 1 10 010 0 010 00000 000 0 100 00 011 00 01 0 0000 000 1 001 000 0 000001 00000 0 000000	255103	
0AA8	0 1010 1010 1000	QV410	J6	ID	0 100 00 000000 1111 100 00000 0 1 11 110 0 011 00000 000 0 010 11 101 01 01 0 0000 000 1 000 000 0 000000 00000 0 000000	254760	
0AA9	0 1010 1010 1001	QV101	G5	ID	0 000 00 000000 1111 100 00001 0 1 01 001 1 000 00000 000 0 000 11 011 01 01 1 0000 001 1 000 000 0 000000 00000 0 000000	255103	
0AAA	0 1010 1010 1010	QV100	J3	ID	1 000 00 101010 1110 100 00111 0 1 00 100 0 000 00000 000 0 000 00 001 01 01 0 0100 011 1 001 000 0 000001 00001 0 000000	255103	
0AAB	0 1010 1010 1011	QV100	G2	ID	1 100 00 101010 1010 100 00000 0 1 01 100 0 011 00000 000 0 001 00 011 00 00 0 0000 001 1 000 000 0 000001 00000 0 000000	255103	
0AAC	0 1010 1010 1100	QV352	L5	ID	0 100 00 101000 0011 100 00000 0 0 00 111 0 000 00000 001 0 110 10 111 10 01 1 0010 000 1 000 000 0 110101 00000 0 000000	255103	
0AAD	0 1010 1010 1101	QV470	L5	ID	1 000 00 000000 1111 100 10001 0 1 01 001 1 000 00000 000 0 000 11 011 01 01 1 0000 001 1 000 000 0 000000 00000 0 000000	255103	
0AAE	0 1010 1010 1110	QV352	G5	ID	0 100 00 101000 0011 100 00000 0 0 00 111 1 000 00000 001 0 110 10 111 00 01 0 0011 000 1 000 000 0 110101 00000 0 000000	255103	
0AAF	0 1010 1010 1111	QV242	L4	ID	0 000 00 101000 1011 100 00000 0 1 10 001 1 000 00000 000 0 011 00 000 01 01 1 0010 000 1 000 000 0 000001 00001 0 000000	254760	
0AB0	0 1010 1011 0000	QV113	E9	ID	1 000 00 101010 1100 011 00011 0 0 00 111 1 000 00000 011 1 000 11 011 01 00 1 1000 001 0 010 000 0 100001 01011 0 000000 00 000000	255103	
					P LU MV ZP ZF ZN TR ZR WS SF P IV AL WM UP MD LB MB DG UL UR P CE LX TC RY AD AB BB UX SS 92-97		
0AB1	0 1010 1011 0001			-	1 000 00 101010 1100 100 00000 0 000 000 0 000 10111 0000 00 0 0 0 010 00 00 0 0000 000 0 000 0000 000000 00001 0 000000	254760	

ADDRESS LIST UNIT. 0010  
DATE 10 JUN 66 MACH. C2050  
LOG 097 UNIT P.No. 5364610  
FRAME 01 PAGE P.No. 5364977  
IBM CORP. DSD PAGE 04

QZ  
10  
0

HEX ADD	BINARY ADDRESS	SHEET	CLD BOX	MODE	BINARY BIT PATTERN	EC NUMBER	VERSION
					P LU MV ZP ZF ZN TR ZR CS SA SF P CT AL WL HC MS CG MG UL UR P CE LX TC RY CL AB BB UX SS 92-97		
OAB2	0 1010 1011 0010	QV113	J9	ID	1 000 00 000000 1111 100 00000 0 0 00 111 0 001 00000 000 0 000 11 011 01 01 0 1011 000 1 000 000 0 000000 00000 0 110100 00 000000	255103	
OAB3	0 1010 1011 0011	QV113	N9	ID	1 000 00 101010 1101 100 00111 0 1 10 101 0 010 00000 000 0 000 00 011 01 01 0 0000 000 1 001 000 0 000001 00000 0 000000 00 000000	255103	
OAB4	0 1010 1011 0100	QV107	G6	ID	0 000 10 000000 1111 100 00101 0 0 00 010 0 000 00000 100 0 000 11 011 01 10 1 0000 000 1 001 000 0 000000 00000 0 000000	254760	
OAB5	0 1010 1011 0101	QV103	E4	ID	1 000 00 101000 1001 100 11110 0 0 00 111 1 011 11110 000 0 000 00 011 01 01 1 0000 000 1 000 011 0 000000 11010 0 000000	255103	
OAB6	0 1010 1011 0110	QV105	N5	ID	1 000 00 101010 1000 100 00111 0 1 10 101 1 010 00000 000 1 000 00 011 01 01 0 0010 011 0 001 110 0 000000 01011 0 000000 00 000000	256469	
OAB7	0 1010 1011 0111	QV103	N4	ID	0 000 00 101000 1000 100 00000 0 1 10 001 0 011 00000 000 0 000 10 011 01 01 1 0000 000 1 000 000 0 000000 01011 0 000000	255103	
OAB8	0 1010 1011 1000	QV102	E3	ID	1 100 00 101000 1110 100 00001 0 1 01 000 1 011 00000 001 0 000 00 011 01 00 1 0101 000 1 001 000 0 000000 00000 0 000000	254760	
OAB9	0 1010 1011 1001	QV241	J4	ID	1 000 00 101010 1111 100 11100 0 1 10 001 0 000 00000 000 0 000 10 011 01 01 0 0000 001 1 000 000 0 110010 00000 0 000000	255103	
OABA	0 1010 1011 1010	QV242	C4	ID	1 000 00 101000 0111 100 00000 0 1 01 101 0 000 11110 000 0 000 10 011 01 01 1 0000 000 1 000 000 0 110010 00000 0 000000	255103	
OABB	0 1010 1011 1011	QV100	G4	ID	1 100 00 101010 0000 100 11110 0 0 00 111 1 011 00000 000 0 100 10 011 00 00 1 0000 000 1 010 000 0 000000 00000 0 000000	255103	
OABC	0 1010 1011 1100	QV241	G5	ID	1 111 00 000000 1111 100 00001 0 1 01 001 1 010 00000 000 0 000 11 100 01 01 1 0101 001 1 000 000 0 000000 00000 0 000000	255103	
OABD	0 1010 1011 1101	QV242	J6	ID	0 000 00 000000 1111 100 00001 0 1 10 001 1 000 00000 000 0 000 11 011 01 01 1 0000 001 1 000 000 0 000000 00000 0 000000	255103	
OABE	0 1010 1011 1110	QV241	L5	ID	1 111 00 000000 1111 100 00001 0 1 01 001 1 010 00000 000 0 000 11 100 01 01 0 0111 001 1 000 000 0 000000 00000 0 000000	255103	
OABF	0 1010 1011 1111	QV242	N6	ID	1 000 00 000000 1111 100 00000 0 1 10 001 1 000 00000 000 0 000 11 011 01 01 0 0000 000 1 000 000 0 000000 00000 0 000000	255103	
OAC0	0 1010 1100 0000	QV107	L4	ID	1 000 00 101011 0000 100 00000 0 0 00 111 0 010 00000 000 0 100 00 011 00 01 1 0000 000 1 000 000 0 000000 00001 0 000000	255103	
OAC1	0 1010 1100 0001	QV107	L5	ID	0 000 00 101010 1101 100 00010 0 0 00 111 0 000 11101 000 0 000 10 011 01 01 0 0010 000 1 000 000 0 000000 00000 0 110100	255103	
OAC2	0 1010 1100 0010	QV107	E5	ID	1 000 00 101010 1101 100 00011 0 0 00 111 1 000 00000 010 0 000 10 011 01 01 1 0010 001 1 011 000 0 000000 00000 0 110100	255103	
OAC3	0 1010 1100 0011	QV260	J2	ID	1 000 00 101010 0000 100 00000 0 1 11 010 1 000 00000 000 0 000 00 100 01 00 1 1000 000 1 000 000 0 000000 00001 0 110010	255103	
OAC4	0 1010 1100 0100	QV241	J2	ID	1 000 00 101001 0001 100 10000 0 1 10 101 0 000 00000 000 1 000 00 011 01 01 0 0000 000 1 001 000 0 110001 00000 0 000000	254760	
OAC5	0 1010 1100 0101	QV243	J2	ID	0 000 00 101000 0001 100 10000 0 1 10 101 1 000 00000 000 0 000 00 011 01 01 1 0000 000 0 001 000 0 110001 00000 0 000000	254760	
OAC6	0 1010 1100 0110	QV240	L2	ID	0 010 00 101000 1100 100 10000 0 1 10 101 1 000 00000 000 1 000 00 100 10 01 1 0000 000 1 001 000 0 000000 00000 0 000000	254760	
OAC7	0 1010 1100 0111	QV242	Q2	ID	1 000 10 101010 0111 100 00111 0 1 10 010 1 000 00000 101 0 000 00 011 10 10 1 0010 000 1 001 000 0 000000 11010 0 000000	254760	
OAC8	0 1010 1100 1000	QV101	E4	ID	1 000 00 101011 0010 100 00001 0 1 00 000 1 000 00000 000 0 000 00 011 01 01 1 0100 011 1 001 000 0 000001 00000 0 000000	255103	
OAC9	0 1010 1100 1001	QV104	C8	ID	0 000 00 101001 0100 011 00011 0 0 00 111 0 000 00000 010 0 000 11 011 01 01 0 0000 000 0 000 000 0 100001 01011 0 000000 00 000000	255103	
OACA	0 1010 1100 1010	QV101	J4	ID	1 000 00 101010 1010 100 01110 0 1 10 001 0 011 11110 000 0 000 10 011 01 01 1 0000 000 1 000 000 0 000000 00001 0 000000 00 000000	256469	
OACB	0 1010 1100 1011	QV101	N4	ID	1 000 00 101010 1010 100 01110 0 1 10 001 0 011 11110 000 0 000 10 011 01 01 1 0000 000 1 000 000 0 000000 00001 0 000000 00 000000	256469	
OACC	0 1010 1100 1100	QV113	C7	ID	0 000 00 101011 0011 011 00011 0 0 00 111 1 000 00000 011 1 000 11 011 01 00 1 1000 001 0 010 000 0 100001 01011 0 000000 00 000000	255103	
OACD	0 1010 1100 1101	QV105	G7	ID	1 000 00 101010 1000 100 11100 0 1 10 101 0 000 00000 000 0 000 10 011 01 01 1 0000 000 1 001 000 0 000000 00000 0 000000 00 000000	255103	
OACE	0 1010 1100 1110	QV113	G7	ID	1 000 00 000000 1111 100 00000 0 0 00 111 0 001 00000 000 0 000 11 011 01 01 0 1011 000 1 000 000 0 000000 00000 0 110100 00 000000	255103	
OACF	0 1010 1100 1111	QV113	N7	ID	0 000 00 101000 1000 100 10000 0 1 10 101 1 010 00000 000 1 000 00 011 01 01 0 0010 011 0 001 000 0 000001 11101 0 000000 00 000000	255103	
OAD0	0 1010 1101 0000	QV103	C3	ID	0 000 00 101010 1101 100 10011 0 1 01 001 0 011 00000 000 1 000 00 011 01 01 0 0010 011 0 001 000 0 000000 00001 0 000000	255103	
OAD1	0 1010 1101 0001	QV103	G3	ID	0 000 00 101010 1101 100 10011 0 1 01 001 1 011 00000 000 0 000 00 011 01 01 1 0010 011 1 001 000 0 000000 00001 0 000000	255103	
OAD2	0 1010 1101 0010	QV113	L2	ID	1 000 00 101010 1100 011 00011 0 0 00 111 0 000 00000 010 0 000 11 011 01 01 0 0000 000 0 000 000 0 100001 01011 0 000000 00 000000	255103	
OAD3	0 1010 1101 0011	QV103	G3	ID	1 000 00 101010 1101 100 00111 0 1 01 101 1 011 00000 000 0 000 00 011 01 01 1 0000 000 1 001 000 0 000001 00001 0 000000	254760	
OAD4	0 1010 1101 0100	QV410	G2	ID	1 000 10 101000 1101 100 00000 0 0 00 111 1 000 00000 101 0 000 00 000 10 10 0 0001 000 1 000 000 0 000000 00001 0 000000	255103	
					P LU MV ZP ZF ZN TR ZR WS SF P IV AL WM UP MD LB MB DG UL UR P CE LX TC RY AD AB BB UX SS 92-97		
OAD5	0 1010 1101 0101	-	-	-	0 000 00 101011 0101 100 00000 0 000 000 0 000 10111 0000 00 0 0 0 010 00 00 0 0000 000 0 000 0000 000000 00001 0 000000	254770	

ADDRESS LIST UNIT. 0010  
DATE 10 JUN 66 MACH. C2050  
LDG 097 UNIT P.No. 5364610  
FRAME 01 PAGE P.No. 5364977  
IBM CORP. DSD PAGE 05

Q  
Z  
1  
0  
0

KEY ADD	BINARY ADDRESS	SHEET	CLD BOX	MODE	BINARY BIT PATTERN	EC NUMBER	VERSION
					P LU MV ZP ZF ZN TR ZR CS SA SF P CT AL WL HC MS CG MG UL UR P CE LX TC RY CL AB BB UX SS 92-97		
QAD6	0 1010 1101 0110	QV410	L2	ID	0 011 00 101000 1011 100 00000 0 0 00 111 0 000 00000 101 0 000 00 000 10 11 0 0001 000 1 000 000 0 000000 00001 0 000000	255103	
QAD7	0 1010 1101 0111	QV410	C2	ID	1 000 10 101000 1101 100 00000 0 0 00 111 1 000 00000 101 0 000 00 000 10 10 0 0001 000 1 000 000 0 000000 00001 0 000000	255103	

ADDRESS LIST UNIT. 0010  
DATE 10 JUN 66 MACH. C2050  
LOG 097 UNIT P.N. 5364610  
FRAME 01 PAGE P.N. 5364977  
IBM CORP. DSD PAGE 06

Q  
Z  
1  
0  
0

HEX ADD	BINARY ADDRESS	SHEET	CLD BOX	MODE	BINARY BIT PATTERN	EC NUMBER	VERSION
					P LU MV ZP ZF ZN TR ZR WS SF P IV AL WM UP MD LB MB DG UL UR P CE LX TC RY AD AB BB UX SS 92-97		
0B00	0 1011 0000 0000			-	1 000 00 101100 0000 100 00000 0 000 000 0 000 10111 0000 00 0 0 0 010 00 00 1 0000 000 0 000 0000 000000 00000 0 000000	255103	
0B01	0 1011 0000 0001			-	1 000 00 101100 0000 100 00000 0 000 000 0 000 10111 0000 00 0 0 0 010 00 00 0 0000 000 0 000 0000 000000 00001 0 000000	255103	
0B02	0 1011 0000 0010			-	1 000 00 101100 0000 100 00000 0 000 000 0 000 10111 0000 00 0 0 0 010 00 00 0 0000 000 0 000 0000 000001 00000 0 000000	255103	
0B03	0 1011 0000 0011			-	1 000 00 101100 0000 100 00000 0 000 000 0 000 10111 0000 00 0 0 0 010 00 00 1 0000 000 0 000 0000 000001 00001 0 000000	255103	
					P LU MV ZP ZF ZN TR ZR CS SA SF P CT AL WM HC MS CG MG UL UR P CE LX TC RY CL AB BB UX SS 92-97		
0B04	0 1011 0000 0100	QV231	C3	ID	1 000 10 101100 1000 100 00001 0 0 00 111 0 011 00000 001 0 000 00 000 10 10 1 0000 000 0 001 000 0 000001 00000 0 000000 00 000000	255450	
0B05	0 1011 0000 0101	QV231	G3	ID	1 000 10 101100 1000 100 00001 0 0 00 111 0 011 00000 010 0 000 00 000 10 10 1 0000 000 0 001 000 0 000001 00000 0 000000 00 000000	255450	
0B06	0 1011 0000 0110	QV231	L3	ID	1 000 10 101100 1000 100 00001 0 0 00 111 1 011 00000 011 0 000 00 000 10 10 1 0000 000 0 001 000 0 000001 00000 0 000000 00 000000	255450	
0B07	0 1011 0000 0111	QV231	Q3	ID	1 000 10 101100 1000 100 00001 0 0 00 111 0 011 00000 100 0 000 00 000 10 10 1 0000 000 0 001 000 0 000001 00000 0 000000 00 000000	255450	
					P LU MV ZP ZF ZN TR ZR WS SF P IV AL WM UP MD LB MB DG UL UR P CE LX TC RY AD AB BB UX SS 92-97		
0B08	0 1011 0000 1000			-	0 000 00 101100 0010 100 00000 0 000 000 0 000 10111 0000 00 0 0 0 010 00 00 1 0000 000 0 000 0000 000000 00000 0 000000	255103	
					P LU MV ZP ZF ZN TR ZR CS SA SF P CT AL WM HC MS CG MG UL UR P CE LX TC RY CL AB BB UX SS 92-97		
0B09	0 1011 0000 1001	QV220	J2	ID	1 101 00 101110 0001 110 00000 0 0 01 000 1 000 00000 110 0 000 00 011 01 01 0 0001 000 1 000 000 0 011100 11101 0 000000	255103	
0B0A	0 1011 0000 1010	QV220	J4	ID	0 000 00 101110 1011 100 00001 0 1 01 000 0 011 11110 000 0 000 10 011 01 01 1 0000 000 1 000 000 0 000001 11101 0 000000	255103	
0B0B	0 1011 0000 1011	QV220	Q4	ID	1 101 00 101110 1100 100 00001 0 1 01 000 1 000 11110 000 0 000 10 100 01 01 1 0000 000 1 000 000 0 000000 00001 0 000000	255103	
0B0C	0 1011 0000 1100	QV270	J3	ID	0 000 00 101100 0100 100 00001 0 1 11 110 1 010 00000 000 0 000 10 011 01 01 1 0111 001 1 000 000 0 000001 00000 0 000000	255103	
0B0D	0 1011 0000 1101	QV270	N3	ID	0 000 00 101100 0100 100 00001 0 1 11 110 1 010 00000 000 0 000 10 011 01 01 0 0111 001 1 000 000 0 000001 00001 0 000000	255103	
0B0E	0 1011 0000 1110	QV106	N7	ID	0 000 00 000000 1111 100 00001 0 1 10 001 0 000 00000 000 1 000 11 011 01 01 1 0000 111 0 001 000 0 000000 00000 0 000000	255103	
0B0F	0 1011 0000 1111	QV270	E3	ID	1 000 00 101110 0110 100 00000 0 0 00 111 1 000 00000 000 0 110 00 011 01 01 1 0101 000 1 000 000 0 110000 00001 0 000000	255103	
0B10	0 1011 0001 0000	QV832	G3	ID	0 000 00 101111 0000 100 00000 0 1 11 110 1 000 11110 000 0 000 00 011 01 01 1 0000 000 1 000 000 0 000000 00001 0 000000	255103	
0B11	0 1011 0001 0001	QV832	L3	ID	0 100 10 101111 0000 100 00011 0 0 00 111 1 000 00000 001 0 000 00 000 11 01 1 0000 000 1 001 000 0 000000 00000 0 000000	255103	
0B12	0 1011 0001 0010	QV270	J4	ID	1 101 00 000000 1111 100 00000 0 1 10 001 0 000 00000 000 0 000 11 100 01 01 0 0000 000 1 000 000 0 000000 00000 0 000000	255103	
0B13	0 1011 0001 0011	QV270	N4	ID	0 101 00 000000 1111 100 00001 0 1 10 001 0 000 00000 000 0 000 11 100 01 01 0 0000 000 0 001 000 0 000000 00000 0 000000	255103	
0B14	0 1011 0001 0100	QV370	G6	ID	1 010 00 000000 1111 100 00001 0 1 10 001 1 010 00000 000 0 000 11 100 10 01 0 0001 001 1 000 000 0 000000 00000 0 000000	254760	
0B15	0 1011 0001 0101	QV321	F7	ID	0 000 00 101110 1011 100 00000 0 0 11 100 1 010 00000 000 0 000 10 011 01 01 1 0110 000 1 000 000 0 000000 00000 0 111101	255103	
0B16	0 1011 0001 0110	QV321	A7	ID	0 000 00 101100 1011 100 00111 0 0 11 010 1 010 00000 000 0 101 10 011 01 01 0 0001 000 1 001 000 0 000000 00000 0 000000	255103	
0B17	0 1011 0001 0111	QV321	J7	ID	0 000 10 101110 0011 100 00000 0 0 11 100 0 010 00000 010 0 000 10 011 10 10 0 0011 000 1 000 000 0 000000 00000 0 000000	255103	
0B18	0 1011 0001 1000	QV320	L5	ID	0 100 10 101111 0101 100 00000 0 0 11 100 1 010 00000 001 0 000 10 011 01 11 0 0110 000 1 000 000 0 110011 00001 0 111101	255103	
0B19	0 1011 0001 1001	QV321	A5	ID	0 100 10 101111 0101 100 00000 0 0 11 100 1 010 00000 001 0 000 10 011 01 11 0 0110 000 1 000 000 0 000000 00001 0 111101	255103	
0B1A	0 1011 0001 1010	QV320	A5	ID	0 000 10 101110 0011 100 00000 0 0 11 100 0 010 00000 010 0 000 10 011 10 10 0 0011 000 1 000 000 0 110011 00000 0 000000	255103	
0B1B	0 1011 0001 1011	QV321	E5	ID	0 000 10 101110 0011 100 00000 0 0 11 100 0 010 00000 010 0 000 10 011 10 10 0 0011 000 1 000 000 0 110011 00000 0 000000	255103	
0B1C	0 1011 0001 1100	QV550	N5	ID	1 000 00 101111 0010 011 00100 0 0 00 111 1 000 00000 000 0 110 00 011 01 01 0 0001 000 1 000 000 0 010001 11010 0 000000	255103	
0B1D	0 1011 0001 1101	QV550	J5	ID	1 000 00 101111 0010 100 00000 0 0 00 111 1 000 00000 000 0 110 00 011 01 01 0 0101 000 1 000 000 0 000000 00000 0 000000	255103	
0B1E	0 1011 0001 1110	QV550	J3	ID	1 111 10 101111 0010 100 00000 0 0 00 111 0 000 00000 000 0 011 00 011 11 10 0 0001 000 1 000 000 0 000000 00001 0 111111	255103	
0B1F	0 1011 0001 1111	QV550	E5	ID	1 000 00 101111 0010 100 00000 0 0 00 111 1 000 00000 000 0 110 00 011 01 01 0 0101 000 1 000 000 0 000000 00000 0 000000	255103	
0B20	0 1011 0010 0000	QV210	J4	ID	0 000 00 101100 1100 100 00111 0 1 10 101 0 000 11110 000 0 000 10 011 01 01 1 0000 000 1 000 000 0 000001 00000 0 000000	254760	
0B21	0 1011 0010 0001	QV210	E4	ID	1 000 00 000000 1111 100 00000 0 0 00 111 0 010 00000 000 0 000 11 011 01 01 0 0110 000 1 000 000 0 000000 00000 0 000000	254760	

ADDRESS LIST UNIT 0011  
DATE 14 OCT 65 MACH C2050  
LOG 901 UNIT P.No. 5364611  
FRAME 01 PAGE P.No. 5364978  
IBM CORP. DSD PAGE 01



HEX ADD	BINARY ADDRESS	SHEET	CLD BOX	MODE	BINARY BIT PATTERN	EC NUMBER	VERSION
0822	0 1011 0010 0010	QV231	J4	ID	P LU MV ZP ZF ZN TR ZR CS SA SF P CT AL ML HC RS CG MG UL UR P CE LX TC RY CL AB BB UX SS	255103	
0823	0 1011 0010 0011	QV310	J3	ID		255103	
0824	0 1011 0010 0100	QV310	G4	ID		255103	
0825	0 1011 0010 0101	QV310	L4	ID		255103	
0826	0 1011 0010 0110	QV460	G5	ID		254760	
0827	0 1011 0010 0111	QV310	G4	ID		255103	
0828	0 1011 0010 1000	QV210	G3	ID		255103	
0829	0 1011 0010 1001	QV370	L3	ID		254760	
082A	0 1011 0010 1010	QV360	J3	ID		255103	
082B	0 1011 0010 1011	QV321	S4	ID		255103	
082C	0 1011 0010 1100	QV321	R8	ID		254760	
082D	0 1011 0010 1101	QV310	L6	ID		254760	
082E	0 1011 0010 1110	QV310	G6	ID		255103	
082F	0 1011 0010 1111	QV310	G6	ID		255103	
0830	0 1011 0011 0000	QV230	Q5	ID		255450	00 000000
0831	0 1011 0011 0001	QV310	L5	ID		255103	
0832	0 1011 0011 0010	QV210	J5	ID		254760	
0833	0 1011 0011 0011	QV310	Q5	ID		255103	
0834	0 1011 0011 0100	QV321	G3	ID		255103	
0835	0 1011 0011 0101	QV106	E7	ID		254760	
0836	0 1011 0011 0110	QV321	L3	ID		255103	
0837	0 1011 0011 0111	QV321	Q3	ID		255103	
0838	0 1011 0011 1000	QV360	E3	ID		255103	
0839	0 1011 0011 1001	QV360	F4	ID		255103	
083A	0 1011 0011 1010	QV321	E4	ID		255103	
083B	0 1011 0011 1011	QV321	C3	ID		255103	
083C	0 1011 0011 1100	QV360	J4	ID		255103	
083D	0 1011 0011 1101	QV460	L2	ID		255103	
083E	0 1011 0011 1110	QV460	G2	ID		255103	
083F	0 1011 0011 1111	QV460	G2	ID		255103	
0840	0 1011 0100 0000	QV321	A4	ID		255103	
0841	0 1011 0100 0001	QV321	J4	ID		254760	
0842	0 1011 0100 0010	QV830	J6	ID		255103	
0843	0 1011 0100 0011	QV321	M4	ID		254760	
0844	0 1011 0100 0100	QV230	C4	ID		255103	
0845	0 1011 0100 0101	QV230	G4	ID		255103	
0846	0 1011 0100 0110	QV230	I4	ID		254760	
0847	0 1011 0100 0111	QV230	A4	ID		254760	
0848	0 1011 0100 1000	QV370	G4	ID		255103	

92-97

ADDRESS LIST INIT 0011  
 DATE 14 OCT 65 MACH C2050  
 LOG 901 INIT P.No. 5364611  
 FRAME 01 PAGE P.No. 5364978  
 IBM CORP. D&D PAGE 02

HEX ADD	BINARY ADDRESS	SHEET	CLD BOX	MODE	BINARY BIT PATTERN	EC NUMBER	VERSION
					P LU MV ZP ZF ZN TR ZR CS SA SF P CT AL UL HC MS CG RG UL UR P CE LX TC RY CL AB BB UX SS 92-97		
0B49	0 1011 0100 1001	qv370	L5	IO	0 000 00 101101 0010 100 00000 0 1 11 110 0 010 00000 000 0 010 10 000 01 01 0 0111 000 1 000 000 0 000001 00000 0 000000	255103	
0B4A	0 1011 0100 1010	qv370	L6	IO	0 101 00 000000 1111 100 00111 0 0 00 111 0 000 00000 000 0 000 11 100 01 01 1 0000 000 1 001 000 0 000000 00000 0 000000	255103	
0B4B	0 1011 0100 1011	qv230	C5	IO	0 100 00 000000 1111 100 00000 0 1 01 001 1 000 00000 000 0 000 11 101 01 01 0 0000 000 1 000 000 0 000000 00000 0 000000 00 000000	255450	
0B4C	0 1011 0100 1100	qv106	C2	IO	0 000 00 101110 1101 100 00000 0 0 00 111 0 010 11101 000 0 000 00 011 01 01 1 0000 000 1 000 000 0 000000 00001 0 000000	254760	
0B4D	0 1011 0100 1101	qv830	J4	IO	0 000 10 101111 0100 100 01110 0 0 11 000 0 000 00000 001 0 101 00 011 10 10 1 0100 000 1 000 000 0 011111 11101 0 100110	255103	
0B4E	0 1011 0100 1110	qv106	L2	IO	0 000 00 101110 1101 100 00000 0 0 00 111 0 010 00000 000 0 000 00 011 01 01 1 0000 000 1 000 000 0 000000 00001 0 000000	254760	
0B4F	0 1011 0100 1111	qv106	G2	IO	1 000 00 101110 1000 100 00001 0 1 00 000 1 010 00000 000 1 000 00 011 01 01 1 0100 011 0 001 000 0 000000 11101 0 000000	255103	
0B50	0 1011 0101 0000	qv831	G3	IO	1 000 00 101110 1001 100 01110 0 0 11 000 1 000 00000 011 0 000 00 011 01 01 1 0000 000 1 000 000 0 000001 00000 0 000000	255103	
0B51	0 1011 0101 0001	qv831	L3	IO	0 000 00 101111 0011 100 01110 0 0 11 000 1 000 00000 000 0 000 00 011 01 01 0 0100 000 1 000 000 0 011100 00001 0 100110	255103	
0B52	0 1011 0101 0010	qv460	L4	IO	0 100 10 101100 1001 100 00000 0 0 00 111 0 000 00000 001 0 000 10 000 01 11 1 0000 000 1 000 000 0 000001 00000 0 000000	254760	
0B53	0 1011 0101 0011	qv460	G4	IO	1 101 10 101101 0100 100 00000 0 0 00 111 1 000 00000 010 0 000 00 000 11 01 1 0000 000 1 000 000 0 000001 00000 0 000000	254760	
0B54	0 1011 0101 0100	qv370	L4	IO	1 000 00 101101 0010 100 00000 0 1 10 101 1 000 00000 001 0 000 00 101 01 00 0 0111 000 1 000 000 0 000000 00001 0 000000	255103	
0B55	0 1011 0101 0101	qv270	G2	IO	0 100 00 101100 0011 111 00001 0 0 00 111 1 000 00000 001 0 101 00 101 01 00 0 0111 001 1 000 000 0 011111 11010 0 000000	255103	
0B56	0 1011 0101 0110	qv370	G4	IO	1 000 00 101101 0010 100 00000 0 1 10 101 1 000 00000 001 0 000 00 101 01 00 1 1111 000 1 000 000 0 000000 00001 0 000000	255103	
0B57	0 1011 0101 0111	qv270	L2	IO	0 100 00 101100 0011 111 00001 0 0 00 111 1 000 00000 001 0 101 00 101 01 00 1 1111 001 1 000 000 0 011111 11010 0 000000	255103	
0B58	0 1011 1000 0000	qv320	A4	IO	0 000 10 101100 0110 100 00111 0 0 00 111 0 000 11110 000 0 000 00 100 10 01 0 0000 000 1 000 000 0 011100 00001 0 000000	255103	
0B59	0 1011 1000 0001	qv320	J4	IO	0 000 10 101100 0110 100 00111 0 0 00 111 1 000 11110 000 0 000 00 100 10 00 1 0000 000 1 000 000 0 011100 00000 0 000000	254760	
0B5A	0 1011 1000 0010	qv106	G5	IO	1 000 00 101110 0001 100 01110 0 1 11 110 0 000 11101 000 0 000 00 001 01 01 0 0000 000 1 000 000 0 000000 00000 0 000000	255103	
0B5B	0 1011 1000 0011	qv320	N4	IO	0 000 10 101100 0110 100 00111 0 0 00 111 1 000 11110 000 0 000 00 100 10 00 0 0001 000 1 000 000 0 011100 00000 0 000000	254760	
0B5C	0 1011 1000 0100	qv106	G6	IO	0 000 00 101100 0011 100 01110 0 1 00 100 1 000 11001 000 0 010 10 011 01 00 0 0000 000 1 001 000 0 000001 00000 0 000000	255103	
0B5D	0 1011 1000 0101	qv220	G3	IO	1 000 10 101100 0010 100 00000 0 1 11 100 1 010 00000 001 0 000 00 011 10 10 0 0010 000 1 000 000 0 000001 00000 0 000000	255103	
0B5E	0 1011 1000 0110	qv220	L3	IO	1 000 10 101100 0010 100 00000 0 1 11 100 1 010 00000 001 0 000 00 011 10 10 0 0001 000 1 000 000 0 000001 00000 0 000000	255103	
0B5F	0 1011 1000 0111	qv220	G3	IO	1 000 10 101100 0010 100 00000 0 1 11 100 1 010 00000 001 0 000 00 011 10 10 0 0011 000 1 000 000 0 000001 00001 0 000000	255103	
0B60	0 1011 1000 1000	qv360	G5	IO	0 000 00 000000 1111 100 00100 0 0 00 111 1 000 00000 000 0 000 11 011 01 01 0 0100 011 1 001 000 0 000000 00000 0 000000	255103	
0B61	0 1011 1000 1001	qv360	L5	IO	0 000 00 000000 1111 100 00100 0 0 00 111 1 000 00000 000 0 000 11 011 01 01 0 1000 011 1 001 000 0 000000 00000 0 000000	255103	
0B62	0 1011 1000 1010	qv360	J2	IO	1 101 00 101100 1010 100 00000 0 1 10 110 1 000 00000 110 0 000 00 011 01 01 0 0000 000 1 000 000 0 000001 00000 0 100110	254760	
0B63	0 1011 1000 1011	qv360	F2	IO	0 101 00 101100 1110 100 00000 0 1 00 001 1 000 00000 110 0 000 00 011 01 01 0 0000 000 1 000 000 0 000000 00000 0 000000	255103	
0B6C	0 1011 1000 1100	qv320	L7	IO	0 100 10 000000 1111 100 00111 0 0 00 111 1 000 00000 000 0 101 11 100 10 11 0 0100 000 1 001 000 0 000000 00000 0 000000	255103	
0B6D	0 1011 1000 1101	qv830	J3	IO	0 100 00 101101 0011 100 00000 0 0 00 111 0 000 00000 001 0 101 00 011 11 11 1 0010 000 1 000 000 0 000000 00001 0 001000	254760	
0B6E	0 1011 1000 1110	qv320	G7	IO	0 100 10 000000 1111 100 00111 0 0 00 111 1 000 00000 000 0 110 11 100 01 11 0 0100 000 1 001 000 0 000000 00000 0 000000	255103	
0B6F	0 1011 1000 1111	qv320	S4	IO	1 000 00 101100 0110 100 00111 0 0 00 111 1 000 11110 000 0 110 00 011 01 01 0 1000 000 1 000 000 0 011100 00000 0 000000	255103	
0B70	0 1011 1001 0000	qv231	J2	IO	1 000 00 101100 0001 100 10000 0 1 10 101 1 000 00000 000 0 000 00 011 01 01 0 0000 000 1 001 000 0 110001 00000 0 000000	255103	
0B71	0 1011 1001 0001	qv230	L2	IO	1 000 10 101110 1001 100 01111 0 1 10 110 1 000 00000 000 0 000 00 011 10 10 1 0000 000 1 001 000 0 000000 00000 0 000000	255103	
0B72	0 1011 1001 0010	qv320	E4	IO	0 000 10 101100 0101 010 00000 0 1 10 110 1 000 11110 000 0 000 00 100 10 00 1 0000 000 1 000 000 0 011100 11101 0 000000	255103	
0B73	0 1011 1001 0011	qv320	C3	IO	0 000 10 101100 0101 100 00000 0 1 10 110 1 000 11110 000 0 000 00 100 10 00 0 0000 000 1 000 000 0 011100 00001 0 000000	255103	
0B74	0 1011 1001 0100	qv370	G2	IO	0 100 10 101110 1010 100 00000 0 0 11 110 0 000 00000 000 0 011 00 100 10 01 0 0001 000 1 000 000 0 000000 00001 0 000000	254760	
0B75	0 1011 1001 0101	qv370	L2	IO	1 000 00 101100 1010 100 00000 0 0 11 110 0 000 00000 000 0 100 00 011 01 01 0 0100 000 1 000 000 0 000000 00001 0 000000	254760	
0B76	0 1011 1001 0110	qv310	J2	IO	1 000 00 101100 1000 100 01111 0 1 11 110 1 000 00000 000 0 000 00 011 01 01 1 0000 000 1 001 000 0 000001 00001 0 000000	255103	
0B77	0 1011 1001 0111	qv310	N2	IO	1 000 00 101100 1000 100 00110 0 1 11 110 1 000 00000 000 0 000 00 011 01 01 0 0100 011 1 001 000 0 000001 00001 0 000000	255103	

HEX ADDRESS	BINARY ADDRESS	SHEET	CLD BOX	MODE	BINARY BIT PATTERN	EC NUMBER	VERSION
					P LU RV ZP ZF ZN TR ZR CS SA SF P CT AL ML MC MS CG MG UL UR P CE LX TC RY CL AB BB UX SS	92-97	
0B98	0 1011 1001 1000	QV320	C2	IO	0 000 00 101110 0100 100 00111 0 1 01 101 1 000 00000 000 0 110 00 011 01 01 0 1000 000 1 001 000 0 000001 11100 0 000000		254770
0B99	0 1011 1001 1001	QV270	C4	IO	1 000 00 000000 1111 100 00000 0 1 10 001 0 010 00000 000 0 000 11 011 01 01 0 0110 000 1 000 000 0 000000 00000 0 000000		255103
0B9A	0 1011 1001 1010	QV321	C2	IO	1 000 00 101100 1110 100 00111 0 1 01 101 1 000 00000 000 0 101 00 011 01 01 0 1000 000 1 001 000 0 000001 11100 0 000000		254770
0B9B	0 1011 1001 1011	QV270	04	IO	0 000 00 101100 0100 100 00001 0 1 11 110 1 010 00000 000 0 101 10 011 01 01 1 0111 001 1 000 000 0 000001 00000 0 000000		255103
0B9C	0 1011 1001 1100	QV231	05	IO	0 000 00 000000 1111 100 00001 0 1 01 001 0 010 00000 000 0 000 11 011 01 01 1 0101 001 1 000 000 0 000000 00000 0 000000		254760
0B9D	0 1011 1001 1101	QV550	J2	IO	1 101 00 101100 0111 100 00000 0 0 00 111 1 000 00000 110 0 000 00 011 01 01 0 0001 000 1 000 000 0 000001 00000 0 000000		255103
0B9E	0 1011 1001 1110	QV231	L5	IO	0 000 00 000000 1111 100 00001 0 1 01 001 0 010 00000 000 0 000 11 011 01 01 0 0111 001 1 000 000 0 000000 00000 0 000000		254760
0B9F	0 1011 1001 1111	QV106	J5	IO	0 000 00 101110 1100 100 01110 0 0 00 111 0 000 11101 000 0 000 00 001 01 01 0 0000 000 1 000 000 0 000001 00001 0 000000		255103
0BA0	0 1011 1010 0000	QV106	J3	IO	1 000 00 101110 0111 100 11111 0 1 10 010 0 010 11101 000 0 000 00 011 01 01 0 0000 000 1 000 000 0 000001 00001 0 000000		255103
0BA1	0 1011 1010 0001	QV106	M3	IO	1 000 00 101110 0000 100 11111 0 1 10 101 0 010 11101 000 0 000 00 011 01 01 1 0000 000 1 000 000 0 000001 00000 0 000000		255103
0BA2	0 1011 1010 0010	QV103	E6	IO	1 010 00 000000 1111 100 00001 0 1 10 001 0 011 00000 000 0 010 11 011 00 00 0 0000 001 1 001 110 0 000000 00000 0 000000		254760
0BA3	0 1011 1010 0011	QV103	J6	IO	1 010 00 101000 1101 100 00001 0 1 10 000 1 011 00000 001 0 010 11 011 00 00 0 0000 001 1 001 110 0 000001 00001 0 000000		254760
0BA4	0 1011 1010 0100	QV230	L3	IO	1 111 00 101101 0001 100 00000 0 0 00 111 1 000 00000 000 0 000 00 011 10 01 0 0011 001 1 000 110 0 110001 00000 0 000000		255103
0BA5	0 1011 1010 0101	QV230	05	IO	1 101 00 000000 1111 100 00000 0 1 01 001 1 000 00000 000 0 000 11 101 01 01 0 0000 000 1 000 000 0 000000 00000 0 000000 00 000000		255450
0BA6	0 1011 1010 0110	QV831	04	IO	0 000 00 101110 1001 100 10001 0 0 00 000 0 000 00000 100 0 000 00 011 01 01 0 0010 000 1 000 000 0 000001 00001 0 001000		255103
0BA7	0 1011 1010 0111	QV831	05	IO	1 000 00 101101 0000 100 00000 0 0 00 111 1 000 00000 010 0 000 10 011 01 01 1 0000 000 1 000 000 0 000001 00000 0 000000		255103
0BA8	0 1011 1010 1000	QV210	02	IO	0 000 10 101100 1010 100 00111 0 1 10 100 1 000 00000 110 0 000 00 011 10 10 1 0010 000 0 000 000 0 000000 00000 0 111110		255103
0BA9	0 1011 1010 1001	QV370	03	IO	1 101 00 101101 0010 100 00001 0 0 00 111 0 000 11010 010 1 100 00 011 10 11 0 0100 011 1 000 000 0 000000 00000 0 100110		255103
0BAA	0 1011 1010 1010	QV210	L2	IO	0 011 00 101110 1100 100 00111 0 1 10 100 0 000 00000 110 0 000 00 011 10 11 0 0010 000 0 000 000 0 000001 00000 0 111110		255103
0BAB	0 1011 1010 1011	QV210	C2	IO	0 000 10 101100 1010 100 00111 0 1 10 100 1 000 00000 110 0 000 00 011 10 10 1 0010 000 0 000 000 0 000000 00000 0 111110		255103
0BAC	0 1011 1010 1100	QV371	F8	IO	0 000 00 000000 1111 100 00111 0 0 00 111 1 000 00000 000 0 101 11 011 01 01 0 0100 000 1 001 000 0 000000 00000 0 111100		254760
0BAD	0 1011 1010 1101	QV310	05	IO	1 100 00 101100 1011 100 00001 0 1 00 110 0 000 00000 000 0 000 10 101 01 01 0 0000 001 1 000 000 0 000001 00000 0 000000		255103
0BAE	0 1011 1010 1110	QV220	05	IO	1 010 00 000000 1111 100 11100 0 0 01 110 1 011 00000 000 1 000 11 100 10 01 1 0000 000 1 001 000 0 000000 00000 0 000000		255103
0BAF	0 1011 1010 1111	QV220	L5	IO	1 010 00 000000 1111 100 11100 0 0 01 110 0 000 00000 000 0 000 11 100 10 01 0 0000 000 0 001 000 0 000000 00000 0 000000		255103
0BB0	0 1011 1011 0000	QV270	L5	IO	1 110 00 000000 1111 100 00000 0 1 01 001 1 000 00000 000 0 000 11 101 01 01 0 0000 000 1 000 000 0 000000 00000 0 000000 00 000000		255450
0BB1	0 1011 1011 0001	QV220	05	IO	0 000 00 000000 1111 100 11100 0 0 01 110 1 011 00000 000 0 000 11 011 01 01 1 0000 000 1 001 000 0 000000 00000 0 000000		254760
0BB2	0 1011 1011 0010	QV210	L3	IO	0 011 00 101100 1000 100 00000 0 1 11 100 0 010 00000 010 0 000 00 011 10 11 0 0000 000 1 000 000 0 000000 00000 0 000000		254760
0BB3	0 1011 1011 0011	QV106	J6	IO	0 000 00 101100 1101 100 01110 0 0 00 111 1 000 11001 000 0 010 10 011 01 00 0 0000 000 1 001 000 0 000000 00001 0 000000		255103
0BB4	0 1011 1011 0100	QV320	03	IO	0 000 00 101110 0000 100 00000 0 1 01 101 1 000 00000 000 0 110 00 011 01 01 0 1000 000 1 000 000 0 011011 11010 0 000000		255103
0BB5	0 1011 1011 0101	QV106	03	In	0 000 00 101111 0001 100 11111 0 1 10 010 0 000 11101 000 0 000 00 001 01 01 1 0000 000 1 000 000 0 011100 11101 0 000000		254770
0BB6	0 1011 1011 0110	QV320	L3	In	1 000 10 101110 0011 100 00000 0 1 01 101 1 000 00000 000 0 000 00 100 10 00 0 0000 000 1 000 000 0 000001 00001 0 000000		255103
0BB7	0 1011 1011 0111	QV320	03	In	1 000 10 101110 0011 100 00000 0 1 01 101 1 000 00000 000 0 000 00 100 10 00 0 0110 000 1 000 000 0 000001 00001 0 000000		255103
0BB8	0 1011 1011 1000	QV830	C2	In	1 000 00 101110 0011 100 11110 0 0 00 111 1 010 00000 000 0 000 00 101 00 01 0 1000 000 1 000 000 0 000000 00001 0 000000		255103
0BB9	0 1011 1011 1001	QV832	J2	In	0 101 00 101100 0100 100 00111 0 0 00 111 1 000 00000 101 0 000 00 011 01 01 1 0010 000 1 010 000 0 000000 11101 0 100110		255103
0BBA	0 1011 1011 1010	QV831	J2	In	0 101 00 101101 0100 100 00111 0 1 11 010 1 000 00000 101 0 000 00 011 01 01 0 0001 000 1 001 000 0 000000 11101 0 000000		255103
0BBB	0 1011 1011 1011	QV830	02	In	1 000 00 101110 0011 100 00000 0 0 00 111 0 000 00000 000 0 000 00 101 00 01 0 1000 000 1 000 000 0 000000 00001 0 000000		255103
0BBC	0 1011 1011 1100	QV320	J2	In	1 000 00 101110 1101 011 01111 0 0 00 111 1 000 00000 000 0 000 00 011 01 01 1 0010 011 1 001 000 0 110001 00000 0 000000		255103
0BBD	0 1011 1011 1101	QV320	C1	In	0 100 00 101110 0110 100 00110 0 0 11 100 1 000 00000 001 0 000 00 011 01 00 1 0000 001 1 000 000 0 000000 00000 0 000000		254770
0BBE	0 1011 1011 1110	QV321	M2	In	0 000 00 101100 1101 011 01111 0 0 00 111 1 000 00000 000 0 000 00 011 01 01 1 0010 011 1 001 000 0 110001 00000 0 000000		255103

ADDRESS 1 IST INIT# 0011  
DATE 14 OCT 65 MACH# C2050  
ING 901 INIT P#N# 5364611  
FRAME 01 PAGE P#N# 5364978  
IBM CORP. DSD PAGE 04

0  
7  
1  
0

HEX ADD	BINARY ADDRESS	SHEET	CLD BOX	MODE	BINARY BIT PATTERN	EC NUMBER	VERSION
					P LU MV ZP ZF ZN TR ZR CS SA SF P CT AL ML HC NS CG MG LL UR P CE LX TC RY CL AB BB UX SS	92-97	
0BDF	0 1011 1011 1111	QV321	C1	IO	0 100 00 101110 0110 100 00110 0 0 11 100 1 000 00000 001 0 000 00 011 01 00 0 0000 001 1 000 000 0 000001 00000 0 000000	254770	
0BC0	0 1011 1100 0000	QV332	L4	IO	1 000 00 101111 0000 100 00100 0 1 11 110 1 000 00000 000 0 000 00 011 01 01 0 0000 001 1 000 000 0 000000 00001 0 000000	255103	
0BC1	0 1011 1100 0001	QV332	J5	IO	0 000 00 101111 0000 100 00001 0 0 00 000 0 000 00000 000 0 000 10 011 01 01 1 0010 000 1 000 000 0 000001 00000 0 001000	255103	
0BC2	0 1011 1100 0010	QV332	J6	IO	1 000 00 000000 1111 100 11110 0 0 00 111 1 000 00000 000 0 000 11 011 01 01 1 0000 000 1 000 000 0 000000 00000 0 110100	255103	
0BC3	0 1011 1100 0011	QV331	Q5	IO	0 101 10 101101 0000 100 00000 0 0 00 111 1 000 00000 010 0 000 10 000 11 11 1 0010 000 1 000 000 0 000001 00000 0 001000	255103	
0BC4	0 1011 1100 0100	QV106	C4	IO	1 000 00 101100 1101 100 00000 0 0 00 111 1 010 00000 000 0 100 10 011 01 00 1 0000 000 1 000 000 0 000000 00001 0 000000	254770	
0BC5	0 1011 1100 0101	QV106	G4	IO	0 000 00 101100 1101 100 00001 0 0 00 111 1 010 00000 000 0 100 10 011 01 00 1 0010 011 1 001 000 0 000000 00001 0 000000	254770	
0BC6	0 1011 1100 0110	QV106	L4	IO	0 000 00 101100 1101 100 00001 0 0 00 111 1 010 00000 000 0 100 10 011 01 00 1 0100 011 1 001 000 0 000000 00001 0 000000	254770	
0BC7	0 1011 1100 0111	QV106	Q4	IO	0 000 00 101100 1101 100 00001 0 0 00 111 0 010 00000 000 1 100 10 011 01 00 0 0010 011 0 001 000 0 000000 00001 0 000000	254770	
0BC8	0 1011 1100 1000	QV550	C7	IO	1 000 10 000000 1111 100 00000 0 1 10 000 1 010 00000 001 0 000 11 011 10 10 0 0011 000 1 000 000 0 000000 00000 0 000000	255103	
0BC9	0 1011 1100 1001	QV550	J4	IO	1 000 10 101100 0111 111 00000 0 1 10 110 1 000 00000 000 0 000 00 011 10 10 0 0000 000 1 000 000 0 010001 11101 0 000000	255103	
0BCA	0 1011 1100 1010	QV550	L7	IO	1 000 10 000000 1111 100 00000 0 1 10 000 1 010 00000 001 0 000 11 011 10 10 1 0010 000 1 000 000 0 000000 00000 0 000000	255103	
0BCB	0 1011 1100 1011	QV550	Q7	IO	0 000 00 000000 1111 100 00111 0 0 00 111 0 010 00000 000 0 000 11 011 01 01 1 0011 000 1 001 000 0 000000 00000 0 000000	255103	
0BCC	0 1011 1100 1100	QV370	C5	IO	1 000 10 101100 0101 100 00000 0 1 01 010 1 000 00000 000 0 010 10 101 10 10 1 0001 000 1 000 000 0 000000 00000 0 000000	255103	
0BCD	0 1011 1100 1101	QV331	L4	IO	0 000 00 101101 0000 100 00100 0 0 00 111 0 000 00000 000 0 000 10 011 01 01 1 0010 000 1 000 000 0 000001 00000 0 001000	255103	
0BCE	0 1011 1100 1110	QV370	G5	IO	0 010 10 101100 0101 100 00000 0 1 01 010 1 000 00000 001 0 010 10 101 11 10 1 0001 000 1 000 000 0 000000 00000 0 000000	255103	
0BCF	0 1011 1100 1111	QV331	Q4	IO	1 000 00 101111 0000 100 00100 0 0 00 111 0 000 00000 000 0 000 00 101 00 01 1 1000 000 1 000 000 0 000001 00001 0 000000	255103	
0BD0	0 1011 1101 0000	QV330	C4	IO	1 000 00 101101 0000 100 00000 0 0 00 111 0 000 00000 000 0 000 10 011 01 01 1 0000 000 1 000 000 0 000001 00000 0 000000	255103	
0BD1	0 1011 1101 0001	QV330	G5	IO	1 000 00 101101 0000 100 00000 0 0 00 111 0 000 00000 010 0 000 10 011 00 01 0 0010 000 1 000 000 0 000001 00000 0 000000	255103	
0BD2	0 1011 1101 0010	QV330	L5	IO	0 101 10 101101 0000 100 00000 0 0 00 111 1 000 00000 010 0 000 10 000 11 11 1 0000 000 1 000 000 0 000001 00000 0 000000	255103	
0BD3	0 1011 1101 0011	QV330	Q4	IO	1 000 00 101101 0000 100 00000 0 0 00 111 0 000 00000 010 0 000 10 011 00 01 1 1010 000 1 000 000 0 000001 00000 0 000000	255103	
0BD4	0 1011 1101 0100	QV360	A6	IO	1 000 00 000000 1111 100 00100 0 1 00 001 1 000 00000 000 0 000 11 011 01 01 0 0100 011 1 001 000 0 000000 00000 0 000000	254760	
0BD5	0 1011 1101 0101	QV320	G6	IO	0 100 10 000000 1111 100 00111 0 0 00 111 0 000 00000 000 0 101 11 100 10 01 0 0100 000 1 001 000 0 000000 00000 0 111100	255103	
0BD6	0 1011 1101 0110	QV360	E6	IO	0 000 00 000000 1111 100 00000 0 1 00 001 1 000 00000 000 0 000 11 011 01 01 0 0000 000 1 000 000 0 000000 00000 0 000000	254760	
0BD7	0 1011 1101 0111	QV320	L6	IO	0 100 10 000000 1111 100 00111 0 0 00 111 0 000 00000 000 0 110 11 100 10 01 0 0100 000 1 001 000 0 000000 00000 0 111100	255103	

ADDRESS	IST	INIT	0011
DATE	14 OCT 65	MACH	C2050
LINE	901	INIT P.No	5364611
FRAME	01	PAGE P.No	5364978
IBM CORP.	DSD	PAGE	05

HEX ADD	BINARY ADDRESS	SHEET	CLD BOX	MODE	BINARY BIT PATTERN	EC NUMBER	VERSION
					P LU MV ZP ZF ZN TR ZR WS SF P IV AL WM UP MD LB MB DG UL UR P CE LX TC RY AD AB BB UX SS 92-97		
0C00	0 1100 0000 0000	QM112	C7	-	0 000 00 000110 0101 100 00000 0 100 111 1 000 00000 1111 10 0 0 0 000 01 00 1 0001 000 1 000 0001 000000 00001 0 000000 00 000000	255449	
0C01	0 1100 0000 0001	QS120	E1	-	0 000 00 110010 1111 100 00001 0 100 111 1 000 00000 0001 10 0 0 0 1 011 01 00 0 1101 110 1 001 0001 011010 00000 0 101000	254765	
0C02	0 1100 0000 0010	QS118	J8	-	0 000 00 110011 0011 100 00000 0 100 111 0 000 00000 0000 10 0 0 0 000 01 01 1 0000 000 1 000 0001 001101 00111 0 000000	254765	
0C03	0 1100 0000 0011	QS120	A1	-	0 000 00 110010 1111 100 00001 0 100 111 1 000 00000 0001 10 0 0 0 1 011 01 00 0 1110 110 1 001 0001 011010 00000 0 101000	254765	
0C04	0 1100 0000 0100	QS502	S1	-	0 000 00 011110 1110 100 00011 0 010 110 0 000 11110 0000 10 0 0 0 000 01 01 1 0100 000 1 000 0001 000000 00001 0 001010	254760	
0C05	0 1100 0000 0101	QS120	A8	-	1 000 00 110010 1111 100 00011 0 100 111 1 000 00000 1010 10 0 0 0 1 011 01 01 1 0000 000 1 000 0001 010111 00000 0 010100	254765	
0C06	0 1100 0000 0110	QS120	E8	-	1 000 00 000101 0010 100 00000 0 011 110 1 111 00000 0000 10 0 0 0 000 01 01 1 1110 000 1 000 0001 111000 00000 0 011000	254760	
0C07	0 1100 0000 0111	QS120	J8	-	0 000 00 110010 1000 100 00000 0 100 111 0 000 00000 0001 10 0 0 0 000 01 00 1 0100 000 1 000 0001 000000 00001 0 000000	254760	
0C08	0 1100 0000 1000	QS500	A1	-	0 000 00 011110 1101 100 11000 0 011 100 0 000 11110 0000 10 0 0 0 000 01 01 0 0000 000 1 000 0001 000000 00001 0 000000	254760	
0C09	0 1100 0000 1001	QS010	N8	-	0 000 00 110000 0101 100 01111 0 100 111 0 000 00000 0000 10 0 0 0 000 01 01 1 0000 000 1 001 0001 000001 00000 0 000000	254760	
0C0A	0 1100 0000 1010	QS010	Q3	-	0 000 00 110000 0011 100 01111 0 100 111 0 000 00000 0000 10 0 0 0 000 01 01 1 0000 110 1 001 0001 000000 00001 0 000000	254760	
0C0B	0 1100 0000 1011	QS010	L3	-	0 000 01 110000 0110 100 00001 0 011 110 0 000 00000 1110 10 0 0 0 1 000 01 10 0 1110 000 1 010 0001 000000 00001 0 000000	254760	
0C0C	0 1100 0000 1100	QS600	A1	-	0 000 00 011011 0010 100 11000 0 011 100 0 000 11110 0000 10 0 0 0 000 01 01 1 0011 000 1 000 0001 000000 00000 0 000000	254760	
0C0D	0 1100 0000 1101	QS010	M4	-	0 000 01 110000 0011 100 00001 0 011 000 0 000 00000 1110 10 0 0 0 1 000 01 10 0 1011 000 1 010 0001 000001 00000 0 000000	254760	
0C0E	0 1100 0000 1110	QS010	G5	-	0 010 00 110000 0111 100 11010 0 011 100 1 000 11110 1011 10 0 0 0 000 01 01 1 1110 000 1 000 0001 000000 00001 0 001111	254760	
0C0F	0 1100 0000 1111	QS010	L5	-	0 000 00 000110 0101 100 00000 0 100 111 1 000 00000 1111 10 0 0 0 000 01 00 0 0101 000 1 000 0001 000000 00001 0 000000	254760	
0C10	0 1100 0001 0000	QM112	E7	-	0 000 00 000110 0101 100 00000 0 100 111 1 000 00000 1111 10 0 0 0 000 01 00 1 0001 000 1 000 0001 000000 00001 0 000000 00 000000	255449	
0C11	0 1100 0001 0001	QS010	J8	-	1 010 00 110000 0010 100 11000 0 010 000 0 000 00000 0011 10 0 0 0 000 01 01 1 0000 001 1 010 0001 000000 00001 0 001000	254760	
0C12	0 1100 0001 0010	QS010	A8	-	0 010 00 110000 1000 100 00111 0 011 100 0 000 00000 1101 01 0 0 0 1 000 01 01 0 1010 001 1 011 0001 000001 00000 0 100011	254760	
0C13	0 1100 0001 0011	QS010	E8	-	0 010 00 110000 1000 100 00111 0 011 100 0 000 00000 1101 01 0 0 0 1 000 01 01 1 1010 000 1 011 0001 000001 00000 0 100011	254760	
0C14	0 1100 0001 0100	QM112	G7	-	0 000 00 000110 0101 100 00000 0 100 111 1 000 00000 1111 10 0 0 0 000 01 00 1 0001 000 1 000 0001 000000 00001 0 000000 00 000000	255449	
0C15	0 1100 0001 0101	QS110	E6	-	1 000 00 110010 1100 100 00000 0 100 111 0 000 00000 0001 10 0 0 0 1 000 00 00 0 1111 000 1 000 0001 001101 01010 0 000000	254772	
0C16	0 1100 0001 0110	QS010	N9	-	0 000 10 110000 1010 000 10100 0 001 100 1 000 00000 0010 10 0 0 0 000 01 10 0 0000 000 1 010 0001 000000 00000 0 011000	254760	
0C17	0 1100 0001 0111	QS110	J6	-	1 000 00 110010 1100 100 00000 0 100 111 1 000 00000 0000 10 0 0 0 1 000 01 01 0 0000 000 1 000 0001 001101 01010 0 000000	254772	
0C18	0 1100 0001 1000	QM112	C8	-	0 000 00 000110 0101 100 00000 0 100 111 1 000 00000 1111 10 0 0 0 000 01 00 1 0001 000 1 000 0001 000000 00001 0 000000 00 000000	255449	
0C19	0 1100 0001 1001	QS010	C5	-	1 010 00 110000 0111 100 11010 0 011 000 1 000 00000 1011 10 0 0 0 000 01 01 0 1011 100 1 000 0001 000000 00001 0 001111	254760	
0C1A	0 1100 0001 1010	QS110	J5	-	0 000 00 110001 0001 100 00111 0 011 100 0 000 11110 0000 10 0 0 0 000 01 01 1 0011 000 1 000 0001 000000 00000 0 000000 00 000000	255449	
0C1B	0 1100 0001 1011	QS110	E5	-	1 001 00 110000 0101 100 00011 0 011 110 0 000 00000 1001 11 0 0 0 1 000 01 01 0 1001 001 1 000 0001 010101 00001 0 000000 00 000000	255449	
0C1C	0 1100 0001 1100	QM112	E8	-	0 000 00 000110 0101 100 00000 0 100 111 1 000 00000 1111 10 0 0 0 000 01 00 1 0001 000 1 000 0001 000000 00001 0 000000 00 000000	255449	
0C1D	0 1100 0001 1101	QS010	A7	-	0 000 10 110000 0100 100 00000 0 110 110 1 000 00000 0001 10 0 0 0 000 01 10 1 0000 000 1 000 0001 000001 00011 0 100110	254760	
0C1E	0 1100 0001 1110	QS118	A3	-	0 000 00 110010 0111 100 00000 0 100 111 0 000 00000 0000 10 0 0 0 000 01 01 1 0001 000 1 000 0001 000011 01010 0 010011	254772	
0C1F	0 1100 0001 1111	QS118	E3	-	1 000 00 110010 0000 100 00110 0 100 111 1 000 00000 0000 10 0 0 0 010 01 01 0 0001 110 0 001 0001 000001 00000 0 010011	254772	
0C20	0 1100 0010 0000	QS705	C1	-	0 000 00 011110 1111 100 00111 0 011 100 0 000 11110 0000 10 0 0 0 000 01 01 0 0011 000 1 000 0001 000001 00000 0 000000 00 000000	255449	
0C21	0 1100 0010 0001	QS112	A7	-	0 001 00 110001 0011 100 00001 0 011 001 0 000 11110 1001 10 0 0 0 000 01 01 1 1000 000 1 000 0001 000001 00000 0 000000	254760	
0C22	0 1100 0010 0010	QS010	E9	-	1 010 00 110000 1001 100 00011 0 100 111 1 000 00000 0001 10 0 0 0 000 10 01 1 0000 000 1 000 0001 000000 00001 0 010011	254760	
0C23	0 1100 0010 0011	QS112	J7	-	0 001 00 110000 1001 100 00001 0 011 000 1 000 11110 1001 01 0 0 0 1 000 01 01 1 1000 000 1 000 0001 000001 01010 0 000000	254760	
0C24	0 1100 0010 0100	QS200	A1	-	1 000 00 111000 0011 100 00111 0 011 100 0 000 11110 0000 10 0 0 0 000 01 01 0 1000 000 1 000 0001 000000 00000 0 100010	254760	
0C25	0 1100 0010 0101	QS010	J7	-	1 010 00 110000 0100 100 00001 0 011 110 0 000 00000 0001 10 0 0 0 000 10 11 0 1001 001 1 010 0001 000000 00001 0 000000	254760	
0C26	0 1100 0010 0110	QS112	E8	-	1 010 00 110000 1010 100 00001 0 011 001 0 011 00000 0000 10 1 0 0 1 011 01 01 1 1000 001 1 010 0001 010111 00001 0 010100	254760	

14 JAN 65	254769	ADDRESS LIST	UNIT. 0012
21 JAN 65	254770		
02 FEB 65	254772	DATE 18 DEC '67	MACH. 2050FP
09 SEP 65	255449	LOG 019	UNIT P.No. 5469472
24 MAR 66	256498	FRAME 01	PAGE P.No. 5469476
10 JUN 66	256907		
66 SEP	258060	IBM CORP.	DSD PAGE 01
27 OCT 67	258068		
06 DEC 67	258430		

Q  
Z  
1  
2  
0

HEX  
ADD

BINARY ADDRESS

SHEET

CLD  
BOX

MODE

BINARY BIT PATTERN

EC NUMBER

VERSION

P LU MV ZP ZF ZN TR ZR WS SF P IV AL WM UP MD LB MB DG UL UR P CE LX TC RY AD AB BB UX SS 92—97

0C27	0 1100 0010 0111	QS112	J8	-	1 010 00 110000 1010 100 00001 0 011 001 0 011 00000 0000 10 1 0 1 011 01 01 0 1000 000 1 010 0001 010111 00001 0 010100	254760
0C28	0 1100 0010 1000	QS110	A1	-	1 000 00 110000 1011 100 00111 0 011 100 0 000 11110 0000 10 0 0 0 000 01 01 0 0011 000 1 000 0001 000001 00000 0 000000	254760
0C29	0 1100 0010 1001	QS112	E9	-	1 110 00 110000 1011 100 00011 0 011 110 0 011 00000 0000 10 1 0 1 011 01 01 1 1000 001 1 000 0001 011010 00001 0 010100	254760
0C2A	0 1100 0010 1010	QS110	A4	-	1 010 00 110000 1101 100 00001 0 100 111 0 000 00000 1110 10 0 0 0 010 01 01 1 0000 000 0 010 1001 000000 00001 0 000000	254772
0C2B	0 1100 0010 1011	QS112	J9	-	1 000 00 110000 1011 100 00011 0 011 110 0 000 00000 0000 10 0 0 0 000 01 01 1 1000 001 1 000 0001 000001 00001 0 000000	254760
0C2C	0 1100 0010 1100	QS110	E1	-	1 000 00 110000 1011 100 00111 0 011 100 0 000 11110 0000 10 0 0 0 000 01 01 0 0011 000 1 000 0001 000001 00000 0 100010	255440
0C2D	0 1100 0010 1101	QS114	A1	-	1 000 10 110010 0010 100 01111 0 100 111 0 011 00000 0000 10 1 0 1 011 10 10 1 0000 000 1 100 0001 011010 01010 0 010100	255440
0C2E	0 1100 0010 1110	QS110	A2	-	0 111 00 110000 1100 100 00011 0 011 100 0 000 00000 0000 10 0 0 0 000 01 01 1 0101 000 1 000 1001 000000 00001 0 000110	254772
0C2F	0 1100 0010 1111	QS114	E1	-	0 000 00 110010 0010 100 01111 0 100 111 0 000 00000 0000 10 0 0 0 000 01 01 1 0000 000 1 100 0001 000001 01010 0 000000	254760
0C30	0 1100 0011 0000	QS400	A1	-	1 000 00 110100 0110 100 00111 0 011 100 1 000 11110 1110 10 0 0 0 000 01 01 1 0101 000 1 000 0001 000000 00000 0 011000	254760
0C31	0 1100 0011 0001	QS110	A3	-	0 000 00 110000 1010 100 00110 0 100 111 0 000 00000 0001 10 0 0 0 000 01 00 0 0111 000 1 100 0001 000001 00000 0 000000	254772
0C32	0 1100 0011 0010	QS114	J6	-	1 000 00 000111 0000 100 01111 0 100 111 0 000 00000 0000 10 0 0 0 000 01 01 0 0100 000 1 100 0001 000001 00001 0 011001 00 000000	258430
0C33	0 1100 0011 0011	QS114	N6	-	1 000 00 000111 0000 100 01111 0 100 111 0 000 00000 0000 10 0 0 0 000 01 01 0 0000 000 1 100 0001 000001 00001 0 000000 00 000000	258430
0C34	0 1100 0011 0100	QS400	E1	-	1 000 00 110100 0101 100 00111 0 011 100 1 000 11110 1110 10 0 0 0 000 01 01 0 0101 000 1 000 0001 000001 00000 0 011000	254760
0C35	0 1100 0011 0101	QS110	A5	-	1 000 00 110000 1110 100 00111 0 011 100 0 000 11110 0000 10 0 0 0 000 01 01 1 1000 000 1 000 0001 000000 00001 0 000000 00 000000	258430
0C36	0 1100 0011 0110	QS118	N6	-	1 000 00 110000 1101 100 00011 0 100 111 1 000 00000 0000 10 0 0 0 010 01 01 1 0000 000 1 000 0001 000001 00001 0 000000	254772
0C37	0 1100 0011 0111	QS118	J6	-	0 000 00 110011 0010 100 00111 0 100 111 0 000 11110 0000 10 0 0 0 000 01 01 1 0000 000 1 000 0001 000000 00000 0 000000	254772
0C38	0 1100 0011 1000	QM112	G8	-	0 000 00 000110 0101 100 00000 0 100 111 1 000 00000 1111 10 0 0 0 000 01 00 1 0001 000 1 000 0001 000000 00001 0 000000 00 000000	255449
0C39	0 1100 0011 1001	QS110	A6	-	1 110 00 000111 0000 100 00111 0 011 010 0 000 00000 0000 10 0 0 0 000 01 01 1 0101 000 1 001 0001 000000 00001 0 000101 00 000000	258430
0C3A	0 1100 0011 1010	QS116	C3	-	1 000 00 110010 0101 100 00011 0 100 111 0 000 00000 0000 10 0 0 0 000 01 01 0 0100 000 1 000 0001 000000 10101 0 011001	254760
0C3B	0 1100 0011 1011	QS116	G3	-	1 000 00 110010 0101 100 00011 0 100 111 0 000 00000 0000 10 0 0 0 000 01 01 0 0000 000 1 000 0001 000000 10101 0 000000	254760
0C3C	0 1100 0011 1100	QM112	J8	-	0 000 00 000110 0101 100 00000 0 100 111 1 000 00000 1111 10 0 0 0 000 01 00 1 0001 000 1 000 0001 000000 00001 0 000000 00 000000	255449
0C3D	0 1100 0011 1101	QG406	E8	-	0 000 00 000110 0101 100 00111 0 110 100 0 000 00100 1111 10 0 0 0 000 01 00 0 1101 001 1 000 0001 000000 00001 0 000000 00 000000	258430
0C3E	0 1100 0011 1110	QG406	J8	-	0 000 00 000110 0101 100 00111 0 110 100 1 000 00011 1111 10 0 0 0 000 01 00 0 1101 001 1 000 0001 000000 00001 0 000000 00 000000	258430
0C3F	0 1100 0011 1111	QS120	N1	-	0 000 00 110001 0010 100 00000 0 100 111 1 000 00000 1100 10 0 0 0 000 01 00 0 1100 000 1 000 0001 000001 00000 0 010100 00 000000	258060
0C40	0 1100 0100 0000	QS010	G2	-	0 000 01 110000 0011 100 00001 0 011 000 0 110 00000 1110 10 0 0 1 000 01 10 1 1011 000 1 010 0001 000001 11100 0 000000	254760
0C41	0 1100 0100 0001	QS110	A8	-	1 111 00 110001 0001 111 00000 0 011 000 1 001 00000 0001 10 0 1 1 111 01 10 1 1001 000 1 000 0001 011010 11001 0 000000	254772
0C42	0 1100 0100 0010	QS010	C4	-	0 000 01 110000 0110 100 00001 0 011 110 0 110 00000 1110 10 0 0 1 000 01 10 0 1110 000 1 010 0001 000000 00001 0 000000	254760
0C43	0 1100 0100 0011	QS010	Q2	-	1 000 00 110000 0010 100 00000 0 100 111 0 000 00000 0000 10 0 0 0 000 01 01 0 0000 000 1 000 0001 000001 00101 0 000000	254760
0C44	0 1100 0100 0100	QS110	E3	-	1 111 00 110001 0001 111 00000 0 100 111 0 011 00000 0001 10 0 1 1 111 01 01 1 0000 000 1 000 0001 011010 11001 0 000000	254772
0C45	0 1100 0100 0101	QS110	J3	-	1 000 00 110001 0001 100 00111 0 010 010 0 000 00000 0000 10 0 0 0 000 01 01 0 0000 000 1 000 0001 000001 11000 0 000000	254772
0C46	0 1100 0100 0110	QS110	J4	-	1 000 00 110000 0110 100 00110 0 010 000 1 000 00000 0000 10 0 0 0 010 01 01 0 0000 110 0 001 0001 000001 00000 0 000000 00 000000	255449
0C47	0 1100 0100 0111	QS110	E4	-	0 001 00 110000 0110 100 00001 0 011 110 1 000 00000 0010 10 0 0 0 000 01 01 1 1000 000 1 010 0001 000001 00001 0 000000 00 000000	255449
0C48	0 1100 0100 1000	QS112	A2	-	0 111 00 110001 0011 111 00000 0 100 111 0 011 00000 0001 10 0 1 1 111 01 01 1 0000 000 1 000 0001 010111 10100 0 000000	254760
0C49	0 1100 0100 1001	QS112	E2	-	0 000 00 110001 0100 100 00111 0 011 100 0 000 11110 0000 10 0 0 0 000 01 01 1 0011 000 1 000 0001 000000 00000 0 000000	254760
0C4A	0 1100 0100 1010	QS120	N2	-	0 000 00 000110 0101 100 11101 0 100 111 0 000 00000 0000 10 0 0 0 000 01 01 0 0000 000 1 010 0001 000001 00001 0 000000 00 000000	258060
0C4B	0 1100 0100 1011	QS112	J2	-	0 000 00 110001 0100 100 00001 0 010 000 0 000 00000 0000 10 0 0 0 000 01 01 1 0000 110 1 001 0001 000001 00000 0 000000	254760
0C4C	0 1100 0100 1100	QS112	A3	-	1 111 00 110001 0100 111 00111 0 011 100 0 011 11110 0001 10 0 1 1 111 01 01 1 0011 000 1 000 0001 010111 00000 0 000000 00 000000	256498
0C4D	0 1100 0100 1101	QS112	E3	-	0 000 00 110001 0100 100 00111 0 011 100 0 000 11110 0000 10 0 0 0 000 01 01 1 0011 000 1 000 0001 000000 00110 0 000000	254760

14 JAN 65	254769	ADDRESS LIST	UNIT. 0012	Q
21 JAN 65	254770	DATE 18 DEC 67	MACH. 2050FP	
02 FEB 65	254772	LOG 019	UNIT P.No. 5469472	1
09 SEP 65	255449	FRAME 01	PAGE P.No. 5469476	
24 MAR 66	256498	IBM CORP.	DSD PAGE 02	0
10 JUN 66	256907			
66 SEP	258060			
27 OCT 67	258068			
06 DEC 67	258430			

HEX ADD	BINARY ADDRESS	SHEET	CLD BOX	MODE	BINARY BIT PATTERN	EC NUMBER	VERSION
					P LU MV ZP ZF ZN TR ZR WS SF P IV AL WM UP MD LB MB DG UL UR P CE LX TC RY AD AB BB UX SS 92-97		
0C4E	0 1100 0100 1110	QS112	E7	-	1 111 00 110000 1001 100 00000 0 011 110 1 011 00000 0001 10 0 1 1 101 01 01 0 0101 000 1 000 0001 000001 01010 0 000000	254760	
0C4F	0 1100 0100 1111	QS112	J3	-	0 000 00 110001 0100 100 00001 0 010 000 0 000 00000 0000 10 0 0 0 000 01 01 1 0000 110 1 001 0001 000001 00000 0 000000	254760	
0C50	0 1100 0101 0000	QS112	E4	-	0 111 00 110001 0101 111 10100 0 100 111 0 011 00000 0001 10 0 1 1 111 01 01 1 0001 011 0 100 0001 011010 10111 0 000000	254760	
0C51	0 1100 0101 0001	QS112	N4	-	0 111 00 110001 0101 111 10100 0 100 111 1 011 00000 0001 10 0 1 1 000 01 01 0 0001 011 0 100 0001 011000 00000 0 000000	254760	
0C52	0 1100 0101 0010	QS112	N6	-	1 000 00 110001 0101 100 10100 0 100 111 0 000 00000 0000 10 0 0 0 000 01 01 0 0001 011 0 100 0001 000001 00001 0 000000 00 000000	256498	
0C53	0 1100 0101 0011	QS112	J4	-	0 000 00 110001 0100 100 00001 0 010 000 0 000 00000 0000 10 0 0 0 000 01 01 1 0000 110 1 001 0001 000001 00000 0 000000 00 000000	256498	
0C54	0 1100 0101 0100	QS112	A5	-	1 111 00 110010 0000 111 01111 0 011 100 0 011 00000 0001 10 0 1 1 111 01 01 0 1000 000 1 100 0001 011010 10111 0 000000	254760	
0C55	0 1100 0101 0101	QS112	E5	-	1 000 00 110010 0000 100 01111 0 100 111 0 000 00000 0001 10 0 0 1 011 01 01 0 0000 000 1 100 0001 011010 00001 0 000000	254760	
0C56	0 1100 0101 0110	QS118	A1	-	1 000 00 110010 0110 100 00000 0 011 110 0 000 00000 0000 10 0 0 0 000 01 01 0 0011 000 1 000 0001 100010 11000 0 001011	254772	
0C57	0 1100 0101 0111	QS112	J5	-	1 000 00 110010 0000 100 01111 0 100 111 0 000 00000 0000 10 0 0 0 000 01 01 0 0000 000 1 100 0001 000001 00001 0 000000	254760	
0C80	0 1100 1000 0000	QS112	A6	-	0 111 00 110000 1000 100 00000 0 011 110 0 011 00000 0001 10 0 1 1 111 01 01 1 0101 000 1 000 0001 011010 00001 0 000000	254760	
0C81	0 1100 1000 0001	QS112	E6	-	1 000 00 110000 1000 100 00000 0 011 110 1 000 00000 0001 10 0 0 0 000 01 01 1 0101 000 1 000 0001 000001 00001 0 000000	254760	
0C82	0 1100 1000 0010	QS118	J3	-	1 000 00 110010 0111 100 00111 0 100 111 0 000 11110 0000 10 0 0 0 000 01 01 1 0000 000 1 000 0001 000011 01010 0 000000	254760	
0C83	0 1100 1000 0011	QS112	J6	-	1 000 00 110000 1000 100 00000 0 011 110 0 000 00000 0000 10 0 0 0 000 01 01 1 0101 000 1 000 0001 000001 00001 0 000000	254760	
0C84	0 1100 1000 0100	QS112	A1	-	0 111 00 110001 0010 111 00110 0 010 000 0 011 00000 0001 10 0 1 1 010 01 01 1 0100 110 0 001 0001 011000 10100 0 011001	254760	
0C85	0 1100 1000 0101	QS112	J1	-	0 000 00 110001 0011 100 00110 0 010 000 1 000 00000 0000 10 0 0 0 010 01 01 1 1100 110 0 001 0001 000000 00001 0 011001	254760	
0C86	0 1100 1000 0110	QS112	E1	-	0 111 00 110001 0010 111 00110 0 010 000 0 011 00000 0001 10 0 1 1 010 01 01 1 0000 110 0 001 0001 011000 10100 0 000000	254760	
0C87	0 1100 1000 0111	QS112	N1	-	0 000 00 110001 0011 100 00110 0 010 000 1 000 00000 0000 10 0 0 0 010 01 01 0 1000 110 0 001 0001 000000 00001 0 011001	254760	
0C88	0 1100 1000 1000	QS114	A2	-	1 000 10 110010 0011 011 00011 0 100 111 0 011 00000 0000 10 1 0 1 011 10 10 1 0000 001 1 010 1001 010111 01000 0 010100	254772	
0C89	0 1100 1000 1001	QS114	G2	-	1 000 10 110010 0011 011 00011 0 100 111 0 011 00000 0000 10 1 0 1 011 10 10 0 0000 001 0 010 1001 010111 01000 0 010100	254772	
0C8A	0 1100 1000 1010	QS114	Q1	-	1 001 00 110010 0011 011 00011 0 100 111 1 000 00000 0010 10 0 0 0 000 01 01 1 0000 001 1 010 1100 011000 01000 0 000000 00 000000	255449	
0C8B	0 1100 1000 1011	QS114	L3	-	1 001 00 110010 0011 011 00011 0 100 111 1 000 00000 0010 10 0 0 0 000 01 01 0 0000 001 0 010 1100 011000 01000 0 000000	254772	
0C8C	0 1100 1000 1100	QS114	L4	-	0 000 00 110010 0100 100 11101 0 010 010 0 000 00000 0000 01 0 0 1 010 01 01 0 0000 001 0 010 0001 101011 11000 0 000000	254772	
0C8D	0 1100 1000 1101	QS116	G5	-	1 000 00 110010 0101 100 00111 0 011 100 0 000 11110 0000 10 0 0 0 000 01 01 1 0011 000 1 000 0001 000000 00000 0 000000	254769	
0C8E	0 1100 1000 1110	QS114	G3	-	1 001 00 110001 0101 100 11101 0 011 010 0 000 00000 0010 10 0 0 0 010 01 01 0 1011 001 0 010 0001 000001 00000 0 000000	254772	
0C8F	0 1100 1000 1111	QS114	A3	-	0 000 10 110011 0001 100 11101 0 100 111 0 000 00000 0001 10 0 0 0 010 10 01 1 0010 001 0 010 0001 011000 00001 0 011010	254772	
0C90	0 1100 1001 0000	QS114	Q4	-	0 000 00 110010 0001 100 10100 0 011 110 1 000 00000 0000 10 0 0 0 111 01 01 1 0011 000 0 100 0001 100010 10101 0 001011	254760	
0C91	0 1100 1001 0001	QS114	L5	-	0 000 00 110000 1100 100 10100 0 100 111 1 000 00000 0000 10 0 0 0 010 01 01 1 0000 110 0 100 0001 000001 10010 0 010011 00 000000	258430	
0C92	0 1100 1001 0010	QS114	Q5	-	1 000 00 110000 1110 100 10100 0 011 110 1 000 00000 0000 10 0 0 0 010 01 01 1 0011 110 0 100 0001 000001 10010 0 001011	254760	
0C93	0 1100 1001 0011	QS120	N8	-	0 101 10 110010 1001 100 00000 0 100 111 0 000 00000 0000 10 0 0 0 000 11 11 0 0011 000 1 000 0001 000001 00000 0 101000	255440	
0C94	0 1100 1001 0100	QS116	C7	-	1 111 00 110010 0101 011 00000 0 100 111 0 011 00000 0001 10 0 1 1 111 01 01 1 0000 000 1 000 0001 010111 10111 0 010100	254760	
0C95	0 1100 1001 0101	QS116	G4	-	0 000 00 110010 0011 100 00110 0 010 000 1 000 00000 0000 10 0 0 0 010 01 01 0 0000 110 0 001 0001 000000 00001 0 000000	254760	
0C96	0 1100 1001 0110	QS116	G7	-	1 000 00 110000 1000 100 01111 0 011 110 0 000 00000 0000 10 0 0 0 000 01 01 0 0101 000 1 100 0001 000001 00001 0 000000	254760	
0C97	0 1100 1001 0111	QS116	L7	-	1 000 00 110000 1000 100 01111 0 011 110 0 000 00000 0000 10 0 0 0 000 01 01 0 0101 000 1 100 0001 000001 00001 0 000000	254760	
0C98	0 1100 1001 1000	QS118	A2	-	0 010 00 110000 0111 100 00000 0 010 010 1 000 00000 1001 01 0 0 1 000 01 01 1 0100 000 1 000 0001 000001 10101 0 011001	254772	
0C99	0 1100 1001 1001	QS118	J2	-	1 010 00 110010 1011 100 00000 0 001 010 0 000 00000 1001 10 0 0 0 000 01 01 1 0100 000 1 000 0001 000011 01010 0 011001	254772	
0C9A	0 1100 1001 1010	QS118	E2	-	0 010 00 110000 0111 100 00000 0 010 010 1 000 00000 1001 01 0 0 1 000 01 01 1 0000 000 1 000 0001 000001 10101 0 000000	254772	
0C9B	0 1100 1001 1011	QS118	N2	-	1 010 00 110010 1011 100 00000 0 001 010 0 000 00000 1001 10 0 0 0 000 01 01 0 0001 000 1 000 0001 000011 01010 0 000000	254772	
0C9C	0 1100 1001 1100	QS118	A4	-	1 000 00 110010 1000 011 00011 0 100 111 0 000 00000 0000 10 0 0 0 000 01 01 0 0000 000 1 000 0001 000000 11000 0 001000	254760	

14 JAN 65 254769  
 21 JAN 65 254770  
 02 FEB 65 254772  
 09 SEP 65 255449  
 24 MAR 66 256498  
 10 JUN 66 256907  
 66 SEP 258060  
 27 OCT 67 258068  
 06 DEC 67 258430

ADDRESS LIST UNIT. 0012  
 DATE 18 DEC 67 MACH. 2050FP  
 LDG 019 UNIT P.N. 5469472  
 FRAME 01 PAGE P.N. 5469476  
 IBM CORP. DSD PAGE 03

Q 2 1 2 0

HEX ADD	BINARY ADDRESS	SHEET	CLD BOX	MODE	BINARY BIT PATTERN	EC NUMBER		VERSION
							92-97	
0C9D	0 1100 1001 1101	QS118	E4	-	P LU MV ZP ZF ZN TR ZR WS SF P IV AL WM UP MD LB MB DG UL UR P CE LX TC RY AD AB BB UX SS		254760	
0C9E	0 1100 1001 1110	QS118	J4	-			254760	
0C9F	0 1100 1001 1111	QS118	N4	-			254760	
0CA0	0 1100 1010 0000	QS118	A5	-			254772	
0CA1	0 1100 1010 0001	QS120	N7	-			255440	
0CA2	0 1100 1010 0010	QS118	J5	-			254772	
0CA3	0 1100 1010 0011	QS118	N5	-			254765	
0CA4	0 1100 1010 0100	QS118	AB	-			254760	
0CA5	0 1100 1010 0101	QS118	EB	-			254765	
0CA6	0 1100 1010 0110	QS120	N9	-			254760	
0CA7	0 1100 1010 0111	QS118	N8	-			254765	
0CA8	0 1100 1010 1000	QS120	A3	-			254765	
0CA9	0 1100 1010 1001	QS120	A4	-			254765	
0CAA	0 1100 1010 1010	QS120	A5	-			254765	
0CAB	0 1100 1010 1011	QS120	E4	-			254765	
0CAC	0 1100 1010 1100	QS118	N3	-			256907	
0CAD	0 1100 1010 1101	QS120	J1	-			256498	
0CAE	0 1100 1010 1110	QS120	J2	-			254772	
0CAF	0 1100 1010 1111	QS118	S3	-			256907	
0CB0	0 1100 1011 0000	QS110	E7	-			254772	
0CB1	0 1100 1011 0001	QS110	EB	-			254772	
0CB2	0 1100 1011 0010	QS110	L7	-			254772	
0CB3	0 1100 1011 0011	QS110	L8	-			254772	
0CB4	0 1100 1011 0100	QG804	CB	-			258060	
0CB5	0 1100 1011 0101	QG804	GB	-			258060	
0CB6	0 1100 1011 0110	QG409	GB	-			258060	
0CB7	0 1100 1011 0111	QG409	C7	-			258060	
0CB8	0 1100 1011 1000			-			254770	
0CB9	0 1100 1011 1001	QG803	Q7	-			258060	
0CBA	0 1100 1011 1010	QG803	N7	-			258060	
0CBB	0 1100 1011 1011	QG803	J7	-			258060	
0CBC	0 1100 1011 1100	QS120	A2	-			254765	
0CBD	0 1100 1011 1101			-			254770	
0CBE	0 1100 1011 1110	QS120	E2	-			254765	
0CBF	0 1100 1011 1111			-			254770	
0CC0	0 1100 1100 0000	QS120	A7	-			254765	
0CC1	0 1100 1100 0001	QS120	A6	-			254765	
0CC2	0 1100 1100 0010	QS120	J6	-			254765	
0CC3	0 1100 1100 0011	QS120	E6	-			254765	

14 JAN 65	254769	ADDRESS LIST	UNIT 0012
21 JAN 65	254770		
02 FEB 65	254772	DATE 18 DEC 67	MACH. 2050FP
09 SEP 65	255449		
24 MAR 66	256498	LDG 019	UNIT P.No. 5469472
10 JUN 66	256907		
66 SEP	258060	FRAME 01	PAGE P.No. 5469476
27 OCT 67	258068		
06 DEC 67	258430	IBM CORP.	DSD PAGE 04



HEX ADD	BINARY ADDRESS	SHEET	CLD BOX	MODE	BINARY BIT PATTERN	EC NUMBER	VERSION
					P LU MV ZP ZF ZN TR ZR WS SF P IV AL WM UP MD LB MB DG UL UR P CE LX TC RY AD AB BB UX SS 92-97		
0CC4	0 1100 1100 0100	QS110	E9	-	0 000 10 110000 1011 100 00000 0 100 111 0 011 00000 0000 10 1 0 1 011 10 10 1 0000 000 1 000 0001 011010 00001 0 010100	254772	
0CC5	0 1100 1100 0101	QS114	E6	-	0 000 00 110010 0100 100 00000 0 010 010 0 000 00000 0000 01 0 0 1 010 01 01 0 0000 001 0 010 0001 101011 11000 0 000000	254772	
0CC6	0 1100 1100 0110	QS110	L9	-	0 000 00 110010 0010 100 01111 0 100 111 0 000 00000 0000 10 0 0 0 000 01 01 1 0000 000 1 100 0001 000001 01010 0 000000	254772	
0CC7	0 1100 1100 0111	QS114	A6	-	0 000 00 110001 0101 100 00000 0 011 010 1 000 00000 0000 10 0 0 0 010 01 01 0 1011 001 0 010 0001 000001 00000 0 000000	254772	
0CC8	0 1100 1100 1000	QS118	E7	-	1 111 10 110011 0010 100 00000 0 100 111 1 011 00000 0001 10 0 1 1 101 11 11 0 0000 000 1 000 0001 000000 11001 0 010100	254760	
0CC9	0 1100 1100 1001	QS118	J7	-	0 000 00 110010 1000 100 00000 0 100 111 0 000 00000 0000 10 0 0 0 000 01 01 1 0000 000 1 010 0001 000001 11000 0 000000	254760	
0CCA	0 1100 1100 1010			-	1 000 00 110011 0010 100 00000 0 000 000 0 000 10111 0000 00 0 0 0 010 00 00 0 0000 000 0 000 0000 000001 00000 0 000000	254772	
0CCB	0 1100 1100 1011	QS118	A7	-	1 000 00 110011 0010 100 00000 0 100 111 0 000 00000 0000 10 0 1 1 101 01 01 1 0010 000 1 000 0001 000000 11001 0 001010	254760	
0CCC	0 1100 1100 1100	QS118	A9	-	1 000 00 000101 0001 001 00000 0 100 111 1 111 00000 0000 10 0 0 0 000 01 01 0 0000 000 1 000 0001 111000 00000 0 101000	254760	
0CCD	0 1100 1100 1101	QS118	E9	-	1 000 00 000101 0001 001 00000 0 100 111 1 111 00000 0000 10 0 0 0 000 01 01 1 0010 000 1 000 0001 111000 00000 0 101000	254760	
0CCE	0 1100 1100 1110	QS118	J9	-	0 000 00 110000 1111 100 01111 0 100 111 0 000 00000 0000 10 0 0 0 000 01 01 0 0000 000 1 001 0001 000001 00001 0 101000 00 000000	258060	
0CCF	0 1100 1100 1111	QS118	N9	-	1 000 00 000101 0001 001 00000 0 100 111 1 111 00000 0000 10 0 0 0 000 01 01 1 0001 000 1 000 0001 111000 00000 0 101000	254760	
0CD0	0 1100 1101 0000	QG408	E9	-	0 000 00 000101 0001 001 00111 0 111 100 1 111 00000 0000 10 0 0 0 000 01 01 1 0000 001 1 000 0001 111000 00000 0 000000 00 000000	258060	
0CD1	0 1100 1101 0001	QG408	E8	-	1 000 00 110011 0100 100 00000 0 100 111 0 000 00000 0000 10 0 0 0 000 01 01 0 0000 000 1 000 0001 001000 00000 0 000000 00 000000	258068	
0CD2	0 1100 1101 0010	QG408	C8	-	1 000 00 001100 1000 100 00111 0 110 010 0 000 00000 0000 10 0 0 0 000 01 01 1 0000 000 0 010 0100 000001 00001 0 000000 00 000000	258068	
0CD3	0 1100 1101 0011	QG408	A5	-	0 000 00 000101 0001 001 00111 0 111 100 1 111 00000 0000 10 0 0 0 000 01 01 1 0000 001 1 000 0001 111000 00000 0 000000 00 000000	258060	
0CD4	0 1100 1101 0100			-	0 000 00 110011 0101 100 00000 0 000 000 0 000 10111 0000 00 0 0 0 010 00 00 1 0000 000 0 000 0000 000000 00000 0 000000	255440	
0CD5	0 1100 1101 0101	QG803	Q9	-	1 000 00 010110 1101 100 10100 0 010 110 0 000 11001 0000 10 0 0 0 010 01 01 1 0000 001 0 100 0100 000100 11000 0 000000 00 000000	258060	
0CD6	0 1100 1101 0110	QG803	N9	-	1 000 00 010110 1101 100 10100 0 010 110 0 000 11001 0000 10 0 0 0 010 01 01 1 0000 001 0 100 0100 000100 11000 0 000000 00 000000	258060	
0CD7	0 1100 1101 0111	QG803	J9	-	1 000 00 010110 1101 100 10100 0 010 110 0 000 10101 0000 10 0 0 0 010 01 01 0 0000 001 0 100 0100 000001 00001 0 000000 00 000000	258060	

14 JAN 65	254769	ADDRESS LIST	UNIT. 0012
21 JAN 65	254770		
02 FEB 65	254772	DATE 18 DEC 67	MACH. 2050FP
09 SEP 65	255449		
24 MAR 66	256498	LOG 019	UNIT P.No. 5469472
10 JUN 66	256907		
66 SEP	258060	FRAME 01	PAGE P.No. 5469476
27 OCT 67	258068		
06 DEC 67	258430	IBM CORP. DSD	PAGE 05

Q  
Z  
1  
2  
0

HEX ADD	BINARY ADDRESS	SHEET	CLD BOX	MODE	BINARY BIT PATTERN	EC NUMBER	VERSION
0D00	0 1101 0000 0000	QS400	S6	-	P LU MV ZP ZF ZN TR ZR WS SF P IV AL WM UP MD LB MB DG UL UR P CE LX TC RY AD AB BB UX SS	254760	
0D01	0 1101 0000 0001	QS402	A1	-		255094	
0D02	0 1101 0000 0010	QS400	E7	-		254760	
0D03	0 1101 0000 0011	QS400	J7	-		254760	
0D04	0 1101 0000 0100	QS400	A5	-		254760	
0D05	0 1101 0000 0101	QS400	A4	-		254760	
0D06	0 1101 0000 0110	QS400	J3	-		255094	
0D07	0 1101 0000 0111	QS400	N3	-		255094	
0D08	0 1101 0000 1000	QS400	E4	-		254760	
0D09	0 1101 0000 1001	QS400	J4	-		254760	
0D0A	0 1101 0000 1010	QS400	N4	-		254760	
0D0B	0 1101 0000 1011	QS400	S4	-		254760	
0D0C	0 1101 0000 1100	QS404	E3	-		254760	
0D0D	0 1101 0000 1101	QS400	N5	-		254760	
0D0E	0 1101 0000 1110	QS404	J3	-		254760	
0D0F	0 1101 0000 1111	QS402	S3	-		254760	
0D10	0 1101 0001 0000	QS404	A1	-		254760	
0D11	0 1101 0001 0001	QS400	S5	-		254760	
0D12	0 1101 0001 0010	QS404	E1	-		254760	
0D13	0 1101 0001 0011	QS402	N3	-		254760	
0D14	0 1101 0001 0100	QS406	E2	-		254760	
0D15	0 1101 0001 0101	QS406	N3	-		254760	
0D16	0 1101 0001 0110	QS400	E2	-		254760	
0D17	0 1101 0001 0111	QS406	J3	-		254760	
0D18	0 1101 0001 1000	QS400	A2	-		254760	
0D19	0 1101 0001 1001	QS406	N6	-		254760	
0D1A	0 1101 0001 1010	QS406	J6	-		254765	
0D1B	0 1101 0001 1011	QS406	E6	-		254760	
0D1C	0 1101 0001 1100	QP200	J4	-		254760	
0D1D	0 1101 0001 1101	QP203	J1	-		254760	
0D1E	0 1101 0001 1110	QP202	E1	-		254760	
0D1F	0 1101 0001 1111	QP204	J1	-		254760	
0D20	0 1101 0010 0000	QP200	S5	-		254760	
0D21	0 1101 0010 0001	QP200	N5	-		254760	
0D22	0 1101 0010 0010	QP200	F5	-		254760	
0D23	0 1101 0010 0011	QP200	J5	-		254760	
0D24	0 1101 0010 0100	QP200	F7	-		254760	
0D25	0 1101 0010 0101	QP200	N7	-		282229	003
0D26	0 1101 0010 0110	QP200	J7	-		254760	

ADDRESS LIST UNIT. 0013  
DATE 17 JAN 68 MACH. C2050  
LOG 061 UNIT P.No. 5379157  
FRAME 01 PAGE P.No. 5379158  
IBN CORP. DSD PAGE 01

HEX ADD	BINARY ADDRESS	SHEET	CLD BOX	MODE	BINARY BIT PATTERN	EC NUMBER	VERSION
0D27	0 1101 0010 0111	QP200	S7	-	P LU MV ZP ZF ZN TR ZR WS SF P IV AL WM UP MD LB MB DG UL UR P CE LX Tc RY AD AB BB UX SS 92-97 1 001 00 110111 0101 100 01110 0 100 111 0 000 00000 0001 10 0 0 0 010 01 01 0 1000 000 1 001 0001 000000 00001 0 001010 00 000000	282229	CO3
0D28	0 1101 0010 1000	QS400	A3	-	0 000 00 110100 0001 100 00000 0 011 110 0 000 00000 0000 10 0 0 0 000 01 01 0 0101 000 1 000 0001 000000 00001 0 000000	254760	
0D29	0 1101 0010 1001	QP202	J3	-	1 111 00 110100 1011 100 00000 0 100 111 1 010 00000 1100 10 0 0 0 000 00 11 1 1111 000 1 000 0001 010010 01010 0 000000	254760	
0D2A	0 1101 0010 1010	QP202	A3	-	0 000 00 110110 1101 100 01110 0 100 111 1 000 00000 0000 10 0 0 0 010 01 01 0 0100 000 1 001 0001 000000 00000 0 010000	254760	
0D2B	0 1101 0010 1011	QP202	E3	-	0 000 00 110100 1111 100 01110 0 100 111 1 000 00000 0000 11 0 0 1 100 01 01 1 0000 000 1 001 0001 100111 00000 0 100000	255437	
0D2C	0 1101 0010 1100	QP202	E5	-	0 000 00 110100 1111 100 01110 0 100 111 1 000 00000 0000 11 0 0 1 100 01 01 1 1101 000 1 001 0001 100111 00000 0 001010	254760	
0D2D	0 1101 0010 1101	QP202	N5	-	0 000 00 110100 1111 100 01110 0 100 111 0 000 00000 0000 11 0 1 1 100 01 01 1 1100 000 1 001 0001 100111 10101 0 001010	254760	
0D2E	0 1101 0010 1110	QP202	J5	-	0 000 00 110100 1111 100 01110 0 100 111 1 000 00000 0000 11 0 0 1 100 01 01 1 1001 000 1 001 0001 100111 00000 0 001010	254760	
0D2F	0 1101 0010 1111	QP202	S5	-	0 000 00 110100 1111 100 01110 0 100 111 0 000 00000 0000 11 0 1 1 100 01 01 0 1000 000 1 001 0001 100111 10101 0 001010	254760	
0D30	0 1101 0011 0000	QP203	N3	-	1 111 00 110110 0011 100 00000 0 100 111 1 000 00000 1100 10 0 0 0 000 00 01 0 1111 000 1 000 0001 010011 00000 0 000000	254760	
0D31	0 1101 0011 0001	QP203	J3	-	1 111 00 110110 0011 100 00000 0 100 111 1 000 00000 1100 10 0 0 0 000 00 01 1 1111 000 1 000 0001 010011 00000 0 100000	254760	
0D32	0 1101 0011 0010	QP203	A3	-	0 000 00 110110 1101 100 01110 0 100 111 1 000 00000 0000 10 0 0 0 010 01 01 1 1001 000 1 001 0001 000000 00000 0 001000	254760	
0D33	0 1101 0011 0011	QP203	E3	-	1 001 00 110100 1111 100 01110 0 100 111 0 000 00000 0001 11 0 0 1 100 01 01 1 0001 000 1 001 0001 100111 00000 0 001010	254760	
0D34	0 1101 0011 0100	QS402	J1	-	1 010 00 110100 1110 100 01111 0 100 111 0 000 00000 0011 10 0 0 0 000 01 01 0 0000 000 1 001 0001 000000 00000 0 000000	254760	
0D35	0 1101 0011 0101	QP204	J3	-	1 111 00 110110 0011 100 00000 0 100 111 1 000 00000 1100 10 0 0 0 000 00 01 1 1111 000 1 000 0001 010011 00001 0 000000	254760	
0D36	0 1101 0011 0110	QP204	A3	-	0 000 00 110110 1101 100 01110 0 100 111 1 000 00000 0000 10 0 0 0 010 01 01 1 1001 000 1 001 0001 000000 00000 0 001000	254760	
0D37	0 1101 0011 0111	QP204	E3	-	0 000 00 110100 1111 100 01110 0 100 111 1 000 00000 0000 11 0 0 1 100 01 01 1 0001 000 1 001 0001 100111 00000 0 001010	254760	
0D38	0 1101 0011 1000	QS402	J3	-	1 010 00 110101 0000 100 00111 0 011 100 1 000 11110 0010 10 0 0 0 000 01 01 1 0110 000 1 000 0001 000000 00000 0 000000	254760	
0D39	0 1101 0011 1001	QP205	L6	-	1 000 00 110110 0010 100 10100 0 001 010 0 000 00000 0000 10 0 0 0 000 01 01 0 0000 110 1 100 0001 000001 11100 0 000000 00 000000	255449	
0D3A	0 1101 0011 1010	QP205	Q5	-	1 000 00 110110 0010 100 10100 0 001 010 0 000 00000 0000 10 0 0 0 000 01 01 0 1000 110 1 100 0001 000001 11100 0 010000 00 000000	255449	
0D3B	0 1101 0011 1011	QP205	Q5	-	0 000 00 000110 0101 100 00000 0 100 111 1 000 00000 1111 10 0 0 0 000 01 00 0 0101 000 1 000 0001 000000 00001 0 000000 00 000000	255449	
0D3C	0 1101 0011 1100	QP205	J3	-	1 000 10 110100 0111 100 00000 0 100 111 0 000 00000 0000 10 0 0 0 000 01 01 0 0000 000 1 000 0001 001101 00101 0 010100	254760	
0D3D	0 1101 0011 1101	QP205	N3	-	0 000 00 110110 1101 100 00000 0 001 000 0 000 00000 0000 10 0 0 0 000 01 01 0 0000 000 1 000 0001 000000 00001 0 000000	254760	
0D3E	0 1101 0011 1110	QP205	E1	-	1 000 00 110110 1101 100 01111 0 100 111 0 000 00000 0000 10 0 0 0 000 01 01 1 1000 000 0 001 0001 000001 00001 0 011010	254760	
0D3F	0 1101 0011 1111	QP205	J1	-	1 000 00 110110 1101 100 01111 0 100 111 0 000 00000 0000 10 0 0 0 000 01 01 1 1000 000 0 001 0001 000001 00001 0 011001	254760	
0D40	0 1101 0100 0000	QS402	J4	-	1 111 00 110101 0001 100 00001 0 011 000 0 000 00000 0000 10 0 0 0 000 01 01 0 0010 000 1 000 0001 000000 00000 0 000110	254760	
0D41	0 1101 0100 0001	QP206	J1	-	0 000 00 110101 0001 010 00000 0 100 110 0 000 00000 0000 10 0 0 0 000 01 01 0 0000 000 1 000 0001 001101 00011 0 000000	254760	
0D42	0 1101 0100 0010	QP206	N4	-	0 000 00 110101 0001 010 00000 0 100 110 0 000 00000 0000 10 0 0 0 000 01 01 0 0000 000 1 000 0001 001101 00011 0 000000	254760	
0D43	0 1101 0100 0011	QP206	S1	-	0 000 00 000110 0101 100 00000 0 100 111 1 000 00000 1111 10 0 0 0 000 01 00 0 0101 000 1 000 0001 000000 00001 0 000000	254760	
0D44	0 1101 0100 0100	QS402	J5	-	0 000 00 110101 0011 100 00011 0 011 000 0 000 00000 0000 10 0 0 0 000 01 01 1 0011 001 1 000 0001 000001 01010 0 000000	254760	
0D45	0 1101 0100 0101	QP206	E2	-	0 000 00 110110 0101 100 00000 0 100 111 0 000 00000 0000 10 0 0 0 000 01 01 0 0010 000 1 000 0001 000000 01001 0 101000	254760	
0D46	0 1101 0100 0110	QP206	J2	-	0 000 00 110110 0101 100 00000 0 100 111 0 000 00000 0000 10 0 0 0 000 01 01 1 0000 000 1 000 0001 000000 01001 0 101000	254760	
0D47	0 1101 0100 0111	QP206	N2	-	0 000 00 110110 0101 100 00000 0 100 111 0 000 00000 0000 10 0 0 0 000 01 01 0 0001 000 1 000 0001 000000 01001 0 101000	254760	
0D48	0 1101 0100 1000	QS400	E5	-	0 000 00 110100 0011 100 00110 0 010 000 1 000 00000 0000 10 0 0 0 010 01 01 0 0000 110 0 001 0001 000000 00001 0 000000	254760	
0D49	0 1101 0100 1001	QS402	N6	-	1 001 10 110110 0111 100 00000 0 100 111 1 000 00000 0001 10 0 0 0 000 10 01 1 1000 000 1 000 0001 000000 00001 0 001010	254760	
0D4A	0 1101 0100 1010	QS400	A6	-	0 000 00 000110 0101 100 00000 0 100 111 1 000 00000 1111 10 0 0 0 000 01 00 0 0110 000 1 000 0001 000000 00001 0 000000	254760	
0D4B	0 1101 0100 1011	QS402	S6	-	0 001 10 110101 0101 100 00000 0 100 111 0 000 00000 0001 10 0 1 1 011 11 10 0 0000 000 1 000 0001 011010 00000 0 010100	254760	
0D4C	0 1101 0100 1100	QS400	J6	-	0 000 00 110100 0000 010 00001 0 011 000 0 000 00000 0000 10 0 0 0 000 01 01 1 1100 001 1 001 0001 011000 11000 0 000000	254760	
0D4D	0 1101 0100 1101	QS400	E6	-	0 000 00 110100 0000 010 00001 0 011 000 0 000 00000 0000 10 0 0 0 000 01 01 0 1100 001 1 001 0001 011000 11000 0 011001	254760	

ADDRESS LIST      UNIT# 0013  
DATE 17 JAN 68      MACH# C2050  
LOG      061      UNIT P#N# 5379157  
FRAME 01      PAGE P#N# 5379158  
IBm CORP.      DSD      PAGE 02

HEX ADD	BINARY ADDRESS	SHEET	CLD BOX	MODE	BINARY BIT PATTERN	EC NUMBER	VERSION
0D4E	0 1101 0100 1110	Q5402	J6	-	P LU RV ZP ZF ZN TR ZR WS SF P IV AL WM UP RB LB RB DG UL UR P CE LX TC RY AD AB BB UX SS	254760	
0D4F	0 1101 0100 1111	Q5402	E6	-		254760	
0D50	0 1101 0101 0000	Q5402	A5	-		254760	
0D51	0 1101 0101 0001	Q5402	A9	-		254760	
0D52	0 1101 0101 0010	Q5402	S2	-		254760	
0D53	0 1101 0101 0011	Q5402	N2	-		254760	
0D54	0 1101 0101 0100	Q5402	S7	-		254760	
0D55	0 1101 0101 0101	Q5402	N1	-		254760	
0D56	0 1101 0101 0110	Q5404	N1	-		254760	
0D57	0 1101 0101 0111	Q5404	N7	-		254760	
0D58	0 1101 1000 0000	Q5404	A3	-		254760	
0D59	0 1101 1000 0001	Q5404	A5	-		254760	
0D5A	0 1101 1000 0010	Q5404	J4	-		254760	
0D5B	0 1101 1000 0011	Q5404	E9	-		254760	
0D5C	0 1101 1000 0100	Q5404	S5	-		254760	
0D5D	0 1101 1000 0101	Q5404	N4	-		254760	
0D5E	0 1101 1000 0110	Q5404	N5	-		254760	
0D5F	0 1101 1000 0111	Q5404	S4	-		254760	
0D60	0 1101 1000 1000	QP200	A2	-		254760	
0D61	0 1101 1000 1001	QP200	E3	-		254760	
0D62	0 1101 1000 1010	QP205	L7	-		255449	
0D63	0 1101 1000 1011	QP205	Q7	-		255449	
0D64	0 1101 1000 1100	QP203	J5	-		254760	
0D65	0 1101 1000 1101	QP204	J5	-		254760	
0D66	0 1101 1000 1110	QP203	N5	-		254760	
0D67	0 1101 1000 1111	QP204	N5	-		254760	
0D68	0 1101 1001 0000	QP205	E4	-		254760	
0D69	0 1101 1001 0001	Q5706	L8	-		255449	
0D6A	0 1101 1001 0010	QP206	A1	-		254760	
0D6B	0 1101 1001 0011	Q5706	Q8	-		255449	
0D6C	0 1101 1001 0100	QP206	E4	-		254760	
0D6D	0 1101 1001 0101	QP206	J4	-		254760	
0D6E	0 1101 1001 0110	Q5705	G9	-		255449	
0D6F	0 1101 1001 0111	Q5705	C9	-		255449	
0D68	0 1101 1001 1000	Q5402	A3	-		254765	
0D69	0 1101 1001 1001	Q5402	A4	-		254760	
0D6A	0 1101 1001 1010	Q5402	A6	-		254760	
0D6B	0 1101 1001 1011	Q5402	A7	-		254765	
0D6C	0 1101 1001 1100	Q5402	A8	-		254760	

92-97

ADDRESS LIST UNIT: 0013  
DATE 17 JAN 68 MACH: C2050  
ING 061 UNIT P#N: 5379157  
FRAME 01 PAGE P#N: 5379158  
IBM CORP. DSD PAGE 03

HEX ADD	BINARY ADDRESS	SHEET	CLD BOX	MODE	BINARY BIT PATTERN	EC NUMBER	VERSION
0D9D	0 1101 1001 1101	QS402	J7	-	P LU MV ZP ZF ZN TR ZR WS SF P IV AL WM UP MD LB MB DG UL UR P CE LX TC RY AD AB BB UX SS	254760	
0D9E	0 1101 1001 1110	QS402	N5	-	0 111 00 110101 0100 100 00111 0 011 100 0 001 00000 1101 10 0 0 0 000 01 01 0 0110 000 1 010 0001 000001 00111 0 000000	254760	
0D9F	0 1101 1001 1111	QS402	S4	-	1 000 00 110101 0010 100 00011 0 100 111 0 000 00000 0000 10 0 0 0 000 01 01 0 1000 001 1 000 0001 000010 00001 0 010000	254760	
0DA0	0 1101 1010 0000	QS404	J5	-	0 000 00 110110 0111 100 00001 0 011 110 1 000 10101 0000 10 0 0 0 000 01 01 1 0110 000 1 001 0001 000001 00000 0 000000	254760	
0DA1	0 1101 1010 0001	QS404	J6	-	0 000 00 110110 1000 100 00001 0 011 110 0 000 00000 0000 10 1 0 0 010 01 01 1 0000 001 0 001 0001 000000 00001 0 000000	254760	
0DA2	0 1101 1010 0010	QS404	A2	-	0 000 00 110110 1001 100 00011 0 100 111 1 000 00000 0000 10 1 0 0 000 01 01 1 0000 001 1 010 1001 000001 00000 0 000000	254760	
0DA3	0 1101 1010 0011	QS404	E4	-	1 000 00 110110 0000 100 00001 0 011 110 0 000 00000 0000 10 1 0 0 010 01 01 0 1000 001 0 001 0001 000000 10110 0 000000	254760	
0DA4	0 1101 1010 0011	QS404	E4	-	1 000 00 110110 1001 100 00001 0 100 111 0 000 00000 0000 10 0 0 0 000 01 01 0 0000 001 1 001 1001 000000 00000 0 000000	254760	
0DA5	0 1101 1010 0100	QS404	E5	-	1 000 00 110110 1001 100 00001 0 011 110 1 000 00000 0000 10 0 0 0 010 01 01 1 1100 001 0 001 0001 000000 00001 0 000000	254760	
0DA6	0 1101 1010 0101	QS404	E6	-	0 000 00 110110 1001 100 00011 0 100 111 1 000 00000 0000 10 1 0 0 000 01 01 1 0000 001 1 010 1001 000001 00000 0 000000	254760	
0DA7	0 1101 1010 0110	QS404	E7	-	0 000 00 110110 0000 100 00011 0 011 110 1 000 00000 0000 10 0 0 0 010 01 01 1 1000 001 0 010 0001 000001 10110 0 000000	254760	
0DA8	0 1101 1010 0111	QS404	N2	-	0 000 00 110110 1010 100 01111 0 011 000 0 000 00000 0000 10 0 0 0 000 01 01 0 0011 001 1 000 0001 000000 00000 0 000000	254760	
0DA9	0 1101 1010 1000	QS404	N3	-	0 000 00 110110 0001 100 11101 0 011 010 0 000 00000 0000 10 0 0 0 000 01 01 1 0001 000 1 010 0001 011000 00001 0 001011	254760	
0DA9	0 1101 1010 1001	QS404	N6	-	0 000 00 110101 0101 100 00111 0 011 100 0 000 11110 0000 10 0 0 0 000 01 01 0 0110 000 1 000 0001 011000 00001 0 000000	254760	
0DAA	0 1101 1010 1010	QS404	N8	-	0 010 00 110100 0101 100 00000 0 011 110 1 000 00000 1001 10 0 0 0 000 01 01 1 0011 000 1 000 0001 000000 00000 0 000000	254760	
0DAB	0 1101 1010 1011	QS406	J4	-	1 000 00 110110 1011 100 00000 0 100 111 0 000 00000 0000 10 0 0 0 000 01 01 0 0000 000 1 001 0001 000000 00000 0 000000	254760	
0DAC	0 1101 1010 1100	QS406	J5	-	0 000 00 110100 0110 100 11101 0 011 010 0 000 00000 0000 10 0 0 0 000 01 01 0 0001 000 1 010 0001 011000 10010 0 001011	254760	
0DAD	0 1101 1010 1101	QS406	N7	-	0 000 00 110100 0101 100 00001 0 011 000 0 000 11110 0000 10 0 0 0 000 01 01 0 0110 000 1 000 0001 000000 10101 0 000000	254760	
0DAE	0 1101 1010 1110	QP200	E2	-	0 010 00 110110 0010 100 10100 0 001 010 0 000 00000 0011 10 0 0 0 000 01 01 0 0000 000 1 010 0001 000000 11100 0 100110	254760	
0DAF	0 1101 1010 1111	QP200	A3	-	0 000 00 110110 1100 100 01111 0 100 010 0 000 00000 0000 10 0 0 0 000 01 01 0 0000 000 1 001 0001 000000 00000 0 100001	254760	
0DB0	0 1101 1011 0000	QP200	A4	-	0 000 00 110110 1111 100 01110 0 010 000 1 000 00000 0000 10 0 0 0 010 01 01 1 0000 000 1 001 0001 000001 00000 0 000000 00 000000	282229	C03
0DB1	0 1101 1011 0001	QC032	C6	-	1 000 00 000100 1111 100 00000 0 100 111 1 000 00000 0000 10 0 1 0 000 01 01 0 0000 000 1 000 0001 000001 10100 0 000000 00 000000	282229	C03
0DB2	0 1101 1011 0010	QP200	A6	-	1 000 10 110100 0111 100 00000 0 001 010 0 000 00000 1111 10 0 0 0 000 10 10 1 0000 000 1 000 0001 000000 00000 0 010100	254760	
0DB3	0 1101 1011 0011	QC032	J6	-	1 000 00 000110 1011 100 01111 0 100 111 0 000 00000 0000 10 0 0 0 000 01 01 1 0000 000 1 100 0001 011000 00001 0 000000 00 000000	282229	C03
0DB4	0 1101 1011 0100	QP204	A5	-	0 001 00 110100 1111 100 00000 0 100 111 1 000 00000 0001 11 0 0 1 110 01 01 1 0000 000 1 000 0001 100111 00000 0 100001	254760	
0DB5	0 1101 1011 0101	QP205	N4	-	0 000 00 110100 1110 010 01001 0 100 111 0 000 00000 0000 10 0 0 0 000 01 01 1 1000 110 1 100 0001 000010 00111 0 000000	254760	
0DB6	0 1101 1011 0110	QP205	N8	-	1 000 10 110100 0111 100 00000 0 100 111 0 000 00000 0000 10 0 0 0 000 01 01 0 0000 000 1 000 0001 001101 00000 0 010100	254760	
0DB7	0 1101 1011 0111	QP205	E3	-	1 000 00 110110 0100 100 11101 0 100 111 0 000 00000 0000 10 0 0 0 000 01 01 0 0000 000 1 010 0001 011000 00000 0 000000	254760	
0DB8	0 1101 1011 1000	QP205	E5	-	1 000 00 110100 1111 100 00011 0 100 111 0 000 11110 0000 10 0 0 0 000 01 01 1 0000 000 1 000 0001 000000 00110 0 000000	254760	
0DB9	0 1101 1011 1001	QS706	C1	-	1 000 00 110110 1111 111 00110 0 010 000 1 000 00000 0000 10 0 0 0 010 01 01 0 0001 110 0 001 0001 011000 10101 0 010011 00 000000	255449	
0DBA	0 1101 1011 1010	QC030	J7	-	0 000 00 000101 0101 100 00000 0 100 111 0 000 00000 0000 10 0 0 0 000 01 01 0 0000 000 1 000 0001 001001 00001 0 000000 00 000000	282229	C03
0DBB	0 1101 1011 1011	QC030	C7	-	0 000 00 110111 0101 011 00000 0 100 111 1 111 00000 0000 10 0 0 0 000 01 01 0 0001 000 1 000 0001 111001 01001 0 011000 00 000000	282229	C03
0DBC	0 1101 1011 1100	QS706	C2	-	0 111 00 110111 0000 111 00000 0 100 111 0 011 00000 0001 10 0 1 1 111 01 01 1 0000 000 1 000 0001 010111 10100 0 010100 00 000000	255449	
0DBD	0 1101 1011 1101	QS706	E2	-	0 000 00 110111 0011 111 00111 0 100 111 0 000 11110 0000 10 0 0 0 000 01 01 1 0000 000 1 000 0001 101011 00000 0 000000 00 000000	255449	
0DBE	0 1101 1011 1110	QP200	A5	-	0 000 00 110110 1100 100 00011 0 100 111 0 000 11110 0000 10 0 0 0 000 01 01 1 0000 000 1 000 0001 000001 00000 0 100011 00 000000	282229	C03
0DBF	0 1101 1011 1111	QS706	L2	-	1 000 00 110111 0011 100 00001 0 010 000 0 000 00000 0000 10 0 0 0 000 01 01 1 0000 110 1 001 0001 000001 00000 0 000000 00 000000	255449	
0DC0	0 1101 1100 0000	QS706	C3	-	0 111 00 110111 0100 100 00111 0 100 111 0 011 11110 0001 10 0 1 1 111 01 01 1 0000 000 1 000 0001 010111 00000 0 010100 00 000000	255449	
0DC1	0 1101 1100 0001	QS706	E3	-	0 000 00 110111 0011 111 00111 0 100 111 0 000 11110 0000 10 0 0 0 000 01 01 1 0000 000 1 000 0001 101011 00000 0 000000 00 000000	255449	
0DC2	0 1101 1100 0010			-	1 000 00 110111 0000 100 00000 0 000 000 0 000 10111 0000 00 0 0 0 010 00 00 0 0000 000 0 000 0000 000001 00000 0 000000	254770	
0DC3	0 1101 1100 0011	QS706	L3	-	1 000 00 110111 0011 100 00001 0 010 000 0 000 00000 0000 10 0 0 0 000 01 01 1 0000 110 1 001 0001 000001 00000 0 000000 00 000000	255449	

ADDRESS LIST UNIT: 0013  
DATE 17 JAN 68 MACH: C2050  
ING 061 UNIT P#N: 5379157  
FRAME 01 PAGE P#N: 5379158  
IBM CORP. DSD PAGE 04

HEX ADD	BINARY ADDRESS	SHEET	CLD BOX	MODE	BINARY BIT PATTERN	EC NUMBER	VERSION
					P LU MV ZP ZF ZN TR ZR WS SF P IV AL WM UP MD LB MB DE UL UR P CE LX TC RY AD AB BB UX SS 92-97		
ODC4	0 1101 1100 0100			-	0 000 00 110111 0001 100 00000 0 000 000 0 000 10111 0000 00 0 0 0 010 00 00 1 0000 000 0 000 0000 000000 00000 0 000000	254770	
ODC5	0 1101 1100 0101	Q5705	G1	-	1 000 10 011111 0001 100 01111 0 100 111 0 000 00000 1100 01 0 0 1 000 10 00 1 1100 000 1 100 0001 000001 10010 0 000000 00 000000	255449	
ODC6	0 1101 1100 0110	Q5705	L1	-	0 000 00 011111 0001 100 01111 0 100 111 1 000 00000 0000 01 0 0 1 000 01 01 1 0000 000 1 100 0001 000001 10010 0 000000 00 000000	255449	
ODC7	0 1101 1100 0111	Q5705	Q1	-	1 000 10 011111 0001 100 01111 0 100 111 0 000 00000 1100 01 0 0 1 000 10 00 0 1101 000 1 100 0001 000001 10010 0 000000 00 000000	255449	
ODC8	0 1101 1100 1000	Q5706	C9	-	0 111 00 110110 1110 100 00000 0 100 111 0 011 00000 0001 10 0 1 1 111 01 01 0 0100 000 1 000 0001 000000 00001 0 011001 00 000000	255449	
ODC9	0 1101 1100 1001	Q5706	L9	-	1 000 00 110110 0101 100 00110 0 010 000 1 000 00000 0000 10 0 0 0 010 01 01 0 0100 110 0 001 0001 000001 00000 0 011001 00 000000	255449	
ODCA	0 1101 1100 1010	Q5706	G9	-	0 111 00 110110 1110 100 00000 0 100 111 0 011 00000 0001 10 0 1 1 111 01 01 0 0000 000 1 000 0001 000000 00001 0 000000 00 000000	255449	
ODCB	0 1101 1100 1011	Q5706	Q9	-	1 000 00 110110 0101 100 00110 0 010 000 1 000 00000 0000 10 0 0 0 010 01 01 0 0000 110 0 001 0001 000001 00000 0 000000 00 000000	255449	
ODCC	0 1101 1100 1100	Q5706	Q5	-	0 111 00 011111 0011 111 00000 0 100 111 0 011 00000 0001 10 0 1 1 111 01 01 0 0000 000 1 000 0001 011010 00000 0 010100 00 000000	255449	
ODCD	0 1101 1100 1101	Q5706	G5	-	0 111 00 110111 0011 100 00000 0 100 111 0 011 00000 0001 10 0 1 1 111 01 01 0 0000 000 1 000 0001 011010 00000 0 010100 00 000000	255449	
ODCE	0 1101 1100 1110	Q5706	L5	-	0 000 00 110111 0100 100 01111 0 100 111 0 000 00000 0000 10 0 0 0 000 01 01 0 0000 000 1 100 0001 000001 00001 0 000000 00 000000	255449	
ODCF	0 1101 1100 1111	Q5706	C5	-	1 111 00 011110 1111 111 00000 0 001 010 0 011 00000 0001 10 0 1 1 111 01 01 1 0000 000 1 000 0001 011010 11001 0 010100 00 000000	255449	
ODD0	0 1101 1101 0000	Q5706	C6	-	1 000 00 011111 0011 100 00000 0 100 111 0 000 00000 0000 10 0 0 0 000 01 01 1 0000 000 1 000 0001 101011 00000 0 000000 00 000000	255449	
ODD1	0 1101 1101 0001	Q5706	C8	-	1 111 00 110111 0100 100 00000 0 100 111 0 011 00000 0001 10 0 1 1 111 01 01 1 0000 000 1 000 0001 000001 00001 0 010100 00 000000	255449	
ODD2	0 1101 1101 0010	Q5706	G6	-	1 000 00 011111 0011 100 00001 0 010 000 0 000 00000 0000 10 0 0 0 000 01 01 0 0000 110 1 001 0001 000001 00001 0 000000 00 000000	255449	
ODD3	0 1101 1101 0011	Q5706	G8	-	1 000 00 110110 0100 100 11101 0 100 111 0 000 00000 0000 10 0 0 0 000 01 01 1 0000 000 1 010 0001 011000 00001 0 000000 00 000000	255449	
ODD4	0 1101 1101 0100	QC031	L1	-	0 000 00 000100 1110 100 00000 0 001 010 1 110 00000 0000 10 0 0 1 000 01 01 1 0000 000 1 000 0001 000001 11100 0 000000 00 000000	282229	C03
ODD5	0 1101 1101 0101	QP200	N8	-	0 111 00 110100 1111 100 00000 0 100 111 1 000 00000 0000 11 0 1 1 110 01 01 1 0000 000 1 000 0001 100111 10101 0 000111 00 000000	282229	C03
ODD6	0 1101 1101 0110	QC031	C1	-	0 000 00 000000 1111 100 00000 0 011 110 1 110 00000 0000 10 0 0 1 000 01 01 0 1110 000 1 000 0001 000001 00001 0 000000 00 000000	282229	C03
ODD7	0 1101 1101 0111	QC031	G1	-	0 000 00 000000 1111 100 00000 0 011 110 1 000 00000 0000 10 0 0 1 000 01 01 1 1110 000 1 000 0001 000001 00101 0 000000 00 000000	282229	C03

ADDRESS LIST      UNIT. 0013  
 DATE 17 JAN 68    MACH. C2050  
 L. NO 061    UNIT P. No. 5379157  
 FRAME 01    PAGE P. No. 5379158  
 15 JAN 68    282229    IBM CORP.    DSD    PAGE 05

HEX ADD	BINARY ADDRESS	SHEET	CLD BOX	MODE	BINARY BIT PATTERN	EC NUMBER	VERSION
					P LU MV ZP ZF ZN TR ZR WS SF P IV AL WM UP MD LB MB DG UL UR P CE LX TC RY AD AB BB UX SS		
0E00	0 1110 0000 0000	QS200	E1	-	0 111 00 111000 0000 100 00000 0 001 010 0 011 00000 0001 10 0 1 1 111 01 01 1 0000 000 1 000 0001 011010 11001 0 010100	254765	
0E01	0 1110 0000 0001	QS200	J1	-	0 000 00 111001 0100 100 00111 0 010 010 1 000 00000 0000 01 0 1 0 000 01 01 1 0000 000 1 000 0001 000000 11000 0 000000	254760	
0E02	0 1110 0000 0010	QS200	N1	-	1 000 00 111001 0100 100 00111 0 011 100 0 000 00000 0000 10 0 0 0 000 01 01 1 0101 000 1 010 0001 000001 00100 0 011010	254765	
0E03	0 1110 0000 0011	QS200	S1	-	1 000 00 111001 0100 100 00111 0 011 100 0 000 00000 0000 10 0 0 0 000 01 01 1 0101 000 1 010 0001 000001 00100 0 011001	254765	
0E04	0 1110 0000 0100	QS202	A2	-	1 000 00 111000 0010 011 00011 0 100 111 0 000 00000 0000 10 0 0 0 000 01 01 1 1000 000 1 000 0001 000111 11000 0 001010	254765	
0E05	0 1110 0000 0101	QS202	E2	-	1 000 00 111000 0010 011 00011 0 100 111 0 000 00000 0000 10 0 0 0 000 01 01 0 0000 000 1 000 0001 000111 11000 0 000000	254765	
0E06	0 1110 0000 0110	QS202	J2	-	1 000 00 111000 0010 011 00011 0 100 111 0 000 00000 0000 10 0 0 0 000 01 01 0 1010 000 1 000 0001 000111 11000 0 001010 00 000000	255449	
0E07	0 1110 0000 0111	QS202	N2	-	1 000 00 111000 0010 011 00011 0 100 111 0 000 00000 0000 10 0 0 0 000 01 01 1 0010 000 1 000 0001 000111 11000 0 001010 00 000000	255449	
0E08	0 1110 0000 1000	QS202	E3	-	0 111 00 111000 0000 100 00000 0 001 010 0 000 00000 0001 10 0 1 1 111 01 01 1 0001 000 1 000 0001 011010 11001 0 010011 00 000000	255449	
0E09	0 1110 0000 1001	QG900	E8	-	0 000 00 111010 1111 100 00000 0 100 111 0 000 00000 0000 10 0 0 0 000 01 01 0 1000 000 1 000 0001 000001 00000 0 011010 00 000000	258060	
0E0A	0 1110 0000 1010	QS202	A3	-	1 000 00 111000 1101 100 00110 0 010 000 1 000 00000 0000 10 0 0 0 010 01 01 0 0000 110 0 001 0001 000000 00000 0 010011 00 000000	255449	
0E0B	0 1110 0000 1011	QS202	J3	-	0 000 00 111010 0010 100 00111 0 100 111 0 000 00000 0000 10 0 0 0 000 01 01 0 0000 000 1 000 0001 011000 00000 0 010011 00 000000	255449	
0E0C	0 1110 0000 1100	QS200	A2	-	1 000 00 111000 1000 100 00011 0 011 100 0 000 00000 0000 10 0 0 0 000 01 01 0 0100 000 1 000 1001 000000 00001 0 000000	254765	
0E0D	0 1110 0000 1101	QG902	J8	-	0 000 00 111000 0011 100 00111 0 100 100 0 000 00101 0000 10 0 0 0 000 01 01 1 0000 001 1 000 0001 000001 00000 0 000000 00 000000	258060	
0E0E	0 1110 0000 1110	QG902	J9	-	0 000 00 000110 0101 100 00111 0 101 100 1 000 00000 1111 10 0 0 0 000 01 00 1 1100 000 1 010 0001 000000 00001 0 000000 00 000000	258060	
0E0F	0 1110 0000 1111	QG902	N8	-	1 000 00 010010 0011 100 00111 0 100 100 0 000 00000 0000 10 0 0 0 000 01 01 0 0001 000 1 001 0001 000000 00000 0 011001 00 000000	258060	
0E10	0 1110 0001 0000	QS202	G8	-	1 000 00 000101 0001 001 00000 0 100 111 1 111 00000 0000 10 0 0 0 000 01 01 1 0001 000 1 000 0001 111000 00000 0 101000 00 000000	255449	
0E11	0 1110 0001 0001	QS202	Q8	-	1 000 00 000101 0010 100 00000 0 011 110 1 111 00000 0000 10 0 0 0 000 01 01 1 1110 000 1 000 0001 111000 00000 0 011000 00 000000	255449	
0E12	0 1110 0001 0010	QS202	L8	-	1 000 00 000101 0010 100 00000 0 011 110 1 111 00000 0000 10 0 0 0 000 01 01 1 1110 000 1 000 0001 111000 00000 0 011000 00 000000	255449	
0E13	0 1110 0001 0011	QS202	C8	-	1 000 00 000101 0001 001 00000 0 100 111 1 111 00000 0000 10 0 0 0 000 01 01 1 0001 000 1 000 0001 111000 00000 0 101000 00 000000	255449	
0E14	0 1110 0001 0100	QS300	E3	-	1 111 00 111000 0101 100 00000 0 011 010 0 011 00000 0001 10 0 1 1 111 01 01 0 0100 000 1 000 0001 011010 11001 0 000000	254760	
0E15	0 1110 0001 0101	QS300	N4	-	1 000 00 111000 0110 010 00111 0 011 100 0 000 00000 0000 10 0 0 0 000 01 01 1 1000 000 1 010 0001 000101 11000 0 000000	254760	
0E16	0 1110 0001 0110	QS300	J4	-	0 000 00 111010 1000 100 00001 0 011 000 0 000 00000 0000 10 0 0 0 000 01 01 1 0101 000 1 010 0001 000000 00000 0 010000	254760	
0E17	0 1110 0001 0111	QS300	S4	-	1 000 00 111000 0110 100 00111 0 011 100 0 000 00000 0000 10 0 0 0 000 01 01 0 1000 000 1 010 0001 000101 00001 0 000000	254760	
0E18	0 1110 0001 1000	QS200	A4	-	0 111 00 111000 0000 100 00000 0 001 010 1 001 00000 0001 10 0 1 1 111 01 10 1 0000 000 1 000 0001 011010 11001 0 000101	254765	
0E19	0 1110 0001 1001	QS300	N6	-	1 000 00 111010 1010 100 00000 0 010 110 0 000 00000 0000 10 0 0 0 000 01 01 1 0000 000 1 000 0001 000000 00000 0 000000	254760	
0E1A	0 1110 0001 1010	QS300	J6	-	0 000 00 111001 0011 100 00110 0 011 000 1 000 00000 0000 10 0 0 0 010 01 01 1 0100 110 0 001 0001 000001 00000 0 000000	254760	
0E1B	0 1110 0001 1011	QS300	S6	-	0 000 00 111000 0110 010 00011 0 011 100 0 000 00000 0000 10 0 0 0 000 01 01 0 0101 000 1 000 0001 000000 11000 0 010000	254760	
0E1C	0 1110 0001 1100	QS304	J2	-	1 111 00 111000 1000 100 00000 0 100 111 1 010 00000 1110 10 0 0 0 011 01 11 0 0000 000 1 000 0001 000001 00000 0 010100	254760	
0E1D	0 1110 0001 1101	QS302	E8	-	1 111 00 111000 1000 100 00000 0 100 111 1 010 00000 1110 10 0 0 0 000 01 11 1 0000 000 1 000 0001 000000 00000 0 010100	254760	
0E1E	0 1110 0001 1110	QS200	E3	-	1 000 00 111000 0000 100 00111 0 011 100 0 000 11110 0000 10 0 0 0 000 01 01 0 1000 000 1 000 0001 000000 00000 0 000000	254760	
0E1F	0 1110 0001 1111	QS306	A1	-	0 000 00 111010 1101 100 00000 0 011 001 0 000 00000 0000 10 0 0 0 000 01 01 0 1001 000 1 000 0001 000000 00001 0 000000	254760	
0E20	0 1110 0010 0000	QS302	E9	-	0 000 00 111000 1010 100 00001 0 011 110 1 000 10001 1101 10 0 0 0 000 01 01 0 0110 000 1 001 0001 000001 00001 0 000000	254760	
0E21	0 1110 0010 0001	QS200	A3	-	1 000 00 111000 0110 100 00000 0 011 110 0 000 00000 0000 10 0 0 0 000 01 01 1 1000 000 1 000 0001 000000 00000 0 011001	254765	
0E22	0 1110 0010 0010	QS304	J4	-	0 000 00 111000 1010 100 00001 0 011 110 1 000 10001 1101 10 0 0 0 000 01 01 1 0110 000 1 001 0001 000001 00000 0 000000	254760	
0E23	0 1110 0010 0011	QS306	J1	-	0 000 00 111010 1100 100 00111 0 010 101 0 000 00000 0000 10 0 0 0 000 01 01 1 0000 000 1 001 0001 000001 00000 0 000000	254760	
0E24	0 1110 0010 0100	QS302	J8	-	0 111 00 111000 1000 011 00000 0 100 111 0 010 00000 1110 11 0 1 0 000 01 01 0 0000 000 1 000 0001 000000 10101 0 000000	254760	
0E25	0 1110 0010 0101	QS304	N2	-	1 111 00 111000 1000 100 00000 0 100 111 0 010 00000 1110 11 0 1 0 000 01 01 1 0000 000 1 000 0001 000001 10101 0 000000	254760	
0E26	0 1110 0010 0110	QS200	N6	-	1 110 00 111000 1010 100 00000 0 011 110 1 000 00000 0001 10 0 0 0 000 01 10 0 0100 000 1 000 0001 000000 00000 0 000110	254765	

92-47

01 DEC 64 254760  
06 JAN 65 254765  
21 JAN 65 254770  
09 SEP 65 255449  
03 NOV 66 257390  
66 SEP 258060  
27 OCT 67 258068  
06 DEC 67 258430

ADDRESS LIST UNIT. 0014  
DATE 18 DEC 67 MACH. 2050FP  
LDG 019 UNIT P.No. 5469474  
FRAME 01 PAGE P.No. 5469478  
IBM CORP. DSD PAGE 01

QZ140

HEX ADD	BINARY ADDRESS	SHEET	CLD BOX	MODE	BINARY BIT PATTERN	EC NUMBER	VERSION
					P LU MV ZP ZF ZN TR ZR WS SF P IV AL WM UP MD LB MB DG UL UR P CE LX TC RY AD AB BB UX SS 92—97		
0E27	0 1110 0010 0111	QS302	N1	-	0 111 00 111010 1000 100 00111 0 011 010 1 000 10000 0000 10 0 0 0 000 01 01 0 1011 000 1 001 0001 000000 00001 0 000101	254760	
0E28	0 1110 0010 1000	QS200	N7	-	0 000 00 111010 0001 100 00000 0 011 010 1 000 00000 0000 01 0 0 1 000 01 01 1 0100 001 1 010 1100 000000 01010 0 010100	254765	
0E29	0 1110 0010 1001	QS302	E5	-	0 000 00 111010 1001 100 00000 0 011 110 0 000 00000 0000 10 0 0 0 000 01 01 1 1010 000 1 000 0001 000000 00000 0 000000	254760	
0E2A	0 1110 0010 1010	QS304	J5	-	0 000 00 111010 0101 100 10100 0 100 111 0 000 10001 0000 10 0 0 0 000 01 01 1 0000 000 1 100 0001 000001 00000 0 000000	254760	
0E2B	0 1110 0010 1011	QS302	E3	-	0 000 00 111010 1000 100 00001 0 100 111 1 000 00000 0000 10 0 0 0 010 01 01 1 0000 001 0 001 1001 000001 00001 0 000000	254760	
0E2C	0 1110 0010 1100	QS304	A3	-	0 000 00 111010 0101 100 10100 0 011 110 1 000 10001 1101 10 0 0 0 000 01 01 1 0110 000 1 010 0001 000001 00000 0 000000	254760	
0E2D	0 1110 0010 1101	QS302	E2	-	1 000 00 111000 1010 100 00000 0 011 110 1 000 00000 1101 10 0 0 0 000 01 01 1 0110 000 1 000 0001 000001 00001 0 000000	254760	
0E2E	0 1110 0010 1110	QG900	E7	-	0 000 00 111010 1111 100 00000 0 100 111 0 000 00000 0000 10 0 0 0 000 01 01 0 1000 000 1 000 0001 000001 00000 0 011001 00 000000	258060	
0E2F	0 1110 0010 1111	QS302	J2	-	0 000 00 000110 0101 100 00000 0 100 111 1 000 00000 1111 10 0 0 0 000 01 00 1 1011 000 1 000 0001 000000 00001 0 000000	254760	
0E30	0 1110 0011 0000	QS308	A2	-	0 111 00 111000 1100 100 00000 0 100 111 1 000 00000 0001 10 0 1 1 101 01 01 1 0000 000 1 000 0001 011010 11001 0 010100	254760	
0E31	0 1110 0011 0001	QS308	E2	-	1 000 00 111000 1101 010 00111 0 100 111 0 000 10001 0000 10 0 0 0 000 01 01 0 0000 000 1 100 0001 000000 11000 0 000000	254760	
0E32	0 1110 0011 0010	QS308	J2	-	1 000 00 111010 1110 100 01111 0 100 111 0 000 00000 0000 10 0 0 0 000 01 01 0 0000 000 1 001 0001 000000 00000 0 000000	254760	
0E33	0 1110 0011 0011	QS308	N2	-	0 000 00 111000 1100 100 00111 0 100 111 0 000 10001 0000 10 0 0 0 000 01 01 1 0000 000 1 100 0001 000001 00000 0 000000	254760	
0E34	0 1110 0011 0100	QS202	A4	-	1 000 00 111000 0000 100 00111 0 011 100 0 000 11110 0000 10 0 0 0 000 01 01 0 1000 000 1 000 0001 000000 00000 0 000000 00 000000	255449	
0E35	0 1110 0011 0101	QS308	E3	-	1 000 00 111010 1110 100 01111 0 100 111 0 000 00000 0000 10 0 0 0 000 01 01 0 0000 000 1 001 0001 000000 00000 0 000000	254760	
0E36	0 1110 0011 0110	QS308	A1	-	0 111 00 111000 1100 100 00000 0 100 111 1 000 00000 0001 10 0 1 1 101 01 01 1 0000 000 1 000 0001 011010 11001 0 010100	254760	
0E37	0 1110 0011 0111	QS308	N6	-	1 000 00 000101 0010 100 00000 0 011 110 1 111 00000 0000 10 0 0 0 000 01 01 1 1110 000 1 000 0001 111000 00000 0 011000	254760	
0E38	0 1110 0011 1000	QG900	A2	-	1 000 00 111010 1110 100 00010 0 011 100 0 000 10111 0000 10 0 0 0 000 01 01 1 1011 001 0 001 0110 000001 00000 0 000000	254760	
0E39	0 1110 0011 1001	QG900	J1	-	1 000 00 111010 1110 100 00010 0 011 100 0 000 10111 0000 10 0 0 0 000 01 01 0 1011 001 0 001 0110 000001 00001 0 000000	254760	
0E3A	0 1110 0011 1010	QG900	N1	-	0 000 00 111010 1111 100 00010 0 011 100 0 000 10111 0000 10 0 0 0 000 01 01 0 1011 001 0 001 0110 000000 00000 0 000000	254760	
0E3B	0 1110 0011 1011	QG900	E2	-	1 000 00 111010 1110 100 00010 0 011 100 0 000 10111 0000 10 0 0 0 000 01 01 1 1011 001 0 001 0110 000001 00000 0 000000	254760	
0E3C	0 1110 0011 1100	QG900	A4	-	1 000 00 111010 1111 100 00010 0 100 111 1 000 00000 0000 10 0 0 0 010 01 01 1 0000 000 0 000 1001 000000 00001 0 100110	254760	
0E3D	0 1110 0011 1101	QG900	E4	-	1 000 00 111010 1111 100 00010 0 100 111 0 000 00000 0000 10 0 0 0 000 01 01 0 0000 000 1 000 1001 000000 00001 0 100110	254760	
0E3E	0 1110 0011 1110	QG900	J4	-	1 000 00 111010 1111 100 00010 0 100 111 0 000 00000 0000 10 0 0 0 000 01 01 0 0000 000 1 000 1001 000000 00001 0 100110	254760	
0E3F	0 1110 0011 1111	QG900	A5	-	1 000 00 111000 1111 100 00000 0 100 111 0 000 00000 0000 10 0 0 0 000 01 01 0 0001 000 1 000 0001 000000 00001 0 011001 00 000000	258060	
0E40	0 1110 0100 0000	QG900	E3	-	1 000 00 111010 1111 100 00010 0 100 111 0 000 00000 0000 10 0 0 0 000 01 01 0 0000 000 1 000 1001 000000 00001 0 100110	254760	
0E41	0 1110 0100 0001	QG900	J3	-	1 000 00 111000 1111 100 00000 0 100 111 0 000 00000 0000 10 0 0 0 000 01 01 0 0001 000 1 000 0001 000000 00001 0 011001 00 000000	258060	
0E42	0 1110 0100 0010	QS300	A2	-	1 110 00 111001 0001 100 00000 0 011 110 1 000 00000 0001 10 0 0 0 000 10 01 1 1001 000 1 000 0001 000000 00000 0 000000	254760	
0E43	0 1110 0100 0011	QG900	N3	-	1 000 00 111000 1111 100 00000 0 100 111 0 000 00000 0000 10 0 0 0 000 01 01 0 0001 000 1 000 0001 000000 00001 0 011001 00 000000	258060	
0E44	0 1110 0100 0100	QS300	A3	-	0 000 10 111001 0010 100 00110 0 011 000 0 000 00000 1010 10 0 0 0 000 01 10 1 0100 001 1 010 0001 000001 00000 0 000000	254760	
0E45	0 1110 0100 0101	QG900	S3	-	1 000 00 111010 1111 100 00010 0 100 111 1 000 00000 0000 10 0 0 0 010 01 01 1 0000 000 0 000 1001 000000 00001 0 100110	254760	
0E46	0 1110 0100 0110	QG900	N4	-	1 000 00 111010 1111 100 00010 0 100 111 1 000 00000 0000 10 0 0 0 010 01 01 1 0000 000 0 000 1001 000000 00001 0 100110	254760	
0E47	0 1110 0100 0111	QG900	S4	-	1 000 00 111010 1111 100 00010 0 100 111 0 000 00000 0000 10 0 0 0 000 01 01 0 0000 000 1 000 1001 000000 00001 0 100110	254760	
0E48	0 1110 0100 1000	QG900	S5	-	0 000 00 111010 0111 100 00001 0 011 110 0 000 00111 0000 10 0 0 0 001 01 01 1 1111 001 0 001 0001 000000 11111 0 000000	254760	
0E49	0 1110 0100 1001	QG902	A5	-	1 000 00 001111 0000 100 00111 0 001 100 1 000 00000 1010 10 0 0 0 000 01 00 1 0010 000 1 010 0001 000001 00001 0 000000	254760	
0E4A	0 1110 0100 1010	QS300	A5	-	1 010 00 111001 0011 100 00001 0 010 000 1 000 00000 0011 10 0 0 0 010 01 01 0 0001 000 1 001 0001 000001 00000 0 001010	254760	
0E4B	0 1110 0100 1011	QG902	E5	-	0 000 00 111011 0100 100 10100 0 011 110 0 000 00000 0000 10 0 0 0 000 01 01 0 0100 000 1 010 0001 000000 00001 0 000000	254760	
0E4C	0 1110 0100 1100	QG900	N5	-	0 000 00 111010 0111 100 00001 0 011 110 0 000 00111 0000 10 0 0 0 001 01 01 0 1111 001 1 001 0001 000000 11111 0 000000	254760	
0E4D	0 1110 0100 1101	QG902	A7	-	1 000 00 111011 0100 100 00111 0 001 100 1 000 00000 1010 10 0 0 0 000 01 00 1 0010 000 1 010 0001 000000 00000 0 000000	254760	

01 DEC 64	254760	ADDRESS LIST	UNIT. 0014
06 JAN 65	254765		DATE 18 DEC 67
21 JAN 65	254770		MACH. 2050FP
09 SEP 65	255449		LOG 019
03 NOV 66	257390		UNIT P.No. 5469474
66 SEP	258060		FRAME 01
27 OCT 67	258068		PAGE P.No. 5469478
06 DEC 67	258430		IBM CORP. DSD
			PAGE 02



HEX ADD	BINARY ADDRESS	SHEET	CLD BOX	MODE	BINARY BIT PATTERN	EC NUMBER	VERSION
					P LU MV ZP ZF ZN TR ZR WS SF P IV AL WM UP MD LB MB DG UL UR P CE LX TC RY AD AB BB UX SS 92-97		
OE4E	0 1110 0100 1110	QS300	A6	-	0 000 00 111000 0101 100 00111 0 100 111 0 000 11110 0000 10 0 0 0 000 01 01 1 0000 000 1 000 0001 000000 00000 0 000000	254760	
OE4F	0 1110 0100 1111	QG902	E7	-	0 000 00 111011 0100 100 10100 0 011 110 0 000 00000 0000 10 0 0 0 000 01 01 0 0100 000 1 010 0001 000000 00001 0 000000	254760	
OE50	0 1110 0101 0000	QS200	E2	-	1 000 00 111000 0111 100 00110 0 010 000 1 000 00000 0000 10 0 0 0 010 01 01 0 0000 110 0 001 0001 000001 00000 0 000000	254760	
OE51	0 1110 0101 0001	QS200	J2	-	0 111 00 111000 0000 100 00000 0 001 010 0 011 00000 0001 10 0 1 1 111 01 01 1 0000 000 1 000 0001 011010 11001 0 010100	254765	
OE52	0 1110 0101 0010	QS200	N4	-	1 010 00 111001 0101 100 01111 0 100 111 1 000 00000 0010 10 0 0 0 000 01 01 0 0000 000 1 100 0001 000110 00000 0 000000	254765	
OE53	0 1110 0101 0011	QS200	E5	-	0 000 00 111010 0000 100 00011 0 100 111 0 000 00000 0000 10 0 0 0 000 01 01 1 0000 000 1 000 0001 000000 01010 0 000000	254760	
OE54	0 1110 0101 0100	QS200	J5	-	0 000 00 111010 0000 100 00011 0 011 110 1 000 11110 0000 01 0 0 1 000 01 01 0 0100 000 1 000 0001 000001 00011 0 010000	254765	
OE55	0 1110 0101 0101	QS202	Q1	-	0 000 00 000110 0101 100 00000 0 100 111 1 000 00000 1111 10 0 0 0 000 01 00 1 0111 000 1 000 0001 000000 00001 0 000000 00 000000	255449	
OE56	0 1110 0101 0110	QS200	N5	-	1 000 00 111000 1001 100 11000 0 100 111 0 000 11110 0000 10 0 0 0 000 01 01 0 1000 000 1 000 0001 000001 00000 0 011010	254765	
OE57	0 1110 0101 0111	QS202	E1	-	0 000 00 111000 0001 100 10100 0 011 110 1 000 00000 0000 10 0 0 0 010 01 01 0 1000 110 0 100 0001 011000 10010 0 000000	254765	
OE80	0 1110 1000 0000	QS200	E9	-	0 000 00 111001 0101 100 00000 0 010 010 0 000 00000 0000 10 0 0 0 000 01 01 1 0000 001 1 010 1100 100010 00001 0 000000	254765	
OE81	0 1110 1000 0001	QS200	J9	-	0 000 00 111001 0101 100 00000 0 010 010 0 000 00000 0000 10 0 0 0 000 01 01 0 0000 001 0 010 1100 100010 00001 0 000000	254765	
OE82	0 1110 1000 0010	QS200	E7	-	0 000 00 111010 0001 100 00000 0 011 010 0 000 00000 0000 10 0 0 0 000 01 01 1 0100 001 1 010 1100 000000 00000 0 000000	254765	
OE83	0 1110 1000 0011	QS200	J7	-	0 000 00 111010 0001 100 00000 0 011 010 0 000 00000 0000 10 0 0 0 000 01 01 0 0100 001 1 010 1100 000000 00001 0 000000	254765	
OE84	0 1110 1000 0100	QS200	E8	-	0 000 00 111010 0000 100 00000 0 011 110 1 000 00000 0000 10 0 0 0 010 01 01 0 0101 001 0 001 0001 000000 01010 0 000000	254765	
OE85	0 1110 1000 0101	QS200	J8	-	0 000 00 111010 0000 100 00000 0 011 110 1 000 00000 0000 10 0 0 0 010 01 01 0 0101 001 0 001 0001 000000 01010 0 001010	254765	
OE86	0 1110 1000 0110	QS402	A2	-	1 000 00 110110 0110 100 00001 0 100 111 0 000 01111 0000 10 0 0 0 000 01 01 1 0000 000 1 001 1010 000000 00000 0 000000	254760	
OE87	0 1110 1000 0111	QS300	A1	-	1 001 00 111001 0000 100 00011 0 011 110 1 000 00000 1001 01 0 0 1 000 01 01 1 1011 000 1 000 0001 000001 00000 0 000000	254760	
OE88	0 1110 1000 1000	QS202	E4	-	0 111 00 111000 0000 100 00000 0 001 010 0 000 00000 0001 10 0 1 1 111 01 01 1 0000 000 1 000 0001 011010 11001 0 010100 00 000000	255449	
OE89	0 1110 1000 1001	QS302	E7	-	1 001 10 111000 0111 100 00001 0 011 110 1 000 00000 0001 11 0 0 1 100 10 11 1 0011 001 0 001 0001 010101 00001 0 011001	254760	
OE8A	0 1110 1000 1010	QS202	J4	-	1 000 00 111011 0101 100 00000 0 100 111 0 000 00000 0000 10 0 0 0 000 01 01 1 0010 000 1 000 0001 000010 01010 0 101000 00 000000	257390	
OE8B	0 1110 1000 1011	QS302	J7	-	1 001 00 111000 1001 111 00001 0 011 110 0 000 00000 0001 10 0 0 0 010 01 10 1 0011 001 0 001 0001 010111 00000 0 011010	254760	
OE8C	0 1110 1000 1100	QS302	N3	-	0 000 10 111010 1000 100 01111 0 001 010 1 000 00000 1100 10 0 0 0 011 10 00 1 1100 000 1 001 0001 000001 00000 0 000000	254760	
OE8D	0 1110 1000 1101	QS302	S3	-	0 000 10 111010 1000 100 01111 0 001 010 1 000 00000 1100 10 0 0 0 011 10 00 0 1101 000 1 001 0001 000001 00000 0 000000	254760	
OE8E	0 1110 1000 1110	QG900	A9	-	0 000 00 111011 0000 100 00001 0 100 111 1 000 01011 0000 11 1 0 0 000 01 01 0 0000 000 1 001 0001 000001 00001 0 000000	254760	
OE8F	0 1110 1000 1111	QG900	J6	-	1 000 00 111011 0000 100 00111 0 011 100 0 000 10000 0000 01 0 1 0 000 01 01 0 1111 001 1 000 0001 000000 00000 0 000000	254760	
OE90	0 1110 1001 0000	QS304	A1	-	0 000 00 111010 1100 100 00000 0 100 111 1 000 00000 0000 10 0 0 0 001 01 01 1 0000 001 0 010 0100 000000 00001 0 000000	254760	
OE91	0 1110 1001 0001	QS302	N7	-	0 111 00 111000 1100 100 00000 0 100 111 1 000 00000 1100 10 0 1 1 101 01 00 0 1100 000 1 000 0001 011010 10111 0 010100	254760	
OE92	0 1110 1001 0010	QS302	E1	-	1 000 00 111000 1011 100 00001 0 100 111 0 000 10001 0000 10 0 0 0 000 01 01 1 0000 000 1 001 0001 001010 00001 0 000000	254760	
OE93	0 1110 1001 0011	QS302	Q8	-	0 111 00 111000 1100 100 00000 0 100 111 1 000 00000 1100 10 0 1 1 101 01 00 1 1101 000 1 000 0001 011010 10111 0 010100 00 000000	257390	
OE94	0 1110 1001 0100	QS304	E1	-	1 000 00 111010 1011 100 00000 0 011 110 0 000 00000 0000 10 0 0 0 000 01 01 0 1010 000 1 000 0001 000000 00001 0 000000	254760	
OE95	0 1110 1001 0101	QS304	J1	-	0 001 10 111000 0111 111 10100 0 011 110 1 000 00000 0001 11 0 0 1 010 10 11 0 0011 001 0 100 0001 010101 00000 0 011001	254760	
OE96	0 1110 1001 0110	QS304	A5	-	1 000 00 111010 1100 100 00001 0 100 111 1 000 00000 0000 10 0 0 0 010 01 01 1 0000 001 0 001 1001 000000 00000 0 000000	254760	
OE97	0 1110 1001 0111	QS304	N1	-	0 001 00 111000 1001 100 10100 0 011 110 0 000 00000 0001 10 0 0 0 010 01 10 0 0011 001 0 100 0001 010111 00001 0 011010	254760	
OE98	0 1110 1001 1000	QG900	A6	-	0 000 00 111000 0010 100 00000 0 011 110 1 000 00000 0000 10 0 0 0 010 01 01 0 1011 001 0 010 0100 000000 00001 0 000000 00 000000	258060	
OE99	0 1110 1001 1001	QG902	J2	-	0 000 00 111011 0011 011 00001 0 100 000 0 000 00101 0000 10 0 0 0 000 01 01 1 0000 000 1 001 0001 001001 10101 0 000000 00 000000	258060	
OE9A	0 1110 1001 1010	QG900	E6	-	0 000 00 111000 1011 100 00000 0 011 110 1 000 00000 0000 10 0 0 0 010 01 01 0 1011 001 0 010 0100 000001 00000 0 000000 00 000000	258060	
OE9B	0 1110 1001 1011	QG902	N5	-	0 000 00 111011 0010 100 00001 0 100 000 1 000 00010 0000 10 0 0 0 000 01 01 1 0000 000 1 001 0001 000000 10101 0 100010 00 000000	258060	
OE9C	0 1110 1001 1100	QG900	S6	-	0 000 00 111011 0001 100 10100 0 011 110 1 000 01010 0000 10 0 0 0 010 01 01 1 1011 001 0 100 0100 000000 00000 0 000000	254760	

01 DEC 64 254760  
 06 JAN 65 254765  
 21 JAN 65 254770  
 09 SEP 65 255449  
 03 NOV 66 257390  
 66 SEP 258060  
 27 OCT 67 258068  
 06 DEC 67 258430

ADDRESS LIST		UNIT. 0014
DATE 18 DEC 67	MACH. 2050FP	
LOG 019	UNIT P.N. 5469474	
FRAME 01	PAGE P.N. 5469479	
IBM CORP.	DSD	PAGE 03

Q  
Z  
1  
4  
0

HEX ADD	BINARY ADDRESS	SHEET	CLD BOX	MODE	BINARY BIT PATTERN																												EC NUMBER	VERSION					
					P	LU	MV	ZP	ZF	ZN	TR	ZR	WS	SF	P	IV	AL	WM	UP	MD	LB	MB	DG	UL	UR	P	CE	LX	TC	RY	AD	AB	BB	UX	SS	92-97			
0E9D	0 1110 1001 1101	QG900	N6	-	0	000	00	111011	0001	100	10100	0	011	110	0	000	01010	0000	10	0	0	0	000	01	01	1	1011	001	1	100	0100	000001	00000	0	000000		254760		
0E9E	0 1110 1001 1110	QG900	S8	-	0	000	00	111011	0001	100	10100	0	011	110	1	000	01010	0000	10	0	0	0	010	01	01	0	1011	001	0	100	0100	000000	00001	0	000000		254760		
0E9F	0 1110 1001 1111	QG900	J8	-	0	000	00	111011	0001	100	10100	0	011	110	0	000	01010	0000	10	0	0	0	000	01	01	0	1011	001	1	100	0100	000001	00001	0	000000		254760		
0EA0	0 1110 1010 0000	QS300	J5	-	1	111	00	111000	0101	100	00011	0	011	010	0	011	00000	0001	10	0	1	1	111	01	01	0	0100	000	1	000	0001	011010	11001	0	000000		254760		
0EA1	0 1110 1010 0001	QS302	N2	-	0	010	00	111010	0011	100	00000	0	011	010	0	000	00000	1010	10	0	0	0	000	01	01	1	1001	000	1	000	0001	000000	01010	0	000000		254760		
0EA2	0 1110 1010 0010	QS302	N5	-	0	010	00	111010	0100	100	11101	0	001	010	0	000	00000	0010	01	0	1	0	000	01	01	1	0000	000	1	010	0001	001101	00001	0	010011	00	000000		257390
0EA3	0 1110 1010 0011	QS302	E4	-	0	000	00	111000	1010	100	00001	0	011	110	1	000	00000	0000	11	1	0	0	010	01	01	1	0110	001	0	001	0001	000011	00001	0	000000		254760		
0EA4	0 1110 1010 0100	QS302	E6	-	0	000	00	111010	0010	100	00001	0	100	111	1	000	00000	1010	10	1	0	0	000	01	01	1	0000	001	1	001	1001	001001	00001	0	000000		254760		
0EA5	0 1110 1010 0101	QS302	A7	-	1	111	00	111010	1001	100	00000	0	011	110	1	010	00000	1110	10	0	0	0	000	01	11	0	0110	000	1	000	0001	000001	00000	0	010100		254760		
0EA6	0 1110 1010 0110	QS302	A8	-	1	000	00	111010	1001	100	00000	0	011	010	0	000	00000	0000	10	0	0	0	000	01	01	1	0101	000	1	000	0001	000001	00001	0	000000		254760		
0EA7	0 1110 1010 0111	QS302	A9	-	1	000	00	111010	0100	100	00000	0	011	110	1	000	00000	0000	10	0	0	0	010	01	01	0	0000	001	0	001	0100	001001	00000	0	000000		254760		
0EA8	0 1110 1010 1000	QS302	A1	-	0	000	00	111010	1010	100	01111	0	010	010	0	000	00000	0000	10	0	0	0	000	01	01	0	0000	001	1	000	0001	000000	00001	0	100110		254760		
0EA9	0 1110 1010 1001	QS302	A2	-	0	010	00	111010	1010	100	00000	0	011	010	0	000	00000	0011	10	0	0	0	000	01	01	0	1001	000	1	000	0001	000001	00000	0	000000		254760		
0EAA	0 1110 1010 1010	QS302	A3	-	1	010	00	111010	1001	100	00111	0	011	100	1	000	11110	0010	10	0	0	0	000	01	01	0	0011	000	1	000	0001	000000	00001	0	000000		254760		
0EAB	0 1110 1010 1011	QS304	A7	-	1	000	00	111010	1011	100	10100	0	100	111	0	000	00000	0000	10	0	0	0	000	01	01	1	0000	001	0	100	1001	000000	00000	0	000000		254760		
0EAC	0 1110 1010 1100	QS304	A8	-	0	000	00	111010	0101	100	10100	0	011	110	1	000	00000	0000	11	1	0	0	010	01	01	0	0110	001	0	100	0001	000011	00000	0	000000		254760		
0EAD	0 1110 1010 1101	QS304	E2	-	0	000	00	111010	1011	100	00001	0	100	111	1	000	00000	0000	10	1	0	0	000	01	01	1	0000	001	1	001	1001	000001	00000	0	000000		254760		
0EAE	0 1110 1010 1110	QS304	E3	-	0	000	00	111010	1011	100	00001	0	011	110	1	000	00000	0000	10	0	0	0	010	01	01	0	1100	001	0	001	0001	000001	00001	0	000000		254760		
0EAF	0 1110 1010 1111	QS304	E4	-	0	000	00	111010	0101	100	10100	0	100	111	0	000	00000	0000	10	0	0	0	000	01	01	1	0000	001	1	100	1001	001001	00001	0	000000		254760		
0EB0	0 1110 1011 0000	QS304	A6	-	1	000	00	111010	1010	100	00001	0	011	110	1	000	00000	0000	10	0	0	0	010	01	01	0	0000	001	0	001	0001	000001	00001	0	000000		254760		
0EB1	0 1110 1011 0001	QS304	A2	-	1	000	00	111000	1011	111	00001	0	100	111	0	000	10001	0000	10	0	0	0	000	01	01	1	0001	000	1	001	0001	001010	00111	0	011001		254760		
0EB2	0 1110 1011 0010	QS306	J2	-	0	000	00	111010	1100	100	10000	0	010	101	0	000	00000	0000	10	0	0	0	000	01	01	0	0000	110	1	001	0001	000001	00001	0	000000		254760		
0EB3	0 1110 1011 0011	QS306	J5	-	1	000	00	111010	1101	100	00111	0	011	100	0	000	11110	0000	10	0	0	0	000	01	01	1	0011	000	1	000	0001	000000	00000	0	000000		254760		
0EB4	0 1110 1011 0100	QS306	J6	-	0	000	00	111000	1010	100	00001	0	011	110	1	000	10001	1101	10	0	0	0	000	01	01	0	0110	000	1	001	0001	000001	00111	0	000000		254760		
0EB5	0 1110 1011 0101	QS306	A2	-	1	000	00	111010	1101	100	00110	0	100	111	0	000	00000	0000	10	0	0	0	000	01	01	1	0000	001	1	000	0001	000001	00000	0	000000		254760		
0EB6	0 1110 1011 0110	QS306	A4	-	0	000	00	111010	1101	100	00111	0	011	101	0	000	00000	0000	10	0	0	0	000	01	01	0	1001	110	1	001	0001	000001	00001	0	000000		254760		
0EB7	0 1110 1011 0111	QS306	A5	-	0	000	00	111000	0111	100	11101	0	011	110	0	000	00000	0000	10	0	0	0	000	01	01	0	0011	000	1	010	0001	000000	00111	0	001011		254760		
0EB8	0 1110 1011 1000	QS308	J4	-	0	000	00	111010	1110	100	00001	0	100	111	1	000	00000	0000	10	0	0	0	010	01	01	0	0000	110	0	001	0001	000000	00001	0	000000		254760		
0EB9	0 1110 1011 1001	QS308	J5	-	0	000	00	111000	1101	100	11101	0	100	111	0	000	00000	0000	10	0	0	0	000	01	01	0	0000	000	1	010	0001	000001	11000	0	010011		254760		
0EBA	0 1110 1011 1010	QG900	A3	-	0	000	00	111000	1111	100	00010	0	011	000	1	000	00000	1101	10	0	0	0	000	01	01	0	0100	111	1	001	0110	001010	11110	0	011010		254760		
0EBB	0 1110 1011 1011	QG900	J2	-	1	000	00	111001	0000	111	00010	0	011	000	1	000	00000	1101	10	0	0	0	000	01	01	1	0100	111	1	001	0110	001010	11110	0	000000		254760		
0EBC	0 1110 1011 1100	QG900	N2	-	1	000	00	111001	0001	110	00010	0	011	000	1	000	00000	1101	10	0	0	0	000	01	01	1	0100	111	1	001	0110	001010	11110	0	000000		254760		
0EBD	0 1110 1011 1101	QG900	E5	-	0	000	00	111010	0110	100	10100	0	011	110	0	000	01010	0000	00	0	0	1	000	01	01	1	1111	000	1	010	0001	001110	00000	0	000000		254760		
0EBE	0 1110 1011 1110	QG900	A7	-	1	000	00	111010	1111	100	00101	0	011	100	1	000	00000	0001	11	0	0	1	000	01	01	0	1011	000	1	000	0001	000001	00001	0	001010		254760		
0EBF	0 1110 1011 1111	QG900	A8	-	0	000	00	111010	0011	100	00000	0	011	110	1	000	00000	0000	10	0	0	0	001	01	01	1	1111	001	0	001	0100	000001	11110	0	000000		254760		
0EC0	0 1110 1100 0000	QG900	N7	-	0	000	00	111011	0000	100	00001	0	011	110	1	000	01011	0000	10	0	0	0	000	01	01	0	1011	000	1	001	0001	000000	00001	0	000000		254760		
0EC1	0 1110 1100 0001	QG900	N8	-	1	000	00	111011	0000	100	00111	0	011	100	0	000	10001	0000	10	0	0	0	000	01	01	0	1011	001	1	000	0001	000001	00000	0	000000		254760		
0EC2	0 1110 1100 0010	QG900	N9	-	1	000	00	111011	0000	100	00000	0	011	110	0	000	00000	0000	11	1	0	0	000	01	01	1	1111	000	1	000	0001	000001	00001	0	000000		254760		
0EC3	0 1110 1100 0011	QG900	E9	-	0	001	00	111																															

HEX ADD	BINARY ADDRESS	SHEET	CLD BOX	MODE	BINARY BIT PATTERN	EC NUMBER	VERSION
					P LU MV ZP ZF ZN TR ZR WS SF P IV AL WM UP MD LB MB DG UL UR P CE LX TC RY AD AB BB UX SS 92-97		
0EC4	0 1110 1100 0100	QG900	S7	-	0 000 00 111010 0111 100 00001 0 011 110 0 000 00111 0000 10 0 0 0 001 01 01 0 1111 001 0 001 0001 000001 11111 0 000000	254760	
0EC5	0 1110 1100 0101	QG900	S9	-	1 000 00 001111 0000 100 00001 0 011 110 0 000 00111 0000 10 0 0 0 001 01 01 1 1111 001 0 001 0001 000000 11111 0 000000	254760	
0EC6	0 1110 1100 0110	QG900	J7	-	0 000 00 111010 0111 100 00001 0 011 110 0 000 00111 0000 10 0 0 0 001 01 01 1 1111 001 1 001 0001 000001 11111 0 000000	254760	
0EC7	0 1110 1100 0111	QG900	J9	-	1 000 00 001111 0000 100 00001 0 011 110 0 000 00111 0000 10 0 0 0 001 01 01 0 1111 001 1 001 0001 000000 11111 0 000000	254760	
0EC8	0 1110 1100 1000	QG902	S7	-	1 000 00 111000 0011 100 00111 0 101 100 0 000 00000 0000 10 0 0 0 000 01 01 0 0000 000 1 010 0001 000001 00001 0 100001 00 000000	258060	
0EC9	0 1110 1100 1001	QG902	S6	-	0 000 00 111011 0010 100 00010 0 100 000 0 000 10111 0000 10 0 0 0 000 01 01 0 0000 000 1 001 0110 000001 11110 0 000000	254760	
0ECA	0 1110 1100 1010	QG902	N7	-	1 000 00 111000 0011 100 00111 0 101 100 0 000 00000 0000 10 0 0 0 000 01 01 0 0000 000 1 010 0001 000001 00001 0 100001 00 000000	258060	
0ECB	0 1110 1100 1011	QG902	J7	-	1 000 00 000101 0001 001 00111 0 101 100 1 111 00000 0000 10 0 0 0 000 01 01 1 0000 000 1 010 0001 111000 00000 0 000000	254760	
0ECC	0 1110 1100 1100	QG902	Q3	-	1 000 00 000101 0001 001 00111 0 101 100 1 111 00000 0000 10 0 0 0 000 01 01 1 0000 000 1 010 0001 111000 00000 0 000000 00 000000	258060	
0ECD	0 1110 1100 1101	QG902	J5	-	0 000 00 111000 0011 100 00111 0 100 111 0 000 00000 0000 10 0 0 0 000 01 01 1 0000 000 1 001 0001 000000 00001 0 000000 00 000000	258060	
0ECE	0 1110 1100 1110	QG902	J3	-	1 000 00 111011 0011 100 00111 0 101 100 0 000 00000 0000 10 0 0 0 000 01 01 1 0000 000 1 010 0001 000000 00001 0 000000 00 000000	258060	
0ECF	0 1110 1100 1111	QG902	J4	-	1 000 00 111011 0011 100 00010 0 100 000 0 000 10111 0000 10 0 0 0 000 01 01 1 0000 000 1 001 0110 001001 11110 0 000000 00 000000	258060	
0ED0	0 1110 1101 0000	QG902	E8	-	0 000 00 111001 0011 100 00000 0 011 110 0 000 00000 0000 10 0 0 0 000 01 01 0 1011 000 1 000 0001 000000 00000 0 000000	254760	
0ED1	0 1110 1101 0001	QG902	J1	-	0 000 00 111010 0110 100 00000 0 001 010 0 000 00000 0000 10 0 0 0 000 01 01 0 0000 000 1 000 0001 000011 00001 0 000000	254760	
0ED2	0 1110 1101 0010	QG200	C1	-	0 000 00 001100 1010 100 00000 0 100 111 0 000 00000 0000 10 0 0 0 000 01 01 1 0001 000 1 000 0001 000001 00001 0 011010 00 000000	258060	
0ED3	0 1110 1101 0011	QG200	N3	-	0 000 00 000110 0101 100 00000 0 100 111 1 000 00000 1111 10 0 0 0 000 01 00 0 0110 000 1 000 0001 000000 00001 0 000000 00 000000	258060	
0ED4	0 1110 1101 0100	QS202	C6	-	0 000 00 111011 0101 110 00000 0 100 111 0 000 00000 0000 10 0 0 0 000 01 01 1 0000 000 1 000 0001 000011 01010 0 000000 00 000000	257390	
0ED5	0 1110 1101 0101	QS202	E6	-	1 000 00 000101 0001 001 00000 0 100 111 1 111 00000 0000 10 0 0 0 000 01 01 0 0000 000 1 000 0001 111000 00000 0 101000 00 000000	257390	
0ED6	0 1110 1101 0110	QS202	J6	-	0 000 00 111000 0100 100 00000 0 100 111 0 000 00000 0000 10 0 0 0 000 01 01 0 0000 000 1 000 0001 001101 00000 0 000000 00 000000	257390	
0ED7	0 1110 1101 0111	QS202	N6	-	0 000 00 111000 0100 100 00000 0 100 111 0 000 00000 0000 10 0 0 0 000 01 01 0 0000 000 1 000 0001 001101 00011 0 000000 00 000000	257390	

01 DEC 64	254760	ADDRESS LIST	UNIT. 0014
06 JAN 65	254765	DATE 18 DEC 67	MACH. 2050FP
21 JAN 65	254770	LOG 019	UNIT P.No. 5469474
09 SEP 65	255449	FRAME 01	PAGE P.No. 5469478
03 NOV 66	257390	IBM CORP.	DSD PAGE 05
66 SEP	258060		
27 OCT 67	258068		
06 DEC 67	258430		

Q  
Z  
1  
4  
0

HEX ADD	BINARY ADDRESS	SHEET	CLD BOX	MODE	BINARY BIT PATTERN	EC NUMBER	VERSION
0F00	0 1111 0000 0000	QW222	J4	ONES	P 1                              P 32                              P 57                              97 1 1111111111111011111101111111 1 1111111111111111111111 1 111111111111111111110111111	254760	
0F01	0 1111 0000 0001	QW222	J7	ZEROS	P 1                              P 32                              P 57                              97 1 0000000000000000000000000000 1 0000000000000000000000 1 0000000000000000000000000000	254760	
0F02	0 1111 0000 0010	QW222	N7	ZEROS	P 1                              P 32                              P 57                              97 1 0000000000000000000000000000 1 0000000000000000000000 1 0000000000000000000000000000	254760	
0F03	0 1111 0000 0011	QW222	N4	ONES	P 1                              P 32                              P 57                              97 1 1111111111110111111101111111 1 1111111111111111111111 1 111111111111111111110111111	254760	
					P LU MV ZP      ZF    ZN    TR      ZR WS SF P IV AL      WM    UP MD LB MB DG    UL UR P CE    LX TC RY AD AB    BB    LIX SS      92—97		
0F04	0 1111 0000 0100	QY510	Q4	-	0 000 00 111111 0000 100 00000 0 100 111 0 000 00000 0000 10 0 0 0 0 000 01 01 0 0000 000 1 000 0001 101110 00001 0 000000	254760	
0F05	0 1111 0000 0101	QY430	Q6	-	0 000 00 000110 0111 100 10101 0 100 111 0 000 00000 1011 00 0 1 1 000 01 01 0 0000 000 1 010 0001 000000 00000 0 000000	255033	
0F06	0 1111 0000 0110	QY510	L2	-	1 000 00 111100 1110 100 00000 0 100 111 1 100 00000 0000 10 0 0 0 0 000 01 01 1 0000 000 1 000 0001 000001 00001 0 000000	254760	
0F07	0 1111 0000 0111	QY440	C2	-	0 000 00 111110 0100 100 11011 0 100 111 1 000 00000 0000 00 0 1 1 000 01 01 1 0000 000 0 000 0001 000001 00000 0 100111	254760	
0F08	0 1111 0000 1000	QY310	L8	-	0 000 00 111100 1010 100 00000 0 100 111 1 100 00000 0000 10 0 0 0 0 000 01 01 1 0000 000 1 000 0001 000000 00000 0 000000	254760	
0F09	0 1111 0000 1001	QY420	C1	-	0 000 00 111100 1100 100 00000 0 100 111 1 100 00000 0000 10 0 0 0 0 000 01 01 1 1100 000 1 000 0001 000001 00000 0 100111	254770	
0F0A	0 1111 0000 1010	QY310	Q8	-	1 000 00 111101 0011 100 00000 0 100 111 0 000 00000 0000 10 0 0 0 0 000 01 01 0 0000 000 1 000 0001 000001 00000 0 000000	254760	
0F0B	0 1111 0000 1011	QY110	N2	-	1 000 00 111101 0011 100 00000 0 100 111 0 000 00000 0000 10 0 0 0 0 000 01 01 0 0000 000 1 000 0001 000001 00000 0 000000	254760	
0F0C	0 1111 0000 1100	QY110	C2	-	0 001 00 111110 1110 100 10101 0 100 111 0 000 00000 0001 10 0 0 0 0 010 01 01 0 0000 110 0 100 0001 000001 00000 0 000000	254760	
0F0D	0 1111 0000 1101	QY510	G4	-	0 000 00 111111 0011 100 00000 0 100 111 0 000 11110 0000 10 0 0 0 0 000 01 01 0 0000 000 1 000 0001 000000 00000 0 000100	254760	
0F0E	0 1111 0000 1110	QY110	G2	-	0 000 00 000110 0101 100 00000 0 100 111 1 000 00000 1111 10 0 0 0 0 000 01 00 1 0010 000 1 000 0001 000000 00001 0 000000	254760	
0F0F	0 1111 0000 1111	QY510	C6	-	1 000 00 111111 0011 100 01000 0 100 111 0 000 00000 0000 10 0 0 0 0 000 01 01 0 0101 000 1 000 0001 000001 00000 0 000000	254760	
0F10	0 1111 0001 0000	QY450	J6	-	1 000 00 111111 0011 100 10110 0 100 111 1 100 00000 0000 10 0 0 0 0 000 01 01 1 0001 000 1 000 0001 000001 00001 0 101111	254760	
0F11	0 1111 0001 0001	QY450	G7	-	1 000 00 111111 0001 100 00000 0 100 111 0 000 00000 0000 00 1 0 0 0 000 01 01 0 0001 000 1 000 0001 000000 00000 0 100111	254760	
0F12	0 1111 0001 0010	QY440	C5	-	0 000 00 111111 0100 100 00100 0 100 111 0 000 00000 0000 10 0 0 0 0 000 01 01 0 1000 000 1 000 0001 000000 00001 0 010011	254760	
0F13	0 1111 0001 0011	QY430	G5	-	0 000 00 111100 1110 100 01101 0 100 111 0 000 00000 0001 10 0 0 0 0 000 00 01 0 0011 000 1 000 0001 000000 00001 0 000000 00 000000	255103	
0F14	0 1111 0001 0100	QY430	G3	-	1 000 00 111101 0100 100 01101 0 100 111 0 000 00000 0000 10 0 0 0 0 000 01 01 0 1010 000 1 000 0001 000001 00001 0 001000 00 000000	255033	
0F15	0 1111 0001 0101	QY430	C5	-	1 000 00 111100 1111 100 01101 0 100 111 1 000 00000 0001 10 0 0 0 0 000 00 00 0 1000 000 1 000 0001 101001 00001 0 000000	254760	
0F16	0 1111 0001 0110	QY420	L4	-	0 000 00 111111 0001 100 01101 0 100 111 0 000 00000 0000 10 0 0 0 0 000 01 01 0 0000 000 1 000 0001 000001 00000 0 000000	255103	
0F17	0 1111 0001 0111	QY410	C5	-	1 000 00 111110 1001 100 00000 0 100 111 1 100 00000 0000 10 0 0 0 0 000 01 01 0 0000 000 1 000 0001 000001 00000 0 000000	255440	
0F18	0 1111 0001 1000	QY420	C6	-	0 000 00 111110 0110 100 01101 0 100 111 1 100 00000 0000 10 0 0 0 0 000 01 01 0 1010 000 1 000 0001 000001 00001 0 101111	254760	
0F19	0 1111 0001 1001	QY420	G3	-	1 000 00 111110 0110 100 00000 0 100 111 1 100 00000 0000 10 0 0 0 0 000 01 01 0 0011 000 1 000 0001 000000 00000 0 101111	254760	
0F1A	0 1111 0001 1010	QY420	G1	-	1 000 00 111110 0110 100 00000 0 100 111 1 100 00000 0000 10 0 0 0 0 000 01 01 0 0010 000 1 000 0001 000000 00001 0 101111	254760	
0F1B	0 1111 0001 1011	QY420	C8	-	0 000 00 111100 0110 100 00000 0 100 111 0 000 00000 0000 10 0 0 0 0 000 01 01 0 0100 000 1 000 0001 000001 00000 0 001000	255033	
0F1C	0 1111 0001 1100	QY430	G8	-	1 000 00 111110 0110 100 00000 0 100 111 0 000 00000 0000 10 0 0 0 0 000 01 01 1 0000 000 1 000 0001 000001 00000 0 001000 00 000000	255440	
0F1D	0 1111 0001 1101			-	1 000 00 111100 0111 100 00000 0 000 000 0 000 10111 0000 00 0 0 0 0 010 00 00 0 0000 000 0 000 0000 000000 00001 0 000000	254760	
0F1E	0 1111 0001 1110	QY430	L8	-	1 000 00 111101 0011 100 00000 0 100 111 0 000 00000 0000 10 0 0 0 0 000 01 01 0 0000 000 1 000 0001 000001 00000 0 000000 00 000000	255440	
0F1F	0 1111 0001 1111	QY110	J4	-	0 000 00 111110 0010 100 00000 0 100 111 0 000 00000 0000 10 0 0 0 0 000 01 01 1 0000 000 1 000 0001 000001 00001 0 000000	255103	
0F20	0 1111 0010 0000	QY410	L5	-	0 000 00 111110 1111 100 01101 0 100 111 1 100 00000 0000 00 0 1 0 000 01 01 0 0001 000 1 000 0001 000000 00001 0 101111	254760	
0F21	0 1111 0010 0001	QY410	L3	-	1 000 00 111110 1000 100 01101 0 100 111 1 100 00000 0000 10 0 0 0 0 000 01 01 1 0111 000 1 000 0001 000000 00000 0 101111	254760	

ADDRESS	11ST	UNIT	0015
DATE	14 OCT 65	MACH	C2050
LOG	901	INIT P.No.	5364615
FRAME	01	PAGE P.No.	5364982
IBM CORP.	DSD	PAGE	01

530

HEX ADD	BINARY ADDRESS	SHEET	CLD BOX	MODE	BINARY BIT PATTERN																														EC NUMBER	VERSION		
					P LU MV ZP ZF ZN TR ZR WS SF P IV AL WM UP MD LB MB DG UL UR P CE LX TC RY AD AB BB UX SS																																	
																														92-97								
0F22	0 1111 0010 0010	QY410	G9	-	1	000	00	111110	1000	100	01101	0	100	111	1	100	00000	0000	10	0	0	0	000	01	01	1	0110	000	1	000	0001	000000	00001	0	101111	254760		
0F23	0 1111 0010 0011	QY410	G6	-	1	000	00	111111	0010	100	00000	0	100	111	1	100	00000	0000	10	0	0	0	000	01	01	0	0101	000	1	000	0001	000000	00000	0	101111	254770		
0F24	0 1111 0010 0100	QY410	G4	-	1	000	00	111110	1000	100	01101	0	100	111	1	100	00000	0000	10	0	0	0	000	01	01	1	1000	000	1	000	0001	000001	00001	0	101111	254760		
0F25	0 1111 0010 0101	QY410	G2	-	0	000	00	111110	1001	100	01101	0	100	111	1	100	00000	0000	10	0	0	0	000	01	01	1	0101	000	1	000	0001	000000	00000	0	111001	254760		
0F26	0 1111 0010 0110	QY410	C7	-	1	000	00	111101	0101	100	00000	0	100	111	1	100	00000	0000	10	0	0	0	000	01	01	1	1100	000	1	000	0001	000001	00001	0	111001	254760		
0F27	0 1111 0010 0111	QY310	G4	-	1	000	00	111101	0011	100	10100	0	100	111	0	000	11110	0000	10	0	0	0	000	01	01	1	0011	000	1	000	0001	000001	00000	0	110100	254760		
0F28	0 1111 0010 1000	QY310	Q2	-	1	000	00	111110	1001	100	10100	0	100	111	0	000	11110	0000	10	0	0	0	000	01	01	0	0101	000	1	000	0001	000001	00001	0	101111	254760		
0F29	0 1111 0010 1001	QY310	L6	-	1	000	00	111110	1010	100	00000	0	100	111	1	100	00000	0000	10	0	0	0	000	01	01	1	0000	000	1	000	0001	000000	00000	0	000000	254760		
																																			92-97			
0F2A	0 1111 0010 1010	QY310	L4	ID	0	000	00	111110	1010	100	00000	0	0	00	111	0	100	00000	000	0	000	00	011	01	01	0	0000	000	1	000	000	0	000000	00001	0	111011	254760	
0F2B	0 1111 0010 1011	QY310	L2	ID	0	000	00	111110	1010	100	00000	0	0	00	111	0	100	00000	000	0	000	00	011	01	01	1	0000	000	1	001	000	0	000001	00000	0	111000	255440	
																																				92-97		
0F2C	0 1111 0010 1100	QY310	G8	-	1	010	00	111110	1010	100	00001	0	100	111	1	100	00000	0011	10	0	0	0	000	01	01	0	0000	000	1	100	0001	000001	00001	0	111010	00	000000	255440
0F2D	0 1111 0010 1101	QY310	G6	-	1	000	01	111110	1011	100	00000	0	100	111	0	100	01110	0101	10	0	0	0	000	10	10	0	0000	001	1	000	0001	000000	00000	0	100100	00	000000	255103
0F2E	0 1111 0010 1110	QY310	G2	-	0	000	00	111110	1011	100	00011	0	100	111	1	100	01110	0000	01	0	1	0	000	01	01	0	0000	111	1	010	0100	000000	00001	0	001100	254760		
0F2F	0 1111 0010 1111	QY310	CA	-	0	111	00	111110	1011	100	00111	0	100	111	1	100	11000	1010	10	0	0	0	000	01	01	1	0000	001	1	000	0001	000001	00000	0	000000	254760		
0F30	0 1111 0011 0000	QY310	C6	-	0	111	00	111110	1011	100	00111	0	100	111	1	100	01010	0100	10	0	1	0	000	01	01	0	0000	001	1	000	0001	000001	00001	0	000000	254760		
0F31	0 1111 0011 0001	QY310	A4	-	1	000	00	111110	1100	100	00000	0	100	111	1	100	00000	0000	10	0	0	0	000	01	01	1	0000	000	1	000	0001	000000	00000	0	000000	00	000000	254760
0F32	0 1111 0011 0010	QY420	C2	-	1	000	00	111110	0111	100	01101	0	100	111	0	000	00000	0000	10	0	0	0	000	01	01	0	1100	000	1	000	0001	000000	00001	0	000000	254770		
0F33	0 1111 0011 0011	QY140	A5	-	1	000	00	111101	0011	100	00000	0	100	111	0	000	00000	0000	10	0	0	0	000	01	01	1	1010	000	1	000	0001	000001	00000	0	000100	254760		
0F34	0 1111 0011 0100	QY140	N2	-	1	111	00	111110	0010	100	00000	0	100	111	1	000	00000	1000	10	0	0	0	000	01	01	1	0011	000	1	000	0001	111100	00000	0	000000	254760		
0F35	0 1111 0011 0101	QY140	E2	-	1	111	00	111110	0010	100	00000	0	100	111	1	000	00000	1000	10	0	0	0	000	01	01	0	0001	000	1	000	0001	111100	00000	0	000000	254760		
0F36	0 1111 0011 0110	QY140	G8	-	0	000	00	000110	0101	100	00000	0	100	111	1	100	00000	0000	10	0	0	0	000	01	01	1	0111	000	1	000	0001	000001	00001	0	000100	254760		
0F37	0 1111 0011 0111	QY140	Q8	-	0	000	00	000110	0101	100	00000	0	100	111	1	100	00000	0000	10	0	0	0	000	01	01	1	0000	000	1	000	0001	000001	00001	0	111001	254760		
0F38	0 1111 0011 1000	QY420	C4	-	1	000	00	111110	0111	100	01101	0	100	111	1	100	00000	0000	10	0	0	0	000	01	01	1	1110	000	1	000	0001	000000	00000	0	101111	254760		
0F39	0 1111 0011 1001	QY430	G6	-	1	000	00	111100	1111	100	00001	0	100	111	1	100	00000	0000	10	0	0	0	000	01	01	0	0011	000	1	010	0001	000001	00000	0	101111	00	000000	255440
0F3A	0 1111 0011 1010	QY150	J4	-	1	000	00	111100	0010	100	00000	0	100	111	0	000	00000	0000	10	0	0	0	000	01	01	1	0100	000	1	000	0001	000001	00001	0	000100	255440		
0F3B	0 1111 0011 1011	QY510	Q2	-	1	000	00	111110	0000	100	00000	0	100	111	0	000	11110	0000	10	0	0	0	000	01	01	0	0000	000	1	000	0001	101101	00001	0	000000	254760		
0F3C	0 1111 0011 1100	QY430	C4	-	0	000	00	111100	0101	100	00011	0	100	111	0	100	00000	0000	01	0	0	1	000	01	01	0	0000	000	1	000	0001	000000	00001	0	000000	255033		
0F3D	0 1111 0011 1101	QY430	C8	-	0	000	00	111110	0101	100	00111	0	100	111	1	100	10100	0000	10	0	0	0	000	01	01	0	0010	001	1	000	0001	000000	00000	0	101111	254760		
0F3E	0 1111 0011 1110	QY430	G7	-	0	000	00	111100	0111	100	01101	0	100	111	0	000	00000	0000	10	0	0	0	000	01	01	0	1000	000	1	000	0001	111100	00000	0	000000	00	000000	255440
0F3F	0 1111 0011 1111	QY430	C6	-	0	000	00	111110	1110	100	01111	0	100	111	0	000	00000	0000	10	0	0	0	000	01	01	0	0000	000	1	010	0001	000001	00001	0	000000	254760		
0F40	0 1111 0100 0000			-	1	000	00	111101	0000	100	00000	0	000	000	0	000	10111	0000	00	0	0	0	010	00	00	1	0000	000	0	000	0000	000000	00000	0	000000	255103		
0F41	0 1111 0100 0001			-	1	000	00	111101	0000	100	00000	0	000	000	0	000	10111	0000	00	0	0	0	010	00	00	0	0000	000	0	000	0000	000000	00001	0	000000	255103		
0F42	0 1111 0100 0010			-	1	000	00	111101	0000	100	00000	0	000	000	0	000	10111	0000	00	0	0	0	010	00	00	0	00											

H S	BINARY ADDRESS	SHEET	CLD BOX	MODE	BINARY BIT PATTERN	EC NUMBER	VERSION
					P LU NV ZP ZF ZN TR ZR WS SF P IV AL WM UP MD LB RB DG UL UR P CE LX TC RY AD AB BB UX SS		
0F46	0 1111 0100 0110	QY510	L4	-	0 000 00 111101 0001 100 00000 0 100 111 0 000 00000 0000 10 0 0 0 000 01 01 1 0000 000 1 000 0001 101101 00000 0 000000	254760	
0F47	0 1111 0100 0111	QY430	L3	-	0 110 00 111111 0010 100 00111 0 100 111 0 000 01100 0001 10 0 0 0 1 000 01 01 0 1000 001 1 000 0001 000001 10100 0 111001	255440	
0F48	0 1111 0100 1000	QY310	C2	-	1 000 00 111110 1100 100 01100 0 100 111 0 000 00000 0000 10 0 0 0 0 000 01 01 1 1000 000 1 000 0001 000000 00001 0 111001	254760	
0F49	0 1111 0100 1001	QY110	C6	-	1 000 00 111101 0010 000 00000 0 100 111 0 000 00000 0000 10 0 0 0 0 000 01 01 0 0000 000 1 000 0001 000000 00001 0 000000	254760	
0F4A	0 1111 0100 1010	QY510	G6	-	1 000 00 111110 0011 100 00000 0 100 111 1 100 00000 0000 10 0 0 0 0 000 01 01 1 0000 000 1 000 0001 000000 00000 0 000000	254760	
0F4B	0 1111 0100 1011	QY110	G6	-	1 000 00 111101 0010 000 00000 0 100 111 0 000 00000 0000 10 0 0 0 0 000 01 01 0 0000 000 1 000 0001 000000 00001 0 111010	254760	
0F4C	0 1111 0100 1100	QY510	C3	-	1 000 00 111110 0011 100 01100 0 100 111 0 000 00000 0000 10 0 0 0 0 000 01 01 1 0000 000 1 000 0001 000001 00001 0 111001	254760	
0F4D	0 1111 0100 1101	QY510	G3	-	0 000 00 111100 0011 100 00000 0 100 111 1 100 00000 0000 10 0 0 0 0 000 01 01 0 0000 000 1 000 0001 000000 00001 0 000000	254760	
0F4E	0 1111 0100 1110	QY110	J3	-	1 000 00 111100 0111 100 00000 0 100 111 1 100 00000 0000 10 0 0 0 0 000 01 01 1 0000 000 1 000 0001 000001 00001 0 111001	255103	
0F4F	0 1111 0100 1111	QY510	C5	-	1 000 00 111100 0011 100 01000 0 100 111 0 000 00000 0000 10 0 0 0 0 000 01 01 1 0000 000 1 000 0001 000001 00001 0 000000	254760	
0F50	0 1111 0101 0000	QY450	J5	-	0 000 00 111100 0100 100 01101 0 100 111 0 000 00000 0000 11 1 0 0 0 000 01 01 1 0000 000 1 000 0001 000000 00000 0 000000	254760	
0F51	0 1111 0101 0001	QY450	C3	-	1 000 00 111111 0001 100 00000 0 100 111 0 000 00000 0000 00 1 0 0 0 000 01 01 1 0000 000 1 000 0001 000000 00000 0 100111	254760	
0F52	0 1111 0101 0010	QY440	C4	-	0 111 00 111100 0100 100 00000 0 100 111 1 000 00000 1000 10 0 0 0 0 000 01 01 1 0001 000 1 000 0001 000001 00000 0 000000	254760	
0F53	0 1111 0101 0011	QY430	G4	-	0 000 00 111100 0100 100 00111 0 100 111 1 100 01100 0000 10 0 0 0 0 000 01 01 0 0000 001 1 000 0001 000001 00001 0 000000 00 000000	255033	
0F54	0 1111 0101 0100	QY430	G2	-	0 000 00 111100 0101 100 00011 0 100 111 0 100 00000 0000 01 0 0 0 1 000 01 01 1 0000 000 1 000 0001 000000 00000 0 000000 00 000000	255033	
0F55	0 1111 0101 0101	QY410	C4	-	1 000 00 111100 0101 100 01000 0 100 111 0 000 00000 0000 10 0 0 0 0 000 01 01 1 0000 000 1 000 0001 000001 00001 0 000000	254760	
0F56	0 1111 0101 0110	QY420	L3	-	0 000 00 111100 0101 100 00000 0 100 111 1 100 00000 0000 10 0 0 0 0 000 01 01 0 0000 000 1 000 0001 000001 00000 0 000000	255033	
0F57	0 1111 0101 0111	QY410	C8	-	0 000 00 111110 1001 100 01101 0 100 111 0 000 00000 0000 10 0 0 0 0 000 01 01 0 0000 000 1 000 0001 000000 00001 0 000000	255440	
0F58	0 1111 1000 0000	QY510	G9	-	0 000 00 111101 0010 100 00000 0 100 111 0 000 00000 0000 10 0 0 0 0 000 01 01 1 0000 000 1 000 0001 000000 00000 0 000000	254760	
0F59	0 1111 1000 0001	QY510	Q3	-	0 000 00 111111 0000 100 00000 0 100 111 0 000 00000 0000 10 0 0 0 0 000 01 01 1 0000 000 1 000 0001 101110 00000 0 000000	254760	
0F5A	0 1111 1000 0010	QY510	L6	-	1 000 00 111110 0000 100 00000 0 100 111 1 100 00000 0000 10 0 0 0 0 000 01 01 1 0000 000 1 000 0001 000000 00000 0 000000	254760	
0F5B	0 1111 1000 0011	QY510	L8	-	0 000 00 111101 0001 100 00000 0 100 111 0 000 00000 0000 10 0 0 0 0 000 01 01 0 0000 000 1 000 0001 000001 00000 0 000000	254760	
0F5C	0 1111 1000 0100	QY510	G8	-	1 000 00 111100 0001 100 00000 0 100 111 0 000 00000 0000 10 0 0 0 0 000 01 01 0 0000 000 1 000 0001 101111 00000 0 000000	254760	
0F5D	0 1111 1000 0101	QY410	L7	-	1 000 00 111100 0010 100 00000 0 100 111 0 000 00000 0000 10 0 0 0 0 000 01 01 0 0000 000 1 000 0001 111100 00001 0 000000	254760	
0F5E	0 1111 1000 0110	QY510	L3	-	0 000 00 111101 0001 100 00000 0 100 111 0 000 00000 0000 10 0 0 0 0 000 01 01 0 0000 000 1 000 0001 000001 00000 0 000000	254760	
0F5F	0 1111 1000 0111	QY410	Q2	-	1 000 00 111110 0111 100 01000 0 100 111 0 000 00000 0000 10 0 0 0 0 000 01 01 0 0001 000 1 000 0001 000001 00001 0 000000	254760	
0F60	0 1111 1000 1000	QY140	F4	-	0 000 00 111101 0011 100 00001 0 100 111 0 000 11110 0000 10 0 0 0 0 000 01 01 0 0000 000 1 000 0001 000001 00000 0 000000	254760	
0F61	0 1111 1000 1001	QY410	C2	-	1 000 00 111101 0101 100 00000 0 100 111 0 000 00000 0000 10 0 0 0 0 000 01 01 1 1100 000 1 000 0001 101001 00001 0 111001	254760	
0F62	0 1111 1000 1010	QY140	J4	-	0 000 00 111101 0011 100 00100 0 100 111 0 000 00000 0000 10 0 0 0 0 000 01 01 1 0000 000 1 001 0001 000001 00000 0 000000	254760	
0F63	0 1111 1000 1011	QY110	F5	-	0 000 00 111101 0010 100 00000 0 100 111 0 000 00000 0000 10 0 0 0 0 000 01 01 0 1000 000 1 000 0001 101101 00001 0 000100	255103	
0F64	0 1111 1000 1100	QY510	G7	-	0 000 00 111110 0001 100 00000 0 100 111 0 000 11110 0000 10 0 0 0 0 000 01 01 1 0000 000 1 000 0001 101101 00000 0 000000	254760	
0F65	0 1111 1000 1101	QY510	G2	-	1 000 00 111101 0011 100 00000 0 100 111 0 000 11110 0000 10 0 0 0 0 000 01 01 1 0000 000 1 000 0001 000000 00001 0 000100	254760	
0F66	0 1111 1000 1110	QY510	C8	-	0 000 00 111111 0011 100 00000 0 100 111 1 111 00000 0000 10 0 0 0 0 000 01 01 0 0000 000 1 000 0001 000000 00001 0 000000	254760	
0F67	0 1111 1000 1111	QY510	C4	-	1 000 00 111101 0011 100 00000 0 100 111 1 111 00000 0000 10 0 0 0 0 000 01 01 1 0000 000 1 000 0001 000001 00001 0 000000	254760	
0F68	0 1111 1001 0000	QY450	G3	-	1 000 00 111111 0001 100 00000 0 100 111 0 000 00000 0000 00 1 0 0 0 000 01 01 1 0011 000 1 000 0001 000000 00000 0 100111	254760	
0F69	0 1111 1001 0001	QY440	C7	-	1 000 00 111100 0001 100 11101 0 100 111 0 000 00000 0000 10 0 0 0 0 000 01 01 1 0000 000 1 010 0001 000000 00001 0 000000	254760	
0F6A	0 1111 1001 0010	QY440	C3	-	0 000 00 111101 0100 100 00000 0 110 110 0 000 00000 0001 11 0 1 0 000 01 00 1 0111 000 1 000 0001 000001 00000 0 000000	254760	
0F6B	0 1111 1001 0011	QY430	L2	-	1 000 00 111101 0001 100 01101 0 100 111 0 000 00000 1111 10 0 0 0 0 000 01 01 1 0000 000 1 000 0001 101001 00001 0 000000	254770	
0F6C	0 1111 1001 0100	QY430	C9	-	0 000 00 111101 0101 100 01101 0 100 111 0 000 00000 0000 10 0 0 0 0 000 01 01 0 1001 000 1 000 0001 000000 00000 0 001000	255033	

09 SEP 65 255449

ADDRESS	IST	INIT.	0015
DATE	14 OCT 65	MACH.	C2050
LOG	901	INIT P.No.	5364615
FRAME	01	PAGE P.No.	5364982
IBM CORP.	DSD	PAGE	03

27150

HEX ADD	BINARY ADDRESS	SHEET	CLD BOX	MODE	BINARY BIT PATTERN	EC NUMBER		VERSION
						EC NUMBER	VERSION	
						92-97		
0F95	0 1111 1001 0101	QY430	C3	-	P LU MV ZP ZF ZN TR ZR WS SF P IV AL WM UP MD LB MB DG UL UR P CE LX TC RY AD AB BB UX SS	255033		
0F96	0 1111 1001 0110	QY420	L2	-		255033		
0F97	0 1111 1001 0111	QY420	G6	-		255103		
0F98	0 1111 1001 1000	QY420	G4	-		255103		
0F99	0 1111 1001 1001	QY420	G2	-		254760		
0F9A	0 1111 1001 1010	QY430	G9	-		255440		
0F9B	0 1111 1001 1011	QY420	C7	-		254760		
0F9C	0 1111 1001 1100	QY420	C5	-		254760		
0F9D	0 1111 1001 1101	QY420	C3	-		254760		
0F9E	0 1111 1001 1110	QY410	Q5	-		254760		
0F9F	0 1111 1001 1111	QY410	Q3	-		254760		
0FA0	0 1111 1010 0000	QY410	L4	-		254760		
0FA1	0 1111 1010 0001	QY410	L2	-		254760		
0FA2	0 1111 1010 0010	QY410	G8	-		254760		
0FA3	0 1111 1010 0011	QY410	G5	-		254760		
0FA4	0 1111 1010 0100	QY410	G3	-		254760		
0FA5	0 1111 1010 0101	QY410	C9	-		254760		
0FA6	0 1111 1010 0110	QY410	C6	-		254760		
0FA7	0 1111 1010 0111	QY310	Q3	-		254760		
0FA8	0 1111 1010 1000	QY310	L7	-		254760		
0FA9	0 1111 1010 1001	QY310	L5	-		254760		
						92-97		
0FAA	0 1111 1010 1010	QY310	L3	TD		255440		
0FAB	0 1111 1010 1011	QY310	G9	TD		255440		
						92-97		
0FAC	0 1111 1010 1100	QY310	G7	-		255440		
0FAD	0 1111 1010 1101	QY310	G3	-		255440		
0FAE	0 1111 1010 1110	QY310	C9	-		255033		
0FAF	0 1111 1010 1111	QY310	C7	-		255033		
0FB0	0 1111 1011 0000	QY310	C5	-		255033		
0FB1	0 1111 1011 0001	QY310	C3	-		254760		
0FB2	0 1111 1011 0010	QY140	A6	-		254760		
0FB3	0 1111 1011 0011	QY140	A4	-		254760		
0FB4	0 1111 1011 0100	QY140	J2	-		254760		
0FB5	0 1111 1011 0101	QY140	A2	-		254760		
0FB6	0 1111 1011 0110	QY140	L8	-		254760		
0FB7	0 1111 1011 0111	QY140	Q7	-		254760		
0FB8	0 1111 1011 1000	QY130	J3	-		255103		

ADDRESS LIST	UNIT# 0015
DATE 14 OCT 65	MACH# C2050
LOG 901	INIT P# 5364615
FRAME 01	PAGE P# 5364982
IBR CORP.	DSD PAGE 04

2  
7  
1  
5  
0

HEX ADD	BINARY ADDRESS	SHEET	CLD BOX	MODE	BINARY BIT PATTERN	EC NUMBER	VERSION
					P LU MV ZP ZF ZN TR ZR WS SF P IV AL WM UP MD LB MB DG UL UR P CE LX TC RY AD AB BB UX SS 92-97		
OFB9	0 1111 1011 1001	QY110	Q8	-	1 000 00 000101 0010 100 00000 0 011 110 1 100 00000 0000 10 0 0 0 000 01 01 1 1110 000 1 000 0001 111000 00000 0 011000	254760	
OFBA	0 1111 1011 1010	QY110	C3	-	0 000 00 111110 1111 100 01000 0 100 111 0 000 00000 0000 10 0 0 0 000 01 01 1 0001 000 1 000 0001 000001 00000 0 000000	254760	
OFBB	0 1111 1011 1011	QY430	C7	-	1 000 00 111100 1111 100 00111 0 100 111 0 000 11110 0000 10 0 0 0 000 01 01 0 0000 000 1 000 0001 000000 00001 0 000000	254760	
OFBC	0 1111 1011 1100	QY140	C8	-	1 000 00 111110 1111 100 00000 0 100 111 0 000 00000 0000 10 0 0 0 000 01 01 1 1010 000 1 000 0001 000000 00000 0 111001	254760	
OFBD	0 1111 1011 1101	QY410	L6	-	1 000 00 111110 0001 100 10110 0 100 111 1 100 00000 0000 10 0 0 0 000 01 01 1 0001 000 1 000 0001 101001 00001 0 101111	254760	
OFBE	0 1111 1011 1110	QY110	C4	-	1 000 00 111110 0010 100 00100 0 100 111 0 000 01001 0000 10 0 0 0 000 01 01 0 0000 000 1 010 0001 000001 00001 0 000000	254760	
OFBF	0 1111 1011 1111	QY410	Q4	-	1 000 00 111110 0111 100 01101 0 100 111 1 100 00000 0000 10 0 0 0 000 01 01 0 0000 000 1 000 0001 000001 00000 0 000000	254760	
OFC0	0 1111 1100 0000	QY510	Q6	-	0 000 00 111101 0010 100 00000 0 100 111 0 000 00000 0000 10 0 0 0 000 01 01 0 0101 000 1 000 0001 000000 00000 0 000100	254760	
OFC1	0 1111 1100 0001	QY510	Q7	-	0 000 00 111111 0000 100 00000 0 100 111 0 000 00000 0000 10 0 0 0 000 01 01 0 0000 000 1 000 0001 101110 00001 0 000000	254760	
OFC2	0 1111 1100 0010	QY510	L9	-	0 000 00 111111 0000 100 00000 0 100 111 0 000 00000 0000 10 0 0 0 000 01 01 0 0000 000 1 000 0001 101111 00000 0 000000	254760	
OFC3	0 1111 1100 0011	QY510	Q5	-	0 000 00 111111 0000 100 00000 0 100 111 0 000 00000 0000 10 0 0 0 000 01 01 1 0000 000 1 000 0001 000000 00000 0 000000	254760	
OFC4	0 1111 1100 0100	QY450	J4	-	0 000 00 111101 0100 100 00000 0 110 110 1 100 00000 0000 10 0 0 0 000 01 01 1 0001 000 1 000 0001 000000 00000 0 101111	254760	
OFC5	0 1111 1100 0101	QY450	J8	-	1 000 00 111101 0011 100 00000 0 100 111 0 000 00000 0000 10 0 0 0 000 01 01 0 0000 000 1 000 0001 000001 00000 0 000000	254760	
OFC6	0 1111 1100 0110	QY430	C2	-	1 000 00 111110 0101 100 00000 0 100 111 1 100 00000 0000 10 0 0 0 000 01 01 1 0011 000 1 000 0001 000000 00001 0 101111	255103	
OFC7	0 1111 1100 0111	QY420	G7	-	1 000 00 111110 0101 100 00000 0 100 111 1 100 00000 0000 10 0 0 0 000 01 01 0 0010 000 1 000 0001 000001 00000 0 101111	255103	
OFC8	0 1111 1100 1000	QY410	G7	-	1 000 00 111110 1000 100 01101 0 100 111 0 000 00000 0000 10 0 0 0 000 01 01 0 0000 000 1 000 0001 000001 00000 0 000000	254770	
OFC9	0 1111 1100 1001	QY420	G5	-	1 000 00 111110 0101 100 00000 0 100 111 1 100 00000 0000 10 0 0 0 000 01 01 1 0000 000 1 000 0001 000001 00001 0 000000	255103	
OFCB	0 1111 1100 1010	QY430	L4	-	1 000 00 100110 1110 100 10101 0 100 111 0 000 00000 0000 10 0 0 0 000 01 01 0 0000 000 1 100 0001 000001 00001 0 111001	255440	
OFCB	0 1111 1100 1011	QY430	Q4	-	0 110 00 111111 0100 100 00111 0 100 111 0 000 01100 0001 10 0 0 1 000 01 01 0 0110 001 1 000 0001 000001 00000 0 110100	254760	
OFC	0 1111 1100 1100	QY510	G5	-	0 000 00 111101 0010 100 00000 0 100 111 1 100 00000 0000 10 0 0 0 000 01 01 0 0001 000 1 000 0001 101010 00000 0 000100	254760	
OFCD	0 1111 1100 1101	QY510	C9	-	0 000 00 111110 0011 100 01000 0 100 111 0 000 00000 0000 10 0 0 0 000 01 01 1 0010 000 1 000 0001 000000 00001 0 000000	254760	
OFC	0 1111 1100 1110	QY510	C7	-	1 000 00 111110 0011 100 01100 0 100 111 0 000 00000 0000 10 0 0 0 000 01 01 0 0000 000 1 000 0001 000001 00000 0 000000	254760	
OFCF	0 1111 1100 1111	QY450	J7	-	0 000 00 111111 0001 100 01101 0 100 111 0 000 00000 0000 10 0 0 0 000 01 01 0 0000 000 1 000 0001 000000 10110 0 000000	254760	
OFD0	0 1111 1101 0000	QY450	L3	-	1 000 00 111111 0001 100 00000 0 100 111 0 000 00000 0000 00 1 0 0 000 01 01 0 0010 000 1 000 0001 000000 00000 0 100111	254760	
OFD1	0 1111 1101 0001	QY440	C6	-	1 111 00 111110 0100 100 00000 0 100 111 1 000 00000 1000 10 0 0 0 000 01 01 1 0010 000 1 000 0001 000000 00001 0 000000	254760	
OFD2	0 1111 1101 0010	QY430	Q5	-	0 110 00 111100 0001 100 01000 0 100 111 1 000 00000 0001 10 0 0 0 000 01 01 0 0000 000 1 000 0001 000101 00001 0 111001	255440	
OFD3	0 1111 1101 0011	QY150	C2	-	0 111 00 111100 0010 100 01111 0 100 111 0 100 00000 1011 10 0 0 0 110 01 01 0 0000 000 1 001 0001 000001 00001 0 000000	255103	
OFD4	0 1111 1101 0100	QY150	C6	-	0 111 00 111100 0010 100 00000 0 100 111 0 000 00000 0000 10 0 0 0 000 11 11 0 0011 000 1 000 0001 000001 00001 0 000100	255103	
					P LU MV ZP ZF ZN TR ZR WS SF P IV AL WM UP MD LB MB DG UL UR P CF LX TC RY AD AR RR UX SS 92-97		
OFD5	0 1111 1101 0101	QY150	C3	RRSER	0 111 00 111100 0010 100 00000 0 100 110 0 000 10111 1101 10 1 0 1 010 01 01 0 0011 000 1 001 0101 000001 00001 0 000100	255103	
OFD6	0 1111 1101 0110	QY150	C5	RRSER	0 111 00 111100 0010 100 00000 0 100 111 0 000 00000 0011 10 0 1 0 000 01 01 0 0011 000 1 000 0001 000001 00001 0 000100	255103	
OFD7	0 1111 1101 0111	QY150	C4	RRSER	0 111 00 111100 0010 100 00000 0 100 111 0 000 00000 0010 10 0 0 1 000 01 01 0 0011 000 1 000 0101 000001 00001 0 000100	255103	