

CONNECTOR PIN	2821 EDGE CONNECTOR	2821 FEED-THROUGHS	2821 SIGNAL NAME	2821 SOURCE LOGIC
CEPRA001	21A3A01A	21A3E30A-21A4E03A	+Y PRINT BUFFER 1 BIT	33.23.05.1
CEPRA002	21A3A01B	21A3E30B-21A4E03B	+Y PRINT BUFFER 2 BIT	33.23.05.1
CEPRA003	21A3A01C	21A3E30C-21A4E03C	+Y PRINT BUFFER 4 BIT	33.23.05.1
CEPRA004	21A3A01D	21A3E30D-21A4E03D	+Y PRINT BUFFER 8 BIT	33.23.06.1
CEPRA005	21A3A01E	21A3E30E-21A4E03E	+Y PRINT BUFFER A BIT	33.23.06.1
CEPRA006	21A3A01F	21A3E30F-21A4E03F	+Y PRINT BUFFER B BIT	33.23.06.1
CEPRA007	21A3A01G	21A3E30G-21A4E03G	SPARE	
CEPRA008	21A3A01H	21A3E30H-21A4E03H	+Y PRINT BUFFER C BIT	33.23.07.1
CEPRA009	21A3A01K	21A3E30K-21A4E03K	+Y PRINT COMPARE	33.33.45.1
CEPRA010	21A3A03L	21A3E29M-21A4E04M	+Y PRINT READY IND C.E.	33.33.01.1
CEPRA011	21A3B01A		+Y PRINT BUSY	33.13.51.1
CEPRA012	21A1D01N		+Y PRINT GATE	33.33.02.1
CEPRA013	21A3B01B		+Y PRINT TR	33.33.02.1
CEPRA014	21A3B01C		+Y WRITE GATE	33.33.03.1
CEPRA015	21A3B01D		+Y PCG 1 DECODE	33.33.28.1
CEPRA016	21A1D01A		+Y PCG 2 DECODE	33.33.28.1
CEPRA017	21A1D01B		+Y PCG 4 DECODE	33.33.28.1
CEPRA018	21A1D01C		+Y PCG 8 DECODE	33.33.28.1
CEPRA019	21A1D01D		+Y PCG A DECODE	33.33.28.1
CEPRA020	21A1D01E		+Y PCG B DECODE	33.33.28.1
CEPRA021	21A1D01F	21A1B31Q-21A2B02Q	SPARE	
CEPRA022	21A1D01G		+Y CLK CTRL TR	33.33.22.1
CEPRA023	21A1D01H		+Y TR 1	33.33.22.1
CEPRA024	21A1D01P		+Y TR 2	33.33.22.1
CEPRA025	21A1D01M		+Y PRINT PARITY CHECK LATCH	33.23.10.1
CEPRA026	21A1D01K	21A3E31Q-21A4E02Q	+Y HAMMER CHECK LATCH	33.33.47.1
CEPRA027	21A1D01L		+Y SYNC CHECK	33.33.21.1
CEPRA028	21A3A02G	21A3E30L-21A4E03L	+Y BAR TENS A	33.23.03.1
CEPRA029	21A3A02F	21A3E30M-21A4E03M	+Y BAR TENS B	33.23.03.1
CEPRA030	21A1D02N	21A3E30N-21A4E03N	+Y BAR TENS C	33.23.03.1
CEPRA031	21A3A01L	21A3D32A-21A4D01A	+Y ADDR UNITS A	33.23.04.1
CEPRA032	21A3A01M	21A3D32B-21A4D01B	+Y ADDR UNITS B	33.23.04.1
CEPRA033	21A3A01N	21A3D31G-21A4D02G	+Y ADDR UNITS C	33.23.04.1
CEPRA034	21A3A02A	21A1T22A-21A3T22A	+Y CE PRT INTERRUPT REQ	33.13.32.1
CEPRA035	21A3A02B	21A1T28D-21A3T28D	+Y CE PRT ADAPTER REQ	33.13.32.1
CEPRA036	21A3A02C	21A1T03D-21A3T03D	+Y HIGH SPEED START C.E.	33.32.17.1
CEPRA037	21A3B02K	21A1T04B-21A3T04B	+Y HIGH SPEED STOP C.E.	33.32.17.1
CEPRA038	21A3B02L		+Y PRINT SCAN	33.33.03.1
CEPRA039	21A1D02Q		+Y PSS TR	33.33.00.1
CEPRA040	21A1D02R		+Y SS1	33.33.20.1
CEPRA041	21A3B01E		+Y SS2	33.33.20.1
CEPRA042	21A3B01F		+Y SS3	33.33.20.1
CEPRA043	21A1D02K	21A3E30Q-21A4E03Q	+Y BAR TENS E	33.23.03.1
CEPRA044	21A1D02L	21A3E30P-21A4E03P	+Y BAR TENS D	33.23.03.1
CEPRA045	21A1D02M	21A3E30R-21A4E03R	+Y BAR 100	33.23.04.1
CEPRA046	21A3A01P	21A3D31Q-21A4D02Q	+Y ADDR UNITS E	33.23.04.1
CEPRA047	21A3A01Q	21A3D31N-21A4D02N	+Y ADDR UNITS D	33.23.04.1
CEPRA048	21A3A01R		+Y SPACE CTRL	33.32.10.1
CEPRA049	21A3A02D		+Y SKIP CTRL	33.32.13.1
CEPRA050	21A3A02E		+Y IMMED GO LATCH	33.32.17.1
CEPRA051	21A3B01H	21A1T11A-21A3T11A	+Y LOW SPEED START C.E.	33.32.17.1
CEPRA052	21A3B01K	21A3E29A-21A4E04A	+Y STL MODE	43.32.00.1
CEPRA053	21A3B01L		+Y BURST SW ON	31.11.21.1
CEPRA054	21A1D01R		SPARE	
CEPRA055	21A1D01Q		+Y PRT COMMD STORED	33.13.11.1
CEPRA056	21A3B01M		+Y PRT UP IN	33.13.01.1
CEPRA057	21A1D02P		+Y C.E. ERROR RESET	33.33.47.1
CEPRA058	21A3B03L		SPARE	
CEPRA059	21A3B03M	21A3E31D-21A4E02D	+Y C.E. ERROR STOP SW	33.33.47.1
CEPRA060	21A3B03N		+Y SINGLE CYCLE MODE C.E.	33.33.03.1
CEPRA062	21A3A03B		+Y DATA ENTER P C.E.	33.32.07.1
CEPRA064	21A3A03P		+Y DATA ENTER O C.E.	33.32.07.1
CEPRA065	21A3A03Q		+Y DATA ENTER 1 C.E.	33.32.07.1
CEPRA066	21A3A03R		+Y DATA ENTER 2 C.E.	33.32.07.1
CEPRA067	21A3A03C		+Y DATA ENTER 3 C.E.	33.32.07.1
CEPRA068	21A3A03F		+Y DATA ENTER 4 C.E.	33.32.07.1
CEPRA069	21A3B03K		+Y DATA ENTER 5 C.E.	33.32.07.1
CEPRA070	21A3B03A		+Y DATA ENTER 6 C.E.	33.32.07.1
CEPRA071	21A3B03B		+Y DATA ENTER 7 C.E.	33.32.07.1
CEPRA072	21A3B03C		+Y C.E. CARRIAGE SET SW C.E.	33.32.04.1
CEPRA073	21A3B03D		+Y ADDRESS SET SW C.E.	33.23.03.1
CEPRA074	21A3B03E	21A3E29P-21A4E04P		
CEPRA075	21A3B03F			
CEPRA076	21A3B03G			
CEPRA077	21A3A03E			
CEPRA078	21A3A03H			
CEPRA079	21A3A03H			
CEPRA080	TB1-11		AC INPUT #1	38.11.06.0
CEPRA081	TB1-12		FRAME BOND	38.11.06.0
CEPRA082	TB1-12		AC INPUT #2	38.11.06.0
CEPRA083 **	21A3B03J		SWITCH COMMON	
CEPRA084 ***	CEPRA103		+3 VOLT SUPPLY	
CEPRA085 ***	21A3A02N		DATA ENTRY COMMON	
CEPRA086 *	21A3A03D		-6V REFERENCE, 3 VOLT COMMON	33.32.07.1
CEPRA087	21A3B02M		+Y C.E. START KEY	33.33.02.1
CEPRA088	21A3B02N		+Y C.E. STOP KEY	33.33.01.1
CEPRA089	21A3B02P		+Y C.E. MACH RESET	33.33.02.1
CEPRA090	21A3B02Q		+Y NOT C.E. START KEY	33.33.01.1
CEPRA091 **	21A3A03J		ROTARY SWITCH COMMON	
CEPRA093	21A3A03K		+Y STOR SCAN + LOAD MODE C.E.	33.33.02.1
CEPRA094	21A3B02R		+Y PRINT + CARR MODE C.E.	33.32.06.1
CEPRA095	21A3A03M		SPARE	
CEPRA092	21A3A03N	21A3E31L-21A4E02L	+Y OFF LINE *C.E.	33.32.07.1
CEPRA097	21A3A02P		-Y C.E. SET BAR 100	33.23.04.1
CEPRA098*	21A3A03D		+3 VOLT COMMON TO LAMP	
CEPRA099	NOT USED			
CEPRA100	21A3A02M		+Y DATA ENTRY DRIVE	33.32.16.1
CEPRA102 ***	21A3A02N	21A3E31N-21A4E02N	+Y C.E. DATA ENTER	33.33.41.1
CEPRA103	CEPRA084		+3 VOLT INPUT TO LAMP	
CEPRA104	21A3A03A	21A3E29N-21A4E04N	-Y ADDRESS SET DRIVE C.E.	33.23.03.1

NOTE \*CEPRA086 AND CEPRA088 ARE CONNECTED THROUGH EDGE CONNECTOR 21A3A03D.  
 \*\*GROUND IS CONNECTED THROUGH "J" PIN TO GROUND PLANE ON CHASSIS  
 \*\*\*CEPRA085 AND CEPRA102 ARE CONNECTED THROUGH EDGE CONNECTOR 21A3A02N.

DATE	EC NO	DATE	EC NO	DATE	EC NO
10-26-64	121567	21 JAN66	125617		
12-10-64	121572	20 APR66	125636		
2-11-65	121594	20 APR67	125672		
6-4-65	124249	11 DEC67	131802		
4 AUG65	124270				

826924

C.E. SHARED PANEL CONNECTOR #1 - 1403 21A3 PR

33.05 01.0  
SHEET 2 OF 2 SHEETS

CONNECTOR PIN	2821 EDGE CONNECTOR	2821 FEED-THROUGHS	2821 SIGNAL NAME	2821 SOURCE LOGIC
CEPRB001	21A3B02A		+Y CARR CTRL REG 1	33.32.10.1
CEPRB002	21A3B02B		+Y CARR CTRL REG 2	33.32.10.1
CEPRB003	21A3B02C		+Y CARR CTRL REG 4	33.32.10.1
CEPRB004	21A3B02D		+Y CARR CTRL REG 8	33.32.10.1
CEPRB005	21A3B02E		+Y CARR BRUSH REG 1	33.32.05.1
CEPRB006	21A3B02F		+Y CARR BRUSH REG 2	33.32.05.1
CEPRB007	21A3B02G		+Y CARR BRUSH REG 4	33.32.05.1
CEPRB008	21A3B02H		+Y CARR BRUSH REG 8	33.32.05.1
CEPRB009	21A1D02A		+Y SCAN 1 CTR	33.33.25.1
CEPRB010	21A1D02B		+Y SCAN 2 CTR	33.33.25.1
CEPRB011	21A1D02C		+Y SCAN 4 CTR	33.33.25.1
CEPRB012	21A1D02D		+Y SCAN 8 CTR	33.33.25.1
CEPRB013	21A1D02E		+Y SCAN 16 CTR	33.33.25.1
CEPRB014	21A1D02F		+Y SCAN 32 CTR	33.33.25.1
CEPRB015	21A1D02G		SPARE	
CEPRB085	21A3A02Q	21A3E31E-21A4E02E	-Y C.E. SET BAR TENS A	33.23.02.1
CEPRB087	21A3A02R	21A3E31F-21A4E02F	-Y C.E. SET BAR TENS B	33.23.02.1
CEPRB089	21A3A02H	21A3E31G-21A4E02G	-Y C.E. SET BAR TENS C	33.23.02.1
CEPRB091	21A3A02L	21A3E31H-21A4E02H	-Y C.E. SET BAR TENS D	33.23.02.1
CEPRB093	21A3A02K	21A3E31K-21A4E02K	-Y C.E. SET BAR TENS E	33.23.02.1

A  
B  
C  
D  
E  
F  
G  
H  
J

A  
B  
C  
D  
E  
F  
G  
H  
J

DATE	EC NO	DATE	EC NO	DATE	EC NO
10-26-64	121567	21 JAN66	125617		
12-10-64	121572	20 APR66	125636		
2-11-65	121594	20 APR67	125672		
6-4-65	124249	11 DEC67	131802		
4 AUG65	124270				

CONNECTOR PIN	2821 EDGE CONNECTOR	2821 FEED-THROUGHS	2821 SIGNAL NAME	2821 SOURCE LOGIC	
A	CEPRA001	21A3A01A	21A3E30A-21A4E03A	+Y PRINT BUFFER UCB 7 BIT	33.23.05.1
	CEPRA002	21A3A01B	21A3E30B-21A4E03B	+Y PRINT BUFFER UCB 6 BIT	33.23.05.1
	CEPRA003	21A3A01C	21A3E30C-21A4E03C	+Y PRINT BUFFER UCB 5 BIT	33.23.05.1
	CEPRA004	21A3A01D	21A3E30D-21A4E03D	+Y PRINT BUFFER UCB 4 BIT	33.23.06.1
	CEPRA005	21A3A01E	21A3E30E-21A4E03E	+Y PRINT BUFFER UCB 3 BIT	33.23.06.1
	CEPRA006	21A3A01F	21A3E30F-21A4E03F	+Y PRINT BUFFER UCB 2 BIT	33.23.06.1
	CEPRA007	21A3A01G	21A3E30G-21A4E03G	+Y PRINT BUFFER UCB 1 BIT	43.34.18.1
	CEPRA008	21A3A01H	21A3E30H-21A4E03H	+Y PRINT BUFFER UCB 0 BIT	43.34.18.1
	CEPRA009	21A3A01K	21A3E30K-21A4E03K	+Y PRINT BUFFER UCB P BIT	33.23.07.1
	CEPRA010	21A3A03L	21A3E29M-21A4E04M	+Y PRINT COMPARE	33.33.45.1
B	CEPRA011	21A3B01A		+Y PRINT READY IND C.E.	33.33.01.1
	CEPRA012	21A1DC1N		+Y PRINT BUSY	33.13.51.1
	CEPRA013	21A3B01B		+Y PRINT GATE	33.33.02.1
	CEPRA014	21A3B01C		+Y PRINT TR	33.33.02.1
	CEPRA015	21A3B01D		+Y WRITE GATE	33.33.03.1
	CEPRA016	21A1D01A		+Y UCB 7 BIT	33.33.28.1
	CEPRA017	21A1D01B		+Y UCB 6 BIT	33.33.28.1
	CEPRA018	21A1D01C		+Y UCB 5 BIT	33.33.28.1
	CEPRA019	21A1D01D		+Y UCB 4 BIT	33.33.28.1
	CEPRA020	21A1D01E		+Y UCB 3 BIT	33.33.28.1
C	CEPRA021	21A1D01F		+Y UCB 2 BIT	33.33.28.1
	CEPRA022	21A1D01G		+Y UCB 1 BIT	33.33.28.1
	CEPRA023	21A1D01H		+Y UCB 0 BIT	33.33.28.1
	CEPRA024	21A1D01P		+Y UCB P BIT	33.33.28.1
	CEPRA025	21A1D01M		+Y CLK CTRL TR	33.33.22.1
	CEPRA026	21A1D01K		+Y TR 1	33.33.22.1
	CEPRA027	21A1D01L		+Y TR 2	33.33.22.1
	CEPRA028	21A3A02G	21A3E31R-21A4E02R	+Y PRINT PARITY CHECK LATCH	33.23.10.1
	CEPRA029	21A3A02F	21A3E31Q-21A4E02Q	+Y HAMMER CHECK LATCH	33.33.47.1
	CEPRA030	21A1D02N		+Y SYNC CHECK	33.33.21.1
D	CEPRA031	21A3A01L	21A3E30L-21A4E03L	+Y BAR TENS A	33.23.03.1
	CEPRA032	21A3A01M	21A3E30M-21A4E03M	+Y BAR TENS B	33.23.03.1
	CEPRA033	21A3A01N	21A3E30N-21A4E03N	+Y BAR TENS C	33.23.03.1
	CEPRA034	21A3A02A	21A3D32A-21A4D01A	+Y ADDR UNITS A	33.23.04.1
	CEPRA035	21A3A02B	21A3D32B-21A4D01B	+Y ADDR UNITS B	33.23.04.1
	CEPRA036	21A3A02C	21A3D31G-21A4D02G	+Y ADDR UNITS C	33.23.04.1
	CEPRA037	21A3B02K	21A1T22A-21A3T22A	+Y CE PRT INTERRUPT REQ	33.13.32.1
	CEPRA038	21A3B02L	21A1T28D-21A3T28D	+Y CE PRT ADAPTER REQ	33.13.32.1
	CEPRA039	21A1D02Q	21A1E31R-21A2E02R	+Y TENS 1 TR	43.34.25.1
	CEPRA040	21A1D02R	21A1E31Q-21A2E02Q	+Y UNITS 1 TR	43.34.25.1
E	CEPRA041	21A3B01E		+Y PRINT SCAN	33.33.03.1
	CEPRA042	21A3B01F		+Y PSS TR	33.33.00.1
	CEPRA043	21A1D02K		+Y SSI	33.33.20.1
	CEPRA044	21A1D02L		+Y SS2	33.33.20.1
	CEPRA045	21A1D02M		+Y SS3	33.33.20.1
	CEPRA046	21A3A01P	21A3E30Q-21A4E03Q	+Y BAR TENS E	33.23.03.1
	CEPRA047	21A3A01Q	21A3E30P-21A4E03P	+Y BAR TENS D	33.23.03.1
	CEPRA048	21A3A01R	21A3E30R-21A4E03R	+Y BAR 100	33.23.04.1
	CEPRA049	21A3A02D	21A3D31Q-21A4D02Q	+Y ADDR UNITS E	33.23.04.1
	CEPRA050	21A3A02E	21A3D31N-21A4D02N	+Y ADDR UNITS D	33.23.04.1
F	CEPRA051	21A3B01H		+Y SPACE CTRL	33.32.10.1
	CEPRA052	21A3B01K		+Y SKIP CTRL	33.32.10.1
	CEPRA053	21A3B01L		+Y IMMEDIATE GO LATCH	33.32.13.1
	CEPRA054	21A1D01Q	21A1E31K-21A2E02K	+Y TENS TR A	43.34.23.1
	CEPRA055	21A1D01R	21A1E31L-21A2E02L	+Y TENS TR B	43.34.23.1
	CEPRA056	21A3B01M		+Y STL MODE	43.32.00.1
	CEPRA057	21A1D02P		+Y BURST SW ON	31.11.21.1
	CEPRA058	21A3B03L	21A1D31B-21A2D02B	+Y UCB PARITY CHECK LT	43.34.37.1
	CEPRA059	21A3B03M		+Y PRT COMM STORED	33.13.11.1
	CEPRA060	21A3B03N	21A1T11A-21A3T11A	+Y PRT OP IN	33.13.01.1
G	CEPRA061	NOT USED			
	CEPRA062	21A3A03B	21A3E29A-21A4E04A	+Y C.E. ERROR RESET	33.33.47.1
	CEPRA063	NOT USED			
	CEPRA064	21A3A03P		SPARE	
	CEPRA065	21A3A03Q		SPARE	
	CEPRA066	21A3A03R		SPARE	
	CEPRA067	21A3A03C	21A3E31D-21A4E02D	+Y C.E. ERROR STOP SW	33.33.47.1
	CEPRA068	21A3A03F		+Y SINGLE CYCLE MODE C.E.	33.33.03.1
	CEPRA069	21A3B03K		+Y DATA ENTER P C.E.	33.32.07.1
	CEPRA070	21A3B03A		+Y DATA ENTER O C.E.	33.32.07.1
H	CEPRA071	21A3B03B		+Y DATA ENTER 1 C.E.	33.32.07.1
	CEPRA072	21A3B03C		+Y DATA ENTER 2 C.E.	33.32.07.1
	CEPRA073	21A3B03D		+Y DATA ENTER 3 C.E.	33.32.07.1
	CEPRA074	21A3B03E		+Y DATA ENTER 4 C.E.	33.32.07.1
	CEPRA075	21A3B03F		+Y DATA ENTER 5 C.E.	33.32.07.1
	CEPRA076	21A3B03G		+Y DATA ENTER 6 C.E.	33.32.07.1
	CEPRA077	21A3B03H		+Y DATA ENTER 7 C.E.	33.32.07.1
	CEPRA078	21A3A03E	21A3E29P-21A4E04P	+Y C.E. CARRIAGE SET SW C.E.	33.32.04.1
	CEPRA079	21A3A03H		+Y ADDRESS SET SW C.E.	33.23.03.1
	CEPRA080	TBI-11		AC INPUT #1	38.11.06.0
I	CEPRA081	TBI-2		FRAME BOND	38.11.06.0
	CEPRA082	TBI-12		AC INPUT #2	38.11.06.0
	CEPRA083**	21A3B03J		SWITCH COMMON	
	CEPRA084	CEPRA103		+3 VOLT SUPPLY	
	CEPRA085***	21A3A02N		DATA ENTRY COMMON	
	CEPRA086*	21A3A03D		-6V REFERENCE, 3 VOLT COMMON	33.32.07.1
	CEPRA087	21A3B02M		+Y C.E. START KEY	33.33.02.1
	CEPRA088	21A3B02N		+Y C.E. STOP KEY	33.33.01.1
	CEPRA089	21A3B02P		+Y C.E. MACH RESET	33.33.01.1
	CEPRA090	21A3B02Q		+Y NOT C.E. START KEY	33.33.02.1
J	CEPRA091**	21A3A03J		ROTARY SWITCH COMMON	
	CEPRA092	21A3A03N		+Y OFF LINE *C.E.	33.32.07.1
	CEPRA093	21A3A03K		+Y STOR SCAN + LOAD MODE C.E.	33.33.02.1
	CEPRA094	21A3B02R		+Y PRINT + CARR MODE C.E.	33.32.06.1
	CEPRA095	21A3A03M	21A3T01D-21A1T01D	+Y LOAD FORMAT MODE C.E.	43.34.15.1
	CEPRA096	NOT USED			
	CEPRA097	21A3A02P	21A3E31L-21A4E02L	-Y C.E. SET BAR 100	33.23.04.1
	CEPRA098*	21A3A03D		+3 VOLT COMMON TO LAMP	
	CEPRA099	NOT USED			
	CEPRA100	21A3A02M		+Y DATA ENTRY DRIVE	33.32.16.1
K	CEPRA101	NOT USED			
	CEPRA102***	21A3A02N	21A3E31N-21A4E02N	+Y C.E. DATA ENTER	33.33.41.1
	CEPRA103	CEPRA084		+3 VOLT INPUT TO LAMP	
	CEPRA104	21A3A03A	21A3E29N-21A4E04N	-Y ADDRESS SET DRIVE C.E.	33.23.03.1

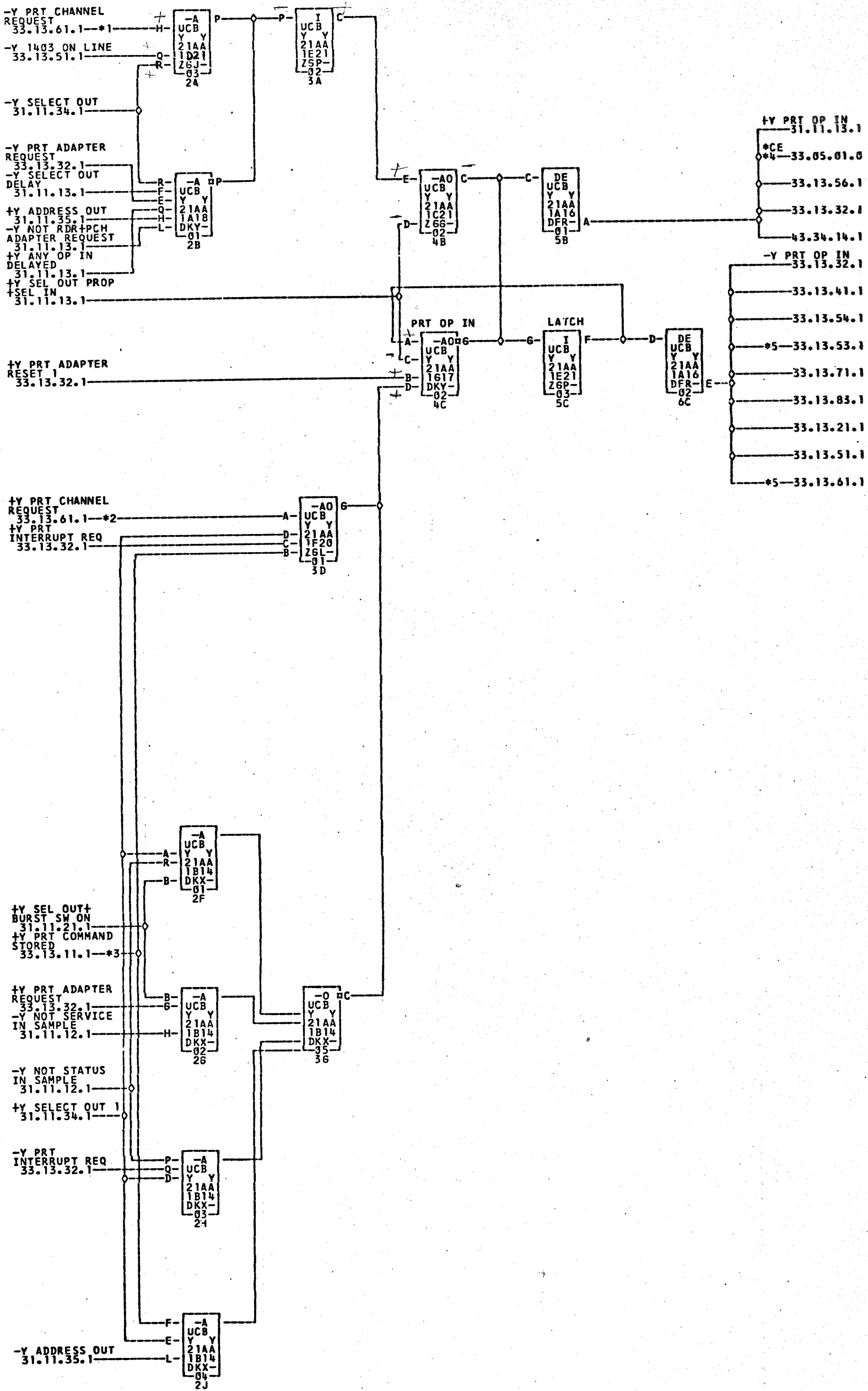
NOTES

\*CEPRA086 AND CEPRA098 ARE CONNECTED THROUGH EDGE CONNECTOR 21A3A03D.  
 \*\*GROUND IS CONNECTED THROUGH "J" PIN TO GROUND PLANE ON CHASSIS.  
 \*\*\*CEPRA085 AND CEPRA102 ARE CONNECTED THROUGH EDGE CONNECTOR 21A3A02N

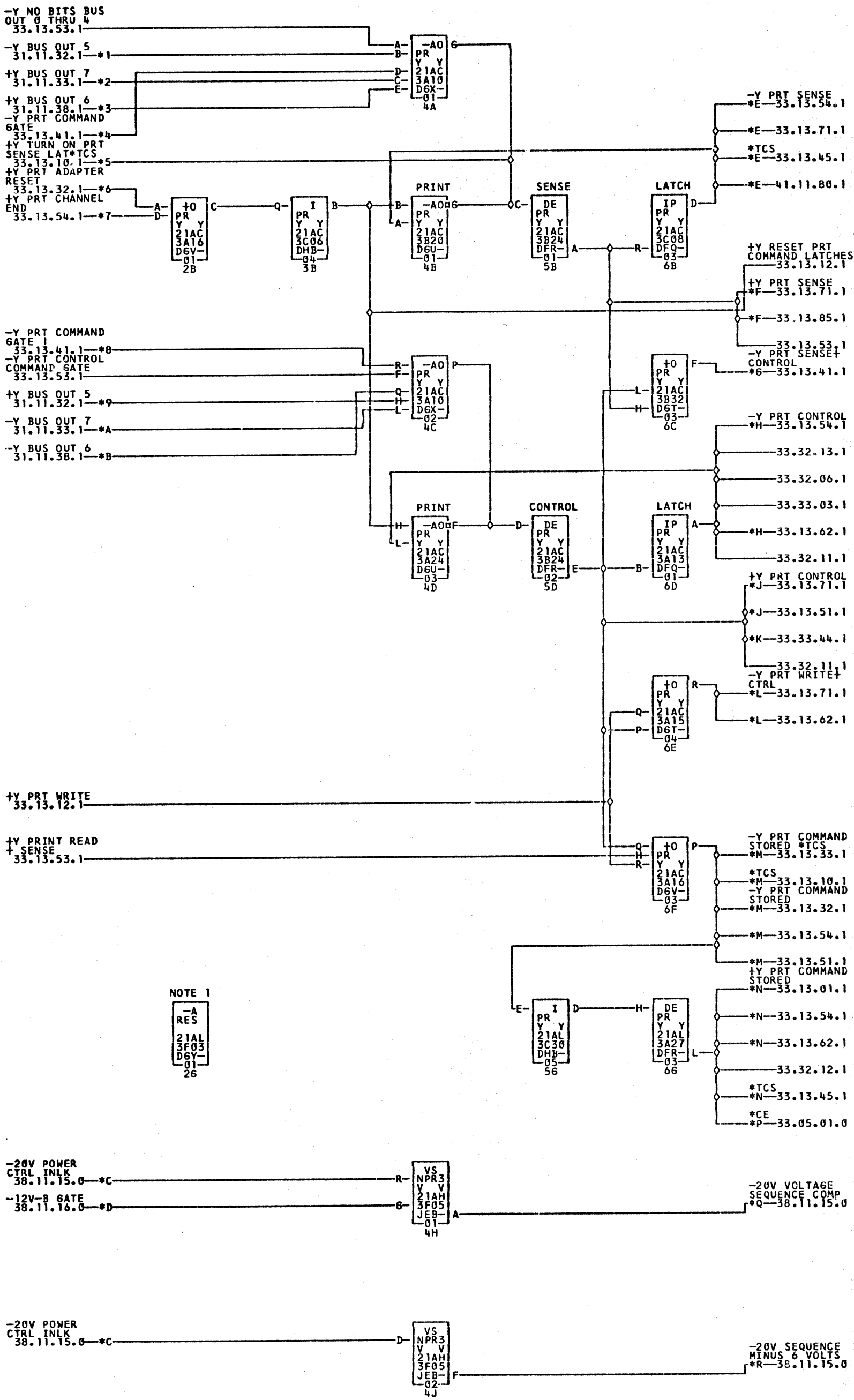
DATE	EC NO	DATE	EC NO	DATE	EC NO
10OCT66	124249				
20APR67	125655				
11DEC67	125672				
	131802				

CONNECTOR PIN	2821 EDGE CONNECTOR	2821 FEED-THROUGHS	2821 SIGNAL NAME	2821 SOURCE LOGIC
A	CEPRB001	21A3B02A	+Y CARR CTRL REG 1	33.32.10.1
	CEPRB002	21A3B02B	+Y CARR CTRL REG 2	33.32.10.1
	CEPRB003	21A3B02C	+Y CARR CTRL REG 4	33.32.10.1
	CEPRB004	21A3B02D	+Y CARR CTRL REG 8	33.32.10.1
	CEPRB005	21A3B02E	+Y CARR BRUSH REG 1	33.32.05.1
	CEPRB006	21A3B02F	+Y CARR BRUSH REG 2	33.32.05.1
	CEPRB007	21A3B02G	+Y CARR BRUSH REG 4	33.32.05.1
	CEPRB008	21A3B02H	+Y CARR BRUSH REG 8	33.32.05.1
	CEPRB009	21A1D02A	+Y TENS TR E	43.34.23.1
	CEPRB010	21A1D02B	+Y TENS TR D	43.34.23.1
	CEPRB011	21A1D02C	+Y TENS TR C	43.34.23.1
	CEPRB012	21A1D02D	+Y UNITS TR A	43.34.21.1
	CEPRB013	21A1D02E	+Y UNITS TR B	43.34.21.1
	CEPRB014	21A1D02F	+Y UNITS TR C	43.34.21.1
	CEPRB015	21A1D02G	+Y UNITS TR D	43.34.21.1
	CEPRB016	NOT USED		
	CEPRB017	NOT USED		
	CEPRB018	NOT USED		
B	CEPRB019	NOT USED		
	CEPRB020	NOT USED		
	CEPRB021	NOT USED		
	CEPRB022	NOT USED		
	CEPRB023	NOT USED		
	CEPRB024	NOT USED		
	CEPRB025	NOT USED		
	CEPRB026	NOT USED		
	CEPRB027	NOT USED		
	CEPRB028	NOT USED		
	CEPRB029	NOT USED		
	CEPRB030	NOT USED		
	CEPRB031	NOT USED		
C	CEPRB032	NOT USED		
	CEPRB033	NOT USED		
	CEPRB034	NOT USED		
	CEPRB035	NOT USED		
	CEPRB036	NOT USED		
	CEPRB037	NOT USED		
	CEPRB038	NOT USED		
	CEPRB039	NOT USED		
	CEPRB040	NOT USED		
	CEPRB041	NOT USED		
	CEPRB042	NOT USED		
	CEPRB043	NOT USED		
	CEPRB044	NOT USED		
D	CEPRB045	NOT USED		
	CEPRB046	NOT USED		
	CEPRB047	NOT USED		
	CEPRB048	NOT USED		
	CEPRB049	NOT USED		
	CEPRB050	NOT USED		
	CEPRB051	NOT USED		
	CEPRB052	NOT USED		
	CEPRB053	NOT USED		
	CEPRB054	NOT USED		
	CEPRB055	NOT USED		
	CEPRB056	NOT USED		
	CEPRB057	NOT USED		
	CEPRB058	NOT USED		
E	CEPRB059	NOT USED		
	CEPRB060	NOT USED		
	CEPRB061	NOT USED		
	CEPRB062	NOT USED		
	CEPRB063	NOT USED		
	CEPRB064	NOT USED		
	CEPRB065	NOT USED		
	CEPRB066	NOT USED		
	CEPRB067	NOT USED		
	CEPRB068	NOT USED		
	CEPRB069	NOT USED		
	CEPRB070	NOT USED		
	CEPRB071	NOT USED		
	CEPRB072	NOT USED		
F	CEPRB073	NOT USED		
	CEPRB074	NOT USED		
	CEPRB075	NOT USED		
	CEPRB076	NOT USED		
	CEPRB077	NOT USED		
	CEPRB078	NOT USED		
	CEPRB079	NOT USED		
	CEPRB080	NOT USED		
	CEPRB081	NOT USED		
	CEPRB082	NOT USED		
	CEPRB083	NOT USED		
	CEPRB084	NOT USED		
	CEPRB085	21A3A02Q	-Y C.E. SET BAR TENS A	33.23.02.1
G	CEPRB086	NOT USED		
	CEPRB087	21A3A02R	-Y C.E. SET BAR TENS B	33.23.02.1
	CEPRB088	NOT USED		
	CEPRB089	21A3A02H	-Y C.E. SET BAR TENS C	33.23.02.1
	CEPRB090	NOT USED		
	CEPRB091	21A3A02L	-Y C.E. SET BAR TENS D	33.23.02.1
	CEPRB092	NOT USED		
	CEPRB093	21A3A02K	-Y C.E. SET BAR TENS E	33.32.02.1
	CEPRB094	NOT USED		
	CEPRB095	NOT USED		
	CEPRB096	NOT USED		
	CEPRB097	NOT USED		
	CEPRB098	NOT USED		
	CEPRB099	NOT USED		
H	CEPRB100	NOT USED		
	CEPRB101	NOT USED		
	CEPRB102	NOT USED		
	CEPRB103	NOT USED		
	CEPRB104	NOT USED		

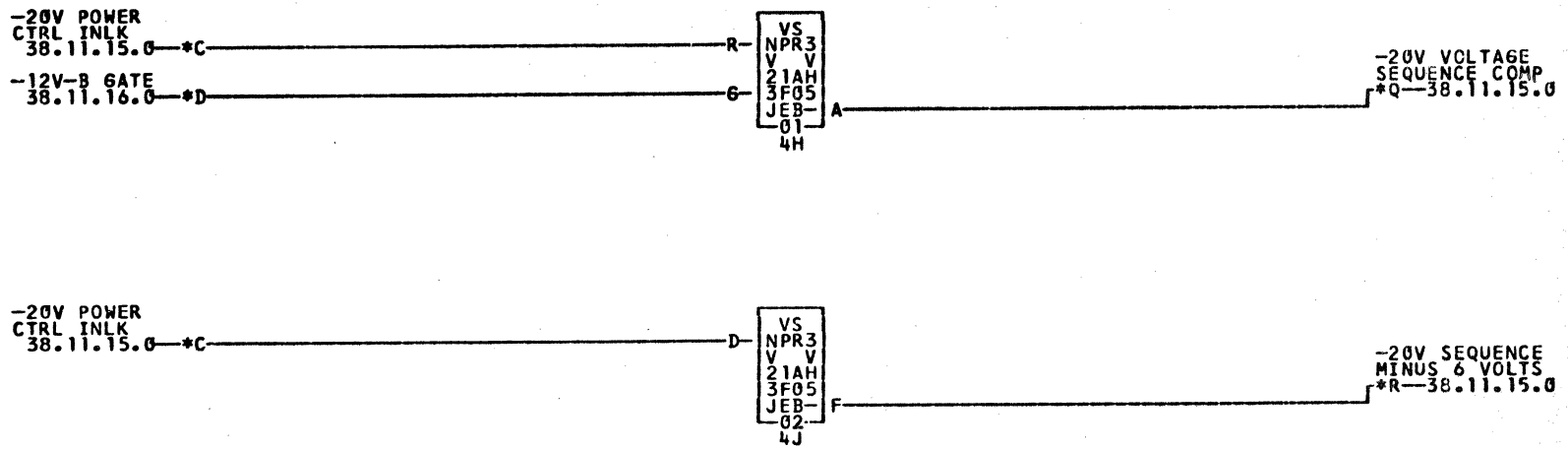
DATE	EC NO	DATE	EC NO	DATE	EC NO
10OCT66	124249				
20APR67	125655				
11DEC67	125672				
	131802				



\*1—21A1T15A      —21A3T15A      \*2—21A1T15B      \*3—21A1T14D      \*4—21A1T11A      —21A3T11A  
 —21A3B03N      \*5—21A1T16C      —21A3T16C



NOTE 1  
 -A RES  
 21AL  
 3F03  
 DGY-01  
 26

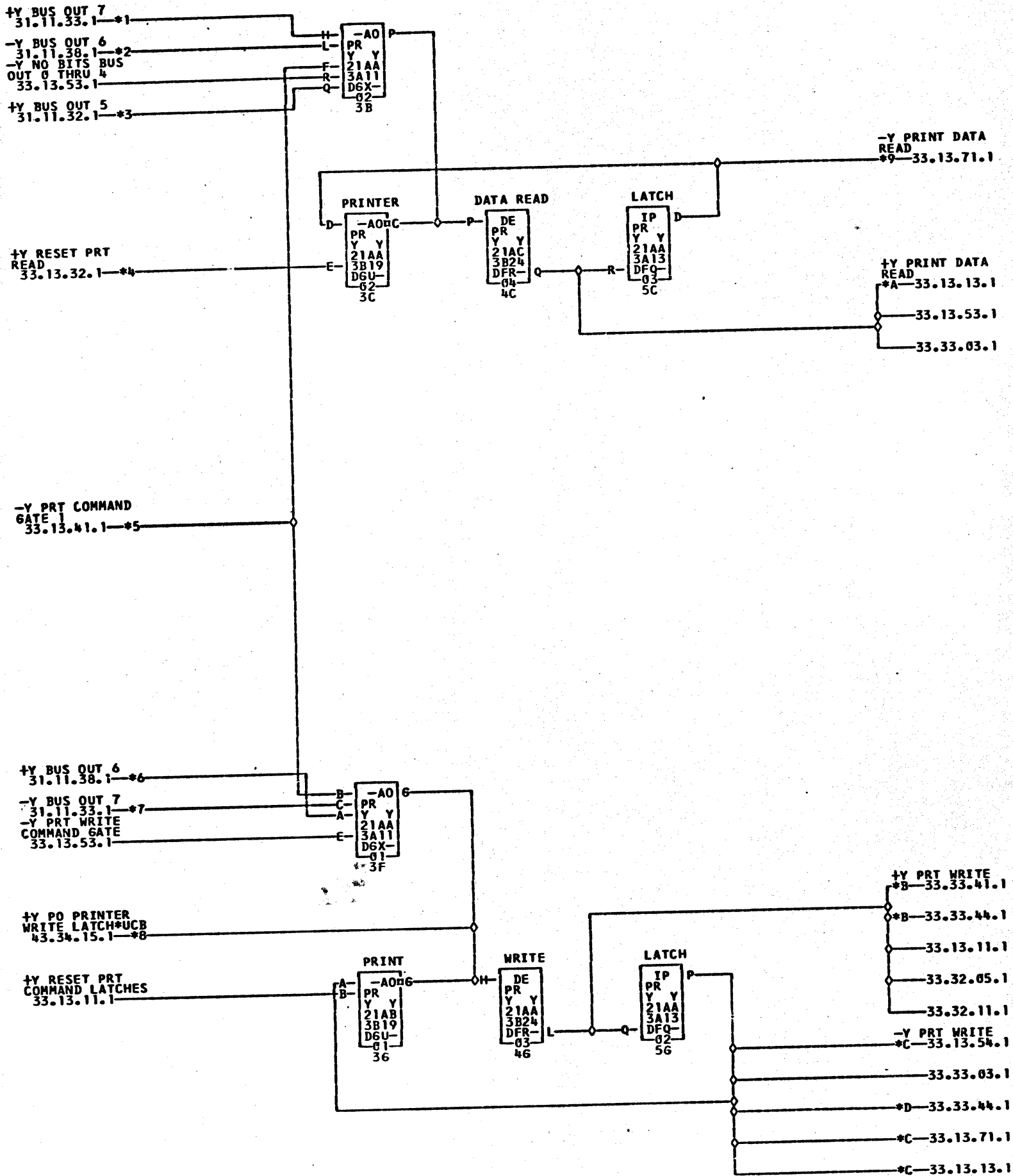


- |               |             |               |             |               |             |
|---------------|-------------|---------------|-------------|---------------|-------------|
| *1-21A3T20B   | *2-21A3T21A | *3-21A3T20C   | *4-21A3T01C | *5-21A3T32A   | *6-21A3T01A |
| *7-21A3T01B   | *8-21A3T28A | *9-21A3T20A   | *A-21A3T21B | *B-21A3T20D   | *C-A3TBA-11 |
| *D-A3TBA-10   | *E-21A3T12D | -----21A1T12D | *F-21A3T07B | *G-21A3T13D   | *H-21A3T13D |
| -----21A1T13D | *H-21A3T13B | -----21A1T13B | *J-21A3T07C | -----21A1T07C | *K-21A3D30F |
| -----21A4D03F | *L-21A3T16A | -----21A1T16A | *M-21A3T14A | -----21A1T14A | *N-21A3T14D |
| -----21A1T14D | *P-21A3B03M | -----CEPRA059 | *Q-A3TBA-09 | *R-A3TBA-12   |             |

COMMENTS

TAG	DATE	E.C.NO.	TAG	DATE	E.C.NO.	TAG	DATE	E.C.NO.	TAG	DATE	E.C.NO.
A	08-31-64	121550H	B	10-15-64	121567	C	11-10-64	121572	D	12-18-64	121583
E	01-21-65	121589	F	03-18-65	121598	G	06-22-65	124265	H	08-18-65	124270
J	11-18-65	125601	K	01-20-66	125517	L	12-16-66	125656	M	04-20-67	125672

NOTE1 THIS SOCKET IS RESERVED FOR R+S METERING.



\*1-21A3T21A  
 \*7-21A3T21B  
 \*8-21A3D31R

\*2-21A3T20D  
 \*8-21A3T24A  
 21A4D02R

\*3-21A3T26A  
 \*9-21A3T09A  
 \*C-21A3T13A

\*4-21A3T08A  
 21A1T09A  
 21A1T13A

\*5-21A3T28A  
 \*A-21A3T10D  
 \*D-21A3D30G

\*6-21A3T20C  
 21A1T10D  
 21A4D03G

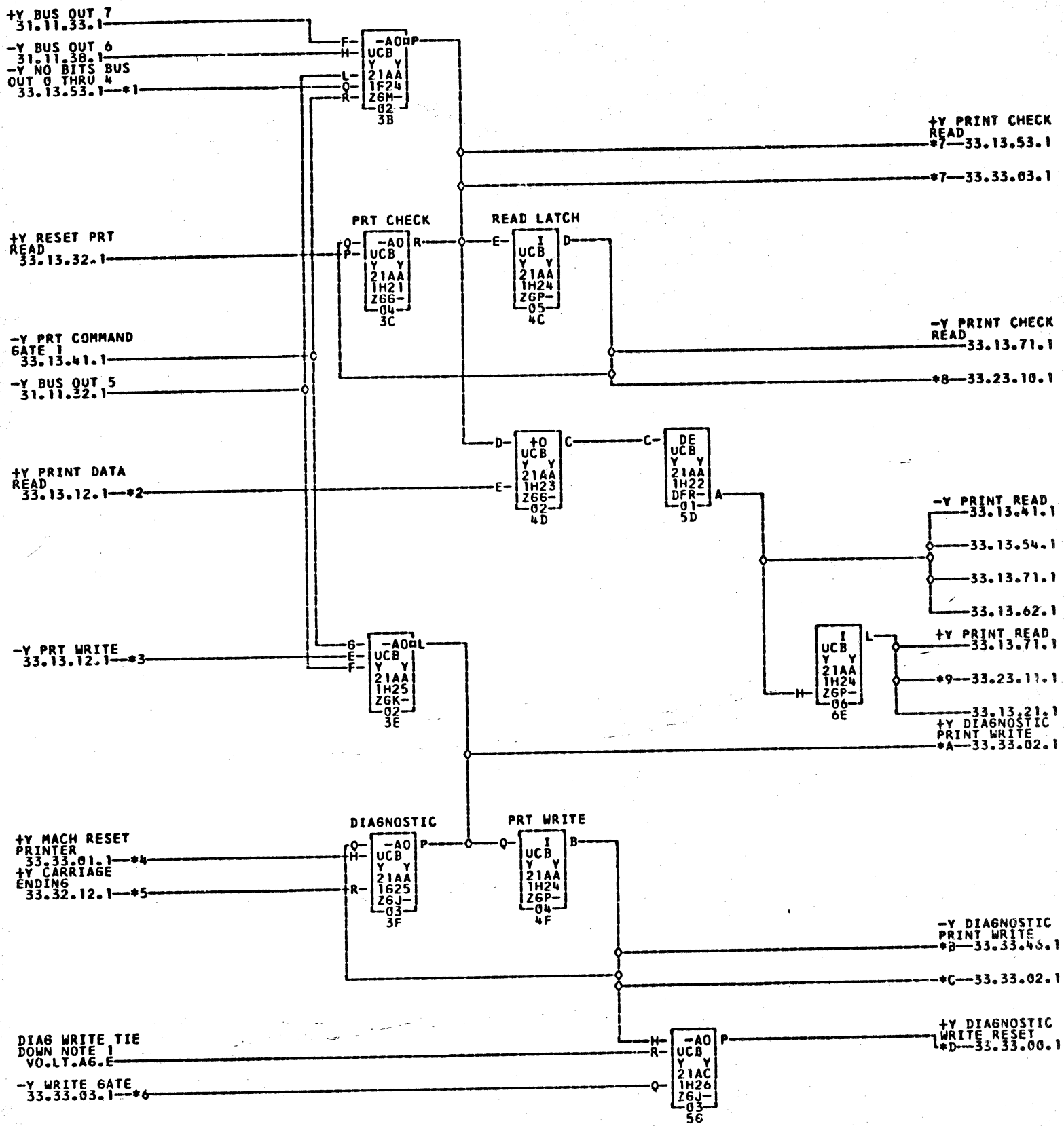
COMMENTS  
 MDM.4080-4180-4480-4580

TAG DATE E.C.NO.  
 A 08-31-64 121550H  
 E 12-16-66 125656

TAG DATE E.C.NO.  
 B 11-10-64 121572

TAG DATE E.C.NO.  
 C 12-18-64 121583

TAG DATE E.C.NO.  
 D 03-10-66 125633



\*1-21A1T29D  
\*7-21A1T10B  
\*A-21A1T32D  
\*D-21A1T11C

\*2-21A1T10D  
21A3T10B  
21A3T32D  
21A3T11C

\*3-21A1T13A  
\*8-21A1H31A  
\*B-21A1H31R

\*4-21A1T26B  
21A4A04A  
21A4A04R

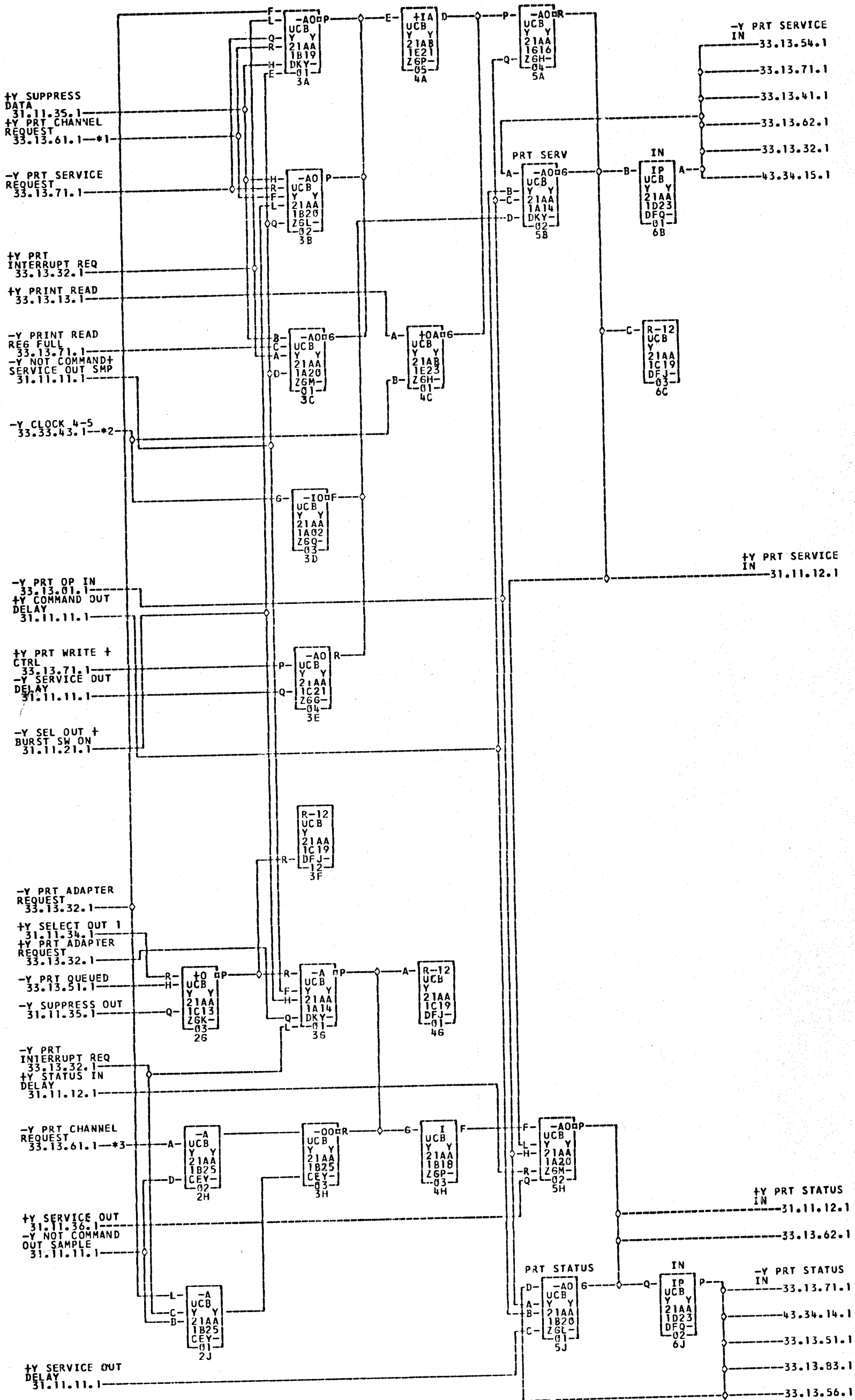
\*5-21A1T10A  
\*9-21A1H31B  
\*C-21A1T11B

\*6-21A1T11D  
21A4A04B  
21A3T11B

NOTE 1—JUMPER H26R TO H26J TO ALLOW DIAGNOSTIC WRITE TO BE PERFORMED AT MAX SPEED WITHOUT WAITING FOR THE HOME PULSE BEFORE STARTING THE PRINT SCAN.

TAG	DATE	E.C.NO.	TAG	DATE	E.C.NO.	TAG	DATE	E.C.NO.	TAG	DATE	E.C.NO.
A	02-17-65	121570M	B	03-18-65	121598	C	08-19-65	124270	D	10-11-65	125598





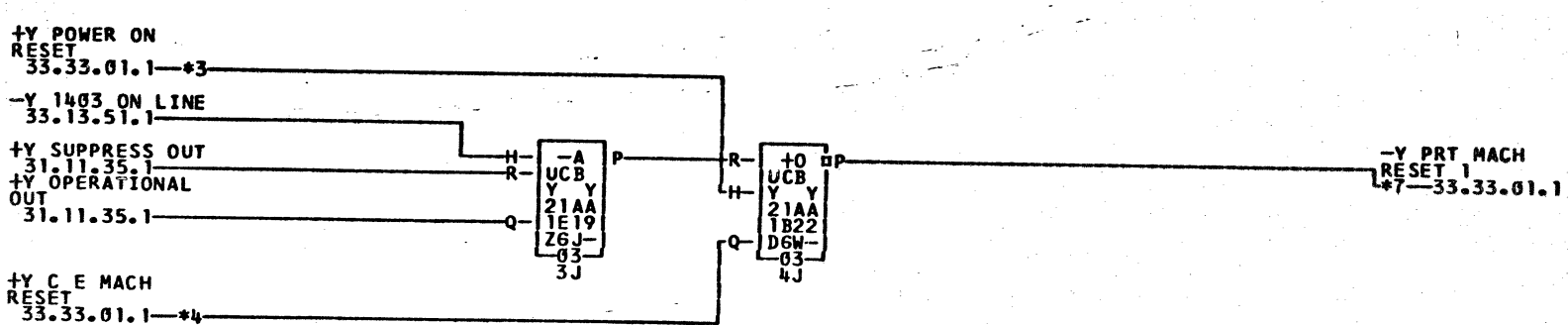
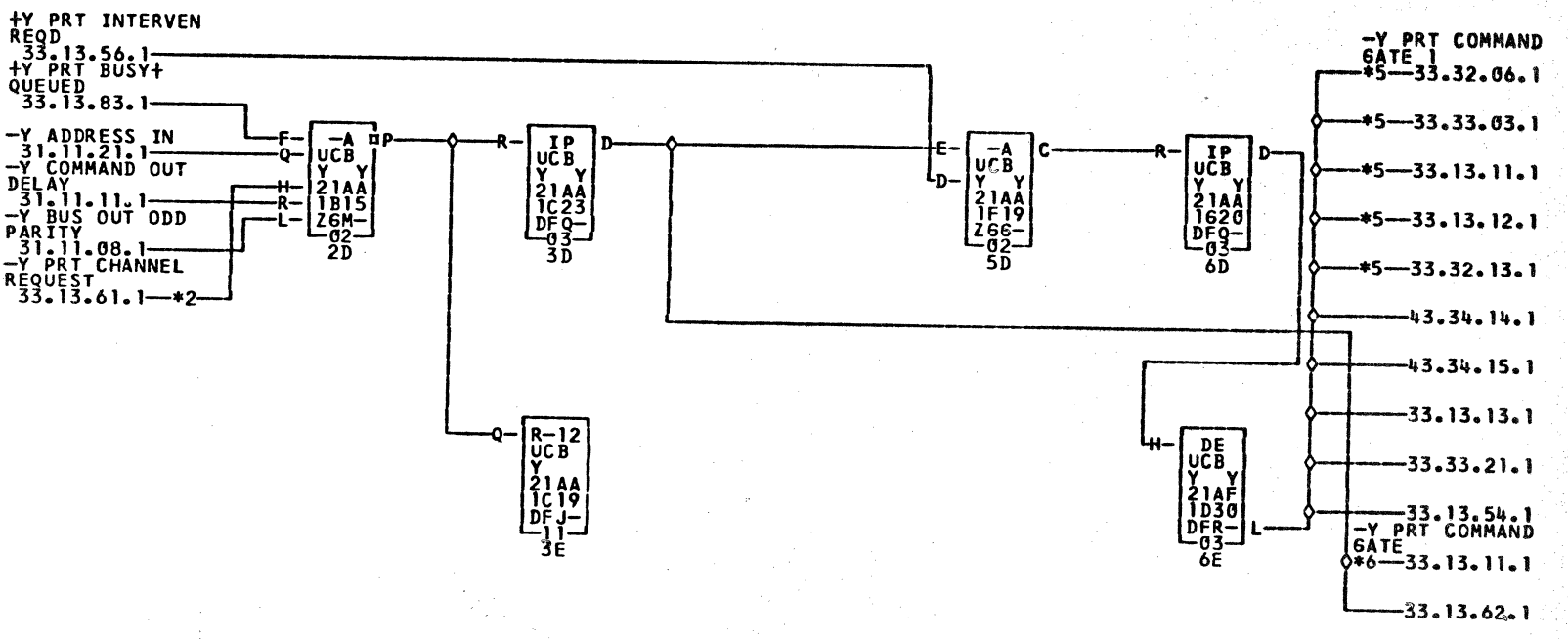
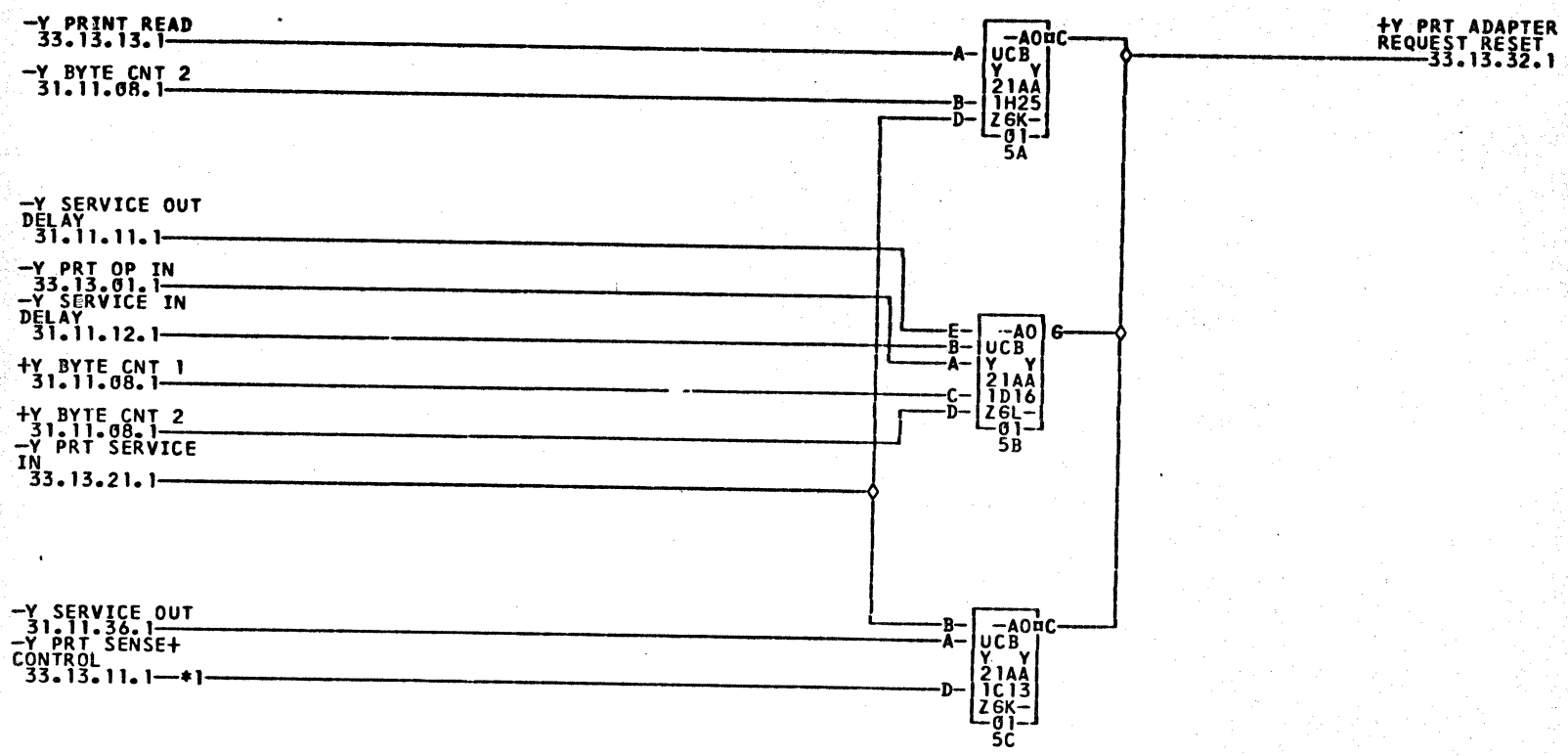
\*1-21A1T15B

\*2-21A1H31K

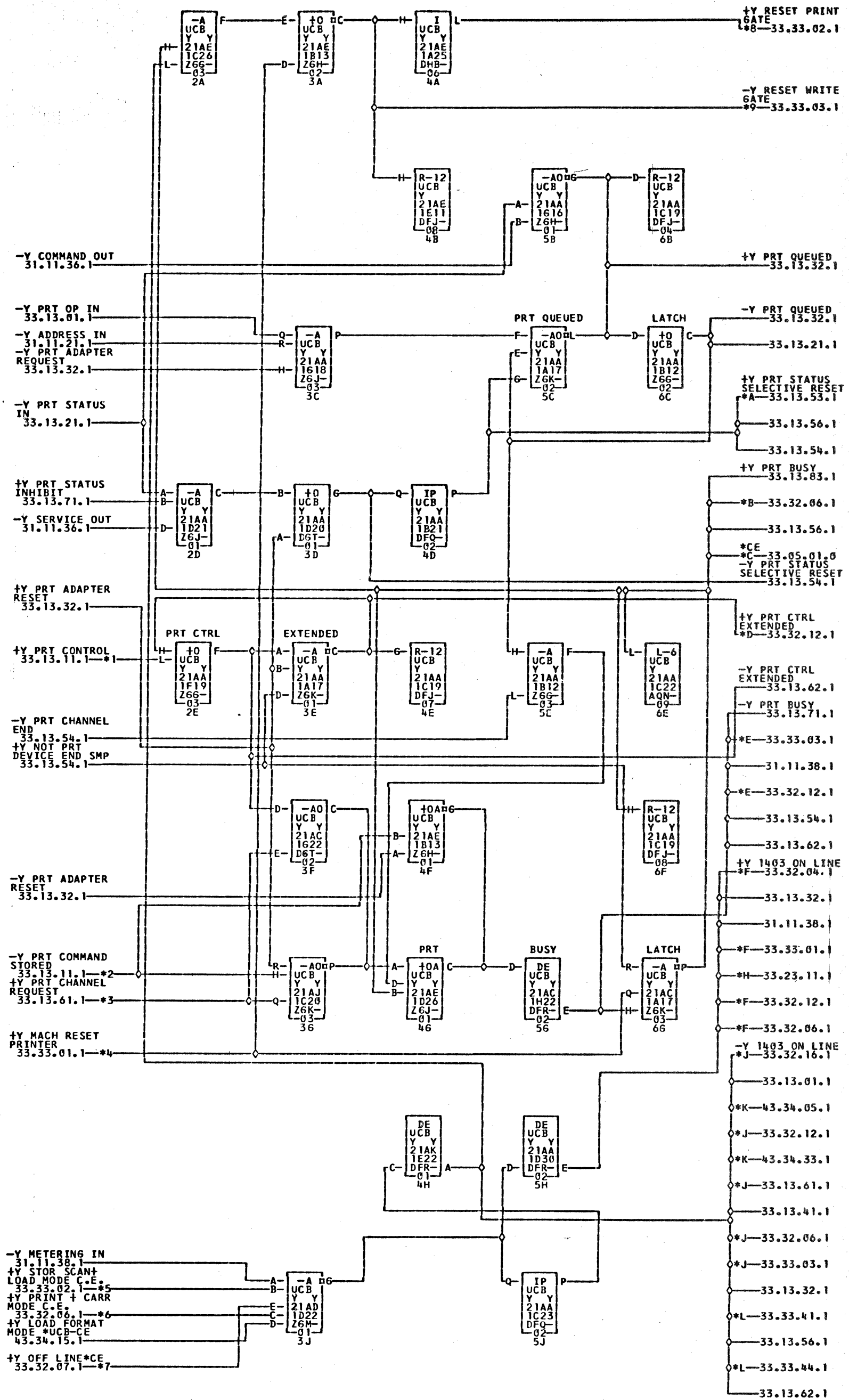
\*3-21A1T15A



2-1



- \*1—21A1T13D      \*2—21A1T15A      \*3—21A1T04A      \*4—21A1T30D      \*5—21A1T28A      —21A3T28A
- \*6—21A1T01C      —21A3T01C      \*7—21A1T30C      —21A3T30C

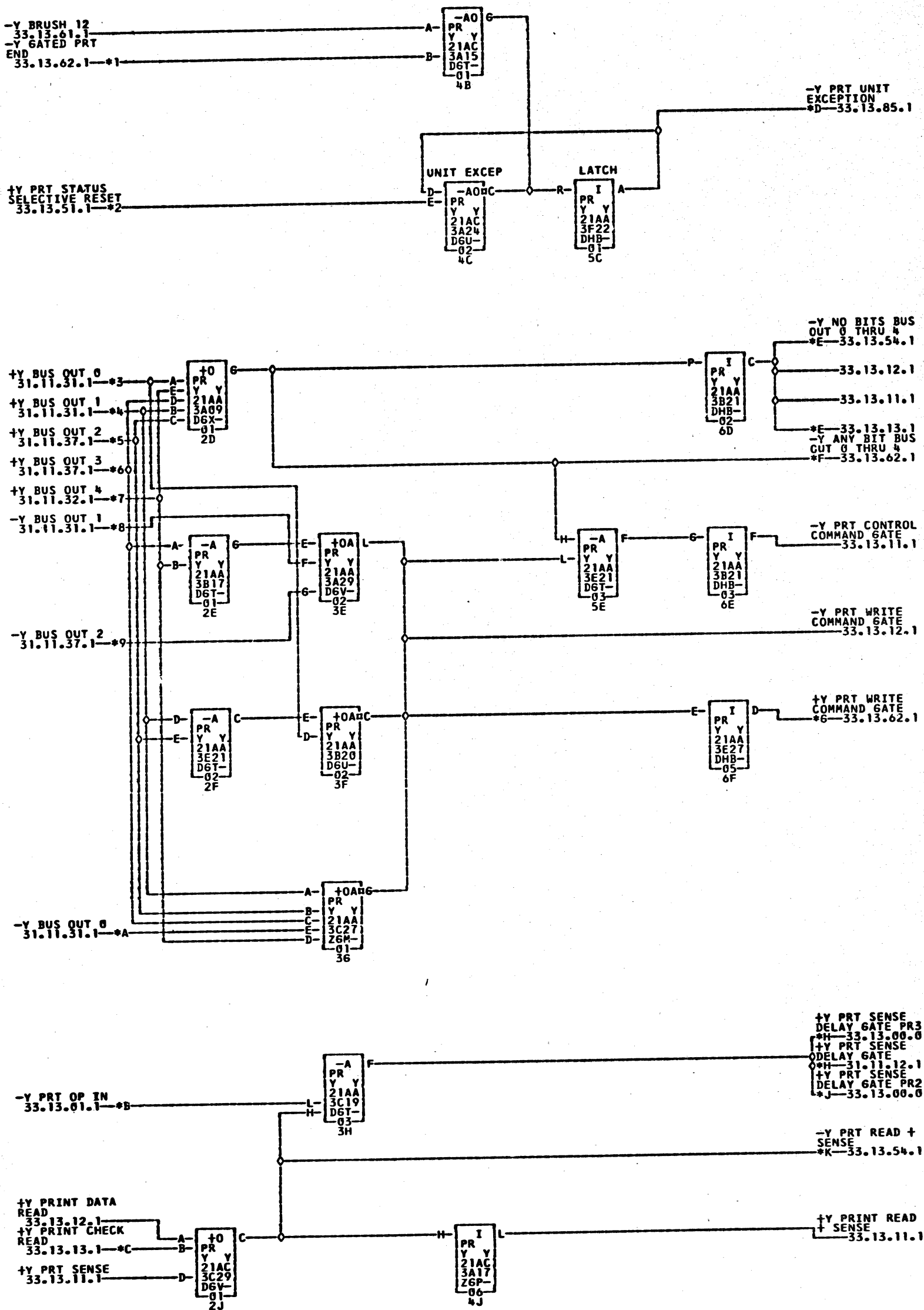


- \*1—21A1T07C
- \*6—21A1T26A
- \*A—21A1T17A
- \*D—21A1T31D
- \*H—21A1H31D
- \*L—21A1H30A
- \*2—21A1T14A
- \*7—21A1T09D
- 21A3T17A
- 21A1T31D
- 21A4A04D
- 21A4A03A
- 21A3T14A
- \*8—21A1T07A
- \*B—21A1T23C
- \*E—21A1T23D
- \*J—21A1T02D
- \*3—21A1T15B
- \*9—21A3T07A
- 21A3T23C
- 21A3T23D
- 21A3T02D
- \*4—21A1T26R
- \*9—21A1T06A
- \*C—21A1D01N
- \*F—21A1T12A
- \*K—21A1D32R
- \*5—21A1T05B
- 21A3T06A
- CEPRA012
- 21A3T12A
- 21A2D01R

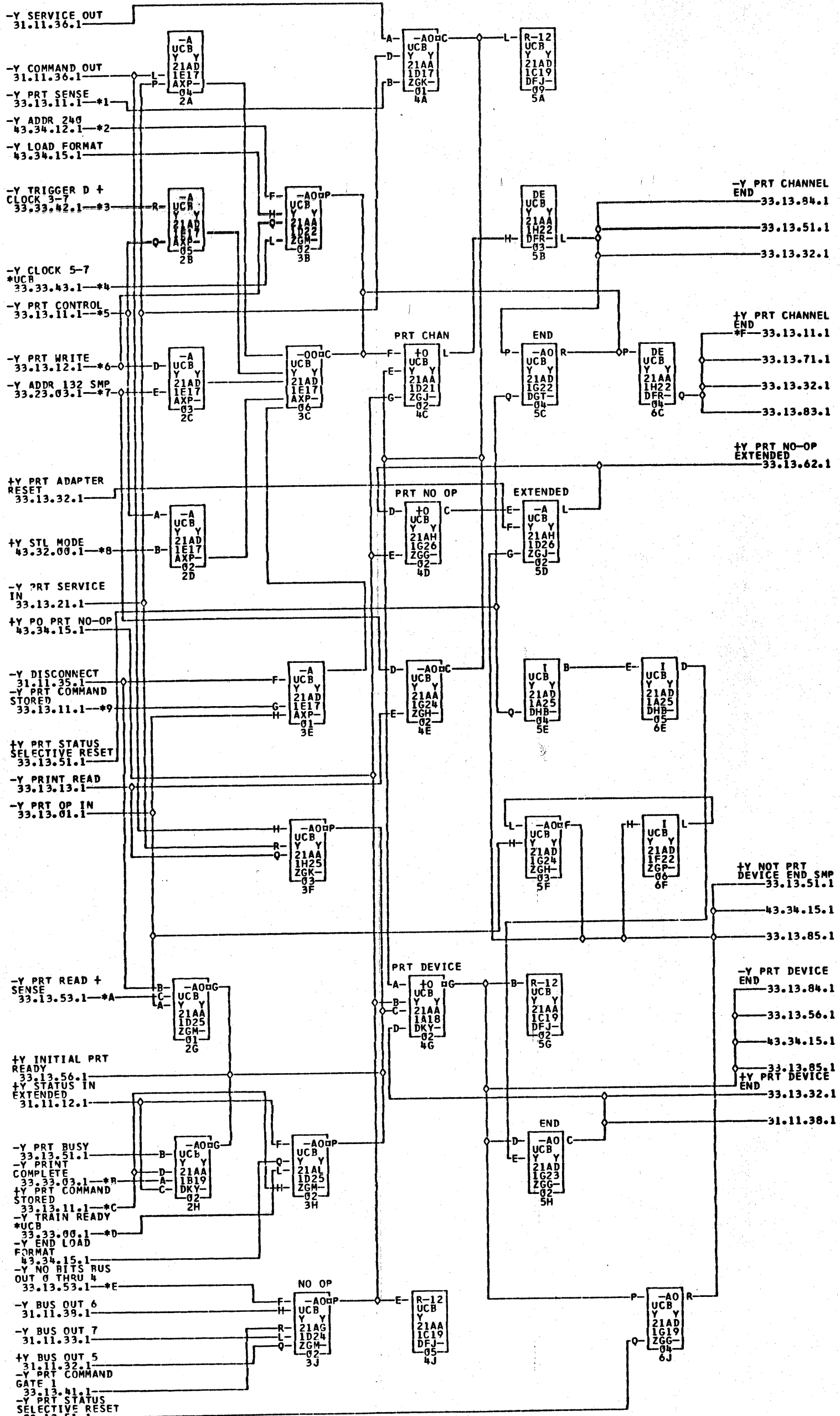
MDM.4180-5080

COMMENTS

TAG	DATE	E.C.NO.	TAG	DATE	E.C.NO.	TAG	DATE	E.C.NO.	TAG	DATE	E.C.NO.
A	02-17-65	121570M	B	03-18-65	121598	C	05-24-65	124248	D	06-09-65	124249
E	08-19-65	124270	F	11-18-65	125601	G	01-20-66	125617	H	03-10-66	125633
J	04-19-66	125636	K	04-21-67	125672	L	12-12-67	131802			



- \*1-21A3T12C
- \*2-21A3T17A
- \*3-21A3T17C
- \*4-21A3T18A
- \*5-21A3T18C
- \*6-21A3T19A
- \*7-21A3T19C
- \*8-21A3T18B
- \*9-21A3T18D
- \*A-21A3T17D
- \*B-21A3T16C
- \*C-21A3T10B
- \*D-21A3T16B
- \*E-21A3T29D
- \*F-21A3T17B
- \*G-21A1T10B
- \*H-21A3T16D
- \*I-21A1T29D
- \*J-21A3T14B
- \*K-21A1T08B
- \*L-21A1T05D
- \*M-21A1T08B

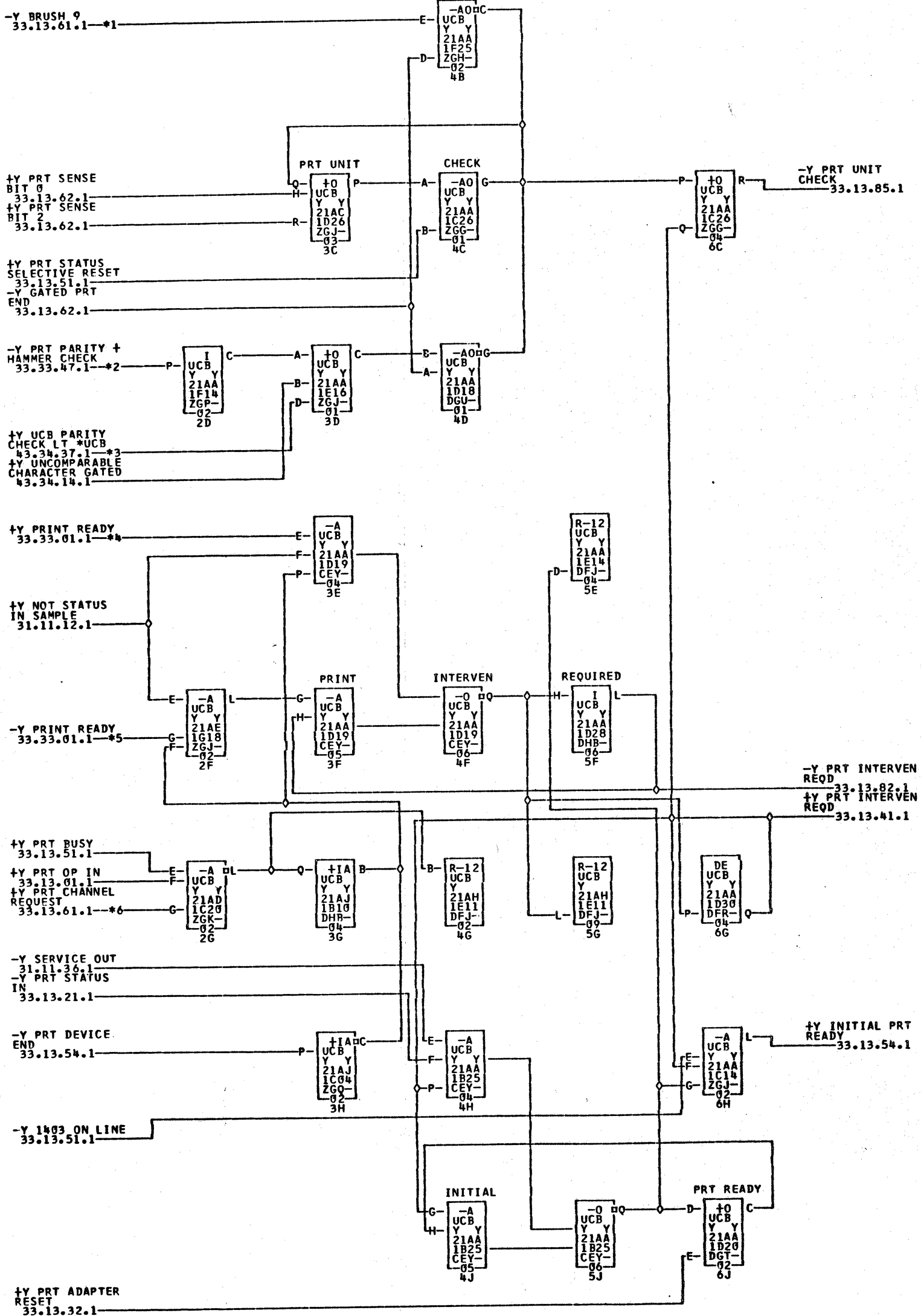


- \*1-21A1T12D
- \*2-21A1E31D
- \*3-21A1H30M
- \*4-21A1H31L
- \*5-21A1T13B
- \*6-21A1T13A
- \*7-21A1H31H
- \*8-21A1T08D
- \*9-21A1T14A
- \*A-21A1T08B
- \*B-21A1T29C
- \*C-21A1T14D
- \*D-21A1T30A
- \*E-21A1T29D
- \*F-21A1T01B

MDM.4000-4180

COMMENTS

TAG	DATE	E.C.NO.	TAG	DATE	E.C.NO.	TAG	DATE	E.C.NO.	TAG	DATE	E.C.NO.
A	02-17-65	121570M	B	03-18-65	121598	C	04-26-65	124237	D	06-09-65	124249
E	08-19-65	124278	F	11-18-65	125601	G	01-20-66	125617	H	03-10-66	125633
J	04-19-66	125636	K	10-10-66	125655	L	12-12-67	131802	M	02-03-70	133298



\*1-21A1T08C      \*2-21A1H30K      \*3-21A1D31B      \*4-21A1T06C      \*5-21A1T04C      \*6-21A1T15B

826844

PRINT ADDRESS (PLUGGABLE CARD)

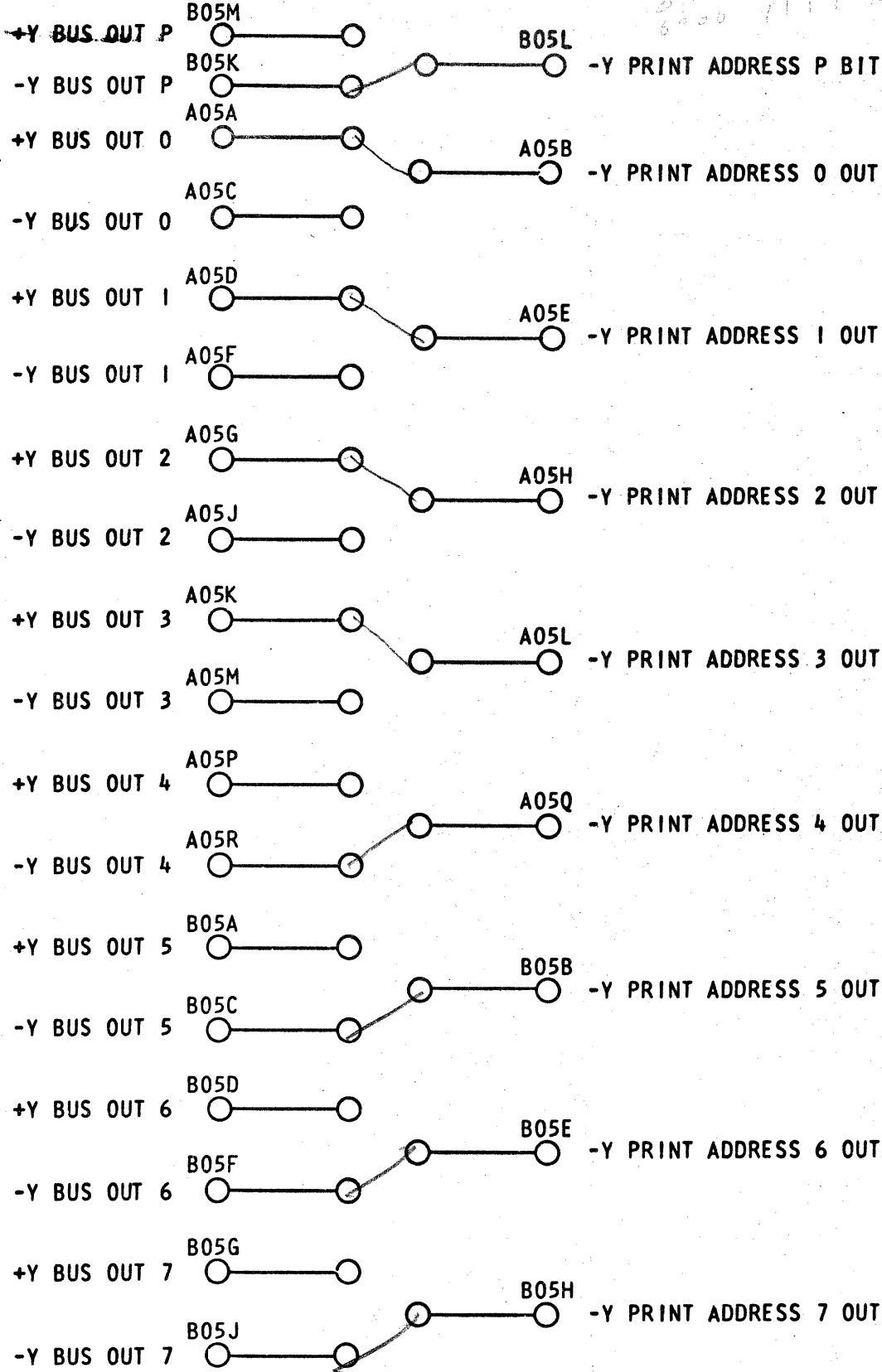
33.13.61.0

2821

2-1

A  
B  
C  
D  
E  
F  
G  
H  
J

A  
B  
C  
D  
E  
F  
G  
H  
J



CHASSIS 21A3  
SEE LOGIC = 33.13.61.J LOCATIONS = 2A = 2B = 2C = AND = 2D

TO RECOGNIZE CORRECT ADDRESS

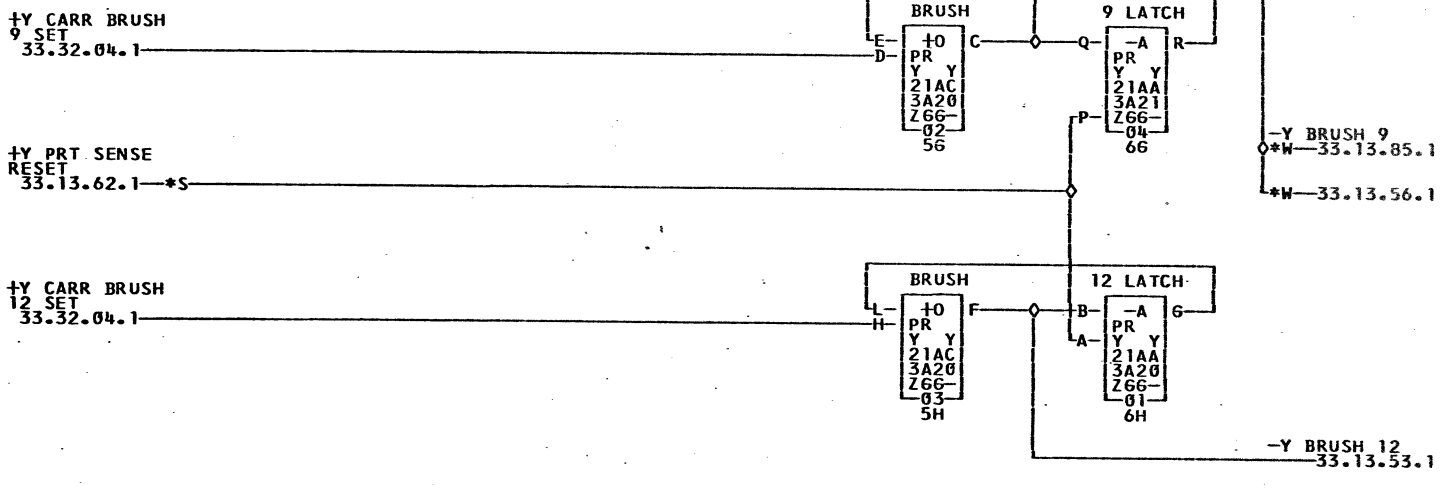
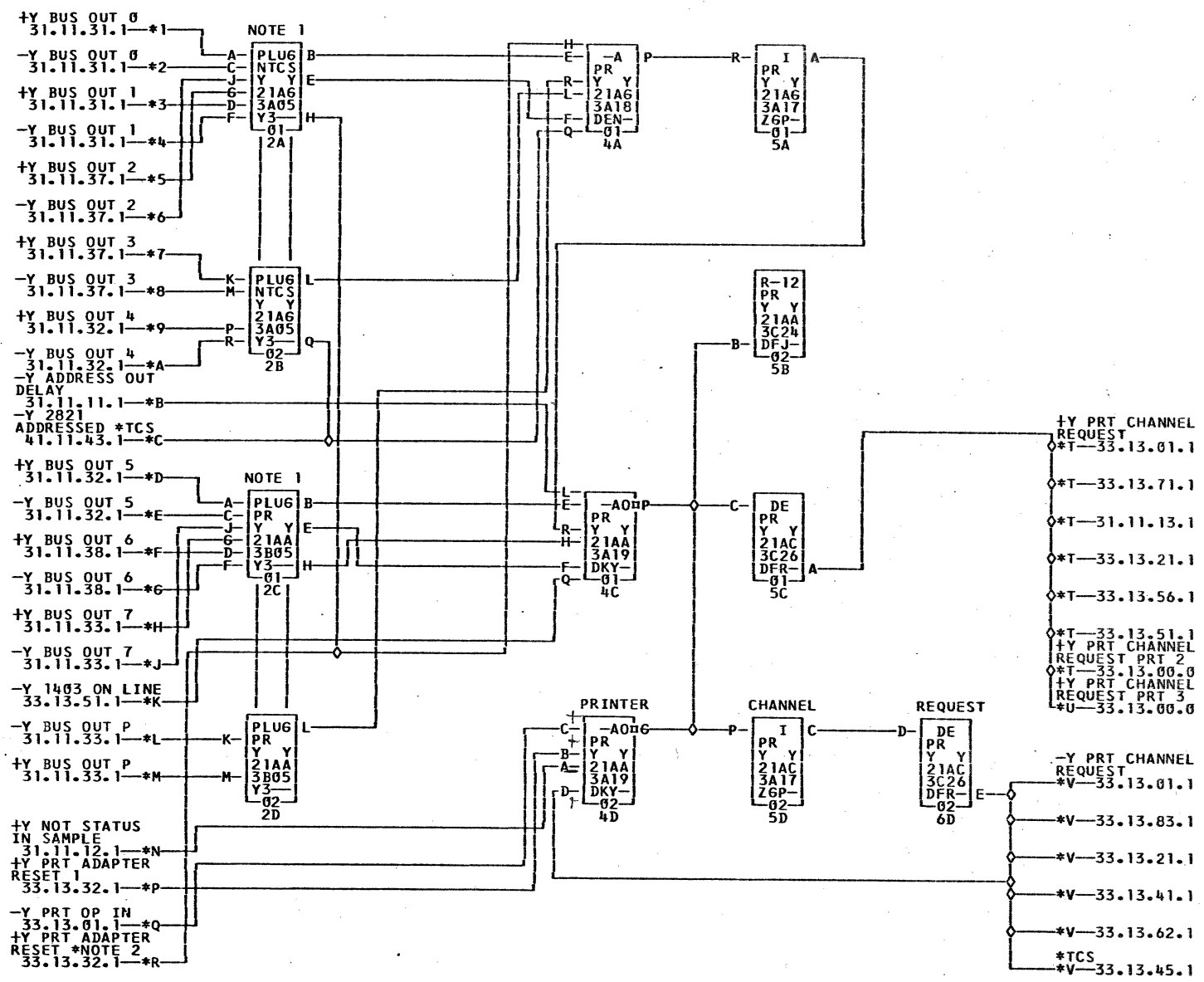
FOR THOSE BITS WHICH SHOULD BE PRESENT = JUMPER:  
-Y BUS OUT TO -Y PRT ADD OUT.

FOR THOSE BITS WHICH SHOULD NOT BE PRESENT = JUMPER:  
+Y BUS OUT TO -Y PRT ADD OUT.

THIS CARD NOT REQUIRED ON TWO CHANNEL SWITCH FEATURE.

DATE	EC NO	DATE	EC NO	DATE	EC NO
9-10-64	121550-H	23MAR66	125634		
12-15-64	121572	11DEC67	131802		
19AUG65	124270				
21JAN66	125617				



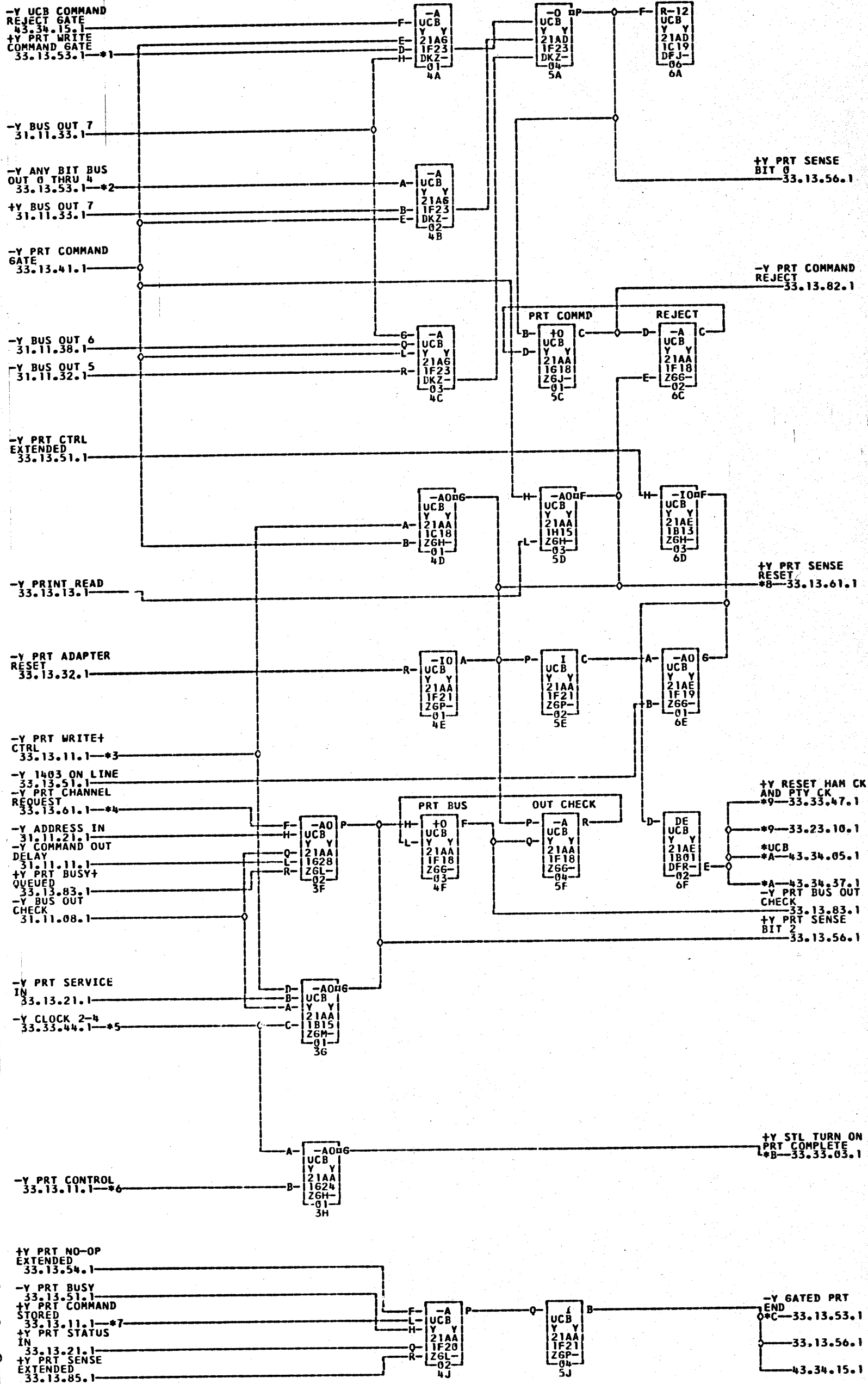


- \*1-21A3T17C
- \*2-21A3T17D
- \*3-21A3T18A
- \*4-21A3T18B
- \*5-21A3T18C
- \*6-21A3T18D
- \*7-21A3T19A
- \*8-21A3T19B
- \*9-21A3T19C
- \*A-21A3T19D
- \*B-21A3T03A
- \*C-21A3T32B
- \*D-21A3T20A
- \*E-21A3T20B
- \*F-21A3T20C
- \*G-21A3T20D
- \*H-21A3T21A
- \*I-21A3T21B
- \*J-21A3T21C
- \*K-21A3T02D
- \*L-21A3T15D
- \*M-21A3T15C
- \*N-21A3T02B
- \*P-21A3T04D
- \*Q-21A3T16C
- \*R-21A3T32C
- \*S-21A3T02C
- \*T-21A3T15B
- \*U-21A3T07D
- \*V-21A3T15A
- \*W-21A3T08C
- \*X-21A1T08C

NOTE 1 FOR PLUG CARDS, REFER TO LOGIC 33.13.61.0

NOTE 2 FOR TWO CHANNEL SWITCH FEATURE ONLY MDM.5080-5480

TAG	DATE	E.C.NO.	TAG	DATE	E.C.NO.	TAG	DATE	E.C.NO.	TAG	DATE	E.C.NO.
A	08-31-64	121550H	B	10-15-64	121567	C	11-10-64	121572	D	12-18-64	121583
E	02-15-65	121594	F	08-18-65	124270	G	11-18-65	125601	H	04-20-67	125672



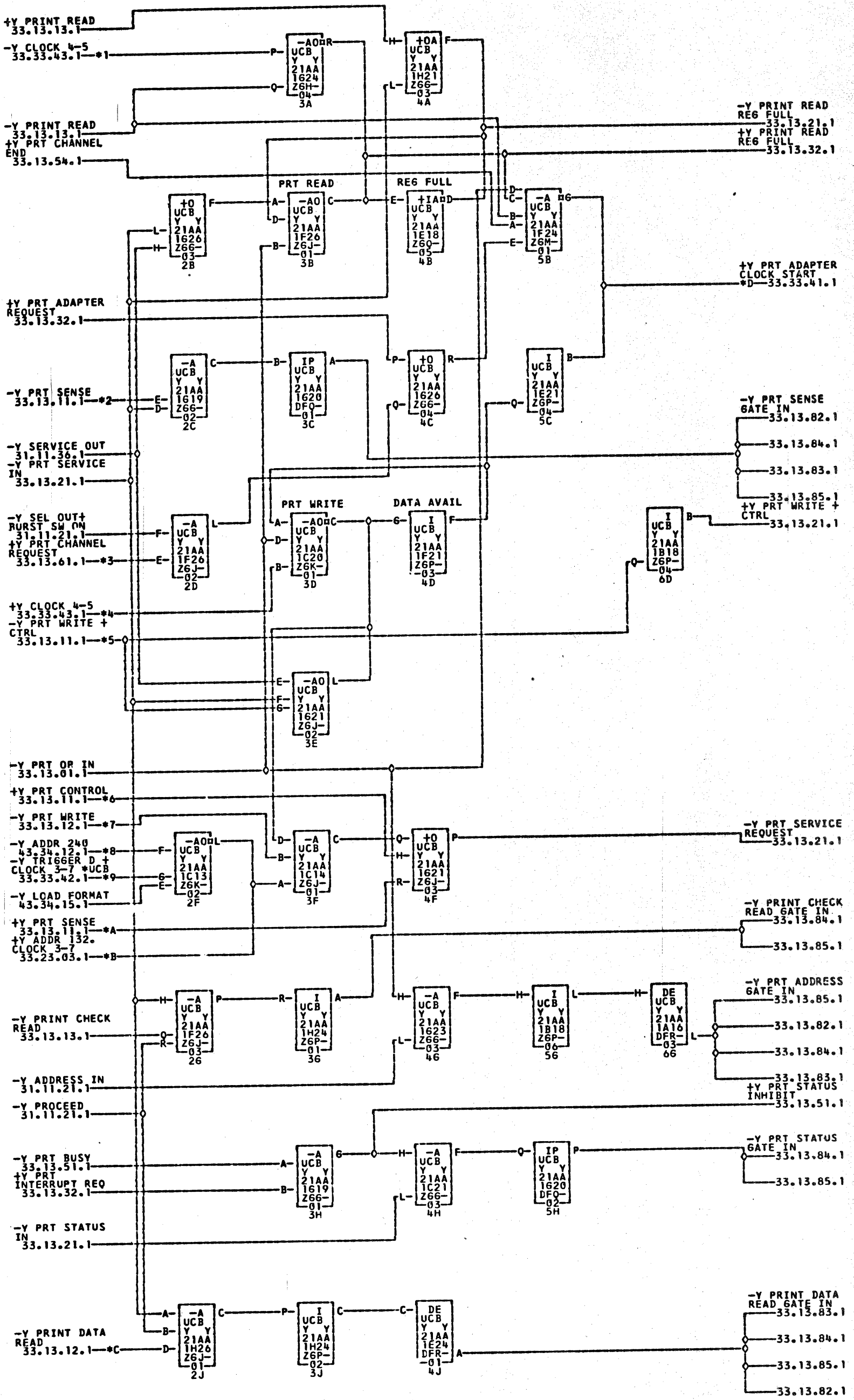
- \*1-21A1T05D
- \*2-21A1T17B
- \*3-21A1T16A
- \*4-21A1T15A
- \*5-21A1H30C
- \*6-21A1T13B
- \*7-21A1T14D
- \*8-21A1T02C
- \*9-21A1H316
- \*A-21A1H316
- \*B-21A1T10C
- \*C-21A1T12C
- 21A4A046
- 21A4T10A
- 21A3T02C
- 21A2T10A
- 21A1H316
- 21A4A046
- 21A3T10C

0837875

PRINT CONTROL GATES

2821UCB

33.13.71.1

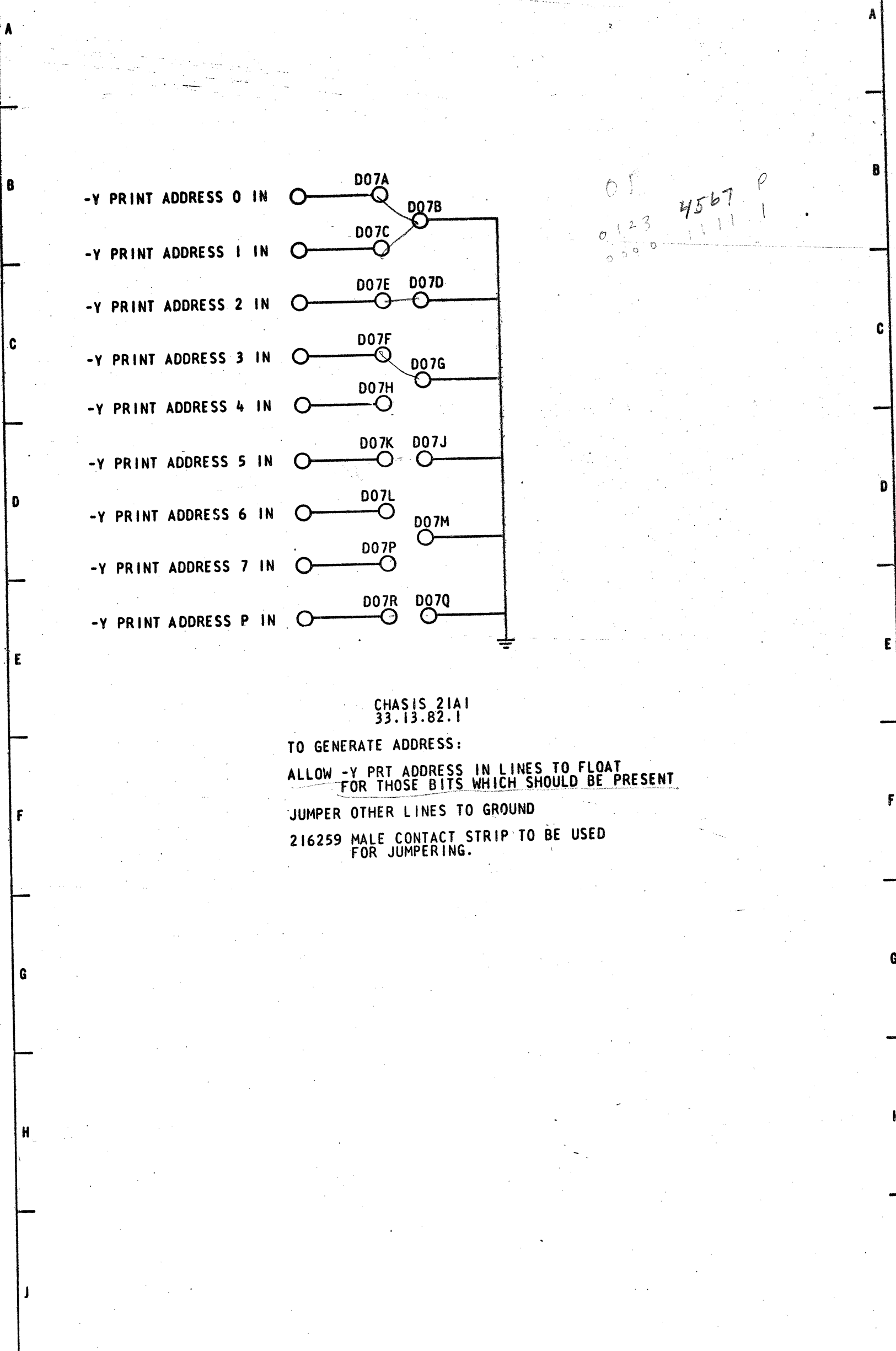


- \*1-21A1H31K      \*2-21A1T12D      \*3-21A1T15B      \*4-21A1H31N      \*5-21A1T16A      \*6-21A1T07C
- \*7-21A1T13A      \*8-21A1E31D      \*9-21A1H30M      \*A-21A1T07B      \*B-21A1H30L      \*C-21A1T09A
- \*D-21A1H30E      \*21A4A03E

COMMENTS

TAG DATE	E.C.NO.	TAG DATE	E.C.NO.
A 02-17-65	121570M	B 03-18-65	121598

2-1



05  
 0 1 2 3  
 0 0 0 0  
 4567 P  
 1 1 1 1

CHASIS 21A1  
 33.13.82.1

TO GENERATE ADDRESS:

ALLOW -Y PRT ADDRESS IN LINES TO FLOAT  
 FOR THOSE BITS WHICH SHOULD BE PRESENT

JUMPER OTHER LINES TO GROUND

216259 MALE CONTACT STRIP TO BE USED  
 FOR JUMPERING.

DATE	EC NO	DATE	EC NO	DATE	EC NO
9-10-6A	121550F				

-Y PRINT BUFFER  
0 BIT \*UCB  
43.34.18.1-21

-Y PRT COMMAND  
REJECT  
33.13.62.1

-Y PRINT DATA  
READ GATE IN  
33.13.71.1

-Y PRT SENSE  
GATE IN  
33.13.71.1

-Y PRINT BUFFER  
1 BIT \*UCB  
43.34.18.1-22

-Y PRT ADDRESS  
GATE IN  
33.13.71.1

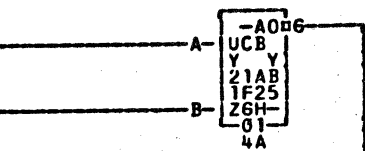
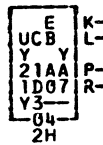
-Y PRT INTERVEN  
REQD  
33.13.56.1

+Y PRT BUS IN 0  
31.11.03.1

+Y PRT BUS IN 1  
31.11.03.1

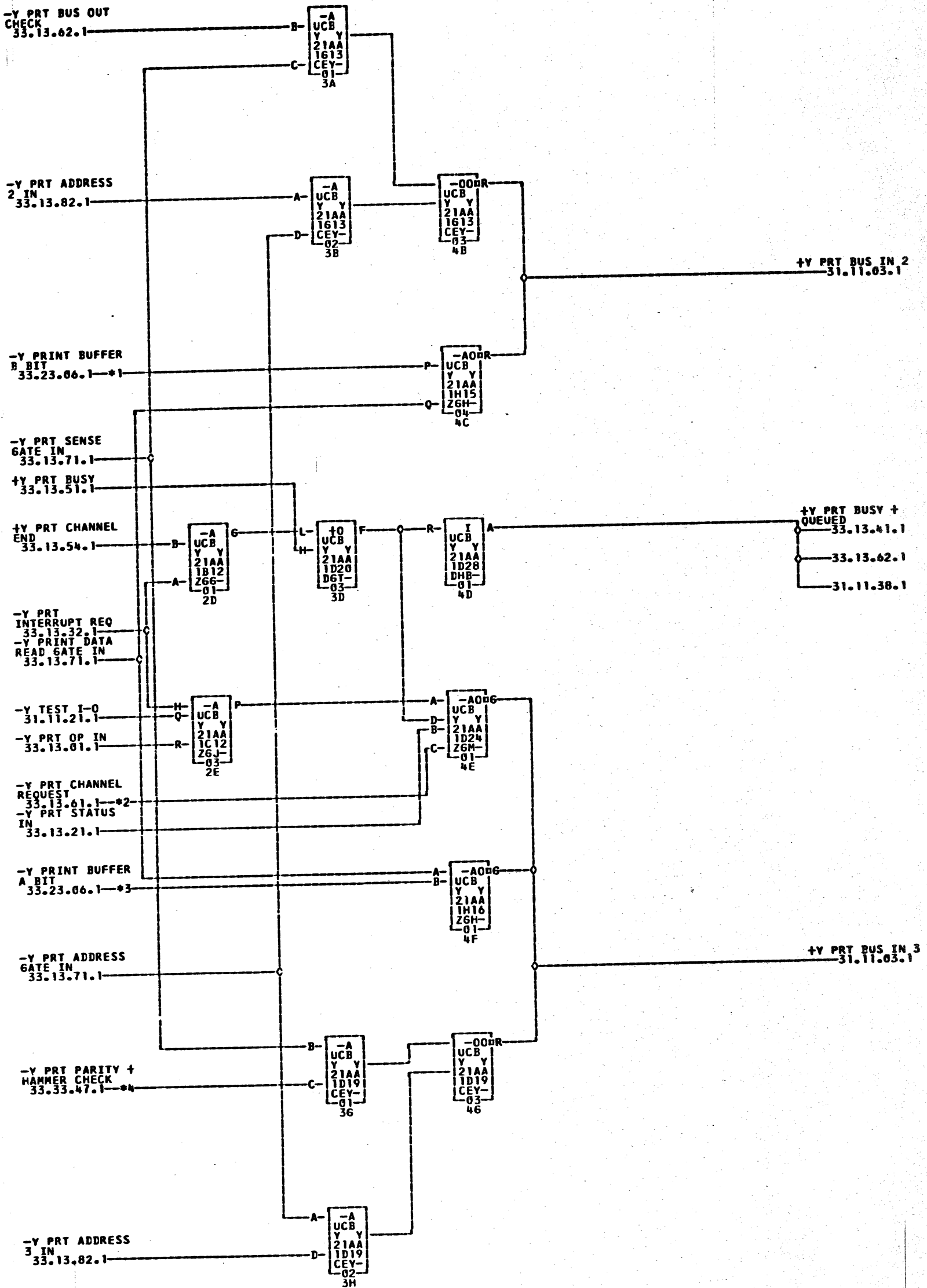
-Y PRT ADDRESS  
2 IN 33.13.83.1  
-Y PRT ADDRESS  
3 IN 33.13.83.1  
-Y PRT ADDRESS  
4 IN 33.13.84.1

-Y PRT ADDRESS  
5 IN 33.13.84.1  
-Y PRT ADDRESS  
6 IN 33.13.85.1  
-Y PRT ADDRESS  
7 IN 33.13.85.1  
-Y PRT ADDRESS  
P IN 33.13.85.1



\*1-21A1H30B

\*2-21A1H28Q



\*1-21A1H28N

\*2-21A1T15A

\*3-21A1H28M

\*4-21A1H30K

-Y PRINT BUFFER

8 BIT

33.23.06.1-#1

-Y PRT CHANNEL

END

33.13.54.1

-Y PRT STATUS

GATE IN

33.13.71.1

-Y PRT ADDRESS

4 IN

33.13.82.1

-Y PRT ADDRESS

GATE IN

33.13.71.1

-Y UNCOMPARABLE

CHARACTER GATED

43.34.14.1

-Y PRT SENSE

GATE IN

33.13.71.1

-Y PRINT DATA

READ GATE IN

33.13.71.1

-Y UCB PARITY

CHECK LATCH

43.34.37.1

-Y PRT DEVICE

END

33.13.54.1

-Y PRT ADDRESS

5 IN

33.13.82.1

-Y PRINT BUFFER

4 BIT

33.23.05.1-#3

-Y PRINT LINE

COMPLETE TR

33.23.07.1-#4

-Y PRINT CHECK

READ GATE IN

33.13.71.1

\*1-21A1H28L

\*2-21A1D31Q

\*3-21A1H28K

\*4-21A1H30Q

COMMENTS

TAG DATE E.C.NO. TAG DATE E.C.NO.

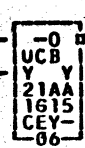
A 02-17-65 121570H B 02-15-66 12563Z

TAG DATE E.C.NO. TAG DATE E.C.NO.

TAG DATE E.C.NO. TAG DATE E.C.NO.

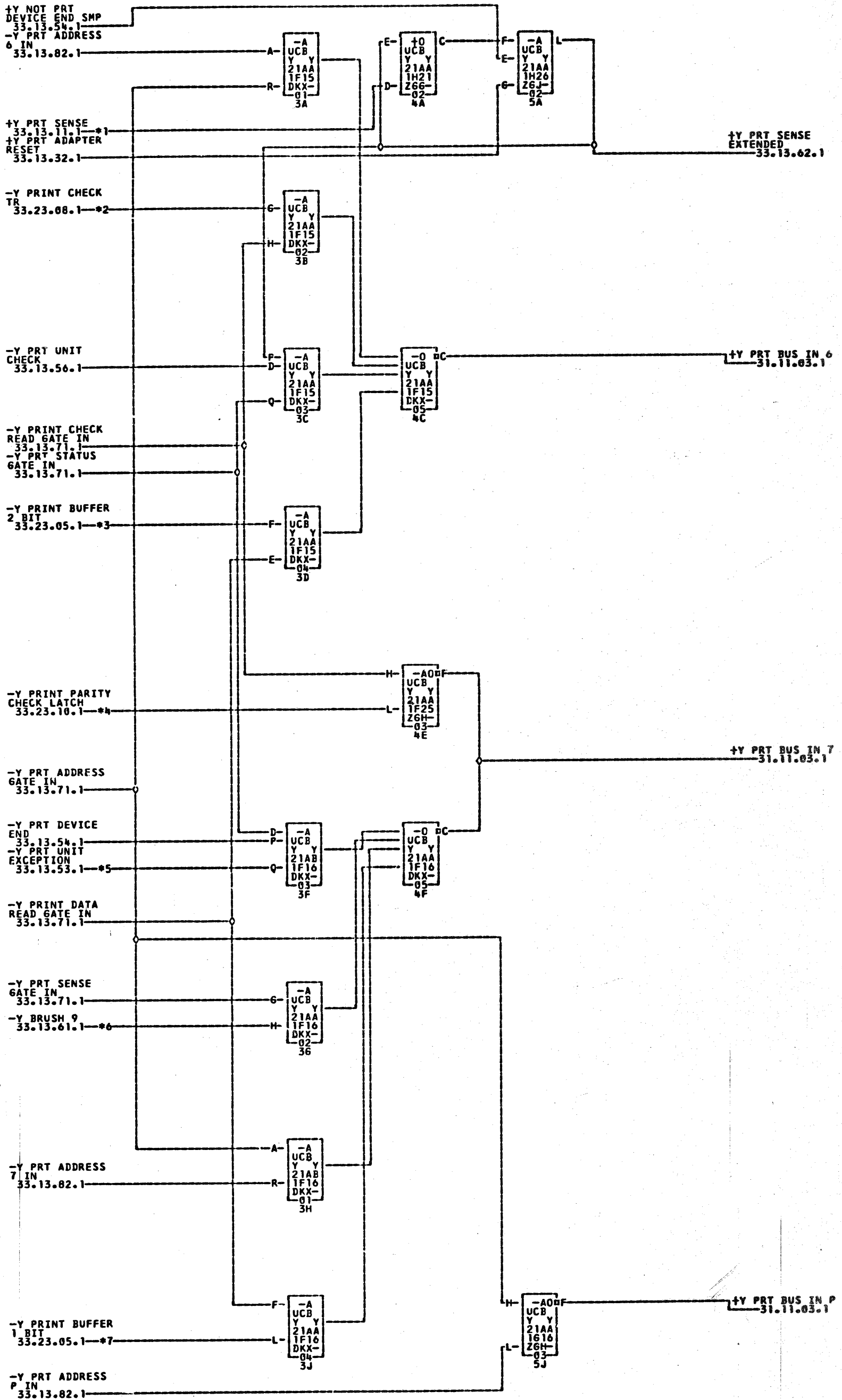
TAG DATE E.C.NO. TAG DATE E.C.NO.

TAG DATE E.C.NO. TAG DATE E.C.NO.



+Y PRT BUS IN 4 31.11.03.1

+Y PRT BUS IN 5 31.11.03.1



\*1—21A1T07B  
\*7—21A1H286

\*2—21A1H30P

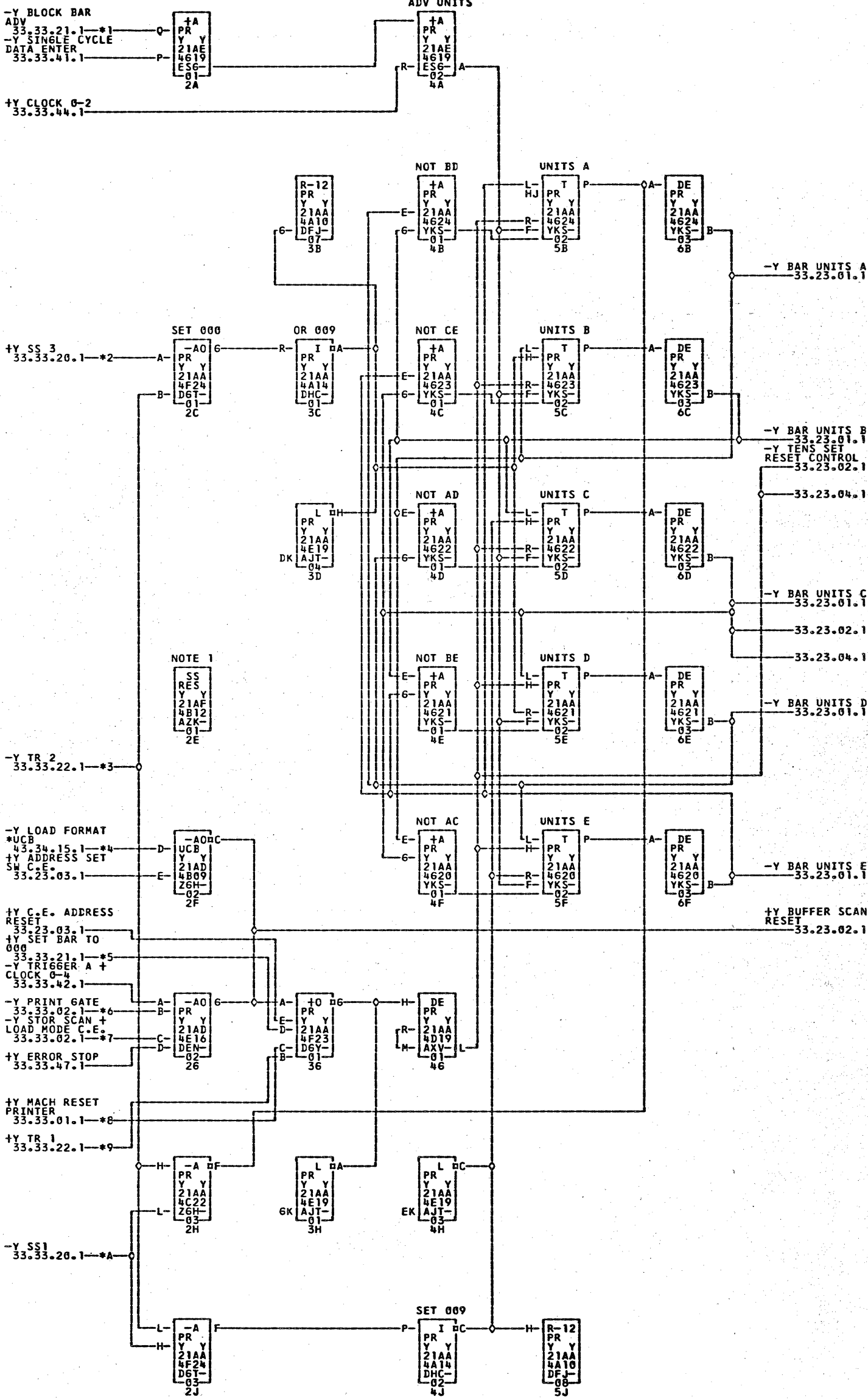
\*3—21A1H28H

\*4—21A1H30N

\*5—21A1T16B

\*6—21A1T08C





\*1-21A4A02A  
\*7-21A4D03R

\*2-21A4A02B  
\*8-21A4D02F

\*3-21A4A02F  
\*9-21A4A02E

\*4-21A4T01A  
\*A-21A4A026

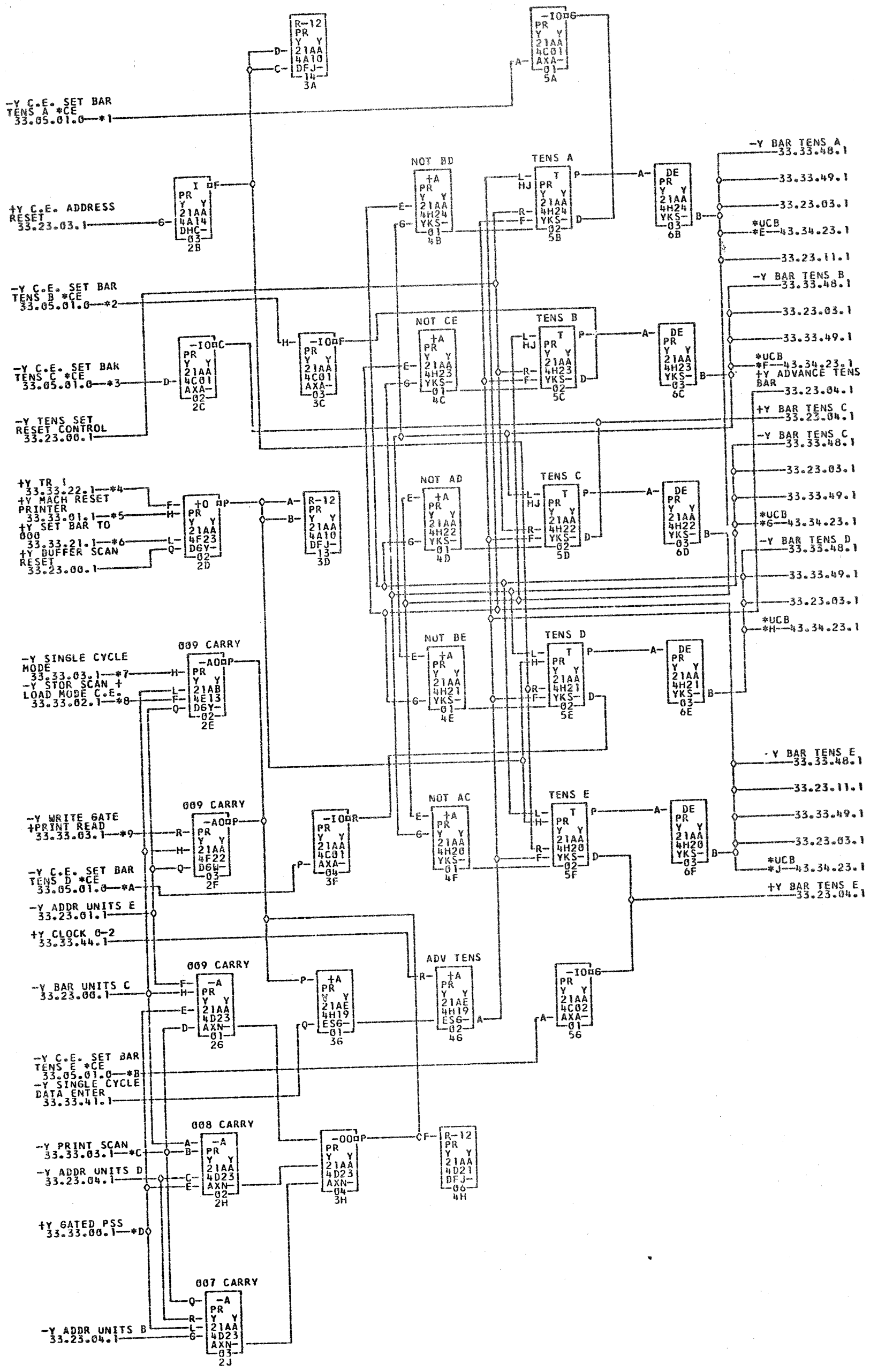
\*5-21A4A02D

\*6-21A4D02B

COMMENTS  
FSD.406-407-432  
NOTE THIS SOCKET RESERVED FOR  
R+S METERING

TAG	DATE	E.C.NO.	TAG	DATE	E.C.NO.	TAG	DATE	E.C.NO.	TAG	DATE	E.C.NO.
A	09-01-64	121550J	B	10-15-64	121567	C	11-09-64	121572	D	12-19-64	121583
E	03-18-65	121598	F	08-18-65	124270						



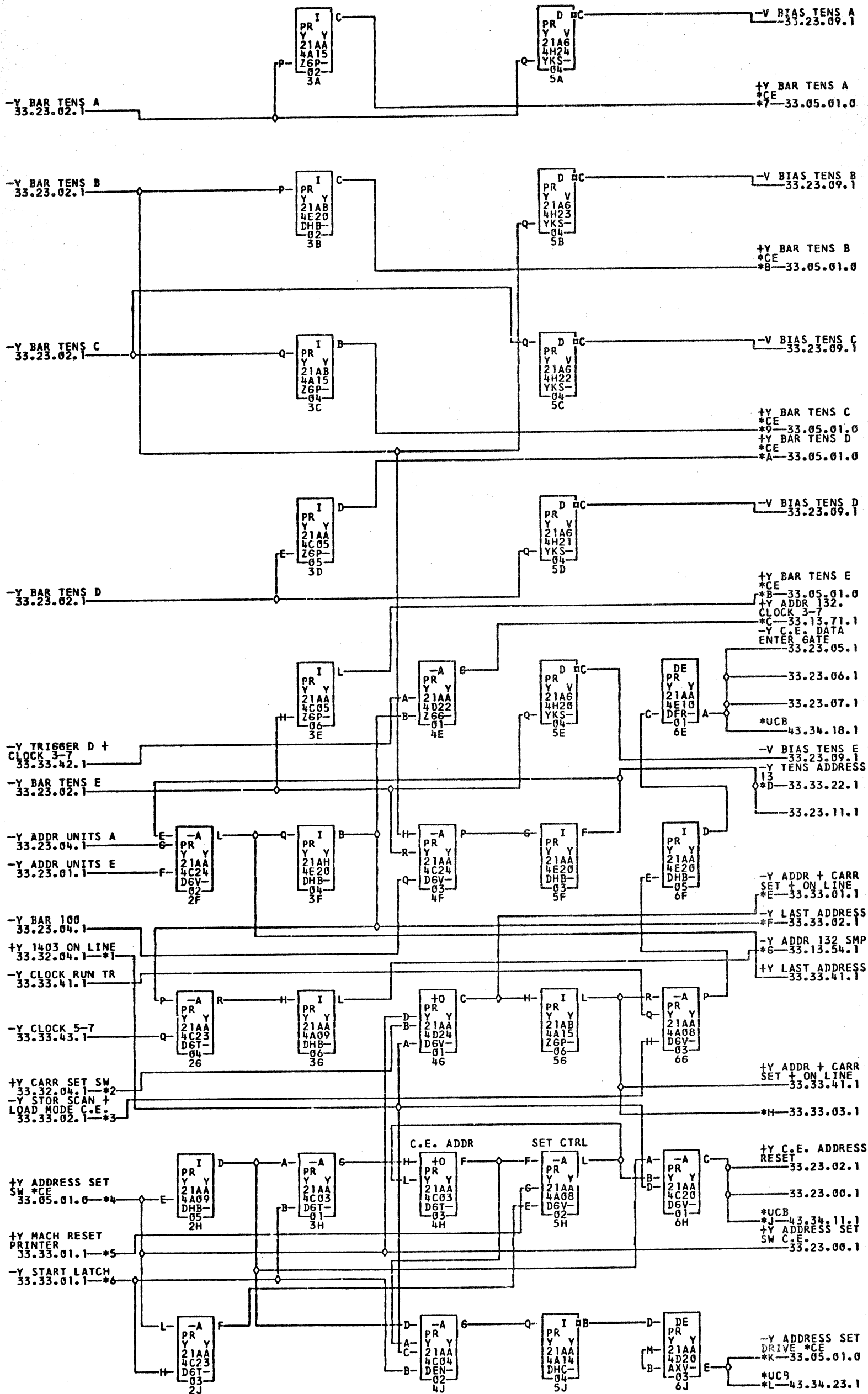


- \*1-21A4E02E
- \*2-21A4E02F
- \*3-21A3A02Q
- \*4-21A3A02R
- \*5-21A4D02F
- \*6-21A4A02D
- \*7-21A4D03K
- \*8-21A4D03R
- \*9-21A4D01F
- \*A-21A4E02H
- \*B-21A4E02K
- \*C-21A4D02A
- \*D-21A4D02P
- \*E-21A4T15A
- \*F-21A4T15B
- \*G-21A4T17C
- \*H-21A4T17B
- \*J-21A4T17C
- 21A3E31E
- CEPRB087
- 21A4D02F
- 21A3E31H
- CEPRB093
- 21A2T15B
- 21A2T17C
- 21A3A02Q
- 21A3E31G
- 21A4D03K
- CEPRB091
- 21A4D02P
- 21A2T17A
- CEPRB085
- 21A3E31G
- 21A4D03K
- CEPRB091
- 21A4D02P
- 21A2T17A
- \*2-21A4E02F
- 21A3A02H
- 21A3E31K
- 21A2T15A
- 21A2T17B

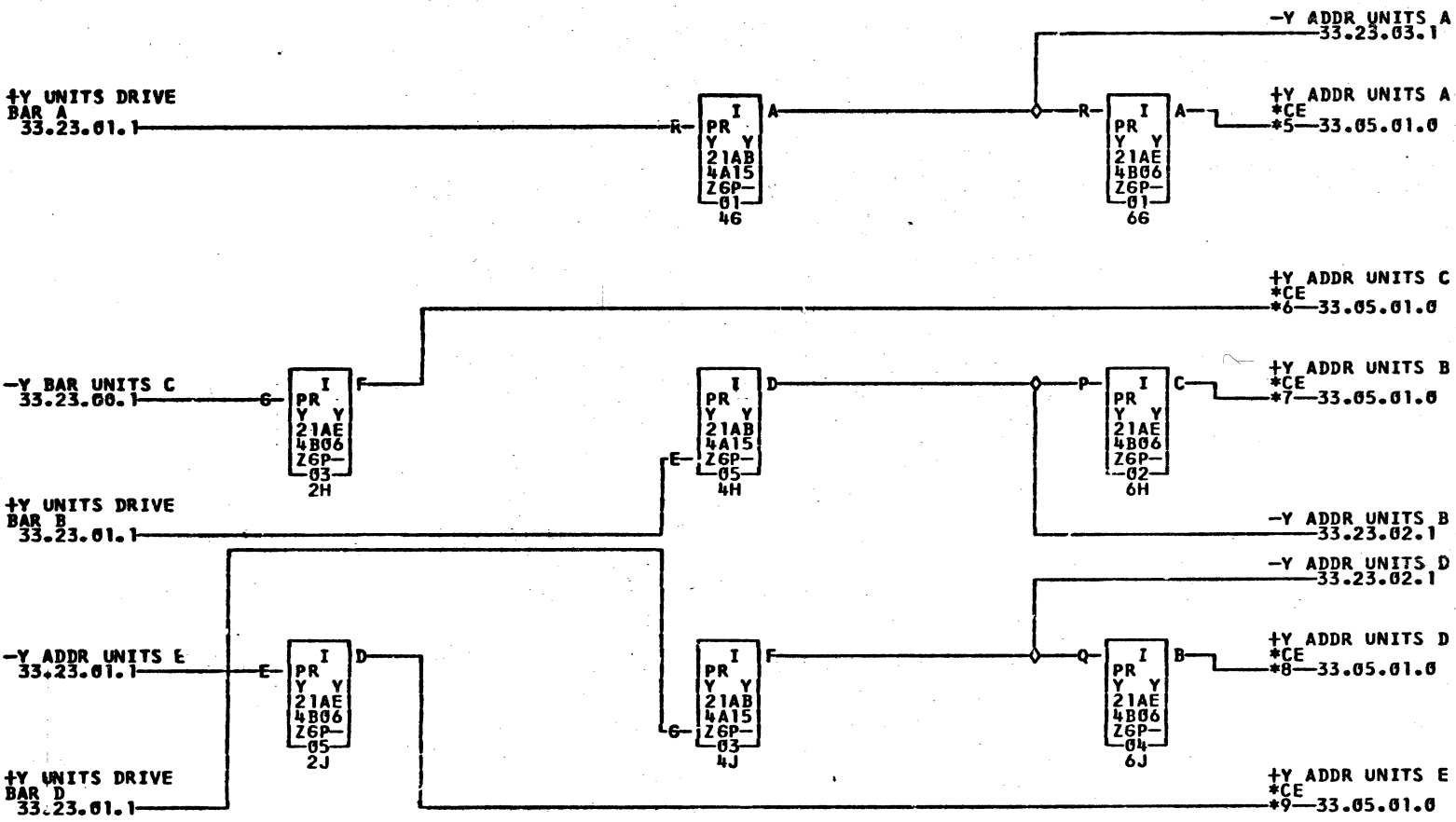
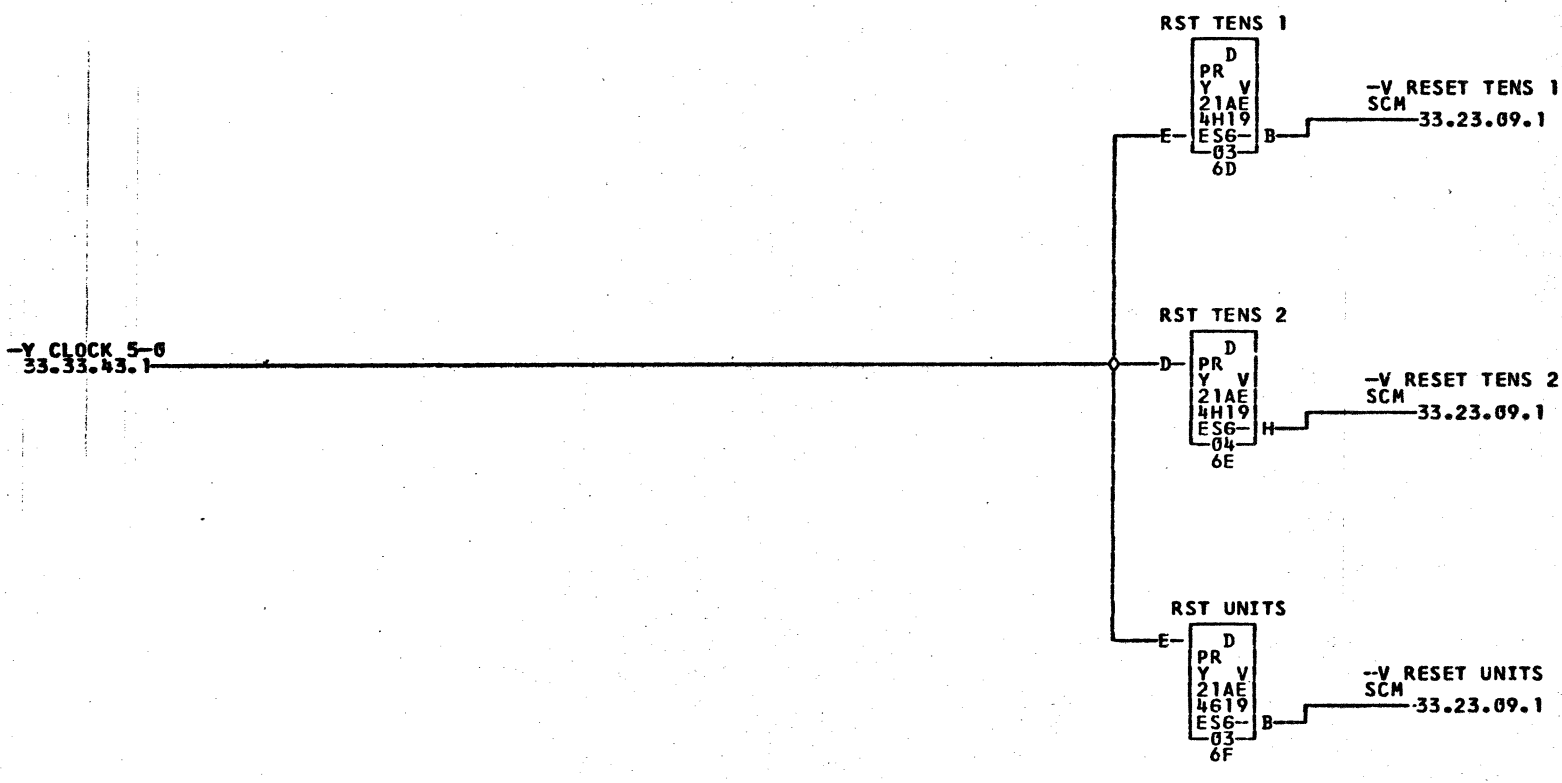
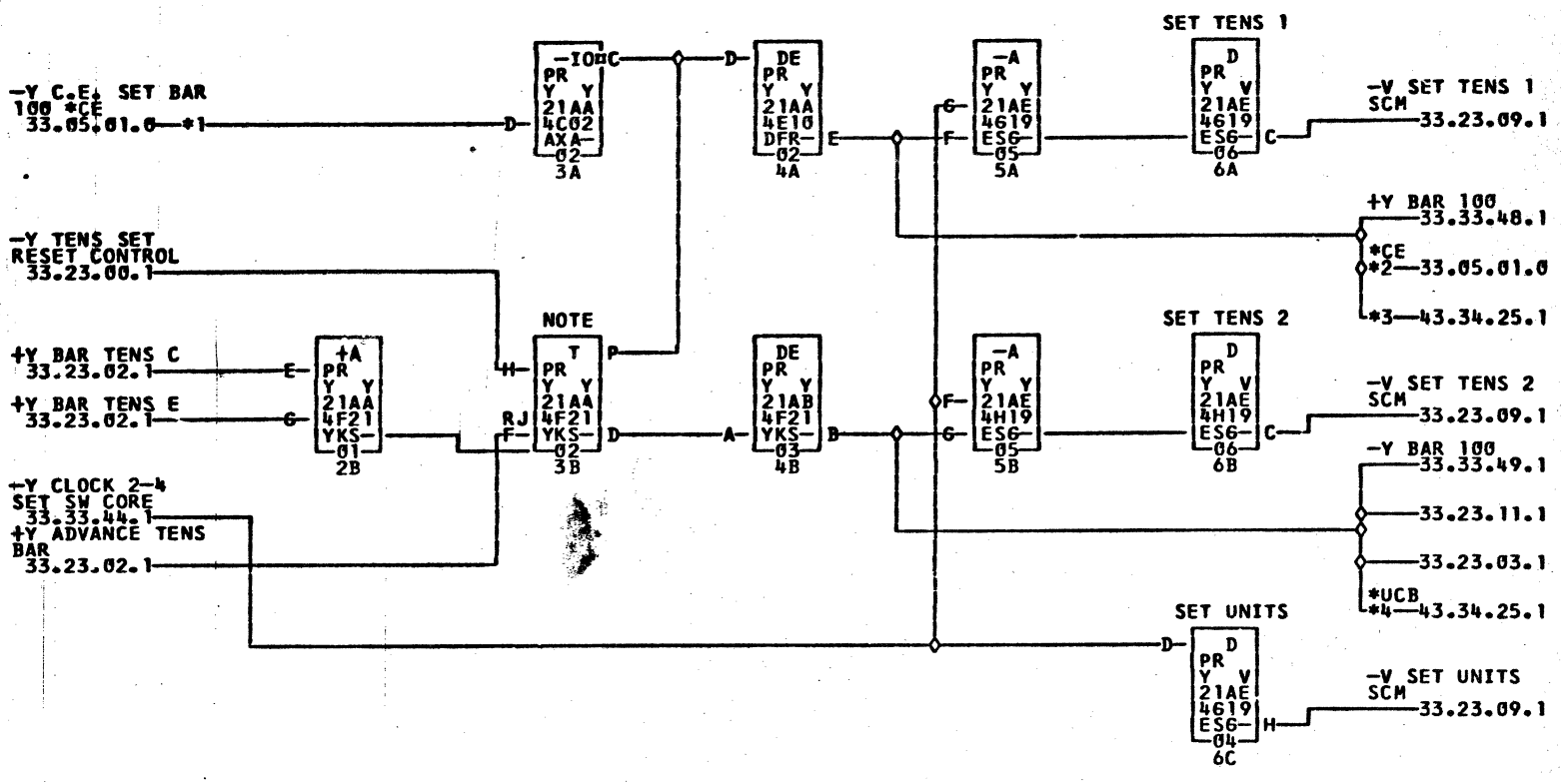
FSD. 406-407

COMMENTS

TAG	DATE	E.C.NO.	TAG	DATE	E.C.NO.	TAG	DATE	E.C.NO.	TAG	DATE	E.C.NO.
A	09-01-64	12158J	B	10-15-64	121567	C	11-09-64	121572	D	02-15-65	121594
E	03-18-65	121598	F	04-26-65	124237	G	06-22-65	124265			



*1-21A4D03M	*2-21A4D03L	*3-21A4D03R	*4-21A4E04P	21A3E39P	21A3A03H
CEPRA079	*5-21A4D02F	*6-21A4E02P	*7-21A4E03L	21A3E39L	21A3A01L
21A3E30N	*8-21A4E03M	21A3E30M	*8-21A4E03P	CEPRA032	*9-21A4E03N
CEPRA047	21A3A01N	CEPRA033	*A-21A4E01P	21A3E30P	21A3A01Q
21A1H30L	*B-21A4E03Q	21A3E30Q	*N-21A4D03A	CEPRA046	*C-21A4A03L
21A3D326	*D-21A4A04C	21A1H31C	*H-21A4D03B	21A3D30A	*F-21A4D016
21A2T15C	*G-21A4A04H	21A1H31H	*K-21A4D03D	21A3D30B	*J-21A4T15C
21A2T21D	*K-21A4E04N	21A3E29N	*L-21A3A03A	CEPRA104	*L-21A4T21D

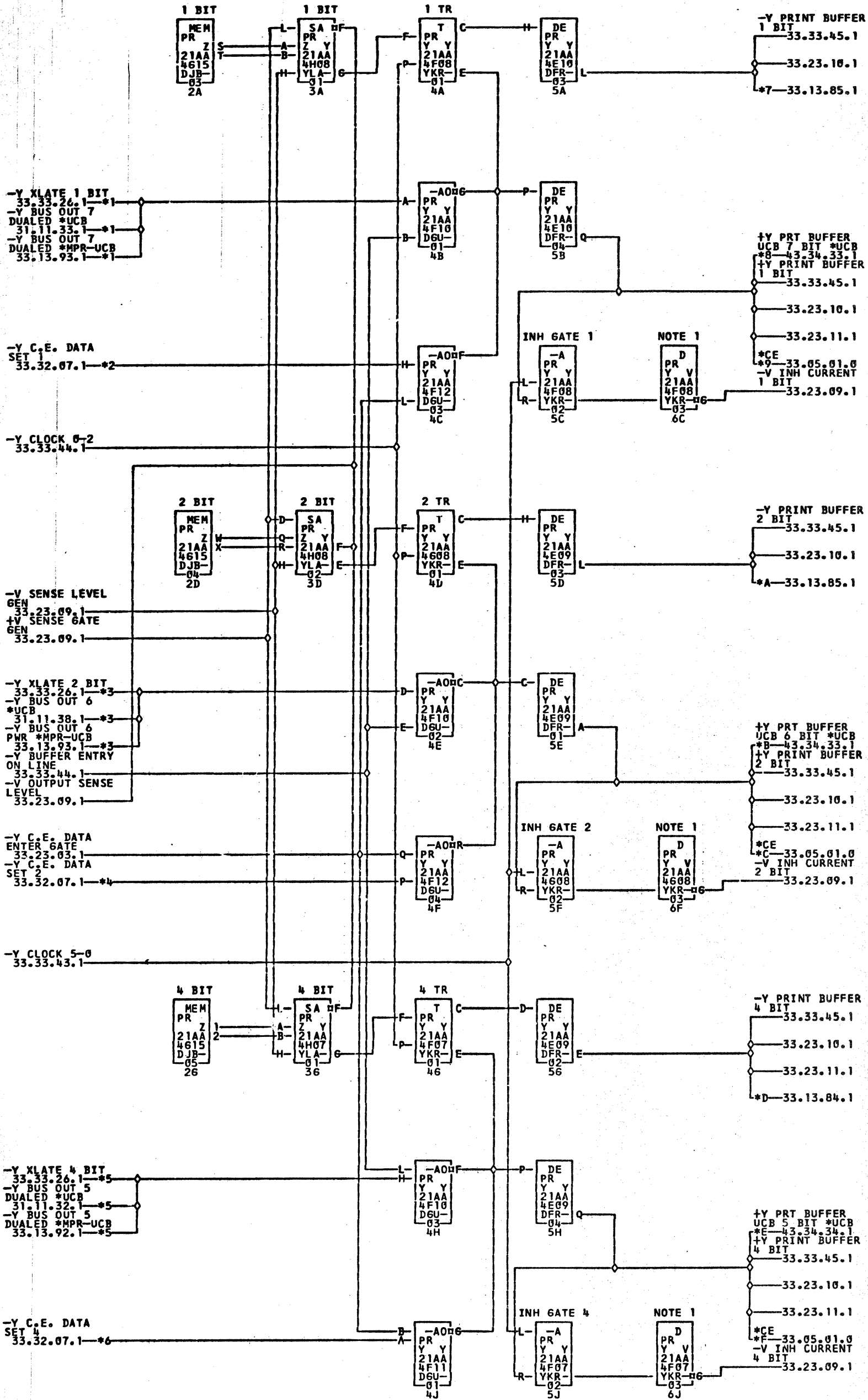


- \*1-21A4E02L
- \*2-21A4E03R
- \*3-21A4E01R
- \*4-21A4T24D
- \*4-21A4D02G
- \*5-21A4D01A
- \*6-21A3A02B
- \*6-21A4D02Q
- \*8-21A4D02C
- \*9-21A3E30R
- \*9-21A2T24D
- \*9-21A3D31G
- \*9-21A3D31Q
- \*9-21A3D31K
- \*9-21A3D31J

COMMENTS

NOTE—THE TRIGGER IS TURNED ON TO SELECT POSITIONS 1-99 AND IS TURNED OFF TO SELECT POSITION 100 AND ABOVE

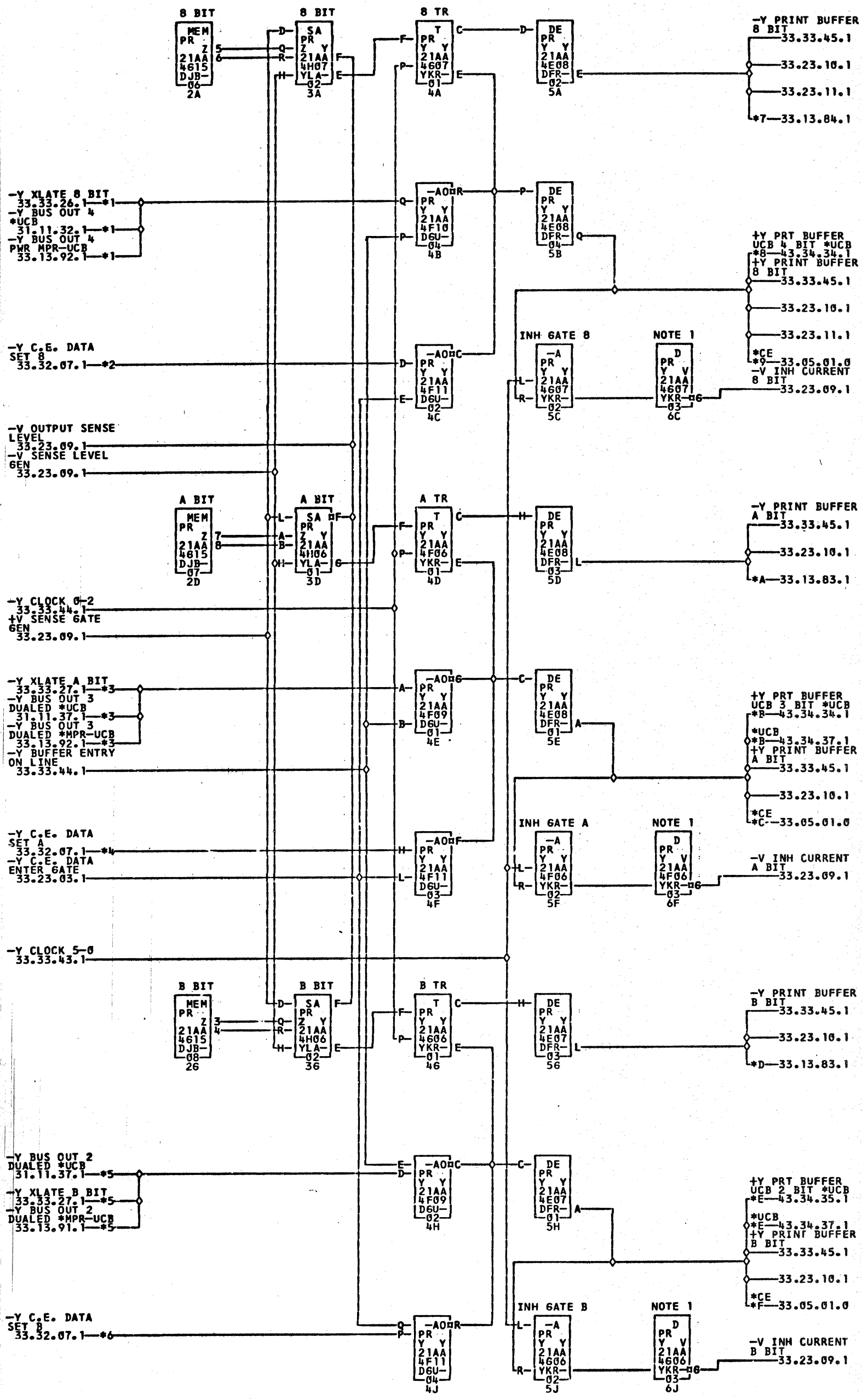
TAG	DATE	E.C. NO.	TAG	DATE	E.C. NO.	TAG	DATE	E.C. NO.	TAG	DATE	E.C. NO.
A	09-01-64	121550J	B	10-15-64	121567	C	11-09-64	121572	D	02-15-65	121594
E	03-18-65	121598	F	04-26-65	124237	G	05-23-67	125673			



- \*1-21A4A02H
- \*2-21A4E04K
- \*3-21A4A02K
- \*4-21A4E04G
- \*5-21A4A02L
- \*6-21A4E04F
- \*7-21A4A01G
- \*8-21A1H28G
- \*9-21A4EC3A
- \*A-21A4T01B
- \*B-21A4T01D
- \*C-21A4E03B
- \*D-21A3E30B
- \*E-21A4T02B
- \*F-21A4E03C
- \*G-21A2T01B
- \*H-21A1H28H
- \*I-21A4T01C
- \*J-21A3E30C
- \*K-21A4A01K
- \*L-21A3A01C
- \*M-21A1H28K
- \*N-CEPRA003

NOTE 1-INHIBIT CURRENTS 262 MA MAX.  
 228 MA MIN. 250 MA NOMINAL.  
 MDH.4081-4181-4481-4581

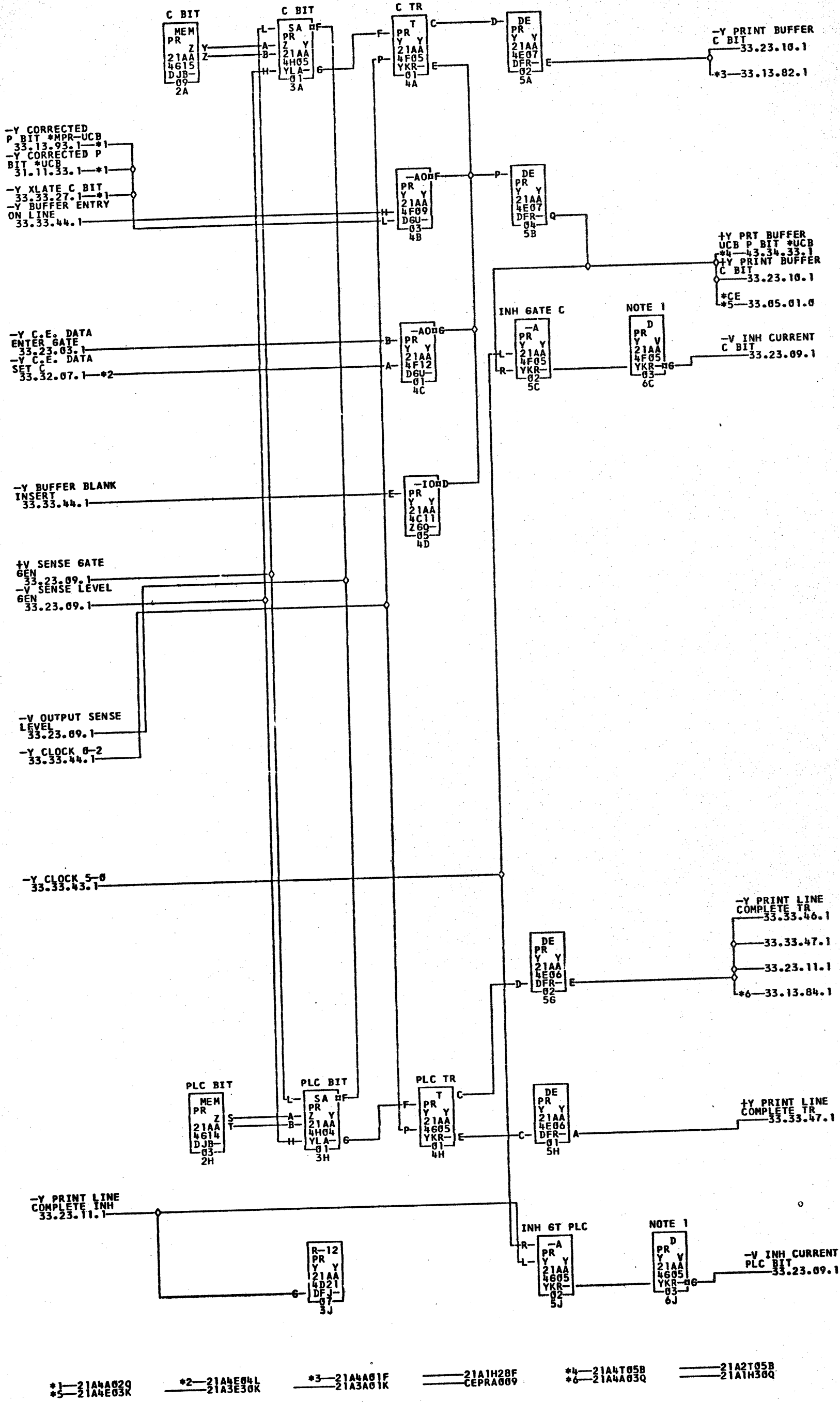
TAG	DATE	E.C.NO.	TAG	DATE	E.C.NO.	TAG	DATE	E.C.NO.	TAG	DATE	E.C.NO.
A	09-01-64	121567	B	10-15-64	121567	C	11-09-64	121572	D	01-21-65	121589
E	02-15-65	121594	F	08-18-65	124270	G	05-23-67	125673			



- \*1-21A4A02M
- \*2-21A4E04E
- \*3-21A4A02N
- \*4-21A4E04D
- \*5-21A4A02P
- \*6-21A4E03D
- \*7-21A4A01L
- \*8-21A4T02D
- \*9-21A4E03P
- \*A-21A4A01E
- \*B-21A4T03B
- \*C-21A4A03E
- \*D-21A4T03B
- \*E-21A4T03D
- \*F-21A4E03F
- \*G-21A4A01F
- \*H-21A4T03B

NOTE 1—INHIBIT CURRENT 262 MA MAX, 228 MA MIN, 250 MA NOMINAL. MDH.4081-4181-4481-4581

TAG	DATE	F.C.NO.	TAG	DATE	F.C.NO.	TAG	DATE	F.C.NO.	TAG	DATE	F.C.NO.
A	09-01-64	12150J	B	10-15-64	121597	C	11-09-64	121572	D	01-21-65	121589
E	02-15-65	121594	F	08-18-65	124270	G	05-23-67	125673			

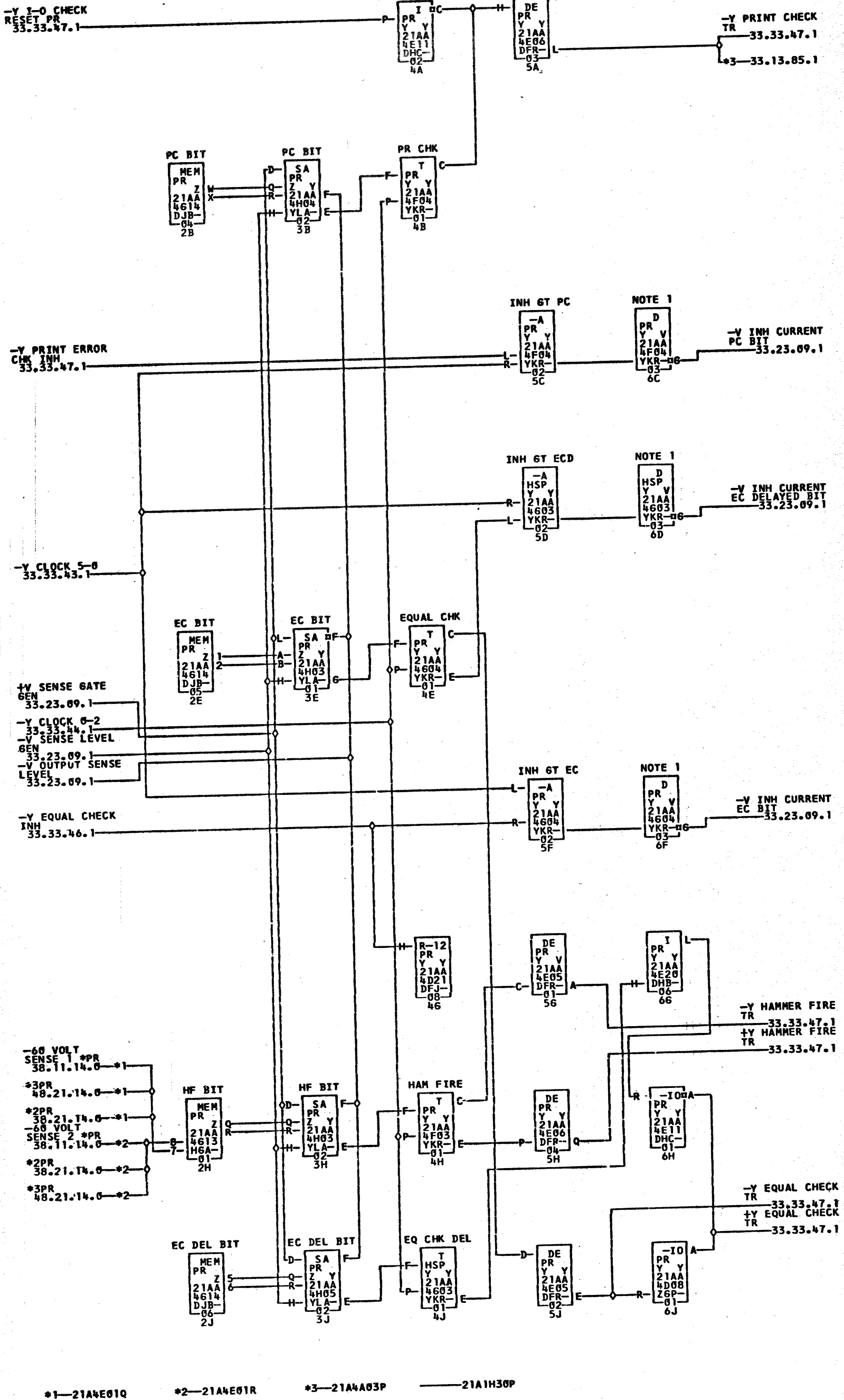


- \*1—21A4A020
- \*2—21A4E04L
- \*3—21A4A01F
- 21A1H28F
- \*4—21A1H05B
- \*5—21A4E03K
- 21A3E30K
- 21A3A01K
- CEPRA009
- \*6—21A4A03Q
- 21A2T05B
- 21A1H30Q

NOTE 1—INHIBIT CURRENT 262 MA MAX.  
 228 MA MIN, 250 MA NOMINAL.  
 MDM. 4081-4181-4481-4581

TAG	DATE	E.C. NO.	TAG	DATE	E.C. NO.	TAG	DATE	E.C. NO.	TAG	DATE	E.C. NO.
A	09-01-64	121550J	B	10-15-64	121572	C	11-09-64	121572	D	01-21-65	121589
E	02-15-65	121594	F	06-22-65	124265	G	10-10-66	125655	H	05-23-67	125673

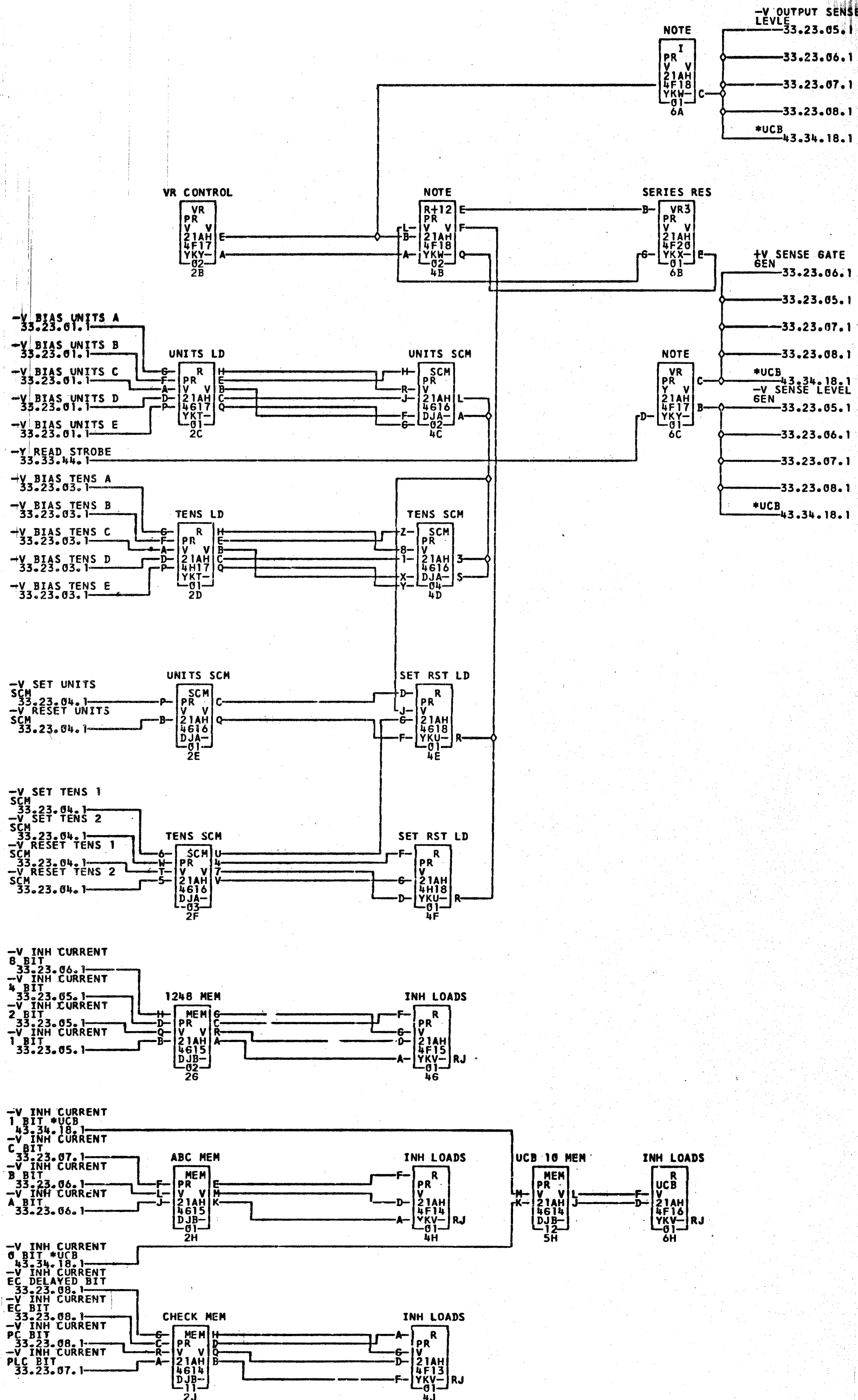




\*1-21A4E01Q    \*2-21A4E01R    \*3-21A4A03P    —21A1H30P

NOTE 1—INHIBIT CURRENT 262 MA MAX.  
 228 MA MIN, 250 MA NOMINAL.  
 MDM.4081-4181-4481-4581

TAG	DATE	F.C.NO.	TAG	DATE	F.C.NO.	TAG	DATE	F.C.NO.
A	09-01-64	121550J	B	10-15-64	121567	C	11-09-64	121572
						D	05-23-67	125673



NOTE

PR I  
V V  
21AH  
4F18  
YKW-  
01  
6A

-V OUTPUT SENSE LEVEL  
33.23.05.1  
33.23.06.1  
33.23.07.1  
33.23.08.1  
\*UCB 43.34.18.1

NOTE

R+12  
PR  
V V  
21AH  
4F18  
YKW-  
02  
4B

SERIES RES

VR3  
PR  
V V  
21AH  
4F20  
YKW-  
01  
6B

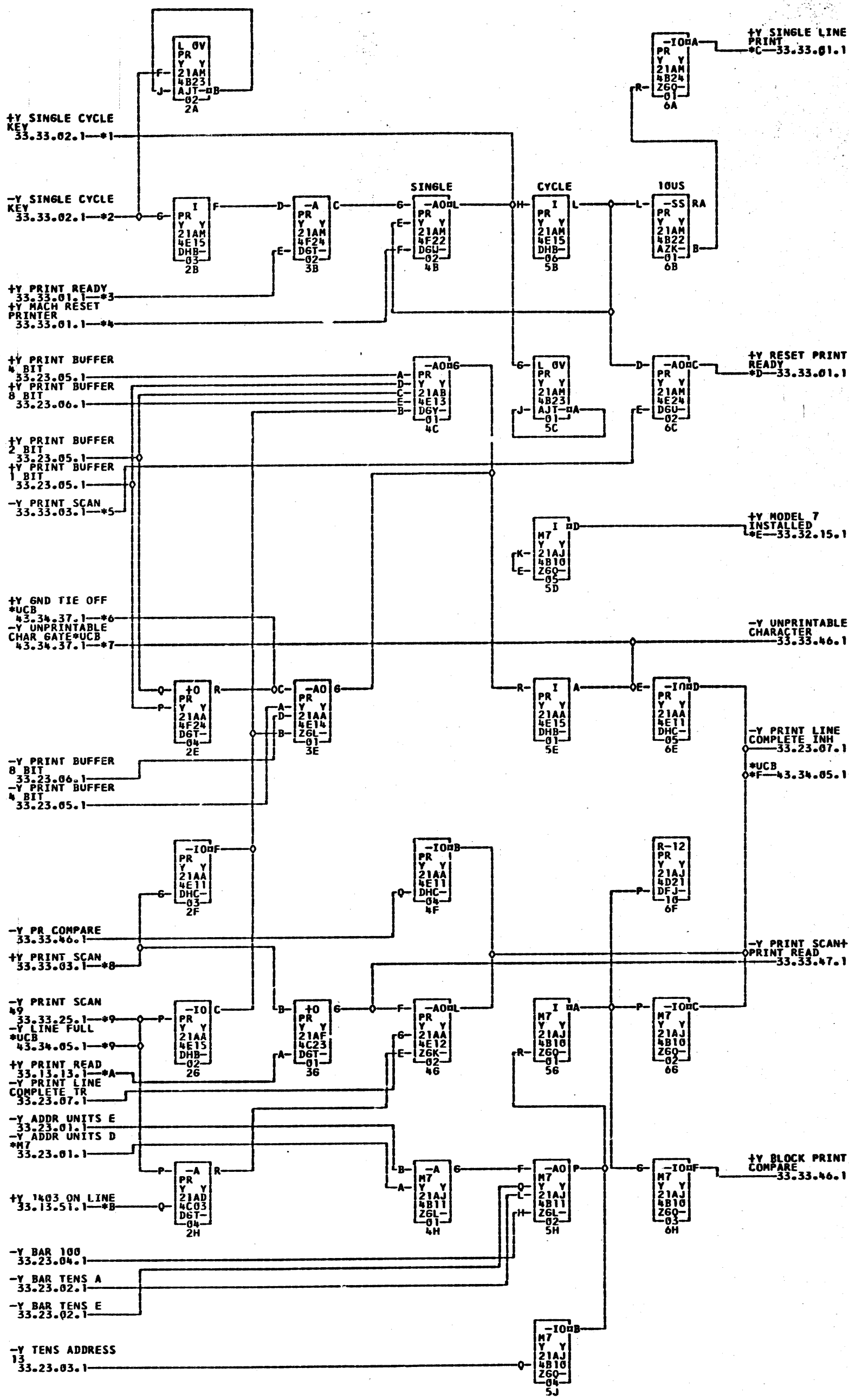
+V SENSE GATE GEN  
33.23.06.1  
33.23.05.1  
33.23.07.1  
33.23.08.1  
\*UCB 43.34.18.1  
-V SENSE LEVEL GEN  
33.23.05.1  
33.23.06.1  
33.23.07.1  
33.23.08.1  
\*UCB 43.34.18.1

NOTE

PR  
V V  
21AH  
4F17  
YKV-  
01  
6C

\*UCB 43.34.18.1  
-V SENSE LEVEL GEN  
33.23.05.1  
33.23.06.1  
33.23.07.1  
33.23.08.1  
\*UCB 43.34.18.1





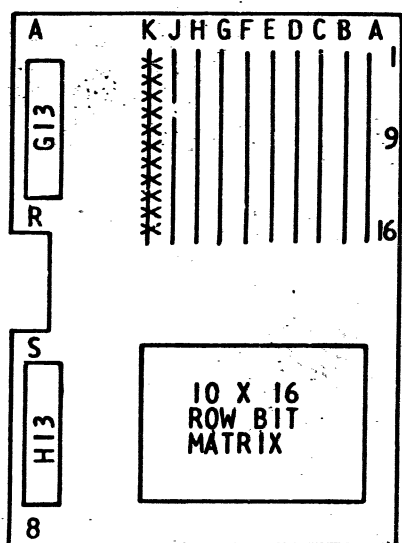
- \*1-21A4B01B
- \*2-21A4B01A
- \*7-21A3C32A
- \*8-21A3C02R
- \*3-21A4B01E
- \*4-21A4D02F
- \*5-21A4D02A
- \*6-21A4T18B
- \*7-21A4T18D
- \*8-21A4D02C
- \*9-21A4A02R
- \*A-21A4A04B
- \*B-21A4A04D
- \*C-21A4B01C
- \*D-21A4B01D
- \*E-21A4E02M
- \*F-21A4T21A
- \*G-21A3C32C
- \*H-21A3C32D
- \*I-21A3E31M
- \*J-21A4T21A

MDM.4004

COMMENTS

TAG	DATE	E.C.NO.	TAG	DATE	E.C.NO.	TAG	DATE	E.C.NO.	TAG	DATE	E.C.NO.
A	09-01-64	121550J	B	10-15-64	121567	C	11-09-64	121572	D	12-19-64	121583
E	01-21-65	121589	F	02-15-65	121594	G	03-18-65	121598	H	04-05-65	124236
J	04-26-65	124237	K	08-18-65	124270	L	01-20-66	125617	M	03-22-66	125634

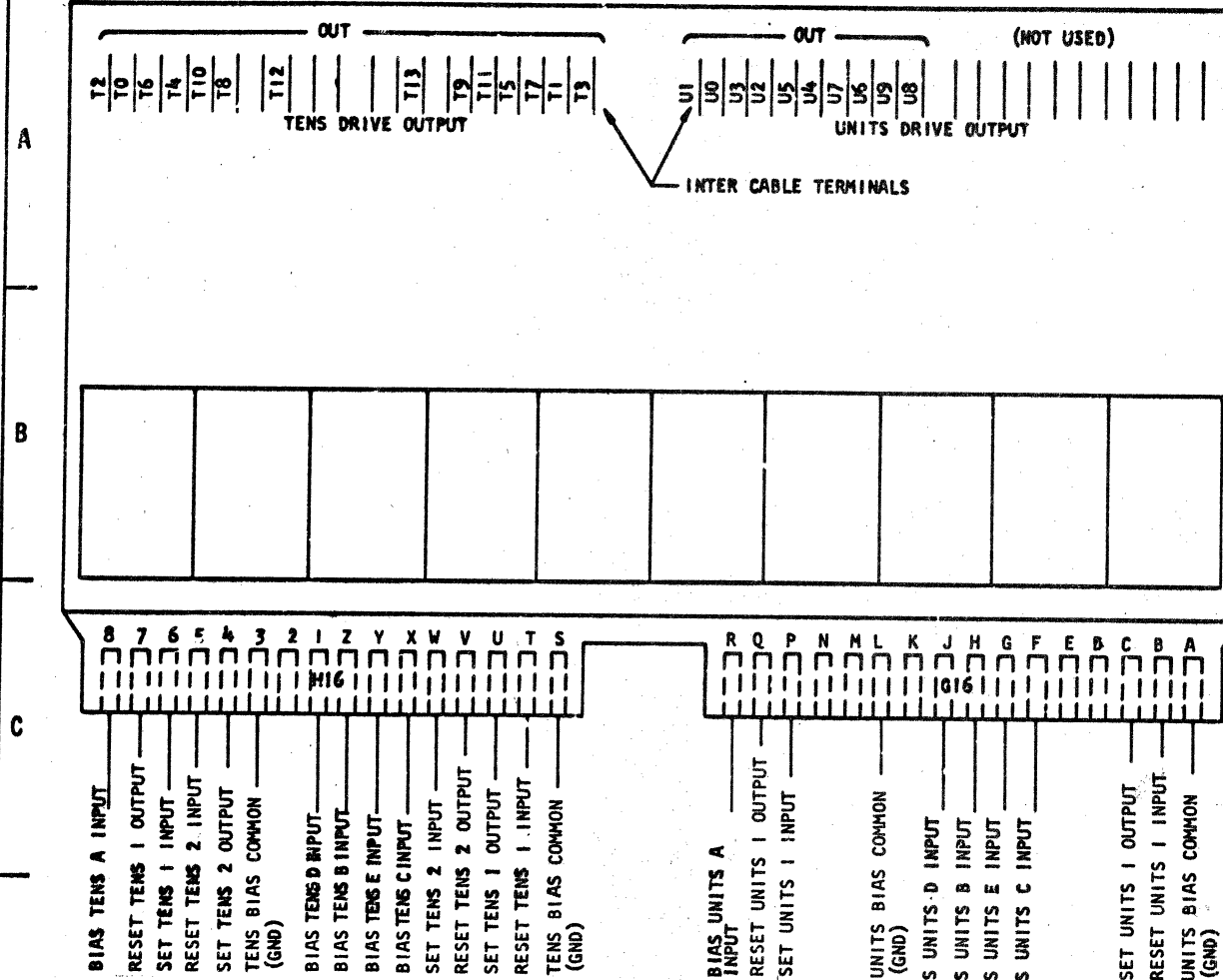
PRINT POSITION	21A3 RESPONSE		21A4 HAMMER FIRE CARD CONNECT	PRINT POSITION	21A3 RESPONSE		21A4 HAMMER FIRE CARD CONNECT
	HAMMER CARD PIN	EDGE CONN PIN			HAMMER CARD PIN	EDGE CONN PIN	
1	G25D	G31B	A2	67	E123	H29C	F3
2	G25S	H26B	C2	68	G12Q	H32C	J3
3	E18D	G32B	B2	69	G12S	H31C	H3
4	E18Q	H28B	E2	70	G123	H30Q	G15
5	G18D	H27B	D2	71	G22Q	G31N	A13
6	E18S	H30B	G2	72	G223	H26N	C13
7	E183	H29B	F2	73	E11D	G32M	B12
8	G18Q	H32B	J2	74	E11Q	H28M	E12
9	G18S	H31B	H2	75	G11D	H27M	D12
10	G183	H30R	G16	76	E11S	H30M	G12
11	G25Q	G31P	A14	77	E113	H29M	F12
12	G253	H26P	C14	78	G11Q	H32M	J12
13	E17D	G32N	B13	79	G11S	H31M	H12
14	E17Q	H28N	E13	80	G113	H27Q	D15
15	G17D	H27N	D13	81	G21D	G31F	A6
16	E17S	H30N	G13	82	G21S	H26F	C6
17	E173	H29N	F13	83	E10D	G32F	B6
18	G17Q	H32N	J13	84	E10Q	H28F	E6
19	G17S	H31N	H13	85	G10D	H27F	D6
20	G173	G31R	A16	86	E10S	H30F	G6
21	G24D	G31A	A1	87	E103	H29F	F6
22	G24S	H26A	C1	88	G10Q	H32F	J6
23	E16D	G32A	B1	89	G10S	H31F	H6
24	E16Q	H28A	E1	90	G103	H28R	E16
25	G16D	H27A	D1	91	G21Q	G31K	A10
26	E16S	H30A	G1	92	G213	H26K	C10
27	E163	H29A	F1	93	E09D	G32H	B8
28	G16Q	H32A	J1	94	E09Q	H28H	E8
29	G16S	H31A	H1	95	G09D	H27H	D8
30	G163	H31Q	H15	96	E09S	H30H	G8
31	G24Q	G31Q	A15	97	E093	H29H	F8
32	G243	H26Q	C15	98	G09Q	H32H	J8
33	E15D	G32P	B14	99	G09S	H31H	H8
34	E15Q	H28P	E14	100	G093	H26R	C16
35	G15D	H27P	D14	101	G20D	G31E	A5
36	E15S	H30P	G14	102	G20S	H26E	C5
37	E153	H29P	F14	103	E08D	G32E	B5
38	G15Q	H32P	J14	104	E08Q	H28E	E5
39	G15S	H31P	H14	105	G08D	H27E	D5
40	G153	G32R	B16	106	E08S	H30E	G5
41	G23D	G31D	A4	107	E083	H29E	F5
42	G23S	H26D	C4	108	G08Q	H32E	J5
43	E14D	G32D	B4	109	G08S	H31E	H5
44	E14Q	H28D	E4	110	G083	H29Q	F15
45	G14D	H27D	D4	111	G20Q	G31L	A11
46	E14S	H30D	G4	112	G203	H26L	C11
47	E143	H29D	F4	113	E07D	G32K	B10
48	G14Q	H32D	J4	114	E07Q	H28K	E10
49	G14S	H31D	H4	115	G07D	H27K	D10
50	G143	H29R	F16	116	E07S	H30K	G10
51	G23Q	G31M	A12	117	E073	H29K	F10
52	G233	H26M	C12	118	G07Q	H32K	J10
53	E13D	G32L	B11	119	G07S	H31K	H10
54	E13Q	H28L	E11	120	G073	H27R	D16
55	G13D	H27L	D11	121	G19D	G31G	A7
56	E13S	H30L	G11	122	G19S	H26G	C7
57	E133	H29L	F11	123	E06D	G32G	B7
58	G13Q	H32L	J11	124	E06Q	H28G	E7
59	G13S	H31L	H11	125	G06D	H27G	D7
60	G133	G32Q	B15	126	E06S	H30G	G7
61	G22D	G31C	A3	127	E063	H29G	F7
62	G22S	H26C	C3	128	G06Q	H32G	J7
63	E12D	G32C	B3	129	G06S	H31G	H7
64	E12Q	H28C	E3	130	G063	H28Q	E15
65	G12D	H27C	D3	131	G19Q	G31H	A8
66	E12S	H30C	G3	132	G193	H26H	C8



HAMMER FIRE  
CARD CONNECTORS  
COL 9 & ROW K NOT USED

DATE	EC NO	DATE	EC NO	DATE	EC NO
9-15-64	121550 J	12-10-64	121572		

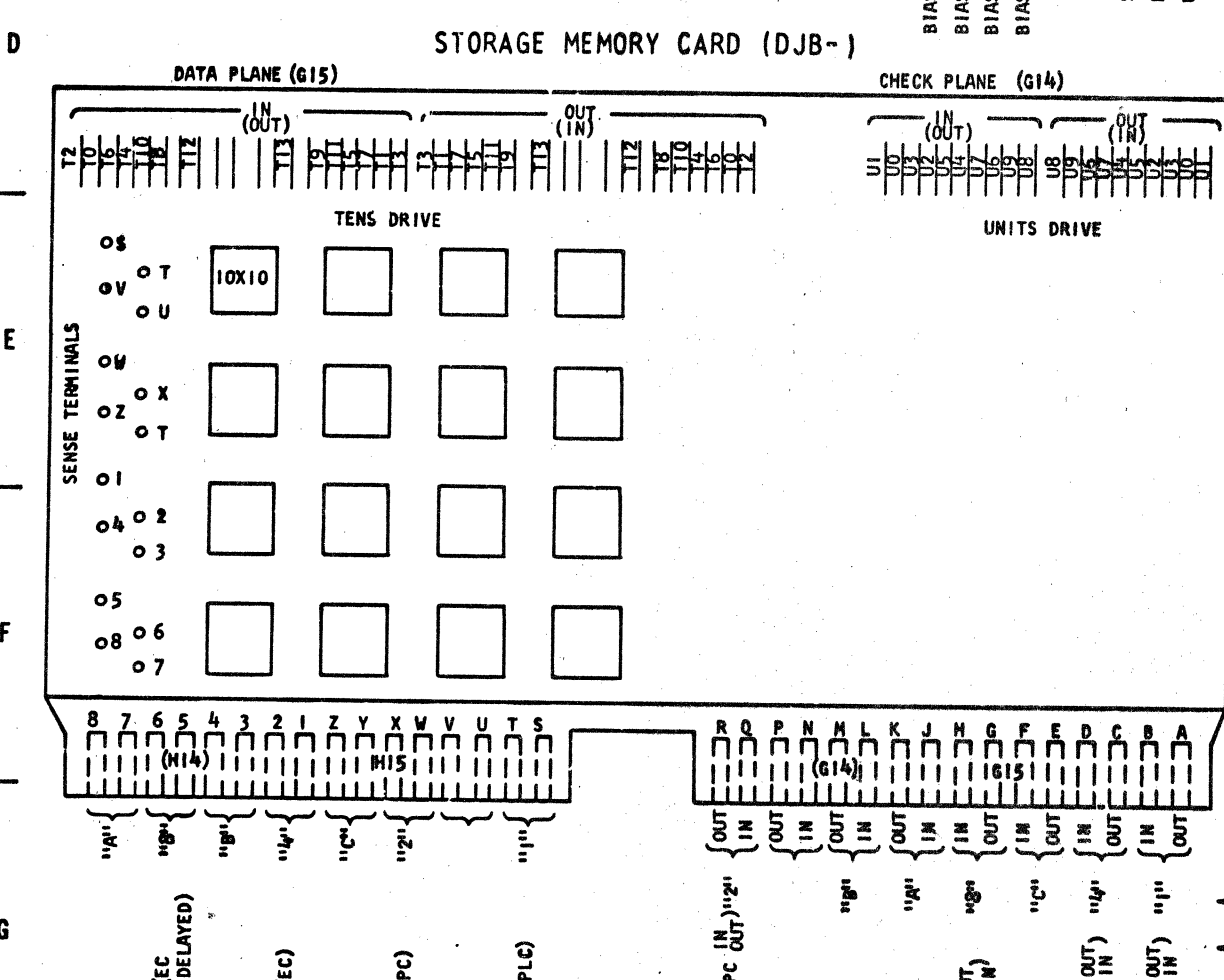
(COMPONENT SIDE)



TOP SIDE

**CORE WINDING DATA**

	TERNS	MA	MA-TERNS
BIAS (2)	14	-175	-4900 (TOTAL)
SET	7	+275	+1925
RESET	7	-275	-1925
OUTPUT	5	+270	+1350

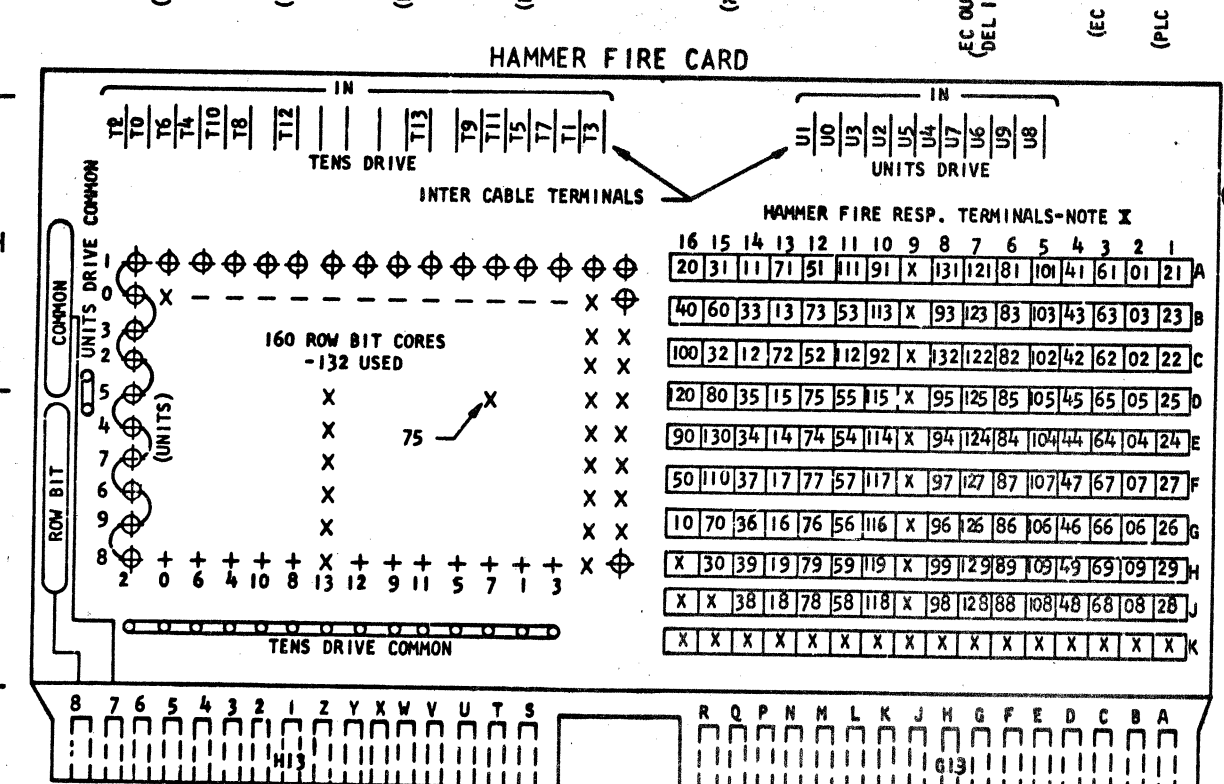


TOP SIDE

**CORE WINDING DATA**

	TERNS	MA	MA-TERNS
TENS	1	270	270
UNITS	1	270	270
INHIBIT	1	245	245
SENSE	1	-	50HV (NOM)

DATA SIGNALS  
CHECK SIGNALS



TOP SIDE

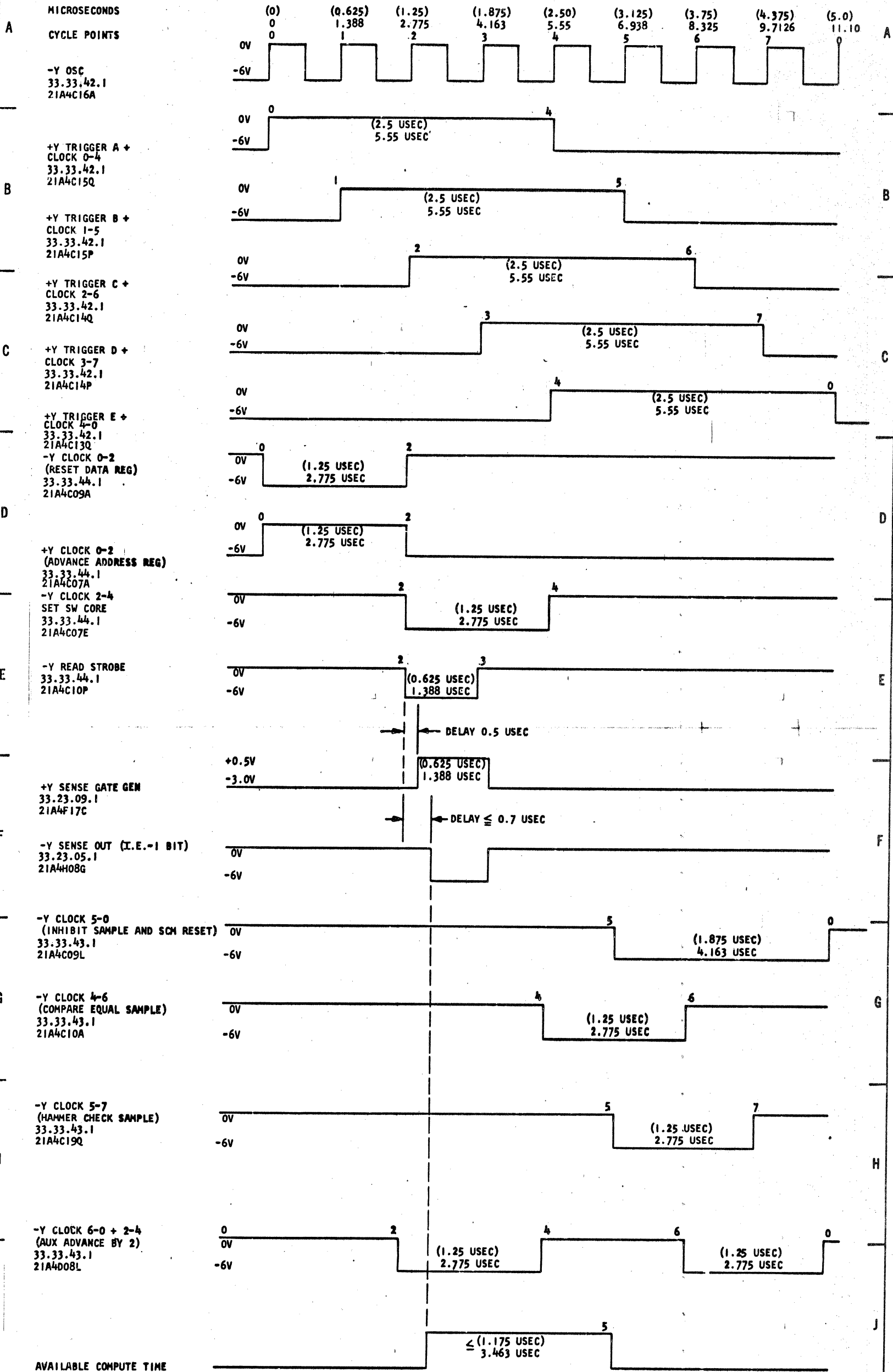
**CORE WINDING DATA**

	TERNS	MA (NOM)	MA-TERNS
UNITS	1	+270	+270
TENS	1	+270	+270
HAMMER RESPONSE	5	+110	+550
SENSE OUT 1	-	-	50HV (NOM)

**NOTES**  
 X ASSEMBLE CABLE CARDS WITH PRINT CIRCUIT FACE DOWN. NUMBERS IN BLOCK ARE PRINT POSITIONS.  
 XI HAMMER RESPONSE AND TURNS ARE ADDITIVE TO UNITS AND TENS DRIVE LINES DURING READ TIME.

DATE	EC NO	DATE	EC NO
9-15-64	121530 J		
12-10-64	121572		
11DEC67	131802		





\*NOTE: 1403 III TIMING PULSES ARE IN PARENTHESIS

DATE	EC NO	DATE	EC NO	DATE	EC NO
9-15-64	121550J				
12-10-64	121572				

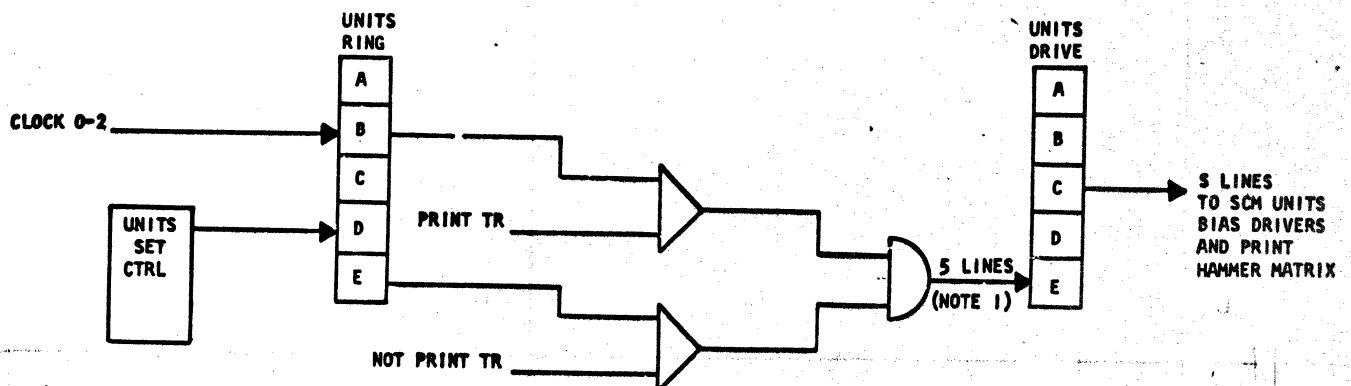


ADDR. POS.	UNITS RING TRIGGERS				
	A	B	C	D	E
0	0	0	0	1	1
1	1	0	0	1	0
2	1	0	0	0	1
3	0	1	0	0	1
4	1	1	0	0	0
5	1	0	1	0	0
6	0	1	1	0	0
7	0	1	0	1	0
8	0	0	1	1	0
9	0	0	1	0	1

ADDR. POS.	UNITS DRIVE (+3 ADV)				
	A	B	C	D	E
1	1	0	0	1	0
4	1	1	0	0	0
7	0	0	0	1	0
3	0	1	0	0	1
6	0	1	1	0	0
9	0	0	1	0	1
2	1	0	0	0	1
5	1	0	1	0	0
8	0	0	1	1	0

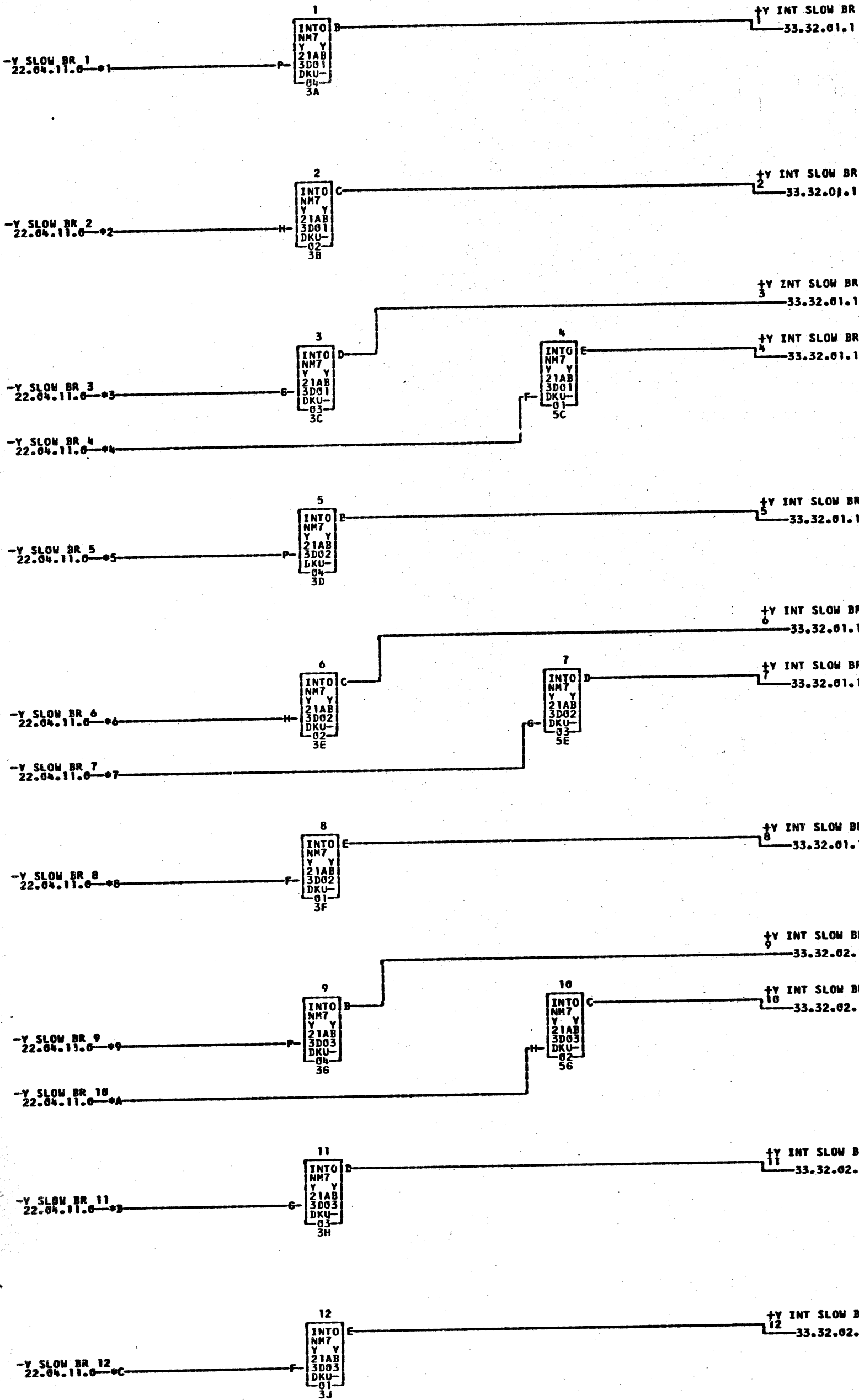
NOTE 1: FOR PRINT TR OFF UNITS DRIVE SEQUENCE WILL BE SAME AS UNITS RING ADDR POS 0,1,2,3---ETC.

FOR PRINT TR ON UNITS DRIVE SEQUENCE WILL FOLLOW THE +3 ADV PATTERN ADDR POS 0,1,4,7---ETC.  
THE PRINT TR IS ON FROM THE START OF THE FIRST PRINT SCAN UNTIL THE END OF THE LAST PRINT SCAN.  
EX: SUBSCAN 2 END - ADDRESS REGISTER -131  
NEXT ADDRESS -003 (BEGINNING SUBSCAN 3)  
FOR +3 ADV, UNITS DRIVE AT 003, UNITS RING MUST BE AT 004.  
THEREFORE UNITS RING MUST BE RESET TO .003 SO THAT ON FIRST ADVANCE, THE UNITS RING WILL ADVANCE TO 004.



BUFFER RINGS CONTROL (UNITS-TENS-HUNDRETHS)

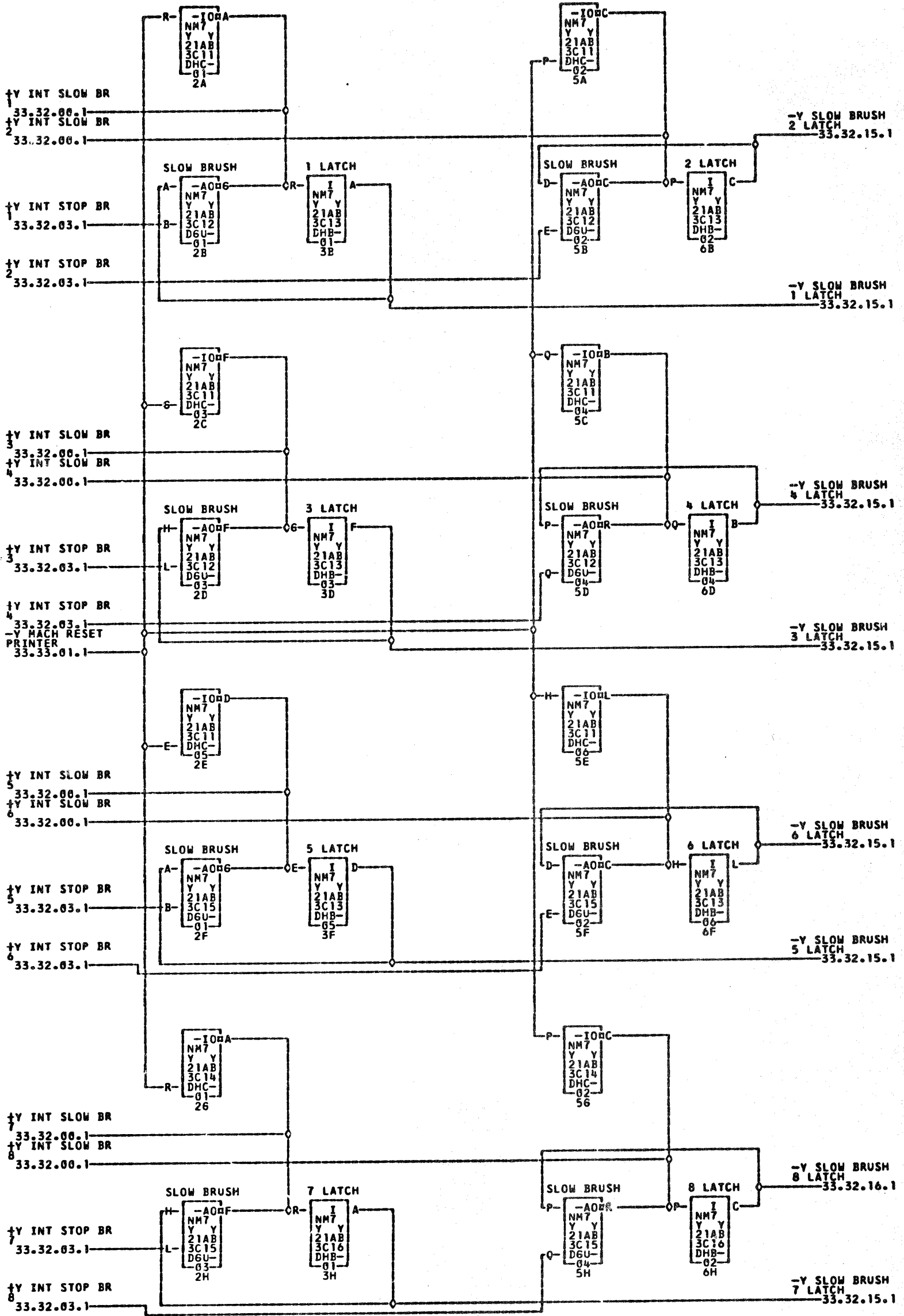
STATE OF OPERATION	RESET RINGS TO		AFTER 1ST ADV	
	AT ADDRESS	RINGS TO	ADDR RINGS	ADDR DRIVE
POWER ON	XXX	000	001	001 (+1)
INITIAL SELECTION	XXX	000	001	001 (+1)
TRANSFER END	132	000	000	001 (+3)
SUB-SCAN 1 END	130	006	007	002 (+3)
SUB-SCAN 2 END	131	003	004	003 (+3)
SUB-SCAN 3 END	132	000	000	001 (+3)



- \*1-21A3F01A
- \*2-21A3F01B
- \*3-21A3F01C
- \*4-21A3F01D
- \*5-21A3F01E
- \*6-21A3F01F
- \*7-21A3F01G
- \*8-21A3F01H
- \*9-21A3F01J
- \*A-21A3F01K
- \*B-21A3F01L
- \*C-21A3F01M

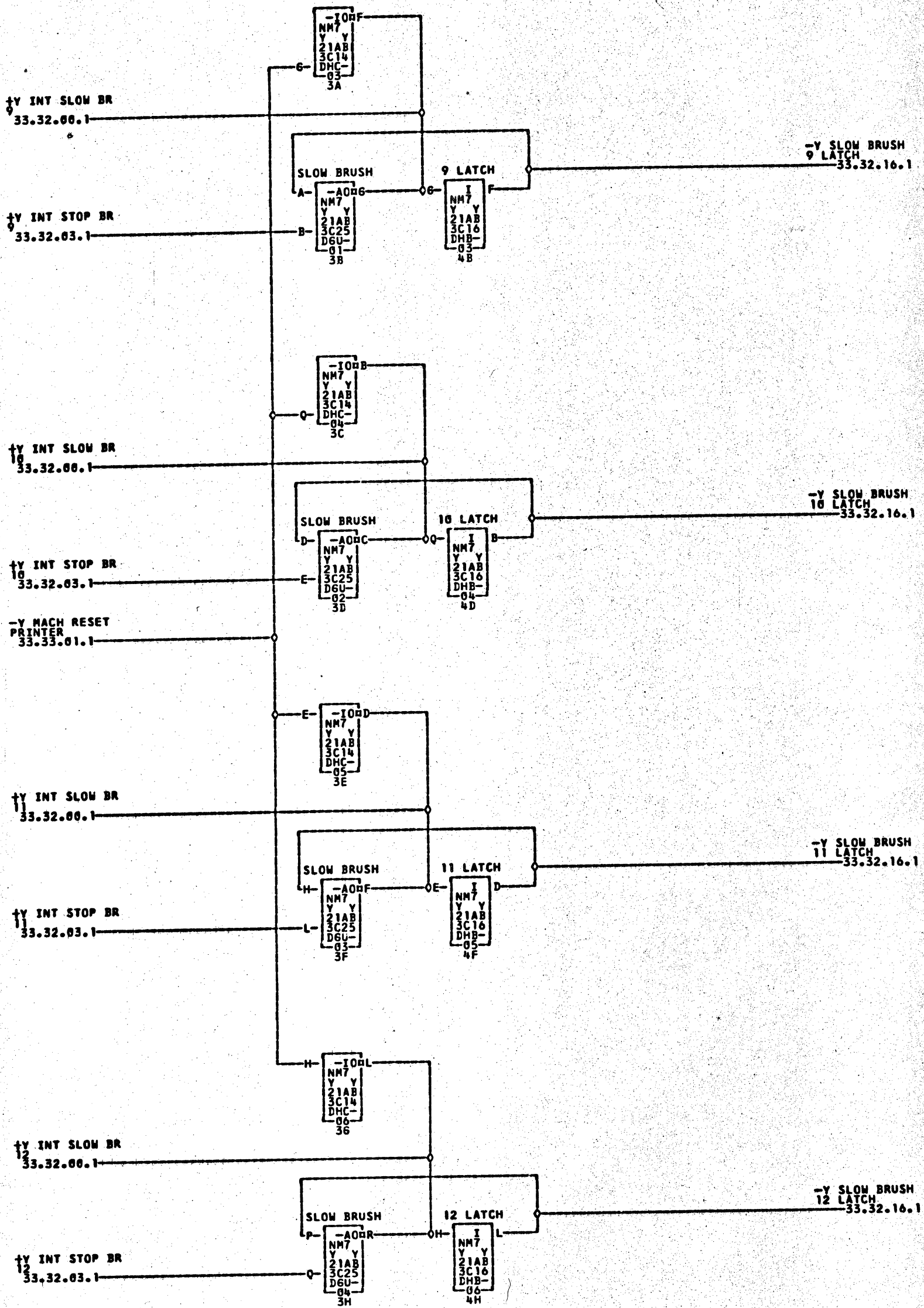
COMMENTS

TAG	DATE	E.C.NO.	TAG	DATE	E.C.NO.	TAG	DATE	E.C.NO.	TAG	DATE	E.C.NO.
A	08-31-64	121550H	B	04-26-65	124237						



COMMENTS

TAG	DATE	E.C.NO.	TAG	DATE	E.C.NO.	TAG	DATE	E.C.NO.	TAG	DATE	E.C.NO.
A	08-31-64	121550H	B	04-26-65	124237						



COMMENTS

TAG	DATE	E.C.NO.	TAG	DATE	E.C.NO.	TAG	DATE	E.C.NO.	TAG	DATE	E.C.NO.
A	08-31-64	121550H	B	04-26-65	124237						



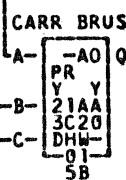


-Y STOP BRUSH  
ENCODE 1  
33.32.04.1

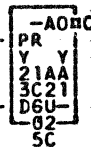


+Y CARR BRUSH  
REG 1  
33.32.11.1

\*CE 33.05.01.0  
-Y CARR BRUSH  
REG 1  
33.32.11.1

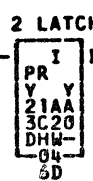
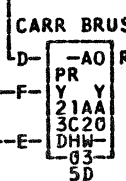


-Y STOP BRUSH  
ENCODE 2  
33.32.04.1



+Y CARR BRUSH  
REG 2  
33.32.11.1

\*CE 33.05.01.0  
-Y CARR BRUSH  
REG 2  
33.32.11.1



+Y CARR BRUSH  
REG RESET  
33.32.12.1

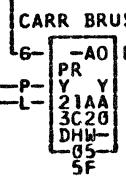
-Y CARR BRUSH  
REG SET  
33.32.12.1

-Y STOP BRUSH  
ENCODE 4  
33.32.04.1



+Y CARR BRUSH  
REG 4  
33.32.11.1

\*CE 33.05.01.0  
-Y CARR BRUSH  
REG 4  
33.32.11.1



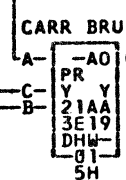
+Y PRT WRITE  
33.13.12.1

-Y STOP BRUSH  
ENCODE 8  
33.32.04.1



+Y CARR BRUSH  
REG 8  
33.32.11.1

\*CE 33.05.01.0  
-Y CARR BRUSH  
REG 8  
33.32.11.1



\*1--21A3B02E  
\*4--21A3B02H

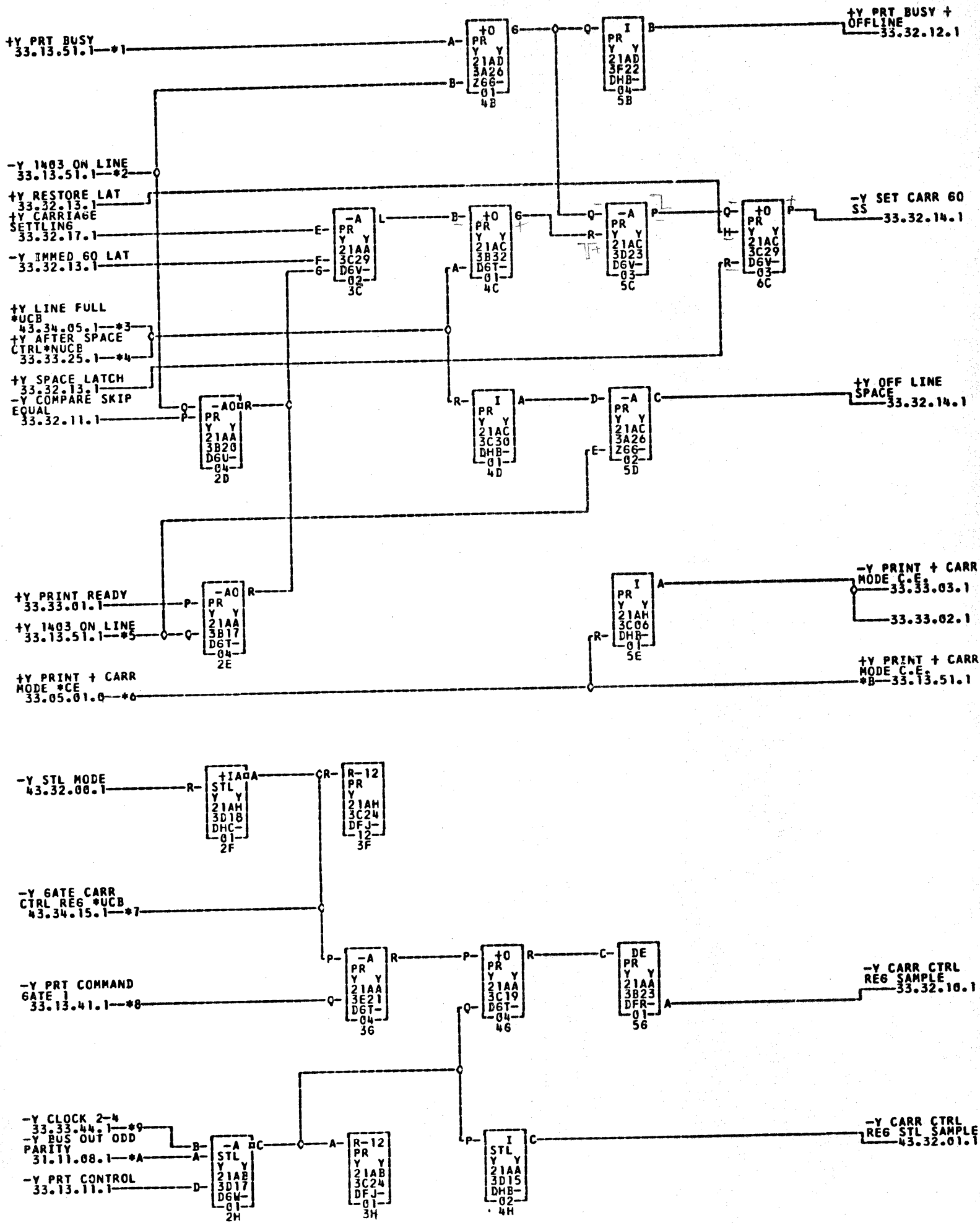
====CEPRB005  
====CEPRB008

\*2--21A3B02F

-----CEPRB006

\*3--21A3B02G

-----CEPRB007

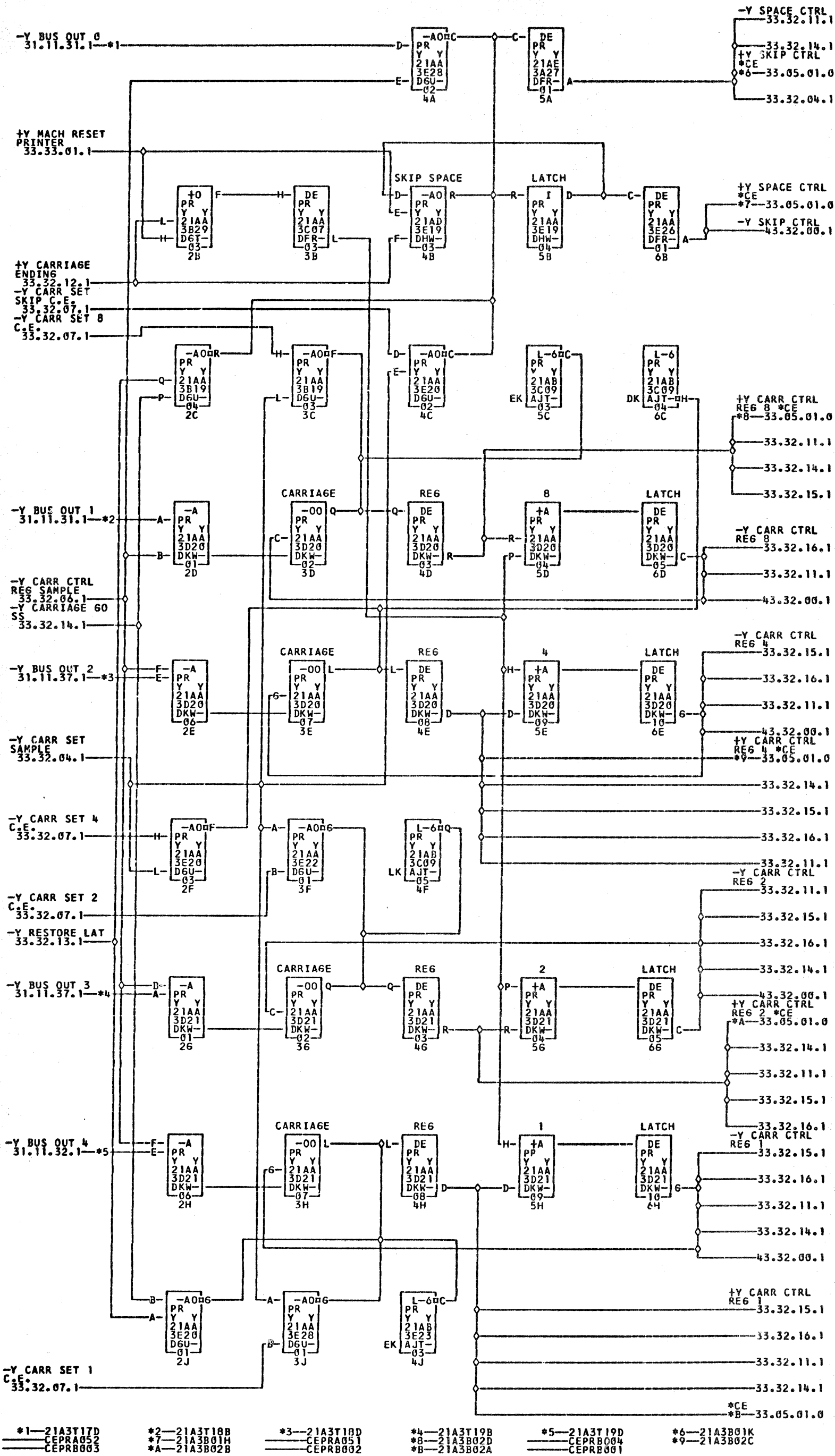


- \*1—21A3T23C  
CEPRA094  
21A1T26A
- \*2—21A3T02D  
\*7—21A3T31C
- \*3—21A3T23B  
\*8—21A3T28A
- \*4—21A3T25B  
\*9—21A3D32D
- \*5—21A3T12A  
\*A—21A3T14C
- \*6—21A3B02R  
\*B—21A3T26A

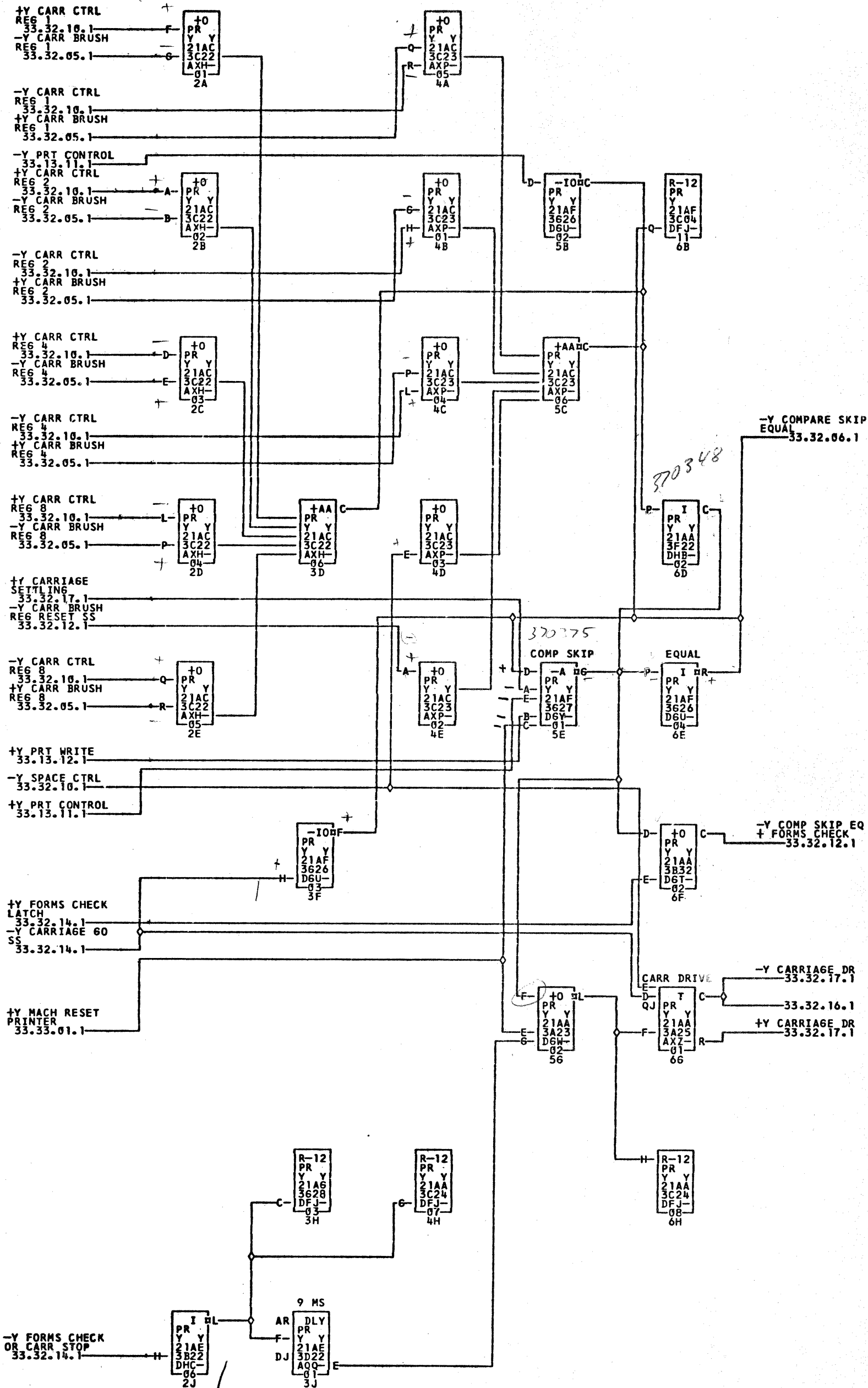
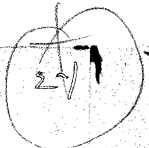
MDM. 4082		COMMENTS		TAG DATE E.C.NO.		TAG DATE E.C.NO.		TAG DATE E.C.NO.		TAG DATE E.C.NO.	
A	08-31-64	121559H	A	10-15-64	121567	C	11-10-64	121572	D	12-18-64	121583
E	01-21-65	121589	F	02-15-65	121594	G	08-18-65	124270	H	09-09-65	124272





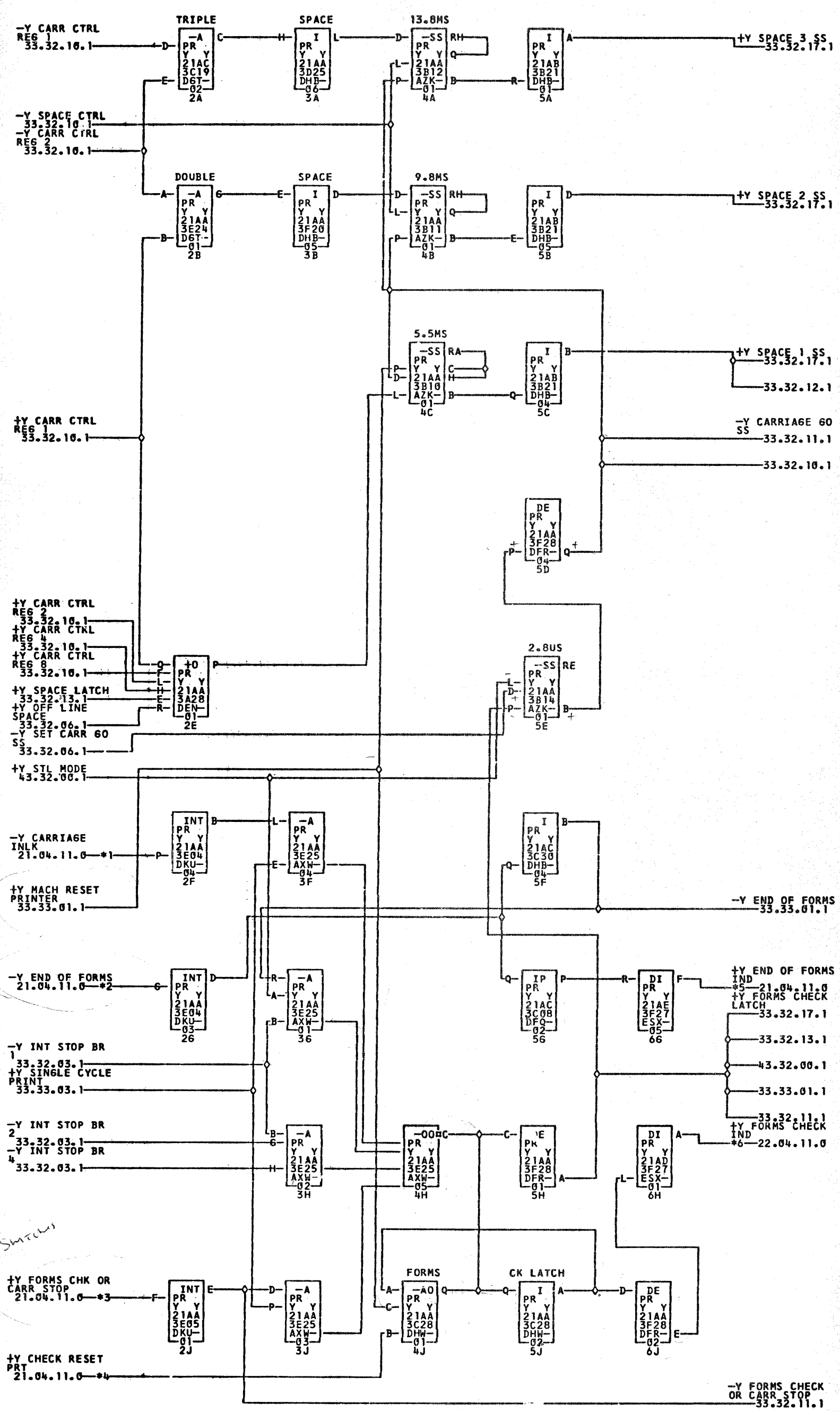


- \*1-21A3T17D      \*2-21A3T18B      \*3-21A3T18D      \*4-21A3T19B      \*5-21A3T19D      \*6-21A3B01K
- CEPRA052      CEPRA051      CEPRA051      CEPRA051      CEPRA051      CEPRA051
- CEPRB003      \*A-21A3B02B      CEPRB002      \*8-21A3B02D      \*9-21A3B02C      \*B-21A3B02A
- CEPRB003      CEPRB003      CEPRB003      CEPRB003      CEPRB003      CEPRB003





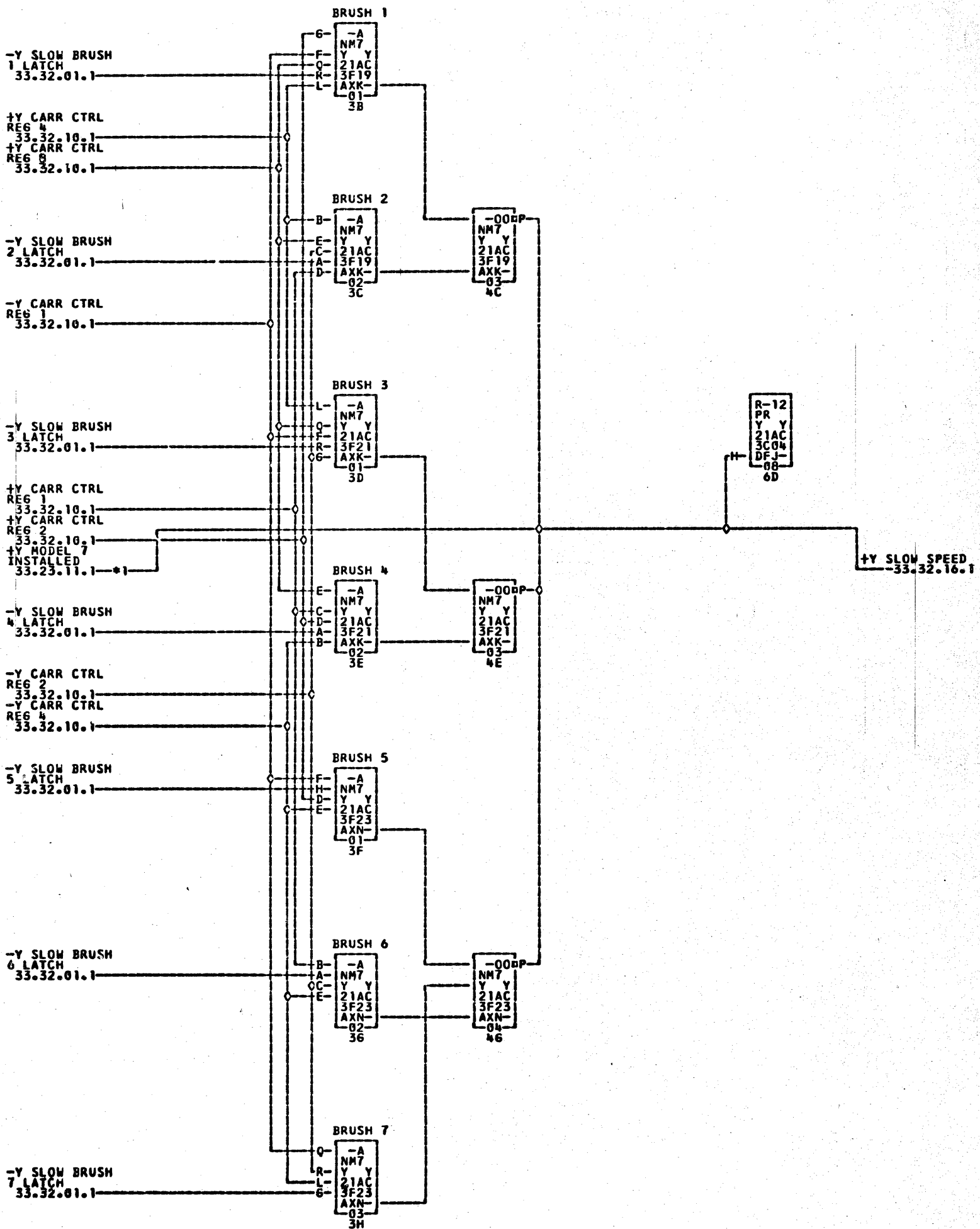




\*1-21A3C01E      \*2-21A3C02M      \*3-21A3C01P      \*4-21A3C02N      \*5-21A3C01M      \*6-21A3F02B

MDN	DATE	E.C. NO.	TAG	DATE	E.C. NO.	TAG	DATE	E.C. NO.	TAG	DATE	E.C. NO.
MDN-4082-4482	08-31-64	121550H	A	10-15-64	121567	C	03-18-65	121598	D	04-26-65	124237
	05-26-65	124248	E	03-2-66	125634	F	07-13-66	125648	H	05-24-67	125673

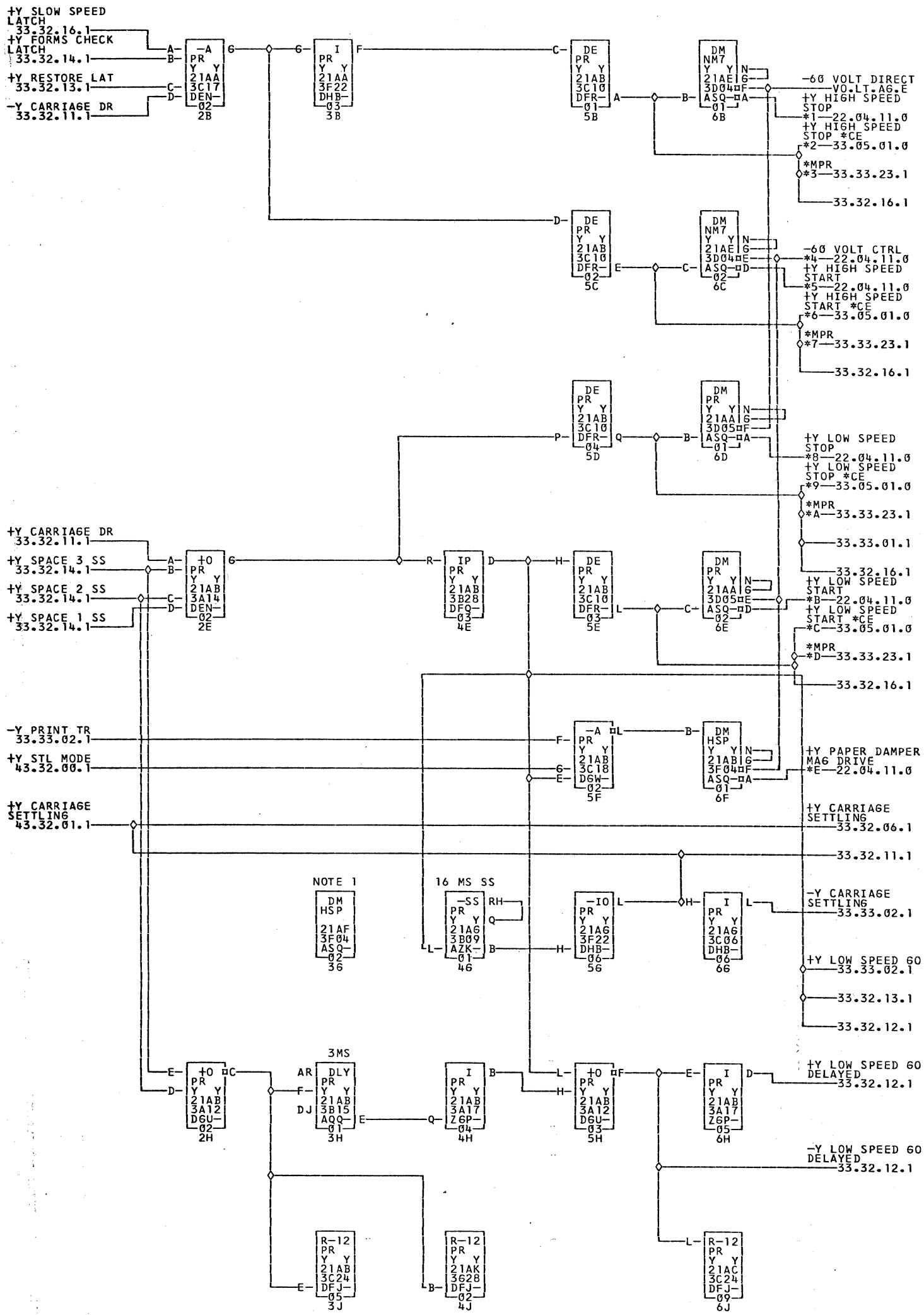
12



\*1-21A3E31M





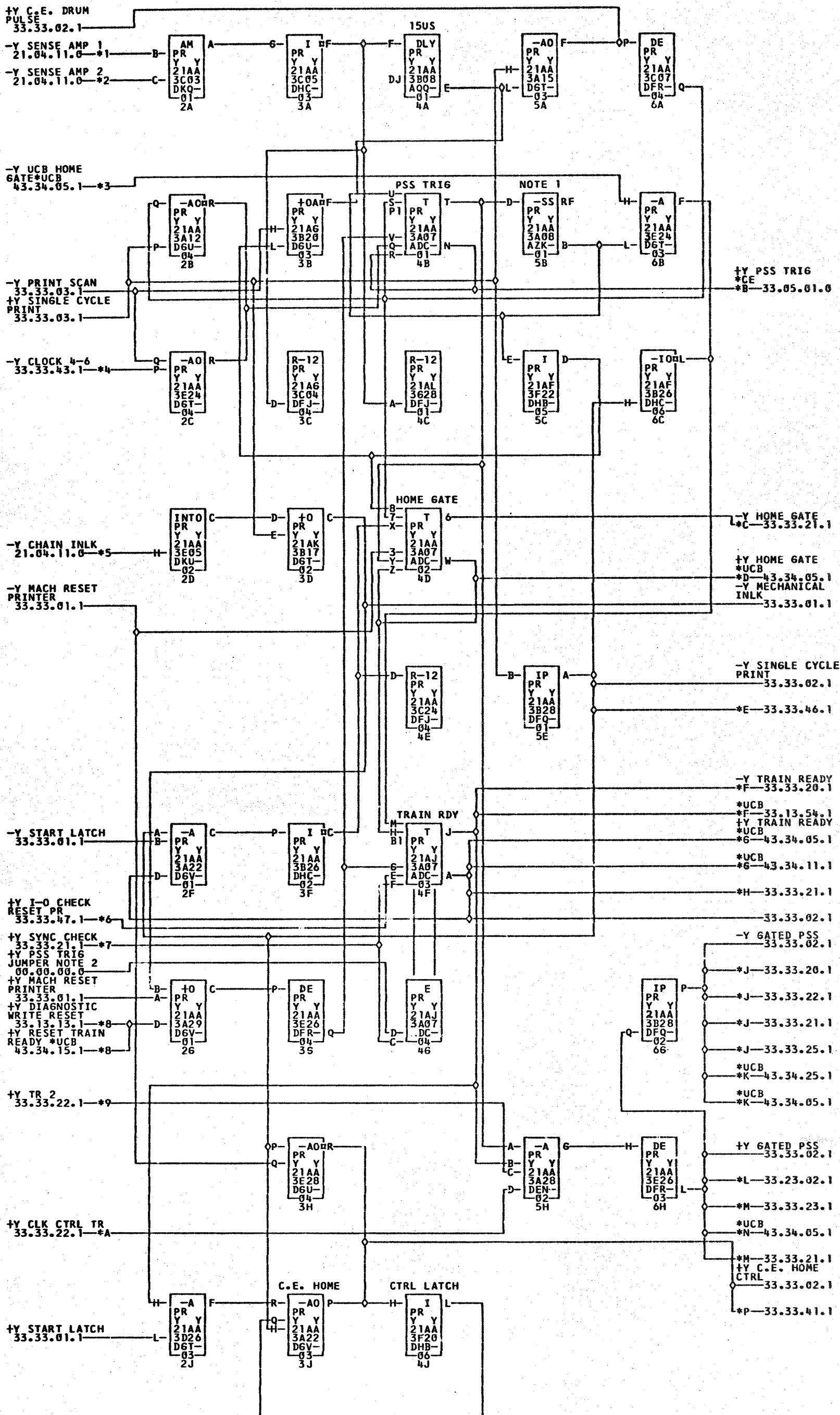


- \*1-21A3F01P
- \*2-21A3T04B
- 21A1T04B
- 21A1D02R
- CEPRA040
- \*3-21A3T04B
- 21A1T04B
- 21A1H03E
- 21A1D02R
- CEPRA040
- \*4-21A3601M
- \*5-21A3F01N
- \*6-21A3T03D
- 21A1T03D
- 21A1D02Q
- CEPRA039
- \*7-21A3T03D
- 21A1T03D
- 21A1D02Q
- CEPRA039
- \*8-21A3F02R
- \*9-21A3T06D
- 21A1T06D
- CEPRA055
- \*A-21A3T06D
- 21A1H03C
- 21A1D01R
- CEPRA055
- \*B-21A3F02Q
- 21A1T05C
- 21A1H04C
- CEPRA054
- \*C-21A3T05C
- 21A1H04B
- 21A1D01Q
- CEPRA054
- \*D-21A3T05C
- 21A1T05C
- 21A1H04B
- \*E-21A3F01Q

MDM 4082-4482 COMMENTS

TAG	DATE	E.C.NO.	TAG	DATE	E.C.NO.	TAG	DATE	E.C.NO.	TAG	DATE	E.C.NO.
A	08-31-64	121550H	B	10-15-64	121567	C	12-18-64	121583	D	02-15-65	121594
E	04-26-65	124237	F	08-18-65	124270	G	10-11-65	125598	H	03-10-66	125633
J	12-16-66	125656	K	04-20-67	125672						

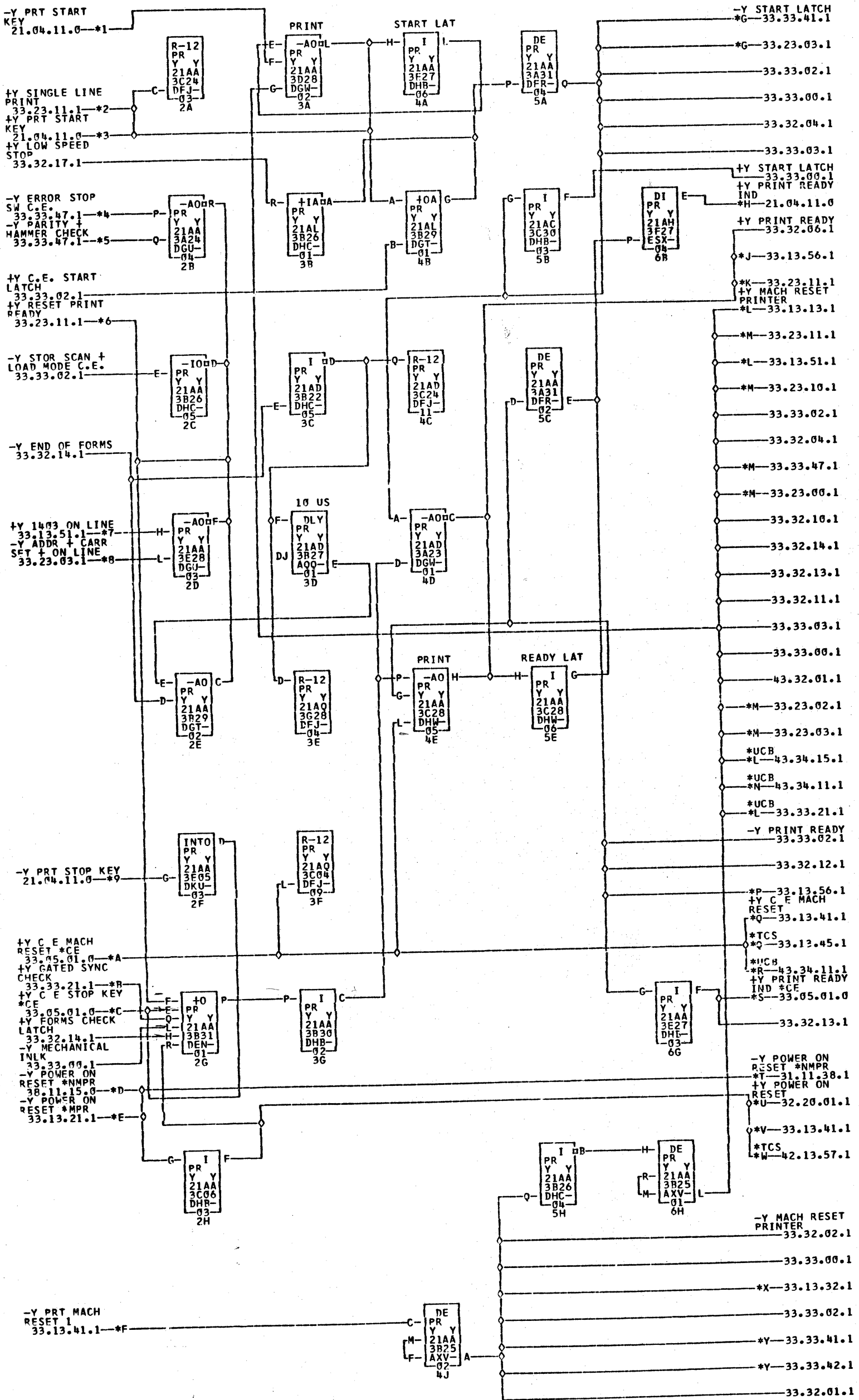
NOTE 1 THIS CIRCUIT RESERVED FOR R AND S METERING



- \*1-21A3C02A
- \*2-21A3C02B
- \*3-21A3T25A
- \*4-21A3D32E
- \*5-21A3C02K
- \*6-21A3D32H
- \*7-21A3T13C
- \*8-21A3T11C
- \*9-21A3T22C
- \*A-21A3T22D
- \*B-21A3B01F
- \*C-21A3T28C
- \*D-21A1T28C
- \*E-21A4E02C
- \*F-21A1T24D
- \*G-21A1D31K
- \*H-21A3T30A
- \*I-21A1T30A
- \*J-21A3T27D
- \*K-21A1T27D
- \*L-21A3T28B
- \*M-21A1T28B
- \*N-21A1D31E
- \*O-21A2D02E
- \*P-21A1T26C
- \*Q-21A1D31R
- \*R-21A4E02B
- \*S-CEPRA042
- \*T-21A2D02K
- \*U-21A1T27D
- \*V-21A1T28B
- \*W-21A4D02P
- \*X-21A2D02R

NOTE 1 SET SS 300 USEC FOR 600 LPM  
 PR-150 USEC FOR 1100 LPM PR MDM.4083  
 NOTE 2 JUMPER A07D TO A07N TO PERMIT THE  
 NEXT PSS PULSE TO RESET THE TRAIN READY  
 TR AFTER A SYNC CHECK AND RESYNC THE PRT  
 CKTS-ALSO SEE NOTE 1 ON LOGIC 33.33.21.1

TAG	DATE	E.C.NO.	TAG	DATE	E.C.NO.	TAG	DATE	E.C.NO.	TAG	DATE	E.C.NO.
A	08-31-64	121550H	B	10-15-64	121567	C	11-10-64	121572	D	12-18-64	121583
E	01-21-65	121589	F	02-15-65	121594	G	03-18-65	121598	H	04-05-65	124236
J	04-26-65	124237	K	08-18-65	124270	L	04-20-67	125672			

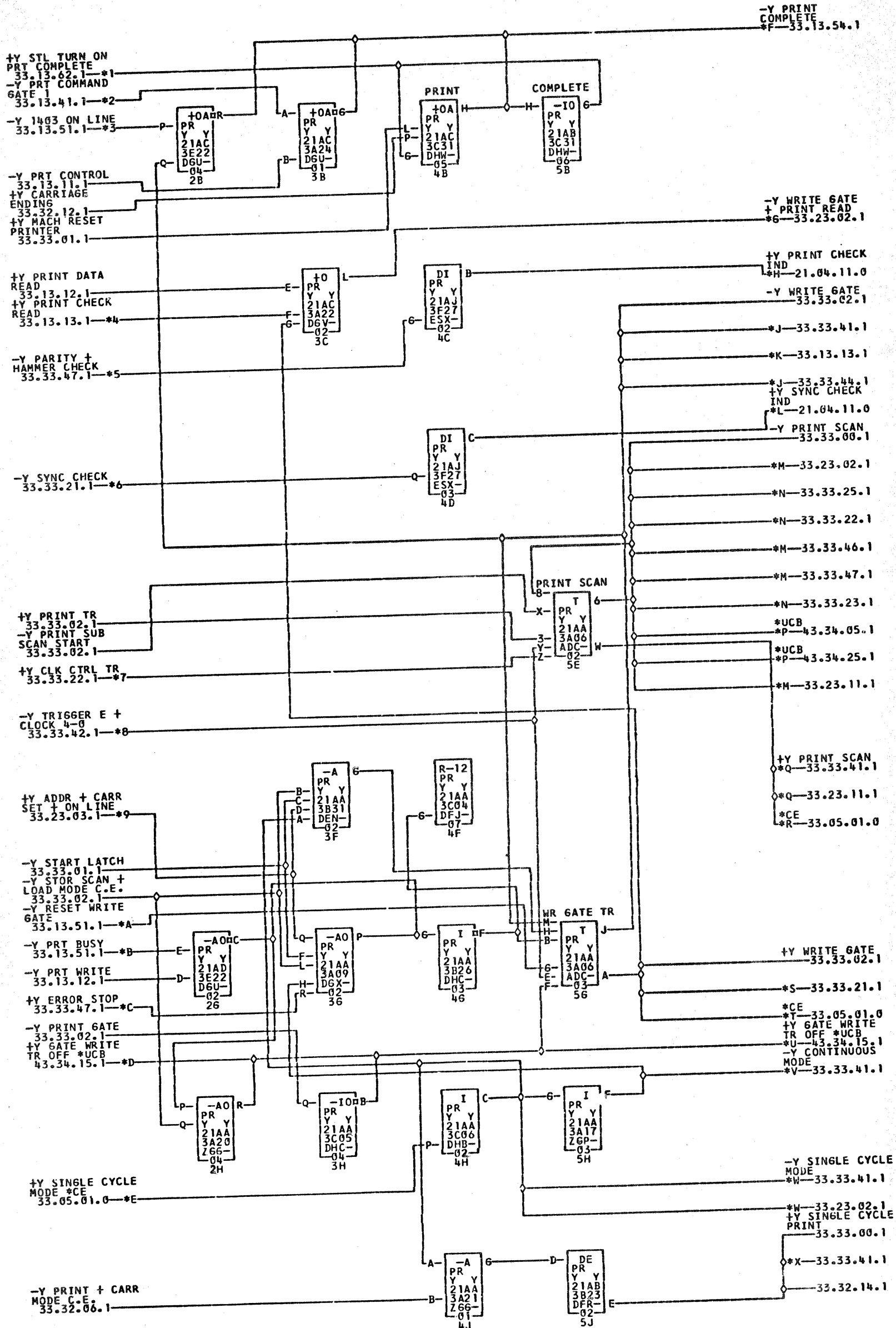


- \*1-21A3C02J
- \*2-21A3C32C
- \*3-21A4B01C
- \*4-21A3C02G
- \*5-21A3D30P
- \*6-21A3C32D
- \*7-21A3T12A
- \*8-21A3D30A
- \*9-21A3C02H
- \*A-21A3R02P
- \*B-21A3T09B
- \*C-21A3B02N
- \*D-21A3C02L
- \*E-21A3T05A
- \*F-21A3T39C
- \*G-21A3E02P
- \*H-21A3C02L
- \*J-21A3T06C
- \*K-21A3T06C
- \*L-21A3D31F
- \*M-21A3D31F
- \*N-21A3T04C
- \*O-21A3C32E
- \*P-21A3T04C
- \*Q-21A3T39D
- \*R-21A1T26B
- \*S-21A3T04A
- \*T-21A3T04A
- \*U-21A3T04A
- \*V-21A3T04A
- \*W-21B1C31P
- \*X-21A3T27B
- \*Y-21A3T27B
- \*Z-21A1T27B
- \*AA-21A3R02P
- \*AB-21A3T05A
- \*AC-21A1T06C
- \*AD-21A4D02F
- \*AE-21A1T04C
- \*AF-21A1T04A
- \*AG-21A1T04A
- \*AH-21A1T04A
- \*AI-21A1T04A
- \*AJ-21B2H01P

MDM.3090-3180-3280-3380  
3480-3580-3680 4084

TAG	DATE	E.C.NO.	TAG	DATE	E.C.NO.	TAG	DATE	E.C.NO.	TAG	DATE	E.C.NO.
A	08-31-64	121550H	F	02-15-65	121594	C	11-10-64	121572	D	12-10-64	121583
F	02-15-65	121594	F	03-18-65	121598	G	04-26-65	124237	H	05-26-65	124248
J	06-08-65	124249	K	06-22-65	124265	L	08-18-65	124270	M	10-11-65	125598
N	11-18-65	125601	P	03-22-66	125634	Q	04-20-67	125672	R	08-18-70	133298





- \*1-21A3T10C
- \*2-21A3T28A
- \*3-21A3T02D
- \*4-21A3T10B
- \*5-21A3D30P
- \*6-21A3T03B
- \*7-21A3T22D
- \*8-21A3D32K
- \*9-21A3D30B
- \*A-21A3T06A
- \*B-21A3T23D
- \*C-21A3D31E
- \*D-21A3T31A
- \*E-21A3A03F
- \*F-21A3T29C
- \*G-21A3D32F
- \*H-21A4D01F
- \*I-21A3C02D
- \*J-21A3D31K
- \*K-21A3T11D
- \*L-21A3C02C
- \*M-21A3D31A
- \*N-21A3T29A
- \*O-21A3D02A
- \*P-21A3T29A
- \*Q-21A3D02B
- \*R-21A3B01E
- \*S-21A1T29A
- \*T-21A3D31C
- \*U-21A3T31A
- \*V-21A3D30H
- \*W-21A3R01D
- \*X-21A3D30E
- \*Y-21A4D03K

COMMENTS

MDM, 4080-4081-4082-4083-4180-4181  
-4480-4481-4482-4580-4581

TAG	DATE	E.C. NO.	TAG	DATE	E.C. NO.	TAG	DATE	E.C. NO.	TAG	DATE	E.C. NO.
A	08-31-64	121530H	B	10-15-64	121567	C	11-10-64	121572	D	12-18-64	121583
E	01-21-65	121589	F	02-15-66	121594	G	03-18-65	121598	H	04-05-65	124236
J	04-26-65	124237	K	06-08-65	124249	L	06-22-65	124265	M	08-18-65	124270
N	03-22-66	125634	P	07-13-66	125648	Q	12-16-66	125656			

4Y UNITS DRIVE

BAR D

33.23.01.1-01

4Y UNITS DRIVE

BAR A

33.23.01.1-02

4Y TENS DRIVE

0

33.33.48.1-03

4Y TENS DRIVE

1

33.33.48.1-04

4Y TENS DRIVE

2

33.33.48.1-05

4Y TENS DRIVE

3

33.33.48.1-06

4Y TENS DRIVE

4

33.33.48.1-07

4Y TENS DRIVE

5

33.33.48.1-08

4Y TENS DRIVE

6

33.33.48.1-09

4Y TENS DRIVE

7

33.33.48.1-0A

4Y TENS DRIVE

8

33.33.49.1-0B

4Y TENS DRIVE

9

33.33.49.1-0C

4Y TENS DRIVE

10

33.33.49.1-0D

4Y TENS DRIVE

11

33.33.49.1-0E

4Y TENS DRIVE

12

33.33.49.1-0F

4Y TENS DRIVE

13

33.33.49.1-0G

V HAMMER 01  
RESPONSE  
\*H-33.23.12.0  
V HAMMER 01  
FIRE  
\*J-21.04.01.0

V HAMMER 11  
RESPONSE  
\*K-33.23.12.0  
V HAMMER 11  
FIRE  
\*L-21.04.01.0

V HAMMER 21  
RESPONSE  
\*M-33.23.12.0  
V HAMMER 21  
FIRE  
\*N-21.04.01.0

V HAMMER 31  
RESPONSE  
\*P-33.23.12.0  
V HAMMER 31  
FIRE  
\*Q-21.04.01.0

V HAMMER 41  
RESPONSE  
\*R-33.23.12.0  
V HAMMER 41  
FIRE  
\*S-21.04.01.0

V HAMMER 51  
RESPONSE  
\*T-33.23.12.0  
V HAMMER 51  
FIRE  
\*U-21.04.01.0

V HAMMER 61  
RESPONSE  
\*V-33.23.12.0  
V HAMMER 61  
FIRE  
\*L-21.04.01.0

V HAMMER 71  
RESPONSE  
\*X-33.23.12.0  
V HAMMER 71  
FIRE  
\*Y-21.04.01.0

V HAMMER 81  
RESPONSE  
\*Z-33.23.12.0  
V HAMMER 81  
FIRE  
\*1-21.04.01.0

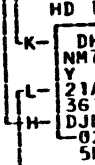
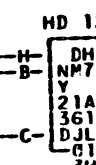
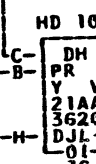
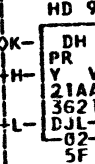
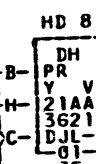
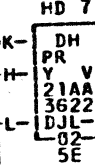
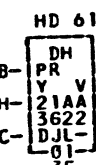
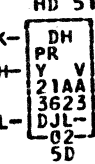
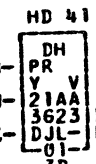
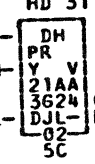
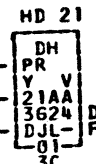
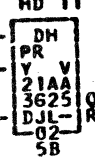
V HAMMER 91  
RESPONSE  
\*2-33.23.12.0  
V HAMMER 91  
FIRE  
\*3-21.04.01.0

V HAMMER 101  
RESPONSE  
\*4-33.23.12.0  
V HAMMER 101  
FIRE  
\*5-21.04.01.0

V HAMMER 111  
RESPONSE  
\*6-33.23.12.0  
V HAMMER 111  
FIRE  
\*7-21.04.01.0

V HAMMER 121  
RESPONSE  
\*8-33.23.12.0  
V HAMMER 121  
FIRE  
\*9-21.04.01.0

V HAMMER 131  
RESPONSE  
\*A-33.23.12.0  
V HAMMER 131  
FIRE  
\*B-21.04.01.0



- \*1-21A3E32N
- \*7-21A3D32Q
- \*D-21A3E32E
- \*K-21A3631P
- \*R-21A3631D
- \*X-21A3631H
- \*A-21A3631H

- \*2-21A3E32K
- \*8-21A3D32R
- \*E-21A3E32F
- \*L-21A3H05F
- \*S-21A3H04E
- \*Y-21A3H03D
- \*5-21A3H02C
- \*B-21A3H01B

- \*3-21A3D32L
- \*9-21A3E32A
- \*F-21A3E32G
- \*M-21A3631A
- \*T-21A3631M
- \*Z-21A3631F
- \*6-21A3631L

- \*4-21A3D32M
- \*A-21A3E32B
- \*G-21A3E32H
- \*N-21A3H05L
- \*U-21A3H04K
- \*1-21A3H03J
- \*7-21A3H02H

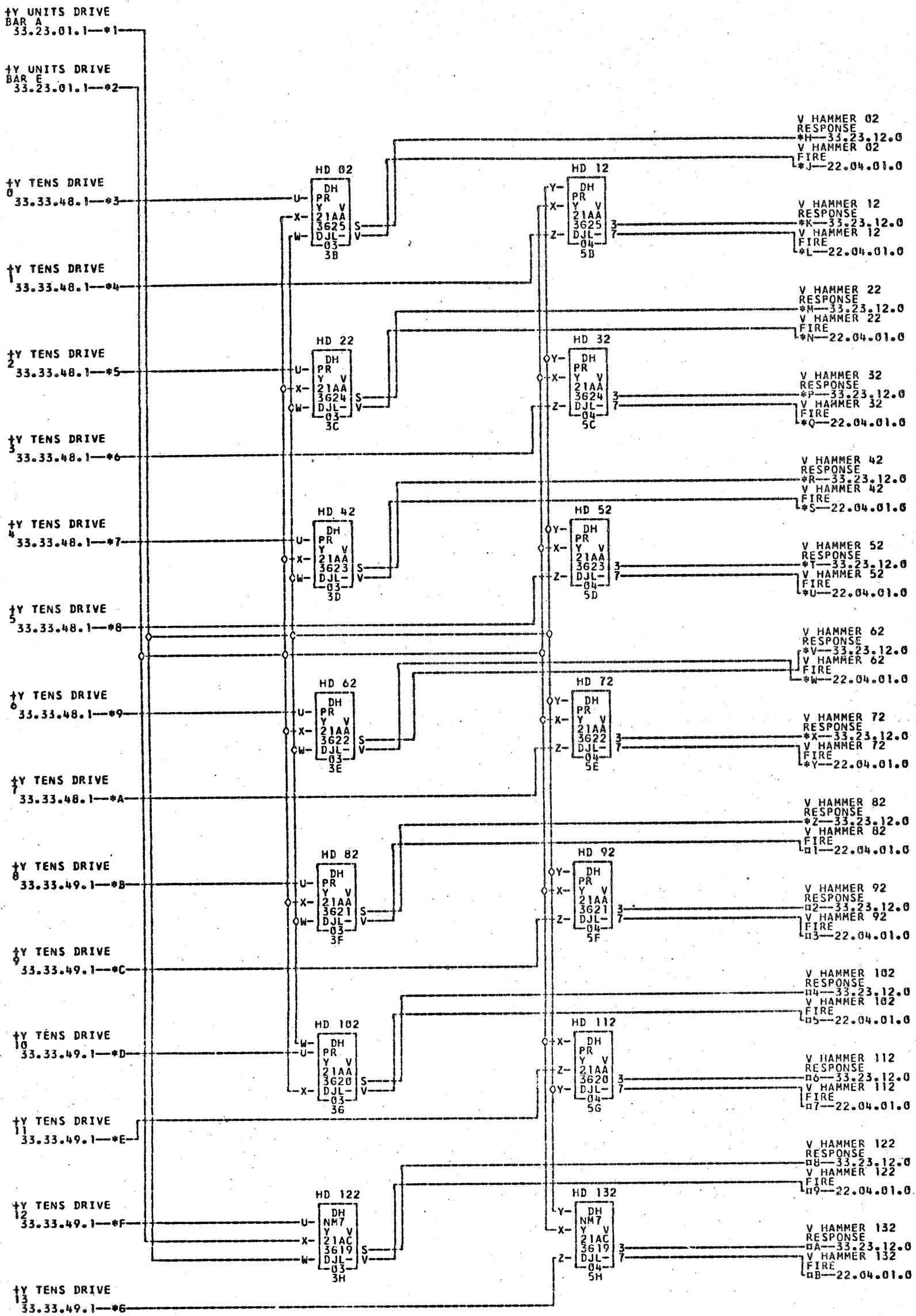
- \*5-21A3D32N
- \*B-21A3E32C
- \*H-21A3631B
- \*P-21A3631O
- \*V-21A3631C
- \*2-21A3631K
- \*8-21A3631G

- \*6-21A3D32P
- \*C-21A3E32D
- \*J-21A3H05A
- \*Q-21A3H05R
- \*W-21A3H04O
- \*3-21A3H03P
- \*9-21A3H02N

COMMENTS

WITH 1403 MODEL 3 OR N1 PRINTER  
A .0047 UFD CAPACITOR IS LOCATED ON  
HAMMER RESPONSE LINE PADDLE CARDS  
HDM-4081-4181

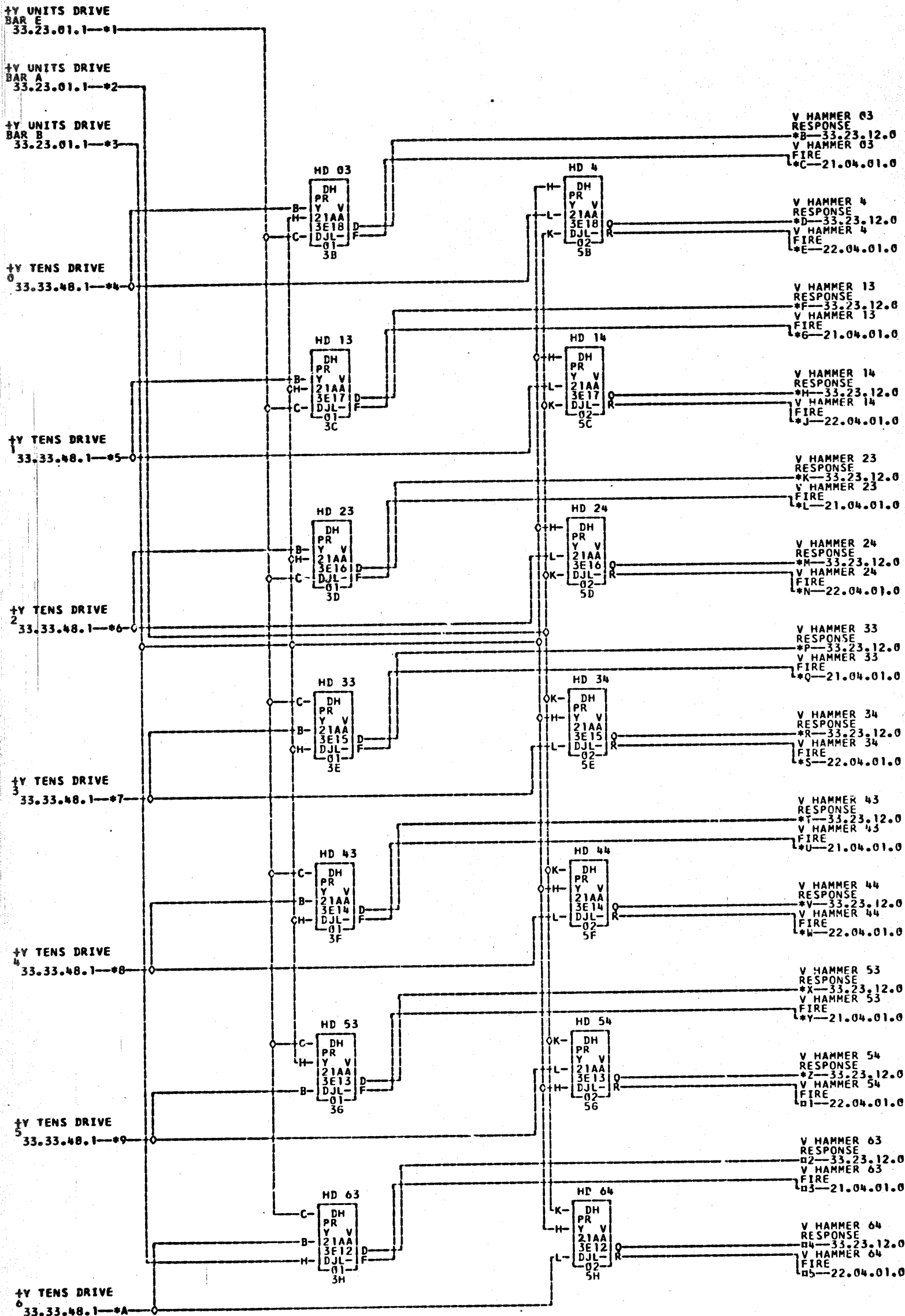
TAG DATE	E.C.NO.	TAG DATE	E.C.NO.	TAG DATE	E.C.NO.	TAG DATE	E.C.NO.
A 08-31-64	121550M	B 10-15-64	121567	C 04-26-65	124237	D 11-18-65	125601



- |             |              |              |              |              |              |
|-------------|--------------|--------------|--------------|--------------|--------------|
| *1-21A3E32K | *2-21A3E32P  | *3-21A3D32L  | *4-21A3D32M  | *5-21A3D32N  | *6-21A3D32P  |
| *7-21A3E32Q | *8-21A3E32R  | *9-21A3E32A  | *A-21A3E32B  | *B-21A3E32C  | *C-21A3E32D  |
| *D-21A3E32E | *E-21A3E32F  | *F-21A3E32G  | *G-21A3E32H  | *H-21A3H26A  | *I-21A3H26B  |
| *J-21A3H26C | *K-21A3H26D  | *L-21A3H26E  | *M-21A3H26F  | *N-21A3H26G  | *O-21A3H26H  |
| *P-21A3H26I | *Q-21A3H26J  | *R-21A3H26K  | *S-21A3H26L  | *T-21A3H26M  | *U-21A3H26N  |
| *V-21A3H26O | *W-21A3H26P  | *X-21A3H26Q  | *Y-21A3H26R  | *1-21A3H26S  | *2-21A3H26T  |
| *3-21A3H26U | *4-21A3H26V  | *5-21A3H26W  | *6-21A3H26X  | *7-21A3H26Y  | *8-21A3H26Z  |
| *9-21A3H26A | *10-21A3H26B | *11-21A3H26C | *12-21A3H26D | *13-21A3H26E | *14-21A3H26F |

COMMENTS  
 WITH 1403 MODEL 3 OR N1 PRINTER  
 A .047 UFD CAPACITOR IS LOCATED ON  
 HAMMER RESPONSE LINE PADDLE CARDS  
 MDM.4081-4181

TAG DATE E.C.NO. TAG DATE E.C.NO. TAG DATE E.C.NO. TAG DATE E.C.NO.  
 A 08-31-64 121550H B 10-15-64 121567 C 04-28-65 124237 D 11-18-65 125601



- \*1-21A3E32P
- \*7-21A3D32P
- \*D-21A3H28B
- \*K-21A3G32A
- \*R-21A3H28P
- \*X-21A3G32L
- \*4-21A3H28C

- \*2-21A3E32K
- \*8-21A3D32Q
- \*E-21A3G05D
- \*L-21A3H05H
- \*S-21A3G04A
- \*Y-21A3H04L
- \*5-21A3G04R

- \*3-21A3E32L
- \*9-21A3D32R
- \*F-21A3G05B
- \*M-21A3H28A
- \*T-21A3G32D
- \*Z-21A3H28L

- \*4-21A3D32L
- \*A-21A3E32A
- \*G-21A3H05G
- \*N-21A3G05M
- \*U-21A3H04F
- \*1-21A3G04L

- \*5-21A3D32M
- \*B-21A3G32B
- \*H-21A3H28N
- \*P-21A3G32P
- \*V-21A3H28D
- \*2-21A3G32C

- \*6-21A3D32N
- \*C-21A3H05B
- \*J-21A3G05G
- \*Q-21A3H04A
- \*W-21A3G04F
- \*3-21A3H04R

COMMENTS  
 WITH 1403 MODEL 3 OR N1 PRINTER  
 A .047 UFD CAPACITOR IS LOCATED ON  
 HAMMER RESPONSE LINE PADDLE CARDS  
 MDM.4081-4181

TAG	DATE	E.C.NO.	TAG	DATE	E.C.NO.	TAG	DATE	E.C.NO.	TAG	DATE	E.C.NO.
A	08-31-64	121550H	B	10-15-64	121567	C	11-18-65	125601			



1Y UNITS DRIVE

BAR A  
33.23.01.1-#1

1Y UNITS DRIVE

BAR B  
33.23.01.1-#2

1Y UNITS DRIVE

BAR B  
33.23.01.1-#3

1Y TENS DRIVE

33.33.48.1-#4

1Y TENS DRIVE

33.33.49.1-#5

1Y TENS DRIVE

33.33.49.1-#6

1Y TENS DRIVE

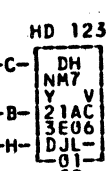
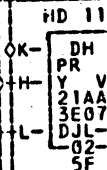
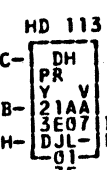
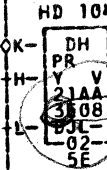
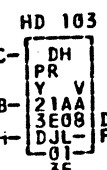
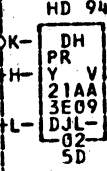
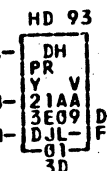
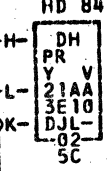
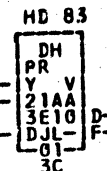
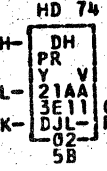
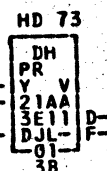
33.33.49.1-#7

1Y TENS DRIVE

33.33.49.1-#8

1Y TENS DRIVE

33.33.49.1-#9



V HAMMER 73  
RESPONSE  
\*A-33.23.12.0  
V HAMMER 73  
FIRE  
\*B-21.04.01.0

V HAMMER 74  
RESPONSE  
\*C-33.23.12.0  
V HAMMER 74  
FIRE  
\*D-22.04.01.0

V HAMMER 83  
RESPONSE  
\*E-33.23.12.0  
V HAMMER 83  
FIRE  
\*F-21.04.01.0

V HAMMER 84  
RESPONSE  
\*G-33.23.12.0  
V HAMMER 84  
FIRE  
\*H-22.04.01.0

V HAMMER 93  
RESPONSE  
\*J-33.23.12.0  
V HAMMER 93  
FIRE  
\*K-21.04.01.0

V HAMMER 94  
RESPONSE  
\*L-33.23.12.0  
V HAMMER 94  
FIRE  
\*M-22.04.01.0

V HAMMER 103  
RESPONSE  
\*N-33.23.12.0  
V HAMMER 103  
FIRE  
\*P-21.04.01.0

V HAMMER 104  
RESPONSE  
\*Q-33.23.12.0  
V HAMMER 104  
FIRE  
\*R-22.04.01.0

V HAMMER 113  
RESPONSE  
\*S-33.23.12.0  
V HAMMER 113  
FIRE  
\*T-21.04.01.0

V HAMMER 114  
RESPONSE  
\*U-33.23.12.0  
V HAMMER 114  
FIRE  
\*V-22.04.01.0

V HAMMER 123  
RESPONSE  
\*W-33.23.12.0  
V HAMMER 123  
FIRE  
\*X-21.04.01.0

V HAMMER 124  
RESPONSE  
\*Y-33.23.12.0  
V HAMMER 124  
FIRE  
\*Z-22.04.01.0

21AA3E08

- \*1-21A3E32P
- \*2-21A3E32K
- \*3-21A3E32L
- \*4-21A3E32B
- \*5-21A3E32C
- \*6-21A3E32D
- \*7-21A3E32E
- \*8-21A3E32F
- \*9-21A3E32G
- \*A-21A3E32M
- \*B-21A3E32N
- \*C-21A3E32H
- \*D-21A3E32O
- \*E-21A3E32I
- \*F-21A3E32J
- \*G-21A3E32K
- \*H-21A3E32L
- \*I-21A3E32M
- \*J-21A3E32N
- \*K-21A3E32O
- \*L-21A3E32P

- \*2-21A3E32K
- \*3-21A3E32L
- \*4-21A3E32M
- \*5-21A3E32N
- \*6-21A3E32O
- \*7-21A3E32P
- \*8-21A3E32Q
- \*9-21A3E32R
- \*A-21A3E32S
- \*B-21A3E32T
- \*C-21A3E32U
- \*D-21A3E32V
- \*E-21A3E32W
- \*F-21A3E32X
- \*G-21A3E32Y
- \*H-21A3E32Z
- \*I-21A3E32AA
- \*J-21A3E32AB
- \*K-21A3E32AC
- \*L-21A3E32AD
- \*M-21A3E32AE

- \*3-21A3E32L
- \*4-21A3E32M
- \*5-21A3E32N
- \*6-21A3E32O
- \*7-21A3E32P
- \*8-21A3E32Q
- \*9-21A3E32R
- \*A-21A3E32S
- \*B-21A3E32T
- \*C-21A3E32U
- \*D-21A3E32V
- \*E-21A3E32W
- \*F-21A3E32X
- \*G-21A3E32Y
- \*H-21A3E32Z
- \*I-21A3E32AA
- \*J-21A3E32AB
- \*K-21A3E32AC
- \*L-21A3E32AD
- \*M-21A3E32AE

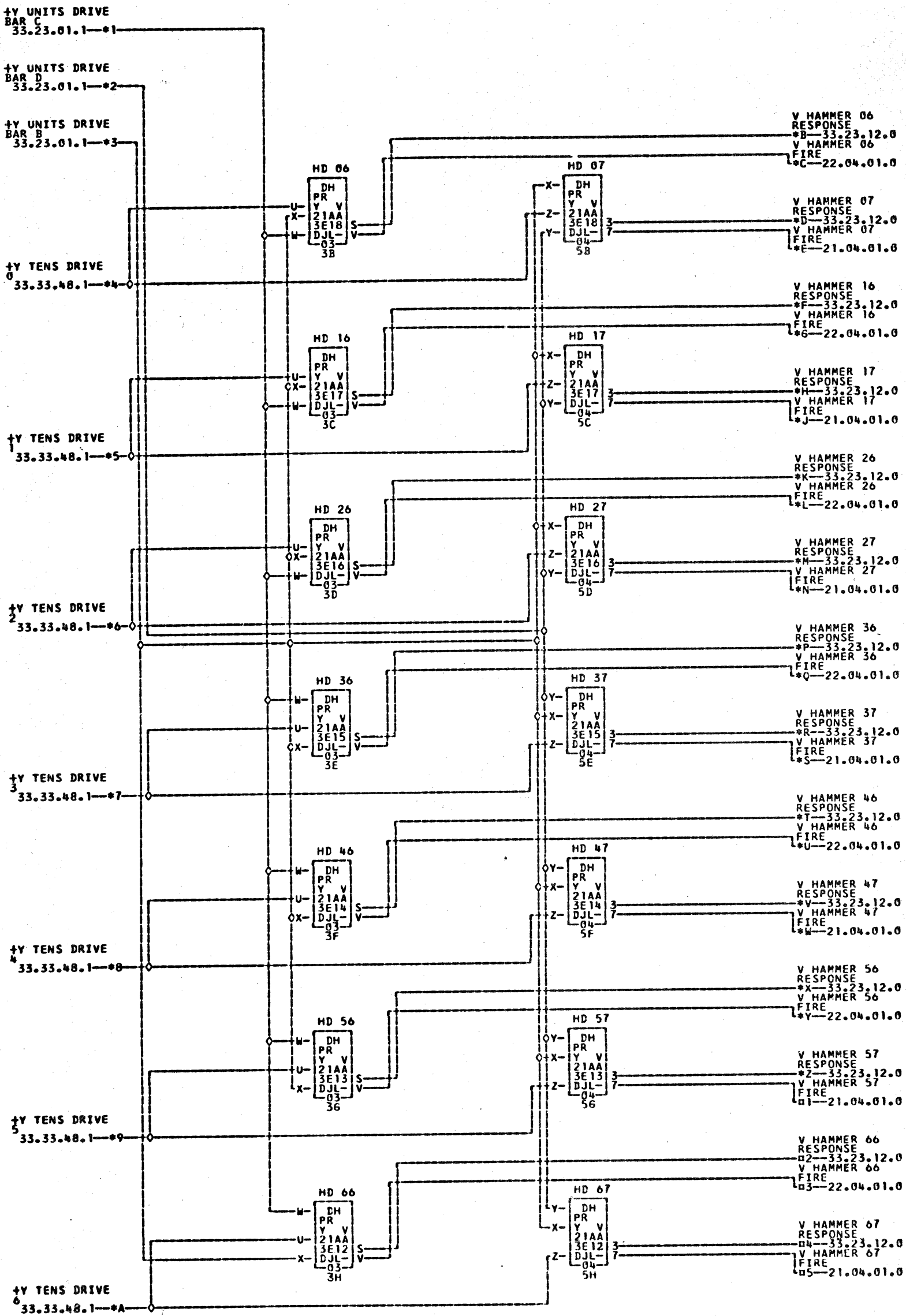
- \*4-21A3E32B
- \*5-21A3E32C
- \*6-21A3E32D
- \*7-21A3E32E
- \*8-21A3E32F
- \*9-21A3E32G
- \*A-21A3E32H
- \*B-21A3E32I
- \*C-21A3E32J
- \*D-21A3E32K
- \*E-21A3E32L
- \*F-21A3E32M
- \*G-21A3E32N
- \*H-21A3E32O
- \*I-21A3E32P
- \*J-21A3E32Q
- \*K-21A3E32R
- \*L-21A3E32S
- \*M-21A3E32T
- \*N-21A3E32U

- \*5-21A3E32C
- \*6-21A3E32D
- \*7-21A3E32E
- \*8-21A3E32F
- \*9-21A3E32G
- \*A-21A3E32H
- \*B-21A3E32I
- \*C-21A3E32J
- \*D-21A3E32K
- \*E-21A3E32L
- \*F-21A3E32M
- \*G-21A3E32N
- \*H-21A3E32O
- \*I-21A3E32P
- \*J-21A3E32Q
- \*K-21A3E32R
- \*L-21A3E32S
- \*M-21A3E32T
- \*N-21A3E32U
- \*O-21A3E32V

- \*6-21A3E32D
- \*7-21A3E32E
- \*8-21A3E32F
- \*9-21A3E32G
- \*A-21A3E32H
- \*B-21A3E32I
- \*C-21A3E32J
- \*D-21A3E32K
- \*E-21A3E32L
- \*F-21A3E32M
- \*G-21A3E32N
- \*H-21A3E32O
- \*I-21A3E32P
- \*J-21A3E32Q
- \*K-21A3E32R
- \*L-21A3E32S
- \*M-21A3E32T
- \*N-21A3E32U
- \*O-21A3E32V
- \*P-21A3E32W

WITH 1403 MODEL 3 OR N1 PRINTER  
A .047 UFD CAPACITOR IS LOCATED ON  
HAMMER RESPONSE LINE PADDLE CARDS  
MDM.4081-4181

TAG DATE E.C.NO. TAG DATE E.C.NO. TAG DATE E.C.NO. TAG DATE E.C.NO.  
A 08-31-64 1215504 B 10-15-64 121567 C 04-26-65 124237 D 11-18-65 125601



- \*1-21A3E32M
- \*7-21A3D32P
- \*D-21A3H29B
- \*K-21A3H30A
- \*R-21A3H29P
- \*X-21A3H30L
- \*4-21A3H29C

- \*2-21A3E32N
- \*8-21A3D32Q
- \*E-21A3H05D
- \*L-21A3G05N
- \*S-21A3H04C
- \*Y-21A3G04M
- \*5-21A3H03B

- \*3-21A3E32L
- \*9-21A3D32R
- \*F-21A3H05N
- \*M-21A3H29A
- \*T-21A3H04D
- \*Z-21A3H29L

- \*4-21A3D32L
- \*A-21A3E32A
- \*G-21A3G05H
- \*N-21A3H05P
- \*U-21A3G04G
- \*1-21A3H04N

- \*5-21A3D32M
- \*B-21A3H30B
- \*H-21A3H29N
- \*P-21A3H30P
- \*V-21A3H29D
- \*2-21A3H30C

- \*6-21A3D32N
- \*C-21A3G05C
- \*J-21A3H05J
- \*Q-21A3G04B
- \*W-21A3H04H
- \*3-21A3G03A

COMMENTS  
 WITH 1403 MODEL 3 OR N1 PRINTER  
 A .047 UFD CAPACITOR IS LOCATED ON  
 HAMMER RESPONSE LINE PADDLE CARDS  
 MDM.4081-4181

TAG DATE E.C.NO. TAG DATE E.C.NO. TAG DATE E.C.NO. TAG DATE E.C.NO.  
 A 08-31-64 121550H B 10-15-64 121567 C 11-18-65 125601

†Y UNITS DRIVE  
BAR C  
33.23.01.1—\*1

†Y UNITS DRIVE  
BAR D  
33.23.01.1—\*2

†Y UNITS DRIVE  
BAR B  
33.23.01.1—\*3

†Y TENS DRIVE  
7  
33.33.48.1—\*4

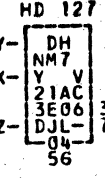
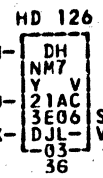
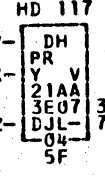
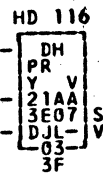
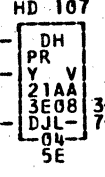
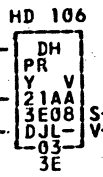
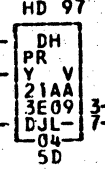
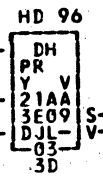
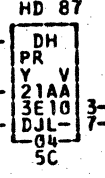
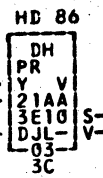
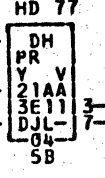
†Y TENS DRIVE  
8  
33.33.49.1—\*5

†Y TENS DRIVE  
9  
33.33.49.1—\*6

†Y TENS DRIVE  
10  
33.33.49.1—\*7

†Y TENS DRIVE  
11  
33.33.49.1—\*8

†Y TENS DRIVE  
12  
33.33.49.1—\*9



V HAMMER 76  
RESPONSE  
\*A—33.23.12.0  
V HAMMER 76  
FIRE  
\*B—22.04.01.0

V HAMMER 77  
RESPONSE  
\*C—33.23.12.0  
V HAMMER 77  
FIRE  
\*D—21.04.01.0

V HAMMER 86  
RESPONSE  
\*E—33.23.12.0  
V HAMMER 86  
FIRE  
\*F—22.04.01.0

V HAMMER 87  
RESPONSE  
\*G—33.23.12.0  
V HAMMER 87  
FIRE  
\*H—21.04.01.0

V HAMMER 96  
RESPONSE  
\*J—33.23.12.0  
V HAMMER 96  
FIRE  
\*K—22.04.01.0

V HAMMER 97  
RESPONSE  
\*L—33.23.12.0  
V HAMMER 97  
FIRE  
\*M—21.04.01.0

V HAMMER 106  
RESPONSE  
\*N—33.23.12.0  
V HAMMER 106  
FIRE  
\*P—22.04.01.0

V HAMMER 107  
RESPONSE  
\*Q—33.23.12.0  
V HAMMER 107  
FIRE  
\*R—21.04.01.0

V HAMMER 116  
RESPONSE  
\*S—33.23.12.0  
V HAMMER 116  
FIRE  
\*T—22.04.01.0

V HAMMER 117  
RESPONSE  
\*U—33.23.12.0  
V HAMMER 117  
FIRE  
\*V—21.04.01.0

V HAMMER 126  
RESPONSE  
\*W—33.23.12.0  
V HAMMER 126  
FIRE  
\*X—22.04.01.0

V HAMMER 127  
RESPONSE  
\*Y—33.23.12.0  
V HAMMER 127  
FIRE  
\*Z—21.04.01.0

- \*1—21A3E32M
- \*7—21A3E32E
- \*D—21A3H036
- \*K—21A3G03R
- \*R—21A3H02F
- \*X—21A3G02Q

- \*2—21A3E32N
- \*8—21A3E32F
- \*E—21A3H30F
- \*L—21A3H29H
- \*S—21A3H30K
- \*Y—21A3H296

- \*3—21A3E32L
- \*9—21A3E326
- \*F—21A3G03L
- \*M—21A3H02A
- \*T—21A3G02K
- \*Z—21A3H02R

- \*4—21A3E32B
- \*A—21A3H30M
- \*G—21A3H29F
- \*N—21A3H30E
- \*U—21A3H29K

- \*5—21A3E32C
- \*B—21A3G03F
- \*H—21A3H03M
- \*P—21A3G02E
- \*V—21A3H02L

- \*6—21A3E32D
- \*C—21A3H29M
- \*J—21A3H30H
- \*O—21A3H29E
- \*W—21A3H306

WITH 1403 MODEL 3 OR N1 PRINTER  
A .047 UFD CAPACITOR IS LOCATED ON  
HAMMER RESPONSE LINE PADDLE CARDS  
MDM.4081-4181

TAG DATE E.C.NO. TAG DATE E.C.NO. TAG DATE E.C.NO. TAG DATE E.C.NO.  
A 08-31-64 121550H B 10-15-64 121567 C 04-26-65 124237 D 11-18-65 125601

1Y UNITS DRIVE

BAR A

33.23.01.1-#1

1Y UNITS DRIVE

BAR D

33.23.01.1-#2

1Y UNITS DRIVE

BAR C

33.23.01.1-#3

1Y TENS DRIVE

0

33.33.48.1-#4

1Y TENS DRIVE

0

33.33.48.1-#5

1Y TENS DRIVE

2

33.33.48.1-#6

1Y TENS DRIVE

3

33.33.48.1-#7

1Y TENS DRIVE

4

33.33.48.1-#8

1Y TENS DRIVE

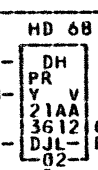
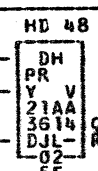
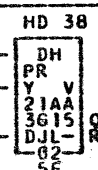
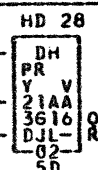
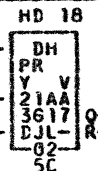
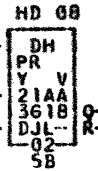
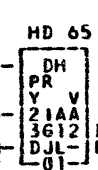
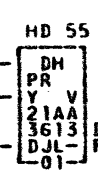
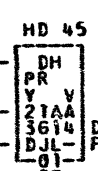
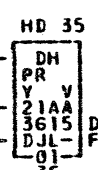
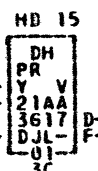
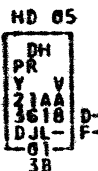
5

33.33.48.1-#9

1Y TENS DRIVE

6

33.33.48.1-#A



V HAMMER 05  
RESPONSE  
\*B-33.23.12.0  
V HAMMER 05  
FIRE  
\*C-21.04.01.0

V HAMMER 08  
RESPONSE  
\*D-33.23.12.0  
V HAMMER 08  
FIRE  
\*E-22.04.01.0

V HAMMER 15  
RESPONSE  
\*F-33.23.12.0  
V HAMMER 15  
FIRE  
\*G-21.04.01.0

V HAMMER 18  
RESPONSE  
\*H-33.23.12.0  
V HAMMER 18  
FIRE  
\*J-22.04.01.0

V HAMMER 25  
RESPONSE  
\*K-33.23.12.0  
V HAMMER 25  
FIRE  
\*L-21.04.01.0

V HAMMER 28  
RESPONSE  
\*M-33.23.12.0  
V HAMMER 28  
FIRE  
\*N-22.04.01.0

V HAMMER 35  
RESPONSE  
\*P-33.23.12.0  
V HAMMER 35  
FIRE  
\*O-21.04.01.0

V HAMMER 38  
RESPONSE  
\*R-33.23.12.0  
V HAMMER 38  
FIRE  
\*S-22.04.01.0

V HAMMER 45  
RESPONSE  
\*T-33.23.12.0  
V HAMMER 45  
FIRE  
\*U-21.04.01.0

V HAMMER 48  
RESPONSE  
\*V-33.23.12.0  
V HAMMER 48  
FIRE  
\*W-22.04.01.0

V HAMMER 55  
RESPONSE  
\*X-33.23.12.0  
V HAMMER 55  
FIRE  
\*Y-21.04.01.0

V HAMMER 58  
RESPONSE  
\*Z-33.23.12.0  
V HAMMER 58  
FIRE  
\*11-22.04.01.0

V HAMMER 65  
RESPONSE  
\*2-33.23.12.0  
V HAMMER 65  
FIRE  
\*13-21.04.01.0

V HAMMER 68  
RESPONSE  
\*4-33.23.12.0  
V HAMMER 68  
FIRE  
\*15-22.04.01.0

- \*1-21A3E32K
- \*2-21A3E32N
- \*3-21A3E32M
- \*4-21A3D32L
- \*5-21A3D32M
- \*6-21A3D32N
- \*7-21A3D32P
- \*8-21A3D32Q
- \*9-21A3D32R
- \*A-21A3E32A
- \*B-21A3H27B
- \*C-21A3H05C
- \*D-21A3H32B
- \*E-21A3605D
- \*F-21A3H27N
- \*G-21A3H32P
- \*H-21A3H32N
- \*I-21A3H05J
- \*J-21A3605K
- \*K-21A3H27A
- \*L-21A3H05N
- \*M-21A3H32A
- \*N-21A3G05P
- \*O-21A3H04B
- \*P-21A3H27P
- \*Q-21A3H04H
- \*R-21A3H32P
- \*S-21A3604C
- \*T-21A3H27D
- \*U-21A3H04G
- \*V-21A3H32D
- \*W-21A3H27C
- \*X-21A3H27L
- \*Y-21A3H04M
- \*Z-21A3H32L
- \*1-21A3604N
- \*11-21A3H27C
- \*12-21A3H27C
- \*13-21A3H03A

- \*2-21A3E32N
- \*3-21A3E32M
- \*4-21A3D32L
- \*5-21A3D32M
- \*6-21A3D32N
- \*7-21A3D32P
- \*8-21A3D32Q
- \*9-21A3D32R
- \*A-21A3E32A
- \*B-21A3H27B
- \*C-21A3H05C
- \*D-21A3H32B
- \*E-21A3605D
- \*F-21A3H27N
- \*G-21A3H32P
- \*H-21A3H32N
- \*I-21A3H05J
- \*J-21A3605K
- \*K-21A3H27A
- \*L-21A3H05N
- \*M-21A3H32A
- \*N-21A3G05P
- \*O-21A3H04B
- \*P-21A3H27P
- \*Q-21A3H04H
- \*R-21A3H32P
- \*S-21A3604C
- \*T-21A3H27D
- \*U-21A3H04G
- \*V-21A3H32D
- \*W-21A3H27C
- \*X-21A3H27L
- \*Y-21A3H04M
- \*Z-21A3H32L
- \*1-21A3604N
- \*11-21A3H27C
- \*12-21A3H27C
- \*13-21A3H03A

- \*3-21A3E32M
- \*4-21A3D32L
- \*5-21A3D32M
- \*6-21A3D32N
- \*7-21A3D32P
- \*8-21A3D32Q
- \*9-21A3D32R
- \*A-21A3E32A
- \*B-21A3H27B
- \*C-21A3H05C
- \*D-21A3H32B
- \*E-21A3605D
- \*F-21A3H27N
- \*G-21A3H32P
- \*H-21A3H32N
- \*I-21A3H05J
- \*J-21A3605K
- \*K-21A3H27A
- \*L-21A3H05N
- \*M-21A3H32A
- \*N-21A3G05P
- \*O-21A3H04B
- \*P-21A3H27P
- \*Q-21A3H04H
- \*R-21A3H32P
- \*S-21A3604C
- \*T-21A3H27D
- \*U-21A3H04G
- \*V-21A3H32D
- \*W-21A3H27C
- \*X-21A3H27L
- \*Y-21A3H04M
- \*Z-21A3H32L
- \*1-21A3604N
- \*11-21A3H27C
- \*12-21A3H27C
- \*13-21A3H03A

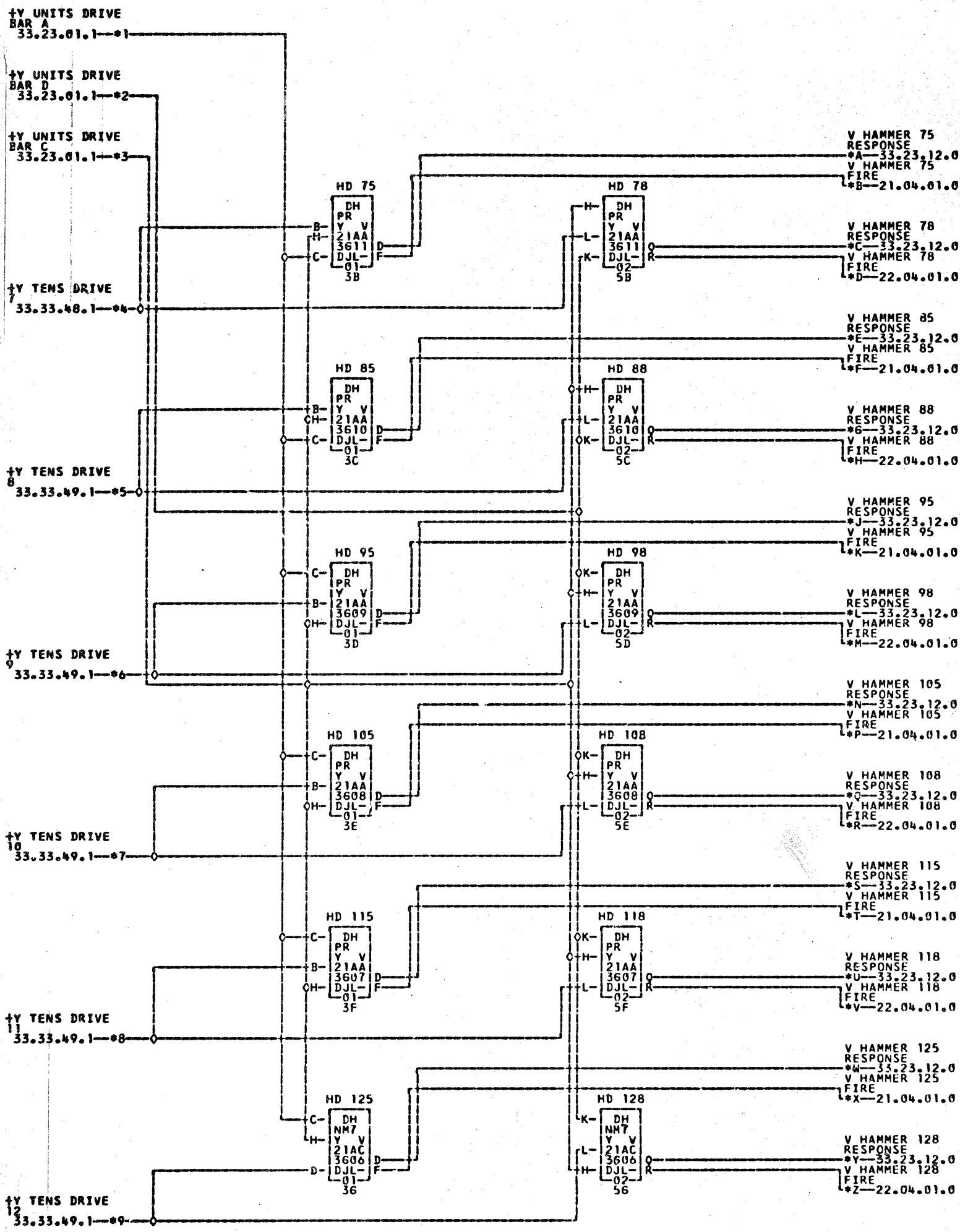
- \*4-21A3D32L
- \*5-21A3D32M
- \*6-21A3D32N
- \*7-21A3D32P
- \*8-21A3D32Q
- \*9-21A3D32R
- \*A-21A3E32A
- \*B-21A3H27B
- \*C-21A3H05C
- \*D-21A3H32B
- \*E-21A3605D
- \*F-21A3H27N
- \*G-21A3H32P
- \*H-21A3H32N
- \*I-21A3H05J
- \*J-21A3605K
- \*K-21A3H27A
- \*L-21A3H05N
- \*M-21A3H32A
- \*N-21A3G05P
- \*O-21A3H04B
- \*P-21A3H27P
- \*Q-21A3H04H
- \*R-21A3H32P
- \*S-21A3604C
- \*T-21A3H27D
- \*U-21A3H04G
- \*V-21A3H32D
- \*W-21A3H27C
- \*X-21A3H27L
- \*Y-21A3H04M
- \*Z-21A3H32L
- \*1-21A3604N
- \*11-21A3H27C
- \*12-21A3H27C
- \*13-21A3H03A

- \*5-21A3D32M
- \*6-21A3D32N
- \*7-21A3D32P
- \*8-21A3D32Q
- \*9-21A3D32R
- \*A-21A3E32A
- \*B-21A3H27B
- \*C-21A3H05C
- \*D-21A3H32B
- \*E-21A3605D
- \*F-21A3H27N
- \*G-21A3H32P
- \*H-21A3H32N
- \*I-21A3H05J
- \*J-21A3605K
- \*K-21A3H27A
- \*L-21A3H05N
- \*M-21A3H32A
- \*N-21A3G05P
- \*O-21A3H04B
- \*P-21A3H27P
- \*Q-21A3H04H
- \*R-21A3H32P
- \*S-21A3604C
- \*T-21A3H27D
- \*U-21A3H04G
- \*V-21A3H32D
- \*W-21A3H27C
- \*X-21A3H27L
- \*Y-21A3H04M
- \*Z-21A3H32L
- \*1-21A3604N
- \*11-21A3H27C
- \*12-21A3H27C
- \*13-21A3H03A

- \*6-21A3D32N
- \*7-21A3D32P
- \*8-21A3D32Q
- \*9-21A3D32R
- \*A-21A3E32A
- \*B-21A3H27B
- \*C-21A3H05C
- \*D-21A3H32B
- \*E-21A3605D
- \*F-21A3H27N
- \*G-21A3H32P
- \*H-21A3H32N
- \*I-21A3H05J
- \*J-21A3605K
- \*K-21A3H27A
- \*L-21A3H05N
- \*M-21A3H32A
- \*N-21A3G05P
- \*O-21A3H04B
- \*P-21A3H27P
- \*Q-21A3H04H
- \*R-21A3H32P
- \*S-21A3604C
- \*T-21A3H27D
- \*U-21A3H04G
- \*V-21A3H32D
- \*W-21A3H27C
- \*X-21A3H27L
- \*Y-21A3H04M
- \*Z-21A3H32L
- \*1-21A3604N
- \*11-21A3H27C
- \*12-21A3H27C
- \*13-21A3H03A

COMMENTS  
 WITH 1403 MODEL 3 OR N1 PRINTER  
 A .047 UFD CAPACITOR IS LOCATED ON  
 HAMMER RESPONSE LINE PADDLE CARDS  
 NDM.4081-4181

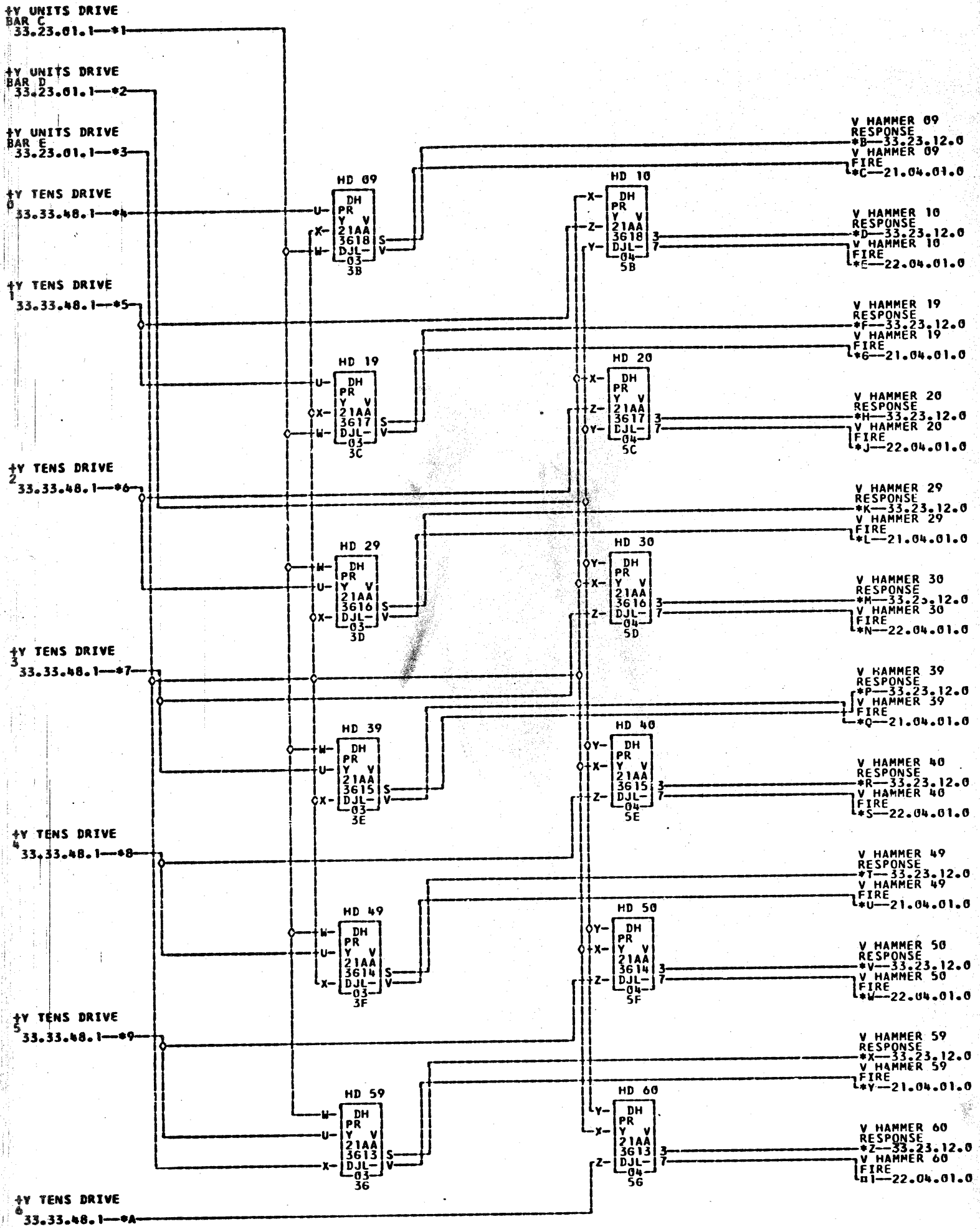
TAG DATE E.C.NO. TAG DATE E.C.NO. TAG DATE E.C.NO. TAG DATE E.C.NO.  
 A 08-31-64 121550H B 10-15-64 121567 C 11-18-65 125601



- \*1-21A3E32K
- \*2-21A3E32N
- \*3-21A3E32M
- \*4-21A3E32B
- \*5-21A3E32C
- \*6-21A3E32D
- \*7-21A3E32E
- \*8-21A3E32F
- \*9-21A3E32G
- \*A-21A3H27M
- \*B-21A3H03F
- \*C-21A3H32M
- \*D-21A3G036
- \*E-21A3H27F
- \*F-21A3H03L
- \*G-21A3H32F
- \*H-21A3G03M
- \*I-21A3H03R
- \*J-21A3H27E
- \*K-21A3H32H
- \*L-21A3G02A
- \*M-21A3H02E
- \*N-21A3H27E
- \*O-21A3H32E
- \*P-21A3G02F
- \*Q-21A3H02K
- \*R-21A3H32E
- \*S-21A3G02F
- \*T-21A3H02K
- \*U-21A3H32K
- \*V-21A3G02L
- \*W-21A3H02E
- \*X-21A3H02O
- \*Y-21A3H32G
- \*Z-21A3G02R

WITH 1403 MODEL 3 OR N1 PRINTER  
 A .047 UFD CAPACITOR IS LOCATED ON  
 HAMMER RESPONSE LINE PADDLE CARDS  
 HDM.4081-4181

TAG	DATE	E.C.NO.	TAG	DATE	E.C.NO.	TAG	DATE	E.C.NO.	TAG	DATE	E.C.NO.
A	08-31-64	121550H	B	10-15-64	121567	C	04-26-65	124237	D	11-18-65	125601



- \*1-21A3E32M
- \*7-21A3D32P
- \*D-21A3H30R
- \*K-21A3H31A
- \*R-21A3G32R
- \*X-21A3H31L

- \*2-21A3E32N
- \*8-21A3D32Q
- \*E-21A3G05E
- \*L-21A3H05Q
- \*S-21A3G04D
- \*Y-21A3H04P

- \*3-21A3E32P
- \*9-21A3D32R
- \*F-21A3H31Q
- \*M-21A3H31O
- \*T-21A3H31D
- \*Z-21A3G32C

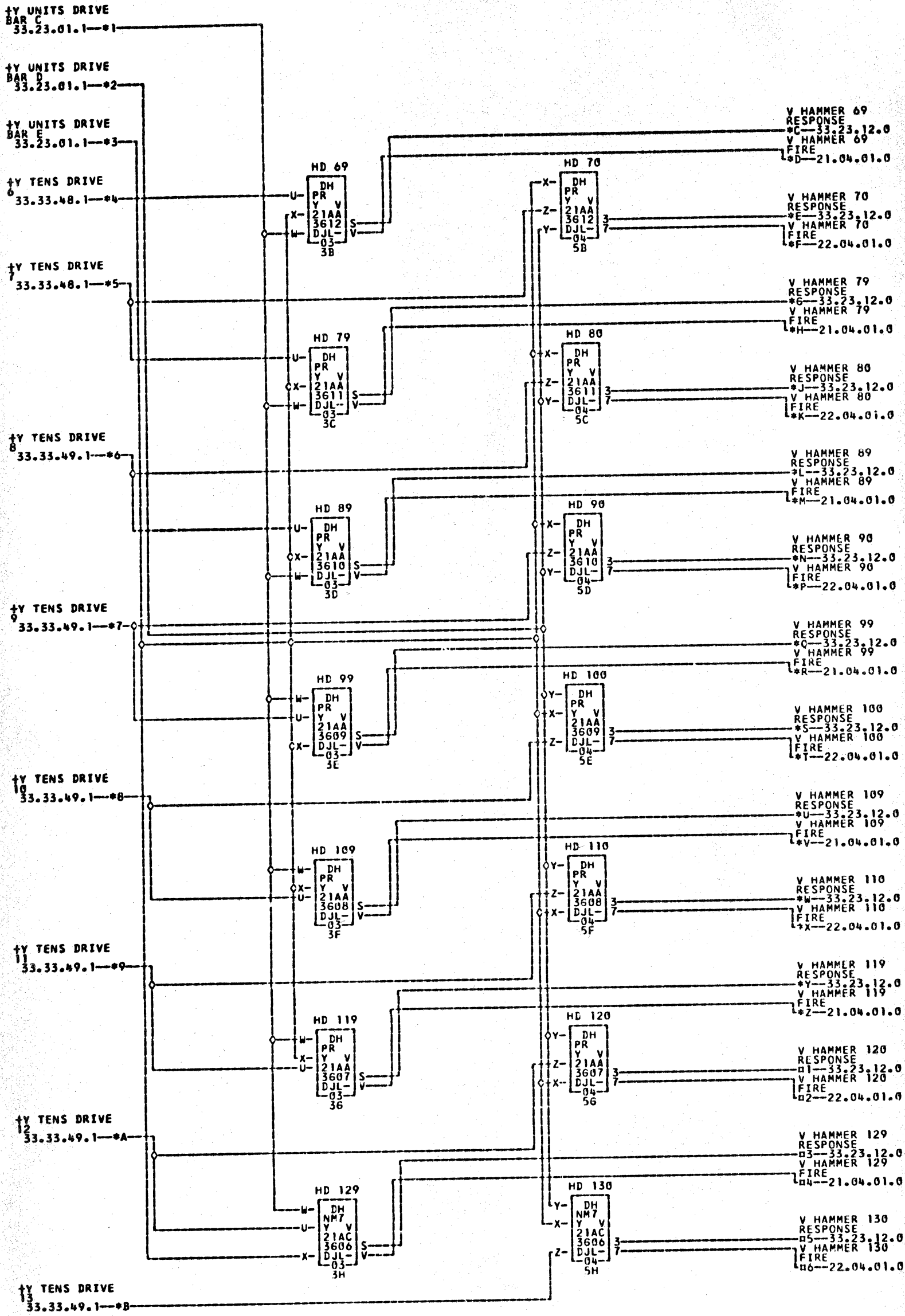
- \*4-21A3D32L
- \*A-21A3E32A
- \*G-21A3H05K
- \*N-21A3G05C
- \*U-21A3H04J
- \*I-21A3G04P

- \*5-21A3D32M
- \*B-21A3H31B
- \*C-21A3G31R
- \*H-21A3H31P
- \*P-21A3H31R
- \*V-21A3H29R

- \*6-21A3D32N
- \*C-21A3H05E
- \*J-21A3G05K
- \*O-21A3H04D
- \*W-21A3G04J

COMMENTS  
 WITH 1463 MODEL 3 OR N1 PRINTER  
 A .047 UFD CAPACITOR IS LOCATED ON  
 HAMMER RESPONSE LINE PADDLE CARDS  
 MCM-4081-4181

TAG DATE	E.C.NO.	TAG DATE	E.C.NO.	TAG DATE	E.C.NO.	TAG DATE	E.C.NO.
A 08-31-64	121550H	B 10-15-64	121567	C 11-18-65	125601		



\*1-21A3E32M  
 \*7-21A3E32D  
 \*D-21A3H03C  
 \*K-21A3603H  
 \*R-21A3H02B  
 \*X-21A36026  
 \*4-21A3H01A

\*2-21A3E32N  
 \*8-21A3E32E  
 \*E-21A3H300  
 \*L-21A3H31F  
 \*S-21A3H26R  
 \*Y-21A3H31K  
 \*5-21A3H28Q

\*3-21A3E32P  
 \*9-21A3E32F  
 \*F-21A3603C  
 \*M-21A3H03N  
 \*T-21A3602R  
 \*Z-21A3H02M  
 \*6-21A3601A

\*4-21A3E32A  
 \*A-21A3E326  
 \*G-21A3H31M  
 \*N-21A3H28R  
 \*U-21A3H31E  
 \*1-21A3H27R

\*5-21A3E32B  
 \*R-21A3E32H  
 \*H-21A3H03H  
 \*P-21A3603N  
 \*V-21A3H026  
 \*2-21A3602M

\*6-21A3E32C  
 \*C-21A3H31C  
 \*J-21A3H27Q  
 \*O-21A3H31H  
 \*W-21A3H29Q  
 \*3-21A3H316

COMMENTS  
 WITH 1403 MODEL 3 OR N1 PRINTER  
 A .047 UFD CAPACITOR IS LOCATED ON  
 HAMMER RESPONSE LINE PADDLE CARDS  
 MDM.4081-4181

TAG DATE E.C.NO. TAG DATE E.C.NO. TAG DATE E.C.NO. TAG DATE E.C.NO.  
 A 08-31-64 121550H B 10-15-64 121567 C 04-26-65 124237 D 11-18-65 125601