

**2803/2804 Tape Control**  
**Models 1 and 2**

## PREFACE

This illustrated Parts Catalog (IPC) contains listings and illustrations of all replaceable assemblies, subassemblies and detail parts released to Production Control on or before Dec. 12, 1968 for the 2803/2804 Tape Control.

This 2803/2804 Tape Control Parts Catalog revision, Form 123-0416-3 obsoletes the previous level edition, Form 123-0416-2.

Request for copies of IBM publications should be made to your IBM representative or to the IBM branch office serving your locality.

This manual has been prepared by the IBM Systems Development Division, Product Publications, Dept. 265 - Parts Catalog Department, P. O. Box 1900, Boulder, Colorado 80302.

A form is provided at the back of this publication for reader's comments. If the form has been removed, comments may be sent to the above address.

GLOSSARY . . . . .	i
HOW TO USE . . . . .	ii - iii
VISUAL INDEX . . . . .	iv through xxiv
GROUP ASSEMBLY PARTS LIST . . . . .	1 through 149
NUMERICAL INDEX . . . . .	X-1 through X-14

## GLOSSARY

AR

As Required (AR) in the units per assembly column denotes that the quantity is used as required.

\*ASTERISK

An asterisk in the left margin of the list indicates a part changed in the latest revision of the catalog.

INDENTURE

The relationship of a part to its next higher assembly is indicated by indenture. For example:

1	2	3	4
Unit			
.	Assemblies and Detail Parts of Unit		
.	.	Subassemblies	
.	.	.	Detail Parts for Subassemblies, etc.

□ LOZENGE

The lozenge in the description column indicates parts not recommended for field replacement.

NP

The entry NP in the Units Per Asm column denotes the part is non-procurable and that the next higher assembly should be ordered.

NO NO.

When this indication appears in the part number column, it denotes a group of parts for which no part number has been assigned.

REF

This entry in the units per assembly column denotes an assembly which is completely assembled on a preceding illustration. Quantities for such items are found in its next higher assembly.

SIMILAR ASSEMBLIES

If two assemblies contain a majority of identical parts, they are broken down on the same list. Common parts are shown by one index number. Parts peculiar to one or the other of the assemblies are listed separately and identified by Usable On Code.

USABLE ON CODE

Part application and interchangeability is indicated by the usable on code. If this column is blank, the parts pertain to all equipment(s) covered. Two types of codes are used. The alphabetic code denotes similar assemblies and/or features; the numeric code denotes level. Refer to the beginning of each list for the explanation of the code(s).

VISUAL INDEX

This index is a pictorial index to catalog figures. The visual index directs the user to the proper figure, assisting him in locating the part number.

## HOW TO USE AN IPC

IPC ORGANIZATION

To find parts quickly, you should understand the structure of a parts catalog. First, the complete machine is drawn with major assemblies and sub-assemblies in place (Visual Index Section). Then the machine is "disassembled" into drawings of assemblies and subassemblies (Group Assembly Parts List "GAPL" Section). Thus, the sequence of figures in the catalog is the reverse of the manufacturing assembly sequence. This means that parts are not grouped according to machine functions.

One result of structuring a catalog in this manner is that some parts -- filters, brackets, belts, spring clips -- may not be where you would "logically" expect to find them in a catalog. Because of the assembly sequence, you may find these kinds of parts on a higher-level assembly. This is an important point and is why every GAPL List is cross-referenced to any higher-level or lower-level figures.

Some detailed parts are unavailable, either because they are part of an inseparable assembly (two parts welded together), or because they are part of an assembly purchased as a unit. In either case, you will need to obtain the assembly rather than the detailed part. Here again, you need to locate the part number of the next higher assembly.

Catalog Sections

A parts catalog has three sections:

1. Visual Index -- At front of catalog; shows major assemblies
2. GAPL -- A pictorial breakdown of assemblies and subassemblies
3. Numerical Index -- At back of catalog; lists all part numbers numerically

Visual Index

The Visual Index is the starting point for locating a part. Illustrations in the visual index show overall views of the machine and its major assemblies. Index numbers on the illustrations lead you to detailed figures in the GAPL Section.

Group Assembly Parts List (GAPL)

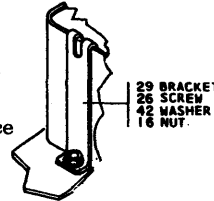
The GAPL Section consists of related Figures and Lists. The GAPL Figures break down the assemblies and subassemblies into detailed parts. The GAPL Lists describe the parts and give part numbers. Each Figure in the GAPL Section is referenced from the Visual Index Section. The relation of assemblies to subassemblies is indicated by indentation.

Numerical Index

The Numerical Index at the back of the catalog lists all parts in numeric order. Each part number is cross-referenced to related Lists and Figures in the GAPL Section. The Numerical Index permits you to locate and identify a part when only the part number is known.

Stacked Index Numbers

Index numbers are stacked only to indicate a part and its attaching hardware. The sequence of a typical stack is shown at right.

HOW TO FIND A PART

Steps 1 through 8 in the flow chart take you through the route for finding most parts. Because some parts may not be on the first GAPL Figure, you may be required to go to a lower-level or higher-level GAPL Figure to find a part.

Lower-Level Assembly

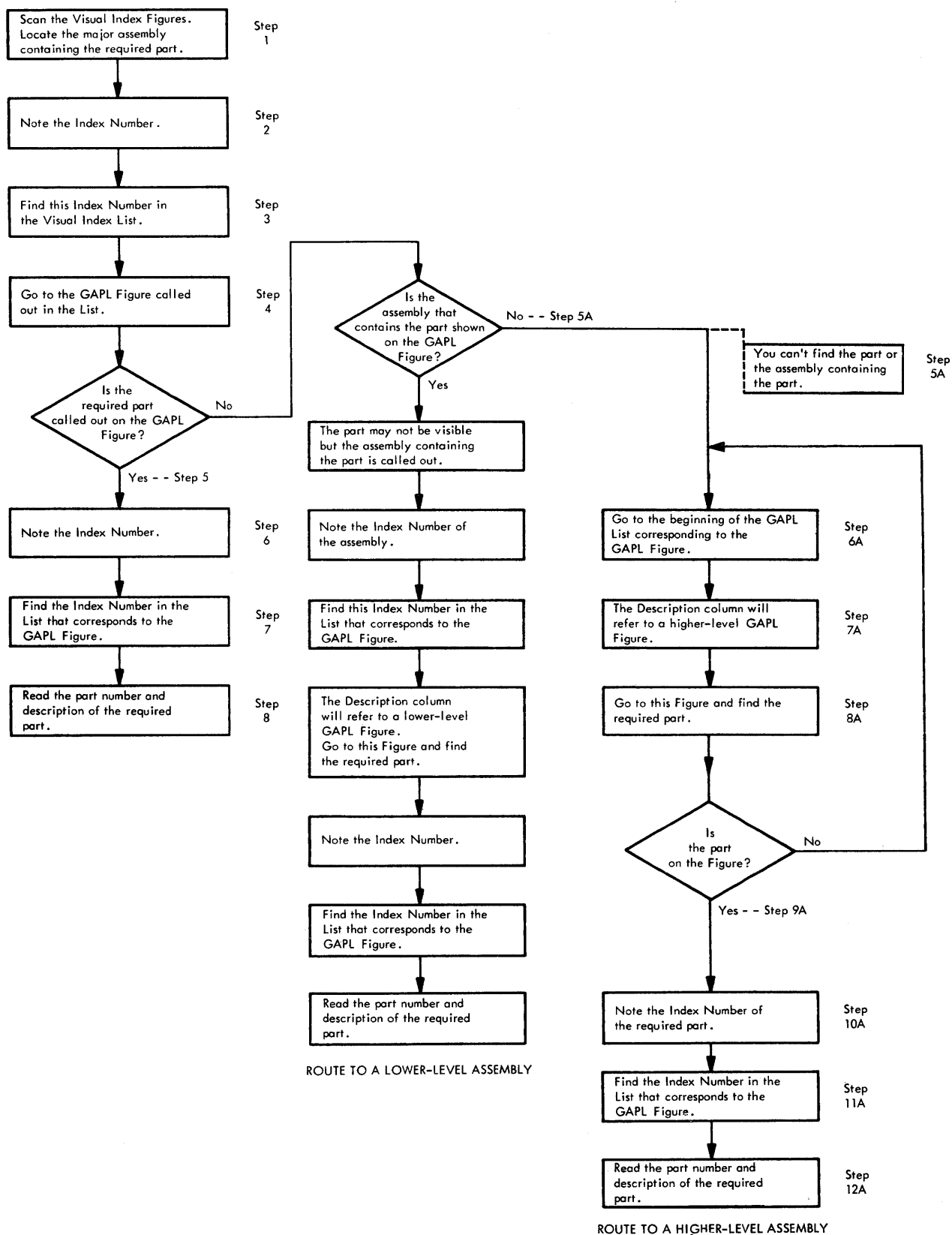
If the first GAPL Figure shows an assembly containing the required part, a figure reference in the GAPL List will indicate the proper, lower-level GAPL Figure. You should find your part in the breakdown of the assembly.

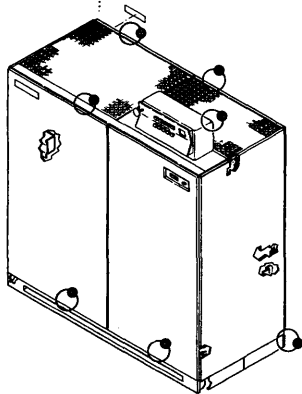
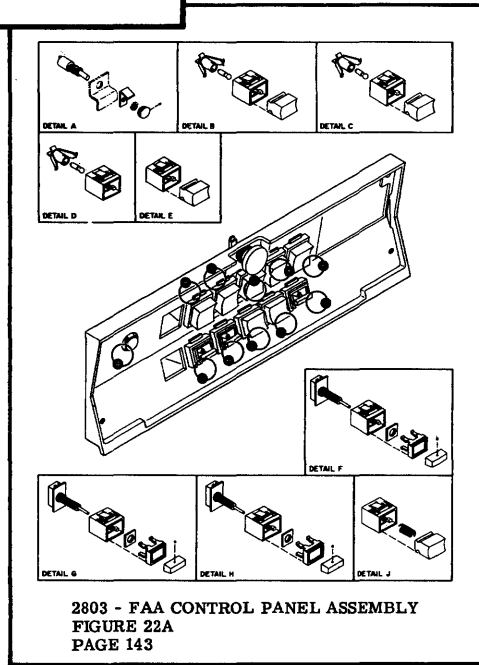
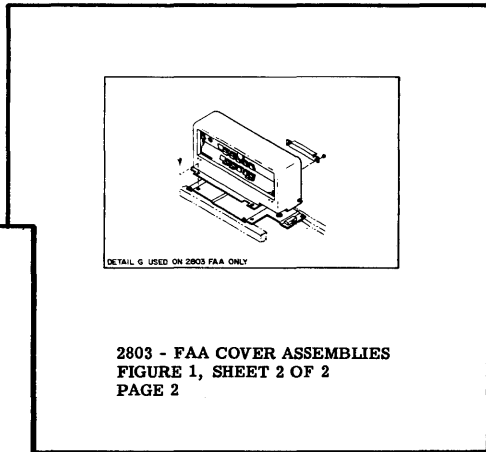
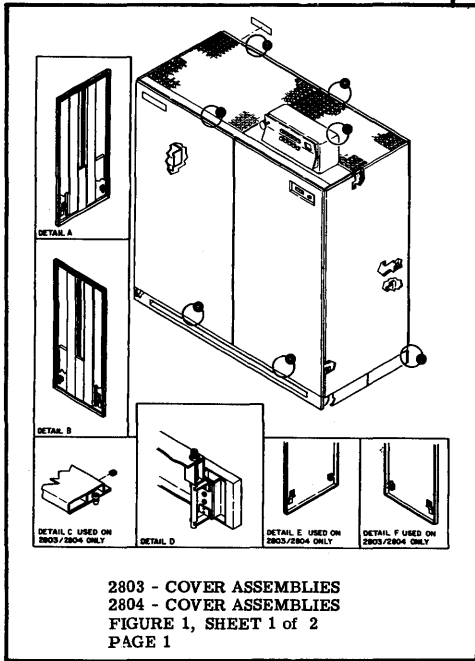
Higher-Level Assembly

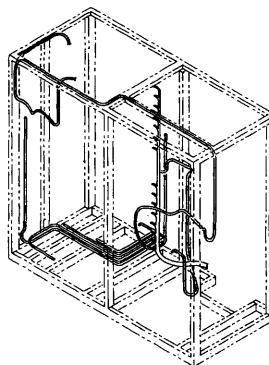
The most puzzling instance is when neither the part you are looking for, nor its assembly, is found on the first GAPL Figure. Steps 5A through 12A in the flow chart show the method. Note the loop after Step 8A of the flow chart provides for more than one level of "backing up" to find a part. If you do not find your part, go to the next higher-level, as indicated in Step 7A.

Illustration Notes

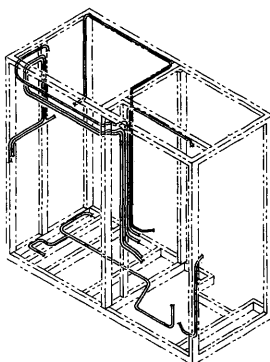
Future catalogs will attempt to relieve the cross-referencing problem by placing the cross-referencing notes directly on the illustration. This will eliminate the need to go to the list for higher or lower level cross references.



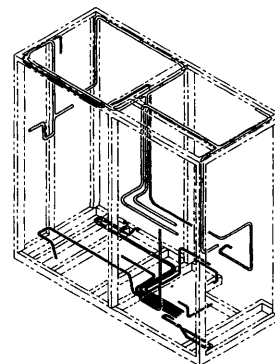




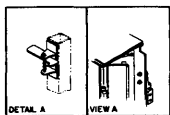
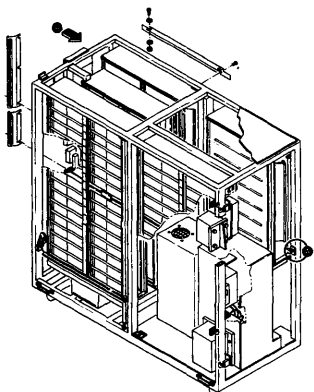
2803 - FAA FINAL ASSEMBLY  
 FIGURE 1A, SHEET 3 OF 4  
 PAGE 9



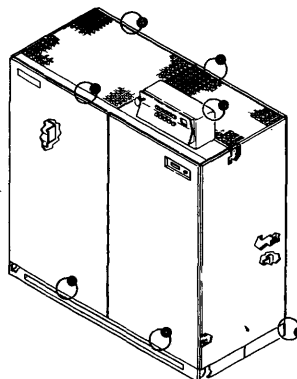
2803 - FINAL ASSEMBLY  
 FIGURE 1A, SHEET 2 OF 4  
 PAGE 8  
 2804 - FINAL ASSEMBLY  
 FIGURE 1B, SHEET 2 OF 3  
 PAGE 19

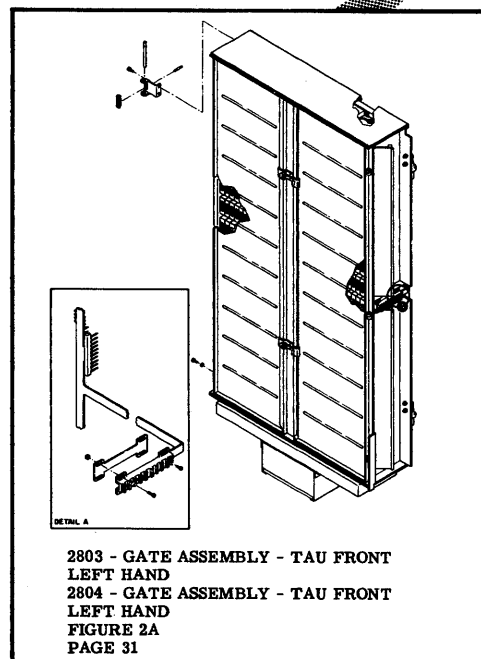
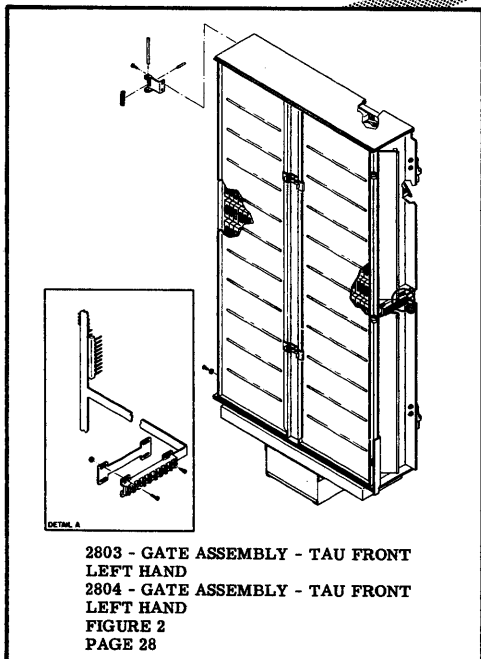
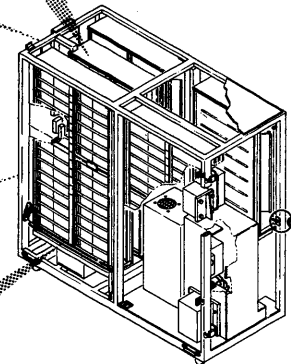
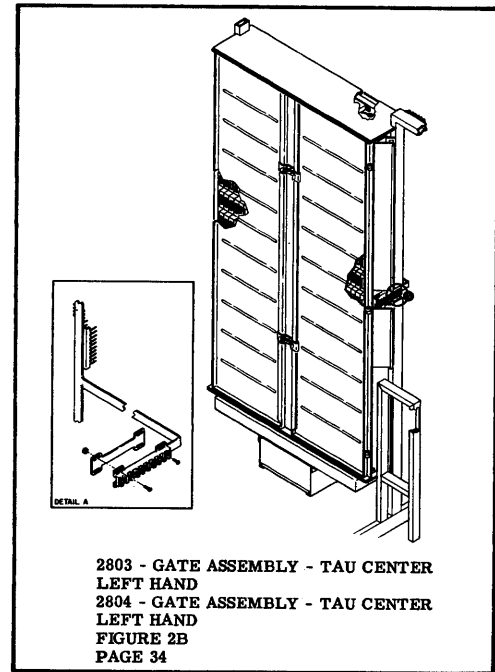
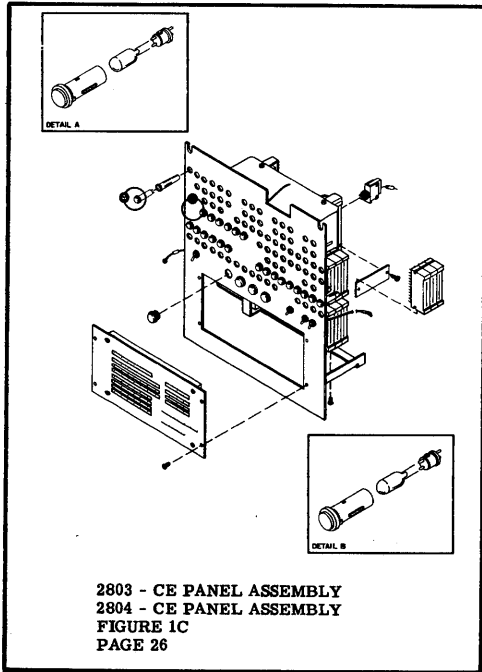


2803 - FINAL ASSEMBLY  
 FIGURE 1A, SHEET 4 OF 4  
 PAGE 10  
 2804 - FINAL ASSEMBLY  
 FIGURE 1B, SHEET 3 OF 3  
 PAGE 20

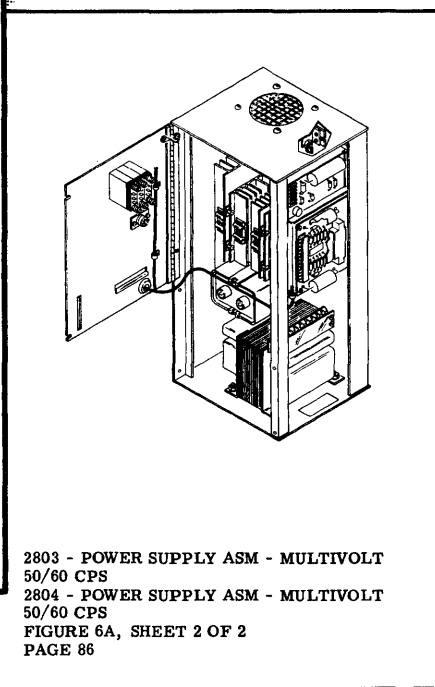
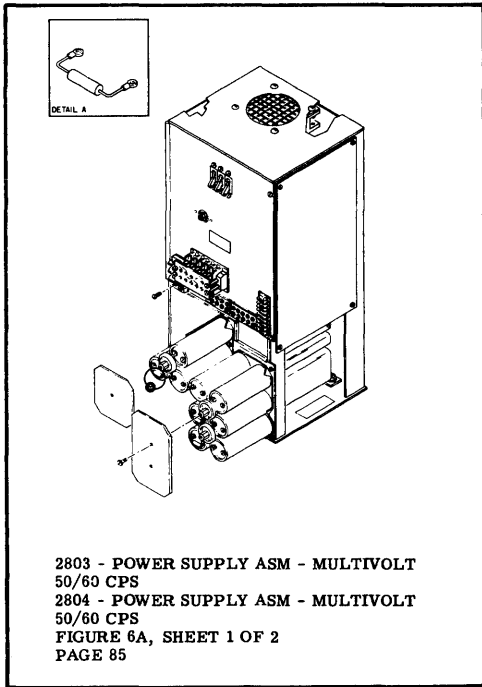
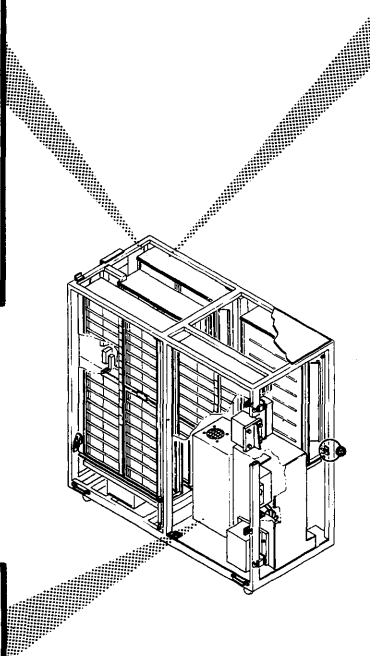
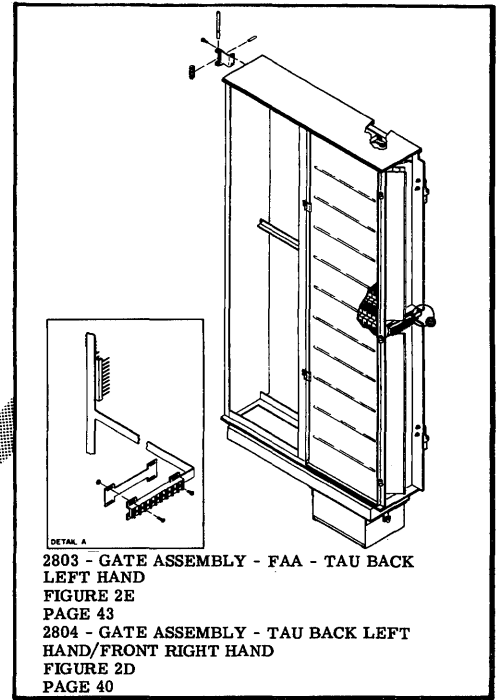
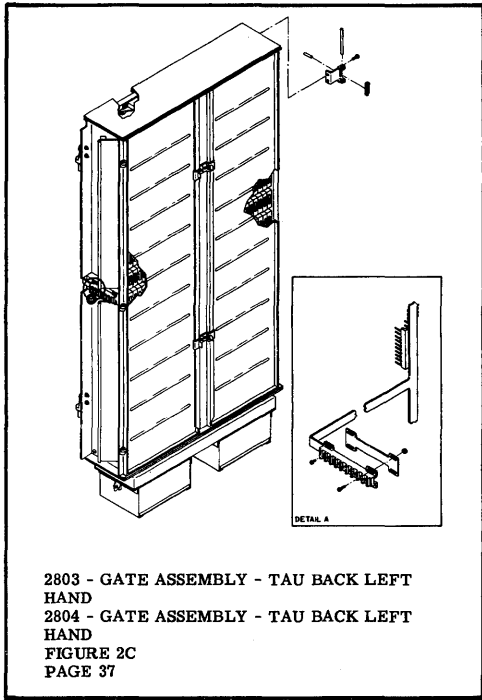


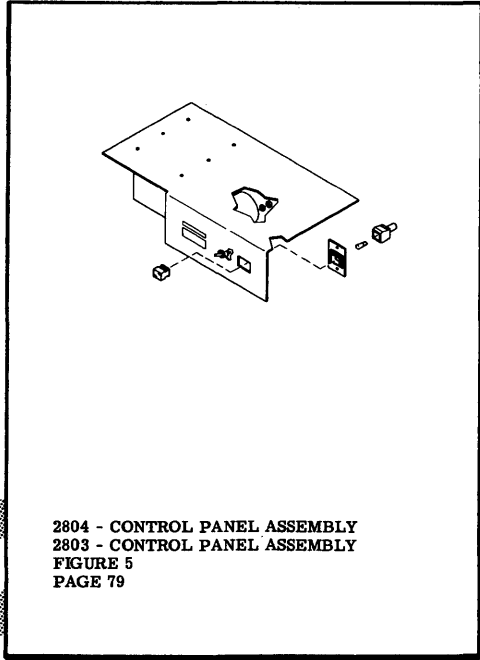
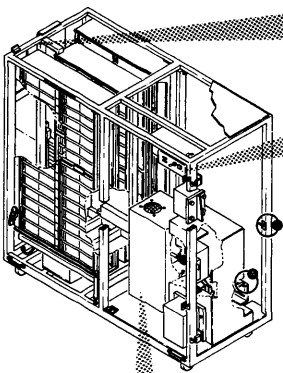
2803 - FINAL ASSEMBLY  
 FIGURE 1A, SHEET 1 OF 4  
 PAGE 7  
 2804 - FINAL ASSEMBLY  
 FIGURE 1B, SHEET 1 OF 3  
 PAGE 18



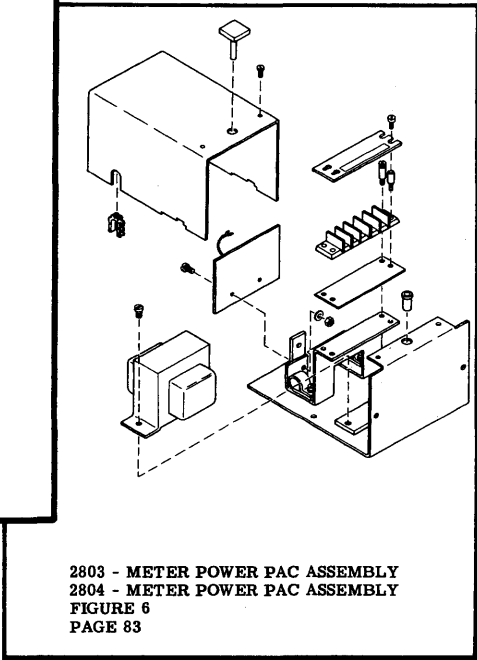




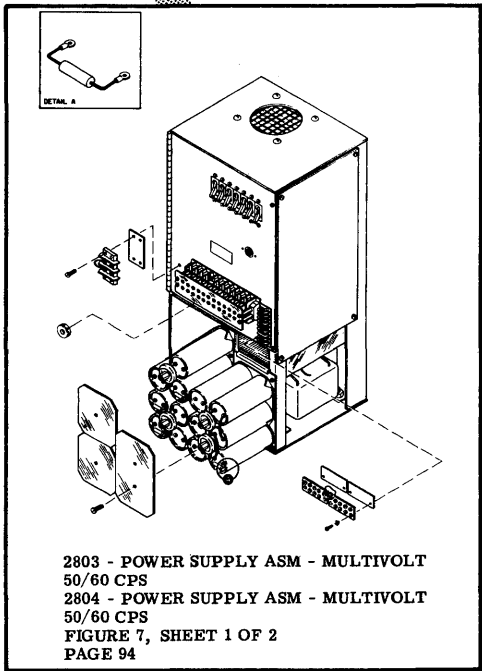




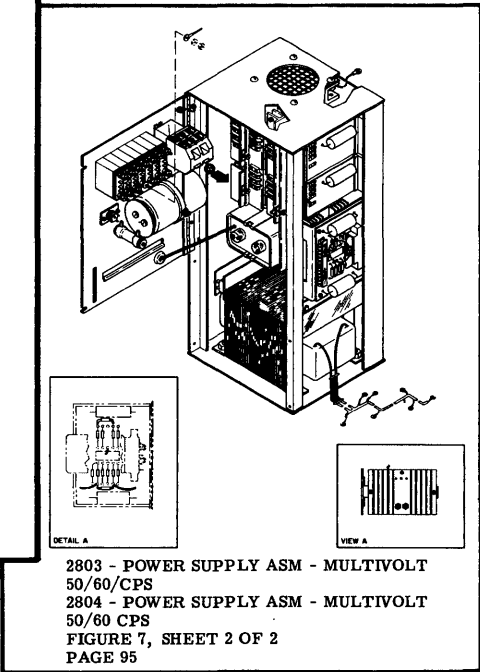
2804 - CONTROL PANEL ASSEMBLY  
 2803 - CONTROL PANEL ASSEMBLY  
 FIGURE 5  
 PAGE 79



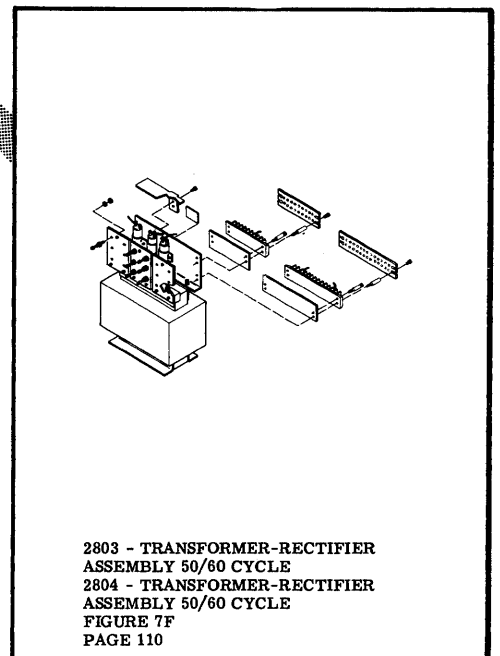
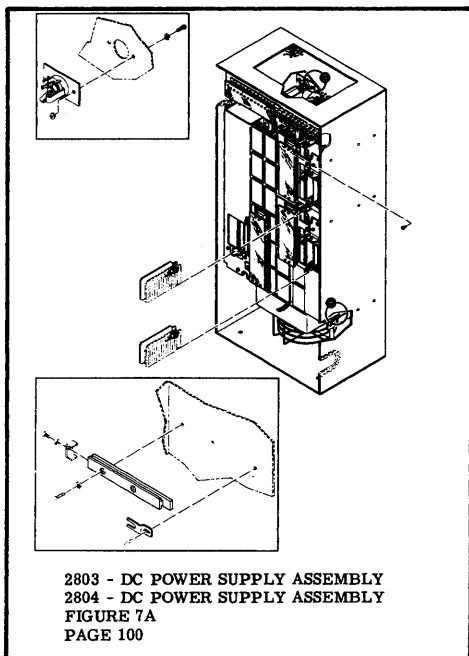
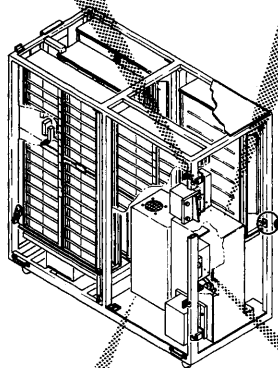
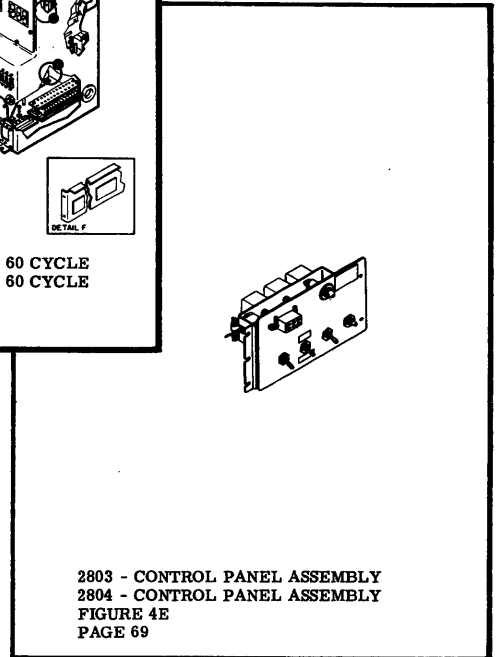
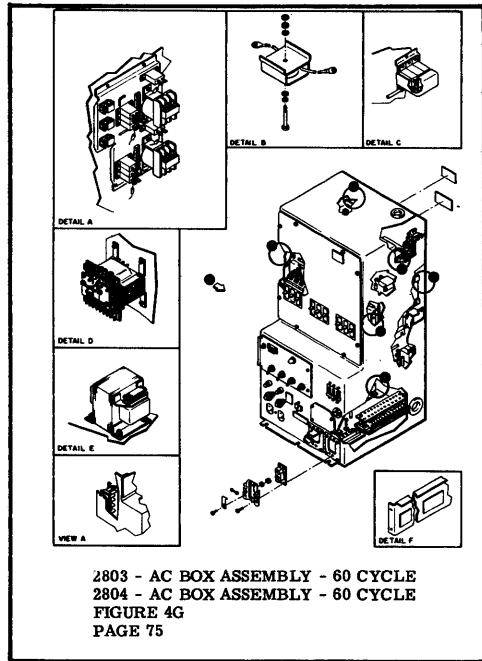
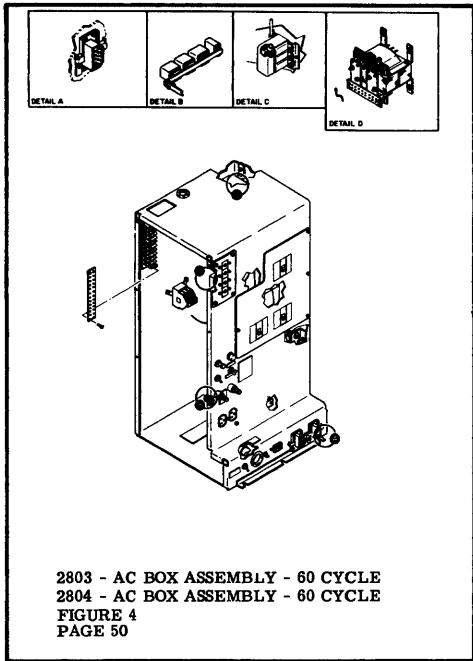
2803 - METER POWER PAC ASSEMBLY  
 2804 - METER POWER PAC ASSEMBLY  
 FIGURE 6  
 PAGE 83

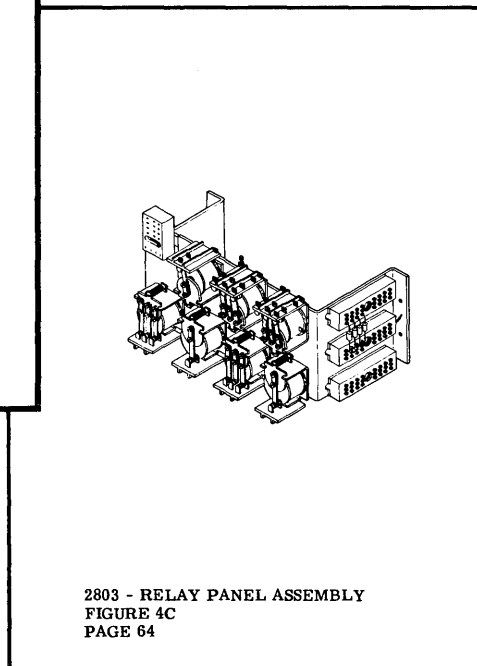
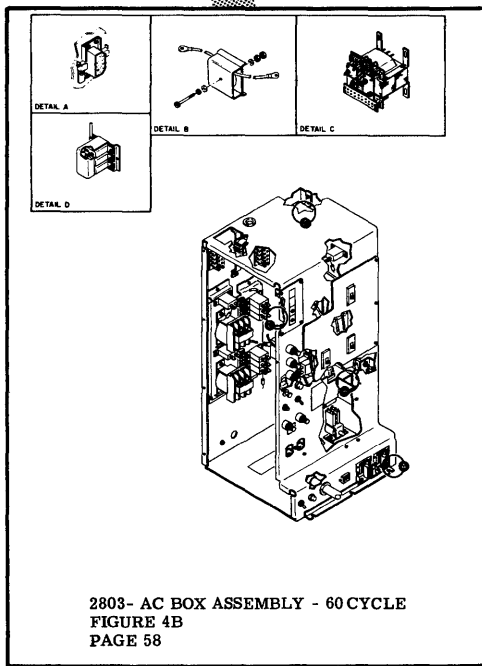
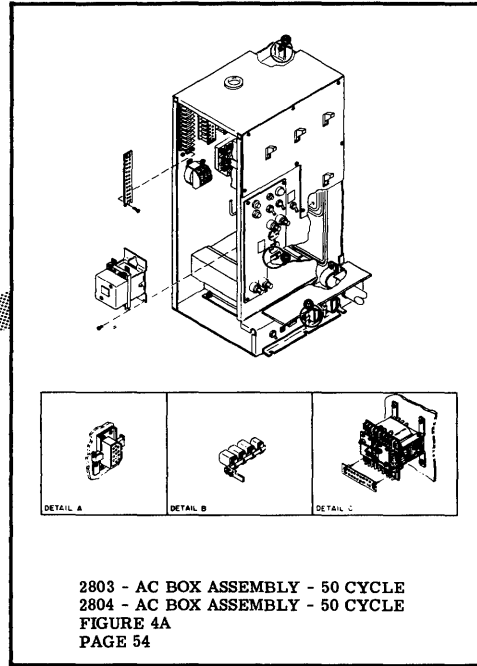
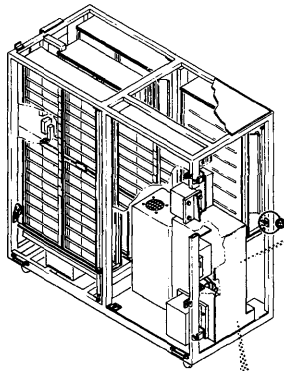


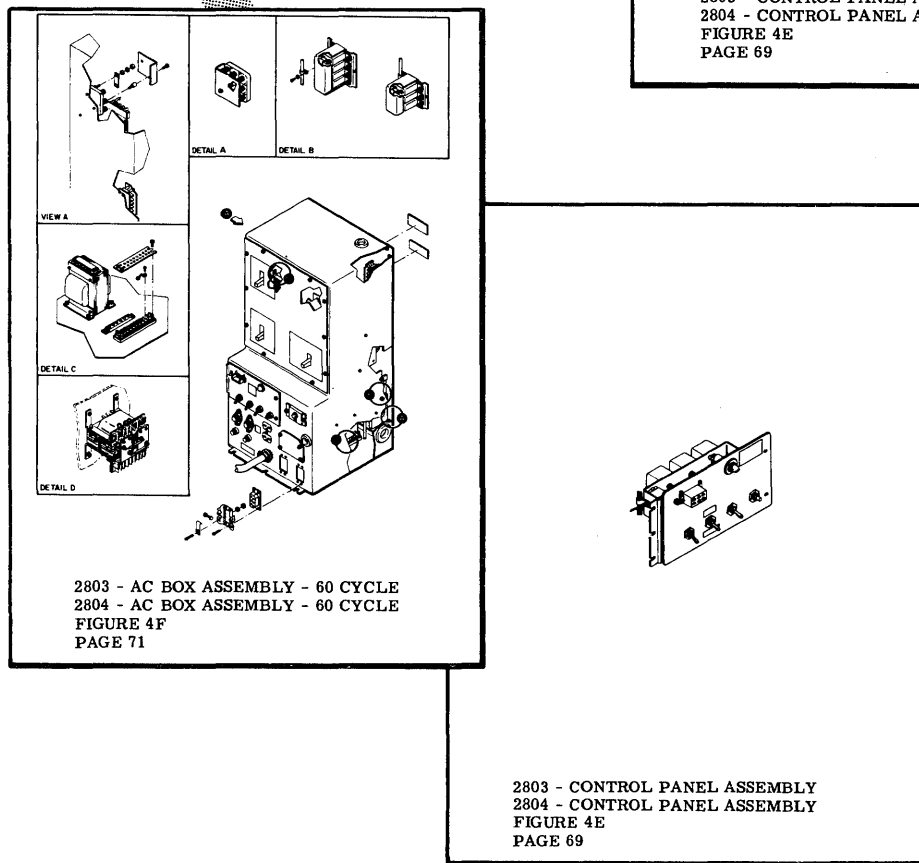
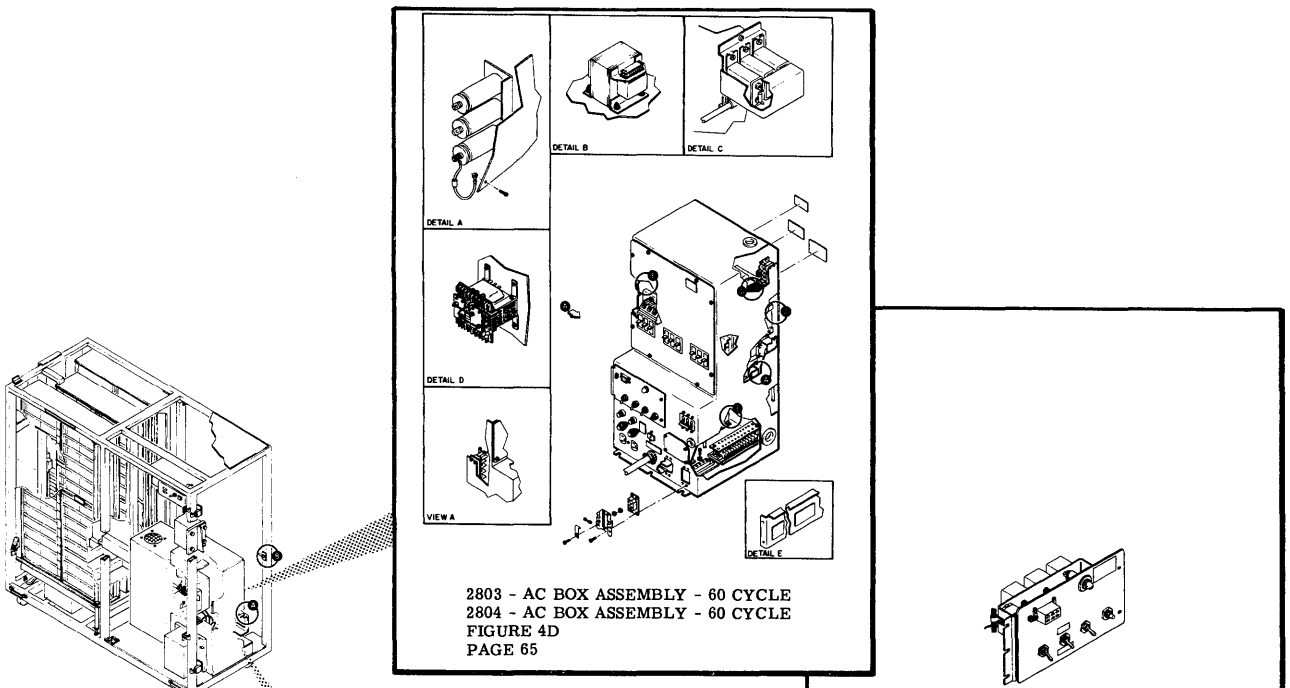
2803 - POWER SUPPLY ASM - MULTIVOLT  
 50/60 CPS  
 2804 - POWER SUPPLY ASM - MULTIVOLT  
 50/60 CPS  
 FIGURE 7, SHEET 1 OF 2  
 PAGE 94

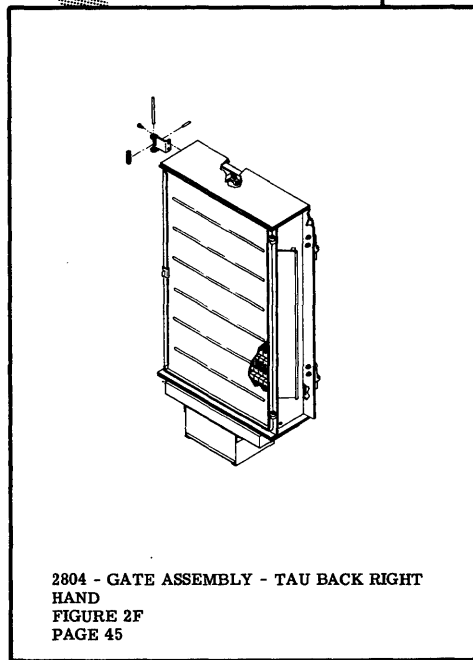
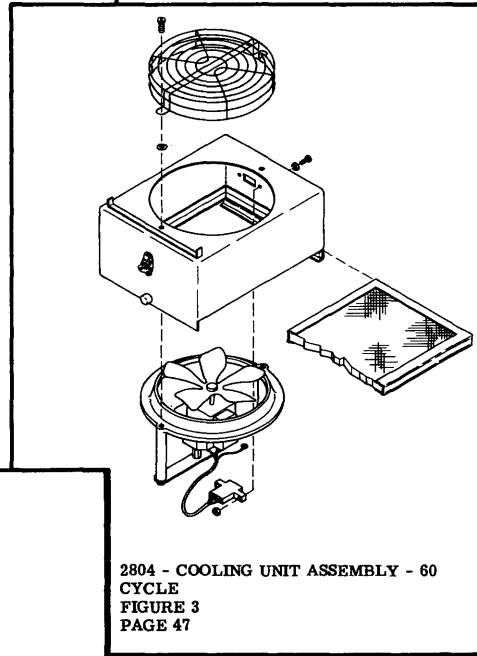
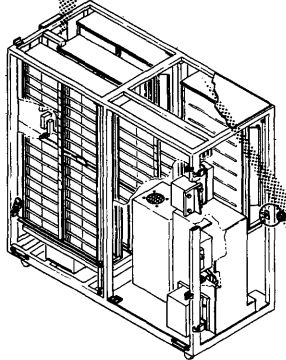
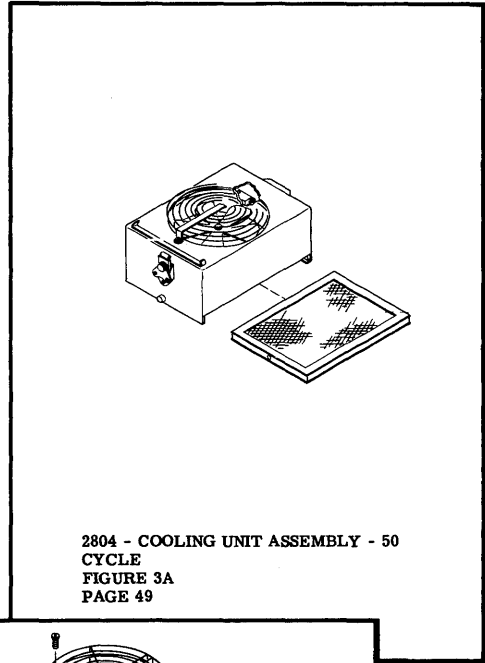
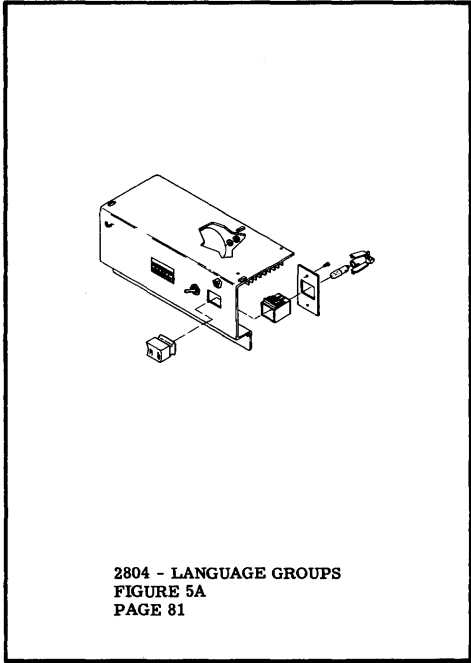


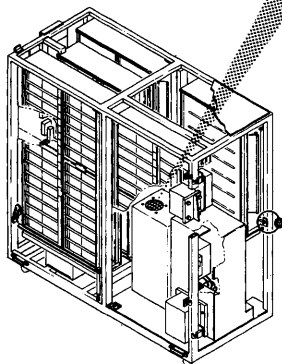
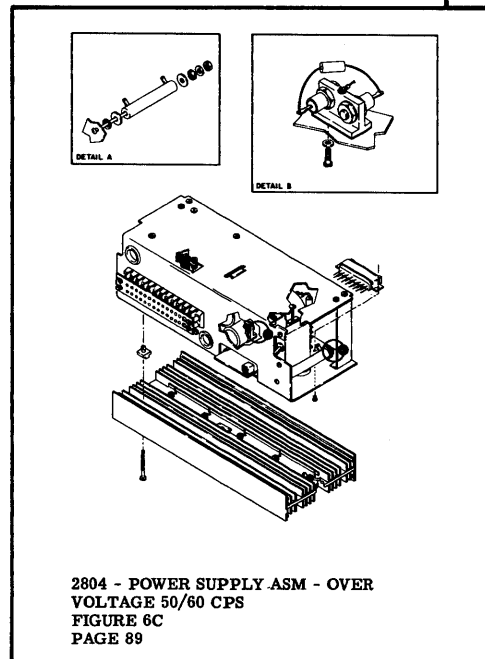
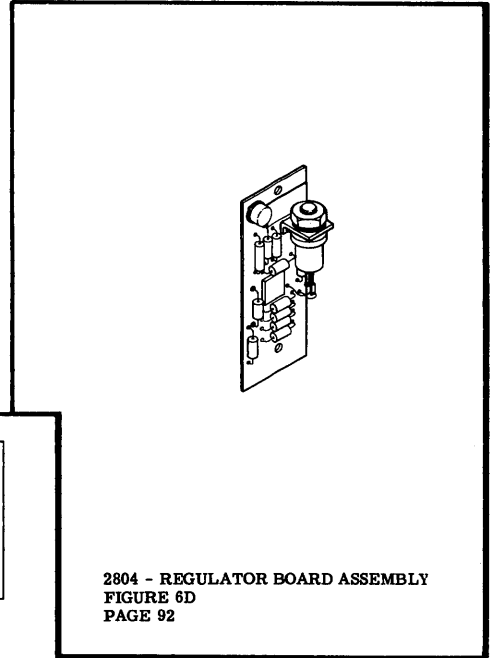
2803 - POWER SUPPLY ASM - MULTIVOLT  
 50/60/CPS  
 2804 - POWER SUPPLY ASM - MULTIVOLT  
 50/60 CPS  
 FIGURE 7, SHEET 2 OF 2  
 PAGE 95

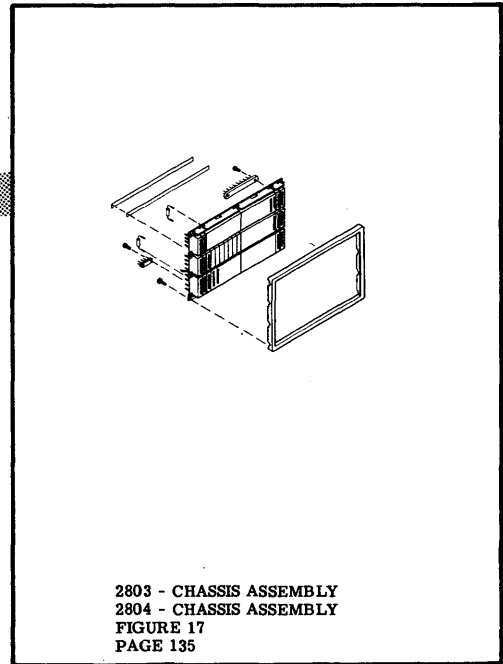
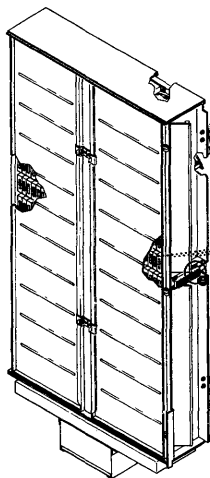
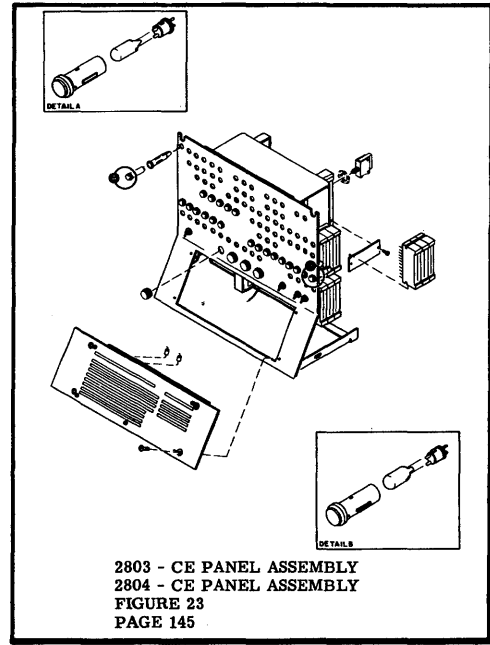
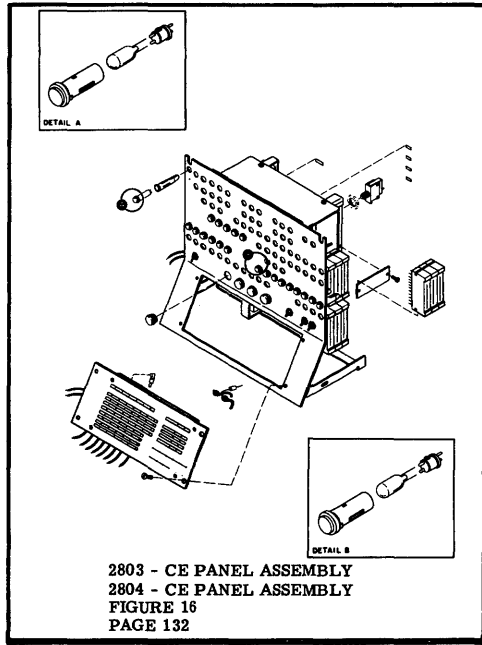




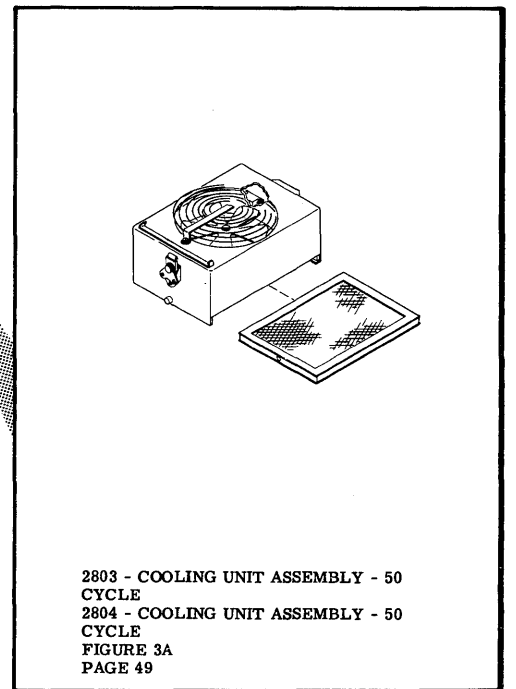
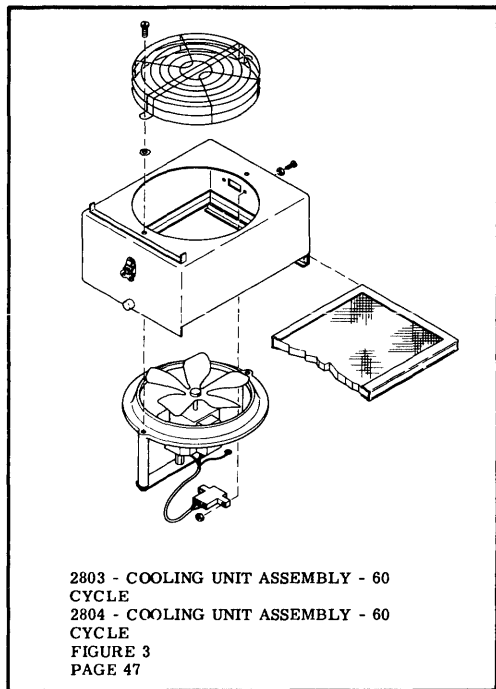
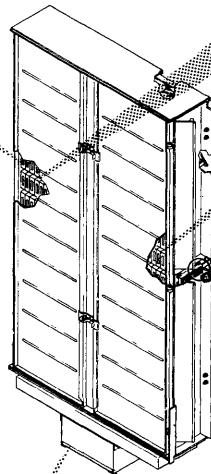
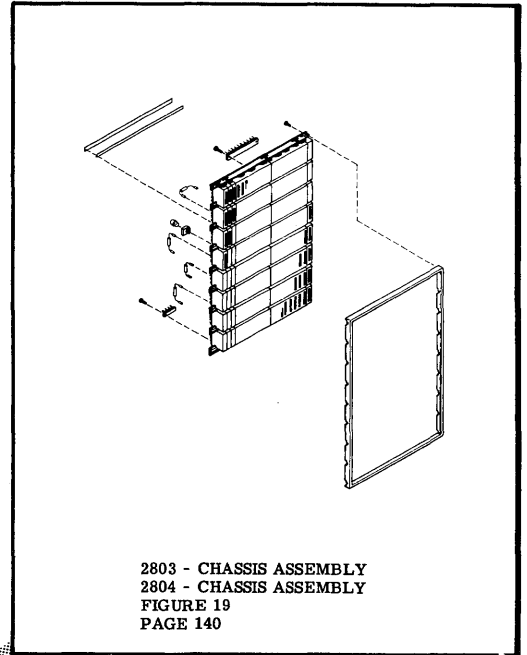
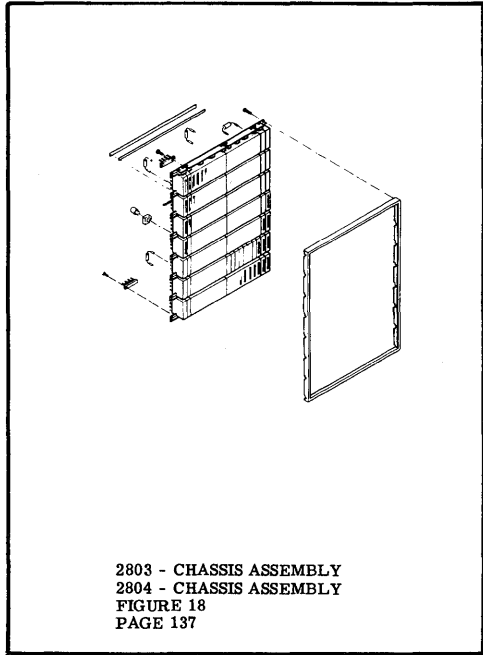


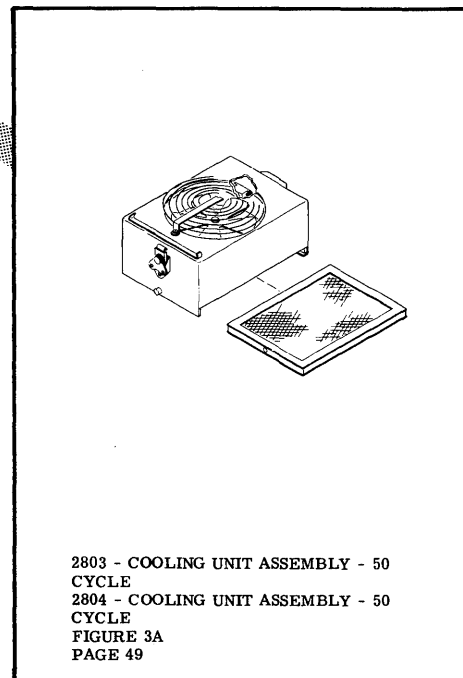
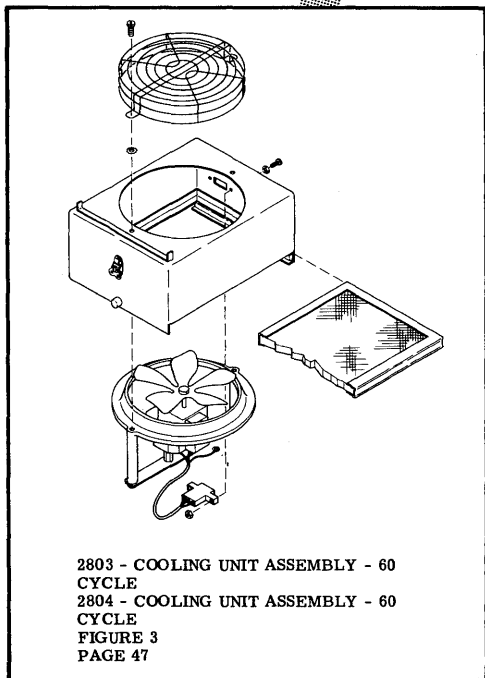
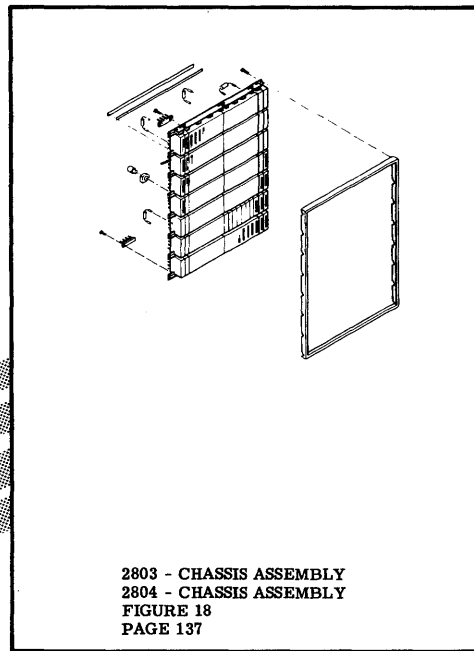
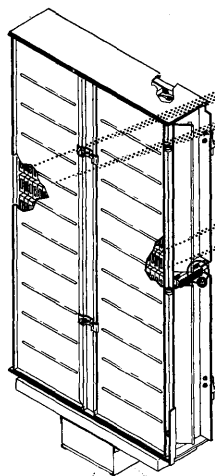


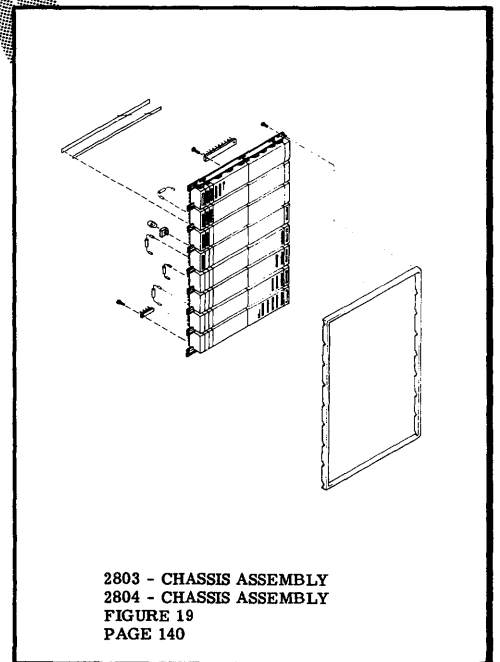
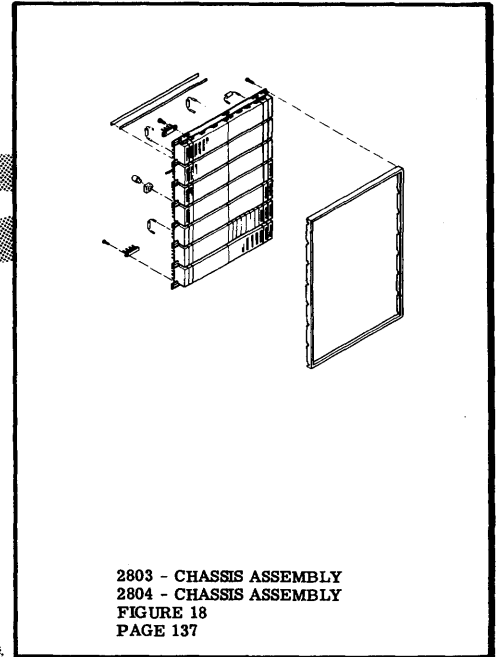
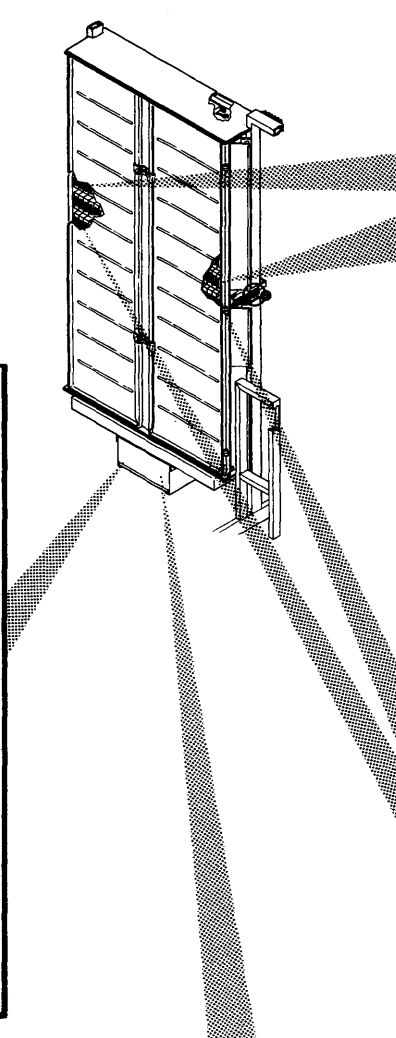
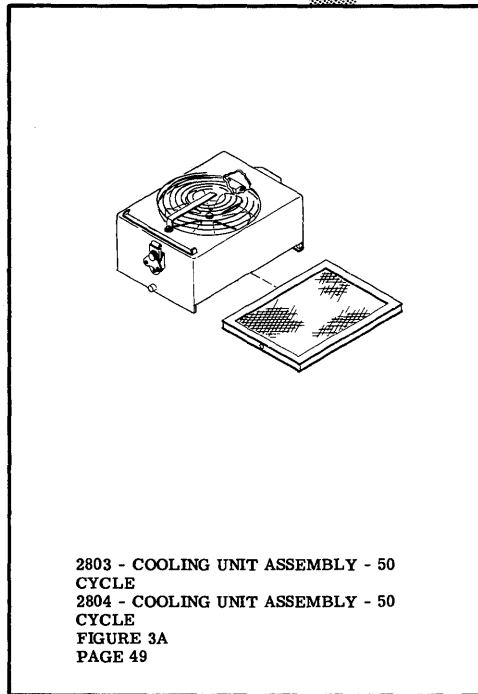
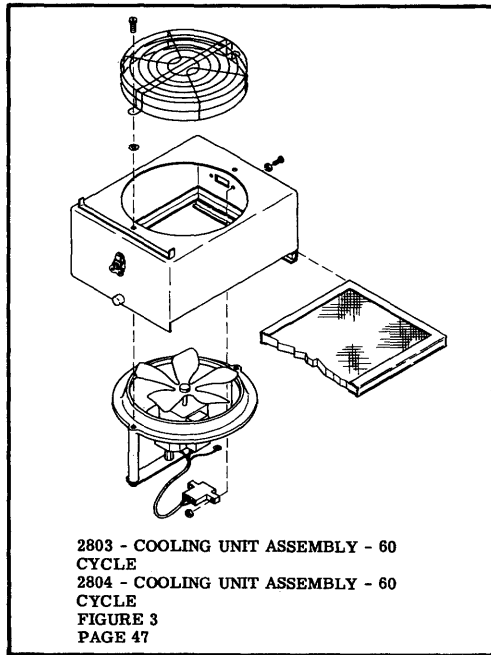


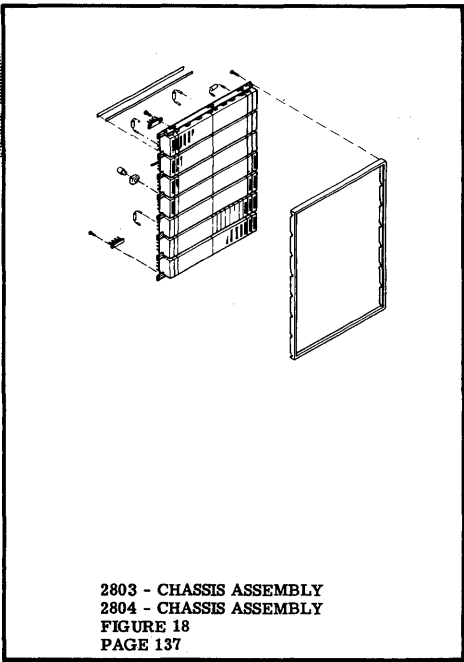
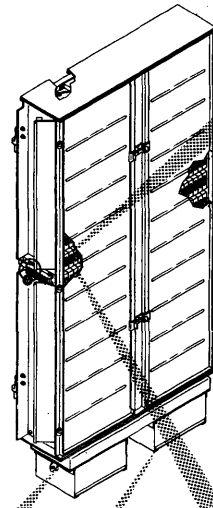




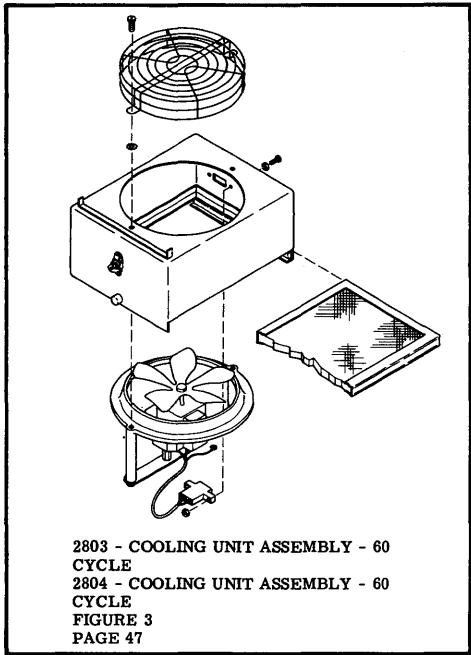




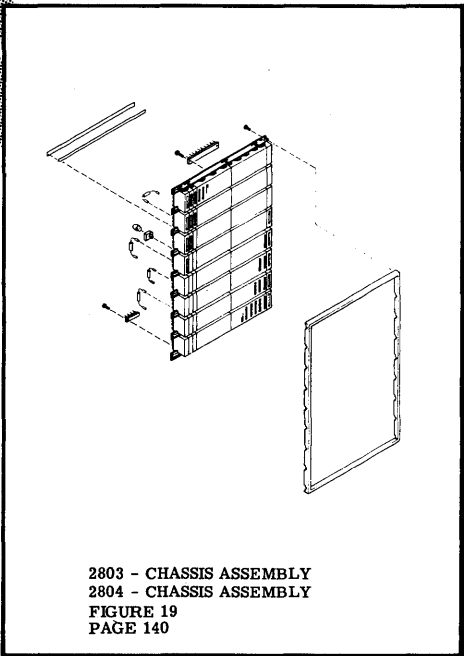




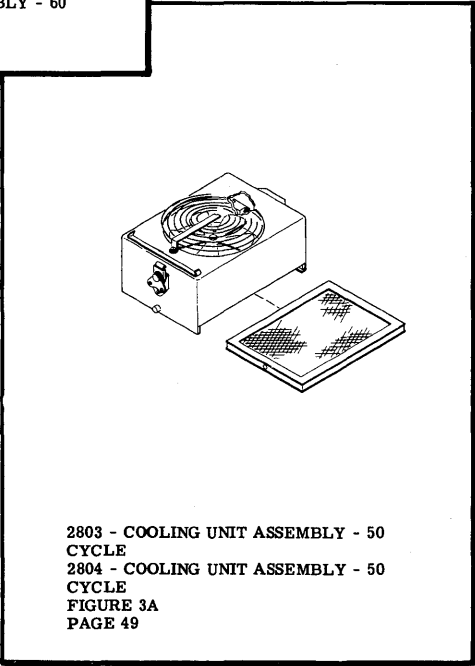
2803 - CHASSIS ASSEMBLY  
2804 - CHASSIS ASSEMBLY  
FIGURE 18  
PAGE 137



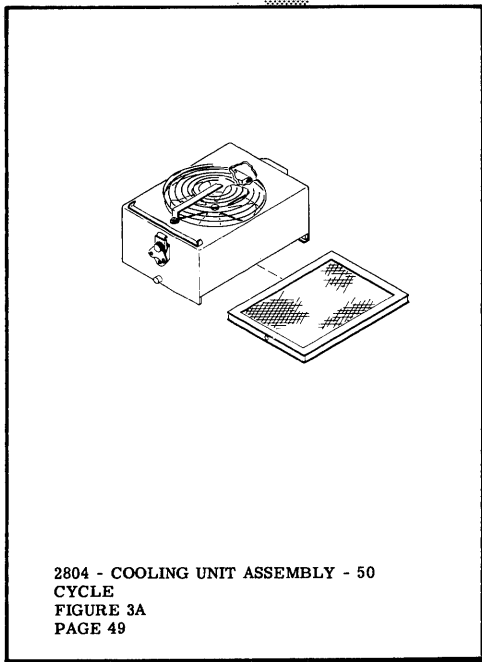
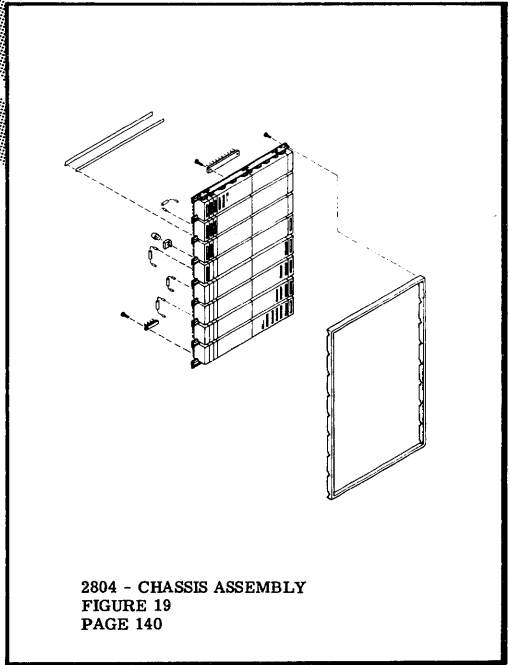
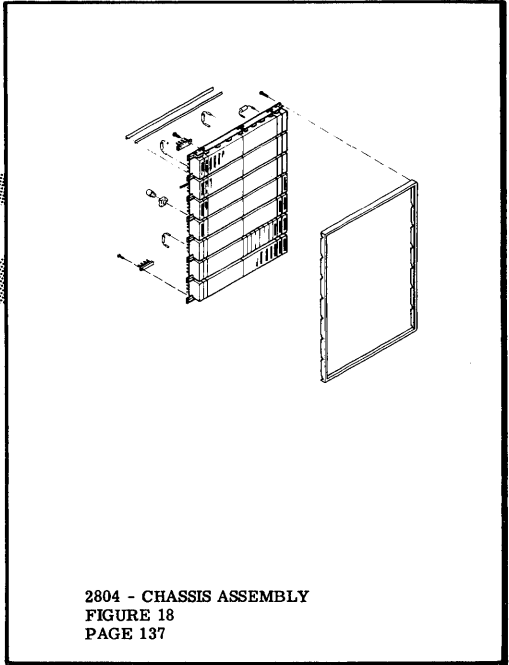
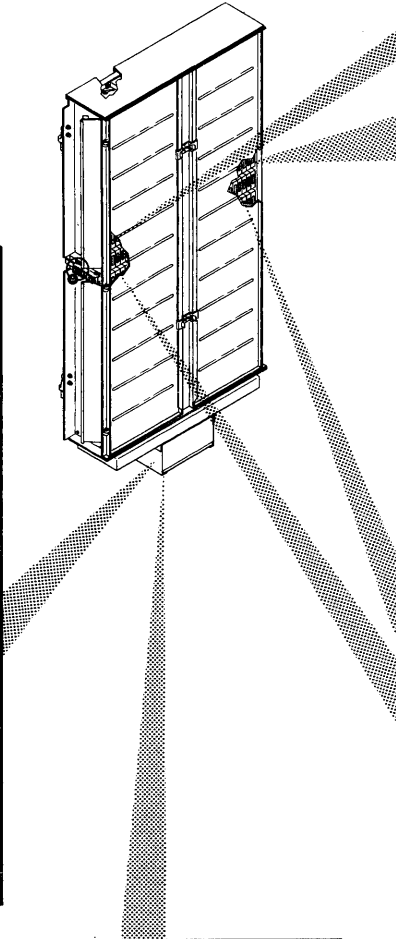
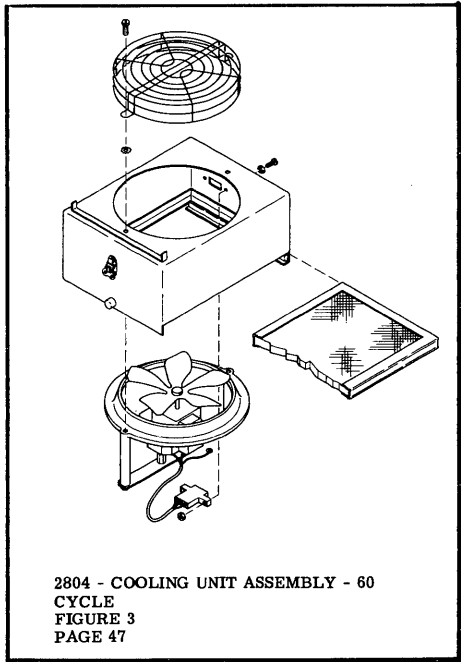
2803 - COOLING UNIT ASSEMBLY - 60  
CYCLE  
2804 - COOLING UNIT ASSEMBLY - 60  
CYCLE  
FIGURE 3  
PAGE 47

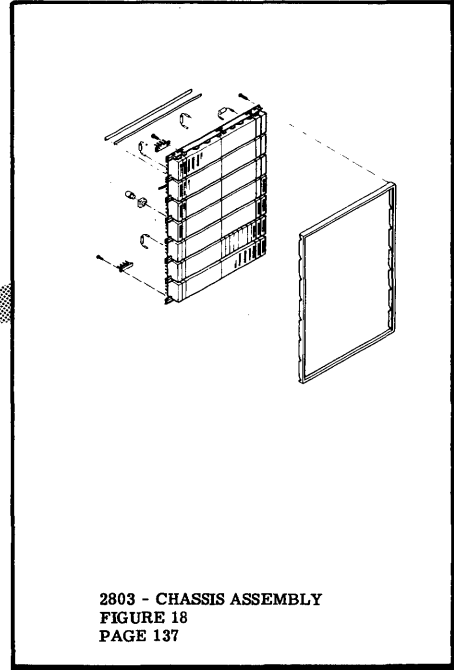
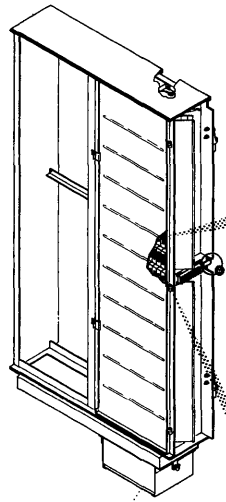


2803 - CHASSIS ASSEMBLY  
2804 - CHASSIS ASSEMBLY  
FIGURE 19  
PAGE 140

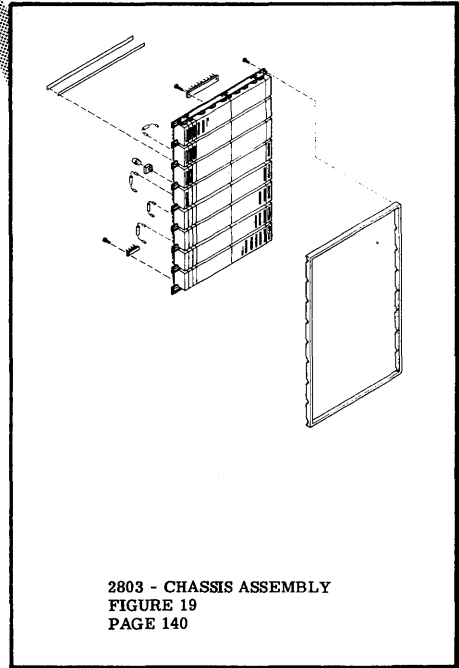


2803 - COOLING UNIT ASSEMBLY - 50  
CYCLE  
2804 - COOLING UNIT ASSEMBLY - 50  
CYCLE  
FIGURE 3A  
PAGE 49

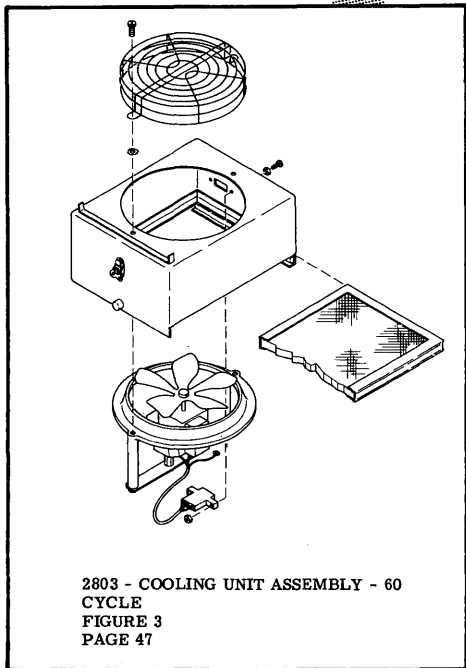




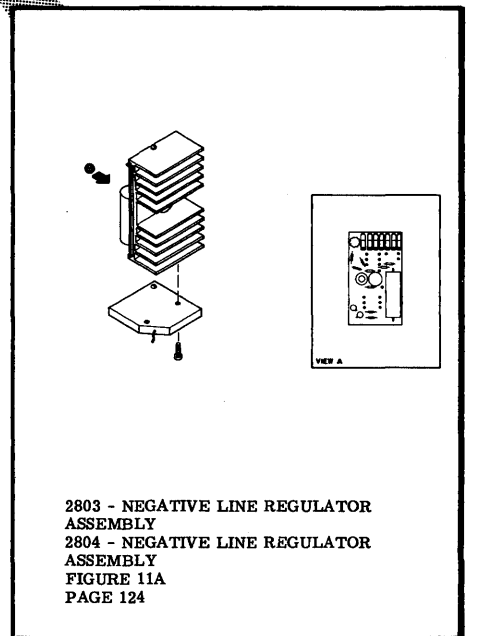
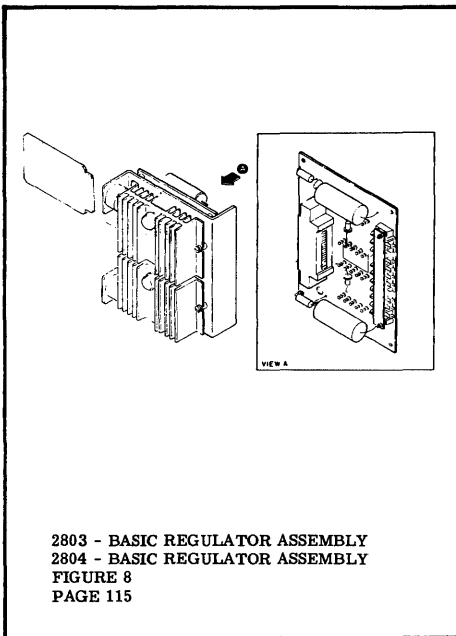
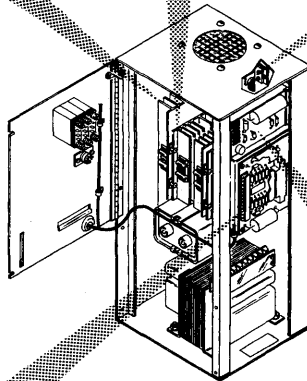
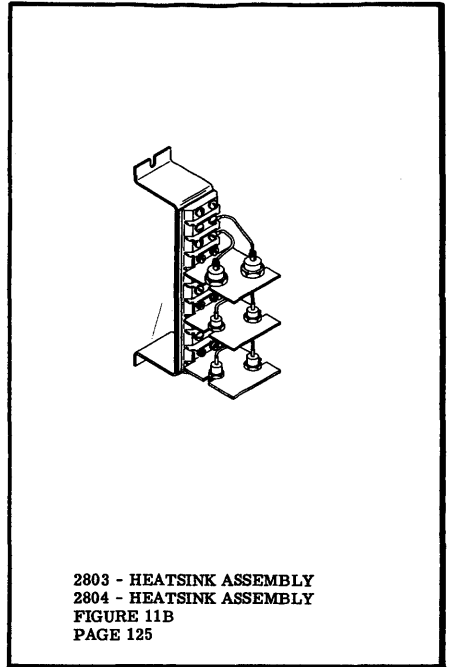
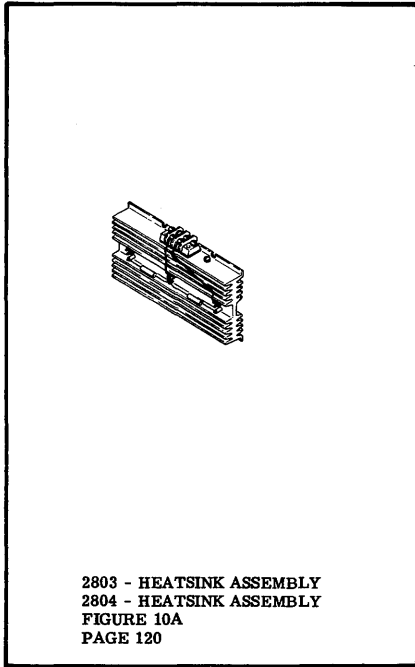
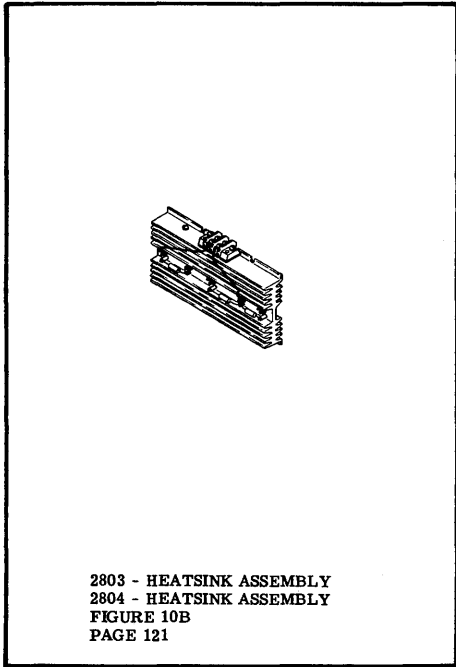
2803 - CHASSIS ASSEMBLY  
FIGURE 18  
PAGE 137

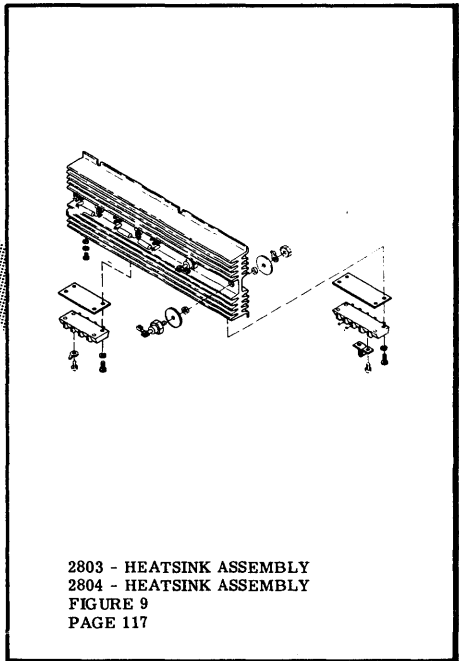
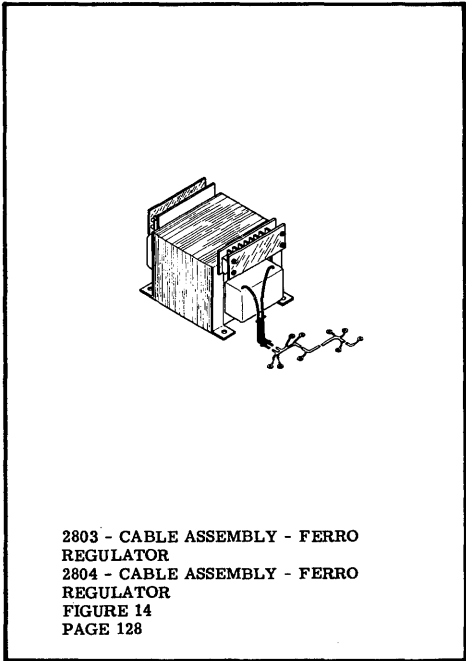
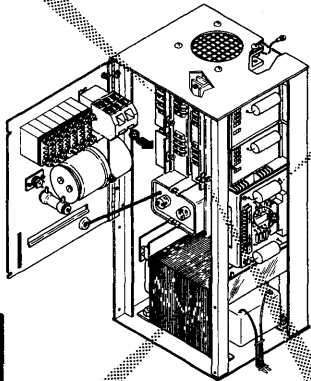
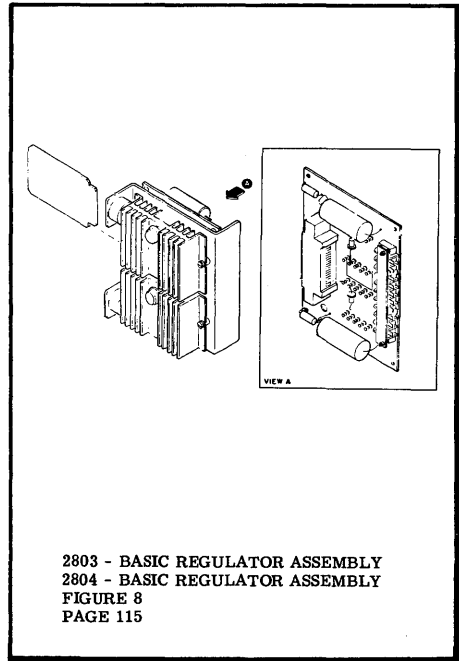
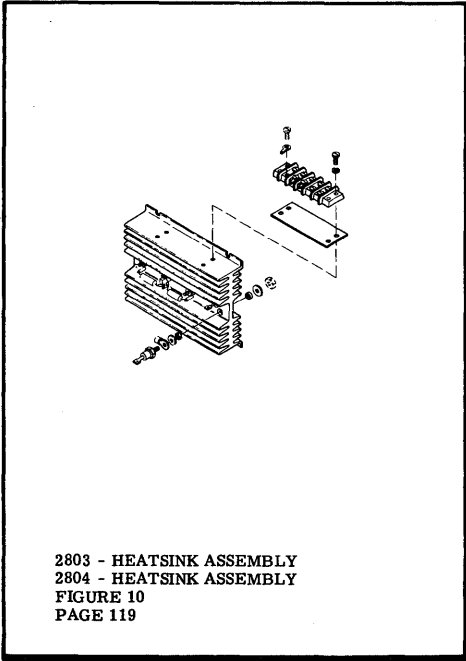


2803 - CHASSIS ASSEMBLY  
FIGURE 19  
PAGE 140

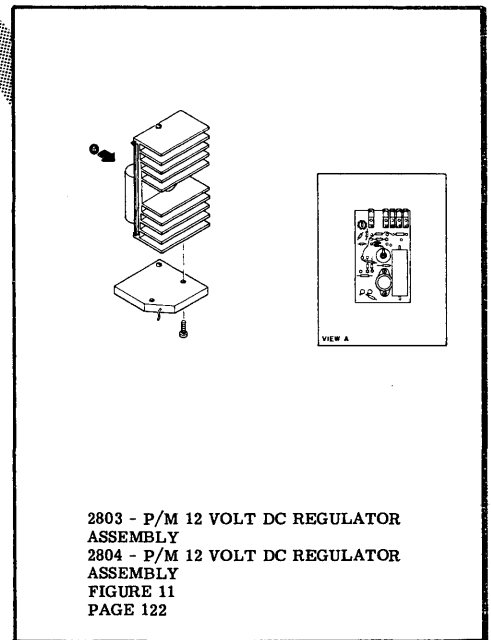
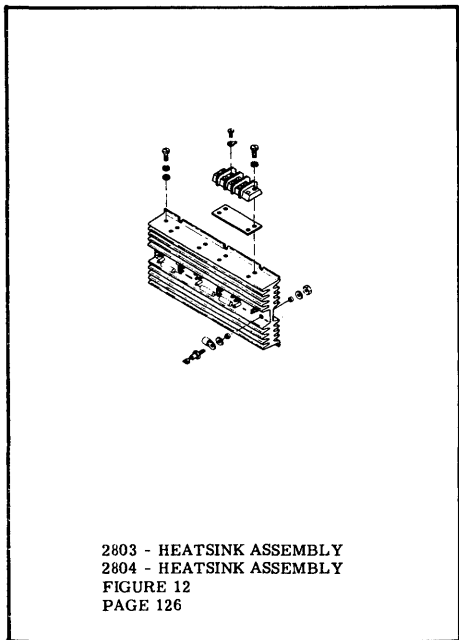
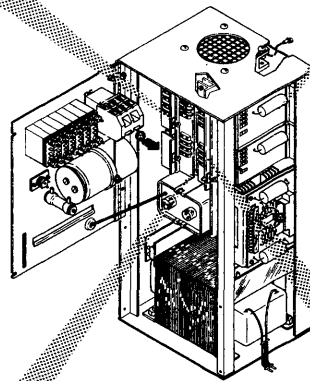
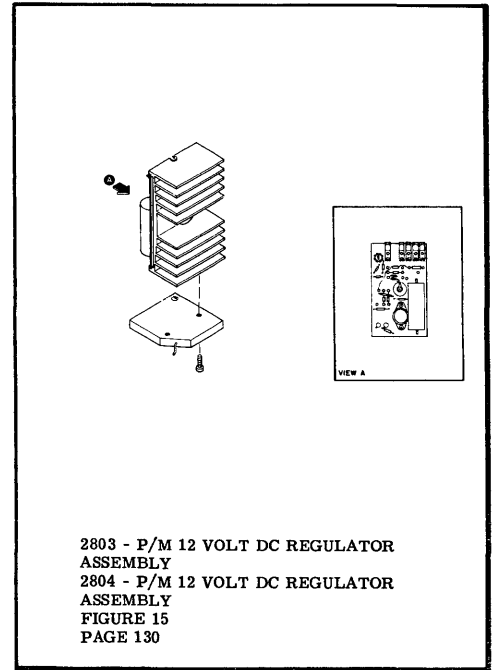
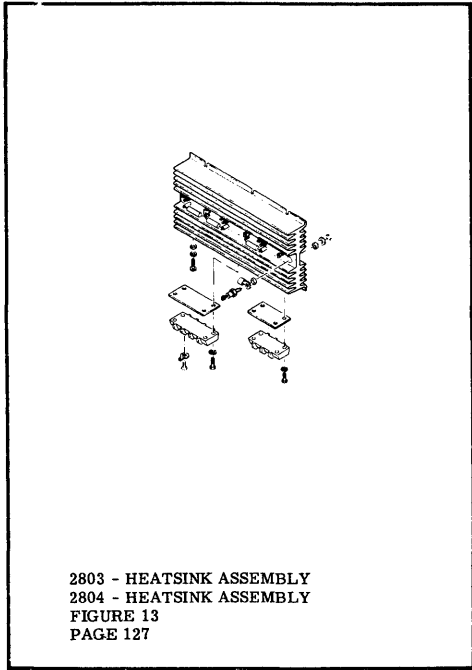


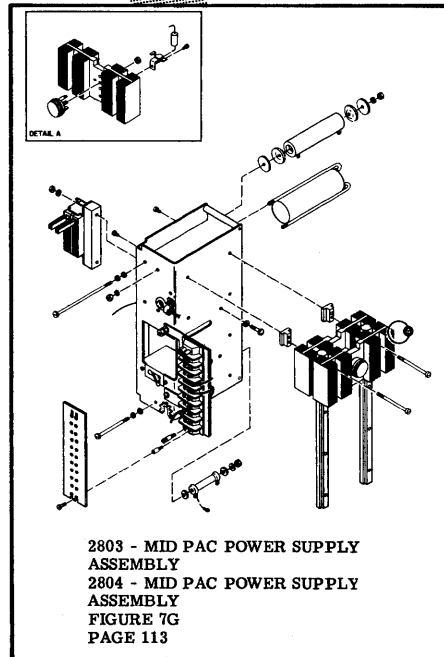
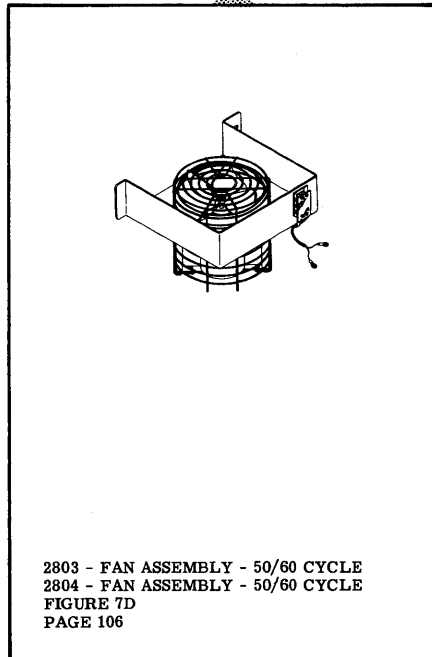
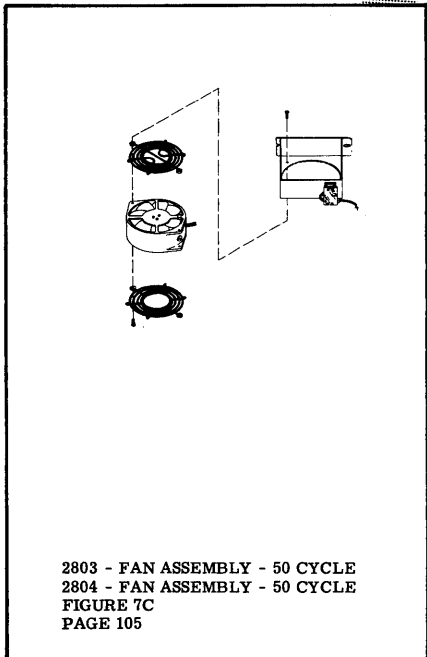
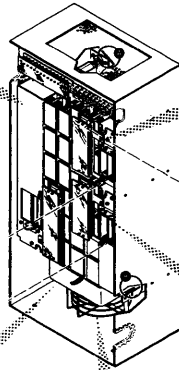
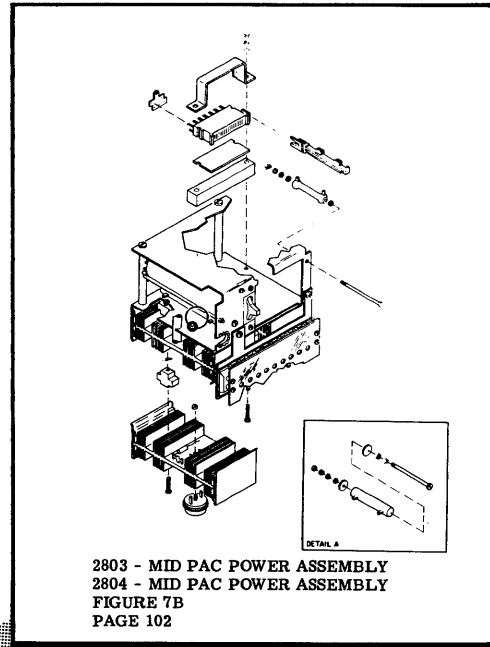
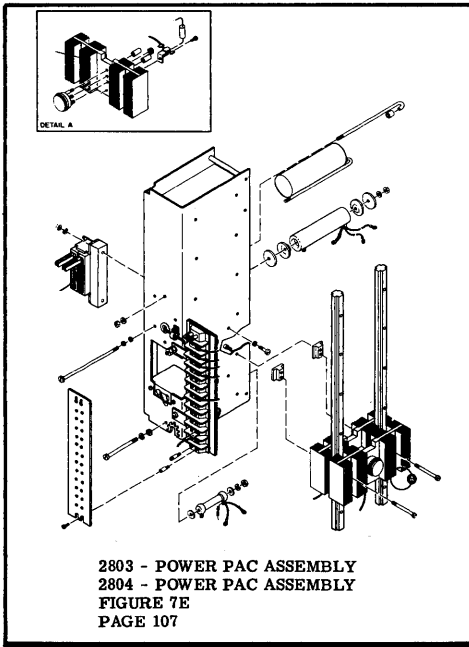
2803 - COOLING UNIT ASSEMBLY - 60  
CYCLE  
FIGURE 3  
PAGE 47











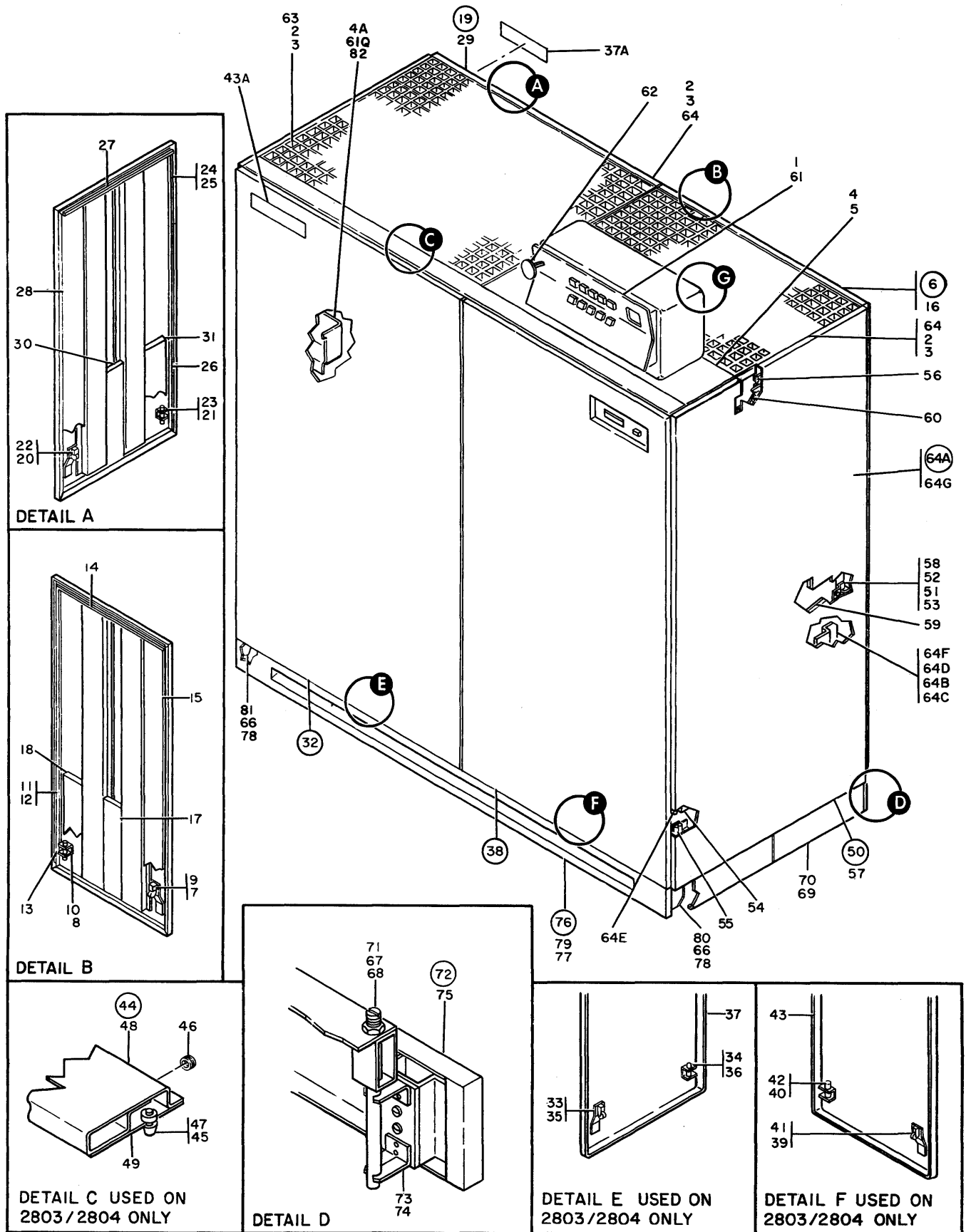


FIGURE 1. COVER ASSEMBLIES. SHEET 1 OF 2. SEE LIST 1.

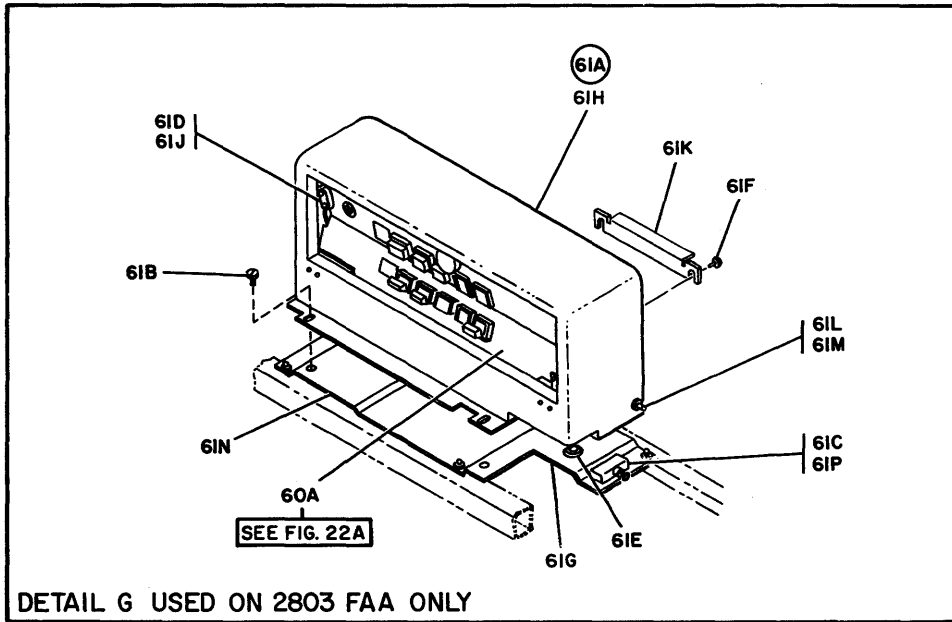


FIGURE 1. COVER ASSEMBLIES. SHEET 2 OF 2. SEE LIST 1.

LIST AND INDEX NUMBER	PART NUMBER	DESCRIPTION				UNITS PER ASM.	USABLE ON CODE
		1	2	3	4		
		COVER ASSEMBLIES					
1 -		CODE A USED ON ASM 5371372-2803/2804 MODEL 1 AND 2803 MODEL 2-50 AND 60 CYCLE CODE B USED ON ASM 5371373-2803/2804 MODEL 1 AND 2803 MODEL 2-50 AND 60 CYCLE CODE C USED ON ASM 5371374-2803/2804 MODEL 1 AND 2803 MODEL 2-50 AND 60 CYCLE CODE D USED ON ASM 5371375-2803/2804 MODEL 1 AND 2803 MODEL 2-50 AND 60 CYCLE CODE E USED ON ASM 5416355-2804 MODEL 2-50 AND 60 CYCLE CODE F USED ON ASM 5416356-2804 MODEL 2-50 AND 60 CYCLE CODE G USED ON ASM 5416357-2804 MODEL 2-50 AND 60 CYCLE CODE H USED ON ASM 5416358-2804 MODEL 2-50 AND 60 CYCLE CODE Z USED ON FEATURE B/M 5382455 2803 FAA MODEL 1-60 CYCLE					
-	5371372	COVER ASSEMBLIES - RED				NP	A
		USED ON 2803/2804 MODEL 1 AND 2803 MODEL 2 FIG. 1 FOR ILLUSTRATION					
-	5371373	COVER ASSEMBLIES - YELLOW				NP	B
		USED ON 2803/2804 MODEL 1 AND 2803 MODEL 2 FIG. 1 FOR ILLUSTRATION					
-	5371374	COVER ASSEMBLIES - BLUE				NP	C
		USED ON 2803/2804 MODEL 1 AND 2803 MODEL 2 FIG. 1 FOR ILLUSTRATION					
-	5371375	COVER ASSEMBLIES - GRAY				NP	D
		USED ON 2803/2804 MODEL 1 AND 2803 MODEL 2 FIG. 1 FOR ILLUSTRATION					
-	5416355	COVER ASSEMBLIES - RED				NP	E
		USED ON 2804 MODEL 2 FIG. 1 FOR ILLUSTRATION					
-	5416356	COVER ASSEMBLIES - YELLOW				NP	F
		USED ON 2804 MODEL 2 FIG. 1 FOR ILLUSTRATION					
-	5416357	COVER ASSEMBLIES - BLUE				NP	G
		USED ON 2804 MODEL 2 FIG. 1 FOR ILLUSTRATION					
-	5416358	COVER ASSEMBLIES - GRAY				NP	H
		USED ON 2804 MODEL 2 FIG. 1 FOR ILLUSTRATION					

LIST AND INDEX NUMBER	PART NUMBER	DESCRIPTION	UNITS PER ASM.	USABLE ON CODE
		COVER ASSEMBLIES -CONT		
1 -	5382455	COVER ASSEMBLIES -FAA FEATURE BLUE USED ON 2803 FAA MODEL 1 FEATURE FIG. 1 FOR ILLUSTRATION	NP	Z
- 1	32042	• SCREW, MACH BIND. HD 10-32 X 3/8 LG.	4	Z
- 2	58207	• SCREW, MACH-UNDRCT BIND HD 8-32 X 1/4 LG	8	B
- 3	257189	• NUT, HEX- 8-32	8	C
- 4	332620	• SCREW, MACH-BIND HD 10-32 X 1/2 LG	4	Z
- 4A	731629	• SCREW, PAN HD- 10-32 X 0.380 LG	2	
- 5	5362221	• COVER ASSEMBLY	1	Z
- 6	5363612	• COVER ASSEMBLY-RED	1	A
- 6	5363613	• COVER ASSEMBLY-YELLOW	1	B
- 6	5363614	• COVER ASSEMBLY-BLUE	1	C
- 6	5363615	• COVER ASSEMBLY-GREY	1	D
- 6	5363614	• COVER ASSEMBLY-BLUE	1	Z
- 7	81693	• . SCREW, MACH-BIND HD 6-32 X 3/8 LG	4	
- 8	257982	• . CLIP, RETAINING-E TYPE 0.188 DIA GROOVE	1	
- 9	513668	• . CATCH, FRICTION LATCH	2	
- 10	5356382	• . STAYARM	1	
- 11	5356429	• . CLIP-RETAINING	7	
- 12	5373637	• . SEAL-REAR DOOR	1	
- 13	5373639	• . SEAL-REAR DOOR	1	
- 14	5373644	• . SEAL-RIGHT REAR COVER	1	
- 15	5383132	• . LINER-REAR COVER	1	
- 16	5386610	• . COVER-RIGHT REAR	1	
- 17	5397635	• . LINER-COVER	1	A
- 18	5397636	• . LINER-COVER	1	B
- 19	5363617	• COVER ASSEMBLY-RED	1	A
- 19	5363618	• COVER ASSEMBLY-YELLOW	1	B
- 19	5363619	• COVER ASSEMBLY-BLUE	1	C
- 19	5363620	• COVER ASSEMBLY-GREY	1	D
- 19	5363619	• COVER ASSEMBLY-BLUE	1	Z
- 20	81693	• . SCREW, MACH-BIND HD 6-32 X 3/8 LG	4	D
- 21	257982	• . CLIP, RETAINING-E TYPE 0.188 DIA GROOVE	1	
- 22	513668	• . CATCH, FRICTION LATCH	2	
- 23	5356382	• . STAYARM	1	
- 24	5356429	• . CLIP-RETAINING	7	
- 25	5373637	• . SEAL-REAR DOOR	1	
- 26	5373639	• . SEAL-REAR DOOR	1	
- 27	5373727	• . SEAL	1	
- 28	5383132	• . LINER-REAR COVER	1	
- 29	5386609	• . COVER-LEFT REAR	1	
- 30	5397635	• . LINER-COVER	1	
- 31	5397636	• . LINER-COVER	1	
- 32	5363614	• COVER ASSEMBLY-BLUE	1	Z
- 32	5371378	SEE INDEX 7 THRU 18 FOR BREAKDOWN • COVER ASSEMBLY, LEFT FRONT, RED	1	A
- 32	5371379	• COVER ASSEMBLY, LEFT FRONT, YELLOW	1	B
- 32	5402859	• COVER ASSEMBLY, RIGHT REAR, RED	2	E
- 32	5371380	• COVER ASSEMBLY, LEFT FRONT, BLUE	1	C
- 32	5402860	• COVER ASSEMBLY, RIGHT REAR, YELLOW	2	F
- 32	5371381	• COVER ASSEMBLY, LEFT FRONT, GRAY	1	O
- 32	5402861	• COVER ASSEMBLY, RIGHT REAR, BLUE	2	G
- 32	5402862	• COVER ASSEMBLY, RIGHT REAR, GRAY	2	H
- 33	81693	• . SCREW, MACH-BIND HD 6-32 X 3/8 LG	4	A
- 34	257982	• . CLIP, RETAINING-E TYPE 0.188 DIA GROOVE	1	B
- 35	513668	• . CATCH, FRICTION LATCH	2	C
- 36	5356382	• . STAYARM	1	D
- 37	5371377	• . COVER, LEFT FRONT	1	
- 37	5386610	• . COVER-RIGHT REAR	1	E
- 37	5386610	• . COVER-RIGHT REAR	1	F
- 37	5386610	• . COVER-RIGHT REAR	1	G
- 37	5386610	• . COVER-RIGHT REAR	1	H
- 37A	5361982	• NAMEPLATE	1	
- 37A	5361983	• NAMEPLATE	1	
- 37A	5408593	• NAMEPLATE	1	
- 37A	5416420	• NAMEPLATE	1	
- 37A	5416421	• NAMEPLATE	1	
- 37A	5361984	USED ON 2803 ONLY • NAMEPLATE	1	
- 37A	5361985	• NAMEPLATE	1	
- 37A	5416422	• NAMEPLATE	1	
- 37A	5416423	• NAMEPLATE	1	
- 37A	5416424	• NAMEPLATE	1	
		USED ON 2804 ONLY		

LIST AND INDEX NUMBER	PART NUMBER	DESCRIPTION	UNITS PER ASM.	USABLE ON CODE
		COVER ASSEMBLIES -CONT		
1- 38	5363619	• COVER ASSEMBLY-BLUE SEE INDEX 20 THRU 31 FOR BREAKDOWN	1	Z
- 38	5371384	• COVER ASSEMBLY,RIGHT FRONT,RED	1	A
- 38	5371385	• COVER ASSEMBLY,RIGHT FRONT,YELLOW	1	B
- 38	5371386	• COVER ASSEMBLY,RIGHT FRONT,BLUE	1	C
- 38	5371387	• COVER ASSEMBLY,RIGHT FRONT,GRAY	1	D
- 38	5418061	• COVER ASSEMBLY	NP	E
- 38	5418062	• COVER ASSEMBLY	NP	F
- 38	5418063	• COVER ASSEMBLY	NP	G
- 38	5418064	• COVER ASSEMBLY	NP	H
- 39	81693	• . SCREW,MACH-BIND HD 6-32 X 3/8 LG	4	
- 40	257982	• . CLIP,RETAINING-E TYPE 0.188 DIA GROOVE	1	
- 41	513668	• . CATCH,FRICITION LATCH	2	
- 42	5356382	• . STAYARM	1	A
- 42	5356382	• . STAYARM	1	E
- 42	5356382	• . STAYARM	1	F
- 42	5356382	• . STAYARM	1	G
- 42	5356382	• . STAYARM	1	H
- 43	5371383	• . COVER,FRONT-RIGHT	1	B
- 43	5386609	• . COVER-LEFT REAR	1	E
- 43	5386609	• . COVER-LEFT REAR	1	F
- 43	5386609	• . COVER-LEFT REAR	1	G
- 43	5386609	• . COVER-LEFT REAR	1	H
- 43A	5371391	• NAMEPLATE-2803 USED ON 2803 ONLY	1	
- 43A	5371393	• NAMEPLATE-2804 USED ON 2804 ONLY	1	
- 44	5371395	• COVER ASSEMBLY,TOP FRONT	1	A
- 44	5371395	• COVER ASSEMBLY,TOP FRONT	1	B
- 44	5371395	• COVER ASSEMBLY,TOP FRONT	1	C
- 44	5371395	• COVER ASSEMBLY,TOP FRONT	1	D
- 45	38688	• . SCREW-SUPPORT & TRIM MOUNTING .750 LONG	6	D
- 46	208529	• . BUMPER,RUBBER-FOR 3/16 HOLE	1	
- 47	333064	• . CAP,BOLT	1	
- 48	5371389	• . COVER,TOP FRONT	1	
- 49	5397639	• . PLATE,PATENT LICENSE	1	
- 50	5373714	• COVER ASSEMBLY-SIDE	2	
- 50	5373714	• COVER ASSEMBLY-SIDE	1	E
- 50	5373714	• COVER ASSEMBLY-SIDE	1	F
- 50	5373714	• COVER ASSEMBLY-SIDE	1	G
- 50	5373714	• COVER ASSEMBLY-SIDE	1	H
- 51	9092	• . WASHER-LOCK,SPLIT RING, .194 ID .337OD	2	
- 52	11598	• . NUT PLAIN HEX 10/32	2	
- 53	47242	• . WASHER,FL-NO. 12 X 1/2 OD X 0.062 THK	2	
- 54	5356429	• . CLIP-RETAINING	8	
- 55	5373638	• . SEAL-SIDE DOOR	1	
- 56	5373642	• . SEAL-SIDE COVER	1	
- 57	5373645	• . COVER-SIDE	1	
- 58	5373646	• . STRIKE-SIDE COVER	1	
- 59	5373715	• . LINER-SIDE COVER	1	
- 60	5373716	• . LINER-SIDE COVER	1	
- 60A	5382450	• PANEL ASSEMBLY-CONTROL SEE LIST 22A FOR DETAIL BREAKDOWN	1	Z
- 61	5382451	• PANEL	1	Z
- 61A	5382454	• BOX ASM-CONTROL	1	Z
- 61B	28413	• . SCREW,MACH-BIND HD 10-32 X 5/16 LG	4	
- 61C	38235	• . SCREW MACH 6/32 X .310 LG	2	
- 61D	38433	• . SCREW,MACH-FH 4-40 X 1/4 LG	2	
- 61E	265059	• . GROMMET,RUB-FOR 5/8 HOLE X 1/16 PNL	1	
- 61F	734483	• . SCREW,PAN HD 6-32 X .380 LG	2	
- 61G	5312797	• . SEAL,FRONT COVER	AR	

LIST AND INDEX NUMBER	PART NUMBER	1 2 3 4	DESCRIPTION	UNITS PER ASM.	USABLE ON CODE
			COVER ASSEMBLIES -CONT		
1 - 61H	5356371		. . BOX,CONTROL-METAL	1	
- 61J	5356376		. . STAYARM-CONTROL PANEL	1	
- 61K	5356441		. . SUPPORT	1	
- 61L	5356443		. . STUD 10-32 X3/4 LG	2	
- 61M	5356444		. . NUT	6	
- 61N	5386614		. . COVER-INNER	1	
- 61P	5386615		. . SWITCH,INTERLOCK-SPDT	1	
- 61Q	5382620		. . POCKET,PLUG-BOARD PIN	2	
- 62	5383181		. . KNOB ASSEMBLY-PULL	1	Z
- 63	5391647		. . GRID-TOP COVER	2	A
- 63	5391647		. . GRID-TOP COVER	2	B
- 63	5391647		. . GRID-TOP COVER	2	C
- 63	5391647		. . GRID-TOP COVER	2	D
- 63	5391647		. . GRID-TOP COVER	1	Z
- 64	5391649		. . GRID-COVER	1	Z
- 64A	5416406		. . COVER ASSEMBLY, LEFT	1	E
- 64A	5416406		. . COVER ASSEMBLY, LEFT	1	F
- 64A	5416406		. . COVER ASSEMBLY, LEFT	1	G
- 64A	5416406		. . COVER ASSEMBLY, LEFT	1	H
- 64B	9092		. . WASHER-LOCK,SPLIT RING, .194 ID .3370D	2	
- 64C	11598		. . NUT PLAIN HEX 10/32	2	
- 64D	45690		. . WASHER, FL - NO.10 X 7/16 OD X 1/32 THK	2	
- 64E	360193		. . BUMPER	2	
- 64F	5373646		. . STRIKE-SIDE COVER	1	
- 64G	5416359		. . COVER	1	
- 66	99		. . SCREW,MACH-FL CSK HD 10-32 X 3/8 LG	4	
- 67	24107		. . NUT,PLAIN,HEX- 3/8 X 9/16 FL W	3	
- 68	237245		. . RING,RETAINING-EXT 0.300 ID X 0.035 THK	3	
- 69	731629		. . SCREW,PAN HD- 10-32 X 0.380 LG	12	
- 70	5356406		. . KICKPLATE-SIDE	4	
- 71	5356446		. . PIN	3	
- 72	5362005		. . KICKPLATE ASSEMBLY,REAR	1	
- 73	32042		. . SCREW, MACH BIND. HD 10-32 X 3/8 LG.	6	
- 74	5356393		. . CLIP	3	
- 75	5362258		. . KICKPLATE,REAR	1	
- 76	5372634		. . KICKPLATE ASSEMBLY,FRONT	1	
- 77	332620		. . SCREW,MACH-BIND HD 10-32 X 1/2 LG	2	
- 78	5356444		. . NUT	2	
- 79	5371674		. . KICKPLATE,FRONT	1	
- 80	5386611		. . BRACKET-KICKPLATE	1	
- 81	5386612		. . BRACKET-KICKPLATE	1	
- 82	5383004		. . PIN-SHORTING	100	



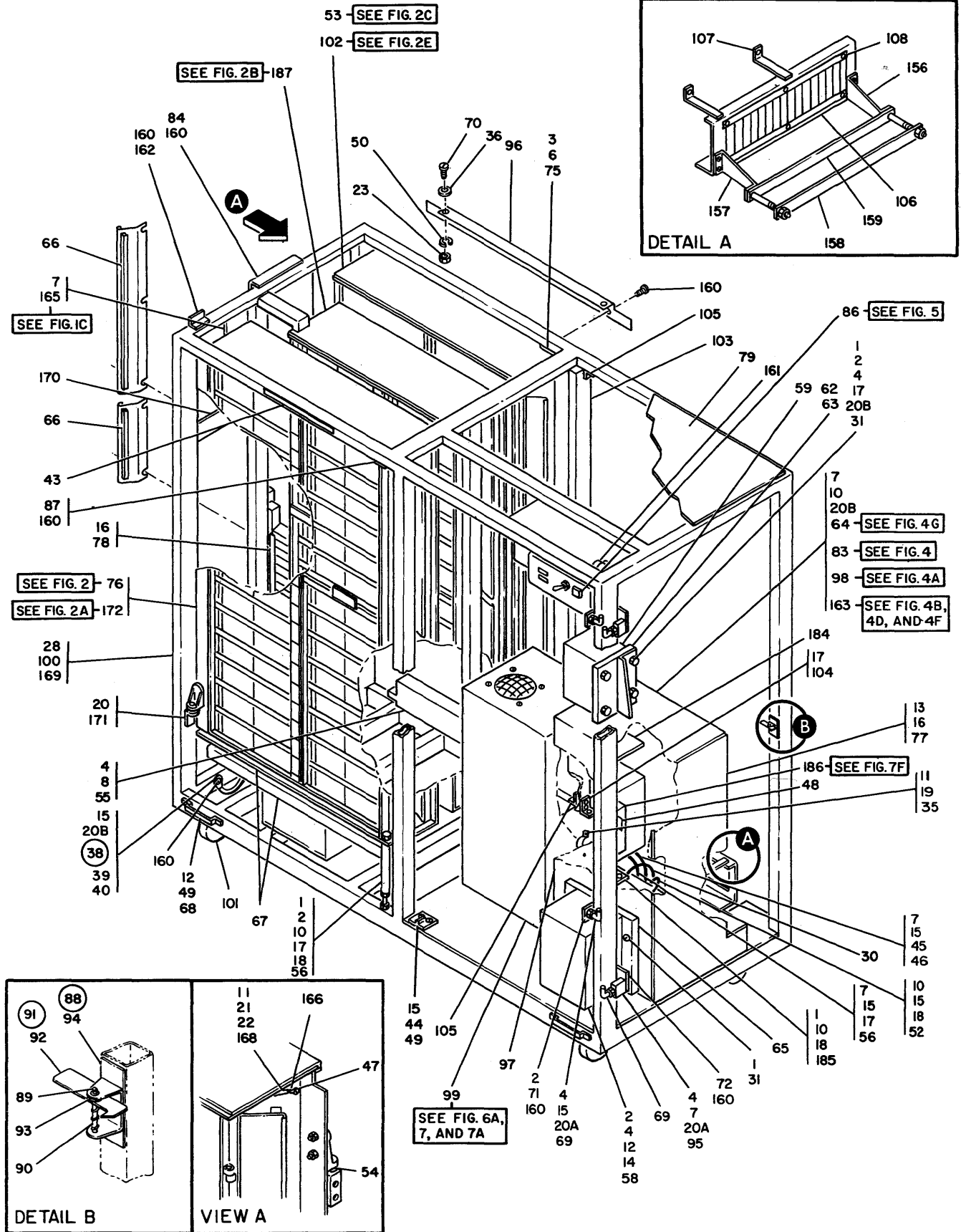


FIGURE 1A. FINAL ASSEMBLY-2803. SHEET 1 OF 4. SEE LIST 1A.

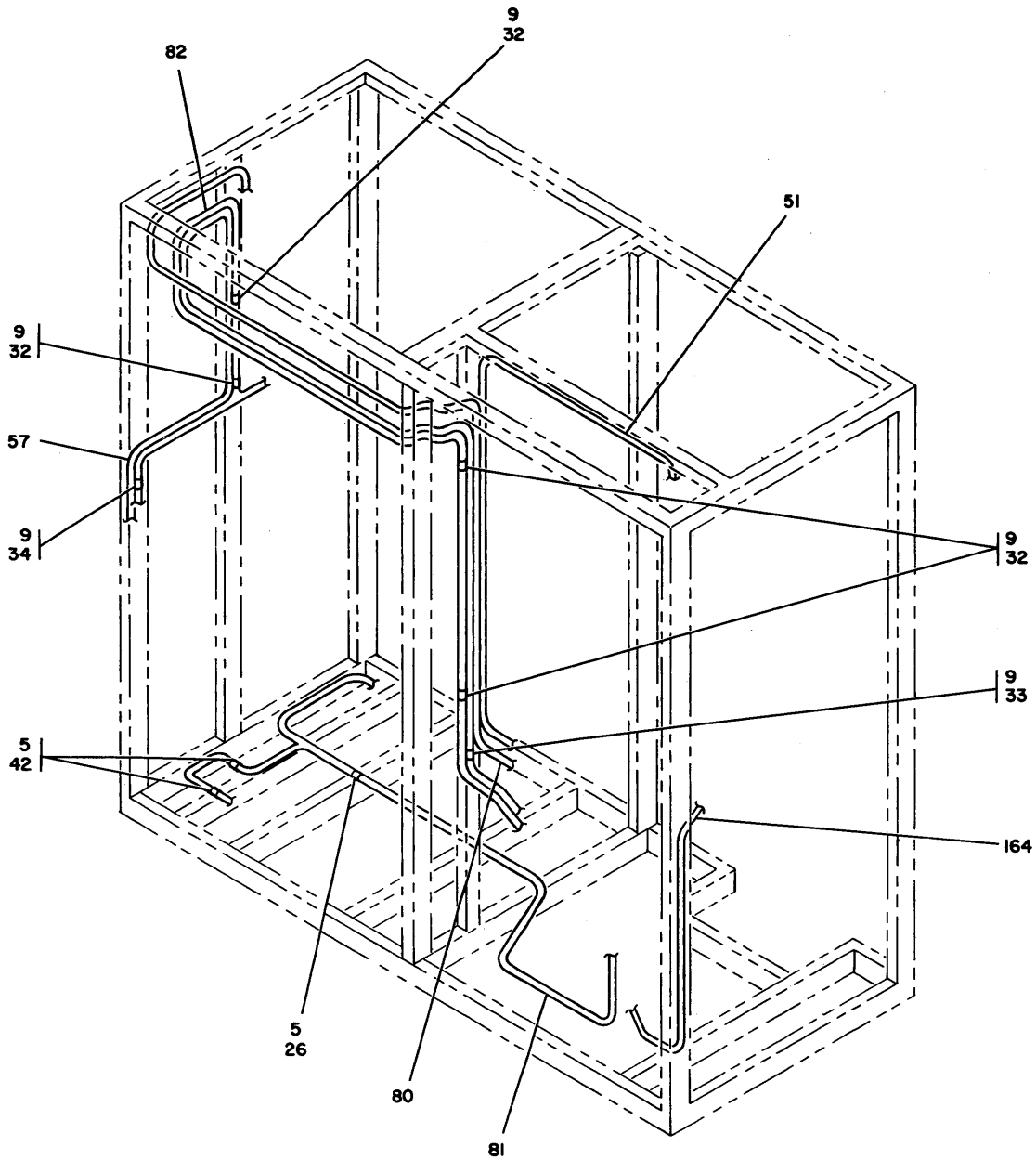


FIGURE 1A. FINAL ASSEMBLY-2803. SHEET 2 OF 4. SEE LIST 1A.

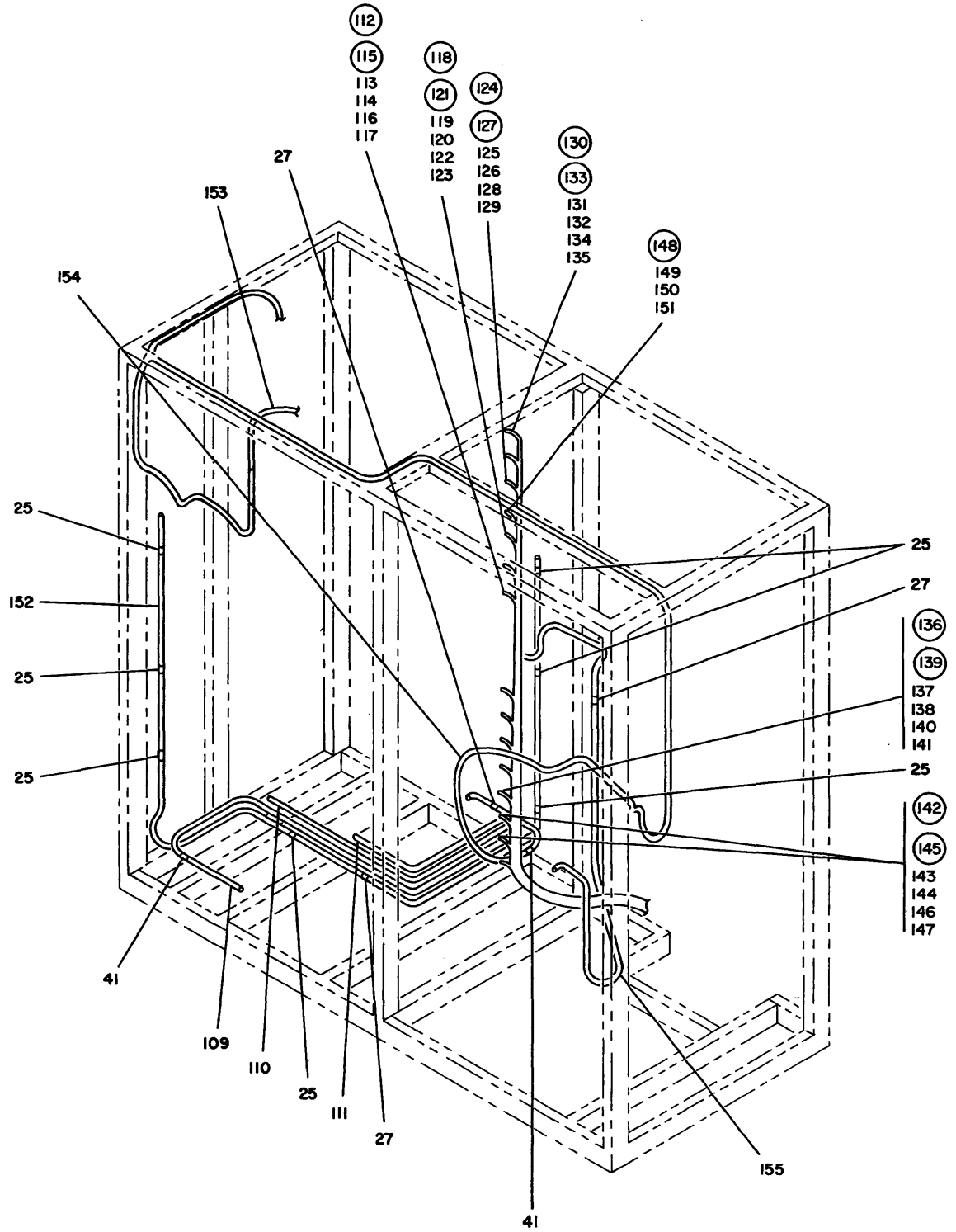


FIGURE 1A. FINAL ASSEMBLY-2803. SHEET 3 OF 4. SEE LIST 1A.

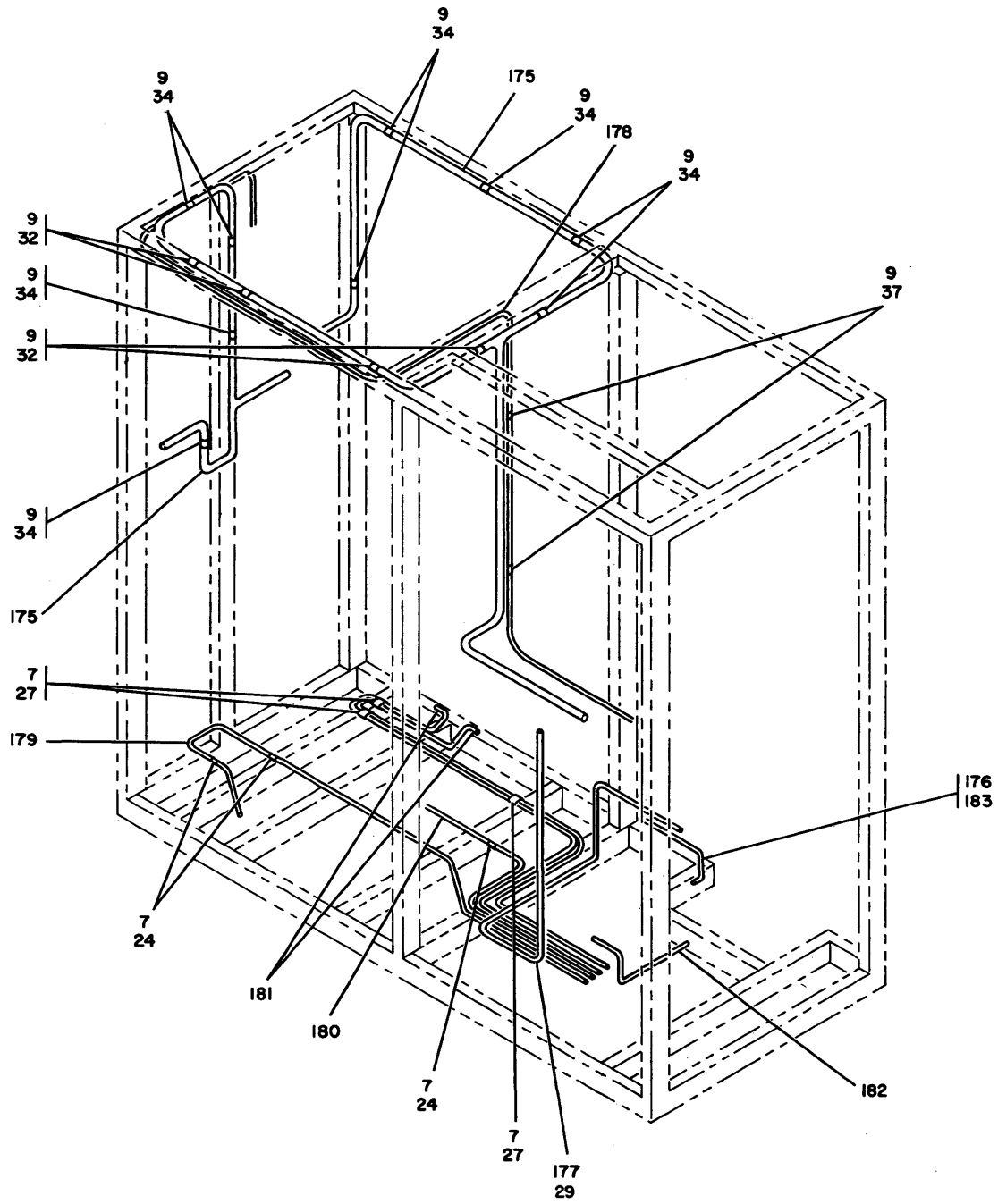


FIGURE 1A. FINAL ASSEMBLY-2803. SHEET 4 OF 4. SEE LIST 1A.

LIST AND INDEX NUMBER	PART NUMBER	DESCRIPTION	UNITS PER ASM.	USABLE ON CODE
		FINAL ASSEMBLY-2803		
1A-	5371400	FINAL ASM - 2803 MOD 1 - 60 CYCLE	NP	
-	5382100	FINAL ASM - 2803 MOD 1 - 50 CYCLE	NP	
-	5415881	FINAL ASM - 2803 MOD 2 - 60 CYCLE	NP	
-	5415880	FINAL ASM - 2803 MOD 2 - 50 CYCLE	NP	
-	5382400	FINAL ASM - 2803 FAA MOD 1 - 60 CYCLE SEE FIG. 1A FOR ILLUSTRATION	NP	
- 1	3550	• WASHER,FL- 1/4 X 9/16 OD X 0.050 THK	AR	
- 2	3960	• NUT,PLAIN,HEX- 1/4-20 X 7/16 FL W	AR	
- 3	5677	• SCREW,MACH-BIND HD 10-32 X 3/4 LG	AR	
- 4	6935	• WASHER,LOCK-SPLIT 1/4 X 0.493 OD	AR	
- 5	10170	• SCREW-MACH,BIND HD NO. 6-32 X .250 LG	AR	
- 6	13028	• SPACER	AR	
- 7	32042	• SCREW, MACH BIND. HD 10-32 X 3/8 LG.	AR	
- 8	36112	• SCREW,MACH-HEX HD 1/4-20 X 1-1/2 LG	AR	
- 9	38447	• SCREW,MACH-FH 6-32 X 5/8 LG	AR	
- 10	38686	• SCREW,MACH-HEX HD 1/4-20 X 1/2 LG	AR	
- 11	45690	• WASHER, FL - NO.10 X 7/16 OD X 1/32 THK	AR	
- 12	47242	• WASHER,FL-NO. 12 X 1/2 OD X 0.062 THK	AR	
- 13	55901	• WASHER,LOCK-EXT TEETH NO. 8 X 0.381 OD	AR	
- 14	55918	• SCREW,MACH-BIND HD 10-32 X 5/8 LG	AR	
- 15	56079	• WASHER,LOCK-EXT T .195 ID .410 OD	AR	
- 16	58207	• SCREW,MACH-UNDRCT BIND HD 8-32 X 1/4 LG	AR	
- 17	59647	• SCREW,MACH-HEX HD 1/4-20 X 1 LG.	AR	
- 18	76574	• LOCKWASHER-EXT TOOTH ID .267 X OD .510	AR	
- 19	130434	• SCREW-MACH,SLOTTED HEX HD NO,10-32 X.375	AR	
- 20	234340	• SCREW, HINGE MTG	AR	
- 20A	151720	• SET SCREW-SPLINE DR CUP PT 8-32 X 3/16	AR	
- 20B	236849	• SCREW,MACH-BIND HD 10/32 X 1/4 LG	AR	
- 21	210108	• SCREW,DOWEL- 10-32 X .187 LG	AR	
- 22	251227	• RING,RETAINING	AR	
- 23	257189	• NUT,HEX- 8-32	AR	
- 24	303538	• CLAMP,CABLE	8	
- 25	327921	USED ON 2803 MOD. 2 50/60 CYCLE • CLAMP,CABLE	7	
- 26	327921	USED ON 2803 FAA • CLAMP,CABLE	1	
- 27	327922	USED ON 2803 MOD. 1 50/60 CYCLE • CLAMP, CABLE-.625 DIAMETER	3	
- 28	332620	USED ON 2803 MOD. 2 50/60 CYCLE • SCREW,MACH-BIND HD 10-32 X 1/2 LG	AR	
- 29	356742	• CLAMP,LOOP- 0.250 ID 0.177 DIA MTG HOLE	6	
- 30	383743	• JUMPER,GND- 8 IN. LG	1	
- 31	438623	USED ON 2803 MOD. 2 50/60 CYCLE • SCREW,MACH-BIND HD 1/4-20 X 5/8 LG	AR	
- 32	438807	• CLAMP-ADJUSTABLE CABLE	4	
- 32	438807	USED ON 2803 MOD. 2 50/60 CYCLE • CLAMP-ADJUSTABLE CABLE	9	
- 33	472168	USED ON 2803 MOD. 1 50/60 CYCLE • CLAMP-CABLE	1	
- 34	478012	USED ON 2803 MOD. 1 50/60 CYCLE • CLAMP-ADJUSTABLE CABLE	1	
- 34	478012	USED ON 2803 MOD. 1 50/60 CYCLE • CLAMP-ADJUSTABLE CABLE	9	
- 35	510425	USED ON 2803 MOD. 2 50/60 CYCLE • JUMPER ASSEMBLY,NO 14 WIRE 3 IN. LONG USED ON 2803 MOD. 1 50 CYCLE	1	
- 36	510810	• WASHER,FL 0.187 ID X 0.437 OD	AR	
- 37	523250	• CLAMP-ADJUSTABLE CABLE	1	
- 38	526098	• STRAP-GROUNDING 6 IN. LG	1	
- 38	526098	USED ON 2803 MOD. 1 50/60 CYCLE • STRAP-GROUNDING 6 IN. LG USED ON 2803 MOD. 2 50/60 CYCLE	2	
- 39	253755	• SHIELD	5	
- 40	2101326	• TERMINAL,RING-10/12 AWG,NO. 10,INS	2	
- 41	532393	• CLAMP-ADJUSTABLE CABLE	2	
- 42	533289	USED ON 2803 FAA • CLAMP,CABLE USED ON 2803 MOD. 1 50/60 CYCLE	2	

LIST AND INDEX NUMBER	PART NUMBER	DESCRIPTION				UNITS PER ASM.	USABLE ON CODE
		1	2	3	4		
		FINAL ASSEMBLY-2803 -CONT					
1A- 43	535632	. DECAL-INST,HAZARDOUS AREA USED ON 2803 MOD. 1 50/60 CYCLE				1	
- 44	597068	. CATCH-COVER				8	
- 45	597215	. JUMPER ASSEMBLY-GROUND WIRE USED ON 2803 MOD. 1 50/60 CYCLE				1	
- 46	598274	. JUMPER ASM-GROUND USED ON 2803 MOD. 1 50/60 CYCLE				1	
- 47	601093	. SCREW,MACH-BIND HD 8-32 X 3/8 LG				AR	
- 48	646007	. LABEL,WARNING USED ON 2803 MOD. 1 50/60 CYCLE				1	
- 49	731629	. SCREW,PAN HD- 10-32 X 0.380 LG				AR	
- 50	1090873	. LOCKWASHER				4	
- 51	2501039	. CABLE ASSEMBLY USED ON 2803 MOD. 1 50 CYCLE				1	
- 52	2501194	. JUMPER ASM USED ON 2803 MOD. 2 50/60 CYCLE				1	
- 53	2501266	. GATE ASSEMBLY-TAU BACK LEFT HAND USED ON 2803 MOD. 2 50/60 CYCLE SEE LIST 2C FOR DETAIL BREAKDOWN				NP	
- 54	2501336	. SPACER USED ON 2803 MOD. 2 50/60 CYCLE				2	
- 55	2503611	. WEIGHT,FRAME USED ON 2803 MOD. 1 60 CYCLE				1	
- 56	2507164	. SUPPORT USED ON 2803 MOD. 1 50/60 CYCLE				1	
- 56	2507164	. SUPPORT USED ON 2803 MOD. 2 50/60 CYCLE				2	
- 57	2507351	. CABLE ASSEMBLY				1	
- 58	2507646	. LINE FILTER,RF1 USED ON 2803 MOD. 1 60 CYCLE				1	
- 59	2507647	. LINE FILTER,RF1,60 AMP,30-60 CPS USED ON 2803 MOD. 2 60 CYCLE				1	
- 62	2514411	. INSULATOR,FILTER MOUNTING USED ON 2803 MOD. 2 60 CYCLE				1	
- 63	2514412	. PLATE,FILTER INSULATOR USED ON 2803 MOD. 2 60 CYCLE				1	
- 64	2514448	. AC BOX ASSEMBLY,60 CYCLE USED ON 2803 MOD. 2 60 CYCLE SEE LIST 4G FOR DETAIL BREAKDOWN				1	
- 65	2514431	. INSULATOR,FILTER MOUNTING USED ON 2803 MOD. 1 60 CYCLE				1	
- 66	5313673	. SEAL-URETHANE FOAM 3/4 W X 1/2 THK				AR	
- 67	5323467	. SEAL-VACUUM COLUMN 0.12 ID URETHANE FOAM				AR	
- 68	5356341	. GUIDE				4	
- 69	5356392	. PIN 1/4-20 UNC-28				AR	
- 70	5356433	. STUD 8-32 X 1/4 LG				AR	
- 71	5356437	. SUPPORT				AR	
- 72	5356438	. SUPPORT				AR	
- 75	5362135	. STRIKE USED ON 2803 MOD. 2 50/60 CYCLE				1	
- 76	5362183	. GATE ASSEMBLY-TAU FRONT LEFT HAND USED ON 2803 MOD. 1 50/60 CYCLE SEE LIST 2 FOR DETAIL BREAKDOWN				NP	
- 77	5362185	. COVER-AC BOX, 60 CYCLE USED ON 2803 MOD. 1 60 CYCLE				1	
- 78	5362193	. RAIL-I/O RETAINER USED ON 2803 MOD. 2 50 CYCLE				1	
- 79	5362230	. COVER,INNER TOP				2	

LIST AND INDEX NUMBER	PART NUMBER	1 2 3 4	DESCRIPTION	UNITS PER ASM.	USABLE ON CODE
			FINAL ASSEMBLY-2803 -CONT		
1A- 80	5362268		. CABLE ASSEMBLY USED ON 2803 MOD. 1 50/60 CYCLE SEE LIST 25-11B,-12,-21 AND -21A FOR COMPONENT PARTS	1	
- 81	5362269		. CABLE ASSEMBLY-GATE A FANS USED ON 2803 MOD. 1 50/60 CYCLE SEE LIST 25-13,-13A,-22 AND -24 FOR COMPONENT PARTS	1	
- 82	5362282		. CABLE ASSEMBLY USED ON 2803 MOD. 1 50/60 CYCLE SEE LIST 25-1,-13C AND -23 FOR COMPONENT PARTS	1	
- 83	5362298		. BOX ASSEMBLY,AC USED ON 2803 MOD. 1 60 CYCLE SEE LIST 4 FOR DETAIL BREAKDOWN	1	
- 84	5363623		. BRACKET-GRID SUPPORT	3	
- 86	5355974		. PANEL ASSEMBLY,CONTROL-ENGLISH 50 CYCLE	1	
- 86	5418056		. LANGUAGE GROUP-ENGLISH 60 CYCLE	1	
- 86	5418057		. LANGUAGE GROUP-FRENCH 60 CYCLE	1	
- 86	5418058		. LANGUAGE GROUP-GERMAN 60 CYCLE	1	
- 86	5418059		. LANGUAGE GROUP-FRENCH 50 CYCLE	1	
- 86	5418060		. LANGUAGE GROUP-GERMAN 50 CYCLE SEE LIST 5 FOR DETAIL BREAKDOWN	1	
- 87	5371645		. STRIKE-GATE LATCH-FRONT	1	
- 88	5373653		. LATCH ASSEMBLY-COVER	2	
- 89	25282		. . RING-RETAINING,EXT 0.125 ID X 0.015 THK	2	
- 90	5373647		. . . PIN-LATCH	1	
- 91	5373650		. . . LATCH-PLATE ASSEMBLY	1	
- 92	5373648		. . . PLATE-LATCH	1	
- 93	5373649		. . . BUSHING-LATCH	1	
- 94	5373651		. . LATCH,HOUSING	1	
- 95	5373723		. SUPPORT-SIDE COVER HINGE	4	
- 96	5373724		. BRACKET-GRID SUPPORT	2	
- 97	5373738		. COVER-AC BOX, 50 CYCLE USED ON 2803 MOD. 1 50 CYCLE	1	
- 98	5373742		. BOX ASM-AC 50 CYCLE USED ON 2803 MOD. 1 50 CYCLE SEE LIST 4A FOR DETAIL BREAKDOWN	1	
- 99	5373760		. POWER SUPPLY ASM-MULTIVOLT 60 CPS	1	
- 99	5373761		. POWER SUPPLY ASM-MULTIVOLT 50 CPS USED ON 2803 MOD. 1 SEE LIST 7 FOR DETAIL BREAKDOWN	1	
- 99	5397675		. POWER SUPPLY ASM-MULTIVOLT 60 CPS	1	
- 99	5397676		. POWER SUPPLY ASM-MULTIVOLT 50 CPS USED ON 2803 MOD. 1 SEE LIST 7 FOR DETAIL BREAKDOWN	1	
- 99	5402830		. POWER SUPPLY ASM-MULTIVOLT 60 CPS	1	
- 99	5402831		. POWER SUPPLY ASM-MULTIVOLT 50 CPS USED ON 2803 MOD. 1 SEE LIST 6A FOR DETAIL BREAKDOWN	1	
- 99	5421160		. POWER SUPPLY ASM,DC USED ON 2803 MOD. 2 SEE LIST 7A FOR DETAIL BREAKDOWN	1	
-100	5373770		. FRAME USED ON 2803 MOD. 1 50/60 CYCLE	1	
-101	513243		. . CASTER,SWIVEL- 3 IN. WHL W/MTG PLATE	4	
-102	5382411		. GATE ASSEMBLY,REAR-FAA USED ON 2803 FAA MOD. 1 60 CYCLE SEE LIST 2E FOR DETAIL BREAKDOWN	NP	

LIST AND INDEX NUMBER	PART NUMBER	DESCRIPTION				UNITS PER ASM.	USABLE ON CODE
		1	2	3	4		
		FINAL ASSEMBLY-2803 -CONT					
1A-103	5382414	. SUPPORT,GATE HINGE-FRAME UPRIGHT USED ON 2803 FAA				1	
-104	5382415	. BRACKET,RIGHT-UPRIGHT USED ON 2803 FAA				1	
-105	5382416	. BRACKET,LEFT-UPRIGHT USED ON 2803 FAA				3	
-106	5382417	. BRACKET-REAR CONNECTOR USED ON 2803 FAA				1	
-107	5382418	. STRAP-REAR CONNECTOR MOUNTING USED ON 2803 FAA				2	
-108	5382421	. RAIL-I/O RETAINER USED ON 2803 FAA				2	
-109	5382425	. CABLE ASM- 01A3Z TO 01C3Z USED ON 2803 FAA				1	
-110	5382426	SEE LIST 25-18 AND -19 FOR COMPONENT PARTS . CABLE ASM- 01C3Z TO 01B3Z USED ON 2803 FAA				1	
-111	5382427	SEE LIST 25-18 AND -19 FOR COMPONENT PARTS . CABLE ASM- 01C3Z TO 01B4Z USED ON 2803 FAA				1	
-112	5382428	SEE LIST 25-18,-18A AND -19 FOR COMPONENT PARTS . CABLE ASM- I/O NO. 6 TO PANEL A STYLE USED ON 2803 FAA				1	
-113	5318982	. . TERMINATION ASSEMBLY,COAX PADDLE SEE LIST 25-2,-3,-4 AND -5 FOR COMPONENT PARTS				2	
-114	5371367	. . CABLE ASSEMBLY,COAX-STYLE A SEE LIST 25-6,-7,-8 AND -9 FOR COMPONENT PARTS				1	
-115	5382429	. CABLE ASM- I/O NO. 5 TO PANEL A STYLE USED ON 2803 FAA				1	
-116	5318982	. . TERMINATION ASSEMBLY,COAX PADDLE SEE LIST 25-2,-3,-4 AND -5 FOR COMPONENT PARTS				2	
-117	5371367	. . CABLE ASSEMBLY,COAX-STYLE A SEE LIST 25-6,-7,-8 AND -9 FOR COMPONENT PARTS				1	
-118	5382430	. CABLE ASM- I/O NO. 8 TO PANEL A STYLE USED ON 2803 FAA				1	
-119	5318982	. . TERMINATION ASSEMBLY,COAX PADDLE SEE LIST 25-2,-3,-4 AND -5 FOR COMPONENT PARTS				2	
-120	5371367	. . CABLE ASSEMBLY,COAX-STYLE A SEE LIST 25-6,-7,-8 AND -9 FOR COMPONENT PARTS				1	
-121	5382431	. CABLE ASM- I/O NO. 7 TO PANEL A STYLE USED ON 2803 FAA				1	
-122	5318982	. . TERMINATION ASSEMBLY,COAX PADDLE SEE LIST 25-2,-3,-4 AND -5 FOR COMPONENT PARTS				2	
-123	5371367	. . CABLE ASSEMBLY,COAX-STYLE A SEE LIST 25-6,-7,-8 AND -9 FOR COMPONENT PARTS				1	
-124	5382432	. CABLE ASM- I/O NO. 11 TO PANEL A STYLE USED ON 2803 FAA				1	



LIST AND INDEX NUMBER	PART NUMBER	DESCRIPTION				UNITS PER ASM.	USABLE ON CODE
		1	2	3	4		
		FINAL ASSEMBLY-2803 -CONT					
1A-125	5318982	. . TERMINATION ASSEMBLY, COAX PADDLE SEE LIST 25-2,-3,-4 AND -5 FOR COMPONENT PARTS				2	
-126	5371367	. . CABLE ASSEMBLY, COAX-STYLE A SEE LIST 25-6,-7,-8 AND -9 FOR COMPONENT PARTS				1	
-127	5382433	. CABLE ASM- I/O NO. 10 TO PANEL A STYLE USED ON 2803 FAA				1	
-128	5318982	. . TERMINATION ASSEMBLY, COAX PADDLE SEE LIST 25-2,-3,-4 AND -5 FOR COMPONENT PARTS				2	
-129	5371367	. . CABLE ASSEMBLY, COAX-STYLE A SEE LIST 25-6,-7,-8 AND -9 FOR COMPONENT PARTS				1	
-130	5382434	. CABLE ASM- I/O NO. 13 TO PANEL A STYLE USED ON 2803 FAA				1	
-131	5318982	. . TERMINATION ASSEMBLY, COAX PADDLE SEE LIST 25-2,-3,-4 AND -5 FOR COMPONENT PARTS				2	
-132	5371367	. . CABLE ASSEMBLY, COAX-STYLE A SEE LIST 25-6,-7,-8 AND -9 FOR COMPONENT PARTS				1	
-133	5382435	. CABLE ASM- I/O NO. 12 TO PANEL A STYLE USED ON 2803 FAA				1	
-134	5318982	. . TERMINATION ASSEMBLY, COAX PADDLE SEE LIST 25-2,-3,-4 AND -5 FOR COMPONENT PARTS				2	
-135	5371367	. . CABLE ASSEMBLY, COAX-STYLE A SEE LIST 25-6,-7,-8 AND -9 FOR COMPONENT PARTS				1	
-136	5382436	. CABLE ASM- I/O NO. 2 TO PANEL A STYLE USED ON 2803 FAA				1	
-137	5318982	SEE LIST 25-8A FOR COMPONENT PARTS . . TERMINATION ASSEMBLY, COAX PADDLE SEE LIST 25-2,-3,-4 AND -5 FOR COMPONENT PARTS				2	
-138	5371413	. . CABLE ASSEMBLY, COAX-STYLE A SEE LIST 25-6,-7,-8,-8A AND -9 FOR COMPONENT PARTS				1	
-139	5382437	. CABLE ASM- I/O NO. 1 TO PANEL A STYLE USED ON 2803 FAA				1	
-140	5318982	SEE LIST 25-8A FOR COMPONENT PARTS . . TERMINATION ASSEMBLY, COAX PADDLE SEE LIST 25-2,-3,-4 AND -5 FOR COMPONENT PARTS				2	
-141	5371413	. . CABLE ASSEMBLY, COAX-STYLE A SEE LIST 25-6,-7,-8,-8A AND -9 FOR COMPONENT PARTS				1	
-142	5382438	. CABLE ASM- I/O NO. 4 TO PANEL B STYLE USED ON 2803 FAA				1	
-143	5318982	. . TERMINATION ASSEMBLY, COAX PADDLE SEE LIST 25-2,-3,-4 AND -5 FOR COMPONENT PARTS				2	
-144	5371369	. . CABLE ASSEMBLY, COAX-STYLE B SEE LIST 25-6A,-7,-8 AND -9 FOR COMPONENT PARTS				1	
-145	5382439	. CABLE ASM- I/O NO. 3 TO PANEL B STYLE USED ON 2803 FAA				1	

LIST AND INDEX NUMBER	PART NUMBER	DESCRIPTION				UNITS PER ASM.	USABLE ON CODE
		1	2	3	4		
		FINAL ASSEMBLY-2803 -CONT					
1A-146	5318982	. . TERMINATION ASSEMBLY, COAX PADDLE SEE LIST 25-2,-3,-4 AND -5 FOR COMPONENT PARTS				2	
-147	5371369	. . CABLE ASSEMBLY, COAX-STYLE B SEE LIST 25-6A,-7,-8 AND -9 FOR COMPONENT PARTS				1	
-148	5382440	. CABLE ASM- I/O NO. 9 TO PANEL A STYLE USED ON 2803 FAA				1	
-149	5318982	. . TERMINATION ASSEMBLY, COAX PADDLE SEE LIST 25-2,-3,-4 AND -5 FOR COMPONENT PARTS				2	
-150	5353916	. . CONNECTOR				1	
-151	5364067	. . CABLE ASSEMBLY, COAX				1	
-152	5382443	. CABLE ASM- 01A1B AND C TO 01C1D USED ON 2803 FAA SEE LIST 25-18 AND -19 FOR COMPONENT PARTS				1	
-153	5382465	. CABLE ASM-THERMAL CONTROL USED ON 2803 FAA SEE LIST 25-13,-18,-19,-25 AND -26 FOR COMPONENT PARTS				1	
-154	5382467	. CABLE ASM-FAA C GATE FAN USED ON 2803 FAA SEE LIST 25-13,-22 AND -24 FOR COMPONENT PARTS				1	
-155	5382468	. CABLE ASM-TCU DC GATE C FFA USED ON 2803 FAA SEE LIST 25-13C,-19 AND -23 FOR COMPONENT PARTS				1	
-156	5382472	. BRACKET USED ON 2803 FAA				1	
-157	5382473	. BRACKET USED ON 2803 FAA				1	
-158	5382474	. CLAMP USED ON 2803 FAA				1	
-159	5382475	. CLAMP USED ON 2803 FAA				1	
-160	5383112	. SCREW-THREAD FORMING-HEX WASHER HD				AR	
-161	5383113	. STRAP USED ON 2803 FAA				1	
-162	5386613	. BRACKET-TOP FRONT COVER MTG				2	
-163	5382420	. BOX ASSEMBLY, AC - 60 CYCLE USED ON 2803 FAA 60 CYCLE SEE LIST 4B FOR DETAIL BREAKDOWN				1	
-163	5421150	. AC POWER SUPPLY ASSEMBLY, 60 HZ USED ON 2803 MOD. 2 60 CYCLE SEE LIST 4D FOR DETAIL BREAKDOWN				1	
-163	5421170	. AC POWER SUPPLY ASSEMBLY, 50 HZ, 50 AMP USED ON 2803 MOD. 2 50 CYCLE SEE LIST 4F FOR DETAIL BREAKDOWN				1	
-164	5402873	. CABLE ASM-FERRO AC USED ON 2803 MOD. 1 50/60 CYCLE				1	
-165	5408588	. CE PANEL ASSEMBLY USED ON 2803 MOD. 2 50/60 CYCLE SEE LIST 1C FOR DETAIL BREAKDOWN				1	
-166	5408590	. CHAIN- GATE STOP				2	
-168	5408605	. SLEEVE- CHAIN COVER USED ON 2803 MOD. 1 50/60 CYCLE				1	

LIST AND INDEX NUMBER	PART NUMBER	DESCRIPTION				UNITS PER ASM.	USABLE ON CODE
		1	2	3	4		
		FINAL ASSEMBLY-2803 -CONT					
1A-168	5408605	• SLEEVE- CHAIN COVER USED ON 2803 MOD. 2 50/60 CYCLE				2	
-169	5409377	• FRAME USED ON 2803 MOD. 2 50/60 CYCLE				1	
-170	5409438	• BRACKET- CE MOUNTING USED ON 2803 MOD. 2 50/60 CYCLE				1	
-171	5414227	• HINGE				2	
-172	5415875	• GATE ASSEMBLY-TAU FRONT LEFT HAND USED ON 2803 MOD. 2 50/60 CYCLE SEE LIST 2A FOR DETAIL BREAKDOWN				NP	
-175	5421164	• CABLE ASSEMBLY USED ON 2803 MOD. 2 50/60 CYCLE SEE LIST 2A FOR DETAIL BREAKDOWN				4	
-176	5421168	• CABLE ASSEMBLY USED ON 2803 MOD. 2 50/60 CYCLE SEE LIST 25-13,-13B,-16 AND -18 FOR COMPONENT PARTS				2	
-177	5421173	• CABLE ASSEMBLY USED ON 2803 MOD. 2 50/60 CYCLE SEE LIST 25-1,-13B,-13D,-18,-34 AND -35 FOR COMPONENT PARTS				2	
-178	5421174	• CABLE ASSEMBLY USED ON 2803 MOD. 2 50/60 CYCLE SEE LIST 25-18 AND -34 FOR COMPONENT PARTS				2	
-179	5421176	• CABLE ASSEMBLY USED ON 2803 MOD. 2 50/60 CYCLE SEE LIST 25-2,-3,-4,-5A,-11,-13,-20,-36 AND -37 FOR COMPONENT PARTS				4	
-180	5421177	• CABLE ASSEMBLY USED ON 2803 MOD. 2 50/60 CYCLE SEE LIST 25-13,-13A,-24 AND -38 FOR COMPONENT PARTS				4	
-181	5421178	• CABLE ASSEMBLY USED ON 2803 MOD. 2 50/60 CYCLE SEE LIST 25-13,-13A,-24 AND -38 FOR COMPONENT PARTS				5	
-182	5421181	• CABLE ASSEMBLY USED ON 2803 MOD. 2 50/60 CYCLE SEE LIST 25-13 FOR COMPONENT PARTS				2	
-183	5421185	• CABLE ASSEMBLY USED ON 2803 MOD. 2 50 CYCLE SEE LIST 25-1,-13B,-13D AND -30 FOR COMPONENT PARTS				1	
-184	5421187	• ANGLE, SHIELD USED ON 2803 MOD. 2 50/60 CYCLE				1	
-185	5421188	• PLATE ADAPTER USED ON 2803 MOD. 2 50/60 CYCLE				1	
-186	5761110	• TRANSFORMER-RECTIFIER ASSEMBLY-50 CYCLE USED ON 2803 MOD. 2 50 CYCLE				1	
-186	5761120	• TRANSFORMER-RECTIFIER ASSEMBLY-60 CYCLE USED ON 2803 MOD. 2 60 CYCLE				1	
-187	NO NO.	• GATE ASSEMBLY-TAU CENTER LEFT HAND USED ON 2803 MOD. 1/2 AND FAA SEE LIST 2B FOR DETAIL BREAKDOWN				NP	

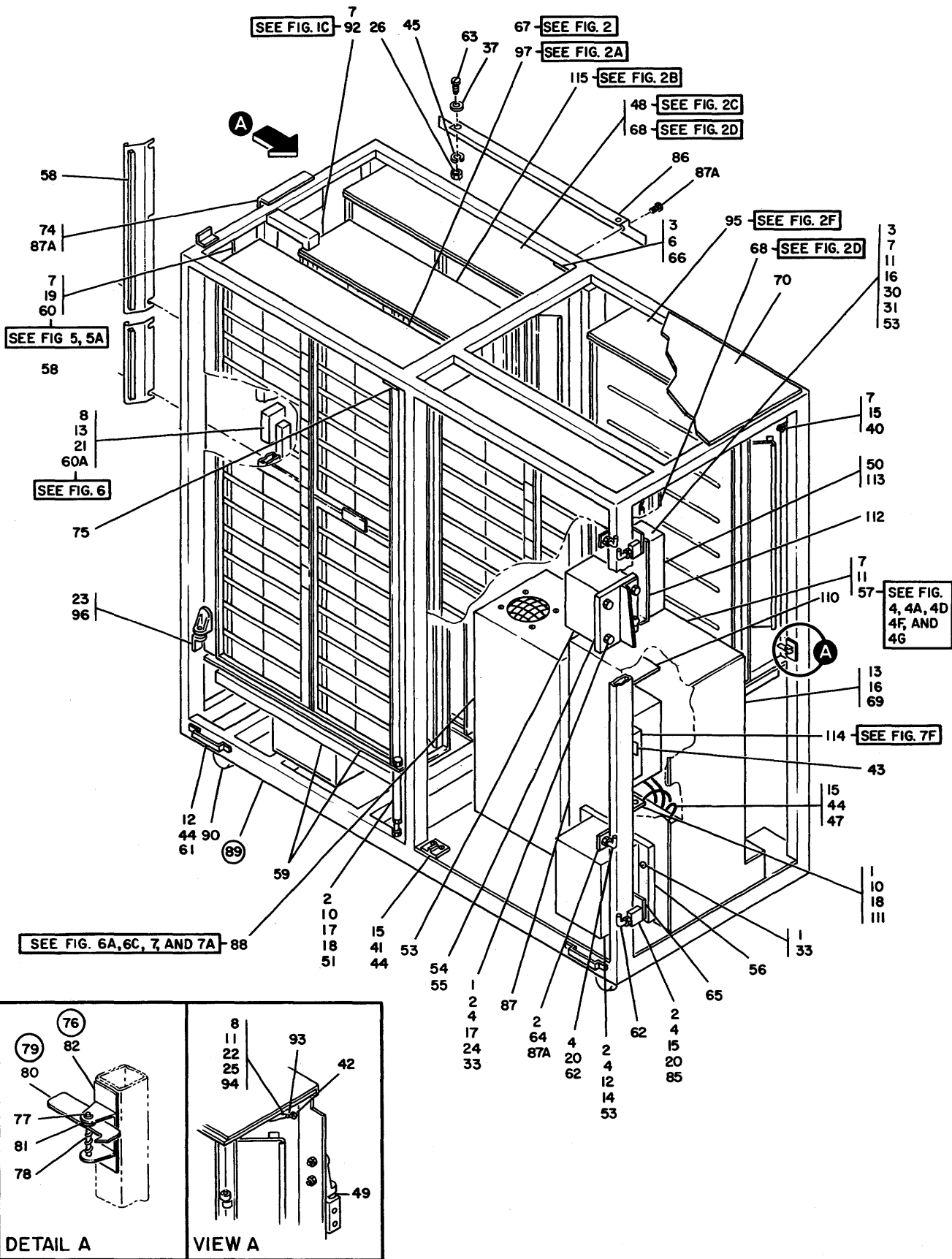


FIGURE 1B. FINAL ASSEMBLY-2804. SHEET 1 OF 3. SEE LIST 1B.

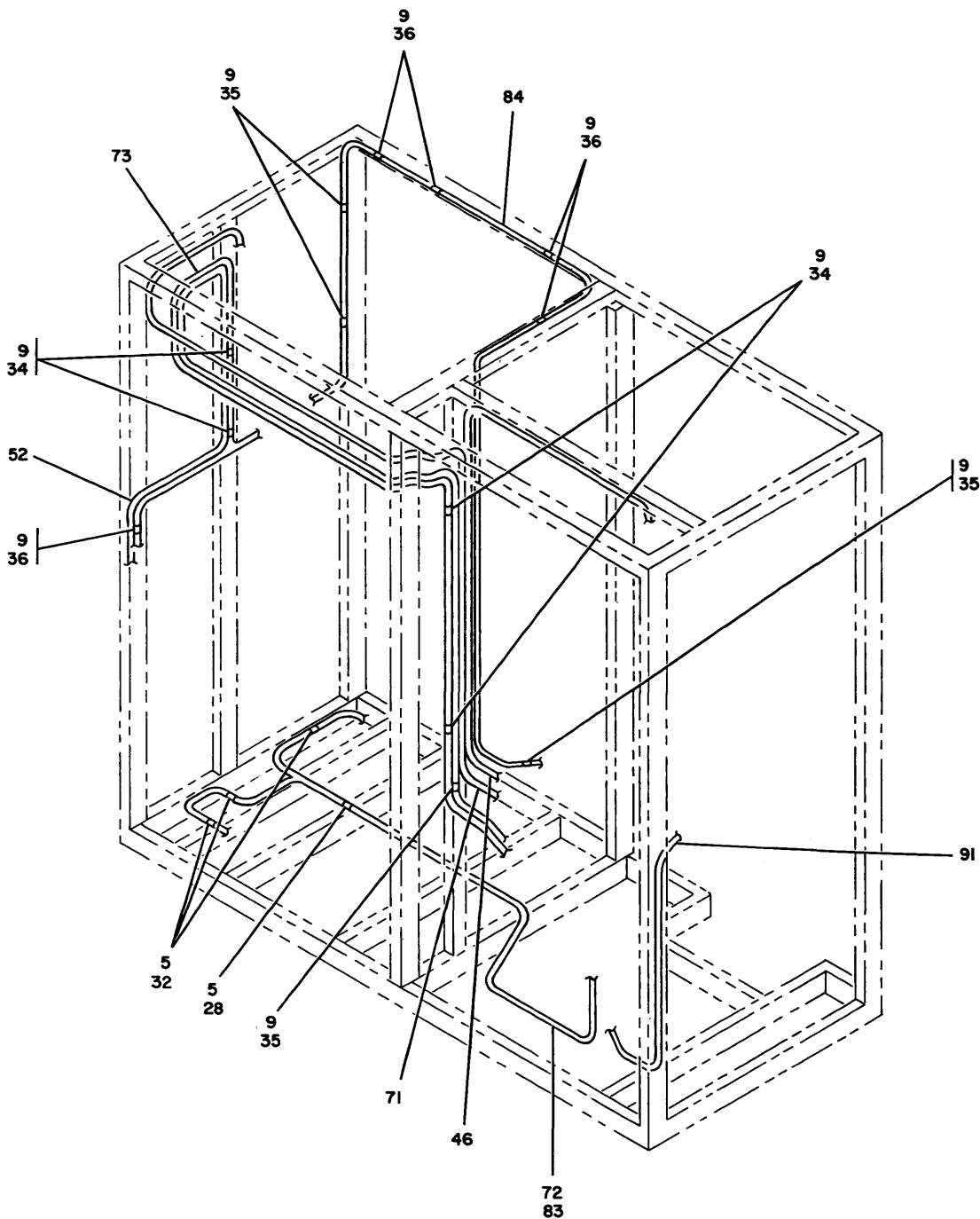


FIGURE 1B. FINAL ASSEMBLY-2804. SHEET 2 OF 3. SEE LIST 1B.

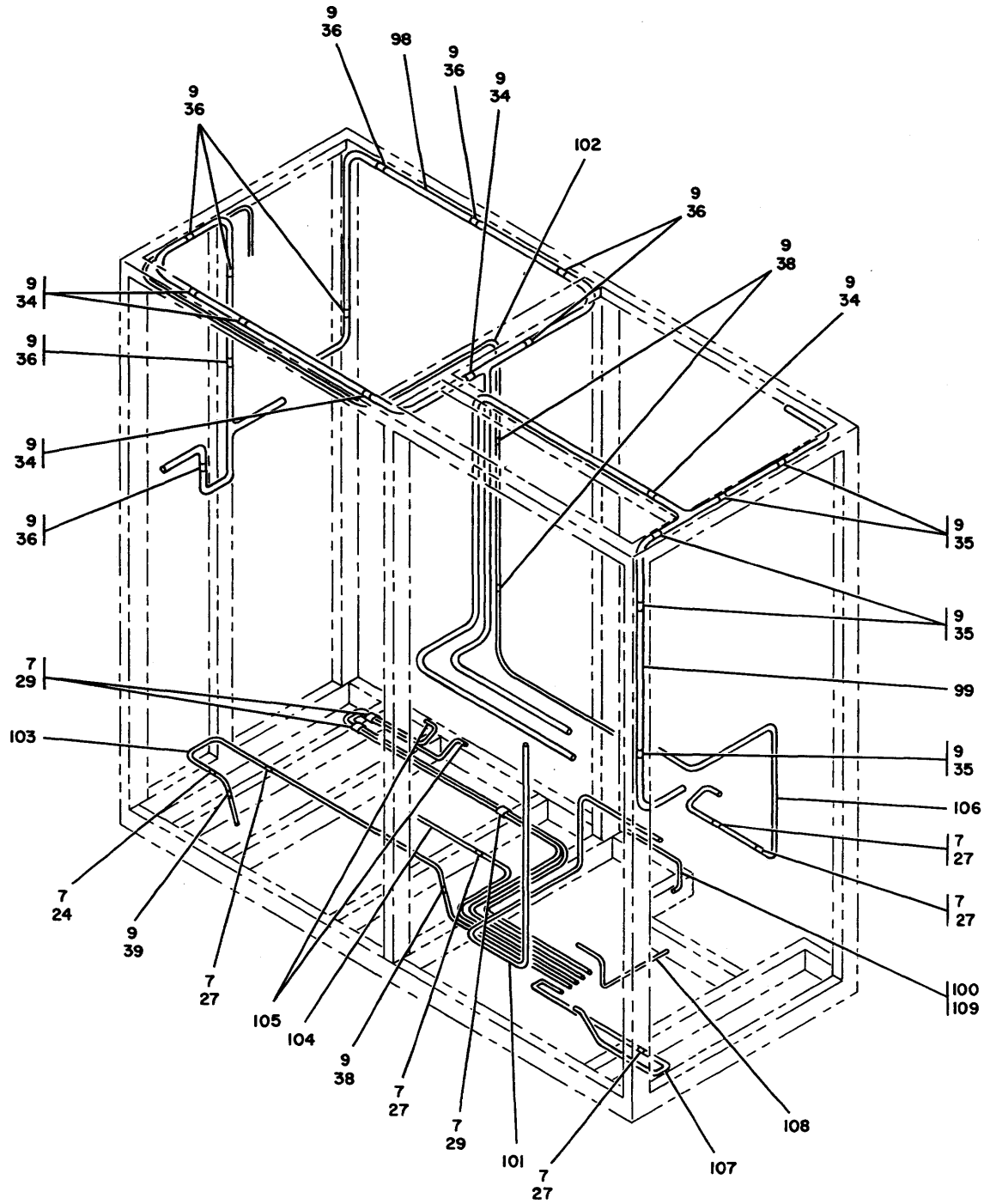


FIGURE 1B. FINAL ASSEMBLY-2804. SHEET 3 OF 3. SEE LIST 1B.

LIST AND INDEX NUMBER	PART NUMBER	DESCRIPTION				UNITS PER ASM.	USABLE ON CODE
		1	2	3	4		
		FINAL ASSEMBLY-2804					
18-	5371410	FINAL ASM - 2804 MOD 1 - 60 CYCLE				NP	
-	5382110	FINAL ASM - 2804 MOD 1 - 50 CYCLE				NP	
-	5416400	FINAL ASM - 2804 MOD 2 - 60 CYCLE				NP	
-	5416300	FINAL ASM - 2804 MOD 2 - 50 CYCLE SEE FIG. 1B FOR ILLUSTRATION				NP	
- 1	3550	• WASHER,FL- 1/4 X 9/16 OD X 0.050 THK				AR	
- 2	3960	• NUT,PLAIN,HEX- 1/4-20 X 7/16 FL W				AR	
- 3	5677	• SCREW,MACH-BIND HD 10-32 X 3/4 LG				AR	
- 4	6935	• WASHER,LOCK-SPLIT 1/4 X 0.493 OD				AR	
- 5	10170	• SCREW-MACH,BIND HD NO. 6-32 X .250 LG				AR	
- 6	13028	• SPACER				AR	
- 7	32042	• SCREW, MACH BIND. HD 10-32 X 3/8 LG.				AR	
- 8	34512	• SCREW,BIND.HD 8-32 X .375 LG				AR	
- 9	38447	• SCREW,MACH-FH 6-32 X 5/8 LG				AR	
- 10	38686	• SCREW,MACH-HEX HD 1/4-20 X 1/2 LG				AR	
- 11	45690	• WASHER, FL - NO.10 X 7/16 OD X 1/32 THK				AR	
- 12	47242	• WASHER,FL-NO. 12 X 1/2 OD X 0.062 THK				AR	
- 13	55901	• WASHER,LOCK-EXT TEETH NO. 8 X 0.381 OD				AR	
- 14	55918	• SCREW,MACH-BIND HD 10-32 X 5/8 LG				AR	
- 15	56079	• WASHER,LOCK-EXT T .195 ID .410 OD				AR	
- 16	58207	• SCREW,MACH-UNDRCT BIND HD 8-32 X 1/4 LG				AR	
- 17	59647	• SCREW,MACH-HEX HD 1/4-20 X 1 LG				AR	
- 18	76574	• LOCKWASHER-EXT TOOTH ID .267 X OD .510				AR	
- 19	81693	• SCREW,MACH-BIND HD 6-32 X 3/8 LG				AR	
- 20	151720	• SET SCREW-SPLINE DR CUP PT 8-32 X 3/16				AR	
- 21	186759	• SCREW,MACH-BIND HD 8-32 X 5/16 LG				AR	
- 22	210108	• SCREW,DOWEL- 10-32 X .187 LG				AR	
- 23	234340	• SCREW, HINGE MTG				AR	
- 24	236849	• SCREW,MACH-BIND HD 10/32 X 1/4 LG				AR	
- 25	251227	• RING,RETAINING				AR	
- 26	257189	• NUT,HEX- 8-32				AR	
- 27	303538	• CLAMP,CABLE				6	
- 28	327921	USED ON 2804 MOD. 2 50/60 CYCLE • CLAMP,CABLE				1	
- 29	327922	USED ON 2804 MOD. 1 60 CYCLE • CLAMP, CABLE-.625 DIAMETER				3	
- 30	332620	USED ON 2804 MOD. 2 50/60 CYCLE • SCREW,MACH-BIND HD 10-32 X 1/2 LG				AR	
- 31	350886	• STOP				2	
- 32	533289	USED ON 2804 MOD. 2 50 CYCLE • CLAMP				3	
- 33	438623	USED ON ASM 2804 MOD. 1 • SCREW,MACH-BIND HD 1/4-20 X 5/8 LG				AR	
- 34	438807	• CLAMP-ADJUSTABLE CABLE				9	
- 34	438807	USED ON 2804 MOD. 1 50/60 CYCLE • CLAMP-ADJUSTABLE CABLE				6	
- 35	472168	USED ON 2804 MOD. 2 50/60 CYCLE • CLAMP-CABLE				5	
- 35	472168	USED ON 2804 MOD. 2 50/60 CYCLE • CLAMP-CABLE				3	
- 36	478012	USED ON 2804 MOD. 1 50/60 CYCLE • CLAMP-ADJUSTABLE CABLE				5	
- 37	510810	USED ON 2804 MOD. 1 50/60 CYCLE • WASHER,FL 0.187 ID X 0.437 OD				4	
- 38	523250	• CLAMP-ADJUSTABLE CABLE				1	
- 38	523250	USED ON 2804 MOD. 1 50/60 CYCLE • CLAMP-ADJUSTABLE CABLE				5	

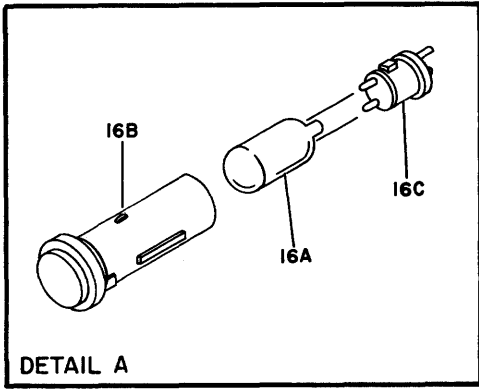
LIST AND INDEX NUMBER	PART NUMBER	DESCRIPTION				UNITS PER ASM.	USABLE ON CODE
		1	2	3	4		
		FINAL ASSEMBLY-2804 -CONT					
1B- 39	524515	. CLAMP-ADJUSTABLE CABLE USED ON 2804 MOD. 2 50/60 CYCLE				1	
- 40	526098	. STRAP-GROUNDING 6 IN. LG USED ON 2804 MOD. 1 50/60 CYCLE				2	
- 40	526098	. STRAP-GROUNDING 6 IN. LG USED ON 2804 MOD. 2 50/60 CYCLE				4	
- 41	597068	. CATCH-COVER				8	
- 42	601093	. SCREW,MACH-BIND HD 8-32 X 3/8 LG				AR	
- 43	646007	. LABEL,WARNING USED ON 2804 MOD. 1 50/60 CYCLE				1	
- 44	731629	. SCREW,PAN HD- 10-32 X 0.380 LG				AR	
- 45	1090873	. LOCKWASHER				4	
- 46	2501039	. CABLE ASSEMBLY USED ON 2804 MOD. 1 50 CYCLE				1	
- 47	2501194	. JUMPER ASM USED ON 2804 MOD. 2 50/60 CYCLE				1	
- 48	2501266	. GATE ASSEMBLY-TAU BACK LEFT HAND USED ON 2804 MOD. 2 50/60 CYCLE SEE LIST 2C FOR DETAIL BREAKDOWN				NP	
- 49	2501336	. SPACER USED ON 2804 MOD. 2 50/60 CYCLE				2	
- 50	2501337	. COVER REG USED ON 2804 MOD. 2 50 CYCLE				1	
- 51	2507164	. SUPPORT USED ON 2804 MOD. 1 50/60 CYCLE				2	
- 51	2507164	. SUPPORT USED ON 2804 MOD. 2 50/60 CYCLE				3	
- 52	2507351	. CABLE ASSEMBLY				1	
- 53	2507646	. LINE FILTER,RF1 USED ON 2804 MOD. 1 60 CYCLE				1	
- 53	2507647	. LINE FILTER,RF1,60 AMP,30-60 CPS USED ON 2804 MOD. 2 60 CYCLE				1	
- 54	2514411	. INSULATOR,FILTER MOUNTING USED ON 2804 MOD. 2 60 CYCLE				1	
- 55	2514412	. PLATE,FILTER INSULATOR USED ON 2804 MOD. 2 60 CYCLE				1	
- 56	2514431	. INSULATOR,FILTER MOUNTING USED ON 2804 MOD. 1 60 CYCLE				1	
- 57	2514448	. AC BOX ASSEMBLY,60 CYCLE USED ON 2804 MOD. 2 60 CYCLE SEE LIST 4G FOR DETAIL BREAKDOWN				1	
- 57	5421150	. AC POWER SUPPLY ASSEMBLY, 60 HZ USED ON 2804 MOD. 2 60 CYCLE SEE LIST 4D FOR DETAIL BREAKDOWN				1	
- 57	5421170	. AC POWER SUPPLY ASSEMBLY, 50 HZ,50 AMP USED ON 2804 MOD. 2 50 CYCLE SEE LIST 4F FOR DETAIL BREAKDOWN				1	
- 57	5362298	. BOX ASSEMBLY,AC USED ON 2804 MOD. 1 60 CYCLE SEE LIST 4 FOR DETAIL BREAKDOWN				1	
- 57	5373742	. BOX ASM-AC 50 CYCLE USED ON 2804 MOD. 1 50 CYCLE SEE LIST 4A FOR DETAIL BREAKDOWN				1	
- 58	5313673	. SEAL-URETHANE FOAM 3/4 W X 1/2 THK				AR	
- 59	5323467	. SEAL-VACUUM COLUMN 0.12 ID URETHANE FOAM				AR	
- 60	5355974	. PANEL ASSEMBLY,CONTROL-ENGLISH 50 CYCLE SEE LIST 5 FOR DETAIL BREAKDOWN				1	
- 60	5416412	. LANGUAGE GROUP-ENGLISH 60 CYCLE				1	



LIST AND INDEX NUMBER	PART NUMBER	DESCRIPTION				UNITS PER ASM.	USABLE ON CODE
		1	2	3	4		
		FINAL ASSEMBLY-2804 -CONT					
18- 60	5416415	. LANGUAGE GROUP-FRENCH 60 CYCLE				1	
- 60	5416418	. LANGUAGE GROUP-GERMAN 60 CYCLE				1	
- 60	5416413	. LANGUAGE GROUP-ENGLISH 50 CYCLE				1	
- 60	5416416	. LANGUAGE GROUP-FRENCH 50 CYCLE				1	
- 60	5416419	. LANGUAGE GROUP-GERMAN 50 CYCLE				1	
		SEE LIST 5A FOR DETAIL BREAKDOWN					
- 60A	740540	. METER POWER PAC ASSEMBLY-60 CY				1	
- 60A	740609	. METER POWER PAC ASSEMBLY-50 CY				1	
		SEE LIST 6 FOR DETAIL BREAKDOWN					
- 61	5356341	. GUIDE				4	
- 62	5356392	. PIN 1/4-20 UNC-2B				12	
- 63	5356433	. STUD 8-32 X 1/4 LG				4	
- 64	5356437	. SUPPORT				8	
- 65	5356438	. SUPPORT				4	
- 66	5362135	. STRIKE				1	
		USED ON 2804 MOD. 1 50/60 CYCLE					
- 66	5362135	. STRIKE				2	
		USED ON 2804 MOD. 2 50/60 CYCLE					
- 67	5362183	. GATE ASSEMBLY-TAU FRONT LEFT HAND USED ON 2804 MOD. 1 50/60 CYCLE				NP	
		SEE LIST 2 FOR DETAIL BREAKDOWN					
- 68	5362184	. GATE ASSEMBLY-TAU BACK LEFT HAND USED ON 2804 MOD. 1 50/60 CYCLE				NP	
		SEE LIST 2D FOR DETAIL BREAKDOWN					
- 68	5362184	. GATE ASSEMBLY-TAU FRONT RIGHT HAND USED ON 2804 MOD. 2 50/60 CYCLE				NP	
		SEE LIST 2D FOR DETAIL BREAKDOWN					
- 69	5362185	. COVER-AC BOX, 60 CYCLE USED ON 2804 MOD. 1 60 CYCLE				1	
- 70	5362230	. COVER, INNER TOP				2	
- 71	5362268	. CABLE ASSEMBLY USED ON 2804 MOD. 1 50/60 CYCLE SEE LIST 25-11B,-12,-21 AND -21A FOR COMPONENT PARTS				1	
- 72	5362269	. CABLE ASSEMBLY-GATE A FANS USED ON 2804 MOD. 1 50/60 CYCLE SEE LIST 25-13,-13A,-22 AND -24 FOR COMPONENT PARTS				1	
- 73	5362282	. CABLE ASSEMBLY USED ON 2804 MOD. 1 50/60 CYCLE SEE LIST 25-1,-13C AND -23 FOR COMPONENT PARTS				1	
- 74	5363623	. BRACKET-GRID SUPPORT				3	
- 75	5371645	. STRIKE-GATE LATCH-FRONT				1	
- 76	5373653	. LATCH ASSEMBLY-COVER				2	
- 77	25282	. . . RING-RETAINING, EXT 0.125 ID X 0.015 THK				2	
- 78	5373647	. . . PIN-LATCH				1	
- 79	5373650	. . . LATCH-PLATE ASSEMBLY				1	
- 80	5373648	. . . PLATE-LATCH				1	
- 81	5373649	. . . BUSHING-LATCH				1	
- 82	5373651	. . . LATCH, HOUSING				1	
- 83	5373661	. CABLE ASSEMBLY-FAN-TAU USED ON 2804 MOD. 1 50/60 CYCLE SEE LIST 25-1,-13,-13A,-13B,-24 AND -25 FOR COMPONENT PARTS				1	
- 84	5373662	. CABLE ASSEMBLY-GATE C-TAU DC USED ON 2804 MOD. 1 50/60 CYCLE SEE LIST 25-1,-13C AND -23 FOR COMPONENT PARTS				1	

LIST AND INDEX NUMBER	PART NUMBER	DESCRIPTION				UNITS PER ASM.	USABLE ON CODE
		1	2	3	4		
		FINAL ASSEMBLY-2804 -CONT					
1B- 85	5373723	. SUPPORT-SIDE COVER HINGE				4	
- 86	5373724	. BRACKET-GRID SUPPORT				2	
- 87	5373738	. COVER-AC BOX, 50 CYCLE USED ON 2804 MOD. 1 50 CYCLE				1	
- 87A	5383112	. SCREW-THREAD FORMING-HEX WASHER HD				AR	
- 88	5239415	. POWER SUPPLY ASM-MULTIVOLT 60 CPS				1	
- 88	5239433	. POWER SUPPLY ASM-MULTIVOLT 50 CPS USED ON 2804 MOD. 2				1	
- 88	5373760	. POWER SUPPLY ASM-MULTIVOLT 60 CPS				1	
- 88	5373761	. POWER SUPPLY ASM-MULTIVOLT 50 CPS USED ON 2804 MOD. 1				1	
- 88	5397675	SEE LIST 7 FOR DETAIL BREAKDOWN . POWER SUPPLY ASM-MULTIVOLT 60 CPS				1	
- 88	5397676	. POWER SUPPLY ASM-MULTIVOLT 50 CPS				1	
- 88	5402830	USED ON 2804 MOD. 1 SEE LIST 7 FOR DETAIL BREAKDOWN . POWER SUPPLY ASM-MULTIVOLT 60 CPS				1	
- 88	5402831	. POWER SUPPLY ASM-MULTIVOLT 50 CYCLE USED ON 2804 MOD. 1 SEE LIST 6A FOR DETAIL BREAKDOWN				1	
- 88	5421160	. POWER SUPPLY ASM,DC USED ON 2804 MOD. 2 SEE LIST 7A FOR DETAIL BREAKDOWN				1	
- 88	5239415	. POWER SUPPLY ASM-OVERVOLTAGE 60 CPS				1	
- 88	5239433	. POWER SUPPLY ASM-OVERVOLTAGE 50 CPS USED ON 2804 MOD. 2				1	
- 89	5373770	SEE LIST 6C FOR DETAIL BREAKDOWN . FRAME				1	
- 90	513243	USED ON 2804 MOD. 1 50/60 CYCLE . CASTER,SWIVEL- 3 IN. WHL W/MTG PLATE				4	
- 91	5402873	. CABLE ASM-FERRO AC USED ON 2804 MOD.1 50/60 CYCLE				1	
- 92	5408588	SEE LIST 25-27 FOR COMPONENT PARTS . CE PANEL ASSEMBLY USED ON 2804 MOD. 2 50/60 CYCLE SEE LIST 1C FOR DETAIL BREAKDOWN				1	
- 93	5408590	. CHAIN- GATE STOP USED ON 2804 MOD. 1 50/60 CYCLE				2	
- 93	5408590	. CHAIN- GATE STOP USED ON 2804 MOD. 2 50/60 CYCLE				4	
- 94	5408605	. SLEEVE- CHAIN COVER USED ON 2804 MOD. 1 50/60 CYCLE				2	
- 94	5408605	. SLEEVE- CHAIN COVER USED ON 2804 MOD. 2 50/60 CYCLE				4	
- 95	5409447	. GATE ASSEMBLY-TAU BACK RIGHT HAND USED ON 2804 MOD. 2 50/60 CYCLE SEE LIST 2F FOR DETAIL BREAKDOWN				NP	
- 96	5414227	. HINGE USED ON 2804 MOD. 1 50/60 CYCLE				4	
- 96	5414227	. HINGE USED ON 2804 MOD. 2 50/60 CYCLE				8	
- 97	5415875	. GATE ASSEMBLY-TAU FRONT LEFT HAND USED ON 2804 MOD. 2 50/60 CYCLE SEE LIST 2A FOR DETAIL BREAKDOWN				NP	
- 98	5421164	. CABLE ASSEMBLY USED ON 2804 MOD. 2 50/60 CYCLE SEE LIST 25-13,-13B,-16 AND -18 FOR COMPONENT PARTS				1	

LIST AND INDEX NUMBER	PART NUMBER	DESCRIPTION				UNITS PER ASM.	USABLE ON CODE
		1	2	3	4		
		FINAL ASSEMBLY-2804 -CONT					
1B- 99	5421165	. CABLE ASSEMBLY USED ON 2804 MOD. 2 50/60 CYCLE SEE LIST 25-1,-13,-13A,-13B,-13C,-16 AND -18 FOR COMPONENT PARTS				1	
-100	5421168	. CABLE ASSEMBLY USED ON 2804 MOD. 2 60 CYCLE SEE LIST 25-1,-13B,-13D,-18,-34 AND -35 FOR COMPONENT PARTS				1	
-101	5421173	. CABLE ASSEMBLY USED ON 2804 MOD. 2 50/60 CYCLE SEE LIST 25-18 AND -34 FOR COMPONENT PARTS				1	
-102	5421175	. CABLE ASSEMBLY USED ON 2804 MOD. 2 50/60 CYCLE SEE LIST 25-2,-3,-4,-5A,-11,-13,-18,-20 AND -36 FOR COMPONENT PARTS				1	
-103	5421176	. CABLE ASSEMBLY USED ON 2804 MOD. 2 50/60 CYCLE SEE LIST 25-13,-13A,-24 AND -38 FOR COMPONENT PARTS				1	
-104	5421177	. CABLE ASSEMBLY USED ON 2804 MOD. 2 50/60 CYCLE SEE LIST 25-13,-13A,-24 AND -38 FOR COMPONENT PARTS				1	
-105	5421178	. CABLE ASSEMBLY USED ON 2804 MOD. 2 50/60 CYCLE SEE LIST 25-13,-13A,-24 AND -38 FOR COMPONENT PARTS				2	
-106	5421179	. CABLE ASSEMBLY USED ON 2804 MOD. 2 50/60 CYCLE SEE LIST 25-13,-13A,-24 AND -38 FOR COMPONENT PARTS				1	
-107	5421180	. CABLE ASSEMBLY USED ON 2804 MOD. 2 50/60 CYCLE SEE LIST 25-13,-13A,-24 AND -38 FOR COMPONENT PARTS				1	
-108	5421181	. CABLE ASSEMBLY USED ON 2804 MOD. 2 50/60 CYCLE SEE LIST 25-13 FOR COMPONENT PARTS				1	
-109	5421185	. CABLE ASSEMBLY USED ON 2804 MOD. 2 50 CYCLE SEE LIST 25-1,-13B,-13D,-18 AND -35 FOR COMPONENT PARTS				1	
-110	5421187	. ANGLE, SHIELD USED ON 2804 MOD. 2 50/60 CYCLE				1	
-111	5421188	. PLATE ADAPTER USED ON 2804 MOD. 2 50/60 CYCLE				1	
-112	5421194	. PLATE USED ON 2804 MOD. 2 50 CYCLE				1	
-113	5421195	. COVER REG				1	
-114	5761110	. TRANSFORMER-RECTIFIER ASSEMBLY-50 CYCLE USED ON 2804 MOD. 2 50 CYCLE				1	
-114	5761120	. TRANSFORMER-RECTIFIER ASSEMBLY-60 CYCLE USED ON 2804 MOD. 2 60 CYCLE SEE LIST 7F FOR DETAIL BREAKDOWN				1	
-115	NO NO.	. GATE ASSEMBLY-TAU CENTER LEFT HAND USED ON 2804 MOD. 2 50/60 CYCLE SEE LIST 2B FOR DETAIL BREAKDOWN				NP	



FOR PARTS NOT SHOWN  
SEE FIG. 1A AND 1B

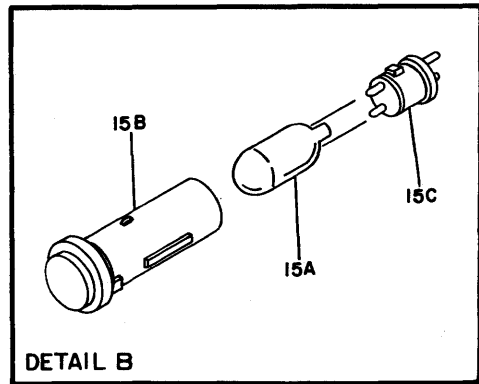
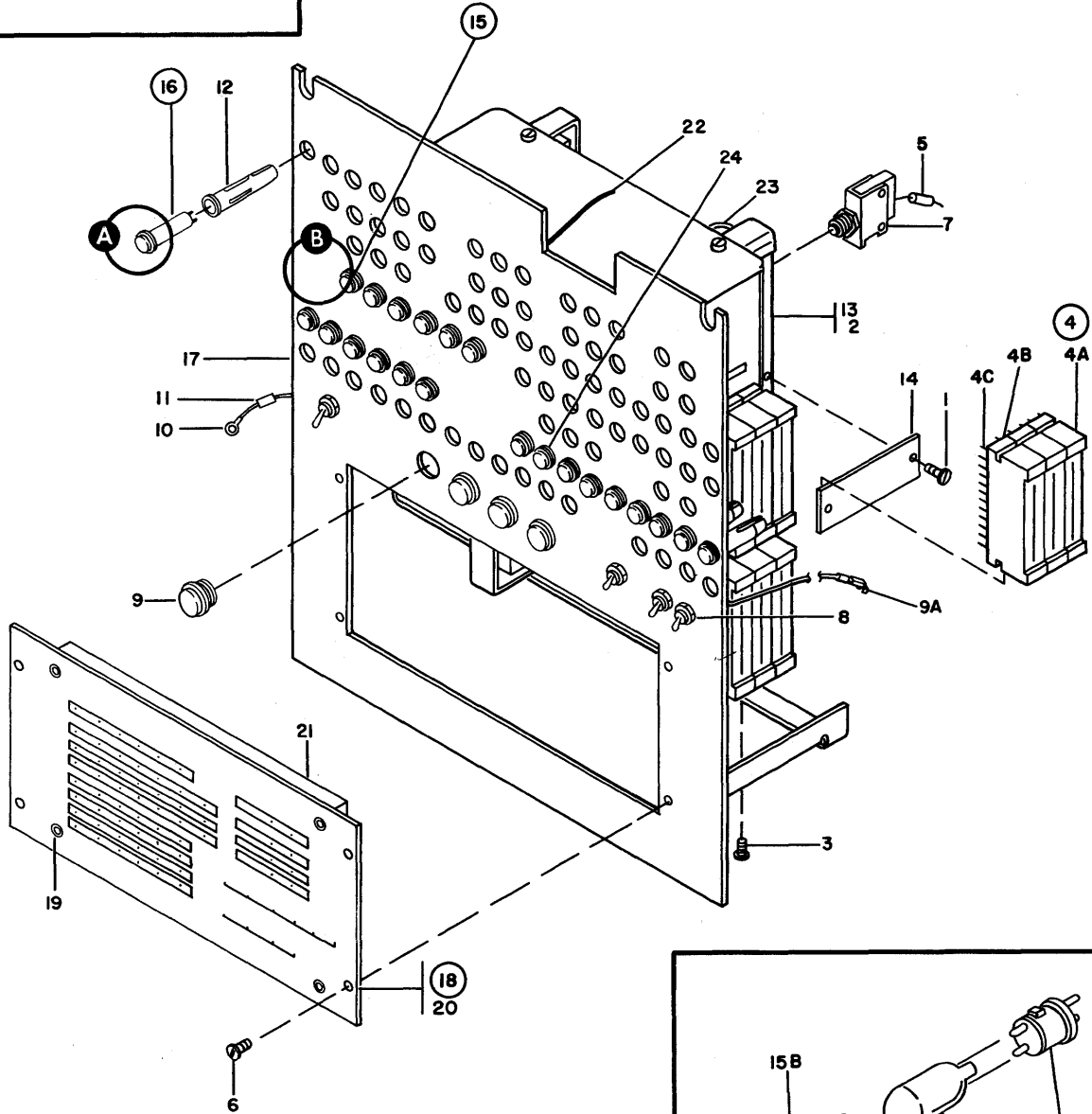


FIGURE 1C. C E PANEL ASSEMBLY. SEE LIST 1C.

LIST AND INDEX NUMBER	PART NUMBER	DESCRIPTION				UNITS PER ASM.	USABLE ON CODE
		1	2	3	4		
		C E PANEL ASSEMBLY					
1C-	5408588	CE PANEL ASSEMBLY SEE LIST 1A-165 AND 1B-92 FOR NEXT HIGHER ASM AND FIGURE 1C FOR ILLUSTRATION				REF	
- 1	55726	• SCREW-BD HD 6-32 X .188 LG				8	
- 2	58207	• SCREW,MACH-UNDRCT BIND HD 8-32 X 1/4 LG				4	
- 3	81693	• SCREW,MACH-BIND HD 6-32 X 3/8 LG				2	
- 4	216076	• TERMINAL BLOCK AND CONTACT ASSEMBLY				18	
- 4A	216073	• • RECEPTACLE CARD-SINGLE POS				1	
- 4B	216087	• • SPRING,CONTACT				8	
- 4C	216088	• • SPRING,CONTACT				8	
- 5	216451	• RESISTOR,FIXED,COMP				8	
- 6	323685	• SCREW,MACH-CSK SCH 6-32 X 1/2 LG				4	
- 7	365047	• SWITCH,PUSH-SPDT 125V AC 1 AMP				4	
- 8	365048	• SWITCH,SENSITIVE SPDT				3	
- 9	526567	• ADAPTER-PUSH BUTTON SWITCH				4	
- 9A	596255	• TERMINAL,SLIP ON-20/24 AWG				1	
- 10	806715	• TERMINAL,RING-22/30 AWG,NO. 8,INS				1	
- 11	5270139	• BLANK LABEL				1	
- 12	5353888	• HOUSING				93	
- 13	5362293	• BRACKET				2	
- 14	5362294	• BAR-SOCKET MTG				4	
- 15	5372161	• INDICATOR ASSEMBLY,6 VOLT-RED				21	
- 15A	2414975	• • LAMP INDICATOR				1	
- 15B	5353891	• • LENS-RED				1	
- 15C	5362329	• • BASE				1	
- 16	5372162	• INDICATOR ASSEMBLY,6 VOLT-CLEAR				72	
- 16A	2414975	• • LAMP INDICATOR				1	
- 16B	5353885	• • LENS-CLEAR.				1	
- 16C	5362329	• • BASE				1	
- 17	5408584	• PANEL- CE				1	
- 18	5408587	• PLUGBOARD ASSEMBLY				1	
- 19	5382102	• • SCREW,CAP,SOC HD- 4-40 X 3/8 LG				4	
- 20	5408585	• • COVER PLATE, CE PLUG BOARD				1	
- 21	5408586	• • PANEL- PLUGBOARD				1	
- 22	5408633	• JUMPER ASSEMBLY				1	
- 23	5416430	• CABLE ASSEMBLY				1	
- 24	5466350	• INDICATOR ASSEMBLY,GREEN				1	

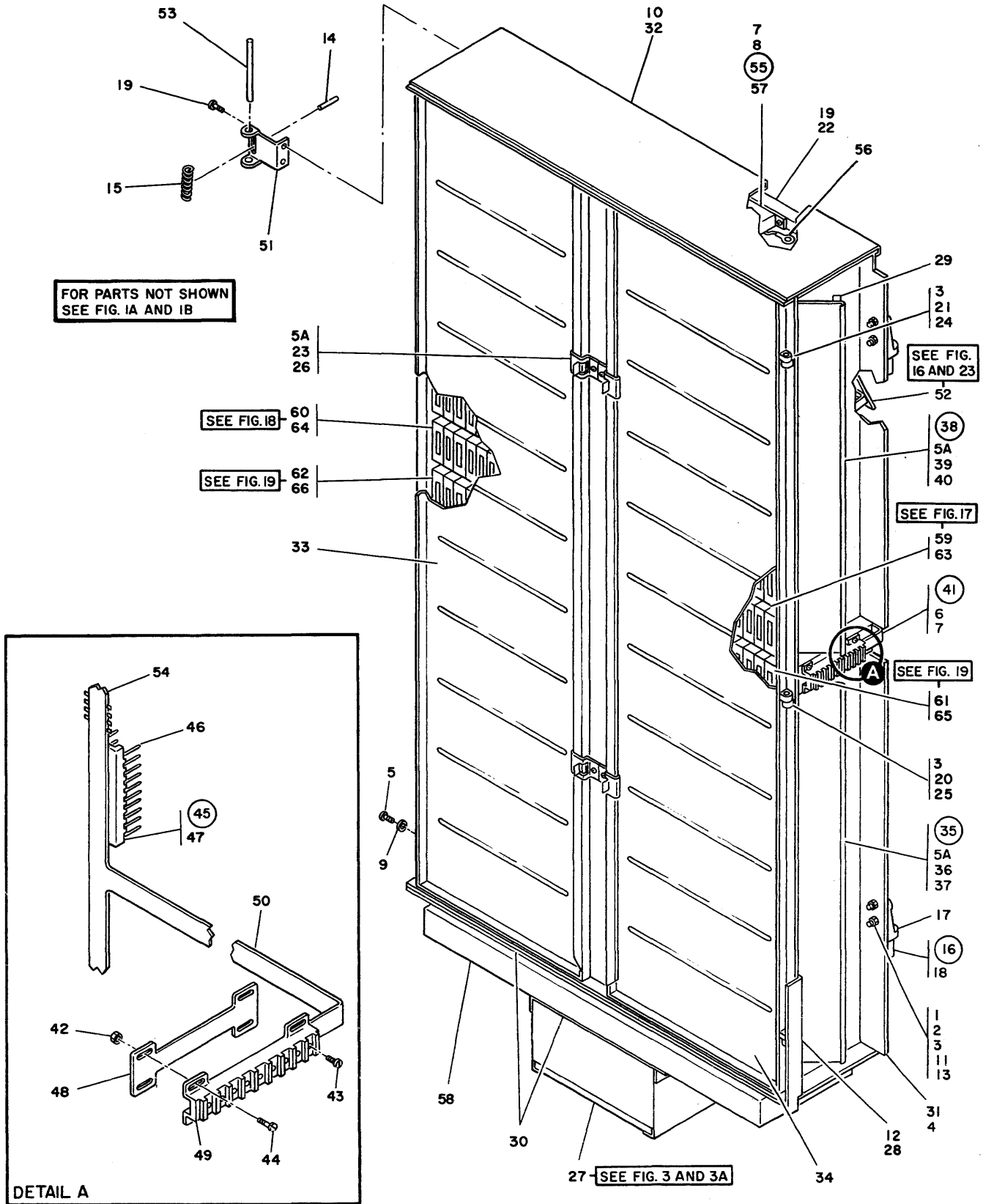


FIGURE 2. GATE ASSEMBLY-TAU FRONT LEFT HAND. SEE LIST 2.

LIST AND INDEX NUMBER	PART NUMBER	DESCRIPTION				UNITS PER ASM.	USABLE ON CODE
		1	2	3	4		
		GATE ASSEMBLY-TAU FRONT LEFT HAND					
2 - -	5362183	GATE ASSEMBLY-TAU FRONT LEFT HAND USED ON 2803/2804 MODEL 1 - 50/60 CYCLE AND 2803 FAA MODEL 1 - 60 CYCLE SEE LIST 1A-76 AND 1B-67 FOR NEXT HIGHER ASM AND FIG. 2 FOR ILLUSTRATION				REF	
- 1	3550	. WASHER,FL- 1/4 X 9/16 OD X 0.050 THK				4	
- 2	3960	. NUT,PLAIN,HEX- 1/4-20 X 7/16 FL W				4	
- 3	6935	. WASHER,LOCK-SPLIT 1/4 X 0.493 OD				16	
- 4	22478	. WASHER,FL- 0.170 ID 0.375 OD 0.032 THK				4	
- 5	28413	. SCREW,MACH-BIND HD 10-32 X 5/16 LG				1	
- 5A	32042	. SCREW, MACH BIND. HD 10-32 X 3/8 LG.				AR	
- 6	38235	. SCREW MACH 6/32 X .310 LG				4	
- 7	45690	. WASHER, FL - NO.10 X 7/16 OD X 1/32 THK				AR	
- 8	48594	. SCREW,MACH-BIND HD 4-40 X 0.175 LG				4	
- 9	56079	. WASHER,LOCK-EXT T .195 ID .410 OD				1	
- 10	58207	. SCREW,MACH-UNDRCT BIND HD 8-32 X 1/4 LG				2	
- 11	76574	. LOCKWASHER-EXT TOOTH ID .267 X OD .510				4	
- 12	90261	. SCREW,MACH-BIND HD 1/4-20 X 7/16 LG				1	
- 13	169733	. SCREW, SOC HED CAP-1/4-20 UNC X .750				4	
- 14	204500	. STUD-REL GATE LATCH				1	
- 15	220856	. SPRING,HELICAL,COMPR- 9 TURNS				1	
- 16	225532	. HINGE ASSEMBLY-MALE				2	
- 17	124871	. . HINGE- REAR GATE				1	
- 18	225533	. . PIN,KNURLED- 0.509 DIA OA X 1 11/32 LG				1	
- 19	236849	. SCREW,MACH-BIND HD 10/32 X 1/4 LG				4	
- 20	438622	. SCREW,MACH-BIND HD 1/4-20 X 3/8 LG				5	
- 21	518704	. SCREW,MACH-BIND HD 1/4-20 X 1/4 LG				6	
- 22	725395	. PLATE-THERMO SWITCH MT				2	
- 23	760304	. CATCH, SPRING				4	
- 24	760305	. HINGE-KNUCKLE				6	
- 25	760306	. PIVOT-HINGE				6	
- 26	761107	. CLIP,SPRING TENSION-LATCH STRIKE					
- 27	2501489	. COOLING UNIT ASSEMBLY - 50 CPS USED ON 50 CYCLE ONLY SEE LIST 3A FOR DETAIL BREAKDOWN				1	
- 27	2501486	. COOLING UNIT ASSEMBLY - 60 CPS USED ON 60 CYCLE ONLY SEE LIST 3 FOR DETAIL BREAKDOWN				1	
- 28	2507428	. GUARD,CABLE				1	
- 29	5313673	. SEAL-URETHANE FOAM 3/4 W X 1/2 THK				AR	
- 30	5323467	. SEAL-VACUUM COLUMN 0.12 ID URETHANE FOAM				AR	
- 31	5362130	. GATE				1	
- 32	5362136	. SCREEN-GATE				1	
- 33	5362137	. DOOR				1	
- 34	5362138	. DOOR				1	
- 35	5362173	. BRACKET ASSEMBLY				1	
- 36	5313673	. . SEAL-URETHANE FOAM 3/4 W X 1/2 THK				1	
- 37	5362132	. . BRACKET,CABLE CLAMP				1	
- 38	5362174	. BRACKET ASSEMBLY				1	
- 39	5313673	. . SEAL-URETHANE FOAM 3/4 W X 1/2 THK				1	
- 40	5362132	. . BRACKET,CABLE CLAMP				1	
- 41	5371567	. LAMINAR BUSS ASSEMBLY				1	
- 42	38051	. . NUT,PLAIN,HEX- 6-32 X 1/4 FL W STL				4	
- 43	55726	. . SCREW-BD HD 6-32 X .188 LG				8	
- 44	81693	. . SCREW,MACH-BIND HD 6-32 X 3/8 LG				4	
- 45	594506	. . BLOCK				15	
- 46	594504	. . . TERMINAL COMB, LAMINAR BUS				2	
- 47	594505	. . . INSERT, BASE BLOCK LAMINAR BUS				1	
- 48	5362203	. . BASE-INPUT BLOCK				1	
- 49	5362204	. . BLOCK				1	
- 50	5371565	. . CONDUCTOR ASSEMBLY-LAMINAR BUSS				1	
- 51	5371644	. BRACKET-GATE LATCH-FRONT				1	
- 52	5318933	. PANEL ASSEMBLY,CE USED ON 2803 MODEL 1 AND FAA ONLY SEE LIST 16 FOR DETAIL BREAKDOWN				1	
- 52	5382095	. PANEL ASSEMBLY,CE USED ON 2804 MODEL 1 ONLY SEE LIST 23 FOR DETAIL BREAKDOWN				1	
- 53	5373702	. PIN,LATCH				1	
- 54	5382127	. LABEL-VOLTAGE				15	





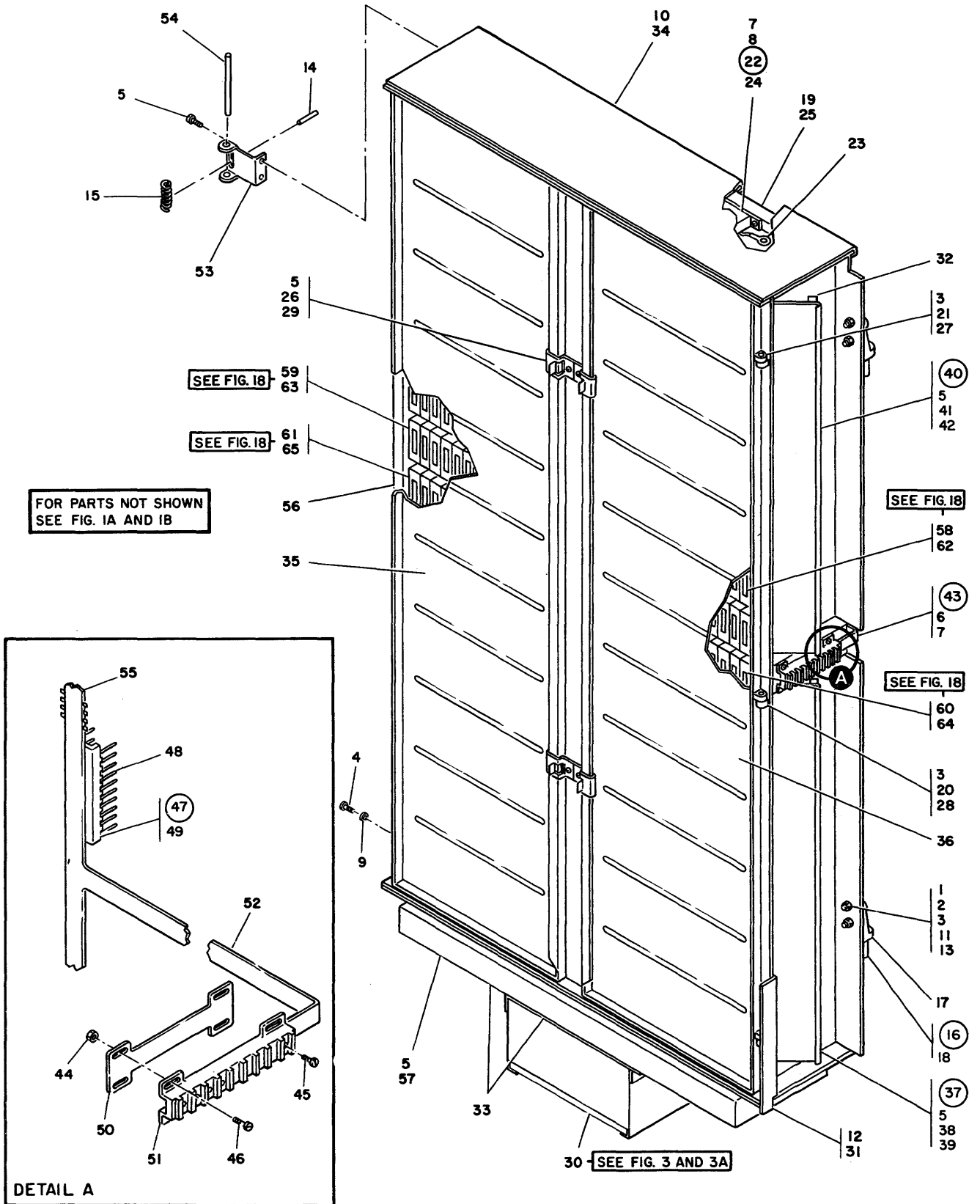


FIGURE 2A. GATE ASSEMBLY-TAU FRONT LEFT HAND. SEE LIST 2A.

LIST AND INDEX NUMBER	PART NUMBER	DESCRIPTION	UNITS PER ASM.	USABLE ON CODE
		1 2 3 4		
		GATE ASSEMBLY-TAU FRONT LEFT HAND		
2A-	5415875	GATE ASSEMBLY-TAU FRONT LEFT HAND USED ON 2803/2804 MODEL 2 - 50/60 CYCLE SEE LIST 1A-172 AND 1B-97 FOR NEXT HIGHER ASM AND FIG. 2A FOR ILLUSTRATION	REF	
- 1	3550	• WASHER,FL- 1/4 X 9/16 OD X 0.050 THK	4	
- 2	3960	• NUT,PLAIN,HEX- 1/4-20 X 7/16 FL W	4	
- 3	6935	• WASHER,LOCK-SPLIT 1/4 X 0.493 OD	16	
- 4	28413	• SCREW,MACH-BIND HD 10-32 X 5/16 LG	1	
- 5	32042	• SCREW, MACH BIND. HD 10-32 X 3/8 LG.	16	
- 6	38235	• SCREW MACH 6/32 X .310 LG	4	
- 7	45690	• WASHER, FL - NO.10 X 7/16 OD X 1/32 THK	AR	
- 8	48594	• SCREW,MACH-BIND HD 4-40 X 0.175 LG	4	
- 9	56079	• WASHER,LOCK-EXT T .195 ID .410 OD	1	
- 10	58207	• SCREW,MACH-UNDRCT BIND HD 8-32 X 1/4 LG	2	
- 11	76574	• LOCKWASHER-EXT TOOTH ID .267 X OD .510	4	
- 12	90261	• SCREW,MACH-BIND HD 1/4-20 X 7/16 LG	1	
- 13	169733	• SCREW, SOC HED CAP-1/4-20 UNC X .750	4	
- 14	204500	• STUD-REL GATE LATCH	1	
- 15	220856	• SPRING,HELICAL,COMPR- 9 TURNS	1	
- 16	225532	• HINGE ASSEMBLY-MALE	2	
- 17	124871	• • HINGE- REAR GATE	1	
- 18	225533	• • PIN,KNURLED- 0.509 DIA OA X 1 11/32 LG	1	
- 19	236849	• SCREW,MACH-BIND HD 10/32 X 1/4 LG	4	
- 20	438622	• SCREW,MACH-BIND HD 1/4-20 X 3/8 LG	11	
- 21	518704	• SCREW,MACH-BIND HD 1/4-20 X 1/4 LG	6	
- 22	725174	• THERMAL SWITCH ASSEMBLY	1	
- 23	334921	• • TERMINAL,RING-18/22 AWG,NO. 6,INS	2	
- 24	761345	• • THERMOSWITCH	2	

LIST AND INDEX NUMBER	PART NUMBER	DESCRIPTION	1 2 3 4				UNITS PER ASM.	USABLE ON CODE
		GATE ASSEMBLY-TAU FRONT LEFT HAND -CONT						
2A- 25	725395	• PLATE-THERMO SWITCH MT				2		
- 26	760304	• CATCH, SPRING				4		
- 27	760305	• HINGE-KNUCKLE				6		
- 28	760306	• PIVOT-HINGE				6		
- 29	761107	• CLIP, SPRING TENSION-LATCH STRIKE				4		
- 30	2501486	• COOLING UNIT ASSEMBLY - 60 CPS USED ON 60 CYCLE ONLY SEE LIST 3A FOR DETAIL BREAKDOWN				1		
- 30	2501489	• COOLING UNIT ASSEMBLY - 50 CPS USED ON 50 CYCLE ONLY SEE LIST 3 FOR DETAIL BREAKDOWN				1		
- 31	2507428	• GUARD, CABLE				1		
- 32	5313673	• SEAL-URETHANE FOAM 3/4 W X 1/2 THK				AR		
- 33	5323467	• SEAL-VACUUM COLUMN 0.12 ID URETHANE FOAM				AR		
- 34	5362136	• SCREEN-GATE				1		
- 35	5362137	• DOOR				1		
- 36	5362138	• DOOR				1		
- 37	5362173	• BRACKET ASSEMBLY				1		
- 38	5313673	• . SEAL-URETHANE FOAM 3/4 W X 1/2 THK				AR		
- 39	5362133	• . BRACKET				1		
- 40	5362174	• BRACKET ASSEMBLY				1		
- 41	5313673	• . SEAL-URETHANE FOAM 3/4 W X 1/2 THK				AR		
- 42	5362132	• . BRACKET, CABLE CLAMP				1		
- 43	5371567	• LAMINAR BUSS ASSEMBLY				1		
- 44	38051	• . NUT, PLAIN, HEX- 6-32 X 1/4 FL W STL				4		
- 45	55726	• . SCREW-BD HD 6-32 X .188 LG				8		
- 46	81693	• . SCREW, MACH-BIND HD 6-32 X 3/8 LG				4		
- 47	594506	• . BLOCK				15		
- 48	594504	• . . TERMINAL COMB, LAMINAR BUS				2		
- 49	594505	• . . INSERT, BASE BLOCK LAMINAR BUS				1		
- 50	5362203	• . BASE-INPUT BLOCK				1		
- 51	5362204	• . BLOCK				1		
- 52	5371565	• . CONDUCTOR ASSEMBLY-LAMINAR BUSS				1		
- 53	5371644	• BRACKET-GATE LATCH-FRONT				1		
- 54	5373702	• PIN, LATCH				1		
- 55	5382127	• LABEL-VOLTAGE				15		
- 56	5382412	• GATE TAU FRONT				1		
- 57	5391730	• HEADER-TAU				1		
- 58	5415861	• CHASSIS ASSEMBLY - 01A1 SEE LIST 18 FOR DETAIL BREAKDOWN				1		
- 59	5415862	• CHASSIS ASSEMBLY - 01A2 SEE LIST 18 FOR DETAIL BREAKDOWN				1		
- 60	5415863	• CHASSIS ASSEMBLY - 01A3 SEE LIST 18 FOR DETAIL BREAKDOWN				1		
- 61	5415882	• CHASSIS ASSEMBLY - 01A4 SEE LIST 18 FOR DETAIL BREAKDOWN USED ON 2803 ONLY				1		
- 62	5415901	• CHASSIS ASSEMBLY - 01A1 SEE LIST 18 FOR DETAIL BREAKDOWN				1		
- 63	5415902	• CHASSIS ASSEMBLY - 01A2 SEE LIST 18 FOR DETAIL BREAKDOWN				1		
- 64	5415903	• CHASSIS ASSEMBLY - 01A3 SEE LIST 18 FOR DETAIL BREAKDOWN				1		
- 65	5415904	• CHASSIS ASSEMBLY - 01A4 SEE LIST 18 FOR DETAIL BREAKDOWN USED ON 2804 ONLY				1		

FOR PARTS NOT SHOWN  
SEE FIG. 1A AND 1B

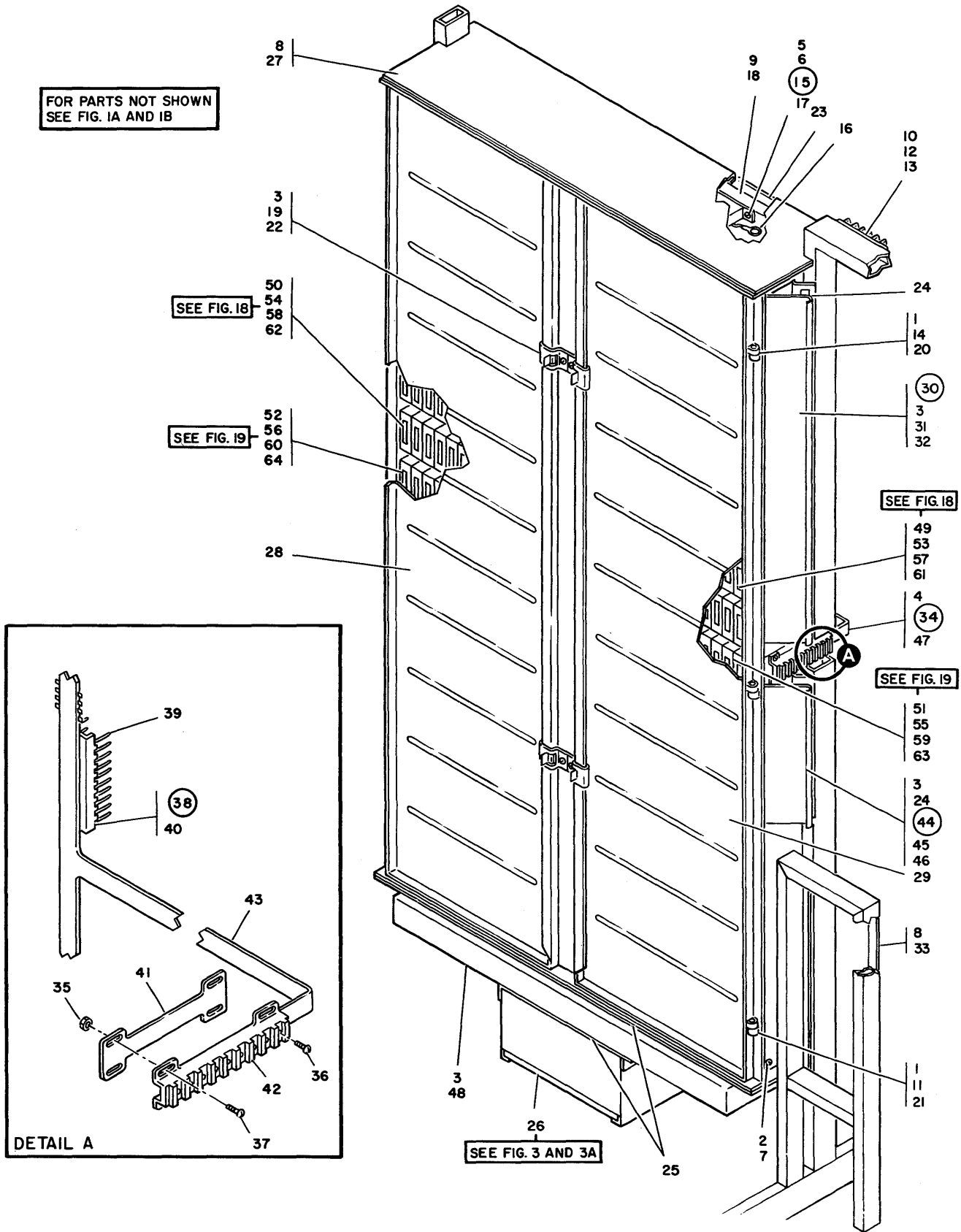


FIGURE 2B. GATE ASSEMBLY-TAU CENTER LEFT HAND. SEE LIST 2B.

LIST AND INDEX NUMBER	PART NUMBER	DESCRIPTION	UNITS PER ASM.	USABLE ON CODE
		1 2 3 4		
		GATE ASSEMBLY-TAU CENTER LEFT HAND		
2B-				
-	NO NO.	GATE ASSEMBLY-TAU CENTER LEFT HAND	REF	
		SEE LIST 1A-187 AND 1B-115 FOR NEXT HIGHER ASM AND FIG. 2B FOR ILLUSTRATION		
- 1	6935	• WASHER, LOCK-SPLIT 1/4 X 0.493 OD	12	
- 2	28413	• SCREW, MACH-BIND HD 10-32 X 5/16 LG	AR	
- 3	32042	• SCREW, MACH BIND. HD 10-32 X 3/8 LG.	AR	
- 4	38235	• SCREW MACH 6/32 X .310 LG	4	
- 5	45690	• WASHER, FL - NO.10 X 7/16 OD X 1/32 THK	AR	
- 6	48594	• SCREW, MACH-BIND HD 4-40 X 0.175 LG	4	
- 7	56079	• WASHER, LOCK-EXT T .195 ID .410 OD	1	
- 8	58207	• SCREW, MACH-UNDRCT BIND HD 8-32 X 1/4 LG	5	
- 9	236849	• SCREW, MACH-BIND HD 10/32 X 1/4 LG	4	
- 10	322550	• SCREW, MACH-BIND HD 6-32 X 1/2 LG	2	
- 11	438622	• SCREW, MACH-BIND HD 1/4-20 X 3/8 LG	6	
- 12	460237	• STRIP-MARKER USED ON 2803/2804 MODEL 2	1	
- 12	5355407	• STRIP, MARKER-INSULATING USED ON 2803/2804/FAA MODEL 1	1	
- 13	480007	• TERMINAL BOARD- 8 SINGLE SCREW TERMINALS USED ON 2803/2804 MODEL 2	1	
- 13	480009	• BLOCK-TERMINAL BARRIER-6 POSITION USED ON 2803/2804/FAA MODEL 1	1	
- 14	518704	• SCREW, MACH-BIND HD 1/4-20 X 1/4 LG	6	
- 15	725174	• THERMAL SWITCH ASSEMBLY USED ON 2803/2804 MODEL 1 AND 2	1	
- 16	334921	• . TERMINAL, RING-18/22 AWG, NO. 6, INS	2	
- 17	761345	• . THERMOSWITCH	2	
- 18	725395	• PLATE-THERMO SWITCH MT	2	
- 19	760304	• CATCH, SPRING	4	
- 20	760305	• HINGE-KNUCKLE	6	
- 21	760306	• PIVOT-HINGE	6	
- 22	761107	• CLIP, SPRING TENSION-LATCH STRIKE	4	
- 23	2507163	• HANGER, CABLE	1	
- 24	5313673	• SEAL-URETHANE FOAM 3/4 W X 1/2 THK	AR	
- 25	5323467	• SEAL-VACUUM COLUMN 0.12 ID URETHANE FOAM	AR	
- 26	5357052	• COOLING UNIT ASSEMBLY-60 CYCLE USED ON 2803/2804 - 50 CYCLE	1	
- 26	2501491	SEE LIST 3 FOR DETAIL BREAKDOWN • COOLING UNIT ASSEMBLY - 50CPS USED ON 2803/2804/FAA - 60 CYCLE	1	
- 27	5362136	SEE LIST 3A FOR DETAIL BREAKDOWN • SCREEN-GATE	1	
- 28	5362137	• DOOR	1	
- 29	5362138	• DOOR	1	
- 30	5362173	• BRACKET ASSEMBLY USED ON 2803/2804/FAA MODEL 1 AND 2803 MODEL 2	1	
- 31	5313673	• . SEAL-URETHANE FOAM 3/4 W X 1/2 THK	AR	
- 32	5362133	• . BRACKET	1	
- 33	5362193	• RAIL-I/O RETAINER	1	
- 34	5371567	• LAMINAR BUSS ASSEMBLY	1	
- 35	38051	• . NUT, PLAIN, HEX- 6-32 X 1/4 FL W STL	4	
- 36	55726	• . SCREW-BD HD 6-32 X .188 LG	8	
- 37	81693	• . SCREW, MACH-BIND HD 6-32 X 3/8 LG	4	
- 38	594506	• . BLOCK	15	
- 39	594504	• . . TERMINAL COMB, LAMINAR BUS	2	
- 40	594505	• . . INSERT, BASE BLOCK LAMINAR BUS	1	



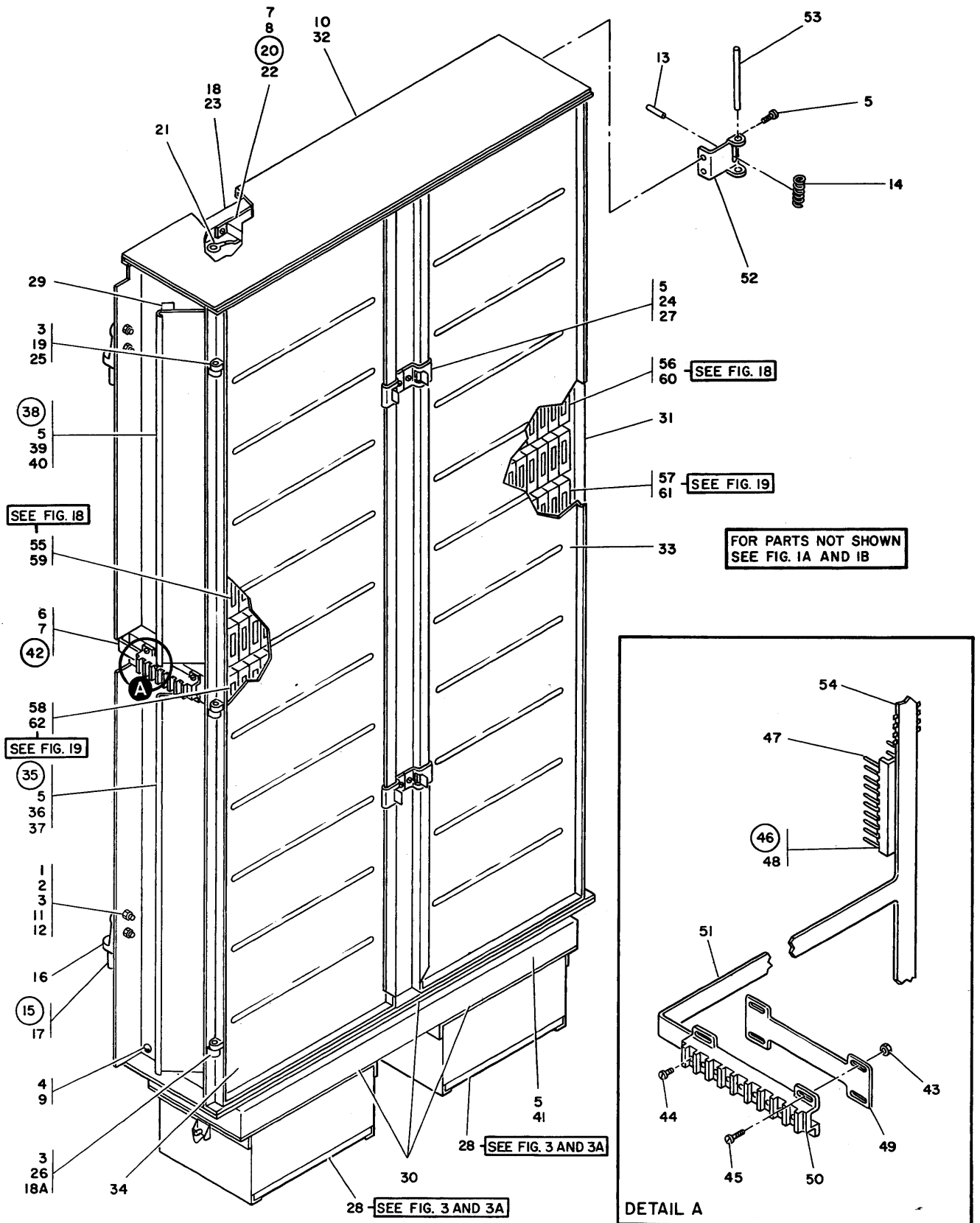


FIGURE 2C. GATE ASSEMBLY-TAU BACK LEFT HAND. SEE LIST 2C.

LIST AND INDEX NUMBER	PART NUMBER	DESCRIPTION	UNITS PER ASM.	USABLE ON CODE
		1 2 3 4 GATE ASSEMBLY-TAU BACK LEFT HAND		
2C-				
-	2501266	GATE ASSEMBLY-TAU BACK LEFT HAND USED ON 2803/2804 MODEL 2 - 50/60 CYCLE SEE LIST 1A-53 AND 1B-48 FOR NEXT HIGHER ASM AND FIG. 2C FOR ILLUSTRATION	REF	
- 1	3550	• WASHER,FL- 1/4 X 9/16 OD X 0.050 THK	4	
- 2	3960	• NUT,PLAIN,HEX- 1/4-20 X 7/16 FL W	4	
- 3	6935	• WASHER,LOCK-SPLIT 1/4 X 0.493 OD	16	
- 4	28413	• SCREW,MACH-BIND HD 10-32 X 5/16 LG	2	
- 5	32042	• SCREW, MACH BIND. HD 10-32 X 3/8 LG.	16	
- 6	38235	• SCREW MACH 6/32 X .310 LG	4	
- 7	45690	• WASHER, FL - NO.10 X 7/16 OD X 1/32 THK	4	
- 8	48594	• SCREW,MACH-BIND HD 4-40 X 0.175 LG	4	
- 9	56079	• WASHER,LOCK-EXT T .195 ID .410 OD	2	
- 10	58207	• SCREW,MACH-UNDRCT BIND HD 8-32 X 1/4 LG	2	
- 11	76574	• LOCKWASHER-EXT TOOTH ID .267 X OD .510	4	
- 12	169733	• SCREW, SOC HED CAP-1/4-20 UNC X .750	4	
- 13	204500	• STUD-REL GATE LATCH	1	
- 14	220856	• SPRING,HELICAL,COMPR- 9 TURNS	1	
- 15	225532	• HINGE ASSEMBLY-MALE	2	
- 16	124871	• . HINGE- REAR GATE	1	
- 17	225533	• . PIN,KNURLED- 0.509 DIA OA X I 11/32 LG	1	
- 18	236849	• SCREW,MACH-BIND HD 10/32 X 1/4 LG	4	
- 18A	438622	• SCREW,MACH-BIND HD 1/4-20 X 3/8 LG	6	
- 19	518704	• SCREW,MACH-BIND HD 1/4-20 X 1/4 LG	6	
- 20	725174	• THERMAL SWITCH ASSEMBLY	1	
- 21	334921	• . TERMINAL,RING-18/22 AWG,NO. 6,INS	2	
- 22	761345	• . THERMOSWITCH	2	
- 23	725395	• PLATE-THERMO SWITCH MT	2	
- 24	760304	• CATCH, SPRING	4	
- 25	760305	• HINGE-KNUCKLE	6	
- 26	760306	• PIVOT-HINGE	6	
- 27	761107	• CLIP,SPRING TENSION-LATCH STRIKE	4	
- 28	2501490	• COOLING UNIT ASSEMBLY - 50 CPS USED ON 50 CYCLE ONLY SEE LIST 3A FOR DETAIL BREAKDOWN	2	
- 28	2501487	• COOLING UNIT ASSEMBLY - 60 CPS USED ON 60 CYCLE ONLY SEE LIST 3 FOR DETAIL BREAKDOWN	2	
- 29	5313673	• SEAL-URETHANE FOAM 3/4 W X 1/2 THK	AR	
- 30	5323467	• SEAL-VACUUM COLUMN 0.12 ID URETHANE FOAM	AR	
- 31	5362131	• GATE TAU BACK	1	
- 32	5362136	• SCREEN-GATE	1	
- 33	5362137	• DOOR	1	
- 34	5362138	• DOOR	1	
- 35	5362173	• BRACKET ASSEMBLY	1	
- 36	5313673	• . SEAL-URETHANE FOAM 3/4 W X 1/2 THK	1	
- 37	5362133	• . BRACKET	1	
- 38	5362174	• BRACKET ASSEMBLY	1	
- 39	5313673	• . SEAL-URETHANE FOAM 3/4 W X 1/2 THK	1	
- 40	5362132	• . BRACKET,CABLE CLAMP	1	
- 41	5362189	• HEADER	1	
- 42	5371573	• LAMINAR BUSS ASSEMBLY	1	
- 43	38051	• . NUT,PLAIN,HEX- 6-32 X 1/4 FL W STL	4	
- 44	55726	• . SCREW-BD HD 6-32 X .188 LG	8	
- 45	81693	• . SCREW,MACH-BIND HD 6-32 X 3/8 LG	4	
- 46	594506	• . BLOCK	15	
- 47	594504	• . . TERMINAL COMB, LAMINAR BUS	2	
- 48	594505	• . . INSERT, BASE BLOCK LAMINAR BUS	1	
- 49	5362203	• . BASE-INPUT BLOCK	1	
- 50	5362204	• . BLOCK	1	
- 51	5371572	• . LAMINAR BUS	1	
- 52	5371643	• BRACKET-GATE LATCH-BACK	1	
- 53	5373702	• PIN,LATCH	1	
- 54	5382127	• LABEL-VOLTAGE	15	





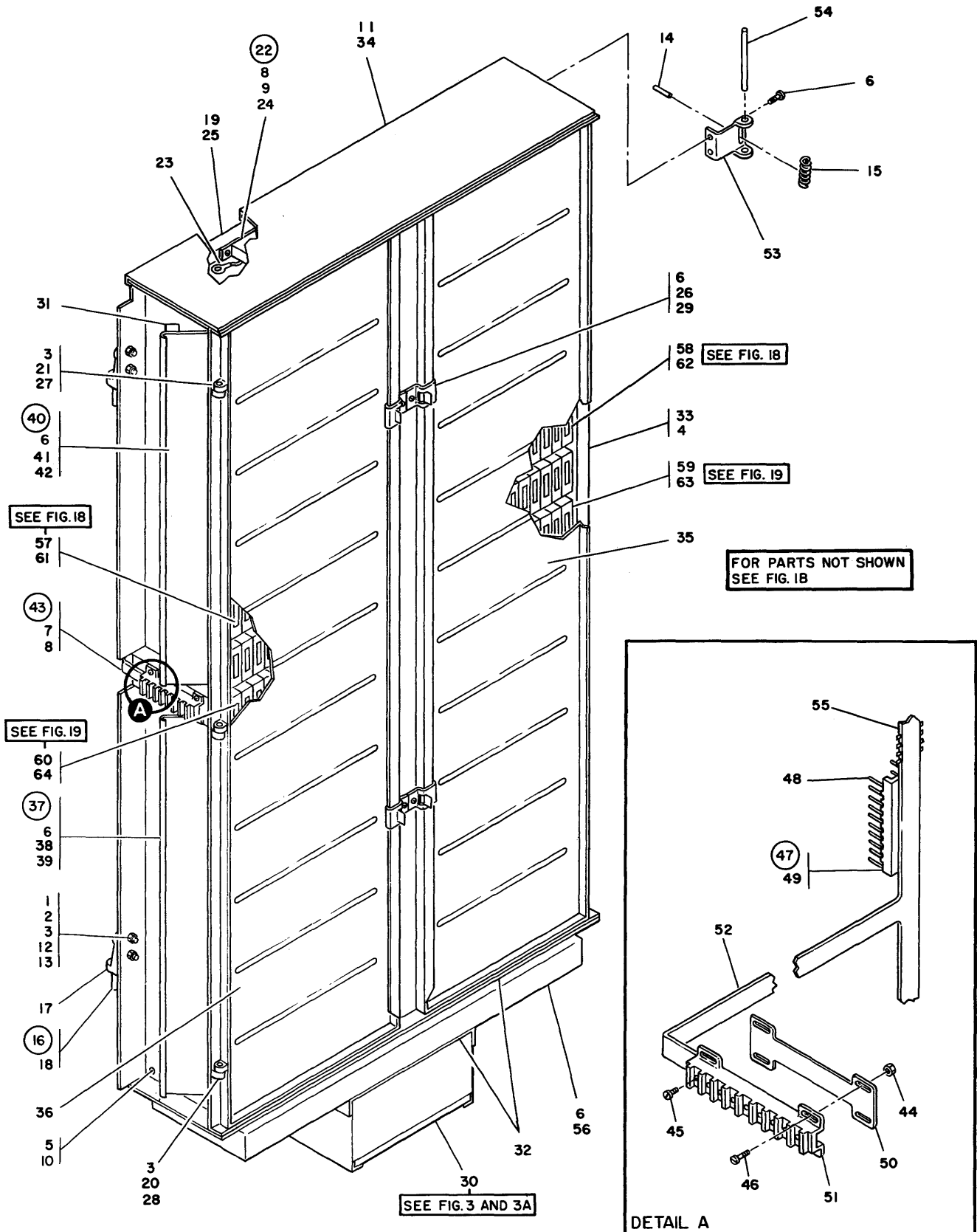


FIGURE 2D. GATE ASSEMBLY-TAU BACK LEFT HAND/FRONT RIGHT HAND. SEE LIST 2D.

LIST AND INDEX NUMBER	PART NUMBER	DESCRIPTION	UNITS	USABLE
			PER ASM.	ON CODE
		1 2 3 4		
		GATE ASSEMBLY-TAU BACK LEFT HAND/FRONT RIGHT HAND		
2D-				
-	5362184	GATE ASSEMBLY-TAU BACK LEFT HAND,2804 MODEL 1-50/60 CY	REF	
-	5362184	GATE ASSEMBLY-TAU FRONT RIGHT HAND,2804 MOD 2-50/60 CY	REF	
		SEE LIST 1B-68 FOR NEXT HIGHER ASM AND FIG. 2D FOR ILLUSTRATION		
- 1	3550	• WASHER,FL- 1/4 X 9/16 OD X 0.050 THK	4	
- 2	3960	• NUT,PLAIN,HEX- 1/4-20 X 7/16 FL W	4	
- 3	6935	• WASHER,LOCK-SPLIT 1/4 X 0.493 OD	16	
- 4	22478	• WASHER,FL- 0.170 ID 0.375 OD 0.032 THK	4	
- 5	28413	• SCREW,MACH-BIND HD 10-32 X 5/16 LG	1	
- 6	32042	• SCREW, MACH BIND. HD 10-32 X 3/8 LG.	16	
- 7	38235	• SCREW MACH 6/32 X .310 LG	4	
- 8	45690	• WASHER, FL - NO.10 X 7/16 OD X 1/32 THK	AR	
- 9	48594	• SCREW,MACH-BIND HD 4-40 X 0.175 LG	4	
- 10	56079	• WASHER,LOCK-EXT T .195 ID .410 OD	1	
- 11	58207	• SCREW,MACH-UNDRCT BIND HD 8-32 X 1/4 LG	2	
- 12	76574	• LOCKWASHER-EXT TOOTH ID .267 X OD .510	4	
- 13	169733	• SCREW, SOC HED CAP-1/4-20 UNC X .750	4	
- 14	204500	• STUD-REL GATE LATCH	1	
- 15	220856	• SPRING,HELICAL,COMPR- 9 TURNS	1	
- 16	225532	• HINGE ASSEMBLY-MALE	2	
- 17	124871	• HINGE- REAR GATE	1	
- 18	225533	• PIN,KNURLED- 0.509 DIA OA X 1 11/32 LG	1	
- 19	236849	• SCREW,MACH-BIND HD 10/32 X 1/4 LG	4	
- 20	438622	• SCREW,MACH-BIND HD 1/4-20 X 3/8 LG	6	
- 21	518704	• SCREW,MACH-BIND HD 1/4-20 X 1/4 LG	6	
- 22	725174	• THERMAL SWITCH ASSEMBLY	1	
- 23	334921	• TERMINAL,RING-18/22 AWG,NO. 6,INS	2	
- 24	761345	• THERMOSWITCH	2	
- 25	725395	• PLATE-THERMO SWITCH MT	2	
- 26	760304	• CATCH, SPRING	4	
- 27	760305	• HINGE-KNUCKLE	6	
- 28	760306	• PIVOT-HINGE	6	

LIST AND INDEX NUMBER	PART NUMBER	DESCRIPTION				UNITS PER ASM.	USABLE ON CODE
		1	2	3	4		
		GATE ASSEMBLY-TAU BACK LEFT HAND/FRONT RIGHT HAND -CONT					
2D- 29 - 30	761107 2501491	<ul style="list-style-type: none"> <li>• CLIP, SPRING TENSION-LATCH STRIKE</li> <li>• COOLING UNIT ASSEMBLY - 50CPS</li> </ul>				4 1	
- 30	5357052	USED ON 50 CYCLE ONLY SEE LIST 3A FOR DETAIL BREAKDOWN <ul style="list-style-type: none"> <li>• COOLING UNIT ASSEMBLY-60 CYCLE</li> </ul>				1	
- 31	5313673	USED ON 60 CYCLE ONLY SEE LIST 3 FOR DETAIL BREAKDOWN <ul style="list-style-type: none"> <li>• SEAL-URETHANE FOAM 3/4 W X 1/2 THK</li> </ul>				AR	
- 32	5323467	<ul style="list-style-type: none"> <li>• SEAL-VACUUM COLUMN 0.12 ID URETHANE FOAM</li> </ul>				AR	
- 33	5362131	<ul style="list-style-type: none"> <li>• GATE TAU BACK</li> </ul>				1	
- 34	5362136	<ul style="list-style-type: none"> <li>• SCREEN-GATE</li> </ul>				1	
- 35	5362137	<ul style="list-style-type: none"> <li>• DOOR</li> </ul>				1	
- 36	5362138	<ul style="list-style-type: none"> <li>• DOOR</li> </ul>				1	
- 37	5362173	<ul style="list-style-type: none"> <li>• BRACKET ASSEMBLY</li> </ul>				1	
- 38	5313673	<ul style="list-style-type: none"> <li>• SEAL-URETHANE FOAM 3/4 W X 1/2 THK</li> </ul>				1	
- 39	5362133	<ul style="list-style-type: none"> <li>• BRACKET</li> </ul>				1	
- 40	5362174	<ul style="list-style-type: none"> <li>• BRACKET ASSEMBLY</li> </ul>				1	
- 41	5313673	<ul style="list-style-type: none"> <li>• SEAL-URETHANE FOAM 3/4 W X 1/2 THK</li> </ul>				1	
- 42	5362132	<ul style="list-style-type: none"> <li>• BRACKET, CABLE CLAMP</li> </ul>				1	
- 43	5371573	<ul style="list-style-type: none"> <li>• LAMINAR BUSS ASSEMBLY</li> </ul>				1	
- 44	38051	<ul style="list-style-type: none"> <li>• NUT, PLAIN, HEX- 6-32 X 1/4 FL W STL</li> </ul>				4	
- 45	55726	<ul style="list-style-type: none"> <li>• SCREW-BD HD 6-32 X .188 LG</li> </ul>				8	
- 46	81693	<ul style="list-style-type: none"> <li>• SCREW, MACH-BIND HD 6-32 X 3/8 LG</li> </ul>				4	
- 47	594506	<ul style="list-style-type: none"> <li>• BLOCK</li> </ul>				15	
- 48	594504	<ul style="list-style-type: none"> <li>• TERMINAL COMB, LAMINAR BUS</li> </ul>				2	
- 49	594505	<ul style="list-style-type: none"> <li>• INSERT, BASE BLOCK LAMINAR BUS</li> </ul>				1	
- 50	5362203	<ul style="list-style-type: none"> <li>• BASE-INPUT BLOCK</li> </ul>				1	
- 51	5362204	<ul style="list-style-type: none"> <li>• BLOCK</li> </ul>				1	
- 52	5371572	<ul style="list-style-type: none"> <li>• LAMINAR BUS</li> </ul>				1	
- 53	5371643	<ul style="list-style-type: none"> <li>• BRACKET-GATE LATCH-BACK</li> </ul>				1	
- 54	5373702	<ul style="list-style-type: none"> <li>• PIN, LATCH</li> </ul>				1	
- 55	5382127	<ul style="list-style-type: none"> <li>• LABEL-VOLTAGE</li> </ul>				15	
- 56	5391730	<ul style="list-style-type: none"> <li>• HEADER-TAU</li> </ul>				1	
- 57	5371497	<ul style="list-style-type: none"> <li>• CHASSIS ASM - 01C1</li> </ul> SEE LIST 18 FOR DETAIL BREAKDOWN				1	
- 58	5371498	<ul style="list-style-type: none"> <li>• CHASSIS ASM - 01C2</li> </ul> SEE LIST 18 FOR DETAIL BREAKDOWN				1	
- 59	5371499	<ul style="list-style-type: none"> <li>• CHASSIS ASM - 01C3</li> </ul> SEE LIST 19 FOR DETAIL BREAKDOWN				1	
- 60	5371500	<ul style="list-style-type: none"> <li>• CHASSIS ASM - 01C4</li> </ul> SEE LIST 19 FOR DETAIL BREAKDOWN				1	
- 61	5415914	USED ON 2804 MODEL 1 ONLY <ul style="list-style-type: none"> <li>• CHASSIS ASM - 01F1</li> </ul> SEE LIST 18 FOR DETAIL BREAKDOWN				1	
- 62	5415915	<ul style="list-style-type: none"> <li>• CHASSIS ASM - 01F2</li> </ul> SEE LIST 18 FOR DETAIL BREAKDOWN				1	
- 63	5415916	<ul style="list-style-type: none"> <li>• CHASSIS ASM - 01F3</li> </ul> SEE LIST 19 FOR DETAIL BREAKDOWN				1	
- 64	5415917	<ul style="list-style-type: none"> <li>• CHASSIS ASM - 01F4</li> </ul> SEE LIST 19 FOR DETAIL BREAKDOWN				1	
		USED ON 2804 MODEL 2 ONLY					

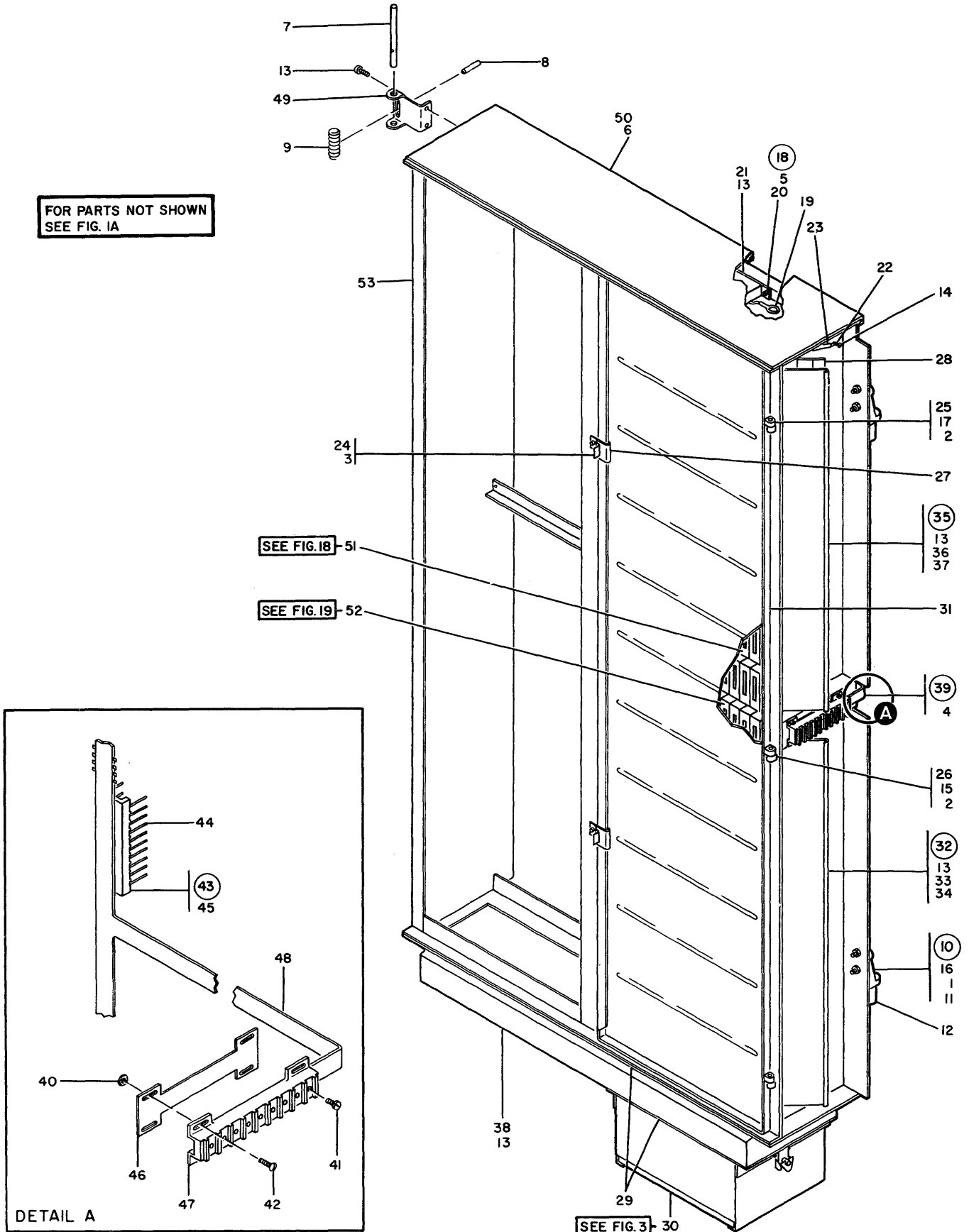


FIGURE 2E. GATE ASSEMBLY-FAA TAU BACK LEFT HAND. SEE LIST 2E.

LIST AND INDEX NUMBER	PART NUMBER	DESCRIPTION				UNITS PER ASM.	USABLE ON CODE
		1	2	3	4		
		GATE ASSEMBLY-FAA TAU BACK LEFT HAND					
2E-	5382411	GATE ASSEMBLY, REAR-FAA USED ON 2803 FAA MODEL 1 FEATURE SEE LIST 1A-102 FOR NEXT HIGHER ASSEMBLY AND FIG. 2E FOR ILLUSTRATION				REF	
- 1	3960	. NUT, PLAIN, HEX- 1/4-20 X 7/16 FL W				4	
- 2	6935	. WASHER, LOCK-SPLIT 1/4 X 0.493 OD				6	
- 3	32042	. SCREW, MACH BIND. HD 10-32 X 3/8 LG.				2	
- 4	38235	. SCREW MACH 6/32 X .310 LG				4	
- 5	48594	. SCREW, MACH-BIND HD 4-40 X 0.175 LG				4	
- 6	58207	. SCREW, MACH-UNDRCT BIND HD 8-32 X 1/4 LG				2	
- 7	204499	. PIN-LATCH RELAY GATE 3/8 DIA X 3-3/8 LG				1	
- 8	204500	. STUD-REL GATE LATCH				1	
- 9	220856	. SPRING, HELICAL, COMPR- 9 TURNS				1	
- 10	225532	. HINGE ASSEMBLY-MALE				2	
- 11	124871	. . HINGE- REAR GATE				1	
- 12	225533	. . PIN, KNURLED- 0.509 DIA DA X 1 11/32 LG				1	
- 13	236849	. SCREW, MACH-BIND HD 10/32 X 1/4 LG				16	
- 14	332620	. SCREW, MACH-BIND HD 10-32 X 1/2 LG				1	
- 15	438622	. SCREW, MACH-BIND HD 1/4-20 X 3/8 LG				3	
- 16	438623	. SCREW, MACH-BIND HD 1/4-20 X 5/8 LG				4	
- 17	518704	. SCREW, MACH-BIND HD 1/4-20 X 1/4 LG				3	
- 18	725174	. THERMAL SWITCH ASSEMBLY				1	
- 19	334921	. . TERMINAL, RING-18/22 AWG, NO. 6, INS				2	
- 20	761345	. . THERMOSWITCH				2	
- 21	725395	. PLATE-THERMO SWITCH MT				2	
- 22	725474	. CHAIN-GATE STOP				1	
- 23	725531	. SLEEVE-CHAIN COVER				1	
- 24	760304	. CATCH, SPRING				2	
- 25	760305	. HINGE-KNUCKLE				3	
- 26	760306	. PIVOT-HINGE				3	
- 27	761107	. CLIP, SPRING TENSION-LATCH STRIKE				2	
- 28	5313673	. SEAL-URETHANE FOAM 3/4 W X 1/2 THK				AR	
- 29	5323467	. SEAL-VACUUM COLUMN 0.12 ID URETHANE FOAM				AR	
- 30	5357052	. COOLING UNIT ASSEMBLY-60 CYCLE SEE LIST 3 FOR DETAIL BREAKDOWN				1	
- 31	5362138	. DOOR				1	
- 32	5362173	. BRACKET ASSEMBLY				1	
- 33	5313673	. . SEAL-URETHANE FOAM 3/4 W X 1/2 THK				AR	
- 34	5362133	. . BRACKET				1	
- 35	5362174	. BRACKET ASSEMBLY				1	
- 36	5313673	. . SEAL-URETHANE FOAM 3/4 W X 1/2 THK				AR	
- 37	5362132	. . BRACKET, CABLE CLAMP				1	
- 38	5362189	. HEADER				1	
- 39	5371567	. LAMINAR BUSS ASSEMBLY				1	
- 40	38051	. . NUT, PLAIN, HEX- 6-32 X 1/4 FL W STL				4	
- 41	55726	. . SCREW-BD HD 6-32 X .188 LG				8	
- 42	81693	. . SCREW, MACH-BIND HD 6-32 X 3/8 LG				4	
- 43	594506	. . BLOCK				15	
- 44	594504	. . . TERMINAL COMB, LAMINAR BUS				2	
- 45	594505	. . . INSERT, BASE BLOCK LAMINAR BUS				1	
- 46	5362203	. . BASE-INPUT BLOCK				1	
- 47	5362204	. . BLOCK				1	
- 48	5371565	. . CONDUCTOR ASSEMBLY-LAMINAR BUSS				1	
- 49	5371644	. BRACKET-GATE LATCH-FRONT				1	
- 50	5371652	. SCREEN-GATE				1	
- 51	5382402	. CHASSIS ASSEMBLY- 01C1				1	
- 52	5382403	SEE LIST 18 FOR DETAIL BREAKDOWN . CHASSIS ASSEMBLY- 01C3 SEE LIST 19 FOR DETAIL BREAKDOWN				1	
- 53	5382412	. GATE TAU FRONT				1	

FOR PARTS NOT SHOWN  
SEE FIG. 1B

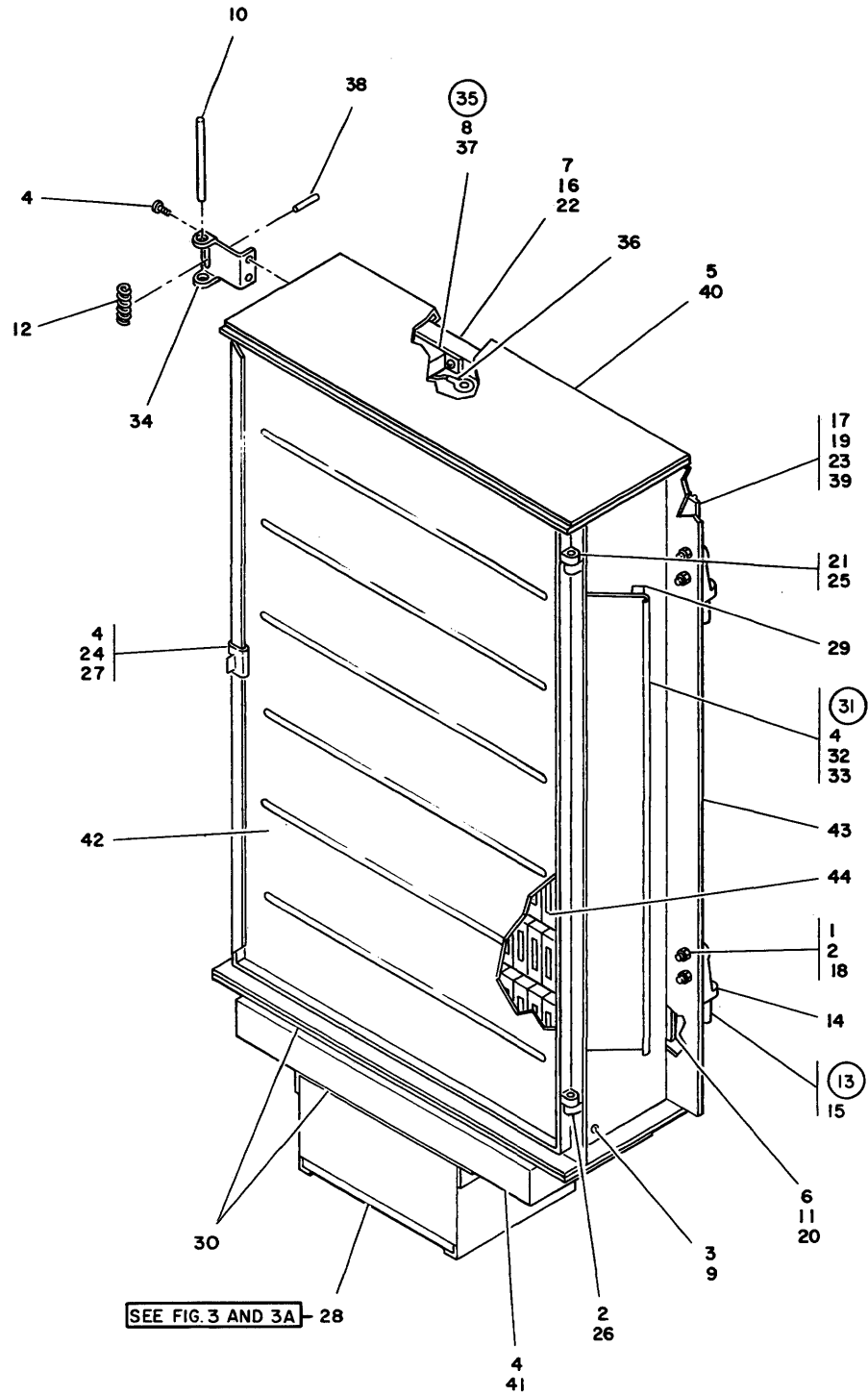


FIGURE 2F. GATE ASSEMBLY-TAU BACK RIGHT HAND. SEE LIST 2F.

LIST AND INDEX NUMBER	PART NUMBER	DESCRIPTION	UNITS PER ASM.	USABLE ON CODE
		GATE ASSEMBLY-TAU BACK RIGHT HAND		
2F-	5409447	GATE ASSEMBLY-TAU BACK RIGHT HAND USED ON 2804 MODEL 2 - 50/60 CYCLE SEE LIST 18-95 FOR NEXT HIGHER ASM AND FIG. 2F FOR ILLUSTRATION	REF	
- 1	3960	• NUT,PLAIN,HEX- 1/4-20 X 7/16 FL W	4	
- 2	6935	• WASHER,LOCK-SPLIT 1/4 X 0.493 OD	6	
- 3	28413	• SCREW,MACH-BIND HD 10-32 X 5/16 LG	1	
- 4	32042	• SCREW,MACH BIND. HD 10-32 X 3/8 LG.	10	
- 5	34512	• SCREW,BIND.HD 8-32 X .375 LG	2	
- 6	38262	• SCREW,MACH-FIL H 4-40 X 1/4 LG	10	
- 7	45690	• WASHER, FL - NO.10 X 7/16 OD X 1/32 THK	AR	
- 8	48594	• SCREW,MACH-BIND HD 4-40 X 0.175 LG	2	
- 9	56079	• WASHER,LOCK-EXT T .195 ID .410 OD	1	
- 10	204499	• PIN-LATCH RELAY GATE 3/8 DIA X 3-3/8 LG	1	
- 11	212822	• BUS BAR-CHAIN VOLTAGE	120	
- 12	220856	• SPRING,HELICAL,COMPR- 9 TURNS	1	
- 13	225532	• HINGE ASSEMBLY-MALE	2	
- 14	124871	• HINGE- REAR GATE	1	
- 15	225533	• PIN,KNURLED- 0.509 DIA OA X 1 11/32 LG	1	
- 16	236849	• SCREW,MACH-BIND HD 10/32 X 1/4 LG	2	
- 17	317310	• TERMINAL BOARD- 5 DBL SCREW TERMINALS	1	
- 18	322028	• SCREW,MACH-BIND HD 1/4-20 X 3/4 LG	4	
- 19	322550	• SCREW,MACH-BIND HD 6-32 X 1/2 LG	4	
- 20	354533	• BLOCK,DUMMY-SMS CHASSIS	5	
- 21	518704	• SCREW,MACH-BIND HD 1/4-20 X 1/4 LG	2	
- 22	725395	• PLATE-THERMO SWITCH MT	1	
- 23	740554	• STRIP-MARKER,5 POSITION	1	
- 24	760304	• CATCH, SPRING	1	
- 25	760305	• HINGE-KNUCKLE	2	
- 26	760306	• PIVOT-HINGE	2	
- 27	761107	• CLIP,SPRING TENSION-LATCH STRIKE	1	
- 28	2501486	• COOLING UNIT ASSEMBLY - 60 CPS	1	
- 28	2501489	USED ON 60 CYCLE ONLY SEE LIST 3 FOR DETAIL BREAKDOWN • COOLING UNIT ASSEMBLY - 50 CPS	1	
- 29	5313673	USED ON 50 CYCLE ONLY SEE LIST 3A FOR DETAIL BREAKDOWN • SEAL-URETHANE FOAM 3/4 W X 1/2 THK	AR	
- 30	5323467	• SEAL-VACUUM COLUMN 0.12 ID URETHANE FOAM	AR	
- 31	5362173	• BRACKET ASSEMBLY	1	
- 32	5313673	• SEAL-URETHANE FOAM 3/4 W X 1/2 THK	1	
- 33	5362133	• BRACKET	1	
- 34	5371644	• BRACKET-GATE LATCH-FRONT	1	
- 35	5382855	• THERMAL SWITCH ASSEMBLY	1	
- 36	334921	• TERMINAL,RING-18/22 AWG,NO. 6,INS	1	
- 37	761345	• THERMOSWITCH	1	
- 38	5397664	• STUD,LATCH	1	
- 39	5408615	• JUMPER ASSEMBLY SEE LIST 25-13 AND -19 FOR COMPONENT PARTS	6	
- 40	5409380	• SCREEN	1	
- 41	5409383	• HEADER	1	
- 42	5409449	• DOOR, INNER	1	
- 43	5409450	• GATE-TAU D	1	
- 44	5415913	• CHASSIS ASSEMBLY-01D1	1	



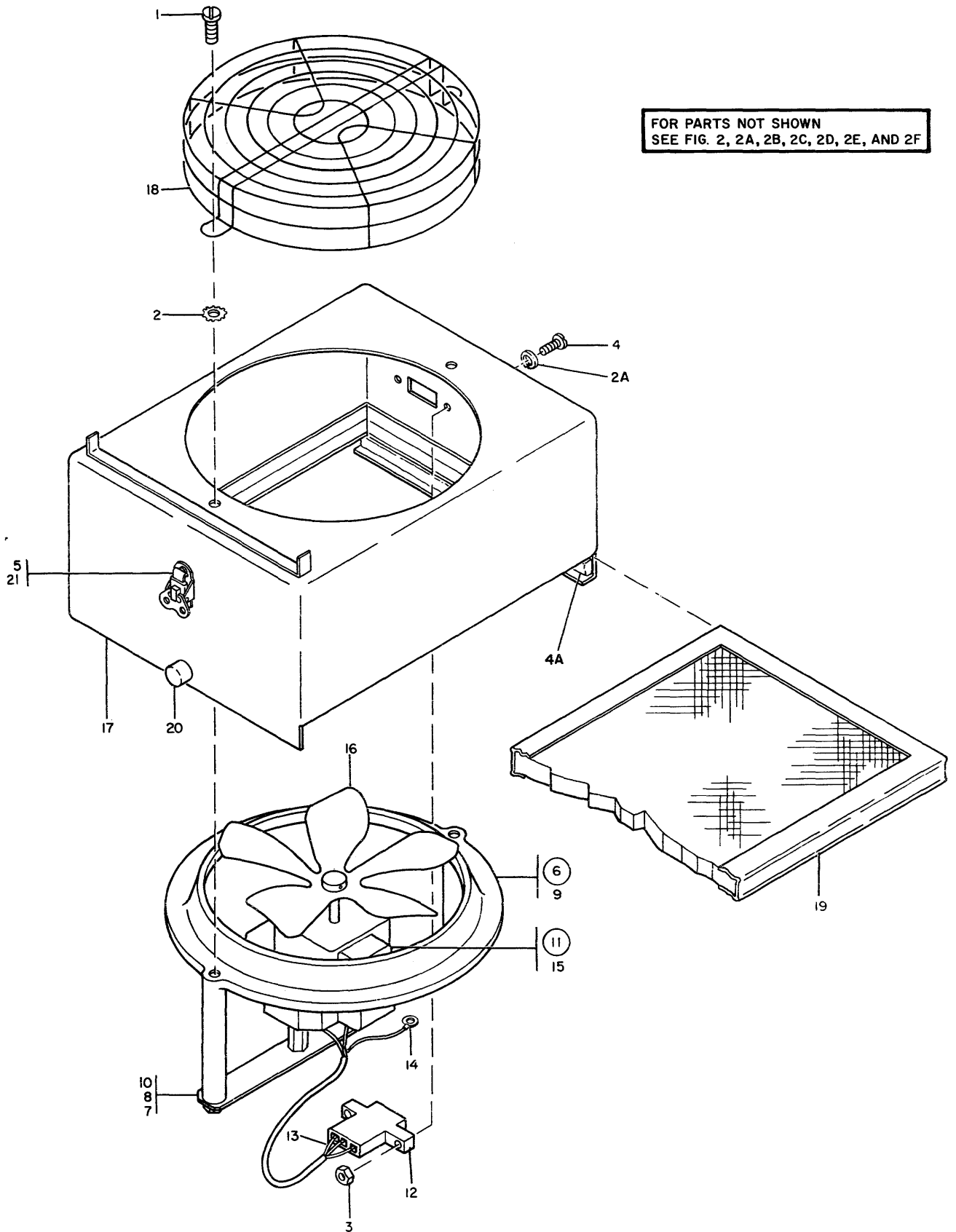


FIGURE 3. COOLING UNIT ASSEMBLY-60 CYCLE. SEE LIST 3.

LIST AND INDEX NUMBER	PART NUMBER	DESCRIPTION				UNITS PER ASM.	USABLE ON CODE
		1	2	3	4		
		COOLING UNIT ASSEMBLY-60 CYCLE					
3 -	5357052	COOLING UNIT ASSEMBLY-60 CYCLE USED ON 60 CYCLE UNITS SEE LISTS 2-27,2A-30,2B-26,2C-28,2D-30, 2E-30,AND 2F-28 FOR NEXT HIGHER ASM AND FIG. 3 FOR ILLUSTRATION				REF	
- 1	32042	• SCREW, MACH BIND. HD 10-32 X 3/8 LG.				2	
- 2	56079	• WASHER, LOCK-EXT T .195 ID .410 OD				2	
- 2A	56722	• LOCKWASHER-EXT. TOOTH OD. .320				1	
- 3	257187	• NUT, PLAIN, HEX- 6-32 X 3/8 FL W				2	
- 4	322065	• SCREW, MACH-BIND HD 6-32 X 5/8 LG				2	
- 4A	599557	• SEAL				AR	
- 5	5349888	• LATCH				1	
- 6	5357051	• AIRMAX ASSEMBLY- 50/60 CYCLE				1	
- 7	56079	• • WASHER, LOCK-EXT T .195 ID .410 OD				4	
- 8	130434	• • SCREW-MACH, SLOTTED HEX HD NO.10-32 X.375				4	
- 9	5357061	• • ORIFICE USED ON ASM PRIOR TO C5				1	
- 9	5357069	• • ORIFICE-FAN USED ON ASM FROM C5 TO CURRENT				1	
- 10	5357062	• • BRACKET USED ON ASM PRIOR TO C5				1	
- 10	5357068	• • BRACKET-MOTOR MTG USED ON ASM FROM C5 TO CURRENT				1	
- 11	5357063	• • MOTOR ASM, 208/230V-60HZ, 220V-50HZ				1	
- 12	5353853	• • • HOUSING				1	
- 13	5353854	• • • CONTACT, MALE- 16-20 AWG				2	
- 14	5357065	• • • JUMPER ASSEMBLY, 6.38IN-NO.18 GREEN SEE LIST 25-13A FOR COMPONENT PARTS				1	
- 15	5357067	• • • MOTOR, 208/230V-60CY, 220V-50CY				1	
- 16	5357066	• • BLADE				1	
- 17	5357058	• HOUSING-FAN				1	
- 18	5357059	• GUARD TOP				1	
- 19	5357064	• FILTER, AIR				1	
- 20	5357135	• CATCH				1	
- 21	5357136	• SCREW, PAN HD-SELF TAP 4-40 X .187 LG				2	

FOR PARTS NOT SHOWN SEE  
FIG. 2, 2A, 2B, 2C, 2D AND 2F

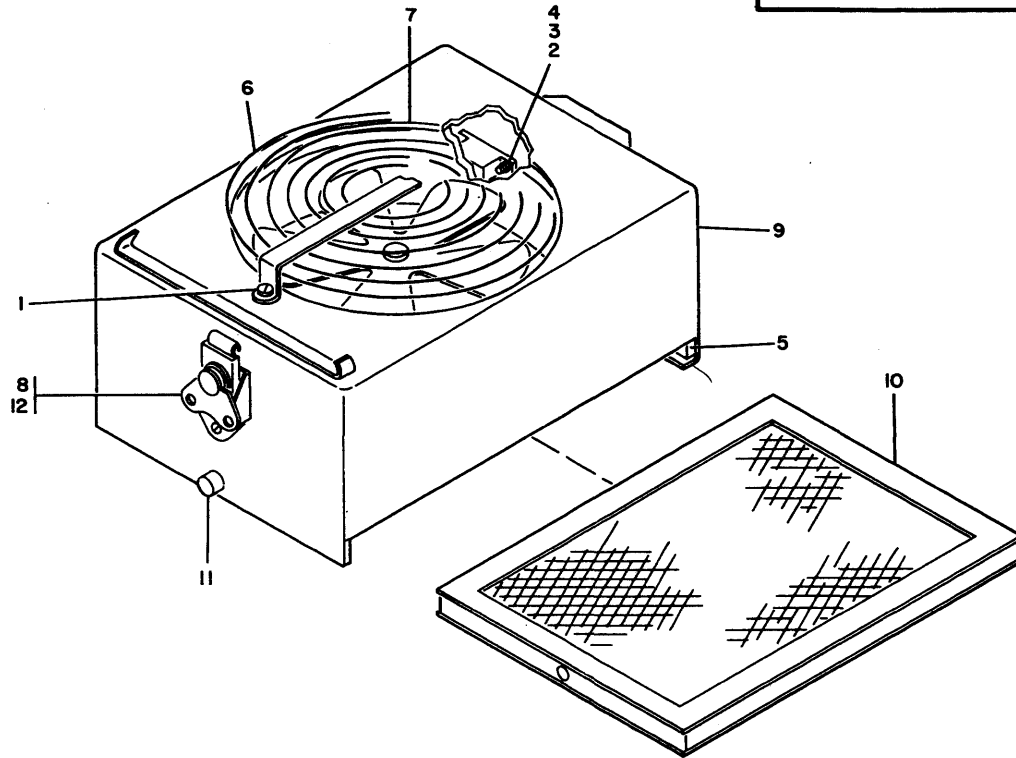
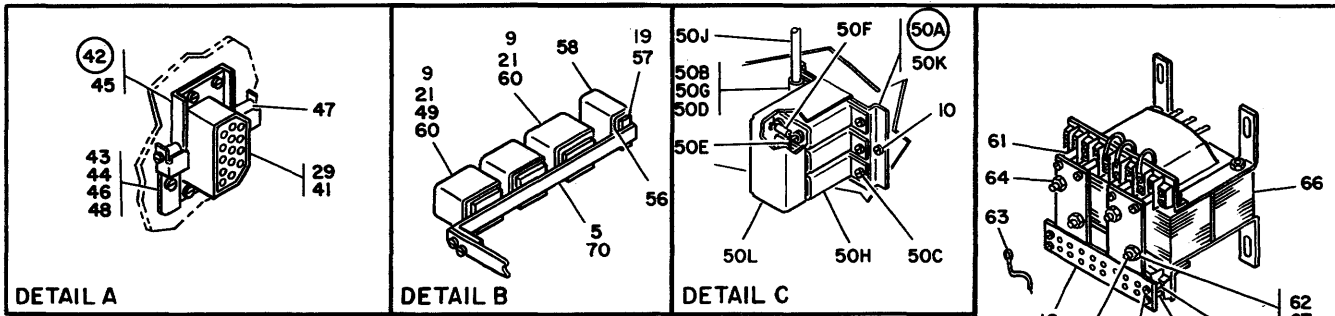


FIGURE 3A. COOLING UNIT ASSEMBLY-50 CYCLE. SEE LIST 3A

LIST AND INDEX NUMBER	PART NUMBER	DESCRIPTION	UNITS	USABLE
			PER ASM.	ON CODE
		COOLING UNIT ASSEMBLY-50 CYCLE		
3A-	5357049	COOLING UNIT ASSEMBLY- 50 CYCLE USED ON 50 CYCLE UNITS SEE LISTS 2-27, 2A-30, 2B-26, 2C-28, 20-30, AND 2F-28 ASSEMBLY AND FIG. 3A FOR ILLUSTRATION	REF	
- 1	55918	• SCREW, MACH-BIND HD 10-32 X 5/8 LG	2	
- 2	56722	• LOCKWASHER-EXT. TOOTH DD. .150XID. .320	2	
- 3	257187	• NUT, PLAIN, HEX- 6-32 X 3/8 FL W	2	
- 4	322065	• SCREW, MACH-BIND HD 6-32 X 5/8 LG	2	
- 5	599557	• SEAL	AR	
- 6	4103594	• GUARD-FAN	1	
- 7	4120218	• FAN ASSEMBLY- 50 CYCLE	1	
- 8	5349888	• LATCH	1	
- 9	5357048	• HOUSING-FAN	1	
- 10	5357064	• FILTER, AIR	1	
- 11	5357135	• CATCH	1	
- 12	5357136	• SCREW, PAN HD-SELF TAP 4-40 X .187 LG	2	



FOR PARTS NOT SHOWN  
 SEE FIG. 1A AND 1B

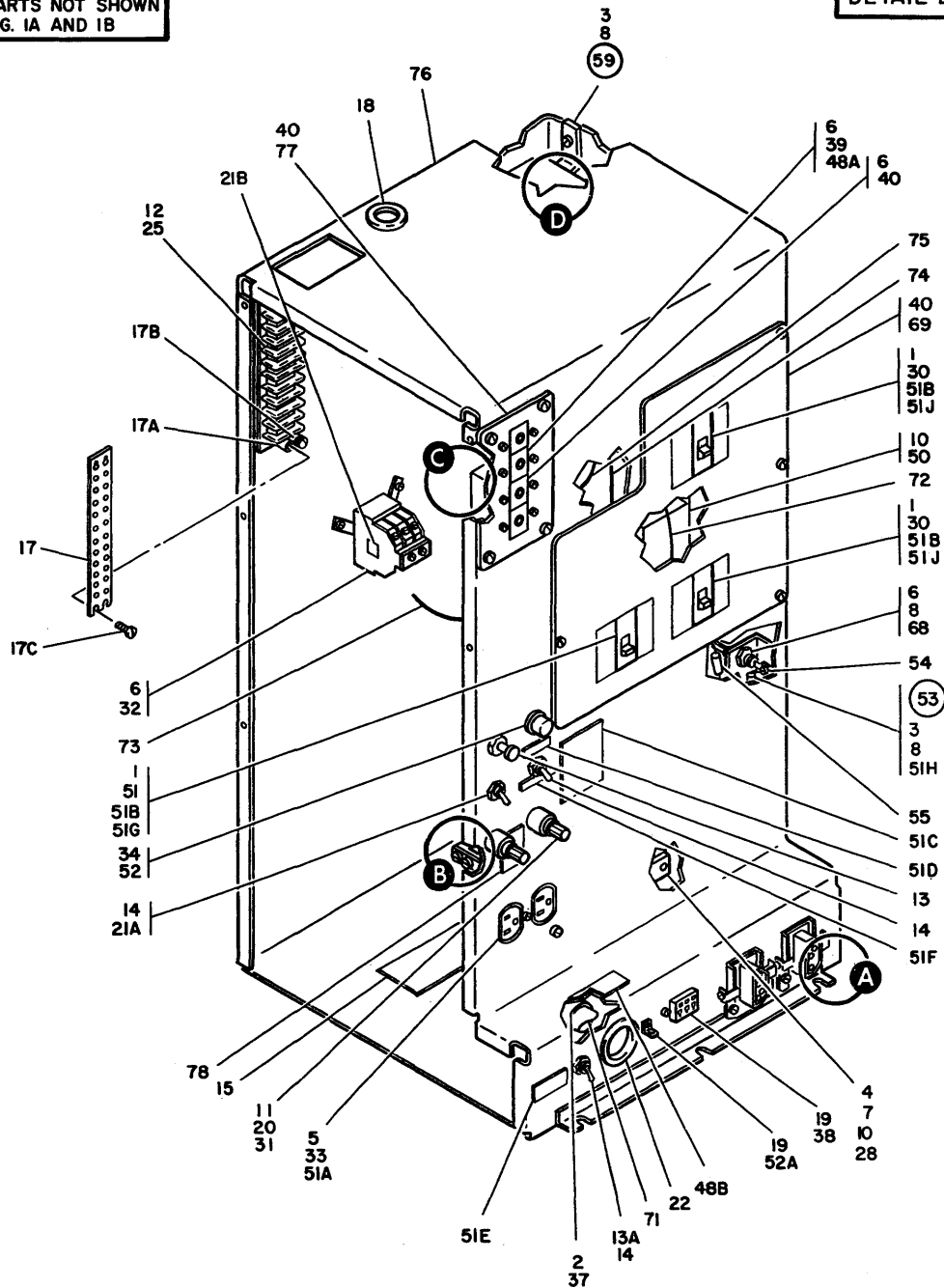


FIGURE 4. AC BOX ASSEMBLY-60 CYCLE. SEE LIST 4.

LIST AND INDEX NUMBER	PART NUMBER	DESCRIPTION	UNITS PER ASM.	USABLE ON CODE
		AC BOX ASSEMBLY-60 CYCLE		
4 -	5362298	BOX ASSEMBLY,AC	REF	
		USED ON 2803/2804 MODEL 1 - 60 CYCLE SEE LIST 1A-83 AND 1B-57 FOR NEXT HIGHER ASM AND FIG. 4 FOR ILLUSTRATION		
- 1	81693	• SCREW,MACH-BIND HD 6-32 X 3/8 LG	12	
- 2	120211	• SCREW,MACH-HEX HD 10-32 X 1/2 LG	2	
- 3	28413	• SCREW,MACH-BIND HD 10-32 X 5/16 LG	5	
- 4	34512	• SCREW,BIND.HD 8-32 X .375 LG	2	
- 5	38235	• SCREW MACH 6/32 X .310 LG	1	
- 6	55726	• SCREW-BD HD 6-32 X .188 LG	13	
- 7	55901	• WASHER,LOCK-EXT TEETH NO. 8 X 0.381 OD	AR	
- 8	56079	• WASHER,LOCK-EXT T .195 ID .410 OD	1	
- 9	56722	• LOCKWASHER-EXT. TOOTH OD. .150XID. .320	3	
- 10	58207	• SCREW,MACH-UNDRCT BIND HD 8-32 X 1/4 LG	AR	
- 11	78999	• FUSE, 5AMPS	2	
- 12	5356038	• MARKER STRIP	2	
- 13	117185	• SWITCH,PUSH-NO 125V AC 1 AMP	1	
- 13A	121756	• SWITCH,TOGGLE-SPST 250V AC/DC 3 AMP USED ON ASM FROM A7 TO CURRENT	1	
- 14	128455	• SWITCH-TOGGLE USED ON ASM PRIOR TO A7	3	
- 14	128455	• SWITCH-TOGGLE USED ON ASM FROM S7 TO CURRENT	1	
- 15	138756	• PLATE,INST-LINE V PRESENT W/MACH PWR OFF	1	
- 16	186945	• SHIELD,TERMINAL BOARD- 8 POSITION	1	
- 17	187466	• SHIELD	2	
- 17A	210883	• STUD-SHIELD MTG,TAPPED,NO. 6-32	3	
- 17B	210884	• STUD-SHIELD MTG,NO. 6-32	9	
- 17C	210984	• SCREW, RD HD MACH-6-32 X .250 LG	3	
- 18	220764	• GROMMET,RUB-FOR 1-3/8 HOLE X 1/8 PNL	1	
- 19	251970	• SCREW-MACH BD. HD. 4-40 X 1/4 LG	4	
- 20	257080	• INSULATOR-LONG	2	
- 21	257187	• NUT,PLAIN,HEX- 6-32 X 3/8 FL W	3	
- 21A	313246	• SWITCH,TOGGLE	1	
- 21B	317296	• LABEL-NUMBERING L TO R 1 THRU 33	1	
- 22	317329	• GROMMET,RUB-FOR 1-5/8 HOLE X 1/8 PNL	1	
- 25	323842	• TERMINAL BOARD- 12 DBL SCREW TERMINALS	2	
- 28	334804	• BUS BAR- 7 POSITION	1	
- 29	338238	• SCREW, MACH-BD HD 4-40 NC X .3125 LG	8	
- 30	352523	• CIRCUIT BREAKER- 3 POLE 30 AMP USED ON ASM PRIOR TO A7	2	
- 31	360882	• FUSEHOLDER- 15 AMP 250V AC	2	
- 32	369224	• RELAY,ARMATURE- 3NO POLES 220V AC	1	
- 33	418835	• OUTLET-CONVENIENCE,220V USED ON ASM PRIOR TO A7	1	
- 34	349154	• SOCKET,ERROR LIGHT	1	
- 37	5356174	• CLAMP-CABLE	1	
- 38	523269	• HOUSING,RECEPTACLE	1	
- 39	524179	• CIRCUIT BREAKER-8 AMP USED ON ASM PRIOR TO A7	2	
- 40	524180	• CIRCUIT BREAKER-10 AMP	2	
- 41	526516	• CONNECTOR,RECP,ELEC-13 FEMALE CONTACTS	2	
- 42	526522	• LATCH ASSEMBLY-CONNECTOR	2	
- 43	186759	• SCREW,MACH-BIND HD 8-32 X 5/16 LG	2	
- 44	257189	• NUT,HEX- 8-32	2	
- 45	526519	• BRACKET-CONNECTOR MOUNTING	1	

LIST AND INDEX NUMBER	PART NUMBER	DESCRIPTION 1 2 3 4	UNITS PER ASM.	USABLE ON CODE
		AC BOX ASSEMBLY-60 CYCLE -CONT		
4 - 46	526520	. . SPRING-LATCH	2	
- 47	526521	. . ROLLER-CONNECTOR LATCH	2	
- 48	1090873	. . LOCKWASHER	2	
- 48A	554132	. USED ON ASM FROM S7 TO CURRENT	2	
- 48B	845762	. USED ON ASM FROM S7 TO CURRENT	1	
- 49	2128689	. RELAY,3 POLE DT 472 OHM 24 VOLT D.C.COIL	3	
- 50	2130335	. CONTACTOR,MAGNETIC	1	
- 50A	2501190	. FILTER CAP ASSEMBLY	1	
		USED ON ASM FROM D6 TO CURRENT		
- 50B	10170	. . SCREW-MACH,BIND HD NO. 6-32 X .250 LG	1	
- 50C	55726	. . SCREW-BD HD 6-32 X .188 LG	5	
- 50D	257986	. . WASHER,FLAT NO. 6	1	
- 50E	318898	. . CONDUCTOR	2	
- 50F	322692	. . RESISTOR,FXD,COMP- 1 MEG P/M 10% 1W	3	
- 50G	356742	. . CLAMP,LOOP- 0.250 ID 0.177 DIA MTG HOLE	1	
- 50H	528411	. . CAPACITOR,FXD- 0.25 MFD P/M 10% 100V	3	
- 50J	2501189	. . CABLE ASSEMBLY	1	
		SEE LIST 25-13B AND -30 FOR COMPONENT PARTS		
- 50K	2501191	. . PLATE	1	
- 50L	2501192	. . SHIELD	1	
- 51	5213644	. CIRCUIT BREAKER USED ON ASM PRIOR TO S7	1	
- 51A	2501253	. PLATE,BLANK,CONVENIENCE OUTLET USED ON ASM FROM A7 TO CURRENT	1	
- 51B	2501260	. CLAMP,CB MOUNTING USED ON ASM FROM A7 TO CURRENT	6	
- 51C	2510320	. LABEL,DC TRANS USED ON ASM FROM S7 TO CURRENT	1	
- 51D	2510324	. LABEL USED ON ASM FROM S7 TO CURRENT	1	
- 51E	2510326	. LABEL USED ON ASM FROM S7 TO CURRENT	1	
- 51F	2510328	. LABEL USED ON ASM FROM S7 TO CURRENT	1	
- 51G	5213804	. CIRCUIT BREAKER,50 AMP 240VOLT- 3 POLE USED ON ASM FROM A7 TO CURRENT	1	
- 51H	5214060	. CAPACITOR,FXD-0.01UF 50A 250VAC USED ON ASM FROM A7 TO CURRENT	2	
- 51J	5214333	. CIRCUIT BREAKER- 30AMP,240VOLT,3POLE USED ON ASM FROM A7 TO CURRENT	2	
- 52	2414970	. LAMP,INCANDESCENT	1	
- 52A	5271288	. TERMINAL,FIXED TAB	1	
- 53	5318934	. RESISTOR ASSEMBLY	2	
- 54	334932	. . TERMINAL,RING-18/22 AWG,NO. 10,INS	2	
- 55	503498	. . RESISTOR,FXD, 1 MEG OHM P/M 5% 1W	1	
- 56	5318966	. RETAINER-RELAY	1	
- 57	5318967	. SOCKET,4 POSITION RELAY	1	
- 58	5318969	. RELAY-4 PDT	1	
- 59	5351120	. AC POWER SUPPLY SUB ASSEMBLY	1	
- 60	56722	. . LOCKWASHER-EXT. TOOTH OD. .150XID. .320	4	
- 61	56792	. . SPACER- .156 ID 5/16 OD X .343 LG	4	
- 62	322551	. . SCREW,MACH-BIND HD 6-32X3/4 LG	4	
- 63	334910	. . TERMINAL,RING-14/16 AWG,NO. 6,INS	2	
- 64	598353	. . SEMICONDUCTOR DEVICE,D10- 100V 10 AMP	2	
- 65	598355	. . RECTIFIER,SILICON	2	
- 66	5351121	. . TRANSFORMER,POWER STEP DOWN 50/60 CYCLE	1	
- 67	5351123	. . HEAT SINK	2	



FOR PARTS NOT SHOWN  
SEE FIG. 1A AND 1B

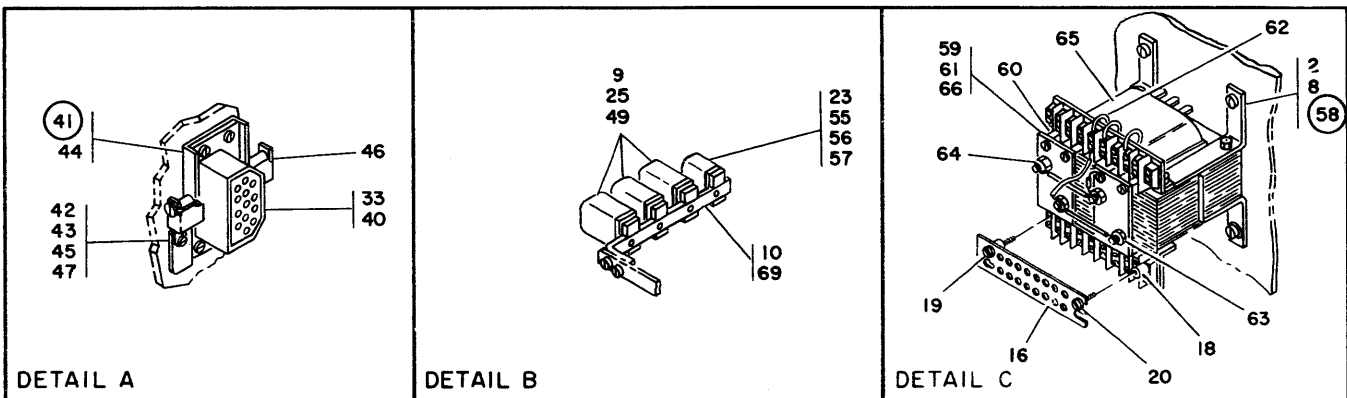
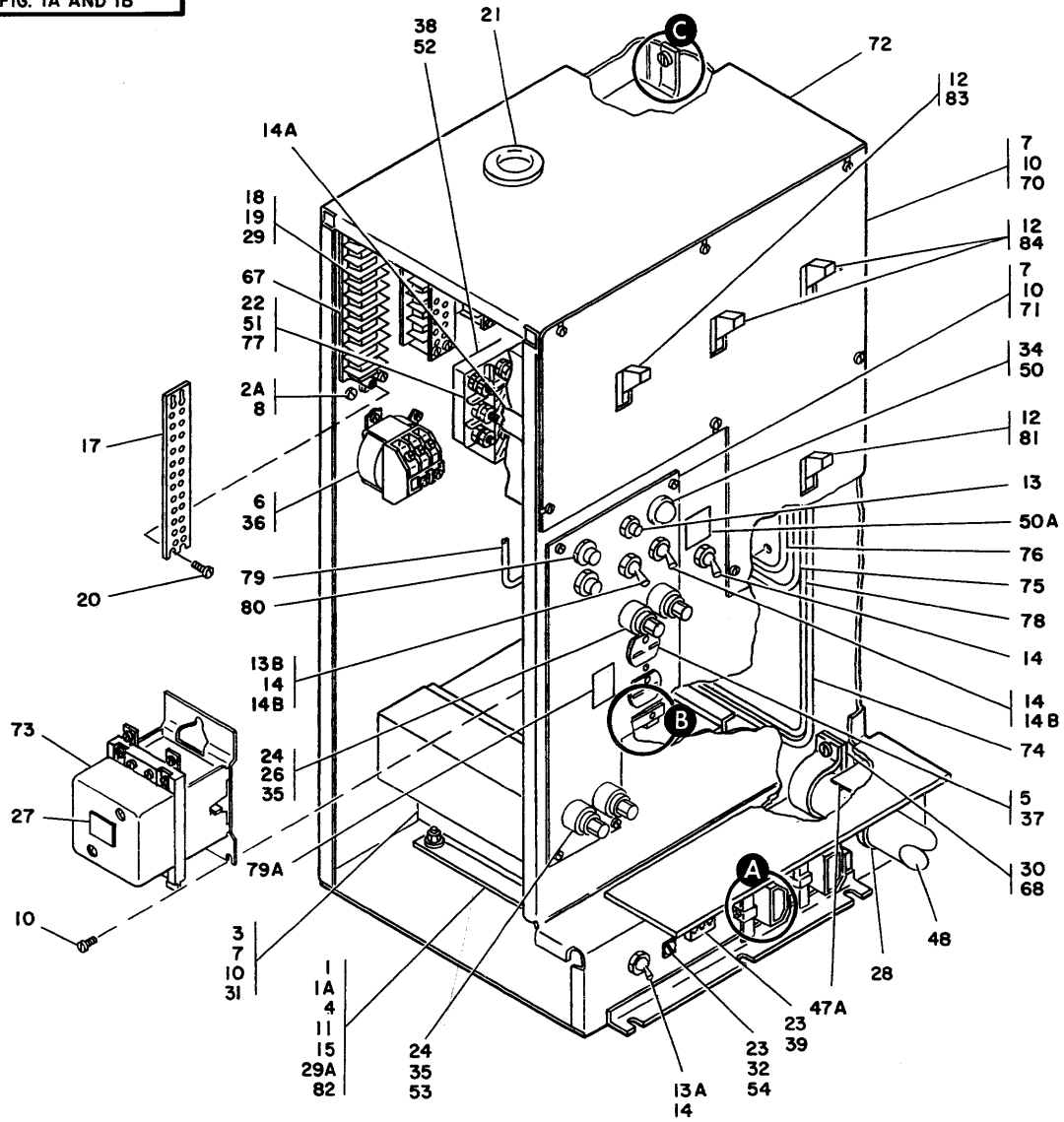


FIGURE 4A. AC BOX ASSEMBLY-50 CYCLE. SEE LIST 4A.





LIST AND INDEX NUMBER	PART NUMBER	DESCRIPTION	UNITS PER ASM.	USABLE ON CODE
		AC BOX ASSEMBLY-50 CYCLE --CONT		
4A- 14A	138755	. DECAL, INST-LINE V PRESENT W/MACH PWR OFF USED ON ASM FROM D6 TO CURRENT	1	
- 14B	159373	. WASHER, LOCK-EXT TEETH 15/32 ID X 3/4 OD	AR	
- 15	186036	. SCREW, MACH-FH 1/4-20 X 1/2 LG	AR	
- 16	186945	. SHIELD, TERMINAL BOARD- 8 POSITION	1	
- 17	187466	. SHIELD	2	
- 18	210883	. STUD-SHIELD MTG, TAPPED, NO. 6-32	3	
- 19	210884	. STUD-SHIELD MTG, NO. 6-32	9	
- 20	210984	. SCREW, RD HD MACH-6-32 X .250 LG	3	
- 21	220764	. GROMMET, RUB-FOR 1-3/8 HOLE X 1/8 PNL	1	
- 22	236849	. SCREW, MACH-BIND HD 10/32 X 1/4 LG	2	
- 23	251970	. SCREW-MACH BD. HD. 4-40 X 1/4 LG	4	
- 24	257080	. INSULATOR-LONG	4	
- 25	257187	. NUT, PLAIN, HEX- 6-32 X 3/8 FL W	3	
- 26	303549	. FUSE, CARTRIDGE-SLOW BLOW 1.0 AMP 250V	2	
- 27	317296	. LABEL-NUMBERING L TO R 1 THRU 33	1	
- 28	317329	. GROMMET, RUB-FOR 1-5/8 HOLE X 1/8 PNL	1	
- 29	323842	. TERMINAL BOARD- 12 DBL SCREW TERMINALS	2	
- 29A	325660	. SCREW-MACH FH 1/4-20 X .625 LG	AR	
- 30	332620	. SCREW, MACH-BIND HD 10-32 X 1/2 LG	2	
- 31	334804	. BUS BAR- 7 POSITION	1	
- 32	338169	. WASHER, LOCK-EXT TEETH NO. 4 X .260 OD	AR	
- 33	338238	. SCREW, MACH-BD HD 4-40 NC X .3125 LG	8	
- 34	349154	. SOCKET, ERROR LIGHT	1	
- 35	360882	. FUSEHOLDER- 15 AMP 250V AC	4	
- 36	369224	. RELAY, ARMATURE- 3NO POLES 220V AC	1	
- 37	418835	. OUTLET-CONVENIENCE, 220V	1	
- 38	438463	. STUD-COVER MOUNTING	2	
- 39	523269	. HOUSING, RECEPTACLE	1	
- 40	526516	. CONNECTOR, RECP, ELEC-13 FEMALE CONTACTS	2	
- 41	526522	. LATCH ASSEMBLY-CONNECTOR	2	
- 42	186759	. . SCREW, MACH-BIND HD 8-32 X 5/16 LG	2	
- 43	257189	. . NUT, HEX- 8-32	2	
- 44	526519	. . BRACKET-CONNECTOR MOUNTING	1	
- 45	526520	. . SPRING-LATCH	2	
- 46	526521	. . ROLLER-CONNECTOR LATCH	2	
- 47	1090873	. . LOCKWASHER	2	
- 47A	845762	. DECAL-VOLTAGE	1	
- 48	2085671	USED ON ASM FROM S7 TO CURRENT . CABLE ASSEMBLY-POWER	1	
- 49	2128689	. RELAY, 3 POLE DT 472 OHM 24 VOLT D.C.COIL	3	
- 50	2414970	. LAMP, INCANDESCENT	1	
- 50A	2507326	. LABEL	2	
- 51	4064448	USED ON ASM FROM S7 TO CURRENT . JUMPER-SWITCH	2	
- 52	4121259	. SWITCH BOARD	1	
- 53	5213694	. FUSE, CARTRIDGE	2	
- 54	5271288	. TERMINAL, FIXED TAB	1	
- 55	5318966	. RETAINER-RELAY	1	
- 56	5318967	. SOCKET, 4 POSITION RELAY	1	
- 57	5318969	. RELAY-4 PDT	1	
- 58	5351120	. AC POWER SUPPLY SUB ASSEMBLY	1	
- 59	56722	. . LOCKWASHER-EXT. TOOTH OD. .150XID. .320	4	
- 60	56792	. . SPACER- .156 ID 5/16 OD X .343 LG	4	
- 61	322551	. . SCREW, MACH-BIND HD 6-32X3/4 LG	4	
- 62	334910	. . TERMINAL, RING-14/16 AWG, NO. 6, INS	2	
- 63	598353	. . SEMICONDUCTOR DEVICE, D10- 100V 10 AMP	2	
- 64	598355	. . RECTIFIER, SILICON	2	



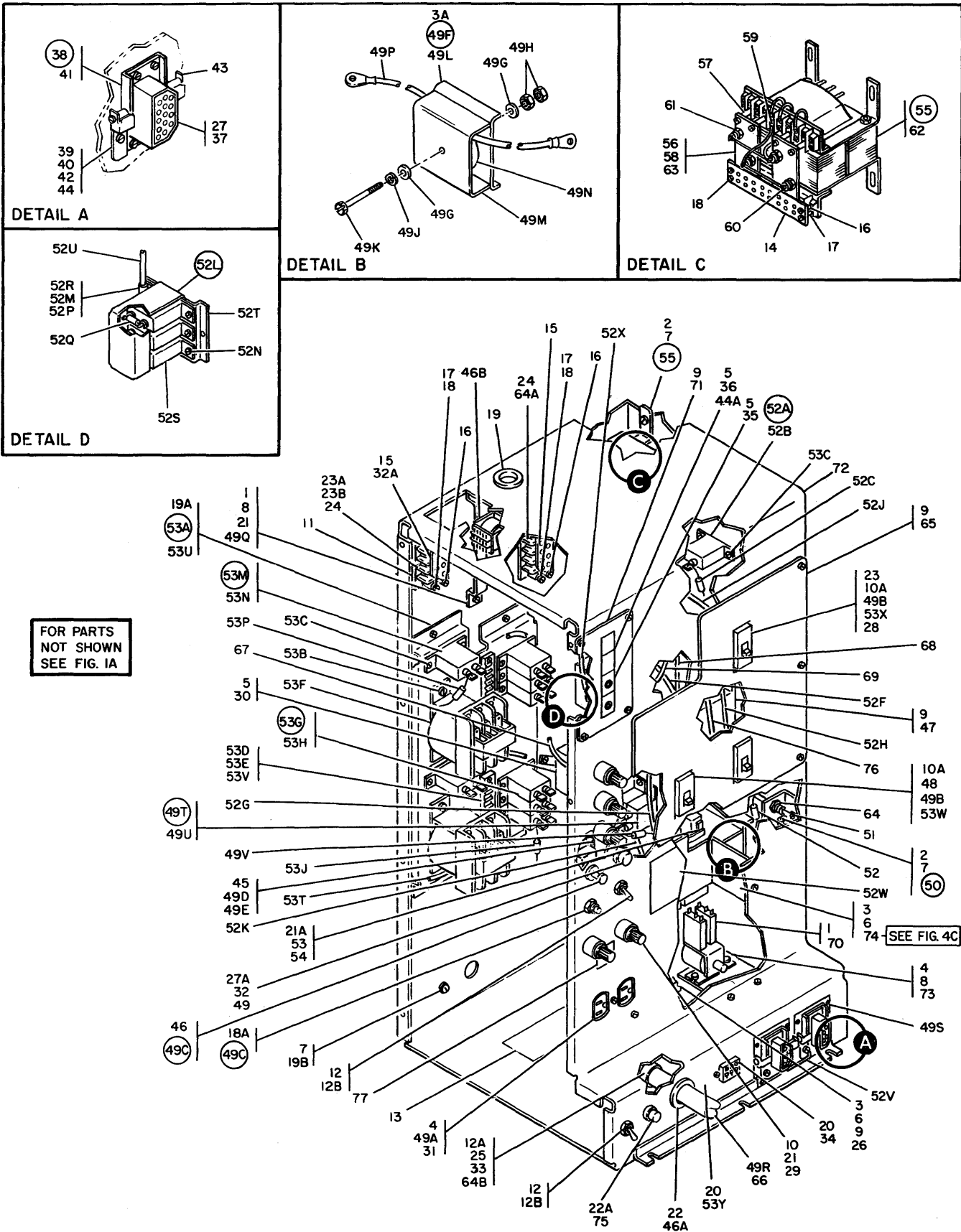


FIGURE 4B. AC BOX ASSEMBLY-60 CYCLE. SEE LIST 4B.



LIST AND INDEX NUMBER	PART NUMBER	DESCRIPTION				UNITS PER ASM.	USABLE ON CODE
		1	2	3	4		
		AC BOX ASSEMBLY-60 CYCLE -CONT					
4B- 11 - 12	92743 128455	<ul style="list-style-type: none"> <li>• MARKER STRIP-12 POS NOS. 1 THRU 12</li> <li>• SWITCH-TOGGLE</li> </ul>				2 2	
- 12A	120211	USED ON ASM PRIOR TO A7 AND FROM P8 TO CURRENT <ul style="list-style-type: none"> <li>• SCREW,MACH-HEX HD 10-32 X 1/2 LG</li> </ul>				AR	
- 12B	121756	<ul style="list-style-type: none"> <li>• SWITCH,TOGGLE-SPST 250V AC/DC 3 AMP</li> </ul> USED ON ASM FROM A7 TO P8				2	
- 13	138756	<ul style="list-style-type: none"> <li>• PLATE,INST-LINE V PRESENT W/MACH PWR OFF</li> </ul>				1	
- 14	186945	<ul style="list-style-type: none"> <li>• SHIELD,TERMINAL BOARD- 8 POSITION</li> </ul>				1	
- 15	187466	<ul style="list-style-type: none"> <li>• SHIELD</li> </ul> USED ON ASM PRIOR TO P8				2	
- 15	187466	<ul style="list-style-type: none"> <li>• SHIELD</li> </ul> USED ON ASM FROM P8 TO CURRENT				1	
- 16	210883	<ul style="list-style-type: none"> <li>• STUD-SHIELD MTG,TAPPED,NO. 6-32</li> </ul>				7	
- 17	210884	<ul style="list-style-type: none"> <li>• STUD-SHIELD MTG,NO. 6-32</li> </ul>				5	
- 18	210984	<ul style="list-style-type: none"> <li>• SCREW, RD HD MACH-6-32 X .250 LG</li> </ul>				3	
- 18A	215680	<ul style="list-style-type: none"> <li>• SWITCH,PUSH-NC 125V AC 1 AMP</li> </ul>				1	
- 19	220764	<ul style="list-style-type: none"> <li>• GROMMET,RUB-FOR 1-3/8 HOLE X 1/8 PNL</li> </ul>				1	
- 19A	221790	<ul style="list-style-type: none"> <li>• SCREW,MACH-BIND HD 8-32 X 3/16 LG</li> </ul>				AR	
- 19B	236849	<ul style="list-style-type: none"> <li>• SCREW,MACH-BIND HD 10/32 X 1/4 LG</li> </ul>				AR	
- 20	251970	<ul style="list-style-type: none"> <li>• SCREW-MACH BD. HD. 4-40 X 1/4 LG</li> </ul>				3	
- 21	257080	<ul style="list-style-type: none"> <li>• INSULATOR-LONG</li> </ul> USED ON ASM PRIOR TO P8				2	
- 21	257080	<ul style="list-style-type: none"> <li>• INSULATOR-LONG</li> </ul> USED ON ASM FROM P8 TO CURRENT				5	
- 21A	257187	<ul style="list-style-type: none"> <li>• NUT,PLAIN,HEX- 6-32 X 3/8 FL W</li> </ul>				AR	
- 22	317329	<ul style="list-style-type: none"> <li>• GROMMET,RUB-FOR 1-5/8 HOLE X 1/8 PNL</li> </ul> USED ON ASM PRIOR TO A7				1	
- 22A	317797	<ul style="list-style-type: none"> <li>• LAMP,NEON,105-125 VOLTS,1/25W</li> </ul> USED ON ASM FROM C8 TO CURRENT				1	
- 23	322555	<ul style="list-style-type: none"> <li>• SCREW,MACH-RH 6-32 X 2-1/4 LG</li> </ul>				AR	
- 23A	323681	<ul style="list-style-type: none"> <li>• MARKER STRIP- 3 POS NOS. 1 THRU 3</li> </ul> USED ON ASM FROM P8 TO CURRENT				1	
- 23B	323841	<ul style="list-style-type: none"> <li>• TERMINAL BOARD- 3 DBL SCREW TERMINALS</li> </ul> USED ON ASM FROM P8 TO CURRENT				1	
- 24	323842	<ul style="list-style-type: none"> <li>• TERMINAL BOARD- 12 DBL SCREW TERMINALS</li> </ul> USED ON ASM PRIOR TO P8				2	
- 24	323842	<ul style="list-style-type: none"> <li>• TERMINAL BOARD- 12 DBL SCREW TERMINALS</li> </ul> USED ON ASM FROM P8 TO CURRENT				1	
- 25	332620	<ul style="list-style-type: none"> <li>• SCREW,MACH-BIND HD 10-32 X 1/2 LG</li> </ul>				AR	
- 26	334804	<ul style="list-style-type: none"> <li>• BUS BAR- 7 POSITION</li> </ul>				1	
- 27	338238	<ul style="list-style-type: none"> <li>• SCREW, MACH-BD HD 4-40 NC X .3125 LG</li> </ul>				8	
- 27A	349154	<ul style="list-style-type: none"> <li>• SOCKET,ERROR LIGHT</li> </ul> USED ON ASM FROM S7 TO CURRENT				1	
- 28	352523	<ul style="list-style-type: none"> <li>• CIRCUIT BREAKER- 3 POLE 30 AMP</li> </ul> USED ON ASM PRIOR TO A7				2	
- 29	360882	<ul style="list-style-type: none"> <li>• FUSEHOLDER- 15 AMP 250V AC</li> </ul> USED ON ASM PRIOR TO P8				2	
- 29	360882	<ul style="list-style-type: none"> <li>• FUSEHOLDER- 15 AMP 250V AC</li> </ul> USED ON ASM FROM P8 TO CURRENT				5	
- 30	369224	<ul style="list-style-type: none"> <li>• RELAY,ARMATURE- 3NO POLES 220V AC</li> </ul>				1	
- 31	418835	<ul style="list-style-type: none"> <li>• OUTLET-CONVENIENCE,220V</li> </ul> USED ON ASM PRIOR TO S7				1	
- 32	424205	<ul style="list-style-type: none"> <li>• LIGHT, PILOT-RED</li> </ul> USED ON ASM PRIOR TO S7				1	
- 32A	508033	<ul style="list-style-type: none"> <li>• COVER</li> </ul> USED ON ASM FROM P8 TO CURRENT				1	
- 33	511042	<ul style="list-style-type: none"> <li>• CLAMP,CABLE</li> </ul> USED ON ASM PRIOR TO C8				1	

LIST AND INDEX NUMBER	PART NUMBER	DESCRIPTION				UNITS PER ASM.	USABLE ON CODE
		1	2	3	4		
		AC BOX ASSEMBLY-60 CYCLE -CONT					
4B- 34	523269	. HOUSING, RECEPTACLE				1	
- 35	524178	. CIRCUIT BREAKER, 6 AMP				2	
- 36	524179	. CIRCUIT BREAKER-8 AMP USED ON ASM PRIOR TO S7				2	
- 37	526516	. CONNECTOR, RECP, ELEC-13 FEMALE CONTACTS				2	
- 38	526522	. LATCH ASSEMBLY-CONNECTOR				2	
- 39	186759	. . SCREW, MACH-BIND HD 8-32 X 5/16 LG				2	
- 40	257189	. . NUT, HEX- 8-32				2	
- 41	526519	. . BRACKET-CONNECTOR MOUNTING				1	
- 42	526520	. . SPRING-LATCH				2	
- 43	526521	. . ROLLER-CONNECTOR LATCH				2	
- 44	1090873	. . LOCKWASHER				2	
- 44A	554132	. COVER-CP DUMMY USED ON ASM FROM S7 TO CURRENT				2	
- 45	532945	. JUMPER ASSEMBLY				1	
- 46	696065	. SWITCH, PUSH-DPST MOMENTARY				1	
- 46A	730432	. GROMMET, CATERPILLAR				1	
- 46B	2128689	USED ON ASM FROM P8 TO CURRENT . RELAY, 3 POLE DT 472 OHM 24 VOLT D.C. COIL USED ON ASM FROM P8 TO CURRENT				2	
- 47	2130335	. CONTACTOR, MAGNETIC				1	
- 48	2130338	. CIRCUIT BREAKER- 3 POLE 50 AMP 240V USED ON ASM PRIOR TO A7				1	
- 49	2414970	. LAMP, INCANDESCENT				1	
- 49A	2501253	. PLATE, BLANK, CONVENIENCE OUTLET USED ON ASM FROM S7 TO CURRENT				1	
- 49B	2501260	. CLAMP, CB MOUNTING USED ON ASM FROM A7 TO CURRENT				6	
- 49C	2510294	. CAPACITOR ASSEMBLY				2	
- 49D	253453	USED ON ASM FROM C8 TO CURRENT . . TERMINAL, RING-22/30 AWG, NO. 6, INS				2	
- 49E	491320	. . CAPACITOR, FILM, .1MFD 5% 100 VOLTS				1	
- 49F	2514426	. TOROID ASSEMBLY USED ON ASM FROM P8 TO CURRENT				1	
- 49G	3550	. . WASHER, FL- 1/4 X 9/16 OD X 0.050 THK				2	
- 49H	36109	. . NUT, PLAIN, HEX- 1/4-20 X 7/16 FL W				2	
- 49J	76574	. . LOCKWASHER-EXT TOOTH ID .267 X OD .510				1	
- 49K	186914	. . SCREW, CAP-SLOT/HEX HD 1/4-20 X 2-3/4 LG				1	
- 49L	2514423	. . BASE, TOROID MOUNTING				1	
- 49M	2514424	. . COVER, TOROID				1	
- 49N	2514427	. . CORE ASSEMBLY, TOROID				1	
- 49P	2514485	. . JUMPER ASSEMBLY, TOROID				1	
- 49Q	2514443	. BRACKET, RELAY MOUNTING USED ON ASM FROM P8 TO CURRENT				1	
- 49R	2514458	. CABLE ASSEMBLY, POWER USED ON ASM FROM P8 TO CURRENT				1	
- 49S	2514463	. INSULATOR, POWER CONNECTOR				2	
- 49T	2514467	USED ON ASM FROM P8 TO CURRENT . RESISTOR-CAPACITOR ASSEMBLY USED ON ASM FROM P8 TO CURRENT				2	
- 49U	528411	. . CAPACITOR, FXD- 0.25 MFD P/M 10% 100V				1	
- 49V	2514476	. . RESISTOR ASSEMBLY				1	
- 50	5318934	. RESISTOR ASSEMBLY				2	
- 51	334932	USED ON ASM PRIOR TO P8 . . TERMINAL, RING-18/22 AWG, NO. 10, INS				2	
- 52	503498	. . RESISTOR, FXD, 1 MEG OHM P/M 5% 1W				1	
- 52A	2514468	. RESISTOR-CAPACITOR ASSEMBLY USED ON ASM FROM P8 TO CURRENT				1	

LIST AND INDEX NUMBER	PART NUMBER	DESCRIPTION	UNITS PER ASM.	USABLE ON CODE
		AC BOX ASSEMBLY-60 CYCLE -CONT		
4B- 52B	528411	• • CAPACITOR,FXD- 0.25 MFD P/M 10% 100V	1	
- 52C	2514475	• • RESISTOR ASSEMBLY	1	
- 52F	2514470	• CABLE ASSEMBLY,K5 TO K7 USED ON ASM FROM P8 TO CURRENT SEE LIST 25-13C AND -16A FOR COMPONENT PARTS	1	
- 52G	2514471	• CABLE ASSEMBLY,K5 TO K10 USED ON ASM FROM P8 TO CURRENT SEE LIST 25-13C AND -16A FOR COMPONENT PARTS	1	
- 52H	2514472	• CABLE ASSEMBLY,K10 TO CB11 USED ON ASM FROM P8 TO CURRENT SEE LIST 25-13C FOR COMPONENT PARTS	1	
- 52J	2514473	• CABLE ASSEMBLY,K9 TO CB9 USED ON ASM FROM P8 TO CURRENT SEE LIST 25-13C FOR COMPONENT PARTS	1	
- 52K	2514480	• CABLE ASSEMBLY,CAPS TO K6 USED ON ASM FROM P8 TO CURRENT SEE LIST 25-13 FOR COMPONENT PARTS	1	
- 52L	2514503	• CAP ASSEMBLY,FILTER USED ON ASM FROM P8 TO CURRENT SEE LIST 25-13 FOR COMPONENT PARTS	1	
- 52M	10170	• • SCREW-MACH,BIND HD NO. 6-32 X .250 LG	1	
- 52N	55726	• • SCREW-BD HD 6-32 X .188 LG	5	
- 52P	257986	• • WASHER,FLAT NO. 6	1	
- 52Q	322692	• • RESISTOR,FXD,COMP- 1 MEG P/M 10% 1W	3	
- 52R	356742	• • CLAMP,LOOP- 0.250 ID 0.177 DIA MTG HOLE	1	
- 52S	528411	• • CAPACITOR,FXD- 0.25 MFD P/M 10% 100V	3	
- 52T	2501191	• • PLATE	1	
- 52U	2514502	• • CABLE ASSEMBLY,FILTER SEE LIST 25-1 AND -13D FOR COMPONENT PARTS	1	
- 52V	2514504	• JUMPER ASSEMBLY USED ON ASM FROM P8 TO CURRENT SEE LIST 25-13B FOR COMPONENT PARTS	1	
- 52W	2514527	• LABEL,DC TRANS USED ON ASM FROM P8 TO CURRENT	1	
- 52X	2514553	• CABLE ASSEMBLY,POWER SEQUENCE USED ON ASM FROM P8 TO CURRENT SEE LIST 25-1,-13,-13B,-16 AND -41 FOR COMPONENT PARTS	1	
- 53	5318966	• RETAINER-RELAY	1	
- 53A	2514554	• CONTACTOR ASSEMBLY,AC BOX USED ON ASM FROM P8 TO CURRENT	1	
- 53B	10170	• • SCREW-MACH,BIND HD NO. 6-32 X .250 LG	6	
- 53C	55726	• • SCREW-BD HD 6-32 X .188 LG	16	
- 53D	322550	• • SCREW,MACH-BIND HD 6-32 X 1/2 LG	4	
- 53E	480009	• • BLOCK-TERMINAL BARRIER-6 POSITION	2	
- 53F	2514446	• • MAGNETIC CONTACTOR,3 POLE,30 AMP	2	
- 53G	2514467	• • RESISTOR-CAPACITOR ASSEMBLY	6	
- 53H	528411	• • CAPACITOR,FXD- 0.25 MFD P/M 10% 100V	1	
- 53J	2514476	• • RESISTOR ASSEMBLY	1	
- 53M	2514468	• • RESISTOR-CAPACITOR ASSEMBLY	4	
- 53N	528411	• • CAPACITOR,FXD- 0.25 MFD P/M 10% 100V	1	
- 53P	2514475	• • RESISTOR ASSEMBLY	1	
- 53S	2514478	• • CABLE ASSEMBLY,CAPS TO CONTACTOR	2	
- 53T	2514479	• • CABLE ASSEMBLY,TB13/14 TO CONTACTOR	2	
- 53U	2514555	• • PLATE,CONTACTOR MOUNTING	1	
- 53V	5355407	• • STRIP,MARKER-INSULATING	2	





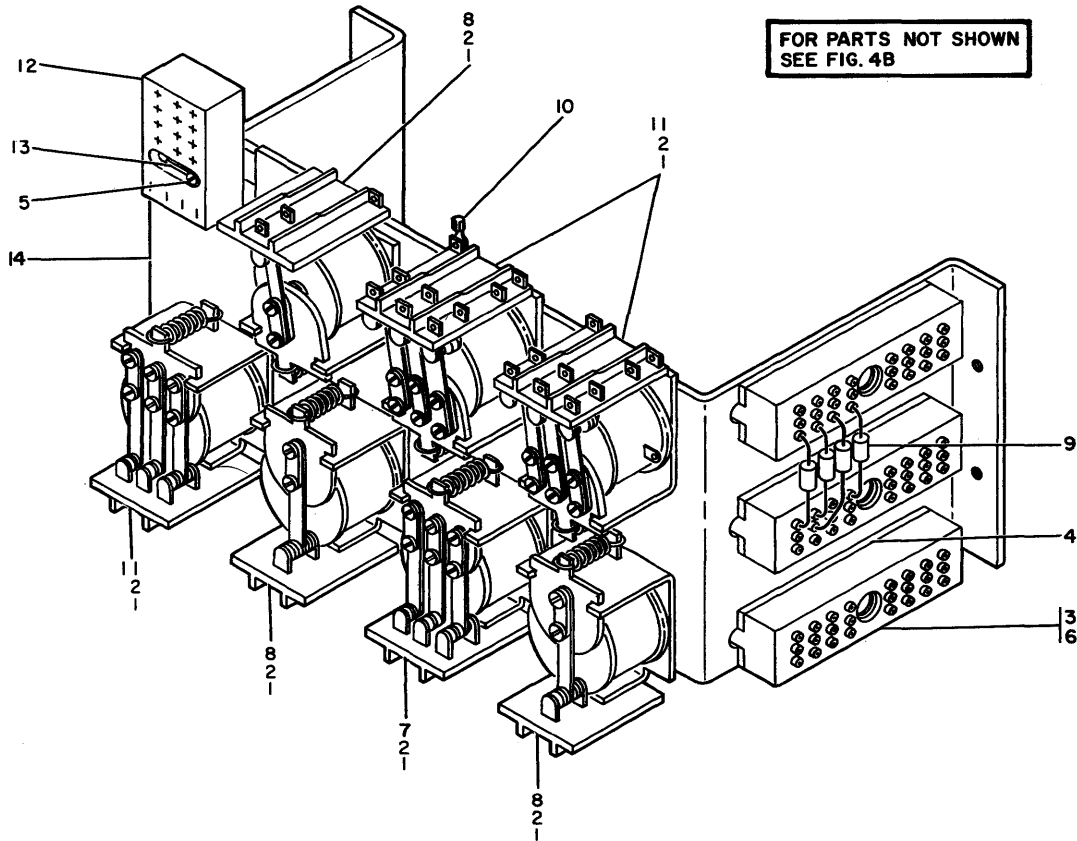


FIGURE 4C. RELAY PANEL ASSEMBLY. SEE LIST 4C.

LIST AND INDEX NUMBER	PART NUMBER	DESCRIPTION				UNITS PER ASM.	USABLE ON CODE
		1	2	3	4		
		RELAY PANEL ASSEMBLY					
4C-	5382458	PANEL ASSEMBLY-RELAY USED ON 2803 FAA MODEL 1 FEATURE SEE LIST 4B-74 FOR NEXT HIGHER ASSEMBLY AND FIG. 4C FOR ILLUSTRATION				REF	
- 1	56722	• LOCKWASHER-EXT. TOOTH OD. .150X1D. .320				7	
- 2	257187	• NUT,PLAIN,HEX- 6-32 X 3/8 FL W				7	
- 3	302090	• CONNECTOR,RECP,ELEC- 24 FEMALE CONTACTS				3	
- 4	302131	• INSULATOR,TERMINAL BLOCK				3	
- 5	438548	• SCREW,MACH-BIND HD 4-40 X 3/16 LG				1	
- 6	438549	• SCREW,MACH-BIND HD 4-40 X 7/16 LG				3	
- 7	441091	• RELAY ASM-3PDT 115 AC 5 AMP				1	
- 8	441093	• RELAY,ARMATURE-SPDT 115V AC 5 AMP				3	
- 9	615354	• DIODE ASSEMBLY				4	
- 10	802570	• TERMINAL,TAPER PIN-18/20 AWG				22	
- 11	2128689	• RELAY,3 POLE DT 472 OHM 24 VOLT D.C.COIL				3	
- 12	5318967	• SOCKET,4 POSITION RELAY				1	
- 13	5364197	• GROUND-RELAY				1	
- 14	5382456	• BRACKET,MOUNTING-RELAY				1	

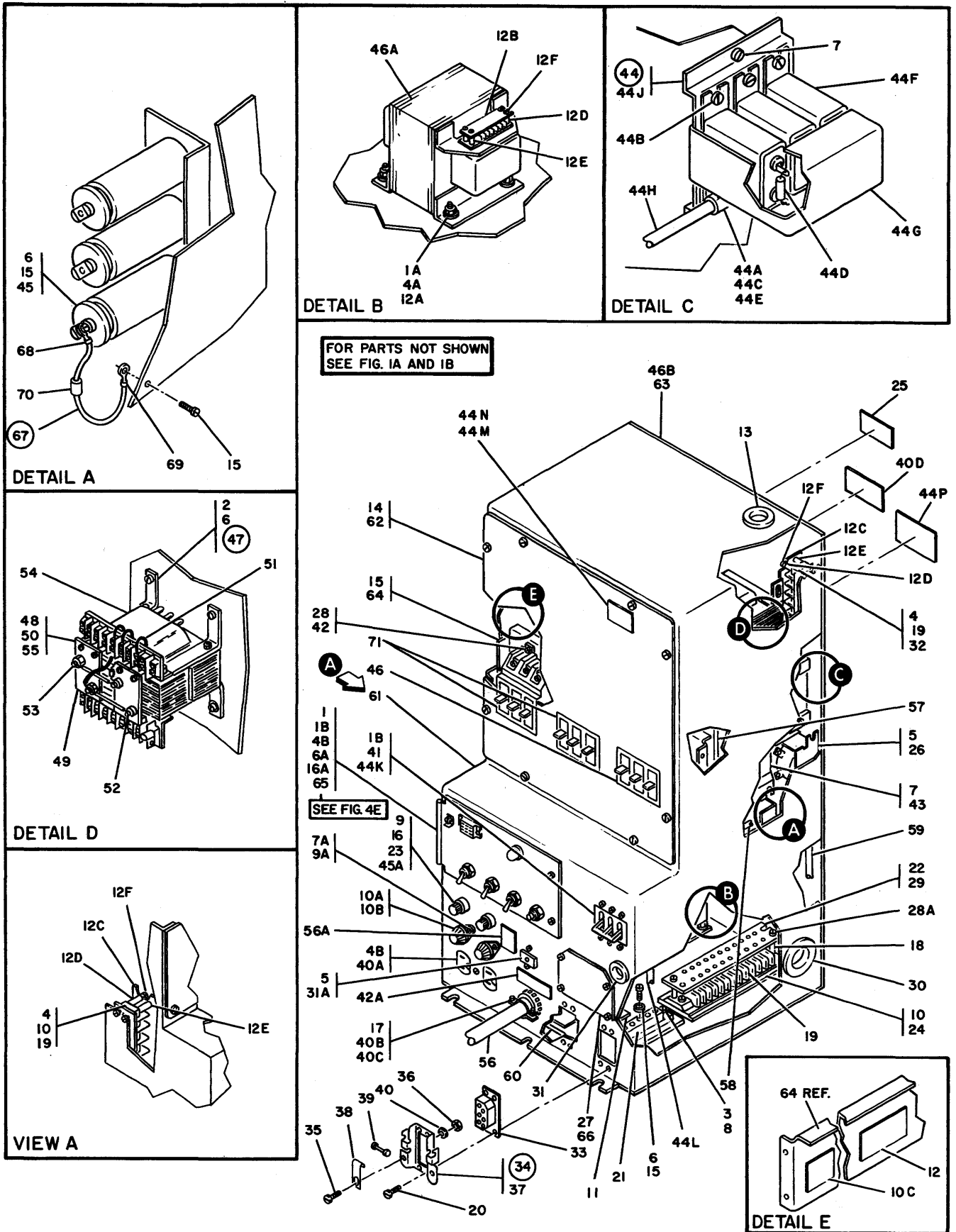


FIGURE 4D. AC BOX ASSEMBLY-60 CYCLE. SEE LIST 4D.

LIST AND INDEX NUMBER	PART NUMBER	DESCRIPTION	UNITS PER ASM.	USABLE ON CODE
			1 2 3 4	
		AC BOX ASSEMBLY-60 CYCLE		
4D-	5421150	AC POWER SUPPLY ASSEMBLY, 60 HZ USED ON 2803/2804 MODEL 2 - 60 CYCLE SEE LIST 1A-163 AND 1B-57 FOR NEXT HIGHER ASM AND FIG. 4D FOR ILLUSTRATION	REF	
- 1	6364	• WASHER, LOCK-SPLIT NO. 6 X 1/4 OD	AR	
- 1A	6935	• WASHER, LOCK-SPLIT 1/4 X 0.493 OD	AR	
- 1B	10170	• SCREW-MACH, BIND HD NO. 6-32 X .250 LG	8	
- 2	28413	• SCREW, MACH-BIND HD 10-32 X 5/16 LG	4	
- 3	32042	• SCREW, MACH BIND. HD 10-32 X 3/8 LG.	2	
- 4	35739	• SCREW, MACH-BIND HD 6-32 X 15/16 LG	AR	
- 4A	36109	• NUT, PLAIN, HEX- 1/4-20 X 7/16 FL W	AR	
- 4B	38235	• SCREW MACH 6/32 X .310 LG	AR	
- 5	55726	• SCREW-BD HD 6-32 X .188 LG	AR	
- 6	56079	• WASHER, LOCK-EXT T .195 ID .410 OD	15	
- 6A	56722	• LOCKWASHER-EXT. TOOTH OD. .150XID. .320	AR	
- 7	58207	• SCREW, MACH-UNDRCT BIND HD 8-32 X 1/4 LG	5	
- 7A	62031	• WASHER, LOCK-INT TEETH NO. 6 X 0.295 OD	AR	
- 8	76574	• LOCKWASHER-EXT TOOTH ID .267 X OD .510	2	
- 9	78999	• FUSE, 5AMPS	2	
- 9A	81693	USED ON ASM PRIOR TO S7 AND FROM D8 TO CURRENT • SCREW, MACH-BIND HD 6-32 X 3/8 LG	AR	
- 10	92743	• MARKER STRIP- 12 POS NOS. 1 THRU 12	2	
- 10A	104615	• FUSEHOLDER	2	
- 10B	107668	USED ON ASM FROM S7 TO CURRENT • FUSE, CARTRIDGE-TIME DELAY 8 AMP 250V	2	
- 10C	138754	USED ON ASM FROM S7 TO CURRENT • DECAL, INST-LINE V PRESENT W/MACH PWR OFF	1	
- 11	138755	USED ON ASM FROM S7 TO CURRENT • DECAL, INST-LINE V PRESENT W/MACH PWR OFF	1	
- 12	138756	• PLATE, INST-LINE V PRESENT W/MACH PWR OFF	1	
- 12A	139050	• WASHER, FLAT 1/4 X 0.812 OD	4	
- 12B	186944	USED ON ASM FROM S7 TO CURRENT • SHIELD, TERMINAL BOARD- 6 POSITION	1	
- 12C	187466	USED ON ASM FROM S7 TO CURRENT • SHIELD	2	
- 12D	210883	USED ON ASM FROM S7 TO CURRENT • STUD-SHIELD MTG, TAPPED, NO. 6-32	3	
- 12E	210884	USED ON ASM FROM S7 TO CURRENT • STUD-SHIELD MTG, NO. 6-32	9	
- 12F	210984	USED ON ASM FROM S7 TO CURRENT • SCREW, RD HD MACH-6-32 X .250 LG USED ON ASM FROM S7 TO CURRENT	3	
- 13	220764	• GROMMET, RUB-FOR 1-3/8 HOLE X 1/8 PNL	1	
- 14	221790	• SCREW, MACH-BIND HD 8-32 X 3/16 LG	AR	
- 15	236849	• SCREW, MACH-BIND HD 10/32 X 1/4 LG	17	
- 16	257080	• INSULATOR-LONG	2	
- 16A	257986	• WASHER, FLAT NO. 6	AR	
- 17	315210	• CLAMP	1	
- 18	323656	USED ON ASM PRIOR TO S7 • SPACER- 3/16 ID X 5/16 OD X 1/2 THK	2	
- 19	323842	• TERMINAL BOARD- 12 DBL SCREW TERMINALS	3	
- 20	338238	• SCREW, MACH-BD HD 4-40 NC X .3125 LG	8	
- 21	352121	• BUS BAR- 6 POS	1	
- 22	352826	• COVER TERMINAL	2	
- 23	360882	• FUSEHOLDER- 15 AMP 250V AC	2	
- 24	367115	• JUMPER-TERMINAL STRIP VDC DISTR BRS	9	

LIST AND INDEX NUMBER	PART NUMBER	DESCRIPTION	UNITS PER ASM.	USABLE ON CODE
		AC BOX ASSEMBLY-60 CYCLE -CONT		
4D- 25	369207	• LABEL,VOLTAGE	1	
- 26	369224	• RELAY,ARMATURE- 3ND POLES 220V AC	1	
- 27	438548	• SCREW,MACH-BIND HD 4-40 X 3/16 LG	4	
- 28	438549	• SCREW,MACH-BIND HD 4-40 X 7/16 LG	18	
- 28A	438568	• SCREW,MACH-UNDRCT BIND HD 6-32 X 1-1/8	AR	
- 29	438569	• SCREW,MACH-UNDRCT BIND HD 6-32 X 1-1/4	AR	
- 30	510388	• GROMMET,1/2IN X 1/8 DIA	1	
- 31	512663	• GROMMET,RUB-FOR 7/8 HOLE X 1/8 PNL	1	
- 31A	524181	• CIRCUIT BREAKER,OVERLOAD PROTECTOR,15AMP USED ON ASM FROM S7 TO CURRENT	1	
- 32	526338	• MARKER STRIP	1	
- 33	526516	• CONNECTOR,RECP,ELEC-13 FEMALE CONTACTS	2	
- 34	526522	• LATCH ASSEMBLY-CONNECTOR	2	
- 35	186759	• SCREW,MACH-BIND HD 8-32 X 5/16 LG	2	
- 36	257189	• NUT,HEX- 8-32	2	
- 37	526519	• BRACKET-CONNECTOR MOUNTING	1	
- 38	526520	• SPRING-LATCH	2	
- 39	526521	• ROLLER-CONNECTOR LATCH	2	
- 40	1090873	• LOCKWASHER	2	
- 40A	535847	• OUTLET-CONVENIENCE 3 WIRE 15 AMP 125V USED ON ASM FROM S7 TO CURRENT	1	
- 40B	589393	• COUPLING-CONDUIT 2-1/4-16 THD USED ON ASM FROM S7 TO CURRENT	1	
- 40C	589394	• ADAPTER,CABLE TO CONNECTOR USED ON ASM FROM S7 TO CURRENT	1	
- 40D	646007	• LABEL,WARNING	1	
- 41	545928	• CIRCUIT BREAKER- 3P 208V AC 10AMP AUX SW USED ON ASM FROM S7 TO CURRENT	1	
- 42	760731	• CLAMP	18	
- 42A	845762	• DECAL-VOLTAGE USED ON ASM FROM S7 TO CURRENT	1	
- 43	2130335	• CONTACTOR,MAGNETIC	1	
- 44	2501329	• FILTER ASSEMBLY	1	
- 44A	10170	• SCREW-MACH,BIND HD NO. 6-32 X .250 LG	1	
- 44B	55726	• SCREW-BD HD 6-32 X .188 LG	5	
- 44C	257986	• WASHER,FLAT NO. 6	1	
- 44D	322692	• RESISTOR,FXD,COMP- 1 MEG P/M 10% 1W	3	
- 44E	356742	• CLAMP,LOOP- 0.250 ID 0.177 DIA MTG HOLE	1	
- 44F	528411	• CAPACITOR,FXD- 0.25 MFD P/M 10% 100V	1	
- 44G	2501192	• SHIELD	1	
- 44H	2501328	• CABLE ASSEMBLY-FILTER CAPACITOR ASSEMBLY	3	
- 44J	2501332	• PLATE,FILTER CAPACITOR ASSEMBLY	1	
- 44K	2503795	• CIRCUIT PROTECTOR,3 POLE,10 AMP,250V AC USED ON ASM FROM D8 TO CURRENT	1	
- 44L	2507322	• CABLE ASSEMBLY SEE LIST 25-1,-11A,-13,-13A,-13B AND -17 FOR COMPONENT PARTS USED ON ASM FROM S7 TO CURRENT	1	
- 44M	2510325	• LABEL,DC TRANS	1	
- 44N	2510327	• LABEL,DC TRANS PROTECT USED ON ASM FROM S7 TO CURRENT	1	
- 44P	2510329	• LABEL,DC TRANS USED ON ASM FROM S7 TO CURRENT	1	
- 45	5213430	• CAPACITOR,FIXED,MYLAR-0.5 UF 600V	3	
- 45A	5213694	• FUSE,CARTRIDGE USED ON ASM FROM S7 TO D8	2	



FOR PARTS NOT SHOWN  
SEE FIG. 4D AND 4G

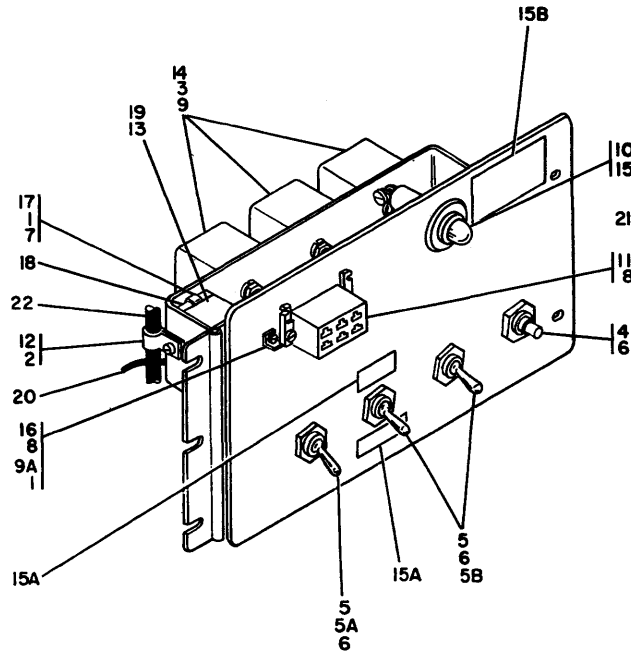


FIGURE 4E. CONTROL PANEL ASSEMBLY. SEE LIST 4E.

LIST AND INDEX NUMBER	PART NUMBER	DESCRIPTION				UNITS PER ASM.	USABLE ON CODE
		1	2	3	4		
		CONTROL PANEL ASSEMBLY					
4E-	2507467	PANEL ASSEMBLY, CONTROL-60 HZ				REF	
-	5421156	PANEL ASSEMBLY, CONTROL				REF	
-	2514523	PANEL ASSEMBLY, CONTROL USED ON 2803/2804 MODEL 2 - 60 CYCLE SEE LISTS 4D-65 AND 4G-118 FOR NEXT HIGHER ASM AND FIG. 4E FOR ILLUSTRATION				REF	
- 1	37913	• NUT, PLAIN-HEX, 4-40 X 1/4 IN. FL W				AR	
- 2	55726	• SCREW-BD HD 6-32 X .188 LG				1	
- 2	10170	• SCREW-MACH, BIND HD NO. 6-32 X .250 LG				1	
- 3	56722	• LOCKWASHER-EXT. TOOTH OD. .150XID. .320				3	
- 4	117185	• SWITCH, PUSH-NO 125V AC 1 AMP				1	
- 5	121756	• SWITCH, TOGGLE-SPST 250V AC/DC 3 AMP				3	
- 5A	121756	USED ON ASM 5421156 ONLY • SWITCH, TOGGLE-SPST 250V AC/DC 3 AMP				1	
- 5B	128455	• SWITCH-TOGGLE USED ON ASM 2507467 AND 2514523 ONLY				2	
- 6	159373	• WASHER, LOCK-EXT TEETH 15/32 ID X 3/4 OD				4	
- 7	236550	• SCREW, MACH-BIND HD 4-40 X 0.375 LG				1	
- 8	251970	• SCREW-MACH BD. HD. 4-40 X 1/4 LG				3	
- 9	257187	• NUT, PLAIN, HEX- 6-32 X 3/8 FL W				3	
- 9A	338169	• WASHER, LOCK-EXT TEETH NO. 4 X .260 OD USED ON ASM 2507467 ONLY				1	
- 10	349154	• SOCKET, ERROR LIGHT				1	
- 11	523269	• HOUSING, RECEPTACLE				1	
- 12	534768	• CLAMP, CABLE				1	





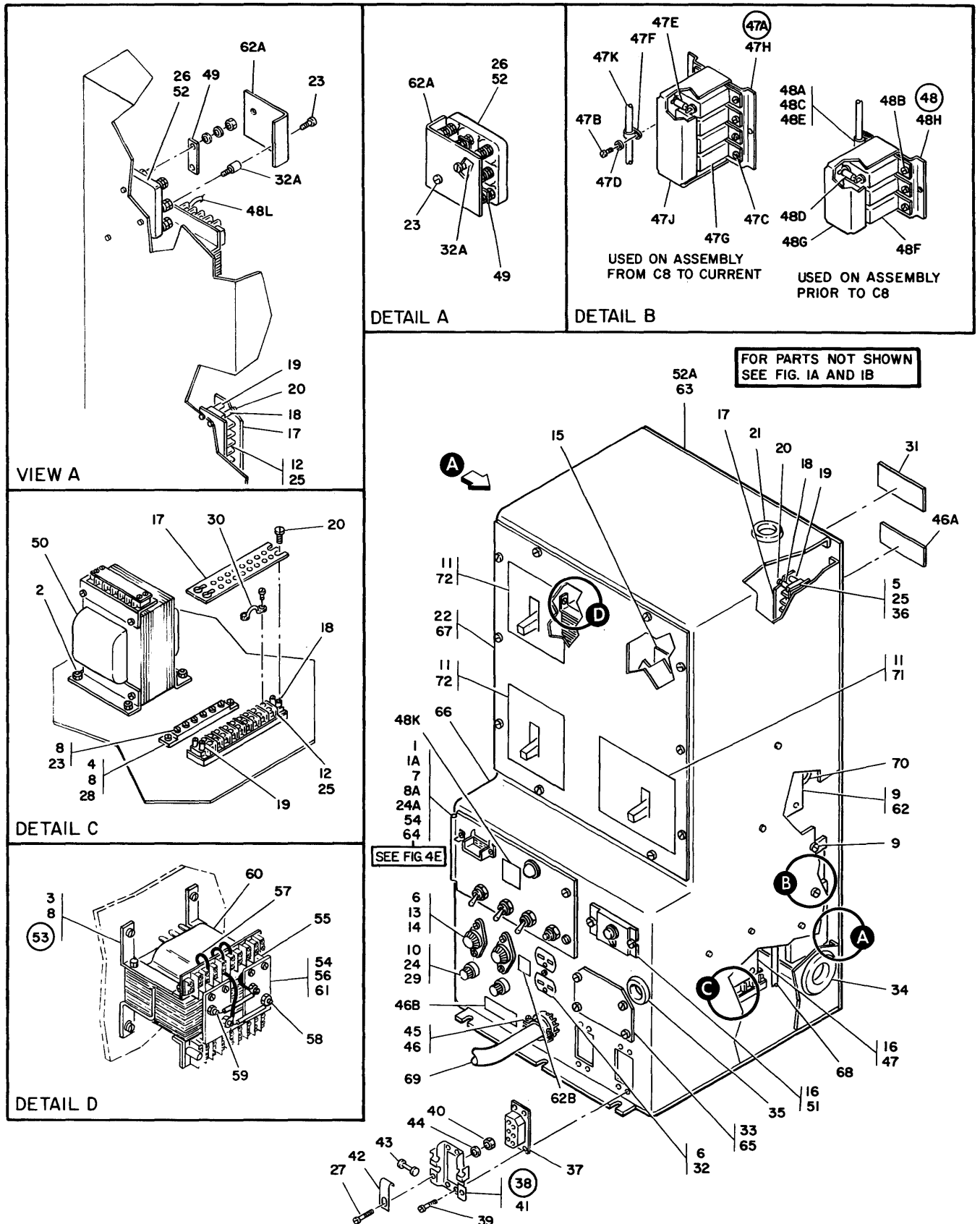


FIGURE 4F. AC BOX ASSEMBLY-50 CYCLE. SEE LIST 4F.

LIST AND INDEX NUMBER	PART NUMBER	DESCRIPTION				UNITS PER ASM.	USABLE ON CODE
		1	2	3	4		
		AC BOX ASSEMBLY-50 CYCLE					
4F- -	5421170	AC POWER SUPPLY ASSEMBLY, 50 HZ, 50 AMP USED ON 2803/2804 MODEL 2 - 50 CYCLE SEE LIST 1A-16B AND 1B-57 FOR NEXT HIGHER ASM AND 4F FOR ILLUSTRATION				REF	
- 1	6364	. WASHER, LOCK-SPLIT NO. 6 X 1/4 OD				AR	
- 1A	10170	. SCREW-MACH, BIND HD NO. 6-32 X .250 LG				2	
- 2	11598	. NUT PLAIN HEX 10/32				4	
- 3	28413	. SCREW, MACH-BIND HD 10-32 X 5/16 LG				4	
- 4	32042	. SCREW, MACH BIND. HD 10-32 X 3/8 LG.				2	
- 5	35739	. SCREW, MACH-BIND HD 6-32 X 15/16 LG				AR	
- 6	38235	. SCREW MACH 6/32 X .310 LG				AR	
- 7	55726	. SCREW-BD HD 6-32 X .188 LG				AR	
- 8	56079	. WASHER, LOCK-EXT T .195 ID .410 OD				10	
- 8A	56722	. LOCKWASHER-EXT. TOOTH OD. .150XID. .320				AR	
- 9	58207	. SCREW, MACH-UNDRCT BIND HD 8-32 X 1/4 LG				5	
- 10	78999	. FUSE, 5AMPS				2	
- 11	81142	. SCREW, MACH-FIL H 10-32 X 1-1/2 LG				7	
- 12	92743	. MARKER STRIP- 12 POS NOS. 1 THRU 12				2	
- 13	104615	. FUSEHOLDER				2	
- 14	107668	. FUSE, CARTRIDGE-TIME DELAY 8 AMP 250V				2	
- 15	138756	. PLATE, INST-LINE V PRESENT W/MACH PWR OFF				1	
- 16	186758	. SCREW, MACH-BIND HD 8-32 X 7/16 LG				AR	
- 17	187466	. SHIELD				1	
- 17	187466	USED ON ASM PRIOR TO C8 . SHIELD USED ON ASM FROM C8 TO CURRENT				3	

LIST AND INDEX NUMBER	PART NUMBER	DESCRIPTION	UNITS PER ASM.	USABLE ON CODE
		1 2 3 4 AC BOX ASSEMBLY-50 CYCLE -CONT		
4F- 18	210883	• STUD-SHIELD MTG,TAPPED,NO. 6-32 USED ON ASM PRIOR TO C8	1	
- 18	210883	• STUD-SHIELD MTG,TAPPED,NO. 6-32 USED ON ASM FROM C8 TO CURRENT	3	
- 19	210884	• STUD-SHIELD MTG,NO. 6-32 USED ON ASM PRIOR TO C8	3	
- 19	210884	• STUD-SHIELD MTG,NO. 6-32 USED ON ASM FROM C8 TO CURRENT	9	
- 20	210984	• SCREW, RD HD MACH-6-32 X .250 LG	AR	
- 21	220764	• GROMMET,RUB-FOR 1-3/8 HOLE X 1/8 PNL	1	
- 22	221790	• SCREW,MACH-BIND HD 8-32 X 3/16 LG	22	
- 23	236849	• SCREW,MACH-BIND HD 10/32 X 1/4 LG	AR	
- 24	257080	• INSULATOR-LONG	2	
- 24A	257986	• WASHER,FLAT NO. 6	AR	
- 25	323842	• TERMINAL BOARD- 12 DBL SCREW TERMINALS	3	
- 26	332620	• SCREW,MACH-BIND HD 10-32 X 1/2 LG	AR	
- 27	338238	• SCREW, MACH-BD HD 4-40 NC X .3125 LG	8	
- 28	352121	• BUS BAR- 6 POS	1	
- 29	360882	• FUSEHOLDER- 15 AMP 250V AC	2	
- 30	367115	• JUMPER-TERMINAL STRIP VDC DISTR BRS	6	
- 31	369207	• LABEL,VOLTAGE	1	
- 32	418835	• OUTLET-CONVENIENCE,220V	1	
- 32A	438463	• STUD-COVER MOUNTING USED ON ASM FROM C8 TO CURRENT	4	
- 33	438548	• SCREW,MACH-BIND HD 4-40 X 3/16 LG	4	
- 34	510388	• GROMMET,1/2IN X 1/8 DIA	1	
- 35	512663	• GROMMET,RUB-FOR 7/8 HOLE X 1/8 PNL	1	
- 36	526338	• MARKER STRIP	1	
- 37	526516	• CONNECTOR,RECP,ELEC-13 FEMALE CONTACTS	2	
- 38	526522	• LATCH ASSEMBLY-CONNECTOR	2	
- 39	186759	• SCREW,MACH-BIND HD 8-32 X 5/16 LG	2	
- 40	257189	• NUT,HEX- 8-32	2	
- 41	526519	• BRACKET-CONNECTOR MOUNTING	1	
- 42	526520	• SPRING-LATCH	2	
- 43	526521	• ROLLER-CONNECTOR LATCH	2	
- 44	1090873	• LOCKWASHER	2	
- 45	589393	• COUPLING-CONDUIT 2-1/4-16 THD	2	
- 46	589394	• ADAPTER,CABLE TO CONNECTOR	1	
- 46A	646007	• LABEL,WARNING USED ON ASM FROM S7 TO CURRENT	1	
- 46B	845762	• DECAL-VOLTAGE	1	
- 47	2426044	• CONTACTOR USED ON ASM FROM S7 TO CURRENT	1	
- 47	2426064	• CONTACTOR USED ON ASM PRIOR TO C8	1	
- 47A	2501327	• CAPACITOR ASSEMBLY-FILTER USED ON ASM FROM C8 TO CURRENT	1	
- 47B	10170	• SCREW-MACH,BIND HD NO. 6-32 X .250 LG	1	
- 47C	55726	• SCREW-BD HD 6-32 X .188 LG	7	
- 47D	257986	• WASHER,FLAT NO. 6	1	
- 47E	300736	• RESISTOR,FXD,COMP- 1 MEG P/M 5% 1/2W	4	
- 47F	356742	• CLAMP,LOOP- 0.250 ID 0.177 DIA MTG HOLE	1	
- 47G	528411	• CAPACITOR,FXD- 0.25 MFD P/M 10% 100V	4	
- 47H	2501325	• PLATE,FILTER CAPACITOR ASSEMBLY	1	
- 47J	2501326	• SHIELD,CAPACITOR	1	
- 47K	5418077	• CABLE ASSEMBLY,FILTER CAPACITOR	1	
- 48	2501334	• FILTER ASSEMBLY USED ON ASM PRIOR TO C8	1	

LIST AND INDEX NUMBER	PART NUMBER	DESCRIPTION	UNITS PER ASM.	USABLE ON CODE
		AC BOX ASSEMBLY-50 CYCLE -CONT		
4F- 48A	10170	. . SCREW-MACH,BIND HD NO. 6-32 X .250 LG	1	
- 48B	55726	. . SCREW-BD HD 6-32 X .188 LG	5	
- 48C	257986	. . WASHER,FLAT NO. 6	1	
- 48D	322692	. . RESISTOR,FXD,COMP- 1 MEG P/M 10% 1W	3	
- 48E	356742	. . CLAMP,LOOP- 0.250 ID 0.177 DIA MTG HOLE	1	
- 48F	528411	. . CAPACITOR,FXD- 0.25 MFD P/M 10% 100V	3	
- 48G	2501192	. . SHIELD	1	
- 48H	2501332	. . PLATE,FILTER CAPACITOR ASSEMBLY		
- 48K	2507326	. LABEL	1	
- 48L	2507385	USED ON ASM FROM S7 TO CURRENT . JUMPER ASM	1	
- 49	4064448	USED ON ASM FROM S7 TO CURRENT SEE FIG. 25-15A FOR COMPONENT PART . JUMPER-SWITCH	3	
- 50	4116430	. TRANSFORMER ASSEMBLY,115V 7 AMP-50 HZ	1	
- 51	4117840	. CIRCUIT BREAKER	1	
- 52	4121259	. SWITCH BOARD	2	
- 52A	5319854	. SCREW, SELF TAPPING, 8-32 X .375 LONG	AR	
- 53	5351120	. AC POWER SUPPLY SUB ASSEMBLY	1	
- 54	56722	. . LOCKWASHER-EXT. TOOTH OD. .150XID. .320	4	
- 55	56792	. . SPACER- .156 ID 5/16 OD X .343 LG	4	
- 56	322551	. . SCREW,MACH-BIND HD 6-32X3/4 LG	4	
- 57	334910	. . TERMINAL,RING-14/16 AWG,NO. 6,INS	2	
- 58	598353	. . SEMICONDUCTOR DEVICE,D10- 100V 10 AMP	2	
- 59	598355	. . RECTIFIER,SILICON	2	
- 60	5351121	. . TRANSFORMER,POWER STEP DOWN 50/60 CYCLE	1	
- 61	5351123	. . HEAT SINK	2	
- 62	5373743	. MAGNETIC CONTRACTOR- 4 POLE 60 AMP	2	
- 62A	5391725	. SHIELD-TB SAFETY	2	
- 62B	5418086	USED ON ASM FROM C8 TO CURRENT . PLATE, FUSE WARNING	1	
- 63	5421153	USED ON ASM FROM S7 TO CURRENT . COVER, REAR-AC BOX	1	
- 64	5421156	. PANEL ASSEMBLY, CONTROL SEE LIST 4E FOR DETAIL BREAKDOWN	1	
- 65	5421157	. PLATE,COVER	1	
- 66	5421171	. BOX,AC POWER	1	
- 67	5421172	. COVER,FRONT AC BOX	1	
- 68	5421186	. CABLE ASSEMBLY SEE LIST 25-1,-11A,-13,-13A,-13B, -13C,-16,-16A,-17,-17A,AND -30 FOR COMPONENT PARTS	1	
- 69	5421189	. CABLE ASSEMBLY SEE LIST 25-13C AND -15 FOR COMPONENT PARTS	1	
- 70	5421190	. JUMPER ASSEMBLY USED ON ASM PRIOR TO S7	4	
- 70	5421190	. JUMPER ASSEMBLY USED ON ASM FROM S7 TO CURRENT SEE LIST 25-15A FOR COMPONENT PART	3	
- 71	8023798	. CIRCUIT BREAKER- 4 POLE 50 AMP	2	
- 72	8026896	. CIRCUIT BREAKER	2	

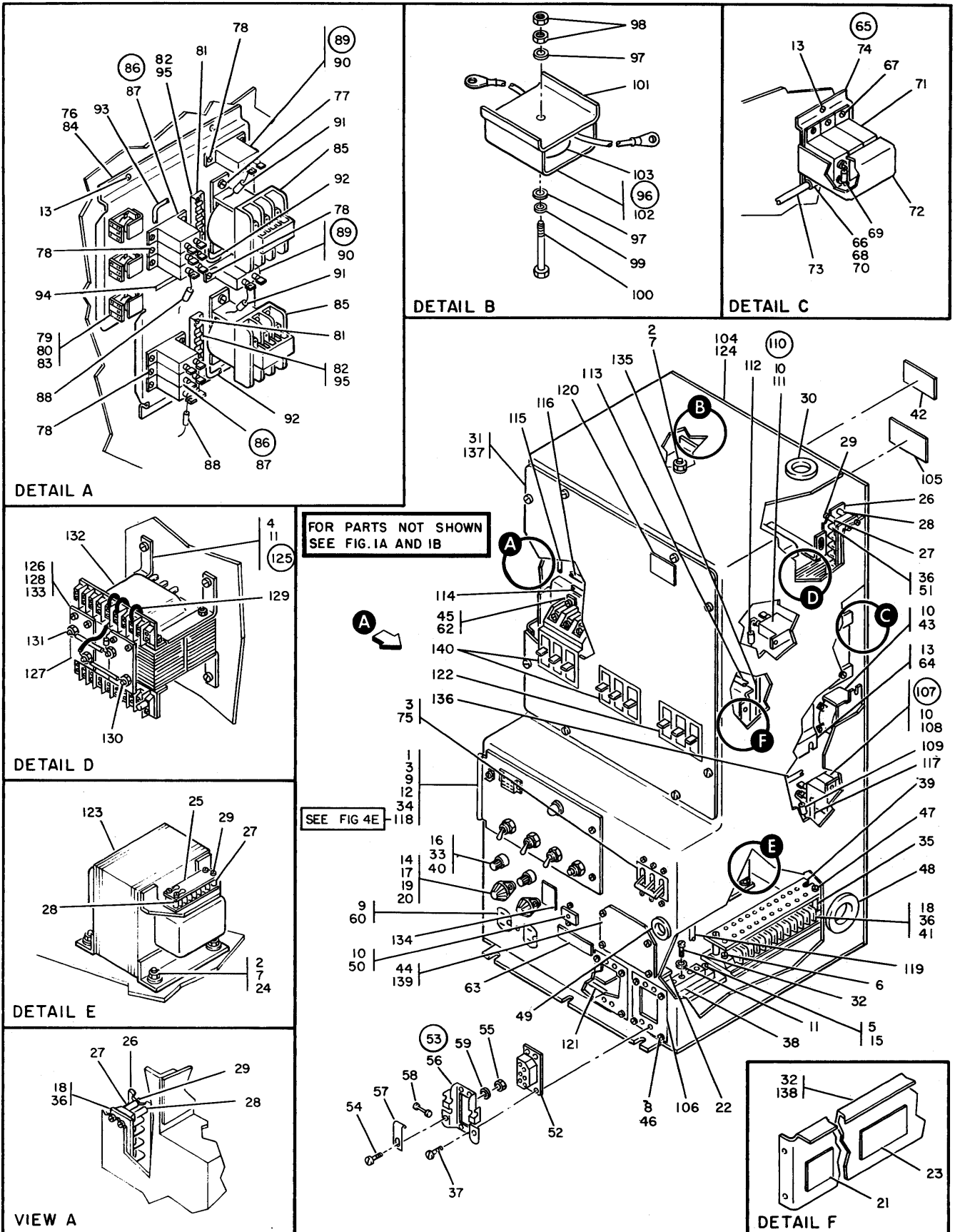


FIGURE 4G. AC BOX ASSEMBLY-60 CYCLE. SEE LIST 4G.

LIST AND INDEX NUMBER	PART NUMBER	DESCRIPTION				UNITS PER ASM.	USABLE ON CODE
		1	2	3	4		
		AC BOX ASSEMBLY-60 CYCLE					
4G-	2514448	AC BOX ASSEMBLY,60 CYCLE					
		USED ON 2803/2804 MOD. 2 - 60 CYCLE SEE LIST 1A-64 AND 1B-57 FOR NEXT HIGHER ASM AND FIG. 4G FOR ILLUSTRATION					
- 1	6364	. WASHER, LOCK-SPLIT NO. 6 X 1/4 OD				2	
- 2	6935	. WASHER, LOCK-SPLIT 1/4 X 0.493 OD				5	
- 3	10170	. SCREW-MACH, BIND HD NO. 6-32 X .250 LG				8	
- 4	28413	. SCREW, MACH-BIND HD 10-32 X 5/16 LG				4	
- 5	32042	. SCREW, MACH BIND. HD 10-32 X 3/8 LG.				2	
- 6	35739	. SCREW, MACH-BIND HD 6-32 X 15/16 LG				2	
- 7	36109	. NUT, PLAIN, HEX- 1/4-20 X 7/16 FL W				5	
- 8	37913	. NUT, PLAIN-HEX, 4-40 X 1/4 IN. FL W				8	
- 9	38235	. SCREW MACH 6/32 X .310 LG				4	
- 10	55726	. SCREW-BD HD 6-32 X .188 LG				12	
- 11	56079	. WASHER, LOCK-EXT T .195 ID .410 OD				8	
- 12	56722	. LOCKWASHER-EXT. TOOTH OD. .150XID. .320				1	
- 13	58207	. SCREW, MACH-UNDRCT BIND HD 8-32 X 1/4 LG				9	
- 14	62031	. WASHER, LOCK-INT TEETH NO. 6 X 0.295 OD				4	
- 15	76574	. LOCKWASHER-EXT TOOTH ID .267 X OD .510				2	
- 16	78999	. FUSE, 5AMPS				5	
- 17	81693	. SCREW, MACH-BIND HD 6-32 X 3/8 LG				4	
- 18	92743	. MARKER STRIP- 12 POS NOS. 1 THRU 12				2	
- 19	104615	. FUSEHOLDER				1	
- 20	107668	. FUSE, CARTRIDGE-TIME DELAY 8 AMP 250V				2	
- 21	138754	. DECAL, INST-LINE V PRESENT W/MACH PWR OFF				1	
- 22	138755	. DECAL, INST-LINE V PRESENT W/MACH PWR OFF				1	
- 23	138756	. PLATE, INST-LINE V PRESENT W/MACH PWR OFF				1	
- 24	139050	. WASHER, FLAT 1/4 X 0.812 OD				4	
- 25	186944	. SHIELD, TERMINAL BOARD- 6 POSITION				1	
- 26	187466	. SHIELD				2	
- 27	210883	. STUD-SHIELD MTG, TAPPED, NO. 6-32				3	
- 28	210884	. STUD-SHIELD MTG, NO. 6-32				9	
- 29	210984	. SCREW, RD HD MACH-6-32 X .250 LG				3	
- 30	220764	. GROMMET, RUB-FOR 1-3/8 HOLE X 1/8 PNL				1	
- 31	221790	. SCREW, MACH-BIND HD 8-32 X 3/16 LG				10	
- 32	236849	. SCREW, MACH-BIND HD 10/32 X 1/4 LG				10	
- 33	257080	. INSULATOR-LONG				5	
- 34	257986	. WASHER, FLAT NO. 6				3	
- 35	323656	. SPACER- 3/16 ID X 5/16 OD X 1/2 THK				2	
- 36	323842	. TERMINAL BOARD- 12 DBL SCREW TERMINALS				3	
- 37	338238	. SCREW, MACH-BD HD 4-40 NC X .3125 LG				8	
- 38	352121	. BUS BAR- 6 POS				1	
- 39	352826	. COVER TERMINAL				1	
- 40	360882	. FUSEHOLDER- 15 AMP 250V AC				5	
- 41	367115	. JUMPER-TERMINAL STRIP VDC DISTR BRS				9	
- 42	369207	. LABEL, VOLTAGE				1	
- 43	369224	. RELAY, ARMATURE- 3NO POLES 220V AC				1	
- 44	438548	. SCREW, MACH-BIND HD 4-40 X 3/16 LG				4	
- 45	438549	. SCREW, MACH-BIND HD 4-40 X 7/16 LG				18	
- 46	438550	. SCREW, MACH-BIND HD 4-40 X 1/2 LG				8	
- 47	438568	. SCREW, MACH-UNDRCT BIND HD 6-32 X 1-1/8				2	
- 48	510388	. GROMMET, 1/2IN X 1/8 DIA				1	
- 49	512663	. GROMMET, RUB-FOR 7/8 HOLE X 1/8 PNL				1	
- 50	524181	. CIRCUIT BREAKER, OVERLOAD PROTECTOR, 15AMP				1	
- 51	526338	. MARKER STRIP				1	
- 52	526516	. CONNECTOR, RECP, ELEC-13 FEMALE CONTACTS				2	
- 53	526522	. LATCH ASSEMBLY-CONNECTOR				2	

LIST AND INDEX NUMBER	PART NUMBER	DESCRIPTION				UNITS PER ASM.	USABLE ON CODE
		1	2	3	4		
		AC BOX ASSEMBLY-60 CYCLE -CONT					
4G- 54	186759	. . SCREW,MACH-BIND HD 8-32 X 5/16 LG				2	
- 55	257189	. . NUT,HEX- 8-32				2	
- 56	526519	. . BRACKET-CONNECTOR MOUNTING				1	
- 57	526520	. . SPRING-LATCH				2	
- 58	526521	. . ROLLER-CONNECTOR LATCH				2	
- 59	1090873	. . LOCKWASHER				2	
- 60	535847	. . OUTLET-CONVENIENCE 3 WIRE 15 AMP 125V				1	
- 62	760731	. . CLAMP				18	
- 63	845762	. . DECAL-VOLTAGE				1	
- 64	2130335	. . CONTACTOR,MAGNETIC				1	
- 65	2501329	. . FILTER ASSEMBLY				1	
- 66	10170	. . SCREW-MACH,BIND HD NO. 6-32 X .250 LG				1	
- 67	55726	. . SCREW-BD HD 6-32 X .188 LG				5	
- 68	257986	. . WASHER,FLAT NO. 6				1	
- 69	322692	. . RESISTOR,FXD,COMP- 1 MEG P/M 10% 1W				3	
- 70	356742	. . CLAMP,LOOP- 0.250 ID 0.177 DIA MTG HOLE				1	
- 71	528411	. . CAPACITOR,FXD- 0.25 MFD P/M 10% 100V				1	
- 72	2501192	. . SHIELD				1	
- 73	2501328	. . CABLE ASSEMBLY-FILTER CAPACITOR ASSEMBLY				3	
- 74	2501332	. . PLATE,FILTER CAPACITOR ASSEMBLY				1	
- 75	2503795	. . CIRCUIT PROTECTOR,3 POLE,10 AMP,250V AC				1	
- 76	2514418	. . CONTACTOR ASSEMBLY,AC BOX				1	
- 77	10170	. . SCREW-MACH,BIND HD NO. 6-32 X .250 LG				6	
- 78	55726	. . SCREW-BD HD 6-32 X .188 LG				16	
- 79	56722	. . LOCKWASHER-EXT. TOOTH OD. .150XID. .320				3	
- 80	257187	. . NUT,PLAIN,HEX- 6-32 X 3/8 FL W				3	
- 81	322550	. . SCREW,MACH-BIND HD 6-32 X 1/2 LG				4	
- 82	480009	. . BLOCK-TERMINAL BARRIER-6 POSITION				2	
- 83	2128689	. . RELAY,3 POLE DT 472 OHM 24 VOLT D.C.COIL				3	
- 84	2507628	. . PLATE,CONTACTOR MOUNTING				1	
- 85	2514446	. . MAGNETIC CONTACTOR,3 POLE,30 AMP				2	
- 86	2514467	. . RESISTOR-CAPACITOR ASSEMBLY				6	
- 87	528411	. . . CAPACITOR,FXD- 0.25 MFD P/M 10% 100V				1	
- 88	2514476	. . . RESISTOR ASSEMBLY				1	
- 89	2514468	. . RESISTOR-CAPACITOR ASSEMBLY				2	
- 90	528411	. . . CAPACITOR,FXD- 0.25 MFD P/M 10% 100V				1	
- 91	2514475	. . . RESISTOR ASSEMBLY				1	
- 92	2514511	. . CABLE ASSEMBLY,TB 13/14 TO CONTACTOR				2	
		SEE LIST 25-13 AND -13A FOR COMPONENT PARTS					
- 93	2514512	. . CABLE ASSEMBLY,CAPS TO CONTACTOR				2	
		SEE LIST 25-13A FOR COMPONENT PARTS					
- 94	2514513	. . CABLE ASSEMBLY,PREWIRE CONTACTOR ASM				2	
		SEE LIST 25-13 AND -41 FOR COMPONENT PARTS					
- 95	5355407	. . STRIP,MARKER-INSULATING				2	
- 96	2514425	. . TOROID ASSEMBLY				1	
- 97	3550	. . WASHER,FL- 1/4 X 9/16 OD X 0.050 THK				2	
- 98	36109	. . NUT,PLAIN,HEX- 1/4-20 X 7/16 FL W				2	
- 99	76574	. . LOCKWASHER-EXT TOOTH ID .267 X OD .510				1	
-100	186914	. . SCREW,CAP-SLOT/HEX HD 1/4-20 X 2-3/4 LG				1	
-101	2514423	. . BASE,TOROID MOUNTING				1	
-102	2514424	. . COVER,TOROID				1	
-103	2514427	. . CORE ASSEMBLY,TOROID				1	
-104	2514462	. . COVER,REAR				1	
-105	646007	. . LABEL,WARNING				1	
-106	2514463	. . INSULATOR,POWER CONNECTOR				2	
-107	2514467	. . RESISTOR-CAPACITOR ASSEMBLY				3	

LIST AND INDEX NUMBER	PART NUMBER	DESCRIPTION				UNITS PER ASM.	USABLE ON CODE
		1	2	3	4		
		AC BOX ASSEMBLY-60 CYCLE -CONT					
4G-108	528411	. .	CAPACITOR,FXD-	0.25 MFD P/M	10% 100V	1	
-109	2514476	. .	RESISTOR ASSEMBLY			1	
-110	2514468	. .	RESISTOR-CAPACITOR ASSEMBLY			1	
-111	528411	. .	CAPACITOR,FXD-	0.25 MFD P/M	10% 100V	1	
-112	2514475	. .	RESISTOR ASSEMBLY			1	
-113	2514517	. .	CABLE ASSEMBLY,K10 TO CB11	SLT		1	
-114	2514518	. .	CABLE ASSEMBLY,K9 TO CB9	SLT		1	
-115	2514519	. .	CABLE ASSEMBLY,K5 TO K9			1	
-116	2514520	. .	CABLE ASSEMBLY,K5 TO K10			1	
-117	2514521	. .	CABLE ASSEMBLY,K6 TO CAPS			1	
-118	2514523	. .	PANEL ASSEMBLY,CONTROL			1	
-119	2514524	. .	CABLE ASSEMBLY,CONVENIENCE OUTLET			1	
-120	2514527	. .	LABEL,DC TRANS			1	
-121	2514543	. .	CABLE ASSEMBLY,AC INTERNAL			1	
-122	5213804	. .	CIRCUIT BREAKER,50 AMP	240VOLT- 3 POLE		1	
-123	5271245	. .	TRANSFORMER,POWER,2300VA,	60HZ,115V SEC		1	
-124	5319854	. .	SCREW, SELF TAPPING, 8-32 X .375	LONG.		14	
-125	5351120	. .	AC POWER SUPPLY SUB ASSEMBLY			1	
-126	56722	. .	LOCKWASHER-EXT. TOOTH OD.	.150XID. .320		4	
-127	56792	. .	SPACER- .156 ID 5/16 OD X .343	LG		4	
-128	322551	. .	SCREW,MACH-BIND HD 6-32X3/4	LG		4	
-129	334910	. .	TERMINAL,RING-14/16 AWG,NO. 6,	INS		2	
-130	598353	. .	SEMICONDUCTOR DEVICE,D10-	100V 10 AMP		2	
-131	598355	. .	RECTIFIER,SILICON			2	
-132	5351121	. .	TRANSFORMER,POWER STEP DOWN	50/60 CYCLE		1	
-133	5351123	. .	HEAT SINK			2	
-134	5418085	. .	PLATE, FUSE WARNING			1	
-135	5421145	. .	CABLE ASSEMBLY,CB10 TO K5			1	
-136	5421146	. .	CABLE ASSEMBLY,K5 TO K6			1	
-137	5421152	. .	COVER,FRONT-AC BOX			1	
-138	5421154	. .	BRACKET, CB MOUNTING			1	
-139	5421157	. .	PLATE,COVER			1	
-140	5719453	. .	CIRCUIT BREAKER-30 AMP,3 POLE	240V		2	



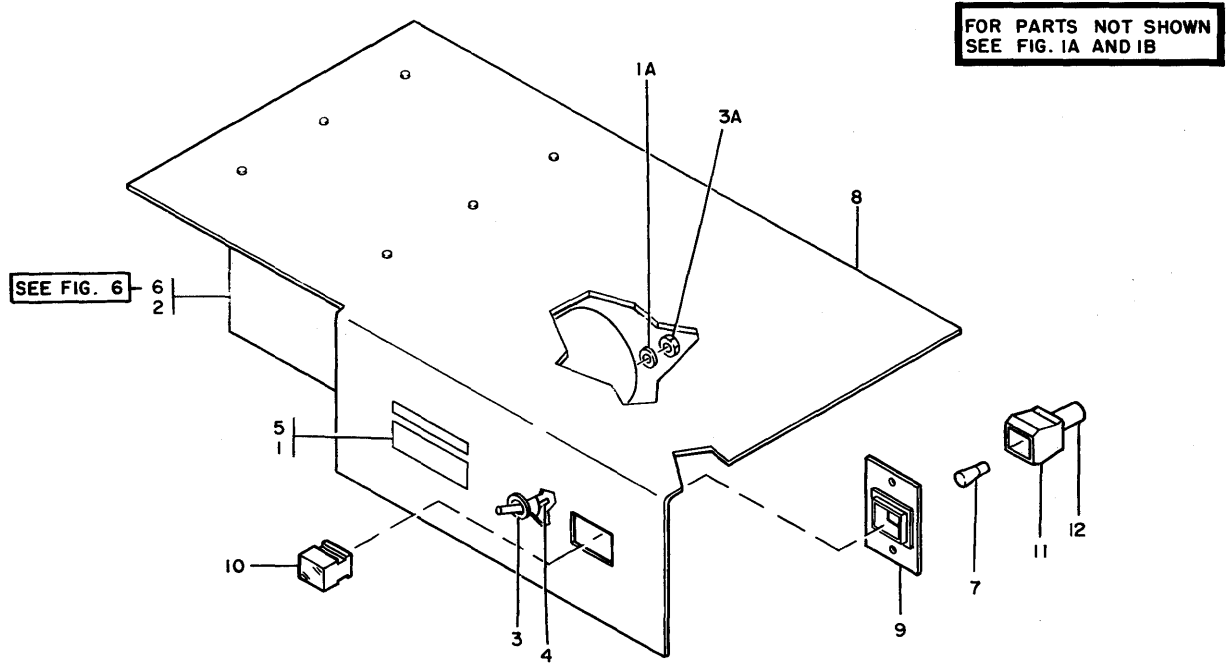


FIGURE 5. CONTROL PANEL ASSEMBLY. SEE LIST 5.

LIST AND INDEX NUMBER	PART NUMBER	DESCRIPTION				UNITS PER ASM.	USABLE ON CODE
		1	2	3	4		
		CONTROL PANEL ASSEMBLY					
5 -	5355974	PANEL ASSEMBLY-CONTROL USED ON 2803/2804 MOD. 1 AND 2803 MOD. 2 50 CYCLE UNITS				REF	
-	5418056	LANGUAGE GROUP-ENGLISH 60 CYCLE USED ON 2803 MOD. 2 - 60 CYCLE UNIT				REF	
-	5418057	LANGUAGE GROUP-FRENCH 60 CYCLE USED ON 2803 MOD. 2 - 60 CYCLE UNIT				REF	
-	5418058	LANGUAGE GROUP-GERMAN 60 CYCLE USED ON 2803 MOD. 2 - 60 CYCLE UNIT				REF	
-	5418059	LANGUAGE GROUP-FRENCH 50 CYCLE USED ON 2803 MOD. 2 - 50 CYCLE UNIT				REF	
-	5418060	LANGUAGE GROUP-GERMAN 50 CYCLE USED ON 2803 MOD. 2 - 50 CYCLE UNIT SEE LISTS 1A-86 AND 1B-60 FOR NEXT HIGHER ASM AND FIG. 5 FOR ILLUSTRATION				REF	
- 1	24752	<ul style="list-style-type: none"> <li>• SCREW,MACH-FIL H 8-32 X 5/16 LG</li> <li>• WASHER,LOCK-EXT TEETH NO. 8 X 0.381 OD</li> </ul>				2	
- 1A	55901					AR	
- 2	186759	<ul style="list-style-type: none"> <li>• SCREW,MACH-BIND HD 8-32 X 5/16 LG</li> <li>• NUT,DRESS,KNURL- 15/32-32 X 41/64 CHROME</li> </ul>				AR	
- 3	216323					1	
- 3A	257189	<ul style="list-style-type: none"> <li>• NUT,HEX- 8-32</li> <li>• SWITCH</li> </ul>				1	
- 4	725347					1	
- 5	740503	<ul style="list-style-type: none"> <li>• CLOCK-60 CY</li> <li>• CLOCK-50 CY</li> </ul>				1	
- 5	740608					1	
- 6	740540	<ul style="list-style-type: none"> <li>• METER POWER PAC ASSEMBLY-60 CY SEE LIST 6 FOR DETAIL BREAKDOWN</li> </ul>				1	
- 6	740609					1	
- 7	2414970	<ul style="list-style-type: none"> <li>• LAMP,INCANDESCENT</li> <li>• PANEL,CONTROL</li> </ul>				1	
- 8	5371397					1	
- 8	5418052	<ul style="list-style-type: none"> <li>• PANEL-CBM USED ON ASM 5418057 AND 5418059 ONLY</li> </ul>				1	
- 8	5418054	<ul style="list-style-type: none"> <li>• PANEL-CBM USED ON ASM 5418060 ONLY</li> </ul>				1	
- 9	5371398	<ul style="list-style-type: none"> <li>• SUPPORT,HOUSING</li> </ul>				1	
- 10	5373659	<ul style="list-style-type: none"> <li>• LENS-TCU/TH-ENGLISH-GERMAN USED ON ASM 5355974 AND 5418056 ONLY</li> </ul>				1	
- 10	5386636	<ul style="list-style-type: none"> <li>• LENS-UCB DISJ/TH-FRENCH USED ON ASM 5418057,5418058,5418059 AND 5418060 ONLY</li> </ul>				1	
- 11	5373660	<ul style="list-style-type: none"> <li>• HOUSING-SWITCH AND LIGHT USED ON ASM PRIOR TO H5</li> </ul>				1	
- 11	827842	<ul style="list-style-type: none"> <li>• HOUSING-SWITCH AND LIGHT USED ON ASM FROM H5 TO CURRENT</li> </ul>				1	
- 12	827840	<ul style="list-style-type: none"> <li>• SOCKET, SINGLE CONTACT, BAYONET BASE USED ON ASM FROM H5 TO CURRENT</li> </ul>				1	

FOR PARTS NOT SHOWN  
SEE FIG. 1B

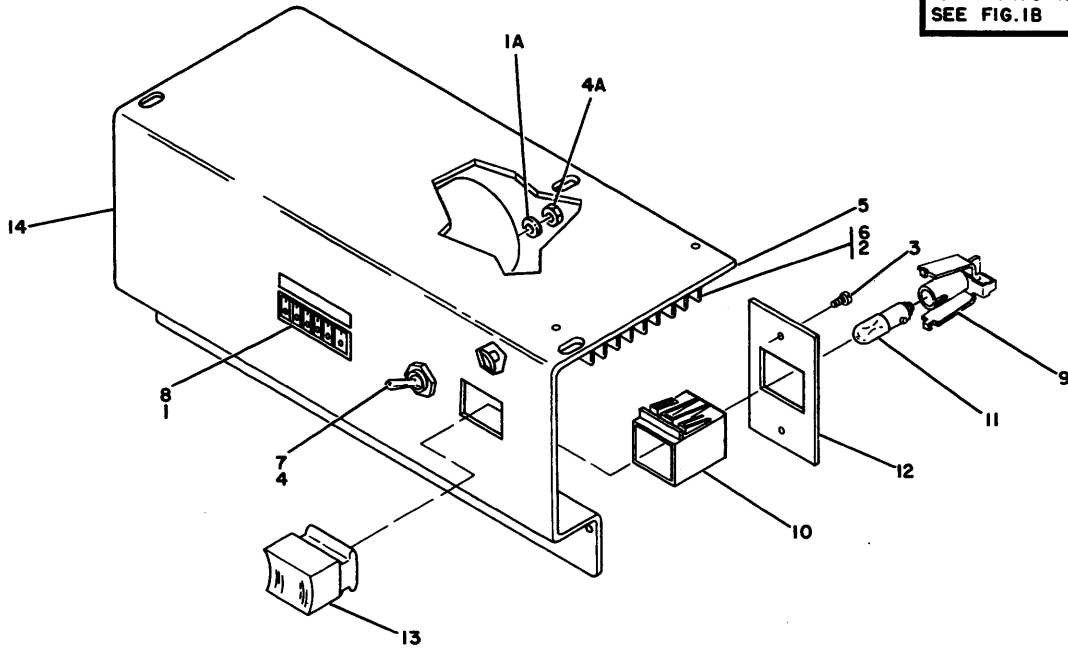


FIGURE 5A. LANGUAGE GROUPS. SEE LIST 5A.

LIST AND INDEX NUMBER	PART NUMBER	DESCRIPTION				UNITS PER ASM.	USABLE ON CODE
		1	2	3	4		
		LANGUAGE GROUPS					
5A-		CODE A USED ON ASM 5416412 - 60 CYCLE					
		CODE B USED ON ASM 5416415 - 60 CYCLE					
		CODE C USED ON ASM 5416418 - 60 CYCLE					
		CODE D USED ON ASM 5416413 - 50 CYCLE					
		CODE E USED ON ASM 5416416 - 50 CYCLE					
		CODE F USED ON ASM 5416419 - 50 CYCLE					
-	5416412	LANGUAGE GROUP-ENGLISH USED ON 2804 MOD 2-60 CYCLE UNIT				REF	A
-	5416415	LANGUAGE GROUP-FRENCH USED ON 2804 MOD 2-60 CYCLE UNIT				REF	B
-	5416418	LANGUAGE GROUP-GERMAN USED ON 2804 MOD 2-60 CYCLE UNIT				REF	C
-	5416413	LANGUAGE GROUP-ENGLISH USED ON 2804 MOD 2-50 CYCLE UNIT				REF	D
-	5416416	LANGUAGE GROUP-FRENCH USED ON 2804 MOD 2-50 CYCLE UNIT				REF	E
-	5416419	LANGUAGE GROUP-GERMAN USED ON 2804 MOD 2-50 CYCLE UNIT SEE LIST 1B-60 FOR NEXT HIGHER ASSEMBLY AND FIGURE 5A FOR ILLUSTRATION				REF	F
- 1	24752	. SCREW,MACH-FIL H 8-32 X 5/16 LG				2	
- 1A	55901	. WASHER,LOCK-EXT TEETH NO. 8 X 0.381 OD				1	
- 2	81693	. SCREW,MACH-BIND HD 6-32 X 3/8 LG				2	
- 3	186759	. SCREW,MACH-BIND HD 8-32 X 5/16 LG				2	
- 4	216323	. NUT,DRESS,KNURL- 15/32-32 X 41/64 CHROME				1	
- 4A	257189	. NUT,HEX- 8-32				1	
- 5	460237	. STRIP-MARKER				1	
- 6	480007	. TERMINAL BOARD- 8 SINGLE SCREW TERMINALS				1	
- 7	725347	. SWITCH				1	
- 8	740503	. CLOCK-60 CY				1	A
- 8	740503	. CLOCK-60 CY				1	B
- 8	740503	. CLOCK-60 CY				1	C
- 8	740608	. CLOCK-50 CY				1	D
- 8	740608	. CLOCK-50 CY				1	E
- 8	740608	. CLOCK-50 CY				1	F
- 9	827840	. SOCKET, SINGLE CONTACT, BAYONET BASE				1	
- 10	827842	. HOUSING-SWITCH AND LIGHT				1	
- 11	2414970	. LAMP,INCANDESCENT				1	
- 12	5371398	. SUPPORT,HOUSING				1	
- 13	5373659	. LENS-TCU/TH-ENGLISH-GERMAN				1	A
- 13	5373659	. LENS-TCU/TH-ENGLISH-GERMAN				1	D
- 13	5386636	. LENS-UCB DISJ/TH-FRENCH				1	B
- 13	5386636	. LENS-UCB DISJ/TH-FRENCH				1	C
- 13	5386636	. LENS-UCB DISJ/TH-FRENCH				1	E
- 13	5386636	. LENS-UCB DISJ/TH-FRENCH				1	F
- 14	5409443	. PANEL, METER CONTROL				1	A
- 14	5409443	. PANEL, METER CONTROL				1	D
- 14	5416414	. PANEL-METER CONTROL-CBM				1	B
- 14	5416414	. PANEL-METER CONTROL-CBM				1	E
- 14	5416417	. PANEL-METER CONTROL-CBM				1	C
- 14	5416417	. PANEL-METER CONTROL-CBM				1	F

FOR PARTS NOT SHOWN  
SEE FIG. 5

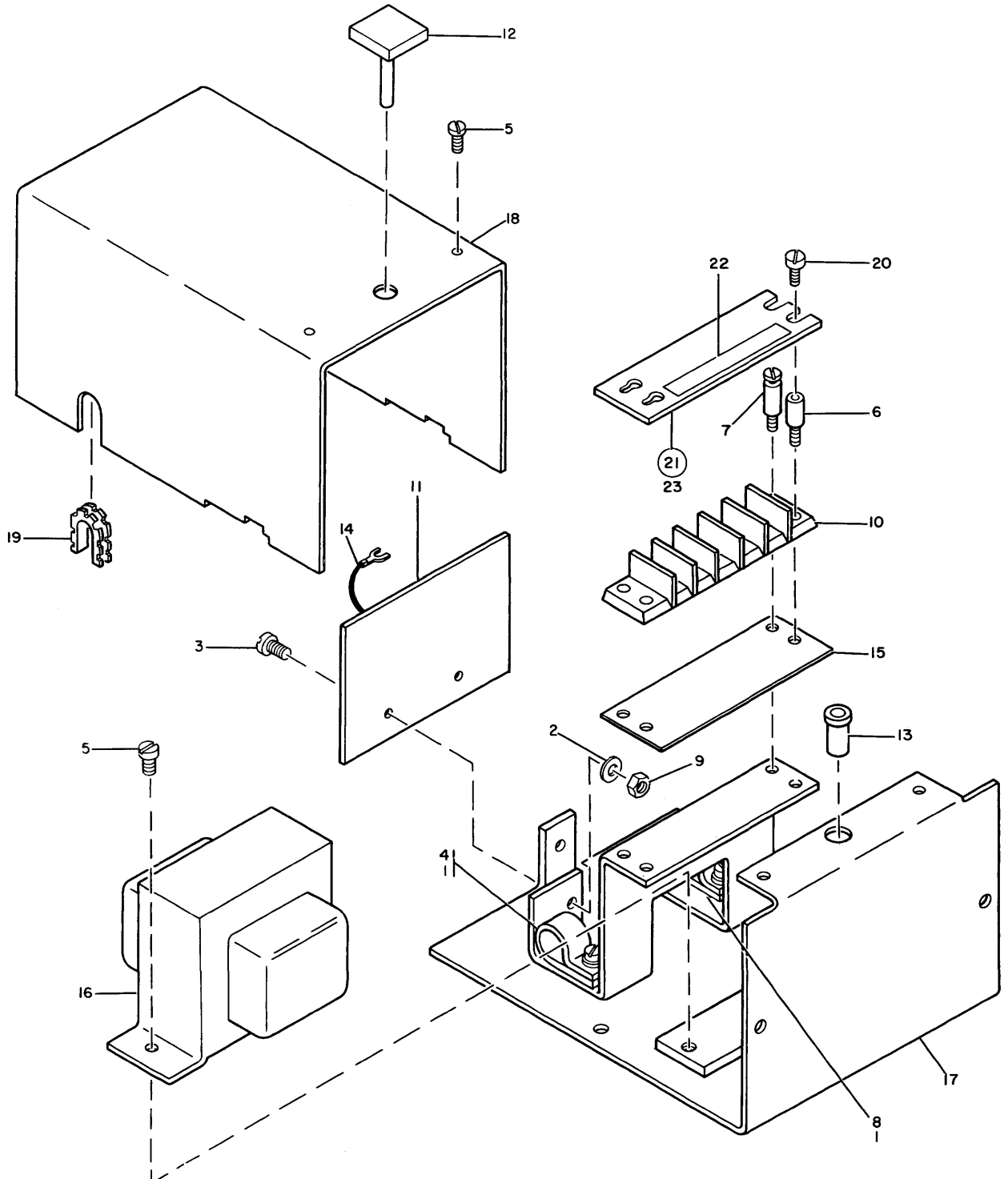
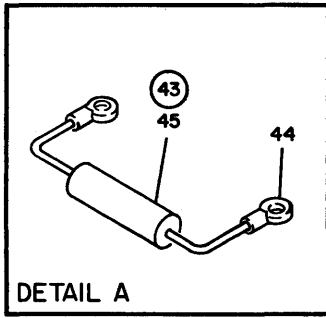


FIGURE 6. METER POWER PAC ASSEMBLY. SEE LIST 6.





FOR PART NOT SHOWN  
SEE FIG. 1A AND 1B

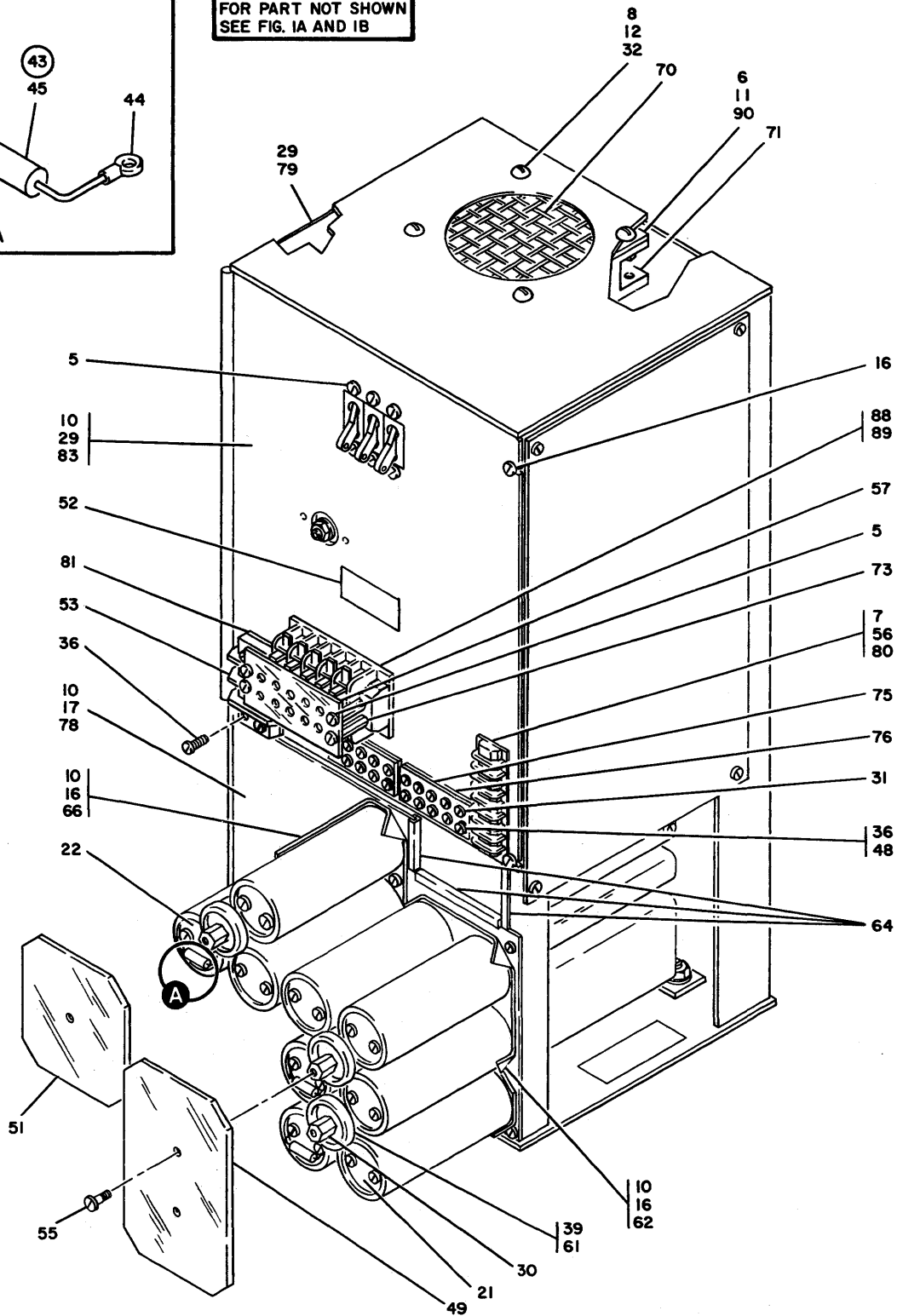


FIGURE 6A. POWER SUPPLY ASM-MULTIVOLT 50/60 CPS. SHEET 1 OF 2. SEE LIST 6A.

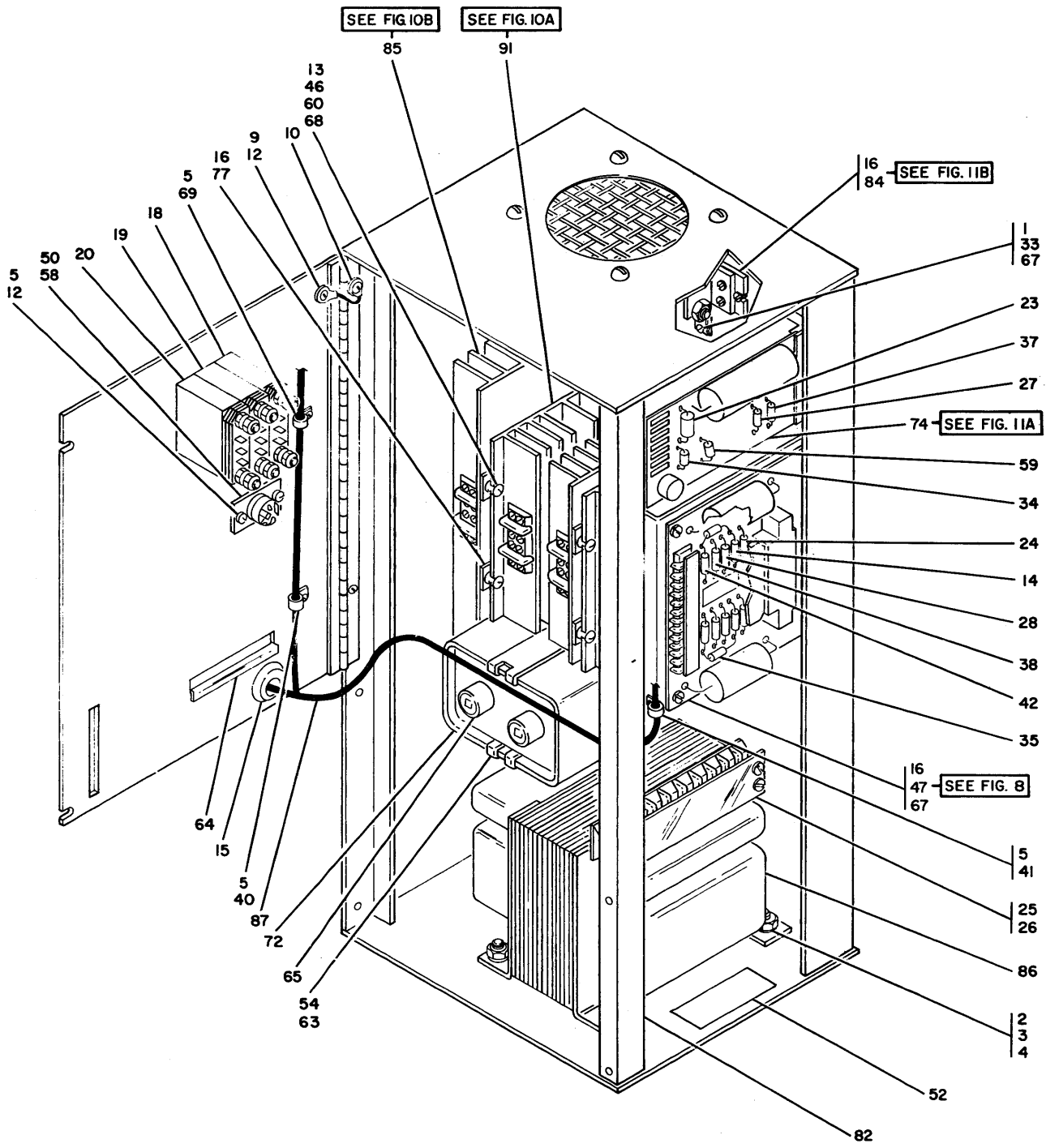


FIGURE 6A. POWER SUPPLY ASM—MULTIVOLT 50/60 CPS. SHEET 2 OF 2. SEE LIST 6A.



LIST AND INDEX NUMBER	PART NUMBER	DESCRIPTION	UNITS PER ASM.	USABLE ON CODE
		POWER SUPPLY ASM-MULTIVOLT 50/60 CPS		
6A-				
-	5402830	POWER SUPPLY ASM-MULTIVOLT 60 CYCLE USED ON 2803/2804 MOD. 1 60 CYCLE SEE LISTS 1A-99 AND 1B-88 FOR NEXT HIGHER ASM AND FIG. 6A FOR ILLUSTRATION	REF	
-	5402831	POWER SUPPLY ASM-MULTIVOLT 50 CYCLE USED ON 2803/2804 MOD. 1 50 CYCLE SEE LISTS 1A-99 AND 1B-88 FOR NEXT HIGHER ASM AND FIG. 6A FOR ILLUSTRATION	REF	
- 1	337	• SCREW,MACH-FIL H 8-32 X 3/8 LG	3	
- 2	3550	• WASHER,FL- 1/4 X 9/16 OD X 0.050 THK	4	
- 3	3960	• NUT,PLAIN,HEX- 1/4-20 X 7/16 FL W	4	
- 4	6935	• WASHER,LOCK-SPLIT 1/4 X 0.493 OD	4	
- 5	10170	• SCREW-MACH,BIND HD NO. 6-32 X .250 LG	15	
- 6	28413	• SCREW,MACH-BIND HD 10-32 X 5/16 LG	2	
- 7	35739	• SCREW,MACH-BIND HD 6-32 X 15/16 LG	4	
- 8	52360	• SCREW,MACH-FH 6-32 X 7/8 LG	4	
- 9	55726	• SCREW-BD HD 6-32 X .188 LG	1	
- 10	55901	• WASHER,LOCK-EXT TEETH NO. 8 X 0.381 OD	14	
- 11	56079	• WASHER,LOCK-EXT T .195 ID .410 OD	2	
- 12	56722	• LOCKWASHER-EXT. TOOTH OD. .150XID. .320	7	
- 13	62031	• WASHER,LOCK-INT TEETH NO. 6 X 0.295 OD	8	
- 14	103915	• RESISTOR, FXD COMP, 510 OHMS P/M 5PCT 1W	2	
- 15	123077	• GROMMET,RUB-FOR 1-1/4 HOLE X 1/8 PNL	1	
- 16	186759	• SCREW,MACH-BIND HD 8-32 X 5/16 LG	25	
- 17	186797	• SHIELD- 5 POSITION	1	
- 18	207349	USED ON ASM 5402831 ONLY		
- 19	207350	• CIRCUIT BREAKER- 1 POLE 60V DC 8 AMP	1	
- 20	207351	• CIRCUIT BREAKER- 1 POLE 60V DC 20 AMP	1	
- 21	208221	• CIRCUIT BREAKER- 1 POLE 60V DC 12 AMP	1	
- 22	208224	• CAPACITOR,FXD,ELECT- 11000UF P100M10%19V	6	
- 23	208226	• CAPACITOR,FXD,ELECT- 14000UF P150M10%13V	3	
- 24	208226	• RESISTOR,FXD,WW 0.3 OHMS P/M 5% 1/2W	1	
- 25	208970	• RESISTOR,FXD,WW- 0.5 OHMS P/M 5% 5W	2	
- 26	210984	• SCREW, RD HD MACH-6-32 X .250 LG	1	
- 27	210987	• SHIELD- 4 POSITION	1	
- 28	213536	USED ON ASM 5402830 ONLY		
- 29	216981	• RESISTOR-100 OHMS 1/2 W	1	
- 30	221790	• RESISTOR,FXD,COMP- 56 OHMS P/M 5% 2W	2	
- 31	222027	• SCREW,MACH-BIND HD 8-32 X 3/16 LG	8	
- 32	236849	• SPACER-HEX 1/4-20 THD THRU HOLE 1 LG OA	3	
- 33	251787	• SCREW,MACH-BIND HD 10/32 X 1/4 LG	16	
- 34	257187	• NUT,PLAIN,HEX- 6-32 X 3/8 FL W	4	
- 35	257189	• NUT,HEX- 8-32	3	
- 36	317018	• RESISTOR	1	
- 37	317022	• RESISTOR,FIXED COMP 3.9K,5%,1/2 WATT	2	
- 38	322065	• SCREW,MACH-BIND HD 6-32 X 5/8 LG	8	
- 39	322729	• RESISTOR 150 OHMS	1	
- 40	322888	• RESISTOR,FXD,COMP- 100 OHMS P/M 5% 2W	2	
- 41	323543	• RETAINER,CAPACITOR	3	
- 42	327921	• CLAMP,CABLE	1	
- 43	327922	• CLAMP, CABLE-.625 DIAMETER	1	
- 44	334914	• RESISTOR,FIXED COMP 6.2K.5%,1/2 WATT	2	
- 45	337523	• RESISTOR ASSY, 1K 1W	3	
- 46	94856	• TERMINAL,LUG	2	
- 47	317049	• RESISTOR,FXD,COMP- 1K P/M 5% 1/2W	1	
- 48	337549	• INSULATOR - HEAT SINK MOUNTING	16	
- 49	342070	• REGULATOR ASSEMBLY-BASIC SEE LIST 8 FOR DETAIL BREAKDOWN	1	
- 50	351540	• INSULATOR,BUSHING	4	
- 51	361216	• COVER-CAPACITOR	1	
- 52	361226	• INSULATOR,JACK	1	
- 53	364692	• SHIELD,CAPACITOR	1	
- 54	369207	• LABEL,VOLTAGE	2	
- 55	436972	• STRIP, TERMINAL-BARRIER-2 TERMINALS	1	
- 56	438588	• SCREW,MACH-UNDRCT BIND HD 8-32 X 1-1/4	2	
- 57	438622	• SCREW,MACH-BIND HD 1/4-20 X 3/8 LG	3	

LIST AND INDEX NUMBER	PART NUMBER	DESCRIPTION				UNITS PER ASM.	USABLE ON CODE
		1	2	3	4		
		POWER SUPPLY ASM-MULTIVOLT 50/60 CPS -CONT					
6A- 56	460243	• TERMINAL STRIP				1	
- 57	473526	• SHIELD,5 POSITION				1	
- 58	480554	• JACK				1	
- 59	508040	• RESISTOR- 68 OHMS				1	
- 60	510379	• SCREW,MACH-FIL HD 6-32 X 3/4 IN. LG				8	
- 61	511096	• BOLT,KEY HD- 1/4-20 X 5 LG				3	
- 62	511099	• BASE-CAPACITOR MOUNTING				2	
- 63	517197	• BRACKET-CAPACITOR MOUNTING				2	
- 64	518578	• RUBBER CHANNEL				12	
- 65	526378	• CAP-INSULATION				2	
- 66	529088	• BASE-CAPACITOR MOUNTING 3 POSITION				1	
- 67	1090873	• LOCKWASHER				13	
- 68	1127722	• NUT,HEX-CASE HARDENED 6-32 X .078 IN. TH				8	
- 69	2102365	• CLAMP,LOOP- 0.330 ID 0.170 DIA MTG HOLE				1	
- 70	2128588	• GUARD-GATE BLOWER FAN				1	
- 71	5313850	• FAN VENTURI				1	
- 72	5319839	• CAPACITOR, PAPER-4OUF 330 VOLT				1	
- 73	5331853	• STANDOFF-COVER MOUNTING				4	
- 74	5352530	• REGULATOR ASSEMBLY,NEGATIVE LINE SEE FIG. 11A FOR DETAIL BREAKDOWN				1	
- 75	5359323	• BUS BAR-DC RETURN				2	
- 76	5359324	• INSULATOR-DC RETURN				2	
- 77	5362037	• BRACKET-HEATSINK				4	
- 78	5362047	• PLATE-CAPACITOR MTG				1	
- 79	5362049	• COVER				1	
- 80	5362176	• INSULATOR				1	
- 81	5371579	• INSULATOR-TERMINAL BOARD-2 POS				1	
- 82	5397682	• CHASSIS				1	
- 83	5397683	• DOOR,FRONT				1	
- 84	5397685	• HEATSINK ASSEMBLY SEE FIG. 11B FOR DETAIL BREAKDOWN				1	
- 85	5402827	• HEATSINK ASSEMBLY SEE FIG. 10B FOR DETAIL BREAKDOWN				1	
- 86	5402833	• FERRO REGULATOR USED ON ASM 5402830 ONLY				1	
- 86	5402835	• FERRO REGULATOR USED ON ASM 5402831 ONLY				1	
- 87	5402836	• CABLE ASSEMBLY SEE LIST 25-1,-13B,-13C,-30,-34,AND -40 FOR COMPONENT PARTS				1	
- 88	5402837	• TERMINAL BLOCK				1	
- 89	5402838	• INSULATOR				1	
- 90	5402842	• BRACKET				1	
- 91	5402854	• HEATSINK ASSEMBLY SEE FIG. 10A FOR DETAIL BREAKDOWN				1	

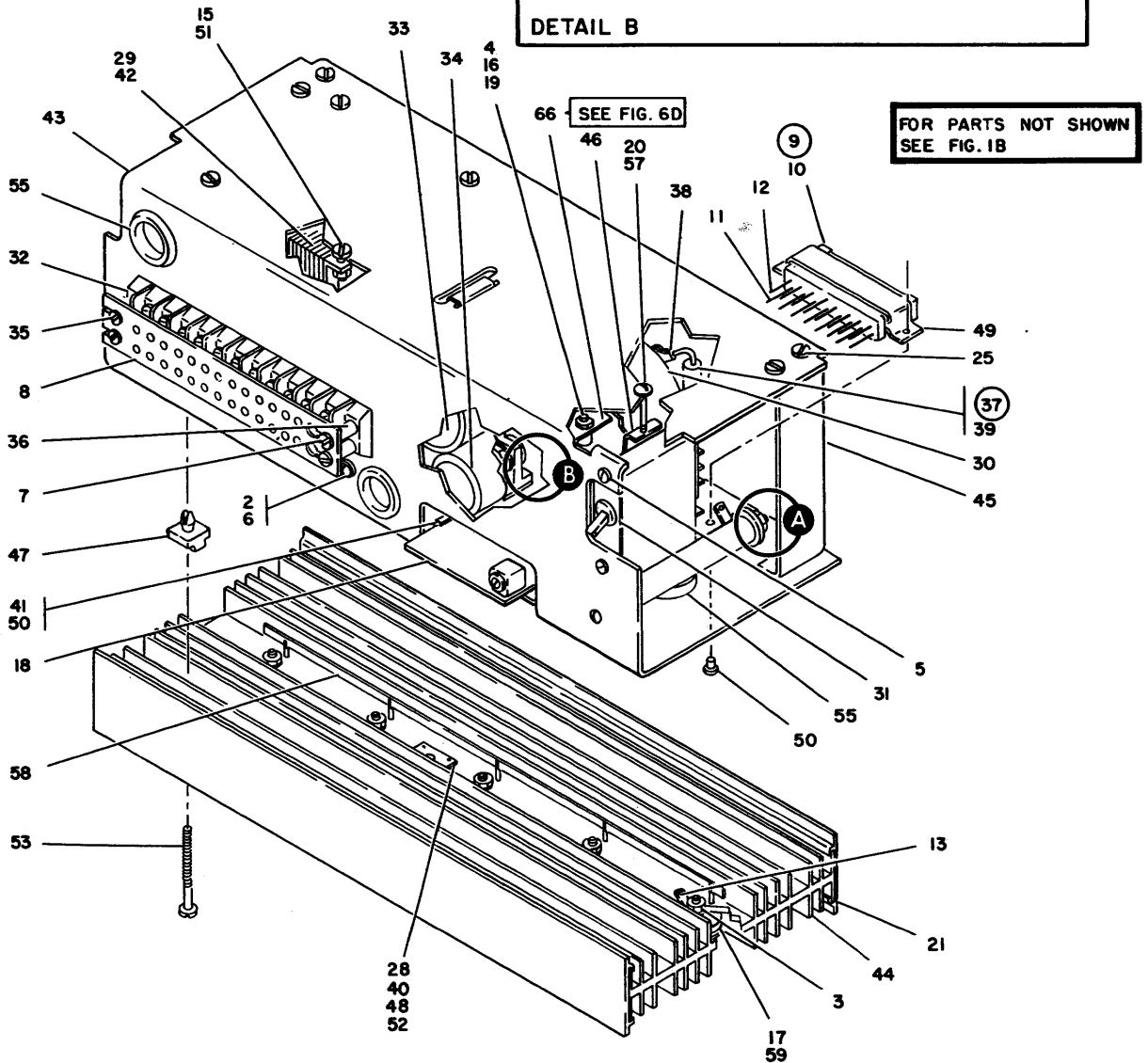
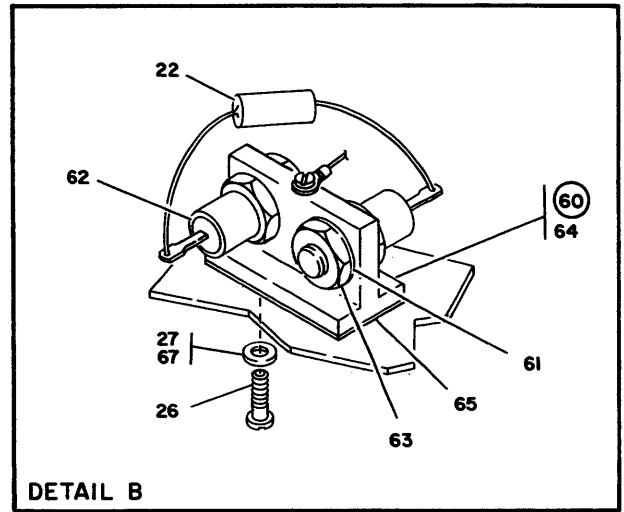
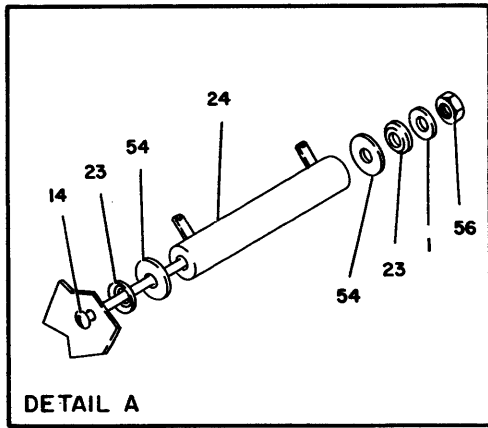


FIGURE 6C. POWER SUPPLY ASM-OVERVOLTAGE 50/60 CPS. SEE LIST 6C.

LIST AND INDEX NUMBER	PART NUMBER	DESCRIPTION	UNITS PER ASM.	USABLE ON CODE
		POWER SUPPLY ASM-OVERVOLTAGE 50/60 CYCLE		
6C-				
-	5239415	POWER SUPPLY ASM-OVERVOLTAGE 60 CPS	REF	
-	5239433	POWER SUPPLY ASM-OVERVOLTAGE 50 CPS USED ON 2804 MOD. 2	REF	
		SEE LIST 1B-88 FOR NEXT HIGHER ASM SEE FIG. 6C FOR ILLUSTRATION		
- 1	2903	• WASHER,FL-NO. 6X1/2 OD X 1/32 THK	1	
- 2	10170	• SCREW-MACH,BIND HD NO. 6-32 X .250 LG	1	
- 3	11598	• NUT PLAIN HEX 10/32	5	
- 4	37913	• NUT,PLAIN-HEX,4-40 X 1/4 IN. FL W	2	
- 5	38235	• SCREW MACH 6/32 X .310 LG	2	
- 6	56722	• LOCKWASHER-EXT. TOOTH OD. .150XID. .320	1	
- 7	210984	• SCREW, RD HD MACH-6-32 X .250 LG	1	
- 8	210990	• SHIELD- 13 POSITION	1	
- 9	216076	• TERMINAL BLOCK AND CONTACT ASSEMBLY	1	
- 10	216073	• . RECEPTACLE CARD-SINGLE POS	1	
- 11	216087	• . SPRING,CONTACT	8	
- 12	216088	• . SPRING,CONTACT	8	
- 13	316996	• TERMINAL,LUG-NONINS 9AWG NO. 8 MTG HOLE	1	
- 14	331982	• SCREW,MACH RD HD 8-32 X 1-1/4 LG	1	
- 15	332620	• SCREW,MACH-BIND HD 10-32 X 1/2 LG	4	
- 16	332779	• INSULATOR-CLUTCH USED ON ASM FROM M6 TO CURRENT	2	
- 17	369214	• TRANSISTOR,TYPE 108	5	
- 18	375161	• CARD ASSEMBLY	1	
- 19	438551	• SCREW,MACH-BIND. HD,4-40 X 5/8 IN. LG	2	
- 20	438571	• SCREW,MACH-BINDING HD 6-32 X 1-3/4 LG	1	
- 21	473536	• SEAL	AR	
- 22	491228	• CAPACITOR,FXD,FILM- 0.01MF P/M 10% 100V	1	
- 23	510468	• WASHER,CUPPED- 1/5IN X .029 DIA	2	
- 24	730452	• RESISTOR,FXD	1	
- 25	731629	• SCREW,PAN HD- 10-32 X 0.380 LG	8	
- 26	734483	• SCREW,PAN HD 6-32 X .380 LG	3	
- 27	2156037	• BUSHING USED ON 5239433 FROM M6 TO CURRENT	2	
- 27	2156037	• BUSHING USED ON 5239415 FROM L7 TO CURRENT	3	
- 28	2181002	• SCREW,THD FORMING,HEX-WASH HD 8-32 X 3/4	1	
- 29	4116486	• TRANSFORMER,POWER USED ON 5239433 ONLY	1	
- 30	5214366	• CAPACITOR USED ON 5239433 ONLY	2	
- 30	5214366	• CAPACITOR USED ON 5239415 ONLY	1	
- 31	5214547	• CIRCUIT PROTECTOR,1 POLE,12 AMP,50V DC	1	
- 32	5214556	• BLOCK,TERMINAL- 13 POSITION	1	
- 33	5261077	• CAPACITOR-ELECTROLYTIC	1	
- 34	5261127	• CAPACITOR-ELECTROLYTIC	1	
- 35	5261165	• STUD-SHIELD MOUNTING	3	
- 36	5261167	• STUD- 8-32 X 0.438 LG W/6-32 TAPPED HOLE	1	
- 37	5261936	• RESISTOR ASSEMBLY,200 OHMS 5W	1	
- 38	334932	• . TERMINAL,RING-18/22 AWG,NO. 10,INS	2	
- 39	477144	• . RESISTOR, WIREWOUND - 200 OHM 5W	1	
- 40	5374689	• BUSHING	1	
- 41	5712309	• GUIDE-SMS CARD	1	
- 42	5761738	• TRANSFORMER,POWER,STEP-DOWN USED ON 5239415 ONLY	1	
- 43	5761767	• CHASSIS USED ON 5239415 ONLY	1	
- 44	5761768	• HEATSINK	1	
- 45	5761779	• BRACKET,CHASSIS	2	
- 46	5761793	• STRAP,CAP	1	
- 47	5761796	• INSULATOR,NYLON- NO. 6 MTG HOLE	4	
- 48	5761798	• INSULATOR	1	



FOR PARTS NOT SHOWN  
SEE FIG. 6C

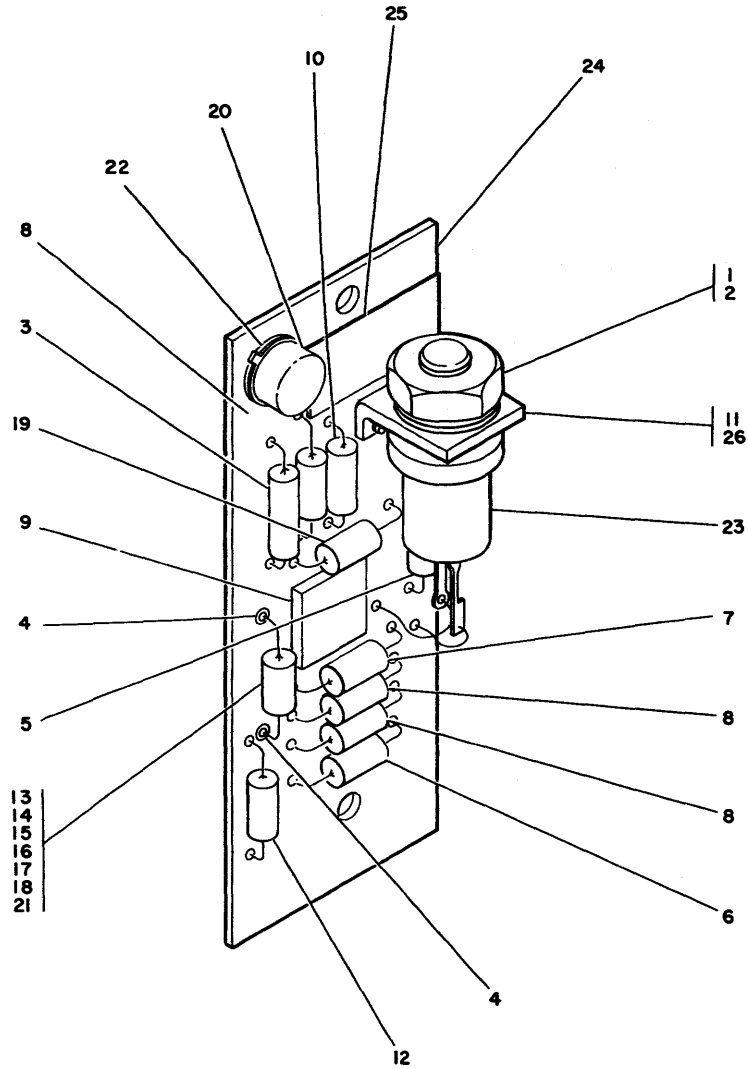


FIGURE 6D. REGULATOR BOARD ASSEMBLY. SEE LIST 6D.

LIST AND INDEX NUMBER	PART NUMBER	DESCRIPTION				UNITS PER ASM.	USABLE ON CODE
		1	2	3	4		
		REGULATOR BOARD ASSEMBLY					
6D-		REGULATOR BOARD ASSEMBLY, OVERVOLTAGE				REF	
-	5761989	SEE LIST 6C-66 FOR NEXT HIGHER ASM AND FIG. 6D FOR ILLUSTRATION					
- 1	76574	• LOCKWASHER-EXT TOOTH ID .267 X OD .510				1	
- 2	83462	• NUT LOCK 1/4-28 UNF				1	
- 3	124575	• CAPACITOR, FIXED, 0.22MF, P/M 10%, 35VDCW				1	
- 4	216258	• RECEPTACLE, PLUGGABLE CAP				1	
- 5	317004	• RESISTOR ASM				1	
- 6	317428	• RESISTOR, FXD, COMP- 330 OHMS P/M 5% 1/2W				1	
- 7	322729	• RESISTOR 150 OHMS				1	
- 8	333202	• RESISTOR, FXD, COMP-240 OHMS P/M 5% 1/2W				3	
- 9	361429	• MODULE, SLT, 12V MED SPEED				1	
- 10	369611	• DIODE, SEMICONDUCTOR-ZENER, TYPE DY				1	
- 11	438548	• SCREW, MACH-BIND HD 4-40 X 3/16 LG				2	
- 12	479080	• RESISTOR, FXD, FILM- 2.74K P/M 1% 1/8W				1	
- 13	479097	• RESISTOR, FXD, FILM- 5.49K P/M 1% 1/8W				1	
- 14	479099	• RESISTOR, FXD, FILM- 5.90K P/M 1% 1/8W				1	
- 15	479103	• RESISTOR, FXD, FILM- 7.68K P/M 1% 1/8W				1	
- 16	479104	• RESISTOR, FXD, FILM- 8.06K P/M 1% 1/8W				1	
- 17	491209	• RESISTOR, FXD, FILM- 4.42K P/M 1% 1/8W				1	
- 18	491210	• RESISTOR, FXD, FILM- 6.34K P/M 1% 1/8W				1	
- 19	528486	• RESISTOR, FXD, COMP- 910 OHMS P/M 5% 1/2W				1	
- 20	535441	• TRANSISTOR, TYPE 26				1	
- 21	550014	• RESISTOR, FXD, FILM- 4.87K P/M 1% 1/8W				1	
- 22	811399	• INSULATOR				1	
- 23	5214335	• RECTIFIER, CONTROLLED, SILICON				1	
- 24	5761993	• PRINTED BOARD, 3/6/12 VOLT OVERVOLTAGE				1	
- 25	5762004	• LABEL, STRIP-OV MARKING				1	
- 26	5762153	• BRACKET, SCR MOUNTING				1	

FOR PARTS NOT SHOWN  
SEE FIG. 1A AND 1B

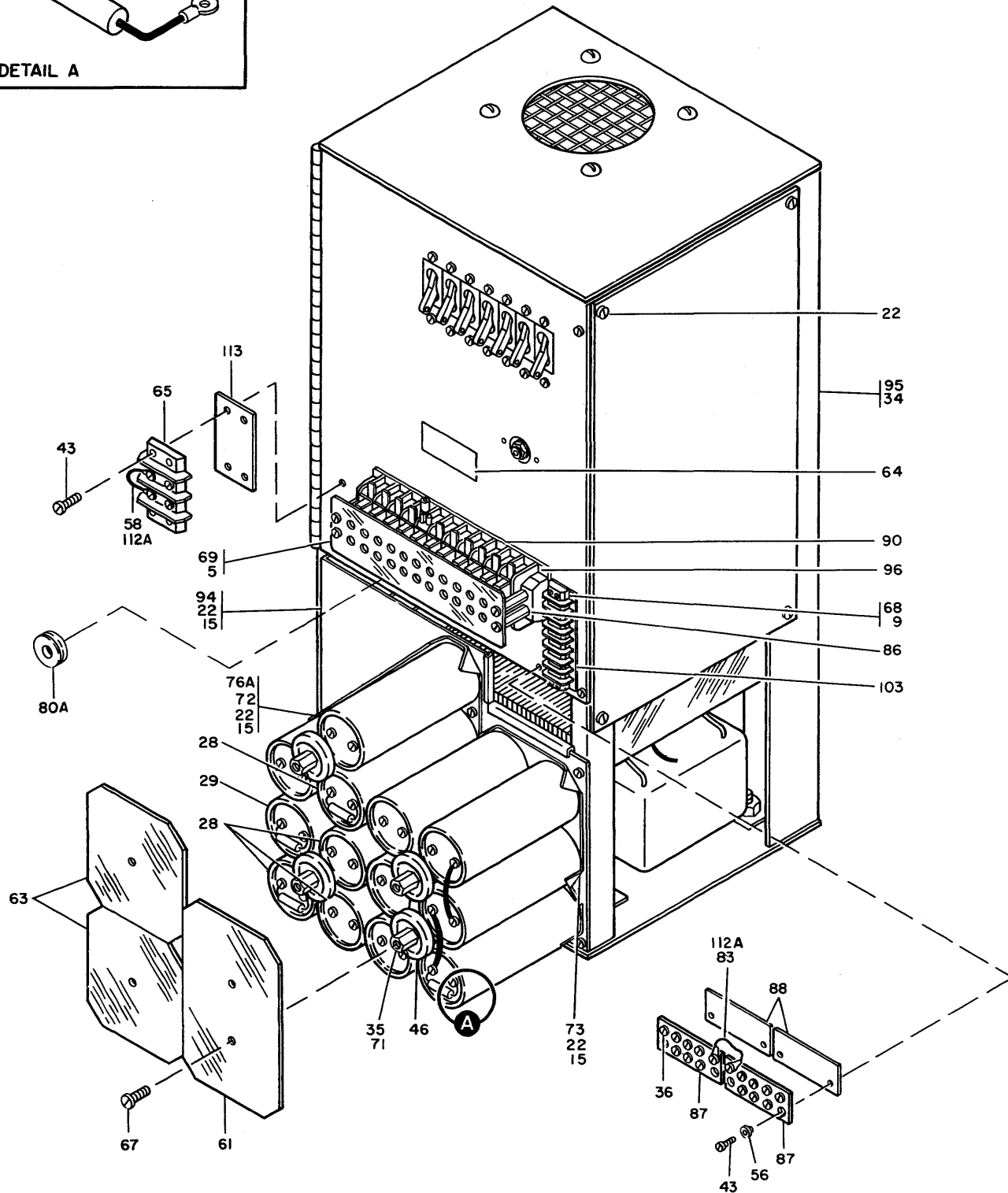
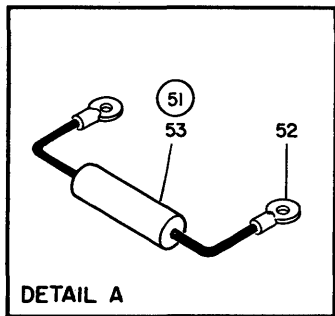


FIGURE 7. POWER SUPPLY ASM-MULTIVOLT 50/60 CPS. SHEET 1 OF 2. SEE LIST 7.



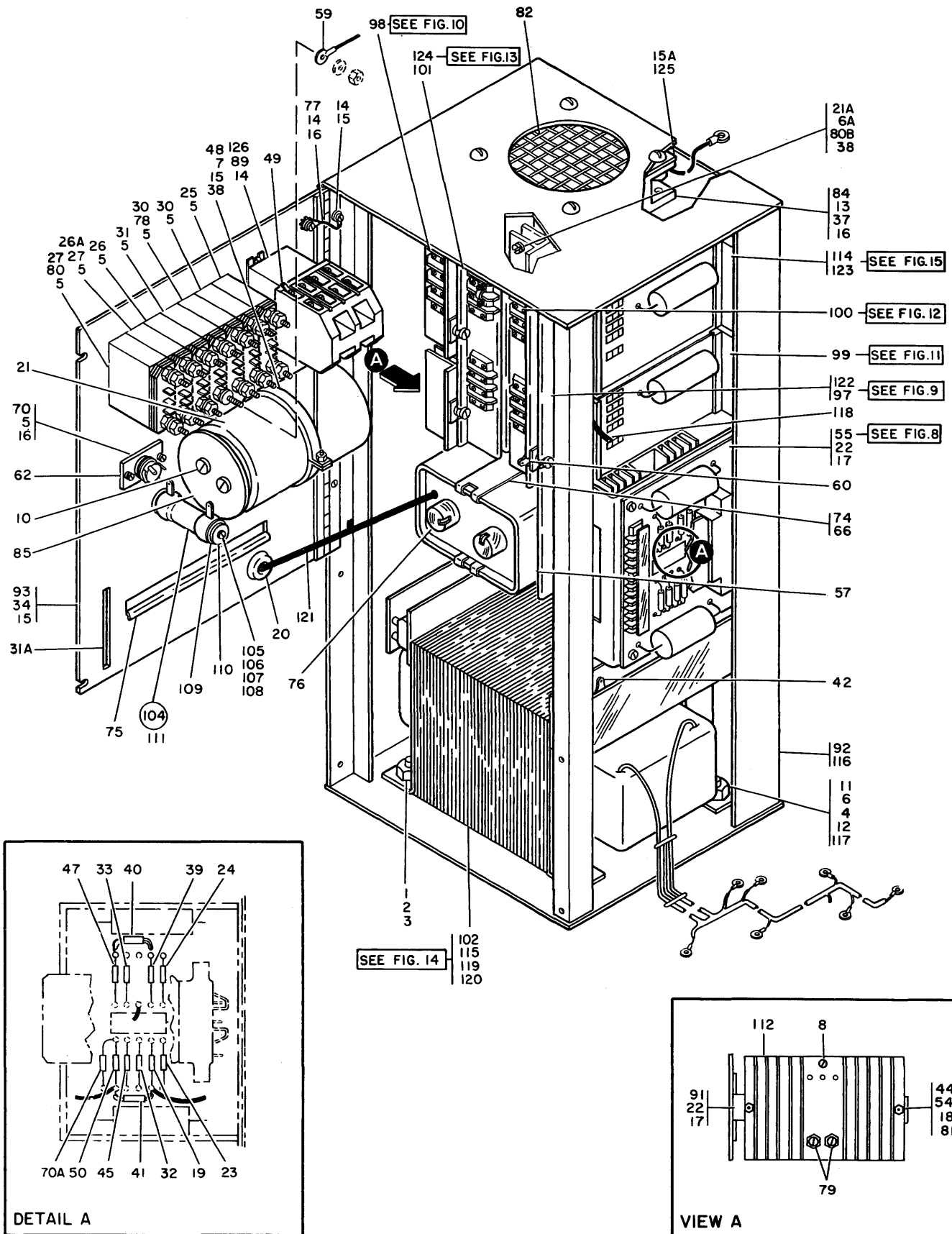


FIGURE 7. POWER SUPPLY ASM-MULTIVOLT 50/60 CPS. SHEET 2 OF 2. SEE LIST 7.

LIST AND INDEX NUMBER	PART NUMBER	DESCRIPTION				UNITS PER ASM.	USABLE ON CODE
		1	2	3	4		
		POWER SUPPLY ASM-MULTIVOLT 50/60 CPS					
7 - -	5373760	POWER SUPPLY ASM-MULTIVOLT 60 CPS				REF	
		USED ON 2803/2804 MOD. 1 60 CYCLE SEE LISTS 1A-99 AND 1B-88 FOR NEXT HIGHER ASM AND FIG. 7 FOR ILLUSTRATION					
-	5373761	POWER SUPPLY ASM-MULTIVOLT 50 CPS				REF	
		USED ON 2803/2804 MOD. 1 50 CYCLE SEE LISTS 1A-99 AND 1B-88 FOR NEXT HIGHER ASM AND FIG. 7 FOR ILLUSTRATION					
-	5397675	POWER SUPPLY ASM-MULTIVOLT 60 CPS				REF	
		USED ON 2803/2804 MOD. 1 60 CYCLE SEE LISTS 1A-99 AND 1B-88 FOR NEXT HIGHER ASM AND FIG. 7 FOR ILLUSTRATION					
-	5397676	POWER SUPPLY ASM-MULTIVOLT 50 CPS				REF	
		USED ON 2803/2804 MOD. 1 50 CYCLE SEE LISTS 1A-99 AND 1B-88 FOR NEXT HIGHER ASM AND FIG. 7 FOR ILLUSTRATION					
- 1	3550	. WASHER,FL- 1/4 X 9/16 OD X 0.050 THK				4	
- 2	3960	. NUT,PLAIN,HEX- 1/4-20 X 7/16 FL W				4	
- 3	6935	. WASHER,LOCK-SPLIT 1/4 X 0.493 OD				4	
- 4	9092	. WASHER-LOCK,SPLIT RING, .194 ID .3370D				AR	
- 5	10170	. SCREW-MACH,BIND HD NO. 6-32 X .250 LG				AR	
- 6	11598	. NUT PLAIN HEX 10/32				AR	
- 6A	22478	. WASHER,FL- 0.170 ID 0.375 OD 0.032 THK				AR	
- 7	25627	. SCREW-BD. HD 8-32 X .500 LG				1	
- 8	32042	. SCREW, MACH BIND. HD 10-32 X 3/8 LG.				1	
- 9	35739	. SCREW,MACH-BIND HD 6-32 X 15/16 LG				4	
- 10	38364	. SCREW,MACH-FIL H 8-32 X 3/16 LG				2	
- 11	38389	. SCREW,MACH-FIL H 10-32 X 7/8 LG				AR	
- 12	45690	. WASHER, FL - NO.10 X 7/16 OD X 1/32 THK				AR	
- 13	52360	. SCREW,MACH-FH 6-32 X 7/8 LG				4	
- 14	55726	. SCREW-BD HD 6-32 X .188 LG				3	
- 15	55901	. WASHER,LOCK-EXT TEETH NO. 8 X 0.381 OD				AR	
- 15A	56079	. WASHER,LOCK-EXT T .195 ID .410 OD				AR	
- 16	56722	. LOCKWASHER-EXT. TOOTH OD. .150XID. .320				AR	
- 17	60646	. WASHER,LOCK-INT TEETH NO. 8 X 0.340 OD				12	
- 18	62031	. WASHER,LOCK-INT TEETH NO. 6 X 0.295 OD				10	
- 19	103915	. RESISTOR, FXD COMP, 510 OHMS P/M 5PCT 1W				1	
- 20	123075	. GROMMET,RUB-FOR 13/16 HOLE X 1/8 PNL				1	
		USED ON 5373760/5373761 ONLY					
- 21	140470	. CAPACITOR,FXD,ELECT- 8000 UF P75M10% 55V				1	
- 21A	186758	. SCREW,MACH-BIND HD 8-32 X 7/16 LG				AR	
- 22	186759	. SCREW,MACH-BIND HD 8-32 X 5/16 LG				AR	
- 23	207320	. RESISTOR,WIREWOUND,AX.LEAD 1 OHM 5% 5W				1	
- 24	207324	. RESISTOR,FXD,WW- 0.1 OHM P/M 5% 5W				1	
- 25	207348	. CIRCUIT BREAKER- 1 POLE 60V DC 6 AMP				1	
- 26	207349	. CIRCUIT BREAKER- 1 POLE 60V DC 8 AMP				1	
- 26A	207350	. CIRCUIT BREAKER- 1 POLE 60V DC 20 AMP				1	
		USED ON 5397675/5397676 ONLY					
- 27	207351	. CIRCUIT BREAKER- 1 POLE 60V DC 12 AMP				1	
- 28	208221	. CAPACITOR,FXD,ELECT- 11000UF P100M10%19V				6	
		USED ON 5373760/5373761 ONLY					
- 28	208221	. CAPACITOR,FXD,ELECT- 11000UF P100M10%19V				8	
		USED ON 5397675/5397676 ONLY					
- 29	208224	. CAPACITOR,FXD,ELECT- 14000UF P150M10%13V				8	
		USED ON 5373760/5373761 ONLY					
- 29	208224	. CAPACITOR,FXD,ELECT- 14000UF P150M10%13V				5	
		USED ON 5397675/5397676 ONLY					
- 30	208248	. CIRCUIT BREAKER,SPDT				1	
		USED ON 5373760/5373761 ONLY					
- 30	208248	. CIRCUIT BREAKER,SPDT				2	
		USED ON 5397675/5397676 ONLY					
- 31	208299	. CIRCUIT BREAKER- 1 POLE 60VDC 3 AMP				1	
- 31A	216291	. TUBING				6	
		USED ON 5397675/5397676 FROM A7 TO CURRENT					
- 32	216981	. RESISTOR,FXD,COMP- 56 OHMS P/M 5% 2W				1	
- 33	216986	. RESISTOR, FXD COMP, 75 OHMS 2 WATTS				1	
- 34	221790	. SCREW,MACH-BIND HD 8-32 X 3/16 LG				AR	
- 35	222027	. SPACER-HEX 1/4-20 THD THRU HOLE 1 LG OA				4	
- 36	236849	. SCREW,MACH-BIND HD 10/32 X 1/4 LG				16	

LIST AND INDEX NUMBER	PART NUMBER	DESCRIPTION	UNITS PER ASM.	USABLE ON CODE
		POWER SUPPLY ASM-MULTIVOLT 50/60 CPS -CONT		
7 - 37	257187	. NUT,PLAIN,HEX- 6-32 X 3/8 FL W	AR	
- 38	257189	. NUT,HEX- 8-32	AR	
- 39	317007	. RESISTOR,FXD,COMP- 220 OHMS P/M 5% 1/2W	1	
- 40	317019	. RESISTOR,FXD,COMP- 2000 OHMS P/M 5% 1/2W	1	
- 41	317022	. RESISTOR,FIXED COMP 3.9K,5%,1/2 WATT	1	
- 42	322025	. TERMINAL-RING,14-16 AWG,1/4 HOLE,INS USED ON 5373760/5373761 ONLY	2	
- 43	322065	. SCREW,MACH-BIND HD 6-32 X 5/8 LG	8	
- 44	322551	. SCREW,MACH-BIND HD 6-32X3/4 LG	10	
- 45	322888	. RESISTOR,FXD,COMP- 100 OHMS P/M 5% 2W	1	
- 46	323543	. RETAINER,CAPACITOR	4	
- 47	323920	. RESISTOR,FXD,COMP- 3000 OHMS P/M 5% 1/2W	1	
- 48	328575	. CLAMP,CAPACITOR MOUNTING	2	
- 49	334910	. TERMINAL,RING-14/16 AWG,NO. 6,INS USED ON 5373760/5373761 ONLY	2	
- 50	334914	. RESISTOR,FIXED COMP 6.2K.5%,1/2 WATT	1	
- 51	337523	. RESISTOR ASSY, 1K 1W	4	
- 52	94856	. . TERMINAL,LUG	2	
- 53	317049	. . RESISTOR,FXD,COMP- 1K P/M 5% 1/2W	1	
- 54	337549	. INSULATOR - HEAT SINK MOUNTING	20	
- 55	342070	. REGULATOR ASSEMBLY-BASIC SEE LIST 8 FOR DETAIL BREAKDOWN	1	
- 56	351540	. INSULATOR,BUSHING	4	
- 57	351784	. CAPACITOR,FIXED,60MFD,P/M 6%,250VACW	1	
- 58	352838	. JUMPER ASSEMBLY USED ON 5373760/5373761 ONLY SEE LIST 25-13C FOR COMPONENT PARTS	1	
- 59	359695	. TERMINAL,RING-14/16 AWG,NO. 10,INS	40	
- 60	360370	. TERMINAL,RING-14/16 AWG,NO. 8,INS	2	
- 61	361216	. COVER-CAPACITOR	1	
- 62	361226	. INSULATOR,JACK	1	
- 63	364692	. SHIELD,CAPACITOR	2	
- 64	369207	. LABEL,VOLTAGE	1	
- 65	436972	. STRIP, TERMINAL-BARRIER-2 TERMINALS	1	
- 66	438592	. SCREW,MACH-BIND HD 8-32 X 2-1/4 LG	2	
- 67	438622	. SCREW,MACH-BIND HD 1/4-20 X 3/8 LG	4	
- 68	460243	. TERMINAL STRIP	1	
- 69	473386	. SHIELD,TERMINAL BLOCK 11 POSITION	1	
- 70	480554	. JACK	1	
- 70A	491320	. CAPACITOR,FILM,.1MFD 5% 100 VOLTS USED ON 5397675/5397676 ONLY	1	
- 71	511096	. BOLT,KEY HD- 1/4-20 X 5 LG	4	
- 72	511097	. PLATE-CAPACITOR MOUNTING USED ON 5373760/5373761 ONLY	2	
- 72	511097	. PLATE-CAPACITOR MOUNTING USED ON 5397675/5397676 ONLY	1	
- 73	511099	. BASE-CAPACITOR MOUNTING	2	
- 74	517197	. BRACKET-CAPACITOR MOUNTING	2	
- 75	518578	. RUBBER CHANNEL	AR	
- 76	526378	. CAP-INSULATION	2	
- 76A	529088	. BASE-CAPACITOR MOUNTING 3 POSITION USED ON 5397675/5397676 ONLY	1	
- 77	534758	. JUMPER ASM-GRN 7 IN. 14AWG 1 LUG EA END SEE LIST 25-1 FOR COMPONENT PARTS	1	
- 78	538830	. CIRCUIT BREAKER- 1 POLE 50V DC 5 AMP USED ON 5373760/5373761 ONLY	1	
- 79	598479	. SEMICONDUCTOR DEVICE-DIODE,150V 10A	2	
- 80	730430	. CIRCUIT BREAKER-SP 60VDC 26 AMP USED ON 5373760/5373761 ONLY	1	

LIST AND INDEX NUMBER	PART NUMBER	DESCRIPTION	UNITS PER ASM.	USABLE ON CODE
		POWER SUPPLY ASM-MULTIVOLT 50/60 CPS -CONT		
7 - 80A	730432	. GROMMET,CATERPILLAR USED ON 5397675/5397676 ONLY	1	
- 80B	1090873	. LOCKWASHER	4	
- 81	1127722	. NUT,HEX-CASE HARDENED 6-32 X .078 IN. TH	10	
- 82	2128588	. GUARD-GATE BLOWER FAN	1	
- 83	2129315	. JUMPER ASSEMBLY USED ON 5373760/5373761 ONLY	1	
- 84	5313850	. FAN VENTURI	1	
- 85	5323562	. COVER-CAPACITOR	1	
- 86	5331853	. STANDOFF-COVER MOUNTING	4	
- 87	5359323	. BUS BAR-DC RETURN	2	
- 88	5359324	. INSULATOR-DC RETURN	2	
- 89	5362031	. MAGNETIC CONTACTOR	1	
- 90	5362035	. INSULATOR,TERMINAL BOARD	1	
- 91	5362037	. BRACKET-HEATSINK	5	
- 92	5362044	. CHASSIS-ELECTRICAL USED ON 5373760/5397675/5397676 ONLY	1	
- 93	5362045	. DOOR,FRONT	1	
- 94	5362047	. PLATE-CAPACITOR MTG	1	
- 95	5362049	. COVER	1	
- 96	5362095	. TERMINAL BLOCK	1	
- 97	5362098	. HEATSINK ASSEMBLY USED ON 5373760/5373761	1	
- 98	5362100	SEE LIST 9 FOR DETAIL BREAKDOWN . HEATSINK ASSEMBLY	1	
- 99	5362164	SEE LIST 10 FOR DETAIL BREAKDOWN . REGULATOR ASSEMBLY,P/M 12 VOLT DC	1	
-100	5362166	SEE LIST 11 FOR DETAIL BREAKDOWN . HEATSINK ASSEMBLY	1	
-101	5362167	SEE LIST 12 FOR DETAIL BREAKDOWN . HEATSINK ASSEMBLY	1	
-102	5362175	USED ON 5373760/5373761 ONLY SEE LIST 13 FOR DETAIL BREAKDOWN . CABLE ASSEMBLY-FERRO REGULATOR- 60 CY	1	
-103	5362176	USED ON 5373760 ONLY SEE LIST 14 FOR DETAIL BREAKDOWN . INSULATOR	1	
-104	5362177	. RESISTOR ASSEMBLY 300 OHMS 25W	1	
-105	22478	. . WASHER,FL- 0.170 ID 0.375 OD 0.032 THK	1	
-106	60646	. . WASHER,LOCK-INT TEETH NO. 8 X 0.340 OD	1	
-107	257189	. . NUT,HEX- 8-32	2	
-108	438584	. . SCREW,MACH-FIL H 8-32 X 2-3/4 LG	1	
-109	442958	. . INSULATOR,WASH- 7/16 ID 3/4 OD 1/32 THK	2	
-110	507144	. . WASHER-CENTERING 0.173 ID X 5/8 OD	2	
-111	515821	. . RESISTOR,FXD,WW- 300 OHMS P/M 5% 25W	1	
-112	5363699	. HEATSINK-TRANSISTOR MOUNTING	1	
-112A	5364226	. JUMPER,BRASS 50 AMP TB USED ON 5397675/5397676 FROM A7 TO CURRENT	2	
-113	5371579	. INSULATOR-TERMINAL BOARD-2 POS	1	
-114	5372586	. REGULATOR ASSEMBLY,P/M 6 VOLT DC USED ON 5373760/5373761 ONLY SEE LIST 15 FOR DETAIL BREAKDOWN	1	
-115	5373747	. CABLE ASSEMBLY-FERRO REGULATOR-50 CY USED ON 5373761 ONLY SEE LIST 14 FOR DETAIL BREAKDOWN	1	
-116	5391645	. CHASSIS-POWER SUPPLY USED ON 5373761 ONLY	1	



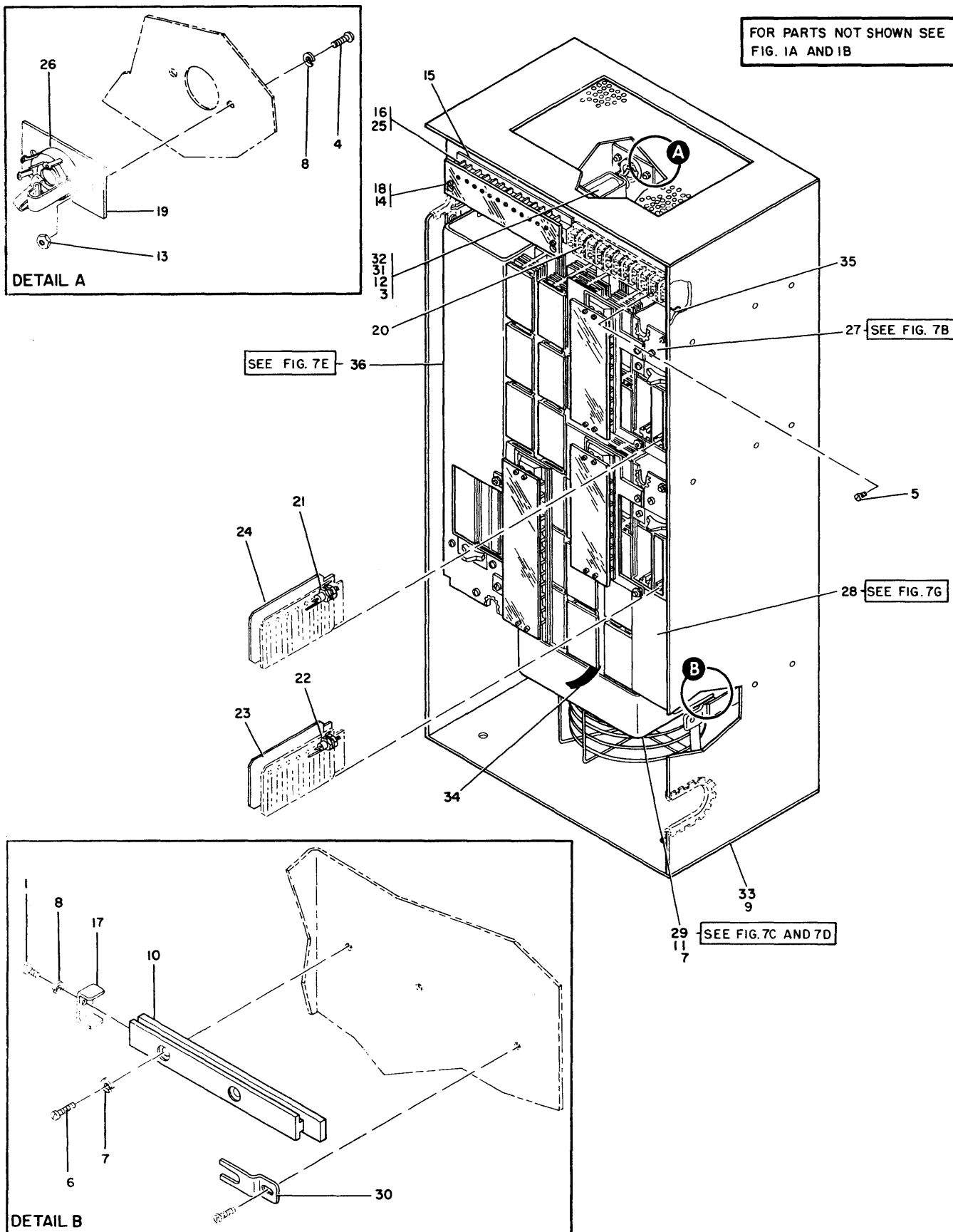


FIGURE 7A. DC POWER SUPPLY ASSEMBLY. SEE LIST 7A.

LIST AND INDEX NUMBER	PART NUMBER	DESCRIPTION				UNITS PER ASM.	USABLE ON CODE
		1	2	3	4		
		DC POWER SUPPLY ASSEMBLY					
7A-	5421160	D.C. POWER SUPPLY USED ON 2803/2804 MODEL 2 SEE LISTS 1A-99 AND 1B-88 FOR NEXT HIGHER ASSEMBLY AND FIG. 7A FOR ILLUSTRATION				REF	
- 1	10170	. SCREW-MACH,BIND HD NO. 6-32 X .250 LG				7	
- 3	37913	. NUT,PLAIN-HEX,4-40 X 1/4 IN. FL W				2	
- 4	38352	. SCREW,MACH-FIL H 6-32 X 3/8 LG				2	
- 5	55726	. SCREW-BD HD 6-32 X .188 LG				1	
- 6	55918	. SCREW,MACH-BIND HD 10-32 X 5/8 LG				10	
- 7	56079	. WASHER,LOCK-EXT T .195 ID .410 OD				12	
- 8	56722	. LOCKWASHER-EXT. TOOTH OD. .150XID. .320				9	
- 9	186759	. SCREW,MACH-BIND HD 8-32 X 5/16 LG				5	
- 10	207382	. RAIL-POWER SUPPLY MOUNTING				5	
- 11	236849	. SCREW,MACH-BIND HD 10/32 X 1/4 LG				2	
- 12	251970	. SCREW-MACH BD. HD. 4-40 X 1/4 LG				2	
- 13	257187	. NUT,PLAIN,HEX- 6-32 X 3/8 FL W				2	
- 14	322550	. SCREW,MACH-BIND HD 6-32 X 1/2 LG				4	
- 15	323656	. SPACER- 3/16 ID X 5/16 OD X 1/2 THK				4	
- 16	323842	. TERMINAL BOARD- 12 DBL SCREW TERMINALS				2	
- 17	350886	. STOP				7	
- 18	352826	. COVER TERMINAL				2	
- 19	361226	. INSULATOR,JACK				1	
- 20	367115	. JUMPER-TERMINAL STRIP VDC DISTR BRS				15	
- 21	372422	. CARD ASSEMBLY				2	
- 22	372423	. CARD ASSEMBLY,TESTER,-6V				1	
- 23	372990	. CARD ASSEMBLY,MIDPAK- 6V AMPLIFIER				1	
- 24	374546	. CARD ASM				2	
- 25	438568	. SCREW,MACH-UNDRCT BIND HD 6-32 X 1-1/8				4	
- 26	480554	. JACK				1	
- 27	730450	. POWER SUPPLY ASSEMBLY,12V AT 13A				1	
- 28	730478	SEE LIST 7B FOR DETAIL BREAKDOWN . 6 VOLT AT 32 AMP POWER SUPPLY ASSEMBLY SEE LIST 7G FOR DETAIL BREAKDOWN				1	
- 29	5318965	. FAN ASSEMBLY -50/60 CYCLE SEE LIST 7D FOR DETAIL BREAKDOWN				1	
- 29	5271389	. FAN ASSEMBLY-50 CYCLE ONLY SEE LIST 7C FOR DETAIL BREAKDOWN FOR WT MACHINES ONLY				1	
- 30	5318975	. KEEPER,POWER SUPPLY				5	
- 31	5349252	. THERMOSTAT				1	
- 32	5349309	. HOLDER ASSEMBLY				1	
- 33	5421161	. BOX,D.C. POWER SUPPLY				1	
- 34	5421162	. CABLE ASSEMBLY SEE LIST 25-13,-13B,-13C,-16,-18,-34,-35 AND -39 FOR COMPONENT PARTS				1	
- 35	5421198	. CAPACITOR ASSEMBLY				1	
- 36	5761100	. POWER PAC ASSEMBLY SEE LIST 7E FOR DETAIL BREAKDOWN				1	

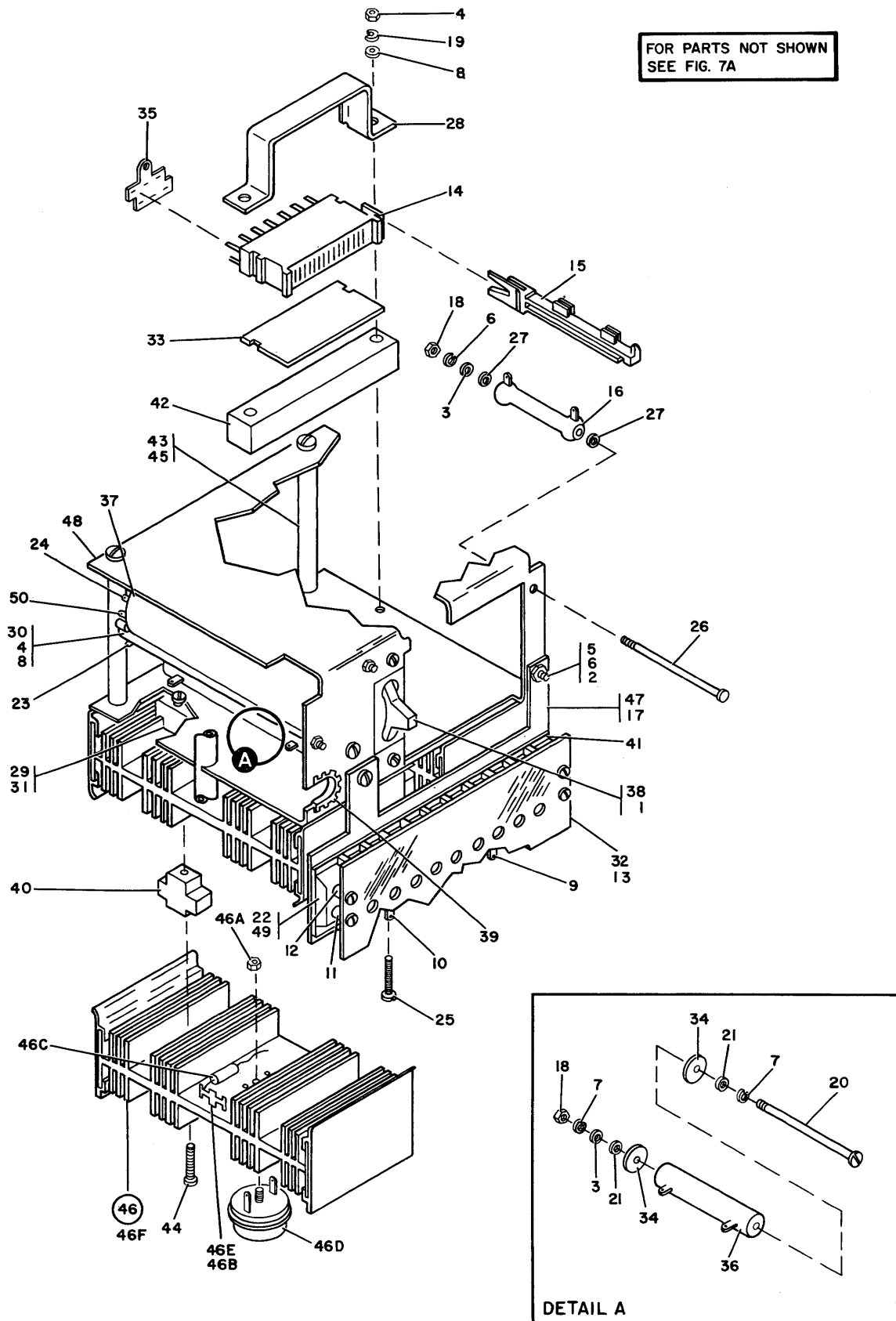


FIGURE 7B. MID PAC POWER ASSEMBLY. SEE LIST 7B.





LIST AND INDEX NUMBER	PART NUMBER	DESCRIPTION	UNITS PER ASM.	USABLE ON CODE
MID PAC POWER ASSEMBLY -CONT				
7B- 17	236849	• SCREW,MACH-BIND HD 10/32 X 1/4 LG	1	
- 18	257189	• NUT,HEX- 8-32	2	
- 19	257986	• WASHER,FLAT NO. 6	2	
- 20	304479	• SCREW,MACH-RH 8-32 X 4-3/4 LG	1	
- 21	321603	• WASHER,INSULATING 5/8 OD X 0.031 THK	2	
- 22	323844	• BLOCK,TERMINAL 9 POSITION	1	
- 23	334932	• TERMINAL,RING-18/22 AWG,NO. 10,INS	1	
- 24	359695	• TERMINAL,RING-14/16 AWG,NO. 10,INS	2	
- 25	438567	• SCREW,MACH-UNDRCT BIND HD 6-32 X 1 LG	2	
- 26	438582	• SCREW,MACH-FIL H 8-32 X 2-1/4 LG	1	
- 27	442959	• INSULATOR,WASH- 11/64 ID 15/32 OD 1/32 T	2	
- 28	473530	• BRACKET	1	
- 29	473531	• INSULATOR	4	
- 30	473543	• CLAMP ASM-CAPACITOR	2	
- 31	473544	• SCREW,BINDING HEAD SELF TAP NO 6 1/2 IN	4	
- 32	473545	• SHIELD,9 POSITION	1	
- 33	473547	• SPACER,1 X 2 3/8 IN .12 IN THICK	1	
- 34	510468	• WASHER,CUPPED- 1/5IN X .029 DIA	2	
- 35	730177	• BUSS - RECEPTACLE - 8 POSITION	2	
- 36	730426	• RESISTOR,FXD-WW 0.18 OHMS P/M 10% 90 W	1	
- 37	730428	• CAPACITOR,FXD,ELECT-8,000 MFD 15 VDCW	1	
- 38	730431	• CIRCUIT BREAKER-SP 60V DC 13 AMP	1	
- 39	730432	• GROMMET,CATERPILLAR	2	
- 40	730434	• TIE BAR-2 POS	2	
- 41	730439	• PLATE DESIGNATION-9 POS	1	
- 42	730443	• SPACER-CARD RECP	1	
- 43	730444	• SPACER,SLEEVE	2	
- 44	730445	• SCREW,SELF TAPPING NO.6 X 2.18 LG	4	
- 45	730446	• SCREW,MACH-BINDING HD 10-32 X 3.16 LG	2	
- 46	730453	• HEAT SINK ASSEMBLY	4	
- 46A	11891	• NUT-PLAIN,HEX,10-32 X 3/8 FL W BRS	1	
- 46B	80651	• SCREW,THD CTG-BIND HD 6-32 X 3/8 LG	1	
- 46C	207324	• RESISTOR,FXD,WW- 0.1 OHM P/M 5% 5W	1	
- 46D	369214	• TRANSISTOR,TYPE 108	1	
- 46E	478045	• TERMINAL,SOLDER	1	
- 46F	730448	• HEAT SINK	1	
- 47	730455	• PLATE,MTG-TERMINAL BOARD	1	
- 48	730456	• CHASSIS	1	
- 49	730468	• JUMPER-TERMINAL STRIP	3	
- 50	2101326	• TERMINAL,RING-10/12 AWG,NO. 10,INS	6	

FOR PARTS NOT SHOWN  
SEE FIG. 7A

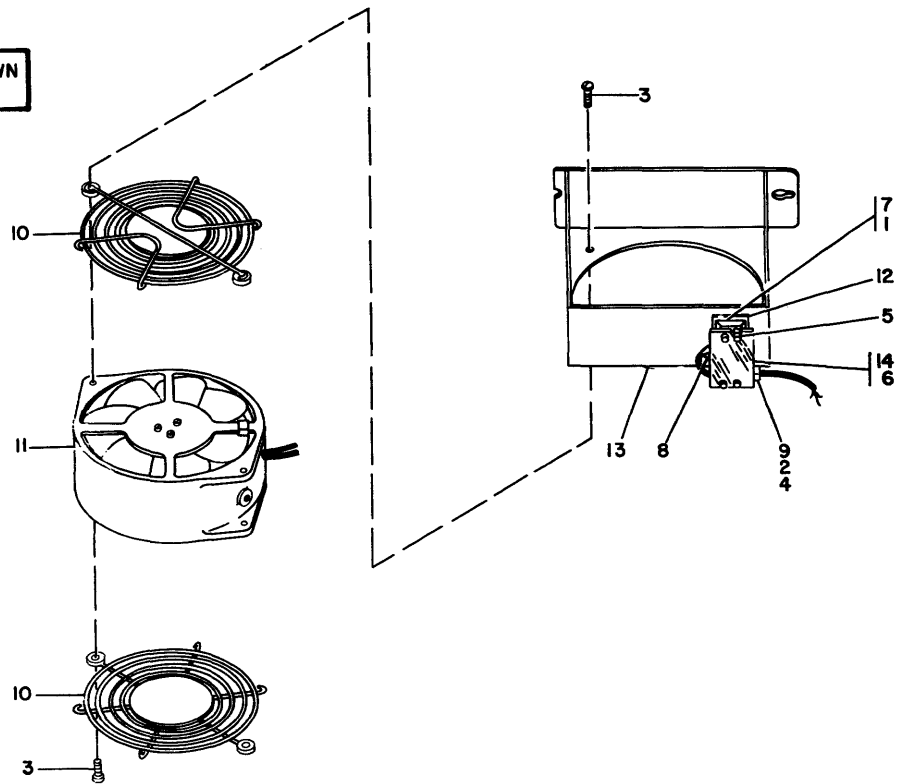


FIGURE 7C. FAN ASSEMBLY-50 CYCLE. SEE LIST 7C.

LIST AND INDEX NUMBER	PART NUMBER	DESCRIPTION				UNITS PER ASM.	USABLE ON CODE
		1	2	3	4		
		FAN ASSEMBLY-50 CYCLE					
7C-	5271389	FAN ASSEMBLY-50 CYCLE SEE LIST 7A-29 FOR NEXT HIGHER ASSEMBLY AND FIGURE 7C FOR ILLUSTRATION				REF	
- 1	35739	• SCREW, MACH-BIND HD 6-32 X 15/16 LG				2	
- 2	38235	• SCREW MACH 6/32 X .310 LG				1	
- 3	55918	• SCREW, MACH-BIND HD 10-32 X 5/8 LG				4	
- 4	56722	• LOCKWASHER-EXT. TOOTH OD. .150XID. .320				1	
- 5	316187	• SPACER- 0.186 ID X 1/4 OD X 5/16 THK				2	
- 6	322552	• SCREW, MACH-BIND HD 6-32 X 7/8 LG				2	
- 7	323836	• TERMINAL BOARD- 2 DBL SCREW TERMINALS				1	
- 8	334921	• TERMINAL, RING-18/22 AWG, NO. 6, INS				2	
- 9	2102364	• CLAMP, LOOP- 0.220 ID 0.170 DIA MTG HOLE				1	
- 10	4103594	• GUARD-FAN				2	
- 11	4120172	• FAN				1	
- 12	5318920	• STRIP T B MARKER				1	
- 13	5318964	• HOUSING-FAN MTG				1	
- 14	5319909	• COVER-TERM BLOCK 15A 2 POSITION				1	

FOR PARTS NOT SHOWN  
SEE FIG. 7A

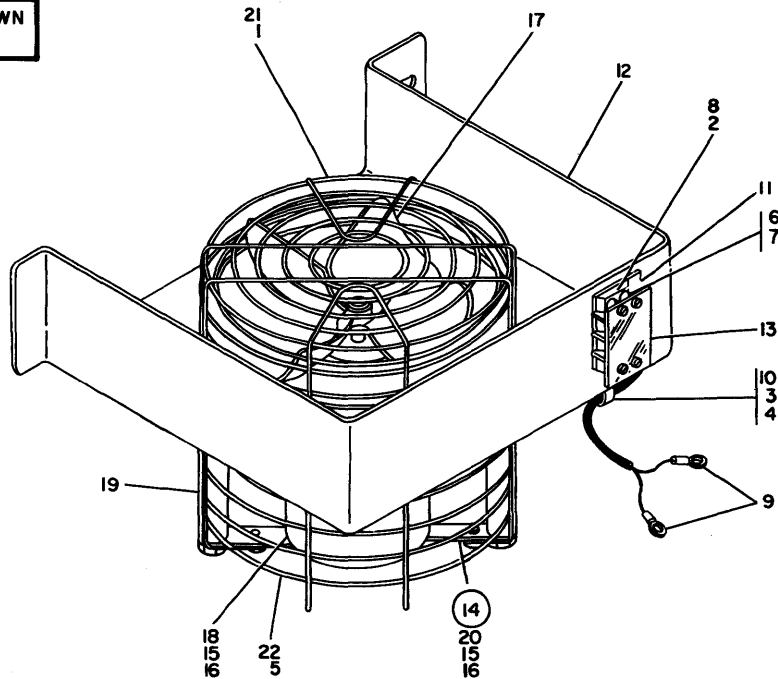
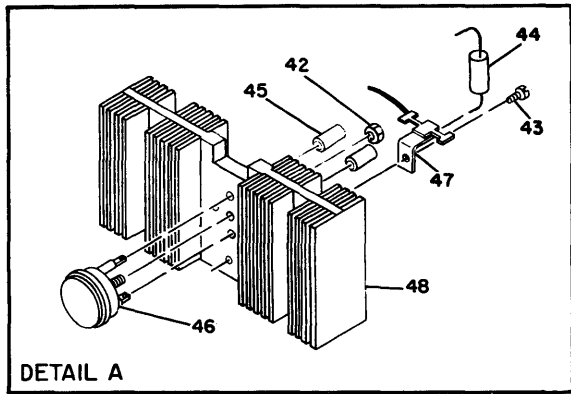


FIGURE 7D. FAN ASSEMBLY-50/60 CYCLE. SEE LIST 7D.

LIST AND INDEX NUMBER	PART NUMBER	DESCRIPTION	UNITS PER ASM.	USABLE ON CODE
		FAN ASSEMBLY-50/60 CYCLE		
7D-	5318965	FAN ASSEMBLY -50/60 CYCLE SEE LIST 7A-29 FOR NEXT HIGHER ASM AND FIGURE 7D FOR ILLUSTRATION	REF	
- 1	32042	• SCREW, MACH BIND. HD 10-32 X 3/8 LG.	2	
- 2	35739	• SCREW, MACH-BIND HD 6-32 X 15/16 LG	2	
- 3	38235	• SCREW MACH 6/32 X .310 LG	1	
- 4	56722	• LOCKWASHER-EXT. TOOTH OD. .150XID. .320	1	
- 5	83606	• SCREW, THD CTG-BIND HD 10-32 X 5/16 LG	2	
- 6	316187	• SPACER- 0.186 ID X 1/4 OD X 5/16 THK	2	
- 7	322552	• SCREW, MACH-BIND HD 6-32 X 7/8 LG	2	
- 8	323836	• TERMINAL BOARD- 2 DBL SCREW TERMINALS	1	
- 9	334921	• TERMINAL, RING-18/22 AWG, NO. 6, INS	2	
- 10	2102364	• CLAMP, LOOP- 0.220 ID 0.170 DIA MTG HOLE	1	
- 11	5318920	• STRIP T B MARKER	1	
- 12	5318964	• HOUSING-FAN MTG	1	
- 13	5319909	• COVER-TERM BLOCK 15A 2 POSITION	1	
- 14	5357050	• FAN ASM-NO CONNECTOR	1	
- 15	56079	• • WASHER, LOCK-EXT T .195 ID .410 OD	4	
- 16	130434	• • SCREW-MACH, SLOTTED HEX HD NO.10-32 X.375	4	
- 17	5357066	• • BLADE	1	
- 18	5357067	• • MOTOR, 208/230V-60CY, 220V-50CY	1	
- 19	5357068	• • BRACKET-MOTOR MTG	1	
- 20	5357069	• • ORIFICE-FAN	1	
- 21	5357059	• GUARD TOP	1	
- 22	5357060	• GUARD 5 IN FAN	1	



FOR PARTS NOT SHOWN  
SEE FIG. 7A

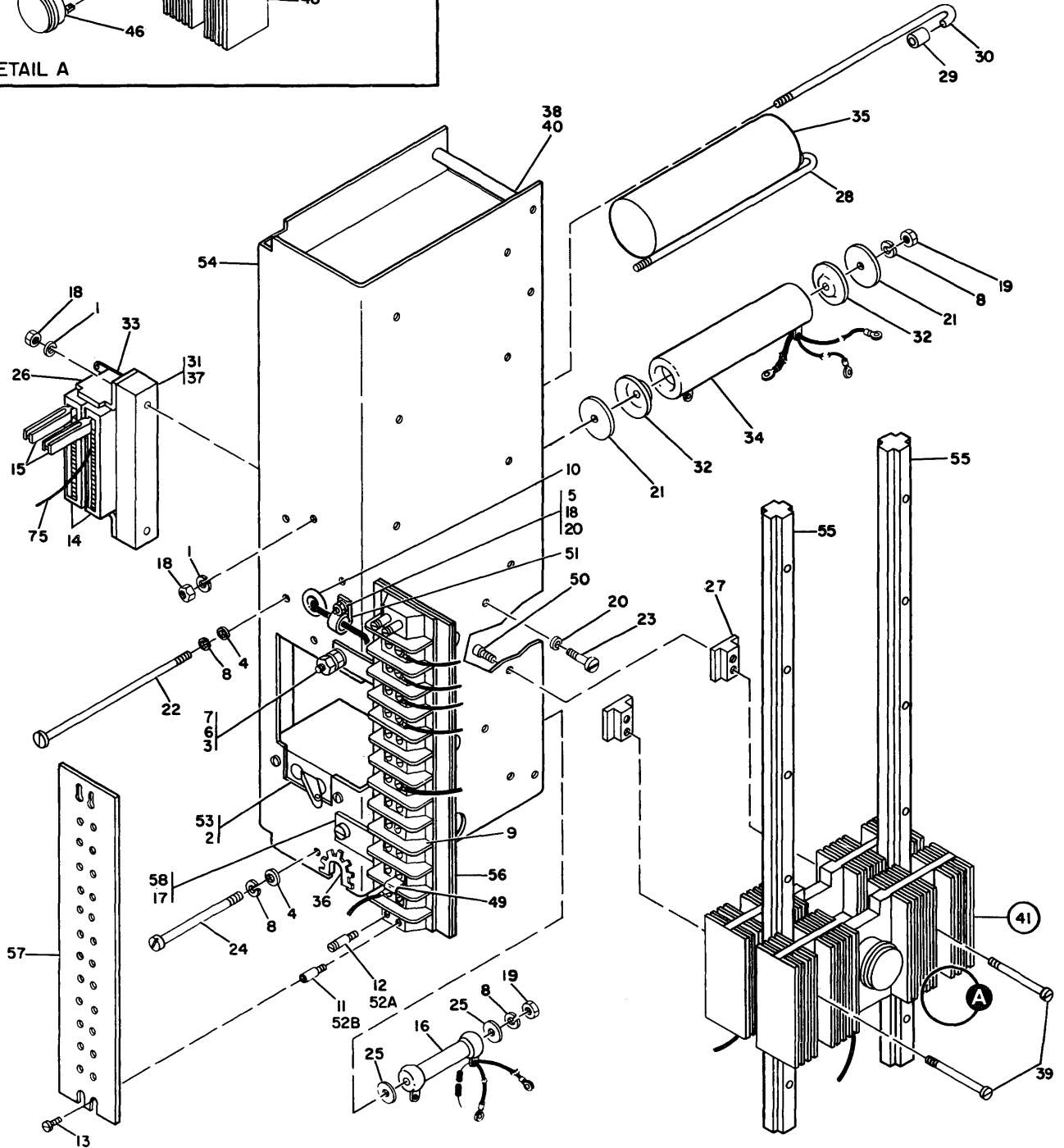


FIGURE 7E. POWER PAC ASSEMBLY. SEE LIST 7E.

LIST AND INDEX NUMBER	PART NUMBER	DESCRIPTION	UNITS	USABLE
			PER ASM.	ON CODE
		POWER PAC ASSEMBLY		
7E-	5761100	POWER PAC ASSEMBLY	REF	
		SEE LIST 7A-36 FOR NEXT HIGHER ASSEMBLY AND FIGURE 7E FOR ILLUSTRATION		
- 1	6364	• WASHER, LOCK-SPLIT NO. 6 X 1/4 OD	4	
- 2	10170	• SCREW-MACH, BIND HD NO. 6-32 X .250 LG	2	
- 3	11598	• NUT PLAIN HEX 10/32	2	
- 4	22478	• WASHER, FL- 0.170 ID 0.375 OD 0.032 THK	3	
- 5	35739	• SCREW, MACH-BIND HD 6-32 X 15/16 LG	1	
- 6	55918	• SCREW, MACH-BIND HD 10-32 X 5/8 LG	1	
- 7	56121	• WASHER, LOCK-INT TEETH NO. 10 X 0.381 OD	1	
- 8	60646	• WASHER, LOCK-INT TEETH NO. 8 X 0.340 OD	6	
- 9	81898	• BLOCK, 12 DBL SCREW TERMINALS	1	
- 10	123073	• GROMMET, RUBBER	1	
- 11	209483	• STUD, MOUNTING- 6-32 X 9/16 LG USED ON ASM PRIOR TO F7	1	
- 12	209484	• STUD, SHD MTG- 8-32 X 9/16 LG USED ON ASM PRIOR TO F7	3	
- 13	210984	• SCREW, RD HD MACH-6-32 X .250 LG	1	
- 14	216076	• TERMINAL BLOCK AND CONTACT ASSEMBLY	2	
- 15	216206	• GUIDE-SINGLE CARD LONG	2	
- 16	221517	• RESISTOR, FXD, WW- 75 OHMS P/M 5% 10W	1	
- 17	236849	• SCREW, MACH-BIND HD 10/32 X 1/4 LG	1	
- 18	257187	• NUT, PLAIN, HEX- 6-32 X 3/8 FL W	5	
- 19	257189	• NUT, HEX- 8-32	3	
- 20	257986	• WASHER, FLAT NO. 6	3	
- 21	321603	• WASHER, INSULATING 5/8 OD X 0.031 THK	4	
- 22	331982	• SCREW, MACH RD HD 8-32 X 1-1/4 LG	2	
- 23	438567	• SCREW, MACH-UNDRCT BIND HD 6-32 X 1 LG	2	
- 24	438592	• SCREW, MACH-BIND HD 8-32 X 2-1/4 LG	1	
- 25	442959	• INSULATOR, WASH- 11/64 ID 15/32 OD 1/32 T	2	
- 26	473530	• BRACKET	1	
- 27	473531	• INSULATOR	12	
- 28	473543	• CLAMP ASM-CAPACITOR	2	
- 29	473412	• INSULATOR, CAPACITOR CLAMP	1	
- 30	473422	• CLAMP, CAPACITOR	1	
- 31	473547	• SPACER, 1 X 2 3/8 IN .12 IN THICK	1	
- 32	510468	• WASHER, CUPPED- 1/5IN X .029 DIA	4	
- 33	730177	• BUSS - RECEPTACLE - 8 POSITION	2	
- 34	730425	• RESISTOR, FXD-WW 0.14 OHMS P/M 10% 90 W	2	
- 35	730428	• CAPACITOR, FXD, ELECT-8,000 MFD 15 VDCW	1	
- 36	730432	• GROMMET, CATERPILLAR	1	
- 37	730443	• SPACER-CARD RECP	1	
- 38	730444	• SPACER, SLEEVE	2	
- 39	730445	• SCREW, SELF TAPPING NO.6 X 2.18 LG	12	
- 40	730446	• SCREW, MACH-BINDING HD 10-32 X 3.16 LG	2	
- 41	730453	• HEAT SINK ASSEMBLY	12	
- 42	11891	• NUT-PLAIN, HEX, 10-32 X 3/8 FL W BRS	1	
- 43	80651	• SCREW, THD CTG-BIND HD 6-32 X 3/8 LG	1	



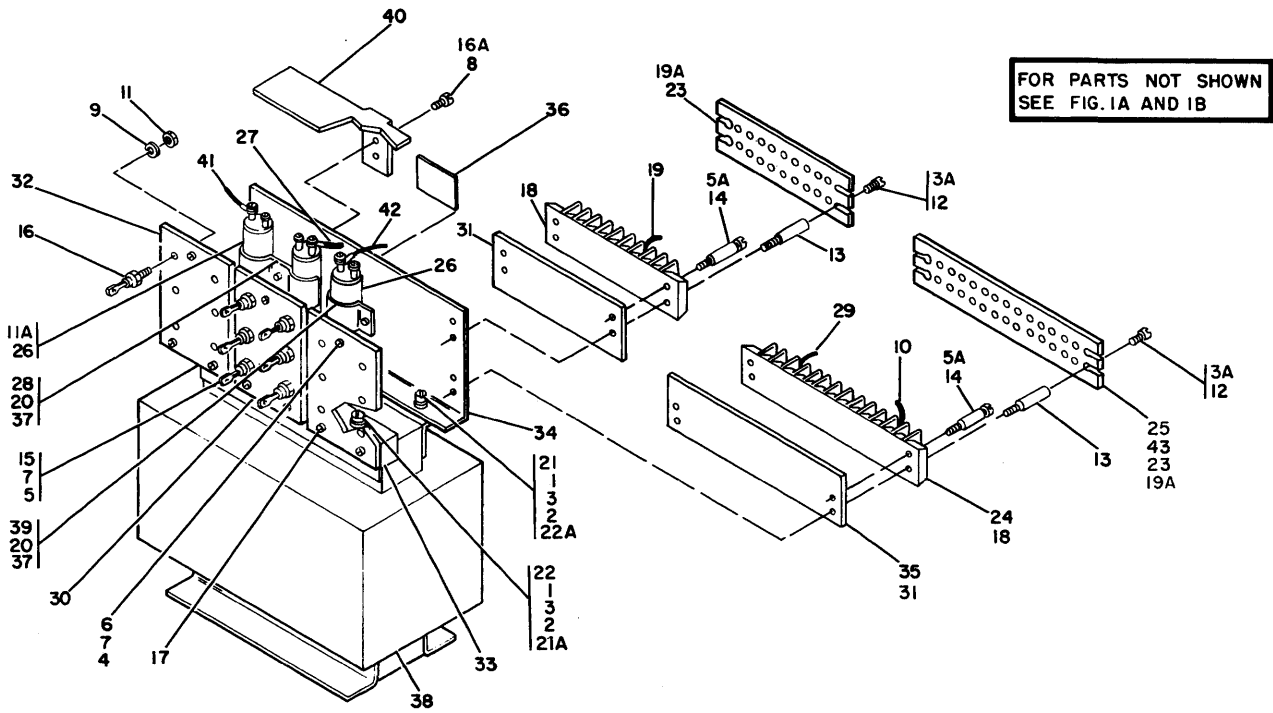
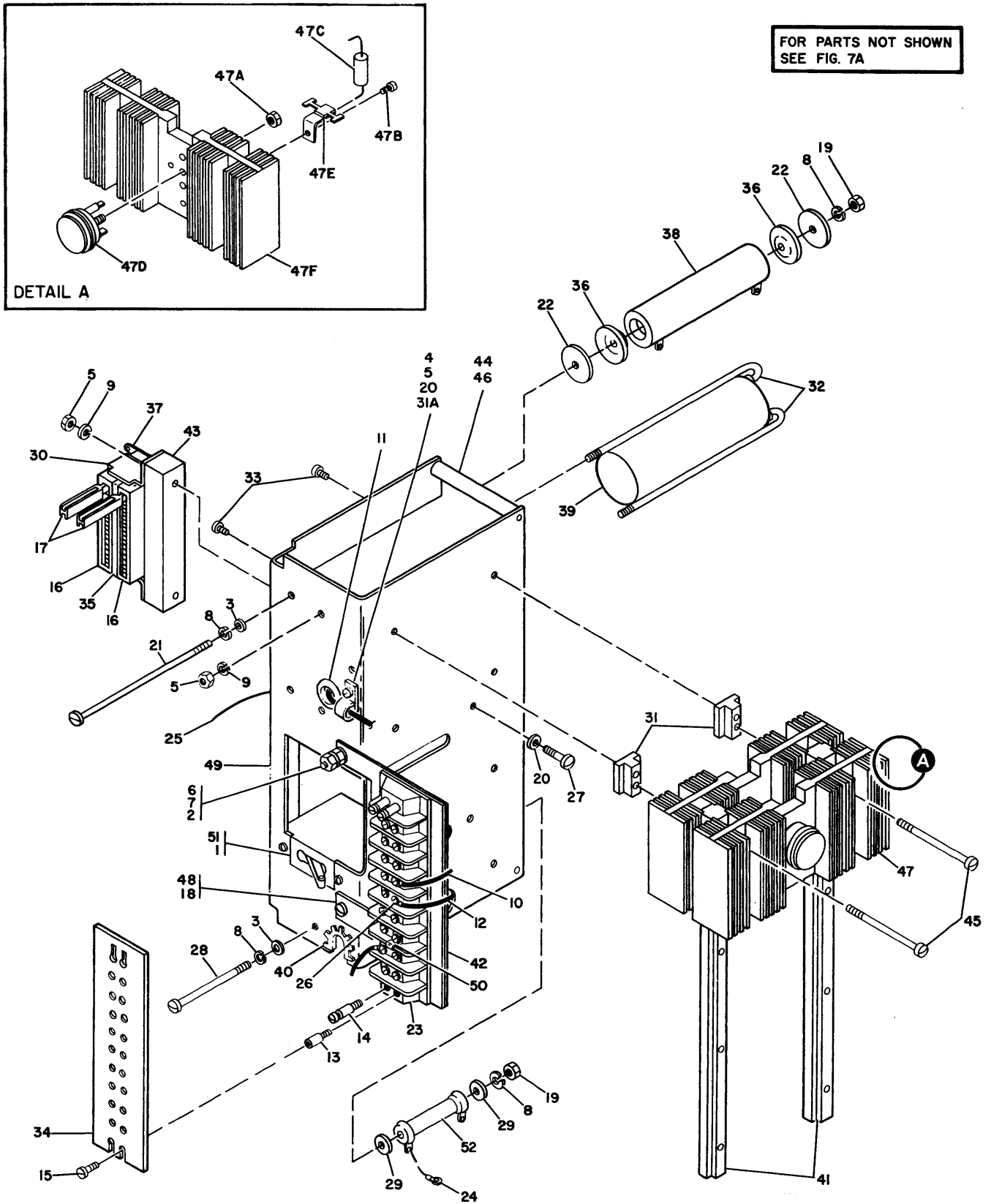


FIGURE 7F. TRANSFORMER-RECTIFIER ASSEMBLY 50/60 CYCLE. SEE LIST 7F.

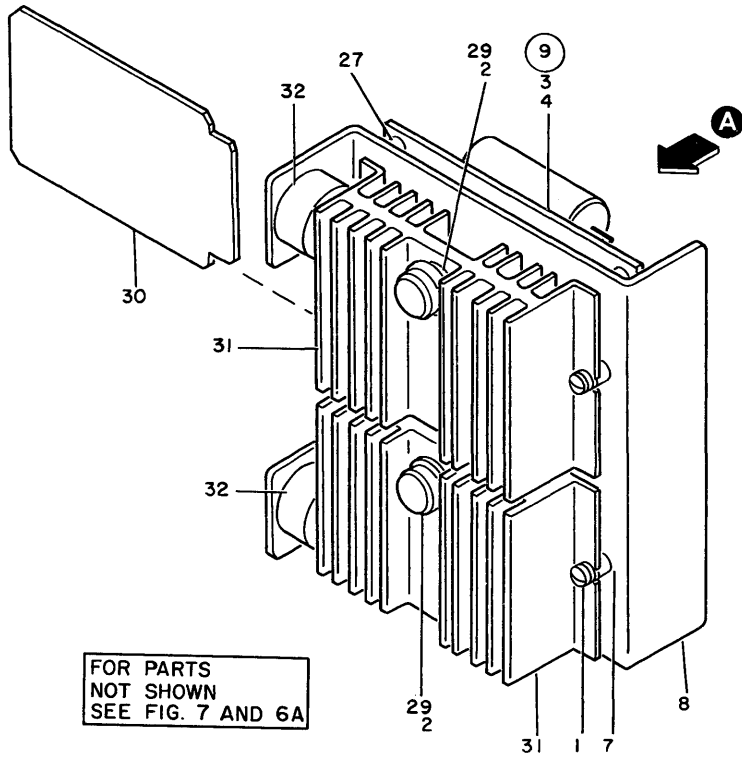


LIST AND INDEX NUMBER	PART NUMBER	DESCRIPTION				UNITS PER ASM.	USABLE ON CODE
		1	2	3	4		
		TRANSFORMER-RECTIFIER ASSEMBLY 50/60 CYCLE					
7F-	5761120	TRANSFORMER-RECTIFIER ASSEMBLY-60 CYCLE USED ON 2803/2804 MODEL 2-60 CYCLE SEE LISTS 1A-186 AND 1B-114 FOR NEXT HIGHER ASSEMBLY AND FIGURE 7F FOR ILLUSTRATION				REF	
-	5761110	TRANSFORMER-RECTIFIER ASSEMBLY-50 CYCLE USED ON 2803/2804 MODEL 2-50 CYCLE SEE LISTS 1A-186 AND 1B-114 FOR NEXT HIGHER ASSEMBLY AND FIGURE 7F FOR ILLUSTRATION				REF	
- 1	3550	. WASHER,FL- 1/4 X 9/16 OD X 0.050 THK				4	
- 2	3960	. NUT,PLAIN,HEX- 1/4-20 X 7/16 FL W				4	
- 3	6935	. WASHER,LOCK-SPLIT 1/4 X 0.493 OD				4	
- 3A	10170	. SCREW-MACH,BIND HD NO. 6-32 X .250 LG				AR	
- 4	11598	. NUT PLAIN HEX 10/32				3	
- 5	11891	. NUT-PLAIN,HEX,10-32 X 3/8 FL W BRS				6	
- 5A	25627	. SCREW-BD. HD 8-32 X .500 LG				AR	
- 6	55918	. SCREW,MACH-BIND HD 10-32 X 5/8 LG				3	
- 7	56121	. WASHER,LOCK-INT TEETH NO. 10 X 0.381 OD				9	
- 8	58207	. SCREW,MACH-UNDRCT BIND HD 8-32 X 1/4 LG				AR	
- 9	65756	. WASHER,LOCK-INT TEETH 0.267 ID X 0.47800				12	
- 10	112250	. JUMPER ASSEMBLY				1	
- 11	160017	. NUT,PLAIN,HEX- 1/4-28 X 7/16 FL W				12	
- 11A	208237	. CAPACITOR USED ON ASM FROM E8 TO CURRENT				2	
- 12	210984	. SCREW, RD HD MACH-6-32 X .250 LG				AR	
- 13	210985	. STUD,EXT-INT 6-32 EXT 8-32 X 0.900 LG DA USED ON ASM PRIOR TO E8				2	
- 13	210985	. STUD,EXT-INT 6-32 EXT 8-32 X 0.900 LG DA USED ON ASM FROM E8 TO CURRENT				4	
- 14	210986	. STUD-SHIELD MOUNTING USED ON ASM PRIOR TO E8				6	
- 15	216197	. RECTIFIER,SILICON-ALLOY				6	
- 16	216198	. RECTIFIER-SILICON				12	
- 16A	221790	. SCREW,MACH-BIND HD 8-32 X 3/16 LG				AR	
- 17	322029	. SCREW,MACH-BIND HD 1/4-20 X 1/2 LG				6	
- 18	323844	. BLOCK,TERMINAL 9 POSITION USED ON 5761120 ONLY				2	
- 18	323844	. BLOCK,TERMINAL 9 POSITION USED ON 5761110 ONLY				1	
- 19	350559	. JUMPER ASSEMBLY 8IN-NO.10 BLACK				3	
- 19A	352088	. SHIELD,9 POSITION USED ON 5761120 ONLY				2	
- 19A	352088	. SHIELD,9 POSITION USED ON 5761110 ONLY				1	
- 20	438588	. SCREW,MACH-UNDRCT BIND HD 8-32 X 1-1/4				2	
- 21	438623	. SCREW,MACH-BIND HD 1/4-20 X 5/8 LG				2	
- 21A	438626	. SCREW,UNDERCUT 1/4-20 X 2-1/2 LG				AR	
- 22	438627	. SCREW, MACH, BIND HD-1/4-20 X 1-3/4 LG				AR	
- 22A	438633	. SCREW,MACH-FLAT HD 1/4-20 X 1-1/8 LG				AR	
- 23	473545	. SHIELD,TERMINAL BLOCK USED ON 5761120 PRIOR TO E8				2	

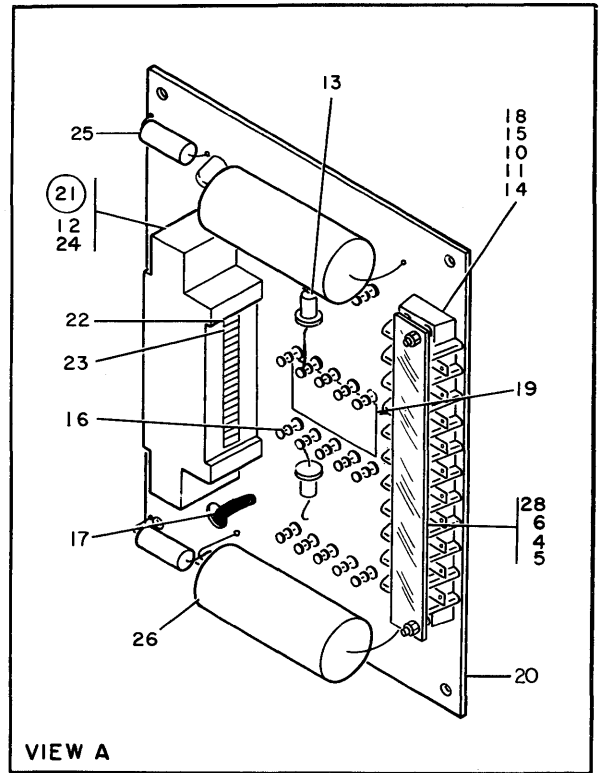




LIST AND INDEX NUMBER	PART NUMBER	DESCRIPTION				UNITS PER ASM.	USABLE ON CODE
		1	2	3	4		
		MID PAC POWER SUPPLY ASSEMBLY					
7G-	730478	6 VOLT AT 32 AMP POWER SUPPLY ASSEMBLY SEE LIST 7A-28 FOR NEXT HIGHER ASM AND FIGURE 7G FOR ILLUSTRATION				REF	
- 1	10170	• SCREW-MACH,BIND HD NO. 6-32 X .250 LG				2	
- 2	11598	• NUT PLAIN HEX 10/32				2	
- 3	22478	• WASHER,FL- 0.170 ID 0.375 OD 0.032 THK				3	
- 4	35739	• SCREW,MACH-BIND HD 6-32 X 15/16 LG				1	
- 5	38051	• NUT,PLAIN,HEX- 6-32 X 1/4 FL W STL				5	
- 6	55918	• SCREW,MACH-BIND HD 10-32 X 5/8 LG				1	
- 7	56121	• WASHER,LOCK-INT TEETH NO. 10 X 0.381 OD				1	
- 8	60646	• WASHER,LOCK-INT TEETH NO. 8 X 0.340 OD				6	
- 9	62031	• WASHER,LOCK-INT TEETH NO. 6 X 0.295 OD				4	
- 10	92784	• TERMINAL,RING-18/22 AWG,NO. 8,INS				5	
- 11	123073	• GROMMET,RUBBER				1	
- 12	186968	• TERMINAL,RING-10/12 AWG,NO. 8,INS				2	
- 13	209483	• STUD,MOUNTING- 6-32 X 9/16 LG				1	
- 13	4118821	USED ON ASM PRIOR TO E7 • STUD,EXT-INT 6-32 EXT 8-32 USED ON ASM FROM E7 TO CURRENT				1	
- 14	209484	• STUD,SHD MTG- 8-32 X 9/16 LG USED ON ASM PRIOR TO E7				3	
- 14	4118820	• STUD,SHIELD MOUNTING 8-32				3	
- 15	210984	USED ON ASM FROM E7 TO CURRENT • SCREW, RD HD MACH-6-32 X .250 LG				1	
- 16	216076	• TERMINAL BLOCK AND CONTACT ASSEMBLY				2	
- 17	216206	• GUIDE-SINGLE CARD LONG				2	
- 18	236849	• SCREW,MACH-BIND HD 10/32 X 1/4 LG				1	
- 19	257189	• NUT,HEX- 8-32				3	
- 20	257986	• WASHER,FLAT NO. 6				3	
- 21	304479	• SCREW,MACH-RH 8-32 X 4-3/4 LG				2	
- 22	321603	• WASHER,INSULATING 5/8 OD X 0.031 THK				4	
- 23	323844	• BLOCK,TERMINAL 9 POSITION				1	
- 24	334932	• TERMINAL,RING-18/22 AWG,NO. 10,INS				1	
- 25	359695	• TERMINAL,RING-14/16 AWG,NO. 10,INS				2	
- 26	360370	• TERMINAL,RING-14/16 AWG,NO. 8,INS				1	
- 27	438567	• SCREW,MACH-UNDRCT BIND HD 6-32 X 1 LG				2	
- 28	438582	• SCREW,MACH-FIL H 8-32 X 2-1/4 LG				1	
- 29	442959	• INSULATOR,WASH- 11/64 ID 15/32 OD 1/32 T				2	
- 30	473530	• BRACKET				1	
- 31	473531	• INSULATOR				8	
- 31A	2102365	• CLAMP,LOOP- 0.330 ID 0.170 DIA MTG HOLE				1	
- 32	473543	• CLAMP ASM-CAPACITOR				2	
- 33	473544	• SCREW,BINDING HEAD SELF TAP NO 6 1/2 IN				8	
- 34	473545	• SHIELD,9 POSITION				1	
- 35	473547	• SPACER,1 X 2 3/8 IN .12 IN THICK				1	
- 36	510468	• WASHER,CUPPED- 1/5IN X .029 DIA				4	
- 37	730177	• BUSS - RECEPTACLE - 8 POSITION				2	
- 38	730427	• RESISTOR,FXD-WW 0.11 OHMS P/M 10% 90 W				2	
- 39	730429	• CAPACITOR,FXD,ELECT- 11,000 MFD 10V DCW				1	
- 40	730432	• GROMMET,CATERPILLAR				2	
- 41	730436	• TIE BAR-4 POS				2	
- 42	730439	• PLATE DESIGNATION-9 POS				1	
- 43	730443	• SPACER-CARD RECP				1	
- 44	730444	• SPACER,SLEEVE				2	
- 45	730445	• SCREW,SELF TAPPING NO.6 X 2.18 LG				8	
- 46	730446	• SCREW,MACH-BINDING HD 10-32 X 3.16 LG				2	
- 47	730453	• HEAT SINK ASSEMBLY				8	
- 47A	11891	• NUT-PLAIN,HEX,10-32 X 3/8 FL W BRS				1	
- 47B	80651	• SCREW,THD CTG-BIND HD 6-32 X 3/8 LG				1	
- 47C	207324	• RESISTOR,FXD,WW- 0.1 OHM P/M 5% 5W				1	
- 47D	369214	• TRANSISTOR,TYPE 108				1	
- 47E	478045	• TERMINAL,SOLDER				1	
- 47F	730448	• HEAT SINK				1	
- 48	730455	• PLATE,MTG-TERMINAL BOARD				1	
- 49	730458	• CHASSIS				1	
- 50	730468	• JUMPER-TERMINAL STRIP				1	
- 51	730495	• CIRCUIT BREAKER				1	
- 52	805044	• RESISTOR				1	



FOR PARTS  
NOT SHOWN  
SEE FIG. 7 AND 6A



VIEW A

FIGURE 8. BASIC REGULATOR ASSEMBLY. SEE LIST 8.



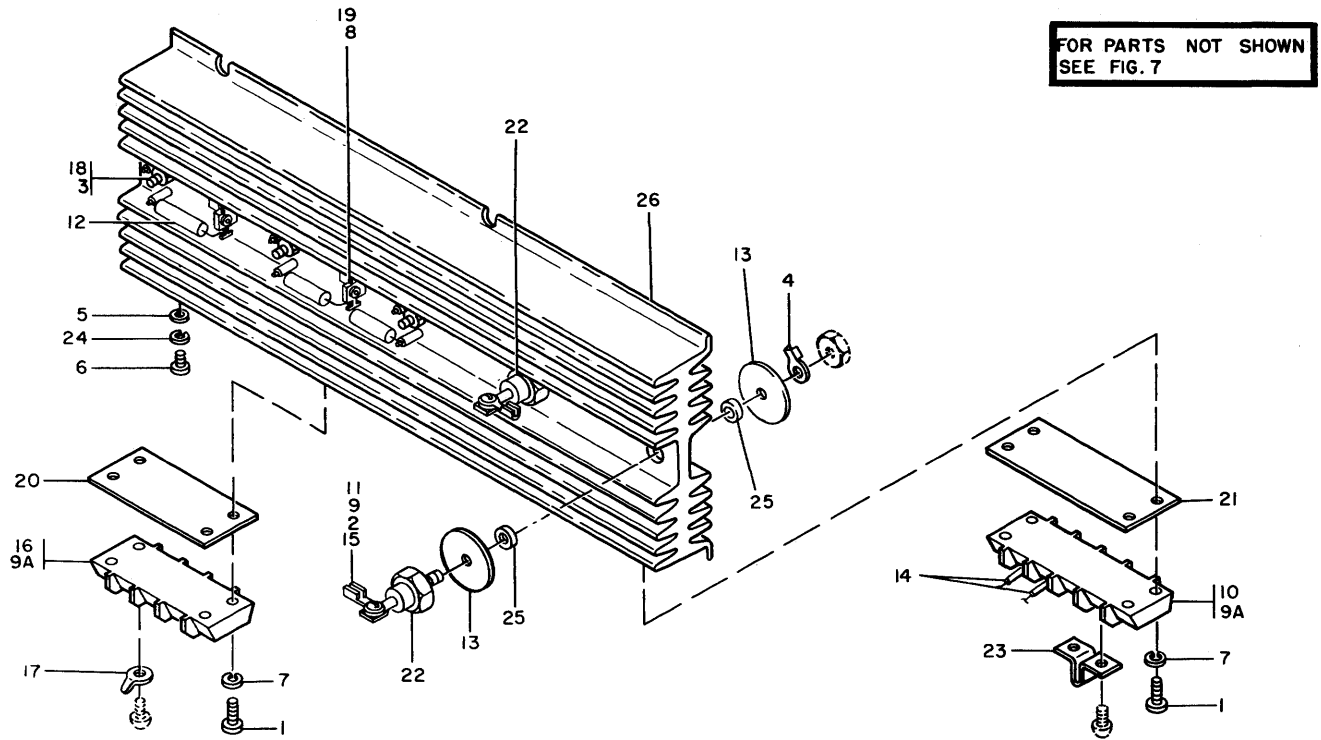


FIGURE 9. HEATSINK ASSEMBLY. SEE LIST 9.





FOR PARTS NOT SHOWN  
SEE FIG. 7

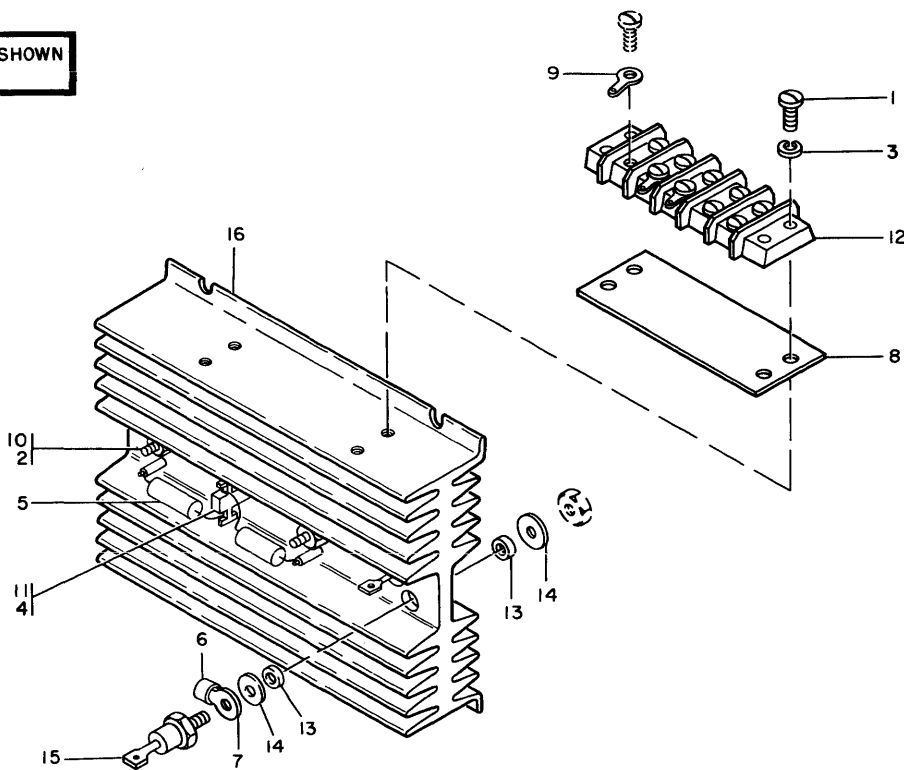


FIGURE 10. HEATSINK ASSEMBLY. SEE LIST 10.

LIST AND INDEX NUMBER	PART NUMBER	DESCRIPTION				UNITS PER ASM.	USABLE ON CODE
		1	2	3	4		
		HEATSINK ASSEMBLY					
10 -	5362100	HEATSINK ASSEMBLY USED ON ALL MODELS SEE LIST 7-98 FOR NEXT HIGHER ASSEMBLY AND FIG 10 FOR ILLUSTRATION				REF	
- 1	5528	• SCREW, MACH BIND HD 8-32 X .625 LG				2	
- 2	11598	• NUT PLAIN HEX 10/32				2	
- 3	55901	• WASHER, LOCK-EXT TEETH NO. 8 X 0.381 OD				2	
- 4	70078	• SCREW, THD FORMING-BIND HD				1	
- 5	207324	• RESISTOR, FXD, WW- 0.1 OHM P/M 5% 5W				2	
- 6	253569	• INSULATION SLEEVING, ELEC- 0.375 ID USED ON ASM PRIOR TO C8				1	
- 6	116875	• INSULATION TUBE- 0.166 ID X 0.186 OD USED ON ASM FROM C8 TO CURRENT				2	
- 7	316996	• TERMINAL, LUG-NONINS 9AWG NO. 8 MTG HOLE USED ON ASM PRIOR TO C8				2	
- 8	337529	• INSULATOR				1	
- 9	360370	• TERMINAL, RING-14/16 AWG, NO. 8, INS				5	
- 10	369214	• TRANSISTOR, TYPE 108				2	
- 11	478045	• TERMINAL, SOLDER				1	
- 12	517981	• TERMINAL BOARD- 5 DBL SCREW TERMINALS				1	
- 13	533371	• BUSHING				1	
- 13	533371	USED ON ASM PRIOR TO C8 • BUSHING USED ON ASM FROM C8 TO CURRENT				2	
- 14	533372	• WASHER					AR
- 15	598353	• SEMICONDUCTOR DEVICE, D10- 100V 10 AMP				2	
- 16	5362165	• HEATSINK				1	

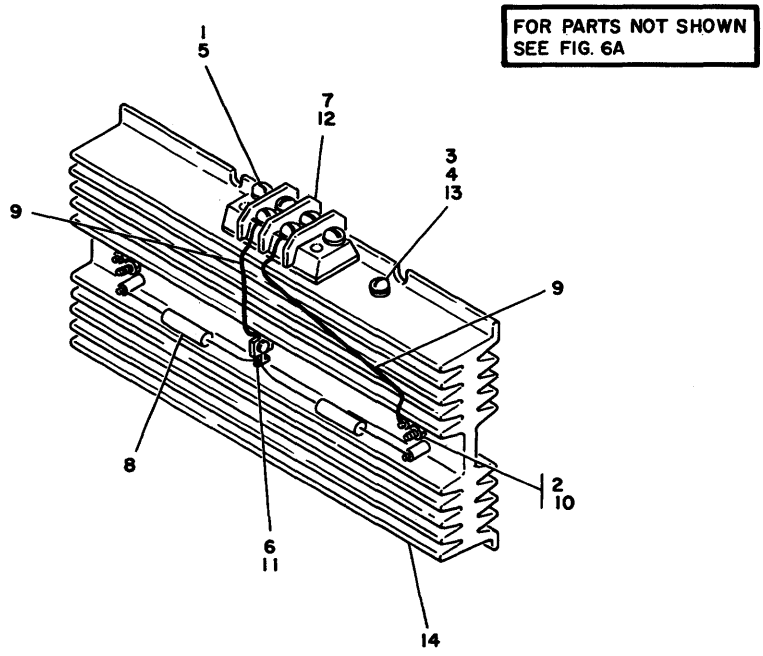


FIGURE 10A. HEATSINK ASSEMBLY. SEE LIST 10A.

LIST AND INDEX NUMBER	PART NUMBER	DESCRIPTION				UNITS PER ASM.	USABLE ON CODE
		1	2	3	4		
		HEATSINK ASSEMBLY					
10A-	5402854	HEATSINK ASSEMBLY USED ON 2803/2804 MOD. 1-50/60 CYCLE SEE LIST 6A-9I FOR NEXT HIGHER ASM AND FIG. 10A FOR ILLUSTRATION				REF	
- 1	5528	• SCREW, MACH BIND HD 8-32 X .625 LG				2	
- 2	11598	• NUT PLAIN HEX 10/32				2	
- 3	22478	• WASHER, FL- 0.170 ID 0.375 OD 0.032 THK				1	
- 4	34512	• SCREW, BIND. HD 8-32 X .375 LG				1	
- 5	55901	• WASHER, LOCK-EXT TEETH NO. 8 X 0.381 OD				2	
- 6	70078	• SCREW, THD FORMING-BIND HD				1	
- 7	81766	• TERMINAL BOARD- 2 DBL SCREW TERMINALS				1	
- 8	207324	• RESISTOR, FXD, WW- 0.1 OHM P/M 5% 5W				2	
- 9	360370	• TERMINAL, RING-14/16 AWG, NO. 8, INS				2	
- 10	369214	• TRANSISTOR, TYPE 108				2	
- 11	478045	• TERMINAL, SOLDER				1	
- 12	589768	• INSULATOR, TERMINAL BOARD				1	
- 13	1090873	• LOCKWASHER				1	
- 14	5402853	• HEATSINK				1	

FOR PARTS NOT SHOWN  
SEE FIG. 6A

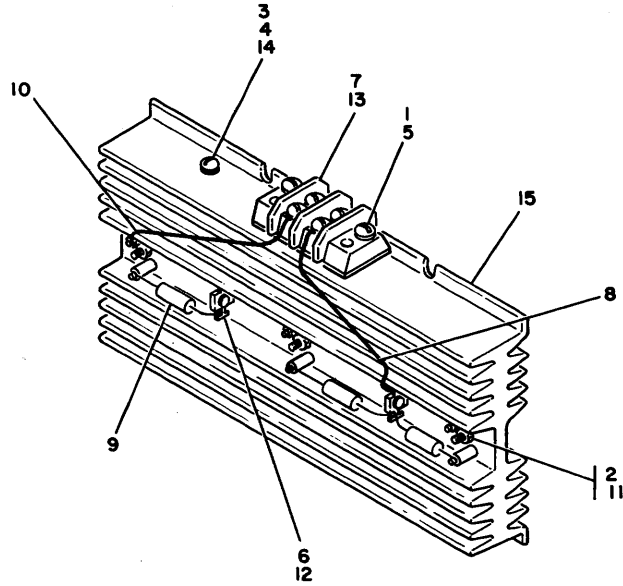
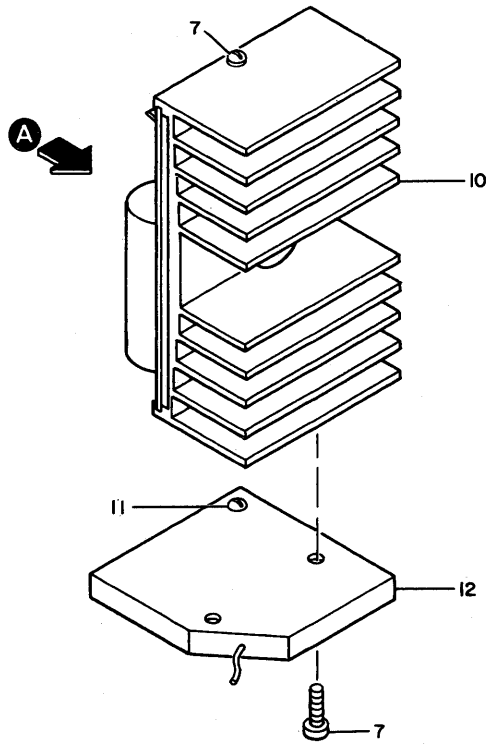


FIGURE 10B. HEATSINK ASSEMBLY. SEE LIST 10B.

LIST AND INDEX NUMBER	PART NUMBER	DESCRIPTION				UNITS PER ASM.	USABLE ON CODE
		1	2	3	4		
		HEATSINK ASSEMBLY					
10B-	5402827	HEATSINK ASSEMBLY USED ON 2803/2804 MOD. 1-50/60 CYCLE SEE LIST 6A-85 FOR NEXT HIGHER ASM AND FIG. 10B FOR ILLUSTRATION				REF	
- 1	5528	• SCREW, MACH BIND HD 8-32 X .625 LG				2	
- 2	11598	• NUT PLAIN HEX 10/32				3	
- 3	22478	• WASHER, FL- 0.170 ID 0.375 OD 0.032 THK				1	
- 4	34512	• SCREW, BIND. HD 8-32 X .375 LG				1	
- 5	55901	• WASHER, LOCK-EXT TEETH NO. 8 X 0.381 OD				2	
- 6	70078	• SCREW, THD FORMING-BIND HD				2	
- 7	81766	• TERMINAL BOARD- 2 DBL SCREW TERMINALS				1	
- 8	186968	• TERMINAL, RING-10/12 AWG, NO. 8, INS				1	
- 9	207324	• RESISTOR, FXD, WW- 0.1 OHM P/M 5% 5W				3	
- 10	360370	• TERMINAL, RING-14/16 AWG, NO. 8, INS				1	
- 11	369214	• TRANSISTOR, TYPE 10B				3	
- 12	478045	• TERMINAL, SOLDER				2	
- 13	589768	• INSULATOR, TERMINAL BOARD				1	
- 14	1090873	• LOCKWASHER				1	
- 15	5402828	• HEATSINK				1	



FOR PARTS NOT SHOWN  
SEE FIG. 7

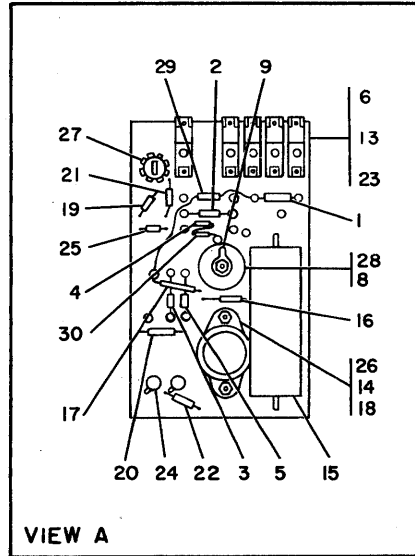
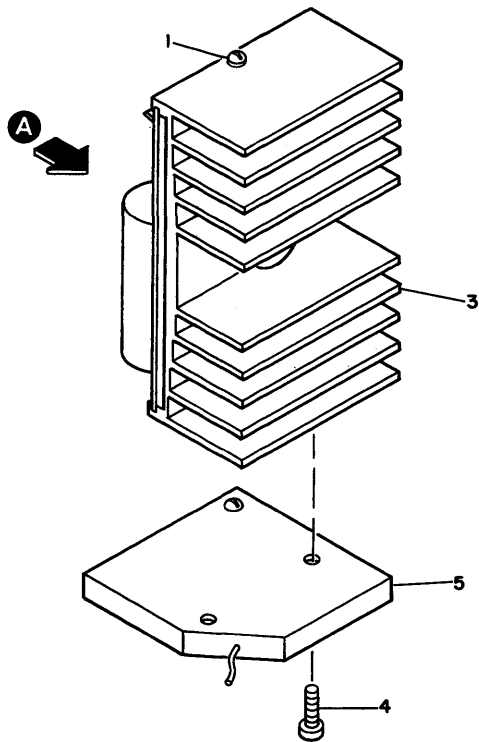


FIGURE 11. P/M 12 VOLT DC REGULATOR ASSEMBLY. SEE LIST 11.





FOR PARTS NOT SHOWN  
SEE FIG. 6A

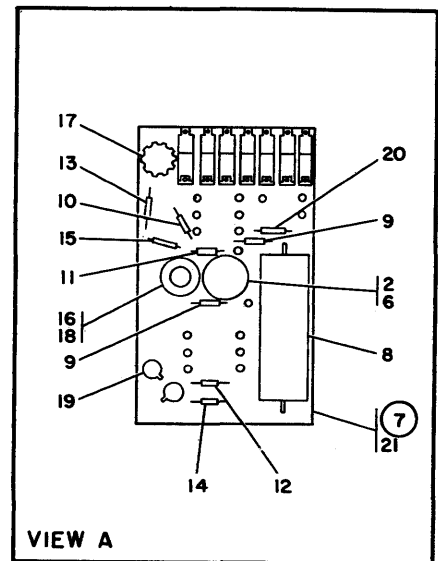


FIGURE 11A. NEGATIVE LINE REGULATOR ASSEMBLY. SEE LIST 11A.

LIST AND INDEX NUMBER	PART NUMBER	DESCRIPTION	1 2 3 4				UNITS PER ASM.	USABLE ON CODE
		NEGATIVE LINE REGULATOR ASSEMBLY						
11A-	5352530	REGULATOR ASSEMBLY,NEGATIVE LINE USED ON 2803/2804 MOD. 1-50/60 CYCLE SEE LIST 6A-74 FOR NEXT HIGHER ASM AND FIG. 11A FOR ILLUSTRATION					REF	
- 1	10170	• SCREW-MACH,BIND HD NO. 6-32 X .250 LG					3	
- 2	11598	• NUT PLAIN HEX 10/32					1	
- 3	363863	• HEATSINK					1	
- 4	363866	• SCREW,CAPTIVE BIND HD 8-32 X 0.62 LG					1	
- 5	363874	• BASE					1	
- 6	369214	• TRANSISTOR,TYPE 108					1	
- 7	5352532	• REGULATOR ASSEMBLY,NEGATIVE LINE					1	
- 8	208229	• CAPACITOR,FXD,ELECT- 700 UF P100M10% 15V					1	
- 9	213693	• RESISTOR,FXD,COMP- 1K P/M 5% 1/2W					2	
- 10	317008	• RESISTOR,FXD- 300 OHMS 1/2 WATT					1	
- 11	322347	• RESISTOR					1	
- 12	322729	• RESISTOR 150 OHMS					1	
- 13	323918	• RESISTOR,FXD,COMP- 180 OHMS P/M 5% 1/2W					1	
- 14	356740	• RESISTOR,FXD,COMP 270 OHMS P/M 10 % 1/2W					1	
- 15	369611	• DIODE,SEMICONDUCTOR-ZENER,TYPE DY					1	
- 16	369691	• TRANSISTOR,TYPE 183					1	
- 17	483115	• POTENTIOMETER- 250 OHMS P/M 5% 1W					1	
- 18	492434	• HEATSINK					1	
- 19	535441	• TRANSISTOR,TYPE 26					1	
- 20	2111232	• DIODE,SEMICONDUCTOR-TYPE AM					1	
- 21	5352534	• BOARD AND TERMINAL ASSEMBLY					1	

FOR PARTS NOT SHOWN  
SEE FIG. 6A

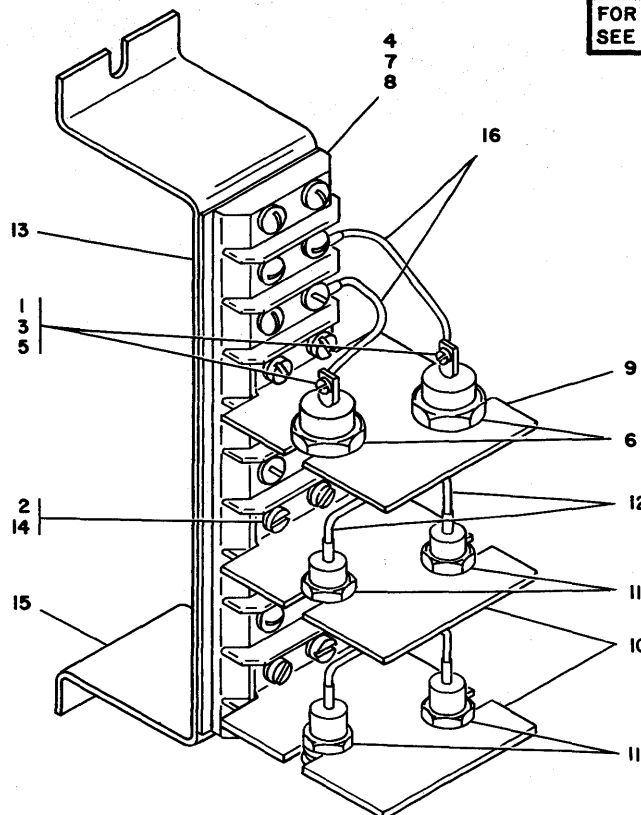


FIGURE 11B. HEATSINK ASSEMBLY. SEE LIST 11B.

LIST AND INDEX NUMBER	PART NUMBER	DESCRIPTION				UNITS PER ASM.	USABLE ON CODE
		1	2	3	4		
		HEATSINK ASSEMBLY					
11B-	5397685	HEATSINK ASSEMBLY USED ON 2803/2804 MOD. 1-50/60 CYCLE SEE LIST 6A-84 FOR NEXT HIGHER ASM AND FIG. 11B FOR ILLUSTRATION				REF	
- 1	6364	• WASHER, LOCK-SPLIT NO. 6 X 1/4 OD				2	
- 2	24752	• SCREW, MACH-FIL H 8-32 X 5/16 LG				6	
- 3	38051	• NUT, PLAIN, HEX- 6-32 X 1/4 FL W STL				2	
- 4	56722	• LOCKWASHER-EXT. TOOTH OD. .150XID. .320				4	
- 5	81693	• SCREW, MACH-BIND HD 6-32 X 3/8 LG				2	
- 6	127324	• SEMICONDUCTOR DEVICE, D10- 150V 30 AMP				2	
- 7	322065	• SCREW, MACH-BIND HD 6-32 X 5/8 LG				4	
- 8	323844	• BLOCK, TERMINAL 9 POSITION				1	
- 9	368939	• MOUNTING-HEAT SINK				1	
- 10	589721	• HEAT SINK				2	
- 11	598353	• SEMICONDUCTOR DEVICE, D10- 100V 10 AMP				4	
- 12	726995	• JUMPER ASSEMBLY				4	
- 13	730439	• PLATE DESIGNATION-9 POS				1	
- 14	1090873	• LOCKWASHER				6	
- 15	5397684	• BRACKET, TB MOUNTING				1	
- 16	5402839	• JUMPER ASSEMBLY				2	

FOR PARTS NOT SHOWN  
SEE FIG.7

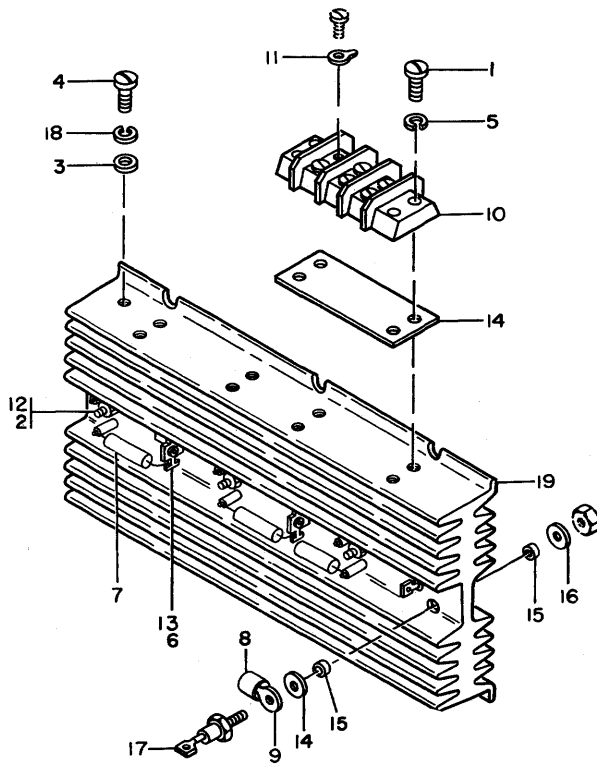


FIGURE 12. HEATSINK ASSEMBLY. SEE LIST 12.

LIST AND INDEX NUMBER	PART NUMBER	DESCRIPTION				UNITS PER ASM.	USABLE ON CODE
		1	2	3	4		
		HEATSINK ASSEMBLY					
12 -	5362166	HEATSINK ASSEMBLY USED ON ALL MODELS SEE LIST 7-100 FOR NEXT HIGHER ASSEMBLY AND FIG 12 FOR ILLUSTRATION				REF	
- 1	5528	• SCREW, MACH BIND HD 8-32 X .625 LG				4	
- 2	11598	• NUT PLAIN HEX 10/32				3	
- 3	22478	• WASHER, FL- 0.170 ID 0.375 OD 0.032 THK				AR	
- 4	34512	• SCREW, BIND. HD 8-32 X .375 LG				AR	
- 5	55901	• WASHER, LOCK-EXT TEETH NO. 8 X 0.381 OD				4	
- 6	70078	• SCREW, THD FORMING-BIND HD				2	
- 7	207324	• RESISTOR, FXD, WW- 0.1 OHM P/M 5% 5W				3	
- 8	253569	• INSULATION SLEEVING, ELEC- 0.375 ID				1	
- 9	316996	• TERMINAL, LUG-NONINS 9AWG NO. 8 MTG HOLE USED ON ASM PRIOR TO C8				2	
- 10	317132	• TERMINAL BOARD- 3 DBL SCREW TERMINALS				2	
- 11	360370	• TERMINAL, RING-14/16 AWG, NO. 8, INS				6	
- 12	369214	• TRANSISTOR, TYPE 108				3	
- 13	478045	• TERMINAL, SOLDER				2	
- 14	530601	• INSULATOR, PLATE-TERMINAL BOARD				2	
- 15	533371	• BUSHING USED ON ASM PRIOR TO C8				1	
- 15	533371	• BUSHING USED ON ASM FROM C8 TO CURRENT				2	
- 16	533372	• WASHER				AR	
- 17	598355	• RECTIFIER, SILICON				2	
- 18	1090873	• LOCKWASHER				AR	
- 19	5362168	• HEATSINK ASSEMBLY				1	



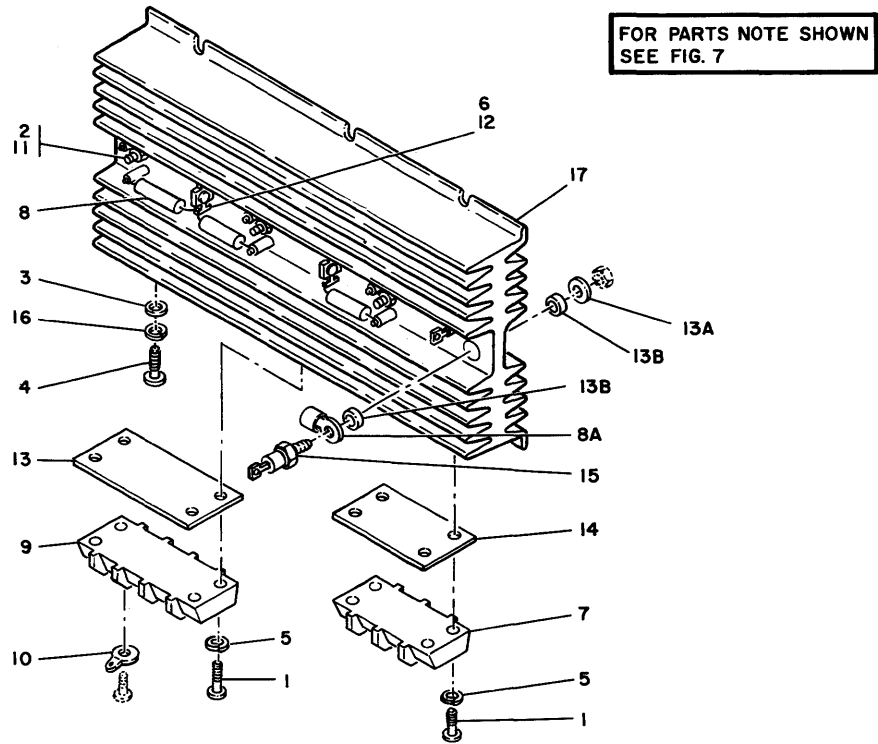
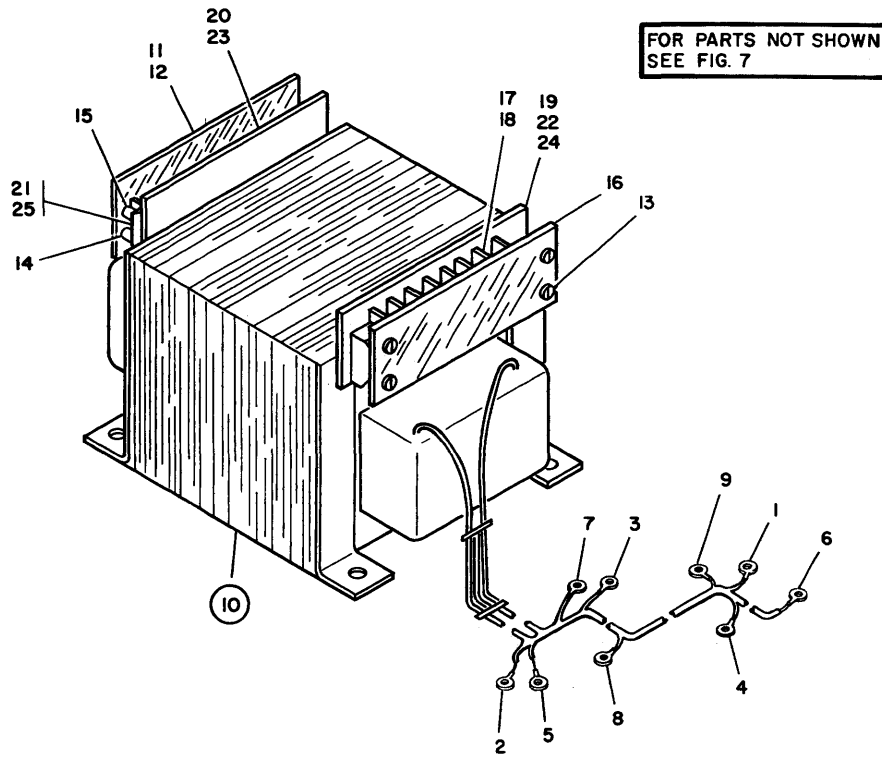
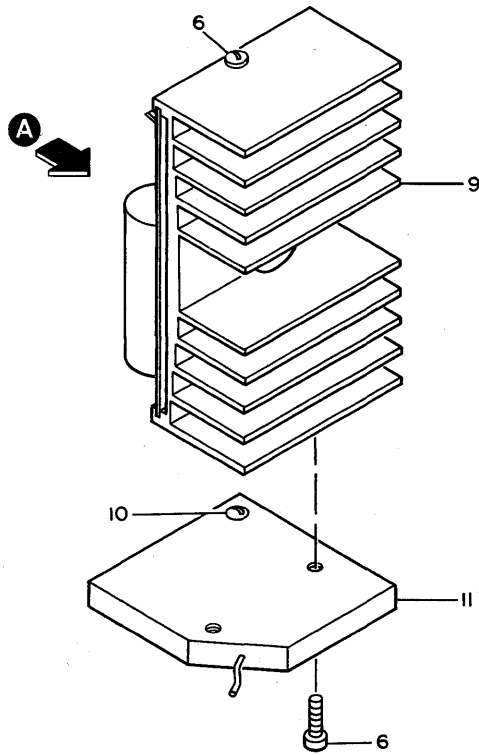


FIGURE 13. HEATSINK ASSEMBLY. SEE LIST 13.

LIST AND INDEX NUMBER	PART NUMBER	DESCRIPTION				UNITS PER ASM.	USABLE ON CODE
		1	2	3	4		
		HEATSINK ASSEMBLY					
13 -	5362167	HEATSINK ASSEMBLY SEE LIST 7-101 FOR NEXT HIGHER ASSEMBLY				REF	
-	5397679	HEATSINK ASSEMBLY SEE LIST 7-124 FOR NEXT HIGHER ASSEMBLY AND FIG. 13 FOR ILLUSTRATION				REF	
- 1	5528	• SCREW, MACH BIND HD 8-32 X .625 LG				4	
- 2	11598	• NUT PLAIN HEX 10/32				3	
- 3	22478	• WASHER, FL- 0.170 ID 0.375 OD 0.032 THK				AR	
- 4	34512	• SCREW, BIND. HD 8-32 X .375 LG				AR	
- 5	55901	• WASHER, LOCK-EXT TEETH NO. 8 X 0.381 OD				4	
- 6	70078	• SCREW, THD FORMING-BIND HD				2	
- 7	81766	• TERMINAL BOARD- 2 DBL SCREW TERMINALS				1	
- 8	207324	• RESISTOR, FXD, WW- 0.1 OHM P/M 5% 5W				3	
- 8A	316996	• TERMINAL, LUG-NONINS 9AWG NO. 8 MTG HOLE USED ON ASM 5397679 ONLY				2	
- 9	317132	• TERMINAL BOARD- 3 DBL SCREW TERMINALS				1	
- 10	360370	• TERMINAL, RING-14/16 AWG, NO. 8, INS				4	
- 11	369214	• TRANSISTOR, TYPE 108				3	
- 12	478045	• TERMINAL, SOLDER				2	
- 13	530601	• INSULATOR, PLATE-TERMINAL BOARD				1	
- 13A	533371	• BUSHING USED ON ASM 5397679 ONLY				2	
- 13B	533372	• WASHER USED ON ASM 5397679 ONLY				4	
- 14	589768	• INSULATOR, TERMINAL BOARD				1	
- 15	598355	• RECTIFIER, SILICON				2	
- 16	1090873	• LOCKWASHER				1	
- 17	5362168	• HEATSINK ASSEMBLY				1	



LIST AND INDEX NUMBER	PART NUMBER	DESCRIPTION				UNITS PER ASM.	USABLE ON CODE
		1	2	3	4		
		CABLE ASSEMBLY-FERRO REGULATOR					
14 -	5362175	CABLE ASSEMBLY-FERRO REGULATOR-60 CYCLE USED ON 2803/2804 MOD. 1 60 CYCLE SEE LIST 7-102 FOR NEXT HIGHER ASM AND FIG. 14 FOR ILLUSTRATION				REF	
-	5373747	CABLE ASSEMBLY-FERRO REGULATOR-50 CYCLE USED ON 2803/2804 MOD. 1 50 CYCLE SEE LIST 7-115 FOR NEXT HIGHER ASM AND FIG. 14 FOR ILLUSTRATION				REF	
-	5397668	CABLE ASSEMBLY-FERRO REGULATOR-50 CYCLE USED ON 2803/2804 MOD. 1 50 CYCLE SEE LIST 7-120 FOR NEXT HIGHER ASM AND FIG. 14 FOR ILLUSTRATION				REF	
-	5397666	CABLE ASSEMBLY-FERRO REGULATOR-60 CYCLE USED ON 2803/2804 MOD. 1 60 CYCLE SEE LIST 7-119 FOR NEXT HIGHER ASM AND FIG. 14 FOR ILLUSTRATION				REF	
- 1	186596	. TERMINAL-RING LUG INSULATED				1	
- 2	186968	. TERMINAL,RING-10/12 AWG,NO. 8,INS				6	
- 3	317296	. LABEL-NUMBERING L TO R 1 THRU 33				1	
- 4	334910	. TERMINAL,RING-14/16 AWG,NO. 6,INS				3	
- 5	356705	. TERMINAL,LUG-NONINS 14-16AWG NO.8 MTG SL				2	
- 6	359695	. TERMINAL,RING-14/16 AWG,NO. 10,INS				1	
- 7	360370	. TERMINAL,RING-14/16 AWG,NO. 8,INS				2	
- 8	517913	. CLIP,TERMINAL-16/18 AWG				2	
- 9	2101326	. TERMINAL,RING-10/12 AWG,NO. 10,INS				3	
- 10	5362169	. REGULATOR USED ON ASM 5362175 ONLY				1	
- 10	5373746	. REGULATOR,FERRORESONANT-50 CPS 1170VA USED ON ASM 5373747 ONLY				1	
- 10	5397667	REGULATOR ASM-FERRORESONANT 50 CPS USED ON ASM 5397668 ONLY				1	
- 10	5397665	. REGULATOR ASSEMBLY,60 CPS USED ON ASM 5397666 ONLY				1	
- 11	186797	. . SHIELD- 5 POSITION USED ON ASM 5373747 ONLY				1	
- 12	191431	. . SHIELD,TERMINAL BOARD- 3 POSITION USED ON ASM 5362169,5373746,AND 5397665				1	
- 13	210984	. . SCREW, RD HD MACH-6-32 X .250 LG USED ON ASM 5362169,5373746,AND 5397665				2	
- 14	210985	. . STUD,EXT-INT 6-32 EXT 8-32 X 0.900 LG DA				2	
- 15	210986	. . STUD-SHIELD MOUNTING				6	
- 16	210987	. . SHIELD- 4 POSITION USED ON ASM 5362169 AND 5397665 ONLY				1	
- 17	317131	. . TERMINAL BOARD- 6 DBL SCREW TERMINALS USED ON ASM 5397667 ONLY				1	
- 18	317485	. . TERMINAL BOARD- 4 DBL SCREW TERMINALS USED ON ASM 5362169 AND 5397665 ONLY				1	
- 19	322280	. . STRIP USED ON ASM 5397665 ONLY				1	
- 20	323681	. . MARKER STRIP- 3 POS NOS. 1 THRU 3 USED ON ASM 5362169,5373746,AND 5397665				1	
- 21	323841	. . TERMINAL BOARD- 3 DBL SCREW TERMINALS USED ON ASM 5362169,5373746,AND 5397665				1	
- 22	513740	. . MARKER STRIP- 6 POS NOS. 1 THRU 6 USED ON ASM 5362169 ONLY				1	
- 23	563803	. . MARKER STRIP,TERMINAL BOARD USED ON ASM 5373746 AND 5397667 ONLY				1	
- 24	1127053	. . STRIP-MARKER USED ON ASM 5373748 ONLY				1	
- 25	2101338	. . STRIP-TERMINAL,5 POS USED ON ASM 5373746 AND 5397667 ONLY				1	



FOR PARTS NOT SHOWN  
SEE FIG. 7

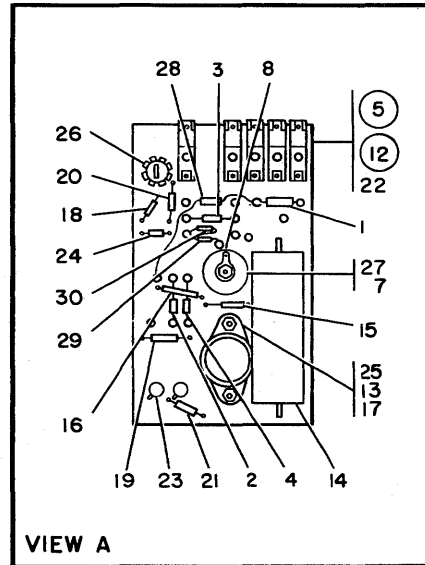
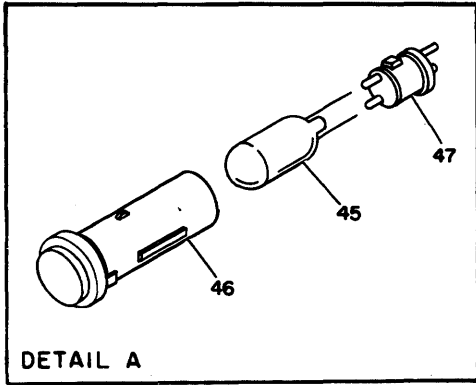


FIGURE 15. P/M 6 VOLT DC REGULATOR ASSEMBLY. SEE LIST 15.

LIST AND INDEX NUMBER	PART NUMBER	DESCRIPTION				UNITS PER ASM.	USABLE ON CODE
		1	2	3	4		
		P/M 6 VOLT DC REGULATOR ASSEMBLY					
15 -	5372586	REGULATOR ASSEMBLY,P/M 6 VOLT DC SEE LIST 7-114 FOR NEXT HIGHER ASSEMBLY				REF	
-	5397677	REGULATOR ASSEMBLY SEE LIST 7-123 FOR NEXT HIGHER ASSEMBLY AND FIG. 5 FOR ILLUSTRATION				REF	
- 1	207320	• RESISTOR,WIREWOUND,AX,LEAD 1 OHM 5% 5W USED ON ASM 5372586 ONLY				1	
- 1	208226	• RESISTOR,FXD,WW 0.3 OHMS P/M 5% 1/2W USED ON ASM 5397677 ONLY				1	
- 2	213536	• RESISTOR-100 OHMS 1/2 W. USED ON ASM 5372586 ONLY				1	
- 3	317429	• RESISTOR, FIXED, COMPOSITION USED ON ASM 5372586 ONLY				1	
- 3	317018	• RESISTOR USED ON ASM 5397677 ONLY				1	
- 4	322729	• RESISTOR 150 OHMS				1	
- 5	363876	• REGULATOR ASSEMBLY				1	
- 6	10170	• • SCREW-MACH,BIND HD NO. 6-32 X .250 LG				3	
- 7	11598	• • NUT PLAIN HEX 10/32				1	





FOR PARTS NOT SHOWN  
SEE FIG. 2

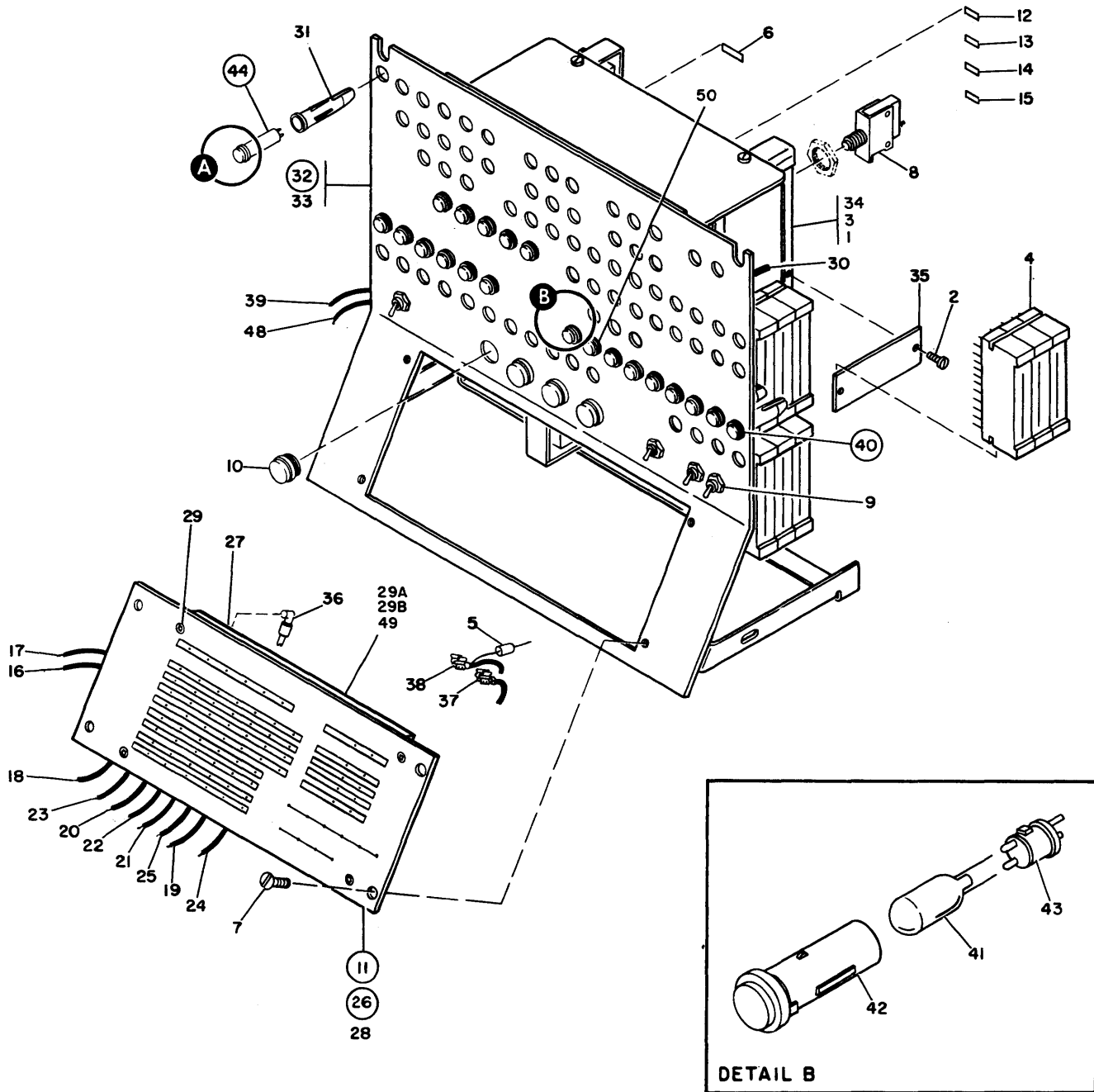


FIGURE 16. C E PANEL ASSEMBLY. SEE LIST 16.



LIST AND INDEX NUMBER	PART NUMBER	DESCRIPTION				UNITS PER ASM.	USABLE ON CODE
		1	2	3	4		
		C E PANEL ASSEMBLY -CONT					
16 - 23	5371537	. . JUMPER ASSEMBLY,7 IN. 1 LUG SEE LIST 25-19 FOR COMPONENT PARTS				2	1
- 23	5382146	. . JUMPER ASM, INCHES SEE LIST 25-19 AND -31 FOR COMPONENT PARTS				2	2
- 24	5371540	. . JUMPER ASSEMBLY,10 IN. 1 LUG SEE LIST 25-19 FOR COMPONENT PARTS				1	1
- 24	5382148	. . JUMPER ASM				1	2
- 25	5371541	SEE LIST 25-19 AND -31 FOR COMPONENT PARTS . . JUMPER ASSEMBLY,13.50 IN. 1 LUG				1	
- 26	5382099	SEE LIST 25-19 AND -31 FOR COMPONENT PARTS . . PLUGBOARD ASSEMBLY				1	
- 26	5382141	. . PLUGBOARD ASM				1	2
- 27	5318932	. . . CHASSIS ASSEMBLY				1	1
- 27	5382142	. . . PANEL PLUGBOARD				1	2
- 28	5382098	. . . COVER PLATE-CE PLUG BOARD				1	1
- 28	5382143	. . . PLATE, COVER, C.E. PLUG BOARD				1	2
- 29	5382102	. . . SCREW,CAP,SOC HD- 4-40 X 3/8 LG				4	
- 29A	5382147	. . JUMPER ASM SEE LIST 25-19 AND -31 FOR COMPONENT PARTS				1	2
- 29B	5382161	. . JUMPER ASM, INCHES SEE LIST 25-19 AND -31 FOR COMPONENT PARTS				1	2
- 30	5318989	. CABLE ASSEMBLY SEE LIST 25-8A,-19 AND -31 FOR COMPONENT PARTS				1	
- 31	5353888	. HOUSING				87	
- 32	5361858	. PANEL ASSEMBLY- CE				1	4
- 33	5362265	. PANEL,CE				1	3
- 34	5362293	. BRACKET				2	
- 35	5362294	. BAR-SOCKET MTG				4	
- 36	5371536	. JUMPER ASSEMBLY,6.50 IN. 1 LUG				1	
- 37	5371537	SEE LIST 25-19 FOR COMPONENT PARTS . JUMPER ASSEMBLY,7 IN. 1 LUG SEE LIST 25-19 FOR COMPONENT PARTS				6	
- 38	5371538	. JUMPER ASSEMBLY,8 IN. 1 LUG SEE LIST 25-19 FOR COMPONENT PARTS				1	
- 39	5371540	. JUMPER ASSEMBLY,10 IN. 1 LUG				1	4
- 39	5371539	SEE LIST 25-19 FOR COMPONENT PARTS . JUMPER ASSEMBLY SEE LIST 25-19 FOR COMPONENT PARTS				1	3
- 40	5372161	. INDICATOR ASSEMBLY,6 VOLT-RED				20	
- 41	2414975	. . LAMP INDICATOR				1	
- 42	5353891	. . LENS-RED				1	
- 43	5362329	. . . BASE				1	
- 44	5372162	. INDICATOR ASSEMBLY,6 VOLT-CLEAR				67	
- 45	2414975	. . LAMP INDICATOR				1	
- 46	5353885	. . . LENS-CLEAR.				1	
- 47	5362329	. . . BASE				1	
- 48	5382161	. JUMPER ASM, INCHES				3	2
- 49	5382047	SEE LIST 25-19 AND -31 FOR COMPONENT PARTS . JUMPER ASSEMBLY,0.50 IN.				2	3
- 50	5466350	SEE LIST 25-19 FOR COMPONENT PARTS . INDICATOR ASSEMBLY,GREEN				1	3



FOR PARTS NOT SHOWN  
SEE FIG. 2

NOTE:  
ORDER COMPLETE CHASSIS ASSEMBLY  
BY PART NUMBER, LOCATION, MACHINE  
TYPE, AND E/C LEVEL-- SEE ALD  
MACHINE LOGIC.

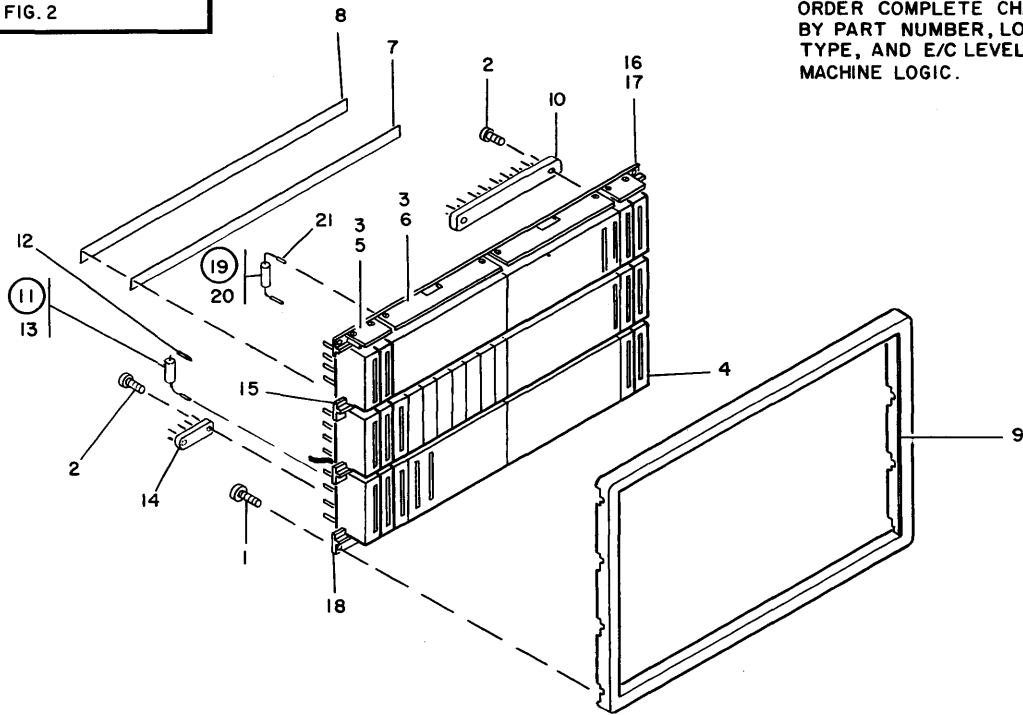
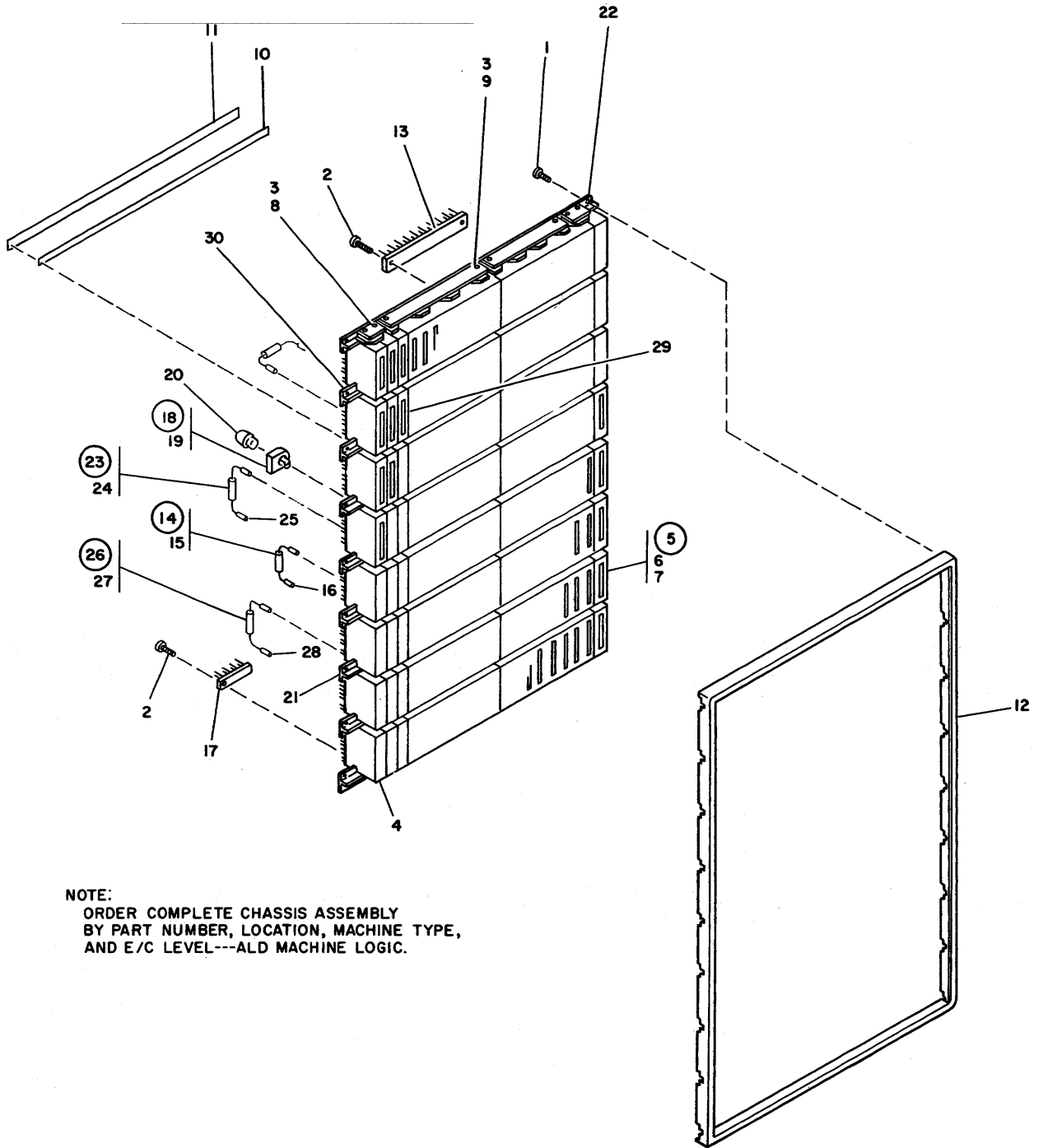


FIGURE 17. CHASSIS ASSEMBLY. SEE LIST 17.

LIST AND INDEX NUMBER	PART NUMBER	DESCRIPTION	UNITS PER ASM.	USABLE ON CODE
		1 2 3 4 CHASSIS ASSEMBLY		
17 -	5371350	CHASSIS ASSEMBLY SEE LIST 2-59 FOR NEXT HIGHER ASM	REF	
-	5371489	CHASSIS ASSEMBLY SEE LIST 2-63 FOR NEXT HIGHER ASM AND FIG. 17 FOR ILLUSTRATION	REF	
- 1	10170	• SCREW-MACH,BIND HD NO. 6-32 X .250 LG	8	
- 2	38262	• SCREW,MACH-FIL H 4-40 X 1/4 LG	14	
- 3	38264	• SCREW,MACH-FIL H 4-40 X 3/8 LG	8	
- 4	216076	• TERMINAL BLOCK AND CONTACT ASSEMBLY	3	
- 5	216091	• ADAPTER-CARD GUIDE	2	
- 6	216212	• ADAPTER-SINGLE CARD GUIDE	2	
- 7	216215	• BUS-GROUND PLANE	9	
- 8	216286	• LABEL-NUMBERING R TO L 1 THRU 28	4	
- 9	216297	• SEAL,RUB STRIP- 11/16 W X 1/8 THK	AR	
- 10	354533	• BLOCK,DUMMY-SMS CHASSIS	2	
- 11	731974	• CAPACITOR ASSEMBLY,4700MMF 100VNP USED ON ASM 5371350 ONLY	1	
- 12	216265	• . . TERMINAL,FEMALE-20/24 AWG	2	
- 13	300725	• . . CAPACITOR,FIXED	1	
- 14	5313529	• CONNECTOR,RECP,ELEC-4 POS	10	
- 15	5362198	• T-BAR	2	
- 16	5362202	• T-BAR USED ON ASM 5371489 ONLY	1	
- 17	5362205	• T-BAR USED ON ASM 5371350 ONLY	1	
- 18	5362208	• T-BAR	1	
- 19	5371482	• CAPACITOR ASSEMBLY,200 PF USED ON ASM 5371350 ONLY	5	
- 20	320657	• . . CAPACITOR,FXD,MICA- 200 UUF P/M 5% 500V	1	
- 21	596255	• . . TERMINAL,SLIP ON-20/24 AWG	2	
		ORDER COMPLETE CHASSIS ASSEMBLY BY PART NUMBER, LOCATION, MACHINE TYPE, AND E/C LEVEL--SEE ALD MACHINE LOGIC.		

FOR PARTS NOT SHOWN  
SEE FIG. 2, 2B, 2C, 2D, AND 2E



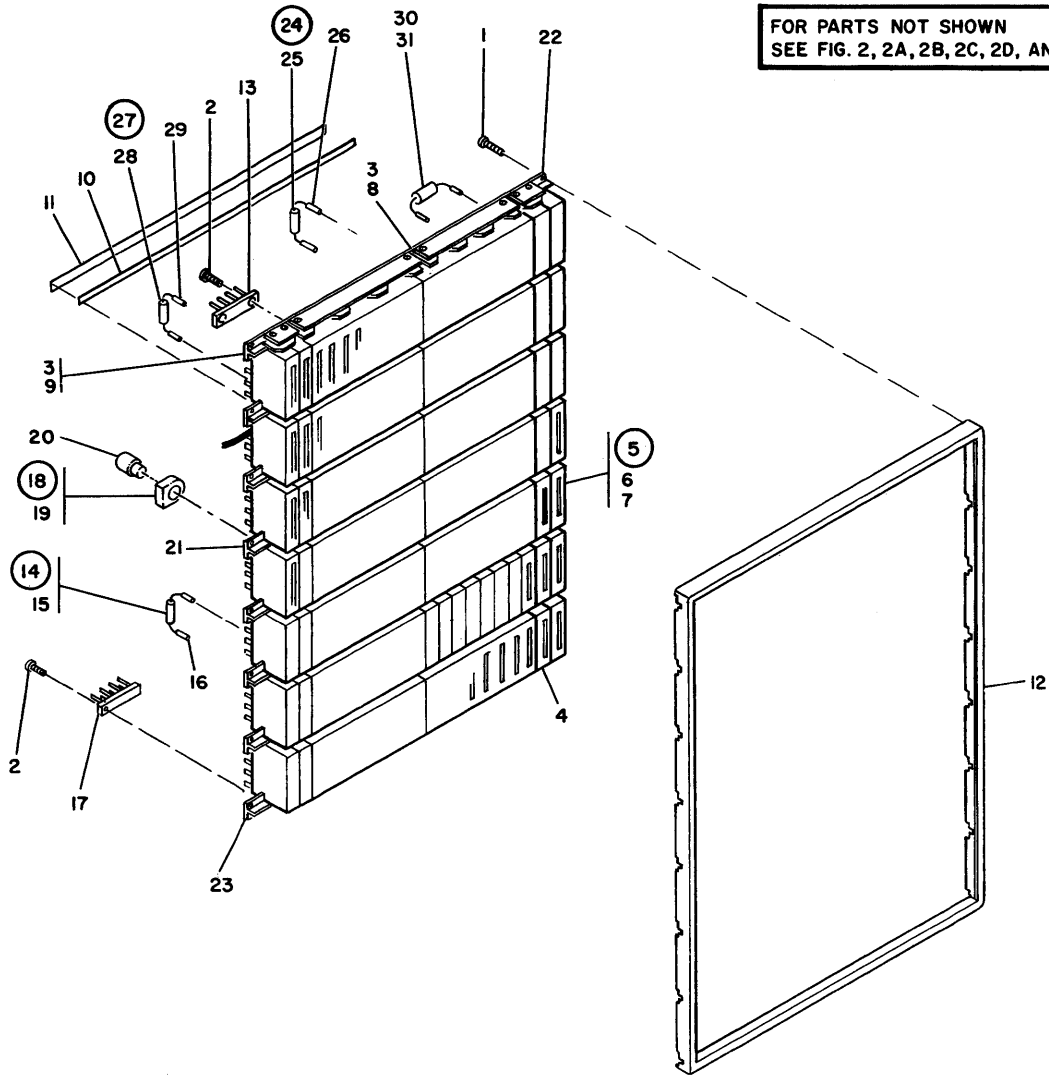
NOTE:  
ORDER COMPLETE CHASSIS ASSEMBLY  
BY PART NUMBER, LOCATION, MACHINE TYPE,  
AND E/C LEVEL---ALD MACHINE LOGIC.

FIGURE 18. CHASSIS ASSEMBLY. SEE LIST 18.

LIST AND INDEX NUMBER	PART NUMBER	DESCRIPTION				UNITS PER ASM.	USABLE ON CODE
		1	2	3	4		
		CHASSIS ASSEMBLY					
18 -	5371351	CHASSIS ASSEMBLY SEE LIST 2-60 FOR NEXT HIGHER ASM				REF	
-	5371354	CHASSIS ASSEMBLY SEE LIST 2B-49 FOR NEXT HIGHER ASM				REF	
-	5371355	CHASSIS ASSEMBLY SEE LIST 2B-50 FOR NEXT HIGHER ASM				REF	
-	5371490	CHASSIS ASSEMBLY SEE LIST 2-64 FOR NEXT HIGHER ASM				REF	
-	5371493	CHASSIS ASSEMBLY SEE LIST 2B-57 FOR NEXT HIGHER ASM				REF	
-	5371494	CHASSIS ASSEMBLY SEE LIST 2B-58 FOR NEXT HIGHER ASM				REF	
-	5371497	CHASSIS ASSEMBLY SEE LIST 2D-57 FOR NEXT HIGHER ASM				REF	
-	5371498	CHASSIS ASSEMBLY SEE LIST 2D-58 FOR NEXT HIGHER ASM				REF	
-	5382402	CHASSIS ASSEMBLY- 01C1 SEE LIST 2E-51 FOR NEXT HIGHER ASM				REF	
-	5415861	CHASSIS ASSEMBLY SEE LIST 2A-58 FOR NEXT HIGHER ASM				REF	
-	5415862	CHASSIS ASSEMBLY SEE LIST 2A-59 FOR NEXT HIGHER ASM				REF	
-	5415863	CHASSIS ASSEMBLY SEE LIST 2A-60 FOR NEXT HIGHER ASM				REF	
-	5415864	CHASSIS ASSEMBLY SEE LIST 2B-53 FOR NEXT HIGHER ASM				REF	
-	5415865	CHASSIS ASSEMBLY SEE LIST 2B-54 FOR NEXT HIGHER ASM				REF	
-	5415868	CHASSIS ASSEMBLY SEE LIST 2C-55 FOR NEXT HIGHER ASM				REF	
-	5415869	CHASSIS ASM- WIRED 01C2 PARTIAL SEE LIST 2C-56 FOR NEXT HIGHER ASM				REF	
-	5415882	CHASSIS ASM- WIRED 01A4 PARTIAL SEE LIST 2A-61 FOR NEXT HIGHER ASM				REF	
-	5415901	CHASSIS ASSEMBLY-01A1 SEE LIST 2A-62 FOR NEXT HIGHER ASM				REF	
-	5415902	CHASSIS ASSEMBLY-01A2 SEE LIST 2A-63 FOR NEXT HIGHER ASM				REF	
-	5415903	CHASSIS ASSEMBLY-01A3 SEE LIST 2A-64 FOR NEXT HIGHER ASM				REF	
-	5415904	CHASSIS ASSEMBLY-01A4 SEE LIST 2A-65 FOR NEXT HIGHER ASM				REF	
-	5415905	CHASSIS ASSEMBLY-01B1 SEE LIST 2B-61 FOR NEXT HIGHER ASM				REF	
-	5415906	CHASSIS ASSEMBLY-01B2 SEE LIST 2B-62 FOR NEXT HIGHER ASM				REF	
-	5415909	CHASSIS ASSEMBLY-01C1 SEE LIST 2C-59 FOR NEXT HIGHER ASM				REF	
-	5415910	CHASSIS ASSEMBLY-01C2 SEE LIST 2C-60 FOR NEXT HIGHER ASM				REF	
-	5415914	CHASSIS ASSEMBLY-01F1 SEE LIST 2D-61 FOR NEXT HIGHER ASM				REF	
-	5415915	CHASSIS ASSEMBLY-01F2 SEE LIST 2D-62 FOR NEXT HIGHER ASM AND FIG. 18 FOR ILLUSTRATION				REF	
- 1	10170	• SCREW,MACH,BIND HD NO. 6-32 X .250 LG				16	
- 2	38262	• SCREW,MACH-FIL H 4-40 X 1/4 LG				AR	
- 3	38264	• SCREW,MACH-FIL H 4-40 X 3/8 LG				8	
- 4	216076	• TERMINAL BLOCK AND CONTACT ASSEMBLY				AR	
- 5	216082	• CARD RECEPTACLE- 8 POSITION				AR	
- 6	216087	• • SPRING,CONTACT				1	
- 7	216088	• • SPRING,CONTACT				1	



FOR PARTS NOT SHOWN  
SEE FIG. 2, 2A, 2B, 2C, 2D, AND 2E



NOTE:  
ORDER COMPLETE CHASSIS ASSEMBLY  
BY PART NUMBER, LOCATION, MACHINE  
TYPE, AND E/C LEVEL ---SEE ALD  
MACHINE LOGIC.

FIGURE 19. CHASSIS ASSEMBLY. SEE LIST 19.

LIST AND INDEX NUMBER	PART NUMBER	DESCRIPTION				UNITS PER ASM.	USABLE ON CODE
		1	2	3	4		
		CHASSIS ASSEMBLY					
19 -	5371352	CHASSIS ASSEMBLY SEE LIST 2-61 FOR NEXT HIGHER ASM				REF	
-	5371353	CHASSIS ASSEMBLY SEE LIST 2-62 FOR NEXT HIGHER ASM				REF	
-	5371356	CHASSIS ASSEMBLY SEE LIST 2B-51 FOR NEXT HIGHER ASM				REF	
-	5371357	CHASSIS ASSEMBLY SEE LIST 2B-52 FOR NEXT HIGHER ASM				REF	
-	5371491	CHASSIS ASSEMBLY SEE LIST 2-65 FOR NEXT HIGHER ASM				REF	
-	5371492	CHASSIS ASSEMBLY SEE LIST 2-66 FOR NEXT HIGHER ASM				REF	
-	5371495	CHASSIS ASSEMBLY SEE LIST 2B-59 FOR NEXT HIGHER ASM				REF	
-	5371496	CHASSIS ASSEMBLY SEE LIST 2B-60 FOR NEXT HIGHER ASM				REF	
-	5371499	CHASSIS ASSEMBLY SEE LIST 2D-59 FOR NEXT HIGHER ASM				REF	
-	5371500	CHASSIS ASSEMBLY SEE LIST 2D-60 FOR NEXT HIGHER ASM				REF	
-	5382403	CHASSIS ASSEMBLY- 01C3 SEE LIST 2E-52 FOR NEXT HIGHER ASM				REF	
-	5415866	CHASSIS ASSEMBLY SEE LIST 2B-55 FOR NEXT HIGHER ASM				REF	
-	5415867	CHASSIS ASM- WIRED 01B4 PARTIAL SEE LIST 2B-56 FOR NEXT HIGHER ASM				REF	
-	5415870	CHASSIS ASSEMBLY SEE LIST 2C-57 FOR NEXT HIGHER ASM				REF	
-	5415907	CHASSIS ASSEMBLY-01B3 SEE LIST 2B-63 FOR NEXT HIGHER ASM				REF	
-	5415908	CHASSIS ASSEMBLY-01B4 SEE LIST 2B-64 FOR NEXT HIGHER ASM				REF	
-	5415911	CHASSIS ASSEMBLY-01C3 SEE LIST 2C-61 FOR NEXT HIGHER ASM				REF	
-	5415914	CHASSIS ASSEMBLY-01F1 SEE LIST 2D-61 FOR NEXT HIGHER ASM				REF	
-	5415916	CHASSIS ASSEMBLY-01F3 SEE LIST 2D-63 FOR NEXT HIGHER ASM				REF	
-	5415917	CHASSIS ASSEMBLY-01F4 SEE LIST 2D-64 FOR NEXT HIGHER ASM				REF	
-	5416440	CHASSIS ASSEMBLY- 01C4 SEE LIST 2C-58 FOR NEXT HIGHER ASM AND FIG. 19 FOR ILLUSTRATION				REF	
- 1	10170	• SCREW-MACH, BIND HD NO. 6-32 X .250 LG				18	
- 2	38262	• SCREW, MACH-FIL H 4-40 X 1/4 LG				AR	
- 3	38264	• SCREW, MACH-FIL H 4-40 X 3/8 LG				8	
- 4	216076	• TERMINAL BLOCK AND CONTACT ASSEMBLY				AR	
- 5	216082	• CARD RECEPTACLE- 8 POSITION				AR	
- 6	216087	• . SPRING, CONTACT				1	
- 7	216088	• . SPRING, CONTACT				1	
- 8	216091	• ADAPTER-CARD GUIDE				2	
- 9	216212	• ADAPTER-SINGLE CARD GUIDE				2	
- 10	216215	• BUS-GROUND PLANE				AR	
- 11	216286	• LABEL-NUMBERING R TO L 1 THRU 28				9	
- 12	216297	• SEAL, RUB STRIP- 11/16 W X 1/8 THK				AR	
- 13	354533	• BLOCK, DUMMY-SMS CHASSIS				AR	
- 14	554175	• RESISTOR ASSEMBLY- 100 OHMS 1/2 W USED ON ASM 5382403 ONLY				1	





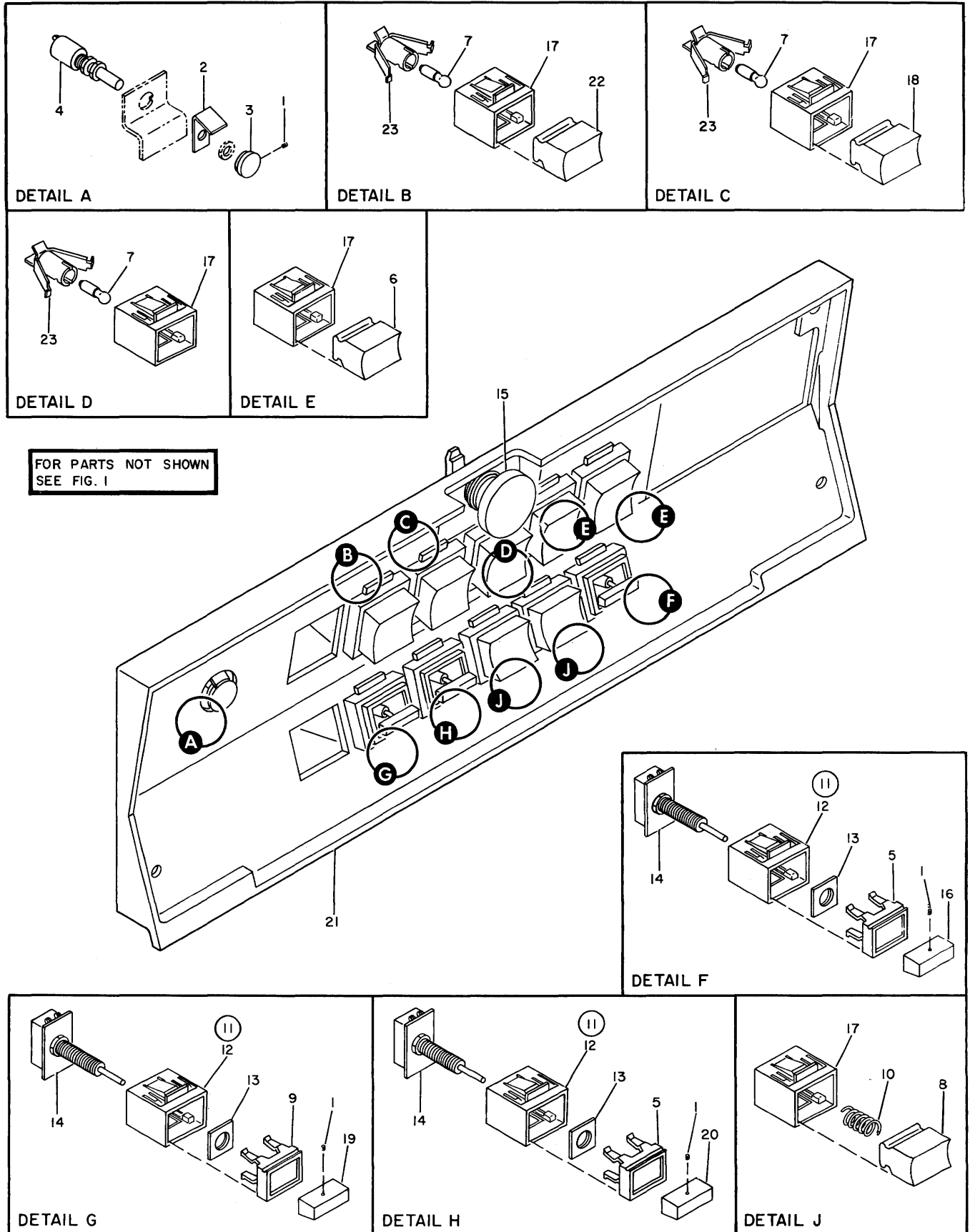
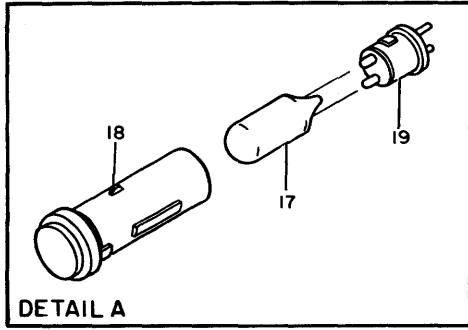


FIGURE 22A. CONTROL PANEL ASSEMBLY. SEE LIST 22A.





FOR PARTS NOT SHOWN  
SEE FIG. 2

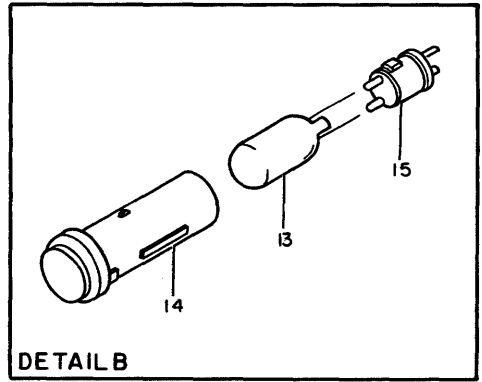
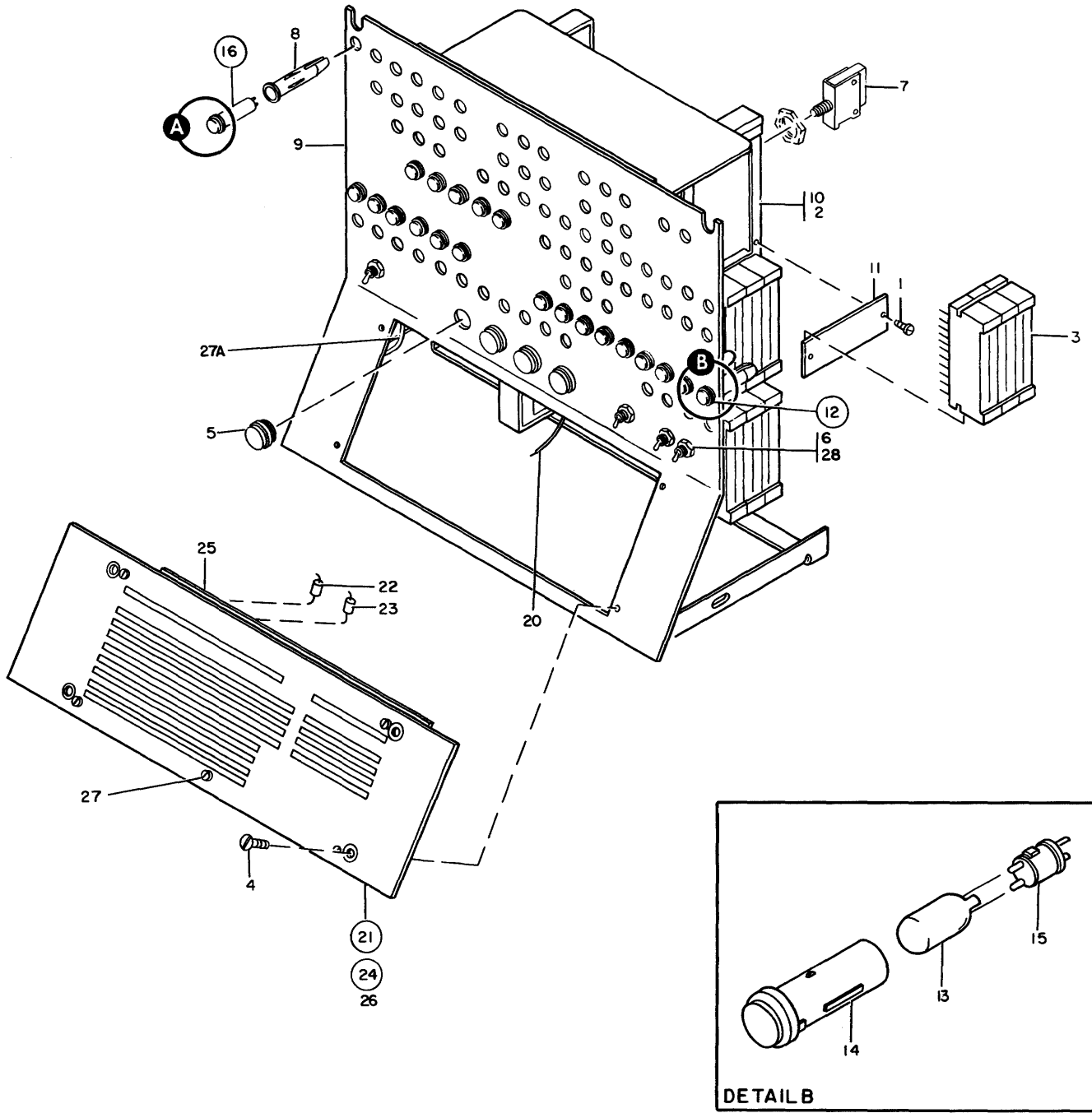


FIGURE 23. C E PANEL ASSEMBLY. SEE LIST 23.

LIST AND INDEX NUMBER	PART NUMBER	DESCRIPTION				UNITS PER ASM.	USABLE ON CODE
		1	2	3	4		
		C E PANEL ASSEMBLY					
23 -		CODE 1 USED ON ASM PRIOR TO M5 SUFFIX CODE 2 USED ON ASM M5 TO CURRENT CODE 3 USED ON ASM PRIOR TO E6 SUFFIX					
-	5382095	PANEL ASSEMBLY,CE USED ON 2804 MODEL 1-50 AND 60 CYCLE SEE LIST 2-23 FOR NEXT HIGHER ASSEMBLY AND FIG 23 FOR ILLUSTRATION				REF	
- 1	55726	• SCREW-BD HD 6-32 X .188 LG				4	
- 2	58207	• SCREW,MACH-UNDRCT BIND HD 8-32 X 1/4 LG				2	
- 3	216076	• TERMINAL BLOCK AND CONTACT ASSEMBLY				9	
- 4	323685	• SCREW,MACH-CSK SCH 6-32 X 1/2 LG				4	
- 5	365047	• SWITCH,PUSH-SPDT 125V AC 1 AMP				4	
- 6	365048	• SWITCH,SENSITIVE SPDT				4	
- 7	526567	• ADAPTER-PUSH BUTTON SWITCH				4	
- 8	5353888	• HOUSING				87	
- 9	5362265	• PANEL,CE				1	
- 10	5362293	• BRACKET				1	
- 11	5362294	• BAR-SOCKET MTG				2	
- 12	5372161	• INDICATOR ASSEMBLY,6 VOLT-RED				20	
- 13	2414975	• LAMP INDICATOR				1	
- 14	5353891	• LENS-RED				1	
- 15	5362329	• BASE				1	
- 16	5372162	• INDICATOR ASSEMBLY,6 VOLT-CLEAR				67	
- 17	2414975	• LAMP INDICATOR				1	
- 18	5353885	• LENS-CLEAR.				1	
- 19	5362329	• BASE				1	
- 20	5382096	• CABLE ASSEMBLY,CE PANEL SEE LIST 25-8A,-18,-18A,-18B,-18C, -19 AND -31 FOR COMPONENT PARTS				1	
- 21	5382097	• PLUG BOARD AND CABLE ASSEMBLY				1	
- 22	216451	• RESISTOR,FIXED,COMP				21	1
- 23	216456	• RESISTOR,FXD,COMP-3.3K P/M 5 PCT 1/4W				94	1
- 24	5382099	• PLUGBOARD ASSEMBLY				1	1
- 24	5382141	• PLUGBOARD ASM				1	2
- 25	5318932	• CHASSIS ASSEMBLY				1	1
- 25	5382142	• PANEL PLUGBOARD				1	2
- 26	5382098	• COVER PLATE-CE PLUG BOARD				1	1
- 26	5382143	• PLATE, COVER, C.E. PLUG BOARD				1	2
- 27	5382102	• SCREW,CAP,SOC HD- 4-40 X 3/8 LG				4	
- 27A	5382161	• JUMPER ASM, INCHES SEE LIST 25-19 AND -31 FOR COMPONENT PARTS				4	2
- 28	216451	• RESISTOR,FIXED,COMP				10	

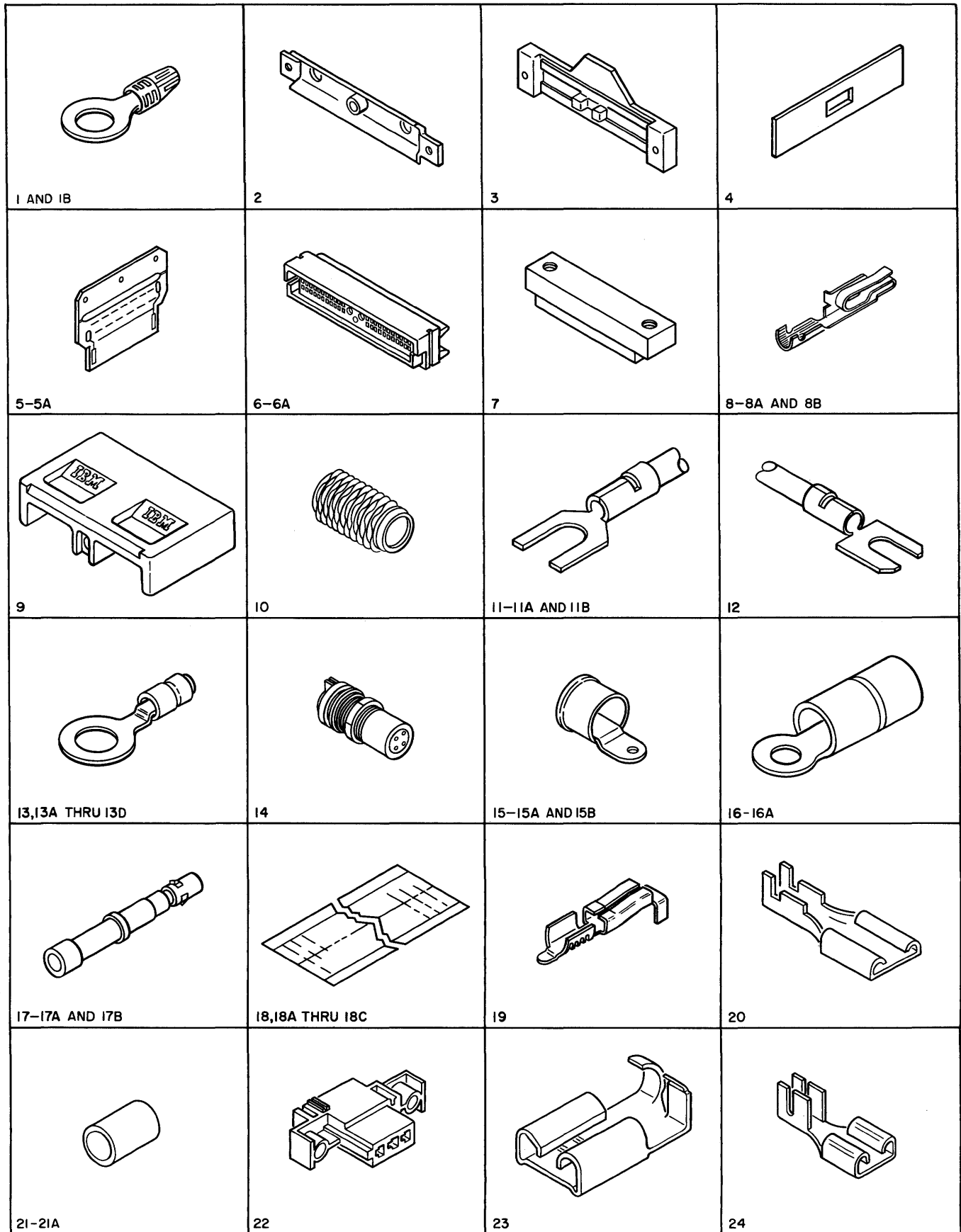


FIGURE 25. CABLE AND JUMPER ASSEMBLY COMPONENT PARTS. SHEET 1 OF 2. SEE LIST 25.

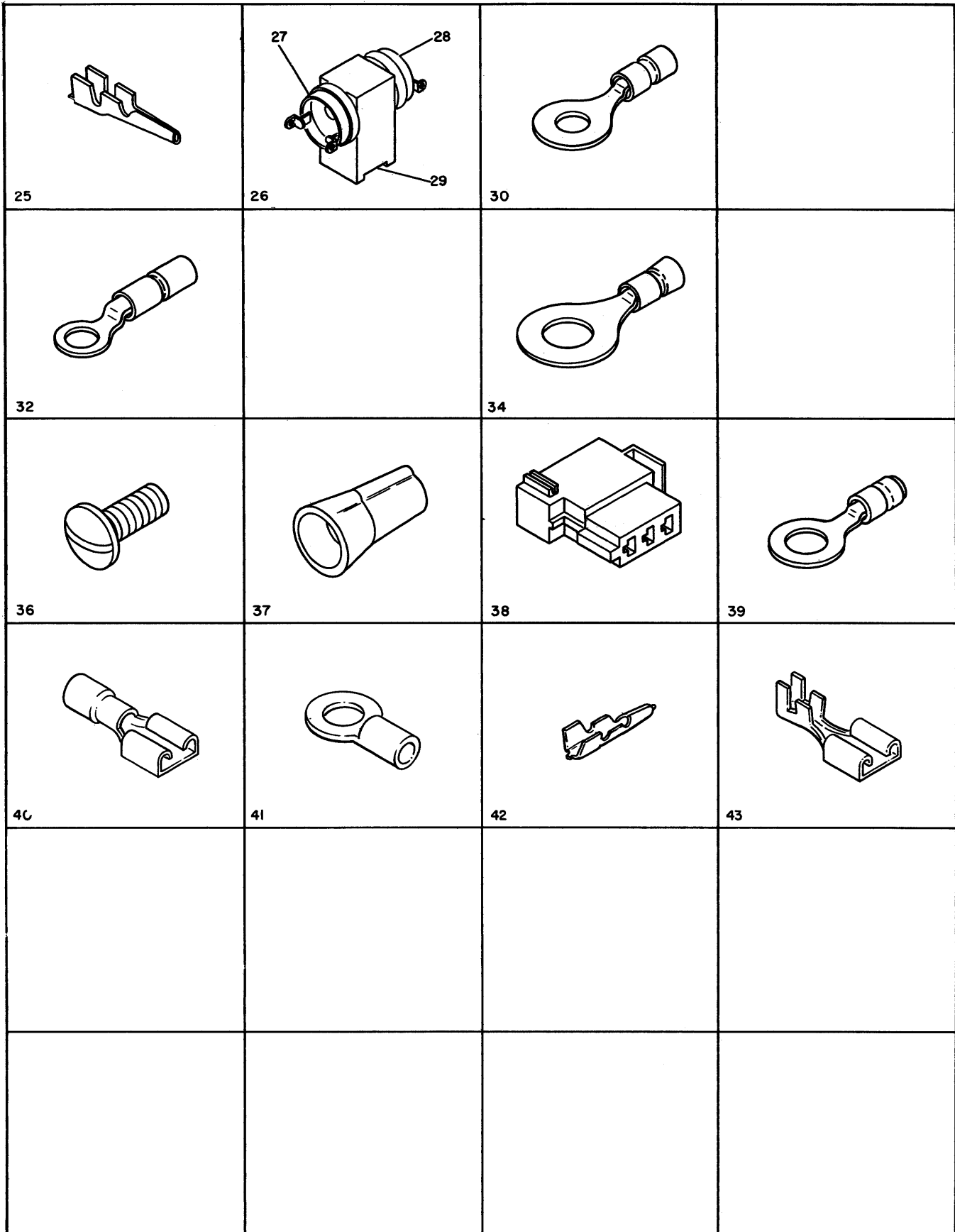


FIGURE 25. CABLE AND JUMPER ASSEMBLY COMPONENT PARTS. SHEET 2 OF 2. SEE LIST 25.

LIST AND INDEX NUMBER	PART NUMBER	DESCRIPTION				UNITS PER ASM.	USABLE ON CODE
		1	2	3	4		
		CABLE AND JUMPER ASSEMBLY COMPONENT PARTS					
25 -		SEE FIG 25 FOR ILLUSTRATION					
- 1	359695	• TERMINAL,RING-14/16 AWG,NO. 10,INS				AR	
- 1B	504879	• TERMINAL,RING-6-10 AWG 10 MTG HOLE				AR	
- 2	216208	• CLAMP-CABLE CONNECTOR				AR	
- 3	216209	• SUPPORT-CABLE CONNECTOR CARD				AR	
- 4	216210	• SPACER-CABLE CONNECTOR				AR	
- 5	595979	• CARD				AR	
- 5A	491349	• CARD ASM				AR	
- 6	5353867	• BLOCK,CONNECTOR-STYLE A				AR	
- 6A	5353868	• BLOCK,CONNECTOR-STYLE B				AR	
- 7	5353896	• STRAIN RELIEF ASSEMBLY				AR	
- 8	5362302	• TERMINAL,SLIP ON-29-30 AWG				AR	
- 8A	5362301	• TERMINAL,SLIP ON-22-24-26 AWG				AR	
- 8B	5351177	• TERMINAL,SLIP ON-18/22 AWG				AR	
- 9	5362306	• COVER,CONNECTOR BLOCK				AR	
- 10	5362307	• INSERT				AR	
- 11	313361	• TERMINAL,SPADE-20/24 AWG,NO. 4,NON-INS				AR	
- 11A	368222	• TERMINAL,LUG-16-14 AWG				AR	
- 11B	187461	• TERMINAL,LUG-NONINS 20AWG NO.10 MTG SLOT				AR	
- 12	186967	• TERMINAL,SPADE-20/24 AWG,NO. 6,NON-INS				AR	
- 13	334921	• TERMINAL,RING-18/22 AWG,NO. 6,INS				AR	
- 13A	334932	• TERMINAL,RING-18/22 AWG,NO. 10,INS				AR	
- 13B	334910	• TERMINAL,RING-14/16 AWG,NO. 6,INS				AR	
- 13C	2101326	• TERMINAL,RING-10/12 AWG,NO. 10,INS				AR	
- 13D	322025	• TERMINAL-RING,14-16 AWG,1/4 HOLE,INS				AR	
- 14	538724	• CONNECTOR,PLUG,ELECTRICAL				AR	
- 15	335383	• TERMINAL,RING-4 AWG 10 MTG HOLE				AR	
- 15A	82725	• TERMINAL,LUG-INS 6AWG 17/64 MTG HOLE				AR	
- 15B	335970	• TERMINAL,LUG- 8 AWG 1/4 MTG HOLE				AR	
- 16	253740	• TERMINAL,RING-10/12 AWG,NO. 6,INS				AR	
- 16A	2101327	• TERMINAL,LUG-INS 10/12AWG 1/4 MTG HOLE				AR	
- 17	535084	• PIN-CONTACT FEMALE 14AWG				AR	
- 17A	535086	• PIN-CONTACT FEMALE 10AWG				AR	
- 18	317296	• LABEL-NUMBERING L TO R 1 THRU 33				AR	
- 18A	317297	• LABEL,QUICK				AR	
- 18B	317298	• LABEL-NUMBERING L TO R 67 THRU 99				AR	
- 18C	317299	• LABEL-NUMBERING L TO R 100 THRU 124				AR	
- 19	596255	• TERMINAL,SLIP ON-20/24 AWG				AR	
- 20	430799	• TERMINAL,SLIP ON-18/24 AWG				AR	
- 21	595725	• FERRULE,ELECTRICAL CONDUCTOR-INNER				AR	
- 21A	595726	• HYRING, DUTTER INSULATED				AR	
- 22	5353851	• HOUSING,CONNECTOR RECEPTACLE, 3 POSITION				AR	
- 23	517913	• CLIP,TERMINAL-16/18 AWG				AR	
- 24	5353852	• CONTACT,FEMALE-16/20 AWG				AR	
- 25	802570	• TERMINAL,TAPER PIN-18/20 AWG				AR	
- 26	5357094	• SWITCH,THERMAL AND BLOCK ASSEMBLY				AR	
- 27	5349253	• THERMOSTAT,NC 122 DEGREE FHGT				1	
- 28	5353879	• THERMOSTAT-N/C OPEN AT 134 DEG F				1	
- 29	5357093	• BLOCK,SWITCH,THERMAL-.38-9.65 THICK				1	
- 30	360370	• TERMINAL,RING-14/16 AWG,NO. 8,INS				AR	
- 32	253453	• TERMINAL,RING-22/30 AWG,NO. 6,INS				AR	
- 34	186968	• TERMINAL,RING-10/12 AWG,NO. 8,INS				AR	
		INDEX NO. 35 DELETED					
- 36	338238	• SCREW, MACH-BD HD 4-40 NC X .3125 LG				AR	
- 37	2134542	• CONNECTOR,.134 WIRE HOLE				AR	
- 38	5271721	• CONNECTOR,PLUG				AR	
- 39	92784	• TERMINAL,RING-18/22 AWG,NO. 8,INS				AR	
- 40	342087	• RECEPTACLE, TAB				AR	
- 41	804715	• TERMINAL,LUG-INS 18/22AWG NO. 4 MTG HOLE				AR	
- 42	360433	• TERMINAL,TAPER PIN-16/18 AWG				AR	
- 43	1127037	• TERMINAL,SLIP ON-14/18 AWG				AR	





## NUMERICAL INDEX

PART NO.	LIST AND INDEX NO.
99	1 - 66
337	6A- 1
	8 - 1
2903	6C- 1
3550	1A- 1
	1B- 1
	2 - 1
	2A- 1
	2C- 1
	2D- 1
	4A- 1
	4B- 49G
	4G- 97
	6A- 2
	7 - 1
	7F- 1
3960	1A- 2
	1B- 2
	2 - 2
	2A- 2
	2C- 2
	2D- 2
	2E- 1
	2F- 1
	6A- 3
	7 - 2
	7F- 2
5528	9 - 1
	10 - 1
	10A- 1
	10B- 1
	12 - 1
	13 - 1
5677	1A- 3
	1B- 3
6364	4D- 1
	4F- 1
	4G- 1
	7E- 1
	9 - 2
	11B- 1
6935	1A- 4
	1B- 4
	2 - 3
	2A- 3
	2B- 1
	2C- 3
	2D- 3
	2E- 2
	2F- 2
	4A- 1A
	4D- 1A
	4G- 2
	6A- 4
	7 - 3
	7F- 3
9092	1 - 51
	1 - 64B
	7 - 4
10170	1A- 5

PART NO.	LIST AND INDEX NO.
10170-CONT	1B- 5
	4 - 50B
	4B- 1
	4B- 52M
	4B- 53B
	4D- 1B
	4D- 44A
	4E- 2
	4F- 1A
	4F- 47B
	4F- 48A
	4G- 3
	4G- 66
	4G- 77
	6 - 1
	6A- 5
	6C- 2
	7 - 5
	7A- 1
	7B- 1
	7E- 2
	7F- 3A
	7G- 1
	11 - 7
	11A- 1
	15 - 6
	17 - 1
	18 - 1
	19 - 1
11598	1 - 52
	1 - 64C
	4F- 2
	6C- 3
	7 - 6
	7B- 2
	7E- 3
	7F- 4
	7G- 2
	8 - 2
	9 - 3
	10 - 2
	10A- 2
	10B- 2
	11 - 8
	11A- 2
	12 - 2
	13 - 2
	15 - 7
	7B- 46A
11891	7E- 42
	7F- 5
	7G- 47A
13028	1A- 6
	1B- 6
15484	9 - 4
22478	2 - 4
	2D- 4
	7 - 6A
	7 - 105
	7B- 3

PART NO.	LIST AND INDEX NO.
22478-CONT	7E- 4
	7G- 3
	9 - 5
	10A- 3
	10B- 3
	12 - 3
	13 - 3
24107	1 - 67
24752	5 - 1
	5A- 1
	11B- 2
25282	1A- 89
	1B- 77
25627	7 - 7
	7F- 5A
	16 - 1
28413	1 - 61B
	2 - 5
	2A- 4
	2B- 2
	2C- 4
	2D- 5
	2F- 3
	4 - 3
	4A- 2
	4B- 2
	4D- 2
	4F- 3
	4G- 4
	6A- 6
32042	1 - 1
	1 - 73
	1A- 7
	1B- 7
	2 - 5A
	2A- 5
	2B- 3
	2C- 5
	2D- 6
	2E- 3
	2F- 4
	3 - 1
	4A- 2A
	4D- 3
	4F- 4
	4G- 5
	7 - 8
	7D- 1
34512	1B- 8
	2F- 5
	4 - 4
	4A- 3
	4B- 3
	9 - 6
	10A- 4
	10B- 4
	12 - 4
	13 - 4
35739	4D- 4
	4F- 5

PART NO.	LIST AND INDEX NO.	PART NO.	LIST AND INDEX NO.	PART NO.	LIST AND INDEX NO.
35739-CONT	4G- 6	48594-CONT	2F- 8	56722-CONT	4 - 9
	6A- 7	52360	6A- 8		4 - 60
	7 - 9		7 - 13		4A- 9
	7C- 1	55726	1C- 1		4A- 59
	7D- 2		2 - 43		4B- 8
	7E- 5		2A- 45		4B- 56
	7G- 4		2B- 36		4C- 1
	8 - 3		2C- 44		4D- 6A
36109	4A- 4		2D- 45		4D- 48
	4B- 3A		2E- 41		4E- 3
	4B- 49H		4 - 6		4F- 8A
	4D- 4A		4 - 50C		4F- 54
	4G- 7		4A- 6		4G- 12
	4G- 98		4B- 5		4G- 79
36112	1A- 8		4B- 52N		4G-126
37913	4E- 1		4B- 53C		6 - 2
	4G- 8		4D- 5		6A- 12
	6C- 4		4D- 44B		6C- 6
	7A- 3		4E- 2		7 - 16
38051	2 - 42		4F- 7		7A- 8
	2A- 44		4F- 47C		7C- 4
	2B- 35		4F- 48B		7D- 4
	2C- 43		4G- 10		8 - 4
	2D- 44		4G- 67		8 - 11
	2E- 40		4G- 78		11B- 4
	7B- 4		6A- 9	56792	4 - 61
	7G- 5		7 - 14		4A- 60
	11B- 3		7A- 5		4B- 57
38235	1 - 61C		16 - 2		4D- 49
	2 - 6		23 - 1		4F- 55
	2A- 6	55901	1A- 13		4G-127
	2B- 4		1B- 13	58207	1 - 2
	2C- 6		4 - 7		1A- 16
	2D- 7		4A- 7		1B- 16
	2E- 4		4B- 6		1C- 2
	4 - 5		5 - 1A		2 - 10
	4A- 5		5A- 1A		2A- 10
	4B- 4		6A- 10		2B- 8
	4D- 4B		7 - 15		2C- 10
	4F- 6		9 - 7		2D- 11
	4G- 9		10 - 3		2E- 6
	6C- 5		10A- 5		4 - 10
	7C- 2		10B- 5		4A- 10
	7D- 3		12 - 5		4B- 9
38262	2F- 6		13 - 5		4D- 7
	17 - 2	55918	1A- 14		4F- 9
	18 - 2		1B- 14		4G- 13
	19 - 2		3A- 1		7F- 8
38264	17 - 3		7A- 6		16 - 3
	18 - 3		7B- 5	59647	23 - 2
	19 - 3		7C- 3		1A- 17
38352	7A- 4		7E- 6		1B- 17
38359	8 - 10		7F- 6	60646	7 - 17
38364	7 - 10		7G- 6		7 -106
38389	7 - 11		1A- 15		7B- 7
38433	1 - 61D	56079	1B- 15		7E- 8
38447	1A- 9		2 - 9		7G- 8
	1B- 9		2A- 9	62031	4D- 7A
38686	1A- 10		2B- 7		4G- 14
	1B- 10		2C- 9		6A- 13
38688	1 - 45		2D- 10		7 - 18
45690	1 - 64D		2F- 9		7B- 8
	1A- 11		3 - 2		7C- 9
	1B- 11		3 - 7	65756	7F- 9
	2 - 7		4 - 8	70078	9 - 8
	2A- 7		4A- 8		10 - 4
	2B- 5		4B- 7		10A- 6
	2C- 7		4D- 6		10B- 6
	2D- 8		4F- 8		12 - 6
	2F- 7		4G- 11		13 - 6
	7 - 12		6A- 11	76574	1A- 18
47242	1 - 53		7 - 15A		1B- 18
	1A- 12		7A- 7		2 - 11
	1B- 12		7D- 15		2A- 11
48594	2 - 8	56121	7B- 6		2C- 11
	2A- 8		7E- 7		2D- 12
	2B- 6		7F- 7		4A- 11
	2C- 8		7G- 7		4B- 49J
	2D- 9	56722	3 - 2A		4D- 8
	2E- 5		3A- 2		4G- 15

PART NO.	LIST AND INDEX NO.	PART NO.	LIST AND INDEX NO.	PART NO.	LIST AND INDEX NO.
76574-CONT	4G- 99	123075	7 - 20	187466-CONT	4A- 17
	6C- 61	123077	6A- 15		4B- 15
	6D- 1	124575	6D- 3		4B- 15
78999	4 - 11	124871	2 - 17		4D- 12C
	4B- 10		2A- 17		4F- 17
	4B- 10		2C- 16		4F- 17
	4D- 9		2D- 17		4G- 26
	4F- 10		2E- 11	191431	14 - 12
	4G- 16		2F- 14	196698	8 - 12
80651	7B- 46B	124943	6 - 22	204499	2E- 7
	7E- 43	127324	6C- 62		2F- 10
	7G- 47B		11B- 6	204500	2 - 14
81142	4A- 12	128455	4 - 14		2A- 14
	4F- 11		4 - 14		2C- 13
81693	1 - 7		4A- 14		2D- 14
	1 - 20		4A- 14		2E- 8
	1 - 33		4A- 14	207320	7 - 23
	1 - 39		4B- 12		15 - 1
	1B- 19		4E- 5B	207324	7 - 24
	1C- 3	130434	1A- 19		7B- 46C
	2 - 44		3 - 8		7E- 44
	2A- 46		7D- 16		7G- 47C
	2B- 37	138754	4D- 10C		9 - 12
	2C- 45		4G- 21		10 - 5
	2D- 46	138755	4A- 14A		10A- 8
	2E- 42		4D- 11		10B- 9
	4 - 1		4G- 22		12 - 7
	4B- 10A	138756	4 - 15		13 - 8
	4D- 9A		4B- 13	207348	7 - 25
	4G- 17		4D- 12	207349	6A- 18
	5A- 2		4F- 15		7 - 26
	6 - 3		4G- 23	207350	6A- 19
	9 - 9	139050	4D- 12A		7 - 26A
	11 - 14		4G- 24	207351	6A- 20
	11B- 5	140470	7 - 21		7 - 27
	15 - 13	151720	1A- 20A	207382	7A- 10
81766	9 - 9A		1B- 20	207398	8 - 13
	10A- 7	159373	4A- 14B	208221	6A- 21
	10B- 7		4E- 6		7 - 28
	13 - 7	160017	6C- 63		7 - 28
81898	7E- 9	160017	7F- 11	208224	6A- 22
82725	25 - 15A	169733	2 - 13		7 - 29
83462	6D- 2		2A- 13		7 - 29
83606	7D- 5		2C- 12	208226	6A- 23
90261	2 - 12		2D- 13		11 - 1
	2A- 12	170202	6 - 5		15 - 1
91469	9 - 10	186036	4A- 15	208229	11 - 15
92743	4B- 11	186596	14 - 1		11A- 8
	4D- 10	186758	4F- 16		15 - 14
	4F- 12		7 - 21A	208237	7F- 11A
	4G- 18	186759	1B- 21	208248	7 - 30
92784	7B- 9		4 - 43		7 - 30
	7G- 10		4A- 42	208299	7 - 31
	25 - 39		4B- 39	208529	1 - 46
94856	6A- 44		4D- 35	208970	6A- 24
	7 - 52		4F- 39	209483	7B- 11
103915	6A- 14		4G- 54		7E- 11
	7 - 19		5 - 2		7G- 13
104294	6 - 4		5A- 3	209484	7B- 12
104615	4D- 10A		6A- 16		7E- 12
	4F- 13		7 - 22		7G- 14
	4G- 19		7A- 9	210108	1A- 21
	4D- 10B	186797	6A- 17		1B- 22
	4F- 14		14 - 11	210883	4 - 17A
	4G- 20	186914	4B- 49K		4A- 18
112250	7F- 10		4G- 100		4B- 16
116875	10 - 6	186944	4D- 12B		4D- 12D
117185	4 - 13		4G- 25		4F- 18
	4A- 13	186945	4 - 16		4F- 18
	4E- 4		4A- 16		4G- 27
	4 - 2		4B- 14		6 - 6
120211	4B- 12A	186967	25 - 12	210884	4 - 17B
	4 - 13A	186968	7B- 10		4A- 19
	4A- 13A		7G- 12		4B- 17
	4A- 13A		9 - 11		4D- 12E
	4B- 12B		10B- 8		4F- 19
	4E- 5		14 - 2		4F- 19
	4E- 5A		25 - 34		4G- 28
123073	7E- 10	187461	25 - 11B		6 - 7
	7G- 11	187466	4 - 17	210984	4 - 17C

PART NO.	LIST AND INDEX NO.	PART NO.	LIST AND INDEX NO.	PART NO.	LIST AND INDEX NO.
210984-CONT	4A- 20 4B- 18 4D- 12F 4F- 20 4G- 29 6A- 25 6C- 7 7B- 13 7E- 13 7F- 12 7G- 15 14 - 13	216286-CONT	19 - 11 7 - 31A	251970-CONT	4A- 23 4B- 20 4E- 8 7A- 12 4B- 49D 25 - 32
210985	7F- 13 7F- 13 14 - 14	216291	17 - 9	253453	10 - 6 12 - 8 9 - 14 25 - 16
210986	7F- 14 14 - 15	216297	18 - 12 19 - 12	253569	4 - 20 1A- 39 4 - 20
210987	6A- 26 14 - 16	216323	5 - 3	253740	4A- 24 4B- 21 4B- 21 4D- 16 4F- 24 4G- 33
210990	6C- 8	216362	5A- 4 6 - 8	257080	4 - 20 4A- 24 4B- 21 4B- 21 4D- 16 4F- 24 4G- 33
212822	2F- 11	216451	1C- 5 16 - 5	257187	3 - 3 3A- 3 4 - 21 4A- 25 4B- 21A 4C- 2 4E- 9 4G- 80 6 - 9 6A- 32 7 - 37 7A- 13 7E- 18 8 - 5 8 - 14 9 - 15 11 - 18 15 - 17
213536	6A- 27 11 - 16 15 - 2 15 - 15 18 - 15 19 - 15	216981	23 - 28 23 - 23		1 - 3 1A- 23 1B- 26 4 - 44 4A- 43 4B- 40 4D- 36 4F- 40 4G- 55 5 - 3A 5A- 4A 6A- 33 7 - 38 7 - 107 7B- 18 7E- 19 7G- 19
213692	11 - 2	216986	7 - 33	257189	22A- 1 1 - 8 1 - 21 1 - 34 1 - 40 4 - 50D 4B- 52P 4D- 16A 4D- 44C 4F- 24A 4F- 47D 4F- 48C 4G- 34 4G- 68 7B- 19 7E- 20 7G- 20 8 - 6 8 - 15 1 - 61E 17 - 13
213693	11 - 3 11 - 17 11A- 9 15 - 16	217017	9 - 13		4F- 47E 4C- 3 4C- 4 1A- 24 1B- 27 4A- 26
215680	4B- 18A	219423	7E- 45		
216073	1C- 4A 6C- 10	220764	4 - 18 4A- 21 4B- 19 4D- 13 4F- 21 4G- 30		
216076	1C- 4 6C- 9 7B- 14 7E- 14 7G- 16 16 - 4 17 - 4 18 - 4 19 - 4 23 - 3 18 - 5 19 - 5	220856	2 - 15 2A- 15 2C- 14 2D- 15 2E- 9 2F- 12 7B- 16 7E- 16 4B- 19A 4D- 14 4F- 22 4G- 31 6A- 29 7 - 34 7F- 16A 6A- 30 7 - 35 2 - 16 2A- 16 2C- 15 2D- 16 2E- 10 2F- 13 2 - 18 2A- 18 2C- 17 2D- 18 2E- 12 2F- 15 1A- 20 1B- 23 4E- 7 1A- 20B 1B- 24 2 - 19 2A- 19 2B- 9 2C- 18 2D- 19 2E- 13 2F- 16 4A- 22 4B- 19B 4D- 15 4F- 23 4G- 32 6A- 31 7 - 36 7A- 11 7B- 17 7E- 17 7G- 18		
216082	19 - 5 1C- 4B 6C- 11 8 - 22 18 - 6 19 - 6	221517	4 - 18 4A- 21 4B- 19 4D- 13 4F- 21 4G- 30		
216087	1C- 4B 6C- 11 8 - 22 18 - 6 19 - 6	221790	4B- 19A 4D- 14 4F- 22 4G- 31 6A- 29 7 - 34 7F- 16A 6A- 30 7 - 35 2 - 16 2A- 16 2C- 15 2D- 16 2E- 10 2F- 13 2 - 18 2A- 18 2C- 17 2D- 18 2E- 12 2F- 15 1A- 20 1B- 23 4E- 7 1A- 20B 1B- 24 2 - 19 2A- 19 2B- 9 2C- 18 2D- 19 2E- 13 2F- 16 4A- 22 4B- 19B 4D- 15 4F- 23 4G- 32 6A- 31 7 - 36 7A- 11 7B- 17 7E- 17 7G- 18		
216088	1C- 4C 6C- 12 8 - 23 18 - 7 19 - 7	222027	6A- 28 7 - 32		
216091	17 - 5 18 - 8 19 - 8	225532	7 - 33 9 - 13 7E- 45 4 - 18 4A- 21 4B- 19 4D- 13 4F- 21 4G- 30		
216197	7F- 15	225533	2 - 15 2A- 15 2C- 14 2D- 15 2E- 9 2F- 12 7B- 16 7E- 16 4B- 19A 4D- 14 4F- 22 4G- 31 6A- 29 7 - 34 7F- 16A 6A- 30 7 - 35 2 - 16 2A- 16 2C- 15 2D- 16 2E- 10 2F- 13 2 - 18 2A- 18 2C- 17 2D- 18 2E- 12 2F- 15 1A- 20 1B- 23 4E- 7 1A- 20B 1B- 24 2 - 19 2A- 19 2B- 9 2C- 18 2D- 19 2E- 13 2F- 16 4A- 22 4B- 19B 4D- 15 4F- 23 4G- 32 6A- 31 7 - 36 7A- 11 7B- 17 7E- 17 7G- 18		
216198	7F- 16	234340	6A- 28 7 - 32		
216206	7B- 15 7E- 15 7G- 17	236550	7 - 33 9 - 13 7E- 45 4 - 18 4A- 21 4B- 19 4D- 13 4F- 21 4G- 30		
216208	25 - 2	236849	4 - 18 4A- 21 4B- 19 4D- 13 4F- 21 4G- 30		
216209	25 - 3		2 - 15 2A- 15 2C- 14 2D- 15 2E- 9 2F- 12 7B- 16 7E- 16 4B- 19A 4D- 14 4F- 22 4G- 31 6A- 29 7 - 34 7F- 16A 6A- 30 7 - 35 2 - 16 2A- 16 2C- 15 2D- 16 2E- 10 2F- 13 2 - 18 2A- 18 2C- 17 2D- 18 2E- 12 2F- 15 1A- 20 1B- 23 4E- 7 1A- 20B 1B- 24 2 - 19 2A- 19 2B- 9 2C- 18 2D- 19 2E- 13 2F- 16 4A- 22 4B- 19B 4D- 15 4F- 23 4G- 32 6A- 31 7 - 36 7A- 11 7B- 17 7E- 17 7G- 18		
216210	25 - 4		1 - 68 1A- 22 1B- 25 4 - 19		
216212	17 - 6 18 - 9 19 - 9				
216215	17 - 7 18 - 10 19 - 10				
216258	6D- 4				
216265	17 - 12 18 - 16 19 - 16				
216286	17 - 8 18 - 11				

PART NO.	LIST AND INDEX NO.
304479	7B- 20
	7G- 21
313246	4 - 21A
	4A- 13B
313361	25 - 11
315210	4D- 17
316187	7C- 5
	7D- 6
316996	6C- 13
	10 - 7
	12 - 9
	13 - 8A
	6D- 5
317004	7 - 39
317007	11 - 19
317008	11A- 10
	15 - 18
317009	11 - 4
317011	11 - 5
317018	6A- 34
	15 - 3
317019	7 - 40
317022	6A- 35
	7 - 41
317049	6A- 45
	7 - 53
317131	14 - 17
317132	9 - 16
	12 - 10
	13 - 9
317296	4 - 21B
	4A- 27
	14 - 3
	16 - 12
	25 - 18
317297	16 - 13
	25 - 18A
317298	16 - 14
	25 - 18B
317299	16 - 15
	25 - 18C
317300	16 - 6
317310	2F- 17
	6 - 10
317329	4 - 22
	4A- 28
	4B- 22
	6D- 6
317428	15 - 3
317429	14 - 18
317485	4B- 22A
317797	4 - 50E
318898	17 - 20
320657	18 - 25
	19 - 24
321603	7B- 21
	7E- 21
	7G- 22
322025	7 - 42
	25 - 13D
322028	2F- 18
322029	7F- 17
322065	3 - 4
	3A- 4
	6A- 36
	7 - 43
	11B- 7
322280	14 - 19
322347	11A- 11
322550	2B- 10
	2F- 19
	4B- 53D
	4G- 81
	7A- 14
322551	4 - 62
	4A- 61
	4B- 58
	4D- 50
	4F- 56
	4G-128

PART NO.	LIST AND INDEX NO.
322551-CONT	7 - 44
322552	7C- 6
	7D- 7
322555	4B- 23
322692	4 - 50F
	4B- 52Q
	4D- 44D
	4F- 48D
	4G- 69
322729	6A- 37
	6D- 7
	11 - 20
	11A- 12
	15 - 4
	15 - 19
322888	6A- 38
	7 - 45
323543	6A- 39
	7 - 46
323656	4D- 18
	4G- 35
	7A- 15
323681	4B- 23A
	14 - 20
323685	1C- 6
	16 - 7
	23 - 4
323836	7C- 7
	7D- 8
323841	4B- 23B
	14 - 21
323842	4 - 25
	4A- 29
	4B- 24
	4B- 24
	4D- 19
	4F- 25
	4G- 36
	7A- 16
323844	7B- 22
	7F- 18
	7F- 18
	7G- 23
	11B- 8
323918	11 - 21
	11A- 13
	15 - 20
	7 - 47
323920	4A- 29A
325660	1A- 25
327921	1A- 26
	1B- 28
	6A- 40
327922	1A- 27
	1B- 29
	4E- 12
	6A- 41
328575	7 - 48
331982	6C- 14
	7E- 22
332620	1 - 4
	1 - 77
	1A- 28
	1B- 30
	2E- 14
	4A- 30
	4B- 25
	4F- 26
	6C- 15
	6C- 16
332779	1 - 47
333064	6D- 8
333202	4D- 68
334768	4 - 28
334804	4A- 31
	4B- 26
	4 - 63
	4A- 62
	4B- 59
	4D- 51
334910	

PART NO.	LIST AND INDEX NO.
334910-CONT	4F- 57
	4G-129
	7 - 49
	11 - 9
	14 - 4
	15 - 8
	25 - 13B
334914	6A- 42
	7 - 50
334921	2 - 56
	2A- 23
	2B- 16
	2C- 21
	2D- 23
	2E- 19
	2F- 36
	7C- 8
	7D- 9
	25 - 13
334932	4 - 54
	4B- 51
	4D- 69
	6C- 38
	7B- 23
	7G- 24
	25 - 13A
335383	25 - 15
335970	25 - 15B
337523	6A- 43
	7 - 51
337529	10 - 8
337545	8 - 16
337549	6A- 46
	7 - 54
	8 - 7
338169	4A- 32
	4E- 9A
338238	4 - 29
	4A- 33
	4B- 27
	4D- 20
	4F- 27
	4G- 37
	25 - 36
342069	8 - 8
342070	6A- 47
	7 - 55
	8 -REF
	8 - 9
342071	8 - 17
342076	8 - 27
342077	8 - 18
342079	8 - 19
342081	8 - 20
342082	8 - 28
342086	8 - 28
342087	25 - 40
342091	8 - 24
342092	8 - 21
349154	4 - 34
	4A- 34
	4B- 27A
	4E- 10
350559	7F- 19
350886	1B- 31
	7A- 17
351540	6A- 48
	7 - 56
351784	7 - 57
352088	7F- 19A
	7F- 19A
352121	4D- 21
	4F- 28
	4G- 38
352523	4 - 30
	4B- 28
352826	4D- 22
	4G- 39
	7A- 18
352838	7 - 58
354533	2F- 20

PART NO.	LIST AND INDEX NO.	PART NO.	LIST AND INDEX NO.	PART NO.	LIST AND INDEX NO.
354533-CONT	17 - 10	369207-CONT	6A- 52	438623-CONT	1B- 33
	18 - 13		7 - 64		2E- 16
	19 - 13	369214	6C- 17		7F- 21
356705	14 - 5		7B- 46D	438626	7F- 21A
356740	11 - 22		7E- 46	438627	7F- 22
	11A- 14		7G- 47D	438633	7F- 22A
	15 - 21		8 - 29	438807	1A- 32
356742	1A- 29		9 - 18		1A- 32
	4 - 50G		10 - 10		1B- 34
	4B- 52R		10A- 10		1B- 34
	4D- 44E		10B- 11	441091	4C- 7
	4F- 47F		11 - 28	441093	4C- 8
	4F- 48E		11A- 6	442958	7 -109
	4G- 70		12 - 12	442959	7B- 27
359695	7 - 59		13 - 11		7E- 25
	7B- 24		15 - 27		7G- 29
	7G- 25	369224	4 - 32	460237	2B- 12
	14 - 6		4A- 36		5A- 5
	25 - 1		4B- 30	460243	6A- 56
360034	18 - 28		4D- 26		7 - 68
	19 - 27		4G- 43	472168	1A- 33
360193	1 - 64E	369611	6D- 10		1B- 35
360370	7 - 60		11 - 25		1B- 35
	7G- 26		11A- 15	473386	7 - 69
	9 - 17		15 - 24	473412	7E- 29
	10 - 9	369616	11 - 26	473422	7E- 30
	10A- 9		15 - 25	473526	6A- 57
	10B- 10	369691	11A- 16	473530	7B- 28
	12 - 11	370827	8 - 30		7E- 26
	13 - 10	372422	7A- 21		7G- 30
	14 - 7	372423	7A- 22	473531	7B- 29
	25 - 30	372688	6 - 11		7E- 27
360433	25 - 42	372990	7A- 23		7G- 31
360882	4 - 31	374546	7A- 24	473536	6C- 21
	4A- 35	375161	6C- 18	473543	7B- 30
	4B- 29	383743	1A- 30		7E- 28
	4B- 29	418835	4 - 33		7G- 32
	4D- 23		4A- 37	473544	7B- 31
	4F- 29		4B- 31		7G- 33
	4G- 40		4F- 32	473545	7B- 32
361216	6A- 49	424205	4B- 32		7F- 23
	7 - 61	430799	25 - 20		7F- 23
361226	6A- 50	436972	6A- 53		7G- 34
	7 - 62		7 - 65	473547	7B- 33
	7A- 19	438463	4A- 38		7E- 31
361429	6D- 9		4F- 32A		7G- 35
363863	11 - 10	438548	4C- 5	474644	6 - 23
	11A- 3		4D- 27	477144	6C- 39
	15 - 9		4F- 33	477266	7F- 24
363866	11 - 11		4G- 44	477276	7F- 25
	11A- 4		6D- 11	478012	1A- 34
	15 - 10	438549	4C- 6		1A- 34
363874	11 - 12		4D- 28		1B- 36
	11A- 5		4G- 45	478045	7B- 46E
	15 - 11	438550	4G- 46		7E- 47
363876	11 - 6	438551	6C- 19		7G- 47E
	15 - 5	438567	7B- 25		9 - 19
363877	11 - 13		7E- 23		10 - 11
	15 - 12		7G- 27		10A- 11
363878	11 - 23	438568	4D- 28A		10B- 12
	15 - 22		4G- 47		12 - 13
364692	6A- 51		7A- 25		13 - 12
	7 - 63	438569	4D- 29	479080	6D- 12
365047	1C- 7	438571	6C- 20	479097	6D- 13
	16 - 8	438582	7B- 26	479099	6D- 14
	23 - 5		7G- 28	479103	6D- 15
365048	1C- 8	438584	7 -108	479104	6D- 16
	16 - 9	438588	6A- 54	479999	22A- 2
	23 - 6		7F- 20	480007	2B- 13
367115	4D- 24	438592	7 - 66		5A- 6
	4F- 30		7E- 24	480009	2B- 13
	4G- 41	438622	2 - 20		4B- 53E
	7A- 20		2A- 20		4G- 82
368222	25 - 11A		2B- 11	480554	6A- 58
368939	11B- 9		2C- 18A		7 - 70
369087	11 - 24		2D- 20		7A- 26
	15 - 23		2E- 15	482188	22A- 3
369207	4D- 25		6A- 55	482219	22A- 4
	4F- 31		7 - 67	483107	7F- 26
	4G- 42	438623	1A- 31		7F- 26

PART NO.	LIST AND INDEX NO.	PART NO.	LIST AND INDEX NO.	PART NO.	LIST AND INDEX NO.
483115	11 - 27	526098	1A- 38	535632	1A- 43
	11A- 17		1A- 38	535847	4D- 40A
	15 - 26		1B- 40		4G- 60
491017	11 - 29		1B- 40	538724	25 - 14
	15 - 28	526338	4D- 32	538830	7 - 78
491209	6D- 17		4F- 36	545928	4D- 41
491210	6D- 18		4G- 51	550014	6D- 21
491228	6C- 22	526378	6A- 65	552994	7F- 28
491320	4B- 49E		7 - 76	554132	4 - 48A
	7 - 70A	526516	4 - 41		4B- 44A
491349	25 - 5A		4A- 40	554175	18 - 14
492434	11A- 18		4B- 37		19 - 14
503498	4 - 55		4D- 33	563803	14 - 23
	4B- 52		4F- 37	589393	4D- 40B
	4D- 70		4G- 52		4F- 45
503591	11 - 30	526519	4 - 45	589394	4D- 40C
	15 - 29		4A- 44		4F- 46
504879	25 - 1B		4B- 41	589721	11B- 10
507144	7 - 110		4D- 37	589753	9 - 21
508033	4B- 32A		4F- 41	589768	10A- 12
508040	6A- 59		4G- 56		10B- 13
	15 - 30	526520	4 - 46		13 - 14
509507	8 - 25		4A- 45	589788	8 - 31
510379	6A- 60		4B- 42	591777	4E- 13
510388	4D- 30		4D- 38	594504	2 - 46
	4F- 34		4F- 42		2A- 48
	4G- 48		4G- 57		2B- 39
510425	1A- 35	526521	4 - 47		2C- 47
510468	6C- 23		4A- 46		2D- 48
	7B- 34		4B- 43		2E- 44
	7E- 32		4D- 39	594505	2 - 47
	7G- 36		4F- 43		2A- 49
510810	1A- 36		4G- 58		2B- 40
	1B- 37	526522	4 - 42		2C- 48
511042	4B- 33		4A- 41		2D- 49
511096	6A- 61		4B- 38		2E- 45
	7 - 71		4D- 34	594506	2 - 45
511097	7 - 72		4F- 38		2A- 47
	7 - 72		4G- 53		2B- 38
511099	6A- 62	526567	1C- 9		2C- 46
	7 - 73		16 - 10		2D- 47
512663	4D- 31		23 - 7		2E- 43
	4F- 35	528411	4 - 50H	595258	9 - 22
	4G- 49		4B- 49U	595725	25 - 21
513243	1A-101		4B- 52B	595726	25 - 21A
	1B- 90		4B- 52S	595979	25 - 5
513668	1 - 9		4B- 53H	596255	1C- 9A
	1 - 22		4B- 53N		17 - 21
	1 - 35		4D- 44F		18 - 26
	1 - 41		4F- 47G		18 - 29
513740	14 - 22		4F- 48F		19 - 25
515821	7 - 111		4G- 71		19 - 28
517197	6A- 63		4G- 87		25 - 19
	7 - 74		4G- 90	597068	1A- 44
517913	14 - 8		4G-108		1B- 41
	25 - 23		4G-111	597215	1A- 45
517981	10 - 12	528486	6D- 19	598274	1A- 46
518578	6A- 64	529088	6A- 66	598353	4 - 64
	7 - 75		7 - 76A		4A- 63
518704	2 - 21	530601	9 - 20		4B- 60
	2A- 21		12 - 14		4D- 52
	2B- 14		13 - 13		4F- 58
	2C- 19	532393	1A- 41		4G-130
	2D- 21	532945	4B- 45		10 - 15
	2E- 17	533273	7F- 27		11B- 11
	2F- 21	533289	1A- 42		4 - 65
523250	1A- 37	533371	10 - 13	598355	4A- 64
	1B- 38		10 - 13		4B- 61
	1B- 38		12 - 15		4D- 53
523269	4 - 38		12 - 15		4F- 59
	4A- 39		13 - 13A		4G-131
	4B- 34	533372	10 - 14		12 - 17
	4E- 11		12 - 16		13 - 15
524178	4B- 35		13 - 13B	598479	7 - 79
524179	4 - 39	534758	7 - 77	599557	3 - 4A
	4B- 36	534768	4E- 12		3A- 5
524180	4 - 40	535084	25 - 17	601093	1A- 47
524181	4D- 31A	535086	25 - 17A		1B- 42
	4G- 50	535441	6D- 20	610345	7F- 29
524515	1B- 39		11A- 19		7F- 29

PART NO.	LIST AND INDEX NO.	PART NO.	LIST AND INDEX NO.	PART NO.	LIST AND INDEX NO.
615354	4C- 9	730468-CONT	9 - 23	805044	7G- 52
646007	1A- 48	730478	7A- 28	806715	1C- 10
	1B- 43		7G-REF	811399	6D- 22
	4D- 40D	730495	7G- 51	827840	5 - 12
	4F- 46A	731629	1 - 4A		5A- 9
	4G-105		1 - 69	827842	5 - 11
696065	4B- 46		1A- 49		5A- 10
725174	2A- 22		1B- 44	827850	22A- 6
	2B- 15		6C- 25	845762	4 - 48B
	2C- 20	731974	17 - 11		4A- 47A
	2D- 22	734483	1 - 61F		4D- 42A
	2E- 18		6C- 26		4F- 46B
725347	5 - 4	740489	6 - 12		4G- 63
	5A- 7	740491	6 - 13	1090873	1A- 50
725395	2 - 22	740503	5 - 5		1B- 45
	2A- 25		5A- 8		4 - 48
	2B- 18		5A- 8		4A- 47
	2C- 23		5A- 8		4B- 44
	2D- 25	740540	1B- 60A		4D- 40
	2E- 21		5 - 6		4F- 44
	2F- 22		6 -REF		4G- 59
725474	2E- 22	740550	6 - 14		6A- 67
725531	2E- 23	740554	2F- 23		7 - 80B
726995	11B- 12		6 - 15		7F- 37
730177	7B- 35	740560	6 - 16		9 - 24
	7E- 33	740562	6 - 16		10A- 13
	7G- 37	740563	6 - 17		10B- 14
730425	7E- 34	740564	6 - 18		11B- 14
730426	7B- 36	740571	6 - 19		12 - 18
730427	7G- 38	740606	6 - 20		13 - 16
730428	7B- 37	740608	5 - 5	1127037	25 - 43
	7E- 35		5A- 8	1127053	14 - 24
730429	7G- 39		5A- 8	1127722	6A- 68
730430	7 - 80		5A- 8		7 - 81
730431	7B- 38	740609	1B- 60A	1132669	7E- 50
730432	4B- 46A		5 - 6	2085671	4A- 48
	7 - 80A		6 -REF	2101326	1A- 40
	7B- 39	741129	6 - 21		7B- 50
	7E- 36	749046	22A- 5		14 - 9
	7G- 40	760304	2 - 23		25 - 13C
730433	7F- 30		2A- 26	2101327	25 - 16A
730434	7B- 40		2B- 19	2101338	14 - 25
730436	7G- 41		2C- 24	2102364	7C- 9
730439	7B- 41		2D- 26		7D- 10
	7F- 31		2E- 24	2102365	6A- 69
	7F- 31		2F- 24		7E- 51
	7G- 42		2 - 24		7G- 31A
	11B- 13	760305	2A- 27	2109462	8 - 26
730442	7F- 32		2B- 20	2111232	11A- 20
730443	7B- 42		2C- 25	2128588	6A- 70
	7E- 37		2D- 27		7 - 82
	7G- 43		2E- 25	2128689	4 - 49
730444	7B- 43		2F- 25		4A- 49
	7E- 38		2 - 25		4B- 46B
	7G- 44	760306	2A- 28		4C- 11
730445	7B- 44		2B- 21		4E- 14
	7E- 39		2C- 26		4G- 83
	7G- 45		2D- 28	2129315	7 - 83
730446	7B- 45		2E- 26	2130335	4 - 50
	7E- 40		2F- 26		4B- 47
	7G- 46	760731	4D- 42		4D- 43
730447	7F- 33		4G- 62		4G- 64
730448	7B- 46F	761107	2 - 26	2130338	4B- 48
	7E- 48		2A- 29	2132014	8 - 32
	7G- 47F		2B- 22	2134542	25 - 37
730450	7A- 27		2C- 27	2156037	6C- 27
	7B-REF		2D- 29		6C- 27
730452	6C- 24		2E- 27	2181002	6C- 28
730453	7B- 46		2F- 27	2414970	4 - 52
	7E- 41	761345	2 - 57		4A- 50
	7G- 47		2A- 24		4B- 49
730455	7B- 47		2B- 17		4E- 15
	7G- 48		2C- 22		5 - 7
730456	7B- 48		2D- 24		5A- 11
730458	7G- 49		2E- 20		22A- 7
730459	7F- 34		2F- 37	2414975	1C- 15A
730467	7F- 35	801652	7F- 36		1C- 16A
730468	7B- 49	802570	4C- 10		16 - 41
	7E- 49		25 - 25		16 - 45
	7G- 50	804715	25 - 41		23 - 13



PART NO.	LIST AND INDEX NO.
2414975-CONT	23 - 17
2426044	4F- 47
2426064	4F- 47
2501039	1A- 51 1B- 46
2501189	4 - 50J
2501190	4 - 50A
2501191	4 - 50K 4B- 52T
2501192	4 - 50L 4D- 44G 4F- 48G 4G- 72
2501194	1A- 52 1B- 47
2501253	4 - 51A 4B- 49A
2501260	4 - 51B 4B- 49B
2501266	1A- 53 1B- 48 2C-REF
2501325	4F- 47H
2501326	4F- 47J
2501327	4F- 47A
2501328	4D- 44H 4G- 73
2501329	4D- 44 4G- 65
2501332	4D- 44J 4F- 48H 4G- 74
2501334	4F- 48
2501336	1A- 54 1B- 49
2501337	1B- 50
2501486	2 - 27 2A- 30 2F- 28
2501487	2C- 28
2501489	2 - 27 2A- 30 2F- 28
2501490	2C- 28
2501491	2B- 26 2D- 30
2503611	1A- 55
2503795	4D- 44K 4G- 75
2507163	2B- 23
2507164	1A- 56 1A- 56 1B- 51 1B- 51
2507322	4D- 44L
2507326	4A- 50A 4F- 48K
2507351	1A- 57 1B- 52
2507385	4F- 48L
2507428	2 - 28 2A- 31
2507466	4E- 22
2507467	4D- 65 4E-REF
2507628	4G- 84
2507646	1A- 58 1B- 53
2507647	1A- 59 1B- 53
2510294	4B- 49C
2510320	4 - 51C
2510324	4 - 51D 4E- 15A
2510325	4D- 44M
2510326	4 - 51E 4E- 15B
2510327	4D- 44N
2510328	4 - 51F 4E- 15C

PART NO.	LIST AND INDEX NO.
2510329	4D- 44P
2514411	1A- 62 1B- 54
2514412	1A- 63 1B- 55
2514418	4G- 76
2514423	4B- 49L 4G-101
2514424	4B- 49M 4G-102
2514425	4G- 96
2514426	4B- 49F
2514427	4B- 49N 4G-103
2514431	1A- 65 1B- 56
2514443	4B- 49Q
2514446	4B- 53F 4G- 85
2514448	1A- 64 1B- 57 4G-REF
2514458	4B- 49R
2514462	4G-104
2514463	4B- 49S 4G-106
2514467	4B- 49T 4B- 53G 4G- 86 4G-107
2514468	4B- 52A 4B- 53M 4G- 89 4G-110
2514470	4B- 52F
2514471	4B- 52G
2514472	4B- 52H
2514473	4B- 52J
2514475	4B- 52C 4B- 53P 4G- 91 4G-112
2514476	4B- 49V 4B- 53J 4G- 88 4G-109
2514478	4B- 53S
2514479	4B- 53T
2514480	4B- 52K
2514485	4B- 49P
2514502	4B- 52U
2514503	4B- 52L
2514504	4B- 52V
2514511	4G- 92
2514512	4G- 93
2514513	4G- 94
2514517	4G-113
2514518	4G-114
2514519	4G-115
2514520	4G-116
2514521	4G-117
2514522	4E- 22
2514523	4E-REF 4G-118
2514524	4G-119
2514527	4B- 52W 4G-120 4G-121
2514543	4B- 52X
2514553	4B- 53A
2514554	4B- 53U
2514555	2C- 59
3415909	4A- 51 4F- 49
4064448	3A- 6 7C- 10
4103594	4F- 50 6C- 29
4116430	4F- 51
4116486	7B- 12
4117840	
4118820	

PART NO.	LIST AND INDEX NO.
4118820-CONT	7E- 52A
4118821	7G- 14 7B- 11 7E- 52B 7G- 13
4120172	7C- 11
4120218	3A- 7
4121259	4A- 52 4F- 52
5114986	18 - 19 19 - 19
5213426	18 - 20 19 - 20
5213430	4D- 45
5213644	4 - 51
5213694	4A- 53 4D- 45A
5213700	7E- 53
5213804	4 - 51G 4B- 53W 4D- 46 4G-122
5214060	4 - 51H
5214295	7F- 38
5214296	7F- 38
5214333	4 - 51J 4B- 53X
5214335	6D- 23
5214366	6C- 30 6C- 30
5214547	6C- 31
5214556	6C- 32
5239152	7E- 54
5239153	7E- 55
5239415	1B- 88 1B- 88 6C-REF 1B- 88 1B- 88 6C-REF
5240422	7E- 56
5240513	7F- 36
5261077	6C- 33
5261127	6C- 34
5261165	6C- 35
5261167	6C- 36
5261542	7F- 39
5261936	6C- 37
5270139	1C- 11
5271245	4D- 46A 4G-123
5271288	4 - 52A 4A- 54 4B- 53Y 4E- 16
5271389	7A- 29 7C-REF
5271721	25 - 38
5311415	22A- 12
5311420	22A- 8
5311421	22A- 9
5311437	22A- 13
5311439	22A- 14
5311440	22A- 10
5311443	22A- 11
5312797	1 - 61G
5313529	17 - 14 18 - 17 19 - 17
5313673	1A- 66 1B- 58 2 - 29 2 - 36 2 - 39 2A- 32 2A- 38 2A- 41 2B- 24 2B- 31 2B- 45

PART NO.	LIST AND INDEX NO.	PART NO.	LIST AND INDEX NO.	PART NO.	LIST AND INDEX NO.
5313673-CONT	2C- 29 2C- 36 2C- 39 2D- 31 2D- 38 2D- 41 2E- 28 2E- 33 2E- 36 2F- 29 2F- 32	5351120-CONT	4A- 58 4B- 55 4D- 47 4F- 53 4G-125	5356438	1A- 72 1B- 65
5313850	6A- 71 7 - 84	5351121	4 - 66 4A- 65 4B- 62 4D- 54 4F- 60 4G-132	5356441	1 - 61K
5315112	18 - 18 19 - 18	5351123	4 - 67 4A- 66 4B- 63 4D- 55 4F- 61 4G-133	5356443	1 - 61L
5318920	7C- 12 7D- 11	5351152	4 - 68 4B- 64 9 - 25 9 - 25	5356444	1 - 61M 1 - 78 1 - 71
5318932	16 - 27 23 - 25	5351173	25 - 8B 6A- 74 11A-REF 11A- 7 11A- 21	5357048	3A- 9
5318933	2 - 52 16 -REF	5351177	11A-REF 11A- 7 25 - 22 25 - 24 3 - 12 3 - 13	5357049	3A-REF
5318934	4 - 53 4B- 50	5352530	25 - 6 25 - 6A 25 - 28 1C- 16B	5357050	7D- 14
5318964	7C- 13 7D- 12	5352532	16 - 46 23 - 18 1C- 12 16 - 31 23 - 8 1C- 15B	5357051	3 - 6
5318965	7A- 29 7D-REF	5352534	16 - 46 23 - 18 1C- 12 16 - 31 23 - 8 1C- 15B	5357052	2B- 26 2D- 30 2E- 30 3 -REF
5318966	4 - 56 4A- 55 4B- 53 4E- 17	5353851	16 - 46 23 - 18 1C- 12 16 - 31 23 - 8 1C- 15B	5357058	3 - 17
5318967	4 - 57 4A- 56 4C- 12 4E- 18	5353852	16 - 46 23 - 18 1C- 12 16 - 31 23 - 8 1C- 15B	5357059	3 - 18
5318969	4 - 58 4A- 57 4B- 54 4E- 19	5353853	16 - 46 23 - 18 1C- 12 16 - 31 23 - 8 1C- 15B	5357060	7D- 21 7D- 22
5318975	7A- 30 16 - 11	5353854	16 - 46 23 - 18 1C- 12 16 - 31 23 - 8 1C- 15B	5357061	3 - 9
5318979	1A-113 1A-116 1A-119 1A-122 1A-125 1A-128 1A-131 1A-134 1A-137 1A-140 1A-143 1A-146 1A-149	5353855	16 - 46 23 - 18 1C- 12 16 - 31 23 - 8 1C- 15B	5357062	3 - 10
5318982	1A-113 1A-116 1A-119 1A-122 1A-125 1A-128 1A-131 1A-134 1A-137 1A-140 1A-143 1A-146 1A-149	5353888	16 - 46 23 - 18 1C- 12 16 - 31 23 - 8 1C- 15B	5357063	3 - 11
5318989	16 - 30 6A- 72	5353889	16 - 46 23 - 18 1C- 12 16 - 31 23 - 8 1C- 15B	5357064	3 - 19 3A- 10
5319839	4D- 46B 4F- 52A	5353891	16 - 46 23 - 18 1C- 12 16 - 31 23 - 8 1C- 15B	5357065	3 - 14
5319854	4G-124 7C- 14 7D- 13	5353896	16 - 46 23 - 18 1C- 12 16 - 31 23 - 8 1C- 15B	5357066	3 - 16 7D- 17
5319909	1A- 67 1B- 59 2 - 30 2A- 33 2B- 25 2C- 30 2D- 32 2E- 29 2F- 30	5353916	16 - 46 23 - 18 1C- 12 16 - 31 23 - 8 1C- 15B	5357067	3 - 15 7D- 18
5323467	7 - 85 6A- 73 7 - 86 7E- 57 7A- 31	5355407	16 - 46 23 - 18 1C- 12 16 - 31 23 - 8 1C- 15B	5357068	3 - 10 7D- 19 3 - 9 7D- 20
5323562	7A- 32 25 - 27	5355974	16 - 46 23 - 18 1C- 12 16 - 31 23 - 8 1C- 15B	5357069	25 - 29 25 - 26 3 - 20 3A- 11 3 - 21 3A- 12
5323562	7A- 32 3 - 5 3A- 8 4 - 59	5356038	16 - 46 23 - 18 1C- 12 16 - 31 23 - 8 1C- 15B	5357093	6A- 75 7 - 87 7 - 88 6A- 76 7 - 88 16 - 32
5331853	7 - 85 6A- 73 7 - 86 7E- 57 7A- 31	5356174	16 - 46 23 - 18 1C- 12 16 - 31 23 - 8 1C- 15B	5357094	7 - 87 7 - 88 6A- 76 7 - 88 16 - 32
5344879	7A- 32 25 - 27	5356341	16 - 46 23 - 18 1C- 12 16 - 31 23 - 8 1C- 15B	5357135	3A- 11 3 - 21 3A- 12
5349252	7A- 32 3 - 5 3A- 8 4 - 59	5356364	16 - 46 23 - 18 1C- 12 16 - 31 23 - 8 1C- 15B	5357136	3 - 21 3A- 12
5349253	7A- 32 3 - 5 3A- 8 4 - 59	5356371	16 - 46 23 - 18 1C- 12 16 - 31 23 - 8 1C- 15B	5359323	6A- 75 7 - 87 7 - 88 6A- 76 7 - 88 16 - 32
5349309	7A- 32 3 - 5 3A- 8 4 - 59	5356376	16 - 46 23 - 18 1C- 12 16 - 31 23 - 8 1C- 15B	5359324	6A- 75 7 - 87 7 - 88 6A- 76 7 - 88 16 - 32
5349888	7A- 32 3 - 5 3A- 8 4 - 59	5356382	16 - 46 23 - 18 1C- 12 16 - 31 23 - 8 1C- 15B	5361858	1 - 37A 1 - 37A 1 - 37A 1 - 37A 1 - 72 7 - 89 7 - 90 6A- 77 7 - 91 7 - 92 7 - 93 6A- 78 7 - 94 6A- 79 7 - 95 7 - 96 7 - 97 9 -REF 9 - 26 7 - 98 10 -REF
5351120	7A- 32 3 - 5 3A- 8 4 - 59	5356388	16 - 46 23 - 18 1C- 12 16 - 31 23 - 8 1C- 15B	5361882	2 - 31 2C- 31 2D- 33 2 - 37 2 - 40 2A- 42 2C- 40 2D- 42 2E- 37 2A- 39 2B- 32 2C- 37 2D- 39 2E- 34 2F- 33

PART NO.	LIST AND INDEX NO.	PART NO.	LIST AND INDEX NO.	PART NO.	LIST AND INDEX NO.
5362135	1A- 75	5362204-CONT	2E- 47	5371356-CONT	19 -REF
	1B- 66	5362205	17 - 17	5371357	2B- 52
5362136	1B- 66	5362208	17 - 18		19 -REF
	2 - 32		18 - 23	5371367	1A-114
	2A- 34		19 - 29		1A-117
	2B- 27	5362221	1 - 5		1A-120
	2C- 32	5362230	1A- 79		1A-123
5362137	2D- 34		1B- 70		1A-126
	2 - 33	5362258	1 - 75		1A-129
	2A- 35	5362265	16 - 33		1A-132
	2B- 28		23 - 9		1A-135
	2C- 33	5362268	1A- 80	5371369	1A-144
	2D- 35		1B- 71		1A-147
5362138	2 - 34	5362269	1A- 81	5371372	1 -REF
	2A- 36		1B- 72	5371373	1 -REF
	2B- 29	5362270	4 - 71	5371374	1 -REF
	2C- 34		4B- 66	5371375	1 -REF
	2D- 36		4D- 56	5371377	1 - 37
5362164	2E- 31	5362271	4 - 72	5371378	1 - 32
	7 - 99	5362282	1A- 82	5371379	1 - 32
	11 -REF		1B- 73	5371380	1 - 32
5362165	10 - 16	5362283	4 - 73	5371381	1 - 32
5362166	7 -100		4B- 67	5371383	1 - 43
	12 -REF	5362284	4 - 74	5371384	1 - 38
5362167	7 -101		4B- 68	5371385	1 - 38
	13 -REF	5362285	4 - 75	5371386	1 - 38
5362168	12 - 19		4B- 69	5371387	1 - 38
	13 - 17	5362293	1C- 13	5371389	1 - 48
5362169	14 - 10		16 - 34	5371391	1 - 43A
5362173	2 - 35		23 - 10	5371393	1 - 43A
	2A- 37	5362294	1C- 14	5371395	1 - 44
	2B- 30		16 - 35		1 - 44
	2C- 35		23 - 11		1 - 44
	2D- 37	5362297	4 - 76		1 - 44
	2E- 32	5362298	1A- 83	5371397	5 - 8
	2F- 31		1B- 57	5371398	5 - 9
5362174	2 - 38		4 -REF		5A- 12
	2A- 40	5362301	25 - 8A	5371400	1A-REF
	2C- 38	5362302	25 - 8	5371410	1B-REF
	2D- 40	5362306	25 - 9	5371413	1A-138
	2E- 35	5362307	25 - 10		1A-141
5362175	7 -102	5362329	1C- 15C	5371482	17 - 19
	14 -REF		1C- 16C		18 - 24
5362176	6A- 80		16 - 43		19 - 23
	7 -103		16 - 47	5371489	2 - 63
5362177	7 -104		23 - 15		17 -REF
5362183	1A- 76		23 - 19	5371490	2 - 64
	1B- 67	5363612	1 - 6		18 -REF
	2 -REF	5363613	1 - 6	5371491	2 - 65
5362184	1B- 68	5363614	1 - 6		19 -REF
	1B- 68		1 - 6	5371492	2 - 66
	2D-REF		1 - 32		19 -REF
	2D-REF	5363615	1 - 6	5371493	2B- 57
5362185	1A- 77	5363617	1 - 19		18 -REF
	1B- 69	5363618	1 - 19	5371494	2B- 58
5362188	4 - 69	5363619	1 - 19		18 -REF
	4B- 65		1 - 19	5371495	2B- 59
5362189	2C- 41		1 - 38		19 -REF
	2E- 38	5363620	1 - 19	5371496	2B- 60
5362193	1A- 78	5363623	1A- 84		19 -REF
	2B- 33		1B- 74	5371497	2D- 57
5362194	4 - 70	5363699	7 -112		18 -REF
	4A- 69	5364067	1A-151	5371498	2D- 58
5362198	17 - 15	5364197	4C- 13		18 -REF
	18 - 21		4E- 20	5371499	2D- 59
	19 - 21	5364226	7 -112A		19 -REF
5362202	17 - 16	5367452	4B- 70	5371500	2D- 60
	18 - 22	5371350	2 - 59		19 -REF
	19 - 22		17 -REF	5371529	18 - 27
5362203	2 - 48	5371351	2 - 60		19 - 26
	2A- 50		18 -REF	5371530	16 - 16
	2B- 41	5371352	2 - 61	5371531	16 - 17
	2C- 49		19 -REF	5371532	16 - 18
	2D- 50	5371353	2 - 62	5371533	16 - 19
	2E- 46		19 -REF	5371534	16 - 20
5362204	2 - 49	5371354	2B- 49	5371535	16 - 21
	2A- 51		18 -REF		16 - 21
	2B- 42	5371355	2B- 50	5371536	16 - 22
	2C- 50		18 -REF		16 - 36
	2D- 51	5371356	2B- 51	5371537	16 - 23

PART NO.	LIST AND INDEX NO.	PART NO.	LIST AND INDEX NO.	PART NO.	LIST AND INDEX NO.
5371537-CONT	16 - 37	5373714-CONT	1 - 50	5382414	1A-103
5371538	16 - 38		1 - 50	5382415	1A-104
5371539	16 - 39	5373715	1 - 59	5382416	1A-105
5371540	16 - 24	5373716	1 - 60	5382417	1A-106
	16 - 39	5373723	1A- 95	5382418	1A-107
5371541	16 - 25		1B- 85	5382419	4B- 72
5371565	2 - 50	5373724	1A- 96	5382420	1A-163
	2A- 52		1B- 86		4B-REF
	2B- 43	5373727	1 - 27	5382421	1A-108
	2E- 48	5373735	4A- 70	5382425	1A-109
5371567	2 - 41	5373737	4A- 71	5382426	1A-110
	2A- 43	5373738	1A- 97	5382427	1A-111
	2B- 34		1B- 87	5382428	1A-112
	2E- 39	5373740	4A- 72	5382429	1A-115
5371572	2C- 51	5373742	1A- 98	5382430	1A-118
	2D- 52		1B- 57	5382431	1A-121
5371573	2C- 42		4A-REF	5382432	1A-124
	2D- 43	5373743	4A- 73	5382433	1A-127
5371579	6A- 81		4F- 62	5382434	1A-130
	7 -113	5373746	14 - 10	5382435	1A-133
5371643	2C- 52	5373747	7 -115	5382436	1A-136
	2D- 53		14 -REF	5382437	1A-139
5371644	2 - 51	5373760	1A- 99	5382438	1A-142
	2A- 53		1B- 88	5382439	1A-145
	2E- 49		7 -REF	5382440	1A-148
	2F- 34	5373761	1A- 99	5382443	1A-152
5371645	1A- 87		1B- 88	5382446	22A- 18
	1B- 75		7 -REF	5382447	22A- 19
5371652	2E- 50	5373770	1A-100	5382448	22A- 20
5371662	22A- 16		1B- 89	5382449	22A- 21
5371674	1 - 79	5373781	4A- 74	5382450	1 - 60A
5371720	4 - 77	5374689	6C- 40		22A-REF
	4B- 71	5382047	16 - 49	5382451	1 - 61
5371729	2B- 46	5382056	18 - 23	5382454	1 - 61A
5371730	2B- 44		19 - 29	5382455	1 -REF
5372161	1C- 15	5382076	19 - 22	5382456	4C- 14
	16 - 40	5382078	18 - 22	5382457	4B- 73
	23 - 12	5382095	2 - 52	5382458	4B- 74
5372162	1C- 16		23 -REF		4C-REF
	16 - 44	5382096	23 - 20	5382459	4B- 75
	23 - 16	5382097	23 - 21	5382464	4B- 76
5372586	7 -114	5382098	16 - 28	5382465	1A-153
	15 -REF		23 - 26	5382467	1A-154
5372634	1 - 76	5382099	16 - 26	5382468	1A-155
5373637	1 - 12		23 - 24	5382470	22A- 22
	1 - 25	5382100	1A-REF	5382472	1A-156
5373638	1 - 55	5382102	1C- 19	5382473	1A-157
5373639	1 - 13		16 - 29	5382474	1A-158
	1 - 26		23 - 27	5382475	1A-159
5373642	1 - 56	5382110	1B-REF	5382620	1 - 61Q
5373644	1 - 14	5382127	2 - 54	5382855	2F- 35
5373645	1 - 57		2A- 55	5382989	2 - 55
5373646	1 - 58		2B- 47	5383004	1 - 82
	1 - 64F		2C- 54	5383098	4A- 75
5373647	1A- 90		2D- 55	5383099	4A- 76
	1B- 78	5382140	19 - 30	5383112	1A-160
5373648	1A- 92	5382141	16 - 26		1B- 87A
	1B- 80		23 - 24	5383113	1A-161
5373649	1A- 93	5382142	16 - 27	5383132	1 - 15
	1B- 81		23 - 25		1 - 28
5373650	1A- 91	5382143	16 - 28	5383181	1 - 62
	1B- 79		23 - 26	5386609	1 - 29
5373651	1A- 94	5382145	16 - 22		1 - 43
	1B- 82	5382146	16 - 23		1 - 43
5373653	1A- 88	5382147	16 - 29A		1 - 43
	1B- 76	5382148	16 - 24		1 - 43
5373659	5 - 10	5382149	18 - 30	5386610	1 - 16
	5A- 13	5382161	16 - 29B		1 - 37
	5A- 13		16 - 48		1 - 37
5373660	5 - 11		23 - 27A		1 - 37
	22A- 17	5382400	1A-REF		1 - 37
5373661	1B- 83	5382402	2E- 51	5386611	1 - 80
5373662	1B- 84		18 -REF	5386612	1 - 81
5373702	2 - 53	5382403	2E- 52	5386613	1A-162
	2A- 54		19 -REF	5386614	1 - 61N
	2C- 53	5382407	18 - 31	5386615	1 - 61P
	2D- 54	5382411	1A-102	5386636	5 - 10
5373714	1 - 50		2E-REF		5A- 13
	1 - 50	5382412	2A- 56		5A- 13
	1 - 50		2E- 53		5A- 13

PART NO.	LIST AND INDEX NO.
5386636-CONF	5A- 13
5391645	7 -116
5391646	7 -117
5391647	1 - 63
	1 - 63
	1 - 63
	1 - 63
	1 - 63
5391649	1 - 64
5391725	4A- 77
	4F- 62A
5391729	7 -118
5391730	2 - 58
	2A- 57
	2B- 48
	2D- 56
5392898	7E- 58
5397635	1 - 17
	1 - 30
5397636	1 - 18
	1 - 31
5397638	22A- 23
5397639	1 - 49
5397664	2F- 38
5397665	14 - 10
5397666	7 -119
	14 -REF
5397667	14 - 10
5397668	7 -120
	14 -REF
5397672	7 -121
5397673	9 - 26
5397674	7 -122
	9 -REF
5397675	1A- 99
	1B- 88
	7 -REF
5397676	1A- 99
	1B- 88
	7 -REF
5397677	7 -123
	15 -REF
5397679	7 -124
	13 -REF
5397682	6A- 82
5397683	6A- 83
5397684	11B- 15
5397685	6A- 84
	11B-REF
5402827	6A- 85
	10B-REF
5402828	10B- 15
5402830	1A- 99
	1B- 88
	6A-REF
5402831	1A- 99
	1B- 88
	6A-REF
5402833	6A- 86
5402835	6A- 86
5402836	6A- 87
5402837	6A- 88
5402838	6A- 89
5402839	11B- 16
5402842	6A- 90
	7 -125
5402853	10A- 14
5402854	6A- 91
	10A-REF
5402859	1 - 32
5402860	1 - 32
5402861	1 - 32
5402862	1 - 32
5402873	1A-164
	1B- 91
5402908	4A- 78
5402925	4A- 79
5408584	1C- 17
5408585	1C- 20
5408586	1C- 21

PART NO.	LIST AND INDEX NO.
5408587	1C- 18
5408588	1A-165
	1B- 92
	1C-REF
5408590	1A-166
	1B- 93
	1B- 93
	1 - 37A
5408593	1A-168
5408605	1A-168
	1B- 94
	1B- 94
	2F- 39
5408615	1C- 22
5408633	1A-169
5409377	2F- 40
5409380	2F- 41
5409383	1A-170
5409438	5A- 14
5409443	5A- 14
	1B- 95
5409447	2F-REF
	2F- 42
5409449	2F- 43
5409450	1A-171
5414227	1B- 96
	1B- 96
5415861	2A- 58
	18 -REF
5415862	2A- 59
	18 -REF
5415863	2A- 60
	18 -REF
5415864	2B- 53
	18 -REF
5415865	2B- 54
	18 -REF
5415866	2B- 55
	19 -REF
5415867	2B- 56
	19 -REF
5415868	2C- 55
	18 -REF
5415869	2C- 56
	18 -REF
5415870	2C- 57
	19 -REF
5415875	1A-172
	1B- 97
	2A-REF
5415880	1A-REF
5415881	1A-REF
5415882	2A- 61
	18 -REF
5415901	2A- 62
	18 -REF
5415902	2A- 63
	18 -REF
5415903	2A- 64
	18 -REF
5415904	2A- 65
	18 -REF
5415905	2B- 61
	18 -REF
5415906	2B- 62
	18 -REF
5415907	2B- 63
	19 -REF
5415908	2B- 64
	19 -REF
5415909	18 -REF
5415910	2C- 60
	18 -REF
5415911	2C- 61
	19 -REF
5415912	2C- 62
5415913	2F- 44
5415914	2D- 61
	18 -REF
	19 -REF

PART NO.	LIST AND INDEX NO.
5415915	2D- 62
	18 -REF
5415916	2D- 63
	19 -REF
5415917	2D- 64
	19 -REF
5416300	1B-REF
5416355	1 -REF
5416356	1 -REF
5416357	1 -REF
5416358	1 -REF
5416359	1 - 64G
5416400	1B-REF
5416406	1 - 64A
	1 - 64A
	1 - 64A
	1 - 64A
5416412	1B- 60
	5A-REF
5416413	1B- 60
	5A-REF
5416414	5A- 14
	5A- 14
5416415	1B- 60
	5A-REF
5416416	1B- 60
	5A-REF
5416417	5A- 14
	5A- 14
5416418	1B- 60
	5A-REF
5416419	1B- 60
	5A-REF
5416420	1 - 37A
5416421	1 - 37A
5416422	1 - 37A
5416423	1 - 37A
5416424	1 - 37A
5416430	1C- 23
5416440	2C- 58
	19 -REF
5418052	5 - 8
5418054	5 - 8
5418056	1A- 86
	5 -REF
5418057	1A- 86
	5 -REF
5418058	1A- 86
	5 -REF
5418059	1A- 86
	5 -REF
5418060	1A- 86
	5 -REF
5418061	1 - 38
5418062	1 - 38
5418063	1 - 38
5418064	1 - 38
5418077	4F- 47K
5418085	4 - 78
	4B- 77
	4D- 56A
	4G-134
5418086	4A- 79A
	4F- 62B
5421145	4D- 57
	4G-135
5421146	4D- 58
	4G-136
5421147	4D- 59
5421148	7F- 40
5421149	4D- 60
5421150	1A-163
	1B- 57
	4D-REF
5421151	4D- 61
5421152	4D- 62
	4G-137
5421153	4D- 63
	4F- 63
5421154	4D- 64

PART NO.	LIST AND INDEX NO.	PART NO.	LIST AND INDEX NO.	PART NO.	LIST AND INDEX NO.
5421154-CONT	4G-138	5421179	1B-106	5761779	6C- 45
5421155	4E- 21	5421180	1B-107	5761793	6C- 46
5421156	4D- 65	5421181	1A-182	5761796	6C- 47
	4E-REF		1B-108	5761798	6C- 48
	4F- 64	5421185	1A-183	5761904	6C- 49
5421157	4D- 66		1B-109	5761907	6C- 50
	4F- 65	5421186	4F- 68	5761908	6C- 51
	4G-139	5421187	1A-184	5761909	6C- 52
5421158	4E- 22		1B-110	5761913	6C- 53
5421160	1A- 99	5421188	1A-185	5761935	6C- 54
	1B- 88		1B-111	5761936	6C- 55
	7A-REF	5421189	4F- 69	5761938	6C- 56
5421161	7A- 33	5421190	4F- 70	5761943	6C- 57
5421162	7A- 34		4F- 70	5761968	6C- 58
5421164	1A-175	5421194	1B-112	5761976	6C- 59
	1B- 98	5421195	1B-113	5761977	6C- 60
5421165	1B- 99	5421198	7A- 35	5761979	6C- 65
5421168	1A-176	5466350	1C- 24	5761989	6C- 66
	1B-100		16 - 50		6D-REF
5421169	4D- 67	5712309	6C- 41	5761993	6D- 24
5421170	1A-163	5719453	4D- 71	5762004	6D- 25
	1B- 57		4G-140	5762153	6D- 26
	4F-REF	5759069	7F- 41	5762215	6C- 67
5421171	4F- 66	5759175	7F- 42		6C- 67
5421172	4F- 67	5761100	7A- 36	5762383	6C- 64
5421173	1A-177		7E-REF	5762444	7F- 43
	1B-101	5761110	1A-186	5786909	7 -126
5421174	1A-178		1B-114	8016938	4A- 80
5421175	1B-102		7F-REF	8023798	4A- 81
5421176	1A-179	5761120	1A-186		4F- 71
	1B-103		1B-114	8026894	4A- 82
5421177	1A-180		7F-REF	8026895	4A- 83
	1B-104	5761738	6C- 42	8026896	4A- 84
5421178	1A-181	5761767	6C- 43		4F- 72
	1B-105	5761768	6C- 44		

READER'S COMMENT FORM

2803/2804 Tape Control Models 1 and 2

S123-0416-3

● How did you use this publication?

As a reference source

As a classroom text

As .....

● Based on your own experience, rate this publication ...

As a reference source:

.....	.....	.....	.....	.....
Very	Good	Fair	Poor	Very
Good				Poor

As a text:

.....	.....	.....	.....	.....
Very	Good	Fair	Poor	Very
Good				Poor

● What is your occupation? .....

● We would appreciate your other comments; please give specific page and line references where appropriate. If you wish a reply, be sure to include your name and address.

● Thank you for your cooperation. No postage necessary if mailed in the U. S. A.

S123-0416-3

YOUR COMMENTS PLEASE....

Your answers to the questions on the back of this form, together with your comments, will help us produce better publications for your use. Each reply will be carefully reviewed by the persons responsible for writing and publishing this material. All comments and suggestions become the property of IBM.

Please note: Requests for copies of publications and for assistance in utilizing your IBM system should be directed to your IBM representative or to the IBM sales office serving your locality.

fold

fold

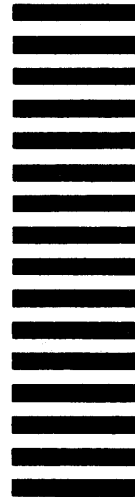
FIRST CLASS  
PERMIT NO. 568  
BOULDER, COLO.

**BUSINESS REPLY MAIL**  
NO POSTAGE NECESSARY IF MAILED IN THE UNITED STATES

POSTAGE WILL BE PAID BY . . .

IBM Corporation  
P.O. Box 1900  
Boulder, Colorado 80302

ATTENTION: PRODUCT PUBLICATIONS DEPT. 265



fold

fold



**International Business Machines Corporation**  
**Data Processing Division**  
**1133 Westchester Avenue, White Plains, New York 10604**  
**(U.S.A. only)**

**IBM World Trade Corporation**  
**821 United Nations Plaza, New York, New York 10017**  
**(International)**

Printed in U.S.A. S123-0416-3



1

1

4

3

2

4

2803/4-M1-2

2803/4-M1-2

TAB INSERT FOR FRONT COVER

S123-0416-3

IBM 2803/2804 Printed in U.S.A. S123-0416-3

**IBM**

**International Business Machines Corporation  
Data Processing Division  
1133 Westchester Avenue, White Plains, New York 10604  
[U.S.A. only]**

**IBM World Trade Corporation  
821 United Nations Plaza, New York, New York 10017  
[International]**