

2501 Card Reader

IBM Parts Catalog

2501 Card Reader

PREFACE

This Illustrated Parts Catalog (IPC) contains listings and illustrations of all replaceable assemblies, subassemblies and detail parts released to Production Control on or before October 1, 1965 for the 2501 Card Reader.

Copies of this and other IBM publications can be obtained through IBM Branch Offices.
Address comments concerning the contents of this publication to :
IBM Corporation, FE Installation Publications Dept. B97, PO Box 390, Poughkeepsie, New York, 12602

GLOSSARY I

VISUAL INDEX. II through V

GROUP ASSEMBLY PARTS LIST 1 through 78

NUMERICAL INDEX 1 through 8

GLOSSARY

AR

As Required (AR) in the units per assembly column denotes that the quantity is used as required.

*ASTERISK

An asterisk in the left margin of the list indicates a part changed in the latest revision of the catalog.

DELETED

Indicates part removed on latest revision of catalog.

INDENTURE

The relationship of a part to its next higher assembly is indicated by indenture. For example:

- 1 2 3 4
- Unit
- . Assemblies and Detail Parts of Unit
- . . Subassemblies
- . . . Detail Parts for Subassemblies, etc.

□ LOZENGE

The lozenge in the description column indicates parts not recommended for field replacement.

NP

The entry NP in the Units Per ASM column denotes the part is non-procurable and that the next higher assembly should be ordered.

NO NO.

When this indication appears in the part number column, it denotes a group of parts which must be removed as an assembly. There is no part number assigned.

REF

This entry in the units per assembly column denotes an assembly which is completely assembled on a preceding illustration. Quantities for such items are found in its next higher assembly.

SIMILAR ASSEMBLIES

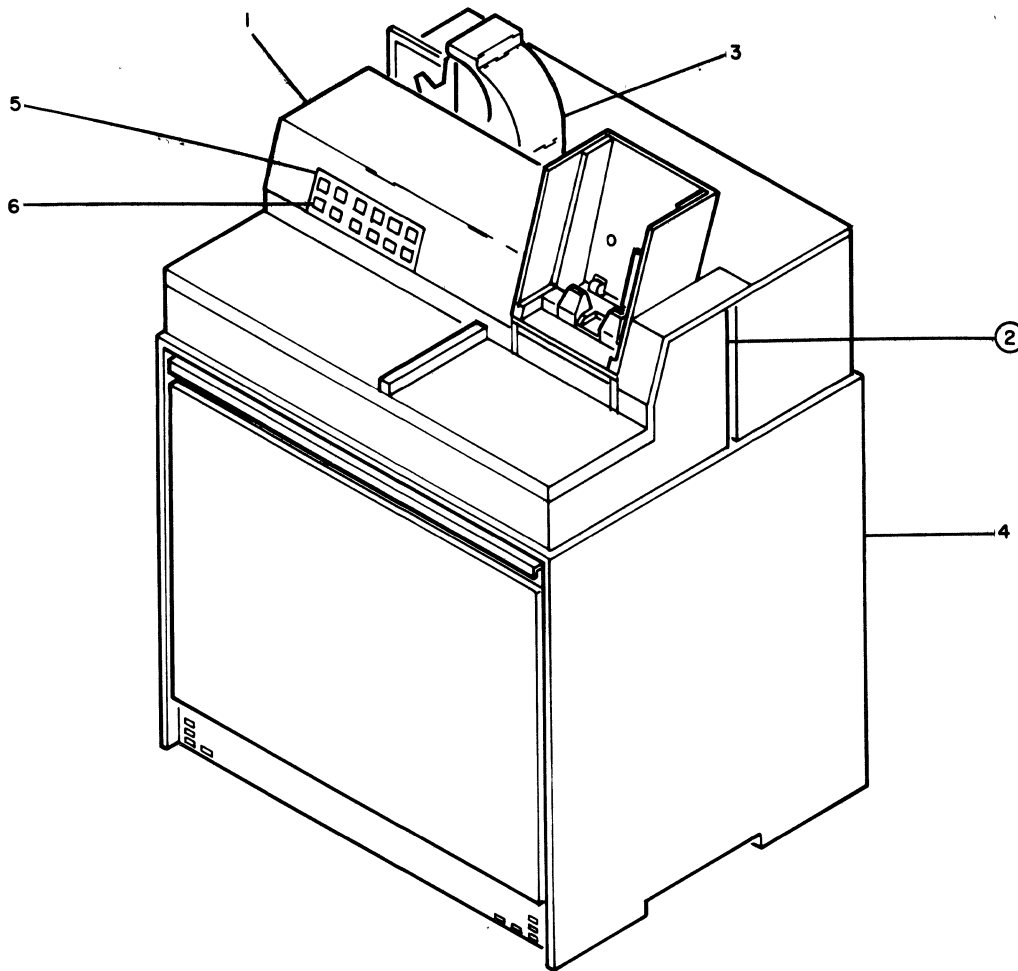
If two assemblies contain a majority of identical parts, they are broken down on the same list. Common parts are shown by one index number. Parts peculiar to one or the other of the assemblies are listed separately and identified by Usable On Code.

USABLE ON CODE

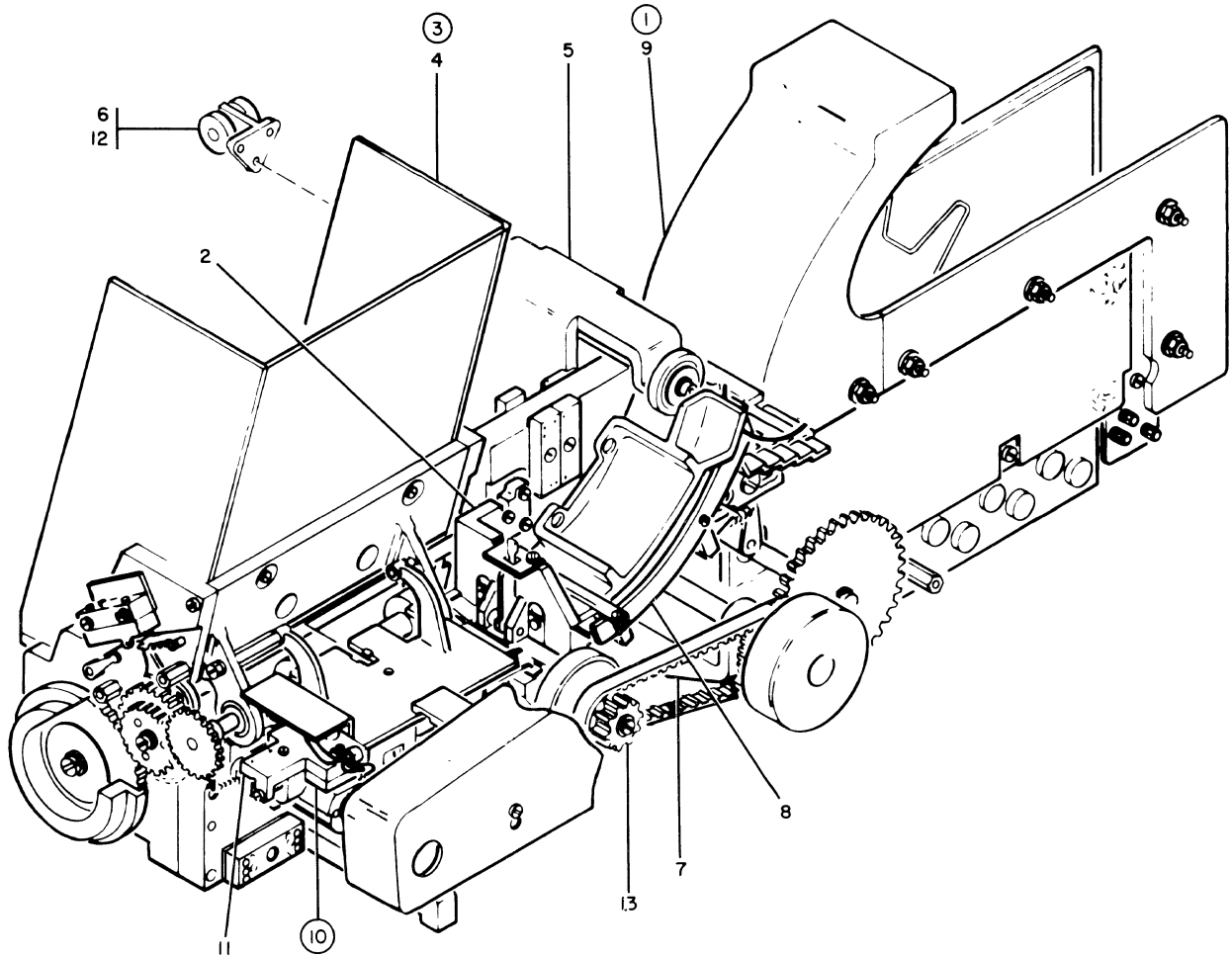
Part application and interchangeability is indicated by the usable on code. If this column is blank, the parts pertain to all equipment(s) covered. Two types of codes are used. The alphabetic code denotes similar assemblies; the numeric code denotes level. Refer to the beginning of each list for the explanation of the code(s).

VISUAL INDEX

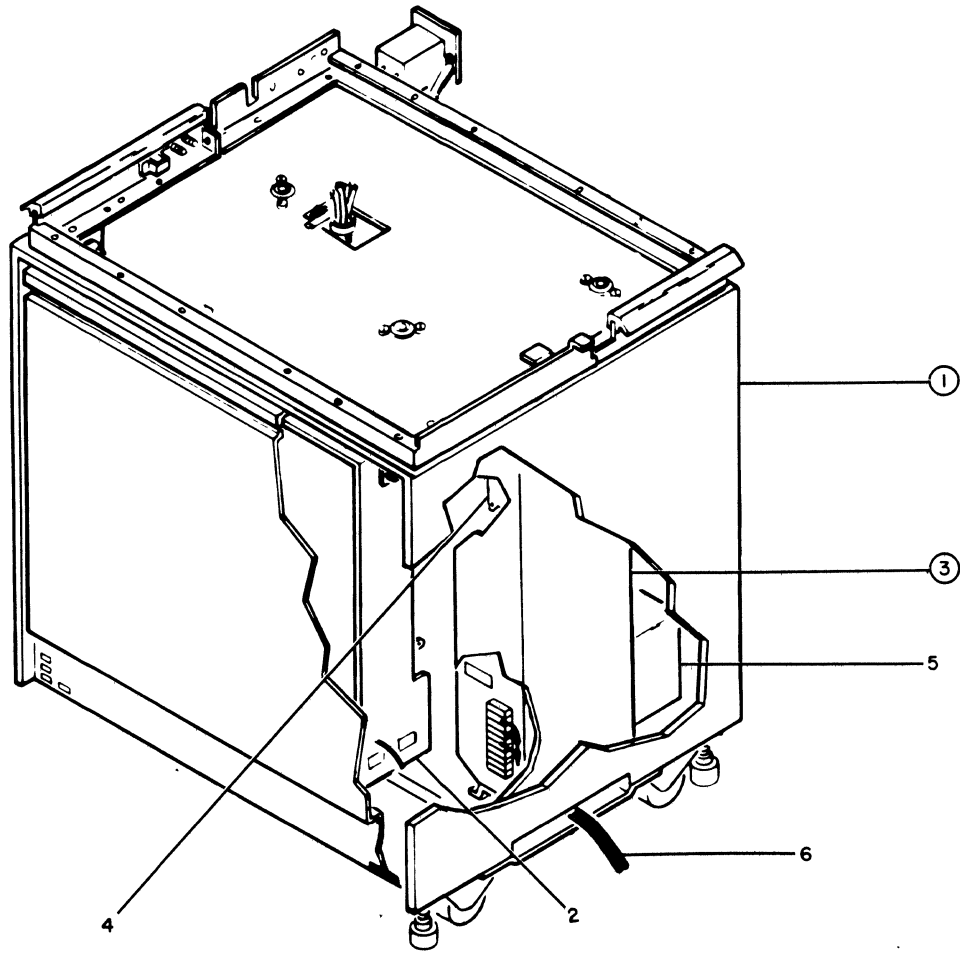
This index is a pictorial index to catalog figures. The visual index directs the user to the proper figure, assisting him in locating the part number.



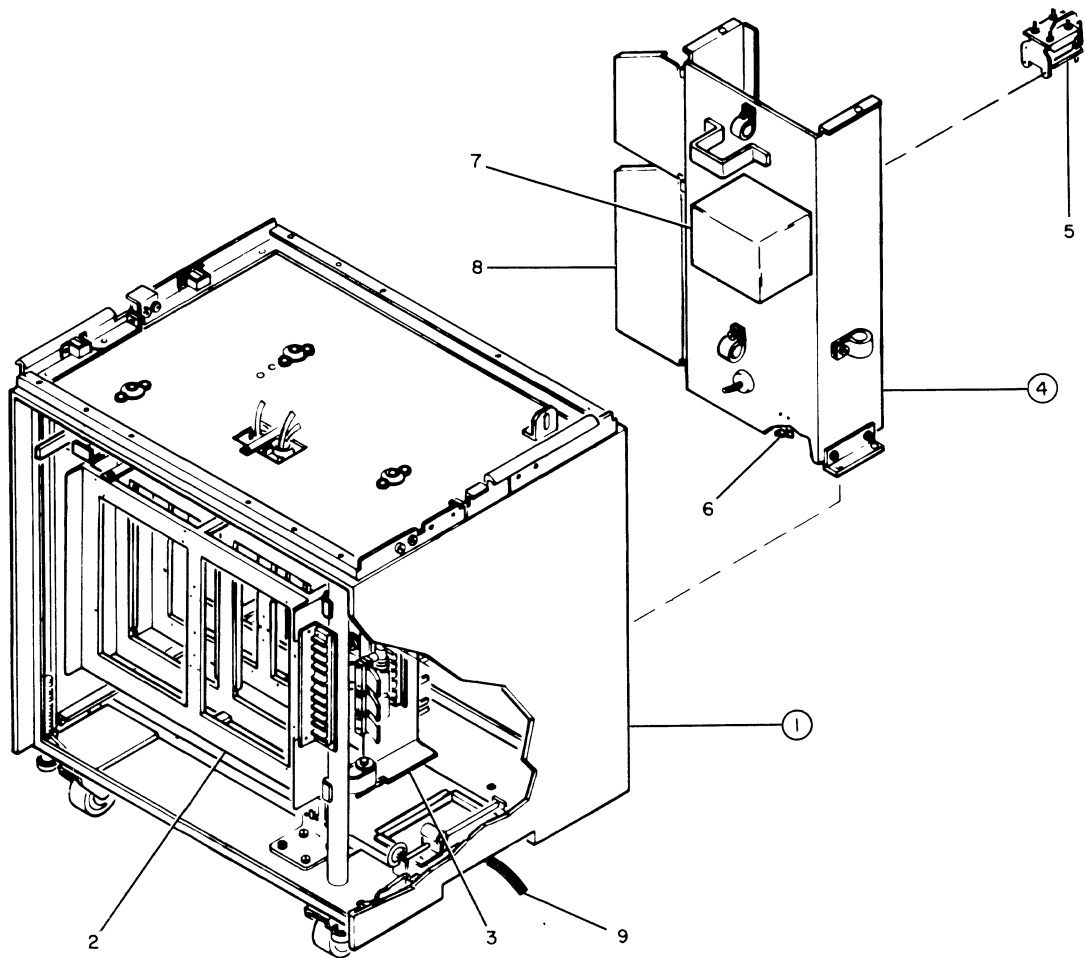
| INDEX NO. | | | | | DESCRIPTION | REFER TO | PAGE |
|-----------|---|---|---|---|---|------------|------|
| | 1 | 2 | 3 | 4 | | | |
| 1 | | | | | Cover Kits | Figure 1 | 4 |
| 2 | | | | | Card Reader Final Assembly (Mods A and B) | Figure 2 | 6 |
| 3 | | | | | . Mechanical Final Assembly | Visual II | III |
| 4 | | | | | . Lower Structure Assembly - Mod A | Visual III | IV |
| | | | | | . Lower Structure Assembly - Mod B | Visual IV | V |
| 5 | | | | | . Control Panel Assembly - Mod A | Figure 16 | 48 |
| | | | | | . Control Panel Assembly - Mod B | Figure 16A | 49 |
| 6 | | | | | . Language Group - English - Mod A | Figure 17 | 51 |
| | | | | | . Language Group - English - Mod B | Figure 17A | 52 |
| | | | | | . Language Group - French - Mod A | Figure 18 | 53 |
| | | | | | . Language Group - French - Mod B | Figure 18A | 55 |
| | | | | | . Language Group - German - Mod A | Figure 19 | 56 |
| | | | | | . Language Group - German - Mod B | Figure 19A | 57 |



| INDEX NO. | | | | | DESCRIPTION | REFER TO | PAGE |
|-----------|---|---|---|---|--|-----------|------|
| | 1 | 2 | 3 | 4 | | | |
| 1 | | | | | Mechanical Final Assembly. | Figure 3 | 10 |
| 2 | | | | | . Read Lamp Assembly | Figure 4 | 15 |
| 3 | | | | | . Hopper Assembly | Figure 5 | 16 |
| 4 | | | | | . . Picker Knife Latch Assembly | Figure 6 | 22 |
| 5 | | | | | . Stacker Feed Wheel Assembly | Figure 7 | 23 |
| 6 | | | | | . Idler Assembly | Figure 8 | 25 |
| 7 | | | | | . Jack Shaft Frame Assembly | Figure 9 | 26 |
| 8 | | | | | . Post Read Card Bed Assembly | Figure 10 | 27 |
| 9 | | | | | . Stacker Assembly. | Figure 11 | 28 |
| 10 | | | | | . Pre Read Bed Assembly | Figure 12 | 30 |
| 11 | | | | | . . Read Registration Cell Assembly | Figure 13 | 33 |
| 12 | | | | | . Mule Hitch Idler Assembly (Feature) | Figure 20 | 58 |
| 13 | | | | | . Carrier and Cell Assembly Read Station (Feature) | Figure 21 | 59 |



| INDEX NO. | | | | | DESCRIPTION | REFER TO | PAGE |
|-----------|---|---|---|---|---|------------|------|
| | 1 | 2 | 3 | 4 | | | |
| 1 | | | | | Lower Structure Assembly - Mod A | Figure 14 | 34 |
| 2 | | | | | . Gate Assembly - A1 | Figure 15 | 38 |
| 3 | | | | | . Power Supply Assembly | Figure 21A | 61 |
| 4 | | | | | . . 24 Volt DC Relay Assembly | Figure 22A | 69 |
| 5 | | | | | . . Meter Power Pac Assembly | Figure 24 | 72 |
| 6 | | | | | Cable and Jumper Assembly Component Parts | Figure 26 | 76 |



| INDEX NO. | 1 2 3 4 | DESCRIPTION | REFER TO | PAGE |
|-----------|---------|--|------------|------|
| 1 | | Lower Structure Assembly - Mod B | Figure 15A | 40 |
| 2 | | . Gate Assemblies, A-A1 and A-B1 | Figure 15B | 42 |
| 3 | | . Gate Assemblies, B-A1 and B-B2 | Figure 15C | 44 |
| 4 | | . Power Box Assembly | Figure 22 | 64 |
| 5 | | . . 24 Volt DC Relay Assembly. | Figure 22A | 69 |
| 6 | | . . 20 V Relay Assembly | Figure 23 | 70 |
| 7 | | . . Meter Power Pac Assembly | Figure 24 | 72 |
| 8 | | . Power Supply Assembly. | Figure 25 | 74 |
| 9 | | . Cable and Jumper Assembly Component Parts. | Figure 26 | 76 |



GROUP ASSEMBLY PARTS LIST

| LIST AND INDEX NO. | PART NO. | DESCRIPTION | | | | UNITS PER ASM. | USABLE ON CODE |
|--------------------------|-------------|--|---|---|---|----------------------|----------------------|
| | | 1 | 2 | 3 | 4 | | |
| | | 2501 CARD READER-MODELS A AND B MFI | | | | | |
| 0 - | NO NO. | 2501 CARD READER-MODELS A AND B NOT ILLUSTRATED | | | | | |
| - 1 | 644700 | . COVER GROUP-UPPER | | | | 1 | |
| - 1 | 644701 | . . COVER KIT-UPPER SEE LIST 1-0 FOR DETAIL BREAKDOWN | | | | 1 | |
| - 1 | 644005 | . COVER GROUP-LOWER,RED | | | | 1 | |
| - 1 | 644006 | . . COVER KIT-RED SEE LIST 1-29 FOR DETAIL BREAKDOWN | | | | 1 | |
| - 1 | 644007 | . COVER GROUP-LOWER,BLUE | | | | 1 | |
| - 1 | 644008 | . . COVER KIT-BLUE SEE LIST 1-29 FOR DETAIL BREAKDOWN | | | | 1 | |
| - 1 | 644009 | . COVER GROUP-LOWER,YELLOW | | | | 1 | |
| - 1 | 644010 | . . COVER KIT-YELLOW SEE LIST 1-29 FOR DETAIL BREAKDOWN | | | | 1 | |
| - 1 | 644011 | . COVER GROUP-LOWER CHARCOAL | | | | 1 | |
| - 1 | 644012 | . . COVER KIT-CHARCOAL SEE LIST 1-29 FOR DETAIL BREAKDOWN | | | | 1 | |
| - 2 | 644002 | . FINAL ASSEMBLY-MOD A-60 CY | | | | 1 | |
| - 2 | 647200 | . FINAL ASSEMBLY-MOD B-50 CY SEE LIST 2-0 FOR DETAIL BREAKDOWN | | | | 1 | |
| - 2 | 644013 | . LANGUAGE GROUP-ENGLISH,MOD A | | | | 1 | |
| - 2 | 644014 | . LANGUAGE GROUP-FRENCH,MOD A | | | | 1 | |
| - 2 | 644015 | . LANGUAGE GROUP-GERMAN,MOD A | | | | 1 | |
| - 2 | 647240 | . LANGUAGE GROUP-ENGLISH,MOD B | | | | 1 | |
| - 2 | 647241 | . LANGUAGE GROUP-FRENCH,MOD B | | | | 1 | |
| - 2 | 647242 | . LANGUAGE GROUP-GERMAN,MOD B SEE LIST 2-77 FOR DETAIL BREAKDOWN | | | | 1 | |
| - 2 | 644003 | . SHIPPING GROUP-MOD A | | | | 1 | |
| - 2 | 647500 | . SHIPPING GROUP-MOD B SEE LIST 2-78 FOR DETAIL BREAKDOWN | | | | 1 | |
| - 3 | 644502 | . VOLTAGE AND SPEED GP-60 CY,600 CPM-MCD A | | | | 1 | |
| - 3 | 644503 | . VOLTAGE AND SPEED GP-60CY,1000CPM-MCD A | | | | 1 | |
| - 3 | 644504 | . VOLTAGE AND SPEED GP-50CY,600CPM-MCD A | | | | 1 | |
| - 3 | 644505 | . VOLTAGE AND SPEED GP-50CY,1000CPM-MCD A | | | | 2 | |
| - 3 | 647284 | . VOLTAGE AND SPEED GP-60 CY,600CPM-MCD B | | | | 1 | |
| - 3 | 647285 | . VOLTAGE AND SPEED GP-60CY,1000CPM-MCD B | | | | 1 | |
| - 3 | 647286 | . VOLTAGE AND SPEED GP-50CY,600CPM-MCD B | | | | 1 | |
| - 3 | 647287 | . VOLTAGE AND SPEED GP-50CY,1000CPM-MCD B | | | | 1 | |
| - 4 | 22478 | . . WASHER,FL- 0.170 ID 0.375 OD 0.032 THK SEE LIST 2-94 FOR DETAIL BREAKDOWN | | | | 2 | |
| - 5 | 25627 | . . SCREW,MACH-BIND HD 8-32 X 1/2 LG SEE LIST 2-95 FOR DETAIL BREAKDOWN | | | | 2 | |
| - 6 | 257189 | . . NUT,PLAIN-HEX 8-32 X 0.343 W SEE LIST 2-96 FOR DETAIL BREAKDOWN | | | | 2 | |
| - 7 | 364156 | . . BELT,MOTOR USED ON ASM 644502,644504,647284 AND 647286 ONLY | | | | 1 | |

| LIST AND INDEX NO. | PART NO. | DESCRIPTION | | | | UNITS PER ASM. | USABLE ON CODE |
|---|----------|---|---|---|---|----------------|----------------|
| | | 1 | 2 | 3 | 4 | | |
| 2501 CARD READER-MODELS A AND B MFI -CONT | | | | | | | |
| 0 - 7 | 644269 | <ul style="list-style-type: none"> • • BELT-TIMING USED ON ASM 644503,644505,647285 AND 647287 ONLY SEE LIST 3-116 FOR DETAIL BREAKDOWN | | | | 1 | |
| - 8 | 438554 | <ul style="list-style-type: none"> • • SCREW,MACH-BIND HD 4-40 X 1 LG SEE LIST 3-117 FOR DETAIL BREAKDOWN | | | | 4 | |
| - 9 | 642778 | <ul style="list-style-type: none"> • • BLOWER ASM-60 CY USED ON ASM 644502 AND 644503 ONLY SEE LIST 14-73 FOR DETAIL BREAKDOWN | | | | 1 | |
| - 9 | 642779 | <ul style="list-style-type: none"> • • BLOWER ASM-50 CY USED ON ASM 644504 AND 644505 ONLY SEE LIST 14-84 FOR DETAIL BREAKDOWN | | | | 1 | |
| - 10 | 644147 | <ul style="list-style-type: none"> • • IDLER ASSEMBLY,MULE HITCH INPUT-60 CY USED ON ASM 644502,644503,647284 AND 647285 ONLY | | | | 1 | |
| - 10 | 644213 | <ul style="list-style-type: none"> • • IDLER ASM,MULE HITCH INPUT-50 CY USED ON ASM 644504,644505,647286 AND 647287 ONLY SEE LIST 3-118 FOR DETAIL BREAKDOWN | | | | 1 | |
| - 11 | 644269 | <ul style="list-style-type: none"> • • BELT-TIMING USED ON ASM 644502,644503,647284 AND 647285 ONLY | | | | 1 | |
| - 11 | 644191 | <ul style="list-style-type: none"> • • BELT-TIMING USED ON ASM 644504,644505,647286 AND 647287 ONLY SEE LIST 3-119 FOR DETAIL BREAKDOWN | | | | 1 | |
| - 12 | 644295 | <ul style="list-style-type: none"> • • PULLEY ASM USED ON ASM 644502,644504,647284 AND 644286 ONLY | | | | 1 | |
| - 12 | 644296 | <ul style="list-style-type: none"> • • PULLEY-TIMING BELT USED ON ASM 644503,644505,647285 AND 644287 ONLY SEE LIST 5-177 FOR DETAIL BREAKDOWN | | | | 1 | |
| - 13 | 644296 | <ul style="list-style-type: none"> • • PULLEY-TIMING BELT USED ON ASM 644502,644503,647284 AND 644285 ONLY | | | | 1 | |
| - 13 | 644145 | <ul style="list-style-type: none"> • • PULLEY-TIMING BELT USED ON ASM 644504,644505,647286 AND 644287 ONLY SEE LIST 3-120 FOR DETAIL BREAKDOWN | | | | 1 | |
| - 14 | 644307 | <ul style="list-style-type: none"> • • CARRIER AND CELL ASM-READ STATION USED ON ASM 644502 THRU 644505 ONLY | | | | 1 | |
| - 14 | 647297 | <ul style="list-style-type: none"> • • CARRIER AND CELL ASM-READ STATION USED ON ASM 647284 THRU 647287 ONLY SEE LIST 3-121 FOR DETAIL BREAKDOWN | | | | 1 | |
| - 15 | 644311 | <ul style="list-style-type: none"> • • ADAPTER-MOTOR SHAFT SEE LIST 3-122 FOR DETAIL BREAKDOWN | | | | 1 | |
| - 16 | 644512 | <ul style="list-style-type: none"> • • POWER SUPPLY ASM-24V AND 2.5V,60CY USED ON ASM 644502 AND 644503 ONLY | | | | 1 | |
| - 16 | 644515 | <ul style="list-style-type: none"> • • POWER SUPPLY ASM-24V AND 2.5V,50CY USED ON ASM 644502 AND 644503 ONLY SEE LIST 14-92 FOR DETAIL BREAKDOWN | | | | 1 | |
| - 17 | 740503 | <ul style="list-style-type: none"> • • CLOCK-60 CYCLE USED ON ASM 644502,644503,647284 AND 647285 ONLY | | | | 1 | |
| - 17 | 740608 | <ul style="list-style-type: none"> • • CLOCK-50 CYCLE USED ON ASM 644504,644505,647286 AND 647287 ONLY SEE LIST 2-97 FOR DETAIL BREAKDOWN | | | | 1 | |

| LIST AND INDEX NO. | PART NO. | DESCRIPTION | UNITS PER ASM. | USABLE ON CODE |
|--------------------|----------|---|----------------|----------------|
| | | 1 2 3 4 | | |
| | | 2501 CARD READER-MODELS A AND B MFI -CONT | | |
| 0 - 18 | 1100523 | . . SETSCREW-SPLINE DR CUP PT 6-32 X 3/16 LG SEE LIST 3-123 FOR DETAIL BREAKDCWN | 4 | |
| - 19 | 647230 | . . POWER BOX ASM-60 CY USED ON ASM 647284 AND 647285 ONLY | 1 | |
| - 19 | 647222 | . . POWER BOX ASM-50 CY USED ON ASM 647286 AND 647287 ONLY SEE LIST 15A-93 FOR DETAIL BREAKDCWN | 1 | |
| - 20 | 647289 | . . POWER SUPPLY ASSEMBLY USED ON ASM 647284 AND 647285 ONLY | 1 | |
| - 20 | 647288 | . . POWER SUPPLY ASSEMBLY USED ON ASM 647286 AND 647287 ONLY SEE LIST 15A-94 FOR DETAIL BREAKDCWN | 1 | |
| - 21 | 4116430 | . . TRANSFORMER USED ON ASM 647286 AND 647287 ONLY SEE LIST 15A-95 FOR DETAIL BREAKDCWN | 1 | |
| - 22 | 5261810 | . . POWER SUPPLY ASSEMBLY USED ON ASM 647284 AND 647285 ONLY | 1 | |
| - 22 | 5261990 | . . POWER SUPPLY ASSEMBLY USED ON ASM 647286 AND 647287 ONLY SEE LIST 15A-96 FOR DETAIL BREAKDCWN | 1 | |
| | | COVER KITS | | |
| 1 - | 644701 | COVER KIT-UPPER SEE LIST 0-1 FOR NEXT HIGHER ASSEMBLY AND FIG. 1 FOR ILLUSTRATION | REF | |
| - 1 | 644729 | . COVER ASM-RIGHT FRONT | 1 | |
| - 2 | 644716 | . . COVER-RIGHT FRONT | 1 | |
| - 3 | 644726 | . . PAD | 1 | |
| - 4 | 644730 | . COVER ASM-LEFT FRONT | 1 | |
| - 5 | 627516 | . . SEAL-EXTRUSION | | |
| - 6 | 644715 | . . COVER-LEFT FRONT | 1 | |
| - 7 | 644727 | . . PAD | 1 | |
| - 8 | 644748 | . . FELT-LEFT FRONT COVER | 1 | |
| - 9 | 644749 | . . FELT-LEFT FRONT COVER | 1 | |
| - 10 | 644731 | . COVER ASM-FRONT | 1 | |
| - 11 | 627516 | . . SEAL-EXTRUSION | | |
| - 12 | 644717 | . . COVER-FRONT | 1 | |
| - 13 | 644750 | . . FELT-FRONT COVER,FRONT | 1 | |
| - 14 | 644753 | . . FELT-FRONT COVER,SIDE | 2 | |
| - 15 | 644732 | . COVER ASM-REAR | 1 | |
| - 16 | 627516 | . . SEAL-EXTRUSION | | |
| - 17 | 644720 | . . COVER-REAR | 1 | |
| - 18 | 644743 | . . FELT-REAR COVER,BACK | 1 | |
| - 19 | 644744 | . . FELT-REAR COVER,RIGHT | 1 | |
| - 20 | 644745 | . . FELT-REAR COVER,LEFT | 1 | |
| - 21 | 644733 | . COVER ASM-REAR TOP | 1 | |
| - 22 | 627516 | . . SEAL-EXTRUSION | | |
| - 23 | 644721 | . . COVER-REAR TOP | 1 | |
| - 24 | 644746 | . . FELT-REAR COVER,TOP | 1 | |
| - 25 | 644747 | . . FELT-TOP REAR COVER | 1 | |
| - 26 | 644740 | . COVER ASM-STACKER BASE | 1 | |
| - 27 | 627516 | . . SEAL-EXTRUSION | | |
| - 28 | 644723 | . . COVER-STACKER BASE | 1 | |

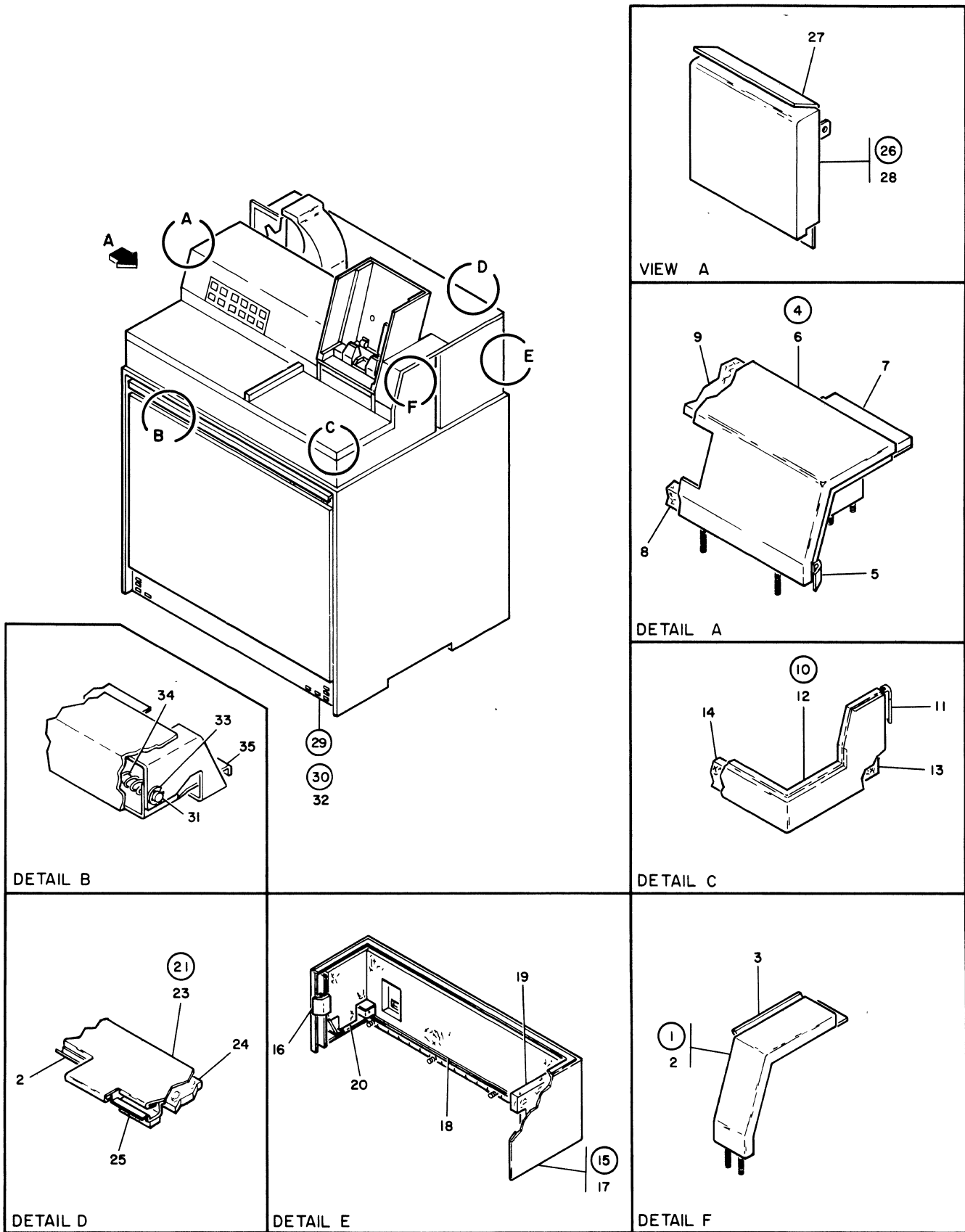


FIGURE 1. COVER KITS. SEE LIST 1.

| LIST AND INDEX NO. | PART NO. | DESCRIPTION | UNITS PER ASM. | USABLE ON CODE |
|--------------------------|-------------|--|----------------------|----------------------|
| | | | | |
| | | COVER KITS -CCNT | | |
| 1 - 29 | 644006 | COVER KIT-RED | REF | |
| - 29 | 644008 | COVER KIT-BLUE | REF | |
| - 29 | 644010 | COVER KIT-YELLOW | REF | |
| - 29 | 644012 | COVER KIT-CHARCOAL | REF | |
| | | SEE LIST 0-1 FOR NEXT HIGHER ASSEMBLY | | |
| - 30 | 626718 | . COVER ASM | 1 | |
| - 30 | 644738 | . COVER ASM-REAR | 1 | |
| - 31 | 602488 | . . SHAFT, CARD RETAINING LEVER, 2-7/8 LG | 2 | |
| - 32 | 626713 | . . COVER,30 IN MCDULE USED ON ASM 626718 ONLY | 1 | |
| - 32 | 644737 | . . COVER-REAR USED ON ASM 644738 ONLY | 1 | |
| - 33 | 1073418 | . . RING,RETAINING- 0.094 ID X 0.230 OD | 4 | |
| - 34 | 2145158 | . . SPRING, COVER LATCH | 2 | |
| - 35 | 2145159 | . . HANDLE, COVER LATCH | 2 | |
| | | CARD READER FINAL ASSEMBLY | | |
| 2 - | | CODE A USED ON ASM 644002 CODE B USED ON ASM 647200 | | |
| - | 644002 | FINAL ASSEMBLY-MOD A SEE LIST 0-2 FOR NEXT HIGHER ASSEMBLY AND FIG. 2 FOR ILLUSTRATION | REF | A |
| - | 647200 | FINAL ASSEMBLY-MOD B SEE LIST 0-2 FOR NEXT HIGHER ASSEMBLY AND FIG. 2 FOR ILLUSTRATION | REF | B |
| - 1 | 3550 | . WASHER,FL- 1/4 X 9/16 OD X 0.050 THK | 3 | |
| - 2 | 3960 | . NUT,PLAIN,HEX- 1/4-20 X 7/16 FL W | 1 | |
| - 3 | 4569 | . WASHER,FL-NO. 8 X 1/2 OD X 0.060 THK | 4 | |
| - 4 | 6364 | . WASHER,LOCK-SPLIT NO. 6 X 1/4 OD | 1 | |
| - 5 | 6935 | . WASHER,LOCK-SPLIT 1/4 X 0.493 OD | 3 | |
| - 6 | 9092 | . LOCK WASHER SPLIT NO 10, X .3370D | 8 | |
| - 7 | 10170 | . SCREW,MACH-BIND HD 6-32 X 1/4 LG | 1 | |
| - 8 | 11598 | . NUT PLAIN HEX 10/32 | 10 | |
| - 8A | 12194 | . SPACER | 1 | |
| - 9 | 22478 | . WASHER,FL- 0.170 ID 0.375 OD 0.032 THK | 12 | |
| - 9A | 23141 | . WASHER,FL-NO. 10 X 9/16 OD X 1/16 THK | 3 | |
| - 10 | 32042 | . SCREW,MACH-BIND HD 10-32 X 3/8 LG | 4 | |
| - 11 | 34512 | . SCREW,MACH-BIND HD 8-32 X 3/8 LG | 1 | |
| - 12 | 45114 | . SCREW,SHLD | 8 | |
| - 13 | 45690 | . WASHER FLAT NO 10 X .438 OD X .031 THK | 14 | |
| - 14 | 55726 | . SCREW,MACH-BIND HD 6-32 X 3/16 LG | 2 | |
| - 15 | 55901 | . WASHER,LOCK-EXT TEETH,NO. 8 | 1 | |
| - 16 | 56079 | . WASHER,LOCK-EXT TEETH NO. 10 X 0.410 CD | 4 | |
| - 16A | 81693 | . SCREW,MACH-BIND HD 6-32 X 3/8 LG | 1 | |
| - 17 | 130434 | . SCREW,MACH-HEX HD 10-32 X 3/8 LG | 4 | |
| - 18 | 186936 | . SCREW,MACH-HEX SCH 1/4-20 X 2-1/2 | 3 | |
| - 19 | 205331 | . JUMPER-RELAY GATES UNIT 1/8 BRASS | 2 | |
| - 20 | 236849 | . SCREW,MACH-BIND HD 10-32 X 1/4 LG | 7 | |
| - 21 | 250525 | . SCREW,MACH-BIND HD 10-32 X 3/16 LG | 8 | |
| - 22 | 250627 | . SCREW, ALLEN CAP 6-32 X 3/8 LG | 1 | |
| - 23 | 257187 | . NUT CABLE CLAMP MTG | 1 | |

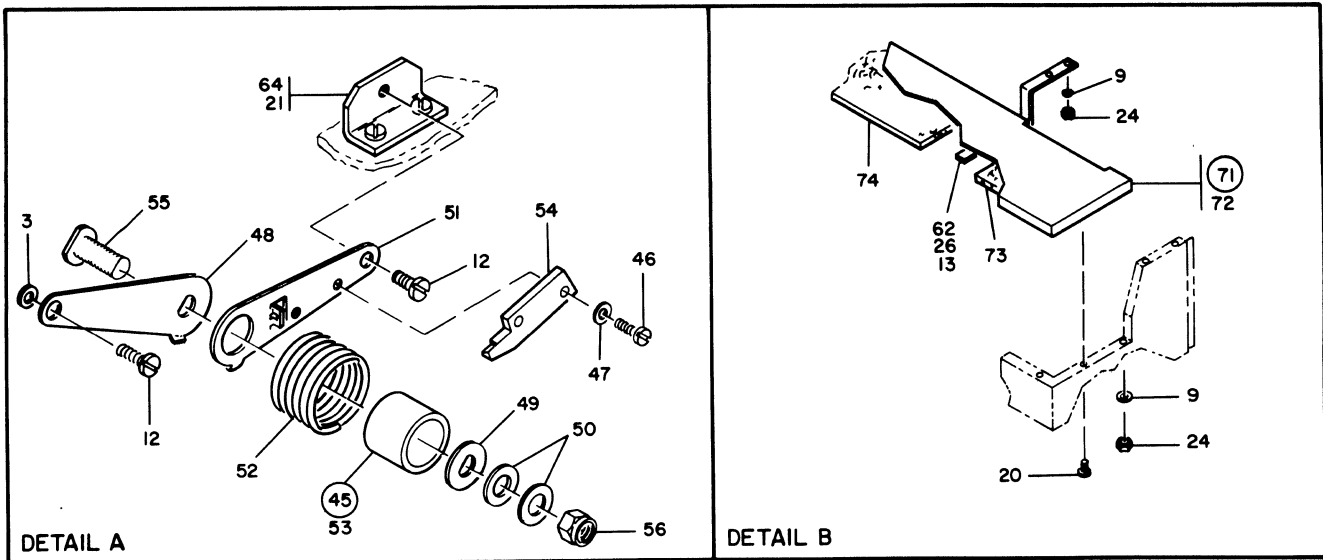
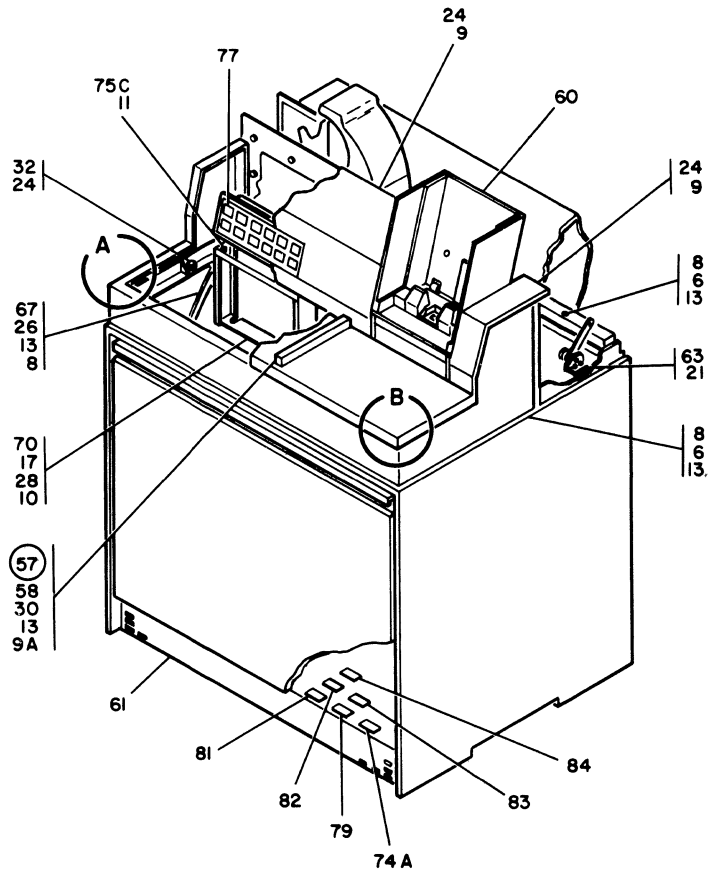


FIGURE 2. CARD READER FINAL ASSEMBLY. SHEET 1 OF 2. SEE LIST 2.

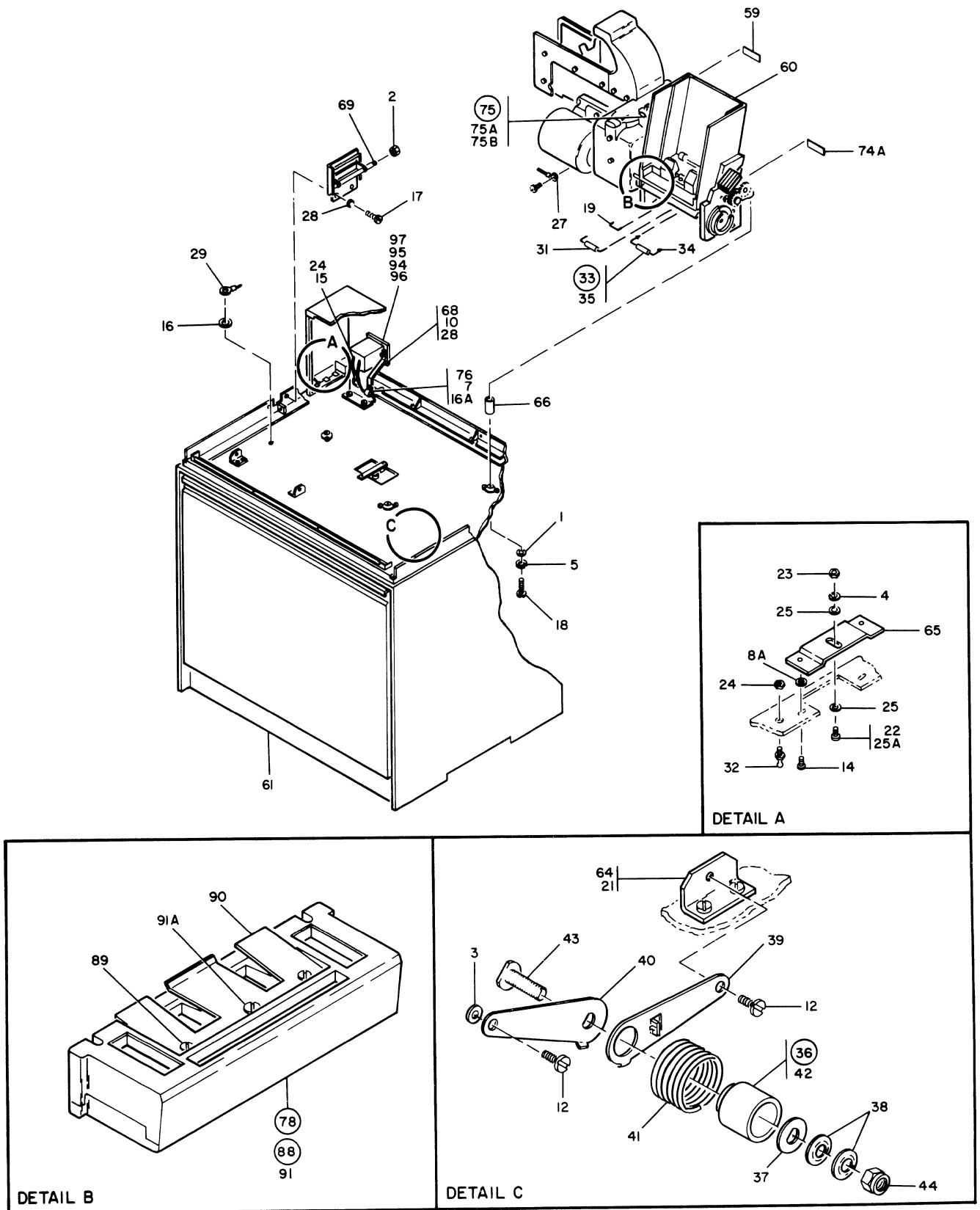


FIGURE 2. CARD READER FINAL ASSEMBLY. SHEET 2 OF 2. SEE LIST 2.

| LIST AND INDEX NO. | PART NO. | DESCRIPTION | | | | UNITS PER ASM. | USABLE ON CODE |
|----------------------------------|----------|--|---|---|---|----------------|----------------|
| | | 1 | 2 | 3 | 4 | | |
| CARD READER FINAL ASSEMBLY -CONT | | | | | | | |
| 2 - 24 | 257189 | • NUT,PLAIN-HEX 8-32 X 0.343 W | | | | 26 | |
| - 25 | 257986 | • WASHER,FL-NO. 6 X 5/8 OD X 0.035 THK | | | | 2 | |
| - 25A | 322550 | • SCREW,MACH-BIND HD 6-32 X 1/2 LG | | | | 1 | |
| - 26 | 332620 | • SCREW,MACH-BIND HD 10-32 X 1/2 LG | | | | 4 | |
| - 27 | 334921 | • TERMINAL,LUG-INS 16/22AWG NO. 6 MTG HOLE | | | | 2 | |
| - 28 | 444270 | • WASHER,FLAT 5/8 OD X 1/16 THK | | | | 6 | |
| - 29 | 480657 | • JUMPER ASSEMBLY | | | | 1 | |
| - 30 | 507796 | • SCREW,MACH-BIND HD 10-32 X 1 LG | | | | 3 | |
| - 31 | 555430 | • RESISTOR ASSEMBLY | | | | 2 | |
| - 32 | 609551 | • STUD, COVER LOCK | | | | 4 | |
| - 33 | 615354 | • DIODE ASSEMBLY, SILICON, TYPE AM | | | | 2 | |
| - 34 | 187243 | • • TERMINAL,LUG-TAPER 20/24AWG 9/16 LG OA | | | | 2 | |
| - 35 | 2111232 | • • SEMICONDUCTOR DEVICE-DIODE | | | | 1 | |
| - 36 | 626725 | • ARM ASM-STAY BRACE | | | | 2 | |
| - 37 | 443881 | • • PLATE | | | | 1 | |
| - 38 | 443967 | • • WASHER | | | | 2 | |
| - 39 | 626754 | • • ARM-KEYED | | | | 1 | |
| - 40 | 626755 | • • ARM-SPRING RETAINING | | | | 1 | |
| - 41 | 627688 | • • SPRING | | | | 1 | |
| - 42 | 627711 | • • CLUTCH | | | | 1 | |
| - 43 | 628938 | • • STUD | | | | 1 | |
| - 44 | 645171 | • • NUT-STAY BRACE,.375-16 | | | | 1 | |
| - 45 | 627687 | • STAYBRACE ASSEMBLY | | | | 2 | |
| - 46 | 10170 | • • SCREW,MACH-BIND HD 6-32 X 1/4 LG | | | | 2 | |
| - 47 | 257986 | • • WASHER,FL-NO. 6 X 5/8 OD X 0.035 THK | | | | 2 | |
| - 48 | 443880 | • • ARM STAY | | | | 1 | |
| - 49 | 443881 | • • PLATE | | | | 1 | |
| - 50 | 443967 | • • WASHER | | | | 2 | |
| - 51 | 626422 | • • ARM STAY | | | | 1 | |
| - 52 | 627688 | • • SPRING | | | | 1 | |
| - 53 | 627711 | • • CLUTCH | | | | 1 | |
| - 54 | 628937 | • • RETAINER | | | | 1 | |
| - 55 | 628938 | • • STUD | | | | 1 | |
| - 56 | 645171 | • • NUT-STAY BRACE,.375-16 | | | | 1 | |
| - 57 | 638960 | • BAR, JOGGLE | | | | 1 | |
| - 58 | 639028 | • • INSERT-NO 10-32 UNF X .750 LG | | | | 3 | |
| - 59 | 639224 | • LABEL,TERM BLK | | | | 1 | |
| - 60 | 644000 | • FINAL ASSEMBLY-MECHANICAL SEE LIST 3 FOR DETAIL BREAKDOWN | | | | 1 | |
| - 61 | 644001 | • LOWER STRUCTURE ASSEMBLY-MOD A SEE LIST 14 FOR DETAIL BREAKDOWN | | | | 1 | A |
| - 61 | 647201 | • LOWER STRUCTURE ASM-MOD B SEE LIST 15A FOR DETAIL BREAKDOWN | | | | 1 | B |
| - 62 | 644069 | • BRACKET-SUPPORT | | | | 1 | |
| - 63 | 644074 | • BRACKET-MTG RH | | | | 2 | |
| - 64 | 644075 | • BRACKET-MTG,LH | | | | 2 | |
| - 65 | 644082 | • BRACKET-MTG | | | | 1 | |
| - 66 | 644189 | • SPACER | | | | 3 | |
| - 67 | 644704 | • LINT-PANEL BRACE | | | | 2 | A |
| - 68 | 644722 | • BRACKET-METER MTG | | | | 1 | |
| - 69 | 644724 | • SHAFT | | | | 1 | |
| - 70 | 644725 | • CONTROL PANEL ASM-SWITCH AND LIGHT SEE LIST 16 FOR DETAIL BREAKDOWN | | | | 1 | A |
| - 70 | 647235 | • CONTROL PANEL-SWITCH AND LIGHT SEE LIST 16A FOR DETAIL BREAKDOWN | | | | 1 | B |
| - 71 | 644754 | • TABLE TOP ASM | | | | 1 | |
| - 72 | 644719 | • • TABLE TOP | | | | 1 | |
| - 73 | 644755 | • • FELT-TABLE TOP | | | | 1 | |

| LIST AND INDEX NO. | PART NO. | DESCRIPTION | | | | UNITS PER ASM. | USABLE ON CODE |
|--------------------------|-------------|---|---|---|---|----------------------|----------------------|
| | | 1 | 2 | 3 | 4 | | |
| | | CARD READER FINAL ASSEMBLY -CONT | | | | | |
| 2 - 74 | 644756 | . . FELT-TABLE TOP | | | | 1 | |
| - 74A | 647476 | . LABEL | | | | 1 | |
| - 75 | 647479 | . RESISTOR ASM-400HMS,25W | | | | 1 | |
| - 75A | 360433 | . . TERMINAL,QUICK DISCONNECT- 16/18AWG | | | | 2 | |
| - 75B | 597364 | . . RESISTOR,FXD WW 40 OHMS P/M 5% 25W | | | | 1 | |
| - 75C | 2102365 | . CLAMP,LOOP- 0.330 ID 0.170 DIA MTG HCLE | | | | 1 | |
| - 76 | 2122639 | . CLAMP | | | | 1 | |
| - 77 | 644013 | LANGUAGE GROUP-ENGLISH,MOD A | | | | REF | |
| | | SEE LIST 0-2 FOR NEXT HIGHER ASSEMBLY AND LIST 17 FOR DETAIL BREAKDOWN | | | | | |
| - 77 | 644014 | LANGUAGE GROUP-FRENCH,MOD A | | | | REF | |
| | | SEE LIST 0-2 FOR NEXT HIGHER ASSEMBLY AND LIST 18 FOR DETAIL BREAKDOWN | | | | | |
| - 77 | 644015 | LANGUAGE GROUP-GERMAN,MOD A | | | | REF | |
| | | SEE LIST 0-2 FOR NEXT HIGHER ASSEMBLY AND LIST 19 FOR DETAIL BREAKDOWN | | | | | |
| - 77 | 647240 | LANGUAGE GROUP-ENGLISH,MOD B | | | | REF | |
| | | SEE LIST 0-2 FOR NEXT HIGHER ASSEMBLY AND FIG. 17A FOR DETAIL BREAKDOWN | | | | | |
| - 77 | 647241 | LANGUAGE GROUP-FRENCH,MOD B | | | | REF | |
| | | SEE LIST 0-2 FOR NEXT HIGHER ASSEMBLY AND FIG. 18A FOR DETAIL BREAKDOWN | | | | | |
| - 77 | 647242 | LANGUAGE GROUP-GERMAN,MOD B | | | | REF | |
| | | SEE LIST 0-2 FOR NEXT HIGHER ASSEMBLY AND FIG. 19A FOR DETAIL BREAKDOWN | | | | | |
| - 78 | 644003 | SHIPPING GROUP-MOD A | | | | REF | |
| - 78 | 647500 | SHIPPING GROUP-MOD B | | | | REF | |
| | | SEE LIST 0-2 FOR NEXT HIGHER ASSEMBLY | | | | | |
| - 79 | 20243 | . NAMEPLATE | | | | 1 | |
| - 80 | 105792 | . SCREW,DR-RH 0.067 OD X 3/16 LG NOT ILLUSTRATED | | | | 2 | |
| - 81 | 122639 | . PLATE,IDENTIFICATION-SALE | | | | 1 | |
| - 82 | 124631 | . PLATE,IDENTIFICATION-LEASE W/SALE OPTICN | | | | 1 | |
| - 83 | 180528 | . PLATE,IDENTIFICATION-SERIAL NUMBER | | | | 1 | |
| - 84 | 183848 | . PLATE,INSTRUCTION-CURRENT REQUIREMENT | | | | 1 | |
| - 85 | 222836 | . BINDER,CUSTOMER ENG NOT ILLUSTRATED | | | | 1 | |
| - 86 | 222837 | . BINDER-CUSTOMER ENGINEERING NOT ILLUSTRATED | | | | 1 | |
| - 87 | 451125 | . HOLDER,MACH REGRD NOT ILLUSTRATED | | | | 1 | |
| * - 88 | 639993 | . WEIGHT ASSEMBLY,CARD | | | | 1 | |
| - 89 | 55726 | . . SCREW,MACH-BIND HD 6-32 X 3/16 LG | | | | 2 | |
| - 90 | 336249 | . . SPRING,FL-CARD | | | | 1 | |
| - 91 | 336673 | . . WEIGHT | | | | 1 | |
| - 91A | 336688 | . . SCREW,MACH,BIND HD 8-32 X 1 LG | | | | 1 | |
| - 92 | 644076 | . TAB-DIAGRAM BINDER NOT ILLUSTRATED | | | | 2 | |
| - 93 | 647228 | . OVERLAY NOT ILLUSTRATED | | | | 1 | |
| - 93A | 740548 | . . BLANK-OVERLAY PANEL | | | | 1 | |
| - 94 | 22478 | WASHER,FL- 0.170 ID 0.375 OD 0.032 THK SEE LIST 0-4 FOR NEXT HIGHER ASSEMBLY | | | | REF | |
| - 95 | 25627 | SCREW,MACH-BIND HD 8-32 X 1/2 LG SEE LIST 0-5 FOR NEXT HIGHER ASSEMBLY | | | | REF | |
| - 96 | 257189 | NUT,PLAIN-HEX 8-32 X 0.343 W SEE LIST 0-6 FOR NEXT HIGHER ASSEMBLY | | | | REF | |
| - 97 | 740503 | CLOCK-60 CYCLE | | | | REF | |
| - 97 | 740608 | CLOCK-50 CYCLE SEE LIST 0-17 FOR NEXT HIGHER ASSEMBLY | | | | REF | |

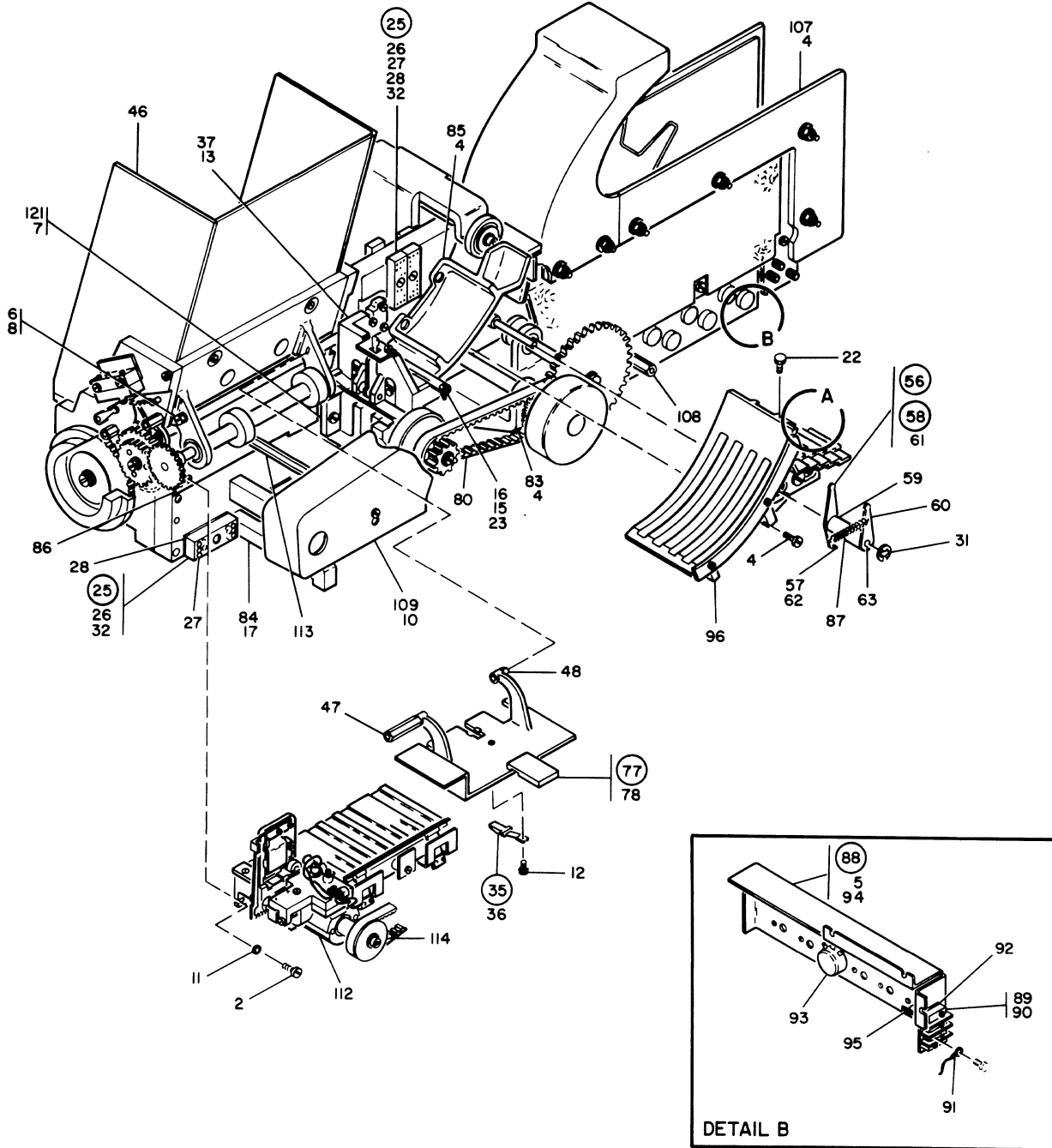
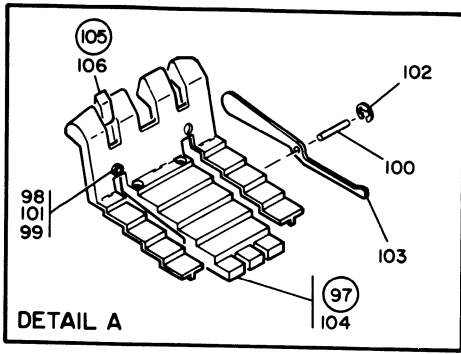


FIGURE 3. MECHANICAL FINAL ASSEMBLY. SHEET 1 OF 2. SEE LIST 3.

| LIST AND INDEX NO. | PART NO. | DESCRIPTION | | | | UNITS PER ASM. | USABLE ON CODE |
|--------------------------|-------------|--|---|---|---|----------------------|----------------------|
| | | 1 | 2 | 3 | 4 | | |
| | | MECHANICAL FINAL ASSEMBLY | | | | | |
| 3 - | 644000 | FINAL ASSEMBLY-MECHANICAL SEE LIST 2-60 FOR NEXT HIGHER ASSEMBLY AND FIG. 3 FOR ILLUSTRATION | | | | REF | |
| - 1 | 3550 | • WASHER, FL- 1/4 X 9/16 OD X 0.050 THK | | | | 4 | |
| - 2 | 4701 | • SCREW, MACH-HEX HD 10-32 X 5/8 LG | | | | 2 | |
| - 3 | 5528 | • SCREW | | | | 10 | |
| - 4 | 5677 | • SCREW, MACH-BIND HD 10-32 X 3/4 LG | | | | 11 | |
| - 5 | 10170 | • SCREW, MACH-BIND HD 6-32 X 1/4 LG | | | | 3 | |
| - 6 | 12954 | • SCREW, MACH-HEX HD 8-32 X 1/2 LG | | | | 2 | |
| - 7 | 19944 | • SCREW, MACH-BIND HD 8-32 X 3/4 LG | | | | 3 | |
| - 8 | 22478 | • WASHER, FL- 0.170 ID 0.375 OD 0.032 THK | | | | 2 | |
| - 9 | 28413 | • SCREW, MACH-BIND HD 10-32 X 5/16 LG | | | | 1 | |
| - 10 | 34512 | • SCREW, MACH-BIND HD 8-32 X 3/8 LG | | | | 4 | |
| - 11 | 45690 | • WASHER FLAT NO 10 X .438 OD X .031 THK | | | | 2 | |
| - 12 | 48594 | • SCREW, MACH-BIND HD 4-40 X 0.175 LG | | | | 1 | |
| - 13 | 55918 | • SCREW, MACH-BIND HD 10-32 X 5/8 LG | | | | 3 | |
| - 14 | 56079 | • WASHER, LOCK-EXT TEETH NO. 10 X 0.410 OD | | | | 1 | |
| - 15 | 56722 | • WASHER, LOCK-EXT TEETH NO. 6 X 5/16 OD | | | | 1 | |
| - 16 | 81693 | • SCREW, MACH-BIND HD 6-32 X 3/8 LG | | | | 7 | |
| - 17 | 124987 | • SCREW, MACH-HEX SOC HD 1/4-20 X 1-1/4 LG | | | | 6 | |
| - 18 | 191431 | • SHIELD, TERMINAL BOARD- 3 POSITION | | | | 1 | |
| - 19 | 210883 | • STUD, EXT- 6-32 INT EXT THD X 0.900 LG CA | | | | 1 | |
| - 20 | 210884 | • STUD-SHIELD | | | | 4 | |
| - 20A | 210984 | • SCREW, MACH-RH 6-32 X 1/4 LG | | | | 1 | |
| - 21 | 234341 | • SCREW, ASMD WASHER-FIL HD 1/4-20 X 5/8 LG | | | | 4 | |
| - 22 | 251820 | • SCREW, CAP, SOC HD- 6-32 X 1/2 LG | | | | 2 | |
| - 23 | 257187 | • NUT CABLE CLAMP MTG | | | | 1 | |
| - 24 | 257986 | • WASHER, FL-NO. 6 X 5/8 OD X 0.035 THK | | | | 4 | |
| - 25 | 302090 | • CONNECTOR, RECP, ELEC- 24 FEMALE CCNTACTS | | | | 6 | |
| - 26 | 302088 | • . TERMINAL BOARD | | | | 1 | |
| - 27 | 302089 | • . SPRING-TERMINAL BOARD CONTACT | | | | 8 | |
| - 28 | 302131 | • STRIP-TERMINAL BLOCK INSULATOR | | | | 6 | |
| - 29 | 312450 | • MOTOR, AC-1/2 HP, 230V, 50-60 CYCLES | | | | 1 | |
| - 30 | 323841 | • TERMINAL BOARD- 3 DBL SCREW TERMINALS | | | | 1 | |
| - 31 | 332747 | • RING, RETAINING-EXT 0.207 ID X 0.025 THK | | | | 1 | |
| - 32 | 438550 | • SCREW, MACH-BIND HD 4-40 X 1/2 LG | | | | 6 | |
| - 33 | 508033 | • INSULATOR, TERMINAL BOARD | | | | 1 | |
| - 34 | 597216 | • JUMPER ASM-GRN 9-1/2 14AWG 1 LUG EA END | | | | 1 | |
| - 35 | 612893 | • SPRING | | | | 1 | |
| - 36 | 612892 | • . SPRING | | | | 1 | |
| - 37 | 638264 | • READ LAMP | | | | 1 | |
| | | SEE LIST 4 FOR DETAIL BREAKDOWN | | | | | |
| - 38 | 644031 | • SHOE ASM-NUDGE ROLL PRESSURE | | | | 2 | |
| - 39 | 48594 | • . SCREW, MACH-BIND HD 4-40 X 0.175 LG | | | | 1 | |
| - 40 | 612089 | • . SPRING | | | | 1 | |
| - 41 | 644032 | • . BRACKET, MTG PRES ROLL | | | | 1 | |
| - 42 | 644033 | • . SHOE ASM | | | | 1 | |
| - 43 | 612780 | • . . SHOE-PRESSURE ROLL | | | | 1 | |
| - 44 | 612868 | • . . SHOE | | | | 1 | |

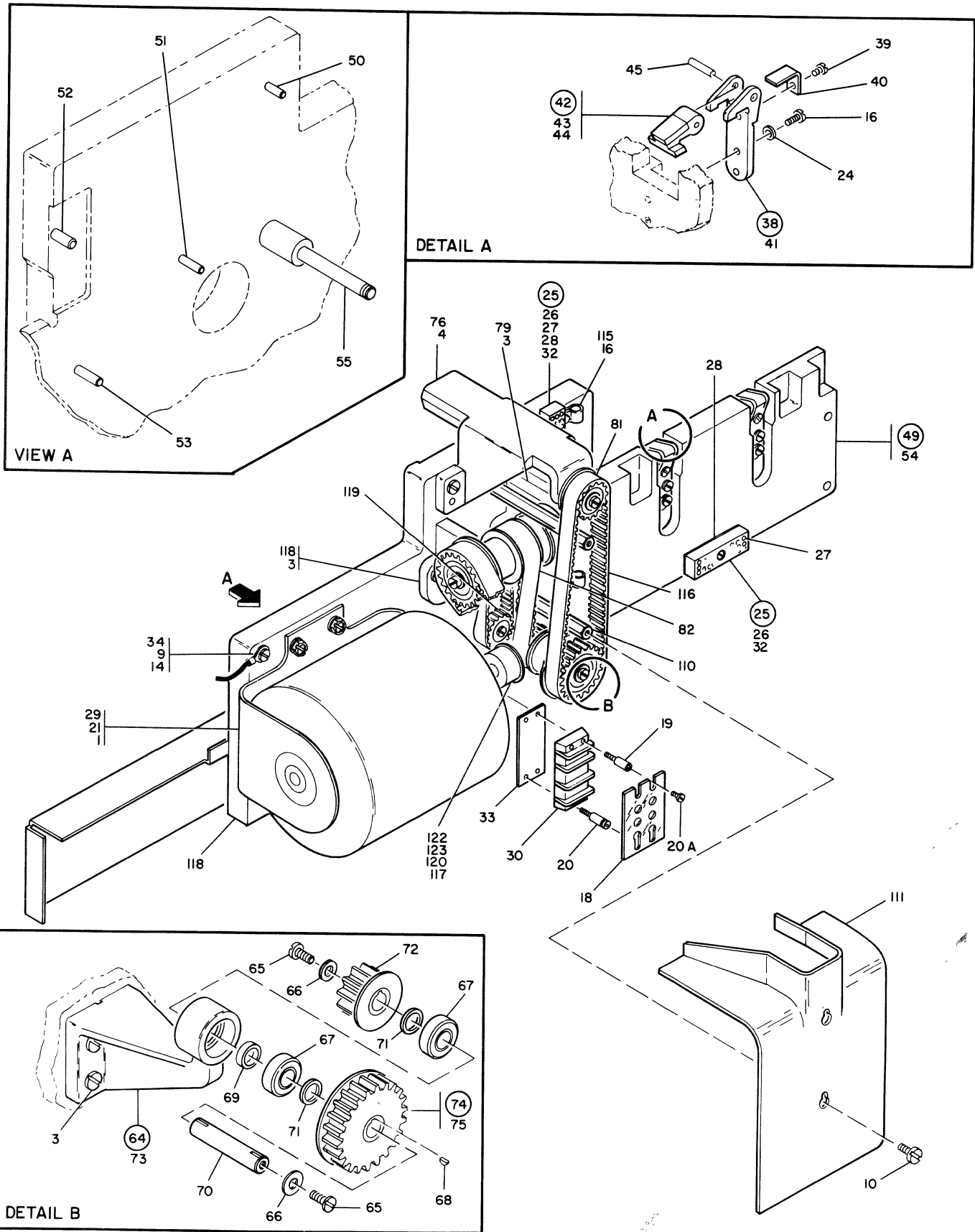


FIGURE 3. MECHANICAL FINAL ASSEMBLY. SHEET 2 OF 2. SEE LIST 3.

| LIST AND INDEX NO. | PART NO. | DESCRIPTION | | | | UNITS PER ASM. | USABLE ON CODE |
|--------------------------|-------------|---------------------------------|---|---|---|----------------------|----------------------|
| | | 1 | 2 | 3 | 4 | | |
| | | MECHANICAL FINAL ASSEMBLY -CONT | | | | | |
| 3 - 45 | 644036 | | | | . . PIN-STR-0.139 OD X 0.56 LG | 1 | |
| - 46 | 644100 | | | | . HOPPER ASSEMBLY SEE LIST 5 FOR DETAIL BREAKDCWN | 1 | |
| - 47 | 644102 | | | | . BUSHING-COVER MTG HOLDER | 1 | |
| - 48 | 644103 | | | | . BUSHING-COVER MTG LOCATOR | 1 | |
| - 49 | 644118 | | | | . BACKBONE ASM-PIN LOCATION | 1 | |
| - 50 | 104696 | | | | . . PIN,STR,HDL5- 1/8 DIA X 1/2 LG | 8 | |
| - 51 | 104697 | | | | . . PIN,STR,HDL5- 1/8 DIA X 3/4 LG | 6 | |
| - 52 | 104699 | | | | . . PIN,STR,HDL5- 3/16 DIA X 1/2 LG | 2 | |
| - 53 | 104701 | | | | . . PIN,DOWEL | 6 | |
| - 54 | 644116 | | | | . . BACKBONE-CONSOLE READER | 1 | |
| - 55 | 644215 | | | | . . SHAFT-3.41 LG | 1 | |
| - 56 | 644124 | | | | . JOGGLER ASM | 1 | |
| - 57 | 225574 | | | | . . BEARING,BALL,ANNULAR- 0.125 ID 0.375 OD | 1 | |
| - 58 | 644127 | | | | . . ARM ASM-JOGGLER | 1 | |
| - 59 | 644125 | | | | . . . HUB-.344 ID X 1.822 LG | 1 | |
| - 60 | 644181 | | | | . . . ARM-JOGGLER | 1 | |
| - 61 | 644182 | | | | . . . ARM-JOGGLER,CAM FOLLOWER | 1 | |
| - 62 | 644183 | | | | . . . STUD-.417 LG | 1 | |
| - 63 | 644264 | | | | . . BUSHING | 2 | |
| - 64 | 644130 | | | | . IDLER ASM-INPUT | 1 | |
| - 65 | 81693 | | | | . . SCREW,MACH-BIND HD 6-32 X 3/8 LG | 2 | |
| - 66 | 110029 | | | | . . WASHER,FL-NO 8 X 5/8 OD X 1/16 THK | 2 | |
| - 67 | 156364 | | | | . . BEARING,BALL,ANNULAR- 0.375 ID 0.875 OD | 2 | |
| - 68 | 328037 | | | | . . KEY | 2 | |
| - 69 | 644122 | | | | . . SPACER | 1 | |
| - 70 | 644143 | | | | . . SHAFT-INPUT IDLER | 1 | |
| - 71 | 644144 | | | | . . SPACER | 2 | |
| - 72 | 644145 | | | | . . PULLEY-TIMING BELT | 1 | |
| - 73 | 644146 | | | | . . FRAME-INPUT IDLER | 1 | |
| - 74 | 644284 | | | | . . PULLEY ASM | 1 | |
| - 75 | 644156 | | | | . . . HUB-PULLEY | 1 | |
| - 76 | 644131 | | | | . WHEEL ASM-STACKER FEED SEE LIST 7 FOR DETAIL BREAKDCWN | 1 | |
| - 77 | 644139 | | | | . COVER ASM-READ CARD BED | 1 | |
| - 78 | 611812 | | | | . . MAGNET | 1 | |
| - 79 | 644152 | | | | . IDLER ASM SEE LIST 8 FOR DETAIL BREAKDCWN | 1 | |
| - 80 | 644193 | | | | . BELT-TIMING | 1 | |
| - 81 | 644195 | | | | . BELT-TIMING | 1 | |
| - 82 | 644201 | | | | . BELT-TIMING | 1 | |
| - 83 | 644206 | | | | . FRAME ASM-JACK SHAFT SEE LIST 9 FOR DETAIL BREAKDCWN | 1 | |
| - 84 | 644217 | | | | . SUPPORT-BACKBONE | 1 | |
| - 85 | 644222 | | | | . COVER-CARD | 1 | |
| - 86 | 644223 | | | | . PLATE-CARD GUIDE | 1 | |
| - 87 | 644237 | | | | . SPRING-EXTENSION | 1 | |
| - 88 | 644308 | | | | . PANEL ASM-POTENTIOMETER | 1 | |
| - 89 | 80817 | | | | . . TERMINAL BOARD | 1 | |
| - 90 | 322550 | | | | . . SCREW,MACH-BIND HD 6-32 X 1/2 LG | 2 | |
| - 91 | 360370 | | | | . . TERMINAL,LUG | 1 | |
| - 92 | 512426 | | | | . . INSULATOR,PLATE-TERMINAL STRIP | 1 | |
| - 93 | 628493 | | | | . . POTENTIOMETER,ww-10 OHMS P/M 5% 2W | 13 | |
| - 94 | 644261 | | | | . . PANEL-LAMP ADJUSTMENT | 1 | |
| - 95 | 644528 | | | | . . CABLE ASM-LAMP VOLT SEE LIST 26-26 AND -31A FOR COMPONENT PARTS | 1 | |
| - 96 | 644317 | | | | . BED ASM-POST READ CARD SEE LIST 10 FOR DETAIL BREAKDCWN | 1 | |

| LIST AND INDEX NO. | PART NO. | DESCRIPTION | | | | UNITS PER ASM. | USABLE ON CODE |
|---------------------------------|----------|---|---|---|---|----------------|----------------|
| | | 1 | 2 | 3 | 4 | | |
| MECHANICAL FINAL ASSEMBLY -CONT | | | | | | | |
| 3 - 97 | 644318 | . SLIDE ASM-CARD | | | | 1 | |
| - 98 | 38710 | . . SCREW,MACH-FH 2-56 X 1/4 LG | | | | 2 | |
| - 99 | 47987 | . . NUT,PLAIN,HEX- 2-56 X 3/16 FL W | | | | 2 | |
| -100 | 104701 | . . PIN,DOWEL | | | | 1 | |
| -101 | 257984 | . . WASHER,LOCK-SPLIT NO. 4 X 0.212 CD | | | | 2 | |
| -102 | 612999 | . . CLIP-SAFETY SWITCH | | | | 1 | |
| -103 | 644057 | . . LEVER-CARD DECK | | | | 2 | |
| -104 | 644070 | . . STACKER-CARD SLIDE | | | | 1 | |
| -105 | 644071 | . . DEFLECTOR ASM | | | | 2 | |
| -106 | 644072 | . . . SPRING-DEFLECTOR | | | | 1 | |
| -107 | 644320 | . STACKER ASM | | | | 1 | |
| | | SEE LIST 11 FOR DETAIL BREAKDCWN | | | | | |
| -108 | 644327 | . STANDOFF-NO 10-32 X 5.75 LG | | | | 1 | |
| -109 | 644328 | . COVER-REAR BELT | | | | 1 | |
| -110 | 644330 | . STANDOFF-NO 10-32 X 4.84 LG | | | | 2 | |
| -111 | 644331 | . GUARD-BELT | | | | 1 | |
| -112 | 644361 | . BED ASM,PRE-READ | | | | 1 | |
| | | SEE LIST 12 FOR DETAIL BREAKDCWN | | | | | |
| -113 | 644377 | . STANDOFF-NO 10-32 X 6.38 LG | | | | 1 | |
| -114 | 644378 | . BELT-TIMING | | | | 1 | |
| -115 | 2102365 | . CLAMP,LOOP- 0.330 ID 0.170 DIA MTG HCLE | | | | 2 | |
| -116 | 364156 | BELT,MOTGR | | | | REF | |
| -116 | 644269 | BELT-TIMING | | | | REF | |
| | | SEE LIST 0-7 FOR NEXT HIGHER ASSEMBLY | | | | | |
| -117 | 438554 | SCREW,MACH-BIND HD 4-40 X 1 LG | | | | REF | |
| | | SEE LIST 0-8 FOR NEXT HIGHER ASSEMBLY | | | | | |
| -118 | 644147 | IDLER ASSEMBLY,MULE HITCH INPUT-60 CY | | | | REF | |
| -118 | 644213 | IDLER ASM,MULE HITCH INPUT-50 CY | | | | REF | |
| | | SEE LIST 0-10 FOR NEXT HIGHER ASSEMBLY | | | | | |
| | | AND FIG. 20 FOR DETAIL BREAKDCWN | | | | | |
| -119 | 644269 | BELT-TIMING | | | | REF | |
| -119 | 644191 | BELT-TIMING | | | | REF | |
| | | SEE LIST 0-11 FOR NEXT HIGHER ASSEMBLY | | | | | |
| -120 | 644296 | PULLEY-TIMING BELT | | | | REF | |
| -120 | 644145 | PULLEY-TIMING BELT | | | | REF | |
| | | SEE LIST 0-13 FOR NEXT HIGHER ASSEMBLY | | | | | |
| -121 | 644307 | CARRIER AND CELL ASM-READ STATION | | | | REF | |
| -121 | 647297 | CARRIER AND CELL ASM-READ STATION | | | | REF | |
| | | SEE LIST 0-14 FOR NEXT HIGHER ASSEMBLY | | | | | |
| | | AND FIG. 21 FOR DETAIL BREAKDCWN | | | | | |
| -122 | 644311 | ADAPTER-MOTOR SHAFT | | | | REF | |
| | | SEE LIST 0-15 FOR NEXT HIGHER ASSEMBLY | | | | | |
| -123 | 1100523 | SETSCREW-SPLINE DR CUP PT 6-32 X 3/16 LG | | | | REF | |
| | | SEE LIST 0-18 FOR NEXT HIGHER ASSEMBLY | | | | | |
| READ LAMP ASSEMBLY | | | | | | | |
| 4 - | 638264 | READ LAMP | | | | REF | |
| | | SEE LIST 3-37 FOR NEXT HIGHER ASSEMBLY | | | | | |
| | | AND FIG. 4 FOR ILLUSTRATION | | | | | |
| - 1 | 22478 | . WASHER,FL- 0.170 ID 0.375 OD 0.032 THK | | | | 2 | |
| - 2 | 55726 | . SCREW,MACH-BIND HD 6-32 X 3/16 LG | | | | 2 | |
| - 3 | 149897 | . SCREW,CAP,SOC HD- 8-32 X 0.375 LG | | | | 2 | |
| - 4 | 257958 | . SETSCREW-SPLINE DR FP 4-40 X 3/16 LG | | | | 2 | |

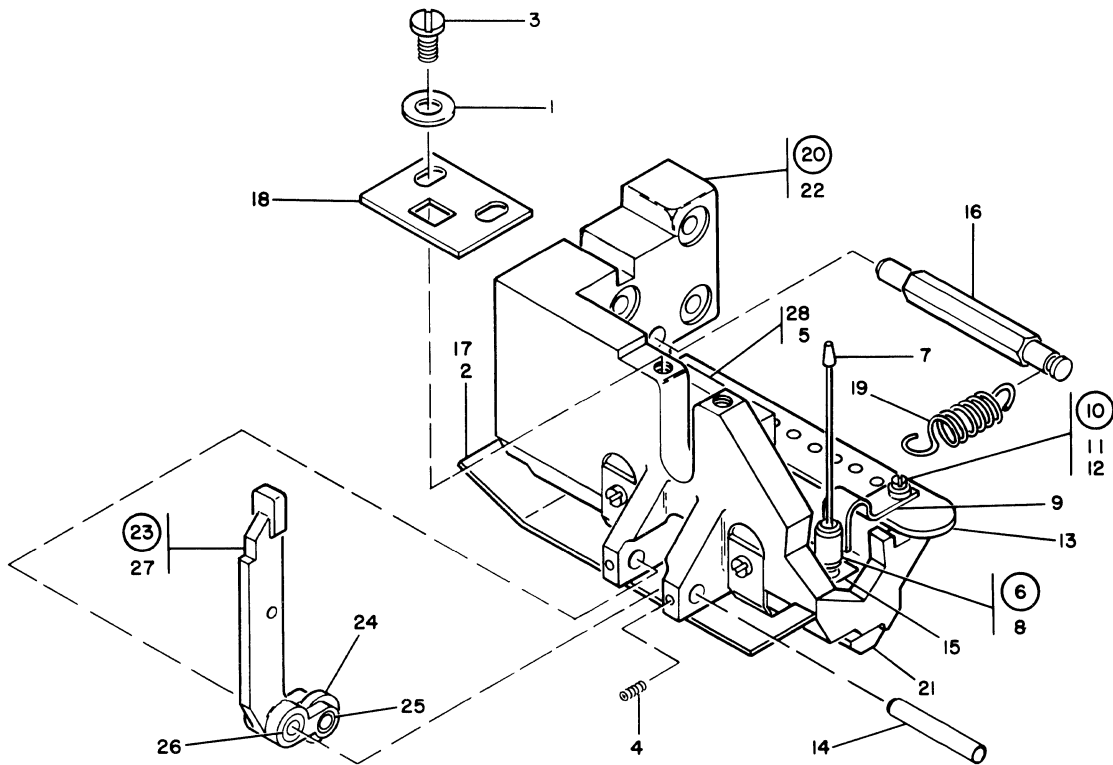


FIGURE 4. READ LAMP ASSEMBLY. SEE LIST 4.

| LIST AND INDEX NO. | PART NO. | DESCRIPTION | | | | UNITS PER ASM. | USABLE ON CODE |
|--------------------------|----------|-------------|---|---|---|----------------|----------------|
| | | 1 | 2 | 3 | 4 | | |
| READ LAMP ASSEMBLY -CONT | | | | | | | |
| 4 - 5 | 322065 | | | | | 2 | |
| - 6 | 626798 | | | | | 12 | |
| - 7 | 187243 | | | | | 1 | |
| - 8 | 369675 | | | | | 1 | |
| - 9 | 627695 | | | | | 12 | |
| - 10 | 638072 | | | | | 12 | |
| - 11 | 38261 | | | | | 1 | |
| - 12 | 638073 | | | | | 12 | |
| - 13 | 638074 | | | | | 1 | |
| - 14 | 638265 | | | | | 1 | |
| - 15 | 638267 | | | | | 1 | |
| - 16 | 638268 | | | | | 1 | |
| - 17 | 638269 | | | | | 1 | |
| - 18 | 638270 | | | | | 1 | |
| - 19 | 638273 | | | | | 1 | |
| - 20 | 638274 | | | | | 1 | |
| - 21 | 638275 | | | | | 1 | |
| - 22 | 638276 | | | | | 1 | |
| - 23 | 638277 | | | | | 1 | |

HOB-1351-0

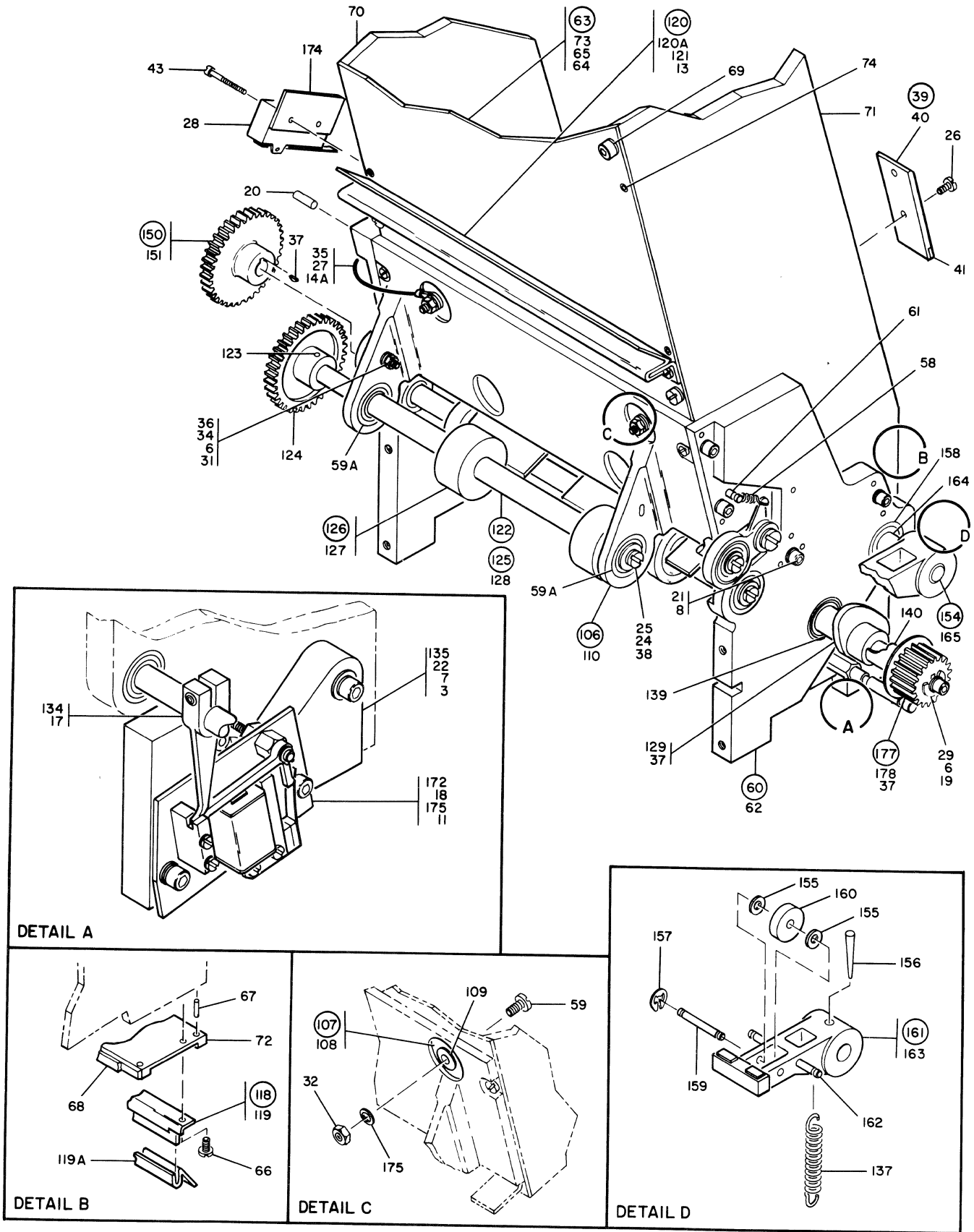


FIGURE 5. HOPPER ASSEMBLY. SHEET 1 OF 2. SEE LIST 5.

| LIST AND INDEX NO. | PART NO. | DESCRIPTION | UNITS | USABLE |
|--------------------------|-------------|--|-------------|------------|
| | | | PER ASM. | ON CODE |
| | | 1 2 3 4 | | |
| | | READ LAMP ASSEMBLY -CONT | | |
| 4 - 24 | 612318 | • • BEARING, BALL | 1 | |
| - 25 | 638278 | • • PIN, STR, HDLS- 3/16 OD X 3/8 LG | 1 | |
| - 26 | 638280 | • • BUSHING, READ-0.315 OD X 7/16 LG | 1 | |
| - 27 | 638281 | • • ARM, PRES ROLL | 1 | |
| - 28 | 640123 | • CLAMP | 2 | |
| | | HOPPER ASSEMBLY | | |
| 5 - | 644100 | HOPPER ASSEMBLY SEE LIST 3-46 FOR NEXT HIGHER ASSEMBLY AND FIG. 5 FOR ILLUSTRATION | REF | |
| - 1 | 232 | • SCREW, MACH-FIL H 10-32 X 1/2 LG | 4 | |
| - 2 | 2179 | • SCREW, MACH-FL CSK HD 8-32 X 5/8 LG | 4 | |
| - 3 | 3550 | • WASHER, FL- 1/4 X 9/16 OD X 0.050 THK | 2 | |
| - 4 | 3916 | • PIN, TAPERED, PLAIN- 3/4 LG X NO. 1-0 | 3 | |
| - 5 | 5528 | • SCREW | 2 | |
| - 6 | 6364 | • WASHER, LOCK-SPLIT NO. 6 X 1/4 OD | 2 | |
| - 7 | 6935 | • WASHER, LOCK-SPLIT 1/4 X 0.493 CD | 2 | |
| - 8 | 9092 | • LOCK WASHER SPLIT NO 10, X .3370D | 4 | |
| - 9 | 10170 | • SCREW, MACH-BIND HD 6-32 X 1/4 LG | 6 | |
| - 10 | 22066 | • WASHER, FL- 0.140 ID 0.281 OD 0.025 THK | 2 | |
| - 11 | 22478 | • WASHER, FL- 0.170 ID 0.375 OD 0.032 THK | 2 | |
| - 12 | 34512 | • SCREW, MACH-BIND HD 8-32 X 3/8 LG | 2 | |
| - 13 | 35739 | • SCREW, MACH-BIND HD 6-32 X 15/16 LG | 6 | |
| - 13A | 48594 | • SCREW, MACH-BIND HD 4-40 X 0.175 LG | 2 | |
| - 14 | 52522 | • SCREW, MACH-FH 4-40 X 5/16 LG | 2 | |
| - 14A | 55901 | • WASHER, LOCK-EXT TEETH, NO. 8 | 2 | |
| - 15 | 55918 | • SCREW, MACH-BIND HD 10-32 X 5/8 LG | 2 | |
| - 16 | 81693 | • SCREW, MACH-BIND HD 6-32 X 3/8 LG | 2 | |
| - 17 | 101807 | • SCREW, CAP, SOC HD- 8-32 X 5/8 LG | 1 | |
| - 18 | 104613 | • SCREW, ALLEN CAP, 8-32 X 1/2 LG | 2 | |
| - 19 | 110029 | • WASHER, FL-NO 8 X 5/8 OD X 1/16 THK | 5 | |
| - 20 | 138298 | • PIN, TAPERED, PLAIN- 1-1/16 LG X NG. 1-0 | 9 | |
| - 21 | 149695 | • SCREW, CAP, SOC HD- 10-32 X 1 LG | 4 | |
| - 22 | 149908 | • SCREW, CAP, SOC HD- 1/4-20 X 1 LG | 2 | |
| - 23 | 156364 | • BEARING, BALL, ANNULAR- 0.375 ID 0.875 CD | 6 | |
| - 24 | 183841 | • DISK-SPRING | 5 | |
| - 25 | 186759 | • SCREW, MACH-BIND HD 8-32 X 5/16 LG | 1 | |
| - 26 | 225859 | • SCREW | 2 | |
| - 27 | 226162 | • SCREW, CAP, SOC HD- 8-32 X 3/4 LG | 5 | |
| - 28 | 238364 | • SWITCH, LEVER, SPDT 50VOLTS DC | 1 | |
| - 29 | 251820 | • SCREW, CAP, SOC HD- 6-32 X 1/2 LG | 1 | |
| - 30 | 257186 | • NUT, PLAIN, HEX- 4-40 X 5/16 FL W | 2 | |
| - 31 | 257187 | • NUT CABLE CLAMP MTG | 2 | |
| - 32 | 257189 | • NUT, PLAIN-HEX 8-32 X 0.343 W | 2 | |
| - 33 | 257957 | • SETSCREW-SPLINE DR CUP PT 4-40 X 1/8 LG | 4 | |
| - 34 | 257986 | • WASHER, FL-NO. 6 X 5/8 OD X 0.035 THK | 2 | |
| - 35 | 319886 | • JUMPER ASM-GRN 4 IN. 14AWG 1 LUG EA END | 1 | |
| - 36 | 322550 | • SCREW, MACH-BIND HD 6-32 X 1/2 LG | 3 | |
| - 37 | 328037 | • KEY | 4 | |
| - 38 | 332922 | • RING, RETAINING | 1 | |
| - 39 | 336151 | • KNIFE ASSEMBLY | 1 | |
| - 40 | 336217 | • • BLOCK | 1 | |
| - 41 | 336218 | • • INSERT | 1 | |

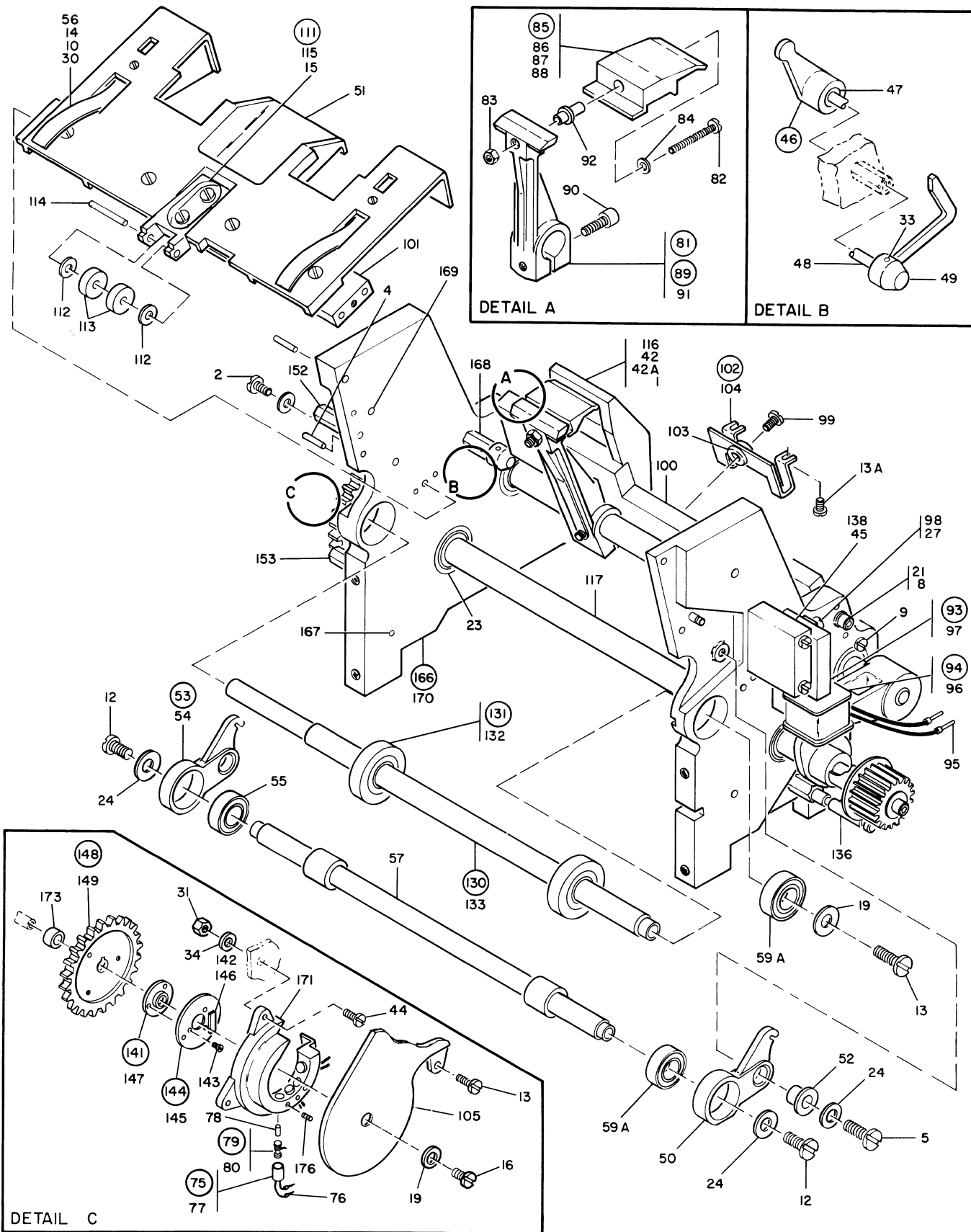


FIGURE 5. HOPPER ASSEMBLY. SHEET 2 OF 2. SEE LIST 5.

| LIST AND INDEX NO. | PART NO. | DESCRIPTION | | | | UNITS PER ASM. | USABLE ON CODE |
|--------------------------|-------------|-----------------------|---|---|---|----------------------|----------------------|
| | | 1 | 2 | 3 | 4 | | |
| | | HOPPER ASSEMBLY -CONT | | | | | |
| 5 - 42 | 364385 | • | | | | 2 | |
| - 42A | 369385 | • | | | | 2 | |
| - 43 | 438554 | • | | | | 2 | |
| - 44 | 438567 | • | | | | 1 | |
| - 45 | 438589 | • | | | | 2 | |
| - 46 | 602185 | • | | | | 1 | |
| - 47 | 602172 | • | | | | 1 | |
| - 48 | 602196 | • | | | | 1 | |
| - 49 | 602238 | • | | | | 1 | |
| - 50 | 607096 | • | | | | 1 | |
| - 51 | 607206 | • | | | | 1 | |
| - 52 | 607215 | • | | | | 2 | |
| - 53 | 607216 | • | | | | 1 | |
| - 54 | 607096 | • | | | | 1 | |
| - 55 | 613875 | • | | | | 1 | |
| - 56 | 609780 | • | | | | 2 | |
| - 57 | 612224 | • | | | | 1 | |
| - 58 | 612239 | • | | | | 2 | |
| - 59 | 612996 | • | | | | 2 | |
| - 59A | 613875 | • | | | | 1 | |
| - 60 | 638129 | • | | | | 1 | |
| - 61 | 612203 | • | | | | 1 | |
| - 62 | 638142 | • | | | | 1 | |
| - 63 | 638184 | • | | | | 1 | |
| - 64 | 6364 | • | | | | 4 | |
| - 65 | 38353 | • | | | | 4 | |
| - 66 | 236550 | • | | | | 2 | |
| - 67 | 303217 | • | | | | 4 | |
| - 68 | 612759 | • | | | | 1 | |
| - 69 | 612933 | • | | | | 2 | |
| - 70 | 638300 | • | | | | 1 | |
| - 71 | 638301 | • | | | | 1 | |
| - 72 | 638302 | • | | | | 1 | |
| - 73 | 638303 | • | | | | 1 | |
| - 74 | 1077739 | • | | | | 6 | |
| - 75 | 638901 | • | | | | 3 | |
| - 76 | 187243 | • | | | | 2 | |
| - 77 | 612516 | • | | | | 1 | |
| - 78 | 612517 | • | | | | 1 | |
| - 79 | 369118 | • | | | | 1 | |
| - 80 | 612515 | • | | | | 1 | |
| - 81 | 639161 | • | | | | 2 | |
| - 82 | 216128 | • | | | | 1 | |
| - 83 | 333182 | • | | | | 1 | |
| - 84 | 603703 | • | | | | 1 | |
| - 85 | 603850 | • | | | | 1 | |
| - 86 | 603847 | • | | | | 1 | |
| - 87 | 603848 | • | | | | 1 | |
| - 88 | 603849 | • | | | | 1 | |
| - 89 | 603857 | • | | | | 1 | |
| - 90 | 129654 | • | | | | 1 | |
| - 91 | 602249 | • | | | | 1 | |
| - 92 | 603846 | • | | | | 1 | |
| - 93 | 641636 | • | | | | 1 | |
| - 94 | 641817 | • | | | | 1 | |
| - 95 | 187243 | • | | | | 4 | |
| - 96 | 641819 | • | | | | 1 | |
| - 97 | 641818 | • | | | | 1 | |

| LIST AND INDEX NO. | PART NO. | DESCRIPTION | | | | UNITS PER ASM. | USABLE ON CODE |
|-----------------------|----------|-------------|---|---|---|----------------|----------------|
| | | 1 | 2 | 3 | 4 | | |
| HOPPER ASSEMBLY -CONT | | | | | | | |
| 5 - 98 | 641641 | • | PLATE-MTG | | | 1 | |
| - 99 | 644019 | • | SCREW,MACH-FH-6-32 X 0.57 LG | | | 1 | |
| -100 | 644020 | • | BAR-SUPPORT | | | 1 | |
| -101 | 644021 | • | BAR-SUPPORT | | | 1 | |
| -102 | 644024 | • | BRACKET ASM-HOPPER POCKET MTG | | | 1 | |
| -103 | 306048 | • | • GROMMET | | | 1 | |
| -104 | 644017 | • | • BRACKET-MTG | | | 1 | |
| -105 | 644025 | • | GUARD-GEAR TRAIN | | | 1 | |
| -106 | 644027 | • | BAR ASM-HOPPER SUPPORT | | | 1 | |
| -107 | 612935 | • | • MOUNT ASSEMBLY | | | 2 | |
| -108 | 612936 | • | • • RING-OUTER | | | 1 | |
| -109 | 612937 | • | • • RING-INNER | | | 1 | |
| -110 | 644022 | • | • BAR-SUPPORT | | | 1 | |
| -111 | 644029 | • | • BLOCK ASSEMBLY | | | 1 | |
| -112 | 22547 | • | • WASHER | | | 2 | |
| -113 | 233355 | • | • BEARING,BALL,ANNULAR- 0.187 OD 0.500 OD | | | 2 | |
| -114 | 336214 | • | • STUD | | | 1 | |
| -115 | 644028 | • | • BLOCK | | | 1 | |
| -116 | 644030 | • | POST-CARD | | | 2 | |
| -117 | 644083 | • | SHAFT-HOPPER CAM | | | 1 | |
| -118 | 644090 | • | ANGLE ASM | | | 1 | |
| -119 | 644340 | • | • ANGLE | | | 1 | |
| -119A | 638509 | • | • SEAL | | | AR | |
| -120 | 644091 | • | ANGLE ASM | | | 1 | |
| -120A | 638509 | • | • SEAL | | | AR | |
| -121 | 644339 | • | • ANGLE | | | 1 | |
| -122 | 644107 | • | SHAFT ASM | | | 1 | |
| -123 | 33371 | • | • PIN,TAPERED,PLAIN 3/4 LG X NC. 5-0 | | | 1 | |
| -124 | 612223 | • | • GEAR | | | 1 | |
| -125 | 644134 | • | • SHAFT ASM | | | 1 | |
| -126 | 627739 | • | • • ROLL ASSEMBLY | | | 2 | |
| -127 | 612218 | • | • • CORE | | | 1 | |
| -128 | 644135 | • | • • SHAFT-HOPPER NUDGE ROLL | | | 1 | |
| -129 | 644109 | • | CAM | | | 1 | |
| -130 | 644136 | • | SHAFT ASM | | | 1 | |
| -131 | 627739 | • | • ROLL ASSEMBLY | | | 1 | |
| -132 | 612218 | • | • • CORE | | | 1 | |
| -133 | 644137 | • | • SHAFT-HOPPER LWR FEED ROLL | | | 1 | |
| -134 | 644287 | • | ARM-STOP | | | 1 | |
| -135 | 644289 | • | SUPPORT-HOPPER | | | 1 | |
| -136 | 644290 | • | STUD-SPRING | | | 1 | |
| -137 | 644292 | • | SPRING-EXTENSION | | | 2 | |
| -138 | 644294 | • | BRACKET-MTG | | | 1 | |
| -139 | 644300 | • | SPACER | | | 1 | |
| -140 | 644301 | • | SPACER | | | 1 | |
| -141 | 644313 | • | EMITTER ASM | | | 1 | |
| -142 | 611812 | • | • MAGNET | | | 1 | |
| -143 | 612781 | • | • RIVET-1/4 OD X 9164 LG | | | 3 | |
| -144 | 641882 | • | • DISK ASM-MAIN CLUTCH EMITTER | | | 1 | |
| -145 | 639176 | • | • • DISK | | | 1 | |
| -146 | 641883 | • | • INSERT-.156 LG | | | 1 | |
| -147 | 644322 | • | • HUB-EMITTER | | | 1 | |
| -148 | 644314 | • | GEAR ASM-HELICAL | | | 1 | |
| -149 | 644323 | • | • HUB-HELICAL GEAR | | | 1 | |
| -150 | 644316 | • | GEAR | | | 1 | |
| -151 | 644315 | • | • HUB | | | 1 | |
| -152 | 644324 | • | STANDOFF-NO 8-32 X 1.50 LG | | | 1 | |
| -153 | 644325 | • | STANDOFF-NO 8-32 X 1.63 LG | | | 1 | |

| LIST AND INDEX NO. | PART NO. | DESCRIPTION 1 2 3 4 | UNITS PER ASM. | USABLE ON CODE |
|-----------------------------|----------|--|----------------|----------------|
| HOPPER ASSEMBLY -CONT | | | | |
| 5 -154 | 644338 | • SHAFT ASM-PICKER KNIFE | 1 | |
| -155 | 12552 | • • WASHER,FL-NC.4 X 3/8 OD X 0.020 THK | 2 | |
| -156 | 22867 | • • PIN,TAPERED,PLAIN- 7/8 LG X NO. 3 | 1 | |
| -157 | 60489 | • • RING,RETAINING-EXT 0.125 ID X 0.020 THK | 2 | |
| -158 | 156364 | • • BEARING,BALL,ANNULAR- 0.375 ID 0.875 OD | 1 | |
| -159 | 336263 | • • STUD | 1 | |
| -160 | 336321 | • • BEARING,CAM | 1 | |
| -161 | 644285 | • FOLLWCWER ASM | 1 | |
| -162 | 644286 | • • • STUD-SPRING | 1 | |
| -163 | 644288 | • • • ARM | 1 | |
| -164 | 644303 | • • SPACER | 1 | |
| -165 | 644304 | • • SHAFT-PICKER ARM | 1 | |
| -166 | 644348 | • FRAME ASM-HOPPER,RH | 1 | |
| -167 | 104696 | • • PIN,STR,HDLS- 1/8 DIA X 1/2 LG | 2 | |
| -168 | 602173 | • • BUSHING | 1 | |
| -169 | 612203 | • • PIN,SPG | 1 | |
| -170 | 638299 | • • FRAME,HOPPER-R SIDE | 1 | |
| -171 | 644349 | • BRACKET-EMITTER | 1 | |
| -172 | 644350 | • LATCH ASM-PICKER KNIFE SEE LIST 6 FOR DETAIL BREAKDOWN | 1 | |
| -173 | 644382 | • SPACER | 1 | |
| -174 | 804211 | • INSULATOR-SWITCH | 1 | |
| -175 | 1090873 | • WASHER,LOCK-SPLIT NO. 8 X 0.296 OD | 6 | |
| -176 | 1100523 | • SETSCREW-SPLINE DR CUP PT 6-32 X 3/16 LG | 3 | |
| -177 | 644296 | PULLEY-TIMING BELT | REF | |
| -177 | 644295 | PULLEY ASM SEE LIST C-12 FOR NEXT HIGHER ASSEMBLY | REF | |
| -178 | 644157 | • HUB-PULLEY USED ON ASM 644295 ONLY | 1 | |
| PICKER KNIFE LATCH ASSEMBLY | | | | |
| 6 - | 644350 | LATCH ASM-PICKER KNIFE SEE LIST 5-172 FOR NEXT HIGHER ASSEMBLY AND FIG. 6 FOR ILLUSTRATION | REF | |
| - 1 | 9092 | • LOCK WASHER SPLIT NO 10, X .3370D | 1 | |
| - 2 | 11598 | • NUT PLAIN HEX 10/32 | 1 | |
| - 3 | 45690 | • WASHER FLAT NC 10 X .438 OD X .031 THK | 1 | |
| - 4 | 257985 | • WASHER,FL-NO. 4 X 1/4 OD X 0.022 THK | 2 | |
| - 5 | 257986 | • WASHER,FL-NO. 6 X 5/8 OD X 0.035 THK | 2 | |
| - 6 | 322065 | • SCREW,MACH-BIND HD 6-32 X 5/8 LG | 2 | |
| - 7 | 438552 | • SCREW,MACH-BIND HD 4-40 X 3/4 LG | 2 | |
| - 8 | 644078 | • SPRING ASM | 1 | |
| - 9 | 644356 | • • SPRING | 1 | |
| - 10 | 644351 | • ARMATURE | 1 | |
| - 11 | 644352 | • STUD-NC 10-32 X 1.56 LG | 1 | |
| - 12 | 644353 | • PLATE ASM-MAGNET | 1 | |
| - 13 | 644354 | • • PLATE-MAGNET | 1 | |
| - 14 | 644357 | • • STUD-ARMATURE STUP | 1 | |
| - 15 | 644358 | • STOP-ARMATURE | 1 | |
| - 16 | 644360 | • MAGNET ASM | 1 | |
| - 17 | 638767 | • • CORE-MAGNET | 1 | |
| - 18 | 644359 | • • COIL ASM | 1 | |
| - 19 | 187243 | • • • TERMINAL,LLG-TAPER 20/24AWG 9/16 LG CA | 2 | |

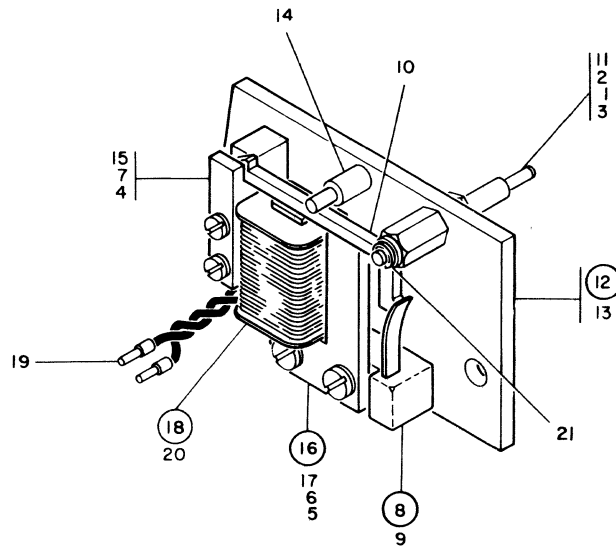


FIGURE 6. PICKER KNIFE LATCH ASSEMBLY. SEE LIST 6.

| LIST AND INDEX NO. | PART NO. | 1 2 3 4 | DESCRIPTION | UNITS PER ASM. | USABLE ON CODE |
|-----------------------------------|----------|---------|---|----------------|----------------|
| PICKER KNIFE LATCH ASSEMBLY -CONT | | | | | |
| 6 - 20 | 638768 | | • • • BOBBIN | 1 | |
| - 21 | 1C73418 | | • RING,RETAINING- 0.094 ID X 0.230 CD | 1 | |
| STACKER FEED WHEEL ASSEMBLY | | | | | |
| 7 - | 644131 | | WHEEL ASM-STACKER FEED SEE LIST 3-76 FOR NEXT HIGHER ASSEMBLY AND FIG. 7 FOR ILLUSTRATION | REF | |
| - 1 | 10170 | | • SCREW,MACH-BIND HD 6-32 X 1/4 LG | 2 | |
| - 2 | 81693 | | • SCREW,MACH-BIND HD 6-32 X 3/8 LG | 1 | |
| - 3 | 104613 | | • SCREW, ALLEN CAP, 8-32 X 1/2 LG | 1 | |
| - 4 | 110029 | | • WASHER,FL-NO 8 X 5/8 OD X 1/16 THK | 2 | |
| - 5 | 156364 | | • BEARING,BALL,ANNULAR- 0.375 ID 0.875 CD | 2 | |
| - 6 | 328037 | | • KEY | 1 | |
| - 7 | 644122 | | • SPACER | 1 | |

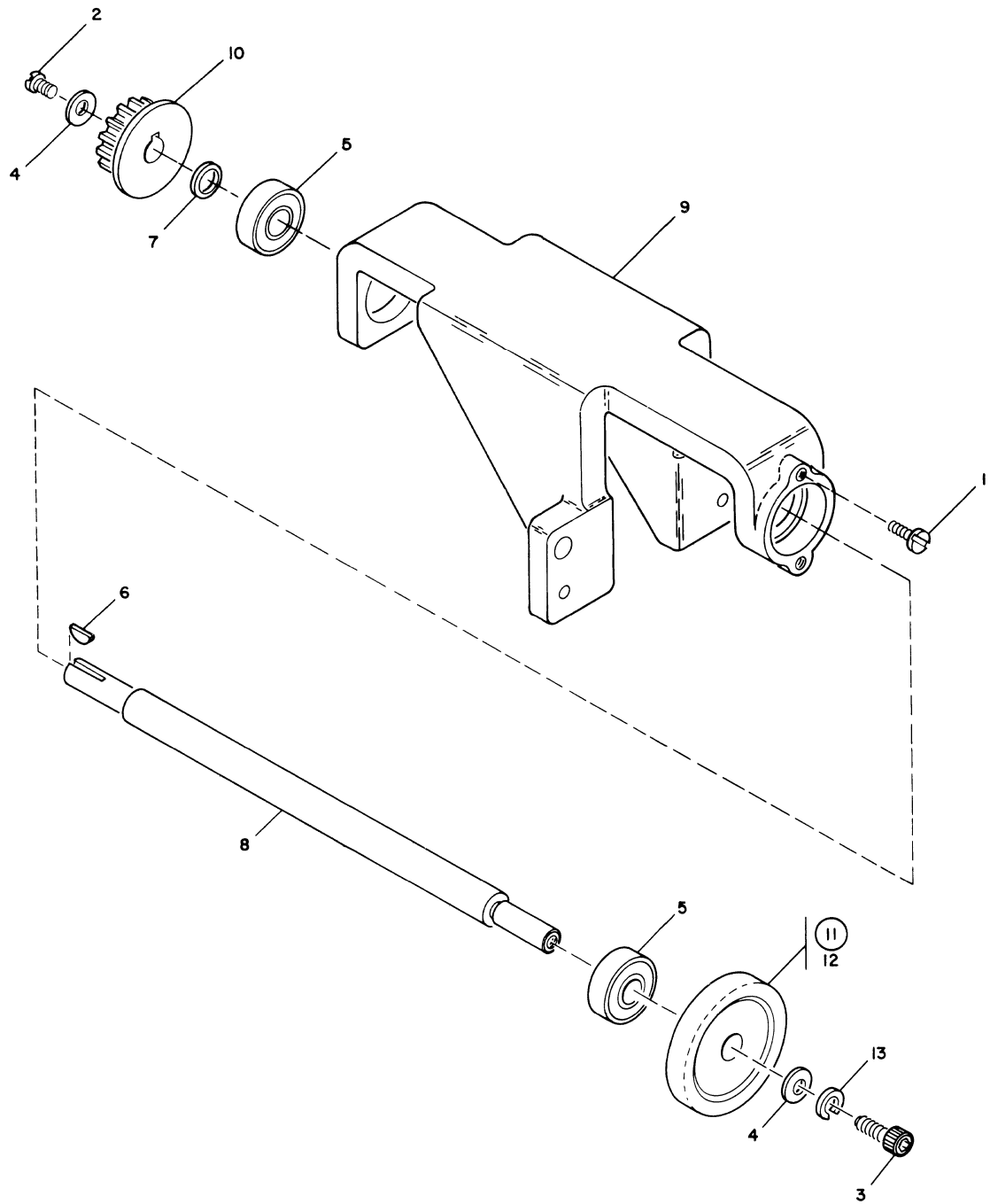


FIGURE 7. STACKER FEED WHEEL ASSEMBLY. SEE LIST 7.

| LIST AND INDEX NO. | PART NO. | DESCRIPTION | | | | UNITS PER ASM. | USABLE ON CODE |
|-----------------------------------|----------|---|---|---|---|----------------|----------------|
| | | 1 | 2 | 3 | 4 | | |
| STACKER FEED WHEEL ASSEMBLY -CONT | | | | | | | |
| 7 - 8 | 644140 | • SHAFT-STACKER FEED REEL | | | | 1 | |
| - 9 | 644142 | • FRAME-STACKER FEED ROLL | | | | 1 | |
| - 10 | 644297 | • PULLEY-TIMING BELT | | | | 1 | |
| - 11 | 644298 | • ROLL ASM | | | | 1 | |
| - 12 | 612524 | • . HUB | | | | 1 | |
| - 13 | 1090873 | • WASHER, LOCK-SPLIT NO. 8 X 0.296 OD | | | | 1 | |
| IDLER ASSEMBLY | | | | | | | |
| 8 - | 644152 | IDLER ASM SEE LIST 3-79 FOR NEXT HIGHER ASSEMBLY AND FIG. 8 FOR ILLUSTRATION | | | | REF | |
| - 1 | 81693 | • SCREW, MACH-BIND HD 6-32 X 3/8 LG | | | | 2 | |
| - 2 | 110029 | • WASHER, FL-NO 8 X 5/8 OD X 1/16 THK | | | | 2 | |
| - 3 | 156364 | • BEARING, BALL, ANNULAR- 0.375 ID 0.875 OD | | | | 2 | |
| - 4 | 328037 | • KEY | | | | 2 | |
| - 5 | 644144 | • SPACER | | | | 2 | |
| - 6 | 644148 | • PULLEY ASM | | | | 1 | |
| - 7 | 644157 | • . HUB-PULLEY | | | | 1 | |
| - 8 | 644149 | • SPACER | | | | 1 | |
| - 9 | 644150 | • SHAFT-.213 LG | | | | 1 | |
| - 10 | 644151 | • FRAME-IDLER | | | | 1 | |
| - 11 | 644280 | • PULLEY ASM | | | | 1 | |
| - 12 | 644157 | • . HUB-PULLEY | | | | 1 | |
| JACK SHAFT FRAME ASSEMBLY | | | | | | | |
| 9 - | 644206 | FRAME ASM-JACK SHAFT SEE LIST 3-83 FOR NEXT HIGHER ASSEMBLY AND FIG. 9 FOR ILLUSTRATION | | | | REF | |
| - 1 | 6364 | • WASHER, LOCK-SPLIT NO. 6 X 1/4 CD | | | | 2 | |
| - 2 | 10170 | • SCREW, MACH-BIND HD 6-32 X 1/4 LG | | | | 4 | |
| - 3 | 104613 | • SCREW, ALLEN CAP, 8-32 X 1/2 LG | | | | 1 | |
| - 4 | 110029 | • WASHER, FL-NO 8 X 5/8 OD X 1/16 THK | | | | 3 | |
| - 5 | 156364 | • BEARING, BALL, ANNULAR- 0.375 ID 0.875 OD | | | | 4 | |
| - 6 | 251820 | • SCREW, CAP, SOC HD- 6-32 X 1/2 LG | | | | 2 | |
| - 7 | 328037 | • KEY | | | | 3 | |
| - 8 | 644145 | • PULLEY-TIMING BELT | | | | 1 | |
| - 9 | 644169 | • PIN ASM | | | | 1 | |
| - 10 | 4327 | • . PIN, TAPER NO 5 X .562 LG | | | | 1 | |
| - 11 | 644170 | • . GEAR-SPUR | | | | 1 | |
| - 12 | 644171 | • . SHAFT-JACK | | | | 1 | |
| - 13 | 644172 | • PIN ASM-CAM SHAFT | | | | 1 | |
| - 14 | 33371 | • . PIN, TAPERED, PLAIN 3/4 LG X NC. 5-0 | | | | 1 | |
| - 15 | 644173 | • . SHAFT-CAM | | | | 1 | |
| - 16 | 644174 | • . CAM | | | | 1 | |
| - 17 | 644185 | • SPACER | | | | 1 | |
| - 18 | 644204 | • SPACER | | | | 1 | |
| - 19 | 644205 | • SPACER | | | | 1 | |
| - 20 | 644207 | • FRAME-JACK SHAFT | | | | 1 | |

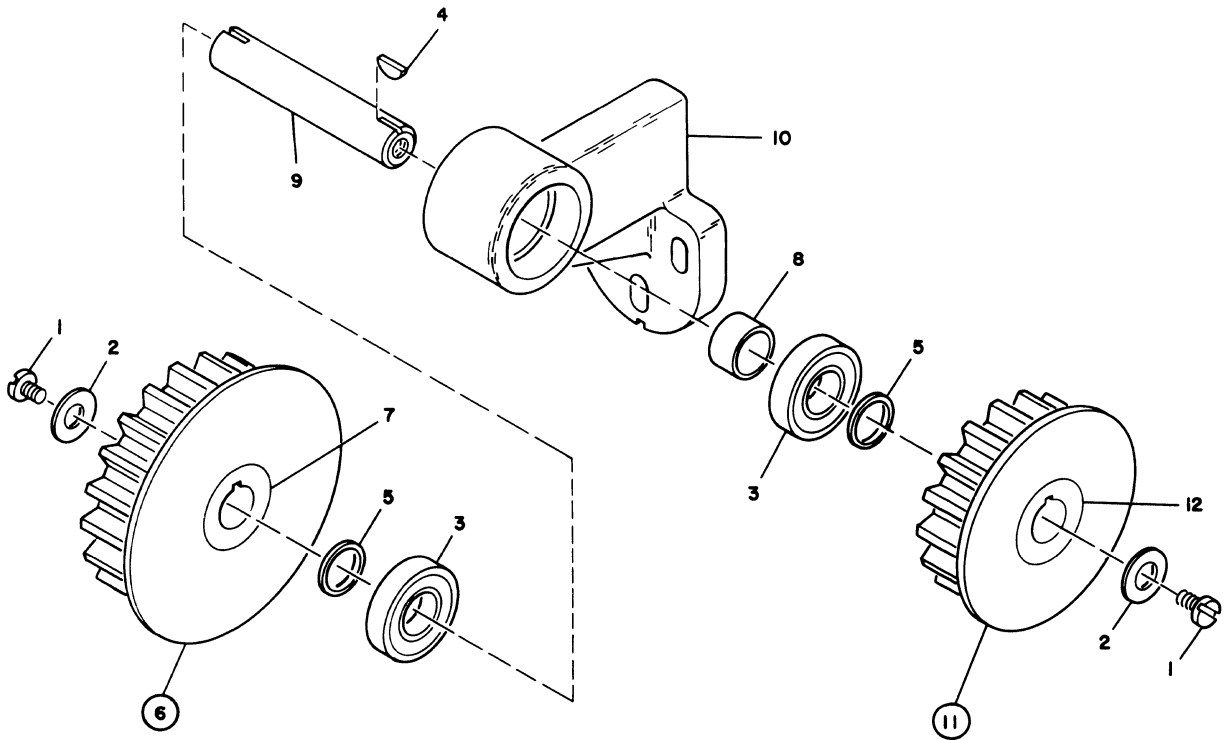


FIGURE 8. IDLER ASSEMBLY. SEE LIST 8.

| LIST AND INDEX NO. | PART NO. | DESCRIPTION | | | | UNITS PER ASM. | USABLE ON CODE |
|---------------------------------|----------|---|---|---|---|----------------|----------------|
| | | 1 | 2 | 3 | 4 | | |
| JACK SHAFT FRAME ASSEMBLY -CONT | | | | | | | |
| 9 - 21 | 644240 | • | | | | 1 | |
| - 22 | 644284 | • | | | | 1 | |
| - 23 | 644156 | • | | | | 1 | |
| - 24 | 644306 | • | | | | 1 | |
| - 25 | 644305 | • | | | | 1 | |
| - 26 | 644383 | • | | | | 1 | |
| - 27 | 1090873 | • | | | | 1 | |
| POST READ CARD BED ASSEMBLY | | | | | | | |
| 10 - | 644317 | BED ASM-POST READ CARD | | | | REF | |
| | | SEE LIST 3-96 FOR NEXT HIGHER ASSEMBLY AND FIG. 10 FOR ILLUSTRATION | | | | | |
| - 1 | 322550 | • SCREW,MACH-BIND HD 6-32 X 1/2 LG | | | | 2 | |
| - 2 | 644073 | • SPACER | | | | 4 | |

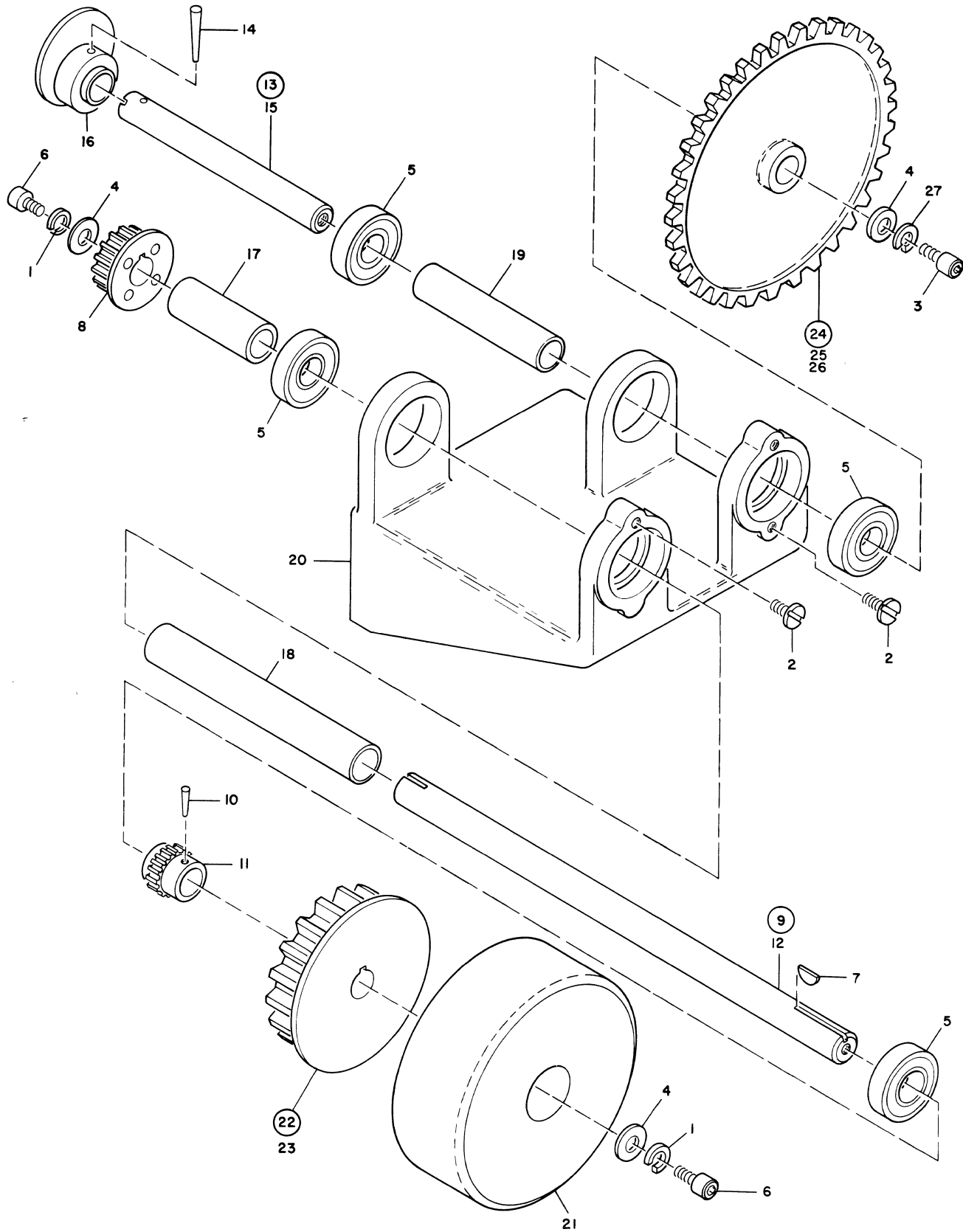


FIGURE 9. JACK SHAFT FRAME ASSEMBLY. SEE LIST 9.

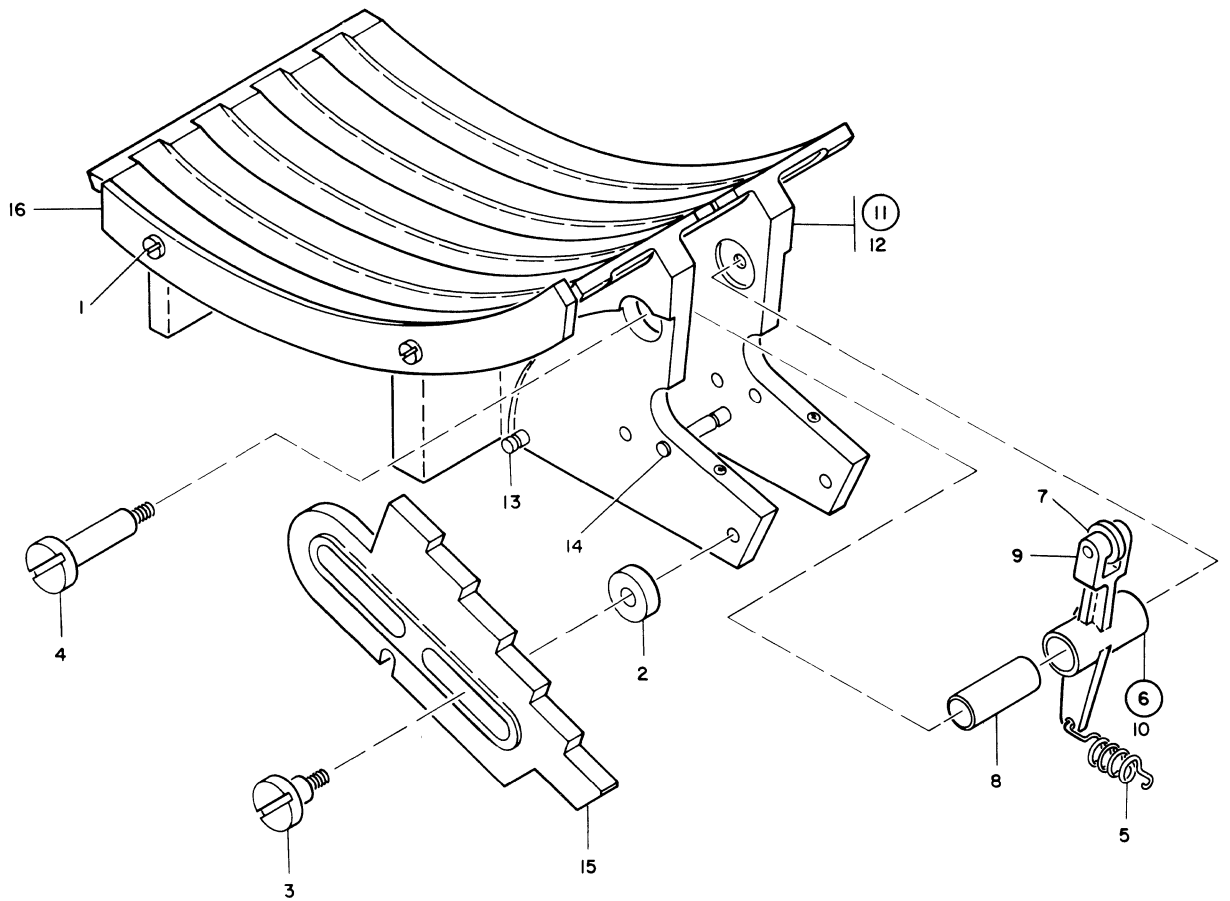


FIGURE 10. POST READ CARD BED ASSEMBLY. SEE LIST 10.

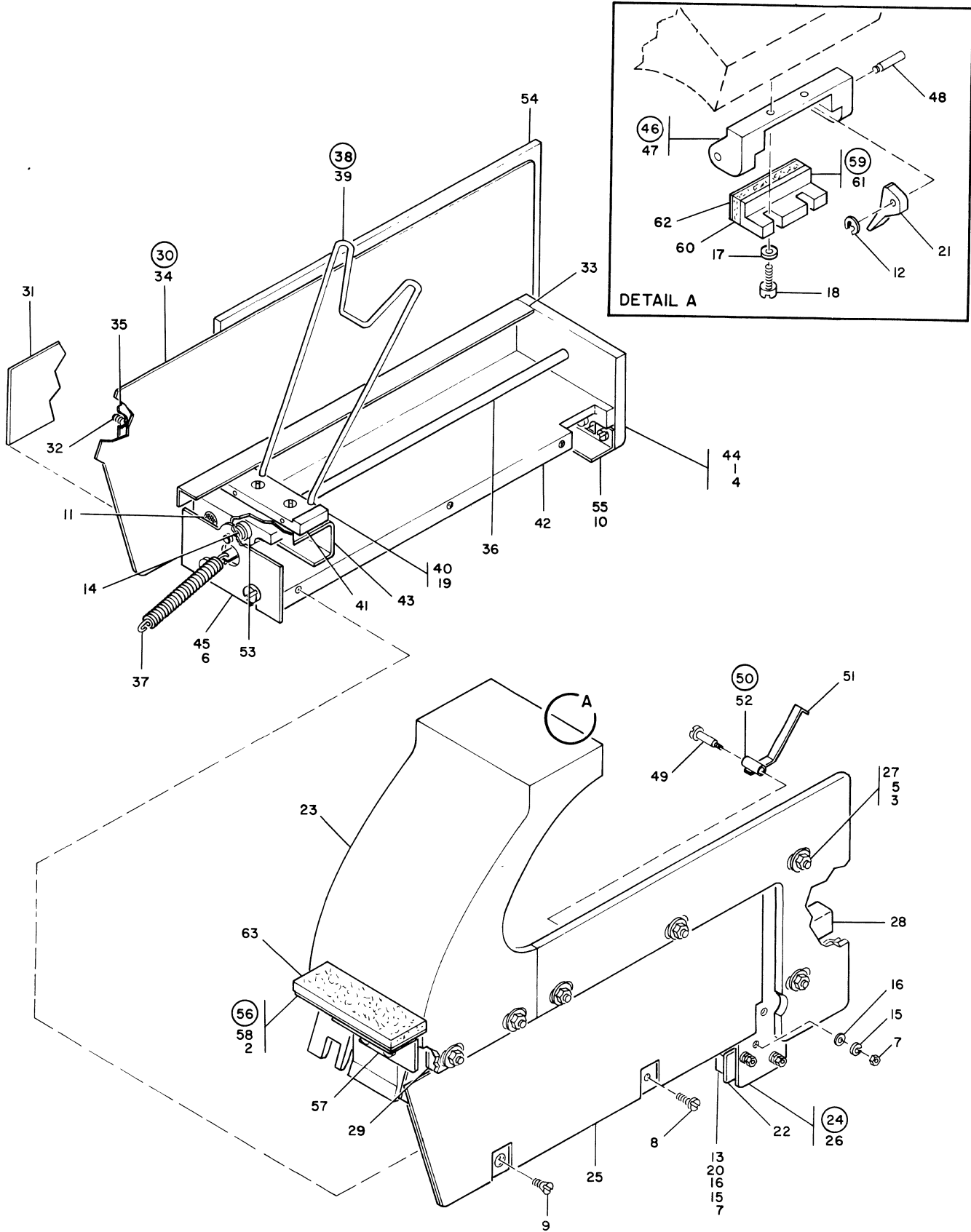


FIGURE 11. STACKER ASSEMBLY. SEE LIST 11.

| LIST AND INDEX NO. | PART NO. | DESCRIPTION | UNITS PER ASM. | USABLE ON CODE |
|--------------------|----------|--|----------------|----------------|
| | | 1 2 3 4 | | |
| | | POST READ CARD BED ASSEMBLY -CONT | | |
| 10 - 3 | 644077 | • SCREW-SHOULDER,NO 6-32 X .52 LG | 4 | |
| - 4 | 644187 | • STUD-NO 8-32 X 1.27 LG | 1 | |
| - 5 | 644200 | • SPRING-EXTENSION | 1 | |
| - 6 | 644210 | • ARM ASM-PRESSURE ROLL | 1 | |
| - 7 | 639192 | • BEARING,BALL | 1 | |
| - 8 | 644126 | • BUSHING | 1 | |
| - 9 | 644209 | • SHAFT-.375 LG | 1 | |
| - 10 | 644211 | • ARM-PRESSURE ROLL | 1 | |
| - 11 | 644220 | • CARD BED PIN ASM | 1 | |
| - 12 | 644221 | • CASTING-BED,POST READ | 1 | |
| - 13 | 644256 | • PIN-SHAFT,1.33 LG | 1 | |
| - 14 | 644257 | • PIN-.972 LG | 1 | |
| - 15 | 644243 | • JOGGLER-STACKER | 2 | |
| - 16 | 644272 | • RAIL-CARD | 1 | |
| | | STACKER ASSEMBLY | | |
| 11 - | 644320 | STACKER ASM SEE LIST 3-107 FOR NEXT HIGHER ASSEMBLY AND FIG. 11 FOR ILLUSTRATION | REF | |
| - 1 | 5528 | • SCREW | 2 | |
| - 2 | 10170 | • SCREW,MACH-BIND HD 6-32 X 1/4 LG | 2 | |
| - 3 | 11598 | • NUT PLAIN HEX 10/32 | 12 | |
| - 4 | 22478 | • WASHER,FL- 0.170 ID 0.375 OD 0.032 THK | 2 | |
| - 5 | 23141 | • WASHER,FL-NO. 10 X 9/16 OD X 1/16 THK | 12 | |
| - 6 | 34512 | • SCREW,MACH-BIND HD 8-32 X 3/8 LG | 2 | |
| - 7 | 37913 | • NUT | 3 | |
| - 8 | 38235 | • SCREW MACH 6/32 X .310 LG | 4 | |
| - 9 | 38443 | • SCREW,MACH-FL CSK HD 6-32 X 5/16 LG | 2 | |
| - 10 | 55726 | • SCREW,MACH-BIND HD 6-32 X 3/16 LG | 2 | |
| - 11 | 208529 | • BUMPER,RUBBER-FOR 3/16 HOLE | 2 | |
| - 12 | 219633 | • RING,RETAINING-EXT 0.073 ID X 0.015 THK | 2 | |
| - 13 | 228093 | • SWITCH,SENSITIVE-SPDT 125/250V AC 10 AMP | 1 | |
| - 14 | 257982 | • RING,RETAINING-EXT 0.185 ID X 0.025 THK | 1 | |
| - 15 | 257984 | • WASHER,LOCK-SPLIT NO. 4 X 0.212 CD | 3 | |
| - 16 | 257985 | • WASHER,FL-NO. 4 X 1/4 OD X 0.022 THK | 3 | |
| - 17 | 257986 | • WASHER,FL-NO. 6 X 5/8 OD X 0.035 THK | 2 | |
| - 18 | 322065 | • SCREW,MACH-BIND HD 6-32 X 5/8 LG | 2 | |
| - 19 | 322550 | • SCREW,MACH-BIND HD 6-32 X 1/2 LG | 2 | |
| - 20 | 438552 | • SCREW,MACH-BIND HD 4-40 X 3/4 LG | 2 | |
| - 21 | 602489 | • LEVER | 2 | |
| - 22 | 608002 | • INSULATOR | 1 | |
| - 23 | 644086 | • GUIDE-CARD | 1 | |
| - 24 | 644087 | • PLATE ASM-RH | 1 | |
| - 25 | 644092 | • PAD-DAMPING,RH STACKER | 1 | |
| - 26 | 644230 | • PLATE-SIDE,RH | 1 | |
| - 27 | 644231 | • STUD-NO 10-32 X .375 LG | 6 | |
| - 28 | 644232 | • ANGLE-CARD SUPPORT | 1 | |
| - 29 | 644390 | • SPACER-SIDE PLATE | 1 | |
| - 30 | 644088 | • PLATE ASM-LH | 1 | |
| - 31 | 644093 | • PAD-DAMPING,LH STACKER | 1 | |
| - 32 | 644231 | • STUD-NO 10-32 X .375 LG | 6 | |
| - 33 | 644232 | • ANGLE-CARD SUPPORT | 1 | |
| - 34 | 644235 | • PLATE-SIDE,LH | 1 | |

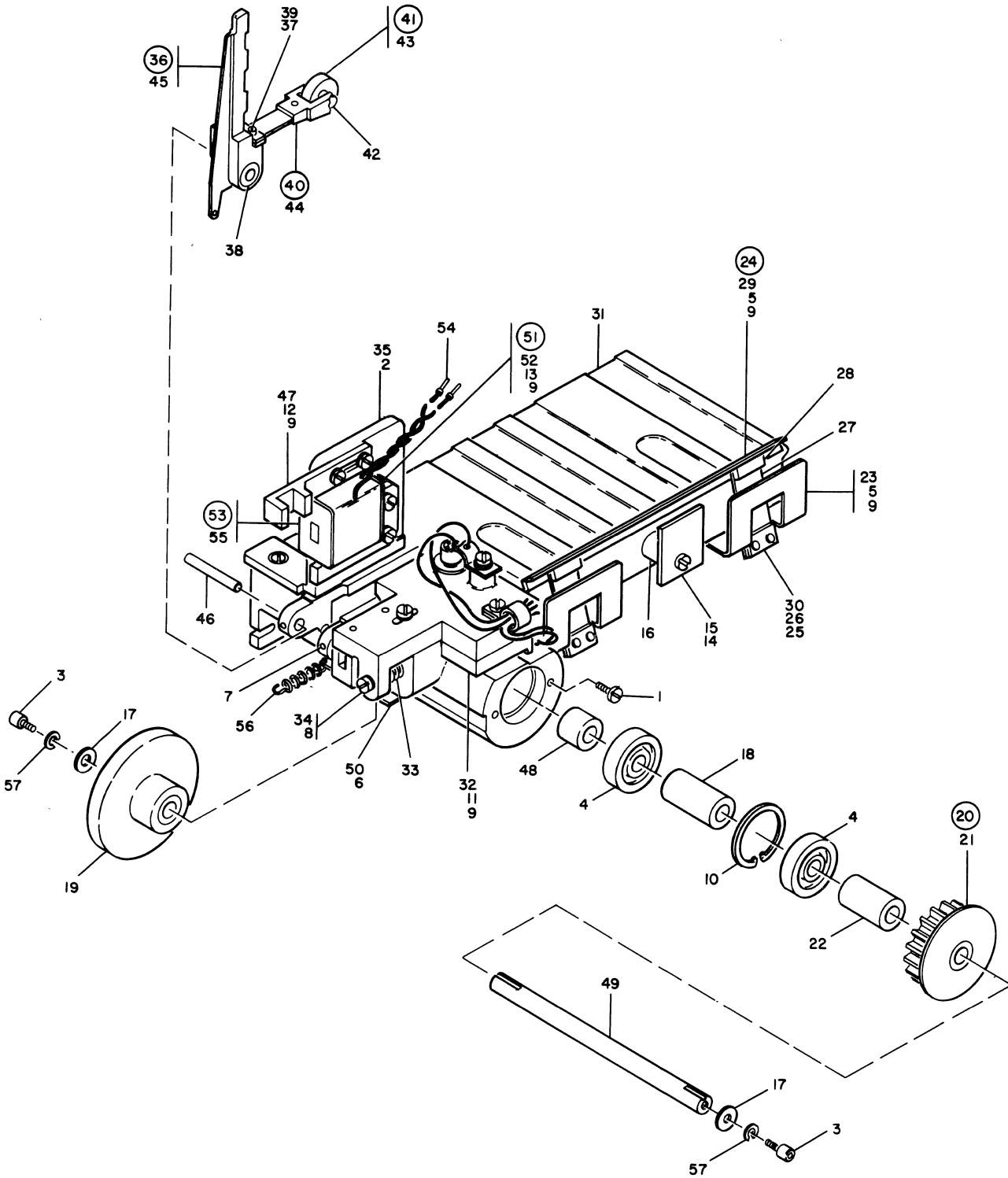


FIGURE 12. PRE READ BED ASSEMBLY. SEE LIST 12.

| LIST AND INDEX NO. | PART NO. | DESCRIPTION | UNITS | USABLE |
|--------------------------|-------------|---|-------------|------------|
| | | | PER ASM. | ON CODE |
| | | 1 2 3 4 | | |
| | | STACKER ASSEMBLY -CONT | | |
| 11 - 35 | 644390 | • . SPACER-SIDE PLATE | 1 | |
| - 36 | 644188 | • SHAFT | 1 | |
| - 37 | 644192 | • SPRING-EXTENSION | 1 | |
| - 38 | 644199 | • SUPPORT,CARD DECK | 1 | |
| - 39 | 602372 | • . SUPPORT-CARD DECK | 1 | |
| - 40 | 644208 | • SLIDE-CARD SUPPORT | 1 | |
| - 41 | 644212 | • HOUSING-BUSHING | 1 | |
| - 42 | 644224 | • SUPPORT-STACKER | 1 | |
| - 43 | 644244 | • BRACKET-MTG | 1 | |
| - 44 | 644245 | • PLATE-STACKER END | 1 | |
| - 45 | 644246 | • PLATE-STACKER STOP | 1 | |
| - 46 | 644249 | • PIVOT ASM-CARD LEVELER | 1 | |
| - 47 | 644250 | • . BRACKET-MTG | 1 | |
| - 48 | 644251 | • . STUD-.610 LG | 2 | |
| - 49 | 644252 | • STUD-NO 4-40 X .91 LG | 1 | |
| - 50 | 644255 | • SWITCH ASM-ACTUATOR | 1 | |
| - 51 | 644253 | • . STRIP-ACTUATOR | 1 | |
| - 52 | 644254 | • . BLOCK-PIVOT | 1 | |
| - 53 | 644270 | • BUSHING-BALL | 2 | |
| - 54 | 644329 | • PLATE-SIDE | 1 | |
| - 55 | 644332 | • ANGLE-MTG | 1 | |
| - 56 | 644333 | • ANGLE ASM | 1 | |
| - 57 | 644342 | • . ADAPTOR | 1 | |
| - 58 | 644343 | • . FLANGE | 1 | |
| - 59 | 644334 | • STOP ASM-CARD | 1 | |
| - 60 | 644084 | • . CUSHION-CARD STOP | 1 | |
| - 61 | 644085 | • . BLOCK-CARD STOP | 1 | |
| - 62 | 644335 | • . FACE-CARD STOP | 1 | |
| - 63 | 644728 | • PAD | 1 | |
| | | PRE READ BED ASSEMBLY | | |
| 12 - | 644361 | BED ASM,PRE-READ SEE LIST 3-112 FOR NEXT HIGHER ASSEMBLY AND FIG. 12 FOR ILLUSTRATION | REF | |
| - 1 | 10170 | • SCREW,MACH-BIND HD 6-32 X 1/4 LG | 2 | |
| - 2 | 25627 | • SCREW,MACH-BIND HD 8-32 X 1/2 LG | 2 | |
| - 3 | 149897 | • SCREW,CAP,SOC HD- 8-32 X 0.375 LG | 2 | |
| - 4 | 156364 | • BEARING,BALL,ANNULAR- 0.375 ID 0.875 OD | 6 | |
| - 5 | 186927 | • SCREW,CAP,SOC HD- 6-32 X 1/4 LG | 1 | |
| - 6 | 250627 | • SCREW, ALLEN CAP 6-32 X 3/8 LG | 2 | |
| - 7 | 257958 | • SETSCREW-SPLINE DR FP 4-40 X 3/16 LG | 1 | |
| - 8 | 257985 | • WASHER,FL-NO. 4 X 1/4 OD X 0.022 THK | 11 | |
| - 9 | 257986 | • WASHER,FL-NO. 6 X 5/8 OD X 0.035 THK | 1 | |
| - 10 | 264054 | • RING,RETAING-0.971 OD X 0.042 THK | 1 | |
| - 11 | 322065 | • SCREW,MACH-BIND HD 6-32 X 5/8 LG | 2 | |
| - 12 | 322550 | • SCREW,MACH-BIND HD 6-32 X 1/2 LG | 2 | |
| - 13 | 322551 | • SCREW | 1 | |
| - 14 | 438586 | • SCREW,MACH-UNDRCT BIND HD 8-32 X 7/8 LG | 1 | |
| - 15 | 612630 | • PLATE | 1 | |
| - 16 | 612639 | • SPACER | 1 | |
| - 17 | 638132 | • WASHER,FL-0.169 ID 0.625 OD X 0.0940 THK | 2 | |
| - 18 | 638496 | • SPACER-1/2 OD X 0.380 ID X 1.199 LG | 1 | |
| - 19 | 638553 | • ROLL,PREREAD | 1 | |

| LIST AND INDEX NO. | PART NO. | DESCRIPTION | | | | UNITS PER ASM. | USABLE ON CODE |
|---------------------------------|----------|--|---|---|---|----------------|----------------|
| | | 1 | 2 | 3 | 4 | | |
| PRE READ BED ASSEMBLY -CONT | | | | | | | |
| 12 - 20 | 638632 | • PULLEY ASM | | | | | |
| - 21 | 639130 | • • INSERT,PULLEY | | | | 1 | |
| - 22 | 638873 | • SPACER,BRG-0.380 ID X 1/2 OD X 0.839 THK | | | | 1 | |
| - 23 | 642063 | • BRACKET-MTG | | | | 1 | |
| - 24 | 642067 | • RAIL ASM-SPRING | | | | 2 | |
| - 25 | 612107 | • • RIVET-.19 LG | | | | 1 | |
| - 26 | 642060 | • • PLATE-CLAMP | | | | 4 | |
| - 27 | 642061 | • • SPRING-RAIL | | | | 2 | |
| - 28 | 642062 | • • PAD-RAIL STOP | | | | 2 | |
| - 29 | 642064 | • • RAIL | | | | 2 | |
| - 30 | 642065 | • • BRACKET-MTG | | | | 1 | |
| - 31 | 642086 | • BED,PRE-READ | | | | 2 | |
| - 32 | 642105 | • CELL ASM-READ REGISTRATION | | | | 1 | |
| | | SEE LIST 13 FOR DETAIL BREAKDOWN | | | | 1 | |
| - 33 | 642225 | • SPRING-COMPRESSION | | | | | |
| - 34 | 642358 | • SCREW-ADJUSTING,NO 4-40 X 1.125 LG | | | | 1 | |
| - 35 | 644096 | • SUPPRT-MAGNET,PRESSURE ROLL | | | | 1 | |
| - 36 | 644099 | • ROLL ASM-PRESSURE | | | | 1 | |
| - 37 | 186923 | • • SCREW,CAP,SOC HD- 4-40 X 1/4 LG | | | | 1 | |
| - 38 | 612507 | • • BEARING,ROLLER | | | | 2 | |
| - 39 | 644097 | • • PLATE-RETAINING | | | | 2 | |
| - 40 | 644098 | • • ARM ASM | | | | 1 | |
| - 41 | 644080 | • • • BEARING ASM | | | | 1 | |
| - 42 | 644367 | • • • SHAFT-.438 LG | | | | 1 | |
| - 43 | 644369 | • • • BEARING-ANNULAR BALL | | | | 1 | |
| - 44 | 644095 | • • • SPRING-ARM | | | | 1 | |
| - 45 | 644398 | • • ARMATURE | | | | 1 | |
| - 46 | 644370 | • PIN-.187 DIA\$1.03 LG | | | | 1 | |
| - 47 | 644374 | • STOP-PRESSURE ROLL | | | | 1 | |
| - 48 | 644375 | • SPACER | | | | 1 | |
| - 49 | 644376 | • SHAFT-3.96 LG | | | | 1 | |
| - 50 | 644394 | • SPRING-ADJUSTABLE | | | | 1 | |
| - 51 | 644395 | • MAGNET ASM | | | | 1 | |
| - 52 | 638767 | • • CORE-MAGNET | | | | 1 | |
| - 53 | 644359 | • • COIL ASM | | | | 1 | |
| - 54 | 187243 | • • • TERMINAL,LUG-TAPER 20/24AWG 9/16 LG OA | | | | 1 | |
| - 55 | 638768 | • • • BOBBIN | | | | 2 | |
| - 56 | 644397 | • SPRING-EXTENSION | | | | 1 | |
| - 57 | 1090873 | • WASHER,LOCK-SPLIT NO. 8 X 0.296 OD | | | | 2 | |
| READ REGISTRATION CELL ASSEMBLY | | | | | | | |
| 13 - | 642105 | CELL ASM-READ REGISTRATION | | | | | |
| | | SEE LIST 12-32 FOR NEXT HIGHER ASSEMBLY | | | | | REF |
| | | AND FIG. 13 FOR ILLUSTRATION | | | | | |
| - 1 | 25627 | • SCREW,MACH-BIND HD 8-32 X 1/2 LG | | | | 1 | |
| - 2 | 55726 | • SCREW,MACH-BIND HD 6-32 X 3/16 LG | | | | 1 | |
| - 3 | 356742 | • CLAMP,LOOP- 0.250 ID 0.177 DIA MTG HOLE | | | | 1 | |
| - 4 | 642090 | • BASE ASM-READ REGISTRATION CELL | | | | 1 | |
| - 5 | 632 | • • PIN,STR,HOLS- 1/8 DIA X 3/8 LG | | | | 1 | |
| - 6 | 642091 | • • BASE | | | | 1 | |
| - 7 | 642195 | • • SEAL-DUST | | | | 1 | |
| - 8 | 642196 | • • WINDOW-READ REGISTRATION | | | | 1 | |
| - 9 | 642104 | • HOUSING ASM | | | | 1 | |

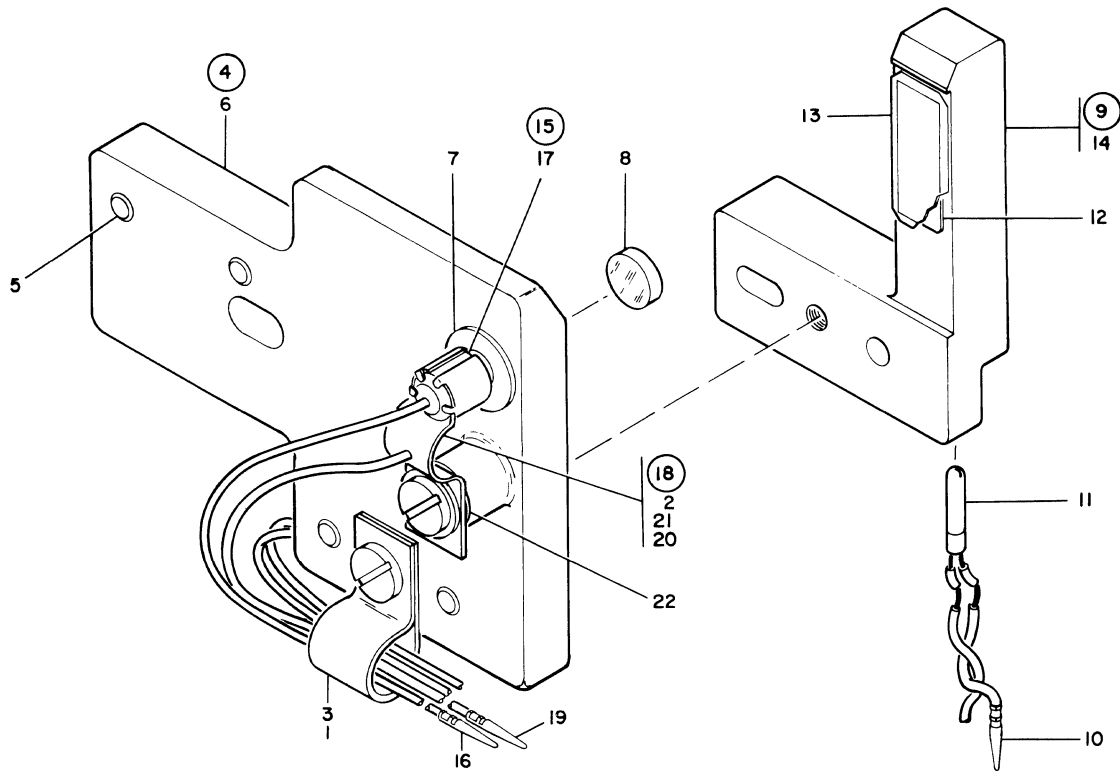


FIGURE 13. READ REGISTRATION CELL ASSEMBLY. SEE LIST 13.

| LIST AND INDEX NO. | PART NO. | DESCRIPTION | | | | UNITS PER ASM. | USABLE ON CODE |
|---------------------------------------|----------|-------------|---|---|---|----------------|----------------|
| | | 1 | 2 | 3 | 4 | | |
| READ REGISTRATION CELL ASSEMBLY -CONT | | | | | | | |
| 13 - 10 | 187243 | • | • | • | • | 2 | |
| - 11 | 363188 | • | • | • | • | 1 | |
| - 12 | 638720 | • | • | • | • | 1 | |
| - 13 | 638721 | • | • | • | • | 1 | |
| - 14 | 642092 | • | • | • | • | 1 | |
| - 15 | 642197 | • | • | • | • | 1 | |
| - 16 | 187243 | • | • | • | • | 1 | |
| - 17 | 369675 | • | • | • | • | 1 | |
| - 18 | 642198 | • | • | • | • | 1 | |
| - 19 | 187243 | • | • | • | • | 1 | |
| - 20 | 642199 | • | • | • | • | 1 | |
| - 21 | 1134232 | • | • | • | • | 1 | |
| - 22 | 2159836 | • | • | • | • | 1 | |

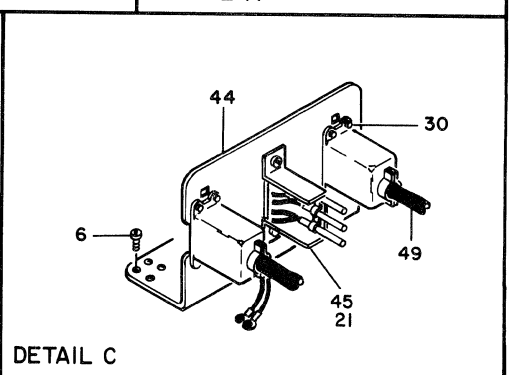
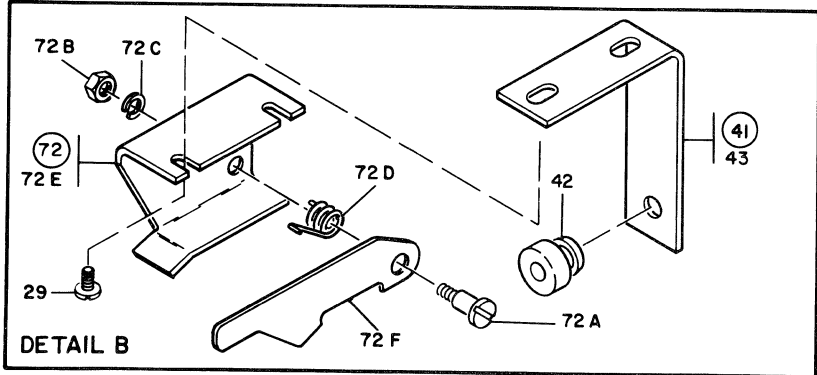
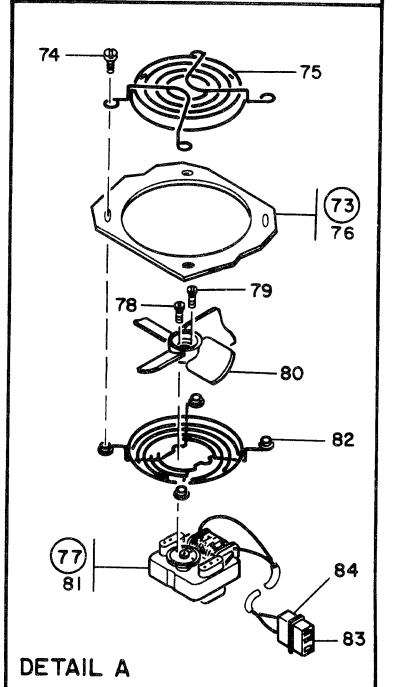
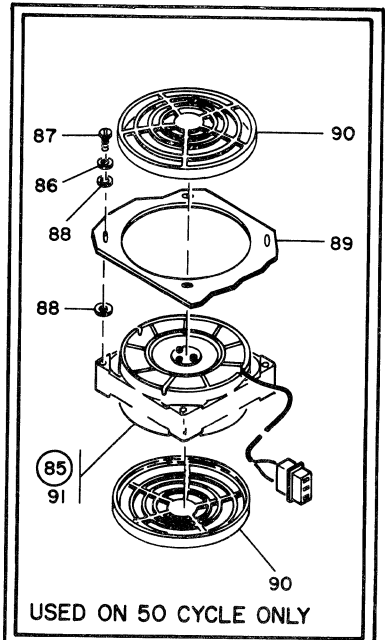
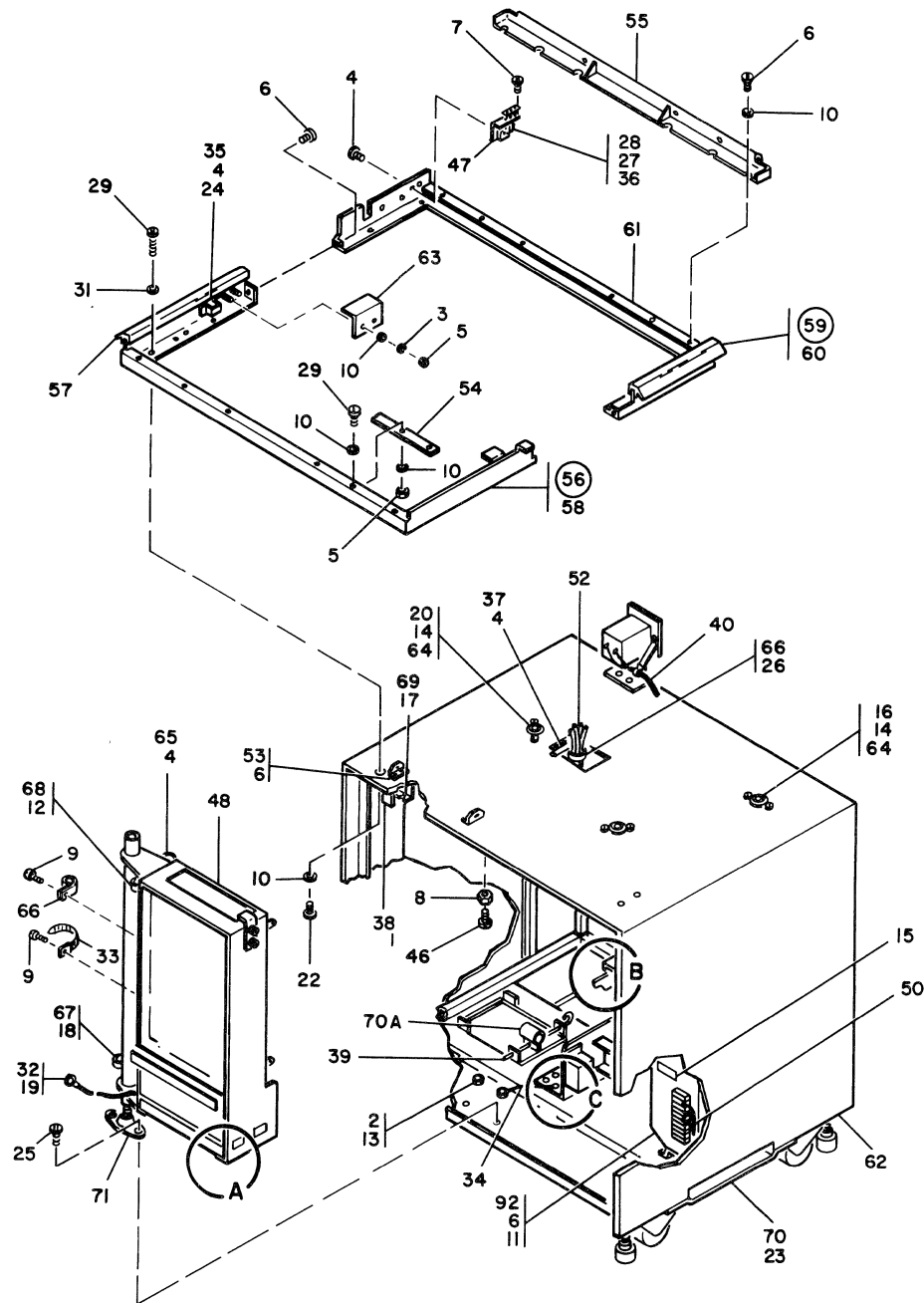


FIGURE 14. LOWER STRUCTURE ASSEMBLY. SEE LIST 14.

| LIST AND INDEX NO. | PART NO. | DESCRIPTION | UNITS PER ASM. | USABLE ON CODE |
|--------------------|----------|---|----------------|----------------|
| | | 1 2 3 4 | | |
| | | LOWER STRUCTURE ASSEMBLY | | |
| 14 - | 644001 | LOWER STRUCTURE ASSEMBLY-MOD A SEE LIST 2-14 FOR NEXT HIGHER ASSEMBLY AND FIG. 14 FOR ILLUSTRATION | REF | |
| - 1 | 99 | • SCREW,MACH-FL CSK HD 10-32 X 3/8 LG | 2 | |
| - 2 | 3960 | • NUT,PLAIN,HEX- 1/4-20 X 7/16 FL W | 2 | |
| - 3 | 9092 | • LOCK WASHER SPLIT NO 10, X .3370D | 4 | |
| - 4 | 10170 | • SCREW,MACH-BIND HD 6-32 X 1/4 LG | 13 | |
| - 5 | 11598 | • NUT PLAIN HEX 10/32 | 8 | |
| - 6 | 32042 | • SCREW,MACH-BIND HD 10-32 X 3/8 LG | 19 | |
| - 7 | 35739 | • SCREW,MACH-BIND HD 6-32 X 15/16 LG | 2 | |
| - 8 | 38092 | • NUT,PLAIN,HEX- 3/8-24 X 5/8 FL W | 1 | |
| - 9 | 38454 | • SCREW,MACH-FL CSK HD 8-32 X 7/16 LG | 2 | |
| - 10 | 45690 | • WASHER FLAT NO 10 X .438 OD X .031 THK | 26 | |
| - 11 | 56079 | • WASHER,LOCK-EXT TEETH NO. 10 X 0.410 OD | 1 | |
| - 12 | 58207 | • SCREW,MACH-UNDRCT BIND HD 8-32 X 1/4 LG | 1 | |
| - 13 | 76574 | • WASHER,LOCK-EXT TEETH,1/4 IN. | 2 | |
| - 14 | 81693 | • SCREW,MACH-BIND HD 6-32 X 3/8 LG | 6 | |
| - 15 | 138755 | • PLATE,INST-LINE V PRESENT W/MACH PWR OFF | 1 | |
| - 16 | 149704 | • SHOCK MOUNT, STORAGE UNIT | 2 | |
| - 17 | 170215 | • SCREW,ASMD WASHER-FIL H 6-32 X 3/8 LG | 8 | |
| - 18 | 186758 | • SCREW,MACH-BIND HD 8-32 X 7/16 LG | 1 | |
| - 19 | 186759 | • SCREW,MACH-BIND HD 8-32 X 5/16 LG | 3 | |
| - 20 | 206560 | • MOUNTING-RUBBER | 1 | |
| - 21 | 221790 | • SCREW,MACH-BIND HD 8-32 X 3/16 LG | 2 | |
| - 22 | 236849 | • SCREW,MACH-BIND HD 10-32 X 1/4 LG | 6 | |
| - 23 | 257616 | • SCREW,ASMD WASHER- 10-32 X 0.437 LG | 4 | |
| - 24 | 257986 | • WASHER,FL-NO. 6 X 5/8 OD X 0.035 THK | 8 | |
| - 25 | 322029 | • SCREW,MACH-BIND HD 1/4-20 X 1/2 LG | 2 | |
| - 26 | 322550 | • SCREW,MACH-BIND HD 6-32 X 1/2 LG | 1 | |
| - 27 | 325279 | • SPACER-CONTROL KEYBANK LOWER | 2 | |
| - 28 | 332550 | • SWITCH,INTERLOCK-SPDT 125/250V AC 10 AMP | 1 | |
| - 29 | 332620 | • SCREW,MACH-BIND HD 10-32 X 1/2 LG | 14 | |
| - 30 | 438549 | • SCREW,MACH-BIND HD 4-40 X 7/16 LG | 8 | |
| - 31 | 444270 | • WASHER,FLAT 5/8 OD X 1/16 THK | 8 | |
| - 32 | 480657 | • JUMPER ASSEMBLY | 1 | |
| | | SEE LIST 26 FOR COMPONENT PARTS | | |
| - 33 | 523250 | • CLAMP-ADJUSTABLE CABLE | 2 | |
| - 34 | 597215 | • JUMPER ASM-GRN 5-1/2 14AWG 1 LUG EA END SEE LIST 26-26 FOR COMPONENT PARTS | 1 | |
| | | SEE LIST 26-26 FOR COMPONENT PARTS | | |
| - 35 | 609549 | • CATCH, HINGE COVER | 4 | |
| - 36 | 612999 | • CLIP-SAFETY SWITCH | 1 | |
| - 37 | 626773 | • BRACKET-CABLE CLAMP | 1 | |
| - 38 | 642338 | • BRACKET-STOP MTG | 1 | |
| - 39 | 642377 | • PIN-STRAIN RELIEF | 1 | |
| - 40 | 642745 | • CABLE ASM-USE METER SEE LIST 26-29 FOR COMPONENT PARTS | 1 | |
| - 41 | 644052 | • BUMPER ASM | 1 | |
| - 42 | 219616 | • GROMMET,RUB-FOR 3/8 HOLE X 1/16 PNL | 1 | |
| - 43 | 644055 | • BRACKET-MTG | 1 | |
| - 44 | 644059 | • BRACKET-RECEPTACLE | 1 | |
| - 45 | 644060 | • CABLE ASM-READ AND CTRL,SW AND LIGHT SEE LIST 26-1,-2,-7,-8,-9,-12,-15,-20, -22,-25,-26,-29,-34,-35,-35A AND -48 FOR COMPONENT PARTS | 1 | |
| - 46 | 644089 | • STUD-.375-24 X 1.30 LG | 1 | |
| - 47 | 644391 | • BRACKET-INTERLOCK SWITCH | 1 | |
| - 48 | 644520 | • GATE ASSEMBLY SEE LIST 15 FOR DETAIL BREAKDOWN | 1 | |

| LIST AND INDEX NO. | PART NO. | DESCRIPTION | | | | UNITS PER ASM. | USABLE ON CODE |
|--------------------------------|----------|---|---|---|---|----------------|----------------|
| | | 1 | 2 | 3 | 4 | | |
| LOWER STRUCTURE ASSEMBLY -CONT | | | | | | | |
| 14 - 49 | 644523 | • CABLE ASM-DC LOGIC VOLT SEE LIST 26-3,-10,-11,-19,-21,-28 AND -36 FOR COMPONENT PARTS | | | | 1 | |
| - 50 | 644525 | • CABLE ASM-DC DISTRIBUTION SEE LIST 26-7,-8,-15,-26,-27 AND -28 FOR COMPONENT PARTS | | | | 1 | |
| - 52 | 644534 | • CABLE ASM-CB-CL TO GATE A1 SEE LIST 26-7A,-8,-15 AND -26 FOR COMPONENT PARTS | | | | 1 | |
| - 53 | 644706 | • BRACKET-MTG | | | | 2 | |
| - 54 | 644707 | • STRAP-HINGE | | | | 2 | |
| - 55 | 644711 | • ADAPTER-HINGE | | | | 2 | |
| - 56 | 644734 | • BASE ASM-FRONT | | | | 1 | |
| - 57 | 627516 | • • SEAL-EXTRUSION | | | | 1 | |
| - 58 | 644714 | • • BASE-FRONT | | | | 1 | |
| - 59 | 644735 | • BASE ASM-REAR | | | | 1 | |
| - 60 | 627516 | • • SEAL-EXTRUSION | | | | 1 | |
| - 61 | 644713 | • • BASE-REAR | | | | 1 | |
| - 62 | 644736 | • MODULE-30 IN | | | | 1 | |
| - 63 | 644741 | • STOP | | | | 1 | |
| - 64 | 1091508 | • WASHER | | | | 2 | |
| - 65 | 2102364 | • CLAMP,LOOP- 0.220 ID 0.170 DIA MTG HOLE | | | | 6 | |
| - 66 | 2102367 | • CLAMP,LOOP- 0.700 ID 0.200 DIA MTG HOLE | | | | 1 | |
| - 67 | 2102368 | • CLAMP,LOOP- 0.880 ID 0.200 DIA MTG HOLE | | | | 3 | |
| - 68 | 2122639 | • CLAMP | | | | 1 | |
| - 69 | 2145160 | • STRIKER, MODULE COVER LATCH | | | | 1 | |
| - 70 | 2145162 | • SUPPORT-CABLE | | | | 4 | |
| - 70A | 2145183 | • CLAMP-CABLE | | | | 2 | |
| - 71 | 2178593 | • PIVOT, GATE | | | | 1 | |
| - 72 | 2178626 | • LATCH ASM, GATE | | | | 1 | |
| - 72A | 5677 | • • SCREW,MACH-BIND HD 10-32 X 3/4 LG | | | | 1 | |
| - 72B | 11598 | • • NUT PLAIN HEX 10/32 | | | | 1 | |
| - 72C | 2125974 | • • WASHER, INT TOOTH, .200 ID X .562 OD | | | | 1 | |
| - 72D | 2157668 | • • SPRING | | | | 1 | |
| - 72E | 2178624 | • • STRIKER-LATCH | | | | 1 | |
| - 72F | 2178625 | • • HOOK-LATCH | | | | 1 | |
| - 73 | 642778 | BLOWER ASM-60 CY SEE LIST 0-9 FOR NEXT HIGHER ASSEMBLY | | | | REF | |
| - 74 | 32042 | • SCREW,MACH-BIND HD 10-32 X 3/8 LG | | | | 4 | |
| - 75 | 597347 | • GUARD | | | | 1 | |
| - 76 | 642131 | • PLATE | | | | 1 | |
| - 77 | 2178600 | • MOTOR AND FAN ASM, 230 VOLTS | | | | 1 | |
| - 78 | 2863 | • • SCREW, MACH-RH 3-48 X 0.250 LG | | | | 2 | |
| - 79 | 32042 | • • SCREW,MACH-BIND HD 10-32 X 3/8 LG | | | | 2 | |
| - 80 | 171485 | • • BLADE,FAN | | | | 1 | |
| - 81 | 172999 | • • MOTOR- 230V AC | | | | 1 | |
| - 82 | 597344 | • • GUARD | | | | 1 | |
| - 83 | 609687 | • • TERMINAL,QUICK DISCONNECT | | | | 1 | |
| - 84 | 725558 | • • COVER-CONNECTOR | | | | 2 | |
| - 85 | 642779 | BLOWER ASM-50 CY SEE LIST 0-9 FOR NEXT HIGHER ASSEMBLY | | | | REF | |
| - 86 | 6364 | • WASHER,LOCK-SPLIT NO. 6 X 1/4 OD | | | | 4 | |
| - 87 | 35739 | • SCREW,MACH-BIND HD 6-32 X 15/16 LG | | | | 4 | |
| - 88 | 125145 | • WASHER,FL-NO. 6 X 1/2 OD X 0.031 THK | | | | 8 | |
| - 89 | 642131 | • PLATE | | | | 1 | |
| - 90 | 4065157 | • CAP,INSULATION-FAN | | | | 2 | |
| - 91 | 4120229 | • MOTOR-FAN,50CY | | | | 1 | |
| - 92 | 644512 | POWER SUPPLY ASM-24V AND 2.5V,60CY | | | | REF | |
| - 92 | 644515 | POWER SUPPLY ASM-24V AND 2.5V,50CY SEE LIST 0-16 FOR NEXT HIGHER ASSEMBLY AND LIST 21A FOR DETAIL BREAKDCWN | | | | REF | |

| LIST AND INDEX NO. | PART NO. | DESCRIPTION 1 2 3 4 | UNITS PER ASM. | USABLE ON CODE |
|--------------------|----------|--|----------------|----------------|
| | | GATE ASSEMBLY-A1 | | |
| 15 - | 644520 | GATE ASSEMBLY SEE LIST 14-48 FOR NEXT HIGHER ASSEMBLY AND FIG. 15 FOR ILLUSTRATION | REF | |
| - 1 | 9092 | • LOCK WASHER SPLIT NO 10, X .3370D | 2 | |
| - 2 | 10170 | • SCREW,MACH-BIND HD 6-32 X 1/4 LG | 4 | |
| - 3 | 11598 | • NUT PLAIN HEX 10/32 | 2 | |
| - 4 | 25627 | • SCREW,MACH-BIND HD 8-32 X 1/2 LG | 2 | |
| - 5 | 38351 | • SCREW,MACH-FIL H 6-32 X 5/16 LG | 2 | |
| - 6 | 45690 | • WASHER FLAT NO 10 X .438 OD X .031 THK | 2 | |
| - 7 | 81693 | • SCREW,MACH-BIND HD 6-32 X 3/8 LG | 1 | |
| - 8 | 123070 | • GROMMET,RUB-FOR 7/16 HOLE X 1/16 PNL | 1 | |
| - 9 | 187475 | • SHIELD-TERMINAL BLOCK 20 POS | 1 | |
| - 10 | 210883 | • STUD,EXT- 6-32 INT EXT THD X 0.900 LG OA | 1 | |
| - 11 | 210884 | • STUD-SHIELD | 3 | |
| - 12 | 210984 | • SCREW,MACH-RH 6-32 X 1/4 LG | 1 | |
| - 13 | 236550 | • SCREW,MACH-BIND HD 4-40 X 0.375 LG | 1 | |
| - 14 | 253220 | • TERMINAL BOARD- 20 DBL SCREW TERMINALS | 1 | |
| - 15 | 257187 | • NUT CABLE CLAMP MTG | 2 | |
| - 16 | 302090 | • CONNECTOR,RECP,ELEC- 24 FEMALE CONTACTS | 1 | |
| - 17 | 302088 | • . TERMINAL BOARD | 1 | |
| - 18 | 302089 | • . SPRING-TERMINAL BOARD CONTACT | 8 | |
| - 19 | 302131 | • STRIP-TERMINAL BLOCK INSULATOR | 1 | |
| - 20 | 365323 | • MARKER STRIP | 1 | |
| - 21 | 367115 | • JUMPER-TERMINAL STRIP VDC DISTR BRS | 8 | |
| - 22 | 638085 | • BRACKET | 1 | |
| - 23 | 639230 | • CABLE ASSEMBLY SEE LIST 26-13,-16,-31 AND -31A FOR COMPONENT PARTS | 1 | |
| - 24 | 639312 | • RESISTOR,FXD,WW-10 OHMS P/M 1% 10W | 1 | |
| - 25 | 360433 | • . TERMINAL,QUICK DISCONNECT- 16/18AWG | 2 | |
| - 26 | 2145041 | • . RESISTOR,WIREWOUND,10 OHM 1% 10 WATT | 1 | |
| - 27 | 639353 | • INSULATOR | 1 | |
| - 28 | 639354 | • SWITCH ASM-THERMO | 1 | |
| - 29 | 187243 | • . TERMINAL,LUG-TAPER 20/24AWG 9/16 LG CA | 2 | |
| - 30 | 761354 | • . SWITCH-THERMO | 1 | |
| - 31 | 642129 | • RETAINER ASM | 1 | |
| - 32 | 596757 | • . SEAL-HEAT EXCHANGER | AR | |
| - 33 | 642128 | • . RETAINER-CABLE | 1 | |
| - 34 | 813425 | • . MARKER,PIN | 1 | |
| - 35 | 642130 | • FILTER-DUST | 1 | |
| - 36 | 642133 | • COVER ASM | 1 | |
| - 37 | 642127 | • . BACKING-FOAM | 1 | |
| - 38 | 642132 | • . COVER-CARD | 1 | |
| - 39 | 760303 | • . CATCH-PULL | 1 | |
| - 40 | 642159 | • GATE-SINGLE CARD,RIGHT HAND | 1 | |
| - 41 | 644527 | • CABLE ASM SEE LIST 26-26 AND -31 FOR COMPONENT PARTS | 1 | |

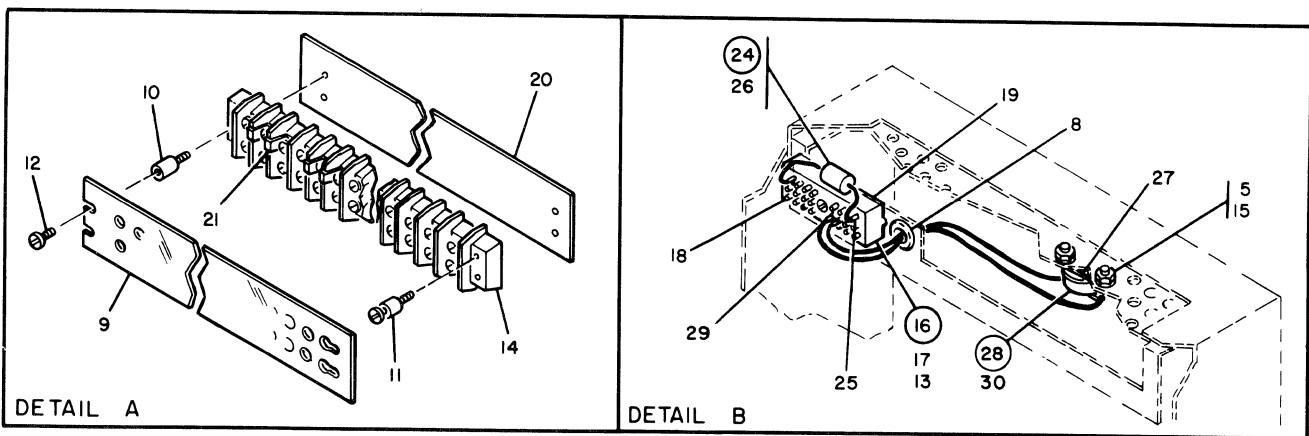
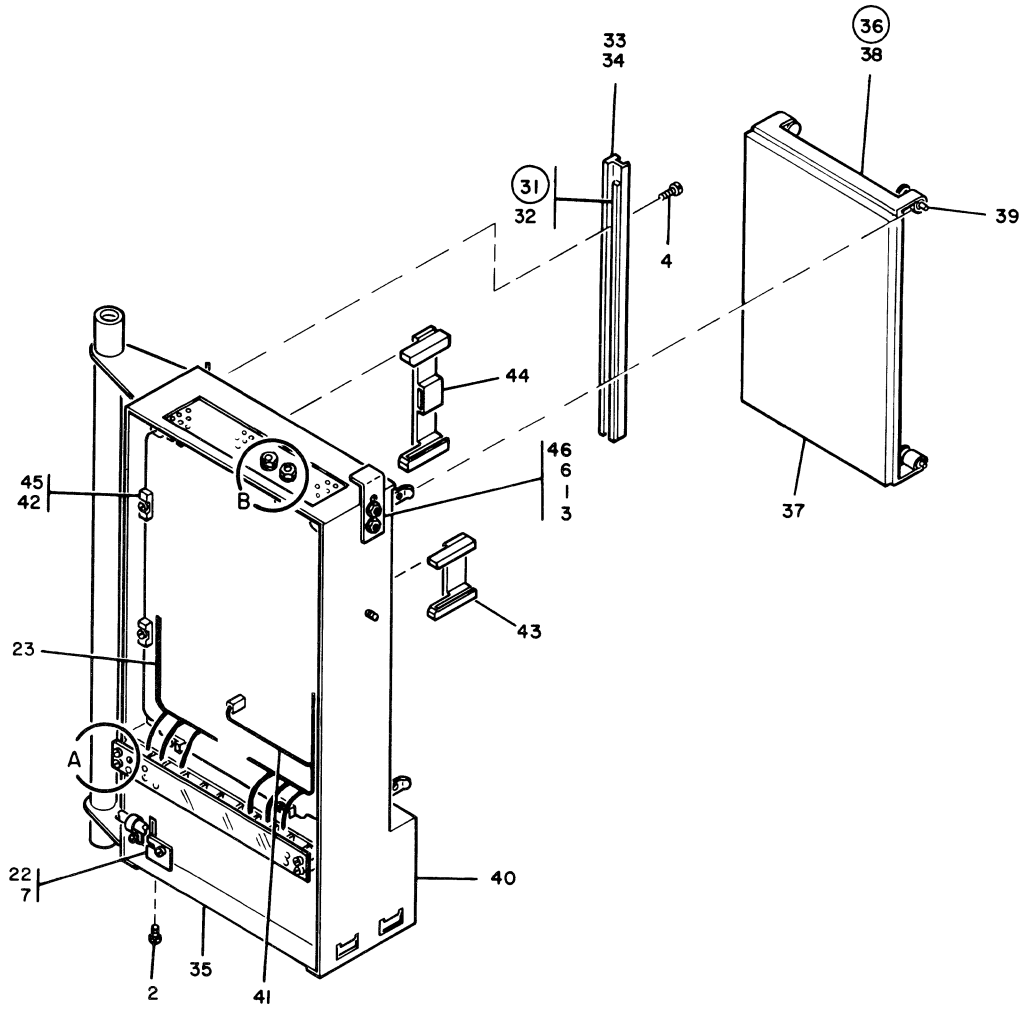


FIGURE 15. GATE ASSEMBLY-A1. SEE LIST 15.

| LIST AND INDEX NO. | PART NO. | DESCRIPTION | UNITS PER ASM. | USABLE ON CODE |
|--------------------------|----------|--|----------------|----------------|
| | | | 1 2 3 4 | |
| GATE ASSEMBLY-A1 -CONT | | | | |
| 15 - 42 | 811417 | • SCREW,HEX SOCKET H- 6-32 X 1/2 LG | 8 | |
| - 43 | 811802 | • GUIDE | 5 | |
| - 44 | 811804 | • GUIDE, CARD | 4 | |
| - 45 | 813179 | • CLAMP-BOARD | 8 | |
| - 46 | 2178627 | • BRACKET-LATCH | 1 | |
| LOWER STRUCTURE ASSEMBLY | | | | |
| 15A- | 647201 | LOWER STRUCTURE ASM-MOD B SEE LIST 2-61 FOR NEXT HIGHER ASSEMBLY AND FIG. 15A FOR ILLUSTRATION | REF | |
| - 1 | 266 | • SCREW,MACH-FIL H 10-32 X 1 LG | 6 | |
| - 2 | 10170 | • SCREW,MACH-BIND HD 6-32 X 1/4 LG | 12 | |
| - 3 | 11598 | • NUT PLAIN HEX 10/32 | 9 | |
| - 4 | 28413 | • SCREW,MACH-BIND HD 10-32 X 5/16 LG | 2 | |
| - 5 | 32042 | • SCREW,MACH-BIND HD 10-32 X 3/8 LG | 18 | |
| - 6 | 34512 | • SCREW,MACH-BIND HD 8-32 X 3/8 LG | 1 | |
| - 7 | 38235 | • SCREW MACH 6/32 X .310 LG | 4 | |
| - 8 | 38351 | • SCREW,MACH-FIL H 6-32 X 5/16 LG | 2 | |
| - 9 | 38383 | • SCREW,MACH-FIL H 10-32 X 7/16 LG | 1 | |
| - 10 | 45690 | • WASHER FLAT NO 10 X .438 OD X .031 THK | 12 | |
| - 11 | 52523 | • SCREW,MACH-FIL H 4-40 X 5/8 LG | 1 | |
| - 12 | 55726 | • SCREW,MACH-BIND HD 6-32 X 3/16 LG | 4 | |
| - 13 | 56079 | • WASHER,LOCK-EXT TEETH NO. 10 X 0.410 OD | 1 | |
| - 14 | 58207 | • SCREW,MACH-UNDRCT BIND HD 8-32 X 1/4 LG | 7 | |
| - 15 | 59647 | • SCREW,MACH-HEX HD 1/4-20 X 1 LG | 1 | |
| - 16 | 75449 | • SCREW,CAP,SOC HD- 10-32 X 3/8 LG | 2 | |
| - 17 | 78916 | • CUSHION | 1 | |
| - 18 | 81693 | • SCREW,MACH-BIND HD 6-32 X 3/8 LG | 13 | |
| - 19 | 127702 | • SCREW,MACH-HEX HD 1/4-20 X 1/2 LG | 4 | |
| - 20 | 149704 | • SHOCK MOUNT, STORAGE UNIT | 2 | |
| - 21 | 170215 | • SCREW,ASMD WASHER-FIL H 6-32 X 3/8 LG | 8 | |
| - 22 | 206560 | • MOUNTING-RUBBER | 1 | |
| - 23 | 207293 | • KEEPER-POWER SUPPLY MOUNTING | 3 | |
| - 24 | 236849 | • SCREW,MACH-BIND HD 10-32 X 1/4 LG | 9 | |
| - 25 | 257079 | • INSULATOR | 1 | |
| - 26 | 257986 | • WASHER,FL-NO. 6 X 5/8 OD X 0.035 THK | 8 | |
| - 27 | 302090 | • CONNECTOR,RECP,ELEC- 24 FEMALE CONTACTS | 1 | |
| - 28 | 302088 | • TERMINAL BOARD | 1 | |
| - 29 | 302089 | • SPRING-TERMINAL BOARD CONTACT | 8 | |
| - 30 | 302131 | • STRIP-TERMINAL BLOCK INSULATOR | 1 | |
| - 31 | 317128 | • GROMMET,RUB-FOR 3/8 HOLE X 1/16 PNL | 2 | |
| - 32 | 322029 | • SCREW,MACH-BIND HD 1/4-20 X 1/2 LG | 2 | |
| - 33 | 322550 | • SCREW,MACH-BIND HD 6-32 X 1/2 LG | 2 | |
| - 34 | 332620 | • SCREW,MACH-BIND HD 10-32 X 1/2 LG | 12 | |
| - 35 | 444270 | • WASHER,FLAT 5/8 OD X 1/16 THK | 8 | |
| - 36 | 597215 | • JUMPER ASM-GRN 5-1/2 14AWG 1 LUG EA END SEE LIST 26-26 FOR COMPONENT PARTS | 1 | |
| - 37 | 609549 | • CATCH, HINGE COVER | 4 | |
| - 38 | 626773 | • BRACKET-CABLE CLAMP | 1 | |
| - 39 | 634364 | • BRACKET-MTG | 2 | |
| - 40 | 634366 | • BAR | 2 | |
| - 41 | 639353 | • INSULATOR | 1 | |
| - 42 | 642377 | • PIN-STRAIN RELIEF | 1 | |

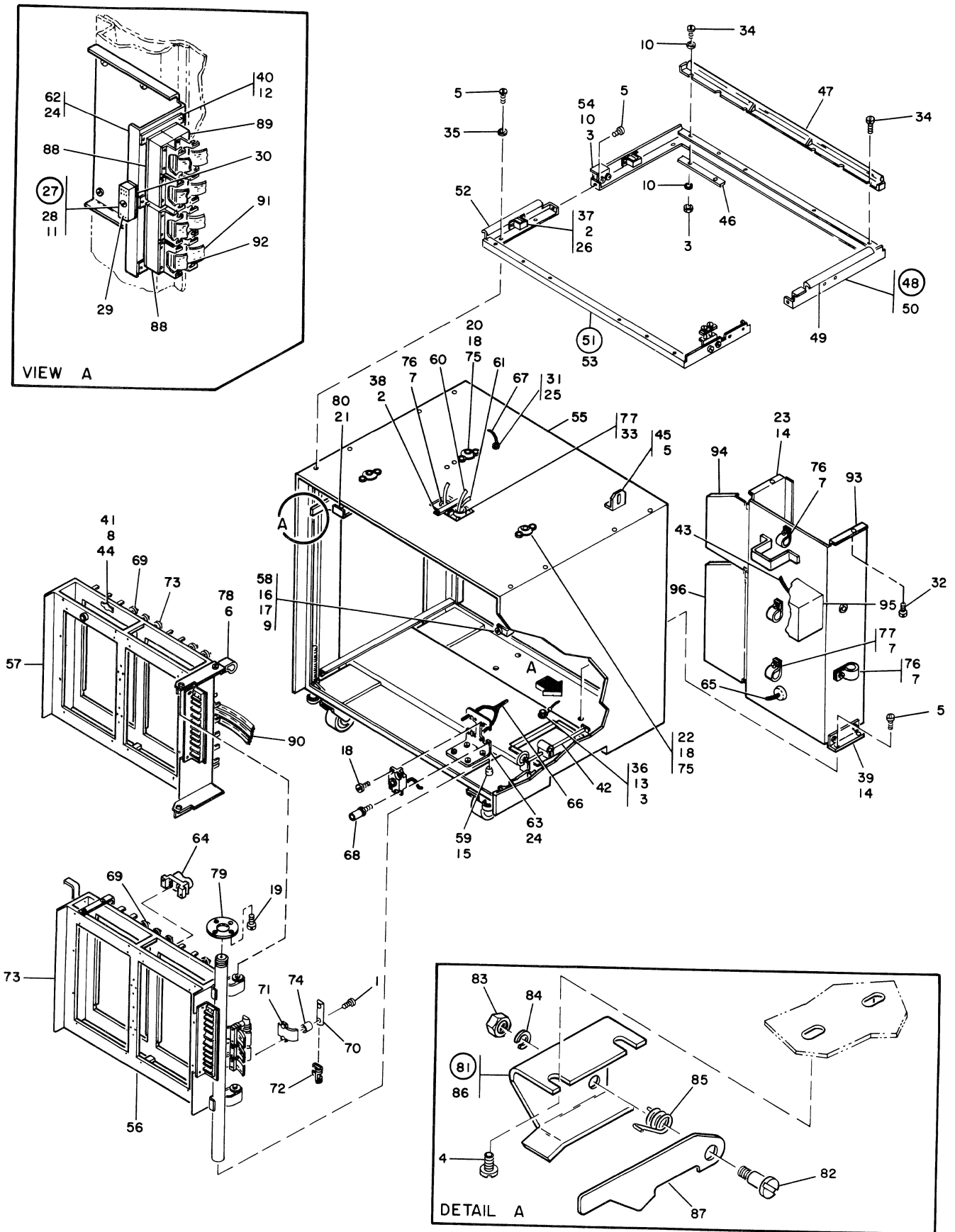


FIGURE 15A. LOWER STRUCTURE ASSEMBLY. SEE LIST 15A.

| LIST AND INDEX NO. | PART NO. | DESCRIPTION | | | | UNITS PER ASM. | USABLE ON CODE |
|--------------------------|-------------|--------------------------------|---|---|---|----------------------|----------------------|
| | | 1 | 2 | 3 | 4 | | |
| | | LOWER STRUCTURE ASSEMBLY -CONT | | | | | |
| 15A- 43 | 642745 | | | | | 1 | |
| - 44 | 644045 | | | | | 1 | |
| - 45 | 644706 | | | | | 2 | |
| - 46 | 644707 | | | | | 2 | |
| - 47 | 644711 | | | | | 1 | |
| - 48 | 644734 | | | | | 1 | |
| - 49 | 627516 | | | | | 1 | |
| - 50 | 644714 | | | | | 1 | |
| - 51 | 644735 | | | | | 1 | |
| - 52 | 627516 | | | | | 1 | |
| - 53 | 644713 | | | | | 2 | |
| - 54 | 644741 | | | | | 1 | |
| - 55 | 647229 | | | | | 1 | |
| - 56 | 647237 | | | | | 1 | |
| - 57 | 647251 | | | | | 1 | |
| - 58 | 647263 | | | | | 1 | |
| - 59 | 647264 | | | | | 1 | |
| - 60 | 647268 | | | | | 1 | |
| - 61 | 647270 | | | | | 1 | |
| - 62 | 647462 | | | | | 1 | |
| - 63 | 647463 | | | | | 2 | |
| - 64 | 647467 | | | | | 1 | |
| - 65 | 647473 | | | | | 1 | |
| - 66 | 647474 | | | | | 1 | |
| - 67 | 647483 | | | | | 1 | |
| - 68 | 740617 | | | | | 4 | |
| - 69 | 811427 | | | | | 55 | |
| - 70 | 813318 | | | | | 3 | |
| - 71 | 813319 | | | | | 3 | |
| - 72 | 813321 | | | | | 3 | |
| - 73 | 813519 | | | | | 6 | |
| - 74 | 813678 | | | | | 6 | |
| - 75 | 1091508 | | | | | 6 | |
| - 76 | 2102365 | | | | | 2 | |
| - 77 | 2102367 | | | | | 4 | |
| - 78 | 2102368 | | | | | 2 | |
| - 79 | 2145131 | | | | | 1 | |
| - 80 | 2145160 | | | | | 4 | |
| - 81 | 2178626 | | | | | 1 | |
| - 82 | 5677 | | | | | 1 | |
| - 83 | 11598 | | | | | 1 | |
| - 84 | 2125974 | | | | | 1 | |
| - 85 | 2157668 | | | | | 1 | |
| - 86 | 2178624 | | | | | 1 | |
| - 87 | 2178625 | | | | | 1 | |

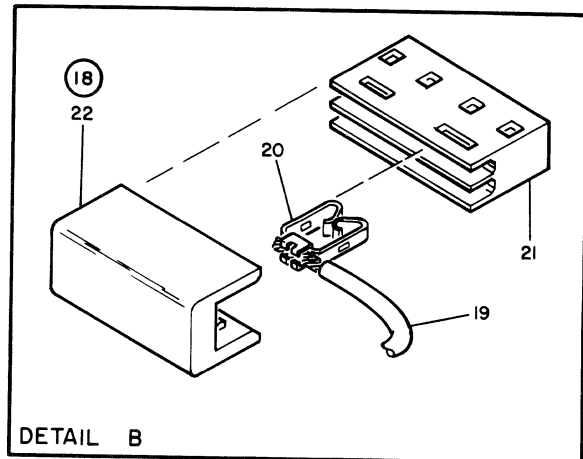
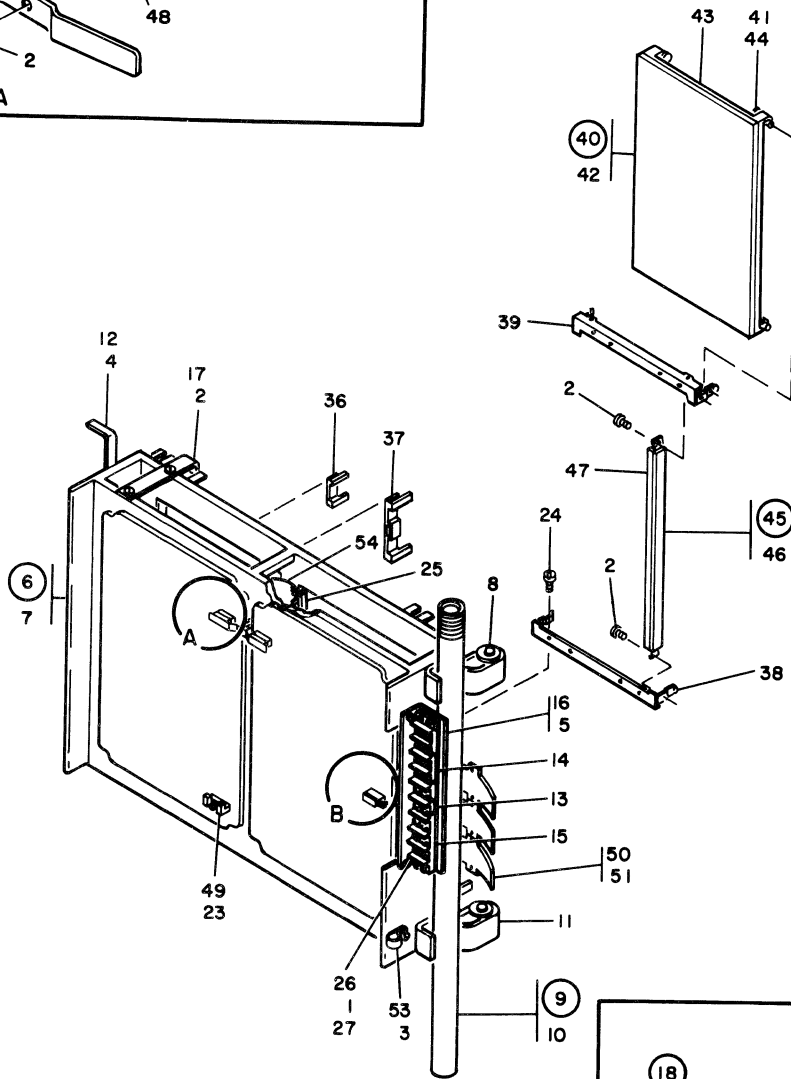
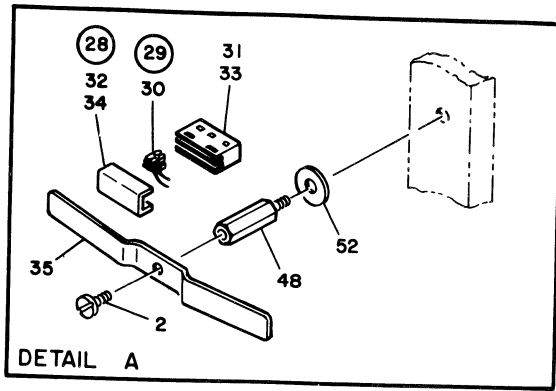


FIGURE 15B. GATE ASSEMBLIES, A-A1 AND A-B1. SEE LIST 15B.

| LIST AND INDEX NO. | PART NO. | DESCRIPTION | UNITS | USABLE |
|--------------------|----------|---|----------|---------|
| | | | PER ASM. | ON CODE |
| | | 1 2 3 4 | | |
| | | LOWER STRUCTURE ASSEMBLY -CONT | | |
| 15A- 88 | 5362304 | • CONNECTOR ASSEMBLY | 2 | |
| - 89 | 5362305 | • CONNECTOR ASSEMBLY | 2 | |
| - 90 | 5802200 | • CABLE ASM SEE LIST 26-5,-6,-8F AND -18 FOR COMPONENT PARTS | 9 | |
| - 91 | 5802908 | • CABLE ASSEMBLY,10 SIGNAL-TYPE B SEE LIST 26-4,-8D,-8E AND -18 FOR COMPONENT PARTS | 4 | |
| - 92 | 5802941 | • CABLE ASM SEE LIST 26 FOR COMPONENT PARTS | 4 | |
| - 93 | 647230 | POWER BOX ASM-60 CY | REF | |
| - 93 | 647222 | POWER BOX ASM-50 CY SEE LIST 0-19 FOR NEXT HIGHER ASSEMBLY AND FIG. 22 FOR DETAIL BREAKDOWN | REF | |
| - 94 | 647289 | POWER SUPPLY ASSEMBLY | REF | |
| - 94 | 647288 | POWER SUPPLY ASSEMBLY SEE LIST 0-20 FOR NEXT HIGHER ASSEMBLY | REF | |
| - 95 | 4116430 | TRANSFORMER SEE LIST 0-21 FOR NEXT HIGHER ASSEMBLY | REF | |
| - 96 | 5261810 | POWER SUPPLY ASSEMBLY | REF | |
| - 96 | 5261990 | POWER SUPPLY ASSEMBLY SEE LIST 0-22 FOR NEXT HIGHER ASSEMBLY AND FIG. 25 FOR DETAIL BREAKDOWN | REF | |
| | | GATE ASSEMBLIES,A-A1 AND A-B1 | | |
| 15B- | 647237 | GATE ASM SEE LIST 15A-56 FOR NEXT HIGHER ASSEMBLY AND FIG. 15B FOR ILLUSTRATION | REF | |
| - 1 | 2031 | • SCREW,MACH-FIL H 8-32 X 5/8 LG | 4 | |
| - 2 | 10170 | • SCREW,MACH-BIND HD 6-32 X 1/4 LG | 15 | |
| - 3 | 28413 | • SCREW,MACH-BIND HD 10-32 X 5/16 LG | 1 | |
| - 4 | 186759 | • SCREW,MACH-BIND HD 8-32 X 5/16 LG | 2 | |
| - 5 | 221790 | • SCREW,MACH-BIND HD 8-32 X 3/16 LG | 2 | |
| - 6 | 647202 | • GATE AND POST ASM | 1 | |
| - 7 | 647214 | • GATE-BOARD | 1 | |
| - 8 | 647219 | • STUD-GATE PIVOT | 2 | |
| - 9 | 647255 | • POST ASM-GATE | 1 | |
| - 10 | 647213 | • POST-GATE | 1 | |
| - 11 | 647254 | • BRACKET-GATE MTG | 2 | |
| - 12 | 647204 | • STRIKER-LATCH | 1 | |
| - 13 | 647238 | • JUMPER ASM | 3 | |
| - 14 | 647239 | • JUMPER ASM SEE LIST 26-31C FOR COMPONENT PARTS | 4 | |
| - 15 | 647243 | • STRIP-MARKER | 1 | |
| - 16 | 647250 | • BRACKET-MTG | 1 | |
| - 17 | 647257 | • BRACKET-MTG | 1 | |
| - 18 | 647282 | • CONNECTOR ASM-VOLTAGE | 5 | |
| - 19 | 647283 | • JUMPER ASM SEE LIST 26-24 FOR COMPONENT PARTS | 3 | |
| - 20 | 813681 | • CONTACT | 1 | |
| - 21 | 813801 | • HOUSING,VOLTAGE CROSSOVER | 1 | |
| - 22 | 813802 | • CAP,VOLTAGE CROSSOVER | 1 | |
| - 23 | 811417 | • SCREW,HEX SOCKET H- 6-32 X 1/2 LG | 16 | |

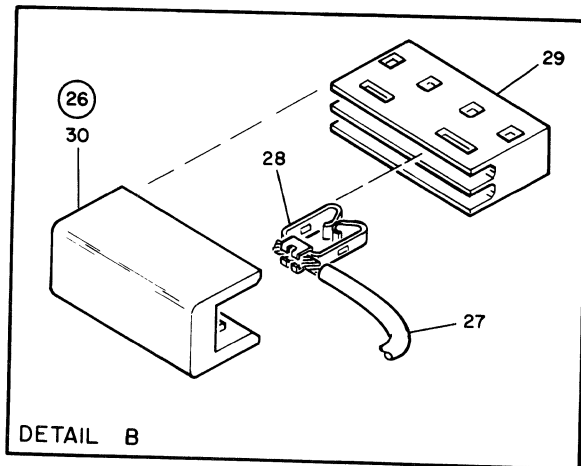
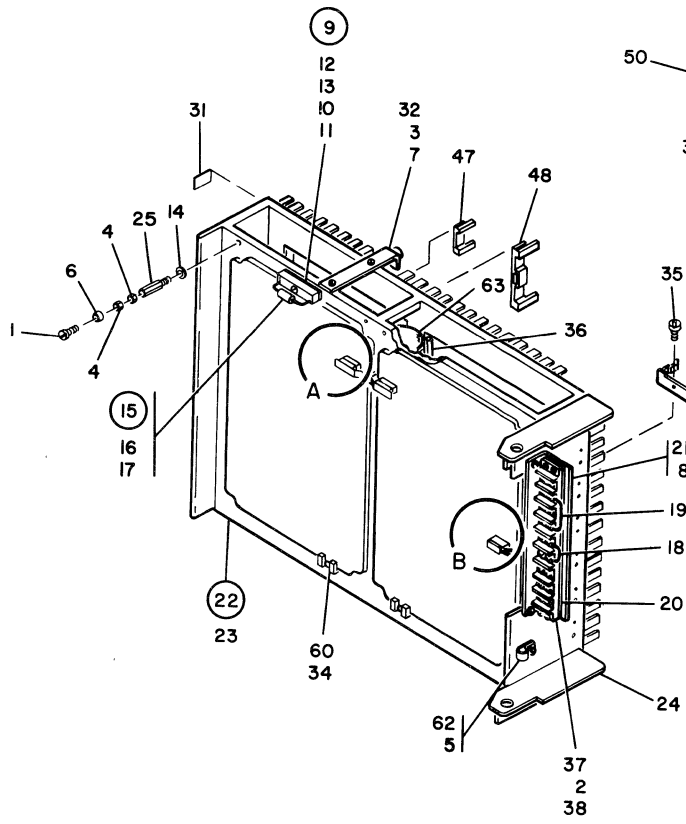
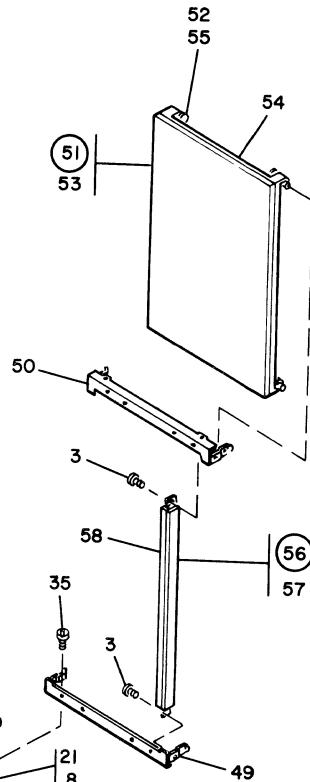
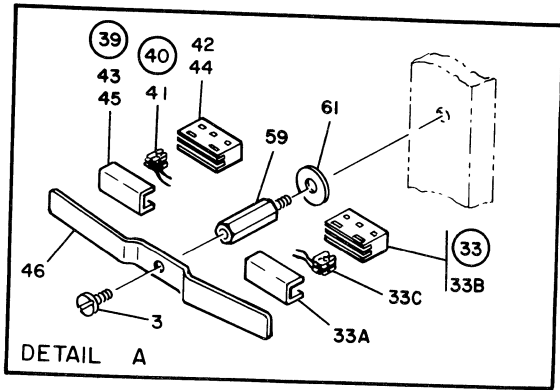


FIGURE 15C. GATE ASSEMBLIES, B-A1 AND B-B1. SEE LIST 15C.

| LIST AND INDEX NO. | PART NO. | DESCRIPTION 1 2 3 4 | UNITS PER ASM. | USABLE ON CODE |
|--------------------------------------|----------|---|----------------|----------------|
| GATE ASSEMBLIES, A-A1 AND A-B1 -CONT | | | | |
| 158- 24 | 811426 | • SCREW, | 8 | |
| - 25 | 811442 | • SEAL | 4 | |
| - 26 | 811474 | • TERMINAL BLOCK ASSEMBLY | 1 | |
| - 27 | 811481 | • SCREW, MACH- 6-32 X 1/4 LG | 24 | |
| - 28 | 811482 | • CROSSOVER ASSEMBLY, VOLTAGE | 5 | |
| - 29 | 811484 | • CONTACT ASSEMBLY | 4 | |
| - 30 | 811487 | • CONTACT-VOLTAGE CROSSOVER | 2 | |
| - 31 | 811486 | • HOUSING-VOLTAGE CROSSOVER | 2 | |
| - 32 | 811494 | • COVER, CROSS OVER HOUSING | 2 | |
| - 33 | 813801 | • HOUSING, VOLTAGE CROSSOVER | 2 | |
| - 34 | 813802 | • CAP, VOLTAGE CROSSOVER | 2 | |
| - 35 | 811562 | • RETAINER-CROSSOVER | 5 | |
| - 36 | 811802 | • GUIDE | 99 | |
| - 37 | 811804 | • GUIDE, CARD | 1 | |
| - 38 | 811850 | • BRACKET-HINGE | 2 | |
| - 39 | 811851 | • BRACKET-HINGE | 2 | |
| - 40 | 811865 | • CARD COVER ASSEMBLY | 2 | |
| - 41 | 760303 | • CATCH-PULL | 1 | |
| - 42 | 811864 | • COVER | 1 | |
| - 43 | 811878 | • FOAM, BACKING | 1 | |
| - 44 | 811879 | • SPACER-HINGE | 4 | |
| - 45 | 811881 | • RETAINER ASSEMBLY | 4 | |
| - 46 | 811441 | • SEAL | AR | |
| - 47 | 811880 | • BAR | 1 | |
| - 48 | 813111 | • STANDOFF | 5 | |
| - 49 | 813179 | • CLAMP-BOARD | 16 | |
| - 50 | 813325 | • BACKPLATE | 3 | |
| - 51 | 813706 | • SCREW, THREAD FORMING, HEX. WASHER HEAD | 6 | |
| - 52 | 813816 | • WASHER | 5 | |
| - 53 | 2102366 | • CLAMP, LOOP- 0.470 ID 0.170 DIA MTG HOLE | 1 | |
| - 54 | 5802216 | • CROSSOVER ASM, VOLTAGE SEE LIST 26-4, -8A AND -8B FOR COMPONENT PARTS | 4 | |
| GATE ASSEMBLIES, B-A1 AND B-B1 | | | | |
| 15C- | 647251 | GATE ASM SEE LIST 15A-57 FOR NEXT HIGHER ASSEMBLY AND FIG. 15C FOR ILLUSTRATION | REF | |
| - 1 | 266 | • SCREW, MACH-FIL H 10-32 X 1 LG | 1 | |
| - 2 | 2031 | • SCREW, MACH-FIL H 8-32 X 5/8 LG | 4 | |
| - 3 | 10170 | • SCREW, MACH-BIND HD 6-32 X 1/4 LG | 15 | |
| - 4 | 11598 | • NUT PLAIN HEX 10/32 | 2 | |
| - 5 | 28413 | • SCREW, MACH-BIND HD 10-32 X 5/16 LG | 4 | |
| - 6 | 78916 | • CUSHION | 1 | |
| - 7 | 219616 | • GROMMET, RUB-FOR 3/8 HOLE X 1/16 PNL | 1 | |
| - 8 | 221790 | • SCREW, MACH-BIND HD 8-32 X 3/16 LG | 2 | |
| - 9 | 302090 | • CONNECTOR, RECP, ELEC- 24 FEMALE CONTACTS | 1 | |
| - 10 | 302088 | • TERMINAL BOARD | 8 | |
| - 11 | 302089 | • SPRING-TERMINAL BOARD CONTACT | 1 | |
| - 12 | 302131 | • STRIP-TERMINAL BLOCK INSULATOR | 1 | |
| - 13 | 438550 | • SCREW, MACH-BIND HD 4-40 X 1/2 LG | 1 | |
| - 14 | 600395 | • WASHER, FL- 0.203 ID X 3/4 OD X 3/32 THK | 1 | |
| - 15 | 639312 | • RESISTOR, FXD, WW-10 OHMS P/M 1% 10W | 1 | |

| LIST AND INDEX NO. | PART NO. | DESCRIPTION | | | | UNITS PER ASM. | USABLE ON CODE |
|--------------------------------------|----------|--|---|---|---|----------------|----------------|
| | | 1 | 2 | 3 | 4 | | |
| GATE ASSEMBLIES, B-A1 AND B-B1 -CONT | | | | | | | |
| 15C- 16 | 360433 | • • TERMINAL, QUICK DISCONNECT- 16/18AWG | | | | 2 | |
| - 17 | 2145041 | • • RESISTOR, WIREWOUND, 10 OHM 1% 10 WATT | | | | 1 | |
| - 18 | 647238 | • JUMPER ASM | | | | 3 | |
| - 19 | 647239 | • JUMPER ASM | | | | 4 | |
| | | SEE LIST 26-31C FOR COMPONENT PARTS | | | | | |
| - 20 | 647243 | • STRIP-MARKER | | | | 1 | |
| - 21 | 647250 | • BRACKET-MTG | | | | 1 | |
| - 22 | 647252 | • HINGE ASM-GATE B | | | | 1 | |
| - 23 | 647214 | • • GATE-BOARD | | | | 1 | |
| - 24 | 647215 | • • HINGE-GATE | | | | 1 | |
| - 25 | 647262 | • STUD-NO 10-32 X .94 LG | | | | 2 | |
| - 26 | 647282 | • CONNECTOR ASM-VOLTAGE | | | | 1 | |
| - 27 | 647283 | • • JUMPER ASM | | | | 5 | |
| - 28 | 813681 | • • CONTACT | | | | 3 | |
| - 29 | 813801 | • • HOUSING, VOLTAGE CROSSOVER | | | | 1 | |
| - 30 | 813802 | • • CAP, VOLTAGE CROSSOVER | | | | 1 | |
| - 31 | 647469 | • LABEL | | | | 1 | |
| - 32 | 647475 | • BRACKET-MTG | | | | 1 | |
| - 33 | 647478 | • BUS ASM | | | | 1 | |
| - 33A | 813549 | • • COVER | | | | 1 | |
| - 33B | 813550 | • • HOUSING | | | | 6 | |
| - 33C | 813681 | • • CONTACT | | | | 6 | |
| - 34 | 811417 | • SCREW, HEX SOCKET H- 6-32 X 1/2 LG | | | | 15 | |
| - 35 | 811426 | • SCREW, | | | | 16 | |
| - 36 | 811442 | • SEAL | | | | 8 | |
| - 37 | 811474 | • TERMINAL BLOCK ASSEMBLY | | | | 4 | |
| - 38 | 811481 | • SCREW, MACH- 6-32 X 1/4 LG | | | | 1 | |
| - 39 | 811482 | • CROSSOVER ASSEMBLY, VOLTAGE | | | | 24 | |
| - 40 | 811484 | • • CONTACT ASSEMBLY | | | | 5 | |
| - 41 | 811487 | • • • CONTACT-VOLTAGE CROSSOVER | | | | 4 | |
| - 42 | 811486 | • • HOUSING-VOLTAGE CROSSOVER | | | | 2 | |
| - 43 | 811494 | • • COVER, CROSS OVER HOUSING | | | | 2 | |
| - 44 | 813801 | • • HOUSING, VOLTAGE CROSSOVER | | | | 2 | |
| - 45 | 813802 | • • CAP, VOLTAGE CROSSOVER | | | | 2 | |
| - 46 | 811562 | • RETAINER-CROSSOVER | | | | 5 | |
| - 47 | 811802 | • GUIDE | | | | 82 | |
| - 48 | 811804 | • GUIDE, CARD | | | | 7 | |
| - 49 | 811850 | • BRACKET-HINGE | | | | 2 | |
| - 50 | 811851 | • BRACKET-HINGE | | | | 2 | |
| - 51 | 811865 | • CARD COVER ASSEMBLY | | | | 2 | |
| - 52 | 760303 | • • CATCH-PULL | | | | 2 | |
| - 53 | 811864 | • • COVER | | | | 1 | |
| - 54 | 811878 | • • FOAM, BACKING | | | | 1 | |
| - 55 | 811879 | • • SPACER-HINGE | | | | 1 | |
| - 56 | 811881 | • RETAINER ASSEMBLY | | | | 4 | |
| - 57 | 811441 | • • SEAL | | | | 4 | |
| - 58 | 811880 | • • BAR | | | | 1 | |
| - 59 | 813111 | • STANDOFF | | | | 1 | |
| - 60 | 813179 | • CLAMP-BOARD | | | | 5 | |
| - 61 | 813816 | • WASHER | | | | 16 | |
| - 62 | 2102366 | • CLAMP, LOOP- 0.470 ID 0.170 DIA MTG HOLE | | | | 5 | |
| - 63 | 5802216 | • CROSSOVER ASM, VOLTAGE | | | | 4 | |
| | | SEE LIST 26-4, -8A AND -8B FOR COMPONENT PARTS | | | | 2 | |

| LIST AND INDEX NO. | PART NO. | DESCRIPTION | | | | UNITS PER ASM. | USABLE ON CODE |
|--------------------------|-------------|---|---|---|---|----------------------|----------------------|
| | | 1 | 2 | 3 | 4 | | |
| | | CONTROL PANEL ASSEMBLY | | | | | |
| 16 - | 644725 | CONTROL PANEL ASM-SWITCH AND LIGHT SEE LIST 2-70,17-14,18-3 AND 19-1 FOR NEXT HIGHER ASSEMBLY AND FIG. 16 FOR ILLUSTRATION | | | | REF | |
| - 1 | 38433 | • SCREW,MACH-FH 4-40 X 1/4 LG | | | | 4 | |
| - 2 | 45690 | • WASHER FLAT NO 10 X .438 OD X .031 THK | | | | 8 | |
| - 3 | 92157 | • LEAD,ELECTRICAL | | | | 3 | |
| - 4 | 140425 | • SCREW,MACH-HEX HD 10-32 X 5/16 LG | | | | 8 | |
| - 5 | 216797 | • RESISTOR | | | | 1 | |
| - 6 | 367182 | • SWITCH,PUSH- 2 SPDT 125/250V AC 5 AMP | | | | 3 | |
| - 7 | 641594 | • HOLDER,SCR MODULE | | | | 4 | |
| - 8 | 642797 | • JUMPER ASM | | | | 6 | |
| - 9 | 642798 | • JUMPER ASM | | | | 1 | |
| | | SEE LIST 26-34 FOR COMPONENT PARTS | | | | | |
| - 10 | 644705 | • GASKET | | | | 1 | |
| - 11 | 644708 | • PANEL-CONTROL | | | | 1 | |
| - 12 | 644709 | • PANEL-SWITCH AND LIGHT | | | | 1 | |
| - 13 | 644710 | • COVER-SAFETY | | | | 1 | |
| - 14 | 644712 | • SUPPORT-CONSOLE | | | | 1 | |
| - 15 | 813197 | • HOUSING | | | | 12 | |
| - 16 | 814126 | • INDICATOR,DRIVER | | | | 4 | |
| - 17 | 827841 | • HOUSING-SWITCH AND LIGHT | | | | 5 | |
| - 18 | 2122035 | • SOCKET-LIGHT SINGLE MOUNT | | | | 5 | |
| - 19 | 2122038 | • CLIP | | | | 5 | |
| - 20 | 2391121 | • LAMP,INCANDESCENT-4.5 V 200 MA | | | | 5 | |
| - 21 | 5311415 | • HOUSING,SWITCH AND LIGHT | | | | 7 | |
| - 22 | 5311440 | • SPRING,BUTTON | | | | 3 | |
| | | CONTROL PANEL ASSEMBLY | | | | | |
| 16A- | 647235 | CONTROL PANEL-SWITCH AND LIGHT SEE LIST 2-70,17A-14,18A-1 AND 19A-1 FOR NEXT HIGHER ASSEMBLY AND FIG. 16A FOR ILLUSTRATION | | | | REF | |
| - 1 | 32042 | • SCREW,MACH-BIND HD 10-32 X 3/8 LG | | | | 1 | |
| - 2 | 32617 | • SCREW | | | | 1 | |
| - 3 | 38433 | • SCREW,MACH-FH 4-40 X 1/4 LG | | | | 4 | |
| - 4 | 45690 | • WASHER FLAT NO 10 X .438 OD X .031 THK | | | | 8 | |
| - 5 | 81693 | • SCREW,MACH-BIND HD 6-32 X 3/8 LG | | | | 4 | |
| - 6 | 92157 | • LEAD,ELECTRICAL | | | | 4 | |
| - 7 | 140425 | • SCREW,MACH-HEX HD 10-32 X 5/16 LG | | | | 8 | |
| - 8 | 216797 | • RESISTOR | | | | 1 | |
| - 9 | 284424 | • CLIP-RELAY MOULDING BOTTOM MOUNTING | | | | 2 | |
| - 10 | 324999 | • TERMINAL BOARD- 109 FEEDTHRU TERMINALS | | | | 1 | |
| - 11 | 367182 | • SWITCH,PUSH- 2 SPDT 125/250V AC 5 AMP | | | | 4 | |
| - 12 | 641594 | • HOLDER,SCR MODULE | | | | 5 | |
| - 13 | 642797 | • JUMPER ASM | | | | 4 | |
| - 14 | 642798 | • JUMPER ASM | | | | 1 | |
| | | SEE LIST 26-34 FOR COMPONENT PARTS | | | | | |
| - 15 | 644704 | • LINT-PANEL BRACE | | | | 2 | |
| - 16 | 644705 | • GASKET | | | | 1 | |
| - 17 | 644708 | • PANEL-CONTROL | | | | 1 | |
| - 18 | 644709 | • PANEL-SWITCH AND LIGHT | | | | 1 | |
| - 19 | 644710 | • COVER-SAFETY | | | | 1 | |

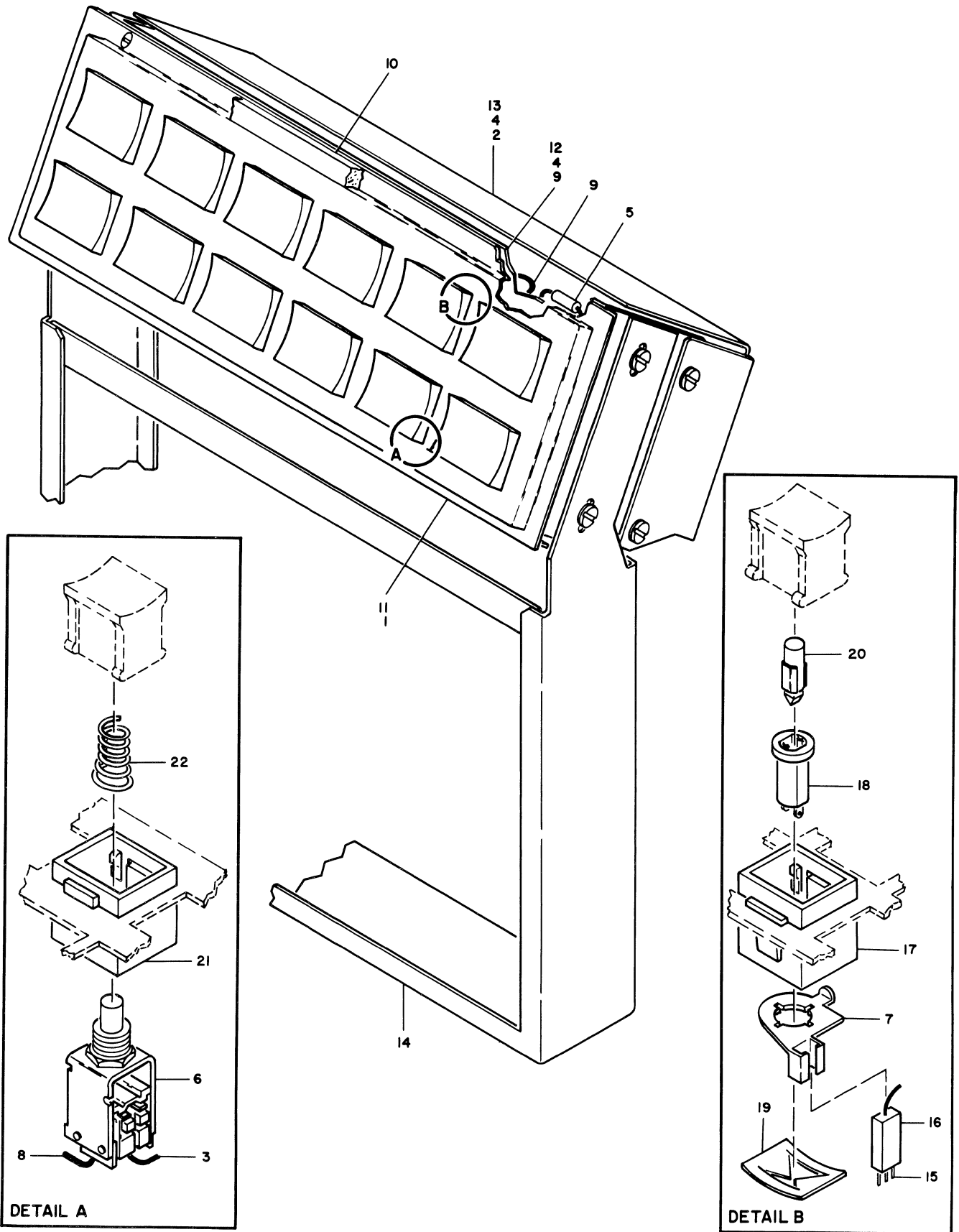


FIGURE 16. CONTROL PANEL ASSEMBLY. SEE LIST 16.

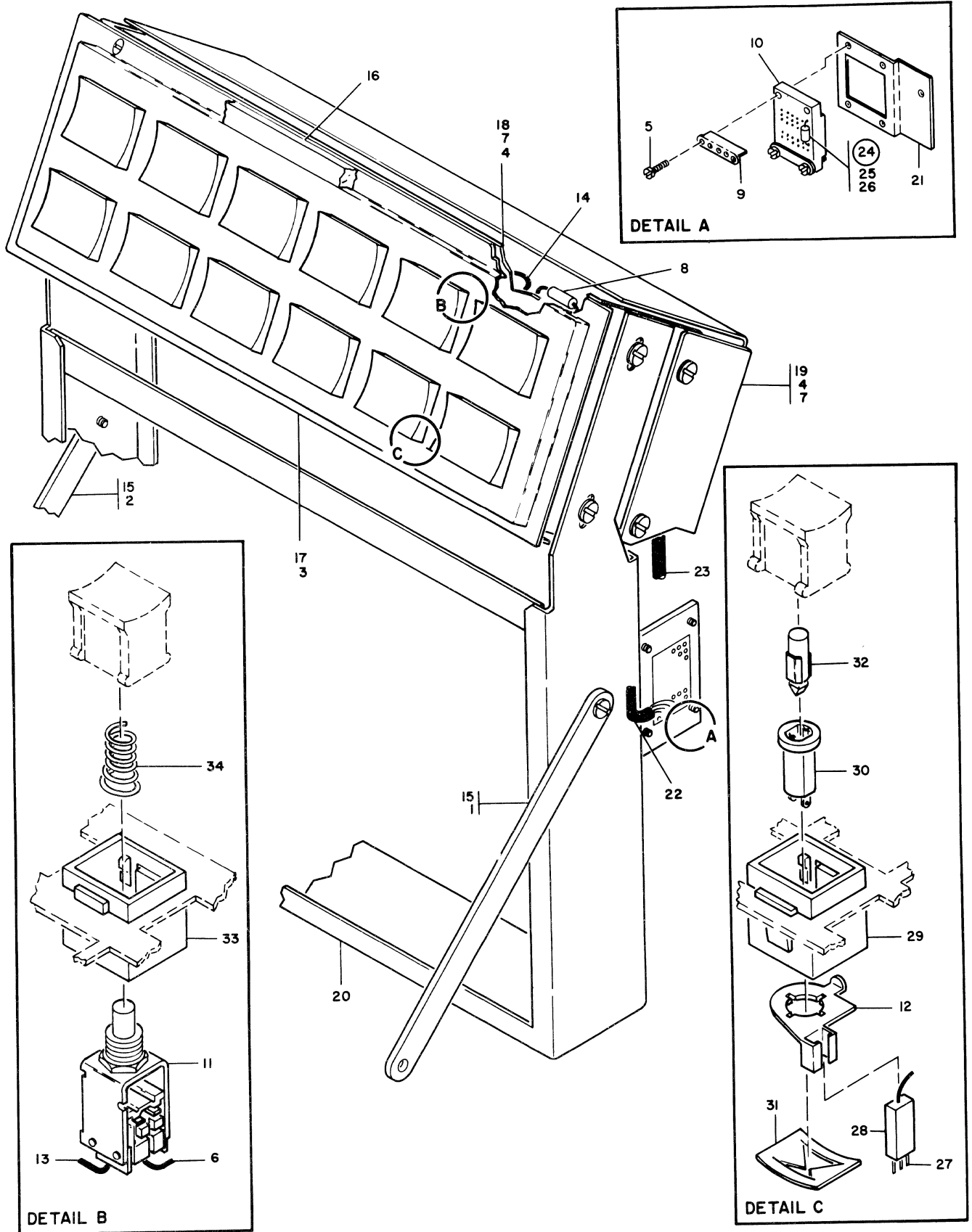


FIGURE 16A. CONTROL PANEL ASSEMBLY. SEE LIST 16A.

| LIST AND INDEX NO. | PART NO. | DESCRIPTION | | | | UNITS PER ASM. | USABLE ON CODE |
|------------------------------|----------|--|---|---|---|----------------|----------------|
| | | 1 | 2 | 3 | 4 | | |
| CONTROL PANEL ASSEMBLY -CONT | | | | | | | |
| 16A- 20 | 644712 | • SUPPORT-CONSOLE | | | | 1 | |
| - 21 | 647256 | • BRACKET-TB MTG | | | | 1 | |
| - 22 | 647266 | • CABLE ASM-SW LIGHT TO GATE B SEE LIST 26-4,-8C,-15,-26,-27 AND -29 FOR COMPONENT PARTS | | | | 1 | |
| - 23 | 647296 | • JUMPER ASM-INDICATOR LAMP SEE LIST 26-26 AND -34 FOR COMPONENT PARTS | | | | 1 | |
| - 24 | 647672 | • RESISTOR ASM-6.2K OHMS 1/4W | | | | 1 | |
| - 25 | 187243 | • TERMINAL,LUG-TAPER 20/24AWG 9/16 LG OA | | | | 2 | |
| - 26 | 216463 | • RESISTOR, FXD, CARBON, 6.2K P/M 5% 1/4W | | | | 1 | |
| - 27 | 813197 | • HOUSING | | | | 10 | |
| - 28 | 814126 | • INDICATOR,DRIVER | | | | 5 | |
| - 29 | 827841 | • HOUSING-SWITCH AND LIGHT | | | | 6 | |
| - 30 | 2122035 | • SOCKET-LIGHT SINGLE MOUNT | | | | 6 | |
| - 31 | 2122038 | • CLIP | | | | 6 | |
| - 32 | 2391121 | • LAMP,INCANDESCENT-4.5 V 200 MA | | | | 6 | |
| - 33 | 5311415 | • HOUSING,SWITCH AND LIGHT | | | | 6 | |
| - 34 | 5311440 | • SPRING,BUTTON | | | | 4 | |
| LANGUAGE GROUP-ENGLISH | | | | | | | |
| 17 - | 644013 | LANGUAGE GROUP-ENGLISH,MOD A SEE LIST 2-77 FOR NEXT HIGHER ASSEMBLY AND FIG. 17 FOR ILLUSTRATION | | | | REF | |
| - 1 | 196833 | • PLATE,INSTRUCTION- 9 EDGE FACE DOWN | | | | 1 | |
| - 2 | 601333 | • ACTIVATOR,CHLOROTHENE ITEMS 1 AND 2 NOT ILLUSTRATED | | | | 1 | |
| - 3 | 634349 | • BUTTON-BLUE NPRO | | | | 1 | |
| - 4 | 649828 | • BUTTON | | | | 1 | |
| - 5 | 639155 | • LENS,YELLOW ATTENTION | | | | 1 | |
| - 6 | 827853 | • LENS-YELLOW | | | | 1 | |
| - 7 | 639158 | • LENS,YELLOW-READ CHECK | | | | 1 | |
| - 8 | 827853 | • LENS-YELLOW | | | | 1 | |
| - 9 | 639178 | • LENS,WHITE-POWER ON | | | | 1 | |
| - 10 | 827850 | • LENS,WHITE-BLANK | | | | 1 | |
| - 11 | 639179 | • LENS-FEED CHECK | | | | 1 | |
| - 12 | 827853 | • LENS-YELLOW | | | | 1 | |
| - 13 | 644703 | • NAMEPLATE NOT ILLUSTRATED | | | | 1 | |
| - 14 | 644725 | • CONTROL PANEL ASM-SWITCH AND LIGHT SEE LIST 16 FOR DETAIL BREAKDOWN | | | | 1 | |
| - 15 | 741148 | • BUTTON-START-GREEN | | | | 1 | |
| - 16 | 741147 | • BUTTON | | | | 1 | |
| - 17 | 741318 | • BUTTON FILLER-WHITE | | | | 4 | |
| - 18 | 749033 | • BUTTON-STOP,RED | | | | 1 | |
| - 19 | 749076 | • BUTTON | | | | 1 | |
| - 20 | 827865 | • LENS-READY GREEN | | | | 1 | |
| - 21 | 827852 | • LENS | | | | 1 | |

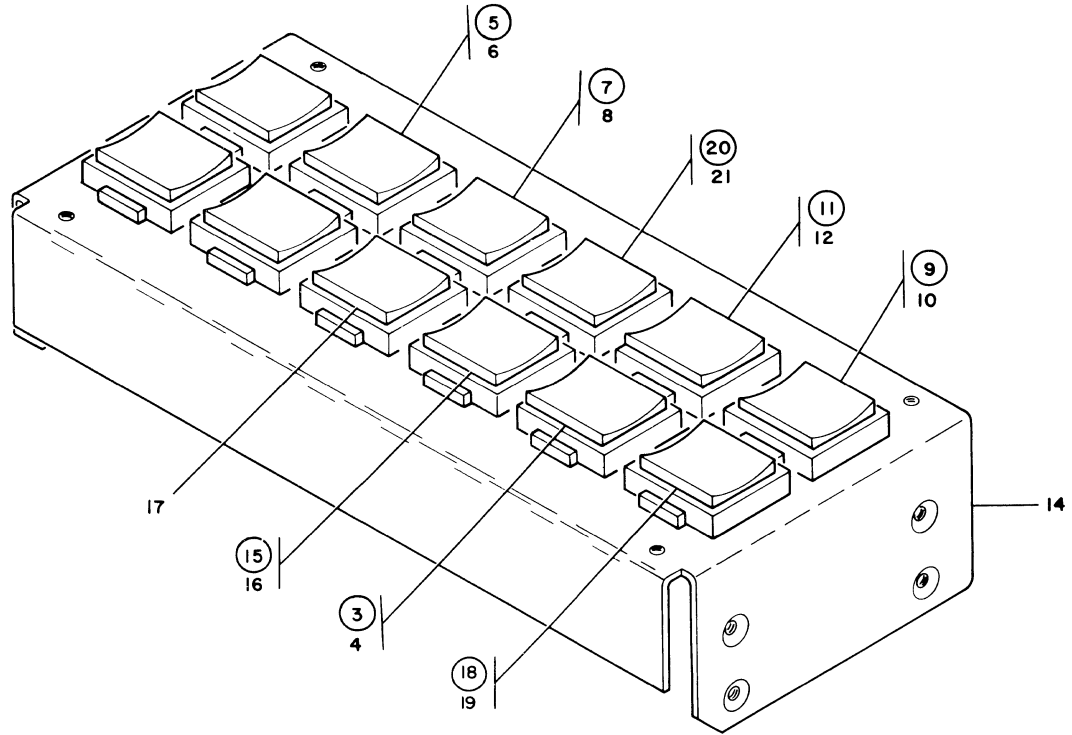


FIGURE 17. LANGUAGE GROUP-ENGLISH. SEE LIST 17.

| LIST AND INDEX NO. | PART NO. | DESCRIPTION | | | | UNITS PER ASM. | USABLE ON CODE |
|--------------------|----------|---|---|---|---|----------------|----------------|
| | | 1 | 2 | 3 | 4 | | |
| | | LANGUAGE GROUP-ENGLISH | | | | | |
| 17A- | 647240 | LANGUAGE GROUP-ENGLISH, MOD B SEE LIST 2-77 FOR NEXT HIGHER ASSEMBLY AND FIG. 17A FOR ILLUSTRATION | | | | REF | |
| - 1 | 196833 | • PLATE, INSTRUCTION- 9 EDGE FACE DOWN | | | | 1 | |
| - 2 | 601333 | • ACTIVATOR, CHLOROTHENE ITEMS 1 AND 2 NOT ILLUSTRATED | | | | | |
| - 3 | 634349 | • BUTTON-BLUE NPRO | | | | 1 | |
| - 4 | 749828 | • . BUTTON-BLUE | | | | 1 | |
| - 5 | 634401 | • BUTTON ASM | | | | 1 | |
| - 6 | 749095 | • . BUTTON-BLANK, BLUE | | | | 1 | |
| - 7 | 639158 | • LENS, YELLOW-READ CHECK | | | | 1 | |
| - 8 | 827853 | • . LENS-YELLOW | | | | 1 | |
| - 9 | 639178 | • LENS, WHITE-POWER ON | | | | 1 | |
| - 10 | 827850 | • . LENS, WHITE-BLANK | | | | 1 | |
| - 11 | 639179 | • LENS-FEED CHECK | | | | 1 | |
| - 12 | 827853 | • . LENS-YELLOW | | | | 1 | |
| - 13 | 644703 | • NAMEPLATE NOT ILLUSTRATED | | | | 1 | |
| - 14 | 647235 | • CONTROL PANEL-SWITCH AND LIGHT SEE LIST 16A FOR DETAIL BREAKDOWN | | | | 1 | |

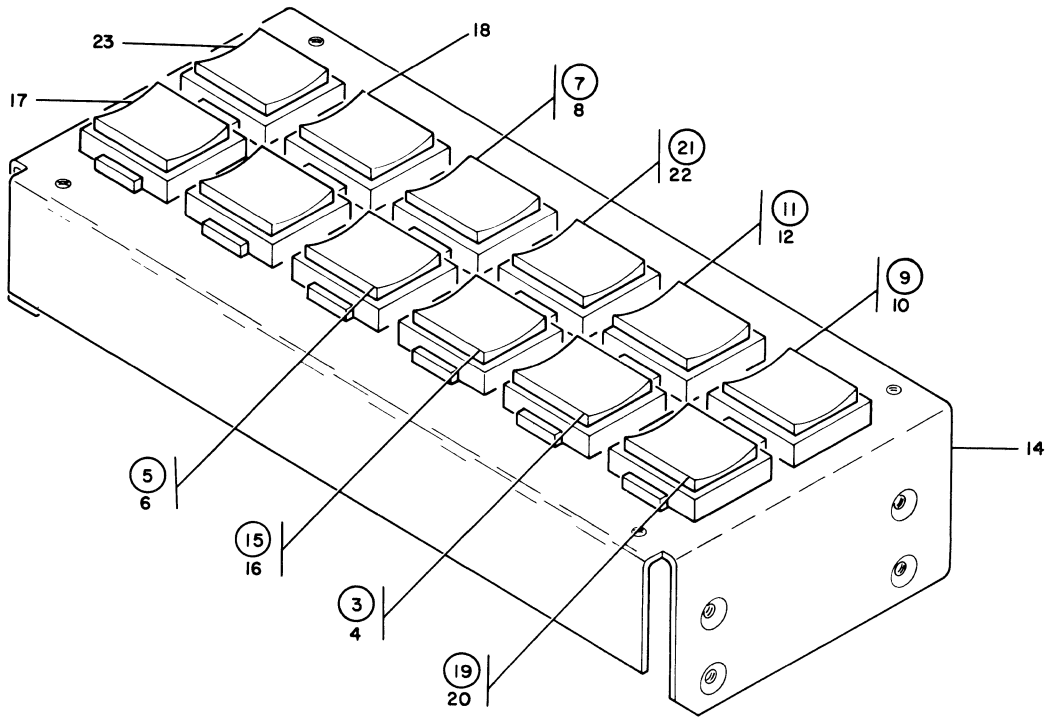


FIGURE 17A. LANGUAGE GROUP-ENGLISH. SEE LIST 17A.

| LIST AND INDEX NO. | PART NO. | DESCRIPTION | | | | UNITS PER ASM. | USABLE ON CODE |
|--------------------|----------|--|---|---|---|----------------|----------------|
| | | 1 | 2 | 3 | 4 | | |
| | | LANGUAGE GROUP-ENGLISH -CONT | | | | | |
| 17A- 15 | 741148 | | | | | | |
| - 16 | 741147 | | | | | 1 | |
| - 17 | 741318 | | | | | 1 | |
| - 18 | 741328 | | | | | 2 | |
| - 19 | 749033 | | | | | 1 | |
| - 20 | 749076 | | | | | 1 | |
| - 21 | 827865 | | | | | 1 | |
| - 22 | 827852 | | | | | 1 | |
| - 23 | 835265 | | | | | 1 | |
| | | LANGUAGE GROUP-FRENCH | | | | | |
| 18 - | 644014 | | | | | REF | |
| | | LANGUAGE GROUP-FRENCH, MOD A SEE LIST 2-77 FOR NEXT HIGHER ASSEMBLY AND FIG. 18 FOR ILLUSTRATION | | | | | |

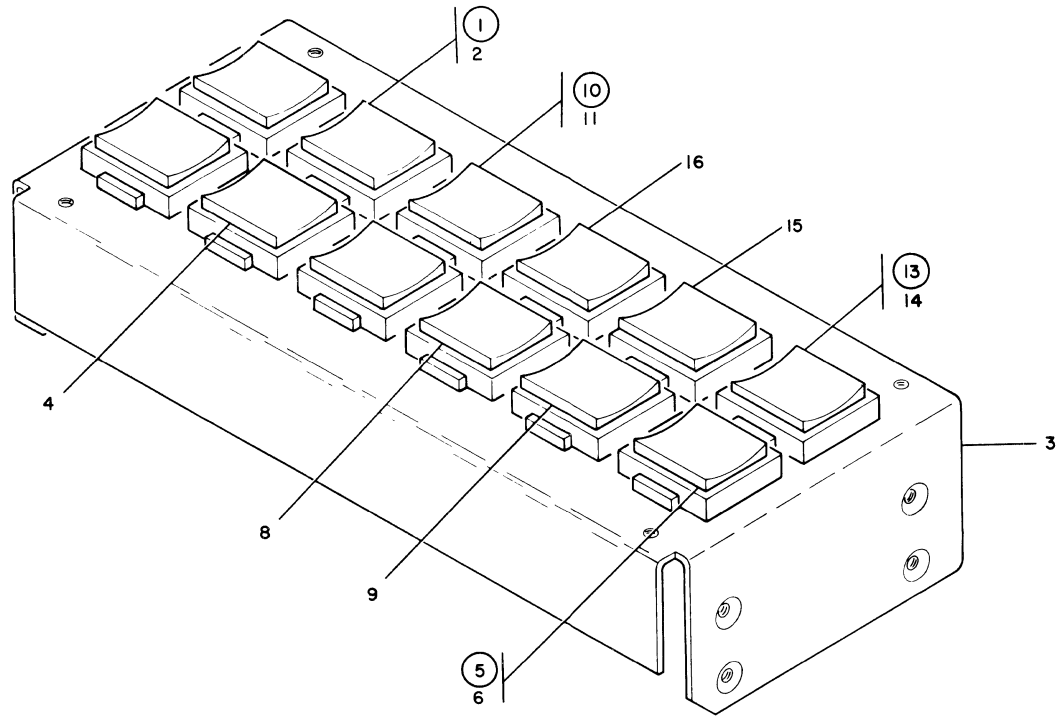


FIGURE 18. LANGUAGE GROUP-FRENCH. SEE LIST 18.

| LIST AND INDEX NO. | PART NO. | DESCRIPTION | | | | UNITS PER ASM. | USABLE ON CODE |
|-----------------------------|----------|-------------|---|---|---|----------------|----------------|
| | | 1 | 2 | 3 | 4 | | |
| LANGUAGE GROUP-FRENCH -CONT | | | | | | | |
| 18 - 1 | 639155 | | | | | 1 | |
| - 2 | 827853 | | | | | 1 | |
| - 3 | 644725 | | | | | 1 | |
| - 4 | 741318 | | | | | 4 | |
| - 5 | 749033 | | | | | 1 | |
| - 6 | 749076 | | | | | 1 | |
| - 7 | 3008906 | | | | | 1 | |
| - 8 | 3009638 | | | | | 1 | |
| - 9 | 3009639 | | | | | 1 | |
| - 10 | 3009680 | | | | | 1 | |
| - 11 | 749047 | | | | | 1 | |
| - 12 | 3009689 | | | | | 1 | |
| - 13 | 3009697 | | | | | 1 | |
| - 14 | 827850 | | | | | 1 | |
| - 15 | 3009699 | | | | | 1 | |
| - 16 | 3009801 | | | | | 1 | |

| LIST AND INDEX NO. | PART NO. | DESCRIPTION | | | | UNITS PER ASM. | USABLE ON CODE |
|-----------------------|----------|--|---|---|---|----------------|----------------|
| | | 1 | 2 | 3 | 4 | | |
| LANGUAGE GROUP-FRENCH | | | | | | | |
| 18A- | 647241 | LANGUAGE GROUP-FRENCH,MOD B SEE LIST 2-77 FOR NEXT HIGHER ASSEMBLY AND FIG. 18A FOR ILLUSTRATION | | | | REF | |
| - 1 | 647235 | . CONTROL PANEL-SWITCH AND LIGHT SEE LIST 16A FOR DETAIL BREAKDOWN | | | | 1 | |
| - 2 | 741318 | . BUTTON FILLER-WHITE | | | | 2 | |
| - 3 | 749033 | . BUTTON-STOP,RED | | | | 1 | |
| - 4 | 749076 | . . BUTTON | | | | 1 | |
| - 5 | 835226 | . BUTTON ASM | | | | 1 | |
| - 6 | 835228 | . LENS ASM | | | | 1 | |
| - 7 | 835232 | . LENS ASM | | | | 1 | |
| - 8 | 835233 | . LENS ASM | | | | 1 | |
| - 9 | 835234 | . LENS ASM | | | | 1 | |
| - 10 | 838651 | . LENS ASM | | | | 1 | |
| - 11 | 839527 | . LENS ASM | | | | 1 | |
| - 12 | 3008906 | . INDICATOR-CARD PLACEMENT NOT ILLUSTRATED | | | | 1 | |
| - 13 | 3009638 | . DEPART | | | | 1 | |
| - 14 | 3009639 | . LIBERATION | | | | 1 | |
| - 15 | 3009689 | . NAMEPLATE NOT ILLUSTRATED | | | | 1 | |
| LANGUAGE GROUP-GERMAN | | | | | | | |
| 19 - | 644015 | LANGUAGE GROUP-GERMAN,MOD A SEE LIST 2-77 FOR NEXT HIGHER ASSEMBLY AND FIG. 19 FOR ILLUSTRATION | | | | REF | |
| - 1 | 644725 | . CONTROL PANEL ASM-SWITCH AND LIGHT SEE LIST 16 FOR DETAIL BREAKDCWN | | | | 1 | |
| - 2 | 741148 | . BUTTON-START-GREEN | | | | 1 | |
| - 3 | 741147 | . . BUTTON | | | | 1 | |
| - 4 | 741318 | . BUTTON FILLER-WHITE | | | | 4 | |
| - 5 | 749033 | . BUTTON-STOP,RED | | | | 1 | |
| - 6 | 749076 | . . BUTTON | | | | 1 | |
| - 7 | 3009653 | . KARTEN AUSL | | | | 1 | |
| - 8 | 3009685 | . ACHTUNG | | | | 1 | |
| - 9 | 3009686 | . LESEPRUFUNG | | | | 1 | |
| - 10 | 3009690 | . NAMEPLATE NOT ILLUSTRATED | | | | 1 | |
| - 11 | 3009698 | . NETZ | | | | 1 | |
| - 12 | 3009700 | . TRANSPORT | | | | 1 | |
| - 13 | 3009802 | . LENS ASM | | | | 1 | |
| - 14 | 4030043 | . INDICATOR-CARD PLACEMENT NOT ILLUSTRATED | | | | 1 | |
| LANGUAGE GROUP-GERMAN | | | | | | | |
| 19A- | 642242 | GUIDE-CARD SEE LIST 2-77 FOR NEXT HIGHER ASSEMBLY AND FIG. 19A FOR ILLUSTRATION | | | | REF | |

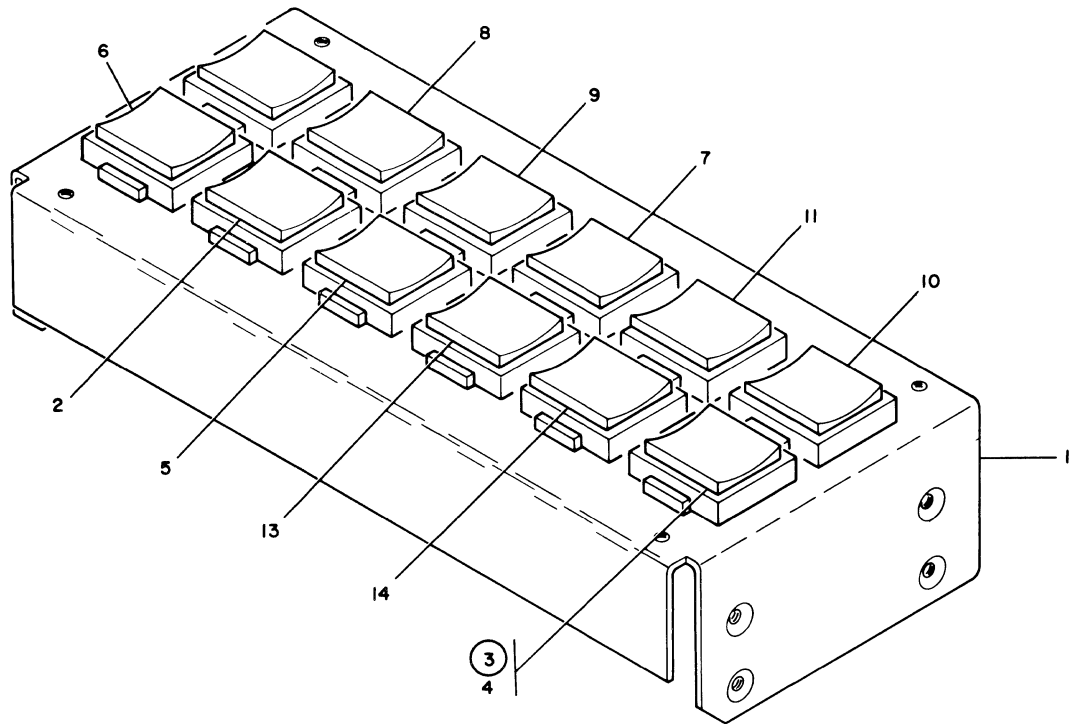


FIGURE 18A. LANGUAGE GROUP-FRENCH. SEE LIST 18A.

| LIST AND INDEX NO. | PART NO. | DESCRIPTION | | | | UNITS PER ASM. | USABLE ON CODE |
|--------------------|----------|----------------------------|---|---|---|----------------|----------------|
| | | 1 | 2 | 3 | 4 | | |
| | | LANGUAGE GRUP-GERMAN -CONT | | | | | |
| 19A- | 1 | 647235 | | | | 1 | |
| - | 2 | 741148 | | | | 1 | |
| - | 3 | 741147 | | | | 1 | |
| - | 4 | 741318 | | | | 2 | |
| - | 5 | 741334 | | | | 1 | |
| - | 6 | 749033 | | | | 1 | |
| - | 7 | 749076 | | | | 1 | |
| - | 8 | 835227 | | | | 1 | |
| - | 9 | 835238 | | | | 1 | |
| - | 10 | 835242 | | | | 1 | |
| - | 11 | 835243 | | | | 1 | |
| - | 12 | 838650 | | | | 1 | |
| - | 13 | 839528 | | | | 1 | |
| - | 14 | 3009653 | | | | 1 | |
| - | 15 | 3009690 | | | | 1 | |
| - | 16 | 4030043 | | | | 1 | |

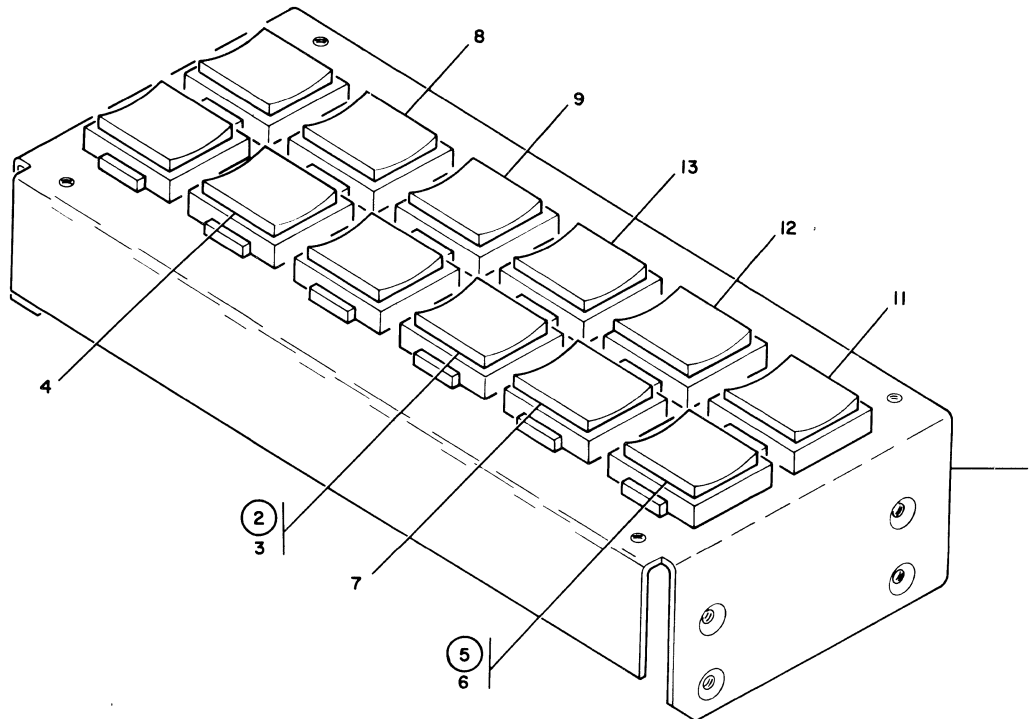


FIGURE 19. LANGUAGE GROUP-GERMAN. SEE LIST 19.

| LIST AND INDEX NO. | PART NO. | DESCRIPTION | | | | UNITS PER ASM. | USABLE ON CODE |
|--------------------|----------|---|---|---|---|----------------|----------------|
| | | 1 | 2 | 3 | 4 | | |
| | | MULE HITCH INPUT IDLER ASSEMBLY | | | | | |
| 20 - | | CODE A USED ON ASM 644147 ONLY CODE B USED ON ASM 644213 ONLY | | | | | |
| - | 644147 | IDLER ASSEMBLY, MULE HITCH INPUT-60 CY SEE LIST 3-118 FOR NEXT HIGHER ASSEMBLY AND FIG. 20 FOR ILLUSTRATION | | | | REF | A |
| - | 644213 | IDLER ASM, MULE HITCH INPUT-50 CY SEE LIST 3-118 FOR NEXT HIGHER ASSEMBLY AND FIG. 20 FOR ILLUSTRATION | | | | REF | B |
| - 1 | 81693 | • SCREW, MACH-BIND HD 6-32 X 3/8 LG | | | | 2 | |
| - 2 | 110029 | • WASHER, FL-NO 8 X 5/8 OD X 1/16 THK | | | | 2 | |
| - 2 | 1091508 | • WASHER | | | | 2 | |
| - 3 | 156364 | • BEARING, BALL, ANNULAR- 0.375 ID 0.875 OD | | | | 2 | |
| - 4 | 328037 | • KEY | | | | 2 | |
| - 5 | 644144 | • SPACER | | | | 2 | |
| - 6 | 644148 | • PULLEY ASM | | | | 2 | |
| - 7 | 644157 | • HUB-PULLEY | | | | 1 | |
| - 8 | 644149 | • SPACER | | | | 1 | |

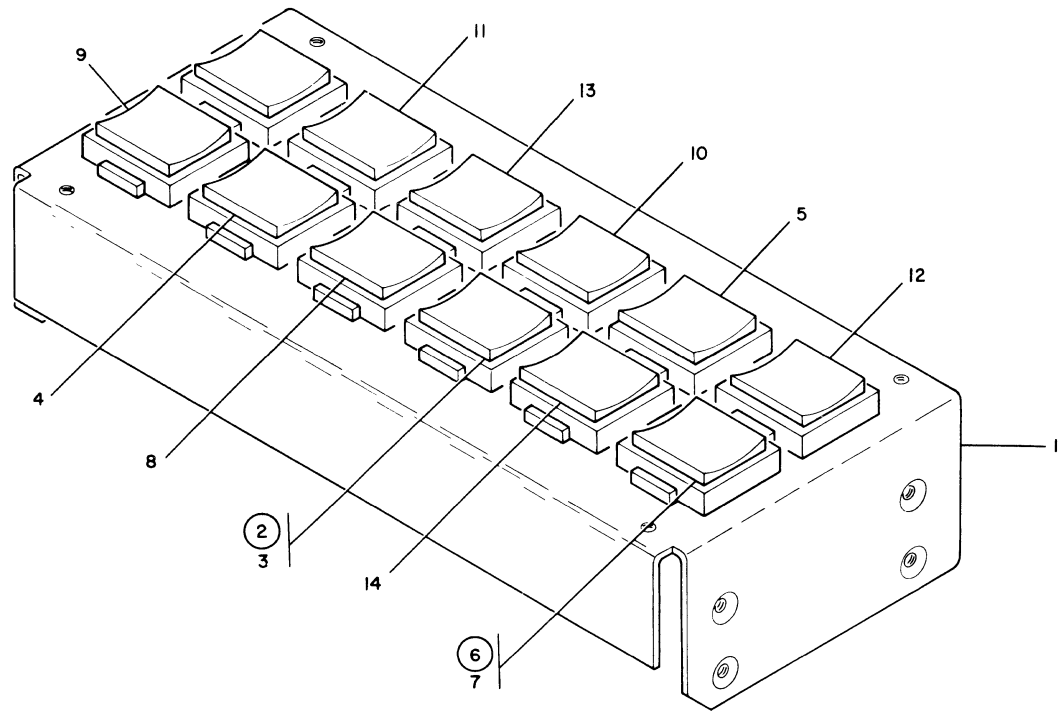


FIGURE 19A. LANGUAGE GROUP-GERMAN. SEE LIST 19A.

| LIST AND INDEX NO. | PART NO. | DESCRIPTION | | | | UNITS PER ASM. | USABLE ON CODE |
|--------------------|----------|---------------------------------------|---|---|---|----------------|----------------|
| | | 1 | 2 | 3 | 4 | | |
| | | MULE HITCH INPUT IDLER ASSEMBLY -CONT | | | | | |
| 20 - 9 | 644150 | | | | | 1 | |
| - 10 | 644151 | | | | | 1 | |
| - 11 | 644283 | | | | | 1 | A |
| - 11 | 644293 | | | | | 1 | B |
| - 12 | 644157 | | | | | 1 | |

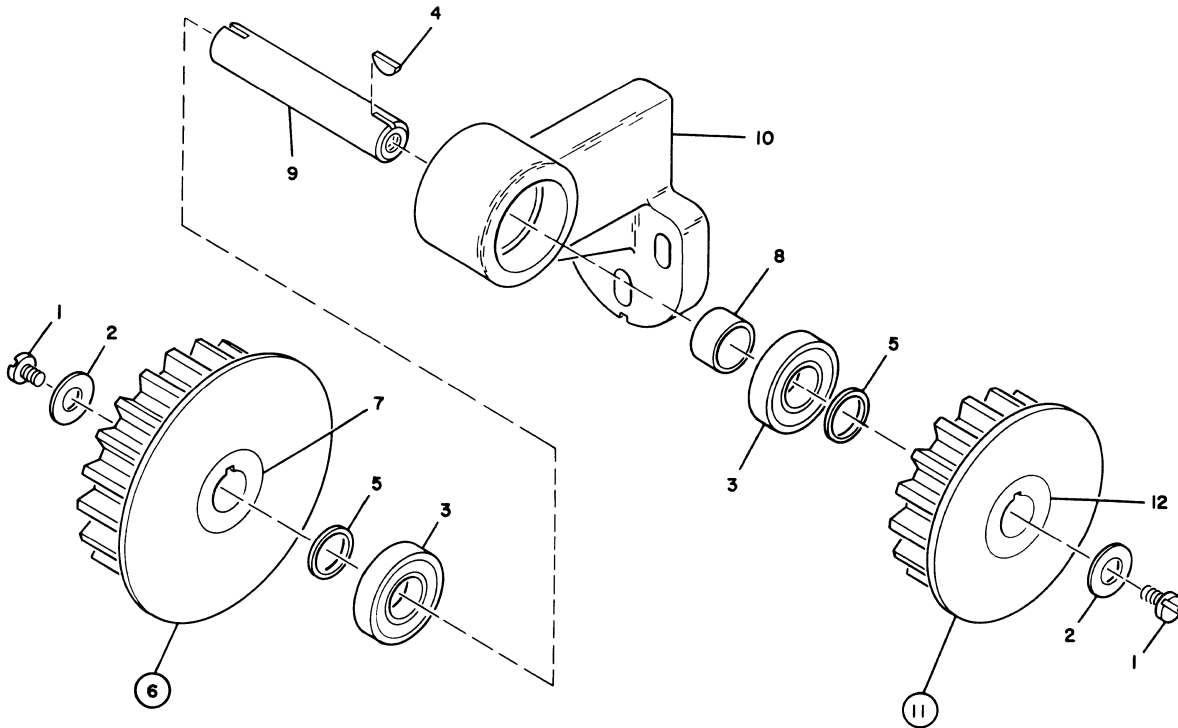


FIGURE 20. MULE HITCH IDLER INPUT ASSEMBLY. SEE LIST 20.

| LIST AND INDEX NO. | PART NO. | DESCRIPTION | | | | UNITS PER ASM. | USABLE ON CODE |
|--|----------|--|---|---|---|----------------|----------------|
| | | 1 | 2 | 3 | 4 | | |
| CARRIER AND CELL ASSEMBLY READ STATION | | | | | | | |
| 21 - | | CODE A USED ON ASM 644307 ONLY CODE B USED ON ASM 647297 ONLY | | | | | |
| - | 644307 | CARRIER AND CELL ASM-READ STATION SEE LIST 3-121 FOR NEXT HIGHER ASSEMBLY AND FIG. 21 FOR ILLUSTRATION | | | | REF | A |
| 21 - | 647297 | CARRIER AND CELL ASM-READ STATION SEE LIST 3-121 FOR NEXT HIGHER ASSEMBLY AND FIG. 21 FOR ILLUSTRATION | | | | REF | B |
| - 1 | 25627 | • SCREW,MACH-BIND HD 8-32 X 1/2 LG | | | | 1 | |
| - 2 | 34512 | • SCREW,MACH-BIND HD 8-32 X 3/8 LG | | | | 2 | |
| - 3 | 104613 | • SCREW, ALLEN CAP, 8-32 X 1/2 LG | | | | 4 | |
| - 4 | 186923 | • SCREW,CAP,SDC HD- 4-40 X 1/4 LG | | | | 2 | |
| - 5 | 257985 | • WASHER,FL-NO. 4 X 1/4 OD X 0.022 THK | | | | 2 | |
| - 6 | 438549 | • SCREW,MACH-BIND HD 4-40 X 7/16 LG | | | | 2 | |
| - 7 | 613875 | • BEARING,BALL | | | | 2 | |
| - 8 | 638028 | • SHIM-3/8 X 1-1/2 X 0.36 THK | | | | 1 | |
| - 9 | 638132 | • WASHER,FL-0.169 ID 0.625 OD X 0.0940 THK | | | | 2 | |
| - 10 | 638242 | • SPACER | | | | 2 | |
| - 11 | 638248 | • CARRIER,READ CELL | | | | 1 | |
| - 12 | 638252 | • SHAFT ASSEMBLY | | | | 1 | |
| - 13 | 638256 | • • WHEEL,EMITTER | | | | 1 | |
| - 14 | 638257 | • • SHAFT,EMITTER- | | | | 1 | |
| - 15 | 638258 | • HOUSING ASSEMBLY | | | | 1 | |
| - 16 | 638259 | • • HOUSING-EMITTER | | | | 1 | |

MOB-1351-0

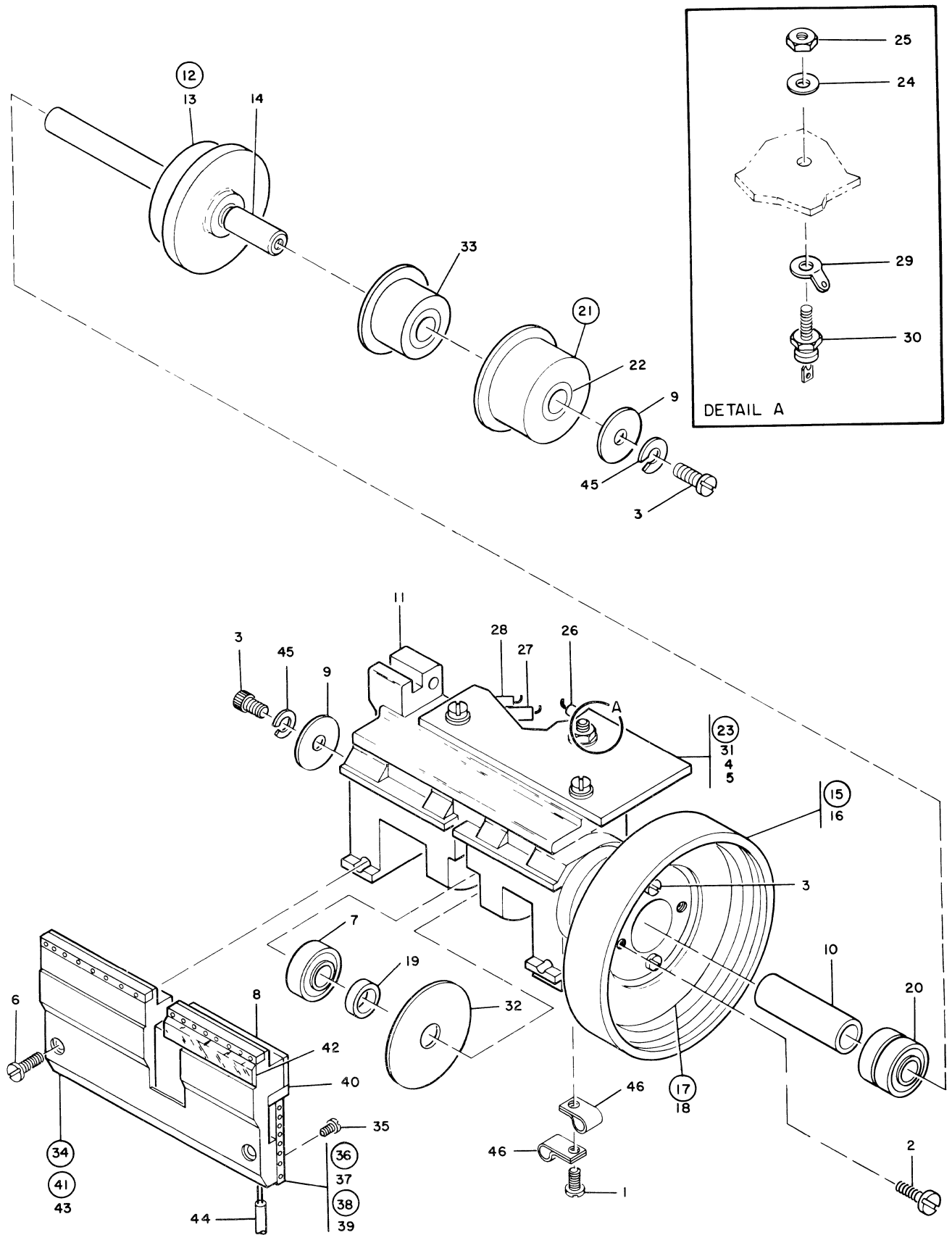


FIGURE 21. CARRIER AND CELL ASSEMBLY READ STATION. SEE LIST 21.

| LIST AND INDEX NO. | PART NO. | DESCRIPTION | | | | UNITS PER ASM. | USABLE ON CODE |
|--|----------|--|---|---|---|----------------|----------------|
| | | 1 | 2 | 3 | 4 | | |
| CARRIER AND CELL ASSEMBLY READ STATION -CONT | | | | | | | |
| 21 - 17 | 638261 | • • COIL ASSEMBLY | | | | 1 | |
| - 18 | 638262 | • • • BOBBIN | | | | 1 | |
| - 19 | 638410 | • SPACER-1/2 OD X 0.380 ID X 0.163 LG | | | | 1 | |
| - 20 | 638533 | • BEARING,BALL | | | | 1 | |
| - 21 | 638632 | • PULLEY ASM | | | | 1 | |
| - 22 | 639130 | • • INSERT,PULLEY | | | | 1 | |
| - 23 | 639215 | • CAPACITOR-RESISTOR ASSEMBLY | | | | 1 | |
| - 24 | 3550 | • • WASHER,FL- 1/4 X 9/16 OD X 0.050 THK | | | | 1 | |
| - 25 | 160017 | • • NUT,PLAIN,HEX- 1/4-28 X 7/16 FL W | | | | 1 | |
| - 26 | 216427 | • • RESISTOR,FXD,COMP-110 OHMS P/M 5% 0.250W | | | | 1 | |
| - 27 | 222069 | • • CAPACITOR,FXD,ELEC-22 UF P/M 10% 35VCDW | | | | 1 | |
| - 28 | 317082 | • • RESISTOR,FXD,COMP- 1K P/M 5% 2W | | | | 1 | |
| - 29 | 322765 | • • LUG-TERMINAL | | | | 1 | |
| - 30 | 483327 | • • SEMICONDUCTOR DEVICE,DIODE | | | | 1 | |
| - 31 | 639125 | • • CARD | | | | 1 | |
| - 32 | 639966 | • WHEEL,READ FEED | | | | 1 | |
| - 33 | 644297 | • PULLEY-TIMING BELT | | | | 1 | |
| - 34 | 644309 | • CELL ASM-READ | | | | 1 | A |
| - 34 | 647298 | • CELL ASM-READ | | | | 1 | B |
| - 35 | 438548 | • • SCREW,MACH-BIND HD 4-40 X 3/16 LG | | | | 2 | |
| - 36 | 638243 | • • CARD ASSEMBLY | | | | 1 | |
| - 37 | 363188 | • • • SEMICONDUCTOR PHOTO DEVICE,TYPE MI | | | | 12 | |
| - 38 | 639122 | • • • CARD ASM | | | | 1 | |
| - 39 | 639121 | • • • CARD-PRINTED WIRING | | | | 1 | |
| - 40 | 639096 | • • SEAL,DUST | | | | 2 | |
| - 41 | 639126 | • • COVER,CELL CARRIER | | | | 1 | |
| - 42 | 638249 | • • • WINDOW,READ CELL 0.385 OD X 4.31 LG | | | | 2 | |
| - 43 | 639127 | • • • COVER,REED CELL | | | | 1 | |
| - 44 | 644524 | • • CABLE ASM-READ STATION TO GATE A USED ON ASM 644309 ONLY | | | | 1 | |
| - 44 | 647269 | • • CABLE ASM-REAT STA TO GATE B-B1 USED ON ASM 647298 ONLY | | | | 1 | |
| - 45 | 1090873 | • WASHER,LOCK-SPLIT NO. 8 X 0.296 OD | | | | 1 | |
| - 46 | 2102364 | • CLAMP,LOOP- 0.220 ID 0.170 DIA MTG HOLE | | | | 2 | |
| POWER SUPPLY ASSEMBLY | | | | | | | |
| 21A- | | CODE A USED ON ASM 644512 ONLY | | | | | |
| - | | CODE B USED ON ASM 644515 ONLY | | | | | |
| - | 644512 | POWER SUPPLY ASM-24V AND 2.5V,60CY SEE LIST 14-92 FOR NEXT HIGHER ASSEMBLY AND FIG. 21A FOR ILLUSTRATION | | | | REF | A |
| - | 644515 | POWER SUPPLY ASM-24V AND 2.5V,50CY SEE LIST 14-92 FOR NEXT HIGHER ASSEMBLY AND FIG. 21A FOR ILLUSTRATION | | | | REF | B |
| - 1 | 337 | • SCREW,MACH-FIL H 8-32 X 3/8 LG | | | | 10 | |
| - 2 | 845 | • SCREW,MACH-FIL H 8-32 X 1/2 LG | | | | 5 | |
| - 3 | 1940 | • WASHER,FL-NO. 10 X 9/16 OD X 3/64 THK | | | | 8 | |
| - 4 | 9092 | • LOCK WASHER SPLIT NO 10, X .3370D | | | | 4 | |
| - 5 | 10170 | • SCREW,MACH-BIND HD 6-32 X 1/4 LG | | | | 9 | |
| - 6 | 11598 | • NUT PLAIN HEX 10/32 | | | | 12 | |
| - 7 | 32042 | • SCREW,MACH-BIND HD 10-32 X 3/8 LG | | | | 1 | |

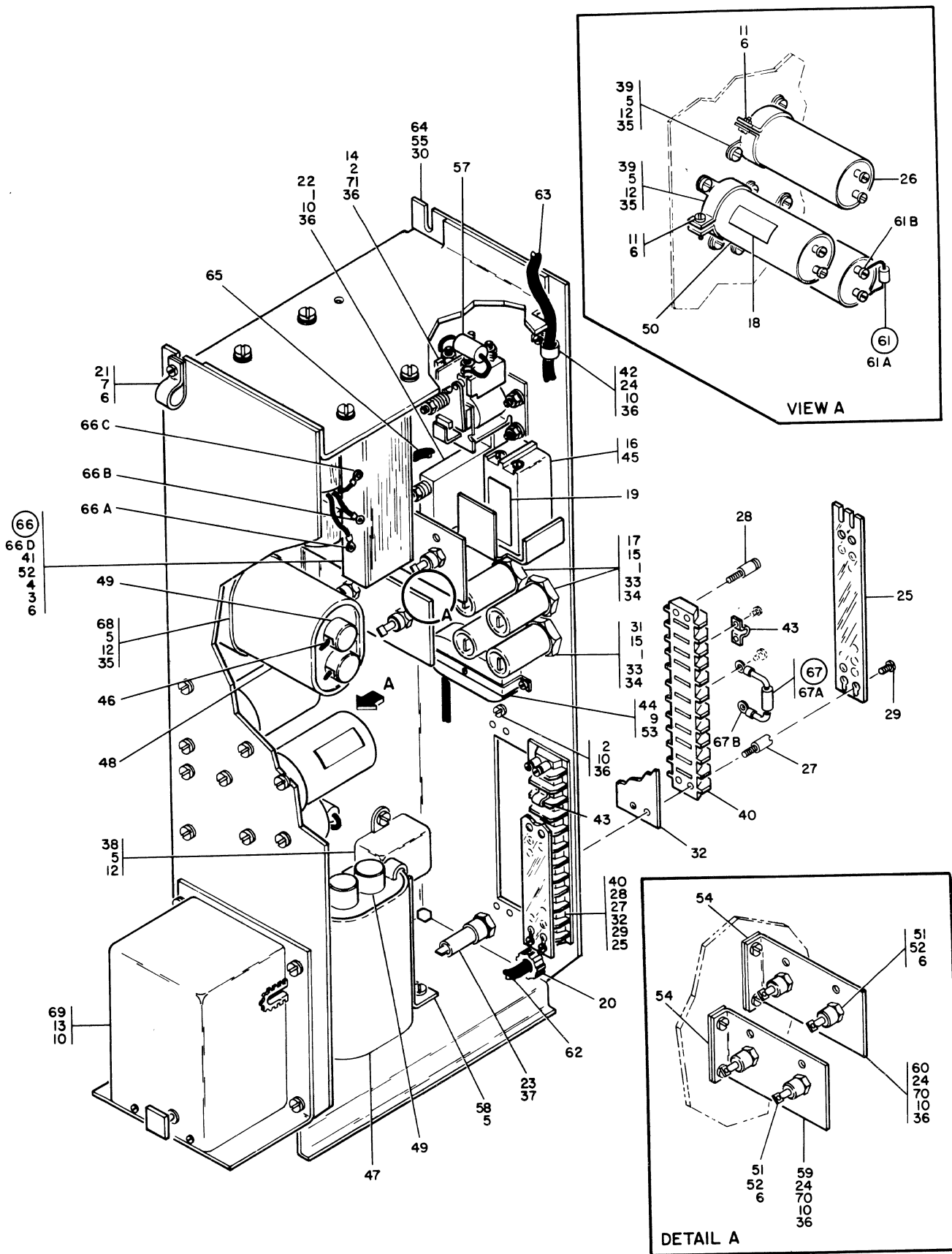


FIGURE 21A. POWER SUPPLY ASSEMBLY. SEE LIST 21A.

| LIST AND INDEX NO. | PART NO. | DESCRIPTION | | | | UNITS PER ASM. | USABLE ON CODE |
|-----------------------------|----------|--|---|---|---|----------------|----------------|
| | | 1 | 2 | 3 | 4 | | |
| POWER SUPPLY ASSEMBLY -CONT | | | | | | | |
| 21A- 9 | 35739 | • SCREW,MACH-BIND HD 6-32 X 15/16 LG | | | | 2 | |
| - 10 | 55901 | • WASHER,LOCK-EXT TEETH,NO. 8 | | | | 14 | |
| - 11 | 55918 | • SCREW,MACH-BIND HD 10-32 X 5/8 LG | | | | 3 | |
| - 12 | 56722 | • WASHER,LOCK-EXT TEETH NO. 6 X 5/16 OD | | | | 13 | |
| - 13 | 58207 | • SCREW,MACH-UNDRCT BIND HD 8-32 X 1/4 LG | | | | 4 | |
| - 14 | 76725 | • RELAY ASM,24 VOLT DC | | | | 1 | |
| | | SEE LIST 22A FOR DETAIL BREAKDOWN | | | | | |
| - 15 | 104615 | • FUSEHOLDER | | | | 4 | |
| - 16 | 109872 | • SWITCH | | | | 1 | |
| - 17 | 117403 | • FUSE | | | | 2 | |
| - 18 | 124943 | • LABEL,SAFETY | | | | 1 | |
| - 19 | 138754 | • PLATE,INST-LINE V PRESENT W/MACH PWR OFF | | | | 1 | |
| - 20 | 151598 | • ADAPTER,CABLE TO CONNECTOR | | | | 1 | |
| - 21 | 169004 | • STRAP,RETAINING-TUBE | | | | 1 | |
| - 22 | 173706 | • CAPACITOR RESISTOR- 0.5 UF 47 OHMS | | | | 1 | |
| - 23 | 179946 | • FUSEHOLDER- 1 POS 15 AMP 250V | | | | 1 | |
| - 24 | 186758 | • SCREW,MACH-BIND HD 8-32 X 7/16 LG | | | | 1 | |
| - 25 | 186943 | • SHIELD- 10 POSITION | | | | 5 | |
| - 26 | 208238 | • CAPACITOR,ELE 10,000 MFD P 100 M 10 PCT | | | | 2 | |
| - 27 | 210883 | • STUD,EXT- 6-32 INT EXT THD X 0.900 LG DA | | | | 2 | |
| - 28 | 210884 | • STUD-SHIELD | | | | 2 | |
| - 29 | 210984 | • SCREW,MACH-RH 6-32 X 1/4 LG | | | | 6 | |
| - 30 | 221790 | • SCREW,MACH-BIND HD 8-32 X 3/16 LG | | | | 2 | |
| - 31 | 228391 | • FUSE | | | | 3 | |
| - 32 | 253219 | • MARKER STRIP- 10 POS NOS. 1 THRU 10 | | | | 1 | |
| - 33 | 257079 | • INSULATOR | | | | 2 | |
| - 34 | 257080 | • INSULATOR | | | | 4 | |
| - 35 | 257187 | • NUT CABLE CLAMP MTG | | | | 4 | |
| - 36 | 257189 | • NUT,PLAIN-HEX 8-32 X 0.343 W | | | | 11 | |
| - 37 | 261853 | • FUSE,CARTRIDGE- 8 AMP 250V | | | | 13 | |
| - 38 | 312477 | • RELAY | | | | 1 | |
| - 39 | 320456 | • BRACKET-CAPACITOR MOUNTING | | | | 1 | |
| - 40 | 322767 | • TERMINAL BOARD- 10 DBL SCREW TERMINALS | | | | 3 | |
| - 41 | 332620 | • SCREW,MACH-BIND HD 10-32 X 1/2 LG | | | | 2 | |
| - 42 | 334281 | • STRAP,RETAINING-CABLE | | | | 4 | |
| - 43 | 367115 | • JUMPER-TERMINAL STRIP VDC DISTR BRS | | | | 1 | |
| - 44 | 418835 | • OUTLET-CONVENIENCE | | | | 2 | |
| - 45 | 516919 | • WASHER,LOCK-EXT TEETH 0.478 ID X 3/4 OD | | | | 1 | |
| - 46 | 517913 | • TERMINAL,QUICK DISCONNECT- 12/18AWG | | | | 1 | |
| - 47 | 524854 | • CAPACITOR | | | | 1 | B |
| - 48 | 526341 | • CAPACITOR, FIXED- 4 MFD PM 5% 330 WVDC | | | | 1 | |
| - 48 | 5247156 | • CAPACITOR 50 CYCLE | | | | 1 | A |
| - 49 | 526378 | • CAP | | | | 1 | B |
| - 50 | 598343 | • CAPACITOR,FXD,ELECT- 25000UF P150M10% 6V | | | | 4 | |
| - 51 | 598479 | • SEMICONDUCTOR DEVICE,D10- 150V 10 AMP | | | | 1 | |
| - 51 | 3008825 | • SEMICONDUCTOR DEVICE-DIODE | | | | 4 | A |
| - 52 | 600560 | • WASHER-LOCK | | | | 4 | B |
| - 53 | 610060 | • COVER-OUTLET | | | | 8 | |
| - 54 | 626587 | • INSULATOR | | | | 1 | |
| - 55 | 626775 | • COVER | | | | 2 | |
| - 57 | 639290 | • DIODE ASM | | | | 1 | |
| - 58 | 639333 | • CLAMP | | | | 1 | |
| - 59 | 642766 | • BRACKET-MTG | | | | 2 | |
| - 60 | 642767 | • BRACKET-MTG | | | | 1 | |
| - 61 | 644518 | • RESISTOR ASM-300 OHMS,5W | | | | 1 | |
| - 61A | 208287 | • RESISTOR | | | | 1 | |
| - 61B | 334932 | • TERMINAL,LUG-INS 16/22AWG NO.10 MTG HOLE | | | | 1 | |
| - 62 | 644522 | • CABLE ASM-AC INPUT | | | | 2 | |
| - 63 | 644529 | • CABLE ASM-DRIVE MOTOR | | | | 1 | |
| | | SEE LIST 26 FOR COMPONENT PARTS | | | | 1 | |

| LIST AND INDEX NO. | PART NO. | DESCRIPTION | | | | UNITS PER ASM. | USABLE ON CODE |
|-----------------------------|----------|---|---|---|---|----------------|----------------|
| | | 1 | 2 | 3 | 4 | | |
| POWER SUPPLY ASSEMBLY -CONT | | | | | | | |
| 21A- 64 | 644540 | • HOUSING-POWER SUPPLY | | | | 1 | |
| - 65 | 644544 | • CABLE ASM-AC POWER DISTRIBUTION SEE LIST 26 FOR COMPONENT PARTS | | | | 1 | |
| - 66 | 644547 | • TRANSFORMER ASM-24V,60CPS | | | | 1 | A |
| - 66 | 644548 | • TRANSFORMER ASM-24V,50CPS | | | | 1 | B |
| - 66A | 334910 | • • TERMINAL,LUG-INS 14/16AWG NO. 6 MTG HOLE | | | | 5 | |
| - 66B | 359695 | • • TERMINAL,LUG-INS 14/16AWG NO.10 MTG HOLE | | | | 2 | |
| - 66C | 517913 | • • TERMINAL,QUICK DISCONNECT- 12/18AWG | | | | 2 | |
| - 66D | 644542 | • • REGULATOR-FERRORESQUANT,50VA,60CPS USED ON ASM 644547 ONLY | | | | 1 | |
| - 66D | 644546 | • • REGULATOR-FERRORESQUANT,50VA,50CPS USED ON ASM 644548 ONLY | | | | 1 | |
| - 67 | 644556 | • RESISTOR ASM-40 OHMS,10W | | | | 1 | |
| - 67A | 194579 | • RESISTOR | | | | 1 | |
| - 67B | 334921 | • • TERMINAL,LUG-INS 16/22AWG NO. 6 MTG HOLE | | | | 2 | |
| - 68 | 737732 | • BRACKET-MTG | | | | 1 | |
| - 69 | 740540 | • POWER PAC ASM-METER | | | | 1 | A |
| - 69 | 740609 | • POWER ASSEMBLY SEE LIST 24 FOR DETAIL BREAKDOWN | | | | 1 | B |
| - 70 | 1073412 | • WASHER-INSULATOR | | | | 4 | |
| - 71 | 1090873 | • WASHER,LOCK-SPLIT NO. 8 X 0.296 OD | | | | 4 | |
| POWER BOX ASSEMBLY | | | | | | | |
| 22 - | | CODE A USED ON ASM 647230 ONLY CODE B USED ON ASM 647222 ONLY | | | | | |
| - | 647230 | POWER BOX ASM-60 CY SEE LIST 15A-93 FOR NEXT HIGHER ASSEMBLY AND FIG. 22 FOR ILLUSTRATION | | | | REF | A |
| - | 647222 | POWER BOX ASM-50 CY SEE LIST 15A-93 FOR NEXT HIGHER ASSEMBLY AND FIG. 22 FOR ILLUSTRATION | | | | REF | B |
| - 1 | 3803 | • JUMPER | | | | 1 | |
| - 2 | 5677 | • SCREW,MACH-BIND HD 10-32 X 3/4 LG | | | | 6 | |
| - 3 | 6364 | • WASHER,LOCK-SPLIT NO. 6 X 1/4 OD | | | | 2 | |
| - 4 | 9092 | • LOCK WASHER SPLIT NO 10, X .3370D | | | | 10 | |
| - 5 | 10170 | • SCREW,MACH-BIND HD 6-32 X 1/4 LG | | | | 12 | |
| - 6 | 11598 | • NUT PLAIN HEX 10/32 | | | | 10 | |
| - 7 | 22478 | • WASHER,FL- 0.170 ID 0.375 OD 0.032 THK | | | | 6 | |
| - 8 | 24752 | • SCREW,MACH-FIL H 8-32 X 5/16 LG | | | | 8 | |
| - 9 | 32042 | • SCREW,MACH-BIND HD 10-32 X 3/8 LG | | | | 4 | |
| - 10 | 34512 | • SCREW,MACH-BIND HD 8-32 X 3/8 LG | | | | 2 | |
| - 11 | 35739 | • SCREW,MACH-BIND HD 6-32 X 15/16 LG | | | | 8 | |
| - 12 | 36776 | • NUT,PLAIN,HEX- 6-32 X 5/16 FL W | | | | 4 | |
| - 13 | 38235 | • SCREW MACH 6/32 X .310 LG | | | | 3 | |
| - 14 | 52523 | • SCREW,MACH-FIL H 4-40 X 5/8 LG | | | | 1 | |
| - 15 | 55726 | • SCREW,MACH-BIND HD 6-32 X 3/16 LG | | | | 13 | |
| - 16 | 55901 | • WASHER,LOCK-EXT TEETH,NO. 8 | | | | 18 | |
| - 17 | 56722 | • WASHER,LOCK-EXT TEETH NO. 6 X 5/16 OD | | | | 2 | |
| - 18 | 58207 | • SCREW,MACH-UNDRCT BIND HD 8-32 X 1/4 LG | | | | 29 | |
| - 19 | 60646 | • WASHER,LOCK-INT TEETH NO. 8 X 0.340 OD | | | | 1 | |
| - 20 | 76725 | • RELAY ASM,24 VOLT DC SEE LIST 22A FOR DETAIL BREAKDOWN | | | | 1 | |

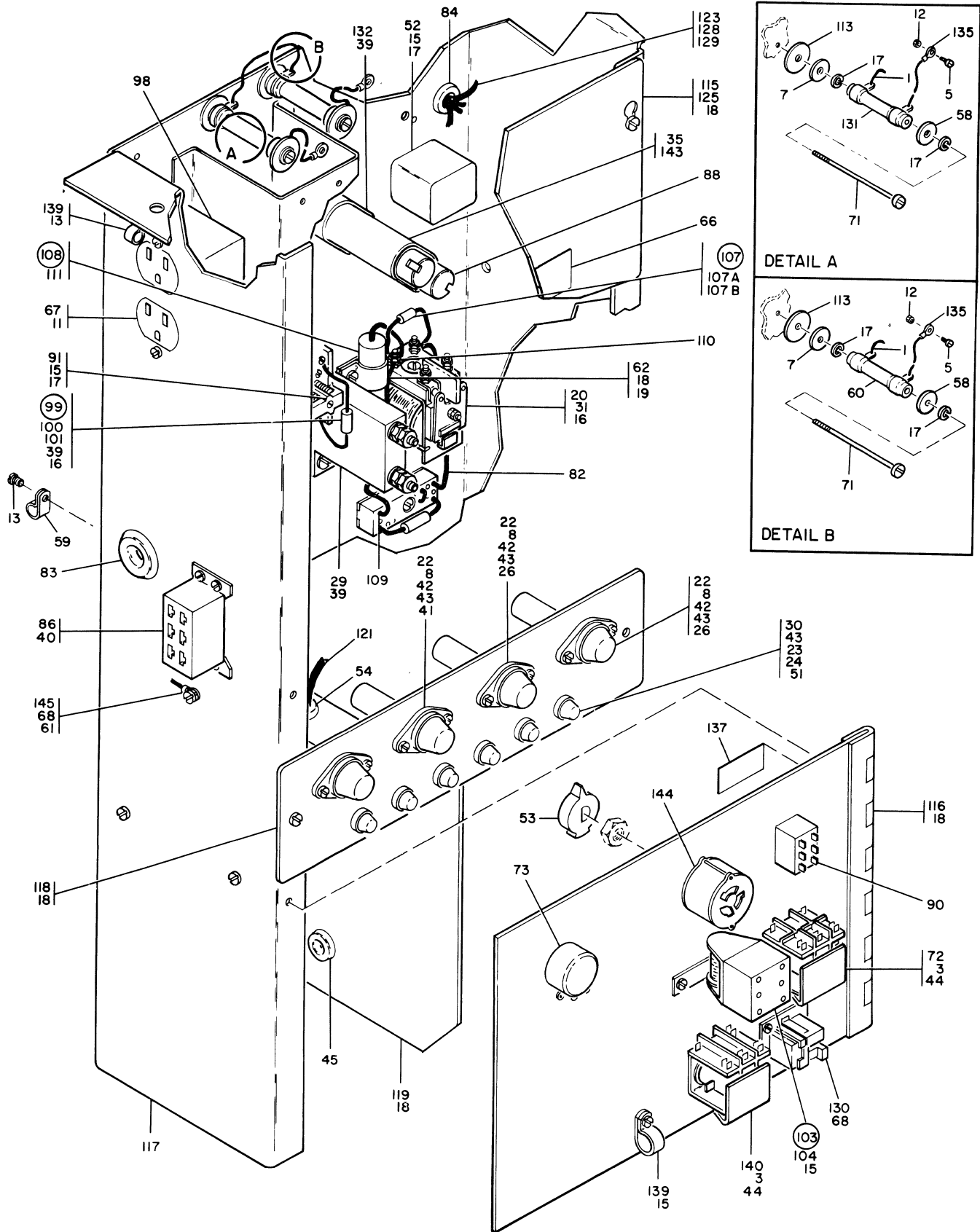


FIGURE 22. POWER BOX ASSEMBLY. SHEET 1 OF 2. SEE LIST 22.

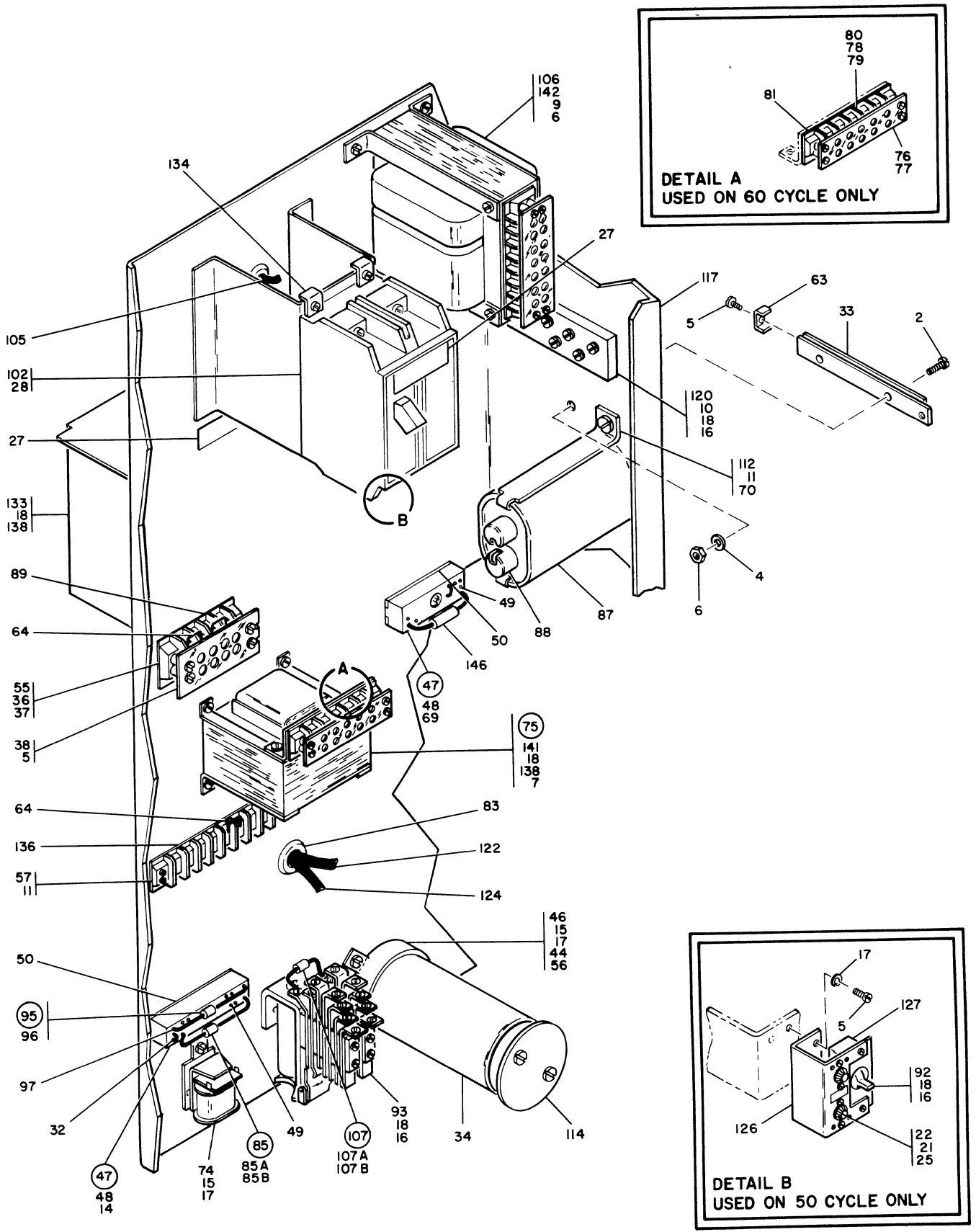


FIGURE 22. POWER BOX ASSEMBLY. SHEET 2 OF 2. SEE LIST 22.

| LIST AND INDEX NO. | PART NO. | DESCRIPTION | | | | UNITS PER ASM. | USABLE ON CODE |
|--------------------------|----------|--|---|---|---|----------------|----------------|
| | | 1 | 2 | 3 | 4 | | |
| POWER BOX ASSEMBLY -CONT | | | | | | | |
| 22 - 21 | 81693 | • SCREW,MACH-BIND HD 6-32 X 3/8 LG | | | | 4 | |
| - 22 | 104615 | • FUSEHOLDER | | | | 6 | |
| - 23 | 111257 | • FUSE,CARTRIDGE- 4 AMP 250V | | | | 2 | |
| - 24 | 111262 | • FUSE,CARTRIDGE- 3 AMP 250V | | | | 2 | |
| - 25 | 115971 | • FUSE,CARTRIDGE- 15 AMP 250V | | | | 2 | B |
| - 26 | 117403 | • FUSE | | | | 2 | |
| - 27 | 138754 | • PLATE,INST-LINE V PRESENT W/MACH PWR OFF | | | | 2 | |
| - 28 | 170226 | • SCREW,ASMD WASHER- 6-32 X 1/2 LG | | | | 4 | |
| - 29 | 173706 | • CAPACITOR RESISTOR- 0.5 UF 47 OHMS | | | | 1 | |
| - 30 | 179946 | • FUSEHOLDER- 1 POS 15 AMP 250V | | | | 6 | |
| - 31 | 186759 | • SCREW,MACH-BIND HD 8-32 X 5/16 LG | | | | 4 | |
| - 32 | 205331 | • JUMPER-RELAY GATES UNIT 1/8 BRASS | | | | 1 | |
| - 33 | 207382 | • RAIL-POWER SUPPLY MOUNTING | | | | 3 | |
| - 34 | 208227 | • CAPACITOR, ELECTROLYTIC-1000 UF 45VDC | | | | 1 | |
| - 35 | 210873 | • CAPACITOR,FXD,ELECT- 6 UF P/M6% 330V AC | | | | 1 | B |
| - 36 | 210883 | • STUD,EXT- 6-32 INT EXT THD X 0.900 LG OA | | | | 1 | |
| - 37 | 210884 | • STUD-SHIELD | | | | 3 | |
| - 38 | 210987 | • SHIELD- 4 POSITION | | | | 1 | |
| - 39 | 221790 | • SCREW,MACH-BIND HD 8-32 X 3/16 LG | | | | 6 | |
| - 40 | 251970 | • SCREW, PAN HEAD, 4-40 X 1/4 LG | | | | 2 | |
| - 41 | 252592 | • FUSE | | | | 2 | |
| - 42 | 257079 | • INSULATOR | | | | 4 | |
| - 43 | 257080 | • INSULATOR | | | | 10 | |
| - 44 | 257187 | • NUT CABLE CLAMP MTG | | | | 7 | |
| - 45 | 265059 | • GROMMET,RUB-FOR 5/8 HOLE X 1/16 PNL | | | | 1 | |
| - 46 | 301750 | • CLAMP,RETAINING-CAPACITOR | | | | 1 | |
| - 47 | 302090 | • CONNECTOR,RECP,ELEC- 24 FEMALE CCONTACTS | | | | 2 | |
| - 48 | 302088 | • . TERMINAL BOARD | | | | 1 | |
| - 49 | 302089 | • . SPRING-TERMINAL BOARD CONTACT | | | | 8 | |
| - 50 | 302131 | • STRIP-TERMINAL BLOCK INSULATOR | | | | 6 | |
| - 51 | 303679 | • FUSE,CARTRIDGE- 6 AMP 250V | | | | 2 | |
| - 52 | 312477 | • RELAY | | | | 1 | |
| - 53 | 317173 | • KNOB | | | | 1 | |
| - 54 | 317367 | • GROMMET,RUB-FOR 7/8 HOLE X 1/16 PNL | | | | 1 | |
| - 55 | 317485 | • TERMINAL BOARD- 4 DBL SCREW TERMINALS | | | | 1 | |
| - 56 | 322065 | • SCREW,MACH-BIND HD 6-32 X 5/8 LG | | | | 1 | |
| - 57 | 323839 | • TERMINAL BOARD- 12 DBL SCREW TERMINALS | | | | 1 | |
| - 58 | 325985 | • WASHER,FLAT 3/16 IDX 11/16 OD X 1/16 THK | | | | 2 | |
| - 59 | 327922 | • CLAMP, CABLE-.625 DIAMETER | | | | 2 | |
| - 60 | 337213 | • RESISTOR | | | | 1 | |
| - 61 | 338169 | • WASHER,LOCK-EXT TEETH NO. 4 X 9/32 OD | | | | 1 | |
| - 62 | 350665 | • CLAMP,CABLE | | | | 1 | |
| - 63 | 350886 | • STOP | | | | 3 | |
| - 64 | 367115 | • JUMPER-TERMINAL STRIP VDC DISTR BRS | | | | 3 | |
| - 66 | 369207 | • PLATE,INST-HAZARDOUS AREA | | | | 1 | |
| - 67 | 418835 | • OUTLET-CONVENIENCE | | | | 1 | |
| - 68 | 438548 | • SCREW,MACH-BIND HD 4-40 X 3/16 LG | | | | 3 | |
| - 69 | 438550 | • SCREW,MACH-BIND HD 4-40 X 1/2 LG | | | | 1 | |
| - 70 | 438566 | • SCREW,MACH-UNDRCT BIND HD 6-32 X 1/8 LG | | | | 2 | |
| - 71 | 438592 | • SCREW,MACH-BIND HD 8-32 X 2-1/4 LG | | | | 2 | |
| - 72 | 441091 | • RELAY,ARMATURE- 3PDT 115V AC 5 AMP | | | | 1 | |
| - 73 | 460531 | • POTENTIOMETER | | | | 1 | |
| - 74 | 471715 | • RELAY | | | | 1 | |
| - 75 | 480444 | • TRANSFORMER | | | | 1 | A |
| - 76 | 186797 | • . SHIELD- 5 POSITION | | | | 1 | |
| - 77 | 210984 | • . SCREW,MACH-RH 6-32 X 1/4 LG | | | | 1 | |
| - 78 | 210985 | • . STUD,EXT-INT 6-32 EXT 8-32 X 0.900 LG OA | | | | 1 | |
| - 79 | 210986 | • . STUD-SHIELD MOUNTING | | | | 3 | |

| LIST AND INDEX NO. | PART NO. | DESCRIPTION | UNITS PER ASM. | USABLE ON CODE |
|--------------------------|-------------|--|----------------------|----------------------|
| | | | | |
| | | POWER BOX ASSEMBLY -CONT | | |
| 22 - 80 | 2101338 | • • BLOCK | 1 | |
| - 81 | 2101358 | • • MARKER STRIP | 1 | |
| - 82 | 511522 | • JUMPER ASM | 1 | |
| - 83 | 511553 | • GROMMET,RUB-FOR 1 HOLE X 1/8 PNL | 3 | |
| - 84 | 512663 | • GROMMET,RUB-FOR 7/8 HOLE X 1/8 PNL | 1 | |
| - 85 | 518163 | • RESISTOR ASSEMBLY, 1K 1/2W | 1 | |
| - 85A | 320167 | • • TERMINAL,QUICK DISCONNECT-NONINS 16AWG | 2 | |
| - 85B | 213693 | • • RESISTOR,FXD,COMP- 1K P/M 5% 1/2W | 1 | |
| - 86 | 523269 | • INSERT,ELECTRICAL CONNECTOR- 6 POS | 1 | |
| - 87 | 524854 | • CAPACITOR | 4 | |
| - 88 | 526378 | • CAP | 1 | |
| - 89 | 527916 | • MARKER STRIP- 4 POS NOS. 1 THRU 4 | 1 | |
| - 90 | 553380 | • SWITCH,PUSH-DPDT | 2 | |
| - 91 | 588396 | • CONTACTOR, MAGNETIC 3 POLE 15 AMP | 1 | B |
| - 92 | 601421 | • SWITCH,TOGGLE-SPDT 115/600V AC 20 AMP | 1 | |
| - 93 | 609149 | • RELAY ASM-20V SEE LIST 23 FOR DETAIL BREAKDOWN | 1 | |
| - 95 | 609417 | • RESISTOR ASSEMBLY,10 OHM 1W | 1 | |
| - 96 | 308341 | • • RESISTOR,FIXED,COMPOSITION,10 OHM 1W | 2 | |
| - 97 | 320167 | • • TERMINAL,QUICK DISCONNECT-NONINS 16AWG | 1 | |
| - 98 | 610060 | • COVER-OUTLET | 1 | |
| - 99 | 630143 | • CAPACITOR ASM | 2 | |
| -100 | 92784 | • • TERMINAL,LUG-INS 18-20AWG NO.8 MTG HOLE | 1 | |
| -101 | 553400 | • • CAPACITOR-PAPER-AC | 1 | A |
| -102 | 634331 | • BREAKER-CIRCUIT | 1 | |
| -103 | 634332 | • RELAY-TIME DELAY | 2 | |
| -104 | 634403 | • • SWITCH | 1 | B |
| -105 | 634386 | • CABLE ASM SEE LIST 26 FOR COMPONENT PARTS | 1 | A |
| -106 | 634475 | • TRANSFORMER | 1 | |
| -107 | 639290 | • DIODE ASM | 2 | |
| -107A | 334921 | • • TERMINAL,LUG-INS 16/22AWG NO. 6 MTG HOLE | 1 | |
| -107B | 2111232 | • • SEMICONDUCTOR DEVICE-DIODE | 1 | |
| -108 | 369307 | • CAPACITOR ASM | 1 | |
| -109 | 360433 | • • TERMINAL,QUICK DISCONNECT- 16/18AWG | 1 | |
| -110 | 435599 | • • TERMINAL,LUG-NONINS 18AWG NO. 8 MTG SLOT | 1 | |
| -111 | 609391 | • • CAPACITOR,500MF,25V | 2 | |
| -112 | 639333 | • CLAMP | 2 | |
| -113 | 642765 | • INSULATOR | 1 | |
| -114 | 645138 | • SAFETY COVER CAP | 1 | A |
| -115 | 647231 | • COVER-POWER SEQUENCE BOX | 1 | |
| -116 | 647233 | • DOOR-POWER BOX | 1 | |
| -117 | 647234 | • BOX-POWER | 1 | |
| -118 | 647245 | • PANEL-FUSE | 1 | |
| -119 | 647249 | • SHIELD-POWER BOX | 1 | |
| -120 | 647261 | • BUS-GROUND | 1 | |
| -121 | 647272 | • CABLE ASM-AC DISTRIBUTION SEE LIST 26-23,-24,-28,-30,-31,-31A,-31C -32,-33,-35 AND -46 FOR COMPONENT PARTS | 1 | |
| -122 | 647275 | • CABLE ASM-DC POWER DISTRIBUTION SEE LIST 26-14,-17,-26A,-28,-31 AND -31C FOR COMPONENT PARTS | 1 | A |
| -123 | 647294 | • CABLE ASM-AC POWER DISTRIBUTION SEE LIST 26-31,-31A,-31C,-32,-34 AND -47 FOR COMPONENT PARTS | 1 | |
| -124 | 647299 | • CABLE ASM-MOTOR CONTROL SEE LIST 26-26,-26B AND -31A FOR COMPONENT PARTS | 1 | |

| LIST AND INDEX NO. | PART NO. | DESCRIPTION | | | | UNITS PER ASM. | USABLE ON CODE |
|--------------------------|----------|--|---|---|---|----------------|----------------|
| | | 1 | 2 | 3 | 4 | | |
| POWER BOX ASSEMBLY -CONT | | | | | | | |
| 22 -125 | 647470 | • COVER-POWER SEQUENCE BOX | | | | 1 | B |
| -126 | 647471 | • BRACKET-SWITCH MTG | | | | 1 | B |
| -127 | 647472 | • SHIELD-SWITCH | | | | 1 | B |
| -128 | 647477 | • CABLE ASM-AC DISTRIBUTION SEE LIST 26-31A,-31C,-32,-34 AND -47 FOR COMPONENT PARTS | | | | 1 | B |
| -129 | 647481 | • CABLE ASM-LINE FILTER SEE LIST 26-24A,-43,-44 AND -45 FOR COMPONENT PARTS | | | | 1 | A |
| -130 | 736650 | • RELAY-MARGINAL CHECK | | | | 1 | |
| -131 | 736651 | • RESISTOR | | | | 1 | |
| -132 | 737732 | • BRACKET-MTG | | | | 1 | |
| -133 | 740540 | • POWER PAC ASM-METER SEE LIST 24 FOR DETAIL BREAKDOWN | | | | 1 | A |
| -133 | 740609 | • POWER ASSEMBLY SEE LIST 24 FOR DETAIL BREAKDOWN | | | | 1 | B |
| -134 | 760731 | • CLAMP | | | | 4 | A |
| -135 | 767393 | • JUMPER ASM SEE LIST 26-31A FOR COMPONENT PARTS | | | | 2 | |
| -136 | 806569 | • STRIP,MARKER | | | | 1 | |
| -137 | 838017 | • DECAL | | | | 1 | |
| -138 | 1090873 | • WASHER,LOCK-SPLIT NO. 8 X 0.296 OD | | | | 1 | |
| -139 | 2102365 | • CLAMP,LOOP- 0.330 ID 0.170 DIA MTG HOLE | | | | 8 | |
| -140 | 2128689 | • RELAY,3 POLE DT 472 OHM 24 VOLT D.C.COIL | | | | 2 | |
| -141 | 4116394 | • TRANSFORMER | | | | 1 | |
| -142 | 4116467 | • TRANSFORMER-FERROREGULATOR | | | | 1 | B |
| -143 | 5240458 | • CAPACITOR,FXD,PAPER- 5UF P/M 6% 330 VAC | | | | 1 | B |
| -144 | 5263712 | • SWITCH,ROTARY- 3P 2 POSITION 1 DECK | | | | 1 | A |
| -145 | 5271288 | • TERMINAL-FIXED TAB | | | | 1 | |
| -146 | 5322302 | • RESISTOR ASM | | | | 1 | |
| 24 VOLT RELAY ASSEMBLY | | | | | | | |
| 22A- | 76725 | RELAY ASM,24 VOLT DC SEE LIST 21A-14 AND 22-20 FOR NEXT HIGHER ASSEMBLY AND FIG. 22A FOR ILLUSTRATION | | | | REF | |
| - 1 | 1431 | • SCREW,MACH-RH 8-32 X 7/16 LG | | | | 1 | |
| - 2 | 4636 | • SCREW,MACH-FL CSK HD 8-32 X 3/8 LG | | | | 1 | |
| - 3 | 22478 | • WASHER,FL- 0.170 ID 0.375 OD 0.032 THK | | | | 1 | |
| - 4 | 23815 | • NUT,PLAIN,HEX- 5-40 X 5/16 FL W | | | | 1 | |
| - 5 | 42026 | • SCREW,MACH-FH SPL 8-32 X 9/64 LG | | | | 8 | |
| - 6 | 45642 | • WASHER,FL-NO. 6 X 11/32 OD X 0.040 THK | | | | 1 | |
| - 7 | 45644 | • WASHER | | | | 2 | |
| - 8 | 60646 | • WASHER,LOCK-INT TEETH NO. 8 X 0.340 OD | | | | 4 | |
| - 9 | 72965 | • INSULATION-SCREW | | | | 1 | |
| - 10 | 73431 | • PLATE ASSEMBLY-CONTACT | | | | 1 | |
| - 11 | 76655 | • INSULATOR-ARMATURE | | | | 1 | |
| - 12 | 76659 | • TERMINAL ASSEMBLY-CONTACT AC/DC | | | | 1 | |
| - 13 | 76661 | • STOP-ARMATURE | | | | 2 | |
| - 14 | 76666 | • TERMINAL BOARD ASSEMBLY | | | | 1 | |
| - 15 | 76669 | • RELAY | | | | 1 | |
| - 16 | 76729 | • ARMATURE ASSEMBLY-RELAY DC | | | | 1 | |
| - 17 | 76845 | • SPRING,HELICAL,EXTENSION- 45-1/4 TURNS | | | | 1 | |

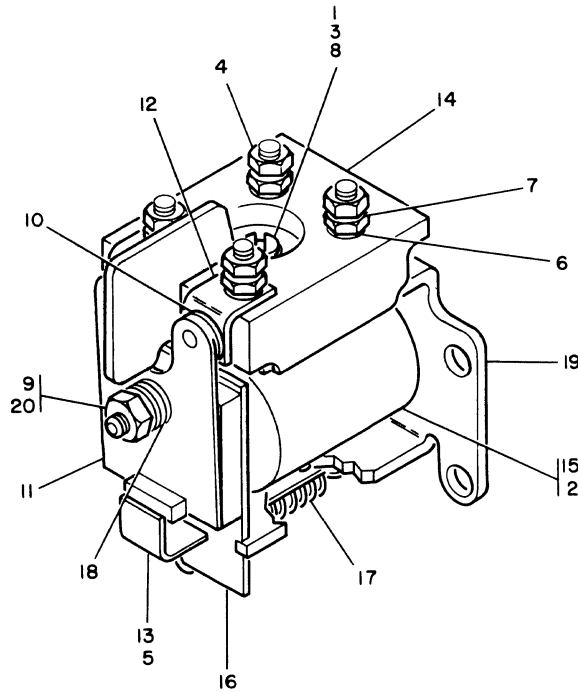


FIGURE 22A. 24 VOLT DC RELAY ASSEMBLY. SEE LIST 22A.

| LIST AND INDEX NO. | PART NO. | DESCRIPTION | | | | UNITS PER ASM. | USABLE ON CODE |
|--------------------|----------|--|---|---|---|----------------|----------------|
| | | 1 | 2 | 3 | 4 | | |
| | | 24 VOLT RELAY ASSEMBLY -CONT | | | | | |
| 22A- 18 | 83687 | | | | | 1 | |
| - 19 | 124138 | | | | | 1 | |
| - 20 | 147297 | | | | | 1 | |
| | | 20V RELAY ASSEMBLY | | | | | |
| 23 - | 609149 | RELAY ASM-20V SEE LIST 22-93 FOR NEXT HIGHER ASSEMBLY AND FIG. 23 FOR ILLUSTRATION | | | | REF | |
| - 1 | 19587 | | | | | 1 | |
| - 2 | 105826 | | | | | 2 | |
| - 3 | 105832 | | | | | 2 | |
| - 4 | 105835 | | | | | 2 | |
| - 5 | 107177 | | | | | 1 | |
| - 6 | 115552 | | | | | 1 | |

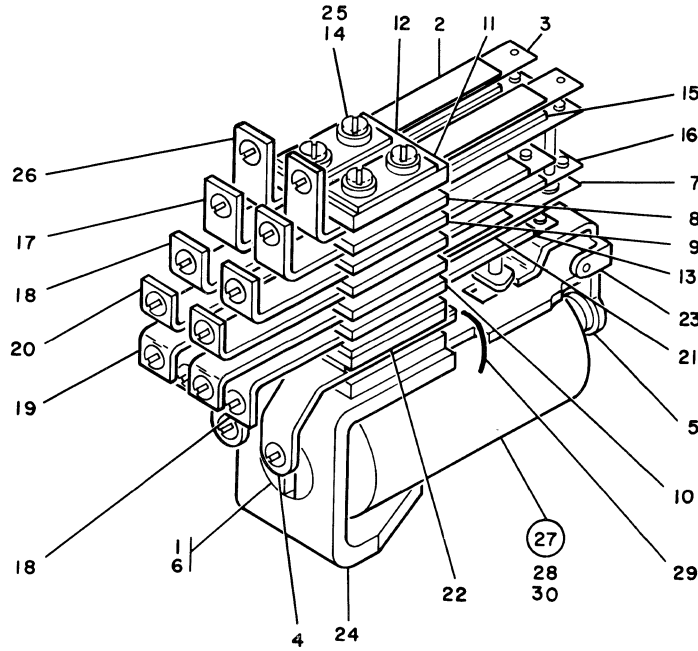


FIGURE 23. 20V RELAY ASSEMBLY. SEE LIST 23.

| LIST AND INDEX NO. | PART NO. | DESCRIPTION | | | | UNITS PER ASM. | USABLE ON CODE |
|--------------------------|----------|-------------|---|---|---|----------------|----------------|
| | | 1 | 2 | 3 | 4 | | |
| 20V RELAY ASSEMBLY -CONT | | | | | | | |
| 23 - 7 | 120837 | | | | | | |
| - 8 | 120924 | | | | | 2 | |
| - 9 | 120925 | | | | | 3 | |
| - 10 | 120926 | | | | | 1 | |
| - 11 | 120942 | | | | | 2 | |
| - 12 | 121011 | | | | | 2 | |
| - 13 | 121839 | | | | | 2 | |
| - 14 | 122311 | | | | | 2 | |
| - 15 | 125872 | | | | | 2 | |
| - 16 | 125877 | | | | | 2 | |
| - 17 | 141964 | | | | | 6 | |
| - 18 | 141967 | | | | | 2 | |
| - 19 | 141969 | | | | | 4 | |
| - 20 | 141971 | | | | | 2 | |
| - 21 | 141981 | | | | | 2 | |
| - 22 | 156909 | | | | | 2 | |
| - 23 | 165594 | | | | | 2 | |
| - 24 | 165595 | | | | | 1 | |
| - 25 | 173218 | | | | | 2 | |

| LIST AND INDEX NO. | PART NO. | DESCRIPTION 1 2 3 4 | UNITS PER ASM. | USABLE ON CODE |
|--------------------------|----------|---|----------------|----------------|
| 20V RELAY ASSEMBLY -CONT | | | | |
| 23 - 26 | 189844 | • TERMINAL ASSEMBLY-CONTACT | 2 | |
| - 27 | 609151 | • COIL CORE AND CLIP ASM | 1 | |
| - 28 | 2865 | • • CORE,ELECTROMAGNET | 1 | |
| - 29 | 103670 | • • TERMINAL,LUG-NONINS 24AWG 2 MTG SLOTS | 2 | |
| - 30 | 609150 | • • CORE | 1 | |
| METER POWER PAC ASSEMBLY | | | | |
| 24 - | | CODE A USED ON ASM 740540 ONLY CODE B USED ON ASM 740609 ONLY | | |
| - | 740540 | POWER PAC ASM-METER SEE LIST 21A-69 AND 22-133 FOR NEXT HIGHER ASSEMBLY AND FIG. 24 FOR ILLUSTRATION | REF | A |
| - | 740609 | POWER ASSEMBLY SEE LIST 21A-69 AND 22-133 FOR NEXT HIGHER ASSEMBLY AND FIG. 24 FOR ILLUSTRATION | REF | B |
| - 1 | 10170 | • SCREW,MACH-BIND HD 6-32 X 1/4 LG | 2 | |
| - 2 | 56722 | • WASHER,LOCK-EXT TEETH NO. 6 X 5/16 OD | 1 | |
| - 3 | 81693 | • SCREW,MACH-BIND HD 6-32 X 3/8 LG | 2 | |
| - 4 | 104294 | • CLAMP | 1 | |
| - 5 | 170202 | • SCREW | 5 | |
| - 6 | 210883 | • STUD,EXT- 6-32 INT EXT THD X 0.900 LG OA | 1 | |
| - 7 | 210884 | • STUD-SHIELD | 3 | |
| - 8 | 216362 | • CLAMP-CABLE | 1 | |
| - 9 | 257187 | • NUT CABLE CLAMP MTG | 1 | |
| - 10 | 317310 | • TERMINAL BOARD- 5 DBL SCREW TERMINALS | 1 | |
| - 11 | 372688 | • CARD ASSEMBLY | 1 | |
| - 12 | 740489 | • RETAINER | 1 | |
| - 13 | 740491 | • CLIP-LOCK | 1 | |
| - 14 | 740550 | • JUMPER ASSEMBLY-2.50 IN. SEE LIST 26 FOR COMPONENT PARTS | AR | |
| - 15 | 740554 | • STRIP-MARKER | 1 | |
| - 16 | 740560 | • TRANSFORMER ASSEMBLY | 1 | A |
| - 16 | 740562 | • TRANSFORMER | 1 | B |
| - 17 | 740563 | • BASE | 1 | |
| - 18 | 740564 | • COVER-POWER PAC | 1 | |
| - 19 | 740571 | • GROMMET | 2 | |
| - 20 | 740606 | • SCREW | 1 | |
| - 21 | 741129 | • SHIELD ASSEMBLY | 1 | |
| - 22 | 124943 | • • LABEL,SAFETY | 1 | |
| - 23 | 474644 | • • SHIELD | 1 | |

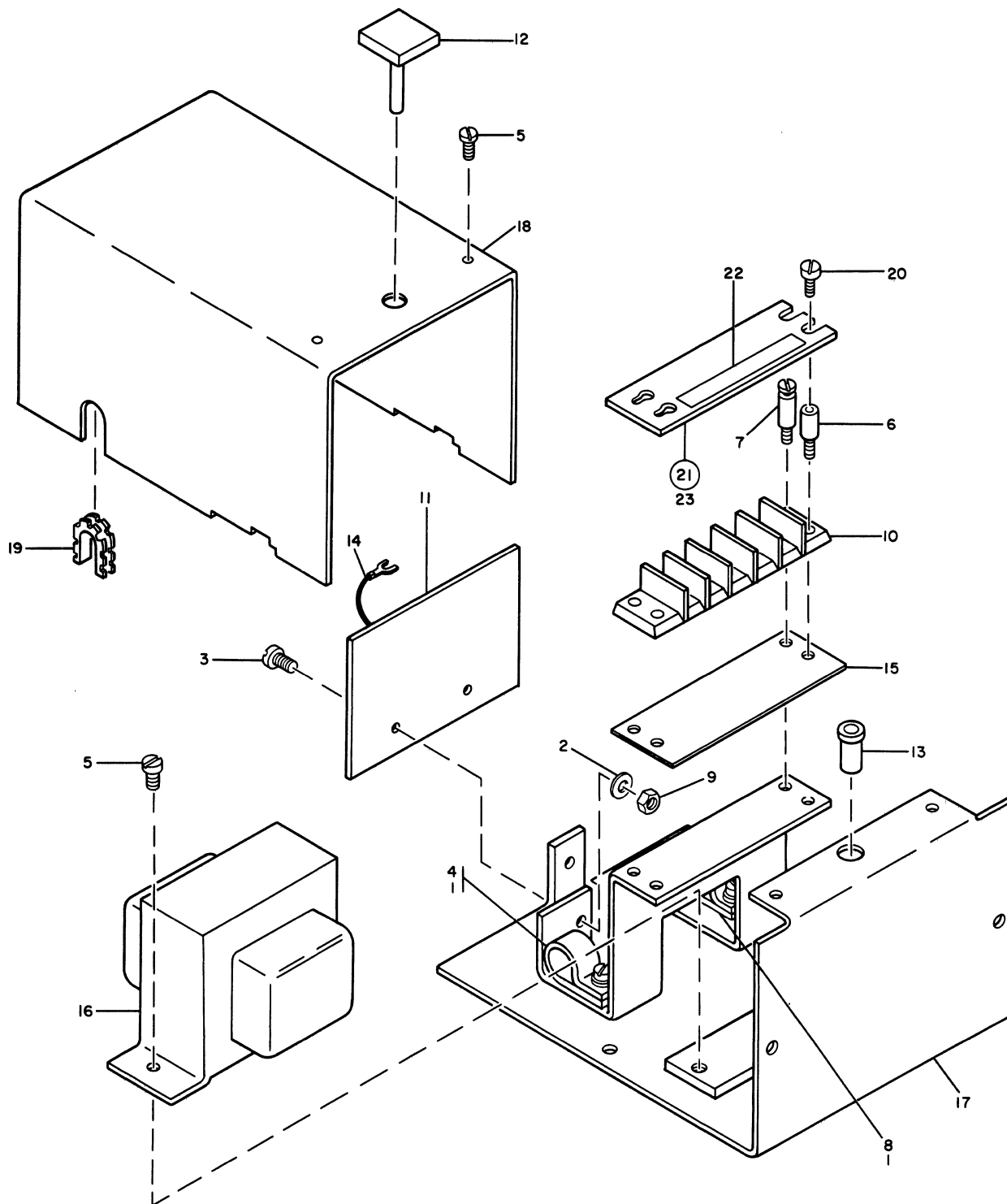


FIGURE 24. METER POWER PAC ASSEMBLY. SEE LIST 24.

| LIST AND INDEX NO. | PART NO. | DESCRIPTION | | | | UNITS PER ASM. | USABLE ON CODE |
|--------------------|----------|---|---|---|---|----------------|----------------|
| | | 1 | 2 | 3 | 4 | | |
| | | POWER SUPPLY ASSEMBLY | | | | | |
| 25 - | | CODE A USED ON ASM 5261810 ONLY CODE B USED ON ASM 5261990 ONLY | | | | | |
| - | 5261810 | POWER SUPPLY ASSEMBLY SEE LIST 15A-96 FOR NEXT HIGHER ASSEMBLY AND FIG. 25 FOR ILLUSTRATION | | | | REF | A |
| - | 5261990 | POWER SUPPLY ASSEMBLY SEE LIST 15A-96 FOR NEXT HIGHER ASSEMBLY AND FIG. 25 FOR ILLUSTRATION | | | | REF | B |
| - 1 | 3550 | • WASHER,FL- 1/4 X 9/16 OD X 0.050 THK | | | | 6 | |
| - 2 | 11598 | • NUT PLAIN HEX 10/32 | | | | 4 | |
| - 3 | 22478 | • WASHER,FL- 0.170 ID 0.375 OD 0.032 THK | | | | 2 | |
| - 4 | 25627 | • SCREW,MACH-BIND HD 8-32 X 1/2 LG | | | | 2 | |
| - 5 | 25891 | • SCREW,MACH-FL CSK HD 10-32 X 1/2 LG | | | | 4 | |
| - 6 | 32042 | • SCREW,MACH-BIND HD 10-32 X 3/8 LG | | | | 6 | |
| - 7 | 35739 | • SCREW,MACH-BIND HD 6-32 X 15/16 LG | | | | 1 | |
| - 8 | 38051 | • NUT,PLAIN,HEX- 6-32 X 1/4 FL W | | | | 1 | |
| - 9 | 45690 | • WASHER FLAT NO 10 X .438 OD X .031 THK | | | | 2 | |
| - 10 | 55901 | • WASHER,LOCK-EXT TEETH,NO. 8 | | | | 1 | |
| - 11 | 56079 | • WASHER,LOCK-EXT TEETH NO. 10 X 0.410 OD | | | | 4 | |
| - 12 | 56722 | • WASHER,LOCK-EXT TEETH NO. 6 X 5/16 OD | | | | 1 | |
| - 13 | 58207 | • SCREW,MACH-UNDRCT BIND HD 8-32 X 1/4 LG | | | | 2 | |
| - 14 | 160017 | • NUT,PLAIN,HEX- 1/4-28 X 7/16 FL W | | | | 2 | |
| - 15 | 187491 | • SHIELD,10 POSITION 15AMP | | | | 2 | A |
| - 15 | 187736 | • SHIELD,9 POSITION | | | | 2 | B |
| - 16 | 207344 | • SEMICONDUCTOR DEVICE,D10- 100V 30 AMP | | | | 2 | |
| - 17 | 210984 | • SCREW,MACH-RH 6-32 X 1/4 LG | | | | 2 | |
| - 18 | 217017 | • WASHER-INSULATING | | | | 4 | |
| - 19 | 223355 | • CAPACITOR,18 MF P/M 51 300 VAC | | | | 1 | A |
| - 19 | 477202 | • CAPACITOR,15MFD P/M 6 PCT 330V AC | | | | 1 | B |
| - 20 | 257189 | • NUT,PLAIN-HEX 8-32 X 0.343 W | | | | 1 | |
| - 21 | 322765 | • LUG-TERMINAL | | | | 2 | |
| - 22 | 334910 | • TERMINAL,LUG-INS 14/16AWG NO. 6 MTG HOLE | | | | 15 | |
| - 23 | 359695 | • TERMINAL,LUG-INS 14/16AWG NO.10 MTG HOLE | | | | 16 | |
| - 24 | 438548 | • SCREW,MACH-BIND HD 4-40 X 3/16 LG | | | | 6 | |
| - 25 | 473592 | • INSULATOR | | | | 2 | |
| - 26 | 524928 | • BRACKET,CAPACITOR MTG | | | | 2 | |
| - 27 | 526378 | • CAP | | | | 2 | |
| - 28 | 597918 | • STUD | | | | 1 | |
| - 29 | 801652 | • LABEL | | | | 1 | A |
| - 29 | 5240513 | • LABEL | | | | 1 | B |
| - 30 | 5240459 | • RESISTOR,FIXED 250HM 25WATT | | | | 1 | |
| - 31 | 5247061 | • SHIELD,CAPACITOR | | | | 1 | |
| - 32 | 5247111 | • JUMPER,TERMINAL,METAL | | | | 1 | |
| - 33 | 5253844 | • SPACER | | | | 2 | |
| - 34 | 5261811 | • CHASSIS | | | | 1 | |
| - 35 | 5261812 | • BRACKET,MTG | | | | 1 | |
| - 36 | 5261813 | • CLAMP | | | | 1 | |
| - 37 | 5261814 | • REGULATOR,FERRORESONANT,60CPS | | | | 1 | A |
| - 37 | 5261988 | • REGULATOR,FERRORESONANT,50CPS | | | | 1 | B |
| - 38 | 210883 | • • STUD,EXT- 6-32 INT EXT THD X 0.900 LG OA | | | | 2 | |
| - 39 | 210884 | • • STUD-SHIELD | | | | 6 | |
| - 40 | 522849 | • • STRIP,MARKER | | | | 2 | |
| - 40 | 2100195 | • • STRIP,MARKER USED ON ASM 5261988 | | | | 2 | |
| - 41 | 522850 | • • TERMINAL BOARD-W/BARR 10DBL SCREW TERM USED ON ASM 5261988 | | | | 2 | |
| - 41 | 2100194 | • • STRIP,TERMINAL USED ON ASM 5261814 | | | | 2 | |

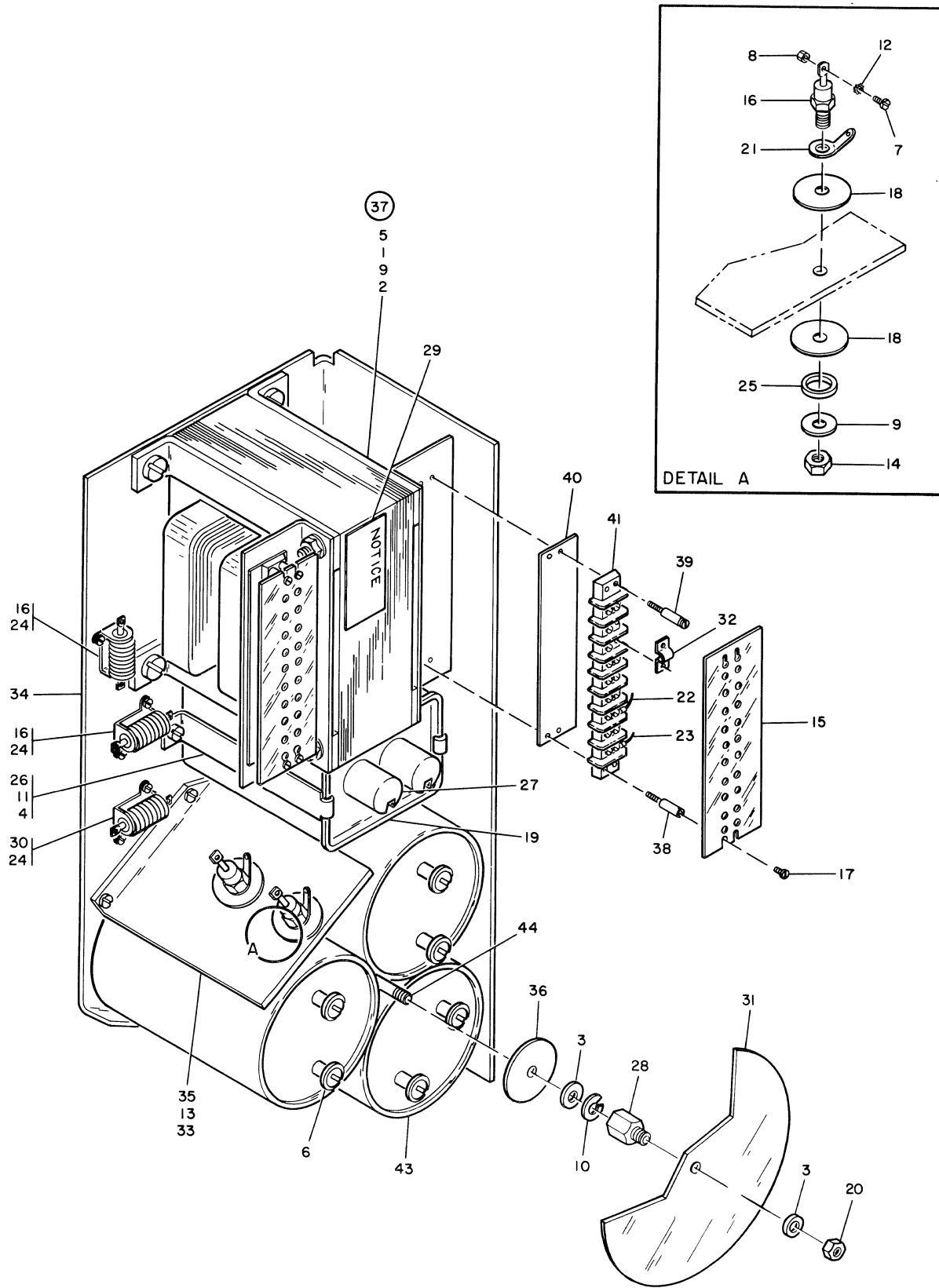


FIGURE 25. POWER SUPPLY ASSEMBLY. SEE LIST 25.

| LIST AND INDEX NO. | PART NO. | DESCRIPTION | UNITS PER ASM. | USABLE ON CODE |
|--------------------|----------|---|----------------|----------------|
| | | 1 2 3 4 | | |
| | | POWER SUPPLY ASSEMBLY -CONT | | |
| 25 - 42 | 5261815 | • RESISTOR,100HMS,25W | 2 | |
| - 43 | 5261825 | • CAPACITOR,7K MFD,13VDC | 3 | |
| - 44 | 5261951 | • SCREW,FLATHEAD,NO 8-32 | 1 | |
| | | CABLE AND JUMPER ASSEMBLY COMPONENT PARTS | | |
| 26 - | NO NO. | COMPONENT PARTS, CABLE AND JUMPER ASM SEE FIG. 26 FOR ILLUSTRATION | REF | |
| - 1 | 639185 | • ADAPTOR-CONNECTOR | AR | |
| - 2 | 638031 | • STRAIN,RELIEF-104 POS | AR | |
| - 3 | 738256 | • BLOCK-STRAIN RELIEF,2 MODULE | AR | |
| - 4 | 811751 | • BLOCK,STRAIN RELIEF | AR | |
| - 5 | 813803 | • BLOCK,STRAIN RELIEF | AR | |
| - 6 | 813804 | • BLOCK,STRAIN RELIEF | AR | |
| - 7 | 5352960 | • STRAIN RELIEF-COAX | AR | |
| - 7A | 5352967 | • RELIEF-STRAIN | AR | |
| - 8 | 5800610 | • CARD ASM | AR | |
| - 8A | 5800620 | • CARD ASSEMBLY | AR | |
| - 8B | 5800621 | • CARD ASM | AR | |
| - 8C | 5800634 | • CARD ASM | AR | |
| - 8D | 5800650 | • CARD ASM | AR | |
| - 8E | 5800652 | • CARD ASM | AR | |
| - 8F | 5800660 | • CARD ASM | AR | |
| - 9 | 644058 | • CLAMP-CABLE | AR | |
| - 10 | 738198 | • CLIP | AR | |
| - 11 | 738195 | • CONNECTOR | AR | |
| - 12 | 740549 | • CONNECTOR-FEMALE,104 POS | AR | |
| - 13 | 811494 | • COVER, CROSS OVER HOUSING | AR | |
| - 14 | 813549 | • COVER | AR | |
| - 15 | 811802 | • GUIDE | AR | |
| - 16 | 811486 | • HOUSING-VOLTAGE CROSSOVER | AR | |
| - 17 | 813550 | • HOUSING | AR | |
| - 18 | 811825 | • LABEL-CABLE | AR | |
| - 19 | 738259 | • MODULE | AR | |
| - 20 | 740617 | • PIN-GUIDE ASM | AR | |
| - 21 | 738199 | • RETAINER-2 BLOCK | AR | |
| - 22 | 740576 | • SOCKET | AR | |
| - 23 | 761345 | • THERMOSWITCH | AR | |
| - 24 | 92784 | • TERMINAL,LUG-INS 18-20AWG NO.8 MTG HOLE | AR | |
| - 24A | 2101326 | • TERMINAL,LUG-INS 10/12AWG NO.10 MTG HOLE | AR | |
| - 25 | 186962 | • TERMINAL-RING,6 STUD | AR | |
| - 26 | 187243 | • TERMINAL,LUG-TAPER 20/24AWG 9/16 LG OA | AR | |
| - 26A | 360433 | • TERMINAL,QUICK DISCONNECT- 16/18AWG | AR | |
| - 27 | 253453 | • TERMINAL-RING TONGUE | AR | |
| - 28 | 253740 | • TERMINAL,LUG-INS 10-12AWG NO.6 MTG HOLE | AR | |
| - 29 | 313361 | • TERMINAL,LUG-NONINS 20AWG NO.4 MTG SLOT | AR | |
| - 30 | 322025 | • TERMINAL,LUG-INS 14/16AWG 1/4 MTG HOLE | AR | |
| - 31 | 334910 | • TERMINAL,LUG-INS 14/16AWG NO. 6 MTG HOLE | AR | |
| - 31A | 334921 | • TERMINAL,LUG-INS 16/22AWG NO. 6 MTG HOLE | AR | |
| - 31B | 334932 | • TERMINAL,LUG-INS 16/22AWG NO.10 MTG HOLE | AR | |
| - 31C | 360370 | • TERMINAL,LUG | AR | |
| - 32 | 359695 | • TERMINAL,LUG-INS 14/16AWG NO.10 MTG HOLE | AR | |
| - 33 | 523267 | • TERMINAL,QUICK DISCONNECT- 14/18AWG | AR | |
| - 34 | 813195 | • TERMINAL-DISCRETE WIRE | AR | |

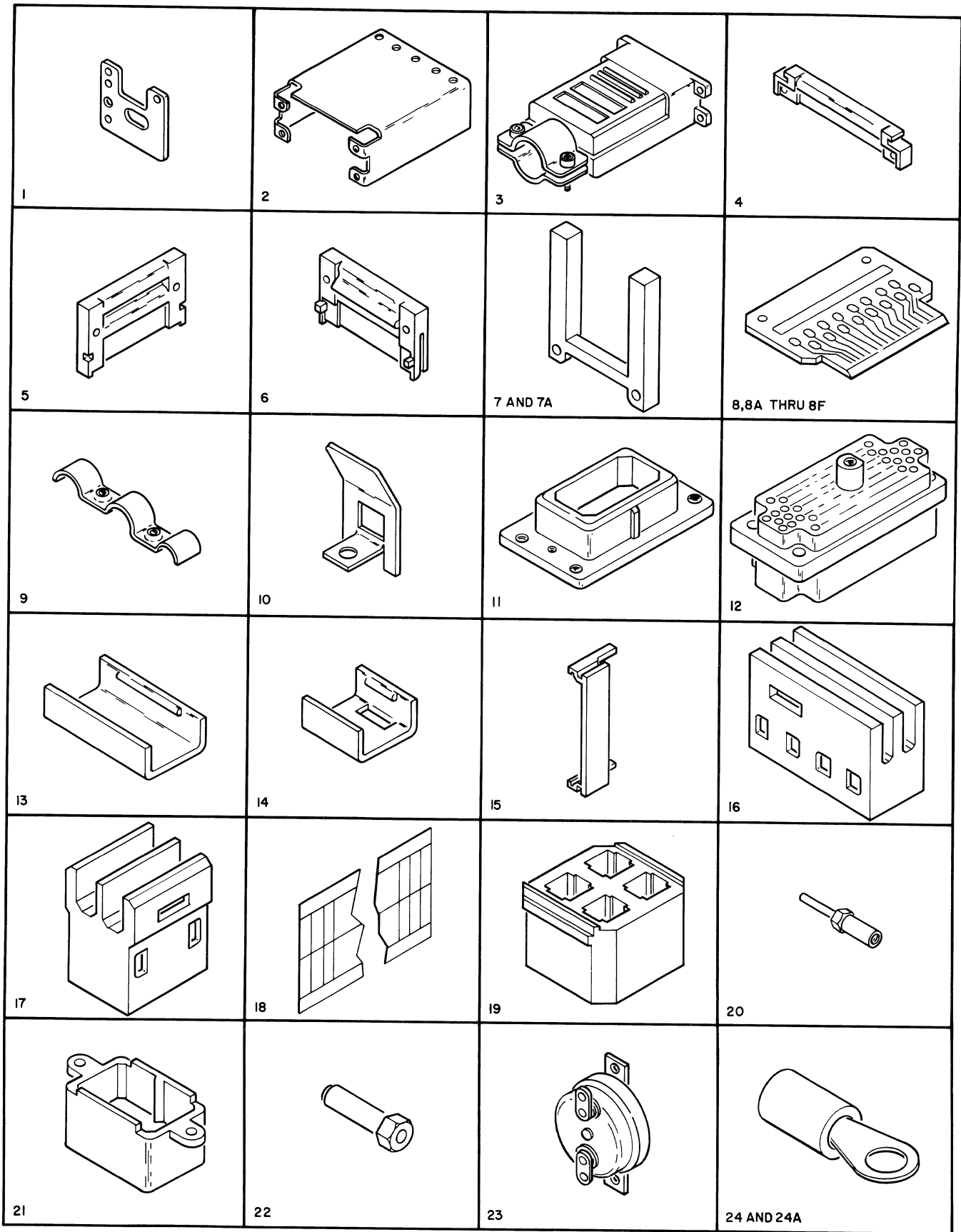


FIGURE 26. CABLE AND JUMPER ASSEMBLY COMPONENT PARTS. SHEET 1 OF 2. SEE LIST 26.

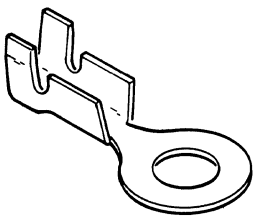
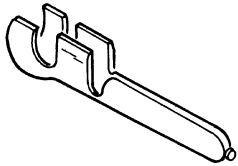
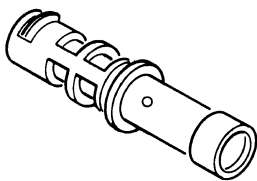
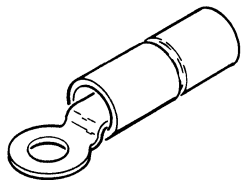
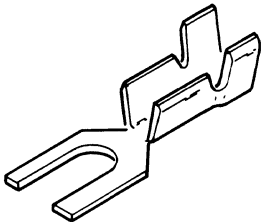


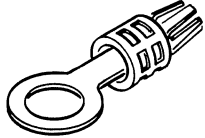
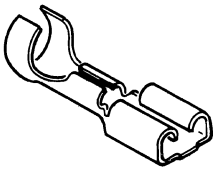
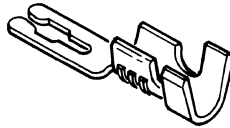
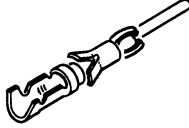
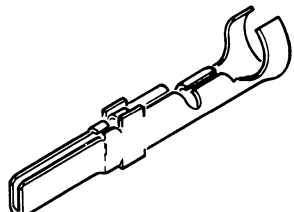
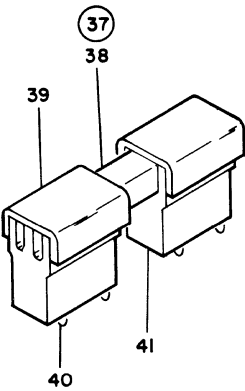
| | | | | | |
|---|---|--|---|--|--|
|  <p>25</p> |  <p>26 AND 26A</p> |  <p>27</p> |  <p>28</p> | | |
|  <p>29</p> |  <p>30</p> |  <p>31, 31A THRU 31C</p> |  <p>32</p> | | |
|  <p>33</p> |  <p>34</p> |  <p>35 AND 35A</p> |  <p>36</p> | | |
|  <p>37 38 39 40 41</p> | | | | | |
| | | | | | |

FIGURE 26. CABLE AND JUMPER ASSEMBLY COMPONENT PARTS. SHEET 2 OF 2. SEE LIST 26.

| LIST AND INDEX NO. | PART NO. | DESCRIPTION | UNITS PER ASM. | USABLE ON CODE |
|---|----------|---|----------------|----------------|
| CABLE AND JUMPER ASSEMBLY COMPONENT PARTS -CONT | | | | |
| 26 - 35 | 2122260 | • PIN-CONTACT,AWG 18-16 | | |
| - 35A | 2127867 | • PIN-CONTACT AWG 26-24 | AR | |
| - 36 | 2192502 | • TERMINAL | AR | |
| - 37 | 813263 | • BUS ASM-MINATURE,2 POS | AR | |
| - 38 | 813253 | • • BUS-2 POS | AR | |
| - 39 | 813549 | • • COVER | 1 | |
| - 40 | 813681 | • • CONTACT | 2 | |
| - 41 | 813703 | • • HOUSING | 4 | |
| - 42 | 5353922 | • CLAMP | 2 | |
| - 43 | 2100264 | • RELIEF,CABLE STRAIN | AR | |
| - 44 | 2162457 | • CLAMP, CABLE | AR | |
| - 45 | 647487 | • CONNECTOR | AR | |
| - 46 | 368222 | • TERMINAL,LUG-INS 14-16AWG NO.8 MTG SLOT | AR | |
| - 47 | 517913 | • TERMINAL,QUICK DISCONNECT- 12/18AWG | AR | |
| - 48 | 2122258 | • PIN-CONTACT MALE 20/22AWG | AR | |
| | | ITEMS 42 THRU 48 NOT ILLUSTRATED | | |

NUMERICAL INDEX

| PART NO. | SECTION, LIST AND INDEX NO. |
|----------|-----------------------------|
| 99 | 1- 14 - 1 |
| 232 | 1- 5 - 1 |
| 266 | 1- 15A- 1 |
| | 1- 15C- 1 |
| 337 | 1- 21A- 1 |
| 632 | 1- 13 - 5 |
| 845 | 1- 21A- 2 |
| 1431 | 1- 22A- 1 |
| 1940 | 1- 21A- 3 |
| 2031 | 1- 15B- 1 |
| | 1- 15C- 2 |
| 2179 | 1- 5 - 2 |
| 2863 | 1- 14 - 78 |
| 2865 | 1- 23 - 28 |
| 3550 | 1- 2 - 1 |
| | 1- 3 - 1 |
| | 1- 5 - 3 |
| | 1- 21 - 24 |
| | 1- 25 - 1 |
| 3803 | 1- 22 - 1 |
| 3916 | 1- 5 - 4 |
| 3960 | 1- 2 - 2 |
| | 1- 14 - 2 |
| 4327 | 1- 9 - 10 |
| 4569 | 1- 2 - 3 |
| 4636 | 1- 22A- 2 |
| 4701 | 1- 3 - 2 |
| 5528 | 1- 3 - 3 |
| | 1- 5 - 5 |
| | 1- 11 - 1 |
| 5677 | 1- 3 - 4 |
| | 1- 14 - 72A |
| | 1- 15A- 82 |
| | 1- 22 - 2 |
| 6364 | 1- 2 - 4 |
| | 1- 5 - 6 |
| | 1- 5 - 64 |
| | 1- 9 - 1 |
| | 1- 14 - 86 |
| | 1- 22 - 3 |
| 6935 | 1- 2 - 5 |
| | 1- 5 - 7 |
| 9092 | 1- 2 - 6 |
| | 1- 5 - 8 |
| | 1- 6 - 1 |
| | 1- 14 - 3 |
| | 1- 15 - 1 |
| | 1- 21A- 4 |
| | 1- 22 - 4 |
| 10170 | 1- 2 - 7 |
| | 1- 2 - 46 |
| | 1- 3 - 5 |
| | 1- 5 - 9 |
| | 1- 7 - 1 |
| | 1- 9 - 2 |
| | 1- 11 - 2 |
| | 1- 12 - 1 |
| | 1- 14 - 4 |
| | 1- 15 - 2 |
| | 1- 15A- 2 |

| PART NO. | SECTION, LIST AND INDEX NO. |
|------------|-----------------------------|
| 10170-CONT | 1- 15B- 2 |
| | 1- 15C- 3 |
| | 1- 21A- 5 |
| | 1- 22 - 5 |
| | 1- 24 - 1 |
| 11598 | 1- 2 - 8 |
| | 1- 6 - 2 |
| | 1- 11 - 3 |
| | 1- 14 - 5 |
| | 1- 14 - 72B |
| | 1- 15 - 3 |
| | 1- 15A- 3 |
| | 1- 15A- 83 |
| | 1- 15C- 4 |
| | 1- 21A- 6 |
| | 1- 22 - 6 |
| | 1- 25 - 2 |
| | 1- 2 - 8A |
| 12194 | 1- 5 -155 |
| 12552 | 1- 3 - 6 |
| 12954 | 1- 23 - 1 |
| 19587 | 1- 3 - 7 |
| 19944 | 1- 2 - 79 |
| 20243 | 1- 5 - 10 |
| 22066 | 1- 0 - 4 |
| 22478 | 1- 2 - 9 |
| | 1- 2 - 94 |
| | 1- 3 - 8 |
| | 1- 4 - 1 |
| | 1- 5 - 11 |
| | 1- 11 - 4 |
| | 1- 22 - 7 |
| | 1- 22A- 3 |
| | 1- 25 - 3 |
| 22547 | 1- 5 -112 |
| 22867 | 1- 5 -156 |
| 23141 | 1- 2 - 9A |
| | 1- 11 - 5 |
| 23815 | 1- 22A- 4 |
| 24752 | 1- 22 - 8 |
| 25627 | 1- 0 - 5 |
| | 1- 2 - 95 |
| | 1- 12 - 2 |
| | 1- 13 - 1 |
| | 1- 15 - 4 |
| | 1- 21 - 1 |
| | 1- 25 - 4 |
| | 1- 25 - 5 |
| 25891 | 1- 3 - 9 |
| 28413 | 1- 15A- 4 |
| | 1- 15B- 3 |
| | 1- 15C- 5 |
| 32042 | 1- 2 - 10 |
| | 1- 14 - 6 |
| | 1- 14 - 74 |
| | 1- 14 - 79 |
| | 1- 15A- 5 |
| | 1- 16A- 1 |
| | 1- 21A- 7 |
| | 1- 22 - 9 |

| PART NO. | SECTION, LIST AND INDEX NO. |
|------------|-----------------------------|
| 32042-CONT | 1- 25 - 6 |
| 32617 | 1- 16A- 2 |
| 33371 | 1- 5 -123 |
| | 1- 9 - 14 |
| 34512 | 1- 2 - 11 |
| | 1- 3 - 10 |
| | 1- 5 - 12 |
| | 1- 11 - 6 |
| | 1- 15A- 6 |
| | 1- 21 - 2 |
| | 1- 22 - 10 |
| 35739 | 1- 5 - 13 |
| | 1- 14 - 7 |
| | 1- 14 - 87 |
| | 1- 21A- 9 |
| | 1- 22 - 11 |
| | 1- 25 - 7 |
| | 1- 22 - 12 |
| 36776 | 1- 11 - 7 |
| 37913 | 1- 25 - 8 |
| 38051 | 1- 14 - 8 |
| 38092 | 1- 11 - 8 |
| 38235 | 1- 15A- 7 |
| | 1- 22 - 13 |
| 38261 | 1- 4 - 11 |
| 38351 | 1- 15 - 5 |
| | 1- 15A- 8 |
| 38353 | 1- 5 - 65 |
| 38383 | 1- 15A- 9 |
| 38433 | 1- 16 - 1 |
| | 1- 16A- 3 |
| 38443 | 1- 11 - 9 |
| 38454 | 1- 14 - 9 |
| 38710 | 1- 3 - 98 |
| 42026 | 1- 22A- 5 |
| 45114 | 1- 2 - 12 |
| 45642 | 1- 22A- 6 |
| 45644 | 1- 22A- 7 |
| 45690 | 1- 2 - 13 |
| | 1- 3 - 11 |
| | 1- 6 - 3 |
| | 1- 14 - 10 |
| | 1- 15 - 6 |
| | 1- 15A- 10 |
| | 1- 16 - 2 |
| | 1- 16A- 4 |
| | 1- 25 - 9 |
| | 1- 3 - 99 |
| 47987 | 1- 3 - 12 |
| 48594 | 1- 3 - 39 |
| | 1- 5 - 13A |
| 52522 | 1- 5 - 14 |
| 52523 | 1- 15A- 11 |
| | 1- 22 - 14 |
| 55726 | 1- 2 - 14 |
| | 1- 2 - 89 |
| | 1- 4 - 2 |
| | 1- 11 - 10 |
| | 1- 13 - 2 |
| | 1- 15A- 12 |

| PART NO. | SECTION, LIST AND INDEX NO. |
|------------|-----------------------------|
| 55726-CONT | 1- 22 - 15 |
| 55901 | 1- 2 - 15 |
| | 1- 5 - 14A |
| | 1- 21A- 10 |
| | 1- 22 - 16 |
| | 1- 25 - 10 |
| 55918 | 1- 3 - 13 |
| | 1- 5 - 15 |
| | 1- 21A- 11 |
| 56079 | 1- 2 - 16 |
| | 1- 3 - 14 |
| | 1- 14 - 11 |
| | 1- 15A- 13 |
| | 1- 25 - 11 |
| 56722 | 1- 3 - 15 |
| | 1- 21A- 12 |
| | 1- 22 - 17 |
| | 1- 24 - 2 |
| | 1- 25 - 12 |
| 58207 | 1- 14 - 12 |
| | 1- 15A- 14 |
| | 1- 21A- 13 |
| | 1- 22 - 18 |
| | 1- 25 - 13 |
| 59647 | 1- 15A- 15 |
| 60489 | 1- 5 - 157 |
| 60646 | 1- 22 - 19 |
| | 1- 22A- 8 |
| 72965 | 1- 22A- 9 |
| 73431 | 1- 22A- 10 |
| 75449 | 1- 15A- 16 |
| 76574 | 1- 14 - 13 |
| 76655 | 1- 22A- 11 |
| 76659 | 1- 22A- 12 |
| 76661 | 1- 22A- 13 |
| 76666 | 1- 22A- 14 |
| 76669 | 1- 22A- 15 |
| 76725 | 1- 21A- 14 |
| | 1- 22 - 20 |
| | 1- 22A-REF |
| 76729 | 1- 22A- 16 |
| 76845 | 1- 22A- 17 |
| 78916 | 1- 15A- 17 |
| | 1- 15C- 6 |
| 80817 | 1- 3 - 89 |
| 81693 | 1- 2 - 16A |
| | 1- 3 - 16 |
| | 1- 3 - 65 |
| | 1- 5 - 16 |
| | 1- 7 - 2 |
| | 1- 8 - 1 |
| | 1- 14 - 14 |
| | 1- 15 - 7 |
| | 1- 15A- 18 |
| | 1- 16A- 5 |
| | 1- 20 - 1 |
| | 1- 22 - 21 |
| | 1- 24 - 3 |
| 83687 | 1- 22A- 18 |
| 92157 | 1- 16 - 3 |
| | 1- 16A- 6 |
| 92784 | 1- 22 - 100 |
| | 1- 26 - 24 |
| 101807 | 1- 5 - 17 |
| 103670 | 1- 23 - 29 |
| 104294 | 1- 24 - 4 |
| 104613 | 1- 5 - 18 |
| | 1- 7 - 3 |
| | 1- 9 - 3 |
| | 1- 21 - 3 |
| 104615 | 1- 21A- 15 |
| | 1- 22 - 22 |
| 104696 | 1- 3 - 50 |
| | 1- 5 - 167 |
| 104697 | 1- 3 - 51 |
| 104699 | 1- 3 - 52 |
| 104701 | 1- 3 - 53 |
| | 1- 3 - 100 |
| 105792 | 1- 2 - 80 |
| 105826 | 1- 23 - 2 |

| PART NO. | SECTION, LIST AND INDEX NO. |
|----------|-----------------------------|
| 105832 | 1- 23 - 3 |
| 105835 | 1- 23 - 4 |
| 107177 | 1- 23 - 5 |
| 109872 | 1- 21A- 16 |
| 110029 | 1- 3 - 66 |
| | 1- 5 - 19 |
| | 1- 7 - 4 |
| | 1- 8 - 2 |
| | 1- 9 - 4 |
| | 1- 20 - 2 |
| 111257 | 1- 22 - 23 |
| 111262 | 1- 22 - 24 |
| 115552 | 1- 23 - 6 |
| 115971 | 1- 22 - 25 |
| 117403 | 1- 21A- 17 |
| | 1- 22 - 26 |
| 120837 | 1- 23 - 7 |
| 120924 | 1- 23 - 8 |
| 120925 | 1- 23 - 9 |
| 120926 | 1- 23 - 10 |
| 120942 | 1- 23 - 11 |
| 121011 | 1- 23 - 12 |
| 121839 | 1- 23 - 13 |
| 122311 | 1- 23 - 14 |
| 122639 | 1- 2 - 81 |
| 123070 | 1- 15 - 8 |
| 124138 | 1- 22A- 19 |
| 124631 | 1- 2 - 82 |
| 124943 | 1- 21A- 18 |
| | 1- 24 - 22 |
| 124987 | 1- 3 - 17 |
| 125145 | 1- 14 - 88 |
| 125872 | 1- 23 - 15 |
| 125877 | 1- 23 - 16 |
| 127702 | 1- 15A- 19 |
| 129654 | 1- 5 - 90 |
| 130434 | 1- 2 - 17 |
| 138298 | 1- 5 - 20 |
| 138754 | 1- 21A- 19 |
| | 1- 22 - 27 |
| 138755 | 1- 14 - 15 |
| 140425 | 1- 16 - 4 |
| | 1- 16A- 7 |
| 141964 | 1- 23 - 17 |
| 141967 | 1- 23 - 18 |
| 141969 | 1- 23 - 19 |
| 141971 | 1- 23 - 20 |
| 141981 | 1- 23 - 21 |
| 147297 | 1- 22A- 20 |
| 149695 | 1- 5 - 21 |
| 149704 | 1- 14 - 16 |
| | 1- 15A- 20 |
| 149897 | 1- 4 - 3 |
| | 1- 12 - 3 |
| 149908 | 1- 5 - 22 |
| 151598 | 1- 21A- 20 |
| 156364 | 1- 3 - 67 |
| | 1- 5 - 23 |
| | 1- 5 - 158 |
| | 1- 7 - 5 |
| | 1- 8 - 3 |
| | 1- 9 - 5 |
| | 1- 12 - 4 |
| | 1- 20 - 3 |
| 156909 | 1- 23 - 22 |
| 160017 | 1- 21 - 25 |
| | 1- 25 - 14 |
| 165594 | 1- 23 - 23 |
| 165595 | 1- 23 - 24 |
| 169004 | 1- 21A- 21 |
| 170202 | 1- 24 - 5 |
| 170215 | 1- 14 - 17 |
| | 1- 15A- 21 |
| 170226 | 1- 22 - 28 |
| 171485 | 1- 14 - 80 |
| 172999 | 1- 14 - 81 |
| 173218 | 1- 23 - 25 |
| 173706 | 1- 21A- 22 |
| | 1- 22 - 29 |
| 179946 | 1- 21A- 23 |

| PART NO. | SECTION, LIST AND INDEX NO. |
|-------------|-----------------------------|
| 179946-CONT | 1- 22 - 30 |
| 180528 | 1- 2 - 83 |
| 183841 | 1- 5 - 24 |
| 183848 | 1- 2 - 84 |
| 186758 | 1- 14 - 18 |
| | 1- 21A- 24 |
| 186759 | 1- 5 - 25 |
| | 1- 14 - 19 |
| | 1- 15B- 4 |
| | 1- 22 - 31 |
| 186797 | 1- 22 - 76 |
| 186923 | 1- 12 - 37 |
| | 1- 21 - 4 |
| 186927 | 1- 12 - 5 |
| 186936 | 1- 2 - 18 |
| 186943 | 1- 21A- 25 |
| 186962 | 1- 26 - 25 |
| 187243 | 1- 2 - 34 |
| | 1- 4 - 7 |
| | 1- 5 - 76 |
| | 1- 5 - 95 |
| | 1- 6 - 19 |
| | 1- 12 - 54 |
| | 1- 13 - 10 |
| | 1- 13 - 16 |
| | 1- 13 - 19 |
| | 1- 15 - 29 |
| | 1- 16A- 25 |
| | 1- 26 - 26 |
| 187475 | 1- 15 - 9 |
| 187491 | 1- 25 - 15 |
| 187736 | 1- 25 - 15 |
| 189844 | 1- 23 - 26 |
| 191431 | 1- 3 - 18 |
| 194579 | 1- 21A- 67A |
| 196833 | 1- 17 - 1 |
| | 1- 17A- 1 |
| 205331 | 1- 2 - 19 |
| | 1- 22 - 32 |
| 206560 | 1- 14 - 20 |
| | 1- 15A- 22 |
| 207293 | 1- 15A- 23 |
| 207344 | 1- 25 - 16 |
| 207382 | 1- 22 - 33 |
| 208227 | 1- 22 - 34 |
| 208238 | 1- 21A- 26 |
| 208287 | 1- 21A- 61A |
| 208529 | 1- 11 - 11 |
| 210873 | 1- 22 - 35 |
| 210883 | 1- 3 - 19 |
| | 1- 15 - 10 |
| | 1- 21A- 27 |
| | 1- 22 - 36 |
| | 1- 24 - 6 |
| | 1- 25 - 38 |
| 210884 | 1- 3 - 20 |
| | 1- 15 - 11 |
| | 1- 21A- 28 |
| | 1- 22 - 37 |
| | 1- 24 - 7 |
| | 1- 25 - 39 |
| 210984 | 1- 3 - 20A |
| | 1- 15 - 12 |
| | 1- 21A- 29 |
| | 1- 22 - 77 |
| | 1- 25 - 17 |
| 210985 | 1- 22 - 78 |
| 210986 | 1- 22 - 79 |
| 210987 | 1- 22 - 38 |
| 213693 | 1- 22 - 85B |
| 216128 | 1- 5 - 82 |
| 216362 | 1- 24 - 8 |
| 216427 | 1- 21 - 26 |
| 216463 | 1- 16A- 26 |
| 216797 | 1- 16 - 5 |
| | 1- 16A- 8 |
| 217017 | 1- 25 - 18 |
| 219616 | 1- 14 - 42 |
| | 1- 15C- 7 |
| 219633 | 1- 11 - 12 |

| PART NO. | SECTION, LIST AND INDEX NO. |
|----------|---|
| 221790 | 1- 14 - 21 1- 15B- 5 1- 15C- 8 1- 21A- 30 1- 22 - 39 |
| 222069 | 1- 21 - 27 |
| 222836 | 1- 2 - 85 |
| 222837 | 1- 2 - 86 |
| 223355 | 1- 25 - 19 |
| 225574 | 1- 3 - 57 |
| 225859 | 1- 5 - 26 |
| 226162 | 1- 5 - 27 |
| 228093 | 1- 11 - 13 |
| 228391 | 1- 21A- 31 |
| 233355 | 1- 5 - 113 |
| 234341 | 1- 3 - 21 |
| 236550 | 1- 5 - 66 1- 15 - 13 |
| 236849 | 1- 2 - 20 1- 14 - 22 1- 15A- 24 |
| 238364 | 1- 5 - 28 |
| 250525 | 1- 2 - 21 |
| 250627 | 1- 2 - 22 1- 12 - 6 |
| 251820 | 1- 3 - 22 1- 5 - 29 1- 9 - 6 |
| 251970 | 1- 22 - 40 |
| 252592 | 1- 22 - 41 |
| 253219 | 1- 21A- 32 |
| 253220 | 1- 15 - 14 |
| 253453 | 1- 26 - 27 |
| 253740 | 1- 26 - 28 |
| 257079 | 1- 15A- 25 1- 21A- 33 1- 22 - 42 |
| 257080 | 1- 21A- 34 1- 22 - 43 |
| 257186 | 1- 5 - 30 |
| 257187 | 1- 2 - 23 1- 3 - 23 1- 5 - 31 1- 15 - 15 1- 21A- 35 1- 22 - 44 1- 24 - 9 |
| 257189 | 1- 0 - 6 1- 2 - 24 1- 2 - 96 1- 5 - 32 1- 21A- 36 1- 25 - 20 1- 14 - 23 |
| 257616 | 1- 5 - 33 |
| 257957 | 1- 4 - 4 |
| 257958 | 1- 12 - 7 1- 11 - 14 1- 3 - 101 |
| 257982 | 1- 11 - 15 |
| 257984 | 1- 6 - 4 1- 11 - 16 1- 12 - 8 1- 21 - 5 |
| 257985 | 1- 2 - 25 1- 2 - 47 1- 3 - 24 1- 5 - 34 1- 6 - 5 1- 11 - 17 1- 12 - 9 1- 14 - 24 1- 15A- 26 1- 21A- 37 |
| 261853 | 1- 12 - 10 |
| 264054 | 1- 22 - 45 |
| 265059 | 1- 16A- 9 |
| 284424 | 1- 22 - 46 |
| 301750 | 1- 3 - 26 |
| 302088 | 1- 15 - 17 |

| PART NO. | SECTION, LIST AND INDEX NO. |
|-------------|---|
| 302088-CONT | 1- 15A- 28 1- 15C- 10 1- 22 - 48 |
| 302089 | 1- 3 - 27 1- 15 - 18 1- 15A- 29 1- 15C- 11 1- 22 - 49 |
| 302090 | 1- 3 - 25 1- 15 - 16 1- 15A- 27 1- 15C- 9 1- 22 - 47 |
| 302131 | 1- 3 - 28 1- 15 - 19 1- 15A- 30 1- 15C- 12 1- 22 - 50 1- 5 - 67 1- 22 - 51 |
| 303217 | 1- 5 - 103 |
| 303679 | 1- 22 - 96 |
| 306048 | 1- 3 - 29 |
| 308341 | 1- 21A- 38 |
| 312450 | 1- 22 - 52 |
| 312477 | 1- 26 - 29 1- 21 - 28 1- 15A- 31 1- 22 - 53 1- 24 - 10 1- 22 - 54 1- 22 - 55 1- 5 - 35 1- 22 - 85A 1- 22 - 97 1- 21A- 39 1- 26 - 30 1- 14 - 25 1- 15A- 32 |
| 313361 | 1- 4 - 5 |
| 317082 | 1- 6 - 6 |
| 317128 | 1- 11 - 18 1- 12 - 11 1- 22 - 56 |
| 317173 | 1- 2 - 25A |
| 317310 | 1- 3 - 90 |
| 317367 | 1- 5 - 36 |
| 317485 | 1- 10 - 1 |
| 319886 | 1- 11 - 19 1- 12 - 12 1- 14 - 26 1- 15A- 33 1- 12 - 13 1- 21 - 29 1- 25 - 21 1- 21A- 40 1- 22 - 57 1- 3 - 30 1- 16A- 10 1- 14 - 27 1- 22 - 58 1- 22 - 59 1- 3 - 68 1- 5 - 37 1- 7 - 6 1- 8 - 4 1- 9 - 7 1- 20 - 4 1- 14 - 28 1- 2 - 26 1- 14 - 29 1- 15A- 34 1- 21A- 41 1- 3 - 31 1- 5 - 38 1- 5 - 83 1- 21A- 42 1- 21A- 66A 1- 25 - 22 1- 26 - 31 |
| 320167 | |
| 320456 | |
| 322025 | |
| 322029 | |
| 322065 | |
| 322550 | |
| 322551 | |
| 322765 | |
| 322767 | |
| 323839 | |
| 323841 | |
| 324999 | |
| 325279 | |
| 325985 | |
| 327922 | |
| 328037 | |
| 332550 | |
| 332620 | |
| 332747 | |
| 332922 | |
| 333182 | |
| 334281 | |
| 334910 | |

| PART NO. | SECTION, LIST AND INDEX NO. |
|----------|--|
| 334921 | 1- 2 - 27 1- 21A- 67B 1- 22 - 107A 1- 26 - 31A 1- 21A- 61B 1- 26 - 31B |
| 334932 | 1- 5 - 39 1- 5 - 114 1- 5 - 40 1- 5 - 41 1- 2 - 90 1- 5 - 159 1- 5 - 160 1- 2 - 91 1- 2 - 91A 1- 22 - 60 1- 22 - 61 1- 22 - 62 1- 22 - 63 1- 13 - 3 1- 21A- 66B 1- 25 - 23 1- 26 - 32 1- 3 - 91 1- 26 - 31C 1- 2 - 75A 1- 15 - 25 1- 15C- 16 1- 22 - 109 1- 26 - 26A 1- 13 - 11 1- 21 - 37 1- - 7 1- 3 - 116 1- 5 - 42 1- 15 - 20 1- 15 - 21 1- 21A- 43 1- 22 - 64 1- 16 - 6 1- 16A- 11 1- 26 - 46 1- 5 - 79 1- 22 - 66 1- 22 - 108 1- 5 - 42A 1- 4 - 8 1- 13 - 17 1- 24 - 11 1- 21A- 44 1- 22 - 67 1- 22 - 110 1- 21 - 35 1- 22 - 68 1- 25 - 24 1- 14 - 30 1- 21 - 6 1- 3 - 32 1- 15C- 13 1- 22 - 69 1- 6 - 7 1- 11 - 20 1- - 8 1- 3 - 117 1- 5 - 43 1- 22 - 70 1- 5 - 44 1- 12 - 14 1- 5 - 45 1- 22 - 71 1- 22 - 72 441091 443880 443881 1- 2 - 48 1- 2 - 37 1- 2 - 49 1- 2 - 38 1- 2 - 50 1- 2 - 28 1- 14 - 31 1- 15A- 35 1- 2 - 87 |
| 336151 | |
| 336214 | |
| 336217 | |
| 336218 | |
| 336249 | |
| 336263 | |
| 336321 | |
| 336673 | |
| 336688 | |
| 337213 | |
| 338169 | |
| 350665 | |
| 350886 | |
| 356742 | |
| 359695 | |
| 360370 | |
| 360433 | |
| 363188 | |
| 364156 | |
| 364385 | |
| 365323 | |
| 367115 | |
| 367182 | |
| 368222 | |
| 369118 | |
| 369207 | |
| 369307 | |
| 369385 | |
| 369675 | |
| 372688 | |
| 418835 | |
| 435599 | |
| 438548 | |
| 438549 | |
| 438550 | |
| 438552 | |
| 438554 | |
| 438566 | |
| 438567 | |
| 438586 | |
| 438589 | |
| 438592 | |
| 441091 | |
| 443880 | |
| 443881 | |
| 443967 | |
| 444270 | |
| 451125 | |

| PART NO. | SECTION, LIST AND INDEX NO. |
|----------|-----------------------------|
| 460531 | 1- 22 - 73 |
| 471715 | 1- 22 - 74 |
| 473592 | 1- 25 - 25 |
| 474644 | 1- 24 - 23 |
| 477202 | 1- 25 - 19 |
| 480444 | 1- 22 - 75 |
| 480657 | 1- 2 - 29 |
| 483327 | 1- 14 - 32 |
| 507796 | 1- 21 - 30 |
| 508033 | 1- 2 - 30 |
| 511522 | 1- 3 - 33 |
| 511553 | 1- 22 - 82 |
| 512426 | 1- 22 - 83 |
| 512663 | 1- 3 - 92 |
| 516919 | 1- 22 - 84 |
| 517913 | 1- 21A- 45 |
| | 1- 21A- 46 |
| | 1- 21A- 66C |
| | 1- 26 - 47 |
| 518163 | 1- 22 - 85 |
| 522849 | 1- 25 - 40 |
| 522850 | 1- 25 - 41 |
| 523250 | 1- 14 - 33 |
| 523267 | 1- 26 - 33 |
| 523269 | 1- 22 - 86 |
| 524854 | 1- 21A- 47 |
| | 1- 22 - 87 |
| 524928 | 1- 25 - 26 |
| 526341 | 1- 21A- 48 |
| 526378 | 1- 21A- 49 |
| | 1- 22 - 88 |
| | 1- 25 - 27 |
| | 1- 22 - 89 |
| 527916 | 1- 22 - 90 |
| 553380 | 1- 22 -101 |
| 55340C | 1- 2 - 31 |
| 55543C | 1- 22 - 91 |
| 588396 | 1- 15 - 32 |
| 596757 | 1- 14 - 34 |
| 597215 | 1- 15A- 36 |
| 597216 | 1- 3 - 34 |
| 597344 | 1- 14 - 82 |
| 597347 | 1- 14 - 75 |
| 597364 | 1- 2 - 75B |
| 597918 | 1- 25 - 28 |
| 598343 | 1- 21A- 50 |
| 598479 | 1- 21A- 51 |
| 600395 | 1- 15C- 14 |
| 600560 | 1- 21A- 52 |
| 601333 | 1- 17 - 2 |
| | 1- 17A- 2 |
| 601421 | 1- 22 - 92 |
| 602172 | 1- 5 - 47 |
| 602173 | 1- 5 -168 |
| 602185 | 1- 5 - 46 |
| 602196 | 1- 5 - 48 |
| 602238 | 1- 5 - 49 |
| 602249 | 1- 5 - 91 |
| 602372 | 1- 11 - 39 |
| 602488 | 1- 1 - 31 |
| 602489 | 1- 11 - 21 |
| 603703 | 1- 5 - 84 |
| 603846 | 1- 5 - 92 |
| 603847 | 1- 5 - 86 |
| 603848 | 1- 5 - 87 |
| 603849 | 1- 5 - 88 |
| 603850 | 1- 5 - 85 |
| 603857 | 1- 5 - 89 |
| 607096 | 1- 5 - 50 |
| | 1- 5 - 54 |
| 607206 | 1- 5 - 51 |
| 607215 | 1- 5 - 52 |
| 607216 | 1- 5 - 53 |
| 608002 | 1- 11 - 22 |
| 609149 | 1- 22 - 93 |
| | 1- 23 -REF |
| 609150 | 1- 23 - 30 |
| 609151 | 1- 23 - 27 |
| 609391 | 1- 22 -111 |
| 609417 | 1- 22 - 95 |

| PART NO. | SECTION, LIST AND INDEX NO. |
|----------|-----------------------------|
| 609549 | 1- 14 - 35 |
| | 1- 15A- 37 |
| 609551 | 1- 2 - 32 |
| 609687 | 1- 14 - 83 |
| 609780 | 1- 5 - 56 |
| 610060 | 1- 21A- 53 |
| | 1- 22 - 98 |
| 611812 | 1- 3 - 78 |
| | 1- 5 -142 |
| 612089 | 1- 3 - 40 |
| 612107 | 1- 12 - 25 |
| 612203 | 1- 5 - 61 |
| | 1- 5 -169 |
| 612218 | 1- 5 -127 |
| | 1- 5 -132 |
| 612223 | 1- 5 -124 |
| 612224 | 1- 5 - 57 |
| 612239 | 1- 5 - 58 |
| 612318 | 1- 4 - 24 |
| 612507 | 1- 12 - 38 |
| 612515 | 1- 5 - 80 |
| 612516 | 1- 5 - 77 |
| 612517 | 1- 5 - 78 |
| 612524 | 1- 7 - 12 |
| 612630 | 1- 12 - 15 |
| 612639 | 1- 12 - 16 |
| 612759 | 1- 5 - 68 |
| 612780 | 1- 3 - 43 |
| 612781 | 1- 5 -143 |
| 612868 | 1- 3 - 44 |
| 612892 | 1- 3 - 36 |
| 612893 | 1- 3 - 35 |
| 612933 | 1- 5 - 69 |
| 612935 | 1- 5 -107 |
| 612936 | 1- 5 -108 |
| 612937 | 1- 5 -109 |
| 612996 | 1- 5 - 59 |
| 612999 | 1- 3 -102 |
| | 1- 14 - 36 |
| 613875 | 1- 5 - 55 |
| | 1- 5 - 59A |
| | 1- 21 - 7 |
| 615354 | 1- 2 - 33 |
| 626422 | 1- 2 - 51 |
| 626587 | 1- 21A- 54 |
| 626713 | 1- 1 - 32 |
| 626718 | 1- 1 - 30 |
| 626725 | 1- 2 - 36 |
| 626754 | 1- 2 - 39 |
| 626755 | 1- 2 - 40 |
| 626773 | 1- 14 - 37 |
| | 1- 15A- 38 |
| 626775 | 1- 21A- 55 |
| 626798 | 1- 4 - 6 |
| 627516 | 1- 1 - 5 |
| | 1- 1 - 11 |
| | 1- 1 - 16 |
| | 1- 1 - 22 |
| | 1- 1 - 27 |
| | 1- 14 - 57 |
| | 1- 14 - 60 |
| | 1- 15A- 49 |
| | 1- 15A- 52 |
| 627687 | 1- 2 - 45 |
| 627688 | 1- 2 - 41 |
| | 1- 2 - 52 |
| 627695 | 1- 4 - 9 |
| 627711 | 1- 2 - 42 |
| | 1- 2 - 53 |
| 627739 | 1- 5 -126 |
| | 1- 5 -131 |
| 628493 | 1- 3 - 93 |
| 628937 | 1- 2 - 54 |
| 628938 | 1- 2 - 43 |
| | 1- 2 - 55 |
| 630143 | 1- 22 - 99 |
| 634331 | 1- 22 -102 |
| 634332 | 1- 22 -103 |
| 634349 | 1- 17 - 3 |
| | 1- 17A- 3 |

| PART NO. | SECTION, LIST AND INDEX NO. |
|----------|-----------------------------|
| 634364 | 1- 15A- 39 |
| 634366 | 1- 15A- 40 |
| 634386 | 1- 22 -105 |
| 634401 | 1- 17A- 5 |
| 634403 | 1- 22 -104 |
| 634475 | 1- 22 -106 |
| 638028 | 1- 21 - 8 |
| 638031 | 1- 26 - 2 |
| 638072 | 1- 4 - 10 |
| 638073 | 1- 4 - 12 |
| 638074 | 1- 4 - 13 |
| 638085 | 1- 15 - 22 |
| 638129 | 1- 5 - 60 |
| 638132 | 1- 12 - 17 |
| | 1- 21 - 9 |
| 638142 | 1- 5 - 62 |
| 638184 | 1- 5 - 63 |
| 638242 | 1- 21 - 10 |
| 638243 | 1- 21 - 36 |
| 638248 | 1- 21 - 11 |
| 638249 | 1- 21 - 42 |
| 638252 | 1- 21 - 12 |
| 638256 | 1- 21 - 13 |
| 638257 | 1- 21 - 14 |
| 638258 | 1- 21 - 15 |
| 638259 | 1- 21 - 16 |
| 638261 | 1- 21 - 17 |
| 638262 | 1- 21 - 18 |
| 638264 | 1- 3 - 37 |
| | 1- 4 -REF |
| 638265 | 1- 4 - 14 |
| 638267 | 1- 4 - 15 |
| 638268 | 1- 4 - 16 |
| 638269 | 1- 4 - 17 |
| 638270 | 1- 4 - 18 |
| 638273 | 1- 4 - 19 |
| 638274 | 1- 4 - 20 |
| 638275 | 1- 4 - 21 |
| 638276 | 1- 4 - 22 |
| 638277 | 1- 4 - 23 |
| 638278 | 1- 4 - 25 |
| 638280 | 1- 4 - 26 |
| 638281 | 1- 4 - 27 |
| 638299 | 1- 5 -170 |
| 638300 | 1- 5 - 70 |
| 638301 | 1- 5 - 71 |
| 638302 | 1- 5 - 72 |
| 638303 | 1- 5 - 73 |
| 638410 | 1- 21 - 19 |
| 638496 | 1- 12 - 18 |
| 638509 | 1- 5 -119A |
| | 1- 5 -120A |
| 638533 | 1- 21 - 20 |
| 638553 | 1- 12 - 19 |
| 638632 | 1- 12 - 20 |
| | 1- 21 - 21 |
| 638720 | 1- 13 - 12 |
| 638721 | 1- 13 - 13 |
| 638767 | 1- 6 - 17 |
| | 1- 12 - 52 |
| 638768 | 1- 6 - 20 |
| | 1- 12 - 55 |
| 638873 | 1- 12 - 22 |
| 638901 | 1- 5 - 75 |
| 638960 | 1- 2 - 57 |
| 639028 | 1- 2 - 58 |
| 639096 | 1- 21 - 40 |
| 639121 | 1- 21 - 39 |
| 639122 | 1- 21 - 38 |
| 639125 | 1- 21 - 31 |
| 639126 | 1- 21 - 41 |
| 639127 | 1- 21 - 43 |
| 639130 | 1- 12 - 21 |
| | 1- 21 - 22 |
| 639155 | 1- 17 - 5 |
| | 1- 18 - 1 |
| 639158 | 1- 17 - 7 |
| | 1- 17A- 7 |
| 639161 | 1- 5 - 81 |
| 639176 | 1- 5 -145 |

| PART NO. | SECTION, LIST AND INDEX NO. |
|----------|-----------------------------|
| 639178 | 1- 17 - 9 |
| | 1- 17A- 9 |
| 639179 | 1- 17 - 11 |
| | 1- 17A- 11 |
| 639185 | 1- 26 - 1 |
| 639192 | 1- 10 - 7 |
| 639215 | 1- 21 - 23 |
| 639224 | 1- 2 - 59 |
| 639230 | 1- 15 - 23 |
| 639290 | 1- 21A- 57 |
| | 1- 22 -107 |
| 639312 | 1- 15 - 24 |
| | 1- 15C- 15 |
| 639333 | 1- 21A- 58 |
| | 1- 22 -112 |
| 639353 | 1- 15 - 27 |
| | 1- 15A- 41 |
| 639354 | 1- 15 - 28 |
| 639966 | 1- 21 - 32 |
| 639993 | 1- 2 - 88 |
| 640123 | 1- 4 - 28 |
| 641594 | 1- 16 - 7 |
| | 1- 16A- 12 |
| 641636 | 1- 5 - 93 |
| 641641 | 1- 5 - 98 |
| 641817 | 1- 5 - 94 |
| 641818 | 1- 5 - 97 |
| 641819 | 1- 5 - 96 |
| 641882 | 1- 5 -144 |
| 641883 | 1- 5 -146 |
| 642060 | 1- 12 - 26 |
| 642061 | 1- 12 - 27 |
| 642062 | 1- 12 - 28 |
| 642063 | 1- 12 - 23 |
| 642064 | 1- 12 - 29 |
| 642065 | 1- 12 - 30 |
| 642067 | 1- 12 - 24 |
| 642086 | 1- 12 - 31 |
| 642090 | 1- 13 - 4 |
| 642091 | 1- 13 - 6 |
| 642092 | 1- 13 - 14 |
| 642104 | 1- 13 - 9 |
| 642105 | 1- 12 - 32 |
| | 1- 13 -REF |
| 642127 | 1- 15 - 37 |
| 642128 | 1- 15 - 33 |
| 642129 | 1- 15 - 31 |
| 642130 | 1- 15 - 35 |
| 642131 | 1- 14 - 76 |
| | 1- 14 - 89 |
| 642132 | 1- 15 - 38 |
| 642133 | 1- 15 - 36 |
| 642159 | 1- 15 - 40 |
| 642195 | 1- 13 - 7 |
| 642196 | 1- 13 - 8 |
| 642197 | 1- 13 - 15 |
| 642198 | 1- 13 - 18 |
| 642199 | 1- 13 - 20 |
| 642225 | 1- 12 - 33 |
| 642242 | 1- 19A-REF |
| 642338 | 1- 14 - 38 |
| 642358 | 1- 12 - 34 |
| 642377 | 1- 14 - 39 |
| | 1- 15A- 42 |
| 642745 | 1- 14 - 40 |
| | 1- 15A- 43 |
| 642765 | 1- 22 -113 |
| 642766 | 1- 21A- 59 |
| 642767 | 1- 21A- 60 |
| 642778 | 1- 0 - 9 |
| | 1- 14 - 73 |
| 642779 | 1- 0 - 9 |
| | 1- 14 - 85 |
| 642797 | 1- 16 - 8 |
| | 1- 16A- 13 |
| 642798 | 1- 16 - 9 |
| | 1- 16A- 14 |
| 644000 | 1- 2 - 60 |
| | 1- 3 -REF |
| 644001 | 1- 2 - 61 |

| PART NO. | SECTION, LIST AND INDEX NO. |
|-------------|-----------------------------|
| 644001-CONT | 1- 14 -REF |
| 644002 | 1- 0 - 2 |
| | 1- 2 -REF |
| 644003 | 1- 0 - 2 |
| | 1- 2 - 78 |
| 644005 | 1- 0 - 1 |
| 644006 | 1- 0 - 1 |
| | 1- 1 - 29 |
| 644007 | 1- 0 - 1 |
| 644008 | 1- 0 - 1 |
| | 1- 1 - 29 |
| 644009 | 1- 0 - 1 |
| 644010 | 1- 0 - 1 |
| | 1- 1 - 29 |
| 644011 | 1- 0 - 1 |
| 644012 | 1- 0 - 1 |
| | 1- 1 - 29 |
| 644013 | 1- 0 - 2 |
| | 1- 2 - 77 |
| 644014 | 1- 17 -REF |
| | 1- 0 - 2 |
| | 1- 2 - 77 |
| | 1- 18 -REF |
| 644015 | 1- 0 - 2 |
| | 1- 2 - 77 |
| | 1- 19 -REF |
| 644017 | 1- 5 -104 |
| 644019 | 1- 5 - 99 |
| 644020 | 1- 5 -100 |
| 644021 | 1- 5 -101 |
| 644022 | 1- 5 -110 |
| 644024 | 1- 5 -102 |
| 644025 | 1- 5 -105 |
| 644027 | 1- 5 -106 |
| 644028 | 1- 5 -115 |
| 644029 | 1- 5 -111 |
| 644030 | 1- 5 -116 |
| 644031 | 1- 3 - 38 |
| 644032 | 1- 3 - 41 |
| 644033 | 1- 3 - 42 |
| 644036 | 1- 3 - 45 |
| 644045 | 1- 15A- 44 |
| 644052 | 1- 14 - 41 |
| 644055 | 1- 14 - 43 |
| 644057 | 1- 3 -103 |
| 644058 | 1- 26 - 9 |
| 644059 | 1- 14 - 44 |
| 644060 | 1- 14 - 45 |
| 644069 | 1- 2 - 62 |
| 644070 | 1- 3 -104 |
| 644071 | 1- 3 -105 |
| 644072 | 1- 3 -106 |
| 644073 | 1- 10 - 2 |
| 644074 | 1- 2 - 63 |
| 644075 | 1- 2 - 64 |
| 644076 | 1- 2 - 92 |
| 644077 | 1- 10 - 3 |
| 644078 | 1- 6 - 8 |
| 644080 | 1- 12 - 41 |
| 644082 | 1- 2 - 65 |
| 644083 | 1- 5 -117 |
| 644084 | 1- 11 - 60 |
| 644085 | 1- 11 - 61 |
| 644086 | 1- 11 - 23 |
| 644087 | 1- 11 - 24 |
| 644088 | 1- 11 - 30 |
| 644089 | 1- 14 - 46 |
| 644090 | 1- 5 -118 |
| 644091 | 1- 5 -120 |
| 644092 | 1- 11 - 25 |
| 644093 | 1- 11 - 31 |
| 644095 | 1- 12 - 44 |
| 644096 | 1- 12 - 35 |
| 644097 | 1- 12 - 39 |
| 644098 | 1- 12 - 40 |
| 644099 | 1- 12 - 36 |
| 644100 | 1- 3 - 46 |
| | 1- 5 -REF |
| 644102 | 1- 3 - 47 |
| 644103 | 1- 3 - 48 |

| PART NO. | SECTION, LIST AND INDEX NO. |
|----------|-----------------------------|
| 644107 | 1- 5 -122 |
| 644109 | 1- 5 -129 |
| 644116 | 1- 3 - 54 |
| 644118 | 1- 3 - 49 |
| 644122 | 1- 3 - 69 |
| | 1- 7 - 7 |
| 644124 | 1- 3 - 56 |
| 644125 | 1- 3 - 59 |
| 644126 | 1- 10 - 8 |
| 644127 | 1- 3 - 58 |
| 644130 | 1- 3 - 64 |
| 644131 | 1- 3 - 76 |
| | 1- 7 -REF |
| 644134 | 1- 5 -125 |
| 644135 | 1- 5 -128 |
| 644136 | 1- 5 -130 |
| 644137 | 1- 5 -133 |
| 644139 | 1- 3 - 77 |
| 644140 | 1- 7 - 8 |
| 644142 | 1- 7 - 9 |
| 644143 | 1- 3 - 70 |
| 644144 | 1- 3 - 71 |
| | 1- 8 - 5 |
| | 1- 20 - 5 |
| 644145 | 1- 13 - 13 |
| | 1- 3 - 72 |
| | 1- 3 -120 |
| | 1- 9 - 8 |
| 644146 | 1- 3 - 73 |
| 644147 | 1- 10 - 10 |
| | 1- 3 -118 |
| | 1- 20 -REF |
| 644148 | 1- 8 - 6 |
| | 1- 20 - 6 |
| 644149 | 1- 8 - 8 |
| | 1- 20 - 8 |
| 644150 | 1- 8 - 9 |
| | 1- 20 - 9 |
| 644151 | 1- 8 - 10 |
| | 1- 20 - 10 |
| 644152 | 1- 3 - 79 |
| | 1- 8 -REF |
| 644156 | 1- 3 - 75 |
| | 1- 9 - 23 |
| 644157 | 1- 5 -178 |
| | 1- 8 - 7 |
| | 1- 8 - 12 |
| | 1- 20 - 7 |
| | 1- 20 - 12 |
| 644169 | 1- 9 - 9 |
| 644170 | 1- 9 - 11 |
| 644171 | 1- 9 - 12 |
| 644172 | 1- 9 - 13 |
| 644173 | 1- 9 - 15 |
| 644174 | 1- 9 - 16 |
| 644181 | 1- 3 - 60 |
| 644182 | 1- 3 - 61 |
| 644183 | 1- 3 - 62 |
| 644185 | 1- 9 - 17 |
| 644187 | 1- 10 - 4 |
| 644188 | 1- 11 - 36 |
| 644189 | 1- 2 - 66 |
| 644191 | 1- 11 - 11 |
| | 1- 3 -119 |
| 644192 | 1- 11 - 37 |
| 644193 | 1- 3 - 80 |
| 644195 | 1- 3 - 81 |
| 644199 | 1- 11 - 38 |
| 644200 | 1- 10 - 5 |
| 644201 | 1- 3 - 82 |
| 644204 | 1- 9 - 18 |
| 644205 | 1- 9 - 19 |
| 644206 | 1- 3 - 83 |
| | 1- 9 -REF |
| 644207 | 1- 9 - 20 |
| 644208 | 1- 11 - 40 |
| 644209 | 1- 10 - 9 |
| 644210 | 1- 10 - 6 |
| 644211 | 1- 10 - 10 |
| 644212 | 1- 11 - 41 |

| PART NO. | SECTION, LIST AND INDEX NO. |
|----------|-----------------------------|
| 644213 | 1- 0 - 10 |
| | 1- 3 -118 |
| | 1- 20 -REF |
| 644215 | 1- 3 - 55 |
| 644217 | 1- 3 - 84 |
| 644220 | 1- 10 - 11 |
| 644221 | 1- 10 - 12 |
| 644222 | 1- 3 - 85 |
| 644223 | 1- 3 - 86 |
| 644224 | 1- 11 - 42 |
| 644230 | 1- 11 - 26 |
| 644231 | 1- 11 - 27 |
| | 1- 11 - 32 |
| 644232 | 1- 11 - 28 |
| | 1- 11 - 33 |
| 644235 | 1- 11 - 34 |
| 644237 | 1- 3 - 87 |
| 644240 | 1- 9 - 21 |
| 644243 | 1- 10 - 15 |
| 644244 | 1- 11 - 43 |
| 644245 | 1- 11 - 44 |
| 644246 | 1- 11 - 45 |
| 644249 | 1- 11 - 46 |
| 644250 | 1- 11 - 47 |
| 644251 | 1- 11 - 48 |
| 644252 | 1- 11 - 49 |
| 644253 | 1- 11 - 51 |
| 644254 | 1- 11 - 52 |
| 644255 | 1- 11 - 50 |
| 644256 | 1- 10 - 13 |
| 644257 | 1- 10 - 14 |
| 644261 | 1- 3 - 94 |
| 644264 | 1- 3 - 63 |
| 644269 | 1- 0 - 7 |
| | 1- 0 - 11 |
| | 1- 3 -116 |
| | 1- 3 -119 |
| 644270 | 1- 11 - 53 |
| 644272 | 1- 10 - 16 |
| 644280 | 1- 8 - 11 |
| 644283 | 1- 20 - 11 |
| 644284 | 1- 3 - 74 |
| | 1- 9 - 22 |
| 644285 | 1- 5 -161 |
| 644286 | 1- 5 -162 |
| 644287 | 1- 5 -134 |
| 644288 | 1- 5 -163 |
| 644289 | 1- 5 -135 |
| 644290 | 1- 5 -136 |
| 644292 | 1- 5 -137 |
| 644293 | 1- 20 - 11 |
| 644294 | 1- 5 -138 |
| 644295 | 1- 0 - 12 |
| | 1- 5 -177 |
| 644296 | 1- 0 - 12 |
| | 1- 0 - 13 |
| | 1- 3 -120 |
| | 1- 5 -177 |
| 644297 | 1- 7 - 10 |
| | 1- 21 - 33 |
| 644298 | 1- 7 - 11 |
| 644300 | 1- 5 -139 |
| 644301 | 1- 5 -140 |
| 644303 | 1- 5 -164 |
| 644304 | 1- 5 -165 |
| 644305 | 1- 9 - 25 |
| 644306 | 1- 9 - 24 |
| 644307 | 1- 0 - 14 |
| | 1- 3 -121 |
| | 1- 21 -REF |
| 644308 | 1- 3 - 88 |
| 644309 | 1- 21 - 34 |
| 644311 | 1- 0 - 15 |
| | 1- 3 -122 |
| 644313 | 1- 5 -141 |
| 644314 | 1- 5 -148 |
| 644315 | 1- 5 -151 |
| 644316 | 1- 5 -150 |
| 644317 | 1- 3 - 96 |
| | 1- 10 -REF |

| PART NO. | SECTION, LIST AND INDEX NO. |
|----------|-----------------------------|
| 644318 | 1- 3 - 97 |
| 644320 | 1- 3 -107 |
| | 1- 11 -REF |
| 644322 | 1- 5 -147 |
| 644323 | 1- 5 -149 |
| 644324 | 1- 5 -152 |
| 644325 | 1- 5 -153 |
| 644327 | 1- 3 -108 |
| 644328 | 1- 3 -109 |
| 644329 | 1- 11 - 54 |
| 644330 | 1- 3 -110 |
| 644331 | 1- 3 -111 |
| 644332 | 1- 11 - 55 |
| 644333 | 1- 11 - 56 |
| 644334 | 1- 11 - 59 |
| 644335 | 1- 11 - 62 |
| 644338 | 1- 5 -154 |
| 644339 | 1- 5 -121 |
| 644340 | 1- 5 -119 |
| 644342 | 1- 11 - 57 |
| 644343 | 1- 11 - 58 |
| 644348 | 1- 5 -166 |
| 644349 | 1- 5 -171 |
| 644350 | 1- 5 -172 |
| | 1- 6 -REF |
| 644351 | 1- 6 - 10 |
| 644352 | 1- 6 - 11 |
| 644353 | 1- 6 - 12 |
| 644354 | 1- 6 - 13 |
| 644356 | 1- 6 - 9 |
| 644357 | 1- 6 - 14 |
| 644358 | 1- 6 - 15 |
| 644359 | 1- 6 - 18 |
| | 1- 12 - 53 |
| 644360 | 1- 6 - 16 |
| 644361 | 1- 3 -112 |
| | 1- 12 -REF |
| 644367 | 1- 12 - 42 |
| 644369 | 1- 12 - 43 |
| 644370 | 1- 12 - 46 |
| 644374 | 1- 12 - 47 |
| 644375 | 1- 12 - 48 |
| 644376 | 1- 12 - 49 |
| 644377 | 1- 3 -113 |
| 644378 | 1- 3 -114 |
| 644382 | 1- 5 -173 |
| 644383 | 1- 9 - 26 |
| 644390 | 1- 11 - 29 |
| | 1- 11 - 35 |
| 644391 | 1- 14 - 47 |
| 644394 | 1- 12 - 50 |
| 644395 | 1- 12 - 51 |
| 644397 | 1- 12 - 56 |
| 644398 | 1- 12 - 45 |
| 644502 | 1- 0 - 3 |
| 644503 | 1- 0 - 3 |
| 644504 | 1- 0 - 3 |
| 644505 | 1- 0 - 3 |
| 644512 | 1- 0 - 16 |
| | 1- 14 - 92 |
| | 1- 21A-REF |
| 644515 | 1- 0 - 16 |
| | 1- 14 - 92 |
| | 1- 21A-REF |
| 644518 | 1- 21A- 61 |
| 644520 | 1- 14 - 48 |
| | 1- 15 -REF |
| 644522 | 1- 21A- 62 |
| 644523 | 1- 14 - 49 |
| 644524 | 1- 21 - 44 |
| 644525 | 1- 14 - 50 |
| 644527 | 1- 15 - 41 |
| 644528 | 1- 3 - 95 |
| 644529 | 1- 21A- 63 |
| 644534 | 1- 14 - 52 |
| 644540 | 1- 21A- 64 |
| 644542 | 1- 21A- 66D |
| 644544 | 1- 21A- 65 |
| 644546 | 1- 21A- 66D |
| 644547 | 1- 21A- 66 |

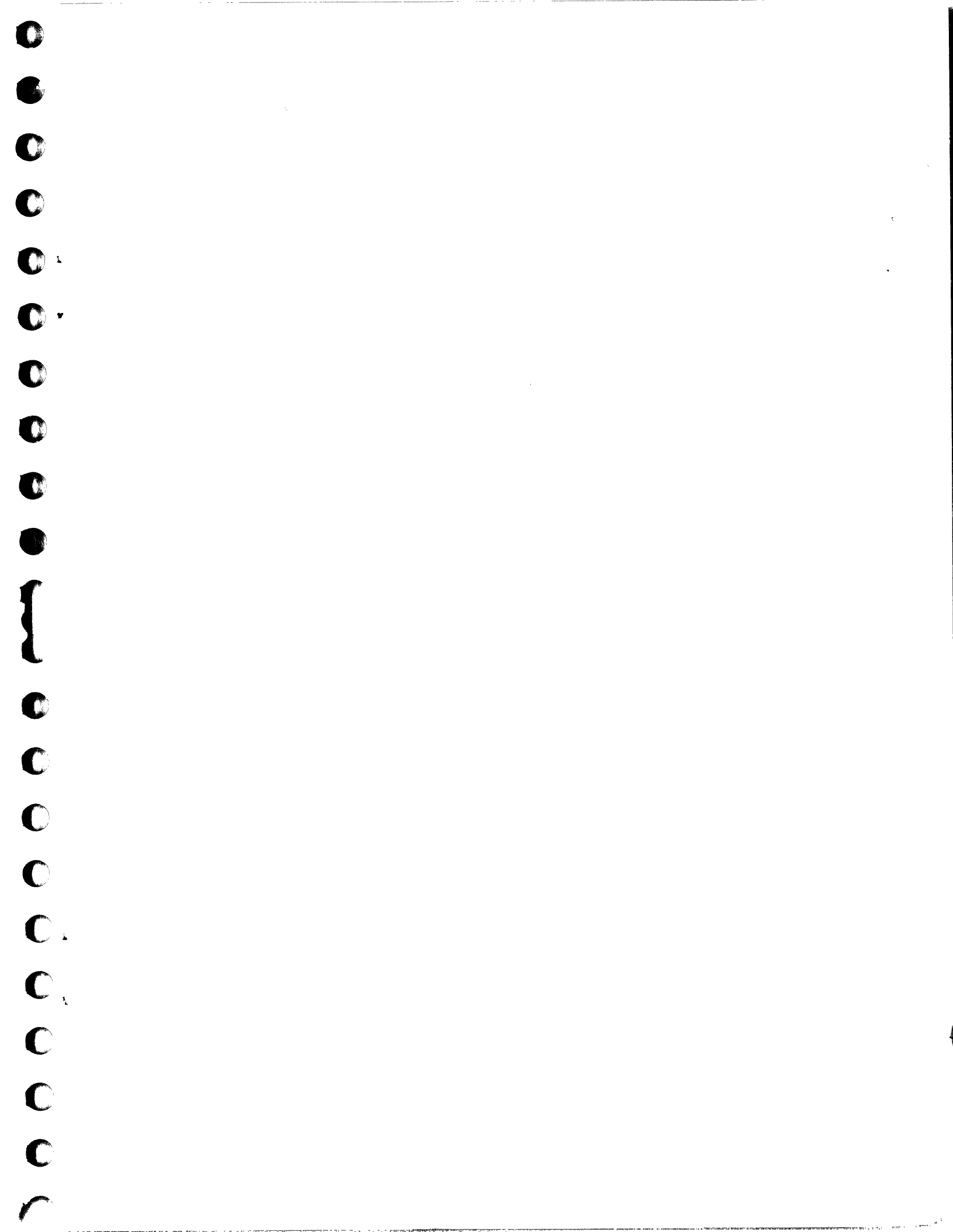
| PART NO. | SECTION, LIST AND INDEX NO. |
|----------|-----------------------------|
| 644548 | 1- 21A- 66 |
| 644556 | 1- 21A- 67 |
| 644700 | 1- - 1 |
| 644701 | 1- - 1 |
| | 1- 1 -REF |
| 644703 | 1- 17 - 13 |
| | 1- 17A- 13 |
| 644704 | 1- 2 - 67 |
| | 1- 16A- 15 |
| 644705 | 1- 16 - 10 |
| | 1- 16A- 16 |
| 644706 | 1- 14 - 53 |
| | 1- 15A- 45 |
| 644707 | 1- 14 - 54 |
| | 1- 15A- 46 |
| 644708 | 1- 16 - 11 |
| | 1- 16A- 17 |
| 644709 | 1- 16 - 12 |
| | 1- 16A- 18 |
| 644710 | 1- 16 - 13 |
| | 1- 16A- 19 |
| 644711 | 1- 14 - 55 |
| | 1- 15A- 47 |
| 644712 | 1- 16 - 14 |
| | 1- 16A- 20 |
| 644713 | 1- 14 - 61 |
| | 1- 15A- 53 |
| 644714 | 1- 14 - 58 |
| | 1- 15A- 50 |
| 644715 | 1- 1 - 6 |
| 644716 | 1- 1 - 2 |
| 644717 | 1- 1 - 12 |
| 644719 | 1- 2 - 72 |
| 644720 | 1- 1 - 17 |
| 644721 | 1- 1 - 23 |
| 644722 | 1- 2 - 68 |
| 644723 | 1- 1 - 28 |
| 644724 | 1- 2 - 69 |
| 644725 | 1- 2 - 70 |
| | 1- 16 -REF |
| | 1- 17 - 14 |
| | 1- 18 - 3 |
| | 1- 19 - 1 |
| 644726 | 1- 1 - 3 |
| 644727 | 1- 1 - 7 |
| 644728 | 1- 11 - 63 |
| 644729 | 1- 1 - 1 |
| 644730 | 1- 1 - 4 |
| 644731 | 1- 1 - 10 |
| 644732 | 1- 1 - 15 |
| 644733 | 1- 1 - 21 |
| 644734 | 1- 14 - 56 |
| | 1- 15A- 48 |
| 644735 | 1- 14 - 59 |
| | 1- 15A- 51 |
| 644736 | 1- 14 - 62 |
| 644737 | 1- 1 - 32 |
| 644738 | 1- 1 - 30 |
| 644740 | 1- 1 - 26 |
| 644741 | 1- 14 - 63 |
| | 1- 15A- 54 |
| 644743 | 1- 1 - 18 |
| 644744 | 1- 1 - 19 |
| 644745 | 1- 1 - 20 |
| 644746 | 1- 1 - 24 |
| 644747 | 1- 1 - 25 |
| 644748 | 1- 1 - 8 |
| 644749 | 1- 1 - 9 |
| 644750 | 1- 1 - 13 |
| 644753 | 1- 1 - 14 |
| 644754 | 1- 2 - 71 |
| 644755 | 1- 2 - 73 |
| 644756 | 1- 2 - 74 |
| 645138 | 1- 22 -114 |
| 645171 | 1- 2 - 44 |
| | 1- 2 - 56 |
| 647200 | 1- - 2 |
| | 1- 2 -REF |
| 647201 | 1- 2 - 61 |
| | 1- 15A-REF |

| PART NO. | SECTION, LIST AND INDEX NO. |
|----------|-----------------------------|
| 647202 | 1- 15B- 6 |
| 647204 | 1- 15B- 12 |
| 647213 | 1- 15B- 10 |
| 647214 | 1- 15B- 7 |
| | 1- 15C- 23 |
| 647215 | 1- 15C- 24 |
| 647219 | 1- 15B- 8 |
| 647222 | 1- 0 - 19 |
| | 1- 15A- 93 |
| | 1- 22 -REF |
| 647228 | 1- 2 - 93 |
| 647229 | 1- 15A- 55 |
| 647230 | 1- 0 - 19 |
| | 1- 15A- 93 |
| | 1- 22 -REF |
| 647231 | 1- 22 -115 |
| 647233 | 1- 22 -116 |
| 647234 | 1- 22 -117 |
| 647235 | 1- 2 - 70 |
| | 1- 16A-REF |
| | 1- 17A- 14 |
| | 1- 18A- 1 |
| | 1- 19A- 1 |
| 647237 | 1- 15A- 56 |
| | 1- 15B-REF |
| 647238 | 1- 15B- 13 |
| | 1- 15C- 18 |
| 647239 | 1- 15B- 14 |
| | 1- 15C- 19 |
| 647240 | 1- 0 - 2 |
| | 1- 2 - 77 |
| | 1- 17A-REF |
| 647241 | 1- 0 - 2 |
| | 1- 2 - 77 |
| | 1- 18A-REF |
| 647242 | 1- 0 - 2 |
| | 1- 2 - 77 |
| 647243 | 1- 15B- 15 |
| | 1- 15C- 20 |
| 647245 | 1- 22 -118 |
| 647249 | 1- 22 -119 |
| 647250 | 1- 15B- 16 |
| | 1- 15C- 21 |
| 647251 | 1- 15A- 57 |
| | 1- 15C-REF |
| 647252 | 1- 15C- 22 |
| 647254 | 1- 15B- 11 |
| 647255 | 1- 15B- 9 |
| 647256 | 1- 16A- 21 |
| 647257 | 1- 15B- 17 |
| 647261 | 1- 22 -120 |
| 647262 | 1- 15C- 25 |
| 647263 | 1- 15A- 58 |
| 647264 | 1- 15A- 59 |
| 647266 | 1- 16A- 22 |
| 647268 | 1- 15A- 60 |
| 647269 | 1- 21 - 44 |
| 647270 | 1- 15A- 61 |
| 647272 | 1- 22 -121 |
| 647275 | 1- 22 -122 |
| 647282 | 1- 15B- 18 |
| | 1- 15C- 26 |
| | 1- 15B- 19 |
| 647283 | 1- 15C- 27 |
| | 1- 0 - 3 |
| 647284 | 1- 0 - 3 |
| 647285 | 1- 0 - 3 |
| 647286 | 1- 0 - 3 |
| 647287 | 1- 0 - 3 |
| 647288 | 1- 0 - 20 |
| | 1- 15A- 94 |
| 647289 | 1- 0 - 20 |
| | 1- 15A- 94 |
| 647294 | 1- 22 -123 |
| 647296 | 1- 16A- 23 |
| 647297 | 1- 0 - 14 |
| | 1- 3 -121 |
| | 1- 21 -REF |
| 647298 | 1- 21 - 34 |
| 647299 | 1- 22 -124 |
| 647462 | 1- 15A- 62 |

| PART NO. | SECTION, LIST AND INDEX NO. |
|----------|-----------------------------|
| 647463 | 1- 15A- 63 |
| 647467 | 1- 15A- 64 |
| 647469 | 1- 15C- 31 |
| 647470 | 1- 22 -125 |
| 647471 | 1- 22 -126 |
| 647472 | 1- 22 -127 |
| 647473 | 1- 15A- 65 |
| 647474 | 1- 15A- 66 |
| 647475 | 1- 15C- 32 |
| 647476 | 1- 2 - 74A |
| 647477 | 1- 22 -128 |
| 647478 | 1- 15C- 33 |
| 647479 | 1- 2 - 75 |
| 647481 | 1- 22 -129 |
| 647483 | 1- 15A- 67 |
| 647487 | 1- 26 - 45 |
| 647500 | 1- 0 - 2 |
| | 1- 2 - 78 |
| 647672 | 1- 16A- 24 |
| 649828 | 1- 17 - 4 |
| 725558 | 1- 14 - 84 |
| 736650 | 1- 22 -130 |
| 736651 | 1- 22 -131 |
| 737732 | 1- 21A- 68 |
| | 1- 22 -132 |
| 738195 | 1- 26 - 11 |
| 738198 | 1- 26 - 10 |
| 738199 | 1- 26 - 21 |
| 738256 | 1- 26 - 3 |
| 738259 | 1- 26 - 19 |
| 740489 | 1- 24 - 12 |
| 740491 | 1- 24 - 13 |
| 740503 | 1- 0 - 17 |
| | 1- 2 - 97 |
| 740540 | 1- 21A- 69 |
| | 1- 22 -133 |
| | 1- 24 -REF |
| 740548 | 1- 2 - 93A |
| 740549 | 1- 26 - 12 |
| 740550 | 1- 24 - 14 |
| 740554 | 1- 24 - 15 |
| 740560 | 1- 24 - 16 |
| 740562 | 1- 24 - 16 |
| 740563 | 1- 24 - 17 |
| 740564 | 1- 24 - 18 |
| 740571 | 1- 24 - 19 |
| 740576 | 1- 26 - 22 |
| 740606 | 1- 24 - 20 |
| 740608 | 1- 0 - 17 |
| | 1- 2 - 97 |
| 740609 | 1- 21A- 69 |
| | 1- 22 -133 |
| | 1- 24 -REF |
| 740617 | 1- 15A- 68 |
| | 1- 26 - 20 |
| 741129 | 1- 24 - 21 |
| 741147 | 1- 17 - 16 |
| | 1- 17A- 16 |
| | 1- 19 - 3 |
| | 1- 19A- 3 |
| 741148 | 1- 17 - 15 |
| | 1- 17A- 15 |
| | 1- 19 - 2 |
| | 1- 19A- 2 |
| | 1- 17 - 17 |
| 741318 | 1- 17A- 17 |
| | 1- 18 - 4 |
| | 1- 18A- 2 |
| | 1- 19 - 4 |
| | 1- 19A- 4 |
| | 1- 17A- 18 |
| 741328 | 1- 19A- 5 |
| 741334 | 1- 17 - 18 |
| 749033 | 1- 17A- 19 |
| | 1- 18 - 5 |
| | 1- 18A- 3 |
| | 1- 19 - 5 |
| | 1- 19A- 6 |
| 749047 | 1- 18 - 11 |
| 749076 | 1- 17 - 19 |

| PART NO. | SECTION, LIST AND INDEX NO. |
|-------------|-----------------------------|
| 749076-CONT | 1- 17A- 20 |
| | 1- 18 - 6 |
| | 1- 18A- 4 |
| | 1- 19 - 6 |
| | 1- 19A- 7 |
| 749095 | 1- 17A- 6 |
| 749828 | 1- 17A- 4 |
| 760303 | 1- 15 - 39 |
| | 1- 15B- 41 |
| | 1- 15C- 52 |
| 760731 | 1- 22 -134 |
| 761345 | 1- 26 - 23 |
| 761354 | 1- 15 - 30 |
| 767393 | 1- 22 -135 |
| 801652 | 1- 25 - 29 |
| 804211 | 1- 5 -174 |
| 806569 | 1- 22 -136 |
| 811417 | 1- 15 - 42 |
| | 1- 15B- 23 |
| | 1- 15C- 34 |
| 811426 | 1- 15B- 24 |
| | 1- 15C- 35 |
| 811427 | 1- 15A- 69 |
| 811441 | 1- 15B- 46 |
| | 1- 15C- 57 |
| 811442 | 1- 15B- 25 |
| | 1- 15C- 36 |
| 811474 | 1- 15B- 26 |
| | 1- 15C- 37 |
| 811481 | 1- 15B- 27 |
| | 1- 15C- 38 |
| 811482 | 1- 15B- 28 |
| | 1- 15C- 39 |
| 811484 | 1- 15B- 29 |
| | 1- 15C- 40 |
| 811486 | 1- 15B- 31 |
| | 1- 15C- 42 |
| | 1- 26 - 16 |
| 811487 | 1- 15B- 30 |
| | 1- 15C- 41 |
| 811494 | 1- 15B- 32 |
| | 1- 15C- 43 |
| | 1- 26 - 13 |
| 811562 | 1- 15B- 35 |
| | 1- 15C- 46 |
| 811751 | 1- 26 - 4 |
| 811802 | 1- 15 - 43 |
| | 1- 15B- 36 |
| | 1- 15C- 47 |
| | 1- 26 - 15 |
| 811804 | 1- 15 - 44 |
| | 1- 15B- 37 |
| | 1- 15C- 48 |
| 811825 | 1- 26 - 18 |
| 811850 | 1- 15B- 38 |
| | 1- 15C- 49 |
| 811851 | 1- 15B- 39 |
| | 1- 15C- 50 |
| 811864 | 1- 15B- 42 |
| | 1- 15C- 53 |
| 811865 | 1- 15B- 40 |
| | 1- 15C- 51 |
| 811878 | 1- 15B- 43 |
| | 1- 15C- 54 |
| 811879 | 1- 15B- 44 |
| | 1- 15C- 55 |
| 811880 | 1- 15B- 47 |
| | 1- 15C- 58 |
| 811881 | 1- 15B- 45 |
| | 1- 15C- 56 |
| 813111 | 1- 15B- 48 |
| | 1- 15C- 59 |
| 813179 | 1- 15 - 45 |
| | 1- 15B- 49 |
| | 1- 15C- 60 |
| 813195 | 1- 26 - 34 |
| 813197 | 1- 16 - 15 |
| | 1- 16A- 27 |
| 813253 | 1- 26 - 38 |
| 813263 | 1- 26 - 37 |

| PART NO. | SECTION, LIST AND INDEX NO. | PART NO. | SECTION, LIST AND INDEX NO. | PART NO. | SECTION, LIST AND INDEX NO. |
|----------|-----------------------------|--------------|-----------------------------|----------|-----------------------------|
| 813318 | 1- 15A- 70 | 1090873-CONT | 1- 21A- 71 | 3009639 | 1- 18 - 9 |
| 813319 | 1- 15A- 71 | | 1- 22 -138 | | 1- 18A- 14 |
| 813321 | 1- 15A- 72 | 1091508 | 1- 14 - 64 | 3009653 | 1- 19 - 7 |
| 813325 | 1- 15B- 50 | | 1- 15A- 75 | | 1- 19A- 14 |
| 813425 | 1- 15 - 34 | | 1- 20 - 2 | 3009680 | 1- 18 - 10 |
| 813519 | 1- 15A- 73 | 1100523 | 1- 0 - 18 | 3009685 | 1- 19 - 8 |
| 813549 | 1- 15C- 33A | | 1- 3 -123 | 3009686 | 1- 19 - 9 |
| | 1- 26 - 14 | | 1- 5 -176 | 3009689 | 1- 18 - 12 |
| | 1- 26 - 39 | 1134232 | 1- 13 - 21 | | 1- 18A- 15 |
| 813550 | 1- 15C- 33B | 2100194 | 1- 25 - 41 | 3009690 | 1- 19 - 10 |
| | 1- 26 - 17 | 2100195 | 1- 25 - 40 | | 1- 19A- 15 |
| 813678 | 1- 15A- 74 | 2100264 | 1- 26 - 43 | 3009697 | 1- 18 - 13 |
| 813681 | 1- 15B- 20 | 2101326 | 1- 26 - 24A | 3009698 | 1- 19 - 11 |
| | 1- 15C- 28 | 2101338 | 1- 22 - 80 | 3009699 | 1- 18 - 15 |
| | 1- 15C- 33C | 2101358 | 1- 22 - 81 | 3009700 | 1- 19 - 12 |
| | 1- 26 - 40 | 2102364 | 1- 14 - 65 | 3009801 | 1- 18 - 16 |
| 813703 | 1- 26 - 41 | | 1- 21 - 46 | 3009802 | 1- 19 - 13 |
| 813706 | 1- 15B- 51 | 2102365 | 1- 2 - 75C | 4030043 | 1- 19 - 14 |
| 813801 | 1- 15B- 21 | | 1- 3 -115 | | 1- 19A- 16 |
| | 1- 15B- 33 | | 1- 15A- 76 | 4065157 | 1- 14 - 90 |
| | 1- 15C- 29 | | 1- 22 -139 | 4116394 | 1- 22 -141 |
| | 1- 15C- 44 | 2102366 | 1- 15B- 53 | 4116430 | 1- - 21 |
| 813802 | 1- 15B- 22 | | 1- 15C- 62 | | 1- 15A- 95 |
| | 1- 15B- 34 | 2102367 | 1- 14 - 66 | 4116467 | 1- 22 -142 |
| | 1- 15C- 30 | | 1- 15A- 77 | 4120229 | 1- 14 - 91 |
| | 1- 15C- 45 | 2102368 | 1- 14 - 67 | 5240458 | 1- 22 -143 |
| | 1- 26 - 5 | | 1- 15A- 78 | 5240459 | 1- 25 - 30 |
| 813803 | 1- 26 - 6 | 2111232 | 1- 2 - 35 | 5240513 | 1- 25 - 29 |
| 813804 | 1- 15B- 52 | | 1- 22 -107B | 5247061 | 1- 25 - 31 |
| 813816 | 1- 15C- 61 | 2122035 | 1- 16 - 18 | 5247111 | 1- 25 - 32 |
| 814126 | 1- 16 - 16 | | 1- 16A- 30 | 5247156 | 1- 21A- 48 |
| | 1- 16A- 28 | 2122038 | 1- 16 - 19 | 5253844 | 1- 25 - 33 |
| 827841 | 1- 16 - 17 | | 1- 16A- 31 | 5261810 | 1- - 22 |
| | 1- 16A- 29 | 2122258 | 1- 26 - 48 | | 1- 15A- 96 |
| 827850 | 1- 17 - 10 | 2122260 | 1- 26 - 35 | | 1- 25 -REF |
| | 1- 17A- 10 | 2122639 | 1- 2 - 76 | 5261811 | 1- 25 - 34 |
| | 1- 18 - 14 | | 1- 14 - 68 | 5261812 | 1- 25 - 35 |
| | 1- 17 - 21 | 2125974 | 1- 14 - 72C | 5261813 | 1- 25 - 36 |
| 827852 | 1- 17A- 22 | | 1- 15A- 84 | 5261814 | 1- 25 - 37 |
| | 1- 17 - 6 | 2127867 | 1- 26 - 35A | 5261815 | 1- 25 - 42 |
| 827853 | 1- 17 - 8 | 2128689 | 1- 22 -140 | 5261825 | 1- 25 - 43 |
| | 1- 17 - 12 | 2145041 | 1- 15 - 26 | 5261951 | 1- 25 - 44 |
| | 1- 17A- 8 | | 1- 15C- 17 | 5261988 | 1- 25 - 37 |
| | 1- 17A- 12 | 2145131 | 1- 15A- 79 | 5261990 | 1- - 22 |
| | 1- 18 - 2 | 2145158 | 1- 1 - 34 | | 1- 15A- 96 |
| 827865 | 1- 17 - 20 | 2145159 | 1- 1 - 35 | | 1- 25 -REF |
| | 1- 17A- 21 | 2145160 | 1- 14 - 69 | 5263712 | 1- 22 -144 |
| | 1- 18A- 5 | | 1- 15A- 80 | 5271288 | 1- 22 -145 |
| 835226 | 1- 19A- 8 | 2145162 | 1- 14 - 70 | 5311415 | 1- 16 - 21 |
| 835227 | 1- 18A- 6 | 2145183 | 1- 14 - 70A | | 1- 16A- 33 |
| 835228 | 1- 18A- 7 | 2157668 | 1- 14 - 72D | 5311440 | 1- 16 - 22 |
| 835232 | 1- 18A- 8 | | 1- 15A- 85 | | 1- 16A- 34 |
| 835233 | 1- 18A- 8 | | 1- 13 - 22 | 5322302 | 1- 22 -146 |
| 835234 | 1- 18A- 9 | 2159836 | 1- 26 - 44 | 5352960 | 1- 26 - 7 |
| 835238 | 1- 19A- 9 | 2162457 | 1- 14 - 71 | 5352967 | 1- 26 - 7A |
| 835242 | 1- 19A- 10 | 2178593 | 1- 14 - 77 | 5353922 | 1- 26 - 42 |
| 835243 | 1- 19A- 11 | 2178600 | 1- 14 - 72E | 5362304 | 1- 15A- 88 |
| 835265 | 1- 17A- 23 | 2178624 | 1- 15A- 86 | 5362305 | 1- 15A- 89 |
| 838017 | 1- 22 -137 | | 1- 14 - 72F | 5800610 | 1- 26 - 8 |
| 838650 | 1- 19A- 12 | 2178625 | 1- 15A- 87 | 5800620 | 1- 26 - 8A |
| 838651 | 1- 18A- 10 | | 1- 14 - 72 | 5800621 | 1- 26 - 8B |
| 839527 | 1- 18A- 11 | 2178626 | 1- 15A- 81 | 5800634 | 1- 26 - 8C |
| 839528 | 1- 19A- 13 | | 1- 15 - 46 | 5800650 | 1- 26 - 8D |
| 1073412 | 1- 21A- 70 | 2178627 | 1- 26 - 36 | 5800652 | 1- 26 - 8E |
| 1073418 | 1- 1 - 33 | 2192502 | 1- 16 - 20 | 5800660 | 1- 26 - 8F |
| | 1- 6 - 21 | 2391121 | 1- 16A- 32 | 5802200 | 1- 15A- 90 |
| 1077739 | 1- 5 - 74 | | 1- 21A- 51 | 5802216 | 1- 15B- 54 |
| 1090873 | 1- 5 -175 | 3008825 | 1- 18 - 7 | | 1- 15C- 63 |
| | 1- 7 - 13 | 3008906 | 1- 18A- 12 | 5802908 | 1- 15A- 91 |
| | 1- 9 - 27 | | 1- 18 - 8 | 5802941 | 1- 15A- 92 |
| | 1- 12 - 57 | 3009638 | 1- 18A- 13 | | |
| | 1- 21 - 45 | | | | |



1052

2501

TAB INSERT FOR FRONT COVER

121-0542-1

IBM 2501 Printed in U.S.A. 121-0542-1

IBM

International Business Machines Corporation
Field Engineering Division
112 East Post Road, White Plains, N.Y. 10601

1092

2501

TAB INSERT FOR FRONT COVER

121-0542-1

IBM 2501 Printed in U.S.A. 121-0542-1

IBM

International Business Machines Corporation

Field Engineering Division

112 East Post Road, White Plains, N.Y. 10601