

The IBM logo, consisting of the letters "IBM" in a bold, white, sans-serif font, set against a solid black rectangular background.

Systems Reference Library

IBM 2400-Series Magnetic Tape Units

Original Equipment Manufacturers' Information

This manual will assist designers of accessory equipment for IBM 2401 and 2402 Models 1-6 and 2401 Model 8 Magnetic Tape Units, IBM 2403 Models 1-6 and 2404 Models 1-3 Magnetic Tape Units and Controls, and IBM 2803/2804 Models 1-3 Tape Control Units.

Additional information about the operation and use of these tape units in integrated data processing systems can be obtained from the *IBM 2400 Magnetic Tape Units and 2816 Switching Unit Component Description*, Form A22-6866, and from the local IBM Sales Office. Information concerning I/O operations is in *IBM System/360 Channel to Control Unit OEMI*, Form A22-6843.



Preface

The term "2400-series magnetic tape units" used in this manual refers to the 2401 and 2402 Models 1-6 and 2401 Model 8 Magnetic Tape Units, the 2403 Models 1-6 Magnetic Tape Unit and Control, the 2404 Models 1-3 Magnetic Tape Unit and Control, and the 2803/2804 Models 1-3 Tape Control Units. Information in this manual refers to all these types and models under the general classification of "2400 Tape Units" unless otherwise stated.

The IBM 2415 Magnetic Tape Unit and Control contains two, four, or six tape drives and a control in a single unit. The drives and control are not marketed separately. Therefore, the 2415 control-to-drive interface is not described in this manual. Tape timings for the 2415 are listed in the *IBM 2400 Magnetic Tape Units and 2816 Switching Unit Component Description*, Form GA22-6866.

Seventh Edition (November, 1970)

This is a major revision of, and obsoletes GA22-6862-5. Corrections have been made throughout the manual. Changes to text, and small changes to illustrations, are indicated by a vertical line in the margin. Changed or added illustrations are denoted by the symbol ● to the left of the figure title.

The data contained herein is current as of November 5, 1970. Specifications contained herein are subject to change from time to time. Any such change will be reported in subsequent revisions or Technical Newsletters.

All specifications in this manual are nominal unless otherwise indicated.

Requests for copies of IBM publications should be made to your IBM representative or to your local IBM branch office.

This manual has been prepared by the IBM Systems Development Division, Product Publications, Dept. 265, PO Box 1900, Boulder, Colorado, 80302. A form is provided at the back of this publication for the reader's comments. If the form has been removed, comments may be sent to the above address.

Contents

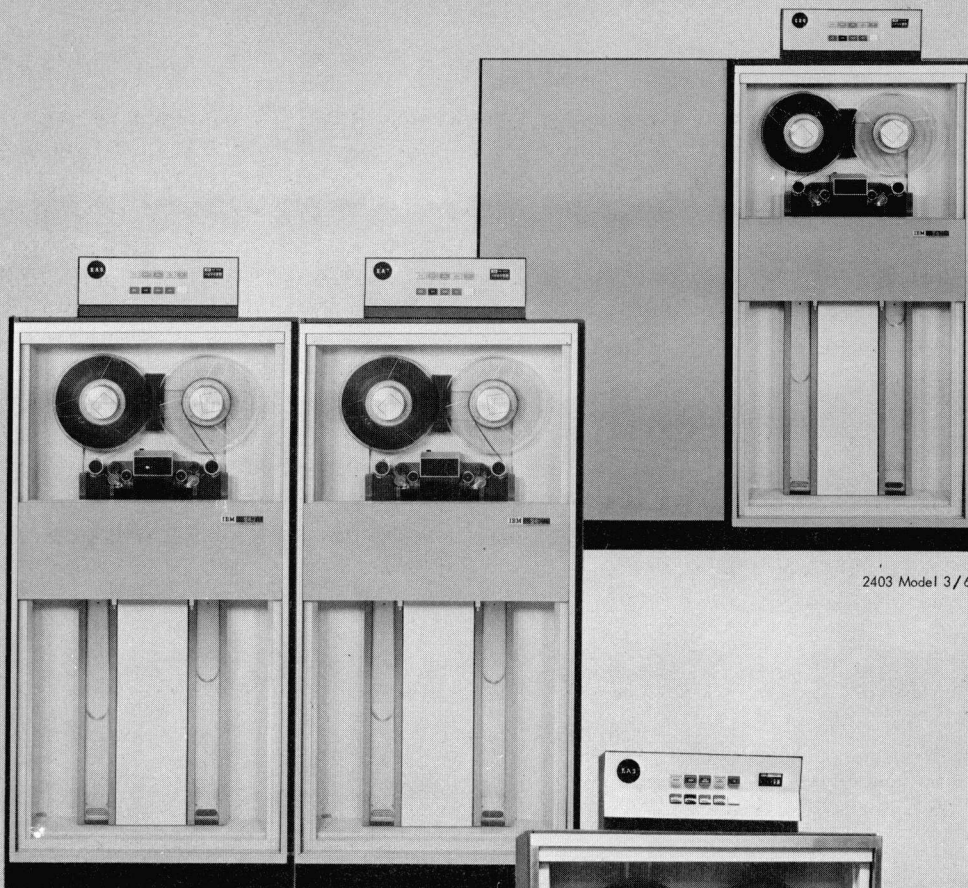
IBM 2400-Series Magnetic Tape Units	1	Specifications	10
Recording Methods	2	Input/Output Line Specifications	10
Error Correction	4	Connector Pin Assignments	11
Operator's Controls and Indicators	4	Mode Compatibility Feature	11
Operator's Panel	4	Simultaneous Read/Write Feature	15
Input/Output Signal Lines	6	Tape Unit Specifications	18
Input Lines	6	Read/Write Head	18
Select (TC77, 79, 86, 88, 97, 106, and 108)	6	Tape Speed, Bit Density, and Byte Rate	18
Go (TC9)	6	2400-Series Tape Timings	19
Backward (TC11)	6	Power Requirements	21
Set Read Status (TC25)	6	Machine Protection	21
Set Write Status (TC13)	6	File Protection	21
Write Pulse (TC29)	7	Tape Motion Start and Stop Times	21
Write LRCC Gate/Set NRZI (TC27)	7	Read Circuits	22
Write Bus (TC3, 5, 17, 19, 21, 31, 33, 35, and 1)	7	Noise	23
Rewind (TC39)	7	Tape Operating Environment	24
Rewind/Unload (TC41)	8	Recording Formats for Nine-Track, 800-bpi Tape	24
Metering Out (TC23)	8	Recording Formats for Nine-Track, 1,600-bpi Tape	26
Output Lines	8	Recording Formats for Seven-Track Tape	29
Models 1/4, 2/5, 3/6 (TC180, 182, and 184)	8	Cabling	31
Rewinding/Not Ready (TC142, 144, 156, 158, 172, 174, 186, and 188)	8	Connectors	34
Seven Track/NRZI (TC178)	8	Drivers and Terminators	35
Select and Read Status (TC162)	8	Field Tester	47
Select and at Load Point (TC198)	8	Field Tester Controls and Signal Hubs	47
Write Echo/Select and TI Off (TC196)	8	Switches	47
Select and TI Off/Inhibit Go (TC194)	8	Variable Controls	48
Select and Not File-Protected (TC192)	8	Signal Hubs	48
Read Bus (TC84, 93, 95, 102, 104, 113, 115, 122, and 82)	9	Control Settings	49
Backward Status (TC164)	9	Index	X-1
2400-Series Models 1, 2, and 3 (TC37)	9		

Illustrations

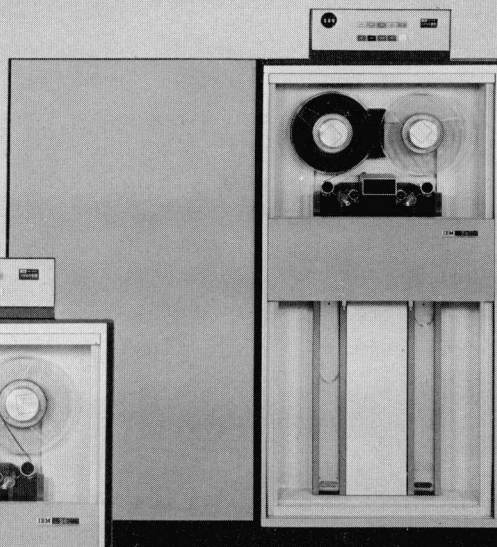
<i>Figure</i>	<i>Title</i>	<i>Page</i>	<i>Figure</i>	<i>Title</i>	<i>Page</i>
IBM 2400-Series Magnetic Tape Units			29	Data Block Format	27
● 1	IBM 2400-Series Magnetic Tape Unit Characteristics	1	30	Tape Mark Block Format	28
● 2	IBM 2400-Series Tape Unit Packaging	2	31	Organization of Blocks on Tape	29
3	PE and NRZI Recording Compared	3	● 32	Skew Gate and Character Gate Timing – NRZI	30
4	IBM 2401/2402 Operator's Panel	4	33	Read Checking of Nine-Track NRZI Write Operation	31
Input/Output Signal Lines			34	2400 Cabling Schematic	32
5	Rotation of Select (and Not Ready) Signal Lines	6	● 35	2400 Cabling Schematic Data	33
● 6	PE and NRZI Bit Patterns on Tape	7	36	2401/2/3/4 Connectors and Component Part Numbers	34
Specifications			37	Line Terminator, Models 1-6 and 8	35
● 7	Tape Unit Input Line Specifications	10	38	Write Bus Terminator, Models 4-6	35
● 8	Tape Unit Output Line Specifications	11	39	Tape Unit, Models 1-6 and 8, Metering-Out Line Terminator	35
9	Tape Unit/Control Unit Connector Pin Assignments (Part 1 of 2)	12	● 40	Tape Unit, Models 1-6 and 8, Line Driver	35
9	Tape Unit/Control Unit Connector Pin Assignments (Part 2 of 2)	13	● 41	Control Unit, Models 1-3, Line Receiver	36
10	2402 Tail Gate Connectors	13	42	Control Unit, Models 1-3, Signal Line Driver; Control Unit, Models 1 and 3, Write Bus Driver	36
11	2403/2803 Signal Connectors	14	43	Tape Unit, Models 1-6 and 8, Write Bus Receiver	37
12	2403/2803 Power Connectors	14	44	Control Unit, Model 2, Write Bus Driver	37
13	AC Power Connector Pin Numbering	15	45	Tape Unit, Models 4-6, Write Bus Receiver	38
14	Tape Unit/Control Unit Connector Pin Assignments with Simultaneous Feature (Part 1 of 2)	16	46	Tape Unit Read Preamplifier Number 2, Models 1, 2, 4, 5, and 8 NRZI (Part 1 of 2)	39
14	Tape Unit/Control Unit Connector Pin Assignments with Simultaneous Feature (Part 2 of 2)	17	46	Tape Unit Read Preamplifier Number 2, Models 3 and 6 NRZI (Part 2 of 2)	40
● 15	Read/Write Head Specifications	18	47	Simultaneous Preamplifier, Models 4-6 NRZI	41
● 16	Tape Speed	18	48	Simultaneous Preamplifier, Models 4-6 PE	41
● 17	Bit Density	18	49	Control Unit Read Bus, Models 1-3, Receiver NRZI	42
● 18	Byte Rate	19	50	Tape Unit Read Preamplifier, Model 4 PE	43
● 19	Nominal Interblock Gap	19	51	Tape Unit Read Preamplifier, Model 5 PE	44
● 20	Time/Byte within Data Blocks	19	52	Tape Unit Read Preamplifier, Model 6 PE	45
● 21	Time/Byte other than within Data Blocks	20	53	Control Unit, Model 2, Read Bus Receiver PE	46
● 22	Rewind Timings	20	Field Tester		
● 23	Start/Stop Timings	21	54	Field Tape Tester, 2400-Series Models 1-6 and 2401 Model 8	47
24	PE Read Bus Waveforms (Data Pattern 11001100)	22	55	Field Tape Tester Control Settings	49
25	NRZI Read Bus Waveform (Nine-Track)	23			
26	Noise	23			
27	Beginning-of-Tape and End-of-Tape Areas	25			
28	Track Spacing for Seven- and Nine-Track Tape	26			

Abbreviations

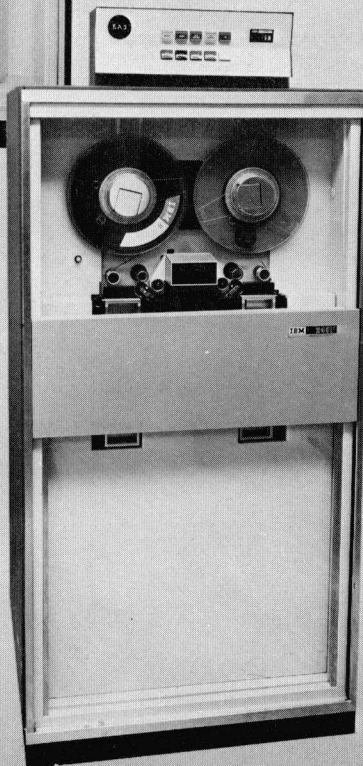
amp	ampere	ma	milliamperere
asm	assembly	ms	millisecond
		mv	millivolt
BCD	binary coded decimal	NFP	not file protect
bkwd	backward	NRZI	nonreturn to zero IBM
B/M	bill of material		
bpi	bits per inch	P	parity
CB	circuit breaker	PE	phase encoded
CE	customer engineer		
cm	centimeter	R/W	read/write
CRC	cyclic redundancy check		
CU	control unit	sec	second
		SLT	solid logic technology
EBCDIC	extended binary coded decimal interchange code	SU	switching unit
EOF	end of file		
EOT	end of tape	TC	tape connector
EPO	emergency power off	TCU	tape control unit
		TI	tape indicate
F	fahrenheit	TU	tape unit
fci	flux changes per inch		
fwd	forward	usec	microsecond
HD	heavy duty	v	volt
		vac	volts alternating current
IBG	interblock gap	vdc	volts direct current
ips	inches per second	VRC	vertical redundancy check
kb	kilobyte (thousands of eight-bit bytes)	>	greater than
kd	thousands of four-bit decimal digits	<	less than
kva	kilovolt-ampere	≥	equal to or greater than
		≤	equal to or less than
LP	load point		
LRC	longitudinal redundancy check		



2402 Model 2/5



2403 Model 3/6



2401 Model 1/4

IBM 2400-Series Magnetic Tape Units

Electronic computers require enormous amounts of input data that can be requested and received quickly. They also need a medium on which to record permanent output information and large quantities of intermediate data that must be recalled quickly and conveniently. The IBM 2400-Series Magnetic Tape Units, with their almost unlimited capacity for storing information, fulfill this need by functioning as both input and output devices, transporting magnetic tape and writing and reading it. The 2400-series magnetic tape units are designed to operate with the System/360 configurations. Except for the 2401 Model 8, 2400-series tape units use a two-gap, nine-track (eight data tracks and one check track), read/write head. The 2401 Model 8 is equipped only with a two-gap, seven-track, read/write head. The two-gap head allows error checking while the tape is

being written. The first gap is used for writing and the second for reading. The 2401 Model 8 has the capability of reading and writing at 200, 556, and 800 bpi (bits per inch) and only in the NRZI (non-return-to-zero, IBM) mode. The recording density of the other 2400 tape units is 800 or 1600 bpi. An optional seven-track head allows 2400-series Models 1-3 tape units to read or write seven-track tape at densities of 200, 556, or 800 bpi. Seven-track tapes written on IBM 2400-series and 729 tape units are compatible. The 2400-series magnetic tape units and controls are available in seven models and four types of packaging. Figure 1 is a listing of tape unit operating speeds and densities. Figure 2 describes packaging methods for each type of machine.

2401 - 2404 Tape Units						
Characteristics	Model 1 Model 4	Model 1	Model 2 Model 5	Model 2 and 2401 Model 8	Model 3 Model 6	Model 3
Number of Tracks and Recording Method	Nine Track NRZI Nine Track PE	Seven Track NRZI	Nine Track NRZI Nine Track PE	Seven Track NRZI	Nine Track NRZI Nine Track PE	Seven Track NRZI
Density in bpi (bits per inch)	800 1,600	800 556 200	800 1,600	800 556 200	800 1,600	800 556 200
Data Rate (bytes per second)	30,000 60,000	30,000 20,850 7,500	60,000 120,000	60,000 41,700 15,000	90,000 180,000	90,000 62,500 22,500
Tape Speed (inches/second)	37.5 37.5	37.5	75.0 75.0	75.0	112.5 112.5	112.5
Interblock Gap (inches)	0.6 0.6	0.75	0.6 0.6	0.75	0.6 0.6	0.75

11,002

● Figure 1. IBM 2400-Series Magnetic Tape Unit Characteristics

Machine Type	Packaging (Note 2)												
2401 Models 1-6 and 2401 Model 8 Magnetic Tape Unit	One tape unit, single frame, self-contained dc power supply.												
2402 Models 1-6 Magnetic Tape Unit	Two tape units, double frame, single self-contained dc power supply furnishes dc to both tape units.												
2403 Models 1-6 Magnetic Tape Unit and Control (Note 1)	One tape unit plus one tape control, double frame, single self-contained dc power supply furnishes dc to tape unit and control.												
2404 Model 1, 2, or 3 Magnetic Tape Unit and Control (Note 1)	One tape unit plus simultaneous read and write tape control, double frame, single self-contained dc power supply furnishes dc to tape unit and control.												
2803 Model 1 or 2 Tape Control (Note 1)	One tape control, double frame, self-contained dc power supply.												
2803 Model 3 Tape Control (Note 3)	One tape control, double frame, self-contained dc power supply												
2804 Model 1 or 2 Tape Control (Note 1)	One simultaneous read and write tape control, double frame, self-contained dc power supply.												
2804 Model 3 Tape Control (Note 3)	One simultaneous read and write tape control, double frame, self-contained dc power supply.												
Notes: 1. A standard 2403, 2404, 2803, or 2804 tape control communicates with and supplies ac power for as many as eight 2400-series tape units in any combination of machine types and models (a 2402 counts as two individual tape units). 2. <table border="1" style="margin-left: 40px;"> <thead> <tr> <th></th> <th>Height</th> <th>Width</th> <th>Depth (inches)</th> </tr> </thead> <tbody> <tr> <td>Single Frame</td> <td>60</td> <td>30</td> <td>29</td> </tr> <tr> <td>Double Frame</td> <td>60</td> <td>60</td> <td>29</td> </tr> </tbody> </table> 3. 2803 Model 3 and 2804 Model 3 tape control units can be used <i>only</i> with 2401 Model 8 tape units. Not more than eight tape units can be attached to either tape control.			Height	Width	Depth (inches)	Single Frame	60	30	29	Double Frame	60	60	29
	Height	Width	Depth (inches)										
Single Frame	60	30	29										
Double Frame	60	60	29										

11.003

● Figure 2. IBM 2400-Series Tape Unit Packaging

RECORDING METHODS

Before information is written on tape, tape coating is erased to a specified magnetic flux polarity. Erasure is accomplished by passing tape across a dc erase head before it is written. The erase head magnetizes the entire width of the tape so that the end of tape nearest the beginning-of-tape (BOT) marker is a north-seeking magnetic pole. Interblock gap (IBG) areas have the same magnetic flux polarity that is produced by the erase head.

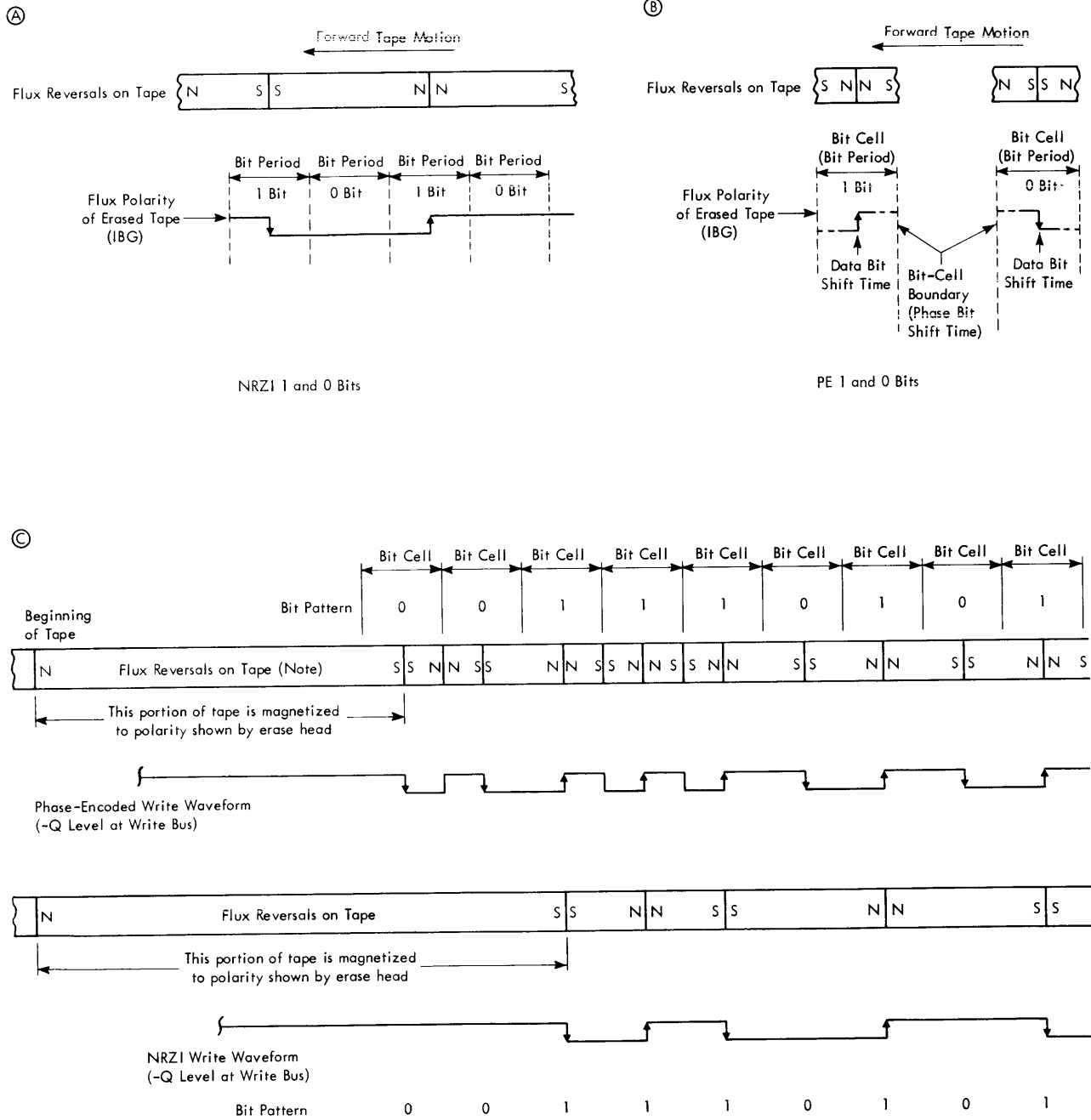
Both the nonreturn to zero IBM (NRZI) and the phase-encoded (PE) methods record information by producing magnetic flux reversals in the tape coating. The NRZI method uses a flux reversal in either direction to represent a 1-bit. When writing NRZI tape, flux reversals are written only for 1-bits. When reading NRZI tape, the absence of a flux reversal is interpreted as a 0-bit (A, Figure 3).

When writing PE tape, flux reversals are written for both 1- and 0-bits. When tape is moving forward, a flux reversal to the magnetic polarity of "erased" tape at bit-shift time is defined as a 1-bit. A flux reversal to a polarity opposite that of erased tape at bit-shift time is defined as a 0-bit (B, Figure 3). The comparison of the flux reversals needed to write a series of bits on tape in both NRZI and PE mode is shown on (C), Figure 3. The extra shifts that occur at bit-cell-boundary time (phase bits) are necessary to maintain the correct direction of shift for each type of bit, when writing two like PE bits (1 and 1 or 0 and 0) in succession.

Each PE data block is preceded and followed by a burst of all-zeros bytes and an all-ones marker (preamble and postamble). The preamble synchronizes the read detection circuits so that ones and zeros are identified correctly when reading the data bytes which follow. The postamble indicates the end of the data in a tape block. When reading backward, the functions of the preamble and postamble are reversed.

When tape is read, the bits (flux reversals) are sensed by the read head to produce a waveform similar to the waveform which wrote the bits. The waveform is decoded in a 2803/2804 to 0- and 1-bits by comparing it to reference (clock) pulses. Because the sensing and decoding of a bit depend on the magnetic strength of the signal and on the polarity and timing of the recorded signal, the possibility of an error because of weak or extraneous signals is considerably reduced.

The nine-track tape format used with the System/360 eight-bit code and the seven-track tape format used with the six-bit BCD code are shown in Figures 27-29. To increase nine-track reliability, the bit tracks are arranged to place the most-used bits in the center of the tape.



Note: A flux reversal (NN or SS) is the area where the flux polarity of the magnetized tape is reversed. The particles of oxide coating on the tape are magnetized by the write head to act like tiny magnets whose combined effect is shown in this figure.

11.004

Figure 3. PE and NRZI Recording Compared

Error Correction

Nine-track NRZI tapes are written with a cyclic redundancy check (CRC) character at the end of each data block (Figure 29). This character, which is used to correct single-track read errors, is generated in the CRC register in the tape control. The contents of the nine positions of the CRC register are designated CP (parity) and C0 through C7.

The CRC character is formed in the following manner:

1. All data characters in the tape block are added to the CRC register without carry (each bit position n is exclusive ORed to C_n).
2. Between additions the CRC register is shifted one position (CP to C0, etc., and C7 to CP).
3. If shifting will cause CP to become a 1, the bits being shifted into positions C2, C3, C4, and C5 are inverted.
4. After the last data character has been added, the CRC register is shifted once more in accordance with steps 2 and 3.
5. To write the CRC character on tape, the contents of all positions except C2 and C4 are inverted. The parity of the CRC character is odd if the number of data characters within the block is even, and the parity is even if the number of data characters within the block is odd. The CRC character may contain all 0-bits only if the number of data characters is odd.

Additional information on nine-track NRZI error correction is in Field Engineering Theory of Operation, *IBM 2803/2804 Model 1 Tape Control and Tape Controls for 2403/2404 Models 1, 2, and 3*, Form Y22-2853.

OPERATOR'S CONTROLS AND INDICATORS

Operator's Panel

The operator's panel is shown in Figure 4. For convenience, the indicators are all in the upper row and the controls are in the lower row.

Select

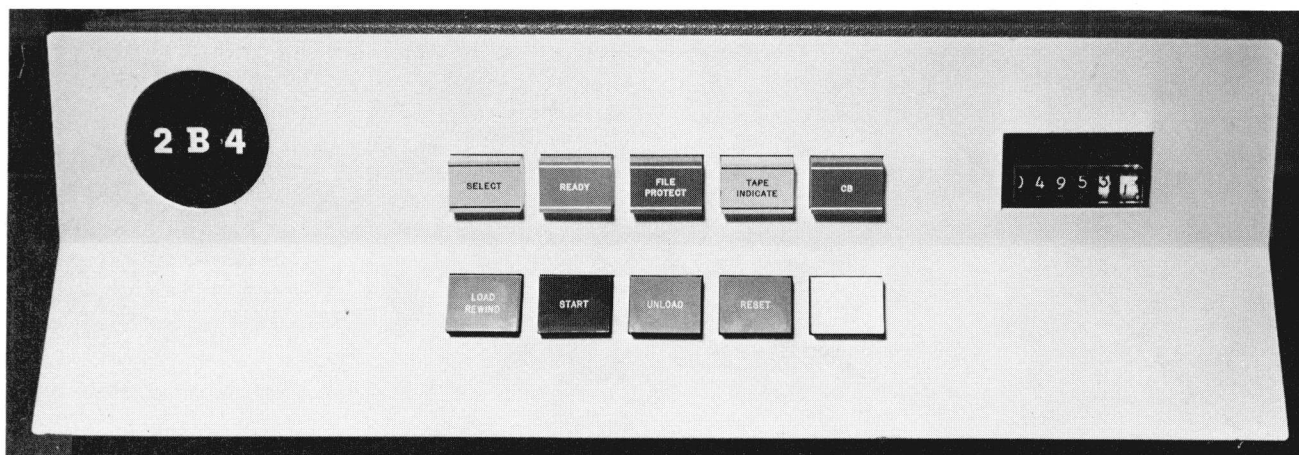
SELECT indicates the tape unit is to perform the next tape function. The tape unit must be in ready status.

Ready

READY indicates the tape unit is in ready status; that is, the tape unit is loaded (tape in the vacuum columns and across read/write head), all interlocks are closed, and tape is not rewinding. This indicator is turned on by pressing START, but it will not turn on unless the two preceding conditions are satisfied. Pressing START while the tape is in motion, as in a load/rewind operation, will not turn on this indicator immediately; but the indicator will turn on when the load/rewind is completed.

File Protect

When on, FILE PROTECT shows that the loaded tape is file-protected; that is, neither writing nor erasing can take place on this unit because the file reel does not contain a file-protect ring.



11,005

Figure 4. IBM 2401/2402 Operator's Panel

Tape Indicate

Models 1-3 and 2401 Model 8: When on, TAPE INDICATE (TI) signifies that an end-of-tape reflective marker has been photosensed during a forward tape operation. TI is reset when the tape unit receives a rewind, rewind/unload, or backward command, or when the tape unit is manually unloaded.

Models 4-6: During a backward command, TI is not reset unless the end-of-tape reflective marker is sensed again; otherwise, TI operates same as in Models 1-3.

CB

When on, the CB indicator shows that a circuit breaker or circuit protector has been tripped. The tape unit cannot operate until the circuit breaker or protector has been reset.

Load/Rewind

Pressing LOAD/REWIND initiates a rewind to load point. If the tape unit is unloaded, pressing this pushbutton causes an auto-load operation before rewinding to load point. This pushbutton is inoperative if the tape unit is in ready status.

Pressing LOAD/REWIND (with power window) initiates a rewind to load point. If the tape unit is unloaded, pressing this pushbutton causes the power window to close first and then causes a tape auto-load operation before rewinding to load point.

If any object prevents closing of the power window, the safety bail at the top of the window will operate, causing the window to reverse direction and lower until fully open. After removing the obstruction, press LOAD/REWIND again to reinitiate the load/rewind operation. The load/rewind pushbutton is inoperative if the tape unit is in ready status.

Start

Pressing START places a loaded tape unit in ready status. Ready status is necessary before the tape unit can operate with the tape control. The start pushbutton is active after LOAD/REWIND has been pressed.

Unload

Pressing UNLOAD causes a tape unload operation. The unload pushbutton is inoperative if the tape unit is in ready status.

The unload pushbutton (with power window) is inoperative when the tape unit is in ready status. When not in ready status, pressing UNLOAD causes tape to be unloaded from the vacuum columns and the power window to be lowered.

Reset

Pressing RESET returns the tape unit to manual control, removes the unit from ready status, and prevents operation through the tape control. This pushbutton can also stop a low-speed rewind operation, change a high-speed rewind to a low-speed rewind operation, or (with power window) close the power window (when the tape unit is unloaded and idle). The power window will not close if the reel door is open.

Note: The 2403/2404 operator's panel has an additional indicator (TCU CB/TH). It is next to the CB indicator and shows a dc circuit overload or a thermal overload condition in the control unit. Under this indicator is an additional switch (METER). The meter switch is wired in parallel with the control unit's on-line/off-line switch. During the CPU halt or wait state, setting this switch to the off position renders the control unit and connected tape units inoperative; that is, not selectable by the program. The control and tape units are off-line and the meters are inoperative.

Input/Output Signal Lines

INPUT LINES

All input lines are SLT level with a minimum active (down) level of +1.2 volts and a minimum inactive (up) level of +2.5 volts.

Select (TC77, 79, 86, 88, 97, 99, 106, and 108)

This input line (one of eight select lines) selects a particular tape unit from the group connected in-line to the common control unit. The select signal lines are rotated in the cable so that the addressing select signal for any tape unit is always taken from TC77 (Figure 5). This signal gates the tape unit selected, allowing it to receive and transmit all subsequent signals from and to the control unit. The sixteen-address feature provides a ninth select line for operation with an IBM 2816 Switching Unit. The ninth line (high order) enables the 2816 to select and additional eight tape units. The 16-drive addressing feature is not available with the 2401 Model 8 or the 2803/2804 Model 3.

Go (TC9)

Models 3/6 and Models 1/2 without Mode Compatibility Feature and 2401 Model 8: This line controls tape motion. It is conditioned after the status lines have been set to establish the operation to be performed. The go line must be active for all operations that move tape forward or backward, except for rewind and rewind/unload. For these operations, tape motion is controlled internally.

Models 4/5 and Models 1/2 with Mode Compatibility

Feature: In addition to the preceding conditions, tape motion is continued after the fall of the go line on read-type operations to advance the tape in preparation for reading the next block.

Backward (TC11)

This line sets the tape unit in backward status. If the go line is active with 'backward status' set, tape moves backward; if backward status is not set, tape moves forward. The tape unit remains in backward status, unless reset by 'set read status' or 'set write status.' Since tape can only be written forward, 'backward' sets 'read status' in the tape unit and may turn off TI. See "Tape Indicate."

Set Read Status (TC25)

This input line sets the tape unit in read status and deconditions the write circuits. The tape unit remains in read status until 'set write status' becomes active. 'Set read status' presumes a forward read and therefore resets 'backward status.'

Set Write Status (TC13)

This input line sets the tape unit in write status and conditions the write circuits. The tape unit remains in write status until 'set read status' or 'backward' becomes active. 'Set write status' also resets 'backward status.'

Note: Because write checking is accomplished by reading, read circuits are conditioned during both read and write operations.

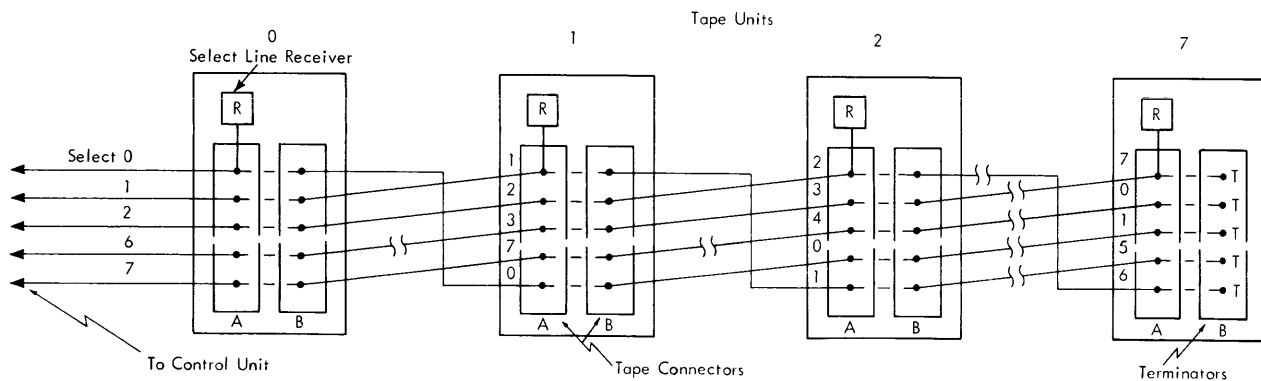


Figure 5. Rotation of Select (and Not Ready) Signal Lines

11,006

Write Pulse (TC29)

Models 1-3: These input pulses are sent into the tape unit on a line common to the write circuits of all nine tracks. This line is a sync pulse for the recording of data bytes and check characters. When active, this line signals the tape unit to write a bit in each track whose corresponding write bus position is active. It is also used with the write longitudinal redundancy check character (LRCC) gate line to write the LRC character.

Models 4-6: The write pulse is not used. TC29 of the A (in) connector is jumpered to TC29 of the B (out) connector to transmit a write pulse to Models 1-3 on the same cable.

2401 Model 8: Same as Models 1-3, except that the 2401 Model 8 writes only seven tracks of information.

Write LRCC Gate/Set NRZI (TC27)

Models 1-3 and 2401 Model 8: When this line is inactive, write pulse writes data. When this line is active, write pulse writes the LRC character.

Models 4-6: With the dual density 800/1,600 bpi feature and with tape at load point, this line sets the NRZI latch for a write operation.

Write Bus (TC3, 5, 17, 19, 21, 31, 33, 35, and 1)

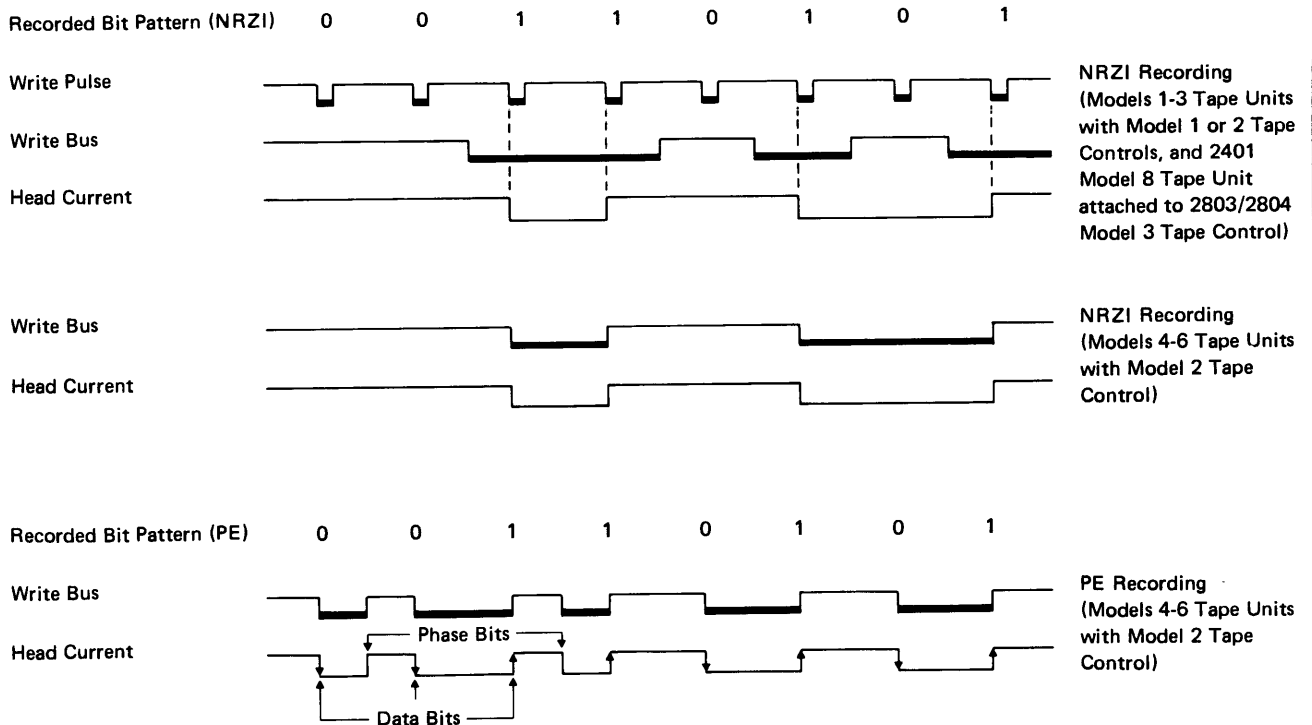
Models 1-3: These nine input signal lines (0-7 and P) gate the write pulse to the write circuits of each track. When a write bus is active (down), a 1-bit is recorded; otherwise, a 0-bit is recorded in the associated track. The up or down level of these lines is determined by the coded data sent to the tape control unit.

Models 4-6: Essentially the same conditions as for Models 1-3; but because the write buses drive the write drivers directly, the write bus varies for both PE and NRZI recording. Zero bits in phase encoding are represented by a flux pattern different from that used in NRZI recording (Figure 6).

2401 Model 8: Essentially the same as Models 1-3 except that there are only seven input signal lines at TC1, 17, 19, 21, 31, 33, and 35.

Rewind (TC39)

This input line causes the tape unit to perform a rewind operation (tape is rewound to the load point). Rewind also turns off TI. Rewind is at high speed if there is more than approximately 1/2 inch (3/16 inch for Models 1 and 4) of tape on the take-up reel; otherwise, it is a low-speed rewind.



11,007

● Figure 6. PE and NRZI Bit Patterns on Tape

Rewind/Unload (TC41)

Like rewind, this line causes a rewind of tape to load point but continues to unload tape (and lower the power window, if present) preparatory to changing reels. Rewind/unload also turns off TI.

Metering Out (TC23)

This input line is active when the system's conditions are met for running usage meters and the control unit is not off-line. The tape unit meter stops only if the metering-out line becomes inactive, if the tape unit is unloaded and not rewinding, or if the tape unit is at load point.

Metering out is terminated in each individual tape unit (Figure 39).

OUTPUT LINES

All output lines are SLT level with a minimum active (down) level of +0.3 volt and a minimum inactive (up) level of +2.5 volts. When output lines use the word ready, see "Ready" for full definition.

Models 1/4, 2/5, 3/6 (TC180, 182, and 184)

These output lines indicate the tape unit model and that the tape unit is selected and ready. Models 1-6 activate only one of these three lines. The 2401 Model 8 activates both 2/5 and 3/6 at TC182 and TC184.

Rewinding/Not Ready (TC142, 144, 156, 158, 172, 174, 186, and 188)

This output line carries a unique tape unit address (0-7); it indicates that the tape unit is physically connected, but not ready. A tape unit is not ready if it is unloaded, in reset status, or performing a rewind operation.

The 'not ready' line is rotated in the cable in the same manner as 'select' (Figure 5).

In a tape unit configuration that utilizes a 2816 Switching Unit, the active state of 'not ready' may also indicate that the tape unit is switched; that is, the tape unit is operating with another control unit.

On a rewind/unload command, the tape unit drops the model line (TC180, 182, and 184) before activating the rewinding/not ready line.

Seven Track/NRZI (TC178)

Models 1-3: This output line indicates that the seven-track feature is installed in the selected tape unit; suitable timing circuits in the control unit are conditioned. Seven track/NRZI may only be active concurrently with the 'Model 1/4, 2/5, 3/6' line.

Models 4-6: When active, this output line indicates that the Model 4, 5, or 6 is operating in 800 bpi NRZI mode. When inactive, this line indicates 1,600 bpi PE mode and gates the read bus terminators.

2401 Model 8: This line is active all the time. The 2401 Model 8 reads and writes only seven-track tapes.

Select and Read Status (TC162)

The read/write status of a selected tape unit is indicated to the control unit through the 'select and read status' line. When active, this line indicates read status; when inactive, this line indicates write status. The 'select and read status' line is effective, however, only while a 'Model 1/4, 2/5, 3/6' line is active.

Note: The 2401 Model 8 activates two of these lines, 2/5 and 3/6.

Select and at Load Point (TC198)

This line indicates that the tape on the selected tape unit is positioned at load point. This line is reset if the tape is unloaded and not rewinding or if tape is moved forward.

Write Echo/Select and TI Off (TC196)

Models 1-3 without Mode Compatibility Feature: This line is activated or pulsed by the tape unit each time a bit is written on tape.

Models 4-6 or Models 1-3 with Mode Compatibility Feature: This line is active when the tape indicator of the selected tape unit is off; this indicates that the selected tape unit has not reached the useful end of tape. TI is set by sensing the end-of-tape reflective marker during a forward tape operation; it is reset by a backward, rewind, or unload operation.

2401 Model 8: Same as Models 1-3. The 2401 Model 8 is not available with Mode Compatibility.

Select and TI Off/Inhibit Go (TC194)

Models 1-3 without Mode Compatibility Feature: This line is active when the tape indicator of the selected tape unit is off; this indicates that the selected tape unit has not reached the useful end of tape. TI is set by sensing the end-of-tape reflective marker during a forward tape operation; it is reset by a backward, rewind, or unload operation.

2401 Model 8: Same as Models 1-3. The 2401 Model 8 is not available with Mode Compatibility.

Models 4 and 5 or Models 1 and 2 with Mode Compatibility
Feature: 'Inhibit go' is active after the fall of go during a read operation. This indicates to the control unit that the tape is being positioned in preparation for reading the next block.

Select and Not File-Protected (TC192)

This line indicates that a selected and ready tape unit may perform a write operation because it is not file-protected. A tape unit is file-protected (writing or erasing of tape is prevented) when the file reel does not contain a write-enable ring.

Read Bus (TC84, 93, 95, 102, 104, 113, 115, 122, and 82)

These nine lines (0-7 and P) carry the read signals from the tape unit to the tape control unit for a read operation.

Note: For a 2401 Model 8, the seven read bus lines are TC82, 95, 102, 104, 113, 115, and 122.

Backward Status (TC164)

This line is active when the tape unit is in backward status. Conditioning the go line causes backward motion of tape; as for example, in backspacing.

2400-Series Models 1, 2, and 3 (TC37)

Model 1, 2, or 3 Tape Unit with Mode Compatibility

Feature: The active state of this line indicates to a Model 2 control unit that a Model 1, 2, or 3 tape unit has been selected.

Model 4, 5, or 6 Tape Unit: The inactive state of this line gates the proper write data and also selects the proper read bus terminator.

2401 Model 8: The 2803/2804 Model 3 tape control does not inspect this line. The 2401 Model 8 is not available with Mode Compatibility.

Specifications

INPUT/OUTPUT LINE SPECIFICATIONS

Figures 7 and 8 are listings of the specifications for the input and output lines to the 2400-series tape units. See "Input/Output Signal Lines."

Input Lines		
Line Name	Rise or Fall Time (maximum)	Pulse Width (minimum)
Select	0.25 usec	NS*
Backward	0.25 usec	9.5 usec
Go	0.25 usec	NS*
Set Read Status	0.25 usec	10.5 usec
Set Write Status	0.25 usec	7.9 usec
Write Pulse (Models 1-3 and 2401 Model 8)	NS*	3.0 usec

Note: The write bus must be active no later than 0.25 usec after the write pulse becomes active and held active for 6 usec after the rise of the write pulse in Model 3. (9 usec, Models 2 and 8; 12.6 usec, Model 1.)
 Each of the following lines should be held active until one of its respective responses is generated.

<u>Command</u>	<u>Response</u>
Rewind	Not Ready or Select and at LP
Rewind/Unload	Not Ready
Backward	Backward Status
Set Read Status	Select and Read Status
Set Write Status	(Not) Select and Read Status
Set NRZI**	Sel and NRZI

*NS = not specified.
 **Models 4-6 with dual density, 800/1,600 bpi feature.

11,008

● Figure 7. Tape Unit Input Line Specifications

Output Lines		
Line Name	Rise or Fall Time (maximum)	Maximum Response Time (from Select)
Model 1/4, 2/5, 3/6	1 usec	2.0 usec
2400 Model 1, 2, 3	1 usec	2.0 usec
Select and TI Off	1 usec	6.8 usec
Select and at LP	1 usec	6.2 usec
Select and Read Status	1 usec	6.2 usec
Not File Protect	NS*	6.2 usec
Backward	NS*	6.2 usec
Inhibit Go	Adjustable	See Notes

Note: Model 1, 2, 3 line must be up no later than 5 usec after Select is received at the tape unit.
Write Echo minimum pulse width = 0.3 usec.
Inhibit go is adjustable to hold up go 4.0 ms to give a read stop time of 7.6 ms in Model 4, or Model 1 with mode compatibility; inhibit go is adjustable to hold up go 1.2 ms to give a read/write stop time of 3.4 ms in Model 5, or Model 2 with mode compatibility; not applicable to Models 3, 6, and 2401 Model 8.

*NS = not specified

11,009

● Figure 8. Tape Unit Output Line Specifications

CONNECTOR PIN ASSIGNMENTS

Figure 9 is a listing of the input and output signals with their respective connector pin assignments. Figure 10 shows the physical location of the connector pins on the tape unit. Figures 11 and 12 show the pin locations on the control unit. Figure 13 shows the power plug pin locations and assignments. See Figure 36 for connector part numbers.

MODE COMPATIBILITY FEATURE

The mode compatibility feature allows 2400-series Models 1-3 tape units (seven and nine track) to operate with a Model 2 tape control in NRZI mode. Since the feature modifies the stopping characteristics of the tape unit and the assignment of tape unit signal lines, a tape unit that has the mode compatibility feature installed can operate only with Model 2 control units.

The mode compatibility feature is not available for the 2401 Model 8 or its tape control, the 2803/2804 Model 3.

Connector	Control Unit Connector Pin No.		Signal Name	Tape Unit Connector Pin No.	
	Signal	Shield		Signal	Shield
A	B03	B02	Select TU 0	77	76
	B05	B04	Select TU 1	79	78
	B08	B07	Select TU 2	86	87
	B10	B09	Select TU 3	88	89
	B12	B13	Select TU 4	97	96
	D04	D05	Select TU 5	99	98
	D06	D07	Select TU 6	106	107
	D09	D08	Select TU 7	108	109
	D11	D10	Spare	117	116
	D13	D12	Spare	119	118
	G03	G02	Spare	176	175
	G05	G04	Spare	190	191
	G08	G07	TU 0 Rwd-NR	142	141
	G10	G09	TU 1 Rwd-NR	144	143
	G12	G13	TU 2 Rwd-NR	156	157
	J04	J05	TU 3 Rwd-NR	158	159
	J06	J07	TU 4 Rwd-NR	172	171
	J09	J08	TU 5 Rwd-NR	174	173
	J11	J10	TU 6 Rwd-NR	186	187
	J13	J12	TU 7 Rwd-NR	188	189
B	B03	B02	Go	9	10
	B05	B04	Backward	11	12
	B08	B07	Set Write Status	13	14
	B10	B09	Set Read Status	25	24
	B12	B13	Wr LRCC Gate/Set NRZI	27	26
	D04	D05	Spare	7	8
	D06	D07	Rewind	39	40
	D09	D08	Rewind/Unload	41	42
	D11	D10	Metering Out	23	22
	D13	D12	2400 Model 1, 2, 3	37	38
	G03	G02	Write Bus P	1	2
	G05	G04	Write Bus 0	3	4
	G08	G07	Write Bus 1	5	6
	G10	G09	Write Bus 2	17	16
	G12	G13	Write Bus 3	19	18
	J04	J05	Write Bus 4	21	20
	J06	J07	Write Bus 5	31	32
	J09	J08	Write Bus 6	33	34
	J11	J10	Write Bus 7	35	36
	J13	J12	Write Pulse	29	28

Note: All shield pins connect to machine ground.

Rwd-NR = Rewinding—Not Ready

11,010

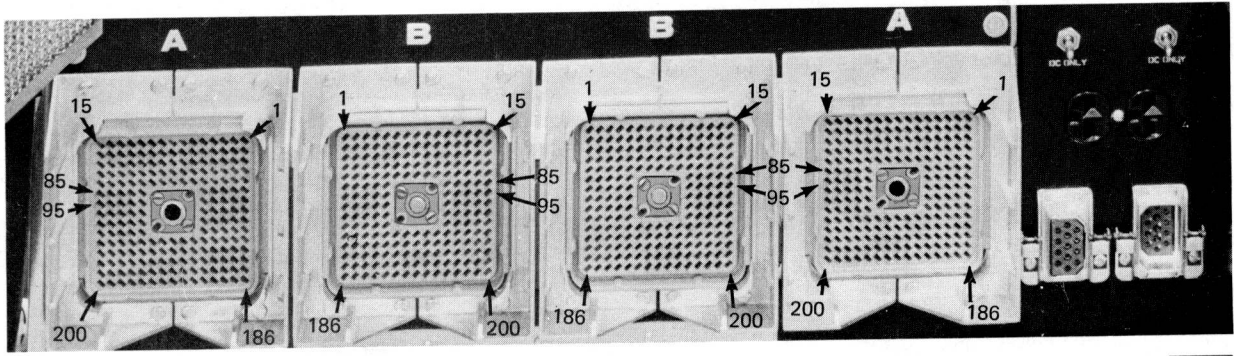
Figure 9. Tape Unit/Control Unit Connector Pin Assignments (Part 1 of 2)

Connector	Control Unit Connector Pin No.		Signal Name	Tape Unit Connector Pin No.	
	Signal	Shield		Signal	Shield
C	B03	B02	Model 3, 6	184	183
	B05	B04	Model 2, 5	182	181
	B08	B07	Model 1, 4	180	179
	B10	B09	Seven Track/NRZI	178	177
	B12	B13	Sel & Read Status	162	163
	D04	D05	Sel & At Load Point	198	199
	D06	D07	Backward Status	164	165
	D09	D08	Sel & TI Off/Inhibit Go	194	195
	D11	D10	Sel & Not File Protect	192	193
	D13	D12	Spare	124	125
	G03	G02	Read Bus P	82	83
	G05	G04	Read Bus 0	84	85
	G08	G07	Read Bus 1	93	92
	G10	G09	Read Bus 2	95	94
	G12	G13	Read Bus 3	102	103
	J04	J05	Read Bus 4	104	105
	J06	J07	Read Bus 5	113	112
	J09	J08	Read Bus 6	115	114
	J11	J10	Read Bus 7	122	123
	J13	J12	Wr Echo/Sel & TI Off	196	197
D	G03	G02	TU 8 Rwd-NR	<i>Note:</i> These lines used only in conjunction with 2816 Switching Unit.	
	G05	G04	TU 9 Rwd-NR		
	G08	G07	TU 10 Rwd-NR		
	G10	G09	TU 11 Rwd-NR		
	G12	G13	TU 12 Rwd-NR		
	J04	J05	TU 13 Rwd-NR		
	J06	J07	TU 14 Rwd-NR		
	J09	J08	TU 15 Rwd-NR		
	J11	J10	Spare		
	J13	J12	High Order		

Note: All shield pins connect to machine ground.
Rwd-NR = Rewinding-Not Ready

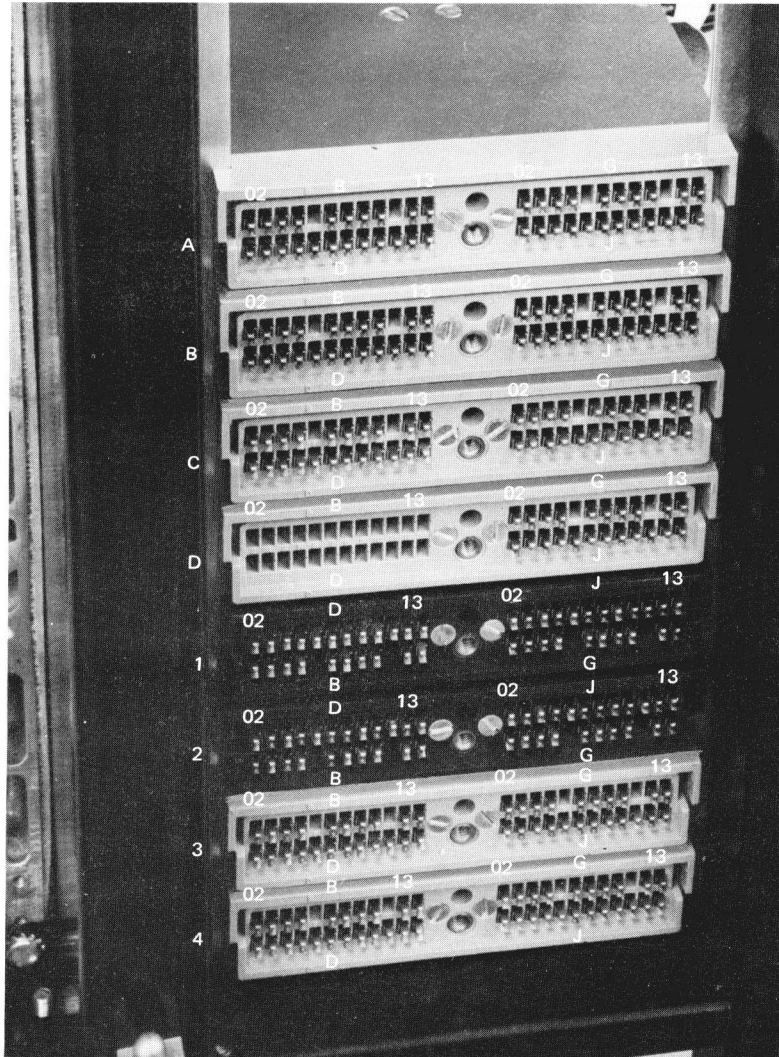
11.011

Figure 9. Tape Unit/Control Unit Connector Pin Assignments (Part 2 of 2)



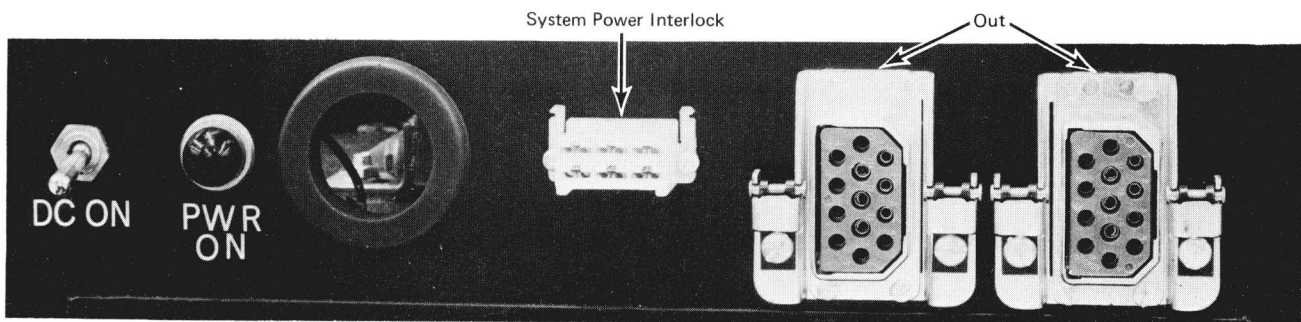
11.012

Figure 10. 2402 Tail Gate Connectors



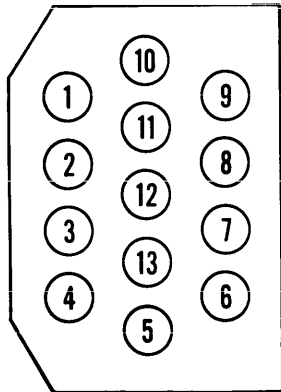
11,013

Figure 11. 2403/2803 Signal Connectors

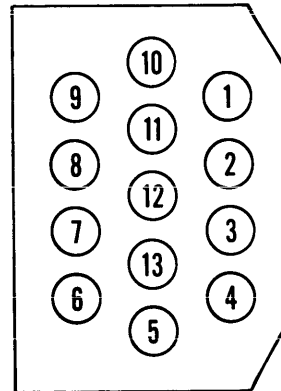


11,014

Figure 12. 2403/2803 Power Connectors



Part 526517 (Male) – In



Part 526516 (Female) – Out

Note: One part 526516 and one part 526517 used per tape unit; two parts 526516 used per tape control.

Pin	60-Hertz		50-Hertz	
	Tape Units/Tape Controls		Tape Units	Tape Controls
	Function		Function	Function
1	Convenience Outlet		Neutral	Neutral
2	Convenience Outlet		Frame Ground	Frame Ground
3	Frame Ground		Frame Ground	Frame Ground
4	NA*		NA*	Frame Ground (2803A machines only)
5	NA*		NA*	Frame Ground (2803A machines only)
6	NA*		Convenience Outlet	Convenience Outlet
7	NA*		Convenience Outlet	Convenience Outlet
11	One Phase	} Unregulated ac	One Phase	} Unregulated ac
12	One Phase		One Phase	
13	One Phase		One Phase	

*NA = Not applicable

11,015

Figure 13. AC Power Connector Pin Numbering

SIMULTANEOUS READ/WRITE FEATURE

The simultaneous feature allows the control unit to call simultaneously for a write operation on one tape unit and a read operation on another tape unit. The control unit must be a 2404/2804 Model 1, 2, or 3. The 2804 Model 3 is used *only* with the 2401 Model 8. The tape unit must

have the simultaneous feature installed. Input/output line definitions and functions remain the same except for the addition of one input line (simultaneous control). This line is active whenever a 2804 or 2404 control is connected to the tape unit interface. All input/output line specifications also remain the same; however, additional pin assignments for the write interface are necessary (Figure 14).

Connector	Control Unit Connector Pin No.		Signal Name	Tape Unit Connector Pin No.		
	Signal	Shield		Signal	Shield	
A	D02	D03	Select TU 0 Write	190	191	
	D04	D05	Select TU 2 Write	160	161	
	D06	D07	Select TU 4 Write	148	147	
	D08	D08	Select TU 6 Write	152	151	
	D11	D10	Model 3/6 Write	47	46	
	D13	D12	Model 1/4 Write	51	50	
	B03	B02	Select TU 1 Write	176	175	
	B05	B04	Select TU 3 Write	164	145	
	B08	B07	Select TU 5 Write	150	149	
	B10	B09	Select TU 7 Write	154	153	
	B12	B13	Model 2/5 Write	49	48	
	J02	J03	Select TU 0 Read	77	76	
	J04	J05	Select TU 2 Read	86	87	
	J06	J07	Select TU 4 Read	97	96	
	J09	J08	Select TU 6 Read	106	107	
	J11	J10	Model 1/4 Read	180	179	
	J13	J12	Model 3/6 Read	184	183	
	G03	G02	Select TU 1 Read	79	78	
	G05	G04	Select TU 3 Read	88	89	
	G08	G07	Select TU 5 Read	99	98	
	G10	G09	Select TU 7 Read	108	109	
	G12	G13	Model 2/5 Read	182	181	
	B	D02	D03	Go Write	7	8
		D04	D05	Set Write	13	14
D06		D07	Wr Echo/Sel & TI Off (Write)	196	197	
D09		D08	Select & Read Status (Write)	128	129	
D11		D10	Sel & Not File Protect (Write)	130	131	
D13		D12	Sel & TI Off/Inhibit Go (Write)	194	195	
B03		B02	Wr LRCC Gate/Set NRZI (Write)	27	26	
B05		B04	Write Pulse	29	28	
B08		B07	Seven Track/NRZI (Write)	61	62	
B10		B09	Select & At Load Point (Write)	168	169	
B12		B13	Backward Memory (Write)	166	167	
J02		J03	Go Read	9	10	
J04		J05	Set Read	25	24	
J06		J07	Rewind Unload	41	42	
J09		J08	Select & Read Status (Read)	162	163	
J11		J10	Select & Not File Protect (Read)	192	193	
J13		J12	Metering Out	23	22	
G03		G02	Backward Read	11	12	
G05		G04	Rewind	39	40	
G08		G07	Seven Track/NRZI (Read)	178	177	
G10		G09	Select & At Load Point (Read)	198	199	
G12		G13	Backward Memory (Read)	164	165	

11,016

Note: All shield pins connect to machine ground.

Figure 14. Tape Unit/Control Unit Connector Pin Assignments with Simultaneous Feature (Part 1 of 2)

Connector	Control Unit Connector Pin No.		Signal Name	Tape Unit Connector Pin No.		
	Signal	Shield		Signal	Shield	
C	D02	D03	Write Bus P	1	2	
	D04	D05	Write Bus 1	5	6	
	D06	D07	Write Bus 3	19	18	
	D09	D08	Write Bus 5	31	32	
	D11	D10	Write Bus 7	35	36	
	D13	D12	Spare	119	118	
	B03	B02	Write Bus 0	3	4	
	B05	B04	Write Bus 2	17	16	
	B08	B07	Write Bus 4	21	20	
	B10	B09	Write Bus 6	33	34	
	B12	B13	Spare	110	120	
	J02	J03	TU 0 Rwd-NR	142	141	
	J04	J05	TU 2 Rwd-NR	156	157	
	J06	J07	TU 4 Rwd-NR	172	171	
	J09	J08	TU 6 Rwd-NR	186	187	
	J11	J10	Simultaneous Control	63	64	
	J13	J12	Spare	126	127	
	G03	G02	TU 1 Rwd-NR	144	143	
	G04	G04	TU 3 Rwd-NR	158	159	
	G08	G07	TU 5 Rwd-NR	174	173	
	G10	G09	TU 7 Rwd-NR	188	189	
	G12	G13	Spare	117	116	
	D	D02	D03	Read Bus P Read	82	83
		D04	D05	Read Bus 1 Read	93	92
D06		D07	Read Bus 3 Read	102	103	
D09		D08	Read Bus 5 Read	113	112	
D11		D10	Read Bus 7 Read	122	123	
D13		D12	Spare/Set NRZI (Read)	138	139	
B03		B02	Read Bus 0 Read	84	85	
B05		B04	Read Bus 2 Read	95	94	
B08		B07	Read Bus 4 Read	104	105	
B10		B09	Read Bus 6 Read	115	114	
B12		B13	2400 Model 1, 2, 3, (Read)	124	125	
J02		J03	Read Bus P Write	59	60	
J04		J05	Read Bus 0 Write	55	56	
J06		J07	Read Bus 3 Write	75	74	
J09		J08	Read Bus 5 Write	71	70	
J11		J10	Read Bus 7 Write	67	66	
J13		J12	Spare	43	44	
G03		G02	Read Bus 0 Write	57	58	
G04		G05	Read Bus 2 Write	53	54	
G08		G07	Read Bus 4 Write	73	72	
G10		G09	Read Bus 6 Write	69	68	
G12		G13	2400 Model 1, 2, 3,(Write)	37	38	

11.017

Note: All shield pins connect to machine ground.
Rwd-NR = Rewinding-Not Ready

Figure 14. Tape Unit/Control Unit Connector Pin Assignments with Simultaneous Feature
(Part 2 of 2)

TAPE UNIT SPECIFICATIONS

Most specifications are the same for the 2401, 2402, and 2403 Models 1-3, the 2401 Model 8, and the 2404 Models 1-3 tape units. When differences exist, specifications are indicated for each machine. Information concerning external power, air conditioning, weights, and dimensions

is available from IBM Regional Sales Engineering through the IBM Branch Office.

Read/Write Head

The two-gap construction of the read/write head provides for read checking while writing.

Specification	Models 1-3	Models 1-3 and 2401 Model 8	Model 4	Model 5	Model 6
	Nine Track	Seven Track	Nine Track		
Distance between gaps (in.)	0.150	0.300	0.150	0.150	0.150
Write track width (in.)	0.044	0.048	0.044	0.044	0.044
Read track width (in.)	0.040	0.030	0.040	0.040	0.040
Write current (ma)	53 $\begin{smallmatrix} +20 \\ -0 \end{smallmatrix}$	53 $\begin{smallmatrix} +20 \\ -0 \end{smallmatrix}$	40 \pm 5 (NRZI) 17.5 \pm 2.5 (PE)	40 \pm 5 (NRZI) 22.5 \pm 2.5 (PE)	40 \pm 5 (NRZI) 22.5 \pm 2.5 (PE)

11,018

● Figure 15. Read/Write Head Specifications

Tape Speed, Bit Density, and Byte Rate

	Mod 1/4	Mod 2/5 & 2401-8	Mod 3/6
Forward, backward, and low speed rewind (ips)	37.5	75.0	112.5
Maximum rewind time for 2,400-ft reels (minutes):			
Rewind	3.0	1.4	1.0
Rewind/unload	2.2	1.5	1.0

11,019

● Figure 16. Tape Speed

Models 1-3	Models 1-3 and 2401 Model 8	Models 4-6
Nine Track	Seven Track	Nine Track
800 bpi only	200, 556 and 800 bpi	1,600/800 bpi

11,020

● Figure 17. Bit Density

<i>Model</i>	<i>Rate</i>
1	30 kb/60 kd
2	60 kb/120 kd
3	90 kb/180 kd
4	60 kb or 120 kd/30 kb or 60 kd*
5	120 kb or 240 kd/60 kb or 120 kd*
6	180 kb or 360 kd/90 kb or 180 kd*
2401-8	15 kc, 41.7 kc, or 60 kc

* With dual density feature.

kb = thousands of eight-bit bytes per second.

kc = thousands of six-bit characters per second.

kd = thousands of four-bit decimal digits per second.

11,021

● Figure 18. Byte Rate

2400-Series Tape Timings

Time to perform read, read backward, and write commands is equal to: number of bytes, multiplied by time per byte, plus interblock time. (See Figures 19-22).

<i>Model</i>	<i>2401-2404*</i>	
	<i>Nine Track</i>	<i>Seven Track</i>
1	16.0	20.0
2	8.0	10.0
3	5.3	6.6
4	16.0	NA
5	8.0	NA
6	5.3	NA
2401-8	NA	10.0

* The 2404 is available only in Models 1-3.

NA = Not applicable.

11,022

● Figure 19. Nominal Interblock Gap (ms)

<i>Model</i>	<i>2401-2404*</i>				
	<i>Nine Track</i>		<i>Seven Track</i>		
	<i>1,600 bpi</i>	<i>800 bpi</i>	<i>800 bpi</i>	<i>556 bpi</i>	<i>200 bpi</i>
1	NA	33.3	33.3	48.0	133.0
2	NA	16.7	16.7	24.0	67.0
3	NA	11.1	11.1	16.0	44.0
4	16.7	33.3	NA	NA	NA
5	8.3	16.7	NA	NA	NA
6	5.6	11.1	NA	NA	NA
2401-8	NA	NA	16.7	24.0	67.0

* The 2404 is available only in Models 1-3.

11,023

● Figure 20. Time/Byte (usec) within Data Blocks

Nine and Seven Track	With Model 1 Control Unit			With Model 2 Control Unit			With Model 3 Control Unit
	Model 1 (ms)	Model 2 (ms)	Model 3 (ms)	Model 1/4 (ms)	Model 2/5 (ms)	Model 3/6 (ms)	2401 Model 8 (ms)
When writing or reading from load point, add:	350.0	75.0	48.0	320.0 464.0*	64.0 136.0*	48.0 98.0*	128
Forward/backward status change time** (to be added if appropriate)	264.0	32.0	16.0	224.0	16.0	16.0	32.0
Write tape mark order time from initiation to disconnect:							
Nine track, 800 bpi	99.0	49.0	33.5	100.6	50.5	33.5	NA
Nine track, 1,600 bpi	NA	NA	NA	101.2† 102.1††	50.6† 51.1††	33.7† 34.0††	NA
Seven track	103.0	51.0	35.0	104.4‡	52.2‡	34.8‡	51.0

* 2803 serial 16XXX.

** The tape unit maintains the status (forward/backward) of the operation it has performed. Forward/backward status change time must be added for every forward following a backward operation, every backward following a forward operation, and for every forward operation initiated at load point.

† Models 1-3 cannot process 1,600 bpi tape.

†† 2803 serial 14XXX or 16XXX.

‡ The seven-track feature is not installed on Models 4-6.

11,024

● Figure 21. Time/Byte (ms) other than within Data Blocks

Nine and Seven Track	With Model 1 or 2 Control Unit			With Model 3 Control Unit
	Model 1/4 (ms)	Model 2/5 (ms)	Model 3/6 (ms)	2401 Model 8 (ms)
Rewind order disconnect time*	30.0	30.0	30.0	30.0
Rewind/unload order disconnect time	45.0	45.0	45.0	45.0
Tape rewind, full reel (minutes)	3.0	1.4	1.0	1.4
Rewind/unload, full reel (minutes)	2.2†	1.5	1.1	1.5

* With tape at load point, rewind-disconnect time is immediate.

† Rewind/unload takes less time than rewind in the Model 1 or 4 because tape is rewound to load point at high speed. Rewind requires reloading tape. With Models 2, 3, 5, 6, and 8, tape is reloaded during a rewind/unload at the end of high-speed rewind and rewind to load point at low speed. It is then unloaded again (rewind does not require final unloading).

11,025

● Figure 22. Rewind Timings

Power Requirements

1. Power-on circuit breaker on back side of unit turns off power to unit without disconnecting the power cable.
2. Input power:

208/230 vac $\pm 10\%$, 3-phase, 60 ($\pm 1/2$) hertz
 195/220/235 vac (Δ), 3-phase, 50 ($\pm 1/2$) hertz
 380/408 vac (Y), 3-phase, 50 ($\pm 1/2$) hertz

Unit	kva	BTU/hr	Cubic Ft/Minute
2401	1.6	3,500	500
2402	3.2	7,000	1,000
2403	2.1	5,500	1,000
2404	2.4	6,300	1,200

Note: Convenience outlets are for Field Engineering use only. See Figure 13 for power connector pin assignments.

Machine Protection

Model 1/4: The overloading of any circuit protector (except CP11, power window) causes the ready relay (R101) and the capstan motor relay (DP4) to be de-energized. The CB indicator shows an overload in all models.

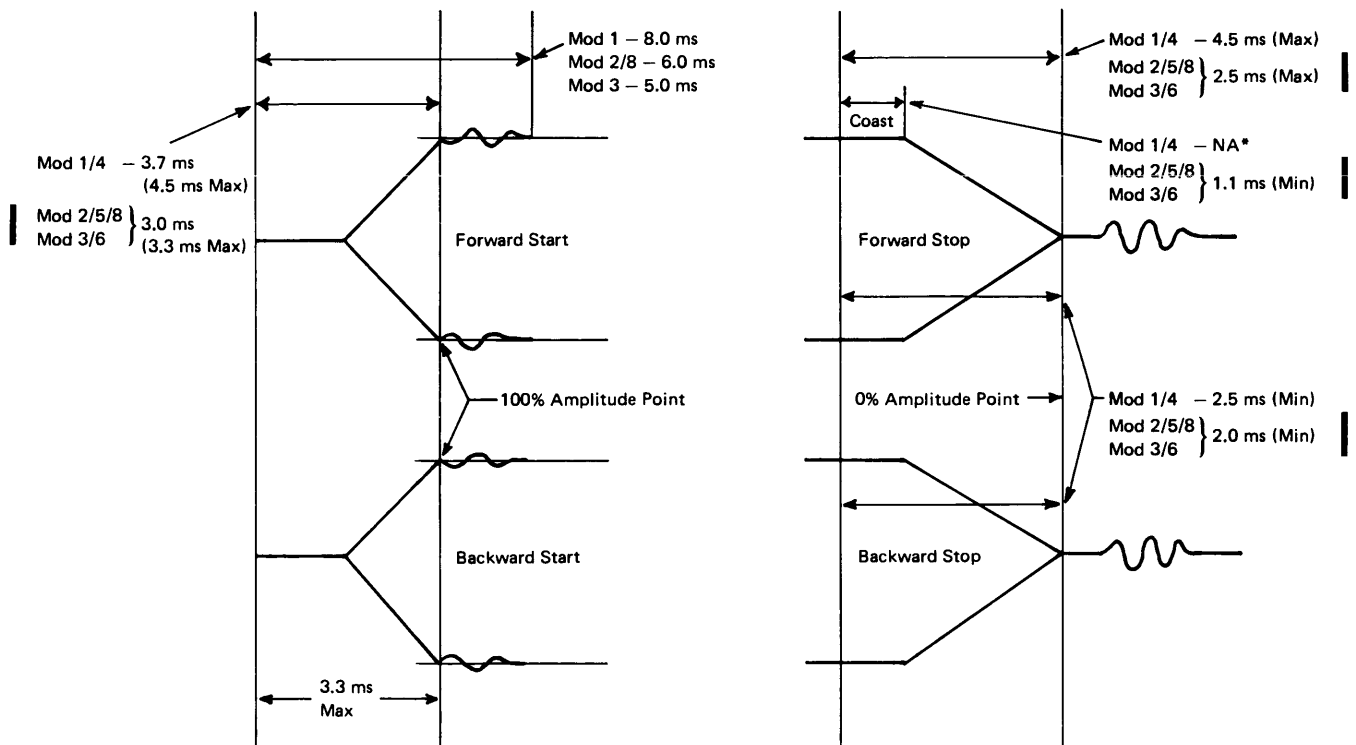
Models 2/5/8, 3/6: The overloading of any circuit protector (except CP11, power window) causes the run relays (R1, DP5, and DP6) and the not-file-protect relay (NFP1) to be de-energized.

File Protection

Recorded files of tape reels are protected from erasure when a write enable ring is not inserted into the groove on the back of the file reel. When inserted, this ring actuates the not-file-protect mechanism and allows current to flow in the write heads when the tape unit is placed in write status.

Tape Motion Start and Stop Times

1. Full-speed coast (within 5 percent of nominal speed) after fall of go (Figure 23).
 - 1.1 ms (minimum) for Models 2/5/8, 3/6
 - Not applicable for Model 1/4
2. Start time (forward and backward). Time from rise of go to the initial 100-percent amplitude point (Figure 23).
 - 3.7 ms (4.5 maximum) for Model 1/4
 - 3.0 ms (3.3 maximum) for Models 2/5/8, 3/6



* Not applicable

11,026

● Figure 23. Start/Stop Timings

3. Stop time (forward and backward). Time from fall of go until signal reaches zero-amplitude point.

2.5 ms (minimum) for Model 1/4

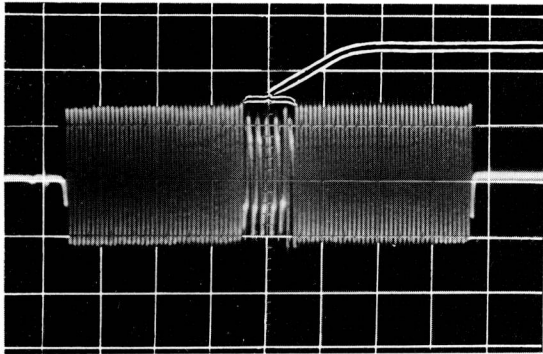
2.0 ms (minimum) for Models 2/5/8, 3/6

4. "Go-up" time is 20.0 ms minimum under all conditions while measuring timings 1, 2, and 3.
5. When "go-down" time is greater than 25 ms, start time is not to exceed 4.5 ms for Model 1 or 3.3 ms for Models 2/5/8, 3/6.

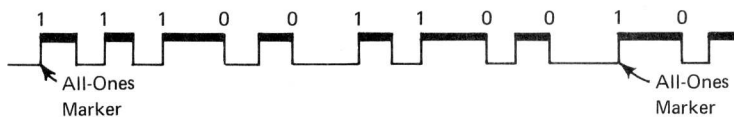
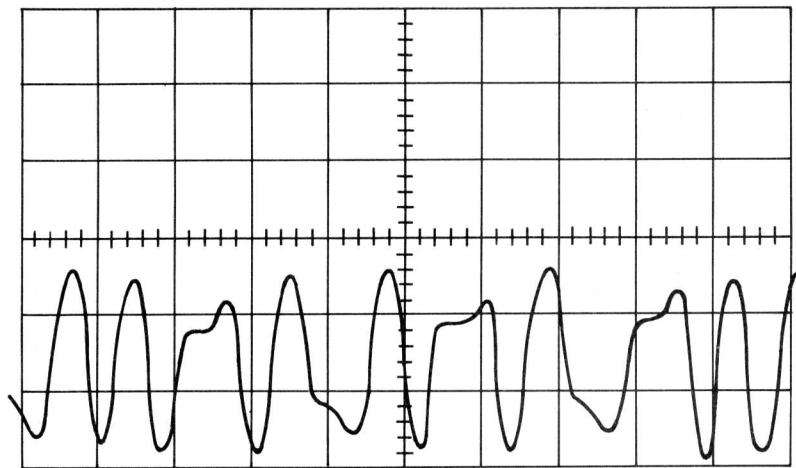
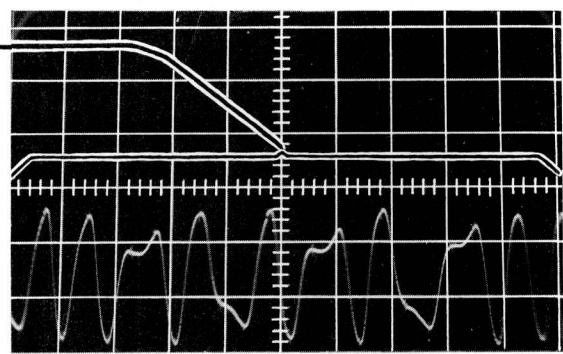
Read Circuits

For Models 1-3 and Model 8 tape units, the minimum peak-to-peak preamplifier signal output, measured with preamplifiers set for maximum output, is 11 volts. Measure at pin H of preamplifier while writing all ones at 800 bpi (1,600 bpi in Models 4-6 PE), using a calibrated output tape (part 461108). Preamplifier gain should be adjusted to an average of 7.8v, peak-to-peak, for NRZI recording in Model 1/4; for Model 2/5/8, 8.8v; for Model 3/6, 9.8v. For Models 4-6, PE recording, the preamplifier gain should be adjusted to an average of 0.65v peak-to-peak (Figures 24 and 25).

Time Base: Model 6 Tape Unit
68.4 usec/cm

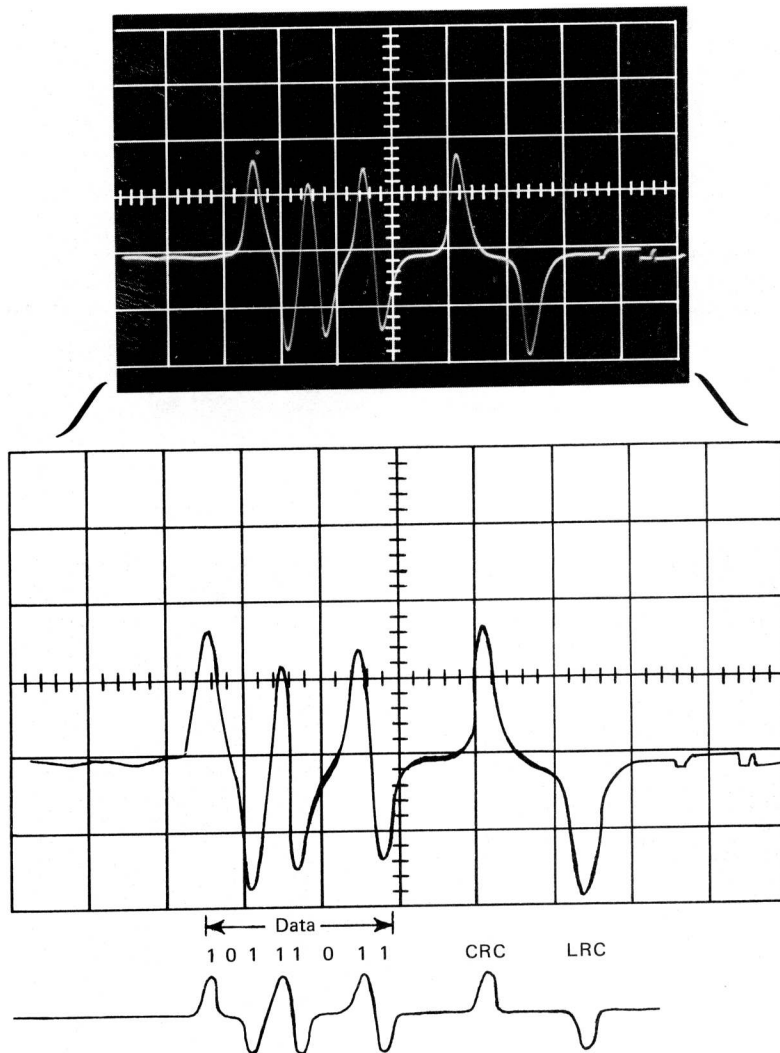


Time Base: Model 6 Tape Unit
6.67 usec/cm



11,027

Figure 24. PE Read Bus Waveforms (Data Pattern 11001100)



11,028

Figure 25. NRZI Read Bus Waveform (Nine-Track)

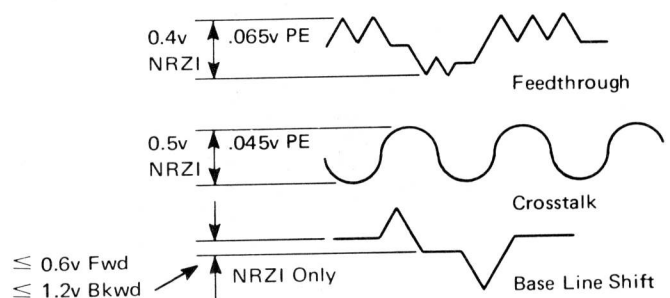
Noise

Write circuit feedthrough is less than 0.4v, peak-to-peak, at the read bus while writing ones in-phase on all tracks for Models 1-3 and 8 NRZI; 0.065v, peak-to-peak, for Models 4-6 PE (Figure 26).

Read crosstalk is less than 0.5v, peak-to-peak, at the read bus on unwritten track, with ones written in-phase on all other tracks for Models 1-3 and 8 NRZI; 0.045v, peak-to-peak, for Models 4-6 PE (Figure 26).

Base-line shift, while in read status, is $\leq 0.6v$ (forward), 1.2v, peak-to-peak (backward), at the read bus while running at 200 bpi or less in Models 1-3 and 8 (Figure 26).

With write head disconnected, a 10v peak-to-peak signal is erased to 400 mv (or less) by the erase head in Models 1-3 and 8. A 500-mv signal is erased to 20 mv (or less) in Models 4-6.



11,029

Figure 26. Noise

Tape Operating Environment

The following conditions for use of IBM magnetic tape are recommended:

Relative Humidity	20-80%
Temperature	60-90°F
Maximum Wet Bulb Temperature	78°F

Tape exposed to other conditions should be reconditioned to the operating environment for a time period equal to the storage time (maximum reconditioning period is 24 hours). When not in use, reels of tape should always be stored vertically in their plastic containers.

When shipping tape-loaded reels, place them in containers and seal each reel in a plastic bag. Additional protection should be provided by packing in stiff cardboard shipping cartons. Plastic bags and cartons can be obtained from IBM.

Recording Formats for Nine-Track, 800-bpi Tape

Recording Method (NRZI): One-bits produced by each reversal of flux polarity. Tape is fully saturated in each direction.

Erasure:

1. Tape is fully saturated in the erased direction in the initial gap and interblock gap areas. Any erased section of tape has its north magnetic pole in the direction of the beginning-of-tape (load point) marker and its south magnetic pole in the direction of the end-of-tape marker.
2. The erased area of the initial gap must begin at least 1.7 inches before the trailing end of the beginning-of-tape marker (Figure 27).

Track Spacing: See Figure 28.

Parity: A vertical parity bit is written in track P for each data byte that contains an even number of data bits.

Cyclic Redundancy Checking: A CRC character is written four bit spaces beyond end of each data block (Figure 29). Parity of the CRC character is related to the odd/even count of the data bytes in the block. (Odd number of data bytes—even CRC parity; even number of data bytes—odd CRC parity.) See “Error Correction” for description of CRC character generation.

Longitudinal Redundancy Check Character: A LRC character makes each track’s bit count even for that block, and the LRC character is written eight bit spaces from the end of each data block (Figure 29). The LRC character always has odd parity. The LRC character is deskewed in the same manner as data bytes.

Interblock Gap (IBG): The size of the IBG is 0.50 inch minimum, 0.60 inch nominal, measured from the LRC character to the first data byte of the next block (Figure 31).

Tape Mark: See Figure 30.

Organization of Blocks on Tape: See Figure 31.

Skew Alignment Procedure (Figure 32):

1. Adjust mechanical skew by scoping the outside tracks while reading master skew tape, IBM part 432640 (600 ft) or IBM part 432641 (1,200 ft).
2. Set read skew on all data tracks to less than 0.25 usec (Model 3 or 6 tape units), 0.40 usec (Model 2 or 5 tape units), or 0.75 usec (Model 1 or 4 tape units).
3. Set write skew to less than 0.18 usec (Model 3 or 6 tape units), 0.27 usec (Model 2 or 5 tape units), or 0.54 usec (Model 1 or 4 tape units) at the read bus of the tape unit when reading while writing continuous 1-bits.

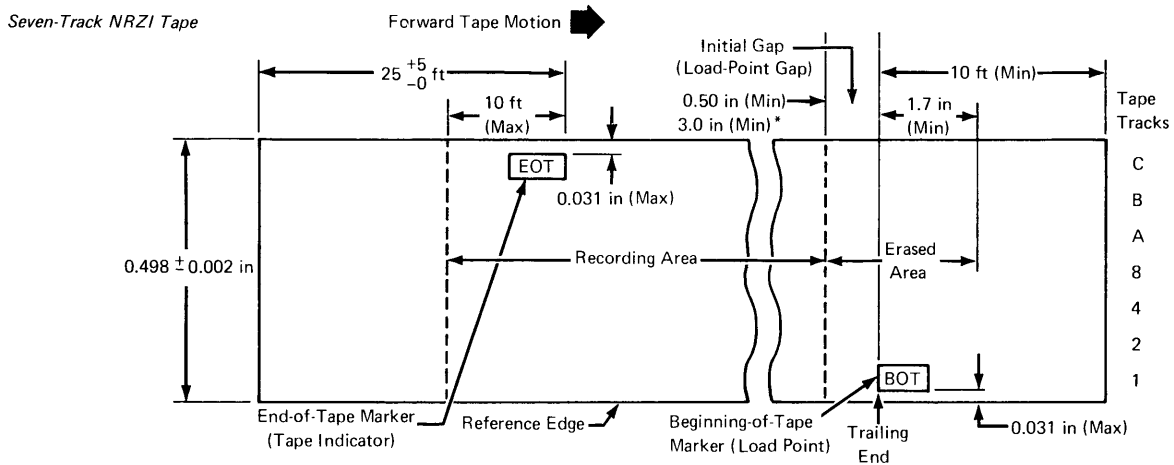
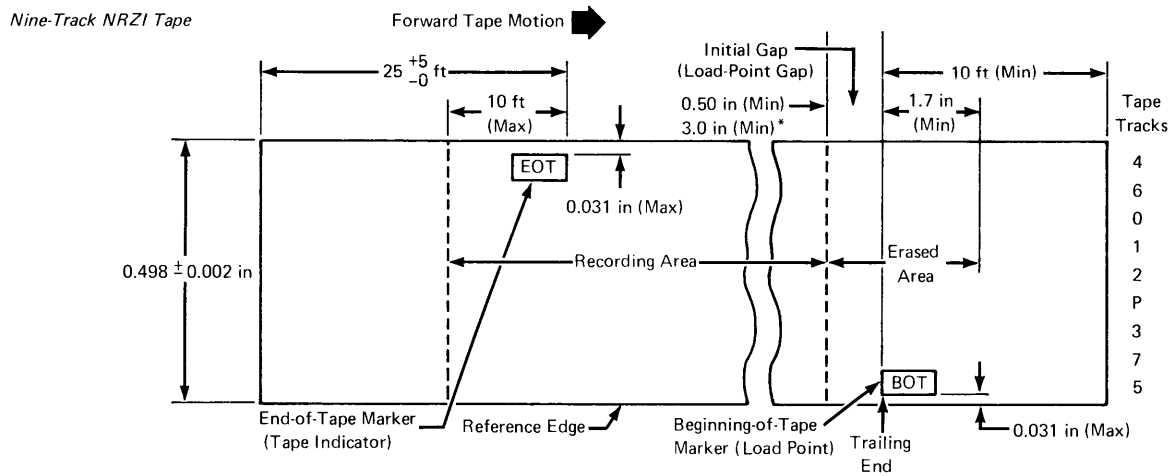
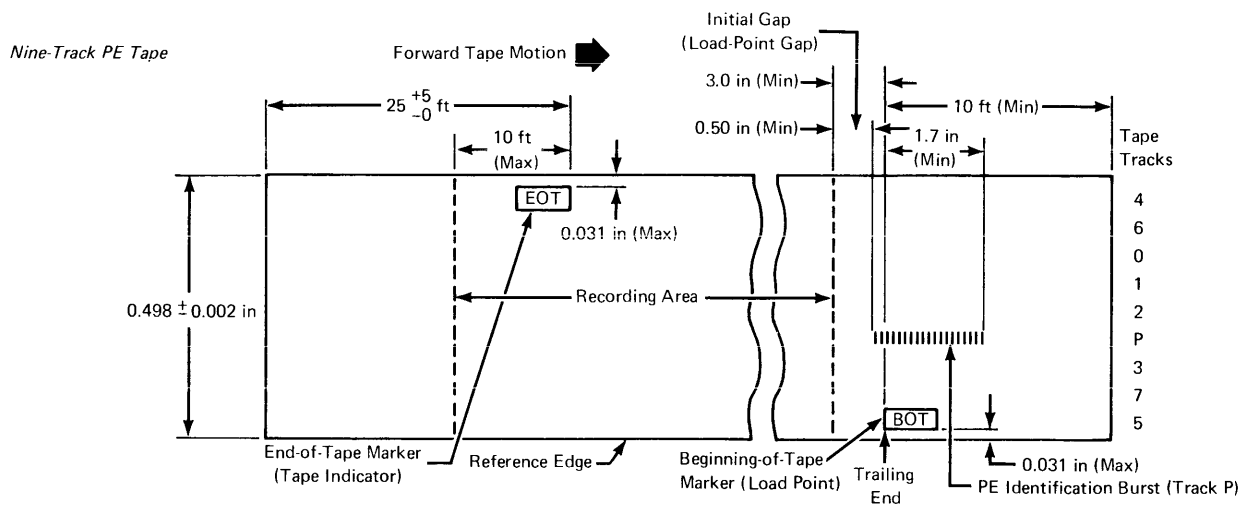
Time Asymmetry: For read pulses, time asymmetry shall not exceed 0.5 usec (Model 6 tape units), 0.75 usec (Model 5 tape units), or 1.0 usec (Model 4 tape units).

Interchangeability: To ensure complete interchangeability, maximum variations within a character (assuming proper skew and asymmetry alignment as in preceding text) for any reel of tape, read by any tape unit connected to any tape control, must be equal to or less than the read character gate for the tape speed at which the tape is being read.

This requirement can usually be met by applying the following rules to the control unit timings (Figure 32) for the 2400-series tape units:

1. When writing, the time between bytes should not be less than the fall of the skew gate plus 1 usec, including variations because of tape speed, skew, and bit configuration.
2. When reading, the time between bytes should not be less than the end of the read character gate plus 1 usec, including variations because of tape speed, skew, and bit configuration.

Write Clipping Level: See Figure 33.



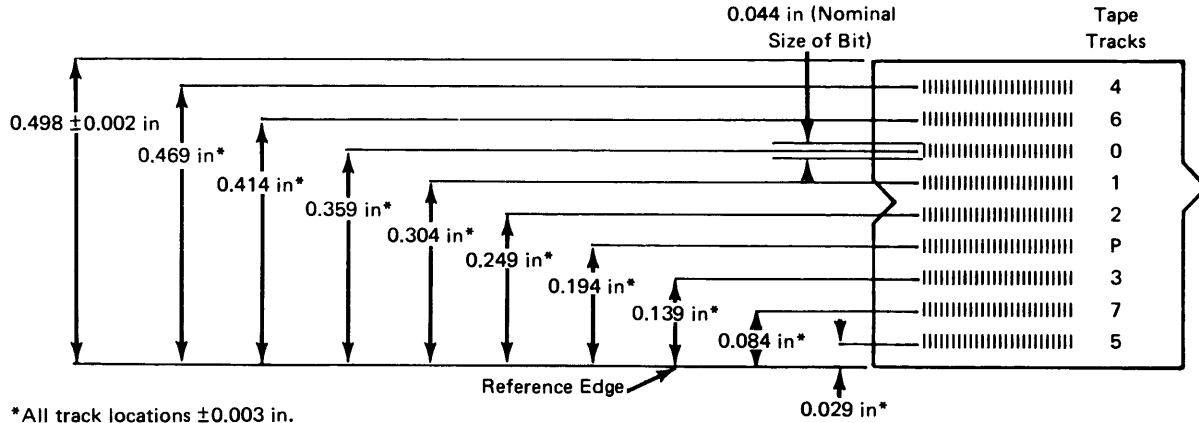
Note: Tape viewed from top while standing at front of tape unit. Markers are on top. Recording is done on underside (oxide side) of magnetic tape.

*2803 Serial 16xxx

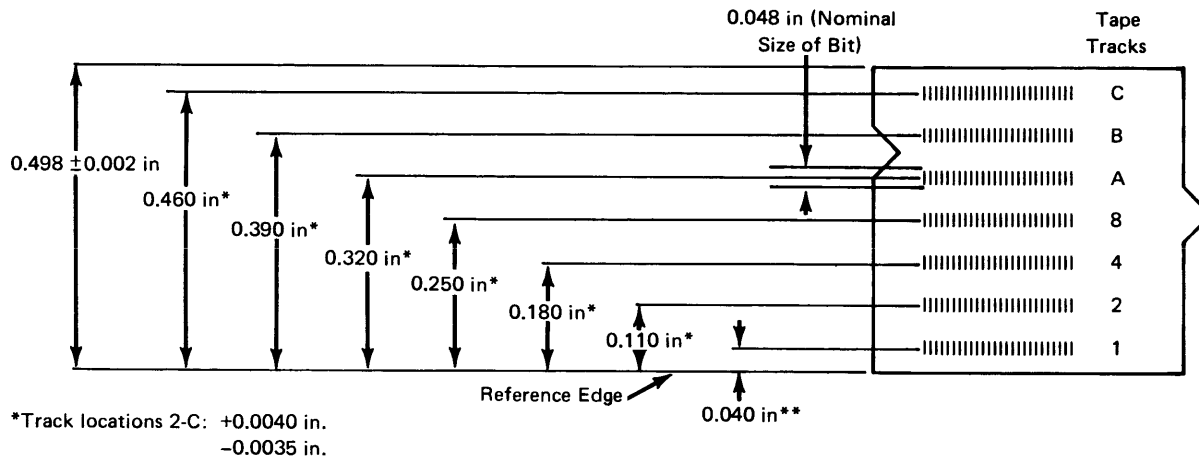
11,030

Figure 27. Beginning-of-Tape and End-of-Tape Areas

Nine-Track Tape



Seven-Track Tape



11,031

Figure 28. Track Spacing for Seven- and Nine-Track Tape

Recording Formats for Nine-Track, 1,600-bpi Tape

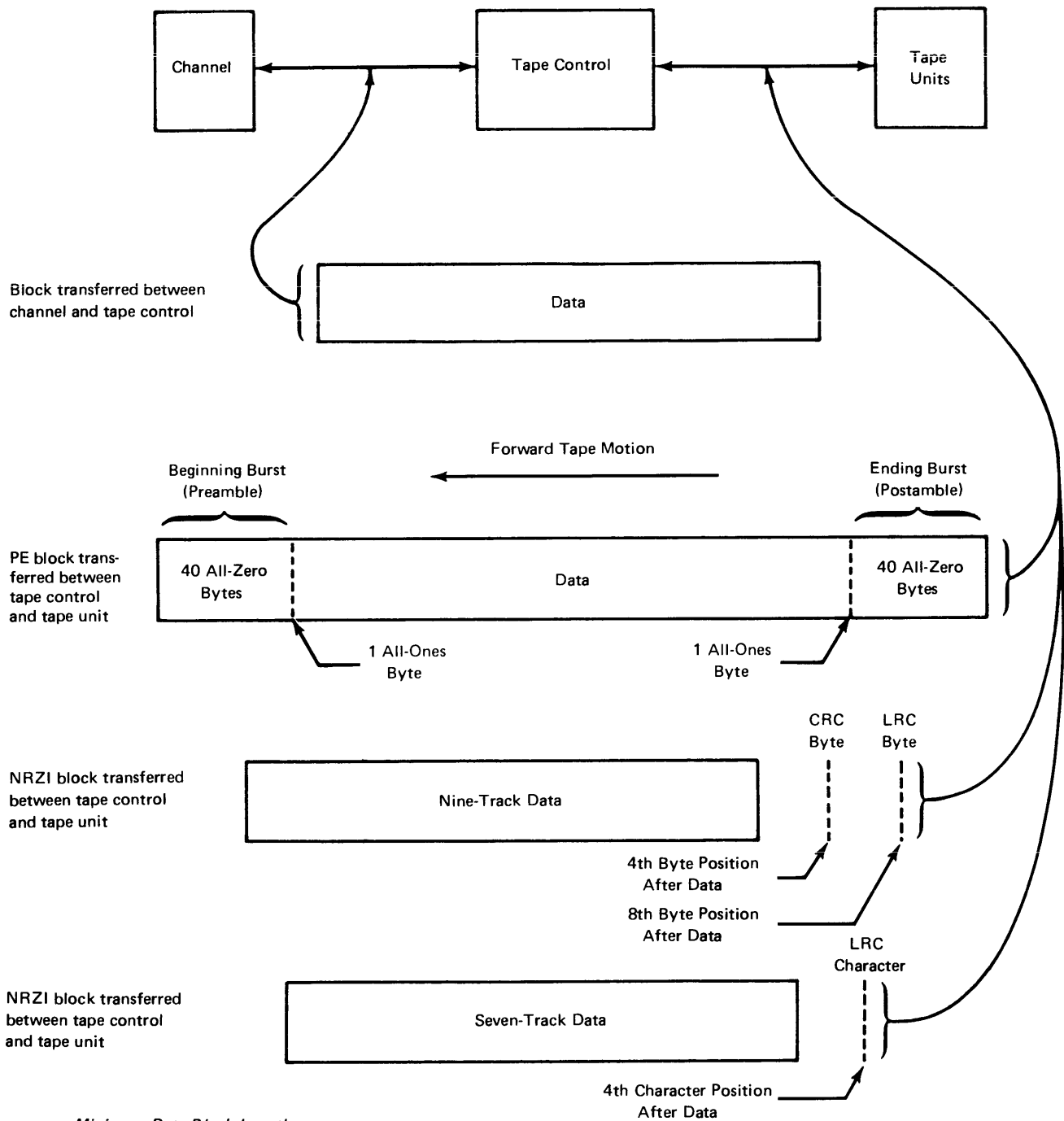
Recording Method (PE): Tape is saturated in each direction. Flux reversals are written for both 1- and 0-bits. When tape is moving forward, a flux reversal to the magnetic polarity of erased tape at bit-shift time is a 1-bit, and a flux reversal to the polarity opposite that of erased tape at bit-shift time is a 0-bit.

Erasure: Tape is fully saturated in the erased direction in the initial gap and interblock gap areas. Any erased section of tape has its north magnetic pole in the direction of the beginning-of-tape (load point) marker and its south magnetic pole in the direction of the end-of-tape marker.

PE Identification Burst: A 1,600 bpi PE tape is written with an identification burst at load point. This burst consists of 1,600 flux reversals per inch in track P; all other tracks are erased. The PE burst must begin at least 1.7 inches before the trailing end of the beginning-of-tape marker and continue past the trailing end of the beginning-of-tape marker (Figure 27).

Track Spacing: See Figure 28.

Parity: A vertical parity bit is written in track P for each data byte that contains an even number of data bits.



Minimum Data Block Lengths

Phase Encoded	Not Specified
Nine-Track NRZI	18 Bytes (Write) 12 Bytes (Read)
Seven-Track NRZI*	18 Characters (Write) 12 Characters (Read)

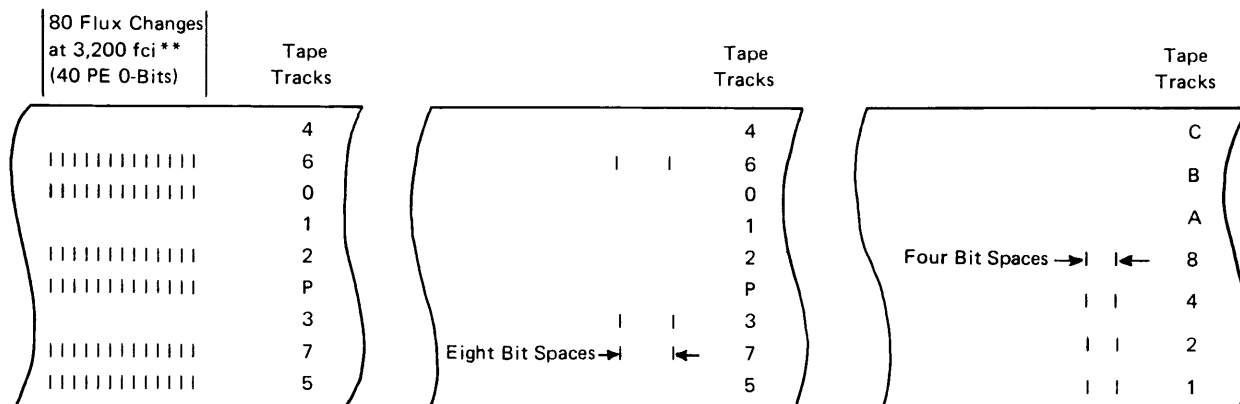
*Nominal, actual minimum block lengths vary slightly among using systems.

Figure 29. Data Block Format

Nine-Track PE Tape Mark

Nine-Track NRZI Tape Mark

Seven-Track NRZI Tape Mark



A PE tape mark is a special control block that consists of at least 80 flux reversals at 3,200 fci in data tracks P, 0, 2, 5, 6, and 7. Tracks 1, 3, and 4 are dc-erased. For recognition, the tape mark must contain at least 64 flux reversals in data tracks P, 0, and 5 (zone 1) or tracks 2, 6, and 7 (zone 2), with tracks 1, 3, and 4 (zone 3) dc-erased. Although the tape mark is normally preceded by approximately 3.75* inches of erased tape, a normal IBG may be used.

A nine-track NRZI tape mark is a special control block that consists of a character with 1-bits in data tracks 3, 6, and 7, and an identical character eight bit spaces from it. No CRC character is written. Although the tape mark is normally preceded by approximately 3.75* inches of erased tape, a normal IBG may be used.

A seven-track NRZI tape mark is a special control block that consists of a character with 1-bits in data tracks 8, 4, 2, 1, and an identical LRC character four bit spaces from it. Although the tape mark is normally preceded by 3.90* inches of erased tape, a normal IBG may be used.

* Varies with tape unit speed and mechanical adjustment.

**2803, serial 14XXX or 16XXX with EC 732357 – 192 flux changes at 3,200 fci (96 PE 0-bits).

11,033

Figure 30. Tape Mark Block Format

Data Block Format: Data bytes in each block are preceded by a 41-character preamble and followed by a 41-character postamble. The preamble contains 40 characters with 0-bits in all tracks, followed by one character with 1-bits in all tracks. Data bytes immediately follow the preamble. The postamble contains one character with 1-bits in all tracks, followed by 40 characters with 0-bits in all tracks. The postamble immediately follows the last data byte (Figure 29).

Interblock Gap (IBG): The size of the IBG is 0.50 inch minimum, 0.60 inch nominal, measured from the end of the postamble to the start of the preamble of the next block. The preamble of the first block must begin not less than 0.50 inch from the end of the PE identification burst and 0.50 inch (3.0 inches on 2803 serial 16XXX) from the trailing end of the load point marker (Figure 27).

Tape Mark: See Figure 30.

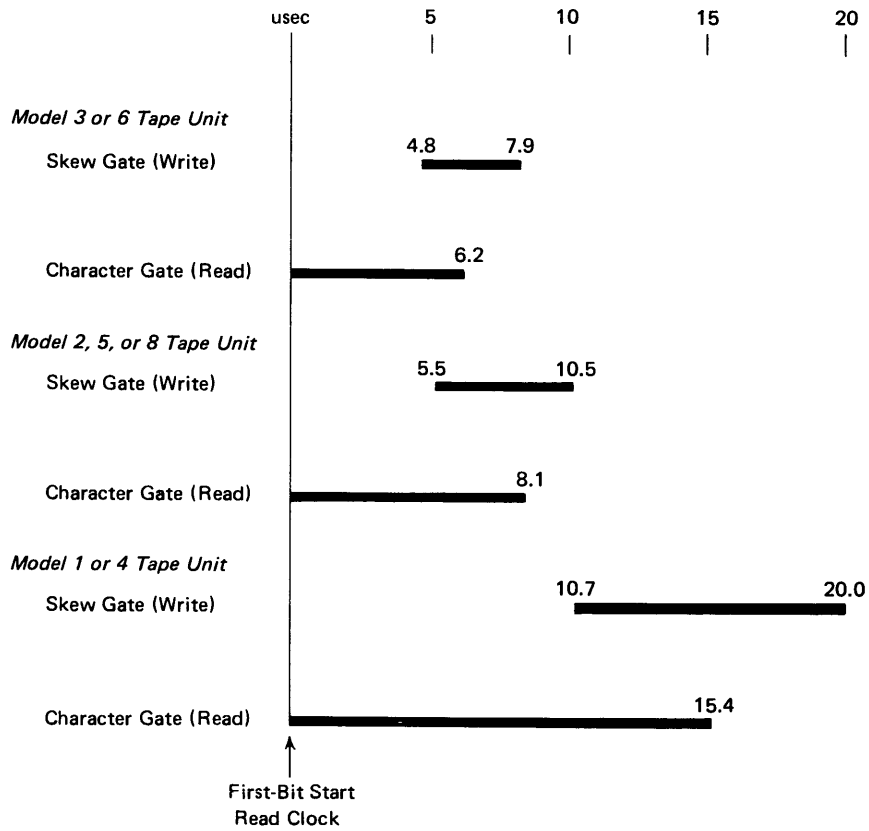
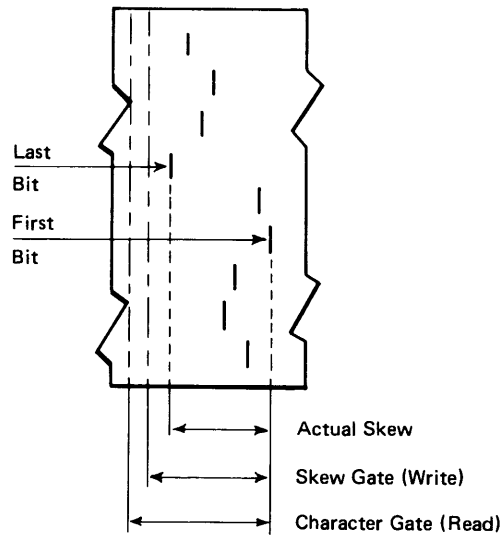
Organization of Blocks on Tape: See Figure 31.

Skew Alignment: For complete interchangeability, adjust mechanical skew by scoping the outside tracks (4 and 5) while reading a master skew tape, IBM part 432362. Tape must then be written with less than 560 microinches of skew (all sources) at 1,600 bytes per inch (5.0 usec at 112.5 ips – Model 6 tape unit). Maximum skew for any reel of tape, read by any tape unit connected to any tape control, must be equal to or less than 1.8-bit times for the tape speed at which the tape is being read.

Write Check Level: Level of 22 percent of the nominal read bus amplitude.

Read Check Level: Level is 15 percent of the nominal read bus amplitude.

Tape: IBM part 457893 or equivalent.



Note: All timings +8 percent, -10 percent.

11,035

Figure 32. Skew Gate and Character Gate Timing – NRZI

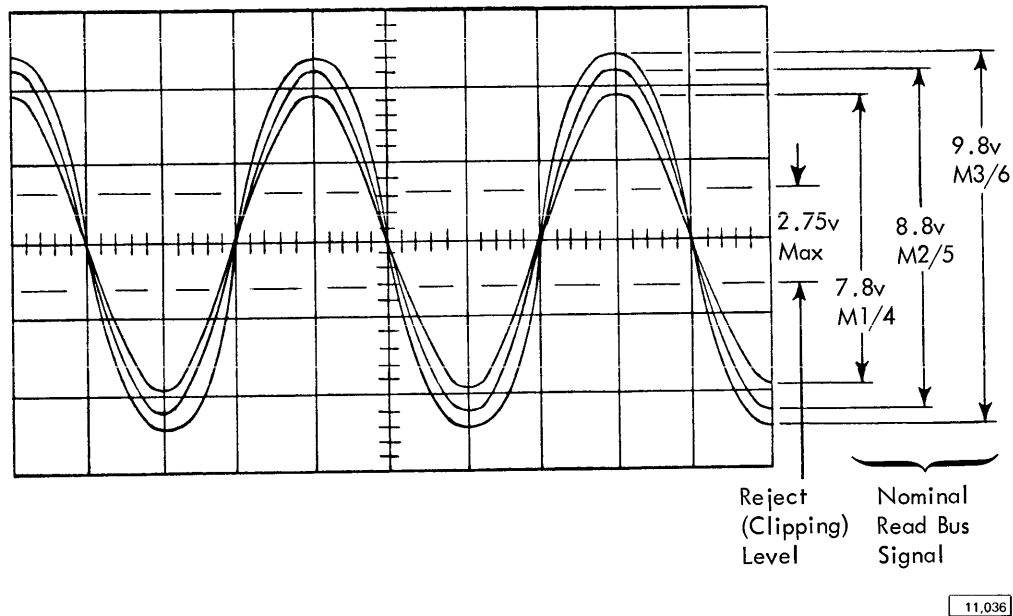
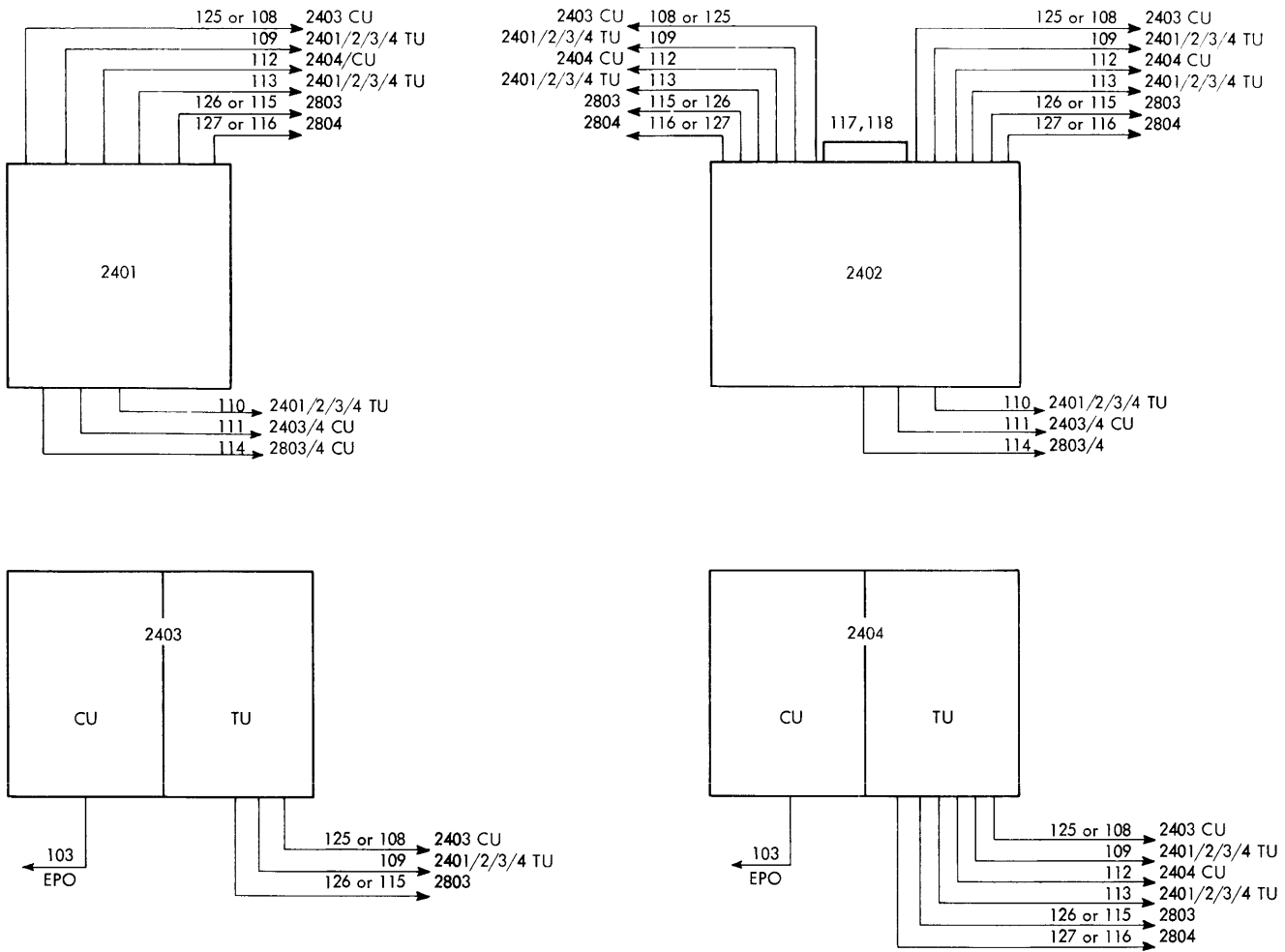


Figure 33. Read Checking of Nine-Track NRZI Write Operation

CABLING

IBM will supply the necessary cables as mentioned in this manual. The cables will be supplied up to the maximum lengths specified. All cables must be ordered through the IBM Sales Representative and by the appropriate cable group number only. The IBM part numbers relating to the cables are listed for design information only. Figures 34 and 35 give signal and power cabling information for the 2400-series tape units.

In the interest of safety, all IBM machines shipped to the customer have been equipped with grounded cord plugs. No other type of plug will be supplied by IBM. If any machine in a group is grounded, all other machines in the group must be grounded. Grounded machines must be placed so that it is impossible to touch simultaneously a grounded machine and an ungrounded machine, electrical equipment, metal cabinet, etc.



11,037

Figure 34. 2400 Cabling Schematic

Cable Group Number	Key Number	Part Number	From	To	Purpose	Notes
108	108A	5318935	2401/2/3/4 (TU) M1-3	2403 (CU) M1-3	Signal	1 and 3
	108B	5356195			Terminator	
109	109	5356175	2401/2/3/4 (TU) M1-6 2401 Model 8	2401/2/3/4 (TU) M1-6 2401 Model 8	Signal	1
110	110	535098	2401/2 2401 Model 8	2401/2/3/4 (TU) 2401 Model 8	Power	2
111	111	535098	2401/2	2403/4 (CU)	Power	2
112*	112A	5373619	2401/2/3/4 (TU) M1-3	2404 (CU) M1-3	Signal	1
	112B	5373693			Terminator	
113*	113	5362289	2401/2/3/4 (TU) M1-6 2401 Model 8	2401/2/3/4 (TU) M1-6 2401 Model 8	Signal	1
114	114	535098	2401/2 2401 Model 8	2803/4 2803/4 Model 3	Power	2
115	115A	5318935	2401/2/3/4 (TU) M1-3 2401 Model 8	2803 Model 2 2803 Model 3	Signal	1 and 3
	115B	5356195			Terminator	
116*	116A	5373619	2401/2/3/4 (TU) M1-3 2401 Model 8	2804 Model 1 2804 Model 3	Signal	1
	116B	5353693			Terminator	
117	117	5356178	2402	2402	Signal	
118*	118	5363290	2402	2402	Signal	
125	125A	5318935	2401/2/3/4 (TU) M1-6	2403 (CU) M4-6	Signal	1 and 3
	125B	5417910			Terminator	
126	126A	5318935	2401/2/3/4 (TU) M1-6	2803 Model 2	Signal	1 and 3
	126B	5417910			Terminator	
127	127A	5373619	2401/2/3/4 (TU) M1-6	2804 Model 2	Signal	1
	127B	5417978			Terminator	

*Simultaneous Feature

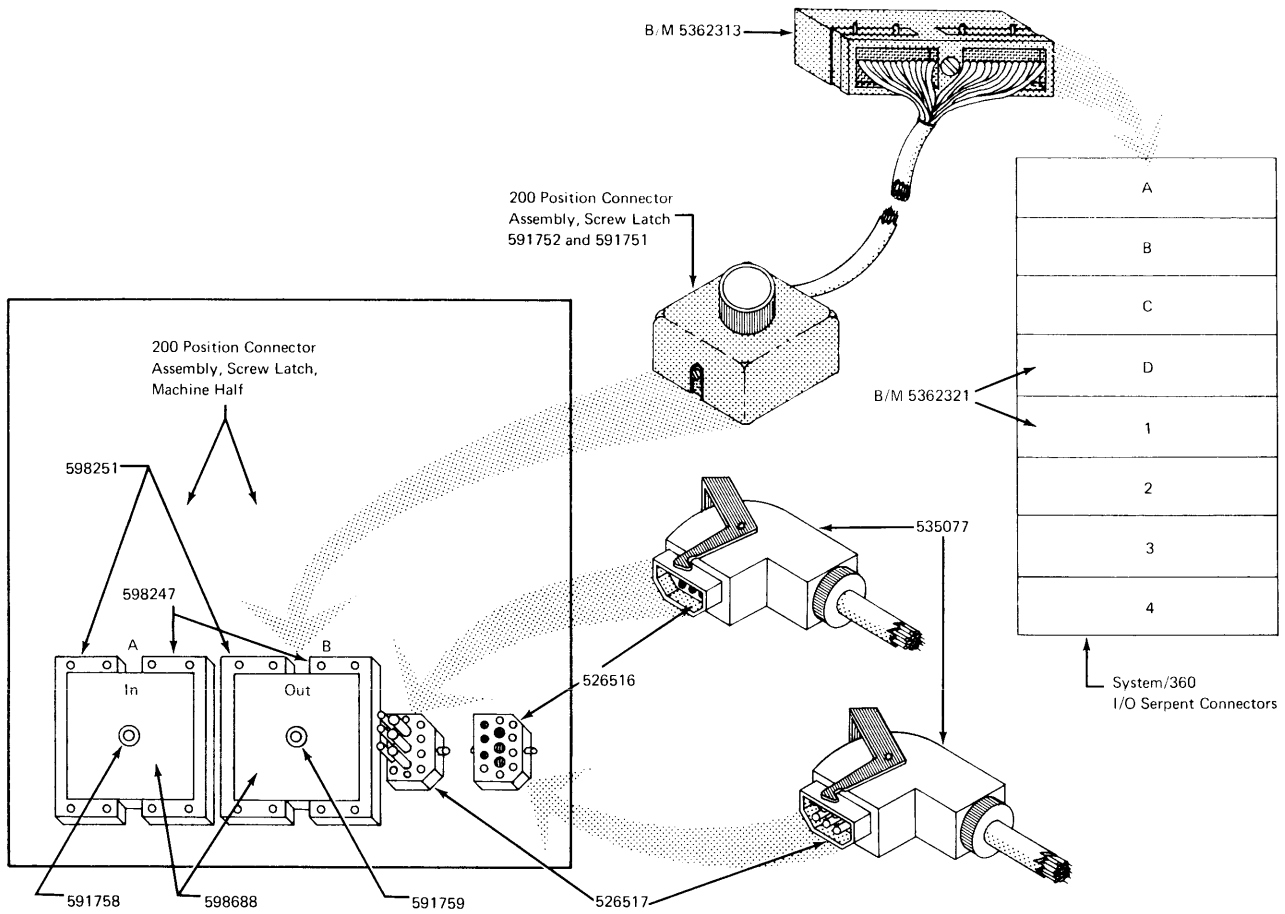
Notes:

1. The total length of signal cables on any one tape channel, for a maximum of eight tape units, must not exceed 120 feet measured from control unit connector to tape connector on the last tape unit in line.
2. The maximum length cable provided for a single tape unit or between tape units in line is 25 feet (X dimension), measured from bottom of unit to bottom of unit.
3. No more than four tape units may be connected in line on each of the control unit power outlets.
4. Part numbers of the 48 position control unit connector and 200 position tape unit connector and mounting components are given in Figure 36.

11,038

● Figure 35. 2400 Cabling Schematic Data

CONNECTORS



Part or B/M Number	Name
B/M 5362321	S/360 I/O Serpent Connector
B/M 5362313	S/360 I/O Serpent Connector
Part 591752	Connector Asm, 200 Pos, Screw Latch (A)
Part 591751	Connector Asm, 200 Pos, Screw Latch (B)
Part 598688	Board
Part 526516	Power Plug Insert/Receptacle (To Tape Units)
Part 526517	Power Plug Insert/Receptacle (From CU or Preceding Tape Unit)
Part 535077	Power Plug Housing
Part 598251	Guide
Part 598247	Guide
Part 591759	Retainer Assembly
Part 591758	Retainer Assembly

Parts Not Shown:

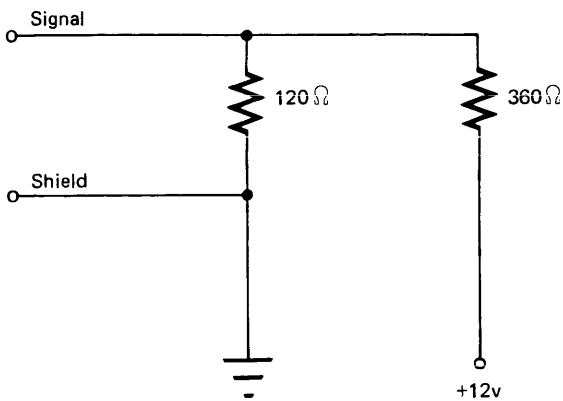
Contacts (200-Position)	
for No. 20 - 24 wire	Part 598041
for No. 16 - 18 wire	Part 596224
for No. 26 - 29 wire	Part 596224 (use with stuffer part 596230)
Screw, Guide Mounting	Part 28413

11_039

Figure 36. 2401/2/3/4 Connector and Component Part Numbers

DRIVERS AND TERMINATORS

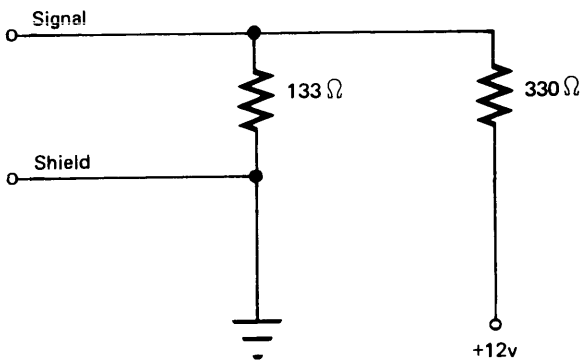
Figures 37-53 show transistor circuits used to drive, receive, and terminate the lines between the control unit and tape units.



This is a circuit representative of those used in the terminator connector (part 5356195) which must be inserted in the connector B position of the last tape unit in a line. (Terminator part 5373693 would be used for tape units with simultaneous feature.)

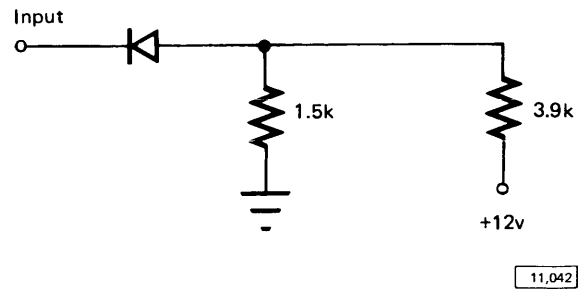
11,040

Figure 37. Line Terminator, Models 1-6 and 8



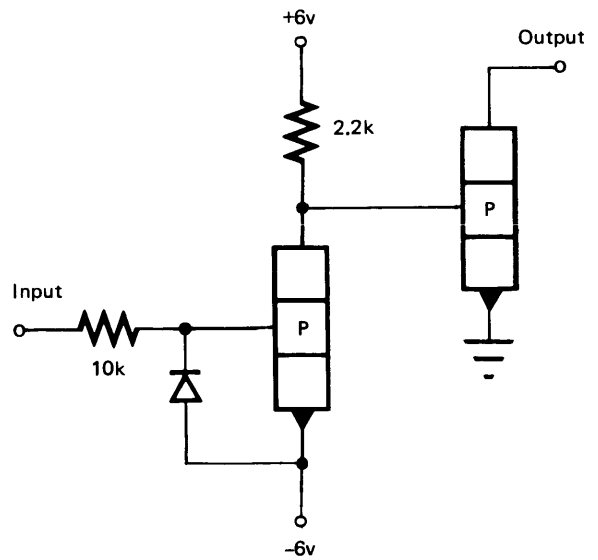
11,041

Figure 38. Write Bus Terminator, Models 4-6



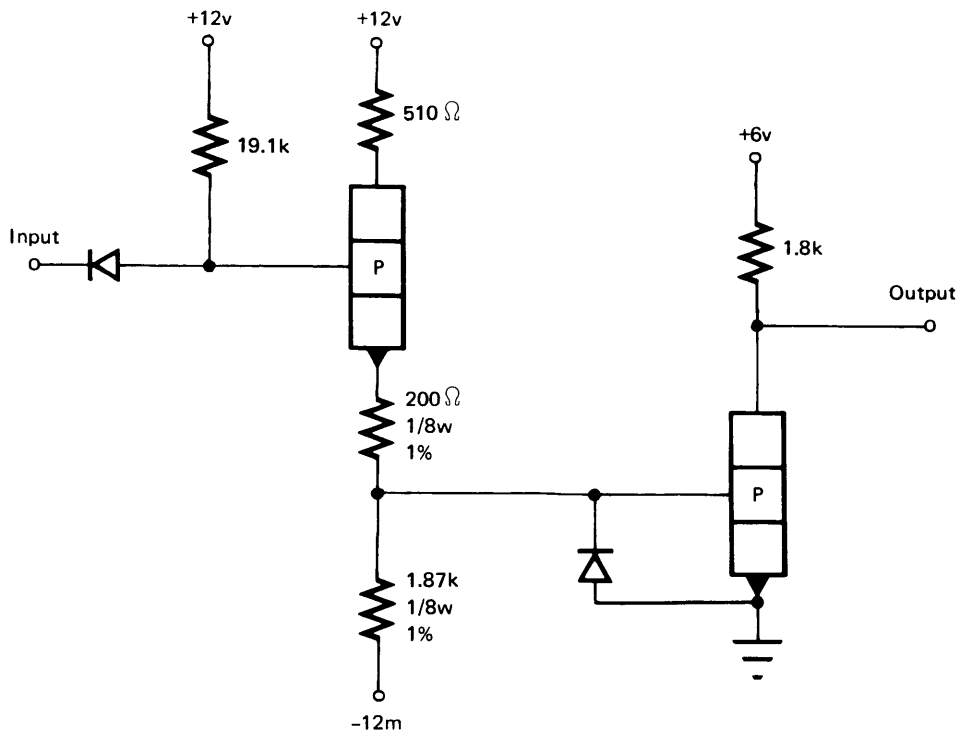
11,042

Figure 39. Tape Unit, Models 1-6 and 8, Metering-Out Line Terminator



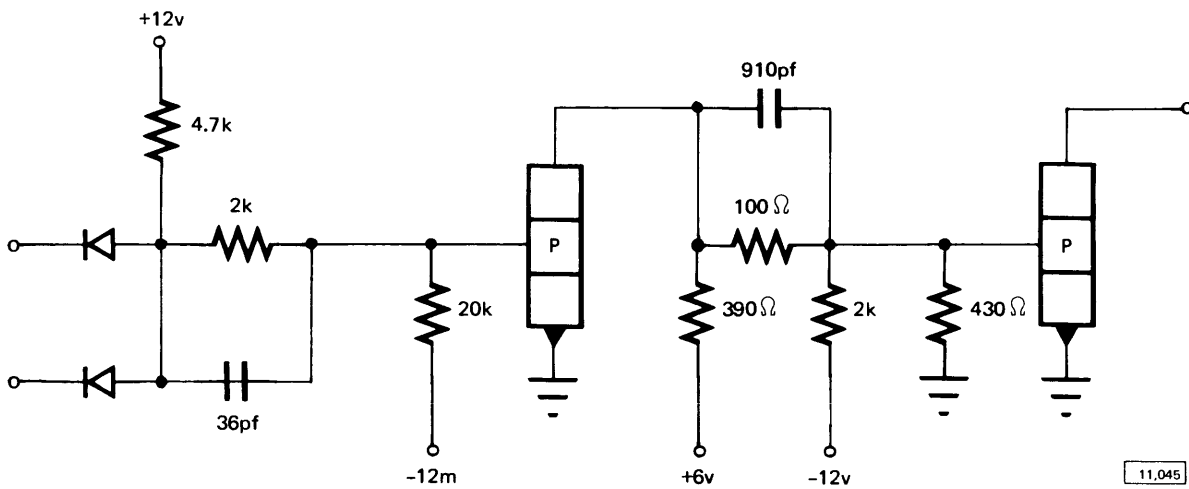
11,043

Figure 40. Tape Unit, Models 1-6 and 8, Line Driver



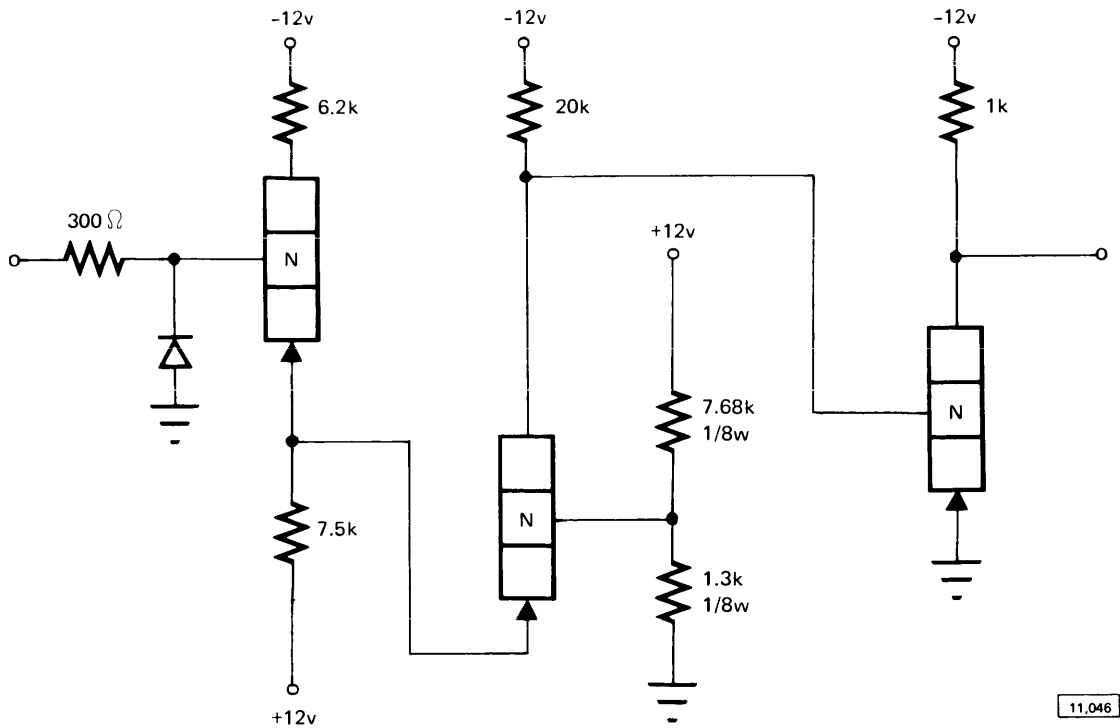
11.044

● Figure 41. Control Unit, Models 1-3, Line Receiver



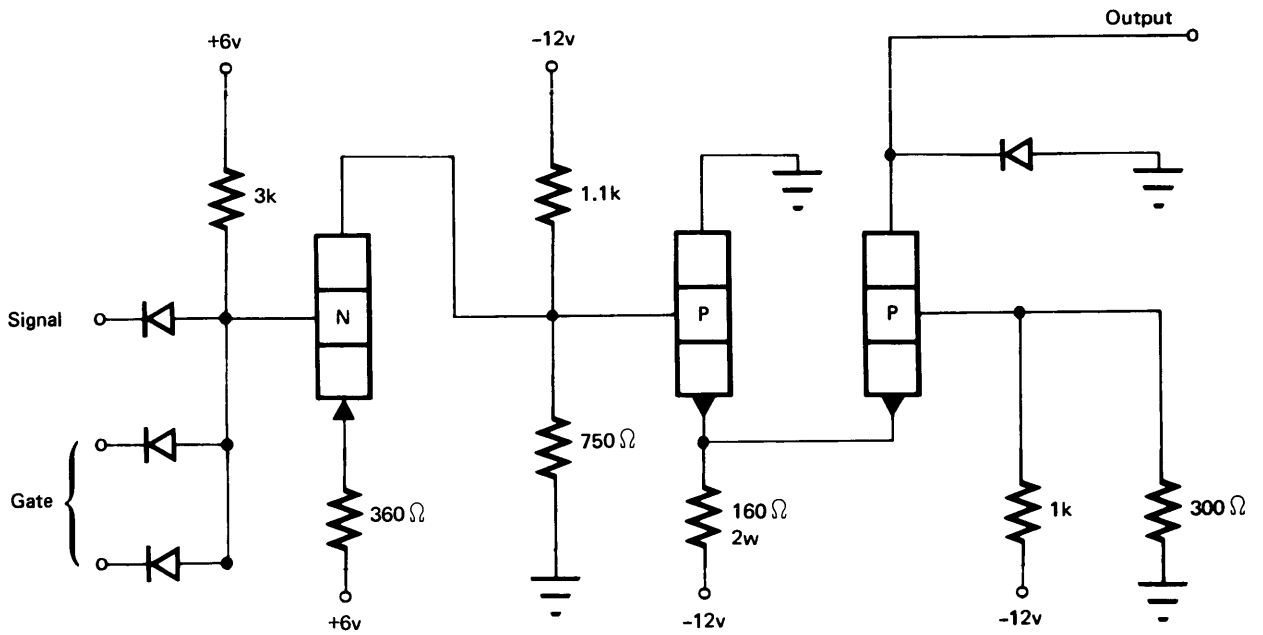
11.045

Figure 42. Control Unit, Models 1-3, Signal Line Driver; Control Unit, Models 1 and 3, Write Bus Driver



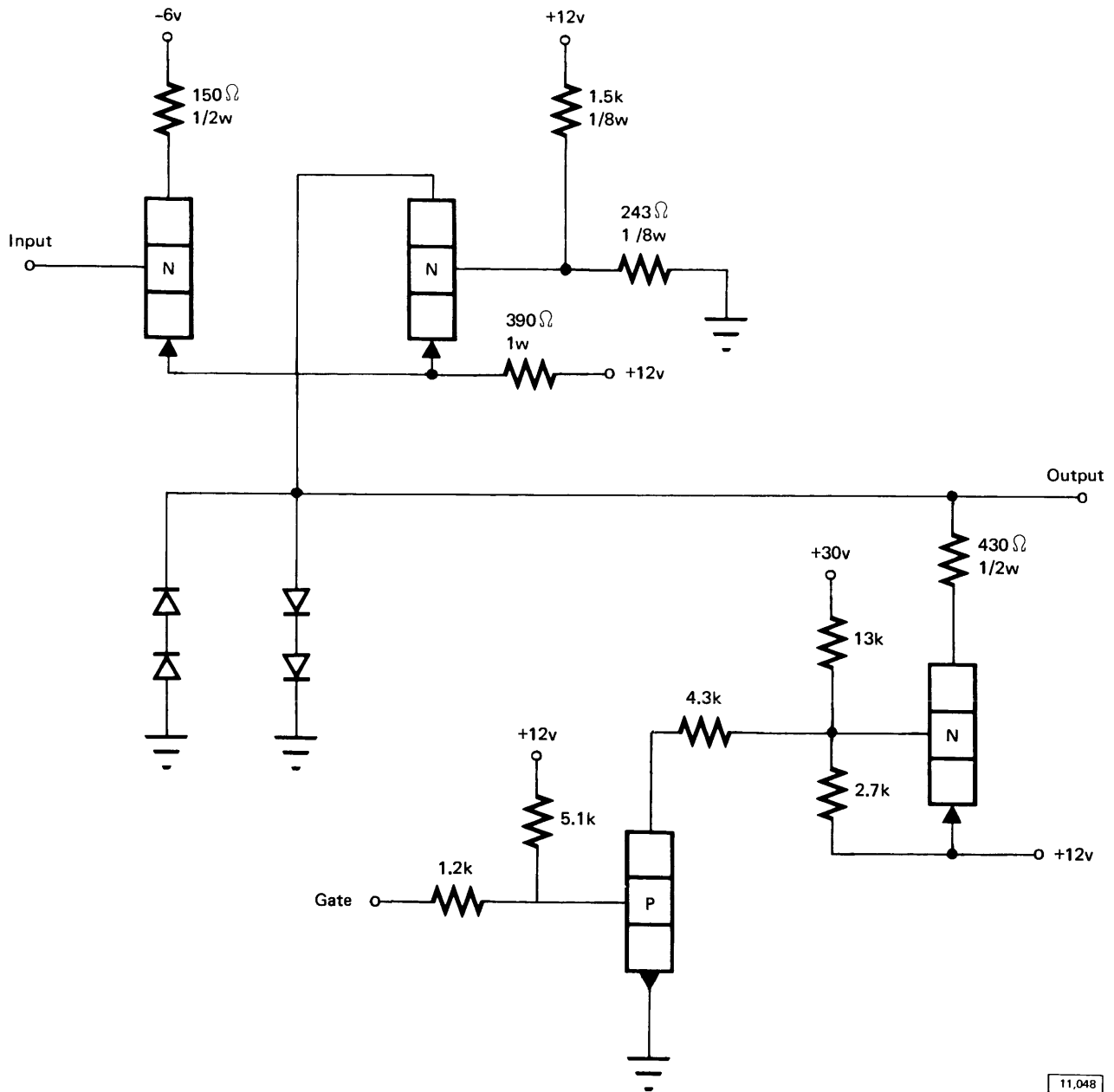
11,046

Figure 43. Tape Unit, Models 1-6 and 8, Line Receiver; Tape Unit, Models 1-3 and 8, Write Bus Receiver



11,047

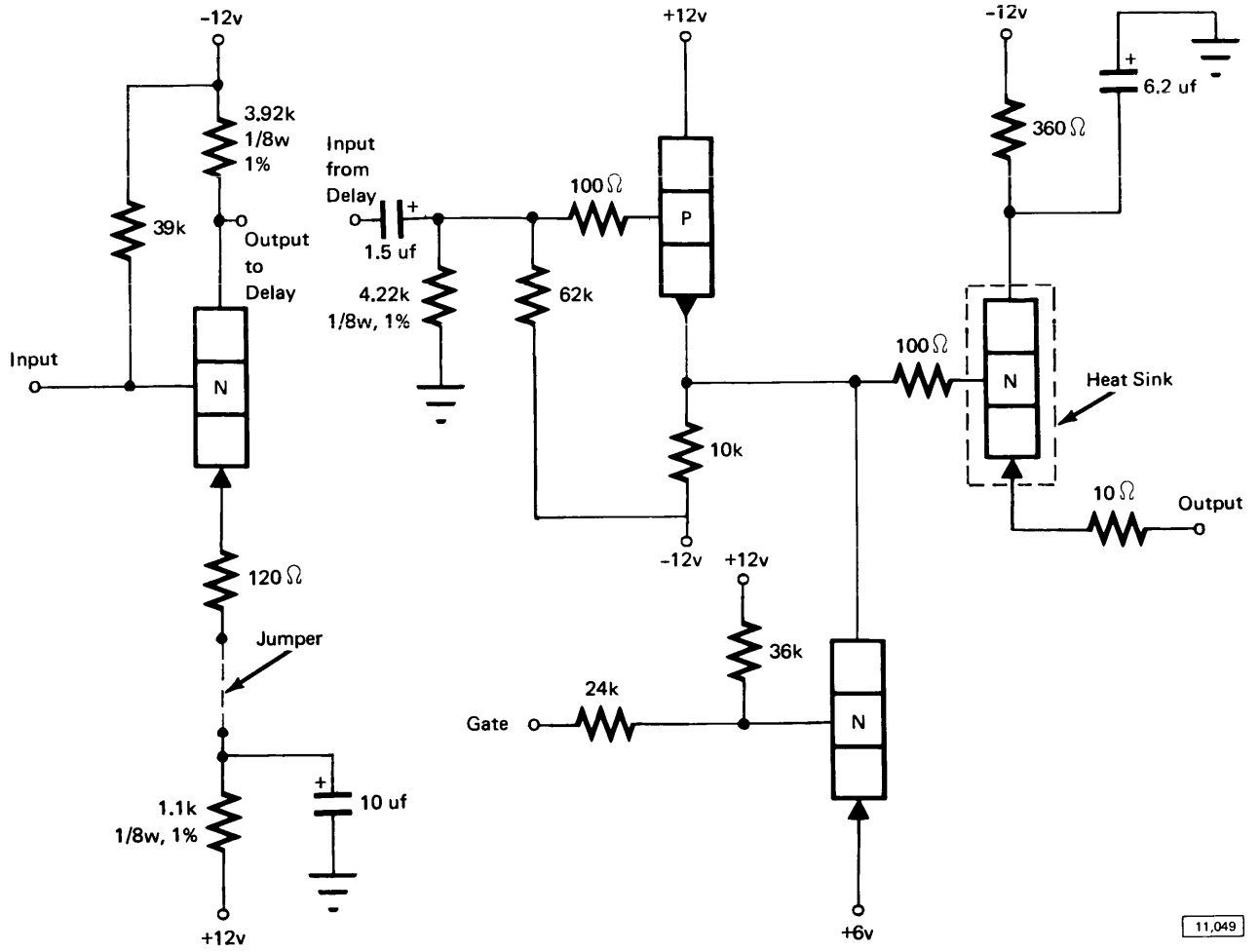
Figure 44. Control Unit, Model 2, Write Bus Driver



11,048

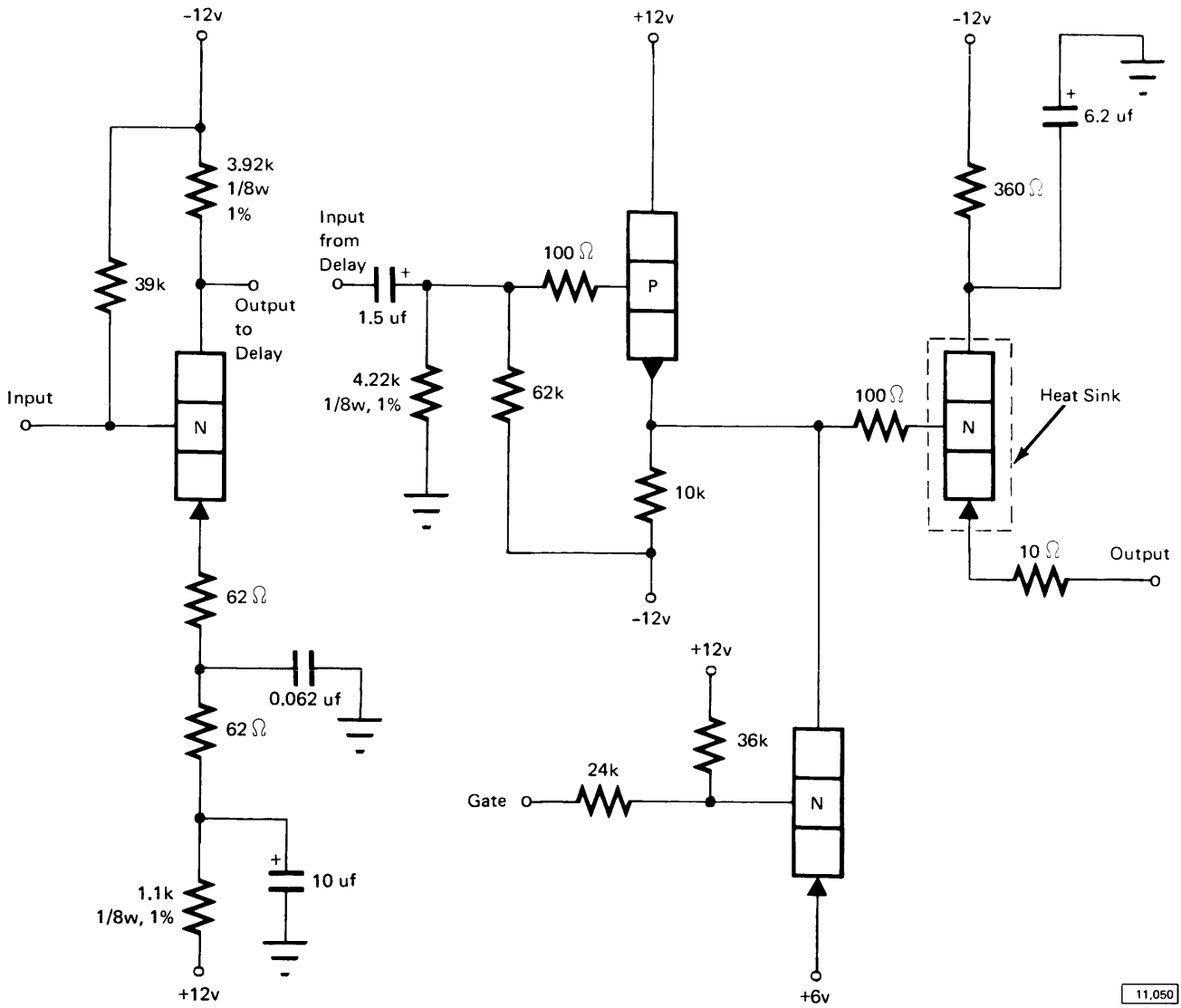
Figure 45. Tape Unit, Models 4-6, Write Bus Receiver

Models 1/4, 2/5/8



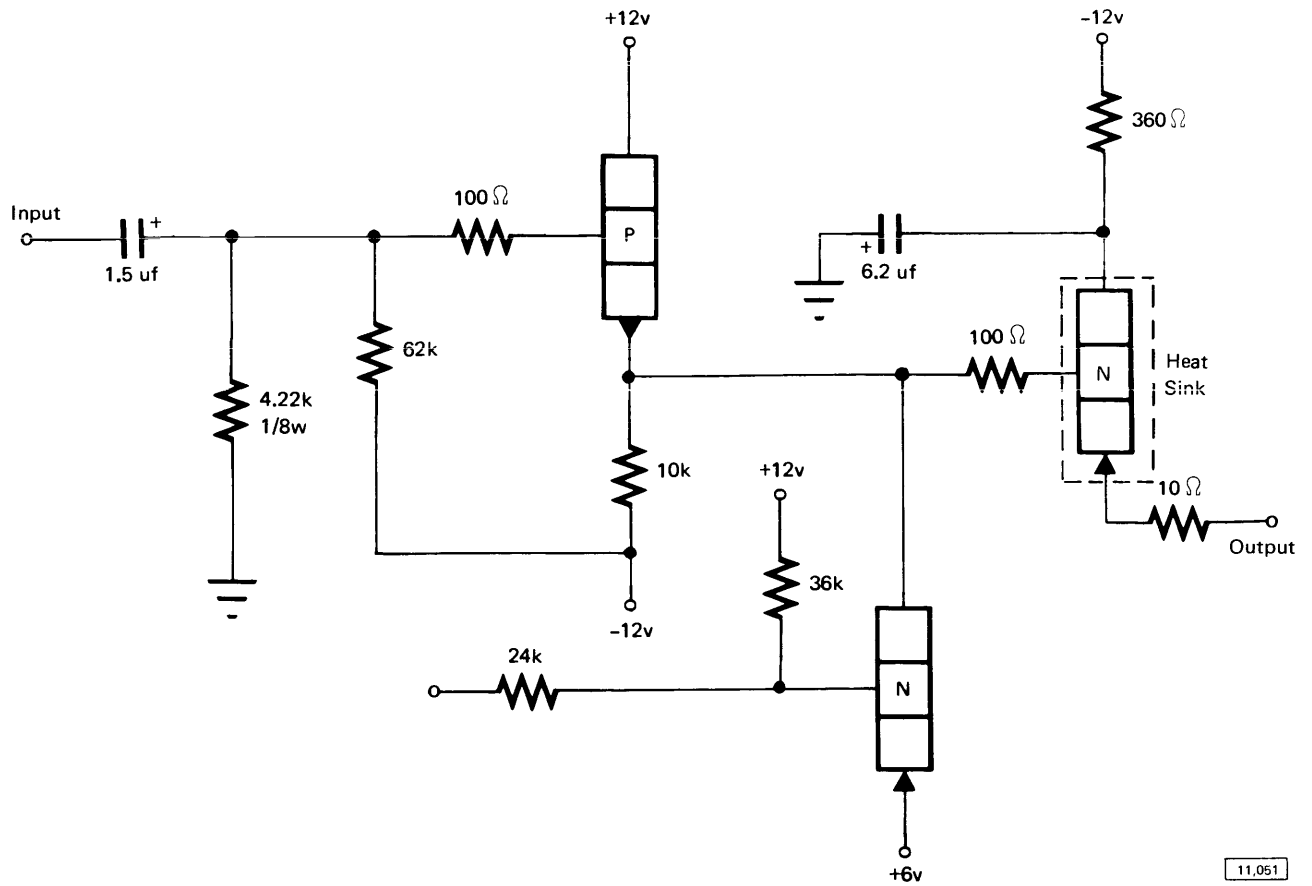
11,049

Figure 46. Tape Unit Read Preamplifier Number 2, Models 1, 2, 4, 5, and 8 NRZI (Part 1 of 2)



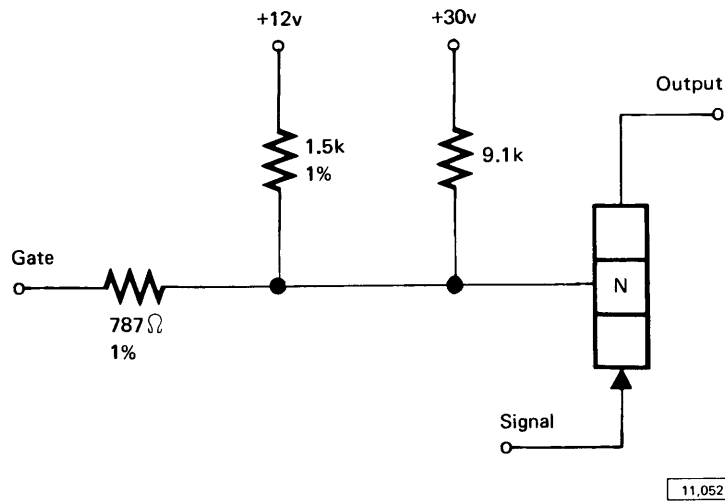
11,050

Figure 46. Tape Unit Read Preamplifier Number 2, Models 3 and 6 NRZI (Part 2 of 2)



11,051

Figure 47. Simultaneous Preamplifier, Models 4-6 NRZI



11,052

Figure 48. Simultaneous Preamplifier, Models 4-6 PE

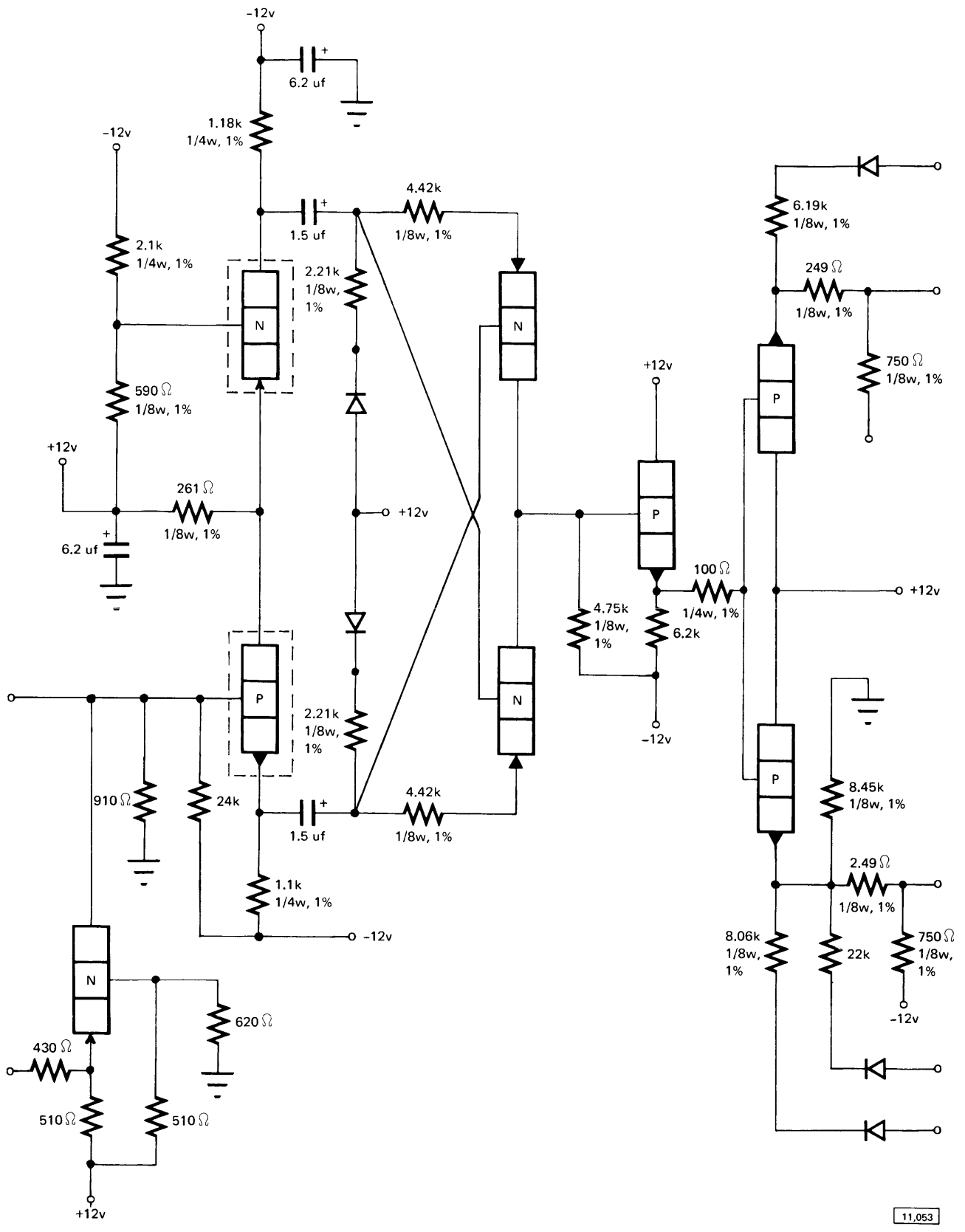


Figure 49. Control Unit Read Bus, Models 1-3, Receiver NRZI

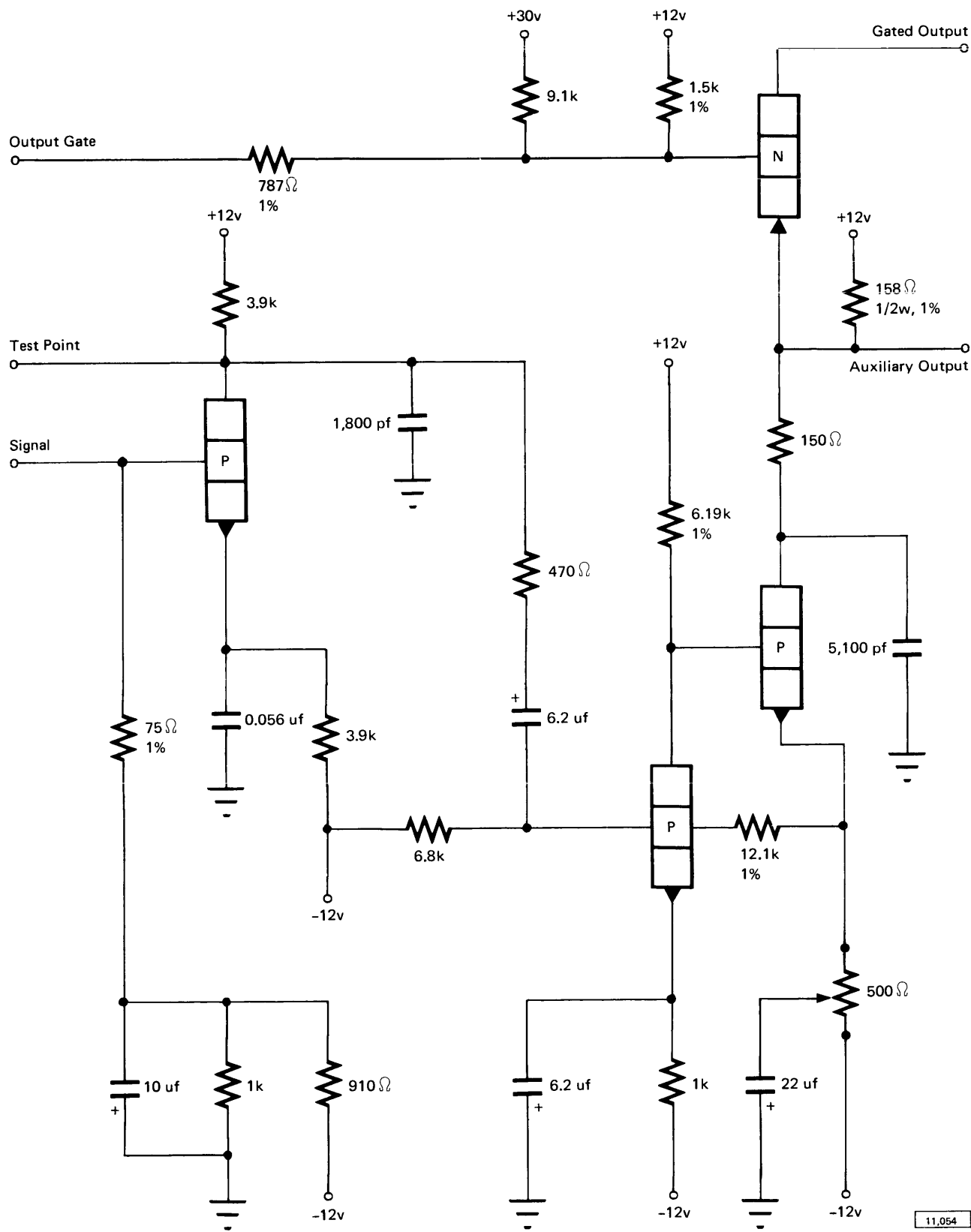


Figure 50. Tape Unit Read Preamplifier, Model 4 PE

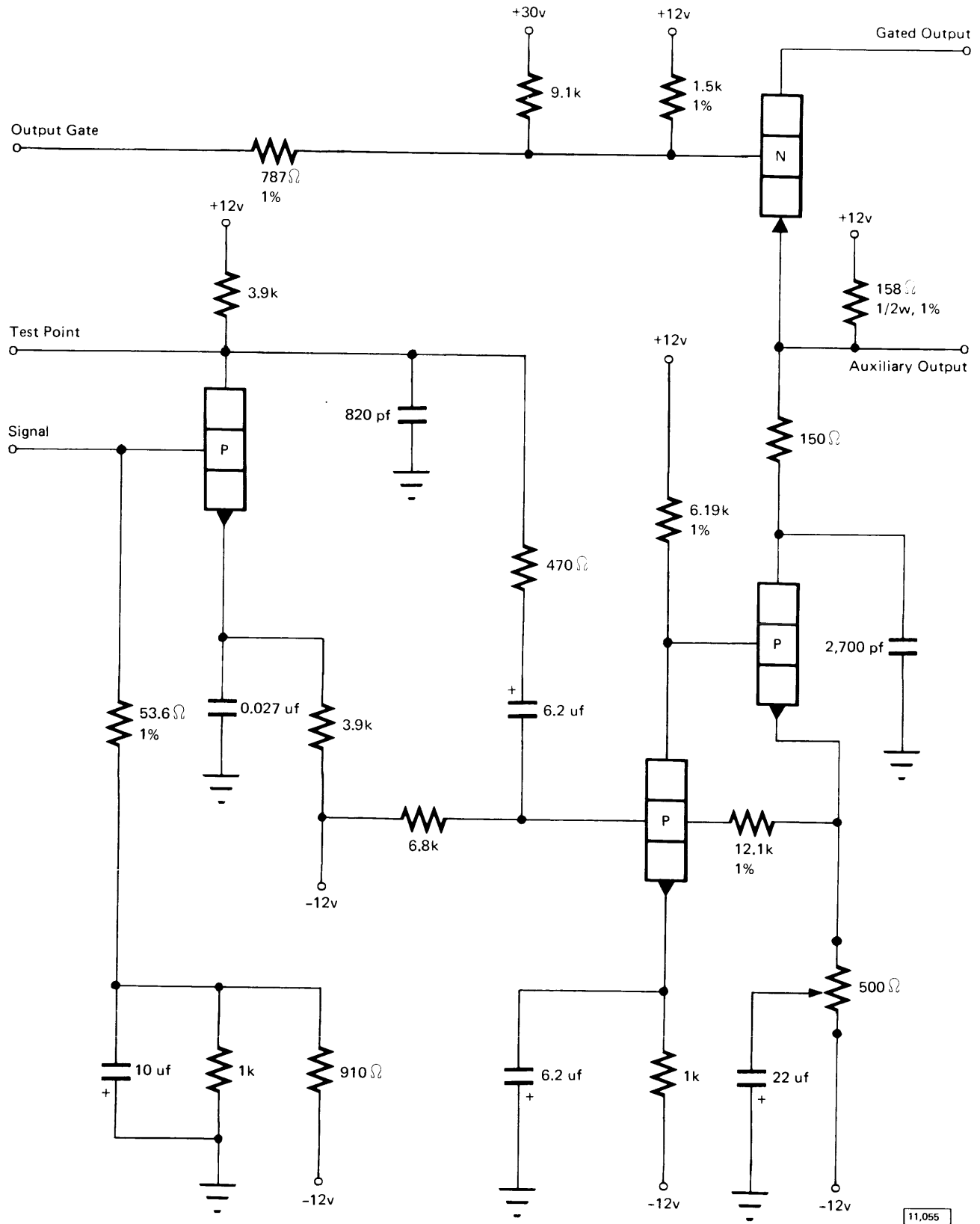
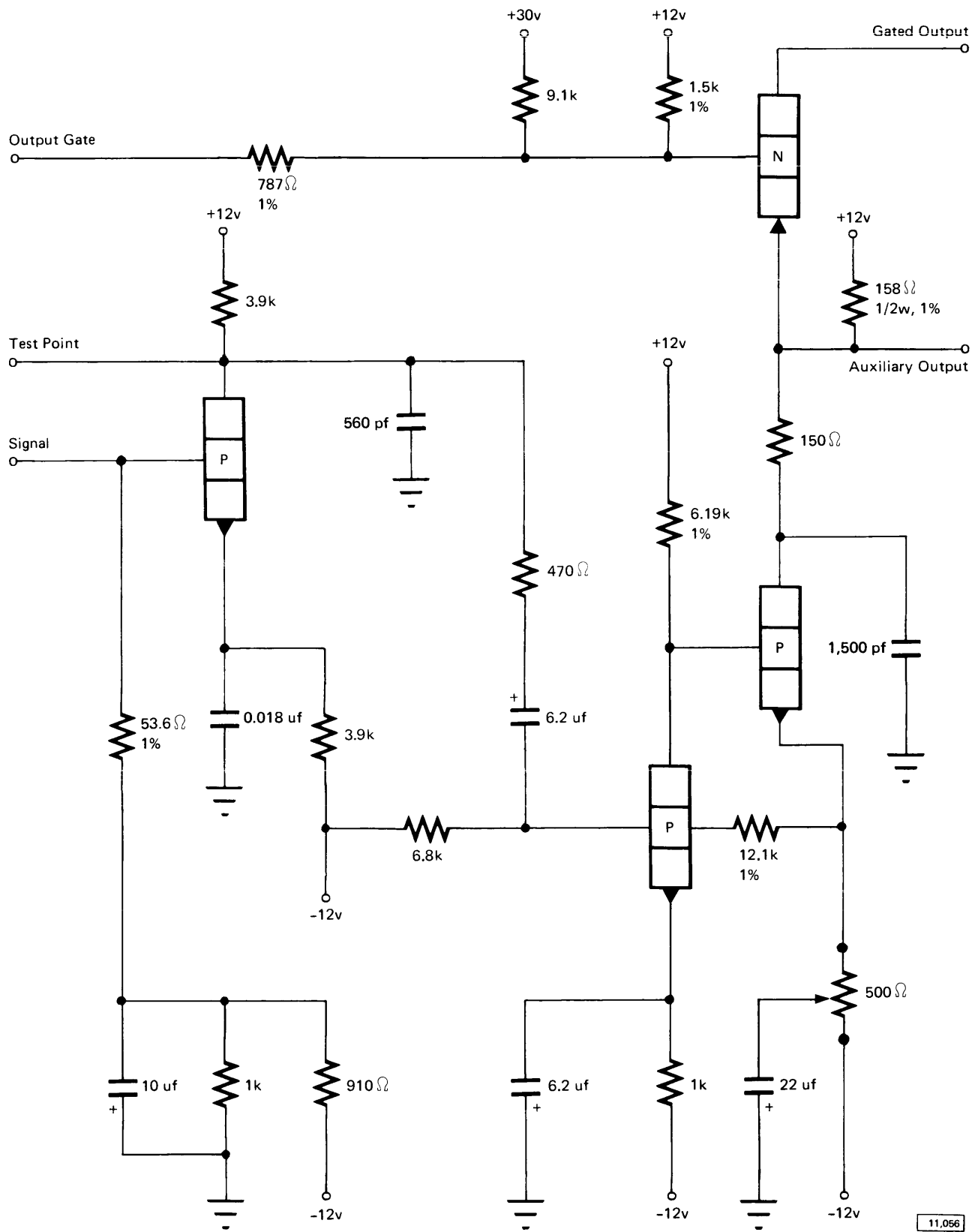
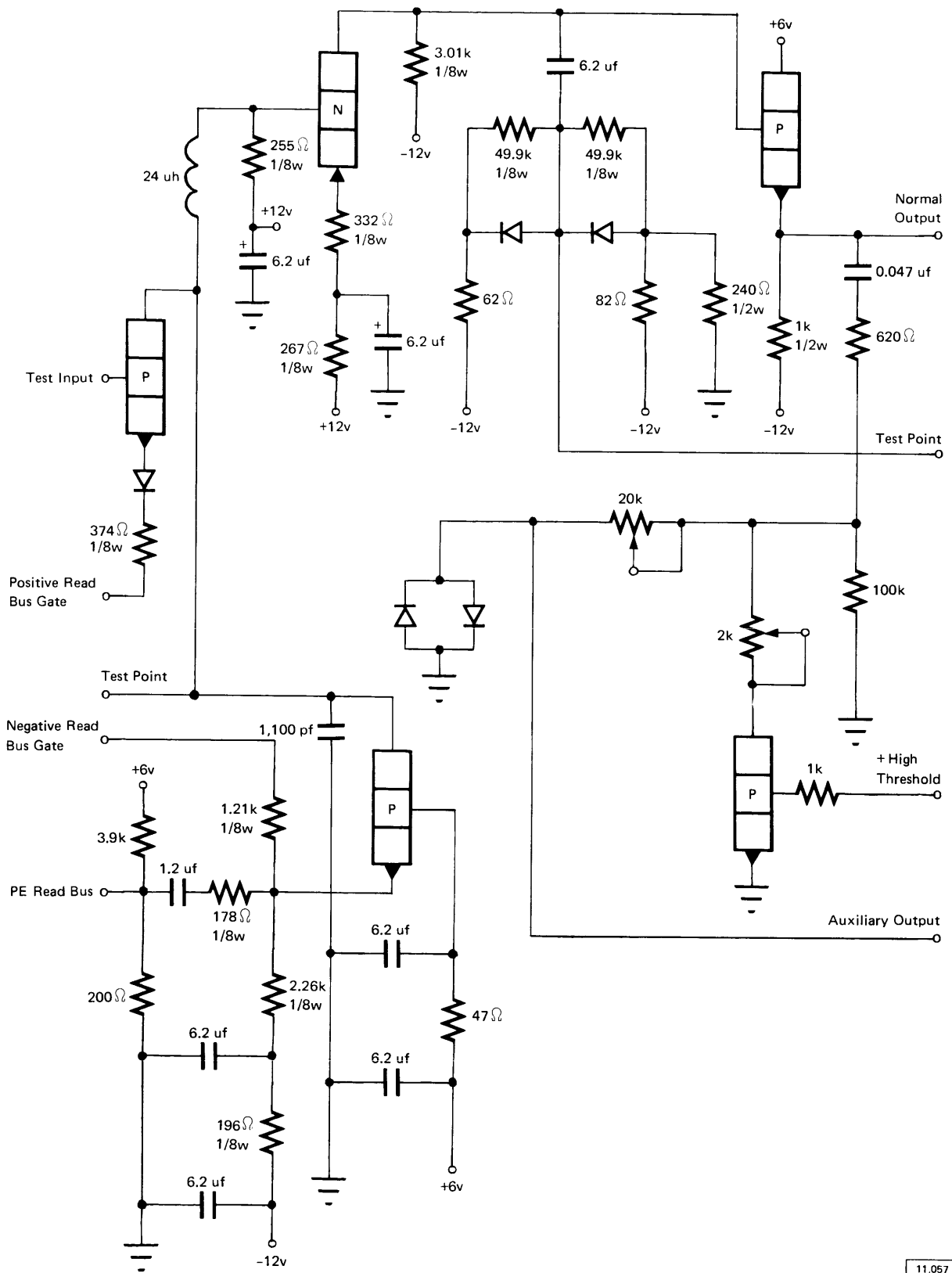


Figure 51. Tape Unit Preamplifier, Model 5 PE



11.056

Figure 52. Tape Unit Read Preamplifier, Model 6 PE



11,057

Figure 53. Control Unit, Model 2, Read Bus Receiver PE

A field tester, part 5420330, is used when performing off-line maintenance on 2400-series magnetic tape units. External power cable (part 460663) is required to power the tape unit and tester. To check tape unit operation, set the model switch on the tester to appropriate model number. When used with the 2401 Model 8, set model switch to 2 NRZI and proceed as if testing a Model 2. Turn tape power off, connect the tester cable to tape unit signal connector A, and insert a line terminator (part 5417910) in signal connector B. Turn tape power on. Mount and load a work tape.

If the TI indicator is on in the tape unit, space tape away from load point and press the rewind pushbutton to reset the tape indicate trigger. The tape unit must be in ready status for the rewind pushbutton to be effective.

FIELD TESTER CONTROLS AND SIGNAL HUBS (FIGURE 54)

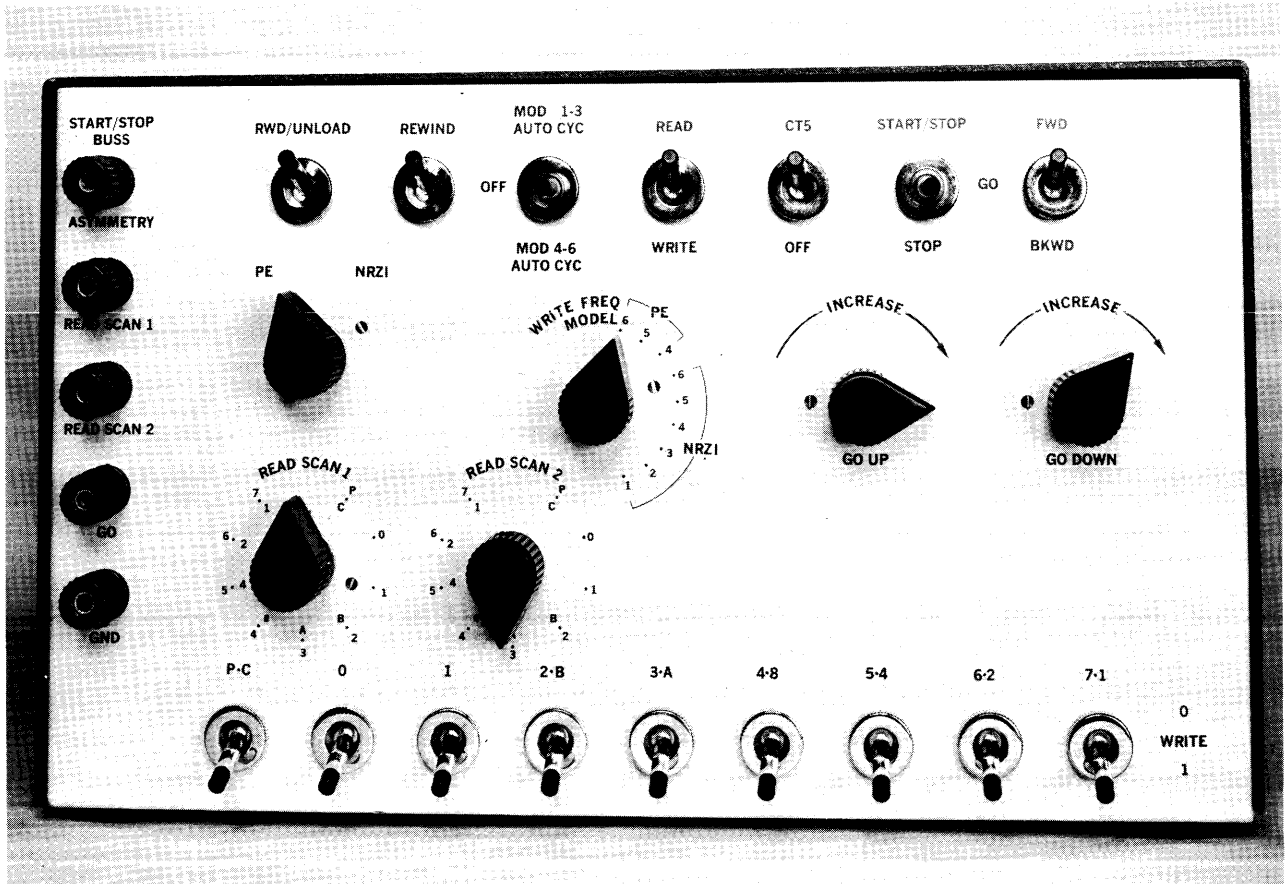
Switches

Rewind/Unload

This spring-loaded switch sends a rewind/unload signal to the tape unit to rewind and unload tape if the start/stop switch is in the stop position.

Rewind

This spring-loaded switch sends a rewind signal to the tape unit to rewind tape to load point if the auto-cycle switch is off.



11,058

Figure 54. Field Tape Tester, 2400-Series Models 1-6 and 2401 Model 8

Auto-Cycle

This two-position switch is set to the auto cycle position to cause a rewind signal to be gated to the tape unit when the end-of-tape reflective marker is sensed; in this position, the rewind switch is disabled. In the off position, it enables the rewind switch. When testing a 2401 Model 8, use the MOD 1-3 AUTO CYC and OFF settings.

Read/Write

When the tape unit is ready and in forward status, this switch sets or resets the tape unit read/write status trigger.

Count 5

This switch provides two ranges for the variable go-up and go-down controls. When in the off position, go-up and go-down time may be independently varied from approximately 2 ms to 30 ms. When this switch is set to CT5, go-up and go-down may be varied from approximately 300 ms to 6 seconds, permitting the start/stop envelope to be checked for count 5 conditions.

Start/Stop

The starting and stopping of tape is controlled by this three-position switch. In the start position, tape moves intermittently under control of a multivibrator, the count 5 setting, and go-up and go-down controls. In the go position, tape moves continuously. In the stop position, go is inactive, tape does not move, and the rewind/unload switch is enabled.

Forward/Backward

This switch controls the direction of tape motion in the tape unit. The backward position disables the set read and set write lines to the tape unit.

Bit Switches

Each bit switch set to 1 during a write operation causes 1-bits to be written continuously in the corresponding track. Switches set to 0 cause the corresponding tracks to be erased.

Variable Controls

Go-Up and Go-Down

These controls provide for varying the go-up and go-down time. Two ranges are provided, depending on the setting of the count 5 switch.

Write Frequency/Model

This rotary switch selects the proper recording mode and write frequency for the model of tape unit being tested. Set selector switch position to '2' when testing a 2401 Model 8.

Mode

This two-position rotary switch selects the proper circuitry for either PE or NRZI recording, as required by the model of tape unit being tested.

Read Scan 1

This rotary switch connects any one of the nine read buses to the read scan 1 signal hub. This same read signal is amplified and available for checking at the asymmetry jack if the mode switch is set to NRZI.

Read Scan 2

This rotary switch connects any one of the nine read buses to the read scan 2 signal hub.

Signal Hubs

Asymmetry

This signal hub provides a simulated final amplifier read signal that may be used to check NRZI asymmetry. See "Read Scan 1" under "Variable Controls."

Read Scan 1

This signal hub makes available for scoping the read bus signal selected by the read scan 1 switch.

Read Scan 2

This signal hub makes available for scoping the read bus signal selected by the read scan 2 switch.

Go

This hub is connected to the go line to provide a sync pulse when checking start/stop time from the tester.

Ground

This hub provides a ground for the oscilloscope.

CONTROL SETTINGS

Settings of the field tester controls for various operations are given in Figure 55.

Note: The field tester is used for off-line testing of a single tape unit. Use the manual controls on the tape control unit if a number of tape units must be tested simultaneously.

<i>Operation</i>	<i>Switch</i>	<i>Setting</i>	<i>Scope</i>	<i>Observe</i>
Write (All Tracks)	Bit Switches Write Frequency/Model Fwd/Bkwd Start/Stop Read/Write PE/NRZI	All "1" Mod 6 only Fwd Go Write As required	Read Scan 1 Hub	Output of each track while writing. (Rotate read scan 1 switch to view output from all tracks.)
Read (Continuous)	Read Scan 1 Fwd/Bkwd Start/Stop Read/Write	Any track containing information Fwd Go Read	Read Scan 1 Hub	Output of each read track while reading. (Rotate read scan 1 switch to view output from all tracks.)
Read Start/Stop	Read Scan 1 Go Up and Go Down Count 5 Fwd/Bkwd Start/Stop Read/Write	Any track containing information Vary (See "Observe") Either (See "Observe") as desired Start Read	Read Direct Sync on Go (1 ms/cm, 2v/cm)	Start/Stop Envelopes With count 5 switch off, go-up and go-down time can be varied from 2 to 30 ms by turning go-up and go-down controls. With count 5 switch on, go-up and go-down time can be varied from 300 ms to 6 seconds, allowing check of start/stop envelope for count 5 indication.
Read (Auto-Cycle)	Read Scan 1 Fwd/Bkwd Start/Stop Read/Write	Any track containing information Fwd Go Read		Tape unit reads forward continuously. When the EOT reflective marker is sensed, reading stops, and the tape unit rewinds to load point. Reading recommences automatically, and continues until EOT is again sensed.

Figure 55. Field Tape Tester Control Settings

READER'S COMMENT FORM

2400-Series Magnetic Tape Units

Order No. GA22-6862-6

- How did you use this publication?

As a reference source
As a classroom text
As

Three vertically stacked empty square checkboxes.

- Based on your own experience, rate this publication ...

As a reference source:

Rating scale for reference source: Very Good, Good, Fair, Poor, Very Poor

As a text:

Rating scale for text: Very Good, Good, Fair, Poor, Very Poor

- What is your occupation?

- We would appreciate your other comments; please give specific page and line references where appropriate. If you wish a reply, be sure to include your name and address.

YOUR COMMENTS PLEASE . . .

Your answers to the questions on the back of this form, together with your comments, will help us produce better publications for your use. Each reply will be carefully reviewed by the persons responsible for writing and publishing this material. All comments and suggestions become the property of IBM.

Please note: Requests for copies of publications and for assistance in utilizing your IBM system should be directed to your IBM representative or to the IBM sales office serving your locality.

fold

fold

FIRST CLASS
PERMIT NO. 568
BOULDER, COLO.

BUSINESS REPLY MAIL
NO POSTAGE NECESSARY IF MAILED IN THE UNITED STATES



POSTAGE WILL BE PAID BY . . .

IBM Corporation
P.O. Box 1900
Boulder, Colorado 80302

ATTENTION: PRODUCT PUBLICATIONS DEPT. 265

fold

fold



International Business Machines Corporation
Data Processing Division
112 East Post Road, White Plains, N.Y. 10601
[USA Only]

IBM World Trade Corporation
821 United Nations Plaza, New York, New York 10017
[International]

Index

- Auto Cycle 48

- Backward Line 6
- Backward Status 9
- Base-Line Shift 23
- Beginning-of-Tape (BOT) 25
- Bit Cell 3
- Bit Density 18
- Bit Period 3
- Blocks on Tape 29
- Byte Rate 19

- Cabling 31
- Cabling Data 33
- Cabling Schematic 32
- CB Indicator 5
- Character Gate 30
- Circuit Protector 21
- Connector and Component Part Numbers 34
- Connector Pin Assignments 11, 12, 13
 - For Simultaneous Feature 16, 17
- Controls 4
- Count 5 48
- Cross Talk 23
- Cyclic Redundancy Check 4
- Cyclic Redundancy Checking 24

- Data Block Format, PE 28
- Data Block Formats 27
- Data Rate 1
- Densities 1
- Drivers and Terminators 35

- End-of-Tape (EOT) 25
- Erase Head 2
- Erasure 2, 24, 26, 29
- Error Correction 4

- Field Tester Controls 47
- File Protect Indicator 4
- File Protection 21
- Flux Reversals 2

- Go 6
- Go Down 22
- Go Up 22

- Indicators 4
- Input Line Specifications 10
- Input Lines 6
- Input Power 21
- Input/Output Line Specifications 10
- Input/Output Signal Lines 6
- Interblock Gap 2
- Interblock Gap Size, NRZI 24, 29
- Interblock Gap Size, PE 28
- Interchangeability 24

- Load/Rewind 5
- Longitudinal Redundancy Check Character 24, 29
- Meter Switch 5
- Metering Out 8
- Models 1

- Noise 23
- NRZI 2
- NRZI Read Bus Waveform (Nine-Track) 23

- Operating Environment 24
- Operator's Panel 4
- Output Line Specifications 11
- Output Lines 8

- Packaging 2
- Parity 24
- PE Identification Burst 26
- PE Read Bus Waveforms 22
- Phase Encoding 2
- Postamble 2
- Power Connector Pin Numbers 15
- Power Connectors 14
- Power Requirements 21
- Power-On Circuit Breaker 21
- Preamble 2

- Read Bus 9
- Read Circuits 22
- Read/Write Head 1
- Read/Write Head Specifications 18
- Ready 4
- Recording Density 1
- Recording Method (PE) 26
- Recording Methods 2
- Reset 5
- Rewind 7
- Rewind/Unload 8
- Rewinding/Not Ready 8
- Rotation of Select Signal Lines 6

- Select and At Load Point 8
- Select and Not File Protected 9
- Select and Read Status 8
- Select and TI Off/Inhibit Go 8
- Select Light 4
- Select Line 6
- Set Read Status 6
- Set Write Status 6
- Seven Track/NRZI 8
- Signal and Power Connectors 14
- Simultaneous Read/Write Feature 15
- Size 1
- Skew Alignment Procedure, NRZI 24, 29
- Skew Alignment, PE 28
- Skew Gate 30
- Specifications 10
- Start 5
- Start and Stop Times 21

Start Time 21
Stop Time 22
Switch, Meter 5

Tail Gate Connectors 13
Tape Indicate 5
Tape Mark Block Format 28
Tape Speed 1, 18
Tape Tester 47
Tape Tester Control Settings 49
Tape Timings 19
Tape Unit Specifications 18
Time Asymmetry 24
Track Spacing 26

Unload 5

Write Bus 7
Write Echo/Select and TI Off 8
Write LRCC Gate/Set NRZI 7
Write Pulse 7
Write Waveforms 3

2400 Series Models 1, 2, 3 9



International Business Machines Corporation
Data Processing Division
112 East Post Road, White Plains, N. Y. 10601
[USA Only]

IBM World Trade Corporation
821 United Nations Plaza, New York, New York 10017
[International]