



IBM

Field Engineering
Diagram Manual

Restricted Distribution

This manual is intended for internal use only and may not be used by other than IBM personnel without IBM's written permission.

2250 Display Unit Model 1

IBM[®] Field Engineering Diagram Manual

Restricted Distribution

This manual is intended for internal use only and may not be used by other than IBM personnel without IBM's written permission.

2250

Display Unit Model 1

PREFACE

This manual contains the maintenance-oriented and "recall" diagrams referenced in the 2250-1 Display Unit FE Theory of Operation Manual, Form Y27-2043, and FE Maintenance Manual, Form Y27-2045. Placing the diagrams in this manual allows ready reference during maintenance.

The diagrams are in numerical order, grouped according to type. Diagram numbers are consecutive only within a diagram type.

Related manuals that may be used for reference are:

2250-1 FETOM, Form Y27-2043.

2250-1 FEMM, Form Y27-2045.

2250-1 Installation Manual (FEIM), Form 226-2022.

This diagram manual supersedes the 2250-1 FE Diagram Manual, Form Y27-2044-0. Major changes are the addition of diagrams to cover the graphic design feature and the updating of existing diagrams. A block diagram of the 2250-1, an intensity diagnostic flow chart, and a diagram of the arc-protection circuit have also been added.

If the 2250 is equipped with the graphic design feature (GDF), use the diagrams listed in column 2 below instead of those listed in column 1. Any reference to a diagram listed in column 1 (when concerned with GDF) should be interpreted as a reference to its counterpart in column 2.

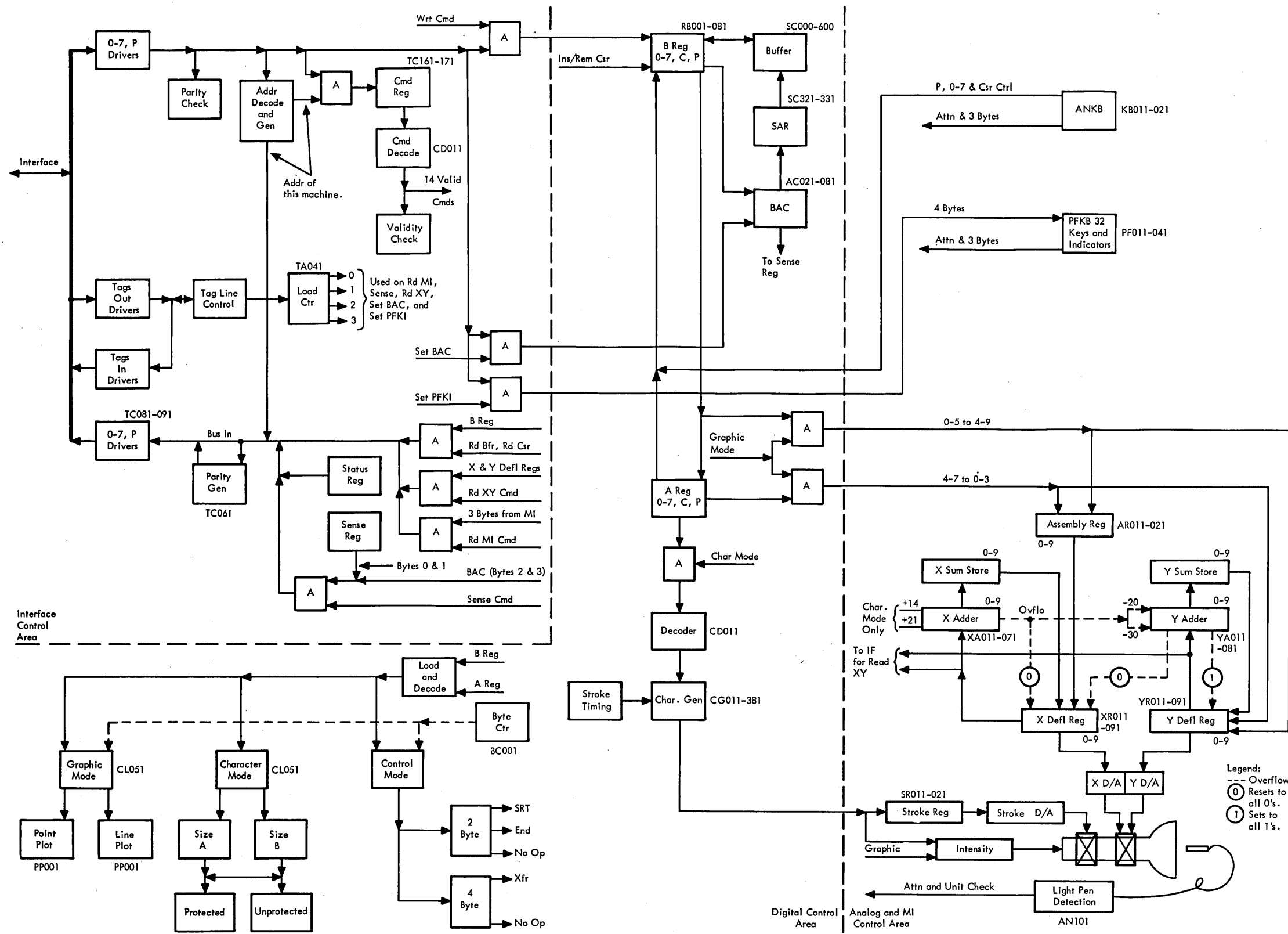
<u>Column 1</u> Basic Diagrams which have GDF counterparts	<u>Column 2</u> GDF Counterparts
Figure 5007	Figure 5007GDF
Figure 5023	Figure 5023GDF
Figure 6001	Figure 6001GDF
Figure 6005	Figure 6005GDF
Figure 6007	Figure 6007GDF
Figure 6008	Figure 6008GDF
Figure 6010	Figure 6010GDF
Figure 6013	Figure 6013GDF
Figure 6015	Figure 6015GDF
Figure 6037	Figure 6037GDF
Figure 9003	Figure 9003GDF
Figure 9022	Figure 9022GDF

This manual has been prepared by the IBM Systems Development Division, Product Publications, Dept. 520, CPO Box 120, Kingston, N. Y. 12401. Address comments concerning the manual to this address.

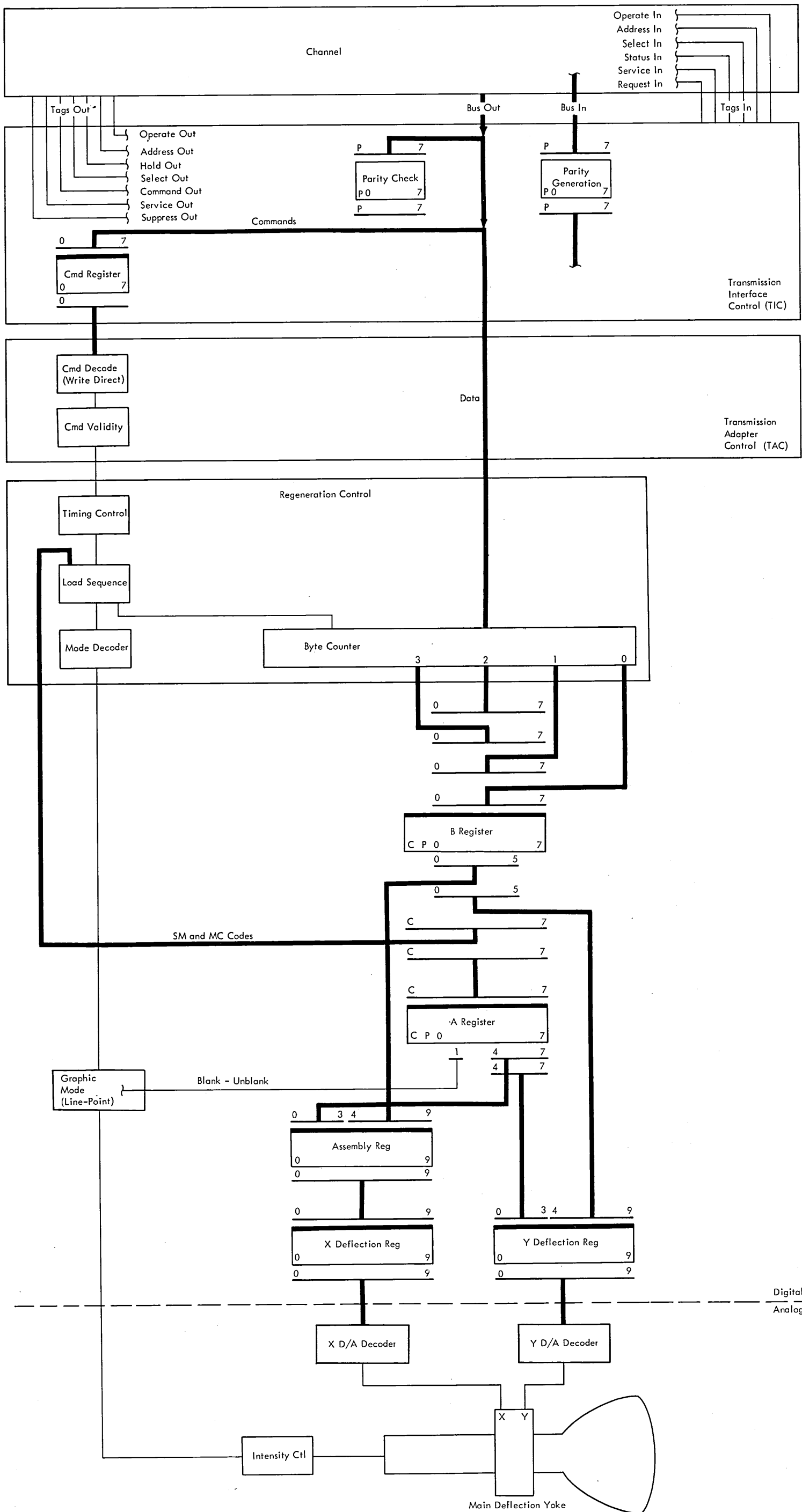
CONTENTS

2250-1 BLOCK DIAGRAM.	1000	Buffer Regeneration, MC Search and Proceed G, Flow Chart	6010
UNIT DATA AND CONTROL DIAGRAMS		Buffer Regeneration, MC Search and Proceed G, Flow Chart (for GDF Machines)	6010GDF
Standard Unit, Write Direct Operation (Non Buffered Machine).	2000	Buffer Regeneration, Proceed B, Cursor Adjustment Process, Flow Chart	6011
Standard Unit with Character Generator Operation	2001	Buffer Regeneration, Proceed C and Proceed F, Character Mode, Flow Chart	6012
Program Function Keyboard, Data Entry Operation	2002	Buffer Regeneration, Proceed C and Proceed E, Graphic, Transfer and No Op Modes, Flow Chart	6013
Program Function Keyboard, Indicator Control Operation	2003	Buffer Regeneration, Proceed C and Proceed E, Graphic, Transfer and No Op Modes, Flow Chart (for GDF Machines)	6013GDF
Standard Unit with Alphanumeric Keyboard, Data Entry Operation	2004	Buffer Regeneration, Buffer Cycle, Flow Chart	6014
Standard Unit with Light Pen, Data Entry Operation	2005	Buffer Regeneration, Transfer Order Process, Flow Chart	6015
Write Buffer Operation	2006	Buffer Regeneration, Transfer Order Process, Flow Chart (for GDF Machines)	6015GDF
Set BAC Operation	2007	Transmission Interface Control, Initial Selection Sequence, Flow Chart (4 Sheets)	6016
Display Regeneration Operation	2008	Transmission Interface Control, Service Cycle Sequence, Flow Chart	6017
Alphanumeric Keyboard, Data Entry into Buffer Storage	2009	Transmission Interface Control, Ending Sequence, Flow Chart	6018
Light Pen Character Detect, BAC Control	2010	Set Buffer Address Command, Flow Chart	6019
Light Pen Absolute Graphic Detect, BAC Control	2011	Insert-Remove Cursor Command, Flow Chart	6020
Read Buffer Operation	2012	Set Program Function Keyboard Indicators Command, Flow Chart	6021
Read Sense Operation	2013	Write Direct Command, Flow Chart	6022
Read X-Y Position Registers Operation	2014	Write Buffer Command, Flow Chart	6023
CRT Beam Deflection and Control, Block Diagram	2015	Read Buffer Command, Flow Chart	6024
Yoke Current Distribution, Full X Deflection	2016	Read Cursor Command, Flow Chart	6025
Character Deflection and Control, Block Diagram	2017	Read Manual Inputs Command, Flow Chart	6026
Character Generator, Block Diagram	2018	Read X-Y Position Registers Command, Flow Chart	6027
SIMPLIFIED LOGIC DIAGRAMS		Sense Command, Flow Chart	6028
Typical Character Generator Operation, Logic Diagram	5000	Power On Sequence	6029
B Register, Functional Diagram	5001	Power Off Sequence	6030
A Register, Functional Diagram	5002	Analog Diagnostic Master Flow Chart	6031
Status Register, Functional Diagram (2 Sheets)	5003	Serious Display Defect Test Flow Charts	6032
Sense Register, Bytes 1 and 2, Functional Diagram	5004	Large Square Test Display Flow Chart	6033
Sense Register, Bytes 3 and 4, Functional Diagram	5005	Staircase Test Display Flow Chart (2 Sheets)	6034
Buffer Address Register, Functional Diagram	5006	Vector and Point Plot Fans Test Display Flow Chart	6035
Byte Counter, Functional Diagram	5007	Character Generator Test Flow Chart (2 Sheets)	6036
Byte Counter, Functional Diagram (for GDF Machines)	5007GDF	Light Pen Test Flow Chart	6037
Load Counter, Functional Diagram	5008	Light Pen Test Flow Chart (for GDF Machines)	6037GDF
Buffer Address Counter, Functional Diagram (2 Sheets)	5009	De-Skew Test Flow Chart	6038
Command Validation, Functional Diagram (2 Sheets)	5010	Character Stroke Control, Flow Chart	6039
First Timing Period, Functional Diagram	5011	Character Sequencer, Flow Chart	6040
Second Timing Period, Functional Diagram	5012	Absolute Vector Graphics Diagnostic Test Flow Chart	6041
Third Timing Period, Functional Diagram	5013	Intensity Test Flow Chart	6042
Fourth Timing Period, Functional Diagram	5014	ADDITIONAL INFORMATION	
Fifth Timing Period, Functional Diagram	5015	Size A Characters, Display Distribution	9000
Timing Pulse Generator, Functional Diagram	5016	Size B Characters, Display Distribution	9001
Stroke Timing and Control	5017	A/N Keyboard, Encoding Chart	9002
A/N Keyboard Data Encoding Diagram	5018	Power Control and Distribution Wiring Diagram (3 Sheets)	9003
A/N Keyboard Sense and Cursor Data Generation	5019	Power Control and Distribution Wiring Diagram (for GDF Machines) (3 Sheets)	9003GDF
A/N Keyboard Code Generation and Transfer.	5020	High Voltage Power Supply Wiring Diagram	9004
Program Function Keyboard Data Encode and Entry.	5021	Power Distribution	9005
A/N and PF Keyboards Interrupt	5022	2250 CE Panel	9006
Light Pen Deflection	5023	Character Stroke Timing Chart	9007
Light Pen Deflection (for GDF Machines)	5023GDF	Main Deflection, High-Order Decoding and Control, Wiring Diagram	9008
Absolute Vector Graphics Control (2 Sheets)	5024	Main Deflection, Low-Order Decoding and Control, Wiring Diagram	9009
FLOW CHARTS		Main Deflection, DC Offset Control, Wiring Diagram	9010
Write Direct Command Process, Simplified Flow Chart	6000	Main Deflection, Yoke Control Circuits, Wiring Diagram	9011
Buffer Regeneration Timing Sequence, Simplified Flow Chart.	6001	Main Deflection, De-Skew Control Circuits, Wiring Diagram	9012
Buffer Regeneration Timing Sequence, Simplified Flow Chart (for GDF Machines)	6001GDF	Main Deflection, Position Isolation and Asynchronous Delay Circuits, Wiring Diagram	9013
SM Search-Write, No Buffer, Flow Chart	6002	Dynamic Intensity I and Blank-Unblank I Circuits, Wiring Diagram	9014
MC Search-Write, No Buffer, Flow Chart	6003	Dynamic Intensity Blank-Unblank II Circuits, Wiring Diagrams	9015
Mode Sequence - Graphic or Character No Buffer, Flow Chart	6004		
Line/Point Sequence, Flow Chart	6005		
Line/Point Sequence, Flow Chart (for GDF Machines)	6005GDF		
Character Sequence, Flow Chart	6005		
Deflection Interlock Wait (No LP Detect) Flow Chart	6007		
Deflection Interlock Wait (No LP Detect) Flow Chart (for GDF Machines)	6007GDF		
Light Pen Detection Process, Flow Chart	6008		
Light Pen Detection Process, Flow Chart (for GDF Machines).	6008GDF		
Buffer Regeneration, Proceed A and Proceed D, SM Search, Flow Chart	6009		

Character Deflection, Decode Circuits, Wiring Diagrams	9016	Absolute Vector Graphics Deflection Control, Delta Counter	
Character Deflection, Reference Voltage Supply, Wiring		Switching Circuits	9020
Diagram	9017	Yoke Clamp Circuits	9021
Character Deflection, Yoke Control and Character		Light Pen Amplifier Wiring Diagram	9022
Isolation Circuits, Wiring Diagrams	9018	Light Pen Amplifier Wiring Diagram (for GDF Machines)	9022GDF
Absolute Vector Graphics Deflection Control, Typical		Display Unit Analog Control Block Diagram (2 Sheets)	9023
Switch and Reference Voltage Circuits	9019	Arc Protection Circuit and Component Location	9024



• Figure 1000. 2250-1 Block Diagram



●Figure 2000. Standard Unit, Write Direct Operation (Non Buffered Machine)

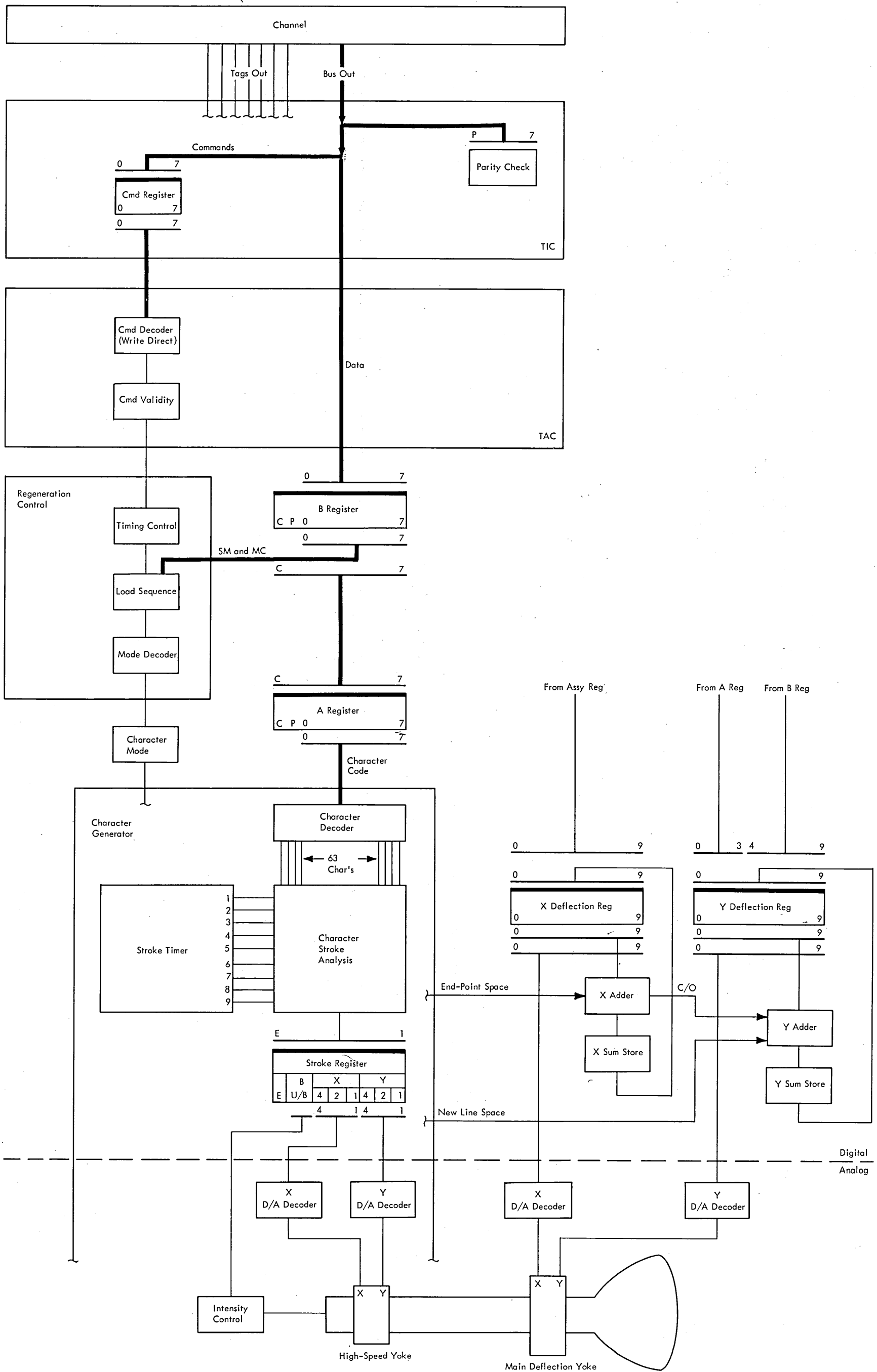


Figure 2001. Standard Unit with Character Generator Operation

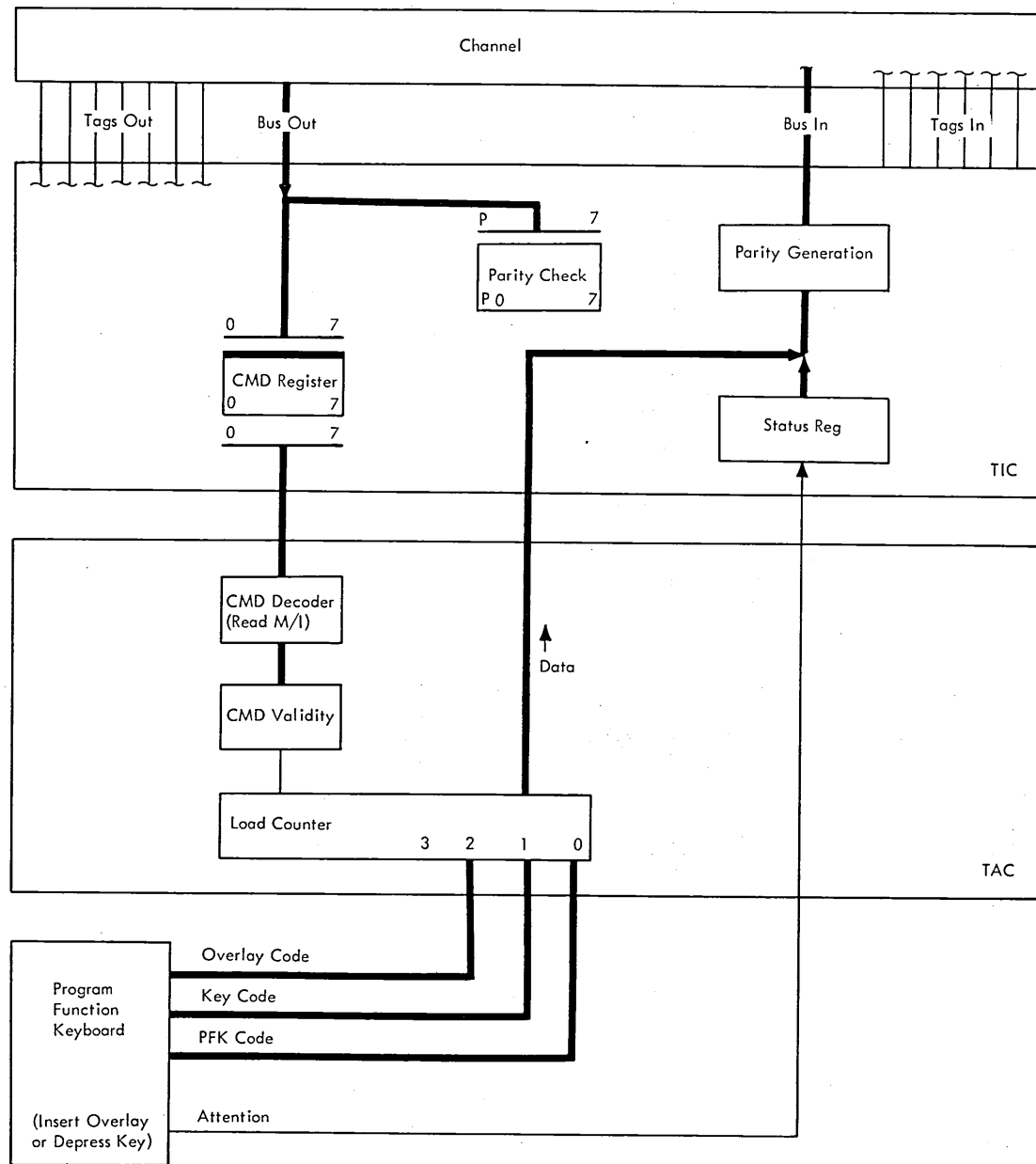


Figure 2002. Program Function Keyboard, Data Entry Operation

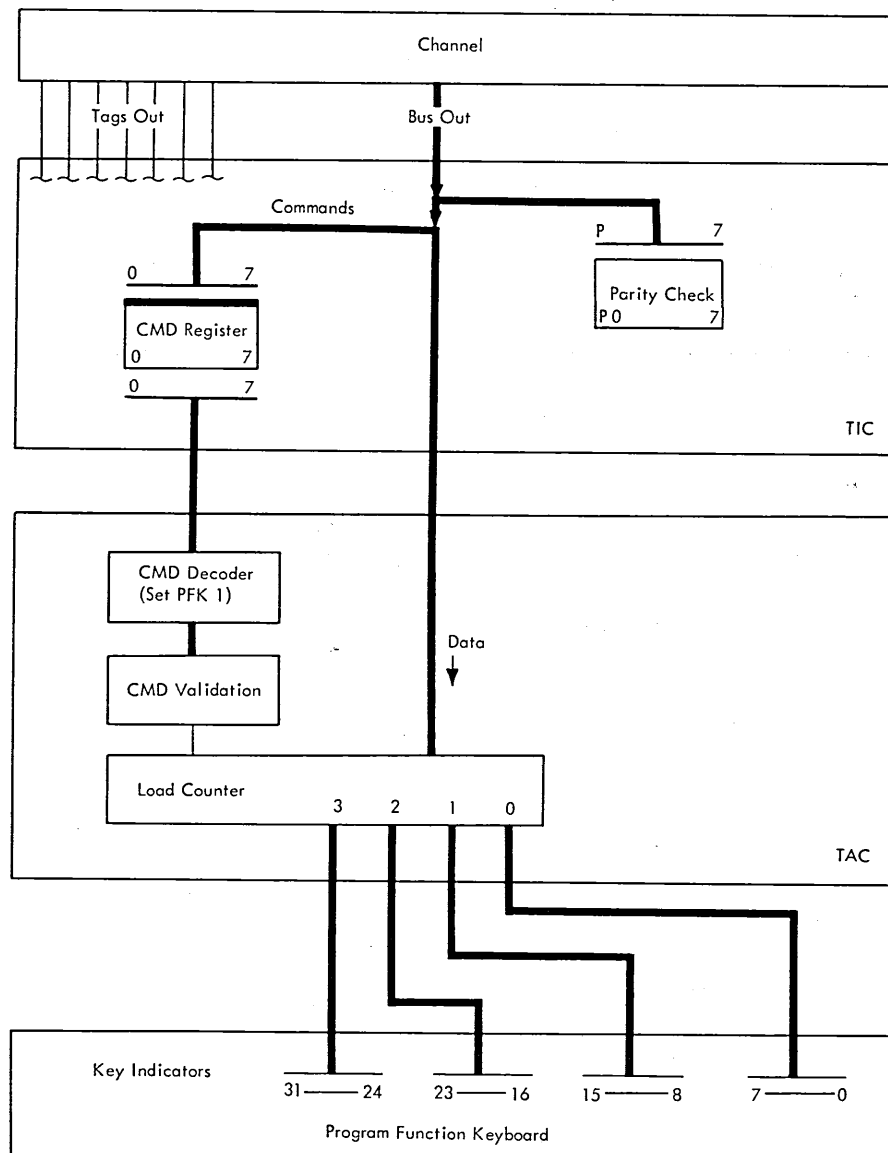


Figure 2003. Program Function Keyboard, Indicator Control Operation

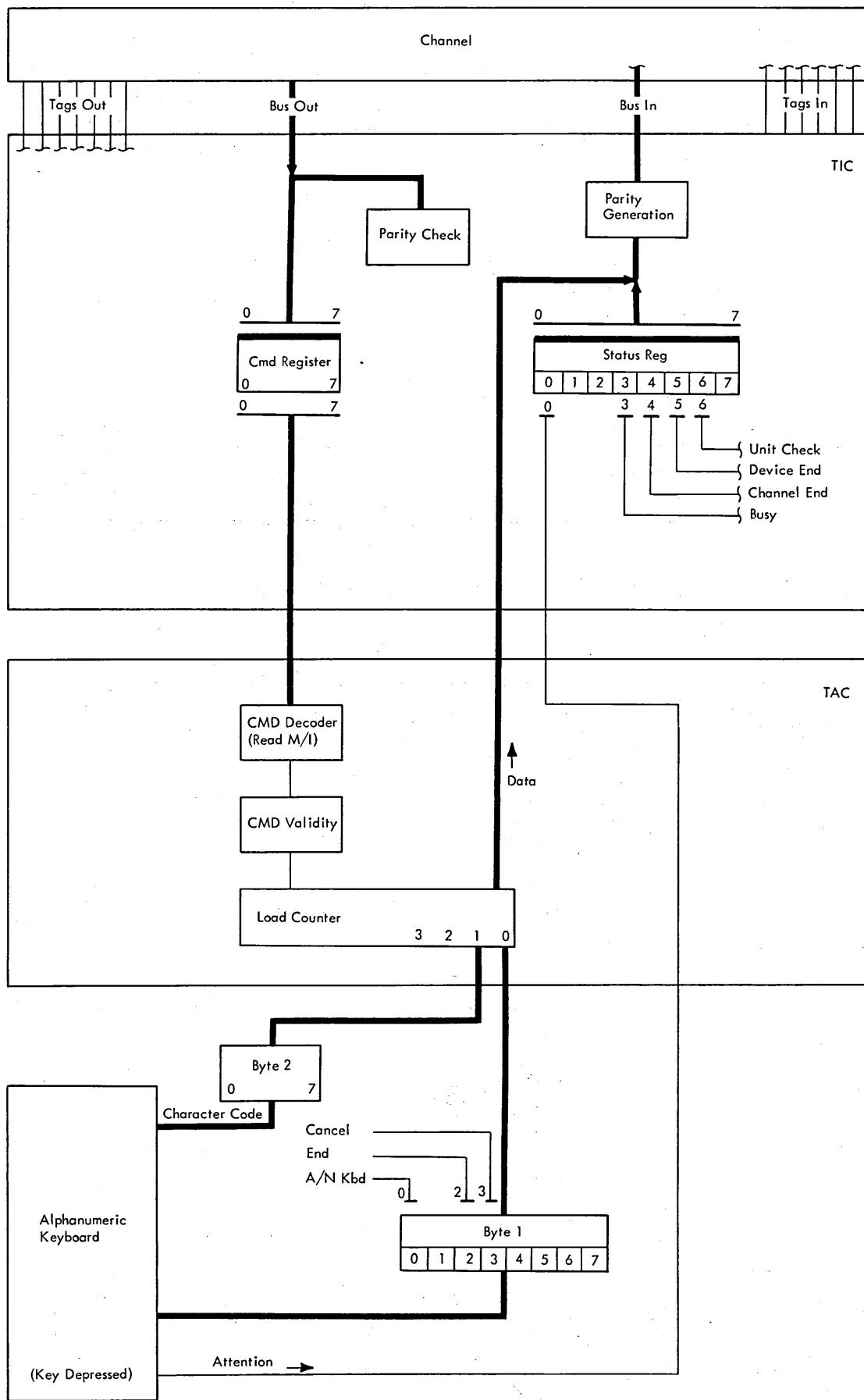


Figure 2004. Standard Unit with Alphanumeric Keyboard, Data Entry Operation

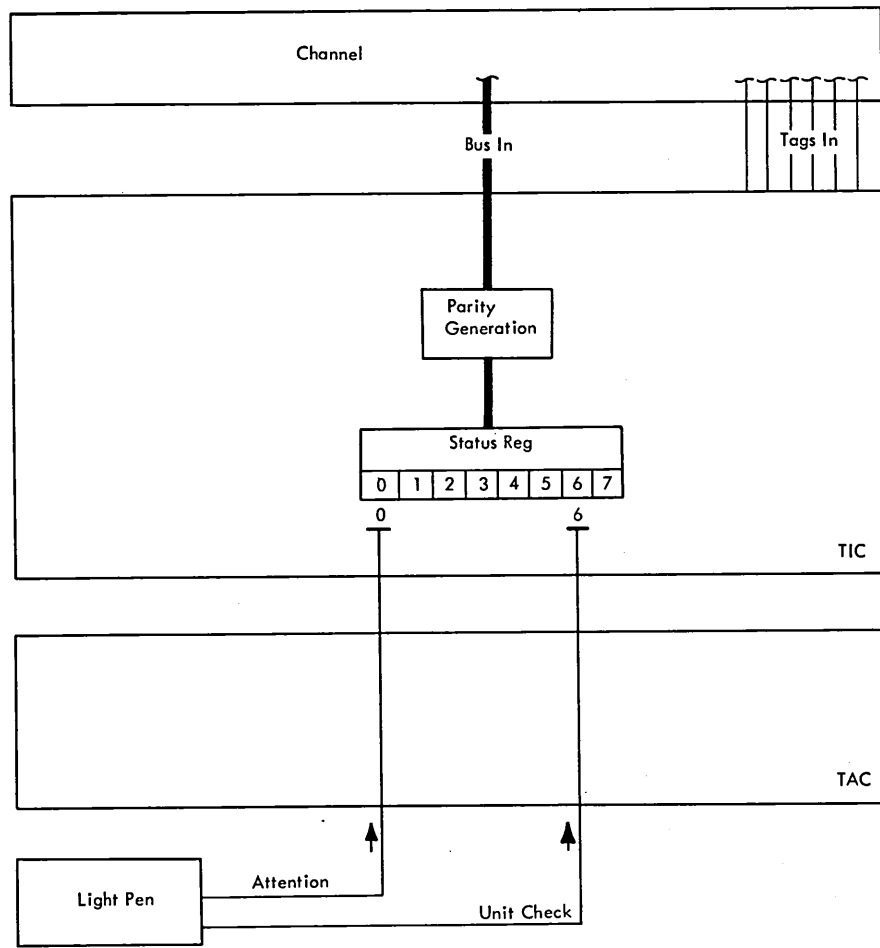
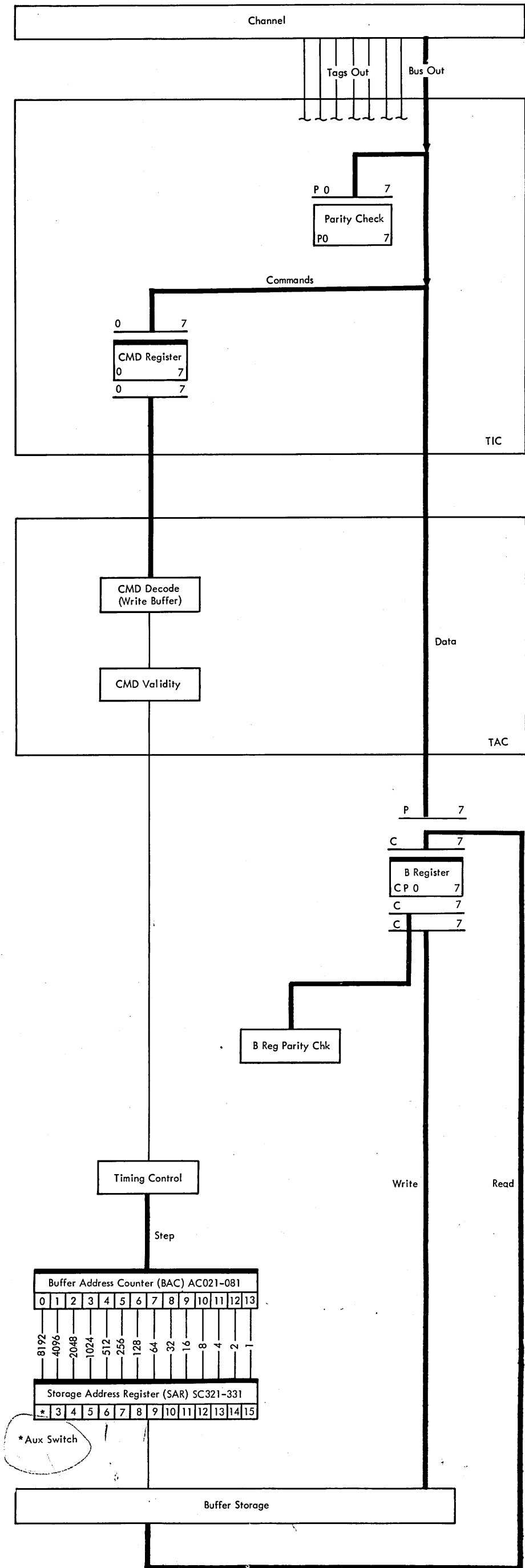


Figure 2005. Standard Unit with Light Pen, Data Entry Operation



●Figure 2006. Write Buffer Operation

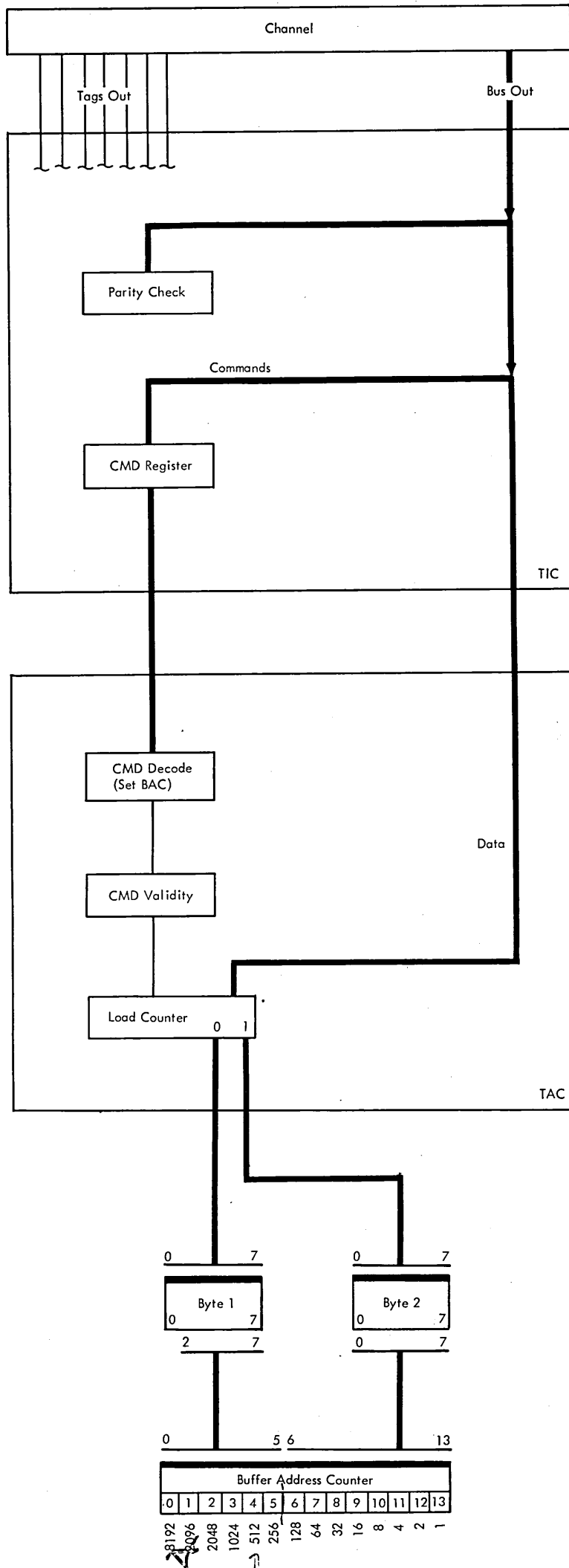
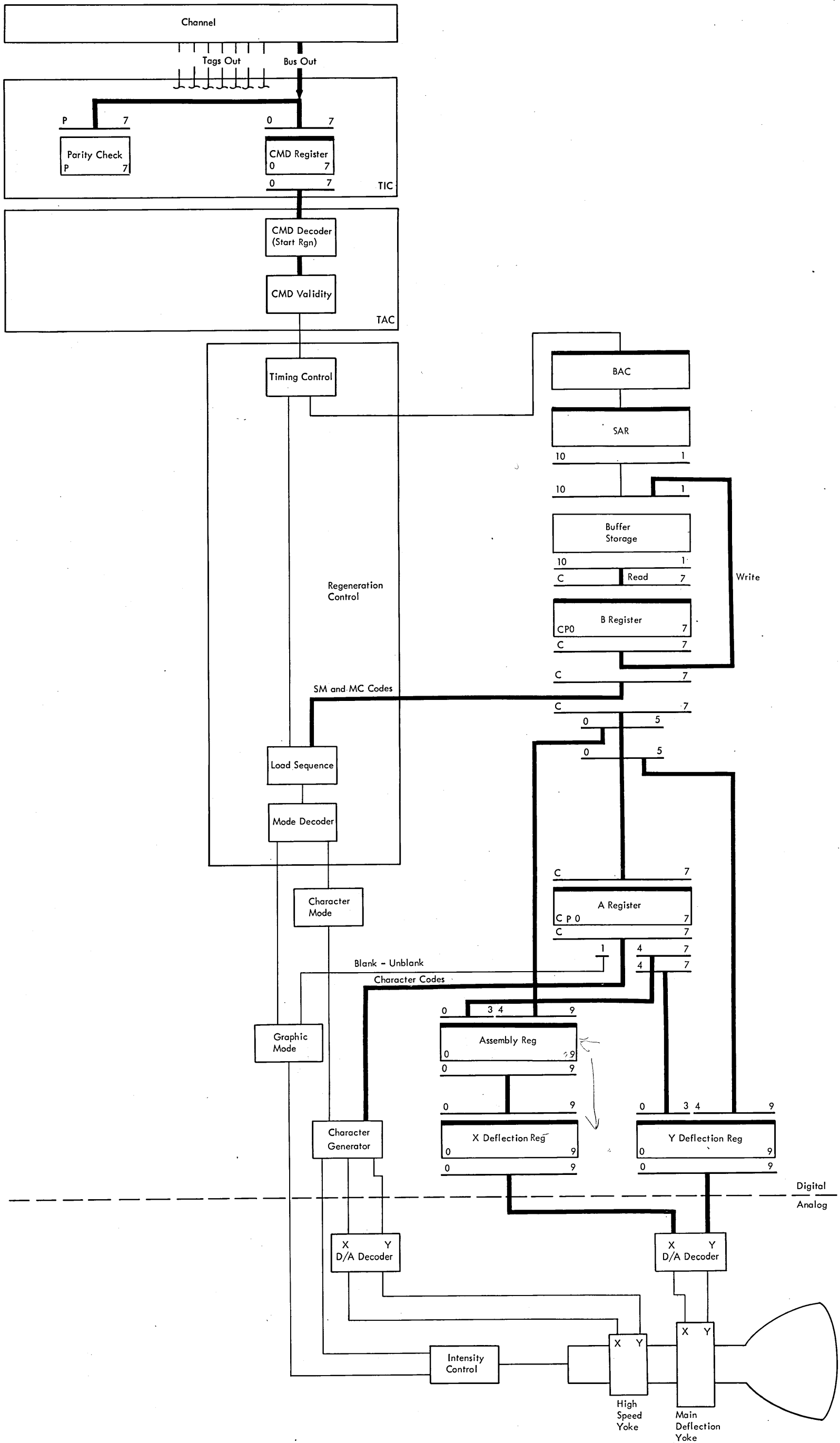
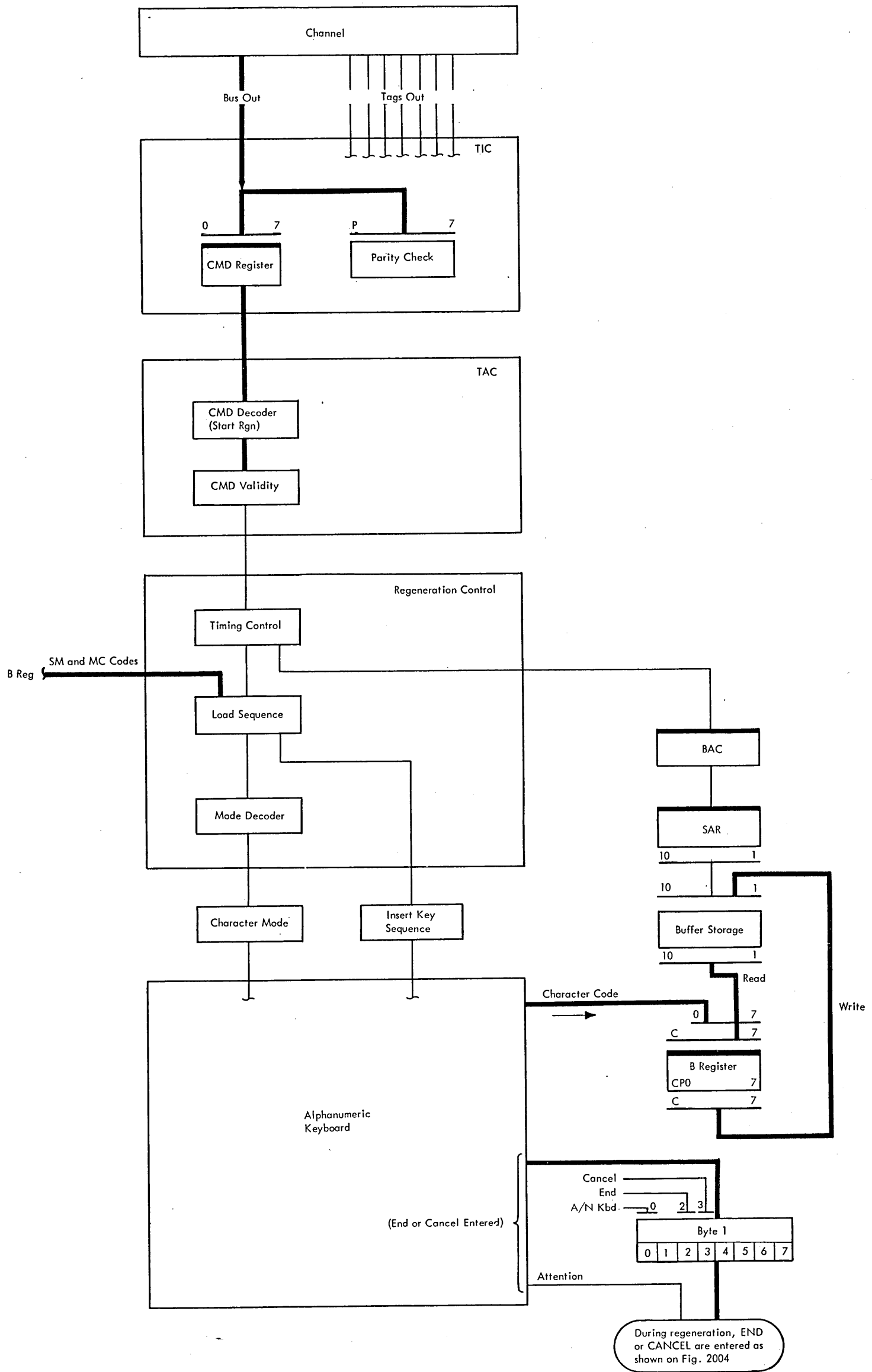


Figure 2007. Set BAC Operation



●Figure 2008. Display Regeneration Operation



• Figure 2009. Alphanumeric Keyboard, Data Entry into Buffer Storage

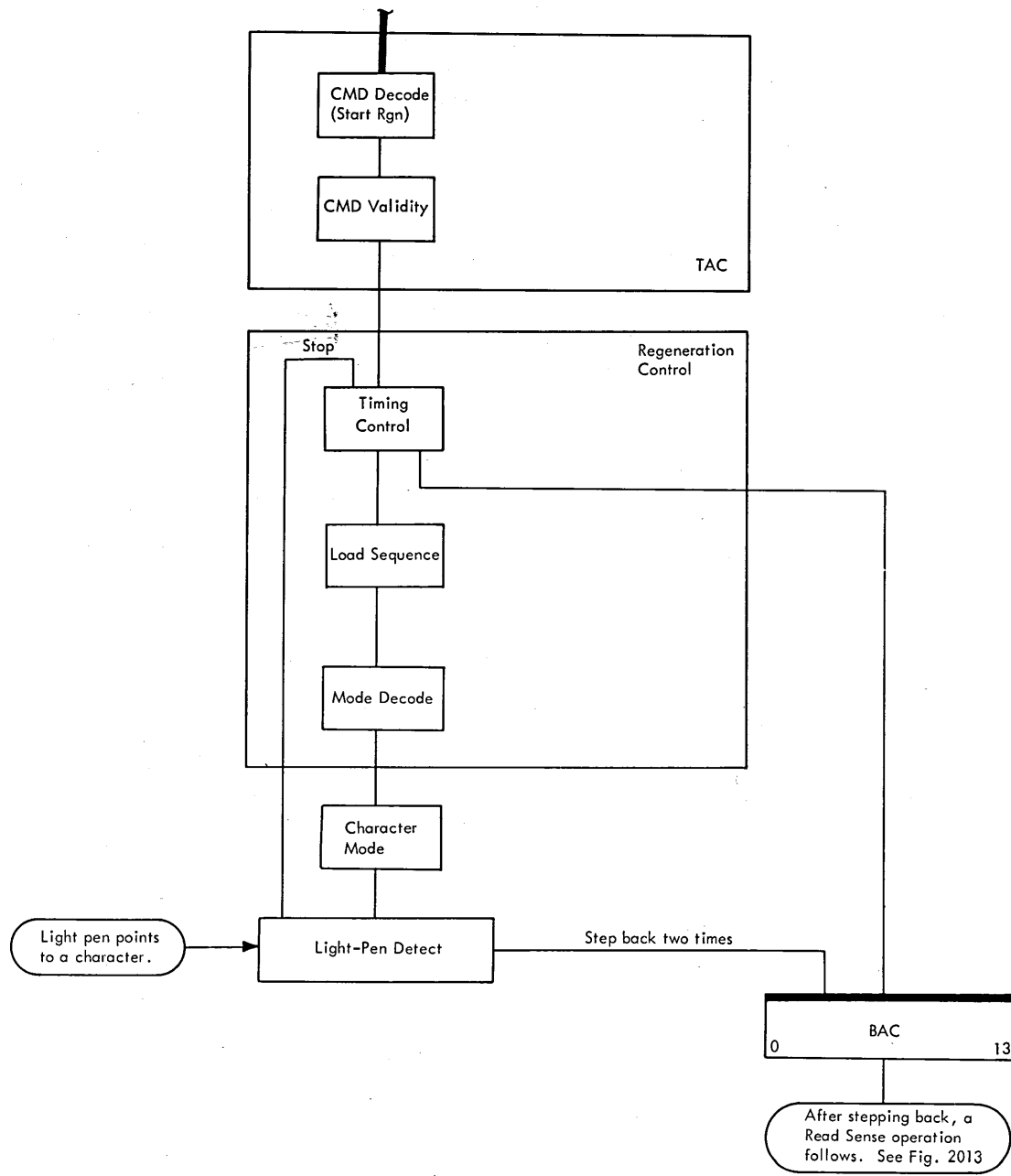
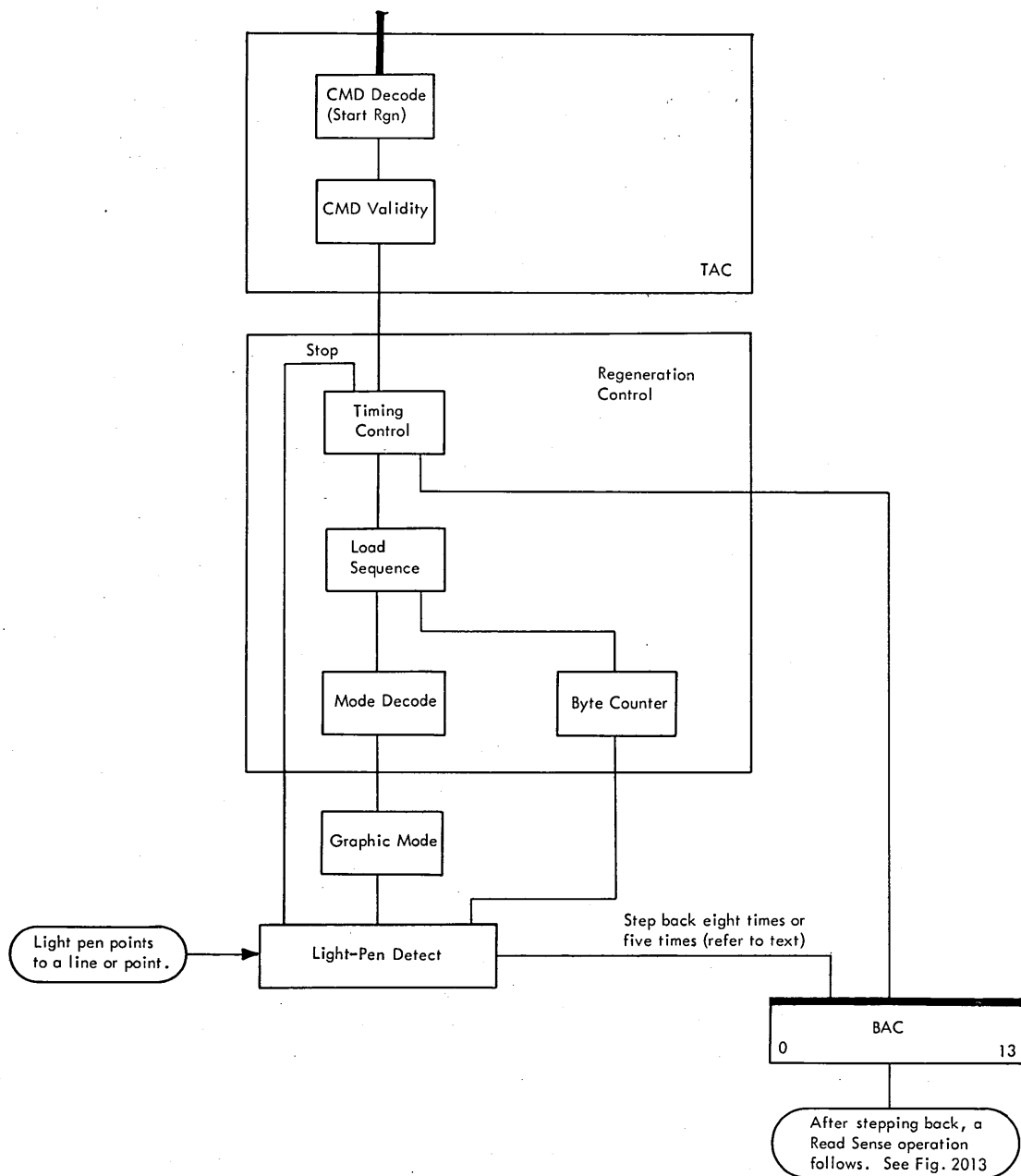
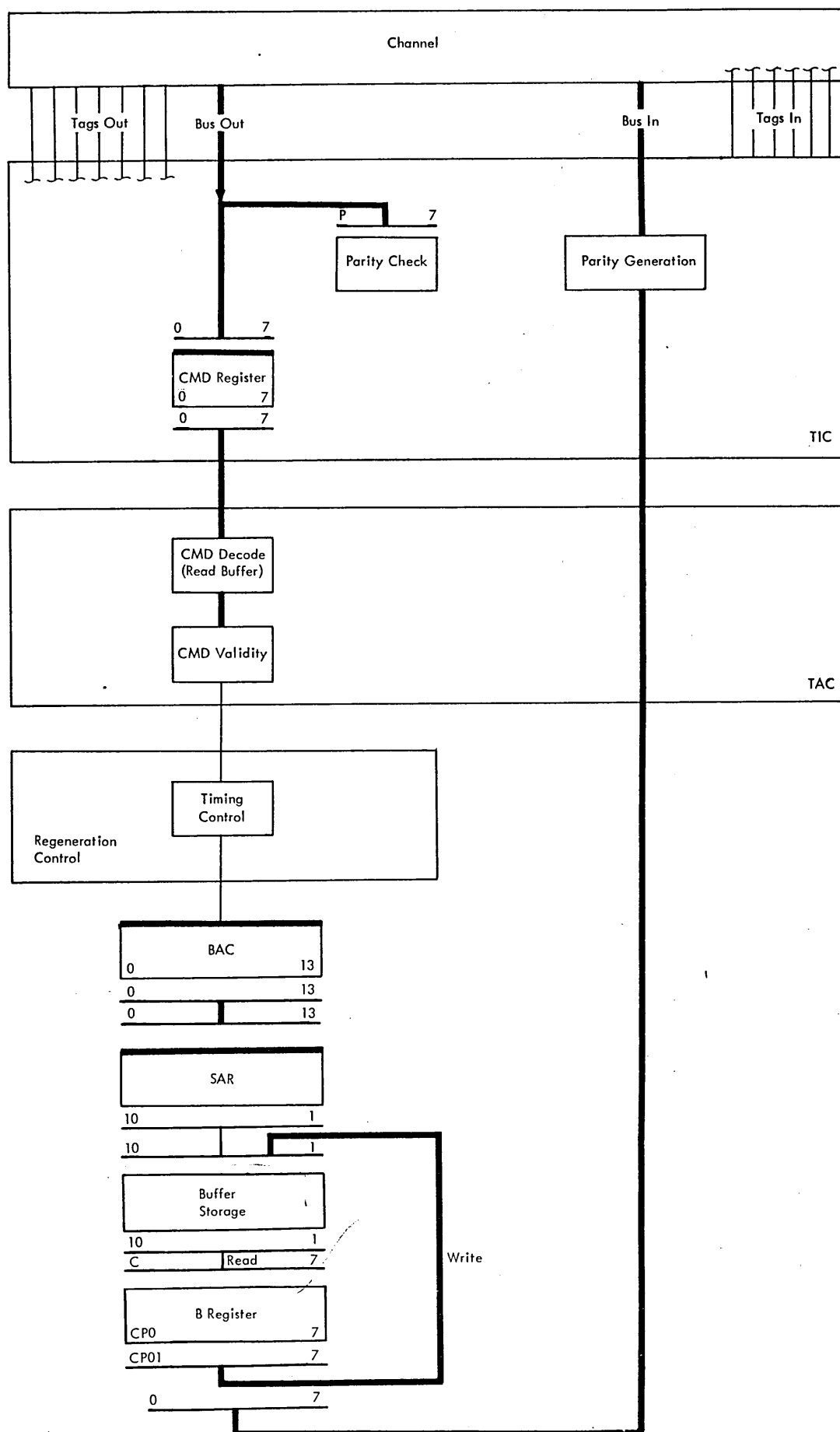


Figure 2010. Light Pen Character Detect, BAC Control



•Figure 2011. Light Pen (Absolute) Graphic Detect, BAC Control



●Figure 2012. Read Buffer Operation

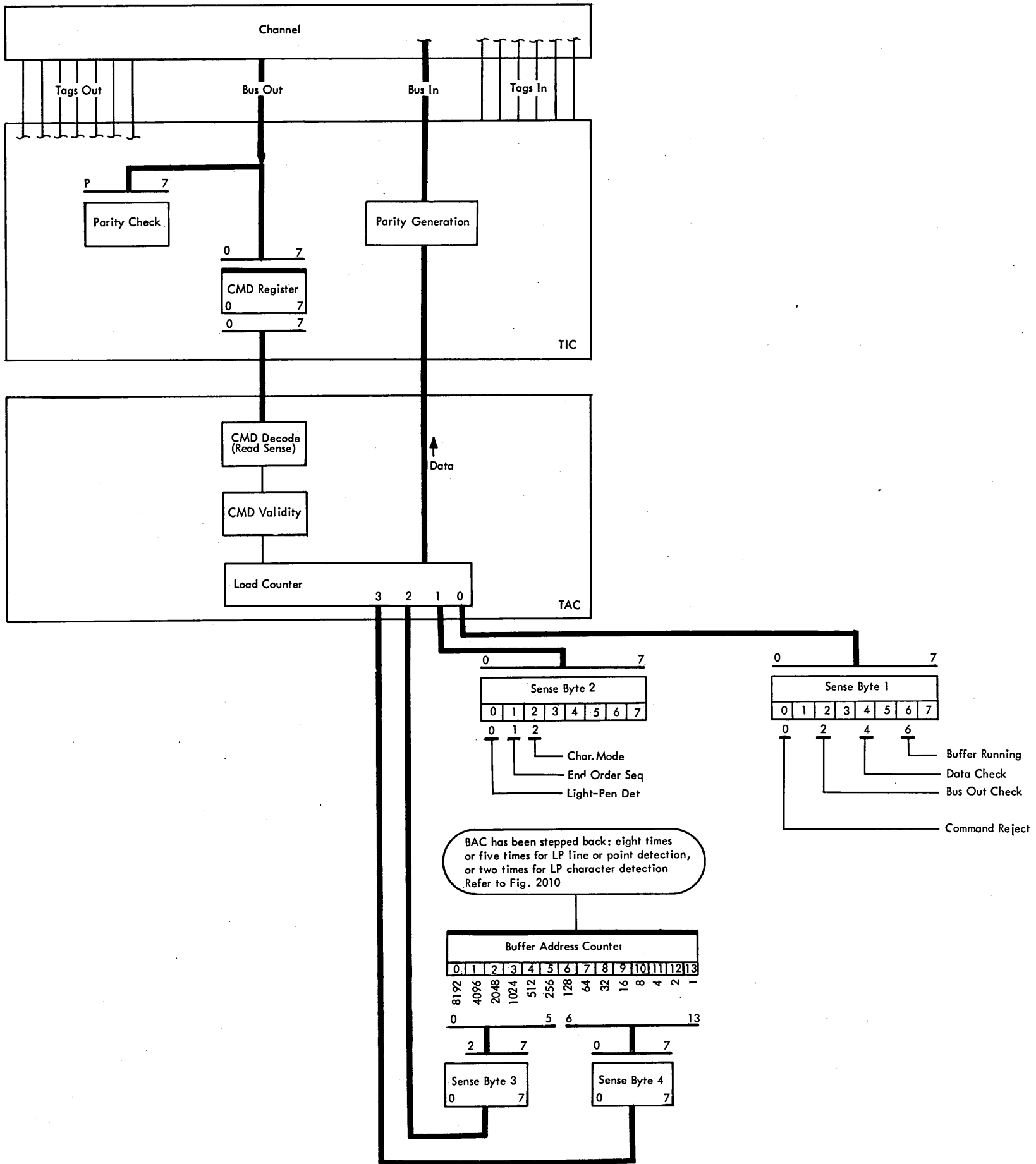


Figure 2013. Read Sense Operation

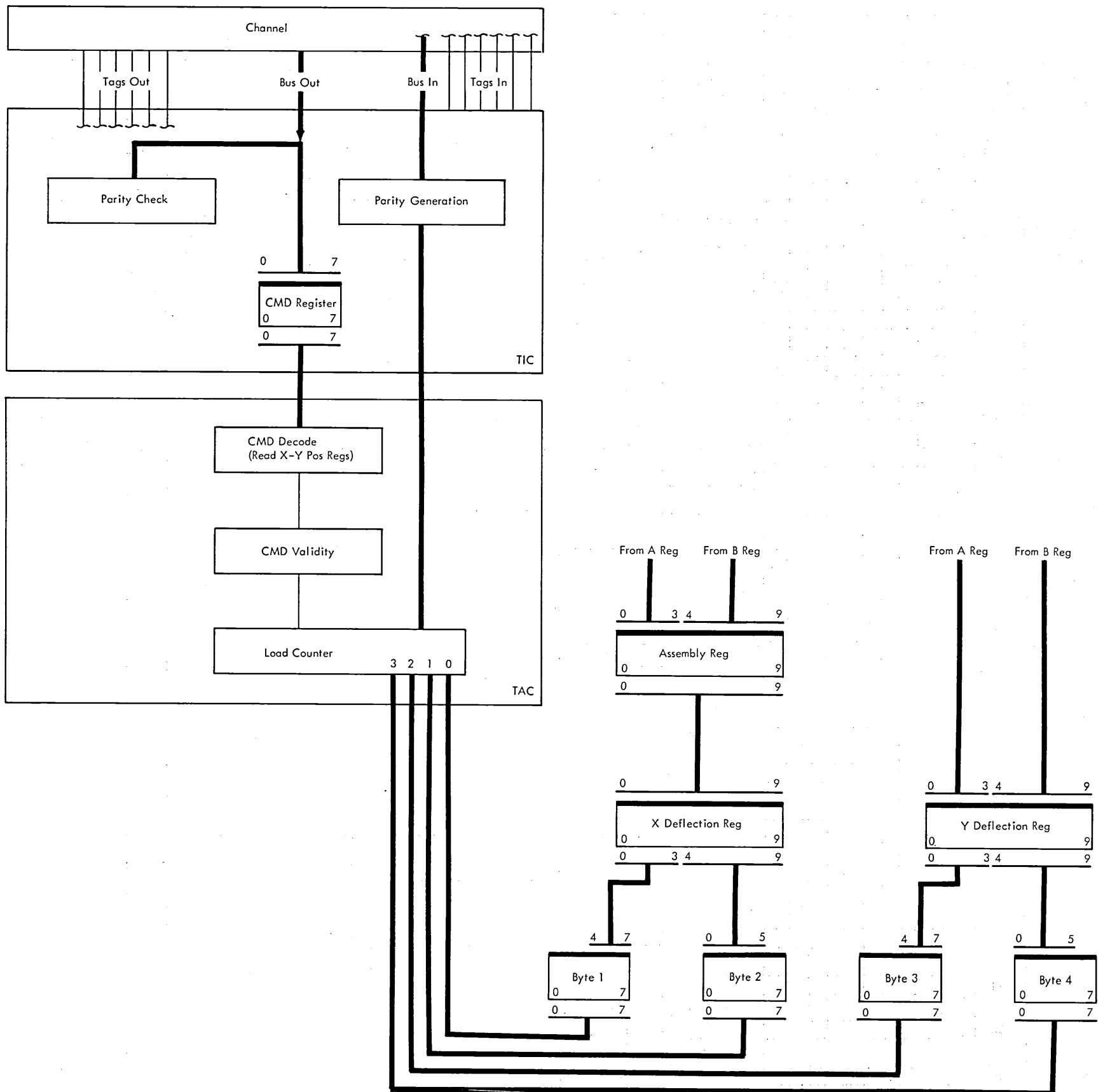


Figure 2014. Read X-Y Position Registers Operation

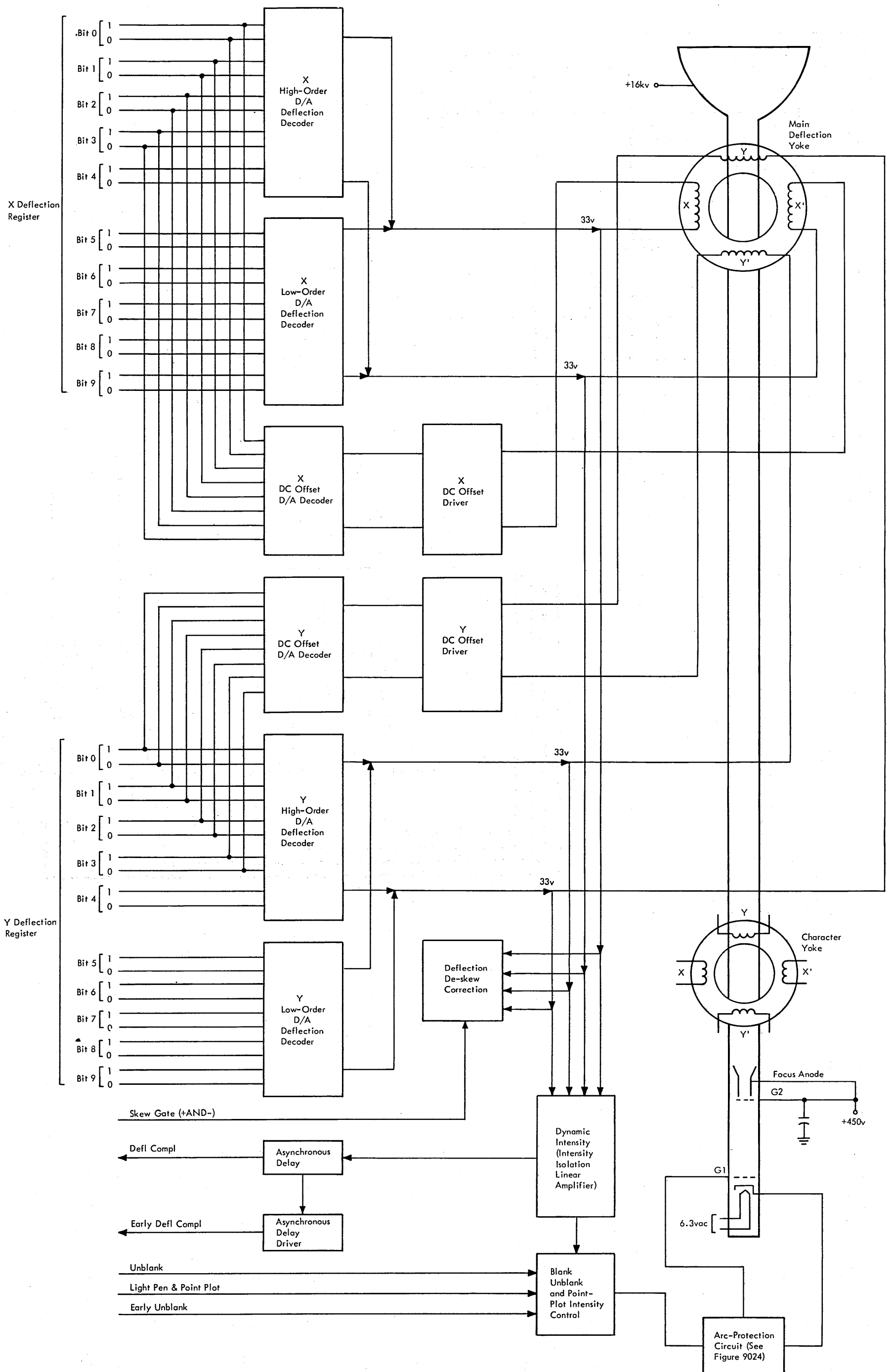


Figure 2015. CRT Beam Deflection and Control, Block Diagram

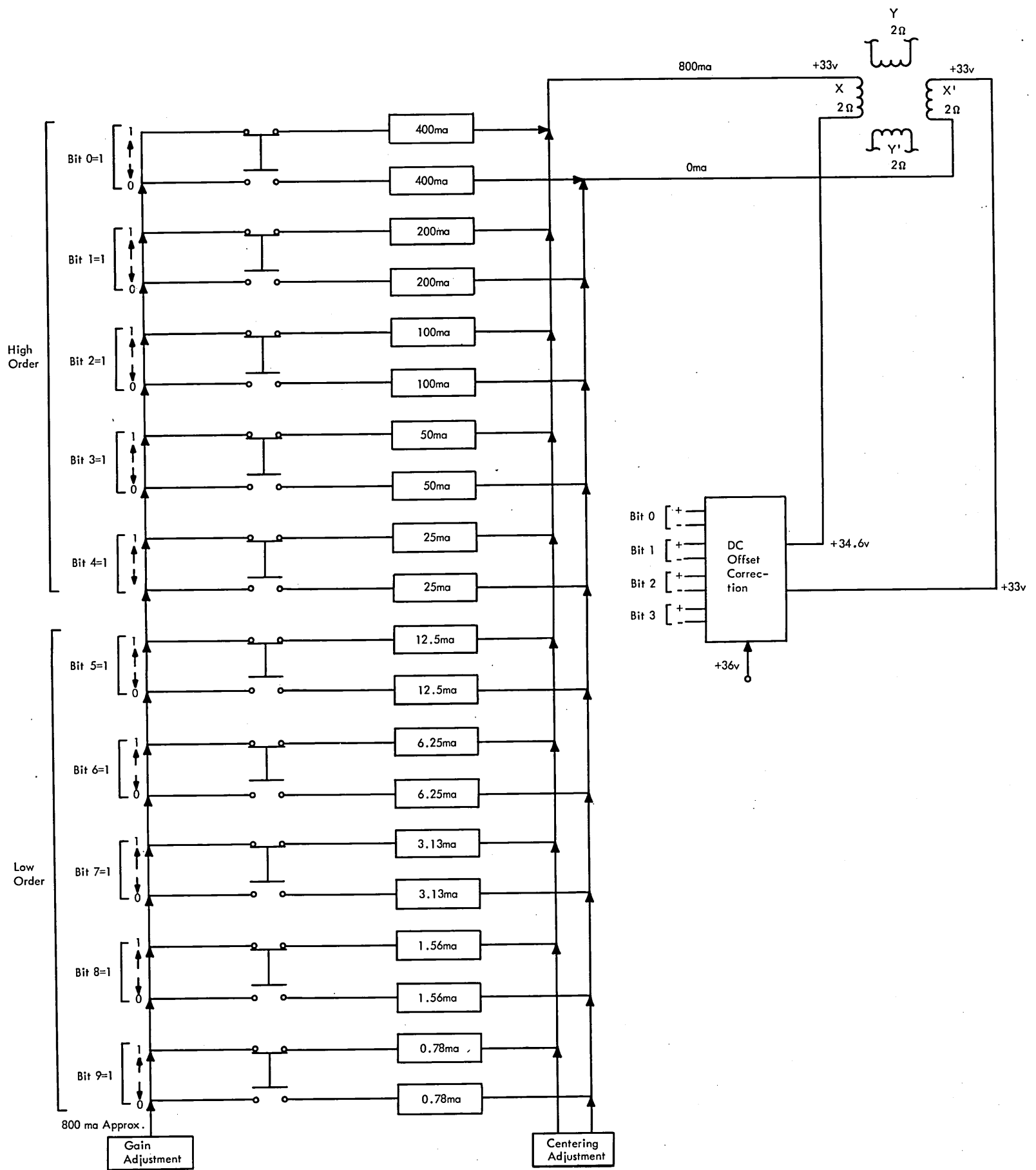
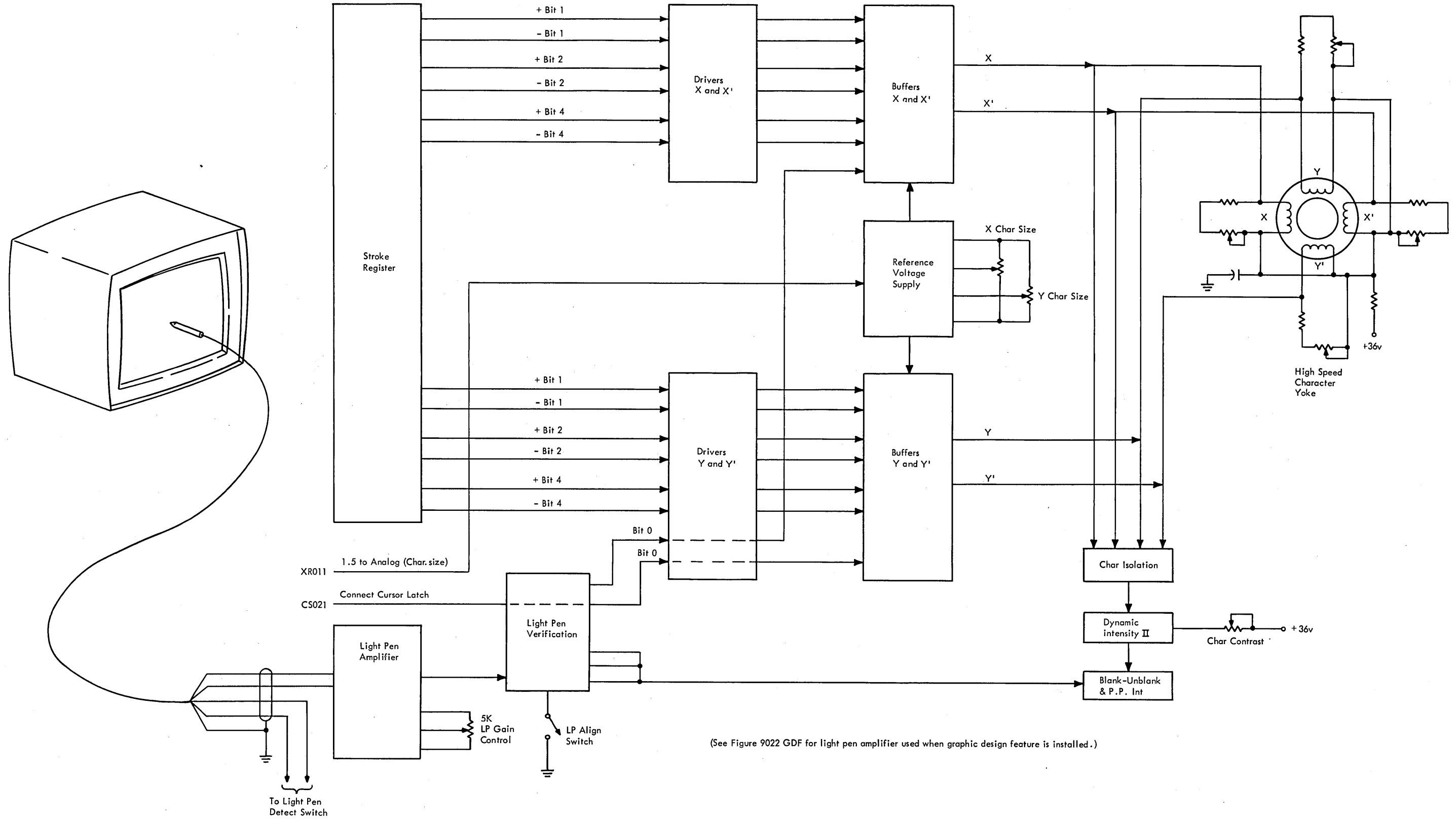


Figure 2016. Yoke Current Distribution, Full X Deflection



●Figure 2017. Character Deflection and Control, Block Diagram

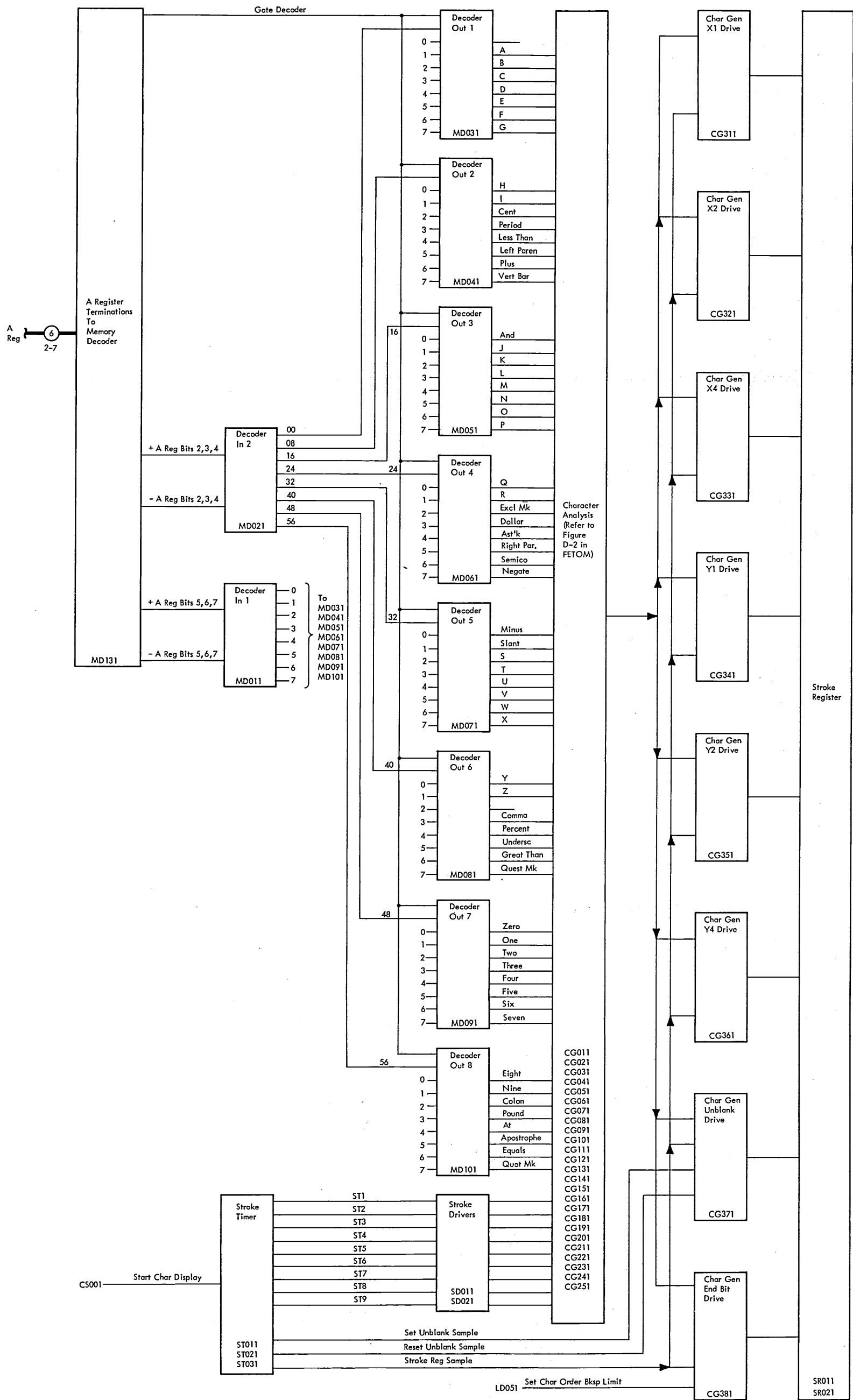
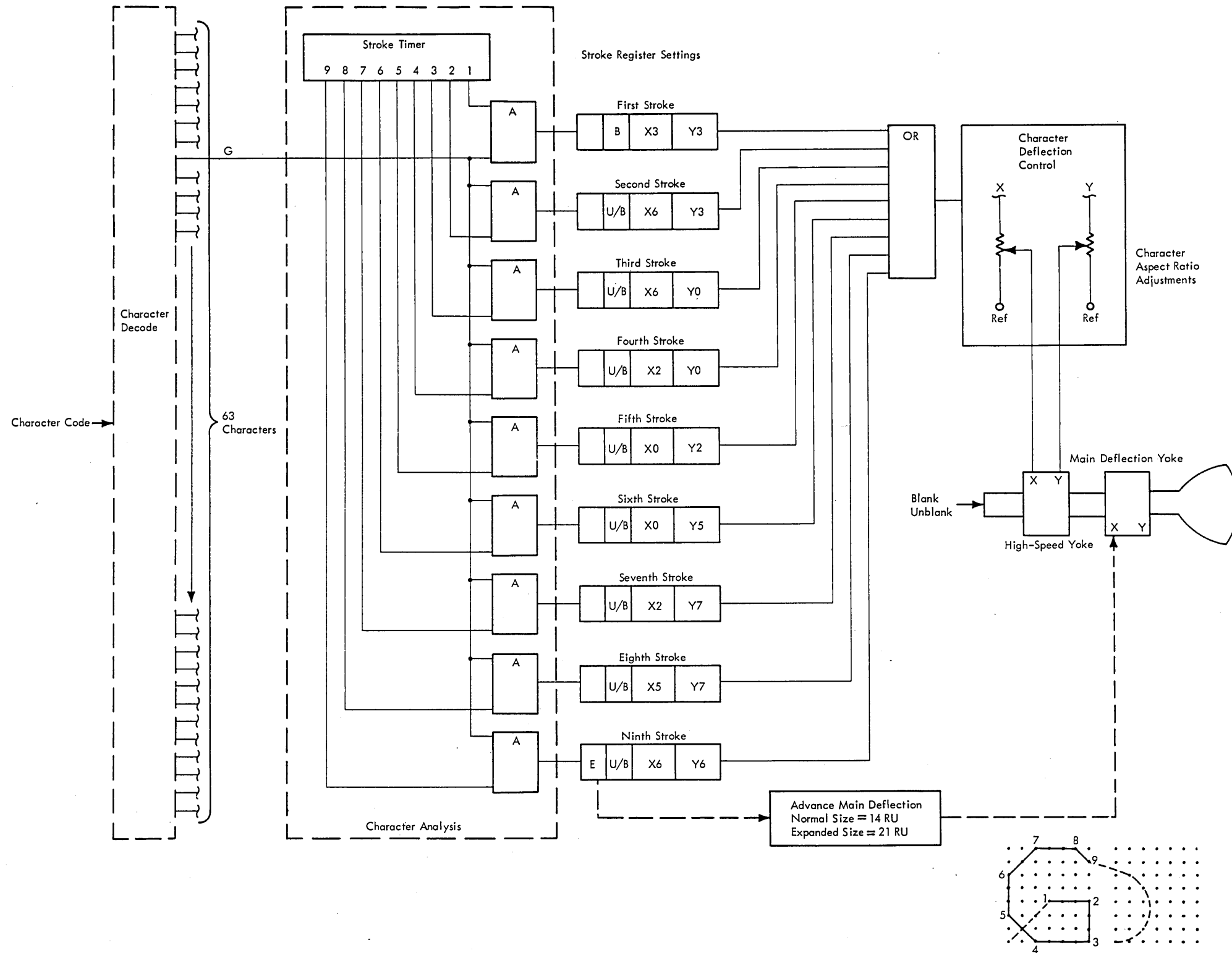


Figure 2018. Character Generator, Block Diagram



●Figure 5000. Typical Character Generator Operation, Logic Diagram

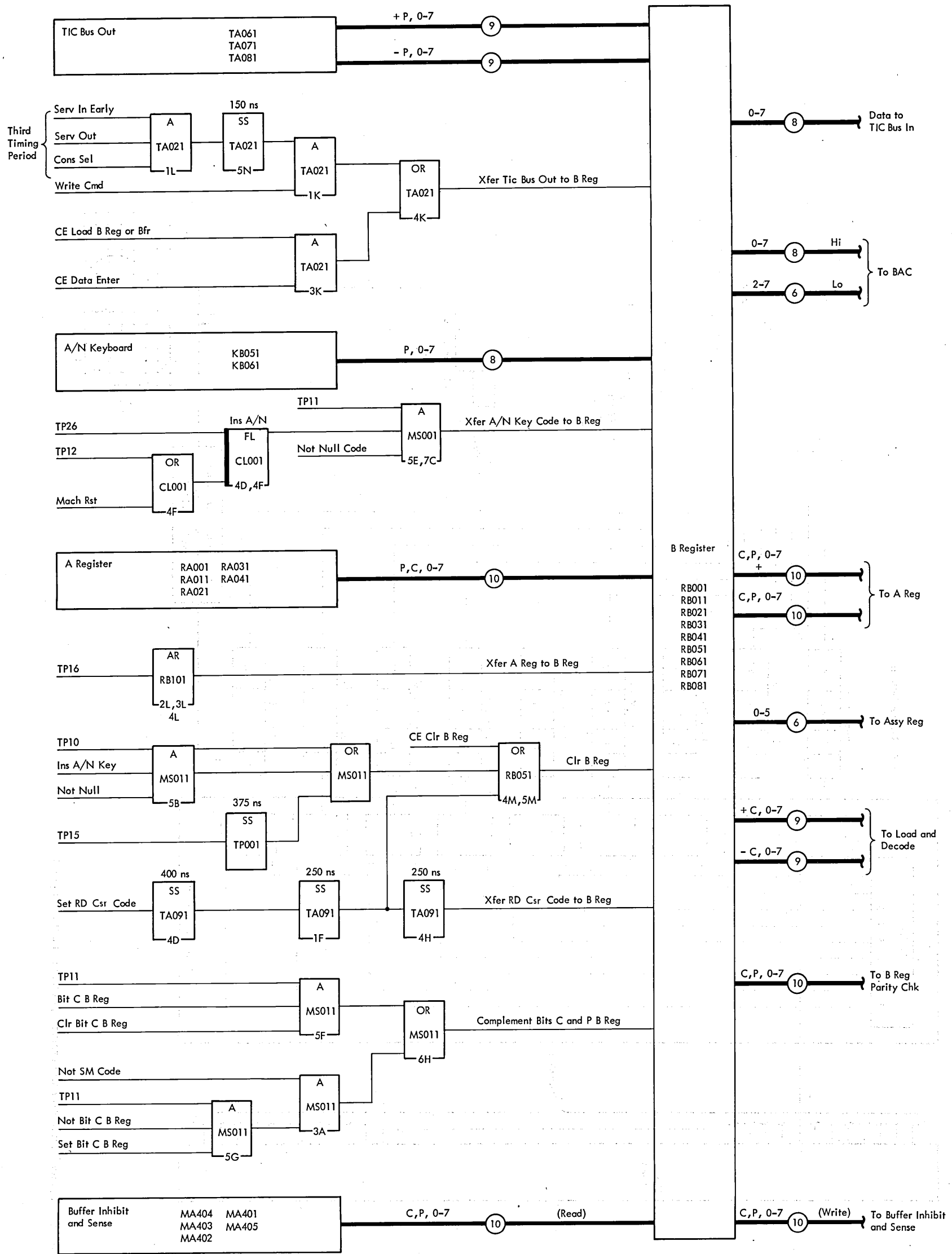


Figure 5001. B Register, Functional Diagram

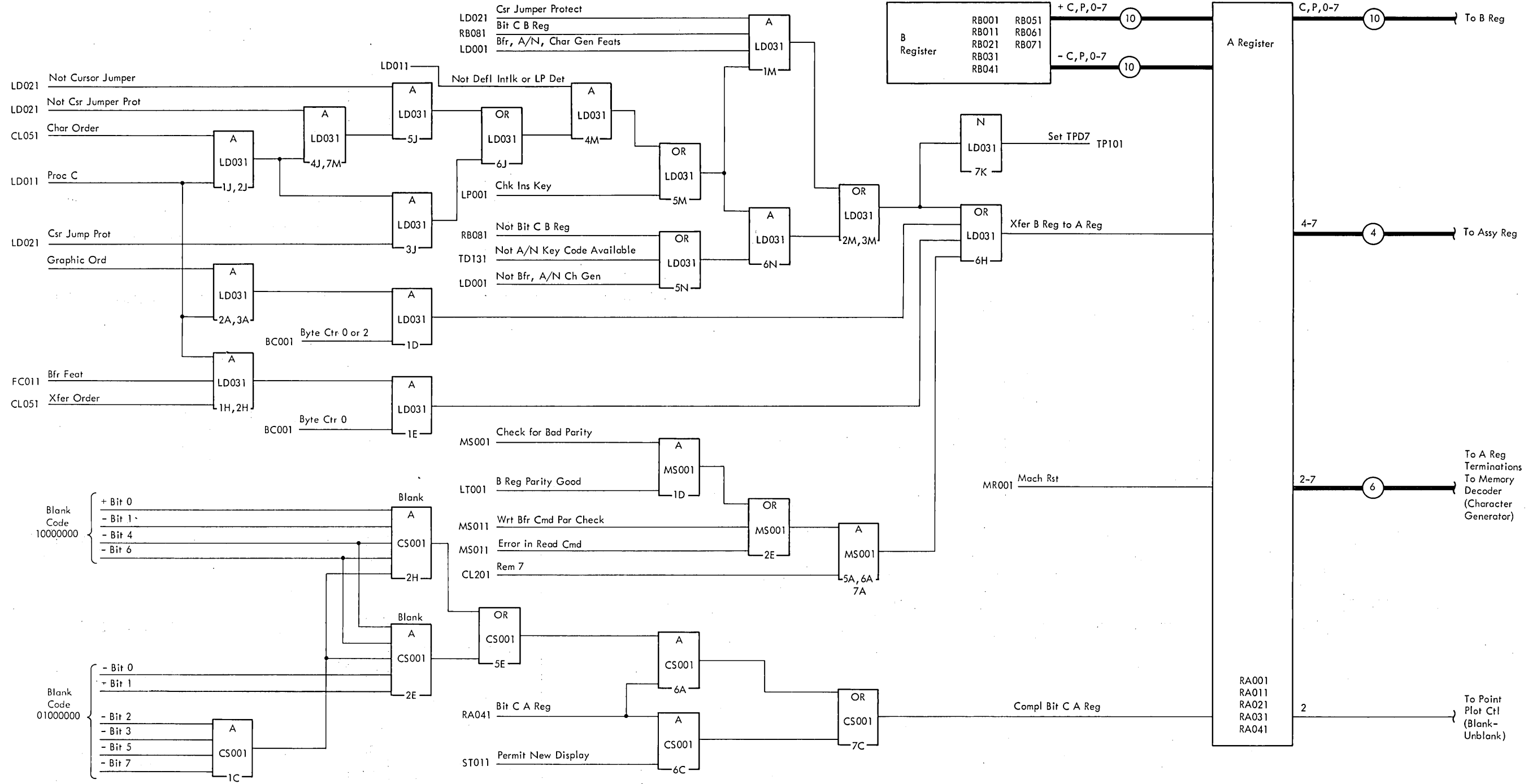


Figure 5002. A Register, Functional Diagram

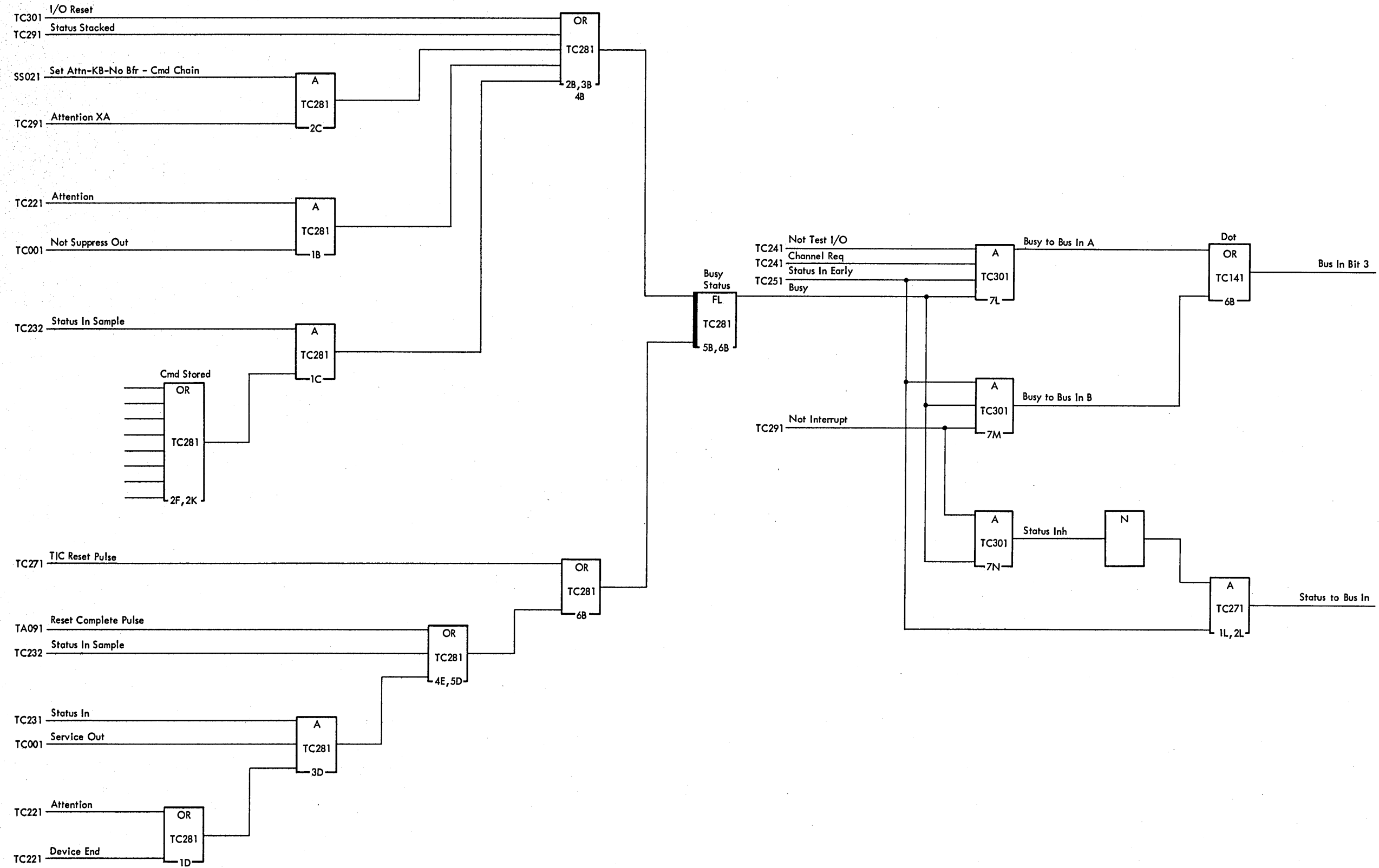


Figure 5003. Status Register, Functional Diagram (Sheet 1 of 2)

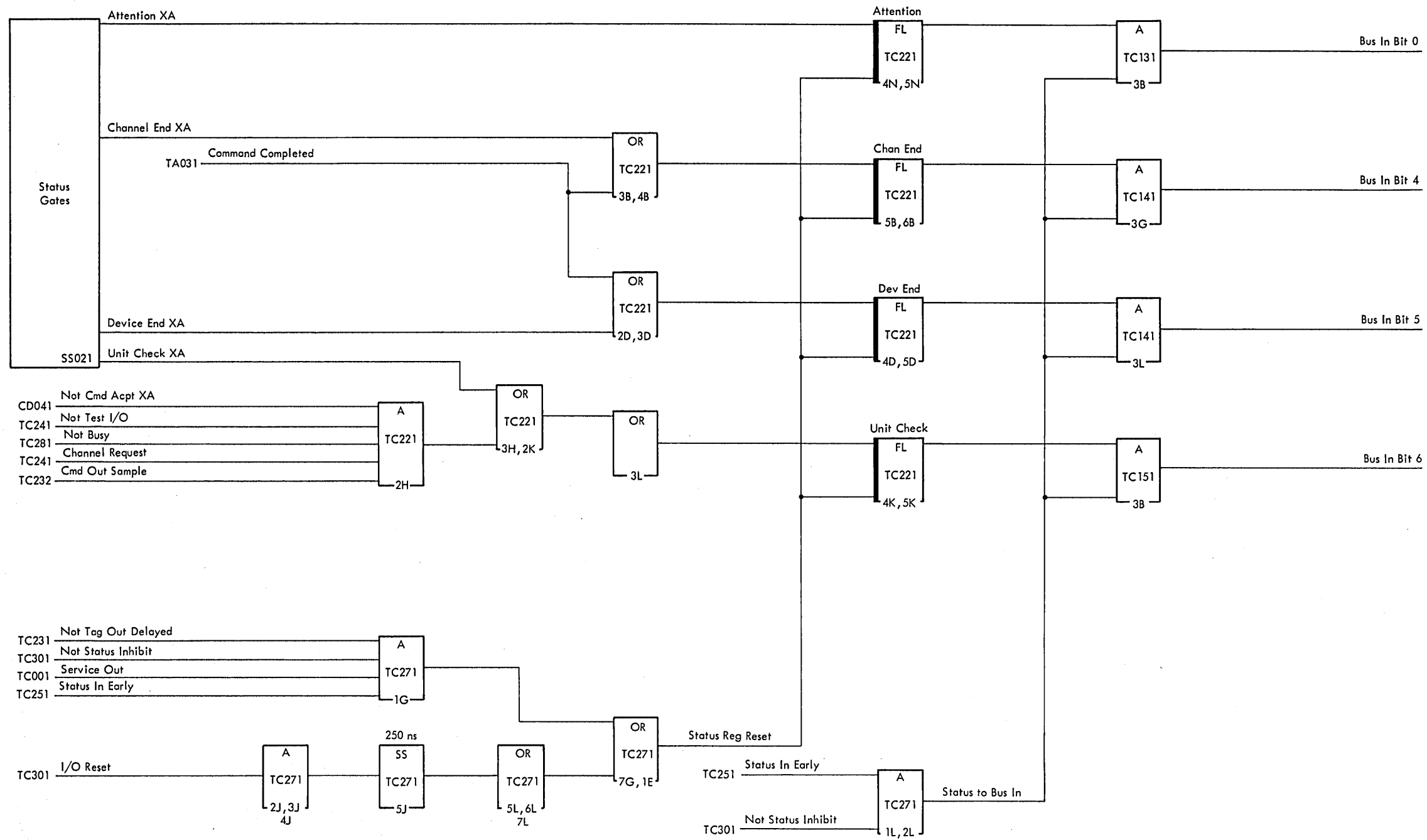


Figure 5003. Status Register, Functional Diagram (Sheet 2 of 2)

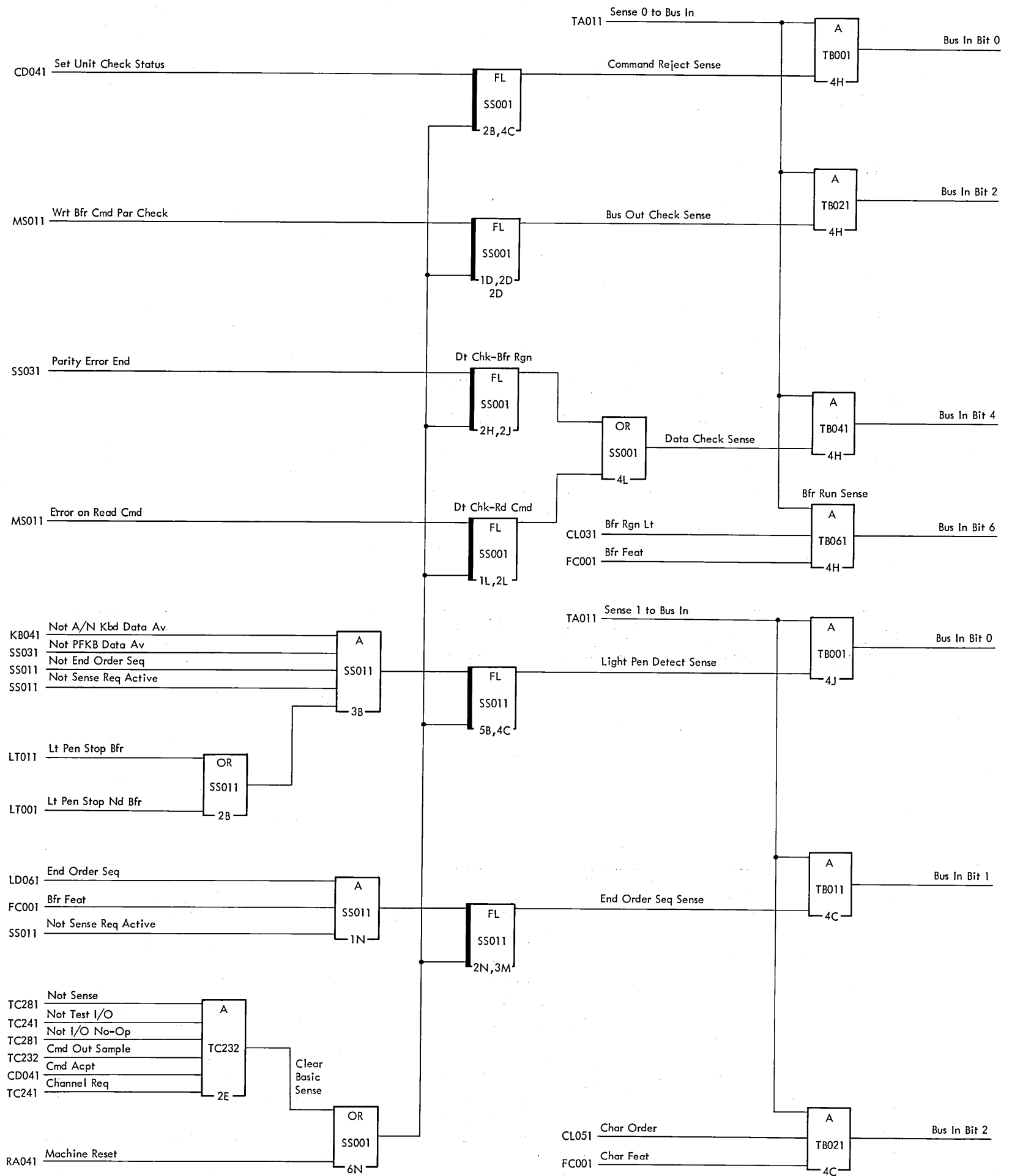


Figure 5004. Sense Register, Bytes 1 and 2, Functional Diagram

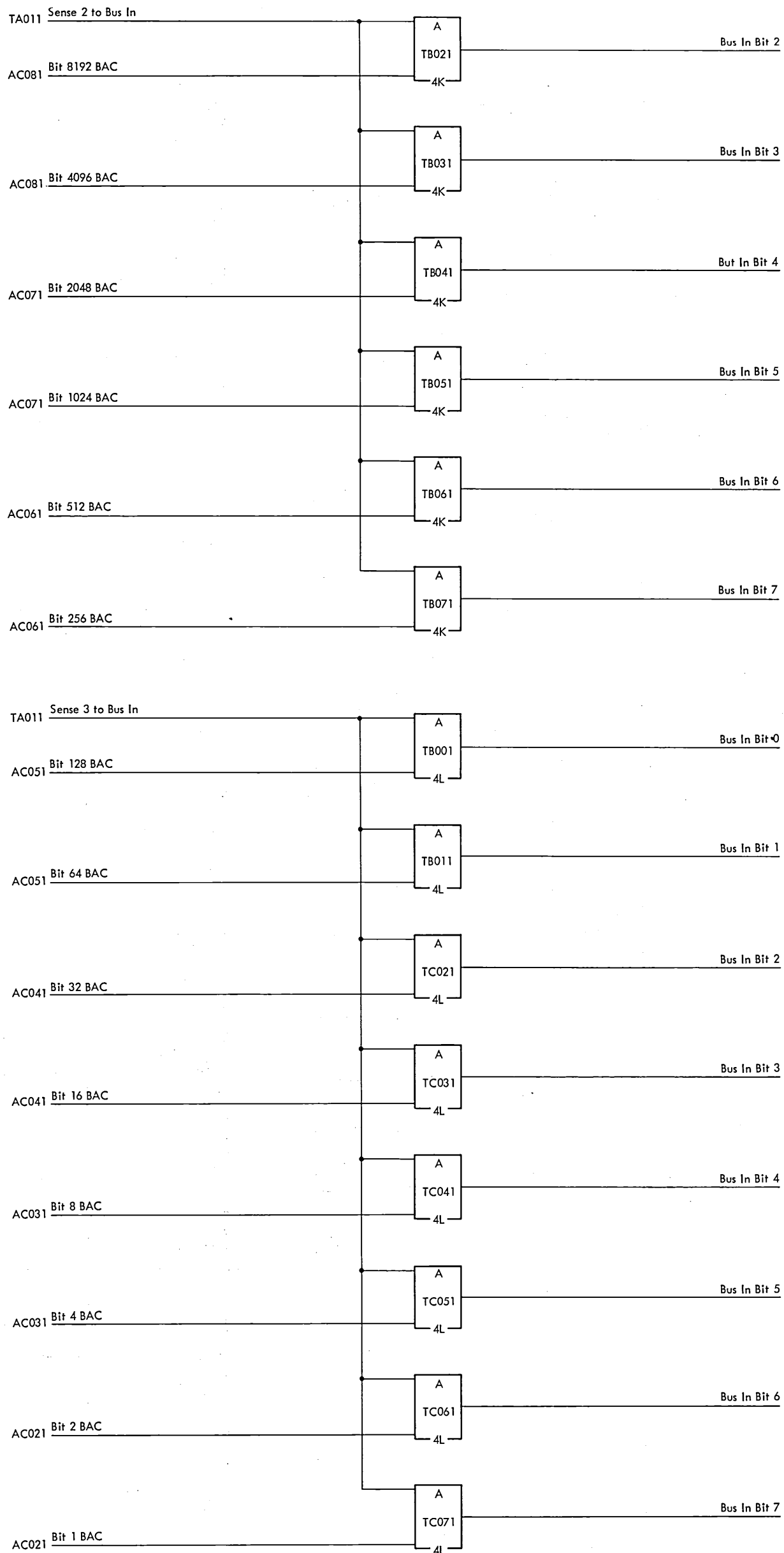


Figure 5005. Sense Register, Bytes 3 and 4, Functional Diagram

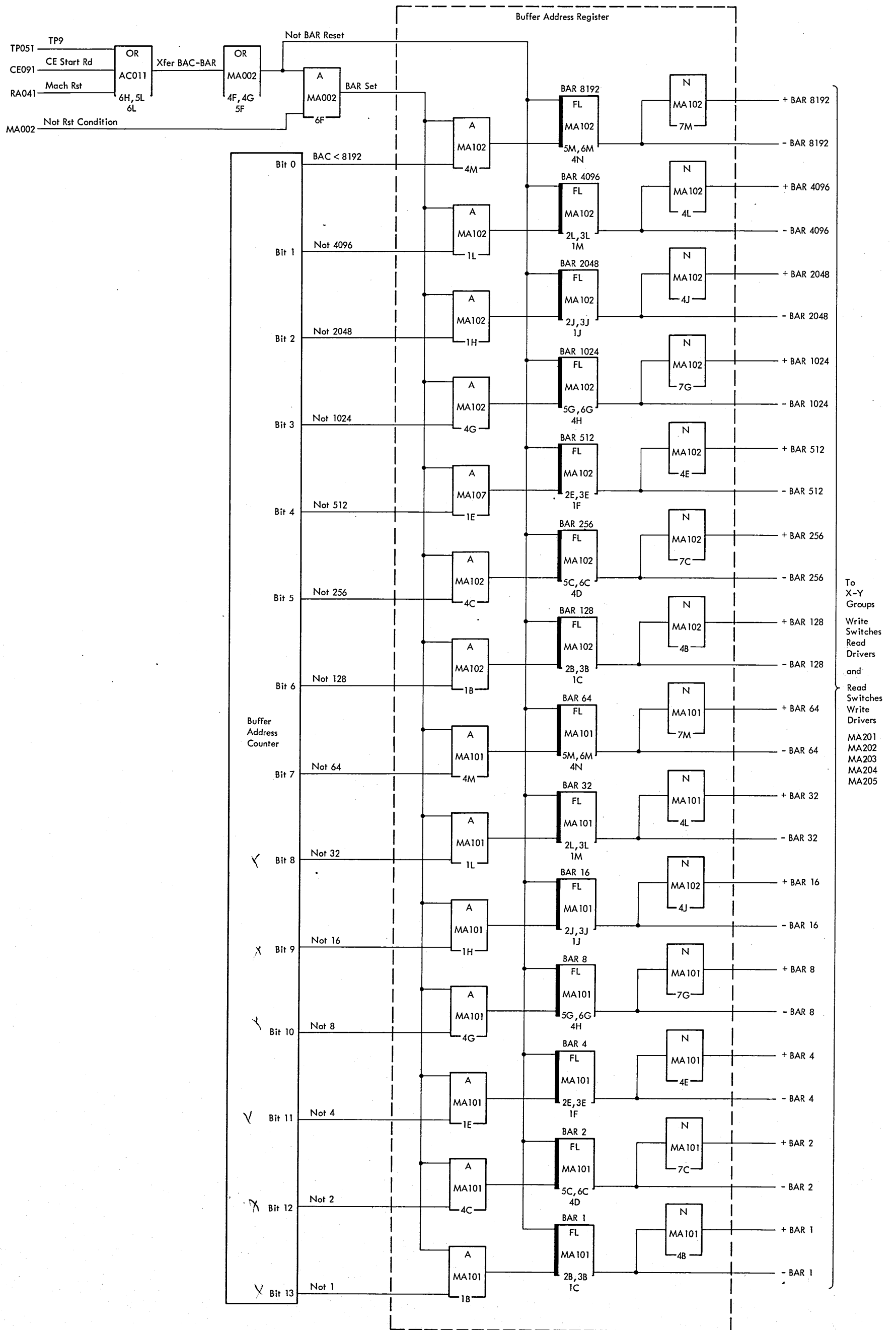


Figure 5006. Buffer Address Register, Functional Diagram

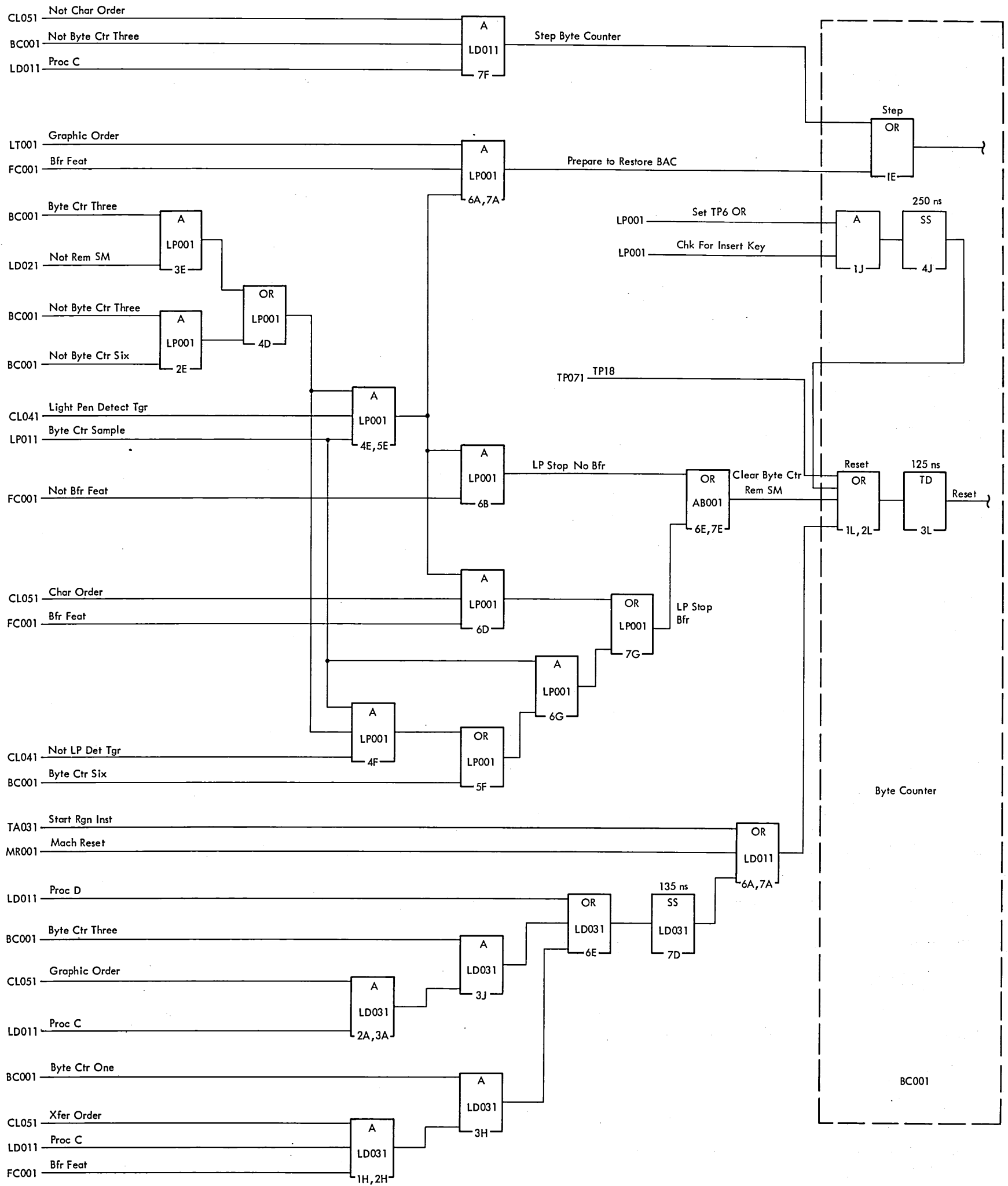


Figure 5007. Byte Counter, Functional Diagram

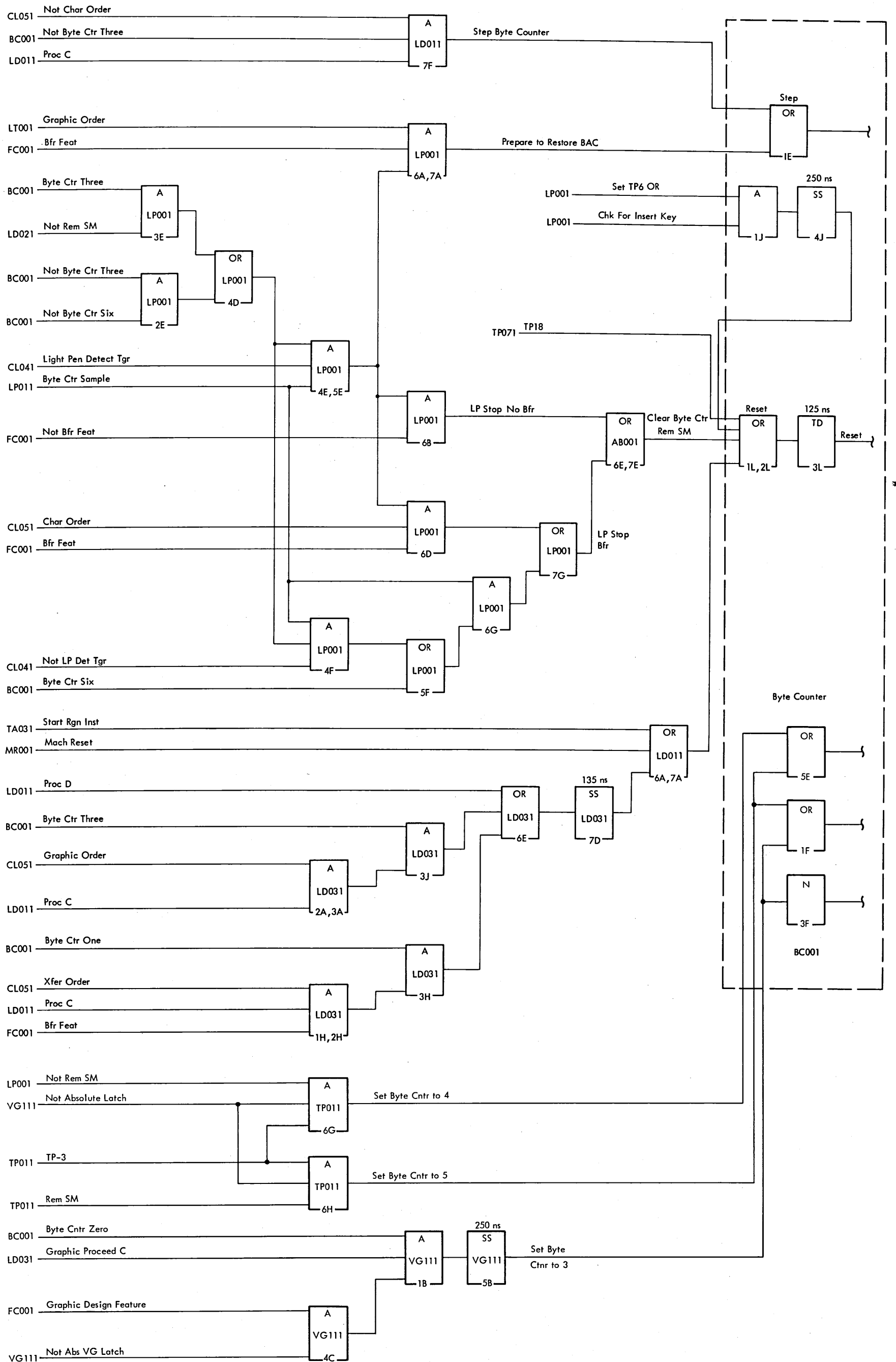


Figure 5007GDF. Byte Counter, Functional Diagram (for GDF Machines)

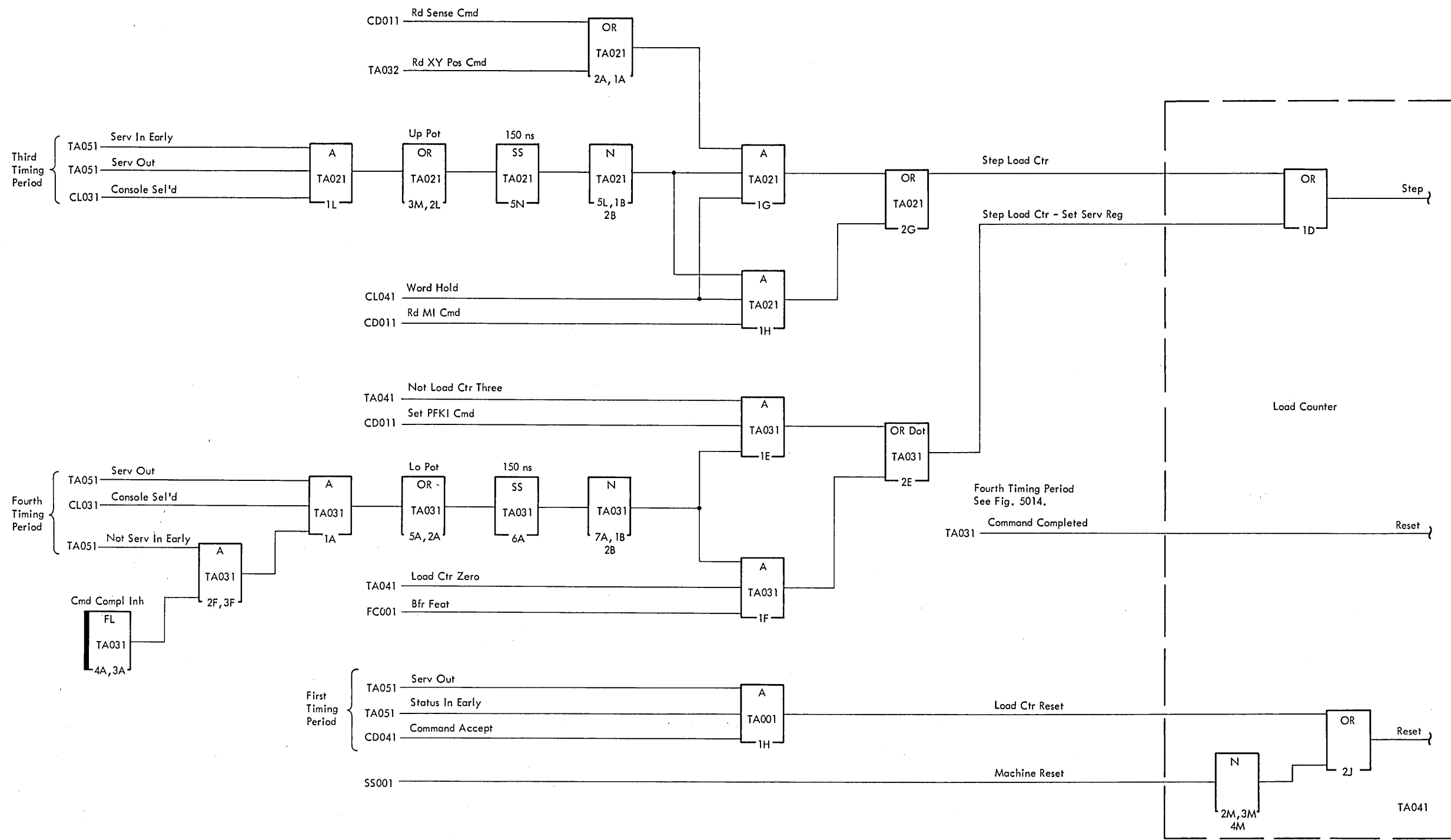


Figure 5008. Load Counter, Functional Diagram

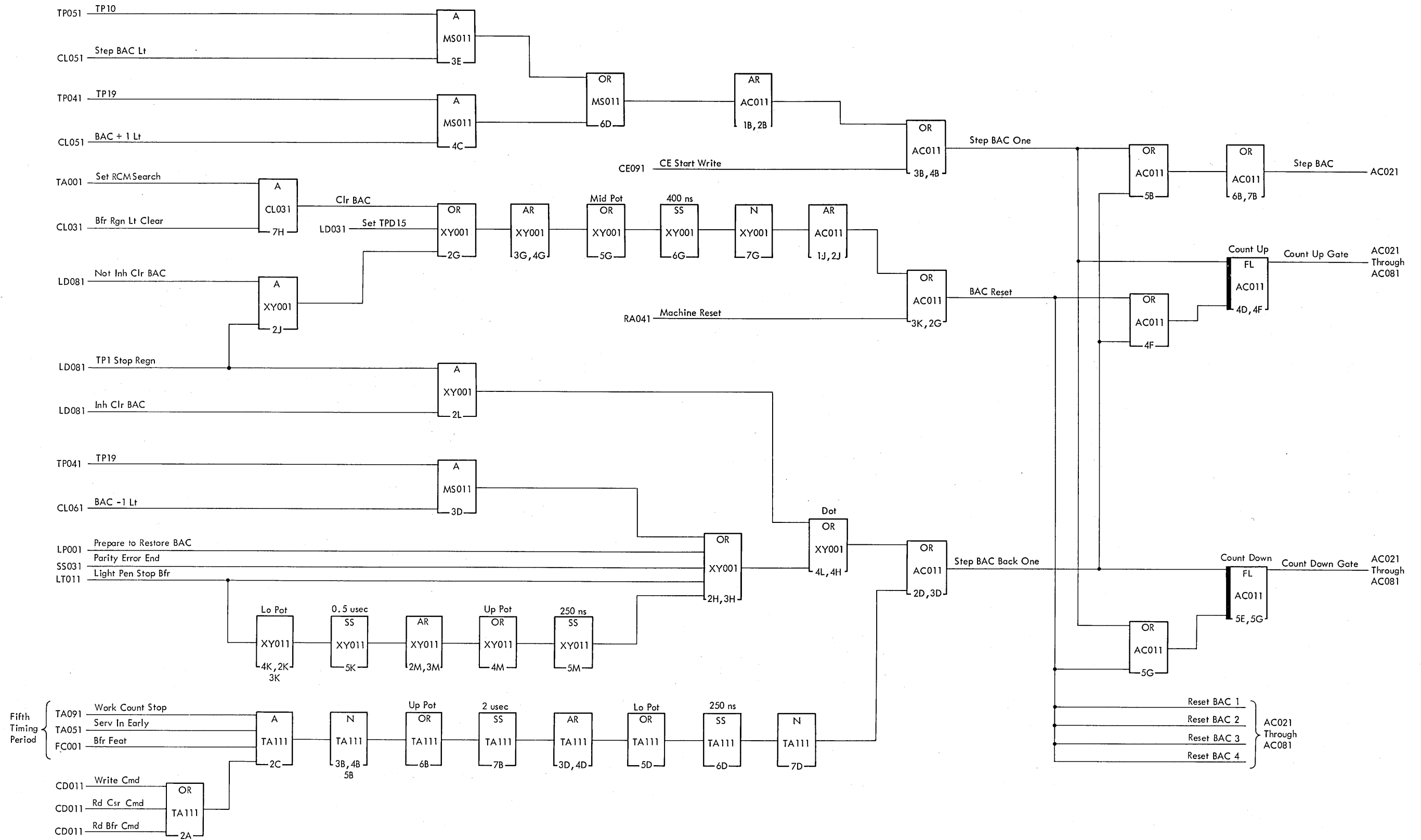


Figure 5009. Buffer Address Counter, Functional Diagram (Sheet 1 of 2)

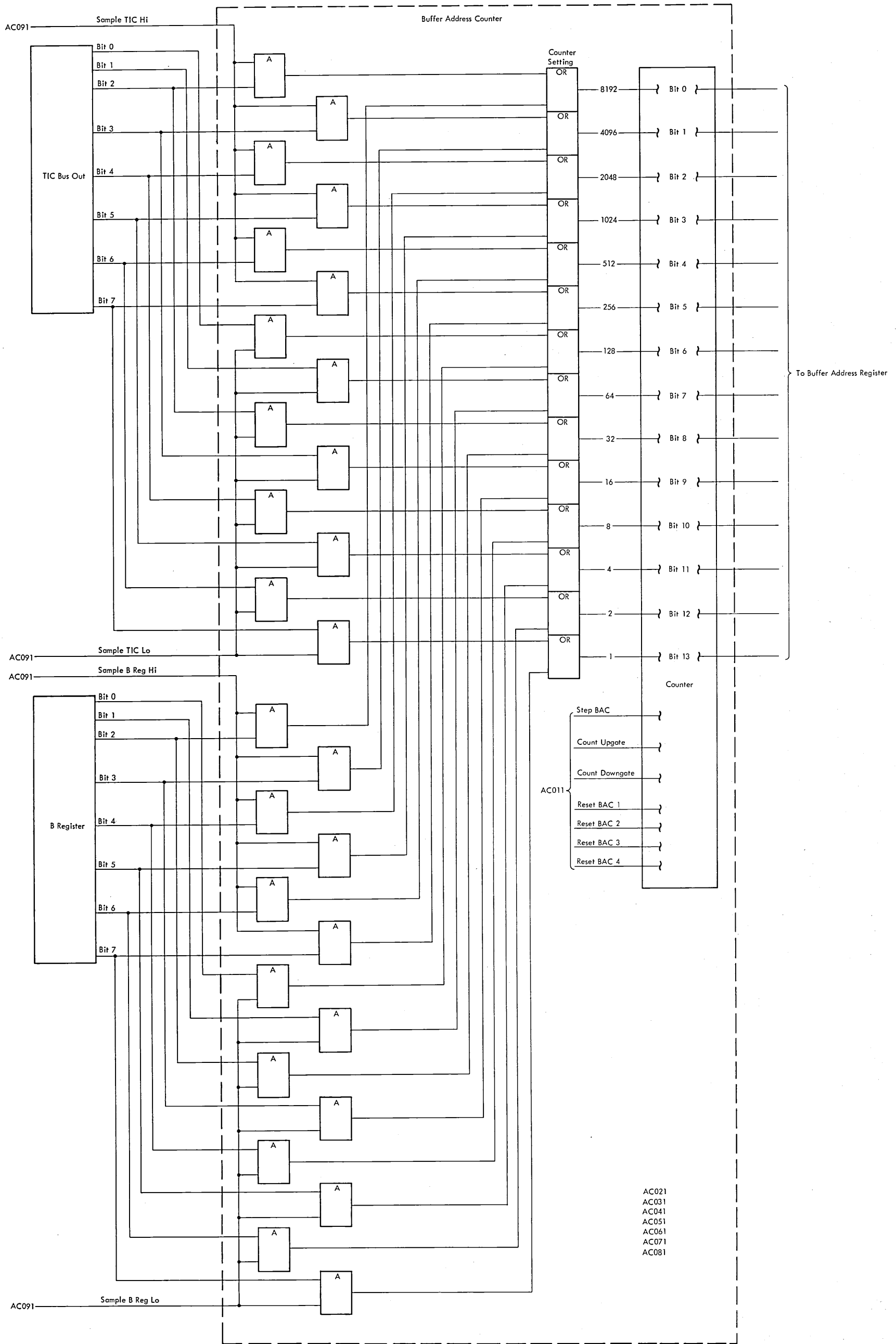


Figure 5009. Buffer Address Counter, Functional Diagram (Sheet 2 of 2)

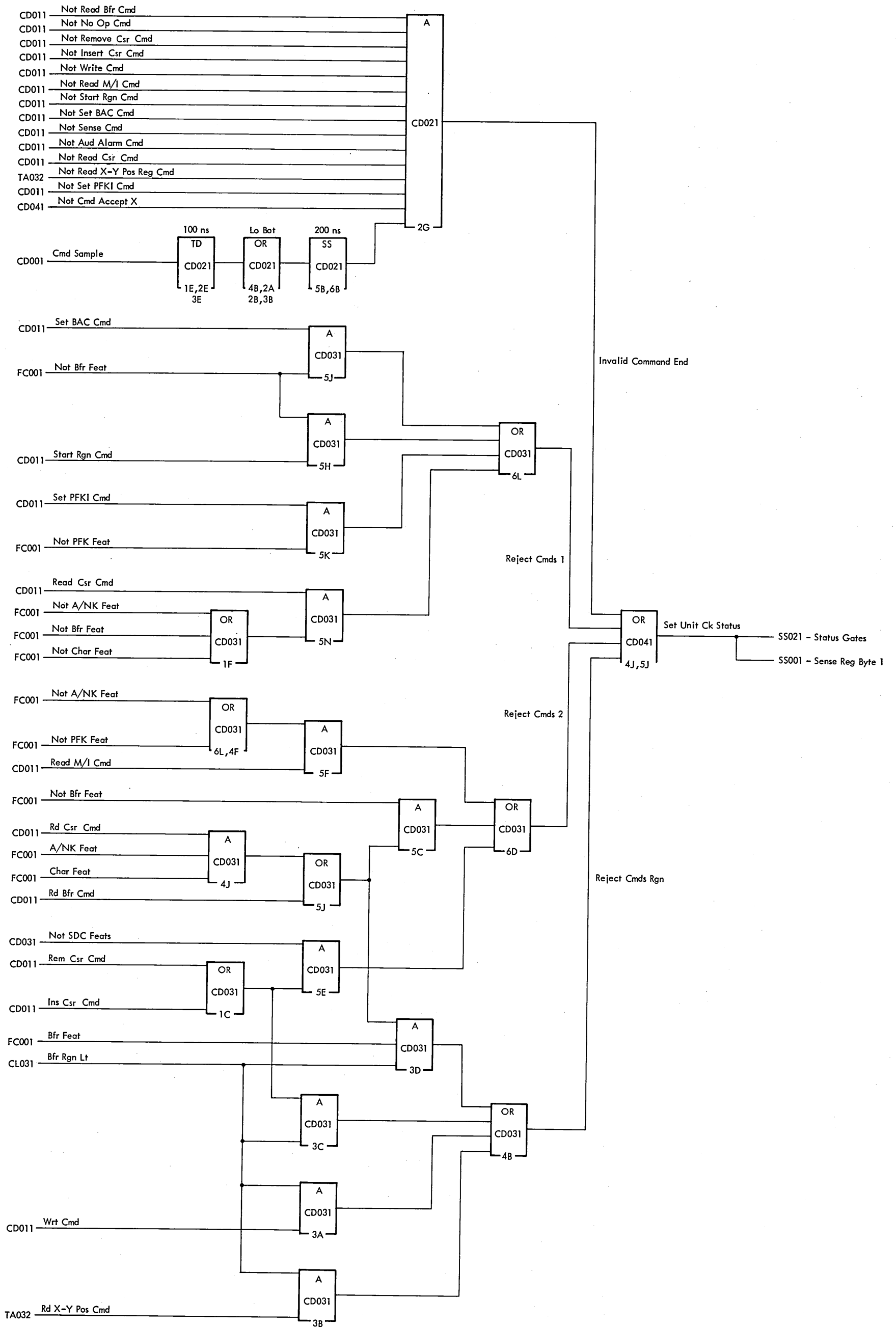


Figure 5010. Command Validation, Functional Diagram (Sheet 1 of 2)

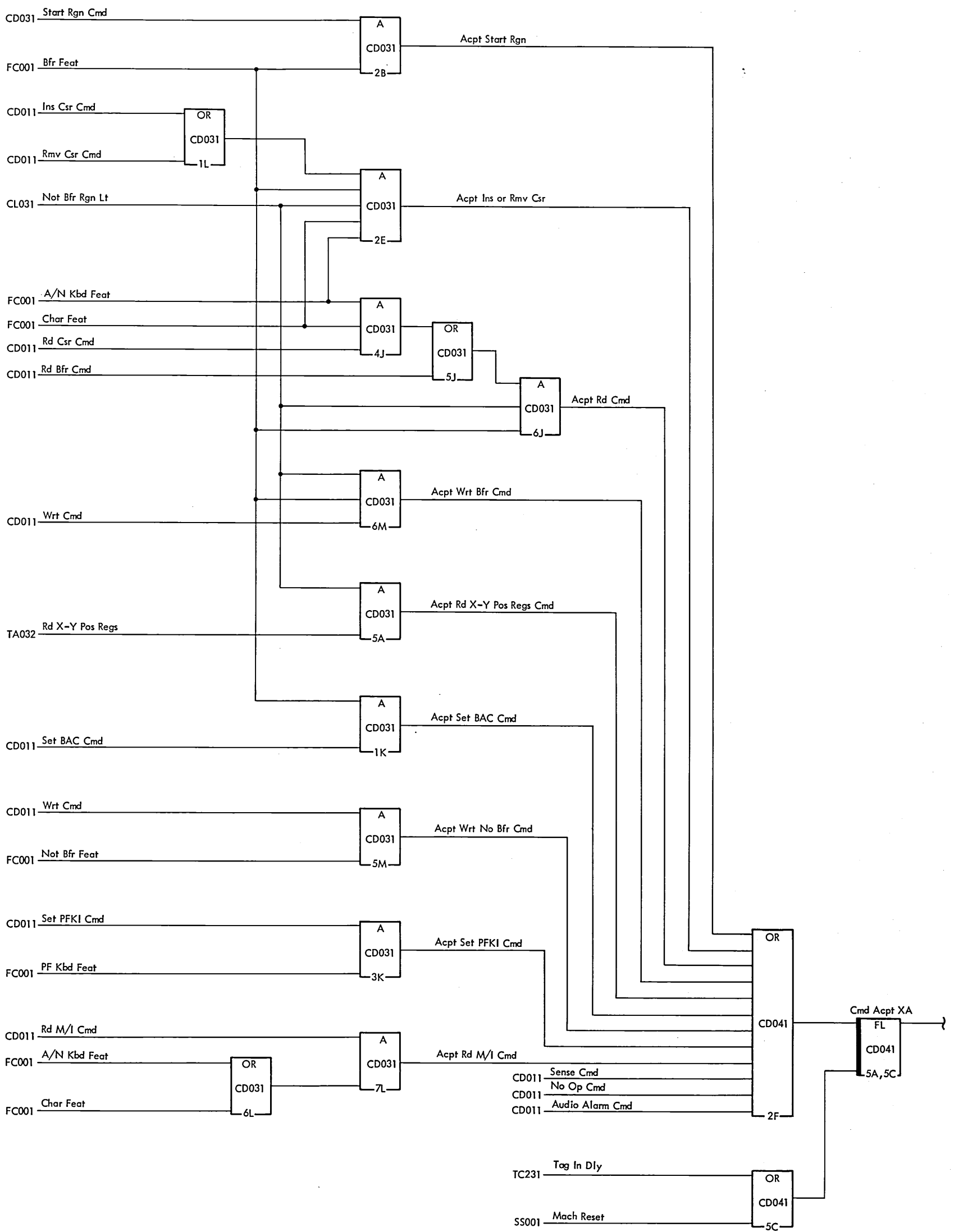


Figure 5010. Command Validation, Functional Diagram (Sheet 2 of 2)

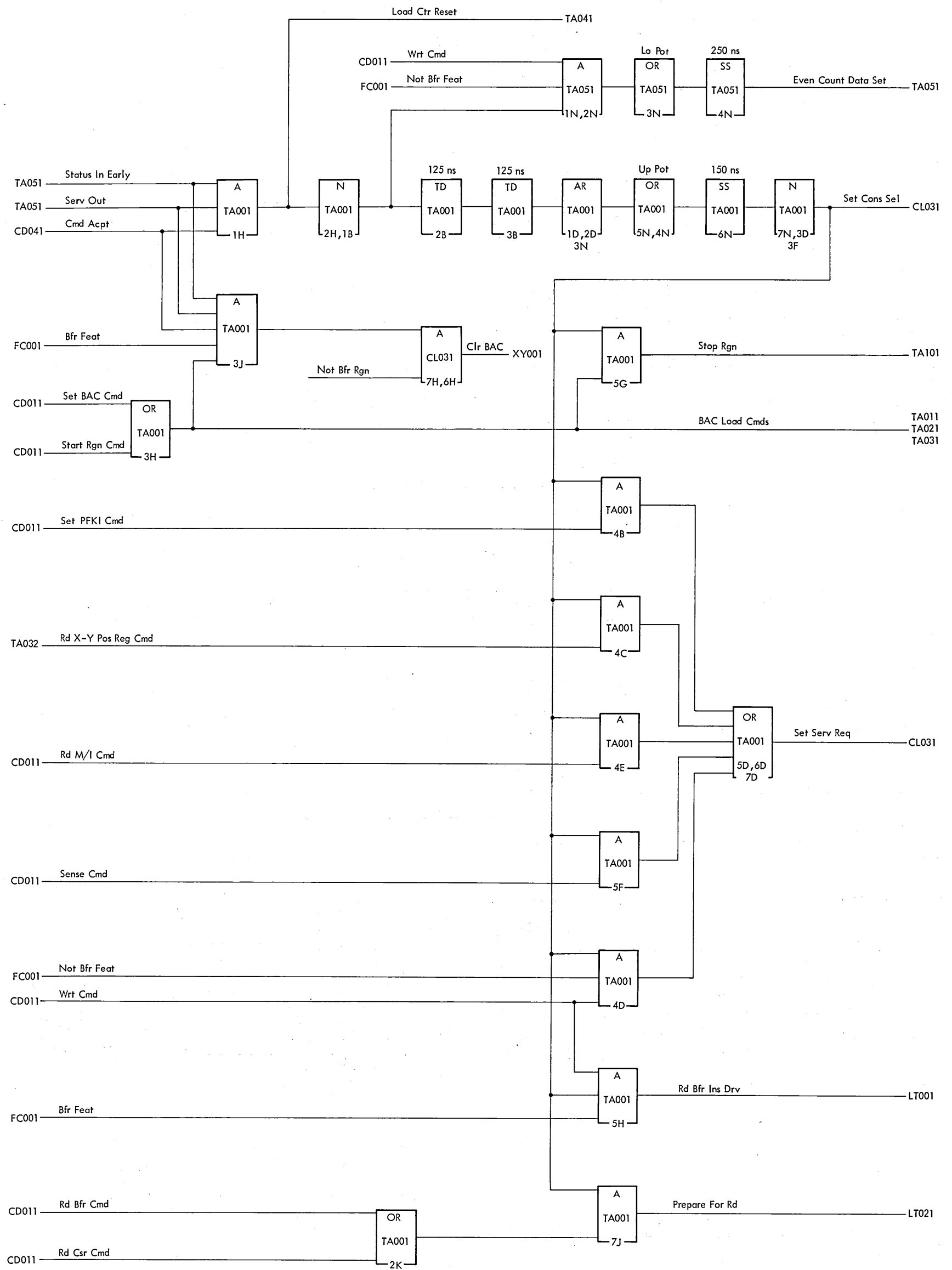


Figure 5011. First Timing Period, Functional Diagram

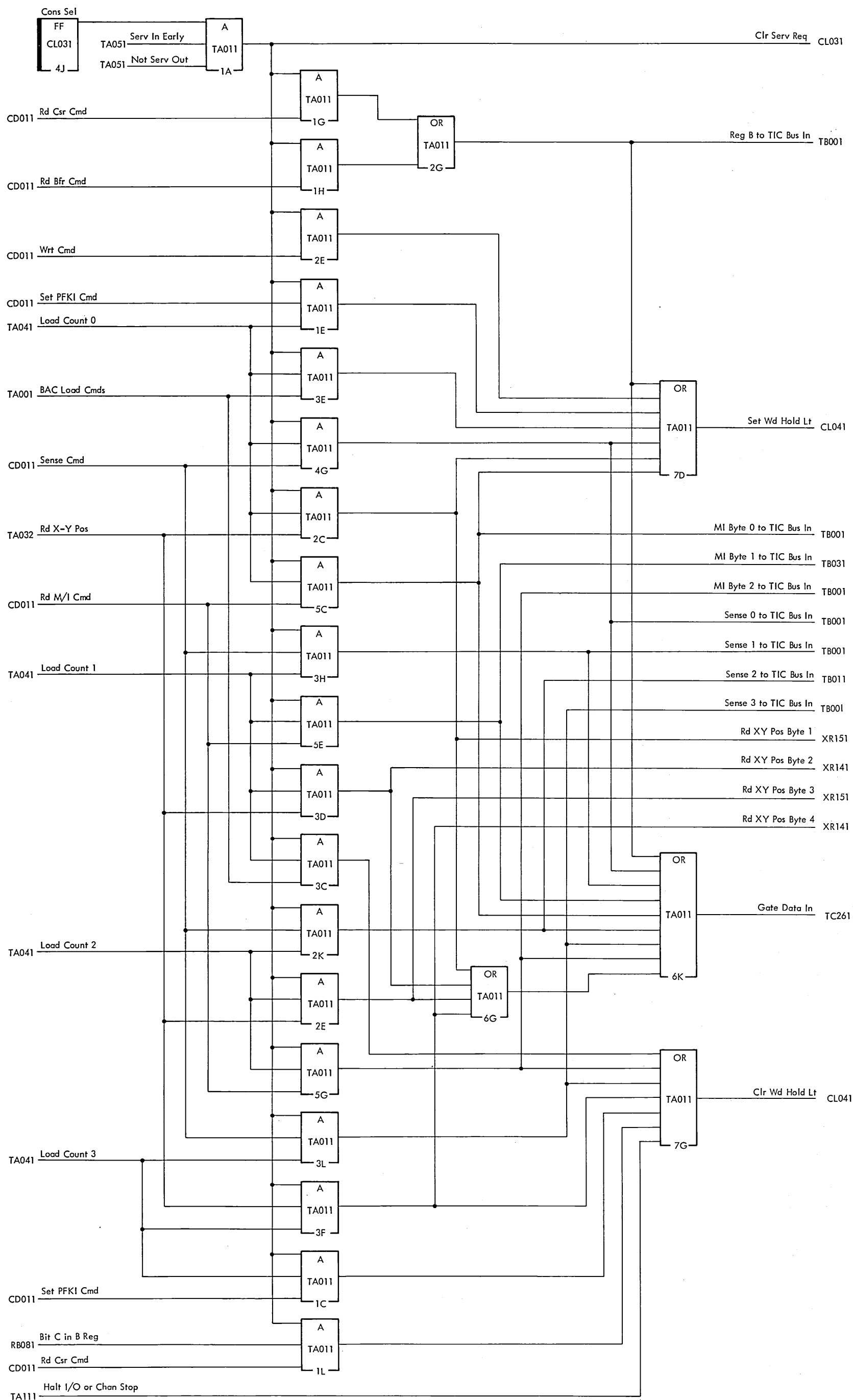


Figure 5012. Second Timing Period, Functional Diagram

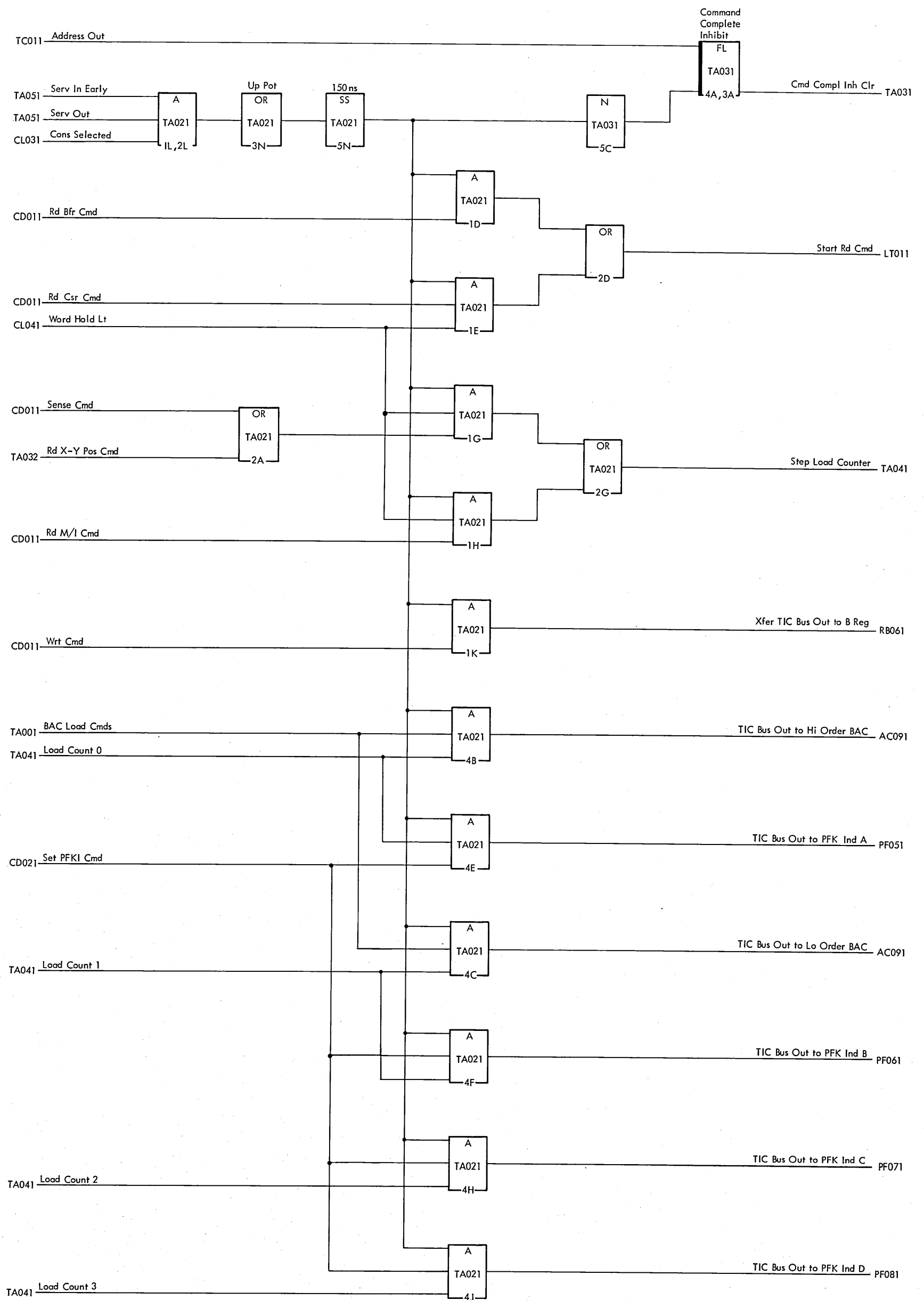


Figure 5013. Third Timing Period, Functional Diagram

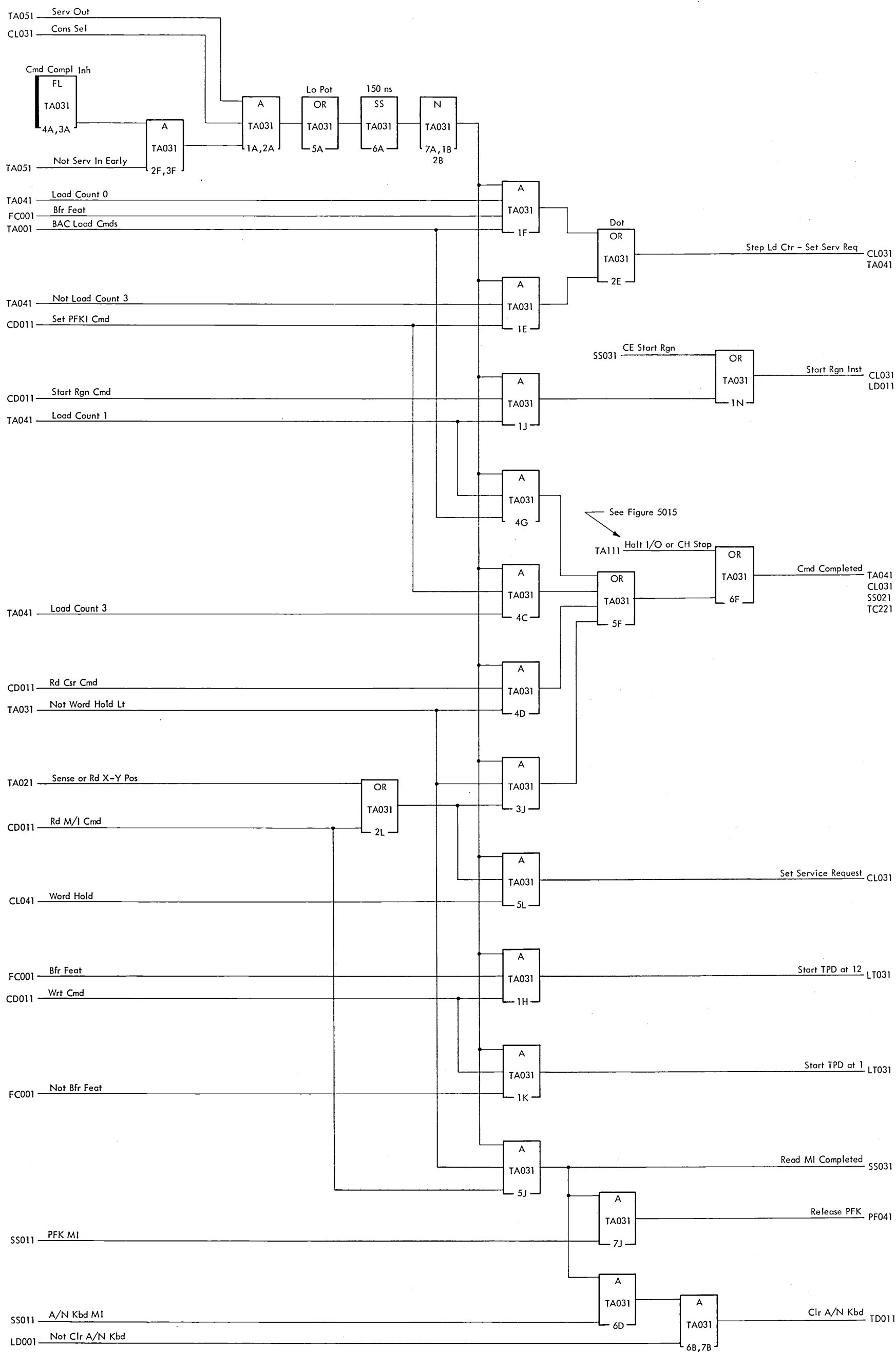


Figure 5014. Fourth Timing Period, Functional Diagram

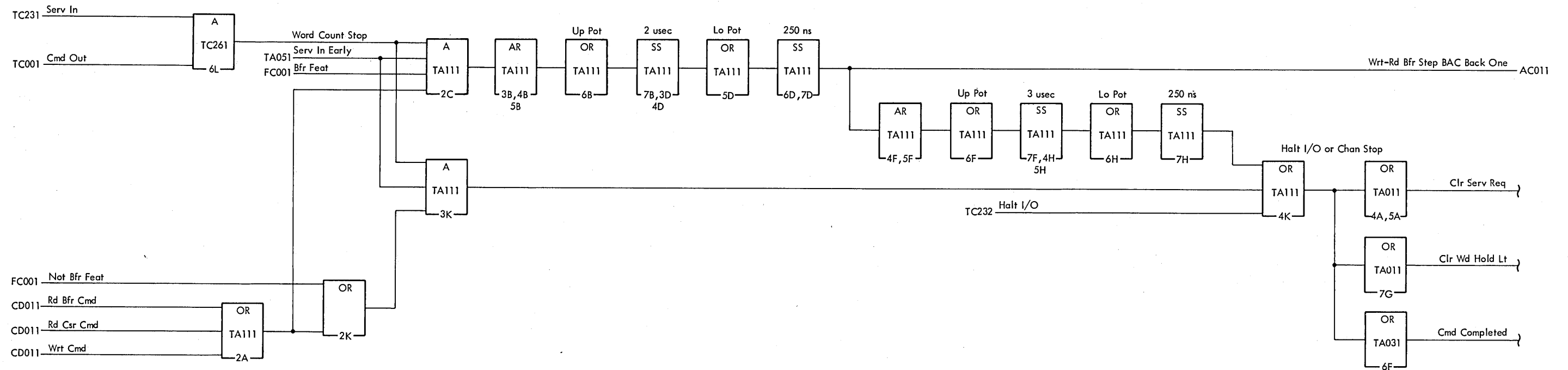


Figure 5015. Fifth Timing Period, Functional Diagram

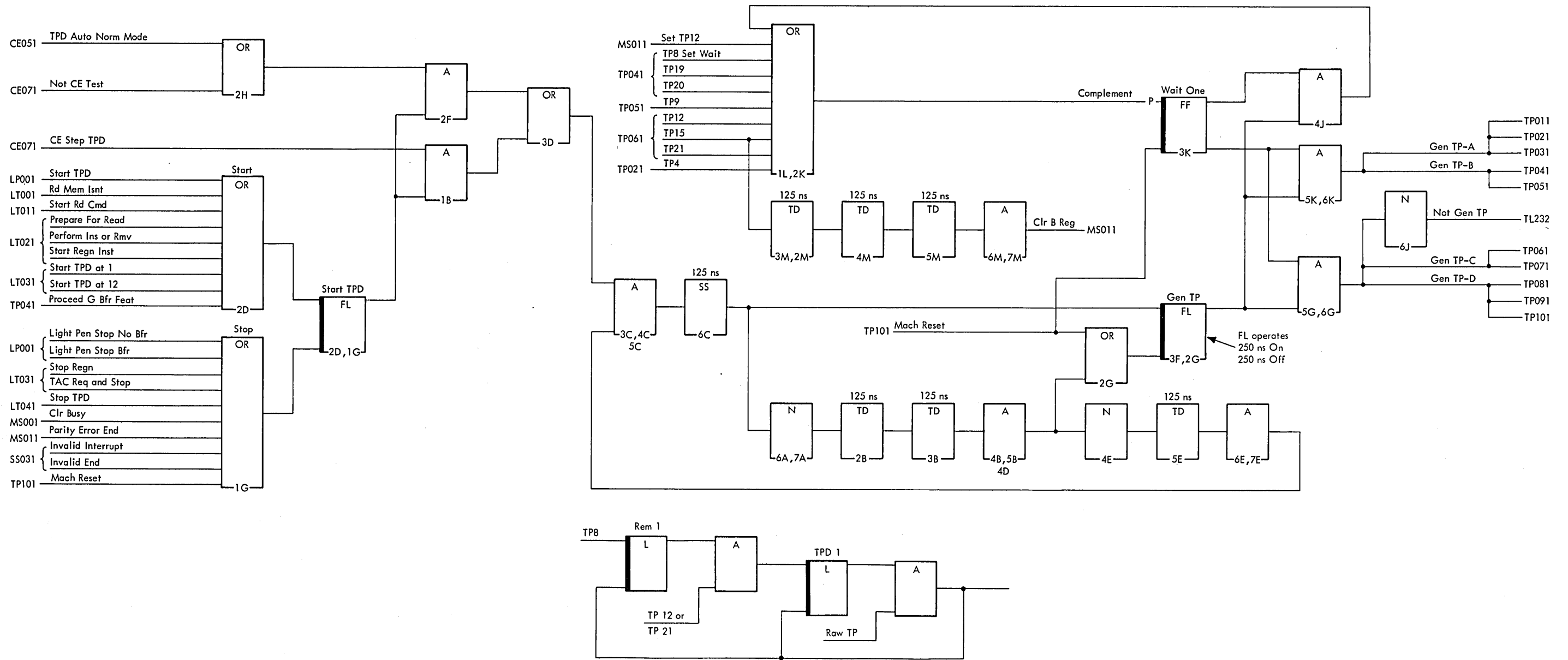


Figure 5016. Timing Pulse Generator, Functional Diagram

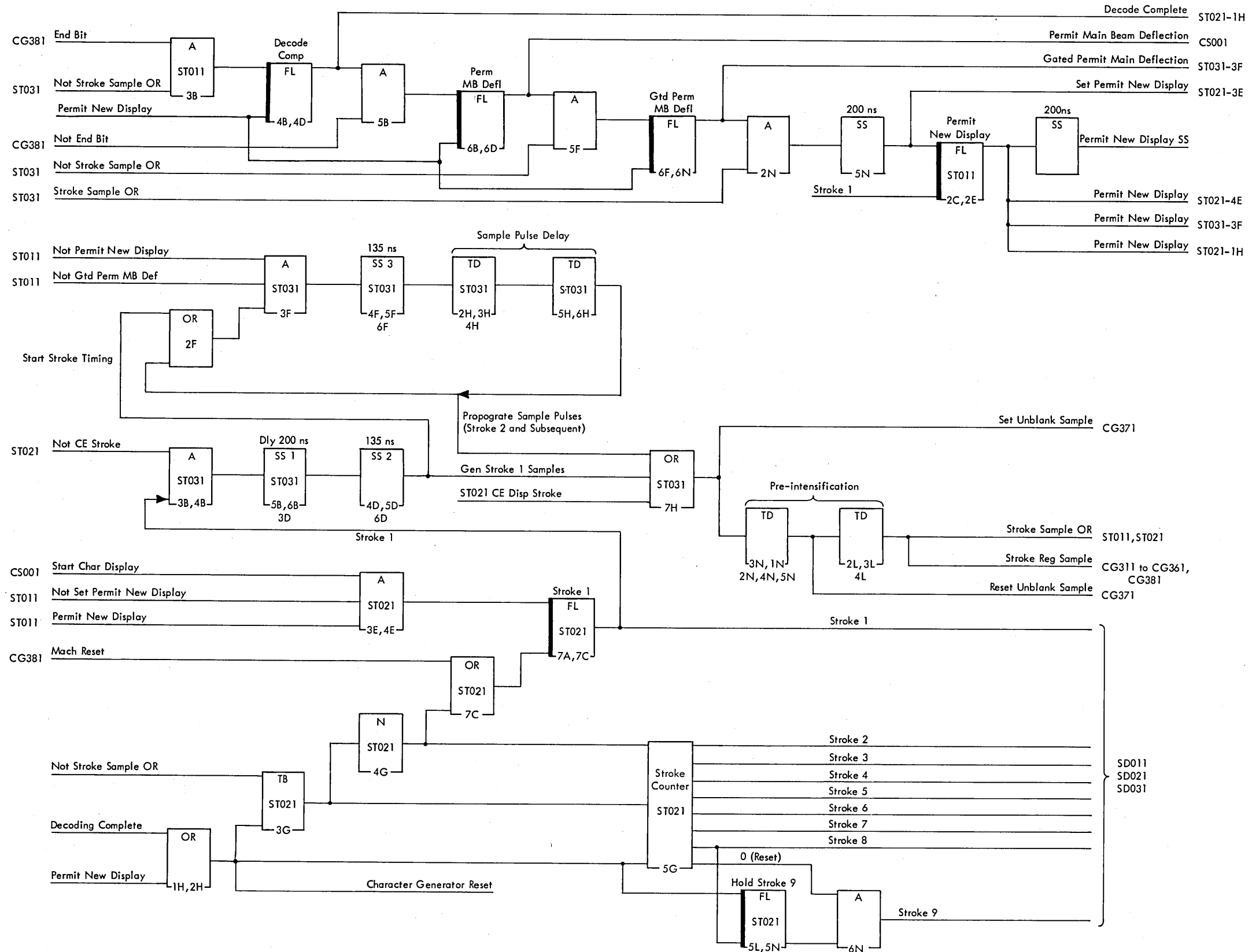


Figure 5017. Stroke Timing and Control

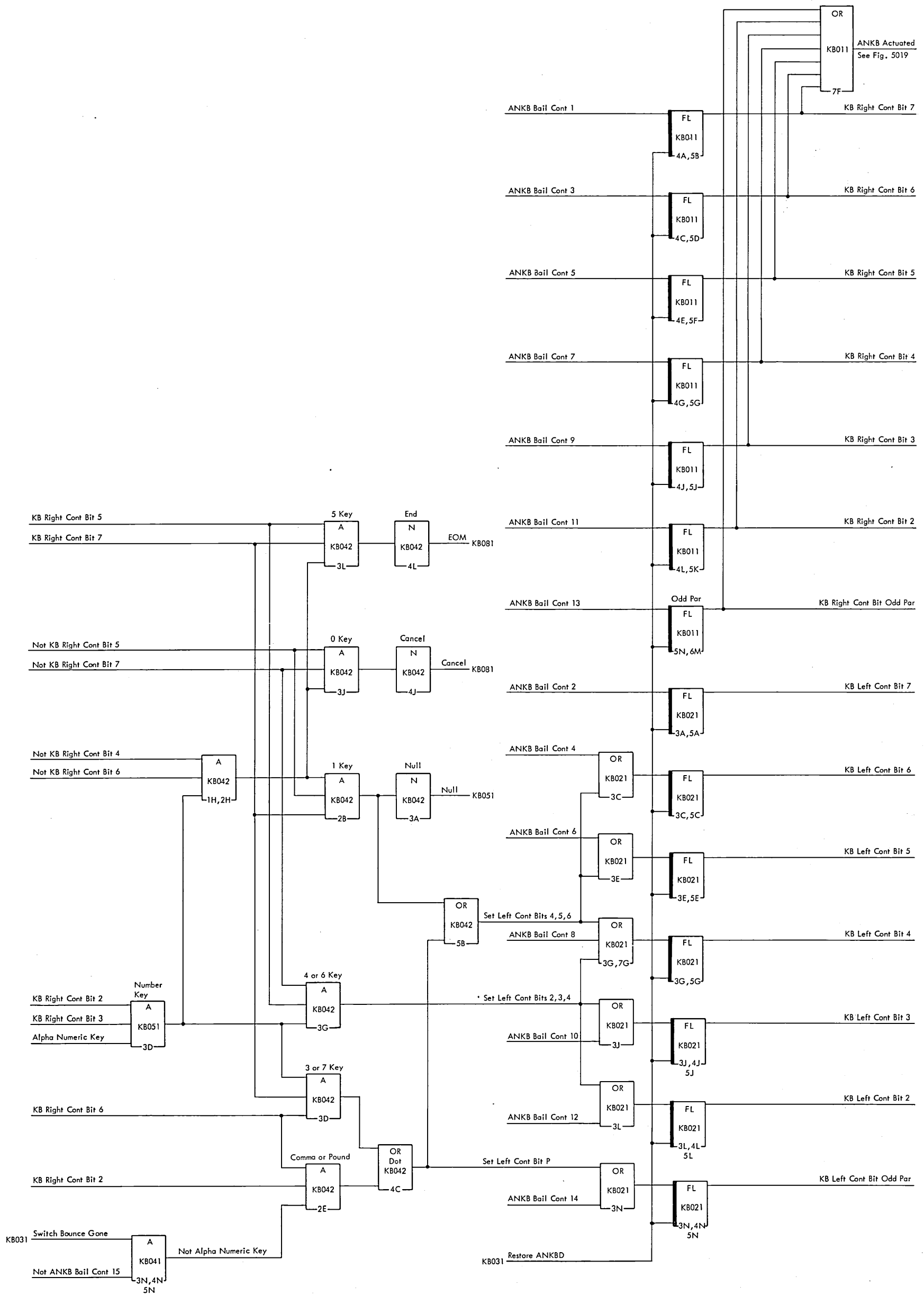


Figure 5018. A/N Keyboard Data Encoding Diagram

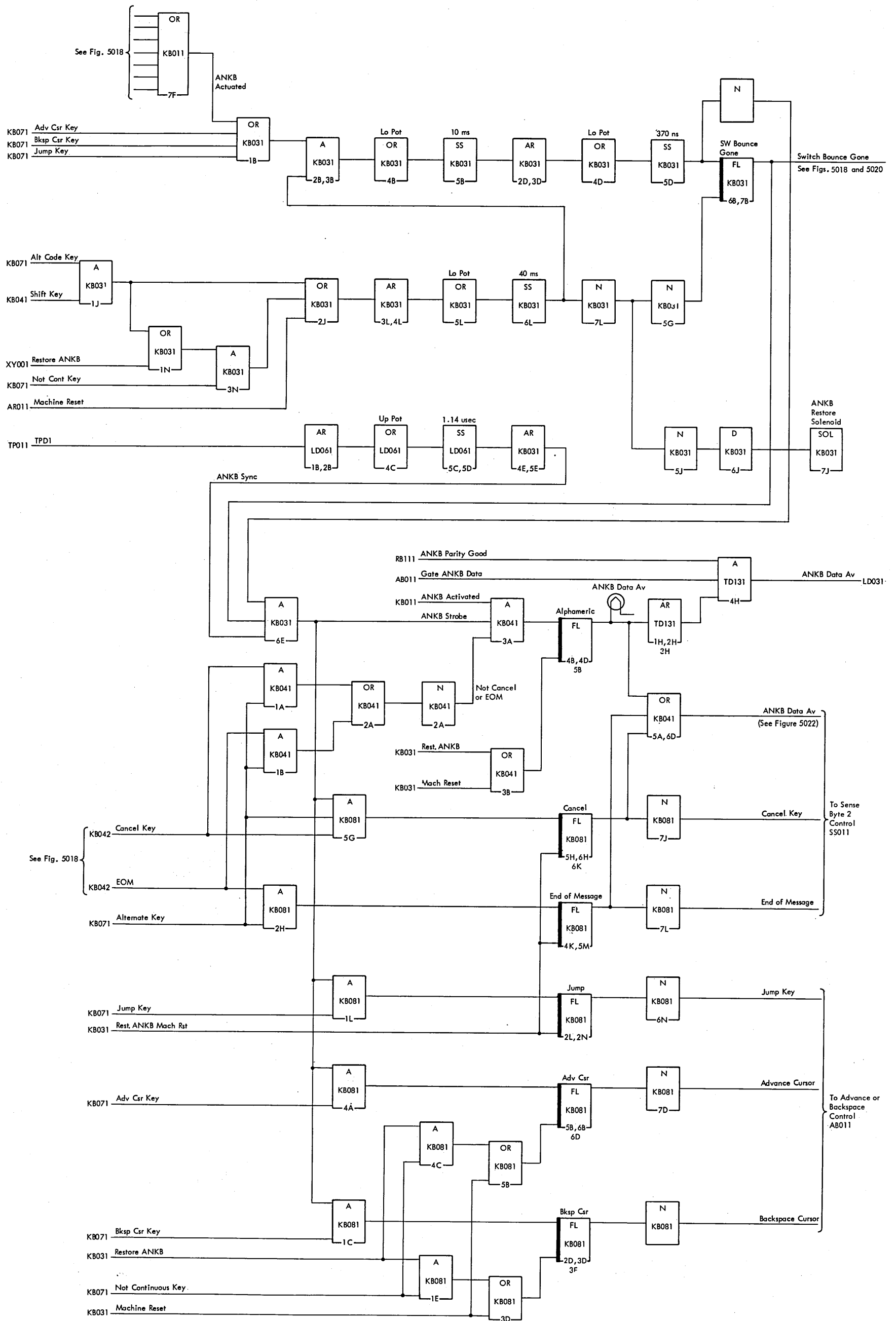


Figure 5019. A/N Keyboard Sense and Cursor Data Generation

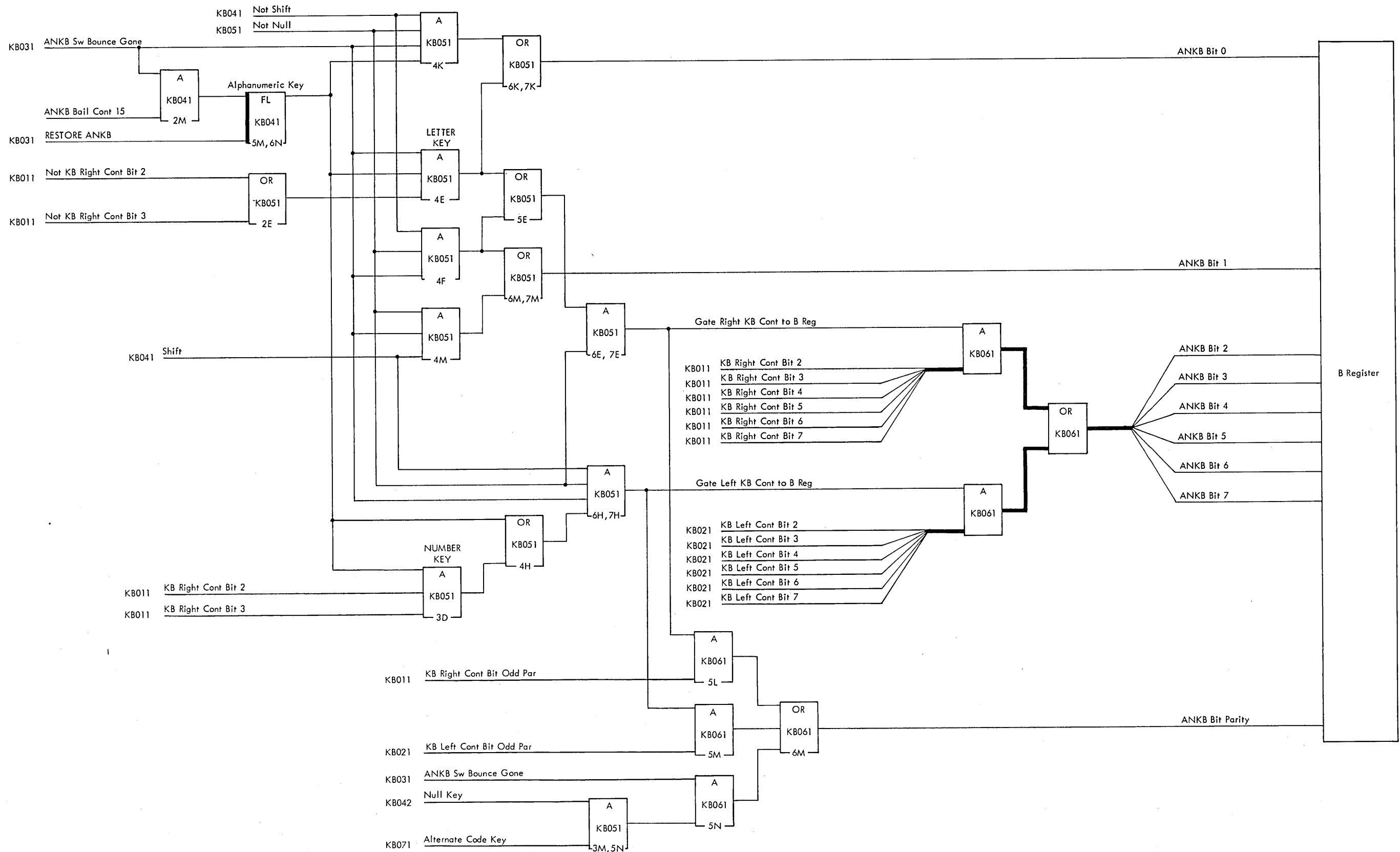


Figure 5020. A/N Keyboard Code Generation and Transfer

See FIGURE 4-2 of FETOM

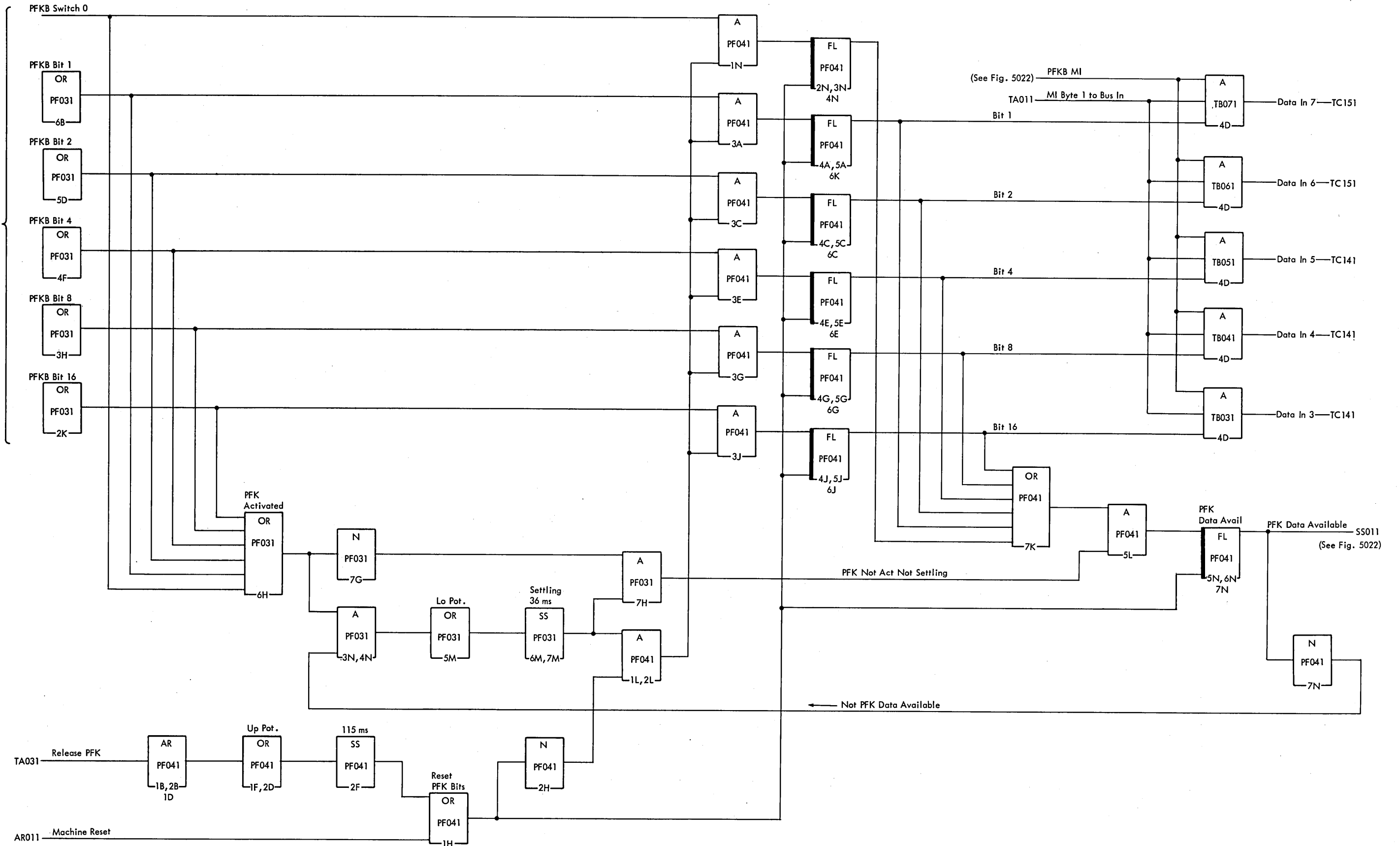


Figure 5021. Program Function Keyboard Data Encode and Entry

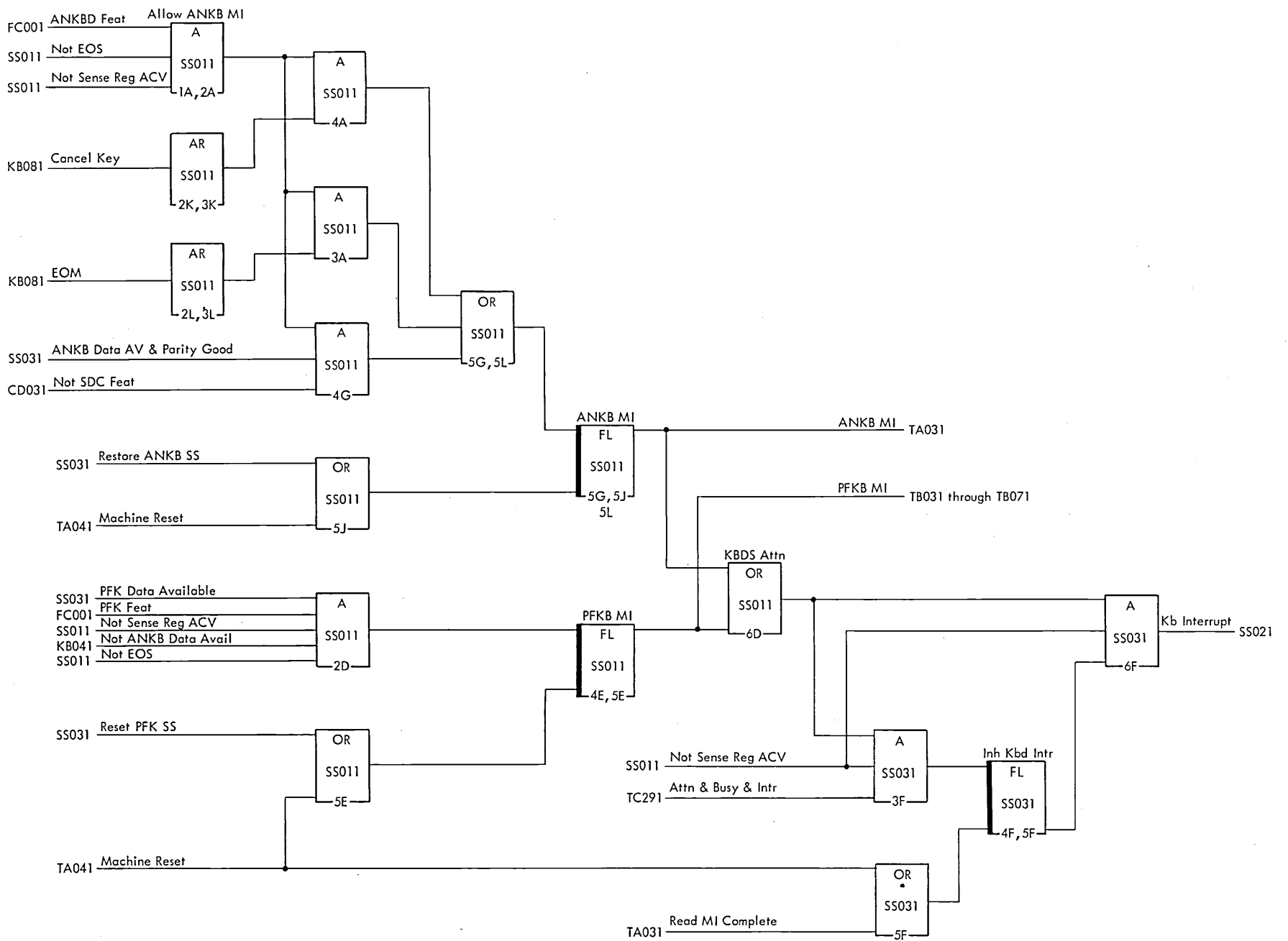


Figure 5022. A/N and PF Keyboards Interrupt

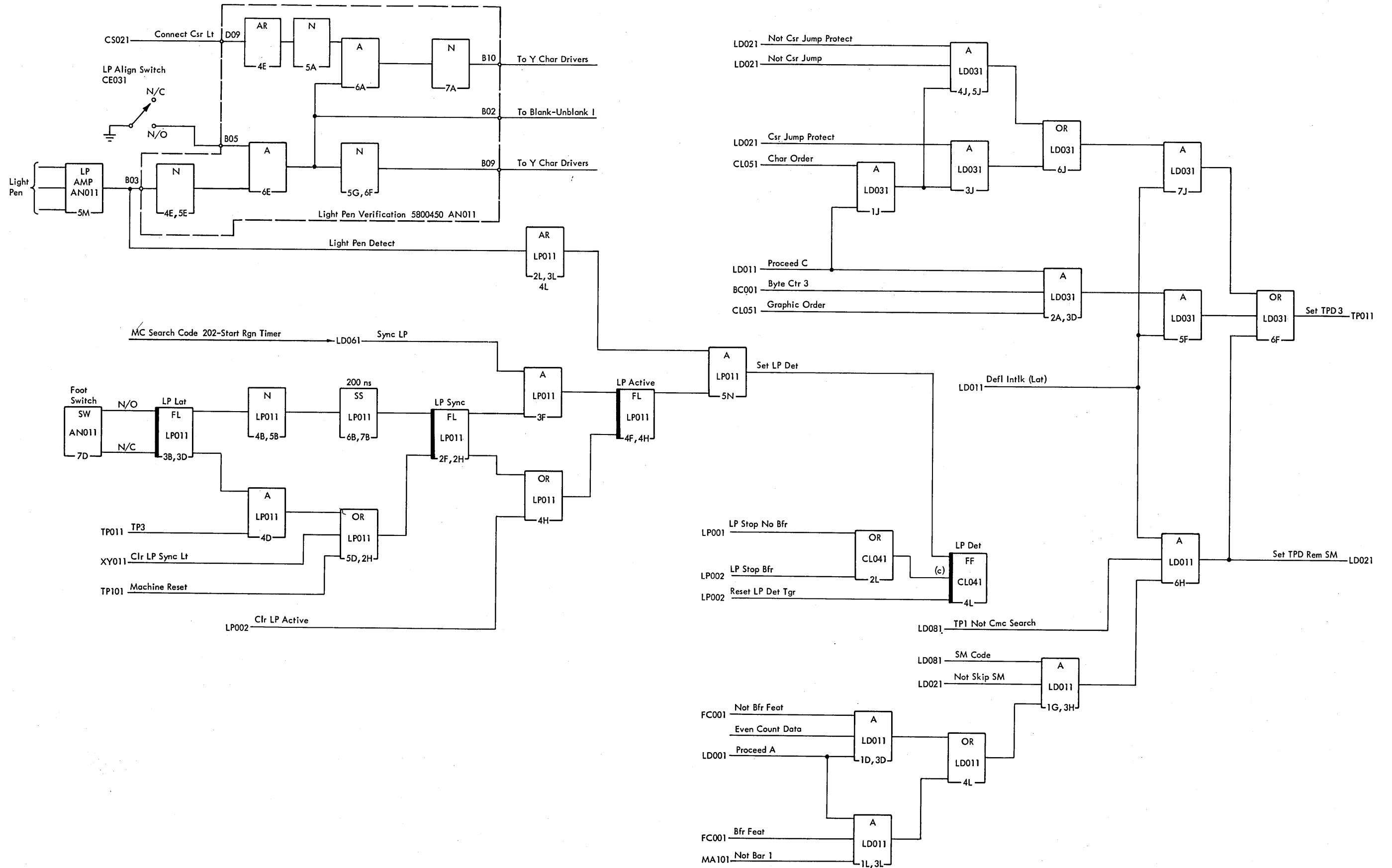


Figure 5023. Light Pen Deflection

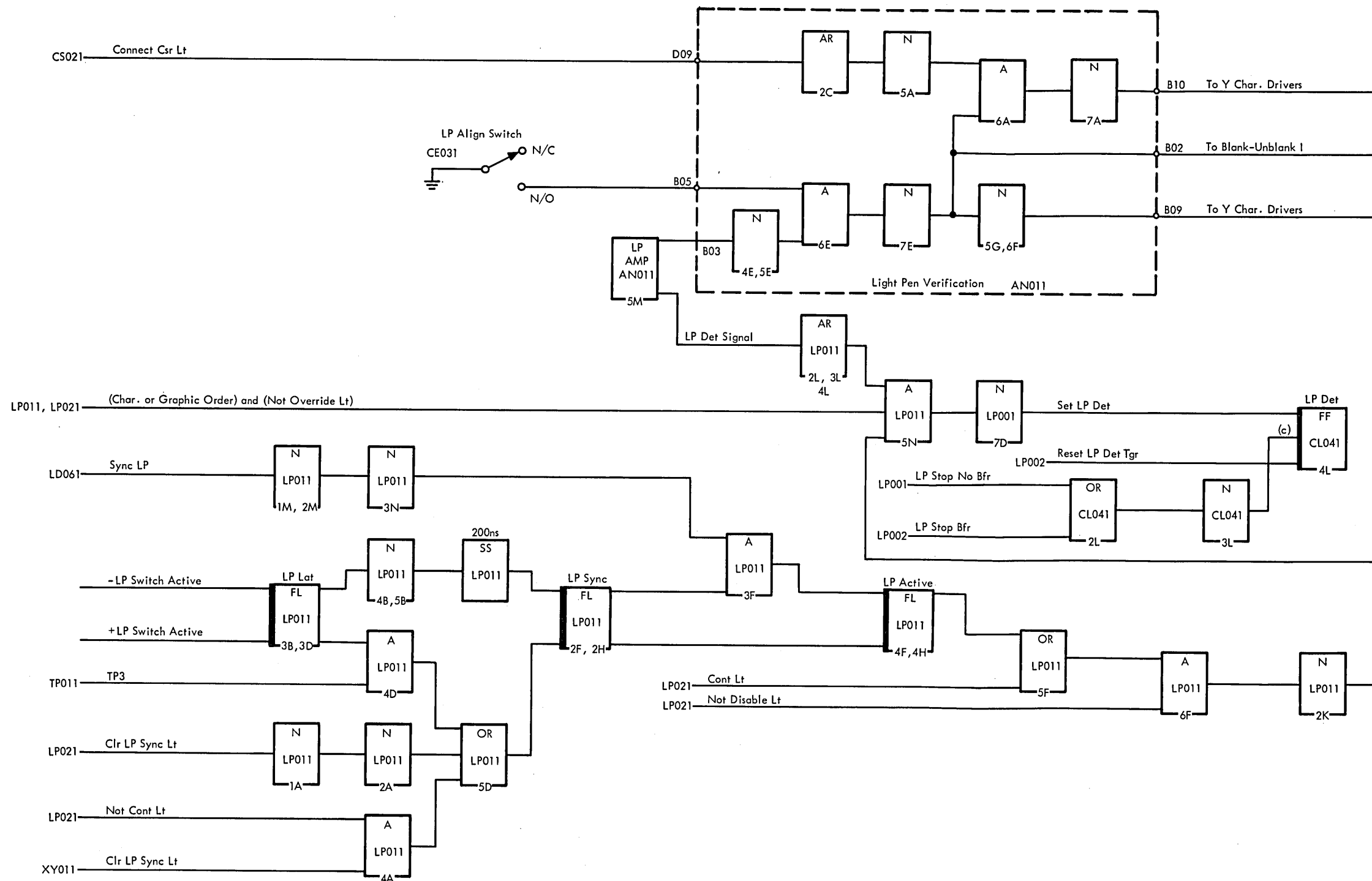


Figure 5023GDF. Light Pen Deflection (for GDF Machines)

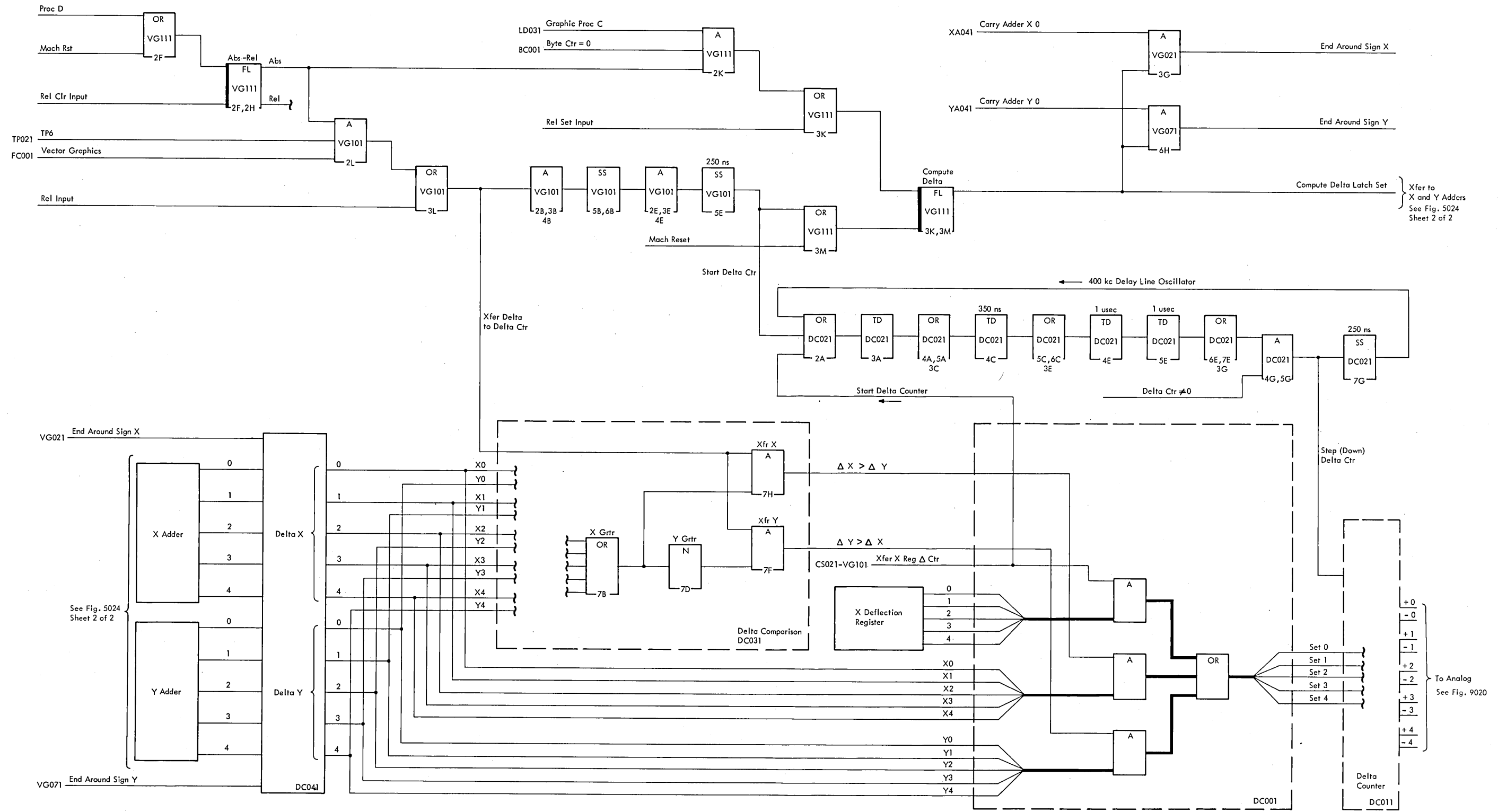


Figure 5024. Absolute Vector Graphics Control (Sheet 1 of 2)

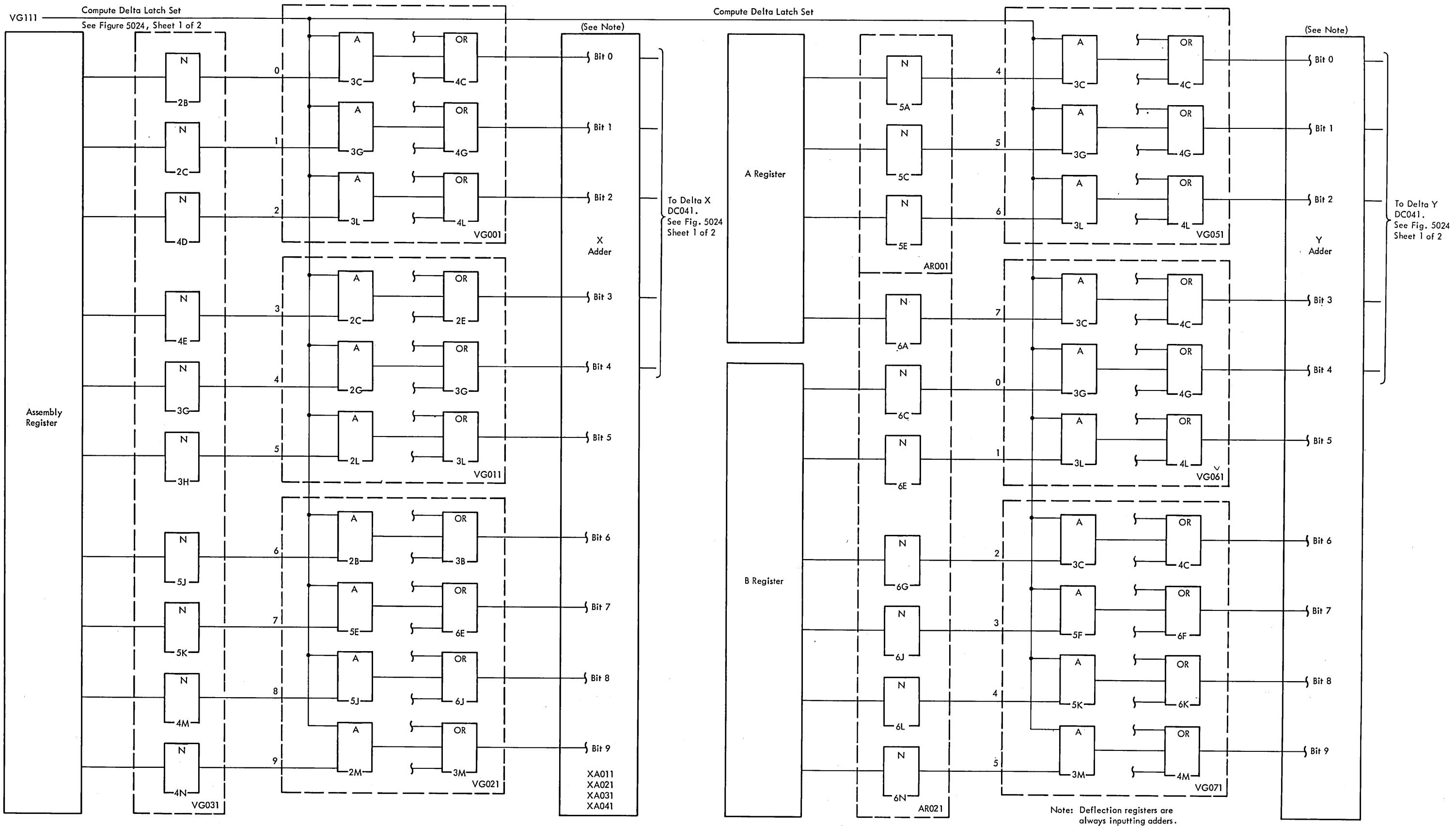


Figure 5024. Absolute Vector Graphics Control (Sheet 2 of 2)

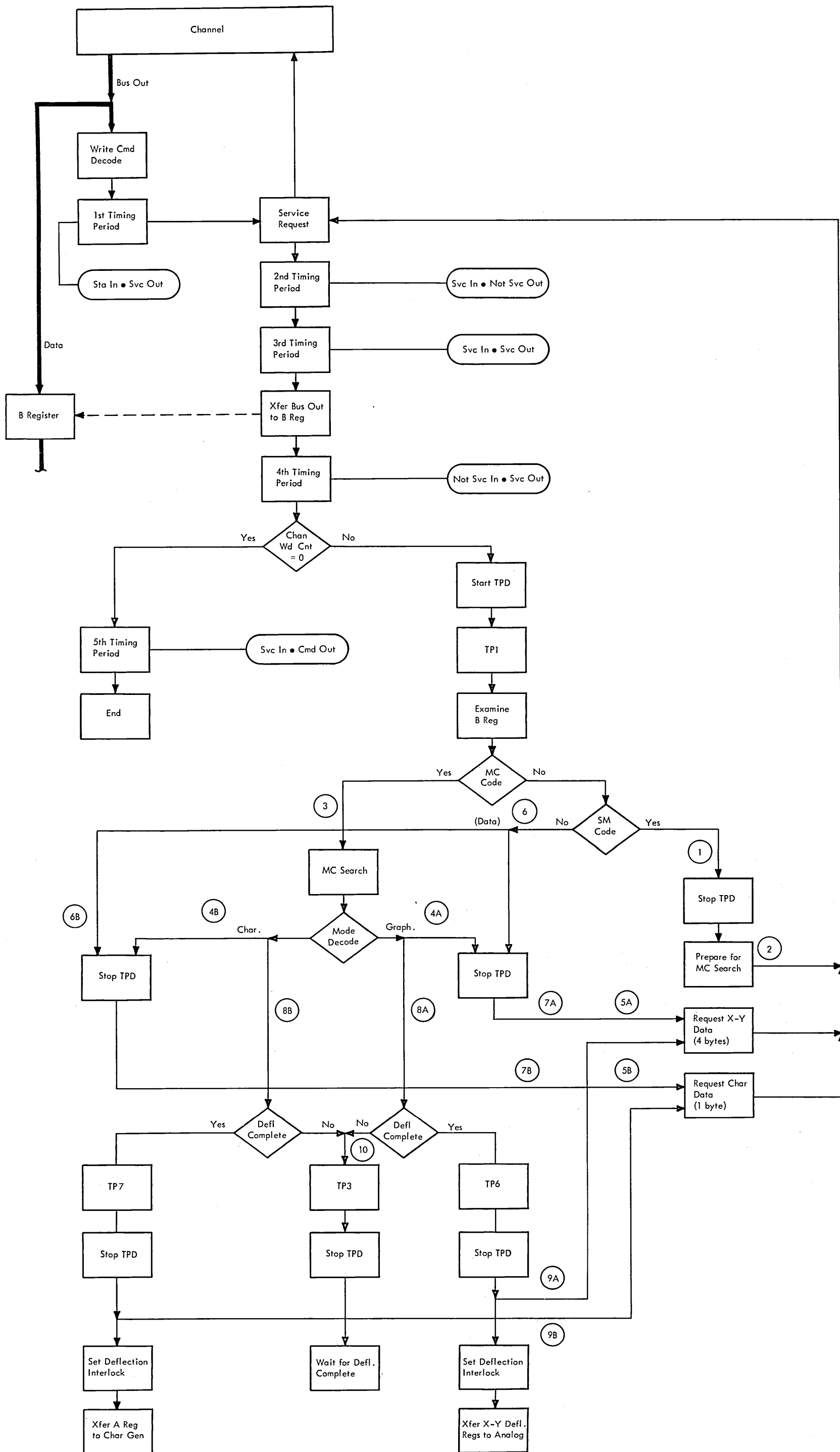


Figure 6000. Write Direct Command Process, Simplified Flow Chart

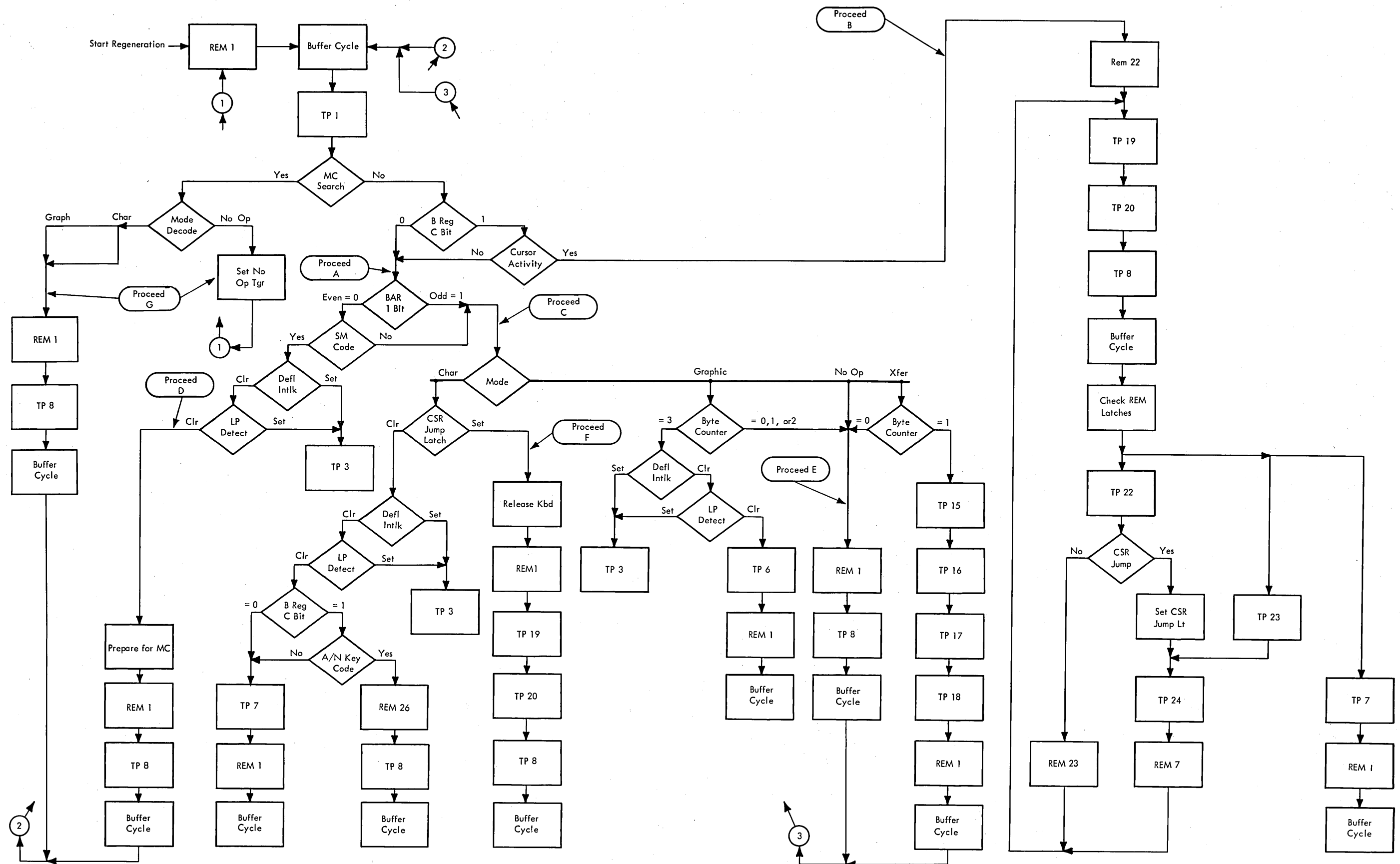


Figure 6001. Buffer Regeneration Timing Sequence, Simplified Flow Chart

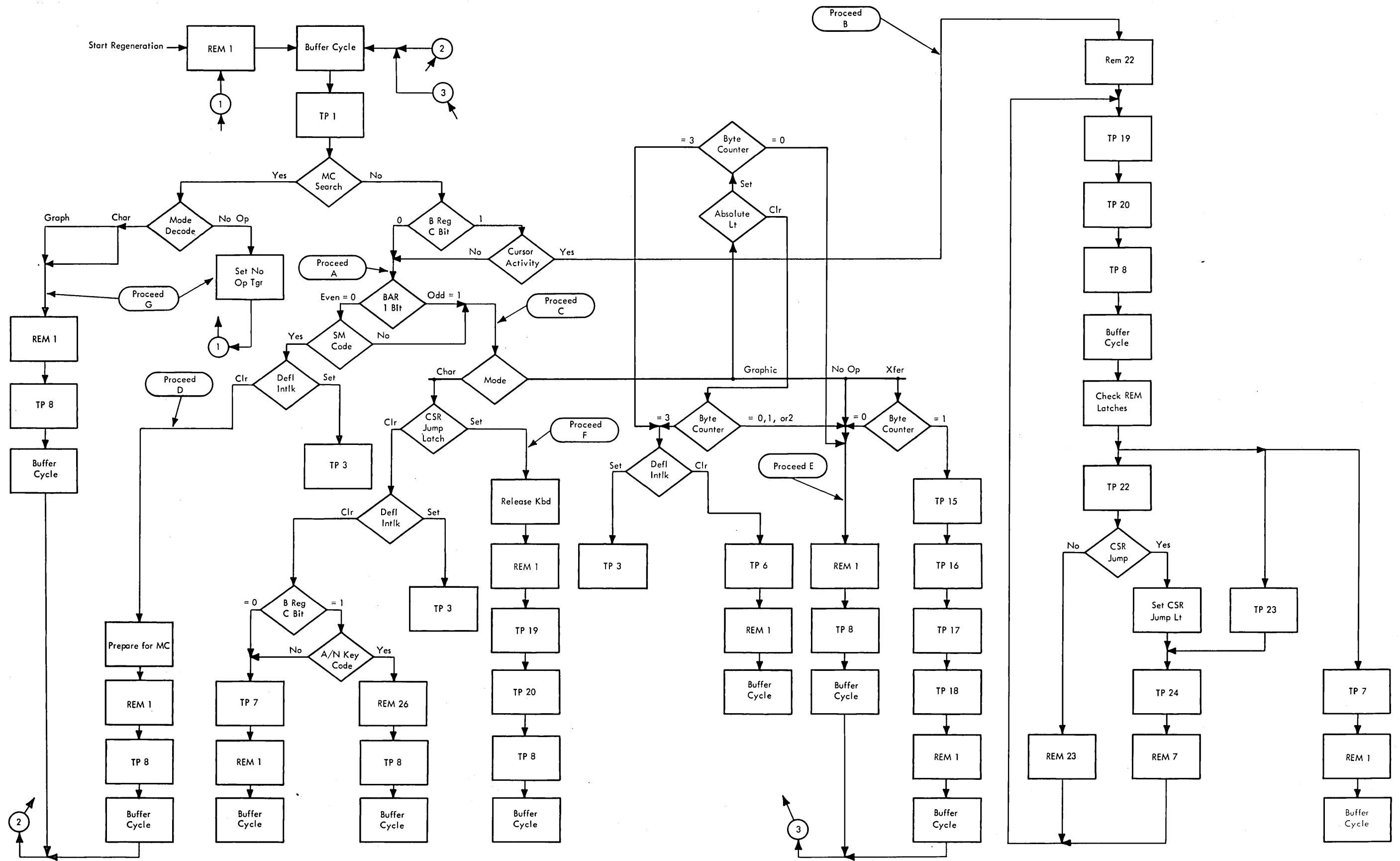


Figure 6001GDF. Buffer Regeneration Timing Sequence, Simplified Flow Chart (for GDF Machines)

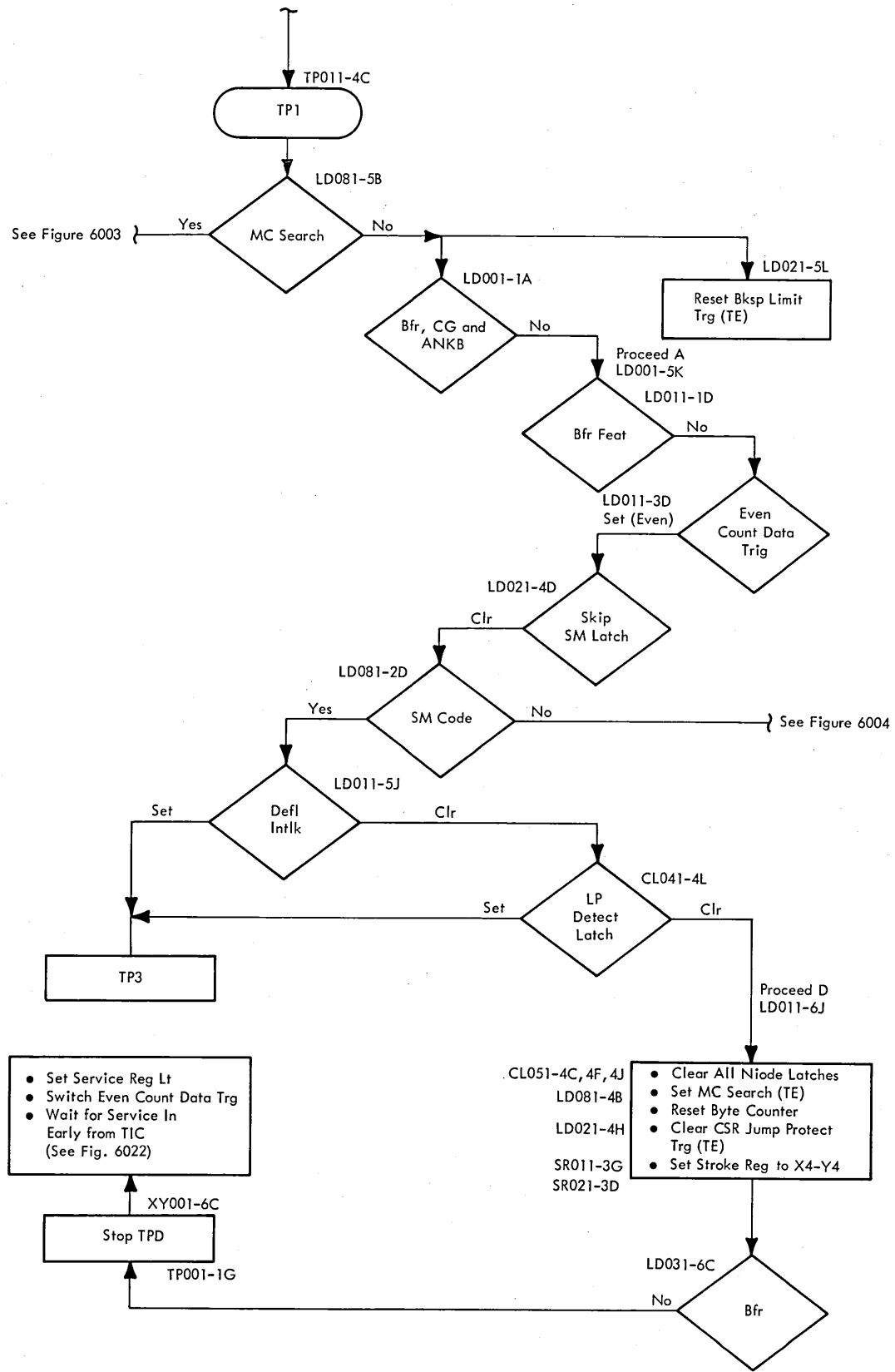


Figure 6002. SM Search-Write, No Buffer, Flow Chart

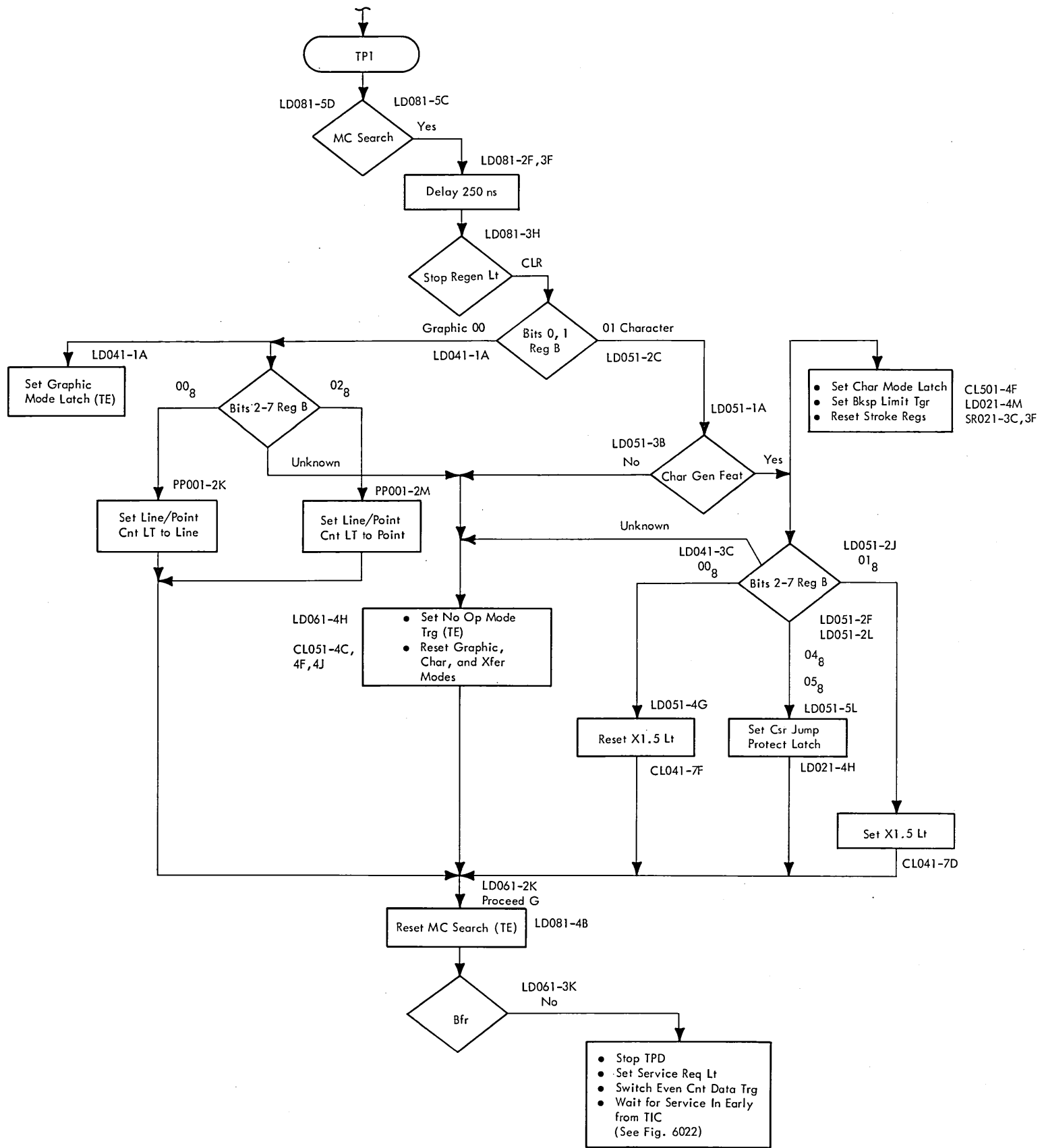


Figure 6003. MC Search-Write, No Buffer, Flow Chart

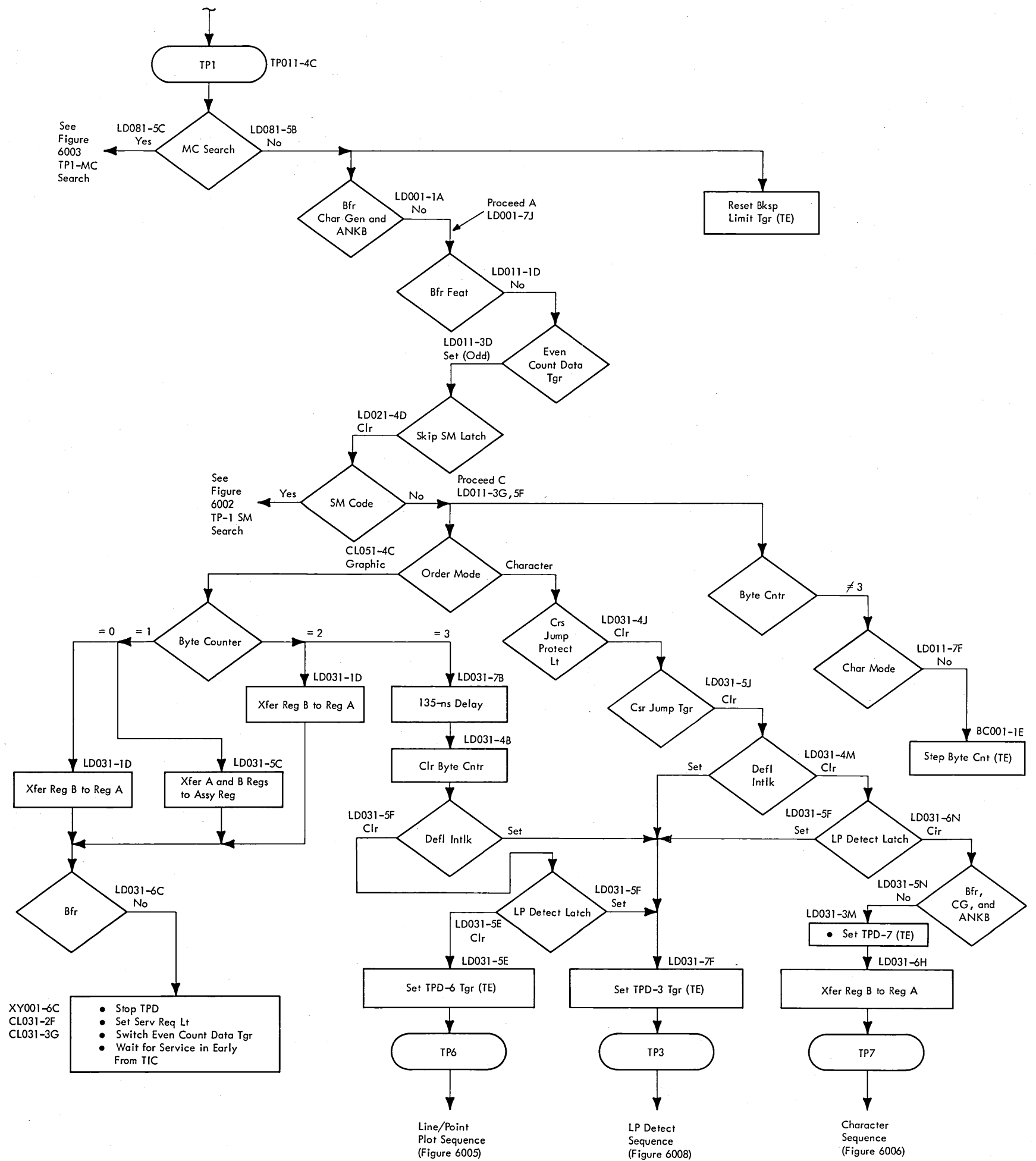


Figure 6004. Mode Sequence - Graphic or Character No Buffer, Flow Chart

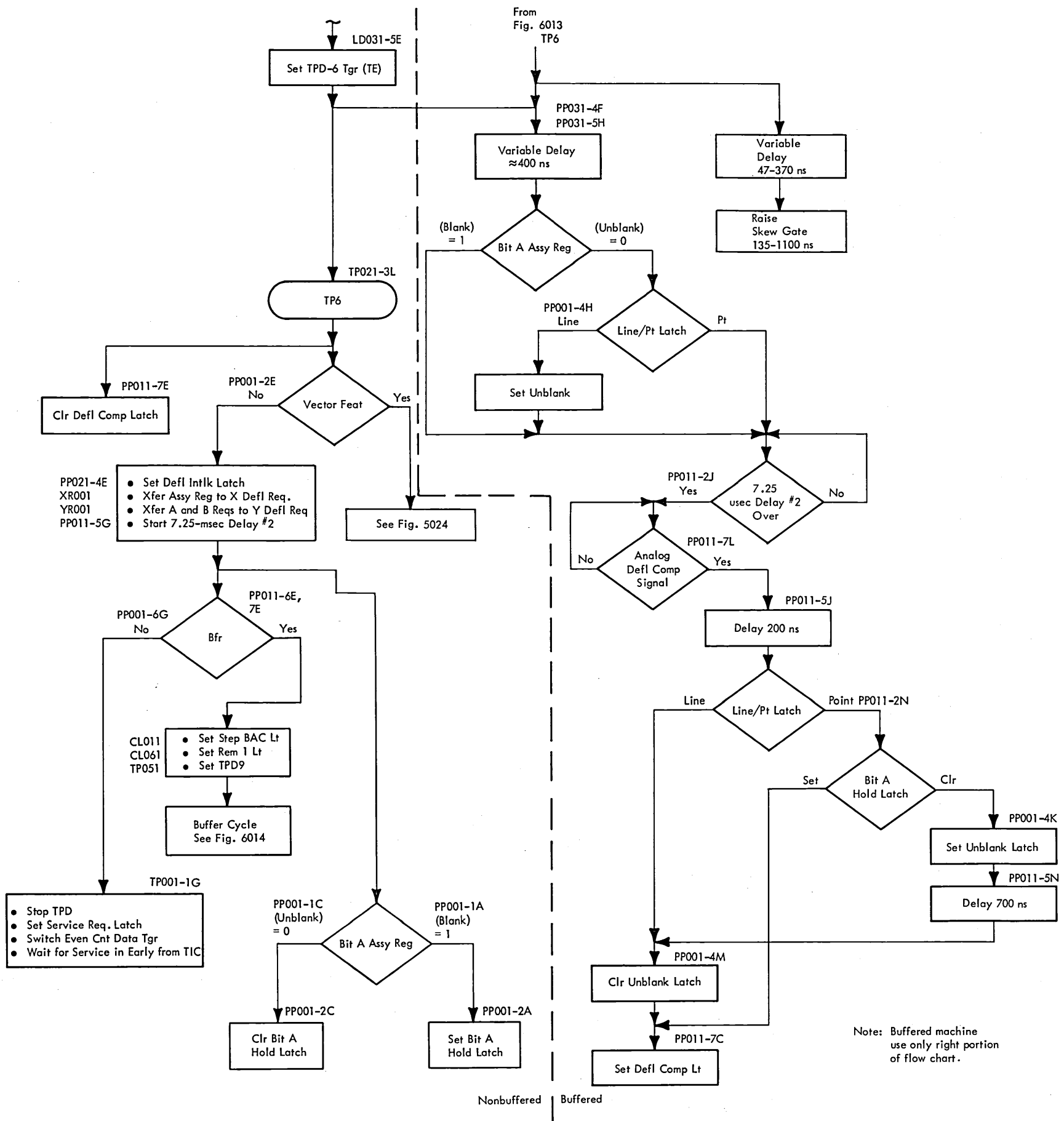


Figure 6005. Line/Point Sequence, Flow Chart

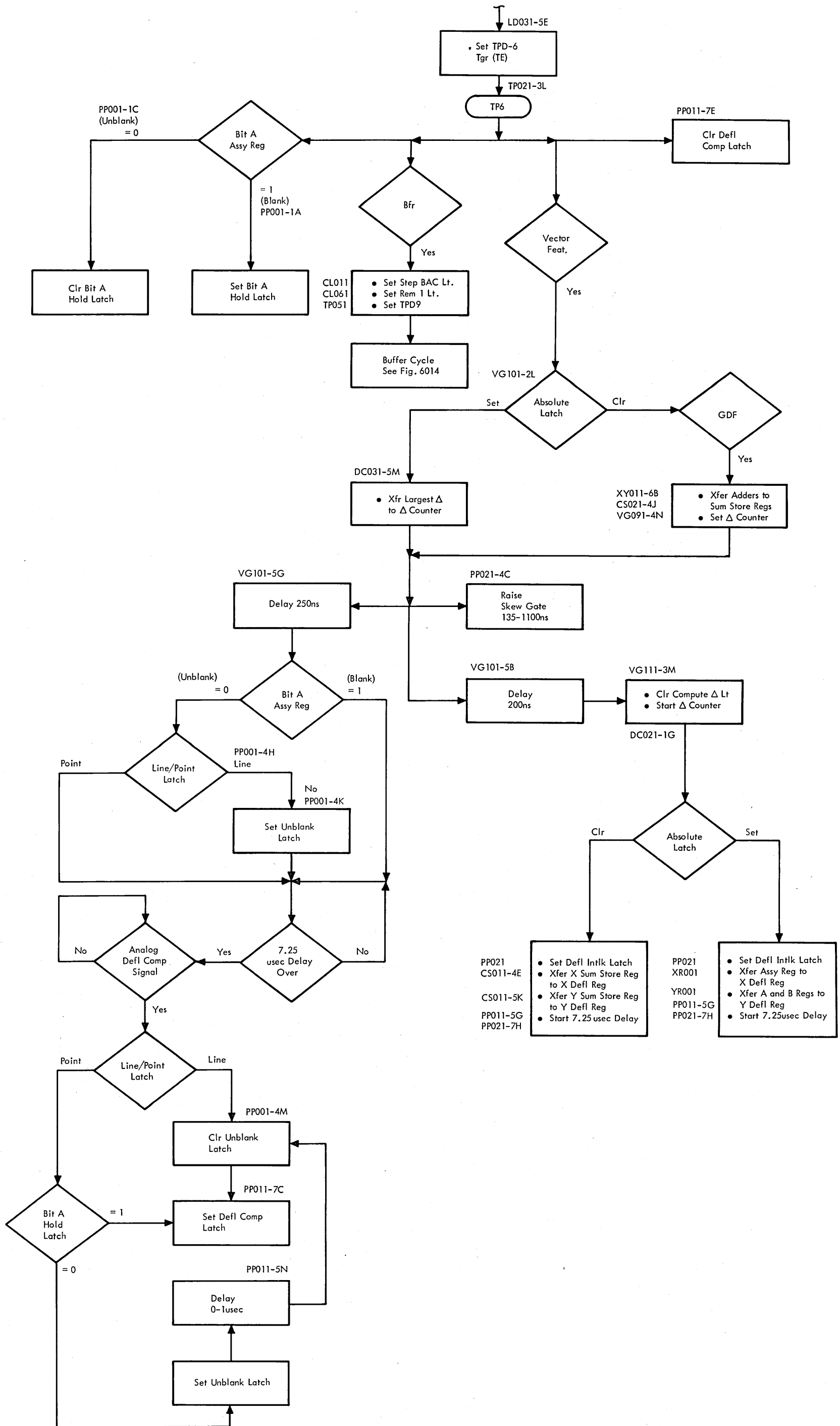


Figure 6005GDF. Line/Point Sequence, Flow Chart (for GDF Machines)

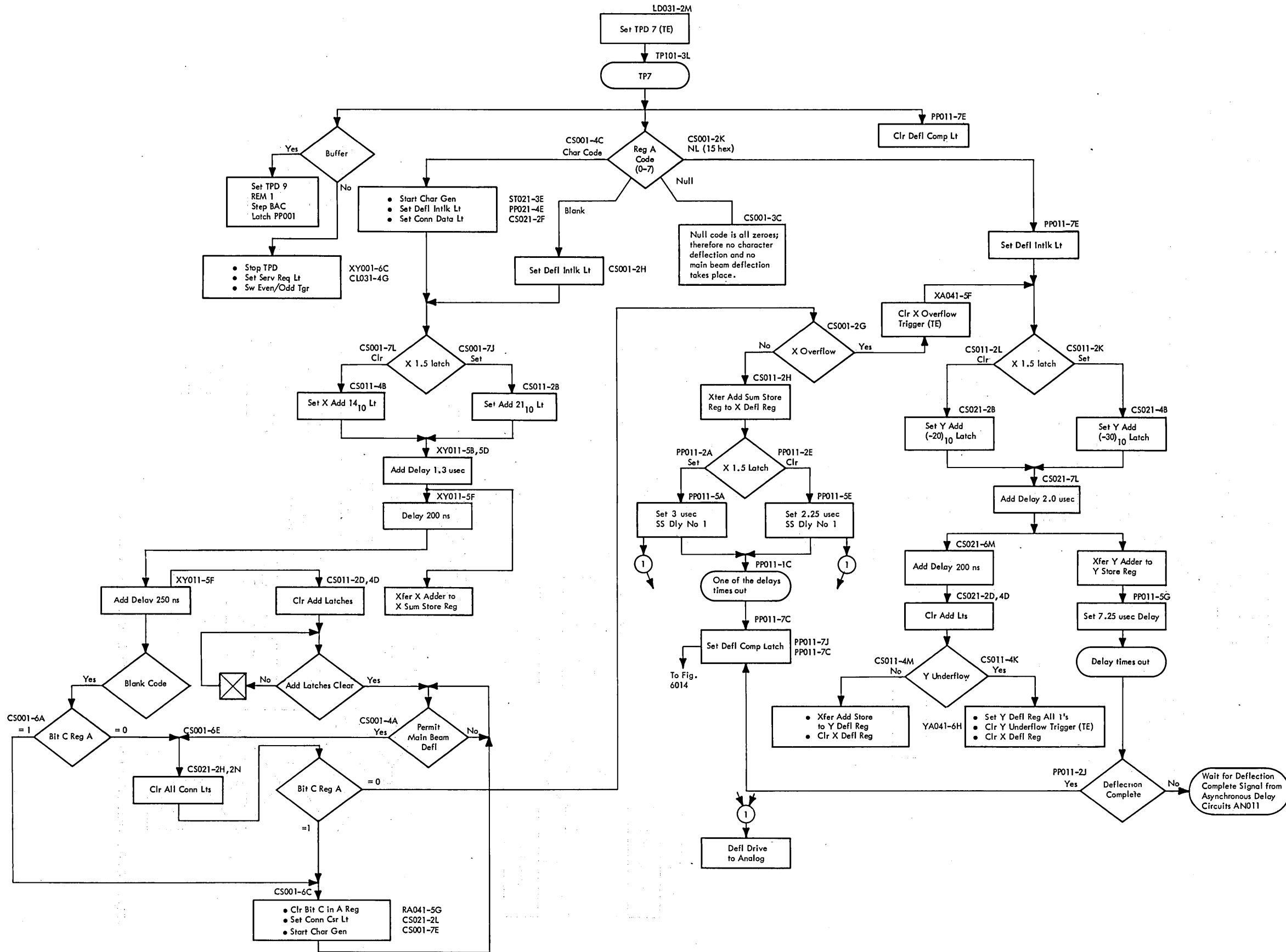
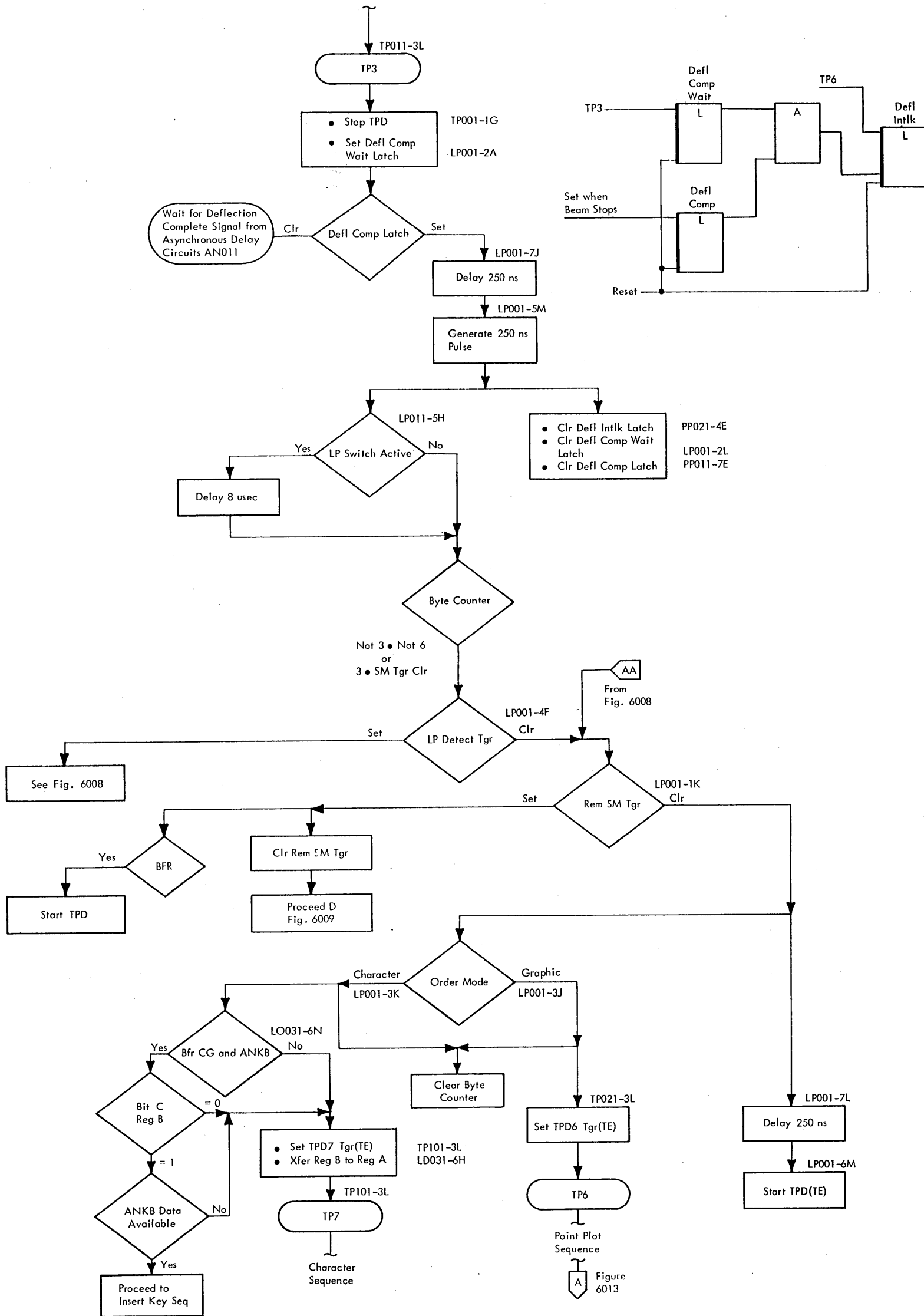


Figure 6006. Character Sequence, Flow Chart



●Figure 6007. Deflection Interlock Wait (No LP Detect) Flow Chart

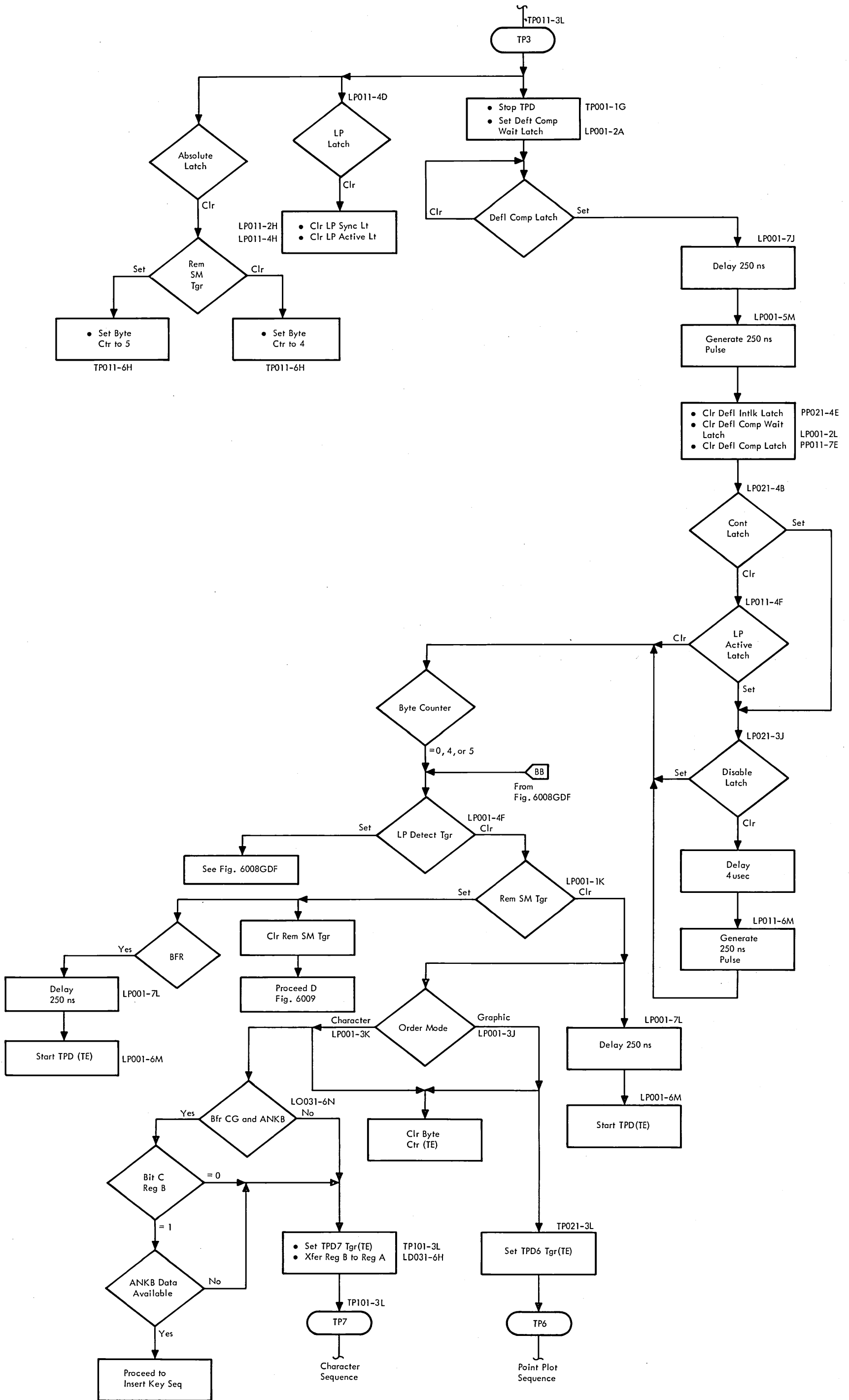


Figure 6007GDF. Deflection Interlock Wait (No LP Detect) Flow Chart (for GDF Machines)

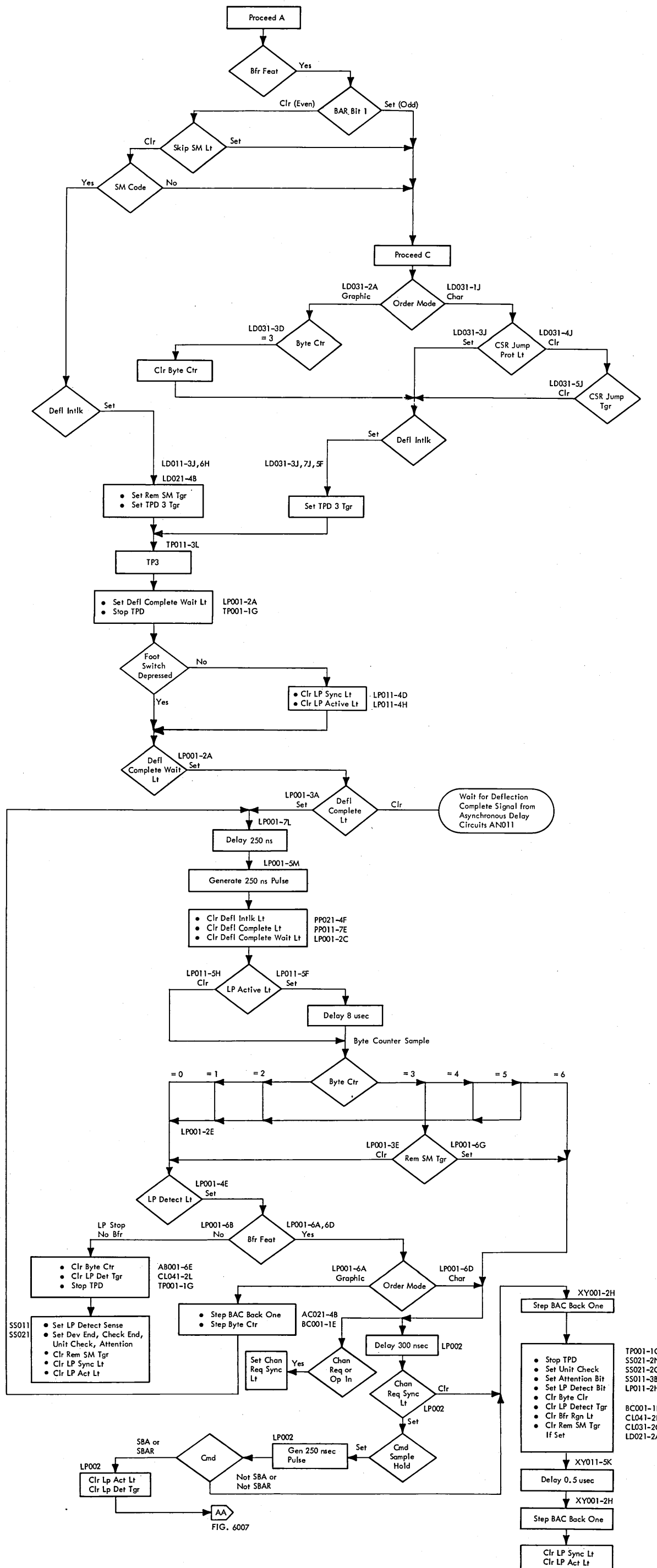


Figure 6008. Light Pen Detection Process, Flow Chart

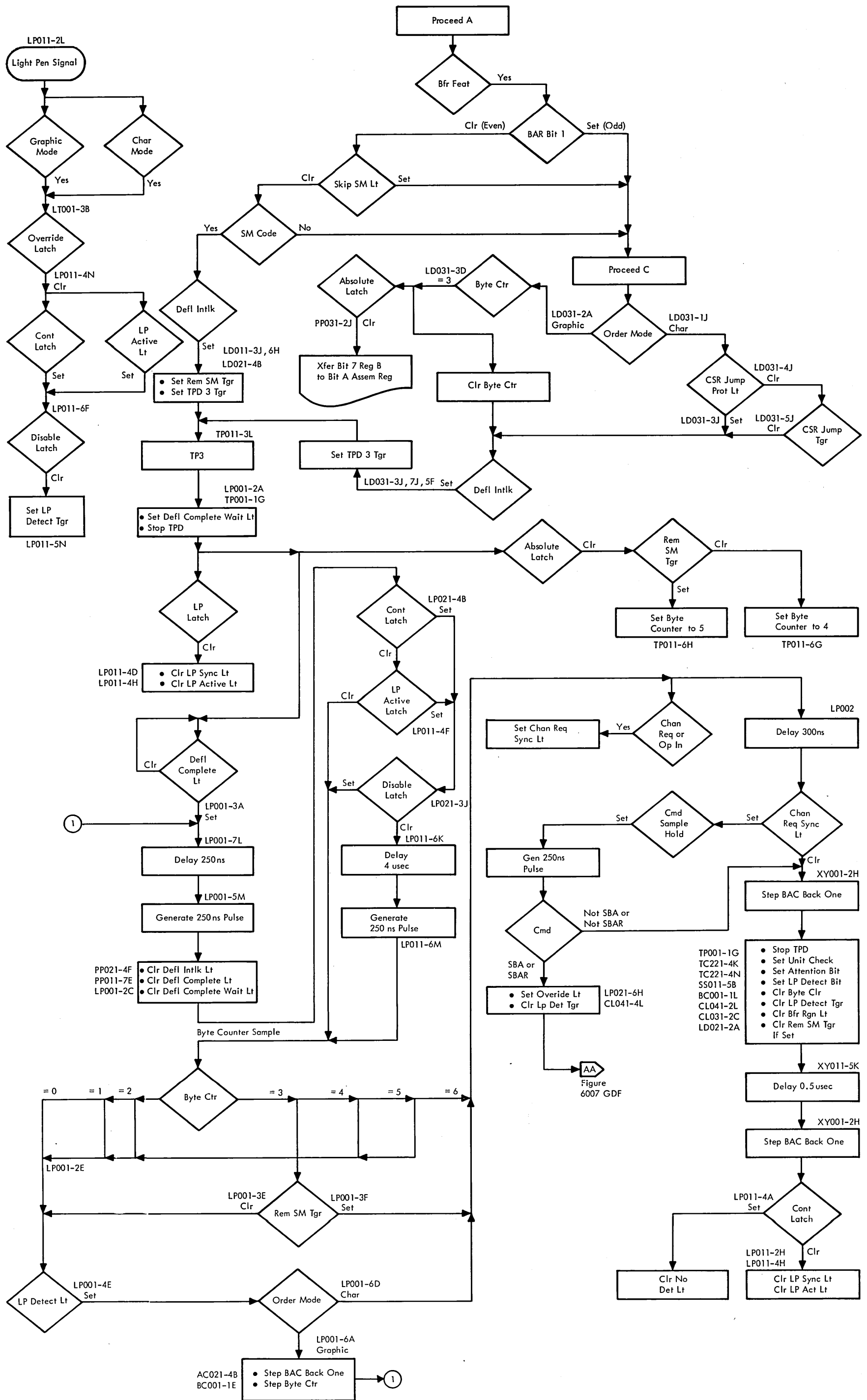
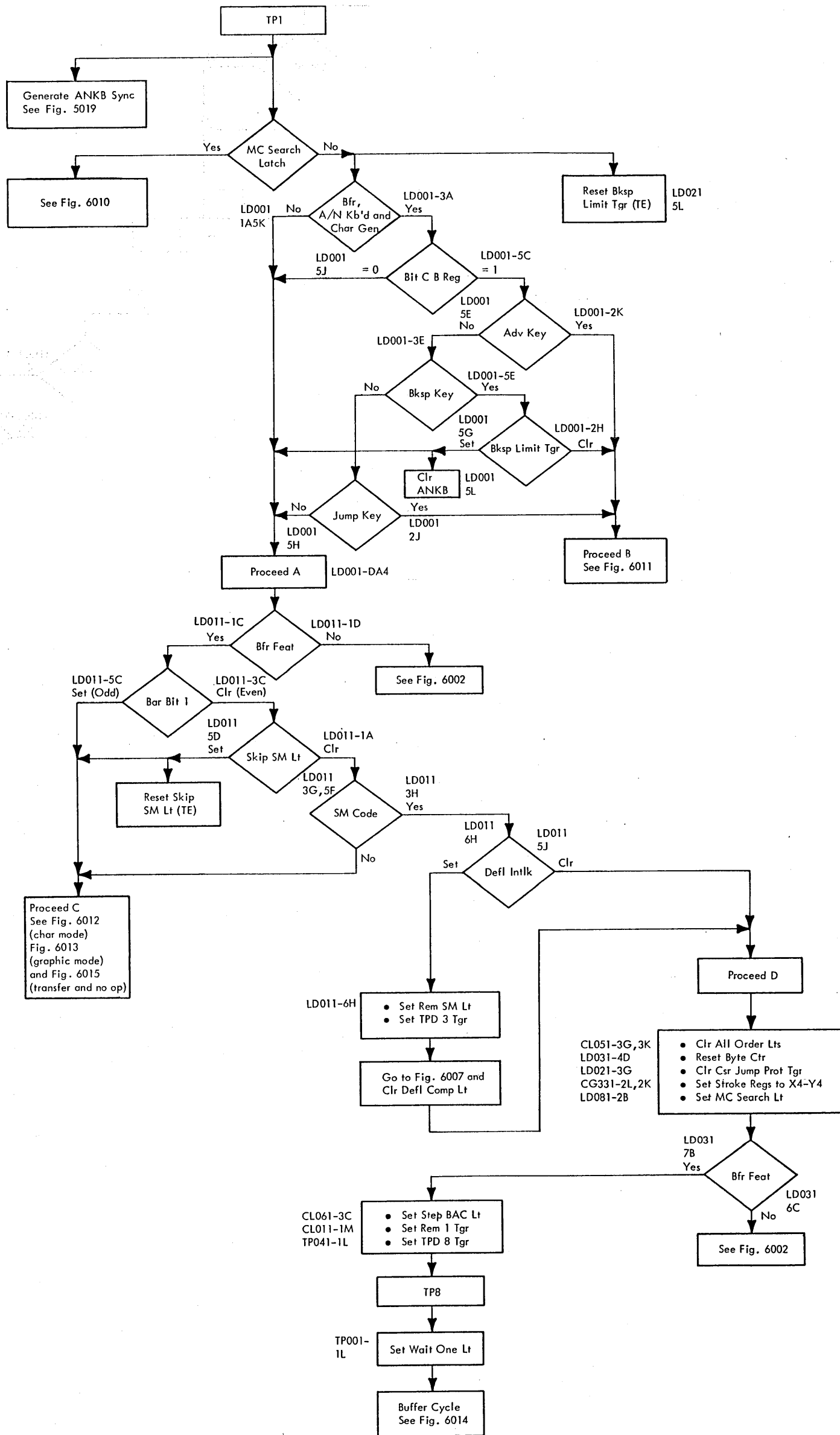


Figure 6008GDF. Light Pen Detection Process, Flow Chart (for GDF Machines)



•Figure 6009. Buffer Regeneration, Proceed A and Proceed D, SM Search, Flow Chart

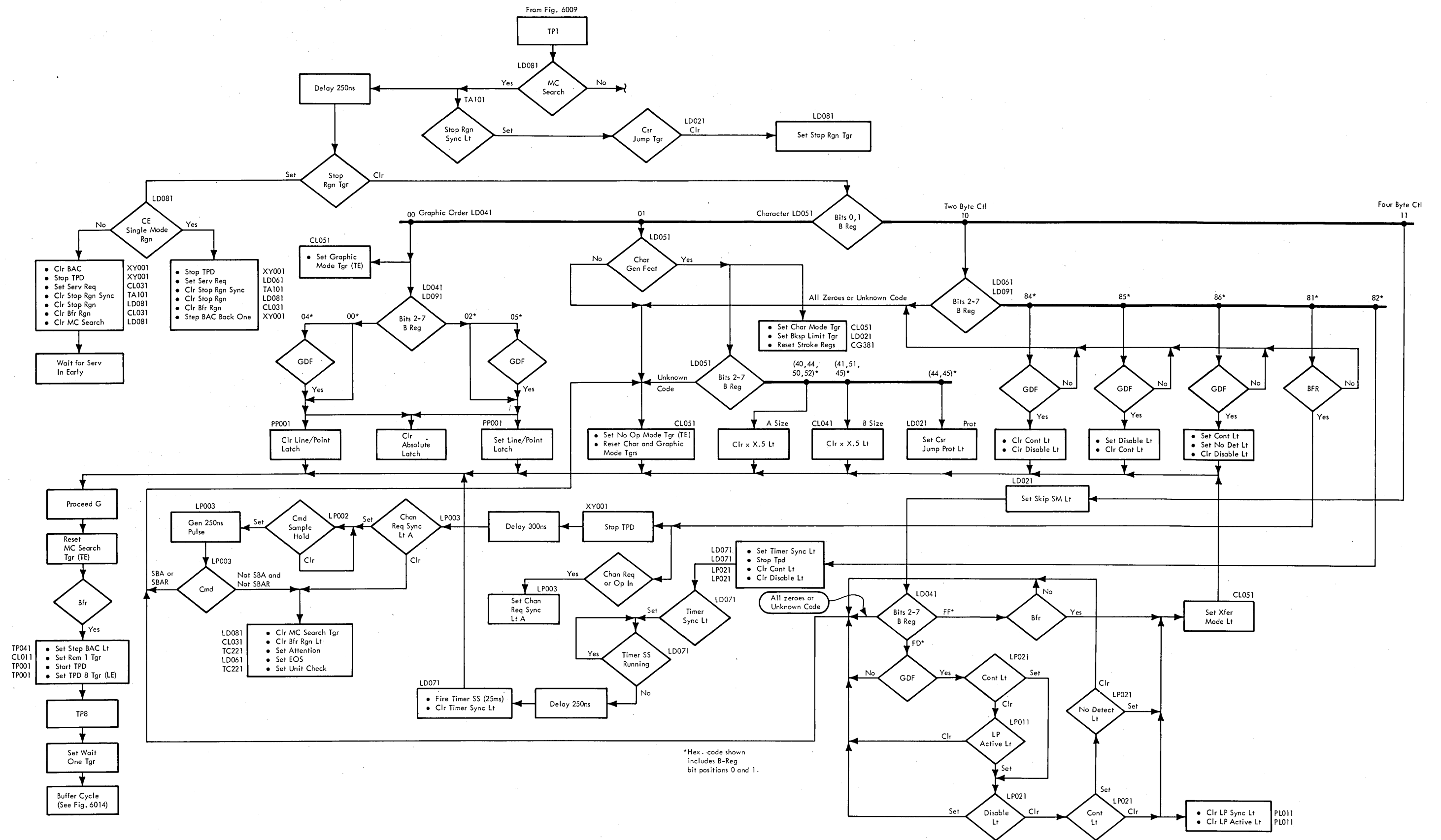


Figure 6010GDF. Buffer Regeneration, MC Search and Proceed G, Flow Chart (for GDF Machines)

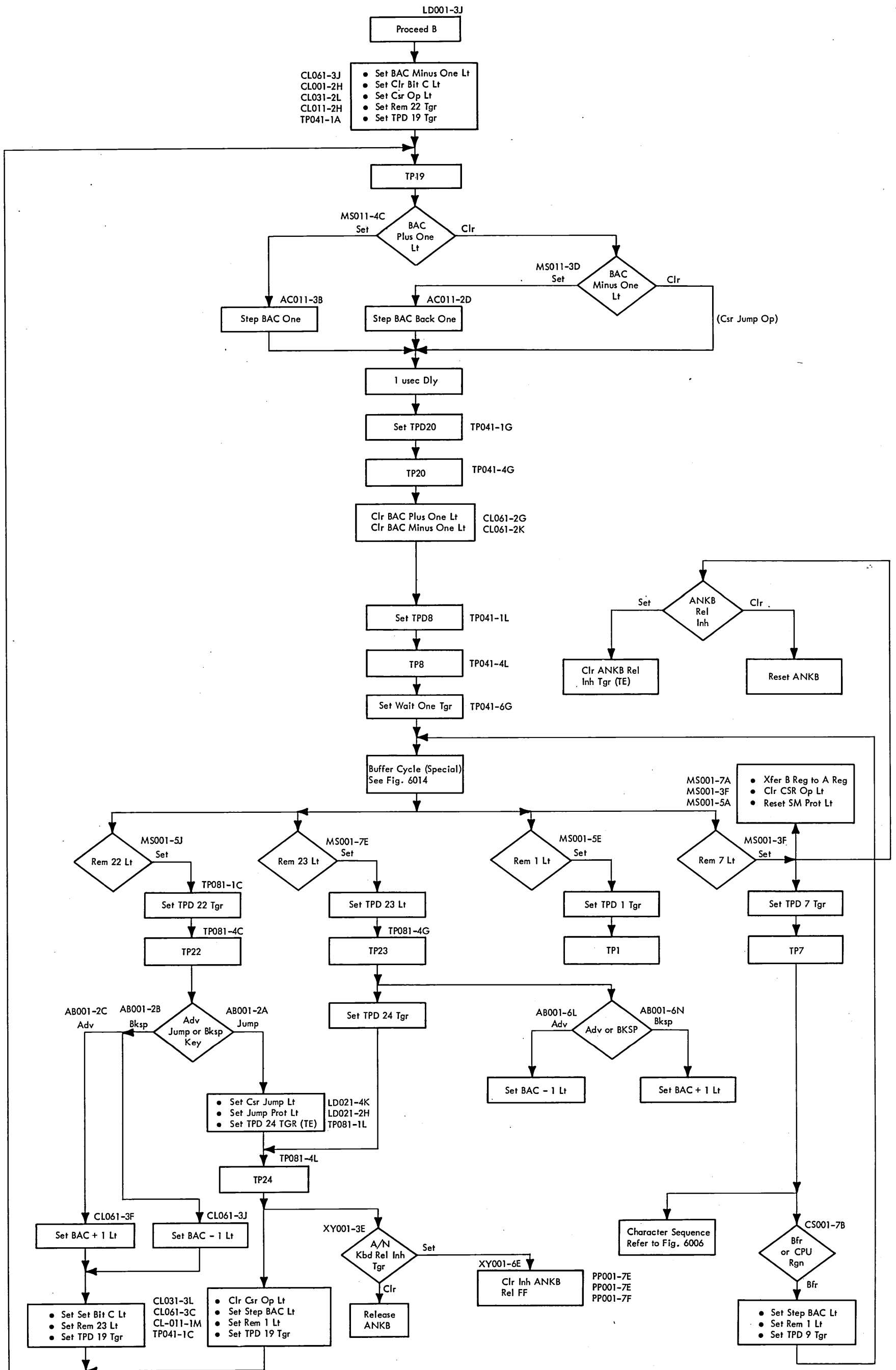
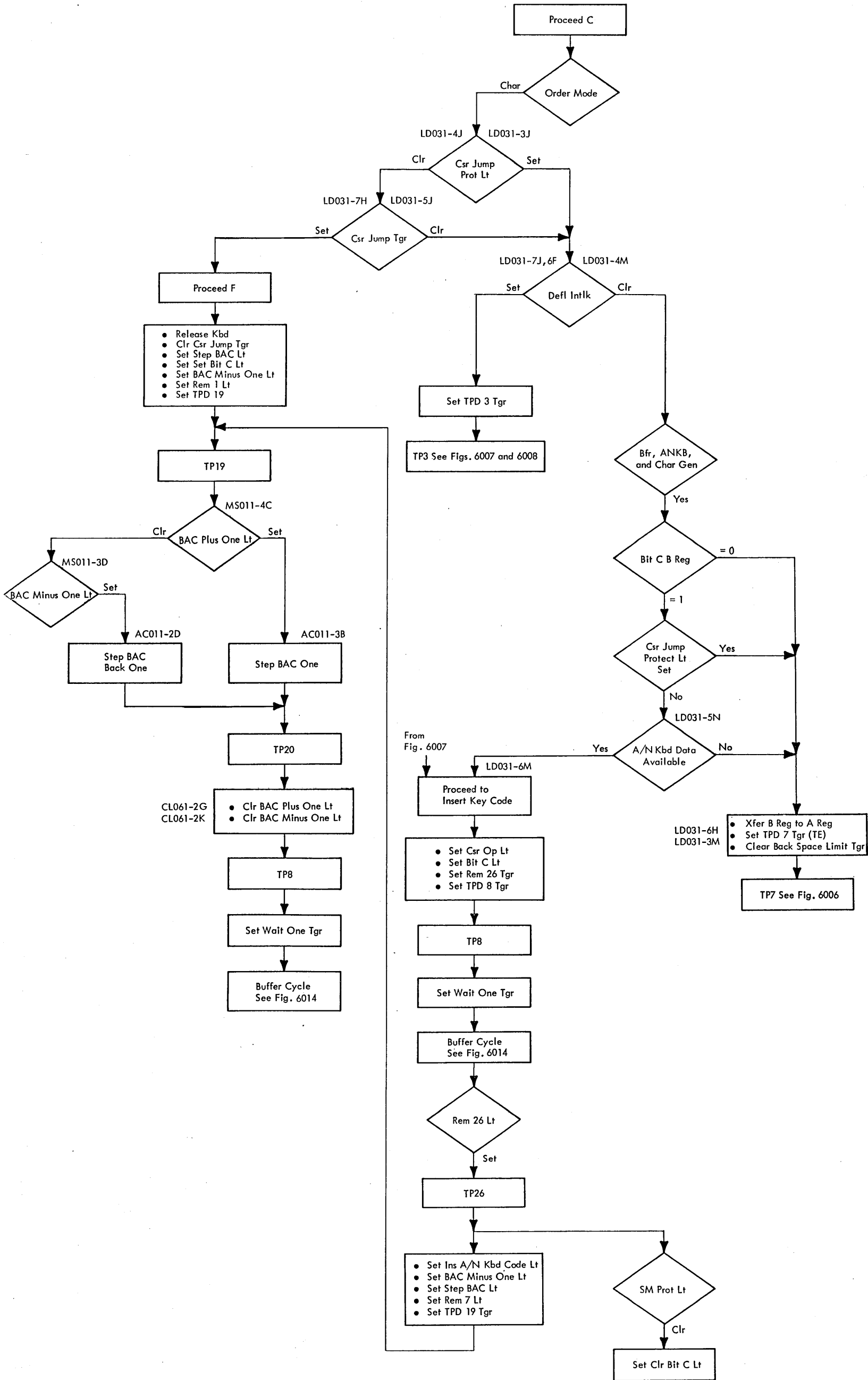
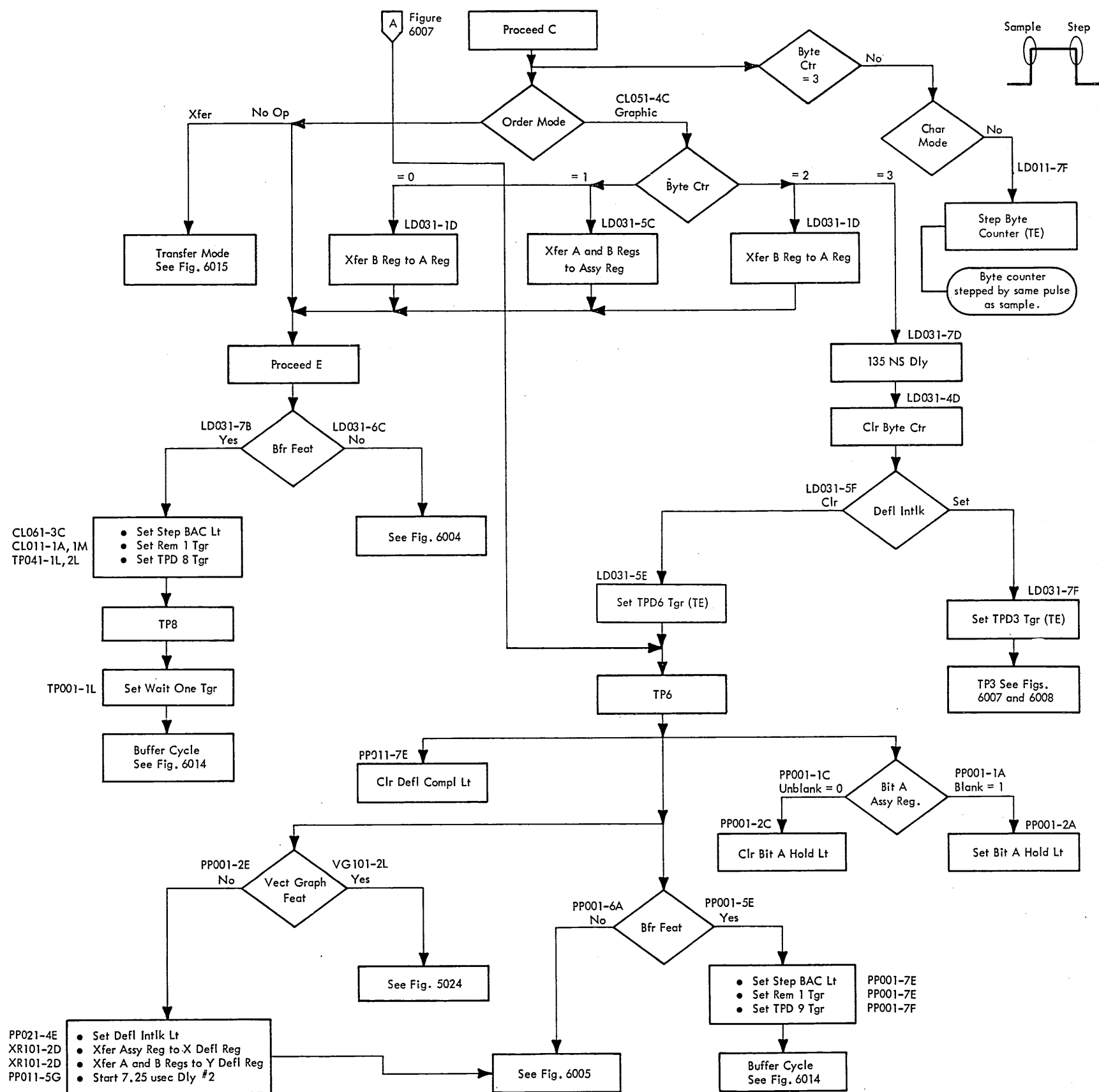


Figure 6011. Buffer Regeneration, Proceed B, Cursor Adjustment Process, Flow Chart



●Figure 6012. Buffer Regeneration, Proceed C and Proceed F, Character Mode, Flow Chart



●Figure 6013. Buffer Regeneration, Proceed C and Proceed E, Graphic, Transfer and No Op Modes, Flow Chart

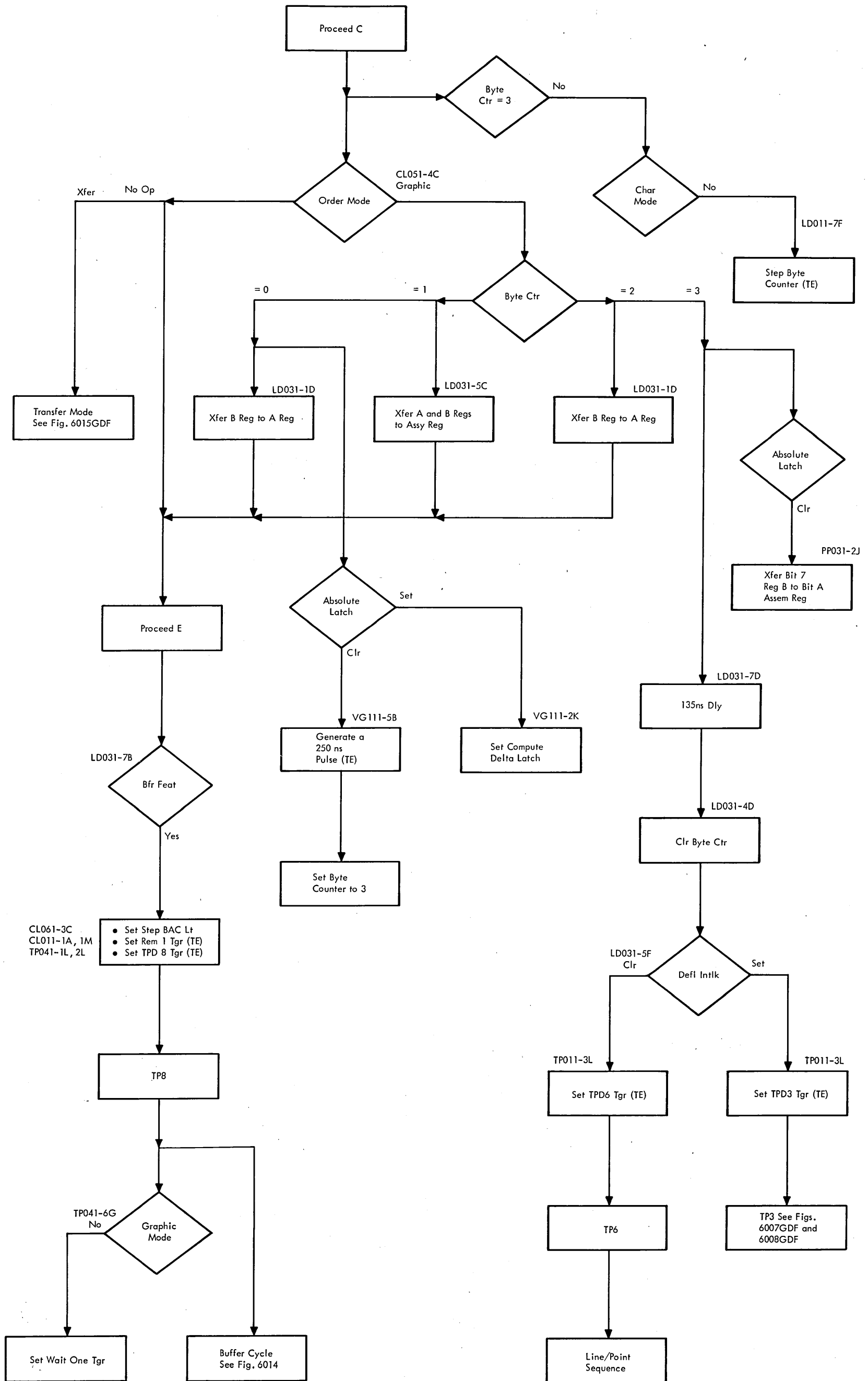
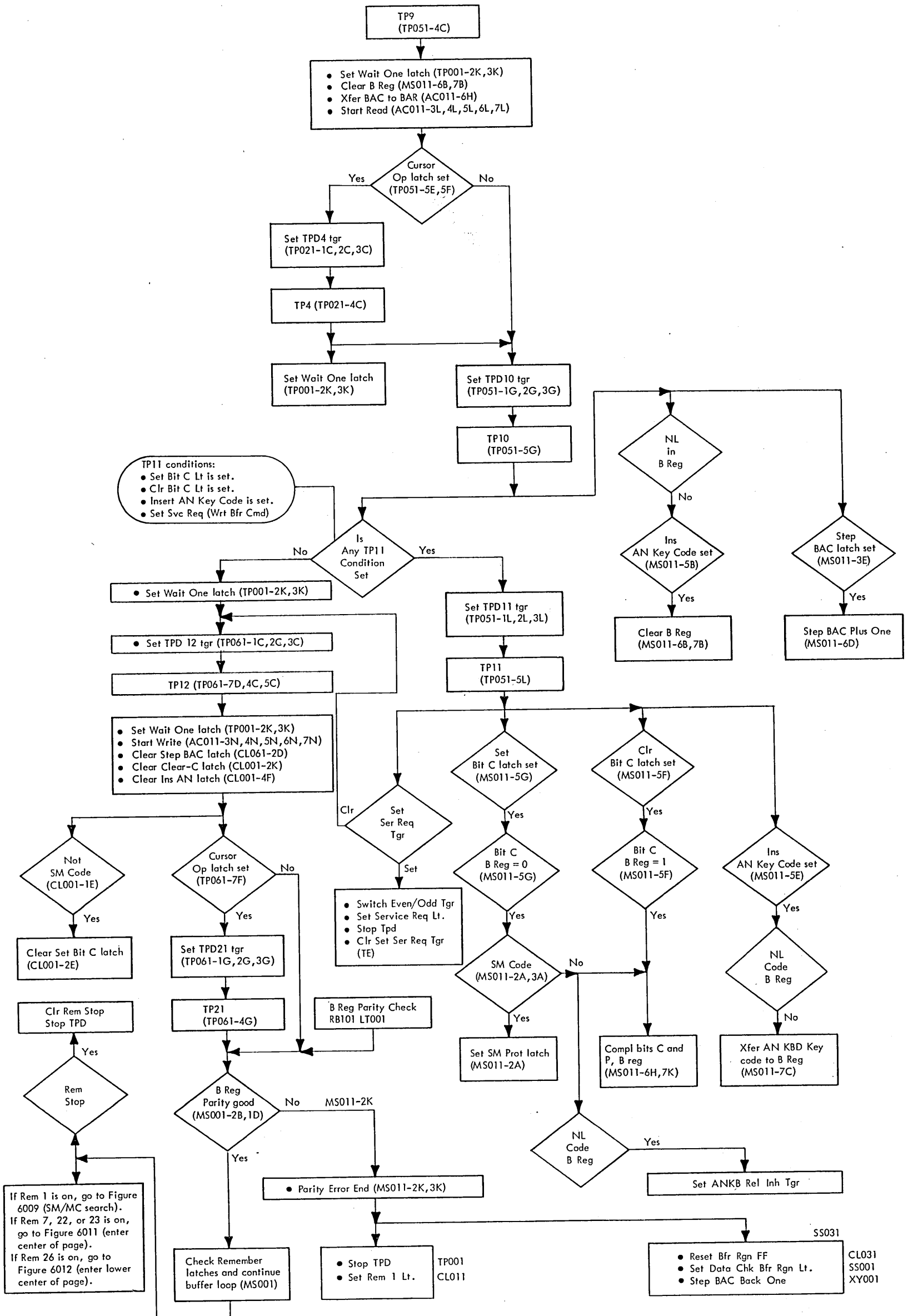


Figure 6013GDF. Buffer Regeneration, Proceed C and Proceed E, Graphic, Transfer and No Op Modes, Flow Chart (for GDF Machines)



•Figure 6014. Buffer Regeneration, Buffer Cycle, Flow Chart

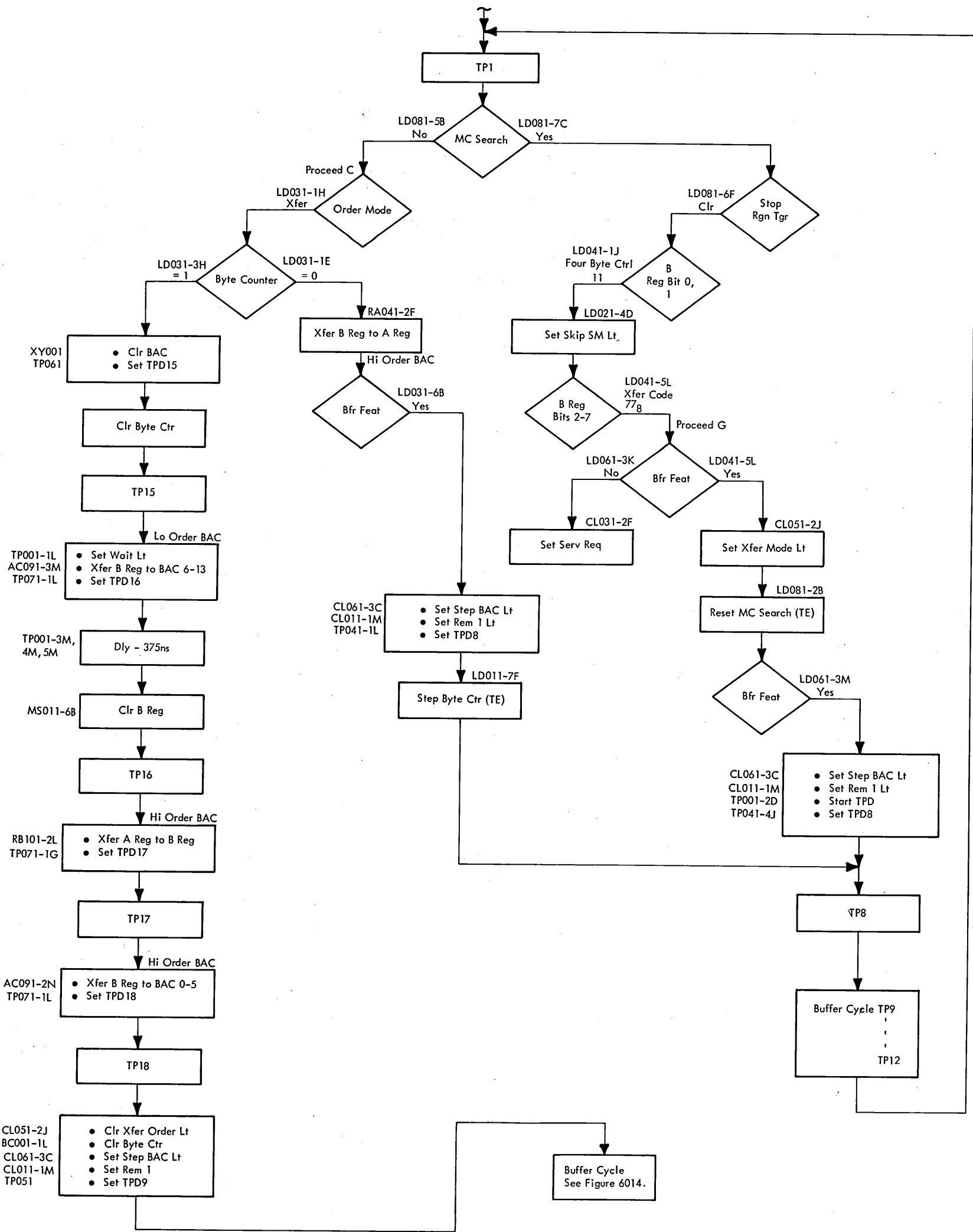


Figure 6015. Buffer Regeneration, Transfer Order Process, Flow Chart

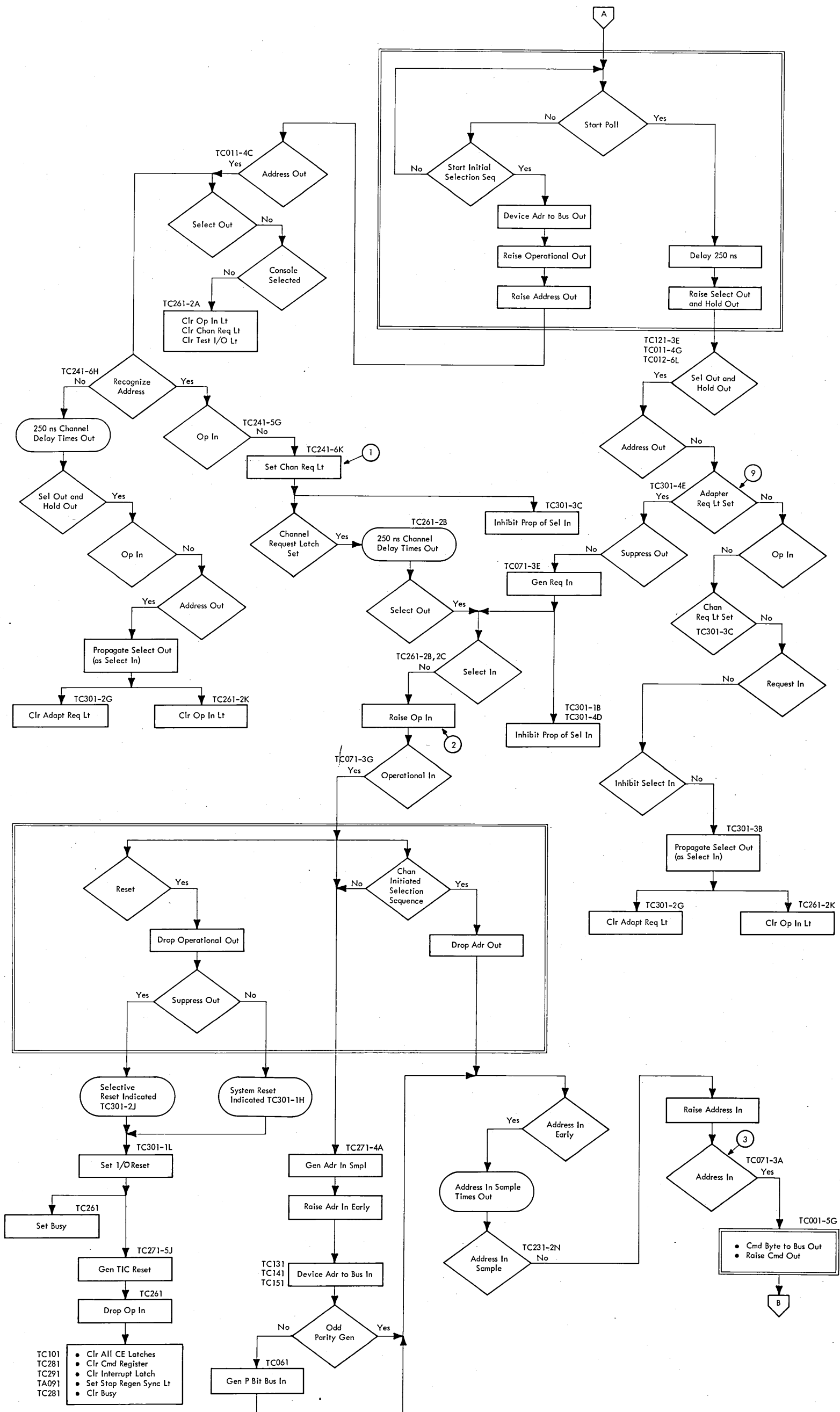


Figure 6016. Transmission Interface Control, Initial Selection Sequence, Flow Chart (Sheet 1 of 4)

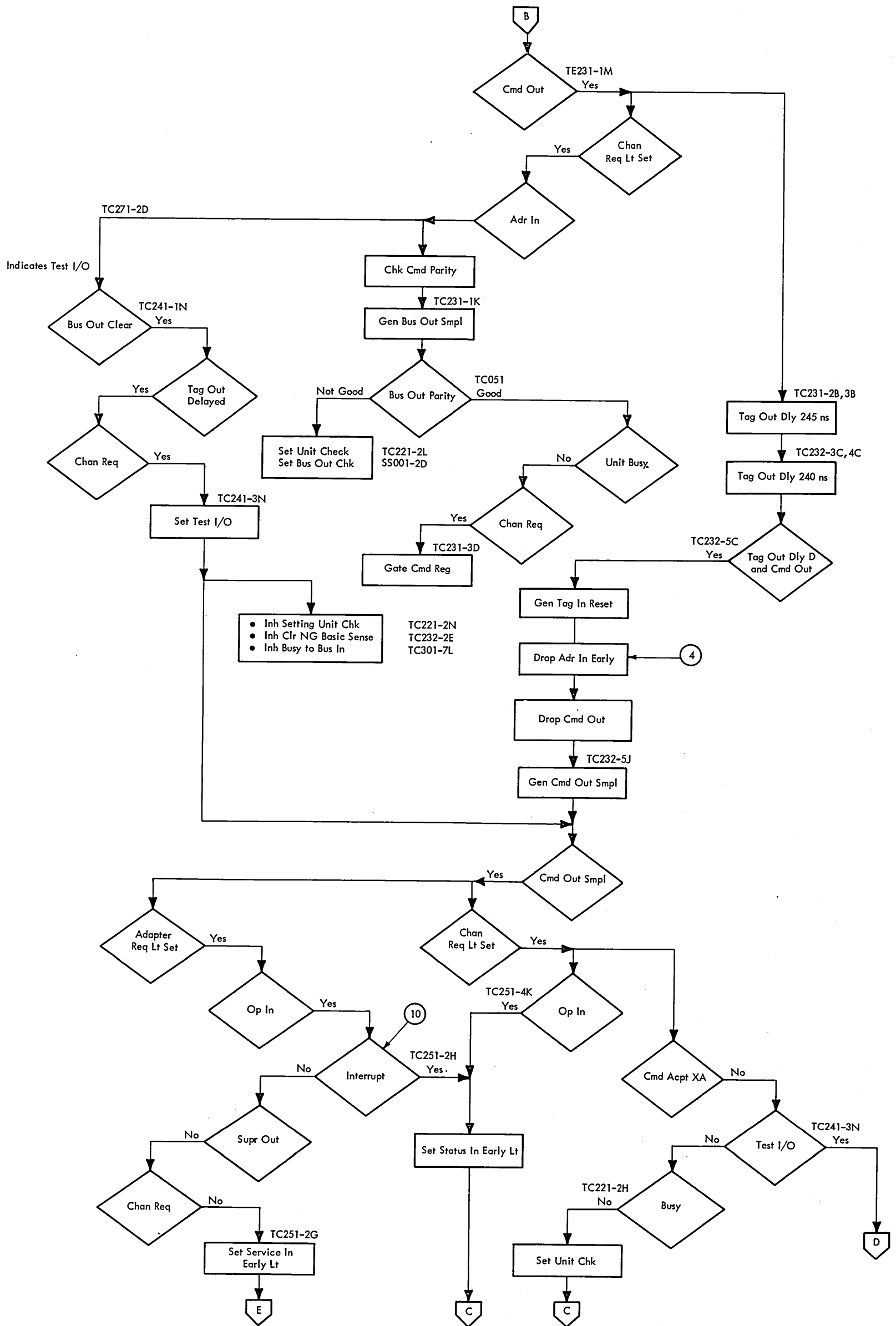


Figure 6016. Transmission Interface Control, Initial Selection Sequence, Flow Chart (Sheet 2 of 4)

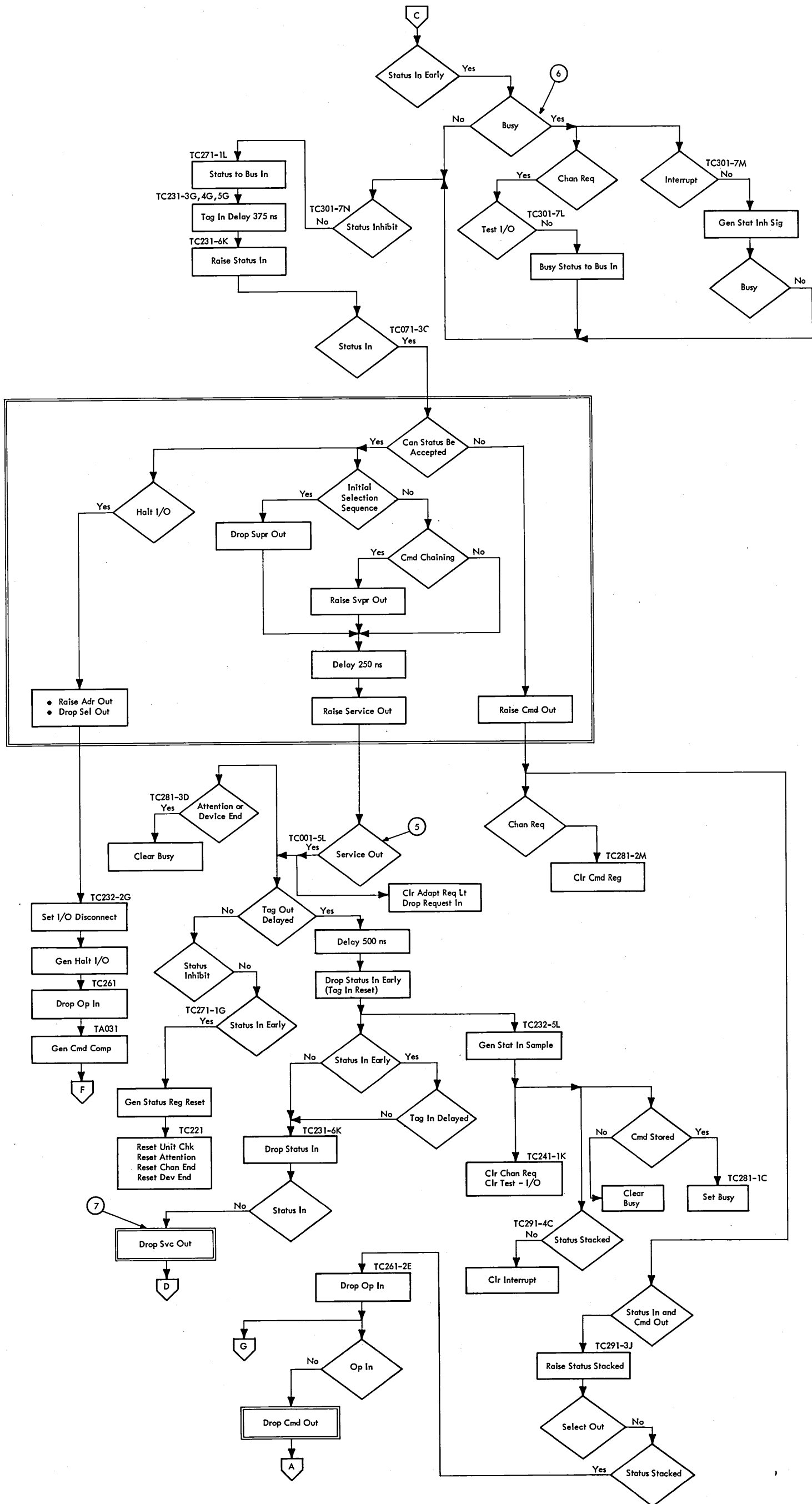


Figure 6016. Transmission Interface Control, Initial Selection Sequence, Flow Chart (Sheet 3 of 4)

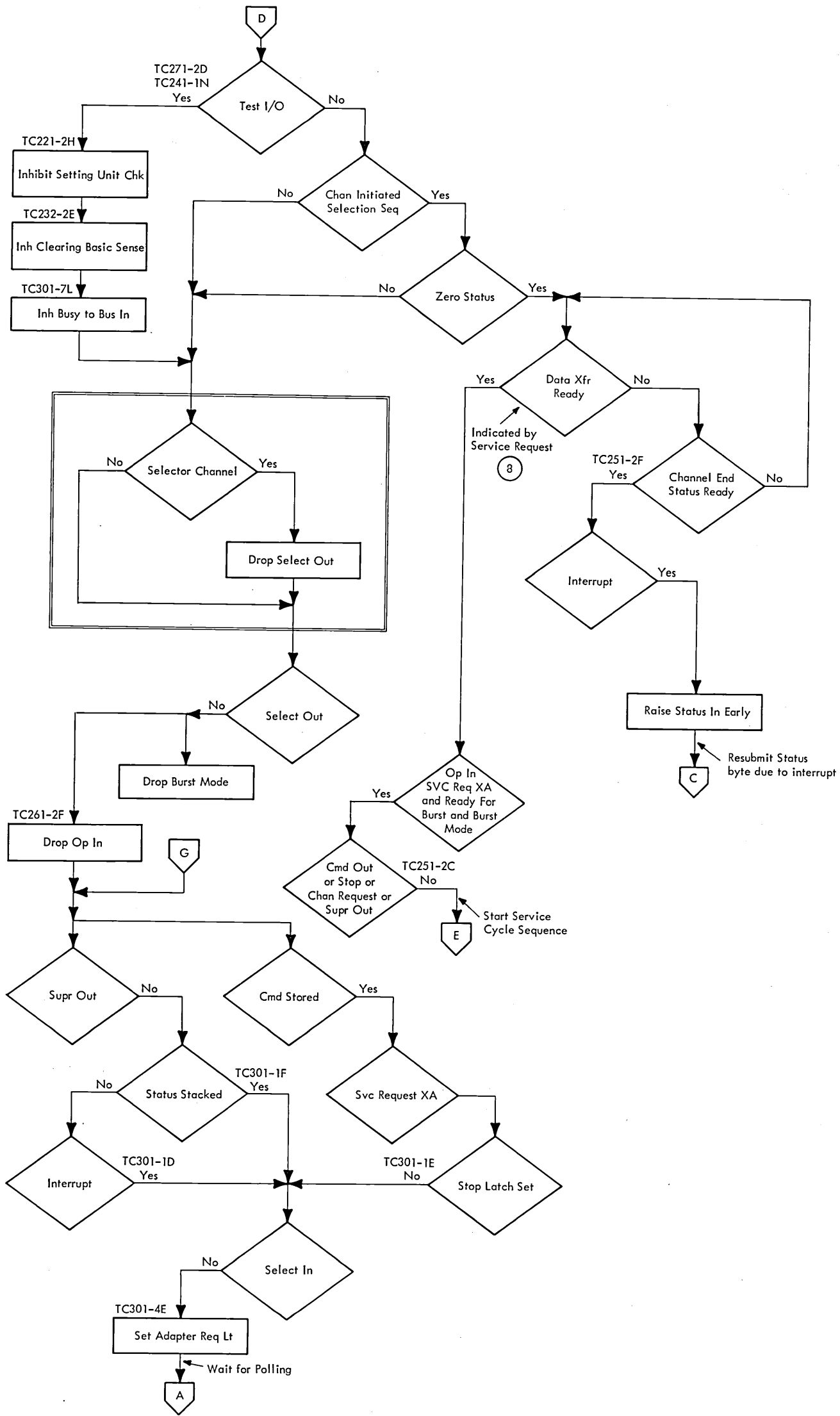


Figure 6016. Transmission Interface Control, Initial Selection Sequence, Flow Chart (Sheet 4 of 4)

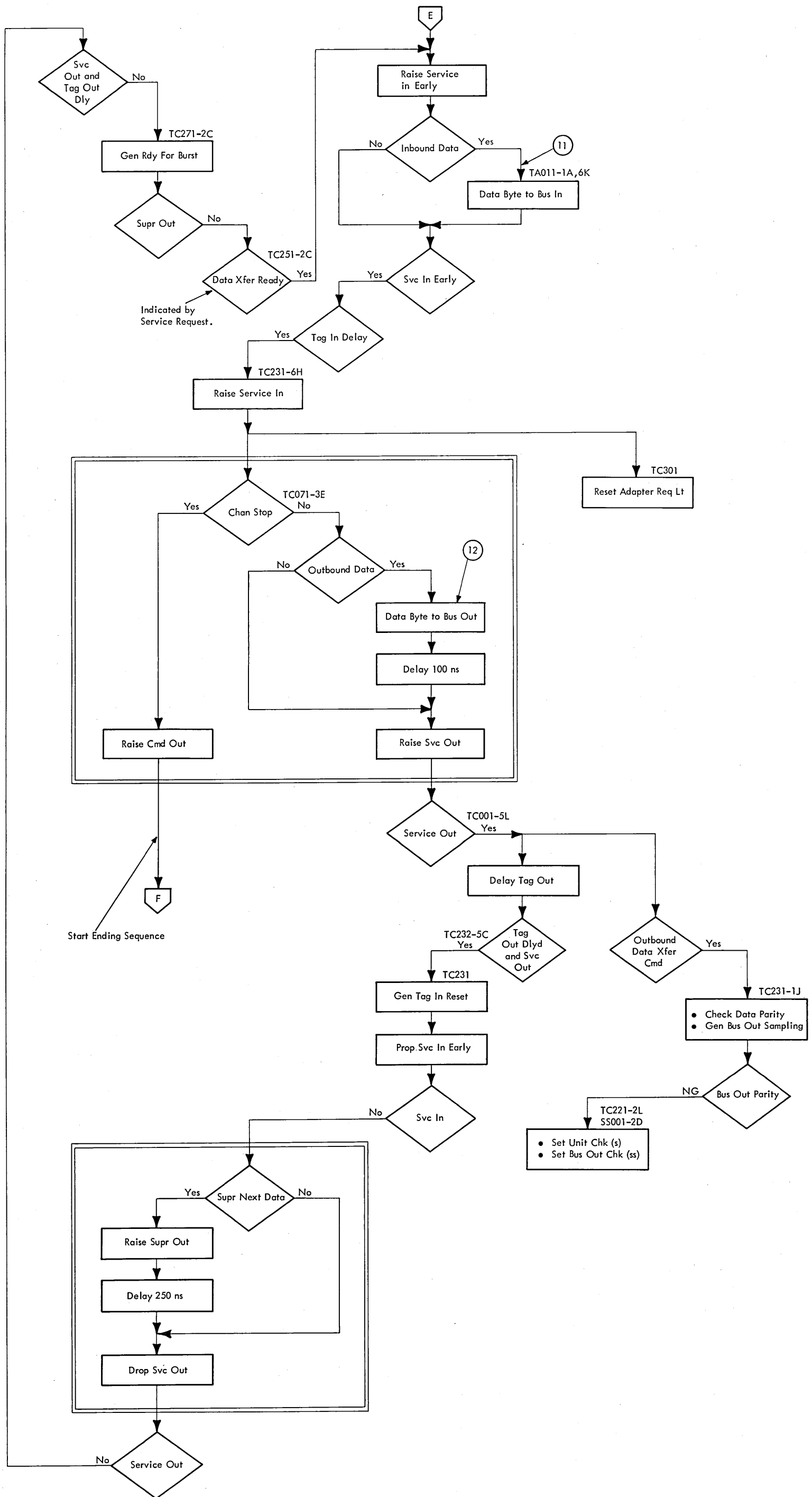


Figure 6017. Transmission Interface Control, Service Cycle Sequence, Flow Chart

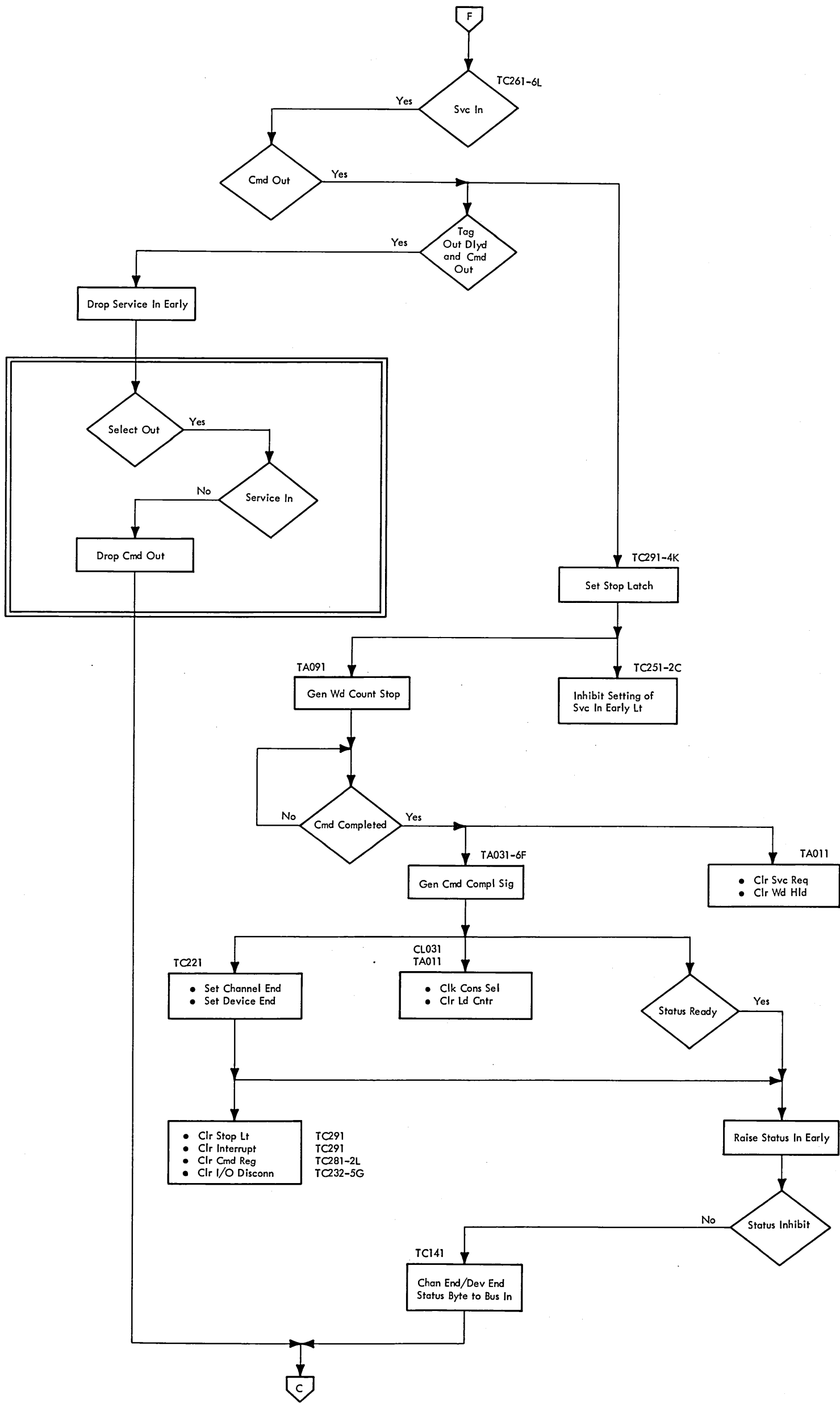


Figure 6018. Transmission Interface Control, Ending Sequence, Flow Chart

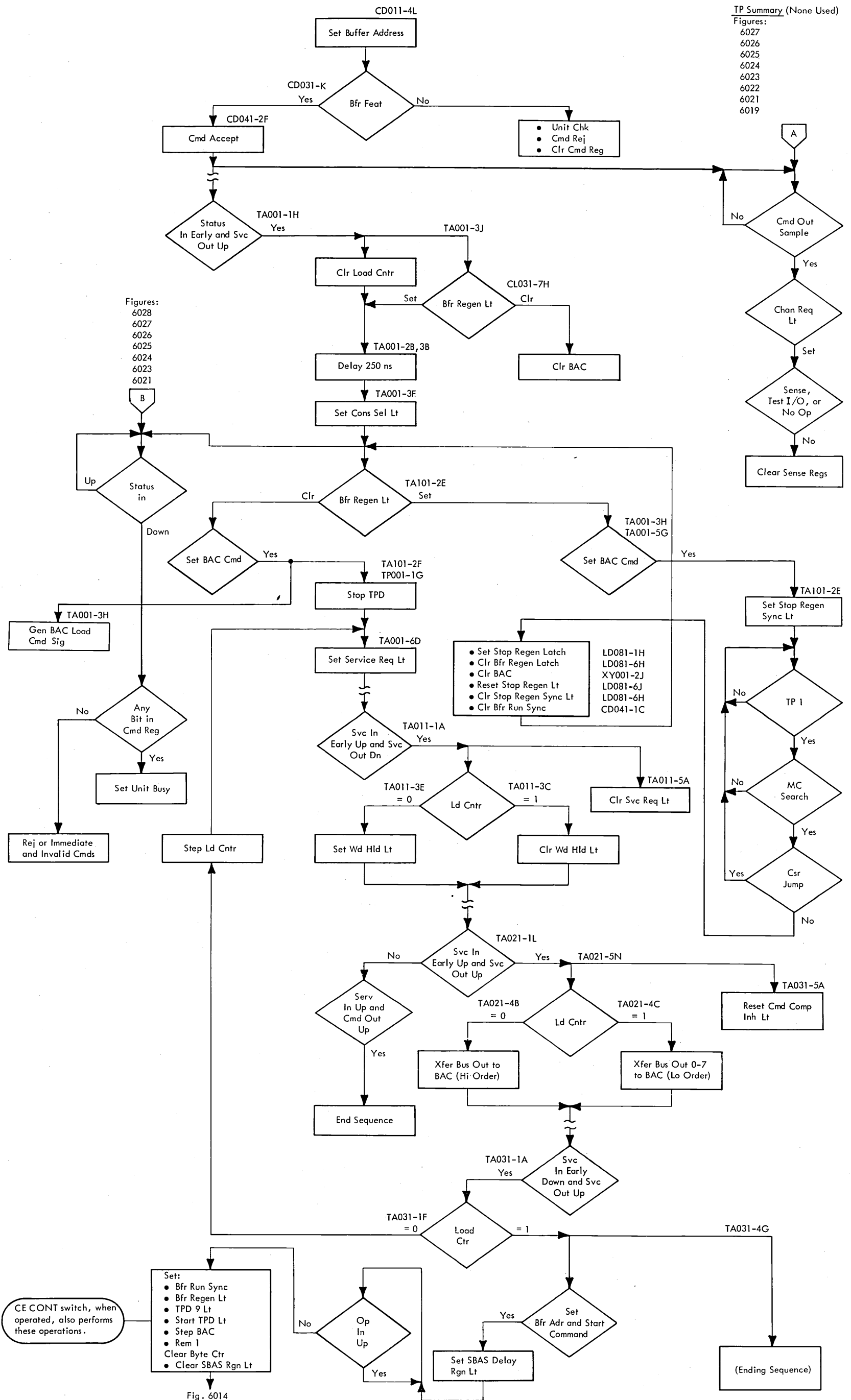


Figure 6019. Set Buffer Address Command, Flow Chart

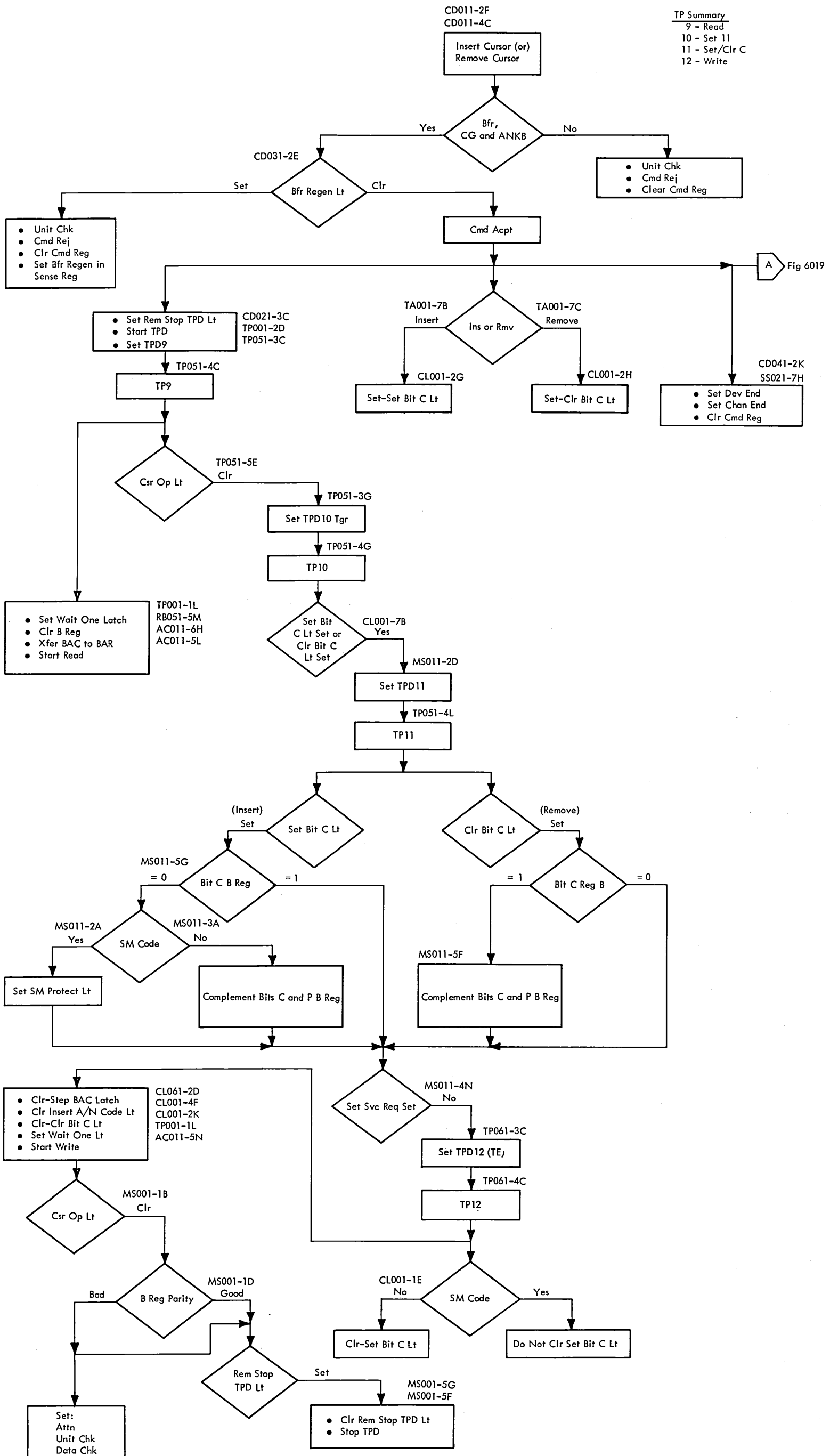


Figure 6020. Insert-Remove Cursor Command, Flow Chart

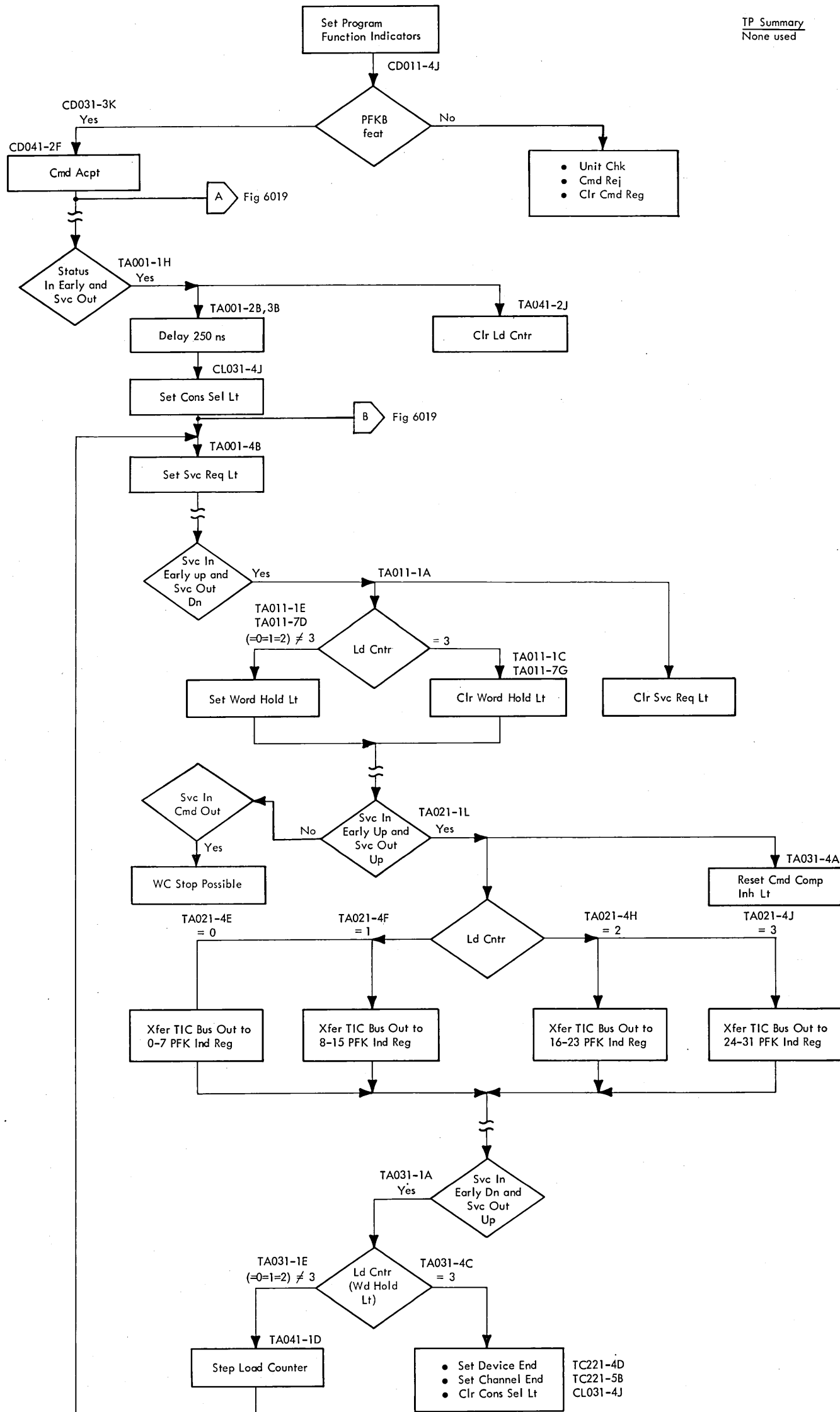


Figure 6021. Set Program Function Keyboard Indicators Command, Flow Chart

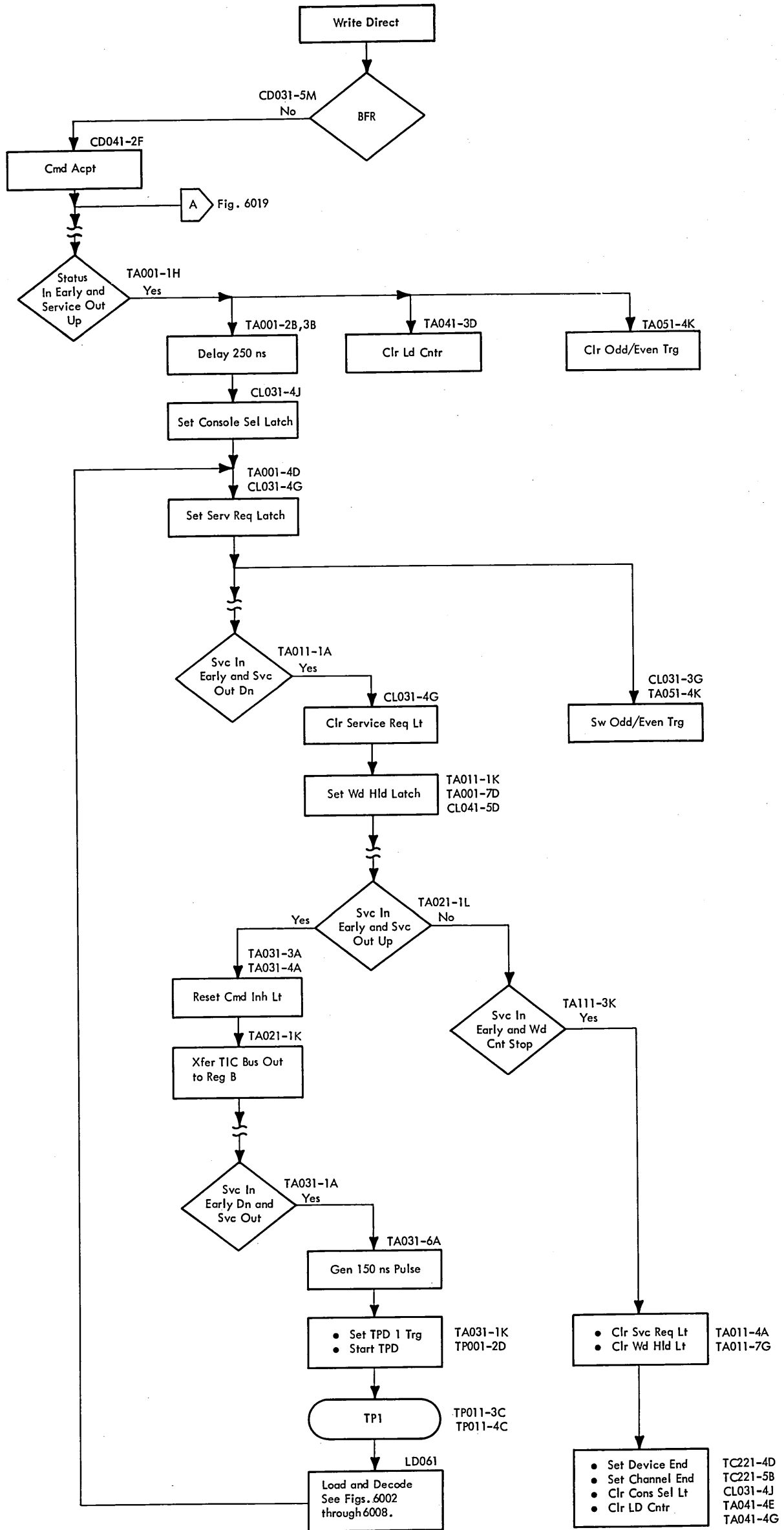
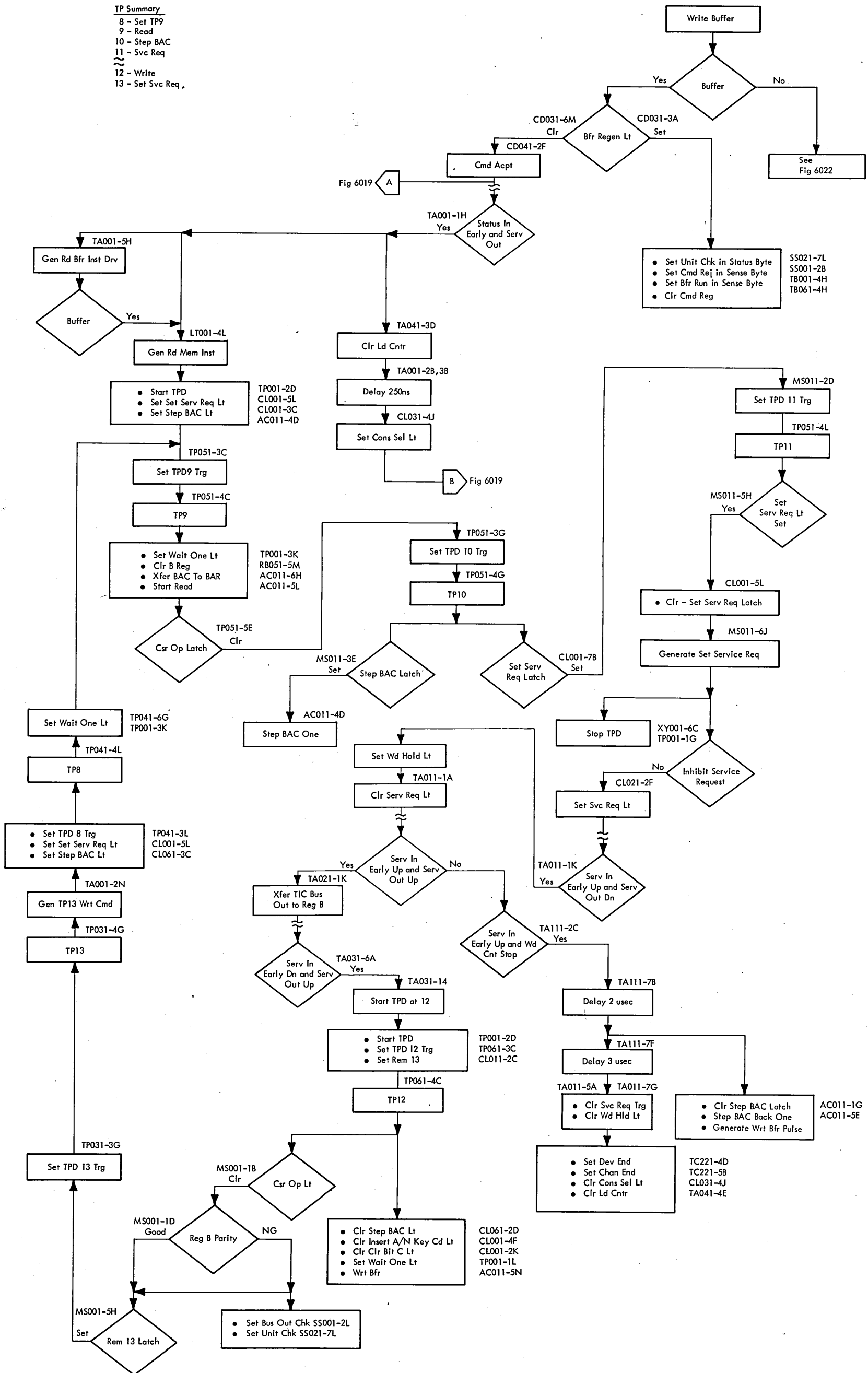


Figure 6022. Write Direct Command, Flow Chart

TP Summary
8 - Set TP9
9 - Read
10 - Step BAC
11 - Svc Req
12 - Write
13 - Set Svc Req



●Figure 6023. Write Buffer Command, Flow Chart

TP Summary
 9 - Read
 10 - Step BAC
 12 - Write
 13 - Svc Req
 8 - Set 9

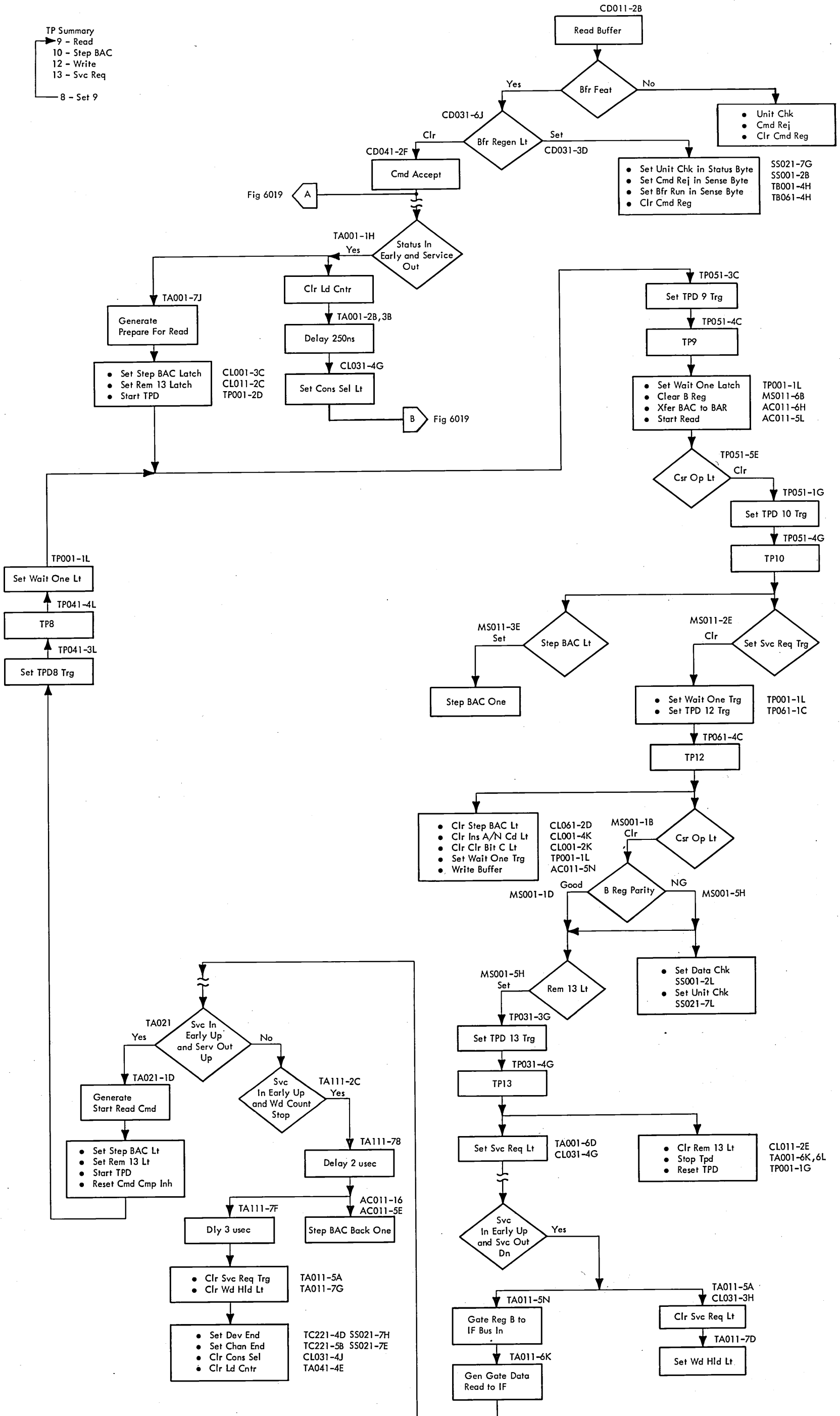


Figure 6024. Read Buffer Command, Flow Chart

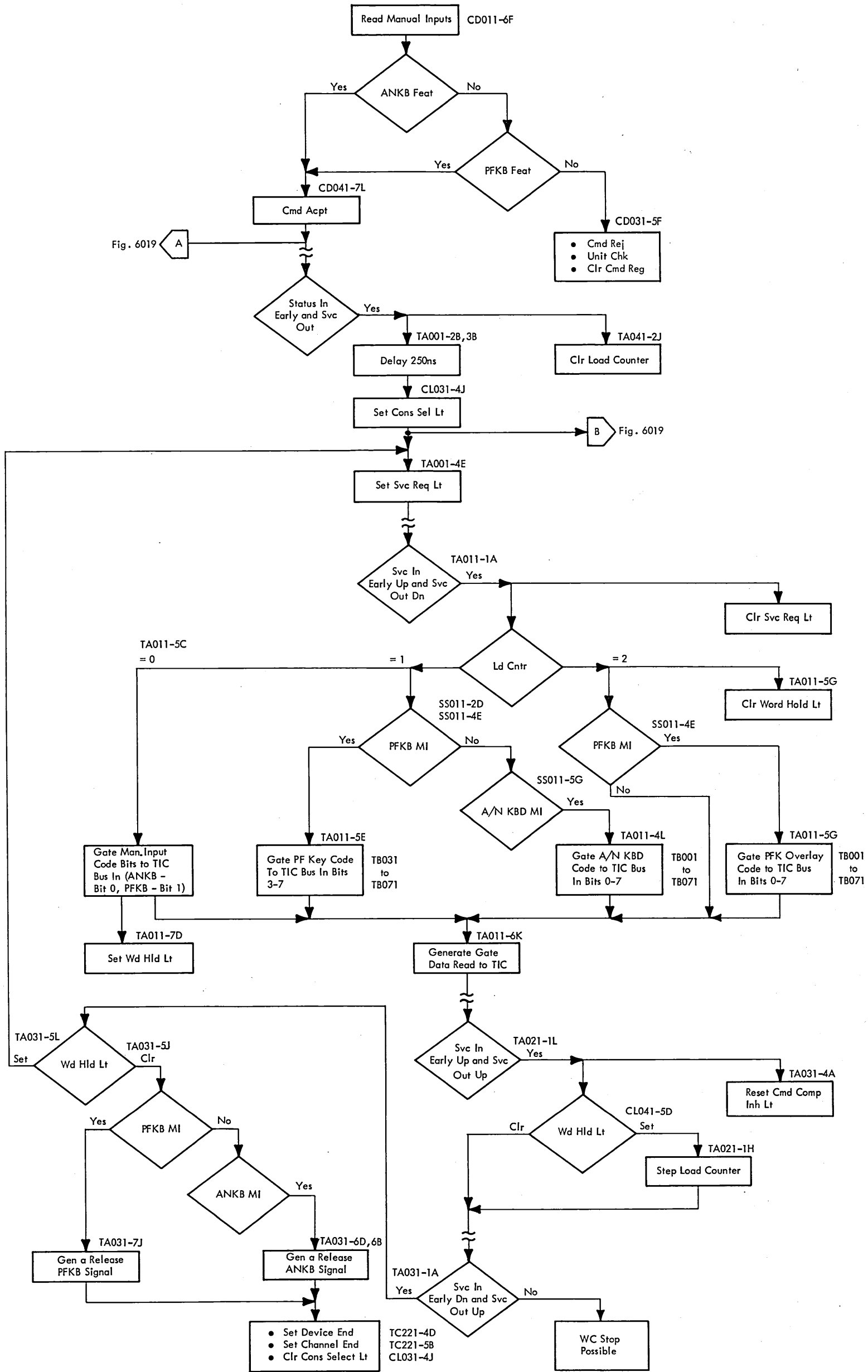


Figure 6026. Read Manual Inputs Command, Flow Chart

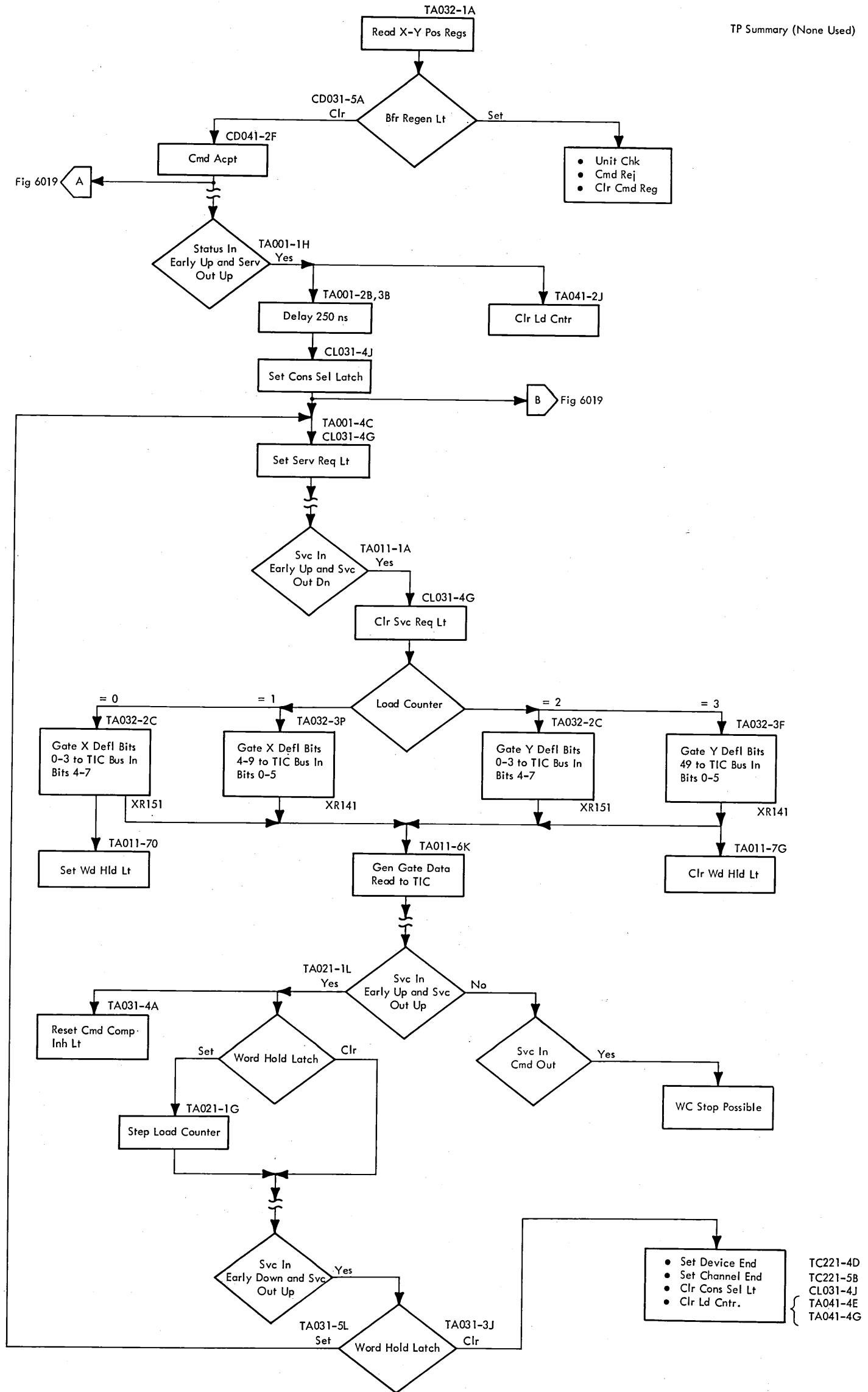


Figure 6027. Read X-Y Position Registers Command, Flow Chart

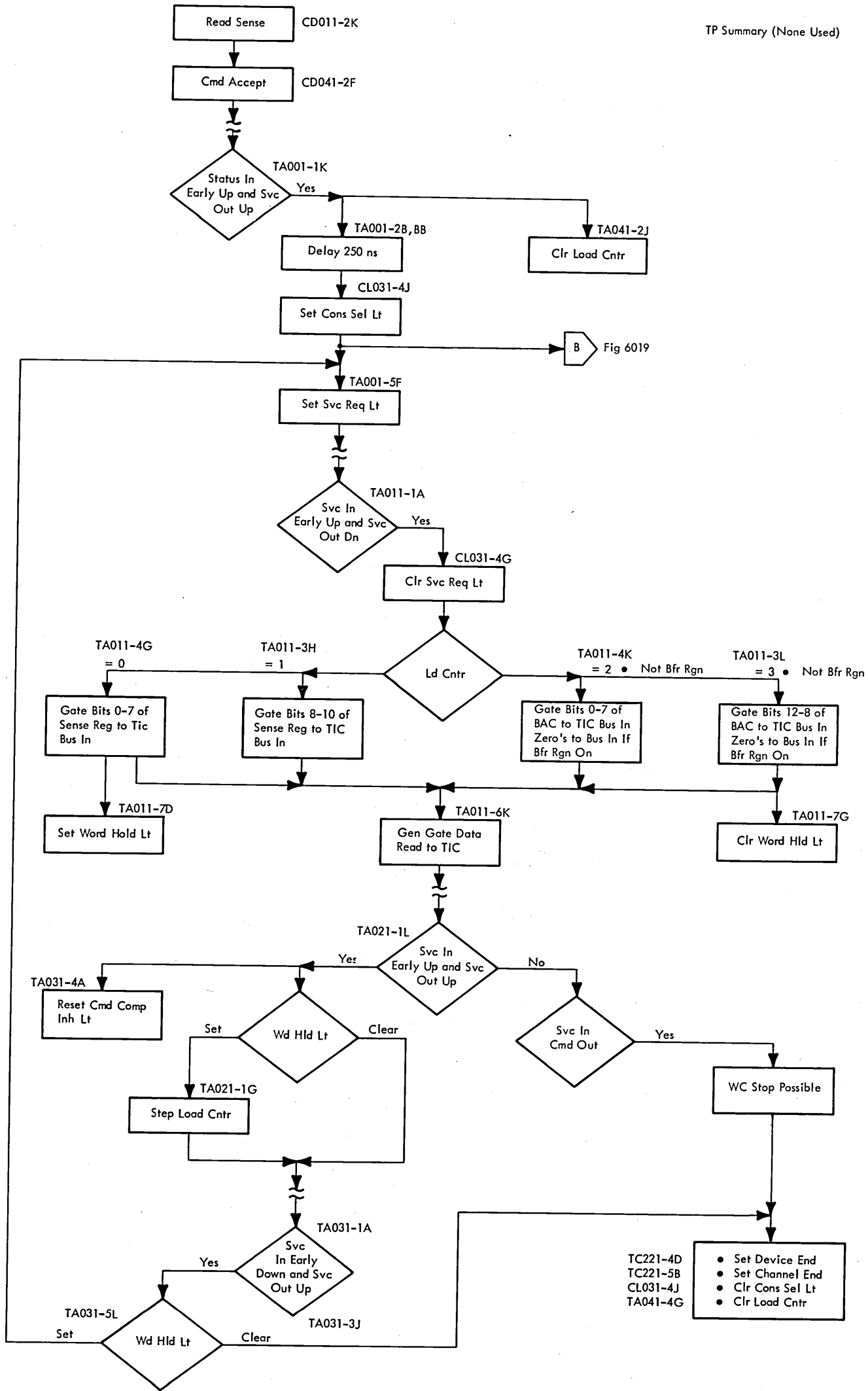


Figure 6028. Sense Command, Flow Chart

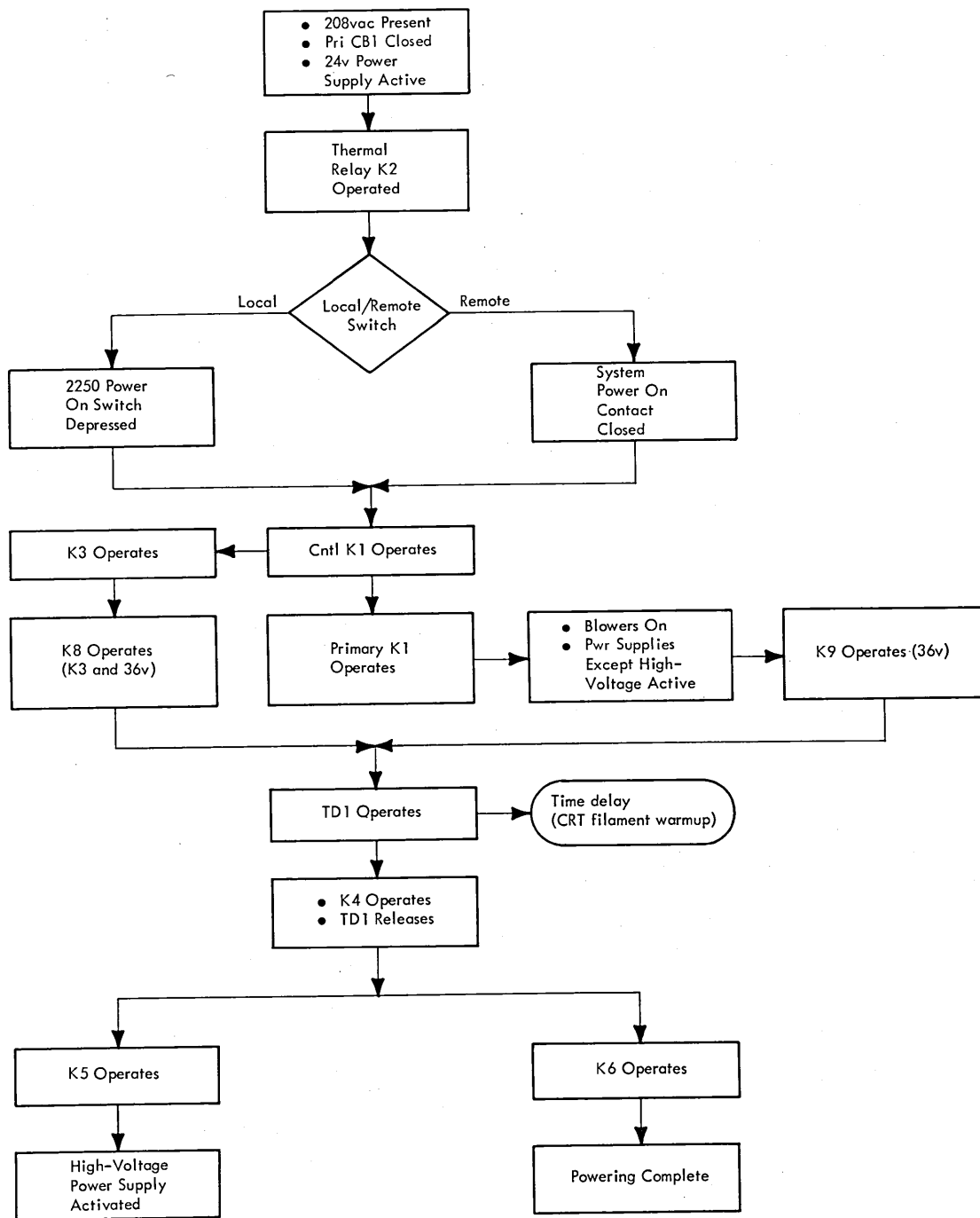


Figure 6029. Power On Sequence

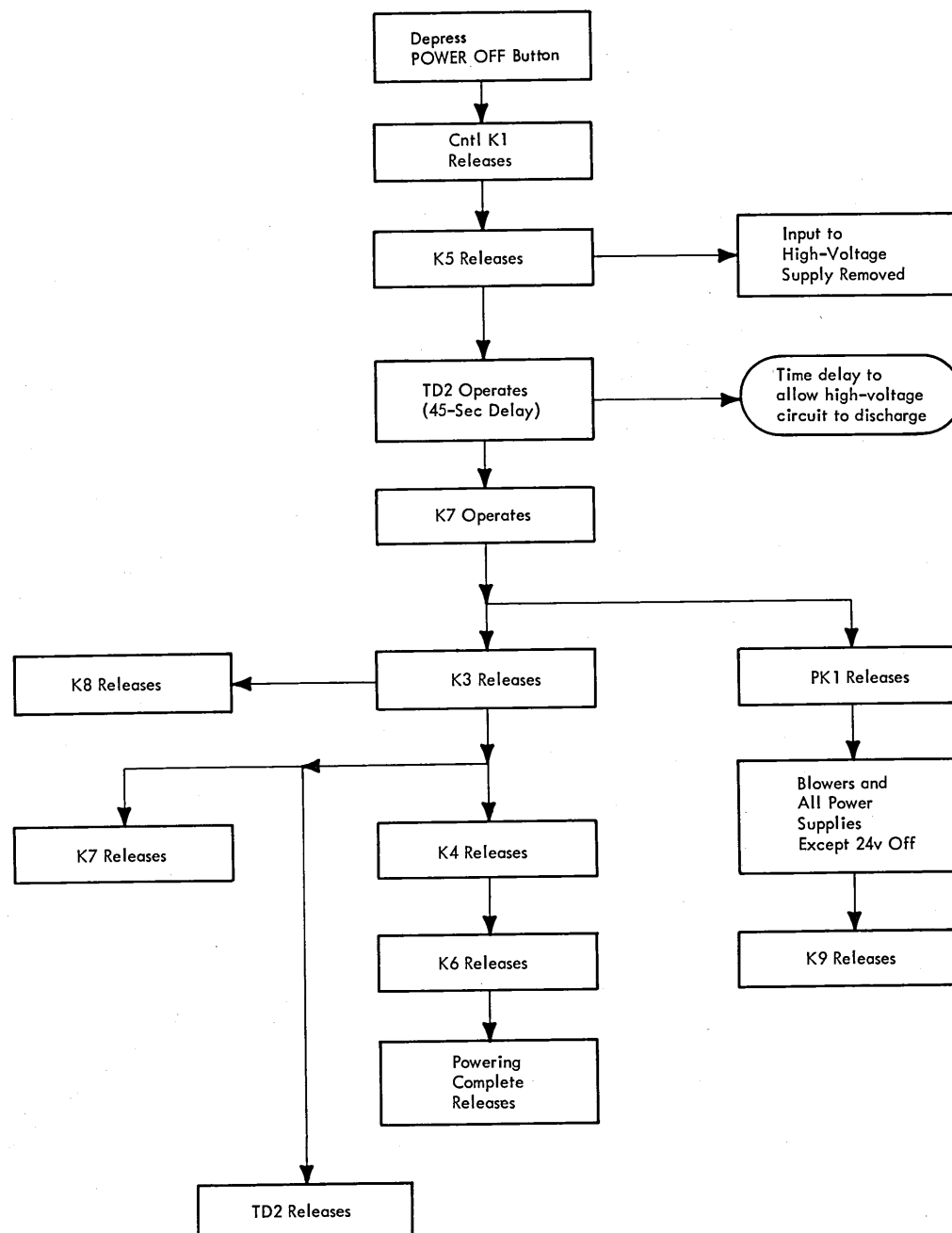


Figure 6030. Power Off Sequence

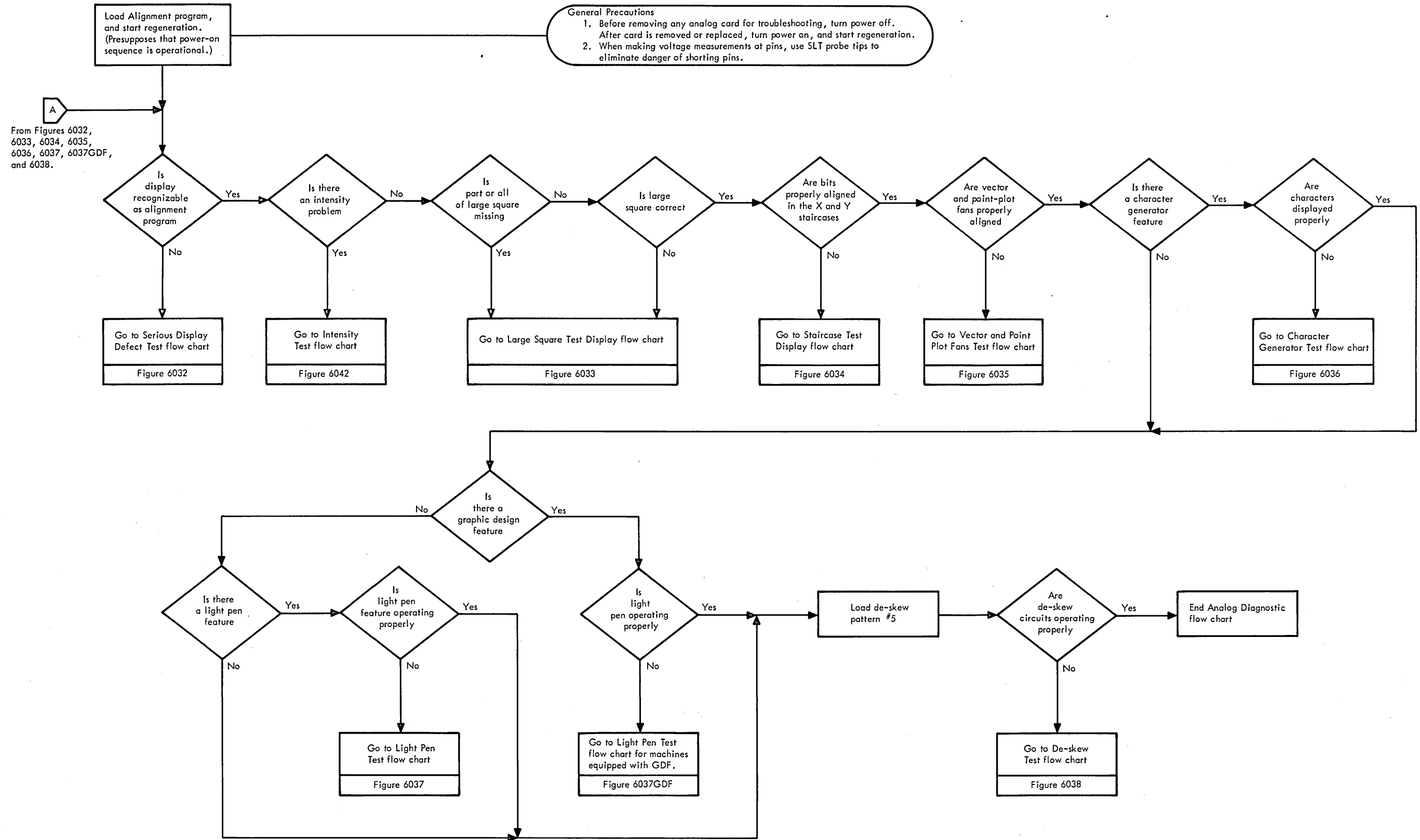


Figure 6031. Analog Diagnostic Master Flow Chart

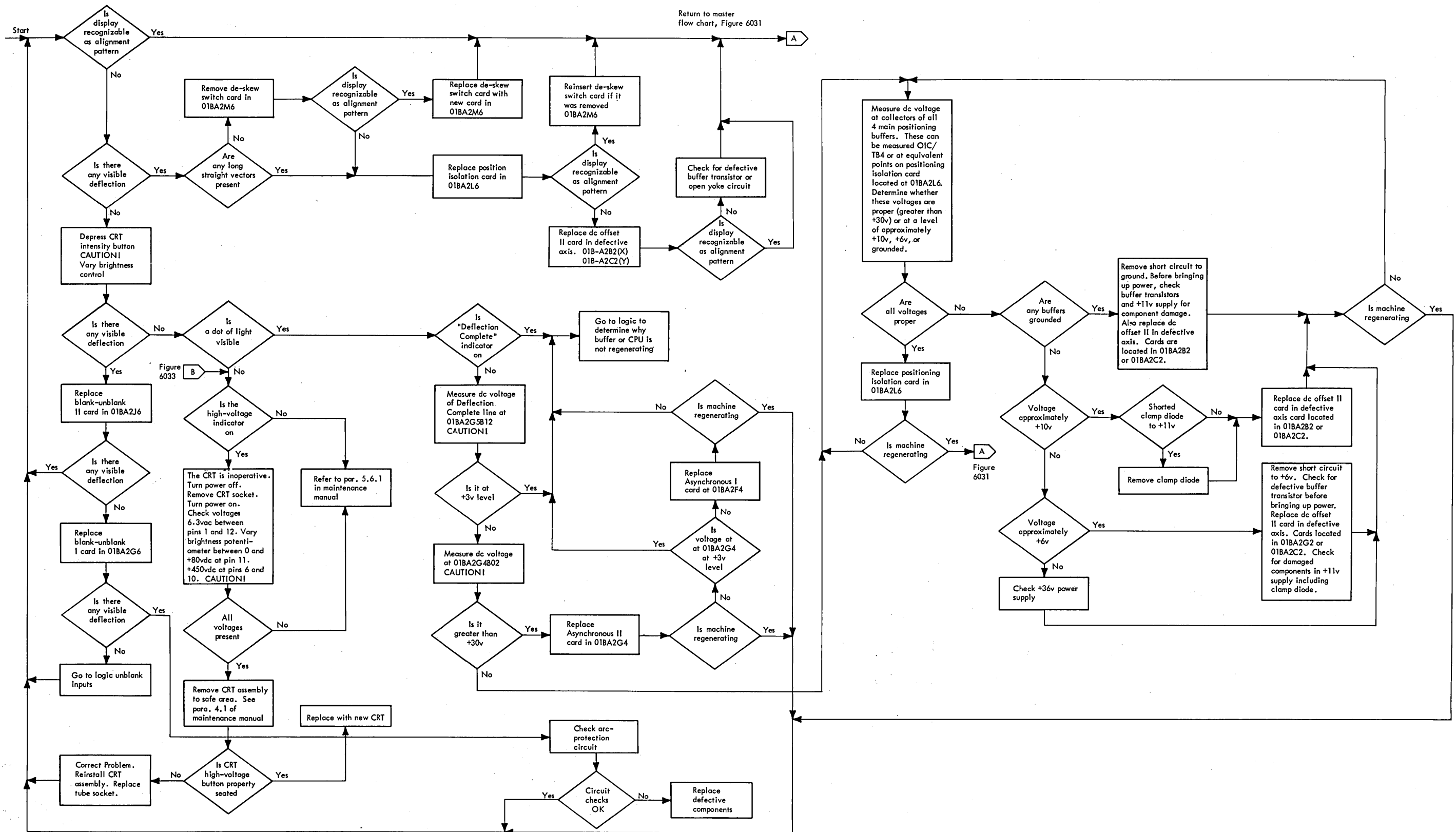


Figure 6032. Serious Display Defect Test Flow Charts

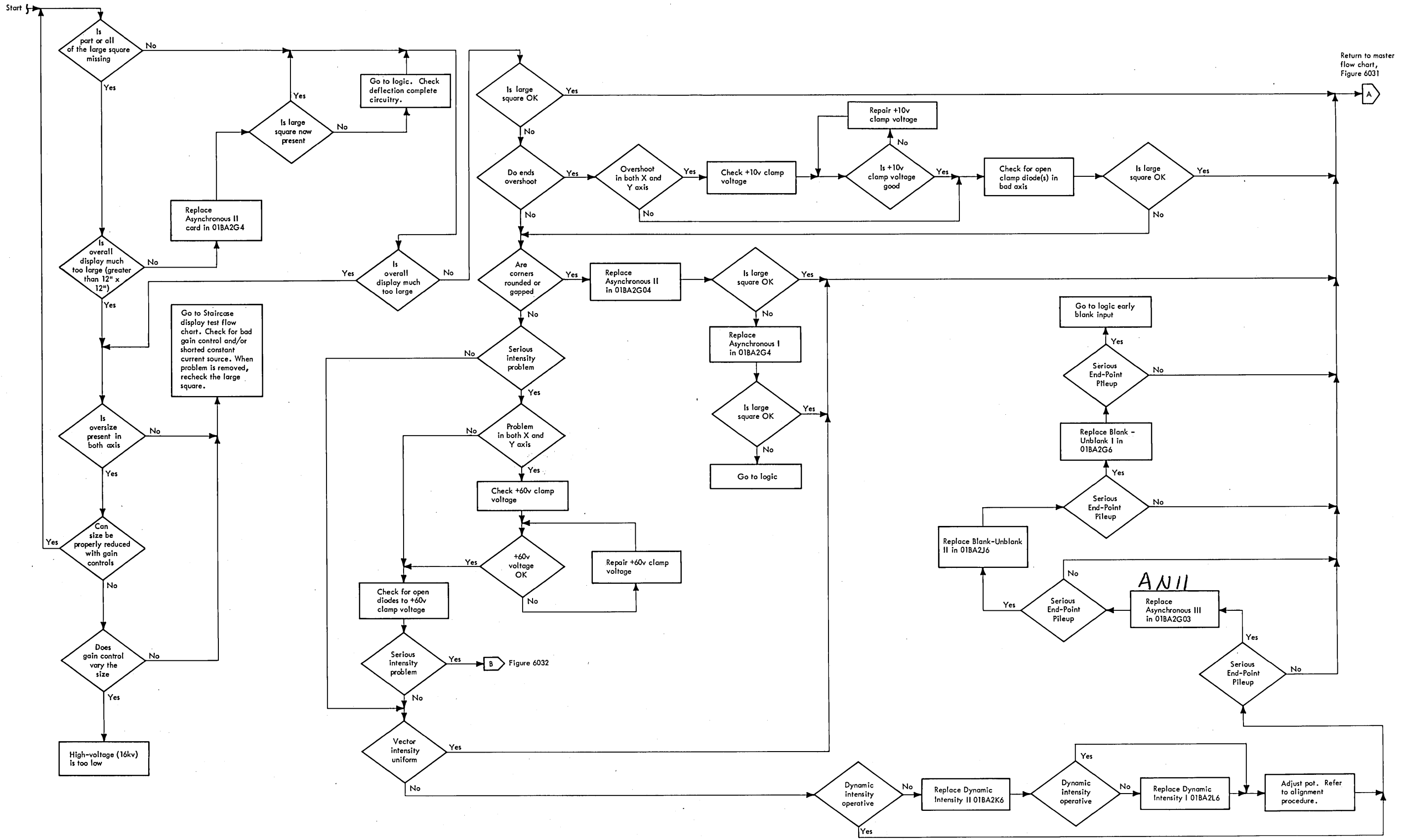


Figure 6033. Large Square Test Display Flow Chart

2250-1 FEDM (6/67) 6033

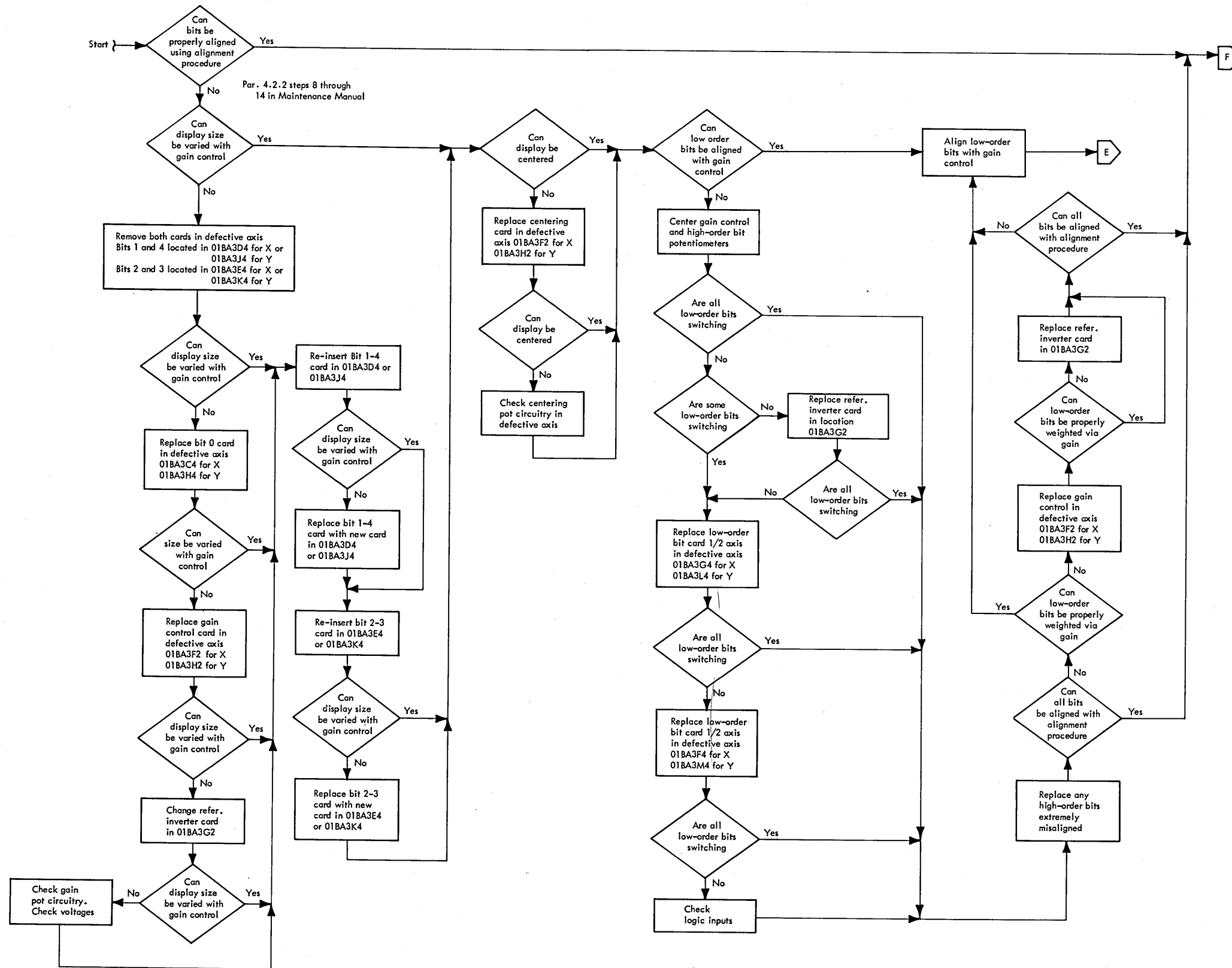


Figure 6034. Staircase Test Display Flow Chart (Sheet 1 of 2)

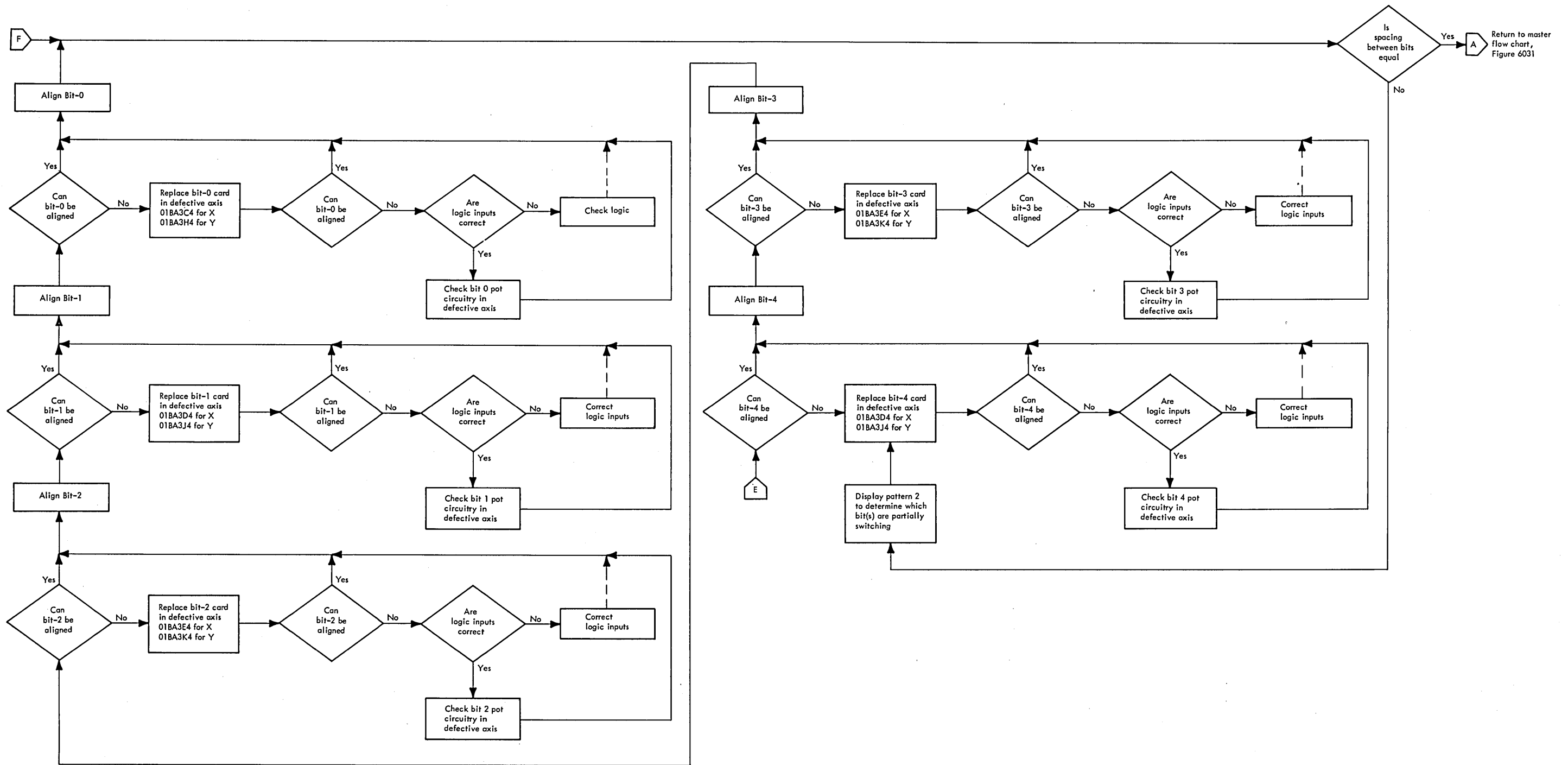


Figure 6034. Staircase Test Display Flow Chart (Sheet 2 of 2)

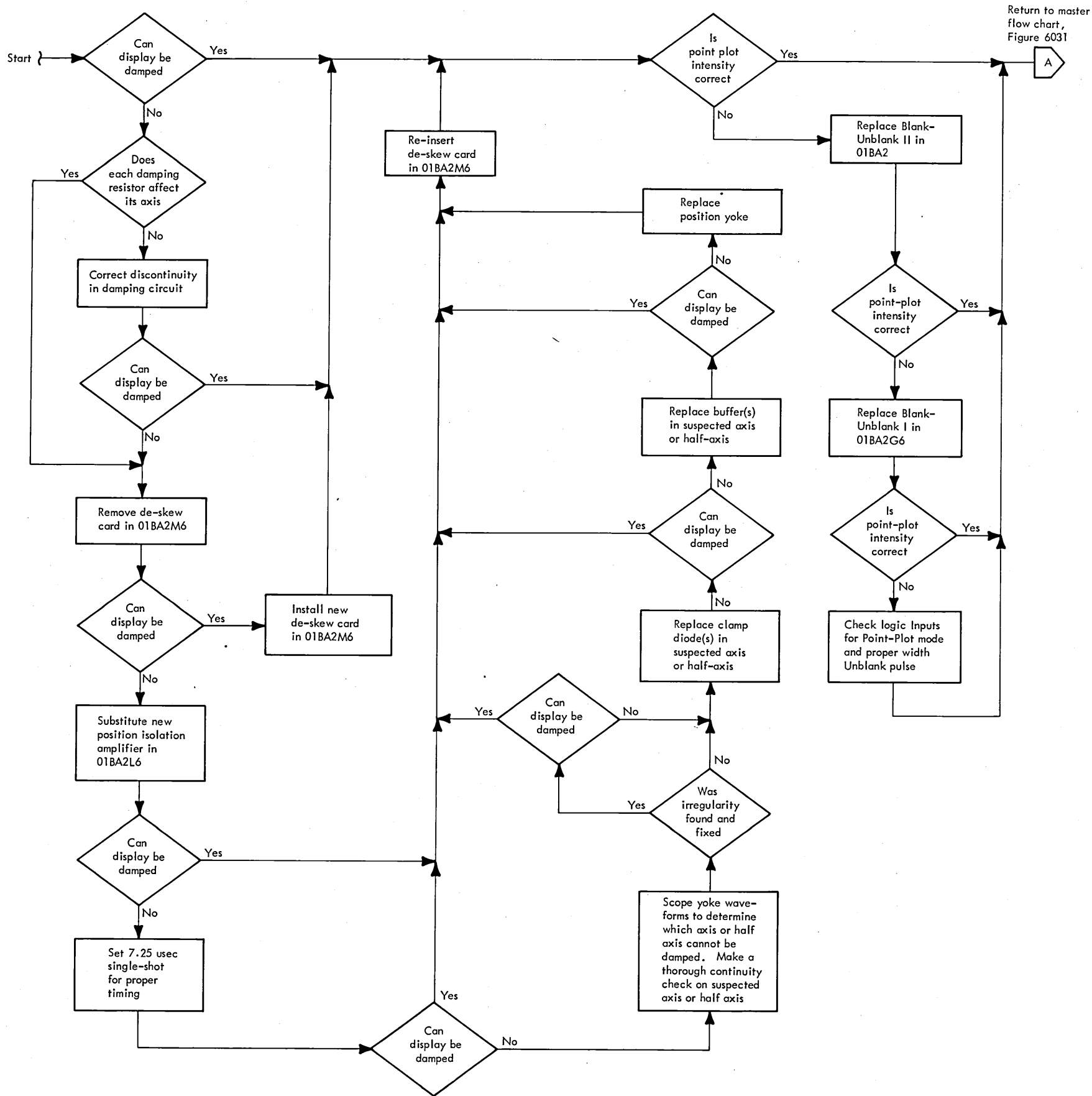


Figure 6035. Vector and Point Plot Fans Test Display Flow Chart

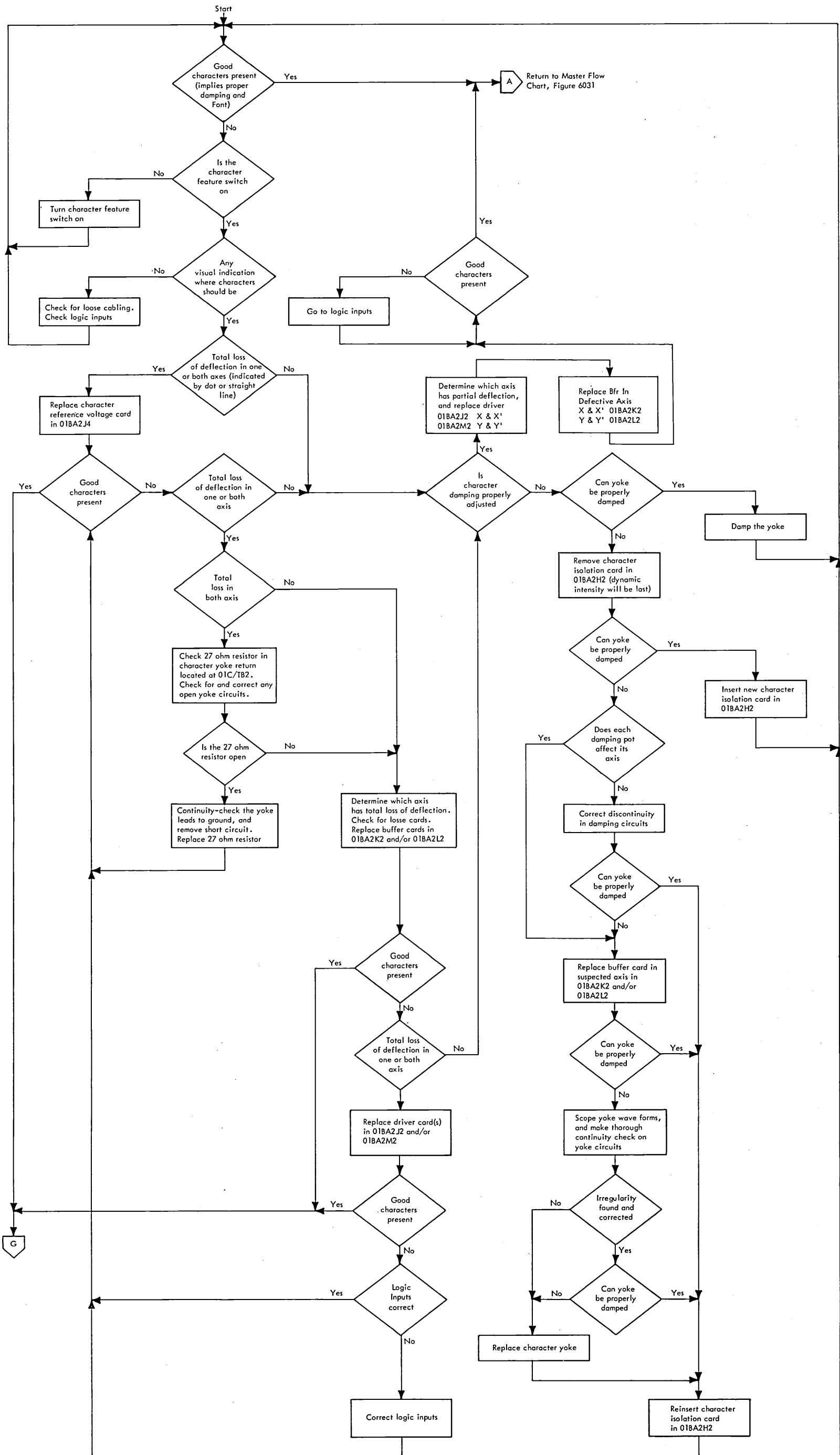


Figure 6036. Character Generator Test Flow Chart (Sheet 1 of 2)

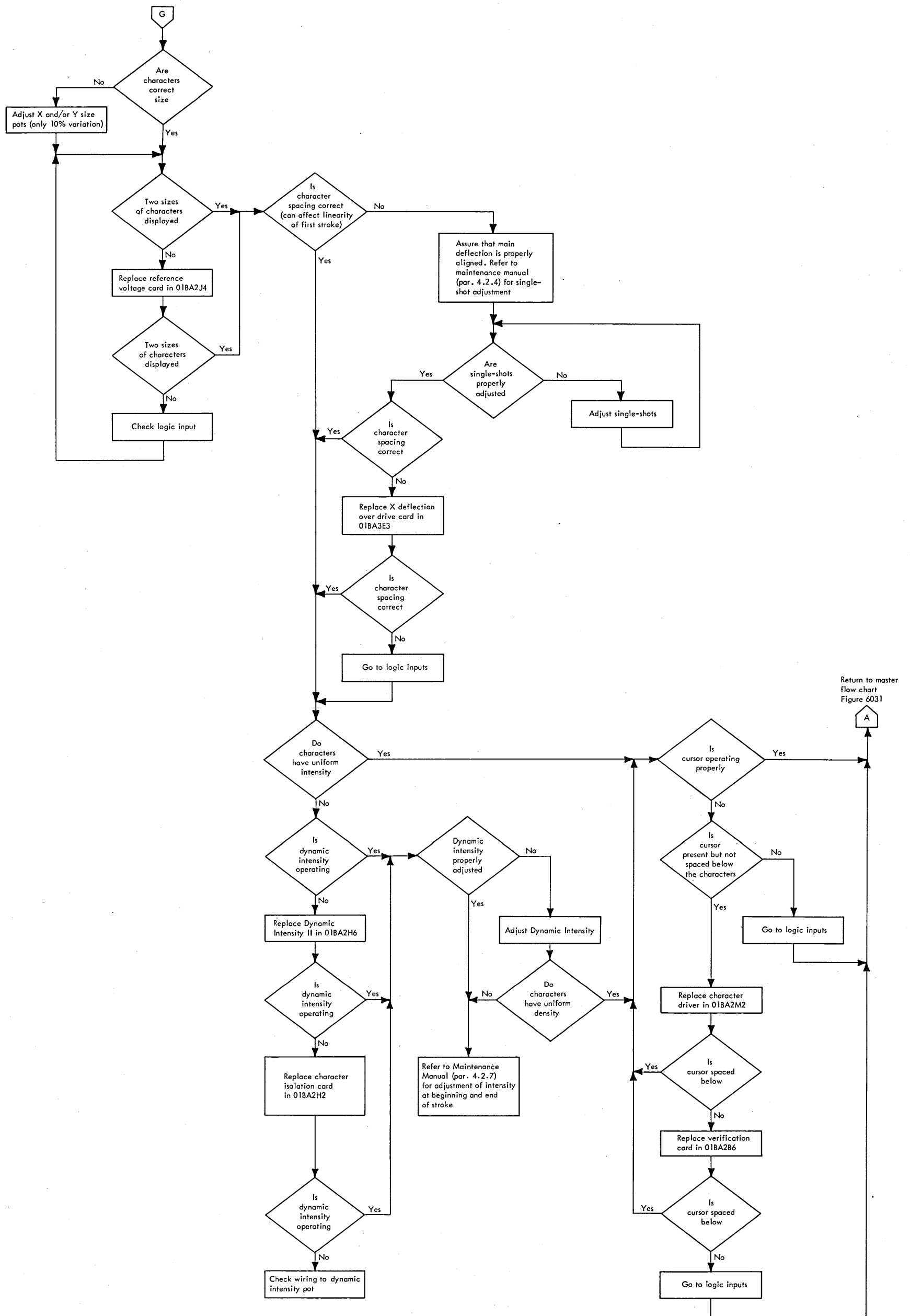


Figure 6036. Character Generator Test Flow Chart (Sheet 2 of 2)

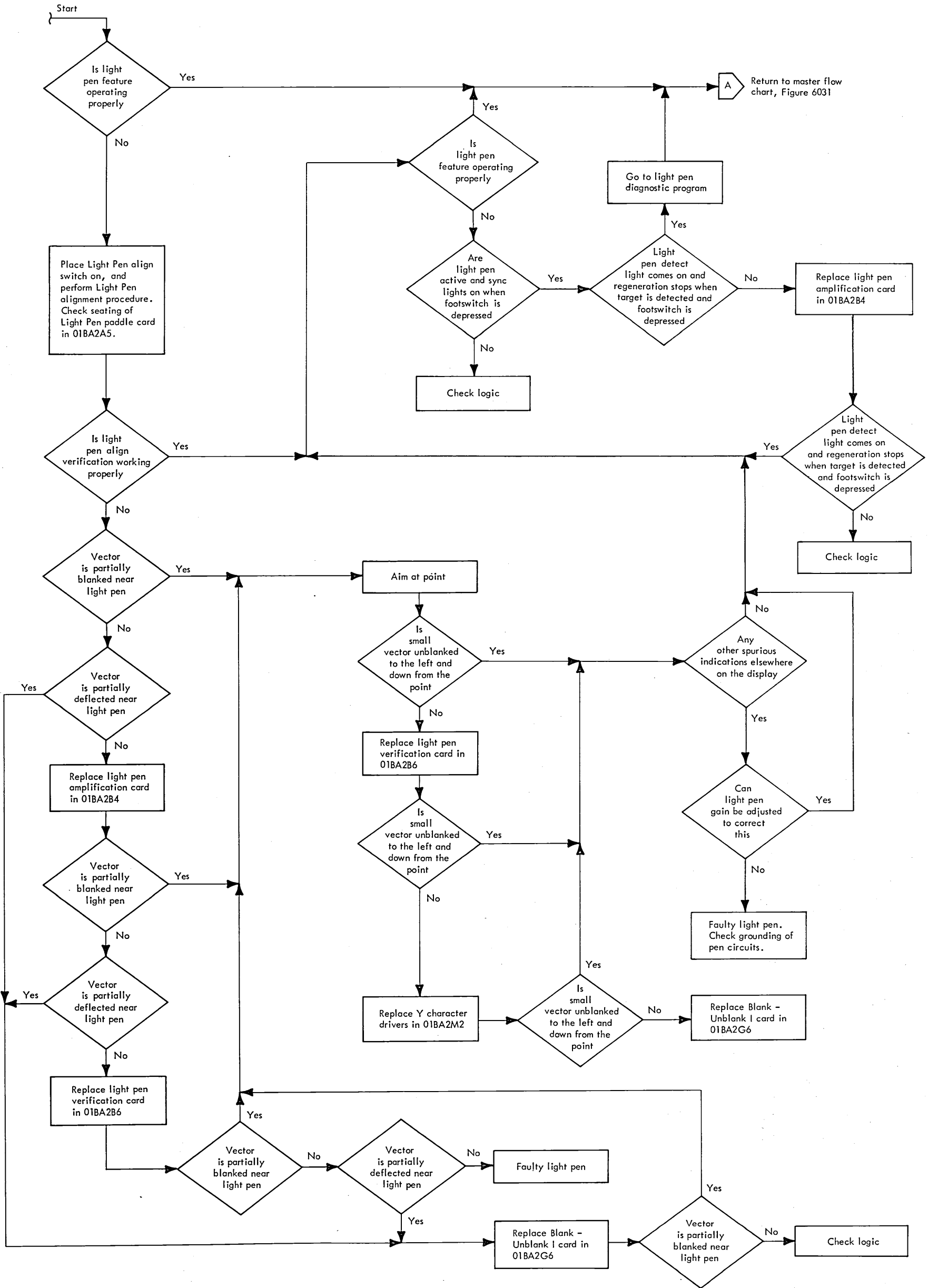


Figure 6037. Light Pen Test Flow Chart

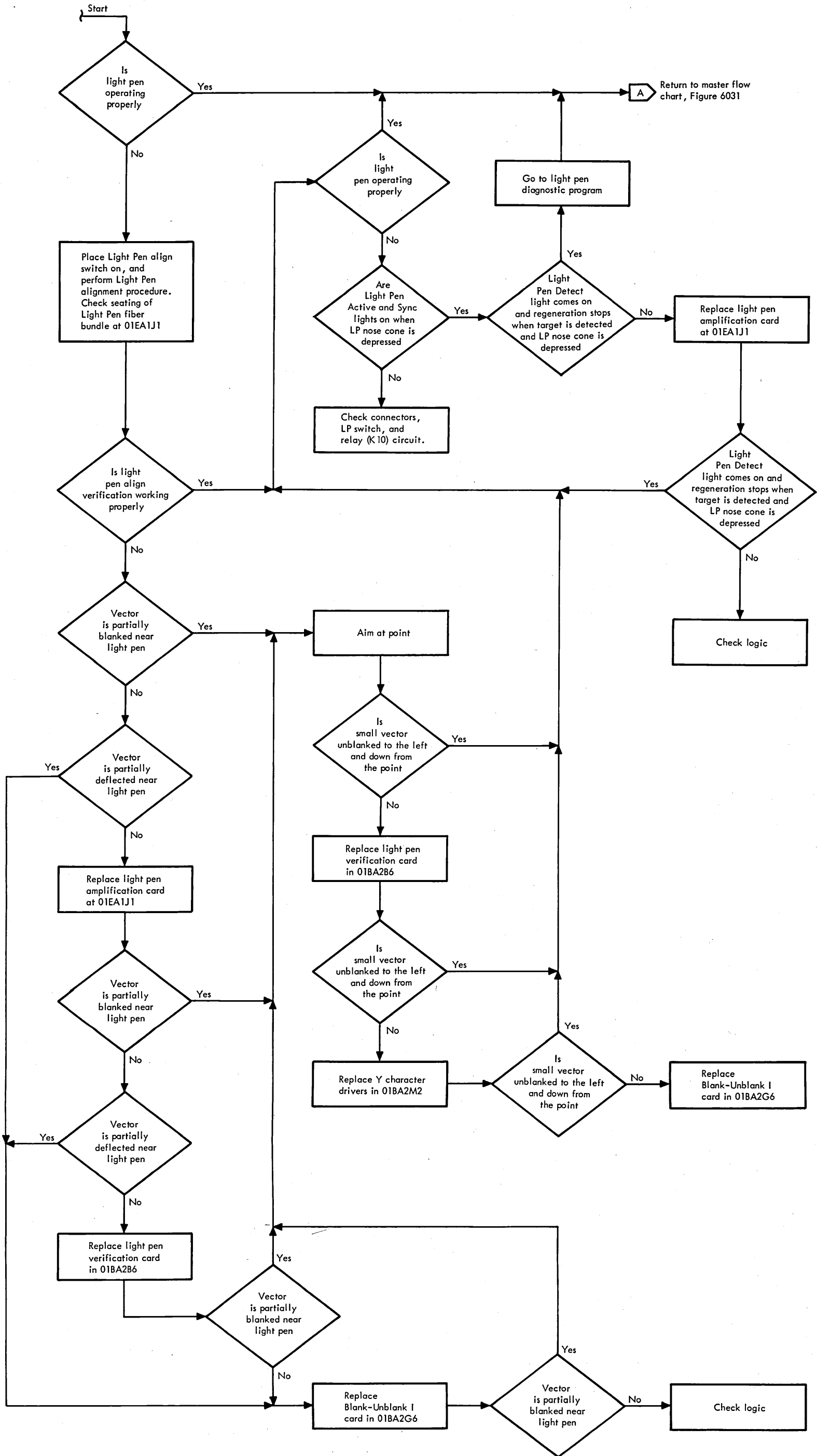


Figure 6037GDF. Light Pen Test Flow Chart (for GDF Machines)

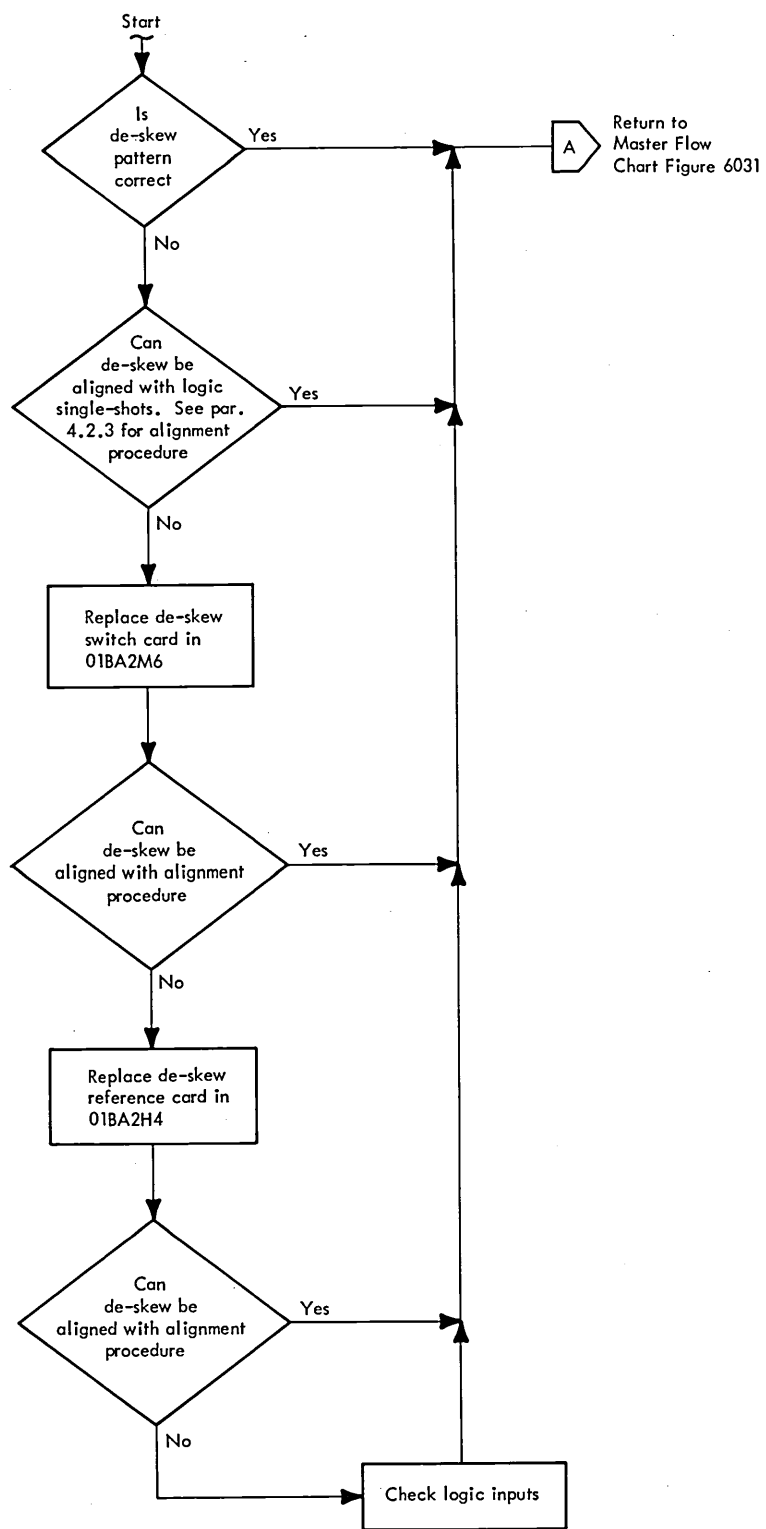


Figure 6038. De-Skew Test Flow Chart

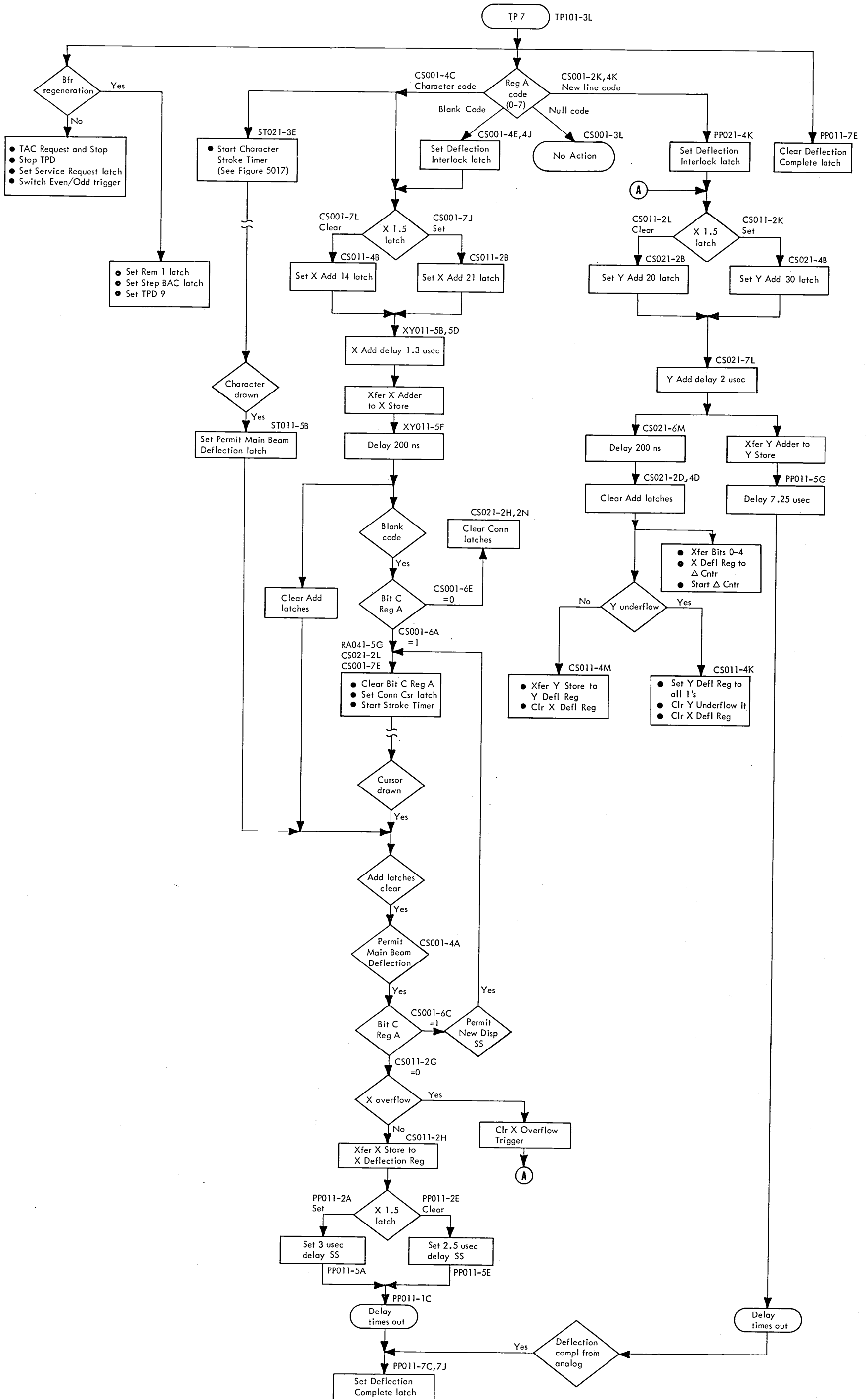


Figure 6040. Character Sequencer, Flow Chart

CAUTION: TURN DC POWER OFF BEFORE REPLACING CARDS.

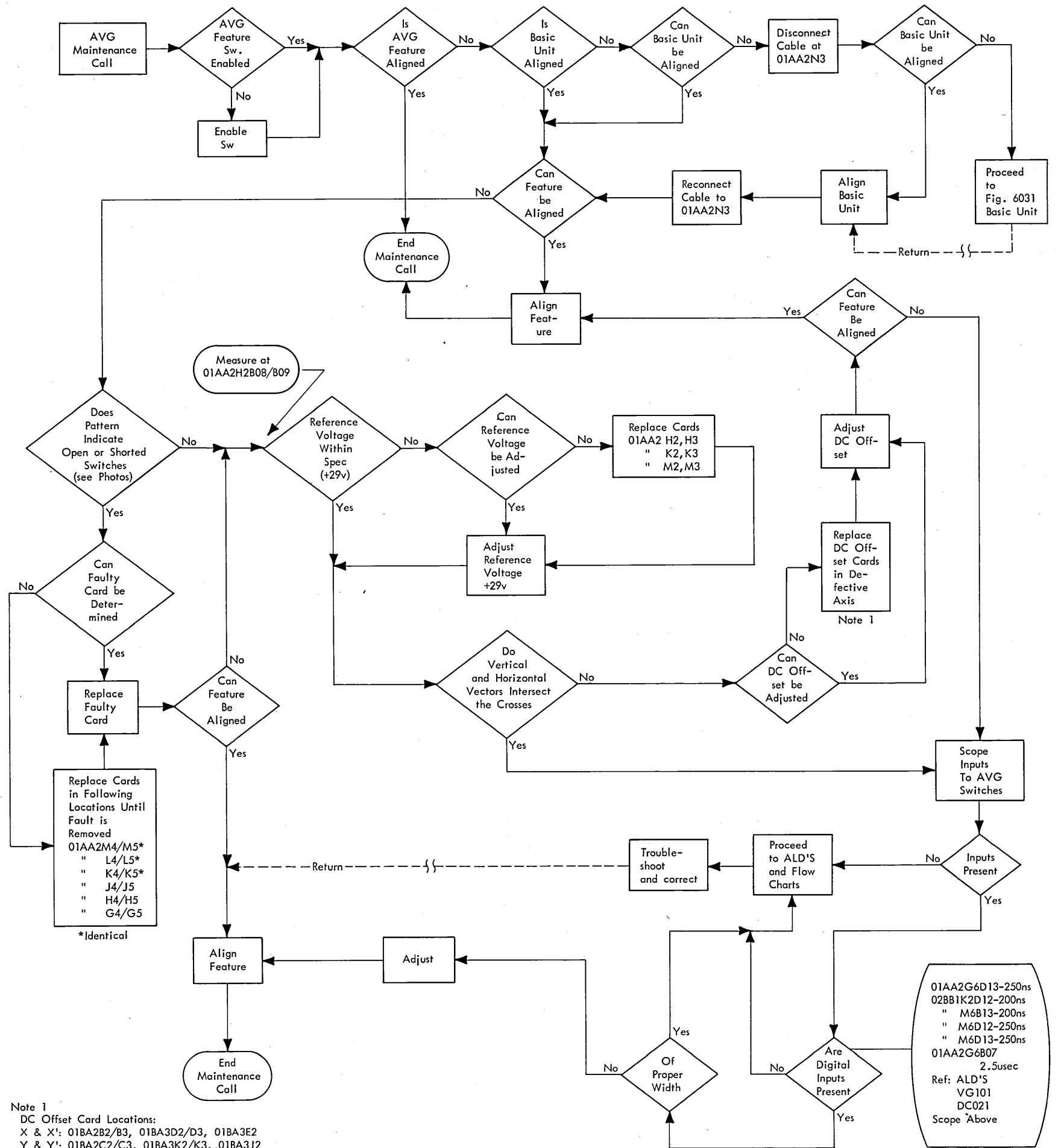


Figure 6041. Absolute Vector Graphics Diagnostic Test Flow Chart

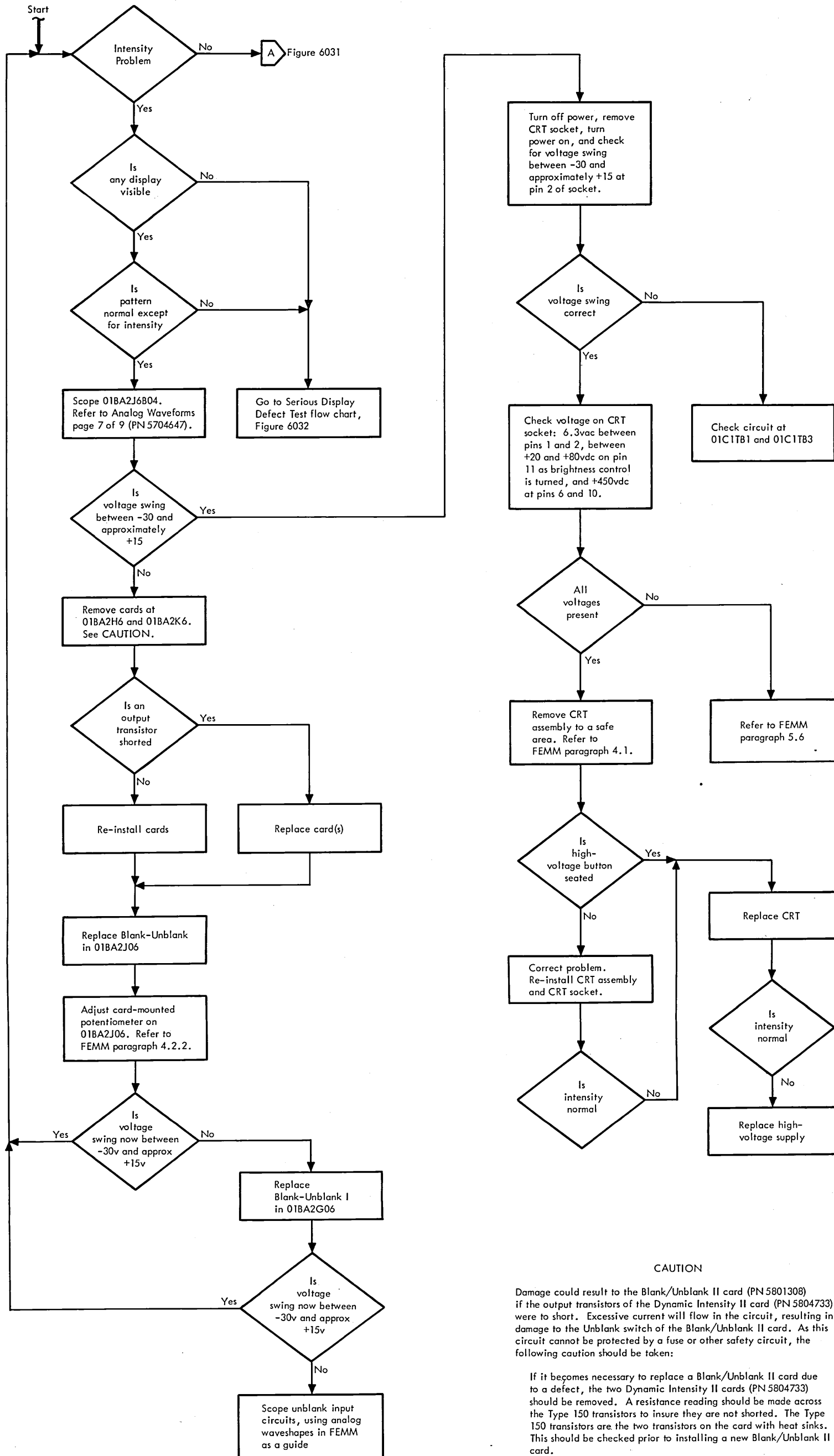


Figure 6042. Intensity Test Flow Chart

CAUTION

Damage could result to the Blank/Unblank II card (PN 5801308) if the output transistors of the Dynamic Intensity II card (PN 5804733) were to short. Excessive current will flow in the circuit, resulting in damage to the Unblank switch of the Blank/Unblank II card. As this circuit cannot be protected by a fuse or other safety circuit, the following caution should be taken:

If it becomes necessary to replace a Blank/Unblank II card due to a defect, the two Dynamic Intensity II cards (PN 5804733) should be removed. A resistance reading should be made across the Type 150 transistors to insure they are not shorted. The Type 150 transistors are the two transistors on the card with heat sinks. This should be checked prior to installing a new Blank/Unblank II card.

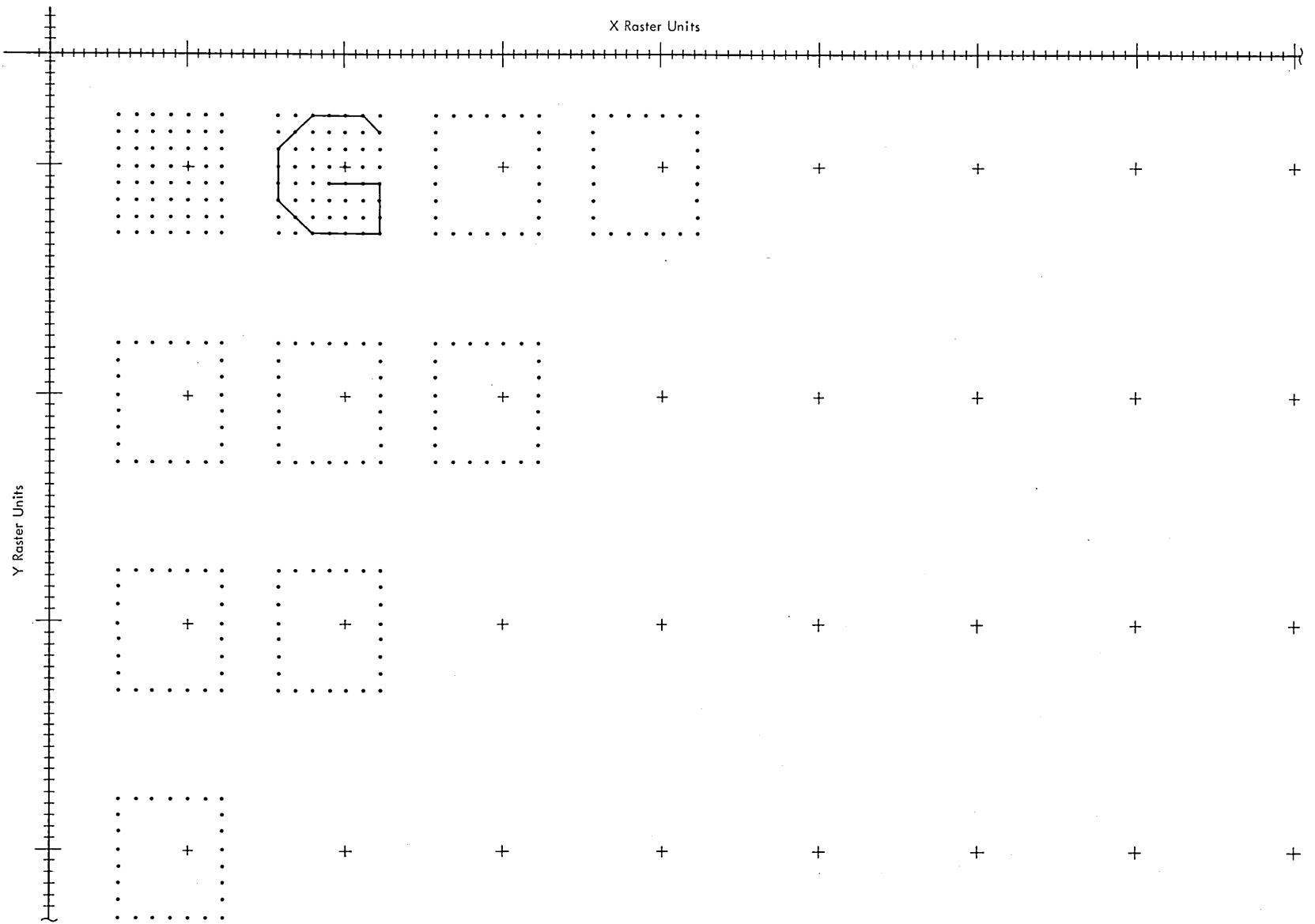


Figure 9000. Size A Characters, Display Distribution

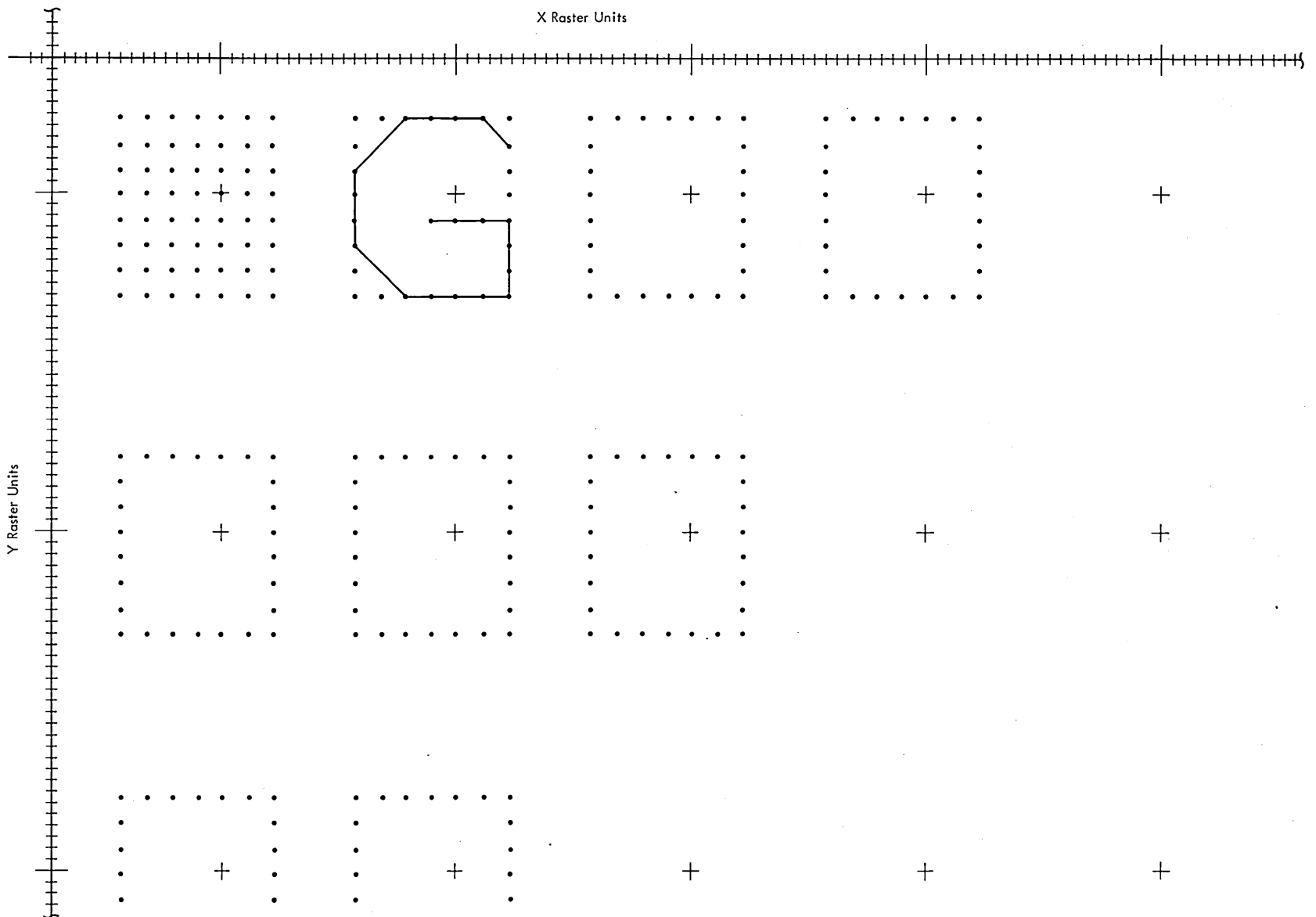


Figure 9001. Size B Characters, Display Distribution

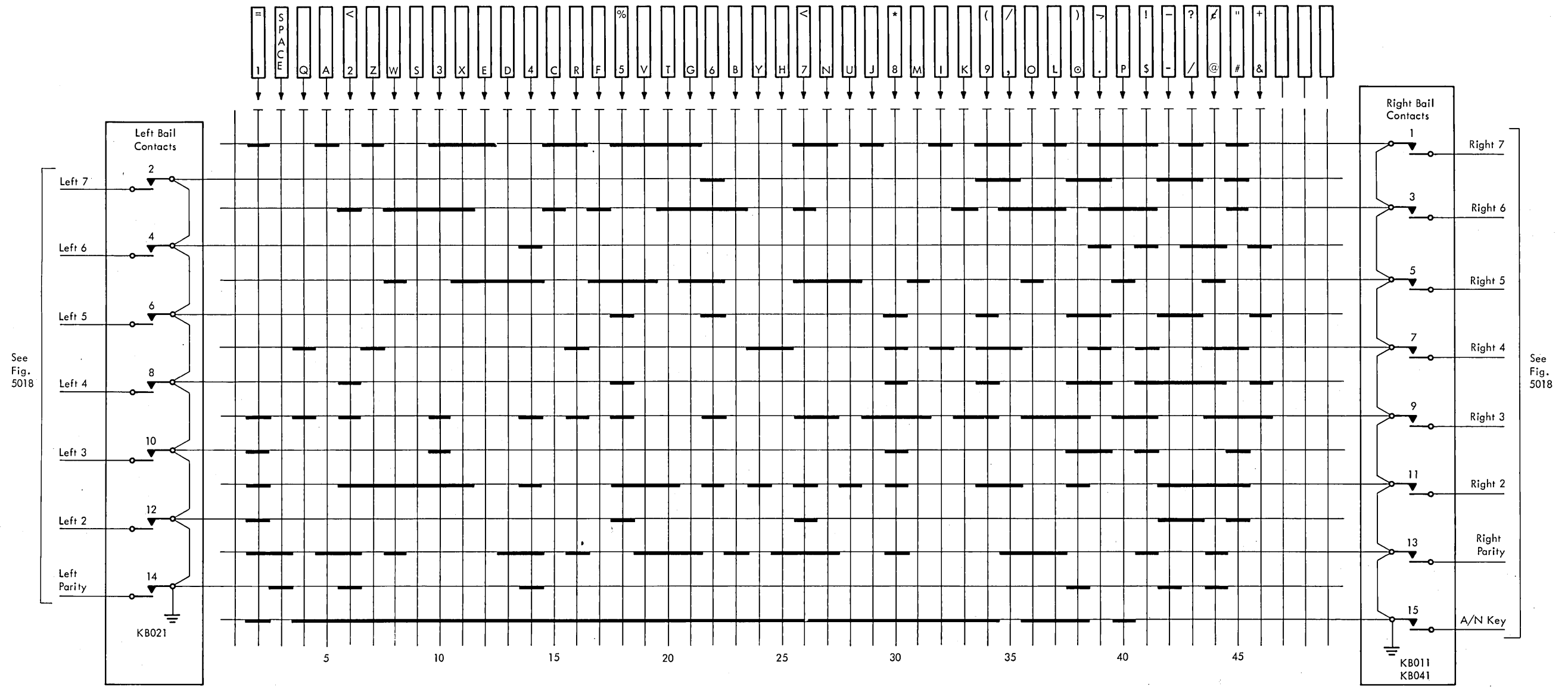
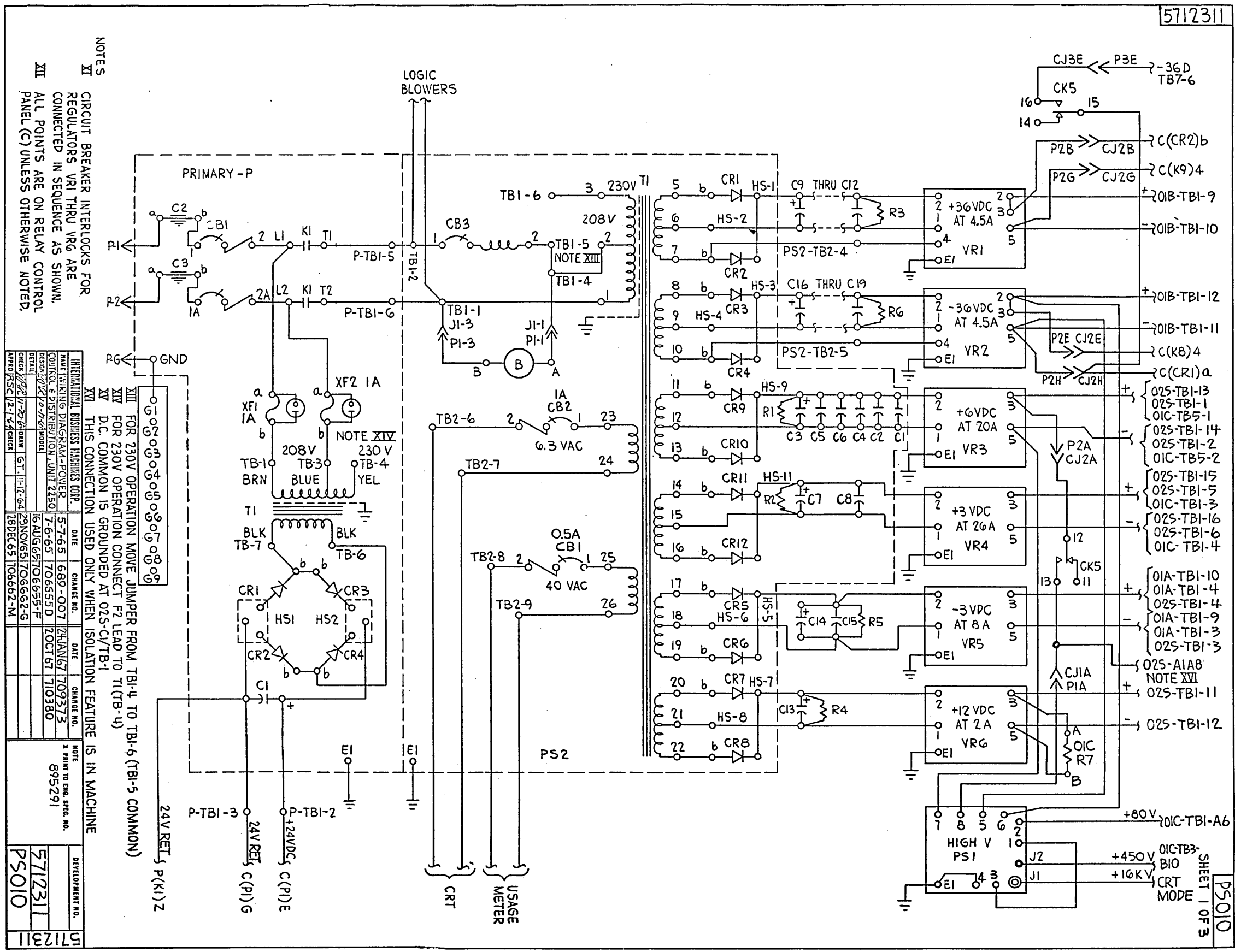


Figure 9002. A/N Keyboard, Encoding Chart

5712311



- NOTES
- II CIRCUIT BREAKER INTERLOCKS FOR REGULATORS VRL THRU VR6, ARE CONNECTED IN SEQUENCE AS SHOWN.
 - XIII ALL POINTS ARE ON RELAY CONTROL PANEL (C) UNLESS OTHERWISE NOTED.

INTERNATIONAL BUSINESS MACHINES CORP.	DATE	CHANGE NO.	DATE	CHANGE NO.	NOTE
NAME: WIRING DIAGRAM-POWER	5-7-65	680-007	ZHANKIN	709373	X PRINT TO ENG. SPEC. NO. 895291
CONTROL & DISTRIBUTION UNIT 2250	7-6-65	706655D	ZOCET	710380	
DESIGN: 2250-71-01 MODEL	6 AUG 65	706655-F			
DETAIL: 2250-71-01	29 NOV 65	706662-G			
CHECK: 2250-71-01	GT: 11-12-64				
APPRO: PSC/2250-71-01	ZBDEC65	706662-M			

XIII FOR 230V OPERATION MOVE JUMPER FROM TBI-4 TO TBI-6 (TBI-5 COMMON)

XIV FOR 230V OPERATION CONNECT F2 LEAD TO T1 (TBI-4)

XV D.C. COMMON IS GROUNDED AT 025-C/TBI-1

XVI THIS CONNECTION USED ONLY WHEN ISOLATION FEATURE IS IN MACHINE

Figure 9003. Power Control and Distribution Wiring Diagram (Sheet 1 of 3)

5712311

PSO10
SHEET 3 OF 3

COMPONENT CHART

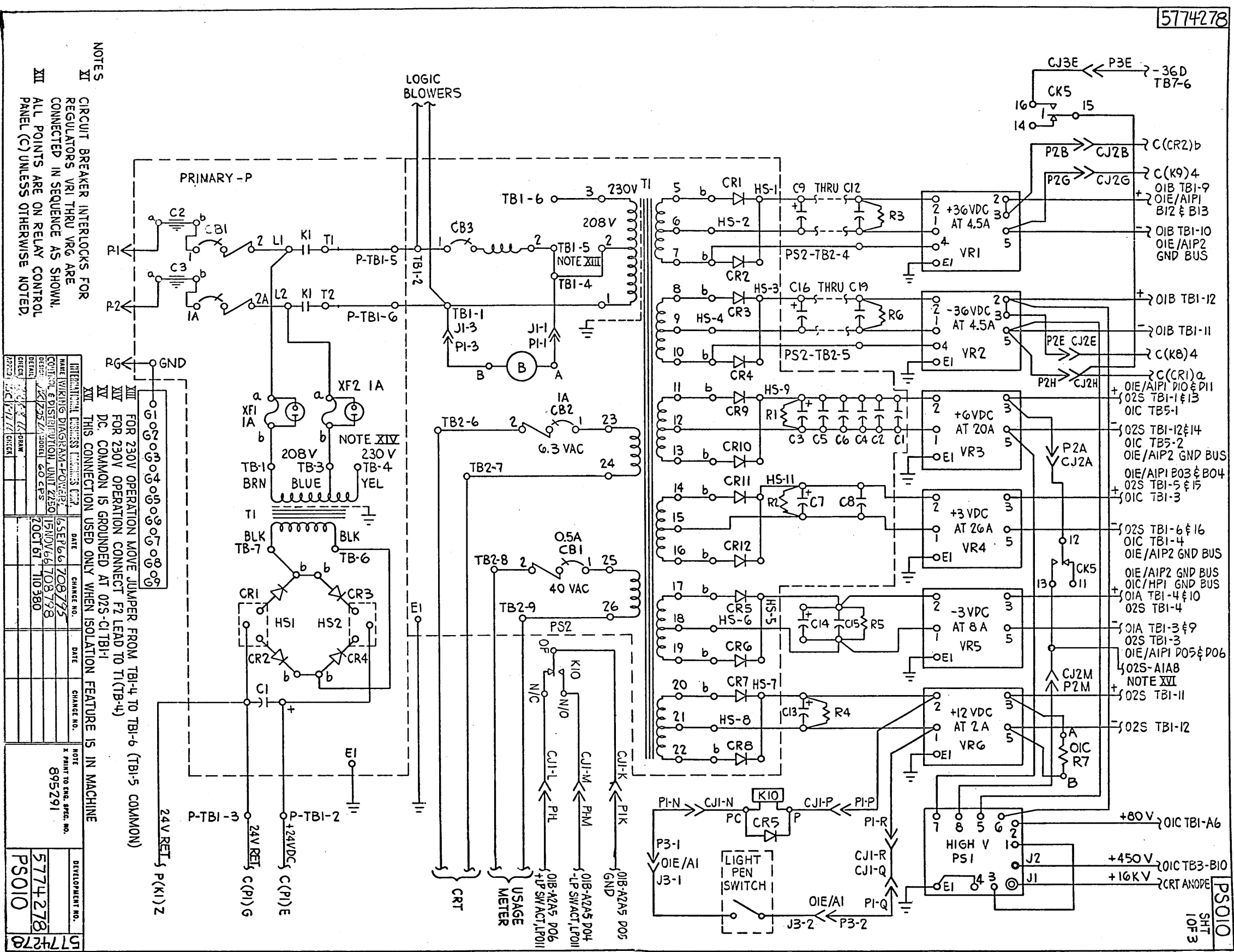
CODE	PART NO.	DESCRIPTION
P,CB1	5719456	CIRCUIT BREAKER 15A
P,K1	5276701	CONTACTOR
P,T1	5712337	TFMR 24VDC
P,C1	208245	CAPACITOR 2.5KMFD
P,C2&C3	5214060	CAPACITOR, FEED THRU
P,CR1&CR2	598355	DIODE
P,CR3&CR4	598353	DIODE
P,F1&F2	6325	FUSE
PSZ-B	5313850	BLOWER
PSZ,T1	5712373	TFMR
PSZ,CB1	535290	CIRCUIT BREAKER 0.5A
PSZ,CB2	535292	CIRCUIT BREAKER 1.0A
PSZ,CB3	889995	CIRCUIT BREAKER 10A
PSZ,CR1-8	598479	DIODE
PSZ,CR9-12	127324	DIODE
PSZ,C1-C6	5261057	CAPACITOR 17KMFD
PSZ,C7&C8	5213162	CAPACITOR 74KMFD
C9-12,C16-19	208232	CAPACITOR 3.5KMFD
C13	5261077	CAPACITOR 8.9KMFD
C14,C15	5261067	CAPACITOR 24KMFD
PSZ,R1	5261899	RESISTOR 100Ω 5W,ASM
PSZ,R2	5712377	RESISTOR 70Ω 5W,ASM
R3,R6	5712378	RESISTOR 600Ω 10W,ASM
R4	5261077	RESISTOR 1.1KΩ 2W,ASM
R5	5261935	RESISTOR 330Ω 2W,ASM
PS1	5712339	H.V. PWR SUPPLY(WD5712340)
VR1&2	5239250	VOLT REG 36V-4A(WD5239251)
VR3	5712359	VOLT REG 6V-20A(WD5712372)
VR4	5712360	VOLT REG 3V-26A(WD5712361)
VR5	5712363	VOLT REG 3V-8A(WD5712364)
VR6	5712365	VOLT REG 12V-2A(WD5712371)
K1-K7	5318968	RELAY 24VDC
TD1	5712326	TIME DELAY RELAY 25 SEC
S1	5213522	ROTARY SWITCH
S2	215679	PUSH BUTTON SWITCH
XS1&XS2	5372847	LAMP
C(CR1&CR2)	369129	ZENER DIODE 30V
P(CR5)	599917	AM DIODE ASM
C(CR3&CR4)	2111232	AM DIODE
PWR THRM	594986	THERMAL SWITCH
TD2	5712399	TIME DELAY RELAY 10 SEC
K8&K9	5318969	RELAY 6VDC

016 09 010
014 015 08
013 06 07
011 012 05
04030201

4 POS RELAY
WIRING SIDE
K1-K9

INTERNATIONAL BUSINESS MACHINES CORP.	DATE	CHANGE NO.	DATE	CHANGE NO.	NOTE	DEVELOPMENT NO.
NAME WIRING DIAGRAM-PWR CONTROL & DISTRIBUTION	5-7-65	689-007	24JAN67	709373	NOTE X PRINT TO ENG. SPEC. NO. 895291	5712311 PSO10
DESIGN P. P. V. MODEL	7-6-65	706655-D	20CT67	710380		
DETAIL	16AUG65	706655-F				
CHECK P. P. V. DRAW	20NOV65	706662-G				
APPROV. JSC 12-1-64 CHECK	28DEC65	706662-M				

•Figure 9003. Power Control and Distribution Wiring Diagram (Sheet 3 of 3)



5774278

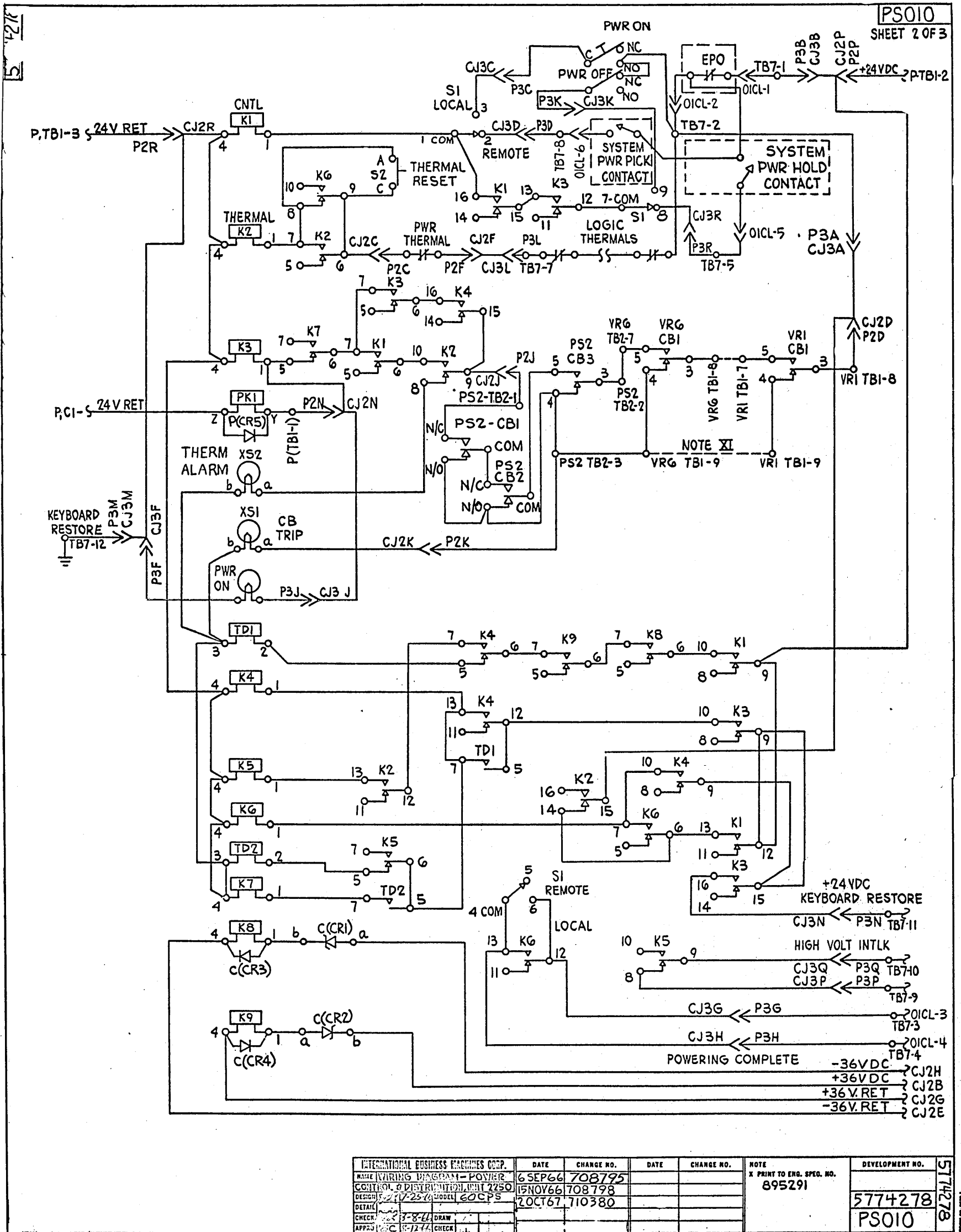
NOTES
 XI CIRCUIT BREAKER INTERLOCKS FOR REGULATORS VRI THRU VR6 ARE CONNECTED IN SEQUENCE AS SHOWN.
 XII ALL POINTS ARE ON RELAY CONTROL PANEL (C) UNLESS OTHERWISE NOTED.

REVISION	DATE	DESCRIPTION
1	15 NOV 66	INITIAL DESIGN
2	15 NOV 66	REVISED FOR 230V OPERATION
3	15 NOV 66	REVISED FOR 230V OPERATION
4	15 NOV 66	REVISED FOR 230V OPERATION
5	15 NOV 66	REVISED FOR 230V OPERATION
6	15 NOV 66	REVISED FOR 230V OPERATION
7	15 NOV 66	REVISED FOR 230V OPERATION
8	15 NOV 66	REVISED FOR 230V OPERATION
9	15 NOV 66	REVISED FOR 230V OPERATION
10	15 NOV 66	REVISED FOR 230V OPERATION
11	15 NOV 66	REVISED FOR 230V OPERATION
12	15 NOV 66	REVISED FOR 230V OPERATION
13	15 NOV 66	REVISED FOR 230V OPERATION
14	15 NOV 66	REVISED FOR 230V OPERATION
15	15 NOV 66	REVISED FOR 230V OPERATION
16	15 NOV 66	REVISED FOR 230V OPERATION
17	15 NOV 66	REVISED FOR 230V OPERATION
18	15 NOV 66	REVISED FOR 230V OPERATION
19	15 NOV 66	REVISED FOR 230V OPERATION
20	15 NOV 66	REVISED FOR 230V OPERATION
21	15 NOV 66	REVISED FOR 230V OPERATION
22	15 NOV 66	REVISED FOR 230V OPERATION
23	15 NOV 66	REVISED FOR 230V OPERATION
24	15 NOV 66	REVISED FOR 230V OPERATION
25	15 NOV 66	REVISED FOR 230V OPERATION
26	15 NOV 66	REVISED FOR 230V OPERATION
27	15 NOV 66	REVISED FOR 230V OPERATION
28	15 NOV 66	REVISED FOR 230V OPERATION
29	15 NOV 66	REVISED FOR 230V OPERATION
30	15 NOV 66	REVISED FOR 230V OPERATION

XIII FOR 230V OPERATION MOVE JUMPER FROM TBI-4 TO TBI-6 (TBI-5 COMMON)
 XIV FOR 230V OPERATION CONNECT F2 LEAD TO T1 (TB-4)
 XV DC COMMON IS GROUNDED AT 02S-C1/TBI-1
 XVI THIS CONNECTION USED ONLY WHEN ISOLATION FEATURE IS IN MACHINE

DEVELOPMENT NO.	DATE	DESCRIPTION
5774278	15 NOV 66	INITIAL DESIGN
PS010	15 NOV 66	REVISED FOR 230V OPERATION

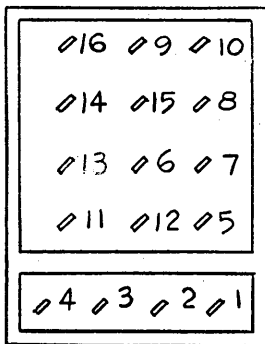
Figure 9003GDF. Power Control and Distribution Wiring Diagram (for GDF Machines) (Sheet 1 of 3)



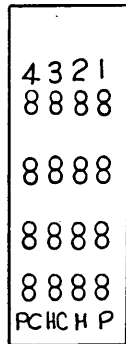
•Figure 9003GDF. Power Control and Distribution Wiring Diagram (for GDF Machines) (Sheet 2 of 3)

COMPONENT CHART

CODE	PART NO.	DESCRIPTION
P,CB1	5719456	CIRCUIT BREAKER 15A
P,K1	5276701	CONTACTOR
P,T1	5712337	TFMR 24VDC
P,C1	208245	CAPACITOR 2.5KMFD
PC2&C3	5214060	CAPACITOR, FEED THRU
PCR1&CR2	593355	DIODE
PCR3&CR4	593353	DIODE
PF1&F2	6325	FUSE
PS2-B	5313850	BLOWER
PS2,T1	5712373	TFMR
PS2,CB1	535290	CIRCUIT BREAKER 0.5A
PS2,CB2	535292	CIRCUIT BREAKER 1.0A
PS2,CB3	509995	CIRCUIT BREAKER 10A
PS2,CR1-8	593479	DIODE
PS2,CR9-12	127324	DIODE
PS2,C1-C6	5261057	CAPACITOR 17KMFD
PS2,C7&C8	5213162	CAPACITOR 74KMFD
C9-12,C16-19	208232	CAPACITOR 3.5KMFD
C13	5261077	CAPACITOR 8.9KMFD
C14,C15	5261067	CAPACITOR 24KMFD
PS2,R1	5261099	RESISTOR 100Ω 5W,ASM
PS2,R2	5712377	RESISTOR 70Ω 5W,ASM
R3,R6	5712378	RESISTOR 600Ω 10W,ASM
R4	5261077	RESISTOR 1.1KΩ 2W,ASM
R5	5261935	RESISTOR 330Ω 2W,ASM
PS1	5712339	H.V. PWR SUPPLY(WD5712340)
VR1&2	5239250	VOLT REG 36V-4A(WD5239251)
VR3	5712359	VOLT REG 6V-20A(WD5712372)
VR4	5712360	VOLT REG 3V-26A(WD5712361)
VR5	5712363	VOLT REG 3V-8A(WD5712364)
VR6	5712365	VOLT REG 12V-2A(WD5712371)
K1-K7	5318969	RELAY 24VDC
TD1	5712326	TIME DELAY RELAY 25 SEC
S1	5213522	ROTARY SWITCH
S2	215679	PUSH BUTTON SWITCH
XS1&XS2	5372847	LAMP
C(CR1&CR2)	369129	ZENER DIODE 30V
P(CR3)	593317	AM DIODE ASM
C(CR3&CR4)	2111282	AM DIODE
PWR THERM	594906	THERMAL SWITCH
TD2	5712399	TIME DELAY RELAY 10 SEC
K8&K9	5318969	RELAY 6VDC
K10	769095	WIRE CONTACT RELAY
C(CR5)	5368225	PD DIODE ASM



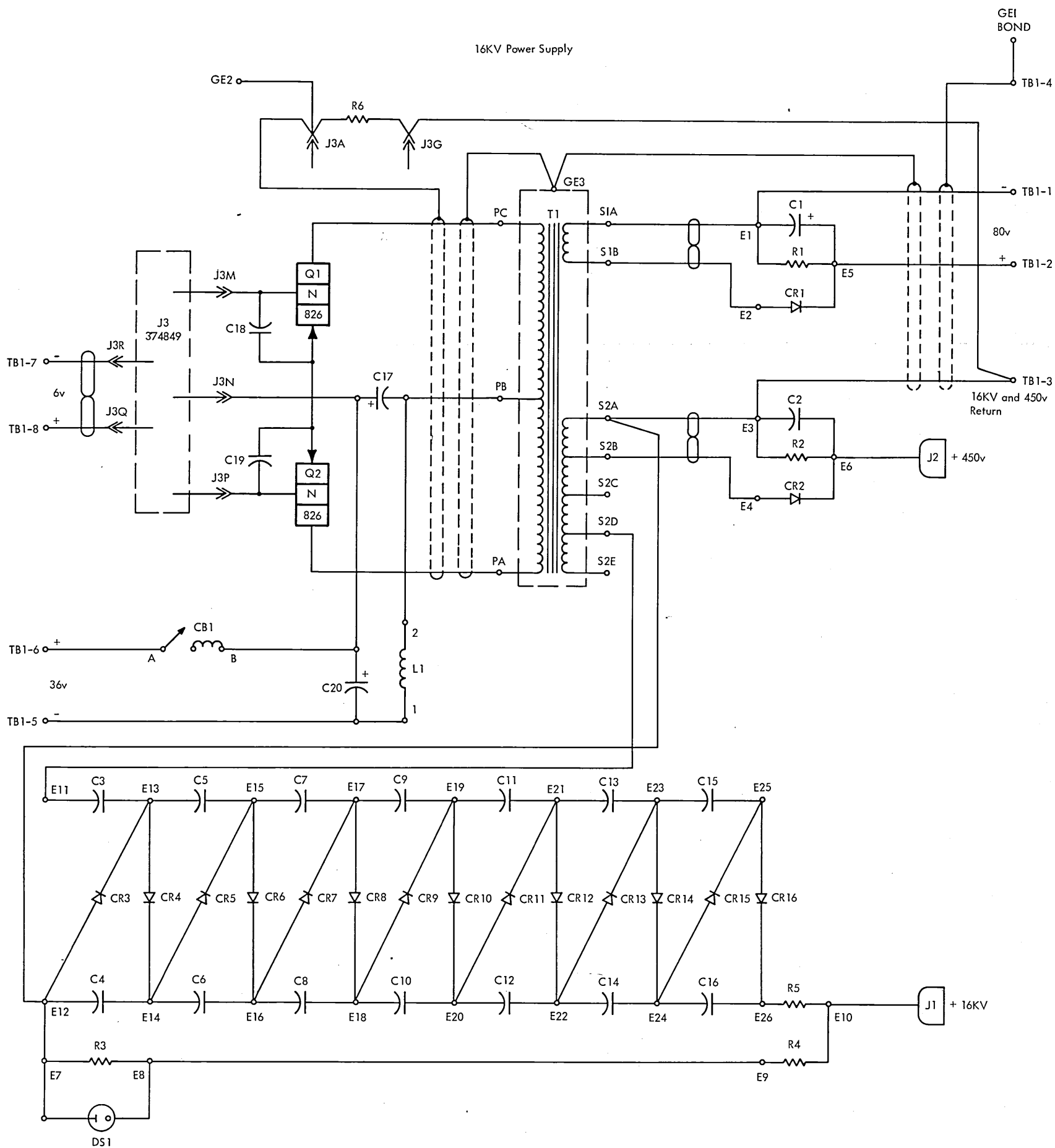
4 POS. RELAY
WIRING SIDE
KI - K9



WIRING SIDE
K10

INTERNATIONAL BUSINESS MACHINES CORP.	DATE	CHANGE NO.	DATE	CHANGE NO.	NOTE	DEVELOPMENT NO.
NAME WIRING DIAGRAM-PWR	6SEP66	708795			X PRINT TO ENG. SPEC. NO. 895291	5774278 PSO10
CONTROL & DISTRIBUTION	15NOV66	708798				
DESIGN: 1172574 MODEL	20CT67	710380				
DETAIL						
CHECK: 8/22/67 DRAW						
APPRO: 8/22/67 CHECK						

●Figure 9003GDF. Power Control and Distribution Wiring Diagram (for GDF Machines)(Sheet 3 of 3)



Component Chart		
Ref Des	Part Number	Description
C1	482148	Capacitor 5mf
C2	5213609	0.05mf
C3-C16	5213619	0.01mf
C17	369849	50mf
C18, C19	5213577	1mf
C20	526332	Capacitor 450mf
CB1	526663	Circuit Breaker
CR1	341622	Diode
CR2-CR16	5213417	Rectifier Silicon
R1	323989	Resistor 47K 1W
R2	132699	8.2 meg 1/2W
R3	5213463	3.3 meg 2W
R4	5213583	100 meg 5W
R5	317047	220K 1W
R6	317026	Resistor 9.1K 1/2W
J3	374849	Card, Oscillator
T1	5712353	Transformer
Q1, Q2	5261889	Transistor 826
L1	5712376	Inductor
DS1	194587	Neon Lamp

Figure 9004. High Voltage Power Supply Wiring Diagram

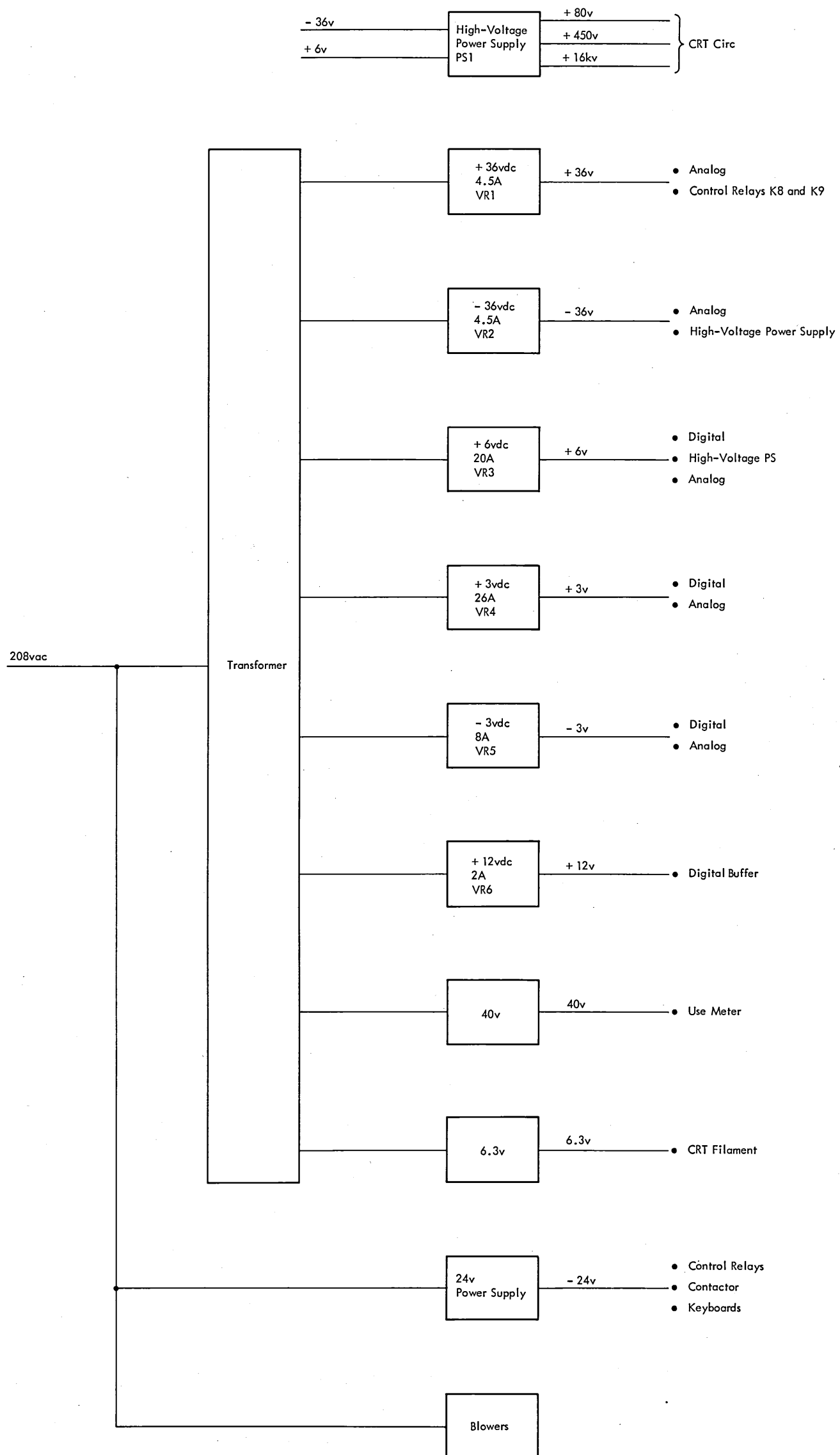


Figure 9005. Power Distribution

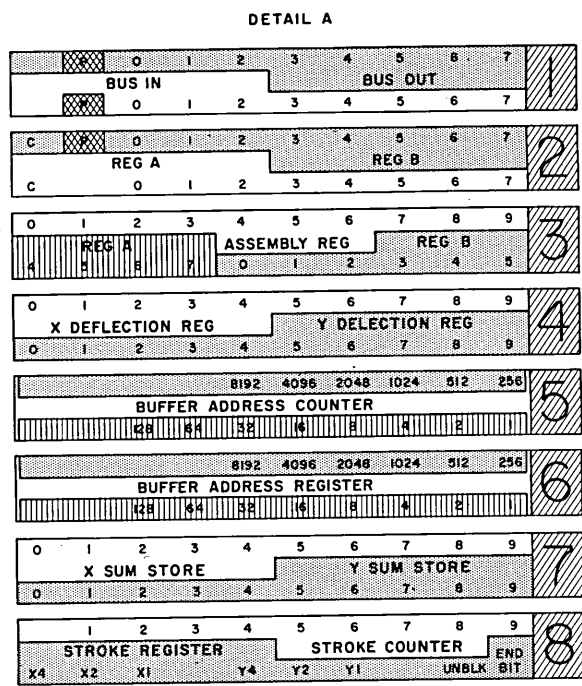
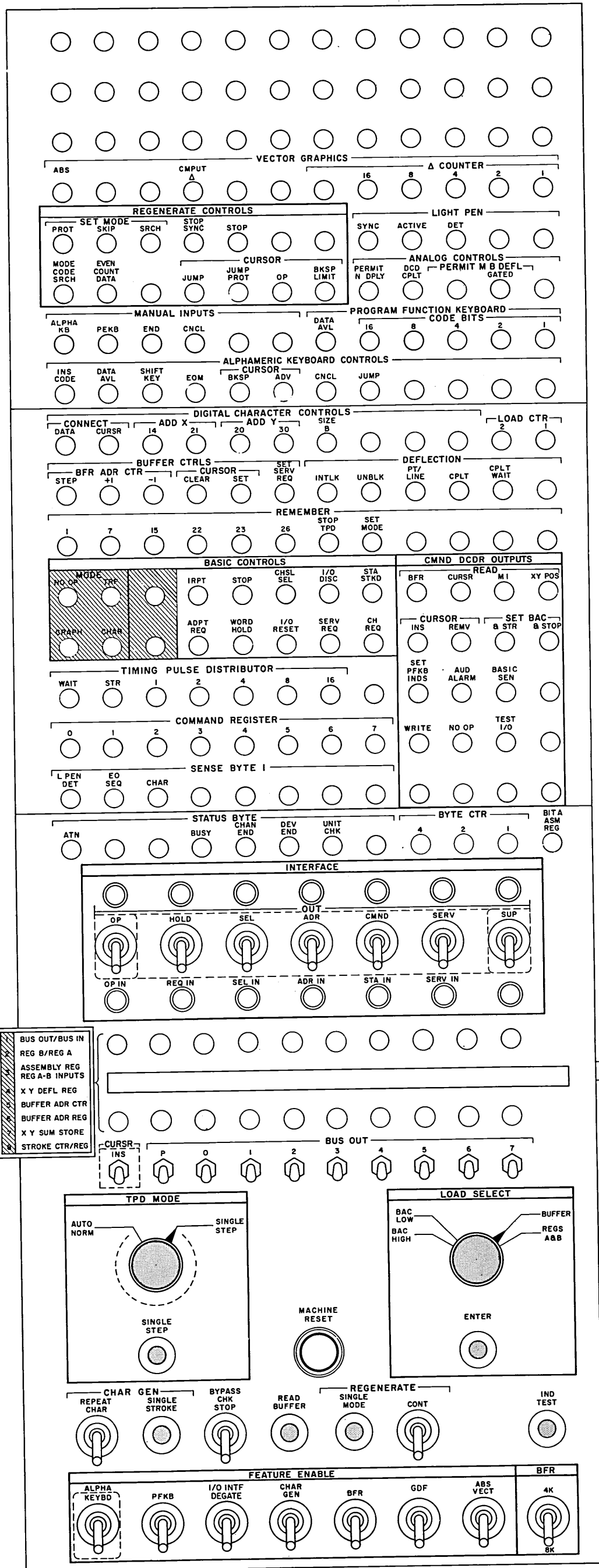


Figure 9006. 2250 CE Panel

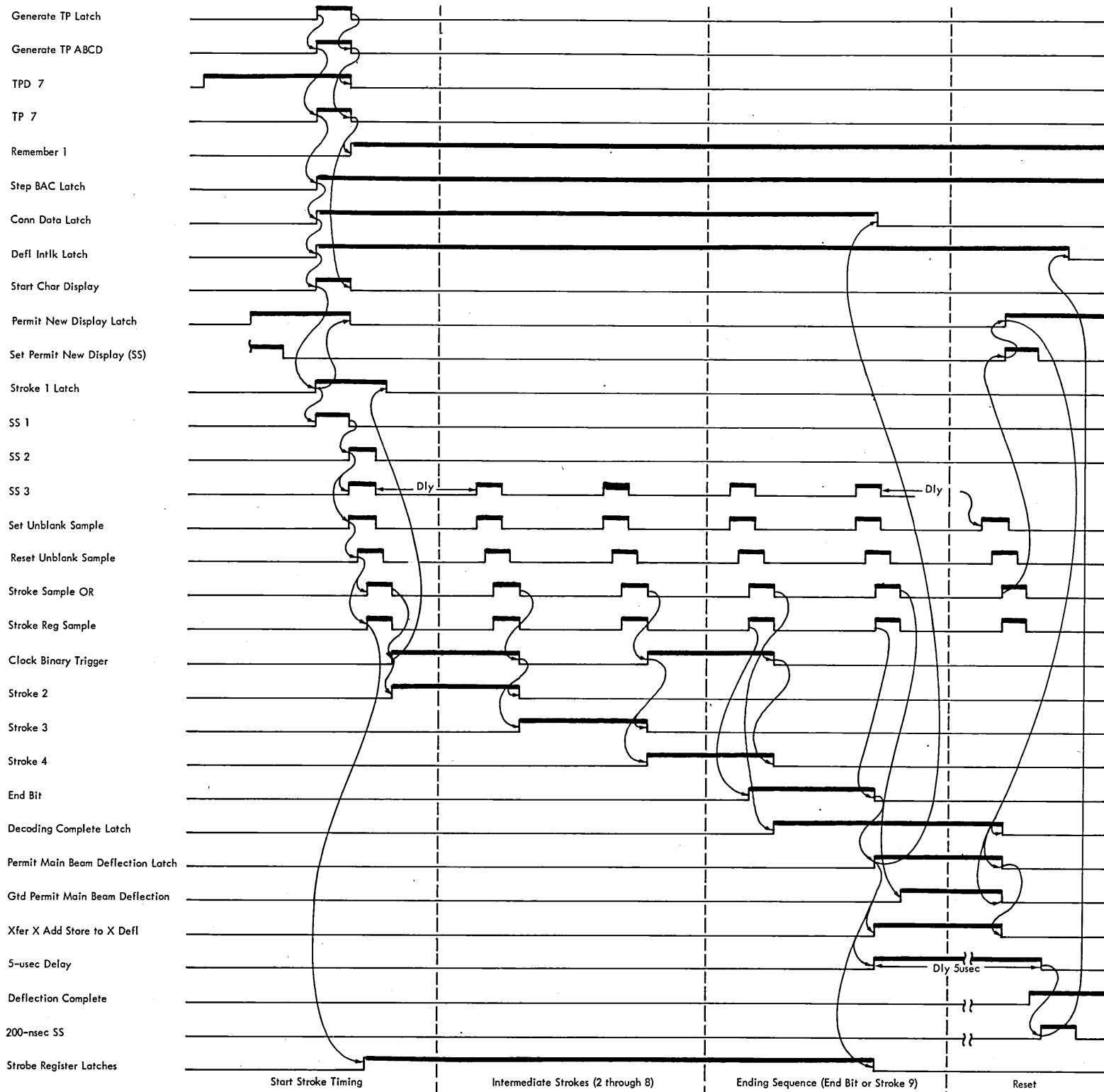


Figure 9007. Character Stroke, Timing Chart

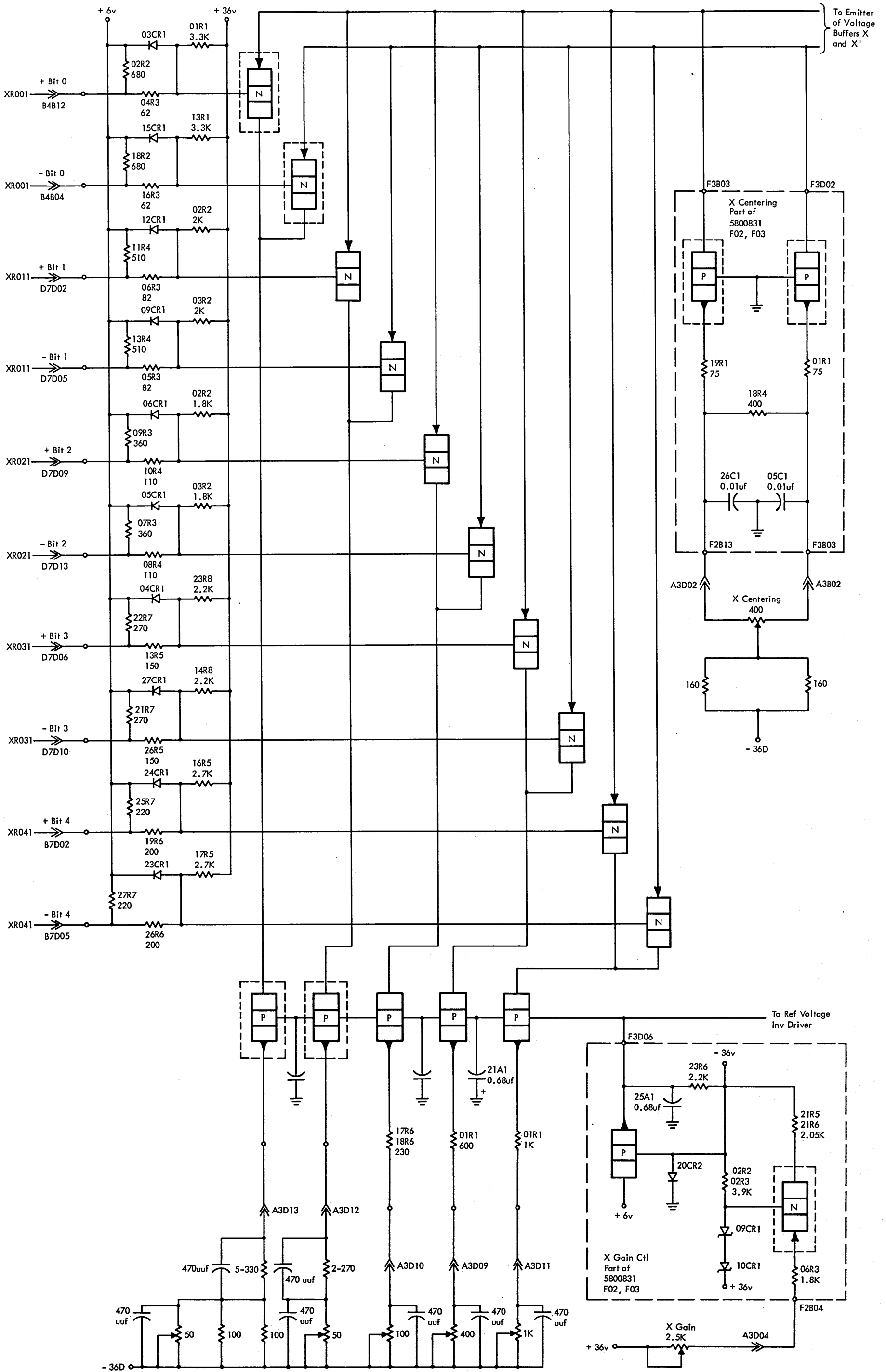


Figure 9008. Main Deflection, High-Order Decoding and Control, Wiring Diagram

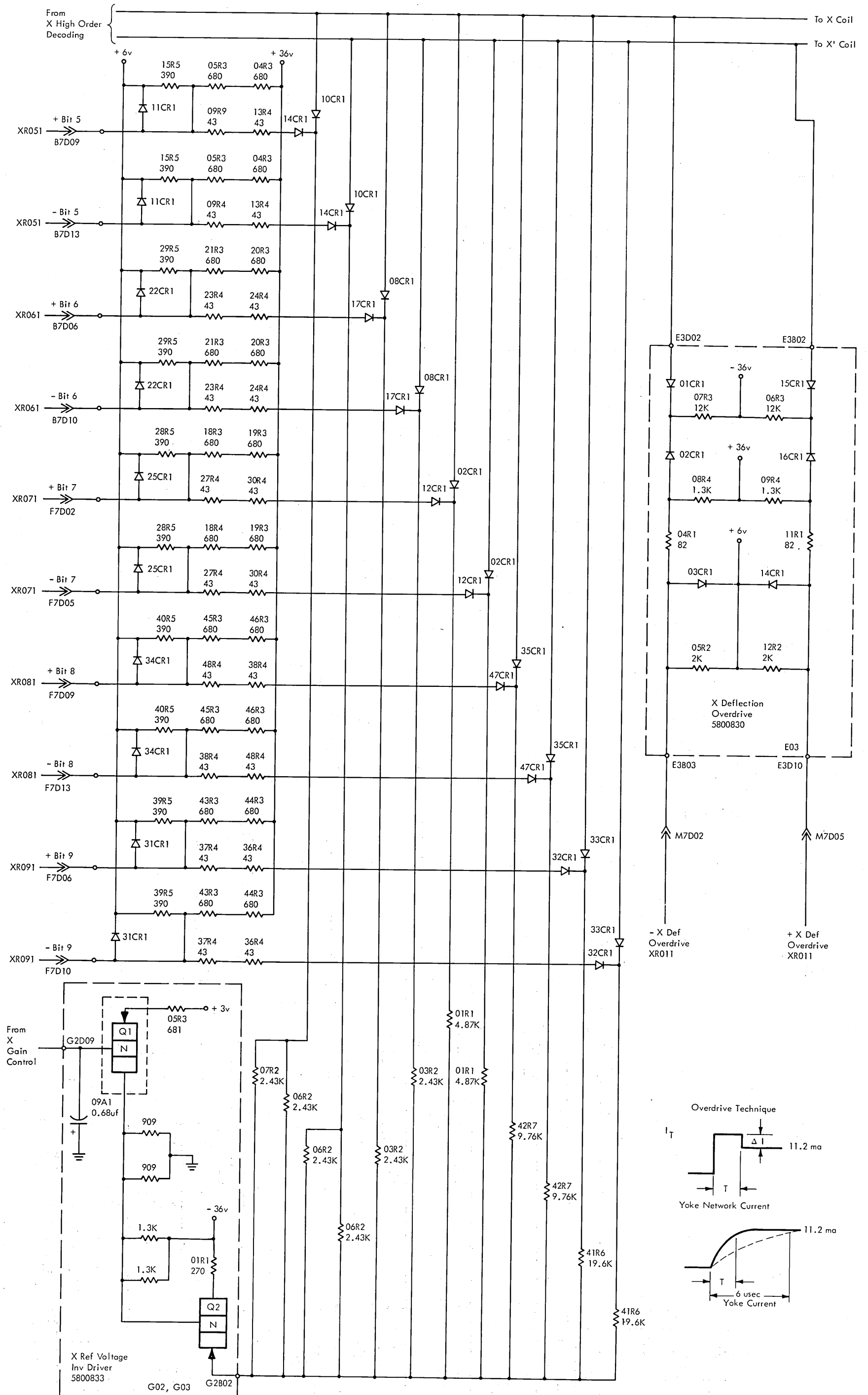


Figure 9009. Main Deflection, Low-Order Decoding and Control, Wiring Diagram.

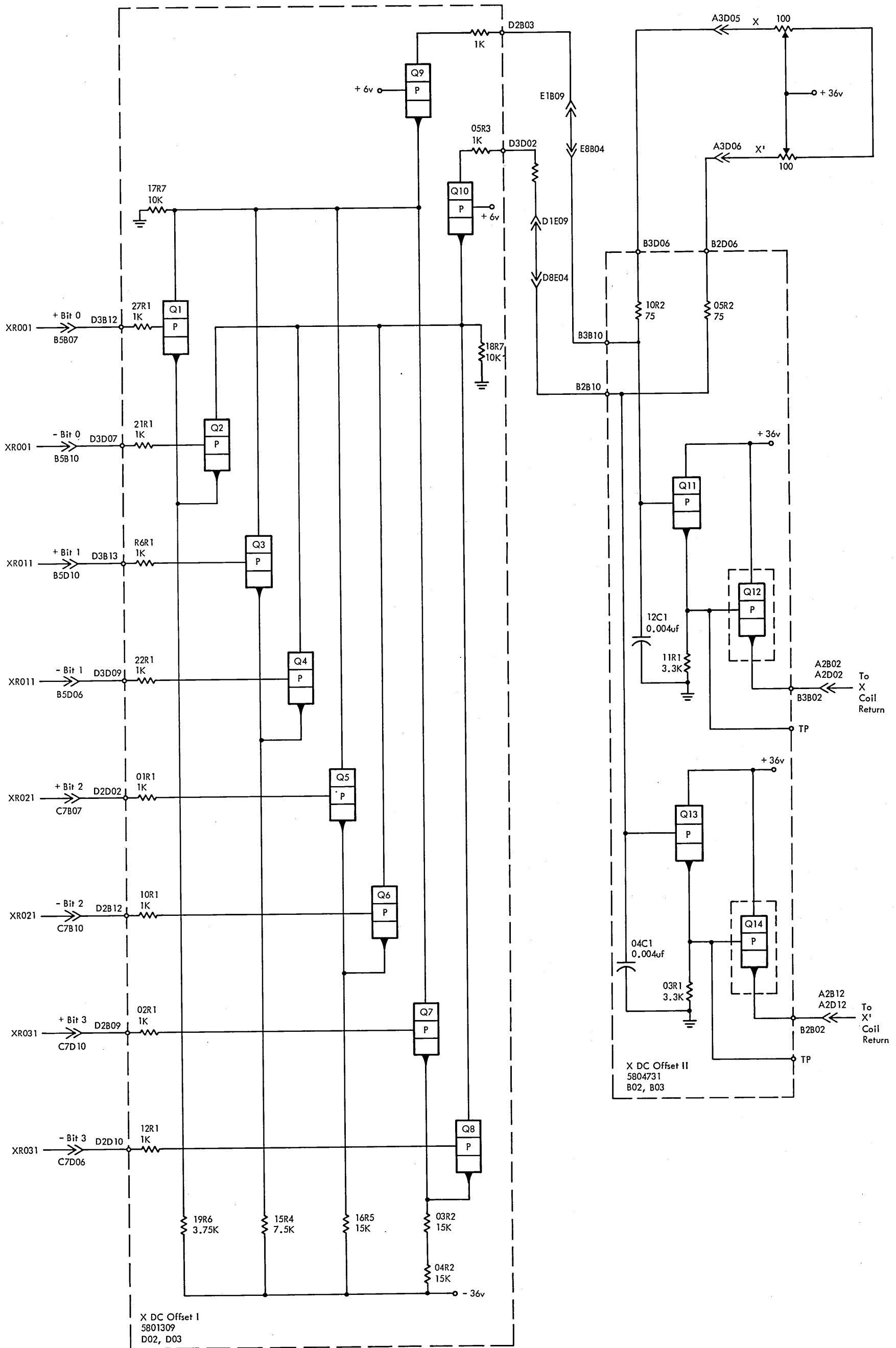


Figure 9010. Main Deflection, DC Offset Control, Wiring Diagram

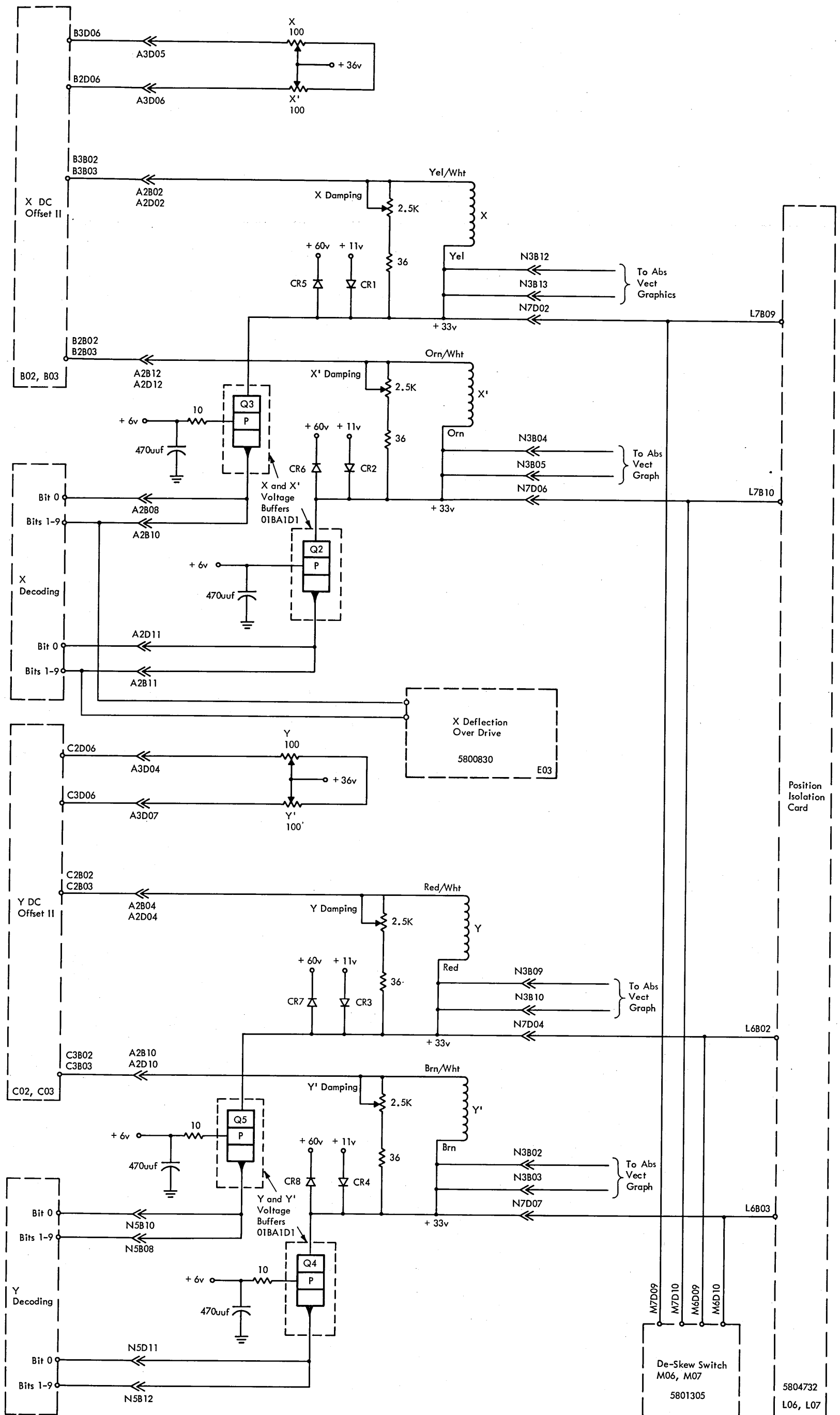


Figure 9011. Main Deflection, Yoke Control Circuits, Wiring Diagram

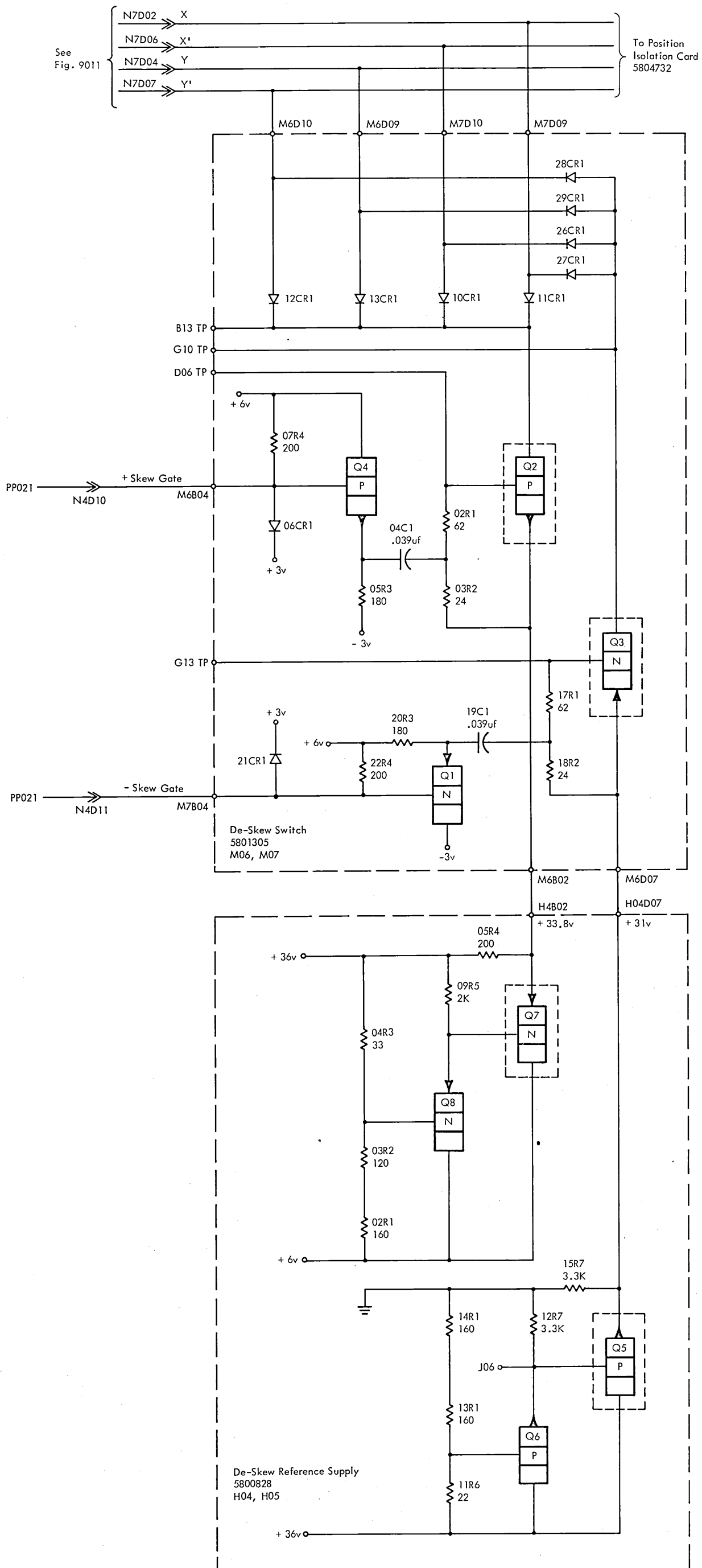


Figure 9012. Main Deflection, De-Skew Control Circuits, Wiring Diagram

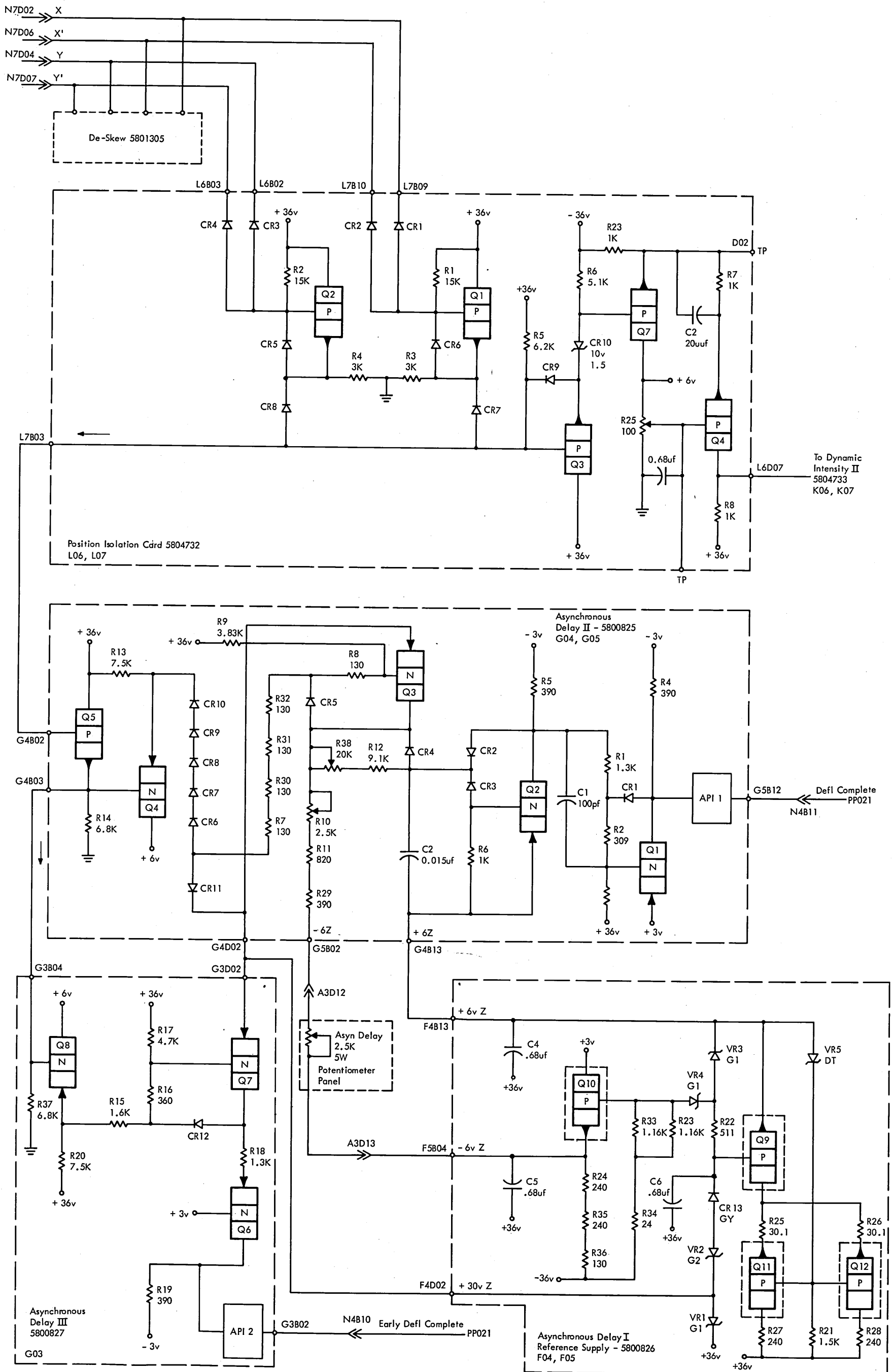


Figure 9013. Main Deflection, Position Isolation and Asynchronous Delay Circuits, Wiring Diagram

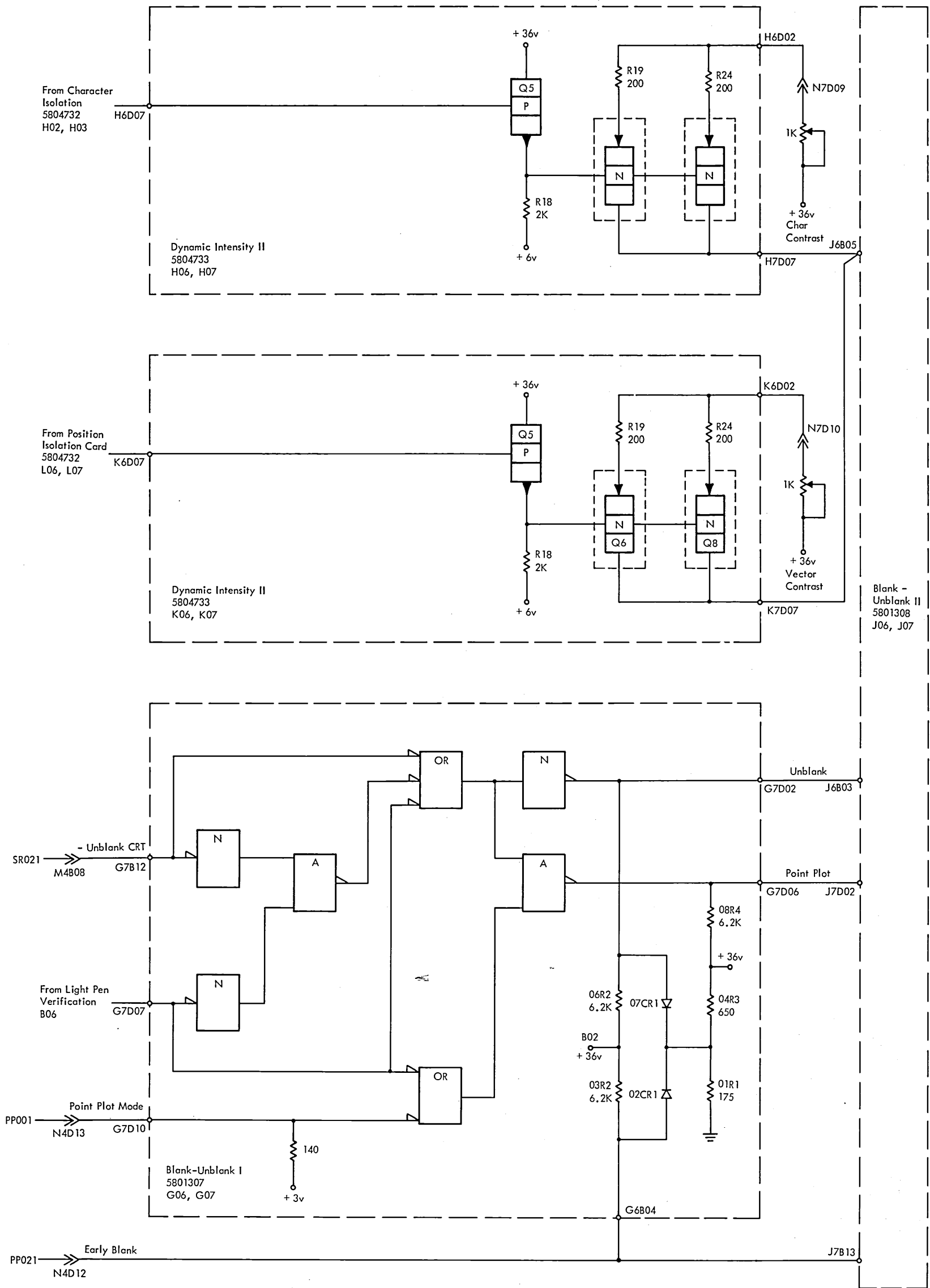


Figure 9014. Dynamic Intensity I and Blank-Unblank I Circuits, Wiring Diagram

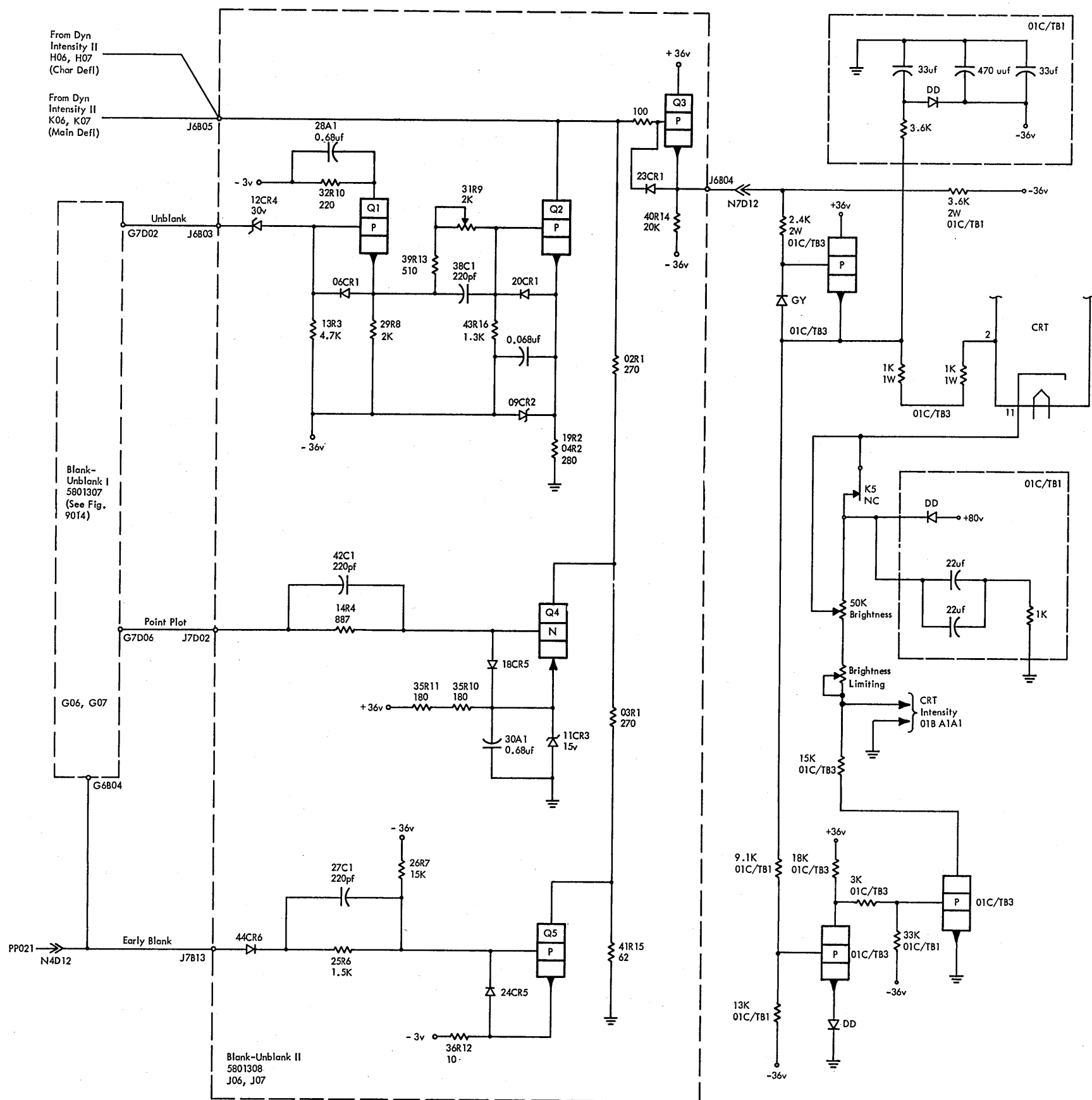


Figure 9015. Dynamic Intensity Blank-Unblank II Circuits, Wiring Diagrams

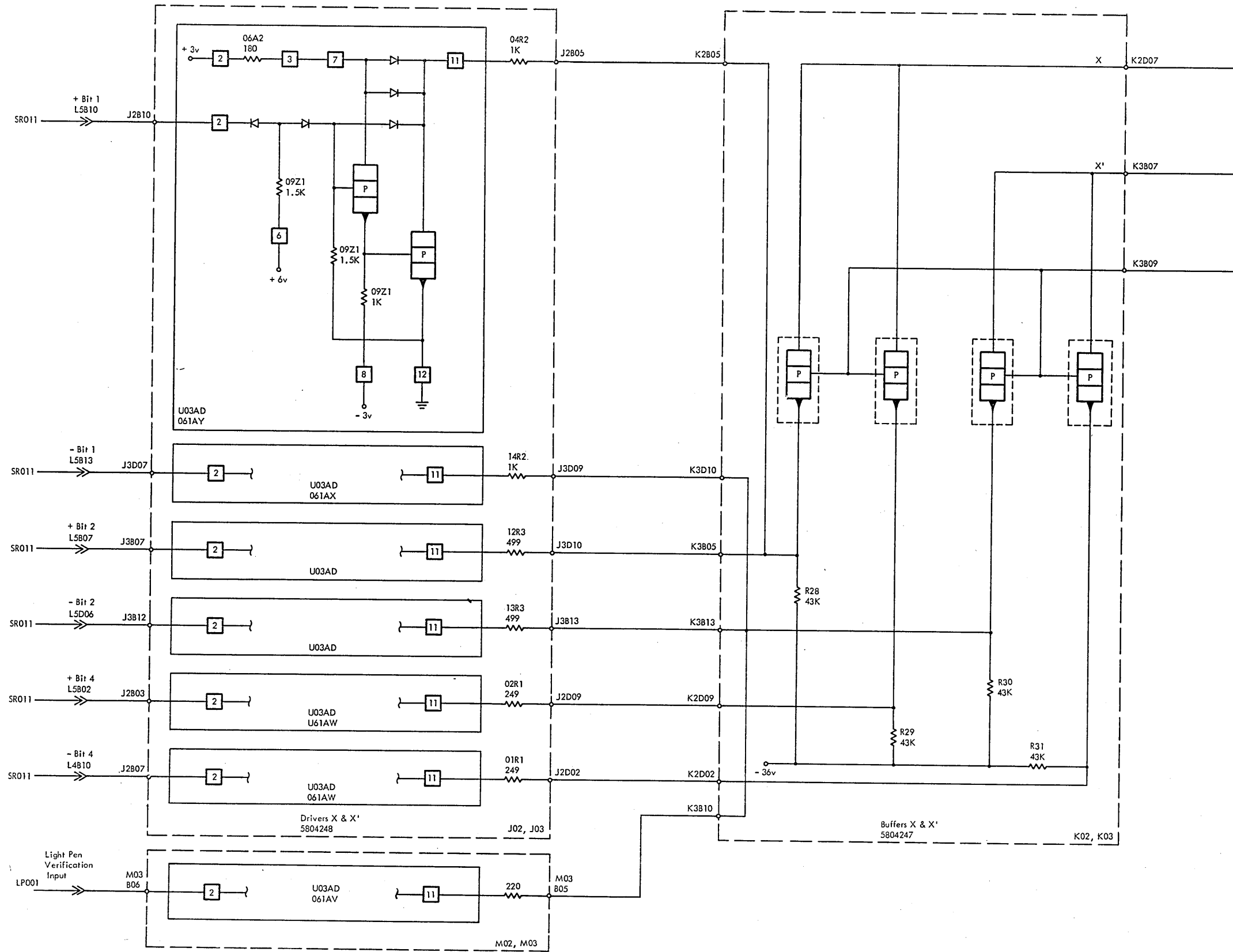


Figure 9016. Character Deflection, Decode Circuits, Wiring Diagrams

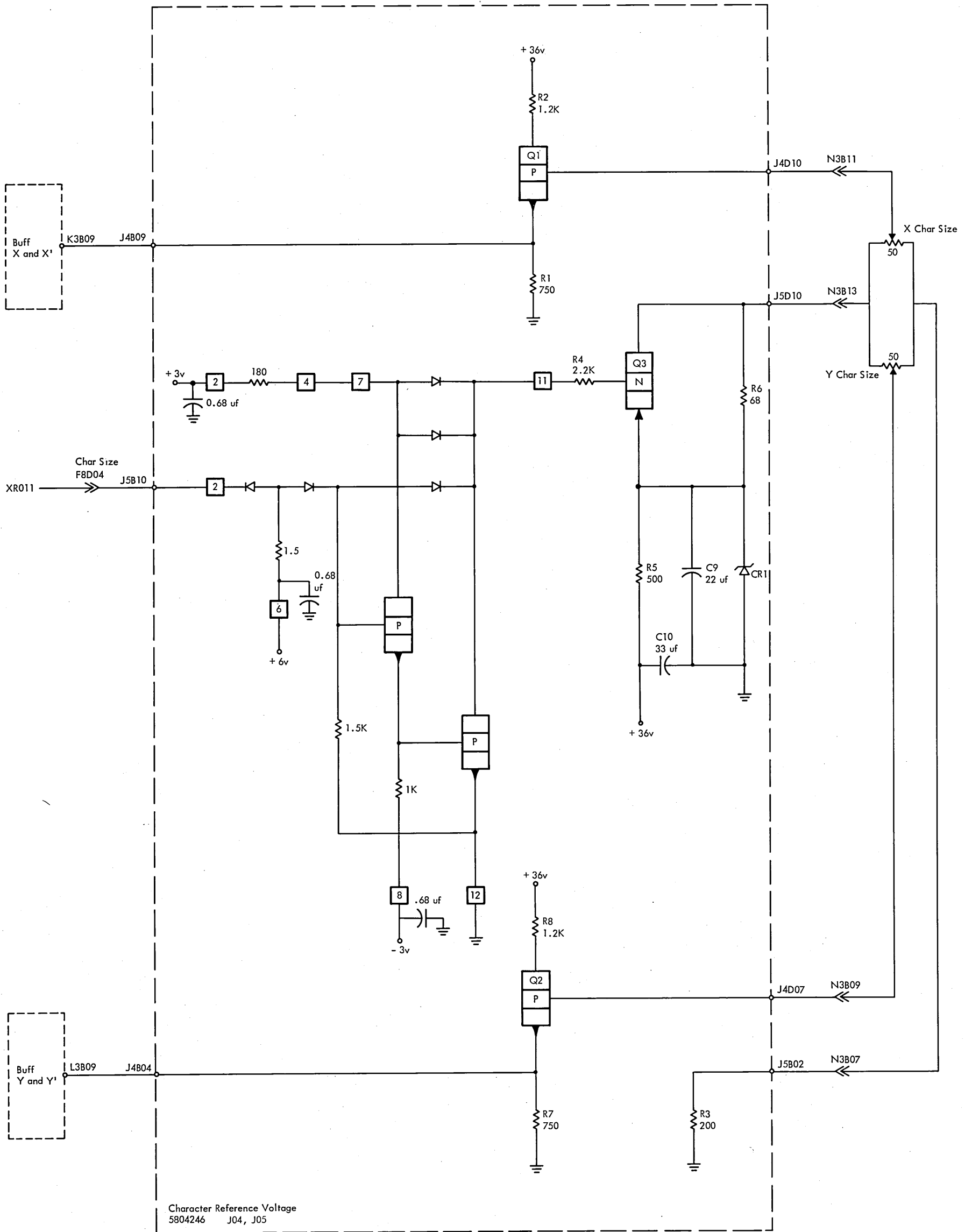


Figure 9017. Character Deflection, Reference Voltage Supply, Wiring Diagram

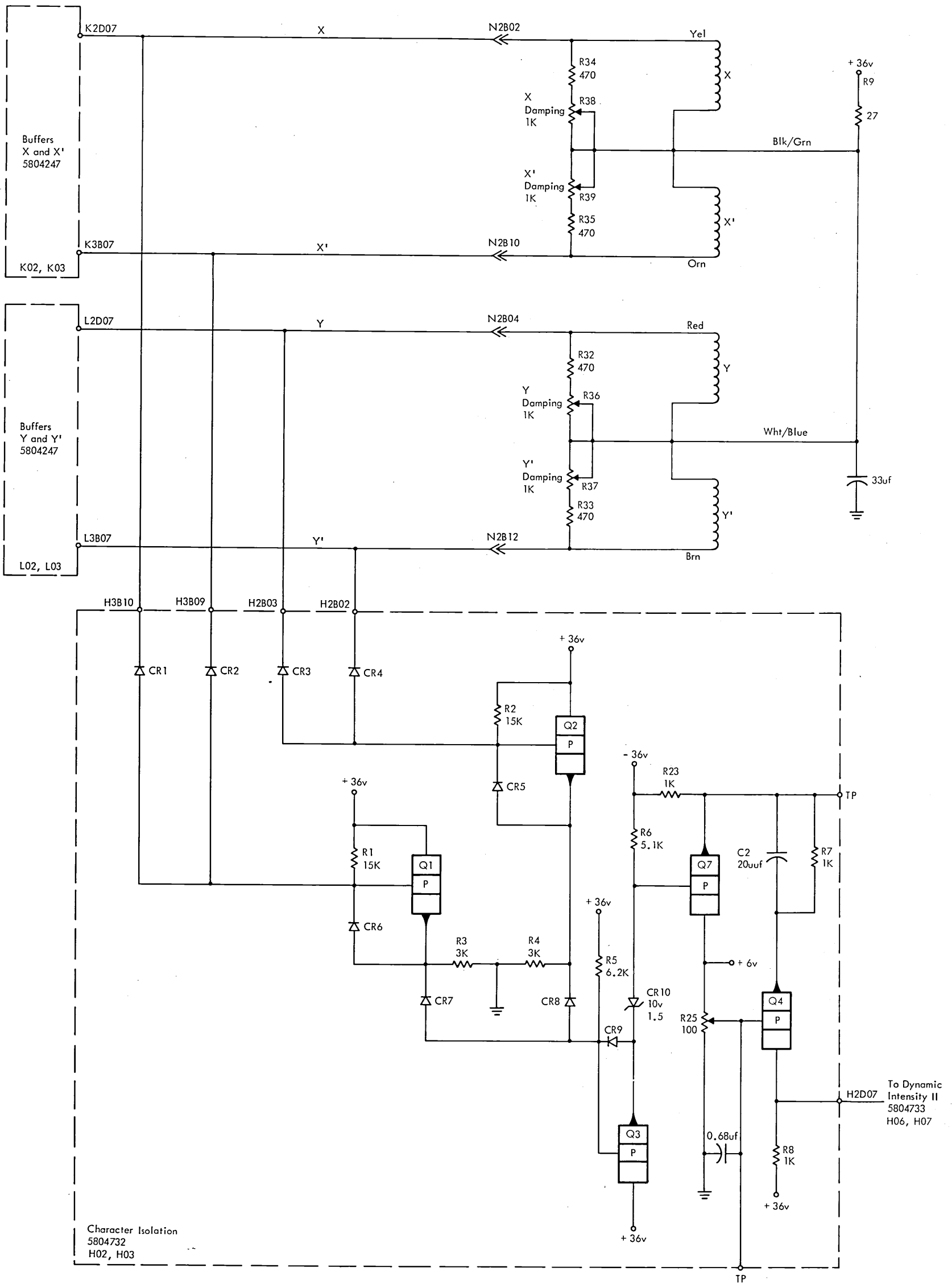
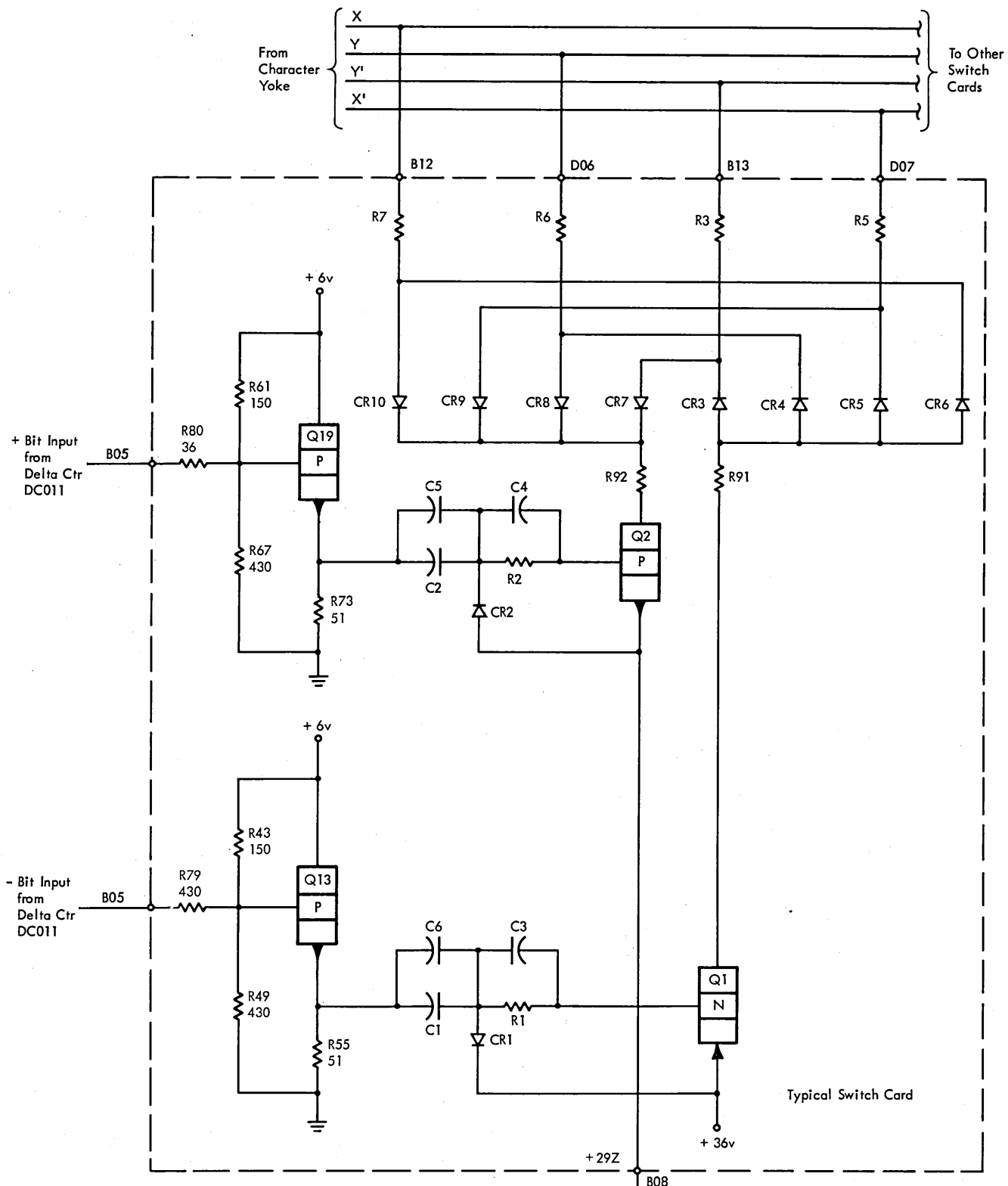


Figure 9018. Character Deflection, Yoke Control and Character Isolation Circuits, Wiring Diagram



Notes:
In table below, resistance is in ohms and capacitance in uf unless otherwise noted.

	A Bit ϕ	B Bit ϕ	Bit 1	Bit 2	Bit 3	Bit 4
R1	51	51	51	110	270	560
R2	51	51	51	120	270	620
R3	51	51	51	100	210	510
R5	105	105	105	210	422	845
R6	100	100	100	202	405	810
R7	95	95	95	191	383	768
R91	4	4	4	9	20	40
R92	4	4	4	9	20	40
C1	0.001	0.001	0.001	0.1	0.47	0.1
C2	0.001	0.001	0.001	0.1	0.47	0.1
C3	0.01	0.01	0.01	0.0047	0.001	330 pf
C4	0.1	0.1	0.1	0.0047	0.001	330 pf
C5	10	10	10	2.2	--	--
C6	10	10	10	2.2	--	--

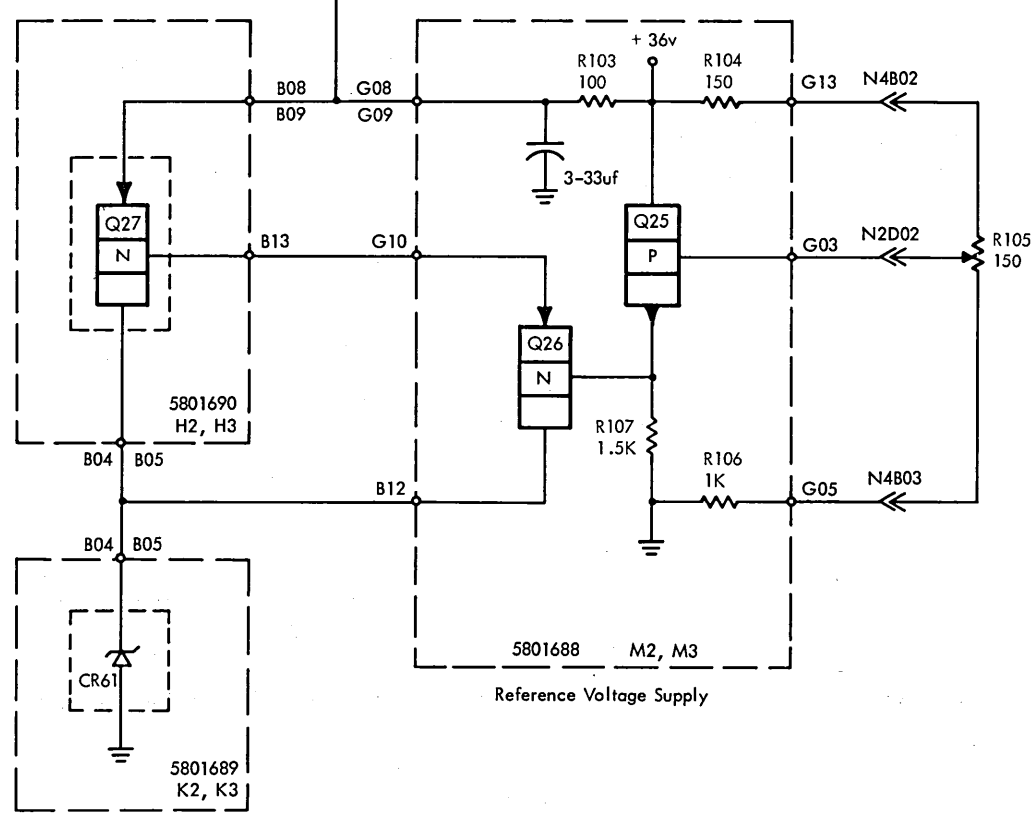


Figure 9019. Absolute Vector Graphics Deflection Control, Typical Switch and Reference Voltage Circuits

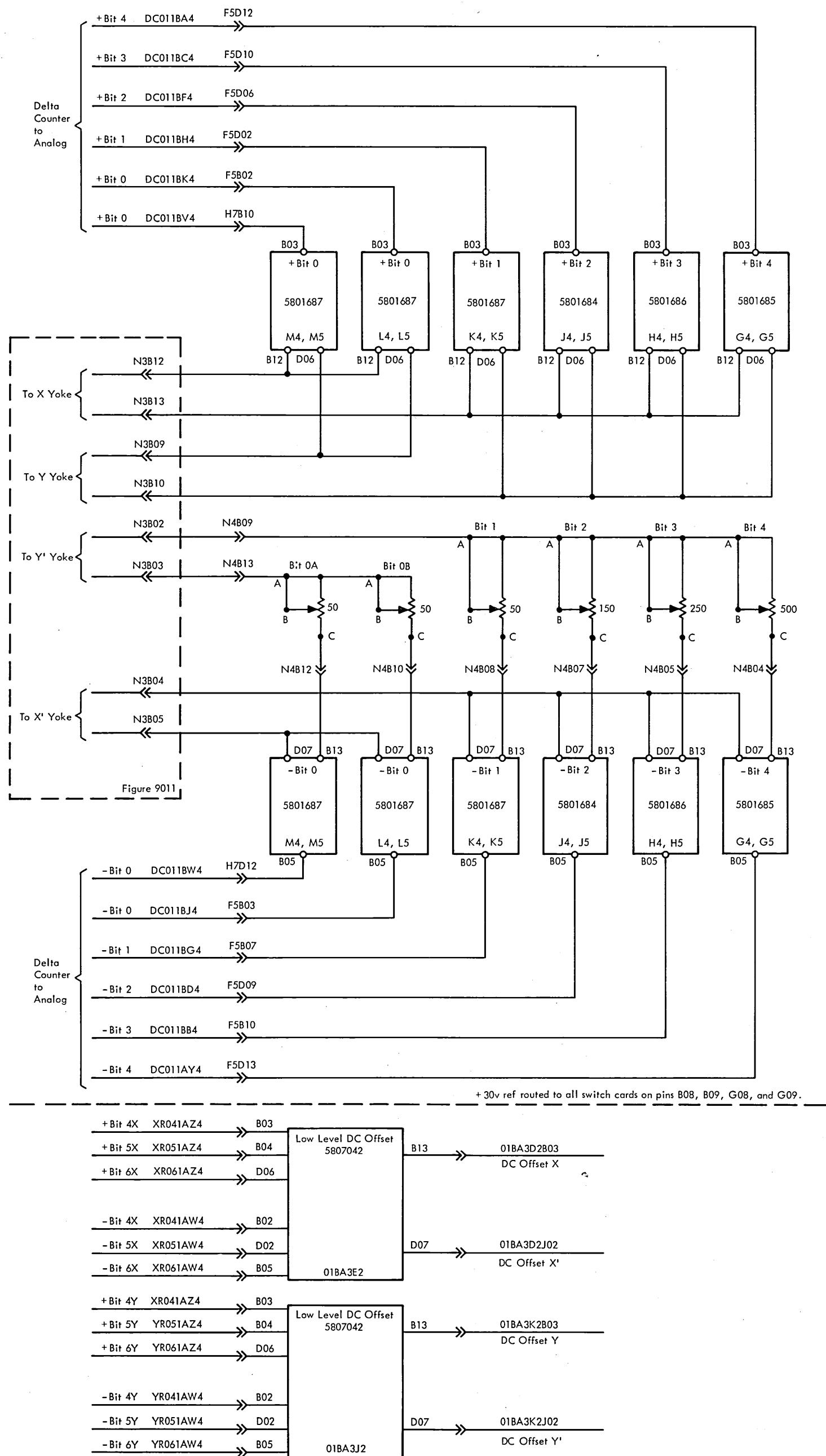
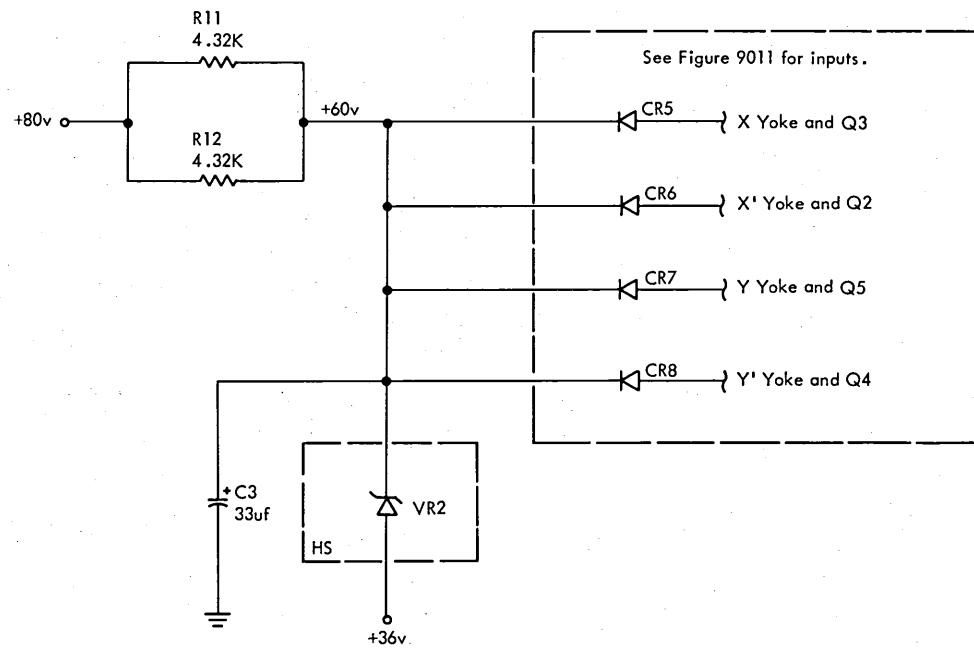
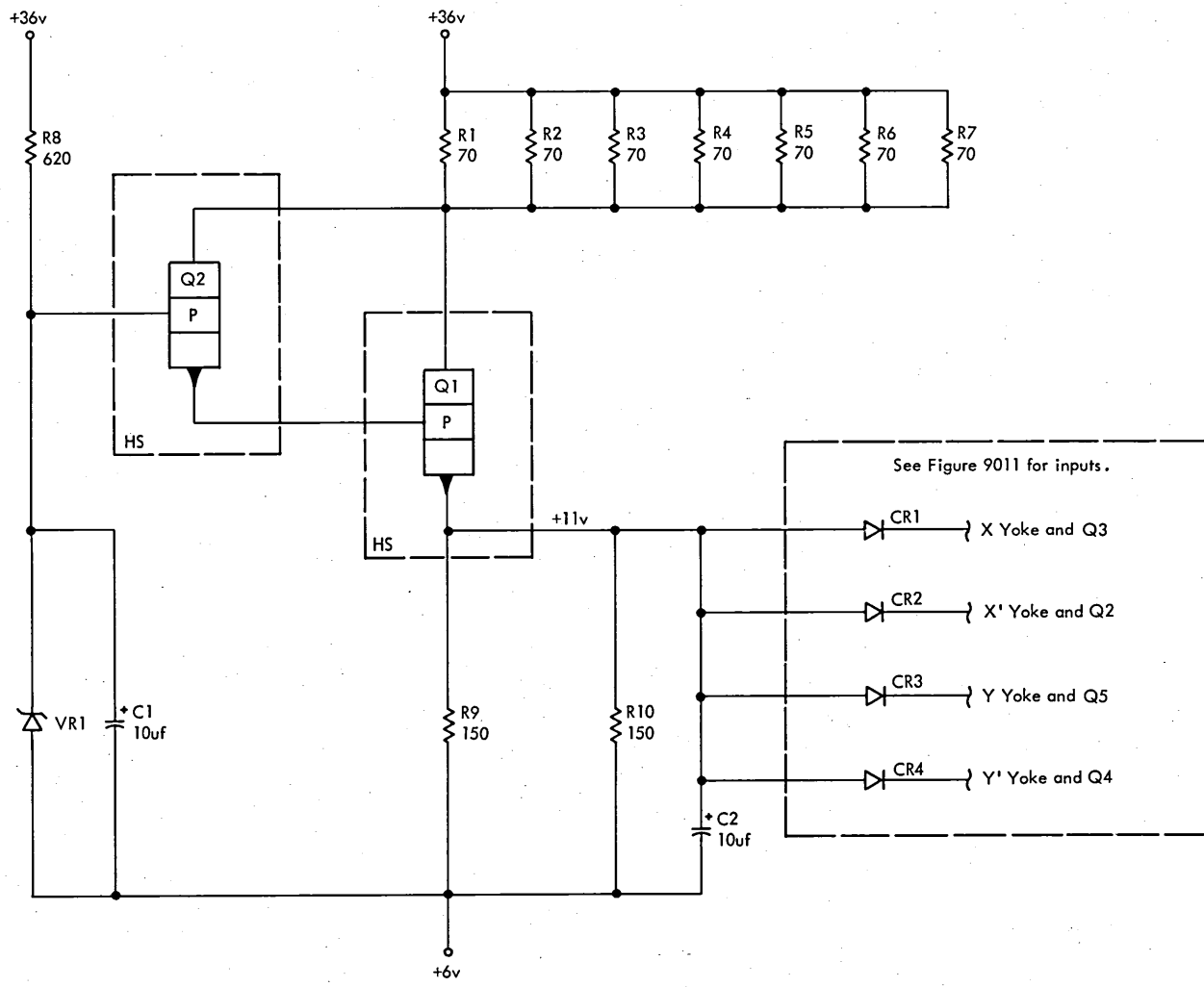


Figure 9020. Absolute Vector Graphics Deflection Control, Delta Counter Switching Circuits



Up Level Yoke Clamp Circuit



Down Level Yoke Clamp Circuit

Figure 9021. Yoke Clamp Circuits

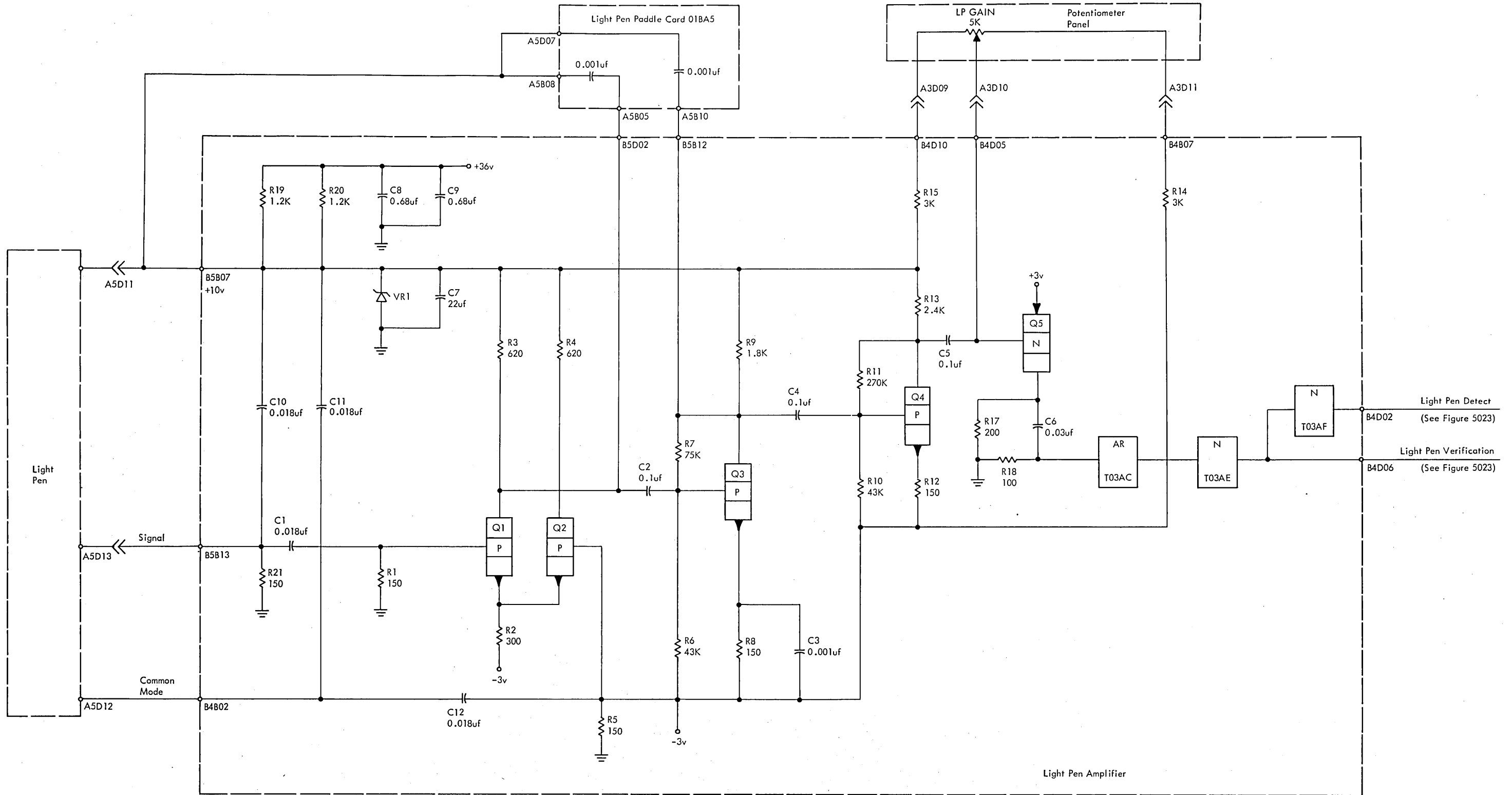


Figure 9022. Light Pen Amplifier Wiring Diagram

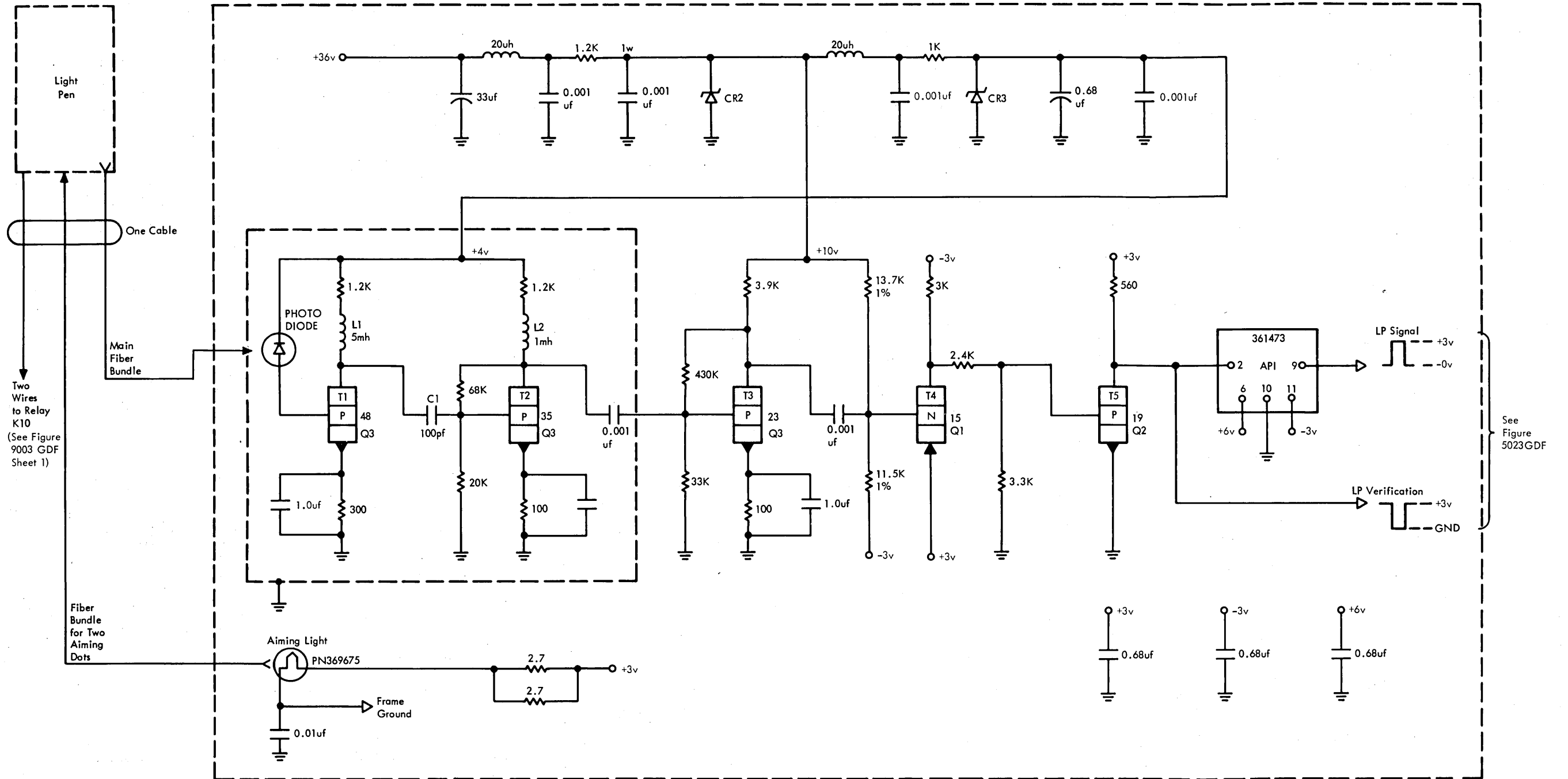
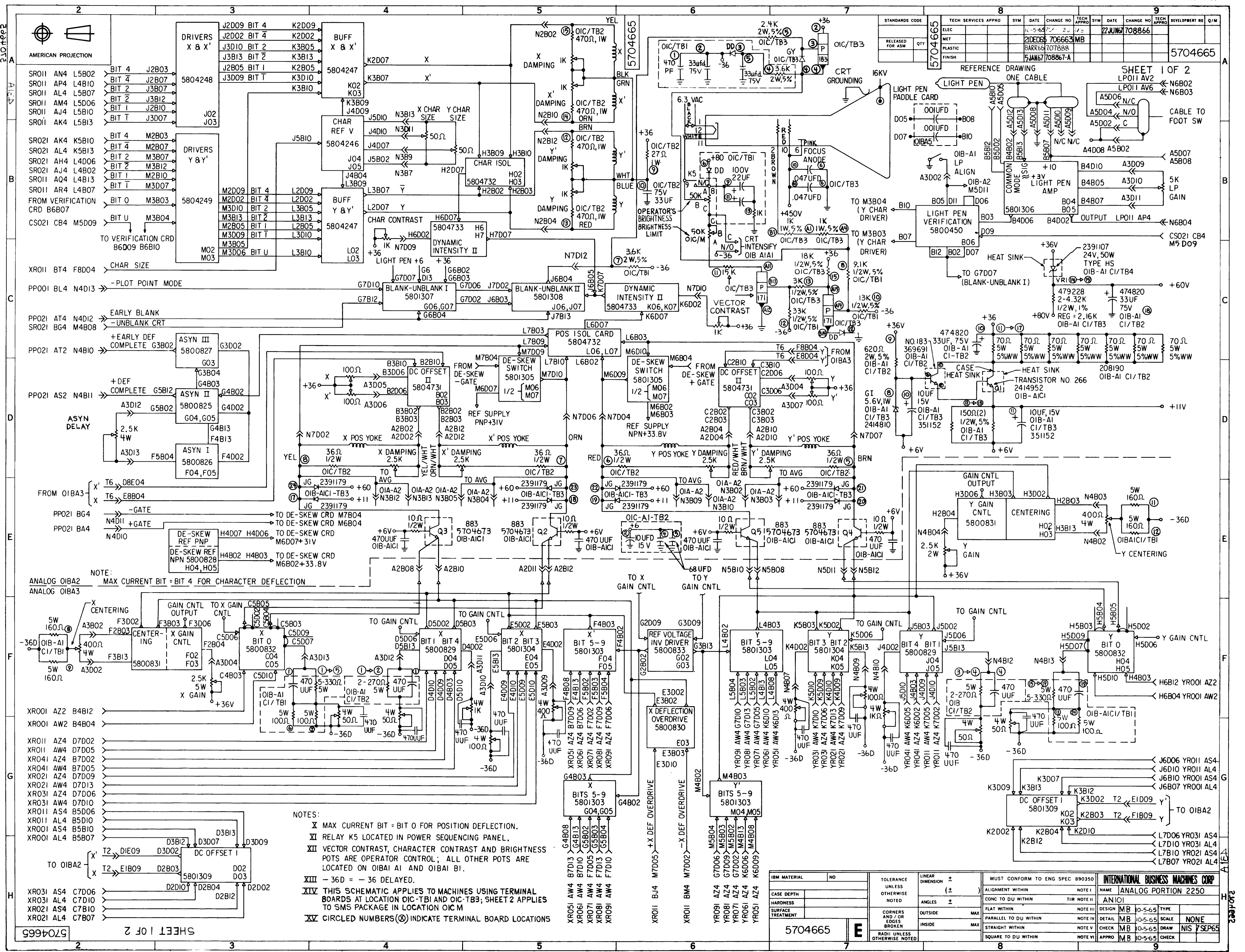


Figure 9022GDF. Light Pen Amplifier Wiring Diagram (for GDF Machines)



STANDARDS CODE	TECH SERVICES APPRO	SYM	DATE	CHANGE NO	TECH APPRO	SYM	DATE	CHANGE NO	TECH APPRO	DEVELOPMENT NO	Q/M
5704665			10-5-65	2			22 JUN 66	708866			
										5704665	

RELEASED FOR ASM	QTY	FINISH	DATE	CHANGE NO	TECH APPRO	SYM	DATE	CHANGE NO	TECH APPRO	DEVELOPMENT NO	Q/M

REFERENCE DRAWING	ONE CABLE	SHEET 1 OF 2

ANALOG O1BA2	ANALOG O1BA3

IBS MATERIAL	NO	TOLERANCE UNLESS OTHERWISE NOTED	LINEAR DIMENSION (±)	MUST CONFORM TO ENG SPEC 890350	INTERNATIONAL BUSINESS MACHINES CORP

CASE DEPTH	HARDNESS SURFACE TREATMENT	CORNERS AND/OR EDGES BROKEN	RADIUS UNLESS OTHERWISE NOTED	ALIGNMENT WITHIN	CONC TO DU WITHIN	TIR NOTE II	DESIGN	ANALOG PORTION 2250	NAME	DATE	SCALE	CHECK	APPRO

5704665	E

IBS MATERIAL	NO	TOLERANCE UNLESS OTHERWISE NOTED	LINEAR DIMENSION (±)	MUST CONFORM TO ENG SPEC 890350	INTERNATIONAL BUSINESS MACHINES CORP

CASE DEPTH	HARDNESS SURFACE TREATMENT	CORNERS AND/OR EDGES BROKEN	RADIUS UNLESS OTHERWISE NOTED	ALIGNMENT WITHIN	CONC TO DU WITHIN	TIR NOTE II	DESIGN	ANALOG PORTION 2250	NAME	DATE	SCALE	CHECK	APPRO

5704665	E

IBS MATERIAL	NO	TOLERANCE UNLESS OTHERWISE NOTED	LINEAR DIMENSION (±)	MUST CONFORM TO ENG SPEC 890350	INTERNATIONAL BUSINESS MACHINES CORP

CASE DEPTH	HARDNESS SURFACE TREATMENT	CORNERS AND/OR EDGES BROKEN	RADIUS UNLESS OTHERWISE NOTED	ALIGNMENT WITHIN	CONC TO DU WITHIN	TIR NOTE II	DESIGN	ANALOG PORTION 2250	NAME	DATE	SCALE	CHECK	APPRO

5704665	E

IBS MATERIAL	NO	TOLERANCE UNLESS OTHERWISE NOTED	LINEAR DIMENSION (±)	MUST CONFORM TO ENG SPEC 890350	INTERNATIONAL BUSINESS MACHINES CORP

CASE DEPTH	HARDNESS SURFACE TREATMENT	CORNERS AND/OR EDGES BROKEN	RADIUS UNLESS OTHERWISE NOTED	ALIGNMENT WITHIN	CONC TO DU WITHIN	TIR NOTE II	DESIGN	ANALOG PORTION 2250	NAME	DATE	SCALE	CHECK	APPRO

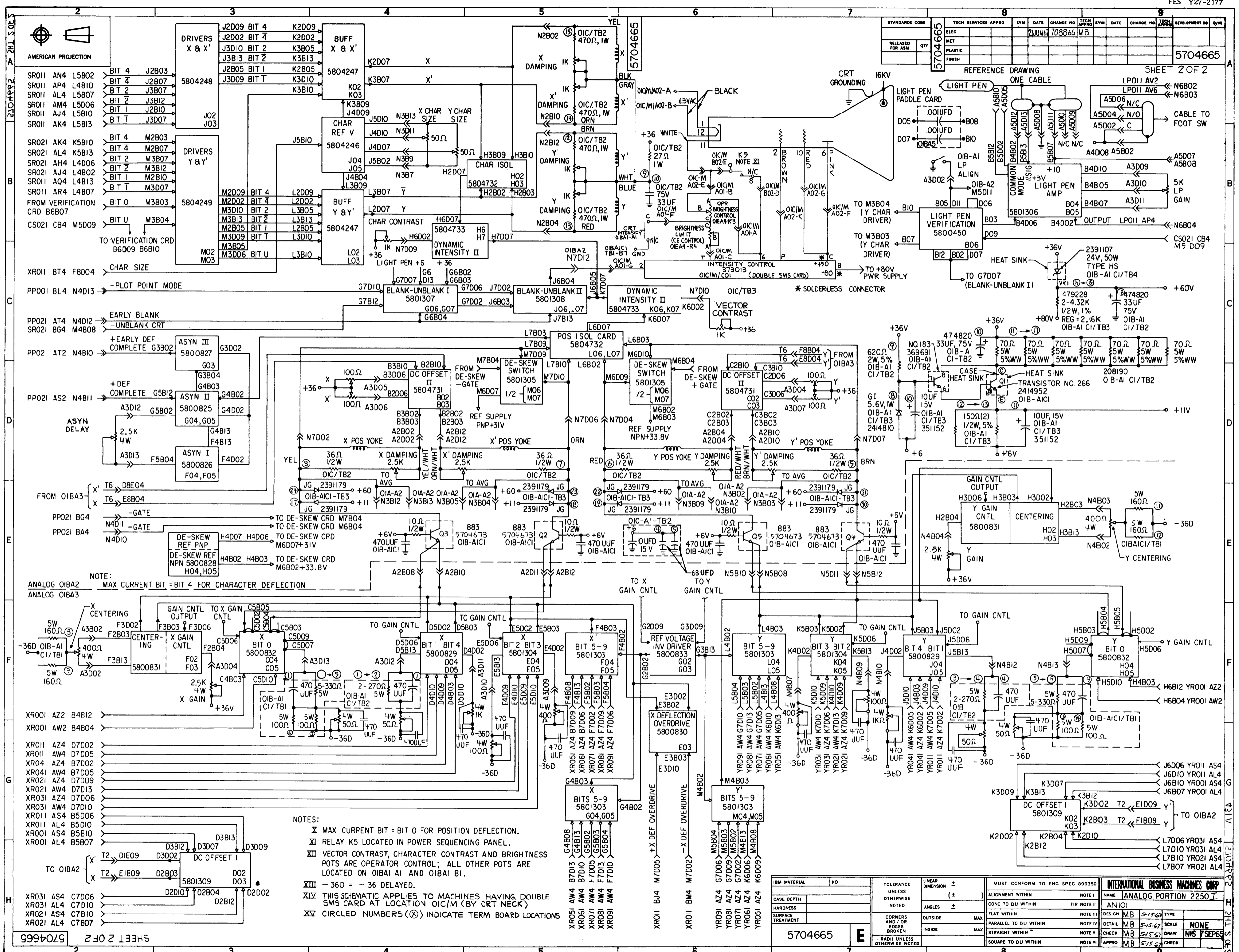
5704665	E

IBS MATERIAL	NO	TOLERANCE UNLESS OTHERWISE NOTED	LINEAR DIMENSION (±)	MUST CONFORM TO ENG SPEC 890350	INTERNATIONAL BUSINESS MACHINES CORP

CASE DEPTH	HARDNESS SURFACE TREATMENT	CORNERS AND/OR EDGES BROKEN	RADIUS UNLESS OTHERWISE NOTED	ALIGNMENT WITHIN	CONC TO DU WITHIN	TIR NOTE II	DESIGN	ANALOG PORTION 2250	NAME	DATE	SCALE	CHECK	APPRO

5704665	E

Figure 9023. Display Unit Analog Control Block Diagram (Sheet 1 of 2)

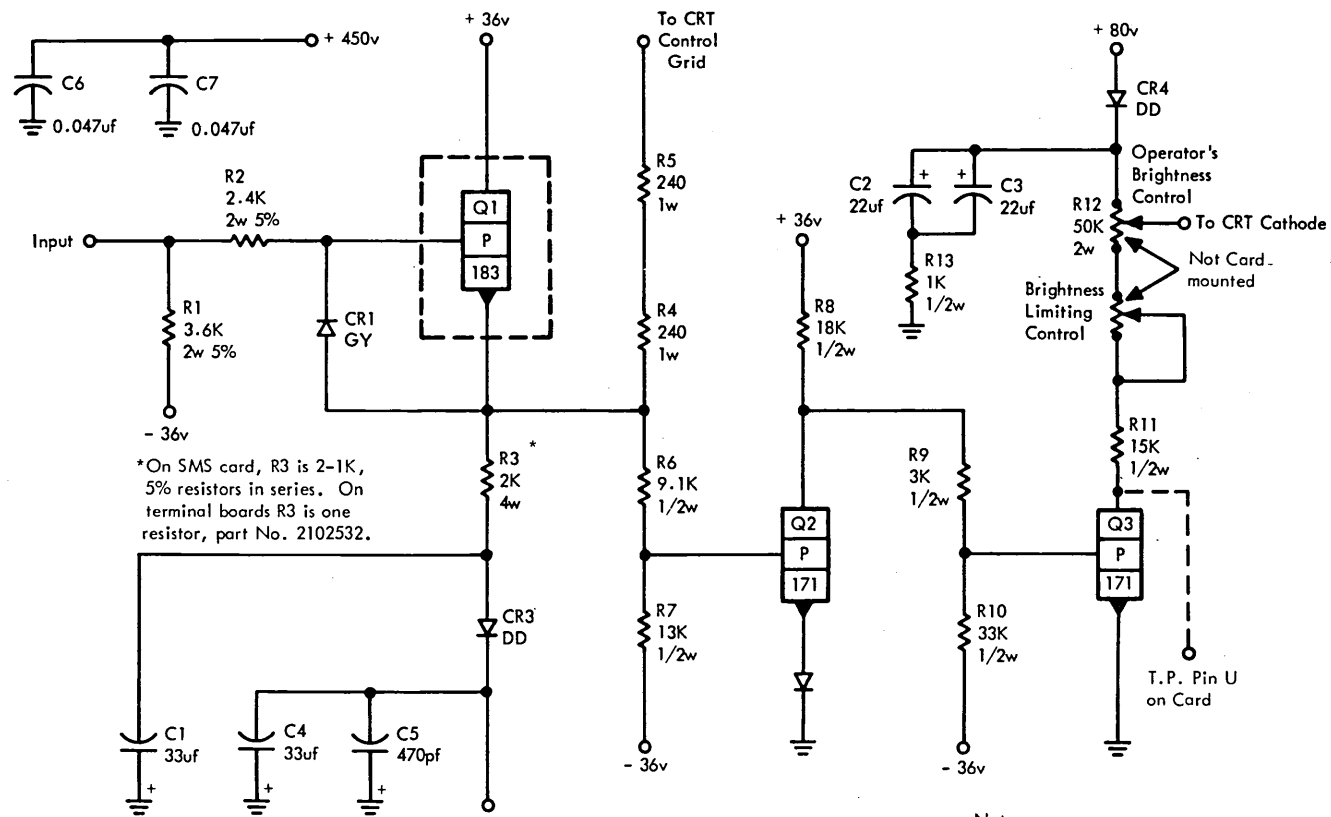


5704665 SHEET 2 OF 2

- NOTES:
- X MAX CURRENT BIT - BIT 0 FOR POSITION DEFLECTION.
 - XI RELAY K5 LOCATED IN POWER SEQUENCING PANEL.
 - XII VECTOR CONTRAST, CHARACTER CONTRAST AND BRIGHTNESS POTS ARE OPERATOR CONTROL; ALL OTHER POTS ARE LOCATED ON OIBAI A1 AND OIBAI B1.
 - XIII -36D = -36 DELAYED.
 - XIV THIS SCHEMATIC APPLIES TO MACHINES HAVING DOUBLE SMS CARD AT LOCATION OIC/M (BY CRT NECK)
 - XV CIRCLED NUMBERS (⊗) INDICATE TERM BOARD LOCATIONS

IBS MATERIAL	NO	TOLERANCE UNLESS OTHERWISE NOTED	LINEAR DIMENSION (±)	MUST CONFORM TO ENG SPEC 890350	INTERNATIONAL BUSINESS MACHINES CORP
CASE DEPTH			ANGLES ±	ALIGNMENT WITHIN	NAME ANALOG PORTION 2250 I
HARDNESS			OUTSIDE MAX	CONC TO DU WITHIN	DESIGN MB 5-15-67 TYPE
SURFACE TREATMENT			INSIDE MAX	PARALLEL TO DU WITHIN	DETAIL MB 5-15-67 SCALE NONE
				STRAIGHT WITHIN	CHECK MB 5-15-67 DRAW NIS PSE-68
				SQUARE TO DU WITHIN	APPRO MB 5-15-67 CHECK

Figure 9023. Display Unit Analog Control Block Diagram (Sheet 2 of 2)



*On SMS card, R3 is 2-1K, 5% resistors in series. On terminal boards R3 is one resistor, part No. 2102532.

Note:
On early models this circuitry is packaged on 01C/TB1 and 01C/TB3. (See component layout below.)
Later models have circuitry packaged on double SMS card at 01C/M/C1,C2.

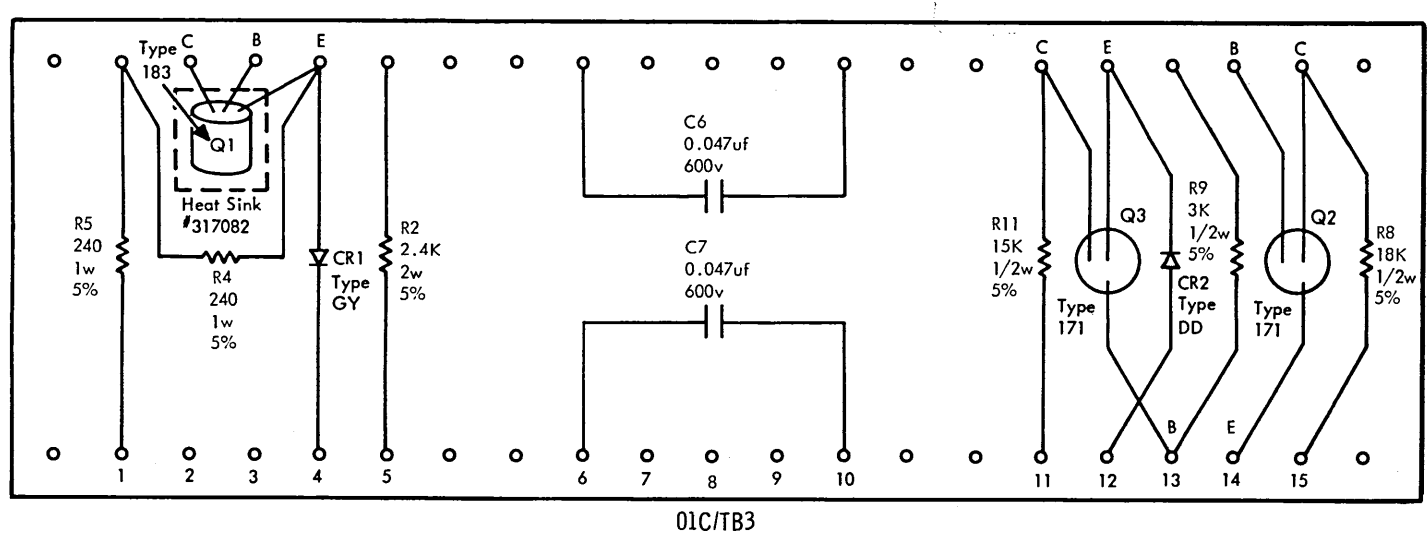
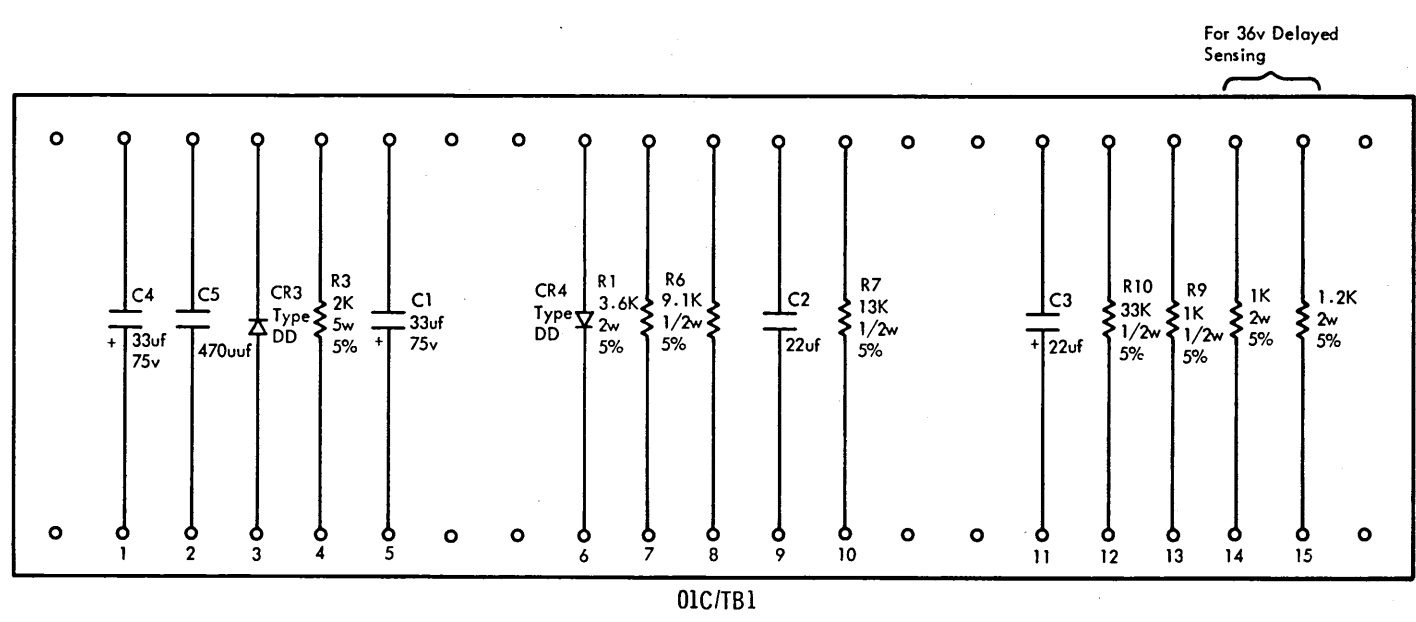


Figure 9024. Arc Protection Circuit and Component Location

- A register 5002
- Absolute vector graphics:
 - Control, simplified logic 5024
 - Delta counter switching 9020
 - Diagnostic test flow chart 6041
 - Typical switching circuit 9019
- Alphanumeric keyboard:
 - Code generation and transfer 5020
 - Data encoding diagram 5018
 - Data entry into storage 2009
 - Data entry operation 2004
 - Encoding chart 9002
 - Interrupt 5002
 - Sense and cursor data generation 5019
- Analog wiring diagrams:
 - Absolute vector graphics 9019, 9020
 - Analog schematic 9023
 - Arc-protection 9024
 - Asynchronous delay 9013
 - Blank-unblank 9014, 9015
 - Character deflection 9016, 9017, 9018
 - DC offset control 9010
 - De-skew control 9012
 - Dynamic intensity 9014, 9015
 - High-order decoding 9008
 - Low-order decoding 9009
 - Position isolation 9013
 - Yoke clamp circuits 9021
 - Yoke control 9011
- Arc-protection circuit 9024

- B register 5001
- Block diagram of 2250-1 1000
- Buffer address counter 5009
- Buffer address register 5006
- Buffer regeneration:
 - Buffer cycle 6014
 - Cursor adjustment process 6011
 - Display data operation 2008
 - MC search 6010
 - Proceed A and Proceed D 6009
 - Proceed B 6011
 - Proceed C and Proceed E 6013
 - Proceed C and Proceed F 6012
 - Proceed G 6010
 - SM search 6009
 - Timing sequence 6001
 - Transfer order process 6015
- Byte counter 5007

- CE panel 9006
- Character generator:
 - Block diagram 2018
 - Buffer regeneration, Proceed C and Proceed F 6012
 - Character sequence flow chart 6006, 6040
 - Character stroke control flow chart 6039
 - Character stroke timing chart 9007
 - Data and control diagram 2001
 - Diagnostic flow chart 6036
 - Size A characters display 9000
 - Size B characters display 9001
 - Stroke timing and control 5017
 - Typical operation 5000
- Character sequence 6006
- Character stroke timing chart 9007
- Command validation 5010
- Commands:
 - Insert Cursor 6020
 - Read Buffer 2012, 6024
 - Read Cursor 6025
 - Read Manual Inputs 6026
 - Read X-Y Position Registers 2014
 - Remove Cursor 6020
 - Sense 2013, 6028
 - Set Buffer Address and Start 2007
 - Set Buffer Address and Stop 2007
- Set Program Function Indicators 2003
- Write Buffer 2006, 6023
- Write Direct 2000, 6000, 6022

- Deflection Interlock wait 6007
- De-skew diagnostic flow chart 6038
- Diagnostic flow charts, analog:
 - Absolute vector graphics 6041
 - Character generator 6036
 - De-skew 6038
 - Intensity 6042
 - Large square 6033
 - Light pen 6037
 - Master 6031
 - Serious display defect 6032
 - Staircase 6034
 - Vector and point plot 6035
- Graphic design feature:
 - Buffer regeneration:
 - Graphic 6013GDF
 - Proceed C and Proceed E 6013GDF
 - MC search and Proceed G flow chart 6010GDF
 - Transfer and No Op modes 6013GDF
 - Transfer order process 6015GDF
 - Buffer regeneration timing sequence 6001GDF
 - Byte counter simplified logic 5007GDF
 - Deflection interlock wait flow chart 6007GDF
 - Light pen amplifier wiring diagram 9022GDF
 - Light pen detection process flow chart 6008GDF
 - Light pen test flow chart 6037GDF
 - Line/point sequence flow chart 6005GDF
 - Power Control and Distribution wiring diagram 9003GDF
- High-voltage power supply 9004
- Intensity diagnostic flow chart 6042
- Interface control:
 - Ending sequence 6018
 - Initial selection sequence 6016
 - Service cycle sequence 6017
- Large square diagnostic flow chart 6033
- Light pen:
 - Amplifier wiring diagram 9022
 - Character detect, BAC control 2010
 - Detection 5023
 - Detection process flow chart 6008
 - Diagnostic flow chart 6037
 - Graphic detect, BAC control 2011
 - Test flow chart 6037
- Line/point sequence 6005
- Load counter 5008

- Master diagnostic flow chart 6031
- MC search 6003, 6010
- Mode sequence 6004

- Power control and distribution 9003
- Power distribution, block diagram 9005
- Power-off sequence 6030
- Power-on sequence 6029
- Program function keyboard:
 - Data encode and entry 5021
 - Data entry operation 2002
 - Indicator control operation 2003
 - Interrupt 5022
 - Set PF Keyboard Indicators command 6021
- Sense register 5004, 5005
- Serious display defect diagnostic flow chart 6032
- SM search 6002, 6009
- Staircase diagnostic flow chart 6034
- Status register 5003
- Stroke timing and control 5017

- Timing periods 5011, 5012, 5013, 5014, 5015
- Timing pulse generator 5016

- Vector and point plot diagnostic flow chart 6035

System/Unit	2250-1
Re: Form No.	Y27-2044-1
This Supplement No.	Y27-2177
Date	January 1968
Previous Supplement Nos.	None

This supplement revises and updates the IBM 2250 Display Unit Model 1, FE Diagram Manual, Form Y27-2044-1. The updated information includes changes to incorporate the Isolation Feature.

Incorporate this supplement in the original manual by substituting the attached pages for corresponding pages in the manual and by adding new pages provided.

Replace i and ii.

Replace 1000.

Replace 2000, 2001, 2005 through 2013, 2016 and 2017.

Replace 5000 and 5001.

Replace 6006, 6007, 6008GDF, 6009, 6011 through 6013, 6013GDF, 6014, 6015, 6022, and 6023.

Replace 9003 (3 Sheets), 9003GDF (3 Sheets), 9006, 9007, and 9023 (2 Sheets).

File this cover letter at the back of the publication. It will then serve as a record of the changes received and incorporated.

FE
System
Maintenance
Library

System

cut here

Y27-2044-1

IBM 2250 Display Unit Model 1 Printed in U.S.A. Y27-2044-1

IBM

International Business Machines Corporation
Field Engineering Division
112 East Post Road, White Plains, N. Y. 10601