

ANL-7324
Mathematics and Computers
(TID-4500)
AEC Research and
Development Report

ARGONNE NATIONAL LABORATORY
9700 South Cass Avenue
Argonne, Illinois 60439

1620 MONITOR II-D
DISK STORAGE SUBROUTINES

by

Henry F. Krejci

Applied Mathematics Division

LEGAL NOTICE

This report was prepared as an account of Government sponsored work. Neither the United States, nor the Commission, nor any person acting on behalf of the Commission:

A. Makes any warranty or representation, expressed or implied, with respect to the accuracy, completeness, or usefulness of the information contained in this report, or that the use of any information, apparatus, method, or process disclosed in this report may not infringe privately owned rights; or

B. Assumes any liabilities with respect to the use of, or for damages resulting from the use of any information, apparatus, method, or process disclosed in this report.

As used in the above, "person acting on behalf of the Commission" includes any employee or contractor of the Commission, or employee of such contractor, to the extent that such employee or contractor of the Commission, or employee of such contractor prepares, disseminates, or provides access to, any information pursuant to his employment or contract with the Commission, or his employment with such contractor.

April 1967

DISCLAIMER

This report was prepared as an account of work sponsored by an agency of the United States Government. Neither the United States Government nor any agency Thereof, nor any of their employees, makes any warranty, express or implied, or assumes any legal liability or responsibility for the accuracy, completeness, or usefulness of any information, apparatus, product, or process disclosed, or represents that its use would not infringe privately owned rights. Reference herein to any specific commercial product, process, or service by trade name, trademark, manufacturer, or otherwise does not necessarily constitute or imply its endorsement, recommendation, or favoring by the United States Government or any agency thereof. The views and opinions of authors expressed herein do not necessarily state or reflect those of the United States Government or any agency thereof.

DISCLAIMER

Portions of this document may be illegible in electronic image products. Images are produced from the best available original document.

TABLE OF CONTENTS

	<u>Page</u>
ABSTRACT.	5
I. INTRODUCTION	5
II. DESCRIPTION.	5
A. Requirements.	5
B. Disk-pack Structure	5
C. Protection.	6
D. File Type	6
E. The Subroutine Set.	6
F. The Utility Program	7
III. OPERATION.	7
A. Data Format	7
B. Word Lengths.	7
C. Choice of Record Length	8
D. Record and File Definitions	8
E. Opening a File.	8
F. Writing a Block of Data	8
G. Reading a Block of Data	9
H. Notes of Caution.	9
I. Error Messages.	9
J. Sample Use of the Second-disk System.	10
1. Example 1.	10
2. Example 2.	10
3. Example 3.	11
APPENDIX A The Utility Program	12
1. The File Description Table.	12
2. The Utility Functions.	12
3. Defining a Common File.	13
4. Utility Program Messages.	13
APPENDIX B Program Listings.	15
APPENDIX C Flow Charts	29
ACKNOWLEDGMENT.	39

1620 MONITOR II-D
DISK STORAGE SUBROUTINES

by

Henry F. Krejci

ABSTRACT

A set of subroutines is described which provides the FORTRAN user with protected permanent disk storage of data on an IBM 1620 Monitor II-D System.

I. INTRODUCTION

The relatively fast and random access of disk storage is especially useful when the FORTRAN user is working with large data sets. The advantage of disk storage cannot be fully realized on a normal 1620 Monitor II-D System because the RECORD and FETCH statements provide only temporary disk storage. The system described in this report allows data to be stored on a user's own disk pack or on protected areas of a system pack.

The system, called the Second-disk System, consists of a set of four subroutines and a utility program. It allows a block of data containing any number of variables and/or arrays to be transferred directly between assigned core locations and disk storage.

II. DESCRIPTION

A. Requirements

The Second-disk System requires the exclusive use of a second-disk drive and is entirely independent of normal Monitor disk operations. The Monitor system remains defined as a one-disk system to prevent program storage from overflowing onto the second disk. The Second-disk System is written for an IBM 1311 Disk Drive with the "direct seek" special feature. This eliminates the wasted time of the normal return to home and seek from cylinder zero. The only serious restriction imposed by the Second-disk System is that both fixed- and floating-point word lengths must be even.

B. Disk-pack Structure

The storage capacity of a disk pack (2,000,000 digits) is often large enough to store several data sets. Therefore, with proper protection, one disk pack can serve many users. To accomplish this, a physical disk pack is divided into logical disk packs called files. Each file is identified by a unique file number and is divided into records. The records are the basic addressable unit available to the FORTRAN program and are numbered consecutively from zero.

The system uses the last 1% of disk storage (cylinder 99) as a table to store the record lengths and boundaries of each existing file. A utility program is used to initialize and update this table.

C. Protection

Before a file can be used, the record length and file boundaries must be known. The information is read from the table on cylinder 99 and is sent to the appropriate subroutine. This operation is known as "opening a file." Only one file may be open at any time, and data are written on or read from the portion of the open file indicated by the record number. Regardless of the size of the data block or the record number, data will not be allowed to exceed the boundaries of the open file.

For additional protection, the utility program may be used to place a file in a "read only" state (file protect). Data can be read from a protected file, but cannot be recorded until the utility program is again used to place the file in a "read/write" state.

If a disk pack that is normally used with the Second-disk System is mistakenly mounted on the Monitor system disk drive, disk operations will result in address checks, but the disk-stored data will not be altered.

D. File Type

All files except "file zero" are personal files and are assigned to individual users for their exclusive use. Personal files must be predefined, using the utility program, by specifying the record length and record capacity of the file. If sufficient disk space is available, file boundaries will be assigned and the file description will be entered in the table on cylinder 99.

"File zero" is a special "common file" available to all users at all times. It cannot be file-protected, and its record length cannot be predefined but must be specified by each program using the Common File. The total capacity of the Common File is predefined; therefore, the record capacity of the Common File depends on its record length.

E. The Subroutine Set*

The Second-disk Subroutine Set consists of four subroutines (listed below). Each is written to be compatible with calling programs of any word lengths (F and K). However, both fixed- and floating-point word lengths must be even to meet a disk hardware requirement.

1. Subroutine SDDEF is used to define the Common File record length. One argument, the record length, is transferred from the calling program to the subroutine SDKEY.

2. Subroutine SDKEY is used to open a file. The file number is received from the calling program, and the description of that file is sent to

*Appendixes B and C describe the Second-disk Subroutine Set in detail.

the subroutine SDREC. Only defined files can be opened. Normally the file boundaries of the Common File and the entire descriptions of personal files are read from the table on cylinder 99. However, the descriptions of the Common File and the last personal file opened are retained by SDKEY to reduce the time required to reopen these files. Thus, sorting between a personal file and the Common File without reading from cylinder 99 each time a file is opened is possible.

3. Subroutine SDREC is used to write on an open file. Three arguments are presented by the calling program, the record number, and the names of two variables that define the limits of core storage to be recorded. The entire block of data will be recorded, even if it exceeds the defined record length, and the record number will be advanced to the record following the last record written. However, writing will not be allowed to overflow into the next file.

4. Subroutine SDFET is used to read from an open file. This routine receives the same arguments as SDREC, makes appropriate changes in SDREC, and simulates a CALL SDREC. The actual reading is performed by SDREC.

F. The Utility Program*

The Second-disk Utility program is used to initialize a disk pack, to define a file, to delete a file definition, to declare a file "read only," to declare a file "read/write," and to dump the table of file descriptions. Since improper use of the utility program could result in loss of data, the utility functions are not available to the FORTRAN program, and the use of the utility program should be restricted to operating personnel. The proper use of the Second-disk Utility program is discussed in Appendix A.

III. OPERATION

A. Data Format

Data are transferred directly to or from core storage, and the only restriction on the block of data is that one variable, or array, must be floating-point. The data format is determined by listing the names of all the data elements (variables and arrays) in a COMMON statement. The list must be preceded by the name of a dummy integer. This integer is not recorded, but is altered by a disk read or write operation. The final element of the list must be the name of a floating-point variable or array. The names of the dummy integer and the final element are used to define the limits of the data block to be transferred to or from the disk.

B. Word Lengths

Data transfer to and from a disk must always begin at an even core location, and, since this system transfers data directly between the disk and assigned core locations, all addresses must be even. To make this possible, both fixed- and floating-point word lengths must be even.

*Appendixes B and C describe the Second-disk Utility program in detail.

C. Choice of Record Length

Each file is divided into equal-length records for addressing purposes only. The record length is chosen by the user, but must be a multiple of 100 digits. Read and write operations always start at the beginning of a record and use as many records as are necessary to transfer the block of data. Unless the length of the data block is an exact multiple of the record length, a portion of the last record is unused.

When the data blocks will always be the same size, there is no difficulty in choosing a record length. However, when the size of the data block is expected to vary widely, storage efficiency and the number of records required should be considered. Both the record length and the record number are limited by the fixed-point word length.

D. Record and File Definitions

If a personal file is to be used, both the record length and the record capacity (file length) of the file must have been predefined using the Second-disk Utility program.

If the Common File is to be used, the record length must be defined by the calling program before the file is opened. The following one-argument CALL statement is used to define the Common File record length:

```
CALL SDDEF (4)
```

where the fixed-point argument is the record length in hundreds of digits (sectors). In the above example, the Common File records have been defined as 400 digits long. The Common File record length need be defined only once during each program (or link program). However, the record length of the Common File does not need to be defined when the Common File is not used.

E. Opening a File

Opening a file makes it available for a read or write operation. Once a file is opened, it remains open until another file is opened or until another job or LINK PROGRAM is loaded. The following one-argument CALL statement is used to open a file:

```
CALL SDKEY (273)
```

where the fixed-point argument is the file number of the file to be opened. This argument should be a constant, rather than a variable, to minimize the possibility of opening a wrong file.

F. Writing a Block of Data (second-disk RECORD)

To write data, a file must be open and not declared "read only." The following three-argument CALL statement is used to write a block of data:

```
CALL SDREC (NREC,NDUM,FE)
```


where NREC is the record number (fixed-point), and NDUM and FE are the dummy integer and the final list element described in Section III-A above. The entire block of core storage between NDUM and FE, including FE, will be written, and the record number will be advanced to the record following the last record written. Since the record number is altered, it should always be presented as a variable.

G. Reading a Block of Data (second-disk FETCH)

Reading from the disk is similar to writing on the disk except that protected files may be read. The following three-argument CALL statement is used to read a block of data:

```
CALL SDFET (NREC,NDUM,FE)
```

The same arguments are presented for reading as for writing, and the format of the variables between NDUM and FE should be the same as the format used to store the data.

H. Notes of Caution

Because of the communication between the second-disk subroutines, it is recommended that none of them be declared LOCAL subroutines.

A group mark within a data block will not affect the storage of the data, but will terminate the transmission back to core when the data are read. Since a group mark could be left in core by a previous job, it is recommended that all variables to be recorded be set to some value.

If the index of a DO LOOP is used as a record number, cycles of the loop will be skipped because the index will be advanced during each disk read or write operation.

I. Error Messages

The following is a list of error messages and their descriptions. When an error occurs, the appropriate message is typed out and the 1620 halts.

DISK ERR

A hardware error has been detected. Pressing START will cause another attempt to be made.

FILE NO. XXXX IS UNDEFINED

An attempt has been made to open an undefined personal or common file. Pressing START will return control to the calling program.

NO FILE OPEN

A read or write operation has been attempted before a file has been opened. Pressing START will return control to the calling program.

FILE NO. XXXX OVERFLOW

A read or write operation will exceed the upper limit of file XXXX. Pressing START will return control to the calling program without completing the operation.

FILE NO. XXXX IS PROTECTED

A write operation has been attempted on a file that is declared read only. Pressing START will return control to the calling program without performing the write operation.

J. Sample Use of the Second-disk System

1. Example 1

The following program will read ten data sets from cards and store them on records zero through nine of file 37. Each set consists of a header card containing a four-digit set number and a ten-character name, followed by 200 cards containing the X-Y coordinates of 200 points. As indicated in the FANDK statement, the fixed-point word length is four digits and the floating-point word length is 12 digits (a ten-digit mantissa and a two-digit exponent). The length of a data set is computed as follows:

Set Number	One Fixed-point Word	4 Digits
Ten Character Name	Two Floating-point Words	24 Digits
X-Y Coordinates	400 Floating-point Words	4800 Digits
		<u>4828 Digits</u>

Since each set is 4828 digits long, a minimum record length of 4900 digits is required if a set is to be stored as one record. The utility program has been used to define file 37 as ten 4900 digit records.

```

## JOB
## FORX5
*FANDK1004
  DIMENSION X(200),Y(200)
  COMMON NDUM,NSET,HALF1,HALF2,X,Y
  CALL SDKEY (37)
  NREC=0
  DO 3 N=1,10
  READ 1, NSET,HALF1,HALF2
1  FORMAT (I4,6X,2A5)
  READ 2,(X(J),Y(J),J=1,200)
2  FORMAT (2F10.0)
3  CALL SDREC (NREC,NDUM,Y)
  CALL EXIT
  END

```

2. Example 2

This program will interchange records 1 and 6 of file 37 using core storage as a buffer.

```

## JOB
## FORX5
*FANDK1004
  DIMENSION X1(200),Y1(200),X2(200),Y2(200)
  COMMON NDUM1,NSET1,HALF11,HALF12,X1,Y1
  COMMON NDUM2,NSET2,HALF21,HALF22,X2,Y2
  CALL SDKEY (37)
  NREC=1
  CALL SDFET (NREC,NDUM1,Y1)
  NREC=6
  CALL SDFET (NREC,NDUM2,Y2)
  NREC=6
  CALL SDREC (NREC,NDUM1,Y1)
  NREC=1
  CALL SDREC (NREC,NDUM2,Y2)
  CALL EXIT
  END

```

3. Example 3

This program will interchange records 1 and 6 of file 37 using the common file as a buffer.

```

## JOB
## FORX5
*FANDK1004
  DIMENSION X(200),Y(200)
  COMMON NDUM,NSET,HALF1,HALF2,X,Y
  CALL SDDEF (49)
  CALL SDKEY (37)
  NREC=1
  CALL SDFET (NREC,NDUM,Y)
  CALL SDKEY (0)
  NREC=0
  CALL SDREC (NREC,NDUM,Y)
  CALL SDKEY (37)
  NREC=6
  CALL SDFET (NREC,NDUM,Y)
  NREC=1
  CALL SDREC (NREC,NDUM,Y)
  CALL SDKEY (0)
  NREC=0
  CALL SDFET (NREC,NDUM,Y)
  CALL SDKEY (37)
  NREC=6
  CALL SDREC (NREC,NDUM,Y)
  CALL EXIT
  END

```

APPENDIX A

The Utility Program1. The File Description Table

The function of the Second-disk Utility program is to initialize and maintain the file-description table. This table is used by the second-disk system to find the boundaries and record length of a file, and to indicate file protection. The table occupies the entire last cylinder of a disk pack with five entries per sector, or a total of 1000 entries. Each entry describes one file, and the file number is implied by the position of the entry in the table. The first entry describes file zero (the common file), and the last entry describes file 999 (a dummy file used by the system). All other entries are available to describe personal files.

Each entry consists of four five-digit numbers. The first number is the address of the first sector of the file, and the second is the address of the sector following the file. The third number is the record length, whose magnitude is the number of sectors (100 digits) per record and is zero when the file is undefined. The sign of the record length indicates the state of the file. If the record length is positive, the file is in a "read/write" state. If the record length is negative, the file is in a "read only" state. The fourth number of an entry is the file number of the following file in storage. This number is used as a pointer to find blocks of available storage space. The pointer is needed because the order in which files are stored is not predictable, but depends on the file sizes and the order in which the files are defined and deleted.

2. The Utility Functions

Each of the six utility functions is described below. One control card is read for each function to be performed, and a description of the control card format precedes each function description.

a. Initialization of a Disk Pack

Cols 1-10 The function name INITIALIZE

The initialization utility function clears all file descriptions on a given disk pack. This function must be performed once before a disk pack is used, and should not be done again unless there is no valuable information left on the pack.

b. Defining a File

Cols 1-6 The function name DEFINE

Cols 11-13 The file number (three digits)

Cols 14-18 The record length (in sectors)

Cols 19-23 The file capacity (in records)

If the indicated file is not defined (the record length is zero) and sufficient disk storage space is available, file boundaries are assigned and the file description is entered in the file-description table.

c. Deleting a File Definition

Cols 1-6 The function name DELETE
 Cols 11-13 The file number (three digits)

If the indicated file is defined (the record length is not zero), the file description is deleted by setting the record length to zero.

d. Declaring a File "Read Only"

Cols 1-9 The function name READ ONLY
 Cols 11-13 The file number (three digits)

If the indicated file is defined and is in a "read/write" state (the record length is greater than zero), the file is set to "read only" by negating the record length.

e. Declaring a File "Read/Write"

Cols 1-10 The function name READ/WRITE
 Cols 11-13 The file number (three digits)

If the indicated file is defined and is in a "read only" state (the record length is less than zero), the state of the file will be set to "read/write" by negating the record length (making it positive).

f. Dumping the File-description Table

Cols 1-10 The function name DUMP TABLE

This causes the numbers and descriptions of all existing files to be typed on the console typewriter.

3. Defining a Common File

A Common File is defined in the normal fashion, except that the indicated record length is never used. The actual record length is specified by each program using the Common File and is sent directly to the subroutine SDKEY. However, the indicated record length is important and should not be zero because the product of the indicated record length (cols 14-18) and the file capacity (cols 19-23) determines the amount of disk storage space to be reserved for the Common File.

4. Utility Program Messages

The utility program examines the first ten columns of each control card to determine the function to be performed. If it does not find one of the six function names described above, the message

UNDEFINED FUNCTION NAME

is typed and the 1620 halts. Pressing START will cause the next control card to be read.

If the name DUMP TABLE is found, the description of each existing file is typed out and the next control card is read. If one of the five other function names is found, one of the following messages is typed and the 1620 halts:

```
***PRESS START TO INITIALIZE DISK PACK***  
***PRESS START TO DEFINE FILE NO. XXXX***  
***PRESS START TO DELETE FILE NO. XXXX***  
***PRESS START TO SET READ ONLY, FILE XXXX***  
***PRESS START TO CLEAR READ ONLY, FILE XXXX***
```

At this time, the function may be inhibited by setting sense switch 4 and pressing START. If sense switch 4 is off, pressing START will allow the function to be attempted. When a function is performed, the message

```
***OPERATION COMPLETED***
```

is typed and the next control card is read.

If the function cannot be performed, one of the following messages, indicating why the function cannot be completed, is typed:

```
***FILE NO. IS TOO LARGE***  
***FILE NO. IS TOO SMALL***  
***FILE IS ASSIGNED, CANNOT DEFINE***  
***SUFFICIENT SPACE UNAVAILABLE, CANNOT DEFINE***  
***ZERO LENGTH FILE, CANNOT DEFINE***  
***FILE IS UNASSIGNED, CANNOT DELETE***  
***FILE IS ALREADY SET TO READ ONLY***  
***FILE IS NOT SET TO READ ONLY***  
***FILE IS UNDEFINED***
```

When a function is inhibited for one of the above reasons or because sense switch 4 was set, the message

```
***OPERATION CANCELLED***
```

is typed and the next control card is read.

APPENDIX B
Program Listings

```

*****
***
*** SUBROUTINE SDDEF -- SECOND DISK DEFINE COMMON FILE
*** CALL SDDEF (NSRC) WHERE NSRC IS THE COMMON FILE
*** RECORD LENGTH IN SECTORS (100 DIGITS).
*** SDDEF SENDS NSRC TO SDKEY
*** SDDEF FORCES THE LOADING OF SDKEY
*** SDDEF IS COMPATIBLE WITH ALL F AND K.
***
S DS ,*+101 00100 00000
DC 6,987898,5-S 00095 00006
DAC 6,SDDEF,7-S 00093 00012
DVLC 22-S,5,L,2,99,2,99,5,START-6,5,0,30,0 00078 00049
DSC 17,0,0 00000 00017
DORG S-100 00000
DC 5,0 00004 00005
START BD NENT,TAG,, FIRST ENTRY TEST 00006 43 00098 00183
***FIRST ENTRY HOUSEKEEPING
TDM TAG,9,, SET TAG 00018 15 00183 00009
TF SEND+6,SDKEY 00030 25 00140 00181
FDAD BNF DIRAD,SEND+6,, FIND THE DIRECT ADDRESS OF 00042 44 00086 00140
CF SEND+6,,, SDKEY ENTRY POINT 00054 33 00140 00000
TF SEND+6,SEND+6,11 00066 26 00140 00140
B7 FDAD 00078 49 00042 00000
DIRAD SM SEND+6,6,10, COMPUTE ADDRESS OF NSRC 00086 12 00140 00006
*** NORMAL ENTRY
NENT SF START-1 00098 32 00005 00000
SM START-1,5,10 00110 12 00005 00005
TF BUF,START-1,11,FETCH NSRC FROM FTN 00122 26 00193 00005
SEND MA 00000,BUF,, SEND NSRC TO SDKEY 00134 70 00000 00193
CF START-1 00146 33 00005 00000
AM START-1,2,10 00158 11 00005 00002
B7 START-1,,6, EXIT SDDEF 00170 49 00005 00000
SDKEY DC 5,0,, ADDRESS OF SDKEY ENTRY POINT 00181 00005
TAG DC 2,0 00183 00002
BUF DC 10,0 00193 00010
A DAC 6,SDKEY, 00195 00012
DVLC ,5,SDKEY 00210 00005
DC 2,0@,, RECORD MARK AT EVEN LOC. 00212 00002
L DS ,A-1 00194 00000
DEND 00000

```

```

*****
***
*** SUBROUTINE SDKEY -- SECOND DISK KEY, TO OPEN A FILE ON THE
*** SECOND DISK CALL SDKEY (NFILE)
*** SDKEY SENDS THE FOLLOWING TO SDREC
*** READ ONLY TAG
*** TOP OF NEXT CYLINDER
*** NO. SECT./REC.
*** LAST SECTOR ADDRESS PLUS ONE
*** FIRST SECTOR ADDRESS
*** SDKEY FORCES THE LOADING OF SDREC
*** SDKEY IS COMPATIBLE WITH ALL F AND K.

```

S	DS	,*+101		00100	00000		
	DC	6,987898,5-S		00095	00006		
	DAC	6,SDKEY,7-S		00093	00012		
	DVLC	22-S,5,L,2,99,2,99,5,START-6,5,0,30,0		00078	00049		
	DSC	17,0,0		00000	00017		
	DORG	S-100		00000			
NSRC	DC	5,0,, NO. SECT/REC COM. FILE -- SDEF SET		00004	00005		
	DC	5,0		00009	00005		
START	BD	NENT,TAG1,, FIRST ENTRY TEST		00010	43	00318	01062
***	FIRST ENTRY HOUSEKEEPING						
	TDM	TAG1,9,, SET TAG		00022	15	01062	00009
	TF	ADR1,SDREC		00034	26	01091	01086
FDAD	BNF	DIRAD,ADR1,, FIND THE DIRECT ADDRESS OF		00046	44	00090	01091
	CF	ADR1,,, SDREC ENTRY POINT AND		00058	33	01091	00000
	TF	ADR1,ADR1,11, COMPUTE ADDRESSED IN		00070	26	01091	01091
	B7	FDAD,,, SDREC		00082	49	00046	00000
DIRAD	TF	ADR2,ADR1		00090	26	01096	01091
	TF	ADR3,ADR1		00102	26	01101	01091
	TF	ADR4,ADR1		00114	26	01106	01091
	TF	ADR5,ADR1		00126	26	01111	01091
	TF	ADR6,ADR1		00138	26	01116	01091
	SM	ADR1,06,10, ADR1=SDREC ENTRY PT.-06		00150	12	01091	00006
	SM	ADR2,11,10, ADR2=SDREC ENTRY PT.-11		00162	12	01096	00011
	SM	ADR3,16,10, ADR3=SDREC ENTRY PT.-16		00174	12	01101	00016
	SM	ADR4,21,10, ADR4=SDREC ENTRY PT.-21		00186	12	01106	00021
	SM	ADR5,26,10, ADR5=SDREC ENTRY PT.-26		00198	12	01111	00026
	SM	ADR6,31,10, ADR6=SDREC ENTRY PT.-31		00210	12	01116	00031
	TFM	ADR4,40000,67, SET TPCY IN SDREC		00222	16	01106	40000
	TFM	DCF+5,39800		00234	16	01259	39800
	K	DCF,701,, INITIAL SEEK TO CYL 99		00246	34	01254	00701
RDK1	RN	DCF,702,, READ SECTOR 39800		00258	36	01254	00702
	BNI	FCFD,3900		00270	47	00294	03900
	BTM	DSKR,RDK1,, DISK ERROR		00282	17	01006	00258
FCFD	TF	FSAC,SECT+4,, FETCH COMMON FILE BOUNDS		00294	26	01121	01272
	TF	LSAC,SECT+9		00306	26	01126	01277
***	NORMAL ENTRY						
NENT	SF	START-1		00318	32	00009	00000
	SM	START-1,5,10		00330	12	00009	00005
	TF	BUF10,START-1,11, FETCH FILE NUMBER		00342	26	01163	00009
	MA	FLNO,BUF10		00354	70	01152	01163
	TF	ADR5,FLNO,6, SEND FILE NO. TO SDREC		00366	26	01111	01152
	CF	START-1		00378	33	00009	00000
	AM	START-1,2,10, COMPUTE RETURN ADDRESS		00390	11	00009	00002
	CM	FLNO,00998,, TEST FOR TOO LARGE		00402	14	01152	00998
	BI	UDFN,1100,, A FILE NUMBER		00414	46	00934	01100
	CM	FLNO,0		00426	14	01152	00000
	BI	OPCF,1200,, TEST FOR COMMON FILE		00438	46	00854	01200
	C	FLNO,PVFN		00450	24	01152	01147
	BI	TPFD,1200,, PREV. PERSONAL FILE TEST		00462	46	00798	01200
***	FETCH FILE DESCRIPTION FROM CYLINDER 99						
	TFM	DCF+5,40000		00474	16	01259	40000
	S	DCF+5,ADR4,11, COMPUTE DELTA CYL.		00486	22	01259	01106
	BI	DSECT,1200		00498	46	00534	01200
	K	DCF,702,, DIRECT SEEK		00510	34	01254	00702

	TFM	ADR4,40000,67,	UPDATE TPCY (IN SDREC)	00522	16	01106	40000
DSECT	TF	ACC,N398,,	COMPUTE SECTOR ADR	00534	26	01076	01069
	A	ACC-1,FLNO		00546	21	01075	01152
	A	ACC-1,FLNO		00558	21	01075	01152
	TF	DCF+5,ACC-2		00570	26	01259	01074
RDK2	RN	DCF,702,,	READ ONE SECTOR	00582	36	01254	00702
	BNI	FUFD,3900		00594	47	00618	03900
	BTM	DSKR,RDK2,,	DISK ERROR	00606	17	01006	00582
FUFD	SF	ACC-1,,,	FETCH USERS FILE DESCRIP	00618	32	01075	00000
	TFM	ADRB,SECT+4		00630	16	01081	01272
	A	ADRB,ACC		00642	21	01081	01076
	TF	FSAU,ADRB,11		00654	26	01131	01081
	AM	ADRB,5,10		00666	11	01081	00005
	TF	LSAU,ADRB,11		00678	26	01136	01081
	AM	ADRB,5,10		00690	11	01081	00005
	TF	NSRU,ADRB,11		00702	26	01141	01081
	CM	NSRU,0		00714	14	01141	00000
	BI	UDFN,1200,,	UNDEFINED FILE TEST	00726	46	00934	01200
	TF	PVFN,FLNO		00738	26	01147	01152
	TDM	ROTG,0,,	CLEAR READ ONLY TAG	00750	15	01142	00000
	BNF	TPFD,NSRU,,	FILE IS PROTECTED IF	00762	44	00798	01141
	CF	NSRU,,,	NSRU IS NEGATIVE	00774	33	01141	00000
	TDM	ROTG,9,,	SET READ ONLY TAG	00786	15	01142	00009
***	TRANSMIT	PERSONAL FILE	DESCRIPTION TO SDREC				
TPFD	TF	ADR1,FSAU,6		00798	26	01091	01131
	TF	ADR2,LSAU,6		00810	26	01096	01136
	TF	ADR3,NSRU,6		00822	26	01101	01141
	TD	ADR6,ROTG,6		00834	25	01116	01142
	B7	START-1,,6,	EXIT SDKEY	00846	49	00009	00000
***	OPEN	COMMON FILE					
OPCF	CM	NSRC,0		00854	14	00004	00000
	BI	UDFN,1200,,	UNDEFINED FILE TEST	00866	46	00934	01200
***	TRANSMIT	COMMON FILE	DESCRIPTION TO SDREC				
	TF	ADR1,FSAC,6		00878	26	01091	01121
	TF	ADR2,LSAC,6		00890	26	01096	01126
	TF	ADR3,NSRC,6		00902	26	01101	00004
	TDM	ADR6,0,6		00914	15	01116	00000
	B7	START-1,,6,	EXIT SDKEY	00926	49	00009	00000
***	UNDEFINED	FILE NO.					
UDFN	K	,102		00934	34	00000	00102
	WA	MES1A,100		00946	39	01165	00100
	WN	FLNO-2,100		00958	38	01150	00100
	WA	MES1B,100		00970	39	01191	00100
	H			00982	48	00000	00000
	B7	START-1,,6,	EXIT SDKEY	00994	49	00009	00000
	DC	5,0		01005		00005	
DSKR	K	,102,,	SUBROUTINE TO TYPE	01006	34	00000	00102
	WA	MES2,100,,	OUT ***DISK ERR***,	01018	39	01225	00100
	H		HALT, RE-SEEK, AND	01030	48	00000	00000
	K	DCF,701,,	TRY AGAIN.	01042	34	01254	00701
	B7	DSKR-1,,6		01054	49	01005	00000
TAG1	DC	2,0		01062		00002	
N398	DC	7,3980000		01069		00007	
ACC	DC	7,0		01076		00007	

ADRB	DC	5,0		01081	00005
SDREC	DC	5,0,,	ADDRESS OF SDREC ENTRY POINT	01086	00005
ADR1	DC	5,0,,	ADDRESS OF FSAD IN SDREC	01091	00005
ADR2	DC	5,0,,	ADDRESS OF LSAD IN SDREC	01096	00005
ADR3	DC	5,0,,	ADDRESS OF NSPR IN SDREC	01101	00005
ADR4	DC	5,0,,	ADDRESS OF TPCY IN SDREC	01106	00005
ADR5	DC	5,0,,	ADDRESS OF FLNO IN SDREC	01111	00005
ADR6	DC	5,0,,	ADDRESS OF ROTG IN SDREC	01116	00005
FSAC	DC	5,0,,	COMMON FILE FIRST SECT ADR	01121	00005
LSAC	DC	5,0,,	COMMON FILE LAST SECT ADR +1	01126	00005
FSAU	DC	5,0,,	PERSONAL FILE FIRST SECT ADR	01131	00005
LSAU	DC	5,0,,	PERSONAL FILE LAST SECT ADR +1	01136	00005
NSRU	DC	5,0,,	PERSONAL FILE NO. SEC./REC.	01141	00005
ROTG	DC	1,0,,	PERSONAL FILE READ ONLY TAG	01142	00001
PVFN	DC	5,0,,	PREVIOUS NON-ZERO FILE NO.	01147	00005
FLNO	DC	5,0,,	FILE NO.	01152	00005
	DC	1,@		01153	00001
BUF10	DC	10,0		01163	00010
MES1A	DAC	13,***FILE NO. @		01165	00026
MES1B	DAC	17, IS UNDEFINED***@		01191	00034
MES2	DAC	15,***DISK ERR***@		01225	00030
DCF	DDA	,3,00000,001,SECT		01254	00006 300000
				01260	00003 001
				01263	00005 01268
SECT	DSB	1,100		01268	00100
A	DAC	6,SDREC ,		01369	00012
	DVLC	,5,SDREC		01384	00005
	DC	2,0@,,	RECORD MARK AT EVEN LOC.	01386	00002
L	DS	,A-1		01368	00000
	DEND			00000	

*** SUBROUTINE SDFET -- SECOND DISK FETCH

*** THIS SUBROUTINE NEGATES THE BASE ADDRESS TRANSMITTED BY THE

*** CALL AND SIMULATES A CALL SDREC, THE ACTUAL FETCH OPERATION

*** IS PERFORMED IN SDREC.

*** SDFET FORCES THE LOADING OF SDREC

*** SDFET IS COMPATIBLE WITH ALL F AND K.

S	DS	,*+101		00100	00000
	DC	6,987898,5-S		00095	00006
	DAC	6,SDFET ,7-S		00093	00012
	DVLC	22-S,5,L,2,99,2,99,5,START-6,5,0,30,0		00078	00049
	DSC	17,0,0		00000	00017
	DORG	S-100		00000	
	DC	5,0		00004	00005
START	SF	START-1,,,	NEGATE BASE ADDRESS	00006	32 00005 00000
CALL	BT	00000,START-1,,	SIMULATE CALL SDREC	00018	27 00000 00005
A	DAC	6,SDREC ,		00031	00012
	DVLC	,5,CALL+6		00046	00005
	DC	2,0@,,	RECORD MARK AT EVEN LOC.	00048	00002
L	DS	,A-1		00030	00000
	DEND			00000	

*** SUBROUTINE SDREC -- SECOND DISK RECORD
 *** THIS SUBROUTINE PERFORMS BOTH RECORD AND FETCH OPERATIONS --
 *** WHEN THE BASE ADDRESS TRANSMITTED BY THE CALL IS POSITIVE (SDREC
 *** IS CALLED BY FORTRAN), DATA IS WRITTEN ON THE SECOND DISK.
 *** WHEN THE BASE ADDRESS TRANSMITTED BY THE CALL IS NEGATIVE (SDFET
 *** HAS BEEN CALLED BY FORTRAN), DATA IS READ FROM THE SECOND DISK.
 *** THE FOLLOWING THREE ARGUMENTS ARE PRESENTED --
 *** NREC -- RECORD NUMBER, NON-SUBSCRIPTED INTEGER
 *** LAST -- DUMMY NON-SUBSCRIPTED INTEGER TO
 *** INDICATE END OF DATA
 *** FIRST -- NAME OF FIRST DATA ELEMENT
 *** SDREC IS COMPATIBLE WITH ALL F AND K.

S	DS	,*+101		00100	00000		
	DC	6,987898,5-S		00095	00006		
	DAC	6,SDREC,7-S		00093	00012		
	DVLC	22-S,5,L,2,99,2,99,5,START-6,5,0,30,0		00078	00049		
	DSC	17,0,0		00000	00017		
	DORG	S-100		00000			
ROTG	DC	2,0,, READ ONLY TAG -- SDKEY SET		00001	00002		
FLNO	DC	5,0,, FILE NUMBER -- SDKEY SET		00006	00005		
TPCY	DC	5,0,, TOP OF PREV. CYL. -- SDKEY SET		00011	00005		
NSPR	DC	5,0,, NO. SECT. PER REC. -- SDKEY SET		00016	00005		
LSAD	DC	5,0,, LAST SECT. ADR. +1 -- SDKEY SET		00021	00005		
FSAD	DC	5,0,, FIRST SECT. ADR -- SDKEY SET		00026	00005		
	DC	5,0,,		00031	00005		
START	BD	NENT,TAG1,, FIRST ENTRY TEST		00032	43	00184	01296
***	INHIBIT	FIRST ENTRY IF NO FILE IS OPEN					
	CM	NSPR,0		00044	14	00016	00000
	BNI	HSKP,1200,, FILE OPEN TEST		00056	47	00124	01200
	K	,102,, TYPE --		00068	34	00000	00102
	WA	MES1,100,, NO FILE OPEN		00080	39	01347	00100
	CF	START-1		00092	33	00031	00000
	AM	START-1,15,10		00104	11	00031	00015
	B7	ERRH		00116	49	01192	00000
***	FIRST ENTRY	HOUSEKEEPING					
HSKP	TF	KMO,K		00124	26	01298	02221
	SM	KMO,1,10, KMO=K-1		00136	12	01298	00001
	TF	FPO,F		00148	26	01300	02219
	AM	FPO,1,10, FPO=F+1		00160	11	01300	00001
	TDM	TAG1,9		00172	15	01296	00009
***	NORMAL ENTRY						
NENT	BNF	SUREC,START-1,,RECORD OR FETCH TEST		00184	44	00240	00031
	CF	START-1		00196	33	00031	00000
	TDM	WDK1+1,6,, SET-UP FOR A FETCH		00208	15	00961	00006
	TDM	WDK2+1,6,, OPERATION		00220	15	00817	00006
	B7	F3ADR		00232	49	00276	00000
SUREC	BD	FPERR,ROTG,, FILE PROTECT TEST		00240	43	01052	00001
	TDM	WDK1+1,8,, SET-UP FOR A RECORD		00252	15	00961	00008
	TDM	WDK2+1,8,, OPERATION		00264	15	00817	00008
F3ADR	AM	START-1,5,10, FETCH THREE ADDRESSES		00276	11	00031	00005
	MA	NREC,START-1,11, NREC		00288	70	01335	00031

	AM	START-1,5,10,	LAST	00300	I1	00031	00005
	MA	LAST,START-1,11,	FIRST	00312	70	01340	0003I
	AM	START-1,5,10		00324	I1	00031	00005
	MA	FIRST,START-1,11		00336	70	01345	0003I
	S	LAST,KMO,,	LAST=LAST-(K-1)	00348	22	01340	01298
	S	FIRST,FPO,,	FIRST=FIRST-(F+1)	00360	22	01345	01300
	TD	LAST,GMK,6,	SET GROUP MARK	00372	25	01340	01295
	TF	DLEN,LAST,,	COMPUTE DATA LENGTH	00384	26	01305	01340
	S	DLEN,FIRST,,	IN DIGITS	00396	22	01305	01345
	TFM	SLEN,0		00408	I6	01310	00000
	TF	BUF,DLEN		00420	26	01644	01305
ASLEN	AM	SLEN,1,10,	COMPUTE DATA LENGTH	00432	I1	01310	0000I
	SM	BUF,100,8,	IN SECTORS	00444	I2	01644	00I100
	BI	ASLEN,1100		00456	46	00432	01100
	TFM	RLEN,0		00468	I6	01315	00000
	TF	BUF,SLEN		00480	26	01644	01310
ARLEN	AM	RLEN,1,10,	COMPUTE DATA LENGTH	00492	I1	01315	0000I
	S	BUF,NSPR,,	IN RECORDS	00504	22	01644	00016
	BI	ARLEN,1100		00516	46	00492	01100
	M	NSPR,NREC,11,	DETERMINE FIRST SECTOR	00528	23	00016	01335
	MA	FSECT,00099		00540	70	01320	00099
	A	FSECT,FSAD		00552	2I	01320	00026
	A	NREC,RLEN,6,	UPDATE RECORD NUMBER	00564	2I	01335	01315
	TFM	TNCY,0		00576	I6	01325	00000
	TF	TNCY-3,FSECT-3,,	DETERMINE THE TOP	00588	26	01322	01317
DTNC	AM	TNCY,200,9,	OF THE NEXT SECTOR	00600	I1	01325	00200
	C	TNCY,FSECT		00612	24	01325	01320
	BNI	DTNC,1100		00624	47	00600	01100
	TF	THCY,TNCY,,	DETERMINE THE NO OF	00636	26	01330	01325
	S	THCY,FSECT,,	SECTORS LEFT THIS SECTOR	00648	22	01330	01320
	TF	DCF+5,TNCY,,	COMPUTE DELTA CYL	00660	26	01531	01325
	S	DCF+5,TPCY		00672	22	01531	00011
	BI	COFX,1200		00684	46	00720	01200
	K	DCF,702,,	DIRECT SEEK	00696	34	01526	00702
	TF	TPCY,TNCY,,	UPDATE TPCY	00708	26	00011	01325
COFX	C	SLEN,THCY,,	CYL OVERFLOW TEST	00720	24	01310	01330
	BI	OVFL,1100		00732	46	00864	01100
	TF	DCF+8,SLEN,,	SET UP DISK CONTROL FIELD	00744	26	01534	01310
	TF	DCF+5,FSECT		00756	26	01531	01320
	TF	DCF+13,FIRST		00768	26	01539	01345
	A	FSECT,SLEN		00780	2I	01320	01310
	C	FSECT,LSAD		00792	24	01320	00021
	BI	FOVF,1100,,	FILE OVERFLOW TEST	00804	46	01132	01100
WDK2	WN	DCF,700,,	READ/WRITE DISK	00816	38	01526	00700
	BI	*+12,3700		00828	46	00840	03700
	BNI	EXIT,3900		00840	47	01204	03900
	BTM	DSKR,WDK2,,	DISK ERROR	00852	I7	01240	00816
OVFL	TF	DCF+8,THCY,,	CYLINDER OVERFLOW CASE --	00864	26	01534	01330
	TF	DCF+5,FSECT,,	SET UP DISK CONTROL FIELD	00876	26	01531	01320
	TF	DCF+13,FIRST		00888	26	01539	01345
	A	FSECT,THCY,,	FSECT=FSECT+THCY	00900	2I	01320	01330
	S	SLEN,THCY,,	SLEN=SLEN-THCY	00912	22	01310	01330
	A	FIRST-2,THCY,,	FIRST=FIRST+100*THCY	00924	2I	01343	01330
	C	FSECT,LSAD		00936	24	01320	00021

WDK1	BI	FOVF,1100,,	FILE OVERFLOW TEST	00948	46	01132	01100
	WN	DCF,702,,	READ/WRITE DISK TO CYL END	00960	38	01526	00702
	BNI	ACY,3900		00972	47	00996	03900
ACY	BTM	DSKR,WDK1,,	DISK ERROR	00984	17	01240	00960
	TFM	THCY,200		00996	16	01330	00200
	TFM	DCF+5,200		01008	16	01531	00200
	K	DCF,702,,	DIRECT SEEK, +1 CYL	01020	34	01526	00702
	AM	TPCY,200,8,	UPDATE TPCY	01032	11	00011	00200
	B7	COFX		01044	49	00720	00000
FPERR	K	,102,,	TYPE --	01052	34	00000	00102
	WA	MES4A,100,,	FILE NO. XXXX IS PROTECTE	01064	39	01467	00100
	TF	BUF,FLNO		01076	26	01644	00006
	WN	BUF-2,100		01088	38	01642	00100
	WA	MES4B,100		01100	39	01493	00100
	AM	START-1,15,10		01112	11	00031	00015
	B7	ERRH		01124	49	01192	00000
FOVF	K	,102,,	TYPE --	01132	34	00000	00102
	WA	MES2A,100,,	FILE NO. XXXX OVERFLOW	01144	39	01385	00100
	TF	BUF,FLNO		01156	26	01644	00006
	WN	BUF-2,100		01168	38	01642	00100
	WA	MES2B,100		01180	39	01411	00100
ERRH	H			01192	48	00000	00000
EXIT	TDM	LAST,0,6,	CLEAR GROUP MARK	01204	15	01340	00000
	AM	START-1,2,10		01216	11	00031	00002
	B7	START-1,,6,	EXIT SDREC	01228	49	00031	00000
	DC	5,0		01239		00005	
DSKR	K	,102,,	SUBROUTINE TO TYPE	01240	34	00000	00102
	WA	MES3,100,,	OUT ***DISK ERR***,	01252	39	01437	00100
	H	///	HALT, RE-SEEK, AND	01264	48	00000	00000
	K	DCF,701,,	TRY AGAIN.	01276	34	01526	00701
	B7	DSKR-1,,6		01288	49	01239	00000
GMK	DGM			01295		00001	
TAG1	DC	1,0,,	FIRST ENTRY TAG	01296		00001	
KMO	DC	2,0,,	K-1	01298		00002	
FPO	DC	2,0,,	FPO=F+1	01300		00002	
DLEN	DC	5,0,,	DATA LENGTH IN DIGITS	01305		00005	
SLEN	DC	5,0,,	DATA LENGTH IN SECTORS	01310		00005	
RLEN	DC	5,0,,	DATA LENGTH IN RECORDS	01315		00005	
FSECT	DC	5,0,,	FIRST SECTOR ADDRESS	01320		00005	
TNCY	DC	5,0,,	TOP OF NEXT CYLINDER	01325		00005	
THCY	DC	5,0,,	SECTORS LEFT THIS CYLINDER	01330		00005	
NREC	DC	5,0,,	ADDRESS OF RECORD NUMBER	01335		00005	
LAST	DC	5,0,,	ADDRESS OF LAST DATA	01340		00005	
FIRST	DC	5,0,,	ADDRESS OF FIRST DATA	01345		00005	
MES1	DAC	19,***NO FILE OPEN***@		01347		00038	
MES2A	DAC	13,***FILE NO. @		01385		00026	
MES2B	DAC	13, OVERFLOW***@		01411		00026	
MES3	DAC	15,***DISK ERR***@		01437		00030	
MES4A	DAC	13,***FILE NO. @		01467		00026	
MES4B	DAC	17, IS PROTECTED***@		01493		00034	
DCF	DDA	,3,00000,000,00000		01526		00006	300000
				01532		00003	000
				01535		00005	00000
SECB	DSB	1,100		01540		00100	

BUF	DC	5,0		01644	00005
	DC	1,@		01645	00001
L	DC	1,@,,	RECORD MARK AT EVEN LOC.	01646	00001
F	DS	,2219		02219	00000
K	DS	,2221		02221	00000
	DEND			00000	

 *** SECOND DISK UTILITY PROGRAM
 *** FUNCTION SELECTION

	DORG	10000		10000	
START	K	,102		10000	34 00000 00102
	RA	CARD,500,,	READ CONTROL CARD	10012	37 14533 00500
	BNR	NCON,CARD,,	TEST FOR REC. MK. IN COL 2	10024	45 10092 14533
	WA	MES8,100,,	TYPE --	10036	39 13145 00100
	K	,102,,	TRP ERR	10048	34 00000 00102
	WA	MES9,100,,	MUST RELOAD	10060	39 13161 00100
	H			10072	48 00000 00000
	B7	00796		10084	49 00796 00000
NCON	TFM	FILE-2,0,911		10092	16 14308 00000
	TNS	CARD+24,FILE		10104	72 14557 14310
	CF	FILE-2		10116	33 14308 00000
	C	FN1,CARD+18		10128	24 12737 14551
	BI	INTL,1200,,	TEST FOR INITIALIZE	10140	46 10392 01200
	C	FN2,CARD+10		10152	24 12749 14543
	BI	DEFN,1200,,	TEST FOR DEFINE	10164	46 10580 01200
	C	FN3,CARD+10		10176	24 12761 14543
	BI	DELT,1200,,	TEST FOR DELETE	10188	46 11244 01200
	C	FN4,CARD+16		10200	24 12779 14549
	BI	RDOY,1200,,	TEST FOR READ ONLY	10212	46 11544 01200
	C	FN5,CARD+18		10224	24 12799 14551
	BI	RDWR,1200,,	TEST FOR READY/WRITE	10236	46 11716 01200
	C	FN6,CARD+18		10248	24 12819 14551
	BI	DUMP,1200,,	TEST FOR DUMP TABLE	10260	46 11932 01200
	WA	MES1,100,,	TYPE --	10272	39 12821 00100
	K	,102,,	UNDEFINED FUNCTION NAME	10284	34 00000 00102
	H			10296	48 00000 00000
	B7	START		10308	49 10000 00000
*** FUNCTION TERMINATION					
DONE	K	,102,,	TYPE --	10316	34 00000 00102
	WA	MES2,100,,	OPERATION COMPLETED	10328	39 12881 00100
	B7	CNCL+24		10340	49 10372 00000
CNCL	K	,102,,	TYPE --	10348	34 00000 00102
	WA	MES3,100,,	OPERATION CANCELLED	10360	39 12933 00100
	K	,102		10372	34 00000 00102
	B7	START		10384	49 10000 00000
*** INITIALIZE					
INTL	WA	MES11,100,,	TYPE --	10392	39 13185 00100
	H	,,,	PRESS START TO INITIALIZE	10404	48 00000 00000
	BI	CNCL,400,,	CANCEL IF SWITCH FOUR	10416	46 10348 00400
	TRNM	SECT,IENT-4		10428	30 14416 14333

	TRNM	SECT+20, IENT-4		10440	30	14436	14333
	TRNM	SECT+40, IENT-4,, SET FIVE CLEARED TABLE		10452	30	14456	14333
	TRNM	SECT+60, IENT-4,, ENTRIES IN SECTOR BUFFER		10464	30	14476	14333
	TRNM	SECT+80, IENT-4		10476	30	14496	14333
	TFM	DCF+5, 39800		10488	16	14407	39800
INSK	K	DCF, 701		10500	34	14402	00701
INDW	WN	DCF, 702,, WRITE 200 SECTORS		10512	38	14402	00702
	BI	INSK, 3900		10524	46	10500	03900
	CM	DCF+5, 39999		10536	14	14407	39999
	BI	DONE, 1200		10548	46	10316	01200
	AM	DCF+5, 1, 10		10560	11	14407	00001
	B7	INDW		10572	49	10512	00000
***	DEFINE						
DEFN	WA	MES21, 100,, TYPE --		10580	39	13269	00100
	WN	FILE-2, 100,, PRESS START TO DEFINE FIL		10592	38	14308	00100
	WA	MES99, 100		10604	39	14297	00100
	H			10616	48	00000	00000
	BI	CNCL, 400,, CANCEL IF SWITCH FOUR		10628	46	10348	00400
	BTM	TPFN, 000, 9, TRAP OUT OF RANGE FILE NO.		10640	17	12354	00000
	BTM	TBLE, 00, 10, READ FILE DESCRIPTION		10652	17	12470	00000
	CM	RECL, 0		10664	14	14326	00000
	BNI	DFAA, 1200,, ALREADY ASSIGNED TEST		10676	47	11024	01200
	TNS	CARD+34, NSPR,, CONVERT RECORD LENGTH		10688	72	14567	14363
	TNS	CARD+44, NRPF,, CONVERT FILE CAPACITY		10700	72	14577	14368
	M	NSPR, NRPF,, COMPUTE FILE LENGTH		10712	23	14363	14368
	MA	NSPF, 00099,, IN SECTORS		10724	70	14373	00099
	CM	NSPF, 0		10736	14	14373	00000
	BNI	DENZ, 1200,, TEST FOR ZERO LENGTH FILE		10748	47	10792	01200
	K	, 102,, TYPE --		10760	34	00000	00102
	WA	MES24, 100,, ZERO LENGTH FILE, CANNOT		10772	39	13515	00100
	B7	CNCL		10784	49	10348	00000
DENZ	TF	BUF1, FILE		10792	26	14378	14310
	TFM	FILE, 999		10804	16	14310	00999
	BTM	TBLE, 00, 10, READ FILE 999 FOR POINTER		10816	17	12470	00000
DEML	TF	BUF2, LSEC,, DEFINE, MAIN LOOP --		10828	26	14383	14321
	TF	BUF3, FILE,, SCAN FOR BLOCK OF		10840	26	14388	14310
	TF	FILE, NEXT,, AVAILABLE DISK STORAGE		10852	26	14310	14331
	CM	NEXT, 1000		10864	14	14331	01000
	BI	DELF, 1200,, TEST FOR LAST DEFINED FILE		10876	46	10944	01200
	BTM	TBLE, 00, 10, READ NEXT FILE DESCRIPTION		10888	17	12470	00000
	S	FSEC, BUF2		10900	22	14316	14383
	C	FSEC, NSPF		10912	24	14316	14373
	BI	DESF, 1300,, TEST FOR SPACE BETWN FILES		10924	46	11056	01300
	B7	DEML		10936	49	10828	00000
DELF	TFM	BUF4, 39800		10944	16	14393	39800
	S	BUF4, BUF2		10956	22	14393	14383
	C	BUF4, NSPF,, TEST FOR SPACE AFTER THE		10968	24	14393	14373
	BI	DESF, 1300,, LAST DEFINED FILE		10980	46	11056	01300
	K	, 102,, TYPE --		10992	34	00000	00102
	WA	MES23, 100,, SUFFICIENT SPACE UNAVAIL.		11004	39	13415	00100
	B7	CNCL		11016	49	10348	00000
DFAA	K	, 102,, TYPE --		11024	34	00000	00102
	WA	MES22, 100,, FILE IS ASSIGNED, CANNOT		11036	39	13339	00100
	B7	CNCL		11048	49	10348	00000

DESF	TF	NEXT,FILE,,	SPACE FOUND --	11056	26	14331	14310
	TF	FILE,BUF1		11068	26	14310	14378
	TF	FSEC,BUF2		11080	26	14316	14383
	TF	LSEC,BUF2		11092	26	14321	14383
	A	LSEC,NSPF		11104	21	14321	14373
	TF	RECL,NSPR		11116	26	14326	14363
	BTM	TBLE,09,10,	RECORD NEW FILE DEFINITION	11128	17	12470	00009
	K	,102		11140	34	00000	00102
	WN	FILE-2,100		11152	38	14308	00100
	K	,101		11164	34	00000	00101
	WN	FSEC-4,100,,	TYPE NEW FILE DESCRIPTION	11176	38	14312	00100
	TF	FILE,BUF3		11188	26	14310	14388
	BTM	TBLE,00,10,	AND	11200	17	12470	00000
	TF	NEXT,BUF1		11212	26	14331	14378
	BTM	TBLE,09,10,	UPDATE TABLE.	11224	17	12470	00009
	B7	DONE		11236	49	10316	00000
***	DELETE						
DELT	WA	MES31,100,,	TYPE --	11244	39	13591	00100
	WN	FILE-2,100,,	PRESS START TO DELETE FIL	11256	38	14308	00100
	WA	MES99,100		11268	39	14297	00100
	H			11280	48	00000	00000
	BI	CNCL,400,,	CANCEL IF SWITCH FOUR	11292	46	10348	00400
	BTM	TPFN,000,9,	TRAP OUT OF RANGE FILE NO.	11304	17	12354	00000
	BTM	TBLE,00,10,	READ FILE DESCRIPTION	11316	17	12470	00000
	CM	RECL,0		11328	14	14326	00000
	BI	DEUF,1200,,	UNDEFINED FILE TEST	11340	46	11512	01200
	TF	BUF1,FILE		11352	26	14378	14310
	TF	BUF2,NEXT		11364	26	14383	14331
	TFM	NEXT,0		11376	16	14331	00000
	TFM	RECL,0		11388	16	14326	00000
	BTM	TBLE,09,10,	WRITE FILE DESCRIPTION	11400	17	12470	00009
	TFM	FILE,999		11412	16	14310	00999
DELP	BTM	TBLE,00,10,	READ FILE DESCRIPTION	11424	17	12470	00000
	C	BUF1,NEXT,,	TO FIND PRECEDING FILE	11436	24	14378	14331
	BI	DEUP,1200		11448	46	11480	01200
	TF	FILE,NEXT		11460	26	14310	14331
	B7	DELP		11472	49	11424	00000
DEUP	TF	NEXT,BUF2,,	UPDATE POINTER	11480	26	14331	14383
	BTM	TBLE,09,10,	WRITE FILE DESCRIPTION	11492	17	12470	00009
	B7	DONE		11504	49	10316	00000
DEUF	K	,102,,	TYPE --	11512	34	00000	00102
	WA	MES32,100,,	FILE IS UNASSIGNED,	11524	39	13661	00100
	B7	CNCL,,,	CANNOT DELETE	11536	49	10348	00000
***	SET READ ONLY (FILE PROTECT)						
RDOY	WA	MES41,100,,	TYPE --	11544	39	13741	00100
	WN	FILE-2,100,,	PRESS STRT TO SET READ ON	11556	38	14308	00100
	WA	MES99,100		11568	39	14297	00100
	H			11580	48	00000	00000
	BI	CNCL,400,,	CANCEL IF SWITCH FOUR	11592	46	10348	00400
	BTM	TPFN,001,9,	TRAP OUT OF RANGE FILE NO.	11604	17	12354	00001
	BTM	TBLE,00,10,	READ FILE DESCRIPTION	11616	17	12470	00000
	CM	RECL,0		11628	14	14326	00000
	BI	UNDF,1200,,	UNDEFINED FILE TEST	11640	46	11900	01200
	BNI	RDFP,1100,,	ALREADY PROTECTED TEST	11652	47	11684	01100

	SF	RECL,,,	SET FILE PROTECT	11664	32	14326	00000
	B7	REWR		11676	49	11848	00000
RDFP	K	,102,,	TYPE --	11684	34	00000	00102
	WA	MES42,100,,	FILE IS ALREADY SET TO RE	11696	39	13827	00100
	B7	CNCL		11708	49	10348	00000
*** SET READ/WRITE (RELEASE FILE PROTECT)							
RDWR	WA	MES51,100,,	TYPE --	11716	39	13905	00100
	WN	FILE-2,100,,	PRESS START TO SET READ/W	11728	38	14308	00100
	WA	MES99,100		11740	39	14297	00100
	H			11752	48	00000	00000
	BI	CNCL,400,,	CANCEL IF SWITCH FOUR	11764	46	10348	00400
	BTM	TPFN,001,9,	TRAP OUT OF RANGE FILE NO.	11776	17	12354	00001
	BTM	TBLE,00,10,	READ FILE DESCRIPTION	11788	17	12470	00000
	CM	RECL,0		11800	14	14326	00000
	BI	UNDF,1200,,	UNDEFINED FILE TEST	11812	46	11900	01200
	BI	RDAR,1100,,	ALREADY READ/WRITE TEST	11824	46	11868	01100
	CF	RECL,,,	CLEAR FILE PROTECT	11836	33	14326	00000
REWR	BTM	TBLE,09,10,	RE WRITE FILE DESCRIPTION	11848	17	12470	00009
	B7	DONE		11860	49	10316	00000
RDAR	K	,102,,	TYPE --	11868	34	00000	00102
	WA	MES52,100,,	FILE IS NOT SET TO READ O	11880	39	13995	00100
	B7	CNCL		11892	49	10348	00000
UNDF	K	,102,,	TYPE --	11900	34	00000	00102
	WA	MES6,100,,	FILE IS UNDEFINED	11912	39	13097	00100
	B7	CNCL		11924	49	10348	00000
*** DUMP FILE DESCRIPTION TABLE							
DUMP	K	,102,,	TYPE HEADING --	11932	34	00000	00102
	WA	MES61,100,,	***FILE DESCRIPTION TABLE	11944	39	14065	00100
	K	,102		11956	34	00000	00102
	K	,102,,	FILE FIRST LAST REC	11968	34	00000	00102
	WA	MES62,100,,	NO. SECTOR SECTOR LEN	11980	39	14133	00100
	K	,102		11992	34	00000	00102
	WA	MES63,100		12004	39	14191	00100
	K	,102		12016	34	00000	00102
	K	,102		12028	34	00000	00102
	TFM	FILE,999		12040	16	14310	00999
	BTM	TBLE,00,10,	FETCH FIRST POINTER	12052	17	12470	00000
DULP	CM	NEXT,1000		12064	14	14331	01000
	BI	DONE,1200,,	LAST FILE TEST	12076	46	10316	01200
	TF	FILE,NEXT		12088	26	14310	14331
	BTM	TBLE,00,10,	READ A FILE DESCRIPTION	12100	17	12470	00000
	WN	FILE-2,100,,	TYPE FILE NO.	12112	38	14308	00100
	WA	MES67,100		12124	39	14289	00100
	MA	BUFN,FSEC		12136	70	14399	14316
	WN	BUFN-4,100,,	TYPE FIRST SECTOR ADDRESS	12148	38	14395	00100
	WA	MES67,100		12160	39	14289	00100
	MA	BUFN,LSEC		12172	70	14399	14321
	SM	BUFN,1,10		12184	12	14399	00001
	WN	BUFN-4,100,,	TYPE LAST SECTOR ADDRESS	12196	38	14395	00100
	WA	MES67,100		12208	39	14289	00100
	CM	FILE,0		12220	14	14310	00000
	BNI	DUPF,1200,,	PERSONAL FILE TEST	12232	47	12264	01200
	WA	MES64,100		12244	39	14249	00100
	B7	DUPC		12256	49	12288	00000

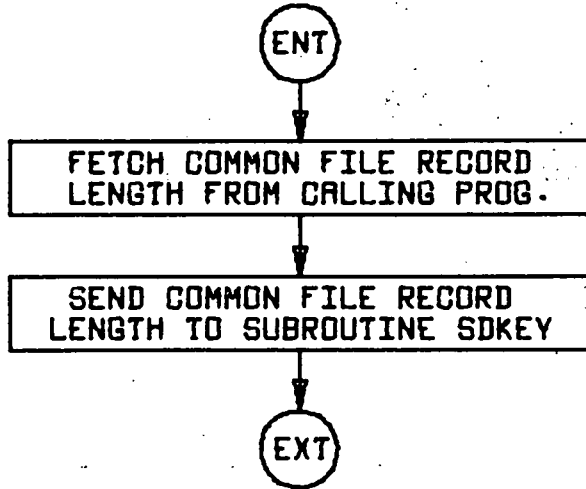
DUPF	MA	BUFN,RECL		12264	70	14399	14326
	WN	BUFN-4,100,,	TYPE RECORD LENGTH	12276	38	14395	00100
DUPC	BNF	DURW,RECL,,	FILE PROTECT TEST	12288	44	12320	14326
	WA	MES66,100,,	TYPE ---RO.	12300	39	14275	00100
	B7	DUCR		12312	49	12332	00000
DURW	WA	MES65,100,,	TYPE -- R/W	12320	39	14261	00100
DUCR	K	,102		12332	34	00000	00102
	B7	DULP		12344	49	12064	00000
*** SUBROUTINE TO TRAP OUT OF RANGE FILE NUMBERS							
*** MIN IS TRANSMITTED BY CALL							
*** MAX IS 998							
	DC	3,0,,	MINIMUM FILE NUMBER	12353	00003		
TPFN	CM	FILE,999,9		12354	14	14310	00999
	BI	TPLG,1300		12366	46	12404	01300
	C	FILE,TPFN-1		12378	24	14310	12353
	BNI	TPSM,1300		12390	47	12436	01300
	BB	,,,	FILE NO IS OKAY	12402	42	00000	00000
	DORG	*-9		12404			
TPLG	K	,102,,	TYPE --	12404	34	00000	00102
	WA	MES4,100,,	FILE NO IS TOO LARGE	12416	39	12985	00100
	B7	CNCL		12428	49	10348	00000
TPSM	K	,102,,	TYPE --	12436	34	00000	00102
	WA	MES5,100,,	FILE NO IS TOO SMALL	12448	39	13041	00100
	B7	CNCL		12460	49	10348	00000
*** SUBROUTINE TO READ OR WRITE A FILE DESCRIPTION TABLE ENTRY							
*** READ IF INDICATOR IS ZERO							
*** WRITE IF INDICATOR IS NON-ZERO							
	DC	2,0,,	READ/WRITE INDICATOR	12468	00002		
TBLE	TF	ACC,N398		12470	26	14530	14523
	A	ACC-1,FILE,,	DETERMINE SECTOR ADDRESS	12482	21	14529	14310
	A	ACC-1,FILE,,	FROM FILE NUMBER	12494	21	14529	14310
	TF	DCF+5,ACC-2		12506	26	14407	14528
	B7	TBDR		12518	49	12538	00000
TBSK	K	DCF,701		12526	34	14402	00701
TBDR	RN	DCF,702,,	READ SECTOR	12538	36	14402	00702
	BI	TBSK,3900		12550	46	12526	03900
	SF	ACC-1		12562	32	14529	00000
	TFM	ADR1,SECT		12574	16	14358	14416
	A	ADR1,ACC		12586	21	14358	14530
	BD	TBWR,TBLE-1,,	READ/WRITE TEST	12598	43	12660	12469
	TF	TBMK+6,ADR1		12610	26	12640	14358
	AM	TBMK+6,20,10		12622	11	12640	00020
TBMK	TD	00000,RMK		12634	25	00000	14311
	TRNM	FSEC-4,ADR1,11,	READ ENTRY	12646	30	14312	14358
	BB			12658	42	00000	00000
	DORG	*-9		12660			
TBWR	TRNM	ADR1,FSEC-4,6,	WRITE ENTRY	12660	30	14358	14312
	B7	TBDW		12672	49	12692	00000
TBER	K	DCF,701		12680	34	14402	00701
TBDW	WN	DCF,702,,	RECORD UPDATED SECTOR	12692	38	14402	00702
	BI	TBER,3900		12704	46	12680	03900
	BB			12716	42	00000	00000
	DORG	*-9		12718			
FN1	DSAC	10,INITIALIZE		12737	00020		

FN2	DSAC	6,DEFINE	12749	00012
FN3	DSAC	6,DELETE	12761	00012
FN4	DSAC	9,READ ONLY	12779	00018
FN5	DSAC	10,READ/WRITE	12799	00020
FN6	DSAC	10,DUMP TABLE	12819	00020
MES1	DAC	30,***UNDEFINED FUNCTION NAME***@,	12821	00060
MES2	DAC	26,***OPERATION COMPLETED***@,	12881	00052
MES3	DAC	26,***OPERATION CANCELLED***@,	12933	00052
MES4	DAC	28,***FILE NO. IS TOO LARGE***@,	12985	00056
MES5	DAC	28,***FILE NO. IS TOO SMALL***@,	13041	00056
MES6	DAC	24,***FILE IS UNDEFINED***@,	13097	00048
MES8	DAC	08,TRP. ERR@,	13145	00016
MES9	DAC	12,MUST RELOAD@,	13161	00024
MES11	DAC	42,***PRESS START TO INITIALIZE DISK PACK***@,	13185	00084
MES21	DAC	35,***PRESS START TO DEFINE FILE NO. @,	13269	00070
MES22	DAC	38,***FILE IS ASSIGNED, CANNOT DEFINE***@,	13339	00076
MES23	DAC	50,***SUFFICIENT SPACE UNAVAILABLE, CANNOT DEFINE***@,	13415	00100
MES24	DAC	38,***ZERO LENGTH FILE, CANNOT DEFINE***@,	13515	00076
MES31	DAC	35,***PRESS START TO DELETE FILE NO. @,	13591	00070
MES32	DAC	40,***FILE IS UNASSIGNED, CANNOT DELETE***@,	13661	00080
MES41	DAC	43,***PRESS START TO SET READ ONLY, FILE NO. @,	13741	00086
MES42	DAC	39,***FILE IS ALREADY SET TO READ ONLY***@,	13827	00078
MES51	DAC	45,***PRESS START TO CLEAR READ ONLY, FILE NO. @,	13905	00090
MES52	DAC	35,***FILE IS NOT SET TO READ ONLY***@,	13995	00070
MES61	DAC	34,***FILE DESCRIPTION TABLE DUMP***@,	14065	00068
MES62	DAC	29,FILE FIRST LAST RECORD@,	14133	00058
MES63	DAC	29,NO. SECTOR SECTOR LENGTH@,	14191	00058
MES64	DAC	06,----@,	14249	00012
MES65	DAC	07, R/W@,	14261	00014
MES66	DAC	07, RO.@,	14275	00014
MES67	DAC	04, @,	14289	00008
MES99	DAC	05, ***@	14297	00010
FILE	DC	5,0,, FILE NUMBER	14310	00005
RMK	DC	1,@	14311	00001
FSEC	DC	5,0,, FIRST SECTOR ADDRESS	14316	00005
LSEC	DC	5,0,, LAST SECTOR ADDRESS PLUS ONE	14321	00005
RECL	DC	5,0,, RECORD LENGTH (IN SECTORS)	14326	00005
NEXT	DC	5,0,, NEXT FILE POINTER	14331	00005
	DC	1,@	14332	00001
IENT	DC	5,20000,, FILE DESCRIPTION TABLE	14337	00005
	DC	5,20000,, ENTRY USED TO INITIALIZE	14342	00005
	DC	5,00000,, A DISK PACK	14347	00005
	DC	5,01000	14352	00005
	DC	1,@	14353	00001
ADR1	DC	5,0	14358	00005
NSPR	DC	5,0,, RECORD LENGTH IN SECTORS	14363	00005

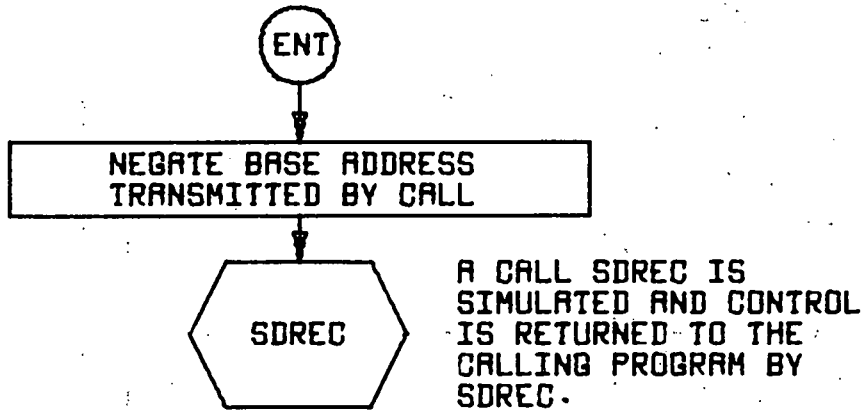
NRPF	DC	5,0,,	FILE CAPACITY IN RECORDS	14368	00005	
NSPF	DC	5,0,,	FILE LENGTH IN SECTORS	14373	00005	
BUF1	DC	5,0		14378	00005	
BUF2	DC	5,0		14383	00005	
BUF3	DC	5,0		14388	00005	
BUF4	DC	5,0		14393	00005	
BUFN	DC	6,0		14399	00006	
	DC	1,@		14400	00001	
DCF	DDA	,3,00000,001,SECT		14402	00006	300000
				14408	00003	001
				14411	00005	14416
SECT	DSB	1,100		14416	00100	
	DC	1,@		14516	00001	
N398	DC	7,3980000		14523	00007	
ACC	DC	7,0		14530	00007	
CARD	DAC	40,		14533	00080	
	DAC	40,		14613	00080	
	DEND	START		10000		

APPENDIX C
Flow Charts

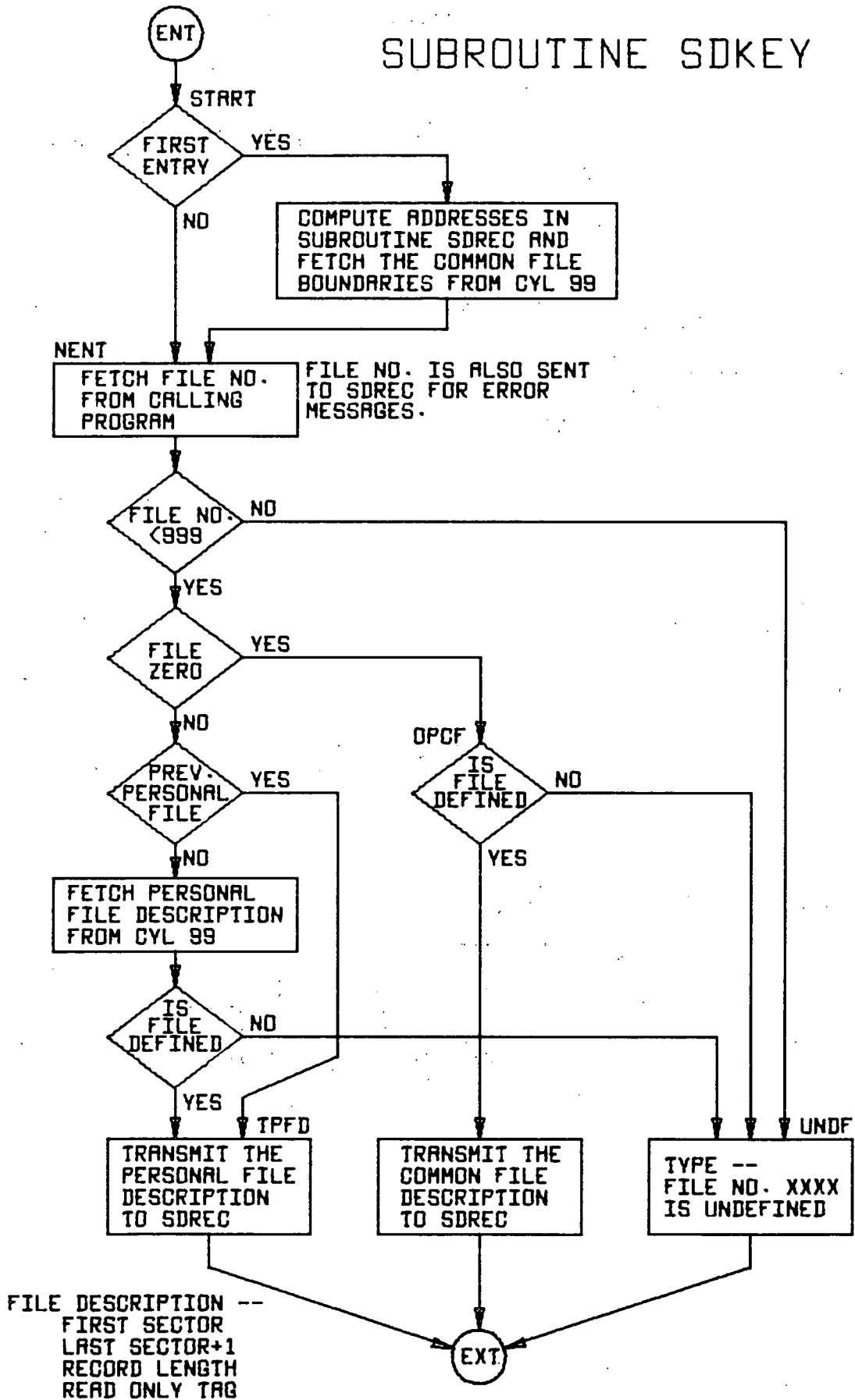
SUBROUTINE SDDEF



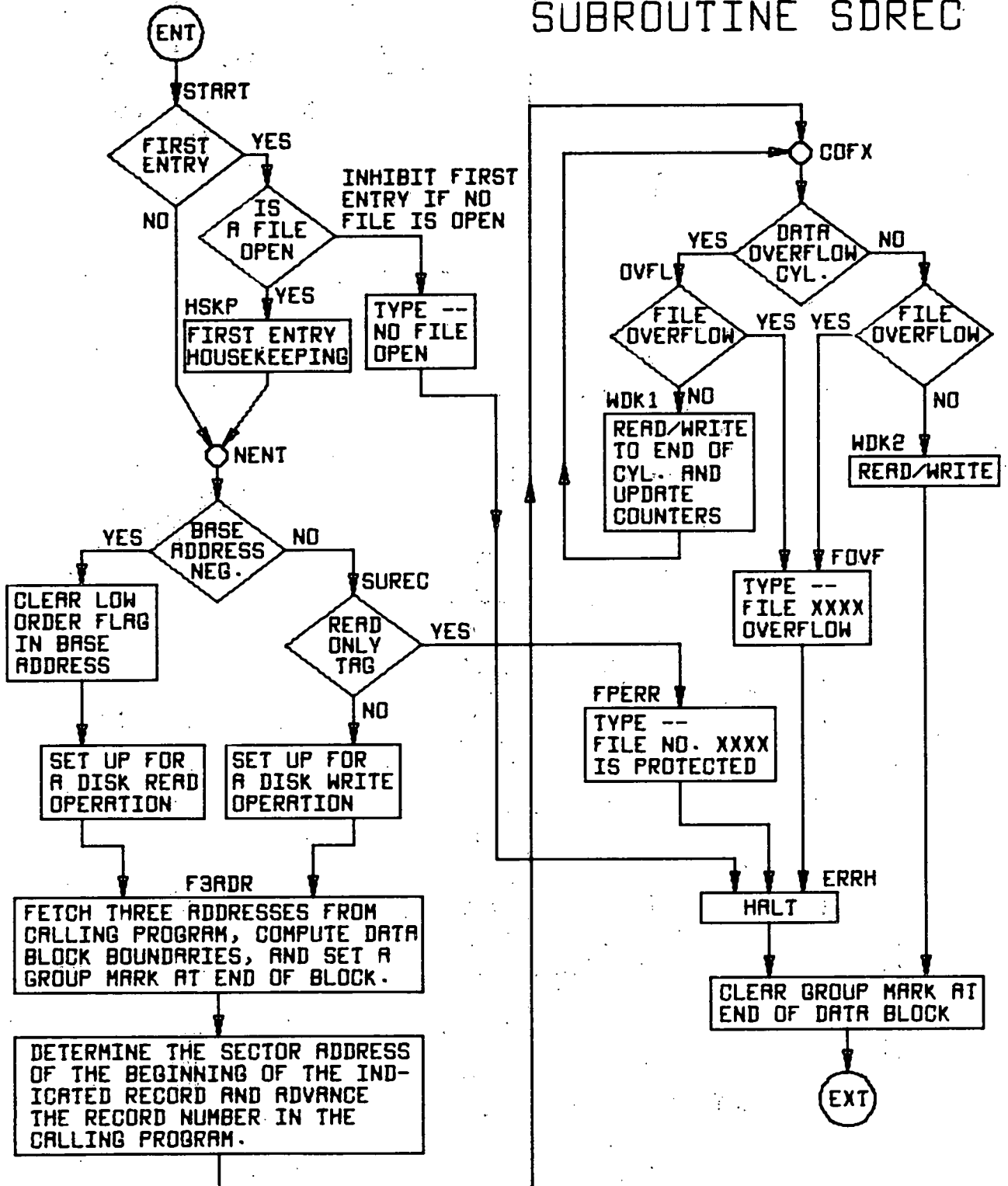
SUBROUTINE SDFET



SUBROUTINE SDKEY

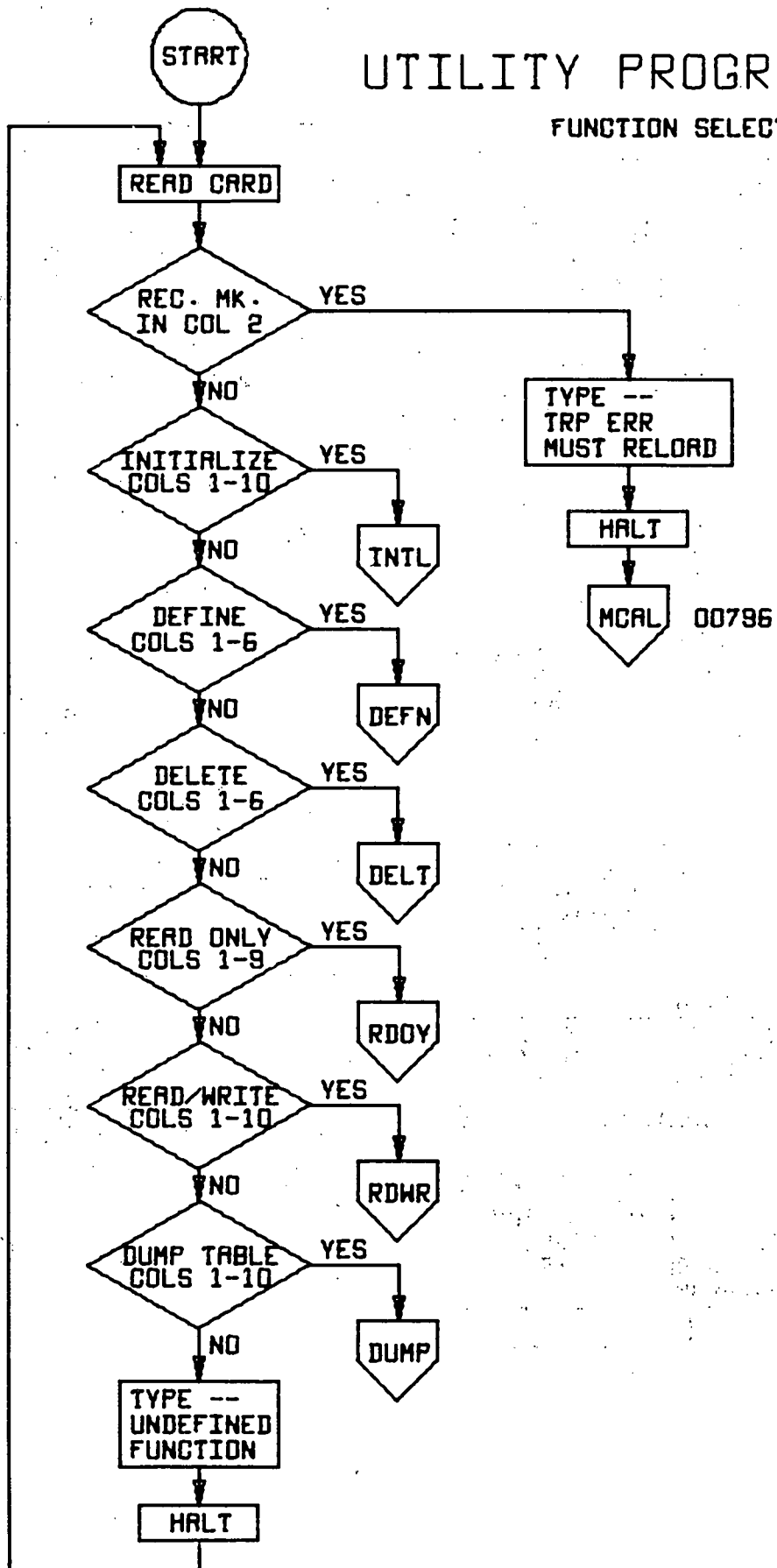


SUBROUTINE SDREC

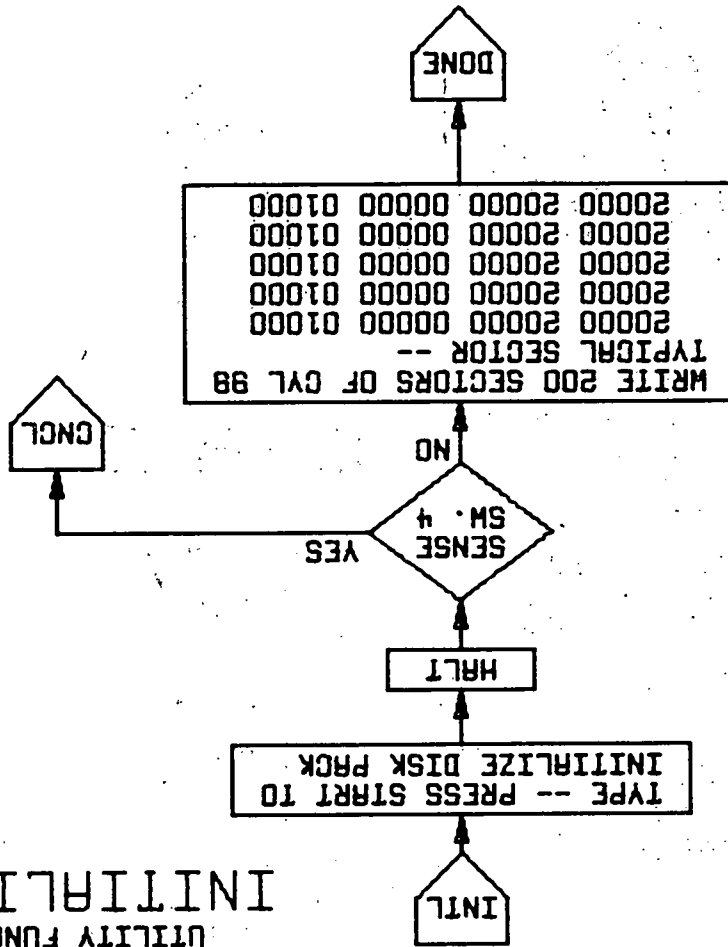


UTILITY PROGRAM

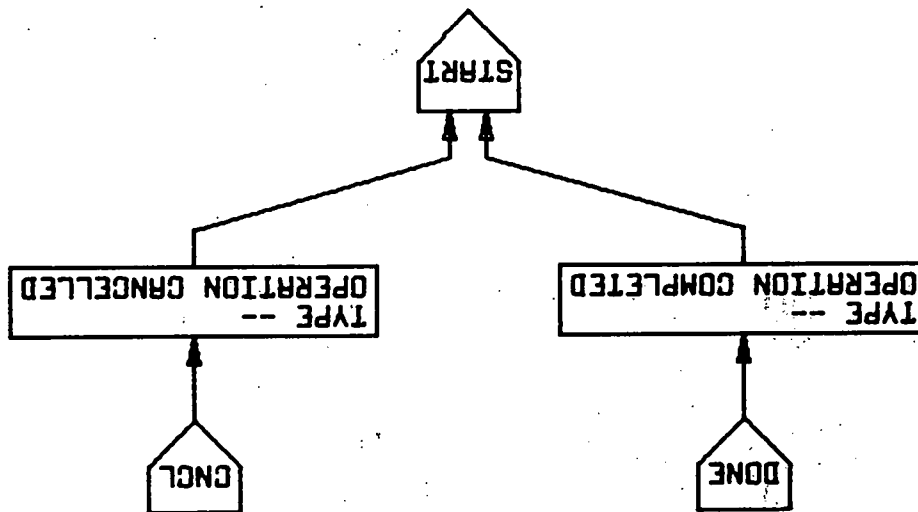
FUNCTION SELECTION



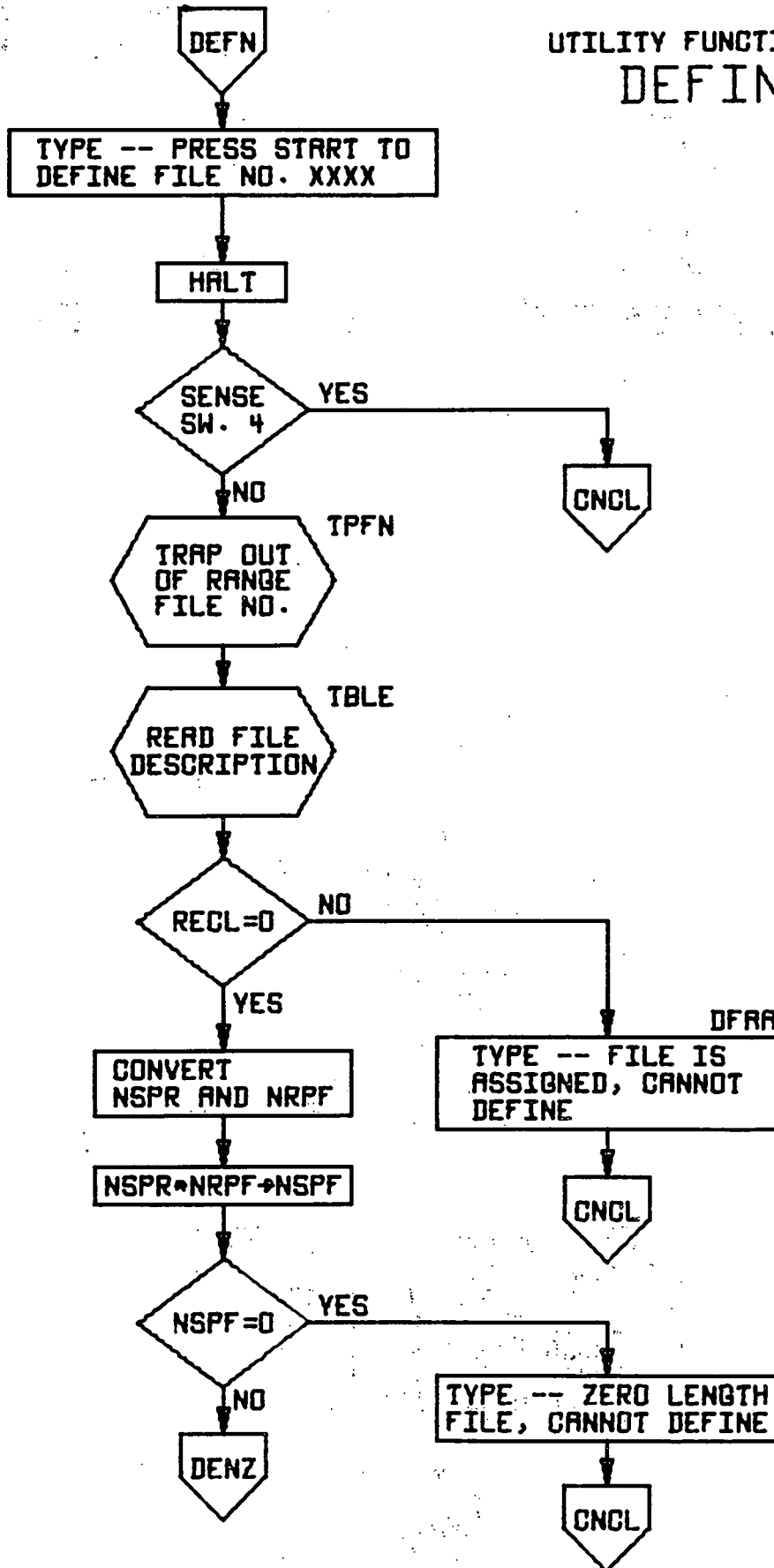
UTILITY FUNCTION
INITIALIZE

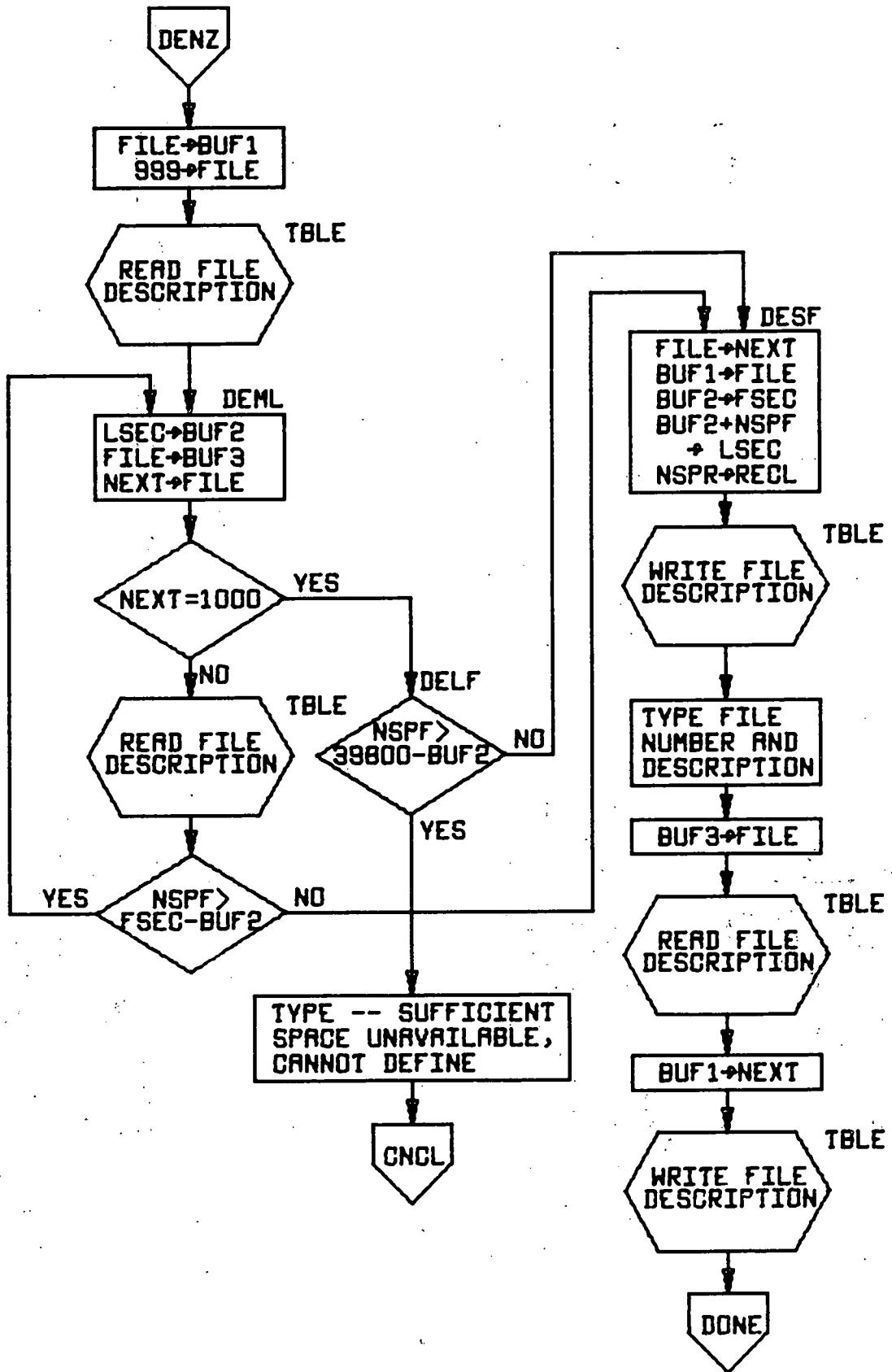


UTILITY FUNCTIONS
TERMINATION OF

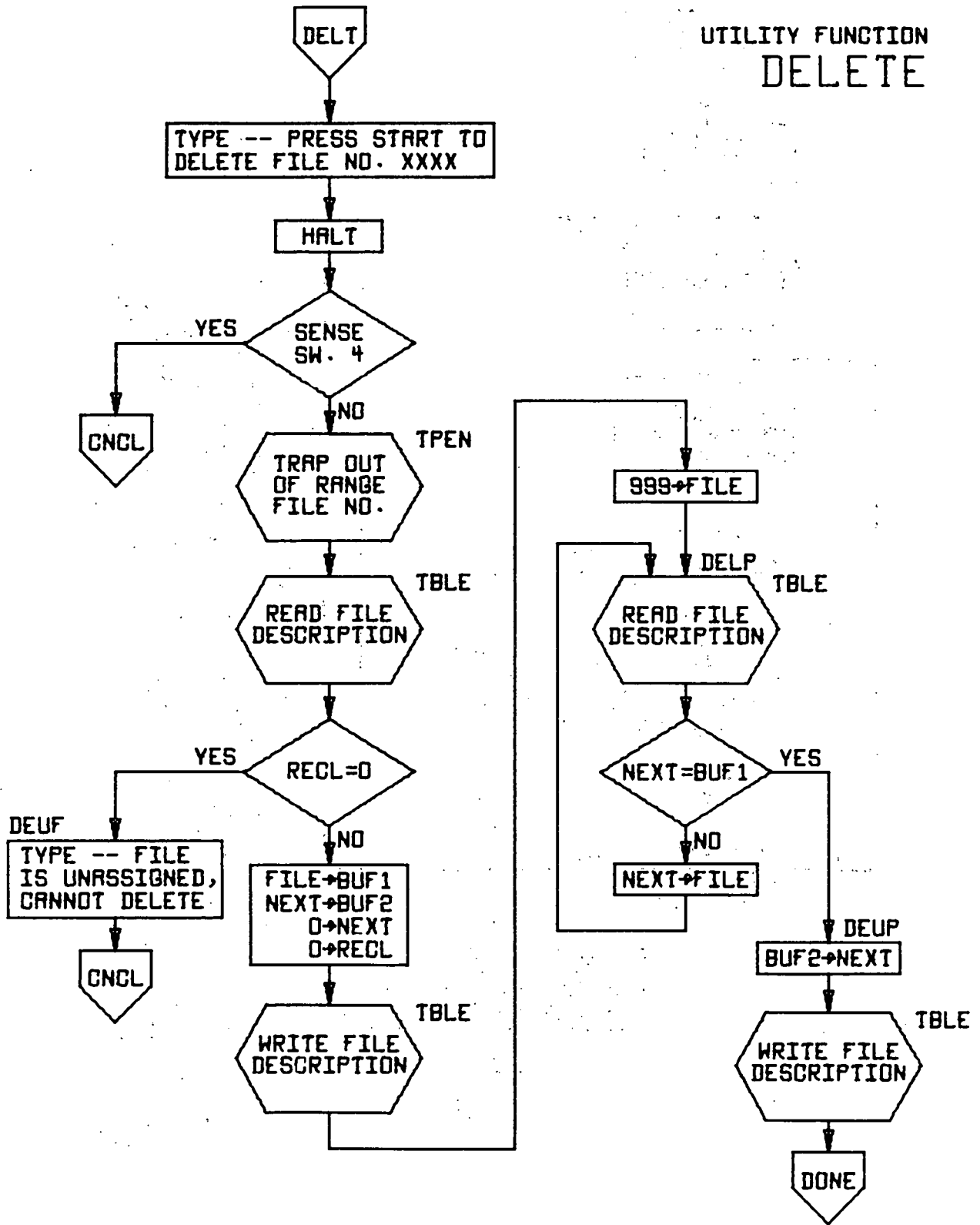


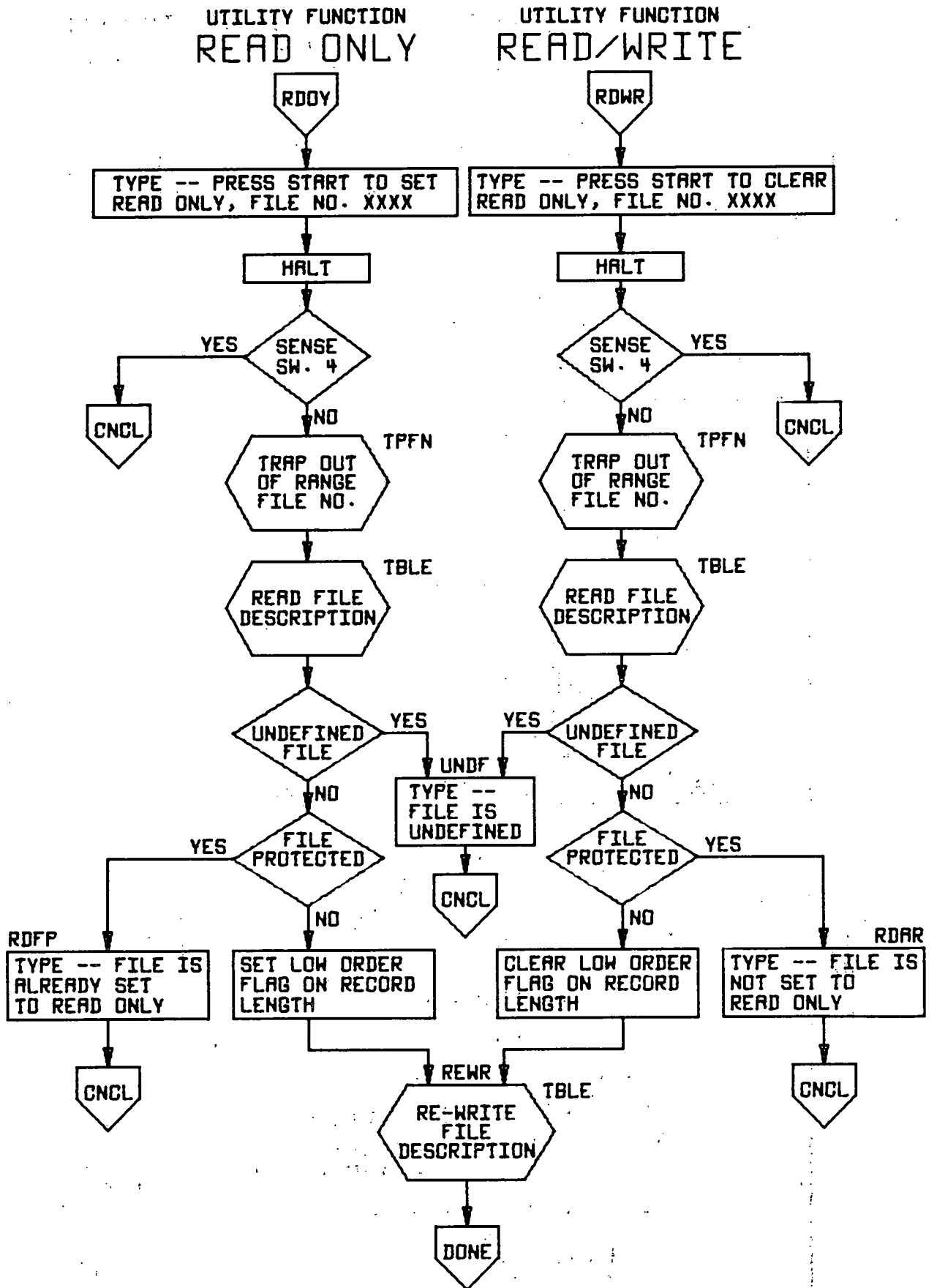
UTILITY FUNCTION
DEFINE



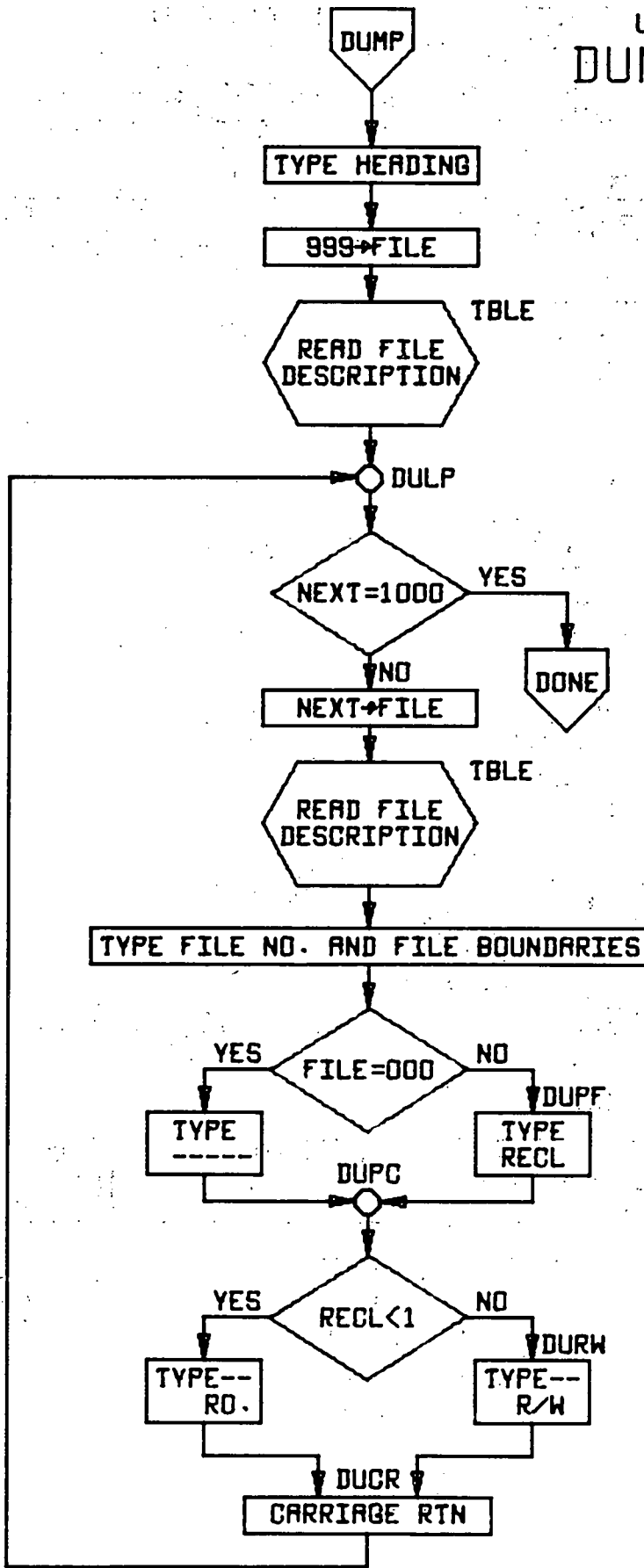


UTILITY FUNCTION
DELETE





UTILITY FUNCTION
DUMP TABLE



ACKNOWLEDGMENT

I would like to thank Paul Day for suggesting the problem and for the discussions leading to its solution. His assistance in preparing this report is also greatly appreciated.